

PUBLISHED BY
PARTS AND SERVICE OPERATIONS
BEECH AIRCRAFT CORPORATION
WICHITA, KANSAS

65-590010-3
February 25, 1960

65-590010-3 C₃
Revised May 17, 1963

Beechcraft
Queen Air

65

Beechcraft
Queen Air

80



PARTS CATALOG



MODEL 65 & 80 PARTS CATALOG

Listed below are the pages required for this publication, with effectivity current through the revision and/or reissue code shown on the lower right hand corner of this page, and on the title page. Each page is followed by an entry that denotes whether the page is still as originally issued or is a part of some later revision or reissue.

LIST OF EFFECTIVE PAGES

Always destroy superseded pages when you insert revised pages.

*Title & "A"	C3	May 17, 1963	*2-214	C3	May 17, 1963
i	C	Original	2-214A thru 2-214B	C2	February 1, 1963
*ii	C3	May 17, 1963	*2-214C	C3	May 17, 1963
iii	C2	February 1, 1963	2-214D	C2	February 1, 1963
*iv thru v	C3	May 17, 1963	2-215	C2	February 1, 1963
vi	C2	February 1, 1963	2-216	C	Original
*vii thru xiv	C3	May 17, 1963	2-217 thru 2-218	C2	February 1, 1963
1-1 thru 1-4	C	Original	2-219	C	Original
2-1 thru 2-152	C	Original	2-220 thru 2-221	C2	February 1, 1963
2-153	C2	February 1, 1963	2-222 thru 2-225	C	Original
2-154	C	Original	2-226	C2	February 1, 1963
*2-154A	C3	May 17, 1963	2-227 thru 2-230	C	Original
2-155 thru 2-156	C	Original	2-231	C2	February 1, 1963
*2-157	C3	May 17, 1963	2-232	C	Original
2-158 thru 2-168	C	Original	2-233	C2	February 1, 1963
2-169	C2	February 1, 1963	2-234 thru 2-262	C	Original
2-170 thru 2-171	C	Original	2-263 thru 2-264	C2	February 1, 1963
2-172	C2	February 1, 1963	2-265 thru 2-269	C	Original
2-173 thru 2-175	C	Original	2-270	C2	February 1, 1963
*2-176 thru 2-178	C3	May 17, 1963	2-271 thru 2-276	C	Original
2-179 thru 2-186	C	Original	*2-277 thru 2-286	C3	May 17, 1963
2-186A thru 2-186B	C2	February 1, 1963	Supplement 1-1 thru		
*2-186C	C3	May 17, 1963	Supplement 1-10	C2	February 1, 1963
2-186D thru 2-186G	C2	February 1, 1963	*Supplement 2-1 thru		
2-187 thru 2-191	C2	February 1, 1963	Supplement 2-3	C3	May 17, 1963
2-192 thru 2-193	C	Original	3-1 thru 3-2	C	Original
2-194A thru 2-194B	C2	February 1, 1963	3-3	C1	August 29, 1962
2-195 thru 2-197	C	Original	3-4 thru 3-6	C	Original
2-198	C2	February 1, 1963	3-7	C1	August 29, 1962
2-199 thru 2-202	C	Original	3-8 thru 3-24	C	Original
*2-202A thru 2-202D	C3	May 17, 1963	3-25	C1	August 29, 1962
2-203 thru 2-204	C	Original	3-26 thru 3-52	C	Original
*2-204A thru 2-204C	C3	May 17, 1963	3-53	C1	August 29, 1962
2-205 thru 2-213	C2	February 1, 1963	3-54 thru 3-56	C	Original
			4-1 thru 4-9	C	Original

NOTE: The asterisk denotes pages in current revision.

C3

Basic publications are assigned a part number which appears on the title page with the date of the issue. Subsequent revisions are identified by the addition of a revision code after the part number. A, after a part number denotes the first revision to the basic publication, A, the second, etc. Occasionally, it is necessary to completely reissue and reprint a publication for the purpose of obsoleting a previous issue and outstanding revisions thereto. As these replacement reissues are made, the code will also change to the next successive letter of the alphabet at each issue. For example, B for the first reissue, C for the second reissue, etc.

When ordering a handbook, give the basic number, and the reissue code when applicable, if a complete up-to-date publication is desired. Should only revision pages be required, give the basic number and revision code for the particular set of revision pages you desire.

PUBLISHED BY
CUSTOMER SERVICE DIVISION
BEECH AIRCRAFT CORPORATION
WICHITA, KANSAS

65-590010-3
February 25, 1960

65-590010-3C₂
Revised February 1, 1963

Beechcraft
Queen Air

65



PARTS CATALOG

Beechcraft
Queen Air

80



MODEL 65 & 80 PARTS CATALOG

Listed below are the pages required for this publication, with effectivity current through the revision and/or reissue code shown on the lower right hand corner of this page, and on the title page. Each page is followed by an entry that denotes whether the page is still as originally issued or is a part of some later revision or reissue.

LIST OF EFFECTIVE PAGES

Always destroy superseded pages when you insert revised pages.

*Title & "A"	C2	February 1, 1963	2-219	C	Original
i	C	Original	*2-220 thru 2-221	C2	February 1, 1963
*ii thru xiv	C2	February 1, 1963	2-222 thru 2-225	C	Original
1-1 thru 1-4	C	Original	*2-226	C2	February 1, 1963
2-1 thru 2-152	C	Original	2-227 thru 2-230	C	Original
*2-153	C2	February 1, 1963	*2-231	C2	February 1, 1963
2-154 thru 2-168	C	Original	2-232	C	Original
*2-169	C2	February 1, 1963	*2-233	C2	February 1, 1963
2-170 thru 2-171	C	Original	2-234 thru 2-262	C	Original
*2-172	C2	February 1, 1963	*2-263 thru 2-264	C2	February 1, 1963
2-173 thru 2-186	C	Original	2-265 thru 2-269	C	Original
*2-186A thru 2-186G	C2	February 1, 1963	*2-270	C2	February 1, 1963
*2-186H	C2	Blank	2-271 thru 2-276	C	Original
*2-187 thru 2-191	C2	February 1, 1963	*Supplement 1-1 thru		
2-192 thru 2-193	C	Original	Supplement 1-10	C2	February 1, 1963
*2-194	C2	Blank	3-1 thru 3-2	C	Original
*2-194A thru 2-194B	C2	February 1, 1963	3-3	C1	August 29, 1962
2-195 thru 2-197	C	Original	3-4 thru 3-6	C	Original
*2-198	C2	February 1, 1963	3-7	C1	August 29, 1962
2-199 thru 2-210	C	Original	3-8 thru 3-24	C	Original
*2-211 thru 2-214	C2	February 1, 1963	3-25	C1	August 29, 1962
*2-214A thru 2-214D	C2	February 1, 1963	3-26 thru 3-52	C	Original
*2-215	C2	February 1, 1963	3-53	C1	August 29, 1962
2-216	C	Original	3-54 thru 3-56	C	Original
*2-217 thru 2-218	C2	February 1, 1963	4-1 thru 4-9	C	Original

NOTE: The asterisk denotes pages in current revision.

C2

Basic publications are assigned a part number which appears on the title page with the date of the issue. Subsequent revisions are identified by the addition of a revision code after the part number. A₁ after a part number denotes the first revision to the basic publication, A₂ the second, etc. Occasionally, it is necessary to completely reissue and reprint a publication for the purpose of obsoleting a previous issue and outstanding revisions thereto. As these replacement reissues are made, the code will also change to the next successive letter of the alphabet at each issue. For example, B for the first reissue, C for the second reissue, etc.

When ordering a handbook, give the basic number, and the reissue code when applicable, if a complete up-to-date publication is desired. Should only revision pages be required, give the basic number and revision code for the particular set of revision pages you desire.

PUBLISHED BY
CUSTOMER SERVICE DIVISION
BEECH AIRCRAFT CORPORATION
WICHITA, KANSAS

65-590010-3
February 25, 1960

65-590010-3C
Revised August 29, 1962

Beechcraft
Queen Air

65



PARTS CATALOG

Beechcraft
Queen Air

80



MODEL 65 & 80 PARTS CATALOG

Listed below are the pages required for this publication, with effectivity current through the revision and/or reissue code shown on the lower right hand corner of this page, and on the title page. Each page is followed by an entry that denotes whether the page is still as originally issued or is a part of some later revision or reissue.

LIST OF EFFECTIVE PAGES

Always destroy superseded pages when you insert revised pages.

*Title & "A"	C1	August 29, 1962
1 thru xiv	C	Original
1-1 thru 1-4	C	Original
2-1 thru 2-186	C	Original
* 2-187	C1	August 29, 1962
2-188 & 2-189	C	Original
* 2-190	C1	August 29, 1962
2-191 thru 2-194	C	Original
2-194A	C	Original
2-194B	C	Blank
2-195 thru 2-256	C	Original
2-256A	C	Original
2-256B	C	Blank
2-257 thru 2-276	C	Original
3-1 & 3-2	C	Original
* 3-3	C1	August 29, 1962
3-4 thru 3-6	C	Original
* 3-7	C1	August 29, 1962
3-8 thru 3-24	C	Original
* 3-25	C1	August 29, 1962
3-26 thru 3-52	C	Original
* 3-53	C1	August 29, 1962
3-54 thru 3-56	C	Original
4-1 thru 4-9	C	Original

NOTE: The asterisk denotes pages in current revision.

C1

Basic publications are assigned a part number which appears on the title page with the date of the issue. Subsequent revisions are identified by the addition of a revision code after the part number. A₁ after a part number denotes the first revision to the basic publication, A₂ the second, etc. Occasionally, it is necessary to completely reissue and reprint a publication for the purpose of obsoleting a previous issue and outstanding revisions thereto. As these replacement reissues are made, the code will also change to the next successive letter of the alphabet at each issue. For example, B for the first reissue, C for the second reissue, etc.

When ordering a handbook, give the basic number, and the reissue code when applicable, if a complete up-to-date publication is desired. Should only revision pages be required, give the basic number and revision code for the particular set of revision pages you desire.

PUBLISHED BY
CUSTOMER SERVICE DIVISION
BEECH AIRCRAFT CORPORATION
WICHITA, KANSAS

65-590010-3
February 25, 1960

65-590010-3 C
Reissued February 16, 1962

Beechcraft
Queen Air

65



PARTS CATALOG



Beechcraft
Queen Air

80

Listed below are the pages required for this publication, with effectivity current through the revision and/or reissue code shown on the lower right hand corner of this page, and on the title page. Each page is followed by an entry that denotes whether the page is still as originally issued or is a part of some later revision or reissue.

LIST OF EFFECTIVE PAGES

Always destroy superseded pages when you insert revised pages.

Title and "A" . . . CFebruary 15, 1962	2-195 thru 2-256 . CFebruary 15, 1962
i thru xiv . . . CFebruary 15, 1962	2-256A CFebruary 15, 1962
1-1 thru 1-4 . . . CFebruary 15, 1962	2-256B C Blank
2-1 thru 2-194 . . . CFebruary 15, 1962	2-257 thru 2-276 . CFebruary 15, 1962
2-194A CFebruary 15, 1962	3-1 thru 3-56 . . . CFebruary 15, 1962
2-194B C Blank	4-1 thru 4-9 . . . CFebruary 15, 1962

NOTE: The asterisk denotes pages in current revision.

C

Basic publications are assigned a part number which appears on the title page with the date of the issue. Subsequent revisions are identified by the addition of a revision code after the part number. A₁ after a part number denotes the first revision to the basic publication, A₂ the second, etc. Occasionally, it is necessary to completely reissue and reprint a publication for the purpose of obsoleting a previous issue and outstanding revisions thereto. As these replacement reissues are made, the code will also change to the next successive letter of the alphabet at each issue. For example, B for the first reissue, C for the second reissue, etc.

When ordering a handbook, give the basic number, and the reissue code when applicable, if a complete up-to-date publication is desired. Should only revision pages be required, give the basic number and revision code for the particular set of revision pages you desire.

MODEL 65 & 80 PARTS CATALOG

TABLE OF CONTENTS

FIGURE NO.		PAGE NO.
	TABLE OF CONTENTS	i thru ii
	ALPHABETICAL TABLE OF CONTENTS	iii thru xiv
SECTION 1 - INTRODUCTION		
	How to Utilize this Catalog	1-1
	General Information	1-2 thru 1-4
SECTION 2 - GROUP ASSEMBLY PARTS LIST		
1	General Arrangement of Complete Aircraft	2-1
2	Station Diagram	2-2
3	Wing Skin Diagram	2-3
4	Fuselage & Horizontal Stabilizer Skin Diagram (LC-1 thru LC-104 & LC-136)	2-4
4A	Fuselage & Horizontal Stabilizer Skin Diagram (LC-105 & After Except LC-136)	2-5
5	Fuselage & Vertical Stabilizer Skin Diagram (LC-1 thru LC-104 & LC-136) .	2-6
5A	Fuselage & Vertical Stabilizer Skin Diagram (LC-105 & After Except LC-136)	2-7
6	External Markings	2-8
7	Loose Tools & Accessories	2-12
7A	Optional Loose Tools & Equipment	2-14
8	Fuselage Structure Assembly	2-15
9	Fuselage Nose Section Assembly	2-16
10	Crew Compartment Enclosure Assembly (Sheet 1 of 2 Sheets)	2-20
10	Crew Compartment Enclosure Assembly (Sheet 2 of 2 Sheets)	2-21
11	Cabin Upper Enclosure Assembly	2-26
12	Aft Fuselage Section Assembly (Sheet 1 of 2 Sheets)	2-29
12	Aft Fuselage Section Assembly (Sheet 2 of 2 Sheets)	2-30
13	Fuselage Nose & Tail Cone Installation	2-35
14	Main Access Door Assembly	2-36
15	Window Frames Installation	2-40
16	Pilots & Copilots Seat Assembly	2-42
17	Cabin Seats Arrangement	2-44
18	Cabin Seats Assembly	2-46
18A	Four Place Couch Installation. (LC-1 thru LC-112)	2-51
18B	Cabin Chair Upholstery Assembly (LC-113 & After)	2-53
19	Cabin Table Installation.	2-57
20	Upholstery & Furnishings Installation (Sheet 1 of 2 Sheets)	2-59
20	Upholstery & Furnishings Installation (Sheet 2 of 2 Sheets)	2-60
21	Miscellaneous Cabin Equipment	2-64
22	Lavatory Compartment Installation (Sheet 1 of 2 Sheets)	2-68
22	Lavatory Compartment Installation (Sheet 2 of 2 Sheets)	2-69
23	Oxygen System Installation.	2-74
24	Center Section Wing Assembly	2-77
25	Outboard Wing Installation	2-81
26	Wing Leading Edge Structure	2-87
27	Aileron Assembly.	2-89
28	Aileron & Aileron Tab Control Cables	2-91
29	Aileron Trim Tab Actuator Assembly	2-95
30	Inboard & Outboard Flap Assembly	2-97
31	Flap Mechanism Installation	2-99
32	Empennage Installation	2-102
33	Horizontal Stabilizer Assembly	2-105
34	Elevator Assembly	2-107
35	Elevator & Elevator Tab Control Cables	2-109
36	Elevator Tab Actuator Installation	2-112
37	Vertical Stabilizer Assembly	2-114
38	Rudder Assembly.	2-116
38A	Rudder Assembly	2-118
39	Rudder & Rudder Tab Control Cables	2-121
40	Rudder Tab Actuator Installation.	2-123
41	Rudder Pedal Control Installation	2-125
42	Control Column Assembly	2-128

MODEL 65 & 80 PARTS CATALOG

TABLE OF CONTENTS (Cont'd)

FIGURE NO.	TITLE	PAGE NO.
43	Pedestal Installation	2-131
44	Pedestal Engine Controls Installation	2-135
44A	Pedestal Engine Controls Installation	2-138
45	Main Landing Gear Installation	2-140
46	Main Landing Gear Assembly	2-143
47	Main Landing Gear Actuator Assembly	2-146
48	Main Landing Gear Wheel & Brake Assembly	2-148
49	Main Landing Gear Door Installation	2-150
50	Nose Landing Gear Installation	2-152
50A	Nose Landing Gear Wheel Assembly	2-154A
51	Nose Landing Gear Assembly	2-155
52	Nose Landing Gear Actuator Assembly	2-158
53	Nose Gear Shimmy Dampener Assembly	2-160
54	Nose Wheel Steering Installation	2-161
55	Nose Gear Door Installation	2-164
56	Landing Gear Retract System Installation	2-166
57	Landing Gear Retract Box Assembly	2-170
58	Landing Gear Emergency Extension System Installation	2-173
59	Dual Hydraulic Brake Plumbing Installation	2-176
60	Heat & Vent Installation	2-180
61	Fuel, Air & Heater Lines Plumbing Installation	2-185
61A	Power Plant Installation (Model 80)	2-186A
62	Power Plant Installation (Model 65)	2-187
62A	Upper Nacelle Jato Installation	2-192
63	Engine Baffles Installation	2-194A
64	Engine Cowlings Installation	2-196
65	Propeller Assembly (Model 65)	2-200
65A	Propeller Assembly (Model 80)	2-202A
66	Propeller Governor Assembly (Model 65)	2-203
66A	Propeller Governor Assembly (Model 80)	2-204A
67	Propeller Unfeathering Accumulator Installation	2-205
68	Oil System Installation	2-207
69	Fuel System Installation (Model 65)	2-211
69A	Fuel System Installation (Model 80)	2-214B
70	Fuel Cell Installation	2-216
71	Fuel Valves Installation	2-220
72	Wing Auxiliary Fuel Tank Installation	2-222
73	Fuel Selector Valve Control Installation	2-225
74	Engine Controls Installation	2-228
75	Propeller Anti-Icer Installation	2-231
76	Wing Section De-Icer System Installation	2-234
77	Fuselage Section De-Icer System Installation	2-237
78	De-Icer Vacuum & Pressure System Installation	2-239
78A	Lightweight De-Icer Installation	2-241
79	Instrument Panel Installation	2-244
80	Sub Panel Installation	2-248
81	Instrument Panel Plumbing Installation	2-251
82	Fuselage Section Instrument & Vacuum System Installation	2-254
83	Leading Edge Vacuum & Instrument Plumbing Installation	2-257
84	Pitot & Static Pressure System Installation	2-259
85	Fuselage Electrical Equipment Installation	2-261
86	Fuel Selector Control Panel Installation	2-265
87	Rotating Beacon & Passing Light Installation	2-267
88	Center Section Electrical Equipment Installation	2-269
89	Engine Section Electrical Equipment Installation	2-273
90	Outboard Wing Electrical Equipment Installation	2-275
91	Beechcraft Engine Driven Fuel Pump Assembly	2-277
92	Romec Engine Driven Fuel Pump Assembly	2-280
93	Pesco Engine Driven Fuel Pump Assembly	2-282
94	Brake Master Cylinder Assembly	2-284
95	Parking Brake Valve Assembly	2-286
	SECTION 3 - NUMERICAL PARTS LIST	3-1
	SECTION 4 - SPARE PARTS ADDENDUM	4-1

MODEL 65 & 80 PARTS CATALOG

ALPHABETICAL TABLE OF CONTENTS

PART NAME	PAGE	PART NAME	PAGE
A		A	
Absorber		Anti-Icer (Continued)	
Landing Gear Shock	2-144	Fluid Quantity Indicator, Propeller . . .	2-233
Nose Gear Shock	2-156	Propeller	2-232
Rebound Control, Shock	2-144	Provisions, Propeller	2-233
Access Door, Main	2- 37	Tank, Propeller	2-232
Accessories, Loose Tools	2- 12	Armature, Flap Motor	2-101
Accumulator, Propeller Unfeathering	2-205	Armrest	
Acrylic Vinyl	2- 10	Copilots	2- 43
Actuator		Pilots	2- 43
Aileron Tab	2- 94	Arm	
Bracket, Elevator Tab	2-113	Cabin Chair Adjusting	2- 49
Drum, Elevator Tab	2-113	Main Gear Drag Brace	2-141
Drum, Rudder Tab	2-124	Nose Gear	2-153, 2-156
Elevator Tab	2-113	Nose Gear Damper	2-153, 2-157
Engine Air	2-199	Rudder Pedal	2-126
Flap	2-100	Windshield Wiper	2- 66
Housing, Aileron Tab	2- 95	Arrangement, Seating	2- 44
Housing, Main Landing Gear	2-146	Ash Receiver, Cabin Chair	2- 48
Housing, Nose Landing Gear	2-158	Augmenter, Engine	2-186D, 2-189
Housing, Rudder Tab	2-122	Auxiliary Fuel Tank	
Main Landing Gear	2-146	Filler Cap, Wing	2-223
Nose Landing Gear	2-158	Transmitter, Wing	2-223
Pinion, Main Landing Gear	2-146	Wing	2-223
Rudder Tab	2-122		
Screw, Elevator Tab	2-113	B	
Screw, Rudder Tab	2-122	Baffles, Engine	2-194A
Support, Main Gear	2-142	Baggage Compartment	
Adjusting		Removable Leaf	2- 72
Arm, Cabin Chair	2- 49	Shelf	2- 71, 2- 72
Lever, Rudder Pedal	2-126	Bar, Tow	2- 12
Aft Fuselage	2- 33	Battery	2-270
Aileron	2- 89	Connector	2-270
Bellcrank	2- 93	Overflow Tube	2-270
Cables	2- 92	Beacon	
Control Quadrant, Center	2- 93	Harness, Rotating	2-267
Hinge	2- 90	Light, Belly	2-262
Push Rod	2- 93	Light, Rotating	2-267
Tab	2- 89	Bellcrank	
Tab Actuator	2- 95	Aileron	2- 93
Tab Actuator Housing	2- 95	Aileron Tab	2- 90
Tab Bellcrank	2- 90	Elevator Control	2-110
Tab Control Knob	2-133	Rudder	2-126
Tab Drum	2- 95	Support	2- 33
Tab Horn	2- 89	Belly Beacon Light	2-262
Tab Indicator	2-134	Belt	
Air		Cabin Chair Safety	2- 50
Actuator, Engine	2-199	Pilots & Copilots Safety	2- 43
Control, Hot	2-183	Bezel, Instruments	2-249
Filter	2-214	Blade, Windshield Wiper	2- 66
Outlet, Reading Light	2- 65	Book	
Airplane Log Book	2- 13	Airplane Log	2- 13
Airsense Element, Cabin	2-264		
Airspeed Indicator	2-245		
Alternate Air Control, Engine	2-229		
Alternator Rectifier	2-186G, 2-191		
Altimeter	2-246		
Anti-Icer			
Fluid Filter, Propeller	2-232		

ALPHABETICAL TABLE OF CONTENTS (Continued)

PART NAME	PAGE	PART NAME	PAGE
B		C	
Book (Continued)		Cabin (Continued)	
Engine Log	2- 13	Double Window	2- 41
Boost Pump		Equipment, Miscellaneous	2- 65
Center Section	2-218	Floor Panel	2- 23
Fuel	2-217	Heater	2-182
Switch, Fuel	2-266	Lower Structure	2- 23
Boot		Reclining Chair	2- 47
Control Column	2-129	Reclining Chair Base	2- 47
Elevator De-Icer	2-238	Roll Type Curtain	2- 66
Horizontal Stabilizer De-Icer	2-238	Table	2- 45, 2- 58
Wing Section De-Icer	2-235	Upper Enclosure	2- 22
Box		Warning Sign	2- 65
External Power	2-272	Window	2- 25
Flap Motor Gear	2-100	Cables	
Hat	2- 65	Aileron	2- 92
Heater Control	2-263	Door Support	2- 39
Landing Gear Retract	2-171, 2-167	Elevator & Elevator Tab Control	2-110
Landing Gear Safety Switch	2-270	Landing Gear Emergency Extension	2-175
Brace		Remote Compass	2-275
Arm, Main Gear Drag	2-141	Rudder & Rudder Tab Control	2-119
Landing Gear Side	2-144	Cap	
Main Gear Drag	2-141	Fuel Filler	2-218
Nose Gear	2-153	Oil Tank Filler	2-208
Bracket		Wing Auxiliary Fuel Tank Filler	2-223
Compass	2- 61	Catalog Parts	2- 14
Elevator Tab	2-104	Catch	
Elevator Tab Actuator	2-113	Cabin Chair Back	2- 50
Landing Gear Drag Brake	2- 78	Door	2- 31
Rudder Tab Actuator	2-122	Cell	
Brake		Bay Panel, Fuel	2- 79
Main Landing Gear	2-145	Center Section Fuel	2-218
Master Cylinder	2-177, 2-284	Wing Fuel	2-217
Parking Brake	2-178, 2-286	Center Section	
Plumbing, Dual Hydraulic	2-177	Boost Pump	2-218
Breather Tubes, Engine	2-210	Electrical Equipment	2-270
Bridge, Windshield Wiper	2- 66	Fuel Cell	2-218
Bulb		Fuel Transmitter	2-218
Oil Temperature	2-186D, 2-188	Wing	2- 78
Temperature	2-274	Wing Leading Edge	2- 78
Bumper		Chair	
Fuselage	2- 33	Adjusting Arm, Cabin	2- 49
Main Gear	2-142	Ash Receiver, Cabin	2- 48
C		Back Catch, Cabin	2- 50
Cabin		Back , Cabin	2- 49, 2- 68
Airsense Element	2-264	Base Foot	2- 47, 2- 67
Chair Adjusting Arm	2- 49	Base Support	2- 47
Chair Ash Receiver	2- 48	Base, Cabin Reclining	2- 47
Chair Back	2- 49	Cabin	2- 47, 2- 65
Chair Back Catch	2- 50	Cabin Reclining	2- 47, 2- 66
Chair Safety Belt	2- 50	Lock Pin	2- 48
Chair Seat	2- 50	Seat, Cabin	2- 50
Chair Track	2- 23	Track, Cabin	2- 23
Door Switch	2-262	Track, Pilots	2- 23
Door Warning Light	2-246	Chamber, Heater Plenum	2-182
		Check Valve, Fuel	2-212, 2-213
		Cigarette Lighter, Pedestal	2-132
		Clock	2-245
		Clothing Hanger	2- 12

MODEL 65 & 80 PARTS CATALOG

ALPHABETICAL TABLE OF CONTENTS (Continued)

PART NAME	PAGE	PART NAME	PAGE
C			
Clutch, Landing Gear	2-171	Cover (Continued)	
Landing Gear Emergency	2-174	Governor Control	2-230
Coat Hanger Rack	2- 65	License Holder	2- 62
Cockpit Heat & Defroster	2-183	Pitot Tube	2- 12
Cold Air Plenum	2-182	Spar	2- 82
Column, Control	2-129	Cowling	
Compartment		Engine	2-197
Door, Nose	2- 18	Door, Engine	2-197
Lavatory	2- 70	Nose Cone	2-199
Shelf, Baggage	2- 71, 2- 72	Crew Compartment	
Compass		Enclosure	2- 22
Bracket	2- 61	Structure	2- 22
Cable, Remote	2-275	Sun Visor	2- 67
Remote	2- 84	Crossfeed Shutoff Valve, Fuel	2-213, 2-221
Transmitter, Remote	2-275	Curtain	
Cone		Cabin Roll Type	2- 60
Cowling Nose	2-199	Toilet Compartment	2- 72
Nose	2- 35	Track	2- 63
Tail	2- 35	Cylinder	
Connector, Battery	2-270	Brake Master	2-177, 2-284
Control		Head Temperature	2-246
Bellcrank, Elevator	2-110	Oxygen	2- 75
Box, Heater	2-263	D	
Cables, Elevator & Elevator Tab	2-110	Damper	
Cables, Rudder & Rudder Tab	2-122	Arm, Nose Gear	2-157
Column	2-129	Nose Gear Shimmy	2-153, 2-160
Column Boot	2-129	Piston, Nose Gear Shimmy	2-160
Cover, Governor	2-230	De-Icer	
Defroster	2-183	Boot, Elevator	2-238
Engine	2-229	Boot, Horizontal Stabilizer	2-238
Engine Alternate Air	2-229	Boot, Wing Section	2-235
Engine Throttle	2-229	Electrical	2-238
Fuselage Flight	2- 92	Lightweight	2-242
Fuel Selector Valve	2-226	Manifold, Elevator	2-238
Hinge, Elevator	2-103	System, Fuselage Section	2-238
Hot Air	2-183	System, Wing Section	2-235
Knob, Aileron Tab	2-133	Vacuum Pressure System	2-240
Lever, Propeller	2-136	Defroster	
Lever, Throttle	2-136	Cockpit Heat	2-183
Oil Shutter	2-230	Control	2-183
Panel, Fuel Selector	2-265	Duct	2-183
Pedal, Rudder	2-126	Detent Propeller Feathering	2-136
Propeller Governor	2-229	Diagram	
Quadrant, Center Aileron	2- 93	Fuselage Skin	2-4, 2-5, 2-6, 2- 7
Rudder Pedal	2-122	Station	2- 2
Shock Absorber Rebound	2-144	Wing Skin	2- 3
Surfaces Lock	2- 12	Directional Gyro Indicator	2-245
Wheel	2-129	Discharge Sense Element, Heater	2-263
Wing Flight	2- 92	Door, Baggage Compartment	2- 73
Converter, Windshield Wiper	2- 66	Catch	2- 31
Cooler, Oil	2-208	Emergency Exit	2- 27
Copilots		Engine Cowlings	2-197
Armrest	2- 43	Frame	2- 31
Safety Belt	2- 43		
Seat	2- 43		
Couch, Four Place	2- 52		
Cover			
Flap Switch	2-249		

MODEL 65 & 80 PARTS CATALOG

ALPHABETICAL TABLE OF CONTENTS (Continued)

PART NAME	PAGE	PART NAME	PAGE
D		E	
Door (Continued)		Elevator (Continued)	
Handle	2- 37	Fitting	2-108
Main Access	2- 37	Hinge	2-103
Main Landing Gear	2-151	Push Rod	2-110
Nose Compartment	2- 18	Tab Actuator	2-113
Nose Gear	2-165	Tab Actuator Bracket	2-113
Oil Filler	2-208	Tab Actuator Drum	2-113
Sill	2- 31	Tab Actuator Housing	2-113
Static Drain	2- 62	Tab Actuator Screw	2-113
Support Cable	2- 39	Tab Bracket	2-104
Switch, Cabin	2-262	Tab Indicator	2-133
Track	2- 23	Trim Tab	2-108
Dorsal	2-104	Emergency	
Double Window, Cabin	2- 41	Extension Cable, Landing Gear	2-174
Drag		Exit	2- 27
Brace Arm, Main Gear	2-141	Empennage	2-103
Brace, Main Gear	2-141	Enamel	2- 9
Brake, Main Gear	2- 78	Enclosure	
Leg Fitting	2- 17	Cabin Upper	2- 27
Drain		Crew Compartment	2- 22
Door, Static	2- 62	Engine	2-186C, 2-188
Rain	2- 31	Air Actuator	2-199
Valve, Fuel	2-214	Alternate Air Control	2-229
Drive		Augmenter	2-186D, 2-189
Motor, Flap	2-100	Baffles	2-194A
Motor, Windshield Wiper	2- 66	Breather Tubes	2-209
Drum		Controls	2-229
Aileron Tab	2- 94	Controls Pedestal	2-136
Elevator Tab Actuator	2-113	Cowlings	2-197
Rudder Tab Actuator	2-124	Cowlings Door	2-197
Dual Hydraulic Brake Plumbing	2-177	Exhaust System	2-189
Duct		Gage	2-246
Defroster	2-183	Induction System	2-198
Lower Fuselage	2-181	Instrument Plumbing	2-189
Upper Fuselage	2-181	Log Book	2- 13
E		Mount	2-186C, 2-188
Edge Lighted Plate, Sub Panel	2-249	Section Electrical Equipment	2-274
Electrical Equipment		Sling Assy, Airplane	2- 14
Center Section	2-270	Starter	2-186C, 2-188
De-Icer	2-238	Throttle Control	2-229
Engine Section	2-274	Vacuum System	2-186C, 2-190
Fuselage	2-262	Equipment	
Outboard Wing	2-275	Center Section Electrical	2-270
Element		Engine Section Electrical	2-274
Cabin Airsense	2-264	Fuselage Electrical	2-262
Heater Discharge Sense	2-263	Optional Loose Tools	2- 14
Elevator		Miscellaneous Cabin	2- 65
Tab Control Cables	2-110	Outboard Wing Electrical	2-275
Control Bellcrank	2-110	Escape Hatch Door, Emergency Exit	2- 27
Control Hinge	2-103	Escutcheon	
De-Icer Boot	2-238	Oxygen Gage	2- 61
De-Icer Manifold	2-238	Oxygen Outlet	2- 61
		Exhaust System, Engine	2-186E, 2-189
		Exterior Paint	2- 9
		External	
		Markings	2- 9
		Power Box	2-272
		Power Receptacle	2-272

MODEL 65 & 80 PARTS CATALOG

ALPHABETICAL TABLE OF CONTENTS (Continued)

PART NAME	PAGE	PART NAME	PAGE
E		F	
Extinguisher, Fire	2- 65	Fuel (Continued)	
F		Boost Pump Switch	2-266
Fairing		Cell Bay Panel	2- 79
Nacelle	2- 78	Cells Wing	2-217
Vertical Stabilizer	2-123	Cell, Center Section	2-218
Filler Cap		Crossfeed Shutoff Valve	2-221
Oil Tank	2-208	Drain Valve	2-217
Wing Auxiliary Fuel Tank	2-223	Filler Cap	2-218
Fillet Wing Nacelle	2- 80	Injector	2-186F
Filter		Pump	2-214, 2-214C, 2-277, 2-280, 2-282
Air	2-214	Pump Heat Shield	2-186F
Propeller Anti-Icer Fluid	2-232	Quantity Gage	2-266
Radio Noise	2-228	Quantity Transmitter	2-217
Fire Extinguisher	2- 65	Return Check Valve	2-213
Fitting		Selector Control Panel	2-265
Drag Leg	2- 17	Selector Valve	2-220
Elevator	2-108	Selector Valve Control	2-226
Hoist	2- 17	System	2-212, 2-214C
Landing Gear LH	2- 17	Tank Filler Cap, Wing Auxiliary	2-223
Static Pressure	2-260	Tank Transmitter, Wing Auxiliary	2-223
Flap		Tank, Wing Auxiliary	2-223
Actuator	2-100	Transmitter	2-218
Down Limit Switch	2-271	Transmitter, Center Section	2-218
Drive Motor	2-100	Fuselage	
Inboard	2- 98	Aft	2- 33
Mechanism	2-100	Bumper	2- 33
Motor Gear Box	2-100	Duct, Lower	2-181
Motor Armature	2-101	Duct, Upper	2-181
Motor Housing	2-101	Electrical Equipment	2-262
Outboard	2- 98	Flight Controls	2- 92
Position Indicator	2-250	Nose	2- 17
Switch	2-249	Section De-Icer System	2-219
Switch Cover	2-249	Section Instrument Vacuum Lines	2-255
Transmitter	2- 80	Skin Diagram	2-4, 2-5, 2-6, 2- 7
Up Limit Switch	2-271	Station 288.34	2- 31
Flight Controls		Structure	2- 15
Fuselage	2- 92	G	
Wing	2- 92	Gage	
Floor		Engine	2-246
Panel	2- 17	Escutcheon, Oxygen	2- 61
Panel, Cabin	2- 23	Fuel Quantity	2-266
Web	2- 23	Manifold Pressure	2-246
Fluid Quantity Indicator, Propeller Anti-Icer	2-233	Suction	2-246
Fluorescent (Day Glo)	2- 10	Gear	
Foot, Chair Base	2- 47	Actuator, Nose Landing	2-158
Frame		Arm, Nose	2-153, 2-156
Door	2- 31	Box Flap Motor	2-100
Toilet	2- 70	Brace, Nose	2-153
Window	2- 41	Clutch, Landing	2-171
Free Air Thermometer	2- 61	Drag Brake Bracket, Landing	2- 78
Fuel		Main Landing	2-141, 2-145
Air & Heater Lines Plumbing	2-186	Retract Motor, Landing	2-172
Air & Heater Lines Regulator	2-186		
Boost Pump	2-217		

MODEL 65 & 80 PARTS CATALOG

ALPHABETICAL TABLE OF CONTENTS (Continued)

PART NAME	PAGE	PART NAME	PAGE
G		H	
Gear (Continued)		Hydraulic Brake Plumbing, Dual	2-177
Retract System, Landing	2-167	I	
Switch, Nose Landing	2-169	Ignition	
Nose, Landing	2-153, 2-156, 2-154A	Switch	2-249
General Arrangement of Aircraft	2- 1	Switch Panel	2-249
Generator	2-186C, 2-186F, 2-191	Inboard Flap	2- 98
Blast Tube	2-186D	Indicator	
Tachometer	2-186C, 2-188	Aileron Tab	2-134
Glare Shield	2- 61	Airspeed	2-245
Glass, Windshield	2- 22	Directional Gyro	2-246
Governor		Elevator Tab	2-133
Control Cover	2-230	Flap Position	2-250
Control, Propeller	2-229	Horizon Gyro	2-245
Propeller	2-186C, 2-189, 2-204, 2-204B	Light, Oxygen Quantity	2-263
Grille, Ventilation	2- 62	Propeller Anti-Icer Fluid Quantity	2-233
Ground Wire, Static	2-157	Rate of Climb	2-246
Gyro Indicator		Rudder Tab	2-134
Directional	2-246	Turn & Slip	2-245
Horizon	2-245	Volt Amp	2-249
H		Induction System, Engine	2-198
Handle, Door	2- 37	Information Kit, Service	2- 12
Hanger, Clothing	2- 12	Injector, Fuel	2-186F
Harness		Instrument	
Pitot Tube	2-276	Bezel	2-249
Rotating Beacon	2-267	Leading Edge Plumbing, Vacuum	2-257
Hat Box	2- 65	Panel	2-245
Heat & Vent.	2-181	Panel Plumbing	2-252
Heater		Panel Shock Mount	2-224
Cabin	2-182	Panel Trim	2-224
Control Box	2-263	Plumbing, Engine	2-189
Discharge Sense Element	2-263	Vacuum Lines, Fuselage Section	2-255
Lines Plumbing, Fuel, Air	2-186	J	
Lines Regulator, Fuel, Air	2-186	Jato, Upper Nacelle	2-193
Muff	2-186E, 2-190	K	
Panel	2- 61	Keel	2- 18
Plenum Chamber	2-182	Key	2- 65
Hinge		Kit, Service Information	2- 12
Aileron	2- 90	Knee	
Elevator	2-103	Landing Gear Torque	2-144, 2-145
Elevator Control	2-103	Nose Gear	2-157
Vertical Stabilizer	2-123	Knob, Aileron Tab Control	2-133
Hoist Fitting	2- 17		
Hoisting Lug, Main Spar	2- 12		
Horizon Gyro Indicator	2-245		
Horizontal Stabilizer	2-106		
De-Icer Boot	2-238		
Tip	2-106		
Hot Air Control	2-183		
Housing			
Aileron Tab Actuator	2- 94		
Elevator Tab Actuator	2-113		
Flap Motor	2-101		
Main Landing Gear Actuator	2-142		
Nose Landing Gear Actuator	2-158		
Rudder Tab Actuator	2-124		

MODEL 65 & 80 PARTS CATALOG

ALPHABETICAL TABLE OF CONTENTS (Continued)

PART NAME	PAGE	PART NAME	PAGE
L		L	
Lacquer	2- 10	Limit Switch	
Lamp		Flap Down	2-271
Landing	2-276	Flap Up	2-271
Map Light	2-264	Main Gear Down	2-270
Tail Cone	2- 35	Lock	
Landing Gear		Control Surfaces	2- 12
Actuator Housing, Main	2-146	Pin, Chair	2- 48
Actuator Housing, Nose	2-158	Switch, Nose Gear Down	2-262
Actuator Pinion, Main	2-140	Log Book	
Actuator, Main	2-140	Airplane	2- 13
Actuator, Nose	2-158	Engine	2- 13
Brake, Main	2-145	Loose Tools	
Clutch	2-171	Accessories	2- 12
Door, Main	2-151	Equipment, Optional	2- 14
Drag Brake Bracket	2- 78	Lug, Main Spar Hoisting.	2- 12
Emergency Extension Cable	2-175		
Emergency Extension System	2-174	M	
Main	2-141, 2-145	Magazine, Rack Instl	2- 67
Nose	2-153, 2-154A, 2-156	Magneto	2-186E
Retract Box	2-167	Magneto Filter	2-274
Retract Box	2-171	Main Access Door	2- 37
Retract Motor	2-172	Main Gear	
Retract System	2-167	Actuator Support	2-142
Safety Switch Box	2-270	Bumper	2-142
Shock Absorber	2-144	Down Limit Switch.	2-270
Side Brace	2-144	Drag Brace	2-141
Switch, Nose	2-169	Drag Brace Arm	2-141
Torque Knee	2-144	Tire	2-145
Wheel, Main	2-145	Main Landing Gear	2-141, 2-142
Wheel, Nose	2-154A	Actuator	2-146
Landing		Actuator Housing	2-146
Lamp	2-276	Actuator Pinion	2-146
Light Structure	2- 83	Brake	2-145
Lavatory Compartment	2- 70	Door	2-151
Leading Edge		Wheel	2-145
Center Section Wing	2- 78	Main Spar Hoisting Lug	2- 12
Outboard Wing	2- 87	Manifold	
Plumbing, Vacuum Instrument	2-257	Elevator De-Icer	2-238
Leaf, Baggage Compartment Removable	2- 72	Pressure Gage	2-246
Lever		Manual, Shop	2- 14
Propeller Control	2-136	Map Light Lamp	2-264
Rudder Pedal Adjusting	2-126	Markings, External	2- 9
Throttle Control	2-136	Mask, Oxygen	2- 75
License Holder Cover	2- 62	Master Cylinder	
Lid, Toilet	2- 70	Brake	2-177, 2-284
Light		Support	2-23, 2-127
Air Outlet, Reading	2- 65	Mast, Pitot	2-260
Lamp, Map	2-264	Mechanism, Flap	2-100
Belly Beacon	2-262	Miscellaneous Cabin Equipment	2- 65
Cabin Door Warning	2-246	Motor	
Navigation Tail	2-262	Armature, Flap	2-101
Oxygen Quantity Indicator	2-263	Flap Drive	2-100
Passing Taxiing	2-267, 2-268	Landing Gear Retract	2-172
Rotating Beacon	2-267	Windshield Wiper Drive	2- 66
Stall Warning	2-246		
Threshold	2- 62		
Lighter, Pedestal Cigarette	2-132		
Lightweight Deicer	2-242		

MODEL 65 & 80 PARTS CATALOG

ALPHABETICAL TABLE OF CONTENTS (Continued)

PART NAME	PAGE	PART NAME	PAGE
M		O	
Mount		Oxygen (Continued)	
Engine	2-186C, 2-188	Gage Escutcheon	2- 61
Instrument Panel Shock	2-246	Mask	2- 75
Muff, Heater	2-186E, 2-190	Outlet	2- 75
N		Outlet Escutcheon	2- 61
Nacelle	2- 78	Quantity Indicator Light	2-265
Fairing	2- 82	System	2- 75
Fillet, Wing	2- 80	Valve	2- 75
Jato, Upper	2-193		
Navigation Tail Light	2-262	P	
Nose		Paint	
Compartment Door	2- 18	Enamel	2- 9
Cone	2- 35	Lacquer	2- 10
Cone, Cowling	2-199	Vinyl	2- 10
Wheel Steering	2-163	Acrylic Vinyl	2- 10
Nose Gear		Fluorescent (Day Glo)	2- 10
Arm	2-153, 2-156	Paint, Exterior	2- 9
Brace	2-153	Panel	
Damper Arm	2-157	Cabin Floor	2- 23
Door	2-165	Edge Lighted Plate, Sub	2-249
Down Lock Switch	2-262	Fuel Cell Bay	2- 79
Knee	2-157	Fuel Selector Control	2-249
Shimmy Damper	2-160	Heater	2- 61
Shimmy Damper Piston	2-160	Ignition Switch	2-249
Shock Absorber	2-156	Instrument	2-245
Steering Yoke	2-163	Overhead	2- 61
Tire	2-157	Plumbing, Instrument	2-252
Uplock Switch	2-262	Shock Mount, Instrument	2-246
Wheel	2-154A, 2-157	Sub	2-249
Nose Landing Gear	2-153, 2-156	Trim, Instrument	2-246
Actuator	2-158	Parking Brake Valve	2-178, 2-286
Actuator Housing	2-158	Partition	
Switch	2-169	FWD	2- 61
O		Toilet Compartment	2- 72
Oil		Passing & Taxiing Light	2-267, 2-268
Cooler	2-208	Pedal, Rudder Control	2-126
Filler Door	2-208	Pedestal	2-132
Separator	2-190, 2-230	Cigarette Lighter	2-132
Shutter Control	2-230	Engine Controls	2-136
System	2-208	Pilots	
Tank Filler Cap	2-208	Armrest	2- 43
Temperature Bulb	2-186D, 2-188	Chair Track	2- 23
Valve	2-209	Safety Belt	2- 43
Outboard Flap	2- 98	Seat	2- 43
Outlet		Pinion, Main Landing Gear Actuator	2-142
Oxygen	2- 76	Pin, Chain Lock	2- 48
Reading Light & Air	2- 65	Piston, Nose Gear Shimmy Damper	2-160
Overflow Tube, Battery	2-270	Pitot	
Overhead Panel	2- 61	Mast	2-260
Oxygen		Pressure System	2-260
Cylinder	2- 75	Tube	2-260
		Tube Cover	2- 12
		Tube Harness	2-276
		Plant, Power	2-186A, 2-188
		Plate, Sub Panel Edge Lighted	2-249

MODEL 65 & 80 PARTS CATALOG
ALPHABETICAL TABLE OF CONTENTS (Continued)

PART NAME	PAGE	PART NAME	PAGE
P		R	
Plenum		Rear Window	2- 31
Chamber, Heater	2-182	Rebound Control, Shock Absorber	2-144
Cold Air	2-182	Rectifier, Alternator	2-186G, 2-191
Plumbing		Receptacle, External Power	2-272
Dual Hydraulic Brake	2-177	Regulator	
Engine Instrument	2-190	Fuel Air & Heater Lines	2-186
Fuel, Air Heater Lines	2-186	Voltage	2-262
Instrument Panel	2-252	Relay, Reverse Current	2-264
Vacuum Instrument Leading Edge	2 257	Relay, Starter	2-270
Position Indicator, Flap	2-250	Relief Tube	
Power		Horn	2- 70
Box, External	2-272	Venturi	2- 71
Plant	2-186A, 2-188	Remote Compass	
Receptacle, External	2-272	Cable	2-275
Pressure		Transmitter	2-275
Fitting, Static	2-260	Removable Leaf, Baggage Compartment	2- 72
Gage, Manifold	2-246	Retract	
System, De-Icer Vacuum	2-240	Box, Landing Gear	2-167, 2-171
System, Pitot Static	2-260	Motor, Landing Gear	2-172
Primer Switch	2-249	System, Landing Gear	2-167
Propeller	2-186C, 2-188, 2-201, 2-202B	Rotating Beacon	
Anti-Icer	2-232	Harness	2-267
Anti-Icer Fluid Filter	2-232	Light	2-267
Anti-Icer Fluid Quantity Indicator	2-233	Rudder	2-117
Anti-Icer Provisions	2-233	Bellcrank	2-126
Anti-Icer Tank	2-232	Control Pedal	2-126
Control Lever	2-136	Horn	2-117
Feathering Detent	2-136	Pedal Adjusting Lever	2-126
Governor	2-186C, 2-204, 2-204B	Pedal Arm	2-126
Governor Control	2-229	Tab Actuator	2-124
Spinner	2-186C, 2-202	Tab Actuator Bracket	2-124
Unfeathering Accumulator	2-205	Tab Actuator Drum	2-124
Pump		Tab Actuator Housing	2-124
Center Section Boost	2-218	Tab Actuator Screw	2-124
Fuel	2-214, 2-214C, 2-277, 2-280, 2-282	Tab Control Cables	2-119
Fuel Boost	2-217	Tab Indicator	2-134
Switch, Fuel Boost	2-266		
Vacuum	2-186C		
Q		S	
Quadrant		Safety	
Center Aileron Control	2- 93	Belt, Cabin Chair	2- 50
		Belt, Pilots & Copilots	2- 43
		Switch Box, Landing Gear	2-270
		Seating Arrangement	2- 44
		Seat	
		Cabin	2- 50
		Copilots	2- 43
		Pilots	2- 43
		Selector	
		Control Panel, Fuel	2-265
		Valve Control, Fuel	2-226
Rack			
Coat Hanger	2- 65		
Magazine	2- 67		
Radio Noise Filter	2-274		
Rain Drain	2- 31		
Rate of Climb Indicator	2-246		

MODEL 65 & 80 PARTS CATALOG

ALPHABETICAL TABLE OF CONTENTS (Continued)

PART NAME	PAGE	PART NAME	PAGE
S		S	
Selector (Continued)		Straightener, Wheel	2- 17
Valve, Fuel	2-220	Strap, Stowage.	2- 13
Separator, Oil	2-190, 2-240	Structure	
Service Information Kit	2- 12	Cabin Lower	2- 27
Shelf, Baggage Compartment	2- 71, 2- 72	Crew Compartment	2- 22
Shield, Glare	2- 61	Fuselage	2- 15
Fuel Pump Heat.	2-186F	Landing Light	2- 83
Shimmy Damper		Sub Panel	2-249
Piston, Nose Gear	2-160	Edge Lighted Plate	2-249
Nose Gear	2-160	Suction Gage	2-246
Shock		Sump Drain Wrench	2- 13
Absorber Rebound Control	2-144	Sun Visor, Crew Compartment	2- 67
Absorber, Landing Gear	2-144	Support	
Absorber, Nose Gear	2-156	Bellcrank	2- 33
Mount, Instrument Panel.	2-246	Chair Base	2- 47
Shutoff Valve, Fuel Crossfeed	2-221	Main Gear Actuator	2-142
Shutter Control, Oil	2-230	Master Cylinder	2-23, 2-127
Sic Sac	2- 13	Switch	
Sign, Cabin Warning	2- 65	Box, Landing Gear Safety	2-270
Sill, Door.	2- 31	Cabin Door	2-262
Skin		Flap	2-249
Diagram, Fuselage.	2-4, 2-5, 2-6, 2- 7	Flap Down Limit	2-271
Diagram, Wing	2- 3	Flap Up Limit	2-271
Spar		Fuel Boost Pump	2-266
Cover	2- 82	Ignition	2-249
Hoisting Lug, Main.	2- 12	Main Gear Down Limit	2-270
Spark Plugs	2-186E	Nose Gear Down Lock	2-262
Spinner, Propeller.	2-185C, 2-189, 2-202, 2-202A	Nose Gear Uplock	2-262
Stabilizer		Nose Landing Gear	2-169
De-Icer Boot, Horizontal	2-238	Panel, Ignition	2-249
Fairing, Vertical	2-123	Primer	2-249
Hinge, Vertical	2-123	Stall Warning	2-275
Horizontal	2-106	Starter	2-249
Tip, Horizontal	2-106	Throttle	2-136
Tip, Vertical.	2-123	Windshield Wiper.	2- 66
Vertical	2-123		
Stack, Engine Exhaust	2-186E, 2-189	T	
Stall Warning Light	2-246	Tab Actuator	
Switch	2-275	Aileron	2- 95
Starter		Bracket, Elevator.	2-113
Engine	2-186C, 2-188	Drum, Elevator	2-113
Relay	2-270	Drum, Rudder	2-124
Switch	2-249	Elevator	2-113
Vibrator	2-262	Housing, Aileron	2- 95
Static		Housing, Elevator	2-113
Drain Door	2- 62	Housing, Rudder	2-124
Ground Wire	2-157	Rudder	2-124
Pressure Fitting	2-260	Screw, Elevator	2-113
Pressure System	2-260	Screw, Rudder	2-124
Station Diagram	2- 2	Tab	
Steering		Aileron	2- 89
Yoke, Nose Gear	2-163	Bellcrank, Aileron	2- 90
Nose Wheel	2-162		
Storm Window	2- 22		
Stowage Strap	2- 13		

MODEL 65 & 80 PARTS CATALOG

ALPHABETICAL TABLE OF CONTENTS (Continued)

PART NAME	PAGE	PART NAME	PAGE
T			
Tab (Continued)		Transmitter	
Bracket, Elevator	2-104	Center Section Fuel	2-218
Control Cables, Elevator & Elevator	2-110	Flap	2- 80
Control Knob, Aileron	2-133	Fuel	2-218
Drum, Aileron	2- 95	Fuel Quantity	2-217
Elevator Trim	2-108	Remote Compass	2-275
Horn, Aileron	2- 89	Wing Auxiliary Fuel Tank	2-223
Indicator, Aileron	2-134	Trim Tab, Elevator	2-108
Indicator, Elevator	2-133	Trim, Instrument Panel	2-246
Indicator, Rudder	2-134	Tube	
Table, Cabin	2-45, 2- 58	Battery Overflow	2-270
Tachometer	2-246	Engine Breather	2-209
Generator	2-186C, 2-188	Generator Blast	2 186D
Tail		Pitot	2-260
Cone	2- 35	Turn & Slip Indicator	2-245
Light Navigation	2-262		
Tank		U	
Filler Cap, Wing Auxiliary Fuel	2-223	Unfeathering Accumulator, Propeller	2-205
Propeller Anti-Icer	2-232	Up Limit Switch, Flap	2-271
Transmitter, Wing Auxiliary Fuel	2-223	Upholstery & Furnishings	2- 61
Wing Auxiliary Fuel	2-223	Unlock Switch, Nose Gear	2-262
Taxiing Light	2-268		
Temperature		V	
Bulb, Oil	2-186D, 2-188	Vacuum & Instrument Leading Edge Plumbing	2-257
Cylinder Head	2-246	Vacuum & Pressure System, De-Icer	2-236
Thermometer, Free Air	2- 61	Vacuum Pump	2-186C
Threshold Light	2- 62	Vacuum System, Engine	2-186C, 2-190
Throttle		Valve	
Control Lever	2-136	Control, Fuel Selector	2-226
Control, Engine	2-229	Fuel Crossfeed Shutoff	2-213, 2-221
Switch	2-136	Fuel Drain	2-217
Tip		Fuel Check	2-212, 2-213
Horizontal Stabilizer	2-106	Fuel Selector	2-220
Vertical Stabilizer	2-123	Oil	2-209
Wing	2- 86	Oxygen	2- 75
Tire		Parking Brake	2-178, 2-286
Main Gear	2-145	Vacuum	2-186D, 2-190
Nose Gear	2-157	Ventilation Grille	2- 62
Toilet		Venturi, Relief Tube	2- 71
Can	2- 70	Vent, Heat &	2-181
Compartment Curtain	2- 72	Vertical Stabilizer	2-123
Compartment Partition	2- 72	Fairing	2-123
Frame	2- 70	Hinge	2-123
Lid	2- 70	Tip	2-123
Tools		Vibrator	2-262
Accessories, Loose	2- 12	Vinyl	2- 10
Equipment, Optional Loose	2- 14	Visor, Crew Compartment Sun	2- 67
Torque Knee, Landing Gear	2-144	Volt Amp Indicator	2-249
Tow Bar	2- 12	Voltage Regulator	2-262
Track			
Cabin Chair	2- 23		
Curtain	2- 63		
Door	2- 23		
Pilots Chair	2- 23		

MODEL 65 & 80 PARTS CATALOG

ALPHABETICAL TABLE OF CONTENTS (Continued)

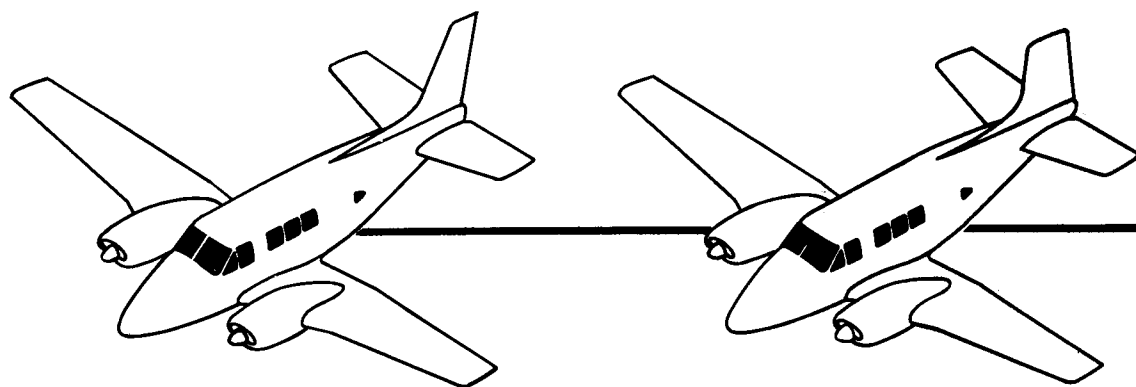
PART NAME	PAGE	PART NAME	PAGE
W		W	
Warning		Wing (Continued)	
Light, Cabin Door	2-246	Auxiliary Fuel Tank Transmitter	2-223
Light, Stall	2-246	Center Section	2- 78
Switch, Stall	2-275	Electrical Equipment, Outboard	2-275
Web, Floor	2- 23	Flight Controls	2- 92
Wheel		Fuel Cells	2-217
Control	2-129	Leading Edge, Center Section	2- 78
Main Landing Gear	2-145	Leading Edge, Outboard	2- 87
Nose Gear	2-157	Main Section, Outboard	2- 83
Steering, Nose	2-162	Nacelle Fillet	2- 80
Straightener	2- 17	Outboard	2- 82
Windshield Wiper Blade	2- 66	Section De-Icer Boot	2-235
Window		Section De-Icer System	2-235
Cabin	2- 27	Skin Diagram	2- 3
Cabin Double	2- 41	Tip	2- 86
Frame	2- 41	Wiper	
Rear	2- 31	Arm, Windshield	2- 66
Storm	2- 22	Blade, Windshield	2- 66
Windshield		Bridge, Windshield	2- 66
Glass	2- 22	Windshield	2- 66
Wiper	2- 66	Wire, Static Ground	2-157
Wiper Arm	2- 66	Wrench, Sump Drain	2- 13
Wiper Bridge	2- 66		
Wiper Converter	2- 66	Y	
Wiper Drive Motor	2- 66	Yoke, Nose Gear Steering	2-163
Wing			
Auxiliary Fuel Tank	2-212, 2-223		
Auxiliary Fuel Tank Filler Cap	2-212, 2-223		

Beechcraft

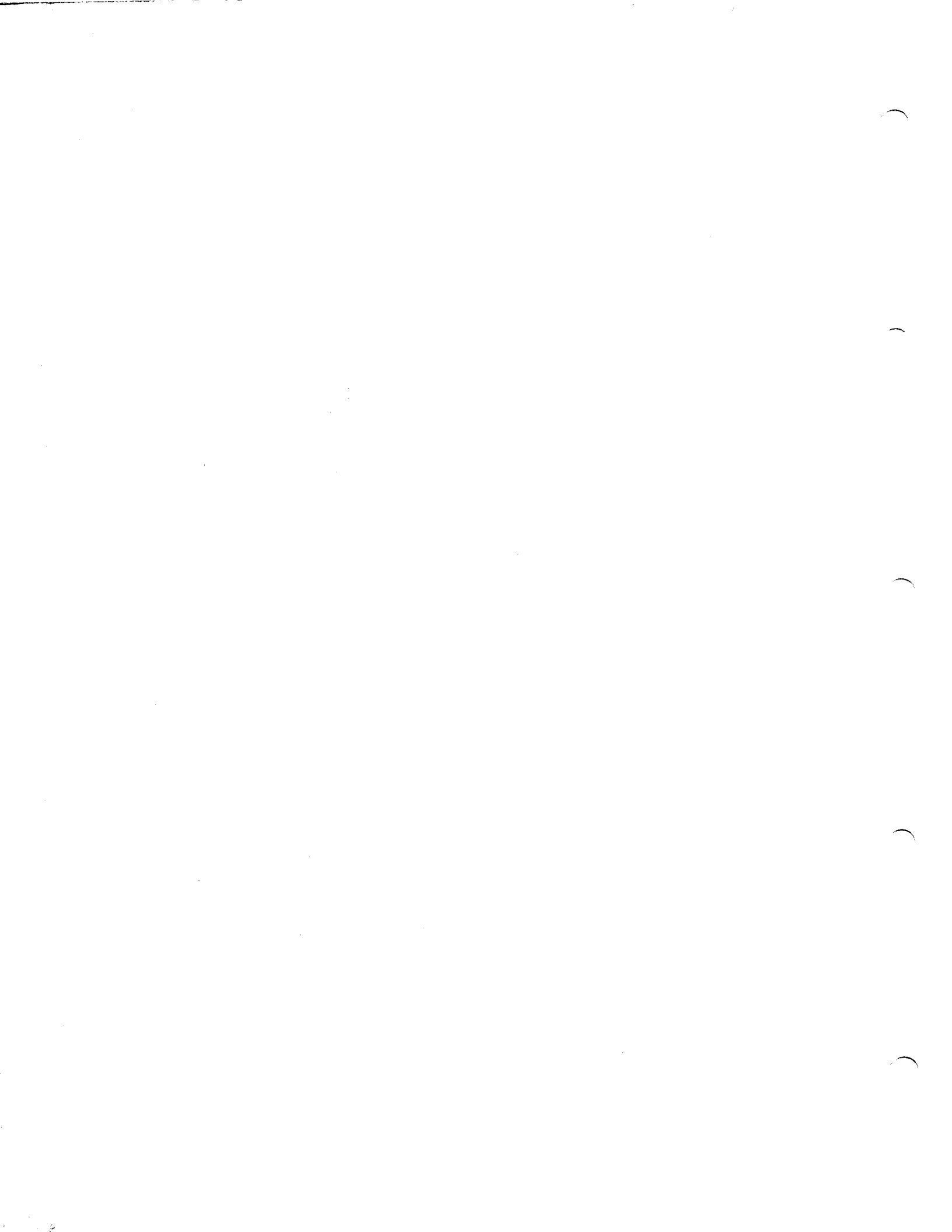
MODEL 65

MODEL 80

INTRODUCTION



**S
E
C
T
I
O
N
1**



MODEL 65 & 80 PARTS CATALOG

INTRODUCTION

This Illustrated Parts Catalog contains listings, illustrations and indexes of repairable parts for the BEECHCRAFT Model 65 & 80 aircraft.

HOW TO UTILIZE THIS CATALOG

STEP 1
Locate figure & index number on illustration

STEP 2
Locate figure & index number on PARTS LISTING

STEP 3 & 4
When part number only is known turn to Section 3 (NUMERICAL PARTS LIST) to locate correct figure & index number for illustration

FIGURE & INDEX NUMBER

PART NUMBER

DESCRIPTION IS DETERMINED FROM THE FIGURE & INDEX NUMBER

FIG. & INDEX NO.	PART NO.	DESCRIPTION	UNITS PER ASSY.
49-1	50-820000	GEAR INSL. WOOD LANDING GEAR FOR NUMERICAL GEAR ASSEMBLY LIMITED TO SEE FIG. 49	REF.
2	50-820010	ATTACHING BRACKET	1
3	50-820020	WASHER	2
4	50-820030	WASHER	2
5	50-820040	WASHER	2
6	50-820050	WASHER	2
7	50-820060	WASHER	2
8	50-820070	WASHER	2
9	50-820080	WASHER	2
10	50-820090	WASHER	2
11	50-820100	WASHER	2
12	50-820110	WASHER	2
13	50-820120	WASHER	2
14	50-820130	WASHER	2
15	50-820140	WASHER	2
16	50-820150	WASHER	2
17	50-820160	WASHER	2
18	50-820170	WASHER	2
19	50-820180	WASHER	2
20	50-820190	WASHER	2
21	50-820200	WASHER	2
22	50-820210	WASHER	2
23	50-820220	WASHER	2
24	50-820230	WASHER	2
25	50-820240	WASHER	2
26	50-820250	WASHER	2
27	50-820260	WASHER	2
28	50-820270	WASHER	2
29	50-820280	WASHER	2
30	50-820290	WASHER	2
31	50-820300	WASHER	2
32	50-820310	WASHER	2
33	50-820320	WASHER	2
34	50-820330	WASHER	2
35	50-820340	WASHER	2
36	50-820350	WASHER	2
37	50-820360	WASHER	2
38	50-820370	WASHER	2
39	50-820380	WASHER	2
40	50-820390	WASHER	2
41	50-820400	WASHER	2
42	50-820410	WASHER	2
43	50-820420	WASHER	2
44	50-820430	WASHER	2
45	50-820440	WASHER	2
46	50-820450	WASHER	2
47	50-820460	WASHER	2
48	50-820470	WASHER	2
49	50-820480	WASHER	2
50	50-820490	WASHER	2
51	50-820500	WASHER	2
52	50-820510	WASHER	2
53	50-820520	WASHER	2
54	50-820530	WASHER	2
55	50-820540	WASHER	2
56	50-820550	WASHER	2
57	50-820560	WASHER	2
58	50-820570	WASHER	2
59	50-820580	WASHER	2
60	50-820590	WASHER	2
61	50-820600	WASHER	2
62	50-820610	WASHER	2
63	50-820620	WASHER	2
64	50-820630	WASHER	2
65	50-820640	WASHER	2
66	50-820650	WASHER	2
67	50-820660	WASHER	2
68	50-820670	WASHER	2
69	50-820680	WASHER	2
70	50-820690	WASHER	2
71	50-820700	WASHER	2
72	50-820710	WASHER	2
73	50-820720	WASHER	2
74	50-820730	WASHER	2
75	50-820740	WASHER	2
76	50-820750	WASHER	2
77	50-820760	WASHER	2
78	50-820770	WASHER	2
79	50-820780	WASHER	2
80	50-820790	WASHER	2
81	50-820800	WASHER	2
82	50-820810	WASHER	2
83	50-820820	WASHER	2
84	50-820830	WASHER	2
85	50-820840	WASHER	2
86	50-820850	WASHER	2
87	50-820860	WASHER	2
88	50-820870	WASHER	2
89	50-820880	WASHER	2
90	50-820890	WASHER	2
91	50-820900	WASHER	2
92	50-820910	WASHER	2
93	50-820920	WASHER	2
94	50-820930	WASHER	2
95	50-820940	WASHER	2
96	50-820950	WASHER	2
97	50-820960	WASHER	2
98	50-820970	WASHER	2
99	50-820980	WASHER	2
100	50-820990	WASHER	2

WHEN THE DESCRIPTION IS KNOWN:

Consult either the Table of Contents or the Alphabetical Table of Contents for the applicable page number of the section or description most likely to contain the desired part.

Refer to the page in Section 2, Group Assembly Parts List and locate the part in the illustration (Step 1). The corresponding figure and index number will list the part number, description, and etc. of the desired part (Step 2).

WHEN THE PART NUMBER IS KNOWN:

Refer to Section 3, Numerical Index and locate the desired part number which will be in alpha-numerical sequence and note the figure and index number (Step 3 & 4).

Upon consulting the figure and index number of Section 2, Group Assembly Parts List, the illustration, description, etc. will be noted for the desired part (Steps 1 & 2).

MODEL 65 & 80 PARTS CATALOG

DETAILED EXPLANATION

The different sections of this catalog are explained in detail in the subsequent paragraphs.

TABLE OF CONTENTS

This table contains a listing of all sections, sub-sections, illustrations with corresponding figure numbers and the applicable page numbers of each in the order they are presented in this catalog.

ALPHABETICAL TABLE OF CONTENTS

This table contains a listing of assembly and item descriptions arranged in alphabetical order and referenced by page number to their location in Section 2, Group Assembly Parts List. All items under each group heading are applicable to the heading.

SECTION 2 - GROUP ASSEMBLY PARTS LIST

The group Assembly Parts List consists of the complete airplane broken down into assemblies, sub-assemblies, detail parts and attaching parts. "Attaching Parts" are listed immediately following the item they attach and have the same indentation. A separation symbol (---*---) follows the listing of the attaching parts to distinguish them from the subsequent listing of items. The items not listed in the catalog are parts which lose their identity by being joined to other component parts of the airplane or parts which would be impracticable to stock other than as a complete assembly.

FIGURE AND INDEX NUMBER COLUMN

The excerpt shown below contains the information necessary to show the relationship between the index number and the illustrated part.

Figure No.	Index No.	Part Number	Description	Quantity per Assembly
8 - 47	50-400000-186	50-810001-618	BLOCK/ELEVATOR STOP	1

In this instance the part is listed and illustrated in Figure 8 as Index 47.

PART NUMBER COLUMN

The part number shown in the second column identifies the item and should be included on all orders.

The code shown in the description column, parenthetically following the description of the part is for use by Beech Aircraft Corporation to aid in internal stocking of parts.

Spare Assembly numbers listed as -600 or SA numbers are to facilitate the installation of particular assemblies by the addition or deletion of parts as the situation requires. These spare assemblies are to be procured whenever they apply; rather than the Engineering Assembly number.

DESCRIPTION COLUMN AND ASSEMBLY ORDER

The excerpt below shows the indented system used to indicate assembly sequence. By this method an installation or assembly, listed in column one, will be broken down with component details listed in column two. If a detail is, in turn, an assembly, its component details will appear in column three. In this manner, it is possible to determine the parts that would be received if an assembly was ordered, since all replaceable parts contained within the assembly would be listed in the next column to the right. Attaching parts such as screws, bolts, nuts, etc., are listed in the same column immediately following the parts they attach.

FIG & INDEX NO.	PART NO.	DESCRIPTION	UNITS PER ASSY	USABLE ON CODE
43	50-810001-618	GEAR ASSEMBLY*MAIN LANDING LH	1	
		/SPARE ASSEMBLY*SEE ADDENDUM/		NP
	50-810001-619	GEAR ASSEMBLY*MAIN LANDING RH	1	
		/SPARE ASSEMBLY*SEE ADDENDUM/		NP
	50-810001-619	GEAR ASSEMBLY*MAIN LANDING RH	1	
		SEE FIGURE 42 FOR NHA		
- 1	50-810224	BRACKET*BRAKE TUBE SUPPORT	1	
- 2	50-810250	BRACE ASSEMBLY*LANDING GEAR TOP	1	
		/ATTACHING PARTS/		
		BOLT	4	
		WASHER	4	
		NUT	4	
- 4	0101321-3-0501-1875	BUSHING	1	

Spare assemblies are included in the group assembly Parts List for procurement purposes and are noted as such in the description column as shown by the preceding excerpt.

SYMBOLS AND ABBREVIATIONS

The following is a list of standard abbreviations used throughout this publication:

As Required	AR
Assembly	ASSY
Figure	FIG.
Forward	FWD
From	FR
Installation	INSTL
Landing Gear	LG
Next Higher Assembly	NHA
Serial	SER

SIMILAR PARTS AND ASSEMBLIES

Figure No.	Index No.	Part Number	Description	Quantity per Assembly
22 - 23	50-810097	50-810097-1	BRACKET*LANDING GEAR DRAG BRAKE LH	1
		50-810097-1	BRACKET*LANDING GEAR DRAG BRAKE RH	1
- 24	50-810098	50-810098	SPRING*LANDING GEAR DRAG BRAKE	1

Component Part Common To Both

If two or more assemblies are made up of a majority of identical parts or the assemblies are left and right hand, the assemblies are listed together with their detail parts listed as common for both assemblies. When a part is used ONLY on one side of an installation or airplane, and a similar part (often with the same description) appears in the identical place on the other side of the installation or airplane, the symbol LH (left hand) or RH (right hand) will appear in the parts list. A dash number suffix to the part number is used to make this distinction. The preceding excerpt shows this. In the majority of instances involving similar parts or assemblies, odd series dash numbers indicate LH (left hand) parts and even series dash numbers indicate RH (right hand) parts.

UNITS PER ASSEMBLY COLUMN

This column indicates the number of detail parts required per assembly. When NP (NON PROCUREABLE) appears in this column, the listing is for reference only and not for procurement. When the same assembly, detail or attaching part is used on one or more systems within the airplane and is subsequently listed and/or illustrated on one or more pages, each listing is duplicated in Section 3, Numerical Parts List, to indicate the total number of times an identical part or assembly is used per airplane. The notation "Ref" (Reference) in the Units per Assembly column and the notation (see fig _____ for NHA) in the Description column indicates it is impractical to show in one illustration all the detail parts of that installation.

USABLE ON CODE COLUMN

This column appears in the Group Assembly Parts List and contains information pertaining to items used on a specific series of airplanes. In the Usable on Code column opposite the item affected is a code number. This code number denotes the airplane effectivity involved when used in conjunction with the usable on code listings found at the end of each figure. Items having no code in this column are used on all model 65 & 80 aircraft.

NOTE

Each figure has its own distinct coding i. e., the code number denoting serial effectivity for one figure will not be the same for another figure.

SECTION 3 - NUMERICAL INDEX

This section of the catalog is a complete numerical listing, presented in tabular form, of each part and/or assembly in numerical sequence for ready reference to Section 2, Group Assembly Parts List. Part number arrangement begins in the extreme left hand position and continues from left to right, one position at a time. The order of precedence in part number numerical arrangement is as follows:

- Space (blank column)
- Diagonal (/)
- Point (.)
- Dash (-)
- Letters A thru Z
- Numerals 0 thru 9

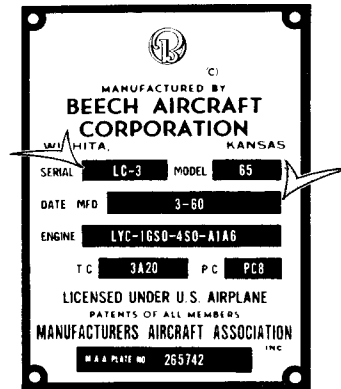
SECTION 4 - SPARE PARTS ADDENDUM

This section contains a non-illustrated tabular listing of spare assemblies which appear throughout the catalog. The user can determine from this listing what components will be received when an order is placed for a spare assembly.

IMPORTANT! WHEN ORDERING PARTS

When ordering parts, always use the COMPLETE manufacturer's part number listed in the Part Number column.

Delays in filling spare parts orders often occur as a result of incomplete information being furnished with the original order; i. e., lack of model designation, serial number and date of manufacture. The original order should always contain the information indicated by check marks on the placard shown, as well as the correct part number and description or any pertinent information which might further define the parts required.



The serial placard shown above is located approximately 9-3/4" forward of the Tail Cone Assembly on the bottom exterior section of the fuselage under the horizontal stabilizer.

Address all orders to: Parts and Service Operations
Beech Aircraft Corporation
Wichita 1, Kansas

MODEL 65 & 80 PARTS CATALOG

WARNING

This parts catalog has but one function: To facilitate ordering replacement parts for the BEEHCRAFT Model 65 & 80.

The illustrations in the catalog are keyed directly to the parts lists with which they are associated to aid the user in locating the part he requires. In rendering these drawings, many details which were not essential for parts list identification purposes were omitted for the sake of clarity. Likewise, in some instances detail sections of complex illustrations have been rotated in plane or their relative sizes changed, to show them more favorably on the printed page. No attempt has been made to show the exact routing of control cables, plumbing, or wire harnesses, since such details would be difficult and costly to render on a single printed page and would serve no useful purpose in a parts catalog.

For the reasons given in the preceding paragraph, catalog illustrations are unsuitable and are not intended for use as guides to reassembly, routing or connections on plumbing, cables or wiring. Since many small details, such as attaching parts, have been omitted from the illustrations, the parts lists, rather than the illustrations, should be used to determine items, and quantities of each required for a complete assembly.

The illustrations in the catalog should be used as aids in the identification of assemblies carried in their respective lists, and for no other purpose.

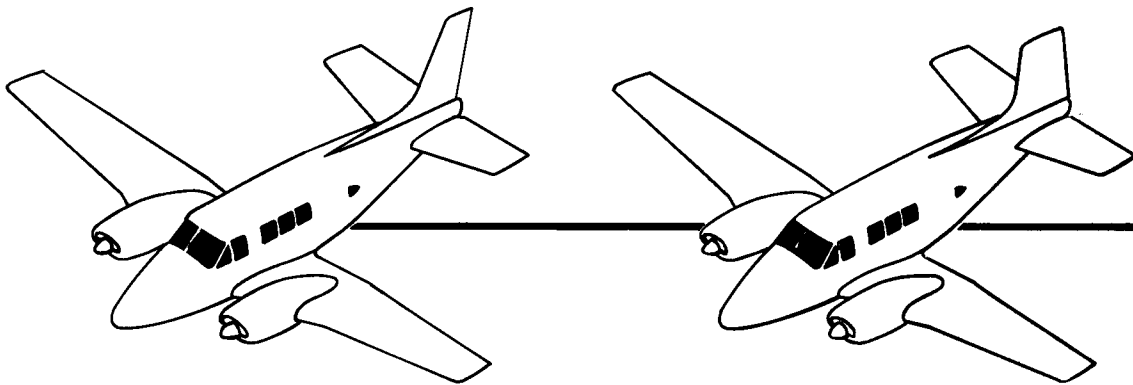
The catalog is not to be used as a maintenance reference.

Beechcraft

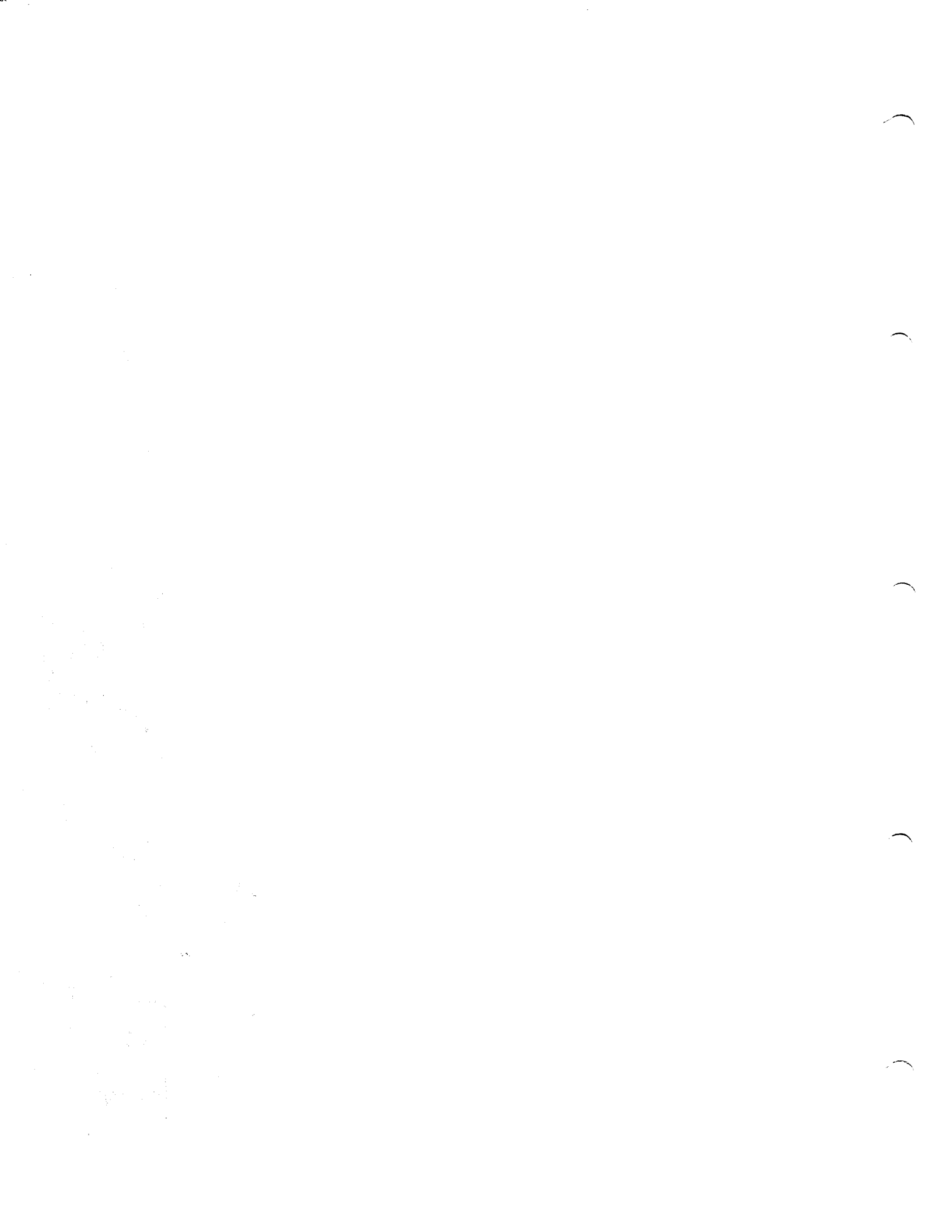
MODEL 65

MODEL 80

GROUP ASSEMBLY PARTS LIST



S
E
C
T
I
O
N
2



MODEL 65 & 80 PARTS CATALOG

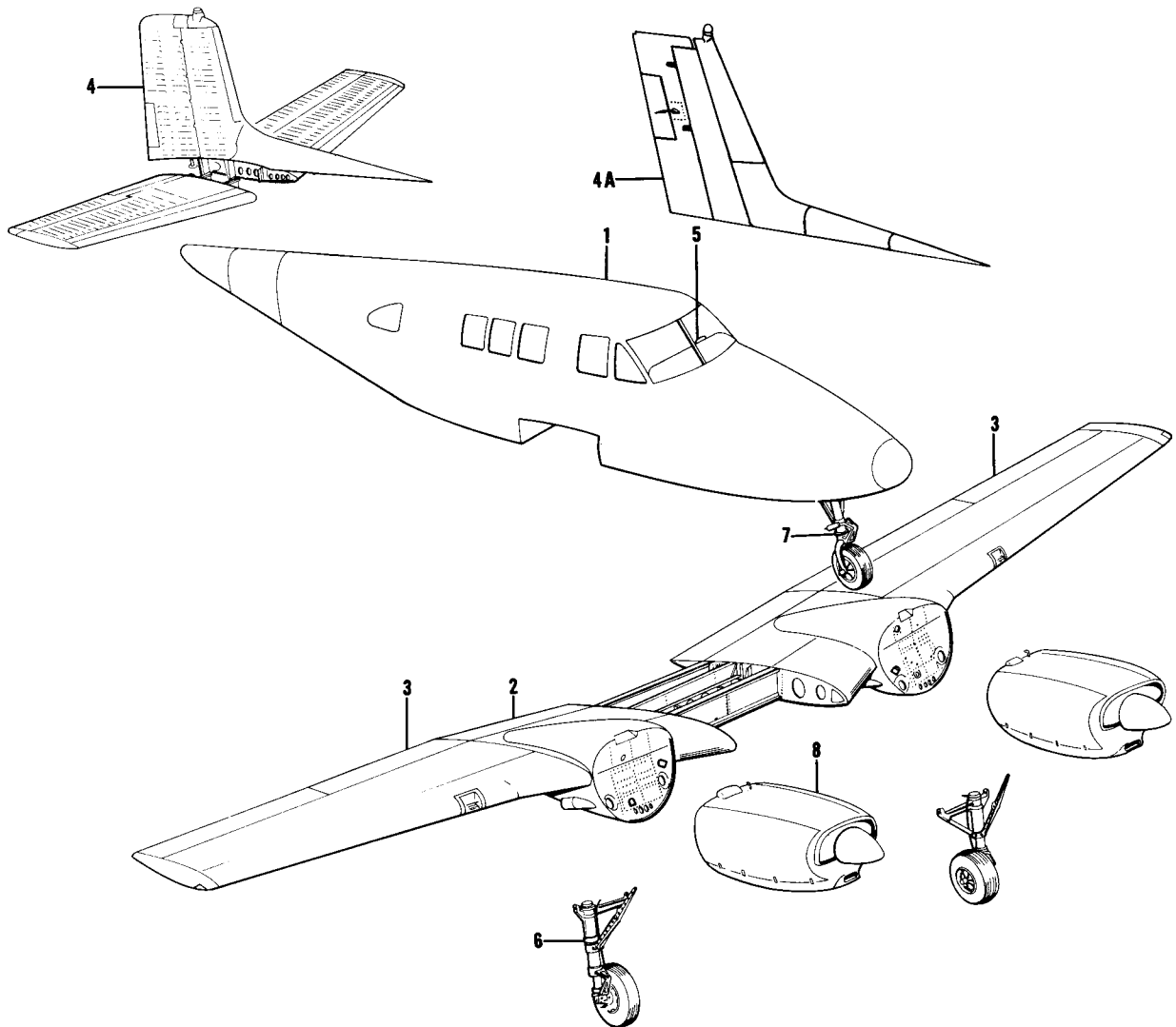


Figure 1. General Arrangement Of Complete Aircraft

Index No.		Figure No.
1	Fuselage Structure Assembly	8
2	Center Section Wing Assembly	24
3	Outboard Wing Installation.	25
4	Empennage Installation	32
4A	Empennage Installation for Model 80	32
5	Flight Controls Installation	28
6	Main Landing Gear Installation	45
7	Nose Landing Gear Installation	50
8	Power Plant Installation	62

MODEL 65 & 80 PARTS CATALOG

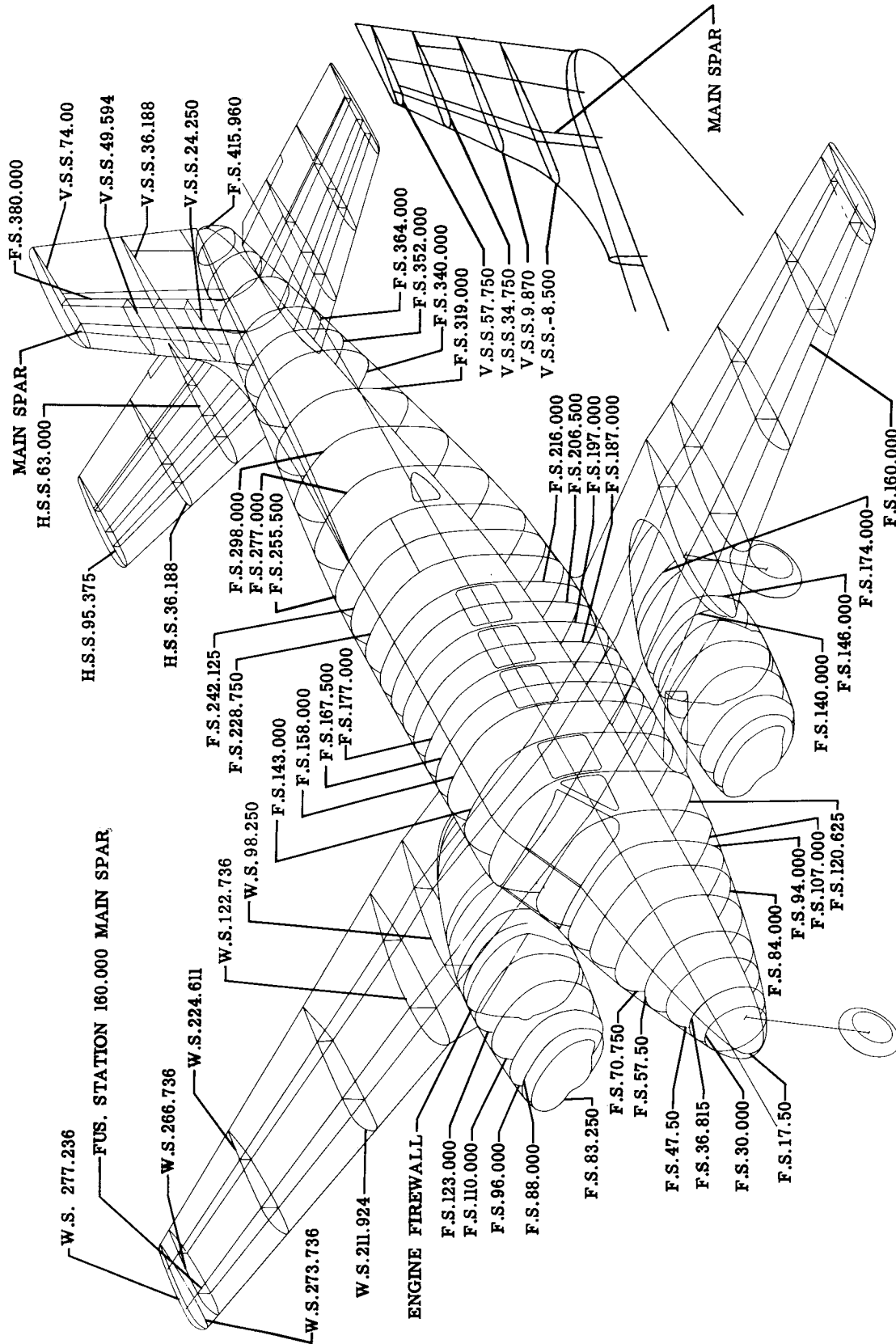


Figure 2. Station Diagram

MODEL 65 & 80 PARTS CATALOG

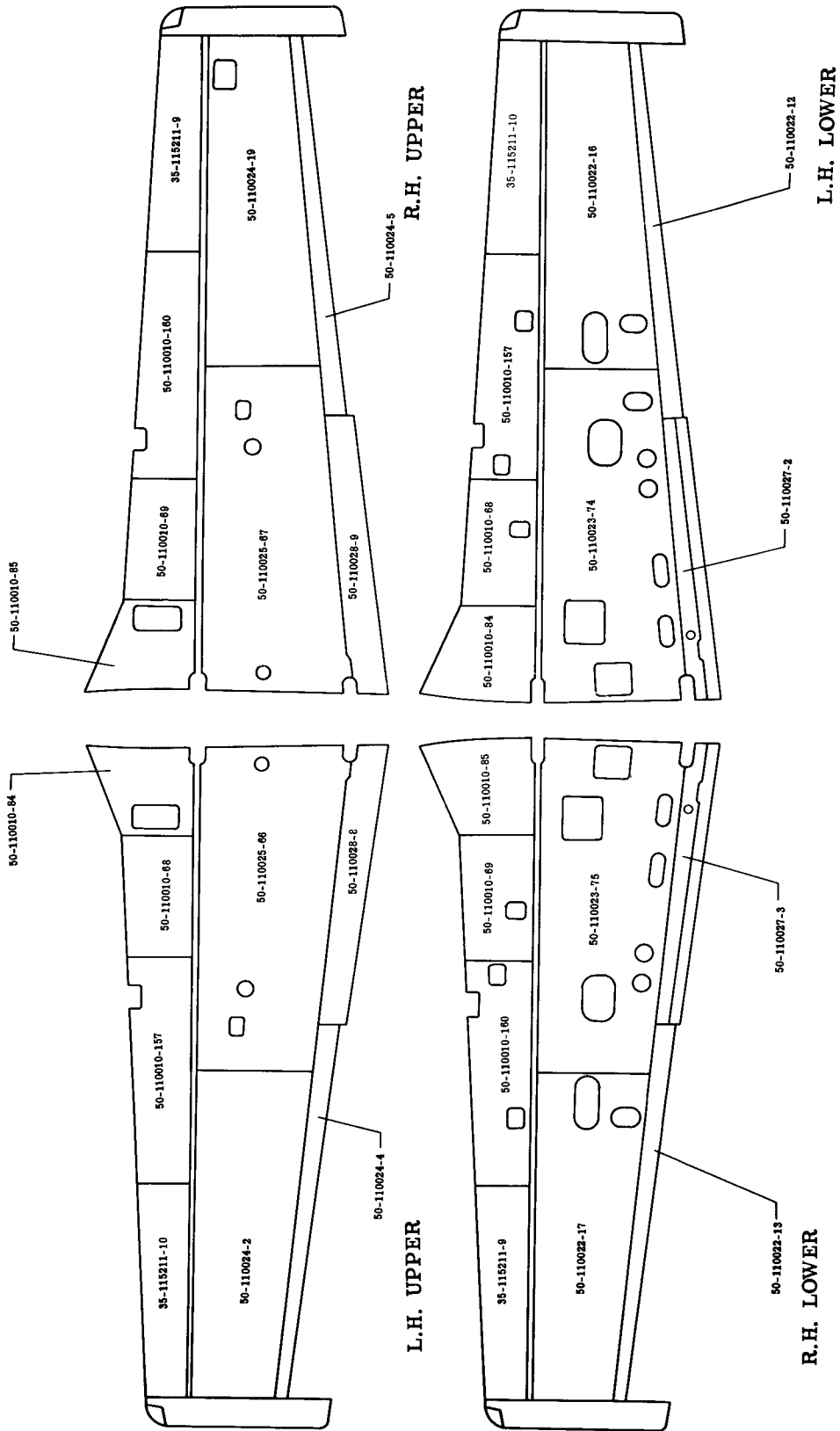
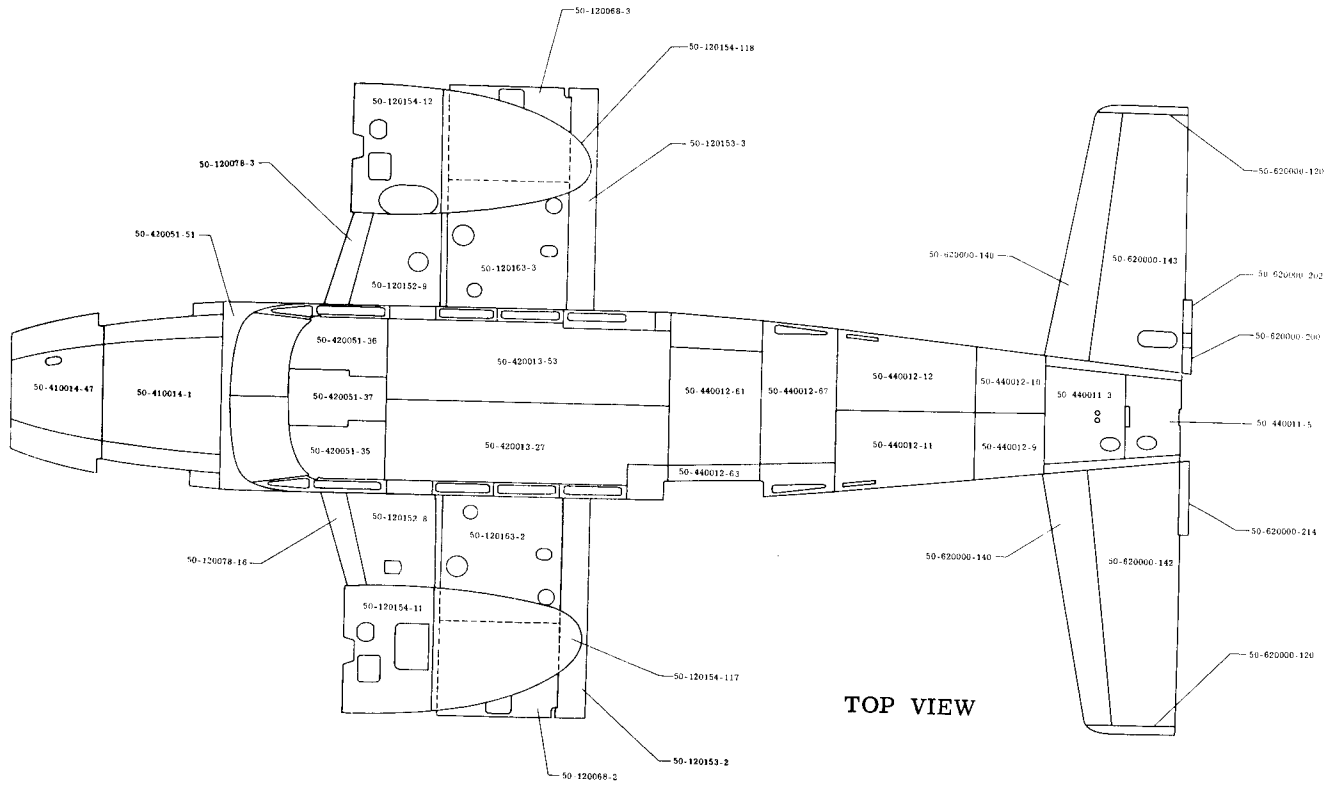
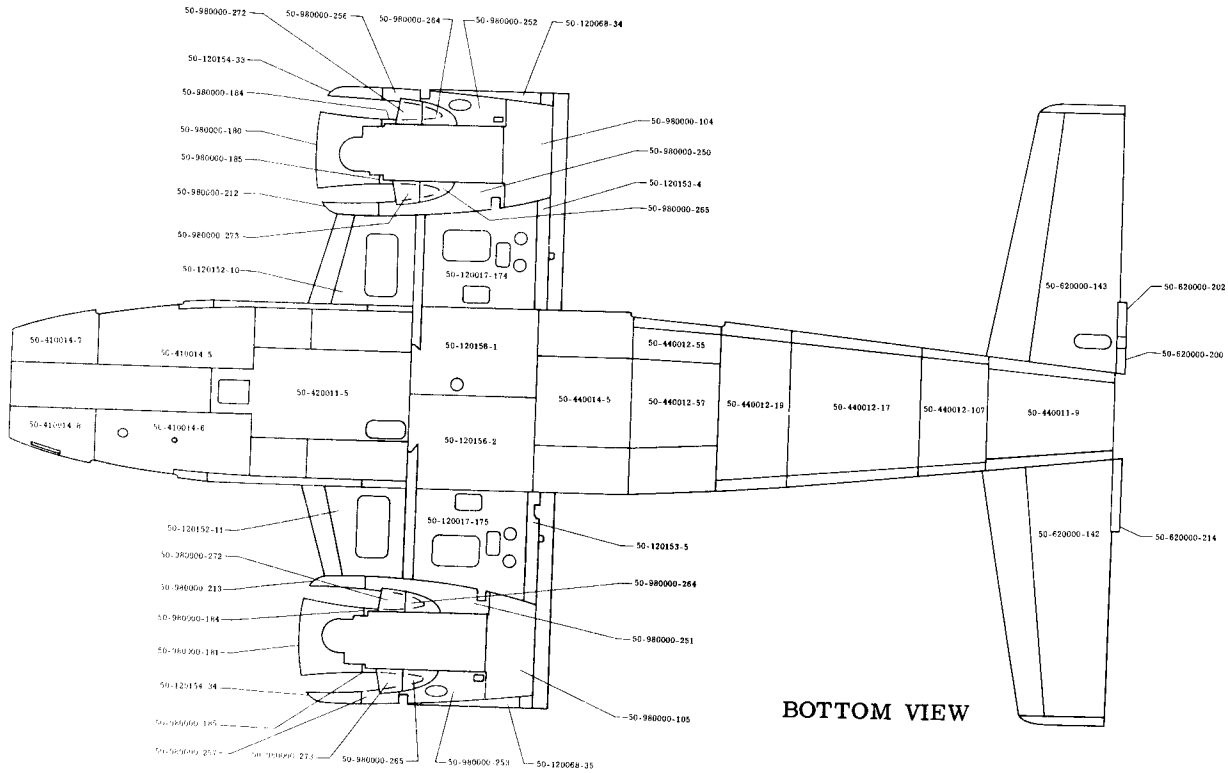


Figure 3. Wing Skin Diagrams

MODEL 65 & 80 PARTS CATALOG



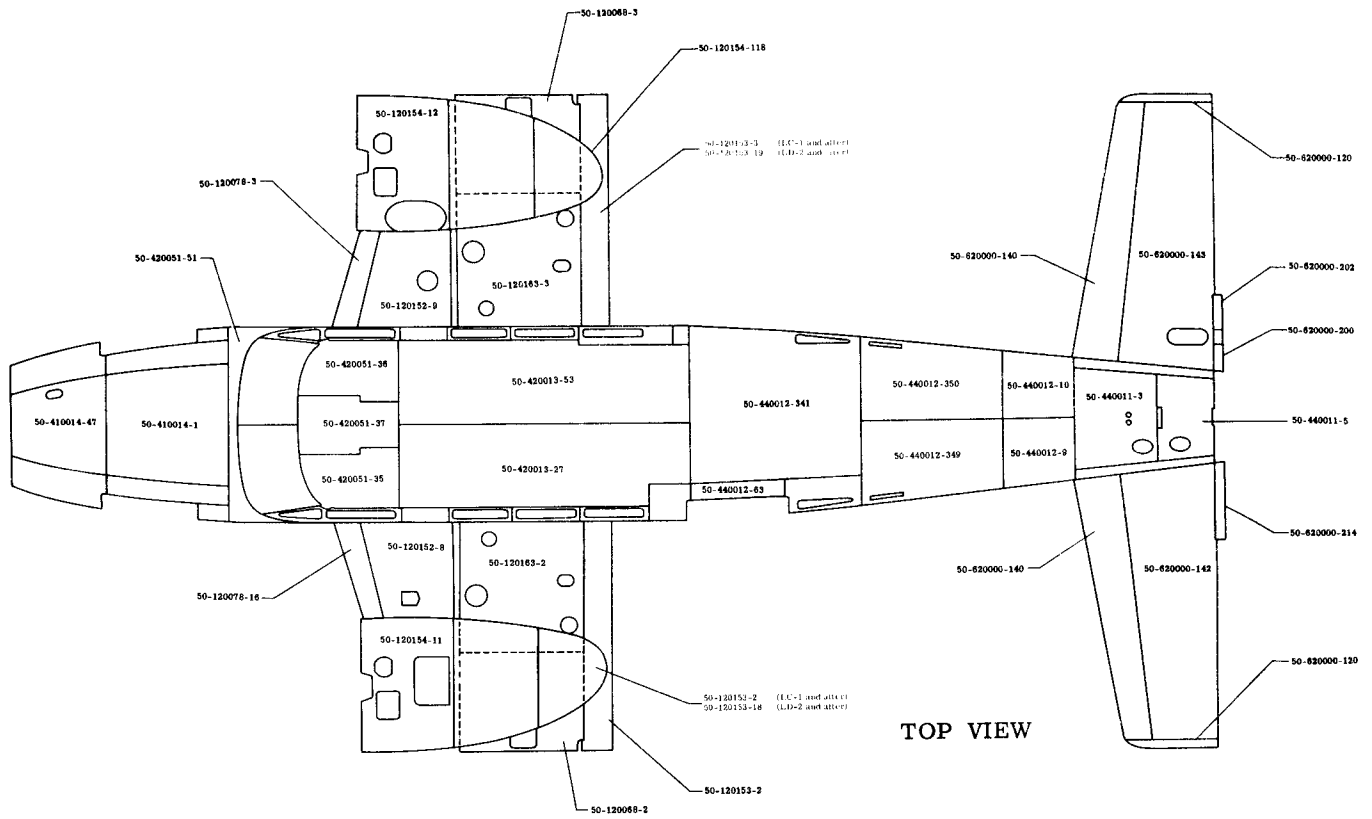
TOP VIEW



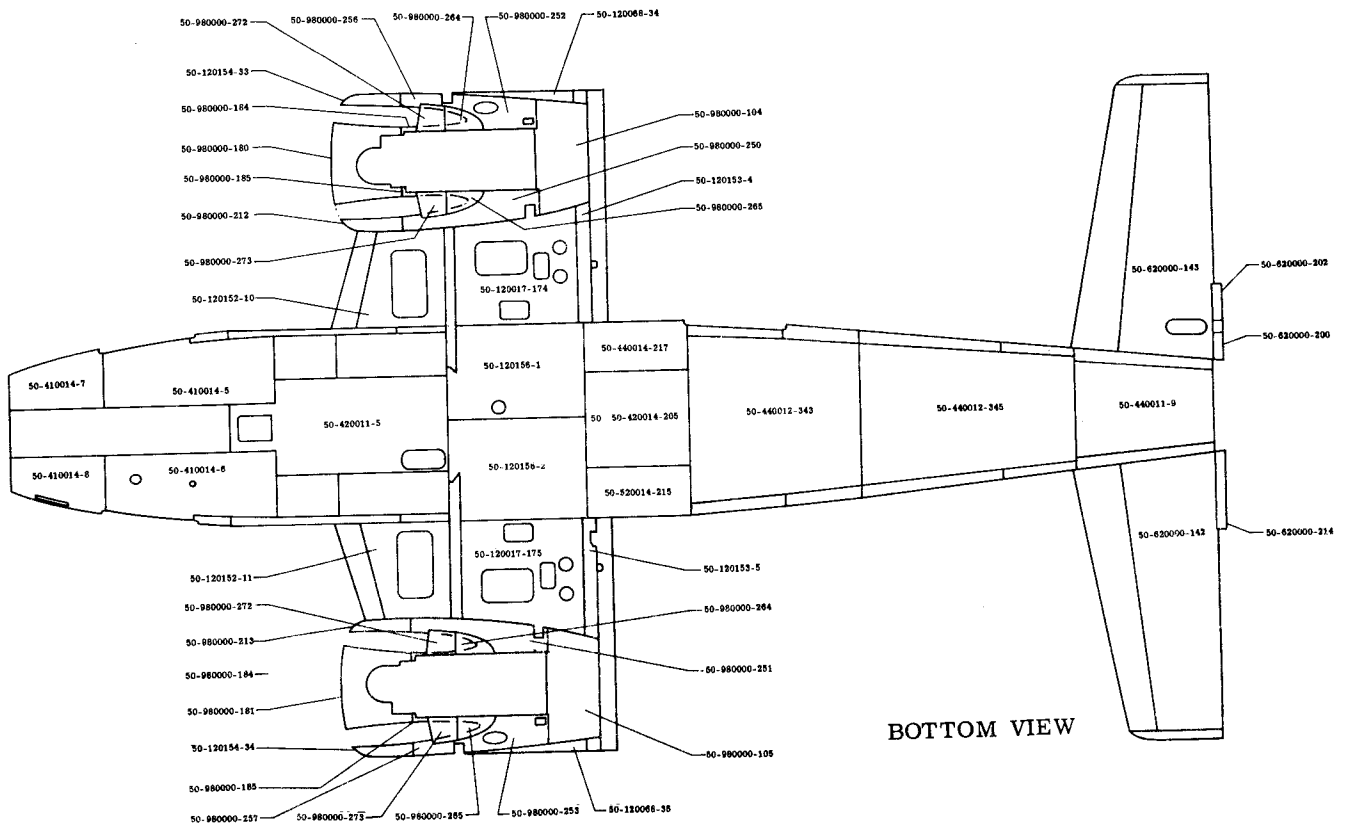
BOTTOM VIEW

Figure 4. Fuselage And Horizontal Stabilizer Skin Diagram (LC-1 Thru LC-104 and LC-136)

MODEL 65 & 80 PARTS CATALOG



TOP VIEW



BOTTOM VIEW

Figure 4A. Fuselage and Horizontal Stabilizer Skin Diagram (LC-105 and after except LC-136; LD-2 and after)

MODEL 65 & 80 PARTS CATALOG

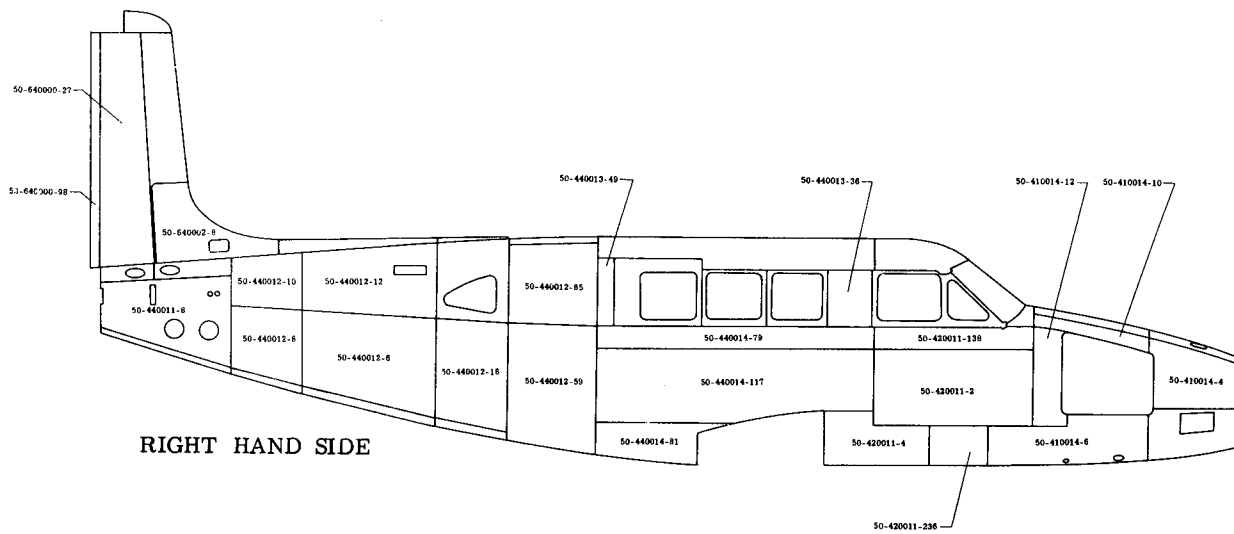
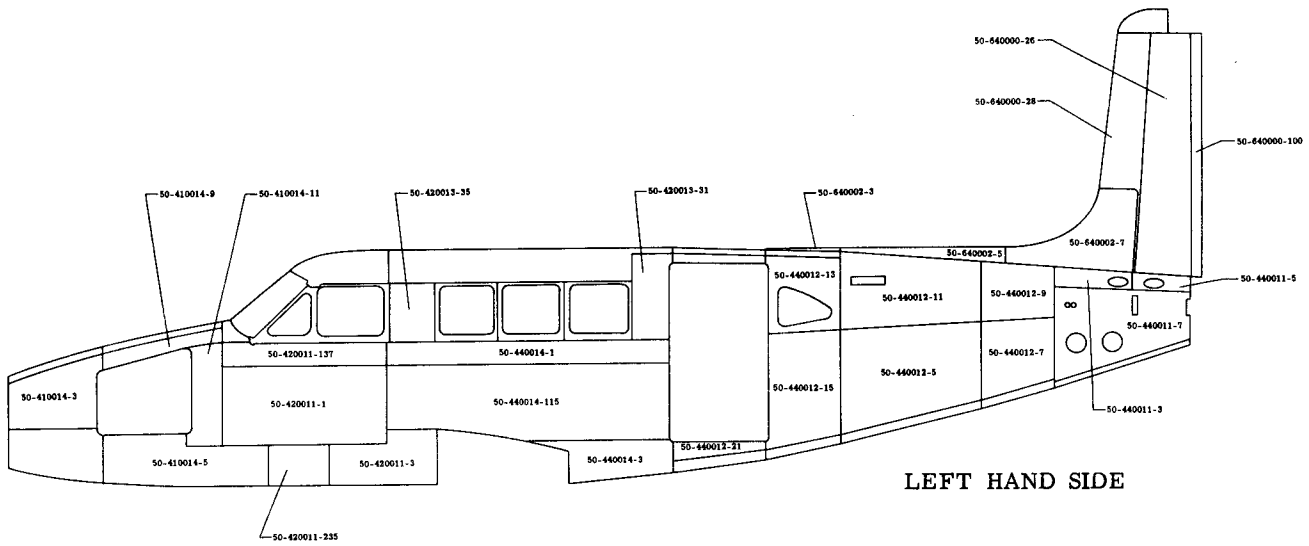


Figure 5. Fuselage and Vertical Stabilizer Skin Diagram (LC-1 Thru LC-104 and LC-136)

MODEL 65 & 80 PARTS CATALOG

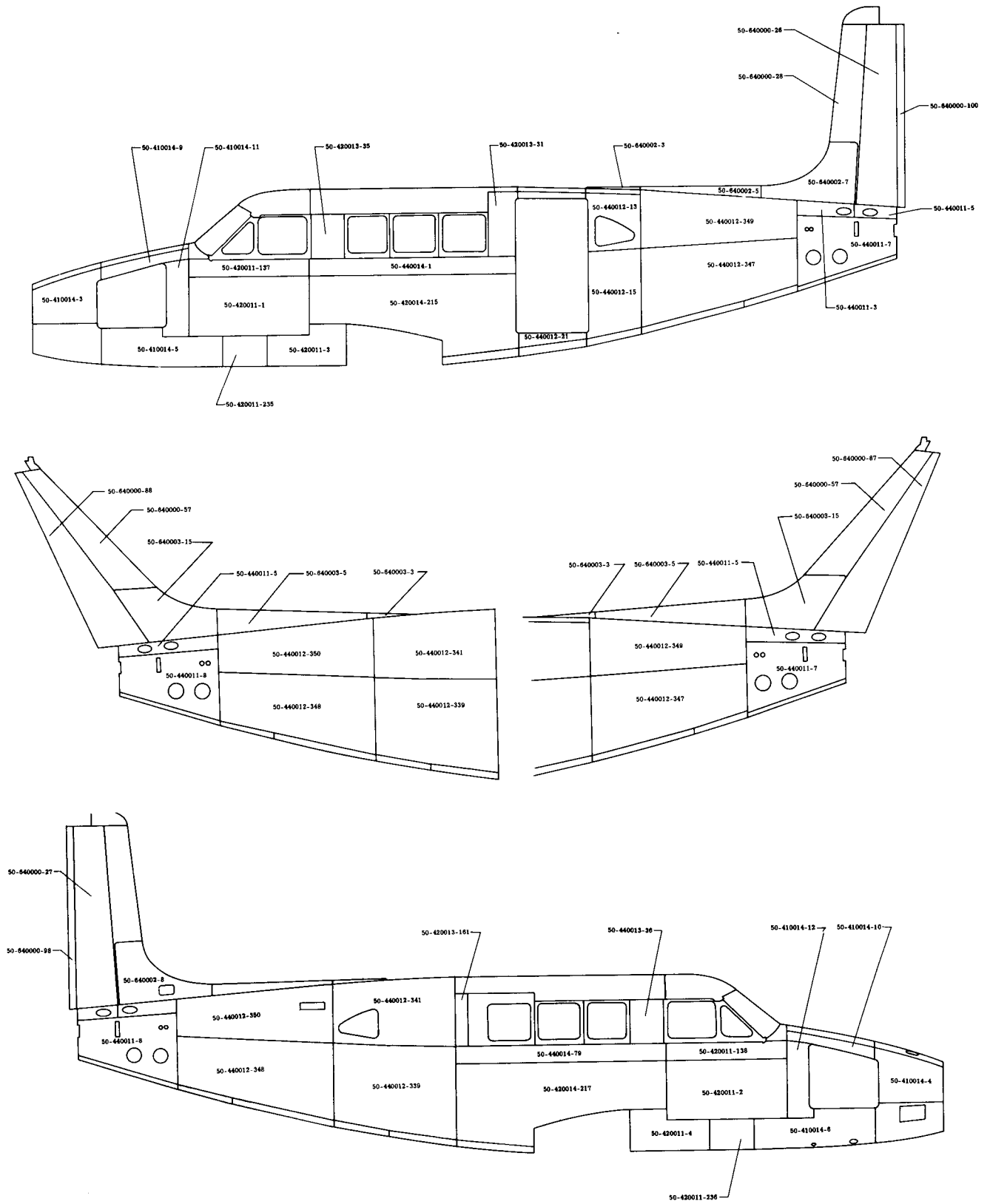


Figure 5A. Fuselage and Vertical Stabilizer Diagram (LC-105 and after except LC-136; LD-2 and after)

MODEL 65 & 80 PARTS CATALOG

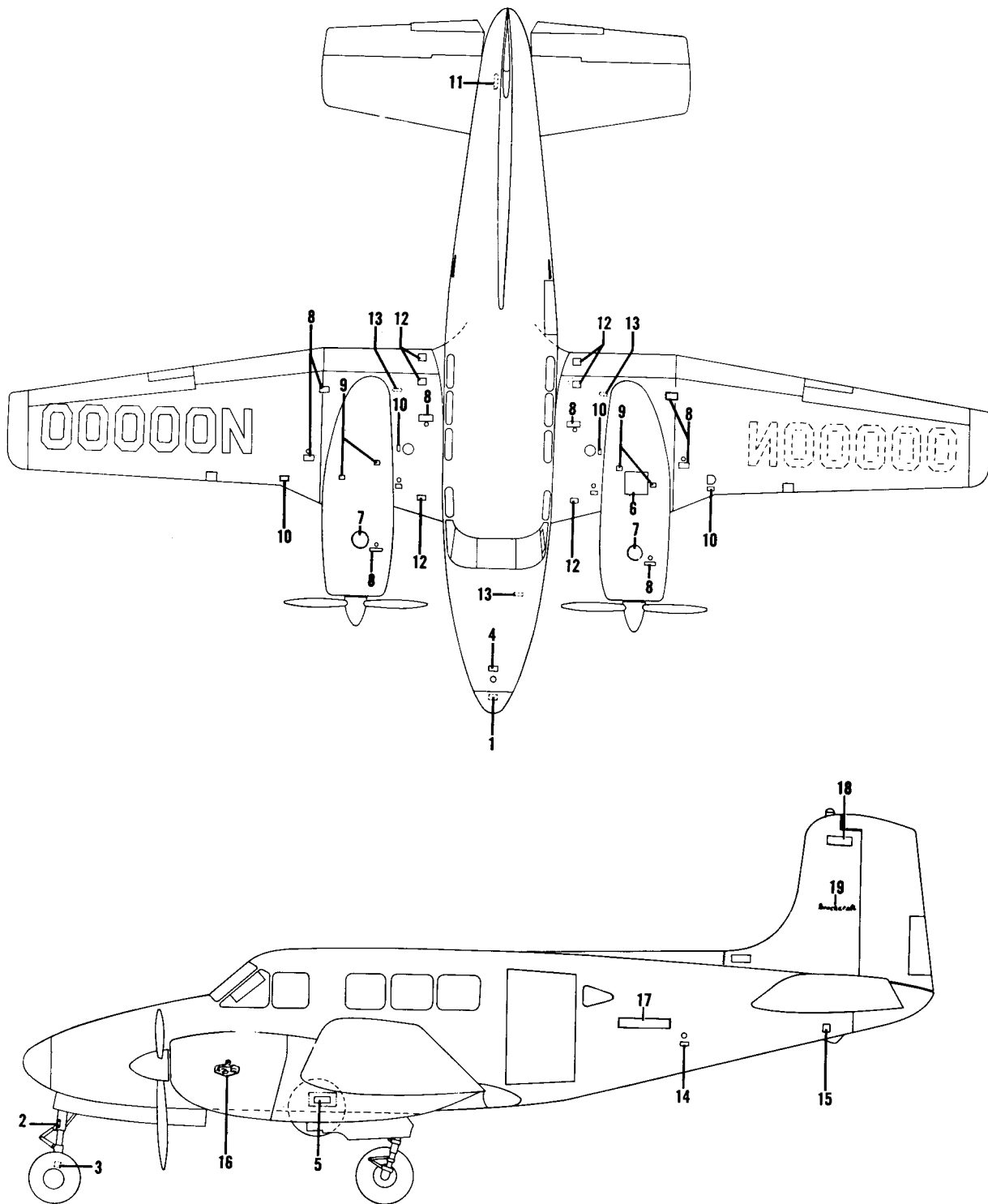


Figure 6. Model 65 & 80 External Markings

MODEL 65 & 80 PARTS CATALOG

FIG. & INDEX NO.	PART NO.	DESCRIPTION	UNITS							USABLE ON CODE	
			1	2	3	4	5	6	7		
6	50-000048	MARKINGS INSTL,EXTERNAL,/SEE FIG. 1 FOR NHA/.								NP	8
	50-000048-1	MARKINGS INSTL,EXTERNAL,/OPTIONAL/.								NP	8
		50-000081	MARKINGS INSTL,EXTERNAL,/SEE FIG. 1 FOR NHA/.							1	7
	- 1	50-000016	• PLACARD,NO PUSH							1	
	- 2	50-820154	• PLACARD,NOSE GEAR TOW							1	
	- 3	112741	• PLACARD,JACK							1	
	- 4	115100	• PLACARD,HOIST							3	
	- 5	112700	• PLACARD,EXTERNAL POWER 24 VOLT.							2	
	- 6	112742	• PLACARD,BATTERY							1	
	- 7	112738	• PLACARD,OIL							2	
	- 8	1001-920013	• PLACARD,FUEL DRAIN.							8	
	- 9	112745-3	• PLACARD,GROUND HERE							4	
	- 10	50-921526-1	• PLACARD,FUEL OCTANE RATING.							4	3
		50-921526-3	• PLACARD,FUEL OCTANE RATING.							4	3
			/ALTERNATE FOR 50-921526-1/								
		50-921542-1	• PLACARD,FUEL CAP /WHITE/ 44 U.S. GAL.							4	4
		50-921542-3	• PLACARD,FUEL CAP /BLACK/ 44 U.S. GAL.							REF	4
		50-921542-5	• PLACARD,FUEL CAP /WHITE/ 23 U.S. GAL.							REF	4
		50-921542-7	• PLACARD,FUEL CAP /BLACK/ 23 U.S. GAL.							REF	4
	50-921542-9	• PLACARD,FUEL CAP /WHITE/ 46 U.S. GAL.							REF	4	
	50-921542-11	• PLACARD,FUEL CAP /BLACK/ 46 U.S. GAL.							REF	4	
	50-921542-13	• PLACARD,FUEL CAP /WHITE/ 71 U.S. GAL.							REF	4	
	50-921542-15	• PLACARD,FUEL CAP /BLACK/ 71 U.S. GAL.							REF	4	
- 11	112740	• PLACARD,TIE DOWN.							3		
- 12	112733	• PLACARD,NO STEP							6		
- 13	112735	• PLACARD,JACK PAD.							3		
- 14	35-410286	• PLACARD,STATIC AIR FITTING.							2		
- 15	111745	• PLACARD,MODEL							1		
- 16	50-000052	• PLACARD,MODEL 65.							2	1	
	35-000064-23	• PLACARD,BASE.							2	2	
	35-000064	• PLACARD,BASE.							2	4	
	35-000064-25	• PLACARD,MODEL 65.							2	2	
	35-000064-47	• PLACARD,MODEL 80.							2	4	
	35-000064-49	• PLACARD,MODEL 80.							2	4	
		/ATTACHING PARTS/									
	AN507UB632R	• SCREW							3		
	AN960-6L	• WASHER							3		
	MS20364-632	• NUT							3		
		-----*									
- 17	130021	• PLACARD,QUEEN AIR							2	6	
- 18	115098-1	• PLACARD,BEECHCRAFT.							1	5	
- 19	115098-1	• PLACARD,BEECHCRAFT.							2	6	
		ENAMEL									
	118684-1	BLUE,PACIFIC.							AR		
	118684-3	BLUE,MORNING GLORY.							AR		
	118684-5	BLUE,BLUEBERRY.							AR		
	118684-7	GREEN,SURF.							AR		
	118684-9	GREEN,SHAMROCK.							AR		
	118684-11	TURQUOISE							AR		
	118684-13	WHEAT,SAN MATEO							AR		
	118684-15	YELLOW,LEMON.							AR		
	118684-17	GOLD,SATURN							AR		
	118684-19	TAN,CASTLE.							AR		
	118684-21	BROWN,BEAVER.							AR		
	118684-23	FLAMINGO.							AR		
	118684-25	RED,HUNTSMAN.							AR		
	118684-27	RED,TOREADOR.							AR		
	118684-29	RED,CHIANTI							AR		
	118684-31	WHITE,MATTERHORN.							AR		
	118684-33	BLACK							AR		
	118684-35	BLUE,LIGHT.							AR		
	118684-37	BLUE,DARK							AR		
	118684-39	GOLD,CHAMPAGNE.							AR		
	118684-41	WHITE,SAND DUNE							AR		
	118684-43	GREEN							AR		

MODEL 65 & 80 PARTS CATALOG

FIG. & INDEX NO.	PART NO.	DESCRIPTION							UNITS PER ASSY	USABLE ON CODE
		1	2	3	4	5	6	7		
6		LACQUER								
	118684-45	WHEAT,SAN MATEO	AR	
	118684-47	YELLOW,SUNSHINE	AR	
	118684-49	RED,TOREADOR.	AR	
	118684-51	TURQUOISE	AR	
	118684-53	BLUE,MORNING GLORY.	AR	
	118684-55	BLACK	AR	
	118684-57	WHITE,MATTERHORN.	AR	
	118684-59	BROWN,BEAVER.	AR	
	118684-61	TAN,CASTLE.	AR	
	118684-63	BLUE,ALPINE	AR	
	118684-65	BLUE,FLAGSHIP	AR	
	118684-67	GREEN,LAKEWOOD.	AR	
	118684-69	GREEN,MEADOWBROOK	AR	
	118684-71	BEIGE,SEMINOLE.	AR	
	118684-73	BROWN,FAWN.	AR	
	118684-75	GRAY,ANCHOR	AR	
	118684-77	GRAY,SKY.	AR	
	118684-79	PEARL,NAIROBI	AR	
	118684-81	GREEN,TURQUOISE	AR	
	118684-83	BLUE,COLONIAL	AR	
	118684-85	GRAY,MACKINAW	AR	
	118684-87	BLUE	AR	
	118684-89	GREEN	AR	
	118684-133	BLACK,DULL.	AR	
	118684-155	SMOKE,AUTUMN.	AR	
		VINYL								
	118684-91	BLUE,FLAGSHIP	AR	
	118684-93	GRAY,EXECUTIVE.	AR	
	118684-95	GREEN	AR	
	118684-97	BEIGE	AR	
	118684-99	PEARL,NAIROBI	AR	
	118684-101	GREEN,LAKEWOOD.	AR	
	118684-103	GREEN,MEADOWBROOK	AR	
	118684-105	BLUE,GLACIER.	AR	
	118684-107	RED,TOREADOR.	AR	
	118684-109	TURQUOISE	AR	
	118684-111	BROWN,FAWN.	RA	
	118684-113	BLUE,ALPINE	AR	
	118684-115	BLUE,COLONIAL	AR	
	118684-117	GRAY,SAXON.	AR	
	118684-119	GRAY,ANCHOR	AR	
	118684-121	GRAY,MACHINAW	AR	
		FLUORSCENT /DAY GLO/								
	118684-123	ORANGE,FIRE	AR	
	118684-125	GREEN,FLASH	AR	
	118684-127	RED,ROCKET.	AR	
	118684-129	YELLOW,LIGHTNING.	AR	
	118684-131	ORANGE,BLAZE.	AR	
		VINYL,ACRYLIC								
	118684-135	TURQUOISE	AR	
	118684-137	RED,TOREADOR.	AR	
	118684-139	TAN,CASTLE.	AR	
	118684-141	BROWN,BEAVER.	AR	
	118684-143	BLUE,PACIFIC.	AR	
	118684-145	WHEAT,SAN MATEO	AR	
	118684-147	YELLOW,SUNSHINE	AR	
	118684-149	BLUE,BLUEBERRY.	AR	

MODEL 65 & 80 PARTS CATALOG

FIG. & INDEX NO.	PART NO.	DESCRIPTION	UNITS PER ASSY	USABLE ON CODE
6	118684-151 118684-153	BLACK WHITE, MATTERHORN.	AR AR	

CODE EFFECTIVITY

- 1 LC-1 THRU LC-52
- 3 LC-1 THRU LC-103
- 5 LC-1 THRU LC-112
- 7 LD-2 AND AFTER

CODE EFFECTIVITY

- 2 LC-53 AND AFTER
- 4 LC-104 AND AFTER,
LD-2 AND AFTER
- 6 LC-113 AND AFTER
- 8 LC-1 AND AFTER

MODEL 65 & 80 PARTS CATALOG

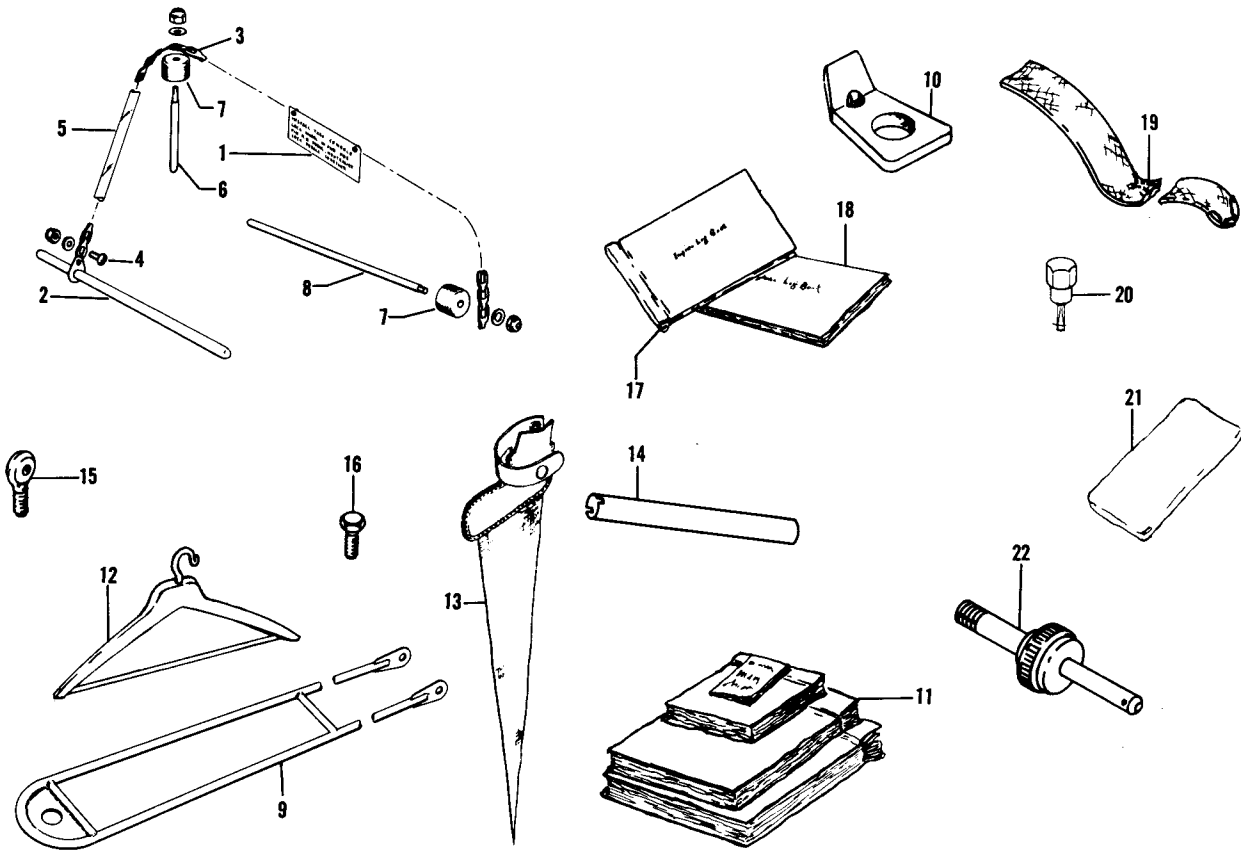


Figure 7. Loose Tools and Accessories

FIG. & INDEX NO.	PART NO.	1	2	3	4	5	6	7	DESCRIPTION	UNITS PER ASSY	USABLE ON CODE
7	50-590117								TOOLS & ACCESSORIES,MODEL 65 LOOSE,	NP	1
									/SEE FIG. 1 FOR NHA/		
	50-590135								TOOL & ACCESSORIES,MODEL 80 LOOSE,.	NP	2
									/SEE FIG. 1 FOR NHA/		
	50-590122-1								• LOCK ASSY,CONTROL SURFACES.	1	1
- 1	50-590123								• PLACARD,CONTROL SURFACES.	1	
- 2	50-590122-7								• WELD ASSY,CONTROL SURFACES LOCK	1	
- 3	109615-C-2-46-2								• CHAIN,CONTROL SURFACES LOCK	1	
									/ATTACHING PARTS/		
- 4	AN515-8R6								• SCREW	1	
	AN960-8								• WASHER.	1	
	MS20365-832								• NUT	1	
									-----*		
- 5	50-590122-15								• COVER,CHAIN	1	
- 6	50-590122-9								• PIN,CONTROL SURFACES LOCK	1	
									/ATTACHING PARTS/		
	AN960-8								• WASHER.	1	
	AN365-832								• NUT	1	
									-----*		
- 7	50-590122-11								• KNOB,CONTROL SURFACES LOCK.	2	
- 8	50-590122-13								• PIN,CONTROL SURFACES LOCK	1	
									/ATTACHING PARTS/		
	AN960-8								• WASHER.	1	
	AN365-832								• NUT	1	
									-----*		
- 9	50-590001								• BAR ASSY,TOW.	1	
- 10	50-590032								• LUG,MAIN SPAR HOISTING.	2	
- 11	50-590118								• KIT,MODEL 65 SERVICE INFORMATION.	1	1
	65-001027								• KIT,MODEL 80 SERVICE INFORMATION.	1	2
- 12	35-590058								• HANGER ASSY,CLOTHING.	2	
- 13	45-590059								• COVER ASSY,PITOT TUBE	1	

MODEL 65 & 80 PARTS CATALOG

FIG. & INDEX NO.	PART NO.	DESCRIPTION							UNITS PER ASSY	USABLE ON CODE			
		1	2	3	4	5	6	7					
7 - 14	50-590106	•	WRENCH,SUMP DRAIN	•	•	•	•	•	•	•	•	1	1
- 15	18092	•	BOLT,EYE	•	•	•	•	•	•	•	•	1	
- 16	AN78A15	•	BOLT	•	•	•	•	•	•	•	•	2	
- 17	EF-5	•	BOOK,ENGINE LOG	•	•	•	•	•	•	•	•	2	
- 18	AF-5	•	BOOK,AIRPLANE LOG	•	•	•	•	•	•	•	•	1	
	NO NUMBER	•	BOX,2 X 10-1/4 X 33 CARDBOARD	•	•	•	•	•	•	•	•	1	
	NO NUMBER	•	BOX,4 X 10-1/4 X 33 CARDBOARD	•	•	•	•	•	•	•	•	1	2
	NO NUMBER	•	BOX,2 X 3-1/2 X 5-1/2 CARDBOARD	•	•	•	•	•	•	•	•	1	
	NO NUMBER	•	BOX,1 X 9 X 11-1/2 CARDBOARD	•	•	•	•	•	•	•	•	1	
- 19	113658-028-00	•	STRAP ASSY,STOWAGE	•	•	•	•	•	•	•	•	1	
	113658-034-00	•	STRAP ASSY,/TO BE INSTALLED AROUND	•	•	•	•	•	•	•	•	1	2
			STOWAGE BOX/										
- 20	CS2	•	SCREWDRIVER	•	•	•	•	•	•	•	•	1	
- 21	NO NUMBER	•	SIC-SAC	•	•	•	•	•	•	•	•	6	
- 22	206-108172	•	KIT,VALVE INFLATION	•	•	•	•	•	•	•	•	1	2

CODE EFFECTIVITY

1 LC-1 AND AFTER

CODE EFFECTIVITY

2 LD-2 AND AFTER

MODEL 65 & 80 PARTS CATALOG

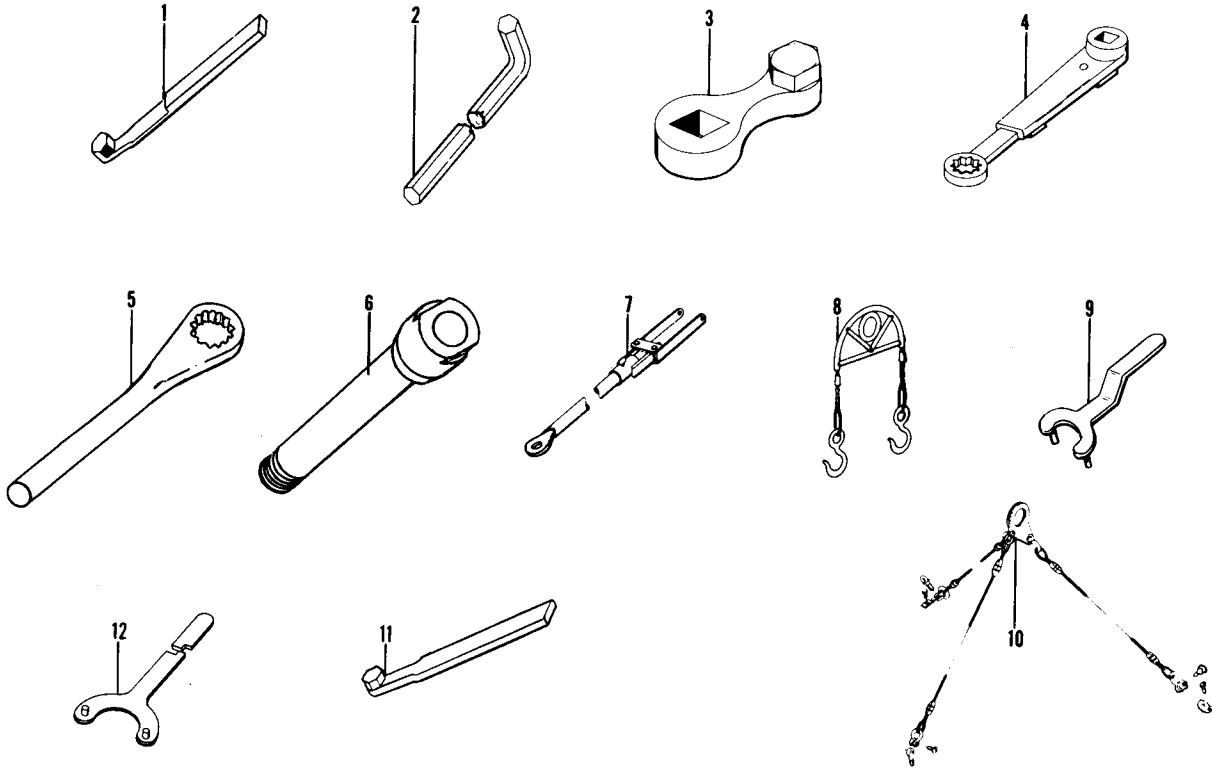


Figure 7A. Optional Loose Tools and Equipment

FIG. & INDEX NO.	PART NO.	1 2 3 4 5 6 7	DESCRIPTION	UNITS PER ASSY	USABLE ON CODE
7A-	65-590010		TOOLS & ACCESSORIES,MODEL 65 LOOSE,/OPTIONAL/,.	NP	1
	65-590009		TOOLS & ACCESSORIES,MODEL 80 LOOSE,/OPTIONAL/,.	NP	2
- 1	50-590011		• WRENCH,WING ATTACHING BOLTS	1	
- 2	50-590012		• WRENCH,WING BOLT	1	
- 3	50-590013		• ADAPTER,WING NUT TORQUE WRENCH.	1	
- 4	50-590014		• ADAPTER ASSY,FWD WING NUT TORQUE WRENCH	1	
- 5	B-842		• WRENCH ASSY,PROPELLER SPANNER	1	1
- 6	50-590084		• WRENCH,SHAFT NUT.	1	
- 7	50-590017		• BAR ASSY,TRACTOR TOW.	1	
- 8	50-590018		• SLING ASSY,ENGINE	1	
- 9	50-590019		• WRENCH ASSY,BRAKE CYLINDER SPANNER.	1	
- 10	50-590124		• SLING ASSY,AIRPLANE	1	
- 11	50-590036		• WRENCH,LOWER FWD WING BOLT.	1	
- 12	180131		• WRENCH ASSY,LANDING GEAR OVERLOAD CLUTCH.	1	
	65-590010-3		• CATALOG,MODEL 65 & 80 PARTS	1	
	65-590010-5		• MANUAL,MODEL 65 SHOP.	1	1
	65-590010-7		• MANUAL,MODEL 80 SHOP.	1	2

CODE EFFECTIVITY

1 LC-1 AND AFTER

CODE EFFECTIVITY

2 LD-2 AND AFTER

MODEL 65 & 80 PARTS CATALOG

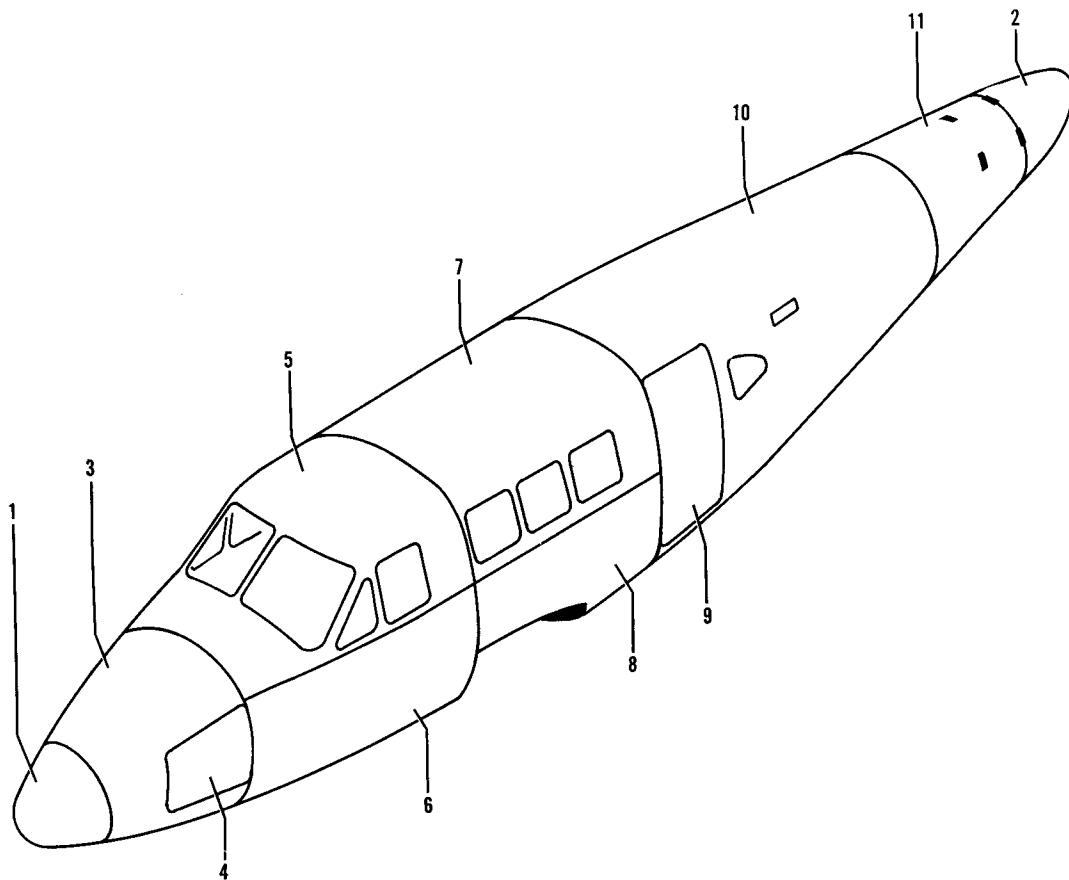


Figure 8. Fuselage Structure Assembly

FIG. & INDEX NO.	PART NO.	DESCRIPTION							UNITS PER ASSY	USABLE ON CODE
		1	2	3	4	5	6	7		
8	50-400450								NP	1
	50-400450-1								NP	2
- 1	50-410013								NP	1
- 2	50-440018								NP	2
	50-440018-13								NP	2
- 3	50-410012								1	
- 4	50-410015								1	3
	50-410015-63								1	4
- 5	50-420051								1	
									1	
- 6	50-420011								1	
									1	
- 7	50-420013								1	
- 8	50-420014								1	
- 9	50-430015								NP	
- 10	50-440012								1	3
	50-440012-353								1	4
- 11	50-440011								1	1
	50-440011-37								1	2

CODE EFFECTIVITY

- 1 LC-1 AND AFTER
- 3 LC-1 THRU LC-112

CODE EFFECTIVITY

- 2 LD-1 AND AFTER
- 4 LC-113 AND AFTER,
LD-1 AND AFTER

MODEL 65 & 80 PARTS CATALOG

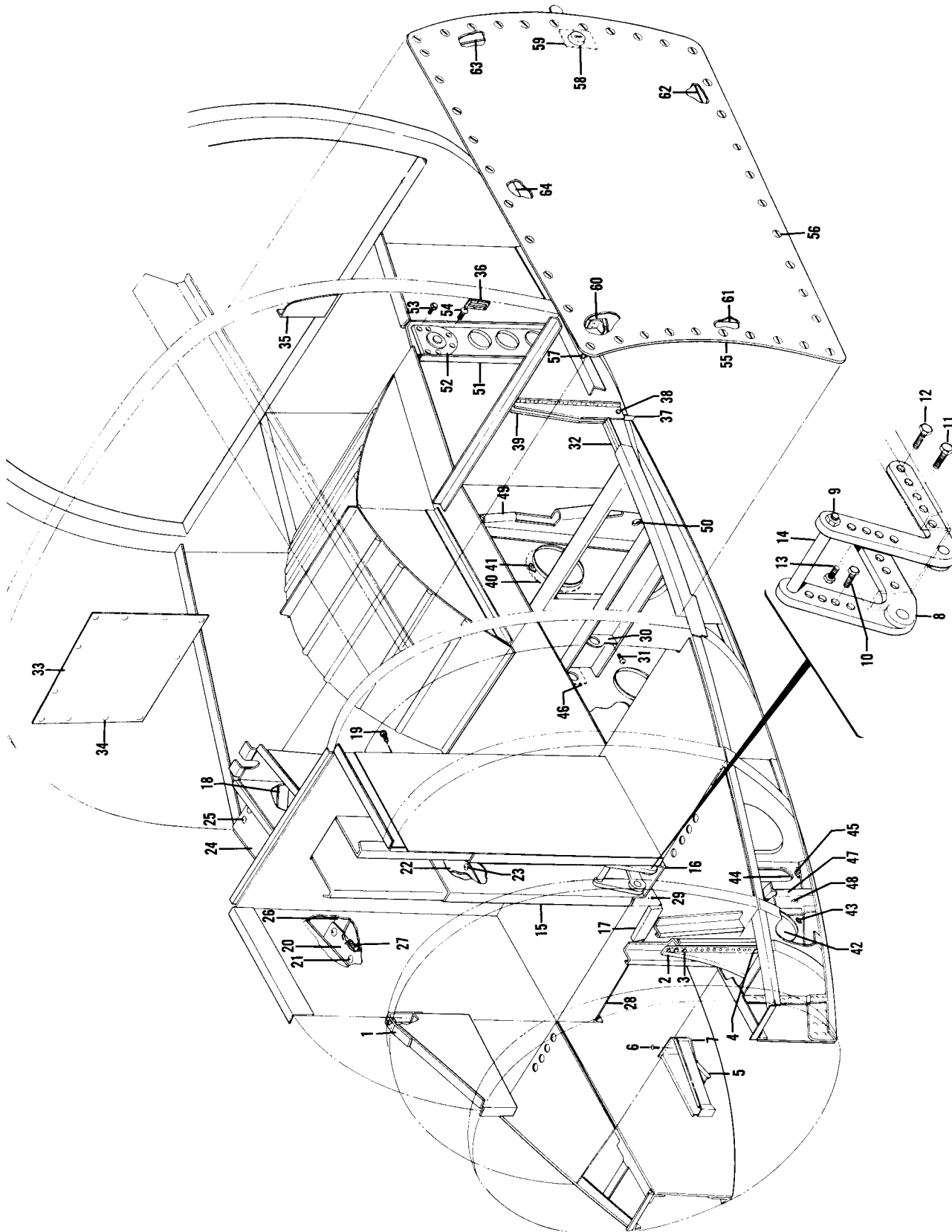


Figure 9. Fuselage Nose Section Assembly

MODEL 65 & 80 PARTS CATALOG

FIG. & INDEX NO.	PART NO.	DESCRIPTION	UNITS PER ASSY	USABLE ON CODE
		1 2 3 4 5 6 7		
9	50-410012	NOSE ASSY,FUSELAGE /SEE FIG. 8 FOR NHA/	REF	
- 1	50-410020	. FITTING INSTL,HOIST	NP	
	57	. GROMMET,/RB/	1	
- 2	50-410018-1	. FITTING,LANDING GEAR LH	1	
	50-410018-2	. FITTING,LANDING GEAR RH	1	
- 3	ALPP-T6-4	. BOLT,HUCK /HKM/	7	
- 4	ALPP-T6-5	. BOLT,HUCK /HKM/	1	
	50-820180-1	. STRAIGHTENER INSTL,WHEEL	NP	
- 5	50-820180-3	. TRACK ASSY.	1	
		/ATTACHING PARTS/		
- 6	AN509-10R8	. SCREW	3	
	AN960-10L	. WASHER	3	
	MS20365-1032	. NUT	3	
		-----*		
- 7	50-820180-9	. ANGLE	1	
- 8	50-410019-1	. FITTING,DRAG LEG LH	1	
	50-410019-2	. FITTING,DRAG LEG RH	1	
		/ATTACHING PARTS/		
- 9	AN4-37A	. BOLT	1	
- 10	AN4-10A	. BOLT	4	
- 11	AN4-7A	. BOLT	4	
	AN960-416	. WASHER	9	
	MS20365-428	. NUT	9	
- 12	AN4-7A	. BOLT	1	
	AN960-416	. WASHER	1	
	MS20365-428	. NUT	1	
- 13	S-126-15	. BOLT	1	
	AN960-416L	. WASHER	1	
	MS20365-428C	. NUT	1	
		-----*		
- 14	50-410012-59	. STOP	1	
- 15	50-410012-29	. ANGLE,LH	1	
	50-410012-30	. ANGLE,RH	1	
- 16	50-410012-27	. SUPPORT	1	
- 17	50-410012-104	. SPACER	1	
- 18	50-410012-177	. COVER,ACCESS	1	
		/ATTACHING PARTS/		
- 19	AN520-10R8	. SCREW	8	
		-----*		
- 20	50-410012-183	. PANEL,FLOOR	1	
		/ATTACHING PARTS/		
- 21	AN520-10R8	. SCREW	17	
		-----*		
- 22	50-410012-185	. SUPPORT,FLOOR	1	
		/ATTACHING PARTS/		
- 23	AN520-10R8	. SCREW	5	
		-----*		
- 24	50-410012-179	. PANEL,FLOOR	1	
		/ATTACHING PARTS/		
- 25	AN520-10R8	. SCREW	12	
		-----*		
	50-410026	. FRAME ASSY.	1	
- 26	50-410026-10	. CHANNEL ASSY,ZEE	1	
		/ATTACHING PARTS/		
- 27	AN520-10R8	. SCREW	3	
	AN960-10	. WASHER	3	
	MS20365-1032	. NUT	3	
		-----*		
- 28	50-410012-88	. COVER,ACCESS	1	
		/ATTACHING PARTS/		
- 29	AN520-10R8	. SCREW	11	
		-----*		
- 30	50-410012-89	. RETAINER	1	
		/ATTACHING PARTS/		
- 31	AN520-1032	. SCREW	2	
	AN960-10	. WASHER	2	
	MS20365-1032	. NUT	2	
		-----*		

MODEL 65 & 80 PARTS CATALOG

FIG. & INDEX NO.	PART NO.	DESCRIPTION	UNITS PER ASSY	USABLE ON CODE
		1 2 3 4 5 6 7		
9 - 32	50-410012-69	. CHANNEL	1	
	50-410012-71	. CHANNEL	1	
	50-410027	. FRAME ASSY.	1	
- 33	50-344664-7	. DOOR.	1	
		/ATTACHING PARTS/		
- 34	AN520C10R8	. . SCREW	12	
		-----*-----		
- 35	50-410027-25	. . DOUBLER	1	
- 36	50-410027-27	. . PLATE	2	
- 37	50-400133-1	. . POINT,FUSELAGE JACK	1	
		/ATTACHING PARTS/		
- 38	ALPPN-T6-19	. . PIN,LOCKBOLT.	3	
	LC-66	. . COLLAR.	3	
		-----*-----		
- 39	50-410023-9	. . ANGLE	1	
	50-410023-23	. . ANGLE	1	
	50-410012-3	. KEEL ASSY,LH.	1	
	50-410012-4	. KEEL ASSY,RH.	1	
- 40	50-400155-8	. . COVER,ACCESS.	6	
		/ATTACHING PARTS/		
- 41	AN520-10R	. . SCREW	2	
		-----*-----		
- 42	50-410012-101	. . COVER,ACCESS.	3	
		/ATTACHING PARTS/		
- 43	AN520-10R	. . SCREW	2	
		-----*-----		
- 44	50-410012-99	. . COVER,ACCESS.	2	
		/ATTACHING PARTS/		
- 45	AN520-10R	. . SCREW	2	
		-----*-----		
- 46	50-410012-84	. . SPACER.	1	
	50-410012-603	. . BRACKET,HINGE LH,/SPARE ASSY,SEE ADDENDUM/	1	
- 47	50-410012-45	. . BRACKET,HINGE LH.	NP	
	50-410012-604	. . BRACKET,HINGE RH,/SPARE ASSY,SEE ADDENDUM/	1	
	50-410012-46	. . BRACKET,HINGE RH.	NP	
- 48	50-400177	. . BUSHING	4	
	50-410012-601	. . BRACKET,HINGE LH,/SPARE ASSY,SEE ADDENDUM/	1	
- 49	50-410012-47	. . BRACKET,HINGE LH.	NP	
	50-410012-602	. . BRACKET,HINGE RH,/SPARE ASSY,SEE ADDENDUM/	1	
	50-410012-48	. . BRACKET,HINGE RH.	NP	
- 50	50-400177	. . BUSHING	4	
- 51	50-410012-11	. . CHANNEL,LH.	1	
	50-410012-12	. . CHANNEL,RH.	1	
- 52	50-524457-1	. . BUSHING	1	
		/ATTACHING PARTS/		
- 53	AN3-5A	. . BOLT.	4	
	AN960-10	. . WASHER.	4	
	MS20365-1032	. . NUT	4	
- 54	AN509-10	. . SCREW	2	
	AN960-10	. . WASHER.	2	
	AN365-1032	. . NUT	2	
		-----*-----		
	50-410015	DOOR INSTL,NOSE COMPARTMENT/SEE FIG. 8 FOR NHA/	REF	3
	50-410015-63	DOOR INSTL,NOSE COMPARTMENT/SEE FIG. 8 FOR NHA/	REF	4
- 55	50-410015-1	. DOOR ASSY,LH.	1	3
	50-410015-61	. DOOR ASSY,LH.	1	4
	50-410015-2	. DOOR ASSY,RH.	1	3
	50-410015-62	. DOOR ASSY,RH.	1	4
- 56	98265-2-180	. . STUD.	10	
- 57	98265-2-200	. . STUD.	11	
	99836	. . PIN,CROSS	21	
- 58	50-384023-3	. . LOCK ASSY,LH.	1	
	50-384023-4	. . LOCK ASSY,RH.	1	
- 59	50-410015-39	. . DOUBLER	1	
- 60	50-410015-41	. . ANGLE	1	3
	50-410015-75	. . SEAL ASSY,KIT,.	1	1
		/FOR SPARES ON CODE 1 AIRCRAFT/		
- 61	50-410015-23	. . . SEAL,LH	1	1
	50-410015-24	. . . SEAL,RH	1	1
	50-410015-71	. . . RETAINER,SEAL	2	1
- 62	50-410015-47	. . . SEAL,LH	1	1
	50-410015-48	. . . SEAL,RH	1	1
	50-410015-69	. . . RETAINER,SEAL	2	1

MODEL 65 & 80 PARTS CATALOG

FIG. & INDEX NO.	PART NO.	DESCRIPTION							UNITS PER ASSY	USABLE ON CODE										
		1	2	3	4	5	6	7												
9 - 63	50-410015-49	.	.	.	SEAL,LH	1	1
	50-410015-50	.	.	.	SEAL,RH	1	1
- 64	50-410015-67	.	.	.	RETAINER,SEAL	2	1
	50-410015-51	.	.	.	SEAL,LH	1	1
	50-410015-52	.	.	.	SEAL,RH	1	1
	50-410015-73	.	.	.	RETAINER,SEAL	2	1
	AN530-6R	.	.	.	SCREW	7	
		----	*	----																
	50-410015-65	.	.	.	SEAL,NOSE DOOR,	2	2
/FOR SPARES ON CODE 2 AIRCRAFT/																				

CODE EFFECTIVITY

- 1 LC-1 THRU LC-68,
LC-70,
LC-72 THRU LC-77
- 3 LC-1 THRU LC-6

CODE EFFECTIVITY

- 2 LC-69,LC-71,
LC-78 AND AFTER,
LD-2 AND AFTER
- 4 LC-7 AND AFTER,
LD-1 AND AFTER

MODEL 65 & 80 PARTS CATALOG

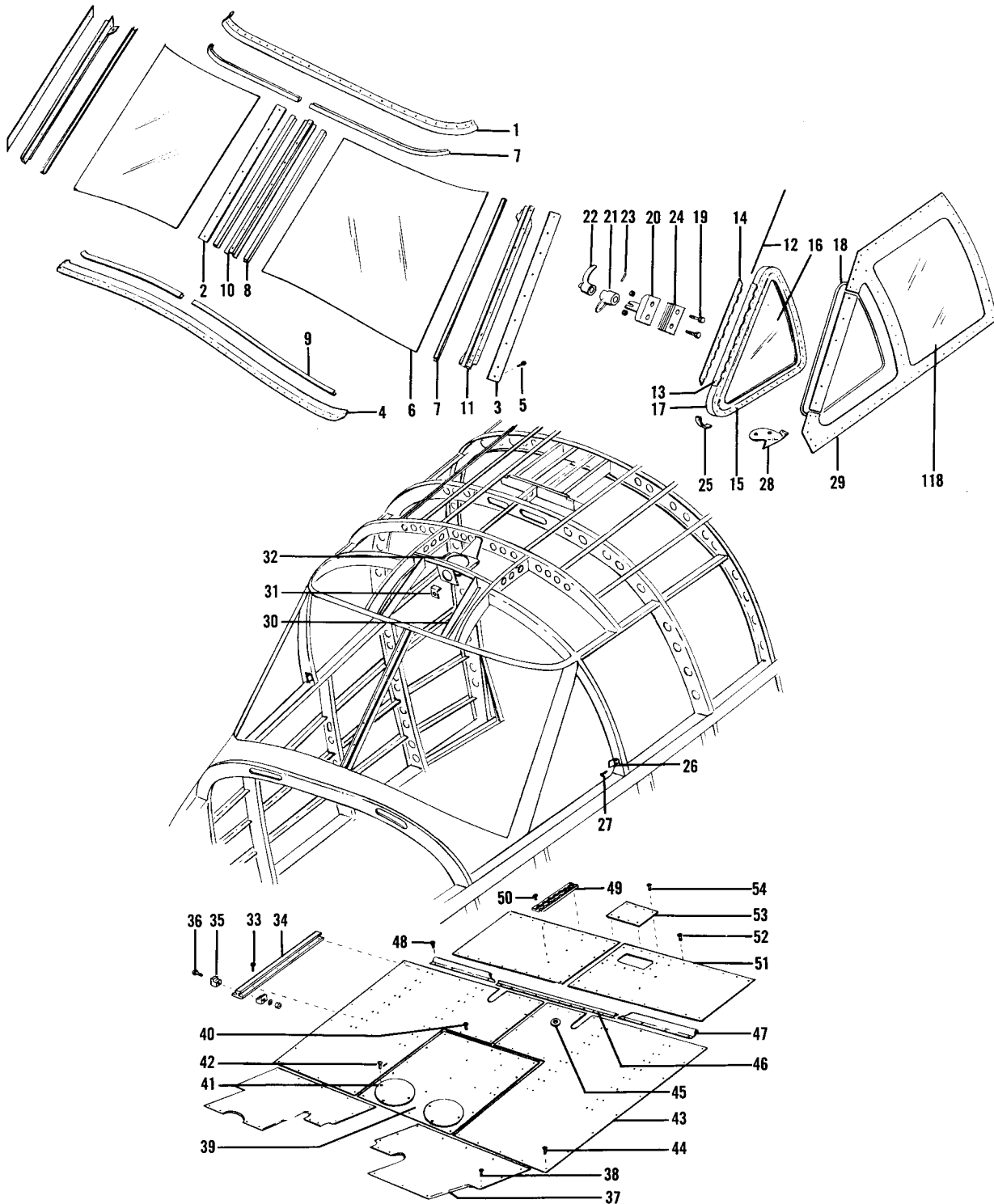


Figure 10. Crew Compartment Enclosure Assembly (Sheet 1 of 2 Sheets)

MODEL 65 & 80 PARTS CATALOG

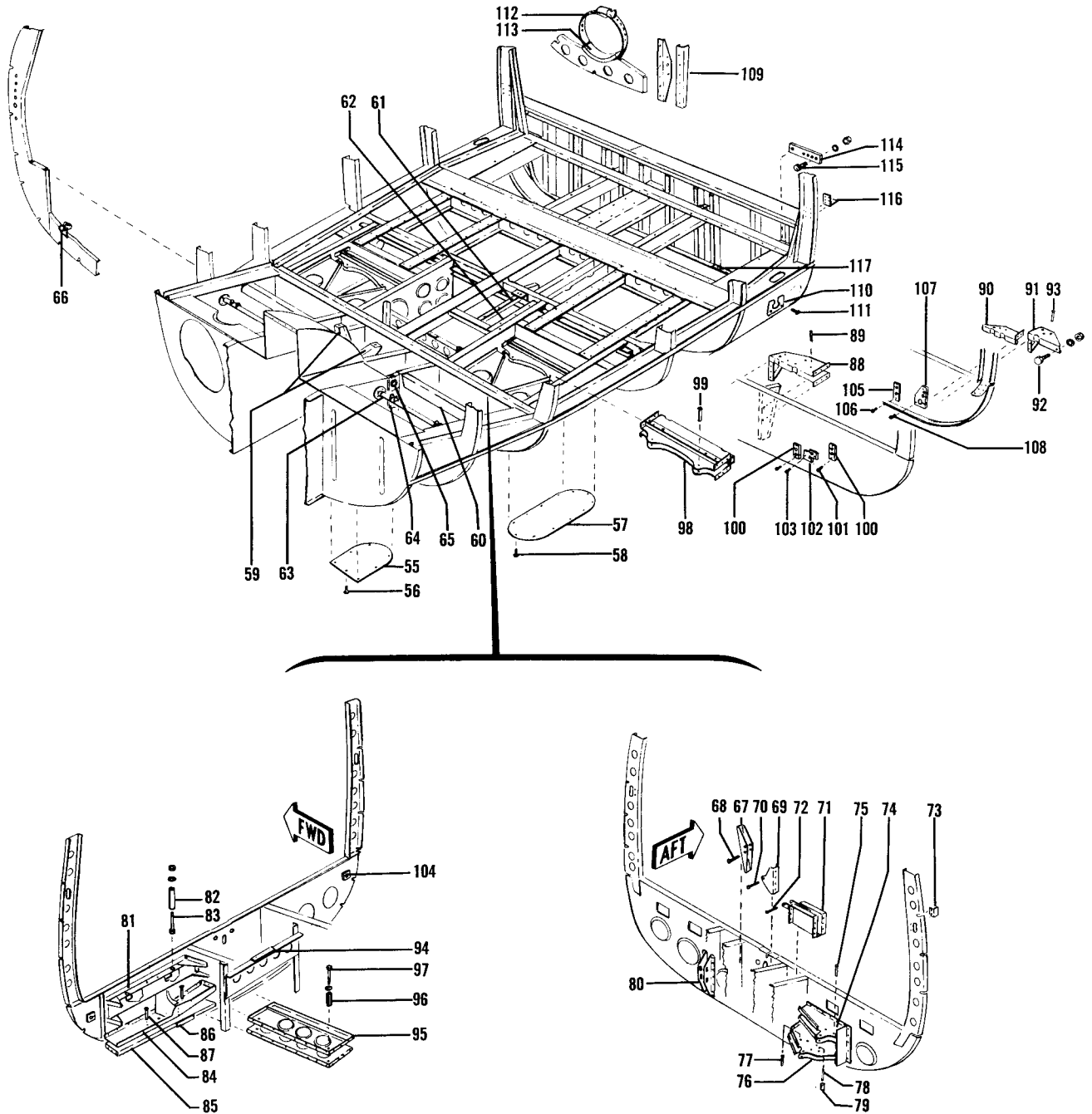


Figure 10. Crew Compartment Enclosure Assembly (Sheet 2 of 2 Sheets)

MODEL 65 & 80 PARTS CATALOG

FIG. & INDEX NO.	PART NO.	DESCRIPTION	UNITS PER ASSY							USABLE ON CODE	
			1	2	3	4	5	6	7		
10	50-420051	ENCLOSURE ASSY,CREW COMPARTMENT /SEE FIG. 8 FOR NHA/								REF	
- 1	50-420051-45	. . . RETAINER,WINDSHIELD								1	
- 2	50-420051-47	. . . RETAINER,WINDSHIELD								1	
- 3	50-420051-49	. . . RETAINER,WINDSHIELD LH.								1	
	50-420051-50	. . . RETAINER,WINDSHIELD RH.								1	
- 4	50-420051-43	. . . RETAINER,WINDSHIELD /ATTACHING PARTS/								1	
- 5	AN507-1032R	. . . SCREW								72	
		-----*									
- 6	50-420051-5	. . . WINDSHIELD,GLASS LH								1	
	50-420051-6	. . . WINDSHIELD,GLASS RH								1	
- 7	115162-027-00	. . . EXTRUSION,RUBBER CHANNEL								2	
- 8	115162-024-00	. . . EXTRUSION,RUBBER CHANNEL								1	
- 9	115162-031-00	. . . EXTRUSION,RUBBER CHANNEL								1	
- 10	50-420052-1	. . . FRAME ASSY,SUPPORT								1	
- 11	50-420012-13	. . . FRAME ASSY,SUPPORT LH								1	
	50-420012-14	. . . FRAME ASSY,SUPPORT RH								1	
	50-420051-125	. . . WINDOW ASSY,LH STORM								1	
	50-420051-141	. . . WINDOW ASSY,LH STORM /SPARE ASSY/								1	
	50-420051-126	. . . WINDOW ASSY,RH STORM								1	
	50-420051-142	. . . WINDOW ASSY,RH STORM /SPARE ASSY/								1	
- 12	AN253-2-1538	. . . PIN,HINGE /ATTACHING PARTS/								1	
		-----*									
- 13	50-420051-109	. . . HINGE,HALF LH								1	
	50-420051-110	. . . HINGE,HALF RH								1	
- 14	50-420051-111	. . . HINGE,HALF								2	
- 15	50-420051-121	. . . RETAINER,LH WINDOW								1	
	50-420051-122	. . . RETAINER,RH WINDOW								1	
- 16	50-420051-123	. . . WINDOW,PLASTIC LH								1	
	50-420051-124	. . . WINDOW,PLASTIC RH								1	
- 17	50-420051-119	. . . FRAME,WINDOW LH								1	
	50-420051-120	. . . FRAME,WINDOW RH								1	
- 18	50-420051-135	. . . SEAL,RUBBER								2	
	50-420046-1	. . . LATCH ASSY,LH WINDOW								1	
	50-420046-2	. . . LATCH ASSY,RH WINDOW								1	
- 19	AN509-10R12	. . . SCREW								2	
	AN960-10L	. . . WASHER								2	
	MS20365-1032	. . . NUT								2	
		-----*									
- 20	50-420046-3	. . . SHAFT ASSY,LH								1	
	50-420046-4	. . . SHAFT ASSY,RH								1	
- 21	50-420046-5	. . . STOP ASSY,LH.								1	
	50-420046-6	. . . STOP ASSY,RH.								1	
- 22	50-420046-9	. . . HANDLE,LH								1	
	50-420046-10	. . . HANDLE,RH								1	
- 23	MS171498	. . . PIN								1	
	1450-156	. . . KIT,LATCH ASSY.								1	
	B1-8610-1C	. . . BUTTON								1	
	B1-609-1-B-1	. . . KEY								1	
	B1-8294-1G	. . . SPRING								1	
- 24	50-420051-85	. . . SHIM								1	
- 25	50-420051-113	. . . PLATE								1	
- 26	50-420051-93	. . . ANGLE,LH.								1	
	50-420051-94	. . . ANGLE,RH.								1	
- 27	AN507-1032	. . . SCREW /ATTACHING PARTS/								2	
		-----*									
- 28	50-420051-129	. . . DETENT ASSY,LH.								1	
	50-420051-130	. . . DETENT ASSY,RH.								1	
- 29	50-420051-139	. . . WINDOW ASSY,LH.								1	
	50-420051-140	. . . WINDOW ASSY,RH.								1	
- 30	50-420051-29	. . . ANGLE,SUPPORT LH.								1	
	50-420051-30	. . . ANGLE,SUPPORT RH.								1	
- 31	50-420051-71	. . . BRACKET,MAPLIGHT.								1	
- 32	50-420045	. . . BRACKET,SPEAKER								1	
	50-420011	STRUCTURE ASSY,CREW COMPARTMENT /SEE FIG. 8 FOR NHA/								REF	

MODEL 65 & 80 PARTS CATALOG

FIG. & INDEX NO.	PART NO.	DESCRIPTION	UNITS PER ASSY	USABLE ON CODE
10	50-420031	• TRACK ASSY,PILOTS CHAIR	4	
		/ATTACHING PARTS/		
- 33	NAS221	• SCREW	16	
		-----*-----		
- 34	50-420031-1	• • TRACK	1	
- 35	414-180657-3	• • STOP,CHAIR TRACK.	4	
		/ATTACHING PARTS/		
- 36	NAS221-21	• • SCREW	1	
	AN960-10	• • WASHER.	1	
	MS20365-1032	• • NUT	1	
		-----*-----		
- 37	50-420011-109	• WEB,FLOOR LH.	1	
	50-420011-110	• WEB,FLOOR RH.	1	
		/ATTACHING PARTS/		
- 38	NAS221	• SCREW	16	
		-----*-----		
- 39	50-420011-155	• WEB ASSY,FLOOR.	1	
		/ATTACHING PARTS/		
- 40	NAS221	• SCREW	18	
		-----*-----		
- 41	50-420011-161	• • COVER,ACCESS.	2	
		/ATTACHING PARTS/		
- 42	98292-1-100	• • STUD.	2	
	99836	• • PIN,CROSS	2	
		-----*-----		
- 43	50-420011-101	• WEB ASSY,FLOOR LH	1	
	50-420011-102	• WEB ASSY,FLOOR RH	1	
		/ATTACHING PARTS/		
- 44	NAS221	• SCREW	28	
		-----*-----		
- 45	AN931-10-14	• • GROMMET,LH WEB.	1	
- 46	50-420011-85	• TRACK,DOOR.	1	
- 47	50-420011-179	• TRACK,LH DOOR	1	
	50-420011-180	• TRACK,RH DOOR	1	
		/ATTACHING PARTS/		
- 48	AN509-10	• SCREW	4	
		-----*-----		
- 49	50-420011-37	• TRACK,CHAIR	4	
		/ATTACHING PARTS/		
- 50	AN509-10	• SCREW	3	
		-----*-----		
- 51	50-420011-31	• WEB ASSY,FLOOR LH	1	
	50-420011-32	• WEB ASSY,FLOOR RH	1	
		/ATTACHING PARTS/		
- 52	NAS221	• SCREW	26	
		-----*-----		
- 53	50-420011-203	• DOOR,ACCESS	1	
		/ATTACHING PARTS/		
- 54	NAS221	• SCREW	8	
		-----*-----		
- 55	50-420011-189	• DOOR,ACCESS	1	
		/ATTACHING PARTS/		
- 56	NAS221-7	• SCREW	8	
		-----*-----		
- 57	50-420011-173	• DOOR,ACCESS	1	
		/ATTACHING PARTS/		
- 58	NAS221-7	• SCREW	12	
		-----*-----		
- 59	50-420047-1	• BRACKET INSTL,LH SUPPORT.	1	
	50-420047-2	• BRACKET INSTL,RH SUPPORT.	1	
- 60	50-420011-113	• CHANNEL	1	
- 61	50-420011-233	• ANGLE	1	
- 62	50-420011-221	• ANGLE	1	
- 63	50-420038	• SUPPORT ASSY,MASTER CYLINDER.	1	
	50-420032	• CHANNEL ASSY,PILOTS FLOOR	1	
- 64	50-420032-5	• • REINFORCEMENT,LH.	1	
	50-420032-6	• • REINFORCEMENT,RH.	1	

MODEL 65 & 80 PARTS CATALOG

FIG. & INDEX NO.	PART NO.	DESCRIPTION							UNITS PER ASSY	USABLE ON CODE
		1	2	3	4	5	6	7		
10 - 65	50-524458-1	2	
	50-420037	1	
- 66	50-420037-15	1	
- 67	50-420011-123	1	
- 68	NAS427K15	1	
- 69	50-420011-125	1	
- 70	NAS427K15	2	
- 71	50-420011-127	1	
- 72	NAS427K16	2	
	50-420033	1	
- 73	50-420033-17	2	
	50-524426	1	
- 74	50-524426-1	1	
- 75	NAS427K15	2	
- 76	50-524426-3	1	
- 77	NAS427K15	3	
- 78	NAS427T21	1	
- 79	100696P-ZC010	1	
- 80	50-420033-13	1	
	50-420033-11	1	
	50-420033-9	1	
	50-420033-10	1	
- 81	50-420033-7	1	
	50-420033-8	1	
- 82	50-400039-6	2	
		/ATTACHING PARTS/								
- 83	AN3-25A	2	
	AN960-10	2	
	AN365-1032	2	
		-----*								
	50-420022	1	
	50-420039-5	1	
- 84	50-420039-11	1	
	50-420039-15	1	
- 85	50-420039-13	1	
- 86	50-420039-7	1	
- 87	NAS427K14	2	
	50-420040	1	
- 88	50-420040-3	1	
- 89	NAS427K12	4	
- 90	50-420044	1	
- 91	50-420041	1	
		/ATTACHING PARTS/								
- 92	AN3-4A	1	
	AN960-10L	1	
	MS20365-1032	1	
		-----*								
- 93	NAS427K12	1	
- 94	50-420011-207	1	
- 95	50-420011-77	1	
	50-420011-78	1	
- 96	50-420011-147	2	
		/ATTACHING PARTS/								
- 97	AN3-	2	
	AN960-10	2	
		-----*								
- 98	50-420011-69	1	
- 99	NAS427K20	4	
	50-420034	1	
-100	50-524436	2	
		/ATTACHING PARTS/								
-101	AN515-10	2	
	AN960-10	2	
	AN365-1032	2	
		-----*								

MODEL 65 & 80 PARTS CATALOG

FIG. & INDEX NO.	PART NO.	DESCRIPTION	UNITS PER ASSY	USABLE ON CODE
10 -102	50-524436-1	. . FAIRLEAD,CABLE /ATTACHING PARTS/	1	
-103	AN515-10	. . SCREW	2	
	AN960-10	. . WASHER	2	
	AN365-1032	. . NUT	2	
		-----*		
-104	50-420034-21	. . FAIRLEAD,CABLE	2	
	50-420035	. BULKHEAD ASSY,FUSELAGE STA 143.	1	
-105	50-524436	. . FAIRLEAD,CABLE /ATTACHING PARTS/	1	
-106	AN515-10	. . SCREW	2	
	AN960-10	. . WASHER	2	
	AN365-1032	. . NUT	2	
		-----*		
-107	50-420035-31	. . FAIRLEAD,CABLE /ATTACHING PARTS/	1	
-108	AN515-10	. . SCREW	2	
	AN960-10	. . WASHER	2	
	AN365-1032	. . NUT	2	
		-----*		
-109	50-420035-25	. . BRACKET,LH.	1	
	50-420035-27	. . BRACKET,RH.	1	
-110	50-400003-170	. COVER /ATTACHING PARTS/	1	
-111	AN520-10R8	. SCREW	4	
		-----*		
-112	105798-16	. CLAMP	1	
-113	50-420011-213	. PAD	1	
-114	50-420011-41	. STRAP,LH.	1	
	50-420011-42	. STRAP,RH. /ATTACHING PARTS/	1	
-115	AN3A5	. BOLT	6	
	AN960-10	. WASHER	6	
	AN365-1032	. NUT	3	
		-----*		
	50-420036	. BULKHEAD ASSY,FUSELAGE STA 158.	1	
-116	50-420036-11	. ANGLE	2	
-117	50-420036-13	. STRIP	1	
-118	50-420012-139	. WINDOW ASSY,CABIN LH.	1	
	50-420012-140	. WINDOW ASSY,CABIN RH.	1	
	50-420012-9	. . WINDOW,CABIN LH	1	
	50-420012-10	. . WINDOW,CABIN RH	1	
	50-420012-39	. . FRAME,CABIN WINDOW OUTER LH	1	
	50-420012-40	. . FRAME,CABIN WINDOW OUTER RH	1	
	50-420012-41	. . FRAME,CABIN WINDOW INNER LH	1	
	50-420012-42	. . FRAME,CABIN WINDOW INNER RH	1	

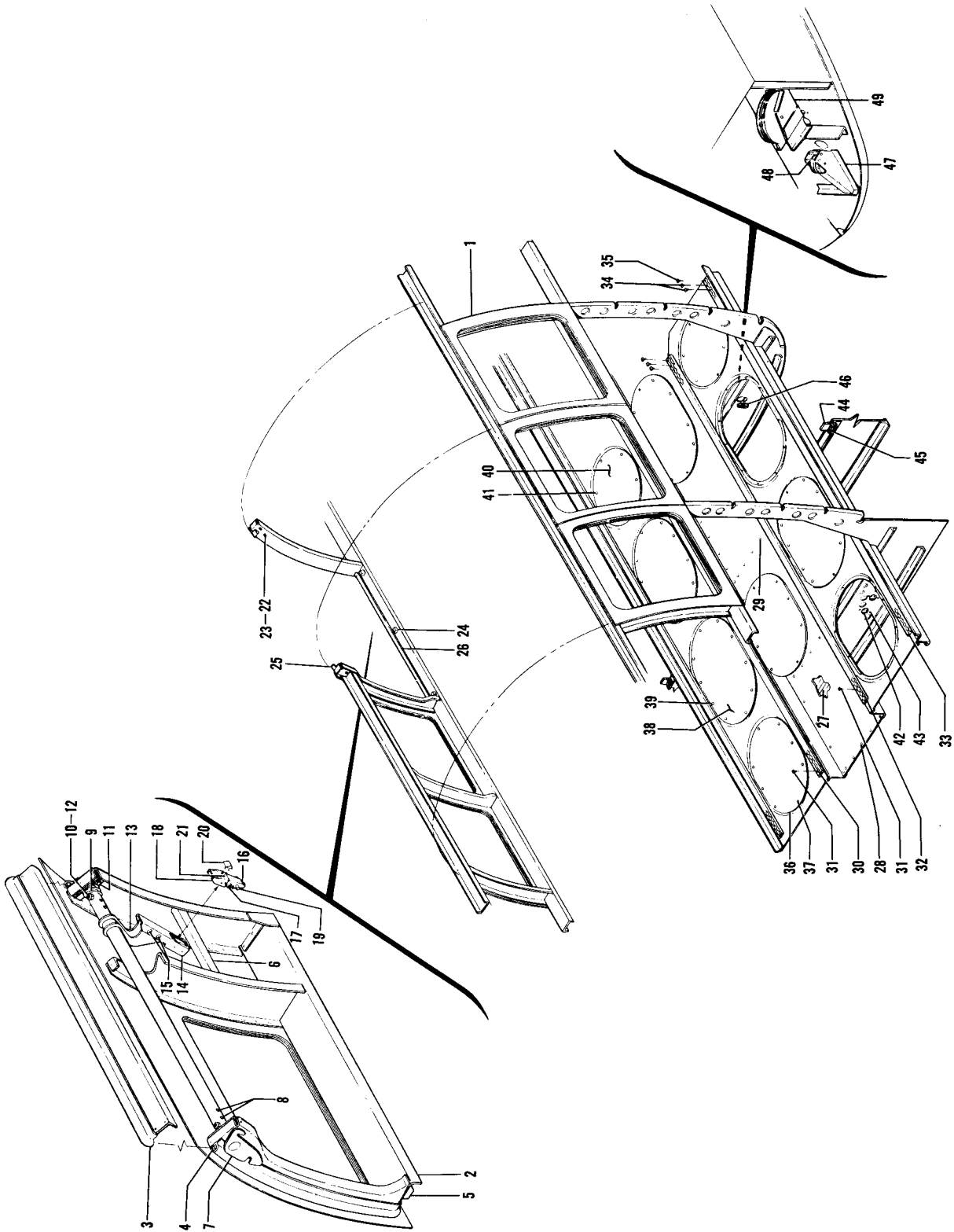


Figure 11. Cabin Upper Enclosure Assembly

MODEL 65 & 80 PARTS CATALOG

FIG. & INDEX NO.	PART NO.	DESCRIPTION	UNITS PER ASSY	USABLE ON CODE
11	50-420013	ENCLOSURE ASSY,CABIN UPPER /SEF FIG. 8 FOR NHA/	REF	
- 1	50-420013-1	. WINDOW ASSY,CABIN	5	
	50-420013-109	. DOOR ASSY,ESCAPE HATCH.	1	
- 2	50-420013-97	. WINDOW ASSY	1	
- 3	50-420013-69	. SEAL	1	
- 4	50-420013-115	. SEAL,BACKUP	1	
- 5	50-420013-59	. BLOCK,HINGE	3	
- 6	50-420013-21	. STOP	3	
- 7	644-184456	. LOCK ASSY,LH.	1	
	644-184456-1	. LOCK ASSY,RH.	1	
		/ATTACHING PARTS/		
- 8	NAS221-19	. SCREW	2	
	AN960-10	. WASHER.	2	
	AN365-1032	. NUT	2	
		-----*		
- 9	404-185663-1	. SPRING,LH	1	
	404-185663-2	. SPRING,RH	1	
		/ATTACHING PARTS/		
- 10	AN515-8A20	. SCREW	1	
- 11	AN507-832R6	. SCREW	1	
- 12	100696S-ZB008	. SPACER.	1	
	AN960-8	. WASHER.	2	
	AN365-832	. NUT	2	
		-----*		
- 13	50-420013-77	. BRAZE ASSY,HATCH RELEASE.	1	
- 14	50-420013-79	. ARM,RELEASE	1	
		/ATTACHING PARTS/		
- 15	AN525-10	. SCREW	4	
	AN960-10L	. WASHER.	4	
	AN365-1032	. NUT	4	
		-----*		
- 16	H4602-040-142	. BOLT.	1	
- 17	H4609	. SPRING.	2	
- 18	407-185655	. TRIGGER,RELEASE	1	
- 19	100696X-YN005	. SPACER.	2	
- 20	50-420013-127	. BUTTON.	1	
		/ATTACHING PARTS/		
- 21	AN530-4R4	. SCREW	2	
	AN960-3L	. WASHER.	2	
		-----*		
- 22	AN525-10	. SCREW	4	
- 23	50-420013-55	. SPACER.	4	
	AN960-10	. WASHER.	8	
	AN365-1032	. NUT	4	
- 24	50-420013-61	. BLOCK,HINGE	3	
- 25	50-420013-147	. FILLET.	2	
- 26	50-420013-67	. STRIP,SEALING	1	
	50-420014	STRUCTURE ASSY,CABIN LOWER /SEF FIG. 8 FOR NHA/	REF	
- 27	50-420014-121	. PANEL ASSY,CABIN FLOOR.	1	
		/ATTACHING PARTS/		
- 28	AN525-10R8	. SCREW	23	
- 29	AN507-10R7	. SCREW	10	
		-----*		
- 30	50-420014-19	. TRACK,CHAIR	2	
		/ATTACHING PARTS/		
- 31	AN509-10R	. SCREW	26	
		-----*		
- 32	50-420014-191	. TRACK,CHAIR	2	
		/ATTACHING PARTS/		
- 33	AN509-10R	. SCREW	17	
- 34	AN509-10R10	. SCREW	2	
- 35	AN501-10-10	. SCREW	1	
		-----*		

MODEL 65 & 80 PARTS CATALOG

FIG. & INDEX NO.	PART NO.	DESCRIPTION	UNITS PER ASSY	USABLE ON CODE
		1 2 3 4 5 6 7		
11 - 36	50-420014-101	. COVER,ACCESS. /ATTACHING PARTS/	2	
- 37	AN520-10R8	. SCREW -----*	8	
- 38	50-420014-103	. COVER,ACCESS. /ATTACHING PARTS/	4	
- 39	AN520-10R8	. SCREW -----*	10	
- 40	50-420014-105	. COVER,ACCESS. /ATTACHING PARTS/	2	
- 41	AN520-10R8	. SCREW -----*	6	
	50-420028	. FRAME ASSY,FUSELAGE STA 177	1	
- 42	50-524436	. . FAIRLEAD,CABLE. /ATTACHING PARTS/	3	
- 43	AN520-10	. . SCREW	2	
	AN960-10	. . WASHER.	2	
	AN365-1032	. . NUT -----*	2	
- 44	50-420014-45	. ANGLE,LH.	1	
	50-420014-46	. ANGLE,RH. /ATTACHING PARTS/	1	
- 45	AN3	. BOLT.	2	
	AN960	. WASHER.	2	
	AN364	. NUT -----*	2	
	50-420030	. FRAME ASSY,FUSELAGE STA 216	1	
- 46	50-420030-17	. . GUARD	1	
	50-524428	. . BRACKET INSTL,PULLEY.	1	
- 47	50-524428-1	. . . BRACKET,PULLEY.	1	
- 48	NAS427K15	. . PIN,GUARD	2	
- 49	50-420030-35	. . BRACKET,PULLEY.	1	

MODEL 65 & 80 PARTS CATALOG

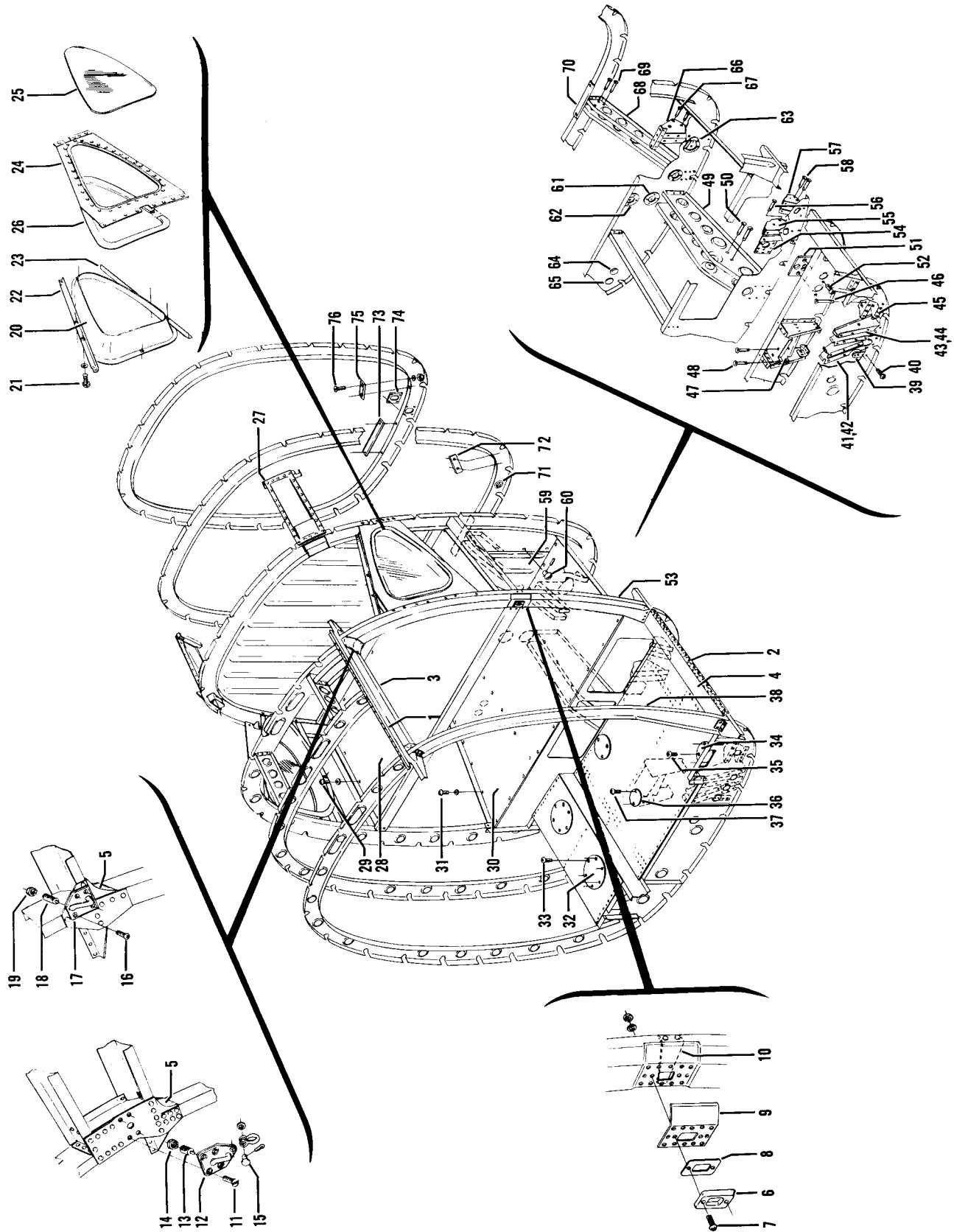


Figure 12. Aft Fuselage Section Assembly (Sheet 1 of 2 Sheets)

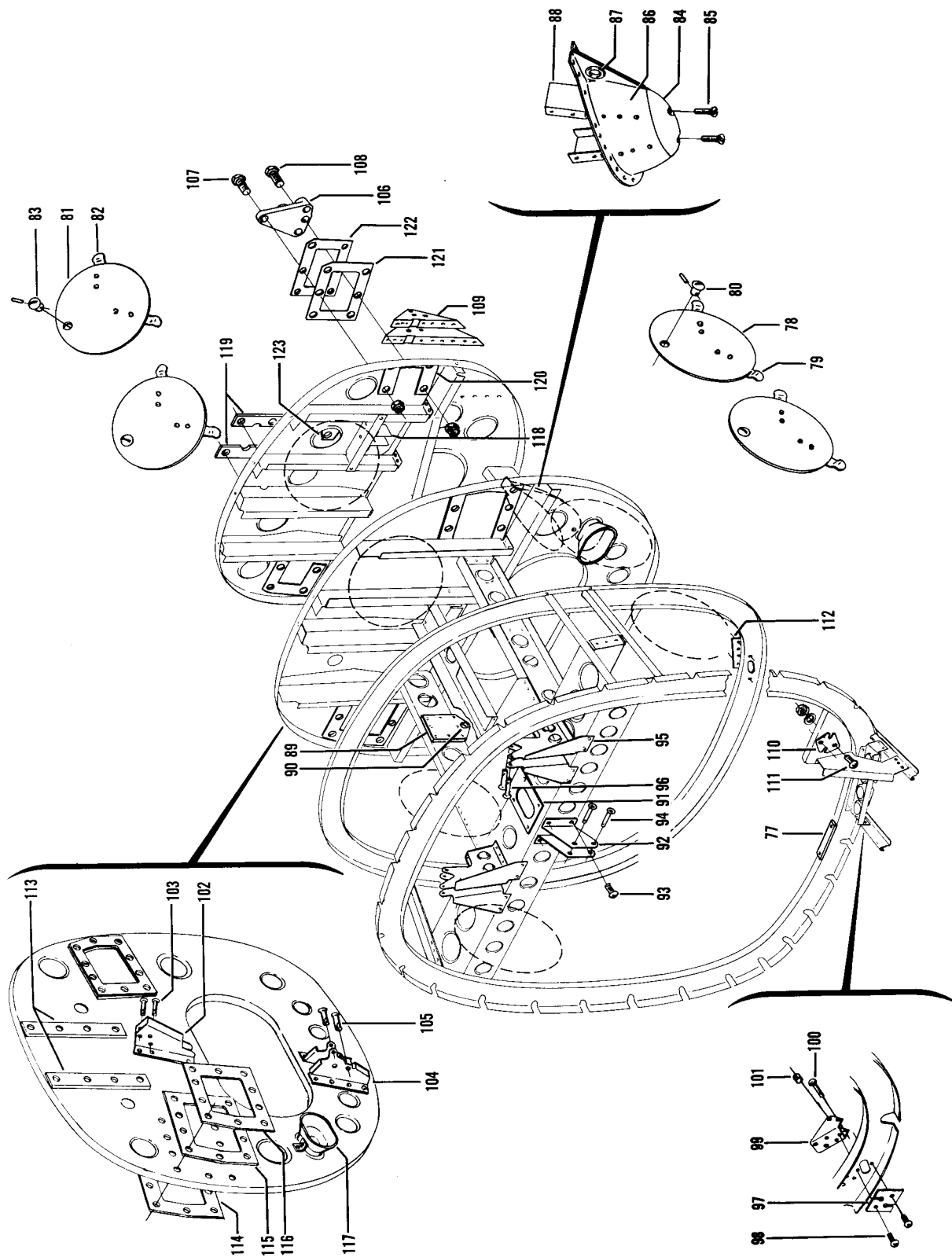


Figure 12. Aft Fuselage Section Assembly (Sheet 2 of 2 Sheets)

MODEL 65 & 80 PARTS CATALOG

FIG. & INDEX NO.	PART NO.	DESCRIPTION	UNITS PER ASSY	USABLE ON CODE
12	50-440012	FUSELAGE ASSY,FUSELAGE STA 288-340, /SEE FIG. 8 FOR NHA/	REF	3
	50-440012-353	FUSELAGE ASSY,FUSELAGE STA 288-340, /SEE FIG. 8 FOR NHA/	REF	4
- 1	50-440012-105	. DRAIN,RAIN	1	
- 2	50-440012-73	. HINGE,HALF	1	
- 3	50-440012-79	. FRAME,DOOR	1	
- 4	50-440012-75	. SILL,DOOR	1	
- 5	50-440012-283	. FILLET	2	
- 6	50-440012-99	. CATCH,DOOR	2	
		/ATTACHING PARTS/		
- 7	AN509-10R10	. SCREW	2	
	AN960D10L	. WASHER	2	
	MS20365-1032	. NUT	2	
		-----*		
- 8	50-440012-103	. PAD,NON SKID	2	
- 9	50-440012-247	. PLATE,FACING FWD	1	
	50-440012-279	. PLATE,FACING AFT	1	
- 10	50-440012-97	. SPRING	1	
	50-440037	. ANCHOR ASSY,AIR STAIR	1	
		/ATTACHING PARTS/		
- 11	AN509-10R	. SCREW	4	
		-----*		
- 12	50-440037-3	. ANCHOR ASSY	1	
- 13	S-59	. PLUNGER,SPRING	1	
		/ATTACHING PARTS/		
- 14	AN840C616	. NUT,JAM	1	
		-----*		
- 15	MS20392-3-15	. PIN	1	
	AN960C416L	. WASHER	1	
	AN381-2-8	. PIN,COTTER	1	
	50-440032	. BRACKET ASSY,SECONDARY LATCH	1	
		/ATTACHING PARTS/		
- 16	AN509-10R	. SCREW	4	
		-----*		
- 17	50-440032-3	. CATCH ASSY	1	
- 18	S-59	. PLUNGER,SPRING	1	
		/ATTACHING PARTS/		
- 19	AN340C616	. NUT,JAM	1	
		-----*		
	50-400452-1	. WINDOW INSTL,LH REAR	1	
	50-400452-2	. WINDOW INSTL,RH REAR	1	
- 20	50-400452-15	. FRAME,LH	1	
	50-400452-16	. FRAME,RH	1	
		/ATTACHING PARTS/		
- 21	NAS384-8P	. SCREW	8	
	NAS390-8P	. WASHER	8	
		-----*		
	50-400452-23	. CLIP,REAR WINDOW FRAME	7	
- 22	50-400452-7	. ANGLE,LH	1	
	50-400452-9	. ANGLE,RH	1	
- 23	50-400452-11	. ANGLE,LH	1	
	50-400452-13	. ANGLE,RH	1	
- 24	50-400452-3	. RETAINER	1	
	50-400452-5	. RETAINER	1	
- 25	50-400452-17	. WINDOW,LH	1	
	50-400452-18	. WINDOW,RH	1	
- 26	NO NUMBER	. GIMP,UPHOLSTERY	1	
- 27	50-440017-21	. EXIT ASSY,CABIN AIR DUCT	1	
	50-440017-22	. EXIT ASSY,CABIN AIR DUCT	1	
- 28	50-440012-133	. PLATE ASSY,HONEYCOMB,/MAKE FR 118640-16-W/.	1	4
		/ATTACHING PARTS/		
- 29	NAS229	. SCREW	28	
	AN960D10L	. WASHER	28	
		-----*		

MODEL 65 & 80 PARTS CATALOG

FIG. & INDEX NO.	PART NO.	DESCRIPTION							UNITS PER ASSY	USABLE ON CODE			
		1	2	3	4	5	6	7					
12 - 30	50-440012-137	•	PLATE ASSY,HONEYCOMB,/MAKE FR 118640-5-0/	•	•	•	•	•	•	1			
	- 31	NAS229	•	SCREW	•	•	•	•	•	•	•	38	
		AN960D10L	•	WASHER	•	•	•	•	•	•	•	38	
			-----*										
	- 32	50-420014-105	•	COVER,ACCESS	•	•	•	•	•	•	•	2	
			•	/ATTACHING PARTS/									
	- 33	AN520-10R8	•	SCREW	•	•	•	•	•	•	•	6	
			-----*										
	- 34	50-440012-89	•	DOOR,ACCESS	•	•	•	•	•	•	•	2	
			•	/ATTACHING PARTS/									
	- 35	AN507-10R6	•	SCREW	•	•	•	•	•	•	•	3	
			-----*										
	- 36	50-440012-177	•	DOOR,ACCESS	•	•	•	•	•	•	•	1	
			•	/ATTACHING PARTS/									
	- 37	AN507-10R6	•	SCREW	•	•	•	•	•	•	•	2	
			-----*										
		50-440020	•	FRAME ASSY,FUSELAGE STA 228.75	•	•	•	•	•	•	•	1	
	- 38	50-440020-5	•	FRAME,DOOR	•	•	•	•	•	•	•	1	
		50-524427	•	BRACKET INSTL,PULLEY	•	•	•	•	•	•	•	1	
	- 39	50-524427-15	•	FAIRLEAD	•	•	•	•	•	•	•	2	
			•	/ATTACHING PARTS/									
	- 40	AN520-10	•	SCREW	•	•	•	•	•	•	•	2	
		AN960-10	•	WASHER	•	•	•	•	•	•	•	2	
		AN365-1032	•	NUT	•	•	•	•	•	•	•	2	
			-----*										
	- 41	50-524427-11	•	BRACKET,PULLEY	•	•	•	•	•	•	•	1	
		50-524427-13	•	BRACKET,PULLEY	•	•	•	•	•	•	•	1	
		NAS427-14	•	PIN,GUARD	•	•	•	•	•	•	•	1	
	- 43	50-524427-3	•	BRACKET,PULLEY	•	•	•	•	•	•	•	1	
		50-524427-5	•	BRACKET,PULLEY	•	•	•	•	•	•	•	1	
	- 44	NAS427K12	•	PIN,GUARD	•	•	•	•	•	•	•	1	
	- 45	50-524427-7	•	BRACKET,PULLEY	•	•	•	•	•	•	•	1	
		50-524427-9	•	BRACKET,PULLEY	•	•	•	•	•	•	•	1	
	- 46	NAS427K15	•	PIN,GUARD	•	•	•	•	•	•	•	1	
		50-524432	•	BRACKET INSTL,PULLEY	•	•	•	•	•	•	•	1	
	- 47	50-524432-5	•	BRACKET,PULLEY	•	•	•	•	•	•	•	1	
		50-524432-7	•	BRACKET,PULLEY	•	•	•	•	•	•	•	1	
	- 48	NAS427K22	•	PIN,GUARD	•	•	•	•	•	•	•	2	
	- 49	50-524432-1	•	CHANNEL,LH	•	•	•	•	•	•	•	1	
		50-524432-2	•	CHANNEL,RH	•	•	•	•	•	•	•	1	
	- 50	NAS427K26	•	PIN,GUARD	•	•	•	•	•	•	•	2	
		50-440019	•	FRAME ASSY,FUSELAGE STA 242.125	•	•	•	•	•	•	•	1	
	- 51	50-440019-33	•	FAIRLEAD	•	•	•	•	•	•	•	1	
			•	/ATTACHING PARTS/									
	- 52	AN515-10	•	SCREW	•	•	•	•	•	•	•	2	
		AN960-10	•	WASHER	•	•	•	•	•	•	•	2	
		AN365-1032	•	NUT	•	•	•	•	•	•	•	2	
			-----*										
		50-440025	•	FRAME ASSY,FUSELAGE STA 255.5	•	•	•	•	•	•	•	1	
	- 53	50-440025-9	•	FRAME,DOOR	•	•	•	•	•	•	•	1	
	- 54	50-440025-45	•	FAIRLEAD	•	•	•	•	•	•	•	1	
		50-524429	•	BRACKET INSTL,PULLEY	•	•	•	•	•	•	•	1	
	- 55	50-524429-3	•	BRACKET,PULLEY	•	•	•	•	•	•	•	1	
	- 56	NAS427K15	•	PIN,GUARD	•	•	•	•	•	•	•	2	
	- 57	50-524429-1	•	BRACKET,PULLEY	•	•	•	•	•	•	•	1	
	- 58	NAS427K15	•	PIN,GUARD	•	•	•	•	•	•	•	2	
		50-440024	•	FRAME ASSY,FUSELAGE STA 277	•	•	•	•	•	•	•	1	
	- 59	50-440024-123	•	DOOR,ACCESS	•	•	•	•	•	•	•	1	
			•	/ATTACHING PARTS/									
	- 60	98292-1-140	•	STUD,/MKL/	•	•	•	•	•	•	•	17	
		99836	•	PIN,CROSS	•	•	•	•	•	•	•	17	
		99874-1	•	GROMMET	•	•	•	•	•	•	•	17	
			-----*										

MODEL 65 & 80 PARTS CATALOG

FIG. & INDEX NO.	PART NO.	DESCRIPTION							UNITS PER ASSY	USABLE ON CODE	
		1	2	3	4	5	6	7			
12 - 61	50-440012-221	•	•	•	•	•	•	•	•	3	
	50-440012-223	•	•	•	•	•	•	•	•	3	
- 62	50-440012-225	•	•	•	•	•	•	•	•	1	
	50-440012-227	•	•	•	•	•	•	•	•	1	
- 63	50-440012-229	•	•	•	•	•	•	•	•	1	
	50-440012-231	•	•	•	•	•	•	•	•	1	
- 64	51151	•	•	•	•	•	•	•	•	1	
- 65	50834	•	•	•	•	•	•	•	•	1	
	50-524405	•	•	•	•	•	•	•	•	1	
- 66	50-524405-3	•	•	•	•	•	•	•	•	1	
- 67	NAS427K12	•	•	•	•	•	•	•	•	2	
	50-524447	•	•	•	•	•	•	•	•	1	
- 68	50-524447-1	•	•	•	•	•	•	•	•	1	
	50-524447-3	•	•	•	•	•	•	•	•	1	
- 69	NAS427K12	•	•	•	•	•	•	•	•	2	
	50-440021	•	•	•	•	•	•	•	•	1	
- 70	50-440021-11	•	•	•	•	•	•	•	•	1	
- 71	115005-5	•	•	•	•	•	•	•	•	1	
- 72	50-420036-13	•	•	•	•	•	•	•	•	1	
	50-440022	•	•	•	•	•	•	•	•	1	
- 73	50-440022-17	•	•	•	•	•	•	•	•	1	
- 74	50-440022-15	•	•	•	•	•	•	•	•	1	
- 75	50-440022-19	•	•	•	•	•	•	•	•	1	
	/ATTACHING PARTS/										
- 76	AN507-1032	•	•	•	•	•	•	•	•	3	
	AN960-10	•	•	•	•	•	•	•	•	3	
	AN365-1032	•	•	•	•	•	•	•	•	3	
	-----*-----										
	50-440023	•	•	•	•	•	•	•	•	1	
- 77	50-440022-17	•	•	•	•	•	•	•	•	1	
	50-440011	•	•	•	•	•	•	•	•	REF	
	50-440011-37	•	•	•	•	•	•	•	•	REF	1
	50-400003-24	•	•	•	•	•	•	•	•	4	2
- 78	50-400003-22	•	•	•	•	•	•	•	•	1	
- 79	50-400069	•	•	•	•	•	•	•	•	2	
- 80	98292-1-080	•	•	•	•	•	•	•	•	1	
	99836	•	•	•	•	•	•	•	•	1	
	50-400003-34	•	•	•	•	•	•	•	•	2	
- 81	50-400003-32	•	•	•	•	•	•	•	•	1	
- 82	50-400069	•	•	•	•	•	•	•	•	2	
- 83	98292-1-080	•	•	•	•	•	•	•	•	1	
	99836	•	•	•	•	•	•	•	•	1	
	50-400112	•	•	•	•	•	•	•	•	1	
- 84	50-400113	•	•	•	•	•	•	•	•	1	
	/ATTACHING PARTS/										
- 85	AN507-1032R	•	•	•	•	•	•	•	•	2	
	-----*-----										
- 86	50-400112-4	•	•	•	•	•	•	•	•	1	
- 87	50-400112-8	•	•	•	•	•	•	•	•	1	
- 88	50-400112-6	•	•	•	•	•	•	•	•	2	
	50-440031	•	•	•	•	•	•	•	•	1	
- 89	50-440031-17	•	•	•	•	•	•	•	•	2	
- 90	AN201KP4A	•	•	•	•	•	•	•	•	2	
- 91	50-440031-25	•	•	•	•	•	•	•	•	1	
- 92	50-440031-29	•	•	•	•	•	•	•	•	1	
	50-440031-30	•	•	•	•	•	•	•	•	1	
	/ATTACHING PARTS/										
- 93	AN3-4A	•	•	•	•	•	•	•	•	2	
	AN960-10	•	•	•	•	•	•	•	•	2	
	AN365-1032	•	•	•	•	•	•	•	•	2	
	-----*-----										
- 94	NAS427K13	•	•	•	•	•	•	•	•	1	
	50-524431	•	•	•	•	•	•	•	•	1	
	50-524431-25	•	•	•	•	•	•	•	•	1	1
- 95	50-524431-7	•	•	•	•	•	•	•	•	1	2
	50-524431-9	•	•	•	•	•	•	•	•	1	
- 96	NAS427K12	•	•	•	•	•	•	•	•	4	

MODEL 65 & 80 PARTS CATALOG

FIG. & INDEX NO.	PART NO.	DESCRIPTION	UNITS PER ASSY	USABLE ON CODE
		1 2 3 4 5 6 7		
12 - 97	50-524431-13	. . BLOCK,STOP.	1	
		/ATTACHING PARTS/		
- 98	AN520-10	. . BOLT.	2	
	AN960-10	. . WASHER.	2	
	AN365-1032	. . NUT	2	
		-----*-----		
- 99	50-524431-15	. . BRACKET,PULLEY.	1	
-100	NAS427K20	. . PIN, GUARD	1	
-101	100696S-ZN008	. . SPACER.	1	
-102	50-524431-1	. . BRACKET,PULLEY.	1	1
	50-524431-17	. . BRACKET,PULLEY.	1	2
	50-524431-18	. . BRACKET,PULLEY.	1	2
		/ATTACHING PARTS/		
	AN3-5A	. . BOLT.	2	
	AN960-10	. . WASHER.	4	
	MS20365-1032	. . NUT	2	
		-----*-----		
-103	NAS427K15	. . PIN, GUARD	2	
-104	50-524431-3	. . BRACKET,PULLEY.	1	
-105	NAS427K15	. . PIN, GUARD	2	
-106	50-524235	. . BRACKET ASSY,PULLEY	1	
		/ATTACHING PARTS/		
-107	AN4-12A	. . BOLT.	1	
-108	AN4-10A	. . BOLT.	1	
	100951X031WS	. . SPACER.	2	
	AN365-428	. . NUT	2	
		-----*-----		
-109	50-524183	. . BRACKET,PULLEY.	1	
	50-524184	. . BRACKET,PULLEY.	1	
-110	50-440011-29	. . BLOCK,STOP.	1	
		/ATTACHING PARTS/		
-111	AN520	. . SCREW	2	
	AN960-10	. . WASHER.	2	
	AN365-1032	. . NUT	2	
		-----*-----		
-112	50-440026	. . BULKHEAD ASSY,FUSELAGE STA 352.	1	
	50-420030-17	. . GUARD	1	
	50-440027	. . BULKHEAD ASSY,FUSELAGE STA 364.	1	
-113	50-440027-17	. . PLATE,SUPPORT	2	
-114	50-440027-15	. . PLATE,SUPPORT LH.	1	
	50-440027-16	. . PLATE,SUPPORT RH.	1	
-115	50-440027-11	. . SHIM,LH	1	
	50-440027-12	. . SHIM,RH	1	
-116	50-440027-13	. . PLATE,SUPPORT	2	
-117	50-524228	. . GUIDE INSTL,CABLE	1	
	50-440028	. . BULKHEAD ASSY,FUSELAGE STA 380.	1	
-118	50-440028-27	. . BRACKET,PULLEY.	2	
-119	50-440028-17	. . PLATE,SUPPORT	2	
-120	50-440028-15	. . PLATE,SUPPORT LH.	1	
	50-440028-16	. . PLATE,SUPPORT RH.	1	
-121	50-440028-11	. . SHIM,LH	1	
	50-440028-12	. . SHIM,RH	1	
-122	50-440028-13	. . PLATE,SUPPORT	2	
-123	50-440028-31	. . FAIRLEAD.	2	

CODE EFFECTIVITY

- 1 LC-1 AND AFTER
- 3 LC-1 THRU LC-112

CODE EFFECTIVITY

- 2 LD-1 AND AFTER
- 4 LC-113 AND AFTER, LD-1 AND AFTER

MODEL 65 & 80 PARTS CATALOG

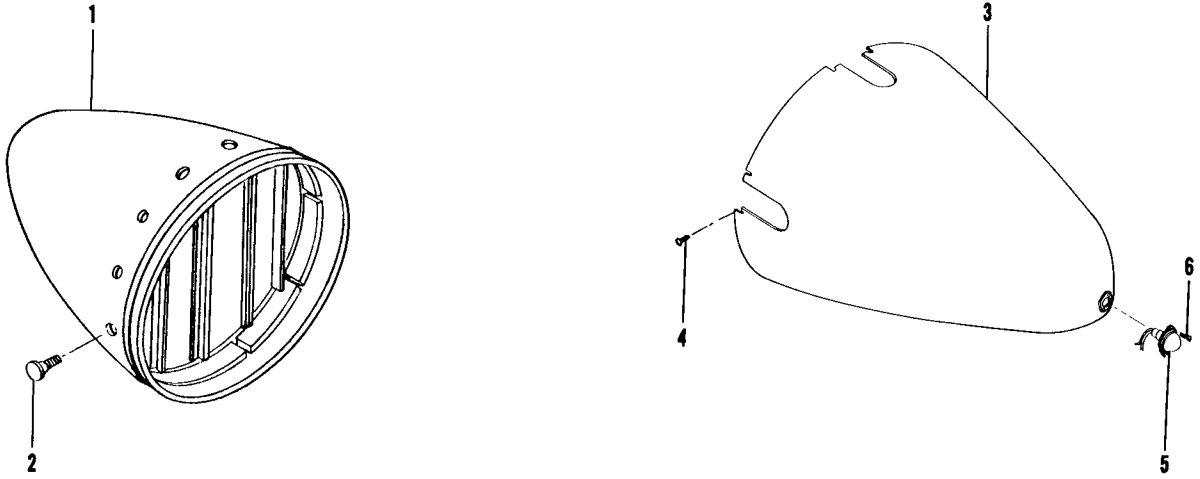


Figure 13. Fuselage Nose and Tail Cone Installation

FIG. & INDEX NO.	PART NO.	1	2	3	4	5	6	7	DESCRIPTION	UNITS PER ASSY	USABLE ON CODE
13	50-410013								CONE INSTL,NOSE,/SEE FIG. 8 FOR NHA/	REF	
	50-410013-5								• CONE ASSY,NOSE	1	
	50-364253-13								• CONE ASSY,NOSE,/OPTIONAL,USED WITH PASSING LIGHT/,/SEE FIG. 87 FOR NHA/	1	
- 1	50-410013-1								• CONE,NOSE /ATTACHING PARTS/	1	
- 2	AN509-10R								• SCREW	12	
	50-440018								CONE INSTL,FUSELAGE TAIL,/SEE FIG. 8 FOR NHA/	REF	1
	50-440018-13								CONE INSTL,FUSELAGE TAIL,/SEE FIG. 8 FOR NHA/	REF	2
- 3	50-440018-3								• SHELL,TAIL CONE /ATTACHING PARTS/	1	
- 4	AN525-1032-6								• SCREW	9	
- 5	50-400004-36								• LAMP ASSY,TAIL CONE /ATTACHING PARTS/	1	
- 6	AN515-6R10								• SCREW	2	

CODE EFFECTIVITY

1 LC-1 AND AFTER

CODE EFFECTIVITY

2 LD-1 AND AFTER

MODEL 65 & 80 PARTS CATALOG

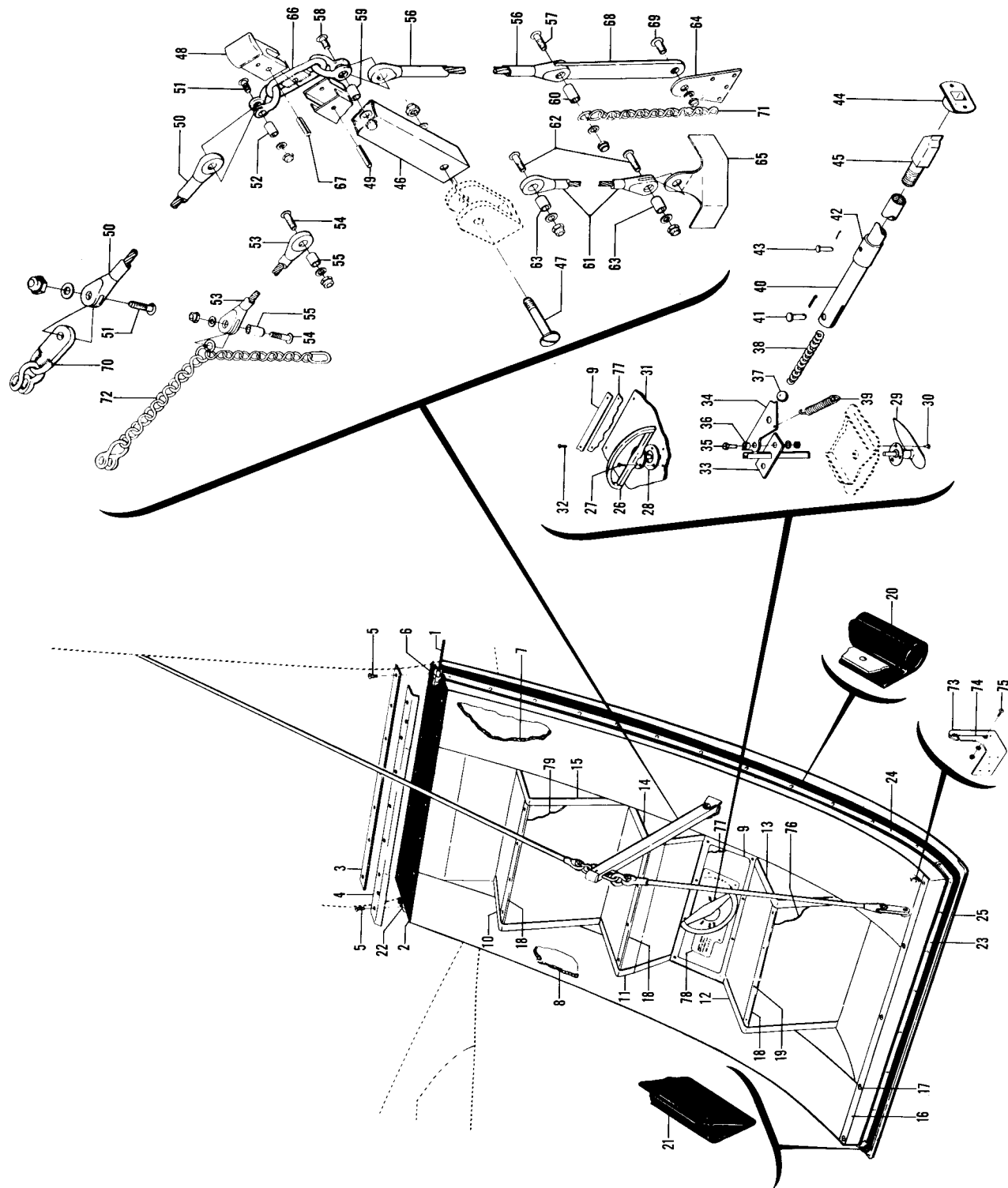


Figure 14. Main Access Door Assembly

MODEL 65 & 80 PARTS CATALOG

FIG. & INDEX NO.	PART NO.	DESCRIPTION	UNITS PER ASSY	USABLE ON CODE
		1 2 3 4 5 6 7		
14	50-430015-602	DOOR ASSY,MAIN ACCESS /SPARE ASSY,SEE	1	
	50-430015	ADDENDUM/ DOOR ASSY,MAIN ACCESS	REF	
		/SEE FIG. 8 FOR NHA/ /ATTACHING PARTS/		
- 1	50-430015-365	PIN,HINGE	1	
		-----*		
- 2	50-430015-121	. SEAL,RUBBER TREAD	1	
- 3	50-430015-123	. TAB,SEAL	1	
- 4	50-430015-289	. TAB,SEAL	1	
		/ATTACHING PARTS/		
- 5	AN509-10R	. SCREW	16	
		-----*		
- 6	50-430015-17	. HINGE,HALF	1	
- 7	50-430015-293	. PANEL,UPHOLSTERY	1	
- 8	50-430015-181	. PANEL,UPHOLSTERY	1	
- 9	50-430015-205	. CLIP,UPHOLSTERY	1	
- 10	50-430015-309	. CLIP,UPHOLSTERY	1	
- 11	50-430015-311	. CLIP,UPHOLSTERY	1	
- 12	50-430015-313	. CLIP,UPHOLSTERY	1	
- 13	50-430015-319	. CLIP,UPHOLSTERY	1	
- 14	50-430015-317	. CLIP,UPHOLSTERY	1	
- 15	50-430015-315	. CLIP,UPHOLSTERY	1	
- 16	50-430015-307	. CLIP,UPHOLSTERY	1	
		/ATTACHING PARTS/		
- 17	NAS384-6-6P	. SCREW	AR	
		-----*		
- 18	50-430015-377	. STRIP,TRIM	3	1
		/ATTACHING PARTS/		
- 19	NAS384-6-8	. SCREW	4	
		-----*		
- 20	50-430015-279	. SEAL ASSY,CABIN DOOR	1	1
- 21	50-430015-371	. SEAL ASSY,CABIN DOOR	1	2
- 22	50-430015-29	. RETAINER,SEAL	1	1
- 23	50-430015-31	. RETAINER,SEAL	1	1
- 24	50-430015-33	. RETAINER,SEAL	1	1
- 25	50-430015-193	. BUMPER,ACCESS DOOR	1	
- 26	A100 2239	. HANDLE ASSY,INNER DOOR	1	
		. HANDLE ASSY,INNER DOOR /ALTERNATE FOR A100/ .	1	
		/ATTACHING PARTS/		
- 27	AN509-832R8	. SCREW,MACHINE	3	
		-----*		
- 28	50-430015-223	. SHIM,INNER DOOR HANDLE	2	
- 29	1818H	. HANDLE ASSY,OUTER DOOR	1	
		/ATTACHING PARTS/		
- 30	AN507-832R8	. SCREW,MACHINE	3	
		-----*		
- 31	50-430015-59	. PLATE,DOOR HANDLE COVER	1	
		/ATTACHING PARTS/		
- 32	AN515-832R7	. SCREW	8	
		-----*		
- 33	50-430015-219	. LEVER ASSY,DOOR HANDLE	1	
- 34	50-430015-237	. LINK,DOOR HANDLE LH	1	
	50-430015-239	. LINK,DOOR HANDLE RH	1	
		/ATTACHING PARTS/		
- 35	AN3-4A	. BOLT,MACHINE	1	
- 36	105739S-ZE0100	. BUSHING	1	
	105739X-ZE0100	. BUSHING,/ALTERNATE FOR 105739S-ZE0100/	1	
	AN960D10L	. WASHER,FLAT	1	
	MS20364-1032	. NUT,SELF LOCKING,HEXAGON	1	
		-----*		

MODEL 65 & 80 PARTS CATALOG

FIG. & INDEX NO.	PART NO.	DESCRIPTION	UNITS PER ASSY	USABLE ON CODE
		1 2 3 4 5 6 7		
14 - 37	50-430015-119	. BALL, DOOR HANDLE	2	
- 38	100943Z-S407G	. SPRING, DOOR HANDLE	2	
- 39	100942J0116-43	. SPRING, DOOR HANDLE	2	
- 40	50-430016-1	. ROD, DOOR LATCH	2	
		/ATTACHING PARTS/		
- 41	MS20392-3-21	. PIN, STRAIGHT, HEADED	2	
	AN380-2-1	. PIN, COTTER	2	
		-----*-----		
- 42	50-430015-183	. STOP, LATCH BOLT	1	
		/ATTACHING PARTS/		
- 43	MS20392-1-25	. PIN	1	
	AN380-2-1	. PIN, COTTER	1	
		-----*-----		
- 44	50-430017	. HOUSING, LATCH	2	
- 45	50-430018-1	. BOLT, LATCH	2	
- 46	50-430015-295	. SUPPORT ASSY, CABLE	1	
		/ATTACHING PARTS/		
- 47	50-430015-297	. BOLT, CABLE SUPPORT /REPLACED BY AN25-32A/	1	
	AN960-516	. WASHER, FLAT	2	
	22K1-054	. NUT	1	
		-----*-----		
- 48	50-430021	. PLUG, CABLE RETAINING	1	
		/ATTACHING PARTS/		
- 49	MS171534	. PIN, PLUG RETAINING	1	
		-----*-----		
- 50	1440-1	. CABLE ASSY, DOOR SUPPORT	1	3
		/ATTACHING PARTS/		
- 51	50-430015-301	. BOLT	4	
- 52	50-430015-339	. SPACER	1	
	AN960-10L	. WASHER	1	
	22K1-02	. NUT	1	
		-----*-----		
- 53	1440-3	. CABLE ASSY, DOOR SUPPORT	1	4
		/ATTACHING PARTS/		
- 54	50-430015-301	. BOLT, SUPPORT CABLE	2	
- 55	50-430015-339	. SPACER	2	
	AN960-10L	. WASHER, FLAT	2	
	22K1-02	. NUT	2	
		-----*-----		
- 56	1440-2	. CABLE ASSY, DOOR SUPPORT	1	3
		/ATTACHING PARTS/		
- 57	50-430015-305	. BOLT	1	
- 58	50-430015-301	. BOLT	1	
- 59	50-430015-339	. SPACER	1	
- 60	50-430015-341	. SPACER	1	
	AN960-106	. WASHER	1	
	22K1-02	. NUT	2	
		-----*-----		
- 61	1440-4	. CABLE ASSY, DOOR SUPPORT	1	
- 62	50-430015-301	. BOLT, SUPPORT CABLE /REPLACED BY AN23-12/	2	
- 63	50-430015-339	. SPACER	2	
	AN960-10L	. WASHER, FLAT	2	
	22K1-02	. NUT	2	
		-----*-----		
- 64	50-430015-229	. BRACKET, CABLE SUPPORT	1	3
- 65	50-430015-331	. BRACKET, CABLE SUPPORT	1	4
- 66	50-430015-263	. LUG ASSY, CABLE SUPPORT	1	
		/ATTACHING PARTS/		
- 67	MS171591	. PIN	1	
		-----*-----		
- 68	50-430015-243	. BAR, SUPPORT CABLE END	1	3
		/ATTACHING PARTS/		
- 69	50-430015-303	. BOLT, END BAR /REPLACED BY AN24-8A/	1	
	AN960-10L	. WASHER, FLAT	1	
	22K1-02	. NUT	1	
		-----*-----		

MODEL 65 & 80 PARTS CATALOG

FIG. & INDEX NO.	PART NO.	DESCRIPTION	UNITS PER ASSY	USABLE ON CODE
14 - 70	50-430015-249	• LUG ASSY,CABLE SUPPORT.	1	3
- 71	50-430015-343	• CHAIN ASSY,DOOR SAFETY.	1	3
- 72	50-430015-351	• CHAIN ASSY,DOOR SAFETY.	1	4
- 73	50-430015-349	• HOOK ASSY,SAFETY CHAIN.	1	4
- 74	50-430015-345	• HOOK,SAFETY CHAIN	1	4
- 75	50-430015-347	• • SPRING,SAFETY CHAIN HOOK. /ATTACHING PARTS/	1	4
- 76	AN515-6	• • SCREW	1	
	AN960-6	• • WASHER,FLAT	2	
	AN365-6	• • NUT	1	
		-----*		
- 77	50-430015-379	• TREAD,LOWER	1	
- 78	50-430015-381	• TREAD,CENTER.	1	
- 79	50-430015-383	• TREAD,UPPER	1	
- 80	414-180042-5	PLACARD,INNER DOOR HANDLE	1	

CODE EFFECTIVITY

1 LC-1 THRU LC-76
3 LC-1 THRU LC-14

CODE EFFECTIVITY

2 LC-77 AND AFTER,
LD-1 AND AFTER
4 LC-15 AND AFTER,
LD-1 AND AFTER

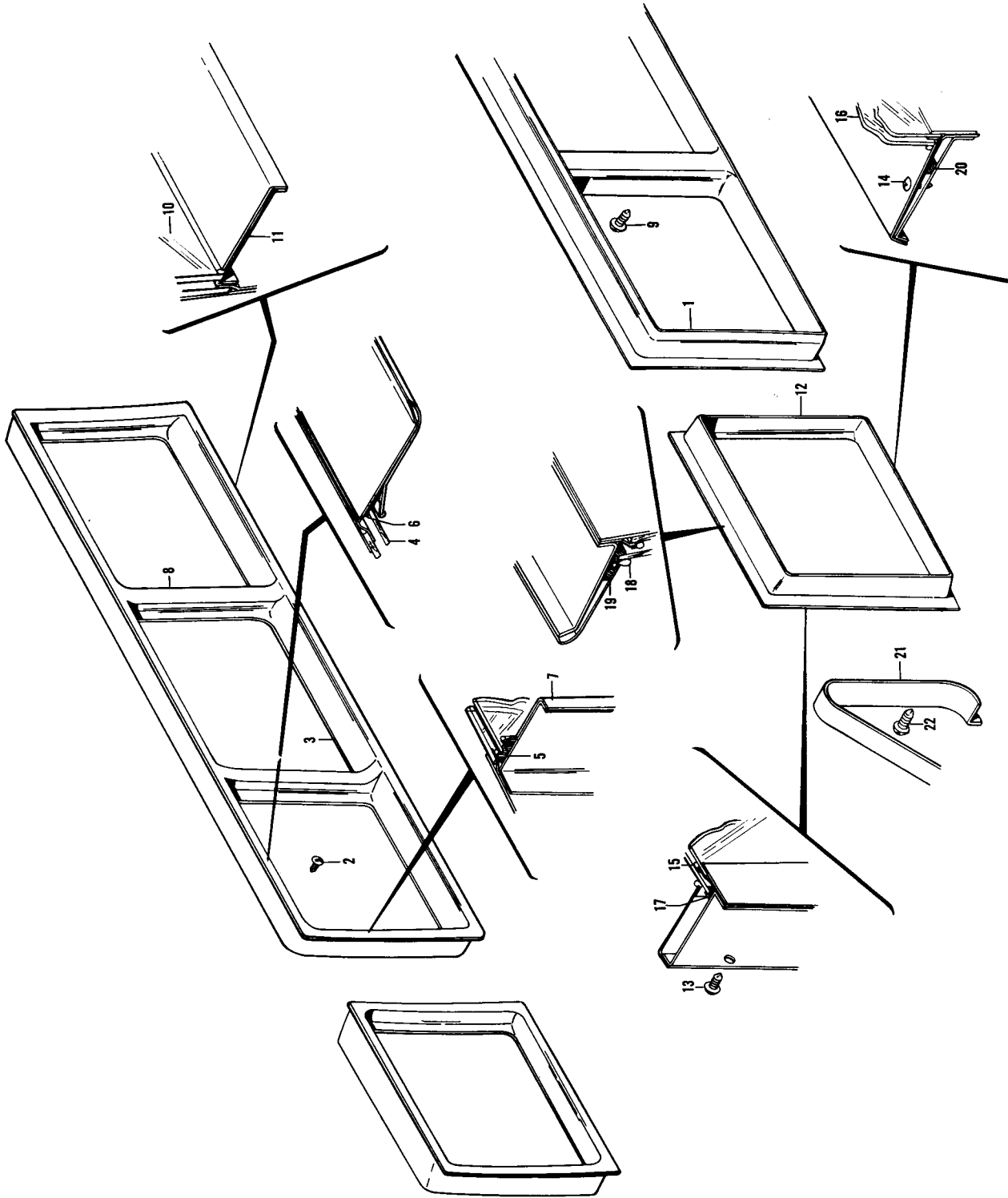


Figure 15. Window Frames Installation

MODEL 65 & 80 PARTS CATALOG

FIG. & INDEX NO.	PART NO.	DESCRIPTION							UNITS PER ASSY	USABLE ON CODE
		1	2	3	4	5	6	7		
15	50-534352-47	FRAME INSTL,WINDOW,/STANDARD/	NP	
	50-534352-25	FRAME INSTL,WINDOW,/OPTIONAL/	NP	
	50-534352-1	• FRAME,CABIN LH WINDOW,/STANDARD/	1	
- 1	50-534352-7	• FRAME,CABIN LH WINDOW,/OPTIONAL/	1	
		/ATTACHING PARTS/								
- 2	NAS384-8P	• SCREW	16	
	NAS390-8P	• WASHER	16	
		-----*-----								
- 3	COMM	• GIMP,1/4 UPHOLSTERY,/SPECIFY COLOR/	AR	
- 4	50-534352-41	• WINDOW,CABIN DOUBLE,/OPTIONAL/	5	
- 5	COMM	• DOORTITE,5/16 X 3/8 X 8,/OPTIONAL/	12	
- 6	COMM	• DOORTITE,3/16 X 3/8 X 8,/OPTIONAL/	6	
	50-534352-3	• FRAME,CABIN RH WINDOW,/STANDARD/	1	
- 7	50-534352-9	• FRAME,CABIN RH WINDOW,/OPTIONAL/	1	
	50-534352-5	• FRAME,CABIN EMERGENCY WINDOW,/STANDARD/	1	
- 8	50-534352-11	• FRAME,CABIN EMERGENCY WINDOW,/OPTIONAL/	1	
		/ATTACHING PARTS/								
- 9	NAS384-8P	• SCREW	20	
	NAS390-8P	• WASHER	20	
		-----*-----								
- 10	50-534352-43	• WINDOW,CABIN EMERGENCY DOUBLE,/OPTIONAL/	1	
- 11	COMM	• CUSHING,EMERGENCY WINDOW 1/8 X 1/8 X 8,	1	
		/OPTIONAL/								
- 12	50-534352-19	• FRAME,CABIN FWD LH WINDOW,/STANDARD/	1	
	50-534352-55	• FRAME,CABIN FWD LH WINDOW,/OPTIONAL/	1	
	50-534352-20	• FRAME,CABIN FWD RH WINDOW,/STANDARD/	1	
	50-534352-56	• FRAME,CABIN FWD RH WINDOW,/OPTIONAL/	1	
		/ATTACHING PARTS/								
- 13	NAS384-8-8P	• SCREW	4	
- 14	NAS384-8-12P	• SCREW	4	
	NAS390-8P	• WASHER	8	
		-----*-----								
- 15	COMM	• GIMP,1/4 UPHOLSTERY,/SPECIFY COLOR/	AR	
- 16	50-534352-53	• WINDOW,CABIN LH DOUBLE,/OPTIONAL/	1	
	50-534352-54	• WINDOW,CABIN RH DOUBLE,/OPTIONAL/	1	
- 17	COMM	• DOORTITE,5/16 X 3/8 X 8,/OPTIONAL/	8	
- 18	COMM	• DOORTITE,3/16 X 3/8 X 8,/OPTIONAL/	4	
- 19	50-534352-51	• STRIP,CABIN WINDOW	4	
- 20	50-534352-39	• STRIP,CABIN WINDOW	8	
- 21	50-534352-49	• FAIRING,FWD LH WINDOW	1	
	50-534352-50	• FAIRING,FWD RH WINDOW	1	
		/ATTACHING PARTS/								
- 22	NAS384-8P	• SCREW	3	
	NAS390-8P	• WASHER	3	
		-----*-----								

MODEL 65 & 80 PARTS CATALOG

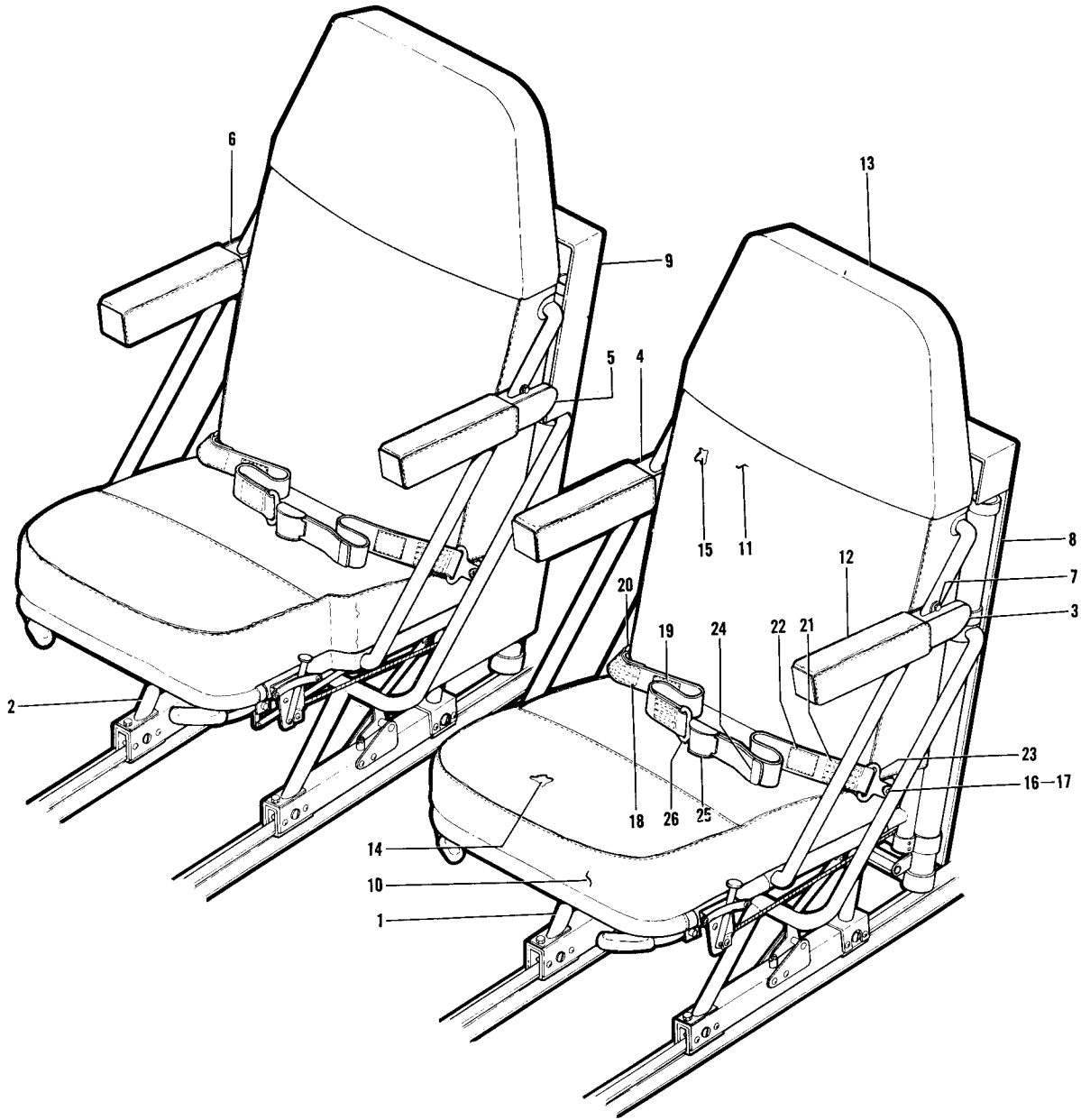


Figure 16. Pilots and Copilots Seat Assembly

MODEL 65 & 80 PARTS CATALOG

FIG. & INDEX NO.	PART NO.	DESCRIPTION							UNITS PER ASSY	USABLE ON CODE
		1	2	3	4	5	6	7		
16	50-534390-15	SEAT ASSY,PILOTS,/SEE FIG. 1 FOR NHA/	NP	
	50-534390-16	SEAT ASSY,COPILOTS,/SEE FIG. 1 FOR NHA/	NP	
- 1	716-21	. SEAT,PILOTS	1	
- 2	716-22	. SEAT,COPILOTS	1	
- 3	716G-50100-1	. ARMREST,PILOTS LH	1	
- 4	716G-50100-2	. ARMREST,PILOTS RH	1	
- 5	716G-50100-3	. ARMREST,COPILOTS LH	1	
- 6	716G-50100-4	. ARMREST,COPILOTS RH	1	
		/ATTACHING PARTS/								
- 7	AN23-23	. BOLT	1	
	AN960-416L	. WASHER	3	
	MS20364-428	. NUT	1	
		----*----								
	105739X-ZR0063	. BEARING	2	
	105739X-ZR0096	. BEARING	2	
- 8	50-534302-1	. PAN,PILOTS SEAT BACK	1	
- 9	50-534302-2	. PAN,COPILOTS SEAT BACK	1	
- 10	50-534390-3	. COVER,SEAT BOTTOM	1	
- 11	50-534390-17	. COVER,SEAT BACK	1	
- 12	50-534390-19	. COVER,SEAT ARM	2	
- 13	50-534390-21	. CAP,SEAT	1	
- 14	95-530002-41	. CUSHION,SEAT BOTTOM	1	
- 15	414-180640-377	. CUSHION,SEAT BACK	1	
	414-183389-41	. BELT ASSY,SEAT SAFETY	1	
		/ATTACHING PARTS/								
- 16	NAS221-13	. SCREW	2	
- 17	102933D4ZE0190	. SPACER	2	
	AN365-1032	. NUT	2	
		----*----								
	414-183389-43	. . STRAP ASSY,SEAT BELT	1	
	414-183389-15	. . . STRAP ASSY,SEAT BELT	1	
- 18	414-183389-13 WEBBING,STRAP	1	
- 19	115184 PLACARD	1	
- 20	113676-2 FITTING	1	
	414-183389-45	. . . STRAP ASSY,SEAT BELT	1	
	414-183389-9 STRAP ASSY,SEAT BELT	1	
- 21	414-183389-7 WEBBING,STRAP	1	
- 22	115184 PLACARD	1	
- 23	113676-2 FITTING	1	
- 24	D611A TIP,BELT	1	
- 25	FDK-2707 BUCKLE ASSY,BELT	1	
- 26	FD-1643 BAR,RELEASE	1	

MODEL 65 & 80 PARTS CATALOG

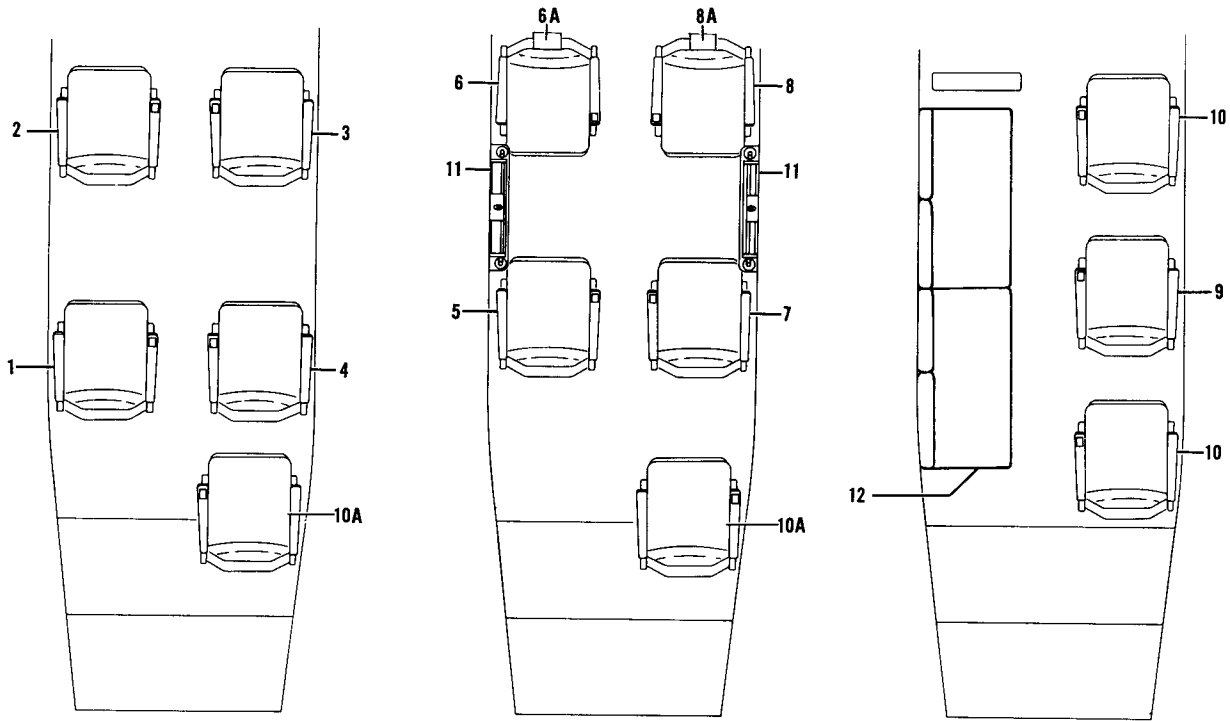


Figure 17. Cabin Seating Arrangement

FIG. & INDEX NO.	PART NO.	DESCRIPTION	UNITS PER ASSY	USABLE ON CODE
		1 2 3 4 5 6 7		
17	50-534393-1	SEAT INSTL,CABIN LH	NP	1
	50-534434-1	SEAT INSTL,CABIN LH	NP	2
- 1	50-534413-1	. CHAIR ASSY,CABIN,/SEE FIG. 18/.	1	1
	50-534435-1	. CHAIR ASSY,CABIN,/SEE FIG. 18B/.	1	2
- 2	50-534413-27	. CHAIR ASSY,CABIN,/SEE FIG. 18/.	1	1
	50-534435-4	. CHAIR ASSY,CABIN,/SEE FIG. 18B/.	1	2
	20738	. COVER,SEAT TRACK.	8	1
	50-534393-2	SEAT INSTL,CABIN RH	NP	1
	50-534434-2	SEAT INSTL,CABIN RH	NP	2
- 3	50-534413-2	. CHAIR ASSY,CABIN,/SEE FIG. 18/.	1	1
	50-534435-3	. CHAIR ASSY,CABIN,/SEE FIG. 18B/.	1	2
- 4	50-534413-28	. CHAIR ASSY,CABIN,/SEE FIG. 18/.	1	1
	50-534435-2	. CHAIR ASSY,CABIN,/SEE FIG. 18B/.	1	2
	20738	. COVER,SEAT TRACK.	8	1
	50-534393-3	SEAT INSTL,CABIN LH,/OPTIONAL/.	NP	1
	50-534434-3	SEAT INSTL,CABIN LH,/OPTIONAL/.	NP	2
- 5	50-534413-1	. CHAIR ASSY,CABIN,/SEE FIG. 18/.	1	1
	50-534435-1	. CHAIR ASSY,CABIN,/SEE FIG. 18B/.	1	2
- 6	50-534413-28	. CHAIR ASSY,CABIN,/SEE FIG. 18/.	1	1
	50-534435-3	. CHAIR ASSY,CABIN,/SEE FIG. 18B/.	1	2
- 6A	50-534435-7	. HEADREST ASSY,CABIN CHAIR	1	2
	20738	. COVER,SEAT TRACK.	8	1
	50-534393-4	SEAT INSTL,CABIN RH,/OPTIONAL/.	NP	1
	50-534434-4	SEAT INSTL,CABIN RH,/OPTIONAL/.	NP	2
- 7	50-534413-2	. CHAIR ASSY,CABIN,/SEE FIG. 18/.	1	1
	50-534435-2	. CHAIR ASSY,CABIN,/SEE FIG. 18B/.	1	2

MODEL 65 & 80 PARTS CATALOG

FIG. & INDEX NO.	PART NO.	DESCRIPTION	UNITS PER ASSY	USABLE ON CODE
		1 2 3 4 5 6 7		
17 - 8	50-534413-27	. CHAIR ASSY,CABIN /SEE FIG. 18/	1	1
	50-534435-4	. CHAIR ASSY,CABIN /SEE FIG. 18B/	1	2
- 8A	50-534435-7	. HEADREST ASSY,CABIN CHAIR	1	2
	20738	. COVER,SEAT TRACK	8	1
	50-534393-5	SEAT INSTL,CABIN RH /OPTIONAL/	NP	1
	50-534434-9	SEAT INSTL,CABIN RH /OPTIONAL/	NP	2
- 9	50-534413-2	. CHAIR ASSY,CABIN /SEE FIG. 18/	1	1
	50-534435-2	. CHAIR ASSY,CABIN /SEE FIG. 18B/	1	2
- 10	50-534413-28	. CHAIR ASSY,CABIN /SEE FIG. 18/	2	1
	50-534435-3	. CHAIR ASSY,CABIN /SEE FIG. 18B/	2	2
	20738	. COVER,SEAT TRACK	8	1
	50-534434-5	SEAT INSTL,CABIN FIFTH /OPTIONAL/	NP	2
- 10A	50-534435-3	. CHAIR ASSY,CABIN /SEE FIG. 18B/	1	2
- 11	50-534394-1	TABLE INSTL,CABIN LH /SEE FIG. 19/ /USED WITH 50-534393-3 SEAT INSTL/	REF	
	50-534394-2	TABLE INSTL,CABIN RH /SEE FIG. 19/ /USED WITH 50-534393-4 SEAT INSTL/	REF	
- 12	50-534311	COUCH INSTL,CABIN /SEE FIG. 18A/	NP	

CODE EFFECTIVITY

1 LC-1 THRU LC-112

CODE EFFECTIVITY

2 LC-113 AND AFTER,
LD-1 AND AFTER

MODEL 65 & 80 PARTS CATALOG

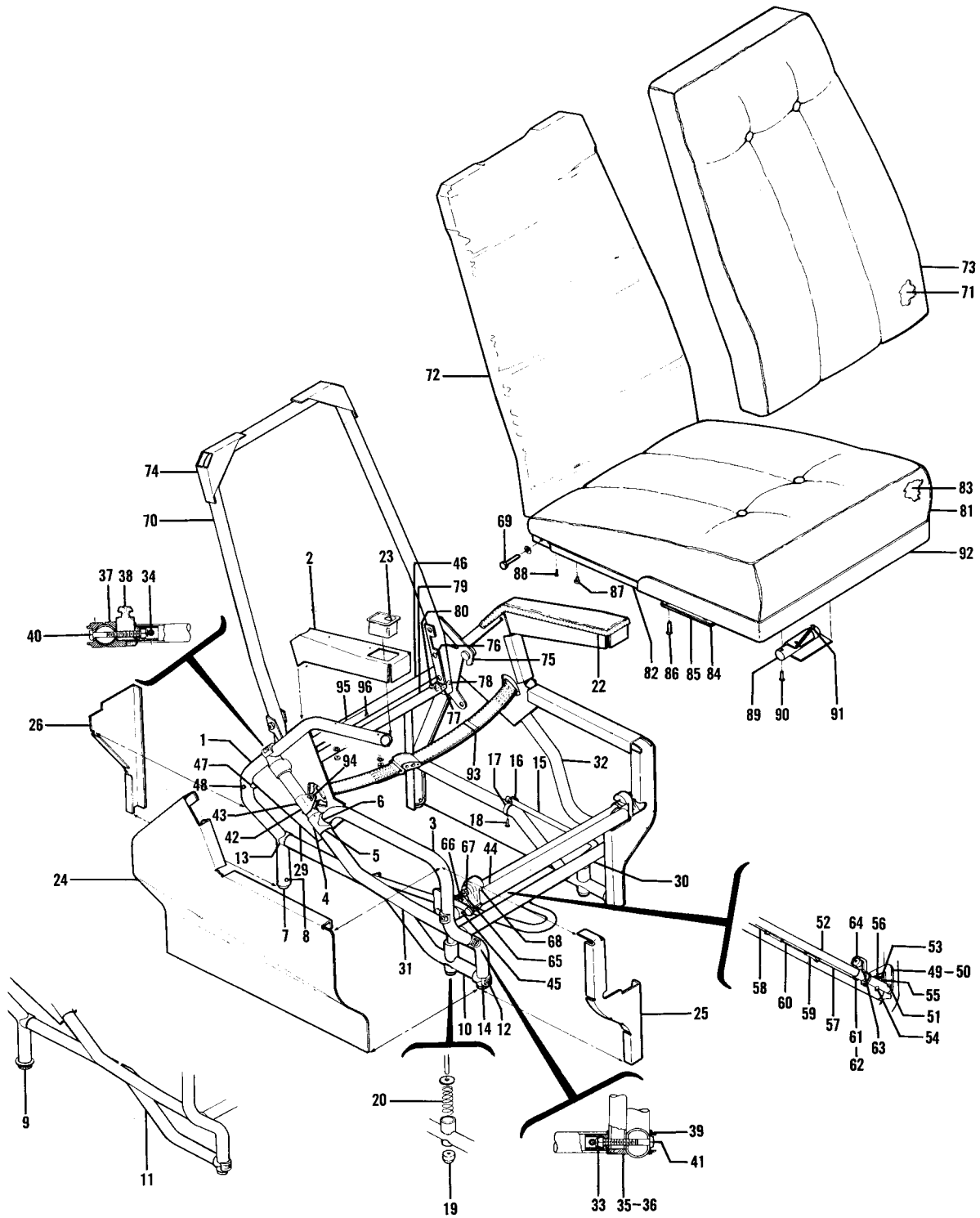


Figure 18. Cabin Seats Assembly (LC-1 thru LC-112)

MODEL 65 & 80 PARTS CATALOG

FIG. & INDEX NO.	PART NO.	DESCRIPTION	UNITS PER ASSY	USABLE ON CODE
		1 2 3 4 5 6 7		
18	50-534413-1	CHAIR ASSY,CABIN RECLINING/SEE FIG. 17 FOR NHA/	REF	1
	50-534413-2	CHAIR ASSY,CABIN RECLINING/SEE FIG. 17 FOR NHA/	REF	1
	50-534413-27	CHAIR ASSY,CABIN RECLINING/SEE FIG. 17 FOR NHA/	REF	1
	50-534413-28	CHAIR ASSY,CABIN RECLINING/SEE FIG. 17 FOR NHA/	REF	1
	50-534413-7 BASE ASSY,CABIN RECLINING CHAIR /USE WITH 50-534413-1 CHAIR/	1	1
	50-534413-8 BASE ASSY,CABIN RECLINING CHAIR /USE WITH 50-534413-2 CHAIR/	1	1
	50-534413-73 BASE ASSY,CABIN RECLINING CHAIR /USE WITH 50-534413-27 CHAIR/	1	1
	50-534413-74 BASE ASSY,CABIN RECLINING CHAIR /USE WITH 50-534413-28 CHAIR/	1	1
- 1	50-534413-5 ARM,CABIN CHAIR LH /USED WITH 50-534413-7/.	1	1
	50-534413-90 ARM,CABIN CHAIR LH /USED WITH 50-534413-8/.	1	1
	50-534413-6 ARM,CABIN CHAIR RH /USED WITH 50-534413-7/.	1	1
	50-534413-89 ARM,CABIN CHAIR RH /USED WITH 50-534413-8/.	1	1
- 2	50-534413-9 SHELL,ARMREST LH.	1	1
	50-534413-10 SHELL,ARMREST RH.	1	1
- 3	50-534413-11 RAIL,ARMREST LH /USED ON 50-534413-7/	1	1
	50-534413-92 RAIL,ARMREST LH /USED ON 50-534413-8/	1	1
	50-534413-12 RAIL,ARMREST RH /USED ON 50-534413-8/	1	1
	50-534413-91 RAIL,ARMREST RH /USED ON 50-534413-7/ /ATTACHING PARTS/	1	1
- 4	S-74-14A BOLT.	2	
	NAS221-19 SCREW	2	
	AN960-10 WASHER.	2	
	MS20365-1032 NUT	2	
		-----*-----		
- 5	50-534413-37 SLEEVE,CHAIR BASE	2	1
- 6	50-534413-63 FITTING,ARMREST RAIL.	2	1
- 7	50-534413-13 FOOT,CHAIR BASE /USE WITH 50-534413-7 & 50- 534413-8 BASE/	4	1
	50-534413-85 FOOT,CHAIR BASE /USE WITH 50-534413-73 & 50-534413-74 BASE/ /ATTACHING PARTS/	2	1
- 8	NAS222-28 SCREW	1	
	AN960-416 WASHER.	1	
	AN365-428 NUT	1	
		-----*-----		
- 9	20253 FITTING,CHAIR BASE /BGDA/ /USE WITH 50-534413-73 & 50-534413-74 BASE/	2	1
- 10	50-534413-21 WELD ASSY,CHAIR BASE LH /USE WITH 50-534413-7 & 50-534413-8 BASE/	1	1
	50-534413-22 WELD ASSY,CHAIR BASE RH /USE WITH 50-534413-7 & 50-534413-8 BASE/	1	1
- 11	50-534413-77 SUPPORT ASSY,CHAIR BASE /USE WITH 50-534413-73 & 50-534413-74 BASE/ /ATTACHING PARTS/	2	1
- 12	S-74-14A BOLT.	2	
	NAS221-19 SCREW	2	
	AN960-10 WASHER.	2	
	MS20365-1032 NUT	2	
		-----*-----		
- 13	50-534413-63 FITTING,CHAIR BASE.	2	1
- 14	414-183397 CLAMP,CHAIR BASE.	2	1
- 15	50-534413-25 TUBE,CHAIR BASE /USE WITH 50-534413-7 & 50-534413-8 BASE/ /ATTACHING PARTS/	1	1
- 16	MS20392-2-19 PIN	2	
	AN381-2-7 PIN,COTTER.	2	
		-----*-----		
- 17	AN735-16 CLAMP /ATTACHING PARTS/	2	1
- 18	AN530-6 SCREW	2	
		-----*-----		

MODEL 65 & 80 PARTS CATALOG

FIG. & INDEX NO.	PART NO.	DESCRIPTION	UNITS PER ASSY	USABLE ON CODE
18 - 19	50-534413-23	. . PIN,CHAIR LOCK /USE WITH 50-534413-7 & 50-534413-8 BASE/ /ATTACHING PARTS/	2	1
	AN381-4-12	. . PIN,COTTER	2	
		-----*		
- 20	100943CR-ZW225G	. . SPRING,CHAIR LOCK PIN	1	1
- 22	50-534413-33	. . UPHOLSTERY ASSY,CAP LH /USE WITH. 50-534413-7 & 50-534413-73 BASE/	1	1
	50-534413-36	. . UPHOLSTERY ASSY,CAP RH /USE WITH. 50-534413-7 & 50-534413-73 BASE/	1	1
	50-534413-35	. . UPHOLSTERY ASSY,CAP LH /USE WITH. 50-534413-8 & 50-534413-74 BASE/	1	1
	50-534413-34	. . UPHOLSTERY ASSY,CAP RH /USE WITH. 50-534413-8 & 50-534413-74 BASE/	1	1
- 23	1A16440	. . RECEIVER,ASH.	1	1
- 24	50-534413-55	. . PANEL,CHAIR BASE SIDE LH.	1	1
	50-534413-56	. . PANEL,CHAIR BASE SIDE RH. /ATTACHING PARTS/	1	1
	AN530-6	. . SCREW	AR	
		-----*		
	50-534413-57	. . UPHOLSTERY ASSY,SIDE PANEL LH	1	1
	50-534413-58	. . UPHOLSTERY ASSY,SIDE PANEL RH	1	1
- 25	50-534413-59	. . PANEL,CHAIR BASE FRONT LH	1	1
	50-534413-60	. . PANEL,CHAIR BASE FRONT RH /ATTACHING PARTS/	1	1
	AN530-6	. . SCREW	AR	
		-----*		
- 26	50-534413-61	. . PANEL,CHAIR BASE REAR LH.	1	1
	50-534413-62	. . PANEL,CHAIR BASE REAR RH. /ATTACHING PARTS/	1	1
	AN530-6	. . SCREW	AR	
		-----*		
- 29	50-534413-67	. . PANEL,CHAIR BASE INNER. /ATTACHING PARTS/	2	1
	AN530-6	. . SCREW	AR	
		-----*		
- 30	404-183302-25	. . SPREADER,CABIN CHAIR RECLINING FRONT. /USED WITH 50-534413-7 &-8/	1	1
	50-534413-87	. . SPREADER,CABIN CHAIR RECLINING FRONT. /USED ON 50-534413-73 &-74/	1	1
- 31	414-183396-51	. . BRACE,CABIN RECLINING CHAIR SIDE LH	1	1
- 32	414-183396-52	. . BRACE,CABIN RECLINING CHAIR SIDE RH	1	1
- 33	404-183302-9	. . FITTING,CABIN RECLINING CHAIR /ATTACHING PARTS/	4	1
- 34	NAS221-19	. . SCREW	1	
		-----*		
- 35	404-183302-8	. . FITTING,CABIN RECLINING CHAIR FRONT LH.	1	1
- 36	404-183302-7	. . FITTING,CABIN RECLINING CHAIR FRONT RH.	1	1
- 37	404-183302-11	. . FITTING,CABIN RECLINING CHAIR REAR.	2	1
- 38	404-183302-17	. . PIVOT,CABIN RECLINING CHAIR	2	1
- 39	414-183397	. . CLAMP,CABIN RECLINING CHAIR FITTING /ATTACHING PARTS/	2	1
- 40	S-74-124A	. . BOLT.	2	
- 41	S-74-16A	. . BOLT.	2	
	AN365-428	. . NUT	4	
		-----*		
- 42	404-183389	. . FITTING,SEAT BELT /ATTACHING PARTS/	2	1
- 43	NAS221-12	. . SCREW	2	
	AN960-10L	. . WASHER.	2	
	102933D4ZE0190	. . SPACER.	2	
		-----*		

MODEL 65 & 80 PARTS CATALOG

FIG. & INDEX NO.	PART NO.	DESCRIPTION							UNITS PER ASSY	USABLE ON CODE
		1	2	3	4	5	6	7		
18 - 44	404-183302-24	1	1
- 45	404-183302-10	2	1
- 46	404-183302-29	1	1
- 47	404-183302-1	2	1
		/ATTACHING PARTS/								
- 48	NAS221-19	1	
	AN960-10	1	
	AN365-1032	1	
		-----*								
- 49	414-183396-11	1	1
		/ATTACHING PARTS/								
	NAS384-10-8	1	
		-----*								
- 50	414-183396-39	1	1
		/ATTACHING PARTS/								
- 51	AN3-14A	1	
	AN960-10	1	
	AN365-1032	1	
		-----*								
- 52	414-183396-13	1	1
- 53	AN393-47	2	1
- 54	102933D4ZJ0281	2	1
- 55	102933D4ZE0468	2	1
- 56	100942N028-14	2	1
- 57	404-183302-14	2	1
- 58	404-183366	2	1
		/ATTACHING PARTS/								
	AN380-2-2	1	
		-----*								
- 59	404-183302-21	1	1
	AN345-10	1	1
- 60	404-183302-37	1	1
- 61	100951X040ZX	2	1
- 62	100951X125XU	2	1
- 63	AN525-10R26	2	1
	AN960-10	2	1
	AN365-1032	2	1
- 64	404-183347	1	1
	404-183347-1	1	1
- 65	404-183302-12	2	1
		/ATTACHING PARTS/								
- 66	AN3-21A	1	
	AN960-10	1	
	AN365-1032	1	
		-----*								
- 67	404-183302-38	2	1
- 68	404-183365	2	1
		/ATTACHING PARTS/								
	52-028-125-0937	1	
		-----*								
	52-028-094-0625	1	1
	50-534413-47	1	1
		/ATTACHING PARTS/								
- 69	NAS221-14	2	
	AN960-10	2	
		-----*								
- 70	50-534413-3	1	1
- 71	50-534413-49	1	1
- 72	50-534413-51	1	1
- 73	50-534413-53	1	1

MODEL 65 & 80 PARTS CATALOG

FIG. & INDEX NO.	PART NO.	DESCRIPTION	UNITS PER ASSY	USABLE ON CODE
18 - 74	50-534413-71	. . CORNER,CABIN RECLINING CHAIR BACK /ATTACHING PARTS/	2	1
	AN530-6	. . SCREW	AR	
- 75	414-183367-1	. . CATCH ASSY,CABIN RECLINING CHAIR BACK LH. .	1	1
	414-183367-2	. . CATCH ASSY,CABIN RECLINING CHAIR BACK RH. . /ATTACHING PARTS/	1	1
- 76	NAS221-26	. . SCREW	2	
	AN960-10	. . WASHER.	2	
	AN365-1032	. . NUT	2	
- 77	404-183352	. . PLUG,CABIN RECLINING CHAIR BACK /ATTACHING PARTS/	2	1
- 78	NAS222-30	. . SCREW	1	
	AN960-416	. . WASHER.	1	
- 79	404-183394-3	. . TUBE,CABIN RECLINING CHAIR BACK /ATTACHING PARTS/	1	1
- 80	NAS221-24	. . SCREW	2	
	AN960-416	. . WASHER.	2	
	AN365-1032	. . NUT	2	
- 81	50-534413-39	. SEAT ASSY,CABIN RECLINING CHAIR	1	1
- 82	50-534413-43	. . UPHOLSTERY,SEAT	1	1
- 83	50-534413-45	. . FRAME ASSY,SEAT	1	1
- 84	50-534413-41	. . CUSHION,SEAT FRAME.	1	1
- 85	404-183302-195	. . PLATE,SEAT FRAME.	2	1
- 86	404-183349	. . ROCK,SEAT FRAME	1	1
- 87	404-183349-1	. . ROCK,SEAT FRAME /ATTACHING PARTS/	1	1
- 88	AN520-10-12	. . SCREW	2	
	100951DD187ZL	. . WASHER.	2	
- 89	AN227-8B	. . STUD. /ATTACHING PARTS/	10	1
- 90	AN507-632-6	. . SCREW	1	
- 91	404-183395-15	. . TUBE,SEAT FRAME /ATTACHING PARTS/	2	1
- 92	AN530-4-4	. . SCREW	1	
- 93	AN392-41	. . PIN	1	
	102933-D3ZE0750	. . SPACER.	1	
- 94	100942F020-26	. . SPRING.	2	1
- 95	50-534413-69	. . RETAINER,SEAT FRAME CUSHION	1	1
- 96	414-183389-41	. BELT ASSY,CABIN CHAIR SAFETY. /ATTACHING PARTS/	1	1
- 97	NAS221-12	. SCREW	2	
	102933-D4ZE0190	. SPACER.	2	
	AN960-10L	. WASHER.	2	
- 98	50-534417-1	. PLACARD,CHAIR IDENTIFICATION. /USE WITH 50-534413-1 CHAIR ASSY/	1	1
	50-534417-3	. PLACARD,CHAIR IDENTIFICATION. /USE WITH 50-534413-2 CHAIR ASSY/	1	1
	50-534417-5	. PLACARD,CHAIR IDENTIFICATION. /USE WITH 50-534413-27 CHAIR ASSY/	1	1
	50-534417-7	. PLACARD,CHAIR IDENTIFICATION. /USE WITH 50-534413-28 CHAIR ASSY/ /ATTACHING PARTS/	1	1
- 99	AN535-4	. SCREW	2	

CODE EFFECTIVITY

1 LC-1 THRU LC-112

MODEL 65 & 80 PARTS CATALOG

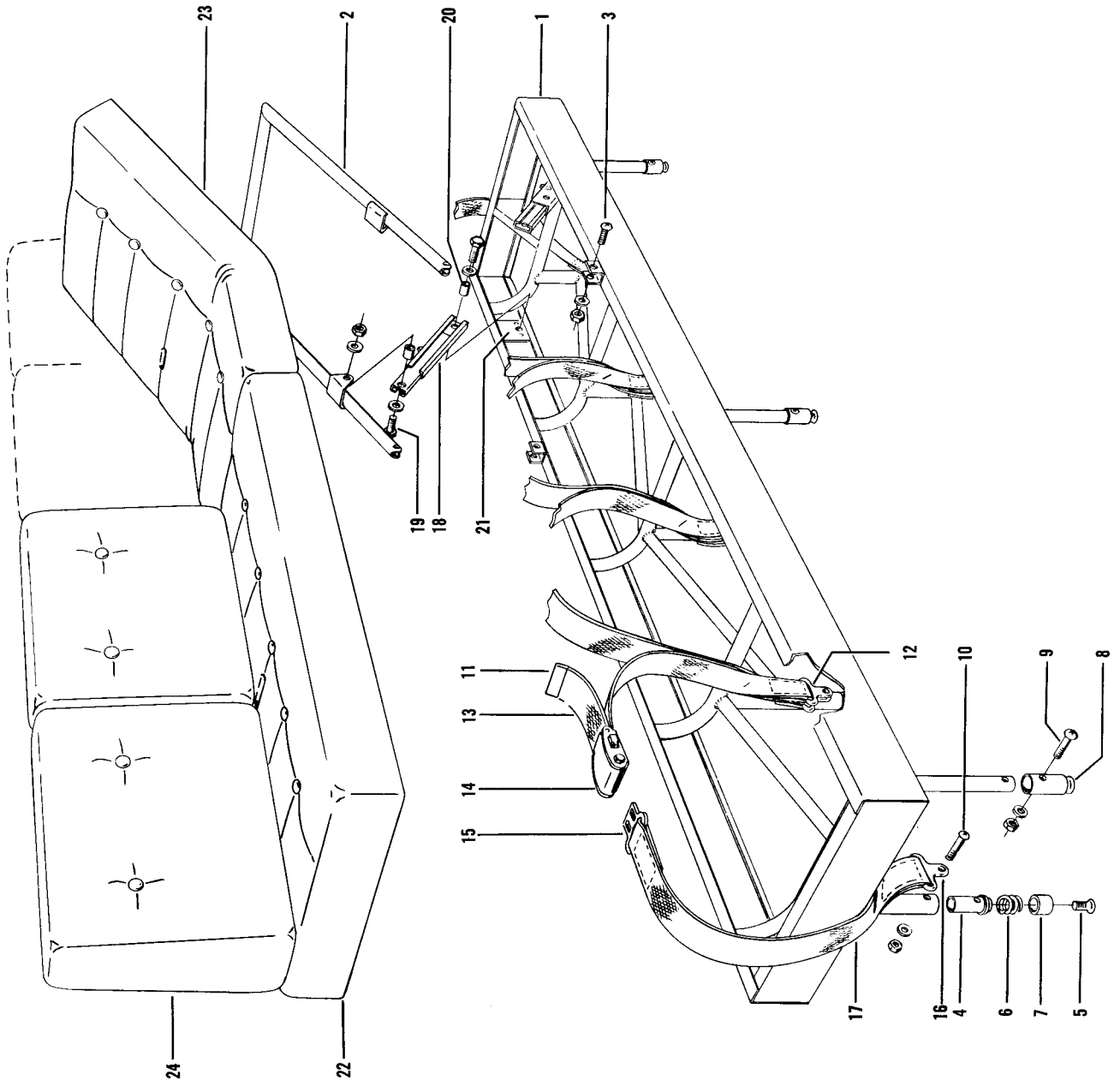


Figure 18A. Four Place Couch Installation

MODEL 65 & 80 PARTS CATALOG

FIG. & INDEX NO.	PART NO.	DESCRIPTION	UNITS PER ASSY	USABLE ON CODE
		1 2 3 4 5 6 7		
18A-	50-534311	COUCH INSTL,4 PLACE /OPTIONAL /SEE FIG. 17 FOR. ARRANGEMENT/ /SEE FIG. 1 FOR NHA/	1	
- 1	50-534311-3	. WELD ASSY,COUCH FRAME	1	
- 2	50-534311-7	. SUPPORT ASSY,COUCH FRAME. /ATTACHING PARTS/	1	
- 3	AN520-10	. SCREW	2	
	AN960-10	. WASHER.	2	
	MS20365-1032	. NUT	2	
		-----*-----		
- 4	50-534311-33	. FITTING ASSY,COUCH REAR FOOT.	4	
- 5	50-534311-35	. . FITTING,COUCH FOOT.	1	
- 6	20259	. . STUD,COUCH FOOT	1	
- 7	20266	. . SPRING,COUCH FOOT	1	
- 8	20360	. . RETAINER,COUCH FOOT	1	
- 8	50-534311-37	. FOOT,COUCH FRONT. /ATTACHING PARTS/	4	
- 9	NAS221	. SCREW	1	
	AN960-10	. WASHER.	1	
	MS20365-1032	. NUT	1	
		-----*-----		
	414-183389-65	. BELT ASSY,SAFETY. /ATTACHING PARTS/	4	
- 10	NAS222	. SCREW	2	
	AN960-416	. WASHER.	2	
	MS20365-428	. NUT	2	
		-----*-----		
- 11	414-183389-69	. . STRAP ASSY,SAFETY BELT.	1	
	D-611-A	. . . TIP,BELT.	1	
- 12	414-183389-71	. . . STRAP ASSY,SAFETY BELT.	1	
- 13	113676-2	. . . FITTING,SAFETY BELT	1	
- 14	414-183389-7	. . . WEBBING,SAFETY BELT	1	
- 15	115184	. . . PLACARD,SAFETY BELT IDENTIFICATION.	1	
- 16	FDK2707	. . BUCKLE ASSY,SAFETY BELT	1	
- 17	FD1643	. . BAR,SAFETY BELT RELEASE	1	
- 18	414-183389-67	. . STRAP ASSY,SAFETY BELT.	1	
- 19	414-183389-15	. . . STRAP ASSY,SAFETY BELT.	1	
- 20	113676-2	. . . FITTING,SAFETY BELT	1	
- 21	414-183389-13	. . . WEBBING,SAFETY BELT	1	
- 22	115184	. . . PLACARD,SAFETY BELT IDENTIFICATION.	1	
- 23	50-534311-53	. PROP,SUPPORT. /ATTACHING PARTS/	2	
- 24	AN3A	. BOLT.	2	
	AN960-10	. WASHER.	2	
		-----*-----		
- 25	50-534311-51	. SPACER.	4	
- 26	50-534311-45	. PLATE ASSY,SLIDING.	2	
- 27	50-534311-29	. CUSHION,COUCH BOTTOM.	2	
- 28	50-534311-27	. CUSHION,COUCH BOTTOM.	1	
- 29	50-534311-31	. CUSHION,COUCH BACK.	4	

MODEL 65 & 80 PARTS CATALOG

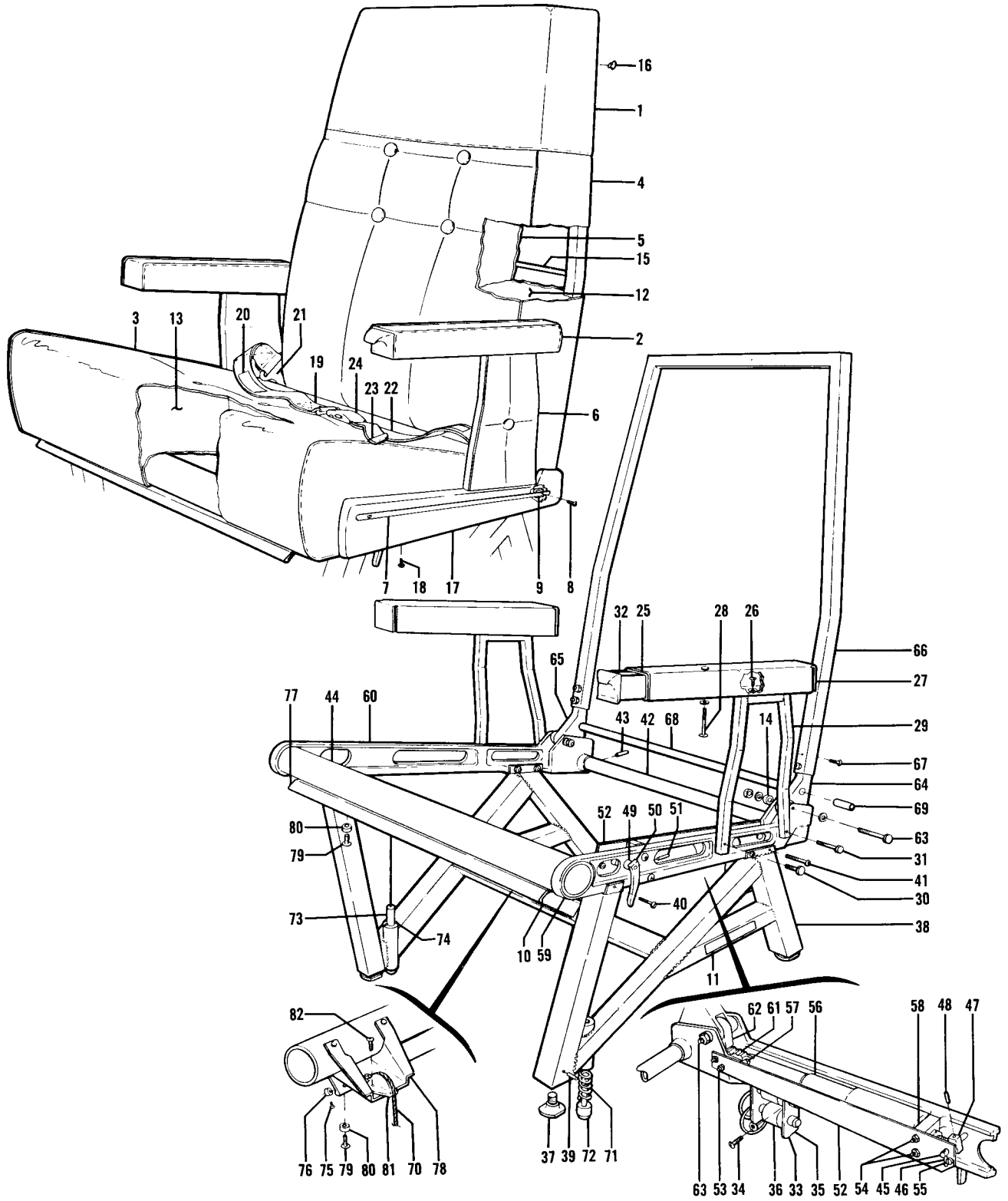


Figure 18B. Cabin Seat Assembly (LC-113 and After)

MODEL 65 & 80 PARTS CATALOG

FIG. & INDEX NO.	PART NO.	DESCRIPTION	1 2 3 4 5 6 7							UNITS PER ASSY	USABLE ON CODE
			1	2	3	4	5	6	7		
188-	50-534435-1	UPHOLSTERY ASSY,CABIN CHAIR								REF	1
	50-534435-2	UPHOLSTERY ASSY,CABIN CHAIR								REF	1
	50-534435-3	UPHOLSTERY ASSY,CABIN CHAIR								REF	1
	50-534435-4	UPHOLSTERY ASSY,CABIN CHAIR								REF	1
- 1	50-534435-17	. CAP,SEAT								1	1
- 2	50-534435-21	. COVER ASSY,LH								1	1
	50-534435-22	. COVER ASSY,RH								1	1
- 3	50-534435-11	. COVER ASSY,BOTTOM								1	1
- 4	50-534435-13	. COVER ASSY,BACK								1	1
- 5	50-534435-15	. PANEL ASSY.								1	1
- 6	50-534435-19	. UPHOLSTERY,POST LH.								1	
	50-534435-20	. UPHOLSTERY,POST RH.								1	1
- 7	C847C	. MOLDING,FINISH.								2	1
	C847CR	. MOLDING,RETAINER.								6	1
		/ATTACHING PARTS/									
- 8	AN507-632-18	. SCREW								2	
	NAS548P6-6	. SCREW /6 EA USED WITH 50-534435-3 &-4/.								4	
- 9	50-534435-5	. SPACER.								2	
	MS20365-632	. NUT								2	
		-----*									
- 10	50-534437	. PLACARD								1	1
- 11	50-534438	. PLATE /USED WITH 50-534435-3 &-4/.								1	1
- 12	18-534020	. CUSHION ASSY,CHAIR BACK								1	1
- 13	18-534019	. CUSHION ASSY,CHAIR BOTTOM FRONT								1	1
- 14	102933D5ZM0190	. SPACER.								2	1
- 15	404-183319	. CORD ASSY								1	1
- 16	AN227-8	. STUD /USED WITH 50-534435-3 &-4/.								2	1
- 17	18-534021-1	. PANEL,SIDE CABIN CHAIR LH								1	1
	18-534021-2	. PANEL,SIDE CABIN CHAIR RH								1	1
		/ATTACHING PARTS/									
- 18	PK76XZ-6-6	. SCREW								8	
		-----*									
	414-183389-41	. BELT ASSY,QUICK RELEASE								1	1
	414-183389-17	. STRAP ASSY.								1	1
	414-183389-15	. STRAP ASSY.								1	1
- 19	414-183389-13	. WEBBING								1	1
- 20	115184	. PLACARD								2	1
- 21	113676-4	. FITTING								2	1
	414-183389-11	. STRAP ASSY.								1	1
	414-183389-9	. STRAP ASSY.								1	1
- 22	414-183389-7	. WEBBING								1	1
	115184	. PLACARD								2	1
	113676-4	. FITTING								1	1
- 23	D611A	. TIP,BELT.								1	1
- 24	FDK2707	. BUCKLE ASSY /COLOR #58 BEIGE/								1	1
	50-534436-1	. CHAIR FRAME ASSY,CABIN,AIRCRAFT								1	1
		/USED WITH 50-534435-1/									
	50-534436-2	. CHAIR FRAME ASSY,CABIN,AIRCRAFT								1	1
		/USED WITH 50-534435-2/									
	50-534436-3	. CHAIR FRAME ASSY,CABIN,AIRCRAFT								1	1
		/USED WITH 50-534435-3/									
	50-534436-4	. CHAIR FRAME ASSY,CABIN,AIRCRAFT								1	1
		/USED WITH 50-534435-4/									
	50-534436-73	. ARM REST ASSY,LH /USED WITH 50-534436-16-4/								1	1
	50-534436-74	. ARM REST ASSY,RH /USED WITH 50-534436-26-3/								1	1
	50-534436-75	. ARM REST ASSY,LH /USED WITH 50-534436-26-3/								1	1
	50-534436-76	. ARM REST ASSY,RH /USED WITH 50-534436-16-4/								1	1
- 25	50-534436-67	. ARM,LH.								1	1
	50-534436-68	. ARM,RH.								1	1
		/ATTACHING PARTS/									
- 26	NAS221-10	. SCREW								4	
	AN960-10	. WASHER.								4	
	NAS1329A3K80	. NUT								4	
		-----*									

MODEL 65 & 80 PARTS CATALOG

FIG. & INDEX NO.	PART NO.	DESCRIPTION	UNITS PER ASSY	USABLE ON CODE
18B- 27	50-534436-71	. . . PAN,/USED WITH 50-534436-73 6-74/	1	1
	50-534436-69	. . . PANEL,/USED WITH 50-534436-75 6-76/ /ATTACHING PARTS/	1	1
- 28	NAS220-25	. . . SCREW	2	
	AN960-8	. . . WASHER	2	
	NAS1329A08K75	. . . NUT	2	
		-----*-----		
- 29	50-534436-77	. . . WELD ASSY,LH /USED WITH 50-534436-736-75/	1	1
	50-534436-78	. . . WELD ASSY,RH /USED WITH 50-534436-746-76/ /ATTACHING PARTS/	1	1
- 30	AN4-7A	. . . BOLT	2	
	42ND20-048	. . . NUT	2	
- 31	AN4-11A	. . . BOLT	2	
	42ND28-048	. . . NUT	2	
		-----*-----		
- 32	18-534027	. . . TRAY,ASH /USED WITH 50-534436-756-76/ . .	1	1
- 33	50-534436-101	. . . DETENT ASSY,/USED WITH 50-534435-3 6-4/ . . /ATTACHING PARTS/	1	1
- 34	NAS220-8	. . . SCREW	2	
	AN960-8	. . . WASHER	2	
	BLDS6-20	. . . PIN	2	
		-----*-----		
- 35	50-534436-99	. . . BRACKET	2	1
- 36	50-534436-97	. . . BUSHING	2	1
	50-534436-45	. . . BASE ASSY,/USED WITH 50-534436-1 6-2/	1	1
	50-534436-47	. . . BASE ASSY,/USED WITH 50-534436-3 6-4/	1	1
- 37	50-534436-7	. . . FOOT,/USED WITH 50-534436-45/	4	1
	50-534436-5	. . . FOOT,/USED WITH 50-534436-47/	4	1
- 38	50-534436-19	. . . WELD ASSY	1	1
	MS20396-1-25	. . . PIN	2	1
	MS171466	. . . PIN,ROLL	2	1
	50-534413-23	. . . PIN	2	1
- 39	50-534436-51	. . . PIN,LOCK	1	1
	18-534013-1	. . . FRAME ASSY /USED WITH 50-534436-16-4/	1	1
	18-534013-2	. . . FRAME ASSY /USED WITH 50-534436-26-3/ /ATTACHING PARTS/	1	1
- 40	NAS221-17	. . . SCREW	2	
- 41	NAS221-25	. . . SCREW	4	
	MS20365-1032	. . . NUT	6	
		-----*-----		
	18-534013-43	. . . BOTTOM ASSY /USED WITH 18-534013-1/	1	1
	18-534013-44	. . . BOTTOM ASSY,/USED WITH 18-534013-2/	1	1
- 42	18-534013-17	. . . TUBE /ATTACHING PARTS/	1	1
- 43	MS171534	. . . PIN,ROLL	2	
		-----*-----		
- 44	18-534013-27	. . . TUBE	1	1
- 45	18-534013-47	. . . PIN /ATTACHING PARTS/	1	1
- 46	MS171532	. . . PIN,ROLL	1	
	AN960-416L	. . . WASHER	1	
		-----*-----		
- 47	18-534013-7	. . . BLOCK /ATTACHING PARTS/	1	1
- 48	MS171498	. . . PIN,ROLL	1	
		-----*-----		
- 49	100696A-ZT007	. . . SPACER	1	1
- 50	18-534013-49	. . . HANDLE /ATTACHING PARTS/	1	1
- 51	MS171498	. . . PIN,ROLL	1	
		-----*-----		
- 52	18-534013-31	. . . STRAP	1	1

MODEL 65 & 80 PARTS CATALOG

FIG. & INDEX NO.	PART NO.	1	2	3	4	5	6	7	DESCRIPTION	UNITS PER ASSY	USABLE ON CODE
									/ATTACHING PARTS/		
18B- 53	AN525-8R	SCREW	2	
	MS20365-832	NUT	2	
- 54	AN525-10R	SCREW	2	
	AN960-10L	WASHER	2	
	MS20365-1032	NUT	2	
		-----*									
- 55	AN501A10	SCREW	1	1
	MS20365-1032	NUT	1	1
- 56	SL4300	HYDROLOK	1	1
									/ATTACHING PARTS/		
- 57	AN4A	BOLT	1	
	MS20365-624	NUT	1	
		-----*									
- 58	18-534013-29	BLOCK	1	1
- 59	18-534015-1	FORGING	1	1
- 60	18-534015-2	FORGING	1	1
- 61	18-534024-1	RACK	1	1
- 62	18-534013-51	GEAR	1	1
	18-534013-37	BACK ASSY	1	1
									/ATTACHING PARTS/		
- 63	AN4A	BOLT	2	
	AN960-416L	WASHER	2	
	AN960-416	WASHER	2	
	MS20365-428	NUT	2	
		-----*									
- 64	18-534016-1	FORGING	1	1
- 65	18-534016-2	FORGING	1	1
- 66	18-534013-35	WELD ASSY	1	1
									/ATTACHING PARTS/		
- 67	AN525-10R	SCREW	4	
	MS20365-1032	NUT	4	
		-----*									
- 68	18-534013-15	TUBE	1	1
									/ATTACHING PARTS/		
- 69	MS171688	PIN,ROLL	2	
		-----*									
	50-534436-25	CABLE ASSY,/USED WITH 50-534436-3 &-4/	2	1
- 70	50-534436-23	CABLE,/USED WITH 50-534436-3 &-4/	2	1
- 71	100943CR-ZW225G	SPRING	2	1
- 72	50-534436-49	PIN,/USED WITH 50-534436-3 &-4/	2	1
- 73	50-534436-87	PIN /USED WITH 50-534436-3&-4/	2	1
									/ATTACHING PARTS/		
- 74	MS171468	PIN,ROLL,/USED WITH 50-554436-3 &-4/	2	
- 75	AN515-6R3	SCREW,/USED WITH 50-534436-3 &-4/	2	
- 76	187247	STOP,/USED WITH 50-534436-3 &-4/	2	
		-----*									
- 77	50-534436-21	HANDLE,/USED WITH 50-534436-3 &-4/	1	1
- 78	50-534436-55	BRACKET,/USED WITH 50-554436-3 &-4/	2	1
									/ATTACHING PARTS/		
- 79	AN520-10R12	SCREW,/USED WITH 50-534436-3 &-4/	2	
	105090E250-4E	WASHER,/USED WITH 50-534456-3 &-4/	2	
- 80	100801A3-375	BUSHING,/USED WITH 50-534436-3 &-4/	2	
	MS35489-6	GROMMET,/USED WITH 50-534436-3 &-4/	2	
	NAS1329A3K80	NUT,/USED WITH 50-534436-3 &-4/	2	
		-----*									
- 81	118668	FAIRLEAD,/USED WITH 50-534436-3 &-4/	2	1
									/ATTACHING PARTS/		
- 82	AN504-6R	SCREW,/USED WITH 50-534436-3 &-4/	4	1
		-----*									

CODE EFFECTIVITY

- 1 LC-113 AND AFTER,
- LD-1 AND AFTER

MODEL 65 & 80 PARTS CATALOG

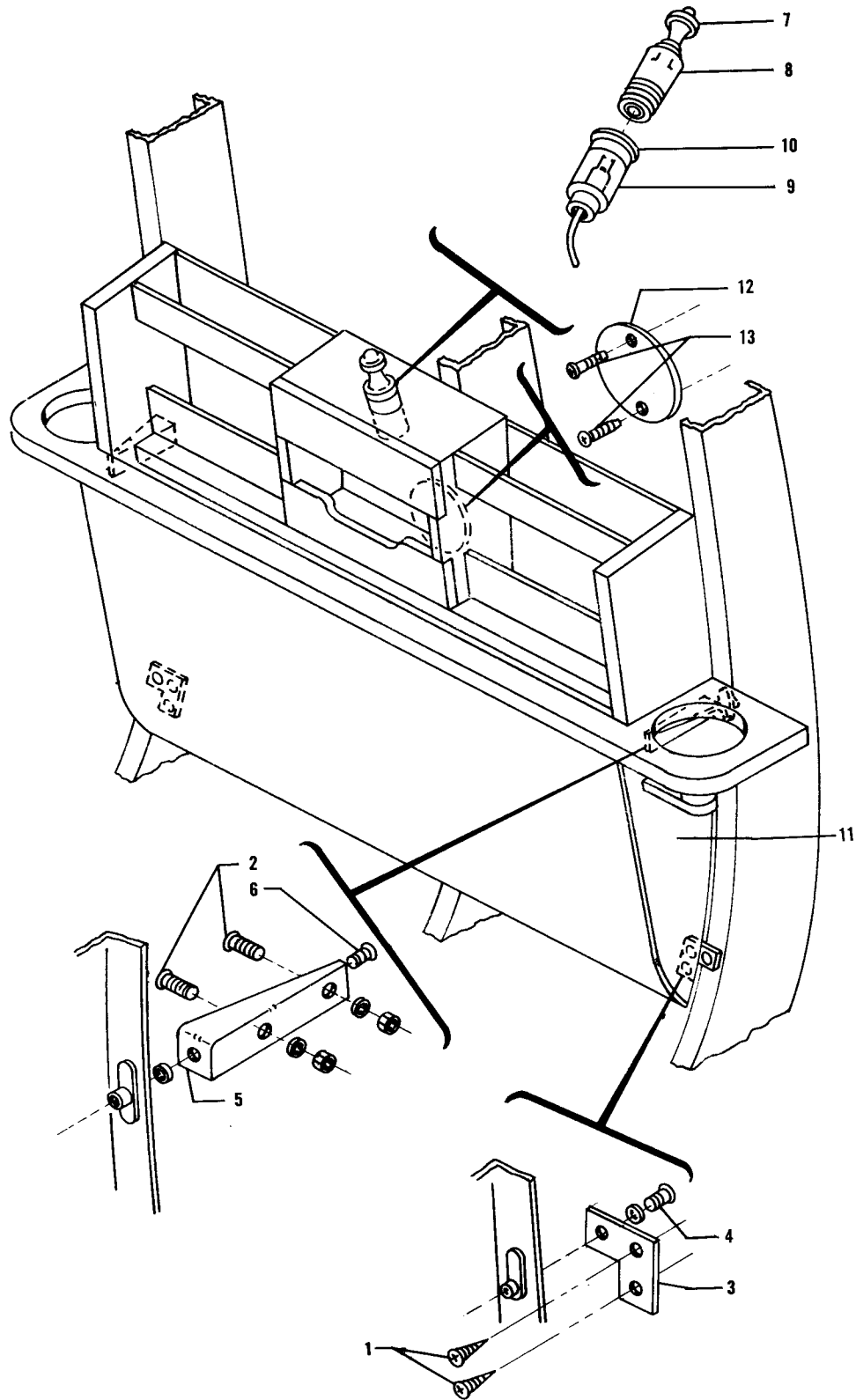


Figure 19. Cabin Table Installation

MODEL 65 & 80 PARTS CATALOG

FIG. & INDEX NO.	PART NO.	1	2	3	4	5	6	7	DESCRIPTION	UNITS PER ASSY	USABLE ON CODE
19	50-534394-1	TABLE INSTL,CABIN LH /OPTIONAL/							/SEE FIG. 1 FOR NHA/ /USED WITH 50-534393-3	NP	
	50-534394-2	SEAT INSTL,REF FIG. 17/							TABLE INSTL,CABIN RH /OPTIONAL/	NP	
	50-534394-9							SEAT INSTL,REF FIG. 17/	1	
- 1	AN550-6R5							TABLE ASSY,CABIN. /ATTACHING PARTS/	2	
- 2	AN507-8							SCREW	4	
	AN960-8							SCREW	4	
	AN340-8							WASHER	4	
								NUT	4	
		-----*									
- 3	50-534394-8							PLATE,CABIN TABLE ATTACH LH	1	
	50-534394-7							PLATE,CABIN TABLE ATTACH RH /ATTACHING PARTS/	1	
- 4	NAS387-1032-10							SCREW	1	
	NAS391-10							WASHER	1	
		-----*									
- 5	414-180290-21							CLIP, TABLE LH	1	
	414-180290-22							CLIP, TABLE RH /ATTACHING PARTS/	1	
- 6	NAS387-1032-10							SCREW	2	
	NAS391-10							WASHER	2	
		-----*									
- 7	50-534394-3							LIGHTER ASSY, TABLE	1	
- 8	LPA27630							ELEMENT & KNOB, LIGHTER	1	
- 9	LBA27492							BASE, SWITCH	1	
	LWA29455							CORD	1	
- 10	414-180290-17							SHELL, /MAKE FR LU27054/	1	
- 11	414-180290-19							COLLAR	1	
	AMP32445							DISCONNECT, QUICK	2	
- 12	50-384025-1							FRAME ASSY, CABIN TABLE	1	
- 13	50-384394-5							PLATE /ATTACHING PARTS/	1	
	NAS384-6-8P							SCREW	2	
		-----*									

MODEL 65 & 80 PARTS CATALOG

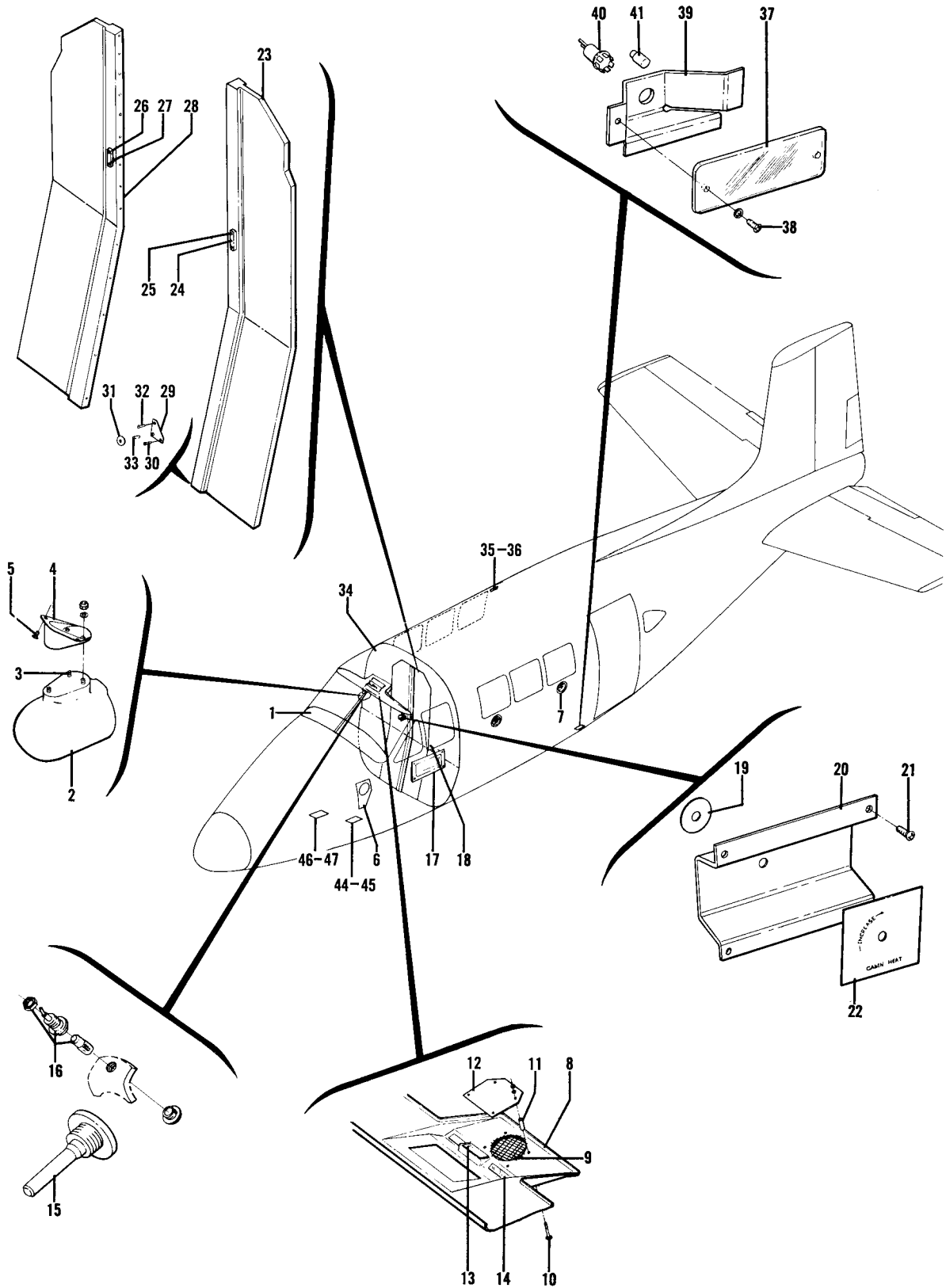


Figure 20. Upholstery and Furnishings Installation (Sheet 1 of 2 Sheets)

MODEL 65 & 80 PARTS CATALOG

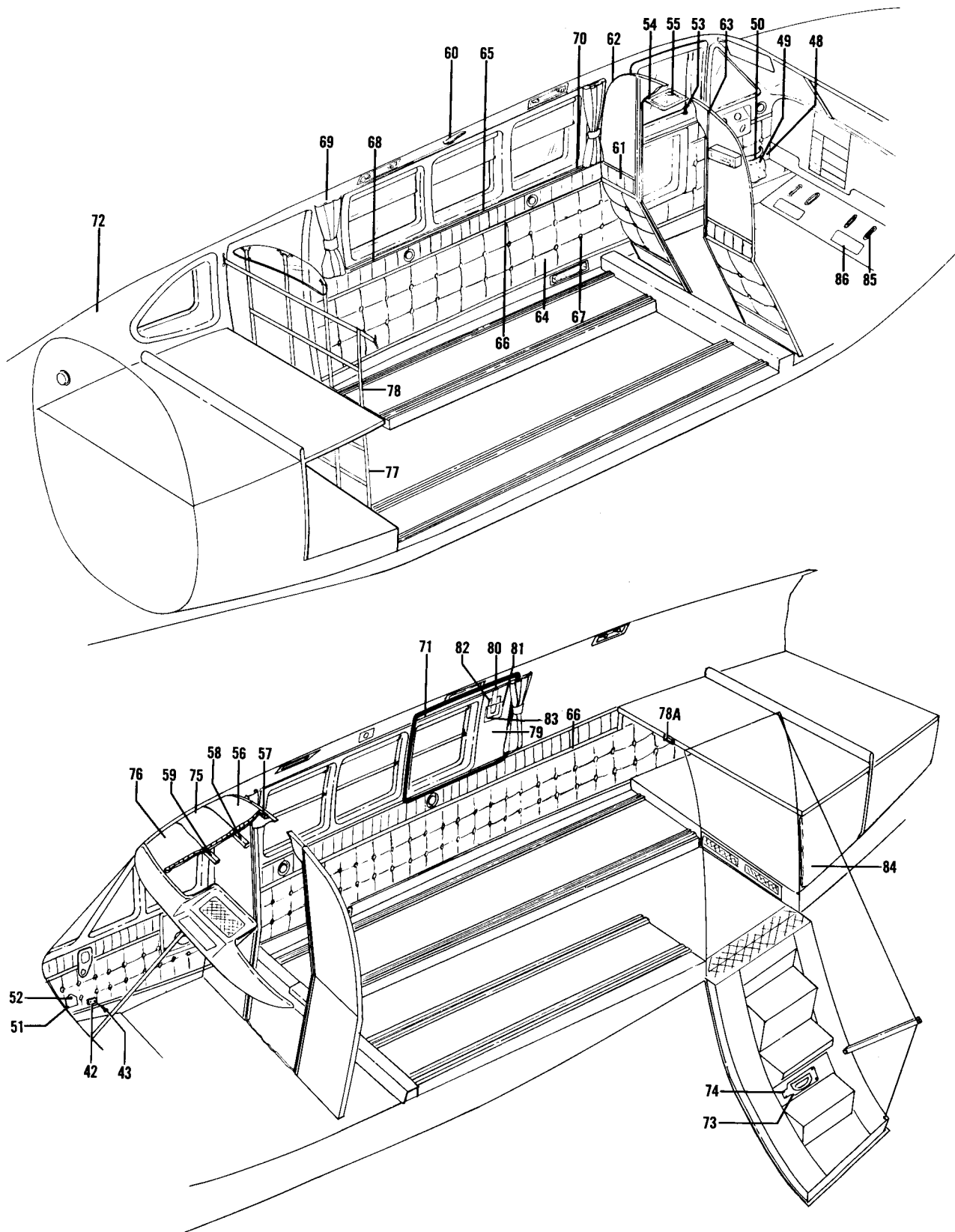


Figure 20. Upholstery and Furnishings Installation (Sheet 2 of 2 Sheets)

MODEL 65 & 80 PARTS CATALOG

FIG. & INDEX NO.	PART NO.	DESCRIPTION	UNITS PER ASSY	USABLE ON CODE
20	50-534350-303	UPHOLSTERY & FURNISHINGS INSTL.	NP	
	50-534350-301	UPHOLSTERY & FURNISHINGS INSTL./OPTIONAL/ . . .	NP	1
	50-324147	. SHIELD INSTL, GLARE.	NP	
- 1	50-324147-1	. SHIELD ASSY, GLARE.	1	
	50-534353-1	. COMPASS INSTL.	1	
- 2	50-534353-3	. COMPASS ASSY.	1	
		/ATTACHING PARTS/		
- 3	AN515B4R8	. SCREW	3	
	AN960PD4L	. WASHER.	3	
	MS20365B440	. NUT	3	
		-----*		
- 4	50-534353-5	. BRACKET, COMPASS	1	
		/ATTACHING PARTS/		
- 5	AN507B1032R8	. SCREW	2	
	AN960PD10L	. WASHER.	2	
	MS20365B1032	. NUT	2	
		-----*		
	C24-550	. LIGHT ASSY, COMPASS.	1	
- 6	50-534364	. ESCUTCHEON, OXYGEN GAGE.	1	
- 7	50-534363	. ESCUTCHEON, OXYGEN OUTLET.	1	
	50-534386-1	. PANEL INSTL, OVERHEAD.	NP	
	50-534386-3	. PANEL ASSY, OVERHEAD.	1	
- 8	50-534386-5	. PANEL, OVERHEAD.	1	
- 9	50-534386-7	. GRILLE, OVERHEAD.	1	
		/ATTACHING PARTS/		
- 10	PK76XZ-10-22	. SCREW	4	
- 11	50-534386-9	. SPACER.	4	
		-----*		
- 12	50-534268-7	. PLATE, OVERHEAD GRILLE	1	
- 13	50-534276	. LENS, OVERHEAD LIGHT	1	
- 14	50-534275	. FILTER, OVERHEAD LIGHT	1	
	50-534388-3	. THERMOMETER INSTL, FREE AIR.	NP	
- 15	35-380019	. THERMOMETER, FREE AIR.	1	
- 16	50-324114-3	. LIGHT, THERMOMETER	1	
	AN316-4	. NUT	1	
	50-534372-1	. PANEL INSTL, RECESSED LH	1	
	50-534372-2	. PANEL INSTL, RECESSED RH	1	
- 17	50-534372-3	. PANEL, RECESSED LH	1	
	50-534372-4	. PANEL, RECESSED RH	1	
		/ATTACHING PARTS/		
- 18	NAS384-8-6	. SCREW	15	
	NAS391S8P	. WASHER.	15	
	NAS395-14-1	. NUT	15	
		-----*		
	50-534357	. PANEL INSTL, HEATER.	1	
	50-534357-9	. PANEL ASSY, HEATER	1	
- 19	50-534357-7	. DOUBLER, HEATER PANEL.	1	
- 20	50-534357-11	. FRAME, HEATER PANEL.	1	
		/ATTACHING PARTS/		
- 21	NAS384-8-8P	. SCREW	4	
	NAS390-6P	. WASHER.	4	
		-----*		
- 22	50-534358	. PLACARD, HEATER RHEOSTAT	1	
	50-534365	. PARTITION INSTL, FWD	NP	
	50-534365-129	. DOOR ASSY, PARTITION LH.	1	
	50-534365-130	. DOOR ASSY, PARTITION RH.	1	
- 23	50-534365-123	. PANEL, SLIDING LH.	1	
	50-534365-124	. PANEL, SLIDING RH.	1	
- 24	414-184051-27	. PULL, SLIDING PANEL LH	2	
		/ATTACHING PARTS/		
- 25	NAS387-632-10P	. SCREW	2	
		-----*		
- 26	414-184051-30	. PULL, SLIDING PANEL RH	1	
	414-184051-29	. PULL, SLIDING PANEL RH	1	
		/ATTACHING PARTS/		
- 27	NAS387-632-10P	. SCREW	2	
		-----*		

MODEL 65 & 80 PARTS CATALOG

FIG. & INDEX NO.	PART NO.	DESCRIPTION							UNITS PER ASSY	USABLE ON CODE	
		1	2	3	4	5	6	7			
20 - 28	414-184051-23	1	
	50-534365-55	1	
	1009426016-20	1	
- 29	50-534365-97	1	
	50-534365-98	1	
		/ATTACHING PARTS/									
- 30	AN509-1032	4	
	52-1650-02	4	
		-----*									
- 31	50-534365-101	3	
		/ATTACHING PARTS/									
- 32	AN525-1032	1	
- 33	50-534365-95	1	
		-----*									
- 34	50-534365-121	1	
	50-534365-122	1	
	50-534365-119	1	
	50-534365-120	1	
- 35	50-420015	1	
		/ATTACHING PARTS/									
- 36	NAS384-6-8	2	
		-----*									
	50-534376	1	
- 37	50-534376-3	1	
		/ATTACHING PARTS/									
- 38	AN525-10R10	2	
		-----*									
- 39	50-534376-5	1	
- 40	2506	1	
- 41	MS25231-313	1	
	18-420017-1	1	
- 42	50-534054	1	
		/ATTACHING PARTS/									
- 43	AN530-6R6	2	
		-----*									
- 44	50-534397	1	
		/ATTACHING PARTS/									
- 45	NAS385-6-8	4	
	NAS391-6	4	
		-----*									
- 46	50-534258	1	
	50-534259	1	
		/ATTACHING PARTS/									
- 47	NAS385-6	2	
	NAS391-6	2	
		-----*									
- 48	50-534350-161	1	
- 49	50-534350-237	1	
- 50	COMM	1	
	50-534350-169	1	
- 51	35-534192-14	1	
		/ATTACHING PARTS/									
- 52	99833-P098	1	
		-----*									
	50-534350-307	1	
		/ATTACHING PARTS/									
- 53	NAS384-6-6	4	
		-----*									
- 54	50-534350-309	1	
- 55	50-534350-311	1	
- 56	50-534350-131	1	
- 57	50-534350-227	1	
- 58	50-534350-229	1	
- 59	50-534350-231	1	
	50-534350-232	1	
- 60	50-534350-275	1	
	50-534350-271	1	

MODEL 65 & 80 PARTS CATALOG

FIG. & INDEX NO.	PART NO.	DESCRIPTION							UNITS PER ASSY	USABLE ON CODE	
		1	2	3	4	5	6	7			
20	50-534350-323	•	•							1	
	50-534350-293	•	•							1	
	50-534350-193	•	•							1	
	50-534350-194	•	•							1	
	50-534350-295	•	•							1	
	50-534350-296	•	•							1	
	50-534350-61	•	•							1	
- 61	50-534350-179	•	•							1	
	50-534350-180	•	•							1	
- 62	50-534350-181	•	•							1	
	50-534350-182	•	•							1	
- 63	50-534350-245	•	•							1	
	50-534350-246	•	•							1	
- 64	50-534350-43	•	•							1	
	50-534350-45	•	•							1	
- 65	C847C	•	•							4	
- 67	40	•	•							AR	
- 68	50-534350-327	•	•							1	
	50-534350-329	•	•							1	
- 69	50-534350-331	•	•							1	
	50-534350-332	•	•							1	
- 70	50-534350-333	•	•							1	
	50-534350-334	•	•							1	
- 71	50-534350-335	•	•							1	
- 72	50-534350-279	•	•							1	
	50-534350-280	•	•							1	
- 73	414-180042	•	•							1	
		/ATTACHING PARTS/									
- 74	NAS384-6-10	•	•							4	
	NAS391-6	•	•							4	
		----*----									
- 75	50-534350-125	•	•							2	
- 76	50-534350-297	•	•							2	
- 77	50-534350-289	•	•							1	1
- 78	50-534350-345	•	•							1	1
- 78A	50-534428	•	•							1	
		/ATTACHING PARTS/									
	AN507-832R8	•	•							2	
	AN960-8L	•	•							2	
	MS20365-832	•	•							2	
		----*----									
- 79	50-534350-205	•	•							1	
- 80	50-534350-149	•	•							1	
	50-534350-157	•	•							1	
- 81	50-534350-151	•	•							1	
- 82	50-534350-155	•	•							1	
- 83	404-180059	•	•							1	
- 84	50-534350-65	•	•							1	
	50-534350-66	•	•							1	
- 85	50-534350-207	•	•							8	
- 86	50-534350-239	•	•							2	

CODE EFFECTIVITY

1 LC-1 AND AFTER

MODEL 65 & 80 PARTS CATALOG

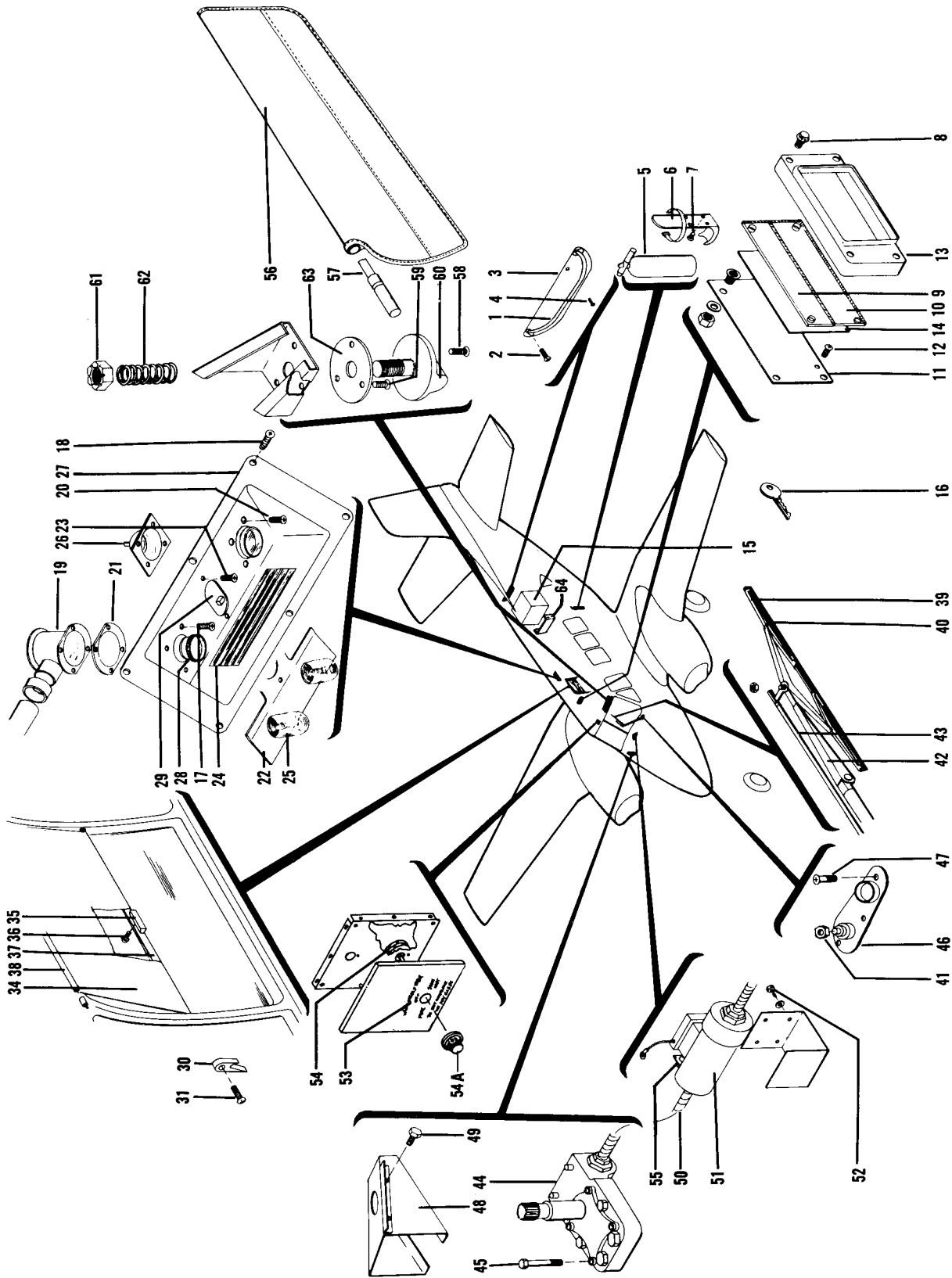


Figure 21. Miscellaneous Cabin Equipment

MODEL 65 & 80 PARTS CATALOG

FIG. & INDEX NO.	PART NO.	DESCRIPTION	UNITS PER ASSY	USABLE ON CODE
21	50-534371-1	BEAM INSTL,COAT HANGER /SEE FIG. 1 FOR NHA/	NP	4
	50-534404-1	RACK INSTL,COAT HANGER /USED WITH ALTERNATE	NP	4
		TOILET/ /SEE FIG. 1 FOR NHA/		
- 1	50-534371-9	. WELD ASSY,COAT HANGER BEAM.	1	4
	50-534404-3	. WELD ASSY,COAT HANGER BEAM.	1	4
		/USED WITH ALTERNATE TOILET/		
		/ATTACHING PARTS/		
- 2	NAS387-1032-12P	. SCREW	4	
		-----*-----		
- 3	50-534371-7	. SHIELD,SCUFF.	1	4
	50-534404-5	. SHIELD,SCUFF /USED WITH ALTERNATE TOILET/	1	4
		/ATTACHING PARTS/		
- 4	NAS385-8-8P	. SCREW	5	
	NAS39158P	. WASHER.	5	
		-----*-----		
	50-571037-1	EXTINGUISHER,FIRE /SEE FIG. 1 FOR NHA/.	NP	
	50-571037-3	. COVER,FIRE EXTINGUISHER	1	3
	#32	. BOND,RUBBER	1	3
- 5	NO NUMBER	. EXTINGUISHER,FIRE /TYPE 890017/	1	1
	NO NUMBER	. EXTINGUISHER,FIRE /TYPE 890275/	1	2
- 6	13X-1565	. BRACKET,FIRE EXTINGUISHER	1	
		/ATTACHING PARTS/		
- 7	AN520-10R8	. SCREW	6	
	102933D4ZS0250	. WASHER.	AR	
	102933D4ZS0313	. WASHER.	AR	
	102933D4ZS0375	. WASHER.	AR	
		-----*-----		
	50-534366-1	SIGN INSTL,CABIN WARNING /SEE FIG. 1 FOR NHA/	NP	
- 8	A7165-1-327	. LIGHT ASSY,CLEAR FILTER	1	
- 9	414-180135	. PLACARD,NO SMOKING.	1	
- 10	414-180136	. PLACARD,FASTEN SEAT BELT.	1	
- 11	414-180544-1	. PLATE,CABIN WARNING SIGN.	1	
		/ATTACHING PARTS/		
- 12	AN507-832	. SCREW	4	
	AN960-8	. WASHER.	4	
	AN365-832	. NUT	4	
		-----*-----		
- 13	50-534366-3	. COVER,CABIN WARNING SIGN.	1	
- 14	414-180544-3	. CARDBOARD,CABIN WARNING SIGN.	1	
- 15	50-440033-1	BOX INSTL,HAT /SEE FIG. 1 FOR NHA/.	NP	4
- 16	50-384023-1	KEY,/SEE FIG. 1 FOR NHA/.	1	
	50-534351-37	OUTLET INSTL,READING LIGHT & AIR.	NP	
		/SEE FIG. 1 FOR NHA/		
	50-534351-39	. OUTLET ASSY,LH READING LIGHT & AIR.	2	
	50-534351-40	. OUTLET ASSY,RH READING LIGHT & AIR.	3	
- 17	50-534351-41	. . FRAME,LH READING LIGHT & AIR OUTLET	2	
	50-534351-42	. . FRAME,RH READING LIGHT & AIR OUTLET	3	
		/ATTACHING PARTS/		
- 18	NAS384-8-8P	. . SCREW	6	
	NAS390-6P	. . WASHER.	6	
		-----*-----		
- 19	50-534351-13	. . MANIFOLD ASSY,AIR OUTLET.	1	
		/ATTACHING PARTS/		
- 20	AN507-632	. . SCREW	4	
	AN960-6	. . WASHER.	4	
	AN365-632	. . NUT	4	
		-----*-----		
- 21	50-534351-15	. . GASKET,AIR OUTLET MANIFOLD.	1	
- 22	50-534351-45	. . REFLECTOR,READING LIGHT	1	
		/ATTACHING PARTS/		
- 23	AN507-632-6	. . SCREW	2	
	AN365-632	. . NUT	2	
		-----*-----		
- 24	50-534351-43	. . GLASS,READING LIGHT	1	
- 25	1495	. . BULB,READING LIGHT.	1	
	SC2505	. . SOCKET,READING LIGHT BULB	1	

MODEL 65 & 80 PARTS CATALOG

FIG. & INDEX NO.	PART NO.	DESCRIPTION	UNITS PER ASSY	USABLE ON CODE
21 - 26	2175-M-B	. . LIGHT ASSY,GOLD COLOR /ATTACHING PARTS/	1	
- 27	AN507-632	. . SCREW	4	
	AN960-16	. . WASHER	4	
	AN365-632	. . NUT	4	
		-----*		
- 28	B2120-501	. . VALVE ASSY,AIR OUTLET	1	
- 29	AN3209-3	. . SWITCH	1	
	50-534405	CURTAIN INSTL,ROLL TYPE /SEE FIG. 1 FOR NHA/ . .	NP	
- 30	50-534405-25	. . BLOCK,FWD VEE	2	
	50-534405-26	. . BLOCK,AFT VEE /ATTACHING PARTS/	2	
- 31	NAS384-6-6P	. . SCREW	1	
		-----*		
	50-534405-27	. . CURTAIN ASSY,ROLL TYPE	1	
- 34	50-534405-23	. . CURTAIN,ROLL TYPE	1	
- 35	35-324204	. . KNOB,PULL /ATTACHING PARTS/	1	
- 36	AN515-6	. . SCREW	1	
	AN960-6	. . WASHER	1	
		-----*		
- 37	50-534405-21	. . ROD,ROLL TYPE CURTAIN	1	
- 38	50-534405-17	. . ROLLER ASSY,CURTAIN	1	
	50-420050	WIPER INSTL,WINDSHIELD /SEE FIG. 1 FOR NHA/ . .	NP	
	W9708N14	. . BRIDGE & BLADE ASSY,WINDSHIELD WIPER	2	
- 39	S-107-L	. . BRIDGE ASSY,WINDSHIELD WIPER	1	
- 40	XW13550N14	. . BLADE ASSY,WINDSHIELD WIPER	1	
	50-389007-1	. . ARM ASSY,WINDSHIELD WIPER LH	1	
	50-389007-2	. . ARM ASSY,WINDSHIELD WIPER RH /ATTACHING PARTS/	1	
	AN960-416	. . WASHER	1	
- 41	AN365-1032	. . NUT	1	
		-----*		
- 42	50-389007-3	. . ARM,WINDSHIELD WIPER LH	1	
	50-389007-4	. . ARM,WINDSHIELD WIPER RH	1	
- 43	50-389007-5	. . LINK,WINDSHIELD WIPER LH	1	
	50-389007-6	. . LINK,WINDSHIELD WIPER RH	1	
- 44	XW20345-227-46	. . CONVERTER ASSY,WINDSHIELD WIPER /ATTACHING PARTS/	2	
- 45	AN520-10-24	. . SCREW	4	
	AN365-1032	. . NUT	4	
		-----*		
- 46	50-420050-13	. . WELD ASSY,LINK ATTACHING LH	1	
	50-420050-14	. . WELD ASSY,LINK ATTACHING RH /ATTACHING PARTS/	1	
- 47	AN509-10-5	. . SCREW	3	
		-----*		
- 48	50-420050-7	. . BRACKET,CONVERTER MOUNTING LH	1	
	50-420050-8	. . BRACKET,CONVERTER MOUNTING RH /ATTACHING PARTS/	1	
- 49	AN3-3A	. . BOLT	4	
	AN960-10L	. . WASHER	4	
		-----*		
- 50	XW20067-1544	. . DRIVE ASSY,FLEXIBLE /ALV/	2	
- 51	XW20173-M2	. . MOTOR ASSY,WINDSHIELD DRIVE /ALV/ /ATTACHING PARTS/	1	
- 52	AN4H4A	. . BOLT	4	
	AN960-416	. . WASHER	4	
		-----*		
- 53	50-324167	. . PLACARD	1	3
- 54	XW20574-1	. . SWITCH,WINDSHIELD WIPER	1	3
- 54A	70-3-2G	. . KNOB	1	3
	AN3102A-10SL-3P	. . RECEPTACLE	1	
- 55	AN3106-10SL-3S	. . PLUG	1	

MODEL 65 & 80 PARTS CATALOG

FIG. & INDEX NO.	PART NO.	DESCRIPTION							UNITS PER ASSY	USABLE ON CODE	
		1	2	3	4	5	6	7			
21	W20538-100	•	RESISTOR	•	•	•	•	•	•	2	
	50-534395-1		VISOR INSTL,CREW COMPARTMENT SUN LH	•	•	•	•	•	•	NP	
			/SEE FIG. 1 FOR NHA/								
	50-534395-2		VISOR INSTL,CREW COMPARTMENT SUN RH	•	•	•	•	•	•	NP	
			/SEE FIG. 1 FOR NHA/								
- 56	50-534395-19	•	VISOR ASSY,SUN	•	•	•	•	•	•	1	
- 57	50-534395-31	•	WELD ASSY,VISOR ATTACHING	•	•	•	•	•	•	1	
			/ATTACHING PARTS/								
- 58	AN501-10-10	•	SCREW	•	•	•	•	•	•	1	
			-----*-----								
	50-534395-25	•	SUPPORT ASSY,SUN VISOR LH	•	•	•	•	•	•	1	
	50-534395-26	•	SUPPORT ASSY,SUN VISOR RH	•	•	•	•	•	•	1	
			/ATTACHING PARTS/								
- 59	AN507-8	•	SCREW	•	•	•	•	•	•	3	
			-----*-----								
- 60	50-534246-1	•	SUPPORT ASSY,LH	•	•	•	•	•	•	1	
	50-534246-2	•	SUPPORT ASSY,RH	•	•	•	•	•	•	1	
			/ATTACHING PARTS/								
	AN960-416L	•	WASHER	•	•	•	•	•	•	1	
	AN320-4	•	NUT	•	•	•	•	•	•	1	
- 61	AN380-2-4	•	PIN,COTTER	•	•	•	•	•	•	1	
			-----*-----								
- 62	100943ZV022G	•	SPRING	•	•	•	•	•	•	1	
- 63	50-534395-7	•	PLATE,SUPPORT	•	•	•	•	•	•	1	
	50-534432		RACK INSTL,MAGAZINE	•	•	•	•	•	•	NP	
- 64	50-384041	•	RACK ASSY,MAGAZINE	•	•	•	•	•	•	1	
			/ATTACHING PARTS/								
	NAS387-8P	•	SCREW	•	•	•	•	•	•	2	
	NAS391-8P	•	WASHER	•	•	•	•	•	•	2	
			-----*-----								

CODE EFFECTIVITY

1 LC-1 THRU LC-83,
EXCEPT LC-82
3 LC-134 AND AFTER,
LD-1 AND AFTER

CODE EFFECTIVITY

2 LC-82,
LC-84 AND AFTER
4 LC-1 AND AFTER

MODEL 65 & 80 PARTS CATALOG

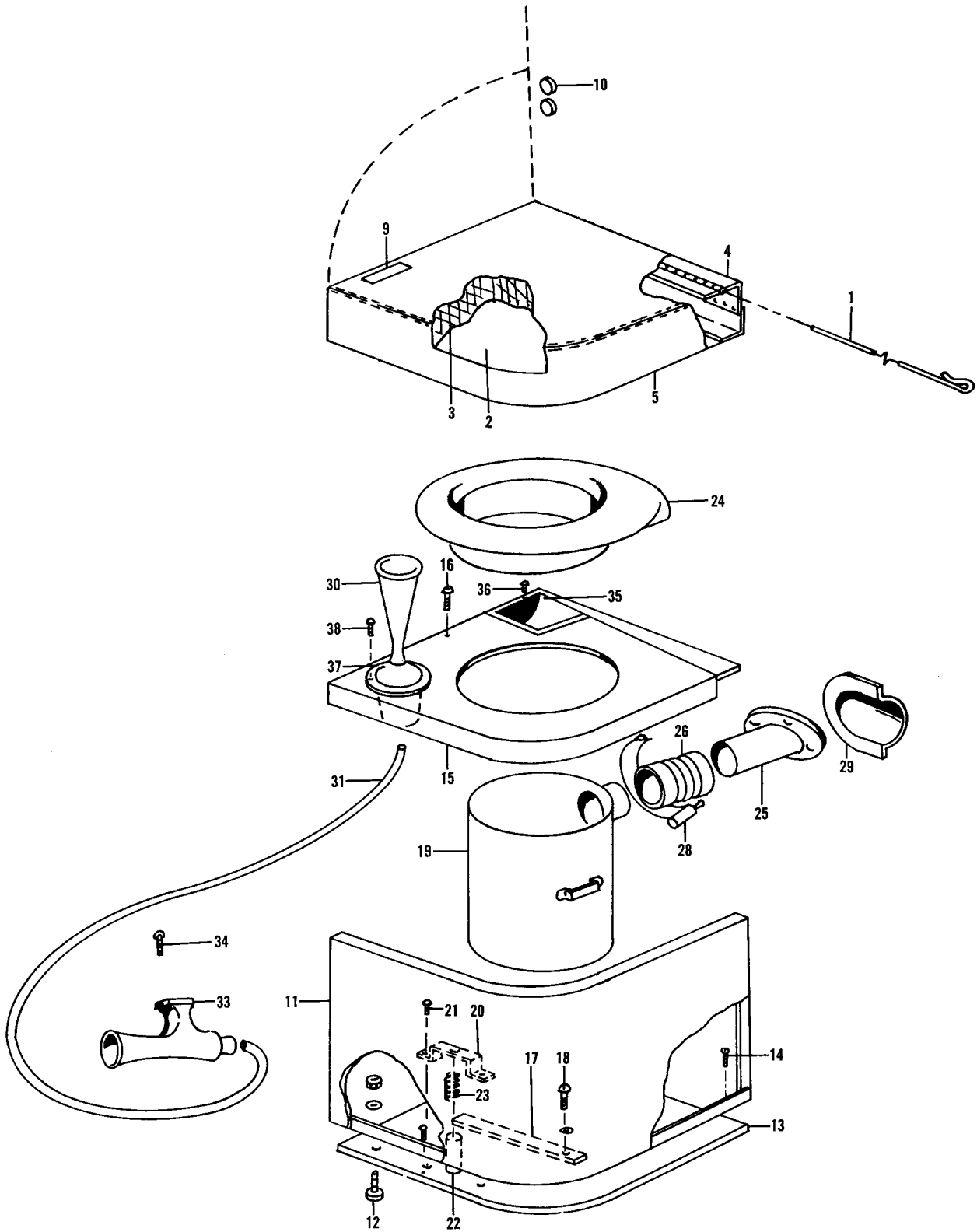


Figure 22. Lavatory Compartment Installation (Sheet 1 of 2 Sheets)

MODEL 65 & 80 PARTS CATALOG

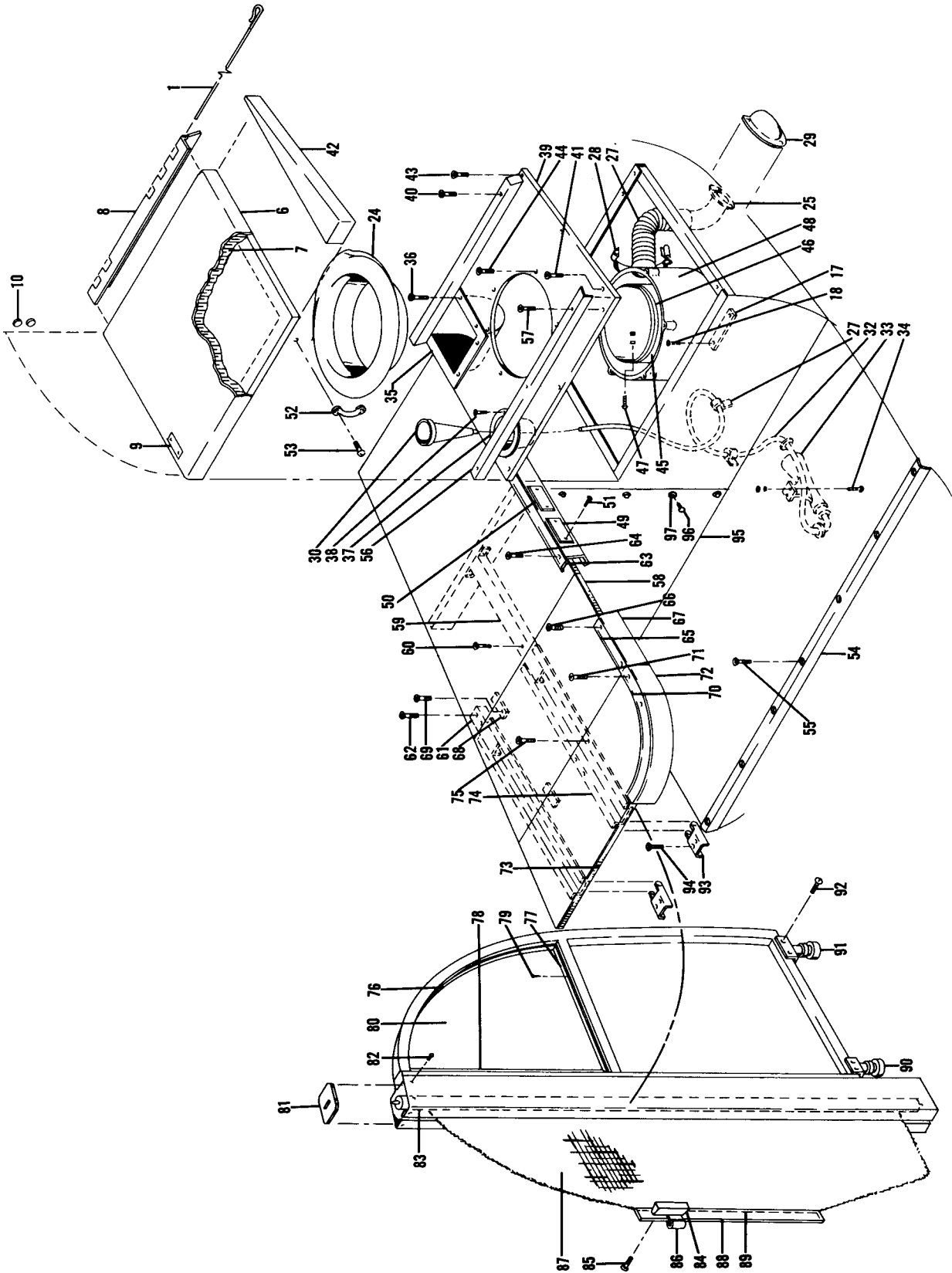


Figure 22. Lavatory Compartment Installation (Sheet 2 of 2 Sheets)

MODEL 65 & 80 PARTS CATALOG

FIG. & INDEX NO.	PART NO.	DESCRIPTION	UNITS PER ASSY	USABLE ON CODE
22	50-534380	COMPARTMENT INSTL,LAVATORY /STANDARD/	NP	1
	50-534387	COMPARTMENT INSTL,LAVATORY /OPTIONAL/	NP	1
	50-534387-273	COMPARTMENT INSTL,LAVATORY.	NP	4
	50-534380-95	. LID ASSY,TOILET /STANDARD/.	1	
	50-534387-161	. LID ASSY,TOILET /OPTIONAL/.	1	
- 1	102361-01912	. PIN,HINGE	1	
		-----*		
	414-183200-1	. . LID ASSY,TOILET /STANDARD/.	1	
- 2	414-183200-3	. . . LID,TOILET /STANDARD/	1	
- 3	414-183200-15	. . . PAD,TOILET LID /STANDARD/	1	
- 4	414-183200-95	. . . HINGE,TOILET LID /STANDARD/	1	
- 5	414-183200-11	. . . PANEL,TOILET LID UPHOLSTERY /STANDARD/.	1	
- 6	50-534387-157	. . LID ASSY,TOILET /OPTIONAL/.	1	
- 7	50-534387-171	. . PAD,TOILET LID /OPTIONAL/	1	
- 8	50-534387-271	. . HINGE,TOILET LID /OPTIONAL/	1	
- 9	414-183200-99	. . PLATE,TOILET LID SUPPORT STRIKER.	1	
- 10	414-183200-133	. . MAGNET,TOILET LID SUPPORT STRIKER	1	
	50-534387-269	. . SPACER,TOILET LID MAGNET /OPTIONAL/	1	
	NAS384-6P	. . SCREW	2	
		-----*		
- 11	50-534380-17	. FRAME ASSY,TOILET /STANDARD/.	1	
- 12	50-534380-77	. FITTING	4	
	AN970-4	. WASHER.	4	
	MS20365-428	. NUT	4	
		-----*		
- 13	50-534380-15	. PANEL,TOILET FLOORBOARD /STANDARD/.	1	
- 14	AN515-6R12	. SCREW	AR	
	AN960-6	. WASHER.	AR	
	MS20365-632	. NUT	AR	
		-----*		
	414-183200-605	. COVER ASSY,TOILET INNER /STANDARD/.	1	
		/SPARE ASSY,SEE ADDENDUM/		
- 15	414-183200-75	. COVER ASSY,TOILET INNER /STANDARD/.	NP	
- 16	99840-1-080	. STUD.	3	
		-----*		
- 17	50-534380-87	. SPACER.	2	
- 18	AN515-8-36	. SCREW	2	
	AN960-8	. WASHER.	2	
	MS20365-832	. NUT	2	
		-----*		
- 19	414-183200-109	. CAN ASSY,TOILET /STANDARD/.	1	
- 20	50-534380-85	. BRACKET,TOILET SUPPORT /STANDARD/	1	
- 21	AN515-6-8	. SCREW	4	
	AN960-6	. WASHER.	4	
	MS20365-632	. NUT	4	
		-----*		
- 22	50-534380-81	. PLUNGER,TOILET SUPPORT /STANDARD/	1	
- 23	100943YL110B	. SPRING,TOILET SUPPORT /STANDARD/.	1	
- 24	414-183200-91	. SEAT ASSY,TOILET.	1	
- 25	414-183200-59	. FLANGE ASSY,TOILET VENT	1	
- 26	94-80003-002	. DUCT,TOILET VENT /STANDARD/	1	
- 27	11716-XX-4-10	. DUCT,TOILET VENT /OPTIONAL/	1	
- 28	NO NUMBER	. WRAPLOCK,1/4.	1	
		-----*		
- 29	181177	. COVER,TOILET VENT	1	
- 30	AN8018-1	. HORN,RELIEF TUBE.	1	
- 31	50-534380-75	. TUBE,RELIEF /STANDARD/.	1	
- 32	50-534380-41	. TUBE,RELIEF /OPTIONAL/.	1	

MODEL 65 & 80 PARTS CATALOG

FIG. & INDEX NO.	PART NO.	1	2	3	4	5	6	7	DESCRIPTION	UNITS PER ASSY	USABLE ON CODE
22 - 33	41A9177	VENTURI,RELIEF TUBE /ATTACHING PARTS/	1	
- 34	AN526-832-8	SCREW	2	
	AN936A8	WASHER	2	
	AN365-832	NUT	2	
		----	*	----							
- 35	50-534387-19	HOLDER,PAPER. /ATTACHING PARTS/	1	
- 36	AN507-632	SCREW	4	
	AN960-6	WASHER	4	
	AN345-6	NUT	4	
		----	*	----							
- 37	414-183200-77	WELL,RELIEF TUBE. /ATTACHING PARTS/	1	
- 38	AN507-632	SCREW	8	
	AN960-6	WASHER	8	
	AN365-6	NUT	8	
		----	*	----							
- 39	50-534387-43	HONEYCOMB ASSY,INNER COVER /OPTIONAL/ /ATTACHING PARTS/	1	
- 40	AN515-8	SCREW	5	
- 41	AN507-832	SCREW	5	
	NAS395-18-1	NUT	10	
		----	*	----							
- 42	50-534387-197	FILLER,TOILET COVER /ATTACHING PARTS/	1	
- 43	NAS387-832-40P	SCREW	2	
	NAS390P8	WASHER	2	
	AN960-8L	WASHER	2	
	AN365-832	NUT	2	
		----	*	----							
	50-534387-169	BUCKET ASSY,TOILET. /ATTACHING PARTS/	1	
- 44	AN507-832	SCREW	6	
		----	*	----							
- 45	NO NUMBER	WELD ASSY,BUCKET.	1	
- 46	50-534387-249	HANDLE,BUCKET /ATTACHING PARTS/	1	
- 47	AN515-6R7	SCREW	2	
	AN960-6	WASHER	2	
	MS20365-632	NUT	2	
		----	*	----							
- 48	50-534387-53	CAN ASSY,TOILET /OPTIONAL/.	1	
- 49	50-534305	PLACARD,LAVATORY COMPARTMENT.	1	
- 50	50-534362	PLACARD,BAGGAGE CAPACITY. /ATTACHING PARTS/	1	
- 51	AN507-832R8	SCREW	2	
	AN960-8L	WASHER	2	
	MS20365-832R8	NUT	2	
		----	*	----							
- 52	6411B	LOOP,FOOTMAN. /ATTACHING PARTS/	3	
- 53	NAS385-10-12P	SCREW	2	
	102933S4ZP0156	SPACER.	2	
		----	*	----							
- 54	50-534387-193	STRIP,TRIM /OPTIONAL/ /ATTACHING PARTS/	1	
- 55	NAS229	SCREW	10	
		----	*	----							
- 56	50-534387-195	STRIP,TRIM /OPTIONAL/ /ATTACHING PARTS/	1	
- 57	AN507-832	SCREW	3	
	NAS395-18-1	NUT	3	
		----	*	----							
- 58	50-534387-199	SHELF ASSY,BAGGAGE COMPARTMENT /OPTIONAL/	1	
	50-534387-21	SHELF ASSY,HONEYCOMB /OPTIONAL/	1	

MODEL 65 & 80 PARTS CATALOG

FIG. & INDEX NO.	PART NO.	DESCRIPTION	UNITS PER ASSY	USABLE ON CODE
		1 2 3 4 5 6 7		
22 - 59	50-534387-95	. . CHANNEL,SHELF SLIDING /OPTIONAL/. /ATTACHING PARTS/	1	
- 60	AN509-10-12	. . SCREW	4	
	AN960-10L	. . WASHER	4	
	MS20365-1032	. . NUT	4	
		-----*		
- 61	50-534387-97	. . CHANNEL,SHELF SLIDING /OPTIONAL/. /ATTACHING PARTS/	1	
- 62	AN509-10-12	. . SCREW	2	
	AN960-10L	. . WASHER	2	
	MS20365-1032	. . NUT	2	
		-----*		
- 63	50-534387-189	. . STRIP,TRIM /OPTIONAL/ /ATTACHING PARTS/	1	
- 64	AN507-832	. SCREW	4	
	NAS395-18-1	. NUT	4	
		-----*		
	50-534387-93	. LEAF ASSY,REMOVABLE /OPTIONAL/.	1	
- 65	50-534387-175	. . STRIP,TRIM /OPTIONAL/ /ATTACHING PARTS/	1	
- 66	NAS387-832-12P	. . SCREW	3	
	AN960-8L	. . WASHER	3	
	AN365-832	. . NUT	3	
		-----*		
- 67	50-534387-99	. . STRIP,TRIM /OPTIONAL/	1	
- 68	50-534387-133	. . RETAINER,REMOVABLE LEAF /OPTIONAL/. /ATTACHING PARTS/	1	
- 69	AN509-8-11	. . SCREW	4	
	AN960-8L	. . WASHER	4	
	AN365-832	. . NUT	4	
		-----*		
	50-534387-113	. SHELF ASSY,BAGGAGE COMPARTMENT /OPTIONAL/	1	
- 70	50-534387-179	. . STRIP,TRIM /OPTIONAL/ /ATTACHING PARTS/	1	
- 71	NAS387-832-12P	. . SCREW	4	
	AN960-8L	. . WASHER	4	
	AN365-832	. . NUT	4	
		-----*		
- 72	50-534387-123	. . STRIP,TRIM /OPTIONAL/	1	
- 73	50-534387-115	. . PANEL,HONEYCOMB /OPTIONAL/.	1	
- 74	50-534387-73	. . CHANNEL,SHELF SUPPORT /OPTIONAL/. /ATTACHING PARTS/	2	
- 75	AN509-10-12	. . SCREW	6	
	AN960-10L	. . WASHER	6	
	AN365-1032	. . NUT	6	
		-----*		
	50-534412	. PARTITION ASSY,TOILET COMPARTMENT /STANDARD/.	1	
	50-534387-61	. PARTITION ASSY,TOILET COMPARTMENT /OPTIONAL/.	1	
- 76	50-534387-203	. . TRACK,PANEL	1	
- 77	50-534387-211	. . TRACK,PANEL	1	
- 78	50-534387-201	. . TRACK,PANEL /ATTACHING PARTS/	1	
- 79	NO NUMBER	. . SCREW	AR	
		-----*		
- 80	50-534387-265	. . PANEL,ALSYNITE FIBER GLASS	1	
- 81	50-534387-225	. . PLATE,CURTAIN ROLLER TOP ATTACHING	1	
	50-534387-227	. . PLATE,CURTAIN ROLLER BOTTOM ATTACHING /ATTACHING PARTS/	1	
- 82	AN504-6-6	. . SCREW	8	
		-----*		
	50-534387-219	. . CURTAIN ASSY,TOILET COMPARTMENT /OPTIONAL/.	1	
- 83	50-534387-241	. . . ROLLER,CURTAIN	1	
- 84	35-324204	. . . HANDLE,CURTAIN /ATTACHING PARTS/	1	
- 85	AN515R632	. . . SCREW	1	
		-----*		

MODEL 65 & 80 PARTS CATALOG

FIG. & INDEX NO.	PART NO.	1	2	3	4	5	6	7	DESCRIPTION	UNITS PER ASSY	USABLE ON CODE
22 - 86	50-534387-257	HOOK,CURTAIN.	1	
- 87	50-534387-261	CURTAIN,TOILET COMPARTMENT.	1	
- 88	50-534387-253	COVER,EDGE.	1	
- 89	50-534387-259	TRIM,CURTAIN.	1	
- 90	50-534387-75	FOOTING ASSY,ATTACHING /OPTIONAL/	1	
- 91	50-534387-76	FOOTING ASSY,ATTACHING /OPTIONAL/	1	
									/ATTACHING PARTS/		
- 92	AN23-24A	SCREW	2	
	AN960-10L	WASHER.	4	
	AN365-1032	NUT	2	
									-----*-----		
- 93	50-534387-71	BRACKET,SUPPORT	2	
									/ATTACHING PARTS/		
- 94	AN3-7	SCREW	2	
	AN960-10	WASHER.	2	
	MS20365-1032	NUT	2	
									-----*-----		
- 95	50-534387-33	DOOR ASSY,BAGGAGE COMPARTMENT	1	2
									/ATTACHING PARTS/		
- 96	98292-1-140	STUD.	14	
	99836	PIN,CROSS	14	
	99947-C-130	RECEPTACLE.	14	
									-----*-----		
- 97	99874	GROMMET	14	2
- 98	50-534362	PLACARD,BAGGAGE CAPACITY.	1	2
	50-534440	PLACARD,BAGGAGE CAPACITY.	1	3
									/ATTACHING PARTS/		
- 99	AN507-832R8	SCREW	2	
	MS20365-832	NUT	2	
	AN960-8L	WASHER.	2	
									-----*-----		

CODE EFFECTIVITY

- 1 LC-1 AND AFTER
- 3 LC-113 AND AFTER,
LD-1 AND AFTER

CODE EFFECTIVITY

- 2 LC-1 THRU LC-112
- 4 LD-1 AND AFTER

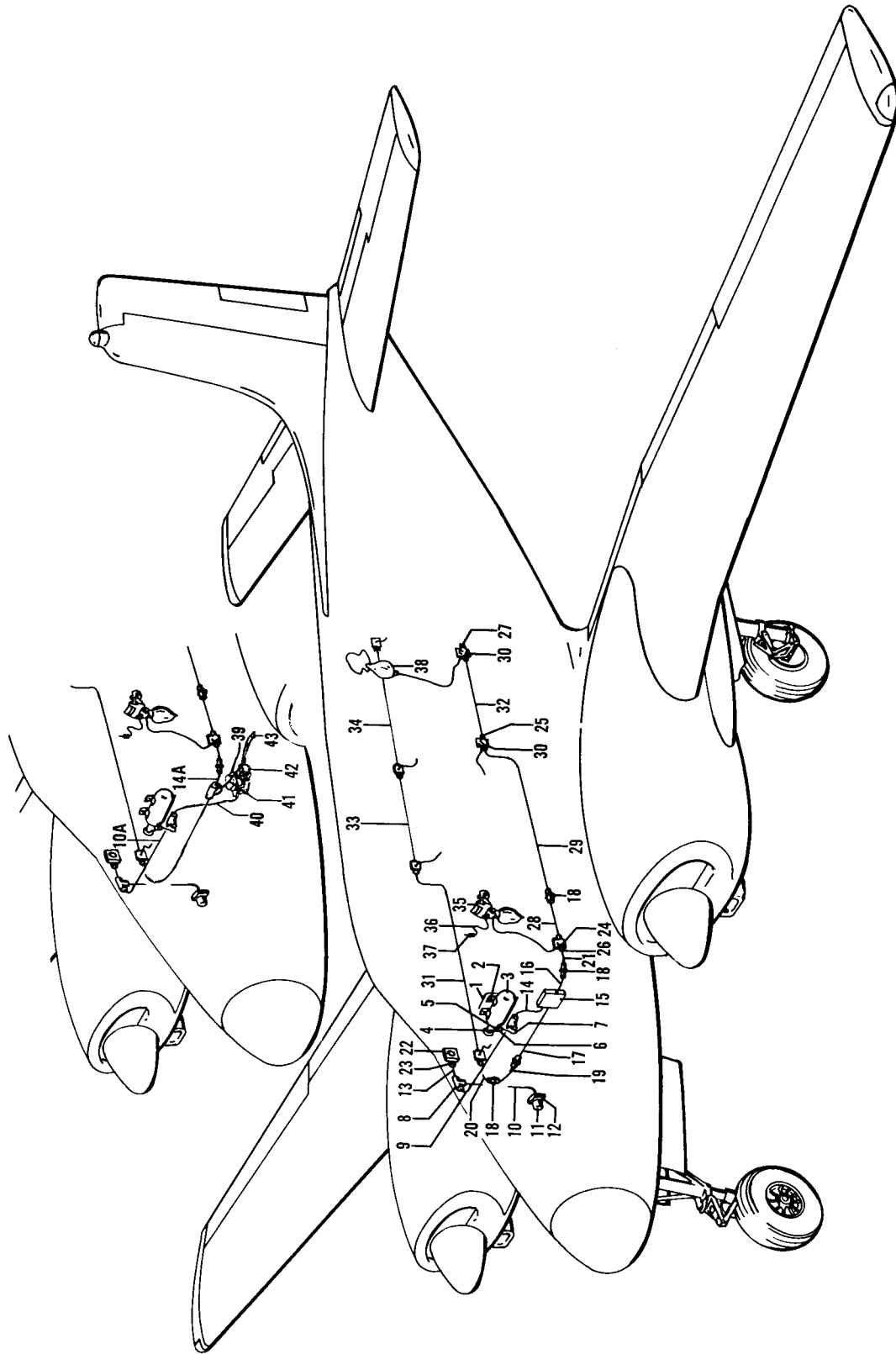


Figure 23. Oxygen System Installation

MODEL 65 & 80 PARTS CATALOG

FIG. & INDEX NO.	PART NO.	DESCRIPTION	UNITS PER ASSY	USABLE ON CODE
23	50-560003-93	SYSTEM INSTL,OXYGEN /OPTIONAL/	NP	1
	50-560003-121	SYSTEM INSTL,OXYGEN /OPTIONAL/ /38 CU FT/	NP	2
	50-560003-123	SYSTEM INSTL,OXYGEN /OPTIONAL/ /48 CU FT/	NP	2
- 1	8590	. BRACKET ASSY,CYLINDER /ATTACHING PARTS/	2	
- 2	AN3-5A AN960-10	. BOLT WASHER	4 4	
-----*-----				
- 3	6350A2-0 6350A5-0	. CYLINDER ASSY,OXYGEN. /USED WITH 50-560003-93 &-121/ . CYLINDER ASSY,OXYGEN. /USED WITH 50-560003-123/	1 1	2
- 4	8580	. COUPLING,CYLINDER	1	
- 5	AN910-1	. COUPLING.	1	
- 6	AN780-3	. NIPPLE.	1	
- 7	50-560003-47	. TUBE ASSY,OXYGEN.	1	
- 8	AN795-3	. TEE	2	
- 9	50-560003-51	. TUBE ASSY,OXYGEN.	1	1
- 10	50-560003-35	. TUBE ASSY,OXYGEN.	1	1
- 10A	50-560003-111	. TUBE ASSY,OXYGEN.	1	2
- 11	ZV850	. VALVE ASSY,OXYGEN	1	
- 12	AN515-10R AN960-10 AN365-10	. SCREW WASHER NUT	1 1 1	
- 13	50-560003-97	. TUBE ASSY,OXYGEN.	1	1
- 14	50-560003-43	. TUBE ASSY,OXYGEN.	1	1
- 14A	50-560003-119	. TUBE ASSY,OXYGEN.	1	2
- 15	A-2000 AN520-10R8 AN960-10	. REGULATOR /ATTACHING PARTS/ . SCREW WASHER	1 4 4	
-----*-----				
- 16	50-560003-73	. TUBE ASSY,OXYGEN.	1	
- 17	50-560003-69	. TUBE ASSY,OXYGEN.	1	
- 18	AN815-5D	. UNION	4	
- 19	50-560003-65	. TUBE ASSY,OXYGEN.	1	
- 20	50-560003-101	. TUBE ASSY,OXYGEN.	1	
- 21	50-560003-15	. TUBE ASSY,OXYGEN.	1	
- 22	50-320298-29	. GAGE,PANEL MOUNTING OXYGEN.	1	
- 23	AN790-3	. ELBOW	1	
- 24	Z-651-A	. OUTLET,OXYGEN	2	
- 25	AN816-5D	. NIPPLE.	11	
- 26	AN823-5D	. ELBOW	2	
- 27	AN913-1D	. PLUG.	1	
- 28	50-560003-81	. TUBE ASSY,OXYGEN.	1	
- 29	50-560003-11	. TUBE ASSY,OXYGEN.	1	
- 30	Z-651	. OUTLET,OXYGEN	5	
- 31	50-560003-105	. TUBE ASSY,OXYGEN.	1	
- 32	50-560003-7	. TUBE ASSY,OXYGEN.	1	
- 33	50-560003-27	. TUBE ASSY,OXYGEN.	1	
- 34	50-560003-31	. TUBE ASSY,OXYGEN.	1	
- 35	562	. JACK.	2	
- 36	CO-219	. CORD.	2	
- 37	260	. PLUG,LITTEL	2	
- 38	7	. MASK,OXYGEN	7	
- 39	AN6012-1A AN520-10R AN960-10L	. VALVE /ATTACHING PARTS/ . SCREW WASHER	1 4 4	2
-----*-----				
- 40	50-560003-115	. TUBE ASSY,OXYGEN.	1	2
- 41	50-560003-117	. TUBE ASSY,OXYGEN.	1	2
- 42	AN970-3	. ELBOW	2	2
- 43	50-534423	. PLACARD,INSTRUCTION	1	2

MODEL 65 & 80 PARTS CATALOG

FIG. & INDEX NO.	PART NO.	1	2	3	4	5	6	7	DESCRIPTION	UNITS PER ASSY	USABLE ON CODE
		/ATTACHING PARTS/									
23	NAS385-6	SCREW	2	
	NAS391-6	WASHER	2	
		-----*-----									
- 44	50-560003-113	TUBE ASSY, OXYGEN	1	2

CODE EFFECTIVITY
 1 LC-1 THRU LC-52

CODE EFFECTIVITY
 2 LC-53 AND AFTER,
 LD-1 AND AFTER

MODEL 65 & 80 PARTS CATALOG

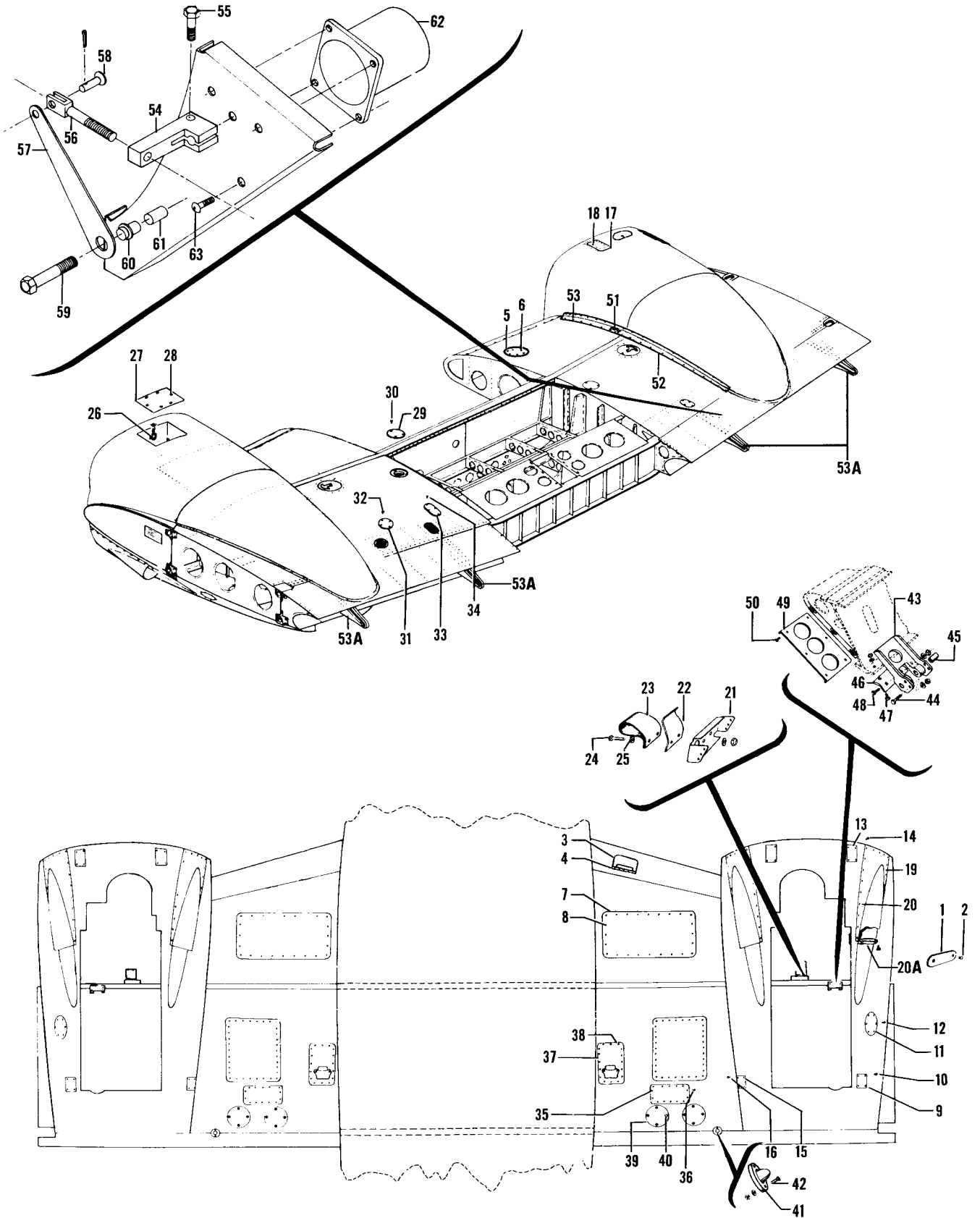


Figure 24. Center Section Wing Assembly

MODEL 65 & 80 PARTS CATALOG

FIG. & INDEX NO.	PART NO.	DESCRIPTION	UNITS PER ASSY	USABLE ON CODE
24	50-120150	WING ASSY,CENTER SECTION /SEE FIG. 1 FOR NHA/	NP	1
	50-120150-3	WING ASSY,CENTER SECTION /SEE FIG. 1 FOR NHA/	NP	2
- 1	103637	• PLACARD,IDENTIFICATION.	1	
		/ATTACHING PARTS/		
- 2	49384	• FASTENER,/UC/	2	
		-----*		
	50-120152	• EDGE INSTL,CENTER WING LH LEADING	1	
	50-120152-1	• EDGE INSTL,CENTER WING RH LEADING	1	
	50-960047-97	• PROVISIONS INSTL,ANTI-ICER /SEE FIG. 75/	1	
	50-120159	• EDGE ASSY,CENTER WING LH LEADING	1	
	50-120159-1	• EDGE ASSY,CENTER WING RH LEADING	1	
- 3	50-120078-24	• DOOR ASSY,PITOT DRAIN /LH ONLY/	1	
		/ATTACHING PARTS/		
- 4	105774C-ZE0311	• PIN,HINGE	1	
		-----*		
- 5	50-010015-21	• DOOR,DE-ICER ACCESS /RH ONLY/	1	
		/ATTACHING PARTS/		
- 6	AN509-832R8	• SCREW	6	
		-----*		
- 7	50-120065-16	• DOOR ASSY,LEADING EDGE LH ACCESS	1	
	50-120065-17	• DOOR ASSY,LEADING EDGE RH ACCESS	1	
		/ATTACHING PARTS/		
- 8	PK79XZ-8-6	• SCREW	24	
		-----*		
	50-120154-1	• NACELLE INSTL,LH	1	1
	50-120154-123	• NACELLE INSTL,LH	1	2
	50-120154-2	• NACELLE INSTL,RH	1	1
	50-120154-124	• NACELLE INSTL,RH	1	2
- 9	50-980000-68	• DOOR,REAR NACELLE ACCESS	1	
		/ATTACHING PARTS/		
- 10	AN509R8-7	• SCREW	4	
		-----*		
- 11	50-980000-102	• DOOR,REAR NACELLE ACCESS	1	
		/ATTACHING PARTS/		
- 12	AN530-8-6	• SCREW	6	
		-----*		
- 13	50-980000-86	• DOOR,LH REAR NACELLE	1	
	50-980000-87	• DOOR,RH REAR NACELLE	1	
		/ATTACHING PARTS/		
- 14	PK127XZ-8-6	• SCREW	4	
		-----*		
- 15	50-980000-170	• DOOR,REAR NACELLE ACCESS	1	
		/ATTACHING PARTS/		
- 16	PK79XZ-8-6	• SCREW,/PK/	4	
		-----*		
- 17	50-980000-222	• DOOR,REAR NACELLE ACCESS	1	
		/ATTACHING PARTS/		
- 18	AN520-10-8	• SCREW	10	
		-----*		
- 19	50-980000-238	• FAIRING,LH NACELLE	1	
	50-980000-239	• FAIRING,RH NACELLE	1	
		/ATTACHING PARTS/		
- 20	PK79XZ-8-6	• SCREW /PK/	38	
		-----*		
- 20A	50-950072-1	• BRACKET ASSY,EXHAUST AUGMENTER LH	1	
	50-950072-2	• BRACKET ASSY,EXHAUST AUGMENTER RH	1	
	50-950072-3	• CLAMP,EXHAUST AUGMENTER	1	
	50-950072-5	• BRACKET,AUGMENTER LH	1	
	50-950072-6	• BRACKET,AUGMENTER RH	1	
- 21	50-810097	• BRACKET,LH LANDING GEAR DRAG BRAKE	1	
	50-810097-1	• BRACKET,RH LANDING GEAR DRAG BRAKE	1	
- 22	50-810098	• SPRING,LANDING GEAR DRAG BRAKE	1	
- 23	50-810099	• SHOE,LANDING GEAR DRAG BRAKE	1	
		/ATTACHING PARTS/		
- 24	AN3-7	• BOLT	2	
	AN960-10	• WASHER	2	
- 25	100951-X-064-ZH	• WASHER	2	

MODEL 65 & 80 PARTS CATALOG

FIG. & INDEX NO.	PART NO.	DESCRIPTION	UNITS PER ASSY	USABLE ON CODE
24	AN365-1032	. . . NUT	2	
		-----*		
	50-120165-1	. . . BOX INSTL,BATTERY /LH ONLY/	1	
- 26	50-120165-23	. . . CLEVIS ASSY,BATTERY HOLD DOWN /ATTACHING PARTS/	2	
	MS20392-3-11	. . . PIN,TAPER	2	
	AN380-2-2	. . . PIN,COTTER	2	
		-----*		
	AN960-416	. . . WASHER	2	
	AN350-4	. . . NUT	2	
- 27	50-120165-3	. . . DOOR,LH BATTERY ACCESS /ATTACHING PARTS/	1	
- 28	98265-1-080	. . . STUD,/UC/	4	
	99836	. . . PIN,CROSS	14	
		-----*		
	50-980072-149	. . . FIREWALL ASSY,LH NACELLE	1	
	50-980072-151	. . . FIREWALL ASSY,RH NACELLE	1	
	50-120163	. . . PANEL INSTL,LH FUEL CELL BAY UPPER	1	
	50-120163-1	. . . PANEL INSTL,RH FUEL CELL BAY UPPER	1	
- 29	50-120016-50	. . . COVER,INSPECTION /ATTACHING PARTS/	1	
- 30	AN502-832-10	. . . SCREW	3	
		-----*		
- 31	50-120016-46	. . . DOOR,INSPECTION /ATTACHING PARTS/	1	
- 32	AN526-832-8	. . . SCREW	4	
		-----*		
- 33	50-120016-38	. . . DOOR,INSPECTION /ATTACHING PARTS/	1	
- 34	AN507-832-10	. . . SCREW	4	
		-----*		
	50-120017	. . . PANEL INSTL,LH FUEL CELL BAY LOWER	1	
	50-120017-1	. . . PANEL INSTL,RH FUEL CELL BAY LOWER	1	
- 35	50-120017-152	. . . COVER,ACCESS /ATTACHING PARTS/	1	
- 36	NAS221-8	. . . SCREW	14	
		-----*		
- 37	50-120017-110	. . . COVER ASSY,FUEL CELL BAY ACCESS /ATTACHING PARTS/	1	
- 38	NAS221-8	. . . SCREW	16	
		-----*		
- 39	50-120017-166	. . . DOOR ASSY,ACCESS /ATTACHING PARTS/	2	
- 40	NAS221-8	. . . SCREW	4	
		-----*		
- 41	50-120083	. . . POINT,JACK /ATTACHING PARTS/	1	
- 42	AN509-10R14	. . . SCREW	2	
		-----*		
	50-120077	. . . STRUCTURE ASSY,LH DRAG LEG SUPPORT	1	
	50-120077-1	. . . STRUCTURE ASSY,RH DRAG LEG SUPPORT	1	
- 43	50-120040	. . . FITTING ASSY,DRAG LEG SUPPORT /ATTACHING PARTS/	2	
- 44	AN4-7A	. . . BOLT	4	
	AN960-416	. . . WASHER	4	
	AN365-428	. . . NUT	4	
		-----*		
- 45	105740X-YN0928	. . . BUSHING	2	
- 46	50-120091	. . . ANGLE,LH DRAG LEG SUPPORT	1	
	50-120091-1	. . . ANGLE,RH DRAG LEG SUPPORT /ATTACHING PARTS/	1	
- 47	AN3-7A	. . . BOLT	2	
- 48	AN3-12A	. . . BOLT	2	
	AN960-10	. . . WASHER	4	
	AN365-1032	. . . NUT	4	
		-----*		

MODEL 65 & 80 PARTS CATALOG

FIG. & INDEX NO.	PART NO.	1	2	3	4	5	6	7	DESCRIPTION	UNITS PER ASSY	USABLE ON CODE
24	50-120077-10	SUPPORT ASSY,LH	1	
	50-120077-11	SUPPORT ASSY,RH	1	
- 49	50-120077-8	COVER,ACTUATOR ACCESS	1	
		/ATTACHING PARTS/		
- 50	AN520-10-7	SCREW	6	
		-----*		
	50-120172	FILLET INSTL,WING NACELLE INBD.		NP
		/SEE FIG. 1 FOR NHA/		
	50-120172-3	FILLET INSTL,LH INBD.		NP
	50-120172-4	FILLET INSTL,RH INBD.		NP
- 51	50-120172-19	COVER,LH FILLET	1	
	50-120172-20	COVER,RH FILLET	1	
- 52	50-120172-9	WELD ASSY,FWD LH FILLET	1	
	50-120172-10	WELD ASSY,FWD RH FILLET	1	
		/ATTACHING PARTS/		
- 53	AN509-10R	SCREW	7	
	50-120172-21	WASHER	7	
		-----*		
	50-120003	SKIN INSTL,LH TRAILING EDGE		NP
	50-120003-1	SKIN INSTL,RH TRAILING EDGE		NP
	50-120115-1	BRACKET INSTL,LH OUTBD TRACK INBD FLAP.		NP
	50-120115-2	BRACKET INSTL,RH OUTBD TRACK INBD FLAP.		NP
	50-120116-1	BRACKET INSTL,LH INBD TRACK INBD FLAP.		NP
	50-120116-2	BRACKET INSTL,RH INBD TRACK INBD FLAP.		NP
- 53A	35-115390	BRACKET,FLAP TRACK.	1	
	50-324148	TRANSMITTER INSTL,FLAP /SEE FIG. 25 FOR NHA/.		REF
- 54	50-324148-7	ARM,FLAP TRANSMITTER.	1	
		/ATTACHING PARTS/		
- 55	AN3-4A	BOLT.	1	
	AN960-10L	WASHER.	1	
	AN365-1032	NUT	1	
		-----*		
- 56	50-324148-9	FORK,FLAP TRANSMITTER	1	
		/ATTACHING PARTS/		
	AN364-1032	NUT	2	
		-----*		
- 57	50-324148-5	LINK,FLAP TRANSMITTER	1	
		/ATTACHING PARTS/		
- 58	AN393-9	PIN	1	
- 59	AN4-4A	BOLT.	1	
- 60	50-324148-11	BUSHING	1	
- 61	100801-55-0500	BUSHING	1	
	AN960-10	WASHER.	1	
	AN960-416	WASHER.	1	
	AN365-428	NUT	1	
	AN380-2-2	PIN,COTTER.	1	
		-----*		
- 62	AN5786-1	TRANSMITTER,FLAP.	1	
		/ATTACHING PARTS/		
- 63	AN515-6R	SCREW	4	
	AN960-10L	WASHER.	4	
		-----*		

CODE EFFECTIVITY
1 LC-1 AND AFTER

CODE EFFECTIVITY
2 LD-1 AND AFTER

MODEL 65 & 80 PARTS CATALOG

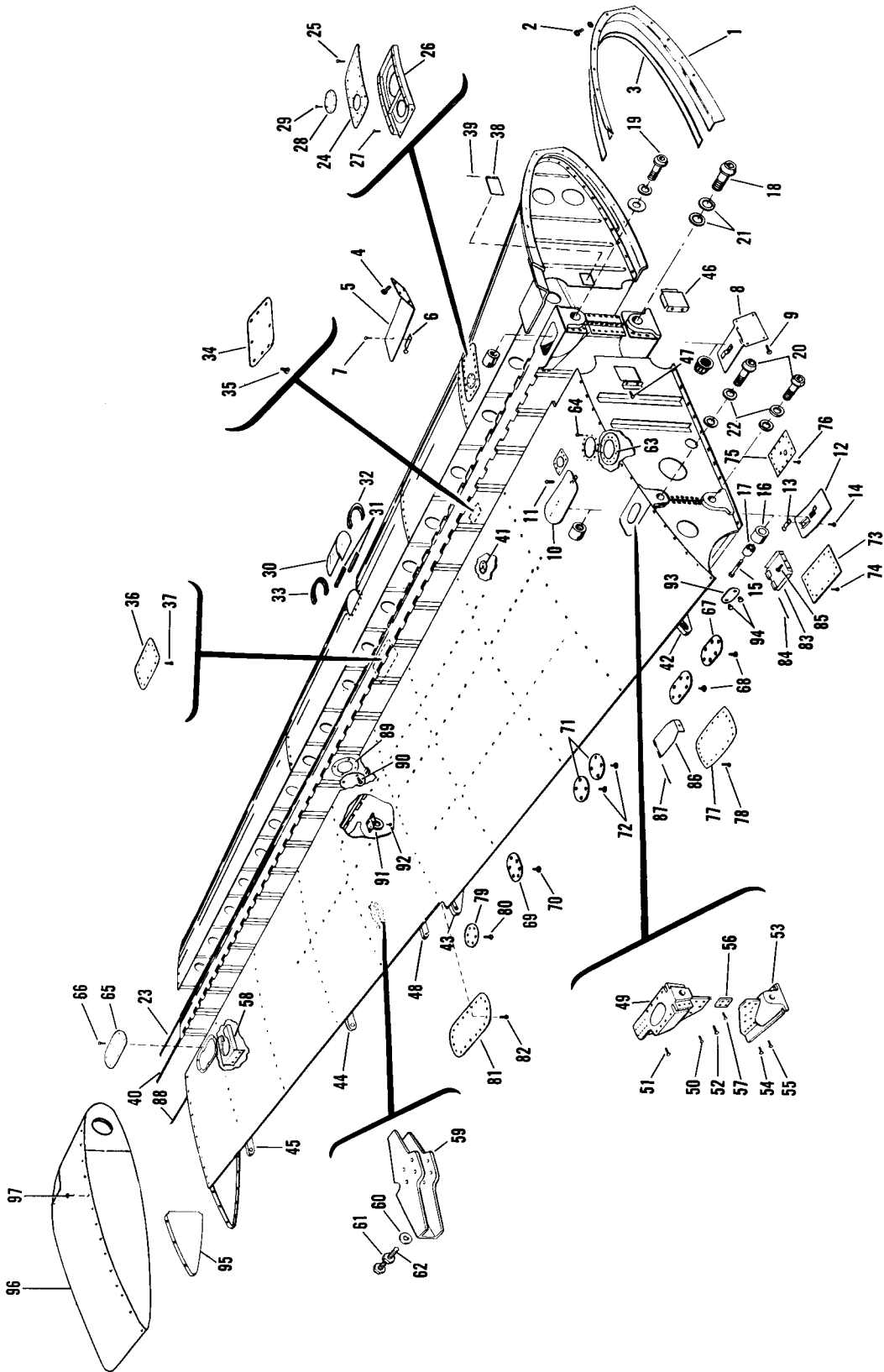


Figure 25. Outboard Wing Installation

MODEL 65 & 80 PARTS CATALOG

FIG. & INDEX NO.	PART NO.	DESCRIPTION	UNITS PER ASSY	USABLE ON CODE
25	50-105001-1	WING INSTL,LH OUTBD /SEE FIG. 1 FOR NHA/	NP	
	50-105001-2	WING INSTL,RH OUTBD /SEE FIG. 1 FOR NHA/	NP	
	50-120162-1	. FAIRING INSTL,LH NACELLE.	1	
	50-120162-2	. FAIRING INSTL,RH NACELLE.	1	
- 1	50-120162-3	. FAIRING,LH NACELLE.	1	
	50-120162-4	. FAIRING,RH NACELLE.	1	
		/ATTACHING PARTS/		
- 2	PK79XZ-8-6	. SCREW,/PK/	11	
	AN530-8R6	. SCREW	1	
	50-120098-4	. WASHER	2	
	50-120098-6	. WASHER	3	
		-----*		
- 3	50-120098-8	. STRIP	1	
	50-120099-30	. COVER ASSY,FWD SPAR UPPER LH FITTING.	1	
	50-120099-31	. COVER ASSY,FWD SPAR UPPER RH FITTING.	1	
		/ATTACHING PARTS/		
- 4	PK79XZ-8-6	. SCREW,/PK/	4	
		-----*		
- 5	50-120099-32	. COVER ASSY,LH	1	
	50-120099-33	. COVER ASSY,RH	1	
	50-120099-18	. CHANNEL	1	
- 6	50-120099-16	. CLIP	1	
		/ATTACHING PARTS/		
- 7	PK66A6-6	. SCREW	1	
	A1777-6Z	. NUT	1	
		-----*		
- 8	50-120100	. COVER ASSY,FWD SPAR LOWER LH FITTING.	1	
	50-120100-1	. COVER ASSY,FWD SPAR LOWER RH FITTING.	1	
		/ATTACHING PARTS/		
- 9	PK79XZ-8-6	. SCREW	1	
		-----*		
- 10	50-120101	. COVER ASSY,AFT SPAR UPPER LH FITTING.	1	
	50-120101-1	. COVER ASSY,AFT SPAR UPPER RH FITTING.	1	
		/ATTACHING PARTS/		
- 11	AN530-6R6	. SCREW	1	
		-----*		
	50-120102-16	. COVER ASSY,AFT SPAR LOWER LH FITTING.	1	
	50-120102-17	. COVER ASSY,AFT SPAR LOWER RH FITTING.	1	
- 12	50-120102-14	. COVER ASSY,LH	1	
	50-120102-15	. COVER ASSY,RH	1	
- 13	50-120102-10	. CLIP,LH	1	
	50-120102-6	. CLIP,RH	1	
		/ATTACHING PARTS/		
- 14	PK6A6-6	. SCREW,/PK/	1	
		-----*		
	35-165004	. ROLLER ASSY,FLAP	4	
		/ATTACHING PARTS/		
- 15	AN3-11A	. BOLT	1	
	AN960-10	. WASHER	1	
	AN365-1032	. NUT	1	
		-----*		
- 16	35-165004-2	. ROLLER	1	
- 17	3NCC1010P	. BEARING	1	
	50-324148	. TRANSMITTER INSTL,FLAP /SEE FIG. 24/	NP	
	50-110000-10	WING ASSY,LH OUTBD,/OPTIONAL/	NP	
	50-110000-12	WING ASSY,LH OUTBD.	NP	
	50-110000-11	WING ASSY,RH OUTBD,/OPTIONAL/	NP	
	50-110000-13	WING ASSY,RH OUTBD.	NP	
		/ATTACHING PARTS/		
- 18	NAS495-14-29	BOLT,LOWER FWD.	1	
- 19	NAS150-38	BOLT,UPPER FWD.	1	
- 20	NAS150-33	BOLT,AFT	2	
- 21	50-105011	WASHER	2	
- 22	35-105111	WASHER	2	
	NAS143-10C	WASHER	1	
	NAS143-10	WASHER	3	
	105090A032-10J	WASHER	2	
	EB144	NUT	1	
	12B-108	NUT	3	
		-----*		

MODEL 65 & 80 PARTS CATALOG

FIG. & INDEX NO.	PART NO.	DESCRIPTION							UNITS PER ASSY	USABLE ON CODE		
		1	2	3	4	5	6	7				
25	50-110010-96	•	•	•	•	•	•	•	•	1		
	50-110010-97	•	•	•	•	•	•	•	•	1		
		/ATTACHING PARTS/										
- 23	50-110000-2	•	•	•	•	•	•	•	•	•	2	
	NAS220-9	•	•	•	•	•	•	•	•	•	2	
	AN515-8R8	•	•	•	•	•	•	•	•	•	3	
	NAS221-12	•	•	•	•	•	•	•	•	•	7	
	NAS220-10	•	•	•	•	•	•	•	•	•	2	
	NAS220-8	•	•	•	•	•	•	•	•	•	6	
	NAS221-13	•	•	•	•	•	•	•	•	•	5	
	AN960-8	•	•	•	•	•	•	•	•	•	10	
	AN960-10	•	•	•	•	•	•	•	•	•	12	
	AN365-832	•	•	•	•	•	•	•	•	•	10	
	AN365-1032	•	•	•	•	•	•	•	•	•	12	
		-----*-----										
- 24	50-110010-186	•	•	•	•	•	•	•	•	•	1	
	50-110010-187	•	•	•	•	•	•	•	•	•	1	
		/ATTACHING PARTS/										
- 25	AN507-832R8	•	•	•	•	•	•	•	•	•	16	
		-----*-----										
- 26	50-110010-110	•	•	•	•	•	•	•	•	•	1	
	50-110010-111	•	•	•	•	•	•	•	•	•	1	
		/ATTACHING PARTS/										
- 27	AN507-632R8	•	•	•	•	•	•	•	•	•	4	
		-----*-----										
- 28	50-110010-106	•	•	•	•	•	•	•	•	•	1	
		/ATTACHING PARTS/										
- 29	AN507-632-8	•	•	•	•	•	•	•	•	•	6	
		-----*-----										
	50-110066	•	•	•	•	•	•	•	•	•	1	
	50-110066-1	•	•	•	•	•	•	•	•	•	1	
- 30	50-110066-26	•	•	•	•	•	•	•	•	•	1	
	50-110066-27	•	•	•	•	•	•	•	•	•	1	
- 31	50-110066-28	•	•	•	•	•	•	•	•	•	1	
- 32	50-110066-30	•	•	•	•	•	•	•	•	•	1	
- 33	50-110066-32	•	•	•	•	•	•	•	•	•	1	
- 34	50-110010-82	•	•	•	•	•	•	•	•	•	1	
		/ATTACHING PARTS/										
- 35	AN507-1032R8	•	•	•	•	•	•	•	•	•	4	
		-----*-----										
- 36	50-110010-163	•	•	•	•	•	•	•	•	•	1	
		/ATTACHING PARTS/										
- 37	AN509-8R8	•	•	•	•	•	•	•	•	•	14	
		-----*-----										
	50-110046	•	•	•	•	•	•	•	•	•	1	
	50-110046-1	•	•	•	•	•	•	•	•	•	1	
- 38	35-115166-18	•	•	•	•	•	•	•	•	•	1	
	35-115166-19	•	•	•	•	•	•	•	•	•	1	
		/ATTACHING PARTS/										
- 39	104215-00300	•	•	•	•	•	•	•	•	•	1	
		-----*-----										
	50-110002-164	•	•	•	•	•	•	•	•	•	1	
	50-110002-165	•	•	•	•	•	•	•	•	•	1	
		/ATTACHING PARTS/										
- 40	50-110000-4	•	•	•	•	•	•	•	•	•	1	
	AN515-8R8	•	•	•	•	•	•	•	•	•	3	
	NAS221-12	•	•	•	•	•	•	•	•	•	12	
	NAS220-10	•	•	•	•	•	•	•	•	•	2	
	NAS220-8	•	•	•	•	•	•	•	•	•	6	
	NAS220-9	•	•	•	•	•	•	•	•	•	2	
	AN960-10	•	•	•	•	•	•	•	•	•	12	
	AN960-8	•	•	•	•	•	•	•	•	•	10	
	AN365-1032	•	•	•	•	•	•	•	•	•	12	
	AN365-832	•	•	•	•	•	•	•	•	•	10	
			-----*-----									

MODEL 65 & 80 PARTS CATALOG

FIG. & INDEX NO.	PART NO.	DESCRIPTION	UNITS PER ASSY	USABLE ON CODE
		1 2 3 4 5 6 7		
25 - 41	50-110081	. . . RETAINER,FUEL CELL	7	
- 42	35-115390	. . . BRACKET,INBD FLAP TRACK	1	
- 43	35-115389	. . . BRACKET,OUTBD FLAP TRACK	1	
- 44	35-115160-10	. . . BRACKET ASSY,LH AILERON CENTER	1	
	35-115160-11	. . . BRACKET ASSY,RH AILERON CENTER	1	
	35-115147	. . . FITTING ASSY,AILERON HINGE	1	
	3NBC511ZP BEARING	1	
- 45	35-115071	. . . BRACKET ASSY,LH AILERON OUTBD	1	
	35-115071-1	. . . BRACKET ASSY,RH AILERON OUTBD	1	
	35-115071-12	. . . FITTING ASSY,AILERON	1	
	NAS505-3J BEARING	1	
	50-110090-1	. . . RIB ASSY,LH WING	1	
	50-110090-2	. . . RIB ASSY,RH WING	1	
- 46	50-110090-19	. . . DOOR,ACCESS	1	
		/ATTACHING PARTS/		
- 47	AN525-8R6	. . . SCREW	2	
	AN960-8	. . . WASHER	2	
	AN365-832	. . . NUT	2	
		-----*		
- 48	50-110019	. . . BRACKET ASSY,LH AILERON INBD	1	
	50-110019-1	. . . BRACKET ASSY,RH AILERON INBD	1	
	35-115071-12	. . . FITTING ASSY,AILERON	1	
	NAS505-3J BEARING	1	
	50-110026-43	. . . SPAR ASSY,LH WING AFT	1	
	50-110026-44	. . . SPAR ASSY,RH WING AFT	1	
- 49	35-115059-4	. . . FITTING,LH SPAR UPPER	1	
	35-115059-5	. . . FITTING,RH SPAR UPPER	1	
		/ATTACHING PARTS/		
- 50	ALPPH-T6-3	. . . BOLT,LOCK	5	
- 51	ALPPH-T6-4	. . . BOLT,LOCK	4	
- 52	ALPPH-T6-6	. . . BOLT,LOCK	4	
	LC-C6	. . . COLLAR	13	
		-----*		
- 53	35-115058-2	. . . FITTING,LH SPAR LOWER	1	
	35-115058-3	. . . FITTING,RH SPAR LOWER	1	
		/ATTACHING PARTS/		
- 54	ALPPH-T6-3	. . . BOLT,LOCK	4	
- 55	ALPPH-T6-4	. . . BOLT,LOCK	4	
	LC-C6	. . . COLLAR	8	
		-----*		
- 56	50-110026-36	. . . SPACER	1	
		/ATTACHING PARTS/		
- 57	ALPPH-T6-4	. . . BOLT,LOCK	4	
	LC-C6	. . . COLLAR	4	
		-----*		
- 58	50-110092	. . . BRACKET INSTL,COMPASS /RH ONLY/	1	
	50-110092-1	. . . BRACKET ASSY,COMPASS /RH ONLY/	1	
	50-110088-1	. . . STOP ASSY,LH AILERON	1	
	50-110088-2	. . . STOP ASSY,RH AILERON	1	
- 59	50-110088-3	. . . BRACKET,LH	1	
	50-110088-4	. . . BRACKET,RH	1	
- 60	100951X062WS	. . . WASHER	2	
- 61	AN315-4R	. . . NUT	2	
- 62	NAS428-4-11	. . . BOLT	2	
	50-110025-68	. . . SKIN ASSY,LH WING	1	
	50-110025-69	. . . SKIN ASSY,RH WING	1	
- 63	50-110025-54	. . . DOOR,ACCESS	1	
		/ATTACHING PARTS/		
- 64	AN507-1032R8	. . . SCREW	12	
		-----*		
	50-110024-22	. . . SKIN ASSY,LH WING	1	
	50-110024-23	. . . SKIN ASSY,RH WING	1	
	50-110093	. . . DOOR INSTL,COMPASS /RH ONLY/	1	
- 65	50-110093-1	. . . DOOR,ACCESS /RH ONLY/	1	
		/ATTACHING PARTS/		
- 66	AN507B8R8	. . . SCREW	6	
		-----*		

MODEL 65 & 80 PARTS CATALOG

FIG. & INDEX NO.	PART NO.	1	2	3	4	5	6	7	DESCRIPTION	UNITS PER ASSY	USABLE ON CODE
25	50-110023-74	SKIN ASSY,LH WING	1	
	50-110023-75	SKIN ASSY,RH WING	1	
- 67	50-110023-6	DOOR,ACCESS /ATTACHING PARTS/	2	
- 68	AN507-832R8	SCREW	6	
- 69	50-110023-42	DOOR,ACCESS /LH ONLY/ /ATTACHING PARTS/	1	
- 70	AN507-832R8	SCREW	6	
- 71	50-110023-44	DOOR,ACCESS /ATTACHING PARTS/	2	
- 72	AN507-832R8	SCREW	4	
- 73	50-110023-66	DOOR,ACCESS /ATTACHING PARTS/	1	
- 74	AN507-832R8	SCREW	16	
- 75	50-110023-82	DOOR,LH BOOST PUMP	1	
	50-110023-83	DOOR,RH BOOST PUMP /ATTACHING PARTS/	1	
- 76	AN507-832R8	SCREW	12	
	50-110074-1	DOOR INSTL,LH ACCESS	1	
	50-110074-2	DOOR INSTL,RH ACCESS	1	
- 77	50-110074-5	DOOR,LH ACCESS	1	
	50-110074-6	DOOR,RH ACCESS /ATTACHING PARTS/	1	
- 78	AN507-832-7	SCREW	19	
	50-110022-14	SKIN ASSY,LH WING	1	
	50-110022-15	SKIN ASSY,RH WING	1	
- 79	50-110023-44	DOOR,ACCESS /ATTACHING PARTS/	1	
- 80	AN507-832R8	SCREW	6	
- 81	50-110022-20	DOOR,LH ACCESS	1	
	50-110022-21	DOOR,RH ACCESS /ATTACHING PARTS/	1	
- 82	AN507-832-7	SCREW	19	
- 83	50-110002-56	DOOR,ACCESS /ATTACHING PARTS/	1	
- 84	102361-00228	PIN,HINGE	2	
- 85	AN3-4A	BOLT	3	
	AN960-10	WASHER	3	
- 86	50-110002-134	DOOR,LH ACCESS	1	
	50-110002-135	DOOR,RH ACCESS /ATTACHING PARTS/	1	
- 87	102361-00228	PIN,HINGE	2	
	AN3-10A	BOLT	3	
	50-110003-124	SPAR ASSY,LH WING FRONT	1	
	50-110006-125	SPAR ASSY,RH WING FRONT /ATTACHING PARTS/	1	
- 88	50-110000-4	PIN,HINGE	1	
- 89	50-110003-118	DOOR,FUEL CELL /ATTACHING PARTS/	1	
- 90	AN520-10R8	SCREW	4	
- 91	35-115232	LUG,TIE DOWN /ATTACHING PARTS/	1	
- 92	NAS221-9	SCREW	4	

MODEL 65 & 80 PARTS CATALOG

FIG. & INDEX NO.	PART NO.	DESCRIPTION	UNITS PER ASSY	USABLE ON CODE
25 - 93	103637	. PLACARD, IDENTIFICATION. /ATTACHING PARTS/	1	
- 94	49384	. FASTENER, /UC/ -----*-----	2	
- 95	35-115280	CLOSURE ASSY, LH WING TIP /SEE FIG. 1 FOR NHA/ .	1	
	35-115280-1	CLOSURE ASSY, RH WING TIP /SEE FIG. 1 FOR NHA/ .	1	
- 96	35-170002-13	TIP ASSY, LH WING /SEE FIG. 1 FOR NHA/	1	
	35-170002-23	TIP ASSY, LH WING /SEE FIG. 78A FOR NHA/ /USED . WITH LIGHTWEIGHT DE-ICER/	1	
	35-170002-14	TIP ASSY, RH WING /SEE FIG. 1 FOR NHA/	1	
	35-170002-24	TIP ASSY, RH WING /SEE FIG. 78A FOR NHA/ /USED . WITH LIGHTWEIGHT DE-ICER/ /ATTACHING PARTS/	1	
- 97	AN525-832R7	SCREW -----*-----	28	

MODEL 65 & 80 PARTS CATALOG

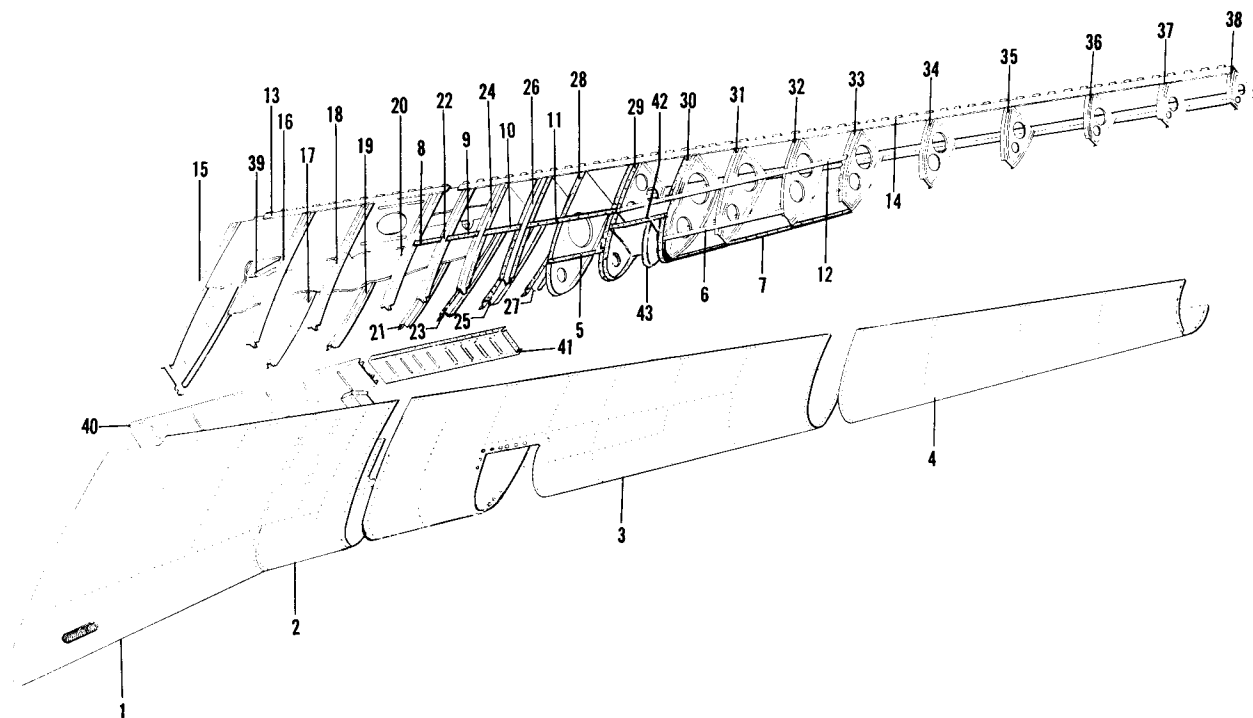


Figure 26. Wing Leading Edge Structure

FIG. & INDEX NO.	PART NO.	DESCRIPTION							UNITS PER ASSY	USABLE ON CODE
		1	2	3	4	5	6	7		
26	□50-110010-612	EDGE ASSY,LEADING OUTBD LH.	1	
		/SPARE ASSY,SEE ADDENDUM/								
	□50-110010-613	EDGE ASSY,LEADING OUTBD RH.	1	
		/SPARE ASSY,SEE ADDENDUM/								
	50-110010-96	EDGE ASSY,WING LEADING LH /SEE FIG. 25 FOR NHA/							REF	
	50-110010-97	EDGE ASSY,WING LEADING RH /SEE FIG. 25 FOR NHA/							REF	
- 1	50-110010-84	. SKIN,LH	1	
	50-110010-85	. SKIN,RH	1	
- 2	50-110010-68	. SKIN,LH	1	
	50-110010-69	. SKIN,RH	1	
- 3	□50-110010-157	. SKIN,LH	1	
	□50-110010-160	. SKIN,RH	1	
- 4	35-115211-10	. SKIN,LH	1	
	35-115211-9	. SKIN,RH	1	
- 5	50-110010-78	. STRINGER,LH	1	
	50-110010-79	. STRINGER,RH	1	
- 6	50-110010-74	. STRINGER,STA 169.829 - 188.907 LH	1	
	50-110010-75	. STRINGER,STA 169.829 - 188.907 RH	1	
- 7	50-110010-76	. STRINGER,STA 199.829 - 198.485 LH	1	
	50-110010-77	. STRINGER,STA 199.829 - 198.485 RH	1	
- 8	50-110010-54	. STRINGER,LH	1	
	50-110010-55	. STRINGER,RH	1	
- 9	50-110010-52	. STRINGER,LH	1	
	50-110010-53	. STRINGER,RH	1	
- 10	50-110010-50	. STRINGER,LH	1	
	50-110010-51	. STRINGER,RH	1	
- 11	50-110010-94	. STRINGER,LH	1	
	50-110010-95	. STRINGER,RH	1	

MODEL 65 & 80 PARTS CATALOG

FIG. & INDEX NO.	PART NO.	DESCRIPTION							UNITS PER ASSY	USABLE ON CODE	
		1	2	3	4	5	6	7			
26	50-110010-92	•	•	•	•	•	•	•	•	1	
	50-110010-93	•	•	•	•	•	•	•	•	1	
- 12	50-110010-56	•	•	•	•	•	•	•	•	1	
	50-110010-57	•	•	•	•	•	•	•	•	1	
- 13	50-110010-18	•	•	•	•	•	•	•	•	1	
	50-110010-19	•	•	•	•	•	•	•	•	1	
	50-110010-20	•	•	•	•	•	•	•	•	1	
	50-110010-21	•	•	•	•	•	•	•	•	1	
- 14	50-110010-28	•	•	•	•	•	•	•	•	1	
	50-110010-29	•	•	•	•	•	•	•	•	1	
	50-110010-30	•	•	•	•	•	•	•	•	1	
	50-110010-31	•	•	•	•	•	•	•	•	1	
- 15	50-110046	•	•	•	•	•	•	•	•	1	
	50-110046-1	•	•	•	•	•	•	•	•	1	
- 16	50-110010-24	•	•	•	•	•	•	•	•	1	
	50-110010-25	•	•	•	•	•	•	•	•	1	
- 17	50-110010-2	•	•	•	•	•	•	•	•	1	
	50-110010-3	•	•	•	•	•	•	•	•	1	
- 18	50-110010-12	•	•	•	•	•	•	•	•	1	
	50-110010-13	•	•	•	•	•	•	•	•	1	
- 19	50-110010-4	•	•	•	•	•	•	•	•	1	
	50-110010-5	•	•	•	•	•	•	•	•	1	
- 20	50-110010-14	•	•	•	•	•	•	•	•	1	
	50-110010-15	•	•	•	•	•	•	•	•	1	
- 21	50-110010-6	•	•	•	•	•	•	•	•	1	
	50-110010-7	•	•	•	•	•	•	•	•	1	
- 22	50-110010-16	•	•	•	•	•	•	•	•	1	
	50-110010-17	•	•	•	•	•	•	•	•	1	
- 23	50-110010-8	•	•	•	•	•	•	•	•	1	
	50-110010-9	•	•	•	•	•	•	•	•	1	
- 24	50-110010-62	•	•	•	•	•	•	•	•	1	
	50-110010-63	•	•	•	•	•	•	•	•	1	
- 25	50-110010-58	•	•	•	•	•	•	•	•	1	
	50-110010-59	•	•	•	•	•	•	•	•	1	
- 26	50-110010-64	•	•	•	•	•	•	•	•	1	
	50-110010-65	•	•	•	•	•	•	•	•	1	
- 27	50-110010-60	•	•	•	•	•	•	•	•	1	
	50-110010-61	•	•	•	•	•	•	•	•	1	
- 28	50-110064-10	•	•	•	•	•	•	•	•	1	
	50-110064-11	•	•	•	•	•	•	•	•	1	
- 29	50-110066-2	•	•	•	•	•	•	•	•	1	
	50-110066-3	•	•	•	•	•	•	•	•	1	
- 30	35-115043	•	•	•	•	•	•	•	•	1	
	35-115043-1	•	•	•	•	•	•	•	•	1	
- 31	50-110068	•	•	•	•	•	•	•	•	1	
	50-110068-1	•	•	•	•	•	•	•	•	1	
- 32	50-110069	•	•	•	•	•	•	•	•	1	
	50-110069-1	•	•	•	•	•	•	•	•	1	
- 33	35-115046	•	•	•	•	•	•	•	•	1	
	35-115046-1	•	•	•	•	•	•	•	•	1	
- 34	35-115037	•	•	•	•	•	•	•	•	1	
	35-115037-1	•	•	•	•	•	•	•	•	1	
- 35	35-115038	•	•	•	•	•	•	•	•	1	
	35-115038-1	•	•	•	•	•	•	•	•	1	
- 36	35-115036	•	•	•	•	•	•	•	•	1	
	35-115036-1	•	•	•	•	•	•	•	•	1	
- 37	35-115035	•	•	•	•	•	•	•	•	1	
	35-115035-1	•	•	•	•	•	•	•	•	1	
- 38	35-115034	•	•	•	•	•	•	•	•	1	
	35-115034-1	•	•	•	•	•	•	•	•	1	
- 39	50-110056	•	•	•	•	•	•	•	•	1	
	50-110056-1	•	•	•	•	•	•	•	•	1	
- 40	35-115177	•	•	•	•	•	•	•	•	1	
	35-115177-1	•	•	•	•	•	•	•	•	1	
- 41	45-115178-14	•	•	•	•	•	•	•	•	1	
	45-115178-15	•	•	•	•	•	•	•	•	1	
- 42	50-110066-16	•	•	•	•	•	•	•	•	1	
	50-110066-17	•	•	•	•	•	•	•	•	1	
- 43	50-110066-10	•	•	•	•	•	•	•	•	1	
	50-110066-11	•	•	•	•	•	•	•	•	1	

MODEL 65 & 80 PARTS CATALOG

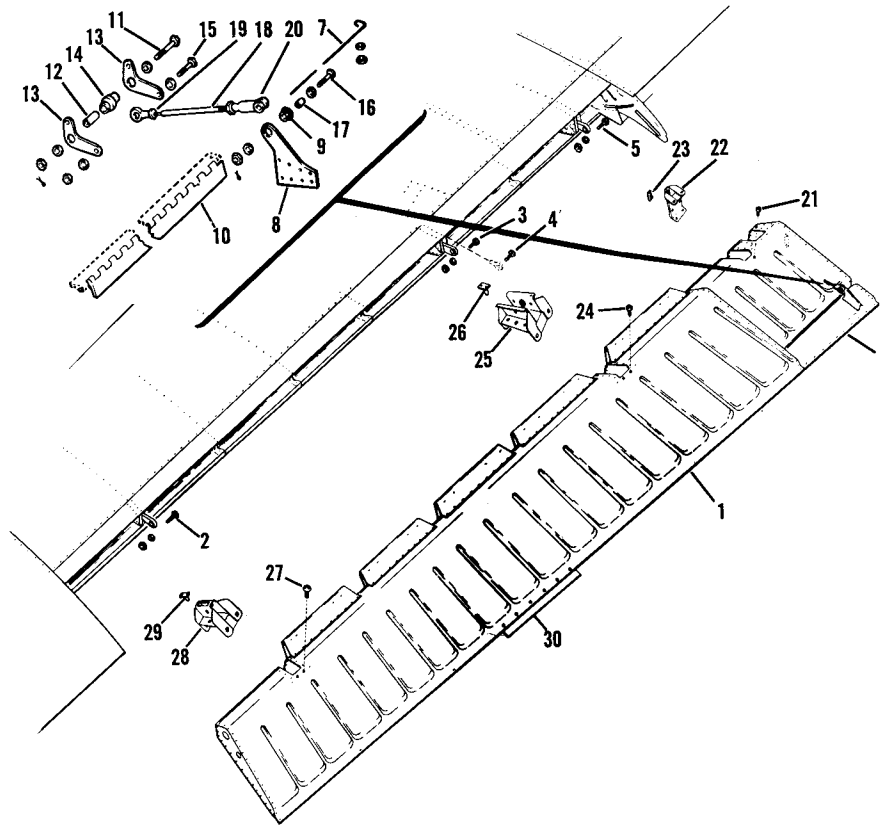


Figure 27. Aileron Assembly

FIG. & INDEX NO.	PART NO.	DESCRIPTION	UNITS							USABLE ON CODE		
			1	2	3	4	5	6	7			
27 - 1	50-130002-1	AILERON ASSY,LH /SEE FIG. 1 FOR NHA/	NP	
	50-130002-2	AILERON ASSY,RH /SEE FIG. 1 FOR NHA/	NP	
		/ATTACHING PARTS/										
- 2	AN3-6A	BOLT	1	
- 3	AN3-7A	BOLT	1	
	AN960-10	WASHER	2	
	AN365-1032	NUT	2	
- 4	AN4-10A	BOLT	1	
	AN960-416	WASHER	1	
	AN365-428	NUT	1	
- 5	AN3-6A	BOLT	1	
	AN960-416L	WASHER	3	
	AN365-1032	NUT	1	
		-----*										
- 6	50-130002-5	. TAB ASSY,LH AILERON	1	
	50-130002-6	. TAB ASSY,RH AILERON	1	
		/ATTACHING PARTS/										
- 7	50-130002-93	. PIN,HINGE	1	
	AN515-8R	. SCREW	1	
	AN960-8	. WASHER	1	
	AN365-832	. NUT	1	
		-----*										
	50-130002-23	. . HORN ASSY,AILERON TAB	1	
- 8	50-130002-105	. . . HORN,AILERON TAB.	1	
- 9	50-610014	. . . BUSHING,AILERON HORN.	1	
- 10	50-130002-103	. . HINGE,LH TAB.	1	
	50-130002-104	. . HINGE,RH TAB.	1	

MODEL 65 & 80 PARTS CATALOG

FIG. & INDEX NO.	PART NO.	DESCRIPTION	UNITS PER ASSY	USABLE ON CODE
		1 2 3 4 5 6 7		
27	50-130002-25	. BELLCRANK ASSY,AILERON TAB. /ATTACHING PARTS/	1	
- 11	AN173-17	. BOLT.	1	
- 12	105740X-XB1314	. BUSHING	1	
	AN960-10	. WASHER.	1	
	AN310-3	. NUT	1	
	AN380-2-2	. PIN,COTTER.	1	
		-----*		
- 13	50-130002-95	. . LEVER,BELLCRANK	2	
- 14	50-130025	. . BUSHING,BELLCRANK	1	
	50-130024	. ROD ASSY,TAB PUSH /ATTACHING PARTS/	1	
- 15	AN173-7	. BOLT.	1	
	AN960-10L	. WASHER.	1	
	AN310-3	. NUT	1	
- 16	AN174-6	. BOLT.	1	
	AN960-416	. WASHER.	1	
- 17	105740X-YW0141	. BUSHING	1	
	AN310-4	. NUT	1	
	AN380-2-3	. PIN,COTTER.	1	
		-----*		
- 18	50-130025-1	. . ROD,PUSH.	1	
- 19	HF-3	. . END,ROD /HEC/	1	
- 20	AN486-2	. . CLEVIS.	1	
	AN316-4	. . NUT,CHECK	1	
	50-130016	. HINGE ASSY,AILERON. /ATTACHING PARTS/	1	
- 21	NAS221-9	. SCREW	4	
	AN960-10L	. WASHER.	4	
	112105	. WASHER.	4	
		-----*		
- 22	50-130016-1	. . WELD ASSY,HINGE	1	
- 23	50-130011	. . PIN ASSY,SHEAR.	1	
	50-130002-27	. HINGE ASSY,AILERON. /ATTACHING PARTS/	1	
- 24	NAS221-9	. SCREW	4	
	AN960-10L	. WASHER.	4	
	112105	. WASHER.	4	
		-----*		
- 25	50-130002-117	. . WELD ASSY,HINGE	1	
- 26	50-130011	. . PIN ASSY,SHEAR.	1	
	50-130021	. HINGE ASSY,AILERON. /ATTACHING PARTS/	1	
- 27	NAS221-9	. SCREW	4	
	AN960-10L	. WASHER.	4	
	112105	. WASHER.	4	
		-----*		
- 28	50-130021-1	. . WELD ASSY,HINGE	1	
- 29	50-130011	. . PIN ASSY,SHEAR.	1	
- 30	50-130002-123	. TAB,FIXED TRAILING EDGE	1	

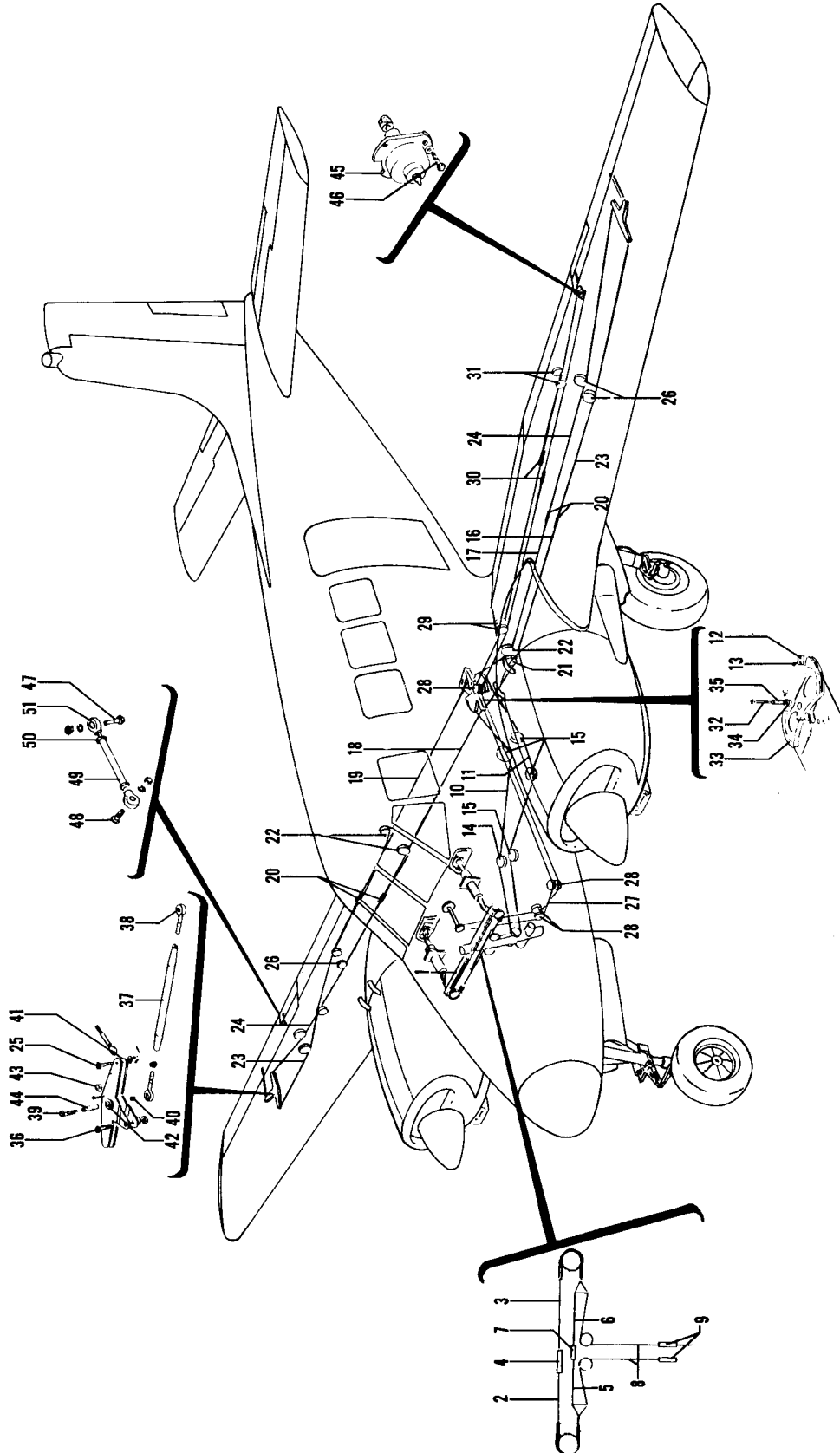


Figure 28. Aileron and Aileron Tab Control Cables

MODEL 65 & 80 PARTS CATALOG

FIG. & INDEX NO.	PART NO.	DESCRIPTION	UNITS PER ASSY	USABLE ON CODE
		1 2 3 4 5 6 7		
28	50-524400-5	CONTROL INSTL,FUSELAGE FLIGHT	NP	1
	50-524400-15	CONTROL INSTL,FUSELAGE FLIGHT	NP	2
	50-524416-53	. COLUMN ASSY,CONTROL /SEE FIG. 42/	1	
		/ATTACHING PARTS/		
	AN5-12A	. BOLT	2	
	AN960-516	. WASHER	2	
	AN365-524	. NUT	2	
		-----*		
- 2	50-524444-1	. CABLE ASSY,LH AILERON	1	
- 3	50-524444-2	. CABLE ASSY,RH AILERON	1	
- 4	AN155-32L	. BARREL,TURNBUCKLE	1	
- 5	NAS304-27-0077	. CABLE ASSY,LH AILERON	1	
- 6	NAS304-26-0077	. CABLE ASSY,RH AILERON	1	
		/ATTACHING PARTS/		
	AN23-9	. BOLT	1	
	AN960-10L	. WASHER	1	
	AN310-3	. NUT	1	
	AN380-2-2	. PIN,COTTER	1	
		-----*		
- 7	AN155-32L	. BARREL,TURNBUCKLE	1	
- 8	NAS304-24-0183	. CABLE ASSY,AILERON	2	
		/ATTACHING PARTS/		
	AN23-9	. BOLT	1	
	AN960-10L	. WASHER	1	
	AN310-3	. NUT	1	
	AN380-2-2	. PIN,COTTER	1	
		-----*		
- 9	AN155-32L	. BARREL,TURNBUCKLE	2	
- 10	NAS314-15-1052	. CABLE ASSY,AILERON LEFT WING DOWN	1	
- 11	NAS314-15-1114	. CABLE ASSY,AILERON RIGHT WING DOWN	1	
- 12	35-524189	. PLATE,AILERON CABLE LOCKING	1	
		/ATTACHING PARTS/		
- 13	AN503-8-6	. SCREW	1	
		-----*		
- 14	AN220-1	. PULLEY	1	
- 15	AN220-2	. PULLEY	4	
		/ATTACHING PARTS/		
	AN5-12	. BOLT	AR	
	AN960-516	. WASHER	AR	
	AN365-524	. NUT	AR	
		-----*		
	50-521200-15	CONTROL INSTL,LH WING FLIGHT	NP	
		/SEE FIG. 1 FOR NHA/		
	50-521200-16	CONTROL INSTL,RH WING FLIGHT	NP	
		/SEE FIG. 1 FOR NHA/		
- 16	50-524098	. CABLE ASSY,LH AILERON	1	
- 17	50-524108	. CABLE ASSY,LH AILERON	1	
- 18	50-521202	. CABLE ASSY,RH AILERON	1	
- 19	50-521201	. CABLE ASSY,RH AILERON	1	
		/ATTACHING PARTS/		
	AN25-17	. BOLT	1	
	AN960-516	. WASHER	1	
	AN320-5	. NUT	1	
	AN380-2-3	. PIN,COTTER	1	
		-----*		
- 20	AN155-46L	. BARREL,TURNBUCKLE	2	
- 21	AN220-1	. PULLEY,LH WING CONTROL	1	
- 22	AN220-2	. PULLEY,LH WING CONTROL	1	
	AN220-2	. PULLEY,RH WING CONTROL	2	
		/ATTACHING PARTS/		
	AN5-12	. BOLT	1	
	AN960-516	. WASHER	1	
	AN365-524	. NUT	1	
		-----*		
- 23	NAS306-34-1176	. CABLE ASSY,AILERON	1	
- 24	NAS306-35-1172	. CABLE ASSY,AILERON	1	

MODEL 65 & 80 PARTS CATALOG

FIG. & INDEX NO.	PART NO.	DESCRIPTION	UNITS PER ASSY	USABLE ON CODE
		1 2 3 4 5 6 7		
		/ATTACHING PARTS/		
28 - 25	AN25-14	. BOLT	1	
	AN960-516	. WASHER	1	
	AN320-5	. NUT	1	
	AN380-2-3	. PIN,COTTER	1	
		-----*		
- 26	AN210-3B	. PULLEY	5	
		/ATTACHING PARTS/		
	AN4-10A	. BOLT	1	
	AN960-416	. WASHER	1	
	AN365-428	. NUT	1	
		-----*		
- 27	50-524097-6	. CABLE ASSY,AILERON TAB	1	
- 28	AN219-2	. PULLEY,TAB CONTROL	6	
		/ATTACHING PARTS/		
	AN4-14	. BOLT	1	
	AN960-416	. WASHER	1	
	AN365-428	. NUT	1	
		-----*		
- 29	AN210-2B	. PULLEY,TAB CONTROL	2	
		/ATTACHING PARTS/		
	AN3-14	. BOLT	1	
	AN960-10	. WASHER	1	
	AN365-1032	. NUT	1	
		-----*		
- 30	AN155-8L	. BARREL,TURNBUCKLE	2	
- 31	AN210-1B	. PULLEY,LH WING TAB CONTROL	2	
		/ATTACHING PARTS/		
	AN3-22A	. BOLT	1	
	100696D-ZG107	. SPACER	1	
	AN960-10	. WASHER	1	
	AN365-1032	. NUT	1	
		-----*		
	50-521171	. QUADRANT ASSY,CENTER AILERON CONTROL	1	
		/ATTACHING PARTS/		
- 32	AN4-20A	. BOLT	1	
	AN960-416	. WASHER	1	
	AN365-428	. NUT	1	
		-----*		
- 33	50-521171-1	. QUADRANT,AILERON CONTROL	1	
- 34	PN-4A	. BEARING	2	
- 35	102933D5ZR0203	. SPACER	1	
	50-521128	. ROD ASSY,AILERON PUSH	2	
		/ATTACHING PARTS/		
- 36	50-521143	. BOLT,AILERON PUSH ROD	1	
	AN960-416	. WASHER	1	
	AN320-4	. NUT	1	
	AN380-2-2	. PIN,COTTER	1	
		-----*		
- 37	50-521128-10	. BRAZE ASSY,PUSH ROD	2	
- 38	MD46-15	. BEARING	4	
	AN316-6L	. NUT	2	
	AN316-6R	. NUT	2	
	50-521172	. BELLCRANK ASSY,AILERON	2	
		/ATTACHING PARTS/		
- 39	AN4H20A	. BOLT	1	
- 40	100696D-ZN010	. BUSHING	1	
		-----*		
- 41	50-521172-3	. BELLCRANK,AILERON	2	
- 42	50-521172-1	. BUSHING,AILERON BELLCRANK	2	
- 43	50-521172-5	. STOP,AILERON BELLCRANK	6	
- 44	PN-4A	. BEARING /TOR/	2	

MODEL 65 & 80 PARTS CATALOG

FIG. & INDEX NO.	PART NO.	DESCRIPTION	UNITS PER ASSY	USABLE ON CODE
28 - 45	50-521180	• ACTUATOR ASSY,AILERON TAB /SEE FIG. 29/ /ATTACHING PARTS/	1	
- 46	AN3-4A	• BOLT	3	
	AN960-10	• WASHER	3	
	50-521178-3	-----*----- • ROD ASSY,RH WING ANTI-SERVO TAB PUSH. /ATTACHING PARTS/	1	
- 47	AN4-10A	• BOLT	1	
- 48	AN174-7A	• BOLT	1	
	AN960-416L	• WASHER	2	
	AN365-428	• NUT	2	
	50-521178-7	-----*----- • • TUBE,PUSH ROD	1	
- 50	AN316-4R	• • NUT	2	
- 51	HM-4	• • END,ROD	2	

CODE EFFECTIVITY

1 LC-1 AND AFTER

CODE EFFECTIVITY

2 LD-2 AND AFTER

MODEL 65 & 80 PARTS CATALOG

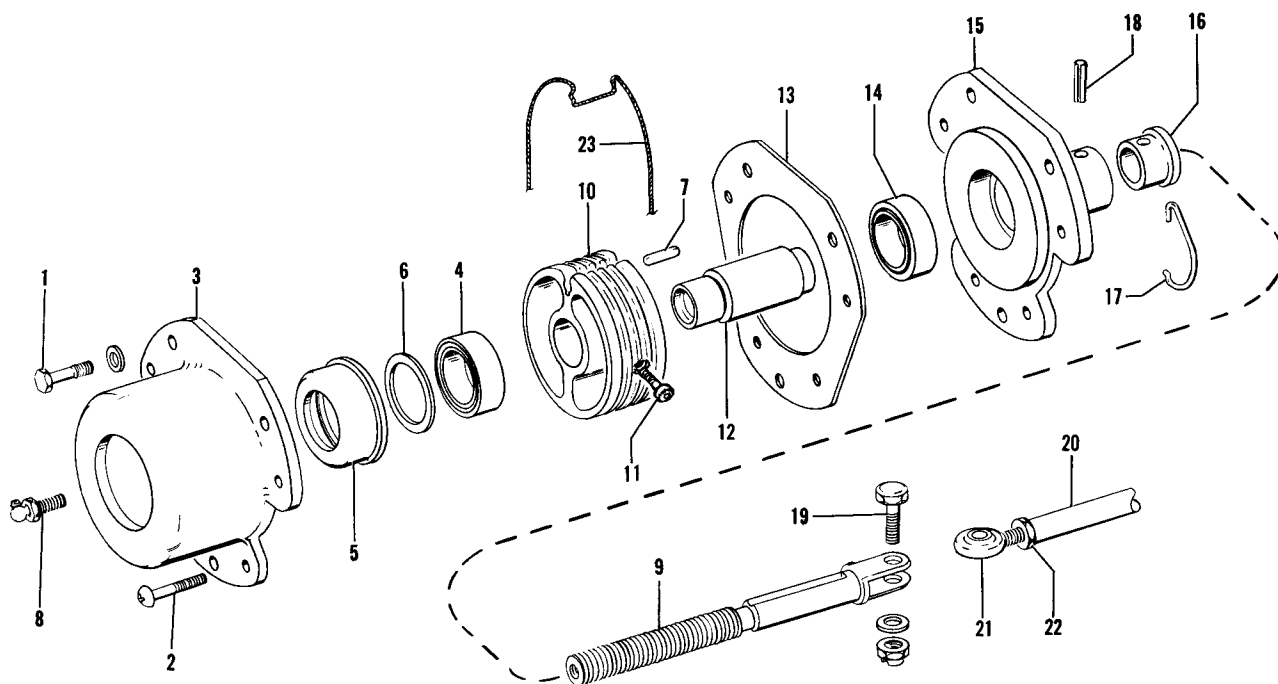


Figure 29. Aileron Trim Tab Actuator Assembly

FIG. & INDEX NO.	PART NO.	DESCRIPTION	UNITS PER ASSY	USABLE ON CODE
29	50-521180-1	ACTUATOR ASSY,AILERON TAB /SEE FIG. 28 FOR NHA/ /ATTACHING PARTS/	REF	
- 1	AN3-4A AN960-10	BOLT WASHER	3 3	
	50-521183	• HOUSING ASSY,ACTUATOR /ATTACHING PARTS/	1	
- 2	AN515-8-12 AN960-8 AN365-832	• SCREW • WASHER • NUT	4 4 4	
- 3	50-521183-3	• • HOUSING,TAB ACTUATOR	1	
- 4	B538	• • BEARING,/FAF/	1	
- 5	50-524167	• • BUSHING,TAB ACTUATOR HOUSING	1	
- 6	50-524177	• • SEAL,ACTUATOR BEARING	1	
- 7	35-524028	• PIN,CABLE LOCK	1	
- 8	MS15001-4	• FITTING,LUBRICATOR	1	
- 9	50-521184 50-521185	• SCREW,ACTUATOR • DRUM ASSY,AILERON TAB	1 1	
- 10	50-521185-1	• • DRUM,AILERON TAB /ATTACHING PARTS/	1	
- 11	AN565B632H3	• • SCREW	1	
- 12	50-521185-3	• • BUSHING	1	
- 13	50-521182	• SHIM,AILERON TAB ACTUATOR	1	
- 14	B538	• BEARING,/FAF/	2	

MODEL 65 & 80 PARTS CATALOG

FIG. & INDEX NO.	PART NO.	DESCRIPTION	UNITS PER ASSY	USABLE ON CODE
		1 2 3 4 5 6 7		
29	50-521181	. CAP ASSY,TAB ACTUATOR	1	
- 15	50-521181-3	. . CAP,TAB ACTUATOR.	1	
- 16	50-521181-5	. . BEARING,TAB ACTUATOR.	1	
- 17	50-524229	. SPRING,KEY RETAINER	1	
- 18	52-032-156-0500	. PIN,ROLL	1	
	50-521178-11	. ROD ASSY,AILERON TAB ACTUATOR	1	
		/ATTACHING PARTS/		
- 19	AN174-10	. BOLT.	1	
	AN960-416	. WASHER.	2	
	AN310-4	. NUT	1	
	AN380-2-3	. PIN,COTTER.	1	
		-----*		
- 20	50-521178-9	. . TUBE,ACTUATOR ROD	1	
- 21	HM-4	. . END,ROD	2	
- 22	AN316-4R	. . NUT,CHECK	2	
- 23	NAS302-67-1964	. CABLE ASSY,AILERON TAB.	1	

MODEL 65 & 80 PARTS CATALOG

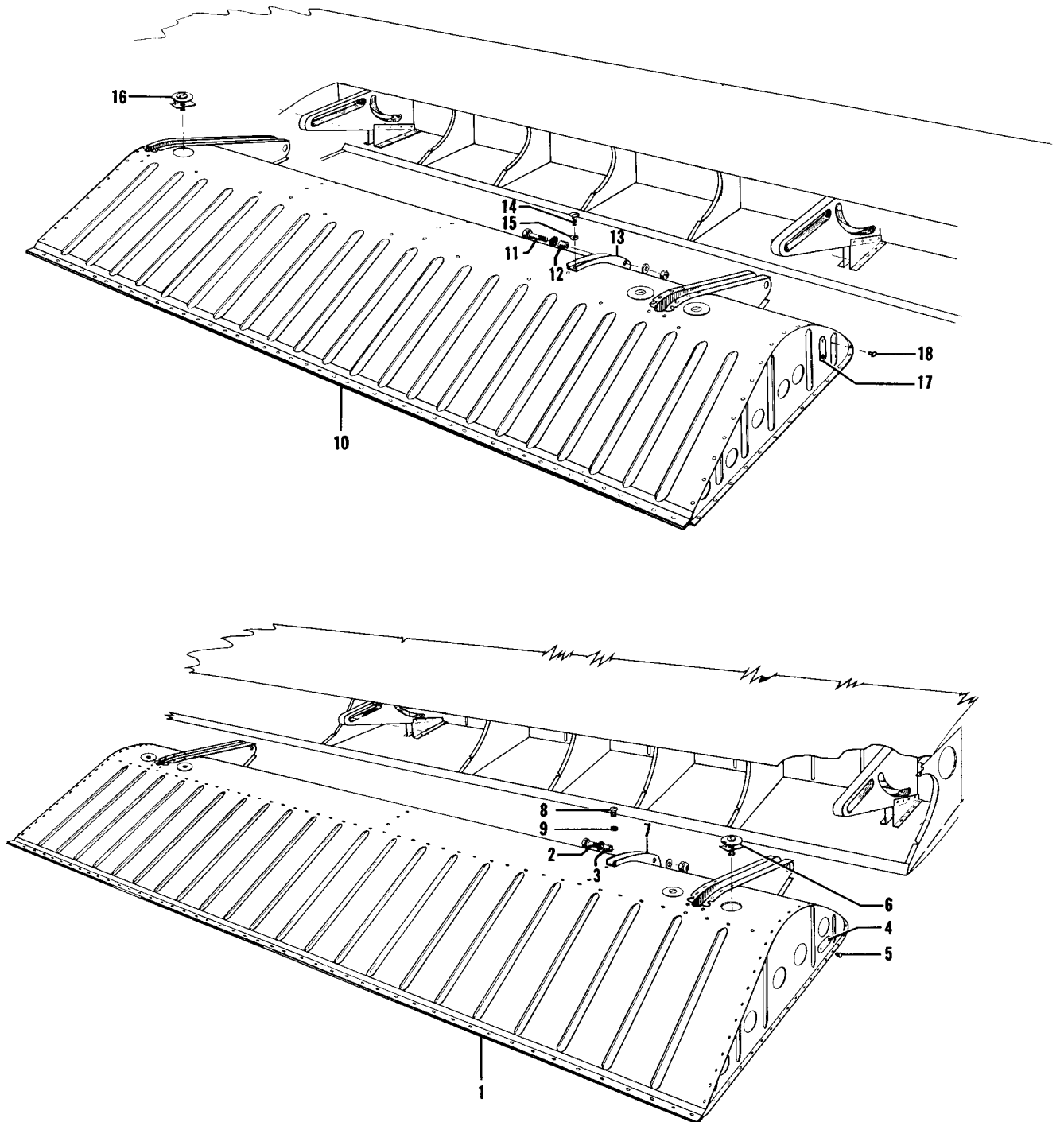


Figure 30. Inboard & Outboard Flap Assembly

MODEL 65 & 80 PARTS CATALOG

FIG. & INDEX NO.	PART NO.	DESCRIPTION	UNITS PER ASSY	USABLE ON CODE
		1 2 3 4 5 6 7		
30 - 1	50-160003-50 50-160003-83	FLAP ASSY,LH INBD /SEE FIG. 1 FOR NHA/. FLAP ASSY,RH INBD /SEE FIG. 1 FOR NHA/. /ATTACHING PARTS/	NP NP	
- 2	AN4-10A	BOLT.	2	
	AN960-416	WASHER.	4	
- 3	100801-S5-0500 AN365-428	BUSHING NUT	2 2	
		-----*-----		
- 4	103637	. PLACARD,IDENTIFICATION. /ATTACHING PARTS/	1	
- 5	49384	. FASTENER.	2	
		-----*-----		
- 6	A6914-1024-1	. PLATE,PATCH	4	
- 7	50-160003-6	. BRACKET,INBD FLAP /ATTACHING PARTS/	1	
- 8	AN520-10-8	. SCREW	3	
- 9	100951S064ZT	. WASHER.	3	
		-----*-----		
- 10	35-165050-96 35-165050-97	FLAP ASSY,LH OUTBD /SEE FIG. 1 FOR NHA/ FLAP ASSY,RH OUTBD /SEE FIG. 1 FOR NHA/ /ATTACHING PARTS/	NP NP	
- 11	AN4-10A	BOLT.	2	
	AN960-416	WASHER.	4	
- 12	100801-S5-0500 AN365-428	BUSHING NUT	2 2	
		-----*-----		
- 13	35-165050-40	. BRACKET,OUTBD FLAP. /ATTACHING PARTS/	1	
- 14	AN520-10-8	. SCREW	3	
- 15	100951S063ZT	. WASHER.	3	
		-----*-----		
- 16	A6914-1024-1	. PLATE,PATCH	3	
- 17	103637	. PLACARD,IDENTIFICATION. /ATTACHING PARTS/	1	
- 18	49384	. FASTENER.	2	
		-----*-----		

MODEL 65 & 80 PARTS CATALOG

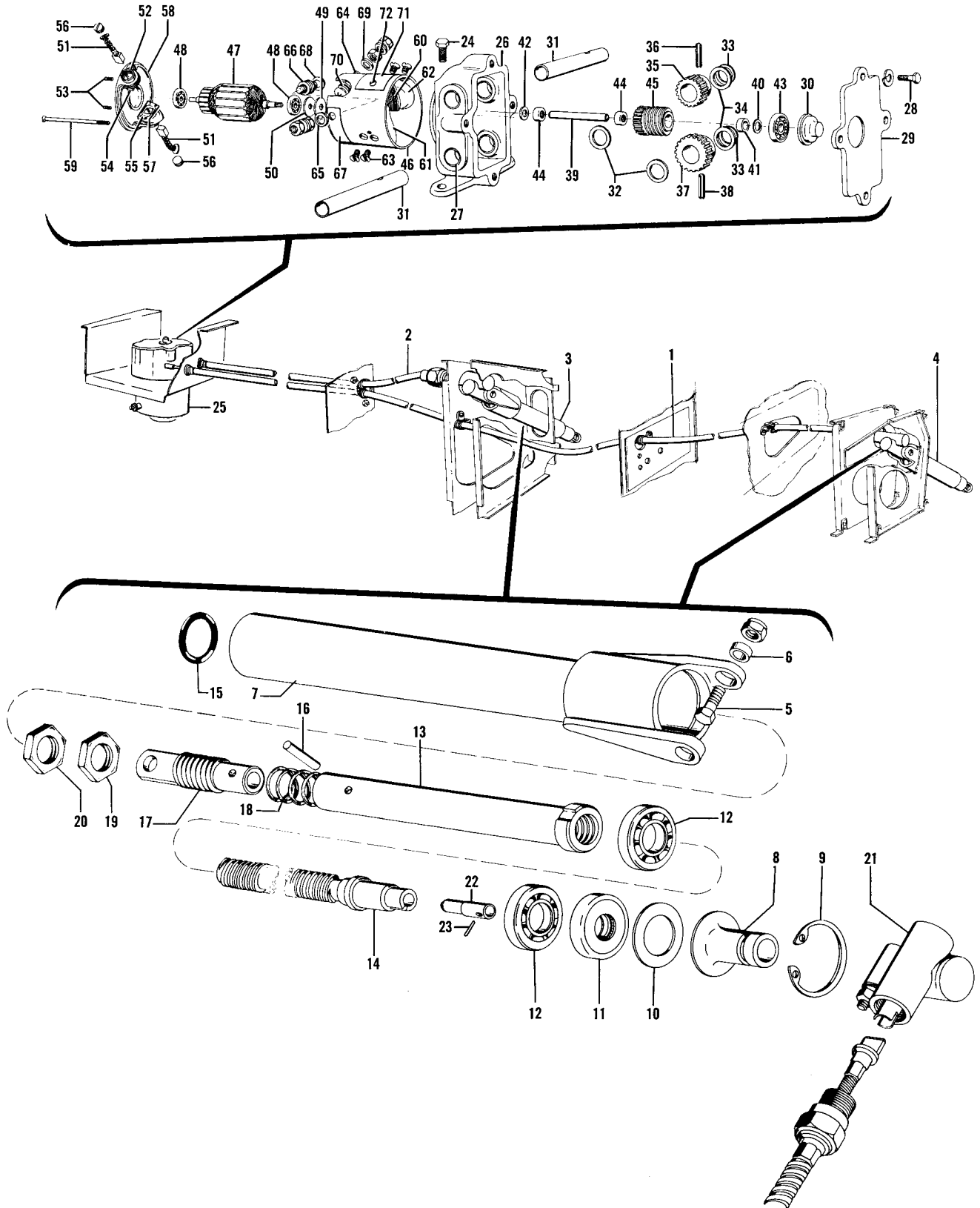


Figure 31. Flap Mechanism Installation

MODEL 65 & 80 PARTS CATALOG

FIG. & INDEX NO.	PART NO.	DESCRIPTION	UNITS PER ASSY	USABLE ON CODE
		1 2 3 4 5 6 7		
31	50-524400-5	CONTROL INSTL,FUSELAGE FLIGHT	REF	1
	50-524400-15	CONTROL INSTL,FUSELAGE FLIGHT	REF	2
	50-070007	. MECHANISM INSTL,LH FLAP	1	
	50-070007-1	. MECHANISM INSTL,RH FLAP	1	
- 1	SK-4341-115-1/2	. . SHAFT ASSY,OUTBD DRIVE.	1	
- 2	SK-4341-44	. . SHAFT ASSY,INBD DRIVE	1	
- 3	50-521152-1	. . ACTUATOR ASSY,LH FLAP INBD.	1	
	50-521152-2	. . ACTUATOR ASSY,RH FLAP INBD.	1	
- 4	50-521153-1	. . ACTUATOR ASSY,LH FLAP OUTBD	1	
	50-521153-2	. . ACTUATOR ASSY,RH FLAP OUTBD	1	
		/ATTACHING PARTS/		
- 5	AN4-5A	. . BOLT.	1	
	AN960-416	. . WASHER.	1	
	AN364-428C	. . NUT	1	
- 6	105739S-YH0230	. . SPACER.	2	
		-----*		
- 7	35-521213	. . . HOUSING,FLAP ACTUATOR /DRILL ON INSTL/. . .	1	
- 8	50-521125	. . . ADAPTER,HOUSING	1	
- 9	NAS50-112	. . . RING,RETAINER	1	
- 10	35-521230	. . . SPACER,FLAP ACTUATOR.	AR	
	35-521230-2	. . . SPACER,FLAP ACTUATOR.	AR	
- 11	11216	. . . SEAL.	1	
- 12	S-5-S	. . . BEARING	2	
- 13	50-521151-1	. . . PISTON,LH ACTUATOR /DRILL ON INSTL/ . . .	1	
	50-521151-2	. . . PISTON,RH ACTUATOR /DRILL ON INSTL/ . . .	1	
- 14	45-521216	. . . SCREW,LH FLAP ACTUATOR.	1	
	45-521216-1	. . . SCREW,RH FLAP ACTUATOR.	1	
- 15	AN6227-13	. . . SEAL.	1	
- 16	50-521152-3	. . . PIN,FLAP ACTUATOR INBD.	1	
	50-521153-3	. . . PIN,FLAP ACTUATOR OUTBD	1	
- 17	50-521149	. . . PLUG,FLAP ACTUATOR PISTON	1	
- 18	111504ZY0124-4	. . . SPRING.	1	
- 19	50-521155	. . . NUT,FLAP ACTUATOR	1	
- 20	AN365-1018C	. . . NUT	1	
	50-521154-1	. . . DRIVE ASSY,LH FLAP 90 DEGREE.	1	
	50-521154-2	. . . DRIVE ASSY,RH FLAP 90 DEGREE.	1	
- 21	50-521154-3 DRIVE,LH FLAP 90 DEGREE	1	
	50-521154-4 DRIVE,RH FLAP 90 DEGREE	1	
- 22	50-521148 ADAPTER,FLAP 90 DEGREE.	1	
		/ATTACHING PARTS/		
- 23	50-521154-6 PIN,FLAP 90 DEGREE DRIVE.	1	
		-----*		
	50-364090	. . . BOX ASSY,FLAP MOTOR & GEAR.	1	
		/ATTACHING PARTS/		
- 24	AN4-10A	. . . BOLT.	2	
	AN960-416	. . . WASHER.	2	
		-----*		
- 25	50-364090-608 MOTOR ASSY,FLAP DRIVE	1	
	50-364090-46 BOX ASSY,FLAP MOTOR GEAR.	1	
	50-524195 BOX,FLAP MOTOR GEAR	1	
- 26	50-524195-2 CASTING,GEAR BOX	1	
- 27	50-524193 BUSHING,GEAR BOX.	4	
	50-364091 COVER ASSY,GEAR BOX	1	
		/ATTACHING PARTS/		
- 28	AN3-5A BOLT.	4	
	AN935-10 WASHER.	4	
		-----*		
- 29	50-364091-2 COVER,FLAP GEAR BOX	1	
- 30	50-364115 BUSHING	1	
- 31	50-364114 SHAFT,MOTOR DRIVE	1	
- 32	AN960-616 WASHER.	1	
- 33	105090B005-6E WASHER.	10	
- 34	AN960-616L WASHER.	1	

MODEL 65 & 80 PARTS CATALOG

FIG. & INDEX NO.	PART NO.	1	2	3	4	5	6	7	DESCRIPTION	UNITS PER ASSY	USABLE ON CODE
31 - 35	50-364113	GEAR,FLAP OUTBD DRIVE /ATTACHING PARTS/	1	
- 36	52-032-156-0750	PIN,ROLL	1	
-----*											
- 37	50-364112	GEAR,FLAP INBD DRIVE /ATTACHING PARTS/	1	
- 38	52-032-156-0750	PIN,ROLL	1	
-----*											
- 39	50-364095	SHAFT,WORM GEAR DRIVE	1	
- 40	100951B002ZF	WASHER	1	
- 41	102933D4ZM0334	SPACER	1	
- 42	100951B062WF	WASHER	1	
- 43	NDR4A	BEARING	1	
- 44	B-36	BEARING	2	
- 45	50-364090-34	GEAR,WORM	1	
- 46	50-364090-2	HOUSING,FLAP MOTOR	1	
- 47	408-0293-233	ARMATURE,FLAP MOTOR	1	
- 48	ND77-R4	BEARING	2	
- 49	35-364151-39	WASHER	1	
- 50	35-364151-43	WASHER	1	
- 51	R457-0627-475	BRUSH ASSY	2	
- 52	35-364151-15	HOLDER ASSY,BRUSH /ATTACHING PARTS/	2	
- 53	AN565D6H3	SCREW,SET	2	
-----*											
- 54	449-006	LUG	2	
- 55	449-003	LUG	2	
- 56	35-364151-25	PLUG,BRUSH	2	
- 57	35-364151-41	INSULATOR,BRUSH	2	
- 58	35-364151-3	HOUSING,BRUSH /ATTACHING PARTS/	1	
- 59	AN505-8-48	SCREW	2	
-----*											
- 60	35-364151-21	POLE ASSY,FIELD	2	
- 61	R901-327-18	COIL,FIELD	1	
- 62	R901-327-20	COIL,FIELD /ATTACHING PARTS/	1	
- 63	AN505-6-4	SCREW	2	
-----*											
- 64	AN526-832-12	SCREW	1	
	AN960-8L	WASHER	1	
	AN936A8	WASHER	1	
- 65	R901-342	WASHER	1	
- 66	3053	WASHER,/RADIO LABORATORIES/	1	
	AN340-8	NUT	2	
- 67	50-364120	PLATE,MOTOR PLACARD & COVER /ATTACHING PARTS/	1	
- 68	AN526-832-12	SCREW	2	
	AN960-8L	WASHER	2	
	AN936A8	WASHER	2	
- 69	R901-342	WASHER	2	
- 70	3053	WASHER	2	
	AN340-8	NUT	4	
-----*											
- 71	R901-311	PLACARD /ATTACHING PARTS/	1	
- 72	AN535-2-2	SCREW,DRIVE	2	
-----*											

CODE EFFECTIVITY

1 LC-1 AND AFTER

CODE EFFECTIVITY

2 LD-2 AND AFTER

MODEL 65 & 80 PARTS CATALOG

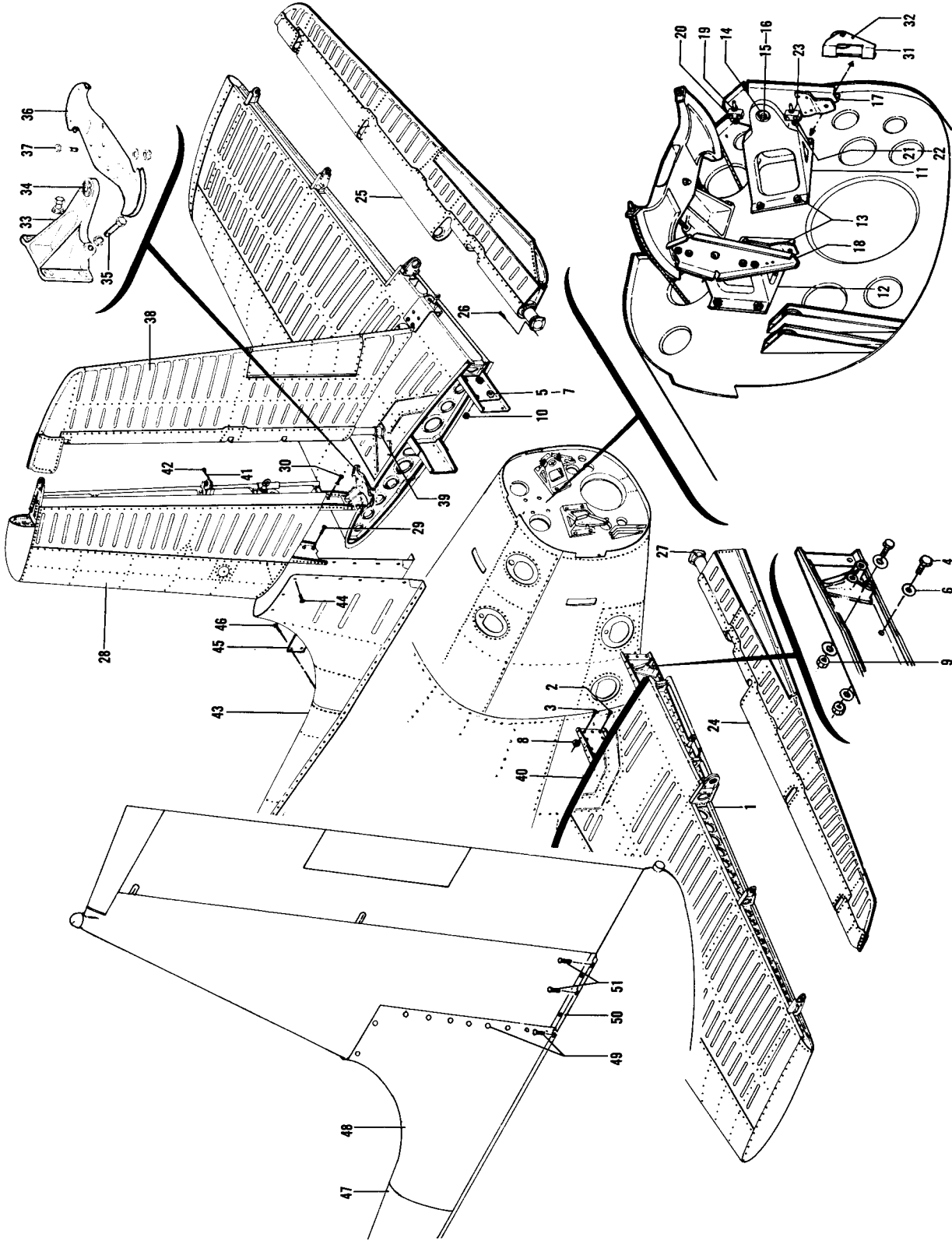


Figure 32. Empennage Installation

MODEL 65 & 80 PARTS CATALOG

FIG. & INDEX NO.	PART NO.	DESCRIPTION	UNITS							USABLE ON CODE
			1	2	3	4	5	6	7	
32	50-600001	EMPENNAGE INSTL,/SEE FIG. 1 FOR NHA/							NP	1
	50-600001-5	EMPENNAGE INSTL,/SEE FIG. 1 FOR NHA/							NP	2
- 1	50-600001-1	. STABILIZER ASSY,LH HORIZONTAL /SMOOTH SKINS/ /SEE FIG. 33/							1	
	50-600001-2	. STABILIZER ASSY,RH HORIZONTAL /SMOOTH SKINS/ /SEE FIG. 33/							1	
	50-620000-236	. STABILIZER ASSY,HORIZONTAL,/SPARE ASSY/, . . . /CORRUGATED SKINS/ /ATTACHING PARTS/							2	
- 2	AN5-7A	. BOLT.							4	
- 3	AN5-10A	. BOLT.							5	
- 4	AN4-7A	. BOLT,LH							1	
- 5	AN4-7A	. BOLT,RH							2	
- 6	100951X031WB	. WASHER,LH							6	
- 7	100951X031WB	. WASHER,RH							10	
- 8	100951X031YG	. WASHER.							5	
	AN960-416L	. WASHER.							2	
	AN365-524	. NUT							10	
- 9	AN365-428	. NUT,LH.							4	
- 10	AN365-428	. NUT,RH.							6	
		-----*-----								
- 11	50-524420-1	. HINGE ASSY,LH ELEVATOR INBD							1	
- 12	50-524420-2	. HINGE ASSY,RH ELEVATOR INBD /ATTACHING PARTS/							1	
- 13	AN4-5A	. BOLT.							4	
	AN960-416	. WASHER.							4	
	AN365-428	. NUT							4	
		-----*-----								
- 14	AN200KS5	. . BEARING							1	
	50-524406-1	. HORN ASSY,LH ELEVATOR CONTROL							1	
	50-524406-2	. HORN ASSY,RH ELEVATOR CONTROL /ATTACHING PARTS/							1	
- 15	AN3-6A	. BOLT.							4	
- 16	AN509-10R12	. SCREW							4	
		-----*-----								
- 17	50-524406-3	. . HORN,LH ELEVATOR CONTROL.							1	
- 18	50-524406-4	. . HORN,RH ELEVATOR CONTROL.							1	
- 19	50-524406-5	. . SUPPORT,ELEVATOR CONTROL HORN /ATTACHING PARTS/							2	
- 20	AN3-10A	. . BOLT.							2	
	AN960-10	. . WASHER.							2	
	AN365-1032	. . NUT							2	
		-----*-----								
- 21	50-524406-7	. . BOLT,SUPPORT. /ATTACHING PARTS/							2	
	AN936A416	. . WASHER.							1	
	AN960-416	. . WASHER.							1	
- 22	AN316-4	. . NUT							1	
- 23	AN365-428	. . NUT							1	
		-----*-----								
- 24	50-610000-202	. ELEVATOR ASSY,LH /SMOOTH SKINS/ /SEE FIG. 34/							1	
	50-610000-222	. ELEVATOR ASSY,LH /CORRUGATED SKINS/ /SEE FIG. 34/							1	
	50-610000-203	. ELEVATOR ASSY,RH /SMOOTH SKINS/ /SEE FIG. 34/							1	
- 25	50-610000-223	. ELEVATOR ASSY,RH /CORRUGATED SKINS/ /SEE FIG. 34/ /ATTACHING PARTS/							1	
- 26	AN3-5A	. BOLT.							3	
- 27	AN509-10R	. SCREW							3	
	AN960-10	. WASHER.							5	
	AN960-10L	. WASHER.							3	
	AN365-1032	. NUT							7	
		-----*-----								
- 28	50-640000-110	. STABILIZER ASSY,VERTICAL /SEE FIG. 37/							NP	1
	96-640000-91	. STABILIZER ASSY,VERTICAL /SEE FIG. 37/ /ATTACHING PARTS/							NP	2
- 29	AN5-6A	. BOLT,/FWD/.							8	
	AN4-6A	. BOLT,/AFT/.							6	2
- 30	AN4-6A	. BOLT,/AFT/.							2	1
	100951X031WB	. WASHER.							8	
	100951X031YG	. WASHER.							8	
	AN960-416L	. WASHER.							6	
	AN365-428	. NUT							6	
	AN365-524	. NUT							8	
		-----*-----								

MODEL 65 & 80 PARTS CATALOG

FIG. & INDEX NO.	PART NO.	DESCRIPTION	UNITS PER ASSY	USABLE ON CODE
		1 2 3 4 5 6 7		
32	50-524409	• BRACKET INSTL,ELEVATOR TAB RH	1	
- 31	50-524409-1	• • BRACKET,ELEVATOR TAB RH /ATTACHING PARTS/	1	
- 32	NAS427K9	• • PIN -----*-----	1	
	50-524023	• HINGE ASSY,RUDDER LOWER	1	1
- 33	50-524023-2	• • HINGE,RUDDER LOWER.	1	1
- 34	AN200KP4	• • BEARING	1	1
- 35	35-524123	• • BOLT.	2	1
	AN316-4R	• • NUT	2	1
- 36	50-524327-1	• BELLCRANK ASSY,RUDDER CONTROL /ATTACHING PARTS/	1	
- 37	AN4-12	• BOLT.	1	
	AN960-416L	• WASHER.	1	
	AN310-4	• NUT	1	
	AN380-2-3	• PIN,COTTER. -----*-----	1	
- 38	50-630000-200	• RUDDER ASSY,/SEE FIG. 38/	NP	1
	96-630000-191	• RUDDER ASSY,/SEE FIG. 38A/. /ATTACHING PARTS/	NP	2
- 39	AN3-6A	• BOLT.	3	2
	AN4-10A	• BOLT.	2	1
	AN960-10	• WASHER.	3	2
	AN960-416	• WASHER.	2	1
	AN960-10L	• WASHER.	3	
	MS20365-1032	• NUT	3	2
	MS20365-428	• NUT -----*-----	2	1
- 40	111749-08800	• EXTRUSION,RUBBER.	4	
- 41	AN749-3-4	• JUMPER,BOND /ATTACHING PARTS/	6	
- 42	AN526-832R7	• SCREW	2	
	AN365-832	• NUT -----*-----	2	
	AN749-1-4	• JUMPER,BOND /ATTACHING PARTS/	2	2
	AN515-6R8	• SCREW	2	2
	105090-031-1-01	• WASHER,SPECIAL. -----*-----	4	2
	50-640002	DORSAL INSTL,/SEE FIG. 1 FOR NHA/	NP	1
	50-640002-602	• DORSAL ASSY,/SPARE ASSY,SEE ADDENDUM/	1	1
- 43	50-640002-1	• DORSAL ASSY /ATTACHING PARTS/	NP	1
- 44	AN525-8R7	• SCREW -----*-----	16	
- 45	50-600009-26	• • DOOR,ACCESS /ATTACHING PARTS/	1	1
- 46	PK79XZ-8-8	• • SCREW -----*-----	4	
	50-640003	FAIRING INSTL,DORSAL FIN.	NP	2
- 47	50-640003-1	• SKIN ASSY	1	2
- 48	50-640003-13	• SADDLE ASSY /ATTACHING PARTS/	1	2
- 49	AN525-10R	• SCREW -----*-----	42	1
- 50	50-640003-21	• FILLET,LH	1	2
	50-640003-23	• FILLET,RH /ATTACHING PARTS/	1	2
- 51	AN525-10R	• SCREW -----*-----	2	

CODE EFFECTIVITY CODE EFFECTIVITY
 1 LC-1 AND AFTER 2 LD-2 AND AFTER

MODEL 65 & 80 PARTS CATALOG

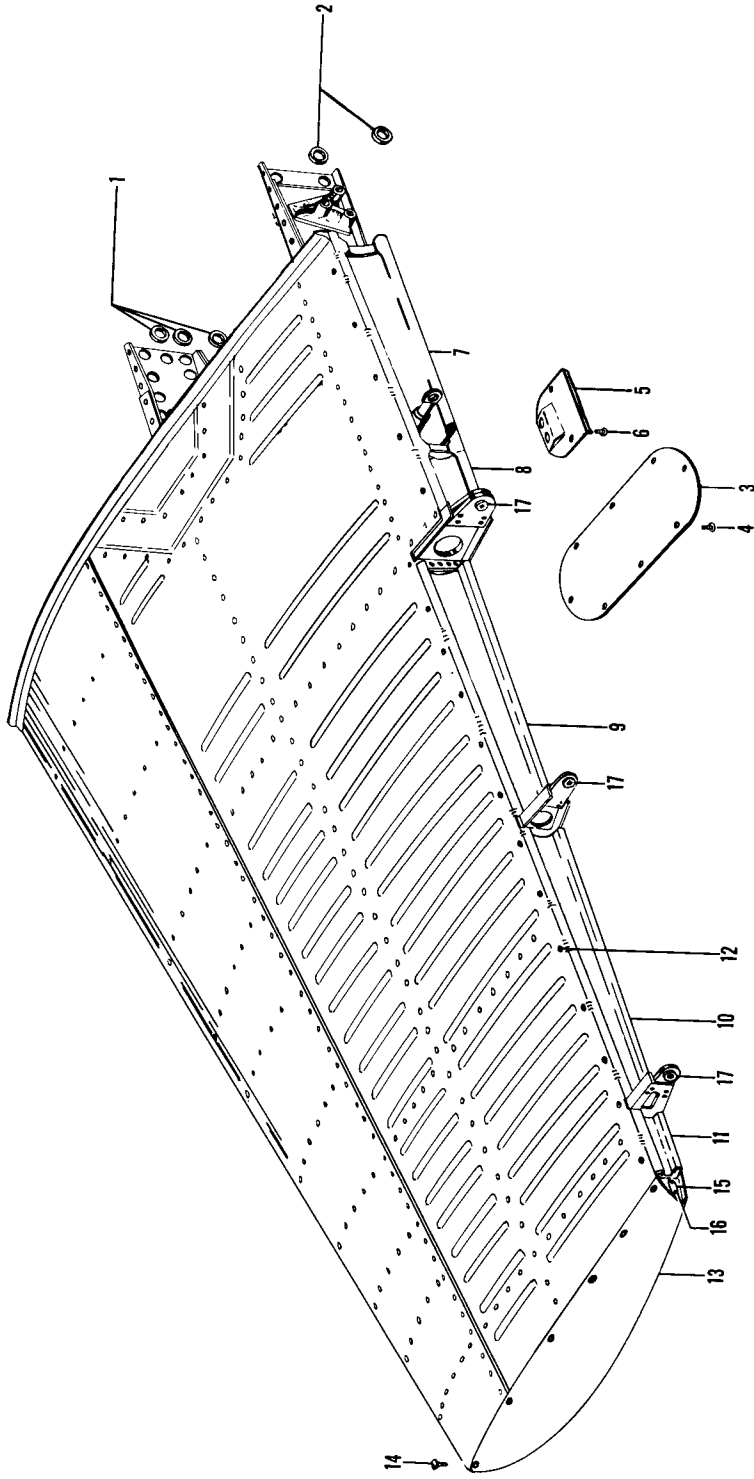


Figure 33. Horizontal Stabilizer Assembly

MODEL 65 & 80 PARTS CATALOG

FIG. & INDEX NO.	PART NO.	1	2	3	4	5	6	7	DESCRIPTION	UNITS PER ASSY	USABLE ON CODE
33	50-600000-220LH								STABILIZER ASSY,HORIZONTAL /TRIM ON INSTL/. . .	1	1
									/SPARE ASSY/		
	50-600001-1								STABILIZER ASSY,LH HORIZONTAL /SMOOTH SKINS/. . .	REF	
									/SEE FIG. 32 FOR NHA/		
	50-600000-220RH								STABILIZER ASSY,HORIZONTAL /TRIM ON INSTL/. . .	1	1
									/SPARE ASSY/		
	50-600001-2								STABILIZER ASSY,RH HORIZONTAL /SMOOTH SKINS/. . .	REF	
									/SEE FIG. 32 FOR NHA/		
	50-620000-236								STABILIZER ASSY,HORIZONTAL,/SPARE ASSY/,	REF	
									/CORRUGATED SKINS/,/SEE FIG. 32 FOR NHA/		
- 1	50-620005								. BUSHING,WEAR.	1	
- 2	45-620011-2								. BUSHING,WEAR.	6	
- 3	50-620000-192								. COVER,INSPECTION.	1	
									/ATTACHING PARTS/		
- 4	AN525-10R7								. SCREW	8	
									-----*-----		
- 5	50-620000-196								. COVER,INSPECTION.	1	
									/ATTACHING PARTS/		
- 6	PK76XZ-8-7								. SCREW	2	
									-----*-----		
- 7	50-620000-200								. FAIRING,HORIZONTAL STABILIZER	1	
- 8	50-620000-202								. FAIRING,HORIZONTAL STABILIZER	1	
- 9	50-620000-206								. FAIRING,HORIZONTAL STABILIZER	1	
- 10	50-620000-208								. FAIRING,HORIZONTAL STABILIZER	1	
- 11	50-620000-210								. FAIRING,HORIZONTAL STABILIZER	1	
									/ATTACHING PARTS/		
- 12	AN530-8R7								. SCREW	34	
									-----*-----		
- 13	50-620000-120								. TIP ASSY,HORIZONTAL STABILIZER.	1	
									/DRILL ON INSTL/		
									/ATTACHING PARTS/		
- 14	PK76XZ-8-7								. SCREW	12	
									-----*-----		
- 15	103637								. PLACARD,IDENTIFICATION.	1	
									/ATTACHING PARTS/		
- 16	49384								. FASTENER.	2	
									-----*-----		
- 17	B-66								. . BEARING	3	

CODE EFFECTIVITY

1 LC-1 AND AFTER

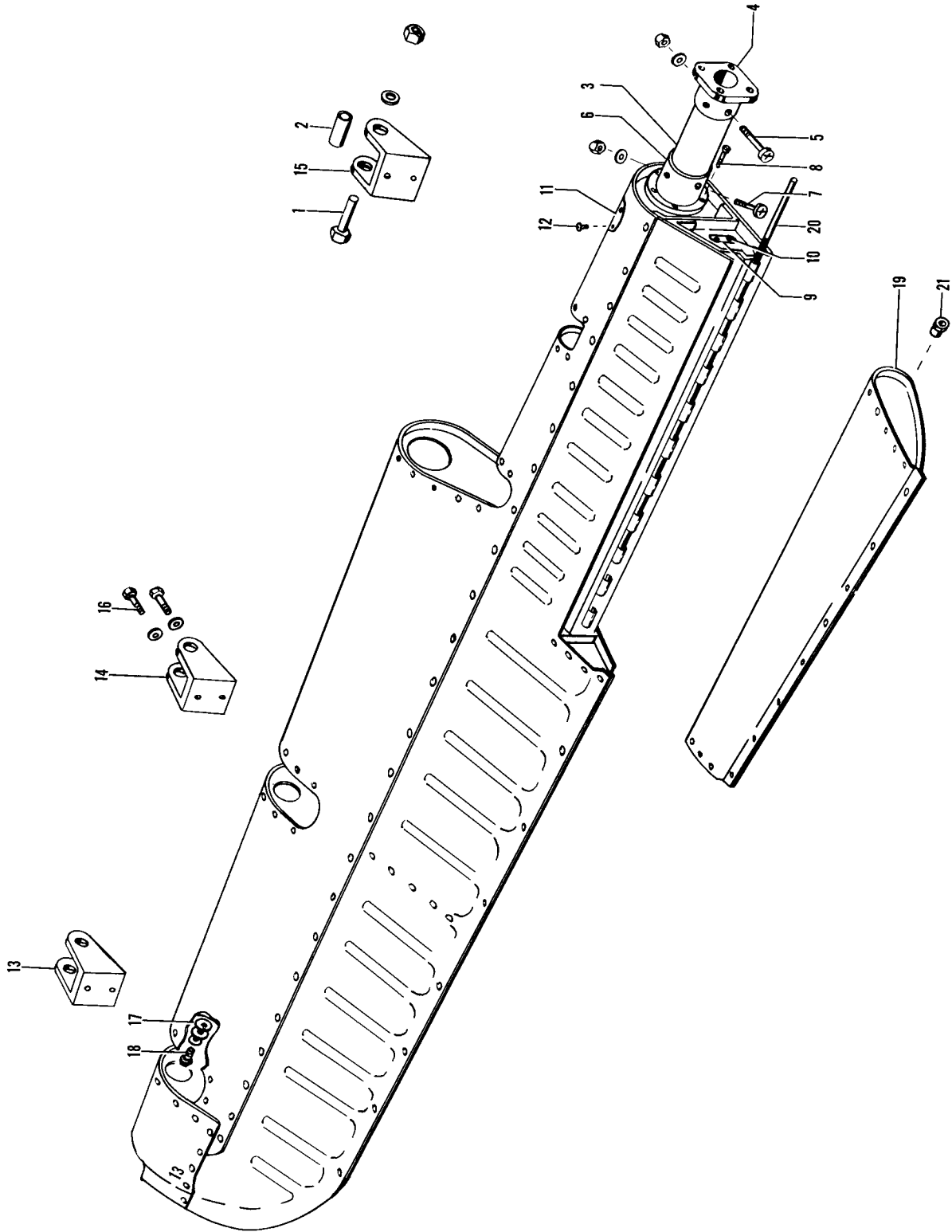


Figure 34. Elevator Assembly

MODEL 65 & 80 PARTS CATALOG

FIG. & INDEX NO.	PART NO.	DESCRIPTION	UNITS PER ASSY	USABLE ON CODE
34	50-610000-202	ELEVATOR ASSY,LH /SMOOTH SKINS/	REF	
	50-610000-222	ELEVATOR ASSY,LH /CORRUGATED SKINS/	REF	
	50-610000-203	ELEVATOR ASSY,RH /SMOOTH SKINS/	REF	
	50-610000-223	ELEVATOR ASSY,RH /CORRUGATED SKINS/	REF	
- 1	AN4-11	BOLT.	3	
- 2	50-610010	BUSHING,ELEVATOR HINGE.	3	
	AN960-416L	WASHER.	3	
	AN320-4	NUT	3	
		-----*		
	50-610000-188	. FITTING ASSY,ELEVATOR	1	
- 3	50-610000-88	. . TUBE,ELEVATOR INBD.	1	
- 4	50-610015	. . FITTING,ELEVATOR INBD	1	
		/ATTACHING PARTS/		
- 5	AN23-42A	. . BOLT.	1	
	AN960-10	. . WASHER.	1	
	AN365-1032	. . NUT	1	
		-----*		
- 6	50-610016	. . FITTING,ELEVATOR OUTBD.	1	
		/ATTACHING PARTS/		
- 7	AN23-42A	. . BOLT.	1	
- 8	AN3-5A	. . BOLT.	2	
	AN960-10	. . WASHER.	3	
	AN365-1032	. . NUT	1	
		-----*		
- 9	103637	. PLACARD,IDENTIFICATION.	1	
		/ATTACHING PARTS/		
- 10	49384	. FASTENER.	2	
		-----*		
	50-600013	. DOOR ASSY,INSPECTION.	1	
- 11	50-600013-3	. . DOOR,INSPECTION	1	
		/ATTACHING PARTS/		
- 12	AN507-832R8	. . SCREW	8	
		-----*		
- 13	50-610000-68	. BRACKET,ELEVATOR OUTBD.	1	
- 14	50-610000-154	. BRACKET,ELEVATOR CENTER	1	
- 15	50-610000-156	. BRACKET,ELEVATOR INBD	1	
		/ATTACHING PARTS/		
- 16	NAS144DH-11	. BOLT.	2	
	NAS143-4C	. WASHER.	2	
		-----*		
- 17	183809	. WASHER,LEAD BALANCE	5	
		/ATTACHING PARTS/		
- 18	AN73-5	. BOLT.	1	
	AN960-10	. WASHER.	1	
		-----*		
- 19	50-610017-1	. TAB ASSY,LH ELEVATOR TRIM	1	
	50-610017-2	. TAB ASSY,RH ELEVATOR TRIM	1	
		/ATTACHING PARTS/		
- 20	50-610000-92	. PIN,ELEVATOR TAB HINGE.	1	
		-----*		
- 21	50-610014	. . BUSHING,ELEVATOR TRIM TAB	1	

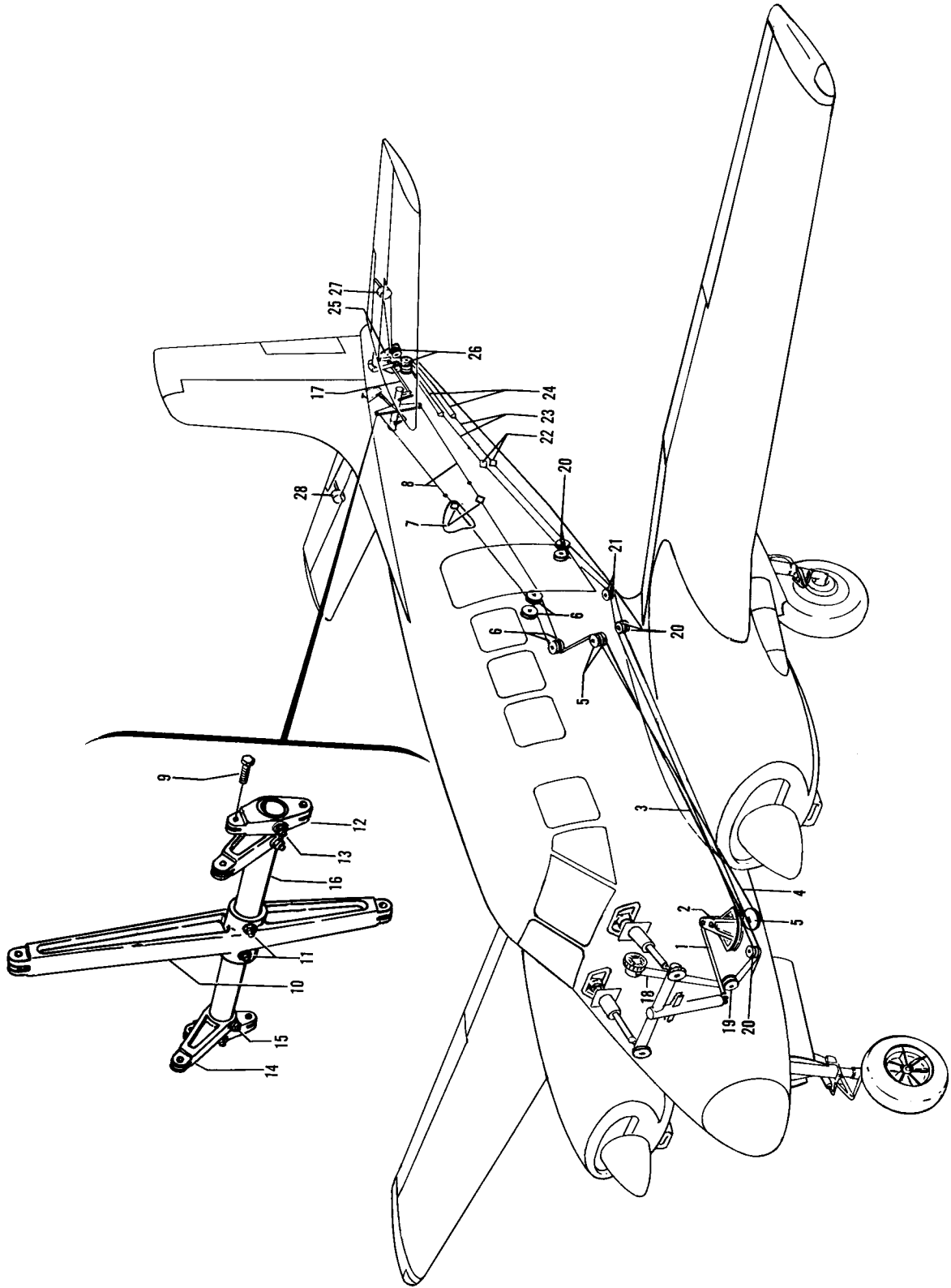


Figure 35. Elevator & Elevator Tab Control Cables

MODEL 65 & 80 PARTS CATALOG

FIG. & INDEX NO.	PART NO.	DESCRIPTION							UNITS PER ASSY	USABLE ON CODE
		1	2	3	4	5	6	7		
35	50-524400-5	CONTROLS INSTL,FUSELAGE FLIGHT.							REF	1
	50-524400-15	CONTROLS INSTL,FUSELAGE FLIGHT.							REF	2
- 1	50-524433	. TUBE ASSY,ELEVATOR PUSH PULL FWD.							1	
	NAS464P4-17	. BOLT.							2	
	AN960-416	. WASHER.							2	
	AN365-428	. NUT							2	
- 2	50-524410	. BELLCRANK ASSY,ELEVATOR FWD							1	
	AN4-23A	. BOLT.							1	
	AN960-416	. WASHER.							1	
	AN365-428	. NUT							1	
	105740ZJ0230	. . BUSHING							2	
- 3	50-524439-1	. CABLE ASSY,ELEVATOR							1	
- 4	50-524439-3	. CABLE ASSY,ELEVATOR							1	
	AN503-10-12	. SCREW							1	
- 5	AN220-3	. PULLEY.							3	
- 6	AN220-2	. PULLEY.							4	
	AN5-	. BOLT.							AR	
	AN960-516	. WASHER.							AR	
	AN365-524	. NUT							AR	
- 7	AN155-32L	. BARREL,TURNBUCKLE							2	
- 8	NAS304-34-0735	. CABLE ASSY,ELEVATOR DOWN.							1	
	NAS304-34-0753	. CABLE ASSY,ELEVATOR UP.							1	
	AN23-18	. BOLT.							1	
	100696S-ZC008	. SPACER.							2	
	AN960-10	. WASHER.							AR	
	AN310-3	. NUT							1	
	AN380-2-2	. PIN,COTTER.							1	
	50-524401	. BELLCRANK ASSY,REAR ELEVATOR CONTROL.							1	
- 9	AN4-11A	. BOLT.							2	
	AN960-416	. WASHER.							2	
	AN365-428	. NUT							2	
- 10	50-524413	. . BELLCRANK,REAR ELEVATOR							1	
- 11	AN386-3-16A	. . PIN,TAPER							2	
	AN975-4	. . WASHER.							2	
	AN364-428	. . NUT							2	
- 12	50-524414	. . ARM,ELEVATOR BELLCRANK.							2	
- 13	AN386-3-16A	. . PIN,TAPER							1	
	AN975-4	. . WASHER.							1	
	AN364-428	. . NUT							1	
- 14	50-524470	. . ARM,ELEVATOR BELLCRANK.							2	
- 15	AN386-3-16A	. . PIN,TAPER							1	
	AN975-4	. . WASHER.							1	
	AN364-428	. . NUT							1	
- 16	50-524401-3	. . TUBE,ELEVATOR BELLCRANK							1	
- 17	50-524421	. ROD ASSY,ELEVATOR PUSH.							2	
	AN6-14A	. BOLT.							1	
	AN6-13A	. BOLT.							1	
	AN960-616	. WASHER.							3	
	AN960-616L	. WASHER.							1	
	AN365-624	. NUT							2	

MODEL 65 & 80 PARTS CATALOG

FIG. & INDEX NO.	PART NO.	DESCRIPTION							UNITS PER ASSY	USABLE ON CODE	
		1	2	3	4	5	6	7			
35 - 18	NAS302-66-5236	1	
- 19	AN219-4	2	
- 20	AN219-2	2	
- 21	AN219-1	2	
		/ATTACHING PARTS/									
	AN4-	AR	
	AN960-416	AR	
	AN365-428	AR	
		-----*-----									
- 22	AN155-8L	2	
- 23	50-524148-6	2	
		/ATTACHING PARTS/									
	AN23-10	1	
	AN960-10L	1	
	AN320-3	1	
	AN380-2-3	1	
		-----*-----									
	AN165-8RS	4	
- 24	AN155-8S	4	
- 25	50-524175	2	
- 26	AN210-1B	4	
		/ATTACHING PARTS/									
	AN502-10-18	1	
	AN502-10-12	2	
	AN960-10	3	
		-----*-----									
	NAS427-K6	2	
	NAS427-K10	3	
	AN392-13	2	
	AN380-2-1	2	
- 27	50-524160-6	1	
- 28	50-524160-7	1	

CODE EFFECTIVITY

1 LC-1 AND AFTER

CODE EFFECTIVITY

2 LD-2 AND AFTER

MODEL 65 & 80 PARTS CATALOG

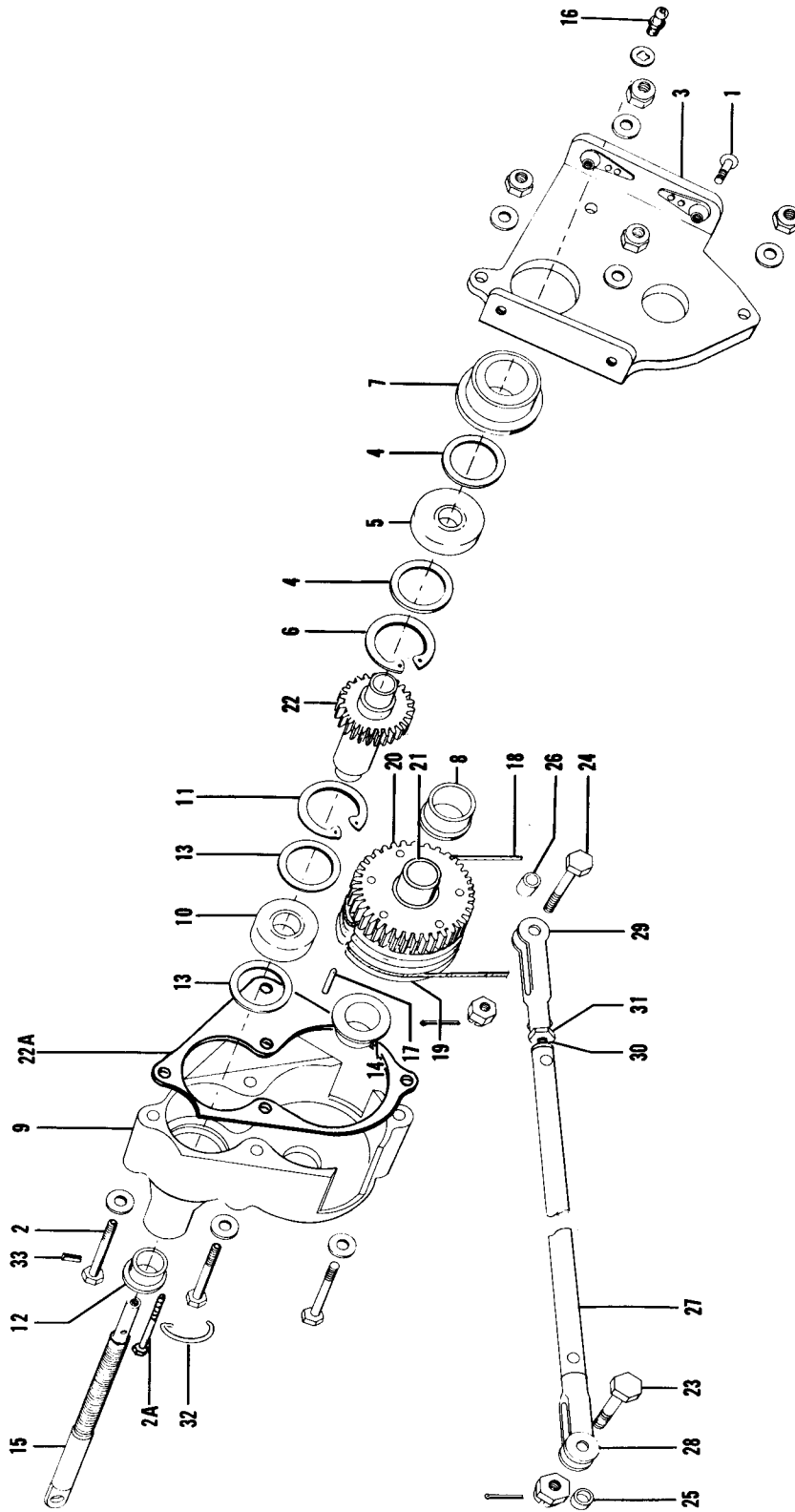


Figure 36. Elevator Tab Actuator Installation

MODEL 65 & 80 PARTS CATALOG

FIG. & INDEX NO.	PART NO.	DESCRIPTION							UNITS PER ASSY	USABLE ON CODE
		1	2	3	4	5	6	7		
36	50-524160-6	ACTUATOR INSTL,LH ELEVATOR TAB.							REF	
	50-524160-7	ACTUATOR INSTL,RH ELEVATOR TAB.							REF	
	50-524161-6	. ACTUATOR ASSY,LH ELEVATOR TAB							1	
	50-524161-7	. ACTUATOR ASSY,RH ELEVATOR TAB							1	
- 1	AN525-10R10	. SCREW							4	
	50-524168	. . BRACKET ASSY,LH TAB ACTUATOR.							1	
	50-524168-1	. . BRACKET ASSY,RH TAB ACTUATOR.							1	
- 2	AN3-17A	. . BOLT							4	
- 2A	AN3-7A	. . BOLT							1	
	AN960-10	. . WASHER							4	
	AN365-1032	. . NUT							1	
- 3	50-524168-2	. . . BRACKET,LH TAB ACTUATOR							1	
	50-524168-3	. . . BRACKET,RH TAB ACTUATOR							1	
- 4	50-524177	. . . SEAL,TAB ACTUATOR BEARING							2	
- 5	B-538	. . . BEARING,/FAF/							1	
- 6	NAS50-106	. . . RING,RETAINER							1	
- 7	50-524167	. . . BUSHING,TAB ACTUATOR.							1	
- 8	F-860	. . . BEARING,/AXD/							1	
	50-524166-10	. . HOUSING ASSY,LH TAB ACTUATOR.							1	
	50-524166-11	. . HOUSING ASSY,RH TAB ACTUATOR.							1	
- 9	50-524166-8	. . . HOUSING,LH TAB ACTUATOR							1	
	50-524166-9	. . . HOUSING,RH TAB ACTUATOR							1	
- 10	B-538	. . . BEARING,/FAF/							1	
- 11	NAS50-106	. . . RING,RETAINER							1	
- 12	50-524166-12	. . . BEARING,TAB ACTUATOR.							1	
- 13	50-524177	. . . SEAL,TAB ACTUATOR BEARING							2	
- 14	F-860	. . . BEARING,/AXD/							1	
	50-524314-3	. . . SCREW ASSY,TAB ACTUATOR							1	
- 15	50-524314-5	. . . SCREW,TAB ACTUATOR.							1	
- 16	AN944-101	. . . FITTING,LUBRICATOR.							1	
- 17	35-524028	. . . PIN,TAB DRUM CABLE LOCK							1	
- 18	NAS302-77-1213	. . . CABLE ASSY,LH ELEVATOR TAB.							1	
	NAS302-77-1614	. . . CABLE ASSY,RH ELEVATOR TAB.							1	
	50-524164	. . . DRUM ASSY,TAB ACTUATOR.							1	
- 19	50-524164-4	. . . DRUM,TAB ACTUATOR							1	
- 20	50-524304	. . . GEAR,TAB ACTUATOR DRUM.							1	
- 21	50-524165	. . . SHAFT,TAB ACTUATOR DRUM							1	
- 22	50-524303	. . . GEAR,SPUR							1	
- 22A	50-524169	. . . SHIM,TAB ACTUATOR							1	
	50-524474	. TUBE ASSY,ELEVATOR TAB CONTROL.							1	
- 23	AN174-6	. BOLT							1	
- 24	AN174-7	. BOLT							1	
- 25	50-524476-1	. BUSHING							1	
- 26	50-524476-3	. BUSHING,TAB CONTROL							1	
	AN310-4	. NUT							1	
	AN380-2-2	. PIN,COTTER.							1	
- 27	50-524178-2	. . . TUBE,ELEVATOR TAB CONTROL							1	
- 28	AN481-2P	. . . CLEVIS.							1	
- 29	AN386-1	. . . CLEVIS.							1	
- 30	AN490HT6	. . . END,ROD							1	
- 31	AN316-4R	. . . NUT							1	
- 32	50-524229	. . . SPRING,ELEVATOR TAB ACTUATOR.							1	
- 33	52-032-156-0500	. PIN,ROLL /EN/							1	

MODEL 65 & 80 PARTS CATALOG

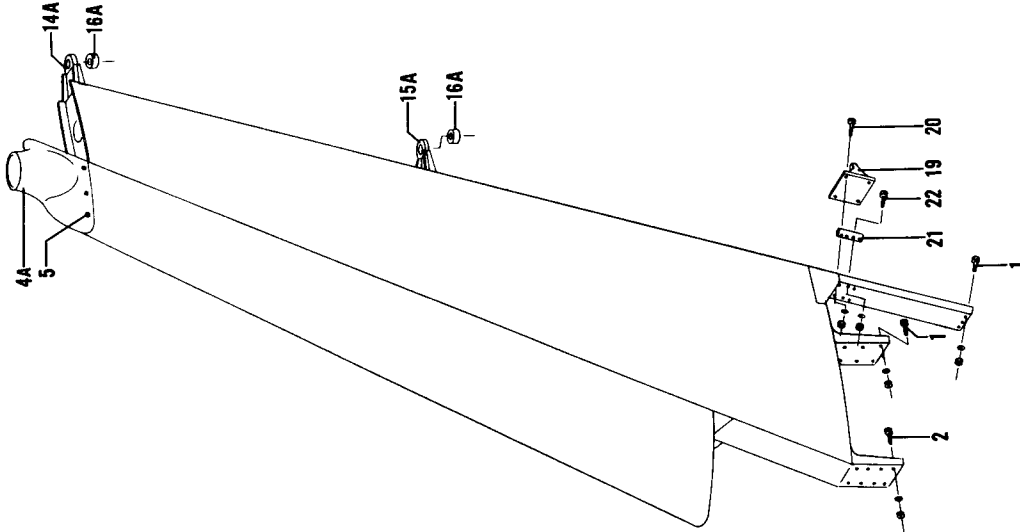
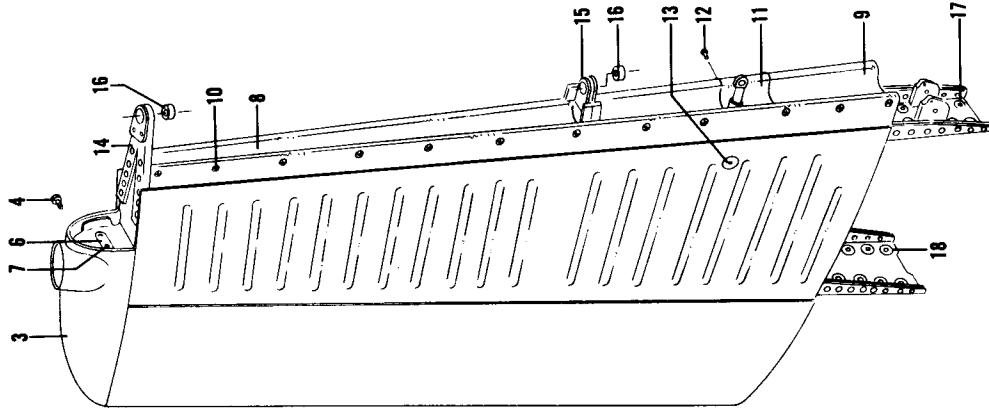


Figure 37. Vertical Stabilizer

MODEL 65 & 80 PARTS CATALOG

FIG. & INDEX NO.	PART NO.	DESCRIPTION	UNITS PER ASSY	USABLE ON CODE
37	50-640000-612	STABILIZER ASSY,VERTICAL /SPARE ASSY,SEE ADDENDUM/	1	1
	50-640000-110	STABILIZER ASSY,VERTICAL /SEE FIG. 32 FOR NHA/.	REF	1
	96-640000-91	STABILIZER ASSY,VERTICAL /SEE FIG. 32 FOR NHA/. /ATTACHING PARTS/	REF	2
- 1	AN4-6A	BOLT.	9	
	AN960-416	WASHER.	3	
	AN960-416L	WASHER.	6	
	MS20365-428	NUT	9	
- 2	AN5-6A	BOLT.	8	
	MS20365-524	NUT	8	
		-----*		
- 3	50-640011	. TIP ASSY,VERTICAL STABILIZER. /SEE FIG. 87 FOR NHA/ /ATTACHING PARTS/	1	1
- 4	AN525-832-7	. SCREW	10	
		-----*		
- 4A	50-364261-7	. TIP ASSY,VERTICAL STABILIZER. /ATTACHING PARTS/	1	2
- 5	AN525-8	. SCREW	6	
	AN960-8L	. WASHER.	6	
		-----*		
- 6	103637	. PLACARD,IDENTIFICATION. /ATTACHING PARTS/	1	1
- 7	49384	. FASTENER.	2	
		-----*		
- 8	50-640000-92	. FAIRING,VERTICAL STABILIZER UPPER	1	1
- 9	50-640000-90	. FAIRING,VERTICAL STABILIZER LOWER /ATTACHING PARTS/	1	1
- 10	PK76XZ-8-6	. SCREW	20	
		-----*		
- 11	50-640000-84	. COVER,VERTICAL STABILIZER ACCESS. /ATTACHING PARTS/	1	1
- 12	PK76XZ-8-6	. SCREW	4	
		-----*		
- 13	A6914-1024	. PLATE,PATCH	1	
- 14	50-640000-4	. HINGE ASSY,STABILIZER UPPER	1	1
- 14A	96-640000-95	. BRACKET ASSY,UPPER.	1	2
- 15	50-640000-46	. HINGE ASSY,STABILIZER LOWER	1	1
- 15A	96-640000-99	. BRACKET ASSY,LOWER.	1	2
- 16	B-66	. BEARING	1	1
- 16A	NAS505-4J	. BEARING	1	2
- 17	45-620011-8	. BUSHING	6	
- 18	50-620005	. BUSHING	8	
- 19	50-640013	. HINGE ASSY,RUDDER LOWER /ATTACHING PARTS/	1	2
- 20	AN4-	. BOLT.	4	
	AN960-416	. WASHER.	4	
	AN365-428	. NUT	4	
		-----*		
- 21	96-640000-77	. SPACER,LH	1	2
	96-640000-78	. SPACER,RH /ATTACHING PARTS/	1	2
- 22	AN507-1032	. SCREW	2	
	AN960-10	. WASHER.	4	
	AN365-1032	. NUT	4	
		-----*		

CODE EFFECTIVITY

1 LC-1 AND AFTER

CODE EFFECTIVITY

2 LD-1 AND AFTER

MODEL 65 & 80 PARTS CATALOG

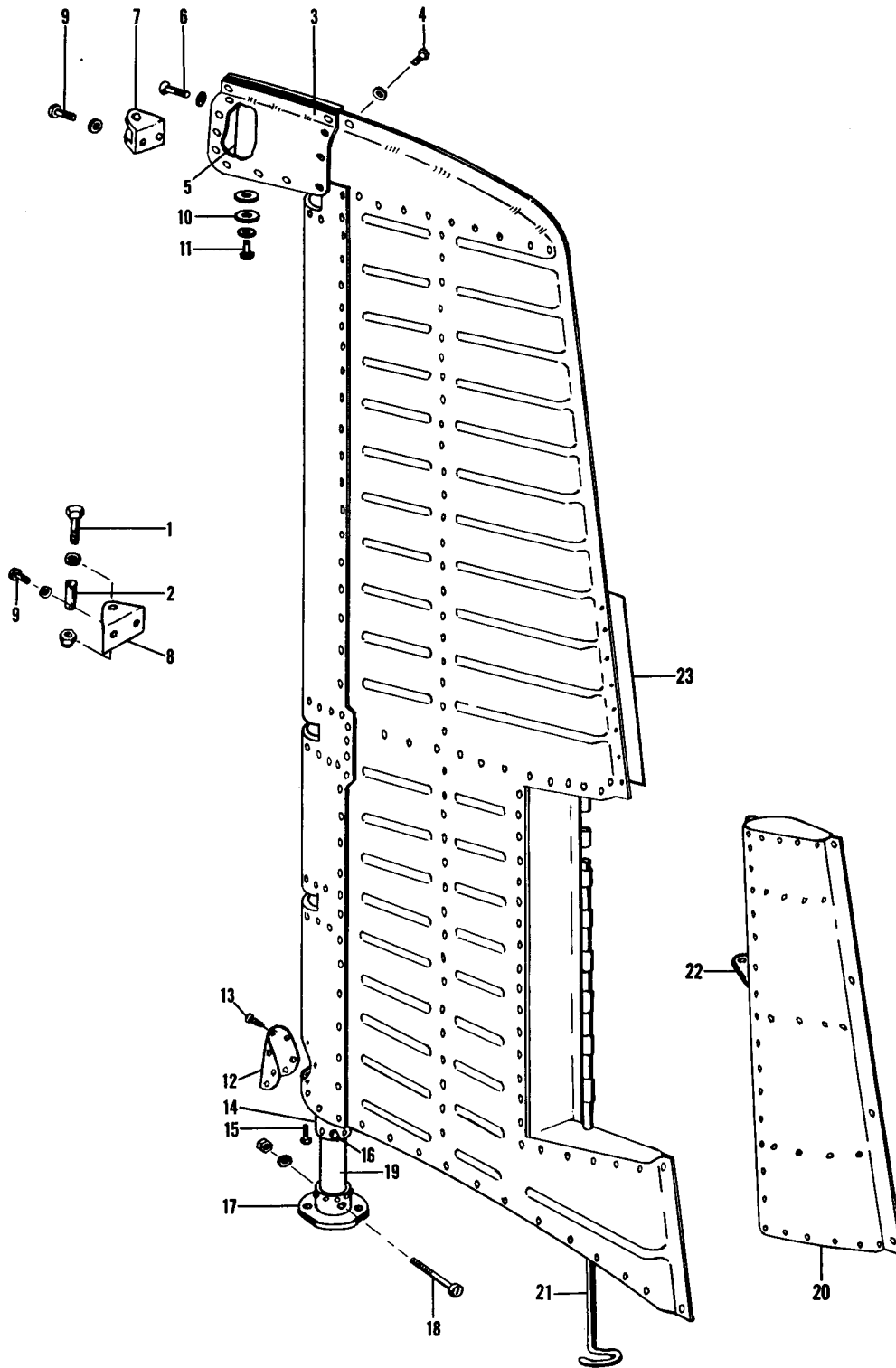


Figure 38. Rudder Assembly

MODEL 65 & 80 PARTS CATALOG

FIG. & INDEX NO.	PART NO.	DESCRIPTION							UNITS PER ASSY	USABLE ON CODE
		1	2	3	4	5	6	7		
38	50-630000-200	RUDDER ASSY, /SEE FIG. 32 FOR NHA/	REF	1
		/ATTACHING PARTS/								
- 1	AN4-11	BOLT.	2	
- 2	50-610010	BUSHING, RUDDER HINGE.	2	
	AN960-416L	WASHER.	2	
	AN320-4	NUT.	2	
	AN380-2-3	PIN, COTTER.	2	
		-----*								
- 3	50-630000-96	. HORN, RUDDER	1	1
		/ATTACHING PARTS/								
- 4	AN526-1032R8	. SCREW	6	
	112105	. WASHER.	2	
	NAS463-T-DD-10	. SHIM.	4	
		-----*								
- 5	50-630000-142	. BRACKET, RUDDER HORN	1	1
		/ATTACHING PARTS/								
- 6	AN507-1032R40	. SCREW	2	
	AN960-10	. WASHER.	2	
	AN970-3	. WASHER.	2	
	50-600014-3	. WASHER.	2	
	AN365-1032	. NUT	2	
		-----*								
- 7	50-630000-4	. BRACKET, RUDDER UPPER.	1	1
- 8	50-630000-2	. BRACKET, RUDDER LOWER.	1	1
		/ATTACHING PARTS/								
- 9	NAS144DH-11	. BOLT.	2	
	NAS143-4C	. WASHER.	2	
		-----*								
- 10	183809	. WASHER, LEAD BALANCE	6	1
		/ATTACHING PARTS/								
- 11	AN73-5	. BOLT.	1	
	AN960-10	. WASHER.	1	
		-----*								
- 12	50-630013	. DOOR ASSY, INSPECTION.	1	1
	50-630013-3	. DOOR, INSPECTION	1	1
		/ATTACHING PARTS/								
- 13	AN507-832R8	. SCREW	8	
		-----*								
- 14	50-610016	. FITTING, RUDDER UPPER.	1	1
		/ATTACHING PARTS/								
- 15	AN3-5A	. BOLT.	2	
- 16	AN23-42	. BOLT.	1	
	AN960-10L	. WASHER.	2	
	AN960-10	. WASHER.	1	
	AN310-3	. NUT	2	
	AN365-1032	. NUT	3	
		-----*								
- 17	50-610015	. FITTING, RUDDER LOWER.	1	1
		/ATTACHING PARTS/								
- 18	AN23-42A	. BOLT.	1	
	AN960-10	. WASHER.	1	
	AN365-1032	. NUT	1	
		-----*								
- 19	50-630000-126	. TUBE, RUDDER	1	1
- 20	50-630000-192	. TAB ASSY, RUDDER	1	1
		/ATTACHING PARTS/								
- 21	50-630000-136	. PIN, RUDDER TAB.	1	
		-----*								
- 22	50-630000-190	. HORN, RUDDER TAB	1	1
	50-630000-198	. WEIGHT, BALANCE.	1	1
- 23	50-630000-178	. TAB, RUDDER FIXED.	1	1

CODE EFFECTIVITY

1 LC-1 AND AFTER

MODEL 65 & 80 PARTS CATALOG

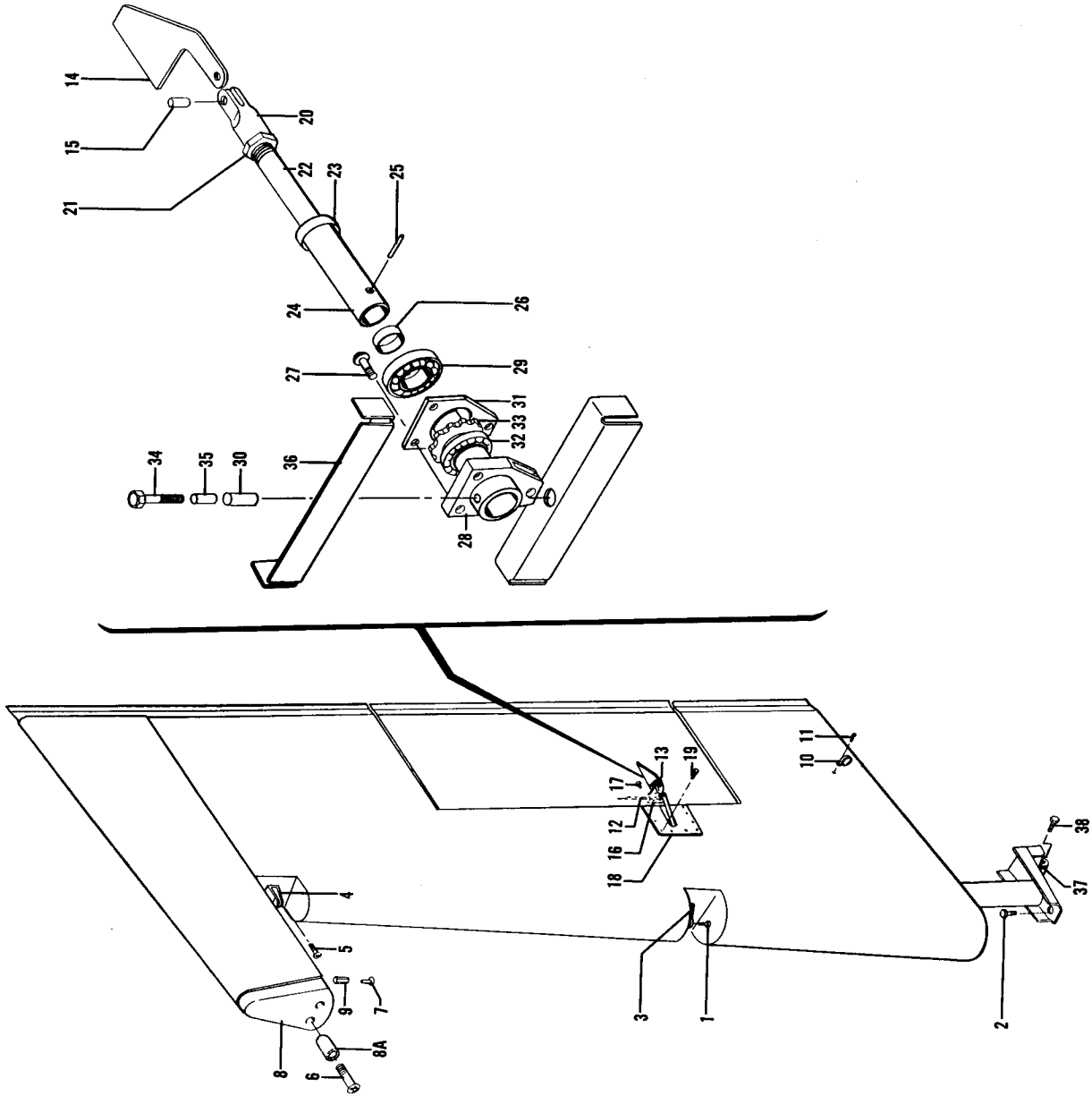


Figure 38A. Rudder Assembly

MODEL 65 & 80 PARTS CATALOG

FIG. & INDEX NO.	PART NO.	DESCRIPTION	UNITS PER ASSY	USABLE ON CODE
38A-	96-630000-191	RUDDER ASSY,/SEE FIG. 32 FOR NHA/ /ATTACHING PARTS/	1	1
- 1	AN3-5A/M/	BOLT	2	
- 2	AN6-22A/M/ AN960-10 AN960-616 AN365-1032 AN365-628	BOLT WASHER WASHER NUT NUT	1 2 1 2 1	
- 3	96-630000-195	• BRACKET, RUDDER LOWER.	1	1
- 4	96-630000-193	• BRACKET, RUDDER UPPER. /ATTACHING PARTS/	1	1
- 5	AN502-10	• SCREW	2	
	96-630000-183	• WEIGHT ASSY, RUDDER BALANCE. /ATTACHING PARTS/	1	1
- 6	NAS221	• SCREW	2	
- 7	AN507-832R	• SCREW	2	
- 8	96-630000-177	• • WEIGHT, RUDDER BALANCE	1	1
- 8A	96-630000-79	• • INSERT, 3 INCH	2	1
- 9	96-630000-125	• • INSERT, 0.65 INCH.	2	1
- 10	A742-2	• CLAMP, SUPPORT /ATTACHING PARTS/	1	1
- 11	AN520-10 AN960-10	• SCREW • WASHER.	1 1	
	96-630000-71	• TAB ASSY, RUDDER TRIM. /ATTACHING PARTS/	1	1
- 12	96-630000-173	• PIN, HINGE	1	1
- 13	96-630000-87	• • HALF, RUDDER TRIM TAB HINGE.	1	1
	96-630000-43	• • HORN ASSY, RUDDER TRIM TAB	1	1
- 14	96-630000-41	• • • HORN, RUDDER TRIM TAB.	1	1
- 15	105740-ZH0115	• • • BUSH, RUDDER TRIM TAB HORN	1	1
- 16	96-630000-29 96-630000-129	• HALF, HINGE. • DOOR ASSY, RUDDER TRIM TAB ACTUATOR ACCESS /ATTACHING PARTS/	1 1	1 1
- 17	AN525-10	• SCREW	10	
- 18	96-630000-131 96-526000	• • DOOR, RUDDER TRIM TAB ACTUATOR ACCESS. • ACTUATOR ASSY, RUDDER TRIM TAB /ATTACHING PARTS/	1 NP	
- 19	AN73 AN960-10L AN320-3 AN380-2-2	• BOLT. • WASHER. • NUT • PIN, COTTER.	1 1 1 1	
- 20	96-526000-3	• • CLEVIS, RUDDER TRIM TAB ACTUATOR	1	1
- 21	AN316-6R	• • NUT, RUDDER TRIM TAB ACTUATOR.	1	1
- 22	96-526000-5	• • SCREW, RUDDER TRIM TAB ACTUATOR.	1	1
- 23	96-526000-7	• • COLLAR, RUDDER TRIM TAB ACTUATOR	1	1
- 24	96-526000-9	• • TUBE, RUDDER TRIM TAB ACTUATOR	1	1
- 25	79-022-094-0750	• • PIN, ROLL.	2	1
- 26	105740X-YD05-62 96-526000-17	• • BUSHING, RUDDER TRIM TAB ACTUATOR. • • HOUSING ASSY, RUDDER TRIM TAB ACTUATOR /ATTACHING PARTS/	1 1	1 1
- 27	AN501-10A	• • SCREW	3	
- 28	96-526000-15	• • • HOUSING, RUDDER TRIM TAB ACTUATOR.	1	1
- 29	AN201KP3A	• • • BEARING, BALL.	1	1
- 30	AA-397-1	• • • BEARING, BRONZE SLEEVE	1	1
	96-526000-13	• • • HOUSING ASSY, RUDDER TRIM TAB ACTUATOR	1	1
- 31	96-526000-11	• • • HOUSING, RUDDER TRIM TAB ACTUATOR.	1	1
- 32	AN201KP6A	• • • BEARING, BALL.	1	1
- 33	95-524022-5	• • SPROCKET, RUDDER TRIM TAB ACTUATOR	1	1
- 34	AN173-13	• • BOLT.	1	1
- 35	101321-13H0875 AN320-3	• • BUSHING, BEARING • • NUT	1 1	1 1

MODEL 65 & 80 PARTS CATALOG

FIG. & INDEX NO.	PART NO.	1	2	3	4	5	6	7	DESCRIPTION	UNITS PER ASSY	USABLE ON CODE
38A-	AN380-2-2	PIN,COTTER	1	1
- 36	96-526000-19	BRACKET,RUDDER TRIM TAB ACTUATOR MOUNT.	2	1
- 37	118540BHP1	PULLEY,RUDDER TRIM TAB ACTUATOR	2	1
									/ATTACHING PARTS/		
- 38	AN3	BOLT	1	
	AN960-10L	WASHER	1	
	AN365-1032	NUT	1	

CODE EFFECTIVITY

1 LD-1 AND AFTER

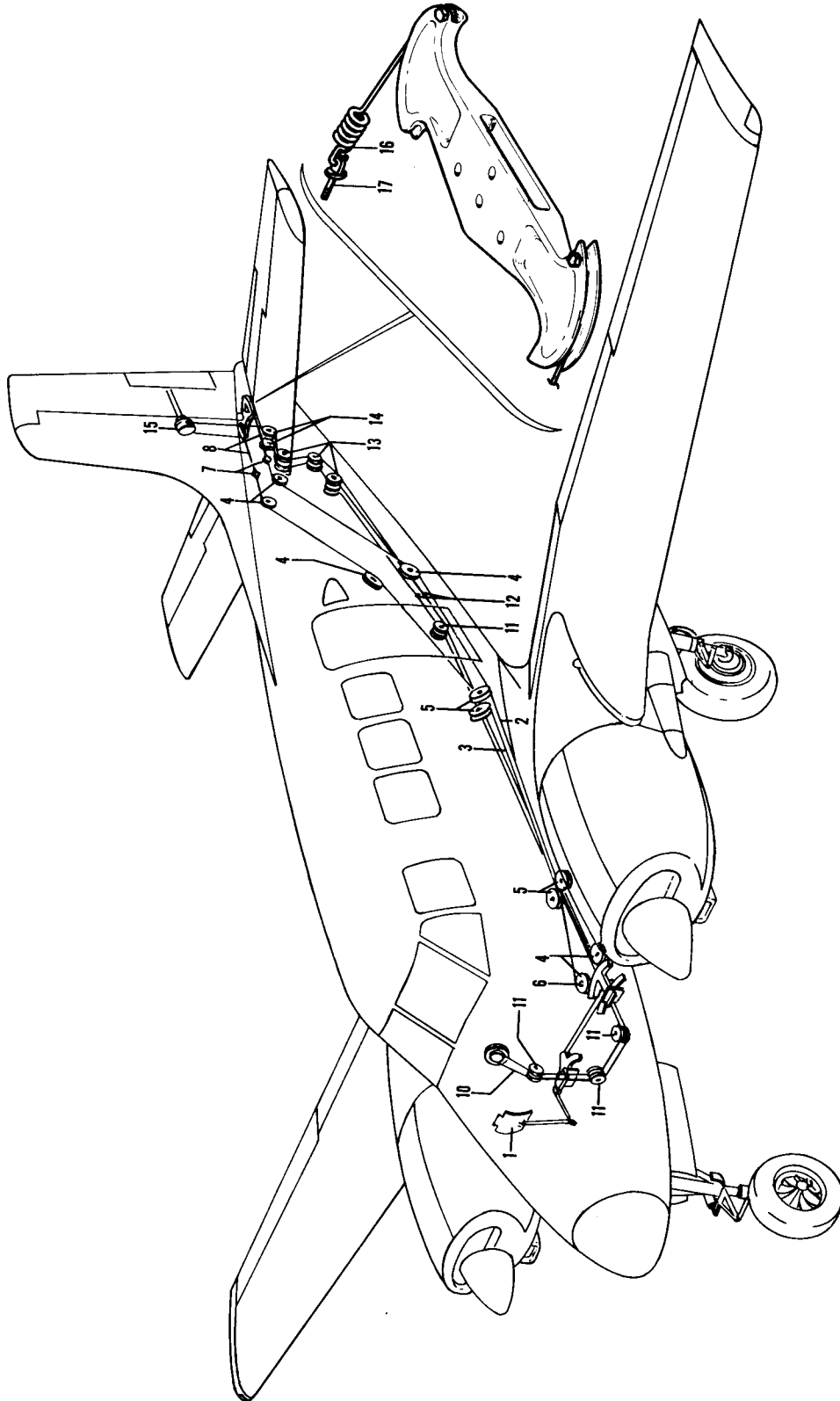


Figure 39. Rudder & Rudder Tab Control Cables

MODEL 65 & 80 PARTS CATALOG

FIG. & INDEX NO.	PART NO.	DESCRIPTION	UNITS PER ASSY	USABLE ON CODE
39	50-524400-5	CONTROL INSTL,FUSELAGE FLIGHT	REF	1
	50-524400-15	CONTROL INSTL,FUSELAGE FLIGHT	REF	2
- 1	50-524402	. CONTROL INSTL,RUDDER PEDAL /SEE FIG. 41/. . .	1	
- 2	50-524438-1	. CABLE ASSY,LH RUDDER.	1	
- 3	50-524438-3	. CABLE ASSY,RH RUDDER.	1	
	AN503-8-10	/ATTACHING PARTS/ . SCREW	2	
- 4	AN220-3	. PULLEY.	6	
	MS20220-2	. PULLEY.	2	2
- 5	AN220-2	. PULLEY.	4	
	AN5-	/ATTACHING PARTS/ . BOLT.	AR	
	AN960-516	. WASHER.	AR	
	AN365-524	. NUT	AR	
- 6	102933D4ZM0531	. SPACER.	2	
- 7	AN155-46L	. BARREL,TURNBUCKLE	2	
- 8	50-524329-1	. CABLE ASSY,RUDDER	2	1
	50-524329-7	. CABLE ASSY,RUDDER	2	2
	AN503-8-6	/ATTACHING PARTS/ . SCREW	1	
- 10	NAS302-66-5285	. CABLE ASSY,RUDDER TAB	1	1
	50-524400-17	. CABLE ASSY,RUDDER TAB	1	2
	50-524400-18	. GROMMET	1	2
	35-660033	. FAIRLEAD.	2	2
	AN3-11A	. BOLT.	1	
	AN3-4A	. BOLT.	2	
	AN960-10	. WASHER.	2	
	AN960-10L	. WASHER.	4	
	MS20365-1032	. NUT	3	
- 11	AN219-2	. PULLEY.	8	
	AN4-	/ATTACHING PARTS/ . BOLT.	AR	
	AN960-416	. WASHER.	AR	
	AN365-428	. NUT	AR	
- 12	AN155-8L	. BARREL,TURNBUCKLE	2	
- 13	AN219-2	. PULLEY.	6	
	AN4-	/ATTACHING PARTS/ . BOLT.	AR	
	AN960-416	. WASHER.	AR	
	AN365-428	. NUT	AR	
- 14	AN210-1B	. PULLEY.	2	1
	MS20219-2	. PULLEY.	2	2
	AN3-	/ATTACHING PARTS/ . BOLT.	AR	
	AN960-10	. WASHER.	AR	
	AN365-1032	. NUT	AR	
- 15	50-524170-3	. ACTUATOR INSTL,RUDDER TAB /SEE FIG. 40/ . . .	1	1
- 16	50-524481-3	. SPRING	2	2
	AN43B-10A	/ATTACHING PARTS/ . BOLT,EYE.	2	2
	AN960-416	. WASHER.	AR	
	MS20365-428	. NUT	2	

CODE EFFECTIVITY CODE EFFECTIVITY
 1 LC-1 AND AFTER 2 LD-1 AND AFTER

MODEL 65 & 80 PARTS CATALOG

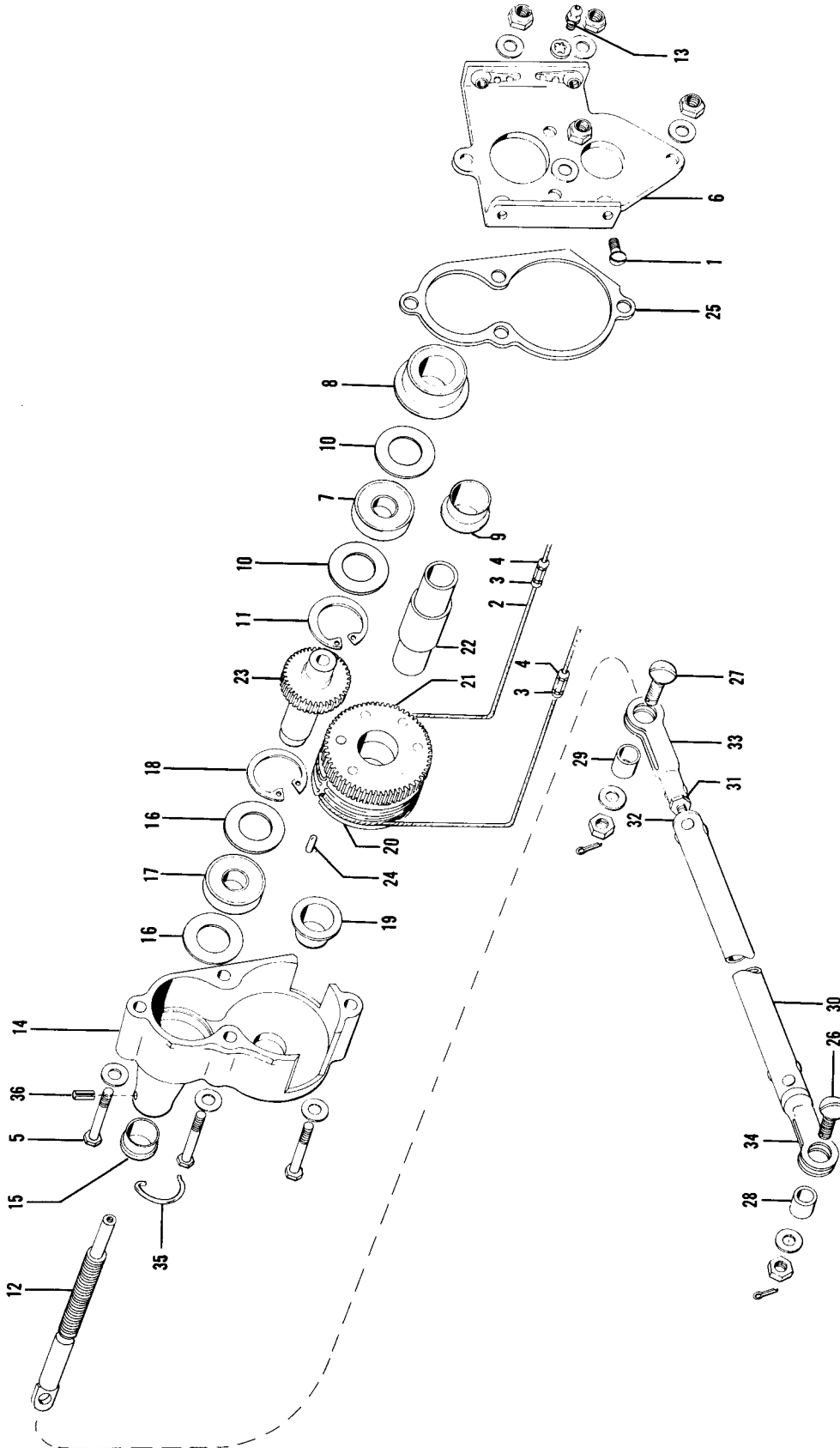


Figure 40. Rudder Tab Actuator Installation

MODEL 65 & 80 PARTS CATALOG

FIG. & INDEX NO.	PART NO.	DESCRIPTION	UNITS PER ASSY	USABLE ON CODE
40	50-524170-3	ACTUATOR INSTL, RUDDER TAB /SEE FIG. 39 FOR NHA/	REF	1
	50-524171-3	. ACTUATOR ASSY, RUDDER TAB.	1	1
		/ATTACHING PARTS/		
- 1	AN525-10R10	. SCREW	4	
		-----*-----		
	50-524095	. . . CABLE ASSY, RUDDER TAB AFT	1	1
- 2	50-524095-2	. . . CABLE, RUDDER TAB AFT.	1	1
- 3	35-524288	. . . STOP, CABLE SCREW.	2	1
- 4	35-524287	. . . STOP, CABLE NUT.	2	1
	50-524172	. . . BRACKET ASSY, RUDDER TAB ACTUATOR.	1	1
		/ATTACHING PARTS/		
- 5	AN3-17A	. . . BOLT.	4	
	AN960-10	. . . WASHER.	4	
	AN365-1032	. . . NUT	4	
		-----*-----		
- 6	50-524172-2	. . . BRACKET, RUDDER TAB ACTUATOR	1	1
- 7	B-538	. . . BEARING, /FAF/	1	1
- 8	50-524167	. . . BUSHING, ACTUATOR BRACKET.	1	1
- 9	F-860	. . . BEARING, /AXD/	1	1
- 10	50-524177	. . . SEAL, ACTUATOR BEARING	2	1
- 11	NAS50-106	. . . RING, RETAINER	1	1
	50-524314	. . . SCREW ASSY, RUDDER TAB ACTUATOR.	1	1
- 12	50-524314-5	. . . SCREW, RUDDER TAB ACTUATOR	1	1
- 13	AN944-101	. . . FITTING, LUBRICATOR.	1	1
	50-524174-8	. . . HOUSING ASSY, TAB ACTUATOR	1	1
- 14	50-524174-10	. . . HOUSING, RUDDER TAB ACTUATOR	1	1
- 15	50-524174-12	. . . BEARING	1	1
- 16	50-524177	. . . SEAL, TAB ACTUATOR BEARING	2	1
- 17	B-538	. . . BEARING, /FAF/	1	1
- 18	NAS50-106	. . . RING, RETAINER	1	1
- 19	F-860	. . . BEARING, /AXD/	1	1
	50-524164	. . . DRUM ASSY, RUDDER TAB ACTUATOR	1	1
- 20	50-524164-4	. . . DRUM, TAB ACTUATOR	1	1
- 21	50-524304	. . . GEAR, ACTUATOR	1	1
- 22	50-524165	. . . SHAFT, ACTUATOR DRUM	1	1
- 23	50-524303	. . . GEAR, RUDDER TAB ACTUATOR.	1	1
- 24	35-524028	. . . PIN, TAB DRUM CABLE LOCK	1	1
- 25	50-524224	. . . SHIM, TAB ACTUATOR	AR	1
	50-524475	. . . TUBE ASSY, RUDDER TAB CONTROL.	1	1
		/ATTACHING PARTS/		
- 26	AN174-6	. . . BOLT.	1	
- 27	AN174-10	. . . BOLT.	1	
- 28	50-524476-1	. . . BUSHING	1	
- 29	50-524476-3	. . . BUSHING, ACTUATOR DRIVE.	1	
	AN310-4	. . . NUT	1	
	AN960-416	. . . WASHER.	1	
	AN380-2	. . . PIN, COTTER.	1	
		-----*-----		
- 30	50-524176-8	. . . TUBE, TAB CONTROL.	1	1
- 31	AN316-4R	. . . NUT	1	1
- 32	AN490HT8	. . . END, ROD	1	1
- 33	AN486-1	. . . CLEVIS.	1	1
- 34	AN481-10P	. . . CLEVIS.	1	1
- 35	50-524229	. . . SPRING, RUDDER TAB ACTUATOR.	1	1
- 36	52-032-156-0500	. . . PIN, ROLL /EN/	1	1

CODE EFFECTIVITY

1 LC-1 AND AFTER

MODEL 65 & 80 PARTS CATALOG

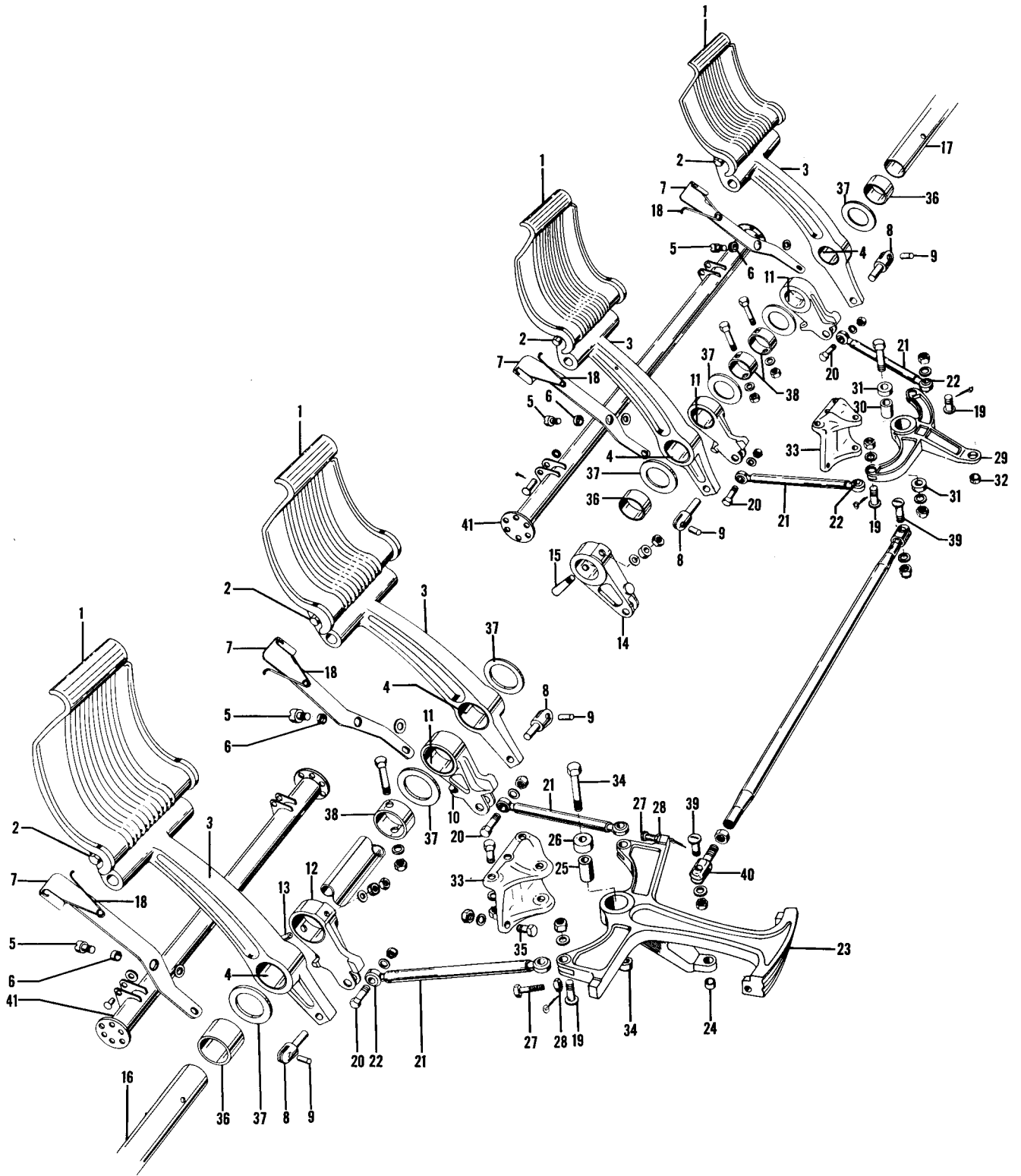


Figure 41. Rudder Pedal Control Installation

MODEL 65 & 80 PARTS CATALOG

FIG. & INDEX NO.	PART NO.	DESCRIPTION							UNITS PER ASSY	USABLE ON CODE
		1	2	3	4	5	6	7		
41	50-524402	CONTROL INSTL, RUDDER PEDAL/SEE FIG. 39 FOR NHA/							REF	
- 1	35-524011	. PEDAL, RUDDER CONTROL							4	
		/ATTACHING PARTS/								
- 2	AN3-10	. BOLT							2	
	AN960-10	. WASHER							2	
	AN310-3	. NUT							2	
	AN380-2-2	. PIN, COTTER							2	
	AN393-23	. PIN							2	
		-----*								
	50-524326-1	. ARM ASSY, LH RUDDER PEDAL							2	
	50-524326-2	. ARM ASSY, RH RUDDER PEDAL							2	
- 3	50-524326-3	. . ARM, LH RUDDER PEDAL							1	
	50-524326-4	. . ARM, RH RUDDER PEDAL							1	
- 4	A-1170-2	. . BEARING							1	
	50-524328-1	. LEVER ASSY, LH ADJUSTING							2	
	50-524328-2	. LEVER ASSY, RH ADJUSTING							2	
		/ATTACHING PARTS/								
- 5	AN502-10-6	. SCREW							1	
- 6	105739-XZN-0135	. BUSHING							1	
	AN960-10L	. WASHER							2	
		-----*								
- 7	50-524328-3	. . LEVER, LH ADJUSTING							1	
	50-524328-4	. . LEVER, RH ADJUSTING							1	
- 8	35-524171	. . PIN, ADJUSTING							1	
- 9	102809A125-014	. . PIN							1	
	50-524415-1	. ARM ASSY, LOWER LH RUDDER PEDAL							1	
	50-524415-2	. ARM ASSY, LOWER RH RUDDER PEDAL							2	
- 10	50-524415-3	. . ARM, LOWER LH RUDDER PEDAL							1	
	50-524415-4	. . ARM, LOWER RH RUDDER PEDAL							1	
- 11	F1123	. . BEARING							1	
- 12	50-524415-5	. ARM ASSY, LH PILOTS RUDDER PEDAL							1	
		/ATTACHING PARTS/								
- 13	AN386-2-12A	. PIN, TAPER							1	
	AN975-3	. WASHER							1	
	AN364-1032	. NUT							1	
		-----*								
- 14	35-825054-1	. ARM, NOSE STEERING TORQUE							1	
		/ATTACHING PARTS/								
- 15	AN386-2-12A	. PIN, TAPER							1	
	AN975-3	. WASHER							1	
	AN364-1032C	. NUT							1	
		-----*								
- 16	50-524402-7	. TUBE, LH TORQUE							1	
- 17	50-524402-1	. TUBE, RH TORQUE							1	
- 18	35-524308	. SPRING, ADJUSTING LEVER							4	
	50-524448	. ROD ASSY, LH RUDDER PEDAL PUSH							4	
		/ATTACHING PARTS/								
- 19	AN23-17	. BOLT							1	
- 20	AN3-11	. BOLT							1	
	AN960-10	. WASHER							2	
	AN310-3	. NUT							2	
	AN380-2-2	. PIN, COTTER							2	
		-----*								
- 21	50-524448-1	. . TUBE, LH PUSH ROD							1	
- 22	RE3S7	. . BEARING							2	
	50-524455-1	. BELLCRANK ASSY, LH RUDDER							1	
- 23	50-524455-3	. . CASTING, BELLCRANK							1	
- 24	AN201KP3A	. . BEARING							1	
- 25	102933-D6-ZT	. . SPACER							1	
- 26	AN201KP4A	. . BEARING							2	
- 27	NAS428-13	. . BOLT							2	
- 28	AN316-4R	. . NUT							2	
	50-524465-1	. BELLCRANK ASSY, RH RUDDER							1	
- 29	50-524465-3	. . BELLCRANK, RH RUDDER							1	

MODEL 65 & 80 PARTS CATALOG

FIG. & INDEX NO.	PART NO.	1	2	3	4	5	6	7	DESCRIPTION	UNITS PER ASSY	USABLE ON CODE
41 - 30	102933-D6-ZT	SPACER.	1	
- 31	AN201KP4A	BEARING	2	
- 32	AN201KP3A	BEARING	1	
- 33	35-524136	SUPPORT, RUDDER BELLCRANK	2	
									/ATTACHING PARTS/		
- 34	AN4-21	BOLT	1	
- 35	AN3-5A	BOLT	4	
	AN960-416	WASHER	1	
	AN960-10	WASHER	4	
	AN310-4	NUT	1	
	AN380-2-2	PIN, COTTER	1	
									*-----		
- 36	105739S-YZ0300	BUSHING	3	
- 37	100951S031XW	WASHER	7	
- 38	105739S-YZ0625	BUSHING	3	
	50-524472	ROD ASSY, RUDDER PUSH.	1	
									/ATTACHING PARTS/		
- 39	AN23-14	BOLT	2	
	AN960-10L	WASHER	2	
	AN380-2-2	PIN, COTTER	1	
	AN320-3	NUT	2	
									*-----		
- 40	35-524258	FORK, PUSH ROD	2	
	AN316-6R	NUT	2	
- 41	50-400162-10	SUPPORT ASSY, MASTER CYLINDER	2	

MODEL 65 & 80 PARTS CATALOG

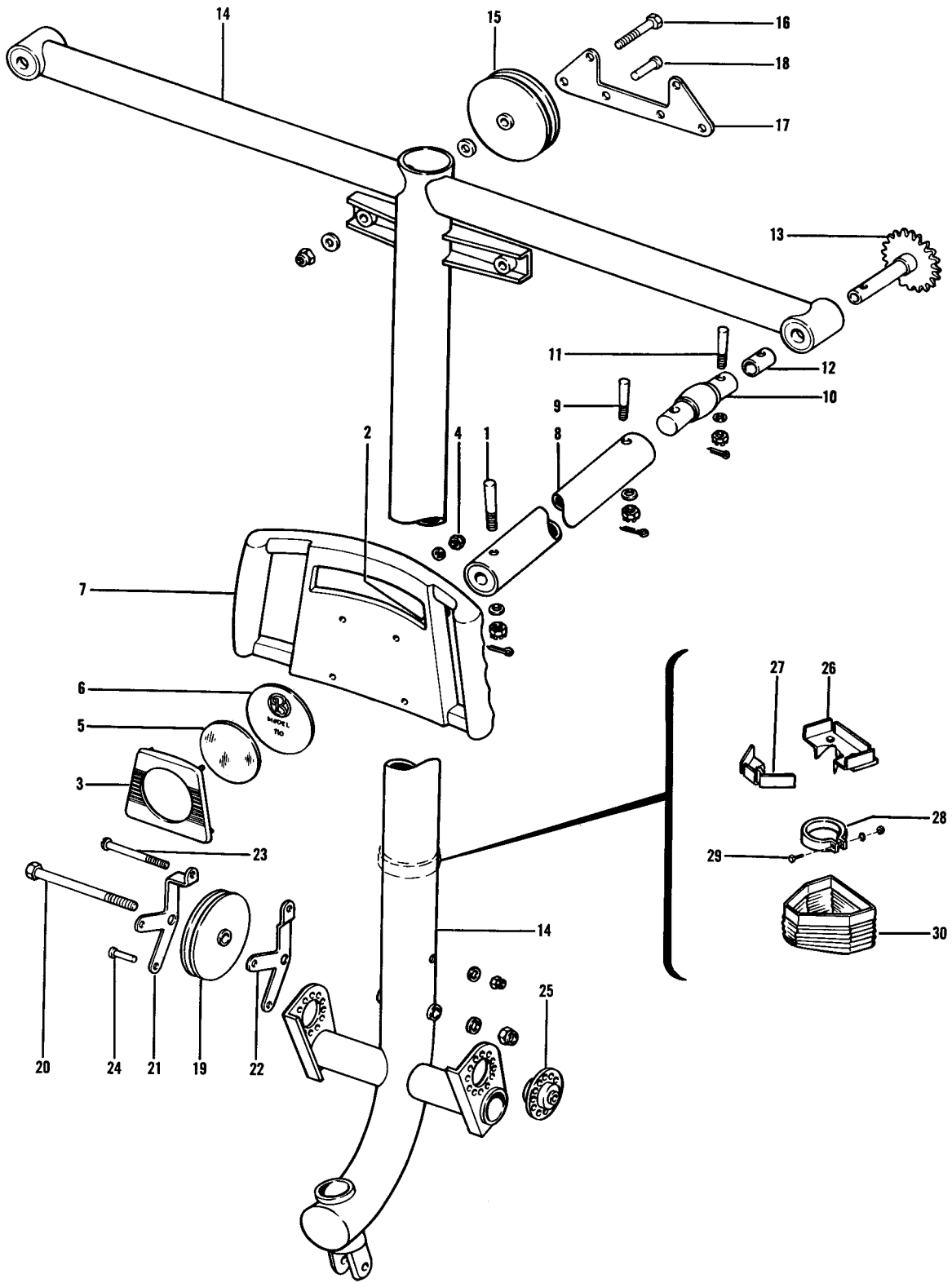


Figure 42. Control Column Assembly

MODEL 65 & 80 PARTS CATALOG

FIG. & INDEX NO.	PART NO.	DESCRIPTION	UNITS PER ASSY	USABLE ON CODE
		1 2 3 4 5 6 7		
42	50-524416-53 50-524416-49	COLUMN ASSY,CONTROL /SEE FIG. 28 FOR NHA/ • WHEEL ASSY,CONTROL /ATTACHING PARTS/	REF 2	
- 1	AN386-2-10A AN975-3 AN320-3 AN380-2-2	• PIN • WASHER • NUT • PIN,COTTER	1 1 1 1	
----*----				
- 2	35-524049-2	• SHAFT	2	
- 3	35-524602	• FRAME ASSY,CONTROL WHEEL /ATTACHING PARTS/	2	
- 4	AN960-6L AN364-632	• WASHER • NUT	4 4	
----*----				
- 5	35-524603	• LENS,CONTROL WHEEL	2	
- 6	NO NUMBER	• EMBLEM,CONTROL WHEEL	2	
- 7	35-524591-2	• WHEEL,CONTROL	2	
- 8	50-524416-47	• WELD ASSY /ATTACHING PARTS/	2	
- 9	AN386-1-6 AN975-3 AN320-3 AN380-2-2	• PIN • WASHER • NUT • PIN,COTTER	1 1 1 1	
----*----				
- 10	MS20271B12	• JOINT,UNIVERSAL /ATTACHING PARTS/	2	
- 11	AN386-1-6 AN975-3 AN320-3 AN380-2-2	• PIN • WASHER • NUT • PIN,COTTER	1 1 1 1	
----*----				
- 12	105740X-YM0750	• BUSHING	2	
- 13	50-524424	• SPROCKET ASSY,AILERON	2	
- 14	50-524416-17	• WELD ASSY	1	
- 15	AN220-2	• PULLEY,AILERON /ATTACHING PARTS/	2	
- 16	AN5-14A AN960-516 AN365-524	• BOLT • WASHER • NUT	1 2 1	
----*----				
- 17	50-524416-19	• STRIP,PULLEY GUARD /ATTACHING PARTS/	2	
- 18	NAS427K12	• PIN,PULLEY GUARD	4	
----*----				
- 19	AN220-2	• PULLEY,AILERON /ATTACHING PARTS/	2	
- 20	AN5-36A AN960-516 AN365-524	• BOLT • WASHER • NUT	1 1 1	
----*----				
- 21	50-524416-21	• GUARD,LH PULLEY	1	
	50-524416-22	• GUARD,RH PULLEY	1	
- 22	50-524416-23	• GUARD,LH PULLEY	1	
	50-524416-24	• GUARD,RH PULLEY /ATTACHING PARTS/	1	
- 23	AN520-10-36 AN960-10L AN364-1032	• SCREW • WASHER • NUT	1 1 1	
----*----				
- 24	NAS427K12	• PIN,PULLEY GUARD	2	
- 25	AN218P5	• BEARING	2	
	50-524466-1	BOOT INSTL,CONTROL COLUMN /SEE FIG. 1 FOR NHA/	NP	
- 26	50-524466-3	• BRACKET ASSY,CONTROL COLUMN BOOT	1	
- 27	50-524466-5	• BRACKET,CONTROL COLUMN BOOT	1	

MODEL 65 & 80 PARTS CATALOG

FIG. & INDEX NO.	PART NO.	DESCRIPTION							UNITS PER ASSY	USABLE ON CODE
		1	2	3	4	5	6	7		
42 - 28	AN735-28	1	
		1	
- 29	AN3	1	
	AN960-10	1	
		---	*	---						
- 30	NO NUMBER	1	

MODEL 65 & 80 PARTS CATALOG

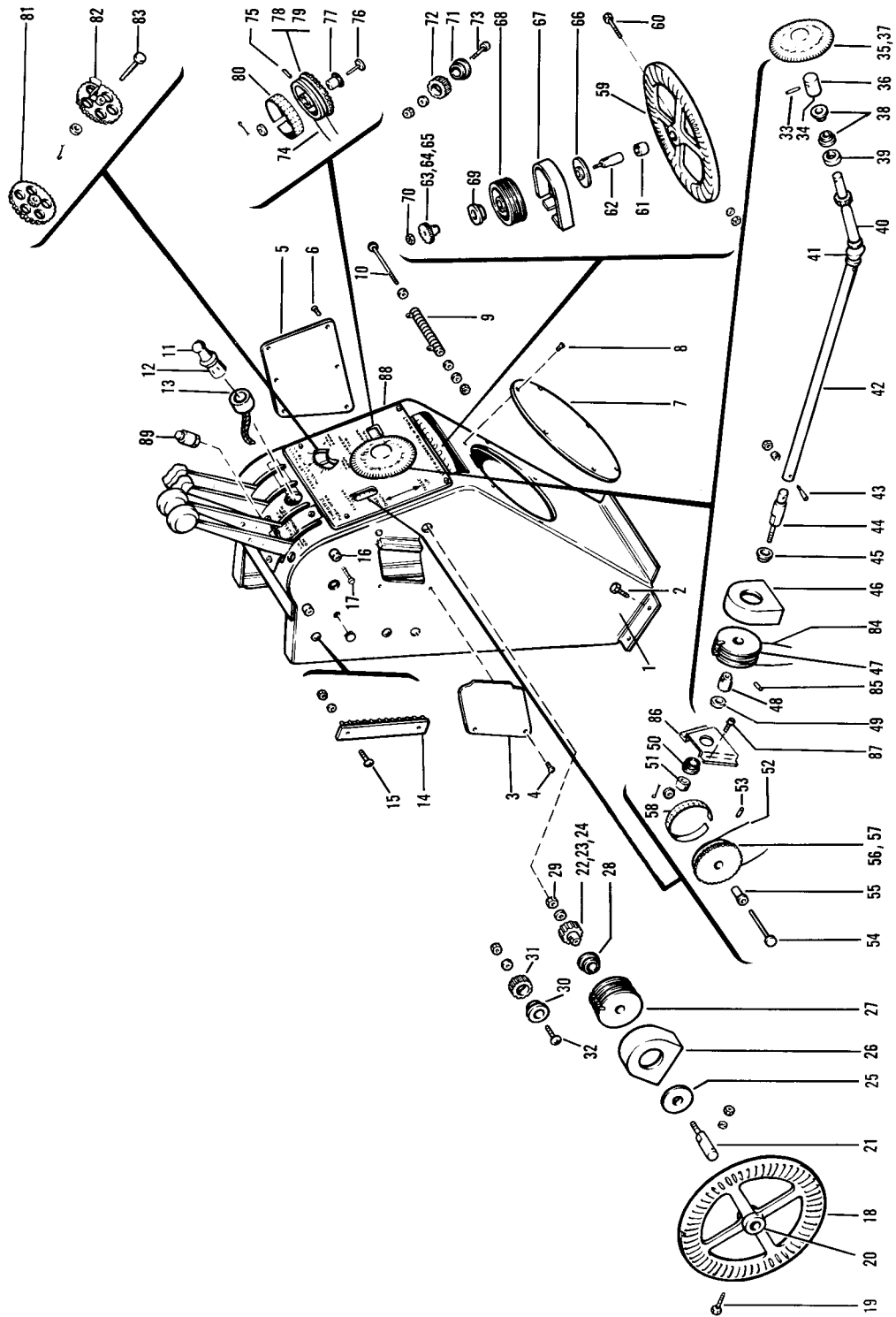


Figure 43. Pedestal Installation

MODEL 65 & 80 PARTS CATALOG

FIG. & INDEX NO.	PART NO.	DESCRIPTION							UNITS PER ASSY	USABLE ON CODE	
		1	2	3	4	5	6	7			
43	50-524403-1	PEDESTAL INSTL./SEE FIG. 1 FOR NHA/	NP	1	
	50-524403-263	PEDESTAL INSTL./SEE FIG. 1 FOR NHA/	NP	2	
	50-524403-183	. PEDESTAL ASSY	1	1	
	50-524403-265	. PEDESTAL ASSY	1	2	
	- 1	NO NUMBER	. . BOX ASSY,PEDESTAL	1	
			/ATTACHING PARTS/								
	- 2	AN3-4A	. . BOLT	6	
			-----*-----								
	- 3	50-524403-119	. . DOOR,ACCESS LH.	1	
			/ATTACHING PARTS/								
	- 4	AN509-10R14	. . SCREW	2	
			-----*-----								
	- 5	50-524403-121	. . DOOR,ACCESS RH.	1	
			/ATTACHING PARTS/								
	- 6	AN509-8R14	. . SCREW	5	
			-----*-----								
	- 7	50-524403-143	. . DOOR,ACCESS	1	3
		50-524403-247	. . DOOR,ACCESS	1	4
			/ATTACHING PARTS/								
	- 8	AN509-10R14	. . SCREW	6	
			-----*-----								
	- 9	LZ-27591	. . RESISTOR,/CSP/.	1	
			/ATTACHING PARTS/								
	- 10	AN520-1032-68	. . SCREW	1	
		100951-P-064-ZT	. . WASHER	2	
		AN960-10	. . WASHER	1	
		AN365-1032	. . NUT	1	
			-----*-----								
	- 11	LPA27630	. . LIGHTER ASSY,CIGARETTE	1	
	- 12		. . DELETED		
- 13	LBA30469	. . BASE,CIGARETTE LIGHTER /CSP/.	1		
	LWA29455	. . CORD,CIGARETTE LIGHTER /CSP/.	1		
	LV29381	. . SHELL,CIGARETTE LIGHTER /CSP/.	1		
	AN3436-2-7	. . TERMINAL ASSY	2		
- 14	112132-8-14	. . STRIP,IDENTIFICATION LH	1		
	112132-1-7	. . STRIP,IDENTIFICATION RH	1		
		/ATTACHING PARTS/									
- 15	AN515-4R5	. . SCREW	2		
	AN960-4L	. . WASHER	2		
	MS20365-440	. . NUT	2		
		-----*-----									
- 16	50-524403-105	. . STOP,FRICITION LEVER	4	1	
		/ATTACHING PARTS/									
- 17	NAS387-832-12P	. . SCREW	1		
	NAS390B10P	. . WASHER	1		
	AN365-832	. . NUT	1		
		-----*-----									
- 18	50-524450	. . WHEEL ASSY,ELEVATOR TAB CONTROL	1		
		/ATTACHING PARTS/									
- 19	AN173-16A	. . BOLT	1		
	AN960-10L	. . WASHER	1		
	AN365-1032	. . NUT	1		
		-----*-----									
- 20	BS51043	. . PLUG,BUTTON /UC/.	1		
- 21	50-524403-147	. . SHAFT,ELEVATOR TAB	1		
	50-524403-155	. . SHAFT ASSY,ELEVATOR TAB	1		
- 22	50-524403-149 SHAFT,ELEVATOR TAB	1		
- 23	50-524403-55 GEAR,ELEVATOR TAB	1		
- 24	111503-0436-032 RING,BRAZING	1		
- 25	50-524403-123 BEARING,ELEVATOR TAB	1		
- 26	50-524047 GUARD,CABLE	1		
- 27	50-524471 DRUM,TAB CONTROL	1		
- 28	50-320032 BEARING,TAB MECHANISM SUPPORT	1		
	AN960-10L WASHER	1		
- 29	AN365-1032 NUT	1		
- 30	50-524403-59 BUSHING,ELEVATOR TAB	1		

MODEL 65 & 80 PARTS CATALOG

FIG. & INDEX NO.	PART NO.	DESCRIPTION	UNITS PER ASSY	USABLE ON CODE
43 - 31	50-524403-57	. . . GEAR,ELEVATOR TAB	1	1
	50-524403-321	. . . GEAR,ELEVATOR TAB	1	2
		/ATTACHING PARTS/		
- 32	AN515-8-10	. . . SCREW	1	
	AN960-8	. . . WASHER	1	
	AN365-832	. . . NUT	1	
		-----*-----		
	50-524124	. . . KNOB ASSY,AILERON TAB CONTROL	1	
	50-524124-4	. . . KNOB ASSY,AILERON TAB CONTROL	1	
		/ATTACHING PARTS/		
- 33	102809-124-025	. . . PIN	1	
- 34	NAS51-87	. . . RING,EXTERNAL RETAINER	1	
		-----*-----		
- 35	50-524124-2 KNOB	1	
- 36	50-524125 INSERT	1	
- 37	50-524128-1 PLACARD,AILERON TAB	1	
- 38	50-320131	. . . BEARING	2	
- 39	100696D-YG006	. . . BUSHING	1	
- 40	50-524039-12	. . . BRAZE ASSY,ELEVATOR TAB CONTROL	1	
- 41	50-524039-4	. . . JOINT,UNIVERSAL	1	
- 42	50-524403-157	. . . SHAFT,AILERON TAB CONTROL	1	
		/ATTACHING PARTS/		
- 43	50-524403-153	. . . PIN	1	
	AN975-3	. . . WASHER	1	
	AN364-1032	. . . NUT	1	
		-----*-----		
- 44	50-524403-151	. . . SHAFT,AILERON TAB CONTROL	1	
- 45	50-320032	. . . BEARING,TAB MECHANISM SUPPORT	1	
- 46	50-524047	. . . GUARD,AILERON TAB CONTROL	1	
- 47	50-524471	. . . DRUM,AILERON TAB CONTROL	1	
- 48	50-524403-149	. . . SHAFT,AILERON TAB CONTROL	1	
- 49	AN960-716L	. . . WASHER	1	
- 50	50-524403-49	. . . BEARING,AILERON TAB SHAFT	1	
		/ATTACHING PARTS/		
- 51	AN364-1032	. . . NUT	1	
		-----*-----		
- 52	NAS302-66-5271	. . . CABLE ASSY,ELEVATOR TAB	1	
		/ATTACHING PARTS/		
- 53	35-524028	. . . PIN,CABLE LOCK	1	
		-----*-----		
	50-524403-69	. . . INDICATOR ASSY,ELEVATOR TAB	1	1
	50-524403-317	. . . INDICATOR ASSY,ELEVATOR TAB	1	2
		/ATTACHING PARTS/		
- 54	MS20392-2-71	. . . PIN	1	
- 55	100696A-ZD101	. . . SPACER	1	
	AN960-10L	. . . WASHER	1	
	AN380-2-1	. . . PIN,COTTER	1	
		-----*-----		
- 56	50-524403-63	. . . DRUM,ELEVATOR TAB INDICATOR	1	
- 57	50-524403-65	. . . BRAZE ASSY,ELEVATOR TAB INDICATOR	1	
- 58	50-524419	. . . PLACARD,ELEVATOR TAB INDICATOR	1	1
	50-524483	. . . PLACARD,ELEVATOR TAB INDICATOR	1	2
- 59	50-524138	. . . WHEEL ASSY,RUDDER TAB	1	
		/ATTACHING PARTS/		
- 60	AN173-16A	. . . BOLT	1	
	AN960-10L	. . . WASHER	1	
	AN365-1032	. . . NUT	1	
		-----*-----		
- 61	50-524403-40	. . . BUSHING,RUDDER TAB SHAFT	1	
- 62	50-524403-147	. . . SHAFT,RUDDER TAB	1	
	50-524403-155	. . . SHAFT ASSY,RUDDER TAB	1	1
	50-524403-323	. . . SHAFT ASSY,RUDDER TAB	1	2
- 63	50-524403-149	. . . SHAFT,RUDDER TAB	1	1
	50-524403-325	. . . SHAFT,RUDDER TAB	1	2
- 64	50-524403-55	. . . GEAR,RUDDER TAB	1	1
	50-524403-319	. . . GEAR,RUDDER TAB	1	2
- 65	111503-0436-032	. . . RING,BRAZING	1	1
	111503-0311D	. . . RING,BRAZING	1	2
- 66	50-524403-123	. . . BEARING,RUDDER TAB	1	
- 67	50-524047	. . . GUARD,CABLE	1	
- 68	50-524471	. . . DRUM,RUDDER TAB CONTROL	1	
- 69	50-320032	. . . BEARING,TAB MECHANISM CONTROL	1	

MODEL 65 & 80 PARTS CATALOG

FIG. & INDEX NO.	PART NO.	1	2	3	4	5	6	7	DESCRIPTION	UNITS PER ASSY	USABLE ON CODE
43	AN960-10L	WASHER	1	
- 70	AN365-1032	NUT	1	
- 71	50-524403-59	BUSHING	1	
- 72	50-524403-57	GEAR, RUDDER TAB	1	1
	50-524403-321	GEAR, RUDDER TAB	1	2
		/ATTACHING PARTS/		
- 73	AN515-8-10	SCREW	1	
	AN960-8	WASHER	1	
	AN365-832	NUT	1	
		----	*	----							
- 74	NAS302-66-5271	CABLE ASSY, RUDDER TAB	1	
		/ATTACHING PARTS/		
- 75	35-524028	PIN, CABLE LOCK	1	
		----	*	----							
	50-524403-69	INDICATOR ASSY, RUDDER TAB	1	
		/ATTACHING PARTS/		
- 76	MS20392-2-71	PIN	1	
- 77	100696A-ZD101	SPACER	1	
	AN960-10L	WASHER	1	
	AN380-2-1	PIN, COTTER	1	
		----	*	----							
- 78	50-524403-63	DRUM, INDICATOR	1	
- 79	50-524403-65	BRAZE ASSY, TAB INDICATOR	1	
- 80	50-524419	PLACARD, RUDDER INDICATOR	1	
- 81	50-524041	GEAR ASSY, AILERON TAB	1	
- 82	50-524040	INDICATOR ASSY, AILERON TAB	1	
		/ATTACHING PARTS/		
	AN23-24A	BOLT	2	
- 83	MS20392-2-41	PIN	1	
	AN960-10L	WASHER	4	
	AN380-2-1	PIN, COTTER	1	
	MS20364-	NUT	2	
		----	*	----							
- 84	50-524097-6	CABLE ASSY, AILERON TAB	1	
		/ATTACHING PARTS/		
- 85	35-524028	PIN, CABLE LOCK	1	
		----	*	----							
- 86	50-524403-13	BRACKET, AILERON TAB SUPPORT	1	
		/ATTACHING PARTS/		
- 87	AN515-8-5	SCREW	6	
		----	*	----							
- 88	MS25010-3A	LIGHT ASSY, THERMOMETER	4	
- 89	MS25041-4	LIGHT ASSY, PEDESTAL	2	
	MS25327-327	BULB, LIGHT	2	
	NO NUMBER	CONTROLS INSTL, PEDESTAL ENGINE /SEE FIG. 44/ .	NP	1
	NO NUMBER	CONTROLS INSTL, PEDESTAL ENGINE /SEE FIG. 44A/	NP	2

CODE EFFECTIVITY

- 1 LC-1 AND AFTER
- 3 LC-1 THRU LC-110

CODE EFFECTIVITY

- 2 LD-2 AND AFTER
- 4 LC-111 AND AFTER

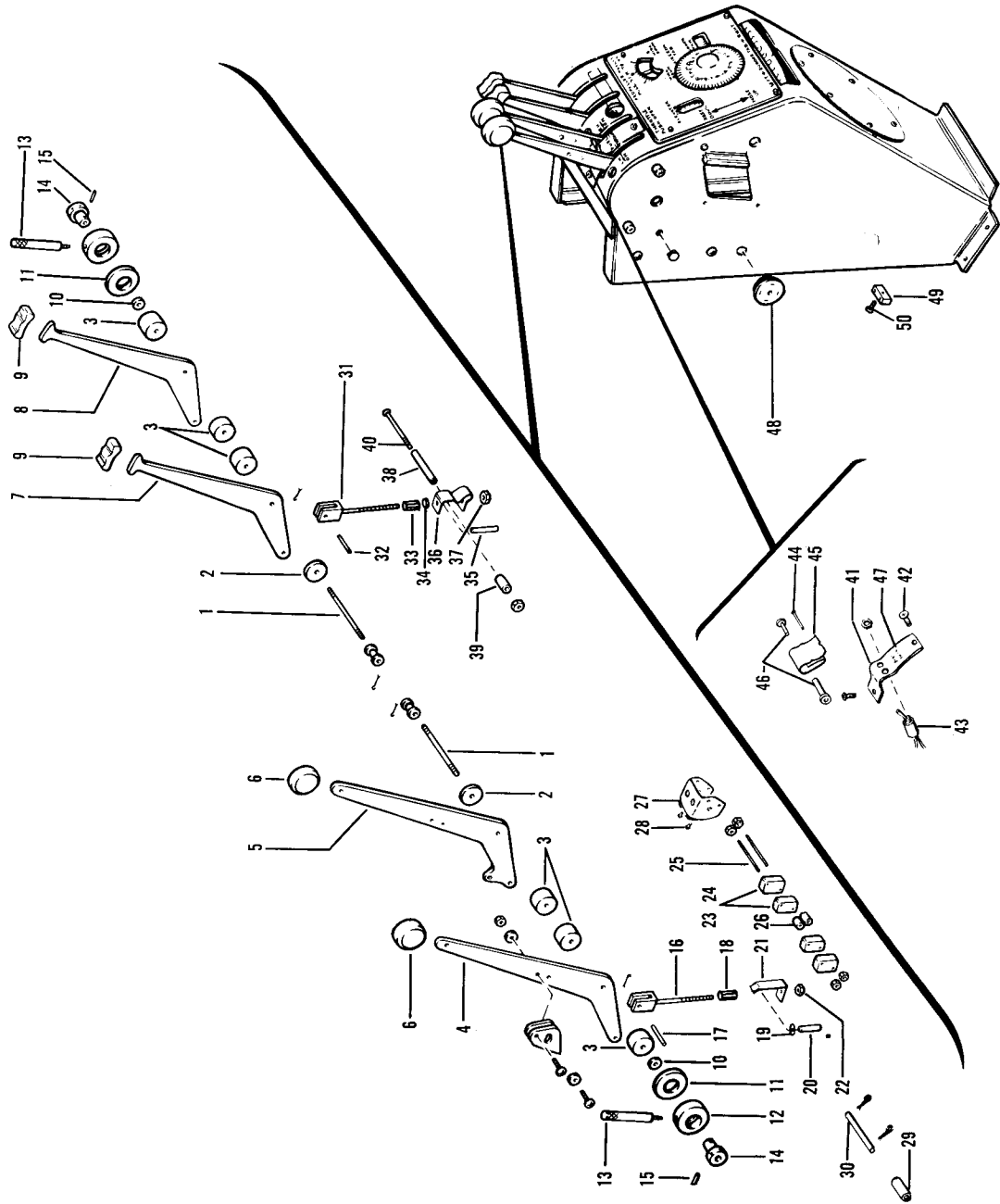


Figure 44. Pedestal Engine Control's Installation

MODEL 65 & 80 PARTS CATALOG

FIG. & INDEX NO.	PART NO.	DESCRIPTION	UNITS PER ASSY							USABLE ON CODE
			1	2	3	4	5	6	7	
44	NO NUMBER	CONTROLS INSTL,PEDESTAL ENGINE.							REF	
		/SEE FIG. 43 FOR NHA/								
- 1	50-524403-23	. . SHAFT,ENGINE CONTROL.							2	
- 2	50-944036-3	. . SPACER,ENGINE CONTROL.							2	
- 3	50-944036-11	. . SPACER,ENGINE CONTROL.							6	
	50-524403-169	. . LEVER ASSY,THROTTLE CONTROL LH.							1	3
	50-524403-171	. . LEVER ASSY,THROTTLE CONTROL RH.							1	3
- 4	50-524403-79	. . LEVER,THROTTLE LH.							1	3
- 5	50-524403-101	. . LEVER,THROTTLE RH.							1	3
- 6	50-944039-3	. . KNOB,THROTTLE.							2	3
	50-524403-175	. . LEVER ASSY,PROPELLER CONTROL LH.							1	3
	50-524403-173	. . LEVER ASSY,PROPELLER CONTROL RH.							1	3
- 7	50-524403-99	. . LEVER,PROPELLER CONTROL LH.							1	3
- 8	50-524403-83	. . LEVER,PROPELLER CONTROL RH.							1	3
- 9	50-944044-3	. . KNOB,PROPELLER CONTROL.							2	3
- 10	AN960-416L	. . WASHER,ENGINE CONTROLS.							4	
- 11	50-524403-85	. . PAD,FELT.							2	3
- 12	50-524403-73	. . COLLAR,FRICITION LOCK.							2	3
- 13	50-524403-75	. . LEVER,FRICITION LOCK.							2	3
- 14	50-524403-71	. . FITTING,FRICITION LOCK.							2	3
	50-524480-3	. . PLACARD,PROPELLER CONTROLS.							1	2
		/ATTACHING PARTS/								
- 15	50-524403-25	. . PIN,ENGINE CONTROLS.							1	2
		-----*-----								
	50-524437	. . SWITCH INSTL,THROTTLE.							1	4
- 16	50-524437-3	. . LEVER,SWITCH.							2	4
		/ATTACHING PARTS/								
- 17	MS20392-1-13	. . PIN.							1	
	AN380-2-1	. . PIN,COTTER.							1	
		-----*-----								
- 18	50-524446-11	. . NUT.							1	4
- 19	AN936A10	. . WASHER.							1	4
- 20	100696A-ZF108	. . SPACER.							1	4
- 21	50-524437-5	. . ACTUATOR,SWITCH.							1	4
		/ATTACHING PARTS/								
- 22	AN365-1032	. . NUT.							1	
		-----*-----								
- 23	AN3234-1	. . SWITCH.							2	4
- 24	JV-5	. . ACTUATOR.							2	4
		/ATTACHING PARTS/								
- 25	50-524437-9	. . STUD.							2	
- 26	100696A-ZA021	. . SPACER.							2	
	AN365-440	. . NUT.							4	
		-----*-----								
- 27	50-524437-1	. . BRACKET,THROTTLE SWITCH.							1	4
		/ATTACHING PARTS/								
- 28	AN515-8	. . SCREW.							2	
	AN936A8	. . WASHER.							2	
		-----*-----								
- 29	100696A-ZU022	. . SPACER.							1	4
		/ATTACHING PARTS/								
- 30	50-524437-7	. . PIN,TAPER.							1	
	AN380-2-1	. . PIN,COTTER.							1	
		-----*-----								
- 31	50-524446	. . DETENT INSTL,PROPELLER FEATHERING.							1	4
	50-524437-3	. . LEVER,DETENT.							1	4
		/ATTACHING PARTS/								
- 32	MS20392-1-13	. . PIN,TAPER.							1	
	AN380-2-1	. . PIN,COTTER.							1	
		-----*-----								
- 33	50-524437-11	. . NUT,HEXAGON.							1	4
- 34	AN936A10	. . WASHER.							1	
- 35	100696X-ZC108	. . SPACER,LEVER.							1	4
- 36	50-524446-9	. . SPRING,DETENT.							1	4
		/ATTACHING PARTS/								
- 37	AN365-1032	. . NUT.							1	
		-----*-----								
- 38	100696A-ZC211	. . SPACER,DETENT.							1	4

MODEL 65 & 80 PARTS CATALOG

FIG. & INDEX NO.	PART NO.	DESCRIPTION							UNITS PER ASSY	USABLE ON CODE			
		1	2	3	4	5	6	7					
44 - 39	100696A-ZW020	•	•	SPACER,DETENT	•	•	•	•	•	•	•	1	4
		/ATTACHING PARTS/											
- 40	NAS221-45	•	•	SCREW	•	•	•	•	•	•	•	1	
	AN365-1032	•	•	NUT	•	•	•	•	•	•	•	1	
		-----*-----											
	50-524478	•	•	DETENT INSTL,THROTTLE	•	•	•	•	•	•	•	1	5
- 41	50-524403-167	•	•	BRACKET,ENRICHMENT SWITCH	•	•	•	•	•	•	•	1	1
	50-524403-255	•	•	BRACKET,ENRICHMENT SWITCH	•	•	•	•	•	•	•	1	2
		/ATTACHING PARTS/											
- 42	NAS387-832-6	•	•	SCREW	•	•	•	•	•	•	•	2	
		-----*-----											
- 43	T2104	•	•	SWITCH,ENRICHMENT	•	•	•	•	•	•	•	2	1
	2TM3-T	•	•	SWITCH,ENRICHMENT	•	•	•	•	•	•	•	2	2
- 44	MS171530	•	•	PIN	•	•	•	•	•	•	•	2	
- 45	50-944040-9	•	•	CLIP,SWITCH ACTUATING	•	•	•	•	•	•	•	2	1
	50-524403-261	•	•	CLIP,SWITCH ACTUATING	•	•	•	•	•	•	•	2	2
		/ATTACHING PARTS/											
- 46	AN507-10R12	•	•	SCREW	•	•	•	•	•	•	•	1	
		-----*-----											
- 47	50-324159	•	•	PLACARD,ENRICHMENT	•	•	•	•	•	•	•	1	
- 48	50-524403-141	•	•	BUSHING,THROTTLE LOCK	•	•	•	•	•	•	•	1	
	50-524403-139	•	•	BUSHING,THROTTLE LOCK	•	•	•	•	•	•	•	1	
- 49	50-524403-93	•	•	CLAMP,CONTROL	•	•	•	•	•	•	•	4	3
		/ATTACHING PARTS/											
- 50	AN509-8R6	•	•	BOLT	•	•	•	•	•	•	•	2	
		-----*-----											

CODE EFFECTIVITY

- 1 LC-1 THRU LC-81,
EXCEPT LC-4
- 3 LC-1 AND AFTER
- 5 LC-111 AND AFTER

CODE EFFECTIVITY

- 2 LC-4,
LC-82 AND AFTER,
LD-2 AND AFTER
- 4 LC-1 THRU LC-110

MODEL 65 & 80 PARTS CATALOG

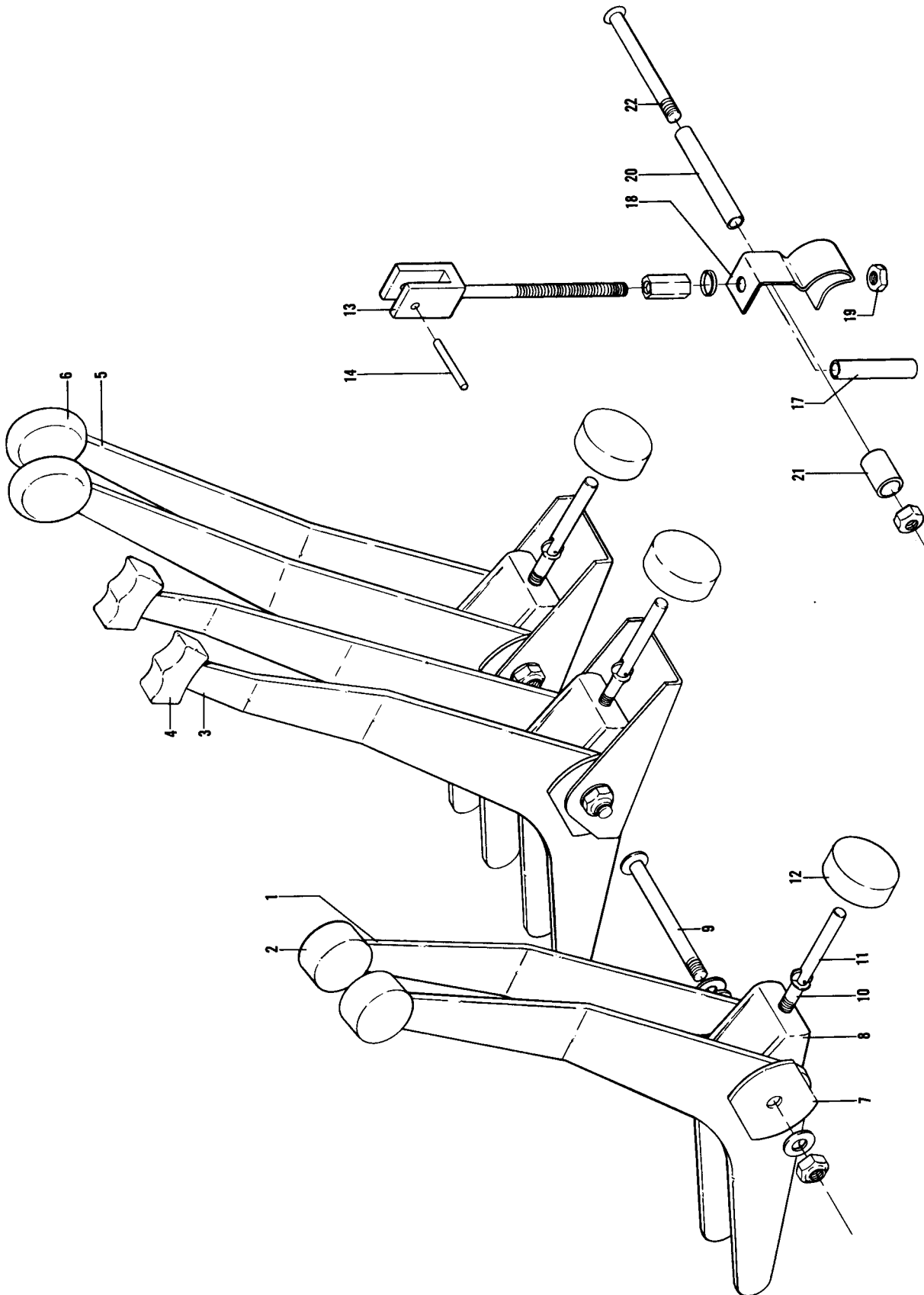


Figure 44A. Pedestal Installation

MODEL 65 & 80 PARTS CATALOG

FIG. & INDEX NO.	PART NO.	DESCRIPTION	UNITS PER ASSY	USABLE ON CODE
		1 2 3 4 5 6 7		
44A-	NO NUMBER	CONTROLS ASSY,ENGINE /SEE FIG. 43 FOR NHA/	1	1
	50-524403-311	. LEVER ASSY,LH PROPELLER PITCH	1	1
	50-524403-315	. LEVER ASSY,RH PROPELLER PITCH	1	1
- 1	50-523403-309	. . LEVER,LH PROPELLER PITCH.	1	1
	50-523403-313	. . LEVER,RH PROPELLER PITCH.	1	1
- 2	50-944026-5	. . MOULDING,PROPELLER PITCH KNOB	2	1
	50-524403-303	. LEVER ASSY,LH THROTTLE.	1	1
	50-524403-307	. LEVER ASSY,RH THROTTLE.	1	1
- 3	50-524403-301	. . LEVER,LH THROTTLE	1	1
	50-524403-305	. . LEVER,RH THROTTLE	1	1
- 4	50-944039-3	. . MOULDING,THROTTLE KNOB.	2	1
	50-524403-295	. LEVER ASSY,LH FUEL MIXTURE.	1	1
	50-524403-299	. LEVER ASSY,RH FUEL MIXTURE.	1	1
- 5	50-524403-293	. . LEVER ASSY,LH FUEL MIXTURE.	1	1
	50-524403-297	. . LEVER ASSY,RH FUEL MIXTURE.	1	1
- 6	50-944044-3	. . MOULDING,FUEL MIXTURE KNOB.	2	1
- 7	50-524403-273	. BUSHING,ENGINE CONTROLS	6	1
- 8	50-524403-275	. BUSHING,ENGINE CONTROLS	3	1
- 9	AN24-30A	. BOLT	3	1
	AN960-416L	. WASHER	6	1
	AN960-416	. WASHER	6	1
- 10	50-524403-281	. BRAZE ASSY,CONTROL LOCK	1	1
- 11	50-524403-279	. SHAFT,CONTROL LOCK.	1	1
- 12	50-320148	. KNOB ASSY,CONTROL LOCK.	1	1
	50-524479-23	. DETENT INSTL,PROPELLER FEATHERING & THROTTLE SWITCH	NP	1
- 13	50-524479-13	. . ROD ASSY,PROPELLER FEATHERING	2	1
	50-524479-15	. . ROD ASSY,THROTTLE,RH.	1	1
	50-524479-17	. . ROD ASSY,THROTTLE,LH.	1	1
- 14	MS20392-1-13	. . PIN,FLAT HEAD	1	1
	AN380-2-1	. . PIN,COTTER.	1	1
	MS20365-428	. . NUT	1	1
		-----*-----		
- 15		. . DELETED		
- 16		. . DELETED		
- 17	100696X-ZK116	. . SPACER.	2	1
	100696A-ZP110	. . SPACER.	2	1
- 18	50-524478-15	. . SPRING	1	1
- 19	MS20365-428	. . NUT	1	1
- 20	101321-00B1844	. . BUSHING	1	1
- 21	100696A-YK-008	. . BUSHING	1	1
		/ATTACHING PARTS/		
- 22	NAS221-38	. . SCREW	1	1
	MS20365-1032	. . NUT	1	1
		-----*-----		
	AN3234-1	. . SWITCH,THROTTLE	2	1
	JV-5	. . ACTUATOR.	2	1
		/ATTACHING PARTS/		
	50-524479-21	. . STUD.	2	
	MS20365-440	. . NUT	2	
		-----*-----		
	50-524478-11	. . ACTUATOR.	2	1
	50-524478-5	. . RETAINER.	2	1
	100696A-ZA020	. . SPACER.	2	1
	100696A-ZA013	. . SPACER.	2	1

CODE EFFECTIVITY

1 LD-1 AND AFTER

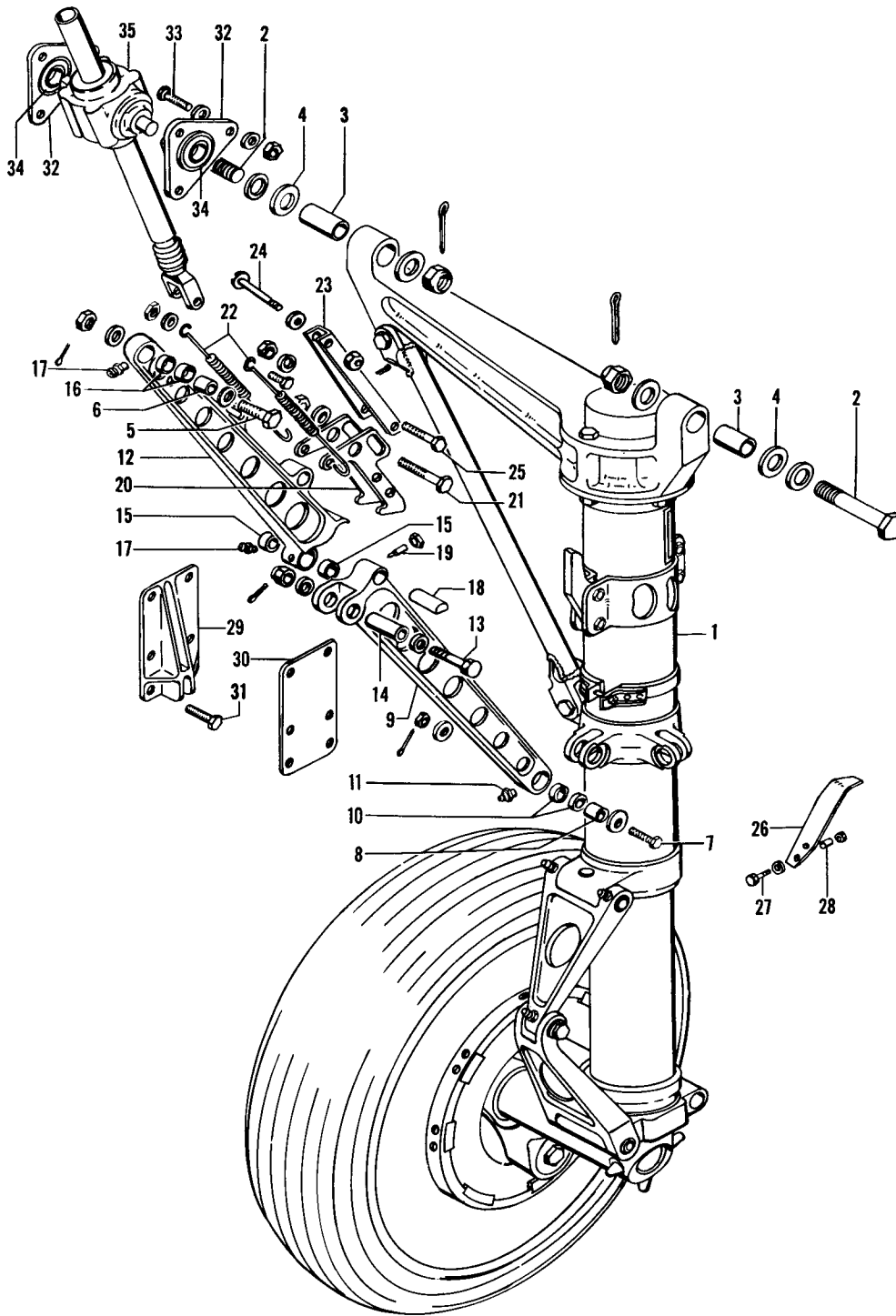


Figure 45. Main Landing Gear Installation

MODEL 65 & 80 PARTS CATALOG

FIG. & INDEX NO.	PART NO.	DESCRIPTION							UNITS PER ASSY	USABLE ON CODE	
		1	2	3	4	5	6	7			
45	50-810000-10	GEAR INSTL,LH MAIN LANDING /SEE FIG. 1 FOR NHA/							NP	1	
	50-810000-16	GEAR INSTL,LH MAIN LANDING /SEE FIG. 1 FOR NHA/							NP	2	
	50-810000-11	GEAR INSTL,RH MAIN LANDING /SEE FIG. 1 FOR NHA/							NP	1	
	50-810000-17	GEAR INSTL,RH MAIN LANDING /SEE FIG. 1 FOR NHA/							NP	2	
	- 1	50-810001-12	• GEAR ASSY,LH MAIN LANDING /SEE FIG. 46/							NP	1
		50-810001-22	• GEAR ASSY,LH MAIN LANDING /SEE FIG. 46/							1	2
		50-810001-13	• GEAR ASSY,RH MAIN LANDING /SEE FIG. 46/							NP	1
		50-810001-23	• GEAR ASSY,RH MAIN LANDING /SEE FIG. 46/							1	2
			/ATTACHING PARTS/								
	- 2	AN182-26/M/	• BOLT.							2	
		AN960-1216L	• WASHER.							2	
	- 3	105740X-YR1145	• BUSHING							2	
	- 4	100951X064XR	• WASHER.							2	
		AN960-1216	• WASHER.							2	
		AN310-12	• NUT							2	
		AN380-4	• PIN,COTTER.							2	
			-----*								
		50-810037	• BRACE ASSY,MAIN GEAR DRAG							1	
			/ATTACHING PARTS/								
	- 5	AN8-45	• BOLT.							1	
	- 6	105740X-YLZ008	• BUSHING							1	
		AN960-816	• WASHER.							4	
		AN310-8	• NUT							1	
	- 7	NAS464P6-28	• BOLT.							1	
	- 8	105740X-ZY1007	• BUSHING							1	
	AN960-616	• WASHER.							1		
	AN320-6	• NUT							1		
	AN380-3-3	• PIN,COTTER.							2		
		-----*									
- 9	50-810040	• ARM ASSY,LOWER DRAG BRACE							1		
- 10	105740X-YN0375	• BUSHING							2		
- 11	AN944-101A	• FITTING,LUBRICATOR.							1		
- 12	50-810039	• ARM ASSY,UPPER DRAG BRACE							1		
		/ATTACHING PARTS/									
- 13	AN6-23/M/	• BOLT.							1		
- 14	105740X-YC1125	• BUSHING							1		
	AN960-616	• WASHER.							1		
	AN310-6	• NUT							1		
	AN380-2-4	• PIN,COTTER.							1		
		-----*									
- 15	105740YN0375	• BUSHING							2		
- 16	105740YP0750	• BUSHING							2		
- 17	NAS2-101A	• FITTING,LUBRICATOR.							2		
- 18	50-820012	• PIN,LANDING GEAR LOCK							1		
- 19	50-810037-2	• SCREW,SET							1		
	AN315-3R	• NUT							1		
- 20	50-810156	• HOOK,LANDING GEAR LOCK.							2		
		/ATTACHING PARTS/									
- 21	AN25-34	• BOLT.							1		
	AN960-516	• WASHER.							1		
	AN320-5	• NUT							1		
	AN380-2-2	• PIN,COTTER.							1		
		-----*									
- 22	50-820013	• SPRING,LANDING GEAR LOCK.							2		
		/ATTACHING PARTS/									
	AN3-6A	• BOLT.							1		
	AN960-10	• WASHER.							1		
	AN365-1032	• NUT							1		
		-----*									
- 23	50-810048	• LINK,LANDING GEAR LOCK RELEASE.							1		
		/ATTACHING PARTS/									
- 24	AN24-34/M/	• BOLT.							1		
	AN960-416	• WASHER.							1		
	AN320-4	• NUT							1		
	AN380-2-2	• PIN,COTTER.							1		
- 25	AN25-22/M/	• BOLT.							1		
	AN960-516	• WASHER.							1		
	AN320-5	• NUT							1		
	AN380-2-2	• PIN,COTTER.							1		
		-----*									

MODEL 65 & 80 PARTS CATALOG

FIG. & INDEX NO.	PART NO.	DESCRIPTION	UNITS PER ASSY	USABLE ON CODE
		1 2 3 4 5 6 7		
45 - 26	50-810221	• BRACKET ASSY, SWITCH ACTUATOR. /ATTACHING PARTS/	1	
- 27	AN3-12A	• BOLT.	2	
	AN960-10	• WASHER.	2	
- 28	100696D-YL020	• SPACER.	2	
	AN365-1032	• NUT	2	
		-----*		
- 29	50-980032	• BUMPER, MAIN LANDING GEAR OUTBD.	1	
- 30	50-980033	• BUMPER, MAIN LANDING GEAR INBD /ATTACHING PARTS/	1	
- 31	AN4-5	• BOLT.	2	
	AN960-416	• WASHER.	2	
	AN365-428	• NUT	2	
		-----*		
- 32	50-820107	• SUPPORT ASSY, LANDING GEAR ACTUATOR. /ATTACHING PARTS/	2	
- 33	AN3-5A/M/	• BOLT.	3	
	AN960-10	• WASHER.	3	
	AN365-1032	• NUT	3	
		-----*		
- 34	B-543	• • BEARING	1	
- 35	50-810164-3	• ACTUATOR ASSY, LH LANDING GEAR /SEE FIG. 47/ .	1	
	50-810164-4	• ACTUATOR ASSY, RH LANDING GEAR /SEE FIG. 47/ .	1	

CODE EFFECTIVITY

1 LC-1 THRU LC-64

CODE EFFECTIVITY

2 LC-65 AND AFTER,
LD-2 AND AFTER

MODEL 65 & 80 PARTS CATALOG

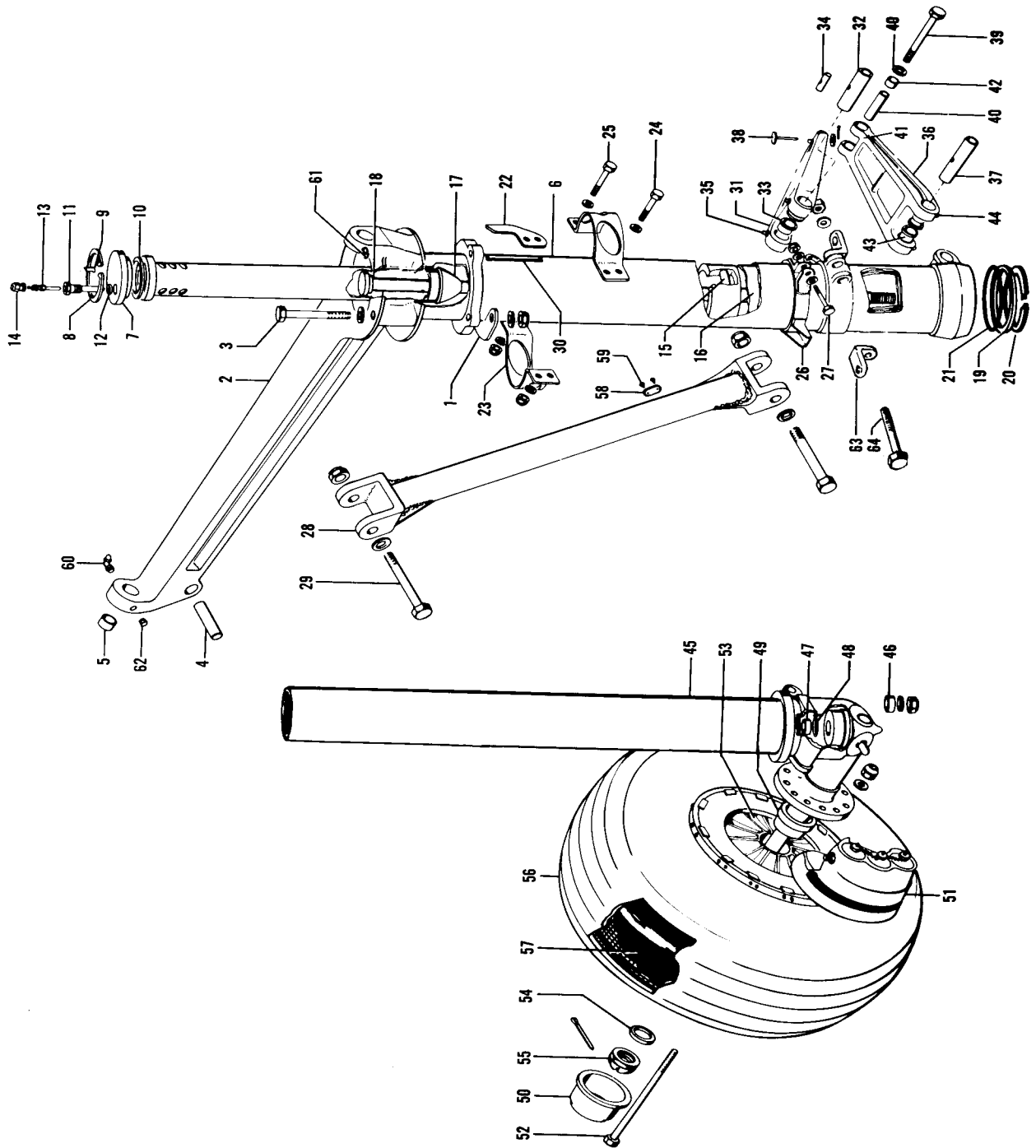


Figure 46. Main Landing Gear Assembly

MODEL 65 & 80 PARTS CATALOG

FIG. & INDEX NO.	PART NO.	DESCRIPTION	UNITS PER ASSY	USABLE ON CODE
		1 2 3 4 5 6 7		
46	50-810001-629	GEAR ASSY,LH MAIN LANDING /SPARE ASSY,SEE ADDENDUM/	1	
	50-810001-12	GEAR ASSY,LH MAIN LANDING /SEE FIG. 45 FOR NHA/	REF	1
	50-810001-22	GEAR ASSY,LH MAIN LANDING /SEE FIG. 45 FOR NHA/	REF	2
	50-810001-630	GEAR ASSY,RH MAIN LANDING /SPARE ASSY,SEE ADDENDUM/	1	
	50-810001-13	GEAR ASSY,RH MAIN LANDING /SEE FIG. 45 FOR NHA/	REF	1
	50-810001-23	GEAR ASSY,RH MAIN LANDING /SEE FIG. 45 FOR NHA/	REF	2
- 1	50-810224	. BRACKET,BRAKE TUBE SUPPORT.	1	
- 2	50-810250	. BRACE ASSY,LANDING GEAR TOP /ATTACHING PARTS/	1	
- 3	AN6-36A/M/ AN960-616 AN365-624	. BOLT. WASHER. NUT	4 4 4	
		-----*		
- 4	101321-3D1875	. . BUSHING	1	
- 5	101321-6F1125	. . BUSHING	1	
- 6	50-810002	. ABSORBER ASSY,LANDING GEAR SHOCK UPPER.	1	
- 7	50-810022	. CAP,SHOCK ABSORBER CYLINDER	1	
- 8	NAS50-275	. RING,RETAINER	1	
- 9	45-815225	. PIN,MAIN LANDING GEAR BARREL END LOCK	1	
- 10	AN6230-8 50-810023	. GASKET. PLUG ASSY,VALVE & FILLER.	1 1	
- 11	35-815088-12	. . BODY ASSY,PLUG.	1	
- 12	AN902-5	. . GASKET.	1	
- 13	302D	. . CORE.	1	
- 14	AN813-1A	. . CAP	1	
- 15	AN6227-38	. . PACKING	1	
- 16	104036-3ZM0908	. . PAD,LANDING GEAR SHOCK ABSORBER CYLINDER.	1	
- 17	50-810008-6	. . CONTROL ASSY,SHOCK ABSORBER REBOUND	1	
- 18	50-810013	. . PIN ASSY,SHOCK ABSORBER EXTENSION	1	
- 19	111190-8	. . RING,SCRAPER.	1	
- 20	111200-8	. . RING,SNAP	1	
- 21	111506-8	. . RING,WIPER.	1	
- 22	50-810242	. . CAM,UPLOCK.	1	
- 23	50-810138	. . CLAMP,LANDING GEAR DOOR UPLOCK. /ATTACHING PARTS/	1	
- 24	AN4-6A	. . BOLT.	1	
- 25	AN4-7A AN960-416 AN365-428	. . BOLT. WASHER. NUT	1 2 2	
		-----*		
- 26	50-810225	. . CLAMP ASSY,BRAKE TUBE SUPPORT /ATTACHING PARTS/	1	
- 27	AN4-6A AN960-416 AN365-428	. . BOLT. WASHER. NUT	1 1 1	
		-----*		
- 28	50-810025	. . BRACE ASSY,LANDING GEAR SIDE. /ATTACHING PARTS/	1	
- 29	AN8-32A/M/ AN960-816 AN365-820	. . BOLT. WASHER. NUT	2 2 2	
		-----*		
- 30	50-810251	. . PLACARD,MAIN GEAR SHOCK STRUT	1	
- 31	50-810032	. . KNEE ASSY,LANDING GEAR UPPER TORQUE /ATTACHING PARTS/	1	
- 32	50-810035-2 AN960-10 AN393-45	. . PIN,LANDING GEAR TORQUE KNEE. WASHER. PIN	1 1 1	
		-----*		
- 33	50-810034	. . BUSHING,TORQUE KNEE	2	
- 34	105740X-YN0625	. . BUSHING	1	
- 35	AN944-101	. . LUBRICATOR.	3	

MODEL 65 & 80 PARTS CATALOG

FIG. & INDEX NO.	PART NO.	DESCRIPTION	1 2 3 4 5 6 7							UNITS PER ASSY	USABLE ON CODE
			1	2	3	4	5	6	7		
46 - 36	50-810033	. KNEE ASSY, LANDING GEAR LOWER TORQUE /ATTACHING PARTS/								1	
- 37	50-810035-2	. PIN, TORQUE KNEE								1	
	AN960-10	. WASHER								1	
- 38	AN393-45	. PIN								1	
	AN380-2-2	. PIN, COTTER								1	
- 39	AN6-21/M/	. BOLT								1	
- 40	105740X-YA0630	. BUSHING								1	
- 41	100951X060YP	. WASHER								1	
	AN960-616	. WASHER								1	
	AN310-6	. NUT								1	
		-----*									
- 42	105740X-YD0375	. . BUSHING								2	
- 43	50-810034	. . BUSHING, LANDING GEAR TORQUE KNEE								2	
- 44	AN944-101	. . LUBRICATOR								2	
- 45	50-810003-1	. ABSORBER ASSY, SHOCK LOWER /ATTACHING PARTS/								1	
- 46	35-815081	. WASHER								1	
	AN960-516	. WASHER								1	
	AN365-524	. NUT								1	
		-----*									
- 47	50-810021	. SPACER, EXTENSION PIN								1	
- 48	AN6227-6	. GASKET								1	
- 49	50-810031	. SPACER, WHEEL								1	
- 50	95-3068	. SEAL								1	
	50-810001-16	. BRAKE & WHEEL ASSY, MAIN LANDING GEAR								1	1
	50-810001-24	. BRAKE & WHEEL ASSY, MAIN LANDING GEAR								1	2
- 51	9530303	. . BRAKE ASSY, MAIN LANDING GEAR								1	1
		/SEE FIG. 48/									
	9532491	. . BRAKE ASSY, MAIN LANDING GEAR								1	2
		/SEE FIG. 48/									
		/ATTACHING PARTS/									
- 52	AN5-10A	. . BOLT								8	
	AN960-516	. . WASHER								8	
	AN365-524	. . NUT								8	
		-----*									
- 53	9531395	. . WHEEL ASSY, MAIN LANDING GEAR								1	1
		/SEE FIG. 48/									
	9532489	. . WHEEL ASSY, MAIN LANDING GEAR								1	2
		/SEE FIG. 48/									
		/ATTACHING PARTS/									
- 54	100951X094XV	. . WASHER								1	
- 55	AN7502-15	. . NUT								1	
	AN380-5-5	. . PIN, COTTER								1	
		-----*									
- 56	850-10	. . TIRE, MAIN GEAR 8 PLY								1	1
	850-10	. . TIRE, MAIN GEAR TUBELESS 8 PLY								1	2
- 57	850-10	. . TUBE, MAIN GEAR								1	1
- 58	103637	. PLACARD, IDENTIFICATION								1	
		/ATTACHING PARTS/									
- 59	AN535-2-2	. SCREW, DRIVE								2	
		-----*									
- 60	AN944-201	. FITTING, LUBRICATOR								1	
- 61	AN944-301	. FITTING, LUBRICATOR								1	
- 62	COMM	. SCREW, 1/4-28NF3/16 SET								2	
- 63	50-810233	. LUG, TOW								1	
		/ATTACHING PARTS/									
- 64	AN8-33A	. BOLT								1	
	AN960-810	. WASHER								1	
	AN365-820	. NUT								1	
		-----*									
	50-810284-1	BRAKE INSTL, CAGLE /OPTIONAL/.								NP	

CODE EFFECTIVITY
1 LC-1 THRU LC-64

CODE EFFECTIVITY
2 LC-65 AND AFTER,
LD-2 AND AFTER

MODEL 65 & 80 PARTS CATALOG

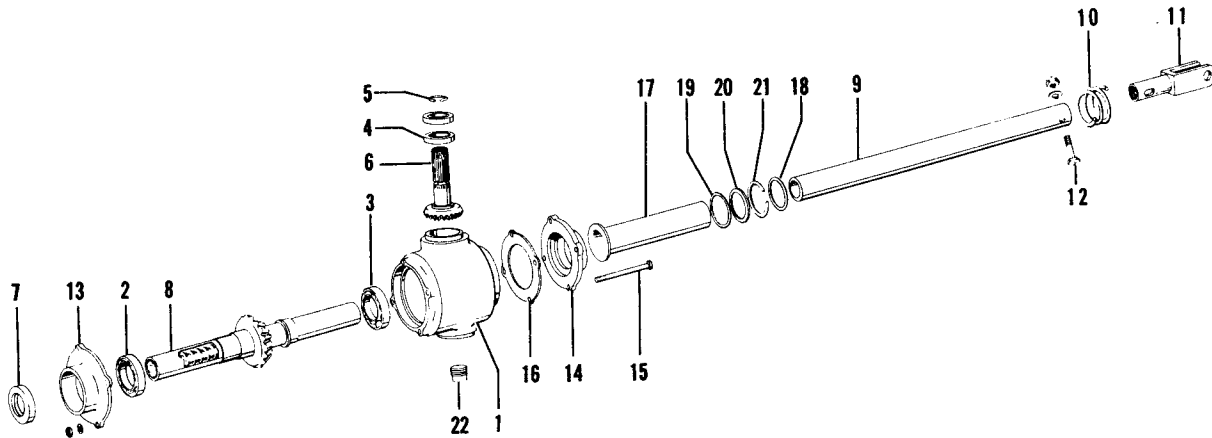


Figure 47. Main Landing Gear Actuator Assembly

FIG. & INDEX NO.	PART NO.	DESCRIPTION	UNITS PER ASSY	USABLE ON CODE
47	50-810164-3	ACTUATOR ASSY,LH MAIN LANDING GEAR.	REF	
	50-810164-4	ACTUATOR ASSY,RH MAIN LANDING GEAR.	REF	
- 1	50-810244	. HOUSING,LANDING GEAR ACTUATOR	1	
- 2	S-12-S	. BEARING,/MRC/	1	
- 3	S-11-S	. BEARING,/MRC/	1	
- 4	S-5-SFF	. BEARING,/MRC/	2	
- 5	NAS51-50	. RING,SNAP	1	
- 6	50-810165	. PINION,MAIN LANDING GEAR ACTUATOR	1	
- 7	353	. SEAL,/GP/	1	
- 8	50-810172-1	. HOUSING ASSY,LH ACTUATOR SCREW.	1	
	50-810172-2	. HOUSING ASSY,RH ACTUATOR SCREW.	1	
- 9	50-810246-1	. NUT ASSY,LH LANDING GEAR ACTUATOR	1	
	50-810246-2	. NUT ASSY,RH LANDING GEAR ACTUATOR	1	
- 10	100943-YE100P	. SPRING.	1	
- 11	50-810045	. CLEVIS,LANDING GEAR ACTUATOR.	1	
- 12	AN5-12A	. BOLT.	1	
	AN960-516	. WASHER.	1	
	AN364-524	. NUT	1	

-----*

MODEL 65 & 80 PARTS CATALOG

FIG. & INDEX NO.	PART NO.	DESCRIPTION							UNITS PER ASSY	USABLE ON CODE
		1	2	3	4	5	6	7		
47 - 13	50-810168	1	
- 14	50-810169	1	
		/ATTACHING PARTS/								
- 15	AN3-27A	4	
	AN960-10	4	
	AN365-1032	4	
		-----*								
- 16	50-810245	1	
- 17	50-810147-9	1	
- 18	AN6227-17	1	
- 19	AN6227-23	1	
- 20	50-810231	5	
- 21	50-810120	5	
- 22	AN913-1S	1	

MODEL 65 & 80 PARTS CATALOG

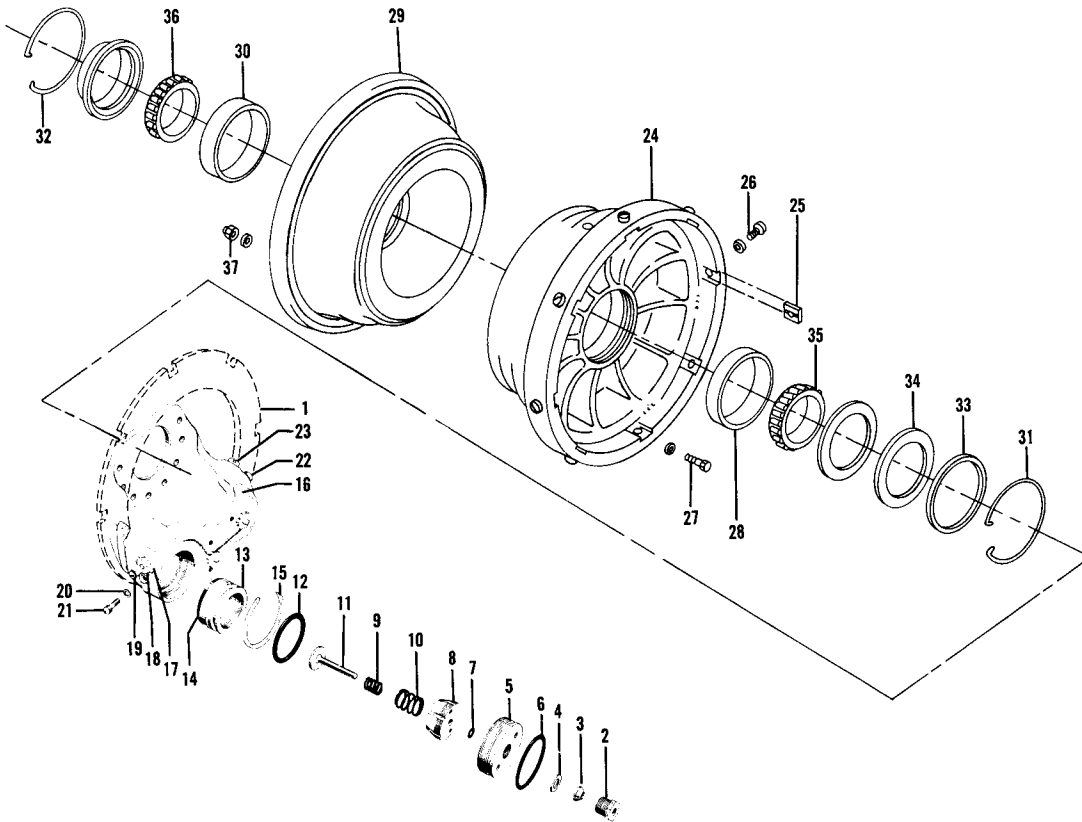


Figure 48. Main Landing Gear Wheel and Brake Assembly

FIG. & INDEX NO.	PART NO.	DESCRIPTION							UNITS PER ASSY	USABLE ON CODE
		1	2	3	4	5	6	7		
48	9530303	BRAKE ASSY,/GY/ /SEE FIG. 46 FOR NHA/	REF	1
	9532491	BRAKE ASSY,/GY/ /SEE FIG. 46 FOR NHA/	REF	2
- 1	9510932	. DISC,BRAKE /GY/	1	1
	9531921	. DISC,BRAKE /GY/	1	2
- 2	9510894	. NUT,SELF ADJUSTING PIN /GY/	3	1
	9522159	. BUSHING,THREADED /GY/	3	2
	9523892	. NUT,LOCK /GY/	3	2
- 3	9510895	. GRIP,SELF ADJUSTING PIN /GY/	3	1
	9522728	. PIN ASSY,GRIP & PILOT /GY/	3	2
- 4	511820-7	. WASHER,SELF ADJUSTING PIN /GY/	3	1
	AN960-416L	. WASHER	3	2
- 5	9510928	. HEAD,CYLINDER /GY/	3	1
	9524829	. HEAD,CYLINDER /GY/	3	2
- 6	AN6230-2	. RING,PACKING O	3	1
	AN6230B2	. RING,PACKING O	3	2
- 7	AN6227-5	. RING,PACKING O	3	1
	AN6227B5	. RING,PACKING O	3	2
- 8	9510929	. GUIDE,THREADED SPRING /GY/	3	
- 9	9510926	. SPRING,BRAKE RELEASE /GY/	3	
- 10	9510927	. SPRING,BRAKE RELEASE /GY/	3	
- 11	9510931	. PIN,SELF ADJUSTING /GY/	3	
- 12	AN6227-29	. RING,PACKING O	3	1
	AN6227B29	. RING,PACKING O	3	2
- 13	9510925	. PISTON,/GY/	3	
- 14	9510708	. LINING,BRAKE /GY/	6	1
	9523899	. LINING,BRAKE /GY/	6	2
	9523902	. CUP,LINING RETAINING /GY/	6	
- 15	511809-1	. WIPER,FELT /GY/	3	1
- 16	531059-A	. HOUSING,BRAKE /GY/	1	1

MODEL 65 & 80 PARTS CATALOG

FIG. & INDEX NO.	PART NO.	DESCRIPTION							UNITS PER ASSY	USABLE ON CODE
		1	2	3	4	5	6	7		
48	531059	•	•	•	•	•	•	•	1	2
- 17	AN6290-4	•	•	•	•	•	•	•	2	
- 18	511951	•	•	•	•	•	•	•	1	
- 19	AN6204-2	•	•	•	•	•	•	•	1	
- 20	511846-4	•	•	•	•	•	•	•	3	
- 21	AN520-10-5	•	•	•	•	•	•	•	2	
- 22	AN502-10-4	•	•	•	•	•	•	•	1	
- 23	1604-73	•	•	•	•	•	•	•	1	
	MS28778-4	•	•	•	•	•	•	•	1	
	9531395	•	•	•	•	•	•	•	REF	1
	9532489	•	•	•	•	•	•	•	REF	2
	9522845	•	•	•	•	•	•	•	1	1
	9524817	•	•	•	•	•	•	•	1	2
- 24	9540942	•	•	•	•	•	•	•	1	1
	9532494	•	•	•	•	•	•	•	1	2
- 25	9523031	•	•	•	•	•	•	•	10	
- 26	COMM	•	•	•	•	•	•	•	1	
		•	•	•	•	•	•	•		
- 27	AN6-13A	•	•	•	•	•	•	•	8	
- 28	19282	•	•	•	•	•	•	•	1	
	511806	•	•	•	•	•	•	•	1	1
	9524818	•	•	•	•	•	•	•	1	2
- 29	530844	•	•	•	•	•	•	•	1	1
	9532495	•	•	•	•	•	•	•	1	2
- 30	07204	•	•	•	•	•	•	•	1	
- 31	NAS50-287	•	•	•	•	•	•	•	1	
- 32	511705-1	•	•	•	•	•	•	•	1	
- 33	218349-38	•	•	•	•	•	•	•	2	
- 34	510524-15	•	•	•	•	•	•	•	1	
- 35	19150	•	•	•	•	•	•	•	1	
- 36	07100	•	•	•	•	•	•	•	1	
	AN960-616	•	•	•	•	•	•	•	8	
- 37	AN365-624	•	•	•	•	•	•	•	8	
	9511135	•	•	•	•	•	•	•	1	

CODE EFFECTIVITY

1 LC-1 THRU LC-64

CODE EFFECTIVITY

2 LC-65 AND AFTER,
LD-2 AND AFTER

MODEL 65 & 80 PARTS CATALOG

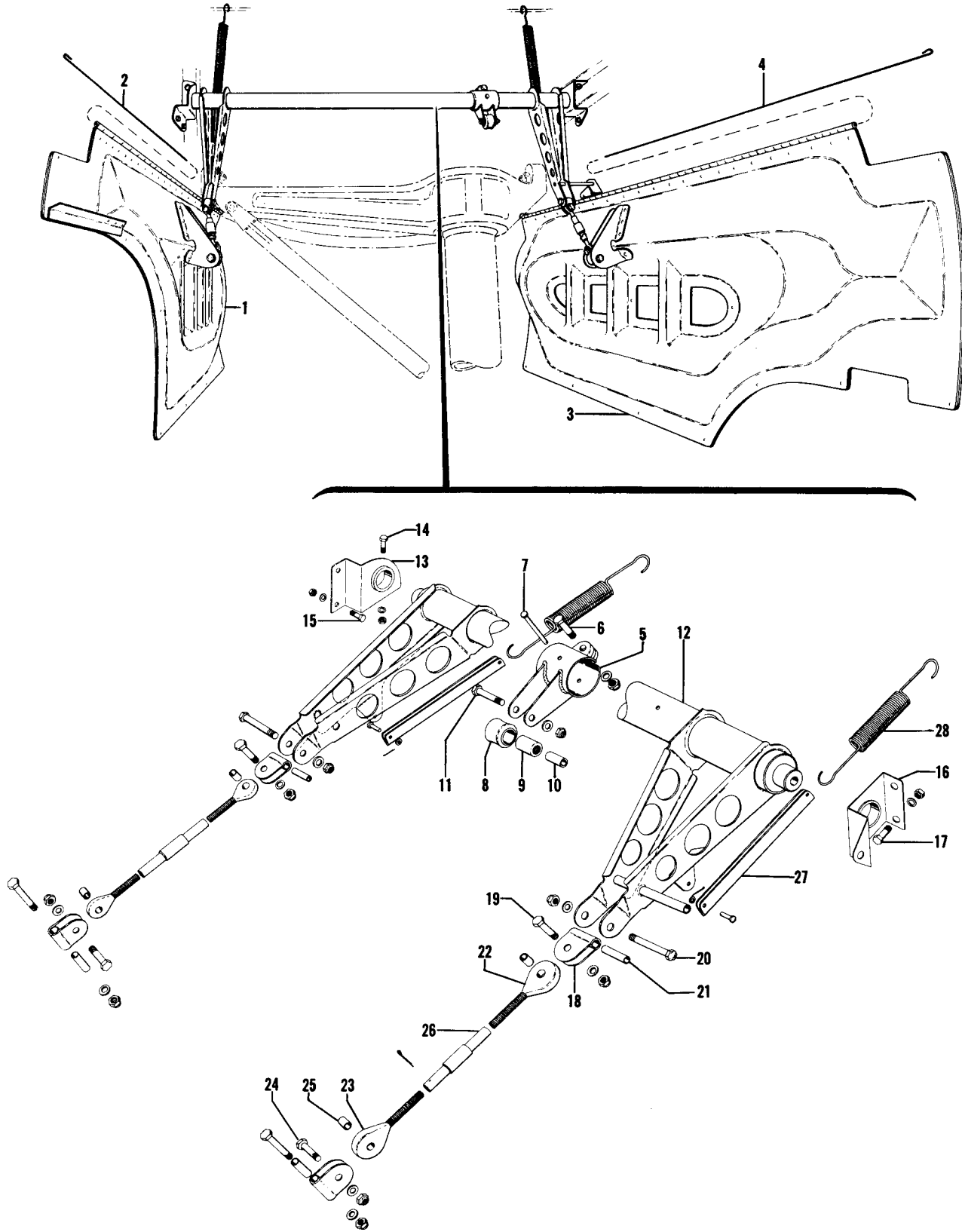


Figure 49. Main Landing Gear Door Installation

MODEL 65 & 80 PARTS CATALOG

FIG. & INDEX NO.	PART NO.	DESCRIPTION							UNITS PER ASSY	USABLE ON CODE
		1	2	3	4	5	6	7		
49	50-810145	DOOR INSTL,LH LANDING GEAR.							NP	
	50-810145-1	DOOR INSTL,RH LANDING GEAR.							NP	
- 1	50-810129-34	. DOOR ASSY,LH MAIN GEAR INBD							1	
	50-810129-35	. DOOR ASSY,RH MAIN GEAR INBD							1	
		/ATTACHING PARTS/								
- 2	102361-03630	. PIN,HINGE							1	
		-----*								
- 3	50-810129-36	. DOOR ASSY,LH MAIN GEAR OUTBD.							1	
	50-810129-37	. DOOR ASSY,RH MAIN GEAR OUTBD.							1	
		/ATTACHING PARTS/								
- 4	102361-03630	. PIN,HINGE							1	
		-----*								
	50-810061	. TUBE ASSY,LH DOOR ACTUATOR.							1	
	50-810061-1	. TUBE ASSY,RH DOOR ACTUATOR.							1	
- 5	50-810094	. SUPPORT ASSY,GEAR ACTUATOR ROLLER							1	
		/ATTACHING PARTS/								
- 6	AN3-6A	. BOLT.							1	
	AN960-10	. WASHER.							1	
	AN365-1032	. NUT							1	
- 7	AN393-45	. PIN							1	
	AN380-2-2	. PIN,COTTER.							1	
		-----*								
- 8	35-524197	. ROLLER ASSY,LANDING GEAR.							1	
- 9	35-524197-2	. ROLLER,MAIN GEAR ACTUATOR							1	
- 9	GB-59	. BEARING							1	
- 10	35-524264	. BUSHING,LANDING GEAR ROLLER							1	
		/ATTACHING PARTS/								
- 11	AN3-11A	. BOLT.							1	
	AN960-10L	. WASHER.							1	
	AN365-1032	. NUT							1	
		-----*								
- 12	50-810061-12	. BRAZE ASSY,LH ACTUATOR TUBE							1	
	50-810061-13	. BRAZE ASSY,RH ACTUATOR TUBE							1	
- 13	50-810134	. BRACKET ASSY,LH TORQUE TUBE							1	
	50-810134-1	. BRACKET ASSY,RH TORQUE TUBE							1	
		/ATTACHING PARTS/								
- 14	AN3-5A	. BOLT.							2	
- 15	AN3-4A	. BOLT.							2	
	AN960-10	. WASHER.							4	
	AN365-1032	. NUT							4	
		-----*								
- 16	50-810133	. BRACKET ASSY,LH TORQUE TUBE							1	
	50-810133-1	. BRACKET ASSY,RH TORQUE TUBE							1	
		/ATTACHING PARTS/								
- 17	AN3-4A	. BOLT.							3	
	AN960-10L	. WASHER.							3	
	AN365-1032	. NUT							3	
		-----*								
- 18	50-810142	. ARM ASSY,UNIVERSAL.							4	
		/ATTACHING PARTS/								
- 19	AN3-11A	. BOLT.							1	
- 20	AN3-13A	. BOLT.							1	
- 21	102933S4ZC0625	. SPACER.							1	
	AN960-10	. WASHER.							1	
	AN365-1032	. NUT							1	
		-----*								
- 22	50-810143-2	. EYE,TURNBUCKLE.							2	
- 23	50-810143-4	. EYE,TURNBUCKLE.							2	
		/ATTACHING PARTS/								
- 24	AN3-6A	. BOLT.							1	
- 25	102933S4ZC0250	. BUSHING							1	
	AN960-10	. WASHER.							1	
	AN365-1032	. NUT							1	
		-----*								
- 26	50-810144	. BARREL,TURNBUCKLE							2	
- 27	50-810135	. LINK,DOOR DOWN LOCK							2	
- 28	50-810136	. SPRING,DOWN LOCK.							2	

MODEL 65 & 80 PARTS CATALOG

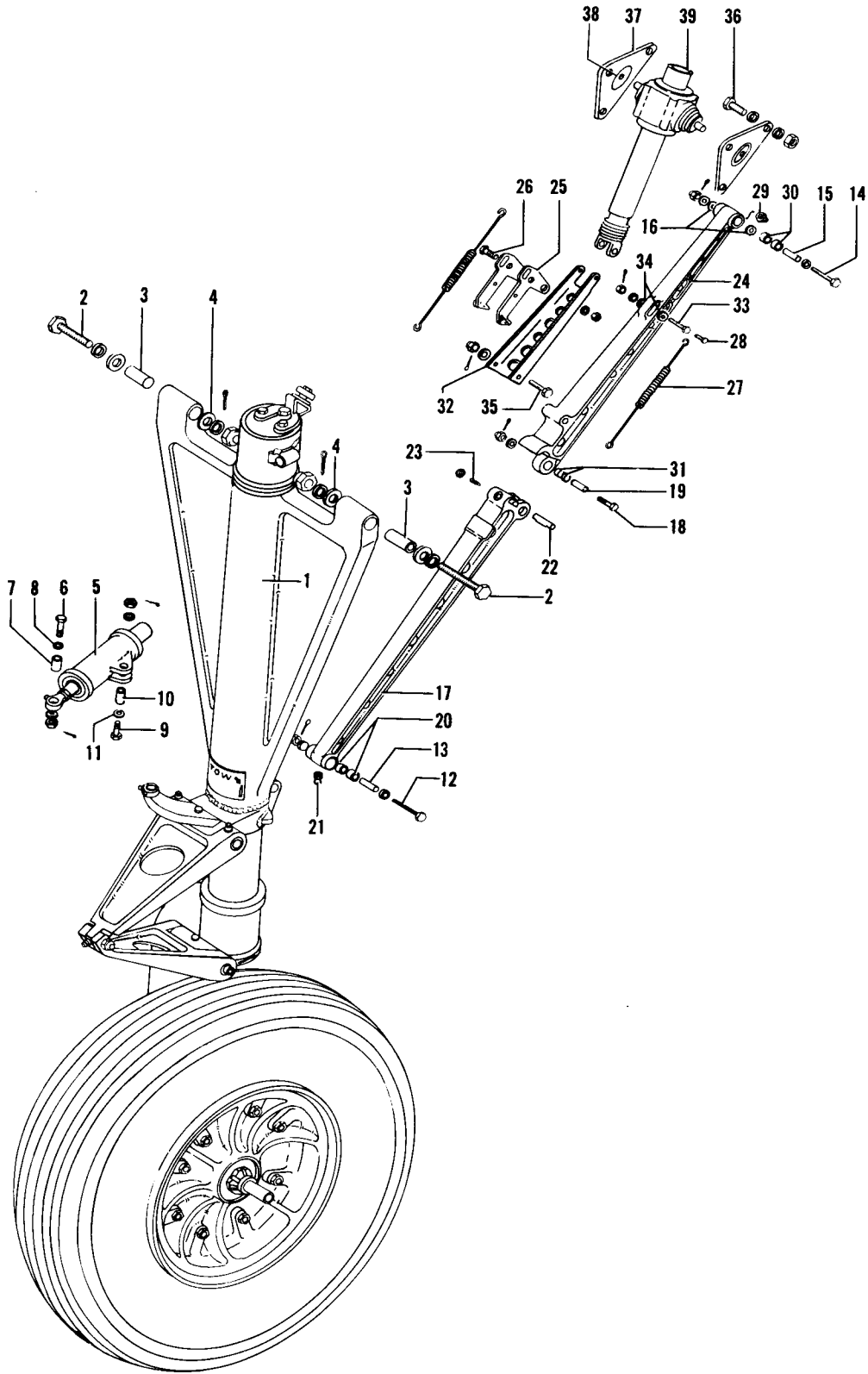


Figure 50. Nose Landing Gear Installation

MODEL 65 & 80 PARTS CATALOG

FIG. & INDEX NO.	PART NO.	DESCRIPTION	UNITS PER ASSY	USABLE ON CODE
		1 2 3 4 5 6 7		
50	50-820175	GEAR INSTL,NOSE LANDING /SEE FIG. 1 FOR NHA/.	NP	1
	50-820175-1	GEAR INSTL,NOSE LANDING /SEE FIG. 1 FOR NHA/.	NP	2
- 1	50-820176	. GEAR ASSY,NOSE LANDING /SEE FIG. 51/.	1	1
	50-820176-3	. GEAR ASSY,NOSE LANDING /SEE FIG. 51/.	1	2
		/ATTACHING PARTS/		
- 2	NAS56-35	. BOLT.	2	
- 3	105740X-YL1770	. BUSHING	2	
	100951X032XH	. WASHER.	2	
- 4	100951X064XH	. WASHER.	2	
	AN960-816	. WASHER.	4	
	AN310-8	. NUT	2	
	AN380-3-3	. PIN,COTTER.	2	
		-----*		
- 5	50-820004	. . DAMPER ASSY,NOSE GEAR /SEE FIG. 53/	1	
		/ATTACHING PARTS/		
- 6	AN6-17	. . BOLT.	1	
- 7	105739X-YN0570	. . BUSHING	1	
- 8	100951X031YN	. . WASHER.	1	
	AN960-616	. . WASHER.	1	
- 9	AN6-13	. . BOLT.	1	
- 10	105739X-YR0520	. . BUSHING	1	
- 11	100951X063YN	. . WASHER.	1	
	AN310-6	. . NUT	2	
	AN380-3-3	. . PIN,COTTER.	2	
		-----*		
	50-820009	. BRACE ASSY,NOSE GEAR.	1	
		/ATTACHING PARTS/		
- 12	AN176-27	. BOLT.	1	
- 13	105740X-YA1005	. BUSHING	1	
- 14	AN176-35	. BOLT.	1	
- 15	105740X-YA1510	. BUSHING	1	
- 16	100951X064YS	. WASHER.	2	
	AN960-616	. WASHER.	4	
	AN310-6	. NUT	2	
	AN380-3-3	. PIN,COTTER.	2	
		-----*		
- 17	50-820009-6	. . ARM ASSY,NOSE GEAR.	1	
	50-820009-4	. . BRACE,NOSE GEAR.	1	
		/ATTACHING PARTS/		
- 18	AN6-23/M/	. . BOLT.	1	
- 19	105740X-YC1125	. . BUSHING	1	
	AN960-616	. . WASHER.	1	
	AN310-6	. . NUT	1	
	AN380-2-4	. . PIN,COTTER.	1	
		-----*		
- 20	105740X-YN0375	. . BUSHING	2	
- 21	MS150002-3	. . LUBRICATOR.	1	
- 22	50-820012	. . PIN,NOSE GEAR LOCK.	1	
- 23	50-820009-10	. . SCREW,/MAKE FR 10-32 X 5/8 LONG/.	1	
	AN315-3R	. . NUT	1	
	50-820009-8	. . ARM ASSY,NOSE GEAR.	1	
- 24	50-820009-2	. . BRACE,NOSE GEAR.	1	
- 25	50-810156	. . HOOK,NOSE GEAR LOCK	2	
		/ATTACHING PARTS/		
- 26	AN24-34/M/	. . BOLT.	1	
	AN960-416	. . WASHER.	1	
	AN310-4	. . NUT	1	
	AN380-2-2	. . PIN,COTTER.	1	
		-----*		

MODEL 65 & 80 PARTS CATALOG

FIG. & INDEX NO.	PART NO.	1	2	3	4	5	6	7	DESCRIPTION	UNITS PER ASSY	USABLE ON CODE
50 - 27	50-820132	.	.	.	SPRING,NOSE GEAR LOCK	2	
- 28	AN3-6A	.	.	.	BOLT	1	
	AN960-10	.	.	.	WASHER	1	
	AN365-1032	.	.	.	NUT	1	
		----	*	----							
- 29	MS150002-3	.	.	.	LUBRICATOR	2	
- 30	105740X-YN0625	.	.	.	BUSHING	2	
- 31	105740X-YN0375	.	.	.	BUSHING	2	
- 32	50-820156	.	.	.	LINK,NOSE GEAR LOCK RELEASE	1	
		.	.	.	/ATTACHING PARTS/						
- 33	AN25-27/M/	.	.	.	BOLT	1	
	AN960-516	.	.	.	WASHER	1	
- 34	100951X140YL	.	.	.	WASHER	2	
	AN310-5	.	.	.	NUT	1	
- 35	AN25-34/M/	.	.	.	BOLT	1	
	AN960-516	.	.	.	WASHER	1	
	AN310-5	.	.	.	NUT	1	
	AN380-2-4	.	.	.	PIN,COTTER	2	
		----	*	----							
	50-820107	.	.	.	SUPPORT ASSY,ACTUATOR	2	
		.	.	.	/ATTACHING PARTS/						
- 36	AN3-5/M/	.	.	.	BOLT	3	
	AN960-10	.	.	.	WASHER	3	
	AN365-1032	.	.	.	NUT	3	
		----	*	----							
- 37	50-820107-2	.	.	.	SUPPORT,ACTUATOR	1	
- 38	B-543	.	.	.	BEARING	1	
- 39	50-820144-1	.	.	.	ACTUATOR ASSY,NOSE LANDING GEAR /SEE FIG. 52/	1	

CODE EFFECTIVITY

1 LC-1 THRU LC-64

CODE EFFECTIVITY

2 LC-65 AND AFTER,
LD-2 AND AFTER

MODEL 65 & 80 PARTS CATALOG

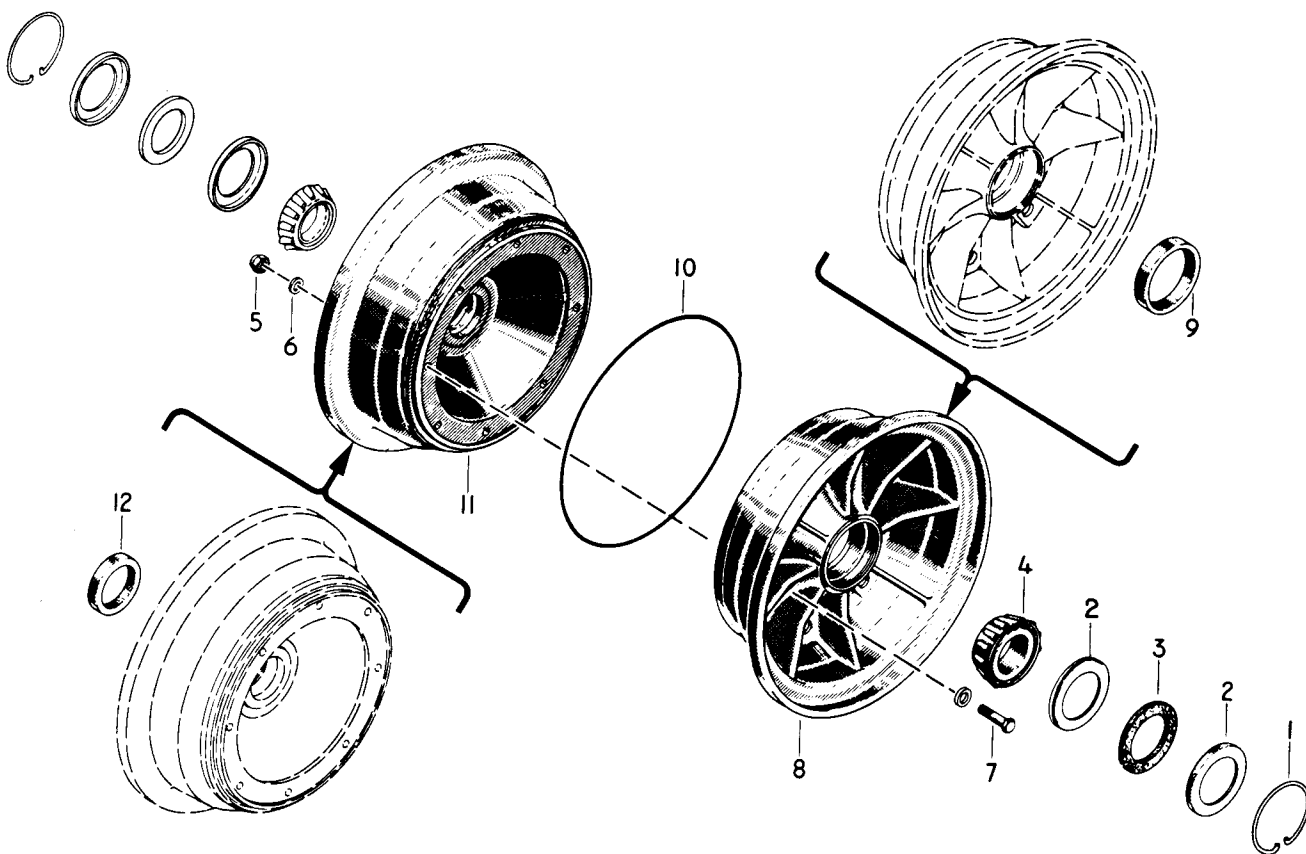


Figure 50A. Nose Landing Gear Wheel Assembly

INDEX NUMBER	PART NUMBER		UNITS PER ASSEMBLY	USABLE ON CODE
	9521176	. Wheel Assy, Nose (See Fig. 51 for NHA)	1	1
	9532554	. Wheel Assy, Nose (See Fig. 51 for NHA)	1	2
1	510779-12	. Ring, Retaining		
2	214595	. Ring, Bearing Closure	4	
3	510525-6	. Ring, Felt Seal	2	
4	19150	. Cone, Bearing	2	
5	AN365-428	. Nut	8	
6	AN960-416	. Washer	16	
7	AN4-15A	. Bolt	8	
8	9521178	. Wheel, Female Half	1	1
	9523057	. Wheel, Female Half	1	2
9	19268	. Cup, Bearing	1	
10	AN6230B42	. O-Ring	1	2
11	9521177	. Wheel, Male Half	1	1
	9524974	. Wheel, Male Half	1	2
12	19268	. Cup, Bearing	1	

CODE

- 1
- 2

EFFECTIVITY

- LC-1 thru LC-64
- LC-65 and After, LD-2 and After



MODEL 65 & 80 PARTS CATALOG

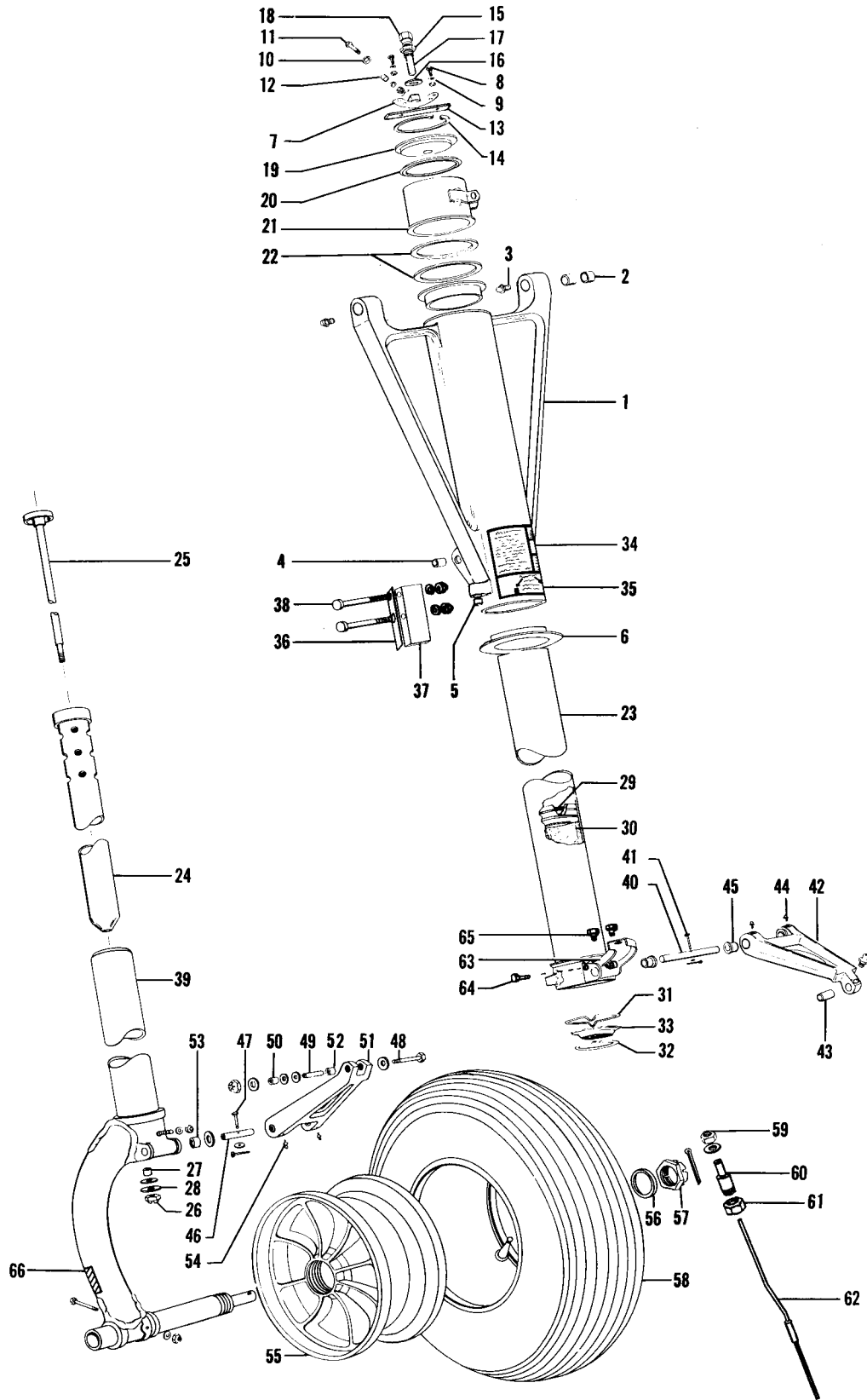


Figure 51. Nose Landing Gear Assembly

MODEL 65 & 80 PARTS CATALOG

FIG. & INDEX NO.	PART NO.	DESCRIPTION	UNITS PER ASSY	USABLE ON CODE
		1 2 3 4 5 6 7		
51	50-820176	GEAR ASSY,NOSE LANDING /SEE FIG. 50 FOR NHA/	REF	1
	50-820176-3	GEAR ASSY,NOSE LANDING /SEE FIG. 50 FOR NHA/	REF	2
	50-820148-10	. BRACE ASSY,NOSE GEAR.	1	
- 1	50-820148-8	. BRACE,NOSE GEAR	1	
- 2	101321-4E0750	. BUSHING	4	
- 3	NAS2-101	. LUBRICATOR.	5	
- 4	105740X-YE0625	. BUSHING	2	
- 5	105740X-YE0563	. BUSHING	1	
- 6	50-820029	. BEARING,BRACE /DRILL ON INSTL/	2	
	50-820091	. ROLLER ASSY,NOSE GEAR	1	
- 7	50-820091-2	. BRACKET,NOSE GEAR ROLLER	1	
		/ATTACHING PARTS/		
- 8	AN4H6A	. BOLT.	4	
	AN960-416L	. WASHER.	4	
- 9	100696X-ZS012	. SPACER.	2	
		-----*		
- 10	50-820092	. ROLLER,NOSE GEAR	1	
		/ATTACHING PARTS/		
- 11	50-820073	. BOLT,NOSE GEAR ROLLER	1	
- 12	100801-X7-0312	. BUSHING	1	
	AN960-516	. WASHER.	2	
	AN320-5	. NUT	1	
	AN380-2-2	. PIN,COTTER.	1	
		-----*		
- 13	50-820022	. BAR,NOSE GEAR SLEEVE RETAINER	1	
- 14	NAS50-275	. RING,SNAP	1	
	50-810023	. PLUG ASSY,VALVE & FILLER.	1	
- 15	35-815088-12	. BODY ASSY,VALVE & FILLER PLUG	1	
- 16	AN902-5	. GASKET.	1	
- 17	AN809-1	. CORE.	1	
- 18	AN813-1A	. CAP	1	
- 19	50-820027-3	. PLUG,NOSE GEAR SHOCK.	1	
- 20	AN6230-8	. GASKET.	1	
- 21	50-820023	. SLEEVE ASSY,NOSE GEAR	1	
- 22	50-820024	. SHIM,NOSE GEAR SPACER	2	
- 23	50-820002-3	. ABSORBER ASSY,NOSE GEAR UPPER	1	
- 24	50-810008-4	. CONTROL ASSY,NOSE GEAR REBOUND.	1	
- 25	50-820030-4	. PIN ASSY,NOSE GEAR EXTENSION.	1	
		/ATTACHING PARTS/		
	AN960-516	. WASHER.	1	
- 26	AN365-524	. NUT	1	
- 27	50-810021	. SPACER,EXTENSION PIN.	1	
		-----*		
- 28	AN6227-6	. PACKING	1	
- 29	AN6227-38	. PACKING	1	
- 30	104036-3ZM0908	. PAD	1	
- 31	111190-8	. SCRAPER	1	
- 32	111200-8	. RING,SNAP	1	
- 33	111506-8	. RING.	1	
- 34	50-820193	. PLACARD,NOSE GEAR	1	
- 35	50-820154	. PLACARD,NOSE GEAR TOW	1	
- 36	50-820001-1	. SHIM,NOSE GEAR STOP	4	
- 37	50-820157	. FITTING,NOSE GEAR STOP.	1	
		/ATTACHING PARTS/		
- 38	AN5-25A	. BOLT.	2	
	AN960-516L	. WASHER.	2	
	AN365-524	. NUT	2	
		-----*		
- 39	50-820177	. ABSORBER ASSY,NOSE GEAR LOWER	1	

MODEL 65 & 80 PARTS CATALOG

FIG. & INDEX NO.	PART NO.	DESCRIPTION	UNITS PER ASSY	USABLE ON CODE
		1 2 3 4 5 6 7		
51	50-810032	. KNEE ASSY, LANDING GEAR UPPER. /ATTACHING PARTS/	1	
- 40	50-810035-4	. PIN, LANDING GEAR KNEE	1	
- 41	AN393-45	. PIN	1	
	AN960-10	. WASHER	1	
	AN380-2-2	. PIN, COTTER.	1	
		-----*		
- 42	50-810032-2	. . KNEE, LANDING GEAR UPPER	1	
- 43	105740X-YN0625	. . BUSHING	1	
- 44	NAS2-101	. . LUBRICATOR.	3	
- 45	50-810034	. . BUSHING, LANDING GEAR KNEE	2	
	50-810033	. KNEE ASSY, LANDING GEAR LOWER. /ATTACHING PARTS/	1	
- 46	50-810035-2	. PIN, LANDING GEAR KNEE	1	
- 47	AN393-31	. PIN	1	
	AN960-10	. WASHER	1	
	AN380-2-2	. PIN, COTTER.	1	
- 48	AN6-21/M/	. BOLT	1	
- 49	105740X-YA0630	. BUSHING	1	
- 50	100951X060YP	. WASHER	2	
	AN960-616	. WASHER	1	
	AN310-6	. NUT	1	
	AN380-3-3	. PIN, COTTER.	1	
		-----*		
- 51	50-810033-2	. . KNEE, LANDING GEAR LOWER	1	
- 52	105740X-YD0375	. . BUSHING	2	
- 53	50-810034	. . BUSHING, LANDING GEAR KNEE	2	
- 54	NAS2-101	. . LUBRICATOR.	2	
- 55	9521176	. WHEEL ASSY, NOSE (See Figure 50A)	1	1
	9532554	. WHEEL ASSY, NOSE (See Figure 50A) /ATTACHING PARTS/	1	2
- 56	50-820088	. SPACER, NOSE WHEEL	1	
- 57	AN7502-24	. NUT	1	
	AN380-5-10	. PIN, COTTER.	1	
		-----*		
- 58	6.50-10	. TIRE & TUBE, 4 OR 6 PLY.	1	1
	6.50-10	. TIRE, TUBELESS 4 OR 6 PLY.	1	2
	50-820137	. WIRE ASSY, STATIC GROUND /ATTACHING PARTS/	1	
	AN960-10	. WASHER	1	
- 59	AN365-1032	. NUT	1	
		-----*		
- 60	50-820136	. . HOLDER, STATIC GROUND.	1	
- 61	694-180702	. . NUT, STATIC GROUND	1	
- 62	50-820137-13	. . BRAZE ASSY, STATIC	1	
- 63	50-820099-6	. ARM ASSY, NOSE GEAR DAMPER /ATTACHING PARTS/	1	
- 64	AN4-7A	. BOLT	2	
	AN960PD416L	. WASHER	2	
	AN364-428	. NUT	2	
- 65	AN73-4	. BOLT	2	
	AN960PD10L	. WASHER	2	
		-----*		
- 66	112741	. PLACARD, JACK.	1	

CODE EFFECTIVITY

1 LC-1 THRU LC-64

CODE EFFECTIVITY

2 LC-65 AND AFTER,
LD-2 AND AFTER

MODEL 65 & 80 PARTS CATALOG

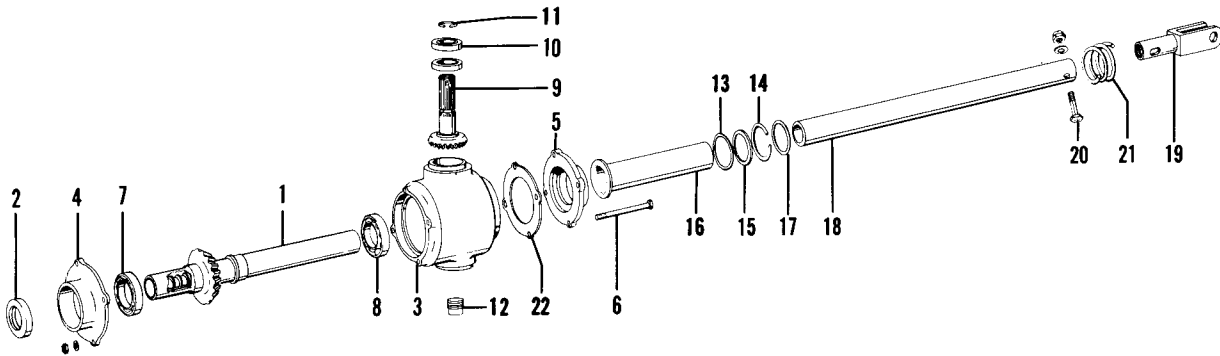


Figure 52. Nose Landing Gear Actuator Assembly

FIG. & INDEX NO.	PART NO.	DESCRIPTION	UNITS PER ASSY	USABLE ON CODE
52	50-820144-1	ACTUATOR ASSY,NOSE LANDING GEAR /SEE FIG. 50 FOR NHA/	REF	
- 1	50-820146	• HOUSING ASSY,ACTUATOR SCREW	1	
- 2	353	• SEAL,ACTUATOR /GP/.	1	
- 3	50-810244	• HOUSING,NOSE LANDING GEAR ACTUATOR.	1	
- 4	50-810168	• COVER,NOSE GEAR ACTUATOR TOP.	1	
- 5	50-810169	• COVER,NOSE GEAR ACTUATOR BOTTOM	1	
- 6	AN3-27A AN960-10 AN365-1032	• BOLT. • WASHER. • NUT	4 4 4	
- 7	S-11-S	• BEARING,/MRC/	1	
- 8	S-12-S	• BEARING,/MRC/	1	
- 9	50-820145	• PINION,NOSE LANDING GEAR ACTUATOR	1	
- 10	S-5-SFF	• BEARING,PINION /MRC/.	2	
- 11	NAS51-50	• RING.	1	
- 12	AN913-1S	• PLUG.	1	
- 13	AN6227-23	• PACKING,O RING.	1	
- 14	50-810120	• RING,ACTUATOR SHIELD RETAINING.	1	
- 15	50-810231	• WASHER,DUST SEAL.	1	
- 16	50-820147-7	• SHIELD,NOSE GEAR ACTUATOR SCREW	1	
- 17	AN6227-17	• PACKING,O RING.	1	
- 18	50-810246-1	• NUT ASSY,LANDING GEAR ACTUATOR.	1	

MODEL 65 & 80 PARTS CATALOG

FIG. & INDEX NO.	PART NO.	1	2	3	4	5	6	7	DESCRIPTION	UNITS PER ASSY	USABLE ON CODE	
52 - 19	50-810045	CLEVIS, NOSE GEAR ACTUATOR /ATTACHING PARTS/	1		
- 20	AN5-12A	BOLT	1		
	AN960-516	WASHER	1		
	AN364-524	NUT	1		
		-----*										
- 21	100943YE100P	SPRING	1		
- 22	50-810245	SHIM, LANDING GEAR ACTUATOR	1		

MODEL 65 & 80 PARTS CATALOG

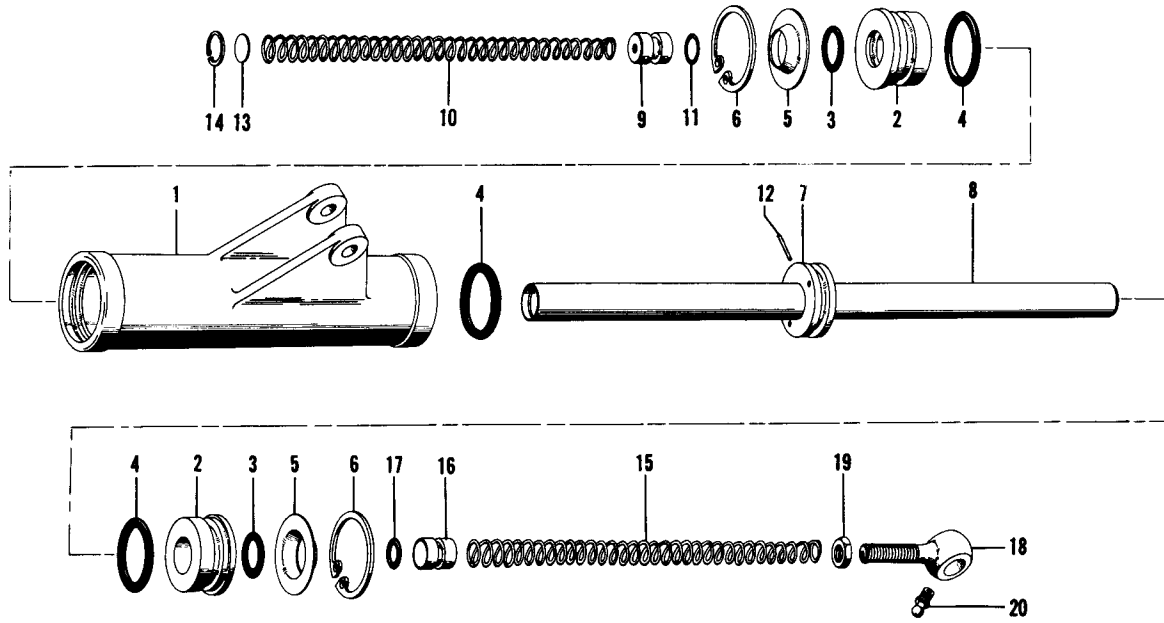


Figure 53. Nose Gear Shimmy Damper

FIG. & INDEX NO.	PART NO.	DESCRIPTION	UNITS PER ASSY	USABLE ON CODE
53	50-820004	DAMPER ASSY, NOSE GEAR SHIMMY.	REF	
		/SEE FIG. 50 FOR NHA/		
- 1	50-820007-1	. BARREL, SHIMMY DAMPER.	1	
- 2	50-820030	. BEARING, SHIMMY DAMPER	2	
- 3	AN6227-14	. PACKING	2	
- 4	AN6227-23	. PACKING	3	
- 5	111190-18	. SCRAPER	2	
- 6	NAS50-162	. RING, SNAP	2	
	50-820020	. PISTON ASSY, SHIMMY DAMPER	1	
- 7	50-820020-4	. . PISTON, SHIMMY DAMPER.	1	
- 8	50-820020-8	. . ROD ASSY, SHIMMY DAMPER.	1	
- 9	50-820021	. . PLUG, SHIMMY DAMPER.	1	
- 10	111504-070-030-0416-5-1/2	. . SPRING.	1	
- 11	AN6227-9	. . PACKING	1	
- 12	102809-125-107	. . PIN	1	
- 13	100951-DD-032-002-019	. WASHER.	1	
- 14	NAS50-62	. RING, SNAP	1	
- 15	111504-070-030-0416-5-1/2	. SPRING.	1	
- 16	50-820021	. PLUG, SHIMMY DAMPER.	1	
- 17	AN6227-9	. PACKING	1	
- 18	50-820044	. FITTING, SHIMMY DAMPER	1	
- 19	AN316-6	. NUT	1	
- 20	NAS2-101	. LUBRICATOR.	1	

MODEL 65 & 80 PARTS CATALOG

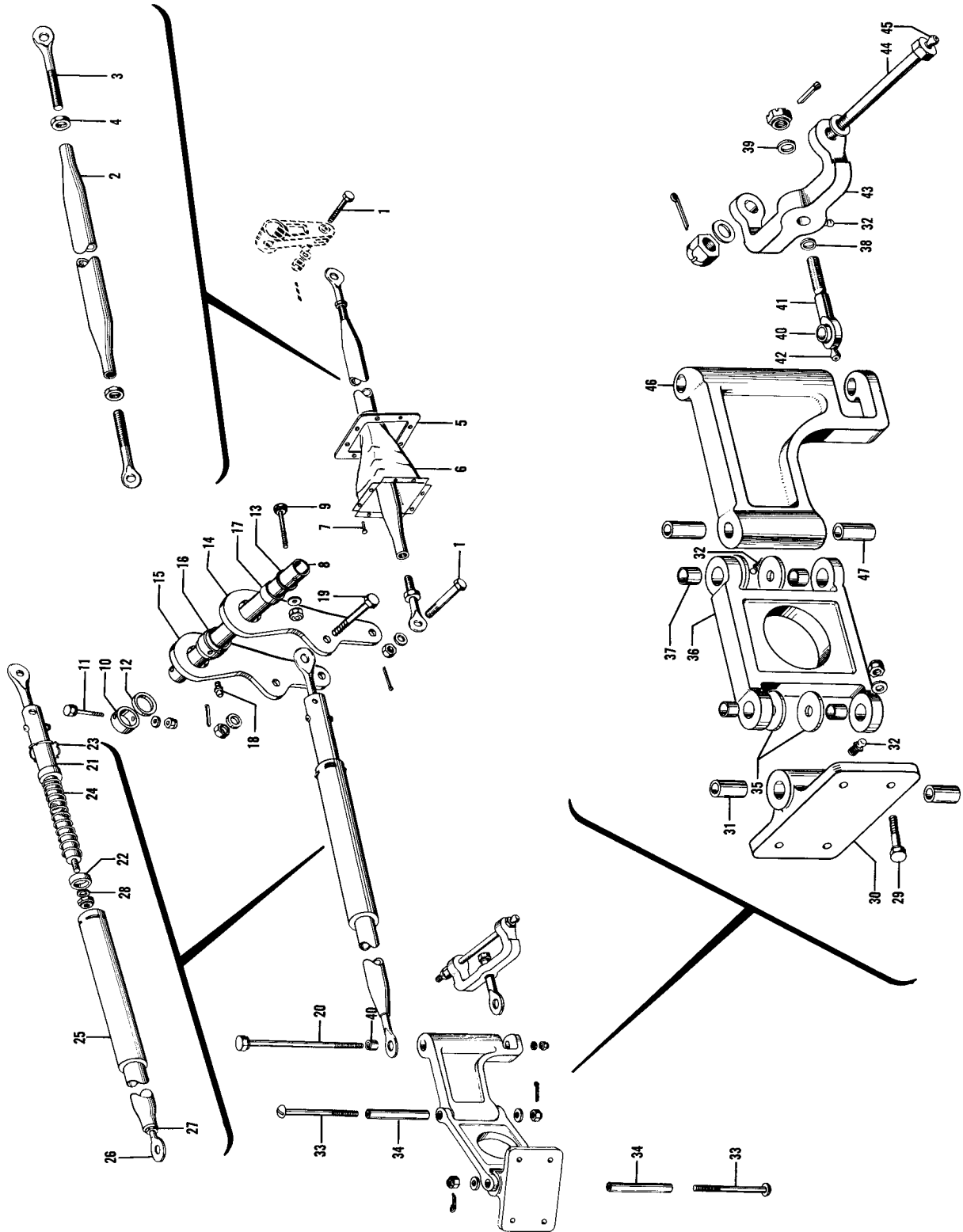


Figure 54. Nose Wheel Steering Installation

MODEL 65 & 80 PARTS CATALOG

FIG. & INDEX NO.	PART NO.	DESCRIPTION	UNITS PER ASSY	USABLE ON CODE
		1 2 3 4 5 6 7		
54	50-820181 50-820189	STEERING INSTL,NOSE WHEEL /SEE FIG. 1 FOR NHA/. • LINK ASSY,NOSE STEERING REAR.	NP 1	
- 1	AN4-12 AN960-416 AN310-4 AN380-2-2	• BOLT. • WASHER. • NUT • PIN,COTTER.	2 2 2 2	
-----*				
- 2	50-820033-2	• • TUBE,NOSE STEERING LINK REAR.	1	
- 3	MD46-15	• • END,ROD	2	
- 4	AN316-6R	• • NUT	2	
- 5	50-820124	• RING,BOOT RETAINER.	1	
- 6	50-820125	• BOOT ASSY,NOSE WHEEL STEERING LINK REAR /ATTACHING PARTS/	1	
- 7	49338	• STUD.	8	
-----*				
- 8	50-820041	• SHAFT,NOSE STEERING IDLER /ATTACHING PARTS/	1	
- 9	AN4-13A AN960-416 AN365-428	• BOLT. • WASHER. • NUT	1 1 1	
-----*				
- 10	50-820040	• COLLAR,NOSE STEERING IDLER RETAINING. /ATTACHING PARTS/	1	
- 11	AN3-16A AN960-10 AN365-1032	• BOLT. • WASHER. • NUT	1 1 1	
-----*				
- 12	100951X063XT	• WASHER.		AR
- 13	100951X032XT 50-820113	• WASHER. • IDLER ASSY,NOSE STEERING LINK	1 1	
- 14	50-820113-2	• • ARM,IDLER /DRILL ON INSTL/.	1	
- 15	50-820113-4	• • ARM,IDLER	1	
- 16	50-820113-6	• • BUSHING,IDLER	1	
- 17	B-148	• • BEARING	2	
- 18	NAS2-101A 50-820034	• • FITTING • LINK ASSY,NOSE STEERING FRONT /ATTACHING PARTS/	1 1	
- 19	AN4-13	• BOLT.	1	
- 20	50-820106 AN960-416 AN960-616 AN310-4 AN365-428 AN380-2-2	• BOLT,STEERING LINK. • WASHER. • WASHER. • NUT • NUT • PIN,COTTER.	1 2 1 1 1 1	
-----*				
- 21	50-820035	• • ROD ASSY,NOSE STEERING LINK FRONT	1	
- 22	50-820036	• • COLLAR,NOSE STEERING SPRING RETAINER.	2	
- 23	50-820038	• • RETAINER,NOSE STEERING SPRING	1	
- 24	111504YD0800-2 100951DD032WK 50-820042	• • SPRING,NOSE STEERING. • • WASHER. • • BARREL ASSY,STEFRING.	1 AR 1	
- 25	50-820042-10	• • • BRAZE ASSY,BARREL	1	
- 26	HM-6	• • • END,ROD	1	
- 27	AN316-6R	• • • NUT	1	
- 28	50-820037 AN365-428 50-820188	• • • WASHER,NOSE STEERING SPRING RETAINER. • • • NUT • BRACKET ASSY,STEERING LINKAGE SUPPORT /ATTACHING PARTS/	1 1 1	
- 29	AN3- AN960-10 AN365-1032	• BOLT. • WASHER. • NUT	4 4 4	
-----*				

MODEL 65 & 80 PARTS CATALOG

FIG. & INDEX NO.	PART NO.	1	2	3	4	5	6	7	DESCRIPTION	UNITS PER ASSY	USABLE ON CODE
54 - 30	50-820188-3	BRACKET, STEERING LINKAGE SUPPORT.	1	
- 31	B-59X	BEARING	2	
- 32	NAS2-101A	FITTING, LUBRICATOR.	3	
	50-820105	LINK ASSY, NOSE GEAR STEERING IDLER.	1	
									/ATTACHING PARTS/		
- 33	AN25-48	BOLT.	2	
	AN960-516	WASHER.	2	
	AN960-516L	WASHER.	2	
- 34	105739X-YL1866	BUSHING	2	
- 35	100951-X063-XT	WASHER.	4	
	AN320-5	NUT	2	
	AN380-2-2	PIN, COTTER.	2	
									-----*		
- 36	50-820105-2	LINK, NOSE GEAR STEERING IDLER	1	
- 37	105740X-ZV03125	BUSHING	4	
	50-820130	EYE ASSY, NOSE GEAR STEERING SWIVEL.	1	
									/ATTACHING PARTS/		
- 38	NAS145-7C	WASHER.	1	
- 39	100951X063ZZ	WASHER.	1	
- 40	35-825053	SPACER.	2	
	AN320-5	NUT	1	
	AN380-2-3	PIN, COTTER.	1	
									-----*		
- 41	50-820130-2	EYE, NOSE GEAR STEERING SWIVEL	1	
- 42	50-820131	FITTING, LUBRICATOR.	1	
- 43	50-820103	YOKE, NOSE GEAR STEERING	1	
									/ATTACHING PARTS/		
- 44	35-825005	BOLT ASSY, STEERING YOKE ATTACH.	1	
- 44	35-825005-2	BOLT, STEERING YOKE ATTACH	1	
- 45	AN287-1	FITTING, LUBRICATOR.	1	
	AN960-516L	WASHER.	1	
	AN310-5	NUT	1	
									-----*		
	50-820102	LINK ASSY, NOSE GEAR STEERING.	1	
- 46	50-820102-2	LINK, NOSE GEAR STEERING	1	
- 47	105740X-YJ0625	BUSHING	2	

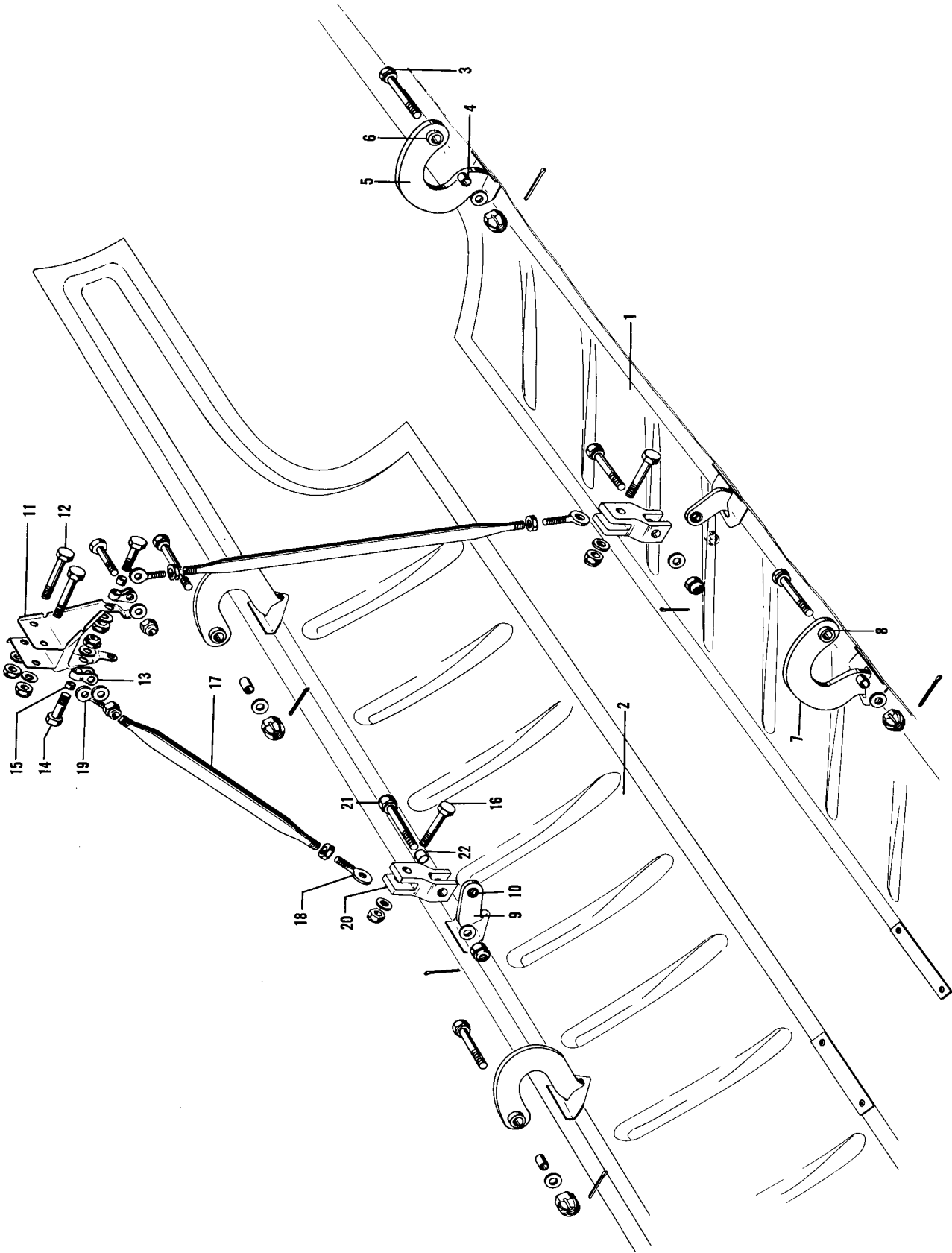


Figure 55. Nose Gear Door Installatio.

MODEL 65 & 80 PARTS CATALOG

FIG. & INDEX NO.	PART NO.	DESCRIPTION	UNITS PER ASSY	USABLE ON CODE
		1 2 3 4 5 6 7		
55	50-820178	DOOR INSTL,NOSE GEAR /SEE FIG. 1 FOR NHA/ . . .	NP	
- 1	50-820179	. DOOR ASSY,LH NOSE GEAR	1	
- 2	50-820179-1	. DOOR ASSY,RH NOSE GEAR /ATTACHING PARTS/	1	
- 3	AN4-11A	. BOLT	2	
- 4	105740X-ZP0385	. BUSHING	2	
	AN960-416	. WASHER	2	
	AN365-428	. NUT	2	
		-----*		
	50-820184	. . HINGE ASSY,LH AFT NOSE GEAR	1	
	50-820184-1	. . HINGE ASSY,RH AFT NOSE GEAR	1	
- 5	50-820184-2	. . . HINGE,LH AFT NOSE GEAR	1	
	50-820184-3	. . . HINGE,RH AFT NOSE GEAR	1	
- 6	A638-1	. . . BUSHING	1	
	50-820183	. . HINGE ASSY,LH FWD NOSE GEAR	1	
	50-820183-1	. . HINGE ASSY,RH FWD NOSE GEAR	1	
- 7	50-820183-2	. . . HINGE,LH FWD NOSE GEAR	1	
	50-820183-3	. . . HINGE,RH FWD NOSE GEAR	1	
- 8	A638-1	. . . BUSHING	1	
	50-820182	. . FITTING ASSY,NOSE GEAR LOWER ATTACHING	1	
- 9	50-820182-2	. . . FITTING,NOSE GEAR LOWER ATTACHING	1	
- 10	105740X-ZX0255	. . . BUSHING	1	
- 11	50-820164	. BRACKET,NOSE GEAR DOOR LINKAGE /ATTACHING PARTS/	1	
- 12	AN4-14A	. BOLT	2	
	AN960-416	. WASHER	2	
	AN365-428	. NUT	2	
		-----*		
- 13	50-820054	. FITTING ASSY,UNIVERSAL /ATTACHING PARTS/	1	
- 14	AN4-11A	. BOLT	1	
- 15	105740X-ZM0516	. BUSHING	1	
	AN960-416	. WASHER	1	
	AN365-428	. NUT	1	
		-----*		
	50-820185-1	. ROD ASSY,NOSE GEAR DOOR LINKAGE /ATTACHING PARTS/	1	
- 16	AN4-10A	. BOLT	2	
	AN960-416	. WASHER	2	
	AN365-428	. NUT	2	
		-----*		
- 17	50-820185-2	. . TUBE,NOSE GEAR DOOR LINKAGE	1	
- 18	HML-4	. . END,ROD	1	
- 19	HM-4	. . END,ROD	1	
	AN316-4L	. . NUT	1	
	AN316-4R	. . NUT	1	
- 20	50-820055	. FITTING,LOWER UNIVERSAL /ATTACHING PARTS/	1	
- 21	AN4-10	. BOLT	1	
- 22	105739X-YB0260	. BUSHING	1	
	AN960-416	. WASHER	1	
	AN365-428	. NUT	1	
		-----*		

MODEL 65 & 80 PARTS CATALOG

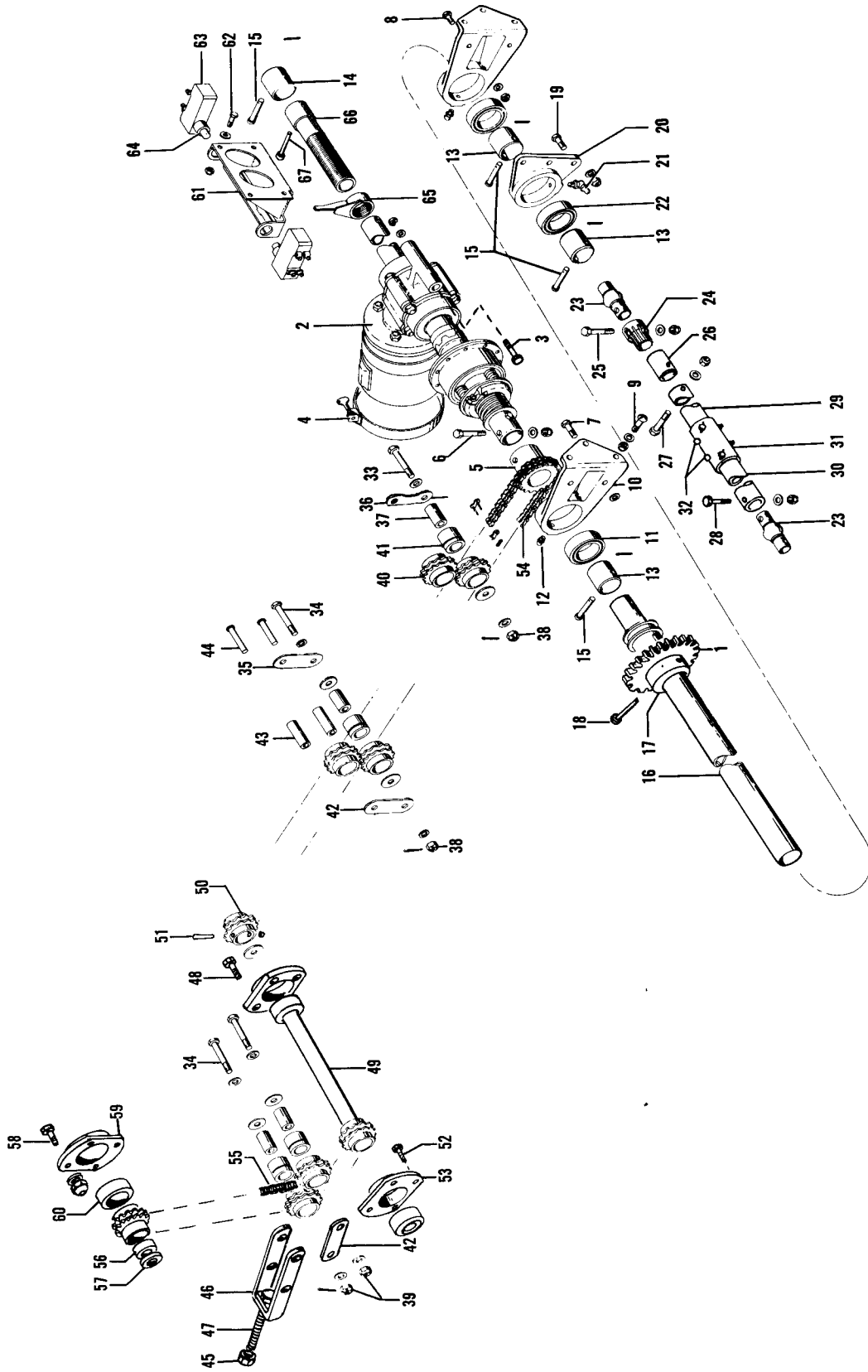


Figure 56. Landing Gear Retract System Installation

MODEL 65 & 80 PARTS CATALOG

FIG. & INDEX NO.	PART NO.	DESCRIPTION							UNITS PER ASSY	USABLE ON CODE
		1	2	3	4	5	6	7		
56	50-080036	SYSTEM INSTL, LANDING GEAR RETRACT							NP	
- 1	50-810275	. SYSTEM INSTL, LANDING GEAR EMERGENCY EXTENSION /SEE FIG. 58/							1	
- 2	50-810200-5	. BOX ASSY, LANDING GEAR RETRACT /SEE FIG. 57/ . /ATTACHING PARTS/							1	
- 3	AN3-31A AN960-10 AN365-1032	. BOLT WASHER NUT							1 1 1	
- 4	105798-16	. CLAMP, LANDING GEAR MOTOR							1	
- 5	50-820090	. SPROCKET ASSY, NOSE GEAR /ATTACHING PARTS/							1	
- 6	AN3-14A AN960-10 AN365-1032	. BOLT WASHER NUT							1 1 1	
	50-810227	. BRACKET ASSY, TORQUE TUBE /ATTACHING PARTS/							2	
- 7	AN3-5A	. BOLT							2	
- 8	AN3-6A	. BOLT							2	
- 9	AN3-5A AN960-10 AN365-1032 MS20365-1032	. BOLT WASHER NUT NUT							3 5 2 3	
- 10	50-810227-2	. BRACKET, TORQUE TUBE							1	
- 11	B-188-0H	. BEARING							1	
- 12	NAS2-101	. FITTING, LUBRICATION							1	
- 13	50-810228	. RACE, TORQUE TUBE							3	
- 14	50-810282	. RACE, TORQUE TUBE /ATTACHING PARTS/							1	
- 15	AN393-37 AN380-2-1	. PIN PIN, COTTER							1 1	
- 16	50-820064	. TUBE ASSY, TORQUE							1	
- 17	50-820069-2	. SPACER, TORQUE TUBE ADAPTER /ATTACHING PARTS/							2	
- 18	AN3-16A AN960-10 AN365-1032	. BOLT WASHER NUT							1 1 1	
	50-810122 50-810122-1	. BRACKET ASSY, LH TORQUE TUBE BRACKET ASSY, RH TORQUE TUBE /ATTACHING PARTS/							1 1	
- 19	AN3-6A AN960-10 AN365-1032	. BOLT WASHER NUT							3 3 3	
- 20	50-810122-2 50-810122-3	. BRACKET, LH TORQUE TUBE BRACKET, RH TORQUE TUBE							1 1	
- 21	NAS2-301	. FITTING, LUBRICATION							1	
- 22	B-188-0H	. BEARING							1	
- 23	50-820068	. JOINT, UNIVERSAL							2	
- 24	50-820078	. SPLINE, TORQUE TUBE ADAPTER /ATTACHING PARTS/							1	
- 25	AN3-11A AN960-10 AN365-1032	. BOLT WASHER NUT							1 1 1	
- 26	50-820077 50-810163	. SPLINE, TORQUE TUBE TUBE ASSY, TORQUE /ATTACHING PARTS/							1 1	
- 27	AN3-12A	. BOLT							1	
- 28	AN3-13A AN960-10 AN365-1032	. BOLT WASHER NUT							1 1 1	

MODEL 65 & 80 PARTS CATALOG

FIG. & INDEX NO.	PART NO.	DESCRIPTION	UNITS PER ASSY	USABLE ON CODE
		1 2 3 4 5 6 7		
56 - 29	50-810163-13	. . TUBE ASSY,TORQUE /DRILL ON INSTL/	1	
- 30	50-810163-15	. . TUBE ASSY,TORQUE	1	
- 31	50-810163-5	. . TUBE,SLEEVE	1	
		/ATTACHING PARTS/		
- 32	AN386-1-11	. . PIN,TAPER	4	
	AN975-3	. . WASHER	4	
	AN320-3	. . NUT	4	
	AN380-2-2	. . PIN,COTTER	4	
		-----*		
	50-820070	. . SPROCKET ASSY,NOSE GEAR RETRACT CHAIN	6	
		/ATTACHING PARTS/		
- 33	AN4-15	. . BOLT	1	
- 34	AN4-15A	. . BOLT	1	
- 35	50-400228	. . SPACER,BEARING PLATE	1	
- 36	50-420042	. . SPACER,BEARING PLATE	1	
- 37	50-820094	. . BUSHING,SPROCKET	1	
	AN960-416	. . WASHER	1	
- 38	AN310-4	. . NUT	1	
- 39	MS20365-428	. . NUT	1	
	AN380-2-2	. . PIN,COTTER	1	
		-----*		
- 40	50-820070-2	. . SPROCKET,NOSE GEAR	1	
- 41	B-66	. . BEARING	2	
- 42	50-400202	. . SPACER,SPROCKET	1	
- 43	102933F4ZP0968	. . SPACER,CHAIN GUARD	2	
- 44	NAS427-K18	. . PIN,PULLEY GUARD	2	
	50-810278	. . TIGHTENER ASSY,CHAIN	1	
		/ATTACHING PARTS/		
	AN960-416	. . WASHER	1	
- 45	MS20365-428	. . NUT	1	
		-----*		
- 46	50-810278-5	. . YOKE ASSY,CHAIN TIGHTENER	1	
- 47	S-207-21A	. . BOLT,LOCK	1	
	AN960-416	. . WASHER	1	
	MS20365-428	. . NUT	1	
	50-820192	. . SHAFT ASSY,NOSE GEAR TORQUE TRANSFER	1	
		/ATTACHING PARTS/		
- 48	AN3-	. . BOLT	4	
	AN960-10	. . WASHER	4	
	AN365-1032	. . NUT	4	
		-----*		
- 49	50-820192-1	. . TUBE,TRANSFER TORQUE	1	
- 50	50-820192-7	. . SPROCKET,TORQUE TUBE	1	
		/MAKE FR X-30037/		
		/ATTACHING PARTS/		
- 51	AN386-2-9A	. . PIN,TAPER	1	
	AN975-3	. . WASHER	1	
	AN364-1032	. . NUT	1	
		-----*		
	50-820190	. . BEARING ASSY,NOSE GEAR TORQUE SHAFT	1	
		/ATTACHING PARTS/		
- 52	AN3-	. . BOLT	4	
	AN960-10	. . WASHER	4	
	AN365-1032	. . NUT	4	
		-----*		
- 53	AN201KP12A	. . BEARING	1	
- 54	50-080036-2	. . CHAIN,/MAKE FR X15189 & CT6189/	1	
- 55	50-080036-1	. . CHAIN,/MAKE FR X15189 & CT6189/	1	
	50-820191-5	. . SHAFT ASSY,NOSE GEAR TORQUE	1	
- 56	50-820152-5	. . BUSHING	1	
- 57	50-820191-3	. . SPACER	1	
	50-820140	. . BEARING ASSY,NOSE GEAR TORQUE SHAFT	1	
		/ATTACHING PARTS/		
- 58	AN3-	. . BOLT	4	
	AN960-10	. . WASHER	4	
	AN365-1032	. . NUT	4	
		-----*		

MODEL 65 & 80 PARTS CATALOG

FIG. & INDEX NO.	PART NO.	1	2	3	4	5	6	7	DESCRIPTION	UNITS PER ASSY	USABLE ON CODE
56 - 59	50-820140-1	PLATE, BEARING	1	
- 60	AN201KP12A	BEARING	1	
	50-810279-1	SWITCH INSTL, LANDING GEAR LIMIT	1	
- 61	50-810279-3	BRACKET	1	
									/ATTACHING PARTS/		
- 62	AN3-4A	BOLT	4	
	AN960-10L	WASHER	4	
									-----*-----		
- 63	MS25026-1	SWITCH	2	
- 64	MC2711	ACTUATOR	2	
- 65	50-810280-1	NUT	1	
- 66	50-810281-1	SCREW	1	
									/ATTACHING PARTS/		
- 67	AN393-37	PIN	1	
	AN380-2-1	PIN, COTTER	1	
									-----*-----		

MODEL 65 & 80 PARTS CATALOG

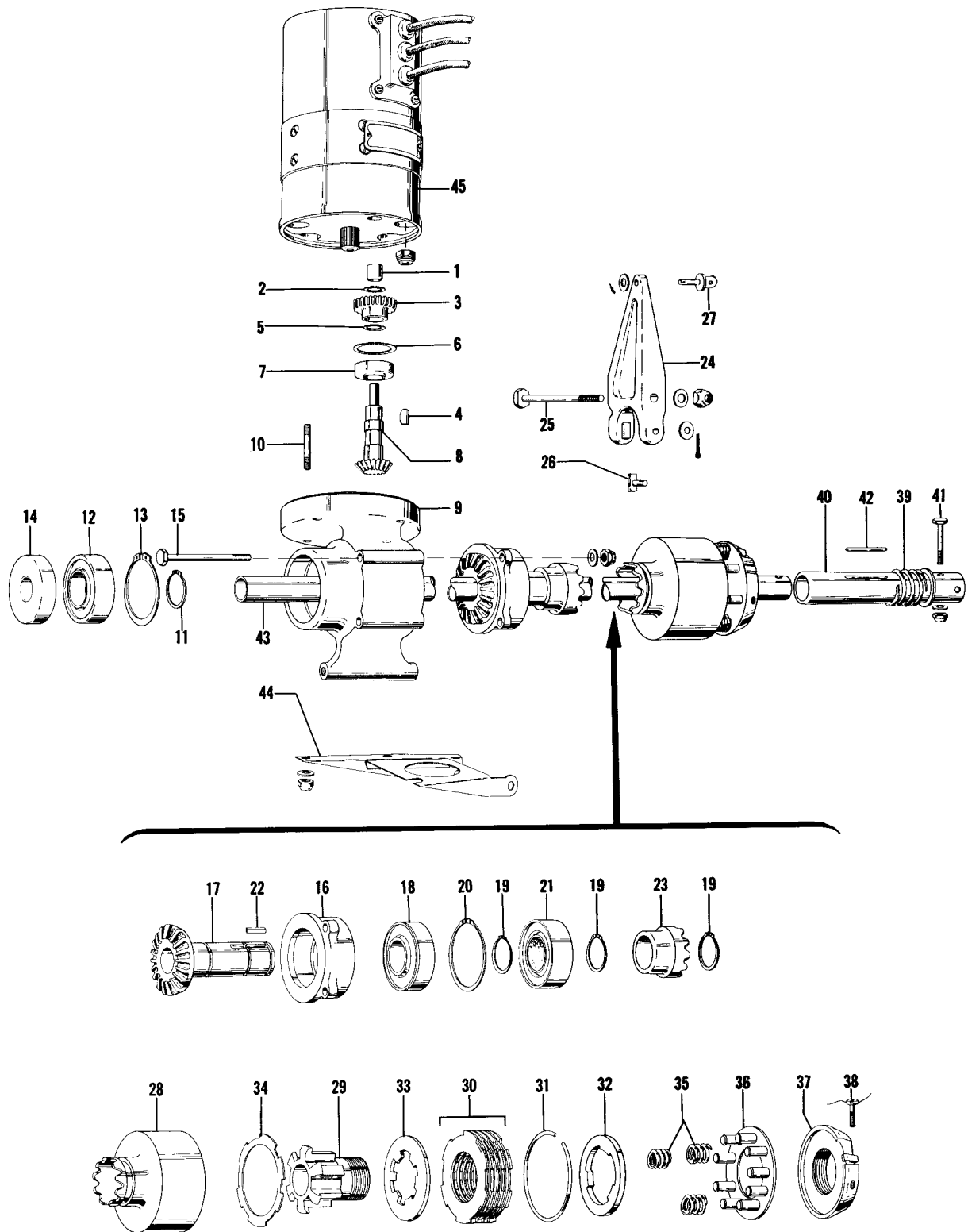


Figure 57. Landing Gear Retract Box Assembly

MODEL 65 & 80 PARTS CATALOG

FIG. & INDEX NO.	PART NO.	DESCRIPTION	UNITS PER ASSY	USABLE ON CODE
		1 2 3 4 5 6 7		
57	50-810200-5	BOX ASSY, LANDING GEAR RETRACT /SEE FIG. 56/	REF	
- 1	M-471	. BEARING	1	
- 2	NAS51-43	. RING, LOCK	1	
- 3	50-810210-1	. GEAR, LANDING GEAR DRIVE SPUR.	1	
- 4	AN280H404	. KEY, WOODRUFF.	1	
- 5	NAS51-50	. RING, RETAINER	1	
- 6	NAS50-112	. RING, RETAINER	1	
- 7	S-5-S-4	. BEARING	1	
- 8	50-810239	. PINION, BEVEL.	1	
- 9	50-810235-1	. HOUSING, GEAR RETRACT. /ATTACHING PARTS/	1	
- 10	NAS183-4-9A	. STUD.	4	
	AN960-416	. WASHER.	4	
	AN365-428	. NUT	4	
		-----*		
- 11	NAS51-100	. RING, RETAINER	1	
- 12	S-10-S-1	. BEARING	1	
- 13	NAS50-200	. RING, RETAINER	1	
- 14	229	. SEAL.	1	
	50-810237	. CAP ASSY, GEAR BOX /ATTACHING PARTS/	1	
- 15	AN3-24A	. BOLT.	4	
	AN960-10	. WASHER.	4	
	AN365-1032	. NUT	4	
		-----*		
- 16	50-810236	. CAP, GEAR BOX.	1	
- 17	50-810238	. SHAFT ASSY.	1	
- 18	S-10-S-1	. BEARING	1	
- 19	NAS51-100	. RING, RETAINER	3	
- 20	NAS50-200	. RING, RETAINER	1	
- 21	301	. SEAL.	1	
- 22	105151-00562	. KEY	2	
- 23	50-810213	. CLUTCH, RETRACT DRIVE.	1	
- 24	50-810093	. LEVER, CLUTCH SHIFTING /ATTACHING PARTS/	1	
- 25	AN4-23	. BOLT.	1	
	AN960-416	. WASHER.	1	
	AN310-4	. NUT	1	
	AN380-2-2	. PIN, COTTER.	1	
		-----*		
- 26	188907	. FINGER, CLUTCH /ATTACHING PARTS/	2	
	AN960-10	. WASHER.	1	
	AN380-2-2	. PIN, COTTER.	1	
		-----*		
- 27	AN42-6	. BOLT, EYE.	1	
	AN960-10	. WASHER.	1	
	AN380-2	. PIN, COTTER.	1	
	50-810124	. CLUTCH ASSY, LANDING GEAR.	1	
- 28	404-188913	. HOUSING ASSY, LANDING GEAR CLUTCH.	1	
- 29	188912	. HUB, CLUTCH.	1	
- 30	60344	. PACK, CLUTCH	1	
- 31	14942	. RING, LOCK	1	
- 32	15142	. SPACER.	1	
- 33	13210	. WASHER.	1	
- 34	42088	. SPACER.	1	
- 35	110207	. SPRING.	3	
- 36	15191	. RING ASSY	1	
- 37	188913	. NUT	1	
- 38	AN502-10-16	. SCREW	1	
- 39	50-810247	. SPRING.	1	
- 40	50-810209-8	. HUB ASSY, CLUTCH /ATTACHING PARTS/	1	
- 41	AN3-12A	. BOLT.	1	
	AN960-10	. WASHER.	1	
	AN365-1032	. NUT	1	
		-----*		

MODEL 65 & 80 PARTS CATALOG

FIG. & INDEX NO.	PART NO.	DESCRIPTION							UNITS PER ASSY	USABLE ON CODE
		1	2	3	4	5	6	7		
57 - 42	105151-R-01312	•	•	•	•	•	•	•	2	
- 43	50-810240	•	•	•	•	•	•	•	1	
- 44	50-810216	•	•	•	•	•	•	•	1	
■ - 45	50-810146-610	•	•	•	•	•	•	•	1	

MODEL 65 & 80 PARTS CATALOG

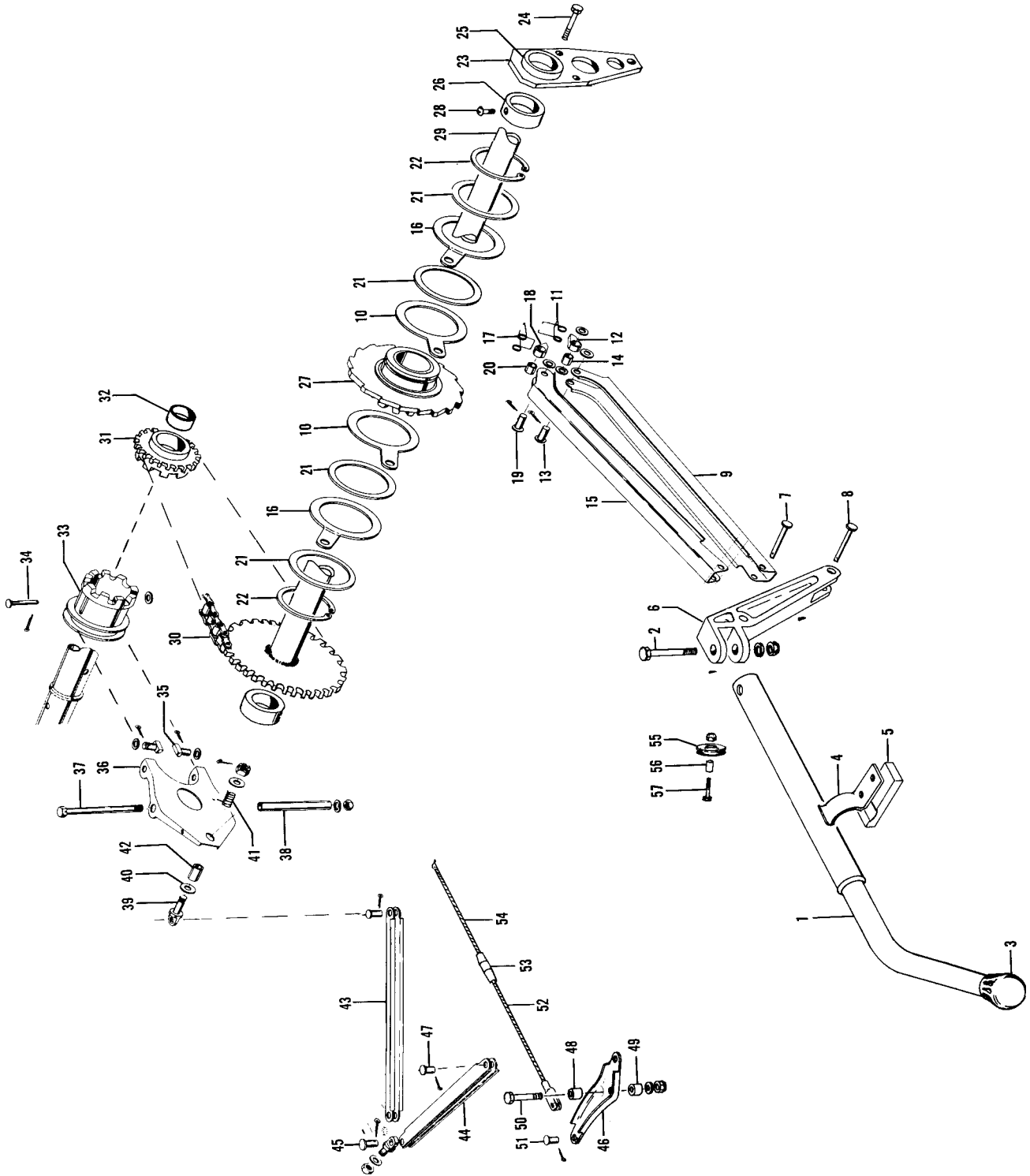


Figure 58. Landing Gear Emergency Extension System Installation

MODEL 65 & 80 PARTS CATALOG

FIG. & INDEX NO.	PART NO.	DESCRIPTION	UNITS PER ASSY	USABLE ON CODE
		1 2 3 4 5 6 7		
58	50-810275	SYSTEM INSTL, LANDING GEAR EMERGENCY EXTENSION . /SEE FIG. 56 FOR NHA/	REF	
- 1	50-810275-45	. HANDLE, TUBE /ATTACHING PARTS/	1	
- 2	AN26-30	. BOLT	1	
	AN960-616	. WASHER	1	
	AN320-6	. NUT	1	
	AN380-3-4	. PIN, COTTER	1	
		-----*		
- 3	18	. TIP, CRUTCH	1	
- 4	50-810275-43	. CLIP	1	
- 5	50-810275-83	. BRACKET	1	
- 6	50-810276	. FITTING, EMERGENCY LANDING GEAR ACTUATOR /ATTACHING PARTS/	1	
- 7	AN393-37	. PIN, FLATHEAD	1	
- 8	AN393-33	. PIN, FLATHEAD	1	
	AN380-2-2	. PIN, COTTER	2	
		-----*		
- 9	50-810112	. LINK, LANDING GEAR EXTENSION DRIVE LOWER	1	
- 10	50-810105-2	. LEVER, PAWL SUPPORT	2	
- 11	50-810087	. SPRING, PAWL	1	
- 12	50-810152	. PAWL, LANDING GEAR EMERGENCY /ATTACHING PARTS/	1	
- 13	AN393-23	. PIN	1	
	AN960-10L	. WASHER	1	
- 14	105739X-ZN0132	. BUSHING	1	
	AN960-10	. WASHER	2	
	AN380-2-2	. PIN, COTTER	1	
		-----*		
- 15	50-810113	. LINK, LANDING GEAR EXTENSION DRIVE LOWER	1	
- 16	50-810105-4	. LEVER, PAWL SUPPORT	2	
- 17	50-810087	. SPRING, PAWL	1	
- 18	50-810152	. PAWL, LANDING GEAR EMERGENCY /ATTACHING PARTS/	1	
- 19	AN393-19	. PIN	1	
	AN960-10L	. WASHER	2	
- 20	105739X-ZN0312	. BUSHING	1	
	AN380-2-2	. PIN, COTTER	1	
		-----*		
- 21	100951B033XZ	. WASHER	4	
- 22	NAS51-137	. RING, SNAP	2	
- 23	50-810275-69	. FITTING /ATTACHING PARTS/	2	
- 24	AN3-6A	. BOLT	3	
	AN960-10	. WASHER	2	
	MS20365-1032	. NUT	3	
		-----*		
- 25	50-810275-89	. BUSHING	2	
- 26	50-810275-65	. SPACER	1	
- 27	50-810275-53	. RATCHET ASSY /ATTACHING PARTS/	1	
- 28	NAS230-23	. SCREW	1	
	MS20364-428	. NUT	1	
		-----*		
- 29	50-810275-49	. SHAFT ASSY	1	
- 30	50-810275-81	. CHAIN	1	
- 31	50-810275-57	. CLUTCH ASSY	1	
- 32	50-810103-6	. BEARING	1	
- 33	50-810104	. CLUTCH, LANDING GEAR EMERGENCY /ATTACHING PARTS/	1	
- 34	AN393-41	. PIN	1	
	AN960-416	. WASHER	1	
	AN380-2-2	. PIN, COTTER	1	
		-----*		

MODEL 65 & 80 PARTS CATALOG

FIG. & INDEX NO.	PART NO.	1	2	3	4	5	6	7	DESCRIPTION	UNITS PER ASSY	USABLE ON CODE	
58 - 35	188907	FINGER,SLIDING CLUTCH /ATTACHING PARTS/	2		
	AN960-416	WASHER.	1		
	AN380-2-2	PIN,COTTER.	1		
		-----*										
- 36	50-810230	LEVER,EMERGENCY CLUTCH. /ATTACHING PARTS/	1		
- 37	AN3-30A	BOLT.	1		
- 38	100801-X4-2594	BUSHING	1		
	AN960-10	WASHER.	1		
	H10-3	NUT	1		
- 39	AN42-13	BOLT,EYE.	1		
- 40	100951-X-063-YS	WASHER.	1		
- 41	111504ZS0028-6	SPRING.	1		
- 42	100696X-ZG028	SPACER.	1		
	AN960-10	WASHER.	1		
	AN310-3	NUT	1		
	AN380-2-2	PIN,COTTER.	1		
		-----*										
- 43	50-810091	LINK,CLUTCH ACTUATOR.	1		
- 44	50-810275-1	LINK,CLUTCH ACTUATOR. /ATTACHING PARTS/	1		
- 45	AN393-11	PIN	1		
	AN380-2-2	PIN,COTTER.	1		
		-----*										
- 46	50-810275-3	ARM,LANDING GEAR EXTENSION. /ATTACHING PARTS/	1		
- 47	AN393-7	PIN	1		
	AN960-10L	WASHER.	1		
	AN380-2-2	PIN,COTTER.	1		
- 48	105739S-ZL0800	SPACER.	1		
- 49	105739A-YJ0332	SPACER.	2		
- 50	AN23-21	BOLT.	1		
	AN960-10L	WASHER.	2		
	AN320-3	NUT	1		
	AN380-2-2	PIN,COTTER.	1		
- 51	AN393-7	PIN	1		
	AN960-10L	WASHER.	1		
	AN380-2-2	PIN,COTTER.	1		
		-----*										
- 52	50-810275-85	CABLE ASSY,LANDING GEAR EMERGENCY EXTENSION .	1		
- 53	AN155-85	BARREL,TURNBUCKLE	1		
- 54	50-810275-5	CABLE ASSY,LANDING GEAR EMERGENCY EXTENSION .	1		
- 55	MS20219-1	PULLEY.	1		
		/ATTACHING PARTS/										
- 56	105739S-ZL0438	SPACER.	1		
- 57	AN3	BOLT.	1		
	AN960-10L	WASHER.	1		
	H10-3	NUT	1		
		-----*										

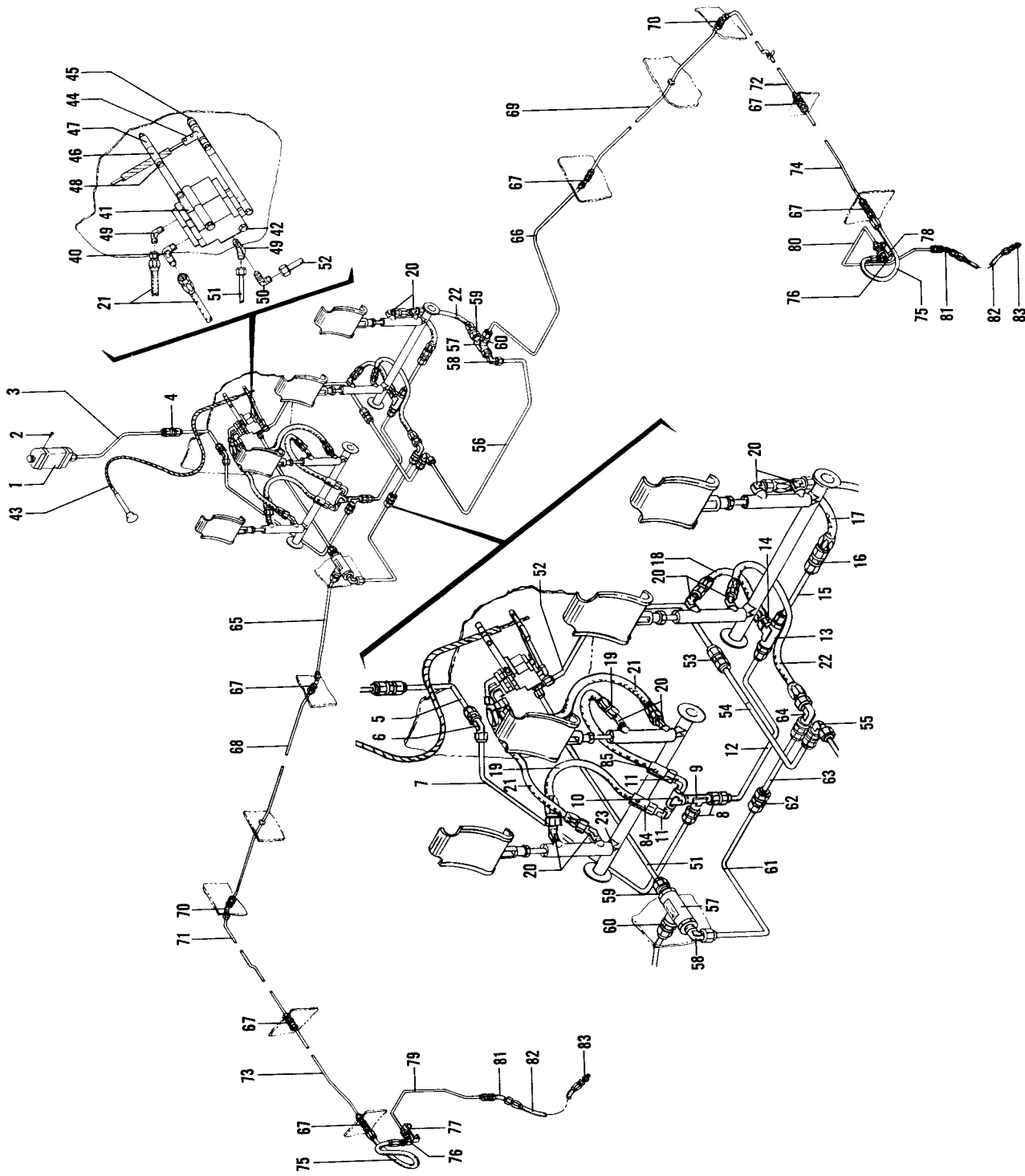


Figure 59. Dual Hydraulic Brake Plumbing Installation

MODEL 65 & 80 PARTS CATALOG

FIG. & INDEX NO.	PART NO.	DESCRIPTION							UNITS PER ASSY	USABLE ON CODE
		1	2	3	4	5	6	7		
59	50-580025-8	PLUMBING INSTL,DUAL HYDRAULIC BRAKE	NP	
- 1	50-580038-6	RESERVOIR ASSY,HYDRAULIC	1	
- 2	AN520-10R10	SCREW	2	
	AN960-10	WASHER	2	
	MS20365-1032	NUT	2	
		-----*-----								
- 3	50-580025-49	TUBE ASSY,HYDRAULIC INLET	1	
- 4	AN832-6D	UNION	1	
	AN960-916	WASHER	1	
	AN924-6D	NUT	1	
- 5	50-580025-45	TUBE ASSY,HYDRAULIC INLET	1	
- 6	AN837-6D	ELBOW	1	
	AN960-916	WASHER	1	
	AN924-6D	NUT	1	
- 7	50-580025-41	TUBE ASSY,HYDRAULIC INLET	1	
- 8	AN912-1	REDUCER	2	
- 9	AN826-6D	TEE	1	
- 10	AN917-2D	TEE	1	
- 11	AN822-4D	ELBOW	2	
- 12	50-580025-9	TUBE ASSY,HYDRAULIC INLET	1	
- 13	AN783-6D	TEE	1	
	AN960-916	WASHER	2	
	AN924-6D	NUT	1	
	AN6290-6	GASKET	1	
- 14	AN919-6D	REDUCER	1	
- 15	50-580025-5	TUBE ASSY,HYDRAULIC	1	
- 16	AN919-6	REDUCER	1	
- 17	AN6271-4-14-1/2	HOSE ASSY	1	
- 18	AN6271-4-13	HOSE ASSY	1	
- 19	AN6271-4-12-1/2	HOSE ASSY	2	
- 20	AN823-4D	ELBOW	8	
- 21	AN6271-4-12-1/2	HOSE ASSY	2	
- 22	AN6271-4-12-1/2	HOSE ASSY	2	
	V1-15-875-2	CYLINDER,MASTER (See Figure 94)	2	
		/ATTACHING PARTS/								
- 23	AN393-23	PIN	2	
	AN960-10L	WASHER	2	
	AN380-2-2	PIN,COTTER	2	
		-----*-----								

NOTE

INDEXES 24 THRU 39 DELETED

- 40	AN833-4D	ELBOW	1	
	AN6290-4D	GASKET	1	
	AN924-4D	NUT	1	

MODEL 65 & 80 PARTS CATALOG

FIG. & INDEX NO.	PART NO.	DESCRIPTION	UNITS PER ASSY	USABLE ON CODE
		1 2 3 4 5 6 7		
59 - 41	4500S-A1	. VALVE ASSY/SEE FIG.95/ /ATTACHING PARTS/	2	
- 42	AN3-26A	. BOLT	2	
	AN960-10	. WASHER	2	
	AN365-1032	. NUT	2	

- 43	50-580026	. CONTROL ASSY,PUSH PULL	1	
- 44	404-187992	. LINK ASSY,CONTROL	1	
		/ATTACHING PARTS/		
- 45	AN500A6-8	. SCREW	2	
	AN960-6	. WASHER	4	

- 46	50-580025-63	. BLOCK,PARKING BRAKE CONTROL UPPER	1	
- 47	50-580025-61	. BLOCK,PARKING BRAKE CONTROL LOWER	1	
		/ATTACHING PARTS/		
- 48	AN520-10R28	. SCREW	2	
	AN960-10	. WASHER	2	
	AN365-1032	. NUT	2	

- 49	AN837-4D	. ELBOW	2	
- 50	AN833-4D	. ELBOW	1	
	AN924-4D	. NUT	3	
	AN6290-4	. GASKET	3	
- 51	50-580025-33	. TUBE ASSY,BRAKE VALVE TO LH SHUTTLE VALVE	1	
- 52	50-580025-37	. TUBE ASSY,BRAKE VALVE TO RH SHUTTLE VALVE	1	
- 53	AN815-4D	. UNION	1	
- 54	50-580025-13	. TUBE ASSY,BRAKE VALVE TO RH SHUTTLE VALVE	1	
- 55	AN833-4D	. ELBOW	1	
	AN960-716	. WASHER	2	
	AN924-4D	. NUT	1	
- 56	50-580025-1	. TUBE ASSY,BRAKE VALVE TO RH SHUTTLE VALVE	1	
- 57	A-22	. VALVE,SHUTTLE	2	
- 58	AN822-4D	. ELBOW	2	
- 59	AN816-4D	. UNION	2	
- 60	AN924-4D	. NUT	2	
	AN960-716	. WASHER	4	
- 61	50-580025-29	. TUBE ASSY,COPILOTS PEDALS TO LH SHUTTLE VALVE	1	
- 62	AN815-4D	. UNION	1	
- 63	50-580025-17	. TUBE ASSY,COPILOTS PEDALS TO LH SHUTTLE VALVE	1	
- 64	AN833-4D	. ELBOW	1	
	AN960-716	. WASHER	2	
	AN924-4D	. NUT	1	
- 65	50-580025-25	. TUBE ASSY,FUSELAGE TO LH WING	1	
- 66	50-580025-21	. TUBE ASSY,FUSELAGE TO RH WING	1	
- 67	AN832-4D	. ELBOW	6	
	AN960-716	. WASHER	12	
	AN924-4D	. NUT	6	
- 68	50-580025-53	. TUBE ASSY,LEADING EDGE LH WING.	1	
- 69	50-580025-57	. TUBE ASSY,LEADING EDGE RH WING.	1	
- 70	AN837-4D	. ELBOW	1	
	AN960-716	. WASHER	2	
	AN924-4D	. NUT	1	
- 71	50-580003-138	. TUBE ASSY,FWD LH NACELLE HYDRAULIC.	1	
- 72	50-580003-130	. TUBE ASSY,FWD RH NACELLE HYDRAULIC.	1	
- 73	50-580003-62	. TUBE ASSY,AFT LH NACELLE HYDRAULIC.	1	
- 74	50-580003-66	. TUBE ASSY,AFT RH NACELLE HYDRAULIC.	1	
- 75	AN6271-4-15-3/8	. HOSE ASSY	2	
- 76	AN833-4D	. ELBOW	2	
	AN924-4D	. NUT	2	
- 77	50-580036-2	. CLIP,LH HOSE	1	
- 78	50-580036-3	. CLIP,RH HOSE	1	
- 79	50-580003-46	. TUBE ASSY,LH NACELLE TO LANDING GEAR.	1	
- 80	50-580003-50	. TUBE ASSY,RH NACELLE TO LANDING GEAR.	1	
- 81	AN837-4D	. ELBOW	2	
	AN960-716	. WASHER	4	
	AN924-4D	. NUT	2	

MODEL 65 & 80 PARTS CATALOG

FIG. & INDEX NO.	PART NO.	1	2	3	4	5	6	7	DESCRIPTION	UNITS PER ASSY	USABLE ON CODE
59 - 82	AN6271-4-22-1/4	HOSE ASSY	2	
- 83	AN815-4D	UNION	2	
	AN702-4	GASKET	2	
- 84	35-815049	CLAMP ASSY, BRAKE HOSE	2	
		/ATTACHING PARTS/		
- 85	AN4-6A	BOLT	1	
	AN960-416	WASHER	1	
	AN365-428	NUT	1	
		----	*	----							

MODEL 65 & 80 PARTS CATALOG

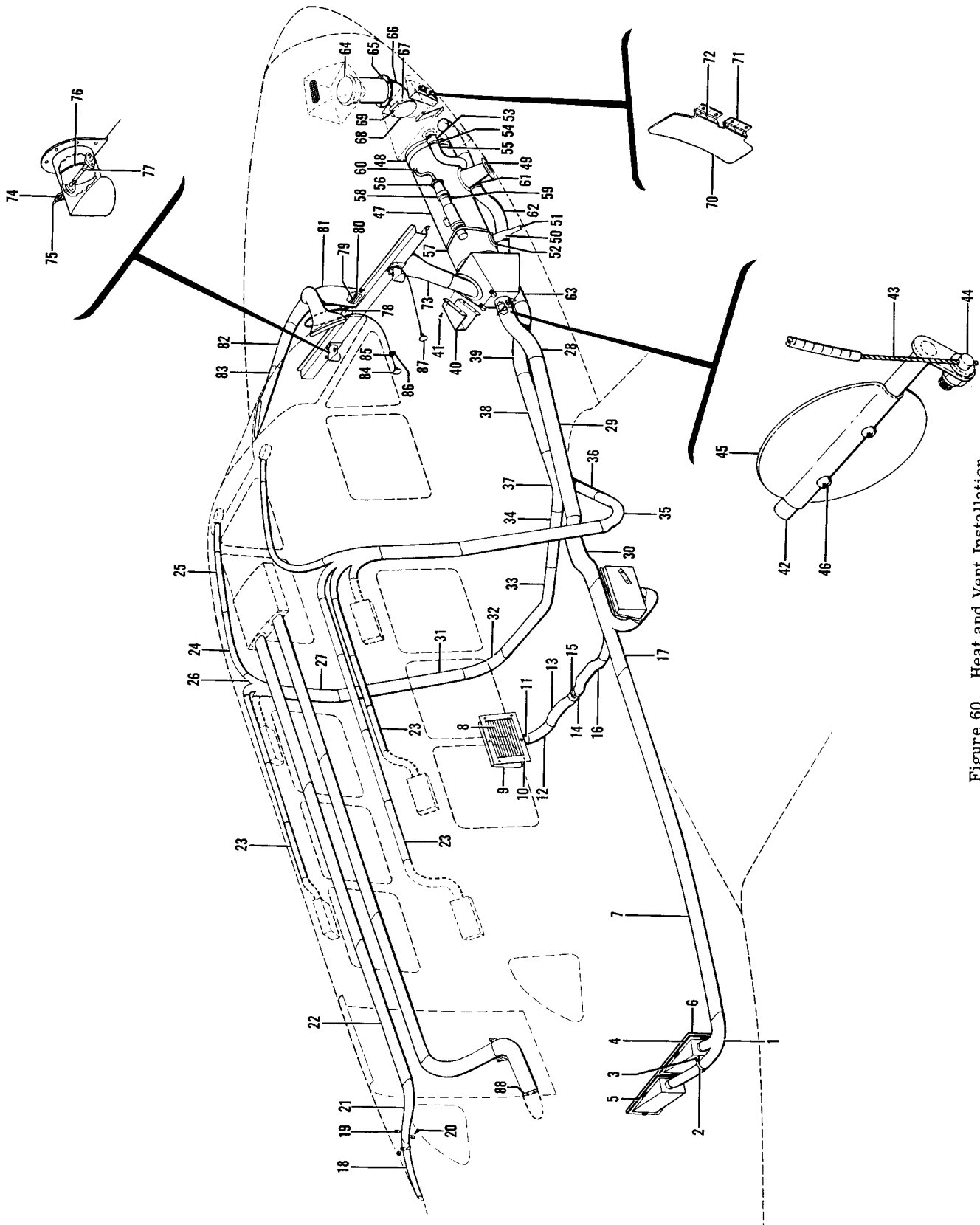


Figure 60. Heat and Vent Installation

MODEL 65 & 80 PARTS CATALOG

FIG. & INDEX NO.	PART NO.	DESCRIPTION	UNITS PER ASSY	USABLE ON CODE
		1 2 3 4 5 6 7		
60	50-554200-1	HEAT & VENT INSTL, /SEE FIG. 1 FOR NHA/	NP	
	50-554210	. . . DUCT INSTL, LOWER FUSELAGE	NP	
- 1	50-554210-43	. . . DUCT, LOWER FUSELAGE	1	
- 2	MS21919DG36	. . . CLAMP, HOT AIR DUCT.	1	
		/ATTACHING PARTS/		
- 3	AN520-10-8	. . . SCREW	1	
	AN960-10	. . . WASHER.	1	
	AN365-1032	. . . NUT	1	
		-----*-----		
- 4	50-554210-31	. . . LOUVER, LOWER FUSELAGE	2	
- 5	50-554210-57	. . . COVER, HOT AIR LOUVER.	1	
		/ATTACHING PARTS/		
- 6	NAS387-1032P	. . . SCREW	12	
	NAS391-10P	. . . WASHER.	4	
	AN960-10	. . . WASHER.	8	
	AN365-1032	. . . NUT	8	
		-----*-----		
- 7	50-554210-45	. . . DUCT, LOWER FUSELAGE	1	
- 8	50-554210-33	. . . LOUVER, LOWER FUSELAGE	2	
- 9	50-554210-61	. . . COVER, HOT AIR LOUVER.	2	
		/ATTACHING PARTS/		
- 10	NAS387-1032P	. . . SCREW	4	
	AN520-10R	. . . SCREW	4	
	NAS391-10P	. . . WASHER.	4	
	AN960-10	. . . WASHER.	4	
	AN365-1032	. . . NUT	4	
		-----*-----		
- 11	50-554210-15	. . . VENT, LOWER FUSELAGE	2	
- 12	50-554210-19	. . . DUCT, LOWER FUSELAGE LH.	1	
	50-554210-20	. . . DUCT, LOWER FUSELAGE RH.	1	
- 13	50-554210-27	. . . DUCT, LOWER FUSELAGE	1	
- 14	MS21919DG36	. . . CLAMP, FUSELAGE DUCT	2	
		/ATTACHING PARTS/		
- 15	AN520-10R10	. . . SCREW	2	
	AN960PD10	. . . WASHER.	2	
		-----*-----		
- 16	50-554210-25	. . . DUCT, LOWER FUSELAGE	1	
- 17	50-554210-21	. . . DUCT ASSY, LOWER FUSELAGE CROSS.	1	
	50-554210-65	. . . DUCT, UPPER SIDE	1	
	50-554210-63	. . . DUCT, LOWER SIDE	1	
	50-554207-31	. . . DUCT INSTL, UPPER FUSELAGE	NP	
- 18	50-554207-33	. . . ELBOW ASSY, FUSELAGE LH.	1	
	50-554207-49	. . . ELBOW, UPPER LH.	1	
	50-554207-51	. . . ELBOW, LOWER LH.	1	
	50-554207-34	. . . ELBOW ASSY, FUSELAGE RH.	1	
	50-554207-50	. . . ELBOW, UPPER RH.	1	
	50-554207-52	. . . ELBOW, LOWER RH.	1	
- 19	50-554207-25	. . . HANGER, UPPER FUSELAGE DUCT.	2	
		/ATTACHING PARTS/		
- 20	AN515-8R	. . . SCREW	4	
	AN960D8	. . . WASHER.	4	
	AN365-832	. . . NUT	4	
		-----*-----		
- 21	50-554207-35	. . . ELBOW ASSY, FUSELAGE LH.	1	
	50-554207-53	. . . ELBOW, UPPER LH.	1	
	50-554207-55	. . . ELBOW, LOWER LH.	1	
	50-554207-36	. . . ELBOW ASSY, FUSELAGE RH.	1	
	50-554207-54	. . . ELBOW, UPPER RH.	1	
	50-554207-56	. . . ELBOW, LOWER RH.	1	
- 22	50-554207-41	. . . DUCT, UPPER FUSELAGE	6	
- 23	50-554207-23	. . . DUCT, UPPER FUSELAGE	8	
- 24	50-554207-21	. . . DUCT, UPPER FUSELAGE LH.	1	
	50-554207-22	. . . DUCT, UPPER FUSELAGE RH.	1	
- 25	50-554207-43	. . . DUCT, UPPER FUSELAGE	2	
- 26	50-554207-39	. . . DISTRIBUTOR ASSY, UPPER FUSELAGE LH.	1	
	50-554207-61	. . . DISTRIBUTOR DUCT, UPPER LH	1	
	50-554207-63	. . . DISTRIBUTOR DUCT, LOWER LH	1	

MODEL 65 & 80 PARTS CATALOG

FIG. & INDEX NO.	PART NO.	1	2	3	4	5	6	7	DESCRIPTION	UNITS PER ASSY	USABLE ON CODE
60	50-554207-29	DISTRIBUTOR ASSY,UPPER FUSELAGE RH.	1	
	50-554207-45	DISTRIBUTOR DUCT,UPPER RH	1	
	50-554207-47	DISTRIBUTOR DUCT,LOWER RH	1	
- 27	50-554207-37	DUCT ASSY,UPPER FUSELAGE	2	
	50-554207-57	DUCT,INBD SIDE	1	
	50-554207-59	DUCT,OUTBD SIDE	1	
	50-554204	DUCT INSTL,LOWER FUSELAGE	NP	
- 28	50-554204-31	DUCT,HOT AIR	1	
- 29	50-554204-3	DUCT,HOT AIR	1	
- 30	50-554204-25	DUCT ASSY,HOT AIR	1	
	50-554204-69	DUCT,LOWER SIDE	1	
	50-554204-71	DUCT,UPPER SIDE	1	
- 31	50-554204-29	DUCT ASSY,COLD AIR	2	
	50-554204-65	DUCT,LOWER SIDE	1	
	50-554204-67	DUCT,UPPER SIDE	1	
- 32	50-554204-17	DUCT ASSY,COLD AIR	1	
	50-554204-49	DUCT,LOWER SIDE	1	
	50-554204-51	DUCT,UPPER SIDE	1	
- 33	50-554204-15	DUCT ASSY,COLD AIR	1	
	50-554204-45	DUCT,LOWER SIDE	1	
	50-554204-47	DUCT,UPPER SIDE	1	
- 34	50-554204-13	DUCT ASSY,COLD AIR	1	
	50-554204-41	DUCT,LOWER SIDE	1	
	50-554204-43	DUCT,UPPER SIDE	1	
- 35	50-554204-23	DUCT ASSY,COLD AIR	1	
	50-554204-57	DUCT,LOWER SIDE	1	
	50-554204-59	DUCT,UPPER SIDE	1	
- 36	50-554204-21	DUCT ASSY,COLD AIR	1	
	50-554204-53	DUCT,LOWER SIDE	1	
	50-554204-55	DUCT,UPPER SIDE	1	
- 37	50-554204-27	DUCT ASSY,COLD AIR	1	
	50-554204-61	DUCT,LOWER SIDE	1	
	50-554204-63	DUCT,UPPER SIDE	1	
- 38	50-554204-1	DUCT ASSY,COLD AIR	1	
	50-554204-33	DUCT,LOWER SIDE	1	
	50-554204-35	DUCT,UPPER SIDE	1	
- 39	50-554204-9	DUCT,COLD AIR	1	
	50-554204-37	DUCT,LOWER SIDE	1	
	50-554204-39	DUCT,UPPER SIDE	1	
	50-554203	CHAMBER ASSY,PLENUM	1	
- 40	50-554203-33	GUARD,PLENUM CHAMBER	1	
									/ATTACHING PARTS/		
- 41	NAS229	SCREW	4	
	NAS697A3	NUT	4	
									-----*-----		
- 42	50-554203-7	LEVER ASSY,PLENUM CHAMBER	1	
- 43	50-580026-1	CONTROL ASSY,HEATER PLENUM	1	
									/ATTACHING PARTS/		
- 44	35-550520	PIN	1	
	100801-D4-0093	SPACER	1	
	AN960-10	WASHER	1	
	AN364-1032	NUT	1	
									-----*-----		
- 45	50-554203-13	DAMPER,PLENUM CHAMBER	1	
									/ATTACHING PARTS/		
- 46	NAS228	SCREW	2	
	MS20365-832	NUT	2	
									-----*-----		
	50-554201	HEATER INSTL,CABIN	NP	
- 47	60C43	HEATER ASSY,CABIN	1	
- 48	61C77	CLAMP ASSY,HEATER	2	
- 49	50-554209	SHROUD ASSY,HEATER	1	
- 50	50-554206	SHROUD,HEATER	1	
- 51	AN816-4-4	NIPPLE,HEATER	1	
- 52	105798-4	CLAMP,HEATER	1	
- 53	115099-7-230	HOSE,HEATER	1	

MODEL 65 & 80 PARTS CATALOG

FIG. & INDEX NO.	PART NO.	DESCRIPTION	UNITS PER ASSY	USABLE ON CODE
		1 2 3 4 5 6 7		
60 - 54	105798-8	. . CLAMP,HEATER	1	
- 55	111716AX-XX4-52	. . DUCT,HEATER	1	
- 56	11C30	. . IGNITION ASSY,HEATER	1	
- 57	105798-10	. . CLAMP,HEATER IGNITION	1	
- 58	MS21919DG34	. . CLAMP,HEATER IGNITION /ATTACHING PARTS/	1	
- 59	NAS229	. . SCREW	1	
	AN960PD10	. . WASHER	1	
	MS20365-1032	. . NUT	1	
		-----*-----		
- 60	02C96	. . LEAD ASSY,HEATER IGNITION	1	
- 61	50-554201-3	. . DUCT,HEATER	1	
- 62	50-554201-7	. . DUCT,HEATER	1	
- 63	50-554201-5	. . DUCT,HEATER	1	
	50-554202	. . PLENUM ASSY,COLD AIR	1	
- 64	M4861-H-1A	. . BLOWER,COLD AIR /ATTACHING PARTS/	1	
- 65	AN520-10R8	. . SCREW	6	
	AN960-10L	. . WASHER	6	
		-----*-----		
- 66	50-554202-33	. . ELBOW,COLD AIR /ATTACHING PARTS/	1	
- 67	AN520-10R8	. . SCREW	4	
	AN960-10L	. . WASHER	8	
	MS20365-1032	. . NUT	4	
		-----*-----		
- 68	50-554202-31	. . VALVE,COLD AIR /ATTACHING PARTS/	1	
- 69	AN520-10R8	. . SCREW	2	
	AN960-10	. . WASHER	2	
		-----*-----		
- 70	50-554202-13	. . VALVE,COLD AIR /ATTACHING PARTS/	1	
- 71	AN515-6R8	. . SCREW	4	
	AN960PD67	. . WASHER	4	
		-----*-----		
- 72	50-554205	. . SPRING,COLD AIR VALVE	2	
	50-554208	. . HEAT & DEFROSTER INSTL,COCKPIT	NP	
- 73	50-554208-7	. . DUCT,DEFROSTER	1	
- 74	50-554208-27	. . LEVER ASSY,LH HOT AIR	1	
	50-554208-28	. . LEVER ASSY,RH HOT AIR	1	
- 75	35-550520	. . PIN,TAPER	3	
	100801-D4-0093	. . SPACER	3	
	AN960-10	. . WASHER	3	
	AN364-1032	. . NUT	3	
- 76	50-554208-15	. . DAMPER,HOT AIR /ATTACHING PARTS/	2	
- 77	AN515-6R	. . SCREW	4	
	MS20365-632	. . NUT	4	
		-----*-----		
- 78	50-554208-29	. . LEVER ASSY,DEFROSTER	1	
- 79	50-554208-5	. . DAMPER,DEFROSTER /ATTACHING PARTS/	1	
- 80	AN515-6R	. . SCREW	2	
	MS20365-632	. . NUT	2	
		-----*-----		
	50-554208-23	. . DUCT ASSY,DEFROSTER	1	
- 81	50-554208-61 DUCT ASSY,DEFROSTER	1	
	50-554208-91 DUCT,FWD SIDE	1	
	50-554208-93 DUCT,AFT SIDE	1	
- 82	50-554208-71 DUCT ASSY,LH DEFROSTER	1	
	50-554208-95 DUCT,FWD SIDE LH	1	
	50-554208-97 DUCT,ALT SIDE LH	1	
	50-554208-72 DUCT ASSY,RH DEFROSTER	1	
	50-554208-96 DUCT,FWD SIDE RH	1	
	50-554208-98 DUCT,AFT SIDE RH	1	

MODEL 65 & 80 PARTS CATALOG

FIG. & INDEX NO.	PART NO.	1	2	3	4	5	6	7	DESCRIPTION	UNITS PER ASSY	USABLE ON CODE
60 - 83	50-554208-69	DUCT ASSY,LH DEFROSTER.	1	
	50-554208-99	DUCT,FWD SIDE LH.	1	
	50-554208-101	DUCT,AFT SIDE LH.	1	
	50-554208-70	DUCT ASSY,RH DEFROSTER.	1	
	50-554208-100	DUCT,FWD SIDE RH.	1	
	50-554208-102	DUCT,AFT SIDE RH.	1	
- 84	50-580026-5	CONTROL ASSY,DEFROSTER.	1	
- 85	MS21919DG4	CLAMP,DEFROSTER CONTROL	3	
									/ATTACHING PARTS/		
- 86	AN3-4	BOLT.	3	
	AN960-10	WASHER.	3	
	MS20365-1032	NUT	3	
		---	*	---							
- 87	50-580026-3	CONTROL ASSY,HOT AIR.	2	
- 88	50-554207-65	SCREEN,EXHAUST.	2	

MODEL 65 & 80 PARTS CATALOG

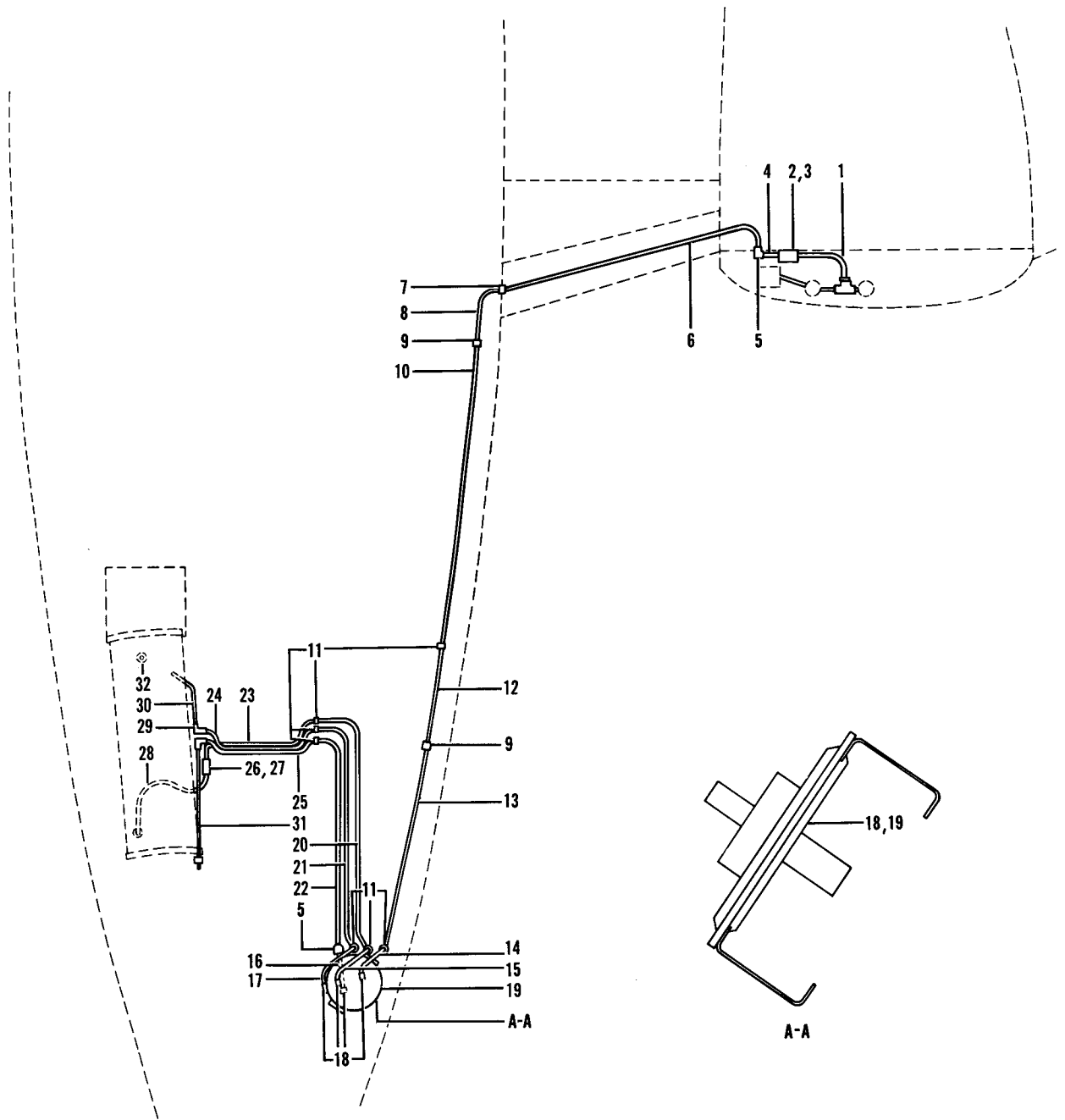


Figure 61. Fuel, Air and Heater Lines Plumbing Installation

MODEL 65 & 80 PARTS CATALOG

FIG. & INDEX NO.	PART NO.	DESCRIPTION	UNITS PER ASSY	USABLE ON CODE
61	50-929013	PLUMBING INSTL,FUEL,AIR & HEATER LINES. /SEE FIG. 1 FOR NHA/	NP	1
	50-929013-119	PLUMBING INSTL,FUEL & HEATER LINES. /SEE FIG. 1 FOR NHA/	NP	2
- 1	50-929013-45	. TUBE ASSY,FUEL LINE	1	1
	MS28741-4-0210	. HOSE ASSY,FUEL LINE	1	2
- 2	AV1B1474	. VALVE ASSY,SOLENOID /ATTACHING PARTS/	1	
- 3	AN3-12A	. BOLT.	2	
	102933D4ZE0500	. SPACER.	2	
	AN960D10L	. WASHER.	2	
		-----*		
- 4	50-929013-47	. TUBE ASSY,FUEL LINE	1	1
	50-929013-117	. TUBE ASSY,FUEL LINE	1	2
- 5	AN833-4	. ELBOW	2	
	AN924-4D	. NUT	2	
	AN960PD716L	. WASHER.	2	
- 6	50-929013-49	. TUBE ASSY,FUEL LINE	1	
- 7	AN837-4D	. ELBOW	1	
	AN924-4D	. NUT	1	
	AN960PD716L	. WASHER.	1	
- 8	50-929013-53	. TUBE ASSY,FUEL LINE	1	
- 9	AN815-4D	. UNION	2	
- 10	50-929013-55	. TUBE ASSY,FUEL LINE	1	
- 11	AN832-4D	. UNION	7	
	AN924-4D	. NUT	7	
	AN960PD716L	. WASHER.	7	
- 12	50-929013-57	. TUBE ASSY,FUEL LINE	1	
- 13	50-929013-59	. TUBE ASSY,FUEL LINE	1	
- 14	50-929013-105	. TUBE ASSY,FUEL LINE	1	
- 15	50-929013-107	. TUBE ASSY,FUEL LINE	1	
- 16	50-929013-109	. TUBE ASSY,AIR LINE.	1	
- 17	50-929013-111	. TUBE ASSY,EXHAUST LINE.	1	
- 18	AN822-4D	. ELBOW,REGULATOR	4	
- 19	50-929013-101	. REGULATOR ASSY,FUEL,AIR & HEATER LINES.	1	
- 20	50-929013-69	. TUBE ASSY,FUEL LINE	1	
- 21	50-929013-71	. TUBE ASSY,EXHAUST LINE.	1	
- 22	50-929013-73	. TUBE ASSY,AIR LINE.	1	
- 23	50-929013-93	. TUBE ASSY,FUEL LINE	1	
- 24	50-929013-79	. TUBE ASSY,EXHAUST LINE.	1	
- 25	50-929013-75	. TUBE ASSY,AIR LINE.	1	
- 26	AV1B1474	. VALVE ASSY,SOLENOID /ATTACHING PARTS/	1	
- 27	AN3-12A	. BOLT.	2	
	102933D4ZE0375	. SPACER.	2	
	AN960D10L	. WASHER.	2	
		-----*		
- 28	50-929013-95	. TUBE ASSY,FUEL LINE	1	
- 29	AN833-4D	. ELBOW	2	
	AN924-4D	. NUT	2	
	AN960PD716L	. WASHER.	2	
- 30	50-929013-81	. TUBE ASSY,EXHAUST LINE.	1	
- 31	50-929013-103	. TUBE ASSY,AIR LINE.	1	
- 32	50-929013-89	. TUBE ASSY,HEATER.	1	

CODE EFFECTIVITY

1 LC-1 AND AFTER

CODE EFFECTIVITY

2 LD-2 AND AFTER

MODEL 65 & 80 PARTS CATALOG

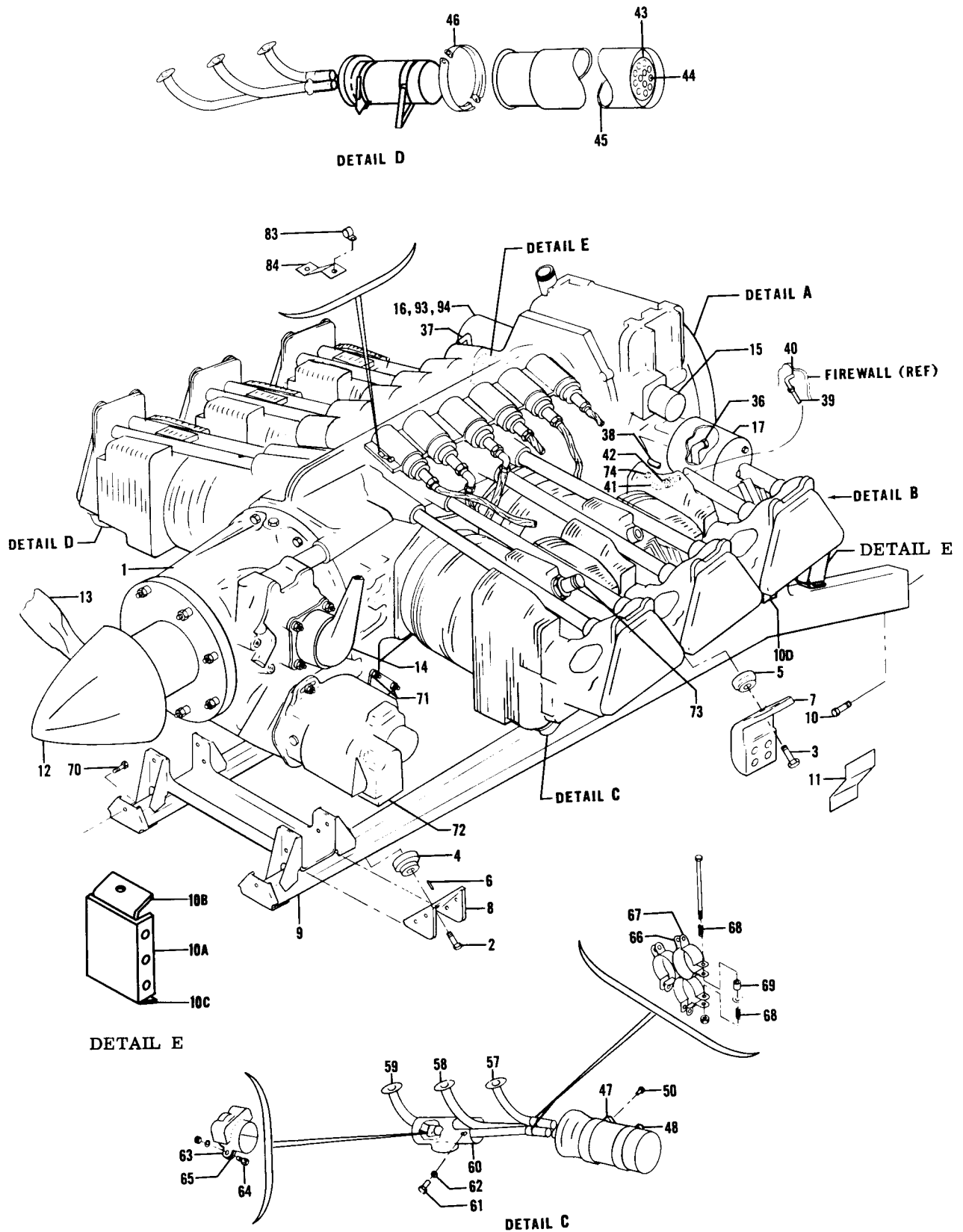
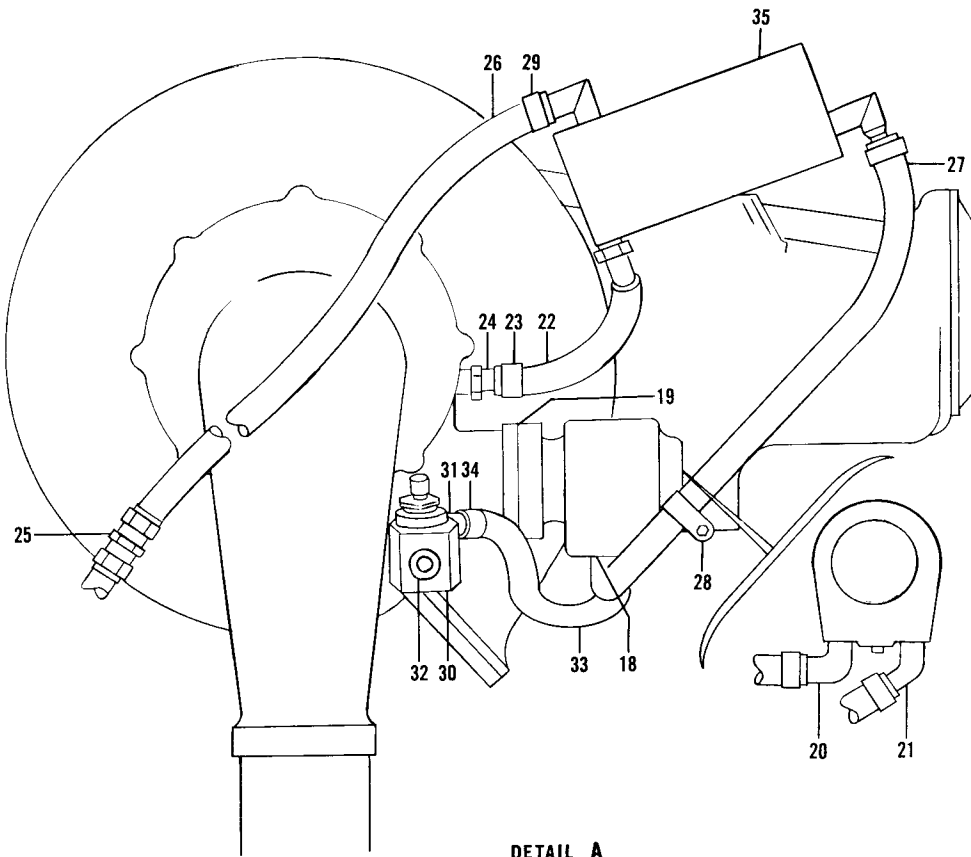
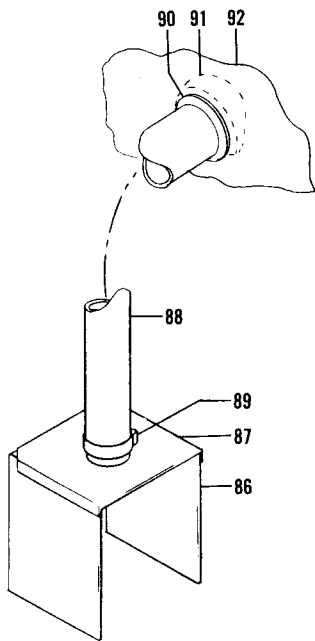


Figure 61A. Power Plant Installation (Model 80)(Sheet 1 of 2 Sheets)

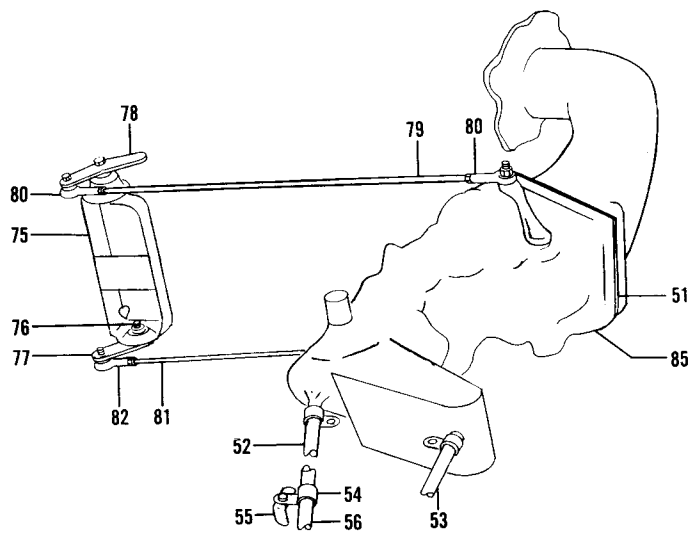
MODEL 65 & 80 PARTS CATALOG



DETAIL A



DETAIL E



DETAIL B

Figure 61A. Power Plant Installation (Model 80) (Sheet 2 of 2 Sheets)

MODEL 65 & 80 PARTS CATALOG

FIG. & INDEX NO.	PART NO.	DESCRIPTION	UNITS PER ASSY	USABLE ON CODE
		POWER PLANT INSTL,IGS0-540 /MODEL 80/		5
		POWER PLANT INSTL,IGS0-540 /USED WITH DE-ICER .		5
		SYSTEM/ /MODEL 80/		
61A-	1	IGS0-540-A1A . ENGINE	1	5
		/ATTACHING PARTS/		
-	2	AN7-31A/M/ . BOLT,FWD	2	
		AN960-716 . WASHER,FWD	2	
		1452-070 . NUT,FWD	2	
-	3	AN7-34A/M/ . BOLT,AFT	2	
		AN960-716 . WASHER,AFT	2	
		MS20365-720 . NUT,AFT	2	
		-----*		
-	4	J-7525-1 . MOUNT,FWD SHOCK	2	5
-	5	J-6545-1 . MOUNT,AFT SHOCK	2	5
-	6	114698H00100 . PIN	6	5
-	7	50-910220-1 . MOUNT,REAR LH ENGINE	1	5
		50-910220-2 . MOUNT,REAR RH ENGINE	1	5
		/ATTACHING PARTS/		
		AN4-24A . BOLT	8	
		AN960-416 . WASHER	8	
		MS20365-428 . NUT	8	
		-----*		
-	8	50-910216 . MOUNT,FWD ENGINE	2	5
		/ATTACHING PARTS/		
		AN509-416R17 . SCREW	2	
		AN960-416 . WASHER	2	
		MS20365-428 . NUT	2	
		-----*		
-	9	50-910219-608 . MOUNT ASSY,ENGINE	1	5
		/ATTACHING PARTS/		
-	10	NAS145-28 . BOLT	4	
		NAS143-6C . WASHER,UPPER	2	
		NAS143-5C . WASHER,LOWER	2	
		NAS143-6 . WASHER,UPPER	2	
		NAS143-5 . WASHER,LOWER	2	
		12B-064 . NUT,UPPER	2	
		12B-054 . NUT,LOWER	2	
		-----*		
-	10A	50-910219-59 . BRACKET,AUGMENTER	2	
-	10B	50-910219-61 . CLIP,UPPER	2	
-	10C	50-910219-63 . CLIP,LOWER	2	
-	10D	50-910219-53 . ANGLE,LH	1	
		50-910219-54 . ANGLE,RH	1	
-	11	50-910218 . SHIFLD,ENGINE MOUNT	2	5
-	12	836-32SP . SPINNER,PROPELLER (Use Without Anti-Icer)	1	5
-	13	HC-B3Z30-2B/ . PROPELLER (See Figure 65A)	1	5
		10151-8		
		A210390 . GOVERNOR,PROPELLER (See Figure 66A)	1	1
-	14	A210390 REV C . GOVERNOR,PROPELLER (See Figure 66A)	1	2
-	15	18-300014-29 . GENERATOR,TACHOMETER /SUPERSEDES 31-273/	1	5
-	16	30B24-1A . GENERATOR	1	5
-	17	G-760 . STARTER	1	5
		756-10C . STARTER /ALTERNATE FOR G-760 IF BOTH STARTERS	1	5
		ARE REPLACED/		
-	18	G-455L . PUMP,VACUUM /USE ONLY WITH STANDARD INSTL/	1	5
-	19	AN4045-1 . GASKET /USE ONLY WITH STANDARD INSTL/	1	5
-	20	AN842-8 . ELBOW /USE ONLY WITH STANDARD INSTL/	1	5
-	21	AN844-8 . ELBOW /USE ONLY WITH STANDARD INSTL/	1	5
		VACUUM SYSTEM INSTL,ENGINE SECTION		5
		/USE ONLY WITH STANDARD INSTL/		
-	22	106200H8-84 . HOSE	1	5
-	23	AN737-30 . CLAMP	2	5
-	24	AN840-8 . ADAPTER	1	5
-	25	AN815-10D . UNION	1	5
-	26	50-910273-7 . HOSE ASSY,LH	1	5
		50-910273-9 . HOSE ASSY,RH	1	5
-	27	106200H8-120 . HOSE	1	5
-	28	AN737-30 . CLAMP	2	5
		MS21919DG24 . CLAMP /RH ONLY/	1	5

MODEL 65 & 80 PARTS CATALOG

FIG. & INDEX NO.	PART NO.	DESCRIPTION	UNITS PER ASSY	USABLE ON CODE
		1 2 3 4 5 6 7		
61A-	MS21919DG6	. . CLAMP /RH ONLY/ /ATTACHING PARTS/	1	5
	AN520-10R8	. . SCREW	1	
	AN960-10	. . WASHER	1	
	MS20365-1032	. . NUT	1	
		-----*		
- 29	AN742-12	. . CLAMP /LH ONLY/ /ATTACHING PARTS/	1	5
	AN520-10R8	. . SCREW	1	
		-----*		
- 30	9520	. . VALVE,VACUUM	1	5
- 31	AN844-8	. . ELBOW	1	5
- 32	AN913-1D	. . PLUG	1	5
- 33	106200H8-50	. . HOSE	1	5
- 34	AN737-30	. . CLAMP	2	5
- 35	50-910083-13	. . SEPARATOR ASSY,VACUUM OIL /ATTACHING PARTS/	1	5
	AN3-10	. . BOLT	2	
	AN310-3	. . NUT	2	
		-----*		
- 36	MS28034-1	. . BULB,OIL TEMPERATURE	1	5
- 37	50-910300-3	. . TUBE,GENERATOR BLAST	1	5
- 38	MS28741-4	. . HOSE,OIL PRESSURE	1	5
- 39	MS28741-4	. . HOSE,MANIFOLD PRESSURE	1	5
- 40	AN833-4	. . ELBOW	2	5
	AN960-716	. . WASHER	2	5
	AN924-4	. . NUT	2	5
- 41	AN915-1	. . ELBOW	1	5
- 42	189697P	. . FITTING,RESTRICTOR	1	5
	50-950058-31	. . AUGMENTER ASSY,ENGINE EXHAUST /ATTACHING PARTS/	2	3
	50-950058-19	. . AUGMENTER ASSY,ENGINE EXHAUST	2	4
	AN3-7A	. . BOLT	2	
		-----*		
- 43	AN960-10	. . WASHER	2	
	50-950058-11	. . RETAINER	1	4
	MS20365-1032	. . NUT	2	
		/ATTACHING PARTS/		
	AN520-10R8	. . SCREW	3	
	AN960-10	. . WASHER	3	
	MS20365-1032C	. . NUT	3	
		-----*		
- 44	50-950058-25	. . LINER,AUGMENTER	1	4
- 45	50-950058-23	. . INSULATION,AUGMENTER	1	4
- 46	50-950071	. . CLAMP ASSY,AUGMENTER /ATTACHING PARTS/	2	5
	AN4-13A	. . BOLT	2	
	AN960D416	. . WASHER	2	
	AN363-428	. . NUT	2	
		-----*		
	50-910233	. . AUGMENTER ASSY,FIRST STAGE LH	1	5
	50-910233-26	. . AUGMENTER ASSY,FIRST STAGE RH /ATTACHING PARTS/	1	5
	AN3-4A	. . BOLT	5	
	AN960-10	. . WASHER	5	
	MS20365C1032	. . NUT	5	
		-----*		
- 47	50-910233-9	. . BRACKET,FWD LH	1	5
	50-910233-10	. . BRACKET,FWD RH	1	5
- 48	50-910233-11	. . BRACKET,AFT LH	1	5
	50-910233-12	. . BRACKET,AFT RH /ATTACHING PARTS/	1	5
	AN520-10	. . SCREW	3	
	AN960-10	. . WASHER	3	
	MS20365-1032	. . NUT	3	
		-----*		
- 49		. . DELETED		

MODEL 65 & 80 PARTS CATALOG

FIG. & INDEX NO.	PART NO.	DESCRIPTION	UNITS PER ASSY	USABLE ON CODE	
61A- 50	AN5-11A	. BOLT.	4	5	
	AN936A516	. WASHER.	4	5	
	AN960-516	. WASHER.	4	5	
	AN315-5R	. NUT	4	5	
	P8758Y	. GASKET.	1	5	
	- 51	106043ZE050	. HOSE,DRAIN.	1	5
	- 52	106043ZE	. HOSE,DRAIN.	1	5
	- 53	AN742-8	. CLAMP	4	5
		/ATTACHING PARTS/			
		AN520-10R8	. SCREW	1	
	AN960-10	. WASHER.	1		
	MS20365-1032	. NUT	1		
	-----*-----				
- 55	AN743-12	. CLIP.	2	5	
		/ATTACHING PARTS/			
		AN520-10R8	. SCREW	1	
		AN960-10	. WASHER.	1	
	MS20365-1032	. NUT	1		
	-----*-----				
- 56	50-910150-13	. TUBE,DRAIN.	2	5	
		. EXHAUST SYSTEM INSTL.		5	
- 57	50-950068-5 STACK ASSY,LH AFT EXHAUST	1	5	
	50-950068-35 STACK ASSY,RH AFT EXHAUST	1	5	
- 58	50-950068-11 STACK ASSY,LH CENTER EXHAUST.	1	5	
	50-950068-29 STACK ASSY,RH CENTER EXHAUST.	1	5	
- 59	50-950068-17 STACK ASSY,LH FWD EXHAUST	1	5	
	 HEATER MUFF INSTL		5	
- 60	50-950075-5 DUCT ASSY	1	5	
	/ATTACHING PARTS/				
- 61	AN3C-A BOLT.	4		
- 62	105090CR032-3E WASHER.	4		
	NAS1021A3 NUT	4		
	-----*-----				
- 63	50-950075-17 BRACKET ASSY,HEATER MUFF.	2	5	
	/ATTACHING PARTS/				
- 64	AN4C11 BOLT,FWD.	2		
	AN4C10 BOLT,AFT.	2		
	AN960C416L WASHER.	8		
	AN310C4 NUT	2		
	AN381-2 PIN,COTTER.	2		
	-----*-----				
- 65	50-950074-3 CLAMP,HEATER MUFF	2	5	
	50-950068-23 STACK ASSY,RH FWD EXHAUST	1	5	
	50-950074 CLAMP ASSY,EXHAUST STACK.	6	5	
- 66	50-950074-1 CLAMP ASSY.	1	5	
- 67	50-950074-3 CLAMP ASSY.	1	5	
	/ATTACHING PARTS/				
	AN4C35 BOLT.	1		
	AN960-416L WASHER.	2		
- 68	100943CR-YS030F SPRING.	2		
- 69	100696X-ZP010 SPACER.	1		
	AN310-4 NUT	1		
	AN381-2-7 PIN,COTTER.	1		
	-----*-----				
- 70	AN4-4A	. BOLT.	2	5	
	AN960-416	. WASHER.	2	5	
- 71	AN315-5R	. NUT	6	5	
	AN960-516	. WASHER.	6	5	
- 72	AN936A516	. WASHER.	6	5	
	10-209310-1	. MAGNETO,LH /TYPE S6RN-600/.	1	5	
	10-209350-2	. MAGNETO,RH /TYPE S6RN-604/.	1	5	
- 73	HSR-87LP	. SPARK PLUG.	12	5	
- 74	AN6-27A/M/	. BOLT.	2	5	
	AN960-616	. WASHER.	4	5	
	MS20365-624	. NUT	4	5	

MODEL 65 & 80 PARTS CATALOG

FIG. & INDEX NO.	PART NO.	DESCRIPTION	UNITS PER ASSY	USABLE ON CODE
		1 2 3 4 5 6 7		
61A-	50-910272-1	. BRACKET ASSY,FUEL INJECTION CONTROL /ATTACHING PARTS/	1	5
	AN5H4A	. BOLT	4	
	AN970-516	. WASHER	4	
		-----*		
- 75	50-910272-3	. . BRACKET,FUEL INJECTION CONTROL	1	5
- 76	AN218P5	. . BEARING	2	5
- 77	50-910272-7	. . ARM,THROTTLE CONTROL	1	5
- 78	50-910272-5	. . ARM,MIXTURE CONTROL /ATTACHING PARTS/	1	5
	AN5-11	. . BOLT	2	
	AN960-516	. . WASHER	2	
	AN310-5	. . NUT	2	
	MS24665-136	. . PIN,COTTER	2	
		-----*		
		. ROD ASSY,MIXTURE CONTROL /ATTACHING PARTS/		5
	AN3-10	. BOLT	2	
	AN960-10	. WASHER,FWD	1	
	AN960-10L	. WASHER,AFT	1	
	AN310-3	. NUT	2	
	MS24665-132	. PIN,COTTER	2	
		-----*		
- 79	NAS354-4-1310	. . ROD	1	5
- 80	REB3N	. . END,ROD	2	5
	AN316-4R	. . NUT	2	5
		. ROD ASSY,THROTTLE CONTROL /ATTACHING PARTS/		5
	AN3-13	. BOLT,FWD	1	
	AN3-10	. BOLT,AFT	1	
	AN960-10	. WASHER,FWD	1	
	AN960-10L	. WASHER,AFT	1	
	AN310-3	. NUT	2	
	MS24665-132	. PIN,COTTER	2	
		-----*		
- 81	NAS354-4-1310	. . ROD	1	3
- 82	NAS354-4-1260	. . ROD	1	4
- 82	REB3N	. . END,ROD	2	5
	AN316-4R	. . NUT	2	5
- 83	50-960047-201	. CLIP,MAGNETO WIRES	4	5
- 84	MS21919DG4	. CLAMP /ATTACHING PARTS/	4	5
	AN520-10-8	. SCREW	1	
	AN960-10	. WASHER	1	
	AN365-1032	. NUT	1	
		-----*		
- 85	RS10-FB1	. INJECTOR	1	5
		. SHIELD INSTL,FUEL PUMP HEAT		5
- 86	50-910291-1	. . BODY /ATTACHING PARTS/	1	5
	AN525-1032	. . SCREW	2	
	AN960-10	. . WASHER	2	
		-----*		
- 87	50-910291-7	. . WELD ASSY,CAP	1	5
- 88	115167CXZ060585	. . DUCT	1	5
- 89	NAS397-28	. . CLAMP	1	5
- 90	35-910004-7	. . FLANGE,DUCT /ATTACHING PARTS/	1	5
	AN515-8R	. . SCREW	4	
	AN960-8	. . WASHER	4	
	AN365-832	. . NUT	4	
		-----*		
- 91	50-910293	. . SCOOP	1	5
		. BAFFLE INSTL,ENGINE /SEE FIG. 63/		5
		. GENERATOR INSTL,100 AMP		5
- 93	901-9B	. GENERATOR,100 AMP	1	5

MODEL 65 & 80 PARTS CATALOG

FIG. & INDEX NO.	PART NO.	DESCRIPTION							UNITS PER ASSY	USABLE ON CODE	
		1	2	3	4	5	6	7			
		RECTIFIER INSTL,ALTERNATOR /WHEN.								5	
		USED OMIT 30B24-1A OR 901-9B/ /SEE FIG.									
		63 FOR BAFFLES USED WITH THIS INSTL/									
61A- 94	50-389015	. RECTIFIER,ALTERNATOR.							1	5	
		CODE EFFECTIVITY				CODE EFFECTIVITY					
		1	LD-1 THRU LD-54			2	LD-55 AND AFTER				
		3	LD-1 THRU LD-38			4	LD-30,LD-39,LD-40,				
			EXCEPT LD-30,				LD-45 AND AFTER				
			LD-41 THRU LD-44								
		5	LD-1 AND AFTER								



MODEL 65 & 80 PARTS CATALOG

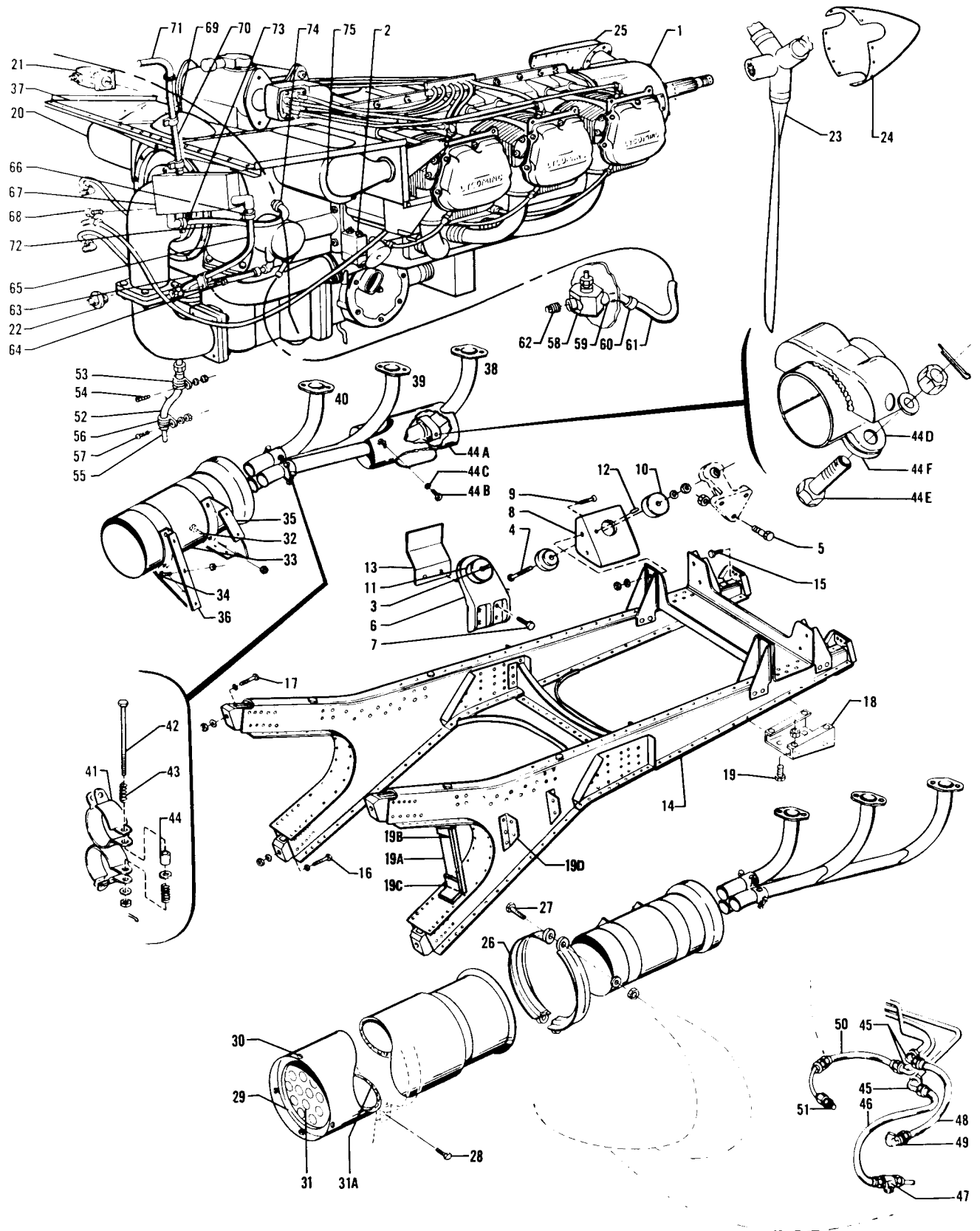


Figure 62. Power Plant Installation (Model 65)

MODEL 65 & 80 PARTS CATALOG

FIG. & INDEX NO.	PART NO.	DESCRIPTION	UNITS PER ASSY	USABLE ON CODE
		1 2 3 4 5 6 7		
		PLANT INSTL,POWER		7
62 - 1	IG50-480-A1A6	. ENGINE	1	1
	IG50-480-A1B6	. ENGINE	1	2
		/ATTACHING PARTS/		
- 2	AN6-27A/M/	. BOLT	2	
	AN960-616	. WASHER	4	
	MS20365-624	. NUT	2	
- 3	AN7-34A/M/	. BOLT	2	
- 4	AN7-31A/M/	. BOLT	2	
	AN960-716	. WASHER	4	
	MS20365-720	. NUT,AFT	2	
	1452-070	. NUT,FWD	2	
- 5	AN315-5R	. BOLT	3	
	AN936A516	. WASHER	3	
	AN960-516	. WASHER	3	
		-----*		
- 6	50-910220-1	. MOUNT,LH ENGINE REAR	1	7
	50-910220-2	. MOUNT,RH ENGINE REAR	1	7
		/ATTACHING PARTS/		
- 7	AN4-24A	. BOLT	4	
	AN960-416	. WASHER	4	
	MS20365-428	. NUT	4	
		-----*		
- 8	50-910216	. MOUNT,ENGINE FWD	2	7
		/ATTACHING PARTS/		
- 9	AN509-416R17	. SCREW	4	
	AN960-416	. WASHER	4	
	MS20365-428	. NUT	4	
		-----*		
- 10	J-7525-1	. MOUNT,FWD SANDWICH	2	7
- 11	J-6545-1	. MOUNT,REAR SANDWICH	2	7
- 12	114698H00100	. PIN	6	7
- 13	50-910218	. SHIELD,ENGINE MOUNT	2	7
- 14	50-910219-45	. MOUNT ASSY,ENGINE SUPPORT	1	7
		/ATTACHING PARTS/		
- 15	AN4-4A	. BOLT,FWD	2	
- 16	NAS145-28	. BOLT,LOWER AFT	2	
- 17	NAS146-28	. BOLT,UPPER AFT	2	
	AN960-416	. WASHER,FWD	2	
	NAS143-5C	. WASHER,LOWER AFT	2	
	NAS143-5	. WASHER,LOWER AFT	2	
	NAS143-6	. WASHER,UPPER AFT	2	
	NAS143-6C	. WASHER,UPPER AFT	2	
	12B-054	. NUT,LOWER AFT	2	
	12B-064	. NUT,UPPER AFT	2	
		-----*		
- 18	50-910219-65	. BRACKET	1	7
		/ATTACHING PARTS/		
- 19	AN520-10R8	. SCREW	6	
	AN960-10L	. WASHER	6	
	MS20365-1032	. NUT	6	
		-----*		
- 19A	50-910219-59	. BRACKET,AUGMENTER	2	
- 19B	50-910219-61	. CLIP,UPPER	2	
- 19C	50-910219-63	. CLIP,LOWER	2	
- 19D	50-910219-53	. ANGLE,LH	1	
	50-910219-54	. ANGLE,RH	1	
- 20	G760	. STARTER,ENGINE	1	7
- 21	18-300014-29	. GENERATOR,TACHOMETER /SUPERSEDES 31-273/	1	7
- 22	MS28034-1	. BULB,OIL TEMPERATURE	1	7
- 23	HC-93Z20-2C1/	. PROPELLER ASSY /SEE FIG. 65/	1	7
	10151-8			
	HC-B3Z20-2A/	. PROPELLER ASSY /ALTERNATE FOR	1	7
	10151-8	HC-93Z20-2C1/10151-8/ /SEE FIG. 65/		

MODEL 65 & 80 PARTS CATALOG

FIG. & INDEX NO.	PART NO.	DESCRIPTION	UNITS PER ASSY	USABLE ON CODE
		1 2 3 4 5 6 7		
62 - 24	836-6	. SPINNER ASSY,PROPELLER /SEE FIG. 65/	1	7
- 25	210190	. GOVERNOR ASSY,PROPELLER /SEE FIG. 66/	1	3
	210365	. GOVERNOR ASSY,PROPELLER /SEE FIG. 66/	1	4
- 26	50-950071	. CLAMP ASSY,EXHAUST AUGMENTER. /ATTACHING PARTS/	2	7
- 27	AN4-13A	. BOLT.	2	
	AN960D416	. WASHER.	2	
	AN363-428	. NUT	2	
	50-950058-19	----*----		
	50-950058-31	. AUGMENTER ASSY,ENGINE EXHAUST AUGMENTER ASSY,ENGINE EXHAUST /ATTACHING PARTS/	2 2	7 8
- 28	AN3-7A	. BOLT.	1	
	AN960-10	. WASHER.	1	
	MS20365-1032	. NUT	1	
	50-950058-27	----*----		
- 29	50-950058-11	. DOUBLER,AUGMENTER RETAINER,AUGMENTER LINER & INSULATION /ATTACHING PARTS/	2 2	8 7
- 30	AN520-10R8	. SCREW	4	
	AN960-10	. WASHER.	4	
	MS20365-1032C	. NUT	4	
	50-950058-25	----*----		
- 31	50-950058-23	. LINER,AUGMENTER	1	7
- 31A	50-950058-23	. INSULATION,AUGMENTER.	1	7
	50-910233-1	. AUGMENTER ASSY,ENGINE LH FIRST STAGE.	1	
	50-910233-2	. AUGMENTER ASSY,ENGINE RH FIRST STAGE.	1	7
	50-910233-26	. AUGMENTER ASSY,ENGINE RH FIRST STAGE. /ATTACHING PARTS/	1	8
- 32	AN3-4A	. BOLT.	5	
	AN960-10	. WASHER.	5	
	MS20365C1032	. NUT	5	
	50-910233-3	----*----		
- 33	50-910233-4	. WELD ASSY,LH AUGMENTER BODY WELD ASSY,RH AUGMENTER BODY /ATTACHING PARTS/	1 1	7 7
- 34	AN520-10	. SCREW	6	
	AN960-10	. WASHER.	6	
	MS20365-1032	. NUT	6	
	50-910233-9	----*----		
- 35	50-910233-10	. BRACKET,LH AUGMENTER.	1	7
	50-910233-11	. BRACKET,RH AUGMENTER.	1	7
- 36	50-910233-11	. BRACKET,LH AUGMENTER.	1	7
	50-910233-12	. BRACKET,RH AUGMENTER.	1	7
	50-910233-26	. SHROUD ASSY,RH AUGMENTER. BAFFLE INSTL,ENGINE /SEE FIG. 63/ SYSTEM INSTL,ENGINE EXHAUST SYSTEM INSTL,ENGINE EXHAUST	1 1 1 1	8 7 9 10
- 38	50-950064-119	. STACK ASSY,FWD LH EXHAUST	1	7
	50-950064-131	. STACK ASSY,FWD RH EXHAUST	1	7
- 39	50-950064-123	. STACK ASSY,CENTER LH EXHAUST.	1	7
	50-950064-135	. STACK ASSY,CENTER RH EXHAUST.	1	7
- 40	50-950064-127	. STACK ASSY,AFT LH EXHAUST	1	7
	50-950064-139	. STACK ASSY,AFT RH EXHAUST /ATTACHING PARTS/	1	7
	AN315C5R	. NUT	2	
		----*----		

MODEL 65 & 80 PARTS CATALOG

FIG. & INDEX NO.	PART NO.	1	2	3	4	5	6	7	DESCRIPTION	UNITS PER ASSY	USABLE ON CODE
62 - 41	PP563-DSS-13-1	.	.	.	CLAMP	5	5
	PP563-DSS-13-2	.	.	.	CLAMP	5	5
	50-950074-1	.	.	.	CLAMP	5	6
	50-950074-3	.	.	.	CLAMP	5	6
- 42	AN4C35	.	.	.	BOLT	4	7
	AN4C5	.	.	.	BOLT	2	7
- 43	100943CR-YS030F	.	.	.	SPRING	10	7
- 44	100696X-ZP010	.	.	.	SPACER	4	7
	AN960-416L	.	.	.	WASHER	10	7
	AN310-4	.	.	.	NUT	6	7
	AN381-2-7	.	.	.	PIN,COTTER	6	7
		.	.	.	MUFF INSTL,HEATER		10
- 44A	50-950075-5	.	.	.	DUCT ASSY	1	10
		.	.	.	/ATTACHING PARTS/		
- 44B	AN3C-A	.	.	.	BOLT	4	
- 44C	105090CR032-3E	.	.	.	WASHER	4	
	NAS1021A3	.	.	.	NUT	4	
		----	*	----							
- 44D	50-950075-17	.	.	.	BRACKET ASSY,HEATER MUFF	2	10
		.	.	.	/ATTACHING PARTS/		
- 44E	AN4C11	.	.	.	BOLT,FWD	2	
	AN4C10	.	.	.	BOLT,AFT	2	
	AN960C416L	.	.	.	WASHER	8	
	AN310C4	.	.	.	NUT	4	
	AN381-2	.	.	.	PIN,COTTER	4	
		----	*	----							
- 44F	50-950074-3	.	.	.	CLAMP,HEATER MUFF	2	10
		.	.	.	PLUMBING INSTL,ENGINE INSTRUMENT		7
- 45	AN833-4	.	.	.	ELBOW	3	7
	AN960-716	.	.	.	WASHER	6	7
	AN924-4	.	.	.	NUT	3	7
- 46	MS28741-4-0140	.	.	.	HOSE ASSY	1	7
- 47	50-921534	.	.	.	ELBOW ASSY,FUEL PRESSURE	1	7
- 48	MS28741-4-0230	.	.	.	HOSE ASSY	1	7
- 49	50-939134	.	.	.	RESTRICTOR ASSY,OIL	1	7
- 50	MS28741-4-0232	.	.	.	HOSE ASSY	1	7
- 51	189697P	.	.	.	FITTING,RESTRICTOR	1	7
- 52	106043-1204-060	.	.	.	HOSE	1	7
- 53	AN742-8	.	.	.	CLAMP	1	7
		.	.	.	/ATTACHING PARTS/		
- 54	AN520-10R8	.	.	.	SCREW	1	
	AN960-10	.	.	.	WASHER	1	
	MS20365-1032	.	.	.	NUT	1	
		----	*	----							
- 55	50-910150-13	.	.	.	TUBE,DRAIN	1	7
- 56	AN743-12	.	.	.	CLAMP	1	7
		.	.	.	/ATTACHING PARTS/		
- 57	AN520-10R8	.	.	.	SCREW	1	
	AN960-10	.	.	.	WASHER	1	
	MS20365-1032	.	.	.	NUT	1	
		----	*	----							
- 58	9520	.	.	.	SYSTEM INSTL,ENGINE VACUUM /OPTIONAL/		7
- 59	AN844-8	.	.	.	VALVE	1	7
- 60	AN737-30	.	.	.	ELBOW	1	7
- 61	106200H-8-60	.	.	.	CLAMP	2	7
- 62	AN913-1D	.	.	.	HOSE	1	7
- 63	AN742-12	.	.	.	PLUG	1	7
		.	.	.	CLAMP	1	7
		.	.	.	/ATTACHING PARTS/		
- 64	AN520-10R8	.	.	.	SCREW	1	
		----	*	----							
- 65	106200H-8-92	.	.	.	HOSE	1	7
- 66	AN737-30	.	.	.	CLAMP	2	7
- 67	50-910083-13	.	.	.	SEPARATOR ASSY,VACUUM SYSTEM	1	7
		.	.	.	/ATTACHING PARTS/		
- 68	AN3-10	.	.	.	BOLT	2	
	AN960-10	.	.	.	WASHER	2	
	AN310-3	.	.	.	NUT	2	
		----	*	----							
- 69	AN737-34	.	.	.	CLAMP	2	7

MODEL 65 & 80 PARTS CATALOG

FIG. & INDEX NO.	PART NO.	1	2	3	4	5	6	7	DESCRIPTION	UNITS PER ASSY	USABLE ON CODE
62 - 70	106200H-10-19	HOSE,VACUUM	1	7
- 71	50-910172-5	TUBE ASSY,VACUUM	1	7
- 72	106200H-8-24	HOSE,VACUUM	1	7
- 73	AN737-30	CLAMP	2	7
- 74	AN840-8	ADAPTER	1	7
	30B24-1A	GENERATOR,50 AMP.	1	7
		GENERATOR INSTL,100 AMP		7
- 75	901-9B	GENERATOR,100 AMP	1	7
		RECTIFIER INSTL,ALTERNATOR.		7
									/WHEN USED OMIT 30B24-1A OR 901-9B/ /SEE FIG. 63 FOR BAFFLES USED WITH THIS INSTL/		
	50-389015	RECTIFIER,ALTERNATOR.	1	7

CODE EFFECTIVITY

- 1 LC-1 THRU LC-64
- 3 LC-1 THRU LC-63
- 5 LC-1 THRU LC-125
- 7 LC-1 AND AFTER
- 9 LC-1 THRU LC-129

CODE EFFECTIVITY

- 2 LC-65 AND AFTER
- 4 LC-64 AND AFTER
- 6 LC-126 AND AFTER
- 8 LD-1 AND AFTER
- 10 LC-130 AND AFTER

MODEL 65 & 80 PARTS CATALOG

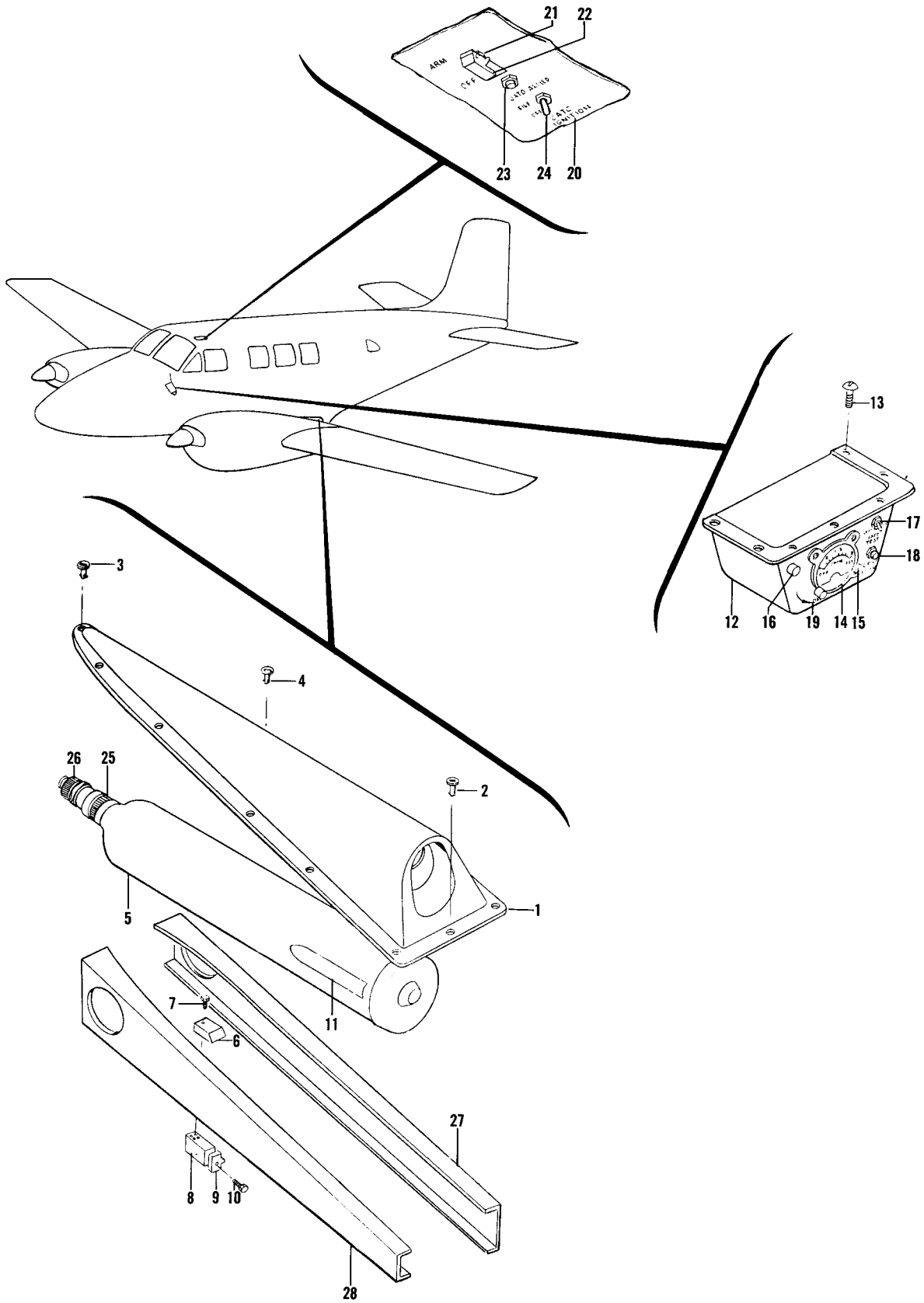


Figure 62A. Upper Nacelle Jato Installation

MODEL 65 & 80 PARTS CATALOG

FIG. & INDEX NO.	PART NO.	1	2	3	4	5	6	7	DESCRIPTION	UNITS PER ASSY	USABLE ON CODE
62 - 70	106200H-10-19	HOSE,VACUUM	1	
- 71	50-910172-5	TUBE ASSY,VACUUM.	1	
- 72	106200H-8-24	HOSE,VACUUM	1	
- 73	AN737-30	CLAMP	2	
- 74	AN840-8	ADAPTER	1	
	30B24-1A	GENERATOR,50 AMP /STANDARD/	1	
	NAS354-4-1310	ROD,MIXTURE & THROTTLE CONTROL.	2	9
									/ATTACHING PARTS/		
	AN3-10	BOLT.	2	
	AN3-13	BOLT.	1	
	AN960-10	WASHER.	2	
	AN960-10L	WASHER.	2	
	AN310-3	NUT	2	
	MS24665-132	PIN,COTTER.	2	
									-----*-----		
	REB3N	END,ROD	4	9
	AN316-4R	NUT,CHECK	4	9
	50-910272	BRACKET ASSY,FUEL INJECTION CONTROL	1	9
	50-910272-3	BRACKET,FUEL INJECTION CONTROL.	1	9
	MS20218-2	BEARING	2	9
	50-910272-7	ARM,THROTTLE CONTROL.	1	9
	50-910272-5	ARM,MIXTURE CONTROL	1	9
									/ATTACHING PARTS/		
	AN5-11	BOLT.	2	
	AN960-516	WASHER.	2	
	AN310-5	NUT	2	
	MS24665-136	PIN,COTTER.	2	
									-----*-----		
	50-910226	GENERATOR ASSY,100 AMP /OPTIONAL/	NP	
									/SEE FIG. 1 FOR NHA/		
- 75	901-9B	GENERATOR,100 AMP	1	
	50-910259	RECTIFIER INSTL,ALTERNATOR /OPTIONAL EQUIPMENT/	1	
									/WHEN USED OMIT 30B24-1A OR 901-9B/ /SEE FIG. 63 FOR BAFFLES USED WITH THIS INSTL/		
	50-389015	RECTIFIER,ALTERNATOR.	1	

CODE EFFECTIVITY

- 1 LC-1 THRU LC-64
- 3 LC-1 THRU LC-63
- 5 LC-1 THRU LC-125
- 7 LC-1 AND AFTER
- 9 LD-2 AND AFTER
- 11 LC-130 AND AFTER

CODE EFFECTIVITY

- 2 LC-65 AND AFTER
- 4 LC-64 AND AFTER
- 6 LC-126 AND AFTER, LD-2 AND AFTER
- 8 LD-1 AND AFTER
- 10 LC-1 THRU LC-129
- 12 LC-130 AND AFTER, LD-2 AND AFTER

MODEL 65 & 80 PARTS CATALOG

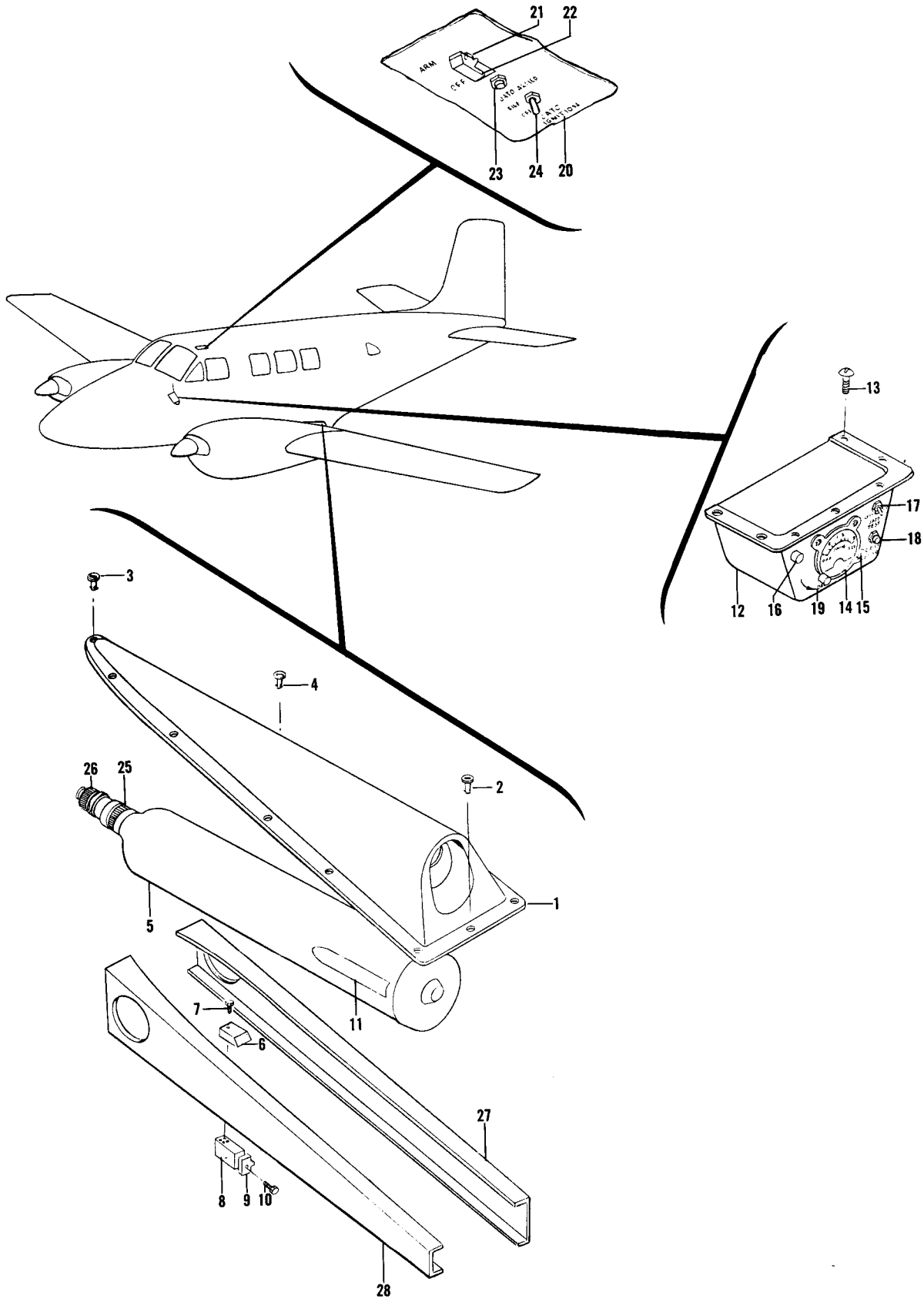


Figure 62A. Upper Nacelle Jato Installation

MODEL 65 & 80 PARTS CATALOG

FIG. & INDEX NO.	PART NO.	DESCRIPTION	UNITS PER ASSY	USABLE ON CODE
62A-	50-910243	JATO INSTL,UPPER AFT NACELLE /OPTIONAL/	NP	
- 1	50-910243-1	. FAIRING,JATO LH	1	1
	50-910243-13	. FAIRING,JATO LH	1	2
	50-910243-2	. FAIRING,JATO RH	1	1
	50-910243-14	. FAIRING,JATO RH	1	2
		/ATTACHING PARTS/		
- 2	98292-2-160	. STUD.	1	
- 3	98292-1-.150	. STUD.	1	
- 4	98292-2-.190	. STUD.	12	
	99833-P.098	. RECEPTACLE.	14	
	99836	. PIN	14	
		-----*		
- 5	15NS-250	. JATO.	2	
- 6	414-189111-57	. BLOCK,JATO ATTACHING.	2	
		/ATTACHING PARTS/		
- 7	AN3-22A	. BOLT.	4	
	AN960-10	. WASHER.	4	
	MS20365-1032	. NUT	4	
		-----*		
- 8	414-189111-7	. BLOCK,JATO ATTACHING.	2	
- 9	414-189111-9	. STOP,JATO RETAINING	2	
		/ATTACHING PARTS/		
- 10	AN4-30A	. BOLT.	1	
	AN960-416	. WASHER.	1	
	MS20365-42	. NUT	1	
		-----*		
- 11	50-910247-1	. PLACARD,JATO IDENTIFICATION LH.	1	
	50-910247-1	. PLACARD,JATO IDENTIFICATION RH.	1	
	50-910244	. CONTROLS INSTL,JATO	NP	
- 12	50-910244-3	. . BOX ASSY,JATO TEST.	1	
		/ATTACHING PARTS/		
- 13	AN515-8R	. . SCREW	7	
	AN960-8	. . WASHER.	7	
	MS20365-832	. . NUT	7	
		-----*		
- 14	3-033676	. . KIT,JATO TEST METER	1	
		/CONSISTS OF TEST METER & BATTERY CASE/		
		/ATTACHING PARTS/		
- 15	AN507B632R	. . SCREW	3	
		-----*		
- 16	RM502R	. . BATTERY,DRY CELL.	1	
- 17	AN3021-7	. . SWITCH,TEST PANEL	1	
- 18	D727-1-15	. . BREAKER,TEST PANEL CIRCUIT.	1	
- 19	50-910246	. . PLACARD,JATO TEST PANEL	1	
- 20	50-910245	. . PLACARD,JATO IGNITION PANEL	1	
- 21	AN3021-3	. . SWITCH,JATO ARMING.	1	
- 22	MS25225	. . GUARD,JATO ARMING SWITCH.	1	
- 23	VM118-6	. . LIGHT ASSY,JATO ARMED	1	
	MS25237-327	. . BULB.	1	
- 24	AN3027-6	. . SWITCH,JATO IGNITIOM.	1	
- 25	AN3106-8S1S	. . PLUG,JATO	2	
- 26	MS3057-3B	. . ADAPTER	2	
- 27	50-910243-15	. RIB,LH NACELLE JATO	1	
	50-910243-16	. RIB,RH NACELLE JATO	1	
- 28	50-910243-17	. RIB,LH NACELLE JATO	1	
	50-910243-18	. RIB,RH NACELLE JATO	1	

CODE EFFECTIVITY

1 LC-1 THRU LC-50

CODE EFFECTIVITY

2 LC-51 AND AFTER
LD-2 AND AFTER



MODEL 65 & 80 PARTS CATALOG

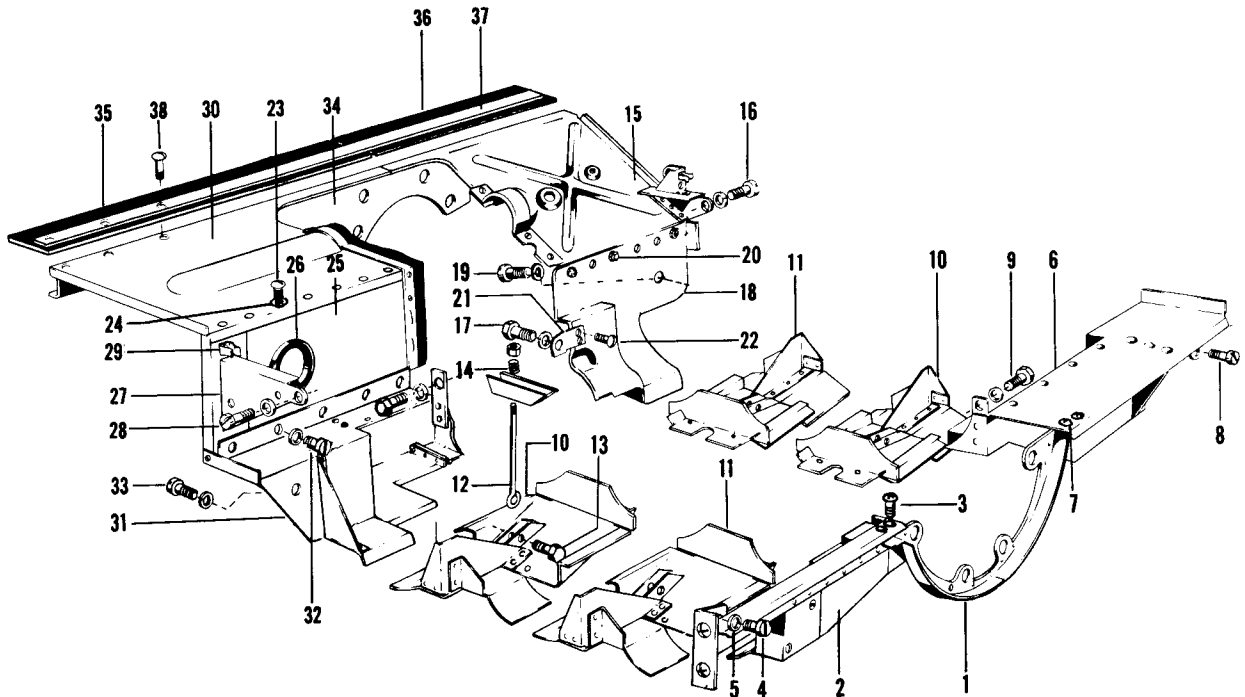


Figure 63. Engine Baffles Installation

FIG. & INDEX NO.	PART NO.	DESCRIPTION	UNITS PER ASSY							USABLE ON CODE
			1	2	3	4	5	6	7	
63	50-910165-151	BAFFLE INSTL,ENGINE /SEE FIG. 62 FOR NHA/	REF	1
	50-910267	BAFFLE INSTL,ENGINE /SEE FIG. 61A FOR NHA/	REF	2
- 1	50-910165-105	. BAFFLE ASSY,CENTER FRONT.	1	1
	50-910267-51	. BAFFLE ASSY,CENTER FRONT.	1	2
- 2	50-910231	. BAFFLE ASSY,RIGHT FRONT.	1	1
	50-910267-25	. BAFFLE ASSY,RIGHT FRONT	1	2
		/ATTACHING PARTS/								
- 3	AN520-10R6	. SCREW	4	
- 4	AN501-10-7	. SCREW	1	
	AN936B10	. WASHER	1	
- 5	AN960-10	. WASHER	4	
	AN365-1032	. NUT	4	
		-----*								
- 6	50-910230	. BAFFLE ASSY,LEFT FRONT.	1	1
	50-910267-29	. BAFFLE ASSY,LEFT FRONT.	1	2
		/ATTACHING PARTS/								
- 7	AN520-10R6	. SCREW	2	
- 8	AN501-10-7	. SCREW	1	
- 9	AN4-4A	. BOLT	1	
	AN960-10	. WASHER	2	
	AN936B10	. WASHER	1	
	AN365-1032	. NUT	2	
		-----*								
- 10	50-910197-1	. BAFFLE ASSY,INTERCYLINDER	2	1
		/FURNISHED WITH ENGINE/								
- 11	50-910197-3	. BAFFLE ASSY,INTERCYLINDER	2	1
	69947	. BAFFLE ASSY,INTERCYLINDER	4	2
		/FURNISHED WITH ENGINE/								
	65883	. CLAMP,INTERCYLINDER BAFFLE.	4	2
	69930	. BOLT,HOOK	4	2
	1892	. SPRING,INTERCYLINDER BAFFLE	4	2

MODEL 65 & 80 PARTS CATALOG

FIG. & INDEX NO.	PART NO.	DESCRIPTION							UNITS PER ASSY	USABLE ON CODE
		1	2	3	4	5	6	7		
63	STD28	8	2
	AN365-1032A	4	2
- 12	50-910188	4	1
			
			
- 13	AN3-14	1	
	AN960-10	1	
	AN310-3	1	
	AN380-2-2	1	
			
- 14	100943ZU027K	4	1
	AN365-1032C	4	1
- 15	50-910165-157	1	1
	50-910267-11	1	2
			
- 16	AN501-10-7	1	
- 17	AN4-4A	1	
	AN936B416	1	
	AN960-10	1	
			
- 18	50-910165-159	1	1
	50-910267-13	1	2
			
- 19	AN501-10-7	1	
- 20	AN520-10R6	6	
	AN936B10	2	
	AN960-10	4	
	AN365-1032	4	
			
- 21	50-910056	1	1
	50-910267-33	1	2
			
- 22	AN520-10R6	2	
	MS20365-1032	2	
			
	50-910165-119	1	
	50-910165-123	1	
			
- 23	AN520-10R14	7	
- 24	AN936B416	7	
	AN960-10	7	
	AN365-1032	7	
			
	50-910165-121	1	
- 25	50-910165-125	1	
			
- 26	S-5610	1	
- 27	50-910165-115	1	1
	50-910267-1	1	2
			
- 28	AN501-10-7	1	
	AN960-10	1	
			
- 29	185678	1	
- 30	50-910165-153	1	1
	50-910267-63	1	2
- 31	50-910165-139	1	1
	50-910267-39	1	2
			
- 32	AN520-10R8	5	
- 33	AN501-10-7	1	
	AN960-10	5	
	AN960-10L	1	
			
- 34	50-910165-65	1	1
	50-910267-65	1	2
- 35	50-910165-161	1	1
- 36	50-910165-163	1	1
	50-910165-97	2	2

MODEL 65 & 80 PARTS CATALOG

FIG. & INDEX NO.	PART NO.	DESCRIPTION							UNITS PER ASSY	USABLE ON CODE
		1	2	3	4	5	6	7		
63 - 37	50-910165-99	•	•	•	•	•	•	•	1	
	50-910267-5	•	•	•	•	•	•	•	1	2
	50-910267-7	•	•	•	•	•	•	•	2	2
		/ATTACHING PARTS/								
- 38	AN520-10R14	•	•	•	•	•	•	•	22	1
	AN520-10R	•	•	•	•	•	•	•	5	2
	AN960-10	•	•	•	•	•	•	•	22	1
	AN960-10	•	•	•	•	•	•	•	5	2
	AN365-1032	•	•	•	•	•	•	•	22	1
	AN365-1032	•	•	•	•	•	•	•	5	2
			-----*-----							
	50-910165-95	•	•	•	•	•	•	•	1	2
	50-910165-69	•	•	•	•	•	•	•	2	2
		/ATTACHING PARTS/								
	AN520-10R	•	•	•	•	•	•	•	4	
	AN960-10	•	•	•	•	•	•	•	4	
	AN365-1032	•	•	•	•	•	•	•	4	
		-----*-----								

CODE EFFECTIVITY

1 LC-1 AND AFTER

CODE EFFECTIVITY

2 LD-2 AND AFTER

MODEL 65 & 80 PARTS CATALOG

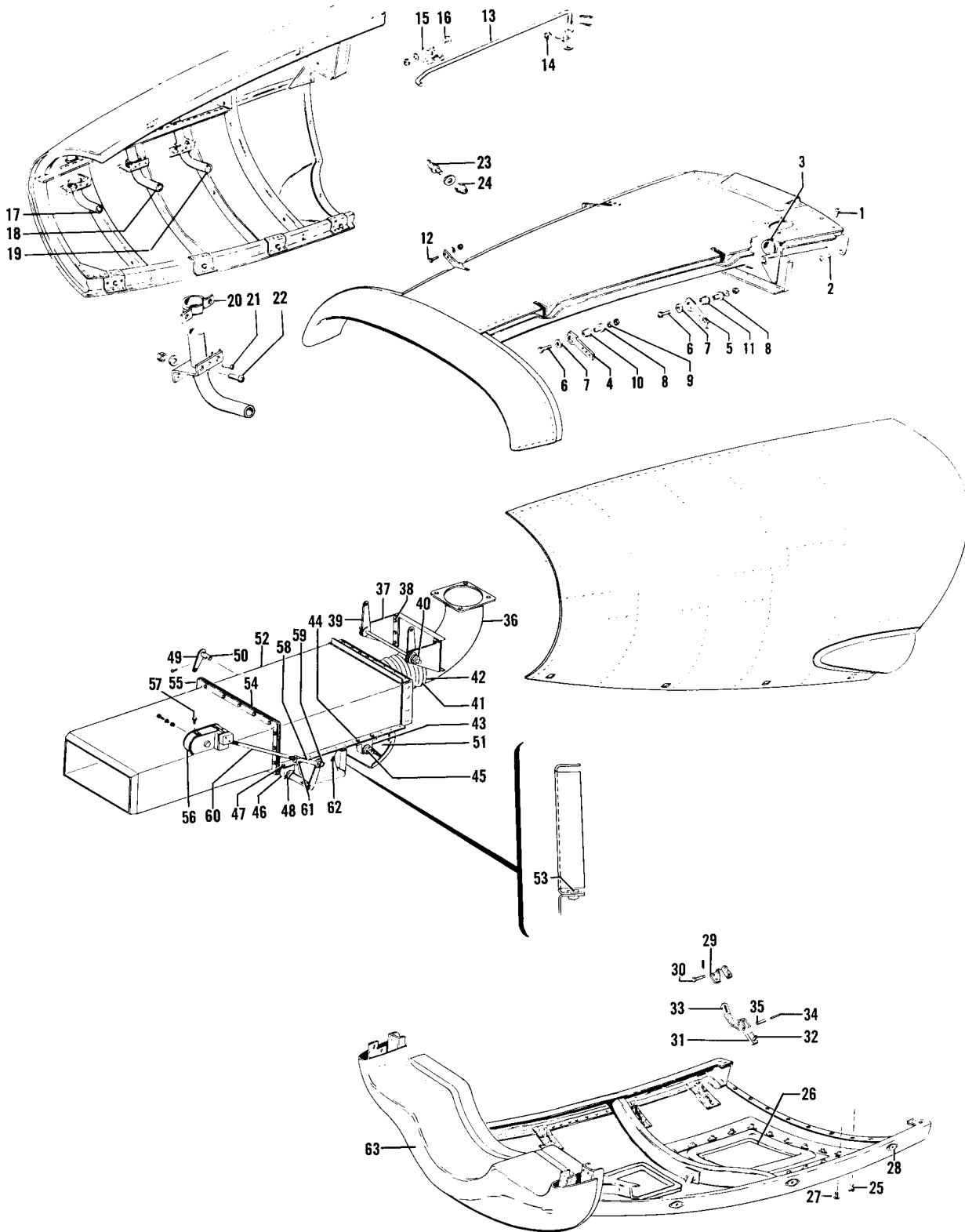


Figure 64. Engine Cowling Installation

MODEL 65 & 80 PARTS CATALOG

FIG. & INDEX NO.	PART NO.	DESCRIPTION	UNITS PER ASSY	USABLE ON CODE
		1 2 3 4 5 6 7		
64	50-910224-13	COWLING INSTL,LH ENGINE /SEE FIG. 1 FOR NHA/	NP	1
	50-910269-3	COWLING INSTL,LH ENGINE /SEE FIG. 1 FOR NHA/	NP	3
	50-910224-14	COWLING INSTL,RH ENGINE /SEE FIG. 1 FOR NHA/	NP	1
	50-910269-4	COWLING INSTL,RH ENGINE /SEE FIG. 1 FOR NHA/	NP	3
	50-910148-123	. COWLING ASSY,LH ENGINE UPPER.	1	
	50-910148-124	. COWLING ASSY,RH ENGINE UPPER.	1	
		/ATTACHING PARTS/		
- 1	AN507-10R10	. SCREW	10	
- 2	AN520-10R8	. SCREW	23	
		-----*		
- 3	AN931-24-28	. . GROMMET	1	
- 4	50-910148-79	. . HINGE ASSY,LH DOOR FWD.	1	
	50-910148-80	. . HINGE ASSY,RH DOOR FWD.	1	
- 5	50-910148-77	. . HINGE ASSY,LH DOOR AFT.	1	
	50-910148-78	. . HINGE ASSY,RH DOOR AFT.	1	
		/ATTACHING PARTS/		
- 6	AN4-11A	. . BOLT	1	
- 7	45-910163-3	. . SPACER	1	
- 8	45-910162-3	. . BUSHING	1	
	45-910186-3	. . BUSHING	1	
- 9	100951X050ZZ	. . WASHER	1	
	AN365-428	. . NUT	1	
		-----*		
- 10	45-910186-3	. . BUSHING,FWD	1	
- 11	45-910185-3	. . BUSHING,AFT	1	
	50-910147-2	. DOOR ASSY,LH ENGINE COWLING	2	1
	50-910147-155	. DOOR ASSY,LH ENGINE COWLING	2	3
	50-910147-1	. DOOR ASSY,RH ENGINE COWLING	2	1
	50-910147-156	. DOOR ASSY,RH ENGINE COWLING	2	3
		/ATTACHING PARTS/		
- 12	AN3-5A	. BOLT	6	
	AN960-10	. WASHER	6	
	AN365-1032	. NUT	6	
		-----*		
- 13	50-910147-73	. . ROD ASSY,LH DOOR STAY	1	
	50-910147-74	. . ROD ASSY,RH DOOR STAY	1	
		/ATTACHING PARTS/		
	AN960-10L	. . WASHER	1	
- 14	AN365-1032	. . NUT	1	
		-----*		
- 15	185678	. . CLIP,DOOR STAY ROD.	1	
		/ATTACHING PARTS/		
- 16	AN515-4R5	. . SCREW	2	
	AN960-4	. . WASHER	2	
	AN365-440	. . NUT	2	
		-----*		
- 17	50-910147-121	. . TUBE,LH SPARK PLUG BLAST.	1	1
	50-910147-123	. . TUBE,RH SPARK PLUG BLAST.	1	1
- 18	50-910147-125	. . TUBE,LH SPARK PLUG BLAST.	1	1
	50-910147-127	. . TUBE,RH SPARK PLUG BLAST.	1	1
- 19	50-910147-129	. . TUBE,LH SPARK PLUG BLAST.	1	1
	50-910147-131	. . TUBE,RH SPARK PLUG BLAST.	1	1
- 20	760-12-2-8	. . CLIP	3	1
		/ATTACHING PARTS/		
- 21	AN530-6R6	. . SCREW	3	
- 22	AN520-1032R8	. . SCREW	2	
	AN960-10	. . WASHER	2	
	AN365-1032	. . NUT	2	
		-----*		
- 23	50-910030	. . STUD,ENGINE COWLING DOOR.	4	
		/ATTACHING PARTS/		
	AN935-10L	. . WASHER	1	
- 24	50-910032	. . NUT,COWLING FASTENER.	1	
		-----*		
	50-910147-163	. . BAFFLE ASSY,COWLING DOOR LH	1	3
	50-910147-164	. . BAFFLE ASSY,COWLING DOOR RH	1	3
	50-910147-157	. . BAFFLE,LH	1	3
	50-910147-158	. . BAFFLE,RH	1	3
	50-910147-161	. . SEAL,BAFFLE	1	3
	50-910147-159	. . STRIP,SEAL RETAINING.	1	3

MODEL 65 & 80 PARTS CATALOG

FIG. & INDEX NO.	PART NO.	DESCRIPTION							UNITS PER ASSY	USABLE ON CODE
		1	2	3	4	5	6	7		
64	50-910163-179	1	1
	50-910163-185	1	2
	50-910163-209	1	3
		/ATTACHING PARTS/								
- 25	AN520-10R8	13	
		-----*-----								
- 26	50-910163-11	1	
		/ATTACHING PARTS/								
- 27	NAS221-8	20	
		-----*-----								
- 28	50-910033	8	
- 29	50-910031-2	8	
	50-910031-3	8	
	50-910193	8	
		/ATTACHING PARTS/								
- 30	AN392-23	1	
	AN380-2-1	1	
		-----*-----								
	50-910194	1	
- 31	50-910194-1	1	
- 32	AJ-35	1	
- 33	50-910035	1	
		/ATTACHING PARTS/								
- 34	102809A125-022	1	
- 35	1057395-ZA0395	1	
		-----*-----								
			1
			2
			3
- 36	50-910235-71	1	1
	50-910271	1	2
	50-910266-1	1	3
- 37	50-910235-67	1	1
	50-910235-68	1	1
		/ATTACHING PARTS/								
- 38	AN3-5A	3	
	AN960-10	3	
	AN365-10	3	
		-----*-----								
- 39	50-910237	1	1
		/ATTACHING PARTS/								
	AN960-516	2	
- 40	AN365-524	2	
		-----*-----								
- 41	111716XX6-6	1	
- 42	105798-11	2	1
	105798-14	2	3
- 43	50-910235-615	2	
		/ATTACHING PARTS/								
- 44	AN3-5A	2	
	AN960-10	2	
	AN365-1032	2	
		-----*-----								
- 45	8N8-D	2	
- 46	50-910235-617	1	
	50-910235-618	1	
		/ATTACHING PARTS/								
- 47	AN3-5A	2	
	AN960-10	2	
	AN365-1032	2	
		-----*-----								
- 48	8N8-D	2	
- 49	50-910235-99	2	
		/ATTACHING PARTS/								
- 50	AN525-832	2	
	AN960-8	2	
	MS20365-832	2	
		-----*-----								

MODEL 65 & 80 PARTS CATALOG

FIG. & INDEX NO.	PART NO.	1	2	3	4	5	6	7	DESCRIPTION	UNITS PER ASSY	USABLE ON CODE
64 - 51	50-910235-15	.	.	.	WELD ASSY,CONTROL LINKAGE	.	.	.	2		
	AN960-816	.	.	.	WASHER	.	.	.	1		
	AN380-3-3	.	.	.	PIN,COTTER	.	.	.	2		
		-----*									
- 52	50-910235-3	.	.	.	VALVE ASSY,ENGINE INDUCTION SYSTEM	.	.	.	1	1	
	50-910235-119	.	.	.	VALVE ASSY,ENGINE INDUCTION SYSTEM	.	.	.	1	3	
		/ATTACHING PARTS/									
- 53	AN3-4A	.	.	.	BOLT	.	.	.	5		
	AN960-10	.	.	.	WASHER	.	.	.	5		
	AN365-1032	.	.	.	NUT	.	.	.	5		
		-----*									
- 54	50-910235-89	.	.	.	SCREEN ASSY,INDUCTION SYSTEM	.	.	.	1		
		/ATTACHING PARTS/									
- 55	AN3-5A	.	.	.	BOLT	.	.	.	14		
	AN960-10	.	.	.	WASHER	.	.	.	14		
	AN365-1032	.	.	.	NUT	.	.	.	14		
		-----*									
- 56	50-910238	.	.	.	ACTUATOR INSTL,ENGINE AIR	.	.	.	1		
	50-389006-3	.	.	.	ACTUATOR,FILTER DOOR	.	.	.	1		
		/ATTACHING PARTS/									
- 57	50-910238-3	.	.	.	BOLT	.	.	.	4		
	AN960-416	.	.	.	WASHER	.	.	.	4		
		-----*									
- 58	REB3N	.	.	.	END,ROD	.	.	.	2		
		/ATTACHING PARTS/									
- 59	AN3-7A	.	.	.	BOLT	.	.	.	2		
	AN960-10	.	.	.	WASHER	.	.	.	2		
	MS20365-1032	.	.	.	NUT	.	.	.	2		
		-----*									
- 60	NAS354-4-880	.	.	.	ROD,CONTROL	.	.	.	1		
		/ATTACHING PARTS/									
- 61	AN316-4	.	.	.	NUT	.	.	.	2		
		-----*									
- 62	122172	.	.	.	FILTER,AIR	.	.	.	1		
		/ATTACHING PARTS/									
	99862-2-110	.	.	.	STUD	.	.	.	10		
	99785-2	.	.	.	PIN	.	.	.	10		
		-----*									
	105798-14	.	.	.	CLAMP,HOSE	.	.	.	2	3	
	115167CXX15-062-5	.	.	.	DUCT	.	.	.	1	3	
- 63	50-910163-55	.	.	.	CONE,COWLING NOSE	.	.	.	1	1	
	50-910163-189	.	.	.	CONE,COWLING NOSE	.	.	.	1	3	

CODE EFFECTIVITY

- 1 LC-1 AND AFTER
- 3 LD-2 AND AFTER

CODE EFFECTIVITY

- 2 LC-1 ONLY

MODEL 65 & 80 PARTS CATALOG

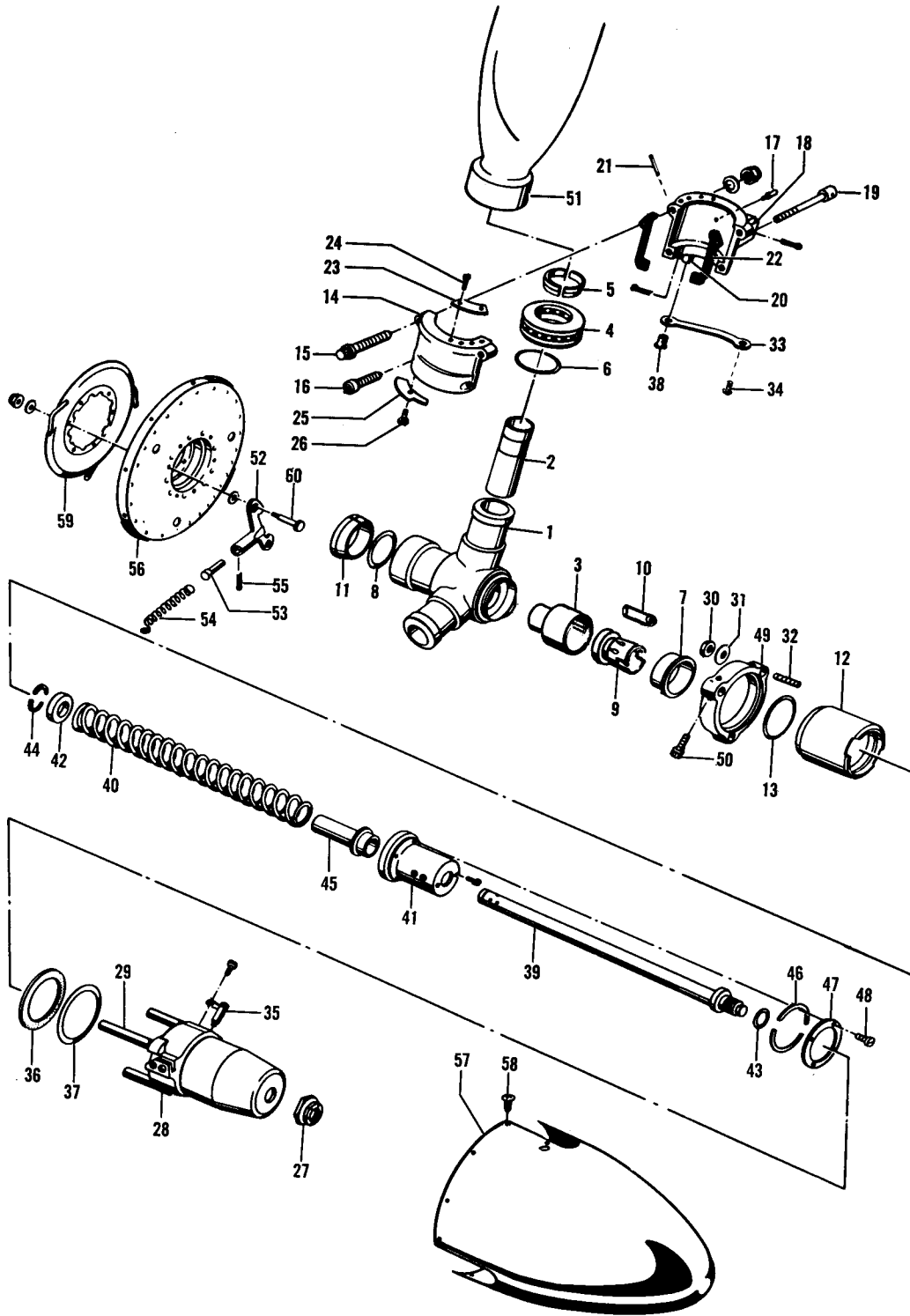


Figure 65. Propeller Assembly

MODEL 65 & 80 PARTS CATALOG

FIG. & INDEX NO.	PART NO.	DESCRIPTION	UNITS PER ASSY	USABLE ON CODE
		1 2 3 4 5 6 7		
65	HC-93Z20-2C1/ 10151-8	PROPELLER ASSY,/SEE FIG. 62 FOR NHA/.	REF	1
	HC-B3Z20-2A/ 10151-8	PROPELLER ASSY,/SEE FIG. 62 FOR NHA/.	REF	1
	840-15	/ALTERNATE FOR HC-93Z20-2C1/10151-8/ • SPIDER ASSY,HUB	1	1
- 1	C-1351	• • SPIDER,3-WAY HUB.	1	1
- 2	A-1308	• • TUBE,PILOT HUB.	3	1
- 3	A-155	• • BUSHING,FRONT SHAFT	1	1
- 4	A-1303A	• BEARING,BLADE THRUST.	3	1
- 5	A-1331	• RING,SPLIT.	3	1
- 6	PRP909-7	• RING,O.	3	1
- 7	A-870	• RING,HUB PULLER	1	1
- 8	PRP909-7	• RING,O.	1	1
- 9	A-63-B	• NUT,PROPELLER SHAFT	1	1
- 10	A-847	• PIN,SAFETY.	1	1
- 11	A-50-5	• CONE,PROPELLER HUB.	1	1
- 12	B-854	• CYLINDER,FEATHERING	1	1
- 13	PRP909-13 838-17	• RING,O. • CLAMP & COUNTERWEIGHT ASSY.	1 3	1 1
- 14	C-1301	• • CLAMP	1	1
		/ATTACHING PARTS/ • • SCREW,FERRYHEAD 7/16 X 20 X 2-1/8	2	
- 15	NO NUMBER AN960-716	• • WASHER.	2	
- 16	A-282 AN363-720 AN380-3-2	• • SCREW,SOCKET. • • NUT • • PIN,COTTER.	2 2 2	
		-----*-----		
- 17	5010	• • FITTING,ZERK.	1	1
- 18	833-16	• • COUNTERWEIGHT ASSY,PROPELLER.	1	1
		/ATTACHING PARTS/ • • BOLT,7/16-20 X 3-1/4.	1	
- 19	NO NUMBER AN380-3-2	• • PIN,COTTER.	1	
		-----*-----		
- 20	A-304	• • SCREW,PUSH ROD.	1	1
		/ATTACHING PARTS/ • • PIN,SCREW RETAINING	1	
- 21	A-285	• • PIN,SCREW RETAINING	1	
		-----*-----		
- 22	A-1306	• • GASKET,BLADE CLAMP.	2	1
- 23	A-1305	• WEIGHT,SLUG BALANCE	AR	1
		/ATTACHING PARTS/ • SCREW	2	
- 24	AN501A10-6	• SCREW	2	
		-----*-----		
- 25	A-881	• PLATE,HIGH PITCH AUTOMATIC STOP	3	1
		/ATTACHING PARTS/ • BOLT,PLATE.	2	
- 26	AN3H2A	• BOLT,PLATE.	2	
		-----*-----		
	B1368	• PISTON ASSY,PROPELLER	1	1
		/ATTACHING PARTS/ • NUT,PISTON.	1	
- 27	A-880-1	• NUT,PISTON.	1	
		-----*-----		
- 28	C-1451	• • PISTON,REVERSING.	1	1
	A-946	• • • BUSHING,LINK PITCH CHANGE	3	1
- 29	A-817-2	• • ROD,GUIDE	3	1
- 30	AN316-5R	• • NUT	3	1
- 31	A-1444	• • WASHER.	3	1
- 32	NO NUMBER	• • SCREW,5/16-24 X 3/4	3	1
- 33	A-861-3	• • ARM,LINK.	3	1
		/ATTACHING PARTS/ • • SCREW	1	
- 34	AN501A10-6	• • SCREW	1	
		-----*-----		
- 35	A-1464	• • PIN ASSY,LINK	3	1
		/ATTACHING PARTS/ • • SCREW	1	
		-----*-----		
	A-872-1	• • • PIN,ANCHOR.	3	1
	RG-50	• • • SAFETY,BAR.	3	1
- 36	A-863	• SEAL,PISTON OUTER DUST.	1	1
- 37	PRP902-46	• RING,O.	1	1

MODEL 65 & 80 PARTS CATALOG

FIG. & INDEX NO.	PART NO.	DESCRIPTION							UNITS PER ASSY	USABLE ON CODE
		1	2	3	4	5	6	7		
65 - 38	A-944	3	1
	AN380-3-2	1	
	831-10	1	1
- 39	B-868-1A	1	1
- 40	B-1363	1	1
- 41	B-1364	1	1
- 42	A-866	1	1
- 43	PRP902-8	1	1
- 44	A-867	1	1
- 45	A-1365	1	1
- 46	A-859	1	1
- 47	A-1369	1	1
- 48	AN501A10-6	4	
	834-1	1	1
- 49	B-1402	1	1
- 50	NO NUMBER	3	1
- 51	10151-8	3	1
	830-5	3	1
- 52	B-882-5	1	1
- 53	A-883	1	1
- 54	A-884	1	1
- 55	AN380-3-3	1	1
	836-6	REF	1
	836-5	1	1
- 56	D-1414	1	1
	D-1414-1	1	1
- 57	D-1367-3	1	1
	D-1367-2	1	1
- 58	AN526C1032R7	12	
- 59	D-1433	1	1
- 60	AN4H15A	6	
	AN960-416	6	
	AN960-416L	6	
	AN364-428	6	

CODE EFFECTIVITY

1 LC-1 AND AFTER

MODEL 65 & 80 PARTS CATALOG

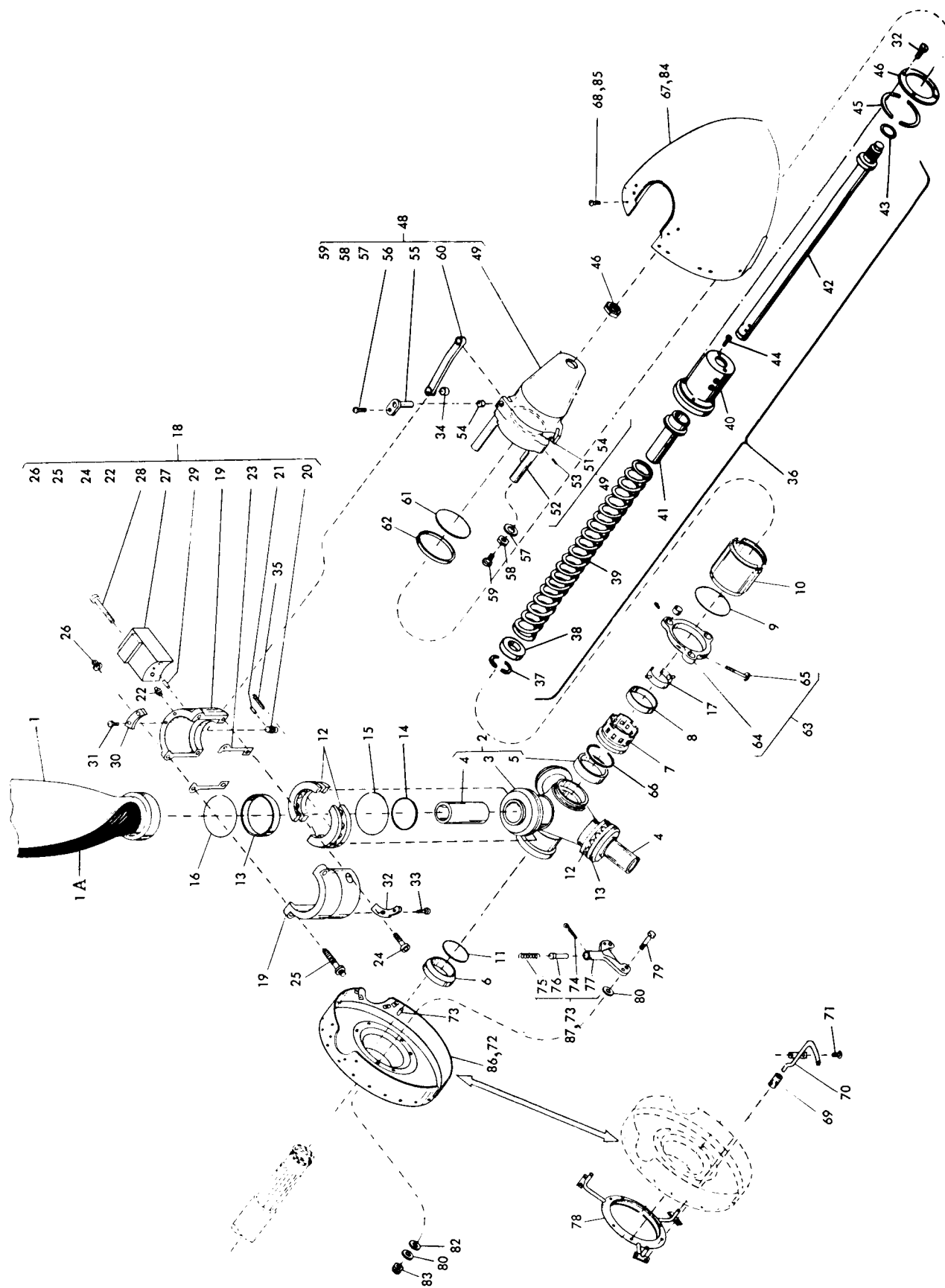


Figure 65A. Model 80 Propeller Assembly.

MODEL 65 & 80 PARTS CATALOG

INDEX NUMBER	PART NUMBER	DESCRIPTION	UNITS PER ASSEMBLY	PER USABLE ON CODE
	HC-B3Z30-2B	Propeller Assy, (Without Anti-Icer) (See Figure 61A for NHA)	1	1
	50-960066-605	Propeller Assy, (With Electric Deicer) (See Figure 61A for NHA)	1	1
1	10151-8	. Blade, (Without Anti-Icer Shoes)	3	1
	10151-B8	. Blade, (With Anti-Icer Shoes)	3	1
1A	37572	. Shoe, (Trim on Installation)(Supercedes 414-189070-41)(Use with Alcohol Anti-Icer)	3	1
	4E1187-1	. Shoe, (Use with Electric Deicer)	3	1
2	840-34	. Hub Spider Assy	1	1
3	C-1853	. . Hub Spider	1	1
4	A-1308	. . . Pilot Tube	3	1
5	A-1817	. . . Bushing	1	1
	A-1855	. Hub Mounting Cone Spacer	AR	1
6	A-1812-1	. Hub Mounting Cone	1	1
7	B-1814	. Hub Retention Nut	1	1
8	A-1813	. Hub Puller Ring	1	1
9	PRP-909-13	. Cylinder O-Ring	1	1
10	B-854	. Cylinder	1	1
11	PRP-909-9	. Hub Mounting O-Ring	1	1
12	A-1851	. Blade Mounting Bearing	3	1
13	A-1852	. Lock Ring	3	1
14	PRP-909-7	. Blade Mounting O-Ring	3	1
15	A-1877	. Blade Mounting Bearing Retention Ring	3	1
16	A-1854	. Guide Retainer Wire Ring	3	1
17	A-1848	. Propeller Nut Safety Pin	1	1
18	838-17	. Clamp & Counterweight Sub Assy	3	1
19	C-1301	. . Linkscrew Sub Assy Counterweight Clamp	1	1
20	A-304	. . Linkscrew	1	1
21	A-285	. . Linkscrew Staking Pin	2	1
22	MS15001-1	. . Zerk Fitting	1	1
23	A-1306	. . Clamp Gasket	3	1
24	A-282	. . Sockethead Clamp Screw	2	1
	AN380-3-2	. . Cotter Pin	2	1
25	7/16-20X2 1/8	. . Screw	2	1
26	AN365-720	. . Nut	2	1
27	833-16	. . Counterweight Assy	1	1
28	7/16-20X3 1/4	. . Counterweight Screw	2	1
29	A-65	. . Counterweight Staking Pin	1	1
30	A-1305	. Balance Weight (Attaching Parts)	AR	1
31	AN501A10-6	. Screw -----*	2	
32	A-881	. Automatic High Pitch Stop (Attaching Parts)	1	1
33	AN3H2A	. Bolt -----*	2	
34	A-944	. Link Screw Bushing (Attaching Parts)	3	1

MODEL 65 & 80 PARTS CATALOG

INDEX NUMBER	PART NUMBER	DESCRIPTION	UNITS PER ASSEMBLY	USABLE ON CODE
35	AN380-3-3	. Cotter Pin -----*	1	
36	831-17	. Feathering Spring Sub Assy	1	1
37	A-867	. . Split Ring	1	1
38	A-866-3	. . Retainer Ring	1	1
39	B-1363-2	. . Feathering Spring	1	1
40	B-1364	. . Mushroom	1	1
41	A-1365	. . Mushroom Bushing	1	1
42	B-868A-4	. . Pilot Tube	1	1
43	PRP914-8	. . Pilot Tube "O" Ring	1	1
44	AN501A10-18	. . Screw	2	1
45	A-859	. Spring Retainer	1	1
46	A-1369-1	. Mushroom Plate (Attaching Parts)	1	1
47	AN501A10-8	. Screw -----*	4	
48	B-1368-1	. Piston Jack Sub Assy (Attaching Parts)	1	1
49	A-880-1	. Flexlock Nut -----*	1	
50	C-1816	. . Piston Unit	1	1
	C-1816 DET#1	. . . Piston	1	1
51	A-862	. . . Plastic Bushing	1	1
52	A-817-2	. . . Guide Rod	3	1
53	A-114-E	. . . Staking Pin	3	1
54	A-946	. . . Bronze Pin Bushing	6	1
55	A-1464	. . Link Pin Unit (Attaching Parts)	3	1
56	AN501A10-6	. . Screw -----*	1	
57	A-1444	. . Washer	3	1
58	AN316-5R	. . Jam Nut	3	1
59	5/16-24 X 3 1/4	. . Socket Head Screw	3	1
60	A-861-3	. . Link Arm	3	1
61	PRP-902-46	. . Piston "O" Ring	1	1
62	A-863	. . Piston Felt Seal	1	1
63	834-6	. Guide Collar Unit	1	1
64	B-1810-1	. . Guide Collar	1	1
65	1/4-28 X 1 1/2	. . Screw	1	1
66	PRP-914-41	. Front Shaft "O" Ring (optional)	1	1
	836-31 SPR	. Spinner Assy (Alcohol Anti-Icing)	1	1
67	C-1888	. . Dome Assy (Attaching Parts)	1	1
68	AN526C1032R9	. . Screw -----*	15	
69	A-1866	. . Hose	3	1
70	B-1887	. . Fluid Delivery Tube Assy (Attaching Parts)	3	1

MODEL 65 & 80 PARTS CATALOG

INDEX NUMBER	PART NUMBER	DESCRIPTION	UNITS PER ASSEMBLY	USABLE ON CODE
71	AN526C1032R8	. . Screw	2	
		-----*-----		
	D-1871-2R	. . Ring, Stop & Bulkhead Assy	1	1
72	D-1871-1R	. . . Bulkhead Assy	1	1
73	830-14	. . . Stop Assy, Automatic High Pitch	3	1
74	AN380-3-3 Cotter Pin	1	1
75	A-884 Spring	1	1
76	A-883 Pin	1	1
	AN936A10 Washer	1	1
77	B-1353 Bracket	1	1
78	C-1886	. . . Slinger Ring (Attaching Parts)	1	1
79	AN526C1032R8	. . . Screw	6	
80	AN960-10	. . . Washer	12	
81	A-1865	. . . Washer (Thin)	6	
82	A-1864	. . . Washer (Thick)	6	
83	AN363-1032	. . . Nut	6	
		-----*-----		
	836-32SPR	. Spinner Assy (Non Anti-Icing)	1	1
84	C-1888	. . Dome Assy (Attaching Parts)	1	1
85	AN526C1032R9	. . Screw	15	
		-----*-----		
	D-1870-R	. . Bulkhead Assy With Stops	1	1
86	D-1870-1R	. . . Bulkhead Assy	1	1
87	830-14	. . . Stop Assy, Automatic High Pitch (See Breakdown Above)	3	1
	50-960066-606	. Spinner Assy (Electric Deicer)	1	1
	836-32 SPR	. . Spinner Assy (See Breakdown Above)	1	1
	4E1287-2	. . Slip Ring Assy (Attaching Parts)	1	1
	AN4-20A	. . Bolt	6	
	AN960D4162	. . Washer	6	
		-----*-----		
	2E1136	. . Terminal Block (Attaching Parts)	3	1
	AN526C1032R18	. . Screw	1	
	AN526C1032R22	. . Screw	1	
	AN960-10	. . Washer	3	
	AN936A10	. . Washer	2	
	R10-180	. . Rivnut	2	
		-----*-----		
	1E1195	. . Clip	3	1
	CODE	EFFECTIVITY		
	1	LD-1 and After		

MODEL 65 & 80 PARTS CATALOG

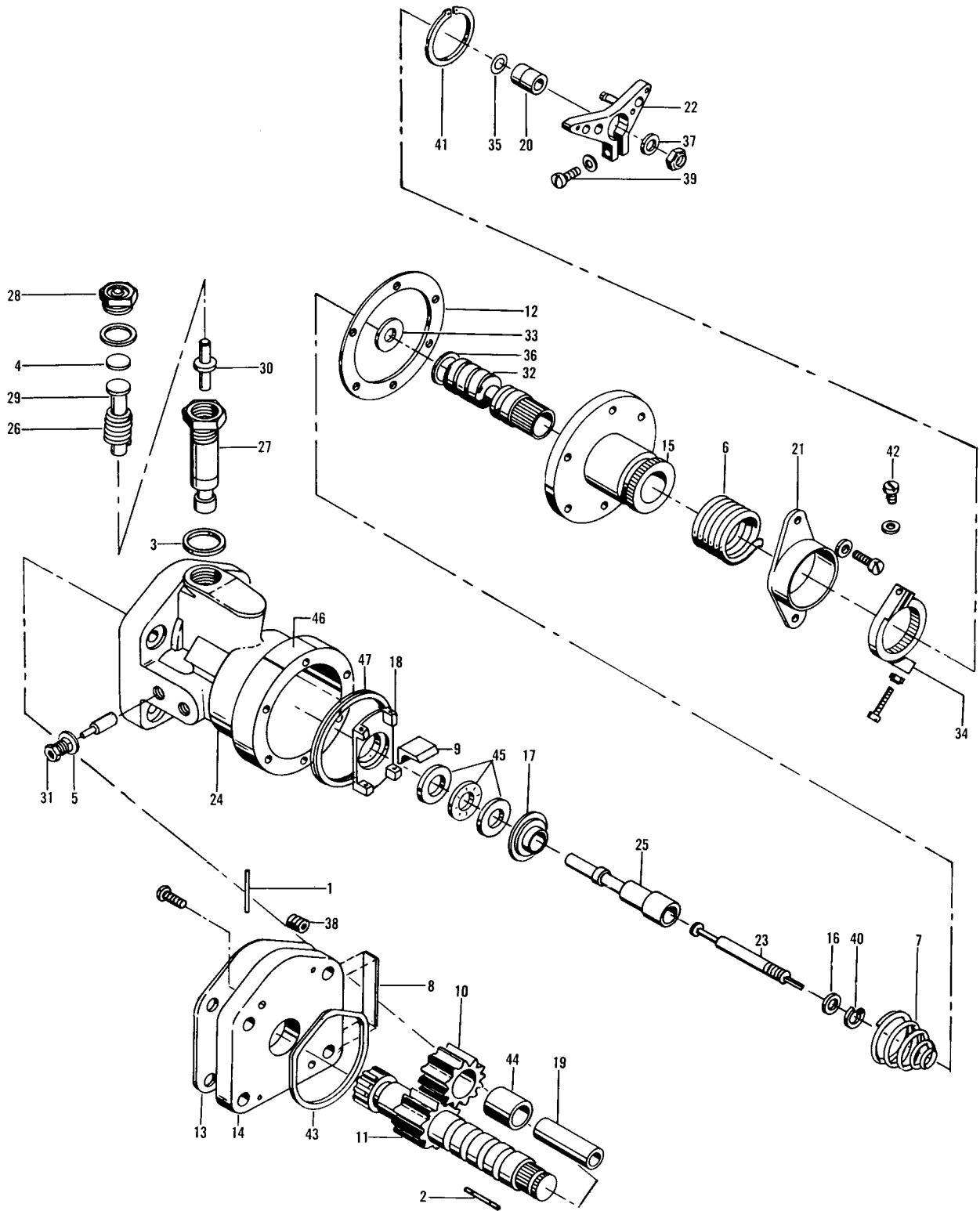


Figure 66. Propeller Governor Assembly

MODEL 65 & 80 PARTS CATALOG

FIG. & INDEX NO.	PART NO.	DESCRIPTION	UNITS PER ASSY	USABLE ON CODE
		1 2 3 4 5 6 7		
66	210190	GOVERNOR ASSY,PROPELLER,	REF	1
	210365	/SEE FIG. 62 FOR NHA/ GOVERNOR ASSY,PROPELLER,	REF	2
	50-960058-21	GOVERNOR ASSY,PROPELLER,/SEE FIG. 67/,/USED . . WITH ACCUMULATOR/,/MAKE FR 210190/	1	
- 1	210112	. PIN,FLYBALL	2	
- 2	184793	. PIN,DOWEL	2	
- 3	186320	. GASKET,PLUG	2	
- 4	186321	. SHIM.	4	
- 5	190733	. WASHER.	6	
- 6	191869	. SPRING,CONTROL LEVER.	1	
- 7	192021	. SPRING,SPEEDER.	1	
- 8	193385	. PLATE,NAME.	1	
- 9	196000	. ARM,BALL.	2	
- 10	204864	. GEAR,PUMP IDLER	1	
- 11	210123	. GEAR,PUMP DRIVE	1	
- 12	206337	. GASKET,COVER.	1	
- 13	MS100009	. GASKET,MOUNTING	1	
- 14	210022	. BASE,GOVERNOR	1	
- 15	210023	. COVER,GOVERNOR.	1	
- 16	210025	. WASHER,LIFT	1	
- 17	210029	. SEAT,LOWER SPRING	1	
- 18	210011	. BALLHEAD.	1	
- 19	210031	. STUD,IDLER GEAR	1	
- 20	210034	. BUSHING,LIFT ROD.	1	
- 21	210035	. RETAINER,SPRING	1	
- 22	210103	. LEVER ASSY,SPEED ADJUSTING.	1	
- 23	210044	. ROD,PILOT VALVE LIFT.	1	
- 24	210109	. BODY,GOVERNOR	1	
- 25	210124	. PLUNGER,PILOT VALVE	1	
- 26	192236	. SPRING,RELIEF VALVE	1	
- 27	210071	. BODY,RELIEF VALVE	1	
- 28	210076	. CAP,RELIEF VALVE.	1	
- 29	210077	. STOP,RELIEF VALVE	1	
- 30	210078	. PLUNGER,RELIEF VALVE.	1	
- 31	210095	. PLUG,RELIEF VALVE	3	
- 32	210100	. SHAFT & WORM ASSY,SPEED ADJUSTMENT.	1	
- 33	210101	. SEAT,UPPER SPRING	1	
- 34	400433	. RING,STOP	1	
- 35	182194	. RING,O.	1	
- 36	182299	. RING,O.	1	
- 37	186283	. WASHER.	1	
- 38	187824	. PLUG.	1	
- 39	188434	. SCREW	1	
- 40	5000-37	. RING,RETAINER	1	
- 41	5100-87	. RING,RETAINING.	1	
- 42	AN503-8-16	. SCREW	1	
- 43	206336	. RING,OIL SEAL	1	
- 44	GB-59	. BEARING	1	
- 45	180004	. BEARING,PILOT VALVE	1	
- 46	210171	. DECAL,CURE DATE	1	
- 47	192103	. RING,RETAINING.	1	

CODE EFFECTIVITY

CODE EFFECTIVITY

1 LC-1 THRU LC-63

2 LC-64 AND AFTER

MODEL 65 & 80 PARTS CATALOG

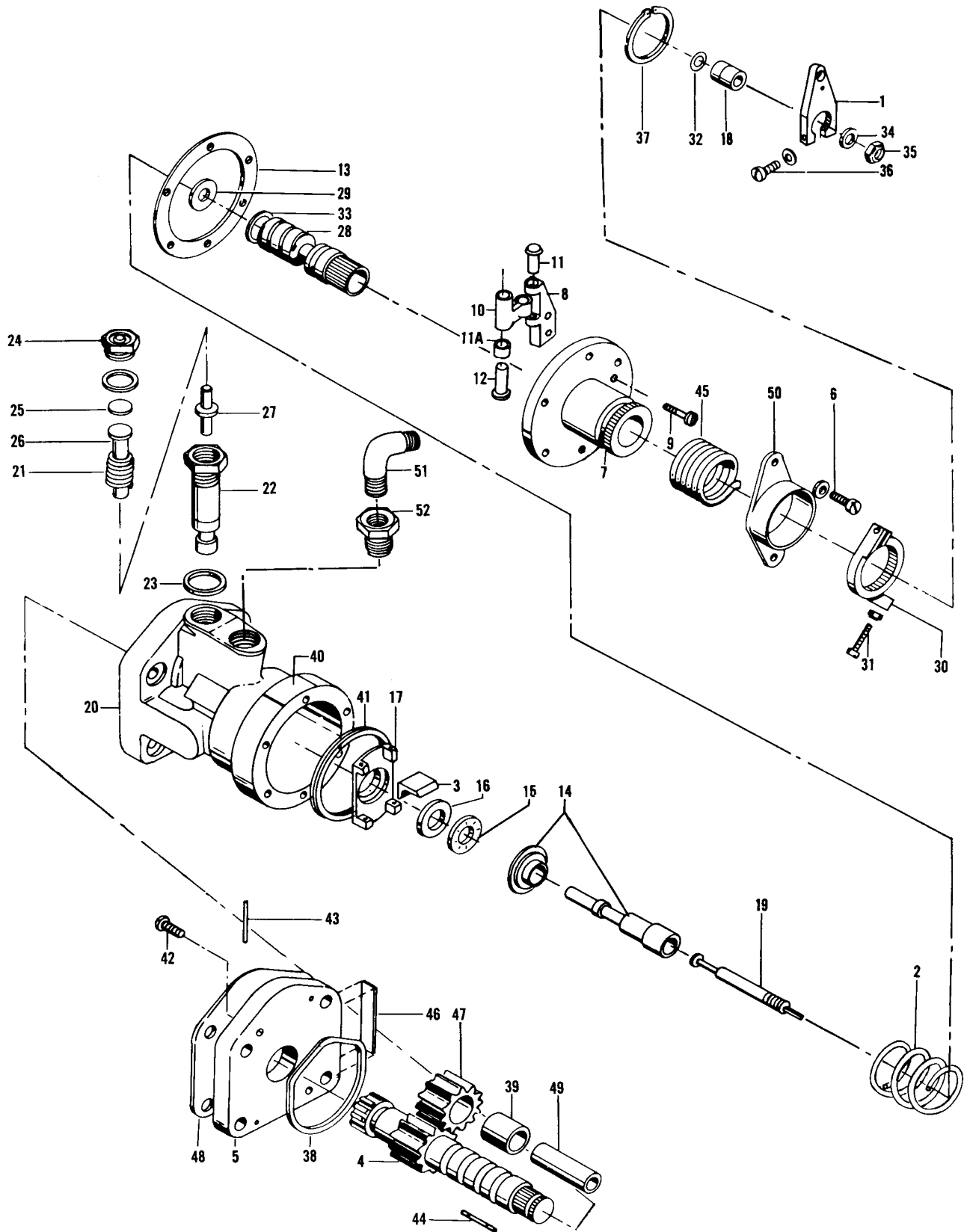


Figure 66A Model 80 Propeller Governor Assembly.

MODEL 65 & 80 PARTS CATALOG

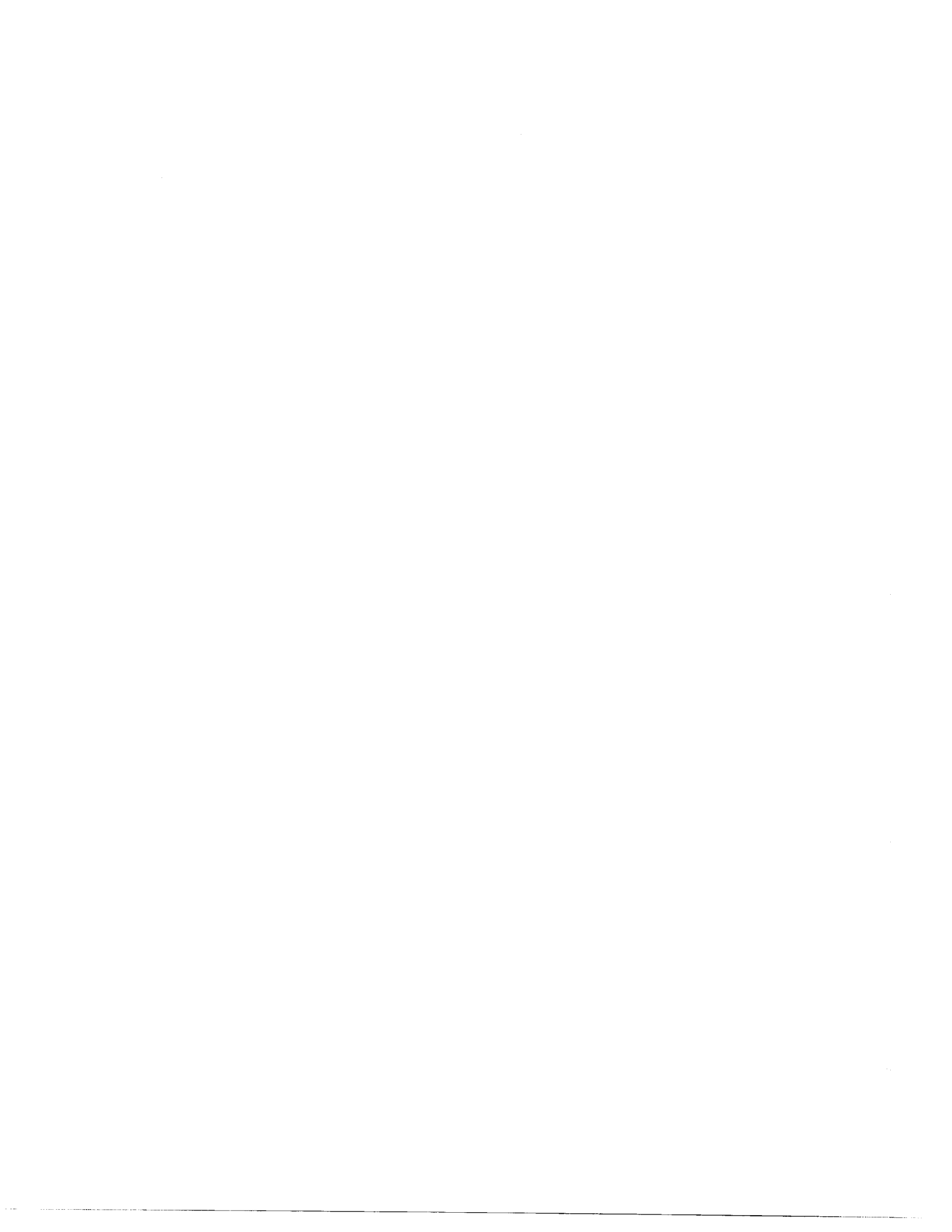
INDEX NUMBER	PART NUMBER	DESCRIPTION	USABLE	
			UNITS PER ASSEMBLY	ON CODE
	A210390	Governor Assy (See Figure 61A for NHA)	1	1
	A210390C	Governor Assy (See Figure 61A for NHA)	1	2
1	210039	. Lever Assy, Speed Adjusting	1	
2	192749	. Spring, Speeder	1	
3	210289	. Flyweight	8	
4	210206	. Gear, Pump Drive	1	
5	210274	. Base	1	
6	189529	. Screw	6	
7	210273	. Cover, Governor	1	
8	210247	. Block, Lever Support	1	
9	188678	. Screw	2	
10	210236	. Lever, Ballcheck Operating	1	
11	210252	. Pin	1	
11A	210242	. Roller	1	
12	210244	. Pin	1	
13	206560	. Gasket, Cover Assy	1	
14	210331	. Pilot Valve and Plunger Assy	1	
15	180231	. Bearing, Pilot Valve	1	
16	210216	. Race, Bearing Lower	1	
17	210207	. Head, Flyweight	1	
18	210034	. Bushing, Lift Rod	1	
19	210044	. Rod, Pilot Valve Lift	1	
20	210239	. Body, Governor	1	
	210067	. Valve Assy, Relief	1	
21	210068	. Spring, Relief	1	
22	210071	. Body, Relief Valve	1	
23	186320	. Gasket, Plug	2	
24	210076	. Cap, Relief Valve	1	
25	186321	. Shim	As Required	
26	210077	. Stop, Relief Valve	1	
27	210078	. Plunger, Relief Valve	1	
28	210100	. Shaft and Worm Assembly	1	
29	210358	. Seat, Upper Spring	1	
30	400433	. Ring, Stop	1	
31	218537	. Screw, Stop	1	
	188302	. Nut	1	
NS	190189	. Screw, Stop	1	
32	182194	. O-Ring	1	
33	182684	. O-Ring	1	
34	186283	. Washer	1	
35	189522	. Nut	1	
36	188434	. Screw	1	
	188141	. Washer	1	
37	189880	. Ring, Retaining	1	
38	206336	. Ring, Oil Seal	1	
39	210036	. Bearing, Idler Gear	1	

MODEL 65 & 80 PARTS CATALOG

INDEX NUMBER	PART NUMBER	DESCRIPTION	UNITS PER ASSEMBLY
40	223003	. Decal	1
41	192103	. Ring, Spirolox Retaining	1
42	218036	. Screw, Fillister Head	2
NS	189574	. Screw, Drive	2
43	210112	. Pin, Flyweight Pivot	2
44	184793	. Pin, Dowel	2
45	191869	. Spring, Control Lever	1
46	193385	. Nameplate	1
47	204864	. Gear, Idler	1
48	209217*	. Gasket, Mounting	1
49	210031	. Stud, Idler Gear	1
50	210035	. Retainer, Spring	1
51	217475	. Elbow	1
52	217582	. Reducer	1
NS	182506	. O-Ring	1
NS	182478	. O-Ring	1
NS	210276	. Bracket Assy, Check Valve	1
NS	350052	. Valve Assy, Ballcheck	1
NS	210248	. Pin, Ball Unseating Lever	1
NS	210238	. Lever, Ball Unseating	1
NS	210297	. Rod Assy, Push	1

*Replace with MS 100009

CODE	EFFECTIVITY
1	LD-1 thru LD-54
2	LD-55 and after



MODEL 65 & 80 PARTS CATALOG

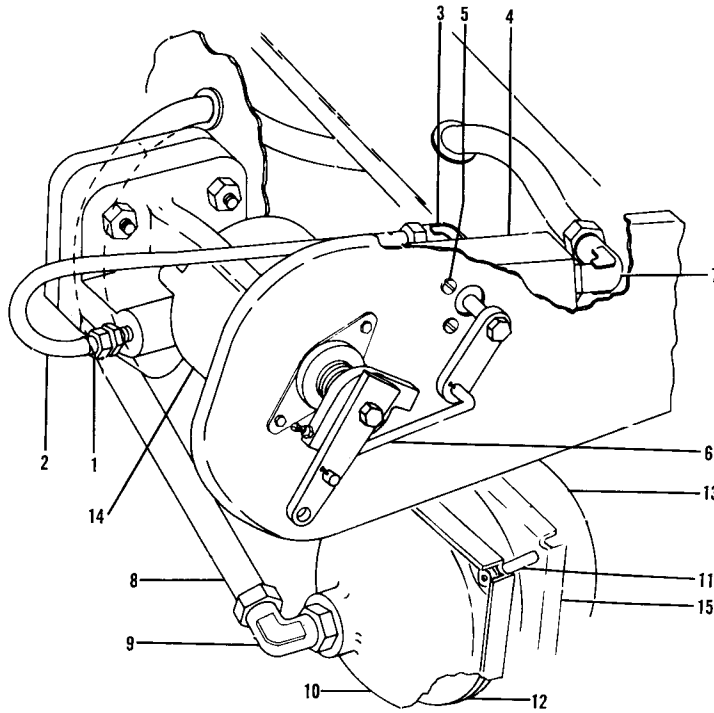


Figure 67. Propeller Unfeathering Accumulator Installation

FIG. & INDEX NO.	PART NO.	DESCRIPTION							UNITS PER ASSY	USABLE ON CODE
		1	2	3	4	5	6	7		
67	50-960058	ACCUMULATOR INSTL, PROPELLER UNFEATHERING.							NP	4
	50-960067	/OPTIONAL/ /SEE FIG. 1 FOR NHA/ ACCUMULATOR INSTL, PROPELLER UNFEATHERING.							NP	3
- 1	A-1527	• NIPPLE.							1	
- 2	50-960058-13	• TUBE ASSY, ACCUMULATOR							1	4
- 3	AN822-4-4D	• ELBOW							1	4
- 4	HE-722-3	• VALVE, ACCUMULATOR							1	4
		/ATTACHING PARTS/								
- 5	AN520-10-26	• SCREW							2	
	AN960-10	• WASHER							2	
	AN365-1032	• NUT							2	
		-----*								
- 6	50-960058-23	• LINK, VALVE ACTUATING.							1	1
	50-960058-36	• LINK, VALVE ACTUATING.							1	2
		/ATTACHING PARTS/								
	AN23-9	• BOLT							1	2
	AN960-10L	• WASHER							2	2
	AN320-3	• NUT							1	2
		-----*								
- 7	AN822-6D	• ELBOW							1	4
- 8	MS28741-6-0210	• HOSE							1	4
- 9	50-960060-1	• ELBOW							1	
	AN924-8D	• NUT							1	
	MS28784-114	• RING, RETAINER							1	
- 10	SP-2890-1	• ACCUMULATOR, PROPELLER UNFEATHERING.							1	
		/ATTACHING PARTS/								
- 11	AN3-17A	• BOLT							4	4
	AN3-23A	• BOLT							4	3
	AN960D10	• WASHER							4	
		-----*								

MODEL 65 & 80 PARTS CATALOG

FIG. & INDEX NO.	PART NO.	DESCRIPTION							UNITS PER ASSY	USABLE ON CODE
		1	2	3	4	5	6	7		
67 - 12	SP-2814	1	
- 13	50-960058-33	1	4
- 14	50-960058-21	REF	4
	A210390	1	3
	50-960058-15	1	4
- 15	50-960058-1	2	4
	50-960067-5	1	3
	50-960067-9	1	3
	AN837-6D	1	3
	AN960-916	1	3
	AN924-6D	1	3
	MS28741-6-	1	3
	AN832-6	1	3
	AN960-916	1	3
	AN924-6	1	3
	50-960067-1	1	3
	50-960067-7	1	3
	AN833-6D	1	3
	AN960-916	1	3
	AN924-6D	1	3
	MS28741-6-	1	3
	50-960059	1	3

CODE EFFECTIVITY

- 1 LC-1 THRU LC-64
- 3 LD-2 AND AFTER

CODE EFFECTIVITY

- 2 LC-65 AND AFTER
- 4 LC-1 AND AFTER

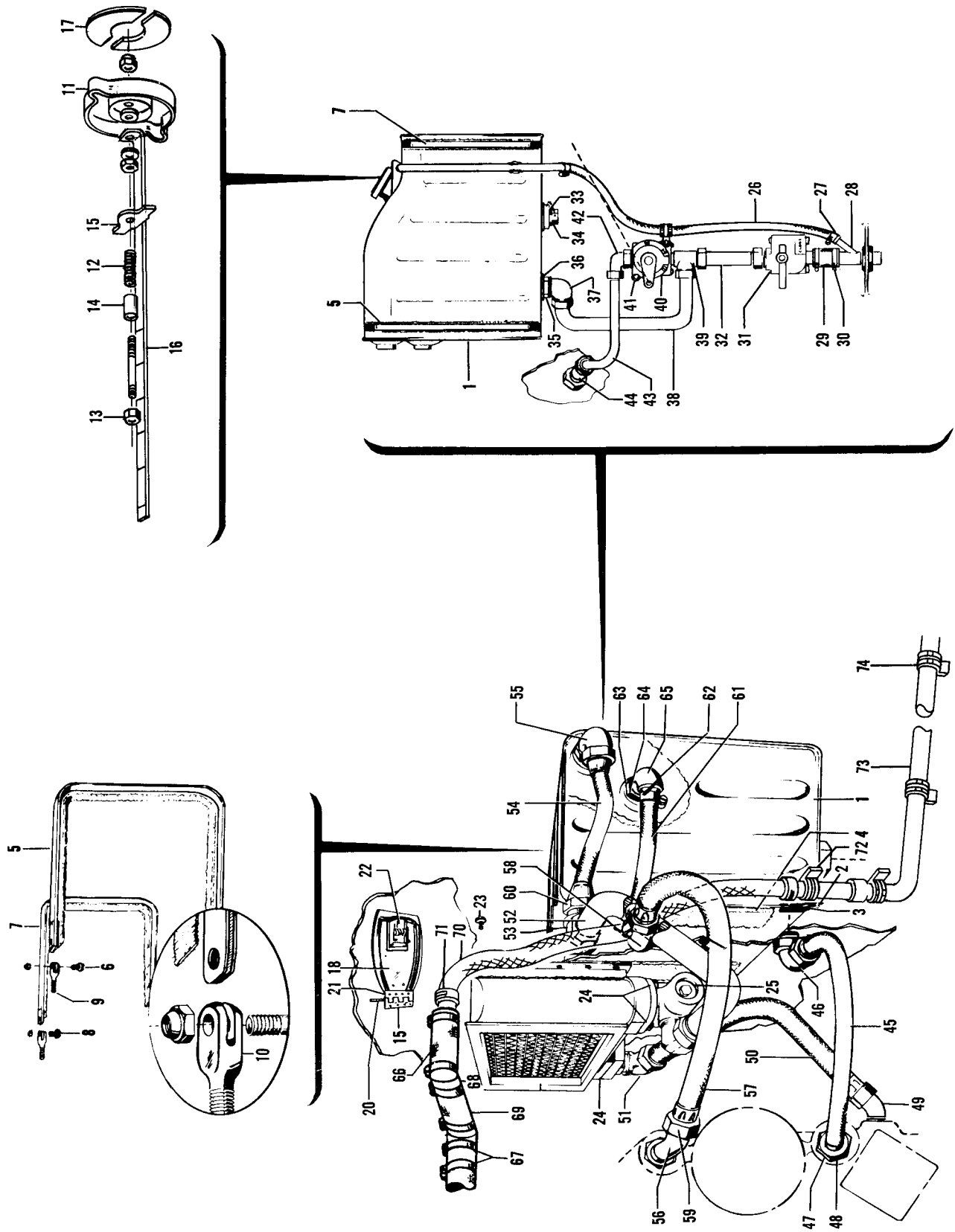


Figure 68. Oil System Installation

MODEL 65 & 80 PARTS CATALOG

FIG. & INDEX NO.	PART NO.	DESCRIPTION	UNITS PER ASSY	USABLE ON CODE
		1 2 3 4 5 6 7		
68	50-939140-333	SYSTEM INSTL,LH OIL /SEE FIG. 1 FOR NHA/.	NP	3
	50-939140-337	SYSTEM INSTL,LH OIL /SEE FIG. 1 FOR NHA/.	NP	4
	50-939140-334	SYSTEM INSTL,RH OIL /SEE FIG. 1 FOR NHA/.	NP	3
	50-939140-338	SYSTEM INSTL,RH OIL /SEE FIG. 1 FOR NHA/.	NP	4
- 1	50-939140-239	. TANK ASSY,OIL	1	
- 2	50-939140-179	. STRIP,CHAFF	2	
- 3	50-939140-183	. STRIP,CHAFF	2	
- 4	50-939140-181	. STRIP,CHAFF	2	
- 5	50-939140-207	. STRAP ASSY,TANK RETAINER.	1	
		/ATTACHING PARTS/		
- 6	AN23-9	. BOLT,CLEVIS	2	
	AN365-1032	. NUT	2	
		-----*-----		
	105160-02800	. STRIP,CHAFF	1	
- 7	50-939140-209	. STRAP ASSY,TANK RETAINER.	1	
		/ATTACHING PARTS/		
- 8	AN23-9	. BOLT,CLEVIS	2	
	AN365-1032	. NUT	2	
		-----*-----		
	105160-02024	. STRIP,CHAFF	1	
- 9	35-939114	. CLEVIS,TANK STRAP	2	
- 10	50-939140-41	. CLEVIS,TANK STRAP	2	
		/ATTACHING PARTS/		
	AN960-10L	. WASHER.	1	
	AN365-1032	. NUT	1	
		-----*-----		
	50-939140-127	. CAP ASSY,OIL TANK FILLER.	1	2
	50-939146-13	. CAP ASSY,OIL TANK FILLER.	1	1
- 11	50-939146-7	. CAP,OIL TANK.	1	1
- 12	111504ZL0103-9	. SPRING,OIL CAP.	1	1
		/ATTACHING PARTS/		
- 13	AN73-15	. BOLT.	1	1
	AN960A10	. WASHER.	1	1
	AN960-10L	. WASHER.	AR	1
	AN364-1032C	. NUT	1	1
	AN315-3R	. NUT	1	1
		-----*-----		
- 14	50-939146-11	. SPACER,OIL CAP.	1	1
- 15	50-939146-3	. LOCK,OIL CAP.	1	1
- 16	50-939146-5	. STICK,DIP	1	1
- 17	50-939146-9	. PLACARD,OIL CAP	1	1
	50-939118-12	. DOOR ASSY,OIL FILLER.	1	
- 18	50-939118-6	. DOOR.	1	
- 19	50-939118-2	. HINGE,HALF.	1	
		/ATTACHING PARTS/		
- 20	105774C-ZE00208	. PIN,HINGE	1	
		-----*-----		
- 21	50-939118-4	. HINGE,HALF.	1	
- 22	H5000-032-040	. LATCH ASSY.	1	
	8525330	. COOLER,OIL.	1	
		/ATTACHING PARTS/		
- 23	AN3-3A	. BOLT.	16	
	AN960-10	. WASHER.	16	
		-----*-----		
- 24	AN6227-17	. RING,O.	3	
	8518629	. VALVE,VERNATHERM CONTROL.	1	
- 25	AN6227-17	. RING,O.	1	
- 26	106200H6-102	. HOSE,SCUPPER DRAIN.	1	
- 27	AN737TW26	. CLAMP	2	
- 28	50-939140-185	. FITTING,Y DRAIN	1	
- 29	106200H16-12	. HOSE,DRAIN.	1	

MODEL 65 & 80 PARTS CATALOG

FIG. & INDEX NO.	PART NO.	DESCRIPTION							UNITS PER ASSY	USABLE ON CODE
		1	2	3	4	5	6	7		
68 - 30	AN737TW46	•	•	•	•	•	•	•	2	
- 31	HE-702	•	•	•	•	•	•	•	1	
- 32	50-939140-215	•	•	•	•	•	•	•	1	3
	50-939140-381	•	•	•	•	•	•	•	1	4
	50-939140-385	•	•	•	•	•	•	•	1	4
- 33	AN6290-12	•	•	•	•	•	•	•	1	
- 34	AN814-12L	•	•	•	•	•	•	•	1	
- 35	AN924-12D	•	•	•	•	•	•	•	1	
- 36	AN6290-12	•	•	•	•	•	•	•	1	
- 37	AN833-12D	•	•	•	•	•	•	•	1	3
- 38	50-939140-223	•	•	•	•	•	•	•	1	3
	50-939140-211	•	•	•	•	•	•	•	1	3
- 39	AN826-12D	•	•	•	•	•	•	•	1	3
	AN783-12D	•	•	•	•	•	•	•	1	4
- 40	HE-715-1	•	•	•	•	•	•	•	1	3
	HE-715-2	•	•	•	•	•	•	•	1	3
	HE756	•	•	•	•	•	•	•	1	4
		/ATTACHING PARTS/								
- 41	AN3-25	•	•	•	•	•	•	•	2	
	102933D4ZM0625	•	•	•	•	•	•	•	2	
	AN960-10L	•	•	•	•	•	•	•	2	
		-----*-----								
- 42	AN822-12D	•	•	•	•	•	•	•	1	
- 43	50-939140-189	•	•	•	•	•	•	•	1	3
	50-939140-391	•	•	•	•	•	•	•	1	4
	50-939140-375	•	•	•	•	•	•	•	1	4
- 44	AN837-12	•	•	•	•	•	•	•	1	3
	AN960-1716L	•	•	•	•	•	•	•	1	
	50-939140-247	•	•	•	•	•	•	•	1	3
	AN924-12	•	•	•	•	•	•	•	1	
	50-939140-235	•	•	•	•	•	•	•	1	
- 45	50-939140-237	•	•	•	•	•	•	•	1	
- 46	649-12D	•	•	•	•	•	•	•	1	3
- 47	MS28740-12	•	•	•	•	•	•	•	2	
- 48	AN816-12	•	•	•	•	•	•	•	1	
- 49	AN823-12	•	•	•	•	•	•	•	1	
- 50	MS28741-12-0176	•	•	•	•	•	•	•	1	
- 51	AN822-12	•	•	•	•	•	•	•	2	3
- 52	50-939140-227	•	•	•	•	•	•	•	1	
- 53	AN833-12	•	•	•	•	•	•	•	1	
	AN960-1716L	•	•	•	•	•	•	•	1	
	AN924-12	•	•	•	•	•	•	•	1	
- 54	MS28741-12-0062	•	•	•	•	•	•	•	1	
- 55	AN833-12D	•	•	•	•	•	•	•	1	3
	AN6290-12	•	•	•	•	•	•	•	1	
	AN924-12D	•	•	•	•	•	•	•	1	
- 56	AN823-12	•	•	•	•	•	•	•	1	
	50-939140-231	•	•	•	•	•	•	•	1	
- 57	50-939140-233	•	•	•	•	•	•	•	1	
- 58	649-12D	•	•	•	•	•	•	•	1	3
- 59	MS28740-12	•	•	•	•	•	•	•	2	
- 60	AN807-12	•	•	•	•	•	•	•	1	
	AN960-1716L	•	•	•	•	•	•	•	1	
	AN924-12	•	•	•	•	•	•	•	1	
- 61	106200H-12-28	•	•	•	•	•	•	•	1	
- 62	AN737-38	•	•	•	•	•	•	•	2	
- 63	AN6290-12	•	•	•	•	•	•	•	1	
- 64	AN924-12D	•	•	•	•	•	•	•	1	
- 65	AN838-12D	•	•	•	•	•	•	•	1	
- 66	50-939140-275	•	•	•	•	•	•	•	1	
- 67	AN737-58	•	•	•	•	•	•	•	6	
- 68	50-939140-241	•	•	•	•	•	•	•	2	3
	50-939140-369	•	•	•	•	•	•	•	1	4
- 69	50-939140-273	•	•	•	•	•	•	•	1	3
	50-939140-361	•	•	•	•	•	•	•	1	4
	50-939140-355	•	•	•	•	•	•	•	1	4
- 70	50-939140-335	•	•	•	•	•	•	•	1	3
	50-939140-365	•	•	•	•	•	•	•	1	4
	50-939140-336	•	•	•	•	•	•	•	1	3

MODEL 65 & 80 PARTS CATALOG

FIG. & INDEX NO.	PART NO.	DESCRIPTION							UNITS PER ASSY	USABLE ON CODE
		1	2	3	4	5	6	7		
68	50-939140-359	•	•	•	•	•	•	•	1	4
	50-939140-295	•	•	•	•	•	•	•	1	3
	50-939140-367	•	•	•	•	•	•	•	1	4
- 71	NAS397-24	•	•	•	•	•	•	•	2	
- 72	AN742D20	•	•	•	•	•	•	•	2	
		/ATTACHING PARTS/								
	AN520-10R8	•	•	•	•	•	•	•	1	
	AN960-10	•	•	•	•	•	•	•	1	
		-----*								
- 73	50-939140-321	•	•	•	•	•	•	•	1	
- 74	AN742F20	•	•	•	•	•	•	•	2	
		/ATTACHING PARTS/								
	AN520-10R8	•	•	•	•	•	•	•	1	
	AN520-10R14	•	•	•	•	•	•	•	1	
	100696X-ZM016	•	•	•	•	•	•	•	1	
	AN960-10	•	•	•	•	•	•	•	1	
	MS20365-1032	•	•	•	•	•	•	•	2	
		-----*								

CODE EFFECTIVITY

- 1 LC-1 THRU LC-71
- 3 LC-1 AND AFTER

CODE EFFECTIVITY

- 2 LC-72 AND AFTER
- 4 LD-2 AND AFTER

MODEL 65 & 80 PARTS CATALOG

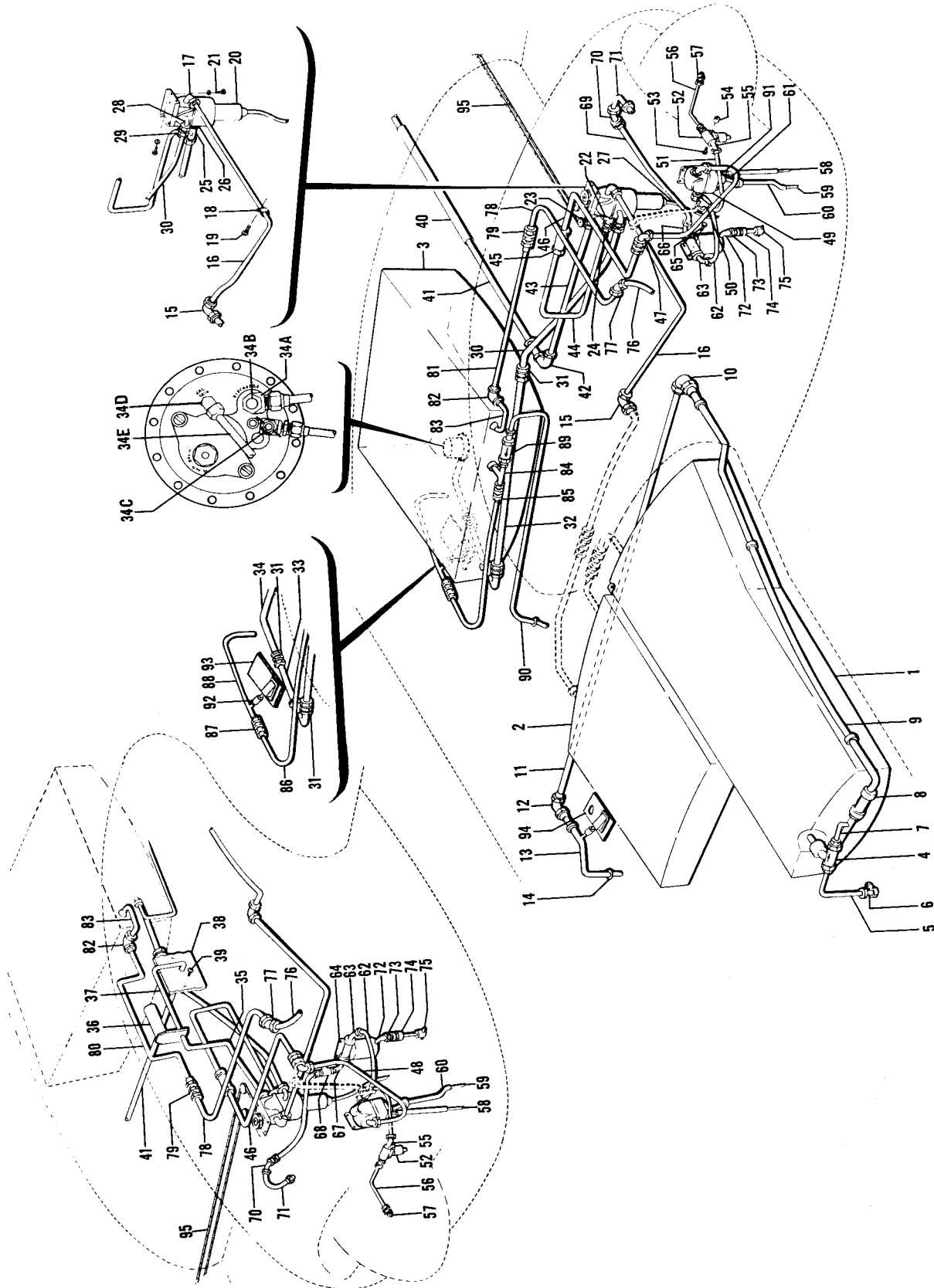


Figure 69. Fuel System Installation (Model 65)

MODEL 65 & 80 PARTS CATALOG

FIG. & INDEX NO.	PART NO.	DESCRIPTION							UNITS PER ASSY	USABLE ON CODE
		1	2	3	4	5	6	7		
69										
										SYSTEM INSTL,FUEL 1
										SYSTEM INSTL,FUEL 3
										SYSTEM INSTL,FUEL 4
										. CELL INSTL,WING FUEL LH /SEE FIG. 70/ 1
										. CELL INSTL,WING FUEL LH /SEE FIG. 70/ 10
										. CELL INSTL,WING FUEL RH /SEE FIG. 70/ 1
- 1										. CELL INSTL,WING FUEL RH /SEE FIG. 70/ 10
										. CELL INSTL,WING AUXILIARY FUEL LH 1
										/SEE FIG. 70/
										. CELL INSTL,WING AUXILIARY FUEL LH 3
										/SEE FIG. 70/
										. CELL INSTL,WING AUXILIARY FUEL LH 4
										/SEE FIG. 70/
										. CELL INSTL,WING AUXILIARY FUEL RH 1
										/SEE FIG. 70/
- 2										. CELL INSTL,WING AUXILIARY FUEL RH 3
										/SEE FIG. 70/
										. CELL INSTL,WING AUXILIARY FUEL RH 4
										/SEE FIG. 70/
- 3										. CELL INSTL,CENTER SECTION FUEL /SEE FIG. 70/. 1
										. CELL INSTL,CENTER SECTION FUEL /SEE FIG. 70/. 2
										. CELL INSTL,CENTER SECTION FUEL /SEE FIG. 70/. 1
										. CELL INSTL,CENTER SECTION FUEL /SEE FIG. 70/. 2
	AN737RM26									. CLAMP,HOSE 2
	1111-595272									. VALVE ASSY,CHECK 2
- 4	366-00									. VALVE ASSY,CHECK /ALTERNATE FOR 1111-595272/. 2
- 5	50-920085-15									. TUBE ASSY,VENT 2
- 6	106200H-4-15									. HOSE 2
	AN737RM22									. CLAMP 2
	50-920085-1									. TUBE ASSY,VENT LH 1
- 7	50-920085-2									. TUBE ASSY,VENT RH 1
- 8	106200H-6-16									. HOSE 2
	AN737RM26									. CLAMP,HOSE 2
- 9	50-920085-43									. TUBE ASSY,VENT 2
- 10	AN821-6D									. ELBOW 2
- 11	50-920085-47									. TUBE ASSY,VENT 2
- 12	AN833-6D									. ELBOW 2
	AN960D916									. WASHER 4
	AN924-6D									. NUT 2
	50-920085-269									. TUBE ASSY,FUEL VENT LH 1
- 13	50-920085-277									. TUBE ASSY,FUEL VENT RH 1
- 14	AN931-6-10									. GROMMET 2
- 15	AN821-6D									. ELBOW 2
	50-920033-10									. TUBE ASSY,FUEL LH 1
	50-920003-103									. TUBE ASSY,FUEL LH 1
- 16	50-920034-10									. TUBE ASSY,FUEL RH 1
	50-920003-107									. TUBE ASSY,FUEL RH 1
- 17	MS20822-8D									. ELBOW 2
- 18	MS21919BG8									. CLAMP 2
	AN743-12									. BRACKET 2
										/ATTACHING PARTS/
- 19	AN520-10R8									. SCREW 2
	AN960-10									. WASHER 2
	AN365-1032									. NUT 2
										-----*
	50-920030-14									. VALVE ASSY,FUEL SELECTOR LH /SEE FIG. 71/ 1
	50-920030-17									. VALVE ASSY,FUEL SELECTOR LH /SEE FIG. 71/ 1
- 20	50-920030-15									. VALVE ASSY,FUEL SELECTOR RH /SEE FIG. 71/ 1
	50-920030-18									. VALVE ASSY,FUEL SELECTOR RH /SEE FIG. 71/ 1
										/ATTACHING PARTS/
- 21	AN3-4A									. BOLT 4
	AN960-10									. WASHER 4
										-----*
- 22	50-920096									. TEE 2

MODEL 65 & 80 PARTS CATALOG

FIG. & INDEX NO.	PART NO.	1	2	3	4	5	6	7	DESCRIPTION	UNITS PER ASSY	USABLE ON CODE
69 - 23	MS20822-8D	ELBOW	2	5
- 24	AN816-6-6D	UNION	2	5
- 25	AN804D8	TEE	2	9
	AN924-8D	NUT	2	9
- 26	MS29512-8	GASKET	2	9
- 27	50-920034-20	TUBE ASSY,DRAIN	2	6
	50-920003-11	TUBE ASSY,BOOST PUMP LH	1	5
	50-920003-73	TUBE ASSY,BOOST PUMP LH	1	9
- 28	AN914-2D	ELBOW	2	5
	AN914-3D	ELBOW	2	9
- 29	AN816-7D	NIPPLE	2	5
	AN816-8D	NIPPLE	2	9
- 30	50-920003-21	TUBE ASSY,BOOST PUMP RH	1	5
	50-920003-69	TUBE ASSY,BOOST PUMP RH	1	9
- 31	AN815-8D	UNION	2	6
	50-920003-7	TUBE ASSY,BOOST PUMP LH	1	6
- 32	50-920003-19	TUBE ASSY,BOOST PUMP RH	1	6
	AN815-8D	UNION	2	6
- 33	50-920085-17	TUBE ASSY,BOOST PUMP	2	6
	AN815-8D	UNION	2	6
	50-920085-263	TUBE ASSY,BOOST PUMP LH	1	6
- 34	50-920085-259	TUBE ASSY,BOOST PUMP RH	1	6
- 34A	AN826-8	TEE	2	6
- 34B	AN929-8	CAP	2	6
- 34C	CCA4850	VALVE ASSY,DRAIN	2	6
- 34D	AN823-4	ELBOW	2	6
- 34E	50-920034-40	TUBE ASSY,LINER DRAIN	2	6
- 35	50-920003-9	TUBE ASSY,CROSSFEED LH.	1	5
	50-920003-87	TUBE ASSY,CROSSFEED LH.	1	9
		VALVE INSTL,CROSSFEED SHUTOFF LH.		
		/SEE FIG. 71/		
- 37	50-920003-5	TUBE ASSY,CROSSFEED LH /USED WITHOUT HIGH	1	6
		PRESSURE DE-ICER SYSTEM/		
	50-970001-115	TUBE ASSY,CROSSFEED LH /USED WITH HIGH.	1	6
		PRESSURE DE-ICER SYSTEM/		
- 38	50-920003-3	COVER,FUEL CROSSFEED LH	1	6
		/ATTACHING PARTS/		
- 39	AN520-10-8	SCREW	2	
	AN960-10	WASHER	2	
		-----*		
- 40	50-920003-53	COVER,TUBING	1	6
- 41	50-920003-17	TUBE ASSY,FUEL CROSSFEED.	1	6
- 42	AN821-8D	ELBOW	2	6
- 43	50-920003-23	TUBE ASSY,CROSSFEED RH.	1	5
	50-920003-83	TUBE ASSY,CROSSFEED RH.	1	9
	50-920003-13	TUBE ASSY,FUEL LH	1	5
	50-920003-99	TUBE ASSY,FUEL LH	1	4
- 44	50-920003-49	TUBE ASSY,FUEL RH	1	5
	50-920003-79	TUBE ASSY,FUEL RH	1	4
- 45	1112-581041	VALVE,CHECK	2	5
	3125-00	VALVE,CHECK	2	4
	50-920003-15	TUBE ASSY,FUEL PUMP LH.	1	5
	50-920003-95	TUBE ASSY,FUEL PUMP LH.	1	4
- 46	50-920003-59	TUBE ASSY,FUEL PUMP RH.	1	5
	50-920003-91	TUBE ASSY,FUEL PUMP RH.	1	4
- 47	AN837-6	ELBOW	2	5
	AN837-8	ELBOW	2	4
	AN960-916	WASHER	2	5
	AN960-1216	WASHER	2	4
	AN924-6	NUT	2	5
	AN924-8	NUT	2	4
- 48	MS28741-6-0186	HOSE ASSY,FUEL	2	5
	MS28741-8-0186	HOSE ASSY,FUEL	2	4

- 61	AN844-4	• ELBOW /HOSE WITH 2P-R400BRD/	2	6
- 62	MS28741-6-0144	• HOSE ASSY,RUBBER	2	6
- 63	AN823-6	• ELBOW,PIPE TO TUBE	2	6
	AN816-6	• NIPPLE	2	6
- 64	O1T05815	• FILTER,AIR	2	6
		/ATTACHING PARTS/		
- 65	AN74A4	• BOLT	4	
	AN960D416	• WASHER,FLAT	2	
		-----*-----		
- 66	AN914-2	• ELBOW /RH ONLY/	1	6
- 67	AN914-2	• ELBOW /LH ONLY/	1	6
- 68	AN917-2	• TEE /LH ONLY/	1	6
	AN911-2	• NIPPLE /LH ONLY/	1	6
	AN816-4-4	• NIPPLE /LH ONLY/	1	6
	AN816-6	• NIPPLE /LH ONLY/	1	6
- 69	MS28741-6-0210	• HOSE ASSY,RUBBER /LH ONLY/	1	6
	MS28741-6-0244	• HOSE ASSY,RUBBER /RH ONLY/	1	6
- 70	AN837-6	• ELBOW,TUBE	2	6
	AN960-916	• WASHER,FLAT	2	6
	AN924-1D	• NUT	2	6
- 71	MS28741-6-0084	• HOSE ASSY,RUBBER	2	6
- 72	AN915-1D	• ELBOW	2	6
- 73	AN911-1D	• NIPPLE	2	6
- 74	AN910-1D	• COUPLING	2	6
- 75	CCA4850	• VALVE,DRAIN	2	6
- 76	MS28741-4-0140	• HOSE ASSY,RUBBER	2	6
- 77	AN837-4D	• ELBOW,TUBE	2	6
	AN960-716	• WASHER,FLAT	4	6
	AN924-4	• NUT,PLAIN,HEXAGON	2	6
- 78	50-920033-26	• TUBE ASSY,FUEL RETURN	2	6
- 79	AN815-4D	• NIPPLE,TUBE	2	6
- 80	50-920085-255	• TUBE ASSY,FUEL RETURN	2	6
- 81	50-920033-34	• TUBE ASSY,FUEL RETURN	2	6
- 82	AN833-4D	• ELBOW,TUBE	2	6
	AN960-716	• WASHER,FLAT	2	6
	AN924-4D	• NUT,PLAIN,HEXAGON	2	6
- 83	50-920033-40	• TUBE ASSY,FUEL RETURN	2	6
- 84	50-929012	• TUBE ASSY,VENT	2	6
- 85	AN815-4D	• NIPPLE,TUBE	2	6
	50-920033-92	• TUBE ASSY,VENT LH	1	6
- 86	50-920033-96	• TUBE ASSY,VENT RH	1	6
- 87	AN815-8D	• NIPPLE,TUBE	2	6
- 88	50-920085-291	• TUBE ASSY,VENT LH	2	6
- 89	366-00	• VALVE,CHECK	4	6
	1111-595272	• VALVE,CHECK /ALT FOR 366-00/	4	6

MODEL 65 & 80 PARTS CATALOG

FIG. & INDEX NO.	PART NO.	DESCRIPTION	UNITS PER ASSY	USABLE ON CODE
		1 2 3 4 5 6 7		
69	50-920033-100	• TUBE ASSY, VENT LH	1	6
- 90	50-920033-104	• TUBE ASSY, VENT RH	1	6
- 91	50-920085-121	• TUBE ASSY, DRAIN	2	7
	50-920085-319	• TUBE ASSY, DRAIN	2	8
- 92	106043ZE060	• HOSE, FUEL	2	6
	50-920085-303	• DOOR ASSY, CENTER SECTION LH ACCESS.	2	6
- 93	50-920085-304	• DOOR ASSY, CENTER SECTION RH ACCESS.	2	6
	50-920085-299	• DOOR ASSY, WING LH ACCESS.	2	6
- 94	50-920085-300	• DOOR ASSY, WING RH ACCESS.	2	6
- 95	50-920092	• CONTROL INSTL, FUEL SELECTOR VALVE	1	6
		/SEE FIG. 73/		

CODE EFFECTIVITY

- 1 LC-1 THRU LC-52
- 3 LC-53 THRU LC-110
- 5 LC-1 THRU LC-110
- 7 LC-1 THRU LC-108
- 9 LC-111 AND AFTER

CODE EFFECTIVITY

- 2 LC-53 AND AFTER
- 4 LC-111 AND AFTER
- 6 LC-1 AND AFTER
- 8 LC-109 AND AFTER
- 10 LC-53 AND AFTER

MODEL 65 & 80 PARTS CATALOG

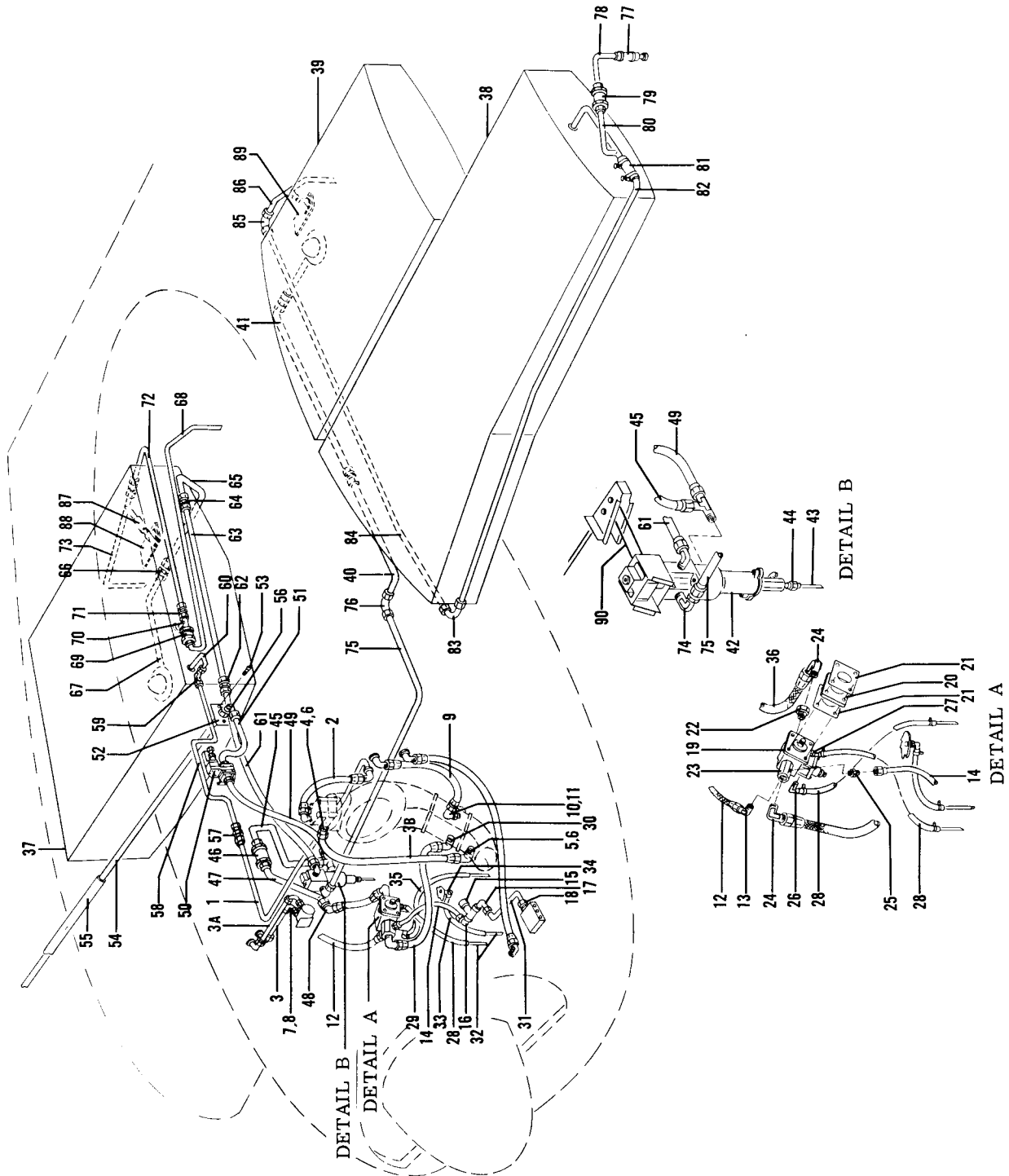


Figure 69A. Fuel System Installation (Model 80)

MODEL 65 & 80 PARTS CATALOG

FIG. & INDEX NO.	PART NO.	DESCRIPTION	UNITS PER ASSY	USABLE ON CODE
		FUEL SYSTEM INSTL		7
69A- 1	50-920003-145	. TUBE ASSY,LH.	1	7
	50-920003-149	. TUBE ASSY,RH.	1	7
- 2	MS28741-4-0112	. HOSE.	2	7
	50-920003-153	. HOSE ASSY,LH FLOWMETER.	1	1
- 3	50-920003-161	. HOSE ASSY,LH FLOWMETER.	1	2
	50-920003-157	. HOSE ASSY,RH FLOWMETER.	1	1
	50-920003-165	. HOSE ASSY,RH FLOWMETER.	1	2
	50-920003-155	. HOSE ASSY,LH FLOWMETER.	1	1
- 3A	50-920003-163	. HOSE ASSY,LH FLOWMETER.	1	2
	50-920003-159	. HOSE ASSY,RH FLOWMETER.	1	1
	50-920003-167	. HOSE ASSY,RH FLOWMETER.	1	2
- 3B	MS28741-6-0220	. HOSE.	2	
- 4	AN837-6	. UNION	2	7
- 5	AN833-6	. ELBOW	2	7
	AN924-6	. NUT	4	7
- 6	MS29512-6	. GASKET.	4	7
	50-921565-5	. RESTRICTER.	4	1
- 7	AN815-3	. RESTRICTER.	4	2
- 8	MS29512-3	. GASKET.	4	7
- 9	MS28741-4-0150	. HOSE.	2	7
- 10	50-921569	. ADAPTER	2	7
- 11	MS29512-4	. GASKET.	2	7
	AN924-4	. NUT	2	7
- 12	MS28741-4-0210	. HOSE /LH ONLY/.	1	7
- 13	AN823-4	. ELBOW /LH ONLY/.	1	7
	AN913-2S	. PLUG /RH ONLY/.	1	7
	50-920003-133	. TUBE ASSY	2	3
- 14	50-920003-173	. TUBE ASSY	2	4
- 15	AV1B1474	. VALVE,SOLENOID.	2	
		/ATTACHING PARTS/		
	AN520-10R	. SCREW	2	
	AN960-10	. WASHER.	2	
	NAS43DD3-4	. SPACER.	2	
	AN365-1032	. NUT	2	
		-----*		
- 16	AN822-4	. ELBOW	2	
	AN780-2	. NIPPLE.	2	5
- 17	AN822-4	. ELBOW	1	6
- 18	50-921551	. ADAPTER	1	6
	50-921560-7	. PUMP ASSY,ENGINE DRIVEN FUEL /SUPERCEDED BY	1	3
		50-921560-13/		
- 19	50-921560-11	. PUMP ASSY,ENGINE DRIVEN FUEL /SUPERCEDED BY	1	4
		50-921560-13/		
	50-921560-13	. PUMP ASSY, ENGINE DRIVEN FUEL (See Fig. 91)	1	
- 20	626839	. SPACER.	2	4
- 21	AN4059-1	. GASKET.	4	4
- 22	AN912-8	. BUSHING	2	7
- 23	50-921562	. ADAPTER	2	7
- 24	AN822-8	. ELBOW	4	7
- 25	AN816-4	. NIPPLE.	2	7
- 26	AN844-4	. ELBOW	2	7
- 27	50-920085-319	. TUBE ASSY	2	7
- 28	106043ZB240	. HOSE.	2	7
- 29	MS28741-8-0200	. HOSE.	2	7
- 30	AN837-8	. ELBOW	2	7
	AN924-8	. NUT	2	7
	MS29512-8	. CLAMP	2	7
	50-920003-129	. TUBE ASSY	2	5
- 31	50-920003-171	. TUBE ASSY	2	6
- 32	50-920003-151	. TUBE.	3	7
	AN931-4-7	. GROMMET	3	7
- 33	106043ZA150	. HOSE.	2	7
- 34	AN844-4	. ELBOW	2	7
	AN742D6	. CLAMP	4	7
	AN743-12	. BRACKET	2	7
		/ATTACHING PARTS/		
	AN520-10R8	. SCREW	3	
	AN960-10	. WASHER.	3	
	MS20365-1032	. NUT	3	
		-----*		

MODEL 65 & 80 PARTS CATALOG

FIG. & INDEX NO.	PART NO.	DESCRIPTION	UNITS PER ASSY	USABLE ON CODE
		1 2 3 4 5 6 7		
69A- 35	106043-0806-200	• HOSE	2	7
- 36	MS28741-8-0146	• HOSE	2	7
		• CELL INSTL,CENTER SECTION LH /SEE FIG. 70/		7
		• CELL INSTL,CENTER SECTION RH /SEE FIG. 70/		7
		• CELL INSTL,WING OUTBD LH /SEE FIG. 70/		7
		• CELL INSTL,WING OUTBD RH /SEE FIG. 70/		7
		• CELL INSTL,AUXILIARY FUEL LH /SEE FIG. 70/		7
		• CELL INSTL,AUXILIARY FUEL RH /SEE FIG. 70/		7
- 40	50-921504-9	• TUBE ASSY,LH.	REF	7
	50-921504-10	• TUBE ASSY,RH.	REF	7
- 41	50-921504-43	• TUBE ASSY,LH.	REF	7
	50-921504-47	• TUBE ASSY,RH.	REF	7
- 42	50-920030-19	• VALVE ASSY,FUEL SELECTOR LH /SEE FIG. 71/	1	7
	50-920030-20	• VALVE ASSY,FUEL SELECTOR RH /SEE FIG. 71/	1	7
- 43	50-920034-20	• TUBE ASSY,SELECTOR VALVE DRAIN.	2	7
- 44	AN816-4D	• UNION	2	7
- 45	50-920003-99	• TUBE ASSY,LH.	1	7
	50-920003-79	• TUBE ASSY,RH.	1	7
- 46	3142-00	• VALVE,CHECK	2	7
- 47	50-920003-135	• TUBE ASSY,LH.	1	7
	50-920003-139	• TUBE ASSY,RH.	1	7
- 48	AN837-8	• ELBOW	2	7
	AN960-1216	• WASHER	2	7
	AN924-8	• NUT	2	7
- 49	50-920003-87	• TUBE ASSY,LH.	1	7
	50-920003-83	• TUBE ASSY,RH.	1	7
		• VALVE INSTL,CROSSFEED SHUTOFF LH.		7
		/SEE FIG. 71/		
- 51	50-920003-5	• TUBE ASSY,LH.	1	7
- 52	50-920003-3	• COVER	2	7
		/ATTACHING PARTS/		
- 53	AN520-10-8	• SCREW	2	
	AN960-10	• WASHER	2	
		-----*-----		
- 54	50-920003-17	• TUBE ASSY	1	7
- 55	50-920003-53	• TUBING,TYGON.	1	7
- 56	AN821-8D	• ELBOW	2	7
- 57	AN815-4D	• UNION	2	7
- 58	50-920085-255	• TUBE ASSY,LH.	1	7
	50-920033-34	• TUBE ASSY,RH.	1	7
- 59	AN833-4D	• ELBOW	2	7
	AN960-716	• WASHER	2	7
	AN924-4D	• NUT	2	7
- 60	50-920033-40	• TUBE ASSY	2	7
- 61	50-920003-73	• TUBE ASSY,LH.	1	7
	50-920003-69	• TUBE ASSY,RH.	1	7
- 62	AN815-8D	• UNION	2	7
- 63	50-920003-7	• TUBE ASSY,LH.	1	7
	50-920003-19	• TUBE ASSY,RH.	1	7
- 64	AN815-8D	• UNION	2	7
- 65	50-920085-17	• TUBE ASSY	2	7
- 66	AN815-8D	• UNION	2	7
- 67	50-920085-263	• TUBE ASSY,LH.	1	7
	50-920085-259	• TUBE ASSY,RH.	1	7
- 68	50-920033-100	• TUBE ASSY,LH.	1	7
	50-920033-104	• TUBE ASSY,RH.	1	7
	AN931-4-7	• GROMMET	4	7
- 69	366-00	• VALVE,CHECK	2	7
	1111-595272	• VALVE,CHECK /ALTERNATE FOR 366-00/	2	7
- 70	50-929012	• TUBE ASSY	2	7
- 71	AN815-4D	• UNION	2	7
- 72	50-920033-92	• TUBE ASSY,LH.	1	7
	50-920033-96	• TUBE ASSY,RH.	1	7
	AN931-4-7	• GROMMET	5	7
- 73	50-920085-291	• TUBE ASSY,LH.	2	7
- 74	MS20822-8D	• ELBOW	2	7
- 75	50-920003-103	• TUBE ASSY,LH.	1	7
	50-920003-107	• TUBE ASSY,RH.	1	7

MODEL 65 & 80 PARTS CATALOG

FIG. & INDEX NO.	PART NO.	1	2	3	4	5	6	7	DESCRIPTION	UNITS PER ASSY	USABLE ON CODE
69A- 76	AN821-6D	ELBOW	2	7
- 77	106200H4-15	HOSE	2	7
	AN737RM22	CLAMP	4	7
- 78	50-920085-15	TUBE ASSY	2	7
- 79	366-00	VALVE,CHECK	2	7
	1111-595272	VALVE,CHECK /ALTERNATE FOR 366-00/.	2	7
- 80	50-920085-1	TUBE ASSY,LH.	1	7
	50-920085-2	TUBE ASSY,RH.	1	7
- 81	106200H6-16	HOSE	2	7
	AN737RM26	CLAMP	4	7
- 82	50-920085-43	TUBE ASSY	2	7
- 83	AN821-6D	ELBOW	2	7
- 84	50-920085-47	TUBE ASSY	2	7
- 85	AN833-6D	ELBOW	2	7
	AN960D916	WASHER	4	7
	AN924-6D	NUT	2	7
- 86	50-920085-269	TUBE ASSY,LH.	1	7
	50-920085-277	TUBE ASSY,RH.	1	7
- 87	106043ZE060	HOSE	2	7
	AN737RM22	CLAMP	4	7
- 88	50-920085-303	DOOR ASSY,LH.	1	7
	50-920085-304	DOOR ASSY,RH.	1	7
- 89	50-920085-299	DOOR ASSY,LH.	1	7
	50-920085-300	DOOR ASSY,RH.	1	7
		CONTROL INSTL,FUEL SELECTOR VALVE		7
									/SEE FIG. 73/		

CODE EFFECTIVITY

- 1 LD-1 THRU LD-58
- 3 LD-1 THRU LD-47
EXCEPT LD-30
- 5 LD-1 THRU LD-37
EXCEPT LD-30
- 7 LD-1 AND AFTER

CODE EFFECTIVITY

- 2 LD-59 AND AFTER
- 4 LD-30,
LD-48 AND AFTER
- 6 LD-30,
LD-38 AND AFTER

MODEL 65 & 80 PARTS CATALOG

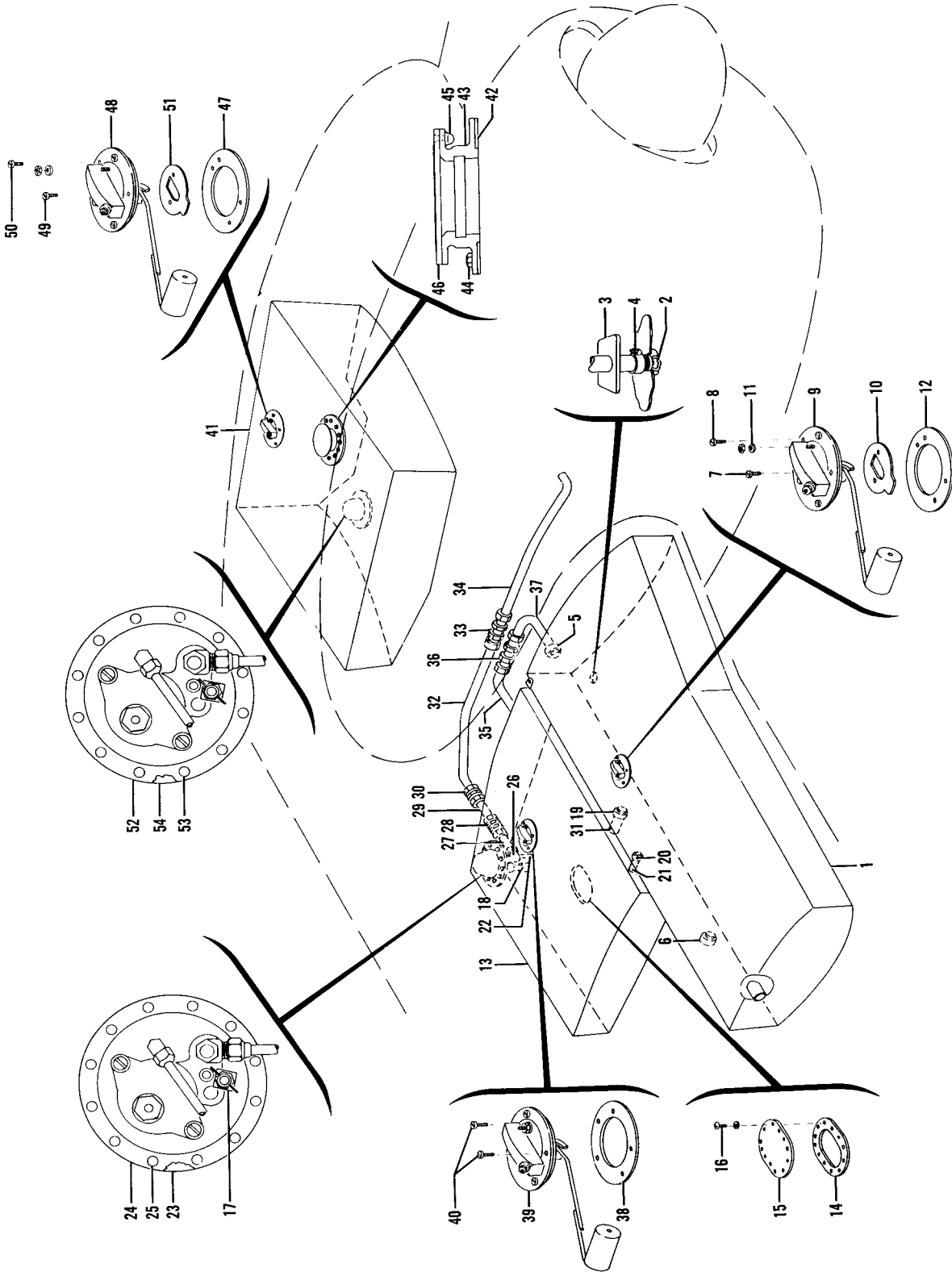


Figure 70. Fuel Cell Installation

MODEL 65 & 80 PARTS CATALOG

FIG. & INDEX NO.	PART NO.	DESCRIPTION	UNITS PER ASSY	USABLE ON CODE
		1 2 3 4 5 6 7		
		CELL INSTL,WING FUEL LH /SEE FIG. 69 FOR NHA/ .		1
		CELL INSTL,WING FUEL LH		8
		/SEE FIG. 69 & 69A FOR NHA/		
		CELL INSTL,WING FUEL RH /SEE FIG. 69 FOR NHA/ .		1
		CELL INSTL,WING FUEL RH		8
		/SEE FIG. 69 & 69A FOR NHA/		
70	50-921507-3	. CELL ASSY,WING FUEL LH.	1	1
	50-921507-5	. CELL ASSY,WING FUEL LH.	1	8
- 1	50-921507-4	. CELL ASSY,WING FUEL RH.	1	1
	50-921507-6	. CELL ASSY,WING FUEL RH.	1	8
- 2	CCA-3400	. VALVE ASSY,DRAIN.	1	
- 3	35-921532	. WASHER,DRAIN VALVE.	1	
- 4	35-921533	. CLAMP,DRAIN VALVE	1	
- 5	AN737-30	. CLAMP,HOSE.	1	
- 6	AN737-44	. CLAMP,HOSE.	1	
	50-369020	. TRANSMITTER,FUEL QUANTITY	1	
		/ATTACHING PARTS/		
- 7	AN502-10-6	. SCREW	4	
- 8	AN502-10-8	. SCREW	1	
		-----*		
- 9	50-369020-1	. . TRANSMITTER	1	
- 10	50-369021	. . GASKET,FUEL TRANSMITTER	1	
- 11	3053	. . WASHER,FIBER.	2	
- 12	35-921503	. GASKET,FUEL TRANSMITTER	1	
	45-921544	. ADAPTER ASSY,FUEL CAP	1	6
	416-85-23	. CAP ASSY,FUEL	1	6
	FC3570-5	. CAP & ADAPTER ASSY,FUEL	1	9
		CELL INSTL,WING FUEL LH /SEE FIG. 69 FOR NHA/ .		1
		CELL INSTL,WING FUEL LH /SEE FIG. 69 FOR NHA/ .		3
		CELL INSTL,WING FUEL LH /SEE FIG. 69 FOR NHA/ .		4
		CELL INSTL,WING FUEL LH		7
		/SEE FIG. 69 & 69A FOR NHA/		
		CELL INSTL,WING FUEL RH /SEE FIG. 69 FOR NHA/ .		1
		CELL INSTL,WING FUEL RH /SEE FIG. 69 FOR NHA/ .		3
		CELL INSTL,WING FUEL RH /SEE FIG. 69 FOR NHA/ .		4
		CELL INSTL,WING FUEL RH		7
		/SEE FIG. 69 & 69A FOR NHA/		
	50-921510-5	. CELL ASSY,WING FUEL LH.	1	1
	50-921510-9	. CELL ASSY,WING FUEL LH.	1	2
- 13	50-921510-6	. CELL ASSY,WING FUEL RH.	1	1
	50-921510-10	. CELL ASSY,WING FUEL RH.	1	2
- 14	50-921521	. GASKET,TANK ACCESS.	1	
- 15	50-921520	. COVER,TANK ACCESS	1	
		/ATTACHING PARTS/		
- 16	AN74-4	. BOLT.	12	
	AN960-416L	. WASHER.	12	
		-----*		
- 17	CCA-4850	. VALVE ASSY,DRAIN.	1	
- 18	50-921524	. COUPLING,DRAIN VALVE.	1	
- 19	AN737RM38	. CLAMP,HOSE.	1	
- 20	AN737RM82	. CLAMP,HOSE.	1	
	50-921504-27	. TUBE ASSY,INTERCONNECT LH	1	
- 21	50-921504-28	. TUBE ASSY,INTERCONNECT RH	1	
- 22	50-921504-63	. TUBE ASSY,PUMP VENT	1	
- 23	35-921502	. GASKET,BOOST PUMP	1	10
- 24	56881-1	. PUMP,BOOST.	1	
	122723-112-01	. PUMP,BOOST /ALTERNATE FOR 56881-1/.	1	10
	122723-113-01	. PUMP,BOOST /ALTERNATE FOR 122723-112-01/.	1	10
	70623-1	. PUMP,BOOST.	2	7
		/ATTACHING PARTS/		
- 25	AN74-5	. BOLT.	12	
	AN960-416	. WASHER.	12	
		-----*		
	50-921547	. ADAPTER,BOOST PUMP.	1	11
- 26	AN822-6-6D	. ELBOW	1	5
	AN822-8-6D	. ELBOW	1	11
- 27	50-921504-51	. TUBE ASSY,FUEL.	2	5
	50-921504-87	. TUBE ASSY,FUEL.	2	11
- 28	AN832-6D	. UNION	1	5
	AN832-8D	. UNION	1	11
	AN924-6D	. NUT	2	5
	AN924-8D	. NUT	2	11

MODEL 65 & 80 PARTS CATALOG

FIG. & INDEX NO.	PART NO.	DESCRIPTION	UNITS PER ASSY	USABLE ON CODE
70 - 29	50-921504-67	• TUBE ASSY,FUEL	1	5
	50-921504-79	• TUBE ASSY,FUEL	1	11
- 30	AN815-6D	• UNION	1	
- 31	50-921504-21	• TUBE ASSY,INTERCONNECT.	1	
	50-921504-43	• TUBE ASSY,FUEL LH	1	5
	50-921504-77	• TUBE ASSY,FUEL LH	1	11
- 32	50-921504-47	• TUBE ASSY,FUEL RH	1	5
	50-921504-78	• TUBE ASSY,FUEL RH	1	11
- 33	AN832-6D	• UNION	1	5
	AN832-8D	• UNION	1	11
	AN924-6D	• NUT	2	5
	AN924-8D	• NUT	2	11
	50-921504-9	• TUBE ASSY,FUEL LH	1	5
	50-921504-75	• TUBE ASSY,FUEL LH	1	11
- 34	50-921504-10	• TUBE ASSY,FUEL RH	1	5
	50-921504-76	• TUBE ASSY,FUEL RH	1	11
	50-921504-5	• TUBE ASSY,FUEL LH	1	
- 35	50-921504-6	• TUBE ASSY,FUEL RH	1	
- 36	AN832-8D	• UNION	1	
	AN924-8D	• NUT	2	
- 37	50-921504-7	• TUBE ASSY,FUEL	1	
- 38	35-921503	• GASKET,FUEL TRANSMITTER	1	
- 39	1518414	• TRANSMITTER,FUEL	1	
		/ATTACHING PARTS/		
- 40	AN502-10-6	• SCREW	4	
	AN502-10-8	• SCREW	1	
		-----*-----		
		CELL INSTL,CENTER SECTION FUEL LH		1
		/SEE FIG. 69 FOR NHA/		
		CELL INSTL,CENTER SECTION FUEL LH		2
		/SEE FIG. 69 FOR NHA/		
		CELL INSTL,CENTER SECTION FUEL LH		7
		/SEE FIG. 69A FOR NHA/		
		CELL INSTL,CENTER SECTION FUEL RH		1
		/SEE FIG. 69 FOR NHA/		
		CELL INSTL,CENTER SECTION FUEL RH		2
		/SEE FIG. 69 FOR NHA/		
		CELL ASSY,CENTER SECTION FUEL RH		7
		/SEE FIG. 69A FOR NHA/		
	50-920010-2	• CELL ASSY,CENTER SECTION FUEL LH	1	1
	50-920010-4	• CELL ASSY,CENTER SECTION FUEL LH	1	8
- 41	50-920010-3	• CELL ASSY,CENTER SECTION FUEL RH	1	1
	50-920010-5	• CELL ASSY,CENTER SECTION FUEL RH	1	8
- 42	35-921502	• GASKET,FILLER NECK	2	
- 43	50-921518	• ADAPTER,FILLER NECK	1	6
		/ATTACHING PARTS/		
- 44	AN74-3	• BOLT	12	
- 45	AN509-10R9	• SCREW	12	
	AN960-416L	• WASHER	12	
		-----*-----		
- 46	416-85-44	• CAP ASSY,FILLER	1	6
	FC3570-4	• CAP & ADAPTER ASSY,FUEL	1	9
- 47	35-921503	• GASKET,FUEL TRANSMITTER	1	
- 48	50-369019	• TRANSMITTER,FUEL	1	
		/ATTACHING PARTS/		
- 49	AN502-10-6	• SCREW	4	
- 50	AN502-10-8	• SCREW	1	
		-----*-----		
- 51	50-369021	• GASKET,TRANSMITTER	1	10
- 52	56881-1	• PUMP ASSY,BOOST	1	
	122723-112-01	• PUMP ASSY,BOOST /ALTERNATE FOR 56881-1/	1	10
	122723-113-01	• PUMP ASSY,BOOST /ALTERNATE FOR 122723-112-01/	1	10
	70623-1	• PUMP ASSY,BOOST	2	7
		/ATTACHING PARTS/		
- 53	AN74-3	• BOLT	12	
	AN960-416L	• WASHER	12	
		-----*-----		

MODEL 65 & 80 PARTS CATALOG

FIG. & INDEX NO.	PART NO.	DESCRIPTION							UNITS PER ASSY	USABLE ON CODE	
		1	2	3	4	5	6	7			
70 - 54	50-921502	.	GASKET,BOOSTER PUMP	1	

CODE EFFECTIVITY

- 1 LC-1 THRU LC-52
- 3 LC-53 THRU LC-110
- 5 LC-1 THRU LC-110
- 7 LD-2 AND AFTER
- 9 LC-103 AND AFTER,
LD-2 AND AFTER
- 11 LC-111 AND AFTER,
LD-2 AND AFTER

CODE EFFECTIVITY

- 2 LC-53 AND AFTER
- 4 LC-111 AND AFTER
- 6 LC-1 THRU LC-102
- 8 LC-53 AND AFTER,
LD-2 AND AFTER
- 10 LC-1 AND AFTER

MODEL 65 & 80 PARTS CATALOG

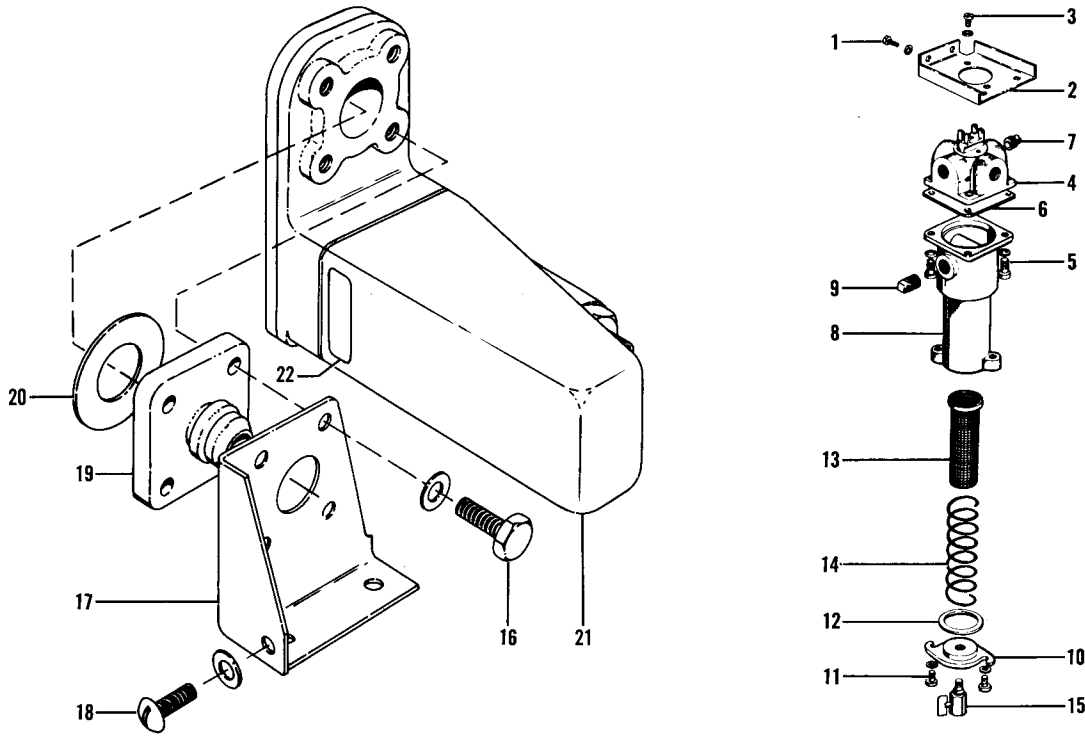


Figure 71. Fuel Selector Valve Assembly

FIG. & INDEX NO.	PART NO.	DESCRIPTION	UNITS PER ASSY	USABLE ON CODE
71	50-920030-14	VALVE ASSY,FUEL SELECTOR LH	REF	1
	50-920030-17	VALVE ASSY,FUEL SELECTOR LH	REF	2
	50-920030-19	VALVE ASSY,FUEL SELECTOR LH	REF	3
	50-920030-15	VALVE ASSY,FUEL SELECTOR RH	REF	1
	50-920030-18	VALVE ASSY,FUEL SELECTOR RH	REF	2
	50-920030-20	VALVE ASSY,FUEL SELECTOR RH	REF	3
- 1	AN3-4A AN960-10	BOLT WASHER	4 4	
- 2	50-920056	PLATE,VALVE MOUNTING	1	
- 3	AN500-10-8 AN936A10	SCREW WASHER	2 2	
- 4	50-389002 50-389002-1	VALVE,FUEL SELECTOR VALVE,FUEL SELECTOR /ALTERNATE FOR 50-389002/ /TWO -4 GASKETS REQUIRED WHEN THIS VALVE IS USED/	1 1	1 1
	50-389002-3 50-389002-5	VALVE,FUEL SELECTOR /ALTERNATE FOR 50-389002/ VALVE,FUEL SELECTOR	1 1	1 4
- 5	AN500A10-8 AN935-10	SCREW WASHER	4 4	

MODEL 65 & 80 PARTS CATALOG

FIG. & INDEX NO.	PART NO.	DESCRIPTION	UNITS PER ASSY	USABLE ON CODE
71 - 6	50-920030-4	. GASKET	1	
- 7	AN913-2	. PLUG,OUTLET	1	1
- 8	45-920036	. HOUSING,STRAINER ASSY	1	1
	50-920099	. HOUSING,STRAINER ASSY	1	4
- 9	AN913-2	. PLUG,OUTLET	1	1
	AN913-3	. PLUG,OUTLET	1	4
- 10	50-920057	. PLATE,FUEL STRAINER	1	
		/ATTACHING PARTS/		
- 11	AN500A10-12	. SCREW	2	
	AN960-10L	. WASHER	2	
		-----*-----		
- 12	35-921181	. GASKET	1	
- 13	50-920040	. STRAINER ASSY,FUEL	1	5
	45-924091	. STRAINER ASSY,FUEL	1	3
- 14	111504ZT0324-3	. SPRING	1	
- 15	K9000S-1A	. VALVE,DRAIN	1	
	50-920094	VALVE INSTL,FUEL CROSSFEED SHUTOFF LH	REF	
		/SEE FIG. 69 & 69A FOR NHA/		
	50-920094-3	. VALVE ASSY,FUEL	1	
		/ATTACHING PARTS/		
- 16	AN3H5A	. BOLT	8	
	AN960-10L	. WASHER	8	
		-----*-----		
- 17	50-920094-1	. BRACKET,SUPPORT LH.	1	
	50-920094-2	. BRACKET,SUPPORT RH.	1	
		/ATTACHING PARTS/		
- 18	AN520-10-8	. SCREW	3	
	AN960-10L	. WASHER	3	
	AN365-1032	. NUT	1	
		-----*-----		
- 19	50-920095	. ADAPTER,VALVE	2	
- 20	50-920094-5	. GASKET	2	
- 21	50-924027	. VALVE ASSY,MOTORIZED.	1	
- 22	50-924028	. PLACARD	1	

CODE EFFECTIVITY

- 1 LC-1 THRU LC-110
- 3 LD-1 AND AFTER
- 5 LC-1 AND AFTER

CODE EFFECTIVITY

- 2 LC-111 AND AFTER
- 4 LC-111 AND AFTER,
LD-2 AND AFTER

MODEL 65 & 80 PARTS CATALOG

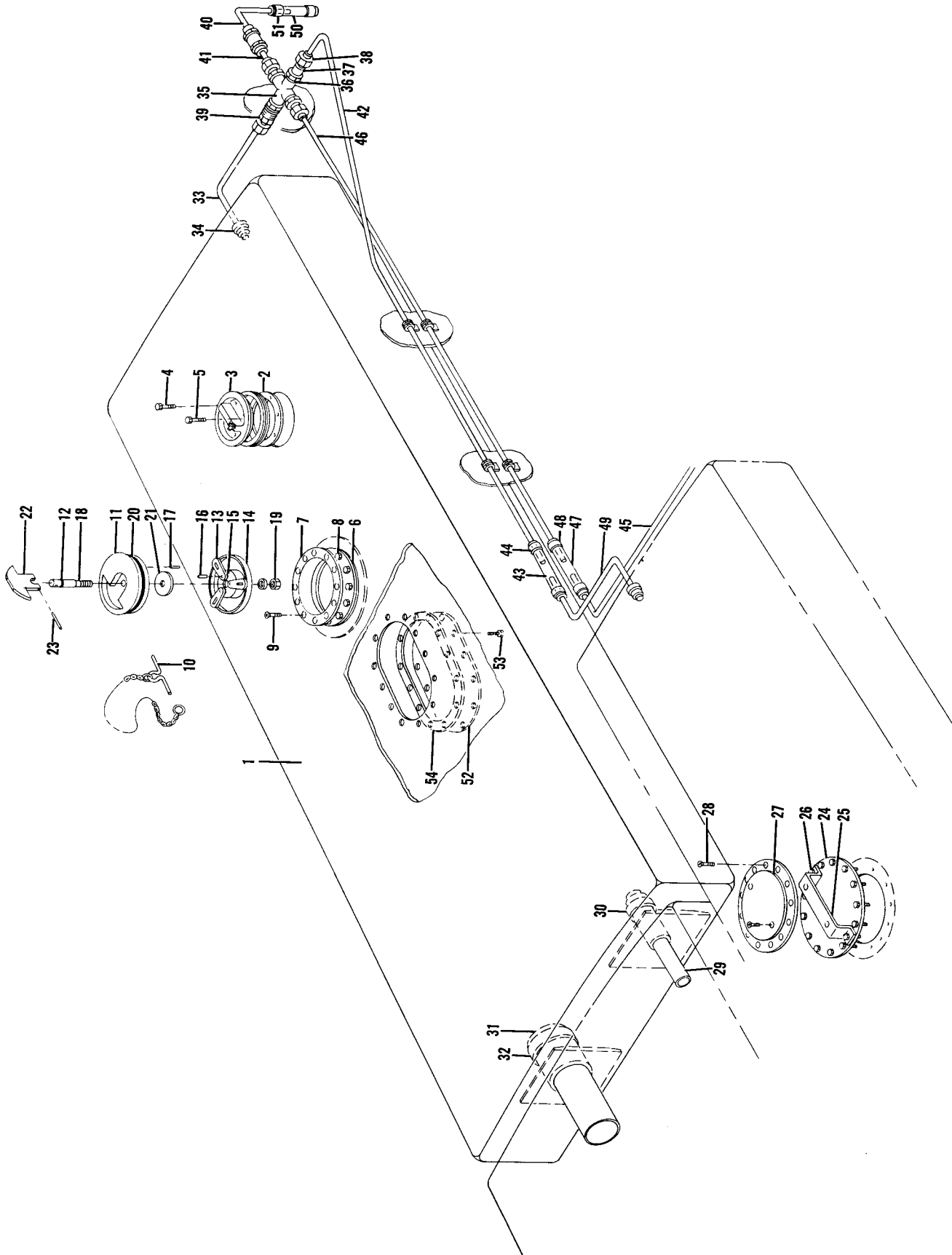


Figure 72. Wing Auxiliary Fuel Tank Installation

MODEL 65 & 80 PARTS CATALOG

FIG. & INDEX NO.	PART NO.	DESCRIPTION	UNITS PER ASSY	USABLE ON CODE
72	50-921509-1	TANK INSTL,WING AUXILIARY FUEL LH	NP	1
	50-921509-91	TANK INSTL,WING AUXILIARY FUEL LH /SEE FIG. 1 FOR NHA/	NP	2
	50-921509-2	TANK INSTL,WING AUXILIARY FUEL RH	NP	1
	50-921509-92	TANK INSTL,WING AUXILIARY FUEL RH /SEE FIG. 1 FOR NHA/	NP	2
- 1	50-921510-7	. TANK ASSY,AUXILIARY FUEL LH	1	1
	50-921510-11	. TANK ASSY,AUXILIARY FUEL LH	1	2
	50-921510-8	. TANK ASSY,AUXILIARY FUEL RH	1	1
	50-921510-12	. TANK ASSY,AUXILIARY FUEL RH	1	2
- 2	35-921503	. GASKET,FUEL TRANSMITTER	1	
- 3	1518847	. TRANSMITTER,FUEL /ATTACHING PARTS/	1	
- 4	AN502-10-8	. SCREW	1	
- 5	AN502-10-6	. SCREW	4	
		-----*		
- 6	35-921502	. GASKET,ADAPTER	1	
- 7	50-921518	. ADAPTER,FUEL FILLER /ATTACHING PARTS/	1	1
- 8	AN74-3	. BOLT	12	
- 9	AN509-10R9	. SCREW	12	
		-----*		
	416-85-71	. CAP ASSY,FILLER	1	
- 10	416-61-6	. . CHAIN ASSY,FILLER CAP	1	1
	416-50	. . CAP ASSY,FILLER	1	1
- 11	416-52	. . . BASE,FILLER CAP	1	1
- 12	MS29513-10	. . . RING,O	1	1
- 13	416-55	. . . PAWL,FILLER CAP	3	1
- 14	416-56	. . . DISC,ANCHOR	1	1
- 15	A1059-014-3	. . . WASHER,SPRING	6	1
- 16	416-60	. . . PIN	3	1
- 17	416-59	. . . PIN,DRIVE	3	1
- 18	416-54	. . . AXLE,FILLER CAP	1	1
	AF940-416	. . . WASHER	1	1
- 19	AN310-4	. . . NUT	1	1
	AN380-2-2	. . . PIN,COTTER	1	1
- 20	MS29513-232	. . . RING,O	1	1
- 21	427-8	. . . PLATE,BEARING	1	1
- 22	416-53	. . . HANDLE,FILLER CAP /ATTACHING PARTS/	1	1
- 23	AN122697	. . . PIN	1	
		-----*		
	FC3570-4	. CAP AND ADAPTER ASSY,FUEL	1	2
- 24	50-921509-9	. PLATE,SEALING	1	
- 25	50-921509-37	. CLIP ASSY,COVER SUPPORT /ATTACHING PARTS/	1	
- 26	AN74-3	. BOLT	12	
	AN960-416	. WASHER	12	
		-----*		
- 27	95-110041-61	. DOOR ASSY,FUEL TANK LH	1	
	95-110041-62	. DOOR ASSY,FUEL TANK RH /ATTACHING PARTS/	1	
- 28	AN509-10R6	. SCREW	14	
		-----*		
- 29	50-921509-41	. TUBE,INTERCONNECT	1	
- 30	AN737-38	. CLAMP	2	
- 31	50-921509-25	. INTERCONNECT ASSY,FUEL CELL	1	
- 32	AN737-82	. CLAMP	2	
- 33	50-921509-83	. TUBE ASSY,LH	1	
	50-921509-87	. TUBE ASSY,RH	1	
- 34	AN737-26	. CLAMP	1	

MODEL 65 & 80 PARTS CATALOG

FIG. & INDEX NO.	PART NO.	DESCRIPTION							UNITS PER ASSY	USABLE ON CODE	
		1	2	3	4	5	6	7			
72 - 35	AN937D6	1	
- 36	AN832-6D	1	
- 37	AN919-6D	1	
- 38	AN815-6D	2	
- 39	AN924-6D	1	
	AN960D916L	2	
	MS29512-6	4	
- 40	50-921509-79	1	
- 41	50-921509-73	1	
- 42	50-921509-65	1	
	50-921509-6	1	
- 43	106200H6-16	1	
- 44	AN737-22	2	
- 45	50-921509-45	1	
	50-921509-49	1	
- 46	50-921509-57	1	
	50-921509-61	1	
- 47	106200H6-16	1	
- 48	AN737-22	2	
- 49	50-921509-53	1	
- 50	106200H4-12	1	
- 51	AN737-22	2	
- 52	50-921520	1	
			
- 53	AN74-3	12	
	AN960-416L	12	
		----	*	----							
- 54	50-921521	1	

CODE EFFECTIVITY

1 LC-1 THRU LC-52

CODE EFFECTIVITY

2 LC-53 AND AFTER,
LD-2 AND AFTER

MODEL 65 & 80 PARTS CATALOG

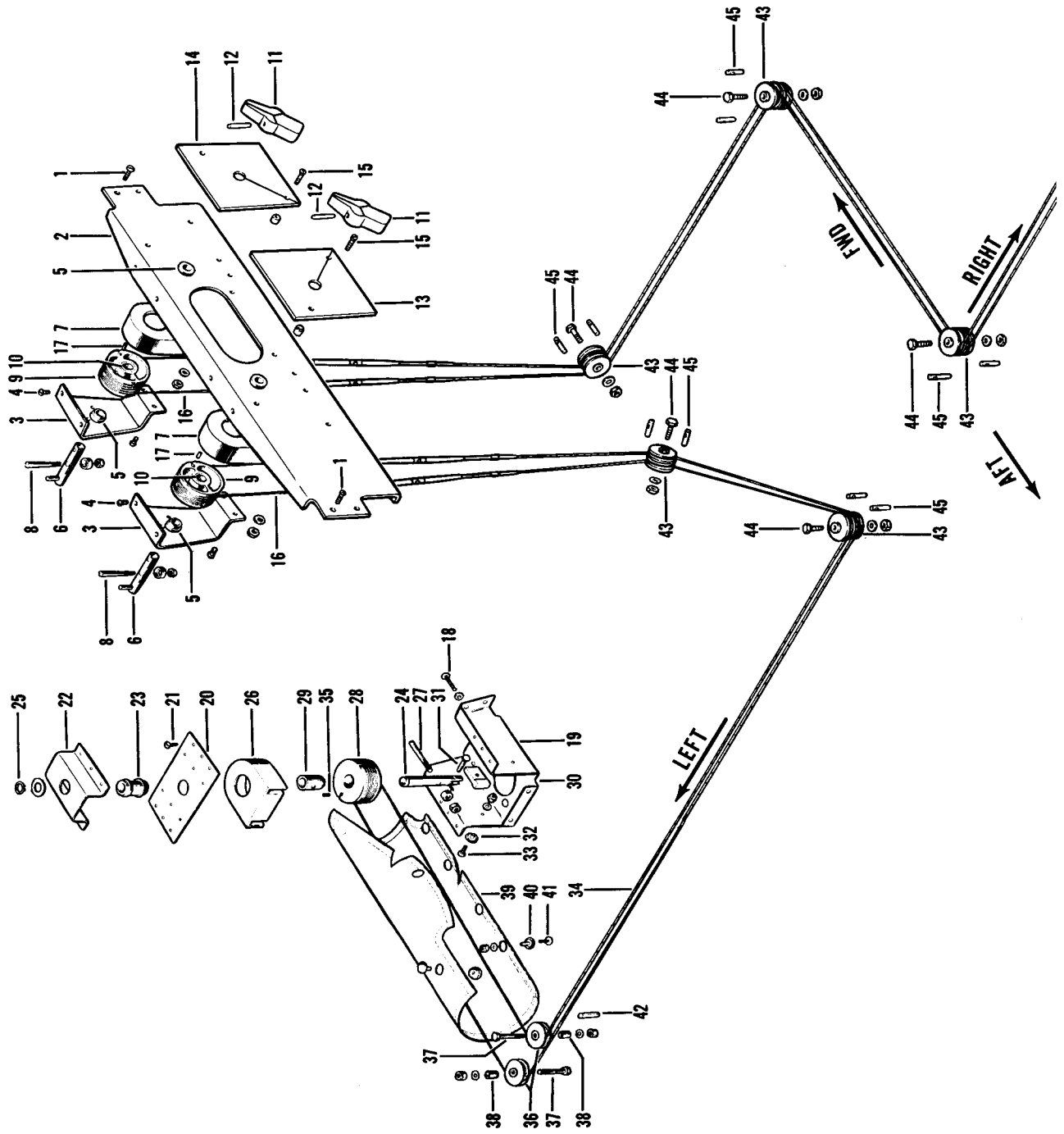


Figure 73. Fuel Selector Valve Control Installation

MODEL 65 & 80 PARTS CATALOG

FIG. & INDEX NO.	PART NO.	DESCRIPTION	UNITS PER ASSY	USABLE ON CODE
		1 2 3 4 5 6 7		
73	50-920092-17	CONTROL INSTL,FUEL SELECTOR VALVE /SEE FIG. 69 & 69A FOR NHA/ . SUPPORT ASSY,FUEL SELECTOR VALVE.	1	
- 1	AN520-10R6	. SCREW -----*-----	4	
- 2	50-920092-15	. . . SUPPORT,FUEL SELECTOR VALVE	1	
- 3	50-920092-19	. . . BRACKET ASSY,FUEL SELECTOR VALVE. /ATTACHING PARTS/	2	
- 4	AN520-10R6	. . . SCREW -----*-----	4	
- 5	50-924024	. . . BUSHING,CONTROL SHAFT	4	
- 6	50-920044	. . . SHAFT ASSY,VALVE CONTROL.	2	
- 7	50-524047	. . . GUARD,CABLE	2	
	45-524539-3	. . . DRUM ASSY,SELECTOR VALVE. /ATTACHING PARTS/	2	
- 8	35-524584	. . . PIN,TAPERED	1	
	AN975-3	. . . WASHER.	1	
	AN364-1032	. . . NUT -----*-----	1	
- 9	35-524226-1	. . . DRUM,SELECTOR VALVE	2	
- 10	45-524538	. . . BUSHING,SELECTOR VALVE.	2	
- 11	50-920097	. . . HANDLE,FUEL SELECTOR VALVE. /ATTACHING PARTS/	2	
- 12	52-032-156-0750	. . . PIN,ROLL. -----*-----	1	
- 13	50-920092-25	. . . PLATE,SELECTOR VALVE.	1	
- 14	50-920092-27	. . . PLATE,SELECTOR VALVE. /ATTACHING PARTS/	1	
- 15	AN507-632-10	. . . SCREW	2	
	50-920092-29	. . . SPACER.	2	
	AN960-6	. . . WASHER.	2	
	MS20364-632	. . . NUT -----*-----	2	
- 16	NAS302-67-0510	. . . CABLE ASSY,FUEL SELECTOR VALVE. /ATTACHING PARTS/	2	
- 17	35-524028	. . . PIN,TAPERED -----*-----	1	
	50-920014-11	. . . CONTROL ASSY,LH SELECTOR VALVE.	1	
	50-920014-12	. . . CONTROL ASSY,RH SELECTOR VALVE. /ATTACHING PARTS/	1	
- 18	AN520-10-12	. . . SCREW	6	
	AN960-10	. . . WASHER. -----*-----	6	
- 19	50-920014-6	. . . SUPPORT,LH VALVE CONTROL.	1	
	50-920014-7	. . . SUPPORT,RH VALVE CONTROL.	1	
- 20	50-920014-2	. . . PLATE,SELECTOR VALVE. /ATTACHING PARTS/	1	
- 21	AN515-6-6	. . . SCREW	6	
	AN960-6	. . . WASHER.	6	
	AN365-632	. . . NUT -----*-----	6	
- 22	50-920014-4	. . . CHANNEL,STIFFENER	1	
- 23	50-920017	. . . BEARING,CONTROL VALVE	1	
- 24	50-920016	. . . SHAFT,SELECTOR VALVE DRIVER	1	
- 25	NAS51-50	. . . RING,RETAINER	1	
	AN960-816	. . . WASHER.	1	
- 26	50-524047	. . . GUARD,CABLE	1	
	35-524539-1	. . . DRUM ASSY,FUEL SELECTOR VALVE /ATTACHING PARTS/	1	
- 27	35-524584	. . . PIN,TAPERED	1	
	AN975-3	. . . WASHER.	1	
	AN364-1032	. . . NUT -----*-----	1	
- 28	35-524226	. . . DRUM,SELECTOR VALVE	1	
- 29	35-524538	. . . BUSHING,SELECTOR VALVE.	1	

MODEL 65 & 80 PARTS CATALOG

FIG. & INDEX NO.	PART NO.	1	2	3	4	5	6	7	DESCRIPTION	UNITS PER ASSY	USABLE ON CODE	
73 - 30	50-920015	DRIVER, SELECTOR VALVE /ATTACHING PARTS/	1		
- 31	AN393-17	PIN	1		
	AN380-2-1	PIN, COTTER	1		
		-----*										
- 32	AN227-8B	STUD, FASTENER /ATTACHING PARTS/	1		
- 33	AN507-632R8	SCREW	1		
	AN960-6	WASHER	1		
	AN365-632	NUT	1		
		-----*										
- 34	NAS302-67	CABLE ASSY, VALVE CONTROL /ATTACHING PARTS/	1		
- 35	35-524028	PIN, TAPERED	1		
		-----*										
- 36	AN210-1B	PULLEY, CONTROL VALVE /ATTACHING PARTS/	2		
- 37	AN3-11A	BOLT	1		
- 38	102933D4ZJ0340	SPACER	1		
	AN960-10	WASHER	1		
	MS20365-1032	NUT	1		
		-----*										
- 39	50-920028	GUARD ASSY, LH CABLE	1		
	50-920039	GUARD ASSY, RH CABLE	1		
- 40	AN227-8B	STUD, FASTENER /ATTACHING PARTS/	5		
- 41	AN507-632R8	SCREW	1		
	AN960-6	WASHER	1		
	MS20365-632	NUT	1		
		-----*										
- 42	NAS427K12	PIN, PULLEY GUARD	3		
- 43	MS20219-1	PULLEY, CONTROL VALVE /ATTACHING PARTS/	10		
- 44	AN4-13A	BOLT	1		
	AN960-416	WASHER	1		
	MS20365-428	NUT	1		
		-----*										
- 45	NAS427K16	PIN, PULLEY GUARD	2		

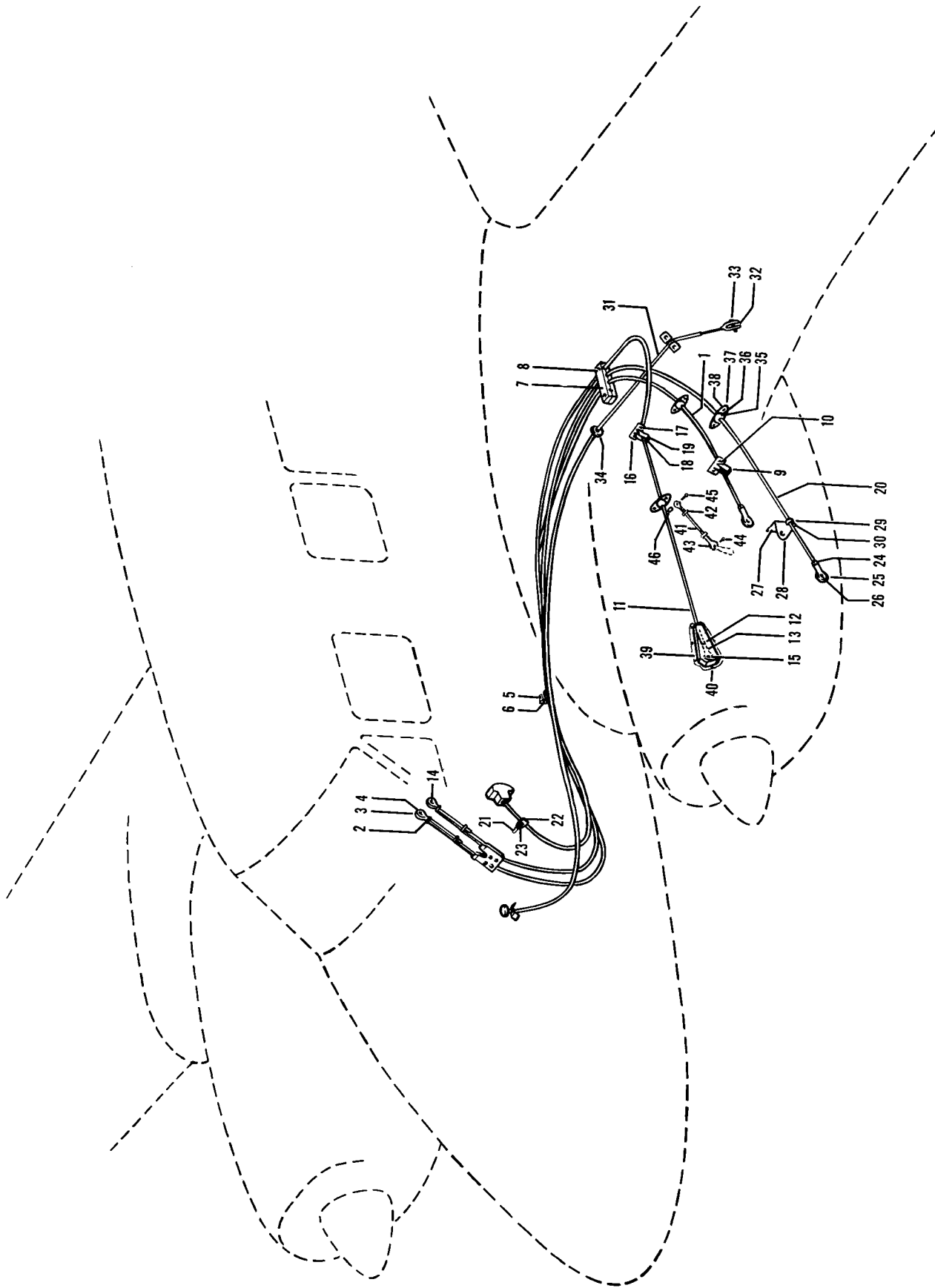


Figure 74. Engine Controls Installation

MODEL 65 & 80 PARTS CATALOG

FIG. & INDEX NO.	PART NO.	DESCRIPTION	UNITS PER ASSY	USABLE ON CODE
		1 2 3 4 5 6 7		
74	50-944049	CONTROLS INSTL,ENGINE	NP	1
	50-944060	CONTROLS INSTL,ENGINE	NP	2
- 1	SA2951-33	. CONTROL,LH ENGINE THROTTLE.	1	1
	SA2951-52	. CONTROL,LH ENGINE THROTTLE.	1	2
	SA2951-32	. CONTROL,RH ENGINE THROTTLE.	1	1
	SA2951-49	. CONTROL,RH ENGINE THROTTLE.	1	2
- 2	AN316-4R	. NUT	4	1
	AN316-4R	. NUT	6	2
- 3	REB3N	. END,ROD	4	1
	REB3N	. END,ROD	6	2
		/ATTACHING PARTS/		
- 4	AN23-15A	. BOLT.	1	1
	AN3	. BOLT.	1	2
	AN960-10L	. WASHER.	1	
	MS20365D1032	. NUT	1	1
	AN310-3	. NUT	1	2
	AN380-2-2	. PIN,COTTER.	1	2
		-----*-----		
- 5	MS21919DG9	. CLAMP	1	
	AN743-12	. CLIP.	1	
		/ATTACHING PARTS/		
- 6	AN520-10R8	. SCREW	1	
	AN960-10	. WASHER.	2	
	MS20365-1032	. NUT	2	
		-----*-----		
- 7	50-944012	. BLOCK ASSY,CONTROL SUPPORT.	1	
		/ATTACHING PARTS/		
- 8	AN3-11A	. BOLT.	2	
	AN960-10	. WASHER.	2	
	MS20365-1032	. NUT	2	
		-----*-----		
- 9	50-944000-11	. BRACKET ASSY,PROPELLER CONTROL.	1	1
		/ATTACHING PARTS/		
- 10	AN515-10R6	. SCREW	2	
	AN960-10L	. WASHER.	2	
	MS20365-1032	. NUT	2	
		-----*-----		
- 11	40209-9	. CONTROL,LH PROPELLER GOVERNOR	1	1
	40209-18	. CONTROL,LH PROPELLER GOVERNOR	1	2
	40209-3	. CONTROL,RH PROPELLER GOVERNOR	1	1
	40209-19	. CONTROL,RH PROPELLER GOVERNOR	1	2
- 12	AN316-4R	. NUT	1	
- 13	REB3N	. END,ROD	1	
		/ATTACHING PARTS/		
- 14	AN23-15A	. BOLT.	1	1
- 15	AN3-11	. BOLT.	1	
	AN960-10	. WASHER.	1	1
	AN364D1032	. NUT	1	1
	AN310-3	. NUT	1	
	AN380-2-2	. PIN,COTTER.	1	
		-----*-----		
- 16	50-944000-7	. BRACKET ASSY,PROPELLER CONTROL.	1	
		/ATTACHING PARTS/		
- 17	AN515-10R6	. SCREW	2	
	AN960-10L	. WASHER.	2	
	MS20365-1032	. NUT	2	
		-----*-----		
- 18	S-241	. BUSHING	2	
- 19	AN515-8R8	. SCREW	1	
	AN960-8	. WASHER.	1	
	MS20365-832	. NUT	1	
- 20	3A2061-1	. CONTROL,LH ENGINE ALTERNATE AIR	1	
	3A2061-175	. CONTROL,RH ENGINE ALTERNATE AIR	1	1
	3A2061-3	. CONTROL,RH ENGINE ALTERNATE AIR	1	2
- 21	100696A-ZM016	. SPACER.	1	
- 22	MS21919DG4	. CLAMP	1	
		/ATTACHING PARTS/		
- 23	AN520-10R14	. SCREW	1	
	AN960-10	. WASHER.	1	
	MS20365-1032	. NUT	1	
		-----*-----		

MODEL 65 & 80 PARTS CATALOG

FIG. & INDEX NO.	PART NO.	DESCRIPTION	UNITS PER ASSY	USABLE ON CODE
		1 2 3 4 5 6 7		
74 - 24	AN316-4R	. NUT	1	
- 25	REB3N	. END,ROD	1	
		/ATTACHING PARTS/		
- 26	AN3-7	. BOLT	1	
	AN960-10L	. WASHER	1	
	AN310-3	. NUT	1	
	AN380-2-2	. PIN,COTTER	1	
		-----*-----		
- 27	50-944000-7	. BRACKET ASSY,ALTERNATE AIR	1	
		/ATTACHING PARTS/		
- 28	AN3-4A	. BOLT	1	
	AN960-10	. WASHER	1	
	MS20365-1032	. NUT	1	
		-----*-----		
- 29	404-189064	. BUSHING	1	1
- 30	AN515-8R8	. SCREW	1	1
	AN960	. WASHER	1	1
	MS20365-832	. NUT	1	1
- 31	L-431-1163-133	. CONTROL,LH OIL SHUTTER	1	1
	L-431-1163-5	. CONTROL,LH OIL SHUTTER	1	2
	L-431-1163-2	. CONTROL,RH OIL SHUTTER	1	1
	L-431-1163-6	. CONTROL,RH OIL SHUTTER	1	2
- 32	189302	. CLEVIS	1	
		/ATTACHING PARTS/		
- 33	AN3-10	. BOLT	1	
	AN315-3R	. NUT	1	
	AN310-3	. NUT	1	
	AN380-2-2	. PIN,COTTER	1	1
	MS24665-134	. PIN,COTTER	1	2
		-----*-----		
- 34	AN931-4S16	. GROMMET	1	
- 35	112412	. GROMMET	8	
- 36	112413-4	. BALL,HALF	8	
- 37	112436-6	. RETAINER	8	
		/ATTACHING PARTS/		
- 38	AN515-8R6	. SCREW	1	
	AN960-8	. WASHER	1	
	MS20365-832	. NUT	1	
		-----*-----		
	50-944045	. COVER INSTL,GOVERNOR CONTROL	NP	1
	50-944045-25	. COVER INSTL,GOVERNOR CONTROL	NP	2
- 39	50-944045-21	. COVER ASSY,GOVERNOR CONTROL	1	1
	50-944045-27	. COVER ASSY,GOVERNOR CONTROL	1	2
		/ATTACHING PARTS/		
- 40	AN515-6R6	. SCREW	7	
	AN960D6L	. WASHER	7	
		-----*-----		
- 41	NAS354-4-720	. ROD,THROTTLE INTERCONNECTING	1	1
	NAS354-4-1310	. ROD,THROTTLE TO METERING UNIT	1	2
- 42	AN316-4R	. NUT	2	
- 43	REB3N	. END,ROD	2	
		/ATTACHING PARTS/		
- 44	AN3-7	. BOLT	1	1
	AN3-13	. BOLT	1	2
- 45	AN3-10A	. BOLT	1	1
	AN3-10	. BOLT	1	2
	AN960-10	. WASHER	1	
	AN960-10L	. WASHER	1	
	AN310-3	. NUT	1	
	AN380-2-2	. PIN,COTTER	1	1
	MS24665-132	. PIN,COTTER	1	2
		-----*-----		
- 46	105739S-XJ0155	. BUSHING	1	1
	50-944060-3	. SUPPORT,THROTTLE CONTROL	1	2
		/ATTACHING PARTS/		
	AN3-5A	. BOLT	2	
	AN960-10	. WASHER	2	
	AN363-1032	. NUT	2	
		-----*-----		

CODE EFFECTIVITY
1 LC-1 AND AFTER

CODE EFFECTIVITY
2 LD-2 AND AFTER

MODEL 65 & 80 PARTS CATALOG

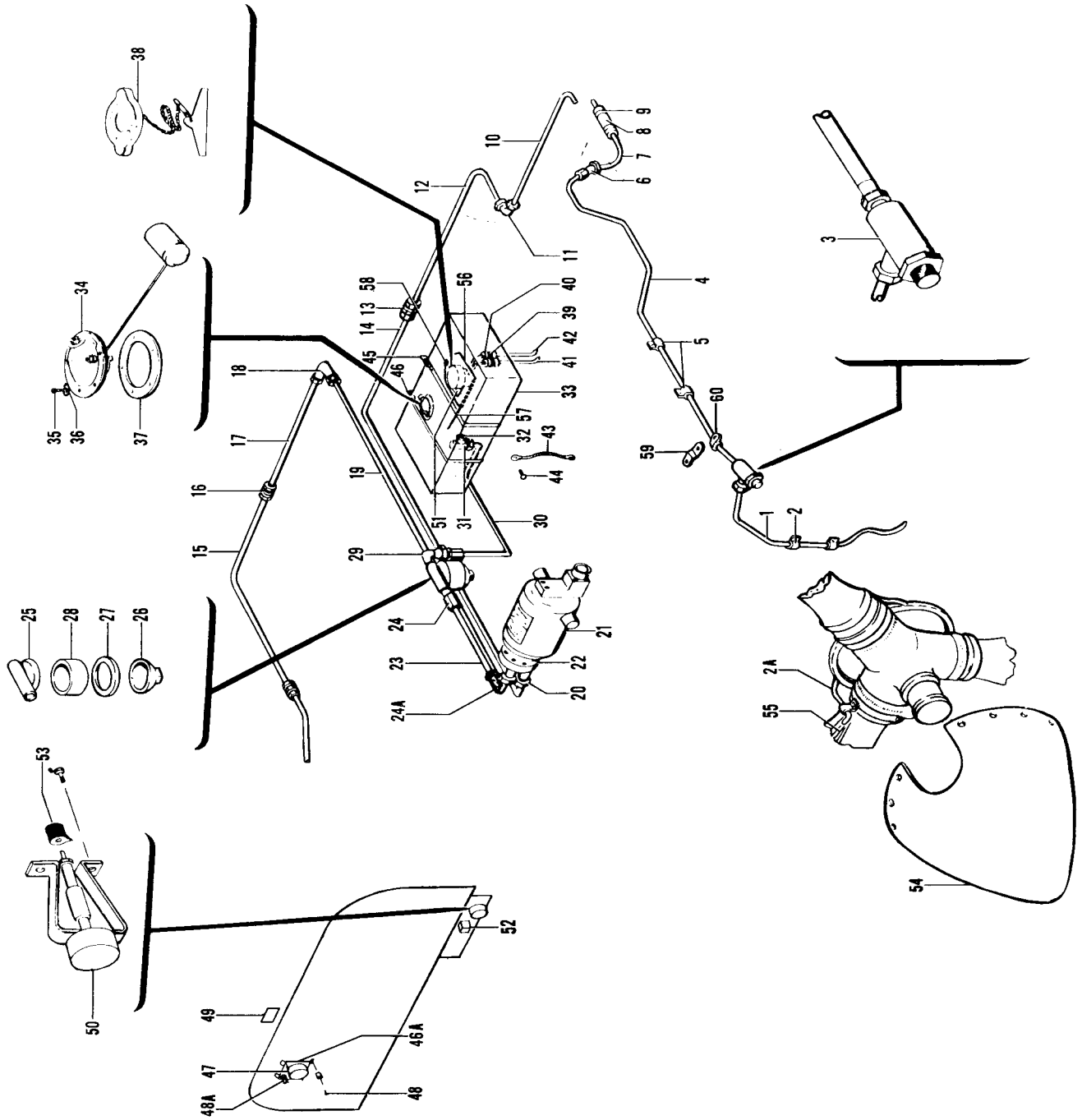


Figure 75. Propeller Anti-Icer Installation

MODEL 65 & 80 PARTS CATALOG

FIG. & INDEX NO.	PART NO.	DESCRIPTION	UNITS PER ASSY	USABLE ON CODE
75	50-960047-155	ANTI-ICER INSTL,PROPELLER,/OPTIONAL/, /SEE FIG. 1 FOR NHA/	NP	1
- 1	50-960047-177	ANTI-ICER INSTL,PROPELLER	1	2
	50-960047-87	. TUBE ASSY,ANTI-ICER	2	1
	50-960047-183	. TUBE ASSY,ANTI-ICER LH.	1	2
	50-960047-187	. TUBE ASSY,ANTI-ICER RH.	1	2
- 2	I18.9661	. CLAMP,ANTI-ICER LINE.	4	
- 2A	50-960056	. TUBE ASSY,PROPELLER	2	
- 3	794-189657	. VALVE ASSY,ANTI-ICER.	2	
- 4	50-960047-131	. TUBE ASSY,ANTI-ICER	2	1
	50-960047-179	. TUBE ASSY,ANTI-ICER LH.	1	2
	50-960047-193	. TUBE ASSY,ANTI-ICER RH.	1	2
- 5	50-960047-69	. CLIP,ANTI-ICER LINE	2	1
- 6	AN832-4D	. UNION	2	
	AN960D716	. WASHER.	4	
	AN924-4D	. NUT	2	
- 7	50-960047-77	. TUBE ASSY,ANTI-ICER	2	
- 8	106200H-4-16	. HOSE.	2	
- 9	AN737RM22	. CLAMP,HOSE.	4	
- 10	50-960047-105	. TUBE ASSY,LH ANTI-ICER.	1	1
	50-960047-109	. TUBE ASSY,RH ANTI-ICER.	1	1
- 11	AN833-4	. ELBOW,/LH ONLY/	2	1
	AN837-4	. ELBOW	2	2
	AN960-716	. WASHER.	2	2
	AN924-4	. NUT	2	2
	AN832-4	. UNION,/RH ONLY/	2	
	AN960D716	. WASHER.	4	
	AN924-4	. NUT	2	
- 12	50-960047-133	. TUBE ASSY,ANTI-ICER	1	
- 13	AN816-4D	. UNION	1	
- 14	50-960047-29	. TUBE ASSY,ANTI-ICER	1	
- 15	50-960047-157	. TUBE ASSY,ANTI-ICER	1	
- 16	AN816-4D	. UNION	1	
- 17	50-960047-33	. TUBE ASSY,ANTI-ICER	1	
- 18	AN821-4D	. ELBOW	1	
- 19	50-960047-61	. TUBE ASSY,ANTI-ICER	1	
- 20	AN815-4D	. UNION	3	
- 21	AN6100-1	. PUMP,ANTI-ICER.	1	
- 22	MS29512-4	. GASKET	3	
- 23	50-960047-19	. TUBE ASSY,ANTI-ICER	1	
- 24	AN816-4D	. NIPPLE.	1	
- 24A	AN837-4D	. ELBOW	1	
	414-183976-1	. FILTER ASSY,ANTI-ICER FLUID	1	
- 25	414-183976-5	. CAP,FILTER.	1	
- 26	414-183976-7	. BOWL,FILTER	1	
- 27	414-183976-9	. GASKET,FILTER	1	
- 28	F2X2T3	. ELEMENT	1	
- 29	AN822-4D	. ELBOW	1	
- 30	50-960047-79	. TUBE ASSY,ANTI-ICER	1	
- 31	AN826-4D	. TEE	1	
- 32	AN929-4	. CAP	1	
- 33	50-960048	. TANK ASSY,ANTI-ICER	1	
- 34	50-369031	. TRANSMITTER,ANTI-ICER FLUID /ATTACHING PARTS/	1	
- 35	AN502-10-10	. SCREW	5	
- 36	205AC-3/16	. LOCK-O-SEAL	5	
		-----*-----		
- 37	35-921503	. GASKET,TRANSMITTER.	1	
- 38	118971	. CAP ASSY,ANTI-ICER TANK	1	
- 39	106200H-4-8	. HOSE.	2	
- 40	AN737-34	. CLAMP,HOSE.	4	
- 41	50-960047-65	. TUBE,OVERFLOW	1	
- 42	50-960047-67	. TUBE,OVERFLOW	1	
- 43	AN749-1-6	. JUMPER,BOND	1	
		/ATTACHING PARTS/		
- 44	AN515-8R8	. SCREW	1	
	AN960-8	. WASHER.	1	
	AN365-832	. NUT	1	
		-----*-----		

MODEL 65 & 80 PARTS CATALOG

FIG. & INDEX NO.	PART NO.	DESCRIPTION	UNITS PER ASSY	USABLE ON CODE
75 - 45	105798-42	• CLAMP	1	
- 46	105798-39	• CLAMP	1	
	105160-03824	• STRIP,SCUFF	1	
	105160-03616	• STRIP,SCUFF	1	
- 46A	50-960047-137	• BRACKET,INDICATOR	1	
- 47	50-320298-33	• INDICATOR ASSY,QUANTITY	1	
		/ATTACHING PARTS/		
- 48	AN507B632R12	• SCREW	4	
		-----*-----		
- 48A	5408M	• BOLT,LITE	1	
- 49	50-324092	• PLACARD,ANTI-ICER GAGE	1	
- 50	0317	• RHEOSTAT	1	
- 51	50-960049	• PLACARD,ANTI-ICER TANK	1	
- 52	D6761-1-5	• BREAKER,CIRCUIT	1	
- 53	63127-01B	• KNOB,RESISTOR	1	
- 54	836-5	• SPINNER ASSY,PROPELLER /SEE FIG. 65/	REF	1
	836-17	• SPINNER ASSY,PROPELLER	REF	2
- 55	279-404	• SHOE,PROPELLER ANTI-ICER	6	1
	414-189070-41	• SHOE,PROPELLER ANTI-ICER	3	2
		PROVISIONS INSTL,ANTI-ICER		
		/SEE FIG. 24 FOR NHA/		
- 56	50-960047-57	• DOOR,ANTI-ICER TANK ACCESS	2	
		/ATTACHING PARTS/		
- 57	105774M-ZE00228	• PIN,HINGE	1	
	99833-C098	• RECEPTACLE	2	
- 58	98265-1-110	• STUD	2	
	99836	• PIN	2	
		-----*-----		
- 59	50-960047-201	• CLIP	2	
- 60	MS21919DG4	• CLAMP	2	
		/ATTACHING PARTS/		
	AN520-10-8	• SCREW	1	
	AN960-10	• WASHER	1	
	AN365-1032	• NUT	1	
		-----*-----		

CODE EFFECTIVITY

1 LC-1 AND AFTER

CODE EFFECTIVITY

2 LD-2 AND AFTER

MODEL 65 & 80 PARTS CATALOG

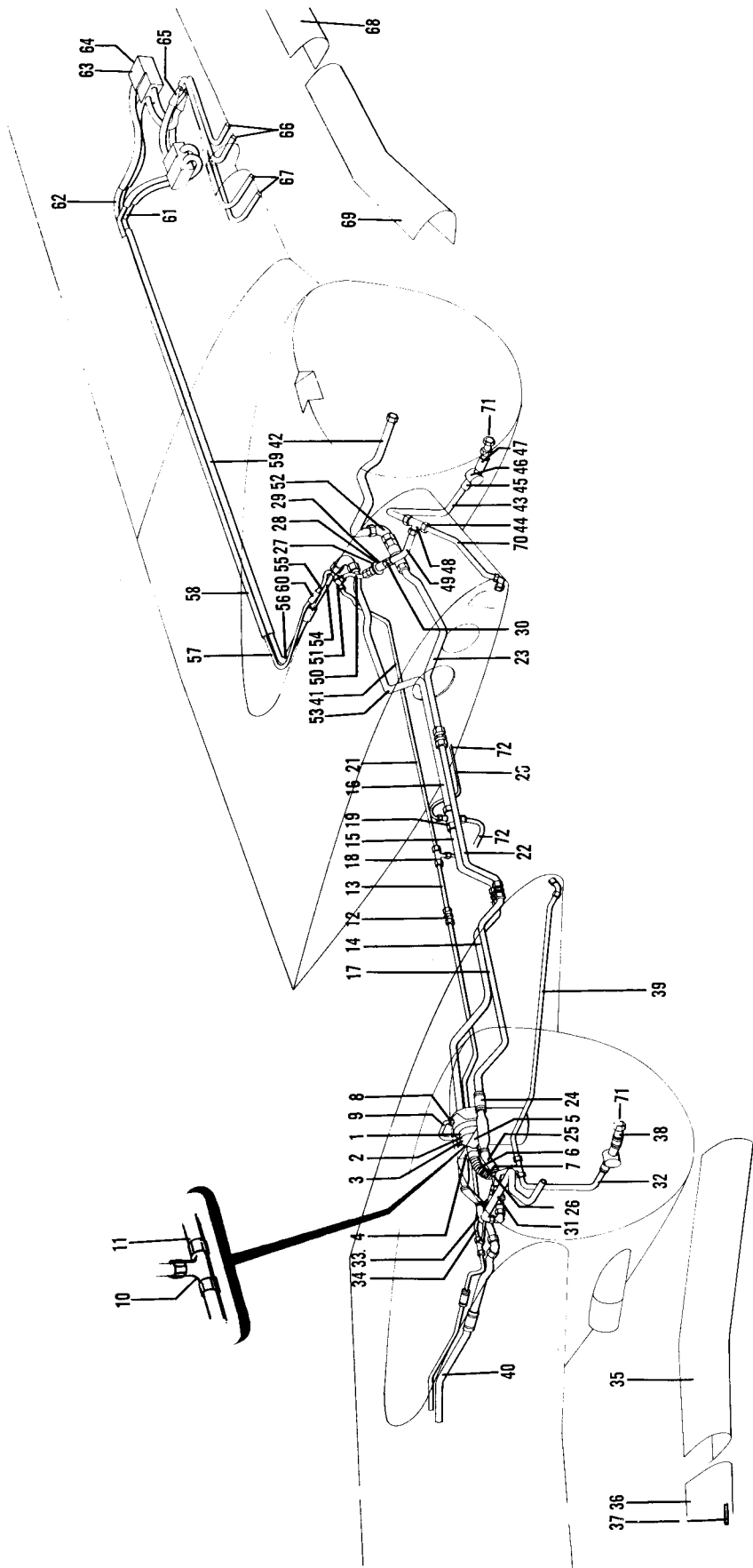


Figure 76. Wing Section De-Icer System Installation

MODEL 65 & 80 PARTS CATALOG

FIG. & INDEX NO.	PART NO.	DESCRIPTION	1 2 3 4 5 6 7							UNITS PER ASSY	USABLE ON CODE
			1	2	3	4	5	6	7		
76	50-970001	SYSTEM INSTL,WING SECTION DE-ICER,/OPTIONAL/, . /SEE FIG. 1 FOR NHA/								NP	2
- 1	1545-9-E	. UNIT,COMBINATION.								1	2
- 2	AN4-6A	. BOLT.								1	
- 3	AN4-5A	. BOLT.								4	
	AN960-416	. WASHER.								5	
	AN365-428	. NUT								5	
		-----*									
- 4	50-970000-277	. ADAPTER,COMBINATION UNIT.								1	2
- 5	50-970000-281	. TEE ASSY,COMBINATION UNIT								1	2
- 6	111716AX-XX3-24	. DUCT.								1	2
- 7	50-970000-311	. WELD ASSY,DE-ICER VENT.								1	2
- 8	AN816-6-2D	. NIPPLE.								1	2
- 9	50-970000-227	. TUBE,DE-ICER.								1	2
- 10	AN834-8D	. TEE								1	2
- 11	AN894D8-6	. BUSHING								1	2
	AN924-8D	. NUT								1	2
	AN6290-8	. GASKET.								1	2
- 12	50-970001-77	. TUBE ASSY,DE-ICER								1	2
- 13	50-970001-73	. TUBE ASSY,DE-ICER								1	2
- 14	50-970001-97	. TUBE ASSY,DE-ICER								1	2
- 15	50-970001-101	. TUBE ASSY,DE-ICER								1	2
- 16	50-970001-61	. TUBE ASSY,DE-ICER								1	2
- 17	50-970001-85	. TUBE ASSY,DE-ICER								1	2
- 18	AN824-8D	. TEE								1	2
- 19	50-970000-267	. TEE ASSY,DE-ICER.								1	2
- 20	50-970001-111	. TUBE ASSY,DE-ICER								1	1
- 21	50-970001-65	. TUBE ASSY,DE-ICER								1	2
- 22	50-970001-89	. TUBE ASSY,DE-ICER								1	2
- 23	50-970001-93	. TUBE ASSY,DE-ICER								1	2
- 24	106200H-16-12	. HOSE.								2	2
- 25	106200H-16-28	. HOSE.								2	2
- 26	50-970000-231	. TUBE ASSY,DE-ICER								1	2
- 27	557-10-C	. VALVE,CHECK								4	2
- 28	AN816-16-12D	. NIPPLE.								4	2
- 29	AN816-8D	. NIPPLE.								2	2
- 30	AN912-8D	. BUSHING								2	2
- 31	50-970000-389	. TUBE ASSY,DE-ICER RH.								1	2
- 32	50-970000-485	. TUBE ASSY,DE-ICER RH.								1	2
- 33	50-970000-251	. TUBE ASSY,DE-ICER RH.								1	2
- 34	50-970000-263	. TUBE ASSY,DE-ICER RH.								1	2
- 35	21-735-1-2	. BOOT,DE-ICER INBD RH.								1	2
- 36	21-735-2-2	. BOOT,DE-ICER OUTBD RH								1	2
- 37	50-970000-313	. STRIP,DE-ICER BOOT.								1	1
- 38	50-970000-489	. TUBE ASSY,DE-ICER RH.								1	2
- 39	50-970001-9	. TUBE ASSY,DE-ICER								1	2
- 40	50-970000-253	. TUBE,DE-ICER RH								1	2
- 41	50-970001-69	. TUBE ASSY,DE-ICER								1	2
- 42	50-970000-493	. TUBE ASSY,DE-ICER LH.								1	2
- 43	50-970000-477	. TUBE ASSY,DE-ICER LH.								2	2
- 44	AN919-22D	. REDUCER								2	2
	AN6290-16	. GASKET.								2	2
- 45	106200H-16-12	. HOSE.								4	2
- 46	AN6119-3	. VALVE,SUCTION RELIEF.								2	2
- 47	50-970000-481	. TUBE ASSY,DE-ICER LH.								2	2
- 48	AN784D16	. TEE								2	2
- 49	50-970000-175	. TUBE ASSY,DE-ICER								2	2
- 50	50-970000-167	. TUBE ASSY,DE-ICER								2	2
- 51	AN804D8	. TEE								2	2
	AN960-1216	. WASHER.								2	2
	AN924-8D	. NUT								2	2
- 52	AN833-16D	. ELBOW								2	2
	AN960-2416	. WASHER.								4	2
	AN924-16D	. NUT								2	2

MODEL 65 & 80 PARTS CATALOG

FIG. & INDEX NO.	PART NO.	DESCRIPTION	UNITS PER ASSY	USABLE ON CODE
76 - 53	50-970000-329	• TUBE ASSY,DE-ICER LH.	1	2
- 54	50-970000-159	• TUBE ASSY,DE-ICER	2	2
- 55	50-970000-155	• TUBE ASSY,DE-ICER	2	2
- 56	50-970000-293	• TUBE,DE-ICER LH	1	2
- 57	50-970000-291	• TUBE,DE-ICER LH	1	2
- 58	50-970000-423	• HOSE,DE-ICER.	2	2
- 59	50-970000-425	• HOSE,DE-ICER.	2	2
- 60	50-970000-461	• HOSE,DE-ICER.	2	2
- 61	50-970000-369	• TUBE ASSY,DE-ICER	2	2
- 62	50-970000-371	• TUBE ASSY,DE-ICER	2	2
- 63	1532-3-A	• VALVE	4	2
		/ATTACHING PARTS/		
- 64	AN3-4A	• BOLT.	4	
	AN935-10	• WASHER.	4	
		-----*-----		
- 65	50-970000-101	• REDUCER	8	2
- 66	50-970000-443	• HOSE,DE-ICER.	4	2
- 67	50-970000-445	• HOSE,DE-ICER.	4	2
- 68	21-735-1-1	• BOOT,DE-ICER OUTBD RH	1	2
- 69	21-735-2-1	• BOOT,DE-ICER INBD RH.	1	2
- 70	50-970001-5	• TUBE ASSY,DE-ICER	1	2
- 71	50-970067-43	• SYSTEM INSTL,VACUUM & PRESSURE.	1	2
		/SEE FIG. 78/		
- 72	NO NUMBER	• SYSTEM INSTL,DE-ICER FUSELAGE SECTION	1	2
		/SEE FIG. 77/		

CODE EFFECTIVITY

1 LC-1 THRU LC-29

CODE EFFECTIVITY

2 LC-1 AND AFTER

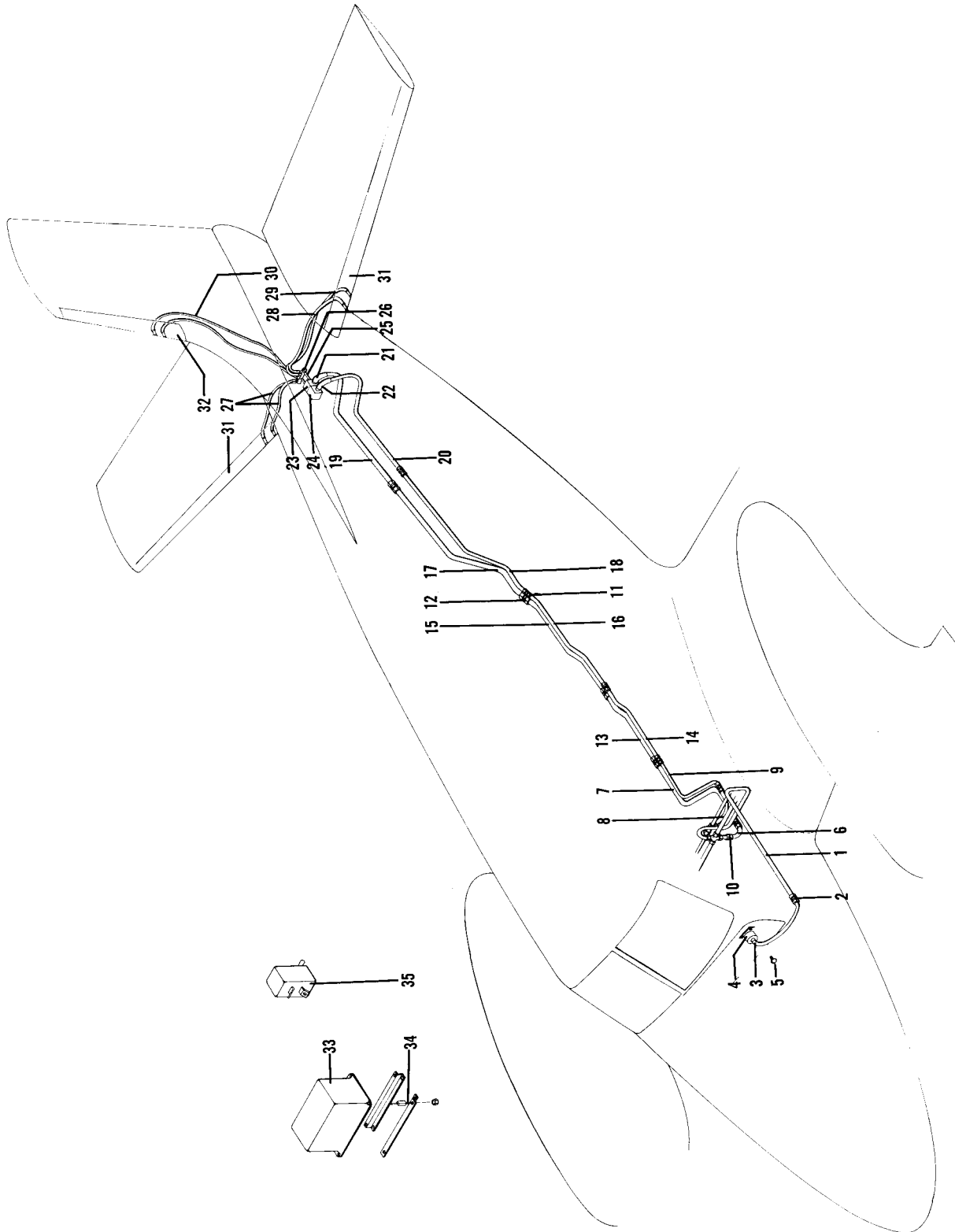


Figure 77. Fuselage Section De-Icer System Installation

MODEL 65 & 80 PARTS CATALOG

FIG. & INDEX NO.	PART NO.	DESCRIPTION	UNITS PER ASSY	USABLE ON CODE
		1 2 3 4 5 6 7		
77	50-970001	SYSTEM INSTL,FUSELAGE SECTION DE-ICER	REF	3
		/SEE FIG. 76 FOR NHA/ /OPTIONAL/		
- 1	50-970001-81	. TUBE ASSY,DE-ICER	1	1
- 2	AN815-4D	. UNION	1	1
	50-970001-119	. TUBE ASSY,DE-ICER	1	2
	50-970001-123	. TUBE ASSY,DE-ICER	1	2
- 3	MS20822-4D	. NIPPLE	1	3
- 4	50-320298-49	. GAGE,DE-ICER PRESSURE	1	3
		/ATTACHING PARTS/		
- 5	AN507B632R12	. SCREW	4	
		-----*-----		
- 6	50-970001-57	. TUBE ASSY,DE-ICER	1	3
- 7	50-970001-45	. TUBE ASSY,DE-ICER	1	3
- 8	50-970001-53	. TUBE ASSY,DE-ICER	1	3
- 9	50-970001-49	. TUBE ASSY,DE-ICER	1	3
- 10	AN919-23D	. REDUCER	1	3
- 11	AN815-8D	. UNION	5	3
- 12	AN815-12D	. UNION	4	3
- 13	50-970001-37	. TUBE ASSY,DE-ICER	1	3
- 14	50-970001-41	. TUBE ASSY,DE-ICER	1	3
- 15	50-970001-29	. TUBE ASSY,DE-ICER	1	3
- 16	50-970001-33	. TUBE ASSY,DE-ICER	1	3
- 17	50-970001-21	. TUBE ASSY,DE-ICER	1	3
- 18	50-970001-25	. TUBE ASSY,DE-ICER	1	3
- 19	50-970001-17	. TUBE ASSY,DE-ICER	1	3
- 20	50-970001-13	. TUBE ASSY,DE-ICER	1	3
- 21	50-970000-473	. HOSE	1	3
- 22	50-970000-471	. HOSE	1	3
- 23	1532-3-A	. VALVE,DE-ICER SYSTEM	1	3
		/ATTACHING PARTS/		
- 24	AN3-4A	. BOLT	4	
	AN935-10	. WASHER	4	
		-----*-----		
- 25	50-970000-455	. HOSE	1	3
- 26	50-970000-43	. MANIFOLD ASSY,ELEVATOR DE-ICER	1	3
- 27	50-970000-449	. HOSE	2	3
- 28	50-970001-109	. HOSE	1	3
- 29	50-970001-107	. HOSE	1	3
- 30	50-970001-105	. HOSE	1	3
- 31	21-735-3-1	. BOOT,DE-ICER	2	3
- 32	21-735-4-1	. BOOT,DE-ICER	1	3
	50-369040	. ELECTRICAL INSTL,DE-ICER	NP	3
- 33	42E06-9-A	. . TIMER,ELECTRONIC	1	3
		/ATTACHING PARTS/		
- 34	A321	. . MOUNT	4	
	AN960-8L	. . WASHER	8	
	AN365-832	. . NUT	8	
		-----*-----		
- 35	D7270-5-10	. . BREAKER,CIRCUIT	1	3

CODE EFFECTIVITY

1 LC-1 THRU LC-29
3 LC-1 AND AFTER

CODE EFFECTIVITY

2 LC-30 AND AFTER

MODEL 65 & PARTS CATALOG

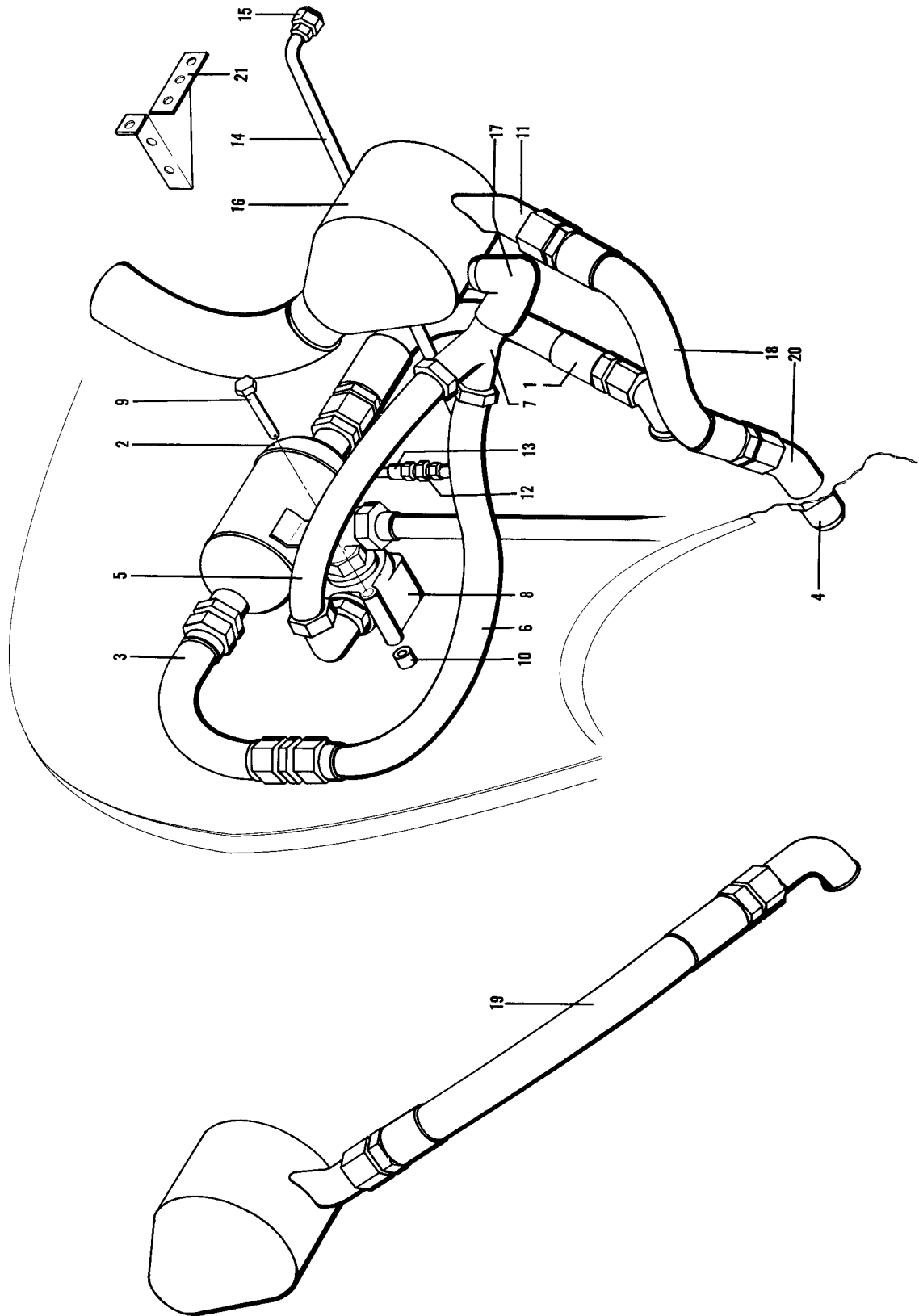


Figure 78. De-Icer Vacuum and Pressure System Installation

MODEL 65 & 80 PARTS CATALOG

FIG. & INDEX NO.	PART NO.	DESCRIPTION							UNITS PER ASSY	USABLE ON CODE
		1	2	3	4	5	6	7		
78	50-970067-43	SYSTEM INSTL,DE-ICER VACUUM & PRESSURE LH							REF	1
	50-970067-45	/SEE FIG. 76 FOR NHA/ /OPTIONAL/ SYSTEM INSTL,DE-ICER VACUUM & PRESSURE RH							NP	1
- 1	50-970067-35	. TUBE ASSY,DE-ICER SYSTEM.							1	1
- 2	44E01-1	. SEPARATOR,OIL							1	1
	32-600	. SEPARATOR,OIL							1	1
		/ALTERNATE FOR 44E01-1/								
- 3	50-970067-19	. TUBE ASSY,NACELLE DE-ICER							1	1
- 4	AN815-16D	. UNION							1	1
- 5	MS28741-16-0216	. HOSE ASSY							1	1
- 6	MS28741-16-0130	. HOSE ASSY							1	1
- 7	AN826-16-12D	. TEE							1	1
	AN822-16-12D	. ELBOW							1	1
- 8	38E01-2	. VALVE,SAFETY.							1	1
		/ATTACHING PARTS/								
- 9	AN3-20	. BOLT.							2	
- 10	100696S-ZD006	. SPACER.							2	
	AN960-10L	. WASHER.							2	
	AN365-1032	. NUT							2	
		-----*-----								
- 11	50-970067-51	. ELBOW							1	1
- 12	AN815-4D	. UNION							1	1
- 13	50-970067-31	. TUBE ASSY,DE-ICER							1	1
- 14	MS28741-4-0162	. HOSE ASSY							1	1
- 15	AN816-4-4D	. NIPPLE.							1	1
- 16	14515-1	. PUMP,VACUUM							1	1
- 17	AN914-6D	. ELBOW							1	1
- 18	MS28741-16-0124	. HOSE ASSY,LH.							1	1
- 19	MS28741-16-0190	. HOSE ASSY,RH.							1	1
- 20	AN837-16	. ELBOW,45 DEGREE							1	1
	AN960-2116	. WASHER.							1	1
	AN924-16	. NUT							1	1
- 21	50-970067-39	. CLIP.							1	1

CODE EFFECTIVITY

1 LC-1 AND AFTER

MODEL 65 & 80 PARTS CATALOG

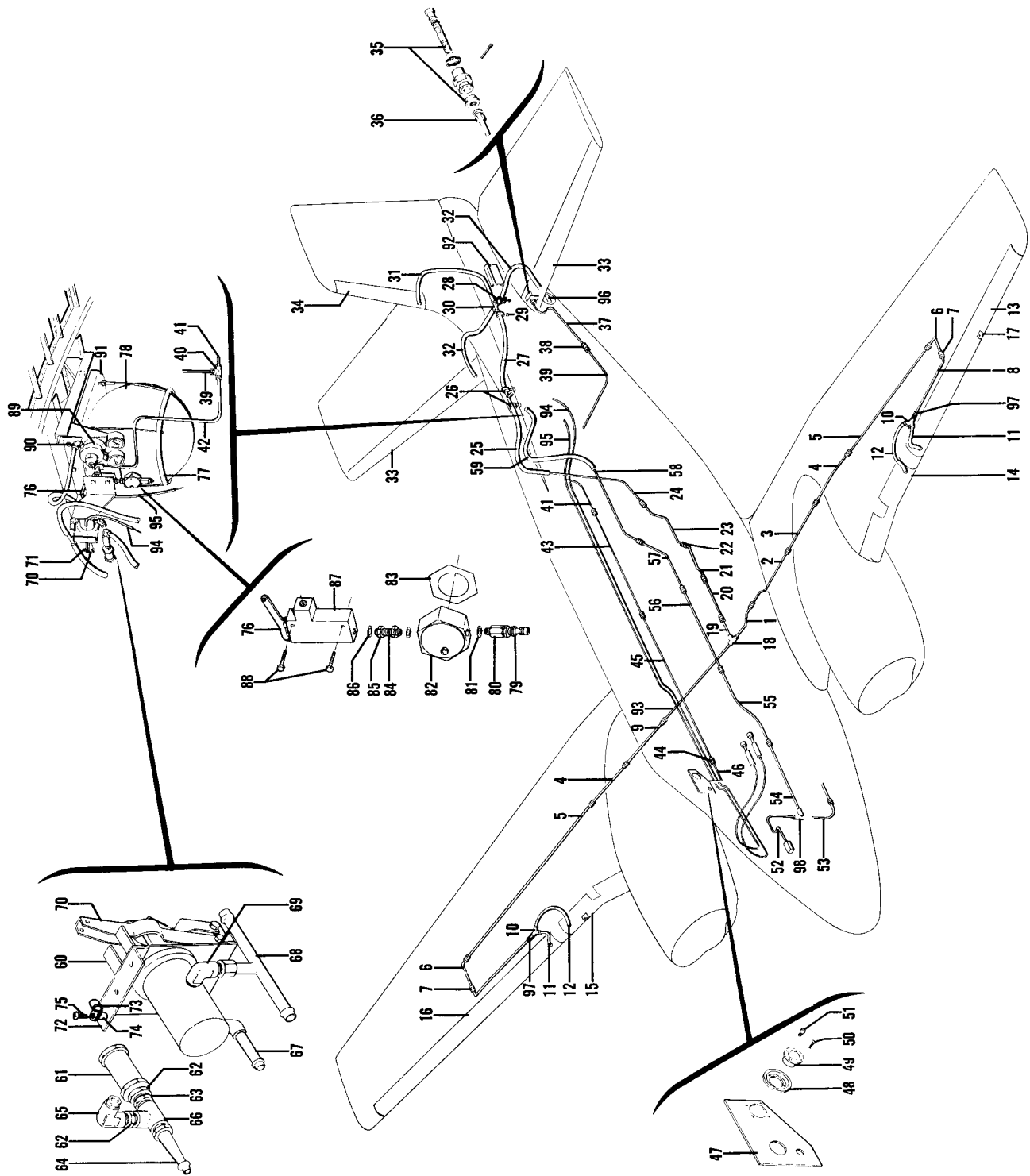


Figure 78A. Lightweight De-Icer Installation

MODEL 65 & 80 PARTS CATALOG

FIG. & INDEX NO.	PART NO.	DESCRIPTION							UNITS PER ASSY	USABLE ON CODE
		1	2	3	4	5	6	7		
78A-	50-970003	SYSTEM INSTL,LIGHT WEIGHT DE-ICER /OPTIONAL/	NP	1
	50-970003-169	SYSTEM INSTL,LIGHT WEIGHT DE-ICER /OPTIONAL/	NP	2
	50-970003-177	SYSTEM INSTL,LIGHT WEIGHT DE-ICER /OPTIONAL/	NP	3
- 1	50-970003-59	• TUBE ASSY,DE-ICER	1	
- 2	50-970003-63	• TUBE ASSY,DE-ICER	1	
- 3	50-970003-67	• TUBE ASSY,DE-ICER	1	
- 4	50-970003-109	• TUBE ASSY,DE-ICER	2	
- 5	50-970003-113	• TUBE ASSY,DE-ICER	2	
- 6	50-970003-117	• TUBE ASSY,DE-ICER	2	
- 7	AN832-6D	• UNION	2	
- 8	50-970003-121	• TUBE ASSY,DE-ICER	2	
- 9	50-970003-71	• TUBE ASSY,DE-ICER	1	
- 10	3D1114	• FITTING,Y	2	
- 11	50-970003-105	• HOSE,DE-ICER	2	
- 12	50-970003-107	• HOSE,DE-ICER	2	
	AN737RM22	• CLAMP	4	
- 13	23S-2014-2-1	• BOOT,DE-ICER	1	
- 14	23S-2014-1-1	• BOOT,DE-ICER	1	
- 15	23S-2014-1-2	• BOOT,DE-ICER	1	
- 16	23S-2014-2-2	• BOOT,DE-ICER	1	
- 17	50-970002-45	• SWITCH ASSY,STALL WARNING	1	
- 18	AN824-6D	• TEE	1	
- 19	50-970003-51	• TUBE ASSY,DE-ICER	1	
- 20	50-970003-47	• TUBE ASSY,DE-ICER	1	
- 21	50-970003-43	• TUBE ASSY,DE-ICER	1	
- 22	AN815-6D	• UNION	17	
- 23	50-970003-39	• TUBE ASSY,DE-ICER	1	
- 24	50-970003-35	• TUBE ASSY,DE-ICER	1	
- 25	50-970003-135	• HOSE,DE-ICER	1	
- 26	AN737RM22	• CLAMP	2	
- 27	50-970003-133	• HOSE,DE-ICER	1	
- 28	AN737RM22	• CLAMP	4	
- 29	MS21919DG6	• CLAMP	1	
- 30	3D1193	• CROSS	1	
- 31	50-970003-125	• HOSE,DE-ICER	1	3
	50-970003-179	• HOSE,DE-ICER	1	4
- 32	50-970003-127	• HOSE,DE-ICER	2	
- 33	23S-2014-3-1	• BOOT,DE-ICER	2	
- 34	23S-2014-4-1	• BOOT,DE-ICER	1	3
	23S-2014-6-1	• BOOT,DE-ICER	1	4
- 35	MS28889-1	• VALVE,HIGH PRESSURE AIR	1	
- 36	AN894C5-4	• BUSHING	1	
	AN6290-4	• GASKET	1	
- 37	50-970003-97	• TUBE ASSY,DE-ICER	1	
- 38	AN832-4	• UNION	1	
- 39	50-970003-93	• TUBE ASSY,DE-ICER	1	
- 40	AN824-4	• TEE	1	
- 41	50-970003-89	• TUBE ASSY,DE-ICER	1	
- 42	50-970003-85	• TUBE ASSY,DE-ICER	1	
- 43	50-970003-141	• TUBE ASSY,DE-ICER	1	
- 44	AN815-4	• UNION	3	
- 45	50-970003-145	• TUBE ASSY,DE-ICER	1	
- 46	50-970003-149	• TUBE ASSY,DE-ICER	1	
- 47	50-534350-343	• ESCUTCHEON,DE-ICER GAGE	1	
- 48	50-970012	• PLACARD,DE-ICER RESERVOIR	1	
- 49	50-970003-167	• GAGE,DE-ICER	1	
		/ATTACHING PARTS/								
- 50	AN520R6-12	• SCREW	3	
- 51	8970-1-327	• BOLT,LITE	1	
		-----*								
- 52	50-970003-75	• TUBE ASSY,DE-ICER	1	1
	50-970003-173	• TUBE ASSY,DE-ICER	1	5
- 53	50-970003-79	• TUBE ASSY,DE-ICER	1	1
	50-970003-171	• TUBE ASSY,DE-ICER	1	5
- 54	50-970003-15	• TUBE ASSY,DE-ICER	1	
- 55	50-970003-19	• TUBE ASSY,DE-ICER	1	
- 56	50-970003-23	• TUBE ASSY,DE-ICER	1	
- 57	50-970003-27	• TUBE ASSY,DE-ICER	1	
- 58	50-970003-31	• TUBE ASSY,DE-ICER	1	
	AN931-6-16	• GROMMET	1	
- 59	50-970003-131	• HOSE,DE-ICER	1	
	3D1239	• VALVE ASSY,DISTRIBUTOR	1	

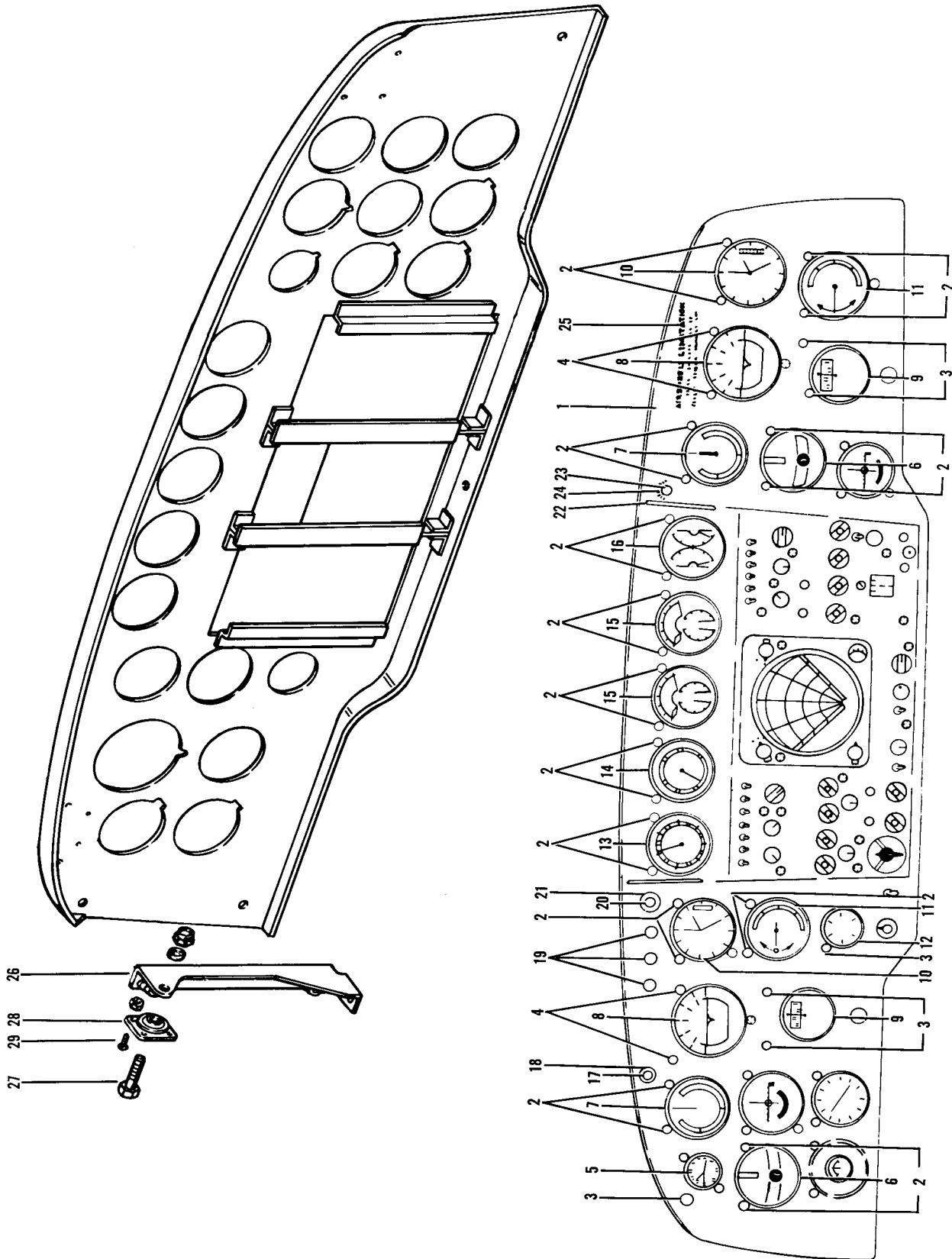


Figure 79. Instrument Panel Installation

MODEL 65 & 80 PARTS CATALOG

FIG. & INDEX NO.	PART NO.	DESCRIPTION	UNITS PER ASSY	USABLE ON CODE
		1 2 3 4 5 6 7		
79	50-324004-103	PANEL INSTL,INSTRUMENT /STANDARD/	NP	1
	50-324009-9	PANEL INSTL,INSTRUMENT /STANDARD/ /WITH RADIO/.	NP	2
	50-324009-25	PANEL INSTL,INSTRUMENT /STANDARD/ /WITH RADIO/.	NP	5
	50-324004	PANEL INSTL,INSTRUMENT /DUAL/	NP	1
	50-324009-15	PANEL INSTL,INSTRUMENT /DUAL/ /WITH RADIO/.	NP	2
	50-324009-17	PANEL INSTL,INSTRUMENT /DUAL/ /WITH RADIO/.	NP	2
	50-324009-19	PANEL INSTL,INSTRUMENT /DUAL/ /WITHOUT RADIO/ .	NP	2
	50-324009-11	PANEL INSTL,INSTRUMENT /WITHOUT RADIO/	NP	2
	50-324009-13	PANEL INSTL,INSTRUMENT /STANDARD WITHOUT RADIO/	NP	
	50-324009-27	PANEL INSTL,INSTRUMENT /DUAL/ /WITHOUT RADIO/ .	NP	5
	50-324009-29	PANEL INSTL,INSTRUMENT /STANDARD WITHOUT RADIO/	NP	5
	50-324009-31	PANEL INSTL,INSTRUMENT /DUAL/ /WITH RADIO/.	NP	5
	50-324009-33	PANEL INSTL,INSTRUMENT /DUAL/ /WITH RADIO/.	NP	5
	50-324009-35	PANEL INSTL,INSTRUMENT /DUAL/ /WITHOUT RADIO/ .	NP	5
	50-324163-15	. PANEL ASSY,INSTRUMENT /STANDARD/ /USE WITH RADIO/	1	6
	50-324163-23	. PANEL ASSY,INSTRUMENT /STANDARD/ /USE WITHOUT RADIO/	1	2
	50-324163-17	. PANEL ASSY,INSTRUMENT /DUAL/ /USE WITH RADIO/	1	6
	50-324163-19	. PANEL ASSY,INSTRUMENT /WITH RADIO/	1	2
	50-324163-21	. PANEL ASSY,INSTRUMENT /WITHOUT RADIO/	1	2
	50-324163-33	. PANEL ASSY,INSTRUMENT, /WITH RADIO/	1	7
	50-324163-39	. PANEL ASSY,INSTRUMENT /DUAL/ /WITHOUT RADIO/.	1	7
	50-324163-41	. PANEL ASSY,INSTRUMENT /STANDARD/ /WITHOUT RADIO/	1	7
	50-324163-31	. PANEL ASSY,INSTRUMENT /DUAL/ /WITH RADIO/ . .	1	7
	50-324163-37	. PANEL ASSY,INSTRUMENT /DUAL/ /WITH RADIO/ . .	1	7
	50-324163-43	. PANEL ASSY,INSTRUMENT /DUAL/ /WITHOUT RADIO/.	1	7
	50-324163-25	. PANEL ASSY,INSTRUMENT /DUAL/ /USE WITHOUT RADIO/	1	2
	50-324163-9	. . PANEL,INSTRUMENT /STANDARD/ /USE WITH 50-324163-15,-33 & -39/	1	
	50-324163-27	. . PANEL,INSTRUMENT /STANDARD/ /USE WITH 50-324163-21,-23 & -41/	1	
- 1	50-324163-13	. . PANEL,INSTRUMENT /DUAL/ /USE WITH 50-324163-17,-35 & -37/	1	
	50-324163-29	. . PANEL,INSTRUMENT /DUAL/ /USE WITH 50-324163-19,-25 & -43/ /ATTACHING PARTS/	1	
	AN507-1032R8	. . SCREW	4	
- 2	A8970-2-327	. . LIGHT,POST	26	
- 3	A8970-1-327	. . LIGHT,POST	6	
- 4	A8975-2-327	. . LIGHT,POST	4	
- 5	50-320298-23	. . CLOCK /ATTACHING PARTS/	1	
	AN515B6R	. . SCREW	1	
- 6	50-320298-9	. . INDICATOR,TURN & SLIP /STANDARD/	1	
	50-320298-9	. . INDICATOR,TURN & SLIP /DUAL/ /ATTACHING PARTS/	2	
	AN515B6R	. . SCREW	2	
- 7	50-320298-11	. . INDICATOR,AIRSPED /STANDARD/	1	6
	50-320298-11	. . INDICATOR,AIRSPED /DUAL/	2	6
	50-384024-9	. . INDICATOR,AIRSPED /STANDARD/	1	5
	50-384024-9	. . INDICATOR,AIRSPED /DUAL/ /ATTACHING PARTS/	2	5
	AN515B6R	. . SCREW	2	
- 8	50-320298-7	. . INDICATOR,HORIZON GYRO /STANDARD/	1	1
	50-380008-7	. . INDICATOR,HORIZON GYRO /STANDARD/	1	7
	50-320298-7	. . INDICATOR,HORIZON GYRO /DUAL/	2	1
	50-380008-7	. . INDICATOR,HORIZON GYRO /DUAL/ /ATTACHING PARTS/	2	7
	AN515B10R	. . SCREW	2	

MODEL 65 & 80 PARTS CATALOG

FIG. & INDEX NO.	PART NO.	DESCRIPTION	UNITS PER ASSY	USABLE ON CODE
79	50-320298-5	. . INDICATOR,DIRECTIONAL GYRO /STANDARD/	1	1
- 9	50-380007-9	. . INDICATOR,DIRECTIONAL GYRO /STANDARD/	1	7
	50-320298-5	. . INDICATOR,DIRECTIONAL GYRO /DUAL/	2	1
	50-380007-9	. . INDICATOR,DIRECTIONAL GYRO /DUAL/	2	7
	AN515B10R	/ATTACHING PARTS/		
		. . SCREW	4	
		-----*-----		
- 10	50-320298-1	. . ALTIMETER,/STANDARD/	1	
	50-320298-1	. . ALTIMETER,/DUAL/	2	
	AN515B6R	/ATTACHING PARTS/		
		. . SCREW	2	
		-----*-----		
- 11	50-320298-3	. . INDICATOR,RATE-OF-CLIMB /STANDARD/	1	
	50-320298-3	. . INDICATOR,RATE-OF-CLIMB /DUAL/	2	
	AN515B6R	/ATTACHING PARTS/		
		. . SCREW	1	
		-----*-----		
- 12	50-320298-21	. . GAGE,SUCTION	1	6
	50-384042-3	. . GAGE,SUCTION	1	5
	50-389025	. . METER,FUEL FLOW	1	7
	AN515B6R	/ATTACHING PARTS/		
		. . SCREW	3	
		-----*-----		
- 13	50-320298-19	. . GAGE,MANIFOLD PRESSURE	1	1
	22-260-032	. . GAGE,MANIFOLD PRESSURE	1	7
	AN515B6R	/ATTACHING PARTS/		
		. . SCREW	2	
		-----*-----		
- 14	50-320298-17	. . TACHOMETER	1	3
	50-320298-51	. . TACHOMETER	1	8
	50-380010-9	. . TACHOMETER	1	7
	AN515B6R	/ATTACHING PARTS/		
		. . SCREW	2	
		-----*-----		
- 15	50-320298-53	. . GAGE,ENGINE	1	6
	50-380012-21	. . GAGE,ENGINE	1	5
	AN515B6R	/ATTACHING PARTS/		
		. . SCREW	2	
		-----*-----		
- 16	50-320298-13	. . GAGE,CYLINDER HEAD	1	
	AN515B6R	/ATTACHING PARTS/		
		. . SCREW	2	
		-----*-----		
- 17	VM912-6	. . LIGHT,STALL WARNING /MARI/	1	
- 18	50-324123	. . PLACARD,STALL WARNING	1	
- 19	50-344655	. . PLACARD,MARKER BEACON	1	
- 20	MS25089-3C	. . SWITCH,PUSH	1	
- 21	50-324137	. . PLACARD,FREE AIR TEMPERATURE	1	
- 23	MS25041-8	. . LIGHT ASSY,CABIN DOOR WARNING	1	
- 24	50-430020	. . PLACARD,CABIN DOOR WARNING	1	
- 25	50-324168	. . PLACARD,AIRSPED LIMITATIONS	1	
- 26	50-324004-39	. . BRACKET,INSTRUMENT PANEL LH	1	
	50-324004-40	. . BRACKET,INSTRUMENT PANEL RH	1	
		/ATTACHING PARTS/		
- 27	AN4-12A	. . BOLT	2	
	AN8013D2	. . WASHER	2	
	AN365-428	. . NUT	2	
		-----*-----		
- 28	AN8008D10	. . MOUNT,SHOCK	4	
		/ATTACHING PARTS/		
- 29	AN515-8-7	. . SCREW	4	
	AN365-832	. . NUT	4	
		-----*-----		
	50-324163-31	. . COVER,CENTER PANEL /USED WITHOUT	1	
		RADIO INSTL/		
		/ATTACHING PARTS/		
	AN520-10R	. . SCREW	4	
	AN970-3	. . WASHER	4	
	MS20365-1032	. . NUT	4	
		-----*-----		

MODEL 65 & 80 PARTS CATALOG

FIG. & INDEX NO.	PART NO.	DESCRIPTION							UNITS PER ASSY	USABLE ON CODE
		1	2	3	4	5	6	7		
79	50-324103-1	4	
		BEZEL,RADIO INSTRUMENTS CUTOUT /USED. WITHOUT RADIO INSTL/								
	50-324004-15	1	1
	50-324009-1	1	2
	50-324009-23	1	5
		PANEL INSTL,SUB /SEE FIG. 80/								
		PANEL INSTL,SUB /SEE FIG. 80/								
		PANEL INSTL,SUB /SEE FIG. 80/								

CODE EFFECTIVITY

- 1 LC-1 THRU LC-80
- 3 LC-1 THRU LC-63
- 5 LD-1 AND AFTER
- 7 LC-81 AND AFTER,
LD-1 AND AFTER

CODE EFFECTIVITY

- 2 LC-81 AND AFTER
- 4 LC-64 AND AFTER
- 6 LC-1 AND AFTER
- 8 LC-64 THRU LC-80

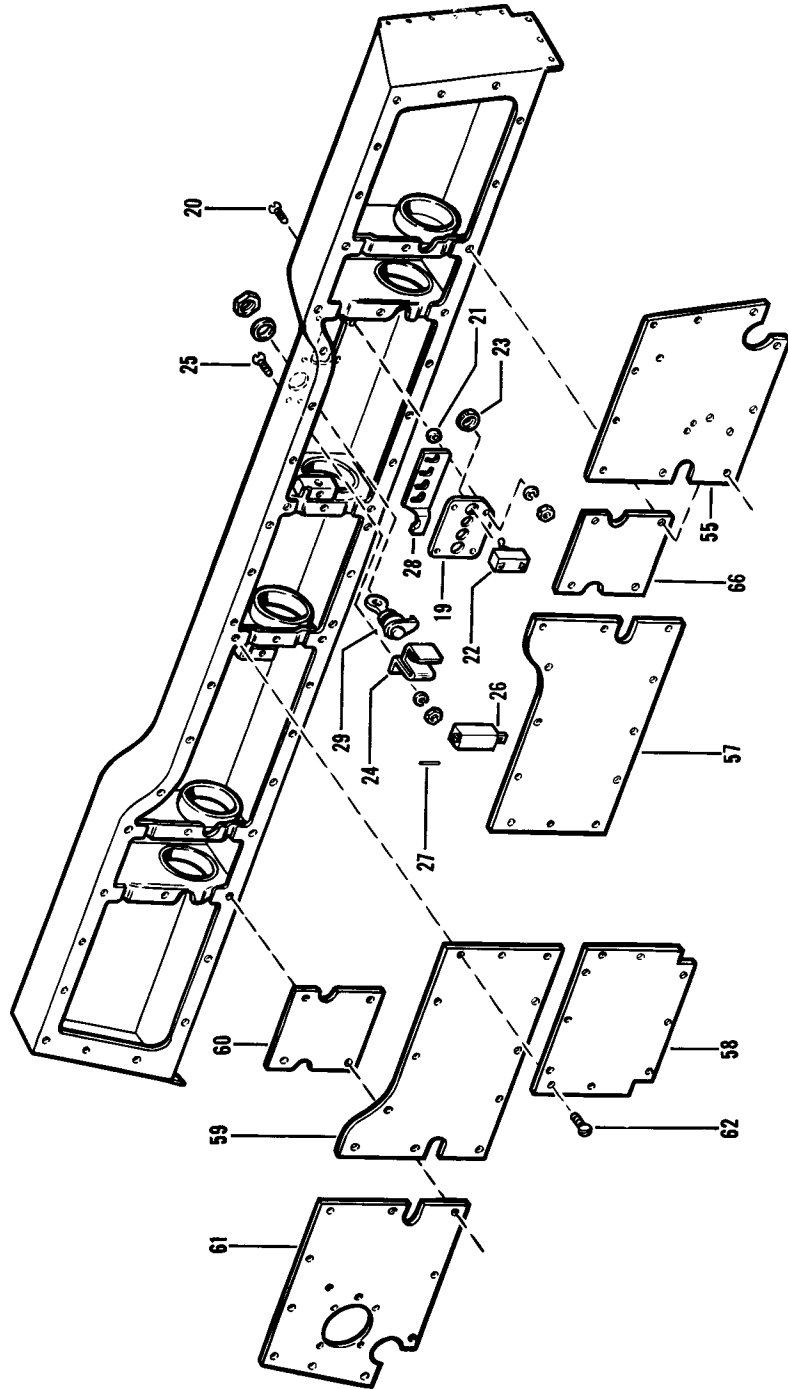
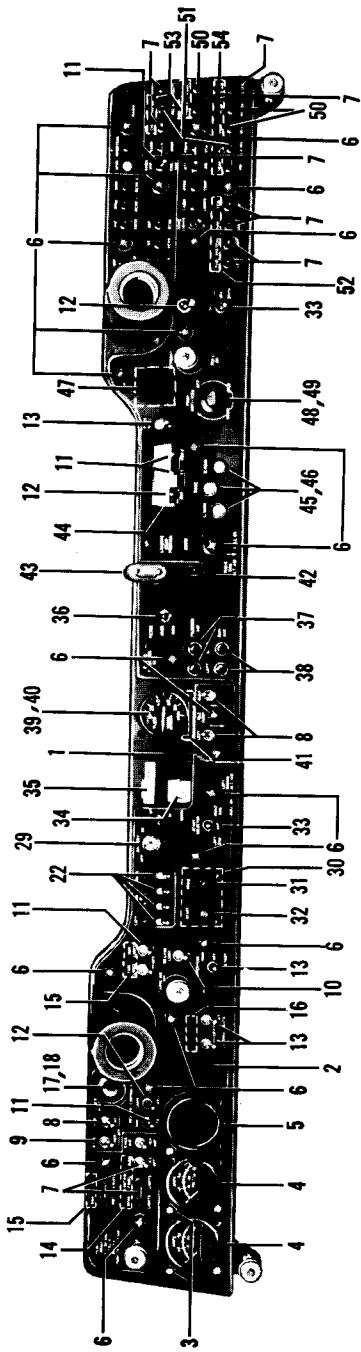


Figure 80. Subpanel Installation

MODEL 65 & 80 PARTS CATALOG

FIG. & INDEX NO.	PART NO.	DESCRIPTION	UNITS PER ASSY	USABLE ON CODE
80	50-324004-15	PANEL INSTL,SUB /SEE FIG. 79 FOR NHA/	REF	4
	50-324009-1	PANEL INSTL,SUB /SEE FIG. 79 FOR NHA/	REF	5
	50-324009-23	PANEL INSTL,SUB /SEE FIG. 79 FOR NHA/	REF	6
- 1	50-324004-15	• PANEL,SUB	1	4
	50-324009-3	• PANEL,SUB	1	5
- 2	50-324004-25	• PLATE,EDGE LIGHTED.	1	4
	50-324009-5	• PLATE,EDGE LIGHTED LH	1	7
	50-324009-21	• PLATE,EDGE LIGHTED LH	1	6
	50-324009-7	• PLATE,EDGE LIGHTED RH	1	5
	50-324004-125	• PLATE,EDGE LIGHTED. /OPTIONAL WITH LIGHT WEIGHT DE-ICER/	1	1
- 3	A8970-1-327	• LIGHT,POST.	2	5
	A8970-1-327	• LIGHT,POST.	2	3
- 4	50-320298-31	• INDICATOR,VOLT-AMP. /ATTACHING PARTS/	2	4
	AN507-6	• SCREW	3	
- 5	50-324104	• BEZEL,INSTRUMENT. /ATTACHING PARTS/	1	4
	AN507B632R8	• SCREW	4	
	AN960-6	• WASHER	4	
	AN365B632	• NUT	4	
- 6	MS25010-3A	• LIGHT ASSY.	20	
- 7	D7271-5-15	• BREAKER,CIRCUIT	14	
- 8	D7270-5-5	• BREAKER,CIRCUIT	3	
- 9	D7270-5-20	• BREAKER,CIRCUIT	1	
- 10	D7270-5-10	• BREAKER,CIRCUIT	1	
- 11	AN3027-3	• SWITCH	4	
- 12	AN3021-3	• SWITCH	3	
- 13	D7270-5-15	• BREAKER,CIRCUIT	4	
- 14	50-369101-3	• BAR,BUS	1	
- 15	50-369101-7	• BAR,BUS	1	
- 16	50-369101-5	• BAR,BUS	1	
- 17	0154	• RHEOSTAT	1	
- 18	50-324004-101	• KNOB,RHEOSTAT	1	
- 19	50-324053	• PANEL,IGNITION SWITCH /ATTACHING PARTS/	1	
- 20	AN507-632R16	• SCREW	4	
- 21	50-364137-4	• SPACER,IGNITION PANEL	4	
	AN960-6	• WASHER	4	
	AN365-632	• NUT	4	
- 22	50-324001-9	• SWITCH,IGNITION	4	
- 23	50-324001-11	• RING,LOCK	4	
- 24	50-324052	• SUPPORT,BATTERY SWITCH /ATTACHING PARTS/	1	
- 25	AN507-632R6	• SCREW	2	
	AN960-6	• WASHER	2	
	AN365-632	• NUT	2	
- 26	50-364145	• SWITCH,BATTERY	1	
	AN936-3616	• WASHER	2	
- 27	NAS561P3-12	• PIN	1	
- 28	50-324054	• PLATE ASSY,BATTERY SWITCH LOCK	1	
	50-324055	• PLATE	1	
- 29	50-384023-5	• LOCK ASSY,IGNITION & BATTERY	1	
	AN960-1216	• WASHER	1	
- 30	50-324004-65	• COVER ASSY,PRIMER & STARTER SWITCH /ATTACHING PARTS/	1	
	AN515-8	• SCREW	2	
- 31	138143	• SWITCH,PRIMER	1	
- 32	138143E	• SWITCH,STARTER	1	
- 33	AN3027-1	• SWITCH	2	2
	MS25068-21	• SWITCH	2	3
- 34	50-324004-51	• COVER ASSY,FLAP SWITCH	1	

MODEL 65 & 80 PARTS CATALOG

FIG. & INDEX NO.	PART NO.	DESCRIPTION	UNITS PER ASSY	USABLE ON CODE
		1 2 3 4 5 6 7		
80	AN526-832R	/ATTACHING PARTS/ • SCREW	2	
- 35	50-324004-47	• SWITCH ASSY,FLAP. /ATTACHING PARTS/ • SCREW	1	
	AN515-8	• SCREW	3	
- 36	4ATA	• SWITCH.	1	
- 37	MS25041-4	• LIGHT,INDICATOR	2	
- 38	MS25041-3	• LIGHT,INDICATOR	2	8
	MS25237-327	• BULB.	1	6
- 39	50-320298-35	• INDICATOR,FLAP POSITION	1	
- 40	MS3106-10SL-3S	• PLUG,ELECTRIC	1	
- 41	50-324161-11	• WELD ASSY,SWITCH GUARD. /ATTACHING PARTS/ • SCREW	1	
	AN515-8-16	• SCREW	2	
- 42	50-324004-27	• PLATE,COPILOTS EDGE LIGHTED	1	
	50-324004-127	• PLATE,COPILOTS EDGE LIGHTED,/OPTIONAL/, /USED WITH LIGHT WEIGHT DE-ICER/ • SWITCH ASSY,LANDING GEAR.	1	1
- 43	50-324004-49	• SWITCH ASSY,LANDING GEAR. /ATTACHING PARTS/ • SCREW	1	
	AN526-832R7	• SCREW	2	
	AN515-8	• SCREW	3	
- 44	50-324004-71	• THROW ASSY,MASTER SWITCH.	1	
- 45	50-320298-37	• INDICATOR,POSITION. /ATTACHING PARTS/ • SCREW	3	
	AN507-6	• SCREW	2	
- 46	CA06B-10SL-3S	• PLUG,ELECTRIC	3	
- 47	50-324102	• BEZEL /ATTACHING PARTS/ • SCREW	1	
	AN507B632R8	• SCREW	4	
	AN960-6	• WASHER.	4	
	AN365B632	• NUT	4	
- 48	0317-351	• RHEOSTAT.	1	
- 49	50-324004-101	• KNOB,RHEOSTAT	1	
- 50	D7271-1-10	• BREAKER,CIRCUIT	3	
- 51	D7271-1-15	• BREAKER,CIRCUIT	2	
- 52	50-369101-3	• BAR,BUS	1	
- 53	50-369101-7	• BAR,BUS	2	
- 54	50-369101-1	• BAR,BUS	1	
- 55	50-324004-83	• DOOR,ENCLOSURE.	1	
- 56	50-324004-223	• DOOR,ENCLOSURE.	1	
- 57	50-324004-75	• DOOR,ENCLOSURE.	1	
- 58	50-324004-77	• DOOR,ENCLOSURE.	1	
- 59	50-324004-76	• DOOR,ENCLOSURE.	1	
- 60	50-324004-80	• DOOR,ENCLOSURE.	1	
- 61	50-324004-224	• DOOR,ENCLOSURE. /ATTACHING PARTS/ • SCREW	1	
- 62	AN520-10-8	• SCREW	47	

CODE EFFECTIVITY

- 1 LC-4 AND AFTER,
LD-2 AND AFTER
- 3 LC-65 AND AFTER
- 5 LC-81 AND AFTER,
LD-2 AND AFTER
- 7 LC-81 AND AFTER

CODE EFFECTIVITY

- 2 LC-1 THRU LC-64
- 4 LC-1 THRU LC-80
- 6 LD-2 AND AFTER
- 8 LC-1 AND AFTER

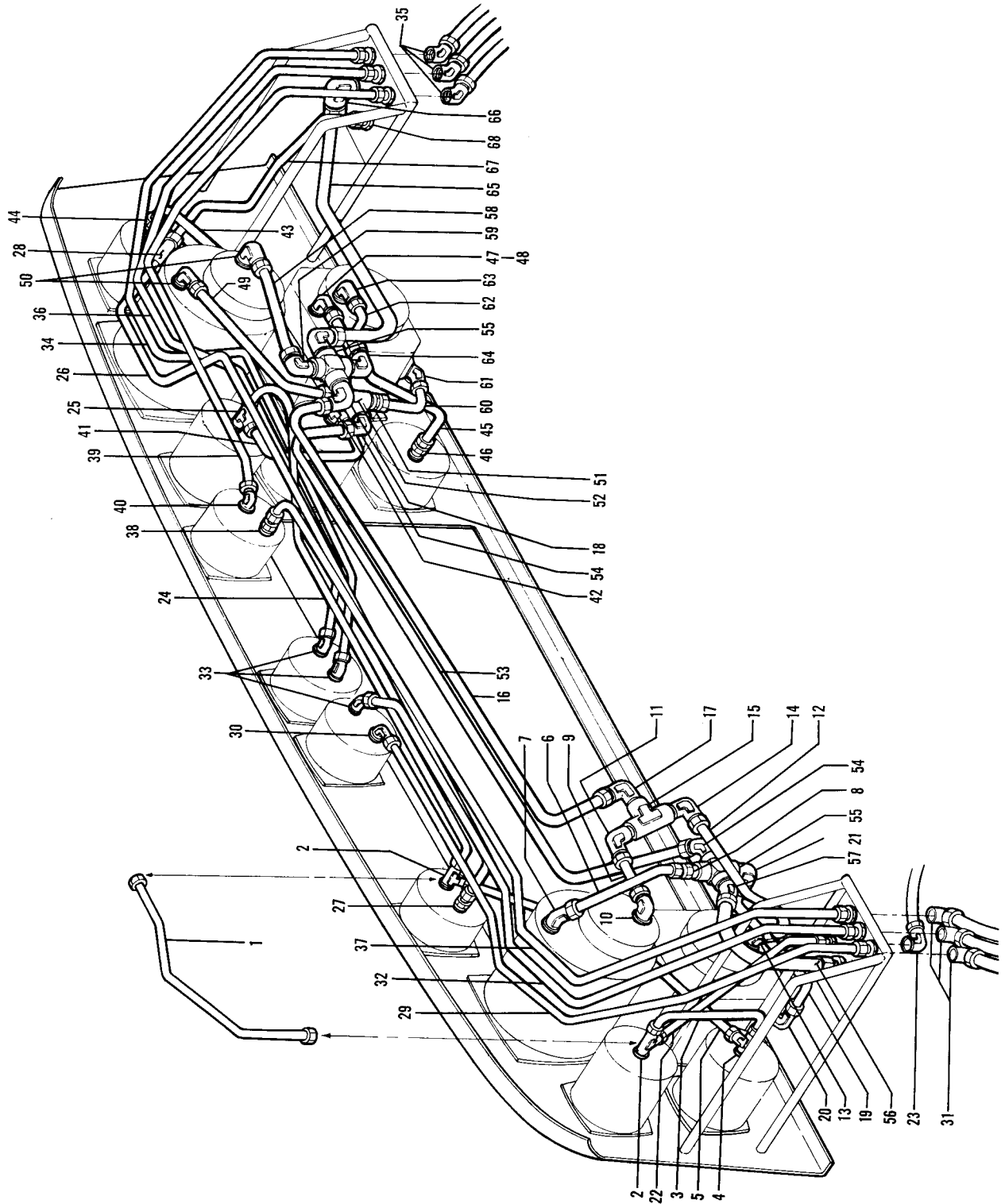


Figure 81. Instrument Panel Plumbing Installation

MODEL 65 & 80 PARTS CATALOG

FIG. & INDEX NO.	PART NO.	DESCRIPTION							UNITS PER ASSY	USABLE ON CODE
		1	2	3	4	5	6	7		
81	50-324166-57	PLUMBING INSTL,INSTRUMENT PANEL							NP	1
	50-324199-3	PLUMBING INSTL,INSTRUMENT PANEL,							NP	2
	50-324199-23	/SEE FIG. 82 FOR FUSELAGE PLUMBING/ PLUMBING INSTL,INSTRUMENT PANEL,							NP	3
	50-324166-1	/SEE FIG. 82 FOR FUSELAGE PLUMBING/ PLUMBING INSTL,INSTRUMENT PANEL,/DUAL/.							NP	1
	50-324199-1	PLUMBING INSTL,INSTRUMENT PANEL,/DUAL/,							NP	2
	50-324199-13	/SEE FIG. 82 FOR FUSELAGE PLUMBING/ PLUMBING INSTL,INSTRUMENT PANEL,/DUAL/,							NP	3
- 1	50-324166-59	. TUBE ASSY,AIRSPEED TO ALTIMETER							1	1
	AN6270-4-26	. HOSE ASSY,AIRSPEED TO ALTIMETER							1	4
- 2	AN826-4D	. TEE							2	
	MS20822-4D	. TEE							1	4
- 3	50-324166-21	. TUBE ASSY,ALTIMETER TO RATE-OF-CLIMB,							1	
		/OPTIONAL/							1	
- 4	AN826-4D	. TEE,/OPTIONAL/.							1	
- 5	50-324166-19	. TUBE ASSY,RATE-OF-CLIMB TO AIRSPEED,.							1	1
		/OPTIONAL/							1	
	AN6270-4-28	. HOSE ASSY							1	4
- 6	50-324166-41	. TUBE ASSY,HORIZON GYRO,/OPTIONAL/							1	1
- 7	AN816-6D	. ELBOW,/OPTIONAL/.							1	
- 8	AN816-6-6D	. NIPPLE,/OPTIONAL/							1	1
	AN913-2D	. PLUG,/USED IN PLACE OF AN816-6-6D FOR							1	
		STANDARD INSTL/							1	
- 9	50-324166-55	. TUBE ASSY,HORIZON GYRO,/OPTIONAL/							1	1
- 10	MS20822-6D	. ELBOW,/OPTIONAL/.							1	1
- 11	MS20822-8D	. ELBOW,/OPTIONAL/.							1	1
- 12	50-324166-43	. TUBE ASSY,DIRECTIONAL GYRO,/OPTIONAL/							1	1
	AN6270-6-15	. HOSE ASSY							1	4
- 13	AN823-6D	. ELBOW,/OPTIONAL/.							1	1
	AN822-6D	. ELBOW							1	4
- 14	MS20822-6-6D	. ELBOW,/OPTIONAL/.							1	1
	AN816-8D	. NIPPLE,/OPTIONAL/							1	1
- 15	AN917-3D	. TEE							1	1
- 16	50-324166-49	. TUBE ASSY,HORIZON & DIRECTIONAL GYRO,							1	1
		/OPTIONAL/							1	
- 17	AN816-8D	. NIPPLE,/OPTIONAL/							1	1
- 18	MS20822-8D	. ELBOW,/OPTIONAL/.							3	1
	AN913-3D	. PLUG,/USED IN PLACE OF MS20822-8D FOR							1	1
		STANDARD INSTL/							1	
- 19	50-324166-45	. TUBE ASSY,DIRECTIONAL GYRO,/OPTIONAL/							1	1
- 20	MS20822-6D	. ELBOW,/OPTIONAL/.							1	1
- 21	MS20822-6-6D	. ELBOW,/OPTIONAL/.							1	1
	AN913-2D	. PLUG,/USED IN PLACE OF MS20822-6-6D FOR							1	
		STANDARD INSTL/							1	
- 22	50-324166-23	. TUBE ASSY,ALTIMETER							1	1
- 23	AN833-4D	. ELBOW							1	4
	AN837-4D	. ELBOW							1	
	AN924-4D	. NUT							1	
	AN960-716	. WASHER							1	
- 24	50-324166-3	. TUBE ASSY,ALTIMETER TO AIRSPEED							1	1
	AN6270-4-46	. HOSE ASSY							1	4
- 25	AN826-4D	. TEE							1	
- 26	50-324166-5	. TUBE ASSY,AIRSPEED.							1	1
	AN6270-4-	. HOSE ASSY							1	4
- 27	AN816-4D	. NIPPLE.							1	
- 28	AN825-4D	. TEE							1	1
	AN826-4D	. TEE							1	4
- 29	50-324166-31	. TUBE ASSY,FUEL PRESSURE							1	1
	AN6270-4-28	. HOSE ASSY							1	4
- 30	MS20822-4D	. ELBOW							1	1
	AN823-4D	. ELBOW							1	4
- 31	AN837-4D	. ELBOW							3	
	AN960-716	. WASHER.							3	
	AN924-4D	. NUT							3	
- 32	50-324166-29	. TUBE ASSY,OIL PRESSURE.							1	1
	AN6270-4-28	. HOSE ASSY							1	4
- 33	AN823-4D	. ELBOW							3	
- 34	50-324166-27	. TUBE ASSY,FUEL PRESSURE							1	1
	AN6270-4-34	. HOSE ASSY							1	4

MODEL 65 & 80 PARTS CATALOG

FIG. & INDEX NO.	PART NO.	DESCRIPTION	UNITS							USABLE ON CODE	
			1	2	3	4	5	6	7		
81 - 35	AN832-4D	• UNION								3	1
	AN960-716	• WASHER								3	1
	AN924-4D	• NUT								3	1
- 36	50-324166-25	• TUBE ASSY,FUEL PRESSURE								1	1
	AN6270-4-34	• HOSE ASSY								1	4
- 37	50-324166-17	• TUBE ASSY,MANIFOLD PRESSURE								1	1
	AN6270-4-38	• HOSE ASSY								1	4
- 38	AN816-4D	• NIPPLE								1	1
- 39	50-324166-15	• TUBE ASSY,MANIFOLD PRESSURE								1	1
	AN6270-4-28	• HOSE ASSY								1	4
- 40	AN823-4D	• ELBOW								1	1
- 41	50-324166-11	• TUBE ASSY,ALTIMETER TO RATE-OF-CLIMB.								1	
- 42	AN815-4D	• TEE								1	
- 43	50-324166-9	• TUBE ASSY,RATE-OF-CLIMB TO AIRSPEED								1	1
	AN6270-4-26	• HOSE ASSY								1	4
- 44	AN816-4D	• NIPPLE								1	
- 45	50-324166-13	• TUBE ASSY,SUCTION GAGE TO DIRECTIONAL GYRO.								1	
- 46	AN816-4D	• NIPPLE								1	
- 47	AN912-2	• BUSHING								1	
- 48	MS20822-4-4D	• ELBOW								1	
- 49	50-324166-33	• TUBE ASSY,HORIZON GYRO.								1	1
	AN6270-6-15	• HOSE ASSY								1	4
- 50	MS20822-6D	• ELBOW								2	1
	AN823-6D	• ELBOW								1	4
- 51	AN816-6-6D	• NIPPLE								1	1
- 52	AN917-3D	• TEE								1	1
- 53	50-324166-51	• TUBE ASSY,HORIZON GYRO.								1	1
- 54	MS20822-8D	• ELBOW								2	1
- 55	AN918-3D	• CROSS								2	1
- 56	50-324166-47	• TUBE ASSY,HORIZON GYRO.								1	1
- 57	AN832-8D	• UNION								2	1
	AN960-1216	• WASHER								1	1
	AN924-8D	• NUT								1	1
- 58	50-324166-39	• TUBE ASSY,HORIZON GYRO.								1	1
- 59	MS20822-6-6D	• ELBOW								1	1
- 60	50-324166-37	• TUBE ASSY,DIRECTIONAL GYRO.								1	1
- 61	AN823-6	• ELBOW								1	1
	AN816-6D	• ELBOW								1	4
- 62	50-324166-35	• TUBE ASSY,DIRECTIONAL GYRO.								1	1
	AN6270-6-15	• HOSE ASSY								1	4
- 63	MS20822-6D	• ELBOW								1	1
	AN822-6D	• ELBOW								1	4
- 64	MS20822-6-6D	• ELBOW								1	1
- 65	50-324166-53	• TUBE ASSY,VACUUM PRESSURE								1	1
- 66	AN833-8D	• ELBOW								1	1
	AN960-1216	• WASHER								1	1
	AN924-8D	• NUT								1	1
- 67	50-324166-7	• TUBE ASSY,AIRSPEED.								1	1
- 68	AN837-4D	• ELBOW								1	1
	AN960-716	• WASHER								1	1
	AN924-4D	• NUT								1	1

CODE EFFECTIVITY

- 1 LC-1 THRU LC-80
- 3 LD-1 AND AFTER

CODE EFFECTIVITY

- 2 LC-81 AND AFTER
- 4 LC-81 AND AFTER,
LD-1 AND AFTER

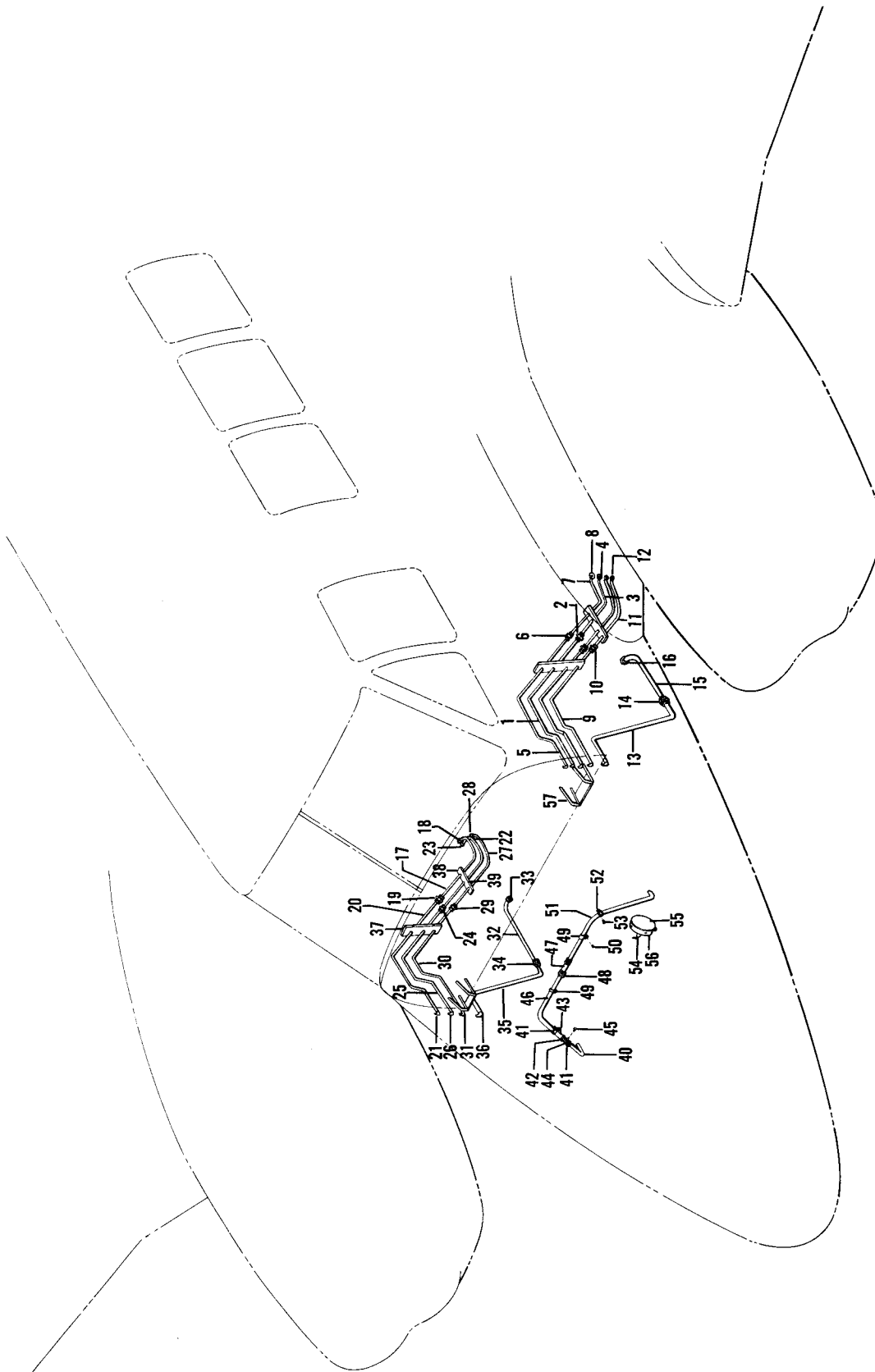


Figure 82. Fuselage Section Instrument and Vacuum Lines Installation

MODEL 65 & 80 PARTS CATALOG

FIG. & INDEX NO.	PART NO.	DESCRIPTION	1 2 3 4 5 6 7							UNITS PER ASSY	USABLE ON CODE
			1	2	3	4	5	6	7		
82	50-324151	LINES INSTL,FUSELAGE INSTRUMENT & VACUUM. . . .								NP	1
	50-324199-3	PLUMBING INSTL,FUSELAGE INSTRUMENT & VACUUM,. . . /SEE FIG. 81 FOR PANEL PLUMBING/								REF	2
	50-324199-23	PLUMBING INSTL,FUSELAGE INSTRUMENT & VACUUM,. . . /SEE FIG. 81 FOR PANEL PLUMBING/								REF	3
	50-324199-1	PLUMBING INSTL,FUSELAGE INSTRUMENT & VACUUM,. . . /DUAL/,/SEE FIG. 81 FOR PANEL PLUMBING/								REF	2
	50-324199-13	PLUMBING INSTL,FUSELAGE INSTRUMENT & VACUUM,. . . /DUAL/,/SEE FIG. 81 FOR PANEL PLUMBING/								REF	3
- 1	50-324151-45	. TUBE ASSY,MANIFOLD PRESSURE								1	
- 2	AN815-4D	. UNION								1	
- 3	50-324151-33	. TUBE ASSY,MANIFOLD PRESSURE								1	
- 4	AN832-4D	. UNION								1	
	AN960-716	. WASHER.								1	
	AN924-4D	. NUT								1	
- 5	50-324151-41	. TUBE ASSY,FUEL PRESSURE								1	
- 6	AN815-4D	. UNION								1	
- 7	50-324151-29	. TUBE ASSY,FUEL PRESSURE								1	
- 8	AN832-4D	. UNION								1	
	AN960-716	. WASHER.								1	
	AN924-4D	. NUT								1	
- 9	50-324151-49	. TUBE ASSY,LUBRICATION								1	
- 10	AN815-4D	. UNION								1	
- 11	50-324151-37	. TUBE ASSY,LUBRICATION								1	
- 12	AN832-4D	. UNION								1	
	AN960-716	. WASHER.								1	
	AN924-4D	. NUT								1	
- 13	50-324151-53	. TUBE ASSY,INSTRUMENT AIR.								1	1
	50-324199-9	. TUBE ASSY,INSTRUMENT AIR.								1	4
- 14	AN919-15D1	. REDUCER								1	1
	AN815-10D	. UNION								1	4
	50-324199-11	. TUBE ASSY,INSTRUMENT AIR.								1	4
- 15	50-324151-63	. TUBE ASSY,INSTRUMENT AIR.								1	1
- 16	AN837-10D	. ELBOW								1	
	AN924-10D	. NUT								1	
	AN960-1416	. WASHER.								1	
- 17	50-324151-17	. TUBE ASSY,FUEL PRESSURE								1	
- 18	AN832-4D	. UNION								1	
	AN960-716	. WASHER.								1	
	AN832-4D	. NUT								1	
- 19	AN815-4D	. UNION								1	
- 20	50-324151-1	. TUBE ASSY,FUEL PRESSURE								1	
- 21	AN837-4D	. ELBOW								1	
	AN960-716	. WASHER.								1	
	AN924-4D	. NUT								1	
- 22	50-324151-21	. TUBE ASSY,MANIFOLD PRESSURE								1	
- 23	AN832-4D	. UNION								1	
	AN960-716	. WASHER.								1	
	AN924-4D	. NUT								1	
- 24	AN815-4D	. UNION								1	
- 25	50-324151-5	. TUBE ASSY,MANIFOLD PRESSURE								1	
- 26	AN837-4D	. ELBOW								1	
	AN960-716	. WASHER.								1	
	AN924-4D	. NUT								1	
- 27	50-324151-25	. TUBE ASSY,LUBRICATION								1	
- 28	AN832-4D	. UNION								1	
	AN960-716	. WASHER.								1	
	AN924-10D	. NUT								1	
- 29	AN815-4D	. UNION								1	
- 30	50-324151-9	. TUBE ASSY,LUBRICATION								1	
- 31	AN837-4D	. ELBOW								1	
	AN960-716	. WASHER.								1	
	AN924-4D	. NUT								1	

MODEL 65 & 80 PARTS CATALOG

FIG. & INDEX NO.	PART NO.	DESCRIPTION	UNITS PER ASSY	USABLE ON CODE
		1 2 3 4 5 6 7		
82 - 32	50-324151-59	• TUBE ASSY, INSTRUMENT AIR.	1	
- 33	AN837-10D	• ELBOW	1	
	AN960-1416	• WASHER	1	
	AN924-10D	• NUT	1	
- 34	AN919-15D	• REDUCER	1	1
	AN815-10D	• UNION	1	4
- 35	50-324151-13	• TUBE ASSY, INSTRUMENT AIR.	1	1
	50-324199-5	• TUBE ASSY, INSTRUMENT AIR.	1	4
	AN832-10D	• UNION	1	4
	AN960-1416	• WASHER	1	4
	AN924-10D	• NUT	1	4
	50-324199-7	• TUBE ASSY, INSTRUMENT AIR.	1	4
- 36	AN837-8D	• ELBOW	1	
	AN960-1216	• WASHER	1	
	AN924-8D	• NUT	1	
- 37	50-324151-57	• BLOCK	1	
- 38	50-324151-58	• BLOCK	1	
		/ATTACHING PARTS/		
- 39	AN520-10-24	• SCREW	8	
	AN960-10	• WASHER	8	
	MS20365-1032	• NUT	8	
		-----*-----		
- 40	50-324151-71	• TUBE ASSY, INSTRUMENT AIR.	1	
	50-324197-5	• MANIFOLD ASSY	1	4
	AN6270-6-	• HOSE ASSY	1	4
- 41	2-2844-75	• VALVE, CHECK	1	
- 42	AN816-8D	• NIPPLE	1	1
	AN816-6D	• NIPPLE	4	4
	AN913-2D	• PLUG, /USED WITH 50-324199-3/.	4	4
- 43	AN826-8D	• TEE	1	
- 44	AN742D18	• CLAMP	1	
		/ATTACHING PARTS/		
- 45	AN515-10R8	• SCREW	1	
	AN960-10	• WASHER	1	
	AN365-1032	• NUT	1	
		-----*-----		
- 46	50-324151-67	• TUBE ASSY, INSTRUMENT AIR.	1	
- 47	2-2844-75	• VALVE, CHECK	1	
- 48	AN816-8D	• NIPPLE	2	
- 49	AN742D8	• CLAMP	2	
		/ATTACHING PARTS/		
- 50	AN515-10R8	• SCREW	1	
	AN960-10	• WASHER	1	
	AN365-1032	• NUT	1	
		-----*-----		
- 51	50-324151-75	• TUBE ASSY, INSTRUMENT AIR.	1	
	AN743-12	• CLIP	1	
- 52	AN742D8	• CLAMP	1	
		/ATTACHING PARTS/		
- 53	AN515-10R8	• SCREW	1	
	AN960-10	• WASHER	1	
	AN365-1032	• NUT	1	
		-----*-----		
- 54	AN822-6D	• ELBOW	1	
	AN912-9D	• BUSHING	1	
- 55	29797	• FILTER	1	
		/ATTACHING PARTS/		
- 56	AN4-5A	• BOLT	2	
	AN960-416	• WASHER	4	
	AN960-416L	• WASHER	2	
	MS20365-428	• NUT	2	
		-----*-----		
- 57	50-324160	• BRACKET ASSY, PANEL.	2	

MODEL 65 & 80 PARTS CATALOG

FIG. & INDEX NO.	PART NO.	DESCRIPTION							UNITS PER ASSY	USABLE ON CODE
		1	2	3	4	5	6	7		
82	AN6270-4-	•	•	•	•	•	•	•	4	3
	AN816-4D	•	•	•	•	•	•	•	4	3
	50-324199-25	•	•	•	•	•	•	•	1	3
	50-324199-27	•	•	•	•	•	•	•	1	3
	AN837-4D	•	•	•	•	•	•	•	4	3
	AN960-716	•	•	•	•	•	•	•	4	3
	AN924-4D	•	•	•	•	•	•	•	4	3
	50-324199-35	•	•	•	•	•	•	•	1	3
	50-324199-15	•	•	•	•	•	•	•	1	3
	50-324199-33	•	•	•	•	•	•	•	1	3
	50-324199-17	•	•	•	•	•	•	•	1	3
	AN833-4D	•	•	•	•	•	•	•	4	3
	AN960-716L	•	•	•	•	•	•	•	4	3
	AN924-4D	•	•	•	•	•	•	•	4	3
	50-324199-29	•	•	•	•	•	•	•	1	3
	50-324199-21	•	•	•	•	•	•	•	1	3
	50-324199-31	•	•	•	•	•	•	•	1	3
	50-324199-19	•	•	•	•	•	•	•	1	3
	AN832-4D	•	•	•	•	•	•	•	4	3
	AN960-716L	•	•	•	•	•	•	•	4	3
	AN924-4D	•	•	•	•	•	•	•	4	3

CODE EFFECTIVITY

- 1 LC-1 THRU LC-80
- 3 LD-1 AND AFTER

CODE EFFECTIVITY

- 2 LC-81 AND AFTER
- 4 LC-81 AND AFTER,
LD-1 AND AFTER



MODEL 65 & 80 PARTS CATALOG

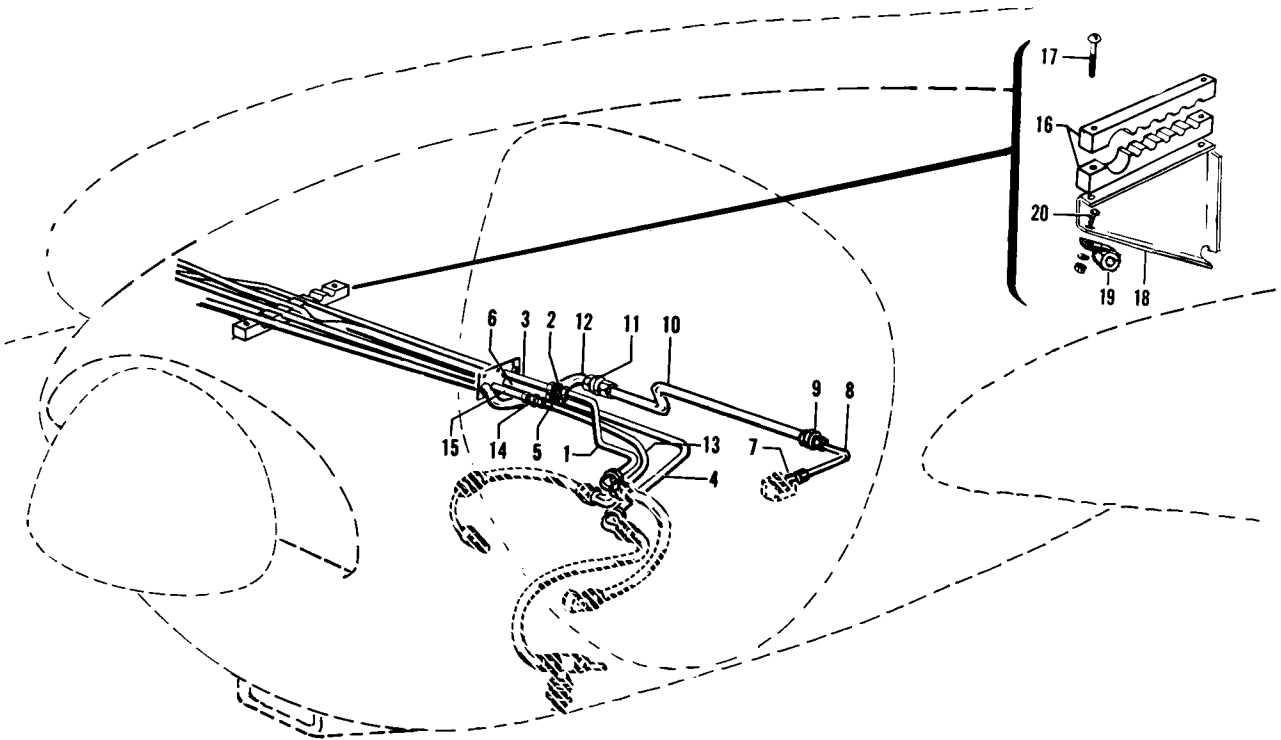


Figure 83. Leading Edge Vacuum and Instrument Plumbing Installation

FIG. & INDEX NO.	PART NO.	DESCRIPTION	UNITS PER ASSY							USABLE ON CODE	
			1	2	3	4	5	6	7		
83	50-910240	PLUMBING INSTL,VACUUM & INSTRUMENT LEADING EDGE								NP	1
	50-910240-49	PLUMBING INSTL,VACUUM & INSTRUMENT LOADING EDGE								NP	2
- 1	50-910061-20	• TUBE ASSY,LH OIL PRESSURE								1	1
	50-910240-57	• TUBE ASSY,LH OIL PRESSURE								1	2
	50-910061-24	• TUBE ASSY,RH OIL PRESSURE								1	1
	50-910240-69	• TUBE ASSY,RH OIL PRESSURE								1	2
- 2	AN832-4D	• UNION								1	
	AN960-716	• WASHER								1	
	AN924-4D	• NUT								1	
- 3	50-910240-15	• TUBE ASSY,LH OIL PRESSURE								1	
	50-910240-19	• TUBE ASSY,RH OIL PRESSURE								1	
- 4	50-910061-100	• TUBE ASSY,LH FUEL PRESSURE								1	1
	50-910240-53	• TUBE ASSY,LH FUEL PRESSURE								1	2
	50-910061-8	• TUBE ASSY,RH FUEL PRESSURE								1	1
	50-910240-71	• TUBE ASSY,RH FUEL PRESSURE								1	2
- 5	AN832-4D	• UNION								1	
	AN960-716	• WASHER								1	
	AN924-4D	• NUT								1	
- 6	50-910240-11	• TUBE ASSY,LH FUEL PRESSURE								1	
	50-910240-23	• TUBE ASSY,RH FUEL PRESSURE								1	
- 7	AN823-8D	• FITTING								1	
- 8	50-910061-88	• TUBE ASSY,LH VACUUM, /NOT USED WHEN DE-ICER IS INSTALLED/								1	
	50-910061-80	• TUBE ASSY,RH VACUUM, /NOT USED WHEN DE-ICER IS INSTALLED/								1	
- 9	AN919-15D	• REDUCER								1	
- 10	50-910061-92	• TUBE ASSY,LH VACUUM, /NOT USED WHEN DE-ICER IS INSTALLED/								1	
	50-910061-84	• TUBE ASSY,RH VACUUM, /NOT USED WHEN DE-ICER IS INSTALLED/								1	
- 11	AN832-10D	• UNION								1	

MODFT. 65 & 80 PARTS CATALOG

FIG. & INDEX NO.	PART NO.	DESCRIPTION							UNITS PER ASSY	USABLE ON CODE
		1	2	3	4	5	6	7		
83 - 12	50-910240-3	1	
	50-910240-31	1	
- 13	50-910061-12	1	1
	50-910061-55	1	2
	50-910061-16	1	1
	50-910240-67	1	2
- 14	AN832-4D	1	
	AN960-716	1	
	AN924-4D	1	
- 15	50-910240-7	1	
	50-910240-27	1	
- 16	50-910068	1	1
	50-910068	2	2
- 17	AN520-10-24	2	
	AN960-10	2	
	AN365-1032	2	
- 18	50-910069	2	
- 19	AN742D10C	1	1
- 20	AN520-10R10	1	
	AN960-10	1	
	MS20365-1032	1	
	50-910240-59	1	2
	50-910240-63	1	2
	50-910240-51	1	2
	50-910240-77	1	2
	50-910240-53	1	2
	50-910240-71	1	2
	50-910240-61	1	2
	50-910240-65	1	2
	50-910240-73	1	2
	50-910240-75	1	2

CODE EFFECTIVITY

1 LC-1 AND AFTER

CODE EFFECTIVITY

2 LD-2 AND AFTER

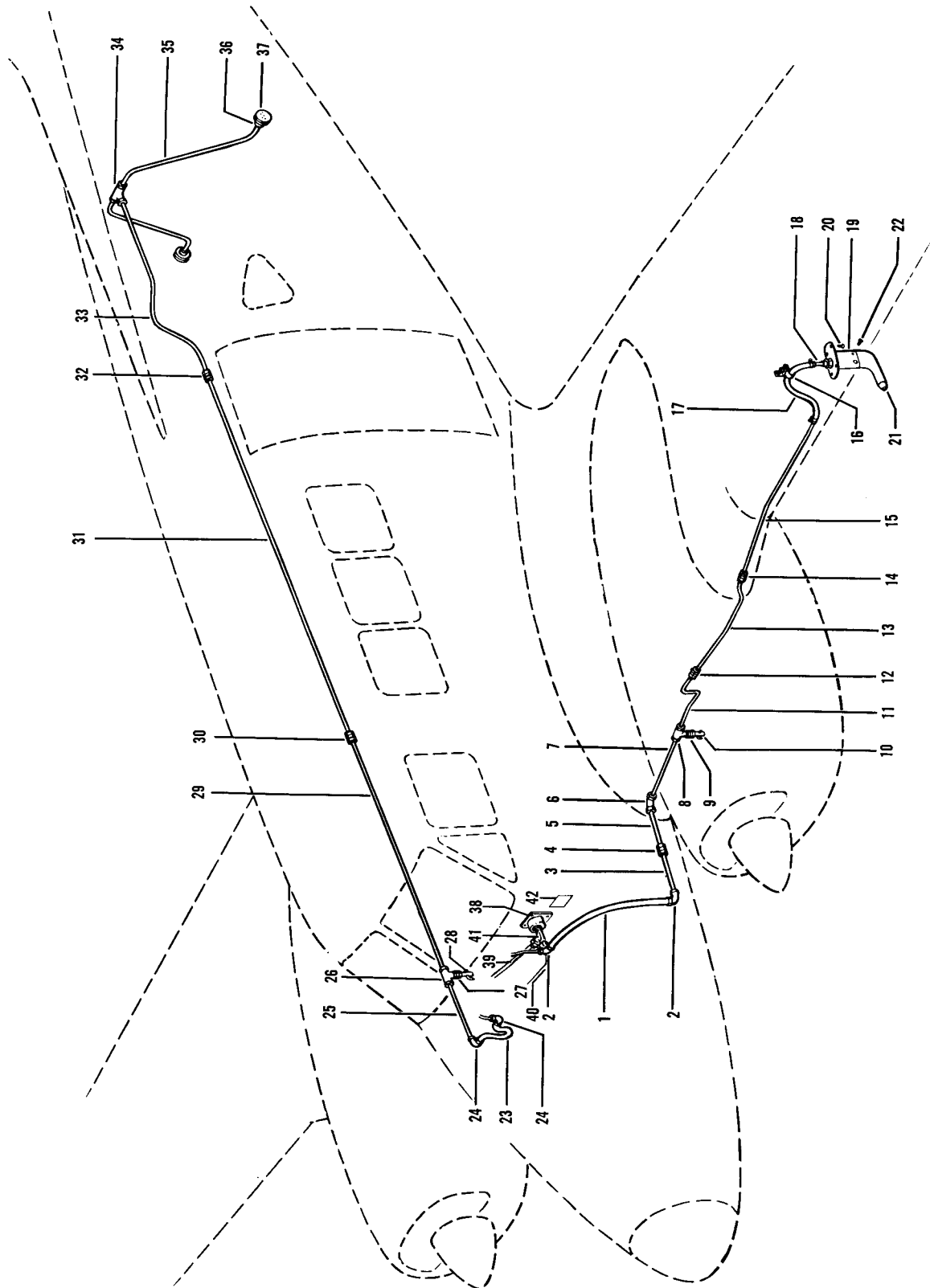


Figure 84. Pitot and Static Pressure System Installation

MODEL 65 & 80 PARTS CATALOG

FIG. & INDEX NO.	PART NO.	DESCRIPTION	UNITS PER ASSY	USABLE ON CODE
		1 2 3 4 5 6 7		
84	50-324150-37	SYSTEM INSTL,PITOT & STATIC PRESSURE.	NP	
		/SEE FIG. 1 FOR NHA/		
- 1	AN6270-4-18	. HOSE ASSY,PITOT PRESSURE.	1	
- 2	AN837-4D	. ELBOW	1	
	AN960-716	. WASHER.	1	
	AN924-4D	. NUT	1	
- 3	50-324150-5	. TUBE ASSY,PITOT PRESSURE.	1	
- 4	AN815-4D	. UNION	1	
- 5	50-324150-1	. TUBE ASSY,PITOT PRESSURE.	1	
- 6	AN837-4D	. ELBOW	1	
	AN960-716	. WASHER.	1	
	AN924-4D	. NUT	1	
- 7	50-324150-17	. TUBE ASSY,PITOT PRESSURE.	1	
- 8	AN825-4D	. TEE	1	
- 9	AN910-1D	. COUPLING.	1	
- 10	770-A1	. COCK,DRAIN.	1	
- 11	50-324150-21	. TUBE ASSY,PITOT PRESSURE.	1	
- 12	AN815-4D	. UNION	1	
- 13	50-320069-72	. TUBE ASSY,PITOT PRESSURE.	1	
- 14	AN815-4D	. UNION	1	
- 15	50-320069-12	. TUBE ASSY,PITOT PRESSURE.	1	
- 16	AN737PM22	. CLAMP	1	
- 17	50-320010-6	. HOSE,FELXIBLE	1	
- 18	50-320069-10	. TUBE ASSY,PITOT PRESSURE.	1	
- 19	35-361108-8	. MAST ASSY,PITOT	1	
		/ATTACHING PARTS/		
- 20	AN515-8R8	. SCREW	4	
		-----*		
- 21	50-384040	. TUBE,PITOT.	1	
		/ATTACHING PARTS/		
- 22	AN520-640R4	. SCREW	4	
		-----*		
- 23	AN6270-4-19-1/2	. HOSE ASSY,STATIC PRESSURE	1	
- 24	AN837-4D	. ELBOW	1	
	AN960-716	. WASHER.	1	
	AN924-4D	. NUT	1	
- 25	50-324150-9	. TUBE ASSY,STATIC PRESSURE	1	
- 26	AN825-4D	. TEE	1	
- 27	AN910-10	. COUPLING.	1	
- 28	770-A1	. COCK,DRAIN /USAF/	1	
- 29	50-324150-13	. TUBE ASSY,STATIC PRESSURE	1	
- 30	AN815-4D	. UNION	1	
- 31	50-324150-25	. TUBE ASSY,STATIC PRESSURE	1	
- 32	AN832-4D	. UNION	1	
- 33	50-324150-29	. TUBE ASSY,STATIC PRESSURE	1	
- 34	AN824-4D	. TEE	1	
- 35	50-324150-33	. TUBE ASSY,STATIC PRESSURE	2	
- 36	35-400212	. FITTING,STATIC PRESSURE	2	
- 37	35-410365	. DOUBLER,STATIC PRESSURE	2	
	50-324189	LINES INSTL,ALTERNATE STATIC AIR.	1	
		/SEE FIG. 1 FOR NHA/		
- 38	50-324189-1	. VALVE,ALTERNATE STATIC AIR.	1	
- 39	50-324189-3	. TUBE ASSY,ALTERNATE STATIC AIR.	1	
- 40	50-324189-7	. TUBE ASSY,ALTERNATE STATIC AIR.	1	
- 41	AN826-4D	. TEE	1	
- 42	50-324190	. PLACARD,ALTERNATE STATIC AIR EMERGENCY.	1	

MODEL 65 & 80 PARTS CATALOG

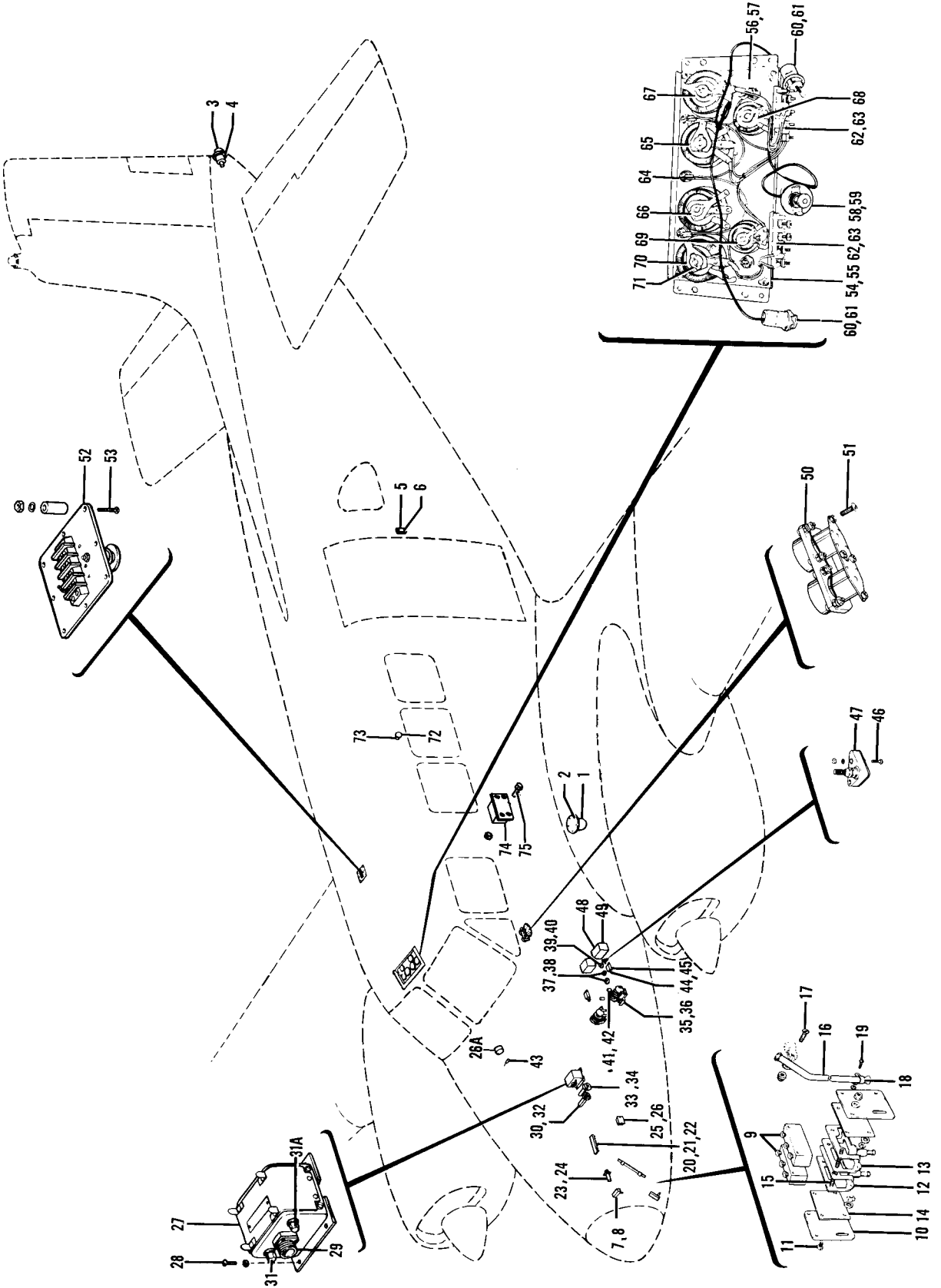


Figure 85. Fuselage Electrical Equipment Installation

MODEL 65 & 80 PARTS CATALOG

FIG. & INDEX NO.	PART NO.	DESCRIPTION							UNITS PER ASSY	USABLE ON CODE
		1	2	3	4	5	6	7		
85	50-364251	EQUIPMENT INSTL,FUSELAGE ELECTRICAL							NP	
- 1	G7740-7-24	. LIGHT,BELLY BEACON.							1	
		/ATTACHING PARTS/								
- 2	AN515-6R8	. SCREW							5	
	AN960-6L	. WASHER.							5	
	MS20365-632	. NUT							5	
		-----*								
- 3	50-364251-3	. LIGHT,NAVIGATION TAIL							1	
		/ATTACHING PARTS/								
- 4	AN515-6R10	. SCREW							2	
		-----*								
- 5	AN3224-1	. SWITCH,CABIN DOOR							1	
		/ATTACHING PARTS/								
- 6	AN515-4R10	. SCREW							2	
	AN936A4	. WASHER,LOCK							2	
	MS20365-440	. NUT							2	
		-----*								
- 7	MS25011-1	. SWITCH,NOSE GEAR UPLOCK							1	
- 8	AN3168-1	. ACTUATOR,SWITCH							1	
	50-361272-1	. COVER,SWITCH.							1	
- 9	MS25011-1	. SWITCH,NOSE GEAR DOWN LOCK.							2	
	50-361272-1	. COVER,SWITCH.							2	
- 10	50-361230	. PLATE,DOWN LOCK SWITCH MOUNTING							2	
		/ATTACHING PARTS/								
- 11	50-361246	. BOLT.							2	
	AN936A416	. WASHER,LOCK							2	
		-----*								
- 12	50-361234	. ACTUATOR,DOWN LOCK SWITCH							1	
- 13	50-361234-1	. ACTUATOR,DOWN LOCK SWITCH							1	
- 14	50-361272	. COVER,DOWN LOCK SWITCH.							2	
		/ATTACHING PARTS/								
- 15	AN507-6R20	. SCREW							2	
	AN960-6	. WASHER.							2	
	MS20365-632	. NUT							2	
		-----*								
- 16	50-361237	. TUBE,NOSE GEAR STRUT WIRE SUPPORT							1	
		/ATTACHING PARTS/								
- 17	AN3-14A	. BOLT.							1	
	100696D-ZG023	. SPACER.							1	
	AN960-10	. WASHER.							1	
	MS20365-1032	. NUT							1	
		-----*								
- 18	AN742-6	. CLAMP,STRUT WIRE SUPPORT TUBE							1	
		/ATTACHING PARTS/								
- 19	AN515-8R8	. SCREW							1	
	AN960-8	. WASHER.							1	
	MS20365-832	. NUT							1	
		-----*								
- 20	AN3436-2-10	. STRIP,NOSE GEAR TERMINAL.							1	
		/ATTACHING PARTS/								
- 21	AN515-4R6	. SCREW							3	
	AN960-4	. WASHER.							3	
	MS20365-440	. NUT							3	
		-----*								
- 22	112132-1-10	. STRIP,NOSE GEAR IDENTIFICATION.							1	
	MS25226-2-2	. BAR,BUS							1	
- 23	AYLF2336-2	. ELEMENT,HEATER OUTSIDE AIRSENSE							1	
		/ATTACHING PARTS/								
- 24	AN515-4R8	. SCREW							4	
	AN960-4L	. WASHER.							4	
	MS20365-440	. NUT							4	
		-----*								
	MS3106B-12S-3S	. PLUG,ELECTRIC							1	
- 25	AN3320-1	. RELAY,HEATER BLOWER							1	
		/ATTACHING PARTS/								
- 26	AN520-10R10	. SCREW							2	
	AN960-10	. WASHER.							2	
		-----*								

MODEL 65 & 80 PARTS CATALOG

FIG. & INDEX NO.	PART NO.	DESCRIPTION	UNITS PER ASSY	USABLE ON CODE
		1 2 3 4 5 6 7		
85 - 26A	10-87996-1	• VIBRATOR, STARTING	1	2
	10-87999-1	• VIBRATOR, STARTING	1	1
		/ATTACHING PARTS/		
	AN515-10R	• SCREW	2	
	AN960-10L	• WASHER	2	
	MS20365-1032	• NUT	2	
		-----*		
	MS3106B-10SL-3S	• PLUG, HEATER IGNITER ELECTRIC CONNECTOR	1	
	MS3106B-10SL-4S	• PLUG, HEATER SOLENOID ELECTRIC CONNECTOR	1	
- 27	CYLZ5346	• BOX, HEATER CONTROL	1	
		/ATTACHING PARTS/		
- 28	AN520-10R8	• SCREW	4	
	AN936B10	• WASHER, LOCK	4	
		-----*		
- 29	MS3106B-18-15	• PLUG, ELECTRIC CONNECTOR	1	
- 30	AYLF3001-1	• ELEMENT, HEATER DISCHARGE SENSE	1	
		/ATTACHING PARTS/		
	AN515-6R10	• SCREW	4	
	AN960-10L	• WASHER	4	
		-----*		
- 31	17326-6	• SWITCH, OVERTEMP	1	
	AH56A80	• SWITCH, OVERTEMP /ALT FOR 17326-6/	1	
		/ATTACHING PARTS/		
	AN515-8R	• SCREW	3	
	AN960-8L	• WASHER	3	
		-----*		
	0200L	• RESISTOR	1	
		/ATTACHING PARTS/		
	AN520-10R36	• SCREW	1	
	AN960-10L	• WASHER	1	
		-----*		
- 31A	17320-4	• SWITCH, CYCLING	1	
	J56A80	• SWITCH, CYCLING /ALT FOR 17320-4/	1	
		/ATTACHING PARTS/		
	AN515-8R8	• SCREW	3	
	AN960-8L	• WASHER	3	
		-----*		
- 32	MS3106B-14S-2S	• PLUG, ELECTRIC CONNECTOR	1	
- 33	856A80	• SWITCH, OVER TEMPERATURE	1	
		/ATTACHING PARTS/		
- 34	AN515-8R8	• SCREW	3	
	AN960-8L	• WASHER	3	
		-----*		
- 35	1589-1	• REGULATOR, VOLTAGE	2	
	CR2795B105A1	• REGULATOR, VOLTAGE /ALTERNATE FOR 1589-1/	2	
- 36	49-C-7553	• BASE, VOLTAGE REGULATOR	2	
- 37	PDLM-105	• BREAKER, ENGINE GENERATOR CIRCUIT	2	
		/ATTACHING PARTS/		
- 38	AN507-10R12	• SCREW	2	
		-----*		
- 39	PDLM-50	• BREAKER, CIRCUIT	3	
		/ATTACHING PARTS/		
- 40	AN507-10R12	• SCREW	2	
		-----*		
- 41	1002	• RESISTOR, EQUALIZING	2	
		/ATTACHING PARTS/		
- 42	AN515-8R36	• SCREW	1	
	100951P032ZH	• WASHER	2	
	AN960-10L	• WASHER	2	
	MS20365-832	• NUT	1	
		-----*		
- 43	A8970-1-327	• LIGHT, OXYGEN QUANTITY INDICATOR	1	
- 44	4142341G83	• SHUNT, AMMETER	2	
		/ATTACHING PARTS/		
- 45	AN520-10R12	• SCREW	2	
	AN960-10L	• WASHER	2	
		-----*		

MODEL 65 & 80 PARTS CATALOG

FIG. & INDEX NO.	PART NO.	DESCRIPTION	UNITS PER ASSY	USABLE ON CODE
		1 2 3 4 5 6 7		
85	818-180537	• POST ASSY,BELLY TERMINAL. /ATTACHING PARTS/	1	
- 46	AN515-6R8	• SCREW	3	
	AN960-6	• WASHER	3	
	MS20365-632	• NUT	3	
		-----*-----		
- 47	182020	• POST,BELLY TERMINAL	1	
	105982-4A15-004	• BOLT,BELLY TERMINAL	1	
	AN960-416L	• WASHER	1	
	AN365-428	• NUT	1	
	AN316-4R	• NUT	1	
- 48	A-700-A	• RELAY,REVERSE CURRENT /ATTACHING PARTS/	1	
- 49	AN520-10R10	• SCREW	4	
	AN960-10L	• WASHER	4	
		-----*-----		
- 50	6046H39A	• RELAY,LANDING GEAR CONTROL. /ATTACHING PARTS/	1	
- 51	AN520-10R12	• SCREW	4	
	AN960-10L	• WASHER	4	
		-----*-----		
- 52	BYLF5305	• ELEMENT,CABIN AIRSENSE /SUPERSEDES AYLF5305/. /ATTACHING PARTS/	1	
- 53	AN515-10R8	• SCREW	4	
	AN960-10L	• WASHER	4	
	MS20365-1032	• NUT	4	
		-----*-----		
- 54	50-364252	• PANEL,EDGE LIGHTED. /ATTACHING PARTS/	1	
- 55	NAS387-1032-12	• SCREW	4	
	NAS391-10	• WASHER	4	
		-----*-----		
- 56	50-364254-5	• BRACKET ASSY,EDGE LIGHTED PANEL /ATTACHING PARTS/	1	
- 57	AN509-10R8	• SCREW	4	
		-----*-----		
- 58	2805	• SOCKET,MAP LIGHT.	1	
- 59	AN3122-1524	• LAMP,MAP LIGHT.	1	
- 60	2611	• SOCKET,INSTRUMENT LIGHT	2	
- 61	AN3124-307	• LAMP,INSTRUMENT LIGHT	2	
- 62	AN3436-2-4	• STRIP,TERMINAL. /ATTACHING PARTS/	2	
- 63	AN515-4R6	• SCREW	2	
	AN960-4	• WASHER	2	
	MS20365-440	• NUT	2	
		-----*-----		
	112132-1-4	• STRIP,IDENTIFICATION.	2	
	112132-5-8	• STRIP,IDENTIFICATION.	2	
- 64	MS25010-3A	• LIGHT,EDGE LIGHTED PANEL.	5	
- 65	0317-351	• RHEOSTAT,PANEL LIGHTS SWITCH.	1	
- 66	0318-351	• RHEOSTAT,ENGINE INSTRUMENT LIGHTS	1	
- 67	0316-351	• RHEOSTAT,COCKPIT,RED LIGHTS	1	
- 68	0149-351	• RHEOSTAT,MAP LIGHT.	1	
- 69	0150-351	• RHEOSTAT,OVERHEAD PANEL LIGHTS.	1	
		• RHEOSTAT,FLIGHT INSTRUMENT LIGHTS		
- 71	70-3-2G	• KNOB,RHEOSTAT	6	
- 72	0154	• RHEOSTAT,HEATER CONTROL	1	
- 73	70-3-2G	• KNOB,HEATER CONTROL RHEOSTAT.	1	
- 74	AN3320-1	• RELAY,FLAP DYNAMIC BRAKE. /ATTACHING PARTS/	2	
- 75	AN515-8R10	• SCREW	2	
	AN365-832	• NUT	2	
		-----*-----		

CODE EFFECTIVITY

1 LC-65 THRU LC-80

CODE EFFECTIVITY

2 LC-81 AND AFTER,
LD-1 AND AFTER

MODEL 65 & 80 PARTS CATALOG

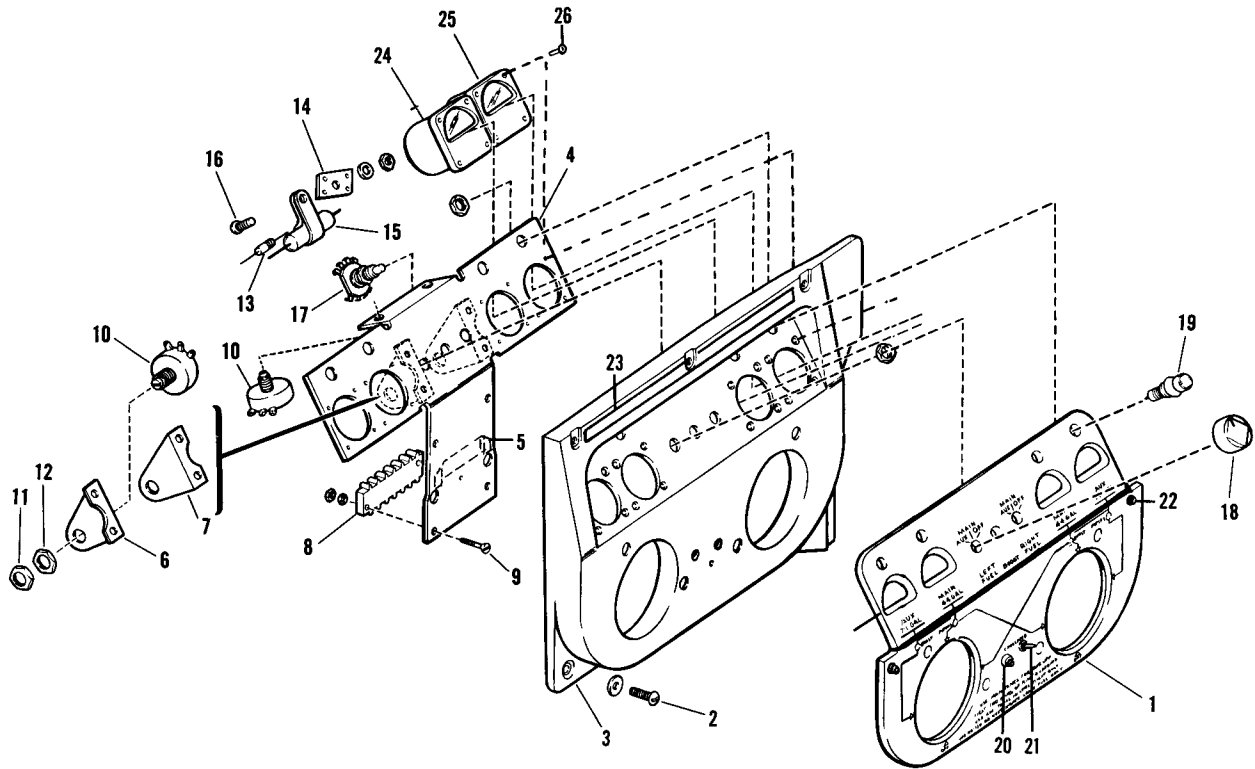


Figure 86. Fuel Selector Control Panel Installation

FIG. & INDEX NO.	PART NO.	DESCRIPTION	UNITS PER ASSY							USABLE ON CODE	
			1	2	3	4	5	6	7		
86	50-369041-31	PANEL INSTL,FUEL SELECTOR CONTROL, /SEE FIG. 1 FOR NHA/,/STANDARD/								NP	1
	50-369041-47	PANEL INSTL,FUEL SELECTOR CONTROL, /SEE FIG. 1 FOR NHA/								NP	2
	50-369041-29	PANEL INSTL,FUEL SELECTOR CONTROL, /SEE FIG. 1 FOR NHA/,/OPTIONAL/								NP	1
	50-369041-45	PANEL INSTL,FUEL SELECTOR CONTROL, /SEE FIG. 1 FOR NHA/								NP	2
- 1	50-920089-23	• PANEL ASSY,EDGE LIGHTED FUEL,/STANDARD/								1	1
	50-920089-55	• PANEL ASSY,EDGE LIGHTED FUEL.								1	2
	50-920089-19	• PANEL ASSY,EDGE LIGHTED FUEL,/OPTIONAL/								1	1
	50-920089-57	• PANEL ASSY,EDGE LIGHTED FUEL. /ATTACHING PARTS/								1	2
- 2	NAS387-1032-8P	• SCREW								5	
	NAS391-10P	• WASHER.								5	
- 3	50-920093	• ESCUTCHEON,FUEL CONTROL PANEL								1	
	50-369046-7	• BRACKET ASSY,RHEOSTAT MOUNTING.								1	
- 4	50-369046-9	• • BRACKET,RHEOSTAT MOUNTING								1	
- 5	50-369046-11	• • BRACKET,MOUNTING.								1	
- 6	50-369046-3	• • ANGLE,LH MOUNTING BRACKET								1	
- 7	50-369046-4	• • ANGLE,RH MOUNTING BRACKET								1	
- 8	6-140	• • STRIP,TERMINAL,/OPTIONAL/ /ATTACHING PARTS/								2	
- 9	AN507-440R8	• • SCREW								2	
	AN960-4	• • WASHER.								2	
	AN365-440	• • NUT								2	
- 10	83-1115-3158	• POTENTIOMETER /ATTACHING PARTS/								4	
- 11	34-5920-86-54	• NUT,LOCK.								1	
- 12	34-5922-86-54	• NUT,TAPER								1	

MODEL 65 & 80 PARTS CATALOG

FIG. & INDEX NO.	PART NO.	DESCRIPTION	UNITS PER ASSY	USABLE ON CODE
86 - 13	NO NUMBER	• RESISTOR,/TYPE BW-1 3300 OHM 1 WATT/	2	
	NO NUMBER	• RESISTOR,/75 OHM 10 WATT/	2	
	NO NUMBER	• RESISTOR,/TYPE PR10F 7.5K 10 WATT/	2	
- 14	50-364211	• MOUNTING ASSY,CAPACITOR	2	
- 15	BRH605A	• CAPACITOR	2	
		/ATTACHING PARTS/		
- 16	AN515-6-7	• SCREW	1	
	AN960-6	• WASHER	1	
	AN365-632	• NUT	1	
		-----*-----		
- 17	50-369049	• SWITCH,BOOST PUMP	2	
- 18	50-389003	• KNOB,BOOST PUMP	2	
- 19	MS25010-3A	• LIGHT,FUEL CONTROL PANEL	9	
- 20	MS25041-3	• LIGHT,FUEL CONTROL PANEL CROSSFEED	1	
- 21	AN3027-3	• SWITCH,CROSSFEED VALVE	1	
- 22	MS25089-3C	• SWITCH,FUEL LINE VENT	2	
- 23	50-924033	• PLACARD,FUEL CONTROL PANEL	1	
- 24	50-320298-41	• GAGE,FUEL QUANTITY	2	
- 25	50-320298-43	• GAGE,FUEL QUANTITY,/STANDARD/	2	
	50-320298-45	• GAGE,FUEL QUANTITY,/OPTIONAL/	2	
		/ATTACHING PARTS/		
- 26	AN507-440R10	• SCREW	4	
	AN960-4	• WASHER	4	
	AN365-440	• NUT	4	
		-----*-----		
	50-369041-27	• SWITCH ASSY,PURGE	2	2

CODE EFFECTIVITY

1 LC-1 AND AFTER

CODE EFFECTIVITY

2 LD-1 AND AFTER

MODEL 65 & 80 PARTS CATALOG

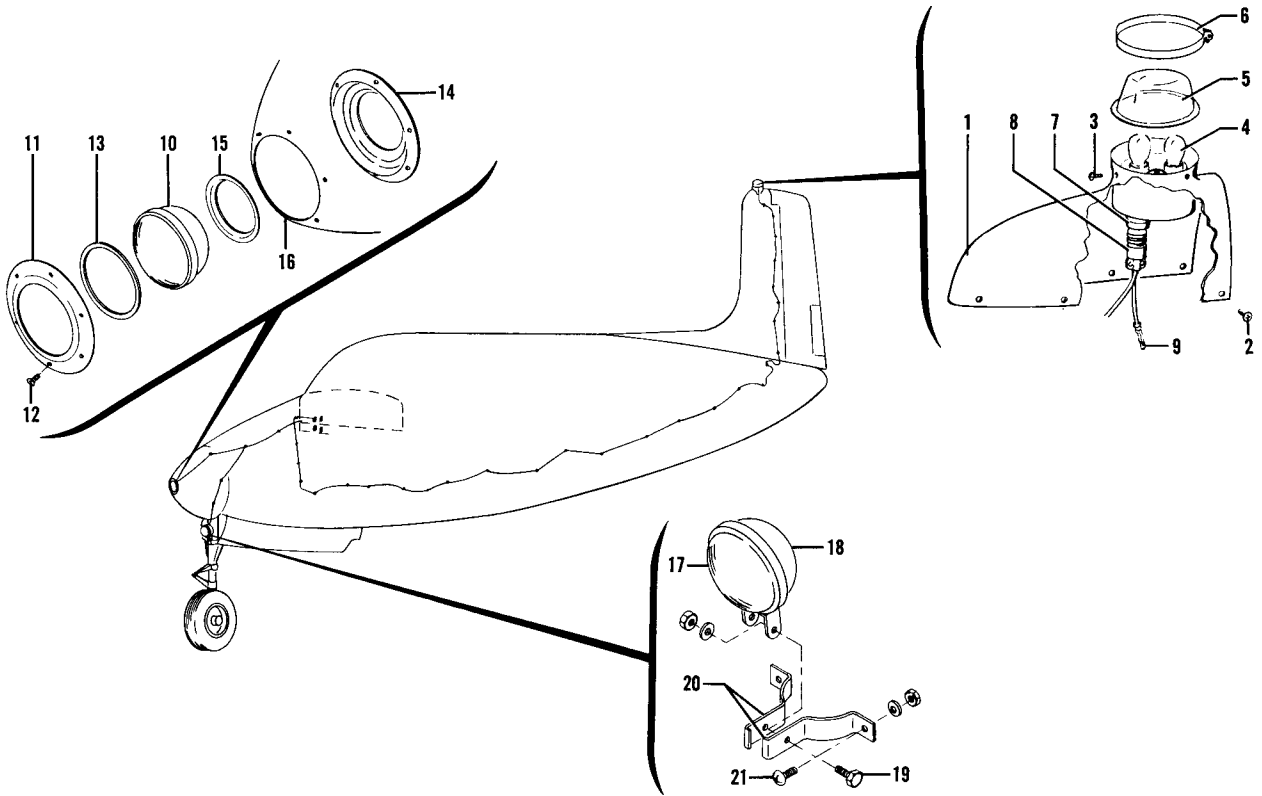


Figure 87. Rotating Beacon and Passing Light Installation

FIG. & INDEX NO.	PART NO.	DESCRIPTION							UNITS PER ASSY	USABLE ON CODE
		1	2	3	4	5	6	7		
87	50-364224-17	LIGHT INSTL,ROTATING BEACON	NP	1
	50-364261	LIGHT INSTL,ROTATING BEACON	1	2
- 1	50-640011	. TIP ASSY,VERTICAL STABILIZER,/SEE FIG. 37/.	REF	1
	50-364261-7	. TIP ASSY,VERTICAL STABILIZER,/SEE FIG. 37/.	REF	2
		/ATTACHING PARTS/								
- 2	AN525-832-7	. SCREW	10	1
	AN525-8	. SCREW	6	2
	AN960-8L	. WASHER	6	2
		-----*								
	50-364261-3	. . LIGHT ASSY,ROTATING BEACON.	1	2
		/ATTACHING PARTS/								
	AN515-6	. . SCREW	3	
	AN960-6L	. . WASHER	3	
		-----*								
	50-364224-19	. LIGHT ASSY,ROTATING BEACON.	1	1
		/ATTACHING PARTS/								
- 3	AN515-6-8	. SCREW	3	
	AN960PD6L	. WASHER	3	
		-----*								
- 4	A-7079-24	. . LAMP	2	1
- 5	A-7942	. . LENS & PLUG ASSY.	1	1
- 6	A-7635	. . BAND ASSY,LENS RETAINER	1	1
	50-364224-11	. HARNESS ASSY,ROTATING BEACON.	1	1
- 7	AN3106A-10SL-3S	. . PLUG	1	1
- 8	AN3057-4	. . CLAMP,CABLE	1	1
- 9	32445	. DISCONNECT	1	1

MODEL 65 & 80 PARTS CATALOG

FIG. & INDEX NO.	PART NO.	1	2	3	4	5	6	7	DESCRIPTION	UNITS PER ASSY	USABLE ON CODE
87	50-364253-1								LIGHT INSTL,PASSING & TAXI, /SEE FIG. 1 FOR NHA/,/OPTIONAL/	NP	
- 10	4587								• LAMP.	1	
- 11	50-364253-5								• RING,PASSING LIGHT RETAINING. /ATTACHING PARTS/	1	
- 12	AN507-832R8								• SCREW	6	
									-----*-----		
- 13	50-364253-9								• GASKET.	1	
- 14	50-364253-3								• RING,MOUNTING	1	
- 15	50-364253-7								• GASKET.	1	
- 16	50-364253-13								• CONE ASSY,NOSE,/SEE FIG. 13/, /SAME AS 50-410013 EXCEPT FOR HOLE/	REF	
	50-364256								LIGHT INSTL,TAXIING,/SEE FIG. 1 FOR NHA/, /OPTIONAL,USED WITH WEATHER RADAR/	NP	
- 17	4587								• LAMP.	1	
- 18	AN3176-1								• LIGHT ASSY. /ATTACHING PARTS/	1	
- 19	AN4								• BOLT.	2	
	AN960-416								• WASHER.	2	
	AN365-428								• NUT	2	
									-----*-----		
- 20	50-364256-3								• BRACKET,TAXIING LIGHT /ATTACHING PARTS/	2	
- 21	AN3								• BOLT.	1	
	AN960-10								• WASHER.	1	
	AN365-1032								• NUT	1	
									-----*-----		

CODE EFFECTIVITY

1 LC-1 AND AFTER

CODE EFFECTIVITY

2 LD-1 AND AFTER

MODEL 65 & 80 PARTS CATALOG

FIG. & INDEX NO.	PART NO.	DESCRIPTION							UNITS PER ASSY	USABLE ON CODE
		1	2	3	4	5	6	7		
88 - 1	NO NUMBER	EQUIPMENT INSTL,CENTER SECTION ELECTRICAL							1	
- 2	9555	. BATTERY,TYPE CA-7							1	
- 3	MS25182-1	. NIPPLE,BATTERY VENT							1	
- 4	50-361213	. CONNECTOR,BATTERY							1	
- 5	MS3106B-14S-5S	. BAR,BATTERY RELAY BUS							1	
- 6	50-361212	. PLUG,ELECTRIC CONNECTOR							1	
- 7	50-361204-1	. TUBE,BATTERY OVERFLOW OUTLET							1	
- 8	AN3436-2-2	. TUBE,BATTERY OVERFLOW							1	
		. STRIP,TERMINAL							2	
		/ATTACHING PARTS/								
- 9	AN515-4R	. SCREW							2	
	AN960-4	. WASHER							2	
	MS20365-440	. NUT							2	
		-----*								
- 10	112132-1-10	. STRIP,IDENTIFICATION							1	
	CA462/MC9B00	. CAPACITOR							2	
		/ATTACHING PARTS/								
- 11	AN520-1032R8	. SCREW							1	
	AN960-10	. WASHER							1	
		-----*								
- 12	6041H189	. RELAY,STARTER							3	
		/ATTACHING PARTS/								
- 13	AN3-4A	. SCREW							4	
	AN960-10	. WASHER							4	
		-----*								
- 14	D7271-1-5	. BREAKER,CIRCUIT							1	
- 15	50-361286	. PLACARD,ENTRANCE LIGHT CIRCUIT BREAKER							1	
- 16	MS25011-1	. SWITCH,LANDING GEAR UP LIMIT							2	
		/ATTACHING PARTS/								
- 17	AN515-6R18	. SCREW							2	
	MS20365-632	. NUT							2	
		-----*								
- 18	AN3168-2	. ACTUATOR,UP LIMIT SWITCH							2	
- 19	50-361200-23	. CAM,LANDING GEAR UP LOCK SWITCH							2	
- 20	MS25011-1	. SWITCH,LANDING GEAR DOWN LIMIT							2	
- 21	50-361230	. PLATE,DOWN LIMIT SWITCH MOUNTING							2	
		/ATTACHING PARTS/								
- 22	50-361246	. BOLT							1	
		-----*								
- 23	50-361234	. ACTUATOR,DOWN LIMIT SWITCH							2	
- 24	50-361234-1	. ACTUATOR,DOWN LIMIT SWITCH							2	
- 25	50-361272	. COVER,DOWN LIMIT SWITCH							2	
		/ATTACHING PARTS/								
- 26	AN507-632R18	. SCREW							2	
	AN960-6L	. WASHER							2	
	AN364-632	. NUT							2	
		-----*								
- 27	50-361236	. TUBE,MAIN GEAR STRUT WIRE SUPPORT							2	
		/ATTACHING PARTS/								
- 28	AN4H5A	. BOLT							1	
	AN960-416	. WASHER							1	
	AN365-428	. NUT							1	
		-----*								
- 29	50-361253-7	. BOX ASSY,RH LANDING GEAR SAFETY SWITCH							1	
	50-361254	. . . BOX,RH SAFETY SWITCH							1	
		/ATTACHING PARTS/								
- 30	AN526-632-6	. . SCREW							2	
	AN960-6	. . WASHER							4	
	AN365-632	. . NUT							2	
		-----*								
- 31	50-361257	. . CLAMP ASSY,RH SAFETY SWITCH							1	
- 32	50-361255	. . PLUNGER,RH SAFETY SWITCH							1	

MODEL 65 & 80 PARTS CATALOG

FIG. & INDEX NO.	PART NO.	DESCRIPTION							UNITS PER ASSY	USABLE ON CODE	
		1	2	3	4	5	6	7			
		/ATTACHING PARTS/									
88 - 33	AN507-832-12	•	•	•	•	•	•	•	•	1	
- 34	79-022-094-0625	•	•	•	•	•	•	•	•	1	
- 35	50-361253-1	•	•	•	•	•	•	•	•	1	
- 36	16-886	•	•	•	•	•	•	•	•	1	
	AN960-8L	•	•	•	•	•	•	•	•	1	
	815-254F1	•	•	•	•	•	•	•	•	1	
	AN364-832	•	•	•	•	•	•	•	•	1	
		-----*									
- 37	111504ZK0030-6	•	•	•	•	•	•	•	•	1	
- 38	111504-045-009-0032-10	•	•	•	•	•	•	•	•	1	
- 39	50-361256	•	•	•	•	•	•	•	•	1	
- 40	50-361258	•	•	•	•	•	•	•	•	1	
- 41	50-361259	•	•	•	•	•	•	•	•	2	
- 42	MS25011-1	•	•	•	•	•	•	•	•	2	
		/ATTACHING PARTS/									
- 43	50-361253-3	•	•	•	•	•	•	•	•	2	
- 44	AN526-632-18	•	•	•	•	•	•	•	•	2	
	AN960-6L	•	•	•	•	•	•	•	•	4	
	AN960-6	•	•	•	•	•	•	•	•	2	
	AN364-632	•	•	•	•	•	•	•	•	2	
	AN365-632	•	•	•	•	•	•	•	•	2	
		-----*									
	50-361252	•	•	•	•	•	•	•	•	1	
		/ATTACHING PARTS/									
- 45	AN507-632R18	•	•	•	•	•	•	•	•	4	
	AN960-6L	•	•	•	•	•	•	•	•	4	
	AN364-632	•	•	•	•	•	•	•	•	4	
		-----*									
- 46	50-361252-1	•	•	•	•	•	•	•	•	1	
	50-361252-3	•	•	•	•	•	•	•	•	1	
- 48	A-Q3P	•	•	•	•	•	•	•	•	2	
		/ATTACHING PARTS/									
- 49	AN507-632R7	•	•	•	•	•	•	•	•	1	
	AN960-6	•	•	•	•	•	•	•	•	1	
	MS20365-632	•	•	•	•	•	•	•	•	1	
		-----*									
- 50	AN3426-2-12	•	•	•	•	•	•	•	•	2	
	112132-1-12	•	•	•	•	•	•	•	•	2	
- 51	50-361218	•	•	•	•	•	•	•	•	2	
		/ATTACHING PARTS/									
- 52	AN515-6R32	•	•	•	•	•	•	•	•	2	
	AN960-6	•	•	•	•	•	•	•	•	2	
	MS20341-6	•	•	•	•	•	•	•	•	2	
	MS20365-632	•	•	•	•	•	•	•	•	2	
		-----*									
	50-361228-4	•	•	•	•	•	•	•	•	1	
	50-361265	•	•	•	•	•	•	•	•	1	
		/ATTACHING PARTS/									
- 53	AN515-8R8	•	•	•	•	•	•	•	•	2	
	AN936B8	•	•	•	•	•	•	•	•	2	
	MS20365-832	•	•	•	•	•	•	•	•	2	
		-----*									
- 54	MS25026-1	•	•	•	•	•	•	•	•	1	
- 55	AD5721R	•	•	•	•	•	•	•	•	1	
- 56	50-361228-6	•	•	•	•	•	•	•	•	1	
- 57	50-361265-1	•	•	•	•	•	•	•	•	1	
		/ATTACHING PARTS/									
- 58	AN515-6R18	•	•	•	•	•	•	•	•	2	
- 59	AN507-632-8	•	•	•	•	•	•	•	•	2	
	AN935-6	•	•	•	•	•	•	•	•	2	
	AN340-6	•	•	•	•	•	•	•	•	2	
		-----*									
- 60	SS-48155	•	•	•	•	•	•	•	•	1	

MODEL 65 & 80 PARTS CATALOG

FIG. & INDEX NO.	PART NO.	1	2	3	4	5	6	7	DESCRIPTION	UNITS PER ASSY	USABLE ON CODE
88 - 61	MS3100-32-6P	RECEPTACLE	2	
- 62	AN2552-3A	RECEPTACLE,EXTERNAL POWER	1	
- 63	MS3106B-14S-12S	RECEPTACLE	1	
- 64	AN3436-2-10	STRIP,TERMINAL	1	
									/ATTACHING PARTS/		
- 65	AN515-6R32	SCREW	2	
	AN960-6	WASHER	2	
	MS20365-632	NUT	2	
									*-----		
- 66	50-361121-15	BOX INSTL,EXTERNAL POWER /SEE FIG. 1 FOR NHA/ .	NP	
	180961	BOX ASSY,EXTERNAL POWER	1	
	180962	BOX,EXTERNAL POWER	1	
	180963	BRACKET,MOUNTING	1	
- 67	180968	LID,EXTERNAL POWER BOX	1	
									/ATTACHING PARTS/		
- 68	AN526-8R6	SCREW	3	
									*-----		
	50-361121-2	DOOR ASSY,EXTERNAL POWER BOX	1	
									/ATTACHING PARTS/		
- 69	50-361121-8	PIN,HINGE	1	
									*-----		
- 70	50-361121-10	DOOR,EXTERNAL POWER BOX	1	
- 71	A4-30	FASTENER,DZUS	1	
- 72	AN2552A3A	RECEPTACLE,EXTERNAL POWER	1	
									/ATTACHING PARTS/		
- 73	AN3-7A	BOLT	2	
	AN960-10	WASHER	2	
	AN365-1032	NUT	2	
									*-----		
- 74	NO NUMBER	CABLE ASSY,BATTERY RELAY	1	
- 75	NO NUMBER	CABLE ASSY,GROUNDING	1	
									/ATTACHING PARTS/		
- 76	AN4-6A	BOLT	1	
	AN960-416	WASHER	1	
	AN365-428	NUT	1	
									*-----		

MODEL 65 & 80 PARTS CATALOG

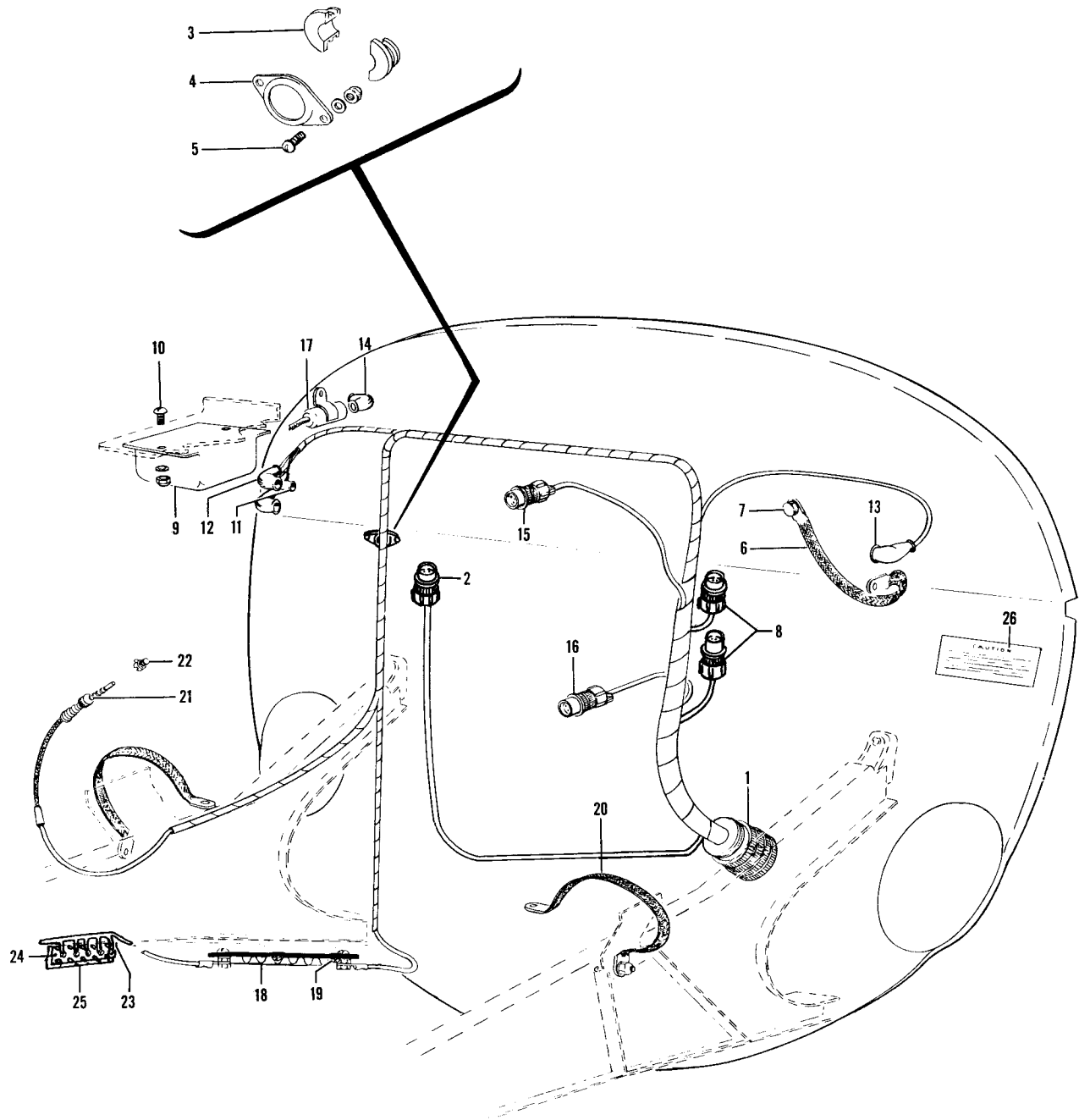


Figure 89. Engine Section Electrical Equipment Installation

MODEL 65 & 80 PARTS CATALOG

FIG. & INDEX NO.	PART NO.	DESCRIPTION							UNITS PER ASSY	USABLE ON CODE
		1	2	3	4	5	6	7		
89	50-369103-13	EQUIPMENT INSTL,LH ENGINE SECTION ELECTRICAL.	NP	1	
	50-369103-17	EQUIPMENT INSTL,LH ENGINE SECTION ELECTRICAL.	NP	2	
	50-369103-15	EQUIPMENT INSTL,RH ENGINE SECTION ELECTRICAL.	NP	1	
	50-369103-19	EQUIPMENT INSTL,RH ENGINE SECTION ELECTRICAL.	NP	2	
	MS28034-1	. BULB,INDUCTION AIR TEMPERATURE.	1	3	
	MS3106E12S-3S	. PLUG,INDUCTION AIR TEMPERATURE.	1	3	
- 1	MS3106B-32-6S	. PLUG,FIREWALL.	1		
- 2	MS3106B-10SL-4S	. PLUG,HEATER FUEL SOLENOID,/LH ONLY/.	1	1	
	AN3057-4A	. ADAPTER,HEATER FUEL SOLENOID,/LH ONLY/.	1		
- 3	112149-2	. GROMMET,FIREWALL.	1		
- 4	112436-2	. RETAINER,FIREPROOF GROMMET.	1		
		/ATTACHING PARTS/								
- 5	AN515-6R6	. SCREW.	2		
	AN960-6	. WASHER.	2		
	MS20365-632	. NUT.	2		
		-----*								
- 6	4E18H	. JUMPER,BOND.	1		
		/ATTACHING PARTS/								
- 7	AN5-4	. BOLT.	1		
	AN960-516L	. WASHER.	1		
	MS20365-524	. NUT.	1		
		-----*								
- 8	MS3106B-10SL-4S	. PLUG,FUEL SOLENOID.	2	1	
	AN3057-4B	. ADAPTER.	2		
- 9	97JX703	. FILTER,RADIO NOISE.	1		
		/ATTACHING PARTS/								
- 10	AN515-8R6	. SCREW.	2		
	AN960-8	. WASHER.	2		
	MS20365-832	. NUT.	2		
		-----*								
- 11	MS25171-1S	. NIPPLE.	1		
- 12	MS25171-4S	. NIPPLE.	2		
- 13	MS25171-3S	. NIPPLE.	1		
- 14	22500	. COVER,TERMINAL.	1		
- 15	MS3106B-10SL-3S	. PLUG.	1	1	
- 16	MS3106B-12S-3S	. PLUG.	1		
	AN3057-4A	. ADAPTER.	1		
- 17	181P10401S12	. CAPACITOR.	2		
	MS3108B-10SL-3S	. PLUG,TACH GENERATOR.	1	2	
- 18	AV01050	. SHUNT,GENERATOR.	1		
		/ATTACHING PARTS/								
- 19	AN515-8R14	. SCREW.	4		
	AN960-8	. WASHER.	4		
		-----*								
- 20	4G10H	. JUMPER,BOND.	2		
- 21	AN5546-1	. BULB,TEMPERATURE.	1		
- 22	AN4076-1	. FITTING.	1		
- 23	AN3436-2-5	. STRIP,TERMINAL.	1		
		/ATTACHING PARTS/								
- 24	AN515-4R6	. SCREW.	2		
	AN960-4	. WASHER.	2		
	MS20365-440	. NUT.	2		
		-----*								
- 25	112132-1-5	. STRIP,IDENTIFICATION TERMINAL.	1		
- 26	50-369056	. PLATE,MAGNETO GROUNDING.	1		

CODE EFFECTIVITY

- 1 LC-1 AND AFTER
- 3 LC-132 AND AFTER,
LD-1 AND AFTER

CODE EFFECTIVITY

- 2 LD-1 AND AFTER

MODEL 65 & 80 PARTS CATALOG

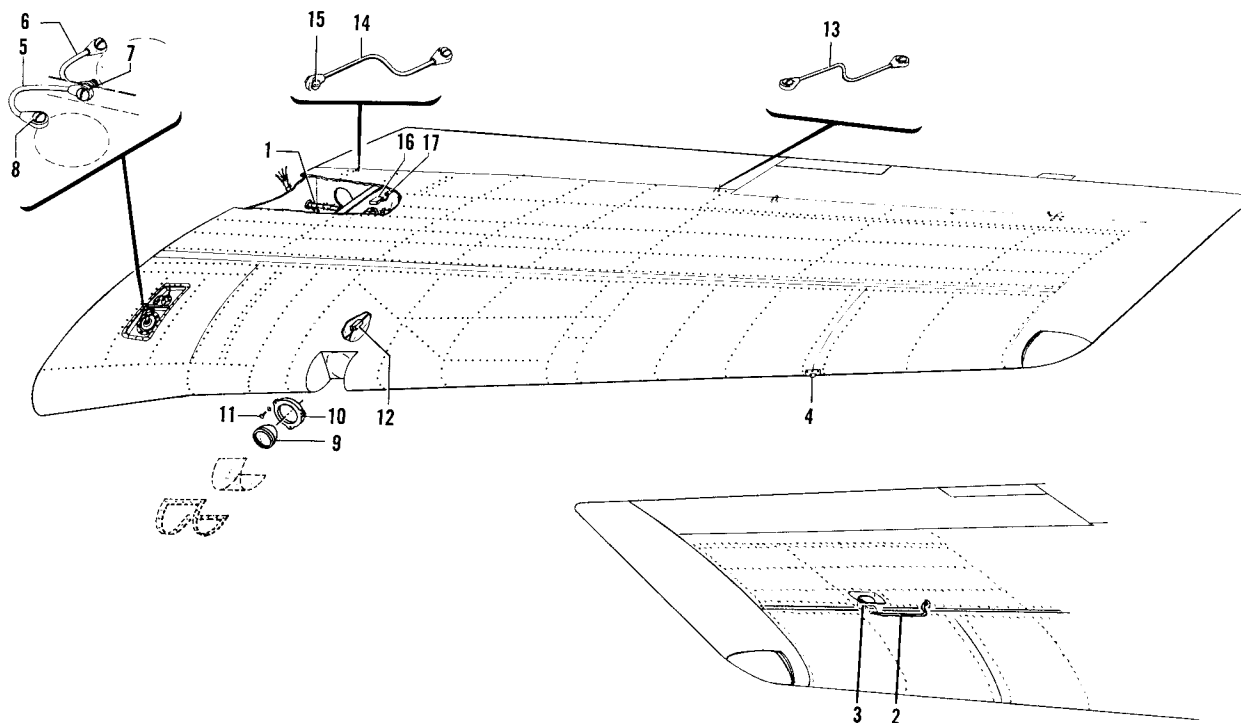


Figure 90. Outboard Wing Electrical Equipment Installation

FIG. & INDEX NO.	PART NO.	DESCRIPTION	UNITS PER ASSY	USABLE ON CODE
90	50-361100-37	EQUIPMENT INSTL,LH OUTBD WING ELECTRICAL. /SEE FIG. 1 FOR NHA/	NP	
	50-361100-35	EQUIPMENT INSTL,LH OUTBD WING ELECTRICAL. /OPTIONAL/ /SEE FIG. 1 FOR NHA/	NP	
	50-361100-38	EQUIPMENT INSTL,RH OUTBD WING ELECTRICAL. /SEE FIG. 1 FOR NHA/	NP	
	50-361100-36	EQUIPMENT INSTL,RH OUTBD WING ELECTRICAL. /OPTIONAL/ /SEE FIG. 1 FOR NHA/	NP	
- 1	50-361100-29	. HARNESS ASSY,LH OUTBD WING.	1	
	50-361100-11	. HARNESS ASSY,LH OUTBD WING /OPTIONAL/	1	
	50-361100-30	. HARNESS ASSY,RH OUTBD WING.	1	
	50-361100-12	. HARNESS ASSY,RH OUTBD WING /OPTIONAL/	1	
- 2	50-361100-40	. CABLE ASSY,RH WING REMOTE COMPASS /OPTIONAL/.	1	
	425020800	. CABLE,REMOTE COMPASS /CR/	1	
	41651	. PLUG,/OPTIONAL/	1	
- 3	AN5730-3	. TRANSMITTER,REMOTE COMPASS /OPTIONAL/ /ATTACHING PARTS/	1	
	AN515C8R12	. SCREW	3	
	AN960C8	. WASHER.	3	
		-----*-----		
- 4	50-361100-33	. SWITCH ASSY,LH WING STALL WARNING	1	
- 5	MS25083-1AAB	. JUMPER,BOND	1	

MODEL 65 & 80 PARTS CATALOG

FIG. & INDEX NO.	PART NO.	1 2 3 4 5 6 7	DESCRIPTION	UNITS PER ASSY	USABLE ON CODE
90 - 6	MS25083-1AA6	.	JUMPER,BOND	3	
		.	/ATTACHING PARTS/		
- 7	AN515-632R11	.	SCREW	1	
- 8	AN515-632R7	.	SCREW	7	
	AN960-6	.	WASHER	16	
	AN365-632	.	NUT	8	
		.	-----*		
- 9	4523	.	LAMP, LANDING	1	
- 10	45-115018	.	CLAMP, LANDING LIGHT	1	
		.	/ATTACHING PARTS/		
- 11	AN515-8R8	.	SCREW	4	
	AN960-8	.	WASHER	4	
		.	-----*		
- 12	50-361115-1	.	HARNES ASSY,LH WING PITOT TUBE	1	
	AN3115-1	.	RECEPTACLE,PITOT TUBE	1	
- 13	MS25083-1BB4	.	JUMPER,BOND	1	
- 14	MS25083-1BC4	.	JUMPER,BOND	1	
		.	/ATTACHING PARTS/		
- 15	AN515-832R7	.	SCREW	1	
	AN960-8	.	WASHER	1	
	AN365-832	.	NUT	1	
		.	-----*		
- 16	AN3435-2-2	.	BLOCK, TERMINAL	1	
- 17	CA462/MC9B00	.	CONDENSER	1	

MODEL 65 & 80 PARTS CATALOG

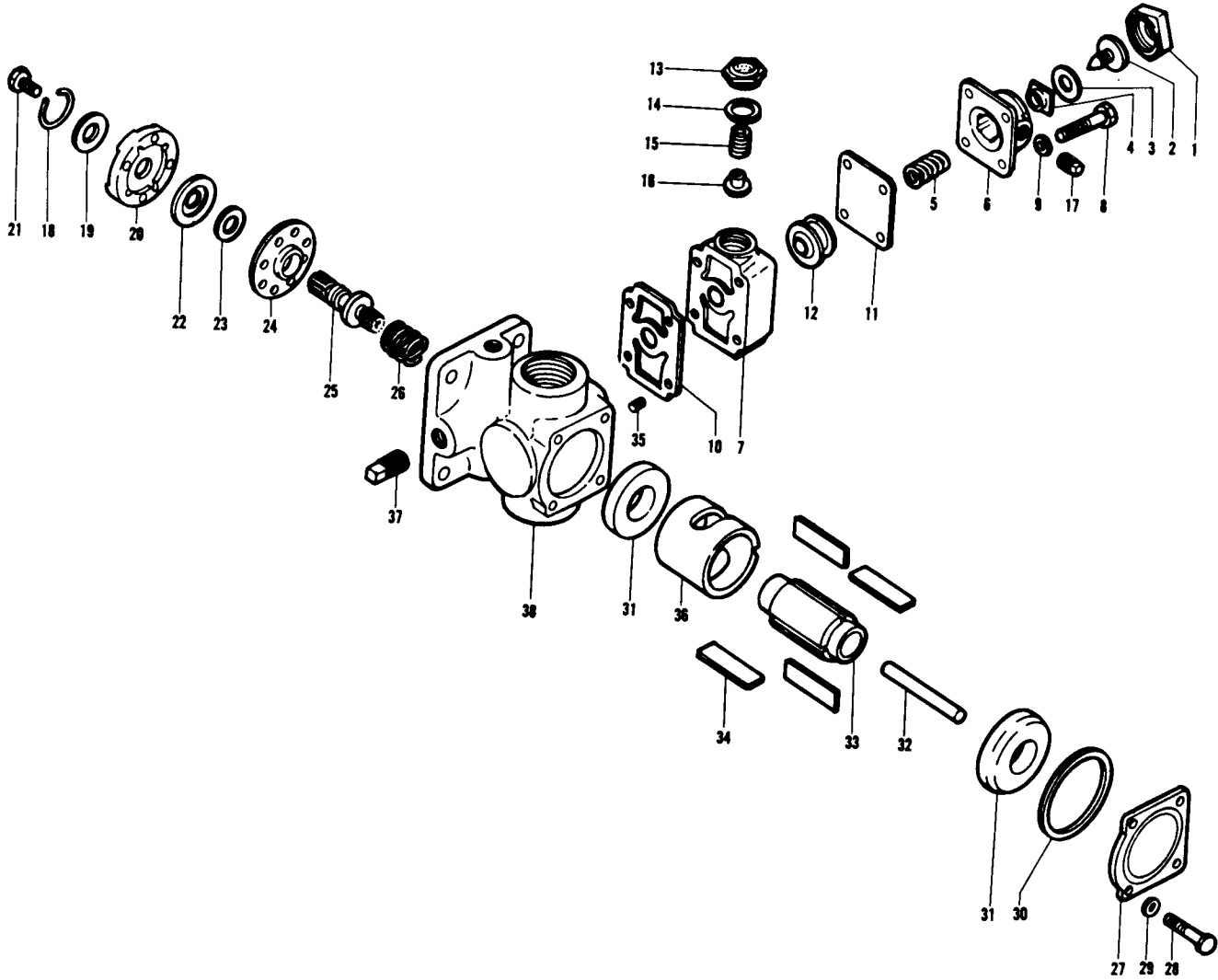


Figure 91. Beechcraft Fuel Pump Assembly

INDEX NUMBER	PART NUMBER	DESCRIPTION	UNITS PER ASSEMBLY	USABLE ON CODE
	50-921560-3	Pump Assy, Engine Driven Fuel (See Figure 69 for NHA)	2	1
	50-921560-5	Pump Assy, Engine Driven Fuel (Superceded by 50-921560-13)	2	2
	50-921560-7	Pump Assy, Engine Driven Fuel (Superceded by 50-921560-13)	2	3
	50-921560-11	Pump Assy, Engine Driven Fuel (Superceded by 50-921560-13)	2	4

MODEL 65 & 80 PARTS CATALOG

INDEX NUMBER	PART NUMBER	DESCRIPTION	UNITS PER ASSEMBLY	USABLE ON CODE
	50-921560-13	Pump Assy, Engine Driven Fuel . (Supercedes 50-921560-5, -7, and -11) (See Fig. 69 for NHA)	2	5
1	50-300001-3	. Nut, Pressure Adjusting Lock	1	
2	50-300001-1	. Screw, Pressure Adjusting	1	
3	50-300001-29	. Gasket, Pressure Adjusting Screw	1	
4	50-300001-5	. Nut, Spring Follower	1	
5	50-300001-7	. Spring, Relief Valve	1	1
	50-300001-67	. Spring, Relief Valve	1	2,3,4,5
6	50-300001-31	. Cover, Relief Valve	1	
7	50-300001-37	. Housing, Relief Valve	1	
8	50-300001-33	. Screw	4	
9	AN960-10	. Washer	4	
10	50-300001-17	. Gasket, Relief Valve Housing	1	
11	50-300001-35	. Diaphragm	1	
12	50-300001-39	. Valve Assembly, Relief	1	
13	50-300001-15	. Cover, By-Pass Valve	1	
14	50-300001-9	. Gasket, By-Pass Valve Cover	1	
15	50-300001-11	. Spring, By-Pass Valve	1	
16	50-300001-13	. Valve, By-Pass	1	
17	50-300001-41	. Plug, Vent	1	
18	50-300001-57	. Ring, Auxiliary Snap Seal	1	
19	50-300001-63	. Seal, Auxiliary	1	
20	50-300001-51	. Plate, Rear	1	
21	AN503-8-10	. Screw	4	
	AN936-B8	. Lockwasher	4	
22	50-300001-53	. Disc, Rear Plate	1	
23	50-300001-59	. Washer, Universal	1	
24	50-300001-55	. Seal Assembly	1	
25	50-300001-61	. Shaft, Drive	1	1,2,3
	50-300001-71	. Shaft, Drive	1	4,5
26	50-300001-49	. Spring, Shaft Seal	1	
27	50-300001-45	. Cover, Nameplate	1	
28	AN503-10-8	. Screw	4	
29	AN936-B10	. Lockwasher	4	
30	50-300001-47	. Gasket, Cover	1	
31	50-300001-43	. Bearing (Carbon)	2	1,2,3,4
	50-300001-75	. Bearing (Bronze)	2	5
32	50-300001-25	. Pin, Valve Spacer	1	
33	50-300001-23	. Rotor	1	
34	50-300001-27	. Vane (Carbon)	4	1,2,3,4
	50-300001-73	. Vane (Steel)	4	5
35	AN566C10-6	. Screw, Headless Set	1	
36	50-300001-19	. Liner	1	
37	AN913-1	. Plug, Drain	3	
38	50-300001-21	. Housing, Main	1	1,2

MODEL 65 & 80 PARTS CATALOG

INDEX NUMBER	NUMBER	DESCRIPTION	UNITS PER ASSEMBLY	USABLE ON CODE
	50-300001-69	. Housing, Main	1	3,4,5
	AN4059-1	. Gasket	1	
	50-921550-3	. Placard, Nameplate	1	1
	50-921550-5	. Placard, Nameplate	1	2
	50-921550-7	. Placard, Nameplate	1	3
	50-921550-11	. Placard, Nameplate	1	4
	50-921550-13	. Placard, Nameplate	1	5

CODE	EFFECTIVITY
1	Used on 50-921560-3
2	Used on 50-921560-5
3	Used on 50-921560-7
4	Used on 50-921560-11
5	Used on 50-921560-13

MODEL 65 & 80 PARTS CATALOG

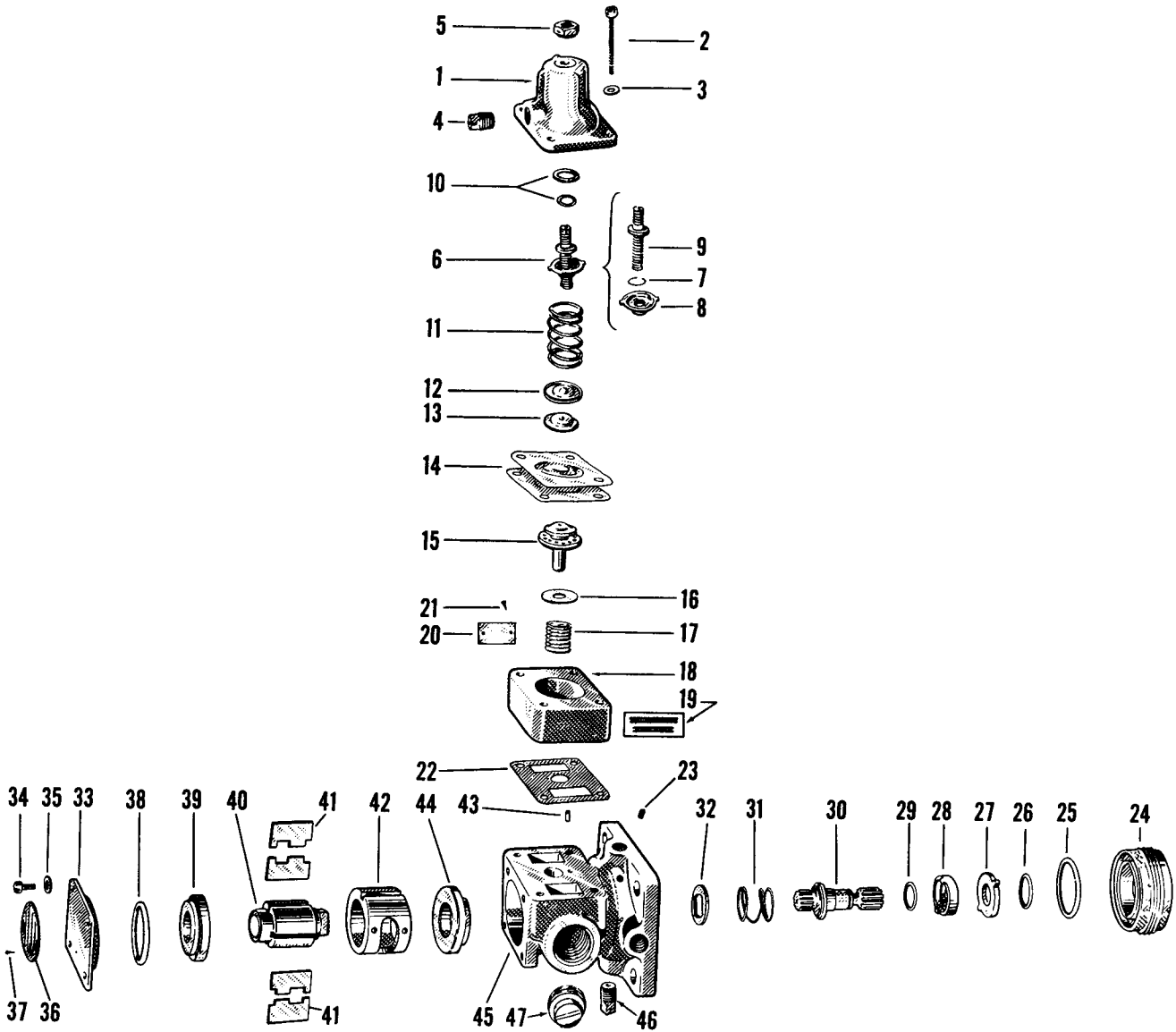


Figure 92. Romec Fuel Pump Assembly

Fig. and Index No.	Part No.	Description							Units per Assy	Usable On Code
		1	2	3	4	5	6	7		
-1	RG9570	PUMP ASSY. CW rotation viewing drive end							1	
	RB5314	. COVER, valve							1	
		. (ATTACHING PARTS)								
-2	AN500A10-22	. SCREW							4	
-3	RA4203	. WASHER							4	
	 *								
-4	RA9087	. PLUG, vented							1	
-5	RA5234	. LOCKNUT, valve adjustment							1	
-6	RA9056	. ADJUSTING SCREW ASSY							1	
-7	RA6424	. . RING, lock							1	
-8	RA9152	. . NUT							1	
-9	RB9095	. . SCREW							1	

MODEL 65 & 80 PARTS CATALOG

FIG. & INDEX NO.	PART NO.	DESCRIPTION	UNITS PER ASSY	USABLE ON CODE
		1 2 3 4 5 6 7		
-10	800-515-5/16	. SEALING WASHER ASSY	1	
-11	RA9094	. SPRING, relief valve	1	
-12	RA5331	. SEAT, spring	1	
-13	RA5361	. PLATE, diaphragm	1	
-14	RA5326	. DIAPHRAGM, pressure	2	
-15	RB9089	. VALVE, relief	1	
-16	RA9092	. VALVE, by-pass	1	
-17	RA9093	. SPRING, by-pass valve	1	
-18	RD9082	. BODY, valve	1	
-19	RA9612	. DECALCOMANIA, rubber curing date	1	
-20	RA9099	. PLATE, information (ATTACHING PARTS)	1	
-21	AN535-00-2	. SCREW, -----*-----	2	
-22	RA8987	. GASKET	1	
-23	AN565B8-3	. SCREW,	1	
-24	RA8930	. LOCKNUT	1	
-25	MS29513-218	. PACKING, O-ring	1	
-26	MS29513-115	. PACKING, O-ring	1	
-27	RA8933	. DISC, seal	1	
-28	RA8934	. PLATE, seal	1	
-29	MS29513-112	. PACKING, O-ring	1	
-30	RB8935	. COUPLING, drive	1	
-31	RA7179	. SPRING, seal	1	
-32	RA5299	. SEAT, spring	1	
-33	RB9083	. COVER, pump end (ATTACHING PARTS)	1	
-34	AN500A8-6	. SCREW	4	
-35	AN960-8L	. WASHER, -----*-----	4	
-36	RB10896	. PLATE, name and serial number (ATTACHING PARTS)	1	
-37	AN535-00-2	. SCREW -----*-----	3	
-38	MS29513-216	. PACKING, O-ring	1	
-39	RB9084	. BEARING	1	
-40	RB9085	. ROTOR	1	
-41	RB9573	. BLADE	4	
-42	RB9572	. LINER	1	
-43	RA9098	. PIN, liner locating	1	
-44	RB9084	. BEARING	1	
-45	RD9081-1	. BODY	1	
-46	AN913-1	. PLUG	4	
-47	3/4	. PLUG, shipping and storage	2	

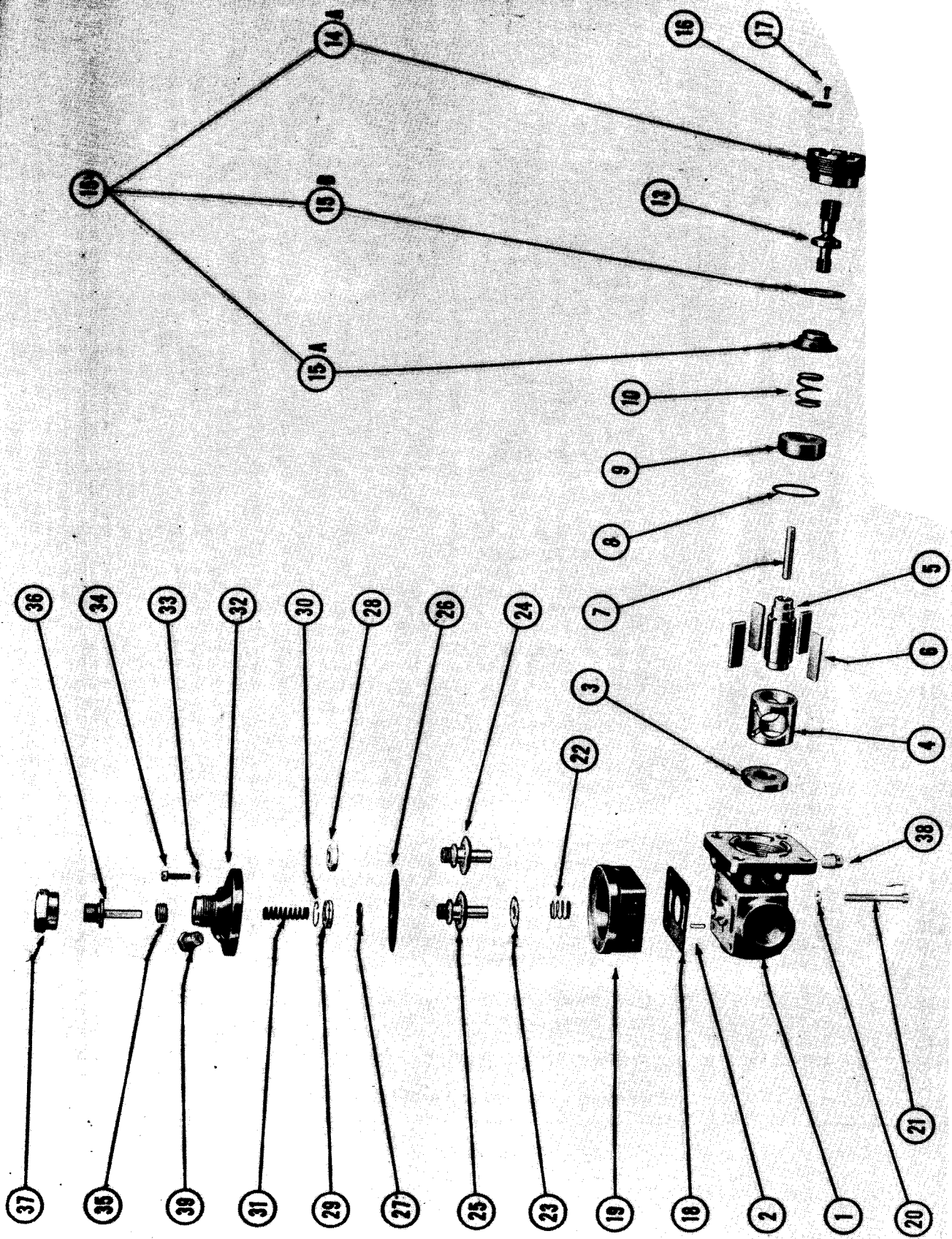


Figure 93. Pesco Fuel Pump

MODEL 65 & 80 PARTS CATALOG

FIGURE & INDEX NUMBER	PART NUMBER	NOMENCLATURE 1 2 3 4 5 6 7	UNITS PER ASSY		
				2P-R-400-BRD	2P-R-400-BRD-5
	2P-R-400-BRD	Pump Assy - Engine driven fuel .	1	X	
	2P-R-400-BRD-5	Pump Assy - Engine driven fuel .	1	X	X
- 1	R-400-55	. Body	1	X	X
- 2	M-400-16	. Pin - Body	1	X	X
- 3	M-400-10D	. Bearing - Rear	1	X	X
- 4	M-400-4C	. Sleeve	1	X	X
- 5	M-400-3A	. Rotor	1	X	X
- 6	M-400-5C	. Blade	4	X	X
- 7	R-400-75A	. Pin - Center	1	X	X
- 8	R-400-87	. Ring - Seal	1	X	
- 8	AF934-101	. Ring - Seal	1		X
- 9	R-400-61B	. Bearing - Front	1	X	
- 9	R-400-61E	. Bearing - Front	1		X
-10	R-400-96	. Spring - Seal	1	X	X
-13	R-400-91A	. Shaft - Drive	1	X	X
* -14a	R-400-88D	. Retainer Assembly	1	X	X
-15	R-400-92C	. Seal Assembly	1	X	X
* -15a	R-400-99	. Disc Assembly - Seal	1	X	X
* -15b	R-400-97C	. Washer	1	X	X
-16	M-400-13	. Plate - Lock	1	X	X
-17	M-400-17	. Screw - Lock plate	1	X	X
-18	R-400-63	. Gasket - Body	1	X	
-18	R-400-63B	. Gasket - Body	1		X
-19	R-400-57A	. Body Assembly - Valve	1	X	X
-20	194-22	. Washer Assembly - Valve body	4	X	X
-21	R-400-64	. Screw Assembly - Valve Body .	4	X	X
-22	R-400-82	. Spring - Bypass valve	1	X	X
-23	R-400-81A	. Disc - Valve	1	X	X
-24	R-400-80A	. Valve - Relief	1	X	
-25	R-400-80B	. Valve - Relief	1		X
-26	R-400-66B	. Diaphragm	2	X	X
-27	R-400-67A	. Washer - Diaphragm	1	X	X
-28	R-400-68	. Nut - Relief valve	1	X	
-29	R-400-68A	. Nut - Relief valve	1		X
-30	R-400-100	. Ring - Snap	1		X
-31	R-400-69C	. Spring-Pressure adjustment	1	X	
-31	R-400-69E	. Spring-Pressure adjustment	1		X
-32	R-400-58C	. Cover - Valve	1	X	X
-33	R-400-97	. Washer - Valve cover	6	X	X
-34	AN500-A8-10	. Screw - Valve cover	6	X	X
-35	R-600-93	. Screw - Adjusting	1	X	X
-36	R-600-88	. Nut - Adjusting	1	X	X
-37	R-600-94	. Nut - Lock	1	X	X
-38	AN913-1	. Plug - 1/8 in. pipe	4	X	X
-39	R-400-71	. Plug - Vent	1	X	X

* These parts may be procured as an assembly or purchased separately

MODEL 65 & 80 PARTS CATALOG

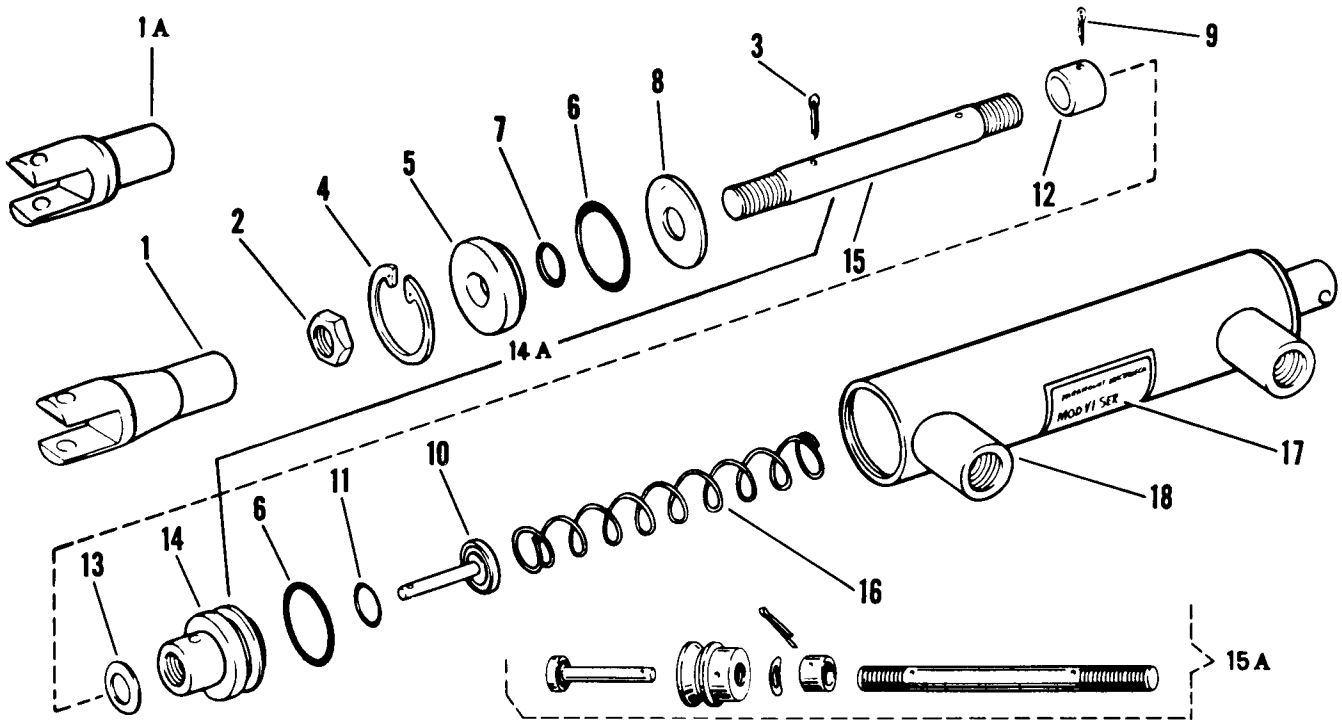


Figure 94. Brake Master Cylinder Assembly.

<u>Index</u>	<u>Part Number</u>	<u>Description</u>	<u>Units</u>	<u>Used On</u>
1A	V1-15-875-2	Brake Cylinder Assy	1	
1	A-50H-012	Clevis	1	
1	A-50H-012-2	Clevis	1	
2	AN316-5	Nut	1	
3	AN380C2-2	Cotter Pin	1	
4	5000-90	Snap Ring	1	
5	A-47G-029	Cylinder Top	1	
6	AN6227-13	"O" Ring	2	
7	AN6227-6	"O" Ring	1	
8	A-47G-028	Washer	1	
9	AN380C2-2	Cotter Pin	1	
10	A-47G-032	Valve	1	
11	*AN6227-6	"O" Ring	1	
12	A-50H-011	Stop	1	

MODEL 65 & 80 PARTS CATALOG

<u>Index</u>	<u>Part Number</u>	<u>Description</u>	<u>Units</u>	<u>Used On</u>
13	3536-18	Spring Washer	1	
14	*A-47G-034	Piston	1	
14A	A-47G-035-1	Piston Rod	1	
15	*A-47G-035	Push Rod	1	
15A	A-47G-027	Piston Rod Assy	1	
16	A-47G-030	Return Spring	1	
17	A-57G-332	Decal	1	
18	A-47G-026	Cylinder Braze Assy	1	

MODEL 65 & 80 PARTS CATALOG

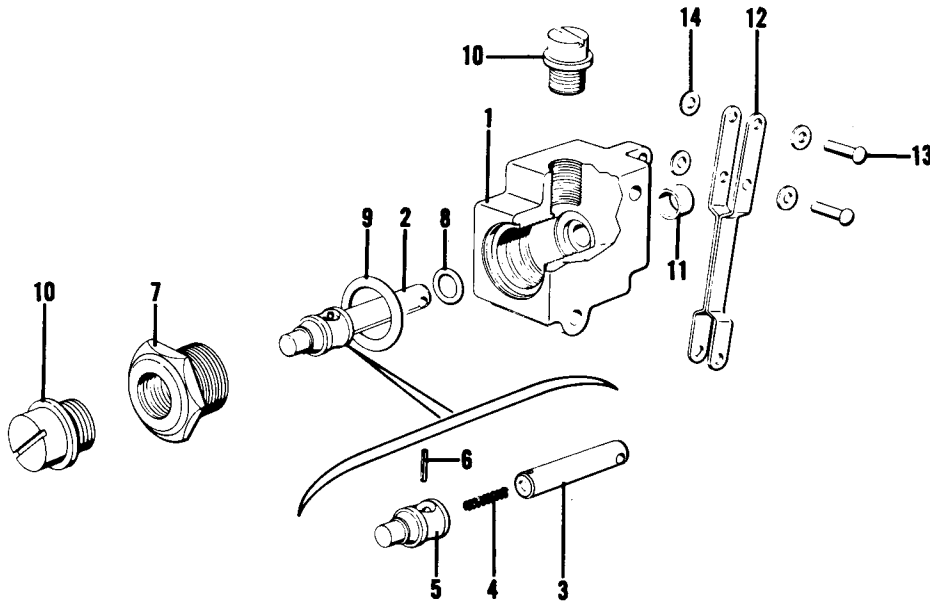


Figure 95. Parking Brake Valve Assembly.

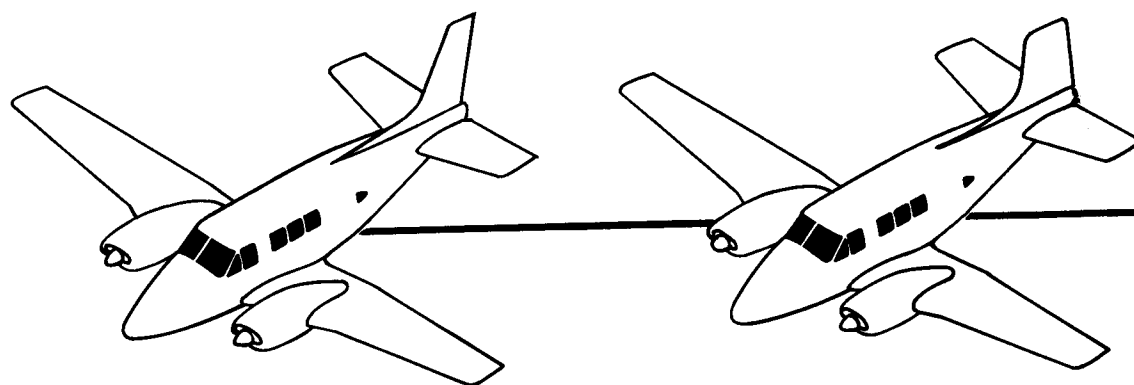
<u>Index</u>	<u>Part Number</u>	<u>Description</u>	<u>Units</u>
	4500S-A1	Valve & Control Arm Assy	1
1	4500S	Parking Brake Valve Assy	1
2	4504	Valve Stem Assy	1
3	4505	Stem	1
4	4507	Spring	1
5	4506-1	Valve Head	1
6	21-S-062-0375	Spring Pin	1
7	4511	Valve Seat	1
8	AN6227B-5	"O" Ring	1
9	AN6227B-11	"O" Ring	1
10	1604-73	Plug	2
11	4503	Spacer	1
12	4208	Brake Valve Arm Assy	1
13	3/32 x 5/8	RH Rivet	2
14	4222	Washer	4

Beechcraft

MODEL 65

MODEL 80

NUMERICAL PARTS LIST



**S
E
C
T
I
O
N
3**



SUPPLEMENT TO SECTION 3

The following Section 3 Supplement pages are to be inserted in front of the original Section 3 as additional pages and do not replace the existing material. Part numbers listed in the present Section 3, but not shown in Section 2 should be disregarded since they have been superceded or omitted. The supplement should be consulted if a required part number cannot be found in Section 3.

A new section 3 will be issued when revision material volume warrants.

MODEL 65 & 80 PARTS CATALOG

PART NUMBER	FIGURE AND INDEX NO.	QTY. PER ARTICLE
A-700-A	85 - 48	1
AH56A80	85	1
AJ-35	64 - 32	16
AN201KP12A	56 - 60	1
AN218P5	61A- 76	4
AN3-10	61A	4
AN3-10	61A	4
AN3-10	61A	2
AN3-10	62 - 68	4
AN3-13	61A	2
AN3-14	63 - 13	8
AN3-4A	56 - 62	4
AN3-4A	61A	20
AN3-4A	62 - 32	20
AN3-4A	69 - 21	8
AN3-4A	71 - 1	8
AN3-4A	88 - 13	12
AN3-5A	64 - 38	12
AN3-5A	64 - 44	8
AN3-5A	64 - 47	8
AN3-7A	61A	8
AN3-7A	62 - 28	4
AN3C-A	61A- 61	8
AN3C-A	62 - 44B	8
AN3H5A	71 - 16	8
AN310-3	61A	4
AN310-3	61A	4
AN310-3	61A	4
AN310-3	62	4
AN310-3	63	8
AN310-4	61A	12
AN310-4	62	12
AN310-5	61A	8
AN310C4	61A	8
AN310C4	62	8
AN3122-1524	85 - 59	1
AN3124-307	85 - 61	2
AN315-5R	61A	8
AN315-5R	61A- 71	12
AN315-5R	62 - 5	6
AN315C5R	62	12
AN316-4R	61A	4
AN316-4R	61A	4
AN316-4R	85	1
AN3168-2	88 - 18	2
AN3320-1	85 - 74	2
AN3436-2-2	88 - 8	2
AN3436-2-4	85 - 62	2
AN363-428	61A	8
AN363-428	62	8
AN364-1032	73	2
AN364-1032	73	2
AN364-632	88	4
AN365-10	64	12
AN365-1032	61A	8
AN365-1032	63	8
AN365-1032	63	4
AN365-1032	63	8
AN365-1032	63	14
AN365-1032	64	8
AN365-1032	64	8
AN365-1032	69	4
AN365-1032	69	4
AN365-1032	69A	4
AN365-1032	71	2
AN365-1032	75	2
AN365-1032A	63	8
AN365-1032C	63	8
AN365-428	85	1
AN365-428	88	2

PART NUMBER	FIGURE AND INDEX NO.	QTY. PER ARTICLE
AN365-524	64 - 40	4
AN365-632	73	12
AN365-632	88	2
AN365-832	61A	8
AN365-832	85	4
AN380-2-1	56	1
AN380-2-1	64	16
AN380-2-2	63	8
AN381-2	61A	8
AN381-2	62	8
AN381-2-7	61A	12
AN381-2-7	62	12
AN392-23	64 - 30	16
AN393-37	56 - 67	1
AN4-13A	61A	8
AN4-13A	62 - 27	8
AN4-24A	61A	16
AN4-24A	62 - 7	16
AN4-4A	61A- 70	4
AN4-4A	62 - 15	4
AN4-4A	63 - 9	2
AN4-4A	63 - 17	2
AN4C10	61A	8
AN4C10	62	4
AN4C11	61A- 64	8
AN4C11	62 - 44E	4
AN4C35	61A	12
AN4C35	62 - 42	8
AN4C5	62	4
AN4H5A	88 - 28	2
AN4045-1	61A- 19	2
AN4059-1	69A- 21	4
AN5-11	61A	8
AN5-11A	61A- 50	8
AN5H4A	61A	8
AN500-10-8	71 - 3	4
AN500A10-12	71 - 11	4
AN500A10-8	71 - 5	8
AN501-10-7	63 - 4	12
AN501-10-7	63 - 8	2
AN501-10-7	63 - 16	2
AN501-10-7	63 - 19	2
AN501-10-7	63 - 28	2
AN501-10-7	63 - 33	2
AN502-10-6	70 - 7	8
AN502-10-6	70 - 40	8
AN502-10-6	70 - 49	8
AN502-10-8	70 - 8	8
AN502-10-8	70	2
AN502-10-8	70 - 50	2
AN507-10R12	85 - 38	4
AN507-10R12	85 - 40	6
AN507-632-10	73 - 15	4
AN507-632R18	88 - 26	8
AN507B632R12	75 - 48	8
AN509-10R8	85 - 57	4
AN509-10R9	70 - 45	48
AN509-416R17	61A	8
AN509-416R17	62 - 9	8
AN515-10R	85	2
AN515-10R8	85 - 53	4
AN515-4R	88 - 9	4
AN515-4R6	85 - 63	4
AN515-6-6	73 - 21	12
AN515-6R10	85	4
AN515-6R18	88 - 17	6
AN515-6R8	85 - 46	3
AN515-8R	61A	8
AN515-8R	85	3
AN515-8R10	85 - 75	4

MODEL 65 & 80 PARTS CATALOG

PART NUMBER	FIGURE AND INDEX NO.	QTY. PER ARTICLE
AN515-8R36	85 - 42	2
AN515-8R8	85	3
AN515-8R8	85 - 34	3
AN520-10	61A	24
AN520-10	61A	6
AN520-10	62 - 34	24
AN520-10-12	73 - 18	12
AN520-10-8	61A	8
AN520-10-8	69 - 39	2
AN520-10-8	69A- 53	4
AN520-10-8	71 - 18	6
AN520-10-8	75	2
AN520-10R	69A	4
AN520-10R10	85 - 49	4
AN520-10R12	85 - 45	4
AN520-10R12	85 - 51	4
AN520-10R14	63 - 23	64
AN520-10R28	69 - 53	4
AN520-10R36	85	1
AN520-10R6	63 - 3	40
AN520-10R6	63 - 7	4
AN520-10R6	63 - 20	12
AN520-10R6	63 - 22	4
AN520-10R6	73 - 1	4
AN520-10R6	73 - 4	8
AN520-10R8	61A	1
AN520-10R8	61A	1
AN520-10R8	61A	12
AN520-10R8	61A	8
AN520-10R8	61A	4
AN520-10R8	62 - 19	12
AN520-10R8	62 - 31	16
AN520-10R8	62 - 54	2
AN520-10R8	62 - 57	2
AN520-10R8	62 - 64	2
AN520-10R8	63 - 32	10
AN520-10R8	64 - 25	26
AN520-10R8	69 - 19	4
AN520-10R8	69A	6
AN520-10R8	85 - 28	4
AN520-1032R8	88 - 11	2
AN525-1032	61A	4
AN525-832	64 - 50	8
AN526-632-6	88 - 30	2
AN6-27A/M/	61A- 74	4
AN6-27A/M/	62 - 2	4
AN7-31A/M/	61A- 2	4
AN7-31A/M/	62 - 4	4
AN7-34A/M/	61A- 3	4
AN7-34A/M/	62 - 3	4
AN737-30	61A- 23	4
AN737-30	61A- 28	4
AN737-30	61A- 34	4
AN737-30	62 - 60	14
AN737-30	62 - 66	4
AN737-30	62 - 73	4
AN737-30	70 - 5	2
AN737-34	62 - 69	8
AN737-44	70 - 6	2
AN737RM22	69	17
AN737RM22	69A	4
AN737RM22	69A	4
AN737RM26	69 -	4
AN737RM26	69	2
AN737RM26	69A	4
AN737RM38	70 - 19	2
AN737RM82	70 - 20	2
AN74-3	70 - 44	120
AN74-3	70 - 53	24
AN74-4	70 - 16	24

PART NUMBER	FIGURE AND INDEX NO.	QTY. PER ARTICLE
AN74-5	70 - 25	24
AN74A4	69 - 65	4
AN742-12	61A- 29	1
AN742-12	62 - 63	2
AN742-8	61A- 54	8
AN742-8	62 - 53	2
AN742D6	69A	4
AN743-12	61A- 55	4
AN743-12	62 - 56	5
AN743-12	69	2
AN743-12	69A	2
AN780-2	69	4
AN780-2	69 - 57	2
AN780-2	69A	2
AN804D8	69 - 25	2
AN815-10D	61A- 25	2
AN815-3	69A- 7	4
AN815-4D	69 - 79	2
AN815-4D	69 - 85	2
AN815-4D	69A- 57	2
AN815-4D	69A- 71	2
AN815-6D	70 - 30	23
AN815-8D	69 - 31	11
AN815-8D	69	2
AN815-8D	69	2
AN815-8D	69 - 87	2
AN815-8D	69A- 62	2
AN815-8D	69A- 64	2
AN815-8D	69A- 66	2
AN816-4	69A- 25	2
AN816-4-4	69	1
AN816-4D	69A- 44	2
AN816-6	69	2
AN816-6	69	1
AN816-6-6D	69 - 24	2
AN816-7D	69 - 29	2
AN816-8D	69	9
AN821-6D	69 - 10	4
AN821-6D	69 - 15	2
AN821-6D	69A- 76	2
AN821-6D	69A- 83	2
AN821-8D	69 - 42	2
AN821-8D	69A- 56	2
AN822-4	69A- 16	2
AN822-4	69A- 17	1
AN822-6-6D	70 - 26	2
AN822-8	69A- 24	4
AN822-8-6D	70	2
AN823-4	69 - 34D	6
AN823-4	69 - 55	2
AN823-4	69A- 13	1
AN823-6	69 - 63	2
AN826-8	69 - 34A	2
AN832-6D	70 - 28	2
AN832-6D	70 - 33	2
AN832-8D	70	6
AN832-8D	70	2
AN832-8D	70 - 36	1
AN833-4	61A- 40	4
AN833-4	62 - 45	6
AN833-4D	69 - 82	2
AN833-4D	69A- 59	2
AN833-6	69A- 5	2
AN833-6D	69 - 12	2
AN833-6D	69A- 85	2
AN837-4D	69 - 77	2
AN837-6	69 - 47	2
AN837-6	69 - 70	2
AN837-6	69A- 4	2
AN837-8	69	2

MODEL 65 & 80 PARTS CATALOG

PART NUMBER	FIGURE AND INDEX NO.	QTY. PER ARTI-CLE
AN837-8	69A- 30	2
AN837-8	69A- 48	2
AN840-8	61A- 24	2
AN840-8	62 - 74	2
AN842-8	61A- 20	2
AN844-4	69 - 61	2
AN844-4	69A- 26	2
AN844-4	69A- 34	2
AN844-8	61A- 21	2
AN844-8	61A- 31	2
AN844-8	62 - 59	2
AN910-1D	69 - 74	2
AN911-1D	69 - 73	2
AN911-2	69	1
AN912-8	69A- 22	2
AN913-1D	61A- 32	2
AN913-1D	62 - 62	2
AN913-2	71 - 7	4
AN913-2	71 - 9	2
AN913-2S	69A	1
AN913-3	71	2
AN914-2	69 - 66	2
AN914-2	69 - 67	1
AN914-2D	69 - 28	3
AN914-3D	69	2
AN915-1	61A- 41	2
AN915-1D	69 - 72	2
AN917-2	69 - 68	1
AN924-1D	69	2
AN924-4	61A	4
AN924-4	62	8
AN924-4	69	2
AN924-4	69A	2
AN924-4D	69	2
AN924-4D	69A	2
AN924-6	69	2
AN924-6	69A	4
AN924-6D	69	2
AN924-6D	69A	2
AN924-6D	70	4
AN924-6D	70	4
AN924-8	69	2
AN924-8	69A	2
AN924-8	69A	2
AN924-8D	69	2
AN924-8D	70	4
AN924-8D	70	4
AN924-8D	70	4
AN929-8	69 - 34B	2
AN931-4-7	69A	3
AN931-4-7	69A	4
AN931-4-7	69A	5
AN931-6-10	69 - 14	2
AN935-10	71	8
AN936A10	71	4
AN936A516	61A	8
AN936A516	61A	12
AN936A516	62	6
AN936B10	63	12
AN936B10	63	2
AN936B10	63	4
AN936B10	85	4
AN936B416	63	16
AN936B416	63 - 24	14
AN960-10	61A	1
AN960-10	61A	8
AN960-10	61A	12
AN960-10	61A	20
AN960-10	61A	24
AN960-10	61A	6

PART NUMBER	FIGURE AND INDEX NO.	QTY. PER ARTI-CLE
AN960-10	61A	8
AN960-10	61A	4
AN960-10	61A	2
AN960-10	61A	2
AN960-10	61A	8
AN960-10	61A	4
AN960-10	62	4
AN960-10	62	16
AN960-10	62	20
AN960-10	62	24
AN960-10	62	2
AN960-10	62	2
AN960-10	62	4
AN960-10	63 - 5	8
AN960-10	63	4
AN960-10	63	8
AN960-10	63	2
AN960-10	63	8
AN960-10	63	14
AN960-10	63	2
AN960-10	63	10
AN960-10	64	12
AN960-10	64	8
AN960-10	64	8
AN960-10	69	4
AN960-10	69	8
AN960-10	69	2
AN960-10	69	4
AN960-10	69A	4
AN960-10	69A	6
AN960-10	69A	4
AN960-10	71	8
AN960-10	73	12
AN960-10	75	2
AN960-10	88	2
AN960-10	88	12
AN960-10L	56	4
AN960-10L	61A	2
AN960-10L	61A	2
AN960-10L	62	12
AN960-10L	63	2
AN960-10L	71	4
AN960-10L	71	8
AN960-10L	71	6
AN960-10L	85	2
AN960-10L	85	4
AN960-10L	85	1
AN960-10L	85	4
AN960-10L	85	4
AN960-10L	85	4
AN960-1216	69	2
AN960-1216	69A	2
AN960-4	85	4
AN960-4	88	4
AN960-416	61A	16
AN960-416	61A	8
AN960-416	61A	4
AN960-416	62	16
AN960-416	62	8
AN960-416	62	4
AN960-416	70	24
AN960-416	88	2
AN960-416L	61A	24
AN960-416L	62	20
AN960-416L	70	24
AN960-416L	70	24
AN960-416L	70	24
AN960-416L	85	1

MODEL 65 & 80 PARTS CATALOG

PART NUMBER	FIGURE AND INDEX NO.	QTY. PER ARTICLE
AN960-516	61A	8
AN960-516	61A	12
AN960-516	61A	8
AN960-516	62	6
AN960-516	64	4
AN960-6	73	4
AN960-6	73	12
AN960-6	85	3
AN960-6	88	4
AN960-6L	88	4
AN960-616	61A	8
AN960-616	62	8
AN960-716	61A	4
AN960-716	61A	4
AN960-716	61A	4
AN960-716	62	8
AN960-716	62	12
AN960-716	69	4
AN960-716	69	2
AN960-716	69A	2
AN960-8	61A	8
AN960-8	64	8
AN960-8L	85	3
AN960-8L	85	3
AN960-8L	85	3
AN960-816	73	2
AN960-916	69	2
AN960-916	69	2
AN960C416L	61A	32
AN960C416L	62	16
AN960D416	61A	8
AN960D416	62	16
AN960D416	69	4
AN960D916	69	4
AN960D916	69A	4
AN970-516	61A	8
AN975-3	73	2
AN975-3	73	2
AV1B1473	69 - 52	2
AV1B1474	69A- 15	2
AYLF3001-1	85 - 30	1
A210390	61A	2
A210390 REV C	61A- 14	2
A8970-1-327	85 - 43	1
BYLF5305	85 - 52	1
CA462/MC9B00	88 - 10	4
CCA-3400	70 - 2	2
CCA-4850	70 - 17	2
CCA4850	69 - 34C	4
CCA4850	69 - 75	2
CR2795B105A1	85	2
CYLZ5346	85 - 27	1
D6761-1-5	75 - 52	1
D7271-1-5	88 - 14	1
FC3570-4	70	2
FC3570-5	70	2
G-455L	61A- 18	2
G-760	61A- 17	2
G760	62 - 20	2
HC-B3Z20-2A/	62	2
HC-B3Z30-2B/	61A- 13	2
HC-93Z20-2C1/	62 - 23	2
HSR-87LP	61A- 73	24
IGS0-480-A1A6	62 - 1	2
IGS0-480-A1B6	62	2
IGS0-540-A1A	61A- 1	2
J-6545-1	61A- 5	4
J-6545-1	62 - 11	4
J-7525-1	61A- 4	4
J-7525-1	62 - 10	4

PART NUMBER	FIGURE AND INDEX NO.	QTY. PER ARTICLE
J56A80	85	1
K9000S-1A	71 - 15	2
MC2711	56 - 64	2
MS20364-632	73	4
MS20365-1032	61A	1
MS20365-1032	61A	8
MS20365-1032	61A	24
MS20365-1032	61A	6
MS20365-1032	61A	8
MS20365-1032	61A	4
MS20365-1032	62	12
MS20365-1032	62	4
MS20365-1032	62	24
MS20365-1032	62	2
MS20365-1032	62	2
MS20365-1032	63	4
MS20365-1032	69A	6
MS20365-1032	85	2
MS20365-1032	85	4
MS20365-1032C	61A	12
MS20365-1032C	62	16
MS20365-428	61A	16
MS20365-428	61A	8
MS20365-428	62	16
MS20365-428	62	8
MS20365-428	62	8
MS20365-440	85	4
MS20365-440	88	4
MS20365-624	61A	8
MS20365-624	62	4
MS20365-632	85	3
MS20365-632	88	4
MS20365-720	61A	4
MS20365-720	62	4
MS20365-832	64	8
MS20365-832	85	2
MS20365C1032	61A	20
MS20365C1032	62	20
MS20822-8D	69 - 17	8
MS20822-8D	69 - 23	2
MS20822-8D	69A- 74	2
MS21919BG8	69 - 18	2
MS21919DG24	61A	1
MS21919DG4	61A- 84	8
MS21919DG4	75 - 60	2
MS21919DG6	61A	1
MS24665-132	61A	4
MS24665-132	61A	4
MS24665-136	61A	8
MS25010-3A	85 - 64	5
MS25011-1	88 - 16	2
MS25011-1	88 - 20	2
MS25026-1	56 - 63	2
MS25182-1	88 - 3	1
MS28034-1	61A- 36	2
MS28034-1	62 - 22	2
MS28741-4	61A- 38	2
MS28741-4	61A- 39	2
MS28741-4-0112	69A- 2	2
MS28741-4-0140	62 - 46	4
MS28741-4-0140	69 - 76	2
MS28741-4-0150	69A- 9	2
MS28741-4-0210	69A- 12	1
MS28741-4-0230	62 - 48	2
MS28741-4-0232	62 - 50	2
MS28741-6-0084	69 - 71	2
MS28741-6-0144	69 - 62	2
MS28741-6-0186	69 - 48	2
MS28741-6-0210	69 - 69	1
MS28741-6-0220	69A- 3B	2
MS28741-6-0244	69	1

MODEL 65 & 80 PARTS CATALOG

PART NUMBER	FIGURE AND INDEX NO.	QTY. PER ARTICLE
MS28741-8-0146	69A- 36	2
MS28741-8-0186	69	2
MS28741-8-0200	69A- 29	2
MS29512-3	69A- 8	4
MS29512-4	69A- 11	2
MS29512-6	69A- 6	4
MS29512-8	69 - 26	2
MS29512-8	69A	2
MS3106B-10SL-3S	85 -	3
MS3106B-10SL-4S	85	6
MS3106B-14S-2S	85 - 32	1
MS3106B-14S-5S	88 - 5	1
MS3106B-18-1S	85 - 29	1
NAS1021A3	61A	8
NAS1021A3	62	8
NAS143-5	61A	4
NAS143-5	62	4
NAS143-5C	61A	4
NAS143-5C	62	4
NAS143-6	61A	4
NAS143-6	62	4
NAS143-6C	61A	4
NAS143-6C	62	4
NAS145-28	61A- 10	8
NAS145-28	62 - 16	4
NAS146-28	62 - 17	4
NAS221-8	64 - 27	40
NAS302-67-0510	73 - 16	2
NAS354-4-1260	61A- 81	2
NAS354-4-1310	61A- 79	2
NAS354-4-1310	61A	2
NAS387-1032-12	85 - 55	4
NAS391-10	85	4
NAS397-28	61A- 89	2
NAS43DD3-4	69A	4
NAS51-50	73 - 25	2
NO NUMBER	61A	2
NO NUMBER	61A	2
NO NUMBER	88 - 1	1
O1T05815	69 - 64	2
PDLM-105	85 - 37	2
PDLM-50	85 - 39	3
PP563-DSS-13-1	62 - 41	10
PP563-DSS-13-2	62	10
P8758Y	61A- 51	2
REB3N	61A- 80	4
REB3N	61A- 82	4
RG9570	69 - 49	2
RS10-FB1	61A- 85	2
S-5610	63 - 26	2
STD28	63 -	16
0149-351	85 - 68	1
0150-351	85 - 69	1
0154	85 - 72	1
0200L	85	1
0316-351	85 - 67	1
0317	75 - 50	1
0317-351	85 - 65	1
0318-351	85 - 66	1
10-209310-1	61A- 72	2
10-209350-2	61A	2
10-87996-1	85 - 26A	1
10-87999-1	85	1
1002	85 - 41	2
100696A-ZD008	69 - 54	4
100696X-ZP010	61A- 69	12
100696X-ZP010	62 - 44	8
100943CR-ZV104H	62 - 43	20
100943CR-ZV104H	61A- 68	24
100943ZU027K	63 - 14	8
100951P032ZH	85	4

PART NUMBER	FIGURE AND INDEX NO.	QTY. PER ARTICLE
102809A125-022	64 - 34	16
105090CR032-3E	61A- 62	8
105090CR032-3E	62 - 44C	8
105151-R-01312	57 - 42	2
105160-03616	75	1
105160-03824	75	1
105739S-ZA0395	64 - 35	16
105774M-ZE00228	75 - 57	2
105798-11	64 - 42	4
105798-14	64	4
105798-39	75 - 46	1
105798-42	75 - 45	1
105982-4A15-004	85	1
106043-0806-200	69 - 60	2
106043-0806-200	69A- 35	2
106043-1204-060	62 - 52	2
106043ZA150	69A- 33	2
106043ZB240	69A- 28	2
106043ZE	61A- 53	2
106043ZE050	61A- 52	2
106043ZE060	69 - 92	2
106043ZE060	69A- 87	2
106200H-10-19	62 - 70	2
106200H-4-15	69 - 6	2
106200H-6-16	69 - 8	2
106200H-8-24	62 - 72	2
106200H-8-60	62 - 61	2
106200H-8-92	62 - 65	2
106200H4-15	69A- 77	2
106200H6-16	69A- 81	2
106200H8-120	61A- 27	2
106200H8-50	61A- 33	2
106200H8-84	61A- 22	2
1111-595272	69	2
1111-595272	69	4
1111-595272	69A	2
1111-595272	69A	2
1112-581041	69 - 45	2
1115042T0324-3	71 - 14	2
111716XX6-6	64 - 41	2
112132-1-10	88	1
112132-1-4	85	2
112132-5-8	85	2
114698H00100	61A- 6	12
114698H00100	62 - 12	12
115167CXZ060585	61A- 88	2
12B-054	61A	4
12B-054	62	4
12B-064	61A	4
12B-064	62	4
122723-112-01	70	4
122723-112-01	70	2
122723-113-01	70	4
122723-113-01	70	2
1452-070	61A	4
1452-070	62	4
1518414	70 - 39	2
1589-1	85 - 35	2
17320-4	85 - 31A	1
17326-6	85 - 31	1
18-300014-29	61A- 15	2
18-300014-29	62 - 21	2
182020	85 - 47	1
185678	63 - 29	2
1892	63	8
189697P	61A- 42	2
189697P	62 - 51	2
2P-R400BRD	69	2
2P-R400BRD-5	69	2
210190	62 - 25	2

MODEL 65 & 80 PARTS CATALOG

PART NUMBER	FIGURE AND INDEX NO.	QTY. PER ARTICLE
210365	62	2
2611	85 - 60	2
279-404	75 - 55	6
2805	85 - 58	1
30B24-1A	61A- 16	2
30B24-1A	62	2
3053	70 - 11	4
3125-00	69	2
3142-00	69A- 46	2
35-524028	73 - 17	2
35-524226	73 - 28	2
35-524226-1	73 - 9	2
35-524538	73 - 29	2
35-524539-1	73	2
35-524584	73 - 8	4
35-524584	73 - 27	2
35-910004-7	61A- 90	2
35-921181	71 - 12	2
35-921502	70 - 23	2
35-921502	70 - 42	4
35-921503	70 - 12	2
35-921503	70 - 38	2
35-921503	70 - 47	2
35-921532	70 - 3	2
35-921533	70 - 4	2
366-00	69 - 4	2
366-00	69 - 89	4
366-00	69A- 69	2
366-00	69A- 79	2
414-189070-41	75	6
4142341G83	85 - 44	2
416-85-23	70	2
416-85-44	70 - 46	2
45-524538	73 - 10	2
45-524539-3	73	2
45-920036	71 - 8	2
45-921544	70	2
45-924091	71	2
49-C-7553	86 - 36	2
50-320298-33	75 - 47	2
50-324092	75 - 49	1
50-361200-23	88 - 19	2
50-361204	88	1
50-361204-1	88 - 7	1
50-361212	88 - 6	1
50-361213	88 - 4	1
50-361230	88 - 21	2
50-361234	88 - 23	2
50-361234-1	88 - 24	2
50-361236	88 - 27	2
50-361246	88 - 22	2
50-361253-7	88	1
50-361254	88 - 29	1
50-361255	88 - 32	1
50-361257	88 - 31	1
50-361272	88 - 25	2
50-361286	88 - 15	1
50-364252	85 - 54	1
50-364254-5	85 - 56	1
50-369019	70 - 48	2
50-369020	70	2
50-369020-1	70 - 9	2
50-369021	70 - 10	2
50-369021	70 - 51	2
50-389002	71 - 4	2
50-389002-1	71	2
50-389002-3	71	2
50-389002-5	71	1
50-389015	61A- 94	2
50-389015	62	2

PART NUMBER	FIGURE AND INDEX NO.	QTY. PER ARTICLE
50-524047	73 - 7	2
50-524047	73 - 26	2
50-810146-610	57 - 45	1
50-810216	57 - 44	1
50-810240	57 - 43	1
50-810279-1	56	1
50-810279-3	56 - 61	1
50-810280-1	56 - 65	1
50-810281-1	56 - 66	1
50-820140-1	56 - 59	1
50-910031-2	64 - 29	16
50-910031-3	64	16
50-910033	64 - 28	16
50-910035	64 - 33	16
50-910056	63 - 21	2
50-910083-13	61A- 35	2
50-910083-13	62 - 67	2
50-910120-1	62	2
50-910150-13	61A- 56	4
50-910150-13	62 - 55	2
50-910163-11	64 - 26	2
50-910163-179	64 -	2
50-910163-185	64	2
50-910163-209	64	2
50-910165-105	63 - 1	2
50-910165-115	63 - 27	2
50-910165-119	63	1
50-910165-121	63	1
50-910165-123	63	2
50-910165-125	63 - 25	2
50-910165-139	63 - 31	2
50-910165-151	62 - 37	2
50-910165-151	63 -	REF
50-910165-153	63 - 30	2
50-910165-157	63 - 15	2
50-910165-159	63 - 18	2
50-910165-161	63 - 35	2
50-910165-163	63 - 36	2
50-910165-65	63 - 34	2
50-910165-97	63	4
50-910172	62	2
50-910172-5	62 - 71	2
50-910188	63 - 12	8
50-910193	64	16
50-910194	64	16
50-910194-1	64 - 31	16
50-910197-1	63 - 10	4
50-910197-3	63 - 11	4
50-910208	62	2
50-910208-1	62	2
50-910216	61A- 8	4
50-910216	62 - 8	4
50-910218	61A- 11	4
50-910218	62 - 13	4
50-910219-45	62 - 14	2
50-910219-53	61A- 10D	2
50-910219-54	61A	2
50-910219-59	61A- 10A	2
50-910219-608	61A- 9	2
50-910219-61	61A- 10B	2
50-910219-63	61A- 10C	2
50-910219-65	62 - 18	2
50-910220-1	61A- 7	2
50-910220-1	62 - 6	2
50-910220-2	61A	2
50-910220-2	62	2
50-910226	61A	2
50-910233	61A	2
50-910233-10	61A	2
50-910233-11	61A- 48	2

MODEL 65 & 80 PARTS CATALOG

PART NUMBER	FIGURE AND INDEX NO.	QTY. PER ARTICLE
50-910233-11	62 - 36	2
50-910233-12	61A	2
50-910233-12	62	2
50-910233-2	62	2
50-910233-23	61A- 49	2
50-910233-26	61A	2
50-910233-26	62	2
50-910233-26	62	2
50-910233-3	62 - 33	2
50-910233-4	62	2
50-910233-9	61A- 47	2
50-910233-9	62 - 35	2
50-910235-1	64	2
50-910235-109	64	2
50-910235-117	64	2
50-910235-615	64 - 43	4
50-910235-617	64 - 46	2
50-910235-618	64	2
50-910235-67	64 - 37	2
50-910235-68	64	2
50-910235-71	64 - 36	2
50-910235-99	64 - 49	4
50-910237	64 - 39	2
50-910259	61A	2
50-910259	62	2
50-910266-1	64	2
50-910267	61A- 92	2
50-910267	63	REF
50-910267-1	63	2
50-910267-11	63	2
50-910267-13	63	2
50-910267-25	63	2
50-910267-29	63	2
50-910267-33	63	2
50-910267-39	63	2
50-910267-51	63	2
50-910267-63	63	2
50-910267-65	63	2
50-910271	64	2
50-910272-1	61A-	2
50-910272-3	61A- 75	2
50-910272-5	61A- 78	2
50-910272-7	61A- 77	2
50-910273	61A	2
50-910273-7	61A- 26	1
50-910273-9	61A	1
50-910291	61A	2
50-910291-1	61A- 86	2
50-910291-7	61A- 87	2
50-910293	61A- 91	2
50-910300	61A	2
50-910300-1	61A	2
50-910300-3	61A- 37	2
50-920003	69	1
50-920003-1	69	1
50-920003-103	69	1
50-920003-103	69A- 75	1
50-920003-107	69	1
50-920003-107	69A	1
50-920003-11	69	1
50-920003-125	69A	1
50-920003-129	69A	2
50-920003-13	69	1
50-920003-133	69A	2
50-920003-135	69A- 47	1
50-920003-139	69A	1
50-920003-145	69A- 1	1
50-920003-149	69A	1
50-920003-15	69	1
50-920003-151	69A- 32	3

PART NUMBER	FIGURE AND INDEX NO.	QTY. PER ARTICLE
50-920003-153	69A	1
50-920003-155	69A	1
50-920003-157	69A	1
50-920003-159	69A	1
50-920003-161	69A- 3	1
50-920003-163	69A- 3A	1
50-920003-165	69A	1
50-920003-167	69A	1
50-920003-17	69 - 41	1
50-920003-17	69A- 54	1
50-920003-171	69A- 31	2
50-920003-173	69A- 14	2
50-920003-19	69 - 32	1
50-920003-19	69A	1
50-920003-21	69 - 30	1
50-920003-23	69 - 43	1
50-920003-3	69 - 38	1
50-920003-3	69A- 52	2
50-920003-49	69 - 44	1
50-920003-5	69 - 37	1
50-920003-5	69A- 51	1
50-920003-53	69 - 40	1
50-920003-53	69A- 55	1
50-920003-59	69 - 46	1
50-920003-69	69	1
50-920003-69	69A	1
50-920003-7	69	1
50-920003-7	69A- 63	1
50-920003-73	69	1
50-920003-73	69A- 61	1
50-920003-79	69	1
50-920003-79	69A-	1
50-920003-83	69	1
50-920003-83	69A	1
50-920003-87	69	1
50-920003-87	69A- 49	1
50-920003-9	69 - 35	1
50-920003-91	69	1
50-920003-95	69	1
50-920003-97	69	1
50-920003-99	69	1
50-920003-99	69A- 45	1
50-920005	69	1
50-920005	70	REF
50-920005-1	69 - 3	1
50-920005-1	70	REF
50-920005-2	69	1
50-920005-2	70	REF
50-920005-3	69	1
50-920005-3	70	REF
50-920005-6	69A- 37	1
50-920005-6	70	REF
50-920005-7	69A	1
50-920005-7	70	REF
50-920010-2	70	1
50-920010-3	70 - 41	1
50-920010-4	70	1
50-920010-5	70	1
50-920014-11	73	1
50-920014-12	73	1
50-920014-2	73 - 20	2
50-920014-4	73 - 22	2
50-920014-6	73 - 19	1
50-920014-7	73	1
50-920016	73 - 24	2
50-920017	73 - 23	2
50-920030-14	69	1
50-920030-14	71 -	REF
50-920030-15	69 - 20	1
50-920030-15	71	REF

MODEL 65 & 80 PARTS CATALOG

PART NUMBER	FIGURE AND INDEX NO.	QTY. PER ARTICLE
50-920030-17	69	1
50-920030-17	71	REF
50-920030-18	69	1
50-920030-18	71	REF
50-920030-19	69A- 42	1
50-920030-19	71	REF
50-920030-20	69A	1
50-920030-20	71	REF
50-920030-4	71 - 6	2
50-920033-10	69	1
50-920033-100	69 -	1
50-920033-100	69A- 68	1
50-920033-104	69 - 90	1
50-920033-104	69A	1
50-920033-24	69 - 58	2
50-920033-24	69 - 59	2
50-920033-26	69 - 78	2
50-920033-34	69 - 81	2
50-920033-34	69A	1
50-920033-40	69 - 83	2
50-920033-40	69A- 60	2
50-920033-92	69	1
50-920033-92	69A- 72	1
50-920033-96	69 - 86	1
50-920033-96	69A	1
50-920034-10	69 - 16	1
50-920034-20	69 - 27	2
50-920034-20	69A- 43	2
50-920034-40	69 - 34E	2
50-920040	71 - 13	2
50-920044	73 - 6	2
50-920056	71 - 2	2
50-920057	71 - 10	2
50-920085-1	69	1
50-920085-1	69A- 80	1
50-920085-121	69 - 91	2
50-920085-15	69 - 5	2
50-920085-15	69A- 78	2
50-920085-17	69 - 33	2
50-920085-17	69A- 65	2
50-920085-2	69 - 7	1
50-920085-2	69A	1
50-920085-241	69 - 51	2
50-920085-245	69 - 50	2
50-920085-251	69 - 56	2
50-920085-255	69 - 80	2
50-920085-255	69A- 58	1
50-920085-259	69 - 34	1
50-920085-259	69A	1
50-920085-263	69	1
50-920085-263	69A- 67	1
50-920085-269	69	1
50-920085-269	69A- 86	1
50-920085-277	69 - 13	1
50-920085-277	69A	1
50-920085-291	69 - 88	2
50-920085-291	69A- 73	2
50-920085-299	69	2
50-920085-299	69A- 89	1
50-920085-300	69 - 94	2
50-920085-300	69A	1
50-920085-303	69	2
50-920085-303	69A- 88	1
50-920085-304	69 - 93	2
50-920085-304	69A	1
50-920085-319	69	2
50-920085-319	69A- 27	2
50-920085-43	69 - 9	2
50-920085-43	69A- 82	2
50-920085-47	69 - 11	2

PART NUMBER	FIGURE AND INDEX NO.	QTY. PER ARTICLE
50-920085-47	69A- 84	2
50-920092	69 - 95	1
50-920092	69A- 90	1
50-920092	73	REF
50-920092-15	73 - 2	1
50-920092-17	73 -	1
50-920092-19	73 - 3	2
50-920092-25	73 - 13	1
50-920092-27	73 - 14	1
50-920092-29	73	4
50-920094	69 - 36	1
50-920094	69A- 50	1
50-920094	71	REF
50-920094-1	71 - 17	1
50-920094-2	71	1
50-920094-3	71	1
50-920094-5	71 - 20	2
50-920095	71 - 19	2
50-920096	69 - 22	2
50-920097	73 - 11	2
50-920099	71	2
50-921504-10	69A	REF
50-921504-10	70 - 34	1
50-921504-103	69A- 39	1
50-921504-103	70	REF
50-921504-104	69A	1
50-921504-104	70	REF
50-921504-21	70 - 31	2
50-921504-27	70	1
50-921504-28	70 - 21	1
50-921504-43	69A- 41	REF
50-921504-43	70	1
50-921504-47	69A	REF
50-921504-47	70 - 32	1
50-921504-5	70	1
50-921504-51	70 - 27	2
50-921504-6	70 - 35	1
50-921504-61	69	1
50-921504-61	70	REF
50-921504-62	69 - 2	1
50-921504-62	70	REF
50-921504-63	70 - 22	2
50-921504-67	70 - 29	1
50-921504-7	70 - 37	1
50-921504-73	69	1
50-921504-73	70	REF
50-921504-74	69	1
50-921504-74	70	REF
50-921504-75	70	1
50-921504-76	70	1
50-921504-77	70	1
50-921504-78	70	1
50-921504-79	70	1
50-921504-85	69	1
50-921504-85	70	REF
50-921504-86	69	1
50-921504-86	70	REF
50-921504-87	70	2
50-921504-9	69A- 40	REF
50-921504-9	70	1
50-921505-1	69	1
50-921505-1	70	REF
50-921505-15	69	1
50-921505-15	69A- 38	1
50-921505-15	70	REF
50-921505-16	69	1
50-921505-16	69A	1
50-921505-16	70	REF
50-921505-2	69 - 1	1
50-921505-2	70	REF

MODEL 65 & 80 PARTS CATALOG

PART NUMBER	FIGURE AND INDEX NO.	QTY. PER ARTICLE
50-921507-3	70 -	1
50-921507-4	70 - 1	1
50-921507-5	70	1
50-921507-6	70	1
50-921510-10	70	1
50-921510-5	70	1
50-921510-6	70 - 13	1
50-921510-9	70	1
50-921518	70 - 43	2
50-921520	70 - 15	2
50-921521	70 - 14	2
50-921524	70 - 18	2
50-921534	62 - 47	2
50-921547	70	2
50-921551	69A- 18	1
50-921560-11	69A- 19	2
50-921560-3	69	2
50-921560-7	69A	2
50-921562	69A- 23	2
50-921565-5	69A	4
50-921569	69A- 10	2
50-924024	73 - 5	4
50-924027	71 - 21	1
50-924028	71 - 22	1
50-929012	69 - 84	2
50-929012	69A- 70	2
50-939134	62 - 49	2
50-950058-11	61A- 43	4
50-950058-11	62 - 29	4
50-950058-19	61A	4
50-950058-19	62 -	4
50-950058-23	61A- 45	4
50-950058-23	62 - 31A	2
50-950058-25	61A- 44	4
50-950058-25	62 - 31	2
50-950058-27	62	4
50-950058-31	61A	4
50-950058-31	62	4
50-950064-117	62	2
50-950064-119	62 - 38	2
50-950064-123	62 - 39	2
50-950064-127	62 - 40	2
50-950064-131	62	2
50-950064-135	62	2
50-950064-137	62	2
50-950064-139	62	2
50-950068	61A	2
50-950068-11	61A- 58	2
50-950068-17	61A- 59	2
50-950068-23	61A	2
50-950068-29	61A	2
50-950068-35	61A	2
50-950068-5	61A- 57	2
50-950071	61A- 46	4

PART NUMBER	FIGURE AND INDEX NO.	QTY. PER ARTICLE
50-950071	62 - 26	4
50-950074	61A	12
50-950074-1	61A- 66	12
50-950074-1	62	10
50-950074-3	61A- 65	4
50-950074-3	61A- 67	12
50-950074-3	62	10
50-950074-3	62 - 44F	4
50-950075	61A	2
50-950075	62	2
50-950075-17	61A- 63	4
50-950075-17	62 - 44D	4
50-950075-5	61A- 60	2
50-950075-5	62 - 44A	2
50-960047-137	75 - 46A	1
50-960047-201	61A- 83	8
50-960047-201	75 - 59	2
50-960047-57	75 - 56	2
50-960047-97	75	REF
50-960049	75 - 51	1
50-970001-115	69	1
52-032-156-0750	73 - 12	2
5408M	75 - 48A	2
56881-1	70 - 24	4
56881-1	70 - 52	2
6041H189	88 - 12	3
6046H39A	85 - 50	1
626839	69A- 20	2
63127-01B	75 - 53	1
65883	63	8
69930	63	8
69947	63	8
70-3-2G	85 - 71	1
70-3-2G	85 - 73	1
70623-1	70	2
70623-1	70	2
756-10C	61A	2
8N8-D	64 - 45	8
8N8-D	64 - 48	4
818-180537	85 -	1
836-17	75	REF
836-32SP	61A- 12	2
836-5	75 - 54	REF
836-6	62 - 24	2
856A80	85 - 33	1
901-9B	61A- 93	2
901-9B	62 - 75	2
9520	61A- 30	2
9520	62 - 58	2
9555	88 - 2	1
98265-1-110	75 - 58	2
99833-C098	75	2
99836	75	2

MODEL 65 & 80 PARTS CATALOG

PART NUMBER	FIGURE AND INDEX NO.	QTY. PER ARTICLE	PART NUMBER	FIGURE AND INDEX NO.	QTY. PER ARTICLE
A-114-F	65A- 53	3	AN500-A8-10	93 - 34	6
A-1305	65A- 30	AR	AN500A10-22	92 - 2	4
A-1306	65A- 23	3	AN500A8-6	92 - 34	4
A-1308	65A- 4	3	AN501A10-18	65A- 44	2
A-1365	65A- 41	1	AN501A10-6	65A- 31	2
A-1369-1	65A- 46	1	AN501A10-6	65A- 56	1
A-1444	65A- 57	3	AN501A10-8	65A- 47	4
A-1464	65A- 55	3	AN503-10-8	91 - 28	4
A-1812-1	65A- 6	1	AN503-8-10	91 - 21	4
A-1813	65A- 8	1	AN526C1032R18	65A	1
A-1817	65A- 5	1	AN526C1032R22	65A	1
A-1848	65A- 17	1	AN526C1032R8	65A- 71	2
A-1851	65A- 12	3	AN526C1032R8	65A- 79	6
A-1852	65A- 13	3	AN526C1032R9	65A- 68	15
A-1854	65A- 16	3	AN526C1032R9	65A- 85	15
A-1855	65A	AR	AN535-00-2	92 - 21	2
A-1864	65A- 82	6	AN535-00-2	92 - 37	3
A-1865	65A- 81	6	AN565R8-3	92 - 23	1
A-1866	65A- 69	3	AN566C10-6	91 - 35	1
A-1877	65A- 15	3	AN6227-13	94 - 6	2
A-282	65A- 24	2	AN6227-6	94 - 7	1
A-285	65A- 21	2	AN6227-6	94 - 11	1
A-304	65A- 20	1	AN6227B-11	95 - 9	1
A-47G-026	94 - 18	1	AN6227B-5	95 - 8	1
A-47G-027	94 - 15A	1	AN6230B42	50A- 10	1
A-47G-028	94 - 8	1	AN913-1	91 - 37	3
A-47G-029	94 - 5	1	AN913-1	92 - 46	4
A-47G-034	94 - 14	1	AN913-1	93 - 38	4
A-47G-030	94 - 16	1	AN936-R10	91 - 29	4
A-47G-032	94 - 10	1	AN936-R8	91	4
A-47G-035	94 - 15	1	AN936A10	65A	1
A-47G-035-1	94 - 14A	1	AN936A10	65A	2
A-50H-011	94 - 12	1	AN960-10	65A- 80	12
A-50H-012	94 - 1A	1	AN960-10	65A	3
A-50H-012-2	94 - 1	1	AN960-10	91 - 9	4
A-57G-332	94 - 17	1	AN960-416	50A- 6	16
A-65	65A- 29	1	AN960-8L	92 - 35	4
A-817-2	65A- 52	3	AN960D4162	65A	6
A-859	65A- 45	1	A210390	66A	1
A-861-3	65A- 60	3	A210390C	66A	1
A-862	65A- 51	1	B-1353	65A- 77	1
A-863	65A- 62	1	R-1363-2	65A- 39	1
A-866-3	65A- 38	1	R-1364	65A- 40	1
A-867	65A- 37	1	R-1368-1	65A- 48	1
A-880-1	65A- 49	1	R-1810-1	65A- 64	1
A-881	65A- 32	1	R-1814	65A- 7	1
A-883	65A- 76	1	R-1887	65A- 70	3
A-884	65A- 75	1	B-854	65A- 10	1
A-944	65A- 34	3	B-868A-4	65A- 42	1
A-946	65A- 54	6	C-1301	65A- 19	1
AF934-101	93 - 8	1	C-1816	65A- 50	1
AN3H2A	65A- 33	2	C-1816 DET#1	65A	1
AN316-5	94 - 2	1	C-1853	65A- 3	1
AN316-5R	65A- 58	3	C-1886	65A- 78	1
AN363-1032	65A- 83	6	C-1888	65A- 67	1
AN365-428	50A- 5	8	C-1888	65A- 84	1
AN365-720	65A- 26	2	3/32 X 5/8	95 - 13	2
AN380-3-2	65A	2	D-1870-R	65A	1
AN380-3-3	65A- 35	1	D-1870-1R	65A- 86	1
AN380-3-3	65A- 74	1	D-1871-1R	65A- 72	1
AN380C2-2	94 - 3	1	D-1871-2R	65A	1
AN380C2-2	94 - 9	1	HC-B3Z30-2B	65A	1
AN4-15A	50A- 7	8	M-400-10D	93 - 3	1
AN4-20A	65A	6	M-400-13	93 - 16	1
AN4059-1	91	1	M-400-16	93 - 2	1

MODEL 65 & 80 PARTS CATALOG

PART NUMBER	FIGURE AND INDEX NO.	QTY. PER ARTICLE
M-400-17	93 - 17	1
M-400-3A	93 - 5	1
M-400-4C	93 - 4	1
M-400-5C	93 - 6	4
MS 100009	66A	1
MS15001-1	65A- 22	1
MS29513-112	92 - 29	1
MS29513-115	92 - 26	1
MS29513-216	92 - 38	1
MS29513-218	92 - 25	1
PRP-902-46	65A- 61	1
PRP-909-13	65A- 9	1
PRP-909-7	65A- 14	3
PRP-909-9	65A- 11	1
PRP-914-41	65A- 66	1
PRP914-8	65A- 43	1
R-400-100	93 - 30	1
R-400-55	93 - 1	1
R-400-57A	93 - 19	1
R-400-58C	93 - 32	1
R-400-61B	93 - 9	1
R-400-61E	93 - 9	1
R-400-63	93 - 18	1
R-400-63B	93 - 18	1
R-400-64	93 - 21	4
R-400-66B	93 - 26	2
R-400-67A	93 - 27	1
R-400-68	93 - 28	1
R-400-68A	93 - 29	1
R-400-69C	93 - 31	1
R-400-69E	93 - 31	1
R-400-71	93 - 39	1
R-400-75A	93 - 7	1
R-400-80A	93 - 24	1
R-400-80B	93 - 25	1
R-400-81A	93 - 23	1
R-400-82	93 - 22	1
R-400-87	93 - 8	1
R-400-88D	93 - 14A	1
R-400-91A	93 - 13	1
R-400-92C	93 - 15	1
R-400-96	93 - 10	1
R-400-97	93 - 33	6
R-400-97C	93 - 15B	1
R-400-99	93 - 15A	1
R-600-88	93 - 36	1
R-600-93	93 - 35	1
R-600-94	93 - 37	1
RA4203	92 - 3	4
RA5234	92 - 5	1
RA5299	92 - 32	1
RA5326	92 - 14	2
RA5331	92 - 12	1
RA5361	92 - 13	1
RA6424	92 - 7	1
RA7179	92 - 31	1
RA8930	92 - 24	1
RA8933	92 - 27	1
RA8934	92 - 28	1
RA8987	92 - 22	1
RA9056	92 - 6	1
RA9087	92 - 4	1
RA9092	92 - 16	1
RA9093	92 - 17	1
RA9094	92 - 11	1

PART NUMBER	FIGURE AND INDEX NO.	QTY. PER ARTICLE
RA9098	92 - 43	1
RA9099	92 - 20	1
RA9152	92 - 8	1
RA9612	92 - 19	1
RB10896	92 - 36	1
RB5314	92 - 1	1
RB8935	92 - 30	1
RB9083	92 - 33	1
RB9084	92 - 39	1
RB9084	92 - 44	1
RB9085	92 - 40	1
RB9089	92 - 15	1
RB9095	92 - 9	1
RB9572	92 - 42	1
RB9573	92 - 41	4
RD9081-1	92 - 45	1
RD9082	92 - 18	1
RG9570	92	1
R10-180	65A	2
V1-15-875-2	94	1
1/4-28 X 1 1/2	65A- 65	1
1E1195	65A	3
10151-88	65A	3
10151-8	65A- 1	3
1604-73	95 - 10	2
180231	66A- 15	1
182194	66A- 32	1
182478	66A	1
182506	66A	1
182684	66A- 33	1
184793	66A- 44	2
186283	66A- 34	1
186320	66A- 23	2
186321	66A- 25	AR
188141	66A	1
188302	66A	1
188434	66A- 36	1
188678	66A- 9	2
189522	66A- 35	1
189529	66A- 6	6
189574	66A	2
189880	66A- 37	1
190189	66A	1
19150	50A- 4	2
191869	66A- 45	1
192103	66A- 41	1
19268	50A- 9	1
19268	50A- 12	1
192749	66A- 2	1
193385	66A- 46	1
194-22	93 - 20	4
217475	66A- 51	1
2E1136	65A	3
2P-R-400-BRD	93	1
2P-R-400-BRD-5	93	1
204864	66A- 47	1
206336	66A- 38	1
206560	66A- 13	1
209217	66A- 48	1
21-S-062-0375	95 - 6	1
210031	66A- 49	1
210034	66A- 18	1
210035	66A- 50	1
210036	66A- 39	1
210039	66A- 1	1

MODEL 65 & 80 PARTS CATALOG

PART NUMBER	FIGURE AND INDEX NO.	QTY. PER ARTICLE	PART NUMBER	FIGURE AND INDEX NO.	QTY. PER ARTICLE
210044	66A- 19	1	50-300001-3	91 - 1	1
210067	66A	1	50-300001-35	91 - 11	1
210068	66A- 21	1	50-300001-31	91 - 6	1
210071	66A- 22	1	50-300001-33	91 - 8	4
210076	66A- 24	1	50-300001-37	91 - 7	1
210077	66A- 26	1	50-300001-39	91 - 12	1
210078	66A- 27	1	50-300001-41	91 - 17	1
210100	66A- 28	1	50-300001-43	91 - 31	2
210112	66A- 43	2	50-300001-45	91 - 27	1
210206	66A- 4	1	50-300001-47	91 - 30	1
210207	66A- 17	1	50-300001-49	91 - 26	1
210216	66A- 16	1	50-300001-5	91 - 4	1
210236	66A- 10	1	50-300001-51	91 - 20	1
210238	66A	1	50-300001-53	91 - 22	1
210239	66A- 20	1	50-300001-55	91 - 24	1
210242	66A- 11A	1	50-300001-57	91 - 18	1
210244	66A- 12	1	50-300001-59	91 - 23	1
210247	66A- 8	1	50-300001-61	91 - 25	1
210248	66A	1	50-300001-63	91 - 19	1
210252	66A- 11	1	50-300001-67	91	1
210273	66A- 7	1	50-300001-69	91	1
210274	66A- 5	1	50-300001-7	91 - 5	1
210276	66A	1	50-300001-71	91	1
210289	66A- 3	8	50-300001-73	91	4
210297	66A	1	50-300001-75	91	2
210331	66A- 14	1	50-300001-9	91 - 14	1
210358	66A- 29	1	50-921550-11	91	1
214595	50A- 2	4	50-921550-13	91	1
217582	66A- 52	1	50-921550-3	91	1
218036	66A- 42	2	50-921550-5	91	1
218537	66A- 31	1	50-921550-7	91	1
223003	66A- 40	1	50-921560-11	91	2
3/4	92 - 47	2	50-921560-13	91	2
350052	66A	1	50-921560-3	91	1
3536-18	94 - 13	1	50-921560-5	91	2
37572	65A- 1A	3	50-921560-7	91	2
4E1187-1	65A	3	50-960066-605	65A	1
4E1287-2	65A	1	50-960066-606	65A	1
400433	66A- 30	1	5000-90	94 - 4	1
4208	95 - 12	1	510525-6	50A- 3	2
4222	95 - 14	4	510779-12	50A- 1	1
4500S	95 - 1	1	7/16-20X2 1/8	65A- 25	2
4500S-A1	95	1	7/16-20X3 1/4	65A- 28	2
4503	95 - 11	1	800-515-5/16	92 - 10	1
4504	95 - 2	1	830-14	65A- 73	3
4505	95 - 3	1	830-14	65A- 87	3
4506-1	95 - 5	1	831-17	65A- 36	1
4507	95 - 4	1	833-16	65A- 27	1
4511	95 - 7	1	834-6	65A- 63	1
5/16-24 X 3 1/4	65A- 59	3	836-32 SPR	65A	1
50-300001-1	91 - 2	1	836-32SPR	65A	1
50-300001-11	91 - 15	1	836-31 SPR	65A	1
50-300001-13	91 - 16	1	838-17	65A- 18	3
50-300001-15	91 - 13	1	840-34	65A- 2	1
50-300001-17	91 - 10	1	9521176	50A	1
50-300001-19	91 - 36	1	9521177	50A- 11	1
50-300001-21	91 - 38	1	9521178	50A- 8	1
50-300001-23	91 - 33	1	9523057	50A	1
50-300001-25	91 - 32	1	9524974	50A	1
50-300001-27	91 - 34	4	9532554	50A	1
50-300001-29	91 - 3	1			

MODEL 65 & 80 PARTS CATALOG

PART NUMBER	FIGURE AND INDEX NO.	QTY. PER ARTICLE
A-Q3P	88 - 48	2
A-1170-2	41 - 4	1
A-1303A	65 - 4	6
A-1305	65 - 23	AR
A-1306	65 - 22	12
A-1308	65 - 2	6
A-1331	65 - 5	6
A-1365	65 - 45	2
A-1369	65 - 47	2
A-1444	65 - 31	6
A-1464	65 - 35	6
A-1527	67 - 1	2
A-155	65 - 3	2
A-2000	23 - 15	1
A-22	59 - 57	2
A-282	65 - 16	12
A-285	65 - 21	6
A-304	65 - 20	6
A-50-5	65 - 11	2
A-63-B	65 - 9	2
A-700-A	85 - 48	1
A-7079-24	87 - 4	2
A-7635	87 - 6	1
A-7942	87 - 5	1
A-817-2	65 - 29	6
A-847	65 - 10	2
A-859	65 - 46	2
A-861-3	65 - 33	6
A-863	65 - 36	2
A-866	65 - 42	2
A-867	65 - 44	2
A-870	65 - 7	2
A-872-1	65	6
A-880-1	65 - 27	2
A-881	65 - 25	6
A-883	65 - 53	6
A-884	65 - 54	6
A-944	65 - 38	6
A-946	65	6
AA-397-1	38A- 30	1
AD5721R	88 - 55	2
AF-5	7 - 18	1
AF940-416	72	2
AH56A80	85	1
AJ-35	64 - 32	16
ALPP-T6-4	9 - 3	14
ALPP-T6-5	9 - 4	2
ALPPH-T6-3	25 - 50	10
ALPPH-T6-3	25 - 54	8
ALPPH-T6-4	25 - 51	8
ALPPH-T6-4	25 - 55	8
ALPPH-T6-4	25 - 57	8
ALPPH-T6-6	25 - 52	8
ALPPN-T6-19	9 - 38	3
AMP32445	19	4
AN122697	72 - 23	2
AN155-32L	28 - 4	10
AN155-32L	28 - 7	1
AN155-32L	28 - 9	2
AN155-32L	35 - 7	2
AN155-46L	28 - 20	6
AN155-46L	39 - 7	2
AN155-8L	28 - 30	6
AN155-8L	35 - 22	2
AN155-8L	39 - 12	2
AN155-8S	35 - 24	4
AN155-8S	58 - 53	1
AN165-8RS	35	4
AN173-13	38A- 34	1
AN173-16A	43 - 19	2

PART NUMBER	FIGURE AND INDEX NO.	QTY. PER ARTICLE
AN173-16A	43 - 60	1
AN173-17	27 - 11	2
AN173-7	27 - 15	2
AN174-10	29 - 19	2
AN174-10	40 - 27	1
AN174-6	27 - 16	5
AN174-6	36 - 23	2
AN174-6	40 - 26	1
AN174-7	36 - 24	2
AN174-7A	28 - 48	1
AN176-27	50 - 12	1
AN176-35	50 - 14	1
AN182-26/M/	45 - 2	4
AN200KP4	32 - 34	1
AN200KS5	32 - 14	1
AN201KP12A	56 - 53	2
AN201KP12A	56 - 60	1
AN201KP3A	38A- 29	1
AN201KP3A	41 - 24	2
AN201KP3A	41 - 32	1
AN201KP4A	12 - 90	6
AN201KP4A	41 - 26	2
AN201KP4A	41 - 31	2
AN201KP6A	38A- 32	1
AN210-1B	28 - 31	12
AN210-1B	35 - 26	4
AN210-1B	39 - 14	2
AN210-1B	73 - 36	4
AN210-2B	28 - 29	2
AN210-3B	28 - 26	10
AN218P5	42 - 25	2
AN219-1	35 - 21	2
AN219-2	28 - 28	22
AN219-2	35 - 20	2
AN219-2	39 - 11	8
AN219-2	39 - 13	6
AN219-4	35 - 19	2
AN220-1	28 - 14	3
AN220-1	28 - 21	1
AN220-2	28 - 15	23
AN220-2	28 - 22	1
AN220-2	28	2
AN220-2	35 - 6	8
AN220-2	39 - 5	4
AN220-2	42 - 15	2
AN220-2	42 - 19	2
AN220-3	35 - 5	12
AN220-3	39 - 4	6
AN227-8	18B- 16	4
AN227-8B	18 - 87	52
AN227-8B	73 - 32	2
AN227-8B	73 - 40	10
AN23-10	35	2
AN23-14	41 - 39	2
AN23-15A	74 - 4	8
AN23-15A	74 - 14	4
AN23-17	41 - 19	4
AN23-18	35	2
AN23-21	58 - 50	1
AN23-23	16 - 7	4
AN23-24A	22 - 92	4
AN23-24A	43	2
AN23-42	38 - 16	1
AN23-42A	34 - 5	5
AN23-42A	34 - 7	2
AN23-42A	38 - 18	1
AN23-9	28	12
AN23-9	28	2
AN23-9	67	2
AN23-9	68 - 6	4

MODEL 65 & 80 PARTS CATALOG

PART NUMBER	FIGURE AND INDEX NO.	QTY. PER ARTICLE
AN23-9	68 - 8	4
AN24-30A	44A- 9	3
AN24-34/M/	45 - 24	3
AN24-34/M/	50 - 26	2
AN25-14	28 - 25	4
AN25-17	28	2
AN25-22/M/	45 - 25	2
AN25-27/M/	50 - 33	1
AN25-34	45 - 21	2
AN25-34/M/	50 - 35	1
AN25-48	54 - 33	2
AN253-2-1538	10 - 12	2
AN2552-3A	88 - 62	1
AN2552A3A	88 - 72	1
AN26-30	58 - 2	1
AN280H404	57 - 4	1
AN287-1	54 - 45	1
AN3	11 - 45	26
AN3	38A- 38	1
AN3	42 - 29	1
AN3	58 - 57	1
AN3	74	6
AN3	87 - 21	2
AN3-	10 - 97	2
AN3-	39	AR
AN3-	54 - 29	4
AN3-	56 - 48	4
AN3-	56 - 52	4
AN3-	56 - 58	4
AN3-10	41 - 2	14
AN3-10	62 - 68	4
AN3-10	62	3
AN3-10	74 - 33	2
AN3-10	74	2
AN3-10A	25	8
AN3-10A	32 - 20	2
AN3-10A	74 - 45	2
AN3-11	41 - 20	8
AN3-11	74 - 15	4
AN3-11A	25 - 15	17
AN3-11A	39	1
AN3-11A	49 - 11	2
AN3-11A	49 - 19	2
AN3-11A	56 - 25	1
AN3-11A	73 - 37	4
AN3-11A	74 - 8	4
AN3-12A	24 - 48	14
AN3-12A	45 - 27	4
AN3-12A	56 - 27	1
AN3-12A	57 - 41	1
AN3-12A	61 - 3	2
AN3-12A	61 - 27	2
AN3-12A	78A- 88	2
AN3-13	62	1
AN3-13	74	2
AN3-13A	49 - 20	4
AN3-13A	56 - 28	1
AN3-14	28	10
AN3-14	63 - 13	8
AN3-14A	18 - 51	6
AN3-14A	56 - 6	1
AN3-14A	85 - 17	1
AN3-16A	54 - 11	3
AN3-16A	56 - 18	2
AN3-17A	36 - 2	20
AN3-17A	40 - 5	4
AN3-17A	67 - 11	8
AN3-20	78 - 9	2
AN3-21A	18 - 66	8
AN3-22A	28	9

PART NUMBER	FIGURE AND INDEX NO.	QTY. PER ARTICLE
AN3-22A	62A- 7	8
AN3-23A	67	8
AN3-24A	57 - 15	5
AN3-24A	78A- 75	1
AN3-25	68 - 41	4
AN3-25A	10 - 83	2
AN3-26A	59 - 42	2
AN3-27A	47 - 15	12
AN3-27A	52 - 6	4
AN3-3A	21 - 49	40
AN3-3A	68 - 23	32
AN3-30A	58 - 37	1
AN3-31A	56 - 3	1
AN3-4	60 - 86	3
AN3-4A	10 - 92	113
AN3-4A	12 - 93	4
AN3-4A	14 - 35	1
AN3-4A	24 - 55	2
AN3-4A	25 - 85	6
AN3-4A	28 - 46	3
AN3-4A	29 - 1	3
AN3-4A	39	2
AN3-4A	43 - 2	6
AN3-4A	49 - 15	4
AN3-4A	49 - 17	6
AN3-4A	56 - 62	4
AN3-4A	62 - 32	20
AN3-4A	64 - 53	10
AN3-4A	69 - 21	8
AN3-4A	71 - 1	8
AN3-4A	74 - 28	2
AN3-4A	76 - 64	16
AN3-4A	77 - 24	4
AN3-4A	88 - 13	12
AN3-5A	9 - 53	138
AN3-5A	12	2
AN3-5A	23 - 2	8
AN3-5A	31 - 28	8
AN3-5A	32 - 26	6
AN3-5A	34 - 8	4
AN3-5A	38 - 15	2
AN3-5A	41 - 35	8
AN3-5A	49 - 14	4
AN3-5A	56 - 7	4
AN3-5A	56 - 9	6
AN3-5A	64 - 12	24
AN3-5A	64 - 38	12
AN3-5A	64 - 44	8
AN3-5A	64 - 47	8
AN3-5A	64 - 55	28
AN3-5A	74	4
AN3-5A/M/	38A- 1	2
AN3-5A/M/	45 - 33	12
AN3-5/M/	50 - 36	6
AN3-6A	27 - 2	35
AN3-6A	27 - 5	2
AN3-6A	32 - 15	4
AN3-6A	32 - 39	3
AN3-6A	45	2
AN3-6A	49 - 6	2
AN3-6A	49 - 24	2
AN3-6A	50 - 28	2
AN3-6A	56 - 8	4
AN3-6A	56 - 19	6
AN3-6A	58 - 24	6
AN3-7	22 - 94	8
AN3-7	24 - 24	2
AN3-7	74 - 26	2
AN3-7	74 - 44	2
AN3-7A	24 - 47	20

MODEL 65 & 80 PARTS CATALOG

PART NUMBER	FIGURE AND INDEX NO.	QTY. PER ARTICLE
AN3-7A	27 - 3	2
AN3-7A	36 - 2A	1
AN3-7A	62 - 29	4
AN3-7A	64 - 59	8
AN3-7A	88 - 73	2
AN3A	18A- 19	4
AN3A5	10 -115	12
AN3CA	62 - 44B	4
AN3H2A	65 - 26	12
AN3H5A	71 - 16	8
AN3021-3	62A- 21	4
AN3021-3	80 - 12	3
AN3021-7	62A- 17	1
AN3027-1	80 - 33	2
AN3027-3	80 - 11	5
AN3027-3	86 - 21	1
AN3027-6	62A- 24	1
AN3057-4	87 - 8	1
AN3057-4A	89	3
AN3057-4A	89	2
AN3057-4B	89	4
AN310-12	45	4
AN310-3	27	61
AN310-3	27	2
AN310-3	28	2
AN310-3	28	2
AN310-3	35	2
AN310-3	38	2
AN310-3	41	8
AN310-3	41	8
AN310-3	58	1
AN310-3	62	4
AN310-3	62	4
AN310-3	63	8
AN310-3	74	6
AN310-3	74	4
AN310-3	74	2
AN310-3	74	2
AN310-3	74	4
AN310-3	74	4
AN310-4	27	32
AN310-4	29	28
AN310-4	32	1
AN310-4	36	2
AN310-4	40	1
AN310-4	41	2
AN310-4	50	4
AN310-4	54	2
AN310-4	54	1
AN310-4	56 - 38	4
AN310-4	57	1
AN310-4	62	12
AN310-4	72 - 19	2
AN310-5	50	1
AN310-5	50	1
AN310-5	54	1
AN310-5	62	2
AN310-6	45	10
AN310-6	46	2
AN310-6	50	2
AN310-6	50	2
AN310-6	50	1
AN310-6	51	1
AN310-8	45	4
AN310-8	50	2
AN310C4	62	4
AN3102A-10SL-3P	21	1
AN3106-10SL-3S	21 - 55	1
AN3106-8S1S	62A- 25	2
AN3106A-10SL-3S	87 - 7	1
AN3115-1	90 - 12	1

PART NUMBER	FIGURE AND INDEX NO.	QTY. PER ARTICLE
AN3122-1524	85 - 59	1
AN3124-307	85 - 61	2
AN315-3R	45	7
AN315-3R	50	1
AN315-3R	68	2
AN315-3R	74	2
AN315-4R	25 - 61	4
AN315-5R	62 - 5	6
AN315C5R	62	12
AN316-4	20	9
AN316-4	27	2
AN316-4	32 - 22	2
AN316-4	64 - 61	4
AN316-4L	55	2
AN316-4R	28 - 50	26
AN316-4R	29 - 22	2
AN316-4R	32	2
AN316-4R	36 - 31	2
AN316-4R	40 - 31	1
AN316-4R	41 - 28	2
AN316-4R	55	2
AN316-4R	62	4
AN316-4R	74 - 2	REF
AN316-4R	74	6
AN316-4R	74 - 12	2
AN316-4R	74 - 24	2
AN316-4R	74 - 42	4
AN316-4R	85	1
AN316-5	59 - 26	2
AN316-5R	65 - 30	6
AN316-6	53 - 19	1
AN316-6L	28	2
AN316-6R	28	7
AN316-6R	38A- 21	1
AN316-6R	41	2
AN316-6R	54 - 4	2
AN316-6R	54 - 27	1
AN3168-1	85 - 8	1
AN3168-2	88 - 18	2
AN3176-1	87 - 18	1
AN320-3	35	28
AN320-3	38A	1
AN320-3	38A	1
AN320-3	41	2
AN320-3	42	2
AN320-3	42	2
AN320-3	42	2
AN320-3	42	2
AN320-3	56	4
AN320-3	58	1
AN320-3	67	2
AN320-4	21	14
AN320-4	28	2
AN320-4	34	6
AN320-4	38	2
AN320-4	45	2
AN320-5	28	14
AN320-5	28	4
AN320-5	45	2
AN320-5	45	2
AN320-5	51	1
AN320-5	54	2
AN320-5	54	1
AN320-6	45	3
AN320-6	58	1
AN3209-3	21 - 29	5
AN3210-1	56 - 63	2
AN3234-1	44 - 23	5
AN3234-1	44A	2
AN3234-1	85 - 5	1
AN3320-1	85 - 25	3

MODEL 65 & 80 PARTS CATALOG

PART NUMBER	FIGURE AND INDEX NO.	QTY. PER ARTICLE
AN3320-1	85 - 74	2
AN340-6	88	4
AN340-8	19	14
AN340-8	31	2
AN340-8	31	4
AN340C616	12 - 19	1
AN3426-2-12	88 - 50	2
AN3435-2-2	90 - 16	2
AN3436-2-10	85 - 20	2
AN3436-2-10	88 - 64	1
AN3436-2-2	88 - 8	2
AN3436-2-4	85 - 62	2
AN3436-2-5	89 - 23	2
AN3436-2-7	43	2
AN345-10	18	4
AN345-6	22	4
AN350-4	24	2
AN363-1032	74	4
AN363-428	62	8
AN363-720	65	12
AN364	11	4
AN364-1032	24	17
AN364-1032	41	1
AN364-1032	42	1
AN364-1032	43	1
AN364-1032	43 - 51	1
AN364-1032	56	1
AN364-1032	60	1
AN364-1032	60	3
AN364-1032	73	2
AN364-1032	73	2
AN364-1032C	41	3
AN364-1032C	68	2
AN364-428	35	19
AN364-428	35	2
AN364-428	35	1
AN364-428	51	2
AN364-428	65	12
AN364-428C	31	4
AN364-524	47	3
AN364-524	52	1
AN364-632	42 - 4	20
AN364-632	88	4
AN364-632	88	4
AN364-632	88	4
AN364-832	88	1
AN364D1032	74	4
AN365-10	23	13
AN365-10	64	12
AN365-1018C	31 - 20	4
AN365-1032	9	623
AN365-1032	10	2
AN365-1032	10	4
AN365-1032	10	2
AN365-1032	10	2
AN365-1032	10	2
AN365-1032	10	6
AN365-1032	11	4
AN365-1032	11	4
AN365-1032	11	4
AN365-1032	11	4
AN365-1032	11	6
AN365-1032	12	2
AN365-1032	12	2
AN365-1032	12	3
AN365-1032	12	4
AN365-1032	12	2
AN365-1032	12	2
AN365-1032	16	4
AN365-1032	18	8
AN365-1032	18	4

PART NUMBER	FIGURE AND INDEX NO.	QTY. PER ARTICLE
AN365-1032	18	8
AN365-1032	18	8
AN365-1032	18	16
AN365-1032	18	8
AN365-1032	21 - 41	2
AN365-1032	21	8
AN365-1032	22	12
AN365-1032	22	4
AN365-1032	24	2
AN365-1032	24	8
AN365-1032	24	2
AN365-1032	25	4
AN365-1032	25	24
AN365-1032	25	24
AN365-1032	27	4
AN365-1032	27	2
AN365-1032	28	2
AN365-1032	28	1
AN365-1032	32	2
AN365-1032	32	14
AN365-1032	34	2
AN365-1032	34	2
AN365-1032	36	1
AN365-1032	37	4
AN365-1032	38	2
AN365-1032	38	3
AN365-1032	38	1
AN365-1032	38A	2
AN365-1032	38A	1
AN365-1032	39	AR
AN365-1032	40	4
AN365-1032	43	1
AN365-1032	43 - 29	2
AN365-1032	43	1
AN365-1032	43 - 70	2
AN365-1032	44 - 22	2
AN365-1032	44 - 37	2
AN365-1032	44	1
AN365-1032	45	2
AN365-1032	45	4
AN365-1032	45	12
AN365-1032	47	8
AN365-1032	49	2
AN365-1032	49	2
AN365-1032	49	8
AN365-1032	49	6
AN365-1032	49	2
AN365-1032	49	2
AN365-1032	50	2
AN365-1032	50	6
AN365-1032	51 - 59	1
AN365-1032	52	4
AN365-1032	54	1
AN365-1032	54	4
AN365-1032	56	1
AN365-1032	56	1
AN365-1032	56	4
AN365-1032	56	2
AN365-1032	56	6
AN365-1032	56	1
AN365-1032	56	2
AN365-1032	56	4
AN365-1032	56	4
AN365-1032	56	4
AN365-1032	57	4
AN365-1032	57	1
AN365-1032	59	2
AN365-1032	59	2
AN365-1032	60	1

MODEL 65 & 80 PARTS CATALOG

PART NUMBER	FIGURE AND INDEX NO.	QTY. PER ARTICLE
AN365-1032	60	8
AN365-1032	60	4
AN365-1032	63	8
AN365-1032	63	4
AN365-1032	63	8
AN365-1032	63	14
AN365-1032	63	44
AN365-1032	63	20
AN365-1032	63	16
AN365-1032	64	24
AN365-1032	64 - 14	4
AN365-1032	64	24
AN365-1032	64	8
AN365-1032	64	8
AN365-1032	64	10
AN365-1032	64	28
AN365-1032	67	4
AN365-1032	68	4
AN365-1032	68	4
AN365-1032	68	4
AN365-1032	69	4
AN365-1032	69	4
AN365-1032	71	2
AN365-1032	78	2
AN365-1032	82	1
AN365-1032	82	2
AN365-1032	82	1
AN365-1032	83	4
AN365-1032	87	2
AN365-1032	88	2
AN365-1032A	63	8
AN365-1032C	63	8
AN365-428	12	164
AN365-428	18	16
AN365-428	18	16
AN365-428	24	16
AN365-428	24	2
AN365-428	27	2
AN365-428	28	10
AN365-428	28	6
AN365-428	28	1
AN365-428	28	2
AN365-428	30	4
AN365-428	30	4
AN365-428	32 - 9	4
AN365-428	32 - 10	6
AN365-428	32	4
AN365-428	32 - 23	2
AN365-428	32	6
AN365-428	35	2
AN365-428	35	1
AN365-428	35	2
AN365-428	35	AR
AN365-428	37	4
AN365-428	39	AR
AN365-428	39	AR
AN365-428	45	4
AN365-428	46	4
AN365-428	46	2
AN365-428	54	1
AN365-428	54	1
AN365-428	54	1
AN365-428	55	4
AN365-428	55	2
AN365-428	55	2
AN365-428	55	4
AN365-428	55	2
AN365-428	57	4
AN365-428	59	2
AN365-428	64	8

PART NUMBER	FIGURE AND INDEX NO.	QTY. PER ARTICLE
AN365-428	76	5
AN365-428	79	4
AN365-428	85	1
AN365-428	87	2
AN365-428	88	2
AN365-428	88	1
AN365-440	44	24
AN365-440	64	8
AN365-440	86	4
AN365-440	86	8
AN365-524	28	62
AN365-524	28	AR
AN365-524	28	4
AN365-524	32	20
AN365-524	32	8
AN365-524	35	AR
AN365-524	39	AR
AN365-524	42	2
AN365-524	42	1
AN365-524	46	2
AN365-524	46	16
AN365-524	51 - 26	1
AN365-524	51	2
AN365-524	64 - 40	4
AN365-6	14	9
AN365-6	22	8
AN365-624	35	28
AN365-624	46	8
AN365-624	48 - 37	16
AN365-628	38A	1
AN365-632	21	94
AN365-632	21	10
AN365-632	21	20
AN365-632	73	12
AN365-632	73	2
AN365-632	80	4
AN365-632	80	2
AN365-632	86	2
AN365-632	88	2
AN365-632	88	4
AN365-632	90	16
AN365-820	46	6
AN365-820	46	2
AN365-832	7	132
AN365-832	7	1
AN365-832	11	4
AN365-832	21	4
AN365-832	22	2
AN365-832	22	2
AN365-832	22	3
AN365-832	22	4
AN365-832	22	4
AN365-832	25	20
AN365-832	25	20
AN365-832	25	4
AN365-832	27	2
AN365-832	29	4
AN365-832	32	12
AN365-832	43	4
AN365-832	43	2
AN365-832	43	2
AN365-832	60	4
AN365-832	75	1
AN365-832	77	8
AN365-832	79	16
AN365-832	85	4
AN365-832	90	4
AN365B632	80	8
AN365B632	80	4
AN380-2	40	2

MODEL 65 & 80 PARTS CATALOG

PART NUMBER	FIGURE AND INDEX NO.	QTY. PER ARTICLE
AN4-10A	12 -108	1
AN4-10A	27 - 4	2
AN4-10A	28	10
AN4-10A	28 - 47	1
AN4-10A	30 - 2	4
AN4-10A	30 - 11	4
AN4-10A	31 - 24	4
AN4-10A	32	2
AN4-10A	55 - 16	4
AN4-11	34 - 1	8
AN4-11	38 - 1	2
AN4-11A	18B- 31	24
AN4-11A	35 - 9	2
AN4-11A	55 - 3	4
AN4-11A	55 - 14	2
AN4-11A	64 - 6	8
AN4-12	32 - 37	3
AN4-12	54 - 1	2
AN4-12A	12 -107	5
AN4-12A	79 - 27	4
AN4-13	54 - 19	1
AN4-13A	54 - 9	14
AN4-13A	62 - 27	8
AN4-13A	73 - 44	5
AN4-14	28	6
AN4-14A	55 - 12	2
AN4-15	56 - 33	4
AN4-15A	56 - 34	2
AN4-20A	28 - 32	1
AN4-21	41 - 34	2
AN4-23	57 - 25	1
AN4-23A	35	1
AN4-24A	62 - 7	16
AN4-30A	62A- 10	2
AN4-37A	9 - 9	1
AN4-4A	24 - 59	10
AN4-4A	62 - 15	4
AN4-4A	63 - 9	2
AN4-4A	63 - 17	2
AN4-5	45 - 31	4
AN4-5A	31 - 5	14
AN4-5A	32 - 13	4
AN4-5A	76 - 3	4
AN4-5A	82 - 56	2
AN4-6A	32	6
AN4-6A	32 - 30	10
AN4-6A	37 - 1	9
AN4-6A	46 - 24	2
AN4-6A	46 - 27	2
AN4-6A	59 - 85	2
AN4-6A	76 - 2	1
AN4-6A	88 - 76	1
AN4-7A	9 - 11	32
AN4-7A	9 - 12	1
AN4-7A	18B- 30	8
AN4-7A	24 - 44	16
AN4-7A	32 - 4	1
AN4-7A	32 - 5	2
AN4-7A	46 - 25	2
AN4-7A	51 - 64	2
AN4A	18B- 57	4
AN4A	18B- 63	8
AN4C10	62	2
AN4C11	62 - 44E	2
AN4C35	62 - 42	8
AN4C5	62	4
AN4H15A	65 - 60	12
AN4H20A	28 - 39	2
AN4H4A	21 - 52	4
AN4H5A	88 - 28	2

PART NUMBER	FIGURE AND INDEX NO.	QTY. PER ARTICLE
AN4H6A	51 - 8	4
AN4076-1	89 - 22	2
AN42-13	58 - 39	1
AN42-6	57 - 27	1
AN43B-10A	39 - 17	2
AN481-10P	40 - 34	1
AN481-2P	36 - 28	2
AN486-1	40 - 33	1
AN486-2	27 - 20	2
AN490HT6	36 - 30	2
AN490HT8	40 - 32	1
AN5-	35	AR
AN5-	39	AR
AN5-10A	32 - 3	26
AN5-10A	46 - 52	16
AN5-11	62	2
AN5-12	28	AR
AN5-12	28	4
AN5-12A	28	5
AN5-12A	47 - 12	2
AN5-12A	52 - 20	1
AN5-14A	42 - 16	2
AN5-25A	51 - 38	2
AN5-36A	42 - 20	1
AN5-4	89 - 7	2
AN5-6A	32 - 29	8
AN5-6A	37 - 2	8
AN5-7A	32 - 2	8
AN500-10-8	71 - 3	4
AN500A10-12	71 - 11	4
AN500A10-8	71 - 5	8
AN500A6-8	59 - 45	2
AN501-10-10	11 - 35	4
AN501-10-10	21 - 58	2
AN501-10-7	63 - 4	12
AN501-10-7	63 - 8	2
AN501-10-7	63 - 16	2
AN501-10-7	63 - 19	2
AN501-10-7	63 - 28	2
AN501-10-7	63 - 33	2
AN501-10A	38A- 27	3
AN501A10	18B- 55	4
AN501A10-6	65 - 24	26
AN501A10-6	65 - 34	6
AN501A10-6	65	6
AN501A10-6	65 - 48	8
AN502-10	38A- 5	2
AN502-10-10	75 - 35	5
AN502-10-12	35	2
AN502-10-16	57 - 38	1
AN502-10-18	35	1
AN502-10-4	48 - 22	2
AN502-10-6	41 - 5	36
AN502-10-6	70 - 7	8
AN502-10-6	70 - 40	8
AN502-10-6	70 - 49	8
AN502-10-6	72 - 5	8
AN502-10-8	70 - 8	8
AN502-10-8	70	2
AN502-10-8	70 - 50	2
AN502-10-8	72 - 4	2
AN502-832-10	24 - 30	6
AN503-10-12	35	2
AN503-8-10	39	4
AN503-8-16	66 - 42	2
AN503-8-6	28 - 13	4
AN503-8-6	39	2
AN504-6-6	22 - 82	16
AN504-6R	18B- 82	16
AN505-6-4	31 - 63	4

MODEL 65 & 80 PARTS CATALOG

PART NUMBER	FIGURE AND INDEX NO.	QTY. PER ARTICLE
AN505-8-48	31 - 59	2
AN507-10R10	64 - 1	20
AN507-10R12	44 - 46	12
AN507-10R12	85 - 38	4
AN507-10R12	85 - 40	6
AN507-10R6	12 - 35	8
AN507-10R6	12 - 37	2
AN507-10R7	11 - 29	10
AN507-1032	10 - 27	7
AN507-1032	12 - 76	3
AN507-1032	37 - 22	4
AN507-1032R	10 - 5	74
AN507-1032R	12 - 85	2
AN507-1032R40	38 - 6	2
AN507-1032R8	25 - 35	36
AN507-1032R8	25 - 64	24
AN507-1032R8	79	4
AN507-440R10	86 - 26	8
AN507-440R8	86 - 9	4
AN507-6	80	12
AN507-6	80	6
AN507-6R20	85 - 15	4
AN507-632	21 - 20	52
AN507-632	21 - 27	20
AN507-632	22 - 36	4
AN507-632	22 - 38	8
AN507-632-10	73 - 15	4
AN507-632-18	18B- 8	8
AN507-632-6	18 - 88	50
AN507-632-6	21 - 23	10
AN507-632-8	25 - 29	14
AN507-632-8	88 - 59	2
AN507-632R16	80 - 20	4
AN507-632R18	88 - 26	8
AN507-632R18	88 - 45	4
AN507-632R6	80 - 25	2
AN507-632R7	88 - 49	2
AN507-632R8	25 - 27	20
AN507-632R8	73 - 33	2
AN507-632R8	73 - 41	10
AN507-8	19 - 2	14
AN507-8	21 - 59	6
AN507-832	21 - 12	22
AN507-832	22 - 41	5
AN507-832	22 - 44	6
AN507-832	22 - 57	3
AN507-832	22 - 64	4
AN507-832-10	24 - 34	8
AN507-832-12	88 - 33	1
AN507-832-7	25 - 78	76
AN507-832-7	25 - 82	38
AN507-832R	38A- 7	2
AN507-832R6	11 - 11	2
AN507-832R8	14 - 30	3
AN507-832R8	20	2
AN507-832R8	22 - 51	4
AN507-832R8	22 - 99	2
AN507-832R8	25 - 25	32
AN507-832R8	25 - 68	24
AN507-832R8	25 - 70	6
AN507-832R8	25 - 72	16
AN507-832R8	25 - 74	32
AN507-832R8	25 - 76	24
AN507-832R8	25 - 80	12
AN507-832R8	34 - 12	16
AN507-832R8	38 - 13	8
AN507-832R8	87 - 12	6
AN507B1032R8	20 - 5	2
AN507B632R	62A- 15	3
AN507B632R12	75 - 48	8

PART NUMBER	FIGURE AND INDEX NO.	QTY. PER ARTICLE
AN507B632R12	77 - 5	4
AN507B632R8	80	8
AN507B632R8	80	4
AN507B8R8	25 - 66	6
AN507UB632R	6	6
AN509-10	9 - 54	24
AN509-10	10 - 48	8
AN509-10	10 - 50	12
AN509-10-12	22 - 60	18
AN509-10-12	22 - 62	2
AN509-10-12	22 - 75	12
AN509-10-5	21 - 47	6
AN509-10R	11 - 31	135
AN509-10R	11 - 33	34
AN509-10R	12 - 11	4
AN509-10R	12 - 16	4
AN509-10R	13 - 2	12
AN509-10R	14 - 5	16
AN509-10R	24 - 53	14
AN509-10R	32 - 27	6
AN509-10R10	11 - 34	8
AN509-10R10	12 - 7	4
AN509-10R12	10 - 19	8
AN509-10R12	32 - 16	4
AN509-10R14	24 - 42	12
AN509-10R14	43 - 4	2
AN509-10R14	43 - 8	6
AN509-10R6	72 - 28	28
AN509-10R8	9 - 6	7
AN509-10R8	85 - 57	4
AN509-10R9	70 - 45	48
AN509-10R9	72 - 9	24
AN509-1032	20 - 30	8
AN509-416R17	62 - 9	8
AN509-8-11	22 - 69	4
AN509-8R14	43 - 6	5
AN509-8R6	44 - 50	2
AN509-8R8	25 - 37	28
AN509-832R8	14 - 27	3
AN509-832R8	24 - 6	6
AN509R8-7	24 - 10	4
AN515-10	10 -101	12
AN515-10	10 -103	2
AN515-10	10 -106	2
AN515-10	10 -108	2
AN515-10	12 - 52	2
AN515-10R	23 - 12	1
AN515-10R	85	2
AN515-10R6	74 - 10	6
AN515-10R6	74 - 17	4
AN515-10R8	82 - 45	8
AN515-10R8	82 - 50	2
AN515-10R8	82 - 53	1
AN515-10R8	85 - 53	4
AN515-4R	88 - 9	4
AN515-4R10	85 - 6	2
AN515-4R5	43 - 15	12
AN515-4R5	64 - 16	8
AN515-4R6	85 - 21	11
AN515-4R6	85 - 63	4
AN515-4R6	89 - 24	4
AN515-4R8	85 - 24	4
AN515-6	14 - 76	7
AN515-6	21 - 36	6
AN515-6	87	3
AN515-6-6	73 - 21	12
AN515-6-7	86 - 16	2
AN515-6-8	22 - 21	7
AN515-6-8	87 - 3	3
AN515-6R	24 - 63	14

MODEL 65 & 80 PARTS CATALOG

	PART NUMBER	FIGURE AND INDEX NO.	QTY. PER ARTICLE			PART NUMBER	FIGURE AND INDEX NO.	QTY. PER ARTICLE	
	AN515-6R	60 - 77	4			AN515R632	22 - 85	1	
	AN515-6R	60 - 80	2			AN520	12 -111	2	
	AN515-6R10	13 - 6	8			AN520-10	11 - 43	34	
	AN515-6R10	85 - 4	2			AN520-10	12 - 40	2	
	AN515-6R10	85	4			AN520-10	12 - 98	2	
	AN515-6R12	22 - 14	AR			AN520-10	18A- 3	2	
	AN515-6R18	88 - 17	6			AN520-10	38A- 11	1	
	AN515-6R18	88 - 58	2			AN520-10	62 - 34	24	
	AN515-6R3	18B- 75	8			AN520-10-12	18 - 86	20	
	AN515-6R32	88 - 52	6			AN520-10-12	73 - 18	12	
	AN515-6R32	88 - 65	2			AN520-10-24	21 - 45	20	
	AN515-6R6	74 - 40	18			AN520-10-24	82 - 39	8	
	AN515-6R6	89 - 5	4			AN520-10-24	83 - 17	4	
	AN515-6R7	22 - 47	2			AN520-10-26	67 - 5	4	
	AN515-6R8	32	2			AN520-10-36	42 - 23	1	
	AN515-6R8	60 - 71	12			AN520-10-5	48 - 21	4	
	AN515-6R8	85 - 2	5			AN520-10-7	24 - 50	12	
	AN515-6R8	85 - 46	3			AN520-10-8	24 - 18	78	
	AN515-632R11	90 - 7	2			AN520-10-8	30 - 8	6	
	AN515-632R7	90 - 8	14			AN520-10-8	30 - 14	6	
	AN515-8	22 - 40	15			AN520-10-8	60 - 3	1	
	AN515-8	44 - 28	2			AN520-10-8	69 - 39	2	
	AN515-8	80	2			AN520-10-8	71 - 18	6	
	AN515-8	80	3			AN520-10-8	80 - 62	47	
	AN515-8	80	3			AN520-10R	9 - 41	26	
	AN515-8-10	43 - 32	4			AN520-10R	9 - 43	6	
	AN515-8-10	43 - 73	2			AN520-10R	9 - 45	4	
	AN515-8-12	29 - 2	4			AN520-10R	23	4	
	AN515-8-16	80	2			AN520-10R	60	4	
	AN515-8-36	22 - 18	4			AN520-10R	63	20	
	AN515-8-5	43 - 87	6			AN520-10R	63	16	
	AN515-8-7	79 - 29	16			AN520-10R	78A- 71	1	
	AN515-8A20	11 - 10	2			AN520-10R	79	4	
	AN515-8R	27	13			AN520-10R10	59 - 2	13	
	AN515-8R	60 - 20	4			AN520-10R10	60 - 15	2	
	AN515-8R	62A- 13	7			AN520-10R10	83 - 20	2	
	AN515-8R	85	3			AN520-10R10	85 - 26	2	
	AN515-8R10	85 - 75	4			AN520-10R10	85 - 49	4	
	AN515-8R14	89 - 19	8			AN520-10R12	18B- 79	24	
	AN515-8R36	85 - 42	2			AN520-10R12	85 - 45	4	
	AN515-8R6	7 - 4	41			AN520-10R12	85 - 51	4	
	AN515-8R6	74 - 38	16			AN520-10R14	63 - 23	64	
	AN515-8R6	89 - 10	2			AN520-10R14	63 - 38	44	
	AN515-8R8	25	37			AN520-10R14	68	4	
	AN515-8R8	25	6			AN520-10R14	74 - 23	2	
	AN515-8R8	74 - 19	2			AN520-10R28	59 - 48	6	
	AN515-8R8	74 - 30	2			AN520-10R28	69 - 53	4	
	AN515-8R8	75 - 44	1			AN520-10R36	85	1	
	AN515-8R8	84 - 20	4			AN520-10R6	63 - 3	40	
	AN515-8R8	85 - 19	1			AN520-10R6	63 - 7	4	
	AN515-8R8	85	3			AN520-10R6	63 - 20	12	
	AN515-8R8	85 - 34	3			AN520-10R6	63 - 22	4	
	AN515-8R8	88 - 53	4			AN520-10R6	73 - 1	4	
	AN515-8R8	90 - 11	8			AN520-10R6	73 - 4	8	
	AN515-832R7	14 - 32	8			AN520-10R8	9 - 19	304	
	AN515-832R7	90 - 15	4			AN520-10R8	9 - 21	17	
	AN515B10R	79	12			AN520-10R8	9 - 23	5	
	AN515B10R	79	8			AN520-10R8	9 - 25	12	
	AN515B4R8	20 - 3	3			AN520-10R8	9 - 27	3	
	AN515B6R	79	28			AN520-10R8	9 - 29	11	
	AN515B6R	79	4			AN520-10R8	10 -111	4	
	AN515B6R	79	4			AN520-10R8	11 - 37	16	
	AN515B6R	79	4			AN520-10R8	11 - 39	40	
	AN515B6R	79	2			AN520-10R8	11 - 41	12	
	AN515B6R	79	3			AN520-10R8	12 - 33	12	
	AN515B6R	79	2			AN520-10R8	21 - 7	6	
	AN515B6R	79	2			AN520-10R8	23	4	
	AN515B6R	79	4			AN520-10R8	25 - 90	8	
	AN515B6R	79	2			AN520-10R8	60 - 65	6	
	AN515C8R12	90	3			AN520-10R8	60 - 67	4	

MODEL 65 & 80 PARTS CATALOG

PART NUMBER	FIGURE AND INDEX NO.	QTY. PER ARTICLE
AN520-10R8	60 - 69	2
AN520-10R8	62 - 19	12
AN520-10R8	62 - 31	16
AN520-10R8	62 - 54	2
AN520-10R8	62 - 57	2
AN520-10R8	62 - 64	2
AN520-10R8	63 - 32	10
AN520-10R8	64 - 2	46
AN520-10R8	64 - 25	26
AN520-10R8	68	4
AN520-10R8	68	4
AN520-10R8	69 - 19	4
AN520-10R8	74 - 6	2
AN520-10R8	85 - 28	4
AN520-1032	9 - 31	2
AN520-1032-68	43 - 10	1
AN520-1032R8	64 - 22	28
AN520-1032R8	88 - 11	2
AN520-640R4	84 - 22	4
AN520C10R8	9 - 34	12
AN520R6-12	78A- 50	3
AN525-10	11 - 15	8
AN525-10	11 - 22	4
AN525-10	38A- 17	10
AN525-10R	18B- 54	8
AN525-10R	18B- 67	16
AN525-10R	32 - 49	42
AN525-10R	32 - 51	4
AN525-10R10	20 - 38	14
AN525-10R10	36 - 1	8
AN525-10R10	40 - 1	4
AN525-10R26	18 - 63	8
AN525-10R7	33 - 4	16
AN525-10R8	11 - 28	23
AN525-1032	20 - 32	6
AN525-1032-6	13 - 4	9
AN525-8	37 - 5	6
AN525-8	87	6
AN525-8R	18B- 53	8
AN525-8R6	25 - 47	4
AN525-8R7	32 - 44	16
AN525-832	64 - 50	8
AN525-832-7	37 - 4	20
AN525-832-7	87 - 2	10
AN525-832R7	25 - 97	56
AN526-1032R8	38 - 4	6
AN526-632-18	88 - 44	4
AN526-632-6	88 - 30	2
AN526-8R6	88 - 68	3
AN526-832-12	31 - 64	3
AN526-832-12	31 - 68	2
AN526-832-8	22 - 34	10
AN526-832-8	24 - 32	8
AN526-832R	80 -	2
AN526-832R7	32 - 42	14
AN526-832R7	80	2
AN526C1032R7	65 - 58	24
AN530-4-4	18 - 90	8
AN530-4R4	11 - 21	2
AN530-6	18 - 18	AR
AN530-6	18	AR
AN530-6	18	AR
AN530-6	18	AR
AN530-6	18	AR
AN530-6	18	AR
AN530-6R	9	28
AN530-6R6	20 - 43	16
AN530-6R6	25 - 11	2
AN530-6R6	64 - 21	12
AN530-8-6	24 - 12	6

PART NUMBER	FIGURE AND INDEX NO.	QTY. PER ARTICLE
AN530-8R6	25	2
AN530-8R7	33 - 12	68
AN535-2-2	31 - 72	6
AN535-2-2	46 - 59	4
AN535-4	18 - 96	8
AN550-6R5	19 - 1	4
AN5546-1	89 - 21	2
AN5547-2	62 - 21	2
AN565B632H3	29 - 11	1
AN565D6H3	31 - 53	4
AN5730-3	90 - 3	1
AN5786-1	24 - 62	2
AN6-13	50 - 9	1
AN6-13A	35	18
AN6-13A	48 - 27	16
AN6-14A	35	2
AN6-17	50 - 6	1
AN6-21/M/	46 - 39	3
AN6-21/M/	51 - 48	1
AN6-22A/M/	38A- 2	1
AN6-23/M/	45 - 13	3
AN6-23/M/	50 - 18	1
AN6-27A/M/	62 - 2	4
AN6-36A/M/	46 - 3	8
AN6012-1A	23 - 39	1
AN6100-1	75 - 21	1
AN6119-3	76 - 46	2
AN6204-2	48 - 19	2
AN6227-13	31 - 15	8
AN6227-13	59 - 32	2
AN6227-13	59 - 36	2
AN6227-14	53 - 3	2
AN6227-17	47 - 18	11
AN6227-17	52 - 17	1
AN6227-17	68 - 24	6
AN6227-17	68 - 25	2
AN6227-23	47 - 19	6
AN6227-23	52 - 13	1
AN6227-23	53 - 4	3
AN6227-29	48 - 12	6
AN6227-38	46 - 15	3
AN6227-38	51 - 29	1
AN6227-5	48 - 7	6
AN6227-6	46 - 48	7
AN6227-6	51 - 28	1
AN6227-6	59 - 31	2
AN6227-6	59 - 38	2
AN6227-9	53 - 11	2
AN6227-9	53 - 17	1
AN6227B29	48	6
AN6227B5	48	6
AN6230-2	48 - 6	6
AN6230-8	46 - 10	3
AN6230-8	51 - 20	1
AN6230B2	48	6
AN6270-4-	81	1
AN6270-4-	82 -	4
AN6270-4-18	84 - 1	1
AN6270-4-19-1/2	84 - 23	1
AN6270-4-26	81	1
AN6270-4-26	81	1
AN6270-4-28	81	1
AN6270-4-28	81	1
AN6270-4-28	81	1
AN6270-4-28	81	1
AN6270-4-28	81	1
AN6270-4-34	81	1
AN6270-4-34	81	1
AN6270-4-38	81	1
AN6270-4-46	81	1
AN6270-6-	82	1

MODEL 65 & 80 PARTS CATALOG

PART NUMBER	FIGURE AND INDEX NO.	QTY. PER ARTICLE
AN6270-6-15	81	1
AN6270-6-15	81	1
AN6270-6-15	81	1
AN6271-4-12-1/2	59 - 19	6
AN6271-4-12-1/2	59 - 21	2
AN6271-4-12-1/2	59 - 22	2
AN6271-4-13	59 - 18	1
AN6271-4-14-1/2	59 - 17	1
AN6271-4-15-3/8	59 - 75	2
AN6271-4-22-1/4	59 - 82	2
AN6289C4	78A- 85	2
AN6290-12	68 - 33	8
AN6290-12	68 - 36	2
AN6290-12	68	2
AN6290-12	68 - 63	2
AN6290-16	76	2
AN6290-16	78A- 83	1
AN6290-4	48 - 17	9
AN6290-4	59	3
AN6290-4	78A	1
AN6290-4	78A- 81	1
AN6290-4D	59	1
AN6290-6	59	1
AN6290-8	76	1
AN7-31A/M/	62 - 4	4
AN7-34A/M/	62 - 3	4
AN702-4	59	2
AN73	38A- 19	1
AN73-15	68 - 13	2
AN73-4	51 - 65	2
AN73-5	34 - 18	3
AN73-5	38 - 11	1
AN735-16	18 - 17	4
AN735-28	42 - 28	1
AN737-22	72 - 44	8
AN737-22	72 - 48	2
AN737-22	72 - 51	4
AN737-26	72 - 34	2
AN737-30	62 - 60	14
AN737-30	62 - 66	4
AN737-30	62 - 73	4
AN737-30	70 - 5	2
AN737-34	62 - 69	8
AN737-34	75 - 40	4
AN737-38	68 - 62	8
AN737-38	72 - 30	4
AN737-44	70 - 6	2
AN737-58	68 - 67	12
AN737-82	72 - 32	4
AN737RM22	69	17
AN737RM22	75 - 9	4
AN737RM22	78A	4
AN737RM22	78A- 26	2
AN737RM22	78A- 28	4
AN737RM22	84 - 16	1
AN737RM26	69	4
AN737RM26	69	2
AN737RM38	70 - 19	2
AN737RM82	70 - 20	2
AN737TW26	68 - 27	4
AN737TW46	68 - 30	4
AN74-3	70 - 44	120
AN74-3	70 - 53	24
AN74-3	72 - 8	24
AN74-3	72 - 26	24
AN74-3	72 - 53	24
AN74-4	70 - 16	24
AN74-5	70 - 25	24
AN74A4	69 - 65	4
AN742-12	62 - 63	2

PART NUMBER	FIGURE AND INDEX NO.	QTY. PER ARTICLE
AN742-6	85 - 18	1
AN742-8	62 - 53	2
AN742D10C	83 - 19	1
AN742D18	82 - 44	1
AN742D20	68 - 72	4
AN742D8	82 - 49	3
AN742D8	82 - 52	1
AN742F20	68 - 74	4
AN743-12	62 - 56	5
AN743-12	69	2
AN743-12	74	2
AN743-12	82	1
AN749-1-4	32	2
AN749-1-6	75 - 43	1
AN749-3-4	32 - 41	6
AN7502-15	46 - 55	2
AN7502-24	51 - 57	1
AN78A15	7 - 16	2
AN780-2	69	4
AN780-2	69 - 57	2
AN780-3	23 - 6	1
AN783-12D	68	2
AN783-6D	59 - 13	1
AN784D16	76 - 48	2
AN790-3	23 - 23	1
AN795-3	23 - 8	2
AN8-32A/M/	46 - 29	4
AN8-33A	46 - 64	2
AN8-45	45 - 5	2
AN8008D10	79 - 28	4
AN8013D2	79	4
AN8018-1	22 - 30	1
AN804D8	69 - 25	2
AN804D8	76 - 51	2
AN807-12	68 - 60	2
AN809-1	51 - 17	1
AN813-1A	46 - 14	3
AN813-1A	51 - 18	1
AN814-12L	68 - 34	2
AN815-10D	82	1
AN815-10D	82	1
AN815-12D	77 - 12	4
AN815-16D	78 - 4	1
AN815-4	78A- 44	3
AN815-4D	59 - 53	24
AN815-4D	59 - 62	1
AN815-4D	59 - 83	2
AN815-4D	61 - 9	2
AN815-4D	69 - 79	2
AN815-4D	69 - 85	2
AN815-4D	75 - 20	3
AN815-4D	77 - 2	1
AN815-4D	78 - 12	1
AN815-4D	81 - 42	1
AN815-4D	82 - 2	1
AN815-4D	82 - 6	1
AN815-4D	82 - 10	1
AN815-4D	82 - 19	1
AN815-4D	82 - 24	1
AN815-4D	82 - 29	1
AN815-4D	84 - 4	1
AN815-4D	84 - 12	1
AN815-4D	84 - 14	1
AN815-4D	84 - 30	1
AN815-5D	23 - 18	4
AN815-6D	70 - 30	23
AN815-6D	72 - 38	4
AN815-6D	78A- 22	17
AN815-8D	69 - 31	11
AN815-8D	69	2

MODEL 65 & 80 PARTS CATALOG

PART NUMBER	FIGURE AND INDEX NO.	QTY. PER ARTICLE
AN815-8D	69	2
AN815-8D	69 - 87	2
AN815-8D	77 - 11	5
AN815-8D	78A	2
AN816-12	68 - 48	2
AN816-16-12D	76 - 28	4
AN816-4-4	60 - 51	2
AN816-4-4	69	1
AN816-4-4D	78 - 15	1
AN816-4D	59 - 59	9
AN816-4D	75 - 13	8
AN816-4D	75 - 16	1
AN816-4D	75 - 24	1
AN816-4D	81 - 27	1
AN816-4D	81 - 38	1
AN816-4D	81 - 44	1
AN816-4D	81 - 46	1
AN816-4D	82	4
AN816-5D	23 - 25	11
AN816-6	69	2
AN816-6	69	1
AN816-6-2D	76 - 8	1
AN816-6-6D	69 - 24	2
AN816-6-6D	81 - 8	2
AN816-6-6D	81 - 51	1
AN816-6D	81 - 7	1
AN816-6D	81	1
AN816-6D	82	4
AN816-7D	69 - 29	2
AN816-8D	69	9
AN816-8D	76 - 29	7
AN816-8D	81	1
AN816-8D	81 - 17	1
AN816-8D	82 - 42	1
AN816-8D	82 - 48	2
AN821-4D	75 - 18	1
AN821-6D	69 - 10	4
AN821-6D	69 - 15	2
AN821-8D	69 - 42	2
AN822-12	68 - 51	4
AN822-12D	68 - 42	2
AN822-16-12D	78	1
AN822-4-4D	67 - 3	2
AN822-4D	59 - 11	9
AN822-4D	59 - 58	2
AN822-4D	61 - 18	4
AN822-4D	75 - 29	1
AN822-6-6D	70 - 26	2
AN822-6D	67 - 7	3
AN822-6D	81	1
AN822-6D	81	1
AN822-6D	82 - 54	1
AN822-8-6D	70	2
AN823-12	68 - 49	4
AN823-12	68 - 56	2
AN823-4	69 - 34D	6
AN823-4	69 - 55	2
AN823-4D	59 - 20	12
AN823-4D	81	1
AN823-4D	81 - 33	3
AN823-4D	81 - 40	1
AN823-5D	23 - 26	2
AN823-6	69 - 63	2
AN823-6	81 - 61	1
AN823-6D	81 - 13	1
AN823-6D	81	1
AN823-8D	83 - 7	2
AN824-10D	78A	1
AN824-4	78A- 40	1
AN824-4D	84 - 34	1

PART NUMBER	FIGURE AND INDEX NO.	QTY. PER ARTICLE
AN824-6D	78A- 18	1
AN824-8D	76 - 18	1
AN825-4D	81 - 28	3
AN825-4D	84 - 8	1
AN825-4D	84 - 26	1
AN826-12D	68 - 39	2
AN826-16-12D	78 - 7	1
AN826-4D	75 - 31	7
AN826-4D	81 - 2	2
AN826-4D	81 - 4	1
AN826-4D	81 - 25	1
AN826-4D	81	1
AN826-4D	84 - 41	1
AN826-6D	59 - 9	1
AN826-8	69 - 34A	2
AN826-8D	82 - 43	1
AN832-10D	82	1
AN832-10D	83 - 11	1
AN832-4	75	3
AN832-4	78A- 38	1
AN832-4C	78A- 84	1
AN832-4D	59 - 67	28
AN832-4D	61 - 11	7
AN832-4D	75 - 6	2
AN832-4D	81 - 35	3
AN832-4D	82 - 4	1
AN832-4D	82 - 8	1
AN832-4D	82 - 12	1
AN832-4D	82 - 18	1
AN832-4D	82	1
AN832-4D	82 - 23	1
AN832-4D	82 - 28	1
AN832-4D	82	4
AN832-4D	83 - 2	1
AN832-4D	83 - 5	1
AN832-4D	83 - 14	1
AN832-4D	84 - 32	1
AN832-6	67	2
AN832-6D	59 - 4	7
AN832-6D	70 - 28	2
AN832-6D	70 - 33	2
AN832-6D	72 - 36	2
AN832-6D	78A- 7	2
AN832-8D	70	6
AN832-8D	70	2
AN832-8D	70 - 36	1
AN832-8D	81 - 57	2
AN833-12	68 - 53	2
AN833-12D	68 - 37	4
AN833-12D	68 - 55	2
AN833-16D	76 - 52	2
AN833-4	61 - 5	10
AN833-4	62 - 45	6
AN833-4	75 - 11	2
AN833-4D	59 - 40	11
AN833-4D	59 - 50	1
AN833-4D	59 - 55	1
AN833-4D	59 - 64	1
AN833-4D	59 - 76	2
AN833-4D	61 - 29	2
AN833-4D	69 - 82	2
AN833-4D	81 - 23	1
AN833-4D	82	4
AN833-6D	67	1
AN833-6D	69 - 12	2
AN833-8D	81 - 66	1
AN834-8D	76 - 10	1
AN837-10D	82 - 16	2
AN837-10D	82 - 33	1
AN837-12	68 - 44	2

MODEL 65 & 80 PARTS CATALOG

PART NUMBER	FIGURE AND INDEX NO.	QTY. PER ARTICLE	PART NUMBER	FIGURE AND INDEX NO.	QTY. PER ARTICLE
AN837-16	78 - 20	1	AN917-3D	81 - 15	2
AN837-4	75	2	AN917-3D	81 - 52	1
AN837-4D	59 - 49	16	AN918-3D	81 - 55	2
AN837-4D	59 - 70	1	AN919-12D	78A	1
AN837-4D	59 - 81	2	AN919-15D	82 - 34	2
AN837-4D	61 - 7	1	AN919-15D	83 - 9	1
AN837-4D	69 - 77	2	AN919-15D1	82 - 14	1
AN837-4D	75 - 24A	2	AN919-22D	76 - 44	2
AN837-4D	81	1	AN919-23D	77 - 10	1
AN837-4D	81 - 31	3	AN919-6	59 - 16	1
AN837-4D	81 - 68	1	AN919-6D	59 - 14	3
AN837-4D	82 - 21	1	AN919-6D	72 - 37	2
AN837-4D	82 - 26	1	AN924-1D	69	2
AN837-4D	82 - 31	1	AN924-10D	82	2
AN837-4D	82	4	AN924-10D	82	1
AN837-4D	84 - 2	1	AN924-10D	82	1
AN837-4D	84 - 6	1	AN924-10D	82	1
AN837-4D	84 - 24	1	AN924-12	68	6
AN837-6	69 - 47	2	AN924-12	68	2
AN837-6	69 - 70	2	AN924-12	68	2
AN837-6D	59 - 6	2	AN924-12D	68 - 35	6
AN837-6D	67	1	AN924-12D	68	2
AN837-8	69	2	AN924-12D	68 - 64	2
AN837-8D	82 - 36	1	AN924-16	78	1
AN838-12D	68 - 65	2	AN924-16D	76	2
AN840-6D	78A- 64	1	AN924-4	62	8
AN840-8	62 - 74	2	AN924-4	69	2
AN840C616	12 - 14	1	AN924-4	75	2
AN842-6D	78A- 90	1	AN924-4	75	2
AN844-4	69 - 61	2	AN924-4D	59	55
AN844-8	62 - 59	2	AN924-4D	59	3
AN894C5-4	78A- 36	2	AN924-4D	59	1
AN894C5-4	78A- 80	1	AN924-4D	59 - 60	2
AN894D10-6	78A	1	AN924-4D	59	1
AN894D8-6	76 - 11	1	AN924-4D	59	6
AN902-5	46 - 12	5	AN924-4D	59	1
AN902-5	51 - 16	1	AN924-4D	59	2
AN910-1	23 - 5	1	AN924-4D	59	2
AN910-1D	69 - 74	2	AN924-4D	61	2
AN910-1D	84 - 9	1	AN924-4D	61	1
AN910-10	84 - 27	1	AN924-4D	61	7
AN911-1D	69 - 73	2	AN924-4D	61	2
AN911-2	69	1	AN924-4D	69	2
AN911-2D	78A- 63	2	AN924-4D	75	2
AN912-1	59 - 8	2	AN924-4D	81	1
AN912-2	81 - 47	1	AN924-4D	81	3
AN912-2D	78A- 62	1	AN924-4D	81	3
AN912-8D	76 - 30	2	AN924-4D	81	1
AN912-9D	82	1	AN924-4D	82	1
AN913-1D	23 - 27	3	AN924-4D	82	1
AN913-1D	62 - 62	2	AN924-4D	82	1
AN913-1S	47 - 22	3	AN924-4D	82	1
AN913-1S	52 - 12	1	AN924-4D	82	2
AN913-2	71 - 7	4	AN924-4D	82	1
AN913-2	71 - 9	2	AN924-4D	82	1
AN913-2D	81	2	AN924-4D	82	1
AN913-2D	81	1	AN924-4D	82	4
AN913-2D	82	4	AN924-4D	82	4
AN913-3	71	2	AN924-4D	82	4
AN913-3D	81	1	AN924-4D	83	1
AN914-2	69 - 66	2	AN924-4D	83	1
AN914-2	69 - 67	1	AN924-4D	83	1
AN914-2D	69 - 28	3	AN924-4D	84	1
AN914-2D	78A- 65	1	AN924-4D	84	1
AN914-3D	69	2	AN924-4D	84	1
AN914-6D	78 - 17	1	AN924-6	67	2
AN915-1D	69 - 72	2	AN924-6	69	2
AN917-2	69 - 68	1	AN924-6D	59	15
AN917-2D	59 - 10	2	AN924-6D	59	1
AN917-2D	78A- 66	1	AN924-6D	59	1
			AN924-6D	67	1

MODEL 65 & 80 PARTS CATALOG

PART NUMBER	FIGURE AND INDEX NO.	QTY. PER ARTICLE
AN924-6D	67	1
AN924-6D	69	2
AN924-6D	70	4
AN924-6D	70	4
AN924-6D	72 - 39	2
AN924-8	69	2
AN924-8D	67	12
AN924-8D	69	2
AN924-8D	70	4
AN924-8D	70	4
AN924-8D	70	4
AN924-8D	76	1
AN924-8D	76	2
AN924-8D	81	1
AN924-8D	81	1
AN924-8D	82	1
AN929-4	75 - 32	1
AN929-8	69 - 34B	2
AN931-10-14	10 - 45	1
AN931-24-28	64 - 3	2
AN931-4516	74 - 34	2
AN931-6-10	69 - 14	2
AN931-6-16	78A	1
AN935-10	31	36
AN935-10	71	8
AN935-10	76	16
AN935-10	77	4
AN935-10L	64	16
AN935-6	88	4
AN936-3616	80	2
AN936A10	44 - 19	8
AN936A10	44 - 34	2
AN936A10	71	4
AN936A4	85	2
AN936A416	32	6
AN936A416	85	4
AN936A516	62	6
AN936A8	22	7
AN936A8	31	1
AN936A8	31	2
AN936A8	44	2
AN936B10	63	12
AN936B10	63	2
AN936B10	63	4
AN936B10	85	4
AN936B416	63	16
AN936B416	63 - 24	14
AN936B8	88	4
AN937D6	72 - 35	2
AN938D8	78A- 98	5
AN944-101	36 - 16	13
AN944-101	40 - 13	1
AN944-101	46 - 35	6
AN944-101	46 - 44	4
AN944-101A	45 - 11	2
AN944-201	46 - 60	2
AN944-301	46 - 61	2
AN960	11	6
AN960	74	2
AN960-10	9	2
AN960-10	9	2
AN960-10	9	8
AN960-10	9	4
AN960-10	10	8
AN960-10	10	2
AN960-10	10	2
AN960-10	10	4
AN960-10	10	2
AN960-10	10	2
AN960-10	10	2
AN960-10	10	2

PART NUMBER	FIGURE AND INDEX NO.	QTY. PER ARTICLE
AN960-10	10	12
AN960-10	11	4
AN960-10	11	8
AN960-10	11	6
AN960-10	12	2
AN960-10	12	2
AN960-10	12	3
AN960-10	12	4
AN960-10	12	2
AN960-10	12	4
AN960-10	12	2
AN960-10	18	8
AN960-10	18	8
AN960-10	18	8
AN960-10	18	4
AN960-10	18	8
AN960-10	18	8
AN960-10	18	8
AN960-10	18	8
AN960-10	18A	16
AN960-10	18A	2
AN960-10	18A	3
AN960-10	18A	4
AN960-10	18B	16
AN960-10	22	4
AN960-10	23	8
AN960-10	23	1
AN960-10	23	4
AN960-10	24	2
AN960-10	24	8
AN960-10	24	2
AN960-10	24	4
AN960-10	25	24
AN960-10	25	24
AN960-10	25	6
AN960-10	27	4
AN960-10	27	2
AN960-10	28	2
AN960-10	28	1
AN960-10	28	3
AN960-10	29	3
AN960-10	32	2
AN960-10	32	10
AN960-10	32	3
AN960-10	34	2
AN960-10	34	6
AN960-10	34	2
AN960-10	35	AR
AN960-10	35	3
AN960-10	36	4
AN960-10	37	8
AN960-10	38	2
AN960-10	38	1
AN960-10	38	1
AN960-10	38	1
AN960-10	38A	2
AN960-10	38A	1
AN960-10	39	2
AN960-10	39	AR
AN960-10	40	4
AN960-10	41	8
AN960-10	41	8
AN960-10	41	8
AN960-10	42	1
AN960-10	43	1
AN960-10	45	2
AN960-10	45	4
AN960-10	45	12
AN960-10	46	2
AN960-10	46	2
AN960-10	47	8

MODEL 65 & 80 PARTS CATALOG

PART NUMBER	FIGURE AND INDEX NO.	QTY. PER ARTICLE
AN960-10	49	2
AN960-10	49	8
AN960-10	49	2
AN960-10	49	2
AN960-10	50	2
AN960-10	50	6
AN960-10	51	1
AN960-10	51	1
AN960-10	51	1
AN960-10	52	4
AN960-10	54	1
AN960-10	54	4
AN960-10	56	1
AN960-10	56	1
AN960-10	56	10
AN960-10	56	2
AN960-10	56	6
AN960-10	56	1
AN960-10	56	2
AN960-10	56	4
AN960-10	56	4
AN960-10	56	4
AN960-10	56	4
AN960-10	57	4
AN960-10	57	2
AN960-10	57	1
AN960-10	57	1
AN960-10	57	1
AN960-10	58	2
AN960-10	58	4
AN960-10	58	1
AN960-10	58	1
AN960-10	59	2
AN960-10	59	2
AN960-10	59	2
AN960-10	60	1
AN960-10	60	8
AN960-10	60	4
AN960-10	60	1
AN960-10	60	2
AN960-10	60	3
AN960-10	60	3
AN960-10	62	4
AN960-10	62	16
AN960-10	62	20
AN960-10	62	24
AN960-10	62	2
AN960-10	62	2
AN960-10	62	4
AN960-10	62	2
AN960-10	62A	8
AN960-10	63 - 5	8
AN960-10	63	4
AN960-10	63	8
AN960-10	63	2
AN960-10	63	8
AN960-10	63	14
AN960-10	63	2
AN960-10	63	10
AN960-10	63	44
AN960-10	63	20
AN960-10	63	16
AN960-10	64	24
AN960-10	64	24
AN960-10	64	12
AN960-10	64	8
AN960-10	64	8
AN960-10	64	10
AN960-10	64	28
AN960-10	64	8
AN960-10	67	4
AN960-10	68	32

PART NUMBER	FIGURE AND INDEX NO.	QTY. PER ARTICLE
AN960-10	68	4
AN960-10	68	4
AN960-10	69	4
AN960-10	69	8
AN960-10	69	2
AN960-10	69	4
AN960-10	71	8
AN960-10	73	12
AN960-10	73	4
AN960-10	74	4
AN960-10	74	4
AN960-10	74	4
AN960-10	74	4
AN960-10	74	2
AN960-10	74	2
AN960-10	74	2
AN960-10	74	4
AN960-10	78A	1
AN960-10	78A	1
AN960-10	82	8
AN960-10	82	1
AN960-10	82	2
AN960-10	82	1
AN960-10	82	1
AN960-10	83	4
AN960-10	83	2
AN960-10	85	1
AN960-10	85	2
AN960-10	87	2
AN960-10	88	2
AN960-10	88	12
AN960-10	88	2
AN960-10L	9	262
AN960-10L	10	4
AN960-10L	10	1
AN960-10L	11	4
AN960-10L	14	1
AN960-10L	14	2
AN960-10L	14	2
AN960-10L	14	1
AN960-10L	18	14
AN960-10L	18	8
AN960-10L	18B	8
AN960-10L	21	8
AN960-10L	22	4
AN960-10L	22	2
AN960-10L	22	12
AN960-10L	22	8
AN960-10L	23	4
AN960-10L	24	2
AN960-10L	24	8
AN960-10L	27	2
AN960-10L	27	8
AN960-10L	27	8
AN960-10L	27	8
AN960-10L	28	2
AN960-10L	28	2
AN960-10L	32	6
AN960-10L	32	3
AN960-10L	35	2
AN960-10L	38	2
AN960-10L	38A	1
AN960-10L	38A	1
AN960-10L	39	4
AN960-10L	41	8
AN960-10L	41	2
AN960-10L	42	1
AN960-10L	43	1
AN960-10L	43	2
AN960-10L	43	1
AN960-10L	43	1
AN960-10L	43	2

MODEL 65 & 80 PARTS CATALOG

PART NUMBER	FIGURE AND INDEX NO.	QTY. PER ARTICLE
AN960-10L	43	1
AN960-10L	43	4
AN960-10L	49	2
AN960-10L	49	6
AN960-10L	56	4
AN960-10L	58	1
AN960-10L	58	2
AN960-10L	58	1
AN960-10L	58	2
AN960-10L	58	1
AN960-10L	58	1
AN960-10L	59	2
AN960-10L	60	6
AN960-10L	60	8
AN960-10L	62	12
AN960-10L	62	2
AN960-10L	63	2
AN960-10L	64	4
AN960-10L	67	4
AN960-10L	68	4
AN960-10L	68	AR
AN960-10L	68	4
AN960-10L	71	4
AN960-10L	71	8
AN960-10L	71	6
AN960-10L	74	4
AN960-10L	74	4
AN960-10L	74	4
AN960-10L	74	2
AN960-10L	74	2
AN960-10L	78	2
AN960-10L	85	2
AN960-10L	85	4
AN960-10L	85	1
AN960-10L	85	4
AN960-10L	85	4
AN960-10L	85	4
AN960-10L	85	4
AN960-10L	85	4
AN960-106	14	1
AN960-1216	45	10
AN960-1216	69	2
AN960-1216	76	2
AN960-1216	80	1
AN960-1216	81	1
AN960-1216	81	1
AN960-1216	82	1
AN960-1216L	45	4
AN960-1416	82	2
AN960-1416	82	1
AN960-1416	82	1
AN960-16	21	20
AN960-1716L	68	6
AN960-1716L	68	2
AN960-1716L	68	2
AN960-2116	78	1
AN960-2416	76	4
AN960-3L	11	2
AN960-4	64	70
AN960-4	85	3
AN960-4	85	4
AN960-4	86	4
AN960-4	86	8
AN960-4	88	4
AN960-4	89	4
AN960-4L	43	8
AN960-4L	85	4
AN960-416	9	303
AN960-416	9	1
AN960-416	18	16

PART NUMBER	FIGURE AND INDEX NO.	QTY. PER ARTICLE
AN960-416	18	8
AN960-416	18	8
AN960-416	18A	5
AN960-416	18B	8
AN960-416	21	2
AN960-416	21	4
AN960-416	24	2
AN960-416	24	16
AN960-416	24	2
AN960-416	27	2
AN960-416	27	2
AN960-416	28	10
AN960-416	28	6
AN960-416	28	1
AN960-416	28	2
AN960-416	29	2
AN960-416	30	8
AN960-416	30	8
AN960-416	31	4
AN960-416	31	4
AN960-416	32	4
AN960-416	32	2
AN960-416	32	2
AN960-416	35	2
AN960-416	35	1
AN960-416	35	2
AN960-416	35	AR
AN960-416	37	3
AN960-416	37	4
AN960-416	39	AR
AN960-416	39	AR
AN960-416	39	AR
AN960-416	40	1
AN960-416	41	2
AN960-416	44A	6
AN960-416	45	2
AN960-416	45	4
AN960-416	45	4
AN960-416	46	4
AN960-416	46	2
AN960-416	50	2
AN960-416	54	2
AN960-416	54	1
AN960-416	54	2
AN960-416	55	4
AN960-416	55	2
AN960-416	55	2
AN960-416	55	4
AN960-416	55	2
AN960-416	55	4
AN960-416	56	2
AN960-416	56	6
AN960-416	56	1
AN960-416	56	1
AN960-416	57	4
AN960-416	57	1
AN960-416	58	1
AN960-416	58	2
AN960-416	59	2
AN960-416	62	16
AN960-416	62	8
AN960-416	62	4
AN960-416	62A	2
AN960-416	64	8
AN960-416	65	12
AN960-416	70	24
AN960-416	72	24
AN960-416	73	4
AN960-416	76	5
AN960-416	82	4
AN960-416	87	2
AN960-416	88	2
AN960-416	88	1

MODEL 65 & 80 PARTS CATALOG

	PART NUMBER	FIGURE AND INDEX NO.	QTY. PER ARTICLE			PART NUMBER	FIGURE AND INDEX NO.	QTY. PER ARTICLE	
	AN960-416L	9	182			AN960-6	85	3	
	AN960-416L	16	12			AN960-6	86	2	
	AN960-416L	18B	4			AN960-6	88	4	
	AN960-416L	18B	8			AN960-6	88	4	
	AN960-416L	21	2			AN960-6	88	2	
	AN960-416L	27	6			AN960-6	88	4	
	AN960-416L	28	2			AN960-6	88	2	
	AN960-416L	32	4			AN960-6	89	4	
	AN960-416L	32	6			AN960-6	90	32	
	AN960-416L	32	1			AN960-6L	6	35	
	AN960-416L	34	6			AN960-6L	42	4	
	AN960-416L	37	6			AN960-6L	85	5	
	AN960-416L	38	2			AN960-6L	87	3	
	AN960-416L	44 - 10	4			AN960-6L	88	4	
	AN960-416L	44A	6			AN960-6L	88	8	
	AN960-416L	48	6			AN960-6L	88	4	
	AN960-416L	51	4			AN960-616	31 - 32	55	
	AN960-416L	62	20			AN960-616	35	6	
	AN960-416L	65	12			AN960-616	38A	1	
	AN960-416L	70	24			AN960-616	45	2	
	AN960-416L	70	24			AN960-616	45	2	
	AN960-416L	70	24			AN960-616	46	8	
	AN960-416L	72	24			AN960-616	46	2	
	AN960-416L	82	2			AN960-616	48	16	
	AN960-416L	85	1			AN960-616	50	1	
	AN960-516	14	2			AN960-616	50	4	
	AN960-516	28	2			AN960-616	50	1	
	AN960-516	28	AR			AN960-616	51	1	
	AN960-516	28	2			AN960-616	51	1	
	AN960-516	28	4			AN960-616	54	1	
	AN960-516	28	4			AN960-616	58	1	
	AN960-516	35	AR			AN960-616	62	8	
	AN960-516	39	AR			AN960-616L	31 - 34	4	
	AN960-516	42	4			AN960-616L	35	2	
	AN960-516	42	1			AN960-716	59	81	
	AN960-516	45	2			AN960-716	59	4	
	AN960-516	45	2			AN960-716	59	2	
	AN960-516	46	2			AN960-716	59	12	
	AN960-516	46	16			AN960-716	59	2	
	AN960-516	47	2			AN960-716	59	4	
	AN960-516	50	1			AN960-716	62	8	
	AN960-516	50	1			AN960-716	62	12	
	AN960-516	51	2			AN960-716	65	12	
	AN960-516	51	1			AN960-716	69	4	
	AN960-516	52	1			AN960-716	69	2	
	AN960-516	54	2			AN960-716	75	2	
	AN960-516	62	6			AN960-716	81	1	
	AN960-516	62	2			AN960-716	81	3	
	AN960-516	64	4			AN960-716	81	3	
	AN960-516L	51	2			AN960-716	81	1	
	AN960-516L	54	2			AN960-716	82	1	
	AN960-516L	54	1			AN960-716	82	1	
	AN960-516L	89	2			AN960-716	82	1	
	AN960-6	14	155			AN960-716	82	1	
	AN960-6	21	6			AN960-716	82	1	
	AN960-6	22	AR			AN960-716	82	1	
	AN960-6	22	4			AN960-716	82	1	
	AN960-6	22	4			AN960-716	82	1	
	AN960-6	22	8			AN960-716	82	4	
	AN960-6	22	2			AN960-716	83	1	
	AN960-6	59	4			AN960-716	83	1	
	AN960-6	73	4			AN960-716	83	1	
	AN960-6	73	12			AN960-716	83	1	
	AN960-6	73	2			AN960-716	84	1	
	AN960-6	73	10			AN960-716	84	1	
	AN960-6	80	4			AN960-716L	84	1	
	AN960-6	80	4			AN960-716L	43 - 49	2	
	AN960-6	80	2			AN960-716L	82	4	
	AN960-6	80	4			AN960-716L	82	4	
	AN960-6	85	4			AN960-8	7	129	
						AN960-8	7	1	

MODEL 65 & 80 PARTS CATALOG

PART NUMBER	FIGURE AND INDEX NO.	QTY. PER ARTICLE
AN960-8	7	1
AN960-8	11	4
AN960-8	18B	8
AN960-8	18B	4
AN960-8	19	8
AN960-8	21	4
AN960-8	22	4
AN960-8	25	20
AN960-8	25	20
AN960-8	25	4
AN960-8	27	2
AN960-8	29	4
AN960-8	43	2
AN960-8	43	2
AN960-8	62A	7
AN960-8	64	8
AN960-8	74	2
AN960-8	74	16
AN960-8	75	1
AN960-8	85	1
AN960-8	89	4
AN960-8	89	8
AN960-8	90	8
AN960-8	90	4
AN960-8L	20	34
AN960-8L	22	2
AN960-8L	22	4
AN960-8L	22	3
AN960-8L	22	4
AN960-8L	22	4
AN960-8L	22	2
AN960-8L	31	1
AN960-8L	31	2
AN960-8L	37	6
AN960-8L	77	8
AN960-8L	85	3
AN960-8L	85	3
AN960-8L	85	3
AN960-8L	87	6
AN960-8L	88	1
AN960-810	46	2
AN960-816	45	22
AN960-816	46	4
AN960-816	50	4
AN960-816	64	4
AN960-816	73	2
AN960-916	59	6
AN960-916	59	1
AN960-916	59	2
AN960-916	67	1
AN960-916	67	2
AN960-916	67	1
AN960-916	69	2
AN960-916	69	2
AN960A10	68	2
AN960C416L	12	1
AN960C416L	62	8
AN960C8	90	3
AN960D10	67	8
AN960D10L	12	76
AN960D10L	12	28
AN960D10L	12	38
AN960D10L	14	1
AN960D10L	61	2
AN960D10L	61	2
AN960D416	62	16
AN960D416	69	4
AN960D6L	74	14
AN960D716	75	12
AN960D716	75	4

PART NUMBER	FIGURE AND INDEX NO.	QTY. PER ARTICLE
AN960D8	60	4
AN960D916	69	4
AN960D916L	72	4
AN960PD10	60	3
AN960PD10	60	1
AN960PD10L	20	4
AN960PD10L	51	2
AN960PD4L	20	3
AN960PD416L	51	2
AN960PD6L	87	3
AN960PD67	60	4
AN960PD716L	61	12
AN960PD716L	61	1
AN960PD716L	61	7
AN960PD716L	61	2
AN970-3	23 - 42	2
AN970-3	38	2
AN970-3	79	4
AN970-4	22	4
AN975-3	41	18
AN975-3	41	1
AN975-3	42	2
AN975-3	42	2
AN975-3	42	2
AN975-3	42	2
AN975-3	43	1
AN975-3	56	4
AN975-3	56	1
AN975-3	73	2
AN975-3	73	2
AN975-4	35	5
AN975-4	35	2
AN975-4	35	1
AV01050	89 - 18	2
AV1B1473	69 - 52	2
AV1B1474	61 - 2	2
AV1B1474	61 - 26	1
AYLF2336-2	85 - 23	1
AYLF3001-1	85 - 30	1
AYLF5305	85 - 52	1
A100	14 - 26	1
A1059-014-3	72 - 15	12
A1777-6Z	25	2
A210390	62	1
A210390	67	2
A321	77 - 34	4
A4-30	88 - 71	1
A47G-026	59 - 24	2
A47G-028	59 - 29	2
A47G-029	59 - 28	2
A47G-030	59 - 39	2
A47G-032	59 - 35	2
A47G-034	59 - 37	2
A47G-035	59 - 30	2
A50H-011	59 - 33	2
A50H-012-2	59 - 25	2
A638-1	55 - 6	1
A638-1	55 - 8	2
A6914-1024	37 - 13	1
A6914-1024-1	30 - 6	8
A6914-1024-1	30 - 16	6
A7165-1-327	21 - 8	1
A742-2	38A- 10	1
A8970-1-327	79 - 3	6
A8970-1-327	80 - 3	2
A8970-1-327	80	2
A8970-1-327	85 - 43	1
A8970-2-327	79 - 2	26
A8975-2-327	79 - 4	4
B-1363	65 - 40	2
B-1364	65 - 41	2

MODEL 65 & 80 PARTS CATALOG

PART NUMBER	FIGURE AND INDEX NO.	QTY. PER ARTICLE
B-1402	65 - 49	2
B-148	54 - 17	2
B-188-0H	56 - 11	2
B-188-0H	56 - 22	2
B-36	31 - 44	4
B-538	36 - 5	2
B-538	36 - 10	2
B-538	40 - 7	1
B-538	40 - 17	1
B-543	45 - 34	2
B-543	50 - 38	2
B-59X	54 - 31	2
B-66	33 - 17	6
B-66	37 - 16	2
B-66	56 - 41	12
B-842	7A- 5	1
B-854	65 - 12	2
B-868-1A	65 - 39	2
B-882-5	65 - 52	6
BLDS6-20	18B	4
BRH605A	86 - 15	2
BS51043	43 - 20	1
B1-609-1-B-1	10	2
B1-8294-1G	10	2
B1-8610-1C	10	2
B1368	65	2
B2120-501	21 - 28	5
B538	29 - 4	3
B538	29 - 14	2
C-1301	65 - 14	6
C-1351	65 - 1	2
C-1451	65 - 28	2
CA06B-10SL-3S	80 - 46	3
CA462/MC9B00	88 - 10	4
CA462/MC9B00	90 - 17	2
CCA-3400	70 - 2	2
CCA-4850	70 - 17	2
CCA4850	69 - 34C	4
CCA4850	69 - 75	2
COMM	15 - 3	AR
COMM	15 - 5	12
COMM	15 - 6	6
COMM	15 - 11	1
COMM	15 - 15	AR
COMM	15 - 17	8
COMM	15 - 18	4
COMM	20 - 50	1
COMM	46 - 62	4
COMM	48 - 26	20
CR2795B105A1	85	2
CS2	7 - 20	1
CYLZ5346	85 - 27	1
CO-219	23 - 36	2
C24-550	20	1
C847C	18B- 7	2
C847C	20 - 65	8
C847CR	18B	12
D-1367-2	65	2
D-1367-3	65 - 57	2
D-1414	65 - 56	2
D-1414-1	65	2
D-1433	65 - 59	2
D-611-A	18A- 11	4
D611A	16 - 24	2
D611A	18B- 23	4
D6761-1-5	75 - 52	1
D727-1-15	62A- 18	1
D7270-5-10	77 - 35	1
D7270-5-10	80 - 10	1
D7270-5-15	80 - 13	4
D7270-5-20	80 - 9	1
D7270-5-5	80 - 8	3

PART NUMBER	FIGURE AND INDEX NO.	QTY. PER ARTICLE
D7271-1-10	80 - 50	3
D7271-1-15	80 - 51	2
D7271-1-5	88 - 14	1
D7271-5-15	80 - 7	14
EB144	25	2
EF-5	7 - 17	2
F-860	36 - 8	2
F-860	36 - 14	2
F-860	40 - 9	1
F-860	40 - 19	1
FC3570-4	70	2
FC3570-4	72	2
FC3570-5	70	2
FD-1643	16 - 26	2
FDK-2707	16 - 25	2
FDK2707	18A- 14	4
FDK2707	18B- 24	4
FD1643	18A- 15	4
F1123	41 - 11	2
F2X2T3	75 - 28	1
GB-59	49 - 9	2
GB-59	66 - 44	2
G760	62 - 20	2
G7740-7-24	85 - 1	1
HC-B3Z20-2A/ 10151-8	62	2
HC-B3Z20-2A/ 10151-8	65	REF
HC-B3Z30-2B/ 10151-8	62	2
HC-93Z20-2C1/ 10151-8	62 - 23	2
HC-93Z20-2C1/ 10151-8	65	REF
HE-702	68 - 31	2
HE-715-1	68 - 40	1
HE-715-2	68	1
HE-722-3	67 - 4	2
HE756	68	2
HF-3	27 - 19	2
HM-4	28 - 51	2
HM-4	29 - 21	2
HM-4	55 - 19	2
HM-6	54 - 26	1
HML-4	55 - 18	2
H10-3	58	2
H10-3	58	1
H4602-040-142	11 - 16	1
H4609	11 - 17	2
H5000-032-040	68 - 22	2
IGS0-480-A1A6	62 - 1	2
IGS0-480-A1B6	62	2
IGS0-540-A1A	62	2
I18.9661	75 - 2	4
J-6545-1	62 - 11	4
J-7525-1	62 - 10	4
JV-5	44 - 24	4
JV-5	44A	2
J56A80	85	1
K9000S-1A	71 - 15	2
L-431-1163-133	74 - 31	1
L-431-1163-2	74	1
L-431-1163-5	74	1
L-431-1163-6	74	1
LBA27492	19 - 8	2
LBA30469	43 - 13	1
LC-C6	25	26
LC-C6	25	16
LC-C6	25	8
LC-66	9	3
LPA27630	19 - 7	2
LPA27630	43 - 11	1

MODEL 65 & 80 PARTS CATALOG

PART NUMBER	FIGURE AND INDEX NO.	QTY. PER ARTICLE
LV29381	43	1
LWA29455	19	2
LWA29455	43	1
LZ-27591	43 - 9	1
M-471	57 - 1	1
MC2711	56 - 64	2
MD46-15	28 - 38	6
MD46-15	54 - 3	2
MS100009	66 - 13	2
MS150002-3	50 - 21	3
MS150002-3	50 - 29	2
MS15001-4	29 - 8	1
MS171466	18B	8
MS171468	18B- 74	8
MS171498	10 - 23	2
MS171498	18B- 48	4
MS171498	18B- 51	4
MS171530	44 - 44	2
MS171532	18B- 46	4
MS171534	14 - 49	1
MS171534	18B- 43	8
MS171591	14 - 67	1
MS171688	18B- 69	8
MS20218-2	62	2
MS20219-1	58 - 55	11
MS20219-1	73 - 43	10
MS20219-2	39	2
MS20220-2	39	2
MS20271B12	42 - 10	2
MS20341-6	88	2
MS20364-	43	2
MS20364-1032	14	1
MS20364-428	16	5
MS20364-428	58	1
MS20364-632	6	6
MS20364-632	73	4
MS20365-1032	9	165
MS20365-1032	9	3
MS20365-1032	9	2
MS20365-1032	9	8
MS20365-1032	10	4
MS20365-1032	10	8
MS20365-1032	10	1
MS20365-1032	12	4
MS20365-1032	12	2
MS20365-1032	18	8
MS20365-1032	18	8
MS20365-1032	18A	2
MS20365-1032	18A	3
MS20365-1032	18B	24
MS20365-1032	18B	8
MS20365-1032	18B	4
MS20365-1032	18B	16
MS20365-1032	22	4
MS20365-1032	22	2
MS20365-1032	22	4
MS20365-1032	22	4
MS20365-1032	32	3
MS20365-1032	39	3
MS20365-1032	44A	4
MS20365-1032	56	6
MS20365-1032	58	6
MS20365-1032	59	2
MS20365-1032	60	1
MS20365-1032	60	4
MS20365-1032	60	3
MS20365-1032	62	12
MS20365-1032	62	4
MS20365-1032	62	24
MS20365-1032	62	2
MS20365-1032	62	2
MS20365-1032	62A	8

PART NUMBER	FIGURE AND INDEX NO.	QTY. PER ARTICLE
MS20365-1032	63	4
MS20365-1032	64	8
MS20365-1032	68	8
MS20365-1032	73	4
MS20365-1032	74	4
MS20365-1032	74	4
MS20365-1032	74	4
MS20365-1032	74	4
MS20365-1032	74	2
MS20365-1032	74	2
MS20365-1032	74	1
MS20365-1032	78A	1
MS20365-1032	78A	1
MS20365-1032	78A	4
MS20365-1032	79	4
MS20365-1032	82	8
MS20365-1032	83	2
MS20365-1032	85	1
MS20365-1032	85	2
MS20365-1032	85	4
MS20365-1032C	62	16
MS20365-42	62A	2
MS20365-428	9	57
MS20365-428	9	1
MS20365-428	18A	5
MS20365-428	18B	8
MS20365-428	22	4
MS20365-428	32	2
MS20365-428	37	9
MS20365-428	39	2
MS20365-428	44A	4
MS20365-428	44A- 19	4
MS20365-428	56 - 39	2
MS20365-428	56 - 45	1
MS20365-428	56	1
MS20365-428	62	16
MS20365-428	62	8
MS20365-428	73	5
MS20365-428	82	2
MS20365-428C	9	1
MS20365-440	43	25
MS20365-440	44A	4
MS20365-440	85	2
MS20365-440	85	3
MS20365-440	85	4
MS20365-440	85	4
MS20365-440	88	4
MS20365-440	89	4
MS20365-524	37	8
MS20365-524	89	2
MS20365-624	18B	8
MS20365-624	62	4
MS20365-632	18B	8
MS20365-632	22	52
MS20365-632	22	4
MS20365-632	22	2
MS20365-632	60	4
MS20365-632	60	2
MS20365-632	73	10
MS20365-632	85	5
MS20365-632	85	4
MS20365-632	85	3
MS20365-632	88	4
MS20365-632	88	2
MS20365-632	88	4
MS20365-632	88	2
MS20365-632	88	4
MS20365-632	88	4
MS20365-720	62	4
MS20365-832	7	46
MS20365-832	18B	8
MS20365-832	20	2

MODEL 65 & 80 PARTS CATALOG

PART NUMBER	FIGURE AND INDEX NO.	QTY. PER ARTICLE	PART NUMBER	FIGURE AND INDEX NO.	QTY. PER ARTICLE
MS20365-832	22	4	MS25041-3	86 - 20	1
MS20365-832	22	2	MS25041-4	43 - 89	4
MS20365-832	60	2	MS25041-4	80 - 37	2
MS20365-832	62A	7	MS25041-8	79 - 23	1
MS20365-832	64	8	MS25068-21	80	2
MS20365-832	74	2	MS25083-1AA8	90 - 5	2
MS20365-832	74	2	MS25083-1AA6	90 - 6	6
MS20365-832	74	16	MS25083-1BB4	90 - 13	2
MS20365-832	85	1	MS25083-1BC4	90 - 14	2
MS20365-832	85	2	MS25089-3C	79 - 20	3
MS20365-832	88	4	MS25089-3C	86 - 22	2
MS20365-832	89	4	MS25171-1S	89 - 11	2
MS20365-832R8	22	4	MS25171-3S	89 - 13	2
MS20365B1032	20	2	MS25171-4S	89 - 12	4
MS20365B440	20	3	MS25182-1	88 - 3	1
MS20365C1032	62	20	MS25225	62A- 22	1
MS20365D1032	74	4	MS25226-2-2	85	1
MS20392-1-13	44 - 17	4	MS25231-313	20 - 41	1
MS20392-1-13	44 - 32	2	MS25237-327	62A	1
MS20392-1-13	44A- 14	4	MS25237-327	80	26
MS20392-1-25	14 - 43	1	MS25327-327	43	2
MS20392-2-19	18 - 16	4	MS28034-1	62 - 22	2
MS20392-2-41	43 - 83	1	MS28034-1	89	1
MS20392-2-71	43 - 54	2	MS28740-12	68 - 47	8
MS20392-2-71	43 - 76	1	MS28740-12	68 - 59	4
MS20392-3-11	24	4	MS28741-12-0062	68 - 54	2
MS20392-3-15	12 - 15	1	MS28741-12-0176	68 - 50	2
MS20392-3-21	14 - 41	2	MS28741-16-0124	78 - 18	1
MS20396-1-25	18B	8	MS28741-16-0130	78 - 6	1
MS20822-4-4D	81 - 48	1	MS28741-16-0190	78 - 19	1
MS20822-4D	77 - 3	2	MS28741-16-0216	78 - 5	1
MS20822-4D	81	1	MS28741-4	69 -	2
MS20822-4D	81 - 30	1	MS28741-4-	62	2
MS20822-6-6D	81 - 14	4	MS28741-4-0140	62 - 46	4
MS20822-6-6D	81 - 21	1	MS28741-4-0140	69 - 76	2
MS20822-6-6D	81 - 59	1	MS28741-4-0162	78 - 14	1
MS20822-6-6D	81 - 64	1	MS28741-4-0210	61	2
MS20822-6D	78A- 69	1	MS28741-4-0230	62 - 48	2
MS20822-6D	81 - 10	5	MS28741-4-0232	62 - 50	2
MS20822-6D	81 - 20	1	MS28741-6-	67	1
MS20822-6D	81 - 50	2	MS28741-6-	67	1
MS20822-6D	81 - 63	1	MS28741-6-0084	69 - 71	2
MS20822-8D	69 - 17	8	MS28741-6-0144	69 - 62	2
MS20822-8D	69 - 23	2	MS28741-6-0186	69 - 48	2
MS20822-8D	81 - 11	1	MS28741-6-0210	67 - 8	3
MS20822-8D	81 - 18	3	MS28741-6-0210	69 - 69	1
MS20822-8D	81 - 54	2	MS28741-6-0244	69	1
MS21919BG8	69 - 18	2	MS28741-8-0186	69	2
MS21919DG34	60 - 58	1	MS28777-4	78A- 86	2
MS21919DG36	60 - 2	3	MS28778-4	48	2
MS21919DG36	60 - 14	2	MS28784-114	67	2
MS21919DG4	60 - 85	5	MS28889-1	78A- 35	1
MS21919DG4	74 - 22	2	MS29512-4	75 - 22	3
MS21919DG6	78A- 29	1	MS29512-6	72	8
MS21919DG9	74 - 5	2	MS29512-8	69 - 26	2
MS24665-132	62	4	MS29512-8	78A	3
MS24665-132	74	4	MS29513-10	72 - 12	2
MS24665-134	74	1	MS29513-232	72 - 20	2
MS24665-136	62	2	MS3057-3B	62A- 26	2
MS25010-3A	43 - 88	38	MS3100-32-6P	88 - 61	2
MS25010-3A	80 - 6	20	MS3106-10SL-3S	80 - 40	1
MS25010-3A	85 - 64	5	MS3106B-10SL-3S	85 -	3
MS25010-3A	86 - 19	9	MS3106B-10SL-3S	89 - 15	2
MS25011-1	85 - 7	9	MS3106B-10SL-4S	85	6
MS25011-1	85 - 9	2	MS3106B-10SL-4S	89 - 2	1
MS25011-1	88 - 16	2	MS3106B-10SL-4S	89 - 8	4
MS25011-1	88 - 20	2	MS3106B-12S-3S	85	4
MS25011-1	88 - 42	2	MS3106B-12S-3S	89 - 16	2
MS25026-1	88 - 54	2	MS3106B-14S-12S	88 - 63	1
MS25041-3	80 - 38	3	MS3106B-14S-2S	85 - 32	1

MODEL 65 & 80 PARTS CATALOG

PART NUMBER	FIGURE AND INDEX NO.	QTY. PER ARTICLE
MS3106B-14S-5S	88 - 5	1
MS3106B-18-1S	85 - 29	1
MS3106B-32-6S	89 - 1	2
MS3106E12S-3S	89	1
MS3108B-10SL-3S	89	1
MS35489-6	18B	16
M4861-H-1A	60 - 64	1
NAS1329A08K75	18B	8
NAS1329A3K80	18B	32
NAS1329A3K80	18B	16
NAS143-10	25	6
NAS143-10C	25	2
NAS143-4C	34	16
NAS143-4C	38	4
NAS143-5	62	4
NAS143-5C	62	4
NAS143-6	62	4
NAS143-6C	62	4
NAS143-7C	54 - 38	1
NAS144DH-11	34 - 16	16
NAS144DH-11	38 - 9	4
NAS145-28	62 - 16	4
NAS146-28	62 - 17	4
NAS150-33	25 - 20	4
NAS150-38	25 - 19	2
NAS183-4-9A	57 - 10	4
NAS2-101	51 - 3	13
NAS2-101	51 - 44	3
NAS2-101	51 - 54	2
NAS2-101	53 - 20	1
NAS2-101	56 - 12	2
NAS2-101A	45 - 17	8
NAS2-101A	54 - 18	1
NAS2-101A	54 - 32	3
NAS2-301	56 - 21	2
NAS220-10	25	8
NAS220-10	25	4
NAS220-25	18B- 28	8
NAS220-8	18B- 34	28
NAS220-8	25	24
NAS220-8	25	12
NAS220-9	25	8
NAS220-9	25	4
NAS221	10 - 33	224
NAS221	10 - 38	31
NAS221	10 - 40	18
NAS221	10 - 44	51
NAS221	10 - 52	52
NAS221	10 - 54	8
NAS221	18A- 9	3
NAS221	38A- 6	2
NAS221-10	18B- 26	16
NAS221-12	18 - 43	14
NAS221-12	18 - 94	8
NAS221-12	25	14
NAS221-12	25	24
NAS221-13	16 - 16	14
NAS221-13	25	10
NAS221-14	18 - 69	8
NAS221-17	18B- 40	8
NAS221-19	11 - 8	44
NAS221-19	18	8
NAS221-19	18	8
NAS221-19	18 - 34	16
NAS221-19	18 - 48	8
NAS221-21	10 - 36	8
NAS221-24	18 - 80	8
NAS221-25	18B- 41	16
NAS221-26	18 - 76	16
NAS221-38	44A- 22	4

PART NUMBER	FIGURE AND INDEX NO.	QTY. PER ARTICLE
NAS221-45	44 - 40	1
NAS221-7	10 - 56	20
NAS221-7	10 - 58	12
NAS221-8	24 - 36	116
NAS221-8	24 - 38	32
NAS221-8	24 - 40	16
NAS221-8	64 - 27	40
NAS221-9	25 - 92	32
NAS221-9	27 - 21	8
NAS221-9	27 - 24	8
NAS221-9	27 - 27	8
NAS222	18A- 10	5
NAS222-28	18 - 8	16
NAS222-30	18 - 78	8
NAS228	60 - 46	2
NAS229	12 - 29	81
NAS229	12 - 31	38
NAS229	22 - 55	10
NAS229	60 - 41	4
NAS229	60 - 59	1
NAS230-23	58 - 28	1
NAS302-66-5236	35 - 18	1
NAS302-66-5271	43 - 52	2
NAS302-66-5271	43 - 74	1
NAS302-66-5285	39 - 10	1
NAS302-67	73 - 34	2
NAS302-67-0510	73 - 16	2
NAS302-67-1964	29 - 23	1
NAS302-77-1213	36 - 18	1
NAS302-77-1614	36	1
NAS304-24-0183	28 - 8	2
NAS304-26-0077	28 - 6	1
NAS304-27-0077	28 - 5	1
NAS304-34-0735	35 - 8	1
NAS304-34-0753	35	1
NAS306-34-1176	28 - 23	2
NAS306-35-1172	28 - 24	2
NAS314-15-1052	28 - 10	1
NAS314-15-1114	28 - 11	1
NAS354-4-1310	62	2
NAS354-4-1310	74	2
NAS354-4-720	74 - 41	2
NAS354-4-880	64 - 60	2
NAS384-10-8	18	4
NAS384-6-10	20 - 74	4
NAS384-6-6	20 - 53	4
NAS384-6-6P	21 - 31	24
NAS384-6-6P	14 - 17	AR
NAS384-6-8	14 - 19	12
NAS384-6-8	20 - 36	2
NAS384-6-8P	19 - 13	4
NAS384-6P	22	2
NAS384-8-12P	15 - 14	8
NAS384-8-6	20 - 18	30
NAS384-8-8P	15 - 13	42
NAS384-8-8P	20 - 21	4
NAS384-8-8P	21 - 18	30
NAS384-8P	12 - 21	56
NAS384-8P	15 - 2	16
NAS384-8P	15 - 9	20
NAS384-8P	15 - 22	6
NAS385-10-12P	22 - 53	6
NAS385-6	20 - 47	4
NAS385-6	23	2
NAS385-6-8	20 - 45	4
NAS385-8-8P	21 - 4	5
NAS387-1032-10	19 - 4	8
NAS387-1032-10	19 - 6	4
NAS387-1032-12	85 - 55	4
NAS387-1032-12P	21 - 2	4

MODEL 65 & 80 PARTS CATALOG

PART NUMBER	FIGURE AND INDEX NO.	QTY. PER ARTICLE	PART NUMBER	FIGURE AND INDEX NO.	QTY. PER ARTICLE
NAS387-1032-8P	86 - 2	5	NAS427T21	10 - 78	1
NAS387-1032P	60 - 6	16	NAS428-13	41 - 27	2
NAS387-1032P	60 - 10	4	NAS428-4-11	25 - 62	2
NAS387-632-10P	20 - 25	8	NAS463-T-DD-10	38	4
NAS387-632-10P	20 - 27	4	NAS464P4-17	35	4
NAS387-8P	21	2	NAS464P6-28	45 - 7	2
NAS387-832-12P	22 - 66	11	NAS495-14-29	25 - 18	2
NAS387-832-12P	22 - 71	4	NAS50-106	36 - 6	6
NAS387-832-12P	43 - 17	4	NAS50-106	36 - 11	2
NAS387-832-40P	22 - 43	2	NAS50-106	40 - 11	1
NAS387-832-6	44 - 42	2	NAS50-106	40 - 18	1
NAS390-6P	20	10	NAS50-112	31 - 9	5
NAS390-6P	21	6	NAS50-112	57 - 6	1
NAS390-8P	12	72	NAS50-162	53 - 6	2
NAS390-8P	15	16	NAS50-200	57 - 13	2
NAS390-8P	15	20	NAS50-200	57 - 20	1
NAS390-8P	15	16	NAS50-275	46 - 8	3
NAS390-8P	15	6	NAS50-275	51 - 14	1
NAS390B10P	43	4	NAS50-287	48 - 31	2
NAS390P8	22	2	NAS50-62	53 - 14	1
NAS391-10	19	12	NAS505-3J	25	4
NAS391-10	19	4	NAS505-3J	25	2
NAS391-10	85	4	NAS505-4J	37 - 16A	1
NAS391-10P	60	13	NAS51-100	57 - 11	4
NAS391-10P	60	4	NAS51-100	57 - 19	3
NAS391-10P	86	5	NAS51-137	58 - 22	2
NAS391-6	20	12	NAS51-43	57 - 2	1
NAS391-6	20	4	NAS51-50	47 - 5	6
NAS391-6	20	4	NAS51-50	52 - 11	1
NAS391-6	23	2	NAS51-50	57 - 5	1
NAS391-8P	21	2	NAS51-50	73 - 25	2
NAS391S8P	20	35	NAS51-87	43 - 34	1
NAS391S8P	21	5	NAS548P6-6	18B	20
NAS395-14-1	20	30	NAS56-35	50 - 2	2
NAS395-18-1	22	17	NAS561P3-12	80 - 27	1
NAS395-18-1	22	3	NAS697A3	60	4
NAS395-18-1	22	4	NDR4A	31 - 43	2
NAS397-24	68 - 71	4	ND77-R4	31 - 48	2
NAS427-K10	35	3	NO NUMBER	7	1
NAS427-K18	56 - 44	2	NO NUMBER	7	1
NAS427-K6	35	2	NO NUMBER	7	1
NAS427-14	12 - 42	1	NO NUMBER	7	1
NAS427K12	10 - 89	24	NO NUMBER	7 - 21	6
NAS427K12	10 - 93	1	NO NUMBER	12 - 26	1
NAS427K12	12 - 44	1	NO NUMBER	21 - 5	1
NAS427K12	12 - 67	2	NO NUMBER	21	1
NAS427K12	12 - 69	2	NO NUMBER	22 - 28	1
NAS427K12	12 - 96	4	NO NUMBER	22 - 45	1
NAS427K12	42 - 18	4	NO NUMBER	22 - 79	AR
NAS427K12	42 - 24	4	NO NUMBER	42 - 6	2
NAS427K12	73 - 42	6	NO NUMBER	42 - 30	1
NAS427K13	12 - 94	1	NO NUMBER	43 - 1	1
NAS427K14	10 - 87	2	NO NUMBER	43	1
NAS427K15	10 - 68	19	NO NUMBER	43	1
NAS427K15	10 - 70	2	NO NUMBER	44	REF
NAS427K15	10 - 75	2	NO NUMBER	44A	1
NAS427K15	10 - 77	3	NO NUMBER	65 - 15	12
NAS427K15	11 - 48	2	NO NUMBER	65 - 19	6
NAS427K15	12 - 46	1	NO NUMBER	65 - 32	6
NAS427K15	12 - 56	2	NO NUMBER	65 - 50	6
NAS427K15	12 - 58	2	NO NUMBER	76 - 72	1
NAS427K15	12 -103	2	NO NUMBER	86 - 13	2
NAS427K15	12 -105	2	NO NUMBER	86	2
NAS427K16	10 - 72	4	NO NUMBER	86	2
NAS427K16	73 - 45	2	NO NUMBER	88 - 1	1
NAS427K20	10 - 99	5	NO NUMBER	88 - 74	1
NAS427K20	12 -100	1	NO NUMBER	88 - 75	1
NAS427K22	12 - 48	2	OIT05815	69 - 64	2
NAS427K26	12 - 50	2	PDLM-105	85 - 37	2
NAS427K9	32 - 32	1	PDLM-50	85 - 39	3

MODEL 65 & 80 PARTS CATALOG

PART NUMBER	FIGURE AND INDEX NO.	QTY. PER ARTICLE
PK127XZ-8-6	24 - 14	8
PK6A6-6	25 - 14	2
PK66A6-6	25 - 7	2
PK76XZ-10-22	20 - 10	4
PK76XZ-6-6	18B- 18	32
PK76XZ-8-6	37 - 10	40
PK76XZ-8-6	37 - 12	4
PK76XZ-8-7	33 - 6	4
PK76XZ-8-7	33 - 14	24
PK79XZ-8-6	24 - 8	48
PK79XZ-8-6	24 - 16	4
PK79XZ-8-6	24 - 20	72
PK79XZ-8-6	25 - 2	22
PK79XZ-8-6	25 - 4	8
PK79XZ-8-6	25 - 9	2
PK79XZ-8-8	32 - 46	4
PN-4A	28 - 34	2
PN-4A	28 - 44	2
PP563-DSS-13-1	62 - 41	10
PP563-DSS-13-2	62	10
PRP902-46	65 - 37	2
PRP902-8	65 - 43	2
PRP909-13	65 - 13	2
PRP909-7	65 - 6	6
PRP909-7	65 - 8	2
REB3N	62	4
REB3N	64 - 58	10
REB3N	74 - 3	REF
REB3N	74	6
REB3N	74 - 13	2
REB3N	74 - 25	2
REB3N	74 - 43	4
RE3S7	41 - 22	8
RG-50	65	6
RG9570	69 - 49	2
RM502R	62A- 16	1
R457-0627-475	31 - 51	2
R901-311	31 - 71	1
R901-327-18	31 - 61	1
R901-327-20	31 - 62	1
R901-342	31 - 65	2
R901-342	31 - 69	2
S-10-S-1	57 - 12	1
S-10-S-1	57 - 18	1
S-107-L	21 - 39	2
S-11-S	47 - 3	2
S-11-S	52 - 7	1
S-12-S	47 - 2	2
S-12-S	52 - 8	1
S-126-15	9 - 13	1
S-207-21A	56 - 47	1
S-241	74 - 18	4
S-5-S	31 - 12	8
S-5-S-4	57 - 7	1
S-5-SFF	47 - 4	4
S-5-SFF	52 - 10	2
S-5610	63 - 26	2
S-59	12 - 13	1
S-59	12 - 18	1
S-74-124A	18 - 40	8
S-74-14A	18 - 4	8
S-74-14A	18 - 12	8
S-74-16A	18 - 41	8
SA2951-32	74	1
SA2951-33	74 - 1	1
SA2951-49	74	1
SA2951-52	74	1
SC2505	21	5
SK-4341-115-1/2	31 - 1	2
SK-4341-44	31 - 2	2

PART NUMBER	FIGURE AND INDEX NO.	QTY. PER ARTICLE
SL4300	18B- 56	4
SP-2814	67 - 12	2
SP-2890-1	67 - 10	2
SS-48155	88 - 60	1
STD28	63 -	16
T2104	44 - 43	2
VM118-6	62A- 23	1
VM912-6	79 - 17	1
V1-15-875-2	59	2
W20538-100	21	2
W9708N14	21	2
XW13550N14	21 - 40	2
XW20067-1544	21 - 50	2
XW20173-M2	21 - 51	1
XW20345-227-46	21 - 44	2
XW20574-1	21 - 54	1
Z-651	23 - 30	5
Z-651-A	23 - 24	2
ZV850	23 - 11	1
0149-351	85 - 68	1
0150-351	85 - 69	1
0154	80 - 17	1
0154	85 - 72	1
02C96	60 - 60	1
0200L	85	1
0316-351	85 - 67	1
0317	75 - 50	1
0317-351	80 - 48	1
0317-351	85 - 65	1
0318-351	85 - 66	1
07100	48 - 36	2
07204	48 - 30	2
1A16440	18 - 23	4
10-87996-1	85 - 26A	1
10-87999-1	85	1
1001-920013	6 - 8	8
1002	85 - 41	2
100696A-YK-008	44A- 21	4
100696A-ZA013	44A	2
100696A-ZA020	44A	2
100696A-ZA021	44 - 26	2
100696A-ZC211	44 - 38	1
100696A-ZD008	69 - 54	4
100696A-ZD101	43 - 55	1
100696A-ZD101	43 - 77	1
100696A-ZF108	44 - 20	2
100696A-ZM016	74 - 21	2
100696A-ZP110	44A	2
100696A-ZT007	18B- 49	4
100696A-ZU022	44 - 29	1
100696A-ZW020	44 - 39	1
100696D-YG006	43 - 39	1
100696D-YL020	45 - 28	4
100696D-ZF016	78A- 74	4
100696D-ZG023	85	1
100696D-ZG107	28	1
100696D-ZN010	28 - 40	2
100696P-ZC010	10 - 79	1
100696S-ZB008	11 - 12	2
100696S-ZC008	35	4
100696S-ZD006	78 - 10	2
100696S-ZN008	12 -101	1
100696X-YN005	11 - 19	2
100696X-ZC108	44 - 35	2
100696X-ZG028	58 - 42	1
100696X-ZK116	44A- 17	2
100696X-ZM016	68	4
100696X-ZP010	62 - 44	8

MODEL 65 & 80 PARTS CATALOG

PART NUMBER	FIGURE AND INDEX NO.	QTY. PER ARTICLE
100696X-ZS012	51 - 9	2
100801-D4-0093	60	1
100801-D4-0093	60	3
100801-S5-0500	30 - 3	4
100801-S5-0500	30 - 12	4
100801-X4-2594	58 - 38	1
100801-X7-0312	51 - 12	1
100801-55-0500	24 - 61	2
100801A3-375	18B- 80	16
100942F020-26	18	8
100942G016-20	20	1
100942J0116-43	14 - 39	2
100942N028-14	18 - 56	8
100943CR-ZV104H	62 - 43	20
100943CR-ZW225G	18 - 20	2
100943CR-ZW225G	18B- 71	8
100943YE100P	47 - 10	2
100943YE100P	52 - 21	1
100943YL110B	22 - 23	1
100943Z-S407G	14 - 38	2
100943ZU027K	63 - 14	8
100943ZV022G	21 - 62	2
100951-P-064-ZT	43	2
100951-X-063-YS	58 - 40	1
100951-X-064-ZH	24 - 25	2
100951-X063-XT	54 - 35	4
100951B002ZF	31 - 40	2
100951B033XZ	58 - 21	4
100951B062WF	31 - 42	2
100951DD032WC	53 - 13	1
100951DD032WK	54	AR
100951DD187ZL	18	8
100951P032ZH	85	4
100951S031XW	41 - 37	7
100951S063ZT	30 - 15	6
100951S064ZT	30 - 9	6
100951X031WB	32 - 6	6
100951X031WB	32 - 7	10
100951X031WB	32	8
100951X031WS	12	2
100951X031YG	32 - 8	10
100951X031YG	32	8
100951X031YN	50 - 8	1
100951X032XH	50	2
100951X032XT	54 - 13	AR
100951X040ZX	18 - 61	8
100951X050ZZ	64 - 9	8
100951X060YP	46 - 41	4
100951X060YP	51 - 50	2
100951X062WS	25 - 60	4
100951X063XT	54 - 12	1
100951X063YN	50 - 11	1
100951X063ZZ	54 - 39	1
100951X064XH	50 - 4	2
100951X064XR	45 - 4	4
100951X064YS	50 - 16	2
100951X094XV	46 - 54	2
100951X125XU	18 - 62	8
100951X140YL	50 - 34	2
101321-00B1844	44A- 20	4
101321-13H0875	38A- 35	1
101321-3D1875	46 - 4	2
101321-4E0750	51 - 2	4
101321-6F1125	46 - 5	2
10151-8	65 - 51	6
102361-00228	25 - 84	4
102361-00228	25 - 87	4

PART NUMBER	FIGURE AND INDEX NO.	QTY. PER ARTICLE
102361-01912	22 - 1	1
102361-03630	49 - 2	2
102361-03630	49 - 4	2
102809-124-025	43 - 33	1
102809-125-107	53 - 12	1
102809A125-014	41 - 9	1
102809A125-022	64 - 34	16
102933-D3ZE0750	18	8
102933-D4ZE0190	18	8
102933-D6-ZT	41 - 25	1
102933-D6-ZT	41 - 30	1
102933D4ZE0190	16 - 17	4
102933D4ZE0190	18	14
102933D4ZE0375	61	2
102933D4ZE0468	18 - 55	8
102933D4ZE0500	61	2
102933D4ZJ0281	18 - 54	8
102933D4ZJ0340	73 - 38	4
102933D4ZM0334	31 - 41	2
102933D4ZM0531	39 - 6	2
102933D4ZM0625	68	4
102933D4ZS0250	21	AR
102933D4ZS0313	21	AR
102933D4ZS0375	21	AR
102933D5ZM0190	18B- 14	8
102933D5ZR0203	28 - 35	1
102933F4ZP0968	56 - 43	2
102933S4ZC0250	49 - 25	2
102933S4ZC0625	49 - 21	2
102933S4ZP0156	22	6
103637	24 - 1	7
103637	25 - 93	2
103637	30 - 4	2
103637	30 - 17	2
103637	33 - 15	2
103637	34 - 9	2
103637	37 - 6	1
103637	46 - 58	2
104036-3ZM0908	46 - 16	2
104036-3ZM0908	51 - 30	1
104215-00300	25 - 39	2
105090-031-1-01	32	4
105090A032-10J	25	4
105090B005-6E	31 - 33	20
105090CR032-3E	62 - 44C	4
105090E250-4E	18B	16
105151-R-01312	57 - 42	2
105151-00562	57 - 22	2
105160-02024	68	2
105160-02800	68	2
105160-03616	75	1
105160-03824	75	1
105739-XZN-0135	41 - 6	4
105739A-YJ0332	58 - 49	2
105739S-XJ0155	74 - 46	2
105739S-YH0230	31 - 6	8
105739S-YZ0300	41 - 36	3
105739S-YZ0625	41 - 38	3
105739S-ZA0395	64 - 35	16
105739S-ZE0100	14 - 36	1
105739S-ZL0438	58 - 56	1
105739S-ZL0800	58 - 48	1
105739X-YB0260	55 - 22	2
105739X-YC0570	50 - 7	1
105739X-YL1866	54 - 34	2
105739X-YN0520	50 - 10	1
105739X-ZE0100	14	1
105739X-ZN0132	58 - 14	1

MODEL 65 & 80 PARTS CATALOG

PART NUMBER	FIGURE AND INDEX NO.	QTY. PER ARTICLE
105739X-ZN0312	58 - 20	1
105739X-ZR0063	16	4
105739X-ZR0096	16	4
105740-ZH0115	38A- 15	1
105740X-XB1314	27 - 12	2
105740X-YA0630	46 - 40	2
105740X-YA0630	51 - 49	1
105740X-YA1005	50 - 13	1
105740X-YA1510	50 - 15	1
105740X-YC1125	45 - 14	2
105740X-YC1125	50 - 19	1
105740X-YD0375	46 - 42	2
105740X-YD0375	51 - 52	2
105740X-YD05-62	38A- 26	1
105740X-YE0563	51 - 5	1
105740X-YE0625	51 - 4	2
105740X-YJ0625	54 - 47	2
105740X-YLZ008	45 - 6	2
105740X-YL1770	50 - 3	2
105740X-YM0750	42 - 12	2
105740X-YN0375	45 - 10	6
105740X-YN0375	50 - 20	2
105740X-YN0375	50 - 31	2
105740X-YN0625	46 - 34	2
105740X-YN0625	50 - 30	2
105740X-YN0625	51 - 43	1
105740X-YN0928	24 - 45	4
105740X-YR1145	45 - 3	4
105740X-YW0141	27 - 17	2
105740X-ZM0516	55 - 15	2
105740X-ZP0385	55 - 4	4
105740X-ZV03125	54 - 37	4
105740X-ZX0255	55 - 10	2
105740X-ZY1007	45 - 8	2
105740YN0375	45 - 15	4
105740YP0750	45 - 16	4
105740ZJ0230	35	2
105774C-ZE00208	68 - 20	2
105774C-ZE0311	24 - 4	1
105774M-ZE00228	75 - 57	2
105798-10	60 - 57	1
105798-11	64 - 42	4
105798-14	64	4
105798-14	64	4
105798-16	10 -112	1
105798-16	56 - 4	1
105798-39	75 - 46	1
105798-4	60 - 52	1
105798-42	75 - 45	1
105798-8	60 - 54	1
105982-4A15-004	85	1
106043-0806-200	69 - 60	2
106043-1204-060	62 - 52	2
106043ZE050	62	2
106043ZE060	69 - 92	2
106200H-10-19	62 - 70	2
106200H-12-28	68 - 61	2
106200H-16-12	76 - 24	2
106200H-16-12	76 - 45	4
106200H-16-28	76 - 25	2
106200H-4-15	69 - 6	2
106200H-4-16	75 - 8	2
106200H-4-8	75 - 39	2
106200H-6-16	69 - 8	2
106200H-8-24	62 - 72	2
106200H-8-60	62 - 61	2
106200H-8-92	62 - 65	2
106200H16-12	68 - 29	2
106200H4-12	72 - 50	2
106200H6-102	68 - 26	2

PART NUMBER	FIGURE AND INDEX NO.	QTY. PER ARTICLE
106200H6-14	78A- 97	2
106200H6-16	72 - 43	2
106200H6-16	72 - 47	2
109615-C-2-46-2	7 - 3	1
11C30	60 - 56	1
110207	57 - 35	3
1111-595272	69	2
1111-595272	69	4
111190-18	53 - 5	2
111190-8	46 - 19	1
111190-8	51 - 31	1
1112-581041	69 - 45	2
111200-8	46 - 20	2
111200-8	51 - 32	1
111503-0311D	43	1
111503-0436-032	43 - 24	2
111503-0436-032	43 - 65	2
111504-045-009-0032-10	88 - 38	1
111504YD0800-2	54 - 24	1
111504ZK0030-6	88 - 37	1
111504ZL0103-9	68 - 12	2
111504ZS0028-6	58 - 41	1
111504ZT0324-3	71 - 14	2
111504ZU0416-5	53 - 10	1
111504ZU0416-5	53 - 15	1
111504ZY0124-4	31 - 18	4
111506-8	46 - 21	2
111506-8	51 - 33	1
111716AX-XX3-24	76 - 6	1
111716AX-XX4-52	60 - 55	1
111716XX6-6	64 - 41	2
111745	6 - 15	1
111749-08800	32 - 40	4
112105	27	8
112105	27	8
112105	27	8
112105	38	2
112132-1-10	85 - 22	2
112132-1-10	88	1
112132-1-12	88	2
112132-1-4	85	2
112132-1-5	89 - 25	2
112132-1-7	43	1
112132-5-8	85	2
112132-8-14	43 - 14	1
112149-2	89 - 3	2
11216	31 - 11	4
112412	74 - 35	16
112413-4	74 - 36	16
112436-2	89 - 4	2
112436-6	74 - 37	16
112700	6 - 5	2
112733	6 - 12	6
112735	6 - 13	3
112738	6 - 7	2
112740	6 - 11	3
112741	6 - 3	1
112741	51 - 66	1
112742	6 - 6	1
112745-3	6 - 9	4
113658-028-00	7 - 19	1
113658-034-00	7	1
113676-2	16 - 20	2
113676-2	16 - 23	2
113676-2	18A- 12	4
113676-2	18A- 16	4
113676-4	18B- 21	8
113676-4	18B	4
114698H00100	62 - 12	12
115005-5	12 - 71	1

MODEL 65 & 80 PARTS CATALOG

PART NUMBER	FIGURE AND INDEX NO.	QTY. PER ARTICLE
115098-1	6 - 18	1
115098-1	6 - 19	2
115099-7-230	60 - 53	1
115100	6 - 4	3
115162-024-00	10 - 8	2
115162-027-00	10 - 7	4
115162-031-00	10 - 9	2
115167CXX15-062-5	64	2
115184	16 - 19	2
115184	16 - 22	2
115184	18A	4
115184	18A	4
115184	18B- 20	8
115184	18B	8
11716-XX-4-10	22 - 27	1
118540BHP1	38A- 37	2
118668	18B- 81	16
118684-1	6	AR
118684-101	6	AR
118684-103	6	AR
118684-105	6	AR
118684-107	6	AR
118684-109	6	AR
118684-111	6	AR
118684-111	6	AR
118684-113	6	AR
118684-115	6	AR
118684-117	6	AR
118684-119	6	AR
118684-121	6	AR
118684-123	6	AR
118684-125	6	AR
118684-127	6	AR
118684-129	6	AR
118684-13	6	AR
118684-131	6	AR
118684-133	6	AR
118684-135	6	AR
118684-137	6	AR
118684-139	6	AR
118684-139	6	AR
118684-141	6	AR
118684-143	6	AR
118684-145	6	AR
118684-147	6	AR
118684-149	6	AR
118684-15	6	AR
118684-151	6	AR
118684-153	6	AR
118684-155	6	AR
118684-17	6	AR
118684-19	6	AR
118684-21	6	AR
118684-23	6	AR
118684-25	6	AR
118684-27	6	AR
118684-29	6	AR
118684-3	6	AR
118684-31	6	AR
118684-33	6	AR
118684-35	6	AR
118684-37	6	AR
118684-39	6	AR
118684-41	6	AR
118684-43	6	AR
118684-45	6	AR
118684-47	6	AR
118684-5	6	AR
118684-51	6	AR
118684-53	6	AR
118684-55	6	AR

PART NUMBER	FIGURE AND INDEX NO.	QTY. PER ARTICLE
118684-57	6	AR
118684-59	6	AR
118684-61	6	AR
118684-63	6	AR
118684-65	6	AR
118684-67	6	AR
118684-69	6	AR
118684-7	6	AR
118684-71	6	AR
118684-73	6	AR
118684-75	6	AR
118684-77	6	AR
118684-79	6	AR
118684-81	6	AR
118684-83	6	AR
118684-85	6	AR
118684-87	6	AR
118684-89	6	AR
118684-9	6	AR
118684-91	6	AR
118684-93	6	AR
118684-95	6	AR
118684-97	6	AR
118684-99	6	AR
118971	75 - 38	1
12B-054	62	4
12B-064	62	4
12B-108	25	6
122172	64 - 62	2
122723-112-01	70	4
122723-112-01	70	2
122723-113-01	70	4
122723-113-01	70	2
13X-1565	21 - 6	1
130021	6 - 17	2
13210	57 - 33	1
138143	80 - 31	1
138143E	80 - 32	1
1440-1	14 - 50	1
1440-2	14 - 56	1
1440-3	14 - 53	1
1440-4	14 - 61	1
1450-156	10	2
14515-1	78 - 16	1
1452-070	62	4
14942	57 - 31	1
1495	21 - 25	5
15NS-250	62A- 5	2
15142	57 - 32	1
1518414	70 - 39	2
1518847	72 - 3	2
15191	57 - 36	1
1532-3-A	76 - 63	4
1532-3-A	77 - 23	1
1545-9-E	76 - 1	1
1589-1	85 - 35	2
16-886	88 - 36	1
1604-73	48 - 23	2
17320-4	85 - 31A	1
17326-6	85 - 31	1
18	58 - 3	1
18-420017-1	20	1
18-534013-1	18B	2
18-534013-15	18B- 68	4
18-534013-17	18B- 42	4
18-534013-2	18B	2
18-534013-27	18B- 44	4
18-534013-29	18B- 58	4
18-534013-31	18B- 52	4
18-534013-35	18B- 66	4

MODEL 65 & 80 PARTS CATALOG

PART NUMBER	FIGURE AND INDEX NO.	QTY. PER ARTICLE
18-534013-37	18B	4
18-534013-43	18B	2
18-534013-44	18B	2
18-534013-47	18B- 45	4
18-534013-49	18B- 50	4
18-534013-51	18B- 62	4
18-534013-7	18B- 47	4
18-534015-1	18B- 59	4
18-534015-2	18B- 60	4
18-534016-1	18B- 64	4
18-534016-2	18B- 65	4
18-534019	18B- 13	4
18-534020	18B- 12	4
18-534021-1	18B- 17	4
18-534021-2	18B	4
18-534024-1	18B- 61	4
18-534027	18B- 32	4
180004	66 - 45	2
180131	7A- 12	1
18092	7 - 15	1
180961	88 - 66	1
180962	88	1
180963	88	1
180968	88 - 67	1
181P10401S12	89 - 17	4
181177	22 - 29	1
1818H	14 - 29	1
182020	85 - 47	1
182194	66 - 35	2
182299	66 - 36	2
183809	34 - 17	10
183809	38 - 10	6
184793	66 - 2	4
185678	63 - 29	2
185678	64 - 15	4
186283	66 - 37	2
186320	66 - 3	4
186321	66 - 4	8
187247	18B- 76	8
187824	66 - 38	2
188434	66 - 39	2
188907	57 - 26	2
188907	58 - 35	2
188912	57 - 29	1
188913	57 - 37	1
1892	63	8
189302	74 - 32	2
189697P	62 - 51	2
190733	66 - 5	12
19150	48 - 35	2
191869	66 - 6	2
192021	66 - 7	2
192103	66 - 47	2
192236	66 - 26	2
19282	48 - 28	2
193385	66 - 8	2
196000	66 - 9	4
2-2844-75	78A- 61	1
2-2844-75	82 - 41	1
2-2844-75	82 - 47	1
2D1047	78A- 77	1
2P-R400BRD	69	2
2P-R400BRD-5	69	2
2TM3-T	44	2
20253	18 - 9	4
20259	18A- 5	4
20266	18A- 6	4
20360	18A- 7	4
204864	66 - 10	2
205AC-3/16	75 - 36	5

PART NUMBER	FIGURE AND INDEX NO.	QTY. PER ARTICLE
206-108172	7 - 22	1
206336	66 - 43	2
206337	66 - 12	2
20738	17	8
20738	17	8
20738	17	8
20738	17	8
20738	17	REF
20738	17	REF
21-735-1-1	76 - 68	1
21-735-1-2	76 - 35	1
21-735-2-1	76 - 69	1
21-735-2-2	76 - 36	1
21-735-3-1	77 - 31	2
21-735-4-1	77 - 32	1
210011	66 - 18	2
210022	66 - 14	2
210023	66 - 15	2
210025	66 - 16	2
210029	66 - 17	2
210031	66 - 19	2
210034	66 - 20	2
210035	66 - 21	2
210044	66 - 23	2
210071	66 - 27	2
210076	66 - 28	2
210077	66 - 29	2
210078	66 - 30	2
210095	66 - 31	6
210100	66 - 32	2
210101	66 - 33	2
210103	66 - 22	2
210109	66 - 24	2
210112	66 - 1	4
210123	66 - 11	2
210124	66 - 25	2
210171	66 - 46	2
210190	62 - 25	2
210190	66 -	REF
210365	62	2
210365	66	REF
2175-M-B	21 - 26	5
218349-38	48 - 33	4
22-260-032	79	1
22K1-02	14	1
22K1-02	14	2
22K1-02	14	2
22K1-02	14	2
22K1-02	14	1
22K1-054	14	1
2239	14	1
22500	89 - 14	2
229	57 - 14	1
23S-2014-1-1	78A- 14	1
23S-2014-1-2	78A- 15	1
23S-2014-2-1	78A- 13	1
23S-2014-2-2	78A- 16	1
23S-2014-3-1	78A- 33	2
23S-2014-4-1	78A- 34	1
23S-2014-6-1	78A	1
2506	20 - 40	1
260	23 - 37	2
2611	85 - 60	2
279-404	75 - 55	6
2805	85 - 58	1
29797	82 - 55	1
3-033676	62A- 14	1
3A2061-1	74 - 20	1
3A2061-175	74	1
3A2061-3	74	1
3A2237	78A- 94	1

MODEL 65 & 80 PARTS CATALOG

PART NUMBER	FIGURE AND INDEX NO.	QTY. PER ARTICLE
3A2238	78A- 95	1
3D1114	78A- 10	2
3D1147	78A- 60	1
3D1193	78A- 30	1
3D1195	78A- 67	1
3D1215	78A- 68	1
3D1239	78A	1
3NBC511ZP	25	2
3NCC1010P	25 - 17	4
30B24-1A	62	2
301	57 - 21	1
302D	46 - 13	2
3053	31 - 66	1
3053	31 - 70	2
3053	70 - 11	4
31-273	62	2
3125-00	69	2
3142-00	69	2
32-600	78	1
32445	87 - 9	1
3368-1	78A- 78	1
3368-2	78A- 82	5
3368-3	78A- 79	1
3368-4	78A- 87	1
3368-5	78A- 89	1
34-5920-86-54	86 - 11	4
34-5922-86-54	86 - 12	4
35-000064	6	2
35-000064-23	6	2
35-000064-25	6	2
35-000064-47	6	2
35-000064-49	6	2
35-105111	25 - 22	4
35-115034	26 - 38	1
35-115034-1	26	1
35-115035	26 - 37	1
35-115035-1	26	1
35-115036	26 - 36	1
35-115036-1	26	1
35-115037	26 - 34	1
35-115037-1	26	1
35-115038	26 - 35	1
35-115038-1	26	1
35-115043	26 - 30	1
35-115043-1	26	1
35-115046	26 - 33	1
35-115046-1	26	1
35-115058-2	25 - 53	1
35-115058-3	25	1
35-115059-4	25 - 49	1
35-115059-5	25	1
35-115071	25 - 45	1
35-115071-1	25	1
35-115071-12	25	2
35-115071-12	25	2
35-115147	25	2
35-115160-10	25 - 44	1
35-115160-11	25	1
35-115166-18	25 - 38	1
35-115166-19	25	1
35-115177	26 - 40	1
35-115177-1	26	1
35-115211-10	26 - 4	1
35-115211-8	3	1
35-115211-9	3	2
35-115211-9	26	1
35-115232	25 - 91	2
35-115280	25 - 95	1
35-115280-1	25	1
35-115389	25 - 43	2

PART NUMBER	FIGURE AND INDEX NO.	QTY. PER ARTICLE
35-115390	24 - 53A	4
35-115390	25 - 42	2
35-165004	25	4
35-165004-2	25 - 16	4
35-165050-40	30 - 13	2
35-165050-96	30 - 10	1
35-165050-97	30	1
35-170002-13	25 - 96	1
35-170002-14	25	1
35-170002-23	25	1
35-170002-24	25	1
35-324204	21 - 35	6
35-324204	22 - 84	1
35-361108-8	84 - 19	1
35-364151-15	31 - 52	2
35-364151-21	31 - 60	2
35-364151-25	31 - 56	2
35-364151-3	31 - 58	1
35-364151-39	31 - 49	1
35-364151-41	31 - 57	2
35-364151-43	31 - 50	1
35-380019	20 - 15	1
35-400212	84 - 36	2
35-410286	6 - 14	2
35-410365	84 - 37	2
35-521213	31 - 7	4
35-521230	31 - 10	AR
35-521230-2	31	AR
35-524011	41 - 1	4
35-524028	29 - 7	1
35-524028	36 - 17	2
35-524028	40 - 24	1
35-524028	43 - 53	1
35-524028	43 - 75	1
35-524028	43 - 85	1
35-524028	73 - 17	2
35-524028	73 - 35	2
35-524049-2	42 - 2	2
35-524123	32 - 35	2
35-524136	41 - 33	2
35-524171	41 - 8	1
35-524189	28 - 12	2
35-524197	49	2
35-524197-2	49 - 8	2
35-524226	73 - 28	2
35-524226-1	73 - 9	2
35-524258	41 - 40	2
35-524264	49 - 10	2
35-524287	40 - 4	2
35-524288	40 - 3	2
35-524308	41 - 18	4
35-524538	73 - 29	2
35-524539-1	73	2
35-524584	73 - 8	4
35-524584	73 - 27	2
35-524591-2	42 - 7	2
35-524602	42 - 3	2
35-524603	42 - 5	2
35-534192-14	20 - 51	1
35-550520	60 - 44	1
35-550520	60 - 75	3
35-590058	7 - 12	2
35-660033	39	2
35-815049	59 - 84	2
35-815081	46 - 46	2
35-815088-12	46 - 11	2
35-815088-12	51 - 15	1
35-825005	54	1
35-825005-2	54 - 44	1
35-825053	54 - 40	2

MODEL 65 & 80 PARTS CATALOG

PART NUMBER	FIGURE AND INDEX NO.	QTY. PER ARTICLE
35-825054-1	41 - 14	1
35-921181	71 - 12	2
35-921502	70 - 23	2
35-921502	70 - 42	4
35-921502	72 - 6	2
35-921503	70 - 12	2
35-921503	70 - 38	2
35-921503	70 - 47	2
35-921503	72 - 2	2
35-921503	75 - 37	1
35-921532	70 - 3	2
35-921533	70 - 4	2
35-939114	68 - 9	2
353	47 - 7	2
353	52 - 2	1
3536-18	59 - 34	2
366-00	69 - 4	2
366-00	69 - 89	4
38E01-2	78 - 8	1
4ATA	80 - 36	1
4D1180	78A- 91	1
4E18H	89 - 6	2
4G10H	89 - 20	4
40	20 - 67	AR
400433	66 - 34	2
40209-18	74	1
40209-19	74	1
40209-3	74	1
40209-9	74 - 11	1
404-180059	20 - 83	1
404-183302-1	18 - 47	8
404-183302-10	18 - 45	8
404-183302-11	18 - 37	8
404-183302-12	18 - 65	8
404-183302-14	18 - 57	8
404-183302-17	18 - 38	8
404-183302-195	18 - 84	8
404-183302-21	18 - 59	4
404-183302-24	18 - 44	4
404-183302-25	18 - 30	4
404-183302-29	18 - 46	4
404-183302-37	18 - 60	4
404-183302-38	18 - 67	8
404-183302-7	18 - 36	4
404-183302-8	18 - 35	4
404-183302-9	18 - 33	16
404-183319	18B- 15	4
404-183347	18 - 64	4
404-183347-1	18	4
404-183349	18 - 85	4
404-183349-1	18	4
404-183352	18 - 77	8
404-183365	18 - 68	8
404-183366	18 - 58	8
404-183389	18 - 42	8
404-183394-3	18 - 79	4
404-183395-15	18 - 89	8
404-185663-1	11 - 9	1
404-185663-2	11	1
404-187992	59 - 44	1
404-188913	57 - 28	1
404-189064	74 - 29	1
404-189064	78A- 73	1
407-185655	11 - 18	1
408-0293-233	31 - 47	1
41A9177	22 - 33	1
414-180042	20 - 73	1
414-180042-5	14 - 80	1
414-180135	21 - 9	1
414-180136	21 - 10	1

PART NUMBER	FIGURE AND INDEX NO.	QTY. PER ARTICLE
414-180290-17	19 - 9	2
414-180290-19	19 - 10	2
414-180290-21	19	2
414-180290-22	19 - 5	2
414-180544-1	21 - 11	1
414-180544-3	21 - 14	1
414-180640-377	16 - 15	2
414-180657-3	10 - 35	16
414-183200-1	22	1
414-183200-109	22 - 19	1
414-183200-11	22 - 5	1
414-183200-133	22 - 10	1
414-183200-15	22 - 3	1
414-183200-3	22 - 2	1
414-183200-59	22 - 25	1
414-183200-605	22	1
414-183200-75	22 - 15	1
414-183200-77	22 - 37	1
414-183200-91	22 - 24	1
414-183200-95	22 - 4	1
414-183200-99	22 - 9	1
414-183367-1	18 - 75	4
414-183367-2	18	4
414-183389-11	18B	4
414-183389-13	16 - 18	2
414-183389-13	18A- 17	4
414-183389-13	18B- 19	4
414-183389-15	16	2
414-183389-15	18A	4
414-183389-15	18B	4
414-183389-17	18B	4
414-183389-41	16	2
414-183389-41	18 - 93	4
414-183389-41	18B	4
414-183389-43	16	2
414-183389-45	16	2
414-183389-65	18A	4
414-183389-67	18A	4
414-183389-69	18A	4
414-183389-7	16 - 21	2
414-183389-7	18A- 13	4
414-183389-7	18B- 22	4
414-183389-71	18A	4
414-183389-9	16	2
414-183389-9	18B	4
414-183396-11	18 - 49	4
414-183396-13	18 - 52	4
414-183396-39	18 - 50	4
414-183396-51	18 - 31	4
414-183396-52	18 - 32	4
414-183397	18 - 14	24
414-183397	18 - 39	8
414-183976-1	75	1
414-183976-5	75 - 25	1
414-183976-7	75 - 26	1
414-183976-9	75 - 27	1
414-184051-23	20 - 28	1
414-184051-27	20 - 24	2
414-184051-29	20	1
414-184051-30	20 - 26	1
414-189070-41	75	6
414-189111-57	62A- 6	2
414-189111-7	62A- 8	2
414-189111-9	62A- 9	2
4142341G83	85 - 44	2
416-50	72	2
416-52	72 - 11	2
416-53	72 - 22	2
416-54	72 - 18	2
416-55	72 - 13	6

MODEL 65 & 80 PARTS CATALOG

PART NUMBER	FIGURE AND INDEX NO.	QTY. PER ARTICLE
416-56	72 - 14	2
416-59	72 - 17	6
416-60	72 - 16	6
416-61-6	72 - 10	2
416-85-23	70	2
416-85-44	70 - 46	2
416-85-71	72	2
41651	90	1
42E06-9-A	77 - 33	1
42ND20-048	188	8
42ND28-048	188	8
42088	57 - 34	1
425020800	90	1
427-8	72 - 21	2
44E01-1	78 - 2	1
449-003	31 - 55	2
449-006	31 - 54	2
45-115018	90 - 10	2
45-115178-14	26 - 41	1
45-115178-15	26	1
45-521216	31 - 14	4
45-521216-1	31	4
45-524538	73 - 10	2
45-524539-3	73	2
45-590059	7 - 13	1
45-620011-2	33 - 2	12
45-620011-8	37 - 17	6
45-815225	46 - 9	2
45-910162-3	64 - 8	8
45-910163-3	64 - 7	8
45-910185-3	64 - 11	4
45-910186-3	64	12
45-910186-3	64 - 10	4
45-920036	71 - 8	2
45-921544	70	2
45-924091	71	2
45005-A1	59 - 41	2
4523	90 - 9	2
4587	87 - 10	1
4587	87 - 17	1
49-C-7553	86 - 36	2
49338	54 - 7	8
49384	24 - 2	4
49384	25 - 94	4
49384	30 - 5	4
49384	30 - 18	4
49384	33 - 16	4
49384	34 - 10	4
49384	37 - 7	2
50-000016	6 - 1	1
50-000048	6	1
50-000048-1	6	1
50-000052	6 - 16	2
50-000081	6	1
50-010015-21	24 - 5	1
50-070007	31	1
50-070007-1	31	1
50-080036	56	1
50-080036-1	56 - 55	1
50-080036-2	56 - 54	1
50-105001-1	25	1
50-105001-2	25	1
50-105011	25 - 21	4
50-110000-10	25	1
50-110000-11	25	1
50-110000-12	25	1
50-110000-13	25	1
50-110000-2	25 - 23	1
50-110000-4	25 - 40	2
50-110000-4	25 - 88	2

PART NUMBER	FIGURE AND INDEX NO.	QTY. PER ARTICLE
50-110002-134	25 - 86	1
50-110002-135	25	1
50-110002-164	25	1
50-110002-165	25	1
50-110002-56	25 - 83	2
50-110003-118	25 - 89	2
50-110003-124	25	1
50-110006-125	25	1
50-110010-106	25 - 28	2
50-110010-110	25 - 26	1
50-110010-111	25	1
50-110010-12	26 - 18	1
50-110010-13	26	1
50-110010-14	26 - 20	1
50-110010-15	26	1
50-110010-157	3	2
50-110010-157	26 - 3	1
50-110010-16	26 - 22	1
50-110010-160	3	2
50-110010-160	26	1
50-110010-163	25 - 36	2
50-110010-17	26	1
50-110010-18	26 - 13	1
50-110010-186	25 - 24	1
50-110010-187	25	1
50-110010-19	26	1
50-110010-2	26 - 17	1
50-110010-20	26	1
50-110010-21	26	1
50-110010-24	26 - 16	1
50-110010-25	26	1
50-110010-28	26 - 14	1
50-110010-29	26	1
50-110010-3	26	1
50-110010-30	26	1
50-110010-31	26	1
50-110010-4	26 - 19	1
50-110010-5	26	1
50-110010-50	26 - 10	1
50-110010-51	26	1
50-110010-52	26 - 9	1
50-110010-53	26	1
50-110010-54	26 - 8	1
50-110010-55	26	1
50-110010-56	26 - 12	1
50-110010-57	26	1
50-110010-58	26 - 25	1
50-110010-59	26	1
50-110010-6	26 - 21	1
50-110010-60	26 - 27	1
50-110010-61	26	1
50-110010-612	26 -	1
50-110010-613	26	1
50-110010-62	26 - 24	1
50-110010-63	26	1
50-110010-64	26 - 26	1
50-110010-65	26	1
50-110010-68	3	2
50-110010-68	26 - 2	1
50-110010-69	3	2
50-110010-69	26	1
50-110010-7	26	1
50-110010-74	26 - 6	1
50-110010-75	26	1
50-110010-76	26 - 7	1
50-110010-77	26	1
50-110010-78	26 - 5	1
50-110010-79	26	1
50-110010-8	26 - 23	1
50-110010-82	25 - 34	2

MODEL 65 & 80 PARTS CATALOG

PART NUMBER	FIGURE AND INDEX NO.	QTY. PER ARTICLE
50-110010-84	3	2
50-110010-84	26 - 1	
50-110010-85	3	2
50-110010-85	26	
50-110010-9	26	1
50-110010-92	26 -	1
50-110010-93	26	1
50-110010-94	26 - 11	1
50-110010-95	26	1
50-110010-96	25 -	1
50-110010-96	26	REF
50-110010-97	25	1
50-110010-97	26	REF
50-110019	25 - 48	1
50-110019-1	25	1
50-110022-12	3	1
50-110022-13	3	1
50-110022-14	25	1
50-110022-15	25	1
50-110022-16	3	1
50-110022-17	3	1
50-110022-20	25 - 81	1
50-110022-21	25	1
50-110023-42	25 - 69	1
50-110023-44	25 - 71	4
50-110023-44	25 - 79	2
50-110023-6	25 - 67	4
50-110023-66	25 - 73	2
50-110023-74	3	1
50-110023-74	25	1
50-110023-75	3	1
50-110023-75	25	1
50-110023-82	25 - 75	1
50-110023-83	25	1
50-110024-19	3	1
50-110024-2	3	1
50-110024-22	25	1
50-110024-23	25	1
50-110024-4	3	1
50-110024-5	3	1
50-110025-54	25 - 63	2
50-110025-66	3	1
50-110025-67	3	1
50-110025-68	25	1
50-110025-69	25	1
50-110026-36	25 - 56	2
50-110026-43	25	1
50-110026-44	25	1
50-110027-2	3	1
50-110027-3	3	1
50-110028-8	3	1
50-110028-9	3	1
50-110046	25	1
50-110046	26 - 15	1
50-110046-1	25	1
50-110046-1	26	1
50-110056	26 - 39	1
50-110056-1	26	1
50-110064-10	26 - 28	1
50-110064-11	26	1
50-110066	25	1
50-110066-1	25	1
50-110066-10	26 - 43	1
50-110066-11	26	1
50-110066-16	26 - 42	1
50-110066-17	26	1
50-110066-2	26 - 29	1
50-110066-26	25 - 30	1
50-110066-27	25	1
50-110066-28	25 - 31	2

PART NUMBER	FIGURE AND INDEX NO.	QTY. PER ARTICLE
50-110066-3	26	1
50-110066-30	25 - 32	2
50-110066-32	25 - 33	2
50-110068	26 - 31	1
50-110068-1	26	1
50-110069	26 - 32	1
50-110069-1	26	1
50-110074-1	25	1
50-110074-2	25	1
50-110074-5	25 - 77	1
50-110074-6	25	1
50-110081	25 - 41	14
50-110088-1	25	1
50-110088-2	25	1
50-110088-3	25 - 59	1
50-110088-4	25	1
50-110090-1	25	1
50-110090-19	25 - 46	2
50-110090-2	25	1
50-110092	25	1
50-110092-1	25 - 58	1
50-110093	25	1
50-110093-1	25 - 65	1
50-120003	24	1
50-120003-1	24	1
50-120016-38	24 - 33	2
50-120016-46	24 - 31	2
50-120016-50	24 - 29	2
50-120017	24	1
50-120017-1	24	1
50-120017-110	24 - 37	2
50-120017-152	24 - 35	2
50-120017-166	24 - 39	4
50-120017-174	4	1
50-120017-175	4	1
50-120040	24 - 43	4
50-120065-16	24 - 7	1
50-120065-17	24	1
50-120068-2	4	1
50-120068-3	4	1
50-120068-34	4	1
50-120068-35	4	1
50-120077	24	1
50-120077-1	24	1
50-120077-10	24	1
50-120077-11	24	1
50-120077-8	24 - 49	2
50-120078-16	4	1
50-120078-24	24 - 3	1
50-120078-3	4	1
50-120083	24 - 41	2
50-120091	24 - 46	1
50-120091-1	24	1
50-120098-4	25	4
50-120098-6	25	6
50-120098-8	25 - 3	2
50-120099-16	25 - 6	2
50-120099-18	25	2
50-120099-30	25	1
50-120099-31	25	1
50-120099-32	25 - 5	1
50-120099-33	25	1
50-120100	25 - 8	1
50-120100-1	25	1
50-120101	25 - 10	1
50-120101-1	25	1
50-120102-10	25 - 13	1
50-120102-14	25 - 12	1
50-120102-15	25	1
50-120102-16	25	1

MODEL 65 & 80 PARTS CATALOG

PART NUMBER	FIGURE AND INDEX NO.	QTY. PER ARTICLE
50-120102-17	25	1
50-120102-6	25	1
50-120115-1	24	1
50-120115-2	24	1
50-120116-1	24	1
50-120116-2	24	1
50-120150	24	1
50-120150-3	24	1
50-120152	24	1
50-120152-1	24	1
50-120152-10	4	1
50-120152-11	4	1
50-120152-8	4	1
50-120152-9	4	1
50-120153-18	4A	1
50-120153-19	4A	1
50-120153-2	4	1
50-120153-3	4	1
50-120153-4	4	1
50-120153-5	4	1
50-120154-1	24	1
50-120154-11	4	1
50-120154-117	4	1
50-120154-118	4	1
50-120154-12	4	1
50-120154-123	24	1
50-120154-124	24	1
50-120154-2	24	1
50-120154-33	4	1
50-120154-34	4	1
50-120156-1	4	1
50-120156-2	4	1
50-120159	24	1
50-120159-1	24	1
50-120162-1	25	1
50-120162-2	25	1
50-120162-3	25 - 1	1
50-120162-4	25	1
50-120163	24	1
50-120163-1	24	1
50-120163-2	4	1
50-120163-3	4	1
50-120165-1	24	1
50-120165-23	24 - 26	2
50-120165-3	24 - 27	1
50-120172	24	1
50-120172-10	24	1
50-120172-19	24 - 51	1
50-120172-20	24	1
50-120172-21	24	14
50-120172-3	24	1
50-120172-4	24	1
50-120172-9	24 - 52	1
50-130002-1	27 - 1	1
50-130002-103	27 - 10	2
50-130002-104	27	2
50-130002-105	27 - 8	2
50-130002-117	27 - 25	2
50-130002-123	27 - 30	2
50-130002-2	27	1
50-130002-23	27	2
50-130002-25	27	2
50-130002-27	27	2
50-130002-5	27 - 6	1
50-130002-6	27	1
50-130002-93	27 - 7	2
50-130002-95	27 - 13	4
50-130011	27 - 23	2
50-130011	27 - 26	2
50-130011	27 - 29	2

PART NUMBER	FIGURE AND INDEX NO.	QTY. PER ARTICLE
50-130016	27	2
50-130016-1	27 - 22	2
50-130021	27	2
50-130021-1	27 - 28	2
50-130024	27	2
50-130025	27 - 14	2
50-130025-1	27 - 18	2
50-160003-50	30 - 1	1
50-160003-6	30 - 7	2
50-160003-83	30	1
50-320010-6	84 - 17	1
50-320032	43 - 28	2
50-320032	43 - 45	1
50-320032	43 - 69	2
50-320069-10	84 - 18	1
50-320069-12	84 - 15	1
50-320069-72	84 - 13	1
50-320131	43 - 38	2
50-320148	44A-12	3
50-320298-1	79	1
50-320298-1	79 - 10	2
50-320298-11	79	1
50-320298-11	79 - 7	2
50-320298-13	79 - 16	1
50-320298-17	79 - 14	1
50-320298-19	79 - 13	1
50-320298-21	79 - 12	1
50-320298-23	79 - 5	1
50-320298-29	23 - 22	1
50-320298-3	79	1
50-320298-3	79 - 11	2
50-320298-31	80 - 4	2
50-320298-33	75 - 47	2
50-320298-35	80 - 39	1
50-320298-37	80 - 45	3
50-320298-41	86 - 24	2
50-320298-43	86 - 25	2
50-320298-45	86	2
50-320298-49	77 - 4	1
50-320298-5	79	1
50-320298-5	79 - 9	2
50-320298-51	79	1
50-320298-53	79 - 15	1
50-320298-7	79	1
50-320298-7	79 - 8	2
50-320298-9	79	1
50-320298-9	79 - 6	2
50-324001-11	80 - 23	4
50-324001-9	80 - 22	4
50-324004	79	1
50-324004-101	80 - 18	1
50-324004-101	80 - 49	1
50-324004-103	79	1
50-324004-125	80	1
50-324004-127	80	1
50-324004-15	79	1
50-324004-15	80	REF
50-324004-15	80 - 1	1
50-324004-223	80 - 56	1
50-324004-224	80 - 61	1
50-324004-25	80 - 2	1
50-324004-27	80 - 42	1
50-324004-39	79 - 26	1
50-324004-40	79	1
50-324004-47	80 - 35	1
50-324004-49	80 - 43	1
50-324004-51	80 - 34	1
50-324004-65	80 - 30	1
50-324004-71	80 - 44	1
50-324004-75	80 - 57	1

MODEL 65 & 80 PARTS CATALOG

PART NUMBER	FIGURE AND INDEX NO.	QTY. PER ARTI- CLE
50-324004-76	80 - 59	1
50-324004-77	80 - 58	1
50-324004-80	80 - 60	1
50-324004-83	80 - 55	1
50-324009-1	79	1
50-324009-1	80	REF
50-324009-11	79	1
50-324009-13	79	1
50-324009-15	79	1
50-324009-17	79	1
50-324009-19	79	1
50-324009-21	80	1
50-324009-23	79	1
50-324009-23	80	REF
50-324009-25	79	1
50-324009-27	79	1
50-324009-29	79	1
50-324009-3	80	1
50-324009-31	79	1
50-324009-33	79	1
50-324009-35	79	1
50-324009-5	80	1
50-324009-7	80	1
50-324009-9	79	1
50-324052	80 - 24	1
50-324053	80 - 19	1
50-324054	80 - 28	1
50-324055	80	1
50-324092	75 - 49	1
50-324102	80 - 47	1
50-324103-1	79	4
50-324104	80 - 5	1
50-324114-3	20 - 16	1
50-324123	79 - 18	1
50-324137	79 - 21	1
50-324147	20	1
50-324147-1	20 - 1	1
50-324148	24	REF
50-324148	25	1
50-324148-11	24 - 60	2
50-324148-5	24 - 57	2
50-324148-7	24 - 54	2
50-324148-9	24 - 56	2
50-324150-1	84 - 5	1
50-324150-13	84 - 29	1
50-324150-17	84 - 7	1
50-324150-21	84 - 11	1
50-324150-25	84 - 31	1
50-324150-29	84 - 33	1
50-324150-33	84 - 35	2
50-324150-37	84	1
50-324150-5	84 - 3	1
50-324150-9	84 - 25	1
50-324151	82	1
50-324151-1	82 - 20	1
50-324151-13	82 - 35	1
50-324151-17	82 - 17	1
50-324151-21	82 - 22	1
50-324151-25	82 - 27	1
50-324151-29	82 - 7	1
50-324151-33	82 - 3	1
50-324151-37	82 - 11	1
50-324151-41	82 - 5	1
50-324151-45	82 - 1	1
50-324151-49	82 - 9	1
50-324151-5	82 - 25	1
50-324151-53	82 - 13	1
50-324151-57	82 - 37	1
50-324151-58	82 - 38	1
50-324151-59	82 - 32	1

PART NUMBER	FIGURE AND INDEX NO.	QTY. PER ARTI- CLE
50-324151-63	82 - 15	1
50-324151-67	82 - 46	1
50-324151-71	82 - 40	1
50-324151-75	82 - 51	1
50-324151-9	82 - 30	1
50-324159	44 - 47	1
50-324160	82 - 57	2
50-324161-11	80 - 41	1
50-324163-13	79 - 1	1
50-324163-15	79	1
50-324163-17	79	1
50-324163-19	79	1
50-324163-21	79	1
50-324163-23	79	1
50-324163-25	79	1
50-324163-27	79	1
50-324163-29	79	1
50-324163-31	79	1
50-324163-31	79	1
50-324163-33	79	1
50-324163-37	79	1
50-324163-39	79	1
50-324163-41	79	1
50-324163-43	79	1
50-324163-9	79	1
50-324166-1	81	1
50-324166-11	81 - 41	1
50-324166-13	81 - 45	1
50-324166-15	81 - 39	1
50-324166-17	81 - 37	1
50-324166-19	81 - 5	1
50-324166-21	81 - 3	1
50-324166-23	81 - 22	1
50-324166-25	81 - 36	1
50-324166-27	81 - 34	1
50-324166-29	81 - 32	1
50-324166-3	81 - 24	1
50-324166-31	81 - 29	1
50-324166-33	81 - 49	1
50-324166-35	81 - 62	1
50-324166-37	81 - 60	1
50-324166-39	81 - 58	1
50-324166-41	81 - 6	1
50-324166-43	81 - 12	1
50-324166-45	81 - 19	1
50-324166-47	81 - 56	1
50-324166-49	81 - 16	1
50-324166-5	81 - 26	1
50-324166-51	81 - 53	1
50-324166-53	81 - 65	1
50-324166-55	81 - 9	1
50-324166-57	81	1
50-324166-59	81 - 1	1
50-324166-7	81 - 67	1
50-324166-9	81 - 43	1
50-324167	21 - 53	1
50-324168	79 - 25	1
50-324189	84	1
50-324189-1	84 - 38	1
50-324189-3	84 - 39	1
50-324189-7	84 - 40	1
50-324190	84 - 42	1
50-324197-5	82	1
50-324199-1	81	1
50-324199-1	82	1
50-324199-11	82	1
50-324199-13	81	1
50-324199-13	82	1
50-324199-15	82	1
50-324199-17	82	1

MODEL 65 & 80 PARTS CATALOG

PART NUMBER	FIGURE AND INDEX NO.	QTY. PER ARTICLE
50-324199-19	82	1
50-324199-21	82	1
50-324199-23	81	1
50-324199-23	82	1
50-324199-25	82	1
50-324199-27	82	1
50-324199-29	82	1
50-324199-3	81	1
50-324199-3	82	1
50-324199-31	82	1
50-324199-33	82	1
50-324199-35	82	1
50-324199-5	82	1
50-324199-7	82	1
50-324199-9	82	1
50-344655	79 - 19	1
50-344664-7	9 - 33	1
50-361100-11	90	1
50-361100-12	90	1
50-361100-29	90 - 1	1
50-361100-30	90	1
50-361100-33	90 - 4	1
50-361100-35	90	1
50-361100-36	90	1
50-361100-37	90 -	1
50-361100-38	90	1
50-361100-40	90 - 2	1
50-361115-1	90	1
50-361121-10	88 - 70	1
50-361121-15	88	1
50-361121-2	88	1
50-361121-8	88 - 69	1
50-361200-23	88 - 19	2
50-361204	88 -	1
50-361204-1	88 - 7	1
50-361212	88 - 6	1
50-361213	88 - 4	1
50-361218	88 - 51	2
50-361228-4	88	1
50-361228-6	88 - 56	1
50-361230	85 - 10	2
50-361230	88 - 21	2
50-361234	85 - 12	1
50-361234	88 - 23	2
50-361234-1	85 - 13	1
50-361234-1	88 - 24	2
50-361236	88 - 27	2
50-361237	85 - 16	1
50-361246	85 - 11	4
50-361246	88 - 22	2
50-361252	88	1
50-361252-1	88 - 46	1
50-361252-3	88	1
50-361253-1	88 - 35	1
50-361253-3	88 - 43	4
50-361253-7	88	1
50-361254	88 - 29	1
50-361255	88 - 32	1
50-361256	88 - 39	1
50-361257	88 - 31	1
50-361258	88 - 40	1
50-361259	88 - 41	2
50-361265	88	1
50-361265-1	88 - 57	1
50-361272	85 - 14	2
50-361272	88 - 25	2
50-361272-1	85	1
50-361272-1	85	2
50-361286	88 - 15	1
50-364090	31	2

PART NUMBER	FIGURE AND INDEX NO.	QTY. PER ARTICLE
50-364090-2	31 - 46	1
50-364090-34	31 - 45	1
50-364090-46	31	2
50-364090-608	31 - 25	2
50-364091	31	2
50-364091-2	31 - 29	2
50-364095	31 - 39	2
50-364112	31 - 37	2
50-364113	31 - 35	2
50-364114	31 - 31	2
50-364115	31 - 30	2
50-364120	31 - 67	1
50-364137-4	80 - 21	4
50-364145	80 - 26	1
50-364211	86 - 14	2
50-364224-11	87	1
50-364224-17	87	1
50-364224-19	87	1
50-364251	85	1
50-364251-3	85 - 3	1
50-364252	85 - 54	1
50-364253-1	87	1
50-364253-13	13	1
50-364253-13	87 - 16	REF
50-364253-3	87 - 14	1
50-364253-5	87 - 11	1
50-364253-7	87 - 15	1
50-364253-9	87 - 13	1
50-364254-5	85 - 56	1
50-364256	87	1
50-364256-3	87 - 20	2
50-364261	87	1
50-364261-3	87	1
50-364261-7	37 - 4A	1
50-364261-7	87	REF
50-369019	70 - 48	2
50-369020	70	2
50-369020-1	70 - 9	2
50-369021	70 - 10	2
50-369021	70 - 51	2
50-369031	75 - 34	1
50-369040	77	1
50-369041-27	86	2
50-369041-29	86	1
50-369041-31	86	1
50-369041-45	86	1
50-369041-47	86	1
50-369046-11	86 - 5	1
50-369046-3	86 - 6	1
50-369046-4	86 - 7	1
50-369046-7	86	1
50-369046-9	86 - 4	1
50-369049	86 - 17	2
50-369056	89 - 26	2
50-369101-1	80 - 54	1
50-369101-3	80 - 14	1
50-369101-3	80 - 52	1
50-369101-5	80 - 16	1
50-369101-7	80 - 15	1
50-369101-7	80 - 53	2
50-369103-13	89	1
50-369103-15	89	1
50-369103-17	89	1
50-369103-19	89	1
50-380007-9	79	1
50-380007-9	79	2
50-380008-7	79	1
50-380008-7	79	2
50-380010-9	79	1
50-380012-21	79	1

MODEL 65 & 80 PARTS CATALOG

PART NUMBER	FIGURE AND INDEX NO.	QTY. PER ARTICLE
50-384023-1	21 - 16	1
50-384023-3	9 - 58	1
50-384023-4	9	1
50-384023-5	80 - 29	1
50-384024-9	79	1
50-384024-9	79	2
50-384025-1	19 - 11	2
50-384040	84 - 21	1
50-384041	21 - 64	1
50-384042-3	79	1
50-384394-5	19 - 12	2
50-389002	71 - 4	2
50-389002-1	71	2
50-389002-3	71	2
50-389002-5	71	1
50-389003	86 - 18	2
50-389006-3	64 - 56	2
50-389007-1	21	1
50-389007-2	21	1
50-389007-3	21 - 42	1
50-389007-4	21	1
50-389007-5	21 - 43	1
50-389007-6	21	1
50-389015	62	2
50-389025	79	1
50-400003-170	10 -110	1
50-400003-22	12 - 78	4
50-400003-24	12	4
50-400003-32	12 - 81	2
50-400003-34	12	2
50-400004-36	13 - 5	1
50-400039-6	10 - 82	2
50-400069	12 - 79	8
50-400069	12 - 82	4
50-400112	12	1
50-400112-4	12 - 86	1
50-400112-6	12 - 88	2
50-400112-8	12 - 87	1
50-400113	12 - 84	1
50-400133-1	9 - 37	1
50-400155-8	9 - 40	6
50-400162-10	41 - 41	2
50-400177	9 - 48	4
50-400177	9 - 50	4
50-400202	56 - 42	4
50-400228	56 - 35	1
50-400450	8	1
50-400450-1	8	1
50-400452-1	12	1
50-400452-11	12 - 23	1
50-400452-13	12	1
50-400452-15	12 - 20	1
50-400452-16	12	1
50-400452-17	12 - 25	1
50-400452-18	12	1
50-400452-2	12	1
50-400452-23	12	7
50-400452-3	12 - 24	1
50-400452-5	12	1
50-400452-7	12 - 22	1
50-400452-9	12	1
50-410012	8 - 3	1
50-410012	9	REF
50-410012-101	9 - 42	3
50-410012-104	9 - 17	1
50-410012-11	9 - 51	1
50-410012-12	9	1
50-410012-177	9 - 18	1
50-410012-179	9 - 24	1
50-410012-183	9 - 20	1

PART NUMBER	FIGURE AND INDEX NO.	QTY. PER ARTICLE
50-410012-185	9 - 22	1
50-410012-27	9 - 16	1
50-410012-29	9 - 15	1
50-410012-3	9	1
50-410012-30	9	1
50-410012-4	9	1
50-410012-45	9 - 47	1
50-410012-46	9	1
50-410012-47	9 - 49	1
50-410012-48	9	1
50-410012-59	9 - 14	1
50-410012-601	9	1
50-410012-602	9	1
50-410012-603	9	1
50-410012-604	9	1
50-410012-69	9 - 32	1
50-410012-71	9	1
50-410012-84	9 - 46	1
50-410012-88	9 - 28	1
50-410012-89	9 - 30	1
50-410012-99	9 - 44	2
50-410013	8 - 1	1
50-410013	13 -	REF
50-410013-1	13 - 1	1
50-410013-5	13	1
50-410014-1	4	1
50-410014-10	5	1
50-410014-11	5	1
50-410014-12	5	1
50-410014-3	5	1
50-410014-4	5	1
50-410014-47	4	1
50-410014-5	5	1
50-410014-6	4	1
50-410014-6	5	1
50-410014-7	4	1
50-410014-8	4	1
50-410014-9	5	1
50-410015	8 - 4	1
50-410015	9	REF
50-410015-1	9 - 55	1
50-410015-2	9	1
50-410015-23	9 - 61	1
50-410015-24	9	1
50-410015-39	9 - 59	1
50-410015-41	9 - 60	1
50-410015-47	9 - 62	1
50-410015-48	9	1
50-410015-49	9 - 63	1
50-410015-50	9	1
50-410015-51	9 - 64	1
50-410015-52	9	1
50-410015-61	9	1
50-410015-62	9	1
50-410015-63	8	1
50-410015-63	9	REF
50-410015-65	9	2
50-410015-67	9	2
50-410015-69	9	2
50-410015-71	9	2
50-410015-73	9	2
50-410015-75	9	1
50-410018-1	9 - 2	1
50-410018-2	9	1
50-410019-1	9 - 8	1
50-410019-2	9	1
50-410020	9 - 1	1
50-410023-23	9	1
50-410023-9	9 - 39	1
50-410026	9	1

MODEL 65 & 80 PARTS CATALOG

PART NUMBER	FIGURE AND INDEX NO.	QTY. PER ARTICLE
50-410026-10	9 - 26	1
50-410027	9	1
50-410027-25	9 - 35	1
50-410027-27	9 - 36	2
50-420011	8 - 6	1
50-420011	10	REF
50-420011-1	5	1
50-420011-101	10 - 43	1
50-420011-102	10	1
50-420011-109	10 - 37	1
50-420011-110	10	1
50-420011-113	10 - 60	1
50-420011-123	10 - 67	1
50-420011-125	10 - 69	1
50-420011-127	10 - 71	1
50-420011-137	5	1
50-420011-138	5	1
50-420011-147	10 - 96	2
50-420011-155	10 - 39	1
50-420011-161	10 - 41	2
50-420011-173	10 - 57	1
50-420011-179	10 - 47	1
50-420011-180	10	1
50-420011-189	10 - 55	1
50-420011-2	5	1
50-420011-203	10 - 53	1
50-420011-207	10 - 94	1
50-420011-213	10 -113	1
50-420011-221	10 - 62	1
50-420011-233	10 - 61	1
50-420011-235	5	1
50-420011-236	5	1
50-420011-3	5	1
50-420011-31	10 - 51	1
50-420011-32	10	1
50-420011-37	10 - 49	4
50-420011-4	5	1
50-420011-41	10 -114	1
50-420011-42	10	1
50-420011-5	4	1
50-420011-69	10 - 98	1
50-420011-77	10 - 95	1
50-420011-78	10	1
50-420011-85	10 - 46	1
50-420012-10	10	1
50-420012-13	10 - 11	1
50-420012-139	10 -118	1
50-420012-14	10	1
50-420012-140	10	1
50-420012-39	10	1
50-420012-40	10	1
50-420012-41	10	1
50-420012-42	10	1
50-420012-9	10	1
50-420013	8 - 7	1
50-420013	11 -	REF
50-420013-1	11 - 1	5
50-420013-109	11	1
50-420013-115	11 - 4	1
50-420013-127	11 - 20	1
50-420013-147	11 - 25	2
50-420013-161	5A	1
50-420013-21	11 - 6	3
50-420013-27	4	1
50-420013-31	5	1
50-420013-35	5	1
50-420013-53	4	1
50-420013-55	11 - 23	4
50-420013-59	11 - 5	3
50-420013-61	11 - 24	3

PART NUMBER	FIGURE AND INDEX NO.	QTY. PER ARTICLE
50-420013-67	11 - 26	1
50-420013-69	11 - 3	1
50-420013-77	11 - 13	1
50-420013-79	11 - 14	1
50-420013-97	11 - 2	1
50-420014	8 - 8	1
50-420014	11	REF
50-420014-101	11 - 36	2
50-420014-103	11 - 38	4
50-420014-105	11 - 40	2
50-420014-105	12 - 32	2
50-420014-121	11 - 27	1
50-420014-19	11 - 30	2
50-420014-191	11 - 32	2
50-420014-205	4A	1
50-420014-215	4A	1
50-420014-217	4A	1
50-420014-45	11 - 44	1
50-420014-46	11	1
50-420015	20 - 35	1
50-420022	10	1
50-420028	11	1
50-420030	11	1
50-420030-17	11 - 46	1
50-420030-17	12 -112	1
50-420030-35	11 - 49	1
50-420031	10 -	4
50-420031-1	10 - 34	4
50-420032	10	1
50-420032-5	10 - 64	1
50-420032-6	10	1
50-420033	10	1
50-420033-10	10	1
50-420033-11	10	1
50-420033-13	10 - 80	1
50-420033-17	10 - 73	2
50-420033-7	10 - 81	1
50-420033-8	10	1
50-420033-9	10	1
50-420034	10	1
50-420034-21	10 -104	2
50-420035	10	1
50-420035-25	10 -109	1
50-420035-27	10	1
50-420035-31	10 -107	1
50-420036	10	1
50-420036-11	10 -116	2
50-420036-13	10 -117	1
50-420036-13	12 - 72	1
50-420037	10	1
50-420037-15	10 - 66	1
50-420038	10 - 63	1
50-420039-11	10 - 84	1
50-420039-13	10 - 85	1
50-420039-15	10	1
50-420039-5	10	1
50-420039-7	10 - 86	1
50-420040	10	1
50-420040-3	10 - 88	1
50-420041	10 - 91	1
50-420042	56 - 36	2
50-420044	10 - 90	1
50-420045	10 - 32	1
50-420046-1	10	1
50-420046-10	10	1
50-420046-2	10	1
50-420046-3	10 - 20	1
50-420046-4	10	1
50-420046-5	10 - 21	1
50-420046-6	10	1

MODEL 65 & 80 PARTS CATALOG

PART NUMBER	FIGURE AND INDEX NO.	QTY. PER ARTICLE
50-420046-9	10 - 22	1
50-420047-1	10 - 59	1
50-420047-2	10	1
50-420050	21	1
50-420050-13	21 - 46	1
50-420050-14	21	1
50-420050-7	21 - 48	1
50-420050-8	21	1
50-420051	8 - 5	1
50-420051	10 -	REF
50-420051-109	10 - 13	1
50-420051-110	10	1
50-420051-111	10 - 14	2
50-420051-113	10 - 25	2
50-420051-119	10 - 17	1
50-420051-120	10	1
50-420051-121	10 - 15	1
50-420051-122	10	1
50-420051-123	10 - 16	1
50-420051-124	10	1
50-420051-125	10	1
50-420051-126	10	1
50-420051-129	10 - 28	1
50-420051-130	10	1
50-420051-135	10 - 18	2
50-420051-139	10 - 29	1
50-420051-140	10	1
50-420051-141	10	1
50-420051-142	10	1
50-420051-29	10 - 30	1
50-420051-30	10	1
50-420051-35	4	1
50-420051-36	4	1
50-420051-37	4	1
50-420051-43	10 - 4	1
50-420051-45	10 - 1	1
50-420051-47	10 - 2	1
50-420051-49	10 - 3	1
50-420051-5	10 - 6	1
50-420051-50	10	1
50-420051-51	4	1
50-420051-6	10	1
50-420051-71	10 - 31	1
50-420051-85	10 - 24	2
50-420051-93	10 - 26	1
50-420051-94	10	1
50-420052-1	10 - 10	1
50-430015	8 - 9	1
50-430015	14	REF
50-430015-119	14 - 37	2
50-430015-121	14 - 2	1
50-430015-123	14 - 3	1
50-430015-17	14 - 6	1
50-430015-181	14 - 8	1
50-430015-183	14 - 42	1
50-430015-193	14 - 25	1
50-430015-205	14 - 9	1
50-430015-219	14 - 33	1
50-430015-223	14 - 28	2
50-430015-229	14 - 64	1
50-430015-237	14 - 34	1
50-430015-239	14	1
50-430015-243	14 - 68	1
50-430015-249	14 - 70	1
50-430015-263	14 - 66	1
50-430015-279	14 - 20	1
50-430015-289	14 - 4	1
50-430015-29	14 - 22	1
50-430015-293	14 - 7	1
50-430015-295	14 - 46	1

PART NUMBER	FIGURE AND INDEX NO.	QTY. PER ARTICLE
50-430015-297	14 - 47	1
50-430015-301	14 - 51	4
50-430015-301	14 - 54	2
50-430015-301	14 - 58	1
50-430015-301	14 - 62	2
50-430015-303	14 - 69	1
50-430015-305	14 - 57	1
50-430015-307	14 - 16	1
50-430015-309	14 - 10	1
50-430015-31	14 - 23	1
50-430015-311	14 - 11	1
50-430015-313	14 - 12	1
50-430015-315	14 - 15	1
50-430015-317	14 - 14	1
50-430015-319	14 - 13	1
50-430015-33	14 - 24	1
50-430015-331	14 - 65	1
50-430015-339	14 - 52	1
50-430015-339	14 - 55	2
50-430015-339	14 - 59	1
50-430015-339	14 - 63	2
50-430015-341	14 - 60	1
50-430015-343	14 - 71	1
50-430015-345	14 - 74	1
50-430015-347	14 - 75	1
50-430015-349	14 - 73	1
50-430015-351	14 - 72	1
50-430015-365	14 - 1	1
50-430015-371	14 - 21	1
50-430015-377	14 - 18	3
50-430015-379	14 - 77	1
50-430015-381	14 - 78	1
50-430015-383	14 - 79	1
50-430015-59	14 - 31	1
50-430015-602	14 -	1
50-430016-1	14 - 40	2
50-430017	14 - 44	2
50-430018-1	14 - 45	2
50-430020	79 - 24	1
50-430021	14 - 48	1
50-440011	8 - 11	1
50-440011	12	REF
50-440011-29	12 -110	1
50-440011-3	5	1
50-440011-37	8	1
50-440011-37	12	REF
50-440011-5	5	1
50-440011-7	5	1
50-440011-8	5	1
50-440012	8 - 10	1
50-440012	12	REF
50-440012-10	4	1
50-440012-10	5	1
50-440012-103	12 - 8	2
50-440012-105	12 - 1	1
50-440012-107	4	1
50-440012-11	4	1
50-440012-11	5	1
50-440012-12	4	1
50-440012-12	5	1
50-440012-13	5	1
50-440012-133	12 - 28	1
50-440012-137	12 - 30	1
50-440012-15	5	1
50-440012-16	5	1
50-440012-17	4	1
50-440012-177	12 - 36	1
50-440012-19	4	1
50-440012-21	5	1
50-440012-221	12 - 61	3

MODEL 65 & 80 PARTS CATALOG

PART NUMBER	FIGURE AND INDEX NO.	QTY. PER ARTICLE
50-440012-223	12	3
50-440012-225	12 - 62	1
50-440012-227	12	1
50-440012-229	12 - 63	1
50-440012-231	12	1
50-440012-247	12 - 9	1
50-440012-279	12	1
50-440012-283	12 - 5	2
50-440012-341	4A	1
50-440012-343	4A	1
50-440012-345	4A	1
50-440012-347	5A	1
50-440012-348	5A	1
50-440012-349	4A	1
50-440012-350	4A	1
50-440012-353	8	1
50-440012-353	12	REF
50-440012-5	5	1
50-440012-55	4	1
50-440012-57	4	1
50-440012-59	5	1
50-440012-6	5	1
50-440012-61	4	1
50-440012-63	4	1
50-440012-65	5	1
50-440012-67	4	1
50-440012-7	5	1
50-440012-73	12 - 2	1
50-440012-75	12 - 4	1
50-440012-79	12 - 3	1
50-440012-8	5	1
50-440012-89	12 - 34	2
50-440012-9	4	1
50-440012-9	5	1
50-440012-97	12 - 10	1
50-440012-99	12 - 6	2
50-440013-36	5	1
50-440013-49	5	1
50-440014-1	5	1
50-440014-115	5	1
50-440014-117	5	1
50-440014-3	5	1
50-440014-5	4	1
50-440014-79	5	1
50-440014-81	5	1
50-440017-21	12 - 27	1
50-440017-22	12	1
50-440018	8 - 2	1
50-440018	13	REF
50-440018-13	8	1
50-440018-13	13	REF
50-440018-3	13 - 3	1
50-440019	12	1
50-440019-33	12 - 51	1
50-440020	12	1
50-440020-5	12 - 38	1
50-440021	12	1
50-440021-11	12 - 70	1
50-440022	12	1
50-440022-15	12 - 74	1
50-440022-17	12 - 73	1
50-440022-17	12 - 77	1
50-440022-19	12 - 75	1
50-440023	12	1
50-440024	12	1
50-440024-123	12 - 59	1
50-440025	12	1
50-440025-45	12 - 54	1
50-440025-9	12 - 53	1
50-440026	12	1

PART NUMBER	FIGURE AND INDEX NO.	QTY. PER ARTICLE
50-440027	12	1
50-440027-11	12 - 115	1
50-440027-12	12	1
50-440027-13	12 - 116	2
50-440027-15	12 - 114	1
50-440027-16	12	1
50-440027-17	12 - 113	2
50-440028	12	1
50-440028-11	12 - 121	1
50-440028-12	12	1
50-440028-13	12 - 122	2
50-440028-15	12 - 120	1
50-440028-16	12	1
50-440028-17	12 - 119	2
50-440028-27	12 - 118	2
50-440028-31	12 - 123	2
50-440031	12	1
50-440031-17	12 - 89	2
50-440031-25	12 - 91	1
50-440031-29	12 - 92	1
50-440031-30	12	1
50-440032	12	1
50-440032-3	12 - 17	1
50-440033-1	21 - 15	1
50-440037	12	1
50-440037-3	12 - 12	1
50-521125	31 - 8	4
50-521128	28	2
50-521128-10	28 - 37	2
50-521143	28 - 36	2
50-521148	31 - 22	4
50-521149	31 - 17	4
50-521151-1	31 - 13	4
50-521151-2	31	4
50-521152-1	31 - 3	1
50-521152-2	31	1
50-521152-3	31 - 16	4
50-521153-1	31 - 4	1
50-521153-2	31	1
50-521153-3	31	4
50-521154-1	31	2
50-521154-2	31	2
50-521154-3	31 - 21	2
50-521154-4	31	2
50-521154-6	31 - 23	4
50-521155	31 - 19	4
50-521171	28	1
50-521171-1	28 - 33	1
50-521172	28	2
50-521172-1	28 - 42	2
50-521172-3	28 - 41	2
50-521172-5	28 - 43	6
50-521178-11	29	1
50-521178-3	28	1
50-521178-7	28 - 49	1
50-521178-9	29 - 20	1
50-521180	28 - 45	1
50-521180-1	29 -	REF
50-521181	29 -	1
50-521181-3	29 - 15	1
50-521181-5	29 - 16	1
50-521182	29 - 13	1
50-521183	29	1
50-521183-3	29 - 3	1
50-521184	29 - 9	1
50-521185	29	1
50-521185-1	29 - 10	1
50-521185-3	29 - 12	1
50-521200-15	28	1
50-521200-16	28	1

MODEL 65 & 80 PARTS CATALOG

PART NUMBER	FIGURE AND INDEX NO.	QTY. PER ARTICLE
50-521201	28 - 19	1
50-521202	28 - 18	1
50-523403-309	44A- 1	1
50-523403-313	44A	1
50-524023	32	1
50-524023-2	32 - 33	1
50-524039-12	43 - 40	1
50-524039-4	43 - 41	1
50-524040	43 - 82	1
50-524041	43 - 81	1
50-524047	43 - 26	3
50-524047	43 - 46	1
50-524047	43 - 67	2
50-524047	73 - 7	2
50-524047	73 - 26	2
50-524095	40	1
50-524095-2	40 - 2	1
50-524097-6	28 - 27	2
50-524097-6	43 - 84	1
50-524098	28 - 16	1
50-524108	28 - 17	1
50-524124	43	1
50-524124-2	43 - 35	1
50-524124-4	43	1
50-524125	43 - 36	1
50-524128-1	43 - 37	1
50-524138	43 - 59	1
50-524148-6	35 - 23	2
50-524160-6	35 - 27	1
50-524160-6	36	REF
50-524160-7	35 - 28	1
50-524160-7	36	REF
50-524161-6	36	1
50-524161-7	36	1
50-524164	36	2
50-524164	40	1
50-524164-4	36 - 19	2
50-524164-4	40 - 20	1
50-524165	36 - 21	3
50-524165	40 - 22	1
50-524166-10	36	1
50-524166-11	36	1
50-524166-12	36 - 12	2
50-524166-8	36 - 9	1
50-524166-9	36	1
50-524167	29 - 5	1
50-524167	36 - 7	2
50-524167	40 - 8	1
50-524168	36	1
50-524168-1	36	1
50-524168-2	36 - 3	1
50-524168-3	36	1
50-524169	36 - 22A	1
50-524170-3	39 - 15	1
50-524170-3	40	REF
50-524171-3	40	1
50-524172	40	1
50-524172-2	40 - 6	1
50-524174-10	40 - 14	1
50-524174-12	40 - 15	1
50-524174-8	40	1
50-524175	35 - 25	2
50-524176-8	40 - 30	1
50-524177	29 - 6	1
50-524177	36 - 4	4
50-524177	36 - 13	4
50-524177	40 - 10	2
50-524177	40 - 16	2
50-524178-2	36 - 27	2
50-524183	12 -109	1

PART NUMBER	FIGURE AND INDEX NO.	QTY. PER ARTICLE
50-524184	12	1
50-524193	31 - 27	8
50-524195	31	2
50-524195-2	31 - 26	2
50-524224	40 - 25	AR
50-524228	12 -117	1
50-524229	29 - 17	3
50-524229	36 - 32	2
50-524229	40 - 35	1
50-524235	12 -106	1
50-524303	36 - 22	2
50-524303	40 - 23	1
50-524304	36 - 20	2
50-524304	40 - 21	1
50-524314	40	1
50-524314-3	36	2
50-524314-5	36 - 15	2
50-524314-5	40 - 12	1
50-524326-1	41	2
50-524326-2	41	2
50-524326-3	41 - 3	1
50-524326-4	41	1
50-524327-1	32 - 36	1
50-524328-1	41	2
50-524328-2	41	2
50-524328-3	41 - 7	1
50-524328-4	41	1
50-524329-1	39 - 8	2
50-524329-7	39	2
50-524400-15	28	1
50-524400-15	31	REF
50-524400-15	35	REF
50-524400-15	39	REF
50-524400-17	39	1
50-524400-18	39	1
50-524400-5	28	1
50-524400-5	31	REF
50-524400-5	35	REF
50-524400-5	39	REF
50-524401	35	1
50-524401-3	35 - 16	1
50-524402	39 - 1	1
50-524402	41 -	REF
50-524402-1	41 - 17	1
50-524402-7	41 - 16	1
50-524403-1	43 -	1
50-524403-101	44 - 5	1
50-524403-105	43 - 16	4
50-524403-119	43 - 3	1
50-524403-121	43 - 5	1
50-524403-123	43 - 25	2
50-524403-123	43 - 66	2
50-524403-13	43 - 86	1
50-524403-139	44	1
50-524403-141	44 - 48	1
50-524403-143	43 - 7	1
50-524403-147	43 - 21	2
50-524403-147	43 - 62	2
50-524403-149	43 - 22	2
50-524403-149	43 - 48	1
50-524403-149	43 - 63	2
50-524403-151	43 - 44	1
50-524403-153	43 - 43	1
50-524403-155	43	2
50-524403-155	43	2
50-524403-157	43 - 42	1
50-524403-167	44 - 41	1
50-524403-169	44	1
50-524403-171	44	1
50-524403-173	44	1

MODEL 65 & 80 PARTS CATALOG

PART NUMBER	FIGURE AND INDEX NO.	QTY. PER ARTICLE	PART NUMBER	FIGURE AND INDEX NO.	QTY. PER ARTICLE
50-524403-175	44	1	50-524416-19	42 - 17	2
50-524403-183	43	1	50-524416-21	42 - 21	1
50-524403-23	44 - 1	2	50-524416-22	42	1
50-524403-247	43	1	50-524416-23	42 - 22	1
50-524403-25	44 - 15	2	50-524416-24	42	1
50-524403-255	44	1	50-524416-47	42 - 8	2
50-524403-261	44	2	50-524416-49	42	2
50-524403-263	43	1	50-524416-53	28	1
50-524403-265	43	1	50-524416-53	42	REF
50-524403-273	44A- 7	6	50-524419	43 - 58	1
50-524403-275	44A- 8	3	50-524419	43 - 80	1
50-524403-279	44A- 11	3	50-524420-1	32 - 11	1
50-524403-281	44A- 10	3	50-524420-2	32 - 12	1
50-524403-293	44A- 5	1	50-524421	35 - 17	2
50-524403-295	44A	1	50-524424	42 - 13	2
50-524403-297	44A	1	50-524426	10	1
50-524403-299	44A	1	50-524426-1	10 - 74	1
50-524403-301	44A- 3	1	50-524426-3	10 - 76	1
50-524403-303	44A	1	50-524427	12	1
50-524403-305	44A	1	50-524427-11	12 - 41	1
50-524403-307	44A	1	50-524427-13	12	1
50-524403-311	44A	1	50-524427-15	12 - 39	2
50-524403-315	44A	1	50-524427-3	12 - 43	1
50-524403-317	43	1	50-524427-5	12	1
50-524403-319	43	1	50-524427-7	12 - 45	1
50-524403-321	43	2	50-524427-9	12	1
50-524403-321	43	1	50-524428	11	1
50-524403-323	43	1	50-524428-1	11 - 47	1
50-524403-325	43	1	50-524429	12	1
50-524403-40	43 - 61	1	50-524429-1	12 - 57	1
50-524403-49	43 - 50	1	50-524429-3	12 - 55	1
50-524403-55	43 - 23	4	50-524431	12	1
50-524403-55	43 - 64	2	50-524431-1	12 -102	1
50-524403-57	43 - 31	2	50-524431-13	12 - 97	1
50-524403-57	43 - 72	2	50-524431-15	12 - 99	1
50-524403-59	43 - 30	2	50-524431-17	12	1
50-524403-59	43 - 71	2	50-524431-18	12	1
50-524403-63	43 - 56	1	50-524431-25	12	1
50-524403-63	43 - 78	2	50-524431-3	12 -104	1
50-524403-65	43 - 57	1	50-524431-7	12 - 95	1
50-524403-65	43 - 79	2	50-524431-9	12	1
50-524403-69	43	1	50-524432	12	1
50-524403-69	43	1	50-524432-1	12 - 49	1
50-524403-71	44 - 14	2	50-524432-2	12	1
50-524403-73	44 - 12	2	50-524432-5	12 - 47	1
50-524403-75	44 - 13	2	50-524432-7	12	1
50-524403-79	44 - 4	1	50-524433	35 - 1	1
50-524403-83	44 - 8	1	50-524436	10 -100	2
50-524403-85	44 - 11	2	50-524436	10 -105	1
50-524403-93	44 - 49	4	50-524436	11 - 42	3
50-524403-99	44 - 7	1	50-524436-1	10 -102	1
50-524405	12	1	50-524437	44	1
50-524405-3	12 - 66	1	50-524437-1	44 - 27	1
50-524406-1	32	1	50-524437-11	44 - 33	2
50-524406-2	32	1	50-524437-3	44 - 16	2
50-524406-3	32 - 17	1	50-524437-3	44 - 31	2
50-524406-4	32 - 18	1	50-524437-5	44 - 21	2
50-524406-5	32 - 19	2	50-524437-7	44 - 30	1
50-524406-7	32 - 21	2	50-524437-9	44 - 25	2
50-524409	32 -	1	50-524438-1	39 - 2	1
50-524409-1	32 - 31	1	50-524438-3	39 - 3	1
50-524410	35 - 2	1	50-524439-1	35 - 3	1
50-524413	35 - 10	1	50-524439-3	35 - 4	1
50-524414	35 - 12	2	50-524444-1	28 - 2	1
50-524415-1	41	1	50-524444-2	28 - 3	1
50-524415-2	41	2	50-524446	44	1
50-524415-3	41 - 10	2	50-524446-11	44 - 18	2
50-524415-4	41	2	50-524446-9	44 - 36	2
50-524415-5	41 - 12	1	50-524447	12	1
50-524416-17	42 - 14	1	50-524447-1	12 - 68	1

MODEL 65 & 80 PARTS CATALOG

PART NUMBER	FIGURE AND INDEX NO.	QTY. PER ARTI- CLE
50-524447-3	12	1
50-524448	41	4
50-524448-1	41 - 21	4
50-524450	43 - 18	1
50-524455-1	41	1
50-524455-3	41 - 23	1
50-524457-1	9 - 52	1
50-524458-1	10 - 65	2
50-524465-1	41	1
50-524465-3	41 - 29	1
50-524466-1	42	1
50-524466-3	42 - 26	1
50-524466-5	42 - 27	1
50-524470	35 - 14	2
50-524471	43 - 27	2
50-524471	43 - 47	1
50-524471	43 - 68	2
50-524472	41	1
50-524474	36	2
50-524475	40	1
50-524476-1	36 - 25	2
50-524476-1	40 - 28	1
50-524476-3	36 - 26	2
50-524476-3	40 - 29	1
50-524478	44	1
50-524478-11	44A	2
50-524478-15	44A- 18	4
50-524478-5	44A	2
50-524479-13	44A- 13	2
50-524479-15	44A	1
50-524479-17	44A	1
50-524479-21	44A	2
50-524479-23	44A	1
50-524480-3	44	1
50-524481-3	39 - 16	2
50-524483	43	1
50-534054	20 - 42	1
50-534246-1	21 - 60	1
50-534246-2	21	1
50-534258	20 - 46	1
50-534259	20	1
50-534268-7	20 - 12	1
50-534275	20 - 14	1
50-534276	20 - 13	1
50-534302-1	16 - 8	1
50-534302-2	16 - 9	1
50-534305	22 - 49	1
50-534311	17 - 12	1
50-534311	18A-	1
50-534311-27	18A- 23	1
50-534311-29	18A- 22	2
50-534311-3	18A- 1	1
50-534311-31	18A- 24	4
50-534311-33	18A	4
50-534311-35	18A- 4	4
50-534311-37	18A- 8	4
50-534311-45	18A- 21	2
50-534311-51	18A- 20	4
50-534311-53	18A- 18	2
50-534311-7	18A- 2	1
50-534350-125	20 - 75	2
50-534350-131	20 - 56	1
50-534350-149	20 - 80	1
50-534350-151	20 - 81	1
50-534350-155	20 - 82	1
50-534350-157	20	1
50-534350-161	20 - 48	1
50-534350-169	20	1
50-534350-179	20 - 61	1
50-534350-180	20	1

PART NUMBER	FIGURE AND INDEX NO.	QTY. PER ARTI- CLE
50-534350-181	20 - 62	1
50-534350-182	20	1
50-534350-193	20	1
50-534350-194	20	1
50-534350-205	20 - 79	1
50-534350-207	20 - 85	8
50-534350-227	20 - 57	1
50-534350-229	20 - 58	1
50-534350-231	20 - 59	1
50-534350-232	20	1
50-534350-237	20 - 49	1
50-534350-239	20 - 86	2
50-534350-245	20 - 63	1
50-534350-246	20	1
50-534350-271	20	1
50-534350-275	20 - 60	1
50-534350-279	20 - 72	1
50-534350-280	20	1
50-534350-289	20 - 77	1
50-534350-293	20	1
50-534350-295	20	1
50-534350-296	20	1
50-534350-297	20 - 76	2
50-534350-301	20	1
50-534350-303	20	1
50-534350-307	20	1
50-534350-309	20 - 54	1
50-534350-311	20 - 55	1
50-534350-323	20	1
50-534350-327	20 - 68	1
50-534350-329	20	1
50-534350-331	20 - 69	1
50-534350-332	20	1
50-534350-333	20 - 70	1
50-534350-334	20	1
50-534350-335	20 - 71	1
50-534350-343	78A- 47	1
50-534350-345	20 - 78	1
50-534350-43	20 - 64	1
50-534350-45	20	1
50-534350-61	20	1
50-534350-65	20 - 84	1
50-534350-66	20	1
50-534351-13	21 - 19	5
50-534351-15	21 - 21	1
50-534351-37	21	1
50-534351-39	21	2
50-534351-40	21	3
50-534351-41	21 - 17	2
50-534351-42	21	3
50-534351-43	21 - 24	5
50-534351-45	21 - 22	5
50-534352-1	15	1
50-534352-11	15 - 8	1
50-534352-19	15	1
50-534352-20	15	1
50-534352-25	15	1
50-534352-3	15	1
50-534352-39	15 - 20	8
50-534352-41	15 - 4	5
50-534352-43	15 - 10	1
50-534352-47	15	1
50-534352-49	15 - 21	1
50-534352-5	15	1
50-534352-50	15	1
50-534352-51	15 - 19	4
50-534352-53	15 - 16	1
50-534352-54	15	1
50-534352-55	15 - 12	1
50-534352-56	15	1

MODEL 65 & 80 PARTS CATALOG

PART NUMBER	FIGURE AND INDEX NO.	QTY. PER ARTICLE
50-534352-7	15 - 1	1
50-534352-9	15 - 7	1
50-534353-1	20	1
50-534353-3	20 - 2	1
50-534353-5	20 - 4	1
50-534357	20	1
50-534357-11	20 - 20	1
50-534357-7	20 - 19	1
50-534357-9	20	1
50-534358	20 - 22	1
50-534362	22 - 50	1
50-534362	22 - 98	1
50-534363	20 - 7	1
50-534364	20 - 6	1
50-534365	20	1
50-534365-101	20 - 31	6
50-534365-119	20	1
50-534365-120	20	1
50-534365-121	20 - 34	1
50-534365-122	20	1
50-534365-123	20 - 23	1
50-534365-124	20	1
50-534365-127	20	1
50-534365-130	20	1
50-534365-55	20	1
50-534365-95	20 - 33	6
50-534365-97	20 - 29	1
50-534365-98	20	1
50-534366-1	21	1
50-534366-3	21 - 13	1
50-534371-1	21 -	1
50-534371-7	21 - 3	1
50-534371-9	21 - 1	1
50-534372-1	20	1
50-534372-2	20	1
50-534372-3	20 - 17	1
50-534372-4	20	1
50-534376	20	1
50-534376-3	20 - 37	1
50-534376-5	20 - 39	1
50-534380	22 -	1
50-534380-15	22 - 13	1
50-534380-17	22 - 11	1
50-534380-41	22 - 32	1
50-534380-75	22 - 31	1
50-534380-77	22 - 12	4
50-534380-81	22 - 22	1
50-534380-85	22 - 20	1
50-534380-87	22 - 17	2
50-534380-95	22	1
50-534386-1	20	1
50-534386-3	20	1
50-534386-5	20 - 8	1
50-534386-7	20 - 9	1
50-534386-9	20 - 11	4
50-534387	22	1
50-534387-113	22	1
50-534387-115	22 - 73	1
50-534387-123	22 - 72	1
50-534387-133	22 - 68	1
50-534387-157	22 - 6	2
50-534387-161	22	1
50-534387-169	22	1
50-534387-171	22 - 7	1
50-534387-175	22 - 65	1
50-534387-179	22 - 70	1
50-534387-189	22 - 63	1
50-534387-19	22 - 35	1
50-534387-193	22 - 54	1
50-534387-195	22 - 56	1

PART NUMBER	FIGURE AND INDEX NO.	QTY. PER ARTICLE
50-534387-197	22 - 42	1
50-534387-199	22	1
50-534387-201	22 - 78	1
50-534387-203	22 - 76	1
50-534387-21	22 - 58	1
50-534387-211	22 - 77	1
50-534387-219	22	1
50-534387-225	22 - 81	1
50-534387-227	22	1
50-534387-241	22 - 83	1
50-534387-249	22 - 46	1
50-534387-253	22 - 88	1
50-534387-257	22 - 86	1
50-534387-259	22 - 89	1
50-534387-261	22 - 87	1
50-534387-265	22 - 80	1
50-534387-269	22	1
50-534387-271	22 - 8	1
50-534387-273	22	1
50-534387-33	22 - 95	1
50-534387-43	22 - 39	1
50-534387-53	22 - 48	1
50-534387-61	22	1
50-534387-71	22 - 93	2
50-534387-73	22 - 74	2
50-534387-75	22 - 90	1
50-534387-76	22 - 91	1
50-534387-93	22	1
50-534387-95	22 - 59	1
50-534387-97	22 - 61	1
50-534387-99	22 - 67	1
50-534388-3	20	1
50-534390-15	16	1
50-534390-16	16	1
50-534390-17	16 - 11	2
50-534390-19	16 - 12	4
50-534390-21	16 - 13	2
50-534390-3	16 - 10	2
50-534393-1	17	1
50-534393-2	17	1
50-534393-3	17	1
50-534393-4	17	1
50-534393-5	17	1
50-534394-1	17 - 11	REF
50-534394-1	19	1
50-534394-2	17	REF
50-534394-2	19	1
50-534394-8	19	2
50-534394-9	19	2
50-534395-1	21	1
50-534395-19	21 - 56	2
50-534395-2	21	1
50-534395-25	21	1
50-534395-26	21	1
50-534395-31	21 - 57	2
50-534395-7	21 - 63	2
50-534397	20 - 44	1
50-534404-1	21	1
50-534404-3	21	1
50-534404-5	21	1
50-534405	21	6
50-534405-17	21 - 38	6
50-534405-21	21 - 37	6
50-534405-23	21 - 34	6
50-534405-25	21 - 30	12
50-534405-26	21	12
50-534405-27	21	6
50-534412	22	1
50-534413-1	17 - 1	1
50-534413-1	17 - 5	REF

MODEL 65 & 80 PARTS CATALOG

PART NUMBER	FIGURE AND INDEX NO.	QTY. PER ARTICLE
50-534394-3	19	2
50-534394-7	19 - 3	2
50-534413-1	18	REF
50-534413-10	18	4
50-534413-11	18 - 3	4
50-534413-12	18	4
50-534413-13	18 - 7	16
50-534413-2	17 - 3	1
50-534413-2	17 - 7	REF
50-534413-2	17 - 9	REF
50-534413-2	18	REF
50-534413-21	18 - 10	2
50-534413-22	18	2
50-534413-23	18 - 19	4
50-534413-23	18B	8
50-534413-25	18 - 15	2
50-534413-27	17 - 2	1
50-534413-27	17 - 8	REF
50-534413-27	18	REF
50-534413-28	17 - 4	2
50-534413-28	17 - 6	REF
50-534413-28	17 - 10	REF
50-534413-28	18	REF
50-534413-3	18 - 70	4
50-534413-33	18 - 22	2
50-534413-34	18	2
50-534413-35	18	2
50-534413-36	18	2
50-534413-37	18 - 5	8
50-534413-39	18	4
50-534413-41	18 - 83	4
50-534413-43	18 - 81	4
50-534413-45	18 - 82	4
50-534413-47	18	4
50-534413-49	18 - 71	4
50-534413-5	18 - 1	4
50-534413-51	18 - 72	4
50-534413-53	18 - 73	4
50-534413-55	18 - 24	4
50-534413-56	18	4
50-534413-57	18	4
50-534413-58	18	4
50-534413-59	18 - 25	4
50-534413-6	18	4
50-534413-60	18	4
50-534413-61	18 - 26	4
50-534413-62	18	4
50-534413-63	18 - 6	8
50-534413-63	18 - 13	8
50-534413-67	18 - 29	8
50-534413-69	18 - 92	4
50-534413-7	18	1
50-534413-71	18 - 74	8
50-534413-73	18	1
50-534413-74	18	2
50-534413-77	18 - 11	4
50-534413-8	18	1
50-534413-85	18	REF
50-534413-87	18	4
50-534413-89	18	4
50-534413-9	18 - 2	4
50-534413-90	18	4
50-534413-91	18	4
50-534413-92	18	4
50-534417-1	18 - 95	1
50-534417-3	18	1
50-534417-5	18	1
50-534417-7	18	2
50-534423	23 - 43	1
50-534428	20 - 78A	1

PART NUMBER	FIGURE AND INDEX NO.	QTY. PER ARTICLE
50-534432	21	1
50-534434-1	17	1
50-534434-2	17	1
50-534434-3	17	1
50-534434-4	17	1
50-534434-5	17	1
50-534434-9	17	1
50-534435-1	17	1
50-534435-1	17	REF
50-534435-1	18B	REF
50-534435-11	18B- 3	4
50-534435-13	18B- 4	4
50-534435-15	18B- 5	1
50-534435-17	18B- 1	4
50-534435-19	18B- 6	4
50-534435-2	17	1
50-534435-2	17	REF
50-534435-2	17	REF
50-534435-2	18B	REF
50-534435-20	18B	4
50-534435-21	18B- 2	4
50-534435-22	18B	4
50-534435-3	17	1
50-534435-3	17	REF
50-534435-3	17 - 10A	REF
50-534435-3	18B	REF
50-534435-4	17	1
50-534435-4	17	REF
50-534435-4	18B	REF
50-534435-5	18B- 9	8
50-534435-7	17 - 6A	1
50-534435-7	17 - 8A	REF
50-534436-1	18B	1
50-534436-101	18B- 33	1
50-534436-19	18B- 38	4
50-534436-2	18B	1
50-534436-21	18B- 77	4
50-534436-23	18B- 70	8
50-534436-25	18B	8
50-534436-3	18B	1
50-534436-4	18B	1
50-534436-45	18B	2
50-534436-47	18B	2
50-534436-49	18B- 72	4
50-534436-5	18B	8
50-534436-51	18B- 39	4
50-534436-55	18B- 78	8
50-534436-67	18B- 25	4
50-534436-68	18B	4
50-534436-69	18B	2
50-534436-7	18B- 37	8
50-534436-71	18B- 27	2
50-534436-73	18B	2
50-534436-74	18B	2
50-534436-75	18B	2
50-534436-76	18B	2
50-534436-77	18B- 29	2
50-534436-78	18B	2
50-534436-87	18B- 73	4
50-534436-97	18B- 36	2
50-534436-99	18B- 35	2
50-534437	18B- 10	4
50-534438	18B- 11	2
50-534440	22	1
50-554200-1	60	1
50-554201	60	1
50-554201-3	60 - 61	1
50-554201-5	60 - 63	1
50-554201-7	60 - 62	1

MODEL 65 & 80 PARTS CATALOG

PART NUMBER	FIGURE AND INDEX NO.	QTY. PER ARTICLE
50-554202	60	1
50-554202-13	60 - 70	1
50-554202-31	60 - 68	1
50-554202-33	60 - 66	1
50-554203	60	1
50-554203-13	60 - 45	1
50-554203-33	60 - 40	1
50-554203-7	60 - 42	1
50-554204	60	1
50-554204-1	60 - 38	1
50-554204-13	60 - 34	1
50-554204-15	60 - 33	1
50-554204-17	60 - 32	1
50-554204-21	60 - 36	1
50-554204-23	60 - 35	1
50-554204-25	60 - 30	1
50-554204-27	60 - 37	1
50-554204-29	60 - 31	2
50-554204-3	60 - 29	1
50-554204-31	60 - 28	1
50-554204-33	60	1
50-554204-35	60	1
50-554204-37	60	1
50-554204-39	60	1
50-554204-41	60	1
50-554204-43	60	1
50-554204-45	60	1
50-554204-47	60	1
50-554204-49	60	1
50-554204-51	60	1
50-554204-53	60	1
50-554204-55	60	1
50-554204-57	60	1
50-554204-59	60	1
50-554204-61	60	1
50-554204-63	60	1
50-554204-65	60	1
50-554204-67	60	1
50-554204-69	60	1
50-554204-71	60	1
50-554204-9	60 - 39	1
50-554205	60 - 72	2
50-554206	60 - 50	1
50-554207-21	60 - 24	1
50-554207-22	60	1
50-554207-23	60 - 23	8
50-554207-25	60 - 19	2
50-554207-29	60	1
50-554207-31	60	1
50-554207-33	60 - 18	1
50-554207-34	60	1
50-554207-35	60 - 21	1
50-554207-36	60	1
50-554207-37	60 - 27	2
50-554207-39	60 - 26	1
50-554207-41	60 - 22	6
50-554207-43	60 - 25	2
50-554207-45	60	1
50-554207-47	60	1
50-554207-49	60	1
50-554207-50	60	1
50-554207-51	60	1
50-554207-52	60	1
50-554207-53	60	1
50-554207-54	60	1
50-554207-55	60	1
50-554207-56	60	1
50-554207-57	60	1
50-554207-59	60	1
50-554207-61	60	1

PART NUMBER	FIGURE AND INDEX NO.	QTY. PER ARTICLE
50-554207-63	60	1
50-554207-65	60 - 88	2
50-554208	60	1
50-554208-100	60	1
50-554208-101	60	1
50-554208-102	60	1
50-554208-15	60 - 76	2
50-554208-23	60	1
50-554208-27	60 - 74	1
50-554208-28	60	1
50-554208-29	60 - 78	1
50-554208-5	60 - 79	1
50-554208-61	60 - 81	1
50-554208-69	60 - 83	1
50-554208-7	60 - 73	1
50-554208-70	60	1
50-554208-71	60 - 82	1
50-554208-72	60	1
50-554208-91	60	1
50-554208-93	60	1
50-554208-95	60	1
50-554208-96	60	1
50-554208-97	60	1
50-554208-98	60	1
50-554208-99	60	1
50-554209	60 - 49	1
50-554210	60	1
50-554210-15	60 - 11	2
50-554210-19	60 - 12	1
50-554210-20	60	1
50-554210-21	60 - 17	1
50-554210-25	60 - 16	1
50-554210-27	60 - 13	1
50-554210-31	60 - 4	2
50-554210-33	60 - 8	2
50-554210-43	60 - 1	1
50-554210-45	60 - 7	1
50-554210-57	60 - 5	1
50-554210-61	60 - 9	2
50-554210-63	60	1
50-554210-65	60	1
50-560003-101	23 - 20	1
50-560003-105	23 - 31	1
50-560003-11	23 - 29	1
50-560003-111	23 - 10A	1
50-560003-113	23 - 44	1
50-560003-115	23 - 40	1
50-560003-117	23 - 41	1
50-560003-119	23 - 14A	1
50-560003-121	23	1
50-560003-123	23	1
50-560003-15	23 - 21	1
50-560003-27	23 - 33	1
50-560003-31	23 - 34	1
50-560003-35	23 - 10	1
50-560003-43	23 - 14	1
50-560003-47	23 - 7	1
50-560003-51	23 - 9	1
50-560003-65	23 - 19	1
50-560003-69	23 - 17	1
50-560003-7	23 - 32	1
50-560003-73	23 - 16	1
50-560003-81	23 - 28	1
50-560003-93	23	1
50-560003-97	23 - 13	1
50-571037-1	21	1
50-571037-3	21	1
50-580003-130	59 - 72	1
50-580003-138	59 - 71	1
50-580003-46	59 - 79	1

MODEL 65 & 80 PARTS CATALOG

PART NUMBER	FIGURE AND INDEX NO.	QTY. PER ARTICLE
50-580003-50	59 - 80	1
50-580003-62	59 - 73	1
50-580003-66	59 - 74	1
50-580025-1	59 - 56	1
50-580025-13	59 - 54	1
50-580025-17	59 - 63	1
50-580025-21	59 - 66	1
50-580025-25	59 - 65	1
50-580025-29	59 - 61	1
50-580025-33	59 - 51	1
50-580025-37	59 - 52	1
50-580025-41	59 - 7	1
50-580025-45	59 - 5	1
50-580025-49	59 - 3	1
50-580025-5	59 - 15	1
50-580025-53	59 - 68	1
50-580025-57	59 - 69	1
50-580025-61	59 - 47	1
50-580025-63	59 - 46	1
50-580025-8	59 -	1
50-580025-9	59 - 12	1
50-580026	59 - 43	1
50-580026-1	60 - 43	2
50-580026-3	60 - 87	2
50-580026-5	60 - 84	1
50-580036-2	59 - 77	1
50-580036-3	59 - 78	1
50-580038-6	59 - 1	1
50-590001	7 - 9	1
50-590011	7A- 1	1
50-590012	7A- 2	1
50-590013	7A- 3	1
50-590014	7A- 4	1
50-590017	7A- 7	1
50-590018	7A- 8	1
50-590019	7A- 9	1
50-590032	7 - 10	2
50-590036	7A- 11	1
50-590084	7A- 6	1
50-590106	7 - 14	1
50-590117	7	1
50-590118	7 - 11	1
50-590122-1	7	1
50-590122-11	7 - 7	2
50-590122-13	7 - 8	1
50-590122-15	7 - 5	1
50-590122-7	7 - 2	1
50-590122-9	7 - 6	1
50-590123	7 - 1	1
50-590124	7A- 10	1
50-590135	7	1
50-600000-220LH	33	1
50-600000-220RH	33	1
50-600001	32	1
50-600001-1	32 - 1	1
50-600001-1	33	REF
50-600001-2	32	1
50-600001-2	33	REF
50-600001-5	32	1
50-600009-26	32 - 45	1
50-600013	34	2
50-600013-3	34 - 11	2
50-600014-3	38	2
50-610000-154	34 - 14	2
50-610000-156	34 - 15	2
50-610000-188	34	2
50-610000-202	32	1
50-610000-202	34	REF
50-610000-203	32	1
50-610000-203	34	REF

PART NUMBER	FIGURE AND INDEX NO.	QTY. PER ARTICLE
50-610000-222	32 - 24	1
50-610000-222	34	REF
50-610000-223	32 - 25	1
50-610000-223	34	REF
50-610000-68	34 - 13	2
50-610000-88	34 - 3	2
50-610000-92	34 - 20	2
50-610010	34 - 2	6
50-610010	38 - 2	2
50-610014	27 - 9	2
50-610014	34 - 21	2
50-610015	34 - 4	2
50-610015	38 - 17	1
50-610016	34 - 6	2
50-610016	38 - 14	1
50-610017-1	34 - 19	1
50-610017-2	34	1
50-620000-120	4	2
50-620000-120	33 - 13	REF
50-620000-140	4	2
50-620000-142	4	2
50-620000-143	4	2
50-620000-192	33 - 3	2
50-620000-196	33 - 5	2
50-620000-200	4	2
50-620000-200	33 - 7	REF
50-620000-202	4	2
50-620000-202	33 - 8	REF
50-620000-206	33 - 9	2
50-620000-208	33 - 10	2
50-620000-210	33 - 11	2
50-620000-214	4	2
50-620000-236	32	2
50-620000-236	33	REF
50-620005	33 - 1	8
50-620005	37 - 18	8
50-630000-126	38 - 19	1
50-630000-136	38 - 21	1
50-630000-142	38 - 5	1
50-630000-178	38 - 23	1
50-630000-190	38 - 22	1
50-630000-192	38 - 20	1
50-630000-198	38	1
50-630000-2	38 - 8	1
50-630000-200	32 - 38	1
50-630000-200	38	REF
50-630000-4	38 - 7	1
50-630000-96	38 - 3	1
50-630013	38	1
50-630013-3	38 - 12	1
50-640000-100	5	1
50-640000-110	32 - 28	1
50-640000-110	37	REF
50-640000-26	5	1
50-640000-27	5	1
50-640000-28	5	1
50-640000-4	37 - 14	1
50-640000-46	37 - 15	1
50-640000-57	5	1
50-640000-57	5A	1
50-640000-612	37	1
50-640000-84	37 - 11	1
50-640000-87	5	1
50-640000-87	5A	1
50-640000-88	5	1
50-640000-88	5A	1
50-640000-90	37 - 9	1
50-640000-92	37 - 8	1
50-640000-98	5	1
50-640002	32	1

MODEL 65 & 80 PARTS CATALOG

PART NUMBER	FIGURE AND INDEX NO.	QTY. PER ARTICLE
50-640002-1	32 - 43	1
50-640002-3	5	1
50-640002-5	5	1
50-640002-602	32	1
50-640002-7	5	1
50-640002-8	5	1
50-640003	32	1
50-640003-1	32 - 47	1
50-640003-13	32 - 48	1
50-640003-15	5A	1
50-640003-21	32 - 50	1
50-640003-23	32	1
50-640003-3	5	1
50-640003-3	5A	1
50-640003-5	5	1
50-640003-5	5A	1
50-640011	37 - 3	1
50-640011	87 - 1	REF
50-640013	37 - 19	1
50-810000-10	45	1
50-810000-11	45	1
50-810000-16	45	1
50-810000-17	45	1
50-810001-12	45 - 1	1
50-810001-12	46	REF
50-810001-13	45	1
50-810001-13	46	REF
50-810001-16	46	1
50-810001-22	45	1
50-810001-22	46	REF
50-810001-23	45	1
50-810001-23	46	REF
50-810001-24	46	1
50-810001-629	46	1
50-810001-630	46	1
50-810002	46 - 6	2
50-810003-1	46 - 45	2
50-810008-4	51 - 24	1
50-810008-6	46 - 17	2
50-810013	46 - 18	2
50-810021	46 - 47	2
50-810021	51 - 27	1
50-810022	46 - 7	2
50-810023	46	2
50-810023	51	1
50-810025	46 - 28	2
50-810031	46 - 49	2
50-810032	46 - 31	2
50-810032	51	1
50-810032-2	51 - 42	1
50-810033	46 - 36	2
50-810033	51	1
50-810033-2	51 - 51	1
50-810034	46 - 33	4
50-810034	46 - 43	4
50-810034	51 - 45	2
50-810034	51 - 53	2
50-810035-2	46 - 32	2
50-810035-2	46 - 37	2
50-810035-2	51 - 46	1
50-810035-4	51 - 40	1
50-810037	45	2
50-810037-2	45 - 19	2
50-810039	45 - 12	2
50-810040	45 - 9	2
50-810045	47 - 11	3
50-810045	52 - 19	1
50-810048	45 - 23	2
50-810061	49	1
50-810061-1	49	1

PART NUMBER	FIGURE AND INDEX NO.	QTY. PER ARTICLE
50-810061-12	49 - 12	1
50-810061-13	49	1
50-810087	58 - 11	1
50-810087	58 - 17	1
50-810091	58 - 43	1
50-810093	57 - 24	1
50-810094	49 - 5	2
50-810097	24 - 21	1
50-810097-1	24	1
50-810098	24 - 22	1
50-810099	24 - 23	1
50-810103-6	58 - 32	1
50-810104	58 - 33	1
50-810105-2	58 - 10	2
50-810105-4	58 - 16	2
50-810112	58 - 9	1
50-810113	58 - 15	1
50-810120	47 - 21	10
50-810120	52 - 14	1
50-810122	56	1
50-810122-1	56	1
50-810122-2	56 - 20	1
50-810122-3	56	1
50-810124	57	1
50-810129-34	49 - 1	1
50-810129-35	49	1
50-810129-36	49 - 3	1
50-810129-37	49	1
50-810133	49 - 16	1
50-810133-1	49	1
50-810134	49 - 13	1
50-810134-1	49	1
50-810135	49 - 27	4
50-810136	49 - 28	4
50-810138	46 - 23	2
50-810142	49 - 18	8
50-810143-2	49 - 22	4
50-810143-4	49 - 23	4
50-810144	49 - 26	4
50-810145	49	1
50-810145-1	49	1
50-810146	57 - 45	1
50-810147-9	47 - 17	2
50-810152	58 - 12	1
50-810152	58 - 18	1
50-810156	45 - 20	4
50-810156	50 - 25	2
50-810163	56	1
50-810163-13	56 - 29	1
50-810163-15	56 - 30	1
50-810163-5	56 - 31	1
50-810164-3	45 - 35	1
50-810164-3	47	REF
50-810164-4	45	1
50-810164-4	47	REF
50-810165	47 - 6	2
50-810168	47 - 13	2
50-810168	52 - 4	1
50-810169	47 - 14	2
50-810169	52 - 5	1
50-810172-1	47 - 8	1
50-810172-2	47	1
50-810200-5	56 - 2	1
50-810200-5	57	REF
50-810209-8	57 - 40	1
50-810210-1	57 - 3	1
50-810213	57 - 23	1
50-810216	57 - 44	1
50-810221	45 - 26	2
50-810224	46 - 1	2

MODEL 65 & 80 PARTS CATALOG

PART NUMBER	FIGURE AND INDEX NO.	QTY. PER ARTICLE
50-810225	46 - 26	2
50-810227	56	2
50-810227-2	56 - 10	2
50-810228	56 - 13	3
50-810230	58 - 36	1
50-810231	47 - 20	10
50-810231	52 - 15	1
50-810233	46 - 63	2
50-810235-1	57 - 9	1
50-810236	57 - 16	1
50-810237	57	1
50-810238	57 - 17	1
50-810239	57 - 8	1
50-810240	57 - 43	1
50-810242	46 - 22	2
50-810244	47 - 1	2
50-810244	52 - 3	1
50-810245	47 - 16	2
50-810245	52 - 22	1
50-810246-1	47 - 9	2
50-810246-1	52 - 18	1
50-810246-2	47	1
50-810247	57 - 39	1
50-810250	46 - 2	2
50-810251	46 - 30	2
50-810275	56 - 1	1
50-810275	58 -	REF
50-810275-1	58 - 44	1
50-810275-3	58 - 46	1
50-810275-43	58 - 4	1
50-810275-45	58 - 1	1
50-810275-49	58 - 29	1
50-810275-5	58 - 54	1
50-810275-53	58 - 27	1
50-810275-57	58 - 31	1
50-810275-65	58 - 26	1
50-810275-69	58 - 23	2
50-810275-81	58 - 30	1
50-810275-83	58 - 5	1
50-810275-85	58 - 52	1
50-810275-89	58 - 25	2
50-810276	58 - 6	1
50-810278	56	1
50-810278-5	56 - 46	1
50-810279-1	56	1
50-810279-3	56 - 61	1
50-810280-1	56 - 65	1
50-810281-1	56 - 66	1
50-810282	56 - 14	1
50-810284-1	46	1
50-820001-1	51 - 36	4
50-820002-3	51 - 23	1
50-820004	50 - 5	1
50-820004	53 -	REF
50-820007-1	53 - 1	1
50-820009	50	1
50-820009-10	50 - 23	1
50-820009-2	50 - 24	1
50-820009-4	50 - 17	1
50-820009-6	50	1
50-820009-8	50	1
50-820012	45 - 18	2
50-820012	50 - 22	1
50-820013	45 - 22	4
50-820020	53	1
50-820020-4	53 - 7	1
50-820020-8	53 - 8	1
50-820021	53 - 9	1
50-820021	53 - 16	1
50-820022	51 - 13	1

PART NUMBER	FIGURE AND INDEX NO.	QTY. PER ARTICLE
50-820023	51 - 21	1
50-820024	51 - 22	2
50-820027-3	51 - 19	1
50-820029	51 - 6	2
50-820030	53 - 2	2
50-820033-2	54 - 2	1
50-820034	54	1
50-820035	54 - 21	1
50-820036	54 - 22	2
50-820037	54 - 28	1
50-820038	54 - 23	1
50-820040	54 - 10	1
50-820041	54 - 8	1
50-820042	54	1
50-820042-10	54 - 25	1
50-820044	53 - 18	1
50-820050-4	51 - 25	1
50-820054	55 - 13	2
50-820055	55 - 20	2
50-820064	56 - 16	1
50-820068	56 - 23	2
50-820069-2	56 - 17	2
50-820070	56	6
50-820070-2	56 - 40	6
50-820073	51 - 11	1
50-820077	56 - 26	1
50-820078	56 - 24	1
50-820088	51 - 56	1
50-820090	56 - 5	1
50-820091	51	1
50-820091-2	51 - 7	1
50-820092	51 - 10	1
50-820094	56 - 37	6
50-820099-6	51 - 63	1
50-820102	54	1
50-820102-2	54 - 46	1
50-820103	54 - 43	1
50-820105	54	1
50-820105-2	54 - 36	1
50-820106	54 - 20	1
50-820107	45 - 32	4
50-820107	50	2
50-820107-2	50 - 37	2
50-820113	54	1
50-820113-2	54 - 14	1
50-820113-4	54 - 15	1
50-820113-6	54 - 16	1
50-820124	54 - 5	1
50-820125	54 - 6	1
50-820130	54	1
50-820130-2	54 - 41	1
50-820131	54 - 42	1
50-820132	50 - 27	2
50-820136	51 - 60	1
50-820137	51	1
50-820137-1	51 - 62	1
50-820140	56	1
50-820140-1	56 - 59	1
50-820144-1	50 - 39	1
50-820144-1	52 -	REF
50-820145	52 - 9	1
50-820146	52 - 1	1
50-820147-7	52 - 16	1
50-820148-10	51	1
50-820148-8	51 - 1	1
50-820152-5	56 - 56	1
50-820154	6 - 2	1
50-820154	51 - 35	1
50-820156	50 - 32	1
50-820157	51 - 37	1

MODEL 65 & 80 PARTS CATALOG

PART NUMBER	FIGURE AND INDEX NO.	QTY. PER ARTICLE
50-820164	55 - 11	1
50-820175	50	1
50-820175-1	50	1
50-820176	50 - 1	1
50-820176	51	REF
50-820176-3	50	1
50-820176-3	51	REF
50-820177	51 - 39	1
50-820178	55	1
50-820179	55 - 1	1
50-820179-1	55 - 2	1
50-820180-1	9	1
50-820180-3	9 - 5	1
50-820180-9	9 - 7	1
50-820181	54	1
50-820182	55	2
50-820182-2	55 - 9	2
50-820183	55	1
50-820183-1	55	1
50-820183-2	55 - 7	1
50-820183-3	55	1
50-820184	55	1
50-820184-1	55	1
50-820184-2	55 - 5	1
50-820184-3	55	1
50-820185-1	55	2
50-820185-2	55 - 17	2
50-820188	54	1
50-820188-3	54 - 30	1
50-820189	54	1
50-820190	56	1
50-820191-3	56 - 57	1
50-820191-5	56	1
50-820192	56	1
50-820192-1	56 - 49	1
50-820192-7	56 - 50	1
50-820193	51 - 34	1
50-910030	64 - 23	16
50-910031-2	64 - 29	16
50-910031-3	64	16
50-910032	64 - 24	16
50-910033	64 - 28	16
50-910035	64 - 33	16
50-910056	63 - 21	2
50-910061-100	83 - 4	1
50-910061-12	83 - 13	1
50-910061-16	83	1
50-910061-20	83 - 1	1
50-910061-24	83	1
50-910061-55	83	1
50-910061-8	83	1
50-910061-80	83	1
50-910061-84	83	1
50-910061-88	83 - 8	1
50-910061-92	83 - 10	1
50-910068	83 - 16	1
50-910068	83	2
50-910069	83 - 18	2
50-910083-13	62 - 67	2
50-910120-1	62	2
50-910147-1	64	2
50-910147-121	64 - 17	4
50-910147-123	64	4
50-910147-125	64 - 18	4
50-910147-127	64	4
50-910147-129	64 - 19	4
50-910147-131	64	4
50-910147-155	64	4
50-910147-156	64	4
50-910147-157	64	2

PART NUMBER	FIGURE AND INDEX NO.	QTY. PER ARTICLE
50-910147-158	64	2
50-910147-159	64	4
50-910147-161	64	4
50-910147-163	64	2
50-910147-164	64	2
50-910147-2	64	2
50-910147-73	64 - 13	4
50-910147-74	64	4
50-910148-123	64	1
50-910148-124	64	1
50-910148-77	64 - 5	2
50-910148-78	64	2
50-910148-79	64 - 4	2
50-910148-80	64	2
50-910150-13	62 - 55	2
50-910163-11	64 - 26	2
50-910163-179	64	2
50-910163-185	64	2
50-910163-189	64	2
50-910163-209	64	2
50-910163-55	64 - 63	2
50-910165-105	63 - 1	2
50-910165-115	63 - 27	2
50-910165-119	63	1
50-910165-121	63	1
50-910165-123	63	2
50-910165-125	63 - 25	2
50-910165-139	63 - 31	2
50-910165-151	62 - 37	2
50-910165-151	63 -	REF
50-910165-153	63 - 30	2
50-910165-157	63 - 15	2
50-910165-159	63 - 18	2
50-910165-161	63 - 35	2
50-910165-163	63 - 36	2
50-910165-65	63 - 34	2
50-910165-69	63	4
50-910165-95	63	2
50-910165-97	63	4
50-910165-99	63 - 37	2
50-910172	62	2
50-910172-5	62 - 71	2
50-910188	63 - 12	8
50-910193	64	16
50-910194	64	16
50-910194-1	64 - 31	16
50-910197-1	63 - 10	4
50-910197-3	63 - 11	4
50-910208	62	2
50-910208-1	62 -	2
50-910216	62 - 8	4
50-910218	62 - 13	4
50-910219-45	62 - 14	2
50-910219-65	62 - 18	2
50-910219-73	62	2
50-910220-1	62 - 6	2
50-910220-2	62	2
50-910224-13	64	1
50-910224-14	64	1
50-910226	62	2
50-910230	63 - 6	2
50-910231	63 - 2	2
50-910233-1	62	2
50-910233-10	62	2
50-910233-11	62 - 36	2
50-910233-12	62	2
50-910233-2	62	2
50-910233-26	62	2
50-910233-26	62	2
50-910233-3	62 - 33	2

MODEL 65 & 80 PARTS CATALOG

PART NUMBER	FIGURE AND INDEX NO.	QTY. PER ARTICLE
50-910233-4	62	2
50-910233-9	62 - 35	2
50-910235-1	64	2
50-910235-105	64 - 43	4
50-910235-107	64 - 46	2
50-910235-108	64	2
50-910235-109	64	2
50-910235-117	64	2
50-910235-119	64	2
50-910235-15	64 - 51	4
50-910235-3	64 - 52	2
50-910235-67	64 - 37	2
50-910235-68	64	2
50-910235-71	64 - 36	2
50-910235-89	64 - 54	2
50-910235-99	64 - 49	4
50-910237	64 - 39	2
50-910238	64	2
50-910238-3	64 - 57	8
50-910240	83	1
50-910240-11	83 - 6	1
50-910240-15	83 - 3	1
50-910240-19	83	1
50-910240-23	83	1
50-910240-27	83	1
50-910240-3	83 - 12	1
50-910240-31	83	1
50-910240-49	83	1
50-910240-51	83	1
50-910240-53	83	1
50-910240-53	83	1
50-910240-57	83	1
50-910240-59	83	1
50-910240-61	83	1
50-910240-63	83	1
50-910240-65	83	1
50-910240-67	83	1
50-910240-69	83	1
50-910240-7	83 - 15	1
50-910240-71	83	1
50-910240-71	83	1
50-910240-73	83	1
50-910240-75	83	1
50-910240-77	83	1
50-910243	62A	1
50-910243-1	62A	1
50-910243-13	62A- 1	1
50-910243-14	62A	1
50-910243-15	62A- 27	1
50-910243-16	62A	1
50-910243-17	62A- 28	1
50-910243-18	62A	1
50-910243-2	62A	1
50-910244	62A	1
50-910244-3	62A- 12	1
50-910245	62A- 20	1
50-910246	62A- 19	1
50-910247-1	62A- 11	1
50-910247-1	62A	1
50-910259	62	2
50-910266-1	64	2
50-910267	62	2
50-910267	63	REF
50-910267-1	63	2
50-910267-11	63	2
50-910267-13	63	2
50-910267-25	63	2
50-910267-29	63	2
50-910267-33	63	2
50-910267-39	63	2

PART NUMBER	FIGURE AND INDEX NO.	QTY. PER ARTICLE
50-910267-5	63	2
50-910267-51	63	2
50-910267-63	63	2
50-910267-65	63	2
50-910267-7	63	4
50-910269-3	64	1
50-910269-4	64	1
50-910271	64	2
50-910272	62	1
50-910272-3	62	1
50-910272-5	62	1
50-910272-7	62	1
50-910273	62	2
50-910300	62	2
50-910300-1	62	2
50-920003	69	1
50-920003-1	69	1
50-920003-103	69	1
50-920003-107	69	1
50-920003-11	69	1
50-920003-125	69	1
50-920003-13	69	1
50-920003-135	69	1
50-920003-139	69	1
50-920003-15	69	1
50-920003-17	69 - 41	1
50-920003-19	69 - 32	1
50-920003-21	69 - 30	1
50-920003-23	69 - 43	1
50-920003-3	69 - 38	1
50-920003-49	69 - 44	1
50-920003-5	69 - 37	1
50-920003-53	69 - 40	1
50-920003-59	69 - 46	1
50-920003-69	69	1
50-920003-7	69	1
50-920003-73	69	1
50-920003-79	69	1
50-920003-83	69	1
50-920003-87	69	1
50-920003-9	69 - 35	1
50-920003-91	69	1
50-920003-95	69	1
50-920003-97	69	1
50-920003-99	69	1
50-920005	69	1
50-920005	70	REF
50-920005-1	69 - 3	1
50-920005-1	70	REF
50-920005-2	69	1
50-920005-2	70	REF
50-920005-3	69	1
50-920005-3	70	REF
50-920005-6	69	1
50-920005-6	70	REF
50-920005-7	69	1
50-920005-7	70	REF
50-920010-2	70	1
50-920010-3	70 - 41	1
50-920010-4	70	1
50-920010-5	70	1
50-920014-11	73	1
50-920014-12	73	1
50-920014-2	73 - 20	2
50-920014-4	73 - 22	2
50-920014-6	73 - 19	1
50-920014-7	73	1
50-920015	73 - 30	2
50-920016	73 - 24	2
50-920017	73 - 23	2

MODEL 65 & 80 PARTS CATALOG

PART NUMBER	FIGURE AND INDEX NO.	QTY. PER ARTICLE
50-920028	73 - 39	1
50-920030-14	69	1
50-920030-14	71	REF
50-920030-15	69 - 20	1
50-920030-15	71	REF
50-920030-17	69	1
50-920030-17	71	REF
50-920030-18	69	1
50-920030-18	71	REF
50-920030-19	69	1
50-920030-19	71	REF
50-920030-20	69	1
50-920030-20	71	REF
50-920030-4	71 - 6	2
50-920033-10	69	1
50-920033-100	69 -	1
50-920033-104	69 - 90	1
50-920033-24	69 - 58	2
50-920033-24	69 - 59	2
50-920033-26	69 - 78	2
50-920033-34	69 - 81	2
50-920033-40	69 - 83	2
50-920033-92	69	1
50-920033-96	69 - 86	1
50-920034-10	69 - 16	1
50-920034-20	69 - 27	2
50-920034-40	69 - 34E	2
50-920039	73	1
50-920040	71 - 13	2
50-920044	73 - 6	2
50-920056	71 - 2	2
50-920057	71 - 10	2
50-920085-1	69	1
50-920085-121	69 - 91	2
50-920085-15	69 - 5	2
50-920085-17	69 - 33	2
50-920085-2	69 - 7	1
50-920085-241	69 - 51	2
50-920085-245	69 - 50	2
50-920085-251	69 - 56	2
50-920085-255	69 - 80	2
50-920085-259	69 - 34	1
50-920085-263	69	1
50-920085-269	69	1
50-920085-277	69 - 13	1
50-920085-291	69 - 88	2
50-920085-299	69	2
50-920085-300	69 - 94	2
50-920085-303	69	2
50-920085-304	69 - 93	2
50-920085-319	69	2
50-920085-43	69 - 9	2
50-920085-47	69 - 11	2
50-920089-19	86	1
50-920089-23	86 - 1	1
50-920089-55	86	1
50-920089-57	86	1
50-920092	69 - 95	1
50-920092	73	REF
50-920092-15	73 - 2	1
50-920092-17	73	1
50-920092-19	73 - 3	2
50-920092-25	73 - 13	1
50-920092-27	73 - 14	1
50-920092-29	73	4
50-920093	86 - 3	1
50-920094	69 - 36	1
50-920094	71	REF
50-920094-1	71 - 17	1
50-920094-2	71	1

PART NUMBER	FIGURE AND INDEX NO.	QTY. PER ARTICLE
50-920094-3	71	1
50-920094-5	71 - 20	2
50-920095	71 - 19	2
50-920096	69 - 22	2
50-920097	73 - 11	2
50-920099	71	2
50-921502	70 - 54	2
50-921504-10	70 - 34	1
50-921504-103	69	1
50-921504-103	70	REF
50-921504-104	69	1
50-921504-104	70	REF
50-921504-21	70 - 31	2
50-921504-27	70	1
50-921504-28	70 - 21	1
50-921504-43	70	1
50-921504-47	70 - 32	1
50-921504-5	70	1
50-921504-51	70 - 27	2
50-921504-6	70 - 35	1
50-921504-61	69	1
50-921504-61	70	REF
50-921504-62	69 - 2	1
50-921504-62	70	REF
50-921504-63	70 - 22	2
50-921504-67	70 - 29	1
50-921504-7	70 - 37	1
50-921504-73	69	1
50-921504-73	70	REF
50-921504-74	69	1
50-921504-74	70	REF
50-921504-75	70	1
50-921504-76	70	1
50-921504-77	70	1
50-921504-78	70	1
50-921504-79	70	1
50-921504-85	69	1
50-921504-85	70	REF
50-921504-86	69	1
50-921504-86	70	REF
50-921504-87	70	2
50-921504-9	70	1
50-921505-1	69	1
50-921505-1	70	REF
50-921505-15	69	1
50-921505-15	70	REF
50-921505-16	69	1
50-921505-16	70	REF
50-921505-2	69 - 1	1
50-921505-2	70	REF
50-921507-3	70	1
50-921507-4	70 - 1	1
50-921507-5	70	1
50-921507-6	70	1
50-921509-1	72	1
50-921509-2	72	1
50-921509-25	72 - 31	2
50-921509-37	72 - 25	2
50-921509-41	72 - 29	2
50-921509-45	72 - 45	1
50-921509-49	72	1
50-921509-53	72 - 49	2
50-921509-57	72 - 46	1
50-921509-6	72	1
50-921509-61	72	1
50-921509-65	72 - 42	1
50-921509-73	72 - 41	2
50-921509-79	72 - 40	2
50-921509-83	72 - 33	1
50-921509-87	72	1

MODEL 65 & 80 PARTS CATALOG

PART NUMBER	FIGURE AND INDEX NO.	QTY. PER ARTICLE
50-921509-9	72 - 24	2
50-921509-91	72	1
50-921509-92	72	1
50-921510-10	70	1
50-921510-11	72	1
50-921510-12	72	1
50-921510-5	70	1
50-921510-6	70 - 13	1
50-921510-7	72 - 1	1
50-921510-8	72	1
50-921510-9	70	1
50-921518	70 - 43	2
50-921518	72 - 7	2
50-921520	70 - 15	2
50-921520	72 - 52	2
50-921521	70 - 14	2
50-921521	72 - 54	2
50-921524	70 - 18	2
50-921526-1	6 - 10	4
50-921526-3	6	4
50-921534	62 - 47	2
50-921542-1	6	4
50-921542-11	6	REF
50-921542-13	6	REF
50-921542-15	6	REF
50-921542-3	6	REF
50-921542-5	6	REF
50-921542-7	6	REF
50-921542-9	6	REF
50-921547	70	2
50-924024	73 - 5	4
50-924027	71 - 21	1
50-924028	71 - 22	1
50-924033	86 - 23	1
50-929012	69 - 84	2
50-929013	61 -	1
50-929013-101	61 - 19	1
50-929013-103	61 - 31	1
50-929013-105	61 - 14	1
50-929013-107	61 - 15	1
50-929013-109	61 - 16	1
50-929013-111	61 - 17	1
50-929013-117	61	1
50-929013-119	61	1
50-929013-45	61 - 1	1
50-929013-47	61 - 4	1
50-929013-49	61 - 6	1
50-929013-53	61 - 8	1
50-929013-55	61 - 10	1
50-929013-57	61 - 12	1
50-929013-59	61 - 13	1
50-929013-69	61 - 20	1
50-929013-71	61 - 21	1
50-929013-73	61 - 22	1
50-929013-75	61 - 25	1
50-929013-79	61 - 24	1
50-929013-81	61 - 30	1
50-929013-89	61 - 32	1
50-929013-93	61 - 23	1
50-929013-95	61 - 28	1
50-939118-12	68	2
50-939118-2	68 - 19	2
50-939118-4	68 - 21	2
50-939118-6	68 - 18	2
50-939134	62 - 49	2
50-939140-127	68	2
50-939140-179	68 - 2	4
50-939140-181	68 - 4	4
50-939140-183	68 - 3	4
50-939140-185	68 - 28	2

PART NUMBER	FIGURE AND INDEX NO.	QTY. PER ARTICLE
50-939140-189	68 - 43	2
50-939140-207	68 - 5	2
50-939140-209	68 - 7	2
50-939140-211	68	1
50-939140-215	68 - 32	2
50-939140-223	68 - 38	1
50-939140-227	68 - 52	2
50-939140-231	68	2
50-939140-233	68 - 57	2
50-939140-235	68	2
50-939140-237	68 - 45	2
50-939140-239	68 - 1	2
50-939140-241	68 - 68	4
50-939140-247	68	2
50-939140-273	68 - 69	2
50-939140-275	68 - 66	2
50-939140-295	68	2
50-939140-321	68 - 73	2
50-939140-333	68 -	1
50-939140-334	68	1
50-939140-335	68 - 70	1
50-939140-336	68	1
50-939140-337	68	1
50-939140-338	68	1
50-939140-355	68	2
50-939140-359	68 -	1
50-939140-361	68	2
50-939140-365	68	1
50-939140-367	68	2
50-939140-369	68	2
50-939140-375	68	1
50-939140-381	68	1
50-939140-385	68	1
50-939140-391	68	1
50-939140-41	68 - 10	2
50-939146-11	68 - 14	2
50-939146-13	68	2
50-939146-3	68 - 15	2
50-939146-5	68 - 16	2
50-939146-7	68 - 11	2
50-939146-9	68 - 17	2
50-944000-11	74 - 9	2
50-944000-7	74 - 16	2
50-944000-7	74 - 27	2
50-944012	74 - 7	2
50-944026-5	44A - 2	2
50-944036-11	44 - 3	6
50-944036-3	44 - 2	2
50-944039-3	44 - 6	2
50-944039-3	44A - 4	2
50-944040-9	44 - 45	2
50-944044-3	44 - 9	2
50-944044-3	44A - 6	2
50-944045	74	2
50-944045-21	74 - 39	2
50-944045-25	74	2
50-944045-27	74	2
50-944049	74	2
50-944060	74	2
50-944060-3	74	2
50-950058-11	62 - 30	4
50-950058-19	62 - 28	4
50-950058-23	62 - 31B	2
50-950058-25	62 - 31A	2
50-950058-27	62	4
50-950058-31	62	4
50-950064-117	62	2
50-950064-119	62 - 38	2
50-950064-123	62 - 39	2
50-950064-127	62 - 40	2

MODEL 65 & 80 PARTS CATALOG

PART NUMBER	FIGURE AND INDEX NO.	QTY. PER ARTICLE
50-950064-131	62	2
50-950064-135	62	2
50-950064-137	62	2
50-950064-139	62	2
50-950068	62	2
50-950068-11	62	2
50-950068-17	62	2
50-950068-23	62	2
50-950068-29	62	2
50-950068-35	62	2
50-950068-5	62	2
50-950071	62 - 26	4
50-950072-1	24 - 20A	1
50-950072-2	24	1
50-950072-3	24	2
50-950072-5	24	1
50-950072-6	24	1
50-950074-1	62	10
50-950074-3	62	10
50-950074-3	62 - 44F	2
50-950075	62	1
50-950075-17	62 - 44D	2
50-950075-5	62 - 44A	1
50-960047-105	75 - 10	1
50-960047-109	75	1
50-960047-131	75 - 4	2
50-960047-133	75 - 12	1
50-960047-137	75 - 46A	1
50-960047-155	75 -	1
50-960047-157	75 - 15	1
50-960047-177	75	1
50-960047-179	75	2
50-960047-183	75	2
50-960047-187	75	2
50-960047-19	75 - 23	1
50-960047-193	75	2
50-960047-29	75 - 14	1
50-960047-33	75 - 17	1
50-960047-57	75 - 56	2
50-960047-61	75 - 19	1
50-960047-65	75 - 41	1
50-960047-67	75 - 42	1
50-960047-69	75 - 5	2
50-960047-77	75 - 7	2
50-960047-79	75 - 30	1
50-960047-87	75 - 1	2
50-960047-97	24	1
50-960047-97	75	REF
50-960048	75 - 33	1
50-960049	75 - 51	1
50-960056	75 - 2A	4
50-960058	67 -	2
50-960058-1	67 - 15	4
50-960058-13	67 - 2	2
50-960058-15	67	2
50-960058-21	66	1
50-960058-21	67 - 14	REF
50-960058-23	67 - 6	2
50-960058-33	67 - 13	2
50-960058-36	67	2
50-960059	67	2
50-960060-1	67 - 9	2
50-960067	67	2
50-960067-1	67	2
50-960067-5	67	2
50-960067-7	67	1
50-960067-9	67	1
50-970000-101	76 - 65	8
50-970000-155	76 - 55	2

PART NUMBER	FIGURE AND INDEX NO.	QTY. PER ARTICLE
50-970000-159	76 - 54	2
50-970000-167	76 - 50	2
50-970000-175	76 - 49	2
50-970000-227	76 - 9	1
50-970000-231	76 - 26	1
50-970000-251	76 - 33	1
50-970000-253	76 - 40	1
50-970000-263	76 - 34	1
50-970000-267	76 - 19	1
50-970000-277	76 - 4	1
50-970000-281	76 - 5	1
50-970000-291	76 - 57	1
50-970000-293	76 - 56	1
50-970000-311	76 - 7	1
50-970000-313	76 - 37	1
50-970000-329	76 - 53	1
50-970000-369	76 - 61	2
50-970000-371	76 - 62	2
50-970000-389	76 - 31	1
50-970000-423	76 - 58	2
50-970000-425	76 - 59	2
50-970000-43	77 - 26	1
50-970000-443	76 - 66	4
50-970000-445	76 - 67	4
50-970000-449	77 - 27	2
50-970000-455	77 - 25	1
50-970000-461	76 - 60	2
50-970000-471	77 - 22	1
50-970000-473	77 - 21	1
50-970000-477	76 - 43	2
50-970000-481	76 - 47	2
50-970000-485	76 - 32	1
50-970000-489	76 - 38	1
50-970000-493	76 - 42	1
50-970001	76 -	1
50-970001	77 -	REF
50-970001-101	76 - 15	1
50-970001-105	77 - 30	1
50-970001-107	77 - 29	1
50-970001-109	77 - 28	1
50-970001-111	76 - 20	1
50-970001-115	69	1
50-970001-119	77	1
50-970001-123	77	1
50-970001-13	77 - 20	1
50-970001-17	77 - 19	1
50-970001-21	77 - 17	1
50-970001-25	77 - 18	1
50-970001-29	77 - 15	1
50-970001-33	77 - 16	1
50-970001-37	77 - 13	1
50-970001-41	77 - 14	1
50-970001-45	77 - 7	1
50-970001-49	77 - 9	1
50-970001-5	76 - 70	1
50-970001-53	77 - 8	1
50-970001-57	77 - 6	1
50-970001-61	76 - 16	1
50-970001-65	76 - 21	1
50-970001-69	76 - 41	1
50-970001-73	76 - 13	1
50-970001-77	76 - 12	1
50-970001-81	77 - 1	1
50-970001-85	76 - 17	1
50-970001-89	76 - 22	1
50-970001-9	76 - 39	1
50-970001-93	76 - 23	1
50-970001-97	76 - 14	1
50-970002-45	78A- 17	1
50-970003	78A-	1

MODEL 65 & 80 PARTS CATALOG

PART NUMBER	FIGURE AND INDEX NO.	QTY. PER ARTICLE
50-970003-103	78A- 76	1
50-970003-105	78A- 11	2
50-970003-107	78A- 12	2
50-970003-109	78A- 4	2
50-970003-113	78A- 5	2
50-970003-117	78A- 6	2
50-970003-121	78A- 8	2
50-970003-125	78A- 31	1
50-970003-127	78A- 32	2
50-970003-131	78A- 59	1
50-970003-133	78A- 27	1
50-970003-135	78A- 25	1
50-970003-137	78A	1
50-970003-141	78A- 43	1
50-970003-145	78A- 45	1
50-970003-149	78A- 46	1
50-970003-15	78A- 54	1
50-970003-163	78A- 72	1
50-970003-165	78A- 70	1
50-970003-167	78A- 49	1
50-970003-169	78A	1
50-970003-171	78A	1
50-970003-173	78A	1
50-970003-177	78A	1
50-970003-179	78A	1
50-970003-181	78A	2
50-970003-19	78A- 55	1
50-970003-23	78A- 56	1
50-970003-27	78A- 57	1
50-970003-31	78A- 58	1
50-970003-35	78A- 24	1
50-970003-39	78A- 23	1
50-970003-43	78A- 21	1
50-970003-47	78A- 20	1
50-970003-51	78A- 19	1
50-970003-55	78A- 93	1
50-970003-59	78A- 1	1
50-970003-63	78A- 2	1
50-970003-67	78A- 3	1
50-970003-71	78A- 9	1
50-970003-75	78A- 52	1
50-970003-79	78A- 53	1
50-970003-85	78A- 42	1
50-970003-89	78A- 41	1
50-970003-93	78A- 39	1
50-970003-97	78A- 37	1
50-970012	78A- 48	1
50-970067-19	78 - 3	1
50-970067-31	78 - 13	1
50-970067-35	78 - 1	1
50-970067-39	78 - 21	1
50-970067-43	76 - 71	1
50-970067-43	78 -	REF
50-970067-45	78	1
50-970067-51	78 - 11	1
50-976000	78A- 96	1
50-976001	78A- 92	1
50-980000-102	24 - 11	1
50-980000-104	4	1
50-980000-105	4	1
50-980000-170	24 - 15	1
50-980000-180	4	1
50-980000-181	4	1
50-980000-184	4	2
50-980000-185	4	1
50-980000-185	4	1
50-980000-212	4	1
50-980000-213	4	1
50-980000-222	24 - 17	1
50-980000-238	24 - 19	1

PART NUMBER	FIGURE AND INDEX NO.	QTY. PER ARTICLE
50-980000-239	24	1
50-980000-250	4	1
50-980000-251	4	1
50-980000-252	4	1
50-980000-253	4	1
50-980000-256	4	1
50-980000-257	4	1
50-980000-264	4	2
50-980000-265	4	2
50-980000-272	4	2
50-980000-272	4	1
50-980000-273	4	2
50-980000-273	4	1
50-980000-68	24 - 9	1
50-980000-86	24 - 13	1
50-980000-87	24	1
50-980032	45 - 29	2
50-980033	45 - 30	2
50-980072-149	24	1
50-980072-151	24	1
5000-37	66 - 40	2
5000-90	59 - 27	2
5010	65 - 17	6
50834	12 - 65	1
501048	78A	1
5100-87	66 - 41	2
510524-15	48 - 34	2
51151	12 - 64	1
511705-1	48 - 32	2
511806	48	2
511809-1	48 - 15	6
511820-7	48 - 4	6
511846-4	48 - 20	6
511951	48 - 18	2
52-028-094-0625	18	8
52-028-125-0937	18	8
52-032-156-0500	29 - 18	4
52-032-156-0500	36 - 33	2
52-032-156-0500	40 - 36	1
52-032-156-0750	31 - 36	6
52-032-156-0750	31 - 38	2
52-032-156-0750	73 - 12	2
52-1650-02	20	8
530844	48 - 29	2
531059	48 -	2
531059-A	48 - 16	2
5408M	75 - 48A	2
557-10-C	76 - 27	4
562	23 - 35	2
56881-1	70 - 24	4
56881-1	70 - 52	2
57	9	1
60C43	60 - 47	1
60344	57 - 30	1
604H189	88 - 12	3
6046H39A	85 - 50	1
6-140	86 - 8	2
6.50-10	51 - 58	1
6.50-10	51	1
61C77	60 - 48	2
63127-01B	75 - 53	1
6350A2-0	23 - 3	1
6350A5-0	23	1
6411B	22 - 52	3
644-184456	11 - 7	1
644-184456-1	11	1
649-12D	68 - 46	2
649-12D	68 - 58	2
65-001027	7	1
65-590009	7A	1

MODEL 65 & 80 PARTS CATALOG

PART NUMBER	FIGURE AND INDEX NO.	QTY PER ARTICLE	PART NUMBER	FIGURE AND INDEX NO.	QTY PER ARTICLE
65-590010	7A	1	9511135	48	2
65-590010-3	7A	1	9520	62 - 58	2
65-590010-5	7A	1	9521176	51 - 55	1
65-590010-7	7A	1	9522159	48	6
65883	63	8	9522728	48	6
694-180702	51 - 61	1	9522845	48	2
69930	63	8	9523031	48 - 25	20
69947	63	8	9523892	48	6
7	23 - 38	7	9523899	48	12
70-3-2G	21 - 54A	1	9523902	48	12
70-3-2G	85 - 71	1	9524817	48	2
70-3-2G	85 - 73	1	9524818	48	2
70623	70	2	9524829	48	6
70623	70	2	9530303	46 - 51	2
716-21	16 - 1	1	9530303	48 -	REF
716-22	16 - 2	1	9531395	46 - 53	2
716G-50100-1	16 - 3	1	9531395	48	REF
716G-50100-2	16 - 4	1	9531921	48	2
716G-50100-3	16 - 5	1	9532489	46	2
716G-50100-4	16 - 6	1	9532489	48	REF
760-12-2-8	64 - 20	12	9532489	46	2
770-A1	84 - 10	1	9532491	48	REF
770-A1	84 - 28	1	9532494	48	2
79-022-094-0625	88 - 34	1	9532495	48	2
79-022-094-0750	38A- 25	2	9532554	51	1
794-189657	75 - 3	2	9540942	48 - 24	2
8N8-D	64 - 45	8	9555	88 - 2	1
8N8-D	64 - 48	4	96-526000	38A	1
815-254F1	88	1	96-526000-11	38A- 31	1
818-180537	85	1	96-526000-13	38A	1
83-1115-3158	86 - 10	4	96-526000-15	38A- 28	1
830-5	65	6	96-526000-17	38A	1
831-10	65	2	96-526000-19	38A- 36	2
#32	21	1	96-526000-3	38A- 20	1
833-16	65 - 18	6	96-526000-5	38A- 22	1
834-1	65	2	96-526000-7	38A- 23	1
836-5	65	1	96-526000-9	38A- 24	1
836-5	75 - 54	REF	96-630000-125	38A- 9	2
836-6	62 - 24	2	96-630000-129	38A	1
836-6	65	REF	96-630000-131	38A- 18	1
836-16	62	2	96-630000-173	38A- 12	1
836-17	75	REF	96-630000-177	38A- 8	1
838-17	65	6	96-630000-183	38A	1
840-15	65	2	96-630000-191	32	1
850-10	46 - 56	2	96-630000-191	38A	1
850-10	46	2	96-630000-191	38A- 4	1
850-10	46 - 57	2	96-630000-193	38A- 3	1
8518629	68	2	96-630000-29	38A- 16	1
8525330	68	2	96-630000-41	38A- 14	1
856A80	85 - 33	1	96-630000-43	38A	1
8580	23 - 4	1	96-630000-71	38A	1
8590	23 - 1	2	96-630000-79	38A- 8A	2
8970-1-327	78A- 51	1	96-630000-87	38A- 13	1
901-9B	62 - 75	2	96-640000-77	37 - 21	1
94-80003-002	22 - 26	1	96-640000-78	37	1
95-110041-61	72 - 27	1	96-640000-91	32	1
95-110041-62	72	1	96-640000-91	37	REF
95-3068	46 - 50	2	96-640000-95	37 - 14A	1
95-524022-5	38A- 33	1	96-640000-99	37 - 15A	1
95-530002-41	16 - 14	2	97JX703	89 - 9	2
9510708	48 - 14	12	98265-1-080	24 - 28	4
9510894	48 - 2	6	98265-1-110	75 - 58	2
9510895	48 - 3	6	98265-2-180	9 - 56	20
9510925	48 - 13	6	98265-2-200	9 - 57	22
9510926	48 - 9	6	98292-1-.150	62A- 3	2
9510927	48 - 10	6	98292-1-080	12 - 80	4
9510928	48 - 5	6	98292-1-080	12 - 83	2
9510929	48 - 8	6	98292-1-100	10 - 42	4
9510931	48 - 11	6	98292-1-140	12 - 60	17
9510932	48 - 1	2	98292-1-140	22 - 96	14

MODEL 65 & 80 PARTS CATALOG

PART NUMBER	FIGURE AND INDEX NO.	QTY. PER ARTICLE
98292-2-190	62A- 4	24
98292-2-160	62A- 2	2
99785-2	64	20
99833-C098	75	2
99833-P098	62A	28
99833-P098	20 - 52	1
99836	9	85
99836	10	4
99836	12	17
99836	12	4

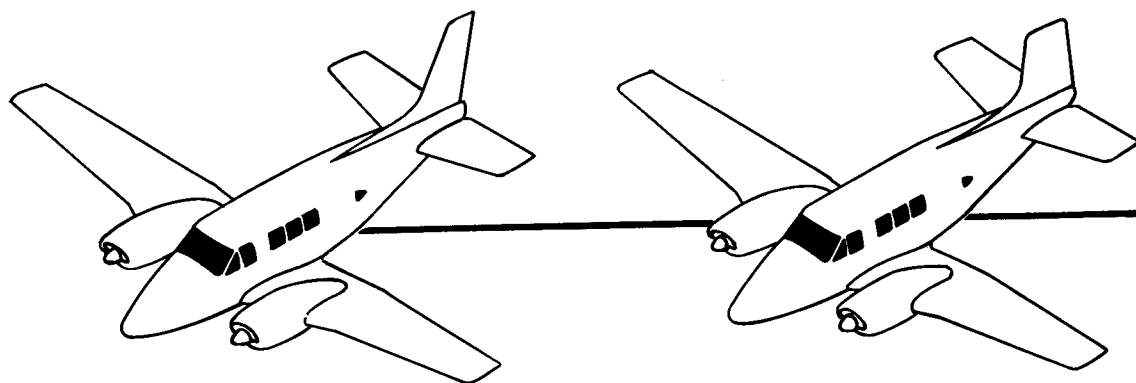
PART NUMBER	FIGURE AND INDEX NO.	QTY. PER ARTICLE
99836	12	2
99836	22	14
99836	24	14
99836	62A	28
99836	75	2
99840-1-080	22 - 16	3
99862-2-110	64	20
99874	22 - 97	14
99874-1	12	17
99947-C-130	22	14

Beechcraft

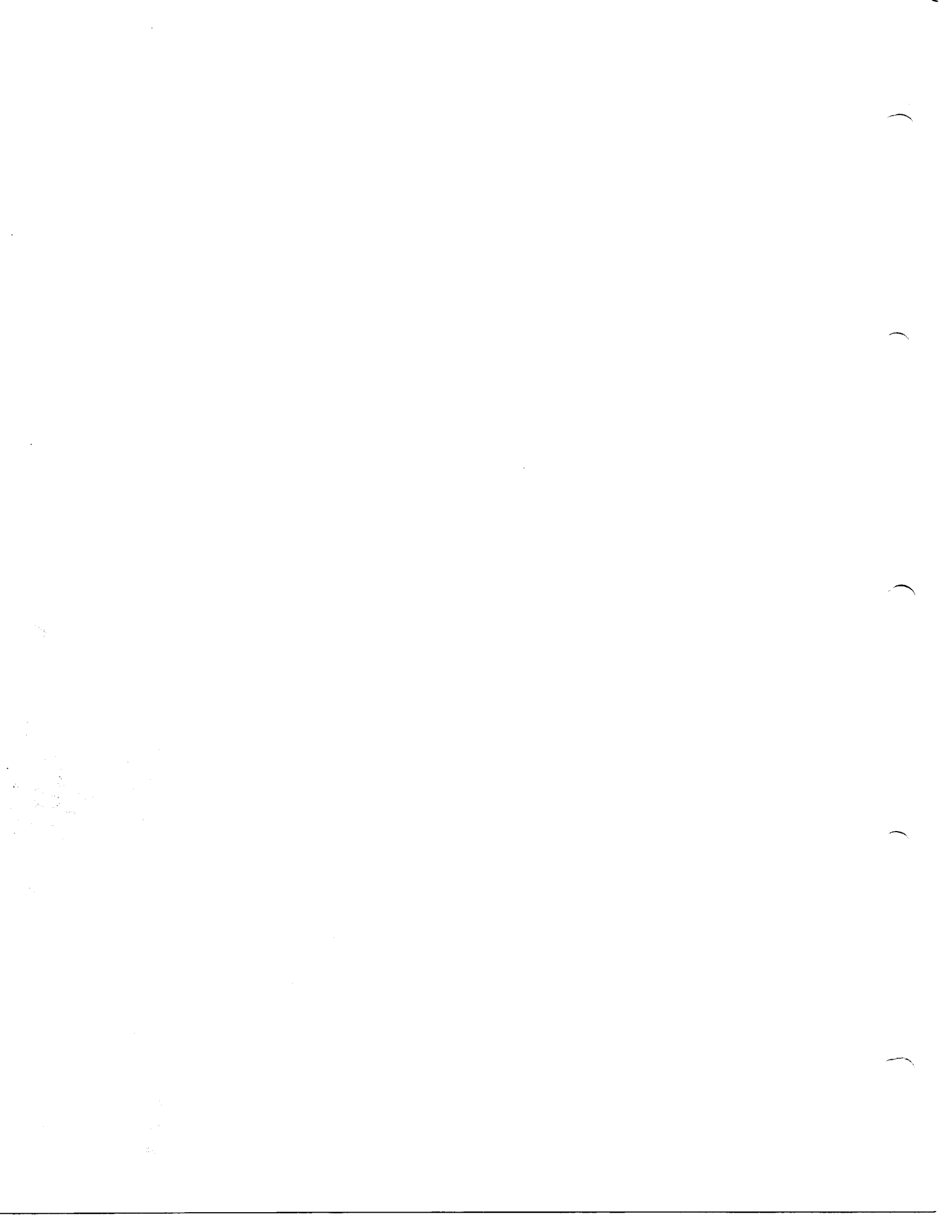
MODEL 65

MODEL 80

SPARE PARTS ADDENDUM



**S
E
C
T
I
O
N
4**



MODEL 65 & 80 PARTS CATALOG

FIG. & INDEX NO.	PART NO.	1	2	3	4	5	6	7	DESCRIPTION	UNITS	USABLE
										PER ASSY	ON CODE
9	50-410012-601								BRACKET ASSY,NOSE GEAR DOOR AFT HINGE LH		
	50-410012-602								BRACKET ASSY,NOSE GEAR DOOR AFT HINGE RH		
	50-400177								• BUSHING		
	50-410012-47								• BRACKET		
	50-410012-48								• BRACKET		
9	50-410012-603								BRACKET ASSY,NOSE ASSY FWD HINGE LH		
	50-410012-604								BRACKET ASSY,NOSE ASSY FWD HINGE RH		
	50-400177								• BUSHING		
	50-410012-45								• BRACKET		
	50-410012-46								• BRACKET		
14	50-430015-602								DOOR ASSY,MAIN ACCESS		
	50-430015-3								• SKIN		
	50-430015-5								• FRAME		
	50-430015-7								• FRAME		
	50-430015-9								• FRAME		
	50-430015-11								• FRAME		
	50-430015-13								• ANGLE		
	50-430015-15								• ANGLE		
	50-430015-17								• HALF HINGE		
	50-430015-19								• CHANNEL		
	50-430015-21								• CHANNEL		
	50-430015-23								• SEAL		
	50-430015-29								• RETAINER		
	50-430015-31								• RETAINER		
	50-430015-33								• RETAINER		
	50-430015-323								• STEP		
	50-430015-39								• ANGLE		
	50-430015-325								• STEP		
	50-430015-40								• ANGLE		
	50-430015-327								• STEP		
	50-430015-41								• FIRST SIDE STEP		
	50-430015-329								• STEP		
	50-430015-42								• FIRST SIDE STEP		
	50-430015-331								• BRACKET		
	50-430015-43								• SECOND SIDE STEP		
	50-430015-333								• FRAME		
	50-430015-44								• SECOND SIDE STEP		
	50-430015-335								• FRAME		
	50-430015-45								• THIRD SIDE STEP		
	50-430015-337								• CHANNEL		
	50-430015-46								• THIRD SIDE STEP		
	50-430015-47								• ANGLE		
	50-430015-49								• REINFORCEMENT		
50-430015-51								• ANGLE			
50-430015-53								• ANGLE			
50-430015-55								• ANGLE			
50-430015-59								• COVER			
50-430015-71								• RIB			
50-430015-73								• PLATE			
50-430015-75								• RIB			
50-430015-95								• DOUBLER			
50-430015-97								• DOUBLER			
50-430015-99								• SPACER			
50-430015-109								• SKIN			
50-430015-287								• SKIN			
50-430015-115								• INTERCOSTAL			
50-430015-117								• INTERCOSTAL			
50-430015-129								• INTERCOSTAL			

MODEL 65 & 80 PARTS CATALOG

FIG. & INDEX NO.	PART NO.	1 2 3 4 5 6 7	DESCRIPTION	UNITS PFR ASSY	USABLE ON CODE
14- CONT	50-430015-131	•	INTERCOSTAL		
	50-430015-133	•	INTERCOSTAL		
	50-430015-135	•	INTERCOSTAL		
	50-430015-137	•	INTERCOSTAL		
	50-430015-139	•	INTERCOSTAL		
	50-430015-185	•	SUPPORT		
	50-430015-187	•	CLIP		
	50-430015-191	•	STIFFENER		
	50-430015-199	•	COVER		
	50-430015-209	•	FRAME		
	50-430015-211	•	ANGLE		
	50-430015-127	•	FILLER		
	50-430015-183	•	STEP		
	50-430015-227	•	STIFFENER		
	50-430015-229	•	CABLE SUPPORT		
	50-430015-237	•	LINK		
	50-430015-239	•	LINK		
	50-430015-285	•	SUPPORT		
	CO#B43850-1	•	SUPPORT		
	50-430016-1	•	ROD		
	50-430017	•	HOUSING ASSY		
	50-430018-1	•	BOLT		
	50-430015-219	•	LEVER ASSY		
	50-430015-37	•	FACING		
	50-430015-606	•	SPOTWELD ASSY		
	50-430015-608	•	SPOTWELD ASSY		
	50-430015-35	•	FACING		
	50-430015-119	•	BEARING		
	AN380-3-3	•	COTTER PIN		
	MS171528	•	PIN		
	MS20392-1-25	•	PIN		
	MS2039-3-21	•	PIN		
	100943-ZS-407G	•	SPRING		
	100942-J-0116-43	•	SPRING		
	AN3-4A	•	BOLT		
	105739-S-ZE-0100	•	BUSHING		
	MS20364-1032	•	NUT		
	MS20392-1-21	•	PIN		
	K-2000-08	•	ANCHOR NUT		
	1818H	•	HANDLE		
	50-384023	•	LOCK SET		
	AN366F832	•	NUT PLATE		
	AN507-832R8	•	SCREW		
	AN380-2-1	•	PIN		
	50-430015-25	•	SPONGE RUBBER		
	50-430015-27	•	SPONGE RUBBER		
	NAS221-8	•	SCREW		
	AN515-832R7	•	SCREW		
	AN509-10R	•	SCREW		
	AN253-2-2650	•	PIN		
	AN960D10L	•	WASHER		
14	50-430015-604		CABLE ASSY,MAIN ACCESS DOOR		
	50-430015-305	•	BOLT		
	22K1-054	•	NUT		
	AN960-516L	•	WASHER		
	50-430015-243	•	BAR		
	50-430015-299	•	BOLT		
	MS171591	•	PIN		
	MS171534	•	PIN		
	1440-2	•	CABLE		
	50-430015-263	•	LUG ASSY		

MODEL 65 & 80 PARTS CATALOG

FIG. & INDEX NO.	PART NO.	DESCRIPTION							UNITS PER ASSY	USABLE ON CODE
		1	2	3	4	5	6	7		
14--CONT	50-430021	• PLUG								
	1440-1	• CABLE								
	50-430015-301	• BOLT								
	22K1-02	• NUT								
	50-430015-249	• LUG ASSY								
	50-430015-295	• SUPPORT ASSY								
	50-430015-269	• CHAIN ASSY								
22	414-183200-605	COVER ASSY,TOILET INNER								
	414-183200-73	• COVER								
	414-183200-69	• PAPER HOLDER								
	414-183200-77	• WELL								
	414-183200-101	• CLIP								
	99840-1-080	• STUD								
	99785-2	• PIN								
26	50-110010-612	EDGE ASSY,OUTBD LEADING LH								
	50-110000-2	• HINGE PIN								
	50-110000-4	• HINGE PIN								
	AN924-6D	• NUT								
	AN832-6D	• NIPPLE								
	AN815-6D	• UNION								
	AN937-6D	• CROSS								
	AN919-6D	• REDUCER								
	1111-517700	• CHECK VALVE								
	4523	• LAMP								
	35-115034	• RIB ASSY								
	35-115035	• RIB ASSY								
	35-115036	• RIB ASSY								
	35-115037	• RIB ASSY								
	35-115038	• RIB ASSY								
	35-115046	• RIB ASSY								
	50-110069	• RIB ASSY								
	50-110068	• RIB ASSY								
	50-110010-48	• SPLICE								
	50-110010-49	• SPLICE								
	50-110010-78	• STRINGER								
	50-110010-82	• DOOR								
	AN507-1032R8	• SCREW								
	50-110010-106	• COVER								
	AN507-632-8	• SCREW								
	50-110010-108	• DOOR ASSY								
	AN507-832-8	• SCREW								
	50-110010-56	• STRINGER								
	50-110010-157	• SKIN								
	50-110010-74	• STRINGER								
	50-110010-76	• STRINGER								
	35-115211-8	• SKIN								
	W1S832-BC100	• NUT								
	50-110066-604	• RIB ASSY								
	50-110010-28	• HINGE								
	50-110010-30	• HINGE								
	50-920077	• FLANGE ASSY								
	50-110010-92	• SPLICE								
	50-110010-94	• STRINGER								
	50-920077-5	• FLANGE ASSY								
	168	• SWITCH ASSY								
	50-361100-602	• GROUND WIRE								
	AN520-10RS	• SCREW								
	AN960D10	• WASHER								
	AN365-1032	• NUT								

MODEL 65 & 80 PARTS CATALOG

FIG. & INDEX NO.	PART NO.	DESCRIPTION							UNITS PER ASSY	USABLE ON CODE	
		1	2	3	4	5	6	7			
26-CONT	AN931-5-9	•									
	50-361100-604	•									
	AN515-8R7	•									
	AN365-832	•									
	AN960-8	•									
	AN931-5-9	•									
	168-2	•									
	106200-H-6-16	•									
	1111-517700	•									
	AN737-26	•									
	NO NUMBER	•									
	50-920065	•									
	106200H-4-12	•									
	AN737-22	•									
	AN931-5-9	•									
	50-110066-26	•									
	AN507-832R7	•									
	50-110066-28	•									
	50-110066-30	•									
	50-110066-32	•									
	4523	•									
	45-115018	•									
	AN931-5-9	•									
	AN515-8R8	•									
	AN960-8	•									
	MS25083-1BA4	•									
	MS25083-1BA6	•									
	AN515-832R7	•									
	AN960-8	•									
	AN365-832	•									
	22500	•									
	NAS70-8-209-438	•									
	AN936A10	•									
	AN345B10	•									
	AN931-4-7	•									
	50-921509-45	•									
	50-921509-65	•									
	50-921509-73	•									
	AN960D916L	•									
	50-921509-79	•									
	AN924-6D	•									
	50-921509-53	•									
	50-921509-57	•									
	MS21919DF6	•									
	100696-D10-06-008	•									
	AN520-10-12	•									
	AN960-10	•									
	AN365-1032	•									
	50-921509-9	•									
	50-921509-11	•									
	50-921509-7	•									
	AN366F1032	•									
	AN74-3	•									
	AN960-416	•									
	AN509-10R6	•									
	106200H-6-16	•									
	AN737-26	•									
	AN509-10R6	•									
	AN832-6D	•									
	AN937-6D	•									
	AN919-6D	•									
	AN815-6D	•									
	MS29512-6	•									
	50-970000-101	•									
	B-118-1	•									
	AN737TW26	•									

MODEL 65 & 80 PARTS CATALOG

FIG. & INDEX NO.	PART NO.	DESCRIPTION	UNITS	USABLE
			PER ASSY	ON CODE
26-CONT	B-118-1 AN737TW26 AN931-6-10 49296 49247 111512-01524	• HOSE • CLAMP • GROMMET • CLIP • BAND • EXTRUSION		
26	50-110010-660	EDGE ASSY,INBD LEADING LH		
	50-110010-68	• SKIN		
	50-110010-84	• SKIN		
	50-110010-22	• DOUBLER		
	50-110010-66	• DOUBLER		
	50-110010-12	• FORMER		
	50-110010-14	• FORMER		
	50-110010-2	• FORMER		
	50-110010-4	• FORMER		
	50-110010-6	• FORMER		
	50-110010-8	• FORMER		
	50-110010-50	• STRINGER		
	50-110010-52	• STRINGER		
	50-110010-54	• STRINGER		
	50-110010-606	• BULKHEAD ASSY		
	50-110046-602	• RIB ASSY		
	50-110010-86	• DOUBLER		
	22A38-82	• NUT PLATE		
	22A24-82	• NUT PLATE		
	50-110010-16	• FORMER		
	50-110010-24	• FORMER		
	50-110010-58	• FORMER		
	50-110010-60	• FORMER		
	50-110010-62	• FORMER		
	50-110010-64	• FORMER		
	35-115212	• CLIP		
	35-115212-1	• CLIP		
	50-110046-10	• ANGLE		
	35-115166-4	• ANGLE		
	100696-D10-06-008	• SPACER		
	50-920085-43	• TUBE ASSY		
	50-920085-39	• TUBE ASSY		
	MS21919DG6	• CLAMP		
	MS21919DF6	• CLAMP		
	AN520-10-12	• SCREW		
	AN960-10	• WASHER		
	AN365-1032	• NUT		
	AN931-6-10	• GROMMET		
	50-920085-51	• TUBE ASSY		
	AN821-6D	• ELBOW		
	AN833-6D	• ELBOW		
	AN924-6D	• NUT		
	AN960D916	• WASHER		
	50-920085-47	• TUBE ASSY		
	MS21919DG6	• CLAMP		
	MS21919DF6	• CLAMP		
	AN960-10	• WASHER		
	766-6	• CLAMP		
	AN365-1032	• NUT		
	AN520-10R9	• SCREW		
	AN515-8R7	• SCREW		
	AN960-8	• WASHER		
	AN365-832	• NUT		
	50-320069-12	• TUBE ASSY		
	AN931-4-12	• GROMMET		
	AN742D4	• CLAMP		

MODEL 65 & 80 PARTS CATALOG

FIG. & INDEX NO.	PART NO.	DESCRIPTION	UNITS PER ASSY	USABLE ON CODE
		1 2 3 4 5 6 7		
26-CONT	50-110056	• GUSSET		
	50-110062	• GUSSET		
	50-110010-88	• ANGLE		
	50-110010-34	• ANGLE		
	50-110010-36	• ANGLE		
	50-110087-1	• LINER		
	50-110086-1	• LINER		
	50-110010-18	• HINGE		
	50-110010-20	• HINGE		
	50-110078	• LINER ASSY		
	50-110080	• LINER ASSY		
	50-110064-4	• ANGLE		
	50-110064-14	• ANGLE		
	50-110064-8	• ANGLE		
	50-110064-602	• RIB ASSY		
32	50-640002-602	FIN ASSY,DORSAL		
	50-640002-3	• SKIN		
	50-640002-5	• SKIN		
	50-640002-9	• RIB		
	50-640002-11	• RIB		
	50-640002-13	• RIB		
	50-640002-15	• RIB		
	A6163-8Z-1	• NUT PLATE		
	50-640002-7	• SKIN		
	50-640002-8	• SKIN		
37	50-640000-612	STABILIZER ASSY,VERTICAL		
	50-640000-2	• HINGE		
	50-640000-6	• RIB		
	50-640000-8	• RIB		
	50-640000-20	• SPAR		
	50-640000-22	• SPAR		
	50-640000-24	• DOUBLER		
	50-640000-26	• SKIN		
	50-640000-27	• SKIN		
	50-640000-28	• NOSE SKIN		
	50-640000-34	• SUB SPAR		
	50-640000-36	• RIB		
	50-640000-38	• RIB		
	50-640000-40	• RIB		
	50-640000-42	• SUB SPAR		
	50-640000-44	• SUB SPAR		
	50-640000-48	• RIB		
	50-640000-50	• RIB		
	50-640000-52	• RIB		
	50-640000-54	• RIB		
	50-640000-56	• RIB		
	50-640000-58	• DOUBLER		
	50-640000-59	• DOUBLER		
	50-640000-60	• SUB SPAR		
	50-640000-66	• DOUBLER		
	50-640000-68	• DOUBLER		
	50-640000-74	• PLATE		
	50-640000-76	• PLATE		
	50-640000-78	• HALF HINGE		
	50-640000-82	• ANGLE		
	50-640000-84	• COVER		
	50-640000-86	• SUB SPAR		
	50-640000-88	• RIB		
	50-640000-90	• FAIRING		

MODEL 65 & 80 PARTS CATALOG

FIG. & INDEX NO.	PART NO.	DESCRIPTION	UNITS	USABLE
			PER ASSY	ON CODE
37-CONT	50-640000-92	• FAIRING		
	50-640000-94	• ANGLE		
	50-640000-96	• FAIRING		
	50-640000-98	• FAIRING		
	50-640000-100	• FAIRING		
	50-640000-102	• FORMER		
	50-640000-103	• FORMER		
	50-640000-104	• FORMER		
	50-640000-105	• FORMER		
	50-640000-106	• ANGLE		
	50-640000-108	• ANGLE		
	50-524185	• BRACKET		
	50-524186	• BRACKET		
	50-640000-112	• BRACKET		
	50-640000-114	• PLATE		
	50-640000-116	• BRACKET		
	50-620005	• BUSHING		
	45-620011-8	• BUSHING		
	B-66	• BEARING		
	PK76XZ-8-6	• SCREW		
	NAS444-5	• NUT PLATE		
	NAS445-5	• NUT PLATE		
	49384	• FASTENER		
	103637	• PLACARD		
	H1S1032-BC100 X 200	• NUT PLATE		
	50-524171-604	• ACTUATOR ASSY, RUDDER TAB		
	50-524164	• • DRUM ASSY		
	50-524172-2	• • BRACKET		
	50-524174-10	• • HOUSING		
	50-524095-6	• • CABLE ASSY		
	50-524167	• • BUSHING		
	35-524028	• • PIN		
	50-524224	• • SHIM		
	B-538	• • BEARING		
	F-860	• • BEARING		
	50-524177	• • SEAL		
	22A17-02	• • NUT		
	NAS50-106	• • RING		
	50-524303	• • SPUR GEAR		
	AN3-17A	• • BOLT		
	AN960-10	• • WASHER		
	AN365-1032	• • NUT		
	AN520-10R8	• • SCREW		
	AN935-10	• • WASHER		
	F-609-3	• • BEARING		
	50-524229	• • SPRING		
	52-032-156-0500	• • ROLL PIN		
	50-524314-5	• • SCREW		
	AN944-101	• • FITTING		
	AN525-10R10	• SCREW		
	A6914-1024	• PATCH PLATE		
	AN366F8	• NUT		
	22A17-82	• NUT		
	AN931-5-9	• GROMMET		
	AN515-8R8	• SCREW		
	AN365-832	• NUT		
	MS21919DG3	• CLAMP		
	49244	• HARNESS BAND		
	50-364224-613	• LAMP ASSY, SMALL ROTATING BEACON		
	106242-3-00208	• • INSULATOR		
	AN3106A10SL3S	• • CONNECTOR		
	AN3057-4	• • CLAMP		
	32445	• • DISCONNECT		
	AN515-6-8	• SCREW		
	AN960DP6L	• WASHER		
	AN515-8R8	• SCREW		

MODEL 65 & 80 PARTS CATALOG

FIG. & INDEX NO.	PART NO.	DESCRIPTION	UNITS PER ASSY	USABLE ON CODE
		1 2 3 4 5 6 7		
37-CONT	AN365-832	• NUT		
	50-640011	• TIP ASSY		
	AN525-832-7	• SCREW		
	49196	• CLIP		
	49244	• BAND		
	50-364224-19	• BEACON		
	50-970003-125	• HOSE		
	23-2014-4	• BOOT		
	AN737RM22	• CLAMP		
	AN365	• NUT		
	AN520R	• SCREW		
	AN742	• CLAMP		
	AN743	• CLIP		
	AN960	• WASHER		
	AN931-10-20	• GROMMET		
	AN530-6R6	• SCREW		
	MS21919DG3	• CLAMP		
	AN365-832	• NUT		
	AN515-8R8	• SCREW		
	49196	• CLIP		
45	50-810001-627	GEAR ASSY,MAIN LANDING LH		
	50-810001-628	GEAR ASSY,MAIN LANDING RH		
	50-810003-1	• ABSORBER ASSY		
	50-810032	• KNEE ASSY		
	50-810033	• KNEE ASSY		
	50-810035-2	• PIN		
	50-810002	• ABSORBER ASSY		
	50-810250	• BRACE ASSY		
	50-810024	• BRACKET		
	50-810025	• BRACE ASSY		
	10403603-0808-0908	• PAD		
	50-810008-6	• CONTROL ASSY		
	50-810013	• PIN ASSY		
	50-810021	• SPACER		
	50-361200-23	• CAM		
	35-815081	• SPACER		
	50-810022	• CAP		
	45-815225	• PIN		
	50-810138	• CLAMP		
	50-810225	• CLAMP ASSY		
	111190-8	• SCRAPER		
	35-815088-12	• BODY ASSY		
	105740-X0375-0496-0630	• BUSHING		
	50-810242	• CAM		
	AN8-32A/M/	• BOLT		
	AN6-36A/M/	• BOLT		
	AN6-21/M/	• BOLT		
	AN365-820/M/	• NUT		
	AN365-624/M/	• NUT		
	AN310-6/M/	• NUT		
	1/4-28NF3/16	• CUP POINT SET SCREW		
	AN944-201	• LUBRICATOR		
	AN6230-8	• GASKET		
	NAS50-275	• SNAP RING		
	AN6227-38	• PACKING		
	AN960-616L	• WASHER		
	AN960-816	• WASHER		
	AN4-6A	• BOLT		
	AN960-416	• WASHER		
	AN365-428	• NUT		
	AN4-7A	• BOLT		

MODEL 65 & 80 PARTS CATALOG

FIG. & INDEX NO.	PART NO.	DESCRIPTION	UNITS	USABLE
			PER ASSY	ON CODE
45-CONT	111200-8	• SNAP RING		
	111506-8	• RING		
	AN5-10A	• BOLT		
	AN960-516	• WASHER		
	AN380-3-3	• PIN		
	AN393-39	• PIN		
	AN393-45	• PIN		
	AN960-10	• WASHER		
	AN380-2-2	• PIN		
	AN6227-6	• GASKET		
	AN365-524	• NUT		
	AN960-616	• WASHER		
	100951-X-060-D12-100	• WASHER		
	AN944-301	• LUBRICATOR		
	AN809-1	• CORE		
	AN813-1A	• CAP		
	AN902-5	• GASKET		
	50-810031	• SPACER		
	50-810251	• PLACARD		
	103637	• PLACARD		
	AN535-2-2	• SCREW		
	50-810221	• BRACKET		
	100696-D14-07-020	• SPACER		
	AN3-12A	• BOLT		
	AN365-1032	• NUT		
	AN960-10	• WASHER		
	50-361253-614	• BOX ASSY, LANDING GEAR SAFETY SWITCH		
	50-361257	• • CLAMP ASSY		
	50-361256	• • FITTING		
	50-361255	• • PLUNGER		
	50-361254	• • BOX		
	50-361259	• • INSULATOR		
	50-361258	• • ACTUATOR		
	79-022-094-0625	• • ROLL PIN		
	111504-045-009-0032-10	• • SPRING		
	111504-045-025-0030-6	• • SPRING		
	AN960-8L	• • WASHER		
	AN960-6L	• • WASHER		
	AN960-6	• • WASHER		
	16-886	• • LOCK WASHER		
	AN931-5-9	• • GROMMET		
	AN526-632-18	• • SCREW		
	AN526-632-6	• • SCREW		
	AN507-832-12	• • SCREW		
	AN365-632	• • NUT		
	AN364-632	• • NUT		
	815-254F1	• • NUT		
	AN364-832	• • NUT		
	50-361253-1	• • BUSHING		
	50-361253-3	• • SCREW		
	50-361252-1	• • COVER		
	50-361252-3	• • SEAL		
	AN507-632-18	• • SCREW		
	AN960-6L	• • WASHER		
	AN364-632	• • NUT		
	50-361204-604	• • HARNESS		
	MS25011-1	• • SWITCH		
	AN742-8C	• CLAMP		
	AN515-8-10	• SCREW		
	AN960-8	• WASHER		
	AN365-832	• NUT		
	AN742D23	• CLAMP		

