
Illustrated Parts Catalog

1955 thru 1960 MODEL 310 THRU 310D

Member of GAMA

COPYRIGHT © 1984
CESSNA AIRCRAFT COMPANY
WICHITA, KANSAS, USA

P251-4-12

AUGUST 1967
REVISION 4 3 JULY 2006

CESSNA AIRCRAFT COMPANY
MODEL 310 THRU 310D
ILLUSTRATED PARTS CATALOG

LIST OF EFFECTIVE PAGES

CHAPTER-SECTION-SUBJECT	PAGE	DATE
Title	1	Jul 3/2006
Introduction-List of Effective Pages	1	Jul 3/2006
Record of Revisions	1	
List of Revisions	1	Jul 3/2006
Introduction	1 thru 12	Jul 5/2004
Optional Equipment and Accessory Kits	1 thru 3	Jul 5/2004
Radio Section	1 thru 14	Jul 3/2006
Suppliers Address List	1	Jul 3/2006
Service Bulletin List	1 thru 3	Jul 3/2006
Alphabetical Index	1 thru 20	Jul 3/2006
Part Number Index	1 thru 119	Jul 3/2006

CESSNA AIRCRAFT COMPANY
MODEL 310 THRU 310D
ILLUSTRATED PARTS CATALOG

LIST OF REVISIONS

1. Revision List

- A. This Illustrated Parts Catalog includes the original issue and the following listed revisions. To ensure that information in this manual is current, the revisions must be incorporated in the manual as they are issued.

Original Issue - August 1967

Revision Number	Date	Revision Number	Date
1	January 1969	4	3 July 2006
2	June 1982		
3	5 July 2004		

CESSNA AIRCRAFT COMPANY
MODEL 310 THRU 310D
ILLUSTRATED PARTS CATALOG

INTRODUCTION

1. Purpose

- A. The purpose of this Illustrated Parts Catalog is to illustrate and identify replacement parts and assemblies necessary for the support of the model covered herein. The information in the catalog is based on data available at the time of publication. **DO NOT USE** this Illustrated Parts Catalog to determine removal and installation procedures, refer to the Maintenance Manual.
- B. This Illustrated Parts Catalog is divided into chapters which correspond to equivalent chapters in the Maintenance Manual and is prepared in accordance with Air Transport Association Specification Number 2200.
- C. The information in this publication is based on data available at the time of publication and is updated, supplemented, and automatically amended by Service Letters, Service Bulletins, Publication Revisions, Reissues, and Temporary Revisions which are issued through subscriptions service available from Cessna Product Support. All such amendments become part of and are specifically incorporated within this publication. Users are urged to keep abreast of the latest amendments to this publication through Cessna Product Support subscription services and/or Cessna Authorized Service Stations.

WARNING: ALL INSPECTION INTERVALS, REPLACEMENT TIME LIMITS, OVERHAUL TIME LIMITS, THE METHOD OF INSPECTION, LIFE LIMITS, CYCLE LIMITS, ETC., RECOMMENDED BY CESSNA ARE SOLELY BASED ON THE USE OF NEW, REMANUFACTURED, OR OVERHAULED CESSNA APPROVED PARTS. IF PARTS ARE DESIGNED, MANUFACTURED, REMANUFACTURED, OVERHAULED, AND/OR APPROVED BY ENTITIES OTHER THAN CESSNA, THEN THE DATA IN CESSNA'S MAINTENANCE/SERVICE MANUALS AND PARTS CATALOGS ARE NO LONGER APPLICABLE AND THE PURCHASER IS WARNED NOT TO RELY ON SUCH DATA FOR NON-CESSNA PARTS. ALL INSPECTION INTERVALS, REPLACEMENT TIME LIMITS, OVERHAUL TIME LIMITS, THE METHOD OF INSPECTION, LIFE LIMITS, CYCLE LIMITS, ETC., FOR SUCH NON-CESSNA PARTS MUST BE OBTAINED FROM THE MANUFACTURER AND/OR SELLER OF SUCH NON-CESSNA PARTS.

- D. Inspection, maintenance and parts requirements for STC installations are not included in this manual. When an STC installation is incorporated on the airplane, those portions of the airplane affected by the installation must be inspected in accordance with the inspection program published by the owner of the STC. Since STC installations may change systems interface, operating characteristics and component loads or stresses on adjacent structures, Cessna provided inspection criteria may not be valid for airplanes with STC installations.

2. Effectivity

- A. Airplane effectivity is indicated in the detailed parts list by a ten-character alpha numeric code. The first five characters indicate the first applicability and the last five characters indicate the last applicability on an unbroken sequence of assigned airplanes. The first character of each applicable block is reserved for Alpha model designator. If this column is blank opposite a first column listing of the figure, the usage is applicable to all models and serials covered by this catalog. If this column is blank opposite any indented listing, the usage is applicable to all models and serials covered by the next higher assembly or assemblies under which it appears.

NOTE: Information in this Illustrated Parts Catalog is applicable to U.S. and Foreign Certified airplanes. Information unique to a particular country is identified in the chapter(s) affected.

CESSNA AIRCRAFT COMPANY
MODEL 310 THRU 310D
ILLUSTRATED PARTS CATALOG

3. Aerofiche

- A. The Illustrated Parts Catalog has been designed for Aerofiche presentation. To facilitate the use of the catalog for Aerofiche, fiche/frame numbers have been added to the Alphabetical and Alpha/Numeric Indexes. Refer to the header of the applicable fiche for location of various indexing information.

4. Compact Disc (CD-ROM)

- A. Publications for this model are available in paper and as electronic media CD-ROM (Compact Disc - Read Only Memory). The paper publications are available as individual publications, such as Maintenance Manual, Parts Catalog, etc, while the electronic service publications are grouped together on the CD. One CD includes all the service publications (Maintenance Manual, Illustrated Parts Catalog, Wiring Diagram Manual, Component Maintenance Manual, Nondestructive Testing Manual, Structural Repair Manual, and Illustrated Tools and Equipment List and all the Service Letters and Service Bulletins. These publications are kept up to date through routine revisions.

5. Alpha/Numeric Index (Paper Version of this Manual Only)

- A. Part numbers in the Alpha/Numeric index are arranged in order according to the extreme left digit, then the next digit to the right, etc. The digits are used in the following sequence: space, decimal, slash (/), symbols (such as #), letters of the alphabet, then numbers in numerical order.
- B. The Alpha/Numeric Index is a complete listing of all parts included in the Detailed Parts List.

6. Nomenclature Column

- A. General System of Assembly Order. The indention system used in the nomenclature column of this catalog shows the relationship of one part to another. For a given item, the indention code shows a system, installation or general heading starting in the extreme left position continuing on down into succeeding columns until the end detail is reached (refer to Figure 1).
- B. The relationship of the items listed is shown by the degree of indention of each item. For example: the battery installation is listed in the first indenture of the nomenclature column. The Battery Assy-Manifold is the next lower assembly and is therefore listed in the second indenture of nomenclature column. Refer to paragraph A, General System of Assembly Order.
- C. If two or more assemblies contain a majority of identical parts or if the assemblies are left or right, the assemblies are listed together and the next lower assemblies or detail parts are listed as common for both assemblies with the differing parts coded for usage on the correct assembly.
- D. Attaching parts are listed immediately beneath the item to be attached and preceding any detail parts of the item. They are listed in the same indention as the item they attach and are preceded by the caption "Attaching Parts". The end of the attaching parts listing is followed by a separating symbol ---*---. Component parts which are not included in any assembly, but are used in conjunction with, or attach to certain assemblies, are listed either preceding the first detail or following the last detail of the assembly or installation and in the same indenture as the major assembly or installation.

CESSNA AIRCRAFT COMPANY
MODEL 310 THRU 310D
ILLUSTRATED PARTS CATALOG

B1515

- | | | | | | | | |
|---|---------------------------------|----------------------------------|----------------------------------|-------------------------------------|---|---|---|
| | 1 | 2 | 3 | 4 | 5 | 6 | 7 |
| | Installation | | | | | | |
| . | Detailed Parts for Installation | | | | | | |
| . | Assembly | | | | | | |
| . | Attaching Parts for Assembly | | | | | | |
| . | . | Detailed Parts for Assembly | | | | | |
| . | . | Sub-Assembly | | | | | |
| . | . | Attaching Parts for Sub-Assembly | | | | | |
| . | . | . | Detailed Parts for Sub-Assembly | | | | |
| . | . | . | Sub-Assembly | | | | |
| . | . | . | Attaching Parts for Sub-Assembly | | | | |
| . | . | . | . | Detailed Parts for Sub-Sub-Assembly | | | |

Order of Assembly
Figure 1

7. List of Effective Pages (Paper Version of this Manual Only)

- A. A List of Effective Pages is provided in the front of each chapter of the catalog. All pages in the catalog are listed in sequence on the List of Effective Pages with the most recent revision date for each page. A revised List of Effective Pages is provided for every Illustrated Parts Catalog revision.

8. Revision Filing Instructions (Paper Version of this Manual Only)

- A. Regular Revision.
- (1) Refer to the List of Effective pages of each chapter while inserting a revision.
 - (2) Pages changed by the revision will be indicated by the revision date on the page and on the List of Effective pages for that chapter. The revised page replaces the existing page in the manual.
 - (3) New pages added to the manual are indicated by "Added" on the List of Effective pages. Pages are inserted in the manual by chapter section subject and page number.
 - (4) Existing pages no longer needed in the manual are indicated by "Deleted" on the List of Effective pages. These pages are to be removed and discarded. When a page has been deleted by a revision, the List of Effective pages for subsequent revisions does not list the page.
- B. Temporary Revisions:
- (Paper version of this manual only.)
- (1) File temporary revisions in the applicable chapter in accordance with filing instructions that appear on the title page.
 - (2) Temporary revisions should be removed from the manual only when replaced by a revision to the manual or by instructions noted on the superseding temporary revision.

9. Revision Indicators

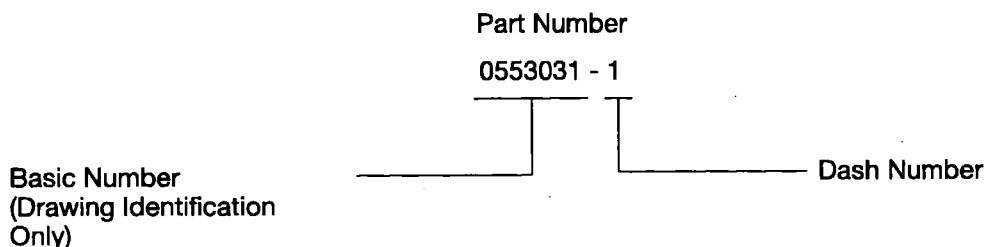
- A. Additions, deletions or revisions to the parts list will be identified by the letter "R" in the right margin of the page adjacent to the change, or addition. When technical changes cause unchanged text to appear on a different page/pages, an "R" will be placed in the margin opposite of the affected items.

10. Cessna Part Numbering System

- A. The basic number identifies the Cessna drawing only. Each Installation, Assembly or Detailed Part is assigned a part number which consists of a seven digit drawing number and an appropriate dash number (refer to Figure 2).

CESSNA AIRCRAFT COMPANY
MODEL 310 THRU 310D
 ILLUSTRATED PARTS CATALOG

B1516



Part Number System
Figure 2

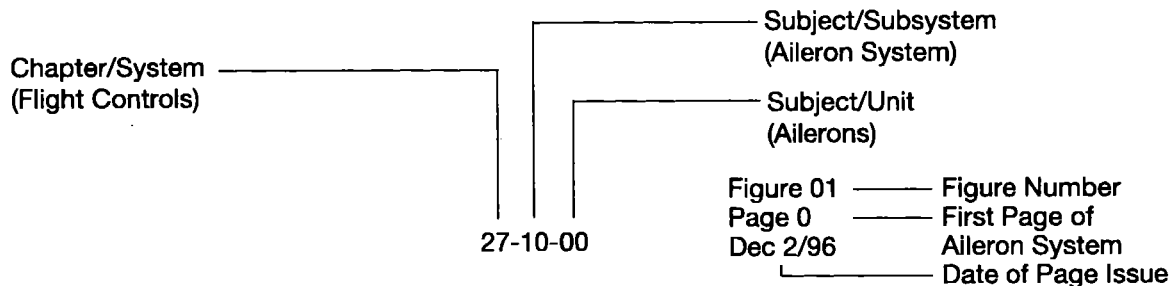
11. Standard Parts

- A. Many parts having standard usage have been incorporated into the Cessna Standard System. Parts in this group are designated with the part number prefix "S", "CM" or "C".
- B. For standard hardware items such as screws, nuts, clamps, etc., AN, NAS, and MS standard numbers are listed.

12. Page Numbering System

- A. The Page Numbering System used in the Illustrated Parts Catalog consists of three-element numbers separated by a dash with the figure number, page number and date printed to the side (refer to Figure 3).

B1518



Page Numbering System
Figure 3

13. Part Number Column

- A. This column contains the manufacturer's part number used to identify the item.

14. Units per Assembly Column

- A. The quantity listed in the Units Per Assembly column is the quantity used per item. The quantity listed for attaching parts denotes the quantity necessary to attach only one item. The total quantity necessary to attach more than one item may be obtained by multiplying the quantity of attaching parts by the number of items to be attached.

15. Symbols and Part Number Terms

- A. A blank entry in the part number column appears before an unprocurable part or installation which is also denoted in the "Units per Assembly" column by the use of the symbol RF (Reference).

CESSNA AIRCRAFT COMPANY
MODEL 310 THRU 310D
ILLUSTRATED PARTS CATALOG

- B. Reference - When the term, "REFER TO --", appears in the Nomenclature Column and the units per assembly column indicates "RF", the figure referred to will be the next highest assembly of the referred item. If the units per assembly column shows a quantity, the figure referred to will be the breakdown.
- C. Deleted - Not Used - When the term, "DELETED NOT USED", appears in the description column, it signifies that the index number was used but is no longer required. This procedure is used to eliminate reindexing of all items following the deleted part.
- D. Bulk Item - When the letters BKI appear in the Nomenclature Column and the units per assembly column indicates "AR" (As Required). Refer to Cessna Service Parts Center for prices and units of measure.

16. Abbreviations Commonly Used

&	and	AC	alternating current
ADF	automatic direction finder	ADI	attitude director indicator
ALT	alternate	ALT	alternating current
AOA	angle of attack	APU	auxiliary power unit
AR	as required	ASI	airspeed Indicator
ASSY	assembly	BKI	bulk item
BL	butt line	CDU	control display unit
CVR	cockpit voice recorder	CWS	center wing station
DC	direct current	DF	directional gyro
DME	distance measuring equipment	ECU	electronic control unit
EFIS	electronic flight indicating system	EGT	exhaust gas temperature
EHSI	electronic horizontal situation indicator	EL	electroluminescent
FIG	figure	FM	frequency modulation
FMS	flight management system	FSO	for spares order
FS	fuselage station	FT	foot
FWD	forward	GPS	global positioning system
GPU	ground power unit	HF	high frequency
HSI	horizontal situation indicator	IAS	indicated airspeed
INBD	inboard	INSTL	installation
IPC	illustrated parts catalog	ITT	inter turbine temperature
J-BOX	junction box	KIAS	knots indicated airspeed
LBL	left butt line	LCD	liquid crystal display
LED	light emitting diode	LH	left
LNAV	lateral navigation system	LWR	lower
MFD	multi-function display	MLG	main landing gear
NLG	nose landing gear	NP	not procurable
OAT	outside air temperature	OBS	omni bearing selector
OUTBD	outboard	PCU	power control unit

CESSNA AIRCRAFT COMPANY
MODEL 310 THRU 310D
ILLUSTRATED PARTS CATALOG

PSI	pounds square inch	PTU	power transfer unit
P/N	part number	PRESS	pressure
R NAV	area navigation	RAM	random access memory
RAT	ram air temperature	RBL	right butt line
RF	radio frequency	RF	reference
RH	right	RMI	radio magnetic indicator
RPM	revolutions per minute	SAT	static air temperature
SB	service bulletin	SS	stabilizer station
TACAN	tactical air navigation system	TAS	true airspeed
TB	terminal block	TCAS	traffic collision avoidance system
TEMP	temperature	TR	temporary revision
UHF	ultra high frequency	UPR	upper
USART	universal synchronous/asynchronous receiver/transmitter	V NAV	vertical navigation
VASI	visual approach slope indicator	VG	vertical gyro
VHF	very high frequency	VLF	very low frequency
VOR	very high frequency omnidirectional and radio range	VSI	vertical speed indicator
WBA	wire bundle assembly	WBSA	wire bundle subassembly
WL	water line	WS	wing station

17. Serial and Color

- A. When ordering upholstery material, carpet or interior trim, include airplane model and serial number. Model and serial number is important to assure that correct color combination is received.
- B. When color of upholstery material, carpet or interior trim parts are ordered, include the airplane serial number.

18. Definition of Text Page Information

- A. Refer to Figure 4.

NOTE: Sample pages are to be used for instructional purposes only! These pages are not intended to represent any part of actual airplane covered by this or any other publication.

- (1) The figure number refers to the corresponding illustration.
- (2) The number in the Figure and Item Number column corresponds to the item number on the part in the corresponding illustration.
- (3) Parts with the item number preceded by a dash are not indexed on the illustration.
- (4) A number in the Units per Assembly column indicates the quantity of the part used per next higher assembly or installation.
- (5) Numbers in the Effectivity column indicate usage of the part is restricted. For example, the numbers 0001 0023 indicate that the part is used on airplanes 1 through 23.
- (6) This cross-reference indicates the figure in which the installation of assembly is broken down to its component parts.
- (7) Parts used in the quantity "as required" are indicated by "AR" in the Units per Assembly column.
- (8) Alternate part numbers are listed immediately following the part for which they may be substituted. The entry "ALT FOR ----" will be in the Nomenclature column.

CESSNA AIRCRAFT COMPANY
MODEL 310 THRU 310D
ILLUSTRATED PARTS CATALOG

- (9) RF" indicates the installation or assembly is listed again in the figure cross-reference in the Nomenclature column. The Units per Assembly is given in the referenced figure.
- (10) Parts used only on a left or right installation or assembly are designated by "LH" or "RH" in the Nomenclature column.
- (11) "A "USED ON"" or "USED WITH" note in the nomenclature column indicates the proper next higher assembly of a part when the part is not common to all of the next higher assemblies listed preceding the part.
- (12) The letter "R" in the right margin indicates text added or revised by the latest catalog revision.

**CESSNA AIRCRAFT COMPANY
MODEL 310 THRU 310D
ILLUSTRATED PARTS CATALOG**

A35354

**CESSNA AIRCRAFT COMPANY
MODEL 310R
ILLUSTRATED PARTS CATALOG**

FIG ITEM	PART NUMBER	NOMENCLATURE	EFFECT		UNITS PER ASSY
			FROM	TO	
01					
1 - 41	0813501-6	CABLE-DEFROSTER CONTROL			1
		ATTACHING PARTS			
- 42	MS21919WDG3	CLAMP			1
- 43	MS27039-1-08	SCREW			1
- 44	AN960-10	WASHER			2
- 45	0450311-2	CLAMP			1
- 46	AN960-416	WASHER			1
- 47	MS21044N4	NUT			1

48	S1053E16T13.0	DUCT			2
		ATTACHING PARTS			
- 49	NAS397-32	CLAMP			2
- 50	NAS397-34	CLAMP			2
- 50A	AN737TW74	CLAMP-ALT FOR NAS397-32 & NAS397-34			2

51	0450262	UNION			2
- 52		DEFROST OUTLET-REFER TO 53-10-06 FIGURE 05			RF
53	0813769-2	DUCT ASSY-RH			1
54	0813769-1	DUCT ASSY-LH			1
		ATTACHING PARTS			
2 - 55	S1026BG11.35X	CLAMP			2

56	0813805-2	TEE-LH & RH			2
57	0813769-3	DUCT ASSY-LH & RH			2
		ATTACHING PARTS			
- 58	S1026BG8.21X	CLAMP			2

59	0813822-1	VALVE ASSY-PILOT HEAT CONTROL LH	R0001	R0500	1
59A	0813822-11	VALVE ASSY-PILOT HEAT CONTROL LH	R0501	& ON	1
60	0813822-10	VALVE ASSY-PILOT HEAT CONTROL RH	R0001	R0500	1
60A	0813822-12	VALVE ASSY-PILOT HEAT CONTROL RH	R0501	& ON	1
		ATTACHING PARTS			
61	MS27039-0809	SCREW			3
- 62	MS27039-0808	SCREW			2

- 63	0813739-8	GRILL-RH	R0001	R0500	1
- 63A	0813739-12	GRILL-RH	R0501	R0800	1
- 63B	0813739-16	GRILL-RH	R0801	& ON	1
64	0813739-9	GRILL-LH	R0001	R0500	1
64A	0813739-11	GRILL-LH	R0501	R0800	1
- 64B	0813739-15	GRILL-LH	R0801	& ON	1
		ATTACHING PARTS			
65	S1021Z8-12	SCREW	R0001	R0800	4
- 65A	S1022Z8-12	SCREW	R0801	& ON	4

66	0813808-1	KNOB	R0001	R0500	4
66A	0813817-19	KNOB	R0501	& ON	4
		ATTACHING PARTS			
- 67	S1022Z4-8	SCREW			1

68	0813769-16	DUCT ASSY-RH			1
69	0813769-4	DUCT ASSY-LH			1
		ATTACHING PARTS			
- 70	S1026BG11.35X	CLAMP			2

71	0813804-1	ELBOW HLF RH			1
72	0813804-2	ELBOW HLF-LH			1
73	0813803-2	HEAT OUTLET ASSY-FRONT SPAR			2
74	0813811-1	VALVE & ROD ASSY-HEAT CONTROL			2

- ITEM NOT ILLUSTRATED

© Cessna Aircraft Company

Figure 01
Page 4
May 2/2005

21-40-00

Sample Page
Figure 4

CESSNA AIRCRAFT COMPANY
MODEL 310 THRU 310D
ILLUSTRATED PARTS CATALOG

19. How to Use Catalog If Part Number Is Known

- A. Refer to Figure 5.
- (1) Find the part number in the Part Number Index.
 - (2) Refer to chapter, section, subject, figure and item number.
 - (3) Turn to chapter, section, subject and figure.
 - (4) Locate part on illustration and in part number column by item number.

CESSNA AIRCRAFT COMPANY
MODEL 310 THRU 310D
ILLUSTRATED PARTS CATALOG

20. How To Use Catalog If Part Number Is Unknown

- A. Refer to Figure 6.
- (1) Turn to Alphabetical Index.
 - (2) Refer to main group in which part should be listed.
 - (3) Find the chapter, section, subject and figure number in which the part should be shown.
 - (4) Turn to the illustration and find the part.
 - (5) Refer to corresponding item number in the part number column.

CESSNA AIRCRAFT COMPANY MODEL 310 THRU 310D ILLUSTRATED PARTS CATALOG

A35356

2

3

CESSNA AIRCRAFT COMPANY MODEL 310 ILLUSTRATED PARTS CATALOG		HOMOLOGATION	QTY	SEC	SUB	PRO	ITEM
G Continued							
GOVERNOR ASSEMBLY WOODWARD # 10280			61-00-00-01				-0000
ORILL REAR - REAR CUTLET			21-40-00-01				-0117
GROUND SERVICE PLUG INSTALLATION			24-40-00-01				-
O/YRD - ATTITUDE LEAF #7411			25-10-00-02				-0113
O/YRD - DIRECTIONAL			31-10-00-07				-028
O/YRD - DIRECTIONAL			31-10-00-08				-002
O/YRD - DIRECTIONAL LEAF #198			22-10-00-02				-012
O/YRD - HORIZONTAL			31-10-00-07				-028
H							
HARTZELL HC-627-15-40-2-4 PROPELLER ASSEMBLY			61-10-00-02				-
HEAD PHONE CONTROL - HARCO M-64147-0104			31-10-00-11				-0008
HEAD PHONE CONTROL - HARCO M-64147-0104			31-10-00-08				-0078
HEAD PHONE CONTROL - HARCO M-64147-0104			31-10-00-15				-0004
HEAD PHONE CONTROL - HARCO M-64147-0104			31-10-00-18				-0034
HEAD PHONE CONTROL - HARCO M-64147-0104			31-10-00-20				-0004
HEADPHONE CONTROL - HARCO M-64147-0104			31-10-00-19				-0138
HEATER ADAPTER ASSEMBLY			21-40-00-09				-003

1

ALPHABETICAL INDEX Page 8
Jul 5/2004

© Cessna Aircraft Company

5

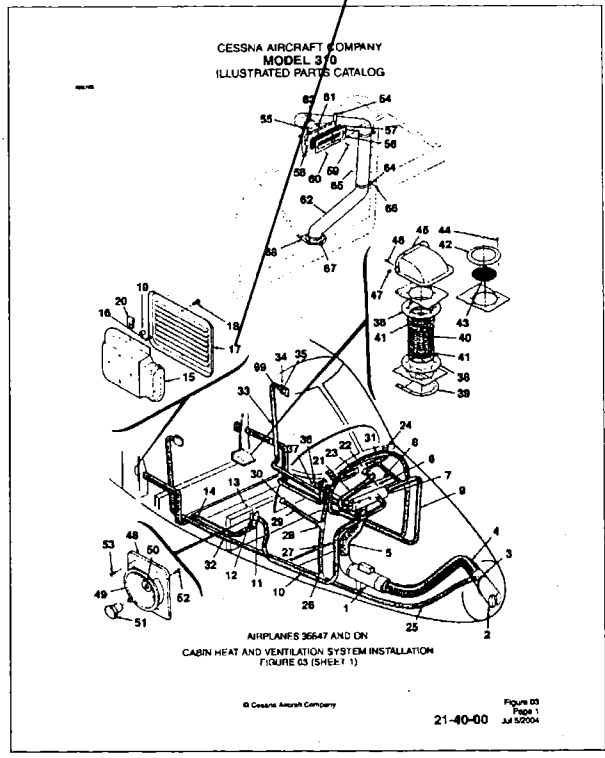
3

PRO ITEM	PART NUMBER	1 2 3 4 5 6 7	HOMOLOGATION	UNITS FROM TO	AMT
01			CABIN HEAT AND VENTILATION SYSTEM INSTALLATION	3560	4 ON 16
1	817140-01		HEATER INSTALLATION - CABIN HEAT TO 21-40-00 FLOOR OR FOR BREAKDOWN	3560	16
2	817140-01		ADAPTER - HEAT HEAT HEAT TO 21-40-00 FLOOR OR FOR BREAKDOWN	3560	16
3	817140-01		ADAPTER - HEAT HEAT HEAT TO 21-40-00 FLOOR OR FOR BREAKDOWN	3560	16
4	817140-01		ADAPTER - HEAT HEAT HEAT TO 21-40-00 FLOOR OR FOR BREAKDOWN	3560	16
5	817140-01		ADAPTER - HEAT HEAT HEAT TO 21-40-00 FLOOR OR FOR BREAKDOWN	3560	16
6	817140-01		ADAPTER - HEAT HEAT HEAT TO 21-40-00 FLOOR OR FOR BREAKDOWN	3560	16
7	817140-01		ADAPTER - HEAT HEAT HEAT TO 21-40-00 FLOOR OR FOR BREAKDOWN	3560	16
8	817140-01		ADAPTER - HEAT HEAT HEAT TO 21-40-00 FLOOR OR FOR BREAKDOWN	3560	16
9	817140-01		ADAPTER - HEAT HEAT HEAT TO 21-40-00 FLOOR OR FOR BREAKDOWN	3560	16
10	817140-01		ADAPTER - HEAT HEAT HEAT TO 21-40-00 FLOOR OR FOR BREAKDOWN	3560	16
11	817140-01		ADAPTER - HEAT HEAT HEAT TO 21-40-00 FLOOR OR FOR BREAKDOWN	3560	16
12	817140-01		ADAPTER - HEAT HEAT HEAT TO 21-40-00 FLOOR OR FOR BREAKDOWN	3560	16
13	817140-01		ADAPTER - HEAT HEAT HEAT TO 21-40-00 FLOOR OR FOR BREAKDOWN	3560	16
14	817140-01		ADAPTER - HEAT HEAT HEAT TO 21-40-00 FLOOR OR FOR BREAKDOWN	3560	16
15	817140-01		ADAPTER - HEAT HEAT HEAT TO 21-40-00 FLOOR OR FOR BREAKDOWN	3560	16
16	817140-01		ADAPTER - HEAT HEAT HEAT TO 21-40-00 FLOOR OR FOR BREAKDOWN	3560	16
17	817140-01		ADAPTER - HEAT HEAT HEAT TO 21-40-00 FLOOR OR FOR BREAKDOWN	3560	16
18	817140-01		ADAPTER - HEAT HEAT HEAT TO 21-40-00 FLOOR OR FOR BREAKDOWN	3560	16
19	817140-01		ADAPTER - HEAT HEAT HEAT TO 21-40-00 FLOOR OR FOR BREAKDOWN	3560	16
20	817140-01		ADAPTER - HEAT HEAT HEAT TO 21-40-00 FLOOR OR FOR BREAKDOWN	3560	16
21	817140-01		ADAPTER - HEAT HEAT HEAT TO 21-40-00 FLOOR OR FOR BREAKDOWN	3560	16
22	817140-01		ADAPTER - HEAT HEAT HEAT TO 21-40-00 FLOOR OR FOR BREAKDOWN	3560	16
23	817140-01		ADAPTER - HEAT HEAT HEAT TO 21-40-00 FLOOR OR FOR BREAKDOWN	3560	16
24	817140-01		ADAPTER - HEAT HEAT HEAT TO 21-40-00 FLOOR OR FOR BREAKDOWN	3560	16
25	817140-01		ADAPTER - HEAT HEAT HEAT TO 21-40-00 FLOOR OR FOR BREAKDOWN	3560	16
26	817140-01		ADAPTER - HEAT HEAT HEAT TO 21-40-00 FLOOR OR FOR BREAKDOWN	3560	16
27	817140-01		ADAPTER - HEAT HEAT HEAT TO 21-40-00 FLOOR OR FOR BREAKDOWN	3560	16
28	817140-01		ADAPTER - HEAT HEAT HEAT TO 21-40-00 FLOOR OR FOR BREAKDOWN	3560	16
29	817140-01		ADAPTER - HEAT HEAT HEAT TO 21-40-00 FLOOR OR FOR BREAKDOWN	3560	16
30	817140-01		ADAPTER - HEAT HEAT HEAT TO 21-40-00 FLOOR OR FOR BREAKDOWN	3560	16
31	817140-01		ADAPTER - HEAT HEAT HEAT TO 21-40-00 FLOOR OR FOR BREAKDOWN	3560	16
32	817140-01		ADAPTER - HEAT HEAT HEAT TO 21-40-00 FLOOR OR FOR BREAKDOWN	3560	16
33	817140-01		ADAPTER - HEAT HEAT HEAT TO 21-40-00 FLOOR OR FOR BREAKDOWN	3560	16
34	817140-01		ADAPTER - HEAT HEAT HEAT TO 21-40-00 FLOOR OR FOR BREAKDOWN	3560	16
35	817140-01		ADAPTER - HEAT HEAT HEAT TO 21-40-00 FLOOR OR FOR BREAKDOWN	3560	16
36	817140-01		ADAPTER - HEAT HEAT HEAT TO 21-40-00 FLOOR OR FOR BREAKDOWN	3560	16
37	817140-01		ADAPTER - HEAT HEAT HEAT TO 21-40-00 FLOOR OR FOR BREAKDOWN	3560	16
38	817140-01		ADAPTER - HEAT HEAT HEAT TO 21-40-00 FLOOR OR FOR BREAKDOWN	3560	16
39	817140-01		ADAPTER - HEAT HEAT HEAT TO 21-40-00 FLOOR OR FOR BREAKDOWN	3560	16
40	817140-01		ADAPTER - HEAT HEAT HEAT TO 21-40-00 FLOOR OR FOR BREAKDOWN	3560	16
41	817140-01		ADAPTER - HEAT HEAT HEAT TO 21-40-00 FLOOR OR FOR BREAKDOWN	3560	16
42	817140-01		ADAPTER - HEAT HEAT HEAT TO 21-40-00 FLOOR OR FOR BREAKDOWN	3560	16
43	817140-01		ADAPTER - HEAT HEAT HEAT TO 21-40-00 FLOOR OR FOR BREAKDOWN	3560	16
44	817140-01		ADAPTER - HEAT HEAT HEAT TO 21-40-00 FLOOR OR FOR BREAKDOWN	3560	16

ITEM NOT ILLUSTRATED

© Cessna Aircraft Company

21-40-00 Page 3
Jul 5/2004



Unknown Part Number Example
Figure 6

CESSNA AIRCRAFT COMPANY
MODEL 310 THRU 310D
 ILLUSTRATED PARTS CATALOG

OPTIONAL EQUIPMENT AND ACCESSORY KITS

Accessory Kit No.	Description	Serial Effectivity
AK310-59	Aft Single Seat	35772 thru 39031
AK310-86	Aft Single Seat	39032 & On
AK310-33	Auxiliary Fuel Tank System (30 U.S. gals)	35000 thru 35546
AK310-49	Auxiliary Fuel Tank System (30 U.S. gals)	35547 & On
AK310-67	Cabin Air Vent	35772 thru 35937
AK310-20	Cargo Tie-Down Lugs	35000 & On
AK310-60	Center Single Seat - LH	35772 thru 39031
AK310-76	Center Single Seat - LH	39032 & On
AK310-68	Center Single Seat - RH	35772 thru 39031
AK310-75	Center Single Seat - RH	38032 & On
AK310-74	Conversion Kit - Lounge to Center Single Seat	35772 thru 39031
AK310-77	Conversion Kit - Lounge to Center Single Seat	39032 & On
AK310-22	De-ice Light	35000 & On
AK310-72	De-ice System (for old factory partial)	35000 thru 35905
AK310-73	De-ice System (for new factory partial)	35906 & On
AK310-62	Dividing Curtain	35772 & On
AK310-24	Dual Control Wheel and Pedals	35000 thru 35546
AK310-66	Dual Control Wheel and Pedals	35547 thru 35771
AK310-63	Dual Control Wheel and Pedals	35772 & On
AK310-82	Fire Extinguisher (hand type)	35000 & On
AK310-1	Flares Installation	35000 thru 35546
AK310-43	Flares Installation	35547 & On
AK310-25	Generator & Voltage Regulator - 50 amp (Bendix)	35000 thru 35184
AK310-30	Generator & Voltage Regulator - 50 amp (Bendix)	35185 thru 35771
AK310-69	Generator & Voltage Regulator - 50 amp (Bendix)	35772 thru 39008
AK310-88	Generator & Voltage Regulator - 50 amp (Bendix)	39009 & On
AK310-94	Generator & Voltage Regulator - 50 amp (Delco Remy)	35263 & On

CESSNA AIRCRAFT COMPANY
MODEL 310 THRU 310D
ILLUSTRATED PARTS CATALOG

Accessory Kit No.	Description	Serial Effectivity
AK310-6	Ground Service Plug	35000 & On
AK310-54	Headrest	35772 thru 39031
AK310-84	Headrest	39032 & On
AK310-19	Hoisting Provisions	35000 & On
AK310-58	Lounge Installation	35772 thru 39031
AK310-85	Lounge Installation	39032 & On
AK310-53	Non-Congeaing Oil Cooler	35000 thru 39031 except airplanes incorporating O-470-B engines.
AK310-8	Oil Dilution System	35000 thru 35771
AK310-64	Oil Dilution System	35772 & On
AK310-37	Oxygen System - 5 Port	35000 thru 35546
AK310-39	Oxygen System - 5 Port	35547 thru 35771
AK310-65	Oxygen System - 5 Port	35772 & On
AK310-80	Oxygen System (fwd mtd)	39032 & On
AK310-44	Propeller Anti-Ice System	35000 & On
AK310-29	Propeller Feed Shoe (anti-ice)	35000& On
AK310-45	Reclining Rear Seat	35547 thru 35847
AK310-89	Reclining Rear Seat	35848 & On
AK310-5	Right Landing Light	35000 thru 35546
AK310-47	Right Landing Light	35547 thru 35771
AK310-56	Right Landing Light	35772 & On
AK310-50	Rotating Beacon	35000 thru 35546
AK310-52	Rotating Beacon - Fin Mtd	35547 thru 35771
AK310-57	Rotating Beacon - Fin Mtd	35772 thru 39031
AK310-78	Rotating Beacon Installation	39032 & On
AK310-21	Safe Flight Speed Control System	35000 thru 35546
AK310-48	Safe Flight Speed Control System	35547 & On
AK310-15	Shoulder Harness	35000 & On
AK310-27	Shoulder Harness	35226 & On
AK310-110	Static Dischargers	35000 & On
AK310-26	Stretcher Installation	35000 & On
AK310-4	Taxi Light	35000 thru 35546
AK310-46	Taxi Light	35547 thru 35771
AK310-70	Taxi Light	35772 & On
AK310-28	Winterization (cowl opening & oil cooler)	35000 thru 39031

CESSNA AIRCRAFT COMPANY
MODEL 310 THRU 310D
ILLUSTRATED PARTS CATALOG

Accessory Kit No.	Description	Serial Effectivity
AK310-55	Winterization (cowl opening only)	35000 & On
AK310-61	Writing Table	35772 thru 39031
AK310-87	Writing Table	39032 & On

CESSNA AIRCRAFT COMPANY
MODEL 310 THRU 310D
ILLUSTRATED PARTS CATALOG

RADIO SECTION

1. GENERAL

- A. The following section contains information on all the electronic equipment installations that have been offered on the 310, 310B, 310C, 310D, with the exception of that equipment used on the 310 serials 35000 thru 35096.
- B. The combination charts on the following figures show the various combinations, identified by the sales group number. To read the following charts, locate the desired sales group number in the left hand column, reading to the right, markers will be found in the vertical columns. These indicate that the installations noted are required in the combination. By following up the respective vertical column to the heading, the names of the installations and the figures on which they are illustrated may be found.

2. RADIO CHARTS

- A. Use the following radio charts to determine the correct domestic or export radio combinations. Refer to Figure 1, Figure 2, Figure 3, Figure 4, Figure 5, Figure 6, Figure 7, and Figure 8.

CESSNA AIRCRAFT COMPANY
MODEL 310 THRU 310D
 ILLUSTRATED PARTS CATALOG

A35371

310 DOMESTIC RADIO COMBINATION CHART		310 DOMESTIC RADIO COMBINATION CHART																					
		SALES GROUP NUMBER	4C	4C	5B	5C	4	4	4A	4A	2	2	3	3	2A	2A	3A	3A	5	5A	4B	4B	
MISCELLANEOUS	RESISTOR KIT NUMBER FIG 284																						
	AUDIO TRANS. FIG 278																						
	KEYING RELAY FIG 279	†	*	††	††	†	*	†	*	†	*	†	*	†	*	†	*	†	*	††	††	†	*
FILTER CAPACITORS	VOLTAGE REGULATOR FIG 283	•	•	•	•	•	•	•	•	•	•	•	•	•	•	•	•	•	•	•	•	•	•
	MAGNETO FIG 283	•	•	•	•	•	•	•	•	•	•	•	•	•	•	•	•	•	•	•	•	•	•
	AUX FUEL PUMP FIG 283	•	•	•	•	•	•	•	•	•	•	•	•	•	•	•	•	•	•	•	•	•	•
	GENERATOR FIG 283	•	•	•	•	•	•	•	•	•	•	•	•	•	•	•	•	•	•	•	•	•	•
COMMUNICATIONS	LVTR-36 FIG 201																						
	LTRA-6 FIG 202			•	•																		
	T-11B FIG 214	•	•			•	•	•	•	•	•	•	•	•	•	•	•	•	•			•	•
NAVIGATION AND ILS	15D FIG 220	•	•			•	•	•	•	•	•	•	•	•	•	•	•	•	•			•	•
	R-88 FIG 231																						
	2200 FIG 223																						
ADF	ADF-12 FIG 232			•																			
	ADF-14 FIG 236																						
SPKR. AMPLF	CA-1 FIG 241	•																					
	F-13A FIG 242			•																			
AUTO PILOT	L-2 FIG 244																						

310 Domestic
 Figure 1 (Sheet 1)

CESSNA AIRCRAFT COMPANY
MODEL 310 THRU 310D
 ILLUSTRATED PARTS CATALOG

A35372

310 DOMESTIC RADIO COMBINATION CHART													
MISCELLANEOUS	FILTER CAPACITORS	COMMUNICATIONS	NAVIGATION AND ILS	ADF	SPKR. AMPLF	AUTO PILOT							
KEYING RELAY FIG 279	GENERATOR FIG 283	T-11B FIG 214	2200 FIG 223	ADF-14 FIG 236	F-13A FIG 242	L-2 FIG 244							
AUDIO TRANS. FIG 279	AUX FUEL PUMP FIG 283	LTRA-6 FIG 202	R-89 FIG 231	ADF-12 FIG 232	CA-1 FIG 241								
RESISTOR KIT NUMBER FIG 284	MAGNETO FIG 283	LVTR-38 FIG 201	15D FIG 220										
SERIALS	VOLTAGE REGULATOR FIG 283		DUAL										
SALES GROUP NUMBER			DUAL										
			DUAL										
			DUAL										

NOTE:
 † SERIAL 35097 THRU 35428
 * SERIAL 35429 THRU 35546
 †† SERIAL 35097 THRU 35546
 ** SERIAL 35334 THRU 35428

310 Domestic
 Figure 1 (Sheet 2)

CESSNA AIRCRAFT COMPANY
MODEL 310 THRU 310D
 ILLUSTRATED PARTS CATALOG

A35373

		310B DOMESTIC RADIO COMBINATION CHART																	
														MISCELLANEOUS		FILTER CAPACITORS			
SERIALS	SALES GROUP NUMBER	KEYING RELAY FIG 279	AUDIO TRANS FIG 279	RESISTOR KIT NUMBER FIG 284	VOLTAGE REGULATOR FIG 283	MAGNETO FIG 283	AUX FUEL PUMP FIG 283	GENERATOR FIG 283	LTRA-6 FIG 203	T-11B FIG 214	1016 FIG 207	LTR-800 FIG 206	2200 FIG 224	15D FIG 221	R-89 FIG 231	ADF-12 FIG 234	ADF-21 FIG 238	F-13A FIG 243	L-2 FIG 244
		2		+		A, -5	•	•	•	•		•	•	•	•	•	•	•	•
2ABD		+		A, -5	•	•	•	•		•	•	•	•	•	•	•	•	•	
2A		+		A, -5	•	•	•	•		•	•	•	•	•	•	•	•	•	
2BD		+		A	•	•	•	•		•	•	•	•	DUAL	•	•	•	•	
2B		+		A	•	•	•	•		•	•	•	•	DUAL	•	•	•	•	
2ABCF		+		A	•	•	•	•		•	•	•	•	DUAL	•	•	•	•	
2C		+		A	•	•	•	•		•	•	•	•	DUAL	•	•	•	•	
2BCD		+		A, -4	•	•	•	•		•	•	•	•	•	•	•	•	•	
3		+		A, -4	•	•	•	•		•	•	•	•	•	•	•	•	•	
3AB		+		A, -4	•	•	•	•		•	•	•	•	•	•	•	•	•	
3A		+		A, -3	•	•	•	•		•	•	•	•	•	•	•	•	•	
3B		+		A, -3	•	•	•	•		•	•	•	•	•	•	•	•	•	
4A		+		A, -2	•	•	•	•		•	•	•	•	•	•	•	•	•	
4C		+		A, -2	•	•	•	•		•	•	•	•	•	•	•	•	•	
5B		+			•	•	•	•		•	•	•	•	•	•	•	•	•	
5C		+			•	•	•	•		•	•	•	•	•	•	•	•	•	
5D		+		-6	•	•	•	•		•	•	•	•	•	•	•	•	•	
2(1)		+		A, -5	•	•	•	•		•	•	•	•	•	•	•	•	•	
2AD		+		A, -5	•	•	•	•		•	•	•	•	•	•	•	•	•	
2A(1)		+		A, -5	•	•	•	•		•	•	•	•	•	•	•	•	•	
2D		+		A	•	•	•	•		•	•	•	•	•	•	•	•	•	
2B(1)		+		A	•	•	•	•		•	•	•	•	•	•	•	•	•	
2ACD		+		A	•	•	•	•		•	•	•	•	•	•	•	•	•	
2C(1)		+		A	•	•	•	•		•	•	•	•	•	•	•	•	•	
3(1)		+		A, -4	•	•	•	•		•	•	•	•	•	•	•	•	•	
3A		+		A, -4	•	•	•	•		•	•	•	•	•	•	•	•	•	
3		+		A, -5	•	•	•	•		•	•	•	•	•	•	•	•	•	
2		+		A, -5	•	•	•	•		•	•	•	•	•	•	•	•	•	
2A		+		A, -5	•	•	•	•		•	•	•	•	•	•	•	•	•	
2B		+		A, -5	•	•	•	•		•	•	•	•	•	•	•	•	•	
2C		+		A	•	•	•	•		•	•	•	•	•	•	•	•	•	

310B Domestic
 Figure 2 (Sheet 1)

CESSNA AIRCRAFT COMPANY
MODEL 310 THRU 310D
 ILLUSTRATED PARTS CATALOG

A35374

SERIALS		310B DOMESTIC RADIO COMBINATION CHART															
		MISCELLANEOUS			FILTER CAPACITORS				COMMUNICATIONS			NAVIGATION AND ILS		ADF		SPKR. AUTO AMP PILOT	
2AB	*	KEYING RELAY FIG 279	GENERATOR FIG 283	LTR-800 FIG 206	R-89 FIG 231	ADF-21 FIG 238	F-13A FIG 242	L-2 FIG 244									
2AC	*	AUDIO TRANS. FIG 279	AUX FUEL PUMP FIG 283	1016 FIG 207	15D FIG 221	ADF-12 FIG 234											
2BC	*	RESISTOR KIT NUMBER FIG 284	MAGNETO FIG 283	T-11B FIG 214	2200 FIG 224												
2ABC	*		VOLTAGE REGULATOR FIG 283	LTRA-6 FIG 203	DUAL												

NOTE:
 † SERIAL 35547 THRU 35589
 * SERIAL 35600 THRU 35771
 †† SERIAL 35547 THRU 35771
 • ALTERNATE COMBINATION

310B Domestic
 Figure 2 (Sheet 2)

CESSNA AIRCRAFT COMPANY
MODEL 310 THRU 310D
 ILLUSTRATED PARTS CATALOG

A35381

310C DOMESTIC RADIO COMBINATION CHART		MISCELLANEOUS		FILTER CAPACITORS				COMMUNICATIONS					NAVIGATION AND ILS				ADF		SPKR. AMP	AUTO PILOT			
		KEYING RELAY FIG 279	AUDIO TRANS. FIG 279	RESISTOR KIT NUMBER FIG 284	VOLTAGE REGULATOR FIG 283	MAGNETO FIG 283	AUX FUEL PUMP FIG 283	GENERATOR FIG 283	T-22 FIG 215	VC-27B FIG 208	RT-11A FIG 210	LTR-800 FIG 206	1016 FIG 207	LFR-3B FIG 217	CD-1 FIG 227	DM-3 FIG 225	15E FIG 221	VOA-3 FIG 219	DGS-20 FIG 225	ADF-12E-2 FIG 239	ADF-21A FIG 238	F-13A FIG 242	L-2 FIG 244
SERIALS	1	ID	1E	1DE	2	2A	2B	2D	2AB	2AD	2BD	2ABD	3	3A	3B	3AB	4A	4C	5B	5C			
SALES GROUP NUMBER	*	*	*	*	†	†	†	†	†	†	†	†	†	†	†	†	†	†	†	†	†	†	†
					A	A	A	A	A	A	A	A	A	A	A	A	A	A	A	A	A	A	A

310C Domestic
 Figure 3 (Sheet 1)

CESSNA AIRCRAFT COMPANY
MODEL 310 THRU 310D
 ILLUSTRATED PARTS CATALOG

A35392

310C DOMESTIC RADIO COMBINATION CHART																						
SALES GROUP NUMBER	SERIALS	MISCELLANEOUS				FILTER CAPACITORS				COMMUNICATIONS				NAVIGATION AND ILS				ADF		SPKR. AMP	AUTO PILOT	
		KEYING RELAY FIG 279	AUDIO TRANS. FIG 279	RESISTOR KIT NUMBER FIG 284	VOLTAGE REGULATOR FIG 283	MAGNETO FIG 283	AUX FUEL PUMP FIG 283	GENERATOR FIG 283	T-22 FIG 215	VC-27B FIG 208	RT-11A FIG 210	LTR-800 FIG 206	1016 FIG 207	CD-1 FIG 227	DM-3 FIG 225	15E FIG 221	VOA-3 FIG 219	DGS-20 FIG 225	ADF-12E-2 FIG 239	ADF-21A FIG 238	F-13A FIG 242	L-2 FIG 244
1	**	•	•	•	•	•	•	•	•	•	•	•	•	•	•	•	•	•	•	•	•	•
1D	**	•	•	•	•	•	•	•	•	•	•	•	•	•	•	•	•	•	•	•	•	•
1E	**	•	•	•	•	•	•	•	•	•	•	•	•	•	•	•	•	•	•	•	•	•
1E	††	•	•	•	•	•	•	•	•	•	•	•	•	•	•	•	•	•	•	•	•	•
•	†††	•	•	•	•	•	•	•	•	•	•	•	•	•	•	•	•	•	•	•	•	•
•	†††	•	•	•	•	•	•	•	•	•	•	•	•	•	•	•	•	•	•	•	•	•
•	†††	•	•	•	•	•	•	•	•	•	•	•	•	•	•	•	•	•	•	•	•	•
•	†††	•	•	•	•	•	•	•	•	•	•	•	•	•	•	•	•	•	•	•	•	•
•	†††	•	•	•	•	•	•	•	•	•	•	•	•	•	•	•	•	•	•	•	•	•
•	†††	•	•	•	•	•	•	•	•	•	•	•	•	•	•	•	•	•	•	•	•	•
•	†††	•	•	•	•	•	•	•	•	•	•	•	•	•	•	•	•	•	•	•	•	•

NOTE:
 * SALES GROUP NUMBER NOT ASSIGNED
 * SERIAL 35772 THRU 35863
 ** SERIAL 35864 THRU 39031
 † SERIAL 35772 THRU 39031
 †† SERIAL 35970 THRU 39031
 ††† SERIAL 35976, 39003 thru 39031

310C Domestic
 Figure 3 (Sheet 2)

CESSNA AIRCRAFT COMPANY
MODEL 310 THRU 310D
 ILLUSTRATED PARTS CATALOG

A35431

		310D DOMESTIC RADIO COMBINATION CHART																								
		MISCELLANEOUS		FILTER CAPACITORS				COMMUNICATIONS						NAVIGATION AND ILS				ADF		SPEAKER AMP PILOT						
SALES GROUP NUMBER	SERIALS	RESISTOR KIT NUMBER FIG 284	AUDIO TRANS. FIG 279	KEYING RELAY FIG 279	VOLTAGE REGULATOR FIG 283	MAGNETO FIG 283	AUX FUEL PUMP FIG 283	GENERATOR FIG 283	1016 FIG 207	MARK V FIG 209 FIG 209A	LFR-3B FIG 218	T-25A FIG 216	RT-11A FIG 210	LNC-100 FIG 208A	VOA-3A FIG 219 FIG 219A	ANC-3 FIG 230	R-33A FIG 226	R-31A FIG 226	1021 FIG 229	15F FIG 221 FIG 222	CD-1 FIG 228	ADF-12E-2 FIG 239 FIG 240	ADF-21 FIG 238	CA-3C CA-2A FIG 243	L-2 FIG 244	
1	↑																									
1D	↑																									
1E	↑																									
1DE	↑																									
2	★	A																								
2A	★	A																								
2D	★	A																								
2F	★	A																								
2AD	★	A																								
2DF	★	A																								
3	★	A -6																								
3A	★	A -6																								
3B	★	A -5																								
3D	★	A -6																								
3F	★	A -6																								
3AB	★	A -5																								
3AD	★	A -6																								
3BD	★	A -5																								
3ABD	★	A -5																								
3BF	★	A -5																								

310D Domestic
 Figure 4 (Sheet 1)

CESSNA AIRCRAFT COMPANY
MODEL 310 THRU 310D
 ILLUSTRATED PARTS CATALOG

A35432

		310D DOMESTIC RADIO COMBINATION CHART																									
		MISCELLANEOUS		FILTER CAPACITORS			COMMUNICATIONS				NAVIGATION AND ILS				ADF		SPER. AUTO AMP PILOT										
SERIALS	SALES GROUP NUMBER	RESISTOR KIT NUMBER FIG 284	AUDIO TRANS. FIG 279	KEYING RELAY FIG 279	VOLTAGE REGULATOR FIG 283	MAGNETO FIG 283	AUX FUEL PUMP FIG 283	GENERATOR FIG 283	1016 FIG 207	MARK V FIG 209 FIG 209A	LFR-3B FIG 218	T-25A FIG 216	RT-11A FIG 210	LNC-100 FIG 206A	VOA-3A FIG 219 FIG 219A	ANC-3 FIG 230	R-33A FIG 228	R-31A FIG 226	1021 FIG 230	15F FIG 221 FIG 222	CD-1 FIG 228	ADF-12E-2 FIG 239 FIG 240	ADF-21 FIG 238	CA-2A FIG 243	CA-3C FIG 243	L-3 FIG 244	
3DP	3DP	A																									
3DF	3DF	A																									
4A	4A	A																									
4AG	4AG	A																									
4C	4C	A																									
5D	5D	T																									
5E	5E	T																									
5EG	5EG	T																									
5G	5G	G																									
5GG	5GG	G																									
5F	5F																										
5FG	5FG																										

NOTE:
 † SERIAL 39032 & ON uses CA-3C speaker amplifier.
 ★ SERIAL 39032 THRU 39180 uses CA-3C speaker amplifier.
 • SERIAL 39181 & ON uses CA-3A speaker amplifier.
 • SERIAL 39250 & ON

310D Domestic
 Figure 4 (Sheet 2)

CESSNA AIRCRAFT COMPANY
MODEL 310 THRU 310D
 ILLUSTRATED PARTS CATALOG

A35433

310 EXPORT RADIO COMBINATIONS CHART

	AUTO PILOT	ADF	NAV ILS	COMM	FILTER CAPACITORS	MISCELLANEOUS	SERIALS	SALES GROUP NUMBER
	L-2 FIG 244	ADF-14 FIG 237	2200 FIG 223	LTR-6A FIG 205	GENERATOR FIG 283	KEYING RELAY FIG 279	↑	10A
		ADF-12 FIG 232 FIG 233		S-5-RTR FIG 211	AUX FUEL PUMP FIG 283	AUDIO TRANS. FIG 279	↑	20
					MAGNETO FIG 283	RESISTOR KIT NUMBER FIG 284	↑	20A
					VOLTAGE REGULATOR FIG 283		↑	30
							↑	30A

NOTE: ↑ SERIAL 35213 THRU 35546

310 Export
 Figure 5 (Sheet 1)

CESSNA AIRCRAFT COMPANY
MODEL 310 THRU 310D
 ILLUSTRATED PARTS CATALOG

A35434

		310B EXPORT RADIO COMBINATIONS CHART														
		MISCELLANEOUS			FILTER CAPACITORS				COMMUNICATIONS				ADF	SPKR AMP		
SALES GROUP NUMBER	SERIALS	RESISTOR KIT NUMBER FIG 284	AUDIO TRANS. FIG 279	KEYING RELAY FIG 279	VOLTAGE REGULATOR FIG 283	MAGNETO FIG 283	AUX FUEL PUMP FIG 283	GENERATOR FIG 283	S-5-RTR FIG 212	1016 FIG 207	LTR-800 FIG 206	LTRA-6 FIG 204	RT-10EP FIG 204	ADF	SPKR AMP	
6	†	-6	●	●	●	●	●	●	●		●					
6A	†	-4	●	●	●	●	●	●	●		●			DUAL		
6C	†		●	●	●	●	●	●	●					DUAL		
6A	†		●	●	●	●	●	●	●					DUAL		
6B(†)	†		●	●	●	●	●	●	●					●		
6A(†)	†		●	●	●	●	●	●	●					●		
6C	†		●	●	●	●	●	●	●					●		
6	†		●	●	●	●	●	●	●					●		
6C(†)	†		●	●	●	●	●	●	●					●		
6(†)	†		●	●	●	●	●	●	●					●		
6D	††		●	●	●	●	●	●	●					●		
6D(†)	††		●	●	●	●	●	●	●					●		
6E	††	-5	●	●	●	●	●	●	●							
6(†)	†	A, -6	●	●	●	●	●	●	●					DUAL		
6A(†)	†	A, -4	●	●	●	●	●	●	●					●		
6A(†)	†	A, -4	●	●	●	●	●	●	●					●		
6B(†)	†		●	●	●	●	●	●	●					●		

NOTE:
 † SERIAL 35547 THRU 35599
 * SERIAL 35600 THRU 35771
 †† SERIAL 35547 THRU 35771
 * ALTERNATE COMBINATION

310B Export
 Figure 6 (Sheet 1)

CESSNA AIRCRAFT COMPANY
MODEL 310 THRU 310D
 ILLUSTRATED PARTS CATALOG

A35439

310C EXPORT RADIO COMBINATIONS CHART		310C EXPORT RADIO COMBINATIONS CHART													
		MISCELLANEOUS	FILTER CAPACITORS				COMMUNICATIONS				ADF	SPKR. AMP			
SALES GROUP NUMBER	SERIALS	RESISTOR KIT NUMBER FIG 284	AUDIO TRANS. FIG 279	KEYING RELAY FIG 279	VOLTAGE REGULATOR FIG 283	MAGNETO FIG 283	AUX FUEL PUMP FIG 283	GENERATOR FIG 283	S-5-RTR FIG 212	1016 FIG 207	LTR-800 FIG 206	VC-27B FIG 208	LFR-3B FIG 217	ADF-12E-2 FIG 239 FIG 240	F-13A FIG 242
6AC	*	-6	●	●	●	●	●	●	●	●	●				
6C	*	-4	●	●	●	●	●	●	●	●	●				
6AB	*	A	●	●	●	●	●	●	●	●					
6B	*	A	●	●	●	●	●	●	●	●					
6	*	-4	●	●	●	●	●	●	●	●					
6A	*	-6	●	●	●	●	●	●	●	●					
6D	*	-10	●	●	●	●	●	●	●	●					
6E	*	-10	●	●	●	●	●	●	●	●					
*	**	-4	●	●	●	●	●	●	●	●					
*	**	-5	●	●	●	●	●	●	●	●					
*	**	-10	●	●	●	●	●	●	●	●					

NOTE:
 * SALES GROUP NUMBER NOT ASSIGNED
 * SERIAL 35772 THRU 39031
 ** SERIAL 35976, 39003 THRU 39031

310C Export
 Figure 7 (Sheet 1)

CESSNA AIRCRAFT COMPANY
MODEL 310 THRU 310D
 ILLUSTRATED PARTS CATALOG

A35441

		310D EXPORT RADIO COMBINATIONS CHART															
		MISCELLANEOUS						FILTER CAPACITORS				COMMUNICATIONS					
SALES GROUP NUMBER	SERIALS	RESISTOR KIT NUMBER FIG 284	AUDIO TRANS. FIG 279	KEYING RELAY FIG 279	VOLTAGE REGULATOR FIG 283	MAGNETO FIG 283	AUX FUEL PUMP FIG 283	GENERATOR FIG 283	8-5-RTR FIG. 212	VC-27B FIG 208	LFR-3B FIG 217	1016 FIG 207	RT-11A FIG 210	MARK V FIG 209	ADF	SPKR. AMP	
		6	*	-4	●	●	●	●	●	●	●	●	●	●	●	●	●
6A	*	-6	●	●	●	●	●	●	●	●	●	●	●	●	●	ADF-12E-2 FIG 239 FIG 240	
6D	†	-10	●	●	●	●	●	●	●	●	●	●	●	●	●	●	
6E	†	-10	●	●	●	●	●	●	●	●	●	●	●	●	●	●	
6B	*	-4	●	●	●	●	●	●	●	●	●	●	●	●	●	●	
6C	*	-3	●	●	●	●	●	●	●	●	●	●	●	●	●	●	
6F	*	-4	●	●	●	●	●	●	●	●	●	●	●	●	●	●	
6AB	*	-8	●	●	●	●	●	●	●	●	●	●	●	●	●	●	
6G	*	-5	●	●	●	●	●	●	●	●	●	●	●	●	●	●	
6DG	†	-10	●	●	●	●	●	●	●	●	●	●	●	●	●	●	
6AC	*	-5	●	●	●	●	●	●	●	●	●	●	●	●	●	●	
6AF	*	-5	●	●	●	●	●	●	●	●	●	●	●	●	●	●	
6BG	*	-4	●	●	●	●	●	●	●	●	●	●	●	●	●	●	
6CG	*	-3	●	●	●	●	●	●	●	●	●	●	●	●	●	●	
6FG	*	-4	●	●	●	●	●	●	●	●	●	●	●	●	●	●	
6AG	*	-6	●	●	●	●	●	●	●	●	●	●	●	●	●	●	
6ABG	*	-8	●	●	●	●	●	●	●	●	●	●	●	●	●	●	
6ACG	*	-5	●	●	●	●	●	●	●	●	●	●	●	●	●	●	
6AFG	*	*	●	●	●	●	●	●	●	●	●	●	●	●	●	●	

310D Export
 Figure 8 (Sheet 1)

CESSNA AIRCRAFT COMPANY
MODEL 310 THRU 310D
 ILLUSTRATED PARTS CATALOG

A35484

SALES GROUP NUMBER		310D EXPORT RADIO COMBINATIONS CHART															
		MISCELLANEOUS			FILTER CAPACITORS				COMMUNICATIONS						ADF	SPEER. AMP	
SERIALS		KEYING RELAY FIG 279	AUDIO TRANS. FIG 279	RESISTOR KIT NUMBER FIG 284	GENERATOR FIG 283	AUX FUEL PUMP FIG 283	MAGNETO FIG 283	VOLTAGE REGULATOR FIG 283	T-5-R FIG 212	VC-27B FIG 208	LFR-3B FIG 217	1016 FIG 207	RT-11A FIG 210	MARK V FIG 209	LNC-100 FIG 208A	ADF	SPEER. AMP
6	**	•	•	-5	•	•	•	•	•	•	•	•	•	•	•	•	CA-3 FIG 243
6A	**	•	•	-8	•	•	•	•	•	•	•	•	•	•	•	DUAL	•
6B	**	•	•	A	•	•	•	•	•	•	•	•	•	•	•	DUAL	•
6C	**	•	•	A	•	•	•	•	•	•	•	•	•	•	•	DUAL	•
6F	**	•	•	-5	•	•	•	•	•	•	•	•	•	•	•	DUAL	•
6AB	**	•	•	A	•	•	•	•	•	•	•	•	•	•	•	DUAL	•
6G	**	•	•	-5	•	•	•	•	•	•	•	•	•	•	•	GONIO	•
6AC	**	•	•	A	•	•	•	•	•	•	•	•	•	•	•	DUAL	•
6AF	**	•	•	-8	•	•	•	•	•	•	•	•	•	•	•	DUAL	•
6BG	**	•	•	A	•	•	•	•	•	•	•	•	•	•	•	GONIO	•
6CG	**	•	•	A	•	•	•	•	•	•	•	•	•	•	•	GONIO	•
6PG	**	•	•	-5	•	•	•	•	•	•	•	•	•	•	•	GONIO	•
6AG	**	•	•		•	•	•	•	•	•	•	•	•	•	•	DUAL	•
6ABG	**	•	•	A	•	•	•	•	•	•	•	•	•	•	•	DUAL	•
6ACG	**	•	•	A	•	•	•	•	•	•	•	•	•	•	•	DUAL	•
6APG	**	•	•	-8	•	•	•	•	•	•	•	•	•	•	•	DUAL	•
6H	★	•	•		•	•	•	•	•	•	•	•	•	•	•	•	•
6AH	★	•	•		•	•	•	•	•	•	•	•	•	•	•	DUAL	•
6GH	★	•	•		•	•	•	•	•	•	•	•	•	•	•	GONIO	•
6ACH	★	•	•		•	•	•	•	•	•	•	•	•	•	•	DUAL	•

NOTE: † SERIAL 39032 & ON
 • SERIAL 39032 THRU 39273
 ** SERIAL 39274 & ON
 ★ SERIAL 39250 & ON

310D Export
 Figure 8 (Sheet 2)

CESSNA AIRCRAFT COMPANY
MODEL 310 THRU 310D
ILLUSTRATED PARTS CATALOG

SUPPLIER ADDRESS LIST

- 00141 PIC DESIGN
86 Benson Rd.
P.O. Box 1004
Middlebury, CT 06762-1004
- 0FWE1 AM-SAFE, INC.
DIV. OF MARMON GROUP
240 N. 48th Ave.
Phoenix, AZ 85043
- 11815 CHERRY AEROSPACE FASTENERS
CHERRY DIV. OF TEXTRON INC.
1224 E. Warner St.
P.O. Box 2157
Santa Ana, CA 92707

**CESSNA AIRCRAFT COMPANY
MODEL 310 THRU 310D
ILLUSTRATED PARTS CATALOG**

Service Bulletin List

1. List of Incorporation

A. The following Service Bulletins and Service Kits have been incorporated into this manual.

Service Bulletin Number	Title	Service Bulletin Date	Service Kit Number	Manual Incorporation
MEB00-9	Engine Breather Line Modification/ Breather Vent Tube Installation	December 26/2000		July 3/2006
MEB00-9 Rev 1	Engine Breather Line Modification/ Breather Vent Tube Installation	May 6/2002		July 3/2006
MEB00-9 Rev 2	Engine Breather Line Modification/ Breather Vent Tube Installation	November 4/2002		July 3/2006
MEB05-5	Lower Front Wing Spar Cap Inspection/Modiciation	June 27/2005	SK310-115	July 3/2006
MEB86-15	Special 'Seat Locked' and 'Fuel Contamination' Warning Placards	July 11/1986		July 3/2006
MEB88-3	Auxiliary Fuel Pump Wiring Modification	August 12/1988	SK310-104	July 3/2006
MEB88-3 Rev 1	Auxiliary Fuel Pump Wiring Modification	March 3/1989	SK310-104B	July 3/2006
MEB88-3 Rev 2	Auxiliary Fuel Pump Wiring Modification	January 18/1991	SK310-104B	July 3/2006
MEB93-11	Pitot Heater and Single Engine Operation Warning Placards	December 17/1993		July 3/2006
MEB93-11 Rev 1	Pitot Heater and Single Engine Operation Warning Placards	December 16/1994		July 3/2006
MEB96-04	Seat Belt and Shoulder Harness Connection Inspection	March 29/1995		July 3/2006
MEB96-11	Seat Belt and Shoulder Harness Installation	October 18/1996	SK310-105	July 3/2006
MEB97-04	Flight in Known Icing is Prohibited Placard Installation	March 24/1997		July 3/2006
MEB00-1	Teledyne Continental Engine Crankshaft Manual Inspection	May 15/2000		NO EFFECT
MEB00-1 Rev 1	Teledyne Continental Engine Crankshaft Manual Inspection	December 26/2000		NO EFFECT
MEB00-5	Vacuum System Manifold Check Valve Inspection/Replacement	October 2/2000		NO EFFECT
MEB01-4	Teledyne Continental Engine Driven Fuel Pump Inspection and Seal Leak Test	July 2/2001		NO EFFECT
MEB02-1	Engine Failure During Flight Emergency Procedures	January 28/2002		NO EFFECT

CESSNA AIRCRAFT COMPANY
MODEL 310 THRU 310D
ILLUSTRATED PARTS CATALOG

Service Bulletin Number	Title	Service Bulletin Date	Service Kit Number	Manual Incorporation
MEB02-4	POH/Owners Manual/Flight Manual Supplement Revisions	May 20/2002		NO EFFECT
MEB02-13	Magneto Capacitor Inspection	December 23/2002		NO EFFECT
MEB04-2	Magneto Capacitor Inspection	September 20/2004		NO EFFECT
MEB05-9	Vacuum Pump Inspection/Replacement	November 7/2005		NO EFFECT
MEB85-2	Fuel Filler Cap Inspection and Replacement	February 8/1985		NO EFFECT
MEB85-4	Exhaust Valve Replacement	March 15/1985		NO EFFECT
MEB86-4	Altimeter Inspection and Modification	March 19/1986		NO EFFECT
MEB86-5	Engine Cylinder Barrel Crack Inspection	March 28/1986		NO EFFECT
MEB86-5 Rev 1	Engine Cylinder Barrel Crack Inspection	August 1/1986		NO EFFECT
MEB86-5 Rev 2	Engine Cylinder Barrel Crack Inspection	January 6/1987		NO EFFECT
MEB86-9	Heater Motor Clamp Modification	May 9/1986		NO EFFECT
MEB92-2	Magneto Impulse Coupling and Stop P/N Inspection	February 28/1992		NO EFFECT
MEB92-2 Rev 1	Magneto Impulse Coupling and Stop P/N Inspection	May 27/1994		NO EFFECT
MEB92-6	Engine Rocker Shaft Retention Improvement for Inclined valve Cylinders	April 24/1992		NO EFFECT
MEB93-1	Engine Oil Filter Adapter Inspection	January 29/1993		NO EFFECT
MEB93-1 Rev 1	Engine Oil Filter Adapter Inspection	October 28/1994		NO EFFECT
MEB93-1 Rev 2	Engine Oil Filter Adapter Inspection	March 31/1995		NO EFFECT
MEB93-5	Rocker Arm to Rotocoil Clearance Inspection	March 19/1993		NO EFFECT
MEB93-7	Magneto Impulse Coupling Installation Procedures	June 18/1993		NO EFFECT
MEB93-8	Valve Retainer Key Installation Inspection	June 18/1993		NO EFFECT
MEB94-1	Emergency Exit Window Inspection	February 25/1994		NO EFFECT

CESSNA AIRCRAFT COMPANY
MODEL 310 THRU 310D
ILLUSTRATED PARTS CATALOG

Service Bulletin Number	Title	Service Bulletin Date	Service Kit Number	Manual Incorporation
MEB94-2	Magnet Capacitor Inspection	March 18/1994		NO EFFECT
MEB94-5	Inspection of Riveted Impulse Couplings and Stop Pins	May 27/1997		NO EFFECT
MEB94-6	Replacement of Magneto Coils and Rotating Magnets	May 27/1994		NO EFFECT
MEB94-11	Engine Crankshaft Flange Timing Marks Inspection	November 23/1994		NO EFFECT
MEB95-3	Engine Crankcase Stud Inspection	March 24/1995		NO EFFECT
MEB95-7	Requirement to 'Oil Fill' Propeller Hub	May 12/1995		NO EFFECT
MEB95-9	Cabin Heater Fuel Line Inspection/Replacement	June 16/1995		NO EFFECT
MEB96-9	Engine Crankshaft Gear Bolt Inspection	August 16/1996		NO EFFECT
MEB97-3	AN3-5A Bolt Inspection/Replacement	March 24/1997		NO EFFECT
MEB97-5	Engine Piston Pin Plug Wear Inspection	July 28/1997		NO EFFECT
MEB97-10	Engine Crankcase Overboard Breather Tube Inspection	October 6/1997		NO EFFECT
MEB97-13	Teledyne Continental Motors (TCM) Crankshaft Ultrasonic Inspection	November 17/1997		NO EFFECT
MEB98-6	Engine Intake and Exhaust Valve Inspection	July 27/1998		NO EFFECT
MEB98-6 Rev 1	Engine Intake and Exhaust Valve Inspection	October 26/1998		NO EFFECT
MEB98-10	Airborne Vacuum Pump Inspection	November 2/1998		NO EFFECT
MEB99-2	Teledyne Continental Engine Crankshaft Inspection	April 26/1999		NO EFFECT
MEB99-18	Exhaust Spring Inspection/Replacement	August 23/1999		NO EFFECT
MEB99-19	Vacuum System Check - POH/Owner Manual/Flight Manual Supplement	October 4/1999		NO EFFECT

**CESSNA AIRCRAFT COMPANY
MODEL 310 THRU 310D
ILLUSTRATED PARTS CATALOG**

NOMENCLATURE	CH SEC SUBJ FIG	ITEM
4		
4 PORT OXYGEN SYSTEM INSTALLATION	35-10-00-01	-
5		
5 PORT OXYGEN OUTLET	35-10-00-03	-045
5 PORT OXYGEN OUTLET	35-10-00-04	-018
5 PORT OXYGEN SYSTEM INSTALLATION	35-10-00-02	-
5 PORT OXYGEN SYSTEM INSTALLATION	35-10-00-03	-
50 AMP GENERATOR INSTALLATION	24-30-10-02	-
A		
ACTUATOR-MICRO SWITCH MICRO SWITCH CORP	27-50-00-02	-004
ACTUATOR ASSY-TAB	27-00-00-01	-004A
ADF LOOP ANTENNA INSTALLATION	34-50-05-01	-
ADF SENSE ANTENNA INSTALLATION	34-50-05-02	-
AFT SINGLE SEAT INSTALLATION	25-21-00-06	-
AILERON CONTROL SYSTEM INSTALLATION	27-10-00-01	-
AILERON TRIM CONTROL SYSTEM INSTALLATION	27-10-00-02	-
AILERON TRIM TAB ACTUATOR INSTALLATION	27-00-00-02	-
AILERON TRIM TAB INSTALLATION	57-60-00-03	-
AIR INDUCTION BOX INSTALLATION	71-60-00-02	-
AIR SPILL	53-10-02-02	-052
AIRSPEED INDICATOR	31-10-00-07	-011
AIRSPEED INDICATOR	31-10-00-08	-013A
AIRSPEED INDICATOR-NARCO CS-3A SINGLE OMNI INSTALLATION	34-50-00-01	-003
AIRSPEED INDICATOR-NARCO CS-3A	34-50-00-02	-006
ALTITUDE CONTROLLER-LEAR 2203-D	22-10-00-02	-017
AMMETER	31-10-00-07	-014
AMPLIFIER-LEAR 97228-12	22-10-00-02	-001
AMPLIFIER- LEAR ADF-12E-2	34-50-01-05	-027
AMPLIFIER- LEAR ADF-12E-2	34-50-01-06	-031
ANTENNA-LEAR MODEL LA-6	23-00-00-05	-002
ANTENNA-WHIP LEAR TYPE 64192-01	23-10-01-03	-002
ANTENNA-A-12 ARC 12401	23-10-01-04	-002
ANTENNA- COLLINS RADIO CO. 37X-2	34-30-02-02	-010
ANTENNA INSTALLATION-LEAR	23-10-01-03	-001
ANTENNA LOADING COIL ASSEMBLY	23-20-03-03	-
ANTENNA RELAY INSTALLATION	23-10-01-02	-
ANTI-ICE COMPARTMENT EQUIPMENT INSTALLATION	30-00-00-01	-
ANTI-ICE SYSTEM INSTALLATION	30-60-00-01	-
ARC 15D NAV SYSTEM COMPONENTS INSTALLATION-QUANTITIES SHOWN ARE FOR DUAL INSTALLATION	23-10-02-06	-015C
ARC ADF-21 INSTALLATION	34-50-03-01	-
ARC AUDIO AMPLIFIER INSTALLATION	23-50-01-03	-
ARC CD-1 COURSE DIRECTOR PANEL ASSEMBLY AND INSTALLATION	34-20-00-04	-
ARC CD-1 COURSE DIRECTOR PANEL ASSEMBLY AND INSTALLATION	34-20-00-05	-
ARC CD-1 COURSE DIRECTOR SYSTEM INSTALLATION	34-20-00-02	-
ARC CD-1 COURSE DIRECTOR SYSTEM INSTALLATION	34-20-00-03	-
ARC GLIDE SLOPE AND MARKER BEACON INSTALLATION	34-30-02-01	-
ARC NAVIGATION SYSTEM INSTALLATION	34-50-00-03	-
ARC NAVIGATION SYSTEM INSTALLATION	34-50-00-04	-
ARC NAVIGATION SYSTEM INSTALLATION	34-50-00-05	-
ARC RT-11 TRANSCEIVER INSTALLATION	23-20-02-01	-
ARC T-11B TRANSMITTER INSTALLATION	23-20-02-02	-
ARC T-22 TRANSMITTER INSTALLATION	23-20-02-03	-

**CESSNA AIRCRAFT COMPANY
MODEL 310 THRU 310D
ILLUSTRATED PARTS CATALOG**

NOMENCLATURE

CH SEC SUBJ FIG ITEM

A Continued

ARC T-25A TRANSMITTER INSTALLATION	23-20-02-04	-
ASH RECEIVER	25-20-01-01	-043B
ASH RECEIVER	25-21-00-01	-022
AUDIO AMPLIFIER-FLITE-TRONICS CA-3C-1-24V	23-50-01-02	-002
AUDIO AMPLIFIER-F-13 ARC 17200	23-50-01-03	-004
AUDIO AMPLIFIER-F-13A ARC 18090	23-50-01-03	-004A
AUDIO AMPLIFIER INSTALLATION	23-50-01-02	-000
AUDIO ISOLATION AMPLIFIER-FLITE-TRONICS CA-2A	23-50-01-02	-002A
AUDIO TRANSFORMER AND KEYING RELAY INSTALLATION	23-00-00-03	-
AUXILIARY FUEL SYSTEM AND STRUCTURE INSTALLATION	28-20-01-01	-
AUXILIARY FUEL SYSTEM INSTALLATION	28-20-01-02	-

B

BAGGAGE COMPARTMENT UPHOLSTERY INSTALLATION	25-50-00-01	-
BAGGAGE COMPARTMENT UPHOLSTERY INSTALLATION	25-50-00-02	-
BAGGAGE DOOR INSTALLATION	52-30-00-01	-
BAGGAGE DOOR INSTALLATION	52-30-00-02	-
BATTERY BOX INSTALLATION	24-30-00-01	-
BATTERY BOX INSTALLATION	24-30-00-02	-
BELLCRANK ASSY-MAIN GEAR LH	32-30-00-03	-015
BELLCRANK ASSY-MAIN GEAR RH	32-30-00-03	-015B
BELLCRANK ASSY-MAIN GEAR RETRACTION	32-30-00-03	-041
BELT ASSY-SEAT	25-10-00-01	-004E
BELT ASSY	25-10-00-03	-001
BLOWER AND FUEL PUMP ASSY	21-40-01-01	-000
BLOWER ASSY-MOTOR STEWART WARNER	21-40-00-08	-054
BOX ASSY-REAR HEAT VALVE	21-40-00-03	-012
BRAKE AND RUDDER PEDAL INSTALLATION	27-20-02-01	-
BRAKE INSTALLATION	32-41-00-01	-
BRAKE SYSTEM INSTALLATION	32-41-00-02	-
BULB- LIGHT GENERAL ELECTRIC	33-10-00-02	-003A

C

CABIN BOTTOM ADF SENSE ANTENNA INSTALLATION	34-50-05-03	-
CABIN DOOR INSTALLATION	52-10-00-01	-
CABIN DOOR LATCH ASSEMBLIES	52-10-00-05	-
CABIN DOOR LATCH SYSTEM INSTALLATION	52-10-00-03	-
CABIN DOOR LATCH SYSTEM INSTALLATION	52-10-00-04	-
CABIN DOOR STRUCTURE ASSEMBLIES	52-10-00-02	-
CABIN EQUIPMENT AND SEATING	25-21-00-01	-
CABIN HEAT AND VENTILATION SYSTEM INSTALLATION	21-40-00-01	-
CABIN HEAT AND VENTILATION SYSTEM INSTALLATION	21-40-00-02	-
CABIN HEAT AND VENTILATION SYSTEM INSTALLATION	21-40-00-03	-
CABIN HEAT CONTROL ASSEMBLY	21-60-00-01	-
CABIN HEATER ASSEMBLY	21-40-00-06	-
CABIN HEATER ASSEMBLY	21-40-00-08	-
CABIN HEATER ASSEMBLY	21-40-00-10	-
CABIN HEATER INSTALLATION	21-40-00-05	-
CABIN HEATER INSTALLATION	21-40-00-07	-
CABIN HEATER INSTALLATION	21-40-00-09	-
CABIN LEFT SIDE ASSEMBLY BULKHEADS AND STRINGERS INSTALLATION	53-10-03-02	-
CABIN RIGHT SIDE ASSEMBLY BULKHEADS AND STRINGERS INSTALLATION	53-10-04-02	-
CABIN SOUNDPROOFING SEALS AND BOOTS INSTALLATION	25-80-00-01	-
CABIN STEP INSTALLATION	52-60-00-01	-

**CESSNA AIRCRAFT COMPANY
MODEL 310 THRU 310D
ILLUSTRATED PARTS CATALOG**

NOMENCLATURE

CH SEC SUBJ FIG ITEM

C Continued

CABIN STEP INSTALLATION	52-60-00-02	-
CABLE-SAFETY VALVE TO HEATER	21-40-00-05	-040
CABLE-RESTRICTION VALVE TO HEATER	21-40-00-05	-041
CABLE-SHUTOFF VALVE TO OVERHEAT SWITCH	21-40-00-05	-042
CAPACITOR-ADF-12 ONLY MALLORY	23-10-02-06	-003B
CAPACITOR-ADF-12 ONLY MALLORY	23-10-02-07	-004F
CARBURETOR AIR BOX INSTALLATION	71-60-00-01	-
CARPET INSTALLATION	25-20-02-01	-
CARPET INSTALLATION	25-20-02-02	-
CARPET INSTALLATION	25-20-02-03	-
CASE-OXYGEN MASK CYLINDER	35-10-00-01	-001
CASE- OXYGEN MASK	35-10-00-02	-058
CASE-OXYGEN MASK- CYLINDER	35-10-00-02	-013
CENTER SINGLE SEAT INSTALLATION	25-21-02-01	-
CHANNEL SELECTOR-NARCO VSSC-1	23-10-02-07	-007
CHANNEL SELECTOR-NARCO VSSC-IA	23-10-02-07	-007A
CHANNEL SELECTOR-NARCO VSSC-1	23-10-02-10	-005
CHANNEL SELECTOR-NARCO VSSC-IA	23-10-02-10	-005A
CHANNEL SELECTOR-NARCO VSSC-LA	23-10-02-14	-005
CHANNEL SELECTOR-NARCO VSSC-LA	23-10-02-17	-003
CHANNEL SELECTOR-VSRC-2 RECEIVER	23-10-02-17	-011
CHANNEL SELECTOR-NARCO VSSC-LA	23-10-02-19	-003
CIRCUIT BREAKER PANEL INSTALLATION	24-50-00-01	-
CLOCK	31-10-00-08	-019
COMPASS	34-20-00-01	-006
COMPASS INSTALLATION	34-20-00-01	-
COMPASS TRANSMITTER-CT-10 ARC 20060	34-20-00-02	-012
COMPASS TRANSMITTER-CT-10 ARC 20060	34-20-00-03	-012
COMPUTER-DYNAVIA ANC-3A	22-10-00-01	-002
COMPUTER-LIFT	27-50-00-03	-003
COMPUTER AMPLIFIER-CA-10A ARC18320	34-20-00-02	-002
COMPUTER AMPLIFIER-CA-LOA ARC 18320	34-20-00-03	-003
CONTROL-C-88A ARC 22500	23-10-02-18	-007
CONTROL- PEDESTAL SWIVEL	76-10-00-04	-020
CONTROL ASSY-DEFROST	21-40-00-03	-037
CONTROL ASSY- INDUCTION AIR HEAT LH	76-10-00-05	-014
CONTROL ASSY- INDUCTION AIR HEAT RH	76-10-00-05	-015
CONTROL ASSY - CABIN AIR	21-40-00-02	-034
CONTROL ASSY - CABIN AIR	21-40-00-03	-036
CONTROL ASSY - DEFROST	21-40-00-02	-035
CONTROL COLUMN INSTALLATION	27-30-01-01	-
CONTROL HEAD-SUN-AIR	23-10-02-08	-018
CONTROL HEAD-SUN-AIR	23-10-02-10	-009
CONTROL HEAD-SUN-AIR	23-10-02-23	-007
CONTROL HEAD-SUN-AIR	23-10-02-24	-008
CONTROL HEAD ASSY-MODEL MGWS-28-3943 GABLES ENGRG	23-10-02-18	-003
CONTROL HEAD ASSY-MODEL MGWS-28-3943P S GABLES ENGRG	23-10-02-18	-009
CONTROL PEDESTAL INSTALLATION	53-20-02-01	-
CONTROL PEDESTAL INSTALLATION	53-20-02-02	-
CONTROL QUADRANT ASSEMBLY	76-10-01-01	-
CONTROL QUADRANT ASSEMBLY	76-10-01-02	-
CONTROL QUADRANT ASSEMBLY	76-10-01-03	-
CONTROL UNIT-LEAR 705481-02	23-10-02-06	-011
CONTROL UNIT-LEAR 705481-02	23-10-02-08	-014
CONTROL UNIT-LEAR 705481-02	23-10-02-11	-005
CONTROL UNIT-C-60 ARC 18330	23-10-02-16	-005
CONTROL UNIT-C-60 ARC 18330	34-20-00-04	-003
CONTROL UNIT ASSY-MARKER BEACON	34-30-00-01	-004
CONTROL WHEEL ASSY	27-30-01-01	-026D

**CESSNA AIRCRAFT COMPANY
MODEL 310 THRU 310D
ILLUSTRATED PARTS CATALOG**

NOMENCLATURE

CH SEC SUBJ FIG ITEM

C Continued

CONTROLLER-DYNAVIA ANC-C2	23-10-02-21	-003
CONVERTER-NARCO VOA-3A NAVIGATION	34-50-00-01	-001
CONVERTER-NARCO VOA-3A NAVIGATION	34-50-00-02	-002
CONVERTER-B-13A-1 ARC 22900	34-50-00-03	-004
CONVERTER-B-13A-1 ARC 22900	34-50-00-04	-004
CONVERTER-B-13A-1 ARC 22900	34-50-00-04	-026C
CONVERTER- B-13A-1 ARC 22900	34-50-00-05	-006
CONVERTER- B-13A-1 ARC 22900	34-50-00-05	-019
COOLER- OIL	79-20-00-03	-001
COURSE INDICATOR-IN-14 ARC 18028	34-20-00-02	-017
COVER PLATES INSTALLATION	53-20-00-02	-

D

DARE GLIDE SLOPE AND MARKER BEACON INSTALLATION	34-30-01-01	-
DARE R-89M GLIDE PATH RECEIVER COMPONENTS INSTALLATION	23-10-02-06	-014C
DARE R-89M SINGLE GLIDE PATH RECEIVER INSTALLATION	34-30-01-02	-
DE-ICE LIGHT INSTALLATION	33-40-00-05	-
DE-ICE SYSTEM COMPONENTS-ENGINE NACELLE	30-20-00-01	-
DE-ICE SYSTEM COMPONENTS-FUSELAGE CENTER SECTION	30-10-00-02	-
DE-ICE SYSTEM COMPONENTS-FUSELAGE NOSE SECTION	30-10-00-03	-
DE-ICE SYSTEM COMPONENTS-WINGS AND EMPENNAGE	30-10-00-04	-
DE-ICE SYSTEM INSTALLATION	30-10-00-01	-
DECAL-OPERATIONAL LIMITS	11-00-00-01	-001
DECAL-STALL SPEED LIMITS	11-00-00-01	-002
DECAL-EMERGENCY WINDOW	11-00-00-01	-005
DECAL-FOUL WEATHER WINDOW	11-00-00-01	-006
DECAL-LOWER NACELLE FUEL STRAINER DOORS	11-00-00-01	-013
DECAL-FUEL CAP	11-00-00-01	-016
DECAL-FUEL TANK SUMP DOOR	11-00-00-01	-017
DECAL-CROSS FEED LINE DRAIN - RH WING	11-00-00-01	-019
DECAL-310	11-00-00-01	-021
DECAL-310B	11-00-00-01	-021A
DECAL-FLAP INDICATOR	11-00-00-01	-024B
DECAL-HEATER OPERATION	11-00-00-01	-026B
DECAL-HEATER OVERHEAT	11-00-00-01	-027B
DECAL-PUSH T & B TEST	11-00-00-01	-028B
DECAL-NO. 2 OMNI	23-20-01-02	-020
DECAL-LF REEL	23-20-03-01	-025A
DECAL-AUDIO AMP	23-50-01-03	-010
DECAL- RH ONLY	28-20-01-01	-038
DECAL-FUEL SELECTOR VALVE LH	28-20-01-02	-042
DECAL-FLAP INDICATOR	31-10-00-05	-011
DECAL-CIRCUIT BREAKER	33-40-00-03	-010B
DECAL-INSTRUMENT PANEL	33-40-00-03	-011A
DECAL-OUTER	34-30-00-02	-005
DECAL-MIDDLE	34-30-00-02	-006
DECAL-AIRWAYS	34-30-00-02	-007
DECAL-AIRWAYS	34-30-01-01	-012
DECAL-MIDDLE	34-30-01-01	-013
DECAL-OUTER	34-30-01-01	-014
DECAL-OUTER	34-30-02-01	-013
DECAL-MIDDLE	34-30-02-01	-014
DECAL-AIRWAYS	34-30-02-01	-015
DECAL-GLIDE SLOPE USED WHEN NO 1 OMNI IS INSTALLED	34-30-02-01	-019
DECAL-1	34-50-00-02	-008
DECAL-2	34-50-00-02	-009
DECAL- CIRCUIT BREAKER NO 2 OMNI	34-50-00-05	-031

**CESSNA AIRCRAFT COMPANY
MODEL 310 THRU 310D
ILLUSTRATED PARTS CATALOG**

NOMENCLATURE

CH SEC SUBJ FIG ITEM

D Continued

DECAL-REAR LEFT WING	57-10-00-01	-012A
DECAL- OIL DILUTION	79-20-00-02	-017A
DECALS AND PLACARDS INSTALLATION	11-00-00-01	-
DECORATIVE PANEL INSTALLATION	31-10-02-01	-
DEFROST CONTROL-CABIN AIR REF 0813509-7	31-10-00-02	-037
DEFROST CONTROL-REF 0813509-8	31-10-00-02	-038
DEFROST CONTROL-CABIN AIR REF 0813509-7	31-10-00-03	-014
DEFROST CONTROL-REF 0813509-8	31-10-00-03	-015
DIAPHRAM-LANDING GEAR ACTUATION ROD LH	32-10-00-01	-026
DIAPHRAM-LANDING GEAR ACTUATION ROD RH	32-10-00-01	-026A
DIFFUSER ASSEMBLY-REAR SEAT OUTLET	21-40-00-03	-048
DIFFUSER ASSY-MUFFLER	78-20-00-01	-002
DIP STICK ASSY-ANTI-ICE TANK	30-00-00-01	-010
DIPSTICK- OIL	71-00-00-02	-004A
DIRECTOR CONTROL-S-10 ARC 20200	23-10-02-21	-005
DIRECTOR CONTROL-S-10 ARC 20200	34-20-00-05	-003
DISCHARGE WICK INSTALLATION	23-60-00-01	-
DRAIN VALVE ASSY	73-10-00-02	-018A
DUAL CONTROLS INSTALLATION	27-30-01-02	-
DYNAMOTOR-LEAR LD-5-2B	22-10-00-02	-003
DYNAMOTOR-D-10A ARC 14402	23-50-01-03	-005
DYNAMOTOR-D-10A ARC 14402	34-50-00-03	-005
DYNAMOTOR-D-10A ARC 14402	34-50-00-04	-005
DYNAMOTOR-D-10A ARC 14402	34-50-00-04	-027
DYNAMOTOR ASSY	23-20-02-04	-006A
DYNAVERTER-DV-10A ARC 19840	23-20-02-04	-008
DYNAVERTER-DV-10A ARC 19840	34-20-00-02	-006
DYNAVERTER-DV-10A ARC 19840	34-50-00-04	-005A
DYNAVERTER-DV-10A ARC 19840	34-50-00-04	-027A
DYNAVERTER- DV-10A ARC 19840	34-50-00-05	-007
DYNAVERTER- DV-10A ARC 19840	34-50-00-05	-013
DYNAVIA AUTOPILOT OMNI COUPLER INSTALLATION	22-10-00-01	-

E

EJECTOR-RH OUTBD LH INBD	78-20-00-01	-005
ELECTRICAL EQUIPMENT COMPONENTS-GENERATING SYSTEM	24-30-10-01	-
ELECTRICAL EQUIPMENT COMPONENTS-WARNING SYSTEM	24-10-00-01	-
ELECTRICAL EQUIPMENT COMPONENTS-WING	24-30-00-04	-
ELECTRICAL EQUIPMENT INSTALLATION	24-30-00-03	-
ELECTRICAL SWITCHES INSTALLATION	24-30-20-01	-
ELECTRICAL TIMER	30-10-00-01	-001
ELECTRICAL WIRING INSTALLATION	24-30-20-02	-
ELECTRICAL WIRING INSTALLATION-ENGINE	24-30-20-04	-
ELECTRICAL WIRING INSTALLATION - FUSELAGE	24-30-20-03	-
ELEVATOR ASSY-LH	55-20-00-01	-019A
ELEVATOR ASSY-RH LESS TRIM TAB	55-20-00-01	-019C
ELEVATOR CONTROL SYSTEM INSTALLATION	27-30-00-01	-
ELEVATOR INSTALLATION	55-20-00-01	-
ELEVATOR TRIM CONTROL SYSTEM INSTALLATION	27-30-00-02	-
ELEVATOR TRIM TAB ACTUATOR INSTALLATION	27-00-00-03	-
ELEVATOR TRIM TAB INSTALLATION	55-20-00-02	-
ENGINE BAFFLES INSTALLATION USED WITH 0-470-B ENGINE	71-11-01-01	-
ENGINE BAFFLES INSTALLATION	71-11-01-02	-
ENGINE CONTROL SYSTEM COMPONENTS - FUSELAGE	76-10-00-03	-
ENGINE CONTROL SYSTEM COMPONENTS - FUSELAGE	76-10-00-04	-
ENGINE CONTROL SYSTEM INSTALLATION	76-10-00-01	-
ENGINE CONTROL SYSTEM INSTALLATION	76-10-00-02	-

**CESSNA AIRCRAFT COMPANY
MODEL 310 THRU 310D
ILLUSTRATED PARTS CATALOG**

NOMENCLATURE

CH SEC SUBJ FIG ITEM

E Continued

ENGINE CONTROL SYSTEM INSTALLATION	76-10-00-05	-
ENGINE COWL ASSEMBLY	71-10-00-04	-
ENGINE COWL INSTALLATION	71-10-00-01	-
ENGINE COWL INSTALLATION	71-10-00-02	-
ENGINE COWL INSTALLATION	71-10-00-03	-
ENGINE EXHAUST STACK INSTALLATION	78-10-00-01	-
ENGINE INSTALLATION	71-00-00-01	-
EXTERIOR LETTERING	11-00-00-01	-020

F

FILLER ASSY-FUEL TANK	28-10-00-01	-012
FILLER VALVE ASSY- OXYGEN TANK OUTSIDE FILLER	35-10-00-02	-007
FILTER CAPACITOR INSTALLATION	24-10-00-02	-
FIN AND DORSAL INSTALLATION	55-30-00-01	-
FIN AND DORSAL SPARS AND RIBS INSTALLATION	55-30-00-02	-
FIN MOUNTED ROTATING BEACON INSTALLATION	33-40-00-04	-
FIRE EXTINGUISHER	26-20-00-01	-001
FIRE EXTINGUISHER INSTALLATION	26-20-00-01	-
FLAP ACTUATOR REDUCTION UNIT INSTALLATION	27-50-00-02	-
FLAP CONTROL SYSTEM INSTALLATION	27-50-00-01	-
FLAP INDICATOR	31-10-00-07	-032
FLARE INSTALLATION	25-60-00-01	-
FLARE INSTALLATION	25-60-00-02	-
FLITE-TRONICS AUDIO AMPLIFIER INSTALLATION	23-50-01-01	-
FLITE-TRONICS AUDIO AMPLIFIER INSTALLATION	23-50-01-02	-
FLOORBOARD INSTALLATION	53-20-00-01	-
FORWARD MOUNTED 5 PORT OXYGEN SYSTEM INSTALLATION	35-10-00-04	-
FRONT SEAT INSTALLATION	25-10-00-01	-
FRONT SEAT PAN AND ACTUATING MECHANISM	25-10-00-02	-
FRONT SEAT SAFETY BELT BRACKETS INSTALLATION	53-20-00-07	-
FRONT SEAT SUPPORT INSTALLATION	53-20-00-05	-
FUEL GAGE ASSY- TANK UNIT	28-20-01-01	-030
FUEL SELECTOR VALVE ASSEMBLY	28-20-00-05	-
FUEL SELECTOR VALVE ASSEMBLY - AUXILIARY FUEL SYSTEM	28-20-01-03	-
FUEL SELECTOR VALVE INSTALLATION	28-20-00-04	-
FUEL SYSTEM COMPONENTS - ENGINE NACELLE	73-10-00-01	-
FUEL SYSTEM COMPONENTS - ENGINE NACELLE	73-10-00-02	-
FUEL SYSTEM COMPONENTS-ENGINE NACELLE TO TIP TANK	28-20-00-03	-
FUEL SYSTEM COMPONENTS-TIP TANK	28-40-00-01	-
FUEL SYSTEM INSTALLATION	28-20-00-01	-
FUEL SYSTEM INSTALLATION	28-20-00-02	-
FUEL TANK AFT ASSEMBLY	28-10-00-03	-
FUEL TANK ASSY- LH	28-10-00-01	-030C
FUEL TANK ASSY- RH	28-10-00-01	-030F
FUEL TANK FORWARD ASSEMBLY	28-10-00-02	-
FUEL TANK INSTALLATION	28-10-00-01	-
FUSELAGE AFT SECTION ASSEMBLY	53-10-07-01	-
FUSELAGE AFT SECTION BOTTOM ASSEMBLY	53-10-07-02	-
FUSELAGE AFT SECTION COMPONENTS	53-10-07-03	-
FUSELAGE ASSEMBLY	53-10-00-01	-
FUSELAGE BULKHEAD ASSEMBLY FS 109.375	53-30-00-04	-
FUSELAGE BULKHEAD ASSEMBLY FS 20.00	53-30-00-02	-
FUSELAGE BULKHEAD ASSEMBLY FS 52.06	53-30-00-03	-
FUSELAGE BULKHEAD COMPONENTS INSTALLATION FS 0.00	53-30-00-01	-
FUSELAGE CABIN BOTTOM ASSEMBLY	53-10-02-01	-
FUSELAGE CABIN BOTTOM ASSEMBLY	53-10-02-02	-
FUSELAGE CABIN LEFT SIDE ASSEMBLY	53-10-03-01	-

**CESSNA AIRCRAFT COMPANY
MODEL 310 THRU 310D
ILLUSTRATED PARTS CATALOG**

NOMENCLATURE

CH SEC SUBJ FIG ITEM

F Continued

FUSELAGE CABIN RIGHT SIDE ASSEMBLY	53-10-04-01	-
FUSELAGE CABIN TOP ASSEMBLY	53-10-05-01	-
FUSELAGE CONTROLS SUPPORT BRACKETS INSTALLATION	53-20-00-06	-
FUSELAGE FRONT SPAR ASSEMBLY	57-10-00-09	-
FUSELAGE NOSE AND CABIN SECTION ASSEMBLY	53-10-01-01	-
FUSELAGE NOSE SECTION INSTALLATION	53-10-06-01	-
FUSELAGE REAR SPAR ASSEMBLY	57-10-00-10	-
FUSELAGE STINGER ASSEMBLY	53-10-07-05	-
FUSELAGE TAILCONE ASSEMBLY	53-10-07-04	-

G

GAGE-TIP TANK LIQUIDOMETER CORP EA470B-968	28-40-00-01	-001
GAGE-MANIFOLD PRESSURE	31-10-00-07	-013
GAGE-ENGINE	31-10-00-07	-021
GAGE-CYLINDER HEAD TEMPERATURE	31-10-00-07	-023
GAGE-OUTSIDE AIR TEMPERATURE	31-10-00-07	-024
GAGE-DUAL FUEL	31-10-00-07	-030
GAGE-MANIFOLD PRESSURE	31-10-00-08	-018
GAGE-SUCTION	31-10-00-08	-020
GAGE-ENGINE	31-10-00-08	-023C
GAGE-FUEL	31-10-00-08	-027
GAGE-FUEL PRESSURE	31-10-00-08	-029
GENERATOR-25 AMP	24-30-10-01	-001
GENERATOR- 25 AMP DELCO REMY 1101911	71-00-00-02	-003
GLASS FLASHING CARTRIDGE	24-30-00-03	-020A
GLIDE PATH ANTENNA INSTALLATION	34-30-01-03	-
GLOVE COMPARTMENT INSTALLATION	25-10-01-01	-
GONIO-TENNA- LEAR MODEL 2321D	34-50-05-01	-041
GONIO-TENNA- LEAR 2321F	34-50-05-01	-041A
GONIO-TENNA- LEAR MODEL 2321D	34-50-05-01	-045
GONIO-TENNA- LEAR 2321F	34-50-05-01	-045A
GOVERNOR ASSY- WOODWARD 210105	61-20-00-01	-000
GOVERNOR ASSY- WOODWARD 210155	61-20-00-01	-000A
GOVERNOR ASSY- WOODWARD 210265	61-20-00-01	-000B
GOVERNOR ASSY- WOODWARD 210290	61-20-00-01	-000C
GOVERNOR ASSY- WOODWARD 210280	61-20-00-01	-000D
GRILL REAR-REAR OUTLET	21-40-00-03	-017
GROUND SERVICE PLUG INSTALLATION	24-40-00-01	-
GYRO-ATTITUDE LEAR 97411	22-10-00-02	-011
GYRO-DIRECTIONAL LEAR 976M	22-10-00-02	-012
GYRO-HORIZONTAL	31-10-00-07	-026
GYRO-DIRECTIONAL	31-10-00-07	-028
GYRO-DIRECTIONAL	31-10-00-08	-032

H

HARTZELL HC-82XF-2B/8433-4 PROPELLER ASSEMBLY	61-10-00-02	-
HEAD PHONE CONTROL-NARCO M-54147-G104	23-10-02-07	-007B
HEAD PHONE CONTROL-NARCO M-54147-6104	23-10-02-10	-005B
HEAD PHONE CONTROL-NARCO M-54147-G104	23-10-02-14	-005A
HEAD PHONE CONTROL-NARCO M-54147-G104	23-10-02-17	-003A
HEAD PHONE CONTROL-NARCO MI-54147-G104	23-10-02-19	-003A
HEADPHONE CONTROL-NARCO M-54147-G104	23-10-02-17	-012B
HEATER ADAPTER ASSY	21-40-00-09	-003
HEATER ASSY	21-40-00-06	-000

**CESSNA AIRCRAFT COMPANY
MODEL 310 THRU 310D
ILLUSTRATED PARTS CATALOG**

NOMENCLATURE

CH SEC SUBJ FIG ITEM

H Continued

HEATER ASSY-CABIN	21-40-00-08	-000
HEATER COMPONENTS-BURNER & BLOWER ASSOYS.....	21-40-01-01	-019A
HEATER COMPONENTS AND BLOWER AND FUEL PUMP ASSEMBLY	21-40-01-01	-
HEATER FUEL AND ANTI-ICE FLUID FILTER ASSEMBLY	73-10-00-03	-
HEATER INSTALLATION - CABIN-.....	21-40-00-01	-001A
HEATER INSTALLATION - CABIN-.....	21-40-00-02	-001
HEATER INSTALLATION-CABIN-.....	21-40-00-03	-001
HIGH FREQUENCY REEL ANTENNA INSTALLATION	23-10-01-05	-
HOISTING LUGS AND CARGO TIE-DOWN LUGS INSTALLATION	53-40-00-01	-
HOOK COAT HANGER	25-20-01-01	-045
HOOK COAT HANGER	25-20-01-02	-046

I

IGNITER ASSY-STEWART WARNER	21-40-00-08	-022
INDICATOR-NARCO CS-5	23-20-01-05	-009
INDICATOR-AILERON TRIM	27-10-00-02	-013
INDICATOR-RUDDER TRIM	27-20-01-01	-011
INDICATOR-SPEED CONTROL	27-50-00-03	-004
INDICATOR-FLAP POSITION	31-10-00-03	-008
INDICATOR-NARCO CS-5 USED WHEN NARCO 1021 OMNI IS INSTALLED	34-50-00-01	-004
INDICATOR-COURSE ARC 27300 TYPE IN-10-1 UPPER LOCATION.....	34-50-00-04	-032
INDICATOR- COURSE ARC 27300 TYPE IN-10-1	34-50-00-05	-024
INDICATOR-AZIMUTH	34-50-01-01	-008
INDICATOR-DUAL AZIMUTH	34-50-01-02	-008
INDICATOR-AZIMUTH	34-50-01-03	-009
INDICATOR-DUAL AZIMUTH	34-50-01-04	-009
INDICATOR- DUAL AZIMUTH	34-50-01-05	-013
INDICATOR-AZIMUTH	34-50-02-01	-003
INDICATOR-DUAL AZIMUTH LEAR 63938A	34-50-02-02	-004
INDICATOR- ARC 27310 TYPE IN-12-1	34-50-03-01	-010
INDICATOR- ARC 27310 TYPE IN-12-1	34-50-03-01	-029
INDICATOR- ARC 27310 TYPE IN-12-1	34-50-03-01	-047
INDICATOR - AZIMUTH	34-50-01-05	-035
INDICATOR - GONIO	34-50-01-06	-013
INDICATOR LIGHT-WHITE MARKER BEACON MARCO IND	34-30-01-01	-009
INDICATOR LIGHT-AMBER MARKER BEACON MARCO IND	34-30-01-01	-010
INDICATOR LIGHT-BLUE MARKER BEACON MARCO IND	34-30-01-01	-011
INDICATOR LIGHT-BLUE MARKER BEACON MARCO IND	34-30-02-01	-010
INDICATOR LIGHT-AMBER MARKER BEACON MARCO IND	34-30-02-01	-011
INDICATOR LIGHT-WHITE MARKER BEACON MARCO IND	34-30-02-01	-012
INSTRUMENT PANEL DECK VENT INSTALLATION	53-20-01-01	-
INSTRUMENT PANEL LIGHTING INSTALLATION	33-10-00-01	-
INVERTER RF-SUN-AIR I-4-S.....	23-20-03-02	-026

J

JUNCTION BOX INSTALLATION	24-50-10-01	-
---------------------------------	-------------	---

L

LAMP-FUEL SELECTOR VALVE GENERAL ELECTRIC	24-30-00-03	-019
LANDING GEAR ACTUATOR INSTALLATION.....	32-30-00-06	-
LANDING GEAR MANUAL EXTENSION MECHANISM INSTALLATION	32-30-00-07	-
LANDING LIGHT INSTALLATION	33-40-00-01	-

**CESSNA AIRCRAFT COMPANY
MODEL 310 THRU 310D
ILLUSTRATED PARTS CATALOG**

NOMENCLATURE

CH SEC SUBJ FIG ITEM

L Continued

LATCH-FUEL STRAINER DOOR HARTZELL	54-10-00-01	-014
LATCH-FUEL STRAINER DOOR HARTWELL.....	54-10-00-02	-014
LEAR A-2200 MARKER BEACON COMPONENTS INSTALLATION.....	23-10-02-06	-004E
LEAR A-2200 MARKER BEACON INSTALLATION	34-30-00-01	-
LEAR A-2200 MARKER BEACON INSTALLATION	34-30-00-02	-
LEAR ADF-12 INSTALLATION.....	34-50-01-01	-
LEAR ADF-12 INSTALLATION.....	34-50-01-03	-
LEAR ADF-12E-2 COMPONENTS INSTALLATION.....	31-10-01-03	-002A
LEAR ADF-12E-2 INSTALLATION.....	34-50-01-05	-
LEAR ADF-12E-2 WITH GONIO INSTALLATION	34-50-01-06	-
LEAR ADF-14 INSTALLATION.....	34-50-02-01	-
LEAR AUTOPILOT FOLLOW-UP SYSTEM INSTALLATION	22-50-00-01	-
LEAR AUTOPILOT INSTALLATION	22-10-00-02	-
LEAR AUTOPILOT SERVO AND CABLE INSTALLATION	22-10-01-01	-
LEAR DUAL ADF-12 INSTALLATION	34-50-01-02	-
LEAR DUAL ADF-12 INSTALLATION	34-50-01-04	-
LEAR DUAL ADF-14 INSTALLATION	34-50-02-02	-
LEAR LTR-800 TRANSMITTER-RECEIVER COMPONENTS INSTALLATION	23-10-02-06	-010C
LEAR LTR-800 TRANSMITTER-RECEIVER INSTALLATION.....	23-10-00-06	-
LEAR LTRA-6 OMNI & VHF COMM COMPONENTS INSTALLATION.....	23-10-02-06	-006C
LEAR LTRA-6 VHF COMMUNICATIONS INSTALLATION	23-10-00-04	-
LEAR LTRA-6 VHF COMMUNICATIONS WITH OMNI	23-10-00-02	-
LEAR LTRA-6 VHF COMMUNICATIONS WITH OMNI	23-10-00-03	-
LEAR LTTR-6A TRANSCEIVER INSTALLATION.....	23-10-00-05	-
LEAR LVTR-36 TRANSMITTER-RECEIVER INSTALLATION	23-10-00-01	-
LEAR RT-10EP TRANSMITTER	23-10-02-08	-007
LEFT AILERON INSTALLATION	57-60-00-01	-
LEFT ENGINE LOWER NACELLE INSTALLATION.....	54-10-00-01	-
LEFT ENGINE MOUNT INSTALLATION.....	71-20-00-01	-
LEFT ENGINE UPPER NACELLE INSTALLATION	54-10-00-03	-
LEFT ENGINE UPPER NACELLE INSTALLATION	54-10-00-04	-
LEFT FIREWALL INSTALLATION	54-10-01-01	-
LEFT FIREWALL INSTALLATION	54-10-01-02	-
LEFT INBOARD FLAP INSTALLATION.....	57-50-00-03	-
LEFT OUTBOARD FLAP INSTALLATION	57-50-00-04	-
LEFT WING CONTROLS SUPPORT BRACKETS INSTALLATION.....	57-50-00-02	-
LEFT WING FRONT SPAR AND LEADING EDGE ASSEMBLIES.....	57-40-00-01	-
LEFT WING INSTALLATION	57-10-00-01	-
LEFT WING RIBS INSTALLATION	57-10-00-03	-
LEFT WING RIBS INSTALLATION - AUXILIARY FUEL SYSTEM	57-10-01-02	-
LEFT WING SKINS AND STRINGERS INSTALLATION	57-10-00-04	-
LEFT WING SKINS AND STRINGERS INSTALLATION - AUXILIARY FUEL SYSTEM.....	57-10-01-03	-
LEFT WING STRUCTURE ASSEMBLY	57-10-00-02	-
LEFT WING STRUCTURE ASSEMBLY - AUXILIARY FUEL SYSTEM	57-10-01-01	-
LEFT WING TRAILING EDGE ASSEMBLY	57-50-00-01	-
LEVER ASSY - SPEED CONTROL- WOODWARD.....	61-20-00-01	-003
LH WING LIGHT SWITCH-GLIDE PATH MASTER HETHERINGTON INC.....	23-10-02-01	-003
LH WING LIGHT SWITCH-AUDIO AMP HETHERINGTON INC	23-10-02-05	-003
LH WING LIGHT SWITCH-HETHERINGTON INC.....	33-40-00-05	-001
LIGHT ASSY-ROTATING BEACON GRIMES MFG G-7740A-24	33-40-00-04	-007A
LIGHT ASSY-ROTATING BEACON GRIMES MFG G-7740A-11-24	33-40-00-04	-007B
LIGHT ASSY-WHITE INDICATOR MARCO INDUSTRIES CO.....	34-30-00-01	-006
LIGHT ASSY-AMBER INDICATOR MARCO INDUSTRIES CO	34-30-00-01	-007
LIGHT ASSY-BLUE INDICATOR MARCO INDUSTRIES CO	34-30-00-01	-008
LIGHT ASSY-WHITE INDICATOR MARCO INDUSTRIES CO.....	34-30-00-02	-002
LIGHT ASSY-AMBER INDICATOR MARCO INDUSTRIES CO	34-30-00-02	-003
LIGHT ASSY-BLUE INDICATOR MARCO INDUSTRIES CO	34-30-00-02	-004
LIGHT INSTALLATION - INSTRUMENT, DOME AND BAGGAGE COMPARTMENT.....	33-10-00-02	-
LIGHT WEIGHT DE-ICE INSTALLATION	30-10-00-05	-

**CESSNA AIRCRAFT COMPANY
MODEL 310 THRU 310D
ILLUSTRATED PARTS CATALOG**

NOMENCLATURE	CH SEC SUBJ FIG	ITEM
--------------	-----------------	------

L Continued

LIGHTING FIXTURE-GRIMES MFG	33-10-00-03	-016
LIGHTING FIXTURES	33-10-00-03	-
LINE ASSY.	30-10-00-05	-004
LINK ASSY-FOLLOW-UP	22-50-00-01	-007
LOUNGE INSTALLATION	25-21-01-01	-
LOW FREQUENCY ANTENNA INSTALLATION	23-10-01-03	-
LTRA-6 PANEL UNIT-LEAR	23-10-00-03	-003
LTRA-6 VHF COMMUNICATION INSTALLATION WITH ADDITIONAL RT-10EP TRANSMITTER-LEAR STANDARD LOCATION	23-10-00-04	-000A
LTRA-6 VHF COMMUNICATIONS INSTALLATION-LEAR ALTERNATE LOCATION	23-10-00-04	-000
LTRA-6 VHF COMMUNICATIONS INSTALLATION WITH ADDITIONAL RT-10EP TRANSMITTER-LEAR ALTERNATE LOCATION	23-10-00-04	-000B

M

MAA NAMEPLATE	53-10-06-01	-037
MAIN GEAR DOORS RETRACTION LINKAGE INSTALLATION	32-30-00-01	-
MAIN LANDING GEAR DOORS INSTALLATION	32-10-01-01	-
MAIN LANDING GEAR INSTALLATION	32-10-00-01	-
MAIN LANDING GEAR LINKAGE COMPONENTS	32-30-00-03	-
MAIN LANDING GEAR LINKAGE INSTALLATION	32-30-00-02	-
MAIN LANDING GEAR STRUT ASSEMBLY	32-10-00-02	-
MAIN WHEEL INSTALLATION	32-40-00-01	-
MANIFOLD PRESSURE SYSTEM INSTALLATION	77-10-00-01	-
MARKER BEACON ANTENNA INSTALLATION	34-30-02-02	-
MARKER BEACON RECEIVER-R-33A ARC 21430	34-30-02-01	-003
METALCAL-FUEL & GEAR	11-00-00-01	-003
METALCAL-ELEVATOR TAB INDICATOR	11-00-00-01	-004
METALCAL-FILLING INSTRUCTIONS	11-00-00-01	-008
METALCAL-FUEL SELECTOR VALVE LH	11-00-00-01	-009
METALCAL-FUEL SELECTOR VALVE RH	11-00-00-01	-010
METALCAL-FUEL SELECTOR VALVE RH	28-20-01-02	-043
METER-COURSE INDICATOR ARC 16706	34-50-00-03	-012
METERING PIN ASSY-LOWER STRUT	32-10-00-02	-020
MISCELLANEOUS ENGINE EQUIPMENT INSTALLATION	71-00-00-02	-
MODULATOR-NARCO V24MP-2A	23-00-00-01	-002
MODULATOR-V24MP-2A	23-00-00-02	-002
MODULATOR-POWER SUPPLY NARCO T24MP-7	23-20-01-01	-002
MODULATOR-POWER SUPPLY NARCO T24MP-7	23-20-01-02	-002
MOTOR-BLOWER	21-40-00-06	-049A
MOTOR-COMBUSTION AIR STEWART WARNER	21-40-01-01	-014
MOTOR-POWER UNIT LANDING LIGHT GRIMES MFG CO	33-40-00-01	-005
MOTOR-POWER UNIT LANDING LIGHT GRIMES MFG	33-40-00-01A	-004
MOTOR & REFLECTOR ASSY	33-40-00-03	-014
MOTOR ASSY	21-40-00-06	-050
MOTOR ASSY-STEWART WARNER	21-40-00-08	-055
MOTOROLA LNC-100 TRANSCEIVER COMPONENTS INSTALLATION	31-10-01-03	-004E
MOTOROLA LNC-100 TRANSCEIVER COMPONENTS INSTALLATION	31-10-01-04	-004E
MOTOROLA LNC-100 TRANSCEIVER INSTALLATION	34-60-00-01	-
MUFFLER AND EJECTOR INSTALLATION	78-20-00-01	-
MUFFLER ASSY	78-20-00-01	-001

N

NARCO 1016 TRANSCEIVER INSTALLATION	23-10-01-01	-
NARCO 1021 OMNI INSTALLATION	23-20-01-05	-

**CESSNA AIRCRAFT COMPANY
MODEL 310 THRU 310D
ILLUSTRATED PARTS CATALOG**

NOMENCLATURE

CH SEC SUBJ FIG ITEM

N Continued

NARCO DUAL MARK V RECEIVER-TRANSMITTER INSTALLATION	23-20-01-02	-
NARCO DUAL VOA-3A NAVIGATION CONVERTER INSTALLATION	34-50-00-02	-
NARCO LFR-3B LOW FREQUENCY RECEIVER INSTALLATION	23-00-00-02	-
NARCO LFR-3B LOW FREQUENCY RECEIVER INSTALLATION	23-20-01-03	-
NARCO MARK V RECEIVER-TRANSMITTER COMPONENTS INSTALLATION	31-10-01-03	-004D
NARCO MARK V RECEIVER-TRANSMITTER COMPONENTS INSTALLATION	31-10-01-04	-004D
NARCO MARK V RECEIVER-TRANSMITTER INSTALLATION	23-20-01-01	-
NARCO MARK V RECEIVER-TRANSMITTER UNIT	23-20-01-03	-004
NARCO SIMPLEXER INSTALLATION	23-00-00-01	-
NARCO VC-27B SIMPLEXER COMPONENTS INSTALLATION	31-10-01-03	-004C
NARCO VC-27B SIMPLEXER COMPONENTS INSTALLATION	31-10-01-04	-004C
NARCO VC-27B SWITCH PANEL ASSEMBLY AND INSTALLATION	31-10-01-05	-
NARCO VOA-3A NAVIGATION CONVERTER INSTALLATION	34-50-00-01	-
NAVIGATION LIGHTS INSTALLATION	33-40-00-02	-
NETWORK LOADING BOX INSTALLATION	23-00-00-04	-
NOSE CAP ASSY	53-10-06-01	-004
NOSE GEAR DOORS INSTALLATION	32-20-01-01	-
NOSE GEAR INSTALLATION	32-20-00-01	-
NOSE GEAR LINKAGE COMPONENTS	32-30-00-05	-
NOSE GEAR LINKAGE INSTALLATION	32-30-00-04	-
NOSE GEAR SHOCK STRUT LOWER ASSEMBLY	32-20-00-04	-
NOSE GEAR SHOCK STRUT UPPER ASSEMBLY	32-20-00-03	-
NOSE GEAR STRUT INSTALLATION	32-20-00-02	-
NOSE GEAR WELL FORMERS INSTALLATION	53-10-06-03	-
NOSE GEAR WELL STIFFENERS INSTALLATION	53-10-06-04	-
NOSE SECTION SKINS AND STRINGERS INSTALLATION	53-10-06-02	-
NOSE WHEEL INSTALLATION	32-40-01-01	-
NOSE WHEEL STEERING CONTROL SYSTEM INSTALLATION	32-50-00-01	-

O

OIL DILUTION INSTALLATION	79-20-00-02	-
OIL FILLER DOOR AREA DETAILS-HAT SECTION COWL	52-40-00-01	-
OIL SEPARATOR ASSY- VACUUM SYSTEM	71-00-00-02	-008
OIL SEPARATOR ASSY- BREATHER LINE	71-00-00-02	-009
OIL SYSTEM INSTALLATION	79-20-00-01	-
OMNI RANGE CONVERTER-LEAR 2214-B1	23-10-00-02	-002
OMNI RANGE CONVERTER-LEAR 2214-B1	23-10-00-03	-002
OMNI-TENNA INSTALLATION	23-00-00-05	-
ORIFICE-HEATER	25-70-00-01	-000

P

PANEL ASSY & INSTALLATION-RADIO CONTROL	23-50-01-03	-017D
PARKING BRAKE INSTALLATION	32-41-01-01	-
PEDESTAL ASSY-CONTROLS	53-20-02-01	-019C
PITOT SYSTEM INSTALLATION	34-10-00-01	-
PLACARD-BAGGAGE DOOR	11-00-00-01	-018
PLACARD-TRADE MARK REGISTRATION	11-00-00-01	-023
PLACARD-STATIC PRESSURE ALTERNATE SOURCE	11-00-00-01	-029
PLACARD-BATTERY BOX	11-00-00-01	-030
PLACARD-STATIONARY PANEL MARKINGS LH	11-00-00-01	-031A
PLACARD-STATIONARY PANEL MARKINGS RH	11-00-00-01	-032A
PLACARD-310C	11-00-00-01	-033
PLACARD-310D	11-00-00-01	-034
PLACARD-PITOT HEAT WARNING USED IN POH/OWNER'S MANUAL	11-00-00-01	-038

**CESSNA AIRCRAFT COMPANY
MODEL 310 THRU 310D
ILLUSTRATED PARTS CATALOG**

NOMENCLATURE

CH SEC SUBJ FIG ITEM

P Continued

PLACARD-PITOT HEAT WARNING USED FOR COCKPIT LOCATION	11-00-00-01	-038A
PLACARD-OMNI SEE DETAIL A	23-10-02-06	-008
PLACARD-LF REEL	23-20-03-01	-025
PLACARD-LF CONTROL	23-20-03-01	-026
PLACARD-LF CONTROL	23-20-03-01	-026A
PLACARD-CIRCUIT BREAKER AUDIO AMP	23-50-01-01	-008
PLACARD-CIRCUIT BREAKER AUDIO AMP	23-50-01-01	-008A
PLACARD-CIRCUIT BREAKER AUDIO AMP	23-50-01-01	-008B
PLACARD-BATTERY BOX COVER	24-30-00-02	-016
PLACARD-DE-ICE	30-10-00-05	-071
PLACARD-CHARGE	30-10-00-05	-073
PLACARD- STATIC PRESSURE ALTERNATE SOURCE	34-10-00-01	-037
PLACARD-COURSE INDICATOR	34-20-00-02	-023
PLACARD-COURSE DIRECTOR	34-20-00-03	-021
PLACARD-BLACK USED WHEN NO 1 OMNI IS INSTALLED	34-30-02-01	-020
PLACARD-COURSE INDICATOR METER 1	34-50-00-04	-014
PLATE-FINISH & TRIM	11-00-00-01	-015
PLATE-FINISH & TRIMMING	53-10-06-01	-038
PLENUM CHAMBER	21-40-00-04	-001
PLENUM CHAMBER ASSEMBLY	21-40-00-04	-
PORTABLE STRETCHER INSTALLATION	25-60-00-03	-
POST LIGHT-GRIMES MFG	33-10-00-03	-000
POTENTIOMETER-FLAP	27-50-00-03	-002
POTENTIOMETER- FLAP	27-50-00-04	-005
POWER SUPPLY-LEAR LD-5 USED WITHOUT OMNI	23-10-00-05	-002
POWER SUPPLY-SUN-AIR S-5-TPS	23-20-03-01	-006
POWER SUPPLY-SUN-AIR S-5-TPS	23-20-03-02	-006
POWER UNIT-P-12 ARC 17620	23-20-02-03	-008
POWER UNIT-P-12 ARC 17620	34-20-00-02	-007
POWER UNIT- ARC 20490 (28V) TYPE P-14A	34-50-03-01	-023
PRESSURE GAGE	30-10-00-02	-037
PRESSURE GAGE-OXYGEN	35-10-00-01	-012
PROPELLER ASSY- HARTZELL HC-82XF-2B/8433-4	61-10-00-01	-007A
PROPELLER ASSY- HARTZELL HC-A2XF-2 "12.5"	61-10-00-01	-007B
PROPELLER ASSY- HARTZELL HC-AZXF-2 "13 5"/8433-4	61-10-00-01	-007C
PROPELLER GOVERNOR ASSEMBLIES	61-20-00-01	-
PROPELLER HUB ASSY	61-10-00-02	-000
PROPELLER INSTALLATION	61-10-00-01	-
PUMP-ANTI-ICE ADEL 20820-1	30-00-00-01	-011
PUMP-AIR	30-20-00-01	-001
PUMP - VACUUM- PESCO 3P-194-F	71-00-00-02	-006
PUMP - VACUUM- GARWIN G-450 ALTERNATE	71-00-00-02	-006A
PUMP - VACUUM- PESCO 3P-194-3 ALTERNATE	71-00-00-02	-006B
PUMP ASSY-FUEL STEWART WARNER	21-40-01-01	-018

Q

QUADRANT ASSY- CONTROL	76-10-01-01	-000A
QUADRANT ASSY- CONTROL	76-10-01-02	-000

R

RACK- E-16A-1 ARC 25360	34-50-00-05	-020
RADIO CONTROL PANEL ASSEMBLY AND INSTALLATION	23-10-02-01	-
RADIO CONTROL PANEL ASSEMBLY AND INSTALLATION	23-10-02-02	-
RADIO CONTROL PANEL ASSEMBLY AND INSTALLATION	23-10-02-03	-

**CESSNA AIRCRAFT COMPANY
MODEL 310 THRU 310D
ILLUSTRATED PARTS CATALOG**

NOMENCLATURE

CH SEC SUBJ FIG ITEM

R Continued

RADIO CONTROL PANEL ASSEMBLY AND INSTALLATION	23-10-02-04	-
RADIO CONTROL PANEL ASSEMBLY AND INSTALLATION	23-10-02-05	-
RADIO CONTROL PANEL ASSEMBLY AND INSTALLATION	23-10-02-06	-
RADIO CONTROL PANEL ASSEMBLY AND INSTALLATION	23-10-02-07	-
RADIO CONTROL PANEL ASSEMBLY AND INSTALLATION	23-10-02-08	-
RADIO CONTROL PANEL ASSEMBLY AND INSTALLATION	23-10-02-09	-
RADIO CONTROL PANEL ASSEMBLY AND INSTALLATION	23-10-02-10	-
RADIO CONTROL PANEL ASSEMBLY AND INSTALLATION	23-10-02-11	-
RADIO CONTROL PANEL ASSEMBLY AND INSTALLATION	23-10-02-12	-
RADIO CONTROL PANEL ASSEMBLY AND INSTALLATION	23-10-02-13	-
RADIO CONTROL PANEL ASSEMBLY AND INSTALLATION	23-10-02-14	-
RADIO CONTROL PANEL ASSEMBLY AND INSTALLATION	23-10-02-15	-
RADIO CONTROL PANEL ASSEMBLY AND INSTALLATION	23-10-02-16	-
RADIO CONTROL PANEL ASSEMBLY AND INSTALLATION	23-10-02-17	-
RADIO CONTROL PANEL ASSEMBLY AND INSTALLATION	23-10-02-18	-
RADIO CONTROL PANEL ASSEMBLY AND INSTALLATION	23-10-02-19	-
RADIO CONTROL PANEL ASSEMBLY AND INSTALLATION	23-10-02-20	-
RADIO CONTROL PANEL ASSEMBLY AND INSTALLATION	23-10-02-21	-
RADIO CONTROL PANEL ASSEMBLY AND INSTALLATION	23-10-02-22	-
RADIO CONTROL PANEL ASSEMBLY AND INSTALLATION	23-10-02-23	-
RADIO CONTROL PANEL ASSEMBLY AND INSTALLATION	23-10-02-24	-
RADIO CONTROL PANEL ASSEMBLY AND INSTALLATION	23-10-02-25	-
RADIO SHELVES INSTALLATION	53-10-06-05	-
RADIO SHELVES INSTALLATION	53-10-06-06	-
RADIO SPEAKER INSTALLATION	23-50-00-01	-
RADIO SPEAKER INSTALLATION	23-50-00-02	-
REAR SEAT INSTALLATION	25-21-00-02	-
REAR WINDOWS INSTALLATION	56-20-00-01	-
RECEIVER-NARCO VSRP-1	23-20-01-05	-001
RECEIVER-R-13B ARC 15511	34-50-00-03	-003
RECEIVER-R-13B ARC 15511	34-50-00-04	-003
RECEIVER-R-32 ARC 19810	34-50-00-04	-003A
RECEIVER-R-34A ARC 21440	34-50-00-04	-003B
RECEIVER-R-13B ARC 15511	34-50-00-04	-026
RECEIVER-R-32 ARC 19810	34-50-00-04	-026A
RECEIVER-R-34A ARC 21440	34-50-00-04	-026B
RECEIVER- R-34A ARC 21440	34-50-00-05	-005
RECEIVER- R-34A ARC 21440	34-50-00-05	-012
RECEIVER CONTROL ASSEMBLY	23-20-01-04	-
RECEIVER CONTROL ASSY-LH CRANK	23-10-02-09	-005
RECEIVER-TRANSMITTER UNIT-NARCO 54479-102	23-20-01-01	-008
RECEIVER-TRANSMITTER UNIT-NARCO 54479-102	23-20-01-02	-008
RECEPTACLE BOX INSTALLATION	22-10-02-01	-
RECLINING REAR SEAT ADJUSTMENT MECHANISM INSTALLATION	25-21-00-05	-
RECLINING REAR SEAT INSTALLATION	25-21-00-04	-
REGULATOR-VOLTAGE	24-30-10-01	-002
REGULATOR-OXYGEN	35-10-00-01	-024
REGULATOR ASSY-REAR SEAT OUTLET	21-40-00-02	-013
REMOVABLE FLOORBOARD INSTALLATION	53-20-00-03	-
REMOVABLE FLOORBOARDS AND COVER PLATES INSTALLATION	53-20-00-04	-
RESERVOIR AND SHELF INSTALLATION	30-10-00-06	-
RESISTOR KIT INSTALLATION	23-10-00-07	-
RIGHT AILERON INSTALLATION	57-60-00-02	-
RIGHT ENGINE LOWER NACELLE INSTALLATION	54-10-00-02	-
RIGHT ENGINE MOUNT INSTALLATION	71-20-00-02	-
RIGHT ENGINE UPPER NACELLE INSTALLATION	54-10-00-05	-
RIGHT ENGINE UPPER NACELLE INSTALLATION	54-10-00-06	-
RIGHT FIREWALL INSTALLATION	54-10-01-03	-
RIGHT FIREWALL INSTALLATION	54-10-01-04	-

**CESSNA AIRCRAFT COMPANY
MODEL 310 THRU 310D
ILLUSTRATED PARTS CATALOG**

NOMENCLATURE

CH SEC SUBJ FIG ITEM

R Continued

RIGHT HAND LANDING LIGHT INSTALLATION	33-40-00-01A	-
RIGHT INBOARD FLAP INSTALLATION	57-50-00-07	-
RIGHT OUTBOARD FLAP INSTALLATION	57-50-00-08	-
RIGHT WING CONTROLS SUPPORT BRACKETS INSTALLATION	57-50-00-06	-
RIGHT WING FRONT SPAR AND LEADING EDGE ASSEMBLIES	57-40-00-02	-
RIGHT WING INSTALLATION	57-10-00-05	-
RIGHT WING RIBS INSTALLATION	57-10-00-07	-
RIGHT WING RIBS INSTALLATION - AUXILIARY FUEL SYSTEM	57-10-01-05	-
RIGHT WING SKINS AND STRINGERS INSTALLATION	57-10-00-08	-
RIGHT WING SKINS AND STRINGERS INSTALLATION - AUXILIARY FUEL SYSTEM	57-10-01-06	-
RIGHT WING STRUCTURE ASSEMBLY	57-10-00-06	-
RIGHT WING STRUCTURE ASSEMBLY - AUXILIARY FUEL SYSTEM	57-10-01-04	-
RIGHT WING TRAILING EDGE ASSEMBLY	57-50-00-05	-
ROTATING BEACON INSTALLATION	33-40-00-03	-
RUDDER ASSY-COMPLETE	55-40-00-01	-005B
RUDDER ASSY-LESS TRIM TAB	55-40-00-01	-006B
RUDDER CONTROL SYSTEM INSTALLATION	27-20-00-01	-
RUDDER INSTALLATION	55-40-00-01	-
RUDDER SPARS AND RIBS INSTALLATION	55-40-00-02	-
RUDDER TRIM CONTROL SYSTEM INSTALLATION	27-20-01-01	-
RUDDER TRIM TAB ACTUATOR INSTALLATION	27-00-00-01	-
RUDDER TRIM TAB INSTALLATION	55-40-00-04	-

S

S-5-RTR HIGH FREQUENCY TRANSCEIVER INSTALLATION-SUN-AIR	23-20-03-02	-000
SELECTOR-REMOTE FREQUENCY LEAR 2207-D	23-10-00-01	-004
SERVO-ELEVATOR TRIM LEAR 868G-2	22-10-00-02	-006
SHEAVE-GENERATOR	24-30-10-02	-008A
SHEAVE-CRANKSHAFT	24-30-10-02	-009
SHIMMY DAMPER INSTALLATION	32-20-00-05	-
SHOCK MOUNTED INSTRUMENT PANEL ASSEMBLY	31-10-00-07	-
SHOCK MOUNTED INSTRUMENT PANEL ASSEMBLY	31-10-00-08	-
SHOCK MOUNTED INSTRUMENT PANEL INSTALLATION	31-10-00-05	-
SHOCK MOUNTED INSTRUMENT PANEL INSTALLATION	31-10-00-06	-
SHOULDER HARNESS INSTALLATION	25-21-00-03	-
SIGNAL HORN-GEAR WARNING	24-10-00-01	-001
SILKSCREEN-FUEL STRAINER DRAIN	11-00-00-01	-036
SILKSCREEN- FUEL DOOR	28-20-01-01	-039
SIMPLEXER-NARCO VC-27B	23-00-00-01	-005
SLAVED GYRO-G-12 DIRECTIONAL ARC 20172 USED WITHOUT AUTOPILOT	34-20-00-02	-016
SLAVED GYRO-ARC G12/L2 DIRECTIONAL USED WITH AUTOPILOT	34-20-00-02	-016A
SLAVED GYRO-G-12 ARC 20172	34-20-00-03	-016
SLAVING METER-IN-11 ARC-20003	34-20-00-02	-019
SLAVING METER-IN-11 ARC 20003	34-20-00-03	-017
SMALL GLOVE BOX INSTALLATION	25-10-01-02	-
SPEAKER-RADIO FSO 525-LOC4HT	23-50-00-02	-001
SPEAKER-RADIO MMEC	23-50-00-02	-001A
SPEED CONTROL SYSTEM INSTALLATION	27-50-00-03	-
SPEED CONTROL SYSTEM INSTALLATION	27-50-00-04	-
SPINNER ASSY- PROPELLER SPINNER	61-10-00-01	-001
STABILIZER INSTALLATION	55-10-00-01	-
STARTER- DELCO REMY 1109909 4D7 OR 1108234	71-00-00-02	-001
STATIONARY INSTRUMENT PANEL ASSEMBLIES	31-10-00-04	-
STATIONARY INSTRUMENT PANEL EQUIPMENT INSTALLATION	31-10-00-01	-
STATIONARY INSTRUMENT PANEL EQUIPMENT INSTALLATION	31-10-00-02	-
STATIONARY INSTRUMENT PANEL EQUIPMENT INSTALLATION	31-10-00-03	-
STATIONARY INSTRUMENT PANEL SWITCHES AND LIGHTING INSTALLATION	31-10-01-02	-

**CESSNA AIRCRAFT COMPANY
MODEL 310 THRU 310D
ILLUSTRATED PARTS CATALOG**

NOMENCLATURE

CH SEC SUBJ FIG ITEM

S Continued

STATIONARY INSTRUMENT PANEL SWITCHES INSTALLATION	31-10-01-01	-
STRAINER ASSY- FUEL	73-10-00-02	-010A
SUCTION GAGE-SUCTION	31-10-00-07	-015
SUN VISOR ASSY	25-20-01-01	-047
SUN VISOR ASSY	25-20-01-02	-042
SUN-AIR HIGH FREQUENCY TRANSCEIVER INSTALLATION	23-20-03-02	-
SUN-AIR S-5-RTR TRANSCEIVER COMPONENTS INSTALLATION	31-10-01-04	-005D
SUN-AIR S-5-RTR TRANSCEIVER INSTALLATION	23-20-03-01	-
SUN-AIR T-5-R TRANSCEIVER COMPONENTS INSTALLATION	31-10-01-04	-005E
SWEPT TAIL FIN AND DORSAL INSTALLATION	55-30-00-03	-
SWEPT TAIL RUDDER INSTALLATION	55-40-00-03	-
SWITCH-FLAME DETECTOR STEWART WARNER	21-40-00-08	-042
SWITCH-OVERHEAT STEWART WARNER	21-40-00-08	-043
SWITCH-OVERHEAT FSO 719831-1 STEWART WARNER	21-40-00-10	-005
SWITCH-AUTOPILOT MASTER	22-10-00-02	-014
SWITCH-INTERNATIONAL RESISTANCE CO	23-10-00-01	-006D
SWITCH-AUDIO	23-10-00-01	-008
SWITCH-AUDIO	23-10-00-02	-008
SWITCH-AUDIO ALT FOR S382-3	23-10-00-02	-008A
SWITCH-AUDIO ALT FOR S382-3	23-10-00-02	-008A
SWITCH-ROTARY ARC	23-10-02-01	-007E
SWITCH-SELECTOR	23-10-02-01	-010E
SWITCH-IRC	23-10-02-01	-013E
SWITCH-ROTARY ARC	23-10-02-02	-004E
SWITCH-IRC	23-10-02-02	-007E
SWITCH-ROTARY ARC	23-10-02-03	-005E
SWITCH-SELECTOR	23-10-02-03	-008E
SWITCH-IRC	23-10-02-03	-011E
SWITCH-TRANSMITTER CONTROL INTERNATIONAL INSTR INC	23-10-02-04	-007A
SWITCH-GLIDE SLOPE CONTROL INTERNATIONAL INSTR INC	23-10-02-04	-008A
SWITCH-IRC	23-10-02-04	-011E
SWITCH-TRANSMITTER CONTROL INTERNATIONAL INSTR INC	23-10-02-05	-008A
SWITCH-GLIDE SLOPE CONTROL INTERNATIONAL INSTR INC	23-10-02-05	-009A
SWITCH-IRC	23-10-02-05	-012E
SWITCH-AUDIO	23-10-02-06	-004
SWITCH-MARKER	23-10-02-06	-005
SWITCH-AUDIO	23-10-02-06	-006
SWITCH-AUDIO	23-10-02-06	-010
SWITCH-AUDIO	23-10-02-06	-014
SWITCH-POWER	23-10-02-06	-015
SWITCH-AUDIO	23-10-02-06	-016
SWITCH-AUDIO	23-10-02-07	-004
SWITCH-MARKER	23-10-02-07	-005
SWITCH-AUDIO	23-10-02-07	-006
SWITCH-TOGGLE DOUBLE POLE MASTER ADF	23-10-02-08	-003
SWITCH-AUDIO	23-10-02-08	-004
SWITCH-TOGGLE DOUBLE POLE LTRA-6 MASTER	23-10-02-08	-005
SWITCH-AUDIO	23-10-02-08	-006
SWITCH-SELECTOR	23-10-02-08	-008
SWITCH-AUDIO	23-10-02-08	-021
SWITCH-AUDIO ALT FORS382-3	23-10-02-08	-021A
SWITCH-ANTENNA SELECTOR	23-10-02-08	-022
SWITCH-ANTENNA SELECTOR ALT FORS382-3	23-10-02-08	-022A
SWITCH-REEL	23-10-02-08	-023
SWITCH-TRANSMITTER SELECTOR	23-10-02-08	-024
SWITCH-TRANSMITTER CONTROL INTERNATIONAL INSTR INC	23-10-02-09	-006A
SWITCH-IRC	23-10-02-09	-008E
SWITCH-TOGGLE DOUBLE POLE MASTER ADF	23-10-02-10	-003
SWITCH-AUDIO	23-10-02-10	-004

**CESSNA AIRCRAFT COMPANY
MODEL 310 THRU 310D
ILLUSTRATED PARTS CATALOG**

NOMENCLATURE

CH SEC SUBJ FIG ITEM

S Continued

SWITCH-SWITCH DECORATIVE	23-10-02-10	-004A
SWITCH-SWITCH	23-10-02-10	-004B
SWITCH-SQUELCH	23-10-02-10	-007
SWITCH-AUDIO	23-10-02-10	-008
SWITCH-SWITCH DECORATIVE	23-10-02-10	-008A
SWITCH-SWITCH	23-10-02-10	-008B
SWITCH-AUDIO	23-10-02-10	-012
SWITCH-AUDIO ALT FOR S382-3	23-10-02-10	-012A
SWITCH-ANTENNA SELECTOR	23-10-02-10	-013
SWITCH-ANTENNA SELECTOR ALT FOR S382-3	23-10-02-10	-013A
SWITCH-REEL	23-10-02-10	-014
SWITCH-AUDIO AMPLIFIER	23-10-02-10	-015
SWITCH-TRANSMITTER SELECTOR	23-10-02-10	-016
SWITCH-AUDIO	23-10-02-11	-004
SWITCH-AUDIO	23-10-02-11	-008
SWITCH	23-10-02-11	-009
SWITCH-AUDIO	23-10-02-11	-011
SWITCH-AUDIO	23-10-02-11	-013
SWITCH-AUDIO AMPLIFIER	23-10-02-11	-014
SWITCH-TRANSMITTER SELECTOR	23-10-02-11	-015
SWITCH-BAND SELECTOR	23-10-02-12	-003
SWITCH-TRANSMITTER CONTROL INTERNATIONAL INSTR INC	23-10-02-12	-006A
SWITCH-IRC	23-10-02-12	-008E
SWITCH-BAND SELECTOR	23-10-02-13	-003
SWITCH-TRANSMITTER CONTROL INTERNATIONAL INSTR INC	23-10-02-13	-008A
SWITCH-GLIDE SLOPE CONTROL INTERNATIONAL INSTR INC	23-10-02-13	-009A
SWITCH-IRC	23-10-02-13	-011E
SWITCH-AUDIO	23-10-02-14	-004
SWITCH-SQUELCH	23-10-02-14	-007
SWITCH-AUDIO	23-10-02-14	-011
SWITCH-AUDIO	23-10-02-14	-013
SWITCH-AUDIO AMPLIFIER	23-10-02-14	-014
SWITCH-TRANSMITTER SELECTOR	23-10-02-14	-015
SWITCH-SQUELCH	23-10-02-17	-007
SWITCH-AUDIO	23-10-02-17	-008
SWITCH-AUDIO	23-10-02-17	-009
SWITCH-AUDIO NARCO 1021 OMNI ONLY	23-10-02-17	-014
SWITCH-AUDIO	23-10-02-17	-016
SWITCH-AUDIO	23-10-02-17	-017
SWITCH-TOGGLE DOUBLE POLE MASTER ADF-12E-2 ONLY	23-10-02-17	-018
SWITCH-TOGGLE DOUBLE POLE AUDIO AMPLIFIER	23-10-02-17	-019
SWITCH-TRANSMITTER SELECTOR CUTLER-HAMMER	23-10-02-17	-020
SWITCH-AUDIO	23-10-02-18	-006
SWITCH-AUDIO NAVIGATION SYSTEM	23-10-02-18	-008
SWITCH-INTERNATIONAL INSTR INC	23-10-02-18	-010
SWITCH-AUDIO	23-10-02-18	-012
SWITCH-AUDIO	23-10-02-18	-013
SWITCH-TOGGLE DOUBLE POLE MASTER ADF-12E-2 ONLY	23-10-02-18	-014
SWITCH-TOGGLE DOUBLE POLE AUDIO AMPLIFIER	23-10-02-18	-015
SWITCH-TRANSMITTER SELECTOR	23-10-02-18	-016
SWITCH-INTERNATIONAL INSTR INC	23-10-02-19	-005
SWITCH-SQUELCH	23-10-02-19	-006
SWITCH-AUDIO	23-10-02-19	-007
SWITCH-AUDIO	23-10-02-19	-011
SWITCH-TOGGLE DOUBLE POLE MASTER ADF ADF-12E-2 ONLY	23-10-02-19	-015
SWITCH-TOGGLE DOUBLE POLE AUDIO AMPLIFIER	23-10-02-19	-016
SWITCH-TRANSMITTER SELECTOR	23-10-02-19	-017
SWITCH-AUDIO	23-10-02-20	-004
SWITCH-AUDIO	23-10-02-23	-006

**CESSNA AIRCRAFT COMPANY
MODEL 310 THRU 310D
ILLUSTRATED PARTS CATALOG**

NOMENCLATURE

CH SEC SUBJ FIG ITEM

S Continued

SWITCH-TOGGLE DOUBLE POLE AUDIO AMPLIFIER	23-10-02-23	-013
SWITCH-TOGGLE DOUBLE POLE MASTER ADF	23-10-02-23	-014
SWITCH-AUDIO	23-10-02-23	-015
SWITCH-TRANSMITTER SELECTOR	23-10-02-23	-021
SWITCH-INTERNATIONAL INSTR INC	23-10-02-24	-005
SWITCH-SQUELCH	23-10-02-24	-006
SWITCH-AUDIO	23-10-02-24	-007
SWITCH-AUDIO	23-10-02-24	-011
SWITCH-AUDIO	23-10-02-24	-011A
SWITCH-AUDIO	23-10-02-24	-011A
SWITCH-ANTENNA SELECTOR	23-10-02-24	-012
SWITCH-ANTENNA SELECTOR	23-10-02-24	-012A
SWITCH-REEL	23-10-02-24	-013
SWITCH-AUDIO AMPLIFIER	23-10-02-24	-014
SWITCH-MASTER ADF	23-10-02-24	-015
SWITCH-AUDIO	23-10-02-24	-016
SWITCH-TRANSMITTER SELECTOR	23-10-02-24	-017
SWITCH-AUDIO	23-10-02-25	-004
SWITCH-TOGGLE DOUBLE POLE MASTER ADF	23-10-02-25	-007
SWITCH-AUDIO	23-10-02-25	-008
SWITCH-TRANSMITTER SELECTOR CUTLER HAMMER	23-10-02-25	-010
SWITCH-ROTARY ARC	23-20-01-04	-015
SWITCH-AUDIO	23-20-03-01	-019
SWITCH-AUDIO ALT FOR S382-3	23-20-03-01	-019A
SWITCH-ANTENNA SELECTOR	23-20-03-01	-020
SWITCH-ANTENNA SELECTOR ALT FOR S382-3	23-20-03-01	-020A
SWITCH-REEL	23-20-03-01	-021
SWITCH-AUDIO AMPLIFIER	23-50-01-03	-008
SWITCH-LEFT GEAR MICRO SWITCH CORP	24-30-20-01	-002
SWITCH-RIGHT GEAR MICRO SWITCH CORP	24-30-20-01	-002A
SWITCH-LEFT & RIGHT GEAR DOWN	24-30-20-01	-003
SWITCH-ANTI-ICE	30-60-00-01	-031
SWITCH-IGNITION	31-10-01-01	-011
SWITCH-GENERATOR	31-10-01-01	-012
SWITCH-BATTERY	31-10-01-01	-013
SWITCH-FUEL BOOST	31-10-01-01	-014
SWITCH-PITOT HEAT	31-10-01-01	-015
SWITCH-LEFT LANDING LIGHT	31-10-01-01	-016
SWITCH-LEFT LANDING LIGHT	31-10-01-01	-016A
SWITCH-NAVIGATION LIGHT	31-10-01-01	-017
SWITCH-PRIME	31-10-01-01	-018
SWITCH-CABIN HEAT	31-10-01-01	-019
SWITCH-FLAP CONTROL	31-10-01-01	-020
SWITCH-STARTER	31-10-01-01	-024
SWITCH-LANDING GEAR	31-10-01-01	-025
SWITCH-IGNITION	31-10-01-02	-011
SWITCH-GENERATOR	31-10-01-02	-012
SWITCH-BATTERY	31-10-01-02	-013
SWITCH-FUEL BOOST	31-10-01-02	-014
SWITCH-PITOT HEAT	31-10-01-02	-014A
SWITCH-CABIN HEAT	31-10-01-02	-014B
SWITCH-PRIME	31-10-01-02	-015
SWITCH-NAVIGATION LIGHT	31-10-01-02	-016
SWITCH-NAVIGATION LIGHT MICRO SWITCH CORP	31-10-01-02	-017
SWITCH-LEFT LANDING LIGHT	31-10-01-02	-018
SWITCH-LEFT LANDING LIGHT	31-10-01-02	-019
SWITCH-LANDING GEAR	31-10-01-02	-022
SWITCH-FLAP CONTROL	31-10-01-02	-023
SWITCH-STARTER HETHERINGTON INC	31-10-01-02	-025

**CESSNA AIRCRAFT COMPANY
MODEL 310 THRU 310D
ILLUSTRATED PARTS CATALOG**

NOMENCLATURE

CH SEC SUBJ FIG ITEM

S Continued

SWITCH-AUDIO NARCO VC-27B & MARK V	31-10-01-03	-005
SWITCH-AUDIO MOTOROLA LNC-100 ONLY	31-10-01-03	-005A
SWITCH-TOGGLE DOUBLE POLE MASTER ADF	31-10-01-04	-003
SWITCH-AUDIO	31-10-01-04	-004
SWITCH-AUDIO (NARCO VC-27B & MARK V ONLY)	31-10-01-04	-005
SWITCH-AUDIO (MOTOROLA LNC-100 ONLY)	31-10-01-04	-005A
SWITCH-AUDIO	31-10-01-04	-009
SWITCH-AUDIO ALT FOR S382-3	31-10-01-04	-009A
SWITCH-AUDIO	31-10-01-04	-009B
SWITCH-ANTENNA SELECTOR	31-10-01-04	-010
SWITCH-ANTENNA SELECTOR ALT FOR	31-10-01-04	-010A
SWITCH-REEL	31-10-01-04	-011
SWITCH-TRANSMITTER SELECTOR CUTLER HAMMER	31-10-01-04	-014
SWITCH- HETHERINGTON	33-10-00-02	-008
SWITCH-ROTATING BEACON	33-40-00-04	-003A
SWITCH-TAXI	33-40-00-06	-019A
SWITCH-MONITOR HETHERINGTON	34-20-00-02	-021
SWITCH-MONITOR HETHERINGTON	34-20-00-03	-019
SWITCH-TOGGLE DOUBLE POLE MASTER ADF-12	34-50-01-01	-010
SWITCH-TOGGLE DOUBLE POLE MASTER ADF-12	34-50-01-02	-010
SWITCH-MASTER ADF-14	34-50-02-01	-004A
SWITCH-AUDIO	34-50-02-01	-004B
SWITCH-TOGGLE DOUBLE POLE MASTER ADF-14	34-50-02-02	-006
SWITCH-AUDIO	34-50-02-02	-007
SWITCH-HEAT FAN	53-20-02-01	-018
SWITCH-PITOT	53-20-02-01	-019
SWITCH ASSY-OVERHEAT	21-40-00-06	-022
SWITCH ASSY-FLAME	21-40-00-06	-040
SWITCH ASSY-LIMIT GRIMES MFG CO	33-40-00-01	-000A
SWITCH ASSY-LIMIT GRIMES MFG	33-40-00-01A	-000A
SWITCH ASSY- PRESSURE	73-10-00-02	-038
SWITCH OVERHEAT-STEWART WARNER	21-40-00-10	-005A
SWITCH PANEL ASSEMBLY AND INSTALLATION	31-10-01-04	-
SWITCH TOGGLE DOUBLE POLE-MASTER ADF-12 ONLY	23-10-02-06	-003
SWITCH TOGGLE DOUBLE POLE-LTRA-6 MASTER SEE DETAIL A	23-10-02-06	-007
SWITCH-TOGGLE DOUBLE POLE-MASTER ADF-12 ONLY	23-10-02-07	-003

T

TACHOMETER	31-10-00-07	-012
TACHOMETER	31-10-00-08	-022A
TACHOMETER GENERATOR- GENERAL ELECTRIC 2CM9AAA	71-00-00-02	-002
TACHOMETER GENERATOR- JACK & HEINTZ H60-050 ALTERNATE	71-00-00-02	-002A
TANK ASSY-ANTI-ICE	30-00-00-01	-007
TAXI LIGHT ASSY	33-40-00-06	-001
TAXI LIGHT INSTALLATION	33-40-00-06	-
TELESCOPIC ASSY-FOUL WEATHER WINDOW	56-10-00-02	-030
TELESCOPIC UNIT- CARBURETOR AIR	76-10-00-01	-003
TELESCOPIC UNIT- MIXTURE CONTROL	76-10-00-01	-007
TELESCOPIC UNIT- THROTTLE CONTROL	76-10-00-01	-013A
TELESCOPIC UNIT- PROPELLER CONTROL	76-10-00-01	-016
TELESCOPIC UNIT- PROPELLER	76-10-00-02	-020
TIARA ASSY	25-20-01-02	-039
TRANSCEIVER-NARCO VSC-1	23-10-01-01	-002
TRANSCEIVER-NARCO VSC-2	23-10-01-01	-002A
TRANSCEIVER-RT-11A	23-20-02-04	-016A
TRANSCEIVER-SUN-AIR S-5-RTR	23-20-03-01	-003
TRANSCEIVER-SUN-AIR S-5-RTR	23-20-03-02	-003

**CESSNA AIRCRAFT COMPANY
MODEL 310 THRU 310D
ILLUSTRATED PARTS CATALOG**

NOMENCLATURE	CH	SEC	SUBJ	FIG	ITEM
--------------	----	-----	------	-----	------

T Continued

TRANSCEIVER-SUN-AIR T-5-R	23-20-03-02	-003A
TRANSDUCER-LIFT	27-50-00-03	-001
TRANSDUCER- LIFT	27-50-00-04	-001
TRANSFORMER-AUDIO	23-00-00-03	-001
TRANSMITTER-RECEIVER LEAR 2209-B	23-10-00-01	-002
TRANSMITTER-T-11B ARC 15840	23-20-02-02	-002
TRANSMITTER-ARC T-22	23-20-02-03	-003
TRANSMITTER-T-25A ARC 21600	23-20-02-04	-002
TRANSMITTER-T-25A ARC 21600	23-20-02-04	-020
TRANSMITTER-GENERAL ELECTRIC 8TJ9PAV	27-50-00-02	-010
TRANSMITTER RECEIVER LTR-800-LEAR 705615-04	23-10-00-06	-002
TRIM INDICATOR-RUDDER	22-10-00-02	-013
TUNER-LEAR ADF-12	34-50-01-01	-004
TUNER-LEAR ADF-12	34-50-01-02	-005
TUNER-LEAR ADF-12	34-50-01-04	-005
TUNER- LEAR ADF-12E-2	34-50-01-05	-031
TUNER-LEAR ADF-14	34-50-02-01	-002
TUNER-LEAR ADF-14	34-50-02-02	-003
TUNER - LEAR ADF-12	34-50-01-03	-005
TURN & BANK INDICATOR	31-10-00-07	-019
TURN & BANK INDICATOR	31-10-00-08	-028

U

UNIMETER-LEAR 2215-B4	23-10-00-02	-005
UNIMETER-LEAR 2215-B4	23-10-00-03	-007
UNIMETER-LEAR 2215-B4 USED WITH OMNI	23-10-00-05	-009
UPHOLSTERY INSTALLATION	25-20-00-01	-
UPHOLSTERY INSTALLATION	25-20-00-02	-
UPHOLSTERY INSTALLATION	25-20-00-03	-
UPHOLSTERY INSTALLATION	25-20-00-04	-
UPHOLSTERY TRIM INSTALLATION	25-20-01-01	-
UPHOLSTERY TRIM INSTALLATION	25-20-01-02	-

V

VACUUM SYSTEM COMPONENTS-INSTRUMENT PANEL	37-10-00-03	-
VACUUM SYSTEM INSTALLATION	37-10-00-01	-
VACUUM SYSTEM INSTALLATION	37-10-00-02	-
VACUUM SYSTEM RELIEF VALVE INSTALLATION	37-10-00-04	-
VALVE-WEMAC	31-10-00-01	-034
VERTICAL SPEED INDICATOR	31-10-00-07	-017
VERTICAL SPEED INDICATOR	31-10-00-08	-015
VHF ANTENNA INSTALLATION	23-10-01-04	-
VOLUME CONTROL-SQUELCH INTERNATIONAL RESISTANCE CO	23-10-02-11	-007
VOLUME CONTROL-SQUELCH INTERNATIONAL RESISTANCE CO	23-10-02-18	-011
VOLUME CONTROL-SQUELCH INTERNATIONAL RESISTANCE CO	23-10-02-23	-005

W

WARNING UNIT-STALL WARNING	31-10-00-07	-034
WEDJIT-MONADNOCK MILLS	25-21-00-06	-008
WEDJIT	25-21-02-01	-003
WEIGHT-ELEVATOR BALANCE LH	55-20-00-01	-047
WEIGHT-ELEVATOR BALANCE RH	55-20-00-01	-048

CESSNA AIRCRAFT COMPANY
MODEL 310 THRU 310D
 ILLUSTRATED PARTS CATALOG

NOMENCLATURE

CH SEC SUBJ FIG ITEM

W Continued

WEIGHT-RUDDER BALANCE.....	55-40-00-01	-009A
WEMAC VALVE.....	31-10-00-02	-033
WHEEL SCRAPER ASSY.....	32-20-00-01	-041
WINDOW ASSY-FOUL WEATHER.....	56-10-00-02	-019A
WINDOWS INSTALLATION.....	56-10-00-02	-
WINDSHIELD INSTALLATION.....	56-10-00-01	-
WING LIGHT ASSY-NAVIGATION LH RED.....	33-40-00-02	-003A
WING LIGHT ASSY-NAVIGATION RH GREEN.....	33-40-00-02	-003B
WING SPAR STRAP.....	57-10-00-11	-
WINTERIZATION BAFFLES INSTALLATION.....	25-70-00-01	-

**CESSNA AIRCRAFT COMPANY
MODEL 310 THRU 310D
ILLUSTRATED PARTS CATALOG**

PART NUMBER	CH	SEC	SUBJ	FIG	ITEM	REQ	PART NUMBER	CH	SEC	SUBJ	FIG	ITEM	REQ
.5002X1	61-10-00-02				-004	2	0311310	53-20-00-05				-029	8
"BROWN DEVIL"	31-10-00-01				-041	1	0311360-6	30-00-00-01				-010	1
"LITTLE DEVIL"	31-10-01-01				-017A	1	0311586	25-21-02-01				-030	4
"LITTLE DEVIL"	31-10-01-02				-017A	1	0311586	53-20-00-05				-030	8
0-470-M	71-00-00-01				-001A	1	0311623-2	25-20-00-04				-048	1
0-470-M CUST SPEC 5	71-00-00-01				-001	1	0311623-2	25-50-00-01				-014	1
0310113	57-10-00-03				-020	1	0311623-2	25-50-00-02				-014	1
0310113	57-10-01-02				-020	1	0311710-11	25-10-00-01				-004B	NP
0310190-2	52-10-00-03				-053	1	0311710-11	25-21-00-02				-012B	NP
0310196-3	25-10-00-02				-024	1	0311710-11	25-21-00-02				-041	NP
0310196-3	25-21-00-05				-019	2	0311710-12	25-10-00-01				-004D	NP
0310196-4	25-10-00-02				-007	1	0311710-12	25-21-00-02				-041B	NP
0310196-4	25-21-00-02				-037	2	0311710-12	25-21-00-06				-027	NP
0310219-2	32-50-00-01				-010	4	0311710-12	25-21-02-01				-025	NP
0310225	57-10-00-09				-019	1	0311710-13	25-21-01-01				-001	NP
0310293-2	27-00-00-02				-006	1	0311710-14	25-21-01-01				-002	NP
0310293-2	27-00-00-03				-003	1	0311710-7	25-10-00-01				-004	NP
0310293-4	27-00-00-01				-004	1	0311710-7	25-21-00-02				-012	NP
0310293-7	27-00-00-01				-004A	1	0311779-23	21-40-00-05				-002	2
0310295	27-00-00-01				-005	2	0311779-23	21-40-00-07				-002	2
0310295	27-00-00-02				-007	2	0311779-23	21-40-00-09				-002	2
0310295	27-00-00-03				-004	1	0311835-120	34-50-05-01				-012	1
0310297-1	27-00-00-01				-006	1	0311835-120	34-50-05-01				-021	1
0310297-1	27-00-00-02				-008	1	0311835-121	34-50-05-01				-016	1
0310297-1	27-00-00-03				-005	1	0311835-121	34-50-05-01				-024	1
0310298-1	27-00-00-01				-007	1	0311835-2	34-50-01-01				-008	1
0310298-1	27-00-00-02				-009	1	0311835-2	34-50-01-03				-009	1
0310298-1	27-00-00-03				-006	1	0311835-2	34-50-01-05				-035	1
0310327	27-50-00-02				-014	1	0311835-2	34-50-02-01				-003	1
0310332	27-00-00-01				-009	1	0311835-27	23-10-00-05				-002A	2
0310332	27-00-00-02				-013	1	0311835-59	23-00-00-05				-006	2
0310332	27-00-00-03				-010	1	0311880-1	25-21-00-03				-001	1
0310352	27-00-00-01				-016	1	0311880-2	25-21-00-03				-003	1
0310352	27-00-00-02				-012	1	0312155-10	24-40-00-01				-004	1
0310352	27-00-00-03				-009	1	0312155-4	57-10-00-01				-029	01
0310362-11	27-00-00-01				-014A	1	0313313-3	24-10-00-01				-004A	1
0310362-5	27-00-00-02				-018	1	0320105	28-20-01-01				-015	2
0310362-5	27-00-00-03				-015	1	0322006-10	33-40-00-01				-000	1
0310362-7	27-00-00-01				-014	1	0322006-10	33-40-00-01A				-000	1
0310422	27-00-00-01				-010	1	0322526-6	28-20-01-01				-011	2
0310422	27-00-00-02				-014	1	0322541	28-20-01-01				-0321	2
0310422	27-00-00-03				-011	1	0322541	28-40-00-01				-002	2
0311026-1	31-10-00-07				-018	1	0322546	28-20-01-01				-032	2
0311026-5	31-10-00-08				-016	1	0322622	57-10-00-05				-029	1
0311034-1	31-10-00-07				-017	1	0341006-1	32-40-00-01				-003A	1
0311034-5	31-10-00-08				-015	1	0341006-12	32-40-00-01				-020	1
0311037-10	24-30-10-02				-030A	1	0411008-2	34-20-00-01				-006	1
0311037-5	31-10-00-07				-014	1	0411010-3	31-10-00-07				-031	1
0311037-6	24-30-10-02				-030	1	0411010-5	31-10-00-08				-019	1
0311037-9	31-10-00-03				-009	1	0411030-5	25-20-01-01				-043A	1
0311056-5	31-10-00-07				-028	1	0411030-5	25-21-00-01				-021	1
0311056-6	31-10-00-08				-032	1	0411047	27-30-01-01				-008	2
0311057-2	31-10-00-07				-015	1	0411057-6	23-50-01-01				-015	1
0311058-3	31-10-00-07				-026	1	0411057-6	23-50-01-02				-011	1
0311058-6	31-10-00-08				-034	1	0411057-6	23-50-01-03				-016	1
0311072	28-20-00-05				-003	1	0411059-1	23-10-00-06				-014	2
0311076	28-20-00-05				-002	1	0411059-1	23-10-01-02				-005	2
0311076	28-20-01-03				-011	1	0411059-1	23-10-01-02				-013	1
0311077	28-20-00-05				-013	2	0411059-1	23-20-01-01				-017	1
0311077	28-20-01-03				-010	3	0411059-1	23-20-01-02				-016	1
0311310	25-21-02-01				-029	4	0411059-1	31-10-00-05				-002	9

**CESSNA AIRCRAFT COMPANY
MODEL 310 THRU 310D
ILLUSTRATED PARTS CATALOG**

PART NUMBER	CH SEC SUBJ FIG ITEM REQ	PART NUMBER	CH SEC SUBJ FIG ITEM REQ
0411059-1	31-10-00-06 -002 12	0413307-6	24-30-00-02 -012 4
0411059-1	34-60-00-01 -015 1	0413307-7	24-30-00-01 -010 2
0411062-1	23-50-00-01 -001 1	0415010-1	25-10-00-03 -003 02
0411067-1	23-10-01-03 -009 1	0422344	57-10-00-04 -059 1
0411067-1	23-20-03-03 -008 1	0422344	57-10-00-08 -058 1
0411067-1	34-50-05-02 -016 1	0432126	27-00-00-01 -001 2
0411081-2	23-20-03-03 -010 1	0432126	27-00-00-01 -001A 3
0411217	34-50-05-03 -007 3	0432126	27-00-00-03 -001 2
0411224	31-10-00-04 -016 2	0432134-1	27-10-00-02 -010 1
0411420	53-20-02-01 -022 1	0432134-1	27-10-00-02 -032 1
0411420	53-20-02-01 -028 11	0432134-1	27-10-00-02 -033 1
0411420	53-20-02-01 -045 11	0432134-1	27-20-01-01 -009 2
0411420	53-20-02-02 -023 1	0432134-1	27-20-01-01 -042 1
0411420	53-20-02-02 -028 1	0433006-11	53-10-07-05 -009A 1
0411420	53-20-02-02 -041 1	0433006-12	53-10-07-05 -009 1
0411421-2	27-20-00-01 -025 2	0433006-2	53-10-07-05 -007 1
0411421-2	27-30-00-01 -014 2	0433006-4	53-10-07-05 -006 1
0411421-2	27-50-00-01 -012 2	0441016-13	32-40-01-01 -019 1
0411421-4	32-41-01-01 -013D 4	0441016-24	32-40-01-01 -018 1
0411421-8	27-10-00-01 -032 6	0450262	53-10-01-01 -036 2
0411468	53-30-00-01 -015 1	0450277-1	71-11-01-01 -059 2
0411523	27-10-00-02 -025 2	0450277-1	71-11-01-02 -050 2
0411523	27-20-01-01 -032 3	0450277-2	71-11-01-01 -060 2
0411523	27-30-00-02 -034 3	0450277-2	71-11-01-02 -051 2
0411524	27-10-00-02 -026 2	0450277-3	71-11-01-01 -025 6
0411524	27-20-01-01 -033 3	0450311	21-40-00-04 -004 1
0411524	27-30-00-02 -035 3	0450311	30-10-00-06 -047 2
0411670	34-50-05-03 -006 3	0450311	73-10-00-02 -027 2
0411671	57-10-00-03 -004A 1	0500010-4	25-20-01-02 -047 2
0411671	57-10-00-07 -003A 1	0500027-4	11-00-00-01 -020 2
0411671	57-10-01-02 -004A 1	0500027-4	11-00-00-01 -020A 3
0411671	57-10-01-05 -003A 1	0500030	11-00-00-01 -023 2
0411686	23-10-01-03 -014 1	0510146-5	27-30-00-01 -018A 2
0411686	34-50-05-02 -015 1	0510160	22-10-01-01 -047 4
0411849	53-30-00-03 -010 1	0510160	27-20-00-01 -028 4
0412007-6	71-00-00-01 -013 1	0510160	27-30-00-01 -017 4
0412467	53-10-02-01 -007 1	0511018	23-50-01-01 -013 AR
0412467	53-10-02-01 -011 3	0511018	23-50-01-02 -009A AR
0412467	53-10-02-02 -007 1	0511018	23-50-01-03 -014 AR
0412467	53-10-02-02 -009 3	0511028	23-00-00-03 -001 1
0412467	53-10-03-01 -026 1	0511062-6	24-30-00-04 -012 1
0412467	53-30-00-04 -006 2	0511062-7	31-10-00-07 -034 1
0412467	57-10-00-03 -002 1	0511062-8	31-10-00-08 -036 1
0412467	57-10-00-03 -033 1	0511062-9	24-10-00-01 -004 1
0412467	57-10-00-03 -035 1	0511165	25-21-00-01 -007 AR
0412467	57-10-00-09 -018 2	0511165	53-40-00-01 -005 8
0412467	57-10-01-02 -002 1	0511186	25-20-01-01 -045 2
0412467	57-10-01-02 -034 1	0511186	25-20-01-02 -046 2
0412467	57-10-01-02 -036 1	0511199-20	28-40-00-01 -006A 1
0413126-5	31-10-00-01 -040 1	0511199-20	34-10-00-01 -036 1
0413126-5	31-10-00-02 -039 1	0511199-20	73-10-00-01 -040 1
0413126-8	31-10-00-02 -039A 1	0511199-20	73-10-00-02 -018 2
0413126-8	31-10-01-02 -043 1	0511199-26	73-10-00-01 -030A 2
0413216	27-30-01-01 -026 2	0511199-29	73-10-00-01 -030B 2
0413216-1	27-30-01-01 -026A 2	0511199-33	73-10-00-02 -010A 2
0413261	11-00-00-01 -014 1	0511199-42	73-10-00-02 -018A 2
0413283	27-10-00-02 -014 1	0511233	25-21-00-03 -004 1
0413283	27-20-01-01 -013 1	0511233-7	25-21-00-03 -004A 1
0413283	27-30-00-02 -039 1	0511319-1	24-30-00-04 -006 2
0413307-5	24-30-00-02 -013 4	0512170-3	25-60-00-03 -003 2
0413307-6	24-30-00-01 -009 2	0513039-1	31-10-00-03 -013E 1

**CESSNA AIRCRAFT COMPANY
MODEL 310 THRU 310D
ILLUSTRATED PARTS CATALOG**

PART NUMBER	CH SEC SUBJ FIG ITEM REQ	PART NUMBER	CH SEC SUBJ FIG ITEM REQ
0513039-4	31-10-00-03 -013F 1	0721300-17	28-20-01-01 -024A 2
0513052-8	31-10-00-03 -013D 1	0721300-18	28-20-01-01 -024 1
0513107	28-20-00-04 -021A 2	0721300-19	28-20-01-01 -022 1
0513107-4	28-20-00-04 -021 2	0721300-21	28-20-01-01 -021A 1
0513172-1	53-20-01-01 -003 1	0721300-4	28-20-01-01 -020 1
0513172-2	53-20-01-01 -002 1	0721300-9	28-20-01-01 -021 1
0522629	57-50-00-03 -006 AR	0721303-3	57-10-01-03 -065 1
0522629	57-50-00-04 -009 AR	0721303-3	57-10-01-06 -065 1
0522629	57-50-00-07 -006 AR	0721303-4	57-10-01-03 -066 1
0522629	57-50-00-08 -009 AR	0721303-4	57-10-01-06 -066 1
0522629	57-60-00-01 -011 AR	0721303-7	57-10-01-03 -063 1
0522629	57-60-00-02 -011 AR	0721303-7	57-10-01-06 -063 1
0523142-12	73-10-00-02 -019 2	0721303-8	57-10-01-03 -062A 1
0541139	27-20-02-01 -022 1	0721303-8	57-10-01-06 -062A 1
0541140	27-20-02-01 -019 1	0721304-1	57-10-01-03 -059A 1
0541144	27-20-02-01 -028 1	0721304-1	57-10-01-06 -059A 1
0541148-1	27-20-02-01 -032 1	0726002-1	28-20-01-01 -018 4
0541149	27-20-02-01 -024 1	0726002-1	28-20-01-01 -018A 2
0541151	27-20-02-01 -023 1	0743010-1	32-20-00-02 -028 1
0543036-1	32-10-00-02 -001C 1	0750101-59	61-20-00-01 -000D 1
0543036-1	32-20-00-03 -001A 1	0750101-60	61-20-00-01 -000C 1
0543036-3	32-10-00-02 -003 1	0750102-1	71-00-00-01 -005 2
0543036-3	32-20-00-03 -002 1	0750102-2	71-00-00-01 -006 2
0543036-4	32-10-00-02 -002 1	0750104-1	71-00-00-02 -006B 1
0543036-4	32-20-00-03 -003 1	0750104-2	71-00-00-02 -006 1
0552103	25-70-00-01 -002 1	0750104-3	71-00-00-02 -006A 1
0561	24-30-00-04 -013A 4	0750117-30	71-11-01-01 -033 1
0563	24-30-00-03 -017 1	0750117-30	71-11-01-02 -025 1
0612352-1	21-60-00-01 -000 1	0750117-31	71-11-01-01 -038 2
0622001-5	57-10-01-01 -027 2	0750117-31	71-11-01-02 -029 2
0700106-2	25-10-00-01 -015 2	0750132-7	71-00-00-01 -009 4
0700106-2	25-21-00-05 -009 2	0750135-1	71-11-01-02 -022 4
0705097-1	11-00-00-01 -043 1	0750135-3	71-11-01-02 -023 2
0705098-1	11-00-00-01 -044 1	0750135-8	71-11-01-02 -024 2
0713003-51	24-30-20-04 -020 1	0752002-13	61-10-00-01 -012 2
0713003-51	24-30-20-04 -037 2	0770034-1	23-20-01-01 -008 1
0713003-51	24-40-00-01 -009 1	0770034-1	23-20-01-02 -008 2
0713009-1	25-10-01-01 -012 1	0770034-11	23-20-01-01 -003 1
0713009-1	25-10-01-02 -010 1	0770034-11	23-20-01-02 -003 2
0713009-2	25-10-01-01 -003 1	0770034-12	23-20-01-01 -004 1
0713009-2	25-10-01-02 -003 1	0770034-12	23-20-01-02 -004 2
0713017-20	24-30-00-03 -022 1	0770034-2	23-20-01-01 -009 1
0713017-3	24-30-00-03 -022B 1	0770034-2	23-20-01-02 -009 2
0713028-3	31-10-00-05 -010A 1	0770034-3	23-20-01-01 -005 1
0713028-3	31-10-00-06 -010 1	0770034-3	23-20-01-02 -005 2
0713028-4	31-10-00-05 -009 1	0770034-8	23-20-01-01 -002 1
0713028-5	31-10-00-05 -009A 1	0770034-8	23-20-01-02 -002 2
0713028-8	31-10-00-05 -010 1	0770039-1	23-50-01-01 -012 AR
0713028-8	31-10-00-06 -009 1	0770039-1	23-50-01-02 -009 AR
0713029	33-10-00-02 -009 1	0770039-1	23-50-01-03 -013 AR
0713029	33-10-00-02 -024 1	079-00300	32-41-00-01 -009 1
0713039-1	11-00-00-01 -022 2	0800009-1	11-00-00-01 -021 2
0713039-3	11-00-00-01 -022A 2	0800020-2	53-40-00-01 -001 2
0713047	11-00-00-01 -015 1	0800023-2	25-21-00-01 -010 1
0713200-7	31-10-00-07 -038 2	0800023-2	25-21-01-01 -020 1
0720004-1	28-20-01-01 -007 2	0800023-5	25-21-00-01 -010A 1
0721105-4	34-10-00-01 -046 1	0800023-5	25-21-01-01 -020A 1
0721200-26	57-10-01-03 -059 1	0800030-11	35-10-00-01 -005 1
0721200-26	57-10-01-06 -059 1	0800030-11	35-10-00-02 -017 1
0721300-1	28-20-01-01 -019A 2	0800030-14	35-10-00-01 -040 1
0721300-16	28-20-01-01 -021B 1	0800030-17	35-10-00-01 -006 1

**CESSNA AIRCRAFT COMPANY
MODEL 310 THRU 310D
ILLUSTRATED PARTS CATALOG**

PART NUMBER	CH	SEC	SUBJ	FIG	ITEM	REQ	PART NUMBER	CH	SEC	SUBJ	FIG	ITEM	REQ
0800030-17	35	10	00	02	-018	1	0800045-4	35	10	00	01	-011	1
0800030-18	35	10	00	01	-007	2	0800045-4	35	10	00	02	-023	1
0800030-18	35	10	00	02	-019	2	0800045-4	35	10	00	03	-023	1
0800030-19	35	10	00	01	-051	1	0800045-5	35	10	00	02	-012	1
0800030-19	35	10	00	02	-058	1	0800045-5	35	10	00	03	-012	1
0800030-19	35	10	00	03	-050	1	0800045-6	35	10	00	02	-007	1
0800030-19	35	10	00	04	-048A	1	0800045-6	35	10	00	03	-007	1
0800030-2	35	10	00	01	-033	1	0800045-6	35	10	00	04	-001	1
0800030-27	35	10	00	01	-052	1	0800045-9	35	10	00	02	-051	1
0800030-3	35	10	00	01	-001	1	0800045-9	35	10	00	03	-045	1
0800030-3	35	10	00	02	-013	1	0800045-9	35	10	00	04	-018	1
0800030-30	35	10	00	02	-056	5	0800046-1	35	10	00	02	-045	2
0800030-30	35	10	00	03	-048	5	0800046-1	53	10	05	01	-040	2
0800030-4	35	10	00	01	-049	4	0800047-1	35	10	00	02	-048	1
0800030-6	35	10	00	01	-014	1	0800047-1	53	10	05	01	-042	1
0800030-7	35	10	00	01	-015	1	0800048-1	35	10	00	02	-047	1
0800030-8	35	10	00	01	-004	1	0800048-1	53	10	05	01	-041	1
0800030-8	35	10	00	02	-016	1	0800049-5	35	10	00	02	-052	1
0800030-80	35	10	00	04	-045	5	0800051-1	57	10	00	01	-009	01
0800031-1	35	10	00	01	-014A	1	0800051-18	57	10	00	05	-012	1
0800031-1	35	10	00	02	-026	1	0800051-2	57	10	00	05	-009	1
0800032-1	35	10	00	01	-015A	1	0800051-3	57	10	00	01	-011	01
0800032-1	35	10	00	02	-027	1	0800051-4	57	10	00	05	-011	1
0800032-1	35	10	00	03	-027	1	0800051-5	57	10	00	01	-010	01
0800033-1	35	10	00	01	-041	1	0800051-6	57	10	00	05	-010	1
0800035-11	25	60	00	03	-004	1	0800051-7	57	10	00	01	-012	01
0800035-15	25	60	00	03	-008	1	0800053-1	32	30	00	07	-048	1
0800035-2	25	60	00	03	-005	1	0800056-13	57	10	00	01	-009A	01
0800035-4	25	60	00	03	-001	1	0800056-14	57	10	00	05	-009A	1
0800035-5	25	60	00	03	-002	1	0800056-3	57	10	00	01	-012A	01
0800036-2	35	10	00	03	-026	1	0800056-4	57	10	00	05	-012A	1
0800036-5	35	10	00	01	-047	1	0800056-5	57	10	00	01	-010A	01
0800041-1	35	10	00	02	-001	1	0800056-6	57	10	00	05	-010A	1
0800041-3	35	10	00	03	-001	1	0800056-7	57	10	00	01	-011A	01
0800041-5	30	10	00	05	-009	1	0800056-8	57	10	00	05	-011A	1
0800042-1	30	10	00	05	-011	1	0800057-1	11	00	00	01	-021A	2
0800042-1	35	10	00	02	-004	1	0800058-1	11	00	00	01	-033	2
0800042-1	35	10	00	03	-004	1	0800060-2	28	20	01	01	-039A	2
0800043-1	30	10	00	05	-008	1	0800061-1	30	10	00	05	-003A	1
0800043-1	35	10	00	02	-003	1	0800061-1	35	10	00	03	-027A	1
0800043-1	35	10	00	03	-003	1	0800062-1	30	10	00	05	-003B	1
0800045-1	35	10	00	01	-019	1	0800062-1	35	10	00	03	-026A	1
0800045-1	35	10	00	02	-031	1	0800064-2	25	21	00	01	-014	1
0800045-1	35	10	00	03	-031	1	0800066-1	25	21	00	01	-018	1
0800045-12	35	10	00	01	-020	1	0800066-2	25	21	00	01	-018A	1
0800045-12	35	10	00	02	-032	1	0800067-4	25	21	00	01	-015	1
0800045-12	35	10	00	03	-032	1	0800070-3	25	21	00	01	-008	1
0800045-12	35	10	00	04	-021	1	0800070-4	25	21	00	01	-009	AR
0800045-14	35	10	00	03	-011A	1	0800070-5	25	21	00	01	-009C	AR
0800045-14	35	10	00	04	-031	2	0800071-1	25	21	00	01	-007B	AR
0800045-15	35	10	00	03	-012A	1	0800073-1	11	00	00	01	-034	2
0800045-15	35	10	00	04	-020	1	0800074-1	11	00	00	01	-035	2
0800045-16	35	10	00	03	-031A	1	0800089-1	35	10	00	04	-022	1
0800045-16	35	10	00	04	-030	1	0800089-2	35	10	00	04	-023	1
0800045-17	35	10	00	03	-023A	1	0800089-3	35	10	00	04	-024	1
0800045-2	35	10	00	01	-026	1	0800089-4	35	10	00	04	-025	1
0800045-2	35	10	00	02	-038	1	0800089-5	35	10	00	04	-026	1
0800045-2	35	10	00	03	-038	1	0800089-6	35	10	00	04	-027	1
0800045-21	35	10	00	04	-032	1	0800090-1	35	10	00	04	-028	1
0800045-3	35	10	00	02	-011	1	0800090-2	35	10	00	04	-029	1
0800045-3	35	10	00	03	-011	1	0800091-1	35	10	00	04	-002	1

**CESSNA AIRCRAFT COMPANY
MODEL 310 THRU 310D
ILLUSTRATED PARTS CATALOG**

PART NUMBER	CH SEC SUBJ FIG ITEM REQ	PART NUMBER	CH SEC SUBJ FIG ITEM REQ
0800106-1	28-20-00-03 -006 2	0800106-176	22-10-00-02 -021 1
0800106-101	30-60-00-01 -017 1	0800106-177	30-10-00-04 -001 2
0800106-102	30-20-00-01 -022 2	0800106-178	30-10-00-04 -002 2
0800106-103	30-10-00-02 -007 1	0800106-181	35-10-00-01 -029 1
0800106-105	30-10-00-02 -006 1	0800106-182	35-10-00-01 -031 1
0800106-107	30-10-00-02 -012 1	0800106-186	30-10-00-02 -003 1
0800106-111	30-10-00-04 -029 1	0800106-187	30-10-00-02 -004 1
0800106-112	30-10-00-04 -029A 1	0800106-188	30-10-00-02 -005 1
0800106-115	34-10-00-01 -005 1	0800106-189	30-10-00-02 -052 1
0800106-117	34-10-00-01 -038 1	0800106-19	30-10-00-04 -021 2
0800106-120	30-00-00-01 -019 1	0800106-190	30-10-00-02 -053 1
0800106-121	30-00-00-01 -021 1	0800106-191	37-10-00-01 -021 2
0800106-122	30-60-00-01 -014 1	0800106-197	30-10-00-03 -002A 1
0800106-124	30-60-00-01 -002 1	0800106-198	30-10-00-03 -003A 1
0800106-128	37-10-00-02 -027 1	0800106-205	35-10-00-01 -029A 1
0800106-129	37-10-00-01 -029 1	0800106-205	35-10-00-02 -041 1
0800106-129	37-10-00-02 -026 1	0800106-205	35-10-00-03 -041 1
0800106-13	30-10-00-04 -022 2	0800106-206	35-10-00-01 -031A 1
0800106-130	28-20-00-01 -026 1	0800106-209	24-30-00-02 -006 1
0800106-131	28-20-00-01 -025 1	0800106-21	28-40-00-01 -011 2
0800106-132	28-20-00-01 -027 1	0800106-210	24-30-00-02 -009 1
0800106-133	21-40-00-05 -035 1	0800106-212	28-20-01-02 -005 1
0800106-133	21-40-00-07 -024 1	0800106-213	28-20-01-02 -005A 1
0800106-134	21-40-00-05 -037 1	0800106-214	28-20-01-02 -010 2
0800106-134	21-40-00-07 -026 1	0800106-215	28-20-01-02 -006 2
0800106-135	28-20-00-01 -028 1	0800106-216	28-20-01-02 -007 2
0800106-136	21-40-00-05 -034 1	0800106-217	28-20-01-02 -016A 1
0800106-136	21-40-00-07 -023 1	0800106-218	28-20-01-02 -016 1
0800106-137	21-40-00-05 -036 1	0800106-22	28-40-00-01 -021 2
0800106-137	21-40-00-07 -025 1	0800106-221	28-20-01-01 -006 1
0800106-139	21-40-00-05 -032 1	0800106-222	28-20-01-01 -006A 1
0800106-140	21-40-00-05 -039 1	0800106-223	28-20-01-02 -045 2
0800106-141	21-40-00-05 -043 1	0800106-227	35-10-00-02 -043 1
0800106-142	21-40-00-05 -049 1	0800106-227	35-10-00-03 -043 1
0800106-143	28-20-00-01 -012 1	0800106-228	30-10-00-04 -020 2
0800106-143	28-20-00-02 -015 1	0800106-229	30-10-00-04 -020A 2
0800106-144	28-20-00-01 -013 1	0800106-23	32-41-00-02 -011 1
0800106-144	28-20-00-02 -016 1	0800106-230	28-20-01-02 -048 1
0800106-145	28-20-00-01 -014 1	0800106-231	28-20-01-02 -049 1
0800106-145	28-20-00-02 -017 1	0800106-232	34-10-00-01 -030 1
0800106-146	28-20-00-01 -015 1	0800106-233	34-10-00-01 -029 1
0800106-15	30-10-00-04 -023 2	0800106-24	32-41-00-02 -012 1
0800106-157	21-40-00-07 -041 1	0800106-241	28-20-00-02 -033 1
0800106-158	21-40-00-07 -050 1	0800106-242	21-40-00-09 -029 1
0800106-159	21-40-00-07 -030 1	0800106-243	21-40-00-09 -025 1
0800106-160	21-40-00-07 -028 1	0800106-244	21-40-00-09 -026 1
0800106-161	21-40-00-07 -039 1	0800106-245	21-40-00-09 -022 1
0800106-162	21-40-00-07 -029 1	0800106-246	21-40-00-09 -036 1
0800106-163	21-40-00-07 -040 1	0800106-247	21-40-00-09 -039 1
0800106-165	30-10-00-02 -034 1	0800106-248	21-40-00-09 -046 1
0800106-167	30-10-00-02 -050 1	0800106-249	30-10-00-02 -002 1
0800106-168	30-10-00-02 -051 1	0800106-25	32-41-00-02 -008 1
0800106-17	30-10-00-04 -024 2	0800106-250	28-20-00-02 -031 1
0800106-170	28-20-00-03 -005 2	0800106-251	28-20-00-02 -025 1
0800106-171	28-20-00-03 -013 2	0800106-252	28-20-00-02 -019 1
0800106-172	32-41-00-02 -007 1	0800106-256	28-20-00-02 -042 1
0800106-173	32-41-00-02 -005 1	0800106-257	28-20-00-02 -041 1
0800106-174	37-10-00-01 -033 1	0800106-258	28-20-00-02 -018 1
0800106-174	37-10-00-02 -030 1	0800106-259	21-40-00-09 -041 1
0800106-175	37-10-00-01 -032 1	0800106-26	32-41-00-02 -009 1
0800106-175	37-10-00-02 -029 1	0800106-262	32-41-00-02 -004 1

CESSNA AIRCRAFT COMPANY
MODEL 310 THRU 310D
ILLUSTRATED PARTS CATALOG

PART NUMBER	CH SEC SUBJ FIG ITEM REQ	PART NUMBER	CH SEC SUBJ FIG ITEM REQ
0800106-263	22-10-00-02 -021A 1	0800106-49	28-20-00-02 -038 2
0800106-264	34-10-00-01 -053 1	0800106-49	77-10-00-01 -012 2
0800106-266	77-10-00-01 -005 2	0800106-5	28-20-00-01 -004 2
0800106-267	30-10-00-02 -002A 1	0800106-5	28-20-00-02 -004 2
0800106-268	30-10-00-02 -006A 1	0800106-53	37-10-00-01 -025 2
0800106-269	34-10-00-01 -005A 1	0800106-53	37-10-00-02 -022 2
0800106-270	35-10-00-03 -041A 1	0800106-55	73-10-00-01 -001 1
0800106-271	71-00-00-01 -028B NP	0800106-55	73-10-00-02 -001 1
0800106-274	37-10-00-01 -021A 2	0800106-56	73-10-00-01 -002 1
0800106-275	71-00-00-01 -029A 1	0800106-56	73-10-00-02 -002 1
0800106-276	30-20-00-01 -009B 1	0800106-62	73-10-00-01 -003 2
0800106-277	30-20-00-01 -032E 2	0800106-65	71-00-00-01 -028 NP
0800106-278	71-00-00-01 -028D NP	0800106-66	37-10-00-01 -008 1
0800106-279	37-10-00-01 -008A 1	0800106-67	37-10-00-01 -007 1
0800106-279	37-10-00-02 -010A 1	0800106-68	30-20-00-01 -026 2
0800106-28	32-41-00-02 -006 1	0800106-7	28-20-00-03 -022 1
0800106-280	37-10-00-01 -007A 1	0800106-70	73-10-00-01 -044 2
0800106-280	37-10-00-02 -010 1	0800106-74	71-00-00-01 -029 1
0800106-281	71-00-00-01 -029B 1	0800106-75	30-10-00-02 -026 1
0800106-282	30-10-00-05 -016 1	0800106-76	30-10-00-02 -027 1
0800106-284	30-10-00-05 -014 1	0800106-77	30-10-00-02 -008 1
0800106-285	30-10-00-05 -004 1	0800106-78	30-10-00-02 -009 1
0800106-286	30-10-00-05 -002 1	0800106-79	30-10-00-03 -012 1
0800106-29	79-20-00-01 -022 1	0800106-8	28-20-00-03 -026 1
0800106-291	30-10-00-05 -017 1	0800106-80	30-10-00-03 -011 1
0800106-292	30-10-00-05 -018 1	0800106-81	30-10-00-03 -002 1
0800106-293	30-10-00-05 -019 1	0800106-82	30-10-00-03 -003 1
0800106-294	30-10-00-05 -020 1	0800106-83	30-10-00-03 -023 1
0800106-295	30-10-00-05 -021 1	0800106-85	30-10-00-03 -025 1
0800106-296	30-10-00-05 -022 1	0800106-86	30-10-00-02 -010 1
0800106-297	30-10-00-05 -023 1	0800106-87	30-10-00-02 -011 1
0800106-299	30-10-00-05 -024 1	0800106-88	30-10-00-03 -026 1
0800106-3	28-20-00-03 -021 2	0800106-89	30-10-00-03 -028 1
0800106-30	79-20-00-01 -023 1	0800106-9	28-20-00-01 -005 2
0800106-300	30-10-00-05 -025 1	0800106-9	28-20-00-02 -005 2
0800106-301	30-10-00-05 -026 1	0800106-90	30-10-00-03 -010 1
0800106-302	30-10-00-05 -027 1	0800106-91	30-60-00-01 -007 2
0800106-305	28-10-00-02 -009 1	0800106-92	30-60-00-01 -009 2
0800106-305	28-10-00-02 -009A 1	0800106-94	30-20-00-01 -025A 1
0800106-306	28-10-00-02 -009B 1	0800106-95	30-20-00-01 -025 1
0800106-307	35-10-00-04 -033 1	0800106-96	30-20-00-01 -009A 1
0800106-308	35-10-00-04 -035 1	0800106-97	30-20-00-01 -009 1
0800106-309	35-10-00-04 -036 1	0800106-99	30-10-00-02 -001 1
0800106-31	77-10-00-01 -014 2	0800107-1	30-10-00-03 -030 1
0800106-310	35-10-00-04 -034 1	0800107-2	30-10-00-03 -023A 1
0800106-311	37-10-00-02 -011 2	0800107-3	30-10-00-03 -010A 1
0800106-313	37-10-00-02 -031 2	0800111-1	26-20-00-01 -001 1
0800106-315	28-10-00-02 -012 1	0800403-10	73-10-00-01 -025 1
0800106-316	28-10-00-02 -015 1	0800403-11	73-10-00-01 -009 1
0800106-317	28-40-00-01 -031 1	0800403-12	73-10-00-01 -021 1
0800106-318	28-40-00-01 -031A 1	0800403-6	79-20-00-02 -009 1
0800106-319	28-40-00-01 -008B 2	0800403-7	79-20-00-02 -008A 1
0800106-338	34-10-00-01 -023 1	0800403-8	79-20-00-02 -008 1
0800106-34	28-40-00-01 -014 2	0800403-9	73-10-00-01 -024 1
0800106-37	28-20-00-01 -019 2	0811000-1	53-10-03-01 -015 1
0800106-37	28-20-00-02 -034 1	0811000-10	53-10-03-01 -004 1
0800106-41	32-41-00-02 -020 1	0811000-112	53-10-05-01 -024 1
0800106-42	32-41-00-02 -021 1	0811000-115	53-10-03-01 -008 1
0800106-45	79-20-00-01 -018 2	0811000-116	53-10-04-01 -014 1
0800106-47	30-60-00-01 -018 1	0811000-119	27-10-00-02 -024 1
0800106-49	28-20-00-01 -022 2	0811000-121	53-10-01-01 -029 1

**CESSNA AIRCRAFT COMPANY
MODEL 310 THRU 310D
ILLUSTRATED PARTS CATALOG**

PART NUMBER	CH SEC SUBJ FIG ITEM REQ	PART NUMBER	CH SEC SUBJ FIG ITEM REQ
0811000-122	53-10-05-01 -039 1	0811075-33	57-10-00-09 -014 1
0811000-124	53-10-04-01 -026 1	0811075-36	53-10-04-02 -014 1
0811000-128	53-10-04-01 -026A 1	0811075-44	53-10-05-01 -037 1
0811000-130	53-10-04-01 -003 1	0811075-47	53-10-05-01 -014 1
0811000-131	53-10-03-01 -015A 1	0811075-52	53-10-02-01 -014 1
0811000-132	53-10-04-01 -015A 1	0811075-52	53-10-02-02 -011 1
0811000-136	53-10-04-01 -015B 1	0811075-57	53-10-02-02 -011A 1
0811000-137	53-10-03-01 -015B 1	0811075-6	53-10-04-01 -009 1
0811000-139	53-10-04-01 -003A 1	0811075-7	57-10-00-10 -005 1
0811000-14	53-10-04-01 -001 1	0811075-8	57-10-00-10 -007 1
0811000-143	53-10-03-01 -010A 1	0811075-9	57-10-00-10 -006 1
0811000-144	53-10-04-01 -019A 1	0811076-1	53-10-01-01 -031 1
0811000-15	53-10-04-01 -002 1	0811076-2	53-10-01-01 -030 1
0811000-156	53-10-04-01 -017 1	0811077-1	53-10-04-01 -037 1
0811000-2	53-10-04-01 -015 1	0811078-1	53-10-03-01 -007A 1
0811000-27	53-10-03-01 -014 1	0811079-1	53-10-01-01 -030A 1
0811000-40	53-10-04-01 -016 1	0811081-1	53-10-03-01 -023A 1
0811000-41	53-10-03-01 -005 1	0811083-1	25-20-01-02 -053 1
0811000-42	53-10-04-01 -008 1	0811084-1	25-20-01-02 -053B 1
0811000-43	53-10-04-01 -019 1	0811090-1	53-10-05-01 -044 1
0811000-46	53-10-03-01 -009 1	0811090-3	53-10-05-01 -048 1
0811000-47	53-10-05-01 -038 1	0811090-7	53-10-05-01 -047 1
0811000-55	53-10-04-01 -018 1	0811090-9	53-10-05-01 -045 1
0811000-65	53-10-03-01 -018 1	0811100-1	53-10-06-02 -007 1
0811000-66	53-10-04-01 -024 1	0811100-10	53-10-06-02 -019 1
0811000-67	53-10-05-01 -010 1	0811100-11	53-10-06-02 -020 1
0811000-69	53-10-05-01 -013 1	0811100-12	53-10-06-02 -021 1
0811000-7	53-10-03-01 -019 1	0811100-13	53-10-06-02 -022 1
0811000-79	53-10-04-01 -028 1	0811100-14	53-10-06-02 -023 1
0811000-8	53-10-04-01 -025 1	0811100-15	53-10-06-02 -024 1
0811000-81	53-10-03-01 -012 1	0811100-16	53-10-06-02 -016B 1
0811000-82	53-10-04-01 -010 1	0811100-17	53-10-06-02 -013 1
0811000-89	53-10-03-01 -010 1	0811100-18	53-20-00-06 -022 1
0811000-91	53-10-00-01 -022 1	0811100-19	53-20-00-06 -023 1
0811000-92	53-10-00-01 -021 2	0811100-2	53-10-06-02 -011 1
0811000-93	53-10-03-01 -006A 2	0811100-20	53-10-06-02 -009 1
0811000-94	53-10-03-01 -006 1	0811100-21	53-10-03-02 -006 1
0811000-95	53-10-03-01 -016 1	0811100-22	53-10-04-02 -005 1
0811000-96	53-10-04-01 -013 1	0811100-23	53-10-03-02 -007 1
0811003-1	53-10-03-01 -004A 1	0811100-24	53-10-04-02 -006 1
0811007-1	53-10-03-01 -038 1	0811100-25	53-10-05-01 -009 1
0811010-1	53-10-01-01 -033A 1	0811100-27	53-10-04-02 -008 1
0811010-2	52-10-00-01 -003 1	0811100-28	53-10-04-02 -009 1
0811010-3	53-10-01-01 -033B 1	0811100-29	53-10-04-02 -010 1
0811011-1	52-10-00-01 -001 2	0811100-3	53-10-06-02 -012 1
0811030-5	25-20-01-02 -040A 2	0811100-30	53-10-04-02 -011 1
0811075-10	57-10-00-10 -008 1	0811100-31	53-10-03-02 -011 1
0811075-12	57-10-00-09 -015 1	0811100-32	53-10-05-01 -008 1
0811075-13	57-10-00-09 -012 1	0811100-33	53-10-05-01 -003 1
0811075-14	57-10-00-09 -013 1	0811100-34	53-10-05-01 -004 1
0811075-15	53-10-04-01 -004 1	0811100-35	53-10-05-01 -005 1
0811075-16	53-10-04-01 -005 1	0811100-36	53-10-04-02 -012 1
0811075-17	53-10-04-01 -006 1	0811100-37	53-10-05-01 -006 1
0811075-18	53-10-04-01 -007 1	0811100-38	53-10-03-02 -008 1
0811075-19	53-10-03-01 -022 1	0811100-39	53-10-03-02 -009 1
0811075-20	53-10-04-01 -004A 1	0811100-40	53-10-03-01 -001 1
0811075-21	53-10-03-01 -023 1	0811100-41	53-10-03-01 -002 1
0811075-22	53-10-04-01 -032 1	0811100-42	53-10-03-01 -003 3
0811075-24	53-10-05-01 -001 1	0811100-43	53-10-03-02 -012 1
0811075-28	53-10-04-02 -013 1	0811100-44	53-10-03-02 -013 1
0811075-3	53-10-03-01 -013 1	0811100-46	53-10-04-01 -022 1

**CESSNA AIRCRAFT COMPANY
MODEL 310 THRU 310D
ILLUSTRATED PARTS CATALOG**

PART NUMBER	CH SEC SUBJ FIG	ITEM	REQ	PART NUMBER	CH SEC SUBJ FIG	ITEM	REQ
0811100-47	53-10-04-01	-023	1	0811150-21	53-10-03-01	-011	1
0811100-5	53-10-06-02	-015	1	0811150-22	53-10-04-01	-021	1
0811100-51	53-10-02-01	-017	1	0811150-23	53-10-04-01	-012	1
0811100-51	53-10-02-02	-014	1	0811150-24	53-10-01-01	-014	1
0811100-52	53-10-02-01	-018	1	0811150-25	53-10-01-01	-015	1
0811100-52	53-10-02-02	-015	1	0811150-26	53-10-04-01	-034	1
0811100-53	53-10-02-01	-019	1	0811150-27	53-10-03-01	-007B	1
0811100-53	53-10-02-02	-016	1	0811150-27	53-10-04-01	-011B	1
0811100-54	53-10-02-01	-020	1	0811150-28	53-10-05-01	-020	1
0811100-54	53-10-02-02	-017	1	0811150-32	53-10-02-01	-038	1
0811100-55	53-10-02-01	-021	1	0811150-32	53-10-02-02	-045	1
0811100-55	53-10-02-02	-019	1	0811150-34	53-10-02-01	-039	1
0811100-56	53-10-02-01	-022	1	0811150-34	53-10-02-02	-046	1
0811100-56	53-10-02-02	-020	1	0811150-36	53-10-02-01	-040	2
0811100-57	53-10-02-01	-023	1	0811150-36	53-10-02-02	-047	2
0811100-57	53-10-02-02	-021	1	0811150-38	53-10-02-01	-042	1
0811100-58	53-10-02-01	-024	1	0811150-38	53-10-02-02	-049	1
0811100-58	53-10-02-02	-022	1	0811150-39	53-10-02-01	-058	1
0811100-59	53-10-02-01	-025	1	0811150-43	53-10-04-01	-020	1
0811100-59	53-10-02-02	-023	1	0811150-44	53-10-04-01	-030	1
0811100-6	53-10-06-02	-016A	1	0811150-45	53-10-04-01	-031	1
0811100-60	53-10-02-01	-026	1	0811150-46	53-10-01-01	-013	1
0811100-60	53-10-02-02	-024	1	0811150-47	53-10-03-01	-021	1
0811100-61	53-10-02-01	-027	2	0811150-48	53-10-04-01	-029	1
0811100-61	53-10-02-02	-025	2	0811150-49	53-10-03-01	-007	1
0811100-62	53-10-02-01	-028	2	0811150-5	53-20-00-07	-005	1
0811100-62	53-10-02-02	-026	1	0811150-50	53-10-04-01	-011	1
0811100-63	53-10-02-01	-029	1	0811150-51	53-10-03-01	-020	1
0811100-63	53-10-02-02	-028	1	0811150-52	53-10-04-01	-027	1
0811100-64	53-10-03-02	-010	1	0811150-55	53-10-03-01	-025	1
0811100-65	53-10-06-02	-008	1	0811150-56	53-10-03-01	-031	1
0811100-66	33-40-00-03	-004	1	0811150-59	53-10-01-01	-016	1
0811100-67	33-40-00-03	-005	1	0811150-6	53-20-00-07	-007	1
0811100-68	53-10-04-01	-035	1	0811150-60	53-10-05-01	-021	1
0811100-69	53-10-06-02	-016	1	0811150-60	53-10-05-01	-033	1
0811100-70	53-10-05-01	-006A	1	0811150-65	53-10-04-01	-030A	1
0811100-71	53-10-06-02	-006	1	0811150-66	53-10-04-01	-031A	1
0811100-72	53-10-02-01	-020A	1	0811150-68	53-10-04-01	-011A	1
0811100-72	53-10-02-02	-018	1	0811150-7	53-20-00-07	-001	1
0811100-73	53-10-05-01	-006C	1	0811150-71	53-20-00-07	-001A	1
0811100-74	53-10-05-01	-006B	1	0811150-72	53-20-00-07	-003A	1
0811100-75	53-10-02-02	-027	1	0811150-73	53-20-00-07	-013A	1
0811100-76	53-10-03-01	-036	1	0811150-75	53-20-00-07	-011A	1
0811100-77	53-10-05-01	-009A	1	0811150-8	53-20-00-07	-003	1
0811100-78	53-10-05-01	-009B	1	0811155-2	53-10-05-01	-036	1
0811100-79	53-10-03-02	-012B	1	0811160-1	53-10-05-01	-030	1
0811100-8	53-10-06-02	-017	1	0811160-6	53-10-05-01	-031	1
0811100-80	53-10-03-02	-012A	1	0811165-1	53-10-05-01	-028	1
0811100-81	53-10-02-02	-027A	1	0811200-11	53-30-00-02	-004	1
0811100-82	53-10-03-02	-014	1	0811200-12	53-10-02-01	-002	2
0811100-9	53-10-06-02	-018	1	0811200-12	53-10-02-02	-002	2
0811101-1	53-10-04-02	-007	1	0811200-13	53-30-00-02	-007	1
0811150-11	53-20-00-07	-013	1	0811200-14	53-30-00-02	-008	1
0811150-12	53-20-00-07	-011	1	0811200-15	53-10-02-01	-003	1
0811150-13	53-20-00-07	-002	1	0811200-15	53-10-02-02	-003	1
0811150-13	53-20-00-07	-004	1	0811200-16	53-30-00-02	-009	1
0811150-13	53-20-00-07	-006	1	0811200-19	53-10-02-01	-006	2
0811150-13	53-20-00-07	-008	1	0811200-19	53-10-02-02	-006	2
0811150-13	53-20-00-07	-012	1	0811200-21	53-30-00-02	-017	1
0811150-13	53-20-00-07	-014	1	0811200-22	53-30-00-02	-018	1
0811150-19	53-10-03-01	-017	1	0811200-23	53-30-00-02	-019	1

CESSNA AIRCRAFT COMPANY
MODEL 310 THRU 310D
ILLUSTRATED PARTS CATALOG

PART NUMBER	CH SEC SUBJ FIG	ITEM	REQ	PART NUMBER	CH SEC SUBJ FIG	ITEM	REQ
0811200-27	53-30-00-02	-023	1	0811250-2	53-10-02-01	-033	1
0811200-29	53-30-00-02	-010	1	0811250-2	53-10-02-02	-040	1
0811200-30	53-30-00-02	-015	1	0811250-21	53-10-00-01	-029	1
0811200-31	53-30-00-02	-011	1	0811250-24	53-10-02-01	-034	1
0811200-32	53-30-00-02	-016	1	0811250-24	53-10-02-02	-041	1
0811200-40	53-10-03-02	-004	1	0811250-25	53-10-02-01	-030A	1
0811200-41	53-10-02-01	-001	1	0811250-26	53-10-02-01	-030B	1
0811200-45	53-10-02-01	-008	2	0811250-27	53-10-01-01	-017	1
0811200-46	53-30-00-02	-012	1	0811250-28	53-10-01-01	-018	1
0811200-47	53-30-00-02	-014	1	0811250-29	53-10-01-01	-019	1
0811200-48	53-30-00-02	-026	1	0811250-30	53-10-01-01	-020	1
0811200-49	53-10-04-02	-003	1	0811250-31	53-10-01-01	-021	1
0811200-50	53-10-04-02	-002	1	0811250-32	53-10-01-01	-022	1
0811200-52	53-30-00-02	-013	1	0811250-36	53-10-02-01	-036	1
0811200-55	53-30-00-02	-003A	1	0811250-36	53-10-02-02	-043	1
0811200-56	53-30-00-02	-008A	1	0811250-41	53-10-02-01	-050	1
0811200-59	53-10-04-02	-002A	1	0811250-41	53-10-02-02	-050	1
0811200-6	53-30-00-02	-001	1	0811250-42	53-10-02-01	-059	1
0811200-62	53-10-02-02	-001	1	0811250-45	53-10-00-01	-035	2
0811200-63	53-10-02-02	-001A	1	0811250-46	53-10-01-01	-022A	1
0811200-7	53-30-00-02	-002	1	0811250-48	53-10-02-02	-039A	1
0811200-8	53-30-00-02	-003	1	0811250-77	53-10-02-02	-039B	1
0811225-11	53-30-00-04	-015	1	0811251-1	53-10-02-01	-030	2
0811225-12	53-30-00-04	-016	1	0811254-5	53-10-02-02	-029	1
0811225-16	53-30-00-04	-019	1	0811254-6	53-10-02-02	-030	1
0811225-21	53-30-00-04	-017	1	0811254-7	53-10-02-02	-029A	1
0811225-22	53-30-00-04	-018	1	0811254-8	53-10-02-02	-030A	1
0811225-24	53-10-03-02	-003	1	0811275-13	57-10-00-10	-026	1
0811225-30	53-10-03-02	-001	1	0811275-14	57-10-00-10	-025	1
0811225-32	53-10-02-01	-009	1	0811275-15	57-10-00-10	-024	1
0811225-34	53-30-00-04	-001	1	0811275-16	57-10-00-10	-023	2
0811225-36	53-30-00-04	-021	1	0811275-17	57-10-00-10	-012	1
0811225-37	53-30-00-04	-020	1	0811275-18	57-10-00-10	-013	1
0811225-40	53-30-00-04	-007	3	0811275-19	57-10-00-10	-011	2
0811225-41	53-10-02-01	-012	1	0811275-22	57-10-00-10	-034	1
0811225-41	53-10-02-02	-009A	1	0811275-27	57-10-00-10	-017	1
0811225-45	53-10-03-02	-001A	1	0811275-28	57-10-00-10	-019	1
0811225-50	53-30-00-04	-001A	1	0811275-3	57-10-00-10	-035	1
0811225-51	53-30-00-04	-000A	1	0811275-32	57-10-00-10	-018	1
0811225-55	53-10-04-02	-001A	1	0811275-33	57-10-00-10	-020	1
0811225-57	53-10-04-02	-001	1	0811275-4	57-10-00-10	-036	1
0811225-59	53-30-00-04	-015A	1	0811275-9	57-10-00-10	-033	1
0811225-6	53-30-00-04	-002	1	0811276-1	57-10-00-10	-001	2
0811225-60	53-30-00-04	-016A	1	0811276-2	57-10-00-10	-002	2
0811225-61	53-30-00-04	-000B	1	0811276-3	57-10-00-10	-001A	2
0811225-62	53-10-04-02	-001B	1	0811276-4	57-10-00-10	-002A	2
0811225-63	53-10-03-02	-001B	1	0811279-5	53-20-00-02	-006B	1
0811225-64	53-30-00-04	-018A	1	0811300-11	53-20-00-05	-015	1
0811225-66	53-30-00-04	-001B	1	0811300-14	53-20-00-05	-026	2
0811225-68	53-10-02-01	-010	1	0811300-15	53-20-00-05	-025	2
0811225-69	53-10-02-01	-010A	1	0811300-16	53-20-00-05	-027	2
0811225-7	53-30-00-04	-003	1	0811300-17	53-20-00-05	-028	2
0811225-70	53-30-00-04	-000C	1	0811300-18	53-20-00-05	-007	1
0811225-71	53-30-00-04	-001C	1	0811300-19	53-20-00-05	-001	1
0811225-8	53-30-00-04	-004	1	0811300-20	53-20-00-05	-010	2
0811225-9	53-30-00-04	-000	1	0811300-20	53-20-00-05	-012	1
0811227-1	53-10-02-02	-008	1	0811300-21	53-20-00-05	-011	2
0811227-3	53-10-02-02	-008A	1	0811300-21	53-20-00-05	-013	1
0811240-9	53-10-05-01	-002	1	0811300-22	53-20-00-05	-009	2
0811250-1	53-10-02-01	-032	1	0811300-23	53-20-00-05	-022	2
0811250-1	53-10-02-02	-039	1	0811300-24	53-20-00-05	-021	2

**CESSNA AIRCRAFT COMPANY
MODEL 310 THRU 310D
ILLUSTRATED PARTS CATALOG**

PART NUMBER	CH SEC SUBJ FIG ITEM REQ	PART NUMBER	CH SEC SUBJ FIG ITEM REQ
0811300-25	53-20-00-05 -021A 2	0811375-51	53-20-00-03 -022 1
0811300-26	53-20-00-05 -023 2	0811375-53	53-20-00-01 -013 2
0811300-27	53-20-00-05 -020 2	0811375-54	53-20-00-02 -015 2
0811300-31	53-20-00-05 -018 1	0811375-55	53-20-00-02 -019 1
0811300-39	53-20-00-05 -006 1	0811375-55	53-20-00-04 -005 1
0811300-40	53-20-00-05 -024 2	0811375-56	53-20-00-01 -006 3
0811300-41	53-20-00-05 -022A 2	0811375-56	53-20-00-01 -012 1
0811300-42	53-20-00-05 -017 1	0811375-56	53-20-00-01 -047 1
0811300-44	53-20-00-05 -008 1	0811375-57	53-20-00-02 -011 4
0811300-47	57-10-00-09 -016 2	0811375-57	53-20-00-02 -011A 5
0811300-48	57-10-00-09 -017 2	0811375-58	53-20-00-02 -021 2
0811300-49	53-20-00-05 -003 1	0811375-58	53-20-00-04 -001 2
0811300-50	53-20-00-05 -002 1	0811375-6	53-20-00-02 -006 1
0811300-51	53-20-00-05 -033 1	0811375-7	53-20-00-01 -024 1
0811300-54	24-30-10-02 -022 1	0811375-7	53-20-00-03 -014 1
0811300-56	53-20-00-05 -002A 1	0811375-70	53-20-00-01 -017 1
0811300-58	53-20-00-05 -001A 1	0811375-9	53-20-00-01 -002 1
0811300-59	53-20-00-05 -005 1	0811376-1	53-20-00-01 -005A 1
0811300-6	53-20-00-05 -019 1	0811377-1	53-20-00-02 -001 1
0811300-7	53-20-00-05 -014 1	0811377-2	53-20-00-02 -002 1
0811301-1	32-30-00-07 -055 1	0811379-1	53-20-00-02 -006A 1
0811302-1	57-10-00-09 -033 1	0811381-5	53-20-00-01 -005B 1
0811303-1	57-10-00-09 -032 1	0811381-7	53-20-00-01 -005C 1
0811310-1	57-10-00-10 -001A 2	0811382-1	53-20-00-01 -002A 1
0811310-2	57-10-00-10 -002B 2	0811382-3	53-20-00-01 -002B 1
0811350-1	57-10-00-09 -004 NP	0811383-1	53-20-00-01 -034B 1
0811350-10	57-10-00-09 -005A 2	0811383-1	53-20-00-03 -026 1
0811350-2	57-10-00-09 -005 NP	0811384-1	53-20-00-02 -023 1
0811350-9	57-10-00-09 -004A 2	0811385-1	53-20-00-01 -019B 1
0811375-10	53-20-00-01 -005 1	0811387-1	25-20-01-02 -035A 2
0811375-11	53-20-00-01 -011 1	0811388-1	25-20-01-02 -037A 4
0811375-13	53-20-00-01 -020 1	0811388-1	25-21-00-01 -017 2
0811375-14	53-20-00-01 -023 1	0811391-14	53-20-00-03 -033 1
0811375-14	53-20-00-03 -013 1	0811391-2	53-20-00-03 -034 1
0811375-15	53-20-00-01 -035 1	0811391-3	53-20-00-03 -030 1
0811375-15	53-20-00-03 -001 1	0811391-4	53-20-00-03 -032 1
0811375-16	53-20-00-01 -042 1	0811391-5	53-20-00-03 -027 1
0811375-16	53-20-00-03 -008 1	0811391-6	53-20-00-03 -029 1
0811375-21	53-20-00-01 -016 1	0811392-1	53-20-00-04 -016 1
0811375-28	53-20-00-01 -025 11	0811392-2	53-20-00-04 -015 1
0811375-28	53-20-00-03 -015 1	0811392-3	53-20-00-04 -014 1
0811375-29	53-20-00-01 -026 1	0811392-4	53-20-00-04 -013 1
0811375-29	53-20-00-03 -016 1	0811393-2	53-20-00-03 -035 1
0811375-32	53-20-00-01 -027 1	0811400-1	25-20-00-01 -010 1
0811375-32	53-20-00-03 -017 1	0811400-1	25-20-00-02 -010 1
0811375-33	53-20-00-02 -012 1	0811400-10	25-20-00-01 -017 1
0811375-33	53-20-00-04 -007 1	0811400-10	25-20-00-02 -017 1
0811375-34	53-20-00-02 -013 1	0811400-10	25-20-00-03 -008 1
0811375-34	53-20-00-04 -008 1	0811400-11	25-20-00-01 -018 1
0811375-36	53-20-00-02 -007 1	0811400-11	25-20-00-02 -018 1
0811375-37	53-20-00-02 -017 2	0811400-11	25-20-00-03 -007 1
0811375-37	53-20-00-04 -003 2	0811400-12	25-20-00-01 -019 1
0811375-38	53-20-00-01 -029 10	0811400-12	25-20-00-02 -019 1
0811375-38	53-20-00-03 -019 1	0811400-12	25-20-00-03 -006 1
0811375-39	53-20-00-01 -036 1	0811400-13	25-20-00-01 -020 1
0811375-39	53-20-00-01 -043 15	0811400-13	25-20-00-02 -020 1
0811375-39	53-20-00-03 -002 1	0811400-13	25-20-00-03 -005 1
0811375-39	53-20-00-03 -009 1	0811400-3	25-20-00-01 -011 3
0811375-49	53-20-00-01 -028 1	0811400-3	25-20-00-02 -011 3
0811375-49	53-20-00-03 -018 1	0811400-36	25-20-00-01 -055 17
0811375-51	53-20-00-01 -032 1	0811400-36	25-20-00-02 -056 17

**CESSNA AIRCRAFT COMPANY
MODEL 310 THRU 310D
ILLUSTRATED PARTS CATALOG**

PART NUMBER	CH SEC SUBJ FIG ITEM REQ	PART NUMBER	CH SEC SUBJ FIG ITEM REQ
0811400-36	25-20-00-03 -014A 16	0811405-35	25-20-00-04 -027 1
0811400-37	25-20-00-01 -055A 16	0811405-36	25-20-00-04 -041 1
0811400-37	25-20-00-02 -056A 16	0811405-4	25-20-00-04 -018 1
0811400-37	25-20-00-03 -014 15	0811405-40	25-20-00-04 -043 1
0811400-38	25-20-00-01 -023A 1	0811405-42	25-20-00-04 -044 1
0811400-38	25-20-00-02 -023A 1	0811405-44	25-20-01-02 -016A 1
0811400-39	25-20-00-01 -023 1	0811405-45	25-20-01-02 -012B 1
0811400-39	25-20-00-02 -023 1	0811405-46	25-20-01-02 -012A 1
0811400-40	25-20-00-01 -026 2	0811405-47	25-20-01-02 -003A 1
0811400-40	25-20-00-02 -026 2	0811405-48	25-20-01-02 -034A 2
0811400-42	25-20-00-01 -021 1	0811405-49	25-20-01-02 -038C 1
0811400-42	25-20-00-02 -021 1	0811405-50	25-20-01-02 -038D 1
0811400-42	25-20-00-03 -012 1	0811405-51	25-20-00-04 -031 1
0811400-43	25-20-00-01 -025 2	0811405-53	25-20-00-04 -030 1
0811400-43	25-20-00-02 -025 2	0811405-55	25-20-00-04 -015 1
0811400-44	25-20-00-01 -022 1	0811405-58	25-20-00-04 -016 1
0811400-44	25-20-00-02 -022 1	0811405-59	25-20-02-03 -019 1
0811400-44	25-20-00-03 -013 1	0811405-6	25-20-02-03 -001 1
0811400-47	25-20-00-01 -009 1	0811405-60	25-20-02-03 -018 1
0811400-47	25-20-00-02 -009 1	0811405-61	25-20-02-03 -020 1
0811400-48	25-20-00-02 -010A 1	0811405-62	25-20-02-03 -015 1
0811400-5	25-20-00-01 -012 1	0811405-63	25-20-02-03 -016 1
0811400-5	25-20-00-02 -012 1	0811405-64	25-20-02-03 -017 1
0811400-6	25-20-00-01 -013 1	0811405-66	25-20-02-03 -005 1
0811400-6	25-20-00-02 -013 1	0811405-67	25-20-02-03 -013 1
0811400-7	25-20-00-01 -014 1	0811405-68	25-20-02-03 -014 1
0811400-7	25-20-00-02 -014 1	0811405-7	25-20-02-03 -007 1
0811400-7	25-20-00-03 -011 1	0811405-70	25-20-01-02 -021A 1
0811400-8	25-20-00-01 -015 1	0811405-71	25-60-00-02 -005A 1
0811400-8	25-20-00-02 -015 1	0811405-74	25-21-00-06 -002 1
0811400-8	25-20-00-03 -010 1	0811405-77	25-20-01-02 -038A 1
0811400-9	25-20-00-01 -016 1	0811405-9	25-20-02-03 -006 1
0811400-9	25-20-00-02 -016 1	0811406-1	25-20-00-04 -012 38
0811400-9	25-20-00-03 -009 1	0811407-3	25-20-00-04 -023A 1
0811401-1	25-20-00-02 -026A 2	0811407-4	25-20-00-04 -023 1
0811402-1	25-20-00-02 -025A 2	0811407-5	25-20-00-04 -024 2
0811403-1	25-20-00-03 -016 2	0811408-1	25-20-00-04 -042A 1
0811405-11	25-20-00-04 -002 1	0811408-2	25-20-00-04 -042 1
0811405-12	25-20-00-04 -003 1	0811410-1	25-20-02-01 -017 1
0811405-13	25-20-00-04 -004 1	0811410-10	25-20-02-01 -014 6
0811405-14	25-20-00-04 -005 1	0811410-10	25-20-02-02 -011 6
0811405-15	25-20-00-04 -006 1	0811410-10	25-20-02-03 -021 6
0811405-16	25-20-00-04 -007 1	0811410-14	25-20-02-01 -012 1
0811405-17	25-20-00-04 -008 1	0811410-14	25-20-02-02 -006 1
0811405-18	25-20-00-04 -009 1	0811410-14	25-20-02-03 -002 1
0811405-19	25-20-00-04 -010 1	0811410-15	25-20-02-01 -012A 1
0811405-2	25-20-00-04 -001 1	0811410-15	25-20-02-02 -006A 1
0811405-20	25-20-00-04 -011 1	0811410-15	25-20-02-03 -002B 1
0811405-21	25-20-00-04 -025 1	0811410-16	25-20-02-01 -018 1
0811405-22	25-20-00-04 -028 1	0811410-2	25-20-02-01 -016 1
0811405-222	25-20-02-03 -022 1	0811410-20	25-20-01-01 -001 1
0811405-223	25-20-02-03 -023 1	0811410-20	25-20-01-02 -004 1
0811405-25	25-20-00-04 -026 1	0811410-23	25-20-02-01 -020 1
0811405-26	25-20-00-04 -029 1	0811410-23	25-20-02-02 -015 1
0811405-29	25-20-00-04 -032 1	0811410-23	25-20-02-03 -010 1
0811405-3	25-20-00-04 -020 2	0811410-24	25-20-02-02 -012 1
0811405-30	25-20-00-04 -040 1	0811410-24	25-20-02-03 -011 1
0811405-31	25-20-00-04 -036 1	0811410-3	25-20-02-01 -015 1
0811405-32	25-20-00-04 -035 1	0811415-5-106	33-10-00-02 -007C 1
0811405-33	25-20-00-04 -034 1	0811415-5-179	33-10-00-02 -007A 1
0811405-34	25-20-00-04 -033 1	0811415-5-191	33-10-00-02 -007B 1

**CESSNA AIRCRAFT COMPANY
MODEL 310 THRU 310D
ILLUSTRATED PARTS CATALOG**

PART NUMBER	CH SEC SUBJ FIG ITEM REQ	PART NUMBER	CH SEC SUBJ FIG ITEM REQ
0811419-2	25-20-01-02 -040 2	0811440-72	25-20-00-02 -048 1
0811419-2	25-21-00-01 -022 1	0811440-72	25-20-00-03 -026 1
0811419-5	25-20-01-02 -041 2	0811440-8	25-20-00-01 -043 1
0811419-6	25-20-01-02 -041A 2	0811440-8	25-20-00-02 -043 1
0811420-13	25-20-01-01 -003 1	0811440-8	25-20-00-03 -032 1
0811420-13	25-20-01-02 -013 1	0811440-9	25-20-00-01 -042 1
0811420-14	25-20-01-01 -002 1	0811440-9	25-20-00-02 -042 1
0811420-14	25-20-01-02 -017 1	0811440-9	25-20-00-03 -033 1
0811420-15	25-20-01-01 -015 1	0811443-10	25-20-00-03 -028 1
0811420-16	25-20-01-01 -016 6	0811443-12	25-20-00-03 -025 1
0811420-16	25-20-01-02 -037 4	0811443-13	25-20-00-03 -022 1
0811420-18	25-20-01-01 -044 2	0811443-14	25-20-00-03 -019 1
0811420-19	25-20-01-01 -012 1	0811443-15	25-50-00-02 -001 1
0811420-20	25-20-01-01 -013 1	0811443-16	25-50-00-02 -011 1
0811420-21	25-20-01-01 -014 1	0811443-17	25-50-00-02 -012 1
0811420-29	25-20-01-01 -044A 2	0811443-18	25-50-00-02 -006 1
0811428-2	25-50-00-01 -006 1	0811443-19	25-50-00-02 -007 1
0811430-23	25-50-00-01 -005 1	0811443-2	25-20-00-03 -001 1
0811430-32	25-50-00-01 -011 1	0811443-20	25-50-00-02 -010 1
0811430-33	25-50-00-01 -009 1	0811443-22	25-20-02-02 -009 1
0811430-39	25-50-00-01 -004 1	0811443-23	25-20-02-02 -008 1
0811430-44	25-50-00-01 -003 1	0811443-24	25-20-02-02 -005 1
0811430-46	25-50-00-01 -002 1	0811443-25	25-20-02-02 -022 1
0811430-51	25-50-00-01 -001 1	0811443-26	25-20-02-02 -020 1
0811430-53	25-20-00-01 -028 1	0811443-27	25-20-02-02 -016 1
0811430-53	25-20-00-02 -028 1	0811443-28	25-20-02-02 -018 1
0811430-58	25-50-00-01 -010 1	0811443-29	25-20-02-02 -003 1
0811430-59	25-50-00-01 -008 1	0811443-3	25-20-00-03 -036 1
0811430-60	25-50-00-01 -003A 1	0811443-30	25-20-02-02 -001 1
0811430-61	25-50-00-01 -001A 1	0811443-31	25-20-00-03 -015 1
0811430-62	25-50-00-01 -002A 1	0811443-32	25-20-02-02 -010 1
0811430-63	25-20-00-02 -028A 1	0811443-33	25-20-01-02 -034 2
0811431-1	25-50-00-01 -004A 1	0811443-35	25-20-01-02 -038 1
0811431-2	25-50-00-01 -004B 1	0811443-36	25-20-01-02 -038B 1
0811431-3	25-50-00-01 -010A 1	0811443-37	25-60-00-02 -005 1
0811439-1	25-20-01-01 -043 4	0811443-38	25-20-02-02 -017 1
0811439-2	25-20-01-01 -043B 1	0811443-39	25-20-02-02 -019 1
0811440-11	25-20-01-01 -029 1	0811443-4	25-20-00-03 -023 1
0811440-14	25-20-00-01 -044 1	0811443-41	25-20-01-02 -039 1
0811440-14	25-20-00-02 -044 1	0811443-5	25-20-00-03 -020 1
0811440-14	25-20-00-03 -034 1	0811443-6	25-20-00-03 -027 1
0811440-14	25-20-00-04 -038 1	0811443-7	25-20-00-03 -029 1
0811440-2	25-20-00-01 -051 1	0811443-8	25-20-00-03 -024 1
0811440-22	25-20-00-01 -050 1	0811443-9	25-20-00-03 -021 1
0811440-52	25-20-01-01 -029A 1	0811447-1	25-20-01-02 -035 2
0811440-52	25-20-01-02 -048 1	0811451-2	25-20-01-01 -051B 1
0811440-55	25-20-00-01 -049 1	0811451-23	25-20-00-02 -030 1
0811440-55	25-20-00-02 -050 1	0811451-28	25-20-00-02 -029A 1
0811440-55	25-20-00-03 -030 1	0811451-3	25-20-01-01 -051A 1
0811440-56	25-20-00-01 -048 1	0811451-5	25-20-01-01 -052A 2
0811440-56	25-20-00-02 -049 1	0811451-51	25-20-00-02 -029 1
0811440-56	25-20-00-03 -031 1	0811451-59	25-20-00-02 -033 1
0811440-6	25-20-01-01 -038 1	0811451-68	25-20-00-02 -034 1
0811440-6	25-20-01-02 -022 1	0811451-9	25-20-00-02 -030A 1
0811440-63	25-20-00-01 -045 1	0811452-16	25-20-00-02 -039 1
0811440-65	25-20-00-01 -046 1	0811452-2	25-20-00-02 -036 1
0811440-65	25-20-00-02 -047 1	0811452-25	25-20-00-02 -037 1
0811440-65	25-20-00-03 -035 1	0811452-32	25-20-00-02 -035 1
0811440-68	25-20-00-02 -045 1	0811452-9	25-20-00-02 -038 1
0811440-70	25-20-00-01 -050A 1	0811453-2	25-20-00-02 -051 1
0811440-72	25-20-00-01 -047 1	0811453-21	25-20-00-02 -052 1

**CESSNA AIRCRAFT COMPANY
MODEL 310 THRU 310D
ILLUSTRATED PARTS CATALOG**

PART NUMBER	CH SEC SUBJ FIG	ITEM	REQ	PART NUMBER	CH SEC SUBJ FIG	ITEM	REQ
0811455-28	25-10-00-01	-012D	1	0811480-2	25-20-00-01	-039	1
0811455-4	25-10-00-01	-016F	1	0811480-20	25-20-02-01	-019	1
0811458-11	25-20-01-02	-004A	1	0811480-20	25-20-02-02	-014	1
0811458-12	25-20-01-02	-022A	1	0811480-20	25-20-02-03	-009	1
0811458-4	25-20-01-02	-013A	1	0811480-3	25-20-00-01	-038	1
0811458-5	25-20-01-02	-017A	1	0811480-4	25-20-00-01	-036	1
0811458-9	25-20-01-02	-054	2	0811480-42	25-20-02-01	-001	1
0811460-34	25-21-00-02	-011D	1	0811480-48	25-20-02-01	-013	2
0811465-2	25-21-00-02	-022C	1	0811480-48	25-20-02-02	-007	2
0811465-47	25-21-00-02	-011E	1	0811480-48	25-20-02-03	-003	2
0811465-74	25-21-00-02	-022D	1	0811480-59	25-20-02-01	-008	1
0811470-13	25-20-02-01	-024	1	0811480-6	25-20-00-01	-037	1
0811470-14	25-20-02-01	-023	1	0811480-60	25-20-02-01	-009	1
0811470-15	25-20-02-01	-025	1	0811480-72	25-20-00-01	-035	1
0811470-16	25-20-02-01	-010	1	0811485-2	25-20-00-01	-030	1
0811470-17	25-20-02-01	-011	1	0811485-25	25-20-01-01	-051	2
0811470-17	25-20-02-02	-024	1	0811485-27	25-20-01-01	-052	2
0811470-19	25-20-00-01	-001	1	0811485-3	25-20-00-01	-029	1
0811470-19	25-20-00-02	-001	1	0811485-4	25-20-00-01	-034	1
0811470-19	25-20-00-03	-017	1	0811485-5	25-20-00-01	-033	1
0811470-19	25-20-00-04	-013	1	0811486-15	52-10-00-02	-005	1
0811470-2	25-20-02-01	-005	1	0811486-16	52-10-00-02	-007	1
0811470-2	25-20-02-02	-023	1	0811486-17	52-10-00-02	-010	1
0811470-21	25-20-00-01	-003	1	0811486-18	52-10-00-02	-012	1
0811470-21	25-20-00-02	-003	1	0811486-21	52-10-00-02	-020	2
0811470-22	25-20-00-01	-004	1	0811486-29	52-10-00-02	-002	1
0811470-22	25-20-00-02	-004	1	0811486-31	52-10-00-02	-015	1
0811470-23	25-20-00-01	-005	1	0811486-38	11-00-00-01	-011	1
0811470-23	25-20-00-02	-005	1	0811486-38	52-10-00-03	-016	1
0811470-24	25-20-00-01	-006	1	0811486-43	52-10-00-03	-037	1
0811470-24	25-20-00-02	-006	1	0811486-46	52-10-00-03	-028	1
0811470-25	25-20-00-01	-007	1	0811486-47	52-10-00-03	-038	1
0811470-25	25-20-00-02	-007	1	0811486-47	52-10-00-05	-035	1
0811470-26	25-20-00-01	-008	1	0811486-5	52-10-00-02	-001A	1
0811470-26	25-20-00-02	-008	1	0811486-6	52-10-00-02	-003	1
0811470-3	25-20-02-01	-004	1	0811486-61	52-10-00-03	-022	1
0811470-3	25-20-02-02	-021	1	0811486-64	52-10-00-03	-026	1
0811470-31	25-20-02-01	-010A	1	0811486-65	52-10-00-03	-042	2
0811470-33	25-20-00-01	-002	1	0811486-67	52-10-00-03	-021A	1
0811470-33	25-20-00-02	-002	1	0811486-7	52-10-00-01	-003A	1
0811470-4	25-20-02-01	-003	1	0811486-70	52-10-00-02	-022	1
0811470-4	25-20-02-02	-004	1	0811486-75	52-10-00-02	-017	1
0811470-40	25-20-00-01	-040	1	0811486-90	52-10-00-03	-055	1
0811470-40	25-20-00-02	-040	1	0811488-1	52-10-00-01	-004	1
0811470-40	25-20-00-03	-018	1	0811488-1	52-30-00-02	-028	2
0811470-40	25-20-00-04	-014	1	0811488-4	52-10-00-01	-005	1
0811470-5	25-20-02-01	-002	1	0811488-4	52-30-00-02	-027	1
0811470-5	25-20-02-02	-002	1	0811488-5	52-10-00-01	-006	1
0811470-6	25-20-02-01	-006	2	0811488-5	52-30-00-02	-003	1
0811470-6	25-20-02-02	-025	2	0811489-5	52-10-00-02	-001	1
0811470-8	25-20-02-01	-007	1	0811490-1	52-10-00-03	-001A	1
0811470-8	25-20-02-02	-026	1	0811490-10	52-10-00-04	-010D	1
0811477-1	52-10-00-05	-032	1	0811490-11	52-10-00-04	-020A	1
0811477-2	52-10-00-05	-033	1	0811490-12	52-10-00-04	-016A	1
0811477-5	52-10-00-05	-034	2	0811490-13	52-10-00-04	-013A	1
0811477-8	52-10-00-05	-037	2	0811490-14	52-10-00-04	-024A	1
0811478-1	11-00-00-01	-012	1	0811490-15	52-10-00-02	-025A	1
0811478-2	11-00-00-01	-012A	1	0811490-16	52-10-00-04	-032	1
0811478-3	11-00-00-01	-012B	1	0811490-17	52-10-00-02	-030	1
0811478-3	52-10-00-04	-034	1	0811490-18	52-10-00-05	-000	1
0811478-4	52-10-00-04	-034A	1	0811490-19	52-10-00-04	-033	1

**CESSNA AIRCRAFT COMPANY
MODEL 310 THRU 310D
ILLUSTRATED PARTS CATALOG**

PART NUMBER	CH SEC SUBJ FIG ITEM REQ	PART NUMBER	CH SEC SUBJ FIG ITEM REQ
0811490-20	52-10-00-02 -031 1	0811490-8	52-10-00-02 -027D 1
0811490-21	52-30-00-01 -018 1	0811490-83	52-10-00-04 -036B 1
0811490-22	52-30-00-01 -013 1	0811490-84	52-10-00-04 -008A 1
0811490-23	52-30-00-01 -014 1	0811490-86	52-10-00-04 -007B 1
0811490-24	52-30-00-01 -007 1	0811490-87	52-10-00-04 -008B 1
0811490-25	52-30-00-01 -009 1	0811490-88	52-10-00-04 -036C 1
0811490-26	52-30-00-01 -015 1	0811490-89	52-10-00-04 -009A 1
0811490-27	52-30-00-01 -016 1	0811490-9	52-10-00-04 -007A 1
0811490-28	52-30-00-01 -017 1	0811490-90	52-10-00-04 -010A 1
0811490-29	52-30-00-01 -008 1	0811490-91	52-10-00-04 -033A 1
0811490-3	52-10-00-03 -017 1	0811490-92	52-10-00-04 -010C 1
0811490-3	52-10-00-04 -036 1	0811490-93	52-10-00-04 -007C 1
0811490-31	52-10-00-03 -006 1	0811491	52-10-00-03 -034 1
0811490-32	52-10-00-03 -007 1	0811491	52-10-00-05 -036 1
0811490-33	52-10-00-03 -008 1	0811492-1	25-20-01-01 -031 1
0811490-34	52-10-00-03 -005 1	0811493-1	25-20-01-01 -030 1
0811490-35	52-10-00-03 -011 1	0811493-3	25-20-01-01 -030A 1
0811490-36	52-10-00-03 -012 1	0811493-3	25-20-01-02 -051 1
0811490-37	52-10-00-03 -002 1	0811496-1	52-10-00-05 -026A 1
0811490-38	52-10-00-03 -013 1	0811497-1	52-10-00-05 -027 1
0811490-39	52-10-00-03 -003 1	0811497-2	52-10-00-05 -030 1
0811490-4	52-10-00-03 -018 1	0811498-1	52-10-00-04 -038 1
0811490-4	52-10-00-04 -037 1	0811499-1	52-10-00-02 -032 1
0811490-40	52-10-00-03 -014 2	0811500-1	53-10-06-01 -035 2
0811490-41	52-10-00-03 -004 1	0811500-1	57-10-00-04 -056 1
0811490-42	52-10-00-05 -022 2	0811500-1	57-10-00-08 -055 1
0811490-43	52-10-00-05 -020 1	0811501-1	53-10-04-02 -003A 1
0811490-44	52-10-00-05 -013 1	0811502-1	52-10-00-04 -035 1
0811490-45	52-10-00-05 -001 1	0811503-1	52-10-00-01 -007 1
0811490-46	52-10-00-05 -002 1	0811511-1	25-20-01-01 -031A 1
0811490-47	52-10-00-05 -003 1	0811511-1	25-20-01-02 -050 1
0811490-48	52-10-00-05 -014 1	0811515-1	52-10-00-02 -007A 1
0811490-49	52-10-00-05 -018 1	0811516-1	52-10-00-02 -003A 1
0811490-50	52-10-00-05 -023 1	0811517-1	52-10-00-02 -010A 1
0811490-51	52-10-00-05 -017 1	0811518-1	52-10-00-02 -005A 1
0811490-52	52-10-00-04 -021 1	0811525-5	25-20-01-01 -040 1
0811490-53	52-10-00-05 -025 1	0811525-5	25-20-01-02 -018 1
0811490-54	52-10-00-05 -007 1	0811525-6	25-20-01-01 -041 1
0811490-55	52-10-00-05 -011 1	0811525-6	25-20-01-02 -019 1
0811490-56	52-10-00-05 -010 1	0811525-7	25-20-01-01 -039 1
0811490-57	52-10-00-05 -009 1	0811525-7	25-20-01-02 -021 1
0811490-58	52-10-00-05 -008 1	0811525-8	25-20-01-01 -042 1
0811490-59	52-10-00-04 -008 1	0811526-2	25-20-01-02 -020 1
0811490-60	52-10-00-04 -009 1	0811592-12	52-60-00-01 -017 2
0811490-61	52-10-00-04 -010 1	0811592-14	53-10-02-01 -044 1
0811490-62	52-10-00-04 -010B 1	0811592-15	53-10-02-01 -044A 1
0811490-63	52-10-00-02 -026 1	0811592-16	52-60-00-01 -018 1
0811490-64	52-10-00-02 -027 1	0811592-2	52-60-00-01 -022 1
0811490-64	52-10-00-02 -029 1	0811592-20	53-10-02-01 -048 1
0811490-65	52-10-00-02 -028 1	0811592-21	52-60-00-01 -012 1
0811490-66	52-10-00-04 -011 1	0811592-22	52-60-00-01 -016 1
0811490-67	52-10-00-04 -014 1	0811592-25	53-10-02-01 -045 1
0811490-68	52-10-00-04 -017 1	0811592-4	53-10-02-01 -047 1
0811490-69	52-10-00-04 -025 1	0811592-7	53-10-02-01 -049A 1
0811490-7	52-30-00-01 -006 1	0811593-1	52-60-00-01 -006 1
0811490-70	52-10-00-05 -000A 1	0811593-5	52-60-00-02 -014 1
0811490-71	52-10-00-05 -006A 1	0811595-1	52-60-00-01 -010 1
0811490-73	52-30-00-02 -011 1	0811596-1	52-60-00-01 -019 1
0811490-74	52-10-00-04 -036A 1	0811597-1	52-60-00-02 -052 1
0811490-75	32-41-01-01 -002 1	0811597-2	52-60-00-02 -053 1
0811490-79	52-30-00-02 -026 1	0811601-1	53-10-00-01 -049 1

**CESSNA AIRCRAFT COMPANY
MODEL 310 THRU 310D
ILLUSTRATED PARTS CATALOG**

PART NUMBER	CH SEC SUBJ FIG	ITEM	REQ	PART NUMBER	CH SEC SUBJ FIG	ITEM	REQ
0811602-1	53-10-00-01	-051	1	0811681-2	25-20-01-02	-008	1
0811603-1	53-10-00-01	-050	1	0811682-1	56-10-00-02	-005A	1
0811607-1	53-10-00-01	-055	1	0811683-1	25-20-01-02	-007	1
0811607-2	53-10-00-01	-056	1	0811684-1	56-10-00-02	-002A	1
0811608-1	53-10-00-01	-052	1	0811688-2	53-10-00-01	-045	1
0811617-1	25-20-00-04	-021A	1	0811688-3	53-10-00-01	-044	1
0811617-2	25-20-00-04	-021	1	0811690-1	56-20-00-01	-002	NP
0811622-1	25-20-00-04	-022	1	0811690-10	56-20-00-01	-027	1
0811634-4	52-30-00-01	-024	1	0811690-11	25-20-01-01	-006	1
0811634-6	52-30-00-01	-021	1	0811690-12	25-20-01-01	-007	1
0811634-6	52-30-00-02	-008	1	0811690-13	25-20-01-01	-008	1
0811636-1	52-30-00-02	-004	1	0811690-14	25-20-01-01	-009	1
0811637-1	25-50-00-02	-005	1	0811690-2	56-20-00-01	-005	4
0811644-1	53-10-01-01	-023	1	0811690-20	56-20-00-01	-001	1
0811644-11	53-10-00-01	-028	2	0811690-23	56-20-00-01	-030	1
0811644-12	53-10-00-01	-024	1	0811690-25	56-20-00-01	-003	1
0811644-13	53-10-00-01	-025	2	0811690-26	56-20-00-01	-021	1
0811644-17	53-10-00-01	-023	1	0811690-27	25-20-01-01	-025	1
0811644-19	53-10-00-01	-027	1	0811690-28	25-20-01-01	-046	1
0811644-20	53-10-00-01	-026	1	0811690-29	25-20-01-01	-024	1
0811644-23	53-10-01-01	-025	2	0811690-3	56-20-00-01	-006	1
0811644-7	53-10-01-01	-026	1	0811690-36	25-20-01-01	-011A	1
0811644-8	53-10-01-01	-027	1	0811690-37	56-20-00-01	-030A	1
0811644-9	53-10-01-01	-024	1	0811690-38	56-20-00-01	-007A	1
0811650-2	53-10-01-01	-023A	1	0811690-39	56-20-00-01	-002A	1
0811650-7	53-10-01-01	-026A	1	0811690-4	56-20-00-01	-007	1
0811650-8	53-10-01-01	-027A	1	0811690-40	25-20-01-02	-016	1
0811652-1	25-20-00-04	-019	1	0811690-44	56-20-00-01	-007B	1
0811652-1	25-50-00-02	-004	1	0811690-7	56-20-00-01	-025	1
0811652-3	25-21-00-06	-001	1	0811690-8	56-20-00-01	-026	1
0811653-1	53-10-00-01	-042	1	0811690-9	25-20-01-01	-011	1
0811653-2	53-10-00-01	-042A	1	0811691-1	56-20-00-01	-003A	1
0811655-1	25-50-00-02	-002	1	0811691-2	56-20-00-01	-021A	1
0811655-2	25-50-00-02	-003	1	0811691-3	56-20-00-01	-003B	1
0811656-1	35-10-00-03	-016A	1	0811693-1	56-20-00-01	-002B	1
0811661-1	53-10-00-01	-041	1	0811693-2	56-20-00-01	-002C	1
0811666-1	53-10-00-01	-048	2	0811694-1	56-20-00-01	-006A	1
0811671-1	53-10-00-01	-046	1	0811694-2	56-20-00-01	-006B	1
0811671-1	53-10-00-01	-053	1	0811696-2	25-20-01-02	-014	1
0811672-1	53-10-00-01	-047	1	0811697-1	25-20-01-01	-008A	1
0811672-1	53-10-00-01	-054	1	0811697-1	25-20-01-02	-010	1
0811673-1	35-10-00-03	-014B	1	0811697-2	25-20-01-01	-009A	1
0811674-3	35-10-00-03	-013	1	0811700-1	56-10-00-01	-001	1
0811675-1	35-10-00-03	-015	1	0811700-10	56-10-00-01	-005	1
0811675-3	35-10-00-03	-016	1	0811700-11	56-10-00-01	-006	1
0811675-4	35-10-00-03	-017	1	0811700-12	56-10-00-01	-010	1
0811675-7	35-10-00-03	-018	1	0811700-13	56-10-00-01	-017	1
0811675-8	35-10-00-03	-019	1	0811700-14	56-10-00-01	-018	1
0811677-1	25-20-00-03	-002	1	0811700-15	56-10-00-01	-022	1
0811677-2	25-20-00-03	-003	1	0811700-16	53-10-01-01	-047	1
0811678-1	25-20-00-03	-004	3	0811700-17	53-10-01-01	-047B	1
0811680-13	25-20-01-01	-010	1	0811700-20	25-20-01-01	-021	1
0811680-14	56-10-00-02	-002	1	0811700-20	25-20-01-02	-001	1
0811680-15	25-20-01-01	-023	1	0811700-21	25-20-01-01	-022	1
0811680-17	25-20-01-02	-012	1	0811700-24	25-20-01-01	-017	1
0811680-2	56-10-00-02	-004	1	0811700-24	25-20-01-02	-003	1
0811680-3	56-10-00-02	-005	1	0811700-35	25-20-01-01	-049	2
0811680-4	56-10-00-02	-006	1	0811700-35	25-20-01-02	-044	2
0811680-6	25-20-01-01	-004	1	0811700-36	53-10-05-01	-016	1
0811680-6	25-20-01-02	-006	1	0811700-37	53-10-05-01	-015	1
0811680-9	25-20-01-01	-005	1	0811700-38	53-10-05-01	-017	1

**CESSNA AIRCRAFT COMPANY
MODEL 310 THRU 310D
ILLUSTRATED PARTS CATALOG**

PART NUMBER	CH SEC SUBJ FIG	ITEM	REQ	PART NUMBER	CH SEC SUBJ FIG	ITEM	REQ
0811700-4	53-10-01-01	-038	1	0811754-1	25-20-01-01	-007A	2
0811700-40	53-10-01-01	-043	1	0811754-1	25-20-01-02	-009	2
0811700-43	53-10-01-01	-040	1	0811755-5	25-20-01-01	-024A	1
0811700-44	53-10-01-01	-041	1	0811755-6	25-20-01-01	-025A	1
0811700-46	25-20-01-01	-026	1	0811755-7	56-20-00-01	-009	1
0811700-47	25-20-01-01	-027	1	0811755-8	56-20-00-01	-023	1
0811700-48	53-10-01-01	-042	1	0811756-1	56-20-00-01	-001B	1
0811700-5	53-10-01-01	-035	1	0811757-1	56-20-00-01	-027B	1
0811700-50	56-10-00-01	-005A	1	0811758-3	25-20-01-02	-011	1
0811700-51	56-10-00-01	-006A	1	0811758-4	25-20-01-02	-015	1
0811700-53	25-20-01-01	-028	1	0811758-6	25-20-01-02	-011A	1
0811700-53	25-20-01-02	-005	1	0811758-8	25-20-01-02	-015A	1
0811700-54	53-10-01-01	-044	1	0811760-3	56-20-00-01	-008	1
0811700-55	53-10-05-01	-018	1	0811901-2	52-60-00-02	-035	1
0811700-56	53-10-01-01	-045	1	0811903-1	52-60-00-02	-024	1
0811700-57	56-10-00-01	-001A	1	0811905-2	52-60-00-02	-039	1
0811700-60	53-10-01-01	-056	1	0811907-1	52-60-00-02	-034	1
0811700-61	53-10-01-01	-047A	1	0811908-1	32-30-00-06	-055	1
0811700-62	53-10-01-01	-057	1	0811909-3	53-10-02-02	-036	1
0811702-1	56-10-00-01	-001B	1	0811909-6	53-10-02-02	-036A	1
0811703-1	56-10-00-01	-018A	1	0811910-1	52-60-00-02	-044	1
0811704-1	25-20-01-02	-002	1	0811910-2	52-60-00-02	-045	1
0811705-1	56-10-00-01	-022A	1	0811910-3	52-60-00-02	-047	1
0811706-1	53-10-01-01	-038A	1	0811910-5	52-60-00-02	-048	1
0811707-1	56-10-00-01	-003	1	0811912-1	52-60-00-02	-049	1
0811707-2	56-10-00-01	-004	1	0811913-1	52-60-00-02	-050	1
0811708-1	56-10-00-01	-006B	1	0811914-1	52-60-00-02	-051	1
0811709-1	53-10-01-01	-035A	1	0811915-1	53-10-02-02	-034	1
0811712-1	25-20-01-02	-001A	1	0811915-2	53-10-02-02	-035	1
0811712-2	25-20-01-02	-005A	1	0811916-1	52-60-00-02	-043	2
0811725-1	56-10-00-02	-011	1	0811917-5	53-10-02-02	-033	1
0811725-2	56-10-00-02	-019	1	0811917-7	53-10-02-02	-033A	1
0811725-20	56-10-00-01	-021	1	0811919-1	52-60-00-02	-046	1
0811725-21	56-10-00-02	-020	1	0811920-1	52-60-00-02	-026	1
0811725-22	56-10-00-02	-021	1	0811920-2	32-30-00-06	-056	1
0811725-23	56-10-00-02	-022	1	0811920-3	32-30-00-06	-058	1
0811725-25	56-10-00-02	-007	1	0811921-1	53-10-02-02	-038	1
0811725-34	56-10-00-02	-033	1	0811921-3	53-10-02-02	-038A	1
0811725-35	56-10-00-02	-023	1	0811922-1	53-10-02-02	-032	1
0811725-4	56-10-00-02	-012	1	0811923-1	52-60-00-02	-003	1
0811725-4	56-10-00-02	-027	1	0811923-1	52-60-00-02	-030	1
0811725-5	56-10-00-02	-011A	1	0811923-2	52-60-00-02	-003A	1
0811725-7	56-10-00-02	-013	1	0811924-1	53-10-02-02	-037	1
0811725-8	56-10-00-02	-028	1	0811924-3	53-10-02-02	-037A	1
0811726-1	56-10-00-02	-020A	1	0811926-1	21-40-00-03	-043	1
0811727-1	56-10-00-02	-019A	1	0811926-1	25-21-00-04	-033	1
0811727-2	11-00-00-01	-006	1	0811927-1	21-40-00-03	-042	1
0811728-1	56-10-00-02	-021A	1	0811927-1	25-21-00-04	-032	1
0811728-2	56-10-00-02	-022A	1	0811930-4	53-20-00-02	-007A	1
0811729-1	56-10-00-02	-011B	1	0811930-4	53-20-00-04	-018	1
0811730-1	56-10-00-02	-034	1	0811932-1	52-60-00-02	-040	2
0811732-1	56-10-00-02	-007A	1	0811933-1	52-60-00-02	-036	1
0811733-1	56-10-00-02	-028A	1	0811935-1	52-60-00-02	-030A	1
0811735-1	56-10-00-02	-030	1	0811936-3	53-10-02-02	-058	1
0811735-2	56-10-00-02	-031	1	0811936-5	53-10-02-02	-059	1
0811735-3	56-10-00-02	-032	1	0811937-1	52-60-00-02	-007	1
0811737-1	56-10-00-01	-005B	1	0811937-2	52-60-00-02	-008	1
0811751-1	56-20-00-01	-010	1	0812-580-81	34-50-03-01	-022	1
0811751-1	56-20-00-01	-024	1	0812000-1	25-20-01-01	-047	2
0811752-1	56-20-00-01	-001A	1	0812000-1	25-20-01-02	-042	2
0811753-1	56-20-00-01	-027A	1	0812000-13	28-20-00-04	-013	2

**CESSNA AIRCRAFT COMPANY
MODEL 310 THRU 310D
ILLUSTRATED PARTS CATALOG**

PART NUMBER	CH SEC SUBJ FIG	ITEM	REQ	PART NUMBER	CH SEC SUBJ FIG	ITEM	REQ
0812000-15	53-20-00-02	-004	1	0812226-1	25-21-01-01	-034	1
0812000-18	28-20-00-04	-018	2	0812230-11	25-21-01-01	-021	1
0812000-19	28-20-00-04	-020	2	0812232-1	25-21-01-01	-003	1
0812000-21	28-20-00-04	-033	1	0812233-1	25-21-00-06	-026	2
0812000-22	28-20-00-04	-028	2	0812233-1	25-21-01-01	-029	2
0812000-23	76-10-00-03	-037	1	0812240-1	25-21-00-01	-011	2
0812000-23	76-10-00-04	-037	1	0812240-1	25-21-01-01	-013	2
0812000-23	76-10-00-05	-021	1	0812240-2	25-21-00-01	-011A	2
0812000-25	28-20-00-04	-023	1	0812240-2	25-21-01-01	-013A	2
0812000-26	28-20-00-04	-031A	1	0812243-1	25-21-01-01	-035	1
0812000-27	28-20-00-04	-028A	2	0812244-1	25-21-01-01	-036	1
0812000-28	28-20-00-04	-023A	1	0812249-1	25-21-01-01	-041	2
0812000-30	28-20-00-04	-028B	2	0812250-1	25-21-01-01	-022	4
0812000-7	28-20-00-04	-030	1	0812251-1	25-21-01-01	-037	1
0812000-8	28-20-00-04	-031	1	0812252-1	25-21-00-06	-005	2
0812002-2	27-10-00-01	-053	1	0812252-1	25-21-01-01	-015	2
0812003-1	33-10-00-02	-016B	1	0812253-1	25-21-01-01	-018	2
0812005-1	28-20-00-04	-031B	1	0812253-1	25-21-02-01	-001	2
0812110-1	37-10-00-04	-008	2	0812254-1	53-10-02-02	-064	1
0812200-102	25-10-00-02	-012A	1	0812254-1	53-10-02-02	-066	1
0812200-103	25-10-00-02	-011A	1	0812254-2	53-10-02-02	-065	1
0812200-111	25-10-00-01	-007	1	0812254-2	53-10-02-02	-067	1
0812200-111	25-21-02-01	-007	1	0812254-7	53-10-02-02	-066A	1
0812200-33	25-10-00-02	-002	1	0812254-8	53-10-02-02	-067A	1
0812200-34	25-10-00-02	-003	1	0812255-1	25-21-01-01	-040	2
0812200-38	25-10-00-02	-006	1	0812257-1	25-21-00-01	-012	2
0812200-43	25-10-00-02	-011	1	0812257-1	25-21-01-01	-014A	2
0812200-44	25-10-00-02	-012	1	0812258-1	25-21-01-01	-038	2
0812200-47	25-10-00-02	-016	1	0812261-2	25-21-02-01	-028A	1
0812200-49	25-10-00-02	-008	1	0812269-1	53-10-02-02	-059A	1
0812200-50	25-10-00-02	-009	1	0812269-1	53-10-02-02	-062	1
0812200-51	25-10-00-02	-022	1	0812269-3	53-10-02-02	-060	1
0812200-52	25-10-00-02	-018	1	0812269-3	53-10-02-02	-063	1
0812200-6	25-10-00-02	-001	1	0812271-3	25-21-02-01	-002B	1
0812200-81	25-10-00-01	-005	2	0812271-4	25-21-02-01	-002	1
0812200-81	25-10-00-01	-014	2	0812272-1	25-21-02-01	-033A	1
0812200-91	25-10-00-01	-011A	1	0812272-2	25-21-02-01	-033	1
0812200-92	25-10-00-01	-016	1	0812276-1	25-21-00-06	-003	2
0812200-96	25-10-00-01	-016A	1	0812277-1	25-21-00-06	-020	4
0812200-97	25-10-00-01	-011B	1	0812278-1	53-30-00-04	-012	1
0812201-1	25-10-00-02	-019	1	0812279-1	53-30-00-04	-013	1
0812204-1	28-20-01-02	-038A	1	0812280-3	25-21-00-06	-010	1
0812205-1	25-10-00-01	-006	2	0812280-4	25-21-00-06	-019	1
0812206-2	53-20-00-02	-004A	1	0812280-5	25-21-00-06	-010B	1
0812206-2	53-20-00-04	-011	1	0812280-6	25-21-00-06	-019B	1
0812206-3	28-20-01-02	-039	1	0812281-1	25-21-02-01	-002C	1
0812207-1	28-20-01-02	-038	1	0812281-2	25-21-02-01	-002A	1
0812208-3	28-20-01-01	-038	1	0812288-1	25-21-02-01	-028B	1
0812208-3	57-10-00-05	-030	1	0812291-1	25-21-00-06	-004	2
0812208-6	28-20-01-02	-042	1	0812300-11	25-21-00-02	-030	2
0812208-7	28-20-01-02	-043	1	0812300-16	25-21-00-02	-025	2
0812209-1	28-20-01-02	-044	1	0812300-32	25-21-00-02	-023	1
0812209-2	28-20-01-01	-029	1	0812300-50	25-21-00-02	-002	2
0812209-3	28-20-01-02	-044A	1	0812300-54	25-21-00-02	-021	1
0812211-1	28-20-01-02	-035	1	0812300-55	25-21-00-02	-010	1
0812213-1	28-20-01-02	-036	1	0812300-57	25-21-00-02	-021A	1
0812214-1	28-20-01-02	-022	8	0812300-7	25-21-00-02	-028	2
0812225-3	25-21-01-01	-032A	1	0812301-15	25-21-00-04	-020C	1
0812225-4	25-21-01-01	-033	1	0812302-11	25-21-00-04	-021	1
0812225-7	25-21-01-01	-020C	1	0812310-17	25-21-00-02	-039C	1
0812225-8	25-21-01-01	-020B	1	0812310-18	25-21-00-02	-039	1

CESSNA AIRCRAFT COMPANY
MODEL 310 THRU 310D
ILLUSTRATED PARTS CATALOG

PART NUMBER	CH SEC SUBJ FIG ITEM REQ	PART NUMBER	CH SEC SUBJ FIG ITEM REQ
0812310-22	25-21-00-02 -011 1	0812348-1	33-10-00-02 -013 1
0812310-23	25-21-00-02 -011A 1	0812350-10	24-50-10-01 -024 1
0812310-25	25-21-00-02 -039B 1	0812350-11	24-50-10-01 -012 1
0812310-7	25-21-00-02 -039A 1	0812350-13	24-50-00-01 -032 2
0812311-1	25-21-00-04 -022 1	0812350-14	24-50-00-01 -031 1
0812315-3	25-21-00-02 -022 1	0812350-3	24-50-00-01 -006 2
0812315-4	25-21-00-02 -024 1	0812350-37	57-10-00-09 -021 1
0812315-8	25-21-00-02 -024A 1	0812350-38	24-30-00-03 -019B 1
0812316-1	25-21-00-02 -031A 1	0812350-4	24-50-00-01 -007 2
0812316-2	25-21-00-02 -031 1	0812350-40	53-10-05-01 -011 1
0812317-1	25-21-00-02 -029 2	0812350-40	53-10-05-01 -011A 2
0812317-6	25-21-00-02 -029A 2	0812350-44	24-50-10-01 -015A 1
0812320-3	53-10-03-01 -021B 1	0812350-52	24-50-00-01 -005 1
0812320-4	53-10-04-01 -029B 1	0812350-56	24-50-10-01 -024A 1
0812322-1	53-10-03-01 -021A 1	0812350-58	24-30-10-02 -029 1
0812322-2	53-10-04-01 -029A 1	0812350-61	24-50-00-01 -005A 1
0812324-2	33-10-00-02 -013A 1	0812350-64	24-50-00-01 -031A 1
0812325-1	27-50-00-03 -003 1	0812350-67	33-10-00-02 -007 1
0812325-4	27-50-00-03 -004 1	0812350-69	24-50-00-01 -031B 1
0812325-5	27-50-00-03 -002 1	0812350-7	24-50-10-01 -002 1
0812325-6	27-50-00-03 -001 1	0812350-70	24-30-00-03 -002A 1
0812326-2	27-50-00-03 -006 1	0812350-8	24-50-10-01 -016 1
0812326-33	27-50-00-03 -030A 1	0812350-9	24-50-10-01 -014 4
0812326-34	27-50-00-03 -030B 1	0812351-1	33-10-00-02 -020 1
0812326-4	27-50-00-03 -007 1	0812351-2	33-10-00-02 -028 2
0812326-47	27-50-00-03 -005 1	0812351-3	33-10-00-02 -027 2
0812326-9	27-50-00-03 -009 1	0812351-4	33-10-00-02 -019A 2
0812328-1	27-50-00-03 -015 1	0812352-1	31-10-00-01 -004 1
0812328-2	27-50-00-03 -014 1	0812352-1	31-10-00-02 -004 1
0812329-7	27-50-00-03 -017 1	0812352-11	21-60-00-01 -013 1
0812329-8	27-50-00-03 -016 1	0812353-1	24-30-00-03 -020 1
0812330-1	28-20-01-01 -003 1	0812353-2	24-30-00-03 -020A 1
0812330-12	28-20-01-01 -005A 1	0812356	24-30-00-03 -014 1
0812330-2	28-20-01-01 -004 1	0812358-1	24-30-10-01 -011 1
0812330-3	28-20-01-01 -005 1	0812359-1	33-10-00-02 -017 4
0812331-1	35-10-00-02 -054 1	0812363-1	35-10-00-01 -024 1
0812331-1	35-10-00-03 -046 1	0812363-1	35-10-00-02 -036 1
0812331-1	35-10-00-04 -047 1	0812363-1	35-10-00-03 -036 1
0812331-2	35-10-00-02 -055 1	0812363-1	35-10-00-04 -007 1
0812331-2	35-10-00-03 -047 1	0812364-1	35-10-00-01 -035 4
0812331-2	35-10-00-04 -048 1	0812365-1	35-10-00-01 -036 3
0812332-1	53-10-05-01 -007A 1	0812365-2	35-10-00-01 -037 1
0812334-1	27-50-00-04 -017 1	0812366-1	35-10-00-01 -048 4
0812334-2	27-50-00-04 -018 1	0812369-1	35-10-00-01 -050 4
0812335-7	27-50-00-04 -020 1	0812369-1	35-10-00-02 -057 5
0812335-8	27-50-00-04 -019 1	0812369-1	35-10-00-03 -049 5
0812336-1	27-50-00-04 -015A 1	0812369-1	35-10-00-04 -046 5
0812339-1	25-20-00-03 -041 4	0812370-1	24-50-10-01 -012A 1
0812339-1	25-20-00-04 -047 4	0812370-2	24-30-10-02 -028 1
0812340-2	27-50-00-04 -024 1	0812371-1	25-21-00-04 -003 2
0812340-3	27-50-00-04 -025 1	0812371-2	25-21-00-04 -003A 2
0812341-1	27-50-00-04 -015 1	0812374-1	25-21-00-04 -026A 4
0812341-2	27-50-00-04 -016 1	0812374-12	25-21-00-04 -009 2
0812341-3	27-50-00-04 -001 1	0812374-13	25-21-00-04 -006 2
0812341-4	27-50-00-04 -005 1	0812374-14	25-21-00-04 -017B 2
0812344-1	11-00-00-01 -024 1	0812374-15	25-21-00-05 -008 2
0812344-1	31-10-00-05 -011 1	0812374-16	25-21-00-05 -006 4
0812344-2	11-00-00-01 -024B 1	0812374-3	25-21-00-04 -020B 1
0812344-3	11-00-00-01 -024A 1	0812374-4	25-21-00-04 -026 4
0812345-1	24-50-00-01 -035A 1	0812374-5	25-21-00-04 -020A 1
0812346-1	24-50-00-01 -003A 1	0812374-6	25-21-00-04 -017A 2

CESSNA AIRCRAFT COMPANY
MODEL 310 THRU 310D
ILLUSTRATED PARTS CATALOG

PART NUMBER	CH SEC SUBJ FIG ITEM REQ	PART NUMBER	CH SEC SUBJ FIG ITEM REQ
0812374-7	25-21-00-04 -011C 4	0812455-208	34-50-01-04 -019 2
0812374-8	25-21-00-04 -027 8	0812455-208	34-50-01-05 -021 2
0812390-3	25-21-00-05 -026 1	0812455-208	34-50-01-05 -041 1
0812390-4	25-21-00-05 -026A 1	0812455-290	34-30-00-01 -017 1
0812391-1	25-21-00-05 -027 1	0812455-292	23-10-00-02 -018 1
0812391-2	25-21-00-05 -027A 1	0812455-292	23-10-00-05 -012 1
0812392-1	25-21-00-05 -028 1	0812455-294	23-10-00-01 -013 1
0812393-1	25-21-00-05 -029 1	0812455-313	34-50-01-01 -019 1
0812394-1	25-21-00-05 -020 2	0812455-313	34-50-01-02 -018 1
0812395-1	25-21-00-05 -030 1	0812455-316	34-50-02-01 -010 1
0812396-2	25-21-00-05 -031 1	0812455-316	34-50-02-02 -014 1
0812397-1	25-21-00-05 -001 2	0812455-318	34-50-01-02 -019 1
0812397-2	25-21-00-05 -002 2	0812455-320	34-50-02-02 -015 1
0812401-1	25-21-00-05 -007 2	0812455-33	23-10-00-02 -017 1
0812403-1	24-30-00-03 -019C 1	0812455-348	23-10-00-02 -016 1
0812405-14	24-50-00-01 -005D 1	0812455-349	34-50-01-01 -020 1
0812405-2	24-50-00-01 -005B 1	0812455-349	34-50-01-02 -020 1
0812405-5	24-50-00-01 -005C 1	0812455-350	34-50-02-01 -012 1
0812437-1	34-50-01-04 -007 1	0812455-350	34-50-02-02 -016 1
0812450-139	24-40-00-01 -005 1	0812455-351	34-50-01-02 -020A 1
0812450-142	24-30-20-04 -001 1	0812455-352	34-50-02-02 -016A 1
0812450-2	24-30-20-04 -003 1	0812455-36	23-10-00-02 -015 1
0812450-222	21-40-00-05 -041 1	0812455-396	34-50-01-02 -019A 1
0812450-223	21-40-00-05 -042 1	0812455-397	34-50-02-02 -015A 1
0812450-224	21-40-00-05 -040 1	0812455-398	34-50-01-01 -019A 1
0812450-224	21-40-00-07 -038 1	0812455-398	34-50-01-02 -018A 1
0812450-6	24-30-20-04 -004 1	0812455-399	34-50-02-01 -010A 1
0812450-8F	24-30-20-04 -006 1	0812455-399	34-50-02-02 -014A 1
0812450-8L	24-30-20-04 -005 1	0812455-40	34-50-01-01 -017 1
0812450-8R	24-30-20-04 -007 1	0812455-49	23-10-00-01 -012 1
0812452-33	23-10-00-01 -016 1	0812455-74	34-50-02-01 -009 1
0812452-34	23-10-00-01 -015 1	0812456-247	34-50-00-04 -003 1
0812452-35	23-20-02-02 -011 1	0812456-251	34-50-00-04 -005 1
0812452-42	23-10-00-02 -020 1	0812456-264	34-50-00-03 -012 1
0812452-52	23-10-00-01 -017 1	0812456-265	34-50-00-03 -034 1
0812452-73	23-10-00-01 -017A 1	0812459-1	34-30-00-01 -004 1
0812452-74	23-10-00-02 -020A 1	0812459-2	34-30-00-01 -009F 4
0812452-75	23-10-00-01 -015A 1	0812459-28	34-30-00-01 -005 1
0812455-10	34-50-01-01 -004 1	0812459-29	34-30-00-01 -001A 1
0812455-10	34-50-01-02 -005 2	0812459-30	34-30-00-01 -002A 1
0812455-10	34-50-01-03 -005 1	0812462-103	34-50-00-03 -024 1
0812455-10	34-50-01-04 -005 2	0812462-103	34-50-00-04 -021 1
0812455-11	34-50-01-01 -001 1	0812462-98	34-50-00-03 -009 1
0812455-11	34-50-01-02 -002 2	0812465-246	34-50-00-03 -002A 2
0812455-11	34-50-01-03 -002 1	0812465-246	34-50-00-03 -026A 1
0812455-11	34-50-01-04 -002 2	0812465-246	34-50-00-04 -002A 2
0812455-111	34-30-00-01 -016 1	0812465-246	34-50-00-04 -025A 1
0812455-116	34-50-05-01 -006 1	0812465-247	34-50-00-03 -003 1
0812455-13	34-50-01-02 -008 1	0812465-247	34-50-00-03 -027 1
0812455-13	34-50-01-04 -009 1	0812465-247	34-50-00-04 -026 1
0812455-13	34-50-01-05 -013 1	0812465-248	34-50-00-03 -007 1
0812455-13	34-50-02-02 -004 1	0812465-248	34-50-00-03 -031 1
0812455-16	23-10-00-01 -003 1	0812465-248	34-50-00-04 -007 1
0812455-165	34-50-05-01 -005 1	0812465-248	34-50-00-04 -029 1
0812455-165	34-50-05-01 -011 1	0812465-248	34-50-00-05 -009 1
0812455-165	34-50-05-01 -020 1	0812465-250	34-50-00-03 -006 1
0812455-189	34-50-02-01 -011 1	0812465-250	34-50-00-03 -030 1
0812455-20	23-10-00-04 -002 1	0812465-250	34-50-00-04 -006 1
0812455-20	23-10-00-05 -002 1	0812465-250	34-50-00-04 -028 1
0812455-208	34-50-01-01 -018 1	0812465-250	34-50-00-05 -008 1
0812455-208	34-50-01-03 -017 1	0812465-251	23-50-01-03 -005 1

**CESSNA AIRCRAFT COMPANY
MODEL 310 THRU 310D
ILLUSTRATED PARTS CATALOG**

PART NUMBER	CH SEC SUBJ FIG ITEM REQ	PART NUMBER	CH SEC SUBJ FIG ITEM REQ
0812465-251	34-50-00-03 -005 1	0812466-96	23-20-01-04 -003 1
0812465-251	34-50-00-03 -029 1	0812466-97	23-10-02-01 -012 1
0812465-251	34-50-00-04 -027 1	0812466-97	23-10-02-03 -010 1
0812465-254	34-50-00-03 -010 1	0812466-98	23-10-02-01 -009 1
0812465-254	34-50-00-03 -033 1	0812466-98	23-10-02-02 -006 1
0812465-258	23-20-02-02 -002 1	0812466-98	23-10-02-03 -007 1
0812465-259	22-10-00-01 -003 1	0812468-1	53-10-06-06 -024 1
0812465-259	23-20-02-02 -003 1	0812468-13	53-10-06-06 -025 1
0812465-259	23-50-01-03 -006 1	0812472-1	24-10-00-01 -002 1
0812465-292	23-50-01-03 -004 1	0812473-17	23-50-01-01 -008 1
0812465-293	34-30-01-02 -008 1	0812473-18	23-50-01-01 -008A 1
0812465-298	23-50-01-03 -004A 1	0812473-2	23-50-01-01 -005 1
0812465-31	34-50-00-04 -028A 1	0812473-29	23-50-01-01 -008B 1
0812465-310	34-50-00-04 -002B 2	0812474-1	34-50-05-01 -010 1
0812465-310	34-50-00-04 -025B 1	0812474-1	34-50-05-01 -028 1
0812465-311	34-50-00-04 -006A 1	0812474-1	34-50-05-01 -039 1
0812465-312	34-50-00-04 -003A 1	0812478-1	23-00-00-05 -009 1
0812465-312	34-50-00-04 -026A 1	0812479-2	24-30-10-02 -018 2
0812465-313	34-50-00-04 -003B 1	0812479-3	24-30-10-02 -013 2
0812465-313	34-50-00-04 -026B 1	0812479-4	24-30-10-02 -014 2
0812465-313	34-50-00-05 -005 1	0812479-5	24-30-10-02 -017 2
0812465-313	34-50-00-05 -012 1	0812480-19	11-00-00-01 -018 1
0812465-314	34-50-00-04 -002C 2	0812480-19	25-20-00-04 -045 1
0812465-314	34-50-00-04 -025C 1	0812480-19	25-50-00-01 -015 1
0812465-314	34-50-00-05 -004 1	0812480-19	25-50-00-02 -017 1
0812465-315	34-50-00-05 -011A 1	0812480-20	11-00-00-01 -016 2
0812465-316	34-50-00-05 -018 1	0812480-25	31-10-00-01 -010 1
0812465-317	34-50-00-05 -014 1	0812480-25	31-10-00-02 -009 1
0812465-319	34-50-00-05 -015 1	0812480-256	79-20-00-02 -017A 1
0812465-319	34-50-00-05 -021 1	0812480-27	11-00-00-01 -009 1
0812465-320	23-20-02-03 -007 1	0812480-27	28-20-00-04 -024 1
0812465-320	23-20-02-04 -008 1	0812480-28	11-00-00-01 -010 1
0812465-320	34-20-00-02 -006 1	0812480-28	28-20-00-04 -025 1
0812465-320	34-20-00-03 -007 1	0812480-29	32-10-00-02 -008 1
0812465-320	34-50-00-04 -005A 1	0812480-29	32-20-00-02 -002 1
0812465-320	34-50-00-04 -027A 1	0812480-32	11-00-00-01 -003 1
0812465-320	34-50-00-05 -007 1	0812480-33	11-00-00-01 -013 1
0812465-320	34-50-00-05 -013 1	0812480-34	79-20-00-02 -017B 1
0812465-321	34-50-00-03 -004 1	0812480-35	11-00-00-01 -004 1
0812465-321	34-50-00-03 -028 1	0812480-35	53-20-02-01 -036 1
0812465-321	34-50-00-04 -004 1	0812480-35	53-20-02-02 -033 1
0812465-321	34-50-00-04 -026C 1	0812480-36	11-00-00-01 -019 1
0812465-321	34-50-00-05 -006 1	0812480-37	11-00-00-01 -017 2
0812465-321	34-50-00-05 -019 1	0812480-37	57-10-01-03 -062 1
0812465-323	34-50-00-04 -011 2	0812480-37	57-10-01-06 -062 1
0812465-323	34-50-00-04 -032 1	0812480-39	11-00-00-01 -008 1
0812465-323	34-50-00-05 -024 2	0812480-41	23-20-01-01 -021 1
0812465-324	34-50-00-05 -020 1	0812480-41	23-20-01-02 -020 1
0812466-125	23-10-02-01 -001B 1	0812480-41	34-50-00-03 -022 1
0812466-164	23-10-02-02 -001B 1	0812480-41	34-50-00-04 -019 1
0812466-166	23-10-02-03 -001B 1	0812480-41	34-50-00-05 -031 1
0812466-206	23-10-02-01 -005 1	0812480-42	23-50-01-02 -006 1
0812466-21	23-10-02-01 -002C 1	0812480-42	23-50-01-03 -010 1
0812466-21	23-10-02-02 -002C 1	0812480-43	11-00-00-01 -002 1
0812466-21	23-10-02-03 -002C 1	0812480-44	11-00-00-01 -002A 1
0812466-215	23-10-02-02 -002 1	0812480-45	11-00-00-01 -001 1
0812466-22	23-10-02-01 -002 1	0812480-46	11-00-00-01 -001A 1
0812466-22	23-10-02-03 -002 1	0812480-48	23-20-01-05 -010 1
0812466-23	23-10-02-01 -002A 1	0812480-48	34-50-00-02 -008 1
0812466-23	23-10-02-02 -002A 1	0812480-48	34-50-00-03 -014 1
0812466-23	23-10-02-03 -002A 1	0812480-48	34-50-00-04 -014 1

**CESSNA AIRCRAFT COMPANY
MODEL 310 THRU 310D
ILLUSTRATED PARTS CATALOG**

PART NUMBER	CH SEC SUBJ FIG ITEM REQ	PART NUMBER	CH SEC SUBJ FIG ITEM REQ
0812480-48	34-50-00-05 -027 1	0812485-21	34-30-01-03 -003 1
0812480-48	34-50-01-06 -026 1	0812485-24	23-00-00-05 -003 1
0812480-49	34-50-00-01 -006 1	0812485-26	34-30-01-03 -002A 1
0812480-49	34-50-00-02 -009 1	0812487-1	53-10-05-01 -007 1
0812480-49	34-50-00-03 -015 1	0812488-1	23-10-01-04 -006 1
0812480-49	34-50-00-04 -015 1	0812489-2	23-10-01-04 -005 1
0812480-49	34-50-00-05 -028 1	0812490-1	23-00-00-04 -002 1
0812480-49	34-50-01-06 -027 1	0812490-4	23-00-00-04 -003 1
0812480-5	11-00-00-01 -005 1	0812491-1	22-10-02-01 -007 1
0812480-50	11-00-00-01 -001B 1	0812491-1	22-10-02-01 -007A 2
0812480-57	11-00-00-01 -025 1	0812491-1	23-00-00-03 -010 1
0812480-57	32-20-00-02 -012A 1	0812491-1	23-10-02-08 -009 1
0812480-58	25-70-00-01 -006A 1	0812492-2	24-30-10-02 -024 1
0812480-59	25-70-00-01 -006B 1	0812492-2	24-50-00-01 -001A 1
0812480-59	25-70-00-01 -013 1	0812494-5	24-30-10-02 -026 1
0812480-61	11-00-00-01 -026 1	0812497-1	34-50-05-01 -009 1
0812480-62	11-00-00-01 -027 1	0812497-1	34-50-05-01 -027 1
0812480-63	11-00-00-01 -028 1	0812497-1	34-50-05-01 -038 1
0812480-64	11-00-00-01 -026A 1	0812498-1	34-50-05-01 -015 1
0812480-65	11-00-00-01 -027A 1	0812498-1	34-50-05-01 -029 1
0812480-66	11-00-00-01 -028A 1	0812498-1	34-50-05-01 -040 1
0812480-70	11-00-00-01 -001C 1	0812500-1	56-20-00-01 -012A 1
0812480-71	11-00-00-01 -002B 1	0812500-10	11-00-00-01 -007 1
0812480-73	11-00-00-01 -028B 1	0812500-10	56-20-00-01 -019 1
0812480-74	11-00-00-01 -027B 1	0812500-11	53-10-03-01 -024 1
0812480-75	11-00-00-01 -026B 1	0812500-12	53-10-04-01 -033 1
0812480-77	34-30-00-02 -005 1	0812500-13	53-10-03-01 -032 1
0812480-77	34-30-01-01 -014 1	0812500-2	56-20-00-01 -013 1
0812480-77	34-30-02-01 -013 1	0812500-3	56-20-00-01 -015 1
0812480-78	34-30-00-02 -006 1	0812500-4	56-20-00-01 -016 1
0812480-78	34-30-01-01 -013 1	0812500-5	56-20-00-01 -012 1
0812480-78	34-30-02-01 -014 1	0812500-9	56-20-00-01 -017 1
0812480-79	34-30-00-02 -007 1	0812502-1	23-10-01-03 -013 1
0812480-79	34-30-01-01 -012 1	0812502-1	34-50-05-02 -012 1
0812480-79	34-30-02-01 -015 1	0812503-1	23-10-01-03 -011 1
0812480-81	23-10-02-06 -009 1	0812503-1	34-50-05-02 -010 1
0812480-82	23-10-02-06 -008 1	0812503-14	34-30-00-01 -009B 1
0812480-83	34-30-02-01 -019 1	0812504-2	23-10-01-02 -002 2
0812480-84	27-50-00-04 -014A 1	0812505-1	34-50-01-02 -012B 1
0812480-85	34-20-00-02 -023 1	0812505-1	34-50-02-02 -007C 1
0812480-85	34-20-00-03 -021 1	0812506-1	24-50-00-01 -031C 1
0812480-86	23-20-02-03 -012 1	0812506-14	24-50-00-01 -031E 1
0812480-86	23-20-02-04 -012 1	0812506-5	24-50-00-01 -031D 1
0812480-88	11-00-00-01 -016A 2	0812507-1	23-10-02-08 -030 AR
0812480-89	79-20-00-02 -017C 1	0812508-1	23-20-03-01 -012 1
0812480-90	30-10-00-05 -013B 1	0812509-1	23-20-03-01 -009 1
0812480-91	30-10-00-05 -071 1	0812509-1	23-20-03-02 -009 1
0812480-92	30-10-00-05 -072 1	0812509-1	23-20-03-03 -000 1
0812480-93	30-10-00-05 -073 1	0812509-23	23-20-03-03 -003 2
0812480-96	34-30-02-01 -020 1	0812509-24	23-20-03-03 -009 1
0812480-97	35-10-00-04 -044 1	0812509-4	23-20-03-03 -014 1
0812480-98	11-00-00-01 -037 2	0812509-5	23-20-03-03 -001 1
0812481-1	24-30-10-02 -011 2	0812512-1	23-20-03-01 -014 1
0812482-1	24-30-10-02 -012 2	0812513-1	23-10-01-03 -010 1
0812483-2	24-30-10-02 -021 2	0812514-1	23-20-03-01 -025 1
0812484-1	24-30-10-02 -023 2	0812514-2	23-20-03-01 -026 1
0812485-11	34-30-01-03 -004 1	0812514-3	23-20-03-01 -025A 1
0812485-14	23-00-00-05 -002 1	0812514-3	23-20-03-02 -013 1
0812485-15	23-10-01-03 -002 1	0812514-4	23-20-03-01 -026A 1
0812485-16	23-10-01-04 -002 1	0812514-4	23-20-03-02 -014 1
0812485-20	34-30-01-03 -002 1	0812514-5	23-20-03-02 -024 1

**CESSNA AIRCRAFT COMPANY
MODEL 310 THRU 310D
ILLUSTRATED PARTS CATALOG**

PART NUMBER	CH SEC SUBJ FIG ITEM REQ	PART NUMBER	CH SEC SUBJ FIG ITEM REQ
0812515-1	53-10-06-06 -008 1	0812536-73	25-21-02-01 -012A 1
0812516-11	53-10-06-06 -009 1	0812536-78	25-10-00-01 -016D 1
0812517-1	34-50-01-01 -010A 1	0812536-79	25-10-00-01 -016C 1
0812517-1	34-50-01-02 -010A 1	0812536-8	25-21-00-04 -031 2
0812517-1	34-50-02-01 -004C 1	0812536-86	25-20-00-03 -040C 1
0812517-1	34-50-02-02 -006A 1	0812536-86	25-20-00-04 -046C 1
0812521-1	23-50-00-02 -004 1	0812536-87	25-20-00-03 -040A 1
0812521-2	23-50-00-02 -006 1	0812536-87	25-20-00-04 -046A 1
0812522-1	23-50-00-02 -001 NP	0812536-88	25-21-02-01 -009A 1
0812526-1	23-00-00-03 -005 1	0812536-89	25-21-02-01 -009B 1
0812527-1	31-10-02-01 -008 1	0812536-9	25-21-00-04 -012B 1
0812528-7	53-10-06-06 -005 1	0812536-94	25-21-02-01 -014 1
0812528-7	53-10-06-06 -019 1	0812536-95	25-21-02-01 -014A 1
0812528-8	53-10-06-06 -005A 1	0812536-96	25-21-02-01 -014B 1
0812528-8	53-10-06-06 -019A 1	0812536-98	25-21-02-01 -014C 1
0812529-1	53-10-06-06 -002 1	0812538-68	25-21-00-06 -011A 1
0812529-2	53-10-06-06 -004 2	0812543-3	23-10-02-06 -003A 1
0812529-2	53-10-06-06 -018 2	0812543-3	23-10-02-07 -004E 1
0812529-3	53-10-06-06 -003 1	0812543-3	23-10-02-08 -003A 1
0812531-1	24-30-10-01 -012 1	0812543-3	23-10-02-10 -004C 1
0812533-1	34-30-01-02 -001 1	0812545-36	23-10-00-03 -013 1
0812534-2	23-10-00-06 -013 1	0812545-36	23-10-00-04 -013 1
0812534-2	23-10-01-02 -014 1	0812545-37	23-10-00-03 -014 1
0812536-10	25-21-00-04 -013B 1	0812545-37	23-10-00-04 -014 1
0812536-11	25-21-00-04 -012 1	0812545-50	23-10-00-04 -013A 1
0812536-12	25-21-00-04 -013 1	0812545-51	23-10-00-04 -014A 1
0812536-13	25-21-00-02 -011F 1	0812548-1	23-10-02-08 -007 1
0812536-14	25-21-00-02 -022E 1	0812548-22	23-10-00-04 -015A 1
0812536-15	25-21-00-02 -011B 1	0812548-3	23-10-00-04 -015 1
0812536-16	25-21-00-02 -022A 1	0812548-4	23-10-00-04 -016 1
0812536-18	25-20-00-03 -040B 1	0812548-8	23-10-00-04 -014B 1
0812536-18	25-20-00-04 -046B 1	0812548-8	23-10-00-04 -016A 1
0812536-19	25-20-00-03 -040 1	0812558-1	53-10-03-01 -037 1
0812536-19	25-20-00-04 -046 1	0812558-2	53-10-04-01 -036 1
0812536-2	25-10-00-01 -016B 1	0812559-1	53-10-03-01 -024A 1
0812536-2	25-21-02-01 -009 1	0812559-2	53-10-04-01 -033A 1
0812536-20	25-21-00-04 -014 1	0812562-1	23-20-03-02 -026A 1
0812536-21	25-21-00-04 -014A 1	0812563-2	23-10-01-05 -021A 1
0812536-3	25-10-00-01 -016G 1	0812563-4	23-20-03-02 -018A 1
0812536-3	25-21-02-01 -009C 1	0812563-5	23-20-03-02 -020A 1
0812536-35	25-21-01-01 -026 1	0812563-6	23-20-03-02 -019A 1
0812536-39	25-21-01-01 -042 1	0812564-1	23-20-03-02 -022A 1
0812536-4	25-10-00-01 -012E 1	0812580-10	34-50-03-01 -009 1
0812536-40	25-21-01-01 -043 2	0812580-10	34-50-03-01 -028 1
0812536-42	25-21-01-01 -043A 1	0812580-13	34-50-03-01 -016 1
0812536-5	25-10-00-01 -011C 1	0812580-13	34-50-03-01 -035 1
0812536-5	25-21-02-01 -020 1	0812580-13	34-50-03-01 -053 1
0812536-6	25-10-00-01 -017 1	0812580-14	34-50-03-01 -017 1
0812536-6	25-21-02-01 -010 1	0812580-14	34-50-03-01 -036 1
0812536-62	25-21-00-04 -013C 1	0812580-14	34-50-03-01 -054 1
0812536-63	25-21-00-04 -012C 1	0812580-3	34-50-03-01 -008 1
0812536-66	25-21-00-04 -013A 1	0812580-3	34-50-03-01 -027 1
0812536-67	25-21-00-04 -012A 1	0812580-4	34-50-05-01 -030 1
0812536-68	25-10-00-01 -019C 1	0812580-5	34-50-05-01 -035 1
0812536-68	25-21-02-01 -012B 1	0812580-59	34-50-03-01 -046 1
0812536-69	25-10-00-01 -019B 1	0812580-6	34-50-03-01 -002 1
0812536-69	25-21-02-01 -012C 1	0812580-6	34-50-03-01 -021 1
0812536-7	25-21-00-04 -031A 1	0812580-6	34-50-03-01 -040 1
0812536-72	25-10-00-01 -019A 1	0812580-8	34-50-03-01 -004 1
0812536-72	25-21-02-01 -012 1	0812580-8	34-50-03-01 -023 1
0812536-73	25-10-00-01 -019 1	0812580-8	34-50-03-01 -042 1

**CESSNA AIRCRAFT COMPANY
MODEL 310 THRU 310D
ILLUSTRATED PARTS CATALOG**

PART NUMBER	CH SEC SUBJ FIG	ITEM	REQ	PART NUMBER	CH SEC SUBJ FIG	ITEM	REQ
0812580-81	34-50-03-01	-003	1	0812619-1	34-50-05-03	-003A	1
0812580-81	34-50-03-01	-041	1	0812619-2	34-50-05-03	-003	1
0812580-82	34-50-03-01	-005	1	0812619-3	34-50-05-03	-004	1
0812580-82	34-50-03-01	-024	1	0812619-4	34-50-05-03	-005	2
0812580-82	34-50-03-01	-043	1	0812621-2	23-10-02-10	-001	1
0812580-83	34-50-03-01	-010	1	0812622-10	23-10-01-01	-012	1
0812580-83	34-50-03-01	-029	1	0812622-9	23-10-01-01	-013	1
0812580-83	34-50-03-01	-047	1	0812622-9	23-20-02-04	-017	1
0812581-59	34-50-01-04	-017	1	0812623-1	23-10-02-07	-007	1
0812581-76	34-50-01-04	-017A	1	0812623-1	23-10-02-10	-005	1
0812586-4	34-30-00-02	-011	1	0812623-10	23-20-01-05	-001	1
0812587-10	23-10-00-06	-020	1	0812623-2	23-10-02-07	-007B	1
0812587-2	23-10-02-06	-011	1	0812623-2	23-10-02-10	-005B	1
0812587-2	23-10-02-08	-014	1	0812623-2	23-10-02-14	-005A	1
0812587-2	23-10-02-11	-005	1	0812623-2	23-10-02-17	-003A	1
0812587-3	23-10-00-06	-002	1	0812623-2	23-10-02-17	-012B	1
0812587-4	23-10-00-06	-003	1	0812623-2	23-10-02-19	-003A	1
0812587-7	23-10-00-06	-021	1	0812623-2	23-10-02-24	-003A	1
0812587-8	23-10-00-06	-022	1	0812623-4	23-10-01-01	-002	1
0812587-9	23-10-00-06	-019	1	0812623-5	23-10-01-01	-003	1
0812589-5	34-50-00-04	-009	1	0812623-6	23-10-02-07	-007A	1
0812589-5	34-50-00-04	-031	1	0812623-6	23-10-02-10	-005A	1
0812589-6	34-50-00-04	-010	1	0812623-6	23-10-02-14	-005	1
0812593-2	53-10-06-06	-021	2	0812623-6	23-10-02-17	-003	1
0812593-3	53-10-06-06	-022	1	0812623-6	23-10-02-19	-003	1
0812594-1	53-10-06-06	-016	1	0812623-6	23-10-02-24	-003	1
0812597-1	53-10-06-06	-017	1	0812623-7	23-10-01-01	-002A	1
0812598-1	23-10-00-04	-007	1	0812623-8	23-10-01-01	-003A	1
0812599-1	23-10-00-03	-005	1	0812623-8	23-20-01-05	-002	1
0812599-1	23-10-00-04	-005	1	0812623-9	23-10-02-17	-011	1
0812601-1	23-10-00-04	-006	2	0812625-1	23-10-02-08	-007B	1
0812602-1	23-10-00-03	-004	2	0812627-2	34-50-03-01	-027A	1
0812602-1	23-10-00-04	-004	2	0812627-4	34-20-00-04	-001	1
0812602-1	34-50-03-01	-008A	2	0812628-1	34-20-00-02	-019	1
0812603-1	25-10-01-02	-001	1	0812628-1	34-20-00-03	-017	1
0812603-2	25-10-01-02	-001A	1	0812628-11	23-20-02-03	-008	1
0812606-1	34-50-03-01	-008B	1	0812628-11	23-20-02-04	-007	1
0812608-1	53-10-06-06	-014	1	0812628-11	34-20-00-02	-007	1
0812609-1	53-10-00-01	-010	1	0812628-11	34-20-00-03	-008	1
0812609-2	53-10-00-01	-020	1	0812628-12	23-20-02-03	-006A	1
0812609-3	53-10-00-01	-011	1	0812628-12	23-20-02-04	-006A	1
0812609-4	53-10-00-01	-011A	1	0812628-12	34-20-00-03	-006A	1
0812610-1	53-10-06-06	-012	1	0812628-13	23-10-02-21	-005	1
0812610-2	53-10-06-06	-013	1	0812628-13	34-20-00-05	-003	1
0812611-1	23-10-00-06	-007	1	0812628-2	23-10-02-16	-005	1
0812611-1	23-10-01-01	-007	1	0812628-2	34-20-00-04	-003	1
0812612-1	34-50-01-03	-006A	1	0812628-3	34-20-00-02	-017	1
0812612-1	34-50-01-04	-005A	1	0812628-4	34-20-00-02	-016	1
0812612-2	34-50-01-03	-006	1	0812628-4	34-20-00-03	-016	1
0812612-2	34-50-01-04	-006	1	0812628-5	34-20-00-02	-016A	1
0812613-1	23-10-02-08	-033	AR	0812628-6	34-20-00-02	-002	1
0812613-1	23-10-02-10	-018	AR	0812628-6	34-20-00-03	-003	1
0812613-1	23-10-02-18	-021	AR	0812628-7	34-20-00-02	-003	1
0812613-1	23-10-02-19	-021	AR	0812628-7	34-20-00-03	-004	1
0812613-2	23-10-02-08	-035	AR	0812628-9	34-20-00-02	-012	1
0812613-2	23-10-02-10	-020	AR	0812628-9	34-20-00-03	-012	1
0812616-33	23-20-03-02	-018	1	0812630-1	34-20-00-02	-014	1
0812616-34	23-20-03-02	-019	1	0812630-1	34-20-00-03	-014	1
0812616-5	23-20-03-02	-020	1	0812631-2	23-20-02-03	-004	1
0812617-2	23-10-02-07	-001	1	0812631-2	23-20-02-03	-019	1
0812617-4	23-10-02-14	-001	1	0812631-3	23-20-02-03	-003	1

**CESSNA AIRCRAFT COMPANY
MODEL 310 THRU 310D
ILLUSTRATED PARTS CATALOG**

PART NUMBER	CH SEC SUBJ FIG ITEM REQ	PART NUMBER	CH SEC SUBJ FIG ITEM REQ
0812631-3	23-20-02-03 -018 1	0812646-2	34-50-01-06 -008 1
0812632-2	23-20-02-03 -023 1	0812646-2	34-50-01-06 -037 1
0812632-3	23-20-02-03 -026 1	0812647-35	23-00-00-01 -015 1
0812632-4	23-20-02-01 -012 1	0812647-6	23-00-00-01 -014 1
0812632-46	23-20-02-03 -014 1	0812647-8	23-00-00-02 -006 1
0812635-3	23-20-02-01 -007 1	0812648-1	23-00-00-01 -006 1
0812635-4	23-20-02-01 -006 1	0812648-2	23-00-00-01 -006A 1
0812635-5	23-20-02-01 -003 1	0812649-1	23-00-00-02 -004A 1
0812635-6	23-20-02-01 -002 1	0812649-2	23-00-00-02 -004 1
0812637-8	34-30-01-01 -019 1	0812650-11	31-10-01-04 -001A 1
0812637-9	34-30-01-01 -020 1	0812650-3	31-10-01-04 -001 1
0812638-1	31-10-00-08 -005A 1	0812650-6	31-10-01-03 -001 1
0812639-1	34-30-01-01 -002 1	0812650-9	31-10-01-05 -001 1
0812639-2	34-30-01-01 -003 1	0812651-1	23-00-00-02 -003 1
0812639-3	34-30-01-01 -004 1	0812651-1	23-20-01-03 -001 1
0812639-4	34-30-01-01 -004A 1	0812651-2	23-00-00-01 -005 1
0812640-1	23-10-02-15 -002 1	0812651-3	34-50-00-01 -003 1
0812641-1	34-30-01-01 -005 2	0812651-3	34-50-00-02 -006 2
0812642-1	31-10-00-03 -017 1	0812651-5	23-00-00-01 -002 1
0812643-1	31-10-00-03 -035 1	0812651-6	23-20-01-05 -006 1
0812644-2	34-50-01-05 -006 2	0812651-6	34-50-00-01 -002 1
0812644-2	34-50-01-05 -031 1	0812651-6	34-50-00-02 -003 2
0812644-2	34-50-01-06 -006 1	0812651-7	23-20-01-05 -005 1
0812644-2	34-50-01-06 -035 2	0812651-7	34-50-00-01 -001 1
0812644-3	34-50-01-05 -003 2	0812651-7	34-50-00-02 -002 2
0812644-3	34-50-01-05 -028 1	0812651-8	23-20-01-05 -009 1
0812644-3	34-50-01-06 -003 2	0812651-8	34-50-00-01 -004 1
0812644-3	34-50-01-06 -032 1	0812652-1	31-10-00-03 -036 1
0812644-4	34-50-01-05 -002 2	0812652-10	31-10-00-03 -037 1
0812644-4	34-50-01-05 -027 1	0812652-3	31-10-00-03 -038 1
0812644-4	34-50-01-06 -002 2	0812653-1	11-00-00-01 -031 1
0812644-4	34-50-01-06 -031 1	0812653-2	11-00-00-01 -032 1
0812644-5	34-50-01-05 -006A 2	0812653-2	31-10-00-04 -000H 1
0812644-5	34-50-01-05 -031A 1	0812653-3	11-00-00-01 -031A 1
0812644-6	34-50-01-06 -006A 2	0812653-3	31-10-00-04 -000G 1
0812644-6	34-50-01-06 -035A 1	0812653-4	11-00-00-01 -032A 1
0812645-14	34-50-01-03 -016 1	0812653-4	31-10-00-04 -000I 1
0812645-14	34-50-01-04 -018 1	0812659-1	34-50-05-01 -041 1
0812645-14	34-50-01-05 -022 1	0812659-1	34-50-05-01 -045 1
0812645-14	34-50-01-05 -044 1	0812659-2	34-50-01-06 -013 2
0812645-14	34-50-01-06 -023 1	0812659-2	34-50-01-06 -045 1
0812645-14	34-50-01-06 -043 1	0812659-3	34-50-05-01 -041A 1
0812645-15	34-50-01-03 -016A 1	0812659-3	34-50-05-01 -045A 1
0812645-15	34-50-01-04 -018A 1	0812660-1	24-30-00-04 -013F 4
0812645-15	34-50-01-05 -023 1	0812660-2	24-30-00-04 -013D 8
0812645-15	34-50-01-06 -024 1	0812664-1	23-10-02-16 -001 1
0812645-19	34-50-01-06 -021 1	0812666-4	23-10-02-21 -003 1
0812645-19	34-50-01-06 -042 1	0812666-5	22-10-00-01 -002 1
0812645-21	34-50-01-06 -022 1	0812668-1	24-30-10-02 -026A 1
0812645-24	23-20-02-02 -010A 1	0812674-1	31-10-00-03 -044 1
0812645-282	23-20-02-02 -010 1	0812676-1	53-10-01-01 -041A 1
0812645-283	23-20-02-02 -009 1	0812677-13	23-20-01-01 -026 1
0812645-69	34-50-01-06 -021A 1	0812677-13	23-20-01-02 -025 1
0812645-69	34-50-01-06 -042A 1	0812677-14	23-10-01-01 -014 1
0812645-72	34-50-01-06 -022A 1	0812677-15	23-20-01-01 -025 1
0812646-1	34-50-01-05 -007 1	0812677-15	23-20-01-02 -024 1
0812646-1	34-50-01-05 -032 1	0812677-4	23-20-01-01 -026A 1
0812646-1	34-50-01-06 -007 1	0812677-5	23-20-01-03 -003A 1
0812646-1	34-50-01-06 -036 1	0812678-2	23-20-02-04 -004 1
0812646-2	34-50-01-05 -008 1	0812678-2	23-20-02-04 -022 1
0812646-2	34-50-01-05 -033 1	0812678-3	23-20-02-04 -003 1

**CESSNA AIRCRAFT COMPANY
MODEL 310 THRU 310D
ILLUSTRATED PARTS CATALOG**

PART NUMBER	CH SEC SUBJ FIG ITEM REQ	PART NUMBER	CH SEC SUBJ FIG ITEM REQ
0812678-3	23-20-02-04 -021 1	0812750-13	23-00-00-03 -013 1
0812678-4	23-20-02-04 -002 1	0812750-14	23-00-00-03 -014 1
0812678-4	23-20-02-04 -020 1	0812750-19	34-50-01-01 -006 1
0812680-50	23-20-02-04 -014 1	0812750-4	34-50-01-01 -005A 1
0812680-50	23-20-02-04 -027 1	0812750-4	34-50-01-02 -006A 2
0812681-1	23-10-02-18 -003 1	0812750-5	34-50-01-01 -004A 1
0812681-1	23-10-02-19 -008 1	0812750-5	34-50-01-02 -005A 2
0812681-3	23-10-02-18 -009 1	0812750-6	31-10-00-02 -029 1
0812681-3	23-10-02-23 -003 1	0812750-7	31-10-00-02 -026 1
0812682-1	53-10-03-01 -039 1	0812750-8	31-10-00-01 -030 1
0812683-1	23-10-02-17 -001 1	0812750-8	31-10-00-02 -028 1
0812683-2	23-10-02-20 -001 1	0812750-9	31-10-00-07 -036 3
0812683-3	23-20-01-01 -013 1	0812800-1	23-20-03-01 -003 1
0812684-1	23-20-01-01 -012A 1	0812800-1	23-20-03-02 -003 1
0812684-2	23-20-01-01 -012B 1	0812800-2	23-20-03-01 -006 1
0812684-3	23-20-01-01 -010 1	0812800-2	23-20-03-02 -006 1
0812684-4	23-20-01-01 -011 1	0812800-3	23-10-02-08 -018 1
0812684-5	23-20-01-01 -016 1	0812800-3	23-10-02-10 -009 1
0812684-5	23-20-01-02 -014 1	0812800-3	23-10-02-23 -007 1
0812684-6	23-20-01-01 -015 1	0812800-3	23-10-02-24 -008 1
0812684-6	23-20-01-02 -013 1	0812800-3	23-20-03-01 -011 1
0812684-6	34-60-00-01 -012 1	0812800-3	31-10-01-04 -006 1
0812686-1	23-00-00-05 -014 1	0812800-33	23-20-03-01 -031 1
0812695-2	34-30-02-01 -004 1	0812800-34	23-20-03-01 -030 1
0812695-3	34-30-02-01 -004A 1	0812800-5	23-20-03-01 -032 1
0812695-4	34-30-02-01 -002 1	0812800-54	23-20-03-01 -027 1
0812695-5	34-30-02-01 -003 1	0812800-54	23-20-03-02 -015 1
0812695-6	34-30-02-01 -004B 1	0812800-55	23-20-03-02 -022 1
0812696-3	23-10-02-18 -007 1	0812800-56	23-20-03-02 -026 1
0812696-3	23-10-02-19 -012 1	0812800-57	23-20-03-02 -003A 1
0812698-1	34-30-02-01 -005 2	0812868-1	25-10-00-03 -007 01
0812705-4	34-30-02-01 -024 1	0812868-2	25-10-00-03 -008 01
0812705-5	34-30-02-01 -023 1	0812901-10	25-80-00-01 -007 1
0812706-2	23-20-01-01 -027 1	0812901-11	25-80-00-01 -010 1
0812706-3	23-20-01-05 -018 1	0812901-7	25-80-00-01 -008 3
0812706-65	23-20-01-05 -016 1	0812901-8	25-80-00-01 -006 2
0812706-66	23-20-01-05 -017 1	0812901-8	25-80-00-01 -018 1
0812707-79	34-50-00-05 -035 1	0812901-9	25-80-00-01 -009 1
0812707-90	34-50-00-05 -034 1	0812902-3	25-80-00-01 -003 2
0812707-92	34-50-00-04 -038 1	0812903-3	25-80-00-01 -017 2
0812707-92	34-50-00-05 -033 1	0812904-3	25-80-00-01 -015 2
0812708-1	23-10-02-18 -001 1	0812905-3	25-80-00-01 -011 1
0812709-1	23-10-02-19 -001 1	0812907-1	25-80-00-01 -012 2
0812711-1	23-10-02-21 -001 1	0812908-1	25-80-00-01 -013 1
0812711-4	34-20-00-05 -001 1	0812908-4	25-80-00-01 -014 1
0812712-1	23-10-02-22 -002 1	0812909-2	25-80-00-01 -002 1
0812714-37	34-50-00-04 -022 1	0812910-3	53-20-00-02 -014D 10
0812715-6	23-20-02-01 -015 1	0812910-3	53-20-00-02 -014E 12
0812715-6	23-20-02-04 -029 1	0812910-3	53-20-00-02 -014F 11
0812715-7	23-20-02-01 -013A 1	0812910-3	53-20-00-02 -014G 14
0812716-3	23-10-02-23 -001 1	0812910-4	53-20-00-02 -011B 4
0812716-5	23-10-02-23 -001A 1	0812910-4	53-20-00-02 -011C 5
0812716-6	23-20-02-04 -016 1	0812911-2	53-20-00-02 -015A 2
0812717-3	23-10-02-24 -001 1	0812912-2	53-20-00-02 -013A 1
0812717-5	23-10-02-24 -001A 1	0812912-2	53-20-00-04 -008A 1
0812721-1	23-50-01-02 -002 1	0812913-2	53-20-00-02 -012A 1
0812750-1	34-50-01-01 -005 1	0812913-2	53-20-00-04 -007A 1
0812750-1	34-50-01-02 -006 2	0812914-1	25-80-00-01 -004 2
0812750-10	31-10-00-07 -037 1	0812914-2	25-80-00-01 -005 2
0812750-11	23-10-00-02 -004 2	0812915-2	53-10-00-01 -029A 1
0812750-11	23-10-00-05 -005 2	0812916-2	53-10-00-01 -035A 2

**CESSNA AIRCRAFT COMPANY
MODEL 310 THRU 310D
ILLUSTRATED PARTS CATALOG**

PART NUMBER	CH SEC SUBJ FIG ITEM REQ	PART NUMBER	CH SEC SUBJ FIG ITEM REQ
0812917-1	53-10-00-01 -031 1	0813000-36	53-10-06-01 -006A 1
0812917-2	53-10-00-01 -031A 1	0813000-37	53-20-00-06 -016 1
0812918-2	53-10-00-01 -039A 1	0813000-4	53-10-06-01 -021 1
0812919-3	25-80-00-01 -016 2	0813000-40	53-20-00-06 -002 1
0812920-1	25-80-00-01 -001 1	0813000-45	53-10-06-03 -011 1
0812960-1	25-21-00-06 -010A 1	0813000-46	53-10-06-03 -012 1
0812960-2	25-21-00-06 -019A 1	0813000-48	53-10-06-01 -028 1
0812960-3	25-21-00-06 -032 1	0813000-5	53-10-06-01 -021A 1
0812960-4	25-21-00-06 -011 1	0813000-50	53-10-06-02 -001 1
0812960-5	25-21-00-06 -010C 1	0813000-51	53-10-06-02 -002 1
0812960-7	25-21-00-06 -019C 1	0813000-52	53-10-06-02 -004 1
0812960-9	25-21-00-06 -032A 1	0813000-54	53-10-06-02 -005 1
0812965-1	25-10-00-01 -021C 1	0813000-55	53-10-06-02 -005A 1
0812965-1	25-21-00-06 -019D 1	0813000-56	53-10-06-03 -008 1
0812965-1	25-21-02-01 -016C 2	0813000-57	53-10-06-03 -007 1
0812966-1	25-10-00-01 -022 1	0813000-59	53-10-06-03 -013 2
0812966-1	25-21-00-06 -013 1	0813000-60	53-10-06-03 -014A 2
0812966-1	25-21-02-01 -017 1	0813000-60	53-10-06-03 -015 2
0812967-1	25-21-02-01 -018 1	0813000-61	53-10-06-03 -014 2
0812968-1	25-10-00-01 -021A 1	0813000-61	53-10-06-03 -015A 2
0812968-1	25-21-02-01 -016B 1	0813000-62	53-20-00-06 -011 8
0812968-2	25-10-00-01 -021B 1	0813000-63	53-10-06-01 -024A 1
0812968-2	25-21-00-06 -012A 1	0813000-64	27-20-01-01 -048 1
0812968-2	25-21-02-01 -016A 1	0813000-64	53-10-06-01 -024 1
0812970-2	25-10-00-01 -021 1	0813000-7	53-10-06-01 -018 1
0812970-2	25-21-00-06 -012B 1	0813000-73	32-20-00-01 -021A 2
0812970-2	25-21-02-01 -016 1	0813000-74	53-10-06-02 -003 1
0813000-105	53-10-06-03 -016 1	0813000-82	53-20-00-06 -018 1
0813000-106	53-10-06-03 -016A 1	0813000-86	53-20-00-06 -003 1
0813000-110	53-10-06-02 -014 1	0813000-88	53-10-06-01 -008 1
0813000-111	53-10-01-01 -033 1	0813000-94	53-20-00-06 -017 1
0813000-112	53-20-00-06 -005 1	0813000-95	53-20-00-06 -019 1
0813000-116	53-20-00-06 -009 1	0813000-99	53-10-06-01 -019 1
0813000-119	53-10-06-01 -030 1	0813005-13	53-30-00-01 -007 1
0813000-120	53-10-01-01 -034 1	0813005-14	53-30-00-01 -008 1
0813000-121	53-10-06-02 -010 2	0813005-17	53-30-00-01 -009A 1
0813000-122	53-10-06-04 -003 1	0813005-18	53-30-00-01 -009 1
0813000-124	53-20-00-06 -007 1	0813005-19	53-30-00-01 -010 1
0813000-127	53-20-00-06 -001 1	0813005-2	53-10-06-01 -017 1
0813000-128	53-20-00-06 -008 1	0813005-21	53-30-00-01 -013 1
0813000-129	53-10-06-02 -004B 1	0813005-25	21-40-00-04 -002 1
0813000-130	53-10-01-01 -032 1	0813005-27	21-40-00-04 -005 1
0813000-131	53-10-06-01 -025A 1	0813005-3	53-30-00-01 -001 1
0813000-132	53-10-06-01 -025 1	0813005-32	21-40-00-04 -003 1
0813000-133	53-10-06-04 -001 1	0813005-34	21-40-00-04 -006 1
0813000-134	53-10-06-04 -002 1	0813005-39	53-30-00-01 -014 1
0813000-135	53-10-06-04 -004 1	0813005-4	53-30-00-01 -002 1
0813000-139	53-10-06-01 -004 1	0813005-41	21-40-00-04 -009 1
0813000-140	53-10-01-01 -032A 1	0813005-44	53-10-06-01 -031 1
0813000-141	53-10-06-04 -003A 1	0813005-47	53-10-06-01 -031D 1
0813000-145	53-10-06-01 -009 1	0813005-56	21-40-00-01 -007 1
0813000-148	53-10-06-02 -004A 1	0813005-56	21-40-00-02 -007 1
0813000-25	53-10-06-03 -009 1	0813005-56	21-40-00-03 -007 1
0813000-26	53-10-06-03 -009A 1	0813005-56	21-40-00-04 -000 1
0813000-27	53-20-00-06 -020 1	0813005-59	53-10-06-01 -017A 1
0813000-28	53-20-00-06 -021 1	0813005-8	53-30-00-01 -004 1
0813000-3	53-10-06-01 -022 1	0813007-4	11-00-00-01 -029 1
0813000-30	53-10-06-01 -020 2	0813007-4	34-10-00-01 -037 1
0813000-33	53-10-06-03 -010 1	0813008-3	53-10-06-03 -017 1
0813000-34	53-10-06-03 -010A 1	0813008-4	53-10-06-03 -018 1
0813000-35	53-10-06-01 -006 1	0813010-1	53-20-00-06 -007A 1

CESSNA AIRCRAFT COMPANY
MODEL 310 THRU 310D
ILLUSTRATED PARTS CATALOG

PART NUMBER	CH SEC SUBJ FIG ITEM REQ	PART NUMBER	CH SEC SUBJ FIG ITEM REQ
0813011-1	53-10-00-01 -039 1	0813179-1	53-30-00-03 -005A 1
0813012-1	53-20-00-06 -005A 1	0813180-1	34-10-00-01 -054B 1
0813013-1	53-20-00-06 -003A 1	0813181-2	53-30-00-03 -002A 1
0813130	53-10-06-01 -023 1	0813190-2	53-10-06-06 -028 1
0813140-15	53-30-00-03 -003 1	0813190-3	53-10-06-06 -027 1
0813140-16	53-30-00-03 -002 1	0813195-1	53-10-06-06 -029 1
0813140-20	53-30-00-03 -004 1	0813196-2	53-10-06-06 -031 1
0813140-21	21-40-00-01 -002 1	0813197-1	53-10-06-06 -032 1
0813140-21	21-40-00-02 -002 1	0813201-10	53-10-06-05 -020 1
0813140-21	21-40-00-03 -002 1	0813201-15	53-10-06-05 -017 1
0813140-21	53-30-00-03 -008 1	0813201-3	53-10-06-05 -018 1
0813140-22	21-40-00-01 -003 1	0813201-8	53-10-06-05 -021 1
0813140-22	53-30-00-03 -009 1	0813201-9	53-10-06-05 -019 1
0813140-25	53-30-00-03 -005 1	0813206-1	53-30-00-02 -027 1
0813140-26	53-30-00-03 -006 1	0813252-1	37-10-00-03 -025 1
0813140-27	53-30-00-03 -003A 1	0813300-1	32-20-01-01 -022 1
0813140-5	53-30-00-03 -001 1	0813300-102	32-30-00-05 -022A 1
0813142-4	53-30-00-03 -001A 1	0813300-103	53-10-06-05 -003 1
0813150-12	53-10-06-01 -034 1	0813300-13	32-20-01-01 -035 1
0813150-16	32-41-01-01 -003 1	0813300-14	32-20-01-01 -036 1
0813150-2	32-20-00-01 -023 2	0813300-15	32-20-01-01 -037 2
0813150-22	32-41-01-01 -001 1	0813300-18	32-20-01-01 -002 4
0813150-28	32-20-00-01 -029 1	0813300-2	32-20-01-01 -023 1
0813150-29	32-20-00-01 -028D 1	0813300-31	32-30-00-05 -014 1
0813150-31	32-20-00-01 -037 1	0813300-33	32-30-00-04 -026 1
0813150-33	21-40-00-05 -012 1	0813300-33	32-30-00-04 -026A 1
0813150-40	21-40-00-05 -011 1	0813300-33	32-30-00-04 -026B AR
0813150-46	21-40-00-05 -003 1	0813300-35	32-30-00-04 -034 2
0813150-46	21-40-00-07 -003 1	0813300-35	32-30-00-04 -034B 1
0813150-47	21-40-00-05 -006 1	0813300-39	32-30-00-05 -024 1
0813150-47	21-40-00-07 -005 1	0813300-46	32-30-00-05 -008 1
0813150-50	53-10-06-01 -010 1	0813300-47	32-30-00-05 -009 1
0813150-52	32-20-00-01 -030 1	0813300-51	32-30-00-05 -021 1
0813150-54	32-41-01-01 -003A 1	0813300-53	32-20-01-01 -007 2
0813150-55	32-41-01-01 -001A 1	0813300-54	32-30-00-05 -025 1
0813150-56	53-10-06-01 -005A 1	0813300-55	32-30-00-05 -022 1
0813150-57	53-10-06-01 -005 1	0813300-57	53-10-06-05 -002 1
0813150-58	53-10-06-01 -027A 1	0813300-59	53-10-06-05 -004 1
0813150-59	53-10-06-01 -027 1	0813300-61	53-10-06-05 -005 1
0813150-60	32-41-01-01 -003B 1	0813300-62	53-10-06-05 -006 1
0813150-61	32-41-01-01 -001B 1	0813300-63	53-10-06-05 -007 1
0813150-62	53-10-01-01 -048 1	0813300-64	53-10-06-05 -008 1
0813154-1	53-10-06-04 -011 1	0813300-66	53-10-06-05 -009 1
0813154-2	53-10-06-04 -010 1	0813300-67	53-10-06-05 -010 1
0813155-1	53-10-06-01 -004A 1	0813300-68	53-10-06-05 -011 1
0813156-1	32-41-01-01 -005 1	0813300-7	32-20-01-01 -024 1
0813157-1	53-10-06-04 -007 1	0813300-70	53-10-06-05 -012 1
0813159-1	53-10-06-01 -004C 1	0813300-71	53-10-06-05 -013 1
0813160-1	53-10-06-01 -004B 1	0813300-72	53-10-06-05 -014 1
0813165-1	32-41-01-01 -034 1	0813300-74	32-30-00-04 -020 1
0813166-1	32-41-01-01 -035 1	0813300-77	32-20-01-01 -021 1
0813167-1	53-10-01-01 -049 1	0813300-8	32-20-01-01 -027 1
0813175-1	34-10-00-01 -041 1	0813300-85	32-30-00-05 -024A 2
0813175-2	34-10-00-01 -042 1	0813300-90	32-30-00-05 -007A 1
0813175-3	34-10-00-01 -043 1	0813300-91	53-10-06-05 -001 1
0813175-4	34-10-00-01 -001 1	0813300-92	32-20-01-01 -026 1
0813175-5	34-10-00-01 -044 1	0813300-93	32-20-01-01 -025 1
0813176-1	34-10-00-01 -045 1	0813300-94	53-10-06-01 -011 1
0813177-1	34-10-00-01 -052 1	0813300-95	53-10-06-01 -012 1
0813177-2	34-10-00-01 -052A 1	0813300-96	30-10-00-03 -004 1
0813177-4	34-10-00-01 -053A 1	0813300-97	53-10-06-05 -015 1

CESSNA AIRCRAFT COMPANY
MODEL 310 THRU 310D
ILLUSTRATED PARTS CATALOG

PART NUMBER	CH SEC SUBJ FIG ITEM REQ	PART NUMBER	CH SEC SUBJ FIG ITEM REQ
0813300-98	53-10-06-05 -016 1	0813456-7	23-10-02-09 -001A 1
0813301-1	32-30-00-05 -012 1	0813462-1	23-50-01-02 -011A 1
0813305-1	53-10-01-01 -046 1	0813462-1	23-50-01-03 -016B 1
0813307-1	53-30-00-02 -028 1	0813466-1	25-10-01-01 -014 2
0813307-2	53-30-00-02 -028A 1	0813468-1	31-10-00-08 -043 3
0813310-1	53-10-06-01 -002 1	0813468-2	31-10-00-08 -048 2
0813310-2	53-10-06-01 -003 1	0813468-3	31-10-00-08 -049 1
0813316-1	53-10-06-05 -005A 1	0813469-1	31-10-00-08 -046 1
0813316-2	53-10-06-05 -006A 1	0813470-1	25-10-01-01 -006A 1
0813408-1	34-50-01-06 -025 1	0813470-3	25-10-01-01 -008A 1
0813409-1	34-50-01-06 -048 1	0813472-1	23-10-02-13 -002 1
0813410-1	31-10-00-08 -001 1	0813472-5	23-10-02-13 -001A 1
0813410-3	11-00-00-01 -039 1	0813473-1	33-40-00-01A -008A 1
0813415-1	31-10-00-08 -011 1	0813474-1	31-10-01-02 -001 1
0813418-1	31-10-00-08 -006 1	0813474-2	31-10-01-02 -002 1
0813420-1	31-10-00-08 -005 1	0813475-1	33-10-00-02 -014A 2
0813424-1	31-10-00-03 -029 1	0813475-3	30-60-00-01 -030G 1
0813424-3	31-10-00-03 -029A 1	0813475-3	31-10-00-03 -004 1
0813426-1	31-10-00-03 -028 1	0813475-3	31-10-00-03 -007 1
0813432-1	31-10-00-08 -007 1	0813475-3	31-10-01-02 -043A 4
0813433-1	31-10-00-03 -016 1	0813475-5	23-10-02-04 -007 1
0813434-1	34-50-01-03 -005A 1	0813475-5	23-10-02-04 -008 1
0813434-5	34-50-01-03 -005B 1	0813475-5	23-10-02-05 -008 1
0813435-1	23-10-00-03 -006 1	0813475-5	23-10-02-05 -009 1
0813436-1	34-50-01-03 -005C 1	0813475-5	23-10-02-09 -006 1
0813436-1	34-50-01-05 -011A 1	0813475-5	23-10-02-12 -006 1
0813436-1	34-50-01-06 -011A 1	0813475-5	23-10-02-13 -008 1
0813437-1	34-50-01-03 -007A 1	0813475-5	23-10-02-13 -009 1
0813437-1	34-50-01-05 -011 1	0813475-5	23-10-02-17 -006A 1
0813437-1	34-50-01-06 -011 1	0813475-5	23-10-02-18 -010A 1
0813438-1	34-50-01-03 -007 1	0813475-5	23-10-02-19 -005A 1
0813438-1	34-50-01-04 -006D 1	0813475-5	23-10-02-23 -004A 1
0813438-1	34-50-01-05 -010 1	0813475-5	23-10-02-24 -005A 1
0813438-1	34-50-01-06 -010 1	0813480-1	31-10-00-04 -004 1
0813441-3	31-10-00-03 -038B 10	0813480-4	31-10-00-04 -005 1
0813451-1	31-10-00-04 -000D 1	0813481-1	23-10-02-08 -010B 1
0813451-3	31-10-00-04 -000E 1	0813482-1	23-10-02-08 -012 1
0813451-5	31-10-00-04 -000F 1	0813483-1	53-10-01-01 -039A 1
0813452-11	23-10-02-05 -001A 1	0813484-1	34-50-01-05 -009 1
0813452-13	23-10-02-11 -001 1	0813484-1	34-50-01-05 -034 1
0813452-4	23-10-02-06 -001 1	0813484-1	34-50-01-06 -009 1
0813452-5	23-10-02-04 -002 1	0813484-1	34-50-01-06 -038 1
0813452-5	23-10-02-05 -002 1	0813500-11	31-10-00-07 -007 2
0813452-6	23-10-02-04 -002A 1	0813500-112	31-10-00-04 -002 1
0813452-6	23-10-02-05 -002A 1	0813500-115-124	31-10-00-05 -007A 1
0813452-6	23-10-02-13 -002A 1	0813500-115-151	31-10-00-05 -007B 1
0813452-7	23-10-02-04 -002C 1	0813500-116-151	31-10-00-05 -007C 1
0813452-7	23-10-02-05 -002C 1	0813500-117	31-10-00-04 -003 1
0813452-7	23-10-02-13 -002C 1	0813500-12	31-10-00-07 -002 5
0813452-8	23-10-02-04 -001A 1	0813500-12	31-10-00-08 -002 6
0813453-2	23-10-02-08 -001 1	0813500-12	34-50-01-06 -025A 6
0813454-1	23-10-02-05 -006 1	0813500-12	34-50-01-06 -048A 6
0813454-1	23-10-02-13 -006 1	0813500-120	31-10-00-07 -001 1
0813455-1	31-10-00-04 -008 1	0813500-122	31-10-00-04 -006A 1
0813456-10	23-10-02-12 -002 1	0813500-124	31-10-00-02 -014A 1
0813456-11	23-10-02-12 -001A 1	0813500-14	31-10-00-04 -017 2
0813456-2	23-10-02-09 -002 1	0813500-15	31-10-00-04 -018 1
0813456-5	23-10-02-09 -002A 1	0813500-20	31-10-00-01 -007B 2
0813456-5	23-10-02-12 -002A 1	0813500-20	31-10-00-02 -007B 2
0813456-6	23-10-02-09 -002C 1	0813500-21	31-10-01-01 -001 1
0813456-6	23-10-02-12 -002C 1	0813500-22	31-10-01-01 -002 1

**CESSNA AIRCRAFT COMPANY
MODEL 310 THRU 310D
ILLUSTRATED PARTS CATALOG**

PART NUMBER	CH SEC SUBJ FIG ITEM REQ	PART NUMBER	CH SEC SUBJ FIG ITEM REQ
0813500-23	31-10-01-01 -003 4	0813503-8	21-40-00-02 -014 1
0813500-23	31-10-01-02 -003 4	0813503-8	21-40-00-03 -012A 1
0813500-26	25-10-01-01 -007 1	0813503-8	21-40-00-03 -051 1
0813500-26	25-10-01-02 -006 1	0813503-9	76-10-00-03 -043 2
0813500-27	25-10-01-01 -009 1	0813503-9	76-10-00-04 -043 2
0813500-27	25-10-01-02 -007 1	0813504-1	25-20-01-01 -043C 1
0813500-28	25-10-01-01 -006 1	0813506	22-10-00-02 -014A 1
0813500-29	25-10-01-01 -008 1	0813506	23-10-00-01 -008A 2
0813500-3	31-10-00-07 -000 1	0813506	23-10-00-02 -008A 2
0813500-30	31-10-00-04 -012 2	0813506	23-10-00-05 -007A 2
0813500-31	31-10-00-04 -013 2	0813506	23-10-02-01 -003A 1
0813500-34-124	31-10-00-05 -007 1	0813506	23-10-02-03 -003A 1
0813500-57	31-10-00-04 -014 3	0813506	23-20-03-01 -021A 3
0813500-59	31-10-00-04 -001 1	0813506	23-50-01-01 -006A 1
0813500-6	31-10-00-07 -010 1	0813506	23-50-01-03 -008A 1
0813500-61	31-10-00-04 -019 1	0813506	30-10-00-01 -020B 1
0813500-74	31-10-00-01 -028 1	0813506	31-10-01-01 -022 14
0813500-77	31-10-00-01 -021 1	0813506	33-40-00-01A -008 1
0813500-77	31-10-00-02 -019 1	0813506	33-40-00-03 -008A 1
0813500-79	31-10-00-04 -015 1	0813506	33-40-00-05 -001B 1
0813500-82	31-10-01-01 -008 1	0813506	33-40-00-06 -021 1
0813500-82	31-10-01-02 -008 1	0813506	34-50-00-03 -018 2
0813500-83	31-10-01-01 -006 1	0813506	34-50-00-03 -037 1
0813500-83	31-10-01-02 -006 1	0813506	34-50-01-01 -011B 2
0813500-84	31-10-00-01 -016 1	0813506	34-50-02-01 -004G 2
0813500-84	31-10-00-02 -014 1	0813506	34-50-02-02 -007A 4
0813500-9	31-10-00-07 -005 1	0813506	79-20-00-02 -016 1
0813500-93	31-10-00-04 -006 1	0813507-1	31-10-00-01 -025A 1
0813500-94	31-10-01-01 -010 1	0813507-19	31-10-00-01 -039A 2
0813500-94	31-10-01-02 -010 1	0813507-3	24-30-00-03 -021B 1
0813501-1	31-10-00-03 -004B 1	0813507-3	31-10-00-01 -045A 1
0813502-1	31-10-01-01 -025A 1	0813507-3	33-10-00-02 -014 2
0813502-1	31-10-01-02 -022A 1	0813507-4	23-10-00-01 -006 1
0813503-1	31-10-00-01 -025 1	0813507-4	30-60-00-01 -030A 1
0813503-1	31-10-00-02 -023 1	0813507-4	31-10-00-01 -009 1
0813503-1	31-10-00-03 -013G 1	0813507-4	31-10-00-01 -013 1
0813503-12	23-10-00-01 -006A 1	0813507-8	21-40-00-01 -016A 1
0813503-12	30-60-00-01 -030D 1	0813507-9	76-10-00-03 -043A 2
0813503-12	31-10-00-02 -008A 1	0813508-1	24-50-00-01 -033 1
0813503-12	31-10-00-02 -011A 1	0813508-1	25-10-01-01 -010 1
0813503-12	34-30-00-01 -009A 1	0813508-1	25-10-01-02 -008 1
0813503-14	23-10-00-01 -006B 1	0813509-13	31-10-00-02 -004A 1
0813503-14	30-60-00-01 -030E 1	0813509-16	31-10-00-01 -038 1
0813503-14	31-10-00-02 -008B 1	0813509-16	31-10-00-01 -039 1
0813503-14	31-10-00-02 -011B 1	0813509-16	31-10-00-02 -037 1
0813503-3	24-30-00-03 -021A 1	0813509-16	31-10-00-02 -038 1
0813503-3	31-10-00-01 -045 1	0813509-16	31-10-00-03 -014 1
0813503-3	31-10-00-02 -040 1	0813509-16	31-10-00-03 -015 1
0813503-3	33-10-00-02 -014B 2	0813510-1	31-10-02-01 -002 1
0813503-4	30-60-00-01 -030C 1	0813510-10	31-10-02-01 -002A 1
0813503-4	31-10-00-01 -008 1	0813510-11	31-10-02-01 -004 1
0813503-4	31-10-00-01 -012 1	0813510-12	31-10-02-01 -005 1
0813503-4	31-10-00-02 -008 1	0813510-13	31-10-02-01 -006 1
0813503-4	31-10-00-02 -011 1	0813510-20	31-10-02-01 -002B 1
0813503-4	34-30-00-01 -009 1	0813510-21	31-10-02-01 -004A 1
0813503-6	30-10-00-05 -028 1	0813510-22	31-10-02-01 -005A 1
0813503-6	31-10-00-01 -039B 2	0813510-23	31-10-02-01 -006A 1
0813503-6	31-10-00-02 -011D 1	0813510-24	31-10-02-01 -001 1
0813503-6	31-10-00-02 -038A 2	0813510-26	31-10-02-01 -001A 1
0813503-6	31-10-00-03 -015A 2	0813510-3	31-10-02-01 -003 1
0813503-8	21-40-00-01 -016 1	0813511-1	31-10-01-01 -020 1

**CESSNA AIRCRAFT COMPANY
MODEL 310 THRU 310D
ILLUSTRATED PARTS CATALOG**

PART NUMBER	CH SEC SUBJ FIG ITEM REQ	PART NUMBER	CH SEC SUBJ FIG ITEM REQ
0813511-1	31-10-01-02 -023 1	0813577-1	37-10-00-03 -019 1
0813512-5	31-10-00-01 -018 2	0813600-10	31-10-00-08 -023C 2
0813512-5	31-10-00-02 -016 2	0813600-4	31-10-00-07 -021 2
0813512-6	31-10-00-01 -015 1	0813600-4	31-10-00-08 -023 2
0813512-6	31-10-00-02 -013 1	0813600-5	31-10-00-08 -023A 2
0813513-6	23-10-02-01 -010E 1	0813600-6	31-10-00-08 -023B 2
0813513-6	23-10-02-03 -008E 1	0813601-10	31-10-00-08 -025 1
0813514-6	31-10-00-04 -010 1	0813601-2	31-10-00-07 -023 2
0813516-2	34-20-00-01 -001 1	0813601-2	31-10-00-08 -024 2
0813516-3	34-20-00-01 -004 1	0813601-3	24-30-00-03 -016 1
0813517-10	33-40-00-03 -011A 1	0813601-3	24-30-00-04 -010 2
0813517-11	33-40-00-03 -010A 1	0813601-4	24-30-00-04 -011 2
0813517-12	33-40-00-03 -010B 1	0813601-7	31-10-00-07 -024 1
0813517-3	33-40-00-03 -002 1	0813603-2	27-50-00-02 -010 1
0813517-6	33-40-00-03 -011 1	0813603-3	31-10-00-07 -032 1
0813517-7	33-40-00-03 -001 1	0813604-1	31-10-00-07 -011 1
0813517-8	33-40-00-03 -010 1	0813604-4	31-10-00-08 -013 1
0813517-9	33-40-00-03 -003 1	0813605-1	31-10-00-07 -012 1
0813521-1	34-30-02-02 -009 1	0813605-5	31-10-00-08 -022 1
0813522-1	34-30-02-02 -010 1	0813605-7	31-10-00-08 -022A 1
0813524-1	34-50-05-01 -019 1	0813606-6	31-10-00-07 -013 1
0813524-1	34-50-05-01 -044 1	0813606-7	31-10-00-08 -018 1
0813525-2	31-10-01-01 -025 1	0813607-2	31-10-00-07 -019 1
0813525-2	31-10-01-02 -022 1	0813607-3	31-10-00-08 -028 1
0813526-1	31-10-01-01 -020A 1	0813608-15	31-10-00-01 -022B 1
0813526-1	31-10-01-02 -023A 1	0813608-15	31-10-00-02 -020B 1
0813527-1	31-10-01-01 -021 1	0813608-15	31-10-00-03 -013 1
0813527-1	31-10-01-02 -024 1	0813608-4	31-10-00-01 -024 1
0813528-1	31-10-00-02 -007C 2	0813608-4	31-10-00-02 -022 1
0813528-1	31-10-00-03 -006D 2	0813608-4	31-10-00-03 -013A 1
0813550-2	34-50-01-02 -012 1	0813608-5	31-10-00-01 -024A 1
0813550-2	34-50-02-02 -008 1	0813608-5	31-10-00-02 -022A 1
0813551-2	23-20-03-01 -013 1	0813608-5	31-10-00-03 -013C 1
0813552-1	23-20-03-01 -016 1	0813608-8	31-10-00-01 -023 1
0813553-1	34-50-01-02 -012A 1	0813608-8	31-10-00-02 -021 1
0813553-1	34-50-02-02 -008A 1	0813608-8	31-10-00-03 -013B 1
0813554-1	23-20-03-01 -013A 1	0813608-9	31-10-00-01 -026 1
0813555-1	23-20-03-01 -016A 1	0813608-9	31-10-00-02 -024 1
0813556-1	31-10-02-01 -002C 1	0813609-1	31-10-00-07 -030 1
0813556-2	31-10-02-01 -004B 1	0813609-2	28-20-01-02 -021 1
0813556-3	31-10-02-01 -005B 1	0813609-3	31-10-00-08 -027A 1
0813556-4	31-10-02-01 -001B 1	0813609-6	31-10-00-08 -027 1
0813556-5	31-10-02-01 -006B 1	0813609-8	28-20-01-02 -021A 1
0813556-6	31-10-02-01 -006C 1	0813610-1	21-40-00-01 -021 2
0813561-1	34-50-00-03 -011 1	0813610-1	31-10-00-01 -034 2
0813567-1	34-50-00-03 -016 1	0813610-1	31-10-00-02 -033 2
0813568-10	53-10-06-01 -031B 1	0813610-2	21-40-00-02 -019 2
0813568-7	53-10-06-01 -031E 1	0813610-2	21-40-00-03 -035 2
0813568-8	53-10-06-01 -031A 1	0813610-2	31-10-00-02 -033A 2
0813570-1	31-10-00-08 -030 1	0813610-2	31-10-00-03 -020 2
0813571-2	33-40-00-03 -020 1	0813611-5	34-20-00-01 -009 1
0813571-3	33-40-00-03 -019 1	0813612-1	30-10-00-02 -037 1
0813571-4	33-40-00-03 -021 1	0813614-1	23-10-00-07 -002A AR
0813575-11	31-10-02-01 -002D 1	0813614-1	30-10-00-03 -001 1
0813575-14	31-10-02-01 -007 1	0813615-1	30-20-00-01 -003 2
0813575-15	31-10-02-01 -002E 1	0813616-1	30-20-00-01 -002 2
0813575-6	31-10-02-01 -001C 1	0813617-1	30-20-00-01 -001 2
0813575-9	31-10-02-01 -003A 1	0813618-1	30-10-00-03 -016 2
0813577-1	31-10-00-01 -011 1	0813618-1	30-10-00-04 -007 2
0813577-1	31-10-00-02 -010 1	0813619-1	30-10-00-04 -006 2
0813577-1	31-10-00-03 -007B 1	0813619-3	37-10-00-04 -001 1

**CESSNA AIRCRAFT COMPANY
MODEL 310 THRU 310D
ILLUSTRATED PARTS CATALOG**

PART NUMBER	CH SEC SUBJ FIG	ITEM	REQ	PART NUMBER	CH SEC SUBJ FIG	ITEM	REQ
081362-1	30-10-00-01	-001	1	0813750-59	21-40-00-03	-034	2
0813620-1	30-10-00-04	-003	3	0813750-6	21-40-00-04	-001	1
0813622-1	24-30-00-03	-024A	1	0813750-8	53-30-00-01	-012	1
0813623-1	34-20-00-01	-010	1	0813757-1	21-40-00-09	-030	1
0813624-1	31-10-00-08	-029	1	0813757-2	21-40-00-09	-031	1
0813625-1	23-50-00-01	-007	1	0813757-5	21-40-00-09	-032	2
0813625-2	23-50-00-01	-008	1	0813762-1	21-40-00-02	-003	1
0813626-1	23-10-01-02	-001	1	0813762-1	21-40-00-03	-003	1
0813626-2	23-10-00-06	-010	1	0813762-1	53-30-00-03	-009A	1
0813626-2	23-10-01-02	-010	1	0813764-1	21-40-00-02	-023	1
0813627-1	28-20-00-02	-048A	2	0813764-1	21-40-00-03	-026	1
0813650	33-40-00-03	-012A	1	0813764-2	21-40-00-02	-026	22
0813650-10	33-40-00-04	-007B	1	0813764-2	21-40-00-03	-028	2
0813650-8	33-40-00-03	-022A	1	0813766-1	21-40-00-02	-009	1
0813650-9	33-40-00-04	-007A	1	0813766-1	21-40-00-03	-009	1
0813720-1	21-40-00-03	-048	2	0813766-2	21-40-00-02	-010	1
0813722-1	21-40-00-03	-049	1	0813766-2	21-40-00-03	-010	1
0813725-1	21-40-00-01	-015	2	0813767-1	24-30-00-03	-015	1
0813725-1	21-40-00-02	-013	2	0813767-3	24-30-00-03	-015A	1
0813726-1	53-30-00-01	-022	1	0813770-1	21-40-00-03	-014	2
0813727-1	21-40-00-09	-010	1	0813771-1	21-40-00-03	-014B	2
0813728-1	53-10-06-01	-030A	1	0813772-1	21-40-00-01	-013	2
0813729-1	53-30-00-01	-013A	1	0813772-1	21-40-00-02	-011	2
0813730-1	21-40-00-03	-012	2	0813772-1	21-40-00-03	-011	2
0813735-1	21-40-00-03	-015	2	0813775-1	21-40-00-05	-017	1
0813739-1	21-40-00-03	-017	2	0813775-10	21-40-00-05	-019A	2
0813742-1	21-40-00-09	-014	1	0813775-10	21-40-00-07	-016A	2
0813746-1	21-40-00-09	-004	1	0813775-11	21-40-00-05	-020	2
0813747-1	21-40-00-09	-016	1	0813775-14	21-40-00-05	-023	1
0813747-2	21-40-00-09	-017	1	0813775-17	21-40-00-07	-015B	1
0813748-1	21-40-00-10	-011	1	0813775-18	21-40-00-07	-015A	1
0813749-1	21-40-00-09	-050	1	0813775-2	21-40-00-05	-018	1
0813750-12	53-30-00-01	-011	1	0813775-3	21-40-00-05	-016	1
0813750-14	21-40-00-01	-011	2	0813775-3	21-40-00-07	-015	1
0813750-24	21-40-00-06	-006	1	0813775-7	21-40-00-05	-024	2
0813750-24	21-40-00-08	-001	1	0813775-9	21-40-00-05	-019	1
0813750-25	21-40-00-04	-010	1	0813775-9	21-40-00-07	-016	1
0813750-29	53-10-02-01	-051	1	0813776-1	21-40-00-03	-032	1
0813750-29	53-10-02-02	-051	1	0813776-2	21-40-00-03	-033	1
0813750-29	53-20-00-01	-007	1	0813779-2	21-40-00-09	-003	1
0813750-31	21-40-00-03	-068	1	0813779-4	21-40-00-07	-014A	1
0813750-31	53-10-02-01	-052	1	0813780-1	21-40-00-08	-004B	1
0813750-31	53-10-02-02	-052	1	0813781-1	21-40-00-03	-058	1
0813750-35	21-40-00-06	-003	1	0813782-1	21-40-00-03	-056	1
0813750-36	21-40-00-06	-007	1	0813783-1	21-40-00-03	-057	1
0813750-36	21-40-00-08	-002	1	0813784-3	21-40-00-03	-054	1
0813750-36	21-40-00-10	-045	1	0813784-4	21-40-00-03	-055	1
0813750-38	21-40-00-05	-015	1	0813786-1	21-40-00-03	-067	1
0813750-38	21-40-00-07	-014	1	0813786-1	53-10-02-02	-051A	1
0813750-41	31-10-00-01	-035	2	0813786-2	53-20-00-01	-007B	1
0813750-41	31-10-00-02	-034	2	0813788-1	25-21-00-04	-032A	1
0813750-41	31-10-00-03	-021	2	0813789-1	25-21-00-04	-033A	1
0813750-44	21-40-00-01	-036	1	0813800	21-40-00-05	-001	1
0813750-44	21-40-00-02	-041	1	0813800	21-40-00-06	-000	1
0813750-44	21-40-00-03	-045	1	0813800-5	21-40-00-06	-004	2
0813750-45	21-40-00-01	-039	1	0813800-6	21-40-00-06	-009	1
0813750-48	53-30-00-01	-011A	1	0813800-7	21-40-00-06	-009B	1
0813750-52	53-20-00-01	-007A	1	08138000-4	21-40-00-06	-009A	1
0813750-55	21-40-00-10	-044	1	0813825-2	21-40-00-09	-043	1
0813750-59	21-40-00-01	-020	2	0813825-4	21-40-00-09	-001	1
0813750-59	21-40-00-02	-018	2	0813825-4	21-40-00-10	-000	1

**CESSNA AIRCRAFT COMPANY
MODEL 310 THRU 310D
ILLUSTRATED PARTS CATALOG**

PART NUMBER	CH SEC SUBJ FIG ITEM REQ	PART NUMBER	CH SEC SUBJ FIG ITEM REQ
0813825-5	21-40-00-09 -014A 1	0814000-33	25-60-00-01 -002 1
0813825-6	21-40-00-10 -002 1	0814000-34	25-60-00-01 -004A 1
0813825-7	21-40-00-07 -027 2	0814000-35	53-10-00-01 -005 1
0813825-9	21-40-00-10 -000A 1	0814000-42	53-10-00-01 -007 1
0813836-1	21-40-00-10 -055 1	0814000-43	53-10-00-01 -009 1
0813838-2	21-40-00-09 -007 1	0814000-44	53-10-07-03 -007 1
0813839-1	21-40-00-09 -002A 2	0814000-45	53-10-00-01 -013 1
0813850-9	21-40-00-05 -028 1	0814000-47	53-10-00-01 -014 1
0813850-9	21-40-00-07 -019 1	0814000-49	53-10-07-04 -028 1
0813865-1	21-40-00-09 -015 1	0814000-50	53-10-07-01 -029 1
0813865-1	21-40-01-01 -000 1	0814000-51	53-10-07-01 -007 1
0813900-10	21-40-00-07 -011 1	0814000-52	53-10-07-01 -030 1
0813900-18	21-40-00-08 -004A 1	0814000-53	53-10-07-01 -008 1
0813900-19	21-40-00-08 -004 1	0814000-54	53-10-07-03 -003 1
0813900-2	21-40-00-07 -001 1	0814000-55	53-10-07-01 -009 1
0813900-2	21-40-00-08 -000 1	0814000-56	53-10-07-01 -031 1
0813900-3	21-40-00-07 -010 1	0814000-57	53-10-07-01 -010 1
0813901-5	25-70-00-01 -000 1	0814000-58	53-10-07-01 -032 1
0814000-10	53-10-07-04 -006 1	0814000-59	53-10-07-01 -011 1
0814000-100	22-10-00-02 -024 2	0814000-60	53-10-07-01 -033 1
0814000-100	22-10-02-01 -009 1	0814000-61	53-10-07-01 -012 1
0814000-101	53-10-07-04 -016 1	0814000-62	53-10-07-01 -034 1
0814000-102	53-10-07-01 -036 1	0814000-63	53-10-07-01 -013 1
0814000-103	53-10-07-01 -014 1	0814000-64	53-10-07-01 -035 1
0814000-11	53-10-07-04 -004 1	0814000-65	53-10-07-04 -026A 1
0814000-124	53-10-07-04 -022 1	0814000-66	53-10-07-04 -026 1
0814000-125	53-10-00-01 -018 1	0814000-67	53-10-07-01 -015 1
0814000-126	53-10-00-01 -019 1	0814000-68	53-10-07-01 -037 1
0814000-132	53-10-07-04 -027 1	0814000-69	53-10-07-01 -016 1
0814000-133	53-10-07-04 -027A 1	0814000-70	53-10-07-01 -038 1
0814000-139	27-30-00-01 -036 1	0814000-71	53-10-07-01 -017 1
0814000-140	53-10-00-01 -006 1	0814000-72	53-10-07-01 -039 1
0814000-141	53-10-00-01 -008 1	0814000-73	53-10-07-01 -018 1
0814000-144	27-30-00-01 -035 2	0814000-74	53-10-07-01 -040 1
0814000-146	22-10-00-02 -004 1	0814000-75	53-10-07-01 -019 1
0814000-147	24-30-20-03 -017 14	0814000-76	53-10-07-01 -041 1
0814000-147	30-10-00-01 -016 2	0814000-77	53-10-07-02 -008 1
0814000-148	53-10-00-01 -005A 1	0814000-78	53-10-07-02 -009 1
0814000-149	25-60-00-01 -004 1	0814000-79	53-10-07-02 -010 1
0814000-149	25-60-00-02 -004 1	0814000-8	53-10-07-04 -003 1
0814000-151	53-10-07-04 -004A 1	0814000-80	53-10-07-02 -011 1
0814000-153	53-10-07-02 -017A 1	0814000-81	53-10-07-02 -012 1
0814000-154	53-10-07-01 -037A 1	0814000-82	53-10-07-01 -043 1
0814000-155	53-10-07-02 -011A 1	0814000-83	53-10-07-01 -021 1
0814000-16	53-10-07-04 -013 1	0814000-84	53-10-07-01 -044 1
0814000-160	53-10-07-01 -042A 1	0814000-85	53-10-07-01 -022 1
0814000-166	22-10-00-02 -024A 2	0814000-86	53-10-07-02 -017 1
0814000-166	22-10-02-01 -009A 1	0814000-87	53-10-07-02 -016 1
0814000-167	53-10-00-01 -018A 1	0814000-88	53-10-07-02 -018 1
0814000-17	53-10-07-04 -012 1	0814000-89	34-30-00-01 -001 1
0814000-174	53-10-07-01 -037B 1	0814000-89	53-10-00-01 -015 1
0814000-177	53-10-07-02 -011B 1	0814000-9	53-10-07-04 -002 1
0814000-186	53-10-07-04 -007 2	0814000-90	34-30-00-01 -002 1
0814000-21	53-10-07-04 -020 1	0814000-90	53-10-00-01 -016 1
0814000-22	53-10-07-04 -021 1	0814000-91	53-10-00-01 -017 1
0814000-23	53-10-07-04 -023 1	0814000-92	27-30-00-01 -031 1
0814000-24	27-30-00-01 -020 1	0814000-94	53-10-07-02 -013 1
0814000-26	53-10-07-04 -018 1	0814000-95	53-10-07-02 -014 1
0814000-28	53-10-07-03 -004 1	0814000-97	53-10-07-01 -020 1
0814000-29	53-10-07-01 -025 1	0814000-97	53-10-07-01 -042 1
0814000-30	25-60-00-01 -003 1	0814000-98	53-10-07-02 -015 1

**CESSNA AIRCRAFT COMPANY
MODEL 310 THRU 310D
ILLUSTRATED PARTS CATALOG**

PART NUMBER	CH SEC SUBJ FIG ITEM REQ	PART NUMBER	CH SEC SUBJ FIG ITEM REQ
0814000-99	53-10-00-01 -033 1	0814315-1	23-10-01-05 -007 1
0814002-1	55-30-00-01 -005 1	0814316-1	23-10-01-05 -006 1
0814006	27-30-00-01 -029 1	0814317-1	23-10-01-05 -009A 1
0814007-1	27-30-00-01 -031A 1	0814318-1	23-10-01-05 -018 1
0814009-1	53-10-07-04 -025 1	0820000-12	28-20-00-04 -037 2
0814010-1	53-10-07-04 -024 1	0820000-13	27-00-00-02 -001 2
0814011-1	27-30-00-01 -029A 1	0820000-14	28-20-00-04 -004 2
0814100-12	53-10-07-01 -023 1	0820000-17	28-20-00-04 -035 2
0814100-13	53-10-07-01 -024 1	0820000-22	24-30-20-02 -025 2
0814100-14	34-50-05-01 -002 1	0820000-23	30-10-00-04 -008 2
0814100-45	53-10-07-05 -003 1	0820000-26	30-10-00-04 -034 4
0814100-49	53-10-07-05 -004 1	0820000-27	57-50-00-04 -001 1
0814100-50	53-10-07-05 -005 1	0820000-27	57-50-00-08 -001 1
0814100-60	55-10-00-01 -005 1	0820000-28	57-50-00-03 -001 1
0814100-61	55-10-00-01 -004 1	0820000-28	57-50-00-07 -001 1
0814100-63	34-30-02-02 -003 1	0820000-29	28-10-00-01 -006 1
0814100-64	34-30-02-02 -004 1	0820000-3	28-20-00-04 -009 2
0814100-67	53-10-07-05 -002 1	0820000-30	28-10-00-01 -006A 1
0814100-68	53-10-07-05 -013 1	0820000-31	28-10-00-01 -007 1
0814100-69	53-10-07-05 -012 1	0820000-32	28-10-00-01 -007A 1
0814100-72	53-10-07-05 -002A 1	0820000-33	28-10-00-01 -008 1
0814100-73	55-10-00-01 -004A 1	0820000-34	28-10-00-01 -008A 1
0814100-74	55-10-00-01 -005A 1	0820000-5	28-20-00-04 -011 2
0814110-1	53-10-07-04 -005 1	0820000-51	28-20-00-04 -011A 2
0814120-3	22-50-00-01 -022 1	0820000-6	28-20-00-04 -036 1
0814120-4	22-50-00-01 -030 1	0820001-1	24-30-00-04 -007 1
0814121-1	22-50-00-01 -032 1	0820002-2	22-50-00-01 -016 1
0814122-1	22-50-00-01 -039 1	0820004-1	57-10-00-02 -046 1
0814123-1	22-50-00-01 -033 1	0820004-1	57-10-01-01 -047 1
0814125-1	22-50-00-01 -031 1	0820005-1	28-20-00-04 -014 4
0814150-1	53-30-00-04 -005 4	0820100-16	30-00-00-01 -012 1
0814200-1	53-10-07-03 -002 1	0820100-2	30-00-00-01 -007 1
0814200-10	53-10-07-01 -006 1	0820100-3	30-00-00-01 -001 1
0814200-15	53-10-07-03 -001 1	0820100-6	30-00-00-01 -008 2
0814200-24	53-10-07-01 -004 1	0820104-1	27-50-00-04 -007 1
0814200-3	53-10-07-01 -026 1	0820104-2	27-50-00-04 -009 1
0814200-30	53-10-07-02 -007 1	0820500-1	30-10-00-04 -004 1
0814200-32	53-10-07-02 -001 1	0820500-10	30-10-00-04 -035 4
0814200-5	53-10-07-02 -006 1	0820500-11	30-10-00-04 -030 1
0814200-6	53-10-07-01 -005 1	0820500-12	30-10-00-04 -032 5
0814200-7	53-10-07-01 -027 1	0820500-17	30-10-00-04 -037 2
0814200-9	53-10-07-01 -028 1	0820500-18	30-10-00-04 -038 2
0814201-1	53-10-07-01 -046 1	0820500-19	30-10-00-04 -042 1
0814201-2	53-10-07-01 -047 1	0820500-2	30-10-00-04 -004A 1
0814202-1	53-10-07-01 -046A 1	0820500-20	30-10-00-04 -042A 1
0814202-2	53-10-07-01 -047A 1	0820500-21	30-10-00-04 -041 1
0814210-1	53-10-07-02 -003 1	0820500-22	30-10-00-04 -041A 1
0814300-1	25-60-00-01 -005 1	0820500-23	30-10-00-04 -040 2
0814300-1	25-60-00-02 -008 1	0820500-3	30-10-00-04 -005 2
0814300-2	25-60-00-01 -001 1	0820501-1	33-40-00-05 -003 1
0814300-2	25-60-00-02 -002 1	0820501-5	33-40-00-05 -004 1
0814300-3	25-60-00-01 -006 4	0820501-7	33-40-00-05 -007 1
0814300-3	25-60-00-02 -009 4	0820502-1	33-40-00-05 -002 1
0814304-1	23-10-01-05 -009 1	0820517-10	30-10-00-05 -037 1
0814306-1	25-60-00-02 -001 1	0820517-11	30-10-00-05 -038 2
0814307-1	25-60-00-02 -003 1	0820517-13	30-10-00-05 -039 1
0814308-2	23-10-01-05 -013 1	0820517-14	30-10-00-05 -040 1
0814308-4	23-10-01-05 -021 1	0820517-15	30-10-00-05 -041 1
0814308-5	23-10-01-05 -013A 1	0820517-16	30-10-00-05 -042 3
0814309-2	23-10-01-05 -003A 1	0820517-17	30-10-00-05 -043 1
0814312-1	23-10-01-05 -004 1	0820517-18	30-10-00-05 -044 1

CESSNA AIRCRAFT COMPANY
MODEL 310 THRU 310D
ILLUSTRATED PARTS CATALOG

PART NUMBER	CH SEC SUBJ FIG ITEM REQ	PART NUMBER	CH SEC SUBJ FIG ITEM REQ
0820517-20	30-10-00-05 -045 1	0822000-60	57-10-01-06 -035 1
0820517-22	30-10-00-06 -000 1	0822000-61	57-10-00-04 -044 1
0820517-23	30-10-00-05 -003 1	0822000-61	57-10-01-03 -036 1
0820517-6	30-10-00-05 -035 1	0822000-62	57-10-00-08 -044 1
0820517-7	30-10-00-05 -033 1	0822000-62	57-10-01-06 -036 1
0820517-8	30-10-00-06 -012A 1	0822000-63	57-10-00-08 -021 1
0820517-9	30-10-00-05 -036 1	0822000-69	57-10-00-04 -016 1
0820518-1	30-10-00-05 -003C 1	0822000-8	57-10-00-08 -016 1
0820519-1	30-10-00-06 -032A 1	0822000-80	57-10-00-04 -017A 1
0820521-1	30-10-00-06 -045 2	0822000-80	57-10-00-08 -017A 1
0820524-1	30-10-00-05 -030 1	0822000-81	57-10-00-04 -017 1
0820525-1	30-10-00-05 -049 1	0822000-82	57-10-00-08 -017 1
0820529-1	30-10-00-05 -046 1	0822000-9	57-10-00-04 -020 1
0820530-1	30-10-00-05 -034 1	0822000-9	57-10-00-08 -020 1
0820531-1	30-10-00-05 -005 1	0822000-9	57-10-01-03 -016 1
0820532-1	30-10-00-05 -032 1	0822000-9	57-10-01-06 -016 1
0820533-1	30-10-00-05 -031 1	0822000-93	57-10-00-02 -020A 1
0820535-1	30-10-00-06 -003 1	0822000-93	57-10-01-01 -020A 1
0820535-3	30-10-00-06 -004 1	0822000-94	57-10-00-06 -018A 1
0820536-1	30-10-00-06 -001 1	0822000-94	57-10-01-04 -018A 1
0820536-2	30-10-00-06 -002 1	0822001-14	57-10-00-02 -026 13
0822000-11	57-10-00-04 -021 1	0822001-14	57-10-00-06 -024 13
0822000-23	57-10-00-04 -018 1	0822001-14	57-10-01-01 -026 13
0822000-23	57-10-00-08 -018 1	0822001-14	57-10-01-04 -024 13
0822000-23	57-10-01-03 -014 1	0822001-16	32-10-00-01 -026 1
0822000-23	57-10-01-06 -014 1	0822001-17	32-10-00-01 -026A 1
0822000-25	57-10-00-02 -025 1	0822001-3	32-10-01-01 -037 2
0822000-25	57-10-01-01 -025 1	0822001-5	57-10-00-02 -027 2
0822000-26	57-10-00-06 -023 1	0822001-5	57-10-00-06 -025 2
0822000-26	57-10-01-04 -023 1	0822001-5	57-10-01-04 -025 2
0822000-3	57-10-00-04 -014 1	0822002-1	57-10-00-04 -055A 2
0822000-3	57-10-00-08 -014 1	0822002-1	57-10-00-08 -054B 2
0822000-3	57-10-01-03 -011 1	0822002-1	57-10-01-03 -061 2
0822000-3	57-10-01-06 -011 1	0822002-1	57-10-01-06 -061 2
0822000-36	57-10-00-04 -052 1	0822003-1	32-30-00-01 -037 2
0822000-36	57-10-00-08 -052 1	0822003-1	57-10-00-02 -021C 1
0822000-39	57-10-00-02 -019 1	0822003-1	57-10-00-06 -019C 1
0822000-39	57-10-01-01 -019 1	0822003-1	57-10-01-01 -021C 1
0822000-40	57-10-00-04 -019 1	0822003-1	57-10-01-04 -019C 1
0822000-40	57-10-00-08 -019 1	0822005-10	24-30-00-01 -004 1
0822000-40	57-10-01-03 -015 1	0822005-11	24-30-00-01 -008 1
0822000-40	57-10-01-06 -015 1	0822005-14	24-30-00-01 -007 1
0822000-45	57-10-00-02 -021 1	0822005-19	24-30-00-01 -002A 1
0822000-45	57-10-01-01 -021 1	0822005-25	57-10-00-02 -041 2
0822000-46	57-10-00-06 -019 1	0822005-25	57-10-00-06 -039 2
0822000-46	57-10-01-04 -019 1	0822005-25	57-10-01-01 -041 2
0822000-47	57-10-00-02 -020 1	0822005-25	57-10-01-04 -039 2
0822000-47	57-10-01-01 -020 1	0822005-26	57-10-00-01 -021 01
0822000-48	57-10-00-06 -018 1	0822005-29	57-10-00-04 -050 1
0822000-48	57-10-01-04 -018 1	0822005-29	57-10-01-03 -042 1
0822000-5	57-10-00-04 -015 1	0822005-3	57-10-00-01 -021A 02
0822000-5	57-10-00-08 -015 1	0822005-34	57-10-00-08 -050 1
0822000-5	57-10-01-03 -012 1	0822005-34	57-10-01-06 -042 1
0822000-5	57-10-01-06 -012 1	0822005-36	57-10-00-05 -021 1
0822000-55	57-10-00-02 -045 1	0822005-38	57-10-00-05 -021C 1
0822000-55	57-10-00-06 -042 1	0822005-40	57-10-00-01 -021B 02
0822000-55	57-10-01-01 -045 1	0822005-8	57-10-00-01 -022 01
0822000-55	57-10-01-04 -042 1	0822005-9	24-30-00-01 -003 1
0822000-59	57-10-00-04 -043 1	0822006-1	57-10-00-02 -018 1
0822000-59	57-10-01-03 -035 1	0822006-1	57-10-01-01 -018 1
0822000-60	57-10-00-08 -043 1	0822010-1	24-30-00-02 -002 1

**CESSNA AIRCRAFT COMPANY
MODEL 310 THRU 310D
ILLUSTRATED PARTS CATALOG**

PART NUMBER	CH SEC SUBJ FIG ITEM REQ	PART NUMBER	CH SEC SUBJ FIG ITEM REQ
0822011-1	24-30-00-02 -011 1	0822275-124	57-50-00-05 -028A 1
0822011-3	24-30-00-02 -015 2	0822275-19	57-40-00-01 -027 1
0822012-1	11-00-00-01 -030 1	0822275-19	57-40-00-02 -027 1
0822012-1	24-30-00-02 -016 1	0822275-2	57-10-00-07 -021 1
0822100-1	57-10-00-03 -001 1	0822275-2	57-10-01-05 -021 1
0822100-1	57-10-01-02 -001 1	0822275-21	57-10-00-01 -023 01
0822100-2	57-10-00-07 -001 1	0822275-22	57-10-00-05 -022 1
0822100-2	57-10-01-05 -001 1	0822275-29	57-10-00-04 -047 1
0822100-3	57-40-00-01 -012 1	0822275-29	57-10-01-03 -039 1
0822100-4	57-40-00-02 -012 1	0822275-3	57-40-00-01 -026 1
0822100-45	57-10-00-02 -010 1	0822275-30	57-10-00-08 -047 1
0822100-45	57-10-00-06 -010 1	0822275-30	57-10-01-06 -039 1
0822100-45	57-10-01-01 -010 1	0822275-31	57-10-00-02 -028 1
0822100-45	57-10-01-04 -010 1	0822275-31	57-10-01-01 -028 1
0822100-46	57-10-00-02 -011 1	0822275-32	57-10-00-06 -026 1
0822100-46	57-10-00-06 -011 1	0822275-32	57-10-01-04 -026 1
0822100-46	57-10-01-01 -011 1	0822275-35	57-50-00-02 -013 1
0822100-46	57-10-01-04 -011 1	0822275-35	57-50-00-06 -013 1
0822100-5	57-50-00-01 -005 1	0822275-39	57-50-00-02 -009 1
0822100-59	57-10-00-03 -004D 1	0822275-4	57-40-00-02 -026 1
0822100-59	57-10-00-07 -003D 1	0822275-40	57-50-00-06 -009 1
0822100-59	57-10-01-02 -004D 1	0822275-43	57-50-00-02 -001 1
0822100-59	57-10-01-05 -003D 1	0822275-44	57-50-00-06 -001 1
0822100-6	57-50-00-05 -005 1	0822275-47	57-50-00-02 -006 1
0822100-70	57-40-00-02 -012A 1	0822275-47	57-50-00-06 -006 1
0822100-71	57-40-00-01 -012A 1	0822275-5	57-10-00-02 -023 1
0822175-3	57-10-00-03 -016 1	0822275-5	57-10-01-01 -023 1
0822175-3	57-10-01-02 -016 1	0822275-51	57-50-00-01 -012 1
0822175-36	57-40-00-02 -017A 1	0822275-51	57-50-00-05 -012 1
0822175-37	57-40-00-01 -017A 1	0822275-52	57-50-00-01 -020 1
0822175-38	57-10-00-07 -005 1	0822275-52	57-50-00-05 -020 1
0822175-38	57-10-01-05 -005 1	0822275-53	57-50-00-01 -028 1
0822175-39	57-10-00-03 -006 1	0822275-54	57-50-00-05 -028 1
0822175-39	57-10-01-02 -006 1	0822275-55	57-50-00-02 -003 1
0822175-4	57-10-00-07 -015 1	0822275-55	57-50-00-06 -003 1
0822175-4	57-10-01-05 -015 1	0822275-57	57-50-00-02 -011 1
0822175-5	57-40-00-01 -017 1	0822275-58	57-50-00-06 -011 1
0822175-6	57-40-00-02 -017 1	0822275-59	57-50-00-02 -012 1
0822176-1	57-50-00-01 -039 1	0822275-59	57-50-00-06 -012 1
0822176-2	57-50-00-05 -039 1	0822275-6	57-10-00-06 -021 1
0822180-5	32-10-00-01 -005 1	0822275-6	57-10-01-04 -021 1
0822180-6	32-10-00-01 -005A 1	0822275-61	57-50-00-02 -004 1
0822275-1	57-10-00-03 -023 1	0822275-62	57-50-00-06 -004 1
0822275-1	57-10-01-02 -023 1	0822275-65	57-50-00-02 -005 1
0822275-102	57-10-00-02 -038 1	0822275-66	57-50-00-06 -005 1
0822275-102	57-10-00-06 -036 1	0822275-69	57-10-00-03 -014 1
0822275-102	57-10-01-01 -038 1	0822275-69	57-10-01-02 -014 1
0822275-102	57-10-01-04 -036 1	0822275-7	57-10-00-02 -030 1
0822275-11	57-10-00-03 -023A 1	0822275-7	57-10-01-01 -030 1
0822275-11	57-10-01-02 -023A 1	0822275-70	57-10-00-07 -013 1
0822275-12	57-10-00-07 -021A 1	0822275-70	57-10-01-05 -013 1
0822275-12	57-10-01-05 -021A 1	0822275-71	57-10-00-03 -013 1
0822275-121	57-10-00-02 -040 1	0822275-71	57-10-01-02 -013 1
0822275-121	57-10-00-06 -038 1	0822275-72	57-10-00-07 -012 1
0822275-121	57-10-01-01 -040 1	0822275-72	57-10-01-05 -012 1
0822275-121	57-10-01-04 -038 1	0822275-73	57-40-00-01 -015 1
0822275-122	57-10-00-02 -040A 1	0822275-74	57-40-00-02 -015 1
0822275-122	57-10-00-06 -038A 1	0822275-75	57-40-00-01 -016 1
0822275-122	57-10-01-01 -040A 1	0822275-76	57-40-00-02 -016 1
0822275-122	57-10-01-04 -038A 1	0822275-77	57-50-00-01 -016 1
0822275-123	57-50-00-01 -028A 1	0822275-78	57-50-00-05 -016 1

CESSNA AIRCRAFT COMPANY
MODEL 310 THRU 310D
ILLUSTRATED PARTS CATALOG

PART NUMBER	CH SEC SUBJ FIG ITEM REQ	PART NUMBER	CH SEC SUBJ FIG ITEM REQ
0822275-79	57-50-00-02 -008 1	0822350-168	57-40-00-02 -030 2
0822275-79	57-50-00-06 -008 1	0822350-17	57-50-00-01 -025 1
0822275-8	57-10-00-06 -028 1	0822350-170	57-10-00-03 -003 1
0822275-8	57-10-01-04 -028 1	0822350-170	57-10-00-03 -009 1
0822275-81	57-10-00-03 -005 1	0822350-170	57-10-00-03 -019 1
0822275-81	57-10-01-02 -005 NP	0822350-170	57-10-00-07 -002 1
0822275-82	57-10-00-07 -004 1	0822350-170	57-10-00-07 -008 1
0822275-82	57-10-01-05 -004 1	0822350-170	57-10-00-07 -018 1
0822275-83	57-10-00-02 -044 1	0822350-170	57-10-01-02 -003 1
0822275-83	57-10-00-06 -041 1	0822350-170	57-10-01-02 -009 1
0822275-83	57-10-01-01 -044 1	0822350-170	57-10-01-02 -019 1
0822275-83	57-10-01-04 -041 1	0822350-170	57-10-01-05 -002 1
0822275-85	57-10-00-01 -019 05	0822350-170	57-10-01-05 -008 1
0822275-85	57-10-00-05 -019 5	0822350-170	57-10-01-05 -018 1
0822350-1	57-50-00-01 -008 1	0822350-172	57-50-00-01 -010 3
0822350-10	57-50-00-05 -014 1	0822350-172	57-50-00-05 -010 3
0822350-100	57-10-00-07 -037 1	0822350-173	57-50-00-01 -007 3
0822350-100	57-10-01-05 -037 1	0822350-173	57-50-00-05 -007 3
0822350-107	57-40-00-01 -032 1	0822350-18	57-50-00-05 -025 1
0822350-108	57-40-00-02 -032 1	0822350-183	57-10-00-04 -039 1
0822350-11	57-50-00-01 -015 1	0822350-183	57-10-01-03 -031 1
0822350-111	57-40-00-01 -034 1	0822350-184	57-10-00-08 -039 1
0822350-112	57-40-00-02 -034 1	0822350-184	57-10-01-06 -031 1
0822350-113	57-40-00-01 -035 1	0822350-185	57-10-00-04 -040 1
0822350-114	57-40-00-02 -035 1	0822350-185	57-10-01-03 -032 1
0822350-117	57-40-00-01 -037 1	0822350-186	57-10-00-08 -040 1
0822350-118	57-40-00-02 -037 1	0822350-186	57-10-01-06 -032 1
0822350-119	57-40-00-01 -038 1	0822350-189	57-10-00-03 -015 1
0822350-12	57-50-00-05 -015 1	0822350-189	57-10-01-02 -015 1
0822350-120	57-40-00-02 -038 1	0822350-19	57-50-00-01 -026 1
0822350-127	57-50-00-02 -016 1	0822350-190	57-10-00-07 -014 1
0822350-128	57-50-00-06 -016 1	0822350-190	57-10-01-05 -014 1
0822350-129	57-50-00-02 -022 1	0822350-193	57-40-00-01 -029 1
0822350-13	57-50-00-01 -021 1	0822350-194	57-40-00-02 -029 1
0822350-130	57-50-00-06 -021 1	0822350-195	57-50-00-02 -018 1
0822350-131	57-50-00-02 -015 1	0822350-197	57-10-00-03 -032 1
0822350-132	57-50-00-06 -015 1	0822350-199	57-10-00-03 -034 1
0822350-133	57-50-00-02 -019 1	0822350-2	57-50-00-05 -008 1
0822350-133	57-50-00-06 -019 1	0822350-20	57-50-00-05 -026 1
0822350-134	57-10-00-02 -043 1	0822350-201	57-10-00-03 -042 1
0822350-134	57-10-01-01 -043 1	0822350-201	57-10-01-02 -043 1
0822350-14	57-50-00-05 -021 1	0822350-202	57-10-00-07 -038 1
0822350-149	57-10-00-04 -031 1	0822350-202	57-10-01-05 -038 1
0822350-149	57-10-00-08 -031 1	0822350-203	57-40-00-01 -039 1
0822350-149	57-10-01-03 -023 1	0822350-204	57-40-00-02 -039 1
0822350-149	57-10-01-06 -023 1	0822350-205	57-40-00-01 -033 1
0822350-15	57-50-00-01 -022 1	0822350-206	57-40-00-02 -033 1
0822350-150	57-10-00-04 -032 1	0822350-207	57-40-00-01 -036 1
0822350-150	57-10-00-08 -032 1	0822350-208	57-40-00-02 -036 1
0822350-150	57-10-01-03 -024 1	0822350-213	54-10-00-01 -024E 1
0822350-150	57-10-01-06 -024 1	0822350-214	54-10-00-02 -024E 1
0822350-151	57-10-00-04 -033 1	0822350-215	54-10-00-01 -024F 1
0822350-151	57-10-00-08 -033 1	0822350-216	54-10-00-02 -024F 1
0822350-151	57-10-01-03 -025 1	0822350-217	57-10-00-04 -045 1
0822350-151	57-10-01-06 -025 1	0822350-217	57-10-01-03 -037 1
0822350-152	57-10-00-04 -034 1	0822350-218	57-10-00-08 -045 1
0822350-152	57-10-00-08 -034 1	0822350-218	57-10-01-06 -037 1
0822350-152	57-10-01-03 -026 1	0822350-219	57-10-00-04 -046 1
0822350-152	57-10-01-06 -026 1	0822350-219	57-10-01-03 -038 1
0822350-16	57-50-00-05 -022 1	0822350-220	57-10-00-08 -046 1
0822350-168	57-40-00-01 -030 2	0822350-220	57-10-01-06 -038 1

CESSNA AIRCRAFT COMPANY
MODEL 310 THRU 310D
ILLUSTRATED PARTS CATALOG

PART NUMBER	CH SEC SUBJ FIG	ITEM	REQ	PART NUMBER	CH SEC SUBJ FIG	ITEM	REQ
0822350-225	57-10-00-04	-055	1	0822361-1	57-10-00-01	-026B	01
0822350-225	57-10-01-03	-046	1	0822361-1	57-10-00-05	-025B	1
0822350-228	57-40-00-02	-031	1	0822363-1	57-10-00-04	-043A	1
0822350-229	57-40-00-01	-031	1	0822363-1	57-10-01-03	-035A	1
0822350-23	57-50-00-01	-011	1	0822363-2	57-10-00-08	-043A	1
0822350-236	57-10-00-07	-031A	1	0822363-2	57-10-01-06	-035A	1
0822350-238	57-10-00-07	-032A	1	0822364-1	57-10-00-04	-044A	1
0822350-239	57-10-00-03	-036A	1	0822364-1	57-10-01-03	-036A	1
0822350-24	57-50-00-05	-011	1	0822364-2	57-10-00-08	-044A	1
0822350-240	57-10-00-07	-033A	1	0822364-2	57-10-01-06	-036A	1
0822350-240	57-10-01-05	-033	1	0822365-1	57-10-00-04	-046A	1
0822350-241	57-10-00-03	-037A	1	0822365-1	57-10-01-03	-038A	1
0822350-241	57-10-01-02	-038	1	0822365-2	57-10-00-08	-046A	1
0822350-243	57-10-00-03	-032A	1	0822365-2	57-10-01-06	-038A	1
0822350-245	57-10-00-03	-034A	1	0822366-1	57-10-00-04	-045A	1
0822350-246	57-10-00-03	-037B	1	0822366-1	57-10-01-03	-037A	1
0822350-246	57-10-01-02	-038A	1	0822366-2	57-10-00-08	-045A	1
0822350-25	57-50-00-01	-013	1	0822366-2	57-10-01-06	-037A	1
0822350-253	57-10-00-03	-031	1	0822380-1	57-10-00-04	-027	2
0822350-254	57-10-00-07	-029	1	0822380-1	57-10-00-08	-027	2
0822350-255	57-10-00-07	-030A	1	0822380-1	57-10-01-03	-021	2
0822350-26	57-50-00-05	-013	1	0822380-1	57-10-01-06	-021	2
0822350-260	57-50-00-06	-021A	1	0822380-10	55-10-00-01	-050A	1
0822350-261	57-50-00-02	-022A	1	0822380-14	57-10-00-04	-029	1
0822350-264	57-50-00-06	-018A	1	0822380-14	57-10-00-08	-029	1
0822350-265	57-50-00-02	-018A	1	0822380-14	57-40-00-01	-046	2
0822350-33	57-50-00-01	-017	1	0822380-14	57-40-00-02	-046	2
0822350-34	57-50-00-05	-017	1	0822380-16	27-50-00-04	-004	1
0822350-35	57-50-00-01	-018	1	0822380-16	57-40-00-01	-048	5
0822350-36	57-50-00-05	-018	1	0822380-16	57-40-00-02	-048	4
0822350-45	57-50-00-01	-024	1	0822380-17	55-30-00-01	-030A	1
0822350-46	57-50-00-05	-024	1	0822380-2	55-30-00-01	-030	1
0822350-47	57-50-00-01	-023	1	0822380-2	55-30-00-03	-047	1
0822350-48	57-50-00-05	-023	1	0822380-2	57-10-00-04	-023	2
0822350-49	57-50-00-01	-027	1	0822380-2	57-10-00-04	-025	4
0822350-50	57-50-00-05	-027	1	0822380-2	57-10-00-04	-025A	3
0822350-7	57-50-00-01	-009	1	0822380-2	57-10-00-08	-023	2
0822350-8	57-50-00-05	-009	1	0822380-2	57-10-00-08	-025	3
0822350-86	57-10-00-07	-030	1	0822380-2	57-10-00-08	-025A	4
0822350-88	57-10-00-07	-031	1	0822380-2	57-10-01-03	-019	3
0822350-89	57-10-00-03	-036	1	0822380-2	57-10-01-03	-019A	4
0822350-9	57-50-00-01	-014	1	0822380-2	57-10-01-06	-019	3
0822350-90	57-10-00-07	-032	1	0822380-2	57-10-01-06	-019A	4
0822350-91	57-10-00-03	-037	1	0822380-2	57-40-00-01	-022	1
0822350-92	57-10-00-07	-033	1	0822380-2	57-40-00-02	-022	1
0822350-93	57-10-00-03	-038	1	0822380-5	27-50-00-04	-004A	1
0822350-93	57-10-01-02	-039	1	0822380-5	57-10-00-01	-028	07
0822350-94	57-10-00-07	-034	1	0822380-5	57-10-00-05	-027	6
0822350-94	57-10-01-05	-034	1	0822380-6	57-10-00-01	-027	05
0822350-95	57-10-00-03	-039	1	0822380-6	57-10-00-01	-027A	06
0822350-95	57-10-01-02	-040	1	0822380-6	57-10-00-01	-027B	07
0822350-96	57-10-00-07	-035	1	0822380-6	57-10-00-05	-026	5
0822350-96	57-10-01-05	-035	1	0822380-6	57-10-00-05	-026A	6
0822350-97	57-10-00-03	-040	1	0822380-6	57-10-00-05	-026B	7
0822350-97	57-10-01-02	-041	1	0822380-7	57-10-00-01	-026	02
0822350-98	57-10-00-07	-036	1	0822380-7	57-10-00-01	-026A	01
0822350-98	57-10-01-05	-036	1	0822380-7	57-10-00-05	-025	2
0822350-99	57-10-00-03	-041	1	0822380-7	57-10-00-05	-025A	1
0822350-99	57-10-01-02	-042	1	0822380-8	55-10-00-01	-052	1
0822360-1	57-40-00-01	-025	1	0822380-8	55-30-00-01	-031	1
0822360-2	57-40-00-02	-025	1	0822380-8	55-30-00-03	-049	1

**CESSNA AIRCRAFT COMPANY
MODEL 310 THRU 310D
ILLUSTRATED PARTS CATALOG**

PART NUMBER	CH SEC SUBJ FIG ITEM REQ	PART NUMBER	CH SEC SUBJ FIG ITEM REQ
0822500-1	57-40-00-01 -001 1	0822720-1	57-10-01-01 -034 1
0822500-2	57-40-00-02 -001 1	0822720-2	57-10-00-06 -032 1
0822500-33	57-40-00-01 -008 4	0822720-2	57-10-01-04 -032 1
0822500-33	57-40-00-02 -008 4	0822724-1	57-10-00-02 -032 1
0822500-34	57-40-00-02 -011A 1	0822724-1	57-10-01-01 -032 1
0822500-5	57-40-00-01 -011A 1	0822724-2	57-10-00-06 -030 1
0822509-1	57-40-00-01 -020 1	0822724-2	57-10-01-04 -030 1
0822509-2	57-40-00-02 -020 1	0822786-1	57-10-00-04 -053 1
0822510-11	57-40-00-01 -044 1	0822786-1	57-10-01-03 -044 1
0822510-11	57-40-00-02 -044 1	0822786-2	57-10-00-08 -053 1
0822510-12	57-10-00-01 -025 01	0822786-2	57-10-01-06 -044 1
0822510-12	57-10-00-05 -024 1	0822815-1	57-40-00-01 -041 1
0822510-14	57-40-00-01 -019 3	0822815-10	57-10-00-08 -005 1
0822510-14	57-40-00-02 -019 3	0822815-10	57-10-01-06 -005 1
0822510-15	57-10-00-01 -024 01	0822815-11	57-10-00-04 -011 1
0822510-15	57-10-00-05 -023 1	0822815-12	57-10-00-08 -011 1
0822510-16	57-40-00-01 -023B 1	0822815-13	57-10-00-04 -006 1
0822510-16	57-40-00-02 -023B 1	0822815-14	57-10-00-08 -006 1
0822510-20	57-40-00-02 -011C 1	0822815-15	57-10-00-04 -008 1
0822510-21	57-40-00-01 -011C 1	0822815-15	57-10-01-03 -007 1
0822510-3	57-40-00-01 -011B 1	0822815-16	57-10-00-08 -008 1
0822510-4	57-40-00-02 -011B 1	0822815-16	57-10-01-06 -007 1
0822510-5	57-40-00-01 -025C 1	0822815-17	57-10-00-04 -009 1
0822510-6	57-40-00-02 -025C 1	0822815-18	57-10-00-08 -009 1
0822510-7	57-40-00-01 -021 1	0822815-19	57-10-00-04 -001 1
0822510-8	57-40-00-02 -021 1	0822815-2	57-40-00-02 -041 1
0822550-10	57-40-00-02 -004 1	0822815-20	57-10-00-08 -001 1
0822550-11	57-40-00-01 -005 1	0822815-21	57-10-00-04 -004 1
0822550-12	57-40-00-02 -005 1	0822815-21	57-10-01-03 -003 1
0822550-5	57-40-00-01 -002 1	0822815-22	57-10-00-08 -004 1
0822550-6	57-40-00-02 -002 1	0822815-22	57-10-01-06 -003 1
0822550-7	57-40-00-01 -003 1	0822815-23	57-10-00-04 -003 1
0822550-8	57-40-00-02 -003 1	0822815-23	57-10-01-03 -004 1
0822550-9	57-40-00-01 -004 1	0822815-24	57-10-00-08 -003 1
0822600-29	57-50-00-01 -003 1	0822815-24	57-10-01-06 -004 1
0822600-29	57-50-00-05 -003 1	0822815-25	57-10-00-04 -012 1
0822600-30	57-50-00-01 -004 1	0822815-25	57-10-01-03 -009 1
0822600-30	57-50-00-05 -004 1	0822815-26	57-10-00-08 -012 1
0822600-39	57-50-00-01 -001 1	0822815-26	57-10-01-06 -009 1
0822600-40	57-50-00-05 -001 1	0822815-27	57-10-00-04 -007 1
0822600-41	57-50-00-01 -002 1	0822815-27	57-10-01-03 -006 1
0822600-42	57-50-00-05 -002 1	0822815-28	57-10-00-08 -007 1
0822605-4	57-50-00-01 -035 1	0822815-28	57-10-01-06 -006 1
0822605-4	57-50-00-05 -035 1	0822815-29	57-10-00-04 -010 1
0822610-12	57-50-00-05 -032 1	0822815-29	57-10-01-03 -008 1
0822610-13	57-50-00-01 -032 1	0822815-3	57-40-00-01 -042 1
0822610-3	57-50-00-01 -031 1	0822815-30	57-10-00-08 -010 1
0822610-4	57-50-00-05 -031 1	0822815-30	57-10-01-06 -008 1
0822610-7	57-50-00-01 -033 2	0822815-31	57-40-00-01 -043A 7
0822610-8	57-50-00-05 -033 1	0822815-31	57-40-00-02 -043A 7
0822611-1	57-50-00-01 -019A 1	0822815-32	57-40-00-01 -043B 1
0822611-2	57-50-00-05 -019A 1	0822815-32	57-40-00-02 -043B 1
0822611-3	57-50-00-01 -034 2	0822815-33	57-40-00-01 -043C 1
0822611-4	57-50-00-05 -034 2	0822815-33	57-40-00-02 -043C 1
0822611-5	57-50-00-01 -019 1	0822815-34	57-40-00-01 -043D 1
0822611-6	57-50-00-05 -019 1	0822815-34	57-40-00-02 -043D 1
0822613-1	57-50-00-01 -019B 1	0822815-4	57-40-00-02 -042 1
0822613-1	57-50-00-05 -019B 1	0822815-5	57-10-00-04 -013 1
0822613-2	57-50-00-01 -038 1	0822815-5	57-10-01-03 -010 1
0822613-2	57-50-00-05 -038 1	0822815-6	57-10-00-08 -013 1
0822720-1	57-10-00-02 -034 1	0822815-6	57-10-01-06 -010 1

**CESSNA AIRCRAFT COMPANY
MODEL 310 THRU 310D
ILLUSTRATED PARTS CATALOG**

PART NUMBER	CH SEC SUBJ FIG ITEM REQ	PART NUMBER	CH SEC SUBJ FIG ITEM REQ
0822815-7	57-10-00-04 -002 1	0823001-1	28-10-00-01 -035 1
0822815-8	57-10-00-08 -002 1	0823001-1	28-10-00-01 -046C 2
0822815-9	57-10-00-04 -005 1	0823075-1	28-10-00-03 -001 1
0822815-9	57-10-01-03 -005 1	0823075-11	28-10-00-03 -002 1
0823000-10	28-10-00-03 -005B 1	0823075-12	28-10-00-03 -002A 1
0823000-110	28-10-00-01 -024 2	0823075-2	28-10-00-03 -001A 1
0823000-111	28-10-00-01 -046A 2	0823100-1	28-10-00-01 -011 2
0823000-112	28-10-00-01 -046B 2	0823100-10	28-10-00-01 -011B 1
0823000-127	28-10-00-02 -006A 1	0823100-11	28-10-00-01 -011A 2
0823000-128	28-10-00-02 -006C 1	0823100-3	28-40-00-01 -023 2
0823000-129	28-10-00-02 -007A 1	0823100-4	28-10-00-01 -023 2
0823000-130	28-10-00-02 -007C 1	0823110-2	28-10-00-01 -011D 1
0823000-131	28-10-00-03 -004A 1	0823110-3	28-10-00-01 -011C 2
0823000-132	28-10-00-03 -004C 1	0823200-1	33-40-00-02 -003A 1
0823000-133	28-10-00-03 -005A 1	0823200-2	33-40-00-02 -003B 1
0823000-134	28-10-00-03 -005C 1	0823225-1	28-10-00-01 -018 2
0823000-135	28-10-00-01 -031A 1	0823230-1	28-10-00-01 -017 2
0823000-135	28-10-00-02 -000A 1	0823250-1	28-40-00-01 -008 2
0823000-136	28-10-00-01 -031D 1	0823300-11	28-10-00-02 -016 1
0823000-136	28-10-00-02 -000D 1	0823300-13	28-10-00-01 -012 2
0823000-137	28-10-00-01 -032A 1	0823300-14	28-10-00-01 -013 1
0823000-137	28-10-00-03 -000A 01	0823300-15	28-20-01-01 -028 2
0823000-138	28-10-00-01 -032D 1	0823300-19	28-10-00-02 -015A 1
0823000-138	28-10-00-03 -000D 01	0823300-20	28-10-00-02 -015B 1
0823000-139	28-10-00-01 -011E 2	0823310-1	28-10-00-02 -008C 24
0823000-149	28-10-00-01 -030A 1	0823310-1	28-10-00-03 -012B 26
0823000-15	28-10-00-03 -006 1	0823330-10	57-10-01-06 -013 1
0823000-150	28-10-00-01 -030D 1	0823330-11	57-10-01-03 -013A 1
0823000-151	28-10-00-01 -030B 1	0823330-11	57-10-01-06 -013A 1
0823000-152	28-10-00-01 -030E 1	0823330-15	57-10-01-03 -017A 1
0823000-16	28-10-00-03 -007 1	0823330-16	57-10-01-06 -017A 1
0823000-17	28-10-00-02 -008 1	0823330-5	57-10-01-03 -017 1
0823000-18	28-10-00-02 -008A 1	0823330-6	57-10-01-06 -017 1
0823000-184	28-10-00-02 -018 1	0823330-9	57-10-01-03 -013 1
0823000-29	28-10-00-03 -009 1	0823331-3	57-10-01-02 -032 1
0823000-3	28-10-00-02 -006 1	0823331-4	57-10-01-05 -029 1
0823000-4	28-10-00-02 -006B 1	0823332-1	57-10-01-02 -033 1
0823000-5	28-10-00-02 -007 1	0823332-5	57-10-01-05 -030 1
0823000-54	28-40-00-01 -013 2	0823333-1	57-10-01-02 -035 1
0823000-57	28-10-00-01 -046 2	0823333-4	57-10-01-05 -031 1
0823000-6	28-10-00-02 -007B 1	0823334-3	57-10-01-02 -037 1
0823000-61	28-10-00-02 -001 1	0823334-4	57-10-01-05 -032 1
0823000-62	28-10-00-02 -001A 1	0823335-1	57-10-01-01 -046 1
0823000-7	28-10-00-03 -004 1	0823335-2	57-10-01-04 -043 1
0823000-71	28-10-00-01 -031 1	0823336-1	57-10-01-03 -047 1
0823000-71	28-10-00-02 -000 1	0823336-2	57-10-01-06 -046 1
0823000-72	28-10-00-01 -031C 1	0823336-3	57-10-01-03 -048 1
0823000-72	28-10-00-02 -000C 1	0823336-4	57-10-01-06 -047 1
0823000-73	28-10-00-01 -032 1	0823337-1	57-10-01-03 -034 2
0823000-73	28-10-00-03 -000 01	0823337-1	57-10-01-06 -058 2
0823000-74	28-10-00-01 -032C 1	0823338-1	57-10-01-03 -054 1
0823000-74	28-10-00-03 -000C 01	0823338-2	57-10-01-06 -053 1
0823000-76	28-10-00-03 -011 1	0823339-3	57-10-01-03 -055 1
0823000-8	28-10-00-03 -004B 1	0823339-4	57-10-01-06 -054 1
0823000-88	28-10-00-02 -004 1	0823340-1	57-10-01-03 -058 1
0823000-89	28-10-00-03 -010 1	0823340-1	57-10-01-06 -057 1
0823000-9	28-10-00-03 -005 1	0823341-1	57-10-01-03 -056 1
0823000-92	28-10-00-01 -028A 1	0823341-2	57-10-01-06 -055 1
0823000-93	28-10-00-01 -028 1	0823342-1	57-10-01-03 -057 1
0823000-97	28-40-00-01 -020 2	0823342-2	57-10-01-06 -056 1
0823000-98	28-10-00-03 -008 1	0823343-3	28-20-01-01 -001 1

**CESSNA AIRCRAFT COMPANY
MODEL 310 THRU 310D
ILLUSTRATED PARTS CATALOG**

PART NUMBER	CH SEC SUBJ FIG ITEM REQ	PART NUMBER	CH SEC SUBJ FIG ITEM REQ
0823343-4	28-20-01-01 -002 1	0824000-40	57-60-00-02 -031 1
0823344-1	28-20-01-01 -030 2	0824000-43	57-60-00-01 -041 1
0823345-1	28-20-01-02 -019 2	0824000-44	57-60-00-02 -040 1
0823348-1	57-10-01-03 -049 1	0824000-45	57-60-00-01 -042 1
0823348-2	57-10-01-06 -048 1	0824000-46	57-60-00-02 -041 1
0823348-3	57-10-01-03 -050 1	0824000-49	57-60-00-01 -030 1
0823348-4	57-10-01-06 -049 1	0824000-5	57-60-00-01 -021 1
0823350-1	28-20-01-01 -027 2	0824000-50	57-60-00-02 -029 1
0823353-1	28-20-01-01 -017 2	0824000-54	57-60-00-03 -004 1
0823354-1	28-20-01-01 -039 2	0824000-55	57-60-00-01 -057 1
0823354-2	28-20-01-01 -039B 2	0824000-56	57-60-00-02 -050 1
0823355-1	28-20-01-01 -033 4	0824000-59	57-60-00-01 -053 1
0823356-10	57-10-01-06 -052 2	0824000-6	57-60-00-02 -020 1
0823356-2	57-10-01-03 -051 1	0824000-61	57-60-00-03 -005 1
0823356-2	57-10-01-06 -050 1	0824000-64	57-60-00-03 -003 1
0823356-3	57-10-01-03 -002 1	0824000-69	57-60-00-01 -054 1
0823356-4	57-10-01-06 -002 1	0824000-7	57-60-00-01 -022 1
0823356-5	57-10-01-03 -052 1	0824000-73	57-60-00-01 -056 1
0823356-6	57-10-01-06 -051 1	0824000-74	57-60-00-02 -049 1
0823356-7	57-10-01-03 -001 1	0824000-76	57-60-00-02 -048 1
0823356-8	57-10-01-06 -001 1	0824000-77	57-60-00-01 -055 1
0823356-9	57-10-01-03 -053 2	0824000-8	57-60-00-02 -021 1
0823359-1	28-20-01-01 -019B 2	0824000-82	57-60-00-03 -006 1
0823359-2	28-20-01-01 -025A 1	0824000-9	57-60-00-01 -023 1
0823359-3	28-20-01-01 -025C 1	0824006-1	57-50-00-01 -029 1
0823359-6	28-20-01-01 -020A 1	0824006-2	57-50-00-05 -029 1
0823360-1	28-20-01-01 -029B 1	0824006-7	57-50-00-01 -029A 1
0824000-1	57-60-00-01 -018C 1	0824006-8	57-50-00-05 -029A 1
0824000-10	57-60-00-02 -022 1	0824008-1	57-60-00-01 -047 3
0824000-11	57-60-00-01 -024 1	0824008-1	57-60-00-02 -045 4
0824000-12	57-60-00-02 -023 1	0824008-2	57-60-00-01 -049 1
0824000-13	57-60-00-01 -025 1	0824008-2	57-60-00-02 -044 2
0824000-14	57-60-00-02 -024 1	0824008-3	57-60-00-01 -046 2
0824000-15	57-60-00-01 -026 1	0824008-4	57-60-00-01 -050 1
0824000-16	57-60-00-02 -025 1	0824008-5	57-60-00-01 -048 1
0824000-17	57-60-00-01 -027 1	0824008-6	57-60-00-01 -045 2
0824000-18	57-60-00-02 -026 1	0825000-1	57-50-00-03 -047 1
0824000-19	57-60-00-01 -028 1	0825000-10	57-50-00-08 -053 1
0824000-2	57-60-00-02 -018C 1	0825000-13	57-50-00-04 -055 1
0824000-20	57-60-00-02 -027 1	0825000-14	57-50-00-08 -055 1
0824000-21	57-60-00-01 -029 1	0825000-15	57-50-00-03 -053 1
0824000-22	57-60-00-02 -028 1	0825000-15	57-50-00-07 -053 1
0824000-23	57-60-00-01 -035 1	0825000-17	57-50-00-03 -048 1
0824000-24	57-60-00-02 -034 1	0825000-17	57-50-00-07 -048 2
0824000-25	57-60-00-01 -036 1	0825000-18	57-50-00-03 -049 2
0824000-26	57-60-00-02 -035 1	0825000-18	57-50-00-07 -049 1
0824000-27	57-60-00-01 -037 1	0825000-19	57-50-00-03 -050 2
0824000-28	57-60-00-02 -036 1	0825000-19	57-50-00-07 -050 3
0824000-29	57-60-00-01 -038 1	0825000-2	57-50-00-07 -047 1
0824000-3	57-60-00-01 -020 1	0825000-20	57-50-00-03 -051 3
0824000-30	57-60-00-02 -037 1	0825000-20	57-50-00-07 -051 2
0824000-31	57-60-00-01 -039 1	0825000-3	57-50-00-04 -044A 1
0824000-32	57-60-00-02 -038 1	0825000-33	57-50-00-04 -045 1
0824000-33	57-60-00-01 -040 1	0825000-34	24-30-20-04 -024 1
0824000-34	57-60-00-02 -039 1	0825000-34	57-50-00-08 -045 1
0824000-35	57-60-00-01 -044 1	0825000-35	57-50-00-04 -046 1
0824000-36	57-60-00-02 -043 1	0825000-36	57-50-00-08 -046 1
0824000-37	57-60-00-01 -031 1	0825000-37	57-50-00-04 -047 1
0824000-38	57-60-00-02 -030 1	0825000-38	57-50-00-08 -047 1
0824000-39	57-60-00-01 -032 1	0825000-39	57-50-00-04 -048 1
0824000-4	57-60-00-02 -019 1	0825000-4	57-50-00-08 -044A 1

**CESSNA AIRCRAFT COMPANY
MODEL 310 THRU 310D
ILLUSTRATED PARTS CATALOG**

PART NUMBER	CH SEC SUBJ FIG ITEM REQ	PART NUMBER	CH SEC SUBJ FIG ITEM REQ
0825000-40	57-50-00-08 -048 1	0831000-15	55-40-00-01 -021 1
0825000-41	57-50-00-04 -049 1	0831000-16	55-40-00-01 -023 1
0825000-42	57-50-00-08 -049 1	0831000-18	55-40-00-01 -007 1
0825000-43	57-50-00-04 -050 1	0831000-19	55-40-00-01 -008 1
0825000-44	57-50-00-08 -050 1	0831000-2	55-40-00-01 -005A 1
0825000-45	57-50-00-04 -051 1	0831000-22	55-40-00-01 -031 4
0825000-46	57-50-00-08 -051 1	0831000-22	55-40-00-03 -040 2
0825000-47	57-50-00-04 -052 1	0831000-23	55-40-00-01 -032 4
0825000-48	57-50-00-08 -052 1	0831000-23	55-40-00-03 -041 2
0825000-49	57-50-00-03 -056A 2	0831000-24	55-40-00-01 -012 1
0825000-49	57-50-00-07 -056A 2	0831000-25	55-40-00-01 -013 1
0825000-5	57-50-00-03 -057 1	0831000-29	55-30-00-01 -018 1
0825000-50	57-50-00-03 -056 2	0831000-3	55-40-00-04 -004 1
0825000-50	57-50-00-07 -056 2	0831000-30	55-30-00-01 -019 1
0825000-51	57-50-00-04 -058A 1	0831000-32	55-40-00-01 -011 1
0825000-51	57-50-00-08 -058 1	0831000-34	55-30-00-02 -007 1
0825000-52	57-50-00-04 -058 1	0831000-35	55-40-00-01 -017 2
0825000-52	57-50-00-08 -057A 1	0831000-38	55-40-00-01 -015 1
0825000-53	57-50-00-04 -059A 1	0831000-43	55-20-00-01 -061 1
0825000-53	57-50-00-08 -059 1	0831000-43	55-40-00-01 -028 1
0825000-54	57-50-00-04 -059 1	0831000-48	55-40-00-01 -014 1
0825000-54	57-50-00-08 -058A 1	0831000-5	55-40-00-01 -027 2
0825000-55	57-50-00-04 -054 1	0831000-50	55-20-00-02 -003 1
0825000-56	57-50-00-08 -054 1	0831000-50	55-40-00-04 -006 1
0825000-57	57-50-00-03 -052 1	0831000-51	55-40-00-01 -028 1
0825000-58	57-50-00-07 -052 1	0831000-52	55-40-00-04 -014 1
0825000-59	57-50-00-04 -060 1	0831000-53	55-40-00-04 -009 1
0825000-6	57-50-00-07 -057 1	0831000-56	55-40-00-02 -008 1
0825000-60	57-50-00-08 -060 1	0831000-57	55-30-00-01 -021 1
0825000-63	57-50-00-03 -054 1	0831000-58	55-30-00-01 -022 1
0825000-63	57-50-00-07 -054 1	0831000-59	55-30-00-01 -023 1
0825000-64	57-50-00-04 -057 1	0831000-6	55-40-00-01 -025 1
0825000-64	57-50-00-08 -057 1	0831000-7	55-40-00-01 -024 1
0825000-65	57-50-00-03 -055 1	0831000-70	55-30-00-01 -020 1
0825000-66	57-50-00-07 -055 1	0831000-71	55-30-00-01 -019A 1
0825000-67	57-50-00-04 -056 1	0831000-72	55-40-00-01 -030 1
0825000-68	57-50-00-08 -056 1	0831000-79	55-30-00-01 -001 1
0825000-7	57-50-00-03 -058 1	0831000-8	55-40-00-01 -029 1
0825000-8	57-50-00-07 -058 1	0831000-80	55-30-00-02 -012 2
0825000-9	57-50-00-04 -053 1	0831000-84	55-30-00-01 -039 1
0826000-1	32-10-01-01 -025 1	0831000-87	55-30-00-02 -012A 2
0826000-13	32-10-01-01 -029 1	0831000-88	55-30-00-02 -011 1
0826000-14	32-10-01-01 -028 1	0831000-9	55-30-00-01 -025 1
0826000-15	32-10-01-01 -032 1	0831001-2	55-30-00-01 -034A 1
0826000-16	32-10-01-01 -033 1	0831001-4	55-30-00-01 -029A 1
0826000-2	32-10-01-01 -026 1	0831002-10	55-30-00-03 -036 2
0826000-25	32-10-01-01 -036 1	0831002-11	55-40-00-03 -036 1
0826000-27	32-10-01-01 -034 1	0831002-13	55-40-00-03 -037 1
0826000-3	32-10-01-01 -030 1	0831002-14	55-40-00-03 -038 1
0826000-30	32-10-01-01 -027 1	0831002-15	55-40-00-03 -039 2
0826000-37	32-10-01-01 -032A 1	0831002-16	55-30-00-03 -037 1
0826000-38	32-10-01-01 -033A 1	0831002-18	55-40-00-03 -037A 1
0826000-39	32-10-01-01 -030A 1	0831002-19	55-30-00-03 -014A 1
0826000-4	32-10-01-01 -031 1	0831002-200	55-40-00-03 -012A 1
0826000-40	32-10-01-01 -031A 1	0831002-201	55-40-00-03 -013A 1
0826005-1	32-10-01-01 -009 2	0831002-5	55-40-00-04 -005 1
0831000-10	55-30-00-01 -026 1	0831002-6	55-30-00-03 -032 1
0831000-11	55-30-00-01 -027 1	0831002-7	55-30-00-03 -033 1
0831000-12	55-30-00-01 -028 1	0831002-8	55-30-00-03 -034 1
0831000-13	55-30-00-01 -029 1	0831002-9	55-30-00-03 -035 1
0831000-14	55-30-00-01 -033 1	0831003-1	55-30-00-02 -013A 2

**CESSNA AIRCRAFT COMPANY
MODEL 310 THRU 310D
ILLUSTRATED PARTS CATALOG**

PART NUMBER	CH	SEC	SUBJ	FIG	ITEM	REQ	PART NUMBER	CH	SEC	SUBJ	FIG	ITEM	REQ
0831005-1	55	20	00-01		-017	2	0831250-68	55	30	00-02		-003	1
0831005-1	55	40	00-01		-037	2	0831250-69	55	30	00-02		-004A	1
0831005-1	55	40	00-01		-037A	1	0831250-70	55	30	00-02		-004	1
0831005-1	55	40	00-03		-010	1	0831250-73	55	40	00-02		-025	1
0831005-1	57	60	00-01		-019A	1	0831250-76	55	40	00-02		-023	1
0831005-1	57	60	00-02		-051	1	0831250-78	55	40	00-02		-011	1
0831005-2	55	40	00-01		-038	1	0831250-79	55	30	00-02		-029	1
0831005-3	31	10	00-05		-005	2	0831250-81	55	30	00-02		-025	1
0831005-3	31	10	00-06		-005	2	0831250-82	55	30	00-02		-006	1
0831005-6	28	20	01-01		-037	2	0831250-84	55	40	00-02		-001	1
0831005-6	28	40	00-01		-025	2	0831253-1	55	40	00-01		-005B	1
0831010-1	55	30	00-02		-001A	1	0831253-2	55	40	00-01		-006B	1
0831011-1	55	30	00-02		-021A	1	0831253-3	55	40	00-04		-004A	1
0831011-2	55	30	00-02		-022A	1	0831253-5	55	40	00-01		-027A	2
0831012-1	55	30	00-02		-019	1	0831253-7	55	40	00-01		-030A	1
0831012-2	55	30	00-02		-020	1	0831253-8	55	40	00-01		-024A	1
0831013-1	55	30	00-02		-018B	1	0831256-1	55	40	00-02		-023A	1
0831014-1	55	30	00-01		-037	1	0831257-1	55	40	00-02		-025A	1
0831015-1	55	30	00-02		-017A	1	0831258-1	55	40	00-01		-007A	1
0831016-1	33	40	00-04		-001	1	0831264-1	55	40	00-02		-008A	1
0831106-1	55	30	00-02		-009	1	0831265-1	55	30	00-01		-036	1
0831106-4	55	30	00-03		-042	1	0831267-1	55	30	00-02		-024A	1
0831110-17	55	30	00-01		-034	1	0831268-1	55	30	00-01		-022A	1
0831115-1	55	40	00-01		-034	1	0831269-1	55	30	00-01		-021A	1
0831120	55	40	00-01		-009	1	0831270	55	30	00-01		-019B	1
0831120-1	55	40	00-01		-009A	1	0831271-1	55	30	00-01		-020A	1
0831250-1	55	30	00-02		-001	1	0831276-3	27	00	00-01		-016A	1
0831250-14	55	30	00-02		-016	1	0831300-1	55	30	00-03		-015	1
0831250-16	55	40	00-02		-002	1	0831301-1	55	30	00-03		-017	1
0831250-17	55	40	00-02		-003	1	0831302-1	55	40	00-03		-014	1
0831250-18	55	40	00-02		-004	1	0831303-1	55	30	00-03		-019	1
0831250-19	55	40	00-02		-005	1	0831303-3	55	30	00-03		-020	1
0831250-20	55	40	00-02		-006	1	0831304-1	55	30	00-03		-021	1
0831250-21	55	40	00-02		-007	1	0831305-1	55	30	00-03		-022	1
0831250-25	55	40	00-02		-013	1	0831306-1	55	30	00-03		-023	1
0831250-28	55	30	00-02		-022	1	0831307-1	55	30	00-03		-024	1
0831250-29	55	30	00-02		-023	1	0831307-2	55	30	00-03		-025	1
0831250-3	55	30	00-02		-023A	1	0831308-1	55	30	00-03		-026	1
0831250-3	55	40	00-02		-009	1	0831308-2	55	40	00-03		-015	1
0831250-30	55	30	00-02		-024	1	0831311-1	55	40	00-03		-016	1
0831250-32	55	30	00-02		-026	1	0831312-1	55	40	00-03		-017	1
0831250-33	55	40	00-02		-016	1	0831313-1	55	40	00-03		-019	1
0831250-34	55	40	00-02		-014	1	0831314-1	55	40	00-03		-020	1
0831250-35	55	40	00-02		-018	1	0831315-1	55	40	00-03		-021	1
0831250-36	55	40	00-02		-020	1	0831316-1	55	40	00-03		-022	1
0831250-36	55	40	00-02		-021	1	0831317-1	55	40	00-03		-023	1
0831250-37	55	40	00-02		-028	1	0831317-2	55	40	00-03		-024	1
0831250-38	55	40	00-02		-022	1	0831318-1	55	40	00-03		-025	1
0831250-39	55	40	00-02		-024	1	0831319-1	55	40	00-03		-032	1
0831250-4	55	40	00-02		-010	1	0831321-1	55	40	00-03		-033	1
0831250-40	55	40	00-02		-027	1	0831322-1	55	30	00-03		-001	1
0831250-41	55	40	00-02		-015	1	0831323-1	55	30	00-03		-005	1
0831250-42	55	40	00-02		-017	1	0831325-1	55	40	00-03		-051	1
0831250-43	55	40	00-02		-019	1	0831326-1	55	30	00-03		-044	1
0831250-46	55	40	00-02		-026	1	0831327-1	55	40	00-03		-043	1
0831250-49	55	30	00-02		-027	1	0831328-1	55	40	00-03		-026	1
0831250-5	55	30	00-02		-017	1	0831328-2	55	40	00-03		-027	1
0831250-50	55	30	00-02		-028	1	0831328-3	55	40	00-03		-028	1
0831250-57	55	30	00-02		-021	1	0831329-1	55	30	00-03		-027	1
0831250-6	55	30	00-02		-018	1	0831329-2	55	30	00-03		-029	1
0831250-67	55	30	00-02		-002	1	0831333-1	55	30	00-03		-031	1

**CESSNA AIRCRAFT COMPANY
MODEL 310 THRU 310D
ILLUSTRATED PARTS CATALOG**

PART NUMBER	CH SEC SUBJ FIG ITEM REQ	PART NUMBER	CH SEC SUBJ FIG ITEM REQ
0831335-1	55-40-00-03 -065 1	0832000-42	27-30-00-02 -041 1
0831336-1	55-40-00-03 -067 1	0832000-44	55-20-00-02 -005 1
0831337-1	55-30-00-03 -013 1	0832000-45	55-10-00-01 -054 1
0831338-1	55-40-00-03 -034 1	0832000-48	55-20-00-02 -010 1
0831340-1	53-10-07-05 -002B 1	0832000-5	55-10-00-01 -035 2
0831341-1	55-30-00-03 -053 1	0832000-51	55-10-00-01 -032 NP
0831342-1	55-40-00-03 -035 1	0832000-54	55-20-00-01 -063 NP
0831345-1	55-40-00-03 -030 1	0832000-55	55-20-00-01 -064 NP
0831345-2	55-40-00-03 -031 1	0832000-56	55-10-00-01 -011 2
0831346-1	55-30-00-03 -055 1	0832000-61	55-20-00-01 -043 1
0831350-1	55-30-00-03 -038 1	0832000-62	55-20-00-01 -044 1
0831350-2	55-30-00-03 -039 1	0832000-63	55-20-00-01 -065 NP
0831351-1	55-40-00-03 -044 1	0832000-66	55-20-00-01 -060 1
0831351-2	55-40-00-03 -045 1	0832000-68	55-10-00-01 -044 1
0831352-1	55-40-00-03 -048 1	0832000-7	55-10-00-01 -037 1
0831352-2	55-40-00-03 -049 1	0832000-8	55-10-00-01 -038 1
0831353-1	55-40-00-03 -046 1	0832000-9	55-10-00-01 -039 1
0831353-2	55-40-00-03 -047 1	0832106-1	55-20-00-01 -062 2
0831355-1	55-40-00-03 -056 2	0832115	55-10-00-01 -041 2
0831357-1	55-40-00-03 -029 1	0832115-1	55-10-00-01 -041A 2
0831359-1	55-40-00-03 -050 1	0832120-1	55-20-00-01 -045 1
0831360-1	33-40-00-04 -001A 1	0832125-1	55-20-00-01 -047 1
0831361-1	55-40-00-03 -064 1	0832125-2	55-20-00-01 -048 1
0831364-1	55-30-00-03 -051 1	0832125-3	55-20-00-01 -048A 1
0831364-2	55-30-00-03 -052 1	0832126-12	55-20-00-02 -002A 1
0832000-10	55-10-00-01 -040 1	0832126-13	55-20-00-01 -057B 1
0832000-11	55-10-00-01 -042 1	0832126-15	55-20-00-01 -019C 1
0832000-12	55-10-00-01 -043 1	0832126-3	55-20-00-01 -059A 1
0832000-13	55-20-00-01 -054 1	0832126-4	55-20-00-01 -060A 1
0832000-14	55-20-00-01 -055 1	0832126-5	55-20-00-01 -057A 1
0832000-14	55-20-00-01 -055A 1	0832126-7	55-20-00-01 -055B 1
0832000-144	30-10-00-04 -036 2	0832130-1	55-20-00-01 -023A 1
0832000-147	55-30-00-03 -040 1	0832131-1	55-20-00-01 -025A 1
0832000-15	55-20-00-01 -056 1	0832132-1	55-20-00-01 -026B 1
0832000-15	55-20-00-01 -057 1	0832133-1	55-20-00-01 -027B 1
0832000-163	55-10-00-01 -043A 1	0832137-1	55-20-00-01 -042A 1
0832000-164	55-10-00-01 -042A 1	0832141-3	27-20-01-01 -048A 1
0832000-165	55-10-00-01 -037A 1	0832141-5	27-30-00-02 -041A 1
0832000-166	55-10-00-01 -038A 1	0832141-7	27-20-01-01 -048B 1
0832000-167	55-10-00-01 -039A 1	0832143-2	55-40-00-04 -006A 1
0832000-168	55-10-00-01 -040A 1	0832143-5	55-40-00-04 -007 1
0832000-17	55-20-00-01 -058 1	0832144-1	55-20-00-01 -066 1
0832000-18	55-20-00-01 -059 1	0832144-2	55-20-00-01 -067 1
0832000-2	55-20-00-02 -002 1	0832150-1	27-00-00-03 -019 1
0832000-20	55-20-00-01 -036 1	0832152-1	55-20-00-02 -005A 2
0832000-21	55-20-00-01 -037 1	0832250-1	55-10-00-01 -008 1
0832000-22	55-20-00-01 -038 1	0832250-12	55-10-00-01 -013 2
0832000-23	55-20-00-01 -039 1	0832250-13	55-10-00-01 -014 2
0832000-24	55-20-00-01 -040 1	0832250-15	55-20-00-01 -020 1
0832000-25	55-20-00-01 -041 1	0832250-16	55-10-00-01 -015 1
0832000-26	55-20-00-01 -042 1	0832250-17	55-10-00-01 -016 1
0832000-29	55-20-00-01 -051 3	0832250-18	55-10-00-01 -017 2
0832000-29	55-20-00-01 -052 2	0832250-19	55-10-00-01 -018 2
0832000-29	55-20-00-01 -052A 3	0832250-2	55-10-00-01 -009 1
0832000-3	55-20-00-01 -019A 1	0832250-20	55-10-00-01 -019 2
0832000-30	55-20-00-01 -053 1	0832250-21	55-10-00-01 -020 2
0832000-33	55-20-00-01 -001 1	0832250-22	55-10-00-01 -021 2
0832000-35	55-10-00-01 -034 NP	0832250-23	55-10-00-01 -022 2
0832000-36	55-10-00-01 -043B 1	0832250-25	55-10-00-01 -023 2
0832000-39	55-10-00-01 -044A 1	0832250-26	55-10-00-01 -024 2
0832000-40	55-10-00-01 -055 1	0832250-27	55-10-00-01 -025 2

**CESSNA AIRCRAFT COMPANY
MODEL 310 THRU 310D
ILLUSTRATED PARTS CATALOG**

PART NUMBER	CH SEC SUBJ FIG ITEM REQ	PART NUMBER	CH SEC SUBJ FIG ITEM REQ
0832250-28	55-10-00-01 -026 2	0841000-93	32-30-00-02 -007 2
0832250-29	55-10-00-01 -027 2	0841000-95	32-20-00-02 -031A 1
0832250-3	55-10-00-01 -031 2	0841000-96	32-10-00-01 -001A 1
0832250-30	55-10-00-01 -028 2	0841000-96	32-10-00-02 -000A 1
0832250-31	55-10-00-01 -029 2	0841000-97	32-10-00-01 -001 1
0832250-32	55-20-00-01 -034 1	0841000-97	32-10-00-02 -000 1
0832250-33	55-20-00-01 -035 1	0841000-99	32-20-00-02 -034 1
0832250-34	55-20-00-01 -022 1	0841003-2	32-10-00-02 -032 1
0832250-36	55-20-00-01 -026 1	0841004-6	32-10-00-02 -042 1
0832250-36	55-20-00-01 -026A 1	0841004-7	32-10-00-02 -037 1
0832250-37	55-20-00-01 -027 1	0841006	32-30-00-03 -009 2
0832250-37	55-20-00-01 -027A 1	0841007-1	27-50-00-03 -026A 1
0832250-38	55-20-00-01 -028 1	0841007-2	27-50-00-03 -027 1
0832250-39	55-20-00-01 -029 1	0841007-3	27-50-00-03 -028 1
0832250-4	55-20-00-01 -031 1	0841010-2	32-40-00-01 -019 1
0832250-41	55-10-00-01 -030 2	0841015-21	32-41-00-01 -002B 1
0832250-52	55-20-00-01 -023 1	0841100-1	32-30-00-03 -006 2
0832250-56	55-20-00-01 -025 1	0841100-4	32-30-00-03 -006A 2
0832250-57	55-20-00-01 -024 1	0841101-1	32-30-00-03 -007 2
0832250-64	55-20-00-01 -021 1	0841102-4	32-30-00-03 -020 1
0832250-66	55-10-00-01 -029A 2	0841103-11	32-30-00-03 -001A 1
0832250-67	55-10-00-01 -030A 2	0841103-12	32-30-00-03 -001C 1
0832250-69	55-10-00-01 -031A 2	0841103-7	32-30-00-03 -001 1
0832250-70	55-10-00-01 -015A 1	0841103-8	32-30-00-03 -001B 1
0840125-200	32-30-00-03 -019 2	0841104-3	32-30-00-01 -004 1
0840125-3	32-30-00-05 -025C 1	0841104-4	32-30-00-01 -004B 1
0840125-4	32-30-00-05 -024D 1	0841104-7	32-30-00-01 -004A 1
0840125-6	32-30-00-03 -033 2	0841104-8	32-30-00-01 -004C 1
0841000-10	32-41-00-02 -016 4	0841106-1	32-30-00-01 -001 1
0841000-101	24-30-20-01 -003C 2	0841106-2	32-30-00-01 -001A 1
0841000-102	32-41-00-02 -015A 2	0841107-2	32-30-00-07 -032 1
0841000-13	32-10-00-01 -016 2	0841130-2	32-30-00-03 -036 1
0841000-13	32-10-00-01 -016A AR	0841135-4	32-30-00-03 -036B 1
0841000-14	32-10-00-01 -022 1	0841136-4	32-30-00-03 -041 1
0841000-5	32-10-01-01 -003 1	0841137-1	32-30-00-03 -036A 1
0841000-58	32-30-00-03 -024 2	0841138-1	32-30-00-03 -040 1
0841000-59	32-30-00-03 -018 2	0841140-5	32-30-00-03 -022 2
0841000-6	32-10-00-01 -017 8	0841140-6	32-30-00-03 -023 22
0841000-64	32-10-00-02 -031B 2	0841200-15	32-10-00-02 -013 1
0841000-64	32-20-00-02 -032 1	0841200-15	32-20-00-02 -022 1
0841000-65	32-10-00-02 -031 1	0841200-18	32-10-00-02 -014 1
0841000-65	32-20-00-02 -031 1	0841200-18	32-20-00-02 -026 1
0841000-68	32-41-00-02 -017 2	0841200-19	32-10-00-02 -015 1
0841000-7	32-10-00-02 -028 1	0841200-19	32-20-00-02 -027 1
0841000-70	32-10-00-02 -043 2	0841200-20	32-10-00-02 -016 1
0841000-70	32-20-00-02 -041 2	0841200-21	32-10-00-02 -020 1
0841000-75	32-30-00-02 -009 2	0841200-21	32-20-00-04 -003 1
0841000-77	32-30-00-03 -010 1	0841200-25	32-10-00-02 -017 1
0841000-78	32-30-00-03 -010A 1	0841200-25	32-20-00-02 -023 1
0841000-8	32-41-00-02 -019 2	0841200-31	32-10-00-02 -018 AR
0841000-80	32-30-00-02 -015 2	0841200-31	32-20-00-02 -018 AR
0841000-81	32-10-00-01 -016B AR	0841200-33	32-10-00-02 -009 1
0841000-82	32-10-00-01 -016C AR	0841200-36	32-10-00-02 -001B 1
0841000-83	32-20-00-02 -030 1	0841200-37	32-10-00-02 -001 1
0841000-84	32-10-00-02 -048 1	0841200-38	32-10-00-02 -000C 1
0841000-84	32-20-00-02 -029 2	0841200-39	32-10-00-02 -000B 1
0841000-85	32-10-00-02 -049 2	0841200-42	32-10-00-02 -012 1
0841000-88	32-10-00-02 -057 AR	0841200-42	32-20-00-02 -016 1
0841000-88	32-20-00-02 -051 AR	0841200-7	32-10-00-02 -021 1
0841000-91	32-10-00-02 -031A 1	0841200-7	32-20-00-04 -002 1
0841000-92	32-30-00-02 -001 2	0841201-1	32-10-00-02 -019 1

**CESSNA AIRCRAFT COMPANY
MODEL 310 THRU 310D
ILLUSTRATED PARTS CATALOG**

PART NUMBER	CH SEC SUBJ FIG ITEM REQ	PART NUMBER	CH SEC SUBJ FIG ITEM REQ
0841201-2	32-10-00-02 -019A 1	0842210-6	32-40-01-01 -006A 1
0841202-1	32-10-00-01 -011 2	0842215-8	33-40-00-06 -001 1
0841203-1	32-30-00-02 -001A 2	0842400-1	32-20-00-05 -000 1
0841203-1	32-30-00-02 -013A 2	0842400-200	32-20-00-05 -018A 1
0841225-1	32-30-00-03 -015 1	0842405-6	32-20-00-05 -016 1
0841225-10	32-30-00-03 -015C 1	0842405-7	32-20-00-05 -016A 1
0841225-2	32-30-00-03 -015B 1	0842410-1	32-20-00-05 -000A 1
0841225-4	32-30-00-02 -011A 4	0842410-2	32-20-00-05 -000C 1
0841225-9	32-30-00-03 -015A 1	0842410-200	32-20-00-05 -018B 1
0841235-2	24-30-20-01 -003F 2	0842411-1	32-20-00-05 -015 1
0841235-3	32-30-00-03 -006B 1	0842412-1	32-20-00-05 -012 1
0842000-3	32-30-00-05 -001 1	0842412-2	32-20-00-05 -012A 1
0842000-30	32-20-00-04 -009 1	0842413-1	32-20-00-05 -008 2
0842000-32	32-30-00-05 -004 1	0842413-2	32-20-00-05 -008A 2
0842000-33	32-30-00-05 -005 1	0843300-11	32-30-00-06 -002 1
0842000-35	32-40-01-01 -002 2	0843300-12	32-30-00-06 -002B 1
0842000-36	32-40-01-01 -001 1	0843300-13	32-30-00-06 -002A 1
0842000-37	32-40-01-01 -003 2	0843300-14	32-30-00-06 -002C 1
0842000-4	32-30-00-05 -002 1	0843350-1	53-10-02-01 -053 1
0842000-41	32-20-00-01 -042 2	0843350-1	53-10-02-02 -053 1
0842000-44	32-20-00-04 -014 1	0843350-2	53-10-02-01 -054 1
0842000-5	32-20-00-01 -041 1	0843350-2	53-10-02-02 -054 1
0842000-52	32-20-00-02 -005 1	0843350-4	53-10-02-01 -055 1
0842000-53	32-20-00-02 -011 1	0843350-4	53-10-02-02 -055 1
0842000-63	33-40-00-06 -015 1	0843360-1	53-10-02-01 -057 1
0842000-65	32-20-00-02 -003A 2	0843360-1	53-10-02-02 -057 1
0842000-67	32-20-00-02 -012B 1	0843360-2	53-10-02-01 -056 1
0842000-70	32-30-00-05 -003B 1	0843360-2	53-10-02-02 -056 1
0842000-72	32-20-00-02 -001 1	0843400-102	32-30-00-07 -053 1
0842000-73	32-20-00-01 -001 1	0843400-104	32-30-00-07 -054 1
0842000-73	32-20-00-02 -000 1	0843400-105	32-30-00-07 -044 1
0842000-74	32-30-00-04 -007 1	0843400-106	32-30-00-07 -047 1
0842005	32-50-00-01 -009 2	0843400-107	32-30-00-07 -045 1
0842006-1	32-30-00-04 -026C AR	0843400-110	32-30-00-07 -051 1
0842006-2	32-30-00-04 -026D AR	0843400-112	32-30-00-07 -041 1
0842007-1	32-20-00-01 -005 2	0843400-114	32-30-00-06 -003 1
0842010-1	33-40-00-06 -010 1	0843400-117	32-30-00-06 -047A 1
0842016-1	32-20-00-02 -046 1	0843400-122	32-30-00-02 -041 1
0842016-3	32-20-00-02 -047 1	0843400-19	32-20-00-01 -028B 1
0842102-2	32-30-00-05 -025G 1	0843400-33	32-30-00-06 -051 1
0842104-1	32-30-00-05 -021A 1	0843400-38	32-30-00-06 -050 1
0842104-2	32-30-00-05 -021B 1	0843400-39	32-30-00-06 -049 1
0842105-1	32-20-00-01 -013 1	0843400-41	32-30-00-06 -046 2
0842105-2	32-20-00-01 -013A 1	0843400-46	32-30-00-06 -033 1
0842107-2	32-30-00-05 -001A 1	0843400-47	32-30-00-06 -034 1
0842108-2	32-30-00-05 -006 1	0843400-48	32-30-00-07 -031B 1
0842110-1	32-30-00-04 -034A 1	0843400-49	32-30-00-07 -034 2
0842120-1	32-30-00-05 -026 1	0843400-50	32-30-00-07 -033 1
0842121-1	32-30-00-05 -026B 1	0843400-51	32-30-00-07 -036 1
0842130-2	32-30-00-05 -015 1	0843400-52	32-30-00-07 -035 1
0842130-3	32-30-00-05 -016 1	0843400-57	32-30-00-07 -001 1
0842130-4	32-30-00-05 -015A 1	0843400-61	32-30-00-07 -003 1
0842130-5	32-30-00-05 -014A 1	0843400-62	32-30-00-07 -004 1
0842140-2	32-30-00-05 -007 1	0843400-63	32-30-00-07 -006 1
0842200-10	32-20-00-02 -044 1	0843400-70	32-30-00-07 -014 1
0842200-10	32-20-00-03 -000 1	0843400-71	32-30-00-07 -019 1
0842200-2	32-20-00-03 -001 1	0843400-72	32-30-00-07 -010 1
0842200-9	32-20-00-03 -007 1	0843400-78	32-30-00-07 -029 1
0842201-1	32-20-00-02 -045 1	0843400-79	32-30-00-07 -015 1
0842201-1	32-20-00-04 -000 1	0843400-8	32-30-00-06 -047 1
0842201-200	32-20-00-04 -001 1	0843400-80	32-30-00-07 -020 1

**CESSNA AIRCRAFT COMPANY
MODEL 310 THRU 310D
ILLUSTRATED PARTS CATALOG**

PART NUMBER	CH SEC SUBJ FIG ITEM REQ	PART NUMBER	CH SEC SUBJ FIG ITEM REQ
0843400-81	32-30-00-07 -023 1	0850250-126	76-10-00-01 -014C 1
0843400-86	32-30-00-07 -022 1	0850250-127	76-10-00-01 -002A 1
0843400-87	32-30-00-07 -040 1	0850250-128	76-10-00-01 -002C 1
0843400-94	32-30-00-07 -017 1	0850250-129	76-10-00-01 -012A 1
0843411	32-30-00-07 -007 1	0850250-130	76-10-00-01 -012C 1
0843412	32-30-00-07 -008 1	0850250-139	76-10-00-04 -032 1
0843413-1	32-30-00-07 -002 1	0850250-140	76-10-00-04 -032A 1
0843500-13	32-10-01-01 -016 1	0850250-141	76-10-00-04 -033 1
0843500-28	32-30-00-01 -011 4	0850250-142	76-10-00-04 -033A 1
0843500-45	32-30-00-01 -020 2	0850250-143	76-10-00-04 -034 1
0843500-5	32-30-00-03 -032 2	0850250-144	76-10-00-04 -034A 1
0843500-51	32-30-00-01 -008 4	0850250-145	76-10-00-04 -035 1
0843500-6	32-30-00-01 -023 2	0850250-146	76-10-00-04 -036 1
0843502-1	32-30-00-01 -019B 2	0850250-15	76-10-00-01 -027 6
0843505-3	24-10-00-01 -001 1	0850250-15	76-10-00-02 -035 4
0843506-1	24-10-00-01 -003 1	0850250-155	76-10-00-03 -026 1
0843508-1	57-10-00-02 -013 1	0850250-155	76-10-00-04 -026 1
0843508-1	57-10-00-06 -013 1	0850250-156	76-10-00-03 -027 1
0843508-1	57-10-01-01 -013 1	0850250-156	76-10-00-04 -027 1
0843508-1	57-10-01-04 -013 1	0850250-157	76-10-00-03 -024 1
0843510-15	32-30-00-03 -029 NP	0850250-157	76-10-00-04 -024 1
0843510-16	32-30-00-03 -029A NP	0850250-158	76-10-00-03 -025 1
0843518-1	32-30-00-03 -030 2	0850250-158	76-10-00-04 -025 1
0843538-1	32-20-01-01 -029 1	0850250-159	76-10-00-03 -022 1
0850006-1	25-70-00-01 -008 2	0850250-159	76-10-00-04 -022 1
0850018-2	79-20-00-03 -008 2	0850250-160	76-10-00-03 -023 1
0850018-3	79-20-00-03 -001 2	0850250-160	76-10-00-04 -023 1
0850018-4	79-20-00-03 -002 2	0850250-161	76-10-00-04 -041 1
0850018-5	79-20-00-03 -009 2	0850250-162	76-10-00-04 -042 1
0850018-6	79-20-00-03 -011 2	0850250-164	76-10-00-01 -024B 1
0850018-7	79-20-00-03 -003 24	0850250-166	76-10-00-01 -022B 1
0850018-8	79-20-00-03 -006 2	0850250-168	76-10-00-05 -005A 1
0850018-9	79-20-00-03 -007 2	0850250-169	76-10-00-05 -006A 1
0850024-4	25-21-00-05 -003 4	0850250-169	76-10-00-05 -009A 1
0850033-1	25-70-00-01 -007 2	0850250-170	76-10-00-05 -007A 1
0850034-1	25-70-00-01 -011 2	0850250-171	76-10-00-05 -008A 1
0850035-1	25-70-00-01 -010 2	0850250-173	76-10-00-05 -010A 1
0850042-1	76-10-00-01 -030 1	0850250-174	76-10-00-05 -005 1
0850042-1	76-10-00-02 -031 1	0850250-175	76-10-00-05 -006 1
0850250-1	76-10-00-01 -003 2	0850250-176	76-10-00-05 -007 1
0850250-10	76-10-00-01 -007 2	0850250-177	76-10-00-05 -008 1
0850250-10	76-10-00-01 -013A 2	0850250-178	76-10-00-05 -009 1
0850250-100	76-10-00-01 -013 2	0850250-179	76-10-00-05 -010 1
0850250-101	76-10-00-03 -032 1	0850250-186	76-10-00-02 -033 1
0850250-102	76-10-00-03 -032A 1	0850250-187	76-10-00-02 -033A 1
0850250-103	76-10-00-03 -033 1	0850250-188	76-10-00-02 -032 1
0850250-104	76-10-00-03 -033A 1	0850250-189	76-10-00-02 -032A 1
0850250-105	76-10-00-03 -034 1	0850250-194	76-10-00-05 -002 4
0850250-106	76-10-00-03 -034A 1	0850250-195	76-10-00-02 -030A 1
0850250-107	76-10-00-03 -035 1	0850250-197	76-10-00-02 -030 1
0850250-108	76-10-00-03 -036 1	0850250-199	76-10-00-02 -019 2
0850250-11	76-10-00-03 -021 12	0850250-2	76-10-00-01 -016 2
0850250-11	76-10-00-04 -021 12	0850250-2	76-10-00-02 -020 2
0850250-11	76-10-00-05 -002A 12	0850250-201	76-10-00-02 -034 4
0850250-11	76-10-00-05 -017 6	0850250-21	76-10-00-01 -028 2
0850250-117	52-10-00-04 -041 1	0850250-21	76-10-00-02 -036 2
0850250-120	52-10-00-02 -024A 2	0850250-3	76-10-00-03 -019 4
0850250-121	52-10-00-04 -039 2	0850250-3	76-10-00-04 -019 4
0850250-123	76-10-00-01 -024A 1	0850250-39	76-10-00-01 -024 1
0850250-124	76-10-00-01 -024D 1	0850250-4	76-10-00-01 -026 8
0850250-125	76-10-00-01 -014A 1	0850250-4	76-10-00-02 -037 6

**CESSNA AIRCRAFT COMPANY
MODEL 310 THRU 310D
ILLUSTRATED PARTS CATALOG**

PART NUMBER	CH	SEC	SUBJ	FIG	ITEM	REQ	PART NUMBER	CH	SEC	SUBJ	FIG	ITEM	REQ
0850250-4	76-10-00-03	-038	8				0850460-5	24-30-10-01	-015	1			
0850250-4	76-10-00-04	-038	8				0850460-8	24-30-10-01	-002	2			
0850250-4	76-10-00-05	-011	6				0850461-1	71-00-00-02	-001	1			
0850250-40	76-10-00-01	-024C	1				0850462-3	71-00-00-02	-003	1			
0850250-41	76-10-00-01	-014	1				0850466-1	24-30-10-02	-004	2			
0850250-42	76-10-00-01	-014B	1				0850469-1	24-30-00-03	-018	1			
0850250-43	76-10-00-01	-002	1				0850469-1	24-30-00-04	-008	3			
0850250-44	76-10-00-01	-002B	1				0850471-2	24-30-20-04	-008	1			
0850250-45	76-10-00-01	-012	1				0850475-1	30-00-00-01	-011	1			
0850250-46	76-10-00-01	-012B	1				0850475-3	30-60-00-01	-008	2			
0850250-5	76-10-00-01	-023	2				0850475-4	30-60-00-01	-028	4			
0850250-5	76-10-00-02	-029	2				0850475-6	28-20-00-02	-023	1			
0850250-55	76-10-00-01	-022	2				0850475-6	30-00-00-01	-020	NP			
0850250-55	76-10-00-01	-022A	1				0850475-6	73-10-00-03	-000	1			
0850250-6	76-10-00-03	-041	1				0850475-8	28-20-00-02	-023A	1			
0850250-7	76-10-00-03	-042	1				0850475-8	30-00-00-01	-020A	1			
0850250-8	76-10-00-03	-020	2				0850475-8	73-10-00-03	-000A	1			
0850250-8	76-10-00-04	-020	2				0850477-1	78-10-00-01	-014	6			
0850250-8	76-10-00-05	-001	2				0850477-1	78-10-00-01	-020	6			
0850250-92	52-10-00-03	-046	1				0850478-1	78-10-00-01	-017	6			
0850250-93	52-10-00-02	-024	1				0850483-2	21-40-00-04	-011	1			
0850250-94	52-10-00-03	-019	1				0850484-1	24-30-20-04	-008A	1			
0850300-6	61-10-00-01	-002	1				0850487-1	79-20-00-01	-002	2			
0850308-1	30-60-00-01	-025	1				0850489-1	78-10-00-01	-012	6			
0850308-2	30-60-00-01	-025A	1				0850490-1	71-00-00-02	-004	1			
0850311-1	61-10-00-01	-001	1				0850490-2	71-00-00-02	-004A	1			
0850315-3	30-60-00-01	-019	2				0850491-1	25-70-00-01	-001A	2			
0850325-50	61-10-00-01	-007B	1				0850491-3	25-70-00-01	-001	2			
0850325-55	61-10-00-01	-007C	1				0850492-5	25-70-00-01	-005A	2			
0850350-1	71-00-00-02	-002	1				0850492-6	25-70-00-01	-005	2			
0850350-2	71-00-00-02	-002A	1				0850500-12	71-60-00-01	-004	2			
0850375-1	21-40-00-05	-021	2				0850500-13	71-60-00-01	-007	1			
0850375-1	21-40-00-07	-017	2				0850500-16	71-60-00-01	-006	1			
0850375-1	28-20-00-03	-012	2				0850500-28	71-60-00-01	-012	1			
0850375-4	30-10-00-05	-061	1				0850500-3	71-60-00-01	-016	1			
0850375-4	37-10-00-04	-009	2				0850500-30	71-60-00-01	-009	1			
0850400-1	28-40-00-01	-005	2				0850500-31	71-60-00-01	-005	2			
0850401-2	28-40-00-01	-005A	2				0850500-32	71-60-00-01	-013	1			
0850402-2	28-40-00-01	-005B	2				0850500-36	71-60-00-01	-002B	1			
0850403-1	28-40-00-01	-005C	2				0850500-8	71-60-00-01	-017	1			
0850404-1	24-30-00-04	-014	2				0850501-1	71-60-00-02	-015	1			
0850405-7	71-00-00-02	-011	1				0850502-1	71-60-00-02	-017	1			
0850406-12	71-00-00-02	-008	1				0850502-2	71-60-00-02	-016	1			
0850406-4	71-00-00-02	-007	1				0850504-1	71-60-00-02	-031	1			
0850407-1	71-00-00-02	-010	1				0850506-1	71-60-00-02	-032	1			
0850408-1	73-10-00-01	-015	2				0850507-1	76-10-00-02	-028A	2			
0850414-1	71-10-00-04	-017	1				0850509-1	76-10-00-02	-027	2			
0850415-1	71-10-00-04	-001	1				0850510-1	53-20-02-02	-022	2			
0850417-1	52-40-00-01	-004	1				0850511-1	76-10-00-05	-014	1			
0850419-1	52-40-00-01	-010	1				0850511-2	76-10-00-05	-015	1			
0850419-2	52-40-00-01	-012	1				0850512-1	71-60-00-02	-029	1			
0850425	28-40-00-01	-001	2				0850516-1	71-60-00-02	-018	1			
0850426-1	52-40-00-01	-003	1				0850516-2	71-60-00-02	-019	1			
0850427-1	52-40-00-01	-005	1				0850521-2	71-60-00-02	-010	1			
0850433-1	52-40-00-01	-006	1				0850525-1	71-60-00-02	-011	2			
0850434-1	52-40-00-01	-007	1				0850526-1	71-60-00-02	-013	1			
0850450	28-20-00-02	-026	1				0850527-1	76-10-00-05	-020	1			
0850450	73-10-00-01	-004	2				0850528-1	30-20-00-01	-032A	2			
0850450	79-20-00-02	-001	2				0850550-2	71-60-00-01	-001	1			
0850451-2	28-20-00-02	-026A	1				0850551-1	76-10-00-02	-041	2			
0850452-2	73-10-00-02	-038	2				0850551-2	76-10-00-02	-042	2			

**CESSNA AIRCRAFT COMPANY
MODEL 310 THRU 310D
ILLUSTRATED PARTS CATALOG**

PART NUMBER	CH SEC SUBJ FIG ITEM REQ	PART NUMBER	CH SEC SUBJ FIG ITEM REQ
0850560-3	30-20-00-01 -032C 2	0850633-1	54-10-00-04 -005 1
0850560-3	71-60-00-01 -024 1	0850633-2	54-10-00-06 -005 1
0850561-3	71-60-00-01 -019 1	0850634-1	54-10-00-04 -003 1
0850561-3	71-60-00-02 -034 1	0850634-2	54-10-00-06 -003 1
0850564-4	71-60-00-01 -020 1	0850635-1	54-10-00-04 -004 1
0850564-4	71-60-00-02 -035 1	0850635-2	54-10-00-06 -004 1
0850568-1	71-60-00-01 -003A 1	0850636-1	54-10-00-04 -009 1
0850569-1	71-60-00-01 -011 1	0850636-2	54-10-00-06 -009 1
0850570-1	71-60-00-01 -003 1	0850637-11	54-10-00-04 -015 1
0850572-1	71-60-00-01 -021A 2	0850637-12	54-10-00-06 -015 1
0850572-1	71-60-00-02 -036A 2	0850638-1	54-10-00-04 -018 1
0850572-2	71-60-00-01 -021 2	0850638-1	54-10-00-06 -018 1
0850572-2	71-60-00-02 -036 2	0850638-2	54-10-00-04 -017 1
0850574-1	71-60-00-02 -030 1	0850638-2	54-10-00-06 -017 1
0850574-2	71-60-00-02 -030A 1	0850639-1	54-10-00-04 -008 1
0850575-2	71-60-00-02 -006 1	0850639-1	54-10-00-06 -008 1
0850575-4	71-60-00-02 -005A 1	0850640-1	54-10-00-04 -011 1
0850575-5	71-60-00-02 -009 1	0850640-1	54-10-00-06 -011 1
0850575-6	71-60-00-02 -020 1	0850641-1	54-10-00-04 -013 1
0850583-1	71-60-00-02 -021 1	0850641-1	54-10-00-06 -013 1
0850584-1	71-60-00-02 -023 1	0850642-3	54-10-00-04 -010 1
0850591-1	71-60-00-02 -025 1	0850642-4	54-10-00-06 -010 1
0850593-1	71-60-00-02 -001 1	0850643-1	54-10-00-04 -019 1
0850593-3	71-60-00-02 -001A 1	0850643-2	54-10-00-06 -019 1
0850596-1	71-00-00-02 -003B 1	0850644-1	54-10-00-04 -020 1
0850597-1	24-30-10-02 -004A 2	0850644-2	54-10-00-06 -020 1
0850599-1	76-10-00-02 -002A 2	0850650-8	78-20-00-01 -001 1
0850599-3	76-10-00-02 -002 2	0850675-5	71-60-00-02 -039 1
0850600-149	78-10-00-01 -001 1	0850678-1	71-10-00-03 -014A 1
0850600-150	78-10-00-01 -006 1	0850678-2	71-10-00-03 -018A 1
0850600-152	78-10-00-01 -003 1	0850917-1	71-00-00-01 -028F AR
0850600-153	78-10-00-01 -008 1	0850917-2	71-00-00-01 -028G AR
0850600-154	78-10-00-01 -002 1	0850917-3	71-00-00-01 -028H AR
0850600-155	78-10-00-01 -007 1	0851000-100	54-10-00-01 -005 1
0850604-6	71-60-00-02 -041 1	0851000-100	54-10-00-02 -005 1
0850604-7	71-60-00-02 -044 1	0851000-103	54-10-00-01 -007 1
0850604-8	71-60-00-02 -040A 1	0851000-104	54-10-00-02 -007 1
0850621-1	54-10-00-03 -014 1	0851000-105	54-10-00-01 -049 1
0850621-1	54-10-00-05 -013 1	0851000-106	54-10-00-02 -049 1
0850621-2	54-10-00-03 -013 1	0851000-108	54-10-00-01 -012 1
0850621-2	54-10-00-05 -014 1	0851000-108	54-10-00-02 -012 1
0850622-1	54-10-00-03 -011 1	0851000-11	54-10-00-01 -011 1
0850622-1	54-10-00-05 -010 1	0851000-11	54-10-00-02 -011 1
0850622-2	54-10-00-03 -010 1	0851000-115	71-10-00-04 -012 1
0850622-2	54-10-00-05 -011 1	0851000-116	71-10-00-04 -013 1
0850624-1	78-20-00-01 -005 1	0851000-118	71-10-00-01 -024 1
0850624-1	78-20-00-01 -006 1	0851000-119	71-10-00-01 -027 1
0850625-6	78-20-00-01 -003A 6	0851000-12	54-10-00-01 -034 1
0850625-7	78-20-00-01 -003B 24	0851000-12	54-10-00-02 -034 1
0850626-10	78-20-00-01 -002 1	0851000-121	71-10-00-01 -029 1
0850626-11	78-20-00-01 -003 1	0851000-122	71-10-00-04 -015 1
0850627-3	78-10-00-01 -001A 1	0851000-123	71-10-00-01 -030 1
0850627-4	78-10-00-01 -006A 1	0851000-126	71-10-00-01 -025 1
0850629-3	54-10-00-04 -001 1	0851000-128	71-10-00-01 -028 1
0850629-4	54-10-00-06 -001 1	0851000-143	54-10-00-01 -008 1
0850629-5	54-10-00-04 -002 1	0851000-144	54-10-00-02 -008 1
0850629-6	54-10-00-06 -002 1	0851000-145	54-10-00-01 -009 2
0850631-1	54-10-00-04 -007 1	0851000-145	54-10-00-02 -009 2
0850631-2	54-10-00-06 -007 1	0851000-147	71-10-00-04 -004 1
0850632-1	54-10-00-04 -006 1	0851000-148	71-10-00-04 -005 1
0850632-2	54-10-00-06 -006 1	0851000-151	54-10-00-01 -015 1

CESSNA AIRCRAFT COMPANY
MODEL 310 THRU 310D
ILLUSTRATED PARTS CATALOG

PART NUMBER	CH	SEC	SUBJ	FIG	ITEM	REQ	PART NUMBER	CH	SEC	SUBJ	FIG	ITEM	REQ
0851000-151	54	10	00	02	-015	1	0851000-55	54	10	00	01	-019	1
0851000-152	54	10	00	01	-016	1	0851000-56	54	10	00	02	-019	1
0851000-152	54	10	00	02	-016	1	0851000-57	54	10	00	01	-022	1
0851000-153	54	10	00	01	-016A	1	0851000-58	54	10	00	02	-022	1
0851000-153	54	10	00	02	-016A	1	0851000-71	71	20	00	01	-001	1
0851000-154	71	10	00	04	-006	1	0851000-71	71	20	00	02	-002	1
0851000-158	54	10	00	02	-031	1	0851000-72	71	20	00	01	-013	1
0851000-159	54	10	00	01	-031A	1	0851000-72	71	20	00	02	-017	1
0851000-160	54	10	00	02	-031A	1	0851000-73	71	20	00	01	-002	1
0851000-161	54	10	00	01	-032	1	0851000-73	71	20	00	02	-003	1
0851000-161	54	10	00	02	-032	1	0851000-74	71	20	00	01	-014	1
0851000-162	54	10	00	02	-046	1	0851000-74	71	20	00	02	-018	1
0851000-163	54	10	00	01	-031	1	0851000-75	71	20	00	01	-003	1
0851000-164	54	10	00	02	-045	1	0851000-75	71	20	00	02	-004	1
0851000-165	54	10	00	01	-044	1	0851000-76	71	20	00	01	-015	1
0851000-166	54	10	00	02	-044	1	0851000-76	71	20	00	02	-019	1
0851000-167	54	10	00	01	-045	1	0851000-77	71	10	00	04	-010	1
0851000-168	54	10	00	01	-046	1	0851000-78	71	10	00	04	-011	1
0851000-17	54	10	00	01	-013	1	0851000-92	54	10	00	01	-017	1
0851000-17	54	10	00	02	-013	1	0851000-92	54	10	00	02	-017	1
0851000-176	71	10	00	04	-021	1	0851000-95	57	10	00	01	-020	02
0851000-180	54	10	00	05	-017	1	0851000-95	57	10	00	05	-020	2
0851000-181	54	10	00	03	-016	1	0851000-96	54	10	00	01	-018	1
0851000-185	71	10	00	04	-022	1	0851000-96	54	10	00	02	-018	1
0851000-189	54	10	00	01	-047	2	0851000-99	54	10	00	01	-036	1
0851000-189	54	10	00	02	-047	2	0851000-99	54	10	00	02	-036	1
0851000-19	54	10	00	03	-017	1	0851002-1	52	40	00	01	-011	1
0851000-190	71	10	00	04	-023	2	0851002-1	71	10	00	03	-009	1
0851000-191	71	10	00	01	-026	1	0851003-1	52	40	00	01	-013	1
0851000-191	71	10	00	01	-031	1	0851003-1	71	10	00	03	-008	1
0851000-191	71	10	00	03	-015	1	0851004-3	71	10	00	03	-004	1
0851000-191	71	10	00	03	-021	1	0851004-5	71	10	00	03	-003	1
0851000-193	71	10	00	04	-007	1	0851004-6	71	10	00	03	-003A	1
0851000-194	71	10	00	04	-019	1	0851005-21	71	10	00	03	-014	1
0851000-195	71	10	00	04	-024	1	0851005-22	71	10	00	03	-018	1
0851000-197	71	10	00	04	-025	1	0851005-23	71	10	00	03	-013	1
0851000-198	71	10	00	04	-026	1	0851005-24	71	10	00	03	-017	1
0851000-199	71	10	00	04	-009	1	0851005-9	71	10	00	03	-020	1
0851000-20	54	10	00	05	-015	1	0851006-1	71	10	00	01	-012	1
0851000-200	54	10	00	02	-006	1	0851006-1	71	10	00	02	-011	1
0851000-201	54	10	00	01	-006	1	0851006-2	71	10	00	01	-011	2
0851000-205	54	10	00	01	-012A	1	0851006-2	71	10	00	02	-010	2
0851000-205	54	10	00	02	-012A	1	0851006-3	71	10	00	01	-013	3
0851000-206	54	10	00	01	-011A	1	0851008-1	54	10	00	01	-023C	1
0851000-206	54	10	00	02	-011A	1	0851008-2	54	10	00	02	-023C	1
0851000-27	54	10	00	01	-020	1	0851009-1	54	10	00	01	-020C	1
0851000-28	54	10	00	02	-020	1	0851009-2	54	10	00	02	-020C	1
0851000-29	54	10	00	01	-023	1	0851010-1	71	10	00	03	-002A	1
0851000-30	54	10	00	02	-023	1	0851017-1	71	10	00	03	-005	1
0851000-35	54	10	00	03	-004	2	0851019-1	71	10	00	03	-006	1
0851000-35	54	10	00	05	-004	2	0851020-11	71	10	00	01	-005	2
0851000-37	54	10	00	03	-015	1	0851020-11	71	10	00	02	-004	2
0851000-38	54	10	00	05	-016	1	0851020-12	71	10	00	01	-004A	1
0851000-49	54	10	00	03	-007	2	0851020-16	71	10	00	01	-004	1
0851000-49	54	10	00	05	-007	2	0851020-17	71	10	00	01	-003E	1
0851000-50	54	10	00	01	-038	2	0851020-3	52	40	00	01	-001	1
0851000-50	54	10	00	02	-038	2	0851020-4	71	10	00	01	-010	1
0851000-51	54	10	00	01	-003A	1	0851020-4	71	10	00	02	-009	1
0851000-52	54	10	00	02	-003A	1	0851020-4	71	10	00	04	-020	1
0851000-53	54	10	00	01	-003	1	0851021-1	52	40	00	01	-016	1
0851000-54	54	10	00	02	-003	1	0851021-2	52	40	00	01	-017	1

**CESSNA AIRCRAFT COMPANY
MODEL 310 THRU 310D
ILLUSTRATED PARTS CATALOG**

PART NUMBER	CH SEC SUBJ FIG ITEM REQ	PART NUMBER	CH SEC SUBJ FIG ITEM REQ
0851021-3	52-40-00-01 -018 1	0851500-19	54-10-01-02 -007 1
0851022-1	71-10-00-01 -020 1	0851500-19	54-10-01-03 -004 1
0851022-1	71-10-00-02 -019 1	0851500-19	54-10-01-04 -005 1
0851022-2	71-10-00-01 -021 1	0851500-2	54-10-01-03 -002A 1
0851022-2	71-10-00-02 -020 1	0851500-25	54-10-00-01 -033 1
0851022-3	71-10-00-01 -022 1	0851500-26	54-10-00-02 -033 1
0851022-3	71-10-00-02 -021 1	0851500-27	54-10-00-01 -033A 1
0851023-1	71-10-00-01 -007 1	0851500-28	54-10-00-02 -033A 1
0851024-1	71-10-00-01 -006 1	0851500-29	54-10-00-01 -024D 1
0851025-3	71-10-00-01 -014 1	0851500-30	54-10-00-02 -024D 1
0851025-3	71-10-00-02 -013 1	0851500-31	54-10-00-01 -024C 1
0851025-4	71-10-00-01 -015 1	0851500-32	54-10-00-02 -024C 1
0851025-4	71-10-00-02 -014 1	0851500-43	54-10-00-01 -025 1
0851025-5	71-10-00-01 -016 1	0851500-44	54-10-00-02 -025 1
0851026-1	71-10-00-01 -018 1	0851500-47	54-10-00-01 -028 1
0851026-1	71-10-00-02 -017 1	0851500-48	54-10-00-02 -028 1
0851026-2	71-10-00-01 -019 1	0851500-55	71-20-00-01 -009 1
0851026-2	71-10-00-02 -018 1	0851500-55	71-20-00-01 -022 1
0851027-1	71-10-00-01 -008 1	0851500-55	71-20-00-02 -011 1
0851027-2	71-10-00-01 -009 1	0851500-55	71-20-00-02 -025 1
0851028-1	71-10-00-03 -019 1	0851500-56	71-20-00-01 -010 1
0851030-10	71-10-00-01 -003C 1	0851500-56	71-20-00-01 -023 1
0851030-10	71-10-00-02 -002B 1	0851500-56	71-20-00-02 -012 1
0851030-4	71-10-00-02 -003 1	0851500-56	71-20-00-02 -026 1
0851030-8	71-10-00-02 -002A NP	0851500-61	54-10-00-03 -001 1
0851030-9	52-40-00-01 -002 1	0851500-62	54-10-00-05 -001 1
0851031-1	71-10-00-02 -015 1	0851500-63	54-10-00-03 -002 1
0851031-7	71-10-00-02 -015A 1	0851500-64	54-10-00-05 -002 1
0851032-1	71-10-00-02 -012 3	0851500-66	54-10-00-02 -026 1
0851033-1	71-10-00-02 -006 1	0851500-67	54-10-00-01 -026 1
0851034-1	71-10-00-02 -005 1	0851500-68	54-10-00-02 -027 1
0851035-1	71-10-00-02 -007 1	0851500-69	54-10-00-01 -027 1
0851035-2	71-10-00-02 -008 1	0851500-71	71-20-00-01 -008A 1
0851036-1	32-10-01-01 -000D 2	0851500-72	71-20-00-02 -024A 1
0851040-1	71-10-00-02 -025 1	0851500-73	71-20-00-01 -021A 1
0851040-12	71-10-00-02 -026 1	0851500-74	71-20-00-02 -010A 1
0851040-13	71-10-00-02 -031 1	0851500-79	71-20-00-01 -011 1
0851040-16	71-10-00-02 -033 1	0851500-79	71-20-00-01 -024 1
0851040-17	71-10-00-02 -035 1	0851500-79	71-20-00-02 -013 1
0851040-2	71-10-00-02 -030 1	0851500-79	71-20-00-02 -027 1
0851040-21	71-10-00-02 -035A 1	0851500-80	71-20-00-01 -012 1
0851040-24	71-10-00-02 -026A 1	0851500-80	71-20-00-01 -025 1
0851040-27	71-10-00-02 -033A 1	0851500-80	71-20-00-02 -014 1
0851040-28	71-10-00-02 -030A 1	0851500-80	71-20-00-02 -028 1
0851040-29	71-10-00-02 -025A 1	0851500-85	71-20-00-01 -026 1
0851040-8	71-10-00-02 -027 1	0851500-86	71-20-00-02 -015 1
0851040-8	71-10-00-02 -032 1	0851500-88	54-10-00-02 -040 1
0851500-1	54-10-01-01 -002A 1	0851500-89	54-10-00-01 -040 1
0851500-10	54-10-01-03 -017 1	0851500-93	54-10-00-01 -041 3
0851500-109	54-10-01-01 -002B 1	0851500-93	54-10-00-02 -041 2
0851500-11	54-10-01-01 -017 1	0851501-1	54-10-01-02 -008A 1
0851500-110	54-10-01-03 -002B 1	0851501-2	54-10-01-04 -006A 1
0851500-111	54-10-01-01 -002C 1	0851501-3	54-10-01-02 -008 1
0851500-112	54-10-01-03 -002C 1	0851501-3	54-10-01-04 -006 1
0851500-12	54-10-01-02 -015 1	0851505-1	28-20-00-02 -027 1
0851500-12	54-10-01-03 -016 1	0851505-1	73-10-00-01 -006 2
0851500-13	54-10-01-01 -016 1	0851505-1	79-20-00-02 -002 2
0851500-13	54-10-01-04 -013 1	0851505-2	28-20-00-02 -028 1
0851500-18	54-10-01-01 -003 1	0851505-2	73-10-00-01 -005 2
0851500-18	54-10-01-03 -003 1	0851505-2	79-20-00-02 -003 2
0851500-19	54-10-01-01 -004 1	0851506-1	54-10-01-01 -014 1

CESSNA AIRCRAFT COMPANY
MODEL 310 THRU 310D
ILLUSTRATED PARTS CATALOG

PART NUMBER	CH SEC SUBJ FIG	ITEM	REQ	PART NUMBER	CH SEC SUBJ FIG	ITEM	REQ
0851506-1	54-10-01-03	-013	1	0851553-1	71-20-00-02	-005	1
0851506-2	54-10-01-01	-010	1	0851553-2	71-20-00-01	-004A	1
0851506-2	54-10-01-03	-009	1	0851553-2	71-20-00-02	-005A	1
0851510-7	54-10-01-02	-016A	1	0851554-1	71-20-00-01	-005	1
0851510-8	54-10-01-04	-014A	1	0851554-1	71-20-00-01	-016	1
0851512-1	54-10-01-03	-015	1	0851554-1	71-20-00-02	-006	1
0851513-7	54-10-01-01	-017A	1	0851554-1	71-20-00-02	-020	1
0851513-7	54-10-01-02	-016	1	0851554-2	71-20-00-01	-017	1
0851513-8	54-10-01-03	-017A	1	0851554-2	71-20-00-02	-021	1
0851513-8	54-10-01-04	-014	1	0851554-3	71-20-00-01	-005A	1
0851514-1	54-10-00-01	-020A	1	0851554-3	71-20-00-01	-016A	1
0851514-10	54-10-00-02	-020B	1	0851554-3	71-20-00-02	-006A	1
0851514-11	54-10-00-01	-023B	1	0851554-3	71-20-00-02	-020A	1
0851514-12	54-10-00-02	-023B	1	0851554-4	71-20-00-01	-004B	1
0851514-2	54-10-00-02	-020A	1	0851554-4	71-20-00-01	-017A	1
0851514-3	54-10-00-01	-023A	1	0851554-4	71-20-00-02	-005B	1
0851514-4	54-10-00-02	-023A	1	0851554-4	71-20-00-02	-021A	1
0851514-9	54-10-00-01	-020B	1	0851555-1	71-20-00-01	-006	1
0851516-1	71-10-00-04	-008	1	0851555-1	71-20-00-01	-019	1
0851517-1	71-10-00-04	-027	1	0851555-1	71-20-00-02	-007	1
0851519-1	54-10-00-01	-030A	1	0851555-1	71-20-00-02	-023	1
0851519-3	54-10-00-01	-030F	2	0851555-2	71-20-00-01	-007	1
0851519-3	54-10-00-02	-010F	2	0851555-2	71-20-00-01	-018	1
0851520-1	54-10-00-02	-010A	1	0851555-2	71-20-00-02	-008	1
0851521-1	53-20-02-02	-018	1	0851555-2	71-20-00-02	-022	1
0851522-1	53-20-02-02	-017	1	0851555-3	71-20-00-01	-006A	1
0851523-1	53-20-02-02	-013	1	0851555-3	71-20-00-01	-019A	1
0851524-2	71-60-00-02	-027	1	0851555-3	71-20-00-02	-007A	1
0851525-13	71-10-00-01	-039	1	0851555-3	71-20-00-02	-023A	1
0851525-13	71-10-00-02	-046	1	0851555-4	71-20-00-01	-007A	1
0851525-13	71-10-00-03	-029	1	0851555-4	71-20-00-01	-018A	1
0851525-14	71-10-00-01	-039A	1	0851555-4	71-20-00-02	-008A	1
0851525-14	71-10-00-02	-046A	1	0851555-4	71-20-00-02	-022A	1
0851525-14	71-10-00-03	-029A	1	0851557-7	71-20-00-01	-021	1
0851525-18	71-10-00-01	-036A	1	0851557-8	71-20-00-02	-010	1
0851525-18	71-10-00-02	-043A	1	0851559-1	71-00-00-01	-012C	1
0851525-18	71-10-00-03	-026A	1	0851561-2	71-20-00-02	-001	1
0851525-2	71-10-00-01	-036	1	0851561-3	71-20-00-01	-003A	1
0851525-2	71-10-00-02	-043	11	0851562-1	71-20-00-01	-015A	1
0851525-2	71-10-00-03	-026	1	0851562-2	71-20-00-02	-016	1
0851525-6	71-10-00-01	-037	1	0851566-1	28-20-00-02	-027A	1
0851525-6	71-10-00-02	-044	1	0851566-2	28-20-00-02	-028A	1
0851525-6	71-10-00-03	-027	1	0851569-1	54-10-01-02	-011	1
0851538-1	76-10-00-02	-009	2	0851569-2	54-10-01-04	-010	1
0851539-2	76-10-00-02	-008B	1	0851569-3	54-10-01-02	-012	1
0851539-3	76-10-00-02	-008	2	0851569-4	54-10-01-04	-011	1
0851539-4	76-10-00-02	-008A	2	0851570-1	54-10-01-02	-013	2
0851539-5	76-10-00-02	-008C	1	0851570-1	54-10-01-04	-012	2
0851540-1	37-10-00-01	-038	2	0851571-1	76-10-00-02	-010	2
0851540-1	37-10-00-02	-009	2	0851573-1	71-60-00-01	-026	1
0851542-1	71-00-00-02	-009	1	0851574-1	71-60-00-02	-028	1
0851550-10	54-10-00-05	-003A	1	0851584-1	54-10-00-01	-050	1
0851550-7	54-10-00-03	-003	1	0851584-1	54-10-00-02	-050	1
0851550-8	54-10-00-05	-003	1	0851584-3	11-00-00-01	-036	1
0851550-9	54-10-00-03	-003A	1	0851584-3	54-10-00-01	-050A	1
0851551-1	71-00-00-01	-010	4	0851584-3	54-10-00-02	-050A	1
0851552-1	71-20-00-01	-008	2	0851588-1	73-10-00-02	-020	1
0851552-1	71-20-00-01	-020	2	0851589-1	54-10-00-01	-017A	1
0851552-1	71-20-00-02	-009	2	0851589-1	54-10-00-02	-017A	1
0851552-1	71-20-00-02	-024	2	0851590-1	54-10-00-01	-013A	1
0851553-1	71-20-00-01	-004	1	0851590-2	54-10-00-02	-013A	2

CESSNA AIRCRAFT COMPANY
MODEL 310 THRU 310D
ILLUSTRATED PARTS CATALOG

PART NUMBER	CH	SEC	SUBJ	FIG	ITEM	REQ	PART NUMBER	CH	SEC	SUBJ	FIG	ITEM	REQ
0851591-1	73	10	00	02	-022	2	0851703-1	71	11	01	02	-012	1
0851593-1	73	10	00	02	-030	2	0851708-1	54	10	01	02	-005	1
0851600-1	54	10	00	01	-042	1	0851710-1	24	30	10	02	-006	2
0851600-1	54	10	00	02	-042	1	0851711-1	71	11	01	02	-055	1
0851619-1	76	10	00	02	-007	2	0851711-2	71	11	01	02	-055A	1
0851700-101	71	11	01	01	-006	1	0851712-1	71	11	01	02	-058	1
0851700-101	71	11	01	02	-007	1	0851712-2	30	10	00	01	-027B	2
0851700-101	79	20	00	01	-012	2	0851712-5	71	11	01	02	-059	1
0851700-102	71	11	01	01	-014	1	0851712-7	71	11	01	02	-058A	1
0851700-105	71	11	01	01	-049	1	0851713-1	71	11	01	02	-063	1
0851700-105	71	11	01	02	-040	1	0851713-3	71	11	01	02	-064	1
0851700-106	71	11	01	01	-046	1	0851715-1	73	10	00	02	-006	2
0851700-108	71	11	01	01	-047	1	0851720-1	24	30	10	02	-007	2
0851700-108	71	11	01	02	-038	1	0851725-2	71	00	00	02	-003A	1
0851700-116	71	11	01	01	-015	1	0851729-1	24	30	10	02	-001	2
0851700-129	30	10	00	01	-026	2	0851730-11	24	30	10	02	-003	2
0851700-32	71	11	01	01	-024	6	0851730-12	24	30	10	02	-002	2
0851700-35	71	11	01	01	-051	1	0851730-13	24	30	10	02	-002A	2
0851700-39	71	11	01	01	-057	1	0851730-14	24	30	10	02	-003C	2
0851700-39	71	11	01	02	-041	2	0851730-15	24	30	10	02	-003D	2
0851700-40	71	11	01	01	-050	1	0851730-20	24	30	10	02	-003B	4
0851700-40	71	11	01	02	-048	1	0851730-21	24	30	10	02	-008A	1
0851700-49	71	11	01	01	-052	1	0851730-4	24	30	10	02	-009	2
0851700-49	71	11	01	02	-043	1	0851730-5	24	30	10	02	-010	2
0851700-64	71	11	01	01	-021	1	0851730-6	24	30	10	02	-008	2
0851700-64	71	11	01	01	-043	1	0851740-1	71	11	01	01	-029	4
0851700-64	71	11	01	01	-045	1	0851740-2	71	11	01	01	-030	4
0851700-64	71	11	01	02	-019	1	0851743-1	71	11	01	01	-027	2
0851700-64	71	11	01	02	-034	1	0851743-2	71	11	01	01	-028	2
0851700-64	71	11	01	02	-036	1	0851744-1	71	11	01	01	-026	4
0851700-66	71	11	01	01	-019	1	0851746-1	71	11	01	02	-014	1
0851700-66	71	11	01	02	-017	1	0851746-2	71	11	01	02	-014A	1
0851700-68	71	11	01	01	-007	1	0851748-1	71	11	01	02	-037	1
0851700-68	71	11	01	02	-008	1	0851753-1	71	11	01	02	-042	1
0851700-69	71	11	01	01	-008	1	0851753-2	30	10	00	01	-026A	2
0851700-71	71	11	01	01	-002	1	0851753-3	71	11	01	02	-042A	1
0851700-71	71	11	01	02	-003	1	0851753-4	30	10	00	01	-026B	2
0851700-74	71	11	01	01	-003	1	0851754-1	71	11	01	02	-009	1
0851700-74	71	11	01	02	-004	1	0851754-2	71	11	01	02	-009A	1
0851700-77	71	11	01	01	-010	1	0851754-3	71	11	01	02	-011A	1
0851700-77	71	11	01	02	-010	1	0851756-1	24	30	10	02	-007A	2
0851700-79	71	11	01	01	-009	1	0851757-1	71	11	01	02	-001	1
0851700-79	71	11	01	02	-011	1	0851758-1	71	11	01	01	-018	1
0851700-85	71	11	01	01	-058	1	0851758-1	71	11	01	02	-016	1
0851700-86	71	11	01	01	-013	1	0851759-1	71	11	01	01	-042	1
0851700-87	71	11	01	01	-012	1	0851759-1	71	11	01	02	-033	1
0851700-87	71	11	01	02	-054	1	0851759-2	71	11	01	01	-020	1
0851700-88	71	10	00	01	-023	1	0851759-2	71	11	01	02	-018	1
0851700-88	71	10	00	02	-022	1	0851760-1	71	11	01	01	-022	1
0851700-88	71	10	00	04	-028	1	0851760-1	71	11	01	02	-020	1
0851700-89	71	10	00	01	-023A	1	0851760-3	71	11	01	01	-023	1
0851700-89	71	10	00	02	-022A	1	0851760-3	71	11	01	02	-021	1
0851700-89	71	10	00	04	-028A	1	0851761-1	71	11	01	01	-040	1
0851700-9	71	11	01	01	-048	1	0851761-1	71	11	01	02	-031	1
0851700-9	71	11	01	02	-039	1	0851761-3	71	11	01	01	-041	1
0851700-92	71	11	01	01	-004	1	0851761-3	71	11	01	02	-032	1
0851700-92	71	11	01	02	-002	1	0851762-1	71	11	01	01	-044	1
0851700-95	71	11	01	01	-036	2	0851762-1	71	11	01	02	-035	1
0851700-96	71	11	01	01	-035	1	0852000-1	30	10	00	01	-021	1
0851700-96	71	11	01	02	-027	1	0852000-15	30	60	00	01	-011	4
0851700-99	71	11	01	01	-001	1	0852000-16	30	20	00	01	-029	2

**CESSNA AIRCRAFT COMPANY
MODEL 310 THRU 310D
ILLUSTRATED PARTS CATALOG**

PART NUMBER	CH SEC SUBJ FIG ITEM REQ	PART NUMBER	CH SEC SUBJ FIG ITEM REQ
0852000-2	30-10-00-01 -021A 1	0860207-2	27-30-00-01 -002 1
0852000-21	54-10-00-01 -029 1	0860207-20	27-10-00-02 -003 1
0852000-21	54-10-00-02 -029 1	0860207-21	27-10-00-02 -004 1
0852000-23	54-10-00-01 -030 1	0860207-22	27-10-00-02 -005 1
0852000-23	54-10-00-02 -030 1	0860207-23	22-10-01-01 -040 1
0852000-28	78-10-00-01 -011 6	0860207-25	22-10-01-01 -003 1
0852000-4	30-10-00-01 -022 2	0860207-27	27-50-00-01 -002 1
0852000-9	76-10-00-01 -019 2	0860207-28	27-50-00-01 -003 1
0852000-9	76-10-00-02 -015 2	0860207-29	27-50-00-01 -004 1
0855010-2	28-20-00-05 -018 1	0860207-3	27-20-00-01 -001 1
0855010-2	28-20-01-03 -001 1	0860207-30	27-50-00-01 -005 1
0855010-3	28-20-00-05 -006 1	0860207-31	32-50-00-01 -001 1
0855010-5	28-20-00-05 -008 1	0860207-32	32-50-00-01 -002 1
0855010-5	28-20-01-03 -002 1	0860207-33	27-20-00-01 -003 1
0855010-7	28-20-00-05 -015 2	0860207-34	27-10-00-01 -001 1
0855010-7	28-20-01-03 -003 3	0860207-35	27-30-00-01 -003 2
0855011-1	28-20-00-05 -011 2	0860207-36	32-41-01-01 -012 1
0855012-1	28-20-00-05 -001 1	0860207-37	32-41-01-01 -029 1
0855013-1	28-20-00-04 -039 2	0860207-38	32-41-01-01 -030 1
0855013-1	28-20-00-05 -000 1	0860207-4	27-20-00-01 -002 1
0855014-1	28-20-00-05 -017 2	0860207-5	27-10-00-01 -002 2
0855014-1	28-20-01-03 -004 3	0860207-5	27-10-00-01 -002A 1
0855020-1	28-20-01-02 -001 1	0860207-6	27-10-00-01 -003 2
0855020-1	28-20-01-03 -000 1	0860207-7	27-10-00-01 -004 1
0855021-1	28-20-01-03 -005 1	0860207-8	27-10-00-01 -005 1
0855022-1	28-20-01-03 -006 1	0860207-88	52-60-00-01 -001 1
0855023-1	28-20-01-03 -007 3	0860207-89	52-60-00-01 -007 1
0855024-1	28-20-01-03 -008 1	0860207-9	27-30-00-02 -002 1
0855025-1	28-20-01-03 -009 1	0860207-90	52-60-00-01 -009 1
0860175-1	27-10-00-01 -011 1	0860207-93	32-41-01-01 -012A 1
0860175-1	27-10-00-01 -021A 1	0860207-97	22-10-01-01 -021 1
0860175-10	32-30-00-07 -043 1	0860207-98	52-60-00-02 -001 1
0860175-2	27-10-00-01 -012 1	0860207-99	52-60-00-02 -015 1
0860175-3	27-10-00-01 -021 1	0861100-10	53-20-02-01 -038 1
0860175-4	27-50-00-01 -006 2	0861100-100	27-20-01-01 -044 1
0860175-5	27-30-00-02 -015 2	0861100-101	27-20-01-01 -045 1
0860175-6	27-10-00-02 -016 1	0861100-102	27-20-01-01 -039 1
0860175-7	27-10-00-02 -017 2	0861100-11	27-10-00-02 -027A 1
0860175-8	27-20-01-01 -015 1	0861100-111	27-50-00-02 -007 2
0860175-9	27-20-01-01 -023 2	0861100-116	53-20-02-01 -034A 1
0860207-1	27-30-00-01 -001 1	0861100-116	53-20-02-02 -034 1
0860207-10	27-30-00-02 -003 1	0861100-117	53-20-02-01 -035A 1
0860207-100	52-60-00-02 -017 1	0861100-117	53-20-02-02 -032 1
0860207-102	27-20-01-01 -004A 1	0861100-119	53-20-02-01 -020A 1
0860207-103	27-20-01-01 -005A 1	0861100-12	27-20-01-01 -034A 1
0860207-104	27-20-00-01 -048 1	0861100-120-124	53-20-02-01 -013A 1
0860207-105	27-20-00-01 -047 1	0861100-120-156	53-20-02-01 -013B 1
0860207-107	27-10-00-01 -047 1	0861100-124	76-10-00-03 -002 2
0860207-108	27-20-01-01 -004B 1	0861100-124	76-10-00-04 -002 2
0860207-109	27-20-01-01 -005B 1	0861100-125	53-20-02-01 -042 1
0860207-11	27-30-00-02 -004 1	0861100-126-156	53-20-02-01 -013C 1
0860207-110	27-10-00-01 -001A 1	0861100-126-193	53-20-02-01 -013D 1
0860207-114	27-10-00-01 -048 1	0861100-134	53-20-02-01 -033A 1
0860207-115	27-30-00-01 -003A 2	0861100-134	53-20-02-02 -031A 1
0860207-12	27-30-00-02 -005 1	0861100-137	27-10-00-02 -006 1
0860207-14	22-10-01-01 -051 1	0861100-137	27-20-01-01 -007 1
0860207-15	27-20-01-01 -002 1	0861100-138	27-30-00-02 -008 1
0860207-16	27-20-01-01 -003 1	0861100-18	53-20-02-01 -034 1
0860207-17	27-20-01-01 -004 1	0861100-21	53-20-02-01 -031 1
0860207-18	27-20-01-01 -005 1	0861100-21	53-20-02-02 -030A 1
0860207-19	27-10-00-02 -002 1	0861100-22	53-20-02-01 -030 1

**CESSNA AIRCRAFT COMPANY
MODEL 310 THRU 310D
ILLUSTRATED PARTS CATALOG**

PART NUMBER	CH SEC SUBJ FIG ITEM REQ	PART NUMBER	CH SEC SUBJ FIG ITEM REQ
0861100-22	53-20-02-02 -030 1	0861110-89	53-20-02-01 -026 1
0861100-23	27-20-01-01 -008 1	0861111-1	53-20-02-02 -036A 1
0861100-24	27-10-00-02 -008 1	0861111-2	53-20-02-02 -036 1
0861100-28	76-10-00-03 -014 2	0861112-1-193	53-20-02-02 -012 1
0861100-28	76-10-00-04 -014 2	0861112-2	53-20-02-02 -021 1
0861100-3	53-20-02-01 -020 1	0861115-1	76-10-00-03 -005 1
0861100-32	76-10-00-03 -001 4	0861115-1	76-10-00-04 -005 1
0861100-32	76-10-00-04 -001 4	0861115-2	76-10-00-03 -006 1
0861100-33	76-10-00-03 -002A 1	0861115-2	76-10-00-04 -006 1
0861100-34	76-10-00-03 -013 1	0861116-1	76-10-00-02 -011A 4
0861100-34	76-10-00-04 -013 1	0861116-1	76-10-00-03 -011 2
0861100-37	53-20-02-01 -014 1	0861116-1	76-10-00-04 -011 2
0861100-39	76-10-00-03 -004 4	0861119-1	53-20-02-01 -014C 1
0861100-39	76-10-00-03 -004A 6	0861157-1	27-30-00-02 -040 1
0861100-39	76-10-00-04 -004 4	0861200	53-20-02-01 -003 1
0861100-43	53-20-02-01 -033 1	0861200-38	53-20-02-01 -003A 1
0861100-44	27-30-00-02 -013 1	0861200-38	76-10-01-02 -000 1
0861100-5	27-10-00-02 -028 1	0861200-45	53-20-02-02 -003 1
0861100-5	27-20-01-01 -035 1	0861200-45	76-10-01-01 -000A 1
0861100-5	53-20-02-01 -026A 1	0861201-1	53-20-02-02 -003A 1
0861100-6	27-10-00-02 -031 2	0861201-1	76-10-01-03 -000 1
0861100-6	27-20-01-01 -036 2	0861202-1	76-10-01-03 -010 1
0861100-6	28-20-00-04 -029 2	0861202-2	76-10-01-03 -011 1
0861100-6	53-20-02-01 -025A 1	0861203-1	76-10-01-03 -007 1
0861100-63	27-20-01-01 -011 1	0861203-2	76-10-01-03 -009 1
0861100-64	27-10-00-02 -013 1	0861204-1	76-10-01-03 -012 1
0861100-68	53-20-02-01 -027 1	0861204-2	76-10-01-03 -013 1
0861100-68	53-20-02-02 -027 1	0861206-1	76-10-01-03 -034 2
0861100-69	53-20-02-01 -021 2	0861207-1	76-10-01-03 -033 2
0861100-7	27-10-00-02 -030 2	0861208-1	76-10-01-03 -017 1
0861100-7	27-20-01-01 -019 1	0861209-1	76-10-01-03 -015 1
0861100-7	27-20-01-01 -038 1	0861210-1	76-10-01-03 -014 1
0861100-71	27-20-01-01 -018 1	0861211-1	76-10-01-03 -016 1
0861100-74	53-20-02-01 -043 1	0861211-2	76-10-01-03 -001 1
0861100-74	53-20-02-02 -039 1	0861212-1	76-10-01-03 -008 4
0861100-75	53-20-02-01 -044 1	0861213-1	76-10-01-03 -044 12
0861100-75	53-20-02-02 -040 1	0861214-1	76-10-01-03 -019 8
0861100-76	27-30-00-02 -021 1	0861215-1	76-10-01-03 -020 8
0861100-8	53-20-02-01 -041 1	0861215-2	76-10-01-03 -025 4
0861100-80-124	53-20-02-01 -013 1	0861216-1	76-10-01-03 -006 2
0861100-81	53-20-02-01 -005 1	0861216-2	76-10-01-03 -005 1
0861100-81	53-20-02-02 -006 1	0861217-1	76-10-01-03 -024 1
0861100-84	53-20-02-01 -032 1	0861217-2	76-10-01-03 -023 1
0861100-84	53-20-02-02 -031 1	0861218-1	76-10-01-03 -004 1
0861100-9	53-20-02-01 -038A 1	0861219-1	76-10-01-03 -003 1
0861100-91	53-20-02-01 -035 1	0861220-1	76-10-01-03 -031 3
0861100-95	76-10-00-03 -002B 1	0861221-1	76-10-01-03 -002 1
0861100-96	24-30-20-01 -007N 3	0861224-1	76-10-01-01 -034 2
0861100-97	27-10-00-02 -037 1	0861224-1	76-10-01-02 -039 2
0861100-98	27-10-00-02 -038 1	0861224-1	76-10-01-03 -035 2
0861102-1	27-20-01-01 -020 1	0861226-1	76-10-01-03 -043 1
0861105-1	76-10-00-03 -028 6	0861227-1	76-10-01-03 -042 2
0861105-1	76-10-00-04 -028 6	0861228-1	76-10-01-03 -021 1
0861105-1	76-10-00-05 -003 6	0861228-2	76-10-01-03 -026 1
0861110-4	53-20-02-01 -007 1	0861228-3	76-10-01-03 -028 1
0861110-4	53-20-02-02 -008 1	0861228-4	76-10-01-03 -022 1
0861110-5	53-20-02-02 -026A 1	0861228-5	76-10-01-03 -027 1
0861110-6	53-20-02-02 -026 1	0861228-6	76-10-01-03 -018 1
0861110-7	53-20-02-01 -008 1	0861228-7	76-10-01-03 -030 1
0861110-7	53-20-02-02 -009 1	0861232-1	76-10-01-03 -029 2
0861110-88	53-20-02-01 -025 1	0861233-1	76-10-01-03 -038 2

**CESSNA AIRCRAFT COMPANY
MODEL 310 THRU 310D
ILLUSTRATED PARTS CATALOG**

PART NUMBER	CH	SEC	SUBJ	FIG	ITEM	REQ	PART NUMBER	CH	SEC	SUBJ	FIG	ITEM	REQ
0861234-1	76-10-01-01	-035	2				0861500-54	32-41-01-01	-019	1			
0861234-1	76-10-01-02	-041	2				0861500-55	32-41-01-01	-016	1			
0861234-1	76-10-01-03	-037	2				0861500-56	32-41-01-01	-017	1			
0861300-13	27-10-00-01	-007	1				0861500-61	32-41-01-01	-018	1			
0861300-17	27-10-00-01	-043E	2				0861500-63	32-41-01-01	-022	2			
0861300-22	27-30-01-02	-001	1				0861500-64	27-50-00-02	-008	1			
0861300-27	27-10-00-01	-043	2				0861500-65	27-20-00-01	-032	2			
0861300-41	27-30-01-01	-023B	1				0861500-68	27-50-00-02	-009	1			
0861300-42	27-30-01-02	-000B	1				0861500-70	27-50-00-02	-018A	2			
0861300-45	27-30-01-01	-024	1				0861500-71	27-50-00-02	-016A	2			
0861300-47	27-30-01-01	-023	1				0861500-72	55-40-00-03	-058	2			
0861300-48	27-30-01-02	-000	1				0861505-12	27-50-00-02	-013B	1			
0861300-49	27-30-01-01	-023A	1				0861505-5	27-50-00-02	-001A	1			
0861300-50	27-30-01-02	-000A	1				0861505-8	27-50-00-02	-013A	NP			
0861300-6	27-10-00-01	-006	1				0861505-9	27-50-00-02	-001	1			
0861305-13	27-30-01-01	-028	1				0861511-1	27-10-00-01	-045	1			
0861305-14	27-30-01-02	-003	1				0861512-1	27-20-00-01	-041	1			
0861305-15	27-30-01-01	-028A	1				0861513-1	27-20-00-01	-043	1			
0861305-16	27-30-01-02	-003A	1				0861514-1	27-20-00-01	-044	NP			
0861305-17	27-30-01-01	-026B	1				0861514-2	27-20-00-01	-044A	1			
0861305-18	27-30-01-02	-001A	1				0861515-1	53-10-02-02	-069	1			
0861305-19	27-30-01-01	-026C	1				0861515-3	53-10-02-02	-068	1			
0861305-20	27-30-01-02	-001B	1				0861556-19	27-50-00-02	-022A	1			
0861305-4	27-30-01-01	-030	1				0861556-2	27-50-00-02	-022	1			
0861306-1	53-20-02-01	-016	1				0861558-1	27-50-00-02	-021	1			
0861306-1	53-20-02-02	-015	1				0861560-1	27-50-00-02	-020	1			
0861307-1	53-20-02-01	-016A	1				0861700-1	27-20-02-01	-005	1			
0861309-1	27-30-01-01	-030A	2				0861700-13	27-20-02-01	-007	2			
0861310-1	27-30-01-01	-026D	1				0861700-15	27-20-02-01	-008	2			
0861310-2	27-30-01-02	-001C	1				0861700-17	27-20-02-01	-010	2			
0861310-3	27-30-01-01	-028B	1				0861700-18	27-20-02-01	-011	1			
0861310-4	27-30-01-02	-003B	1				0861700-19	27-20-02-01	-012	1			
0861400-1	22-10-00-02	-011	1				0861700-2	27-20-02-01	-006	1			
0861400-10	22-10-00-02	-013	1				0861700-20	27-20-02-01	-017A	2			
0861400-11	22-10-00-02	-022	1				0861700-20	27-30-01-02	-013	2			
0861400-12	22-50-00-01	-007	3				0861700-200	27-20-02-01	-002B	2			
0861400-13	22-50-00-01	-012	3				0861700-21	27-20-02-01	-017	2			
0861400-14	22-10-01-01	-010	2				0861700-22	27-20-02-01	-015	2			
0861400-14	22-10-01-01	-029	2				0861700-22	27-30-01-02	-012	2			
0861400-15	22-10-00-02	-017	1				0861700-31	27-30-01-02	-007	2			
0861400-2	22-10-00-02	-010	1				0861700-36	27-20-02-01	-003	2			
0861400-27	22-10-00-02	-001	1				0861700-37	27-20-02-01	-002	NP			
0861400-3	22-10-00-02	-012	1				0861700-42	27-30-01-02	-009	1			
0861400-4	22-10-01-01	-001	1				0861700-46	27-30-01-02	-008	1			
0861400-53	22-50-00-01	-025	1				0861700-50	27-20-02-01	-015A	2			
0861400-54	22-50-00-01	-043	1				0861700-57	27-20-02-01	-002A	NP			
0861400-6	22-50-00-01	-001	3				0861700-6	27-20-02-01	-006B	2			
0861400-6	22-50-00-01	-002	2				0861700-6	27-30-01-02	-007A	1			
0861400-63	22-50-00-01	-003	1				0861700-60	27-20-02-01	-003A	2			
0861400-64	22-10-00-02	-002	1				0861706-1	27-20-02-01	-014	2			
0861400-8	22-10-00-02	-006	1				0861706-1	27-30-01-02	-006	2			
0861400-9	22-10-00-02	-003	1				0861710-2	27-20-02-01	-025	1			
0861405-3	22-10-02-01	-002	1				0861710-200	27-20-02-01	-034A	1			
0861405-4	22-10-02-01	-001	1				0861710-3	27-20-02-01	-029	1			
0861500-1	27-30-00-01	-042	1				0861710-4	27-20-02-01	-027A	1			
0861500-13	27-10-00-01	-040	2				0861710-5	27-20-02-01	-018	2			
0861500-4	27-30-00-01	-038	1				0861711-1	27-20-02-01	-016	2			
0861500-43	27-50-00-02	-013	1				0861712-1	27-20-02-01	-027	1			
0861500-50	27-50-00-02	-018	1				0861910	32-41-01-01	-006	1			
0861500-51	27-50-00-02	-016	2				0862100-10	57-50-00-07	-002	1			
0861500-52	27-50-00-02	-008A	1				0862100-11	57-50-00-03	-002	1			

**CESSNA AIRCRAFT COMPANY
MODEL 310 THRU 310D
ILLUSTRATED PARTS CATALOG**

PART NUMBER	CH SEC SUBJ FIG ITEM REQ	PART NUMBER	CH SEC SUBJ FIG ITEM REQ
0862100-12	57-50-00-07 -003 1	0862101-24	57-50-00-07 -013 2
0862100-13	57-50-00-03 -003 1	0862101-24	57-50-00-08 -013 2
0862100-14	57-50-00-08 -002 1	0862101-25	57-50-00-03 -014 2
0862100-15	57-50-00-04 -002 1	0862101-25	57-50-00-04 -014 2
0862100-16	57-50-00-08 -003 1	0862101-25	57-50-00-07 -014 2
0862100-17	57-50-00-04 -003 1	0862101-25	57-50-00-08 -014 2
0862100-18	57-50-00-03 -007 1	0862101-5	57-50-00-03 -018 2
0862100-18	57-50-00-07 -007 1	0862101-5	57-50-00-07 -018 2
0862100-19	57-50-00-03 -009 1	0862101-6	57-50-00-03 -019 2
0862100-19	57-50-00-07 -009 1	0862101-6	57-50-00-07 -019 2
0862100-20	57-50-00-04 -005 1	0862101-7	57-50-00-04 -018 2
0862100-20	57-50-00-08 -005 1	0862101-7	57-50-00-08 -018 2
0862100-21	57-50-00-04 -007 1	0862101-8	57-50-00-04 -019 2
0862100-21	57-50-00-08 -007 1	0862101-8	57-50-00-08 -019 2
0862100-44	27-50-00-01 -017 2	0862101-9	57-50-00-03 -010 2
0862100-45	57-50-00-03 -035 4	0862101-9	57-50-00-07 -010 2
0862100-45	57-50-00-04 -035 4	0870001-6	34-60-00-01 -028 1
0862100-45	57-50-00-07 -035 4	0870001-7	34-60-00-01 -029 1
0862100-45	57-50-00-08 -035 4	0870002-1	34-60-00-01 -006 1
0862100-50	57-50-00-03 -030 1	0870002-14	34-60-00-01 -002A 1
0862100-50	57-50-00-07 -030 1	0870002-2	34-60-00-01 -022 1
0862100-51	57-50-00-03 -031 1	0870002-5	34-60-00-01 -018 1
0862100-51	57-50-00-07 -031 1	0870002-6	34-60-00-01 -019 1
0862100-52	57-50-00-04 -030 1	0870002-7	34-60-00-01 -002 1
0862100-52	57-50-00-08 -030 1	0870002-8	34-60-00-01 -003 1
0862100-53	57-50-00-04 -031 1	0870003-1	34-60-00-01 -007 1
0862100-53	57-50-00-08 -031 1	0870003-2	34-60-00-01 -008 1
0862100-57	57-50-00-03 -037 2	0870003-5	34-60-00-01 -013 1
0862100-57	57-50-00-07 -037 2	0870003-6	34-60-00-01 -010 1
0862100-58	57-50-00-04 -038 1	0870004-1	34-50-05-01 -027A 1
0862100-58	57-50-00-08 -038 1	0870005-2	23-20-01-02 -026 1
0862100-59	57-60-00-01 -012 1	0870005-3	23-20-01-02 -029 1
0862100-59	57-60-00-02 -012 1	0870005-4	23-20-01-02 -028 1
0862100-67	57-60-00-01 -010 1	0870005-5	23-20-01-02 -027 1
0862100-67	57-60-00-02 -010 1	0870006-1	23-10-02-25 -001 1
0862100-71	27-10-00-02 -039 1	0870006-4	23-20-01-02 -010 2
0862100-77	57-50-00-03 -044 1	0870006-6	23-20-01-02 -015 1
0862100-77	57-50-00-07 -044 1	0870008-1	53-20-01-01 -001 1
0862100-78	27-10-00-02 -039C 1	0870012-2	23-50-01-02 -002B 1
0862100-86	57-60-00-02 -007 1	0870012-3	23-50-01-02 -002A 1
0862100-87	57-60-00-01 -007 1	088133-2	24-30-20-01 -007C 1
0862101-10	57-50-00-03 -011 2	088133-3	24-30-20-01 -007D 1
0862101-10	57-50-00-07 -011 2	088139-2	71-10-00-01 -003F NP
0862101-11	57-50-00-04 -010 2	088139-3	71-10-00-01 -003D NP
0862101-11	57-50-00-08 -010 2	0890018-10	11-00-00-01 -040 1
0862101-12	57-50-00-04 -011 2	0890018-11	11-00-00-01 -041 1
0862101-12	57-50-00-08 -011 2	0890018-17	11-00-00-01 -042 1
0862101-21	57-50-00-03 -026 4	0890018-2	11-00-00-01 -038 1
0862101-21	57-50-00-04 -026 4	0890018-3	11-00-00-01 -038A 1
0862101-21	57-50-00-07 -026 4	0890025-3	71-00-00-01 -028A 1
0862101-21	57-50-00-08 -026 4	0890025-6	71-00-00-01 -028C 1
0862101-22	57-50-00-03 -021 2	0890025-9	71-00-00-01 -028E 1
0862101-22	57-50-00-04 -021 2	0890106-33	28-40-00-01 -017 2
0862101-22	57-50-00-07 -021 2	0891000-10	52-10-00-02 -000B 1
0862101-22	57-50-00-08 -021 2	0891000-13	52-10-00-01 -015C 1
0862101-23	57-50-00-03 -022 2	0891000-2	52-10-00-01 -015A 1
0862101-23	57-50-00-04 -022 2	0891000-3	52-10-00-01 -015B 1
0862101-23	57-50-00-07 -022 2	0891000-4	52-10-00-02 -000 1
0862101-23	57-50-00-08 -022 2	0891000-5	52-10-00-02 -000A 1
0862101-24	57-50-00-03 -013 2	0891000-6	52-30-00-01 -020A 1
0862101-24	57-50-00-04 -013 2	0891000-7	52-30-00-01 -001 1

**CESSNA AIRCRAFT COMPANY
MODEL 310 THRU 310D
ILLUSTRATED PARTS CATALOG**

PART NUMBER	CH SEC SUBJ FIG ITEM REQ	PART NUMBER	CH SEC SUBJ FIG ITEM REQ
0891000-7	52-30-00-02 -001 1	0892003-5	57-10-01-01 -000A 1
0891000-8	24-50-00-01 -001 1	0892003-6	28-20-01-01 -000E 1
0891001-2	52-30-00-02 -007A 1	0892003-6	57-10-01-04 -000A 1
0891001-3	52-30-00-02 -007B 1	0892003-7	57-10-00-01 -015H 01
0891100-2	31-10-00-04 -000 1	0892003-7	57-10-00-02 -000B 1
0891100-3	31-10-00-04 -000A 1	0892003-8	57-10-00-05 -015H 1
0891100-5	53-10-02-01 -043 1	0892003-8	57-10-00-06 -000B 1
0891100-6	53-10-05-01 -012 1	0892003-9	57-10-00-01 -015F 01
0891100-9	53-10-05-01 -012A 1	0892003-9	57-10-00-02 -000 1
0891102-1	31-10-00-04 -000B 1	0892007-1	57-10-00-11 -014 01
0891102-2	31-10-00-04 -000C 1	0892007-11	57-10-00-11 -034 01
0891103-1	25-10-00-01 -012 1	0892007-2	57-10-00-11 -013 01
0891103-2	25-10-00-01 -012A 1	0892007-3	57-10-00-11 -012 01
0891103-4	25-10-00-01 -012B 1	0892007-4	57-10-00-11 -035 01
0891104-1	25-10-00-01 -012C 1	0892007-5	57-10-00-11 -016 02
0891104-2	25-10-00-01 -016E 1	0892007-6	57-10-00-11 -017 02
0891105-1	25-21-00-02 -011C 1	0892007-7	57-10-00-11 -015 01
0891105-2	25-21-00-02 -022B 1	0892300-1	28-10-00-02 -002 1
0891200-1	53-10-00-01 -004 1	0892300-6	28-10-00-01 -030F 1
0891200-1	53-10-07-01 -000 1	0892300-7	28-10-00-01 -030C 1
0891200-10	53-10-07-04 -001A 1	0893000-1	55-40-00-01 -006A 1
0891200-11	53-10-07-04 -011A 1	0893000-2	55-20-00-01 -019B 1
0891200-12	53-10-07-04 -019 1	0893001-1	55-30-00-01 -016A 1
0891200-2	53-10-07-04 -001 NP	0893001-3	55-30-00-01 -016B 1
0891200-3	53-10-07-04 -011 NP	0893001-4	55-30-00-01 -016C 1
0891201-1	53-10-00-01 -004A NP	0893002-1	55-10-00-01 -007A 1
0891201-1	53-10-07-01 -000A NP	0893002-2	55-10-00-01 -007B NP
0891201-3	53-10-00-01 -004B 1	0893002-3	55-10-00-01 -007C 1
0891201-3	53-10-07-01 -000B 1	0894000-2	32-30-00-06 -001 1
0891300-4	53-30-00-03 -000 1	0894000-4	32-30-00-06 -032 1
0891300-7	53-10-06-01 -013D 1	0894000-7	32-30-00-06 -032A 1
0891300-8	53-30-00-03 -000A 1	0894000-8	32-30-00-06 -001A 1
0891300-9	53-10-06-01 -013C 1	0894000-9	32-10-00-01 -014 4
0892000-10	54-10-00-02 -033C 1	0895000-2	71-10-00-01 -035 1
0892000-11	54-10-00-01 -033C 1	0895000-2	71-10-00-02 -042 1
0892000-9	57-60-00-01 -019D 1	0895000-2	71-10-00-03 -025 1
0892002-1	57-40-00-01 -043 1	0895000-3	71-10-00-01 -035A 1
0892002-2	57-40-00-02 -043 1	0895000-3	71-10-00-02 -042A 1
0892003-1	28-20-01-01 -000 1	0895000-3	71-10-00-03 -025A 1
0892003-1	57-10-01-01 -000 1	0895000-4	71-10-00-01 -038 1
0892003-10	57-10-00-05 -015F 1	0895000-4	71-10-00-02 -045 1
0892003-10	57-10-00-06 -000 1	0895000-5	71-10-00-01 -038A 1
0892003-11	57-10-00-01 -015J 01	0895000-5	71-10-00-02 -045A 1
0892003-11	57-10-00-02 -000C 1	0895000-8	71-10-00-03 -028A 1
0892003-12	57-10-00-05 -015J 1	0895000-9	71-10-00-03 -028 1
0892003-12	57-10-00-06 -000C 1	0895002-3	54-10-00-01 -033E 1
0892003-13	28-20-01-01 -000B 1	0895002-4	54-10-00-02 -033E 1
0892003-13	57-10-01-01 -000B 1	0895003-1	71-20-00-01 -015C 1
0892003-14	28-20-01-01 -000F 1	0895003-2	71-20-00-02 -004B 1
0892003-14	57-10-01-04 -000B 1	0895003-3	71-20-00-01 -003C 1
0892003-15	28-20-01-01 -000C 1	0895003-4	71-20-00-02 -019B 1
0892003-15	57-10-01-01 -000C 1	0895004-1	54-10-01-02 -002A 1
0892003-16	28-20-01-01 -000G 1	0895004-2	54-10-01-04 -002A 1
0892003-16	57-10-01-04 -000C 1	0895004-3	54-10-01-02 -002B 1
0892003-2	28-20-01-01 -000D 1	0895004-4	54-10-01-04 -002B 1
0892003-2	57-10-01-04 -000 1	0895100-3	71-20-00-01 -015B 1
0892003-3	57-10-00-01 -015G NP	0895100-4	71-20-00-01 -003B 1
0892003-3	57-10-00-02 -000A NP	0895100-5	71-20-00-02 -004A 1
0892003-4	57-10-00-05 -015G NP	0895100-6	71-20-00-02 -019A 1
0892003-4	57-10-00-06 -000A NP	0896000-1	27-30-01-01 -004A 1
0892003-5	28-20-01-01 -000A 1	0896000-2	27-30-01-01 -017 1

**CESSNA AIRCRAFT COMPANY
MODEL 310 THRU 310D
ILLUSTRATED PARTS CATALOG**

PART NUMBER	CH SEC SUBJ FIG ITEM REQ	PART NUMBER	CH SEC SUBJ FIG ITEM REQ
0896000-3	27-30-01-01 -005 2	14087	23-10-02-03 -008 1
0896001-1	53-20-02-01 -019C 1	14376	23-10-02-01 -007E 1
0896001-2	53-20-02-01 -019D 1	14376	23-10-02-02 -004E 1
0896001-3	53-20-02-02 -016A 1	14376	23-10-02-03 -005E 1
1/16 X .625 TYPE 3	27-00-00-03 -017 2	14593	23-20-01-04 -016 2
1/16 X 625 TYPE	27-00-00-02 -020 2	14627	23-20-01-04 -010A 1
1/16 X 625 TYPE 3	27-00-00-01 -018 2	14628	23-20-01-04 -010 1
10	31-10-01-02 -030 1	14633	23-20-01-04 -015 1
10	33-10-00-03 -021 1	147-1142	23-20-03-01 -017 1
10	33-10-00-03 -027 1	152	23-20-01-04 -005 3
100	25-60-00-03 -011 1	1528	34-30-02-02 -006 1
10021	23-20-01-04 -008 1	163	23-20-01-04 -011 1
1005	23-10-02-01 -007B 1	170677	21-40-00-10 -050 2
1005	23-10-02-01 -010B 1	170920	21-40-00-06 -049E 4
1005	23-10-02-02 -004B 1	170920	21-40-01-01 -027 3
1005	23-10-02-03 -005B 1	170920	21-40-01-01 -030 1
1005	23-10-02-03 -008B 1	17350	21-40-01-01 -032 3
101	23-10-02-08 -019 1	1736	32-10-00-02 -001A 1
101	23-10-02-10 -010 1	1736	32-30-00-03 -001D 1
101	23-10-02-24 -009 1	1736	32-30-00-03 -020A 1
101	31-10-01-04 -007 1	1739-4	28-20-01-01 -041 1
103	23-20-01-04 -012 2	1739-5	28-20-01-01 -040 1
10310-021-2	32-30-00-01 -007B 2	1746-6	24-30-20-04 -012 1
1032NF-2A	54-10-00-04 -016 9	1747-6	53-20-00-05 -034 2
1032NF-2A	54-10-00-06 -016 9	1747-R-6	53-20-00-05 -035 1
118730	21-40-00-06 -017 6	1758E-3R	24-30-20-03 -040 1
1197	28-10-00-01 -013A 1	18/30 HS	34-50-05-02 -009 AR
1197	28-10-00-02 -016A 1	18/30HS	23-10-01-03 -006 AR
1200018-1	21-40-00-03 -069 4	18/30HS	34-50-05-03 -009 AR
1200057-1	35-10-00-01 -002 2	180004	61-20-00-01 -029 1
1200057-1	35-10-00-02 -014 2	1801-064	57-10-00-01 -008 14
1200057-1	35-10-00-03 -014 1	1801-064	57-10-00-05 -008 14
1200057-2	35-10-00-03 -014A 1	180231	61-20-00-01 -029A 1
1200058-1	35-10-00-01 -010 1	182194	61-20-00-01 -016 1
1200058-1	35-10-00-02 -022 1	182684	61-20-00-01 -014 1
1200058-1	35-10-00-03 -022 1	18370	21-40-01-01 -001 1
1200058-1	35-10-00-04 -006 NP	184793	61-20-00-01 -041 2
12591	23-20-01-04 -006 1	186283	61-20-00-01 -002 1
1269	76-10-01-02 -015 1	186320	61-20-00-01 -052 2
1270012-1	23-00-00-05 -012 2	186321	61-20-00-01 -053 AR
1270012-5	23-00-00-05 -012A 2	18672	21-40-00-06 -053 11
1270013-3	23-00-00-05 -016 1	18672	21-40-00-08 -058 9
12715	23-20-01-04 -001 1	18744	34-50-05-01 -034 1
12716	23-20-01-04 -004 1	188036	61-20-00-01 -011 1
12LHA407-02	54-10-01-01 -008 2	188434	61-20-00-01 -004 1
12LHA407-02	54-10-01-03 -008 2	189522	61-20-00-01 -001 1
13778-06	71-60-00-01 -001A 1	189574	61-20-00-01 -039 2
14034	23-10-02-01 -008 AR	189798	61-20-00-01 -024 1
14034	23-10-02-01 -011 AR	189880	61-20-00-01 -006 1
14034	23-10-02-02 -005 AR	190094	61-20-00-01 -032 1
14034	23-10-02-03 -006 AR	190189	61-20-00-01 -008 1
14034	23-10-02-03 -009 AR	19039	34-50-05-01 -032 6
14034	23-10-02-04 -009 11	190576	61-20-00-01 -010 1
14034	23-10-02-05 -010 11	190733	61-20-00-01 -037 3
14034	23-10-02-09 -007 5	190734	61-20-00-01 -040 6
14034	23-10-02-12 -007 20	19077	34-50-05-02 -018 1
14034	23-10-02-13 -010 30	191869	61-20-00-01 -012 1
14087	23-10-02-01 -007 1	192103	61-20-00-01 -030 1
14087	23-10-02-01 -010 1	192315	61-20-00-01 -023 1
14087	23-10-02-02 -004 1	192370	61-20-00-01 -055A 1
14087	23-10-02-03 -005 1	192519	61-20-00-01 -023A 1

**CESSNA AIRCRAFT COMPANY
MODEL 310 THRU 310D
ILLUSTRATED PARTS CATALOG**

PART NUMBER	CH	SEC	SUBJ	FIG	ITEM	REQ	PART NUMBER	CH	SEC	SUBJ	FIG	ITEM	REQ
193385	61	20	00	01	-038	1	22NA3-02	57	10	00	02	-043A	4
196000	61	20	00	01	-033	2	22NA3-02	57	10	01	01	-043A	4
1L2189-144	76	10	01	02	-005	1	22NA7-68-02	32	30	00	01	-035	2
1L2729-188	76	10	01	02	-020	8	22NA7-68-02	57	10	00	02	-021A	2
1L2729-281	76	10	01	02	-027	4	22NA7-68-02	57	10	00	06	-019A	2
1L3887	76	10	01	02	-038	2	22NA7-68-02	57	10	01	01	-021A	2
200AC-6	27	20	02	01	-030	1	22NA7-68-02	57	10	01	04	-019A	2
204864	61	20	00	01	-043	1	22NKA1-82	28	10	00	01	-029	7
204865	61	20	00	01	-045	1	22NKM-02	56	10	00	02	-026	3
2055785-1	31	10	00	01	-027A	2	232	34	30	00	01	-009D	1
2055785-1	31	10	00	02	-025A	2	234	23	20	01	04	-007	4
2055785-1	31	10	00	03	-012A	2	24-444	76	10	01	01	-033A	2
206336	61	20	00	01	-046	1	244-16	54	10	00	01	-021B	3
206337	61	20	00	01	-021	1	244-16	54	10	00	01	-024B	3
210022	61	20	00	01	-047	1	244-16	54	10	00	01	-043B	8
210023	61	20	00	01	-018	1	244-16	54	10	00	02	-021B	3
210025	61	20	00	01	-025	1	244-16	54	10	00	02	-024B	3
210031	61	20	00	01	-042	1	244-16	54	10	00	02	-043B	8
210034	61	20	00	01	-015	1	244-16	54	10	01	01	-008B	13
210035	61	20	00	01	-013	1	244-16	54	10	01	02	-010	13
210036	61	20	00	01	-044	1	244-16	54	10	01	03	-008B	13
210039	61	20	00	01	-003	1	244-16	54	10	01	04	-009	13
210044	61	20	00	01	-026	1	244-16	71	10	00	01	-015A	12
210067	61	20	00	01	-050A	1	244-16	71	10	00	02	-014A	12
210068	61	20	00	01	-055	1	244-16	71	10	00	02	-015C	8
210071	61	20	00	01	-057	1	244-16	71	10	00	02	-034A	1
210076	61	20	00	01	-051	1	244-16	71	10	00	02	-036A	2
210077	61	20	00	01	-054	1	244-16	71	10	00	03	-003B	12
210078	61	20	00	01	-056	1	244-16	71	10	00	03	-004A	8
210095	61	20	00	01	-036	3	244-16	71	10	00	04	-014	12
210100	61	20	00	01	-017	1	244-16D	71	10	00	03	-017A	4
210101	61	20	00	01	-022	1	24A037	21	40	00	10	-058	1
210109	61	20	00	01	-035	1	25-100-2	76	10	01	01	-001	1
210111	61	20	00	01	-031	1	25-100-5	76	10	01	01	-015	1
210112	61	20	00	01	-034	2	25-102	76	10	01	01	-003	1
210119	61	20	00	01	-027	1	25-104	76	10	01	01	-005	12
210123	61	20	00	01	-045A	1	25-105-625	76	10	01	01	-007	5
210124	61	20	00	01	-027A	1	25-105-625	76	10	01	01	-007A	4
210204	61	20	00	01	-050B	1	25-106	76	10	01	01	-018	8
210206	61	20	00	01	-045B	1	25-111-160	76	10	01	01	-019	8
210207	61	20	00	01	-031A	1	25-111-272	76	10	01	01	-024	4
210214	61	20	00	01	-022A	1	25-112-119	76	10	01	01	-011	1
210216	61	20	00	01	-029B	1	25-112-150	76	10	01	01	-004	1
210268	61	20	00	01	-028	1	25-165	76	10	01	01	-012	1
210271	61	20	00	01	-035A	1	25-167	76	10	01	01	-013	1
210274	61	20	00	01	-047A	1	25-193	76	10	01	01	-016	1
22370-120	24	30	10	02	-030B	1	25-265-13	76	10	01	01	-036	2
22370-60	24	50	10	01	-006	1	25-265-16	76	10	01	01	-002	1
22A3-02	23	10	01	05	-004A	4	25-265-2-152	76	10	01	01	-017	1
22A3-02	34	50	05	01	-003	4	25-265-2-152	76	10	01	01	-029	2
22FS428	32	20	00	01	-009	6	25-265-2-323 RPM	76	10	01	01	-025	1
22FT428	32	20	00	01	-009A	2	25-265-2-454	76	10	01	01	-026	1
22K2-048	28	20	00	04	-022B	2	25-265-2-593M	76	10	01	01	-027	1
22K2-82	31	10	00	06	-004	6	25-265-2-593T	76	10	01	01	-020	1
22NA17-02	57	10	01	05	-023	2	25-265-5	76	10	01	01	-028	2
22NA17A-02	57	50	00	02	-015A	1	25-265-5-593	76	10	01	01	-021	1
22NA17A-02	57	50	00	02	-020	1	25-265-7-1	76	10	01	01	-009	1
22NA17A-02	57	50	00	06	-015A	1	25-265-7-2	76	10	01	01	-040	1
22NA17A-02	57	50	00	06	-019A	1	25-265-8	76	10	01	01	-006	1
22NA1K3-02	28	10	00	01	-026	5	25-265-8	76	10	01	01	-008	1
22NA3-02	55	30	00	01	-024	4	25-284	76	10	01	01	-033	2

**CESSNA AIRCRAFT COMPANY
MODEL 310 THRU 310D
ILLUSTRATED PARTS CATALOG**

PART NUMBER	CH SEC SUBJ FIG ITEM REQ	PART NUMBER	CH SEC SUBJ FIG ITEM REQ
25-285	76-10-01-01 -014 1	2L3929-1	76-10-01-02 -025 1
25-286	76-10-01-01 -010 1	2L3929-2	76-10-01-02 -026 1
25-287	76-10-01-01 -022 1	2VB1	24-30-20-01 -004 1
25-287	76-10-01-01 -023 1	3/32 X .375 TYPE 3	27-00-00-03 -018 2
25-288	76-10-01-01 -032 2	3/32 X 375 TYPE	27-00-00-02 -021 2
25-291	76-10-01-01 -041 1	3/32 X 375 TYPE3	27-00-00-01 -019 2
25-295	76-10-01-01 -030 2	305	33-10-00-02 -023 1
25-438-1	76-10-01-01 -010A 1	32FE-428	32-40-01-01 -012A 3
25-438-2	76-10-01-01 -041A 1	33-199-1	73-10-00-01 -036 1
25-439-1	76-10-01-01 -009A 1	33-199-1	73-10-00-02 -015 1
25-439-2	76-10-01-01 -040A 1	33-199-2	73-10-00-01 -031 1
25-440-1	76-10-01-01 -006A 1	33-199-3	73-10-00-01 -037 1
25-440-2	76-10-01-01 -008A 1	33-199-3	73-10-00-02 -016 1
25-441	76-10-01-01 -042 1	33-199-31	73-10-00-01 -031B 1
25-442	76-10-01-01 -044 1	33-199-31-1	73-10-00-01 -033 1
25-443	76-10-01-01 -043 2	33-199-31-3	73-10-00-01 -032 1
25-445	76-10-01-01 -028A 2	33-199-41	73-10-00-02 -011 1
25-448	76-10-01-01 -025A 1	33-199-44	73-10-00-01 -031A 1
250-515-4	28-10-00-01 -044 1	33-199-5	73-10-00-01 -034 1
250-515-5	28-10-00-02 -014B 1	33-199-5	73-10-00-02 -012 1
250-515-8	28-10-00-01 -040 1	33-199-6	73-10-00-01 -035 1
2505059-4	11-00-00-01 -050 1	33-199-6	73-10-00-02 -013 2
2505059-4	33-10-00-01 -035 1	33-199-7	73-10-00-01 -039 1
2505059-5	33-10-00-01 -036 1	33-199-7	73-10-00-02 -017 1
2505059-6	11-00-00-01 -046 1	33-199-71	73-10-00-02 -014 1
26403	73-10-00-03 -006 1	33-199-8	73-10-00-01 -038 1
26404	73-10-00-03 -011 1	33-199-8	73-10-00-02 -017A 1
26405	73-10-00-03 -002A 1	330	34-30-01-01 -011A 3
26405-A	73-10-00-03 -002 1	334	31-10-01-02 -028 1
26409	73-10-00-03 -007 1	334	33-10-00-03 -025 1
26413	73-10-00-03 -001 1	3368-3	30-10-00-05 -070 1
26416-A	73-10-00-03 -009 2	350-4-0080	32-41-00-02 -001 2
26417-A	73-10-00-03 -003 1	350-4-0360	32-41-00-02 -014 2
26419	73-10-00-03 -010 1	351	24-30-00-03 -021 1
26420-A	73-10-00-03 -005A 1	3515-18-01	52-10-00-01 -008 1
26424	73-10-00-03 -008 1	3515-18-01	52-10-00-01 -012 1
26452-A	73-10-00-03 -005 1	3515-18-01	52-30-00-02 -029 2
2670067-1	33-10-00-01 -032 1	39337	21-40-00-06 -037 1
27E008	21-40-00-10 -057 1	397-4	31-10-00-03 -041 1
2806DC	33-10-00-02 -002 2	397-6	31-10-00-08 -042 2
29536	37-10-00-03 -026 1	3D113	28-20-01-01 -015A 2
295375-1	25-21-00-06 -024 4	3D1245-2	30-10-00-06 -014 1
295375-1	25-21-01-01 -027 4	3D1245-3	30-10-00-06 -015 1
295375-1	25-21-02-01 -034 4	4002-3	71-10-00-03 -011 13
295409	25-21-00-06 -008 4	4002-4	71-10-00-01 -032 12
295409	25-21-01-01 -016 4	4002-4	71-10-00-02 -023A 17
295409	25-21-02-01 -003 4	4002-4	71-10-00-02 -039 12
2L2451-630	76-10-01-02 -008 5	4002-4	71-10-00-03 -012 6
2L2615-4.684	76-10-01-02 -035 3	4002-4	71-10-00-03 -024 12
2L2727-109	76-10-01-02 -018 1	4002-5	71-10-00-02 -028A 9
2L2727-173	76-10-01-02 -034 1	4002-5	71-10-00-02 -037A 6
2L2727-472	76-10-01-02 -030 1	4002-5	71-10-00-03 -016 11
2L2727-560	76-10-01-02 -024 1	4002-5	71-10-00-03 -023 7
2L3892	76-10-01-02 -001A 1	4002-6	71-10-00-02 -024A 2
2L3893	76-10-01-02 -021 1	4002-6	71-10-00-02 -029A 2
2L3893	76-10-01-02 -031 1	4002-6	71-10-00-02 -038A 2
2L3896	76-10-01-02 -017 1	4002-6	71-10-00-03 -016A 1
2L3897	76-10-01-02 -001 1	4002-6	71-10-00-03 -023A 1
2L3898	76-10-01-02 -016 1	4002G	71-10-00-01 -033 12
2L3927	76-10-01-02 -033 2	4002G	71-10-00-02 -023B 17
2L3928	76-10-01-02 -028 1	4002G	71-10-00-02 -028B 9

**CESSNA AIRCRAFT COMPANY
MODEL 310 THRU 310D
ILLUSTRATED PARTS CATALOG**

PART NUMBER	CH SEC SUBJ FIG	ITEM	REQ	PART NUMBER	CH SEC SUBJ FIG	ITEM	REQ
4002G	71-10-00-02	-029B	2	440-16-8	28-20-00-01	-009A	1
4002G	71-10-00-02	-037B	6	440-16-8	28-20-00-01	-039	1
4002G	71-10-00-02	-040	12	440-16-8	28-20-00-02	-006	4
4002G	71-10-00-03	-016B	12	440-16-8	28-20-00-02	-009	1
4002G	71-10-00-03	-023B	8	440-16-8	28-20-00-02	-037	1
4002G	71-10-00-03	-024A	12	441-16-8	28-20-00-01	-009B	1
4002H	71-10-00-02	-024B	2	441-16-8	28-20-00-02	-009A	1
4002H	71-10-00-02	-038B	2	450262	30-10-00-01	-027A	2
400433	61-20-00-01	-007	1	4537	24-30-00-03	-025	1
4008-14-00	52-10-00-04	-005A	2	455-2-6	28-20-00-01	-030	3
4010-14-00	52-10-00-04	-003	2	45569	21-40-01-01	-012	3
4048	23-10-02-01	-007D	1	4558	23-20-01-04	-013	2
4048	23-10-02-01	-010D	1	4594	33-40-00-03	-018	1
4048	23-10-02-01	-013C	1	463	23-10-01-03	-007	1
4048	23-10-02-02	-004D	1	463	23-10-01-03	-007A	2
4048	23-10-02-02	-007C	1	463	34-50-05-02	-013	1
4048	23-10-02-03	-005D	1	463	34-50-05-03	-010	1
4048	23-10-02-03	-008D	1	4697	23-10-02-01	-007C	1
4048	23-10-02-03	-011C	2	4697	23-10-02-01	-010C	1
4048	23-10-02-04	-011C	2	4697	23-10-02-01	-013B	1
4048	23-10-02-05	-012C	1	4697	23-10-02-02	-004C	1
4048	23-10-02-06	-013B	1	4697	23-10-02-02	-007B	1
4048	23-10-02-08	-016B	1	4697	23-10-02-03	-005C	1
4048	23-10-02-09	-008C	1	4697	23-10-02-03	-008C	1
4048	23-10-02-11	-007B	1	4697	23-10-02-03	-011B	2
4048	23-10-02-12	-008C	1	4697	23-10-02-04	-011B	2
4048	23-10-02-13	-011C	1	4697	23-10-02-05	-012B	1
4048	23-10-02-16	-003B	1	4697	23-10-02-06	-013A	1
4048	23-10-02-18	-011B	1	4697	23-10-02-08	-016A	1
4048	23-10-02-23	-005B	1	4697	23-10-02-09	-008B	1
40G1-5	71-10-00-03	-012A	19	4697	23-10-02-11	-007A	1
4125	23-10-01-03	-020	1	4697	23-10-02-12	-008B	1
4140	23-10-02-01	-007A	1	4697	23-10-02-13	-011B	1
4140	23-10-02-01	-010A	1	4697	23-10-02-16	-003A	1
4140	23-10-02-01	-013A	1	4697	23-10-02-18	-011A	1
4140	23-10-02-02	-004A	1	4697	23-10-02-23	-005A	1
4140	23-10-02-02	-007A	1	47	23-20-03-01	-017A	1
4140	23-10-02-03	-005A	1	470381	21-40-01-01	-019	2
4140	23-10-02-03	-008A	1	471	52-10-00-02	-004	AR
4140	23-10-02-03	-011A	2	471	56-10-00-01	-002	AR
4140	23-10-02-04	-011A	2	471	56-10-00-02	-003	AR
4140	23-10-02-05	-012A	1	471	56-10-00-02	-020B	AR
4140	23-10-02-06	-013D	1	471	56-20-00-01	-004	AR
4140	23-10-02-08	-016D	1	471	56-20-00-01	-022	AR
4140	23-10-02-09	-008A	1	473455	21-40-00-08	-039	1
4140	23-10-02-11	-007D	1	474363	21-40-00-10	-022	1
4140	23-10-02-12	-008A	1	474669	21-40-01-01	-052	1
4140	23-10-02-13	-011A	1	474948	21-40-00-06	-036	1
4140	23-10-02-16	-003D	1	474948	21-40-00-08	-030	1
4140	23-10-02-18	-011D	1	474995	21-40-00-10	-034	2
4140	23-10-02-23	-005D	1	475005	21-40-00-06	-031	3
4140	23-20-01-04	-002	1	475005	21-40-00-06	-049H	2
4140	23-20-01-04	-009	1	475005	21-40-01-01	-002	1
4208	21-40-00-06	-038	1	475005	21-40-01-01	-036	2
4209	21-40-00-06	-039	1	475067	21-40-00-06	-029	1
430262	30-10-00-01	-027	1	475067	21-40-00-08	-023	1
436A-5	35-10-00-02	-033	2	475127	21-40-00-06	-021	1
436A-5	35-10-00-03	-033	3	475127	21-40-00-08	-041	1
436A5	35-10-00-01	-021	2	476229	21-40-01-01	-046	1
440-16-8	28-20-00-01	-006	4	476339	21-40-01-01	-050	1
440-16-8	28-20-00-01	-009	2	477096	21-40-01-01	-015	1

**CESSNA AIRCRAFT COMPANY
MODEL 310 THRU 310D
ILLUSTRATED PARTS CATALOG**

PART NUMBER	CH SEC SUBJ FIG ITEM REQ	PART NUMBER	CH SEC SUBJ FIG ITEM REQ
477727	21-40-00-10 -048 1	489319	21-40-00-08 -059 9
481074	21-40-01-01 -013 6	489408	21-40-00-08 -063 3
48152	24-30-10-02 -025 2	489852	21-40-00-08 -028 1
48161	31-10-00-02 -031 15	48P10	24-10-00-02 -003 2
48161	34-50-01-02 -013 2	49662-2-K2215	32-10-01-01 -000E 28
48161	34-50-02-02 -009 2	49662-2-K2215	32-20-01-01 -000B 41
484044	21-40-01-01 -047 1	4L3879-2	76-10-01-02 -022 1
484079	21-40-00-10 -042 6	4L3879-6	76-10-01-02 -032 1
484114	21-40-00-06 -015 1	4L3879-8	76-10-01-02 -029 1
484140	21-40-00-06 -042 1	4L3880-1	76-10-01-02 -012 1
484140	21-40-00-08 -044 1	4L3880-2	76-10-01-02 -013 1
484140	21-40-00-10 -018 1	4L3882-1	76-10-01-02 -007 1
484141	21-40-00-06 -043 1	4L3882-2	76-10-01-02 -009 1
484141	21-40-00-08 -045 1	4L3886-1	76-10-01-02 -010 1
484153	21-40-00-06 -016 1	4L3886-2	76-10-01-02 -011 1
484869	21-40-01-01 -024 3	4L4134-2B	76-10-01-01 -036A 2
484955	21-40-00-08 -050 1	4L4134-4	76-10-01-02 -042 2
484986	21-40-00-08 -051 1	4NBC612ZP	32-30-00-05 -026A 1
485152	21-40-00-08 -046 1	4NBC612ZP	32-30-00-06 -048 1
485152	21-40-00-10 -025 2	4NCC910P	32-20-00-01 -022 1
485160	21-40-00-06 -033 1	5-8-2	71-10-00-02 -024C 19
486238	21-40-00-08 -016 1	5-8-2	71-10-00-02 -029C 11
486802	21-40-00-08 -017 1	5-8-2	71-10-00-02 -038C 8
486803	21-40-00-08 -018 2	5-81-1	54-10-00-01 -021A 3
486901	21-40-00-06 -041 1	5-81-1	54-10-00-01 -024A 3
487274	21-40-00-08 -010 9	5-81-1	54-10-00-01 -043A 8
487274	21-40-00-10 -036 28	5-81-1	54-10-00-02 -021A 3
487274	21-40-01-01 -005 4	5-81-1	54-10-00-02 -024A 3
487274	21-40-01-01 -020 3	5-81-1	54-10-00-02 -043A 8
487275	21-40-01-01 -010 4	5-81-1	54-10-01-01 -008A 13
487277	21-40-00-06 -032 1	5-81-1	54-10-01-03 -008A 13
487277	21-40-00-08 -026 1	5-81-1	71-10-00-02 -015B 8
487283	21-40-00-06 -018 7	5-81-1	71-10-00-02 -034 1
487283	21-40-00-06 -049I 1	5-81-1	71-10-00-02 -036 2
487283	21-40-00-08 -008 5	5-82-2A	71-10-00-02 -023 17
487283	21-40-00-10 -037 12	5-82-2A	71-10-00-02 -028 9
487283	21-40-01-01 -006 4	5-82-2A	71-10-00-02 -029 2
487283	21-40-01-01 -022 3	5-82-2A	71-10-00-02 -037 6
487348	21-40-00-10 -051 1	5-82-4A	71-10-00-02 -024 2
487357	21-40-00-06 -049G 2	5-82-4A	71-10-00-02 -038 2
487357	21-40-00-08 -014 2	5010	61-10-00-01 -020 2
487357	21-40-00-10 -035 2	5010	61-10-00-02 -012 2
487357	21-40-01-01 -023 3	502987-401-2251	25-10-00-03 -001 02
488066	21-40-00-06 -045 12	503-9568-002	34-30-01-03 -005 1
488066	21-40-00-08 -049 10	5045001-201	32-30-00-01 -017 1
488066	21-40-00-08 -052 1	5045001-202	32-30-00-01 -017A 1
488066	21-40-00-10 -041 12	5045001-203	32-30-00-01 -017B 1
488067	21-40-00-06 -044 4	5045001-203	57-10-01-01 -020B 1
488163	21-40-00-06 -020 1	5045001-203	57-10-01-04 -018B 1
488164	21-40-00-06 -019 1	5045001-58	32-30-00-01 -034 2
488223	21-40-00-06 -014 3	5045203-2	32-30-00-05 -017A 1
488223	21-40-00-06 -025 4	5045203-3	32-30-00-05 -017 1
488478	21-40-01-01 -051 1	50704	31-10-00-01 -033 2
488555	21-40-01-01 -003 1	50704	31-10-00-02 -032 2
488558	21-40-00-06 -048 4	50727	55-40-00-01 -022 1
488559	21-40-00-08 -048 4	5103-25-MF	28-20-00-04 -031C 1
488589	21-40-00-10 -021 1	51118	31-10-00-01 -032 7
488993	21-40-00-10 -012 2	5141052-1	32-30-00-03 -031A 2
489145	21-40-00-10 -007 4	5198526-5	11-00-00-01 -048 1
489145	21-40-01-01 -031 3	5198526-5	33-10-00-01 -033 1
489319	21-40-00-06 -054 9	5198526-6	11-00-00-01 -049 1

CESSNA AIRCRAFT COMPANY MODEL 310 THRU 310D ILLUSTRATED PARTS CATALOG

PART NUMBER	CH	SEC	SUBJ	FIG	ITEM	REQ	PART NUMBER	CH	SEC	SUBJ	FIG	ITEM	REQ
5198526-6	33	10	00	01	-034	1	700146	21	40	00	06	-049D	3
52-018-078-0500	73	10	00	02	-021	1	700146	21	40	01	01	-025	3
52-022-094-0620	76	10	00	03	-018	2	700147	21	40	00	06	-052	1
52-022-094-0620	76	10	00	04	-018	2	700147	21	40	00	08	-057	1
52-022-094-1000	52	10	00	05	-026	1	700380	21	40	00	10	-024	2
5243518-3	32	30	00	03	-031	2	700383	21	40	01	01	-026	3
525-10C4HT	23	50	00	02	-001A	1	711098	21	40	00	08	-033	1
5292005-46	57	10	00	11	-025	03	711205	21	40	00	08	-036	4
5292005-48	57	10	00	11	-026	01	711205	21	40	00	10	-039	4
5295103-10	57	10	00	11	-005	01	711215	21	40	00	08	-040	2
5295103-11	57	10	00	11	-004	01	71121N	23	10	02	12	-006A	1
5295103-12	57	10	00	11	-002	01	71121N	23	10	02	13	-008A	1
5295103-13	57	10	00	11	-001	01	71121N	23	10	02	13	-009A	1
5295103-7	57	10	00	11	-003	01	711221	21	40	00	08	-034	1
5332099-4	55	10	00	01	-032A	1	711222	21	40	00	08	-011	1
5332100-3	55	10	00	01	-034A	2	711223	21	40	00	08	-013	1
5334119-3	55	20	00	01	-064A	1	711224	21	40	00	08	-012	1
5334119-4	55	20	00	01	-063A	1	711227	21	40	00	08	-061	1
5334120-2	55	20	00	01	-065A	1	711228	21	40	00	08	-062	1
569807	73	10	00	03	-004	1	711230	21	40	00	08	-029	1
58021N	23	10	02	17	-006	1	711233	21	40	00	06	-049A	1
58021N	23	10	02	19	-005	1	711240	21	40	00	08	-019	1
58021N	23	10	02	23	-004	1	711241	21	40	00	08	-020	1
58021N	23	10	02	24	-005	1	713047	53	10	06	01	-038	1
5802IN	23	10	02	18	-010	1	714708	21	40	01	01	-033	1
5914	23	20	01	04	-014	1	714709	21	40	01	01	-014	1
5M77	76	10	01	02	-006	12	714710	21	40	01	01	-059	1
5M82	76	10	01	02	-019	8	714712	21	40	00	10	-005	1
600-001-1/4	28	10	00	01	-027A	40	714714	21	40	00	10	-004	1
600-001-1/4	28	40	00	01	-022	24	714722	21	40	00	10	-023	2
600-001-10-0S	28	20	01	01	-035	10	714737	21	40	01	01	-062	1
600-001-10-0S	28	40	00	01	-004	10	714738	21	40	01	01	-060	1
627368	71	60	00	02	-005	1	714792	21	40	01	01	-041	1
627690	24	30	10	02	-003A	2	714798	21	40	00	10	-017	1
627773	71	00	00	01	-012B	4	714892	21	40	00	10	-015	2
6619127-202	24	30	00	03	-019A	1	714899	21	40	00	10	-014	1
6619127-202	33	10	00	02	-002A	2	714907	21	40	01	01	-037	2
6619127-202	33	10	00	02	-004	2	714992	21	40	01	01	-039	1
6619127-202	33	10	00	02	-022	1	714995	21	40	00	10	-020	1
6749	23	10	02	01	-013	1	715006	21	40	00	10	-046	1
6749	23	10	02	02	-007	1	715007	21	40	00	10	-013	1
6749	23	10	02	03	-011	2	715062	21	40	01	01	-055	1
6749	23	10	02	04	-011	2	715167	21	40	01	01	-058	1
6749	23	10	02	05	-012	1	715178	21	40	00	10	-019	1
6749	23	10	02	06	-013C	1	715289	21	40	00	10	-010	1
6749	23	10	02	08	-016C	1	715290	21	40	01	01	-011	1
6749	23	10	02	09	-008	1	715294	21	40	00	10	-008	1
6749	23	10	02	11	-007C	1	715995	21	40	01	01	-034	1
6749	23	10	02	12	-008	1	717305	21	40	00	10	-009	1
6749	23	10	02	13	-011	1	719831-1	21	40	00	10	-005A	1
6749	23	10	02	16	-003C	1	72062N	23	10	02	04	-007A	1
6749	23	10	02	18	-011C	1	72062N	23	10	02	04	-008A	1
6749	23	10	02	23	-005C	1	72062N	23	10	02	05	-008A	1
6800D-080	57	40	00	01	-018	4	72062N	23	10	02	05	-009A	1
6800D-080	57	40	00	01	-018A	3	72062N	23	10	02	09	-006A	1
6800D-080	57	40	00	02	-018	4	720719	21	40	00	10	-054	1
6800D-080	57	40	00	02	-018A	3	720962	21	40	00	10	-053	1
6AT10	31	10	01	02	-017	1	7228	21	40	00	06	-028	2
7-0608-1	27	50	00	02	-025	2	7228	21	40	00	08	-024	2
7/16-20X3	61	10	00	01	-021	2	73376	21	40	01	01	-043	1
7/16-20X3	61	10	00	02	-013	2	735059	21	40	01	01	-054	1

**CESSNA AIRCRAFT COMPANY
MODEL 310 THRU 310D
ILLUSTRATED PARTS CATALOG**

PART NUMBER	CH SEC SUBJ FIG	ITEM	REQ	PART NUMBER	CH SEC SUBJ FIG	ITEM	REQ
735100	21-40-01-01	-016	1	813506	34-50-01-02	-011A	4
735101	21-40-01-01	-017	1	82	71-11-01-01	-063	AR
735127	21-40-01-01	-056	1	82582	71-00-00-01	-030	6
735329	21-40-01-01	-057	1	83-798	34-50-05-03	-012	1
735449	21-40-01-01	-038	1	838-10	61-10-00-01	-018A	2
739-5	73-10-00-02	-047	2	838-10	61-10-00-02	-010A	2
758-4	28-20-01-02	-050	2	840-3	61-10-00-02	-000	1
76-1	23-10-02-01	-013E	1	840-37	61-10-00-01	-007D	1
76-1	23-10-02-02	-007E	1	8433-4	61-10-00-01	-056	2
76-1	23-10-02-03	-011E	2	8433-4	61-10-00-02	-048	2
76-1	23-10-02-04	-011E	2	861200	76-10-01-01	-000	1
76-1	23-10-02-05	-012E	1	8813	34-50-05-01	-036	6
76-1	23-10-02-09	-008E	1	9	24-30-00-03	-017A	2
76-1	23-10-02-12	-008E	1	9-10-831	24-30-20-01	-007B	1
76-1	23-10-02-13	-011E	1	91426	21-40-00-08	-031	3
76-2	23-10-00-01	-006D	1	91427	21-40-00-08	-032	3
76528	21-40-00-10	-052	3	93874	24-10-00-02	-004	2
7664K3	23-10-02-17	-020	1	93874	34-30-00-01	-013	1
7664K3	23-10-02-25	-010	1	93874	34-30-00-02	-009	1
7664K3	31-10-01-04	-014	1	93874	34-50-01-01	-010B	1
76784	21-40-00-06	-024	1	93874	34-50-01-02	-010B	2
76784	21-40-00-08	-053	1	93874	34-50-02-01	-004D	1
76784	21-40-00-10	-043	2	93874	34-50-02-02	-006B	2
768-6	57-40-00-01	-013	1	95-0222	32-40-00-01	-011	1
768-6	57-40-00-02	-013	1	95-0231	32-40-00-01	-010	1
770-4G	30-10-00-01	-002	4	95-0386	32-40-00-01	-015	1
77878	21-40-00-10	-049	1	95-0389	32-40-00-01	-016	1
783	56-10-00-02	-017	AR	95-0476	32-40-01-01	-014	2
786-6	30-60-00-01	-015	1	95-0477	32-40-01-01	-009	2
79295	21-40-01-01	-063	3	95-10375	32-41-00-01	-027	5
79372	21-40-00-06	-023	1	95-1043	32-40-01-01	-015	2
79372	21-40-00-06	-046	4	95-10565	32-41-00-01	-016	2
79372	21-40-00-08	-047	6	95-10853	32-41-00-01	-020	2
79372	21-40-00-10	-040	3	95-10893	32-41-00-01	-017	4
79404	21-40-01-01	-044	1	95-10894	32-41-00-01	-026	2
795-12	24-30-20-02	-026	2	95-10895	32-41-00-01	-025	2
795-12R	24-30-20-02	-027	2	95-10998	32-41-00-01	-019	2
795-6	21-40-00-09	-047	1	95-1595	32-40-00-01	-018	1
795-8	28-20-01-02	-018	2	95-20656	32-40-00-01	-014	20
79911	21-40-01-01	-061	3	95-21226	32-41-00-01	-018	2
79921	21-40-01-01	-048	3	95-21627	32-41-00-01	-023	2
79990	21-40-00-08	-037	4	95-21698	32-40-01-01	-010	1
79990	21-40-00-10	-038	4	95-21792	32-41-00-01	-003	1
8	28-20-01-02	-033	1	95-2243	32-40-01-01	-016	4
8	30-10-00-02	-043	1	95-2312S	32-40-01-01	-007	1
8	31-10-01-02	-038	1	95-2313S	32-40-01-01	-008	1
8	33-10-00-01	-019	1	95-23452	32-41-00-01	-011	2
8	33-10-00-01	-030	1	95-23453	32-41-00-01	-013	2
8	33-10-00-03	-006	1	95-23563	32-41-00-01	-023A	2
8	33-10-00-03	-014	1	95-23575	32-41-00-01	-015A	2
8	35-10-00-04	-016	1	95-23619	32-41-00-01	-015	2
8-32	28-20-01-02	-034	1	95-2568	32-41-00-01	-012	1
8-32	30-10-00-02	-044	1	95-2796	32-41-00-01	-004	8
8-32	31-10-01-02	-039	1	95-2882	32-40-00-01	-005	1
8-32	33-10-00-01	-020	1	95-2892	32-40-00-01	-004	1
8-32	33-10-00-01	-031	1	95-3211	32-40-00-01	-012	1
8-32	33-10-00-03	-007	1	95-3212	32-40-00-01	-009	1
8-32	33-10-00-03	-015	1	95-3218	32-41-00-01	-008	1
8-32	35-10-00-04	-017	1	95-4234	32-40-00-01	-013	10
807	25-20-00-04	-044A	16	95-4486	32-41-00-01	-005	3
807	76-10-01-02	-014	1	95-968	32-40-00-01	-017	2

CESSNA AIRCRAFT COMPANY
MODEL 310 THRU 310D
ILLUSTRATED PARTS CATALOG

PART NUMBER	CH SEC SUBJ FIG	ITEM	REQ	PART NUMBER	CH SEC SUBJ FIG	ITEM	REQ
95-969	32-40-00-01	-017A	1	A-9163-1	35-10-00-04	-014	1
9524203	32-40-01-01	-007A	1	A-9164-1	35-10-00-04	-015	1
9524218	32-40-01-01	-015A	2	A-944	61-10-00-01	-048	2
9524318	32-40-01-01	-008A	1	A-944	61-10-00-02	-040	2
9524491	32-40-01-01	-009A	1	A-971	61-10-00-01	-009	2
99188	31-10-00-05	-008	8	A-972	61-10-00-01	-010	2
99437	31-10-00-01	-022	6	A-974	61-10-00-01	-011	2
99437	31-10-00-02	-020	6	A-A-59178-1	24-10-00-02	-002A	4
99608	25-50-00-01	-007	28	A1049-8Z-1	21-40-00-05	-047	3
99608	25-50-00-02	-013	28	A1049-8Z-1	21-40-00-07	-048	1
A-14-A	61-10-00-02	-002	2	A1181-M-1	23-10-02-01	-001A	4
A-1464	61-10-00-01	-050	2	A1181-M-1	23-10-02-02	-001A	4
A-1464	61-10-00-02	-042	2	A1181-M-1	23-10-02-03	-001A	4
A-158L	61-10-00-01	-008	2	A1663-022-3	24-50-00-01	-008	1
A-158L	61-10-00-02	-001	2	A1804-6Z-3	35-10-00-01	-017	3
A-159N	61-10-00-02	-003	2	A1804-6Z-3	35-10-00-01	-044	4
A-282	61-10-00-01	-026	2	A1804-6Z-3	35-10-00-01	-044A	2
A-282	61-10-00-02	-018	2	A1804-6Z-3	35-10-00-02	-029	3
A-285	61-10-00-01	-025	1	A1804-6Z-3	35-10-00-03	-029	3
A-285	61-10-00-02	-017	1	A2507-1	33-40-00-01	-001	1
A-304	61-10-00-01	-023	1	A2507-1	33-40-00-01A	-003	1
A-304	61-10-00-02	-015	1	A2980A-16-27	25-21-00-05	-014	4
A-4-35	25-50-00-02	-006A	9	A2980A-9-27	34-10-00-01	-033	1
A-4-35	25-50-00-02	-008	13	A2981A-12-27	71-00-00-01	-029D	1
A-4-35	25-50-00-02	-010A	15	A2981A-12-27	71-00-00-01	-029E	2
A-47-1	61-10-00-01	-022	2	A2981A-8-27	37-10-00-01	-034	2
A-48	61-10-00-01	-032	AR	A2981A-8-27	71-00-00-01	-025A	1
A-48	61-10-00-02	-024	AR	A2982A8-27	79-20-00-01	-009	2
A-65	61-10-00-01	-019	1	A3046-A5-92	76-10-00-02	-039	1
A-6747	33-10-00-03	-009	1	A3046-A5-92	76-10-00-02	-040	2
A-7512-24	33-40-00-02	-005	1	A3046A-4	24-30-20-04	-031	6
A-7634	33-40-00-03	-026	1	A3046A-4	33-40-00-03	-007	6
A-7635	33-40-00-03	-025	1	A3046A-4-92	24-30-20-02	-012	4
A-856	61-10-00-01	-041	1	A3046A-4-92	24-30-20-02	-014	2
A-856	61-10-00-02	-033	1	A3046A-4-92	24-30-20-02	-018	1
A-857	61-10-00-01	-037	1	A3046A-4-92	24-30-20-02	-039A	1
A-857	61-10-00-02	-029	1	A3046A-4-92	24-30-20-03	-008	6
A-858	61-10-00-01	-036	1	A3046A-4-92	24-30-20-03	-021	2
A-858	61-10-00-02	-028	1	A3046A-4-92	24-30-20-03	-028	1
A-859	61-10-00-01	-044	1	A3046A-4-92	34-10-00-01	-048	1
A-859	61-10-00-02	-036	1	A3046A-6-92	24-30-20-02	-013	2
A-860-1	61-10-00-01	-040	1	A3046A-6-92	24-30-20-02	-039	1
A-860-1	61-10-00-02	-032	1	A3046A-6-92	24-30-20-03	-007	5
A-861-3	61-10-00-01	-047	2	A3046A-6-92	24-30-20-03	-022	2
A-861-3	61-10-00-02	-039	2	A3046A-8-92	24-30-20-02	-017	1
A-880-2	61-10-00-01	-055	1	A3046A-9-35	24-30-20-04	-030	4
A-880-2	61-10-00-02	-047	1	A3047A-05	30-60-00-01	-032	2
A-881	61-10-00-01	-030	2	A3047A-4	24-30-00-02	-010	1
A-881	61-10-00-02	-022	2	A3047A-4	73-10-00-01	-019	2
A-883	61-10-00-01	-016	2	A3047A-5-92	73-10-00-02	-040	2
A-883	61-10-00-02	-008	2	A3049A-12-98	30-10-00-01	-015	6
A-884	61-10-00-01	-017	2	A3049A-16-98	30-10-00-04	-043	2
A-884	61-10-00-02	-009	2	A3049A-22-98	21-40-00-09	-023	1
A-8970-1-327	34-50-00-01	-007	2	A3049A-4-92	21-40-00-05	-046	3
A-8970-2-327	34-50-00-04	-016	4	A3049A-4-92	21-40-00-07	-047	1
A-8970-2-327	34-50-00-04	-034	2	A3049A-4-92	21-40-00-09	-023A	1
A-8970-2-327	34-50-00-05	-026	4	A3049A-8-98	30-10-00-01	-014	6
A-8975-1-327	34-50-01-03	-011	2	A3049A-8-98	30-10-00-01	-018	2
A-8975-1-327	34-50-01-04	-011	2	A3052A-14-27	27-00-00-02	-003	1
A-899	61-10-00-01	-042	2	A35632-001	23-20-03-03	-002	1
A-899	61-10-00-02	-034	2	A4203	33-40-00-06	-006	1

**CESSNA AIRCRAFT COMPANY
MODEL 310 THRU 310D
ILLUSTRATED PARTS CATALOG**

PART NUMBER	CH SEC SUBJ FIG ITEM REQ	PART NUMBER	CH SEC SUBJ FIG ITEM REQ
A4212	33-40-00-06 -005 1	A6747	33-10-00-01 -002 2
A47-1	61-10-00-02 -014 2	A6747	33-10-00-01 -009 4
A4711	33-40-00-06 -007 1	A6747	33-10-00-01 -014 1
A4886A-3-27	25-21-00-05 -015 4	A6747	33-10-00-01 -025 1
A5039	31-10-01-02 -029 1	A6747	33-10-00-03 -001 1
A5039	33-10-00-03 -026 1	A6747	33-10-00-03 -017 1
A5043A	31-10-01-02 -028A 1	A6747	35-10-00-04 -011 1
A5043A	33-10-00-03 -029 1	A6990-4Z-92	53-10-07-03 -008 1
A5045	31-10-01-02 -031 1	A6992	33-10-00-01 -004 1
A5045	33-10-00-03 -022 1	A6993	33-10-00-01 -005 1
A5045	33-10-00-03 -028 1	A7006	33-10-00-01 -006 2
A5075	31-10-01-02 -027 1	A7079-24	33-40-00-03 -027 2
A5075	33-10-00-03 -024 1	A7079-24	33-40-00-04 -010 2
A5299-24	23-10-02-04 -004 4	A7344-6Z-3	23-10-01-05 -010 2
A5299-24	23-10-02-05 -004 4	A7344-6Z-3	23-10-01-05 -010A 2
A5299-24	23-10-02-06 -017 AR	A7632	33-40-00-03 -028 1
A5299-24	23-10-02-07 -012 AR	A7632	33-40-00-04 -011 1
A5299-24	23-10-02-08 -025 AR	A7634	33-40-00-04 -009 1
A5299-24	23-10-02-09 -004 2	A7635	33-40-00-04 -008 1
A5299-24	23-10-02-10 -017 AR	A7942	33-40-00-03 -029 1
A5299-24	23-10-02-11 -016 AR	A7942	33-40-00-04 -012 1
A5299-24	23-10-02-12 -004 3	A863	61-10-00-01 -052 1
A5299-24	23-10-02-13 -004 5	A863	61-10-00-02 -044 1
A5299-24	23-10-02-14 -016 AR	A8970-1-327	23-10-00-03 -008 2
A5299-24	23-10-02-16 -004 1	A8970-1-327	23-10-02-17 -005 2
A5299-24	23-10-02-16 -007 2	A8970-1-327	23-10-02-17 -013 2
A5299-24	23-10-02-18 -017 AR	A8970-1-327	23-20-01-05 -012 2
A5299-24	23-10-02-19 -018 AR	A8970-1-327	28-20-01-02 -027 1
A5299-24	23-10-02-20 -006 1	A8970-1-327	30-10-00-02 -037C 1
A5299-24	23-10-02-21 -004 1	A8970-1-327	31-10-01-02 -032 3
A5299-24	23-10-02-21 -009 1	A8970-1-327	31-10-01-02 -032A 2
A5299-24	23-10-02-23 -020 AR	A8970-1-327	33-10-00-01 -013 17
A5299-24	23-10-02-24 -018 AR	A8970-1-327	33-10-00-03 -000 1
A5299-24	23-10-02-25 -009 4	A8970-1-327	34-50-00-02 -010 4
A5299-24	31-10-01-02 -026 11	A8970-2-327	23-10-02-21 -007 2
A5299-24	31-10-01-02 -026A 13	A8970-2-327	23-20-03-02 -025 1
A5299-24	31-10-01-03 -006 AR	A8970-2-327	33-10-00-01 -024 6
A5299-24	31-10-01-04 -012 AR	A8970-2-327	33-10-00-03 -008 AR
A5299-24	31-10-01-05 -004 1	A8970-2-327	34-20-00-02 -020 3
A5299-24	33-10-00-03 -023 AR	A8970-2-327	34-20-00-03 -018 1
A5299-24	34-20-00-04 -005 2	A8970-2-327	34-20-00-05 -005 2
A5299-24	34-20-00-05 -007 1	A8970-2-327	34-50-01-05 -015 2
A5299-24	34-50-01-06 -015 4	A8970-2-327	34-50-01-05 -037 2
A5299-24	34-50-01-06 -047 2	A8970-2-327	34-50-03-01 -012 2
A5299-24	34-60-00-01 -024 2	A8970-2-327	34-50-03-01 -031 2
A5980-8Z-1	23-00-00-04 -005 4	A8970-2-327	34-50-03-01 -049 2
A5980-8Z-3	30-10-00-01 -014B 6	A8970-2-327	35-10-00-04 -010C 1
A5980-8Z-3	30-10-00-01 -015B 6	A8975-1-327	33-10-00-03 -016 AR
A5980-8Z-3	30-10-00-04 -002B 4	A8K75	23-60-00-01 -002 10
A5980-8Z-3	57-10-00-09 -029 1	A9155-1	33-10-00-03 -019 1
A6191-4Z-3	53-30-00-01 -018 6	A9160-1	28-20-01-02 -030 1
A6191A-10Z-1	53-10-04-02 -002B 2	A9160-1	30-10-00-02 -040 1
A6417-10Z-1	21-40-00-01 -020A 4	A9160-1	31-10-01-02 -035 1
A6417-10Z-1	21-40-00-02 -018A 4	A9160-1	33-10-00-01 -016 1
A6417-10Z-1	21-40-00-03 -034A 4	A9160-1	33-10-00-03 -003 1
A6458	33-40-00-03 -015 1	A9160-2	33-10-00-01 -027 1
A65	61-10-00-02 -011 1	A9160-2	33-10-00-03 -011 1
A6607-6Z-3	24-30-00-03 -019E 2	A9160-2	35-10-00-04 -013 1
A6747	28-20-01-02 -028 1	A9163-1	28-20-01-02 -031 1
A6747	30-10-00-02 -038 1	A9163-1	30-10-00-02 -041 1
A6747	31-10-01-02 -033 1	A9163-1	31-10-01-02 -036 1

**CESSNA AIRCRAFT COMPANY
MODEL 310 THRU 310D
ILLUSTRATED PARTS CATALOG**

PART NUMBER	CH	SEC	SUBJ	FIG	ITEM	REQ	PART NUMBER	CH	SEC	SUBJ	FIG	ITEM	REQ
A9163-1	33-10-00-01	-017	1				AN155B-32L	27-10-00-01	-028A	1			
A9163-1	33-10-00-01	-028	1				AN155B-32L	27-10-00-01	-048A	1			
A9163-1	33-10-00-03	-004	1				AN155B-32L	27-10-00-01	-054	2			
A9163-1	33-10-00-03	-012	1				AN155B-32L	27-10-00-01	-056	1			
A9163-2	33-10-00-03	-020	1				AN155B-32L	27-20-00-01	-026	2			
A9164-1	28-20-01-02	-032	1				AN155B-32L	27-30-00-01	-008	1			
A9164-1	30-10-00-02	-042	1				AN155B-32S	27-10-00-01	-013	1			
A9164-1	31-10-01-02	-037	1				AN155B-32S	27-10-00-01	-028B	1			
A9164-1	33-10-00-01	-018	1				AN155B-32S	27-20-00-01	-018	3			
A9164-1	33-10-00-01	-029	1				AN155B-32S	27-20-00-01	-035	2			
A9164-1	33-10-00-03	-005	1				AN155B-32S	27-30-00-01	-008A	1			
A9164-1	33-10-00-03	-013	1				AN155B-32S	27-50-00-01	-010	4			
AE24537-001K	73-10-00-01	-009A	1				AN155B-32S	32-50-00-01	-007	2			
AE24537-001K	79-20-00-01	-002A	1				AN155B-8S	22-10-01-01	-004	2			
AE24537-001L	73-10-00-01	-009B	1				AN155B-8S	22-10-01-01	-022	1			
AE24537-001L	79-20-00-01	-002B	1				AN155B-8S	22-10-01-01	-041	1			
AE24537-001R	73-10-00-01	-010D	1				AN155B-8S	27-10-00-02	-018	1			
AE24537-001R	79-20-00-01	-003A	1				AN155B-8S	27-20-01-01	-029	1			
AE24538-001K	73-10-00-01	-011B	1				AN155B-8S	27-30-00-02	-029	1			
AE24538-001K	79-20-00-01	-004A	1				AN155B-8S	52-60-00-01	-008	1			
AE24538-001L	73-10-00-01	-011C	1				AN155B-8S	52-60-00-02	-016	1			
AE24538-001L	79-20-00-01	-004B	1				AN161-22RL	27-10-00-01	-027	2			
AE24538-001R	73-10-00-01	-012E	1				AN161-22RL	27-10-00-01	-027A	1			
AE24538-001R	79-20-00-01	-004E	1				AN161-22RL	27-10-00-01	-048B	1			
AE24539-001K	73-10-00-02	-036	1				AN161-22RL	27-10-00-01	-055	2			
AE24539-001K	79-20-00-01	-004H	1				AN161-22RL	27-30-00-01	-007	2			
AE24539-001L	73-10-00-02	-036A	1				AN161-22RS	27-10-00-01	-027B	1			
AE24539-001L	79-20-00-01	-004J	1				AN161-22RS	32-50-00-01	-008	2			
AE24539-001R	73-10-00-02	-036F	1				AN161-8RS	22-10-01-01	-005	2			
AE24539-001R	79-20-00-01	-004M	1				AN161-8RS	22-10-01-01	-023	1			
AE24544-001K	30-60-00-01	-005	1				AN165-22RL	27-20-00-01	-027	2			
AE70131270220	73-10-00-02	-036D	1				AN165-22RL	27-20-00-01	-036	2			
AE7013127E0240	73-10-00-02	-036I	1				AN165-22RS	27-20-00-01	-019	1			
AF-934-11	28-20-01-03	-014	3				AN165-8RS	22-10-01-01	-042	1			
AF-934-5	28-20-01-03	-013	1				AN174-7	27-20-01-01	-050C	1			
AF934-11	28-20-00-05	-012	2				AN174H22A	32-30-00-06	-011	2			
AF934-5	28-20-00-05	-005	1				AN175-16	32-10-00-02	-041	1			
AJ3-230	71-60-00-02	-002	4				AN175-16	32-20-00-02	-039	1			
AJ3-25	54-10-00-01	-014A	2				AN176-27	32-20-00-02	-024	1			
AJ3-25	54-10-00-02	-014A	2				AN176-30	32-10-00-02	-035	1			
AJ3-25	71-60-00-02	-026	6				AN176-30A	33-40-00-06	-022	1			
AJ4-25	52-40-00-01	-008	2				AN176-31	32-10-00-02	-036	1			
AJ4-30	52-40-00-01	-009	2				AN176-31	32-10-00-02	-047	1			
AJ4-30	71-10-00-03	-007	2				AN176-42	32-20-00-02	-036	1			
AJ4-35	25-60-00-02	-006	13				AN200KP6	57-10-00-02	-014	1			
AJ4-35	25-60-00-02	-006A	12				AN200KP6	57-10-00-06	-014	1			
AJ4-35	25-70-00-01	-012	2				AN200KP6	57-10-01-01	-014	1			
AJ4-35	35-10-00-03	-014E	1				AN200KP6	57-10-01-04	-014	1			
AJ4-35	71-10-00-04	-002	2				AN201KP5A	27-50-00-02	-023	3			
AJ4-50	25-20-00-04	-018B	9				AN201KP5A	32-30-00-05	-003	2			
AJ4-50	25-20-00-04	-020A	12				AN201KP5A	32-30-00-05	-003C	4			
AJW4-25C	28-10-00-02	-003	2				AN201KP8A	27-50-00-02	-024	1			
AJW4-3	25-70-00-01	-003	4				AN202KP37B	32-20-00-02	-003	1			
AN/ASA-3A	23-60-00-01	-001	5				AN202KP37B	32-20-00-02	-043	1			
AN10-26A	57-10-00-01	-001	02				AN21-10	27-10-00-01	-009	6			
AN10-26A	57-10-00-05	-001	2				AN21-10	27-50-00-01	-007	4			
AN10-30A	53-40-00-01	-002	2				AN21-12	27-10-00-01	-016	2			
AN100-3	23-10-01-03	-015	1				AN218P4	57-40-00-01	-009	1			
AN100-3	23-10-01-05	-015	1				AN218P4	57-40-00-02	-009	1			
AN100-3	34-50-05-02	-019	1				AN227-8	25-20-01-02	-011B	3			
AN155B-32L	27-10-00-01	-028	2				AN227-8	25-20-01-02	-011C	4			

**CESSNA AIRCRAFT COMPANY
MODEL 310 THRU 310D
ILLUSTRATED PARTS CATALOG**

PART NUMBER	CH SEC SUBJ FIG ITEM REQ	PART NUMBER	CH SEC SUBJ FIG ITEM REQ
AN227-8	25-20-01-02 -015B 3	AN2552-3A	24-40-00-01 -001 1
AN227-8	25-20-01-02 -015C 4	AN256-10	32-30-00-03 -013 1
AN23-10	22-10-01-01 -043 2	AN256-10	52-10-00-03 -025 1
AN23-10	27-10-00-01 -029 4	AN256-10	52-10-00-03 -025 1
AN23-10	27-20-00-01 -004 2	AN257-Y3-2480	55-40-00-03 -062 1
AN23-10	27-20-00-01 -020 1	AN257X3-2645	55-40-00-04 -014A 1
AN23-10	27-20-00-01 -029 4	AN257Y3-2687	55-40-00-01 -028A 1
AN23-10	27-30-00-01 -009 6	AN257Y3-4250	55-20-00-02 -010A 1
AN23-11	22-10-01-01 -048 2	AN3-10	32-10-01-01 -006 1
AN23-11	22-50-00-01 -008 6	AN3-10A	22-10-01-01 -019 2
AN23-11	27-20-00-01 -021 1	AN3-10A	22-10-01-01 -034 2
AN23-11	27-50-00-01 -015 4	AN3-10A	25-10-00-01 -008 2
AN23-12	27-10-00-01 -049 1	AN3-10A	25-21-00-02 -032 2
AN23-12	27-20-00-01 -013 1	AN3-10A	25-21-02-01 -021 2
AN23-12	27-20-00-01 -049 1	AN3-10A	27-10-00-01 -034 2
AN23-14	55-40-00-03 -057 2	AN3-10A	27-10-00-02 -022 6
AN23-15	27-20-00-01 -037 2	AN3-10A	27-20-01-01 -025 4
AN23-18	22-50-00-01 -029 1	AN3-10A	27-20-01-01 -025A 5
AN23-23A	57-10-00-10 -027 1	AN3-10A	27-30-00-02 -024 5
AN23-24A	57-10-00-10 -028 2	AN3-10A	27-30-01-01 -021 1
AN23-26	22-50-00-01 -038 1	AN3-10A	27-30-01-02 -005 1
AN23-28	25-21-00-04 -011 4	AN3-10A	30-10-00-01 -023 4
AN23-8	22-10-01-01 -025 1	AN3-10A	32-30-00-07 -011 1
AN23-9	22-10-01-01 -006 2	AN3-10A	53-20-00-02 -009C 2
AN23-9	22-10-01-01 -024 1	AN3-10A	57-60-00-01 -015 1
AN23-9	22-50-00-01 -026 1	AN3-10A	57-60-00-01 -018 1
AN23-9	22-50-00-01 -034 1	AN3-10A	57-60-00-02 -015 1
AN23-9	22-50-00-01 -044 1	AN3-10A	57-60-00-02 -018 1
AN23-9A	24-10-00-01 -002A 4	AN3-10A	71-60-00-02 -033 1
AN23-9A	32-30-00-07 -031 1	AN3-11	24-30-10-02 -023A 8
AN24-11A	32-20-00-01 -044 3	AN3-11	27-30-00-01 -021 1
AN24-13A	32-30-00-02 -021 2	AN3-11	27-30-00-01 -023 1
AN24-13A	32-30-00-04 -012 2	AN3-11	27-30-00-01 -025 1
AN24-14A	32-30-00-01 -027 2	AN3-11	32-20-01-01 -003 2
AN24-14A	32-30-00-04 -010 1	AN3-11A	25-21-00-04 -023 3
AN24-15A	32-30-00-02 -018 2	AN3-11A	25-21-02-01 -031 4
AN24-16	32-30-00-06 -021 1	AN3-11A	27-30-01-01 -010 2
AN24-27A	32-30-00-04 -014A 1	AN3-11A	27-30-01-02 -014 2
AN24-28	25-21-01-01 -030 2	AN3-11A	53-20-00-05 -031 8
AN24-28A	32-30-00-04 -014 1	AN3-11A	76-10-00-02 -003 6
AN25-14A	32-30-00-02 -024 2	AN3-12	22-50-00-01 -048 1
AN25-16A	32-30-00-02 -023 2	AN3-12	24-30-10-02 -021A 6
AN25-50A	32-20-00-02 -009 1	AN3-12A	22-10-01-01 -038 1
AN253-2-10.00	32-10-01-01 -001 1	AN3-12A	25-21-00-06 -015 2
AN253-2-1115	56-10-00-02 -029 1	AN3-12A	27-30-01-01 -012 2
AN253-2-1562	52-10-00-01 -002A 1	AN3-13A	25-21-01-01 -039 2
AN253-2-175	28-20-01-01 -025 1	AN3-13A	27-20-02-01 -004 8
AN253-2-180	24-50-00-01 -036 2	AN3-13A	52-60-00-02 -025C 2
AN253-2-225	57-10-00-01 -029B 01	AN3-14A	25-21-00-02 -018 2
AN253-2-2450	55-40-00-04 -002 1	AN3-14A	25-21-00-05 -011 4
AN253-2-2569	55-40-00-04 -001 1	AN3-15A	25-20-01-01 -048 2
AN253-2-2610	55-40-00-04 -001A 1	AN3-15A	25-20-01-02 -045 2
AN253-2-2800	57-60-00-03 -001 1	AN3-15A	25-60-00-03 -010 2
AN253-2-3050	55-20-00-02 -001 1	AN3-16A	32-30-00-06 -035 4
AN253-2-3260	71-10-00-01 -003 2	AN3-17A	25-21-00-05 -021 2
AN253-2-3260	71-10-00-02 -001 2	AN3-17A	32-30-00-06 -038 3
AN253-2-3260	71-10-00-03 -001 2	AN3-17A	32-30-00-07 -024 1
AN253-2-350	52-40-00-01 -014 1	AN3-17A	76-10-00-02 -023 2
AN253-2-394	52-40-00-01 -015 1	AN3-20A	21-40-00-05 -013 1
AN253-2-394	71-10-00-03 -010 1	AN3-20A	76-10-00-01 -017 2
AN253-2-4210	55-20-00-02 -001A 1	AN3-21A	32-10-01-01 -012 2

**CESSNA AIRCRAFT COMPANY
MODEL 310 THRU 310D
ILLUSTRATED PARTS CATALOG**

PART NUMBER	CH SEC SUBJ FIG ITEM REQ	PART NUMBER	CH SEC SUBJ FIG ITEM REQ
AN3-22A	24-30-20-04 -023 1	AN3-5A	32-30-00-07 -018 2
AN3-22A	27-20-00-01 -045 1	AN3-5A	32-41-01-01 -008 2
AN3-25A	71-60-00-01 -002 4	AN3-5A	52-60-00-02 -025A 7
AN3-26A	52-60-00-02 -041 2	AN3-5A	53-10-05-01 -025 1
AN3-34	71-60-00-02 -012 1	AN3-5A	53-10-05-01 -025A 2
AN3-3A	24-30-20-03 -005 3	AN3-5A	53-20-00-06 -014 4
AN3-3A	25-21-00-05 -016 4	AN3-5A	55-40-00-01 -018 3
AN3-3A	32-30-00-04 -035 8	AN3-5A	55-40-00-03 -053 3
AN3-3A	33-40-00-06 -012 1	AN3-5A	57-10-00-02 -016 2
AN3-3A	35-10-00-03 -014F 1	AN3-5A	57-10-00-02 -036 4
AN3-3A	53-10-02-01 -049 1	AN3-5A	57-10-00-06 -016 2
AN3-3A	53-10-06-04 -005 4	AN3-5A	57-10-00-06 -034 4
AN3-3A	53-10-06-06 -003B 3	AN3-5A	57-10-01-01 -016 2
AN3-3A	53-10-06-06 -006 4	AN3-5A	57-10-01-01 -036 4
AN3-3A	53-10-06-06 -017C 3	AN3-5A	57-10-01-04 -016 2
AN3-3A	71-11-01-02 -026 1	AN3-5A	57-10-01-04 -034 4
AN3-3A	76-10-00-02 -011 4	AN3-60A	71-11-01-02 -030 2
AN3-3A	76-10-00-03 -009 2	AN3-62	27-30-00-02 -009 1
AN3-3A	76-10-00-04 -009 2	AN3-6A	25-21-00-02 -003 6
AN3-4	73-10-00-02 -024 2	AN3-6A	27-10-00-02 -027 2
AN3-4A	22-10-01-01 -011 6	AN3-6A	27-20-01-01 -034 3
AN3-4A	22-10-01-01 -030 6	AN3-6A	27-30-00-02 -036 3
AN3-4A	22-10-01-01 -052 1	AN3-6A	32-10-00-01 -006 4
AN3-4A	22-50-00-01 -013 6	AN3-6A	32-30-00-07 -018C 1
AN3-4A	23-10-01-05 -005 8	AN3-6A	32-41-01-01 -013A 2
AN3-4A	24-30-00-04 -009 6	AN3-6A	32-41-01-01 -026 1
AN3-4A	24-30-00-04 -009A 4	AN3-6A	52-60-00-01 -031 11
AN3-4A	25-60-00-03 -009A 2	AN3-6A	52-60-00-02 -025 10
AN3-4A	27-00-00-02 -002 4	AN3-6A	78-10-00-01 -013 6
AN3-4A	27-00-00-03 -002 4	AN3-7	27-20-01-01 -052 1
AN3-4A	27-10-00-02 -019 1	AN3-70A	71-11-01-02 -028 2
AN3-4A	27-20-01-01 -030 1	AN3-71A	71-11-01-01 -039 2
AN3-4A	27-30-00-02 -027 1	AN3-7A	27-10-00-02 -039A 1
AN3-4A	28-20-01-01 -034A 8	AN3-7A	27-20-01-01 -049 1
AN3-4A	30-10-00-06 -002A 2	AN3-7A	27-20-01-01 -050 1
AN3-4A	32-20-00-01 -024 8	AN3-7A	27-30-00-02 -041B 2
AN3-4A	32-30-00-04 -008 1	AN3-7A	30-10-00-06 -005 1
AN3-4A	32-41-01-01 -023 6	AN3-7A	52-60-00-02 -010 1
AN3-4A	52-60-00-02 -025B 3	AN3-7A	55-20-00-01 -003 3
AN3-4A	53-10-05-01 -032 2	AN3-7A	76-10-00-01 -005 2
AN3-4A	53-10-06-06 -020 4	AN3-7A	76-10-00-02 -028 2
AN3-4A	53-20-00-04 -018B 2	AN3021-5	23-10-02-07 -008 1
AN3-4A	53-20-02-02 -019 2	AN3021-5	23-10-02-10 -007 1
AN3-4A	53-30-00-02 -020 2	AN3021-5	23-10-02-14 -007 1
AN3-4A	57-50-00-01 -037 4	AN3021-5	23-10-02-17 -007 1
AN3-4A	57-50-00-05 -037 4	AN3021-5	23-10-02-19 -006 1
AN3-4A	76-10-00-03 -015 4	AN3021-5	23-10-02-24 -006 1
AN3-4A	76-10-00-04 -015 4	AN3021-7	31-10-01-01 -018 1
AN3-4A	78-10-00-01 -004 1	AN3021-7	31-10-01-02 -015 1
AN3-4A	78-10-00-01 -009 1	AN3021-7	79-20-00-02 -015 1
AN3-5A	22-10-01-01 -015 2	AN3022-15B	31-10-01-02 -019 1
AN3-5A	25-10-00-02 -025 2	AN3022-15B	33-40-00-01A -006B 1
AN3-5A	25-21-00-04 -028 4	AN3022-8	24-30-20-01 -003 2
AN3-5A	25-60-00-03 -009 2	AN3027-2	23-10-00-02 -007 1
AN3-5A	27-00-00-01 -002 4	AN3027-2	23-10-00-05 -006 1
AN3-5A	27-00-00-01 -002A 6	AN3027-2	23-10-02-06 -003 1
AN3-5A	27-10-00-02 -039B 1	AN3027-2	23-10-02-06 -007 1
AN3-5A	27-30-00-02 -031 2	AN3027-2	23-10-02-07 -003 1
AN3-5A	28-20-01-01 -034 2	AN3027-2	23-10-02-08 -003 2
AN3-5A	32-10-01-01 -010 6	AN3027-2	23-10-02-08 -005 1
AN3-5A	32-20-01-01 -001 4	AN3027-2	23-10-02-10 -003 2

**CESSNA AIRCRAFT COMPANY
MODEL 310 THRU 310D
ILLUSTRATED PARTS CATALOG**

PART NUMBER	CH	SEC	SUBJ	FIG	ITEM	REQ	PART NUMBER	CH	SEC	SUBJ	FIG	ITEM	REQ
AN3027-2	23-10-02-11				-003	1	AN3140-327	31-10-00-03				-005A	1
AN3027-2	23-10-02-14				-003	1	AN3140-327	31-10-00-03				-005C	1
AN3027-2	23-10-02-17				-018	1	AN3140-327	31-10-00-03				-006A	1
AN3027-2	23-10-02-17				-019	1	AN3140-327	31-10-00-03				-006C	1
AN3027-2	23-10-02-18				-014	1	AN3140-327	31-10-00-07				-040A	1
AN3027-2	23-10-02-18				-015	1	AN3140-327	31-10-00-08				-037A	1
AN3027-2	23-10-02-19				-015	1	AN3140-327	31-10-01-02				-034	1
AN3027-2	23-10-02-19				-016	1	AN3140-327	31-10-01-04				-008A	1
AN3027-2	23-10-02-23				-013	1	AN3140-327	31-10-01-04				-008C	1
AN3027-2	23-10-02-23				-014	2	AN3140-327	33-10-00-01				-003	2
AN3027-2	23-10-02-24				-014	1	AN3140-327	33-10-00-01				-010	4
AN3027-2	23-10-02-24				-015	2	AN3140-327	33-10-00-01				-015	1
AN3027-2	23-10-02-25				-007	1	AN3140-327	33-10-00-01				-026	1
AN3027-2	24-30-10-02				-031	2	AN3140-327	33-10-00-03				-002	1
AN3027-2	31-10-01-03				-003	1	AN3140-327	33-10-00-03				-010	1
AN3027-2	31-10-01-04				-003	2	AN3140-327	33-10-00-03				-018	1
AN3027-2	34-50-01-01				-010	1	AN3140-327	34-30-00-01				-008A	3
AN3027-2	34-50-01-02				-010	2	AN3140-327	34-30-00-02				-004A	3
AN3027-2	34-50-02-01				-004A	1	AN3140-327	35-10-00-04				-012	1
AN3027-2	34-50-02-02				-006	2	AN3141-301	24-30-00-03				-022A	1
AN3042-1	33-40-00-02				-004	1	AN3141R-301	24-30-00-03				-019	1
AN3042-2	33-40-00-02				-004A	1	AN315-3R	30-10-00-05				-030A	1
AN3054-6	24-30-20-01				-004C	1	AN315-3R	32-10-01-01				-005	2
AN3058-6	24-30-20-01				-004A	1	AN315-3R	52-10-00-03				-054	1
AN3067-5	24-30-20-01				-004B	1	AN315-3R	55-30-00-02				-015	2
AN310-3	22-10-01-01				-008	2	AN315-3R	71-11-01-01				-037	4
AN310-3	22-10-01-01				-027	2	AN315-3R	76-10-00-02				-027A	2
AN310-3	22-50-00-01				-010	6	AN315-3R	76-10-00-03				-029	6
AN310-3	22-50-00-01				-027	1	AN315-3R	76-10-00-04				-029	6
AN310-3	22-50-00-01				-036	1	AN315-4R	32-30-00-01				-039	1
AN310-3	22-50-00-01				-041	1	AN315-4R	57-10-00-02				-021E	1
AN310-3	22-50-00-01				-046	1	AN315-4R	57-10-00-06				-019E	1
AN310-3	27-20-00-01				-005	2	AN315-4R	57-10-01-01				-021E	1
AN310-3	27-20-00-01				-013A	1	AN315-4R	57-10-01-04				-019E	1
AN310-3	27-20-00-01				-021A	2	AN315-4R	76-10-00-01				-011	8
AN310-3	27-20-01-01				-052B	1	AN315-4R	76-10-00-02				-022	2
AN310-3	32-20-01-01				-014	2	AN316-10R	32-30-00-03				-029C	1
AN310-3	71-60-00-02				-014	1	AN316-4	76-10-00-05				-003A	6
AN310-4	25-21-01-01				-031	2	AN316-4R	22-50-00-01				-018	2
AN310-4	27-20-01-01				-050F	1	AN316-4R	25-21-00-06				-025	4
AN310-4	27-20-01-01				-051B	1	AN316-4R	25-21-01-01				-028	4
AN310-5	32-10-00-02				-045	1	AN316-4R	25-21-02-01				-035	4
AN310-5	32-20-00-02				-040	1	AN316-4R	27-20-02-01				-020	1
AN310-5	32-40-01-01				-005	1	AN316-4R	32-10-01-01				-018	1
AN310-6	32-10-00-02				-039	1	AN316-4R	32-20-01-01				-009	1
AN310-6	32-10-00-02				-050	1	AN316-4R	32-30-00-03				-026	1
AN310-6	32-20-00-02				-025	2	AN316-4R	32-30-00-03				-026A	2
AN310-8	27-30-01-01				-015	2	AN316-4R	32-30-00-03				-028	1
AN3124-307	33-10-00-02				-005	2	AN316-4R	52-10-00-04				-012	2
AN3125-1	33-10-00-02				-003	2	AN316-4R	52-10-00-04				-015	2
AN3140-327	23-10-02-08				-020A	1	AN316-4R	52-10-00-04				-018	2
AN3140-327	23-10-02-10				-011A	1	AN316-4R	52-10-00-04				-022	2
AN3140-327	23-10-02-23				-009A	1	AN316-4R	52-10-00-04				-026	2
AN3140-327	23-10-02-23				-009C	1	AN316-4R	55-30-00-02				-015A	2
AN3140-327	23-10-02-24				-010A	1	AN316-4R	57-50-00-03				-032	2
AN3140-327	23-10-02-24				-010C	1	AN316-4R	57-50-00-03				-038	2
AN3140-327	23-20-03-01				-018A	1	AN316-4R	57-50-00-04				-032	2
AN3140-327	28-20-01-02				-029	1	AN316-4R	57-50-00-04				-039	2
AN3140-327	30-10-00-02				-039	1	AN316-4R	57-50-00-07				-032	2
AN3140-327	31-10-00-01				-007A	1	AN316-4R	57-50-00-07				-038	2
AN3140-327	31-10-00-02				-007A	1	AN316-4R	57-50-00-08				-032	2

**CESSNA AIRCRAFT COMPANY
MODEL 310 THRU 310D
ILLUSTRATED PARTS CATALOG**

PART NUMBER	CH SEC SUBJ FIG ITEM REQ	PART NUMBER	CH SEC SUBJ FIG ITEM REQ
AN316-4R	57-50-00-08 -039 2	AN340B8	23-20-01-02 -018 2
AN316-4R	57-60-00-01 -013 2	AN340B8	31-10-00-05 -006 18
AN316-4R	57-60-00-02 -013 2	AN340B8	31-10-00-06 -007 18
AN316-5R	27-30-00-01 -041 1	AN340B8	34-60-00-01 -017 2
AN316-5R	32-30-00-05 -024C 2	AN3433-2-4	31-10-00-03 -040 1
AN316-6R	32-30-00-03 -018B 2	AN3433-2-6	31-10-00-08 -041 2
AN316-6R	32-30-00-03 -032B 2	AN3436-2-14	24-50-10-01 -017 2
AN316-6R	32-30-00-05 -005A 1	AN3436-2-16	24-50-10-01 -003 2
AN316-6R	32-30-00-05 -025B 2	AN3436-2-4	23-00-00-04 -006 2
AN316-7R	32-30-00-03 -019B 1	AN3436-2-4	31-10-00-03 -039 1
AN316-7R	32-30-00-03 -035 1	AN3436-2-6	31-10-00-08 -038 2
AN316-7R	32-30-00-03 -038 1	AN363-1032	76-10-00-02 -006 14
AN316-7R	32-30-00-05 -024F 1	AN363-624	61-10-00-01 -029 2
AN316-7R	32-30-00-05 -025E 1	AN363-624	61-10-00-02 -021 2
AN316-8R	32-30-00-02 -022 2	AN363-720	32-10-00-01 -013 2
AN316-8R	32-30-00-03 -029B 1	AN363-720	71-00-00-01 -008 4
AN316-8R	32-30-00-05 -013 1	AN363CI032	78-10-00-01 -022 6
AN316-8R	32-30-00-05 -023 1	AN366DF832	34-20-00-02 -015 3
AN316-8R	57-40-00-01 -018B 4	AN366DF832	34-20-00-03 -015 3
AN316-8R	57-40-00-01 -018C 3	AN366DF832	52-10-00-05 -015 3
AN316-8R	57-40-00-02 -018B 4	AN372F1032	57-10-00-08 -026 4
AN316-8R	57-40-00-02 -018C 3	AN3C17A	21-40-00-07 -012 1
AN316-8R	76-10-00-03 -040 8	AN3C3A	71-11-01-01 -034 1
AN316-8R	76-10-00-04 -040 8	AN3C4A	34-50-05-01 -004 8
AN316-8R	76-10-00-05 -013 6	AN3H-2A	61-10-00-02 -023 4
AN320-1	27-10-00-01 -009A 6	AN3H10A	32-30-00-06 -041 3
AN320-1	27-10-00-01 -016A 2	AN3H11A	57-10-00-11 -018 04
AN320-1	27-50-00-01 -007A 4	AN3H4A	32-30-00-06 -015 1
AN320-3	22-10-01-01 -045 2	AN3H5A	54-10-00-01 -001 4
AN320-3	22-10-01-01 -049 2	AN3H5A	54-10-00-02 -001 4
AN320-3	27-10-00-01 -030 4	AN4-10	27-20-01-01 -051 1
AN320-3	27-10-00-01 -051 1	AN4-10A	25-21-00-04 -002A 4
AN320-3	27-20-00-01 -030 4	AN4-10A	27-10-00-01 -037 2
AN320-3	27-20-00-01 -039 2	AN4-10A	27-10-00-01 -041 3
AN320-3	27-20-00-01 -050 1	AN4-10A	27-20-00-01 -016 4
AN320-3	27-30-00-01 -010 9	AN4-10A	27-30-00-01 -013 4
AN320-3	27-30-00-02 -010 1	AN4-10A	27-50-00-01 -013 8
AN320-3	27-50-00-01 -015A 4	AN4-10A	32-10-00-01 -008 8
AN320-3	32-10-01-01 -008 1	AN4-10A	32-20-00-01 -007 8
AN320-3	32-20-00-05 -006 2	AN4-10A	32-30-00-01 -012 2
AN320-3	55-40-00-03 -060 2	AN4-10A	32-30-00-01 -014 2
AN320-4	32-30-00-06 -023 1	AN4-10A	32-30-00-04 -030 1
AN320-6	52-10-00-02 -027B 1	AN4-10A	32-30-00-04 -030 1
AN320-6	52-10-00-02 -029B 1	AN4-10A	32-50-00-01 -004 1
AN320-6	52-10-00-04 -008C 1	AN4-10A	52-60-00-01 -028 1
AN320-7	32-20-00-01 -032 1	AN4-10A	52-60-00-02 -020 1
AN3234-1	24-30-20-01 -007L 2	AN4-10A	53-10-01-01 -054 4
AN3234-1	27-50-00-02 -003 2	AN4-10A	55-40-00-03 -007 1
AN3320-1	23-20-01-05 -008 1	AN4-10A	57-10-00-03 -021 2
AN3320-1	24-10-00-01 -005 1	AN4-10A	57-10-00-07 -019 2
AN3320-1	34-30-02-01 -008 1	AN4-10A	57-10-00-11 -019 04
AN340-4	23-00-00-04 -006B 4	AN4-10A	57-10-01-02 -021 2
AN340-4	23-20-03-03 -007B 12	AN4-10A	57-10-01-05 -019 2
AN340-4	24-50-10-01 -005 8	AN4-11A	25-21-00-06 -021 4
AN340-4	24-50-10-01 -019 6	AN4-11A	25-21-02-01 -005 4
AN340-4	31-10-00-03 -043 2	AN4-11A	32-30-00-02 -038 1
AN340-4	31-10-00-08 -040 4	AN4-11A	32-30-00-04 -017 1
AN340-5	24-10-00-01 -003C 2	AN4-11A	32-30-00-04 -033 1
AN340-6	23-50-00-01 -005 4	AN4-11A	32-30-00-06 -009 2
AN340-6	27-30-01-01 -032 2	AN4-11A	55-20-00-01 -006 1
AN340B8	23-20-01-01 -019 2	AN4-11A	55-20-00-01 -011 2
			55-40-00-01 -001 3

**CESSNA AIRCRAFT COMPANY
MODEL 310 THRU 310D
ILLUSTRATED PARTS CATALOG**

PART NUMBER	CH SEC SUBJ FIG ITEM REQ	PART NUMBER	CH SEC SUBJ FIG ITEM REQ
AN4-11A	55-40-00-03 -001 1	AN4-25A	57-50-00-03 -023 2
AN4-11A	55-40-00-03 -004 1	AN4-25A	57-50-00-04 -023 2
AN4-11A	57-10-00-03 -029 2	AN4-25A	57-50-00-07 -023 2
AN4-11A	57-10-00-07 -027 2	AN4-25A	57-50-00-08 -023 2
AN4-11A	57-10-01-02 -030 2	AN4-26A	32-20-00-02 -013 1
AN4-11A	57-10-01-05 -027 2	AN4-26A	32-30-00-06 -005 3
AN4-11A	57-60-00-01 -006 2	AN4-26A	57-10-00-09 -006 12
AN4-11A	57-60-00-02 -006 2	AN4-26A	57-50-00-03 -027 2
AN4-11A	76-10-00-01 -009 2	AN4-26A	57-50-00-04 -027 2
AN4-12A	25-21-00-04 -004 2	AN4-26A	57-50-00-07 -027 2
AN4-12A	27-30-00-01 -004 1	AN4-26A	57-50-00-08 -027 2
AN4-12A	32-10-01-01 -021 1	AN4-31A	32-20-00-01 -028 1
AN4-12A	32-30-00-04 -017A 1	AN4-31A	52-60-00-02 -037 1
AN4-12A	32-40-00-01 -006 8	AN4-36A	52-60-00-01 -020 2
AN4-12A	55-20-00-01 -014 2	AN4-3A	24-30-10-01 -015A 2
AN4-12A	57-50-00-03 -034 2	AN4-3A	24-30-20-04 -002 1
AN4-12A	57-50-00-04 -034 2	AN4-3A	25-21-01-01 -009 1
AN4-12A	57-50-00-07 -034 2	AN4-3A	25-21-02-01 -004A 2
AN4-12A	57-50-00-08 -034 2	AN4-40A	25-21-00-04 -018 1
AN4-13A	25-10-00-01 -024 1	AN4-41A	57-50-00-03 -015 2
AN4-13A	27-30-00-01 -019 2	AN4-41A	57-50-00-04 -015 2
AN4-13A	32-30-00-04 -027 1	AN4-41A	57-50-00-07 -015 2
AN4-13A	32-40-01-01 -011A 3	AN4-41A	57-50-00-08 -015 2
AN4-13A	52-10-00-03 -029 1	AN4-43A	32-30-00-06 -045 1
AN4-13A	57-50-00-03 -046 1	AN4-47A	32-40-01-01 -011 3
AN4-13A	57-50-00-04 -041 1	AN4-4A	25-21-00-06 -009 8
AN4-13A	57-50-00-07 -046 1	AN4-4A	25-21-00-06 -028 2
AN4-13A	57-50-00-08 -041 1	AN4-4A	25-21-01-01 -008 3
AN4-13A	73-10-00-01 -026 4	AN4-4A	25-21-02-01 -004 2
AN4-13A	73-10-00-02 -008 4	AN4-4A	28-20-01-01 -036 24
AN4-13A	76-10-00-01 -015 2	AN4-4A	30-10-00-01 -007 5
AN4-14A	25-21-00-04 -001 3	AN4-4A	53-10-06-03 -001 8
AN4-14A	27-10-00-01 -033 6	AN4-4A	71-00-00-01 -013A 1
AN4-14A	27-30-00-01 -046 1	AN4-4A	71-60-00-01 -014 4
AN4-14A	52-10-00-05 -038 2	AN4-5A	23-10-01-05 -008 4
AN4-15A	25-21-00-02 -006 2	AN4-5A	24-30-20-04 -009 5
AN4-15A	27-10-00-01 -023 1	AN4-5A	25-21-00-02 -005 4
AN4-15A	27-30-00-02 -017 2	AN4-5A	25-21-00-02 -008 4
AN4-16A	27-30-00-01 -033 1	AN4-5A	25-21-00-02 -013 4
AN4-16A	32-20-00-02 -003B 2	AN4-5A	25-21-00-02 -044 4
AN4-16A	61-10-00-01 -005 4	AN4-5A	25-21-00-04 -002 4
AN4-17	32-20-00-01 -038 4	AN4-5A	25-21-01-01 -004 1
AN4-17A	24-30-10-01 -003 3	AN4-5A	25-21-02-01 -006A 2
AN4-17A	30-60-00-01 -029 8	AN4-5A	25-21-02-01 -026 2
AN4-17A	57-50-00-03 -040 1	AN4-5A	35-10-00-01 -003 4
AN4-17A	57-50-00-07 -040 1	AN4-5A	35-10-00-02 -015 4
AN4-20A	27-10-00-01 -018 2	AN4-5A	35-10-00-03 -0141 4
AN4-20A	27-20-00-01 -022 1	AN4-5A	53-10-06-03 -004 4
AN4-20A	32-30-00-02 -014 2	AN4-5A	53-20-00-06 -012 8
AN4-22A	27-20-00-01 -008 1	AN4-5A	55-10-00-01 -002 2
AN4-22A	34-30-02-02 -007 1	AN4-6A	25-10-00-01 -001 1
AN4-22A	57-10-00-02 -009 4	AN4-6A	25-21-00-04 -007 2
AN4-22A	57-10-00-06 -009 4	AN4-6A	25-21-01-01 -006 1
AN4-22A	57-10-01-01 -009 4	AN4-6A	28-40-00-01 -007 24
AN4-22A	57-10-01-04 -009 4	AN4-6A	32-20-00-01 -019 8
AN4-23A	25-21-00-04 -015 2	AN4-6A	32-30-00-05 -010 2
AN4-24A	32-30-00-02 -040 1	AN4-6A	32-41-00-01 -001 5
AN4-25A	27-30-00-01 -018 2	AN4-6A	57-10-00-02 -037 4
AN4-25A	27-30-00-01 -027 1	AN4-6A	57-10-00-04 -035 8
AN4-25A	32-10-00-02 -029 1	AN4-6A	57-10-00-06 -035 4
AN4-25A	32-30-00-02 -011 2	AN4-6A	57-10-00-08 -035 8

**CESSNA AIRCRAFT COMPANY
MODEL 310 THRU 310D
ILLUSTRATED PARTS CATALOG**

PART NUMBER	CH	SEC	SUBJ	FIG	ITEM	REQ	PART NUMBER	CH	SEC	SUBJ	FIG	ITEM	REQ
AN4-6A			57-10-01-01		-037	4	AN5-35A			32-20-00-04		-009A	1
AN4-6A			57-10-01-03		-027	8	AN5-37A			27-30-01-01		-001	1
AN4-6A			57-10-01-04		-035	4	AN5-55			32-40-01-01		-004	1
AN4-6A			57-10-01-06		-027	8	AN5-6A			55-10-00-01		-001	4
AN4-6A			76-10-00-01		-021	4	AN500-8-14			23-10-01-04		-007	3
AN4-6A			76-10-00-02		-017	4	AN500-8-16			23-10-01-04		-008	6
AN4-7A			24-30-10-01		-007	5	AN500-8-4			21-40-00-08		-021	6
AN4-7A			27-20-00-01		-034	1	AN500-8-6			21-40-00-08		-003	3
AN4-7A			27-30-00-01		-044	1	AN500-8-7			21-40-00-06		-008	3
AN4-7A			27-50-00-01		-020	2	AN500-8R12			24-30-00-03		-014A	2
AN4-7A			28-40-00-01		-007A	24	AN500A6-6			28-20-00-04		-019	8
AN4-7A			32-20-01-01		-010	2	AN500A6-8			27-50-00-02		-019	6
AN4-7A			57-10-00-09		-007	8	AN500A8-7			28-20-01-01		-014	2
AN4-7A			57-50-00-04		-043	1	AN501-10-32			25-21-00-01		-019	2
AN4-7A			57-50-00-08		-043	1	AN501A10			61-10-00-01		-033	4
AN4050-1			71-00-00-02		-006C	1	AN501A10			61-10-00-02		-025	4
AN4076-1			24-30-00-04		-011A	2	AN501A10-4			61-10-00-01		-043	4
AN42-10			32-20-01-01		-012	2	AN501A10-6			61-10-00-01		-031	4
AN43B-4A			27-30-00-01		-030	1	AN501A10-6			61-10-00-01		-051	2
AN486-3			52-10-00-04		-020	1	AN501A10-6			61-10-00-02		-035	4
AN486-3			52-10-00-04		-024	1	AN501A10-6			61-10-00-02		-043	2
AN486-4			27-30-01-02		-010	1	AN502-10-6			32-41-00-01		-006	2
AN486-4			52-10-00-04		-013	2	AN503-10-8			61-20-00-01		-048	2
AN486-4			52-10-00-04		-016	2	AN503-8-10			61-20-00-01		-019	6
AN486-4			52-10-00-04		-019	1	AN504-6R4			32-40-01-01		-016A	4
AN486-4			52-10-00-04		-023	1	AN504-8R8			32-40-01-01		-009B	1
AN486-4			52-10-00-04		-027	2	AN505-10R8			76-10-01-01		-031	6
AN4C11A			23-00-00-05		-008	2	AN505-4R8			33-40-00-02		-001	2
AN4C20			23-10-01-03		-002C	1	AN505-6R10			33-40-00-01		-002	15
AN4H10A			32-30-00-06		-013A	1	AN505-6R10			33-40-00-01A		-005	15
AN4H44A			57-60-00-01		-009	1	AN507-1032R10			34-20-00-01		-002	2
AN4H44A			57-60-00-02		-009	1	AN507-1032R10			53-10-05-01		-032A	2
AN4H45A			57-50-00-04		-008	1	AN507-1032R10			56-10-00-01		-007	17
AN4H45A			57-50-00-08		-008	1	AN507-1032R10			56-10-00-01		-007A	15
AN4H53A			57-50-00-04		-006	1	AN507-1032R10			57-10-00-02		-012	4
AN4H53A			57-50-00-08		-006	1	AN507-1032R10			57-10-00-06		-012	4
AN4H57A			57-50-00-03		-005	1	AN507-1032R10			57-10-01-01		-012	4
AN4H57A			57-50-00-07		-005	1	AN507-1032R10			57-10-01-04		-012	4
AN4H5A			28-10-00-01		-027	40	AN507-1032R10			76-10-01-01		-037	2
AN4H60A			57-50-00-03		-008	1	AN507-1032R10			76-10-01-02		-040	2
AN4H60A			57-50-00-07		-008	1	AN507-1032R10			76-10-01-03		-036	2
AN4H7A			32-30-00-06		-013	1	AN507-1032R11			56-10-00-01		-007B	15
AN5-10A			32-10-00-01		-018	2	AN507-1032R11			56-10-00-01		-011	22
AN5-10A			32-30-00-04		-030A	1	AN507-1032R14			24-30-00-03		-024E	2
AN5-11A			32-10-00-01		-018A	2	AN507-1032R14			34-20-00-01		-011	2
AN5-11A			32-30-00-02		-035	1	AN507-1032R14			56-10-00-01		-013	1
AN5-11A			32-30-00-04		-032	2	AN507-1032R18			76-10-00-02		-004	8
AN5-12A			32-30-00-04		-002	1	AN507-1032R6			24-30-10-02		-020	12
AN5-12A			57-10-00-03		-010	2	AN507-1032R6			27-50-00-04		-004B	4
AN5-12A			57-10-00-07		-009	2	AN507-1032R6			53-30-00-01		-014B	1
AN5-12A			57-10-01-02		-010	2	AN507-1032R6			57-10-00-01		-025A	84
AN5-12A			57-10-01-05		-009	2	AN507-1032R6			57-10-00-01		-025B	88
AN5-13A			32-30-00-02		-012	2	AN507-1032R6			57-10-00-01		-025C	92
AN5-14A			32-20-00-01		-014	2	AN507-1032R6			57-10-00-05		-027A	84
AN5-14A			32-30-00-04		-004	1	AN507-1032R6			57-10-00-05		-027B	88
AN5-16A			32-20-00-01		-014A	2	AN507-1032R6			57-10-00-05		-027C	92
AN5-16A			32-20-00-04		-012	2	AN507-1032R6			76-10-01-02		-036	6
AN5-17A			32-20-00-04		-011	2	AN507-1032R7			55-10-00-01		-053	4
AN5-23A			32-30-00-02		-006	2	AN507-1032R7			55-30-00-01		-032	4
AN5-26A			32-10-00-02		-025	1	AN507-1032R8			23-00-00-01		-010	4
AN5-30A			27-10-00-01		-043B	1	AN507-1032R8			32-10-01-01		-036A	6

**CESSNA AIRCRAFT COMPANY
MODEL 310 THRU 310D
ILLUSTRATED PARTS CATALOG**

PART NUMBER	CH SEC SUBJ FIG ITEM REQ	PART NUMBER	CH SEC SUBJ FIG ITEM REQ
AN507-1032R8	35-10-00-03 -020B 1	AN507-632R8	23-10-02-07 -002 6
AN507-1032R8	53-20-02-01 -002 6	AN507-632R8	23-10-02-07 -007C 4
AN507-1032R8	53-20-02-02 -002 2	AN507-632R8	23-10-02-08 -002 12
AN507-1032R8	53-20-02-02 -004 4	AN507-632R8	23-10-02-09 -001 6
AN507-1032R8	54-10-00-01 -037 4	AN507-632R8	23-10-02-10 -002 12
AN507-1032R8	54-10-00-02 -037 4	AN507-632R8	23-10-02-10 -006 4
AN507-1032R8	55-30-00-03 -050 4	AN507-632R8	23-10-02-11 -002 6
AN507-1032R8	71-10-00-01 -001 20	AN507-632R8	23-10-02-12 -001 6
AN507-1032R8	71-10-00-01 -002 30	AN507-632R8	23-10-02-13 -001 6
AN507-1032R8	71-10-00-02 -002 2	AN507-632R8	23-10-02-14 -002 6
AN507-1032R8	71-10-00-03 -002 2	AN507-632R8	23-10-02-14 -006 4
AN507-1032R8	76-10-01-01 -038 4	AN507-632R8	23-10-02-17 -002 12
AN507-1032R8	76-10-01-02 -043 4	AN507-632R8	23-10-02-17 -004 2
AN507-1032R8	76-10-01-03 -032 6	AN507-632R8	23-10-02-17 -012 2
AN507-1032R8	76-10-01-03 -039 4	AN507-632R8	23-10-02-18 -002 12
AN507-1032RB	30-10-00-06 -043 6	AN507-632R8	23-10-02-19 -002 12
AN507-428R7	28-20-01-01 -044 32	AN507-632R8	23-10-02-19 -004 4
AN507-440R5	23-20-03-01 -012A 4	AN507-632R8	23-10-02-20 -002 12
AN507-440R6	34-60-00-01 -002B 2	AN507-632R8	23-10-02-23 -002 12
AN507-632-6	52-10-00-03 -015 8	AN507-632R8	23-10-02-24 -002 12
AN507-632R10	27-30-00-02 -006 4	AN507-632R8	23-10-02-24 -004 4
AN507-632R12	23-50-00-01 -002 3	AN507-632R8	23-10-02-25 -002 8
AN507-632R12	35-10-00-04 -043A 1	AN507-632R8	23-20-01-01 -014 4
AN507-632R18	23-50-00-01 -003 1	AN507-632R8	31-10-00-08 -012 7
AN507-632R22	23-10-02-06 -012 4	AN507-632R8	31-10-00-08 -047 10
AN507-632R22	23-10-02-08 -015 4	AN507-632R8	31-10-01-03 -002 6
AN507-632R22	23-10-02-11 -006 4	AN507-632R8	31-10-01-04 -002 6
AN507-632R3	56-10-00-01 -025 10	AN507-632R8	31-10-01-05 -002 4
AN507-632R4	25-20-01-02 -024 90	AN507-632R8	34-50-01-01 -004D 4
AN507-632R4	56-10-00-02 -008 17	AN507-632R8	34-50-01-02 -005D 8
AN507-632R4	56-10-00-02 -015 9	AN507-632R8	34-60-00-01 -011 6
AN507-632R4	56-20-00-01 -029A 11	AN507-632R8	53-20-02-01 -009 4
AN507-632R5	28-10-00-02 -010B 1	AN507-632R8	53-20-02-02 -010 4
AN507-632R5	28-20-01-01 -037A 2	AN507-632R9	56-10-00-01 -019A 14
AN507-632R5	76-10-01-01 -039 1	AN507-632R9	56-10-00-01 -023A 14
AN507-632R5	76-10-01-02 -044 1	AN507-632RB	24-30-00-03 -025A 2
AN507-632R5	76-10-01-03 -040 1	AN507-6R8	25-20-00-04 -022D 2
AN507-632R6	24-30-20-03 -044A 1	AN507-832R10	31-10-00-03 -030 13
AN507-632R6	27-30-01-01 -031 2	AN507-832R10	31-10-00-08 -010 4
AN507-632R6	28-20-00-05 -010 3	AN507-832R10	52-10-00-05 -012 4
AN507-632R6	28-20-01-03 -016 3	AN507-832R12	32-20-01-01 -032 4
AN507-632R6	31-10-00-03 -035A 2	AN507-832R16	24-30-00-03 -024B 4
AN507-632R6	33-40-00-01A -006C 2	AN507-832R5	52-30-00-01 -004 4
AN507-632R6	33-40-00-04 -002 6	AN507-832R6	22-10-00-02 -003A 4
AN507-632R6	33-40-00-04 -002A 20	AN507-832R6	53-20-02-01 -015 2
AN507-632R6	35-10-00-02 -051A 4	AN507-832R6	53-20-02-01 -037 32
AN507-632R6	35-10-00-03 -045A 4	AN507-832R6	53-20-02-02 -035 32
AN507-632R6	35-10-00-04 -019 4	AN507-832R7	27-50-00-04 -015D 3
AN507-632R6	52-10-00-02 -008 17	AN507-832R7	53-10-00-01 -040 16
AN507-632R6	55-30-00-01 -035 30	AN507-832R7	53-10-01-01 -053 4
AN507-632R6	55-30-00-01 -035A 3	AN507-832R7	54-10-00-04 -014 20
AN507-632R6	55-30-00-01 -038 6	AN507-832R7	54-10-00-06 -014 20
AN507-632R7	33-10-00-02 -025 2	AN507-832R8	28-10-00-01 -020 24
AN507-632R7	52-10-00-04 -001 2	AN507-832R8	28-10-00-01 -036 4
AN507-632R7	56-10-00-01 -019 14	AN507-832R8	28-10-00-01 -047 8
AN507-632R7	56-10-00-01 -023 14	AN507-832R8	52-10-00-03 -001 6
AN507-632R7	56-10-00-02 -014 11	AN507-832R8	52-10-00-03 -020 2
AN507-632R8	23-00-00-02 -004C 2	AN507-832R8	52-10-00-04 -004 11
AN507-632R8	23-10-02-04 -001 6	AN507-832R8	52-10-00-04 -006 2
AN507-632R8	23-10-02-05 -001 6	AN507-832R8	52-10-00-05 -021 2
AN507-632R8	23-10-02-06 -002 6	AN507-832R8	53-10-00-01 -030 10

CESSNA AIRCRAFT COMPANY
MODEL 310 THRU 310D
ILLUSTRATED PARTS CATALOG

PART NUMBER	CH	SEC	SUBJ	FIG	ITEM	REQ	PART NUMBER	CH	SEC	SUBJ	FIG	ITEM	REQ
AN507-832R8	53	10	00	01	-032	5	AN515-3R4	23	10	02	01	-002B	4
AN507-8R10	24	30	10	02	-027C	4	AN515-3R4	23	10	02	02	-002B	4
AN507B1032R12	31	10	00	08	-033	2	AN515-3R4	23	10	02	03	-002B	4
AN507B632R12	23	10	02	21	-006	1	AN515-3R4	23	10	02	04	-002B	4
AN507B632R12	23	20	01	05	-011	1	AN515-3R4	23	10	02	05	-002B	4
AN507B632R12	28	20	01	02	-026	3	AN515-3R4	23	10	02	09	-002B	4
AN507B632R12	30	10	00	02	-037A	4	AN515-3R4	23	10	02	12	-002B	4
AN507B632R12	31	10	00	03	-010	5	AN515-3R4	23	10	02	13	-002B	4
AN507B632R12	31	10	00	03	-011	6	AN515-416R8	30	00	00	01	-013	4
AN507B632R12	31	10	00	08	-021	6	AN515-440R8	23	20	03	02	-023	2
AN507B632R12	31	10	00	08	-026	15	AN515-4R12	23	10	00	01	-005	4
AN507B632R12	31	10	00	08	-026A	9	AN515-4R12	27	50	00	02	-005	4
AN507B632R12	34	20	00	02	-018	1	AN515-4R12	31	10	00	02	-027	4
AN507B632R12	34	20	00	05	-004	1	AN515-4R20	24	30	20	01	-007O	2
AN507B632R12	34	50	00	01	-005	1	AN515-4R4	23	10	00	06	-011	4
AN507B632R12	34	50	00	02	-007	2	AN515-4R4	23	10	01	02	-011	4
AN507B632R12	34	50	00	04	-013	2	AN515-4R4	23	10	02	08	-007A	4
AN507B632R12	34	50	00	04	-033	1	AN515-4R4	27	50	00	03	-023	4
AN507B632R12	34	50	00	05	-025	2	AN515-4R4	27	50	00	04	-026	4
AN507B632R12	34	50	01	05	-014	1	AN515-4R5	24	50	10	01	-004	8
AN507B632R12	34	50	01	05	-036	1	AN515-4R5	24	50	10	01	-018	6
AN507B632R12	34	50	03	01	-011	1	AN515-4R5	28	20	01	01	-005B	8
AN507B632R12	34	50	03	01	-030	1	AN515-4R5	31	10	00	03	-042	2
AN507B632R12	34	50	03	01	-048	1	AN515-4R5	31	10	00	08	-039	4
AN507B632R14	31	10	00	08	-028A	4	AN515-4R6	23	10	01	03	-019A	4
AN507B632R14	31	10	00	08	-029A	2	AN515-4R6	23	20	03	03	-007	12
AN507B632R16	31	10	00	08	-014	2	AN515-4R6	27	50	00	03	-010	2
AN507B632R16	31	10	00	08	-017	3	AN515-4R6	27	50	00	04	-010	2
AN507B632R8	34	50	01	06	-014	6	AN515-4R6	31	10	00	03	-045	2
AN507B632R8	34	50	01	06	-046	3	AN515-4R6	33	40	00	03	-022	5
AN507B632R8	34	60	00	01	-023	3	AN515-4R6	34	50	05	02	-017A	4
AN507B6R12	23	10	00	03	-007A	1	AN515-4R6	34	50	05	03	-013A	4
AN507B6R12	34	50	01	03	-010	1	AN515-4R7	52	10	00	05	-024	2
AN507B6R12	34	50	01	04	-010	1	AN515-4R8	23	00	00	04	-006A	4
AN507C1032R10	34	30	01	03	-006	6	AN515-4R8	23	10	01	05	-022A	4
AN508-6-5	21	40	00	08	-060	2	AN515-4R8	24	30	00	04	-013B	8
AN509-1032R18	25	21	00	01	-007C	AR	AN515-4R8	33	40	00	02	-002	1
AN509-10R10	32	30	00	07	-039	2	AN515-5R6	24	10	00	01	-003A	2
AN509-10R11	56	10	00	02	-025	3	AN515-6R10	21	40	00	04	-007	4
AN509-10R13	57	10	00	04	-057	2	AN515-6R10	24	50	10	01	-007	2
AN509-10R13	57	10	00	08	-056	2	AN515-6R10	25	20	00	03	-041A	12
AN509-10R8	53	10	05	01	-022	2	AN515-6R10	25	20	00	04	-047A	12
AN509-10R8	53	10	05	01	-034	2	AN515-6R10	31	10	00	02	-015A	11
AN509-10R8	53	10	05	01	-034A	2	AN515-6R10	33	40	00	03	-012	3
AN509-10R9	53	10	06	01	-036	4	AN515-6R10	34	50	05	03	-008	6
AN509-10R9	56	10	00	02	-025B	3	AN515-6R10	71	60	00	01	-008	2
AN509-416R11	52	60	00	01	-002	1	AN515-6R12	23	10	01	03	-018	1
AN509-416R17	32	30	00	06	-057	1	AN515-6R12	23	10	02	15	-001	10
AN509-616R58	32	30	00	01	-007D	2	AN515-6R12	23	10	02	22	-001	10
AN509-632R6	21	40	00	09	-049	1	AN515-6R12	34	50	05	02	-022	1
AN509-8R12	31	10	00	08	-009	4	AN515-6R14	24	50	10	01	-010	1
AN509C8R8	23	10	01	03	-002A	4	AN515-6R14	24	50	10	01	-022	1
AN510-10R14	24	40	00	01	-002	2	AN515-6R14	32	20	00	02	-048	2
AN515-1032R8	34	50	02	01	-001B	8	AN515-6R14	33	40	00	06	-008	1
AN515-10R16	22	50	00	01	-019	2	AN515-6R16	31	10	00	01	-011A	4
AN515-10R8	53	20	00	04	-018A	4	AN515-6R16	31	10	00	02	-010A	4
AN515-2R10	24	30	20	01	-003D	4	AN515-6R16	31	10	00	03	-007C	4
AN515-3R2	21	60	00	01	-011	2	AN515-6R18	24	30	20	01	-001C	2
AN515-3R2	22	10	02	01	-008	AR	AN515-6R18	24	30	20	01	-001H	2
AN515-3R2	23	00	00	03	-011	4	AN515-6R22	21	60	00	01	-004	2
AN515-3R2	23	10	02	08	-010	4	AN515-6R22	31	10	00	01	-042	1

**CESSNA AIRCRAFT COMPANY
MODEL 310 THRU 310D
ILLUSTRATED PARTS CATALOG**

PART NUMBER	CH SEC SUBJ FIG ITEM REQ	PART NUMBER	CH SEC SUBJ FIG ITEM REQ
AN515-6R26	24-30-20-01 -007J 1	AN515-6R8	23-20-02-04 -005 8
AN515-6R32	24-30-20-01 -007E 2	AN515-6R8	23-20-02-04 -023 8
AN515-6R4	21-40-00-03 -060 2	AN515-6R8	24-30-20-01 -003B 4
AN515-6R4	23-10-01-02 -003 2	AN515-6R8	25-20-00-04 -022C 2
AN515-6R4	24-30-00-03 -017B 2	AN515-6R8	25-50-00-02 -005C 4
AN515-6R4	24-30-00-04 -013G 8	AN515-6R8	32-30-00-07 -018D 1
AN515-6R4	25-10-01-01 -013 1	AN515-6R8	33-40-00-04 -006 4
AN515-6R4	25-10-01-02 -011 1	AN515-6R8	34-30-02-01 -006 8
AN515-6R4	25-20-01-01 -032 39	AN515-6R8	34-50-03-01 -006 8
AN515-6R4	31-10-00-05 -009B 2	AN515-6R8	34-50-03-01 -025 8
AN515-6R4	34-10-00-01 -054 4	AN515-6R8	34-50-03-01 -044 8
AN515-6R4	53-20-02-01 -015A 2	AN515-6R8	34-50-05-01 -033 6
AN515-6R4	55-40-00-03 -063 2	AN515-6R8	35-10-00-02 -050 4
AN515-6R4	55-40-00-03 -069 2	AN515-6R8	35-10-00-04 -041A 1
AN515-6R5	22-10-02-01 -006 8	AN515-6R8	53-10-05-01 -043 4
AN515-6R5	22-50-00-01 -004 9	AN515-6R8	53-10-07-05 -001 15
AN515-6R5	23-10-01-02 -008 2	AN515-6R8	55-20-00-01 -018 4
AN515-6R5	24-50-00-01 -034 2	AN515-6R8	55-40-00-01 -039 5
AN515-6R5	25-20-01-02 -023 46	AN515-6R8	55-40-00-01 -039A 2
AN515-6R5	27-50-00-04 -015B 4	AN515-6R8	55-40-00-03 -011 2
AN515-6R5	52-30-00-01 -019 1	AN515-6R8	57-60-00-01 -019B 1
AN515-6R5	52-30-00-02 -024 1	AN515-6R8	57-60-00-02 -052 1
AN515-6R5	53-10-06-06 -022A 1	AN515-6R9	31-10-00-07 -006 7
AN515-6R5	56-10-00-02 -009 13	AN515-8-72	24-30-00-04 -013C 4
AN515-6R5	56-20-00-01 -029B 19	AN515-8119	21-40-00-07 -049 1
AN515-6R5	78-20-00-01 -004A 16	AN515-832R10	34-50-05-01 -007 4
AN515-6R6	22-10-00-02 -010A 4	AN515-832R8	23-10-01-05 -012A 1
AN515-6R6	22-50-00-01 -005 9	AN515-8R10	21-40-00-03 -050 1
AN515-6R6	22-50-00-01 -023 5	AN515-8R10	22-10-00-02 -007 4
AN515-6R6	23-00-00-01 -005A 4	AN515-8R10	23-10-00-07 -001B AR
AN515-6R6	23-00-00-02 -003A 4	AN515-8R10	23-20-03-03 -004 4
AN515-6R6	23-00-00-03 -008 2	AN515-8R10	23-60-00-01 -003 10
AN515-6R6	23-20-01-02 -012 8	AN515-8R10	24-10-00-01 -005A 2
AN515-6R6	23-20-01-03 -001A 4	AN515-8R10	27-00-00-03 -020 4
AN515-6R6	23-50-01-02 -003 4	AN515-8R10	31-10-00-01 -017 11
AN515-6R6	24-50-00-01 -004 8	AN515-8R10	31-10-00-02 -015 11
AN515-6R6	24-50-10-01 -001 4	AN515-8R10	31-10-00-07 -009 4
AN515-6R6	25-10-01-01 -004 2	AN515-8R10	31-10-00-07 -009A 4
AN515-6R6	25-10-01-02 -004 2	AN515-8R10	76-10-00-02 -040B 2
AN515-6R6	28-40-00-01 -026 2	AN515-8R11	57-60-00-01 -051A 2
AN515-6R6	33-40-00-01A -005A 1	AN515-8R12	25-21-02-01 -008 2
AN515-6R6	33-40-00-03 -024 2	AN515-8R12	34-50-05-01 -031 4
AN515-6R6	33-40-00-04 -007 3	AN515-8R14	22-10-00-01 -004 4
AN515-6R6	34-50-03-01 -008D 4	AN515-8R14	23-00-00-04 -001 2
AN515-6R6	34-60-00-01 -006A 4	AN515-8R14	23-20-02-02 -004 4
AN515-6R6	35-10-00-01 -022 2	AN515-8R14	23-20-02-03 -005 4
AN515-6R6	35-10-00-02 -034 2	AN515-8R14	23-20-02-03 -020 4
AN515-6R6	35-10-00-03 -034 3	AN515-8R14	23-50-01-03 -007 4
AN515-6R6	53-10-00-01 -015B 2	AN515-8R14	24-30-20-02 -030B 2
AN515-6R6	53-10-00-01 -036 4	AN515-8R14	28-20-00-01 -009C 2
AN515-6R6	53-10-06-06 -025A 5	AN515-8R14	28-20-00-02 -010 2
AN515-6R6	53-20-02-02 -014 2	AN515-8R14	34-20-00-02 -004 4
AN515-6R6	54-10-01-01 -015 6	AN515-8R14	34-20-00-03 -005 4
AN515-6R6	54-10-01-03 -014 6	AN515-8R14	55-40-00-04 -010 2
AN515-6R6	55-30-00-03 -014 20	AN515-8R16	26-20-00-01 -002 4
AN515-6R6	55-40-00-01 -035 12	AN515-8R16	55-40-00-04 -011 2
AN515-6R6	55-40-00-03 -068 14	AN515-8R16	57-60-00-01 -051 15
AN515-6R6	57-60-00-01 -018A 1	AN515-8R16	57-60-00-02 -046 11
AN515-6R6	57-60-00-02 -018A 1	AN515-8R22	24-30-20-01 -005 2
AN515-6R7	24-10-00-01 -004B 2	AN515-8R22	55-20-00-02 -007 2
AN515-6R8	23-10-02-08 -031 AR	AN515-8R24	23-10-00-07 -001 AR

**CESSNA AIRCRAFT COMPANY
MODEL 310 THRU 310D
ILLUSTRATED PARTS CATALOG**

PART NUMBER	CH SEC SUBJ FIG ITEM REQ	PART NUMBER	CH SEC SUBJ FIG ITEM REQ
AN515-8R24	55-20-00-02 -006 2	AN515-8R6	55-30-00-01 -009 2
AN515-8R26	21-40-00-09 -044 2	AN515-8R6	55-30-00-03 -006 2
AN515-8R26	27-50-00-03 -029 2	AN515-8R6	71-60-00-01 -022 10
AN515-8R28	28-20-00-02 -024 2	AN515-8R6	71-60-00-02 -003 4
AN515-8R30	21-40-00-09 -008 2	AN515-8R6	71-60-00-02 -037 10
AN515-8R32	21-40-00-05 -007 1	AN515-8R7	21-40-00-09 -013 8
AN515-8R32	21-40-00-07 -007 1	AN515-8R7	24-30-00-02 -001 8
AN515-8R34	23-10-00-07 -001A AR	AN515-8R7	25-70-00-01 -009 4
AN515-8R36	24-30-00-03 -023A 1	AN515-8R7	28-20-01-01 -013 2
AN515-8R4	27-50-00-03 -025 3	AN515-8R7	28-20-01-02 -018A 4
AN515-8R4	27-50-00-04 -006 3	AN515-8R7	35-10-00-01 -008 6
AN515-8R4	54-10-01-02 -009 12	AN515-8R7	35-10-00-01 -046 2
AN515-8R4	54-10-01-04 -007 12	AN515-8R7	35-10-00-02 -020 6
AN515-8R5	21-40-00-03 -052 1	AN515-8R7	53-10-06-04 -009 3
AN515-8R5	21-40-00-09 -019 2	AN515-8R7	53-10-06-05 -022 7
AN515-8R5	24-10-00-01 -001A 3	AN515-8R7	53-10-06-06 -018B 4
AN515-8R5	24-30-00-01 -001 8	AN515-8R7	53-10-07-02 -004 2
AN515-8R5	27-00-00-02 -004 1	AN515-8R7	55-30-00-01 -007 2
AN515-8R5	27-20-01-01 -016 2	AN515-8R7	55-30-00-03 -004 2
AN515-8R5	30-10-00-01 -003 4	AN515-8R7	71-11-01-01 -031 16
AN515-8R5	31-10-00-01 -019 4	AN515-8R8	21-40-00-09 -048 1
AN515-8R5	31-10-00-02 -017 4	AN515-8R8	22-10-01-01 -002 6
AN515-8R5	52-30-00-01 -025 2	AN515-8R8	23-00-00-01 -003 4
AN515-8R5	52-30-00-02 -005 2	AN515-8R8	23-10-00-01 -003A 8
AN515-8R5	53-10-06-06 -028C 4	AN515-8R8	23-10-00-04 -002A 4
AN515-8R5	54-10-01-02 -006 4	AN515-8R8	23-10-00-05 -002B 4
AN515-8R5	54-10-01-04 -008 2	AN515-8R8	23-10-00-06 -004 8
AN515-8R5	78-20-00-01 -007 16	AN515-8R8	23-10-00-06 -008 2
AN515-8R6	21-40-00-03 -012B 1	AN515-8R8	23-10-01-01 -004 12
AN515-8R6	22-10-00-02 -002A 8	AN515-8R8	23-10-01-01 -008 2
AN515-8R6	22-10-00-02 -005 4	AN515-8R8	23-20-01-01 -006 4
AN515-8R6	22-10-00-02 -018 4	AN515-8R8	23-20-01-02 -006 8
AN515-8R6	22-10-00-02 -023 8	AN515-8R8	23-20-01-05 -003 8
AN515-8R6	22-10-00-02 -025 8	AN515-8R8	23-20-01-05 -007 8
AN515-8R6	22-10-00-02 -025A 4	AN515-8R8	23-20-01-05 -008A 2
AN515-8R6	22-10-02-01 -010 4	AN515-8R8	23-20-02-01 -004 8
AN515-8R6	22-10-02-01 -010A 2	AN515-8R8	23-20-02-01 -008 4
AN515-8R6	22-10-02-01 -011 4	AN515-8R8	23-20-02-03 -009 4
AN515-8R6	23-00-00-03 -002 2	AN515-8R8	23-20-02-04 -009 4
AN515-8R6	23-10-02-06 -003C 1	AN515-8R8	23-20-03-01 -004 8
AN515-8R6	23-10-02-07 -004G 2	AN515-8R8	23-20-03-01 -007 4
AN515-8R6	23-10-02-08 -003C 2	AN515-8R8	23-20-03-01 -010 4
AN515-8R6	23-10-02-10 -004E 2	AN515-8R8	23-20-03-02 -004 8
AN515-8R6	23-50-00-02 -002 4	AN515-8R8	23-20-03-02 -007 4
AN515-8R6	23-50-00-02 -008 1	AN515-8R8	23-20-03-02 -009A 4
AN515-8R6	23-50-01-01 -003 8	AN515-8R8	23-20-03-02 -026B 2
AN515-8R6	23-50-01-01 -005A 4	AN515-8R8	23-20-03-03 -011 5
AN515-8R6	24-30-20-04 -041 8	AN515-8R8	24-10-00-02 -004B 4
AN515-8R6	25-10-01-01 -011 2	AN515-8R8	24-30-00-04 -009B 2
AN515-8R6	25-10-01-02 -009 2	AN515-8R8	24-30-00-04 -014A 4
AN515-8R6	27-10-00-02 -035 4	AN515-8R8	27-00-00-01 -011 2
AN515-8R6	27-20-01-01 -046 4	AN515-8R8	27-00-00-02 -015 2
AN515-8R6	28-20-00-04 -016 8	AN515-8R8	27-00-00-03 -012 2
AN515-8R6	32-30-00-07 -052 2	AN515-8R8	27-50-00-03 -018 8
AN515-8R6	34-30-00-01 -013A 2	AN515-8R8	27-50-00-04 -021 8
AN515-8R6	34-30-00-02 -009A 2	AN515-8R8	28-10-00-01 -015 16
AN515-8R6	34-50-01-01 -010C 2	AN515-8R8	28-10-00-01 -030 14
AN515-8R6	34-50-01-02 -010C 4	AN515-8R8	28-10-00-02 -019 8
AN515-8R6	34-50-02-01 -004E 2	AN515-8R8	28-20-00-02 -029 2
AN515-8R6	34-50-02-02 -006C 4	AN515-8R8	28-20-00-04 -001 4
AN515-8R6	53-10-06-06 -032B 6	AN515-8R8	28-20-01-02 -002 4

**CESSNA AIRCRAFT COMPANY
MODEL 310 THRU 310D
ILLUSTRATED PARTS CATALOG**

PART NUMBER	CH SEC SUBJ FIG ITEM REQ	PART NUMBER	CH SEC SUBJ FIG ITEM REQ
AN515-8R8	30-00-00-01 -006 8	AN515B6R10	31-10-00-07 -033 6
AN515-8R8	30-10-00-05 -006 3	AN515B6R10	35-10-00-01 -013 4
AN515-8R8	30-60-00-01 -015A 3	AN515B6R10	35-10-00-02 -025 4
AN515-8R8	32-10-01-01 -029B 1	AN515B6R11	23-10-00-02 -005A 3
AN515-8R8	32-20-00-02 -049 1	AN515B6R11	23-10-00-05 -009A 3
AN515-8R8	33-40-00-03 -006 1	AN515B6R11	31-10-00-07 -022 8
AN515-8R8	34-20-00-02 -008 6	AN515B6R11	31-10-00-07 -025 12
AN515-8R8	34-20-00-03 -009 4	AN515B6R11	34-50-01-01 -008A 4
AN515-8R8	34-30-00-02 -001A 8	AN515B6R11	34-50-01-02 -008A 4
AN515-8R8	34-30-01-01 -006 8	AN515B6R11	34-50-02-01 -003A 4
AN515-8R8	34-30-01-02 -002 8	AN515B6R11	34-50-02-02 -004A 4
AN515-8R8	34-30-02-01 -008A 2	AN515B6R12	24-10-00-01 -004D 4
AN515-8R8	34-50-00-01 -002A 8	AN515B6R12	27-50-00-03 -020 4
AN515-8R8	34-50-00-02 -004 16	AN515B6R12	28-20-01-02 -023 4
AN515-8R8	34-50-00-03 -008 16	AN515B6R12	31-10-00-07 -020 12
AN515-8R8	34-50-00-03 -032 8	AN515B6R12	34-50-00-03 -013 6
AN515-8R8	34-50-00-04 -008 16	AN515B6R12	34-50-00-03 -035 3
AN515-8R8	34-50-00-04 -030 8	AN515B6R12	35-10-00-03 -025 4
AN515-8R8	34-50-00-05 -010 8	AN515B6R12	35-10-00-04 -010A 3
AN515-8R8	34-50-00-05 -016 8	AN515B6R7	31-10-00-07 -035 4
AN515-8R8	34-50-00-05 -022 8	AN515B6R8	34-30-00-01 -011 4
AN515-8R8	34-50-01-01 -002 8	AN515B6R9	22-10-00-02 -013A 4
AN515-8R8	34-50-01-02 -003 16	AN515B8R14	34-20-00-02 -013 3
AN515-8R8	34-50-01-03 -003 8	AN515B8R14	34-20-00-03 -013 3
AN515-8R8	34-50-01-04 -003 16	AN515C8R7	24-30-20-04 -021 2
AN515-8R8	34-50-01-05 -004 16	AN515C8R9	21-40-00-05 -025 6
AN515-8R8	34-50-01-05 -029 8	AN515C8R9	21-40-00-07 -018B 2
AN515-8R8	34-50-01-06 -004 16	AN515C8R9	24-40-00-01 -010 2
AN515-8R8	34-50-01-06 -033 8	AN515DD6R4	53-30-00-03 -007B 4
AN515-8R8	34-50-05-01 -013 4	AN515DD6R6	34-50-05-01 -014A 4
AN515-8R8	34-50-05-01 -022 4	AN515DD6R6	34-50-05-01 -023A 4
AN515-8R8	34-60-00-01 -004 4	AN515DD6R8	34-50-05-01 -017 19
AN515-8R8	34-60-00-01 -020 4	AN515DD6R8	34-50-05-01 -025 19
AN515-8R8	35-10-00-02 -008 3	AN516-6R4	24-30-20-02 -029 4
AN515-8R8	35-10-00-03 -008 2	AN516-6R6	24-30-20-02 -028 4
AN515-8R8	35-10-00-04 -003 3	AN520-10R10	24-30-10-02 -027B 4
AN515-8R8	53-10-06-06 -010 4	AN520-10R10	35-10-00-04 -027A 6
AN515-8R8	53-10-06-06 -013B 3	AN520-10R10	52-10-00-03 -051 1
AN515-8R8	53-20-00-02 -009A 4	AN520-10R10	53-20-00-02 -024 2
AN515-8R8	54-10-00-01 -030E 4	AN520-10R10	57-10-00-01 -013A AR
AN515-8R8	54-10-00-02 -010E 4	AN520-10R10	57-10-00-05 -013A AR
AN515-8R8	54-10-00-03 -012 18	AN520-10R12	24-10-00-02 -001B 2
AN515-8R8	54-10-00-05 -012 18	AN520-10R12	53-10-05-01 -052 1
AN515-8R8	55-10-00-01 -007 14	AN520-10R14	24-30-00-03 -020B 3
AN515-8R8	57-10-00-01 -013 AR	AN520-10R14	24-30-10-01 -009 1
AN515-8R8	57-10-00-03 -004E 2	AN520-10R14	71-00-00-02 -006D 1
AN515-8R8	57-10-00-05 -013 AR	AN520-10R16	55-20-00-01 -049A 1
AN515-8R8	57-10-00-07 -003E 2	AN520-10R24	34-50-02-01 -001A 8
AN515-8R8	57-10-00-10 -021 7	AN520-10R24	34-50-02-02 -002B 8
AN515-8R8	57-10-01-02 -004E 2	AN520-10R36	30-10-00-01 -012 1
AN515-8R8	57-10-01-05 -003E 2	AN520-10R48	55-20-00-01 -049 2
AN515-8R8	71-60-00-02 -045 2	AN520-10R48	55-20-00-01 -049B 2
AN515-8R8	71-60-00-02 -045A 3	AN520-10R48	55-20-00-01 -049C 1
AN515-8R8	78-10-00-01 -018 6	AN520-10R5	21-40-00-01 -040 2
AN515-8R9	21-40-00-01 -017 1	AN520-10R5	21-60-00-01 -008 1
AN515-8R9	21-40-00-02 -015 1	AN520-10R5	25-21-00-02 -001 16
AN515-8R9	21-40-00-05 -048 3	AN520-10R5	32-41-00-01 -010 1
AN515B4R5	34-30-00-01 -010 8	AN520-10R5	34-30-02-02 -012 8
AN515B6R	34-20-00-01 -007 4	AN520-10R5	53-10-06-01 -020A 2
AN515B6R10	27-50-00-02 -012 4	AN520-10R6	21-40-00-07 -044 4
AN515B6R10	31-10-00-07 -016 20	AN520-10R6	24-30-20-04 -047 2

CESSNA AIRCRAFT COMPANY
MODEL 310 THRU 310D
ILLUSTRATED PARTS CATALOG

PART NUMBER	CH	SEC	SUBJ	FIG	ITEM	REQ	PART NUMBER	CH	SEC	SUBJ	FIG	ITEM	REQ
AN520-10R6	53	10	07-03		-005	2	AN520B10R16	31	10	00-08		-035	2
AN520-10R6	53	30	00-01		-015A	1	AN520B10R16	33	10	00-01		-012	2
AN520-10R6	57	10	00-01		-019A	32	AN525-1032R7	21	40	00-05		-052	4
AN520-10R6	57	10	00-05		-019A	32	AN525-10R10	52	10	00-01		-015	1
AN520-10R6	57	10	00-10		-014	12	AN525-10R10	52	10	00-02		-016	2
AN520-10R6	71	11	01-02		-065	4	AN525-10R10	52	30	00-02		-032	2
AN520-10R6	78	20	00-01		-004	4	AN525-10R12	52	10	00-01		-011	1
AN520-10R7	24	30	10-02		-016	12	AN525-10R6	52	10	00-04		-002	2
AN520-10R7	30	00	00-01		-009	4	AN525-10R6	53	10	02-01		-004	3
AN520-10R7	30	10	00-01		-019	12	AN525-10R6	53	10	02-02		-004	3
AN520-10R7	32	10	00-01		-024	1	AN525-10R6	57	10	00-03		-004B	2
AN520-10R7	32	41	00-02		-013A	2	AN525-10R6	57	10	00-07		-003B	2
AN520-10R7	32	41	00-02		-015E	2	AN525-10R6	57	10	01-02		-004B	2
AN520-10R7	53	30	00-04		-008	5	AN525-10R6	57	10	01-05		-003B	2
AN520-10R7	71	00	00-01		-029F	1	AN525-10R7	21	40	00-03		-044	4
AN520-10R7	73	10	00-01		-007	4	AN525-10R7	25	21	00-04		-034	4
AN520-10R7	79	20	00-02		-004	2	AN525-10R7	54	10	00-03		-008	2
AN520-10R8	23	10	00-02		-002A	8	AN525-10R7	54	10	00-05		-008	2
AN520-10R8	23	10	00-03		-002A	8	AN525-10R8	54	10	00-03		-005	4
AN520-10R8	23	10	00-05		-003A	8	AN525-10R8	54	10	00-05		-005	4
AN520-10R8	24	30	00-03		-015B	2	AN525-832R12	25	10	00-01		-007A	2
AN520-10R8	24	30	00-03		-018A	4	AN525-832R6	57	10	00-11		-006	23
AN520-10R8	24	30	00-03		-018B	2	AN525-832R7	57	10	00-11		-007	28
AN520-10R8	24	30	20-02		-040	2	AN525-832R8	52	10	00-03		-021	2
AN520-10R8	25	60	00-02		-003A	1	AN525-832R8	52	10	00-04		-005	2
AN520-10R8	28	20	00-01		-017	2	AN525-832R8	57	10	00-11		-008	02
AN520-10R8	28	20	00-02		-021	2	AN525-832R9	52	10	00-05		-004	1
AN520-10R8	28	20	00-03		-010	8	AN531-4R4	52	10	00-02		-018	6
AN520-10R8	28	20	00-04		-005	8	AN531-6R8	25	21	00-05		-010	2
AN520-10R8	28	40	00-01		-003	10	AN535-00-3	76	10	01-02		-023	15
AN520-10R8	30	10	00-01		-005	16	AN545-6R4	25	60	00-01		-004B	3
AN520-10R8	30	10	00-06		-042	7	AN545-6R4	25	60	00-02		-004A	3
AN520-10R8	32	41	00-02		-015F	2	AN545-6R6	25	21	00-01		-020	2
AN520-10R8	33	40	00-06		-014	1	AN545-8R6	24	30	00-01		-011	4
AN520-10R8	34	10	00-01		-034	1	AN565B-8H-9	32	30	00-02		-010	2
AN520-10R8	34	50	02-02		-002A	8	AN565B6-3S	31	10	00-01		-013A	1
AN520-10R8	34	50	02-02		-002D	16	AN565B6-8	30	60	00-01		-030B	1
AN520-10R8	35	10	00-03		-020	8	AN565B6-8	31	10	00-01		-046A	1
AN520-10R8	35	10	00-03		-020A	7	AN565B6-8	33	10	00-02		-015	1
AN520-10R8	35	10	00-04		-027B	2	AN565B6H3	27	50	00-03		-008	1
AN520-10R8	53	10	06-06		-021A	4	AN565B6H3	27	50	00-04		-008	1
AN520-10R8	53	20	00-02		-010	3	AN565B6H3	30	60	00-01		-030F	1
AN520-10R8	53	20	02-01		-001	10	AN565B6H3	31	10	00-01		-008A	1
AN520-10R8	53	20	02-02		-001	10	AN565B6H3	31	10	00-01		-009A	1
AN520-10R8	55	30	00-03		-056	4	AN565B6H3	31	10	00-01		-012A	1
AN520-10R8	57	10	00-01		-013B	AR	AN565B6H3	31	10	00-01		-046	1
AN520-10R8	57	10	00-05		-013B	AR	AN565B6H3	31	10	00-02		-008C	1
AN520-10R8	71	00	00-02		-013	1	AN565B6H3	31	10	00-02		-011C	1
AN520-10R8	79	20	00-02		-005	2	AN565B6H3	31	10	00-02		-041	1
AN520-10R9	53	30	00-02		-005	1	AN565B6H3	33	10	00-02		-015B	1
AN520-10R9	55	30	00-01		-010	2	AN565B6H4	52	10	00-03		-010	1
AN520-10R9	55	30	00-03		-007	2	AN565D6H3	27	20	02-01		-026	1
AN520-10RB	34	30	00-01		-003A	8	AN565D6H3	27	50	00-02		-017	2
AN520-10RG	30	10	00-05		-050	2	AN565D6H3	28	20	00-04		-022A	2
AN520-10R12	78	10	00-01		-019	6	AN565D6H3	52	60	00-01		-011	1
AN520-416R8	53	20	00-04		-018D	1	AN565D8H5	23	10	02-17		-006B	1
AN520B10R10	22	10	00-02		-011A	3	AN565D8H5	23	10	02-24		-005B	1
AN520B10R10	31	10	00-07		-027	3	AN565D8H5	30	60	00-01		-030H	1
AN520B10R14	22	10	00-02		-012A	4	AN565D8H5	31	10	00-03		-004A	1
AN520B10R14	31	10	00-07		-029	4	AN565D8H5	31	10	00-03		-007A	1
AN520B10R14	33	10	00-01		-007	2	AN565D8H5	31	10	01-02		-043B	1

CESSNA AIRCRAFT COMPANY
MODEL 310 THRU 310D
ILLUSTRATED PARTS CATALOG

PART NUMBER	CH SEC SUBJ FIG ITEM REQ	PART NUMBER	CH SEC SUBJ FIG ITEM REQ
AN565D8H5	33-10-00-02 -015A 1	AN742-D3	73-10-00-02 -023 2
AN565DSH5	23-10-02-19 -005B 1	AN742D12	71-00-00-01 -025 1
AN5H5A	32-10-00-02 -006 2	AN742D12	77-10-00-01 -008 2
AN6-12A	55-30-00-01 -011 2	AN742D14C	24-30-20-03 -035 1
AN6-12A	55-30-00-03 -008 2	AN742D17	21-40-00-05 -022A 2
AN6-21A	61-10-00-01 -027 2	AN742D17	21-40-00-07 -018A 2
AN6-21A	61-10-00-02 -019 2	AN742D17	30-10-00-01 -010 1
AN6-26A	57-10-00-10 -003 20	AN742D17	37-10-00-04 -011 2
AN6-27A	57-10-00-10 -009 12	AN742D34	24-10-00-02 -004A 4
AN6-33A	32-30-00-01 -007 4	AN742D34	24-30-20-04 -029 8
AN6-33A	32-30-00-01 -007C 2	AN742D4	28-10-00-02 -010 1
AN6-63A	52-60-00-02 -027 1	AN742D4	28-40-00-01 -024 2
AN6-6A	55-30-00-01 -013 4	AN742D4	30-10-00-06 -050 2
AN6-7A	55-30-00-01 -013A 4	AN742D4	30-60-00-01 -010 8
AN6-7A	55-30-00-03 -010 4	AN742D4	37-10-00-02 -031A 2
AN6227-7	32-20-00-05 -018 1	AN742D4	76-10-00-01 -029 1
AN6227B46	61-10-00-01 -053 1	AN742D40	21-40-00-03 -064 2
AN6227B46	61-10-00-02 -045 1	AN742D4C	24-30-20-02 -021 1
AN6290-4	30-00-00-01 -023 2	AN742D4C	24-30-20-02 -022 1
AN6290-4	30-10-00-05 -003E 1	AN742D5	28-10-00-02 -010A 1
AN6290-4	32-41-00-01 -007 2	AN742D5C	21-60-00-01 -007 1
AN6290-6	30-10-00-05 -059 1	AN742D6	37-10-00-01 -035 2
AN690-4L	52-30-00-01 -011 1	AN742D6	77-10-00-01 -008A 2
AN7-22A	32-10-00-01 -010 2	AN742D6C	27-50-00-03 -030 1
AN7-27A	71-00-00-01 -007 4	AN742D8	32-41-00-02 -015B 2
AN7-32A	71-00-00-01 -012A 4	AN743-7	24-30-20-02 -042 1
AN7-33A	71-00-00-01 -012 4	AN74A4	71-60-00-02 -004 4
AN735-36	71-00-00-02 -012 1	AN7503-15	32-40-00-01 -001 1
AN735D12	32-10-00-01 -023 1	AN781-1	23-20-01-05 -008C 4
AN735D12	71-00-00-01 -029C 2	AN781-1	34-30-02-01 -008C 4
AN735D36	33-40-00-06 -011 1	AN781-3	24-30-20-04 -011A 4
AN737RM22	28-20-00-03 -007 4	AN781-3	24-40-00-01 -012 1
AN737RM22	28-40-00-01 -015 4	AN804D4	34-10-00-01 -026 1
AN737RM22	28-40-00-01 -033 4	AN813-1B	32-40-01-01 -020 1
AN737RM22	30-20-00-01 -031 4	AN816-10-12D	30-10-00-04 -010 2
AN737RM22	37-10-00-01 -006 4	AN816-16-12D	30-10-00-03 -017 2
AN737RM22	37-10-00-01 -040 4	AN816-25D	30-10-00-03 -022 1
AN737RM22	37-10-00-02 -008 8	AN816-6C	21-40-00-09 -045 1
AN737RM24	28-40-00-01 -012A 4	AN818-4D	34-10-00-01 -024 1
AN737RM34	37-10-00-01 -037 4	AN821-4D	28-40-00-01 -016 2
AN737RM34	71-00-00-02 -016 2	AN821-4D	34-10-00-01 -002A 1
AN737RM38	71-00-00-02 -003C 1	AN821-8D	28-40-00-01 -010 2
AN737TW-82	71-60-00-01 -023 2	AN823-2D	21-40-00-05 -031 1
AN737TW-82	71-60-00-02 -038 2	AN823-2D	21-40-00-07 -022 1
AN737TW30	28-20-00-03 -004 4	AN823-2D	37-10-00-03 -016 3
AN737TW30	28-40-00-01 -012 4	AN823-2D	37-10-00-03 -016A 2
AN737TW30	28-40-00-01 -030 4	AN823-2D	73-10-00-01 -030 2
AN737TW30	37-10-00-01 -019 4	AN823-2D	79-20-00-02 -018 2
AN737TW56	21-40-00-09 -035 1	AN823-4B	71-00-00-01 -023 2
AN737TW74	24-30-10-02 -005 2	AN823-4B	73-10-00-01 -022 2
AN741-18D	76-10-00-01 -020 4	AN823-4B	73-10-00-02 -037 2
AN741-18P	76-10-00-02 -016 4	AN823-4D	32-41-00-02 -002 2
AN742-11	32-41-00-02 -015 2	AN823-4D	71-00-00-01 -015 2
AN742-12	24-30-20-02 -030A 2	AN823-4D	71-00-00-01 -021 1
AN742-17	37-10-00-04 -014 1	AN823-4D	71-00-00-01 -024 2
AN742-22	24-10-00-02 -001A 2	AN823-6D	37-10-00-03 -027 1
AN742-6C	28-20-00-03 -008 8	AN823-8D	37-10-00-02 -012 2
AN742-8	32-41-01-01 -007 2	AN824-12D	30-10-00-02 -016 1
AN742-8C	28-20-00-01 -016 4	AN824-2D	21-40-00-05 -033 2
AN742-D16	30-10-00-04 -002A 4	AN824-2D	21-40-00-07 -021 2
AN742-D3	73-10-00-02 -022A 2	AN824-4D	21-40-00-07 -035 1

CESSNA AIRCRAFT COMPANY
MODEL 310 THRU 310D
ILLUSTRATED PARTS CATALOG

PART NUMBER	CH	SEC	SUBJ	FIG	ITEM	REQ	PART NUMBER	CH	SEC	SUBJ	FIG	ITEM	REQ
AN824-4D	21-40-00-09	-024	1				AN833-4D	32-41-00-02	-003				6
AN824-4D	21-40-00-09	-040	1				AN833-4D	34-10-00-01	-006				1
AN824-6D	21-40-00-07	-042	1				AN833-4D	79-20-00-01	-019				2
AN824-6D	28-20-00-01	-020	2				AN833-6	28-20-00-03	-027				1
AN824-6D	28-20-00-02	-035	2				AN833-6D	28-20-01-02	-013				2
AN824-6D	30-10-00-05	-053	1				AN833-6D	37-10-00-01	-026				2
AN824-8D	30-10-00-02	-017	1				AN833-6D	37-10-00-02	-023				2
AN825-2D	21-40-00-05	-029	1				AN834-4D	34-10-00-01	-020				1
AN825-2D	21-40-00-07	-020	1				AN834-8D	30-10-00-02	-031				1
AN825-4D	34-10-00-01	-017	1				AN837-12D	30-10-00-02	-021				1
AN825-6D	28-20-00-02	-012	1				AN837-2D	28-20-00-01	-033				2
AN825-6D	37-10-00-04	-002	1				AN837-2D	28-20-00-02	-043				2
AN825-8D	30-10-00-02	-028	1				AN837-2D	77-10-00-01	-015				2
AN825-8D	30-10-00-05	-054	1				AN837-4D	32-41-00-02	-010				2
AN825-8D	37-10-00-04	-023	1				AN837-4D	34-10-00-01	-002				1
AN826-4D	22-10-00-02	-020	1				AN837-4D	79-20-00-01	-026				2
AN826-4D	34-10-00-01	-014	1				AN837-5D	28-10-00-02	-014				1
AN826-4D	34-10-00-01	-017A	1				AN837-6D	37-10-00-01	-031				2
AN826-4D	34-10-00-01	-039	1				AN837-6D	37-10-00-02	-028				2
AN826-4D	73-10-00-01	-043	2				AN838-6D	30-10-00-05	-058				1
AN826-6D	30-10-00-05	-065	1				AN840-10D	30-20-00-01	-006				2
AN826-6D	37-10-00-03	-002	1				AN840-16D	30-20-00-01	-014				2
AN826-6D	37-10-00-03	-010	1				AN840-4	30-20-00-01	-030A				2
AN826-8D	30-10-00-04	-012	2				AN840-4D	21-40-00-07	-037				2
AN832-10	30-10-00-04	-014	2				AN840-6D	30-10-00-05	-057				1
AN832-16	30-10-00-04	-017	2				AN840-8D	30-20-00-01	-019				2
AN832-2	28-20-00-01	-023	2				AN840-9	37-10-00-01	-003				2
AN832-2	28-20-00-02	-039	2				AN842-6D	30-10-00-05	-074				2
AN832-2	77-10-00-01	-011	2				AN842-6D	37-10-00-01	-005				2
AN832-2D	71-11-01-01	-053	1				AN842-6D	37-10-00-02	-006				2
AN832-2D	71-11-01-02	-044	1				AN844-16D	30-20-00-01	-023				4
AN832-2D	71-11-01-02	-044A	2				AN848-4D	28-10-00-01	-042				1
AN832-4	28-20-00-03	-014	2				AN848-8D	28-10-00-01	-039				1
AN832-4	30-60-00-01	-004	2				AN893-2D	21-40-00-07	-036				1
AN832-4	79-20-00-01	-015	2				AN894-4-2D	21-40-00-05	-022				4
AN832-4D	28-20-01-02	-047	2				AN894-4-2D	21-40-00-07	-018				4
AN832-4D	32-41-00-02	-010A	2				AN894-6-4D	21-40-00-07	-043				1
AN832-5D	35-10-00-01	-032	1				AN894D4-2	37-10-00-03	-014				1
AN832-5D	35-10-00-02	-044	1				AN894D6-4	37-10-00-03	-012				1
AN832-5D	35-10-00-03	-044	1				AN8H7A	61-10-00-01	-014				6
AN832-6	28-20-00-03	-023	1				AN8H7A	61-10-00-02	-006				6
AN832-6	28-20-01-02	-009	2				AN901-5A	32-10-00-02	-005				1
AN832-6	37-10-00-01	-022	2				AN901-5A	32-20-00-03	-005				1
AN832-6	37-10-00-02	-019	2				AN902B16	30-10-00-03	-006				3
AN832-6B	73-10-00-01	-014	2				AN902B4	21-40-00-05	-021A				4
AN832-6D	30-10-00-05	-066	2				AN902B4	21-40-00-07	-017A				4
AN832-8D	30-10-00-02	-020	2				AN902B4	28-20-01-01	-016				2
AN833-12D	30-10-00-02	-013	3				AN902B4	28-40-00-01	-006F				1
AN833-16D	30-10-00-02	-023	2				AN902B4	30-00-00-01	-017				3
AN833-16D	30-10-00-03	-018	2				AN902B4	37-10-00-03	-013				1
AN833-16D	30-10-00-03	-021	1				AN902B5	35-10-00-01	-039				8
AN833-2D	28-20-00-01	-024	2				AN902B6	37-10-00-04	-026				4
AN833-2D	28-20-00-02	-040	2				AN902B6	37-10-00-04	-030				2
AN833-2D	30-10-00-02	-047	3				AN902B8	28-20-00-03	-020				6
AN833-2D	77-10-00-01	-013	2				AN910-2D	28-20-00-02	-013				1
AN833-4D	24-30-00-02	-008	1				AN911-1	73-10-00-02	-039				2
AN833-4D	28-20-00-02	-030B	2				AN911-1D	79-20-00-02	-013				4
AN833-4D	28-20-00-02	-032	1				AN911-2D	37-10-00-04	-005				1
AN833-4D	30-00-00-01	-016	3				AN911-3D	37-10-00-04	-021				1
AN833-4D	30-00-00-01	-022A	2				AN911-4D	30-20-00-01	-011				2
AN833-4D	30-60-00-01	-003	2				AN911-6D	30-10-00-03	-015				2

**CESSNA AIRCRAFT COMPANY
MODEL 310 THRU 310D
ILLUSTRATED PARTS CATALOG**

PART NUMBER	CH SEC SUBJ FIG ITEM REQ	PART NUMBER	CH SEC SUBJ FIG ITEM REQ
AN911-6D	30-20-00-01 -017 2	AN924-4D	28-20-00-02 -030D 2
AN912-1	28-40-00-01 -006E 1	AN924-4D	28-20-00-02 -032A 1
AN912-1	71-00-00-01 -019 3	AN924-4D	28-20-01-02 -047A 2
AN912-10D	30-10-00-04 -009 4	AN924-4D	30-00-00-01 -018 3
AN912-13D	30-10-00-03 -014 2	AN924-4D	30-00-00-01 -024 2
AN912-1D	37-10-00-03 -007 2	AN924-4D	30-60-00-01 -003B 2
AN912-1D	37-10-00-04 -017 2	AN924-4D	32-41-00-02 -003B 6
AN912-2	37-10-00-01 -004 2	AN924-4D	32-41-00-02 -010C 4
AN912-2D	30-10-00-05 -056 1	AN924-4D	34-10-00-01 -004 1
AN912-2D	37-10-00-02 -005 2	AN924-4D	34-10-00-01 -008 1
AN912-2D	37-10-00-04 -004 2	AN924-4D	34-10-00-01 -022 1
AN912-3	79-20-00-01 -001 2	AN924-4D	34-10-00-01 -028 1
AN912-4D	37-10-00-04 -020 1	AN924-4D	79-20-00-01 -021 4
AN912-7D	30-20-00-01 -012 2	AN924-5D	28-10-00-02 -014C 1
AN912-8D	30-10-00-04 -011 2	AN924-5D	35-10-00-01 -032A 1
AN912-8D	30-20-00-01 -018 2	AN924-5D	35-10-00-02 -044B 1
AN912-9D	37-10-00-03 -029 1	AN924-5D	35-10-00-03 -044B 1
AN914-2D	37-10-00-04 -003 2	AN924-6	28-20-00-03 -025 2
AN914-6D	37-10-00-03 -028 1	AN924-6	37-10-00-01 -024 2
AN915-4D	30-20-00-01 -010 2	AN924-6	37-10-00-02 -021 2
AN916-1D	21-40-00-06 -001 1	AN924-6D	28-20-01-02 -015 2
AN916-1D	34-10-00-01 -032 1	AN924-6D	30-10-00-05 -060 1
AN916-2D	28-20-00-03 -029 4	AN924-6D	30-10-00-05 -066B 2
AN916-2D	28-20-01-02 -011 6	AN924-6D	37-10-00-01 -028 4
AN916-3D	30-10-00-05 -055 1	AN924-6D	37-10-00-02 -025 4
AN917-10D	30-10-00-03 -013 1	AN924-6D	37-10-00-04 -027 2
AN917-6D	30-20-00-01 -013 2	AN924-8D	28-10-00-01 -041 1
AN918-3D	37-10-00-04 -022 1	AN924-8D	30-10-00-02 -022 2
AN919-1	28-40-00-01 -006H 1	AN924-8D	30-10-00-02 -033 1
AN919-10D	30-10-00-03 -027 1	AN929-6	28-20-00-01 -021 2
AN919-12D	28-20-00-03 -018 4	AN929-6	28-20-00-02 -036 2
AN919-1D	28-40-00-01 -006G 1	AN931-5S9	71-11-01-02 -066 6
AN919-23D	30-10-00-03 -005 2	AN935-10	61-20-00-01 -005 1
AN919-27D	30-10-00-03 -007 1	AN935-10	61-20-00-01 -049 2
AN919-4D	30-10-00-05 -063 1	AN935-10L	71-00-00-02 -006E 1
AN919-4D	37-10-00-04 -029 2	AN935-3	22-10-02-01 -008A AR
AN924-10D	30-10-00-04 -016 2	AN935-3	23-00-00-03 -012 4
AN924-10D	76-10-00-05 -019 1	AN935-3	23-10-02-08 -010A 4
AN924-12D	30-10-00-02 -015 4	AN936-6	34-10-00-01 -054A 4
AN924-16D	30-10-00-02 -025 2	AN936-A10	30-10-00-01 -019A 12
AN924-16D	30-10-00-03 -019 2	AN936-A1016	76-10-00-05 -017A 2
AN924-16D	30-10-00-04 -019 2	AN936-A1416	76-10-00-05 -018 1
AN924-2	28-20-00-01 -023B 2	AN936-A8	28-20-01-02 -004 4
AN924-2	28-20-00-02 -039B 2	AN936A2	24-30-20-01 -003E 4
AN924-2	77-10-00-01 -011B 2	AN936B8	21-40-00-05 -005 1
AN924-2	77-10-00-01 -013B 2	AN936B8	21-40-00-05 -026 6
AN924-2	77-10-00-01 -017 2	AN936B8	21-40-00-07 -004A 1
AN924-2D	28-20-00-01 -024B 2	AN936B8	21-40-00-07 -018C 2
AN924-2D	28-20-00-01 -035 2	AN936B8	23-20-01-01 -018 2
AN924-2D	28-20-00-02 -040B 2	AN936B8	23-20-01-02 -017 2
AN924-2D	28-20-00-02 -045 2	AN936B8	34-60-00-01 -016 2
AN924-2D	30-10-00-02 -049 3	AN938-5D	35-10-00-01 -034 3
AN924-2D	71-11-01-01 -054 1	AN938-6D	30-10-00-05 -062 1
AN924-2D	71-11-01-02 -045 1	AN938D8	28-20-00-03 -017 2
AN924-2D	71-11-01-02 -045A 2	AN944-101	32-30-00-06 -044 1
AN924-3D	28-20-01-01 -009 2	AN944-301	32-30-00-06 -043 1
AN924-4	28-20-00-03 -016 2	AN951-FEB3N	22-50-00-01 -017 2
AN924-4	30-60-00-01 -004B 2	AN960-40	73-10-00-02 -029 2
AN924-4	79-20-00-01 -017 2	AN960-414L	32-30-00-01 -015 2
AN924-4D	24-30-00-02 -008A 1	AN960-716D	30-60-00-01 -003A 2
AN924-4D	28-10-00-01 -045 1	AN960-C416L	57-50-00-03 -016 2

**CESSNA AIRCRAFT COMPANY
MODEL 310 THRU 310D
ILLUSTRATED PARTS CATALOG**

PART NUMBER	CH	SEC	SUBJ	FIG	ITEM	REQ	PART NUMBER	CH	SEC	SUBJ	FIG	ITEM	REQ
AN960-C416L	57	50	00-04		-016	2	AS5194D0402	34	10	00-01		-010	1
AN960-C416L	57	50	00-04		-024	2	AS5194D0402	34	10	00-01		-031	1
AN960-C416L	57	50	00-07		-016	2	AS5194D0402	34	10	00-01		-040	1
AN960-C416L	57	50	00-07		-024	2	AS5194D0402	73	10	00-02		-034	2
AN960-C416L	57	50	00-07		-028	2	AS5194D0402	79	20	00-01		-027	2
AN960-C416L	57	50	00-08		-016	2	AS5194D0502	35	10	00-01		-028A	1
AN960-D4	25	20	02-01		-022A	36	AS5194D0502	35	10	00-02		-040	1
AN960-PD716	79	20	00-01		-020	4	AS5194D0502	35	10	00-03		-040	1
AN970-3	21	40	00-05		-008	2	AS5194D0502	35	10	00-04		-008	1
AN970-3	21	40	00-07		-008	2	AS5194D0604	28	20	00-03		-028	4
AN970-5	27	10	00-01		-043D	4	AS5194D0604	30	10	00-06		-053	1
ANK-4-8	27	50	00-02		-002	4	AS5194D0604	37	10	00-03		-003	2
ANK4-8	32	30	00-06		-017	4	AS5194D0604	37	10	00-03		-010A	1
AR292	52	30	00-02		-022	1	AS5194D0604	37	10	00-04		-010	2
AS3570-113	79	20	00-03		-011A	2	AS5194D0604	37	10	00-04		-024	2
AS4857D01	30	00	00-01		-021A	1	AS5194D0606	28	20	00-03		-031	1
AS4857D01	79	20	00-02		-010	2	AS5194D0606	30	10	00-02		-030	2
AS4857D02	37	10	00-04		-006	2	AS5194D0606	37	10	00-04		-025	2
AS4857D02	37	10	00-04		-007	2	AS5194D0606	73	10	00-01		-029	1
AS4857D03	30	10	00-02		-029	1	AS5194D0606	73	10	00-02		-005	1
AS5169-04	28	40	00-01		-006I	1	AS5194D0804	37	10	00-03		-003A	2
AS5169-08	28	40	00-01		-006B	1	AS5194D0806	30	10	00-02		-030A	2
AS5169D05L	32	20	00-05		-017	1	AW4-35	30	10	00-06		-052	4
AS5174-0808	28	40	00-01		-009A	2	AW4-35	53	10	06-06		-029B	12
AS5174D0404	30	60	00-01		-006	2	AW5-40	25	60	00-03		-003A	2
AS5174D0404	30	60	00-01		-016	2	B-3963A	33	40	00-01		-000A	1
AS5174D0404	32	41	00-02		-018	4	B-3963A	33	40	00-01A		-000A	1
AS5174D0505	28	10	00-02		-013	1	B-45	53	20	02-01		-023	1
AS5174D0505	35	10	00-01		-037A	3	B-45	53	20	02-01		-029	1
AS5174D0505	35	10	00-04		-037	3	B-45	53	20	02-01		-046	1
AS5174D0606	28	20	00-01		-011	6	B-45	53	20	02-02		-024	1
AS5174D0606	28	20	00-02		-011	5	B-45	53	20	02-02		-029	1
AS5174D0606	28	20	01-02		-017	2	B-45	53	20	02-02		-042	1
AS5174D0606	30	10	00-05		-015	7	B-5791	33	40	00-03		-013	1
AS5174D1212	30	10	00-02		-019	1	B-6000A	33	40	00-03		-016	1
AS5174D1212	30	10	00-02		-019C	1	B-6740-1	33	40	00-03		-023	1
AS5174D1212	30	10	00-02		-035	1	B-853	61	10	00-01		-038	1
AS5174J0404	30	10	00-05		-003D	1	B-853	61	10	00-02		-030	1
AS5174J0404	30	10	00-06		-008	1	B-854	61	10	00-01		-035	1
AS5194B0202	21	40	00-06		-002	1	B-854	61	10	00-02		-027	1
AS5194B0202	77	10	00-01		-006	2	B-855A	61	10	00-01		-045	1
AS5194B0402	73	10	00-01		-018	2	B-855A	61	10	00-02		-037	1
AS5194B0402	73	10	00-02		-035	2	B-882-1	61	10	00-01		-015	2
AS5194B0806	28	40	00-01		-009	2	B-882-1	61	10	00-02		-007	2
AS5194D0202	28	20	00-01		-038	2	B-953	61	10	00-01		-039	1
AS5194D0202	28	20	00-02		-048	2	B-953	61	10	00-02		-031	1
AS5194D0202	28	20	01-02		-012	2	B4209	33	40	00-06		-004	1
AS5194D0202	28	40	00-01		-006D	1	B4213A	33	40	00-06		-003	1
AS5194D0202	30	10	00-02		-045	1	B610	27	30	00-01		-037	2
AS5194D0202	30	10	00-03		-024	1	B610	57	50	00-03		-004	2
AS5194D0202	30	10	00-04		-013	2	B610	57	50	00-04		-004	2
AS5194D0202	37	10	00-04		-018	2	B610	57	50	00-07		-004	2
AS5194D0202	73	10	00-01		-041	2	B610	57	50	00-08		-004	2
AS5194D0202	79	20	00-02		-013A	2	B610	57	60	00-01		-008	2
AS5194D0202	79	20	00-02		-014	4	B610	57	60	00-02		-008	2
AS5194D0302	21	40	00-09		-029A	1	B6641-2	33	10	00-01		-001	1
AS5194D0302	35	10	00-04		-010B	1	B6642-3	33	10	00-01		-008	1
AS5194D0302	35	10	00-04		-019A	1	BH-108	32	30	00-01		-006	2
AS5194D0402	28	20	00-02		-033A	1	BH108	32	30	00-01		-002	2
AS5194D0402	30	00	00-01		-021B	1	BR1916	32	20	00-01		-006	1
AS5194D0402	30	10	00-03		-029	1	BRA7	32	20	00-01		-031	2

**CESSNA AIRCRAFT COMPANY
MODEL 310 THRU 310D
ILLUSTRATED PARTS CATALOG**

PART NUMBER	CH SEC SUBJ FIG ITEM REQ	PART NUMBER	CH SEC SUBJ FIG ITEM REQ
BROWN DEVIL	23-10-00-07 -000A 1	CM2822-6	54-10-00-02 -017B 2
BROWN DEVIL	23-10-00-07 -000C 1	CM2822-6	71-60-00-02 -007 2
BROWN DEVIL	23-10-00-07 -000D 1	CM2822-6	71-60-00-02 -022 2
BROWN DEVIL	23-10-00-07 -000F 1	CM2822-6	71-60-00-02 -024 2
BROWN DEVIL	23-10-00-07 -000H 1	CM2823-5	71-60-00-02 -002A 4
BROWN DEVIL	23-10-00-07 -000J 1	CM2823-6	54-10-00-01 -014B 2
BROWN DEVIL	23-10-00-07 -000M 1	CM2823-6	54-10-00-02 -014B 2
BROWN DEVIL	23-10-00-07 -000O 1	CM2823-6	71-60-00-02 -026A 6
BROWN DEVIL	23-10-00-07 -000Q 1	CM3758B100A000S	79-20-00-02 -006A 1
BROWN DEVIL	23-10-00-07 -000S 1	CM3758B174A000S	73-10-00-01 -011 1
BROWN DEVIL	23-10-00-07 -000T 1	CM3758B174A000S	73-10-00-01 -013A 1
BROWN DEVIL	23-10-00-07 -000V 1	CM3758B224000S	30-60-00-01 -005A 1
BROWN DEVIL	23-10-00-07 -000W 1	CM3758B224A000S	73-10-00-02 -036H 1
BS48154	31-10-00-03 -027 1	CM3758B244A000S	79-20-00-02 -006 1
BS48157-K2215	31-10-00-06 -008 6	CM3758B282A000S	73-10-00-01 -010B 1
BS51338	31-10-00-03 -025 8	CM3758B282A000S	73-10-00-01 -012B 1
BS51338-K2215	31-10-00-06 -011 3	CM3758B282A000S	73-10-00-02 -036C 1
BZ-R31	24-30-20-01 -001A 1	CM3758B404A000S	79-20-00-01 -004 1
BZ-R31	24-30-20-01 -007 1	CM3758B480A000S	79-20-00-01 -003 1
BZ-R31	24-30-20-01 -007A 2	CM3758B480A000S	79-20-00-01 -004D 1
C-100P-3	33-10-00-02 -008 2	CM3758B480A000S	79-20-00-01 -004G 1
C-852-6	61-10-00-01 -046 1	CM3758B480A000S	79-20-00-01 -004L 1
C-852-6	61-10-00-02 -038 1	CM3758B480A000S	79-20-00-01 -004P 1
C1006RGUR	31-10-01-01 -024 2	CM3758D200A000S	73-10-00-01 -010A 1
C1006RGUR	31-10-01-02 -025 2	CM3758D200A000S	73-10-00-01 -010F 1
CA-275X	23-10-02-06 -003B 1	CM3758D200A000S	73-10-00-01 -012A 1
CA-275X	23-10-02-07 -004F 1	CM3758D200A000S	73-10-00-01 -013 1
CA-275X	23-10-02-08 -003B 2	CM3758D240A000S	73-10-00-01 -010 1
CA-275X	23-10-02-10 -004D 2	CM3758D240A000S	73-10-00-01 -010E 1
CC44	52-30-00-02 -023 1	CM3758D240A000S	73-10-00-01 -012 1
CE31C451G	24-10-00-02 -001 2	CM3758D240A000S	73-10-00-01 -012C 1
CL38-500	52-30-00-02 -021 1	CM3758D240A000S	73-10-00-02 -036B 1
CM2625L1	31-10-00-03 -008 1	CM3758D240A000S	73-10-00-02 -036G 1
CM2640L1	31-10-00-08 -013A 1	CR10-1	32-20-00-01 -034 1
CM2822-2	25-20-00-04 -018A 8	CR10-1	32-20-00-02 -006 1
CM2822-2	25-20-00-04 -019A 5	CR162C-4-2	54-10-00-01 -004 2
CM2822-2	25-20-00-04 -021B 2	CR162C-4-2	54-10-00-02 -004 2
CM2822-2	25-20-00-04 -022A 4	CR163C-4-4	23-10-01-03 -012 1
CM2822-2	25-50-00-02 -004A 5	CR163C-4-4	34-50-05-02 -011 1
CM2822-2	25-50-00-02 -005B 6	CR163C-5-4	53-10-05-01 -019 6
CM2822-2	25-70-00-01 -006 4	CR163C-5-8	57-10-00-02 -022 3
CM2822-2	25-70-00-01 -007A 1	CR163C-5-8	57-10-00-06 -020 3
CM2822-2	28-10-00-02 -003B 2	CR163C-5-8	57-10-01-01 -022 3
CM2822-2	52-40-00-01 -004A 2	CR163C-5-8	57-10-01-04 -020 3
CM2822-2	52-40-00-01 -005A 2	CR3242-4-04	25-10-00-03 -009 30
CM2822-2	53-10-00-01 -041A 8	CY72	52-30-00-02 -020 1
CM2822-2	53-10-00-01 -043 2	D-3849	33-40-00-01 -004 1
CM2822-2	53-10-00-01 -050A 8	D-3849	33-40-00-01A -002 1
CM2822-2	53-10-06-06 -028B 6	D-6004	33-40-00-03 -017 1
CM2822-2	71-10-00-03 -005A 2	D1318-13	33-10-00-01 -037 1
CM2822-2	71-10-00-04 -018 2	DP0500-13	11-00-00-01 -045 1
CM2822-3	57-10-00-04 -051 4	DT-2R-A7	24-30-20-01 -001 1
CM2822-3	57-10-00-04 -051A 4	DT-2R-A7	24-30-20-01 -001F 1
CM2822-3	57-10-00-08 -051 4	ES/1A/24VD	23-10-00-06 -006 1
CM2822-3	57-10-00-08 -051A 4	ES/1A/24VD	23-10-01-01 -006 1
CM2822-3	57-10-01-03 -043 4	F4-30	30-10-00-05 -013 1
CM2822-3	57-10-01-03 -043A 4	F4-30	35-10-00-02 -006 1
CM2822-3	57-10-01-06 -043 4	F4-30	35-10-00-03 -006 1
CM2822-3	57-10-01-06 -043A 4	F4-35	57-10-00-01 -021C 08
CM2822-5	71-60-00-02 -009A 4	F4-35	57-10-00-05 -021B 8
CM2822-6	54-10-00-01 -017B 2	F4NSL	23-10-01-05 -017 1

**CESSNA AIRCRAFT COMPANY
MODEL 310 THRU 310D
ILLUSTRATED PARTS CATALOG**

PART NUMBER	CH	SEC	SUBJ	FIG	ITEM	REQ	PART NUMBER	CH	SEC	SUBJ	FIG	ITEM	REQ
FDC-2525-2	25-21-00-01				-009A	6	G-717570	21-40-00-10				-047	1
FDC-2525-2	25-21-00-01				-009B	4	G2905-24	33-40-00-01				-005	1
FDC1885M2-2	25-21-00-01				-007A	AR	G2905-24	33-40-00-01A				-004	1
FJ4-30	30-10-00-05				-013A	1	G484046	21-40-00-06				-051	1
FJ4-30	35-10-00-02				-006A	1	G484046	21-40-00-08				-056	1
FJ4-30	35-10-00-03				-006A	1	G714886	21-40-00-10				-016	1
G-476220	21-40-01-01				-049	1	GA4-250	25-20-00-04				-018C	9
G-484015	21-40-00-06				-022	1	GA4-250	25-20-00-04				-020B	12
G-484055	21-40-00-06				-027	1	GA4-250	25-50-00-02				-006B	9
G-484055	21-40-00-08				-022	1	GA4-250	25-50-00-02				-009	13
G-486085	21-40-00-06				-040	1	GA4-250	25-50-00-02				-010B	15
G-486085	21-40-00-08				-042	1	GA4-250	25-60-00-02				-007	13
G-486216	21-40-00-06				-030	1	GA4-250	25-60-00-02				-007A	12
G-486216	21-40-00-06				-049F	1	GA4-250	25-70-00-01				-004	4
G-486216	21-40-00-08				-025	1	GA4-250	25-70-00-01				-012A	2
G-486332	21-40-00-08				-043	1	GA4-250	28-10-00-02				-003A	2
G-488167	21-40-00-06				-034	1	GA4-250	35-10-00-03				-014D	1
G-488171	21-40-00-06				-035	1	GA4-250	52-40-00-01				-009A	2
G-488322	21-40-00-06				-047	1	GA4-250	53-10-06-06				-029A	12
G-488636	21-40-00-06				-026	1	GA4-250	71-10-00-03				-007A	2
G-488904	21-40-00-06				-013	1	GA4-250	71-10-00-04				-003	2
G-488932	21-40-00-06				-049B	1	GA5-312	25-60-00-03				-003B	2
G-488932	21-40-01-01				-028	1	GE1385	33-40-00-05				-005	1
G-488937	21-40-00-06				-049	1	GE305	33-10-00-02				-005A	2
G-700148	21-40-00-06				-049C	1	GE305R	33-10-00-02				-003A	2
G-700148	21-40-01-01				-029	1	GE4594	33-40-00-06				-002	1
G-700176	21-40-00-08				-054	1	GF4-150	30-10-00-05				-012	1
G-700180	21-40-00-08				-054A	1	GF4-150	35-10-00-02				-005	1
G-701151	21-40-00-06				-050	1	GF4-150	35-10-00-03				-005	1
G-701151	21-40-00-08				-055	1	GF4-150	57-10-00-01				-021D	08
G-711210	21-40-00-08				-035	1	GF4-150	57-10-00-05				-021A	8
G-711217	21-40-00-08				-038	1	H-50-R2-352	31-10-01-02				-041	1
G-711219	21-40-00-08				-007	1	H-50-R2-352	31-10-01-02				-042	1
G-711231	21-40-00-08				-027	1	H-50-R2-352-T2	30-60-00-01				-030	1
G-711237	21-40-00-08				-015	1	H-5000-040-051	54-10-00-01				-014	1
G-711244	21-40-00-08				-009	1	H-5000-040-051	54-10-00-02				-014	1
G-714715	21-40-00-10				-006	1	H10-03	34-20-00-01				-012A	2
G-714716	21-40-01-01				-039A	1	H10-04	27-50-00-04				-013	2
G-714717	21-40-01-01				-019B	1	H10-04	27-50-00-04				-026A	4
G-714719	21-40-00-10				-032	1	H10-06	21-40-00-09				-049A	1
G-714723	21-40-00-10				-026	1	H10-06	23-10-02-06				-012A	4
G-714725	21-40-00-10				-001	1	H10-06	23-10-02-07				-007D	4
G-714726	21-40-00-10				-003	1	H10-06	23-10-02-08				-015A	4
G-714731	21-40-01-01				-040	1	H10-06	23-10-02-08				-031A	AR
G-714739	21-40-01-01				-042	1	H10-06	23-10-02-10				-006A	4
G-714742	21-40-01-01				-053	1	H10-06	23-10-02-11				-006A	4
G-714765	21-40-00-10				-027	1	H10-06	23-10-02-14				-006A	4
G-714766	21-40-00-10				-028	1	H10-06	23-10-02-17				-004A	2
G-714769	21-40-01-01				-018	1	H10-06	23-10-02-19				-004A	4
G-714778	21-40-01-01				-064	1	H10-06	23-10-02-24				-004A	4
G-714787	21-40-00-10				-029	1	H10-06	24-10-00-01				-004C	2
G-714799	21-40-00-10				-031	1	H10-06	25-10-01-02				-005	2
G-714800	21-40-00-10				-030	1	H10-06	34-50-05-03				-008A	6
G-714802	21-40-01-01				-007	1	H10-06	53-10-06-06				-022B	1
G-714804	21-40-01-01				-009	1	H10-08	23-10-00-04				-002B	4
G-714900	21-40-01-01				-021	1	H10-08	23-10-00-06				-005	8
G-714961	21-40-01-01				-035	1	H10-08	23-10-00-06				-009	2
G-714996	21-40-01-01				-004	1	H10-08	23-10-00-07				-003	AR
G-714999	21-40-01-01				-045	1	H10-08	23-10-01-01				-005	12
G-715013	21-40-00-10				-033	1	H10-08	23-10-01-01				-009	2
G-715078	21-40-01-01				-008	1	H10-08	23-10-02-06				-003D	1

**CESSNA AIRCRAFT COMPANY
MODEL 310 THRU 310D
ILLUSTRATED PARTS CATALOG**

PART NUMBER	CH SEC SUBJ FIG ITEM REQ	PART NUMBER	CH SEC SUBJ FIG ITEM REQ
H10-08	23-10-02-07 -004H 2	I0-470-D CUST SPEC 1	71-00-00-01 -001B 1
H10-08	23-10-02-08 -003D 2	IDI-760	24-30-00-03 -024 2
H10-08	23-10-02-10 -004F 2	ISE3-3	24-30-20-01 -003A 2
H10-08	27-50-00-04 -015F 3	IVA20	24-30-20-01 -002 1
H10-08	27-50-00-04 -022 8	IVA20	24-30-20-01 -002A 1
H10-08	34-30-00-02 -009B 2	J-16-R2-352	31-10-01-02 -040A AR
H10-08	34-50-01-03 -004 8	J-22-R2-352	31-10-01-02 -040 1
H10-08	34-50-01-04 -004 16	J35-R2-351	33-10-00-02 -012B 1
H10-08	71-60-00-01 -022A 10	JV-5	24-30-20-01 -007M 2
H10-08	71-60-00-02 -037A 10	JV-5	27-50-00-02 -004 2
H10-3	23-10-00-03 -002B 8	K1000-4	53-30-00-03 -002B 2
H10-3	25-21-00-05 -004 4	K1000-4	53-30-00-03 -003B 2
H10-3	25-21-00-05 -012 4	K19000-3	55-30-00-03 -046 2
H10-3	25-21-00-05 -017 4	KHS17D11	21-40-00-10 -056 1
H10-3	25-21-00-05 -022 2	KP-4	27-30-00-01 -032 2
H10V190	57-10-00-01 -015C AR	KWB5	32-30-00-03 -008 1
H10V190	57-10-00-05 -015C AR	L-3100-AM	23-10-02-23 -009 1
H10V70	57-10-00-01 -015D AR	L-3100-AM	23-10-02-24 -010 1
H10V70	57-10-00-05 -015D AR	L-3100-AM	23-20-03-01 -018 1
H19001-3	55-30-00-03 -046A 2	L-3100-AM	31-10-00-08 -037 1
H75-R2-351	33-10-00-02 -012 2	L-3100-AM	31-10-01-04 -008 1
H75-R2-351	33-10-00-02 -012A 1	L1000G	31-10-00-01 -006 1
HL18PB-5-2	57-10-00-11 -027 04	L1000G	31-10-00-02 -006 1
HL18PB-5-3	57-10-00-11 -028 11	L1000G	31-10-00-03 -005 1
HL18PB-5-5	57-10-00-11 -029 24	L1000R	31-10-00-01 -007 1
HL18PB-5-9	57-10-00-11 -030 116	L1000R	31-10-00-02 -007 1
HL18PB-6-13	57-10-00-11 -031 22	L1000R	31-10-00-03 -006 1
HL70-5	57-10-00-11 -032 AR	L3100-AM	23-10-02-10 -011 1
HL70-6	57-10-00-11 -033 AR	L3100AM	23-10-02-08 -020 1
HM-4	32-10-01-01 -017 1	L3100AM	31-10-00-07 -040 1
HM-4	32-20-01-01 -008 1	LF448	52-30-00-02 -014 1
HM-4	32-30-00-03 -025 1	LL01AL28AL30AA	25-10-00-01 -004A 1
HM-4	32-30-00-03 -025A 2	LL01AL28AL30AA	25-10-00-01 -004C 1
HML4	32-30-00-03 -027 1	LL01AL28AL30AA	25-10-00-01 -004E 1
HMX4	27-30-00-01 -040 1	LL01AL28AL30AA	25-21-00-02 -012A 3
HMX5E	32-30-00-03 -018A 2	LL01AL28AL30AA	25-21-00-02 -012C 3
HMX5E	32-30-00-03 -032A 2	LL01AL28AL30AA	25-21-00-02 -041C 3
HMX5E	32-30-00-05 -025A 2	LL01AL28AL30AA	25-21-00-02 -041D 3
HRBH5ES	32-30-00-03 -019A 1	LL01AL28AL30AA	25-21-00-06 -027A 1
HRBH5ES	32-30-00-03 -034 1	LL01AL28AL30AA	25-21-00-06 -027B 1
HRBH5ES	32-30-00-03 -037 1	LL01AL28AL30AA	25-21-01-01 -001A 1
HRBH5ES	32-30-00-05 -024E 1	LL01AL28AL30AA	25-21-02-01 -025A 1
HRBH5ES	32-30-00-05 -025D 1	LL01AL28AL30AA	25-21-02-01 -025B 1
HS-51026-K2215	54-10-00-01 -033B 4	LL01AL35AL33AA	25-21-00-02 -041A 3
HS-51026-K2215	54-10-00-02 -033B 4	LL01AL35AL33AA	25-21-01-01 -001B 1
HS-51077-K2215	23-10-02-06 -018 AR	LL01AL35AL33AA	25-21-01-01 -002A 2
HS-51077-K2215	23-10-02-11 -017 AR	LL01AL35AL33AA	25-21-01-01 -002B 2
HS48174-K2215	53-30-00-01 -003 1	LP49	52-30-00-02 -019 1
HS48174-K2215	57-10-00-01 -030 06	LS-4	27-30-00-01 -039 1
HS48174-K2215	57-10-00-05 -028 6	LS381	52-30-00-02 -018 1
HS50726-K2215	30-00-00-01 -003A 1	LS4	32-30-00-06 -052 2
HS51026	71-11-01-02 -005 1	LY1065	52-30-00-02 -012 1
HS51077	23-10-02-08 -028 AR	LY1067	52-30-00-02 -013 1
HS51077	23-10-02-16 -008 AR	M-4552	33-40-00-01 -003 1
HS51077-K2215	23-10-02-23 -018 AR	M-4552	33-40-00-01A -001 1
HSB4	32-30-00-03 -042 1	M50W5-1	24-30-00-04 -013 4
HSBG5S	32-30-00-03 -019C 1	MAS444-5	53-20-00-01 -045 2
HSBG5S	32-30-00-03 -035A 1	MD2721	24-30-20-01 -001B 1
HSBG5S	32-30-00-03 -039 1	MD2721	24-30-20-01 -001G 1
HSBG5S	32-30-00-05 -024G 1	MF-3	24-10-00-02 -002 4
HSBG5S	32-30-00-05 -025F 1	MH2267	21-60-00-01 -010 1

**CESSNA AIRCRAFT COMPANY
MODEL 310 THRU 310D
ILLUSTRATED PARTS CATALOG**

PART NUMBER	CH SEC SUBJ FIG ITEM REQ	PART NUMBER	CH SEC SUBJ FIG ITEM REQ
MK1000-04	33-40-00-03 -019A 5	MS20270B8	27-20-01-01 -020A 1
MK1000-06	23-00-00-02 -004B 2	MS20364-1032C	32-20-01-01 -006 6
MK1000-06	55-30-00-03 -016 4	MS20364-1032C	32-30-00-04 -036 8
MK1000-06	55-30-00-03 -018 2	MS20364-1032C	32-30-00-07 -012 2
MK1000-06	55-30-00-03 -028 6	MS20364-1032C	32-41-01-01 -009 2
MK1000-06	55-30-00-03 -030 6	MS20364-1032C	32-41-01-01 -013C 2
MK1000-06	55-30-00-03 -059 2	MS20364-1032C	34-20-00-01 -003 2
MK1000-06	55-40-00-03 -016B 6	MS20364-1032C	34-20-00-01 -012 2
MK1000-06	55-40-00-03 -018 8	MS20364-1032C	52-60-00-02 -042 2
MK1000-06	57-40-00-01 -014A 4	MS20364-1032C	53-10-02-01 -005 3
MK1000-06	57-40-00-02 -014A 4	MS20364-1032C	53-10-07-03 -006 2
MK2000-06	23-20-01-01 -012 4	MS20364-1032C	53-20-02-01 -004 4
MK2000-06	23-20-01-01 -012C 6	MS20364-1032C	53-20-02-02 -005 4
MK2000-06	23-20-01-02 -011 7	MS20364-1032C	53-20-02-02 -020 2
MK2000-06	25-20-00-04 -022B 4	MS20364-1032C	53-30-00-04 -009 5
MK2000-06	25-50-00-02 -005A 4	MS20364-1032C	56-10-00-01 -012 22
MK2000-06	31-10-00-07 -004 2	MS20364-1032C	56-10-00-01 -015 1
MK2000-06	31-10-00-08 -004 1	MS20364-1032C	56-10-00-01 -020 14
MK2000-06	34-50-01-06 -048C 1	MS20364-1032C	57-10-00-10 -015 12
MK2000-06	34-60-00-01 -009 4	MS20364-1032C	73-10-00-02 -026 2
MK2000-06	53-20-02-01 -038B 2	MS20364-1032C	76-10-00-02 -011C 4
MK2000-06	55-40-00-03 -063A 2	MS20364-1032C	76-10-00-02 -028C 2
MK2031-3	54-10-00-04 -010B 2	MS20364-1032C	76-10-00-03 -012 2
MK2031-3	54-10-00-06 -010B 2	MS20364-1032C	76-10-00-04 -012 2
MS100009	61-20-00-01 -050 1	MS20364-524C	32-20-00-02 -012 1
MS15002-1	32-10-00-02 -034 2	MS20364-524C	32-30-00-02 -030 2
MS15002-1	32-20-00-02 -035 2	MS20364-524C	32-30-00-02 -034 2
MS16562-17	25-10-00-01 -006A 4	MS20364-524C	32-30-00-04 -028A 1
MS16562-17	30-10-00-05 -029 1	MS20364-624C	32-30-00-02 -013C 2
MS16562-17	31-10-00-03 -015B 2	MS20364-624C	52-60-00-02 -029 1
MS16562-17	76-10-00-03 -044 2	MS20364-632C	23-50-00-01 -006 4
MS16562-17	76-10-00-04 -044 2	MS20364-632C	24-30-20-01 -001E 2
MS16562-191	27-50-00-02 -015A 1	MS20364-632C	24-30-20-01 -001J 2
MS16562-24	71-60-00-02 -032B 1	MS20364-632C	24-30-20-01 -007K 1
MS16562-25	27-10-00-02 -011A 1	MS20364-632C	25-20-01-01 -033 27
MS16562-25	27-10-00-02 -032C 3	MS20364-632C	25-20-01-02 -028 146
MS16562-25	27-10-00-02 -034B 1	MS20364-632C	28-20-01-01 -037B 2
MS16562-25	27-20-01-01 -010A 3	MS20364-632C	35-10-00-04 -041B 1
MS16562-25	27-20-01-01 -020C 2	MS20364-632C	53-20-02-02 -014A 2
MS16562-25	27-20-01-01 -043A 1	MS20364-632C	56-10-00-01 -024 14
MS16562-25	56-10-00-02 -035A 1	MS20364-632C	56-10-00-01 -026 10
MS16562-26	25-21-01-01 -036C 1	MS20364-632C	56-10-00-02 -010 30
MS16562-27	71-60-00-01 -010A 1	MS20364-632C	56-10-00-02 -016 9
MS16562-31	28-20-00-04 -017A 2	MS20364-632C	56-20-00-01 -029 30
MS16562-34	28-20-00-04 -012A 4	MS20364-832C	22-10-00-02 -002B 8
MS16562-35	28-20-00-05 -009A 1	MS20364-832C	22-10-00-02 -005A 4
MS16562-35	32-30-00-07 -021A 1	MS20364-832C	22-10-00-02 -023A 8
MS16562-35	32-30-00-07 -034B 2	MS20364-832C	22-10-00-02 -025D 8
MS16562-37	32-20-00-05 -011A 1	MS20364-832C	22-10-00-02 -025E 4
MS16562-44	32-10-00-01 -015 1	MS20364-832C	22-10-02-01 -010D 4
MS16562-49	27-30-01-01 -009A 2	MS20364-832C	22-10-02-01 -010E 2
MS16562-49	32-30-00-01 -022A 4	MS20364-832C	22-10-02-01 -011A 4
MS16562-5	32-20-00-01 -034B 1	MS20364-832C	27-20-01-01 -017 2
MS16625-1131	32-20-00-05 -007 2	MS20364-832C	32-20-00-02 -050 1
MS20002-6	57-10-00-01 -007 14	MS20364-832C	52-10-00-05 -006 1
MS20002-6C	57-10-00-01 -006 14	MS20365-420C	33-40-00-06 -009 1
MS2002-6	57-10-00-05 -007 14	MS20365-428	57-10-00-02 -009A 4
MS2002-6C	32-10-00-01 -020 2	MS20365-832	53-10-04-02 -004A 2
MS2002-6C	57-10-00-05 -006 14	MS20365B632C	28-20-01-02 -025 4
MS20218-2	27-30-01-01 -020 2	MS20365B632C	28-20-01-02 -026B 3
MS20219-2	27-30-00-02 -016 2	MS20365B632C	30-10-00-02 -037B 4

**CESSNA AIRCRAFT COMPANY
MODEL 310 THRU 310D
ILLUSTRATED PARTS CATALOG**

PART NUMBER	CH SEC SUBJ FIG ITEM REQ	PART NUMBER	CH SEC SUBJ FIG ITEM REQ
MS20365B632C	31-10-00-07 -025A 12	MS20392-2-37	32-30-00-04 -021 1
MS20365B632C	31-10-00-07 -033A 6	MS20392-2-37	52-10-00-05 -045 1
MS20365B632C	31-10-00-08 -017A 3	MS20392-2-39	52-10-00-03 -035 1
MS20365B632C	31-10-00-08 -021A 6	MS20392-2-39	52-10-00-05 -041 2
MS20365B632C	31-10-00-08 -029B 2	MS20392-2-41	76-10-00-03 -030 6
MS20365B632C	34-20-00-01 -008 4	MS20392-2-49	32-30-00-04 -024 1
MS20365B632C	34-30-00-01 -011A 4	MS20392-2-51	32-30-00-05 -018 1
MS20365B632C	34-50-00-03 -013A 6	MS20392-2-65	56-20-00-01 -014 1
MS20365B632C	34-50-00-03 -035A 3	MS20392-2-7	25-21-00-02 -035 2
MS20365D632C	34-50-05-01 -014 4	MS20392-2-7	32-41-01-01 -014 1
MS20365D632C	34-50-05-01 -023 4	MS20392-2-7	32-41-01-01 -031 2
MS20392-1-11	25-10-00-02 -017 1	MS20392-2-7	76-10-00-02 -012 2
MS20392-1-11	25-10-00-02 -023 1	MS20392-2-7	76-10-00-03 -007 10
MS20392-1-11	32-30-00-07 -005 1	MS20392-2-7	76-10-00-03 -007A 12
MS20392-1-11	52-30-00-01 -010 1	MS20392-2-7	76-10-00-04 -007 10
MS20392-1-11	52-30-00-02 -015 1	MS20392-2-81	21-40-00-04 -015 1
MS20392-1-11	52-60-00-02 -004A 1	MS20392-2-9	32-50-00-01 -011 2
MS20392-1-13	25-10-00-02 -010 2	MS20392-2-9	52-10-00-05 -040 3
MS20392-1-13	52-60-00-01 -013 1	MS20392-2-9	76-10-00-02 -013 2
MS20392-1-13	52-60-00-02 -004 1	MS20392-2-93	32-30-00-07 -037 1
MS20392-1-13	52-60-00-02 -031 1	MS20392-3-21	52-60-00-01 -024 1
MS20392-1-15	25-10-00-02 -021 1	MS20392-3-37	25-10-00-02 -015 1
MS20392-1-15	28-20-00-04 -010 2	MS20392-3-43	25-10-00-02 -014 1
MS20392-1-21	28-20-00-04 -006 2	MS20392-3-51	27-20-02-01 -001 2
MS20392-1-21	32-30-00-07 -013 1	MS20392-4-75	32-20-00-03 -006 1
MS20392-1-21	32-41-01-01 -036 1	MS20392-6-16	30-10-00-04 -033 18
MS20392-1-25	25-21-00-02 -038 2	MS20470AD3-5	25-10-00-03 -010 04
MS20392-1-51	32-20-01-01 -017 1	MS20635-1032C	30-10-00-06 -044 13
MS20392-1-7	31-10-01-01 -004 4	MS20819-4D	34-10-00-01 -025 1
MS20392-1-7	31-10-01-02 -004 4	MS20822-2B	73-10-00-01 -023 2
MS20392-1-9	25-21-00-05 -032 3	MS20822-2B	77-10-00-01 -001 2
MS20392-2-11	27-20-02-01 -013 2	MS20822-2B	77-10-00-01 -009 2
MS20392-2-11	27-30-01-02 -015 2	MS20822-2D	21-40-00-05 -030 2
MS20392-2-11	32-20-01-01 -019 6	MS20822-2D	37-10-00-03 -008 1
MS20392-2-11	52-10-00-04 -028 9	MS20822-2D	37-10-00-03 -020 5
MS20392-2-11	76-10-00-05 -004A 4	MS20822-2D	73-10-00-01 -042 2
MS20392-2-13	25-10-00-02 -020 1	MS20822-2D	77-10-00-01 -020 2
MS20392-2-13	32-30-00-06 -025 1	MS20822-2D	79-20-00-02 -011 6
MS20392-2-13	32-30-00-07 -027 3	MS20822-2D	79-20-00-02 -012 6
MS20392-2-13	32-41-01-01 -010 1	MS20822-4-4D	28-20-00-02 -014 1
MS20392-2-13	52-10-00-03 -039 1	MS20822-4D	28-20-00-02 -030 4
MS20392-2-13	76-10-00-05 -004 2	MS20822-4D	28-20-00-02 -030A 2
MS20392-2-15	52-10-00-04 -040 2	MS20822-4D	30-00-00-01 -022 2
MS20392-2-17	25-21-00-02 -026 4	MS20822-4D	34-10-00-01 -019 1
MS20392-2-17	27-20-02-01 -017E 2	MS20822-4D	71-00-00-01 -014 3
MS20392-2-17	32-30-00-06 -029 1	MS20822-5D	35-10-00-01 -028 1
MS20392-2-17	32-30-00-07 -042 2	MS20822-6-2D	28-20-00-03 -030 1
MS20392-2-17	52-10-00-04 -029 1	MS20822-6-6D	28-20-01-02 -008 2
MS20392-2-17	76-10-00-04 -030 6	MS20822-6-6D	73-10-00-01 -028 3
MS20392-2-19	52-10-00-03 -043 1	MS20822-6-6D	73-10-00-02 -004 1
MS20392-2-19	52-10-00-03 -056 1	MS20822-6-6D	73-10-00-02 -010 2
MS20392-2-21	52-10-00-03 -047 1	MS20822-6B	73-10-00-01 -016 2
MS20392-2-23	32-30-00-07 -016 1	MS20913-1	77-10-00-01 -007 2
MS20392-2-23	53-10-03-01 -029 1	MS20913-3	28-40-00-01 -006 1
MS20392-2-23	53-10-03-01 -033 2	MS20913-3D	37-10-00-04 -019 1
MS20392-2-25	32-30-00-07 -009 2	MS20913-4D	37-10-00-04 -019A 1
MS20392-2-25	53-10-05-01 -046 1	MS21025-15	32-40-00-01 -002 1
MS20392-2-29	27-20-02-01 -009 4	MS21042L4	24-30-10-01 -006 3
MS20392-2-29	32-41-01-01 -020 3	MS21042L4	24-30-10-01 -015C 2
MS20392-2-31	25-21-00-05 -024 2	MS21042L4	32-10-01-01 -020 1
MS20392-2-37	25-21-00-05 -015A 2	MS21042L4	32-10-01-01 -024 1

CESSNA AIRCRAFT COMPANY
MODEL 310 THRU 310D
ILLUSTRATED PARTS CATALOG

PART NUMBER	CH	SEC	SUBJ	FIG	ITEM	REQ	PART NUMBER	CH	SEC	SUBJ	FIG	ITEM	REQ
MS21042L4	32	20	00-01	-045	3		MS21044N06	33	40	00-04	-006A	4	
MS21042L4	32	20	00-02	-008	1		MS21044N06	34	20	00-02	-018A	1	
MS21042L4	32	30	00-01	-013	2		MS21044N06	34	20	00-05	-004A	1	
MS21042L4	32	30	00-01	-016	2		MS21044N06	34	30	02-01	-007	8	
MS21042L4	32	30	00-01	-029	2		MS21044N06	34	50	00-04	-013A	2	
MS21042L4	32	30	00-04	-013	2		MS21044N06	34	50	00-04	-033A	1	
MS21042L4	32	30	00-04	-015	1		MS21044N06	34	50	00-05	-025A	2	
MS21042L4	32	30	00-04	-028	1		MS21044N06	34	50	01-01	-004E	4	
MS21042L4	32	30	00-06	-020	2		MS21044N06	34	50	01-02	-005E	8	
MS21042L4	32	30	00-06	-060	1		MS21044N06	34	50	03-01	-007	8	
MS21042L4	52	10	00-03	-033	1		MS21044N06	34	50	03-01	-008E	4	
MS21042L4	52	10	00-05	-039	2		MS21044N06	34	50	03-01	-011A	1	
MS21042L4	52	60	00-01	-005	1		MS21044N06	34	50	03-01	-026	8	
MS21042L4	52	60	00-02	-038	1		MS21044N06	34	50	03-01	-030A	1	
MS21042L4	53	10	01-01	-055	4		MS21044N06	34	50	03-01	-045	8	
MS21042L4	53	10	06-03	-003	8		MS21044N06	34	50	03-01	-048A	1	
MS21042L4	53	10	06-03	-006	4		MS21044N06	35	10	00-01	-023	2	
MS21042L4	57	50	00-03	-029	2		MS21044N06	35	10	00-02	-035	2	
MS21042L4	57	50	00-04	-029	2		MS21044N06	35	10	00-03	-035	3	
MS21042L4	57	50	00-07	-029	2		MS21044N06	52	10	00-02	-009	17	
MS21042L4	57	50	00-08	-029	2		MS21044N06	53	10	06-06	-025B	5	
MS21044C3	57	10	00-11	-023	08		MS21044N06	55	20	00-01	-018A	4	
MS21044C4	57	10	00-11	-024	04		MS21044N06	55	40	00-01	-039B	5	
MS21044N04	23	10	01-03	-019B	4		MS21044N06	55	40	00-01	-039C	2	
MS21044N04	23	10	01-05	-022	4		MS21044N06	55	40	00-03	-012	2	
MS21044N04	23	20	03-01	-012B	4		MS21044N06	57	10	00-10	-010	12	
MS21044N04	23	20	03-02	-023A	2		MS21044N06	57	60	00-01	-018B	1	
MS21044N04	24	30	20-01	-007P	2		MS21044N06	57	60	00-01	-019C	1	
MS21044N04	27	50	00-02	-006	4		MS21044N06	57	60	00-02	-018B	1	
MS21044N04	27	50	00-03	-013	6		MS21044N06	57	60	00-02	-053	1	
MS21044N04	28	20	01-01	-005C	8		MS21044N06	71	60	00-01	-008A	2	
MS21044N04	31	10	00-02	-027B	4		MS21044N08	21	40	00-03	-050B	1	
MS21044N04	33	40	00-02	-003	3		MS21044N08	21	40	00-05	-027	6	
MS21044N04	34	50	05-02	-017B	4		MS21044N08	21	40	00-07	-018D	2	
MS21044N04	34	50	05-03	-013	4		MS21044N08	22	10	00-01	-005	4	
MS21044N06	21	40	00-04	-008	4		MS21044N08	22	10	00-02	-009	4	
MS21044N06	21	60	00-01	-006	2		MS21044N08	22	10	00-02	-019	4	
MS21044N06	22	50	00-01	-024	5		MS21044N08	22	10	01-01	-002B	6	
MS21044N06	23	00	00-03	-009	2		MS21044N08	23	00	00-01	-004	4	
MS21044N06	23	10	01-02	-009	2		MS21044N08	23	00	00-03	-004	2	
MS21044N06	23	10	02-17	-012A	2		MS21044N08	23	10	00-01	-003B	8	
MS21044N06	23	10	02-21	-006A	1		MS21044N08	23	10	00-05	-002C	4	
MS21044N06	23	20	02-04	-006	8		MS21044N08	23	10	01-03	-002B	4	
MS21044N06	23	20	02-04	-024	8		MS21044N08	23	10	01-04	-011	6	
MS21044N06	23	50	01-02	-004	4		MS21044N08	23	10	01-05	-012	1	
MS21044N06	24	30	00-03	-017C	2		MS21044N08	23	20	01-01	-007	4	
MS21044N06	24	30	20-01	-007F	2		MS21044N08	23	20	01-02	-007	8	
MS21044N06	24	30	20-01	-007I	2		MS21044N08	23	20	01-05	-004	8	
MS21044N06	24	30	20-02	-030	8		MS21044N08	23	20	01-05	-007A	8	
MS21044N06	24	30	20-03	-044B	1		MS21044N08	23	20	01-05	-008B	2	
MS21044N06	24	50	10-01	-008	2		MS21044N08	23	20	02-01	-005	8	
MS21044N06	25	10	01-01	-005	2		MS21044N08	23	20	02-01	-009	4	
MS21044N06	25	10	01-01	-013A	1		MS21044N08	23	20	02-02	-005	4	
MS21044N06	25	10	01-02	-011A	1		MS21044N08	23	20	02-03	-006	4	
MS21044N06	28	10	00-02	-010C	1		MS21044N08	23	20	02-03	-010	4	
MS21044N06	30	10	00-06	-011	1		MS21044N08	23	20	02-03	-021	4	
MS21044N06	31	10	00-01	-044	1		MS21044N08	23	20	02-04	-010	4	
MS21044N06	31	10	00-03	-035B	2		MS21044N08	23	20	03-01	-005	8	
MS21044N06	32	20	00-02	-048C	2		MS21044N08	23	20	03-01	-008	4	
MS21044N06	33	10	00-02	-026	2		MS21044N08	23	20	03-01	-010B	4	
MS21044N06	33	40	00-01A	-005B	1		MS21044N08	23	20	03-02	-005	8	

**CESSNA AIRCRAFT COMPANY
MODEL 310 THRU 310D
ILLUSTRATED PARTS CATALOG**

PART NUMBER	CH SEC SUBJ FIG ITEM REQ	PART NUMBER	CH SEC SUBJ FIG ITEM REQ
MS21044N08	23-20-03-02 -008 4	MS21044N08	34-60-00-01 -014 1
MS21044N08	23-20-03-02 -009C 4	MS21044N08	34-60-00-01 -021 4
MS21044N08	23-20-03-03 -012 5	MS21044N08	35-10-00-01 -009 6
MS21044N08	23-50-00-02 -009 1	MS21044N08	35-10-00-02 -009 3
MS21044N08	23-50-01-01 -004 8	MS21044N08	35-10-00-02 -021 6
MS21044N08	23-50-01-01 -005B 4	MS21044N08	35-10-00-03 -009 3
MS21044N08	23-50-01-03 -007A 4	MS21044N08	35-10-00-04 -004 3
MS21044N08	24-10-00-01 -001B 3	MS21044N08	52-30-00-01 -005 4
MS21044N08	24-10-00-01 -005B 2	MS21044N08	53-10-04-02 -004 2
MS21044N08	24-10-00-02 -004C 4	MS21044N08	53-10-06-06 -010A 4
MS21044N08	24-30-00-03 -023C 1	MS21044N08	53-10-06-06 -018C 4
MS21044N08	24-30-00-04 -013E 4	MS21044N08	53-10-07-02 -005 2
MS21044N08	24-30-20-01 -002D 2	MS21044N08	54-10-00-01 -030C 4
MS21044N08	24-30-20-01 -002E 2	MS21044N08	54-10-00-02 -010C 4
MS21044N08	24-30-20-01 -006 2	MS21044N08	55-20-00-02 -009 4
MS21044N08	27-00-00-01 -012 2	MS21044N08	55-40-00-04 -013 4
MS21044N08	27-00-00-02 -005 1	MS21044N08	57-10-00-03 -004F 2
MS21044N08	27-00-00-02 -016 2	MS21044N08	57-10-00-07 -003F 2
MS21044N08	27-00-00-03 -013 2	MS21044N08	57-10-01-02 -004F 2
MS21044N08	27-00-00-03 -022 4	MS21044N08	57-10-01-05 -003F NP
MS21044N08	27-50-00-03 -019 8	MS21044N08	57-60-00-01 -052 17
MS21044N08	28-10-00-01 -016 2	MS21044N08	57-60-00-02 -047 11
MS21044N08	28-10-00-02 -020 1	MS21044N10	53-40-00-01 -003 2
MS21044N08	28-20-01-02 -018B 4	MS21044N10	57-10-00-01 -003 02
MS21044N08	28-20-01-02 -050B 4	MS21044N10	57-10-00-05 -003 2
MS21044N08	30-10-00-05 -007 3	MS21044N4	24-30-20-04 -011 5
MS21044N08	30-60-00-01 -015B 3	MS21044N4	25-10-00-01 -003 1
MS21044N08	30-60-00-01 -024 4	MS21044N4	25-10-00-01 -026 1
MS21044N08	32-20-01-01 -034 4	MS21044N4	25-10-00-03 -006 04
MS21044N08	32-30-00-02 -004 2	MS21044N4	25-21-00-02 -007 4
MS21044N08	32-30-00-02 -005 2	MS21044N4	25-21-00-02 -007A 2
MS21044N08	32-30-00-07 -052B 1	MS21044N4	25-21-00-02 -017 4
MS21044N08	33-40-00-03 -006A 1	MS21044N4	25-21-00-02 -045 4
MS21044N08	34-20-00-02 -005 4	MS21044N4	25-21-00-04 -010 4
MS21044N08	34-20-00-02 -009 6	MS21044N4	25-21-00-04 -016 2
MS21044N08	34-20-00-03 -006 4	MS21044N4	25-21-00-04 -019 1
MS21044N08	34-20-00-03 -010 4	MS21044N4	25-21-00-06 -009A 4
MS21044N08	34-30-00-01 -013B 2	MS21044N4	25-21-00-06 -022 4
MS21044N08	34-30-01-01 -007 8	MS21044N4	25-21-00-06 -031 2
MS21044N08	34-30-01-02 -003 8	MS21044N4	25-21-01-01 -010 7
MS21044N08	34-30-02-01 -008B 2	MS21044N4	25-21-01-01 -025 4
MS21044N08	34-50-00-01 -002B 8	MS21044N4	25-21-02-01 -028 2
MS21044N08	34-50-00-02 -005 16	MS21044N4	27-10-00-01 -008 11
MS21044N08	34-50-00-03 -008A 16	MS21044N4	27-20-00-01 -011 7
MS21044N08	34-50-00-03 -032A 8	MS21044N4	27-20-00-01 -017 4
MS21044N08	34-50-00-04 -008A 16	MS21044N4	27-30-00-01 -006 11
MS21044N08	34-50-00-04 -030A 8	MS21044N4	27-30-00-01 -018B 2
MS21044N08	34-50-00-05 -011 8	MS21044N4	27-30-00-02 -020 2
MS21044N08	34-50-00-05 -017 8	MS21044N4	27-50-00-01 -014 10
MS21044N08	34-50-00-05 -023 8	MS21044N4	28-10-00-01 -005 6
MS21044N08	34-50-01-01 -003 8	MS21044N4	30-10-00-01 -009 5
MS21044N08	34-50-01-01 -010D 2	MS21044N4	30-60-00-01 -029B 8
MS21044N08	34-50-01-02 -004 16	MS21044N4	32-10-00-01 -009 8
MS21044N08	34-50-01-02 -010D 4	MS21044N4	32-10-00-02 -024 1
MS21044N08	34-50-01-05 -005 16	MS21044N4	32-10-00-02 -030 1
MS21044N08	34-50-01-05 -030 8	MS21044N4	32-20-00-01 -021 8
MS21044N08	34-50-01-06 -005 16	MS21044N4	32-20-00-01 -027 2
MS21044N08	34-50-01-06 -034 8	MS21044N4	32-20-00-01 -040 4
MS21044N08	34-50-02-01 -004F 2	MS21044N4	32-20-00-02 -003D 2
MS21044N08	34-50-02-02 -006D 4	MS21044N4	32-20-00-02 -015 1
MS21044N08	34-60-00-01 -005 4	MS21044N4	32-20-00-04 -004 1

**CESSNA AIRCRAFT COMPANY
MODEL 310 THRU 310D
ILLUSTRATED PARTS CATALOG**

PART NUMBER	CH SEC SUBJ FIG ITEM REQ	PART NUMBER	CH SEC SUBJ FIG ITEM REQ
MS21044N4	32-20-01-01 -011 2	MS21044N4	57-50-00-04 -017 2
MS21044N4	32-30-00-01 -021 2	MS21044N4	57-50-00-04 -025 2
MS21044N4	32-30-00-01 -026 2	MS21044N4	57-50-00-04 -036 2
MS21044N4	32-30-00-02 -011B 2	MS21044N4	57-50-00-04 -042 1
MS21044N4	32-30-00-02 -012B 2	MS21044N4	57-50-00-04 -044 1
MS21044N4	32-30-00-02 -017 2	MS21044N4	57-50-00-07 -017 2
MS21044N4	32-30-00-02 -020 2	MS21044N4	57-50-00-07 -025 2
MS21044N4	32-30-00-02 -021B 2	MS21044N4	57-50-00-07 -036 2
MS21044N4	32-30-00-02 -039 1	MS21044N4	57-50-00-07 -045 1
MS21044N4	32-30-00-02 -042 1	MS21044N4	57-50-00-07 -046A 1
MS21044N4	32-30-00-04 -011 1	MS21044N4	57-50-00-08 -017 2
MS21044N4	32-30-00-04 -018 1	MS21044N4	57-50-00-08 -025 2
MS21044N4	32-30-00-04 -031 1	MS21044N4	57-50-00-08 -036 2
MS21044N4	32-30-00-04 -033A 1	MS21044N4	57-50-00-08 -042 1
MS21044N4	32-30-00-05 -011 2	MS21044N4	57-50-00-08 -044 1
MS21044N4	32-30-00-06 -008 3	MS21044N4	61-10-00-01 -007 4
MS21044N4	32-30-00-06 -054 1	MS21044N4	71-00-00-01 -013B 1
MS21044N4	32-40-00-01 -008 8	MS21044N4	71-60-00-01 -015 4
MS21044N4	32-40-01-01 -012 3	MS21044N4	73-10-00-01 -027 4
MS21044N4	32-41-00-01 -002 5	MS21044N4	73-10-00-02 -009 4
MS21044N4	32-50-00-01 -006 1	MS21044N4	76-10-00-01 -010 8
MS21044N4	35-10-00-01 -003A 4	MS21044N4	76-10-00-02 -018 4
MS21044N4	35-10-00-02 -015A 4	MS21044N5	27-10-00-01 -043G 1
MS21044N4	35-10-00-03 -014J 4	MS21044N5	27-30-01-01 -004 1
MS21044N4	52-60-00-01 -028B 1	MS21044N5	32-10-00-01 -017C 16
MS21044N4	52-60-00-02 -022 1	MS21044N5	32-10-00-01 -018D 2
MS21044N4	53-10-04-01 -028B 2	MS21044N5	32-10-00-02 -027 1
MS21044N4	53-20-00-06 -013 4	MS21044N5	32-20-00-01 -018 2
MS21044N4	55-20-00-01 -008 1	MS21044N5	32-20-00-04 -010 1
MS21044N4	55-20-00-01 -013 2	MS21044N5	32-20-00-04 -013 4
MS21044N4	55-20-00-01 -016 2	MS21044N5	32-30-00-02 -008 2
MS21044N4	55-40-00-01 -005 2	MS21044N5	32-30-00-02 -023A 2
MS21044N4	55-40-00-03 -003 1	MS21044N5	32-30-00-02 -026 2
MS21044N4	55-40-00-03 -006 1	MS21044N5	32-30-00-02 -036 1
MS21044N4	55-40-00-03 -009 1	MS21044N5	32-30-00-04 -002A 1
MS21044N4	57-10-00-02 -037A 4	MS21044N5	32-30-00-04 -005 1
MS21044N4	57-10-00-03 -022 2	MS21044N5	32-30-00-04 -031A 1
MS21044N4	57-10-00-03 -030 2	MS21044N5	32-30-00-04 -032A 2
MS21044N4	57-10-00-04 -036 8	MS21044N5	55-10-00-01 -001B 4
MS21044N4	57-10-00-06 -009A 4	MS21044N5	57-10-00-03 -012 2
MS21044N4	57-10-00-06 -035A 4	MS21044N5	57-10-00-07 -011 2
MS21044N4	57-10-00-07 -020 2	MS21044N5	57-10-01-02 -012 2
MS21044N4	57-10-00-07 -028 2	MS21044N5	57-10-01-05 -011 2
MS21044N4	57-10-00-08 -036 8	MS21044N6	27-20-02-01 -033 1
MS21044N4	57-10-00-09 -006A 12	MS21044N6	32-10-00-01 -021 2
MS21044N4	57-10-00-09 -007A 8	MS21044N6	32-30-00-01 -010 4
MS21044N4	57-10-01-01 -009A 4	MS21044N6	55-30-00-01 -012 2
MS21044N4	57-10-01-01 -037A 4	MS21044N6	55-30-00-01 -015 4
MS21044N4	57-10-01-02 -022 2	MS21044N6	55-30-00-03 -009 2
MS21044N4	57-10-01-02 -031 2	MS21044N6	57-10-00-10 -004 20
MS21044N4	57-10-01-03 -028 8	MS21045L3	21-40-00-04 -004B 1
MS21044N4	57-10-01-04 -009A 4	MS21045L3	21-40-00-05 -014 1
MS21044N4	57-10-01-04 -035A 4	MS21045L3	21-40-00-05 -053 4
MS21044N4	57-10-01-05 -020 2	MS21045L3	21-40-00-07 -045 4
MS21044N4	57-10-01-05 -028 2	MS21045L3	21-60-00-01 -009 1
MS21044N4	57-10-01-06 -028 8	MS21045L3	22-10-01-01 -013 6
MS21044N4	57-50-00-03 -017 2	MS21045L3	22-10-01-01 -016 2
MS21044N4	57-50-00-03 -025 2	MS21045L3	22-10-01-01 -020 2
MS21044N4	57-50-00-03 -036 2	MS21045L3	22-10-01-01 -032 6
MS21044N4	57-50-00-03 -045 1	MS21045L3	22-10-01-01 -035 2
MS21044N4	57-50-00-03 -046A 1	MS21045L3	22-10-01-01 -039 1

**CESSNA AIRCRAFT COMPANY
MODEL 310 THRU 310D
ILLUSTRATED PARTS CATALOG**

PART NUMBER	CH SEC SUBJ FIG ITEM REQ	PART NUMBER	CH SEC SUBJ FIG ITEM REQ
MS21045L3	22-10-01-01 -054 1	MS21045L3	32-30-00-07 -018B 2
MS21045L3	22-50-00-01 -015 6	MS21045L3	32-30-00-07 -038 3
MS21045L3	22-50-00-01 -021 2	MS21045L3	32-41-00-02 -013B 2
MS21045L3	23-00-00-05 -013 2	MS21045L3	32-41-00-02 -015G 2
MS21045L3	23-10-00-02 -002B 8	MS21045L3	32-41-01-01 -024 6
MS21045L3	23-10-00-05 -003B 8	MS21045L3	32-41-01-01 -027 1
MS21045L3	24-30-10-02 -021F 6	MS21045L3	33-40-00-06 -018 3
MS21045L3	24-30-10-02 -023D 8	MS21045L3	34-10-00-01 -035 1
MS21045L3	24-30-20-02 -041 2	MS21045L3	34-30-00-01 -003B 8
MS21045L3	24-30-20-03 -006 3	MS21045L3	34-50-02-01 -001D 8
MS21045L3	24-30-20-04 -025 1	MS21045L3	34-50-02-02 -002E 16
MS21045L3	24-30-20-04 -048 2	MS21045L3	35-10-00-03 -014G 1
MS21045L3	24-40-00-01 -003 2	MS21045L3	35-10-00-03 -021 8
MS21045L3	25-10-00-01 -009 2	MS21045L3	35-10-00-03 -021A 7
MS21045L3	25-10-00-02 -026 2	MS21045L3	35-10-00-04 -027C 8
MS21045L3	25-21-00-02 -004 6	MS21045L3	52-10-00-02 -016A 2
MS21045L3	25-21-00-02 -020 2	MS21045L3	52-60-00-01 -032 1
MS21045L3	25-21-00-02 -034 2	MS21045L3	52-60-00-02 -012 1
MS21045L3	25-21-00-04 -011A 4	MS21045L3	53-10-02-02 -005 3
MS21045L3	25-21-00-04 -024 3	MS21045L3	53-10-05-01 -023 2
MS21045L3	25-21-00-04 -029 4	MS21045L3	53-10-05-01 -027 1
MS21045L3	25-21-00-06 -018 2	MS21045L3	53-10-05-01 -027A 2
MS21045L3	25-21-01-01 -039B 2	MS21045L3	53-10-05-01 -035 2
MS21045L3	25-21-02-01 -024 2	MS21045L3	53-10-06-01 -020C 2
MS21045L3	25-21-02-01 -032 4	MS21045L3	53-10-06-04 -006 4
MS21045L3	25-60-00-02 -003C 1	MS21045L3	53-10-06-06 -020A 1
MS21045L3	25-60-00-03 -010B 2	MS21045L3	53-10-06-06 -021B 4
MS21045L3	27-10-00-01 -035 2	MS21045L3	53-20-00-05 -032 8
MS21045L3	27-10-00-02 -020 9	MS21045L3	53-20-00-06 -015 1
MS21045L3	27-10-00-02 -039D 2	MS21045L3	53-30-00-01 -015B 1
MS21045L3	27-20-01-01 -026 7	MS21045L3	53-30-00-02 -006 1
MS21045L3	27-20-01-01 -026A 8	MS21045L3	53-30-00-02 -021 2
MS21045L3	27-20-01-01 -031 1	MS21045L3	54-10-00-01 -002 4
MS21045L3	27-20-01-01 -049B 1	MS21045L3	54-10-00-02 -002 4
MS21045L3	27-20-01-01 -050B 1	MS21045L3	54-10-00-03 -006 4
MS21045L3	27-30-00-02 -025 10	MS21045L3	54-10-00-03 -009 2
MS21045L3	27-30-00-02 -028 1	MS21045L3	54-10-00-05 -006 4
MS21045L3	27-30-00-02 -041D 2	MS21045L3	54-10-00-05 -009 2
MS21045L3	27-30-01-01 -011 2	MS21045L3	55-20-00-01 -005 3
MS21045L3	27-30-01-01 -013 2	MS21045L3	55-20-00-01 -050 2
MS21045L3	27-30-01-01 -022 1	MS21045L3	55-20-00-01 -050A 3
MS21045L3	27-30-01-02 -005A 1	MS21045L3	55-30-00-03 -058 4
MS21045L3	27-30-01-02 -014A 2	MS21045L3	55-40-00-01 -020 3
MS21045L3	27-50-00-01 -001B 4	MS21045L3	55-40-00-03 -055 3
MS21045L3	28-20-00-01 -018 2	MS21045L3	56-10-00-01 -009 17
MS21045L3	28-20-00-02 -022 2	MS21045L3	56-10-00-01 -009A 15
MS21045L3	28-20-00-03 -011 8	MS21045L3	57-10-00-02 -012A 4
MS21045L3	30-10-00-01 -006 16	MS21045L3	57-10-00-02 -017 2
MS21045L3	30-10-00-01 -013 1	MS21045L3	57-10-00-02 -036A 4
MS21045L3	30-10-00-01 -023A 4	MS21045L3	57-10-00-03 -004C 2
MS21045L3	30-10-00-05 -051 2	MS21045L3	57-10-00-04 -038 8
MS21045L3	30-10-00-06 -002C 2	MS21045L3	57-10-00-04 -042 8
MS21045L3	30-10-00-06 -007 1	MS21045L3	57-10-00-04 -058 2
MS21045L3	30-10-00-06 -049 2	MS21045L3	57-10-00-06 -012A 4
MS21045L3	32-10-00-01 -007 4	MS21045L3	57-10-00-06 -017 2
MS21045L3	32-10-00-01 -025 1	MS21045L3	57-10-00-06 -034A 4
MS21045L3	32-10-01-01 -015 8	MS21045L3	57-10-00-07 -003C 2
MS21045L3	32-20-00-01 -025 8	MS21045L3	57-10-00-08 -038 8
MS21045L3	32-30-00-04 -009 1	MS21045L3	57-10-00-08 -042 8
MS21045L3	32-30-00-06 -037 4	MS21045L3	57-10-00-08 -057 2
MS21045L3	32-30-00-06 -040 3	MS21045L3	57-10-00-10 -029 3

**CESSNA AIRCRAFT COMPANY
MODEL 310 THRU 310D
ILLUSTRATED PARTS CATALOG**

PART NUMBER	CH	SEC	SUBJ	FIG	ITEM	REQ	PART NUMBER	CH	SEC	SUBJ	FIG	ITEM	REQ
MS21045L3	57	-10	-01	-01	-012A	4	MS21047L08K	55	-30	-00	-03	-003	2
MS21045L3	57	-10	-01	-01	-017	2	MS21047L08K	57	-40	-00	-01	-017B	6
MS21045L3	57	-10	-01	-01	-036A	4	MS21047L08K	57	-40	-00	-02	-017B	6
MS21045L3	57	-10	-01	-02	-004C	2	MS21047L3	21	-40	-00	-07	-014B	2
MS21045L3	57	-10	-01	-03	-030	16	MS21047L3	24	-10	-00	-02	-001C	2
MS21045L3	57	-10	-01	-04	-012A	4	MS21047L3	24	-30	-10	-02	-015	6
MS21045L3	57	-10	-01	-04	-017	2	MS21047L3	25	-60	-00	-03	-006	2
MS21045L3	57	-10	-01	-04	-034A	4	MS21047L3	25	-60	-00	-03	-007	2
MS21045L3	57	-10	-01	-05	-003C	2	MS21047L3	25	-60	-00	-03	-008A	2
MS21045L3	57	-10	-01	-06	-030	8	MS21047L3	30	-60	-00	-01	-020	14
MS21045L3	57	-10	-01	-06	-034	8	MS21047L3	34	-30	-01	-03	-003A	2
MS21045L3	57	-50	-00	-01	-037A	4	MS21047L3	53	-10	-00	-01	-012	6
MS21045L3	57	-50	-00	-05	-037A	4	MS21047L3	53	-10	-00	-01	-012B	1
MS21045L3	57	-60	-00	-01	-017	1	MS21047L3	53	-10	-02	-01	-031A	1
MS21045L3	57	-60	-00	-02	-017	1	MS21047L3	53	-10	-02	-01	-048A	1
MS21045L3	71	-00	-00	-01	-029J	1	MS21047L3	53	-10	-02	-02	-001B	16
MS21045L3	71	-00	-00	-02	-014	1	MS21047L3	53	-10	-02	-02	-010D	12
MS21045L3	71	-60	-00	-02	-033B	1	MS21047L3	53	-10	-02	-02	-011B	13
MS21045L3	73	-10	-00	-01	-008	4	MS21047L3	53	-10	-02	-02	-030B	4
MS21045L3	73	-10	-00	-02	-028	2	MS21047L3	53	-10	-02	-02	-033B	2
MS21045L3	76	-10	-00	-01	-006	4	MS21047L3	53	-10	-02	-02	-033C	4
MS21045L3	76	-10	-00	-02	-024	2	MS21047L3	53	-10	-02	-02	-036B	6
MS21045L3	76	-10	-00	-02	-045	4	MS21047L3	53	-10	-02	-02	-037C	6
MS21045L3	76	-10	-00	-03	-017	4	MS21047L3	53	-10	-02	-02	-038B	6
MS21045L3	76	-10	-00	-04	-017	4	MS21047L3	53	-10	-02	-02	-061	2
MS21045L3	79	-20	-00	-02	-005A	2	MS21047L3	53	-10	-02	-02	-061A	4
MS21046C3	21	-40	-00	-07	-013	1	MS21047L3	53	-10	-02	-02	-067C	1
MS21046C3	78	-10	-00	-01	-005	1	MS21047L3	53	-10	-02	-02	-070	1
MS21046C3	78	-10	-00	-01	-010	1	MS21047L3	53	-10	-03	-02	-002	1
MS21046C3	78	-10	-00	-01	-016	6	MS21047L3	53	-10	-04	-01	-026B	1
MS21047L06	21	-40	-00	-03	-055A	1	MS21047L3	53	-10	-04	-02	-001C	1
MS21047L06	31	-10	-00	-04	-007A	11	MS21047L3	53	-10	-06	-01	-031C	1
MS21047L06	31	-10	-00	-04	-011	4	MS21047L3	53	-10	-06	-01	-031F	1
MS21047L06	31	-10	-00	-07	-003	5	MS21047L3	53	-10	-06	-01	-033	2
MS21047L06	35	-10	-00	-02	-046	2	MS21047L3	53	-10	-06	-06	-002A	2
MS21047L06	52	-30	-00	-01	-003	1	MS21047L3	53	-10	-06	-06	-003A	3
MS21047L06	53	-10	-00	-01	-015A	2	MS21047L3	53	-10	-06	-06	-004A	1
MS21047L06	53	-10	-03	-01	-004C	25	MS21047L3	53	-10	-06	-06	-016A	1
MS21047L06	53	-10	-03	-01	-028	3	MS21047L3	53	-10	-06	-06	-017A	2
MS21047L06	53	-10	-04	-01	-035A	4	MS21047L3	53	-10	-06	-06	-018A	1
MS21047L06	53	-10	-05	-01	-040A	2	MS21047L3	53	-20	-00	-01	-004A	23
MS21047L06	53	-10	-07	-04	-014	4	MS21047L3	53	-20	-00	-03	-027A	9
MS21047L06	53	-20	-02	-02	-033A	2	MS21047L3	53	-20	-00	-03	-029A	9
MS21047L06	53	-30	-00	-01	-005A	2	MS21047L3	53	-20	-00	-03	-030A	6
MS21047L06	53	-30	-00	-02	-012A	2	MS21047L3	53	-20	-00	-03	-032A	3
MS21047L06	53	-30	-00	-02	-024	2	MS21047L3	53	-20	-00	-03	-033A	16
MS21047L06	53	-30	-00	-03	-007	4	MS21047L3	53	-20	-00	-03	-034A	8
MS21047L06	53	-30	-00	-03	-007C	2	MS21047L3	53	-20	-00	-03	-035A	10
MS21047L06	55	-30	-00	-02	-005	24	MS21047L3	53	-20	-00	-04	-016A	9
MS21047L06	55	-30	-00	-02	-005A	2	MS21047L3	53	-20	-00	-07	-011B	2
MS21047L06	55	-30	-00	-02	-005B	1	MS21047L3	53	-20	-00	-07	-013B	2
MS21047L06	55	-30	-00	-02	-017B	2	MS21047L3	53	-20	-02	-01	-038C	1
MS21047L06	55	-30	-00	-02	-017C	6	MS21047L3	53	-30	-00	-01	-005	2
MS21047L06	55	-30	-00	-02	-018A	4	MS21047L3	53	-30	-00	-01	-014A	1
MS21047L06	55	-40	-00	-02	-009A	12	MS21047L3	53	-30	-00	-01	-020	2
MS21047L06	57	-10	-00	-09	-014A	2	MS21047L3	53	-30	-00	-04	-011	3
MS21047L06	57	-10	-00	-09	-024	1	MS21047L3	53	-30	-00	-04	-011A	7
MS21047L06	57	-10	-00	-09	-026	3	MS21047L3	53	-30	-00	-04	-014	2
MS21047L08K	53	-10	-00	-01	-018B	4	MS21047L3	53	-30	-00	-04	-022	2
MS21047L08K	54	-10	-01	-03	-006	18	MS21047L3	55	-10	-00	-01	-010	4
MS21047L08K	55	-30	-00	-01	-008	2	MS21047L3	57	-10	-00	-02	-024	8

**CESSNA AIRCRAFT COMPANY
MODEL 310 THRU 310D
ILLUSTRATED PARTS CATALOG**

PART NUMBER	CH	SEC	SUBJ	FIG	ITEM	REQ	PART NUMBER	CH	SEC	SUBJ	FIG	ITEM	REQ
MS21047L3	57	10	00	02	-029	8	MS21049L08	21	40	00	09	-012A	4
MS21047L3	57	10	00	02	-031	16	MS21049L08	28	10	00	02	-005	6
MS21047L3	57	10	00	06	-022	8	MS21049L08	28	10	00	02	-005A	6
MS21047L3	57	10	00	06	-027	8	MS21049L08	28	10	00	03	-003	6
MS21047L3	57	10	00	06	-029	16	MS21049L08	28	10	00	03	-003A	6
MS21047L3	57	10	00	09	-003	3	MS21049L08	53	10	02	01	-035	10
MS21047L3	57	10	00	09	-003A	19	MS21049L08	53	10	02	01	-037	5
MS21047L3	57	10	00	09	-027	4	MS21049L08	53	10	02	02	-042	10
MS21047L3	57	10	00	10	-032	37	MS21049L08	53	10	02	02	-042A	10
MS21047L3	57	10	01	01	-024	8	MS21049L08	53	10	02	02	-044	5
MS21047L3	57	10	01	01	-029	8	MS21049L08	53	10	02	02	-044A	5
MS21047L3	57	10	01	01	-031	16	MS21049L08	53	20	02	01	-014A	2
MS21047L3	57	10	01	04	-022	8	MS21049L08	53	20	02	01	-014B	2
MS21047L3	57	10	01	04	-027	8	MS21049L08	53	20	02	01	-024A	12
MS21047L3	57	10	01	04	-029	16	MS21049L08	53	20	02	01	-026B	2
MS21047L3	57	40	00	01	-010	3	MS21049L08	53	20	02	01	-026C	2
MS21047L3	57	40	00	02	-010	3	MS21049L08	53	20	02	01	-031A	1
MS21047L3	61	10	00	01	-003	14	MS21049L08	53	20	02	01	-031B	1
MS21047L3	71	60	00	02	-008	2	MS21049L08	53	20	02	01	-033B	2
MS21047L3K	53	20	00	01	-010	8	MS21049L08	53	20	02	01	-033C	2
MS21047L3K	53	20	00	01	-015	8	MS21049L08	53	20	02	01	-040	1
MS21047L3K	53	20	00	01	-038	1	MS21049L08	53	20	02	01	-040A	1
MS21047L3K	53	20	00	01	-046	4	MS21049L08	53	20	02	02	-025A	12
MS21047L3K	53	20	00	03	-004	2	MS21049L08	53	20	02	02	-026B	1
MS21047L3K	53	20	00	03	-012	4	MS21049L08	53	20	02	02	-026C	1
MS21047L3K	54	10	01	02	-014	1	MS21049L08	53	20	02	02	-030C	1
MS21047L4	23	10	01	05	-004B	4	MS21049L08	53	20	02	02	-031C	2
MS21047L4	25	21	02	01	-036	4	MS21049L08	53	20	02	02	-037	4
MS21047L4	28	10	00	01	-025	12	MS21049L08	53	20	02	02	-037A	4
MS21047L4	32	30	00	06	-004	2	MS21049L08	54	10	00	04	-011A	16
MS21047L4	53	10	02	01	-013	2	MS21049L08	54	10	00	04	-011B	16
MS21047L4	53	10	02	01	-016	2	MS21049L08	54	10	00	04	-012	4
MS21047L4	53	10	02	01	-031	1	MS21049L08	54	10	00	04	-012A	4
MS21047L4	53	10	02	01	-041	1	MS21049L08	54	10	00	06	-011A	16
MS21047L4	53	10	02	02	-010A	1	MS21049L08	54	10	00	06	-011B	16
MS21047L4	53	10	02	02	-013	2	MS21049L08	54	10	00	06	-012	4
MS21047L4	53	10	02	02	-031	2	MS21049L08	54	10	00	06	-012A	4
MS21047L4	53	10	02	02	-048	1	MS21049L08K	53	20	02	01	-024	12
MS21047L4	53	10	02	02	-065A	1	MS21049L08K	53	20	02	02	-025	12
MS21047L4	53	10	02	02	-067B	1	MS21049L08K	53	20	02	02	-030B	1
MS21047L4	53	20	00	04	-016C	2	MS21049L08K	53	20	02	02	-031B	2
MS21047L4	53	30	00	04	-010	2	MS21049L3	24	30	10	02	-019	6
MS21047L4	55	40	00	02	-010A	2	MS21049L3	24	30	10	02	-019A	6
MS21047L4	57	10	00	03	-026	1	MS21049L3	32	10	01	01	-035	6
MS21047L4	57	10	00	07	-024	1	MS21049L3	32	10	01	01	-035A	6
MS21047L4	57	10	00	10	-030	12	MS21049L3	54	10	00	01	-035	4
MS21047L4	57	10	00	10	-030A	9	MS21049L3	54	10	00	01	-035A	4
MS21047L4	57	10	01	02	-026	1	MS21049L3	54	10	00	02	-035	4
MS21047L4	57	10	01	05	-024	1	MS21049L3	54	10	00	02	-035A	4
MS21047L4	57	50	00	02	-007	1	MS21049L3	55	10	00	01	-051	4
MS21047L4	57	50	00	02	-014	1	MS21049L3	55	10	00	01	-051A	4
MS21047L4	57	50	00	02	-017	1	MS21049L3	55	30	00	01	-030B	4
MS21047L4	57	50	00	02	-023	1	MS21049L3	55	30	00	01	-030C	4
MS21047L4	57	50	00	06	-007	1	MS21049L3	55	30	00	03	-048	4
MS21047L4	57	50	00	06	-010	1	MS21049L3	55	30	00	03	-048A	4
MS21047L4	57	50	00	06	-014	1	MS21049L3	57	10	00	03	-024	2
MS21047L4	57	50	00	06	-017	1	MS21049L3	57	10	00	03	-024A	2
MS21047L4	57	50	00	06	-022	1	MS21049L3	57	10	00	04	-024	4
MS21047L5	57	10	00	04	-060	1	MS21049L3	57	10	00	04	-024A	4
MS21047L5	57	10	00	08	-059	1	MS21049L3	57	10	00	04	-026	4
MS21049L08	21	40	00	09	-012	4	MS21049L3	57	10	00	04	-026A	4

CESSNA AIRCRAFT COMPANY
MODEL 310 THRU 310D
ILLUSTRATED PARTS CATALOG

PART NUMBER	CH	SEC	SUBJ	FIG	ITEM	REQ	PART NUMBER	CH	SEC	SUBJ	FIG	ITEM	REQ
MS21049L3	57-10-00-04				-028	4	MS21049L3	57-40-00-02				-049	4
MS21049L3	57-10-00-04				-028A	4	MS21049L3	57-40-00-02				-049A	4
MS21049L3	57-10-00-04				-030	4	MS21051-08	52-10-00-03				-023	1
MS21049L3	57-10-00-04				-030A	4	MS21051-08	55-10-00-01				-050	2
MS21049L3	57-10-00-04				-049	4	MS21051L3K	53-10-06-01				-032	22
MS21049L3	57-10-00-04				-049A	4	MS21051L3K	53-20-00-01				-039	6
MS21049L3	57-10-00-04				-054	4	MS21051L3K	53-20-00-03				-005	1
MS21049L3	57-10-00-04				-054A	4	MS21051L4	53-10-01-01				-030B	3
MS21049L3	57-10-00-07				-022	2	MS21051L4	53-10-02-01				-046	2
MS21049L3	57-10-00-07				-022A	2	MS21051L4	53-10-02-02				-031A	2
MS21049L3	57-10-00-08				-024	4	MS21051L4	53-20-00-01				-004C	1
MS21049L3	57-10-00-08				-024A	4	MS21051L4	53-20-00-04				-016D	1
MS21049L3	57-10-00-08				-028	4	MS21051L4	53-20-00-05				-001B	2
MS21049L3	57-10-00-08				-028A	4	MS21051L4	53-20-00-05				-002B	3
MS21049L3	57-10-00-08				-030	4	MS21051L4	55-40-00-02				-012	1
MS21049L3	57-10-00-08				-030A	4	MS21051L4	57-10-00-10				-031	4
MS21049L3	57-10-00-08				-049	4	MS21051L4	57-50-00-02				-002	1
MS21049L3	57-10-00-08				-049A	4	MS21051L4	57-50-00-02				-010	1
MS21049L3	57-10-00-08				-054	4	MS21051L4	57-50-00-06				-002	1
MS21049L3	57-10-00-08				-054A	4	MS21051L4	57-60-00-01				-033	1
MS21049L3	57-10-00-09				-022	1	MS21051L4	57-60-00-01				-043	1
MS21049L3	57-10-01-02				-024	2	MS21051L4	57-60-00-02				-032	1
MS21049L3	57-10-01-02				-024A	2	MS21051L4	57-60-00-02				-042	1
MS21049L3	57-10-01-03				-020	4	MS21053L08	53-20-02-01				-039	23
MS21049L3	57-10-01-03				-020A	4	MS21053L08	53-20-02-02				-038	2
MS21049L3	57-10-01-03				-022	4	MS21053L3	53-10-02-02				-011C	2
MS21049L3	57-10-01-03				-022A	4	MS21053L3	57-10-00-04				-048	2
MS21049L3	57-10-01-03				-041	4	MS21053L3	57-10-00-08				-048	2
MS21049L3	57-10-01-03				-041A	4	MS21053L3	57-10-01-03				-040	2
MS21049L3	57-10-01-03				-045	4	MS21053L3	57-10-01-06				-040	2
MS21049L3	57-10-01-03				-045A	4	MS21059L06	31-10-00-08				-005C	12
MS21049L3	57-10-01-06				-020	4	MS21059L06	55-10-00-01				-048	4
MS21049L3	57-10-01-06				-020A	4	MS21059L06K	24-30-10-02				-024A	2
MS21049L3	57-10-01-06				-022	4	MS21059L06K	24-50-00-01				-003	2
MS21049L3	57-10-01-06				-022A	4	MS21059L06K	53-10-07-04				-017	9
MS21049L3	57-10-01-06				-041	4	MS21059L08	28-10-00-03				-001B	2
MS21049L3	57-10-01-06				-041A	4	MS21059L08	28-10-00-03				-001C	2
MS21049L3	57-10-01-06				-045	4	MS21059L08	53-10-01-01				-028	4
MS21049L3	57-10-01-06				-045A	4	MS21059L08	53-10-04-01				-026C	2
MS21049L3	57-40-00-01				-023	4	MS21059L08K	57-10-00-11				-010	15
MS21049L3	57-40-00-01				-023A	4	MS21059L3	27-20-02-01				-004A	8
MS21049L3	57-40-00-01				-024	10	MS21059L3	54-10-00-01				-021	4
MS21049L3	57-40-00-01				-024A	10	MS21059L3	54-10-00-01				-024	4
MS21049L3	57-40-00-01				-025A	6	MS21059L3	54-10-00-01				-043	12
MS21049L3	57-40-00-01				-025B	6	MS21059L3	54-10-00-02				-021	4
MS21049L3	57-40-00-01				-045	10	MS21059L3	54-10-00-02				-024	4
MS21049L3	57-40-00-01				-045A	10	MS21059L3	54-10-00-02				-043	12
MS21049L3	57-40-00-01				-047	4	MS21059L3	54-10-01-01				-007	10
MS21049L3	57-40-00-01				-047A	4	MS21059L3	54-10-01-03				-007	10
MS21049L3	57-40-00-01				-049	4	MS21059L3	55-30-00-01				-004	1
MS21049L3	57-40-00-01				-049A	4	MS21059L3	55-30-00-03				-005A	2
MS21049L3	57-40-00-02				-023	4	MS21059L3	57-40-00-01				-028	4
MS21049L3	57-40-00-02				-023A	4	MS21059L3	57-40-00-02				-028	4
MS21049L3	57-40-00-02				-024	10	MS21059L3	71-10-00-01				-016A	12
MS21049L3	57-40-00-02				-024A	10	MS21059L3	71-10-00-01				-029A	4
MS21049L3	57-40-00-02				-025A	6	MS21059L3	71-10-00-01				-030A	2
MS21049L3	57-40-00-02				-025B	6	MS21059L3	71-10-00-02				-034B	2
MS21049L3	57-40-00-02				-045	10	MS21059L3	71-10-00-03				-022	2
MS21049L3	57-40-00-02				-045A	10	MS21059L3	71-10-00-04				-016	12
MS21049L3	57-40-00-02				-047	4	MS21059L3	71-11-01-02				-062	2
MS21049L3	57-40-00-02				-047A	4	MS21059L3	71-60-00-01				-018	4

**CESSNA AIRCRAFT COMPANY
MODEL 310 THRU 310D
ILLUSTRATED PARTS CATALOG**

PART NUMBER	CH SEC SUBJ FIG ITEM REQ	PART NUMBER	CH SEC SUBJ FIG ITEM REQ
MS21059L4	55-10-00-01 -008A 2	MS21919DG5	35-10-00-04 -040 2
MS21061L08K	52-30-00-02 -006 2	MS21919DG5	35-10-00-04 -041 1
MS21061L08K	53-10-04-02 -004B 2	MS21919DG5	35-10-00-04 -042 1
MS21069L06	23-00-00-01 -007 2	MS21919DG5	35-10-00-04 -043 1
MS21069L06	31-10-00-08 -003 6	MS21919DG5	79-20-00-01 -005 2
MS21069L06	31-10-00-08 -005B 12	MS21919DG5	79-20-00-01 -008 2
MS21069L06	34-50-01-06 -025B 6	MS21919DG5	79-20-00-01 -011 2
MS21069L06	34-50-01-06 -048B 6	MS21919DG6	24-30-20-02 -043 1
MS21069L08	53-10-06-06 -012A 1	MS21919DG6	24-30-20-03 -002 3
MS21069L08	53-10-06-06 -013A 2	MS21919DG6	33-40-00-06 -023 1
MS21069L08	55-20-00-01 -033A 2	MS21919DG6	79-20-00-02 -009A 2
MS21069L08	55-30-00-03 -002 2	MS21919DG7	73-10-00-02 -032 2
MS21069L08	71-60-00-02 -043 1	MS21919G-4	32-41-00-02 -013 2
MS21069L08K	53-20-00-01 -007C 4	MS21919G-6	28-20-00-02 -020 4
MS21069L3	23-00-00-01 -008 1	MS21919G-8	28-20-00-03 -009 8
MS21069L3	23-00-00-01 -008A 1	MS21919G4	24-30-20-03 -044 1
MS21069L3	54-10-01-01 -012 3	MS21919G4	76-10-00-02 -043 4
MS21069L3	54-10-01-03 -011 3	MS21919WDG3	28-20-01-01 -043 4
MS21069L4	25-21-02-01 -002D 2	MS21919WDG4	24-30-00-02 -007 2
MS21069L4	53-10-02-02 -010 8	MS21919WDG4	24-30-20-02 -036 1
MS21069L4	55-30-00-03 -060 1	MS21919WDG4	33-40-00-04 -005 4
MS21069L4	55-40-00-03 -016A 2	MS21919WDG4	33-40-00-06 -016 3
MS21071L08	21-40-00-09 -016A 2	MS21919WDG4	34-10-00-01 -051 1
MS21071L08	25-70-00-01 -008A 2	MS21919WDG4	76-10-00-01 -031 1
MS21071L08	53-10-06-06 -012B 4	MS21919WH2	33-40-00-05 -008 1
MS21071L08	53-10-06-06 -014A 4	MS24388D6	37-10-00-04 -028 2
MS21071L08	71-60-00-02 -042 4	MS24392D8	28-20-00-03 -019 2
MS21071L3	23-00-00-01 -009 1	MS24392D8	30-10-00-02 -018 2
MS21071L3	23-00-00-01 -009A 1	MS24392D8	30-10-00-02 -036 1
MS21071L3	52-30-00-02 -010A 1	MS24461-4	32-30-00-05 -026C 1
MS21071L3	53-10-04-01 -003C 1	MS24462-4	27-30-00-01 -043 2
MS21071L3	53-10-05-01 -029 2	MS24462-4	32-10-01-01 -019 1
MS21071L3	53-10-06-06 -017B 1	MS24462-4	32-30-00-05 -012A 1
MS21071L3	54-10-01-01 -013 1	MS24462-4	32-30-00-05 -024B 2
MS21071L3	54-10-01-03 -012 1	MS24462-4	55-10-00-01 -012 1
MS21071L3	55-30-00-03 -054 4	MS24462-4	55-10-00-01 -033 1
MS21071L3	55-30-00-03 -055A 2	MS24462-4	55-30-00-02 -008 1
MS21071L3	57-10-00-09 -034 2	MS24462-4	55-30-00-02 -010 1
MS21075L08N	57-10-00-11 -009 30	MS24462-4	55-30-00-03 -041 11
MS21075L08N	57-40-00-01 -014B 2	MS24462-4	55-30-00-03 -043 1
MS21075L08N	57-40-00-02 -014B 2	MS24462-4	57-50-00-01 -030 1
MS21075L3N	53-10-05-01 -051 1	MS24462-4	57-50-00-01 -036 1
MS21075L3N	54-10-00-04 -010A 7	MS24462-4	57-50-00-05 -030 1
MS21075L3N	54-10-00-06 -010A 7	MS24462-4	57-50-00-05 -036 1
MS21919DF14	24-30-20-04 -022 1	MS24655-130	52-30-00-02 -017 1
MS21919DG-4	28-20-00-03 -033 2	MS24665-130	21-40-00-04 -017 1
MS21919DG-7	28-20-00-03 -032 2	MS24665-130	25-10-00-02 -010A 2
MS21919DG10	30-10-00-05 -076 1	MS24665-130	25-10-00-02 -017A 1
MS21919DG12	24-30-20-03 -003 3	MS24665-130	25-10-00-02 -021B 1
MS21919DG12	24-30-20-03 -036 1	MS24665-130	25-10-00-02 -023A 1
MS21919DG12	24-30-20-04 -026 4	MS24665-130	25-21-00-02 -027 4
MS21919DG12	24-30-20-04 -051 3	MS24665-130	25-21-00-02 -036 6
MS21919DG12	33-40-00-06 -013 2	MS24665-130	25-21-00-05 -015B 2
MS21919DG14	24-30-20-03 -014 1	MS24665-130	25-21-00-05 -025 2
MS21919DG14	24-30-20-03 -034 1	MS24665-130	25-21-00-05 -033 3
MS21919DG14	35-10-00-01 -045 2	MS24665-130	27-20-02-01 -017F 2
MS21919DG18	24-30-20-03 -013 1	MS24665-130	32-20-00-05 -006A 2
MS21919DG18	30-10-00-05 -067 1	MS24665-130	32-20-01-01 -020 5
MS21919DG2	24-30-20-02 -022A 1	MS24665-130	32-30-00-04 -022 2
MS21919DG22	73-10-00-02 -049 2	MS24665-130	32-30-00-05 -020 1
MS21919DG5	28-20-01-01 -042 2	MS24665-130	32-30-00-06 -028 1

**CESSNA AIRCRAFT COMPANY
MODEL 310 THRU 310D
ILLUSTRATED PARTS CATALOG**

PART NUMBER	CH SEC SUBJ FIG ITEM REQ	PART NUMBER	CH SEC SUBJ FIG ITEM REQ
MS24665-130	32-30-00-06 -031 1	MS24665-134	27-10-00-01 -042 1
MS24665-130	32-41-01-01 -011 1	MS24665-134	27-20-00-01 -033 4
MS24665-130	32-41-01-01 -015 1	MS24665-134	27-20-00-01 -040 2
MS24665-130	32-41-01-01 -032 2	MS24665-134	27-30-00-01 -015 7
MS24665-130	52-30-00-01 -012 1	MS24665-134	27-30-00-02 -033 4
MS24665-130	52-60-00-01 -015 1	MS24665-134	27-50-00-01 -008 6
MS24665-130	52-60-00-02 -006 1	MS24665-134	28-20-01-01 -023A 1
MS24665-130	52-60-00-02 -033 1	MS24665-134	28-20-01-01 -025D 1
MS24665-130	53-10-03-01 -030 1	MS24665-134	32-10-00-02 -040 1
MS24665-130	53-10-03-01 -034 2	MS24665-134	32-10-00-02 -046 1
MS24665-130	56-20-00-01 -014A 1	MS24665-134	32-10-00-02 -051 1
MS24665-130	71-60-00-02 -014A 1	MS24665-134	32-20-01-01 -016 6
MS24665-132	22-10-01-01 -009 2	MS24665-134	32-30-00-06 -024 1
MS24665-132	22-10-01-01 -028 2	MS24665-134	32-40-01-01 -006 1
MS24665-132	22-50-00-01 -028 1	MS24665-134	32-50-00-01 -013 2
MS24665-132	22-50-00-01 -037 1	MS24665-134	52-60-00-02 -013 2
MS24665-132	22-50-00-01 -042 1	MS24665-134	52-60-00-02 -023 2
MS24665-132	22-50-00-01 -047 1	MS24665-136	22-10-01-01 -036 4
MS24665-132	25-10-00-02 -015A 2	MS24665-136	27-10-00-02 -023 1
MS24665-132	25-10-00-02 -020B 1	MS24665-136	27-20-01-01 -028 2
MS24665-132	27-10-00-01 -010 8	MS24665-136	27-20-01-01 -028A 4
MS24665-132	27-20-00-01 -006 2	MS24665-136	27-30-00-02 -032 2
MS24665-132	27-20-00-01 -014 3	MS24665-136	27-30-01-01 -016 2
MS24665-132	27-20-01-01 -050E 1	MS24665-136	55-40-00-03 -061 2
MS24665-132	27-20-01-01 -051C 1	MS24665-138	22-10-01-01 -039B 2
MS24665-132	27-20-01-01 -052C 1	MS24665-140	27-10-00-01 -026 1
MS24665-132	27-20-02-01 -001A 2	MS24665-143	27-20-00-01 -012 3
MS24665-132	27-20-02-01 -009A 4	MS24665-149	53-10-05-01 -049 1
MS24665-132	27-20-02-01 -013A 2	MS24665-151	57-60-00-03 -002 2
MS24665-132	27-20-02-01 -017D 4	MS24665-153	25-21-01-01 -032 2
MS24665-132	27-30-00-02 -011 1	MS24665-154	53-10-05-01 -050 1
MS24665-132	27-30-01-02 -013B 6	MS24665-22	52-10-00-01 -002 2
MS24665-132	27-50-00-01 -016 4	MS24665-22	71-10-00-01 -003A 4
MS24665-132	28-20-00-04 -007 2	MS24665-22	71-10-00-02 -001A 4
MS24665-132	28-20-00-04 -010B 2	MS24665-22	71-10-00-03 -001A 4
MS24665-132	30-10-00-06 -012 1	MS24665-281	32-41-01-01 -028 2
MS24665-132	31-10-01-01 -005 4	MS24665-281	61-10-00-01 -024 4
MS24665-132	31-10-01-02 -005 4	MS24665-281	61-10-00-02 -016 4
MS24665-132	32-41-01-01 -021 3	MS24665-283	27-10-00-01 -044 4
MS24665-132	32-41-01-01 -038 1	MS24665-283	32-20-00-01 -033 1
MS24665-132	52-10-00-03 -036 1	MS24665-283	52-60-00-01 -029 2
MS24665-132	52-10-00-03 -041 1	MS24665-283	61-10-00-01 -018 2
MS24665-132	52-10-00-03 -045 1	MS24665-283	61-10-00-01 -049 2
MS24665-132	52-10-00-03 -049 1	MS24665-283	61-10-00-02 -010 2
MS24665-132	52-10-00-03 -056B 1	MS24665-283	61-10-00-02 -041 2
MS24665-132	52-10-00-04 -031 12	MS24665-285	52-10-00-02 -027C 1
MS24665-132	52-10-00-05 -044 6	MS24665-285	52-10-00-02 -029C 1
MS24665-132	52-60-00-01 -026 1	MS24665-285	52-10-00-04 -008D 1
MS24665-132	52-60-00-01 -033 2	MS24665-3	32-10-01-01 -002 2
MS24665-132	55-40-00-04 -003 2	MS24665-351	23-10-01-05 -019 1
MS24665-132	76-10-00-02 -014 4	MS24665-357	32-40-00-01 -003 1
MS24665-132	76-10-00-03 -008 10	MS24665-5	21-40-00-04 -013 1
MS24665-132	76-10-00-03 -008A 12	MS24665-5	27-50-00-01 -007B 4
MS24665-132	76-10-00-03 -031 6	MS24665-7	27-10-00-01 -031 4
MS24665-132	76-10-00-04 -008 10	MS24665-7	27-10-00-01 -052 1
MS24665-132	76-10-00-04 -031 6	MS24665-7	27-20-00-01 -052 1
MS24665-132	76-10-00-05 -004C 6	MS24665-7	27-30-00-01 -011 2
MS24665-134	22-10-01-01 -017 2	MS24693S26	28-20-01-03 -016A 3
MS24665-134	22-10-01-01 -046 2	MS24694-S104	32-30-00-06 -057A 1
MS24665-134	22-10-01-01 -050 2	MS24694-S50	53-10-05-01 -022A 2
MS24665-134	22-50-00-01 -011 6	MS24694-S51	56-10-00-02 -025C 3

**CESSNA AIRCRAFT COMPANY
MODEL 310 THRU 310D
ILLUSTRATED PARTS CATALOG**

PART NUMBER	CH SEC SUBJ FIG ITEM REQ	PART NUMBER	CH SEC SUBJ FIG ITEM REQ
MS24694-S52	32-30-00-07 -039A 2	MS29513-116	28-20-01-03 -015 3
MS24694-S53	56-10-00-02 -025A 3	MS29513-232	57-10-01-03 -064 1
MS24694-S55	57-10-00-04 -057A 2	MS29513-232	57-10-01-06 -064 1
MS24694-S55	57-10-00-08 -056A 2	MS3102-20-27P	34-30-00-01 -009E 1
MS24694-S57	34-20-00-01 -011A 2	MS3102A-18-12P	23-20-03-03 -006 1
MS24694-S9	31-10-00-08 -009A 4	MS3102A-28-11P	22-10-02-01 -004 1
MS24694-S98	52-60-00-01 -002A 1	MS310ZA-28-IIS	22-10-02-01 -005 1
MS25036-49	21-40-00-10 -055A 5	MS35058-23	23-10-00-02 -008A 1
MS25231-313	31-10-00-07 -034A 1	MS35058-23	23-10-00-02 -008A 1
MS25231-313	31-10-00-08 -036A 1	MS35058-23	23-10-00-05 -007A 1
MS25237-327	34-30-02-01 -012A 3	MS35058-23	23-10-02-08 -021A 1
MS27039-1-17	57-10-00-11 -020 04	MS35058-23	23-10-02-08 -022A 1
MS27039-4-22	25-21-01-01 -023 4	MS35058-23	23-10-02-10 -012A 1
MS27640-4	55-20-00-01 -002 2	MS35058-23	23-10-02-10 -013A 1
MS27640-4	55-40-00-01 -016 1	MS35058-23	23-10-02-23 -010A 1
MS27640-4	55-40-00-03 -052 1	MS35058-23	23-10-02-23 -011A 1
MS27641-20	32-30-00-06 -044A 1	MS35058-23	23-10-02-24 -011A 1
MS27642-23	32-30-00-06 -044B 1	MS35058-23	23-10-02-24 -012A 1
MS27769-3	79-20-00-03 -010 2	MS35058-23	23-20-03-01 -019A 1
MS27769D2	30-00-00-01 -021C 1	MS35058-23	23-20-03-01 -020A 1
MS27980-8B	25-20-01-02 -011D 3	MS35058-23	30-10-00-01 -020A 1
MS27980-8B	25-20-01-02 -011E 4	MS35058-23	31-10-01-04 -009A 1
MS27980-8B	25-20-01-02 -015D 3	MS35058-23	31-10-01-04 -010A 1
MS27980-8B	25-20-01-02 -015E 4	MS35058-23	34-50-00-03 -017A 2
MS28775-010	27-00-00-01 -013 1	MS35058-23	34-50-00-03 -036A 1
MS28775-010	27-00-00-02 -017 1	MS35058-23	34-50-01-01 -011A 1
MS28775-010	27-00-00-03 -014 1	MS35059-21	23-10-02-06 -005 1
MS28775-010	32-10-00-02 -022 1	MS35059-21	23-10-02-06 -014 1
MS28775-010	32-20-00-04 -006 1	MS35059-21	23-10-02-07 -005 1
MS28775-010	32-41-00-01 -021 2	MS35059-21	23-10-02-08 -017 1
MS28775-012	34-10-00-01 -003 1	MS35059-21	23-10-02-08 -023 1
MS28775-112	32-20-00-05 -010 2	MS35059-21	23-10-02-10 -014 1
MS28775-113	27-20-02-01 -031 1	MS35059-21	23-10-02-11 -008 1
MS28775-114	61-10-00-01 -054 1	MS35059-21	23-10-02-11 -010 1
MS28775-114	61-10-00-02 -046 1	MS35059-21	23-10-02-14 -010 1
MS28775-213	32-20-00-05 -014 1	MS35059-21	23-10-02-17 -015 1
MS28775-215	32-20-00-05 -009 2	MS35059-21	23-10-02-18 -005 1
MS28775-221	32-10-00-02 -023 1	MS35059-21	23-10-02-19 -010 1
MS28775-221	32-20-00-04 -005 1	MS35059-21	23-10-02-20 -004 1
MS28775-225	32-10-00-02 -010 1	MS35059-21	23-10-02-23 -010A 1
MS28775-225	32-20-00-03 -008 1	MS35059-21	23-10-02-23 -012 1
MS28775-228	32-10-00-02 -054 1	MS35059-21	23-10-02-24 -011A 1
MS28775-228	32-20-00-02 -017 1	MS35059-21	23-10-02-24 -013 1
MS28775-228	61-10-00-01 -013 3	MS35059-21	23-10-02-25 -004 2
MS28775-228	61-10-00-02 -005 3	MS35059-21	23-20-03-01 -021 1
MS28775-230	32-41-00-01 -022 2	MS35059-21	31-10-01-01 -016 1
MS28775-235	61-10-00-01 -034 1	MS35059-21	31-10-01-02 -014B 1
MS28775-235	61-10-00-02 -026 1	MS35059-21	31-10-01-03 -005 1
MS28775-329	32-10-00-02 -053 1	MS35059-21	31-10-01-04 -005 1
MS28775-329	32-20-00-02 -020 1	MS35059-21	31-10-01-04 -009B 1
MS28775-330	32-41-00-01 -014 2	MS35059-21	31-10-01-04 -011 1
MS28778-2	30-10-00-06 -009 1	MS35059-21	33-40-00-01A -006 1
MS28778-4	28-20-00-02 -030C 2	MS35059-21	33-40-00-06 -019 1
MS28782-18	32-20-00-05 -013 1	MS35059-21	53-20-02-01 -018 1
MS28782-32	32-10-00-02 -055 2	MS35059-23	23-10-02-08 -024 1
MS28782-32	32-20-00-02 -019 2	MS35059-23	23-10-02-10 -016 1
MS2913-1	73-10-00-02 -003 2	MS35059-23	23-10-02-11 -015 1
MS29512-4	28-40-00-01 -006J 2	MS35059-23	23-10-02-14 -015 1
MS29512-8	28-40-00-01 -006C 1	MS35059-23	23-10-02-18 -016 1
MS29512-8	28-40-00-01 -009B 2	MS35059-23	23-10-02-19 -017 1
MS29513-116	28-20-00-05 -016 2	MS35059-23	23-10-02-23 -021 1

**CESSNA AIRCRAFT COMPANY
MODEL 310 THRU 310D
ILLUSTRATED PARTS CATALOG**

PART NUMBER	CH	SEC	SUBJ	FIG	ITEM	REQ	PART NUMBER	CH	SEC	SUBJ	FIG	ITEM	REQ
MS35059-23	23-10-02-24				-017	1	MS35489-11	53-20-00-05				-004	2
MS35059-23	31-10-01-01				-017	1	MS35489-11	53-30-00-01				-016	1
MS35059-23	31-10-01-02				-016	1	MS35489-118	25-20-02-02				-013	2
MS35059-23	33-40-00-04				-003A	1	MS35489-119	24-30-20-02				-004	1
MS35059-23	34-50-02-01				-004B	1	MS35489-119	30-00-00-01				-003	1
MS35059-23	34-50-02-02				-007	2	MS35489-119S	24-30-20-03				-027	1
MS35206-332	22-10-00-02				-025B	4	MS35489-119S	53-10-07-04				-010	1
MS35206-332	22-10-02-01				-010B	2	MS35489-119S	55-10-00-01				-045	1
MS35206-332	24-30-20-01				-002B	2	MS35489-11S	25-20-02-01				-026	2
MS35206-332	24-30-20-01				-002C	2	MS35489-11S	25-20-02-03				-011A	2
MS35333-106	23-10-01-04				-010	12	MS35489-11S	53-20-00-01				-022	1
MS35333-106	31-10-00-05				-004	18	MS35489-11S	53-20-00-03				-028	1
MS35333-106	31-10-00-06				-006	18	MS35489-12	24-30-00-01				-005	2
MS35333-36	23-10-00-06				-012	4	MS35489-12	24-30-20-02				-011B	1
MS35333-36	23-10-01-02				-012	4	MS35489-12	71-11-01-02				-060	1
MS35333-37	23-50-00-01				-004	4	MS35489-134	24-30-20-02				-035	1
MS35333-37	24-10-00-01				-003B	2	MS35489-14	23-00-00-03				-016	1
MS35333-38	23-10-00-06				-015	4	MS35489-14	23-00-00-04				-007	2
MS35333-38	23-10-01-02				-007	4	MS35489-14	24-30-00-02				-004	1
MS35333-38	23-10-01-02				-015	4	MS35489-14	24-50-10-01				-020	2
MS35333-38	24-30-00-03				-024C	8	MS35489-14S	28-40-00-01				-019	2
MS35333-38	27-10-00-02				-036	4	MS35489-15S	53-10-07-04				-009	1
MS35333-38	27-20-01-01				-047	4	MS35489-15S	55-10-00-01				-046	1
MS35333-38	28-20-00-04				-003	4	MS35489-16	24-30-20-02				-031	10
MS35333-40	79-20-00-03				-005	24	MS35489-16	24-40-00-01				-007A	1
MS35333-44	76-10-00-01				-025	8	MS35489-17	30-00-00-01				-004	2
MS35333-44	76-10-00-02				-038	6	MS35489-18S	30-10-00-05				-047	4
MS35333-44	76-10-00-03				-039	8	MS35489-19	24-30-00-02				-003	2
MS35333-44	76-10-00-04				-039	8	MS35489-19	24-30-20-04				-039	2
MS35333-44	76-10-00-05				-012	6	MS35489-19	53-20-00-01				-008	1
MS35335-30	23-10-01-02				-004	2	MS35489-20	24-30-20-04				-018	1
MS35335-30	24-50-10-01				-011	1	MS35489-20	24-30-20-04				-035	2
MS35335-30	24-50-10-01				-023	1	MS35489-20	24-40-00-01				-007	1
MS35335-32	34-30-02-02				-011	8	MS35489-20	24-50-10-01				-009	2
MS35338-40	23-20-03-03				-007A	12	MS35489-20	30-10-00-05				-075	1
MS35338-41	22-50-00-01				-006	9	MS35489-20	30-10-00-05				-077	1
MS35338-41	52-30-00-01				-020	1	MS35489-20	57-10-00-09				-028	4
MS35338-41	52-30-00-02				-025	1	MS35489-20S	71-11-01-01				-032	2
MS35338-42	23-20-03-03				-004A	4	MS35489-22	24-30-20-02				-005	4
MS35338-42	27-50-00-03				-026	3	MS35489-22	24-30-20-04				-050	2
MS35338-42	30-10-00-01				-004	4	MS35489-22	53-20-00-03				-031	1
MS35338-42	61-20-00-01				-009	1	MS35489-22	53-30-00-01				-021	1
MS35338-42	61-20-00-01				-020	6	MS35489-23	24-30-20-02				-003	1
MS35338-44	23-10-01-03				-002D	1	MS35489-23	24-50-10-01				-021	1
MS35338-44	30-00-00-01				-014	4	MS35489-35S	54-10-00-01				-030B	1
MS35478-305	53-10-07-05				-008	1	MS35489-35S	54-10-00-02				-010B	1
MS35489-10	35-10-00-01				-030	3	MS35489-4	21-40-00-06				-012	1
MS35489-10	35-10-00-02				-042	3	MS35489-4	24-30-20-03				-039	2
MS35489-10	35-10-00-03				-042	3	MS35489-4	27-30-01-01				-025	4
MS35489-10	35-10-00-03				-042A	4	MS35489-4	27-50-00-03				-024	7
MS35489-10	35-10-00-04				-039	3	MS35489-4	27-50-00-04				-015E	3
MS35489-11	21-40-00-05				-055	1	MS35489-4	27-50-00-04				-023	7
MS35489-11	21-40-00-07				-046	1	MS35489-4	28-10-00-01				-021	2
MS35489-11	24-30-00-01				-002	2	MS35489-4	28-10-00-01				-037	1
MS35489-11	24-30-20-02				-011	1	MS35489-4	28-20-01-01				-010	6
MS35489-11	24-30-20-04				-016	2	MS35489-4	34-10-00-01				-047	1
MS35489-11	24-30-20-04				-049	4	MS35489-4	53-10-01-01				-037	1
MS35489-11	28-20-00-01				-010	8	MS35489-4	57-10-00-09				-023	1
MS35489-11	28-20-00-01				-029	1	MS35489-46S	24-30-20-04				-055	2
MS35489-11	53-20-00-05				-001C	1	MS35489-46S	71-11-01-01				-055	1
MS35489-11	53-20-00-05				-002C	1	MS35489-46S	71-11-01-02				-046	1

**CESSNA AIRCRAFT COMPANY
MODEL 310 THRU 310D
ILLUSTRATED PARTS CATALOG**

PART NUMBER	CH SEC SUBJ FIG ITEM REQ	PART NUMBER	CH SEC SUBJ FIG ITEM REQ
MS35489-49	71-11-01-01 -056 1	NAS1149D0363H	22-50-00-01 -014 6
MS35489-49	71-11-01-02 -047 1	NAS1149D0363H	22-50-00-01 -035 2
MS35489-49	71-11-01-02 -061 1	NAS1149D0363H	27-10-00-02 -012 2
MS35489-4S	21-40-00-09 -018A 1	NAS1149D0363H	27-20-01-01 -012 2
MS35489-5	34-30-02-02 -005 1	NAS1149D0363H	27-30-00-02 -038 2
MS35489-5	35-10-00-04 -038 1	NAS1149D0363H	32-10-01-01 -014 8
MS35489-5	53-10-07-05 -014 1	NAS1149D0363H	71-60-00-02 -013A AR
MS35489-51	24-30-20-02 -006 2	NAS1149D0416H	23-10-01-03 -016 2
MS35489-6	21-40-00-09 -042 1	NAS1149D0416H	34-50-05-02 -020 2
MS35489-6	23-20-03-03 -013 1	NAS1149D0416H	55-40-00-01 -004 3
MS35489-6	24-30-20-02 -007 2	NAS1149D0416H	55-40-00-03 -008 AR
MS35489-6	24-30-20-02 -008 1	NAS1149D0463H	55-40-00-03 -008A AR
MS35489-6	24-30-20-02 -009 1	NAS1149D0463K	32-40-01-01 -013 3
MS35489-6	24-30-20-02 -010 1	NAS1149D0563K	28-20-00-01 -024A 2
MS35489-6	28-10-00-02 -011 1	NAS1149D0563K	28-20-00-01 -034 2
MS35489-6	28-40-00-01 -018 2	NAS1149D0563K	28-20-00-02 -040A 2
MS35489-6	33-10-00-02 -006 1	NAS1149D0563K	28-20-00-02 -044 2
MS35489-6	34-10-00-01 -050 7	NAS1149D0563K	30-10-00-02 -048 3
MS35489-6	53-30-00-02 -025 1	NAS1149D0563K	77-10-00-01 -013A 2
MS35489-6	53-30-00-03 -011 1	NAS1149D0563K	77-10-00-01 -016 2
MS35489-6S	21-40-00-09 -018 1	NAS1149D0663K	28-20-01-01 -008 2
MS35489-7	53-10-07-03 -009 1	NAS1149D0763H	32-41-00-02 -010B 4
MS35489-77	24-30-00-01 -006 1	NAS1149D0763K	32-41-00-02 -003A 6
MS35489-7S	24-30-20-04 -045 2	NAS1149D0763K	34-10-00-01 -007 1
MS35489-8	24-30-20-02 -011A 1	NAS1149D0763K	34-10-00-01 -021 1
MS35489-9	23-10-02-08 -011A 1	NAS1149D0863K	35-10-00-01 -032B 1
MS35489-9	24-30-20-02 -032 10	NAS1149D0863K	35-10-00-01 -038 8
MS35489-9	28-10-00-01 -022 2	NAS1149D0863K	35-10-00-02 -044A 2
MS35489-9	28-10-00-01 -038 1	NAS1149D0863K	35-10-00-03 -044A 2
MS35489-9	28-10-00-02 -011A 1	NAS1149D0963H	25-20-01-01 -050 4
MS35649-222	24-30-20-01 -003G 4	NAS1149D0963H	25-20-01-02 -043 4
MS35649-265T	22-10-02-01 -006A 8	NAS1149D0963K	30-10-00-05 -066A 2
MS35649-282	23-10-00-06 -016 4	NAS1149D0963K	37-10-00-01 -027 4
MS35649-282	23-10-01-02 -006 4	NAS1149D0963K	37-10-00-02 -024 4
MS35649-282	23-10-01-02 -016 4	NAS1149D1290K	30-10-00-02 -032 1
MS35649-282	23-20-03-03 -004B 4	NAS1149D1490K	30-10-00-04 -015 2
MS35649-282	24-30-00-03 -024D 8	NAS1149D1790K	30-10-00-02 -014 4
MS35790-1	27-30-00-02 -007 4	NAS1149D2190K	30-10-00-02 -024 2
NA823-4B	37-10-00-02 -033 2	NAS1149D2190K	30-10-00-03 -020 2
NA8395-5-3	21-40-00-03 -016A 8	NAS1149D2190K	30-10-00-04 -018 2
NAS-43-3-8	22-10-01-01 -038A 1	NAS1149DN416H	28-20-00-04 -010A 2
NAS1054-8-10	57-10-00-09 -011 4	NAS1149DN432H	25-20-00-01 -041A 12
NAS1054-8-8	57-10-00-09 -009 24	NAS1149DN432H	25-20-00-02 -041A 12
NAS1149B0563H	27-30-00-02 -014 1	NAS1149DN432H	25-20-00-03 -024A 14
NAS1149C0432R	28-20-00-05 -004 1	NAS1149DN432H	25-20-02-02 -011B 36
NAS1149C0432R	28-20-01-03 -012 1	NAS1149DN432H	27-10-00-02 -015 1
NAS1149C0432R	57-50-00-03 -024 2	NAS1149DN432H	27-20-01-01 -014 1
NAS1149C0432R	57-50-00-03 -028 2	NAS1149DN432H	27-30-00-02 -037 1
NAS1149C0432R	57-50-00-04 -028 2	NAS1149DN616H	23-10-01-03 -017 1
NAS1149C0432R	57-50-00-08 -024 2	NAS1149DN616H	34-50-05-02 -021 1
NAS1149C0432R	57-50-00-08 -028 2	NAS1149DN632K	24-30-20-01 -007H AR
NAS1149CN432R	32-20-01-01 -018 1	NAS1149DN832H	22-10-00-02 -008 4
NAS1149CN632R	71-11-01-01 -017 1	NAS1149DN832H	22-10-01-01 -002A 6
NAS1149D0316H	22-10-01-01 -007 2	NAS1149DN832H	23-10-01-04 -009 6
NAS1149D0316H	22-10-01-01 -026 2	NAS1149DN832H	31-10-00-06 -003 6
NAS1149D0316H	22-50-00-01 -040 3	NAS1149F0332P	21-40-00-04 -004A 1
NAS1149D0316H	53-10-05-01 -053 1	NAS1149F0332P	21-40-00-04 -016 1
NAS1149D0316K	32-30-00-07 -018A 2	NAS1149F0332P	22-10-01-01 -053 1
NAS1149D0363H	22-10-01-01 -012 6	NAS1149F0332P	22-50-00-01 -020 2
NAS1149D0363H	22-10-01-01 -031 6	NAS1149F0332P	22-50-00-01 -045 1
NAS1149D0363H	22-50-00-01 -009 6	NAS1149F0332P	23-10-01-05 -014 1

CESSNA AIRCRAFT COMPANY
MODEL 310 THRU 310D
ILLUSTRATED PARTS CATALOG

PART NUMBER	CH	SEC	SUBJ	FIG	ITEM	REQ	PART NUMBER	CH	SEC	SUBJ	FIG	ITEM	REQ
NAS1149F0332P	24-30-10-02				-021E	6	NAS1149F0363P	24-30-00-04				-009C	2
NAS1149F0332P	24-30-10-02				-023C	8	NAS1149F0363P	24-30-10-01				-010	1
NAS1149F0332P	25-10-00-02				-020A	1	NAS1149F0363P	25-10-00-01				-010	2
NAS1149F0332P	25-21-00-04				-025	3	NAS1149F0363P	25-21-00-04				-011B	4
NAS1149F0332P	25-21-00-04				-030	4	NAS1149F0363P	25-21-00-05				-005	8
NAS1149F0332P	25-21-00-05				-013	6	NAS1149F0363P	25-21-00-06				-017	2
NAS1149F0332P	25-21-00-05				-018	4	NAS1149F0363P	25-21-02-01				-023	2
NAS1149F0332P	25-21-00-05				-023	2	NAS1149F0363P	25-60-00-02				-003B	1
NAS1149F0332P	25-21-01-01				-039A	2	NAS1149F0363P	27-10-00-01				-036	2
NAS1149F0332P	27-00-00-01				-003	4	NAS1149F0363P	27-20-01-01				-052A	1
NAS1149F0332P	27-00-00-01				-003A	6	NAS1149F0363P	27-30-00-01				-016	4
NAS1149F0332P	27-10-00-01				-050	1	NAS1149F0363P	32-10-01-01				-011	6
NAS1149F0332P	27-20-00-01				-038	2	NAS1149F0363P	32-20-00-05				-003	2
NAS1149F0332P	27-20-00-01				-046	1	NAS1149F0363P	32-20-01-01				-005	2
NAS1149F0332P	27-20-00-01				-051	1	NAS1149F0363P	32-30-00-06				-026	1
NAS1149F0332P	27-20-01-01				-027	AR	NAS1149F0363P	52-10-00-05				-043	2
NAS1149F0332P	27-20-01-01				-030A	1	NAS1149F0363P	52-60-00-02				-041A	2
NAS1149F0332P	27-20-01-01				-049A	1	NAS1149F0363P	53-10-06-01				-020B	2
NAS1149F0332P	27-20-01-01				-050A	1	NAS1149F0363P	55-20-00-01				-050B	2
NAS1149F0332P	27-20-02-01				-017B	2	NAS1149F0363P	55-40-00-03				-054	3
NAS1149F0332P	27-20-02-01				-017C	4	NAS1149F0363P	55-40-00-03				-059	2
NAS1149F0332P	27-30-00-01				-026	2	NAS1149F0363P	57-10-00-11				-021	08
NAS1149F0332P	27-30-00-02				-026	AR	NAS1149F0363P	57-60-00-01				-016	3
NAS1149F0332P	27-30-00-02				-027A	1	NAS1149F0363P	57-60-00-02				-016	3
NAS1149F0332P	27-30-00-02				-041C	2	NAS1149F0363P	71-60-00-01				-002A	8
NAS1149F0332P	27-30-01-02				-013A	4	NAS1149F0363P	71-60-00-02				-033A	2
NAS1149F0332P	30-10-00-06				-002B	2	NAS1149F0363P	76-10-00-03				-016	4
NAS1149F0332P	30-10-00-06				-006	2	NAS1149F0363P	76-10-00-04				-016	4
NAS1149F0332P	30-10-00-06				-048	2	NAS1149F0363P	76-10-00-05				-004B	2
NAS1149F0332P	32-20-01-01				-015	6	NAS1149F0363P	78-10-00-01				-015	6
NAS1149F0332P	32-30-00-05				-019	1	NAS1149F0363P	78-10-00-01				-021	6
NAS1149F0332P	32-30-00-06				-027	1	NAS1149F0432P	21-40-00-04				-012	1
NAS1149F0332P	32-30-00-06				-030	1	NAS1149F0432P	24-30-10-01				-005	6
NAS1149F0332P	32-30-00-06				-036	8	NAS1149F0432P	24-30-10-01				-015B	2
NAS1149F0332P	32-30-00-06				-039	6	NAS1149F0432P	25-21-00-04				-005	2
NAS1149F0332P	32-30-00-06				-042	1	NAS1149F0432P	25-21-00-04				-017	2
NAS1149F0332P	32-30-00-07				-028	AR	NAS1149F0432P	25-21-00-04				-020	1
NAS1149F0332P	32-41-01-01				-013B	2	NAS1149F0432P	25-21-00-06				-023	4
NAS1149F0332P	32-50-00-01				-012	2	NAS1149F0432P	25-21-00-06				-030	2
NAS1149F0332P	35-10-00-03				-014H	1	NAS1149F0432P	25-21-01-01				-012	2
NAS1149F0332P	52-10-00-03				-040	1	NAS1149F0432P	25-21-01-01				-024	4
NAS1149F0332P	52-10-00-03				-044	1	NAS1149F0432P	27-10-00-01				-019	4
NAS1149F0332P	52-10-00-03				-048	1	NAS1149F0432P	27-10-00-02				-032A	1
NAS1149F0332P	52-10-00-03				-052	1	NAS1149F0432P	27-10-00-02				-034	1
NAS1149F0332P	52-10-00-03				-056A	1	NAS1149F0432P	27-20-00-01				-031	4
NAS1149F0332P	52-10-00-04				-030	12	NAS1149F0432P	27-20-01-01				-022	1
NAS1149F0332P	52-10-00-05				-042	3	NAS1149F0432P	27-20-01-01				-041	1
NAS1149F0332P	52-60-00-02				-011	1	NAS1149F0432P	27-30-00-01				-045	1
NAS1149F0332P	53-10-05-01				-026	1	NAS1149F0432P	27-30-00-02				-019	2
NAS1149F0332P	53-10-05-01				-026A	2	NAS1149F0432P	28-10-00-01				-004	10
NAS1149F0332P	55-20-00-01				-004	3	NAS1149F0432P	30-10-00-01				-008	5
NAS1149F0332P	55-30-00-03				-046B	2	NAS1149F0432P	32-20-00-01				-026	2
NAS1149F0332P	55-30-00-03				-057	4	NAS1149F0432P	32-20-00-01				-028A	1
NAS1149F0332P	55-40-00-01				-019	3	NAS1149F0432P	32-20-00-01				-039	4
NAS1149F0332P	76-10-00-02				-005	14	NAS1149F0432P	32-20-00-01				-025	2
NAS1149F0332P	76-10-00-02				-011B	4	NAS1149F0432P	32-30-00-01				-028	2
NAS1149F0332P	76-10-00-02				-028B	2	NAS1149F0432P	32-30-00-02				-019	2
NAS1149F0332P	76-10-00-03				-010	2	NAS1149F0432P	32-30-00-02				-021A	2
NAS1149F0332P	76-10-00-04				-010	2	NAS1149F0432P	32-30-00-04				-016	1
NAS1149F0363P	21-40-00-05				-054	4	NAS1149F0432P	32-30-00-04				-019	1
NAS1149F0363P	22-10-01-01				-044	2	NAS1149F0432P	32-30-00-04				-029	1

**CESSNA AIRCRAFT COMPANY
MODEL 310 THRU 310D
ILLUSTRATED PARTS CATALOG**

PART NUMBER	CH	SEC	SUBJ	FIG	ITEM	REQ	PART NUMBER	CH	SEC	SUBJ	FIG	ITEM	REQ
NAS1149F0432P	32	30	00	06	-007	6	NAS1149F0532P	32	30	00	02	-032	4
NAS1149F0432P	32	30	00	06	-010	2	NAS1149F0532P	32	30	00	02	-037	4
NAS1149F0432P	32	30	00	06	-022	1	NAS1149F0532P	32	30	00	04	-002B	1
NAS1149F0432P	32	30	00	06	-053	1	NAS1149F0532P	32	30	00	04	-006A	AR
NAS1149F0432P	32	30	00	06	-059	1	NAS1149F0532P	32	30	00	04	-029A	1
NAS1149F0432P	32	50	00	01	-005	1	NAS1149F0532P	32	30	00	04	-032D	1
NAS1149F0432P	52	60	00	01	-004	2	NAS1149F0563P	24	30	20	04	-010	4
NAS1149F0432P	52	60	00	01	-021	4	NAS1149F0563P	27	10	00	01	-043F	1
NAS1149F0432P	52	60	00	01	-025	3	NAS1149F0563P	27	30	01	01	-003	1
NAS1149F0432P	52	60	00	01	-028A	1	NAS1149F0563P	28	20	00	01	-023A	4
NAS1149F0432P	53	10	06	03	-002	8	NAS1149F0563P	28	20	00	02	-039A	4
NAS1149F0432P	55	10	00	01	-003	2	NAS1149F0563P	32	10	00	01	-017A	16
NAS1149F0432P	55	20	00	01	-012A	2	NAS1149F0563P	32	10	00	02	-026	1
NAS1149F0432P	55	40	00	01	-002	1	NAS1149F0563P	32	20	00	01	-016	2
NAS1149F0432P	55	40	00	03	-002	AR	NAS1149F0563P	32	30	00	02	-012A	2
NAS1149F0432P	55	40	00	03	-005A	AR	NAS1149F0563P	32	30	00	02	-029	2
NAS1149F0432P	57	50	00	03	-042	2	NAS1149F0563P	32	30	00	02	-033	2
NAS1149F0432P	57	50	00	07	-042	2	NAS1149F0563P	32	30	00	04	-006	AR
NAS1149F0432P	61	10	00	01	-006	8	NAS1149F0563P	32	30	00	04	-032B	1
NAS1149F0432P	73	10	00	02	-031	2	NAS1149F0563P	52	10	00	01	-010	1
NAS1149F0432P	79	20	00	03	-004	24	NAS1149F0563P	52	10	00	01	-014	1
NAS1149F0463P	23	00	00	05	-007	2	NAS1149F0563P	52	30	00	02	-031	2
NAS1149F0463P	24	30	10	01	-008	5	NAS1149F0563P	57	10	00	03	-011	4
NAS1149F0463P	25	21	00	02	-007B	AR	NAS1149F0563P	57	10	00	07	-010	4
NAS1149F0463P	25	21	00	04	-008	2	NAS1149F0563P	57	10	01	02	-011	4
NAS1149F0463P	25	70	00	01	-010A	4	NAS1149F0563P	57	10	01	05	-010	4
NAS1149F0463P	27	10	00	01	-025	1	NAS1149F0563P	77	10	00	01	-011A	2
NAS1149F0463P	27	10	00	01	-038	2	NAS1149F0632P	25	21	01	01	-036A	1
NAS1149F0463P	27	20	00	01	-024	1	NAS1149F0632P	32	10	00	02	-038	1
NAS1149F0463P	27	20	01	01	-050D	1	NAS1149F0632P	32	20	00	01	-028C	2
NAS1149F0463P	27	20	01	01	-051A	1	NAS1149F0632P	32	20	00	02	-037	2
NAS1149F0463P	28	10	00	01	-002	8	NAS1149F0632P	32	30	00	01	-007A	2
NAS1149F0463P	30	60	00	01	-029A	8	NAS1149F0632P	32	30	00	02	-013B	2
NAS1149F0463P	32	10	01	01	-023	1	NAS1149F0632P	52	10	00	02	-027A	1
NAS1149F0463P	32	20	00	01	-008	8	NAS1149F0632P	52	10	00	02	-029A	1
NAS1149F0463P	32	20	00	01	-020	8	NAS1149F0632P	52	60	00	02	-028	1
NAS1149F0463P	32	20	00	01	-046	1	NAS1149F0632P	57	10	00	10	-003A	10
NAS1149F0463P	32	20	00	02	-003C	2	NAS1149F0663P	25	10	00	03	-004	04
NAS1149F0463P	32	30	00	02	-016	2	NAS1149F0663P	32	10	00	01	-017B	16
NAS1149F0463P	32	30	00	04	-033B	1	NAS1149F0663P	32	30	00	02	-003	4
NAS1149F0463P	32	30	00	06	-012	2	NAS1149F0663P	52	10	00	05	-019	1
NAS1149F0463P	32	30	00	06	-014	2	NAS1149F0663P	55	10	00	01	-001A	4
NAS1149F0463P	32	30	00	06	-019	4	NAS1149F0663P	55	30	00	01	-014	2
NAS1149F0463P	32	40	00	01	-007	8	NAS1149F0663P	55	30	00	03	-011	4
NAS1149F0463P	32	40	01	01	-013A	3	NAS1149F0663P	61	10	00	01	-028	2
NAS1149F0463P	32	41	00	01	-024	6	NAS1149F0663P	61	10	00	02	-020	2
NAS1149F0463P	52	60	00	02	-021	1	NAS1149F0732P	32	10	00	02	-044	AR
NAS1149F0463P	53	10	04	01	-028A	2	NAS1149F0732P	32	20	00	02	-042	AR
NAS1149F0463P	53	10	06	03	-005	4	NAS1149F0763P	28	10	00	01	-043	1
NAS1149F0463P	55	20	00	01	-007	2	NAS1149F0763P	28	20	00	03	-015	2
NAS1149F0463P	55	20	00	01	-012	4	NAS1149F0763P	30	60	00	01	-004A	2
NAS1149F0463P	55	20	00	01	-015	2	NAS1149F0763P	32	10	00	01	-012	2
NAS1149F0463P	55	40	00	01	-003	1	NAS1149F0763P	32	10	00	02	-044A	AR
NAS1149F0463P	55	40	00	03	-002A	AR	NAS1149F0763P	32	20	00	02	-042A	AR
NAS1149F0463P	55	40	00	03	-005	AR	NAS1149F0763P	34	10	00	01	-027	1
NAS1149F0463P	57	10	00	11	-022	04	NAS1149F0763P	79	20	00	01	-016	2
NAS1149F0532P	27	30	00	02	-014A	1	NAS1149F0832P	32	30	00	01	-019	4
NAS1149F0532P	32	10	00	01	-018C	2	NAS1149F0832P	32	30	00	01	-019A	2
NAS1149F0532P	32	20	00	01	-015	2	NAS1149F0863P	27	30	01	01	-014	2
NAS1149F0532P	32	30	00	02	-025	2	NAS1149F0863P	28	10	00	02	-014A	1
NAS1149F0532P	32	30	00	02	-028	4	NAS1149F0932P	28	20	00	03	-024	2

**CESSNA AIRCRAFT COMPANY
MODEL 310 THRU 310D
ILLUSTRATED PARTS CATALOG**

PART NUMBER	CH	SEC	SUBJ	FIG	ITEM	REQ	PART NUMBER	CH	SEC	SUBJ	FIG	ITEM	REQ
NAS1149F0963P	28-20-01-02				-014	2	NAS178-6-3	57-10-01-05				-025	6
NAS1149F0963P	37-10-00-01				-023	2	NAS178-6-4	53-20-00-07				-009	2
NAS1149F0963P	37-10-00-02				-020	2	NAS178-6-5	57-10-00-03				-007	8
NAS1149F1032P	32-10-00-01				-010A	AR	NAS178-6-5	57-10-00-07				-006	8
NAS1149F1063P	53-40-00-01				-004	2	NAS178-6-5	57-10-01-02				-007	8
NAS1149F1063P	57-10-00-01				-002	02	NAS178-6-5	57-10-01-05				-006	8
NAS1149F1063P	57-10-00-05				-002	2	NAS178-6-7	57-10-00-03				-017	4
NAS1149FN416P	28-20-01-02				-024	4	NAS178-6-7	57-10-00-07				-016	4
NAS1149FN416P	28-20-01-02				-026A	3	NAS178-6-7	57-10-01-02				-017	4
NAS1149FN416P	52-30-00-02				-016	1	NAS178-6-7	57-10-01-05				-016	4
NAS1149FN432P	23-10-00-01				-005A	4	NAS178-6-8	57-10-00-09				-008	24
NAS1149FN432P	23-10-01-05				-020	2	NAS178-8-19	57-10-00-09				-010	8
NAS1149FN432P	25-10-00-02				-021A	1	NAS220-5	55-20-00-01				-046A	2
NAS1149FN432P	27-50-00-03				-011	2	NAS220-6	55-20-00-01				-046	12
NAS1149FN432P	27-50-00-04				-011	2	NAS220-8	28-20-01-02				-050A	4
NAS1149FN432P	28-20-00-04				-008	2	NAS220-8	30-60-00-01				-023	8
NAS1149FN432P	31-10-00-02				-027A	4	NAS221-10	27-50-00-01				-001A	4
NAS1149FN432P	32-41-01-01				-037	1	NAS221-11	57-10-00-04				-037	8
NAS1149FN432P	52-60-00-01				-014	1	NAS221-11	57-10-00-08				-037	8
NAS1149FN616P	24-30-20-01				-007G	4	NAS221-11	57-10-01-03				-029	8
NAS1149FN616P	25-10-00-02				-017B	1	NAS221-11	57-10-01-06				-029	8
NAS1149FN632P	24-30-20-01				-001D	2	NAS221-13	57-10-00-04				-041	8
NAS1149FN632P	24-30-20-01				-001I	2	NAS221-13	57-10-00-08				-041	8
NAS1149FN632P	25-21-01-01				-014B	2	NAS221-13	57-10-01-03				-033	8
NAS1149FN632P	27-20-02-01				-034	1	NAS221-13	57-10-01-06				-033	8
NAS1149FN632P	27-50-00-04				-015C	4	NAS221-32	55-30-00-01				-003	1
NAS1149FN632P	30-10-00-06				-010	1	NAS221-6	25-21-00-06				-006	12
NAS1149FN632P	32-20-00-02				-048A	2	NAS221-6	53-20-00-04				-017	182
NAS1149FN632P	32-30-00-07				-018E	1	NAS221-6	76-10-00-02				-044	4
NAS1149FN816P	21-40-00-03				-050A	1	NAS221-7	61-10-00-01				-004	14
NAS1149FN816P	21-40-00-09				-008A	2	NAS221-8	25-21-02-01				-006	4
NAS1149FN816P	21-40-00-09				-044A	2	NAS221-8	53-20-00-02				-009D	2
NAS1149FN816P	23-00-00-03				-003	2	NAS221-8	53-20-00-04				-018C	2
NAS1149FN816P	27-00-00-03				-021	4	NAS222-12	35-10-00-01				-025	3
NAS1149FN816P	32-20-01-01				-033	4	NAS222-12	35-10-00-02				-037	3
NAS1149FN816P	32-30-00-07				-052A	3	NAS222-12	35-10-00-03				-037	3
NAS1149FN816P	52-10-00-05				-005	1	NAS222-12	35-10-00-04				-007A	3
NAS1149FN816P	55-20-00-02				-008	4	NAS222-17	25-21-01-01				-019	4
NAS1149FN816P	55-40-00-04				-012	4	NAS222-44	55-40-00-01				-010	2
NAS1149FN832P	23-50-00-02				-003	4	NAS222-44	55-40-00-03				-066	2
NAS1149FN832P	28-20-00-04				-002	4	NAS222-8	25-21-00-06				-007	4
NAS1149FN832P	28-20-01-02				-003	4	NAS222-8	25-21-00-06				-007A	8
NAS1149FN832P	30-60-00-01				-023A	4	NAS222-8	25-21-01-01				-017	12
NAS1149FN832P	34-30-01-01				-008	4	NAS222-8	28-20-01-01				-019	32
NAS1149FN832P	54-10-00-01				-030D	4	NAS229-10	25-21-00-03				-002	1
NAS1149FN832P	54-10-00-02				-010D	4	NAS288-35-LH	27-10-00-01				-014	1
NAS1329A08K75	57-10-00-11				-011	08	NAS288-35-RH	27-10-00-01				-015	1
NAS146-36	32-10-00-01				-019	2	NAS288-35RH	27-50-00-01				-009	4
NAS146-47	57-10-00-01				-004	12	NAS363HH262	32-30-00-07				-026	1
NAS146-47	57-10-00-05				-004	12	NAS363HH262	32-30-00-07				-030	1
NAS146-49	57-10-00-01				-005	02	NAS395-17	21-40-00-08				-006	2
NAS146-49	57-10-00-05				-005	2	NAS396-1A3	53-10-01-01				-052	4
NAS177-6-8	57-40-00-01				-006	18	NAS396-4A3	27-50-00-03				-022	4
NAS177-6-8	57-40-00-02				-006	18	NAS396-4A3	27-50-00-04				-003	4
NAS178-6-3	54-10-01-01				-001	2	NAS397-12-1	28-20-01-02				-046	2
NAS178-6-3	54-10-01-02				-001	2	NAS397-14-1	28-20-01-02				-020	2
NAS178-6-3	54-10-01-03				-001	2	NAS397-17	21-40-00-06				-005	4
NAS178-6-3	54-10-01-04				-001	2	NAS397-42	21-40-00-01				-027A	2
NAS178-6-3	57-10-00-03				-027	6	NAS42-12-32	32-20-00-02				-038	2
NAS178-6-3	57-10-00-07				-025	6	NAS42-6-9	32-10-01-01				-007	2
NAS178-6-3	57-10-01-02				-028	6	NAS427T12	27-30-00-02				-022	4

**CESSNA AIRCRAFT COMPANY
MODEL 310 THRU 310D
ILLUSTRATED PARTS CATALOG**

PART NUMBER	CH	SEC	SUBJ	FIG	ITEM	REQ	PART NUMBER	CH	SEC	SUBJ	FIG	ITEM	REQ
NAS427T16	27-10-00-01				-039	2	NAS43-4-28	27-20-00-01				-009A	1
NAS428-3A4	32-30-00-03				-014	1	NAS43-4-28	27-50-00-01				-018	2
NAS428H3A11	55-30-00-02				-013	2	NAS43-4-32	27-20-00-01				-023	1
NAS428H3A11	55-30-00-03				-045	2	NAS43-4-33	27-20-00-01				-009	1
NAS428H3A20	32-30-00-01				-036	2	NAS43-4-37	24-30-10-02				-021D	1
NAS428H3A20	57-10-00-02				-021B	1	NAS43-4-41	27-30-00-02				-018	2
NAS428H3A20	57-10-00-06				-019B	1	NAS43-4-45	24-30-10-01				-004	3
NAS428H3A20	57-10-01-01				-021B	1	NAS43-4-5	27-20-01-01				-006	2
NAS428H3A20	57-10-01-04				-019B	1	NAS43-4-5	27-30-00-01				-005	2
NAS428H3A4	32-30-00-04				-003	1	NAS43-4-55	25-10-00-01				-025	1
NAS428H3A6	57-50-00-02				-021	2	NAS43-4-6	32-30-00-04				-033C	2
NAS428H3A6	57-50-00-06				-020	2	NAS43-4-70	52-10-00-03				-030	1
NAS42DD-3-55	22-10-01-01				-039A	2	NAS43-4-8	25-21-00-06				-029	2
NAS43-0-3	27-50-00-03				-012	2	NAS43-4-8	25-21-01-01				-011	2
NAS43-0-3	27-50-00-04				-012	2	NAS43-4-8	27-10-00-01				-024	1
NAS43-1-32	32-20-00-02				-048B	2	NAS43-4-8	27-10-00-02				-007	2
NAS43-3-10	52-10-00-01				-009	1	NAS43-4-8	32-10-01-01				-022	2
NAS43-3-10	52-10-00-01				-013	1	NAS43-4-8	52-60-00-01				-003	1
NAS43-3-10	52-30-00-02				-030	2	NAS43-5-130	32-20-00-02				-010	1
NAS43-3-10	71-60-00-02				-012A	2	NAS43-5-21	27-10-00-01				-043C	2
NAS43-3-11	25-10-00-02				-027	2	NAS43-5-4	32-30-00-04				-032C	2
NAS43-3-16	24-30-10-02				-023B	8	NAS43-5-61	27-30-01-01				-002	1
NAS43-3-16	27-30-00-01				-047	2	NAS43-5-8	32-10-00-01				-018B	2
NAS43-3-16	28-20-00-01				-009D	2	NAS43-5-87	27-20-02-01				-016A	2
NAS43-3-16	28-20-00-02				-010A	2	NAS43-6-12	52-10-00-03				-032	1
NAS43-3-16	28-20-00-02				-024A	2	NAS43-6-17	32-30-00-02				-002	4
NAS43-3-18	53-20-02-01				-011	4	NAS43-6-32	52-10-00-03				-031	1
NAS43-3-20	27-30-00-01				-022	1	NAS43-6-7	27-50-00-01				-019	4
NAS43-3-35	27-30-00-01				-024	1	NAS43-8-5	32-30-00-05				-022B	1
NAS43-3-40	24-30-10-02				-021B	1	NAS4300-3-77	25-60-00-03				-010A	2
NAS43-3-40	25-21-00-02				-033	2	NAS43DD-3-11	21-40-00-01				-018	1
NAS43-3-44	24-30-10-02				-021C	4	NAS43DD-3-13	21-40-00-03				-053A	8
NAS43-3-8	23-20-03-01				-010A	4	NAS43DD-3-13	76-10-00-02				-039A	1
NAS43-3-8	23-20-03-02				-009B	4	NAS43DD-3-13	76-10-00-02				-040A	2
NAS43-3-8	25-10-00-01				-011	2	NAS43DD-3-51	22-10-00-02				-025C	4
NAS43-3-8	25-21-00-06				-016	2	NAS43DD-3-51	22-10-02-01				-010C	2
NAS43-3-8	25-21-02-01				-022	2	NAS43DD-4-64	34-50-02-01				-001C	8
NAS43-3-86	32-10-01-01				-013	2	NAS43DD1-12N	27-50-00-02				-011	4
NAS43-3-9	32-30-00-07				-031A	1	NAS43DD3-110	30-10-00-01				-011	1
NAS43-3-96	27-30-00-01				-028	1	NAS43DD3-11N	21-40-00-02				-016	1
NAS43-4-10	27-20-00-01				-010A	2	NAS43DD3-13N	21-40-00-03				-019	4
NAS43-4-12	25-10-00-02				-013	2	NAS43DD3-76FC	25-21-00-02				-019	2
NAS43-4-12	25-21-00-02				-014	4	NAS43DD3-7FC	32-30-00-06				-016	1
NAS43-4-12	25-21-01-01				-005	1	NAS43DD4-123FC	32-30-00-06				-006	3
NAS43-4-12	25-21-02-01				-027	2	NAS43DD4-64FC	34-50-02-02				-002C	8
NAS43-4-128	32-20-00-02				-014	1	NAS43DD6-43FC	25-10-00-01				-025A	1
NAS43-4-13	25-21-00-02				-015	2	NAS43HT4-24	25-10-00-03				-005	02
NAS43-4-13	25-21-00-02				-042	2	NAS43HT5-15	32-20-00-01				-017	2
NAS43-4-15	57-50-00-03				-043	1	NAS444-05	53-20-00-01				-031	4
NAS43-4-15	57-50-00-07				-043	1	NAS444-1	24-30-10-02				-024B	10
NAS43-4-16	27-20-00-01				-010	1	NAS444-1	24-50-00-01				-002	6
NAS43-4-19	57-50-00-03				-041	2	NAS444-1	24-50-00-01				-002A	10
NAS43-4-19	57-50-00-07				-041	2	NAS444-1	25-20-00-02				-035A	2
NAS43-4-20	25-10-00-01				-002	1	NAS444-1	25-20-00-04				-023B	11
NAS43-4-22	27-10-00-02				-009	1	NAS444-1	34-50-01-03				-006B	1
NAS43-4-22	27-20-02-01				-001B	4	NAS444-1	34-50-01-04				-006A	1
NAS43-4-24	25-21-01-01				-007	1	NAS444-1	35-10-00-02				-049	2
NAS43-4-26	25-21-00-02				-016	2	NAS444-1	52-30-00-01				-023	1
NAS43-4-26	25-21-00-02				-043	2	NAS444-1	52-30-00-02				-010	1
NAS43-4-26	27-30-00-01				-034	2	NAS444-1	53-10-04-01				-003B	1
NAS43-4-27	27-10-00-01				-020	4	NAS444-1	53-10-05-01				-042A	2

**CESSNA AIRCRAFT COMPANY
MODEL 310 THRU 310D
ILLUSTRATED PARTS CATALOG**

PART NUMBER	CH	SEC	SUBJ	FIG	ITEM	REQ	PART NUMBER	CH	SEC	SUBJ	FIG	ITEM	REQ
NAS444-1	53	20	00	01	-007D	4	NAS464P4A8	25	10	00	03	-002	02
NAS444-1	53	30	00	02	-013A	2	NAS488-1	35	10	00	01	-044B	2
NAS444-1	57	10	00	09	-030	2	NAS505-12	57	10	00	02	-033	1
NAS444-1-A	23	10	00	02	-004A	2	NAS505-12	57	10	00	02	-035	1
NAS444-1-A	23	10	00	05	-005A	2	NAS505-12	57	10	00	06	-031	1
NAS444-1-A	23	20	03	03	-001A	4	NAS505-12	57	10	00	06	-033	1
NAS444-1-A	25	10	01	01	-014A	4	NAS505-12	57	10	01	01	-033	1
NAS444-1-A	31	10	00	04	-013A	4	NAS505-12	57	10	01	01	-035	1
NAS444-1-A	31	10	00	04	-013B	2	NAS505-12	57	10	01	04	-031	1
NAS444-13	57	10	00	03	-004	5	NAS505-12	57	10	01	04	-033	1
NAS444-13	57	10	00	07	-003	5	NAS505-4	32	30	00	01	-003	1
NAS444-13	57	10	01	02	-004	5	NAS505-4	32	30	00	01	-005	2
NAS444-13	57	10	01	05	-003	5	NAS505-4	32	30	00	01	-018	1
NAS444-13	57	50	00	01	-006	3	NAS505-5	57	10	00	02	-039	1
NAS444-13	57	50	00	05	-006	3	NAS505-5	57	10	00	06	-037	1
NAS444-14	28	10	00	01	-033	2	NAS505-5	57	10	01	01	-039	1
NAS444-14	54	10	00	01	-010	1	NAS505-5	57	10	01	04	-037	1
NAS444-14	54	10	00	02	-010	1	NAS505-6	32	10	00	02	-007A	2
NAS444-14	57	40	00	01	-040	4	NAS505-6	32	30	00	03	-002A	2
NAS444-14	57	40	00	02	-040	4	NAS505-7	32	30	00	03	-021A	1
NAS444-2	56	20	00	01	-013A	2	NAS506-7	32	20	00	01	-031A	2
NAS444-4-A	25	10	01	02	-001B	2	NAS516-1A	32	20	00	01	-035	1
NAS444-5	53	20	00	01	-041A	1	NAS516-1A	32	20	00	02	-007	1
NAS444-5	53	20	00	03	-007	2	NAS528A6	53	20	00	07	-010	2
NAS444-5	53	20	00	03	-011	2	NAS528A6	54	10	01	01	-002	2
NAS444-5	53	20	00	03	-021	4	NAS528A6	54	10	01	02	-002	2
NAS444-5	53	20	00	06	-010	2	NAS528A6	54	10	01	03	-002	2
NAS444-5	57	10	00	03	-043	8	NAS528A6	54	10	01	04	-002	2
NAS444-5	57	10	00	07	-039	8	NAS528A6	57	10	00	03	-008	8
NAS444-5	57	10	01	02	-044	8	NAS528A6	57	10	00	03	-018	4
NAS444-5	57	10	01	05	-039	8	NAS528A6	57	10	00	03	-028	6
NAS445-1	34	50	01	04	-006B	3	NAS528A6	57	10	00	07	-007	8
NAS445-1	34	50	01	05	-008A	3	NAS528A6	57	10	00	07	-017	4
NAS445-1	34	50	01	05	-033A	3	NAS528A6	57	10	00	07	-026	6
NAS445-1	34	50	01	06	-037A	3	NAS528A6	57	10	00	09	-008A	24
NAS445-10	55	40	00	01	-031A	8	NAS528A6	57	10	01	02	-008	8
NAS445-10	55	40	00	03	-040A	4	NAS528A6	57	10	01	02	-018	4
NAS445-4	33	10	00	02	-021	2	NAS528A6	57	10	01	02	-029	6
NAS445-4	52	10	00	02	-023	2	NAS528A6	57	10	01	05	-007	8
NAS446-2	32	10	00	01	-026C	AR	NAS528A6	57	10	01	05	-017	4
NAS446-2	32	10	01	01	-039	AR	NAS528A6	57	10	01	05	-026	6
NAS447-10SP	55	10	00	01	-055A	4	NAS528A6	57	40	00	01	-007	18
NAS449-13	57	10	00	04	-022	2	NAS528A6	57	40	00	02	-007	18
NAS449-13	57	10	00	08	-022	2	NAS528A8	57	10	00	09	-011A	36
NAS449-13	57	10	01	03	-018	2	NAS561-3-8	25	21	01	01	-036D	1
NAS449-13	57	10	01	06	-018	2	NAS561-5-12	32	41	01	01	-004	1
NAS454-162C4	53	10	06	01	-026	6	NAS561C2-5	27	50	00	02	-015	1
NAS455-1	34	50	01	03	-006C	3	NAS561C3-2	27	20	02	01	-015B	2
NAS455-1	34	50	01	06	-008A	3	NAS561C3-20	27	30	01	02	-012A	2
NAS455-1	53	10	01	01	-016A	2	NAS561P2-7	32	20	00	01	-034A	1
NAS455-163C-4-2	56	10	00	01	-016	25	NAS561P3-10	71	60	00	01	-010	1
NAS464-4A-9	32	30	00	01	-024	2	NAS561P3-6	76	10	01	03	-041	2
NAS464-4A11	32	30	00	06	-018	2	NAS561P3-7	27	20	01	01	-021	2
NAS464-4A13	28	10	00	01	-001	4	NAS561P3-7	27	20	01	01	-040	2
NAS464-4A4	28	10	00	01	-003	2	NAS561P3-7	28	20	00	04	-032	2
NAS464-5A13	32	30	00	04	-027A	1	NAS561P3-7	71	60	00	02	-032A	1
NAS464-5A14	32	30	00	02	-027	2	NAS561P3-8	27	10	00	02	-011	1
NAS464-5A14	32	30	00	02	-031	2	NAS561P3-8	27	10	00	02	-032B	3
NAS464-6A28	32	30	00	02	-013	2	NAS561P3-8	27	10	00	02	-034A	1
NAS464P3-17	32	20	00	05	-001	1	NAS561P3-8	27	20	01	01	-010	3
NAS464P3-7	32	20	00	05	-002	1	NAS561P3-8	27	20	01	01	-020B	2

**CESSNA AIRCRAFT COMPANY
MODEL 310 THRU 310D
ILLUSTRATED PARTS CATALOG**

PART NUMBER	CH	SEC	SUBJ	FIG	ITEM	REQ	PART NUMBER	CH	SEC	SUBJ	FIG	ITEM	REQ
NAS561P3-8	27-20-01-01				-043	1	NAS680A08	35-10-00-01				-042	2
NAS561P3-8	56-10-00-02				-035	1	NAS680A08	52-10-00-02				-025	3
NAS561P3-9	25-21-01-01				-036B	1	NAS680A08	52-10-00-03				-024	1
NAS561P3-9	28-20-00-04				-022	2	NAS680A08	52-10-00-03				-027	2
NAS561P3-9	28-20-00-04				-022	2	NAS680A08	52-10-00-05				-028	1
NAS561P4-10	28-20-00-05				-009	1	NAS680A08	52-10-00-05				-029	1
NAS561P4-10	28-20-01-03				-018	1	NAS680A08	52-10-00-05				-031	2
NAS561P4-10	32-30-00-07				-021	1	NAS680A08	53-10-02-02				-010B	1
NAS561P4-10	32-30-00-07				-034A	2	NAS680A08	53-10-02-02				-033D	1
NAS561P4-12	32-30-00-07				-035A	1	NAS680A08	53-10-02-02				-036C	1
NAS561P4-14	32-20-00-05				-011	1	NAS680A08	53-10-02-02				-037B	1
NAS561P4-15	71-00-00-01				-011	4	NAS680A08	53-10-06-04				-008	3
NAS561P4-6	28-20-00-04				-017	2	NAS680A08	53-10-06-05				-015A	1
NAS561P4-9	28-20-00-04				-012	4	NAS680A08	53-10-06-05				-016A	1
NAS561P4-9	28-20-00-04				-038	2	NAS680A08	53-10-06-05				-021A	4
NAS561P6-14	27-30-01-01				-009	2	NAS680A08	53-10-07-04				-008	6
NAS561P6-14	32-30-00-01				-022	4	NAS680A08	53-10-07-04				-015	4
NAS564-45	32-30-00-01				-038	1	NAS680A08	53-20-00-01				-033	4
NAS564-45	57-10-00-02				-021D	1	NAS680A08	53-20-00-03				-023	4
NAS564-45	57-10-00-06				-019D	1	NAS680A08	53-20-00-05				-016	1
NAS564-45	57-10-01-01				-021D	1	NAS680A08	53-20-00-06				-004A	7
NAS564-45	57-10-01-04				-019D	1	NAS680A08	53-20-00-06				-007B	7
NAS603-56	55-20-00-01				-049D	1	NAS680A08	53-20-00-06				-007D	1
NAS648A22RS	27-20-00-01				-019A	1	NAS680A08	53-30-00-02				-029	1
NAS669-143	57-10-00-06				-015	1	NAS680A08	54-10-01-01				-005	8
NAS669-143	57-10-01-01				-015	1	NAS680A08	54-10-01-03				-005	6
NAS669-143	57-10-01-04				-015	1	NAS680A08	55-10-00-01				-047	2
NAS669-428C	57-10-00-02				-015	1	NAS680A08	55-20-00-01				-033	10
NAS670-100	32-30-00-04				-023	1	NAS680A08	55-30-00-01				-006	2
NAS670-231	32-20-00-02				-004	1	NAS680A08	57-10-00-02				-042	8
NAS670-34	27-00-00-01				-017	2	NAS680A08	57-10-00-06				-040	8
NAS670-34	27-00-00-02				-010	2	NAS680A08	57-10-01-01				-042	8
NAS670-34	27-00-00-03				-007	2	NAS680A08	57-10-01-04				-040	8
NAS670-37	27-00-00-01				-017A	2	NAS680A08	57-40-00-01				-011	2
NAS670-50	32-30-00-07				-033A	1	NAS680A08	57-40-00-02				-011	2
NAS670-50	52-10-00-03				-009	1	NAS680A08	71-11-01-02				-056	4
NAS670-81	27-00-00-01				-008	2	NAS680A8	52-30-00-01				-026	2
NAS670-81	27-00-00-01				-008A	1	NAS680A8	54-10-01-02				-004	6
NAS670-81	27-00-00-02				-011	2	NAS680A8	54-10-01-02				-004A	4
NAS670-81	27-00-00-03				-008	2	NAS680A8	54-10-01-04				-004	6
NAS680A03	53-10-03-02				-005	2	NAS680A8	54-10-01-04				-004A	4
NAS680A03	53-10-04-02				-002C	2	NAS680A8K	54-10-01-01				-006	18
NAS680A06K	34-50-05-01				-017A	17	NAS680A8K	54-10-01-02				-003	26
NAS680A06K	34-50-05-01				-033A	6	NAS680A8K	54-10-01-02				-003A	22
NAS680A06K	53-10-03-01				-035	4	NAS680A8K	54-10-01-04				-003	21
NAS680A06K	54-10-00-04				-015A	16	NAS680A8K	54-10-01-04				-003A	18
NAS680A06K	54-10-00-06				-015A	16	NAS682A06	53-10-03-01				-004B	2
NAS680A06K	54-10-01-01				-011	6	NAS682A06	53-10-03-01				-035A	2
NAS680A06K	54-10-01-03				-010	6	NAS682A06	53-10-04-01				-035B	2
NAS680A08	23-50-00-02				-005	2	NAS682A06	53-30-00-03				-007A	2
NAS680A08	23-50-00-02				-007	2	NAS682A06	55-10-00-01				-049	2
NAS680A08	24-40-00-01				-011	2	NAS682A06K	34-50-05-01				-017B	2
NAS680A08	28-10-00-01				-014	7	NAS682A06K	53-10-03-01				-027	1
NAS680A08	28-10-00-02				-017	7	NAS682A08	21-40-00-09				-011	2
NAS680A08	30-60-00-01				-022	4	NAS682A08	52-10-00-05				-016	2
NAS680A08	31-10-00-04				-007	11	NAS682A08	53-10-01-01				-050	4
NAS680A08	31-10-00-04				-009	13	NAS682A08	53-10-03-02				-003A	2
NAS680A08	31-10-00-04				-020	4	NAS682A08	53-10-06-05				-020A	1
NAS680A08	31-10-00-07				-008	4	NAS682A08	53-10-06-05				-021B	3
NAS680A08	31-10-00-08				-008	8	NAS682A08	55-20-00-01				-032	2
NAS680A08	32-10-01-01				-029A	1	NAS682A08K	57-10-00-10				-022	7

CESSNA AIRCRAFT COMPANY
MODEL 310 THRU 310D
ILLUSTRATED PARTS CATALOG

PART NUMBER	CH	SEC	SUBJ	FIG	ITEM	REQ	PART NUMBER	CH	SEC	SUBJ	FIG	ITEM	REQ
NAS682A3	30-00-00-01				-002	4	NO 101	23-10-02-23				-008	1
NAS682A3	34-30-01-03				-003B	4	P102-11	24-50-00-01				-035	1
NAS682A3	53-10-00-01				-012A	1	P565-134A-4	28-20-01-01				-029A	1
NAS682A3	53-10-00-01				-022A	1	PA-2008	34-30-00-01				-009C	1
NAS682A3	53-10-02-01				-050A	4	PB 3 1/2	34-50-03-01				-008C	4
NAS682A3	53-10-02-02				-010C	1	PB-3 1/2	34-50-03-01				-027B	4
NAS682A3	53-10-02-02				-030C	2	PDM-50	24-30-10-02				-027A	2
NAS682A3	53-10-02-02				-050A	4	PK46F-8-6	23-00-00-05				-010	4
NAS682A3	53-10-02-02				-060A	1	PK84XA-4-10	25-20-02-03				-002A	9
NAS682A3	53-10-02-02				-063A	1	PK84XA-4-10	25-20-02-03				-012	14
NAS682A3	53-10-03-01				-016A	1	PLM-50	24-30-10-02				-027	2
NAS682A3	53-10-04-01				-013A	1	PN-3A	27-00-00-01				-015	1
NAS682A3	53-20-00-01				-004B	1	PN-3A	27-00-00-02				-019	1
NAS682A3	53-20-00-03				-033B	1	PN-3A	27-00-00-03				-016	1
NAS682A3	53-20-00-04				-016B	1	PN-3A	55-20-00-02				-004	1
NAS682A3	53-20-00-05				-005A	1	PN-3A	55-40-00-04				-008	1
NAS682A3	53-20-00-06				-004	1	PQ-11-114	23-10-02-12				-008D	1
NAS682A3	53-20-00-06				-006	1	PQ-11-114	23-10-02-13				-011D	1
NAS682A3	53-20-00-06				-018A	1	PQ11-114	23-10-02-01				-013D	1
NAS682A3	53-30-00-01				-019	1	PQ11-114	23-10-02-02				-007D	1
NAS682A3	54-10-01-01				-009	6	PQ11-114	23-10-02-03				-011D	2
NAS682A3	57-10-00-03				-025	2	PQ11-114	23-10-02-04				-011D	2
NAS682A3	57-10-00-07				-023	2	PQ11-114	23-10-02-05				-012D	1
NAS682A3	57-10-01-02				-025	2	PQ11-114	23-10-02-09				-008D	1
NAS682A3	57-10-01-05				-022	2	PQ11-120	23-10-02-06				-013	1
NAS682A3	57-60-00-01				-034	1	PQ11-120	23-10-02-08				-016	1
NAS682A3	57-60-00-02				-033	1	PQ11-120	23-10-02-11				-007	1
NAS682A3	71-11-01-02				-006	1	PSM-10	23-10-00-05				-008	1
NAS686A08K	34-50-05-01				-031A	4	PSM-10N	23-10-00-02				-006	1
NAS680A06K	34-50-05-01				-025A	19	PSM-10N	23-10-00-03				-009	1
NAS696A06	34-50-01-06				-025C	1	PSM-10N	23-10-00-04				-009	1
NAS696A06	57-10-00-09				-026A	1	PSM-10N	23-20-03-02				-010A	1
NAS697A06	55-40-00-03				-064A	2	PSM-10N	33-40-00-01A				-008C	1
NAS70P-177-375	23-10-00-07				-002	AR	PSM-10N	33-40-00-06				-022A	1
NAS70P-177-375	24-30-00-03				-023B	2	PSM-20N	23-20-03-01				-022	1
NAS70P144-375	21-60-00-01				-005	4	PSM-20N	23-20-03-02				-010	1
NAS70P144-375	31-10-00-01				-043	2	PSM-2N	23-50-01-02				-005	1
NAS75-3-008	73-10-00-02				-025	2	PSM-2N	23-50-01-03				-009A	1
NAS75-3-021	32-20-01-01				-013	2	PSM-2N	27-50-00-04				-014	1
NAS75-3-025	32-20-01-01				-004	2	PSM-2N	33-40-00-05				-009	1
NAS75-3-027	32-20-00-05				-004	1	PSM-2N	34-30-00-02				-008	1
NAS75-3-027	76-10-00-01				-018	2	PSM-2N	34-30-01-01				-015	2
NAS75-3-029	76-10-00-02				-025	2	PSM-2N	34-30-02-01				-016	1
NAS75-3-110	32-30-00-07				-025	1	PSM-2N	34-30-02-01				-017	1
NAS77-10-045	32-10-00-02				-007	2	PSM-3N	23-20-02-04				-011	1
NAS77-10-045	32-30-00-03				-002	2	PSM-3N	34-20-00-03				-020	1
NAS77-8-088	32-10-00-02				-033	2	PSM-3N	34-50-00-04				-036A	1
NAS77-8-088	32-20-00-02				-033	2	PSM-3N	34-50-03-01				-013	1
NAS77A-5-8	32-30-00-03				-029D	21	PSM-3N	34-50-03-01				-032	1
NAS786-8Z-3	24-30-20-03				-016	2	PSM-3N	34-50-03-01				-050	1
NAS786-8Z-3	24-30-20-03				-019	28	PSM-5N	23-00-00-01				-011	1
NAS786-8Z-3	24-30-20-03				-024	4	PSM-5N	23-10-00-01				-009	1
NAS786-8Z-3	24-30-20-03				-030	1	PSM-5N	23-20-01-05				-013	1
NAS786-8Z-3	24-30-20-03				-038	3	PSM-5N	23-20-03-01				-024	1
NAS969A08	53-10-06-06				-028A	2	PSM-5N	23-20-03-02				-011A	1
NAS969A08	53-10-06-06				-031A	2	PSM-5N	23-20-03-02				-012	1
NAS969A08	53-10-06-06				-032A	4	PSM-5N	23-50-01-01				-007	1
NKN221-8	25-10-00-01				-020	1	PSM-5N	23-50-01-03				-009	1
NKN221-8	25-21-00-06				-012	1	PSM-5N	33-40-00-01A				-008B	1
NKN221-8	25-21-02-01				-013	1	PSM-5N	33-40-00-03				-009	1
NKN221-8	25-21-02-01				-015	1	PSM-5N	33-40-00-06				-022B	1

**CESSNA AIRCRAFT COMPANY
MODEL 310 THRU 310D
ILLUSTRATED PARTS CATALOG**

PART NUMBER	CH SEC SUBJ FIG ITEM REQ	PART NUMBER	CH SEC SUBJ FIG ITEM REQ
PSM-5N	34-20-00-02 -022 1	PSM5N	24-50-00-01 -022 1
PSM-5N	34-30-00-01 -012 1	PSM5N	33-40-00-04 -004 1
PSM-5N	34-30-01-02 -004 1	PSM6N	24-50-00-01 -024A 1
PSM-5N	34-50-00-03 -021 2	PSM8N	24-50-00-01 -023A 1
PSM-5N	34-50-00-03 -040 1	Q-13-114	23-10-00-01 -006C 1
PSM-5N	34-50-00-04 -018 2	Q11-128	23-10-02-18 -011 1
PSM-5N	34-50-00-04 -036 1	Q11-128	23-10-02-23 -005 1
PSM-5N	34-50-00-05 -030 2	Q11-133	23-10-02-16 -003 1
PSM-5N	34-50-01-01 -009 1	R4G	71-10-00-01 -034 12
PSM-5N	34-50-01-02 -009 2	R4G	71-10-00-02 -024D 19
PSM-5N	34-50-01-03 -012 1	R4G	71-10-00-02 -029D 11
PSM-5N	34-50-01-04 -012 2	R4G	71-10-00-02 -038D 8
PSM-5N	34-50-01-05 -016 2	R4G	71-10-00-02 -041 12
PSM-5N	34-50-01-05 -038 1	R4G	71-10-00-03 -016C 12
PSM-5N	34-50-01-06 -016 2	R4G	71-10-00-03 -023C 8
PSM-5N	34-50-01-06 -039 1	R4G	71-10-00-03 -024B 12
PSM-5N	34-50-02-01 -004 1	R4T	71-10-00-03 -012B 19
PSM-5N	34-50-02-02 -005 2	RA2487-2	56-20-00-01 -018 1
PSM-5N	34-60-00-01 -025 1	RA2610-2	23-10-01-05 -016 1
PSM-6N	23-10-01-01 -010 1	S-1021Z-6-4	33-40-00-05 -006 2
PSM-6N	23-20-01-01 -020 1	S-1004-23A	32-30-00-07 -019A 1
PSM-6N	23-20-01-02 -019 2	S-10212-10-10	76-10-00-01 -032 1
PSM-6N	23-20-02-03 -011 1	S-10212-4-4	25-20-01-01 -020 21
PSM-8N	23-10-00-06 -017 1	S-10212-4-4	25-20-01-01 -036 18
PSM-8N	23-20-02-01 -010 1	S-10212-4-5	25-20-01-02 -052 18
PSM-8N	23-20-03-01 -023 1	S-10212-4-5	25-80-00-01 -018A 2
PSM-8N	23-20-03-02 -011 1	S-10212-4-6	25-20-01-01 -019 2
PSM-8N	30-10-00-01 -025 1	S-10212-4-6	31-10-00-03 -019 6
PSM10N	24-50-00-01 -023 1	S-10212-4-8	25-20-01-01 -018 31
PSM10N	24-50-00-01 -026A 1	S-10212-4-8	25-50-00-01 -016 5
PSM10N	24-50-00-01 -027A 1	S-10212-6-6	21-40-00-02 -042 4
PSM15N	24-50-00-01 -024 1	S-10212-6-6	24-30-10-01 -013 3
PSM15N	24-50-00-01 -025 1	S-10212-6-6	24-30-10-01 -014 13
PSM15N	24-50-00-01 -026 1	S-10212-6-6	34-10-00-01 -051A 1
PSM15N	24-50-00-01 -027 1	S-10212-6-6C	25-20-01-02 -053A 2
PSM25N	24-50-00-01 -028 1	S-10212-6-6C	33-10-00-02 -016C 2
PSM25N	24-50-00-01 -029 1	S-10212-6-8	25-20-01-02 -041C 4
PSM2N	24-50-00-01 -013A 1	S-10212-6-8	25-50-00-01 -013 AR
PSM2N	24-50-00-01 -016A 1	S-10212-8-6	25-20-01-01 -053 17
PSM2N	24-50-00-01 -016B 1	S-10212-8-6	76-10-00-01 -029A 1
PSM2N	24-50-00-01 -017A 1	S-10212-8-7	21-40-00-02 -012 8
PSM2N	24-50-00-01 -022A 1	S-10212-8-8	21-40-00-02 -006 4
PSM3N	24-50-00-01 -020A 1	S-1021A-4-10	53-10-07-05 -010 2
PSM3N	24-50-00-01 -021A 1	S-1021A-4-4	25-20-00-04 -039 10
PSM5N	24-50-00-01 -010 1	S-1021A-4-6	25-20-00-04 -017 7
PSM5N	24-50-00-01 -010A 1	S-1021A-4-6	25-20-01-02 -052A 12
PSM5N	24-50-00-01 -011 1	S-1021A-4-6	25-20-02-03 -004 4
PSM5N	24-50-00-01 -011A 1	S-1021A-4-8	25-20-00-04 -043A 17
PSM5N	24-50-00-01 -012 1	S-1021A-4-8	25-20-02-03 -008 36
PSM5N	24-50-00-01 -013 1	S-1021A-4-8C	25-10-00-01 -023 2
PSM5N	24-50-00-01 -014 1	S-1021A-4-8C	25-21-00-06 -014 2
PSM5N	24-50-00-01 -014A 1	S-1021A-4-8C	25-21-02-01 -019 4
PSM5N	24-50-00-01 -015 1	S-1021A-6-4	25-20-00-04 -019B 16
PSM5N	24-50-00-01 -015A 1	S-1021A-6-6	25-20-01-02 -041B 4
PSM5N	24-50-00-01 -016 1	S-1021A-6-6	71-11-01-02 -053A 6
PSM5N	24-50-00-01 -017 1	S-1021Z-10-10	71-00-00-01 -029G 1
PSM5N	24-50-00-01 -018 1	S-1021Z-10-10	71-00-00-01 -029H 2
PSM5N	24-50-00-01 -019 1	S-1021Z-10-6	24-30-20-04 -027 4
PSM5N	24-50-00-01 -019A 1	S-1021Z-10-8	30-10-00-04 -043A 1
PSM5N	24-50-00-01 -020 1	S-1021Z-10-8	30-10-00-05 -068 1
PSM5N	24-50-00-01 -021 1	S-1021Z-10-8	37-10-00-04 -012 2

CESSNA AIRCRAFT COMPANY
MODEL 310 THRU 310D
ILLUSTRATED PARTS CATALOG

PART NUMBER	CH SEC SUBJ FIG ITEM REQ	PART NUMBER	CH SEC SUBJ FIG ITEM REQ
S-1021Z-10-8	37-10-00-04 -015 1	S-1021Z-4-8	25-20-00-02 -041 18
S-1021Z-4-4	22-10-02-01 -003 4	S-1021Z-4-8	25-20-00-03 -039 22
S-1021Z-4-4	23-00-00-03 -015 2	S-1021Z-4-8	25-20-00-04 -045A 2
S-1021Z-4-4	23-10-02-08 -007C 1	S-1021Z-4-8	25-20-01-02 -033 17
S-1021Z-4-4	23-10-02-08 -011 2	S-1021Z-4-8	25-20-02-01 -022 36
S-1021Z-4-4	25-10-00-01 -005A 4	S-1021Z-4-8	25-20-02-02 -011A 36
S-1021Z-4-4	25-10-00-01 -014A 4	S-1021Z-4-8	25-21-00-01 -016 1
S-1021Z-4-4	25-20-00-01 -024 28	S-1021Z-4-8	25-50-00-02 -015 3
S-1021Z-4-4	25-20-00-01 -052 10	S-1021Z-4-8	25-50-00-02 -018 2
S-1021Z-4-4	25-20-00-02 -024 28	S-1021Z-4-8	34-20-00-05 -002 6
S-1021Z-4-4	25-20-00-02 -053 10	S-1021Z-4-8	34-50-03-01 -027C 6
S-1021Z-4-4	25-20-00-03 -037 42	S-1021Z-6-10C	21-40-00-02 -019A 8
S-1021Z-4-4	25-20-00-03 -038 27	S-1021Z-6-10C	21-40-00-03 -035A 8
S-1021Z-4-4	25-20-01-02 -031 7	S-1021Z-6-10C	25-21-00-01 -013 4
S-1021Z-4-4	25-20-01-02 -036 12	S-1021Z-6-10C	21-40-00-01 -021A 8
S-1021Z-4-4	31-10-00-01 -020 8	S-1021Z-6-30C	25-21-01-01 -014 4
S-1021Z-4-4	31-10-00-02 -018 8	S-1021Z-6-4	25-50-00-01 -012 AR
S-1021Z-4-4	31-10-00-03 -038A 10	S-1021Z-6-4	25-50-00-02 -004B 16
S-1021Z-4-4	34-20-00-01 -005 6	S-1021Z-6-5	23-10-02-01 -006 1
S-1021Z-4-4	53-20-00-02 -020 6	S-1021Z-6-6	21-40-00-01 -037 4
S-1021Z-4-4	53-20-00-04 -006 6	S-1021Z-6-6	21-40-00-03 -014C 2
S-1021Z-4-4	57-10-00-04 -055B 8	S-1021Z-6-6	21-40-00-03 -016 8
S-1021Z-4-4	57-10-01-03 -061A 8	S-1021Z-6-6	21-40-00-04 -014 9
S-1021Z-4-4	57-10-01-06 -061A 8	S-1021Z-6-6	23-00-00-03 -006 2
S-1021Z-4-5	25-80-00-01 -001A 4	S-1021Z-6-6	23-10-00-02 -004C 4
S-1021Z-4-5	25-80-00-01 -002A 4	S-1021Z-6-6	23-10-00-03 -005A 4
S-1021Z-4-5	25-80-00-01 -003A 8	S-1021Z-6-6	23-10-00-04 -007C 4
S-1021Z-4-5	25-80-00-01 -005A 8	S-1021Z-6-6	23-10-00-05 -004A 4
S-1021Z-4-5	25-80-00-01 -006A 4	S-1021Z-6-6	23-10-02-01 -001 4
S-1021Z-4-5	25-80-00-01 -011A 14	S-1021Z-6-6	23-10-02-01 -002D 6
S-1021Z-4-5	25-80-00-01 -012A 16	S-1021Z-6-6	23-10-02-02 -001 4
S-1021Z-4-5	25-80-00-01 -014A 4	S-1021Z-6-6	23-10-02-02 -002D 6
S-1021Z-4-5	25-80-00-01 -017A 12	S-1021Z-6-6	23-10-02-03 -001 4
S-1021Z-4-5	53-20-00-02 -022 8	S-1021Z-6-6	23-10-02-03 -002D 6
S-1021Z-4-5	53-20-00-04 -002 8	S-1021Z-6-6	23-10-02-04 -002D 3
S-1021Z-4-6	11-00-00-01 -003A 4	S-1021Z-6-6	23-10-02-05 -002D 3
S-1021Z-4-6	21-40-00-05 -010 2	S-1021Z-6-6	23-10-02-05 -007 1
S-1021Z-4-6	21-40-00-07 -009 2	S-1021Z-6-6	23-10-02-08 -032 AR
S-1021Z-4-6	21-40-00-09 -033 2	S-1021Z-6-6	23-10-02-08 -034 AR
S-1021Z-4-6	23-10-02-08 -036 AR	S-1021Z-6-6	23-10-02-09 -002D 3
S-1021Z-4-6	25-20-00-01 -031 4	S-1021Z-6-6	23-10-02-10 -019 AR
S-1021Z-4-6	25-20-00-01 -054 17	S-1021Z-6-6	23-10-02-12 -002D 3
S-1021Z-4-6	25-20-00-02 -031 4	S-1021Z-6-6	23-10-02-13 -002D 3
S-1021Z-4-6	25-20-00-02 -055 17	S-1021Z-6-6	23-10-02-13 -007 1
S-1021Z-4-6	25-20-01-02 -031A 7	S-1021Z-6-6	23-10-02-18 -022 AR
S-1021Z-4-6	25-20-01-02 -032 2	S-1021Z-6-6	23-10-02-19 -022 AR
S-1021Z-4-6	25-20-01-02 -033A 35	S-1021Z-6-6	23-20-03-01 -015 4
S-1021Z-4-6	25-20-02-01 -021 27	S-1021Z-6-6	24-30-00-03 -019D 2
S-1021Z-4-6	25-20-02-02 -007A 13	S-1021Z-6-6	24-30-00-03 -022C 2
S-1021Z-4-6	25-20-02-02 -015A 22	S-1021Z-6-6	24-30-10-02 -027D 4
S-1021Z-4-6	28-20-00-01 -031 6	S-1021Z-6-6	24-30-20-02 -047 2
S-1021Z-4-6	33-10-00-02 -019 8	S-1021Z-6-6	24-30-20-03 -041 1
S-1021Z-4-6	34-10-00-01 -049 1	S-1021Z-6-6	24-30-20-04 -014 2
S-1021Z-4-6	35-10-00-02 -010 1	S-1021Z-6-6	24-30-20-04 -052 3
S-1021Z-4-6	35-10-00-03 -010 1	S-1021Z-6-6	24-50-00-01 -030 4
S-1021Z-4-6	35-10-00-04 -005 1	S-1021Z-6-6	25-10-01-01 -001 8
S-1021Z-4-6	73-10-00-02 -007 4	S-1021Z-6-6	25-10-01-01 -002 4
S-1021Z-4-8	11-00-00-01 -018A 2	S-1021Z-6-6	25-10-01-02 -002 4
S-1021Z-4-8	23-10-02-16 -002 6	S-1021Z-6-6	25-20-00-04 -018D 4
S-1021Z-4-8	23-10-02-21 -002 6	S-1021Z-6-6	25-21-00-01 -023 2
S-1021Z-4-8	25-20-00-01 -041 18	S-1021Z-6-6	25-21-00-02 -009 9

**CESSNA AIRCRAFT COMPANY
MODEL 310 THRU 310D
ILLUSTRATED PARTS CATALOG**

PART NUMBER	CH SEC SUBJ FIG ITEM REQ	PART NUMBER	CH SEC SUBJ FIG ITEM REQ
S-1021Z-6-6	25-21-00-02 -040 24	S-1021Z-8-10C	33-10-00-02 -029 8
S-1021Z-6-6	25-60-00-01 -005A 4	S-1021Z-8-12	21-40-00-03 -018 4
S-1021Z-6-6	25-60-00-02 -008A 4	S-1021Z-8-4	28-20-00-04 -026 4
S-1021Z-6-6	28-20-01-02 -037 3	S-1021Z-8-4	28-20-01-02 -041 4
S-1021Z-6-6	30-10-00-01 -016A 4	S-1021Z-8-6	21-40-00-03 -013 8
S-1021Z-6-6	31-10-00-01 -029 4	S-1021Z-8-6	23-00-00-04 -004 4
S-1021Z-6-6	31-10-00-01 -031 4	S-1021Z-8-6	23-00-00-05 -004 6
S-1021Z-6-6	31-10-00-02 -030 12	S-1021Z-8-6	23-00-00-05 -015 4
S-1021Z-6-6	31-10-00-03 -018 2	S-1021Z-8-6	24-30-00-04 -012A 4
S-1021Z-6-6	31-10-00-07 -039 21	S-1021Z-8-6	24-30-20-02 -045 1
S-1021Z-6-6	32-10-00-01 -026B AR	S-1021Z-8-6	24-50-10-01 -013 4
S-1021Z-6-6	32-10-01-01 -038 AR	S-1021Z-8-6	24-50-10-01 -015 4
S-1021Z-6-6	32-30-00-07 -056 4	S-1021Z-8-6	24-50-10-01 -025 4
S-1021Z-6-6	33-40-00-05 -008A 1	S-1021Z-8-6	25-20-01-02 -026 17
S-1021Z-6-6	34-50-01-01 -004B 2	S-1021Z-8-6	30-60-00-01 -032A 2
S-1021Z-6-6	34-50-01-02 -005B 4	S-1021Z-8-6	31-10-01-01 -009 2
S-1021Z-6-6	52-30-00-01 -022 1	S-1021Z-8-6	31-10-01-02 -009 2
S-1021Z-6-6	52-30-00-02 -009 1	S-1021Z-8-6	33-40-00-06 -017 1
S-1021Z-6-6	53-10-01-01 -051 4	S-1021Z-8-6	34-50-05-01 -042 10
S-1021Z-6-6	57-10-00-09 -020 2	S-1021Z-8-6	34-50-05-01 -046 10
S-1021Z-6-6	71-11-01-01 -062 22	S-1021Z-8-6	52-10-00-02 -013 14
S-1021Z-6-6	71-11-01-02 -053 16	S-1021Z-8-6	53-10-00-01 -034 6
S-1021Z-6-6	73-10-00-02 -047A 4	S-1021Z-8-6	53-10-00-01 -057 2
S-1021Z-6-6	73-10-00-02 -049A 2	S-1021Z-8-6	53-20-00-02 -009 21
S-1021Z-6-6C	25-20-01-02 -030 107	S-1021Z-8-6	53-20-00-02 -009B 17
S-1021Z-6-6C	33-10-00-02 -010 2	S-1021Z-8-6	53-20-00-02 -016 121
S-1021Z-6-6C	35-10-00-02 -053 2	S-1021Z-8-6	53-20-00-04 -010 24
S-1021Z-6-6C	56-20-00-01 -020 2	S-1021Z-8-6	53-20-02-02 -011 4
S-1021Z-6-7	31-10-00-08 -044 2	S-1021Z-8-6	73-10-00-02 -022B 2
S-1021Z-6-7	31-10-00-08 -050 6	S-1021Z-8-6	73-10-00-02 -032A 2
S-1021Z-6-8	21-40-00-03 -046 4	S-1021Z-8-6	73-10-00-02 -040A 2
S-1021Z-6-8	21-40-00-05 -004 1	S-1021Z-8-6	79-20-00-02 -009B 1
S-1021Z-6-8	21-40-00-07 -004 1	S-1021Z-8-7	21-40-00-01 -014 8
S-1021Z-6-8	23-10-01-05 -011 2	S-1021Z-8-7	21-40-00-08 -005 2
S-1021Z-6-8	23-20-03-03 -015 4	S-1021Z-8-7	24-30-20-02 -015 2
S-1021Z-6-8	23-50-00-01 -009 4	S-1021Z-8-7	24-30-20-02 -019 1
S-1021Z-6-8	23-50-01-01 -013A AR	S-1021Z-8-7	28-20-00-01 -039B 1
S-1021Z-6-8	23-50-01-02 -009B AR	S-1021Z-8-7	28-20-00-02 -037B 1
S-1021Z-6-8	23-50-01-02 -011B 3	S-1021Z-8-7	30-10-00-01 -014A 6
S-1021Z-6-8	23-50-01-03 -014A AR	S-1021Z-8-7	33-40-00-03 -007A 6
S-1021Z-6-8	23-50-01-03 -016C 3	S-1021Z-8-8	21-40-00-01 -006 4
S-1021Z-6-8	24-30-20-03 -009 13	S-1021Z-8-8	21-40-00-03 -006 4
S-1021Z-6-8	25-10-00-01 -015A 2	S-1021Z-8-8	21-40-00-03 -053 8
S-1021Z-6-8	25-20-00-02 -032 1	S-1021Z-8-8	21-40-00-03 -065 2
S-1021Z-6-8	25-21-00-04 -034A 4	S-1021Z-8-8	24-30-20-02 -037 1
S-1021Z-6-8	25-50-00-02 -016 AR	S-1021Z-8-8	24-30-20-03 -015 2
S-1021Z-6-8	31-10-00-08 -044A 1	S-1021Z-8-8	24-30-20-03 -018 28
S-1021Z-6-8	53-20-01-01 -004 4	S-1021Z-8-8	24-30-20-03 -023 4
S-1021Z-6-8C	21-40-00-03 -059 2	S-1021Z-8-8	24-30-20-03 -029 1
S-1021Z-6-8C	31-10-00-01 -036 8	S-1021Z-8-8	24-30-20-03 -037 3
S-1021Z-6-8C	31-10-00-02 -035 8	S-1021Z-8-8	24-30-20-03 -043 1
S-1021Z-6-8C	31-10-00-03 -022 8	S-1021Z-8-8	24-30-20-04 -032 8
S-1021Z-6R4	52-10-00-03 -050 1	S-1021Z-8-8	28-20-00-01 -007 4
S-1021Z-6R6	21-40-00-09 -051 4	S-1021Z-8-8	28-20-00-02 -007 4
S-1021Z-6R6	35-10-00-01 -016 3	S-1021Z-8-8	28-20-00-03 -034 2
S-1021Z-6R6	35-10-00-01 -043 4	S-1021Z-8-8	28-20-00-04 -027 6
S-1021Z-6R6	35-10-00-02 -028 3	S-1021Z-8-8	28-20-01-01 -043A 8
S-1021Z-6R6	35-10-00-03 -028 3	S-1021Z-8-8	28-20-01-02 -040 12
S-1021Z-8-10	21-40-00-09 -023B 2	S-1021Z-8-8	30-10-00-01 -015A 6
S-1021Z-8-10	24-30-20-04 -013 1	S-1021Z-8-8	30-10-00-01 -018A 2
S-1021Z-8-10C	33-10-00-02 -016A 2	S-1021Z-8-8	30-10-00-04 -002C 4

**CESSNA AIRCRAFT COMPANY
MODEL 310 THRU 310D
ILLUSTRATED PARTS CATALOG**

PART NUMBER	CH SEC SUBJ FIG	ITEM	REQ	PART NUMBER	CH SEC SUBJ FIG	ITEM	REQ
S-1021Z-8-8	30-10-00-05	-076A	1	S-1022Z-8-8	57-10-01-06	-067	8
S-1021Z-8-8	30-10-00-06	-051	2	S-10232-10-6	25-20-01-01	-044B	4
S-1021Z-8-8	35-10-00-04	-040A	2	S-10232-6-8	25-20-01-01	-035	88
S-1021Z-8-8	37-10-00-01	-036	2	S-1023A-4-6B	11-00-00-01	-029A	2
S-1021Z-8-8	37-10-00-02	-031B	2	S-1023A-6-14	25-20-01-02	-037B	4
S-1021Z-8-8	52-10-00-02	-006	8	S-1023Z-6-10C	31-10-00-03	-033	2
S-1021Z-8-8	52-10-00-02	-011	12	S-1023Z-6-12	25-21-00-01	-017A	2
S-1021Z-8-8	52-30-00-01	-002	1	S-1023Z-6-8	25-10-00-01	-018	2
S-1021Z-8-8	52-30-00-02	-002	1	S-1023Z-6-8	25-20-00-01	-032	1
S-1021Z-8-8	53-20-00-02	-005	4	S-1023Z-6-8C	25-21-02-01	-011	2
S-1021Z-8-8	53-20-00-04	-012	4	S-1023Z-8-10	53-20-00-02	-018	16
S-1021Z-8-8	53-20-00-05	-036	3	S-1023Z-8-10	53-20-00-04	-004	16
S-1021Z-8-8	71-00-00-01	-025B	1	S-1026BG	21-40-00-03	-063	2
S-1021Z-8-8	76-10-00-03	-037A	2	S-1042-1	52-30-00-01	-027	1
S-1021Z-8-8	76-10-00-04	-037A	2	S-1053E20T	21-40-00-03	-062	1
S-1021Z-8-8	76-10-00-05	-021A	2	S-1053ELOT	21-40-00-03	-029	2
S-1021Z-8-8	77-10-00-01	-008B	2	S-1057-1	32-20-01-01	-000	AR
S-1021Z-8-8C	33-10-00-02	-016	4	S-1066C2	25-20-01-01	-035A	88
S-1021Z-8-8	30-60-00-01	-013	4	S-1066C2	25-21-02-01	-011A	2
S-1022Z-8-6	25-20-01-01	-054	12	S-1103-1	31-10-00-01	-027	2
S-1022Z-8-8	25-20-01-01	-034	13	S-1103-1	31-10-00-02	-025	2
S-1022A-4-4	25-20-00-01	-053	59	S-1103-1	31-10-00-03	-012	2
S-1022A-4-4	25-20-00-02	-054	59	S-1106-3	76-10-00-01	-004	4
S-1022A-4-4	25-20-00-04	-037	76	S-1106-3	76-10-00-02	-021	2
S-1022A-4-6	25-20-01-02	-052B	6	S-1106-4	76-10-00-01	-008	4
S-1022A-6-5	25-20-01-01	-037	6	S-1112-1	53-10-06-01	-037	1
S-1022A-6-6	25-20-01-02	-049	6	S-1168-2-21	77-10-00-01	-019	1
S-1022A-6-8	35-10-00-04	-042A	1	S-1168-2-25	30-10-00-02	-046	1
S-1022Z-4-4	31-10-00-08	-031	2	S-1168-2-26 3/4	30-20-00-01	-032D	1
S-1022Z-4-4	34-10-00-01	-037A	2	S-1168-2-29	37-10-00-03	-015	1
S-1022Z-4-4	53-20-02-02	-016	4	S-1168-2-30	77-10-00-01	-010A	1
S-1022Z-4-5	23-10-02-08	-013	2	S-1168-2-30	77-10-00-01	-018A	1
S-1022Z-4-6	21-40-00-09	-006	4	S-1168-2-44	77-10-00-01	-003A	1
S-1022Z-4-6	25-80-00-01	-001B	2	S-1168-4-10	30-00-00-01	-015	2
S-1022Z-6-4	23-20-03-02	-015A	2	S-1168-4-20	34-10-00-01	-009	1
S-1022Z-6-6	23-10-00-02	-004B	4	S-1168-4-6-1/4	73-10-00-02	-033	2
S-1022Z-6-6	23-10-00-04	-007A	2	S-1168-6-11-1/2	37-10-00-03	-005	1
S-1022Z-6-6	23-10-00-05	-005B	4	S-1168-6-12	37-10-00-03	-006	2
S-1022Z-6-6	25-20-00-04	-024A	24	S-1168-6-27	37-10-00-03	-001	1
S-1022Z-6-6	34-50-01-01	-007	8	S-1168-8-17	37-10-00-03	-006A	2
S-1022Z-6-6	34-50-01-02	-007	12	S-1300L1	31-10-00-08	-020	1
S-1022Z-6-6	34-50-01-03	-006D	8	S-1342-3	23-50-01-03	-016A	1
S-1022Z-6-6	34-50-01-03	-007B	6	S-202RB	55-10-00-01	-006	1
S-1022Z-6-6	34-50-01-04	-006C	8	S-202RB	55-10-00-01	-056	1
S-1022Z-6-6	34-50-01-05	-011B	12	S-2237-3	25-21-00-03	-005	1
S-1022Z-6-6	34-50-01-05	-034A	6	S-338-6	53-30-00-01	-017	4
S-1022Z-6-6	34-50-01-06	-011B	12	S-339-2	53-30-00-01	-017A	2
S-1022Z-6-6	34-50-01-06	-038A	6	S-378-3L	52-60-00-02	-019	1
S-1022Z-6-6	34-50-02-01	-002A	8	S-384	31-10-01-01	-023	14
S-1022Z-6-6	34-50-02-02	-003A	12	S-430-1	34-10-00-01	-036A	1
S-1022Z-6-6	55-40-00-03	-042	4	S0239	23-20-03-03	-005	2
S-1022Z-6-7	31-10-00-08	-050A	3	S1003-130	27-20-02-01	-006C	2
S-1022Z-6-8	23-00-00-02	-004D	2	S1003-16A	32-20-01-01	-028	1
S-1022Z-6-8	31-10-00-03	-023	8	S1003-22A	32-20-01-01	-031	1
S-1022Z-6-8	31-10-00-08	-045	9	S1003-23A	32-20-01-01	-030	1
S-1022Z-8-6	25-20-01-02	-027	12	S1003-39A	27-10-00-01	-043A	1
S-1022Z-8-6	27-50-00-03	-021	4	S1003-4A	27-30-00-02	-012	1
S-1022Z-8-6	27-50-00-04	-002	4	S1003-50A	27-20-02-01	-006A	2
S-1022Z-8-8	25-20-01-02	-025	7	S1003-64A	32-30-00-01	-009	8
S-1022Z-8-8	28-20-01-01	-026	14	S1003-9A	28-20-00-05	-019	1
S-1022Z-8-8	57-10-01-03	-067	8	S1003-9A	28-20-01-03	-017	1

**CESSNA AIRCRAFT COMPANY
MODEL 310 THRU 310D
ILLUSTRATED PARTS CATALOG**

PART NUMBER	CH SEC SUBJ FIG ITEM REQ	PART NUMBER	CH SEC SUBJ FIG ITEM REQ
S1003-9A	55-40-00-04 -008A 1	S1026CG	21-40-00-03 -014A 4
S1004-10A	76-10-00-03 -003 2	S1026CG	21-40-00-03 -027A 2
S1004-10A	76-10-00-04 -003 2	S1026CG	21-40-00-03 -029A 4
S1004-11B	32-30-00-03 -011 2	S1026CG	21-40-00-03 -031A 2
S1004-11B	32-30-00-03 -016 2	S1026CG	21-40-00-03 -033A 4
S1004-14A	32-30-00-03 -043 2	S1026CG	21-40-00-03 -041 2
S1004-15A	57-50-00-03 -012 1	S1042-1	52-30-00-02 -007 1
S1004-15A	57-50-00-03 -020 2	S1053E10T	21-40-00-01 -025 2
S1004-15A	57-50-00-04 -012 1	S1053E10T	21-40-00-02 -027 2
S1004-15A	57-50-00-04 -020 2	S1053E10T	73-10-00-02 -045 2
S1004-15A	57-50-00-07 -012 1	S1053E12T	21-40-00-01 -012 2
S1004-15A	57-50-00-07 -020 2	S1053E12T	21-40-00-01 -022 2
S1004-15A	57-50-00-08 -012 1	S1053E12T	21-40-00-01 -023 2
S1004-15A	57-50-00-08 -020 2	S1053E12T	21-40-00-02 -020 2
S1004-17B	32-30-00-03 -017 2	S1053E12T	21-40-00-02 -021 1
S1004-18A	52-60-00-01 -023 2	S1053E12T	21-40-00-02 -022 1
S1004-22A	32-30-00-07 -032A 3	S1053E12T	21-40-00-02 -029A 1
S1004-23A	32-30-00-07 -014A 1	S1053E12T	21-40-00-03 -027 1
S1004-25A	27-30-01-01 -019 2	S1053E12T	21-40-00-03 -031 1
S1004-2A	27-10-00-02 -029 2	S1053E12T	73-10-00-02 -041 2
S1004-2A	27-20-01-01 -037 2	S1053E12T	73-10-00-02 -042 2
S1004-38A	27-30-01-01 -018 2	S1053E16T	21-40-00-01 -009 1
S1004-3B	28-20-00-04 -034 2	S1053E16T	21-40-00-01 -010 1
S1004-3B	32-30-00-03 -012 2	S1053E16T	21-40-00-01 -029 2
S1021A-4-8	25-20-00-04 -048A 4	S1053E16T	21-40-00-02 -024 1
S1021A-8-12	24-30-00-02 -014 8	S1053E16T	21-40-00-02 -032 2
S1021A6-8	11-00-00-01 -047 4	S1053E16T	21-40-00-03 -023 2
S1021Z-4-4	57-10-00-05 -014 AR	S1053E16T	21-40-00-03 -025 1
S1021Z-4-4	57-10-00-08 -054C 8	S1053E16T	30-20-00-01 -004 2
S1021Z-4-6	23-10-02-10 -021 AR	S1053E20T	21-40-00-01 -027 1
S1021Z-6-4	32-30-00-07 -046 2	S1053E20T	21-40-00-02 -025 1
S1021Z-8-13	53-20-02-01 -012 4	S1053E20T	21-40-00-02 -030 1
S1021Z-8-4	32-30-00-07 -049 3	S1053E20T	21-40-00-03 -021 1
S1021Z-8-6	28-10-00-01 -010 24	S1053E20T	21-40-00-03 -040A 1
S1021Z-8-6	32-30-00-07 -050 2	S1053E32T	21-40-00-01 -004 1
S1021Z-8-6	53-20-02-01 -010 4	S1053E32T	21-40-00-01 -005 1
S1021Z-8-6	57-10-00-05 -029A 8	S1053E32T	21-40-00-01 -034 1
S1021Z-8-8	24-30-00-02 -007A 2	S1053E32T	21-40-00-02 -004 1
S1021Z-8-8	24-30-00-02 -010A 1	S1053E32T	21-40-00-02 -005 1
S1021Z-8-8	55-40-00-01 -036 6	S1053E32T	21-40-00-02 -039 1
S1021Z4-4	57-10-00-01 -014 AR	S1053E32T	21-40-00-03 -004 1
S1021Z4-8	34-20-00-04 -002 6	S1053E32T	21-40-00-03 -005 1
S1021Z8-6	21-40-00-06 -010 2	S1053E32T	21-40-00-03 -040 1
S1021Z8-6	73-10-00-01 -020 2	S1057-1	32-10-01-01 -000B AR
S1021Z8-6	79-20-00-01 -006 2	S1058-2	32-10-01-01 -000C AR
S1021Z8-8	79-20-00-01 -010 2	S1058-2	32-20-01-01 -000A AR
S1021Z8-8	79-20-00-01 -013 2	S1066C2	25-10-00-01 -018A 2
S1022Z-4-4	53-20-02-01 -017 4	S1066C2	28-10-00-01 -019 24
S1022Z-4-6	55-30-00-01 -002 4	S1067B1	31-10-00-03 -032 8
S1022Z-6-6	55-40-00-01 -033 8	S1079-1	52-10-00-02 -019 1
S1022Z-8-6	57-10-00-05 -020A 2	S1102-1	23-50-01-01 -014 1
S1022Z-8-8	28-10-00-01 -009 12	S1102-1	23-50-01-02 -010 1
S1022Z-8-8	57-10-00-05 -015 AR	S1102-1	23-50-01-03 -015 1
S1022Z8-6	57-10-00-01 -020A 01	S1106-3	57-60-00-01 -014 2
S1022Z8-8	57-10-00-01 -015 AR	S1106-4	57-50-00-03 -033 2
S1024X1-2	27-20-02-01 -021 1	S1106-4	57-50-00-03 -039 2
S1026CG	21-40-00-02 -010A 4	S1106-4	57-50-00-04 -033 2
S1026CG	21-40-00-02 -025A 2	S1106-4	57-50-00-04 -040 2
S1026CG	21-40-00-02 -027A 4	S1106-4	57-50-00-07 -033 2
S1026CG	21-40-00-02 -029B 2	S1106-4	57-50-00-07 -039 2
S1026CG	21-40-00-03 -010A 4	S1106-4	57-50-00-08 -033 2

CESSNA AIRCRAFT COMPANY
MODEL 310 THRU 310D
ILLUSTRATED PARTS CATALOG

PART NUMBER	CH SEC SUBJ FIG ITEM REQ	PART NUMBER	CH SEC SUBJ FIG ITEM REQ
S1106-4	57-50-00-08 -040 2	S1216-1	23-10-02-10 -015A 1
S1106-4	57-60-00-02 -014 2	S1216-1	23-10-02-10 -016A 1
S11065-21	32-10-00-02 -052 1	S1216-1	23-10-02-11 -004A 2
S11065-21	32-20-00-02 -021 1	S1216-1	23-10-02-11 -004B 1
S1141-2	53-10-07-01 -025B 1	S1216-1	23-10-02-11 -008A 1
S1141-2	53-10-07-01 -045A 1	S1216-1	23-10-02-11 -009A 1
S1168-2-13	28-20-00-02 -047 1	S1216-1	23-10-02-11 -011A 2
S1168-2-15-1/2	37-10-00-03 -009 2	S1216-1	23-10-02-11 -012A 1
S1168-2-15-1/2	77-10-00-01 -019A 1	S1216-1	23-10-02-11 -013A 2
S1168-2-18-1/4	28-20-00-01 -037 1	S1216-1	23-10-02-11 -014A 1
S1168-2-22	37-10-00-03 -023 1	S1216-1	23-10-02-11 -015A 1
S1168-2-22	77-10-00-01 -010 1	S1216-1	23-10-02-12 -003A 1
S1168-2-23-3/4	77-10-00-01 -002A 1	S1216-1	23-10-02-13 -003A 1
S1168-2-24	37-10-00-03 -024 1	S1216-1	23-10-02-14 -004A 2
S1168-2-24	77-10-00-01 -002 1	S1216-1	23-10-02-14 -004B 1
S1168-2-24	77-10-00-01 -018 1	S1216-1	23-10-02-14 -008A 2
S1168-2-33	28-20-00-01 -036 1	S1216-1	23-10-02-14 -009A 1
S1168-2-35	37-10-00-03 -017 1	S1216-1	23-10-02-14 -011A 2
S1168-2-36	28-20-00-02 -046 1	S1216-1	23-10-02-14 -012A 1
S1168-2-36-1/2	77-10-00-01 -003 1	S1216-1	23-10-02-14 -013A 2
S1168-4-10	34-10-00-01 -018 1	S1216-1	23-10-02-14 -014A 1
S1168-4-10-1/2	34-10-00-01 -015A 1	S1216-1	23-10-02-14 -015A 1
S1168-4-10-1/2	34-10-00-01 -018B 1	S1216-1	23-10-02-16 -006A 1
S1168-4-10-1/2	79-20-00-01 -025A 1	S1216-1	23-10-02-17 -008A 2
S1168-4-14-1/2	34-10-00-01 -015B 1	S1216-1	23-10-02-17 -010A 1
S1168-4-14-1/2	34-10-00-01 -016 1	S1216-1	23-10-02-17 -014A 1
S1168-4-24	79-20-00-01 -025 1	S1216-1	23-10-02-17 -016A 2
S1168-4-27-1/2	79-20-00-01 -024 1	S1216-1	23-10-02-17 -018A 1
S1168-4-36	79-20-00-01 -024A 1	S1216-1	23-10-02-17 -018B 2
S1168-4-5-1/4	73-10-00-01 -017A 2	S1216-1	23-10-02-17 -019A 1
S1168-4-5-3/4	73-10-00-01 -017 2	S1216-1	23-10-02-17 -020A 1
S1168-4-7	34-10-00-01 -015 1	S1216-1	23-10-02-18 -004A 1
S1168-4-8-1/2	34-10-00-01 -018A 1	S1216-1	23-10-02-18 -006A 2
S1168-6-6	30-10-00-05 -052 1	S1216-1	23-10-02-18 -008A 1
S1188-1	28-20-01-01 -023 1	S1216-1	23-10-02-18 -012A 1
S1188-1	28-20-01-01 -025B 1	S1216-1	23-10-02-18 -014A 1
S1216-1	22-10-00-02 -014B 1	S1216-1	23-10-02-18 -014B 2
S1216-1	23-10-02-04 -003A 1	S1216-1	23-10-02-18 -015A 1
S1216-1	23-10-02-05 -003A 1	S1216-1	23-10-02-18 -016A 1
S1216-1	23-10-02-06 -004A 2	S1216-1	23-10-02-19 -007A 2
S1216-1	23-10-02-06 -004B 1	S1216-1	23-10-02-19 -009A 1
S1216-1	23-10-02-06 -006A 2	S1216-1	23-10-02-19 -011A 2
S1216-1	23-10-02-06 -010A 2	S1216-1	23-10-02-19 -013A 1
S1216-1	23-10-02-06 -014A 1	S1216-1	23-10-02-19 -015A 1
S1216-1	23-10-02-06 -015A 1	S1216-1	23-10-02-19 -015B 1
S1216-1	23-10-02-06 -016A 2	S1216-1	23-10-02-19 -016A 1
S1216-1	23-10-02-07 -004A 2	S1216-1	23-10-02-19 -017A 1
S1216-1	23-10-02-07 -004B 1	S1216-1	23-10-02-20 -004A 1
S1216-1	23-10-02-07 -006A 2	S1216-1	23-10-02-21 -008A 1
S1216-1	23-10-02-07 -009A 2	S1216-1	23-10-02-23 -006A 1
S1216-1	23-10-02-07 -010A 1	S1216-1	23-10-02-23 -012A 3
S1216-1	23-10-02-07 -011A 2	S1216-1	23-10-02-23 -013A 1
S1216-1	23-10-02-08 -004A 4	S1216-1	23-10-02-23 -015A 4
S1216-1	23-10-02-08 -006A 2	S1216-1	23-10-02-23 -021A 1
S1216-1	23-10-02-08 -008A 1	S1216-1	23-10-02-24 -007A 2
S1216-1	23-10-02-08 -017A 1	S1216-1	23-10-02-24 -013A 3
S1216-1	23-10-02-08 -024A 1	S1216-1	23-10-02-24 -014A 1
S1216-1	23-10-02-09 -003A 1	S1216-1	23-10-02-24 -016A 4
S1216-1	23-10-02-10 -004A 4	S1216-1	23-10-02-24 -017A 1
S1216-1	23-10-02-10 -008A 2	S1216-1	23-10-02-25 -005 2
S1216-1	23-10-02-10 -014A 3	S1216-1	23-10-02-25 -008A 2

**CESSNA AIRCRAFT COMPANY
MODEL 310 THRU 310D
ILLUSTRATED PARTS CATALOG**

PART NUMBER	CH SEC SUBJ FIG ITEM REQ	PART NUMBER	CH SEC SUBJ FIG ITEM REQ
S1216-1	23-10-02-25 -010A 1	S1891-64	21-40-00-02 -004A 2
S1216-1	30-10-00-01 -020C 1	S1891-64	21-40-00-02 -005A 2
S1216-1	30-60-00-01 -031A 1	S1891-64	21-40-00-02 -040 2
S1216-1	31-10-01-02 -021 13	S1891-64	21-40-00-03 -004A 2
S1216-1	31-10-01-03 -004A 2	S1891-64	21-40-00-03 -005A 2
S1216-1	31-10-01-03 -005B 1	S1997-5G5	71-60-00-01 -005A 1
S1216-1	31-10-01-04 -004A 4	S202RB	30-20-00-01 -032 6
S1216-1	31-10-01-04 -005B 1	S202RB	55-30-00-01 -016 AR
S1216-1	31-10-01-04 -011A 3	S202RB	55-30-00-03 -012 1
S1216-1	31-10-01-04 -014A 1	S202RB	71-11-01-01 -011 1
S1216-1	31-10-01-05 -003A 1	S202RB	71-11-01-01 -016 1
S1216-1	33-40-00-04 -003B 1	S202RB	71-11-01-02 -013 1
S1216-1	33-40-00-05 -001C 1	S202RB	71-11-01-02 -015 1
S1216-1	33-40-00-06 -021A 1	S2249-2	56-10-00-02 -018 AR
S1216-1	34-20-00-04 -004A 1	S225-1	53-20-00-02 -014 10
S1216-1	34-20-00-05 -006A 1	S225-1	53-20-00-02 -014A 12
S1216-1	53-20-02-01 -019A 2	S225-1	53-20-00-02 -014B 11
S1216-1	79-20-00-02 -016A 1	S225-1	53-20-00-02 -014C 14
S1282-1	23-10-01-03 -008 1	S225-1	53-20-00-04 -009 4
S1282-1	34-50-05-02 -014 1	S2357-1	21-40-00-05 -045 2
S1282-1	34-50-05-03 -011 1	S2357-1	21-40-00-05 -051 2
S132-10P17	32-30-00-03 -021 1	S2357-1	21-40-00-07 -034 4
S1325L1	35-10-00-04 -010 NP	S2357-1	21-40-00-09 -021 6
S1325N1	35-10-00-01 -012 1	S2357-1	21-40-00-09 -028 2
S1325N1	35-10-00-02 -024 1	S2357-1	24-30-00-02 -005A 2
S1325N1	35-10-00-03 -024 1	S2357-1	30-10-00-04 -039 8
S1342-3	23-50-01-01 -015A 1	S2357-1	30-10-00-05 -048 15
S147	57-10-00-01 -029A 01	S2357-1	37-10-00-01 -042 4
S1499-4JJ4.125	71-00-00-01 -018 2	S2357-1	37-10-00-02 -018 4
S1499-4JJ7.5	71-00-00-01 -020 1	S2357-1	37-10-00-02 -032A 2
S1499-4JJ7.5	71-00-00-01 -022 2	S2357-2	21-40-00-07 -032 4
S1499-4JJ8	71-00-00-01 -016 1	S2357-2	28-20-01-01 -012 2
S1499-4JJ9	71-00-00-01 -017 2	S2357-2	30-10-00-03 -009 2
S1891-12	30-10-00-02 -019B 1	S2357-2	30-10-00-04 -020C 4
S1891-12	30-10-00-04 -026 4	S2357-2	30-10-00-04 -028 12
S1891-12	71-00-00-01 -026 2	S2357-2	30-10-00-04 -031 6
S1891-12	71-00-00-01 -028I AR	S2357-2	30-10-00-05 -064A 4
S1891-20	21-40-00-01 -013A 4	S2357-2	30-20-00-01 -008 4
S1891-20	21-40-00-01 -023A 8	S2357-2	30-20-00-01 -021 6
S1891-20	21-40-00-02 -022A 8	S2357-2	30-20-00-01 -028 2
S1891-20	73-10-00-02 -043 8	S2357-2	37-10-00-02 -014 4
S1891-24	21-40-00-01 -025A 4	S2357-2	37-10-00-02 -016 4
S1891-24	30-20-00-01 -016 8	S237-2P	53-20-00-01 -003 4
S1891-24	73-10-00-02 -046 4	S237-2P	53-20-00-01 -003A 5
S1891-32	21-40-00-01 -010A 2	S237-2P	53-20-00-01 -010A 2
S1891-32	21-40-00-01 -010B 2	S237-2P	53-20-00-01 -018 AR
S1891-32	21-40-00-01 -029A 4	S237-2P	53-20-00-01 -034 4
S1891-32	21-40-00-02 -024A 2	S237-2P	53-20-00-03 -024 4
S1891-32	21-40-00-02 -032A 4	S272-209	28-20-00-05 -007 1
S1891-32	21-40-00-03 -023A 2	S272-209	28-20-01-03 -019 1
S1891-32	21-40-00-03 -023B 2	S272-220	28-20-00-05 -014 2
S1891-32	21-40-00-03 -025A 2	S272-220	28-20-01-03 -020 3
S1891-32	30-20-00-01 -005 4	S2903-08	21-40-00-09 -009 2
S1891-40	21-40-00-02 -030A 2	S2903-08	21-40-00-09 -044B 2
S1891-40	21-40-00-03 -021A 2	S2903-08	21-40-00-09 -048A 1
S1891-52	30-20-00-01 -032B 2	S2903-08	28-20-00-02 -024B 2
S1891-52	71-60-00-01 -025 2	S2903-08	28-20-00-02 -029A 2
S1891-52	71-60-00-02 -040 2	S3002-1	24-50-00-01 -007A 1
S1891-64	21-40-00-01 -004A 2	S3002-1	24-50-00-01 -008A 1
S1891-64	21-40-00-01 -005A 2	S3059-3	32-10-01-01 -004 2
S1891-64	21-40-00-01 -035 2	S307-10	28-20-00-01 -039A 1

**CESSNA AIRCRAFT COMPANY
MODEL 310 THRU 310D
ILLUSTRATED PARTS CATALOG**

PART NUMBER	CH	SEC	SUBJ	FIG	ITEM	REQ	PART NUMBER	CH	SEC	SUBJ	FIG	ITEM	REQ
S307-10	28-20-00-02		-037A		1		S3230-1	23-10-02-16		-002A		6	
S307-5	28-10-00-02		-009C		1		S3230-1	23-10-02-21		-002A		6	
S307-7	24-30-00-02		-005		1		S3230-1	24-30-20-04		-015		2	
S307-8	28-10-00-02		-009D		1		S3230-1	31-10-00-03		-019B		6	
S3190-1	35-10-00-01		-018		1		S3230-1	31-10-00-08		-045A		4	
S3190-1	35-10-00-01		-027		1		S3230-1	34-20-00-04		-002A		6	
S3190-1	35-10-00-02		-030		1		S3230-1	34-20-00-05		-002A		6	
S3190-1	35-10-00-02		-039		1		S3230-1	34-50-03-01		-027D		6	
S3190-1	35-10-00-03		-030		1		S3230-1	57-10-00-04		-055C		8	
S3190-1	35-10-00-03		-039		1		S3230-1	57-10-00-08		-054D		8	
S3190-1	35-10-00-04		-009		1		S3230-1	57-10-01-03		-061B		8	
S3191-08	57-10-00-11		-032A		AR		S3230-1	57-10-01-06		-061B		8	
S3191-3	57-10-00-11		-033A		AR		S3230-1	73-10-00-02		-007A		4	
S3228-1	21-40-00-05		-009		2		S3230-2	21-40-00-04		-014A		9	
S3228-1	21-40-00-07		-006		2		S3230-2	21-40-00-09		-052		4	
S3228-1	21-40-00-09		-005		4		S3230-2	23-00-00-02		-004E		2	
S3228-1	25-20-01-02		-041D		8		S3230-2	23-00-00-03		-007		2	
S3228-1	25-21-00-01		-023A		2		S3230-2	23-10-00-02		-004D		4	
S3228-1	33-10-00-02		-018		4		S3230-2	23-10-00-03		-005B		4	
S3228-1	52-10-00-02		-021		2		S3230-2	23-10-00-04		-007B		2	
S3228-1	53-10-07-05		-011		2		S3230-2	23-10-00-04		-007D		4	
S3228-1	53-20-00-01		-040		8		S3230-2	23-10-00-05		-004B		4	
S3228-1	53-20-00-01		-041		2		S3230-2	23-10-02-01		-006A		1	
S3228-1	53-20-00-03		-006		14		S3230-2	23-10-02-05		-007A		1	
S3228-12	53-10-07-02		-015A		6		S3230-2	23-10-02-08		-032A		AR	
S3228-12	57-10-00-05		-029B		8		S3230-2	23-10-02-08		-034A		AR	
S3228-14	30-60-00-01		-012		4		S3230-2	23-10-02-10		-019A		AR	
S3228-14	31-10-01-01		-007		2		S3230-2	23-10-02-13		-007A		1	
S3228-14	31-10-01-02		-007		2		S3230-2	23-10-02-18		-022A		AR	
S3228-14	37-10-00-02		-031C		2		S3230-2	23-10-02-19		-022A		AR	
S3228-14	53-10-05-01		-012B		4		S3230-2	23-10-03-01		-015A		4	
S3228-14	53-10-05-01		-012C		2		S3230-2	23-50-00-01		-010		4	
S3228-14	53-20-00-01		-004		3		S3230-2	24-30-20-02		-046		2	
S3228-14	53-20-00-01		-009		9		S3230-2	24-30-20-03		-010		13	
S3228-14	53-20-00-01		-010B		3		S3230-2	24-30-20-03		-042		1	
S3228-14	53-20-00-01		-014		19		S3230-2	30-10-00-01		-016B		4	
S3228-14	53-20-00-01		-019		3		S3230-2	31-10-00-01		-029A		4	
S3228-14	53-20-00-01		-019A		5		S3230-2	31-10-00-01		-031A		4	
S3228-14	53-20-00-01		-021		5		S3230-2	31-10-00-01		-037		8	
S3228-14	53-20-00-01		-030		10		S3230-2	31-10-00-02		-030A		12	
S3228-14	53-20-00-01		-034A		3		S3230-2	31-10-00-02		-036		8	
S3228-14	53-20-00-01		-037		52		S3230-2	31-10-00-03		-019A		2	
S3228-14	53-20-00-01		-044		5		S3230-2	31-10-00-03		-024		8	
S3228-14	53-20-00-01		-048		3		S3230-2	31-10-00-07		-039A		21	
S3228-14	53-20-00-01		-049		4		S3230-2	31-10-00-08		-045B		8	
S3228-14	53-20-00-02		-008		11		S3230-2	31-10-00-08		-050B		9	
S3228-14	53-20-00-02		-008A		7		S3230-2	32-30-00-07		-056A		4	
S3228-14	53-20-00-03		-003		5		S3230-2	33-10-00-02		-011		2	
S3228-14	53-20-00-03		-010		5		S3230-2	34-10-00-01		-051B		1	
S3228-14	53-20-00-03		-020		10		S3230-2	34-50-01-01		-004C		2	
S3228-14	53-20-00-03		-025		3		S3230-2	34-50-01-01		-007A		8	
S3228-17	21-40-00-03		-020		4		S3230-2	34-50-01-02		-005C		4	
S3228-17	28-20-00-01		-008		4		S3230-2	34-50-01-02		-007A		12	
S3228-17	28-20-00-02		-008		4		S3230-2	34-50-01-03		-007C		6	
S3228-17	53-20-02-01		-006		4		S3230-2	34-50-01-04		-007A		8	
S3228-17	53-20-02-02		-007		4		S3230-2	34-50-01-05		-011C		6	
S3229-1	25-20-00-04		-018E		4		S3230-2	34-50-01-06		-011C		6	
S3230-1	21-40-00-09		-034		2		S3230-2	34-50-02-01		-002B		8	
S3230-1	23-10-02-08		-013A		2		S3230-2	34-50-02-02		-003B		12	
S3230-1	23-10-02-08		-036A		AR		S3230-2	71-11-01-01		-061		22	
S3230-1	23-10-02-10		-021A		AR		S3230-2	71-11-01-02		-052		16	

**CESSNA AIRCRAFT COMPANY
MODEL 310 THRU 310D
ILLUSTRATED PARTS CATALOG**

PART NUMBER	CH SEC SUBJ FIG ITEM REQ	PART NUMBER	CH SEC SUBJ FIG ITEM REQ
S3230-2	71-11-01-02 -052A 6	S3520-3	24-30-20-04 -040 2
S3230-2	73-10-00-02 -047B 4	S3520-4	24-30-20-04 -019 2
S3230-2	73-10-00-02 -049B 2	S3520-4	24-30-20-04 -036 2
S3230-4	21-40-00-01 -006A 4	S3520-4	24-40-00-01 -008 2
S3230-4	21-40-00-02 -006A 4	S353-1	24-30-20-04 -017 2
S3230-4	21-40-00-03 -006A 4	S353-1	24-30-20-04 -034 4
S3230-4	21-40-00-03 -066 2	S353-1	24-40-00-01 -006 2
S3230-4	21-40-00-09 -023C 2	S353-3	24-30-20-04 -038 4
S3230-4	24-30-20-02 -016 2	S355	31-10-00-05 -003 9
S3230-4	24-30-20-02 -020 1	S3712-16	21-40-00-06 -011 2
S3230-4	24-30-20-02 -038 1	S3712-16	24-30-00-04 -012B 4
S3230-4	24-30-20-02 -044 1	S3712-16	53-20-00-02 -003 8
S3230-4	24-30-20-04 -033 8	S3712-4	21-40-00-01 -038 4
S3230-4	25-20-01-01 -055 12	S3712-4	21-40-00-02 -043 3
S3230-4	25-20-01-02 -029 12	S3712-4	21-40-00-03 -047 4
S3230-4	28-20-00-03 -035 2	S3712-4	32-30-00-07 -046A 2
S3230-4	28-20-01-01 -043B 8	S3712-4	35-10-00-04 -042B 1
S3230-4	30-10-00-01 -018B 2	S3712-5	21-40-00-03 -061 4
S3230-4	30-10-00-04 -043B 1	S3712-6	25-10-00-01 -018B 2
S3230-4	30-10-00-05 -076B 1	S3712-6	25-21-02-01 -011B 2
S3230-4	33-40-00-03 -007B 6	S3712-6	53-20-01-01 -005 4
S3230-4	35-10-00-04 -040B 2	S378-1	22-10-01-01 -018 4
S3230-4	52-10-00-02 -014 14	S378-1	22-10-01-01 -037 2
S3230-4	73-10-00-02 -032B 2	S378-1	27-10-00-02 -021 12
S3230-4	76-10-00-01 -029B 1	S378-1	27-20-01-01 -024 8
S3230-4	76-10-00-03 -037B 2	S378-1	27-20-01-01 -024A 10
S3230-4	76-10-00-04 -037B 2	S378-1	27-30-00-02 -023 8
S3230-4	77-10-00-01 -008C 2	S378-1	32-41-01-01 -025 1
S3230-4	79-20-00-01 -007 2	S378-1	52-60-00-01 -030 1
S3230-4	79-20-00-01 -014 2	S378-1	52-60-00-02 -009 1
S3230-4	79-20-00-02 -009C 1	S378-2	22-10-01-01 -014 2
S3230-5	24-30-20-04 -028 4	S378-2	22-10-01-01 -033 4
S3230-5	30-10-00-05 -069 1	S378-2	27-30-00-02 -030 2
S3230-5	37-10-00-04 -013 2	S378-2	32-41-01-01 -013 2
S3230-5	37-10-00-04 -016 1	S378-3	27-50-00-01 -011 4
S3230-5	76-10-00-01 -033 1	S378-3L	27-10-00-01 -022 14
S338-6	53-10-07-02 -002 4	S378-3L	27-20-00-01 -015 6
S338-6	57-10-00-10 -016 12	S378-3L	27-30-00-01 -012 4
S338-7	53-10-02-01 -015 1	S378-3L	27-50-00-01 -022 2
S338-7	53-10-02-02 -012 2	S378-3L	32-50-00-01 -003 2
S339-2	53-10-02-01 -015A 1	S378-3L	52-60-00-01 -027 1
S339-2	53-10-02-02 -012A 1	S378-4	27-10-00-01 -017 5
S339-2	53-10-07-02 -002A 2	S378-4	27-20-00-01 -007 3
S339-2	57-10-00-10 -016A 6	S378-4	27-50-00-01 -021 2
S3431-3	28-10-00-01 -034 2	S382-1	23-10-02-06 -004 1
S3431-3	28-10-00-03 -012 2	S382-1	23-10-02-06 -006 1
S3431-3	57-10-00-03 -026A 2	S382-1	23-10-02-06 -010 1
S3431-3	57-10-00-09 -031 8	S382-1	23-10-02-06 -016 2
S3431-3	57-10-01-02 -027 2	S382-1	23-10-02-07 -004 1
S3431-3	57-10-01-03 -060 7	S382-1	23-10-02-07 -006 1
S3431-3	57-10-01-03 -060A 8	S382-1	23-10-02-07 -009 1
S3431-3	57-10-01-06 -060 7	S382-1	23-10-02-07 -011 2
S3431-3	57-10-01-06 -060A 8	S382-1	23-10-02-08 -004 2
S347-1	53-10-07-01 -025A 1	S382-1	23-10-02-08 -006 1
S347-1	53-10-07-01 -045 1	S382-1	23-10-02-10 -004 2
S347-1	54-10-00-01 -039 2	S382-1	23-10-02-10 -008 1
S347-1	54-10-00-02 -039 2	S382-1	23-10-02-11 -004 1
S347-2	54-10-00-01 -039A 3	S382-1	23-10-02-11 -011 1
S347-2	54-10-00-02 -039A 3	S382-1	23-10-02-11 -013 2
S348-1	34-50-00-03 -019 2	S382-1	23-10-02-14 -004 1
S352	28-20-00-04 -015 4	S382-1	23-10-02-14 -008 1

CESSNA AIRCRAFT COMPANY
MODEL 310 THRU 310D
ILLUSTRATED PARTS CATALOG

PART NUMBER	CH	SEC	SUBJ	FIG	ITEM	REQ	PART NUMBER	CH	SEC	SUBJ	FIG	ITEM	REQ
S382-1			23-10-02-14		-011	1	S382-2			33-40-00-04		-003	1
S382-1			23-10-02-14		-013	2	S382-2			33-40-00-06		-019A	1
S382-1			23-10-02-17		-008	1	S382-2			34-20-00-04		-004	1
S382-1			23-10-02-17		-009	1	S382-2			34-20-00-05		-006	1
S382-1			23-10-02-17		-014	1	S382-3			23-10-00-01		-008	1
S382-1			23-10-02-17		-016	1	S382-3			23-10-00-02		-008	1
S382-1			23-10-02-17		-017	1	S382-3			23-10-00-05		-007	1
S382-1			23-10-02-18		-006	1	S382-3			23-10-02-08		-021	1
S382-1			23-10-02-18		-008	1	S382-3			23-10-02-08		-022	1
S382-1			23-10-02-18		-012	1	S382-3			23-10-02-10		-012	1
S382-1			23-10-02-18		-013	1	S382-3			23-10-02-10		-013	1
S382-1			23-10-02-19		-007	1	S382-3			23-10-02-23		-010	1
S382-1			23-10-02-19		-011	1	S382-3			23-10-02-23		-011	1
S382-1			23-10-02-19		-013	1	S382-3			23-10-02-24		-011	1
S382-1			23-10-02-19		-014	1	S382-3			23-10-02-24		-012	1
S382-1			23-10-02-23		-006	1	S382-3			23-20-03-01		-019	1
S382-1			23-10-02-23		-015	2	S382-3			23-20-03-01		-020	1
S382-1			23-10-02-24		-007	1	S382-3			30-10-00-01		-020	1
S382-1			23-10-02-24		-016	2	S382-3			31-10-01-04		-009	1
S382-1			23-10-02-25		-008	1	S382-3			31-10-01-04		-010	1
S382-1			31-10-01-01		-016A	1	S382-3			34-50-00-03		-017	2
S382-1			31-10-01-01		-019	1	S382-3			34-50-00-03		-036	1
S382-1			31-10-01-02		-018	1	S382-3			34-50-01-01		-011	1
S382-1			31-10-01-03		-004	1	S382-3			34-50-01-02		-011	2
S382-1			31-10-01-03		-005A	1	S384-1			22-10-00-02		-014C	1
S382-1			31-10-01-04		-004	2	S384-1			23-10-00-01		-008B	2
S382-1			31-10-01-04		-005A	1	S384-1			23-10-00-02		-008B	2
S382-1			31-10-01-05		-003	1	S384-1			23-10-00-05		-007B	2
S382-1			33-40-00-01A		-006A	1	S384-1			23-10-02-04		-003B	1
S382-1			53-20-02-01		-019	1	S384-1			23-10-02-05		-003B	1
S382-2			22-10-00-02		-014	1	S384-1			23-10-02-06		-004C	2
S382-2			23-10-02-06		-015	1	S384-1			23-10-02-06		-004D	1
S382-2			23-10-02-07		-010	1	S384-1			23-10-02-06		-006B	2
S382-2			23-10-02-08		-008	1	S384-1			23-10-02-06		-010B	2
S382-2			23-10-02-10		-015	1	S384-1			23-10-02-06		-014B	1
S382-2			23-10-02-11		-009	1	S384-1			23-10-02-06		-015B	1
S382-2			23-10-02-11		-012	1	S384-1			23-10-02-06		-016B	2
S382-2			23-10-02-11		-014	1	S384-1			23-10-02-07		-004C	2
S382-2			23-10-02-12		-003	1	S384-1			23-10-02-07		-004D	1
S382-2			23-10-02-13		-003	1	S384-1			23-10-02-07		-006B	2
S382-2			23-10-02-14		-009	1	S384-1			23-10-02-07		-009B	2
S382-2			23-10-02-14		-012	1	S384-1			23-10-02-07		-010B	1
S382-2			23-10-02-14		-014	1	S384-1			23-10-02-07		-011B	2
S382-2			23-10-02-16		-006	1	S384-1			23-10-02-08		-004B	4
S382-2			23-10-02-18		-004	1	S384-1			23-10-02-08		-006B	2
S382-2			23-10-02-19		-009	1	S384-1			23-10-02-08		-008B	1
S382-2			23-10-02-21		-008	1	S384-1			23-10-02-08		-017B	1
S382-2			23-50-01-01		-006	1	S384-1			23-10-02-08		-023B	3
S382-2			23-50-01-03		-008	1	S384-1			23-10-02-08		-024B	1
S382-2			30-60-00-01		-031	1	S384-1			23-10-02-09		-003B	1
S382-2			31-10-01-01		-011	4	S384-1			23-10-02-10		-004B	4
S382-2			31-10-01-01		-012	2	S384-1			23-10-02-10		-008B	2
S382-2			31-10-01-01		-013	1	S384-1			23-10-02-10		-014B	3
S382-2			31-10-01-01		-014	2	S384-1			23-10-02-10		-015B	1
S382-2			31-10-01-01		-015	1	S384-1			23-10-02-10		-016B	1
S382-2			31-10-01-02		-011	4	S384-1			23-10-02-11		-004C	2
S382-2			31-10-01-02		-012	2	S384-1			23-10-02-11		-004D	1
S382-2			31-10-01-02		-013	1	S384-1			23-10-02-11		-008B	1
S382-2			31-10-01-02		-014	2	S384-1			23-10-02-11		-009B	1
S382-2			31-10-01-02		-014A	1	S384-1			23-10-02-11		-011B	2
S382-2			33-40-00-03		-008	1	S384-1			23-10-02-11		-012B	1

**CESSNA AIRCRAFT COMPANY
MODEL 310 THRU 310D
ILLUSTRATED PARTS CATALOG**

PART NUMBER	CH	SEC	SUBJ	FIG	ITEM	REQ	PART NUMBER	CH	SEC	SUBJ	FIG	ITEM	REQ
S384-1	23-10-02-11				-013B	2	S384-1	31-10-01-03				-004B	2
S384-1	23-10-02-11				-014B	1	S384-1	31-10-01-03				-005C	1
S384-1	23-10-02-11				-015B	1	S384-1	31-10-01-04				-004B	4
S384-1	23-10-02-12				-003B	1	S384-1	31-10-01-04				-005C	1
S384-1	23-10-02-13				-003B	1	S384-1	31-10-01-04				-011B	3
S384-1	23-10-02-14				-004C	2	S384-1	31-10-01-04				-014B	1
S384-1	23-10-02-14				-004D	1	S384-1	31-10-01-05				-003B	1
S384-1	23-10-02-14				-008B	2	S384-1	33-40-00-01A				-007	1
S384-1	23-10-02-14				-009B	1	S384-1	33-40-00-03				-008B	1
S384-1	23-10-02-14				-011B	2	S384-1	33-40-00-04				-003C	1
S384-1	23-10-02-14				-012B	1	S384-1	33-40-00-05				-001A	1
S384-1	23-10-02-14				-013B	2	S384-1	33-40-00-06				-020	1
S384-1	23-10-02-14				-014B	1	S384-1	34-20-00-04				-004B	1
S384-1	23-10-02-14				-015B	1	S384-1	34-20-00-05				-006B	1
S384-1	23-10-02-16				-006B	1	S384-1	34-50-00-03				-038	1
S384-1	23-10-02-17				-008B	2	S384-1	34-50-01-01				-011C	2
S384-1	23-10-02-17				-010B	1	S384-1	34-50-01-02				-011B	4
S384-1	23-10-02-17				-014B	1	S384-1	34-50-02-01				-004H	2
S384-1	23-10-02-17				-016B	2	S384-1	34-50-02-02				-007B	4
S384-1	23-10-02-17				-018C	1	S384-1	53-20-02-01				-019B	2
S384-1	23-10-02-17				-018D	2	S384-1	79-20-00-02				-017	1
S384-1	23-10-02-17				-019B	1	S4-200	35-10-00-03				-014C	1
S384-1	23-10-02-17				-020B	1	S4-275	30-10-00-05				-010	1
S384-1	23-10-02-18				-004B	1	S4-275	35-10-00-02				-002	1
S384-1	23-10-02-18				-006B	2	S4-275	35-10-00-03				-002	1
S384-1	23-10-02-18				-008B	1	S4A-200	30-10-00-06				-029	4
S384-1	23-10-02-18				-012B	1	S5-225	25-60-00-03				-001A	2
S384-1	23-10-02-18				-014C	1	S51-10	30-20-00-01				-007	2
S384-1	23-10-02-18				-014D	2	S51-10	37-10-00-01				-020	2
S384-1	23-10-02-18				-015B	1	S51-10	71-00-00-02				-015	1
S384-1	23-10-02-18				-016B	1	S51-12	30-10-00-02				-019A	1
S384-1	23-10-02-19				-007B	2	S51-12	30-10-00-04				-025	2
S384-1	23-10-02-19				-009B	1	S51-12	71-00-00-01				-027	1
S384-1	23-10-02-19				-011B	2	S51-16	30-10-00-04				-020B	2
S384-1	23-10-02-19				-013B	1	S51-16	30-20-00-01				-024	2
S384-1	23-10-02-19				-015C	2	S51-4	21-40-00-05				-044	1
S384-1	23-10-02-19				-015D	1	S51-4	21-40-00-07				-033	2
S384-1	23-10-02-19				-016B	1	S51-4	21-40-00-09				-020	3
S384-1	23-10-02-19				-017B	1	S51-4	21-40-00-09				-027	1
S384-1	23-10-02-20				-004B	1	S51-4	28-20-00-03				-003	2
S384-1	23-10-02-21				-008B	1	S51-4	28-40-00-01				-032	2
S384-1	23-10-02-23				-006B	1	S51-4	30-20-00-01				-030	2
S384-1	23-10-02-23				-012B	3	S51-4	37-10-00-01				-041	2
S384-1	23-10-02-23				-013B	1	S51-4	37-10-00-02				-017	2
S384-1	23-10-02-23				-015B	4	S51-4	37-10-00-02				-032	2
S384-1	23-10-02-23				-021B	1	S51-6	21-40-00-05				-050	1
S384-1	23-10-02-24				-007B	2	S51-6	21-40-00-07				-031	2
S384-1	23-10-02-24				-013B	3	S51-6	30-10-00-05				-064	2
S384-1	23-10-02-24				-014B	1	S51-6	37-10-00-01				-009	2
S384-1	23-10-02-24				-016B	4	S51-6	37-10-00-01				-039	2
S384-1	23-10-02-24				-017B	1	S51-6	37-10-00-02				-007	4
S384-1	23-10-02-25				-006	2	S51-8	28-20-00-03				-002	2
S384-1	23-10-02-25				-008B	2	S51-8	28-40-00-01				-008A	2
S384-1	23-10-02-25				-010B	1	S51-8	30-10-00-03				-008	1
S384-1	23-20-03-01				-021B	3	S51-8	30-10-00-04				-027	2
S384-1	23-50-01-01				-006B	1	S51-8	30-20-00-01				-015	2
S384-1	23-50-01-03				-008B	1	S51-8	30-20-00-01				-020	2
S384-1	30-10-00-01				-020D	1	S51-8	30-20-00-01				-027	2
S384-1	30-60-00-01				-031B	1	S51-8	37-10-00-01				-018	2
S384-1	31-10-01-02				-020	12	S51-8	37-10-00-02				-013	2
S384-1	31-10-01-02				-020A	11	S51-8	37-10-00-02				-015	2

CESSNA AIRCRAFT COMPANY
MODEL 310 THRU 310D
ILLUSTRATED PARTS CATALOG

PART NUMBER	CH	SEC	SUBJ	FIG	ITEM	REQ	PART NUMBER	CH	SEC	SUBJ	FIG	ITEM	REQ
S8KL75	57-10-00-01				-015B	AR	SS50727-K2215	23-10-02-23				-016	AR
S8KL75	57-10-00-05				-015B	AR	SS50727-K2215	23-10-02-24				-021	AR
SFE7 1/2	24-30-00-03				-025B	3	SS50727-K2215	31-10-01-04				-015	AR
SM-1	23-50-01-01				-002A	1	T-5/8	25-20-01-02				-034B	4
SO239	23-10-01-03				-019	1	T-7/8	25-20-01-02				-034C	4
SO239	34-50-05-02				-017	1	T-71D035-832	57-10-00-01				-015A	AR
SS-48151-K2215	23-10-02-06				-020	AR	T-71D035-832	57-10-00-05				-015A	AR
SS-48151-K2215	23-10-02-11				-019	AR	T1002	22-10-00-02				-015	1
SS-48152-K2215	23-10-02-06				-019	AR	T1002	23-10-00-01				-007	1
SS-48152-K2215	23-10-02-11				-018	AR	T1002	23-10-02-01				-003	1
SS-48152-K2215	24-50-00-01				-009	10	T1002	23-10-02-03				-003	1
SS-48152-K2215	24-50-00-01				-009A	11	T1002	23-10-02-04				-003	1
SS-51026	71-11-01-01				-005	1	T1002	23-10-02-05				-003	1
SS48151	23-10-02-08				-026	AR	T1002	23-10-02-09				-003	1
SS48151	23-10-02-10				-022	AR	T1002	33-40-00-05				-001	1
SS48151	23-10-02-16				-009	AR	T1033	34-20-00-02				-021	1
SS48151-K2215	23-10-02-07				-013	AR	T1033	34-20-00-03				-019	1
SS48151-K2215	23-10-02-14				-017	AR	T548	28-10-00-02				-008B	10
SS48151-K2215	23-10-02-18				-019	AR	T548	28-10-00-03				-012A	14
SS48151-K2215	23-10-02-19				-020	AR	UG306/U	34-50-03-01				-017A	1
SS48151-K2215	23-10-02-23				-019	AR	UG306/U	34-50-03-01				-036A	1
SS48151-K2215	23-10-02-24				-019	AR	UG306/U	34-50-03-01				-054A	1
SS48152	23-10-02-08				-027	AR	VM911M-1	34-30-00-01				-006	1
SS48152	23-10-02-10				-024	AR	VM911M-1	34-30-00-02				-002	1
SS48152	23-10-02-16				-010	AR	VM911M-1	34-30-01-01				-009	1
SS48152	31-10-01-04				-013	AR	VM911M-1	34-30-02-01				-012	1
SS48152-K2215	23-10-02-04				-010	1	VM911M-10	34-30-00-01				-008	1
SS48152-K2215	23-10-02-05				-011	1	VM911M-10	34-30-00-02				-004	1
SS48152-K2215	23-10-02-07				-014	AR	VM911M-10	34-30-01-01				-011	1
SS48152-K2215	23-10-02-14				-018	AR	VM911M-10	34-30-02-01				-010	1
SS48152-K2215	23-10-02-17				-021	AR	VM911M-2	31-10-00-03				-006B	1
SS48152-K2215	23-10-02-18				-018	AR	VM911M-3	31-10-00-03				-005B	1
SS48152-K2215	23-10-02-19				-019	AR	VM911M-4	23-10-02-23				-009B	1
SS48152-K2215	23-10-02-23				-017	AR	VM911M-4	23-10-02-24				-010B	1
SS48152-K2215	23-10-02-24				-020	AR	VM911M-4	31-10-01-04				-008B	1
SS48192-K2215	23-10-02-18				-020	AR	VM911M-4	34-30-00-01				-007	1
SS48192-K2215	31-10-00-04				-021	2	VM911M-4	34-30-00-02				-003	1
SS50726K-2215	32-10-00-02				-056	2	VM911M-4	34-30-01-01				-010	1
SS50727	23-10-02-08				-029	AR	VM911M-4	34-30-02-01				-011	1
SS50727	23-10-02-10				-023	AR	W1335	76-10-01-02				-037	2

CHAPTER

11

**PLACARDS AND
MARKINGS**

CESSNA AIRCRAFT COMPANY
MODEL 310 THRU 310D
ILLUSTRATED PARTS CATALOG

LIST OF EFFECTIVE PAGES

CHAPTER-SECTION-SUBJECT	PAGE	DATE
11-Title		
11-List of Effective Pages		
11-Record of Temporary Revisions		
11-Contents		
11-00-00 Figure 01	1	Jul 3/2006
	2	Jul 3/2006
	3	Jul 3/2006

CESSNA AIRCRAFT COMPANY
MODEL 310 THRU 310D
ILLUSTRATED PARTS CATALOG

SUBJECT

CH SEC SUBJ FIG

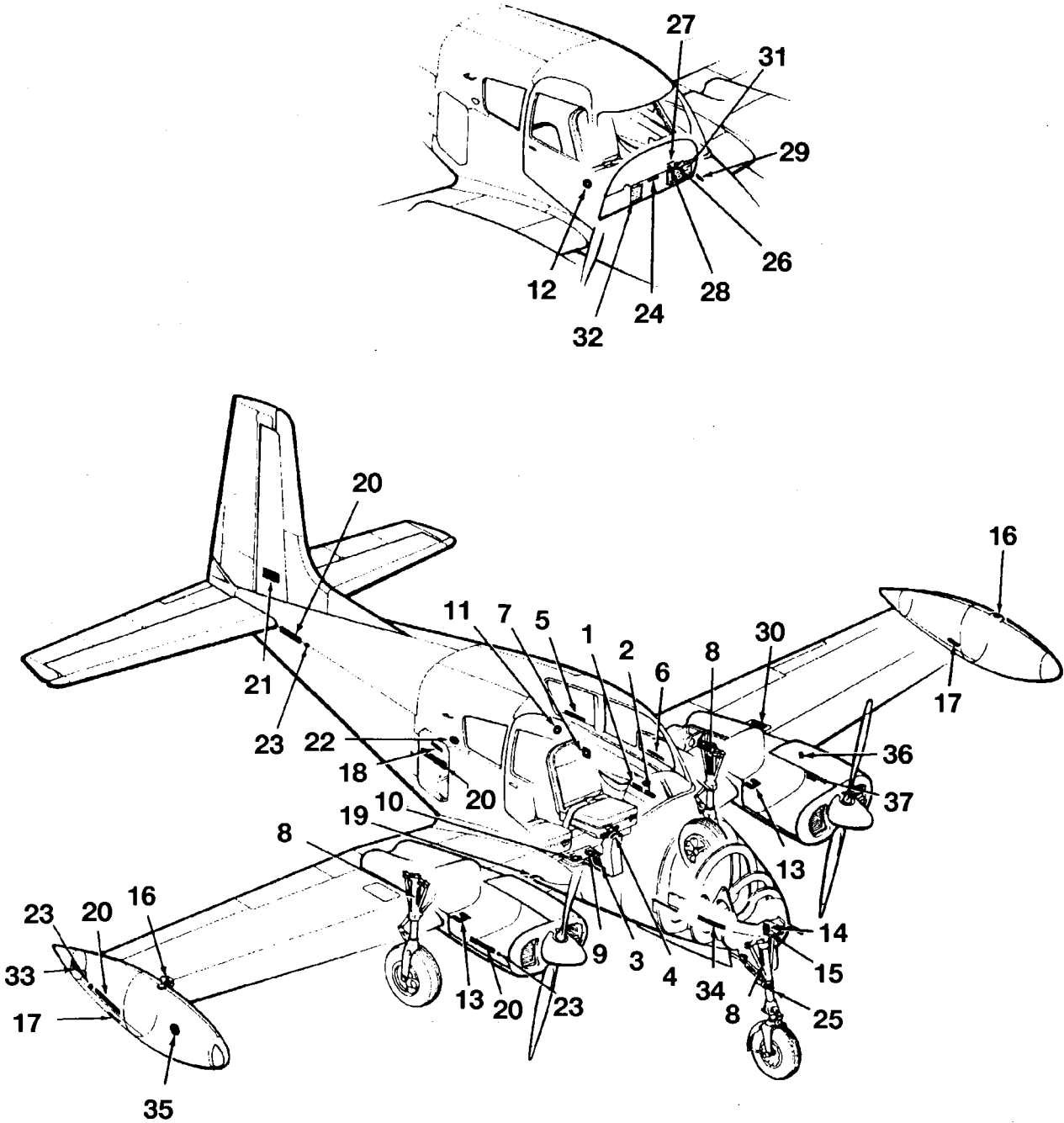
EFFECTIVITY

DECALS AND PLACARDS INSTALLATION

11-00-00-01

CESSNA AIRCRAFT COMPANY
MODEL 310 THRU 310D
ILLUSTRATED PARTS CATALOG

A55779



DECALS AND PLACARDS INSTALLATION
FIGURE 01 (SHEET 1)

**CESSNA AIRCRAFT COMPANY
MODEL 310 THRU 310D
ILLUSTRATED PARTS CATALOG**

FIG ITEM	PART NUMBER	NOMENCLATURE	EFFECT		UNITS
			FROM	TO	PER ASSY
01		DECALS AND PLACARDS INSTALLATION			RF
- 1	0812480-45	DECAL-OPERATIONAL LIMITS	35000	35180	1
- 1A	0812480-46	DECAL-OPERATIONAL LIMITS	35181	35420	1
- 1B	0812480-50	DECAL-OPERATIONAL LIMITS	35421	35546	1
- 1C	0812480-70	DECAL-OPERATIONAL LIMITS	35547	& ON	1
2	0812480-43	DECAL-STALL SPEED LIMITS	35000	35180	1
- 2A	0812480-44	DECAL-STALL SPEED LIMITS	35181	35546	1
- 2B	0812480-71	DECAL-STALL SPEED LIMITS	35547	& ON	1
3	0812480-32	METALCAL-FUEL & GEAR			1
- 3A	S-1021Z-4-6	SCREW-ATTACH FUEL & GEAR PLACARD			4
4	0812480-35	METALCAL-ELEVATOR TAB INDICATOR REFER TO 30-60-00 FIGURE 01 FOR NHA			1
5	0812480-5	DECAL-EMERGENCY WINDOW			1
6	0811727-2	DECAL-FOUL WEATHER WINDOW			1
7	0812500-10	COVER-EMERGENCY WINDOW RELEASE REFER TO 56-20-00 FIGURE 01 FOR NHA			1
8	0812480-39	METALCAL-FILLING INSTRUCTIONS			1
9	0812480-27	METALCAL-FUEL SELECTOR VALVE LH REFER TO 28-20-00 FIGURE 04 FOR NHA			1
10	0812480-28	METALCAL-FUEL SELECTOR VALVE RH REFER TO 28-20-00 FIGURE 04 FOR NHA			1
11	0811486-38	PLATE-ESCUTCHEON REFER TO 52-10-00 FIGURE 03 & 04 FOR NHA	35023	35023	1
			35048	35048	
			35069	35069	
			35075	35180	
12	0811478-1	PLATE-ESCUTCHEON REFER TO 52-10-00 FIGURE 04 FOR NHA	35023	35023	1
			35048	35048	
			35069	35069	
			35075	35180	
- 12A	0811478-2	PLATE-ESCUTCHEON REFER TO 52-10-00 FIGURE 04 FOR NHA	35181	35546	1
- 12B	0811478-3	PLATE-ESCUTCHEON REFER TO 52-10-00 FIGURE 04 FOR NHA	35547	& ON	1
13	0812480-33	DECAL-LOWER NACELLE FUEL STRAINER DOORS	35000	39031	1
14	0413261	MAA NAME PLATE-REFER TO 53-10-06 FIGURE 01 FOR NHA			1
15	0713047	PLATE-FINISH & TRIM REFER TO 53-10-06 FIGURE 01 FOR NHA			1
16	0812480-20	DECAL-FUEL CAP	35000	35771	2
- 16A	0812480-88	DECAL-FUEL CAP	35772	& ON	2
17	0812480-37	DECAL-FUEL TANK SUMP DOOR			2
18	0812480-19	PLACARD-BAGGAGE DOOR REFER TO 25-20-00 FIGURE 04, 25-50-00 FIGURE 01 & 02 FOR NHA			1
- 18A	S-1021Z-4-8	SCREW-ATTACH BAGGAGE DOOR PLACARD			2
19	0812480-36	DECAL-CROSS FEED LINE DRAIN - RH WING			1
20	0500027-4	EXTERIOR LETTERING	35201	35201	2
			35226	35546	
- 20A	0500027-4	EXTERIOR LETTERING	35547	35547	3
21	0800009-1	DECAL-310	35201	35201	2
			35226	35546	
- 21A	0800057-1	DECAL-310B	35547	35771	2
22	0713039-1	PLATE, NAME-PLASTIC	35000	35771	2
- 22A	0713039-3	NAMEPLATE-PLASTIC	35772	& ON	2
23	0500030	PLACARD-TRADE MARK REGISTRATION			2
24	0812344-1	DECAL-FLAP INDICATOR REFER TO 31-10-00 FIGURE 05 FOR NHA	35447	35546	1
- 24A	0812344-3	DECAL-FLAP INDICATOR	35547	35771	1
- 24B	0812344-2	DECAL-FLAP INDICATOR	35772	& ON	1
25	0812480-57	METALCAL-NOSE GEAR REFER TO 32-20-00 FIGURE 02 FOR NHA	35447	35822	1
26	0812480-61	DECAL-HEATER OPERATION	35000	35180	1
- 26A	0812480-64	DECAL-HEATER OPERATION	35181	35546	1
- 26B	0812480-75	DECAL-HEATER OPERATION	35547	& ON	1
27	0812480-62	DECAL-HEATER OVERHEAT	35000	35180	1
- 27A	0812480-65	DECAL-HEATER OVERHEAT	35181	35546	1
- 27B	0812480-74	DECAL-HEATER OVERHEAT	35547	& ON	1
28	0812480-63	DECAL-PUSH T & B TEST	35000	35180	1
- 28A	0812480-66	DECAL-PUSH T & B TEST	35181	35546	1
- 28B	0812480-73	DECAL-PUSH T & B TEST	35547	& ON	1

CESSNA AIRCRAFT COMPANY
MODEL 310 THRU 310D
ILLUSTRATED PARTS CATALOG

FIG ITEM	PART NUMBER	NOMENCLATURE	EFFECT		UNITS PER ASSY
			FROM	TO	
01					
29	0813007-4	. PLACARD-STATIC PRESSURE ALTERNATE SOURCE			1
- 29A	S-1023A-4-6B	. SCREW-ATTACH PLACARDS REFER TO 34-10-00 FIGURE 01 FOR NHA			2
30	0822012-1	. PLACARD-BATTERY BOX	35772	& ON	1
31	0812653-1	. PLACARD-STATIONARY PANEL MARKINGS LH.	35836	35905	1
- 31A	0812653-3	. PLACARD-STATIONARY PANEL MARKINGS LH.	35906	& ON	1
32	0812653-2	. PLACARD-STATIONARY PANEL MARKINGS RH	35836	35905	1
- 32A	0812653-4	. PLACARD-STATIONARY PANEL MARKINGS RH	35906	& ON	1
33	0800058-1	. PLACARD-310C	35772	39031	2
34	0800073-1	. PLACARD-310D	39032	& ON	2
35	0800074-1	. PLACARD	39032	& ON	2
36	0851584-3	. SILKSCREEN-FUEL STRAINER DRAIN REFER TO 54-10-00 FIGURE 01 & 02 FOR NHA	39032	& ON	1
37	0812480-98	. PLACARD	39032	& ON	2
- 38	0890018-2	. PLACARD-PITOT HEAT WARNING USED IN POH/OWNER'S MANUAL REFER TO NOTE 1			1 R
- 38A	0890018-3	. PLACARD-PITOT HEAT WARNING USED FOR COCKPIT LOCATION REFER TO NOTE 1			1 R
- 39	0813410-3	. DECAL-STATIC SOURCE OPEN			1
- 40	0890018-10	. PLACARD-ENGINE OUT WARNING REFER TO NOTE 1	35547	35547	1 R
- 41	0890018-11	. PLACARD-ENGINE OUT WARNING REFER TO NOTE 1	38001	38160	1 R
- 42	0890018-17	. PLACARD-ENGINE OUT WARNING REFER TO NOTE 1	35772	35999	1 R
- 43	0705097-1	. PLACARD-SEAT LOCKED WARNING REFER TO NOTE 2	39001	39299	1 R
- 44	0705098-1	. PLACARD-FUEL CONTAMINATION WARNING REFER TO NOTE 2	35000	35546	1 R
- 45	DP0500-13	. PLACARD-FLIGHT IN ICING WARNING REFER TO NOTE 3			1 R
- 46	2505059-6	. PLACARD-AUX FUEL PUMP REFER TO NOTE 4			1 R
- 47	S1021A6-8	. ATTACHING PARTS SCREW			4 R
- 48	5198526-5	. PLACARD-AUX FUEL PUMP SWITCH HIGH REFER TO NOTE 4			1 R
- 49	5198526-6	. PLACARD-AUX FUEL PUMP SWITCH LOW REFER TO NOTE 4			1 R
- 50	2505059-4	. PLACARD-AUX FUEL PUMP LEVEL REFER TO NOTE 4			1 R
		NOTE 1—AIRPLANES INCORPORATING MEB93-11			R
		NOTE 2—AIRPLANES INCORPORATING MEB86-15.			R
		NOTE 3—AIRPLANES INCORPORATING MEB97-04.			R
		NOTE 4—AIRPLANES INCORPORATING MEB88-03.			R

CHAPTER

21

**AIR
CONDITIONING**

CESSNA AIRCRAFT COMPANY
MODEL 310 THRU 310D
ILLUSTRATED PARTS CATALOG

LIST OF EFFECTIVE PAGES

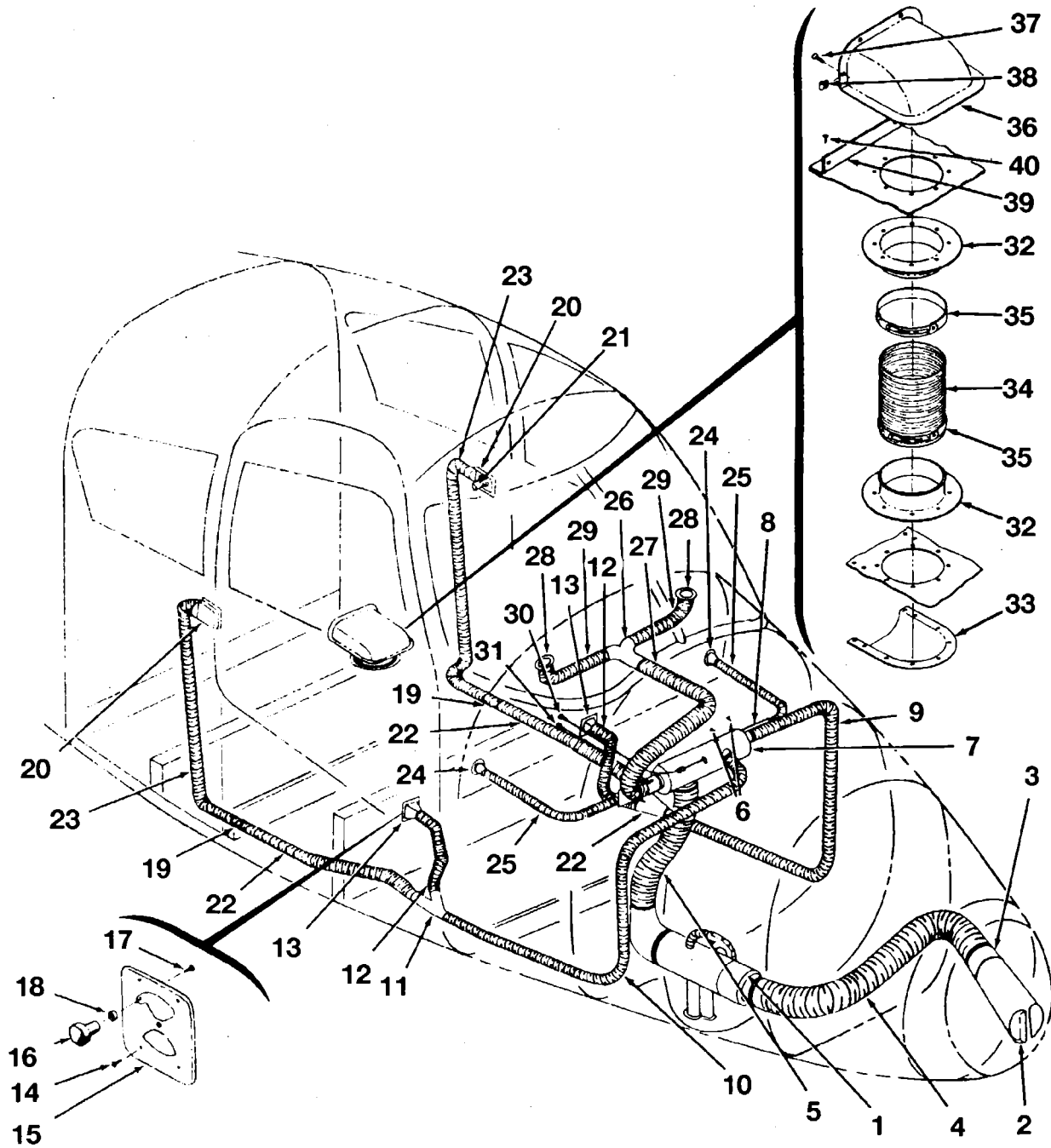
CHAPTER-SECTION-SUBJECT	PAGE	DATE
21-Title		
21-List of Effective Pages		
21-Record of Temporary Revisions		
21-Contents		
21-40-00 Figure 01	1	Jul 5/2004
	2	Jul 5/2004
21-40-00 Figure 02	1	Jul 5/2004
	2	Jul 5/2004
21-40-00 Figure 03	1	Jul 3/2006
	2	Jul 3/2006
	3	Jul 3/2006
21-40-00 Figure 04	1	Jul 3/2006
	2	Jul 3/2006
21-40-00 Figure 05	1	Jul 5/2004
	2	Jul 5/2004
21-40-00 Figure 06	1	Jul 5/2004
	2	Jul 5/2004
21-40-00 Figure 07	1	Jul 5/2004
	2	Jul 5/2004
21-40-00 Figure 08	1	Jul 5/2004
	2	Jul 5/2004
21-40-00 Figure 09	1	Jul 3/2006
	2	Jul 3/2006
21-40-00 Figure 10	1	Jul 5/2004
	2	Jul 5/2004
21-40-01 Figure 01	1	Jul 5/2004
	2	Jul 5/2004
21-60-00 Figure 01	1	Jul 5/2004
	2	Jul 5/2004

CESSNA AIRCRAFT COMPANY
MODEL 310 THRU 310D
ILLUSTRATED PARTS CATALOG

<u>SUBJECT</u>	<u>CH SEC SUBJ FIG</u>	<u>EFFECTIVITY</u>
CABIN HEAT AND VENTILATION SYSTEM INSTALLATION	21-40-00-01	35000 35332
CABIN HEAT AND VENTILATION SYSTEM INSTALLATION	21-40-00-02	35333 35546
CABIN HEAT AND VENTILATION SYSTEM INSTALLATION	21-40-00-03	35547 & ON
PLENUM CHAMBER ASSEMBLY	21-40-00-04	
CABIN HEATER INSTALLATION	21-40-00-05	35000 35024
CABIN HEATER ASSEMBLY	21-40-00-06	35000 35024
CABIN HEATER INSTALLATION	21-40-00-07	35025 35546
CABIN HEATER ASSEMBLY	21-40-00-08	
CABIN HEATER INSTALLATION	21-40-00-09	35547 & ON
CABIN HEATER ASSEMBLY	21-40-00-10	
HEATER COMPONENTS AND BLOWER AND FUEL PUMP ASSEMBLY	21-40-01-01	
CABIN HEAT CONTROL ASSEMBLY	21-60-00-01	

CESSNA AIRCRAFT COMPANY
MODEL 310 THRU 310D
 ILLUSTRATED PARTS CATALOG

A55754



AIRPLANES 35000 THRU 35332

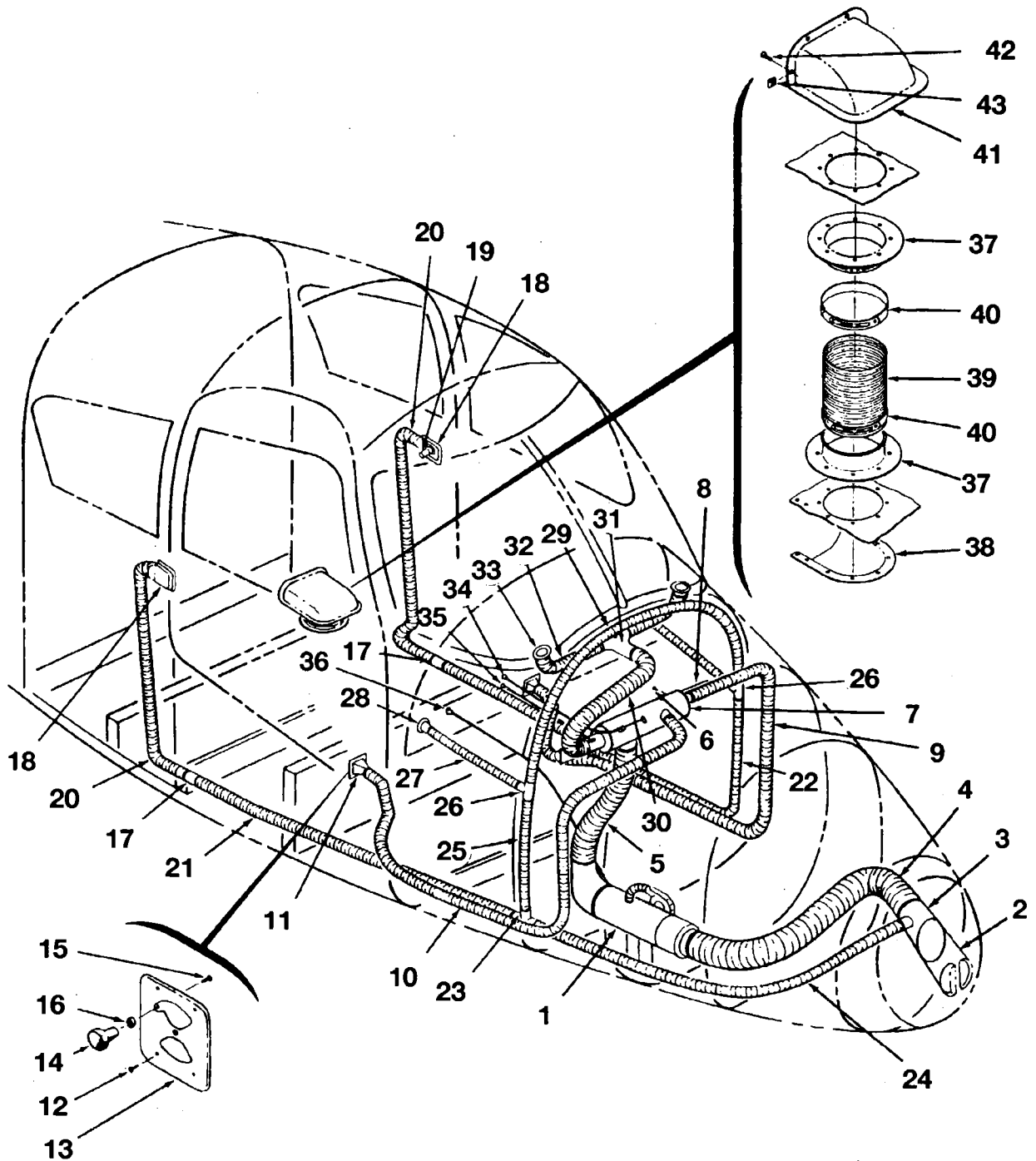
CABIN HEAT AND VENTILATION SYSTEM INSTALLATION
 FIGURE 01 (SHEET 1)

**CESSNA AIRCRAFT COMPANY
MODEL 310 THRU 310D
ILLUSTRATED PARTS CATALOG**

FIG ITEM	PART NUMBER	NOMENCLATURE	EFFECT		UNITS PER ASSY
			FROM	TO	
01		CABIN HEAT AND VENTILATION SYSTEM INSTALLATION	35000	35332	RF
- 1		. HEATER INSTALLATION - CABIN-REFER TO 21-40-00 FIGURE 05 FOR BREAKDOWN	35000	35024	RF
- 1A		. HEATER INSTALLATION - CABIN-REFER TO 21-40-00 FIGURE 07 FOR BREAKDOWN	35025	35332	RF
2	0813140-21	. ADAPTER-NOSE INLET REFER TO 53-30-00 FIGURE 03 BREAKDOWN			1
3	0813140-22	. ADAPTER ASSY-NOSE DUCT REFER TO 53-30-00 FIGURE 03 FOR BREAKDOWN			1
4	S1053E32T	. DUCT-36.0 IN. LG BKI REF S-1053E32T360			1
- 4A	S1891-64	. CLAMP-ATTACH DUCT TO ADAPTER ASSY & HEATER			2 R
5	S1053E32T	. DUCT-9.0 INCHES LG BKI REF S-1053E32T90			1
- 5A	S1891-64	. CLAMP-ATTACH DUCT TO HEATER & PLENUM CHAMBER			2 R
6	S-1021Z-8-8	. SCREW-ATTACH PLENUM CHAMBER			4
- 6A	S3230-4	. NUT-ATTACH PLENUM CHAMBER TINNERMAN A1778-8Z-3			4 R
7	0813005-56	. PLENUM-REFER TO 21-40-00 FIGURE 04 FOR BREAKDOWN			1
8		. OUTLET ASSY-REFER TO 53-30-00 FIGURE 01			RF
9	S1053E16T	. DUCT-70.0 IN. LG BULK ITEM REF S-1053E16T70			1
10	S1053E16T	. DUCT-85.0 IN. LG BKI REF S-1053E16T85.0			1
- 10A	S1891-32	. CLAMP-ATTACH DUCTS TO PLENUM CHAMBER			2 R
- 10B	S1891-32	. CLAMP-ATTACH DUCTS TO "Y" ADAPTER			2 R
11	0813750-14	. ADAPTER			2
12	S1053E12T	. DUCT-22.0 IN. LG BKI REF S-1053E16T220			2
13	0813772-1	. ADAPTER-REAR SEAT OUTLET			2
- 13A	S1891-20	. CLAMP-ATTACH REAR SEAT OUTLET DUCTS TO ADAPTERS			4 R
14	S-1021Z-8-7	. SCREW-ATTACH REGULATOR			8
15	0813725-1	. REGULATOR ASSY-REAR SEAT OUTLET			2
16	0813503-8	. KNOB ASSY-REGULATOR ASSY	35016	35332	1
- 16A	0813507-8	. KNOB-REGULATOR ASSY	35000	35015	1
17	AN515-8R9	. SCREW-ATTACH KNOB			1
18	NAS43DD-3-11	. SPACER-ATTACH KNOB			1
19		. ADAPTER ASSY-REFER TO 53-10-02 FIGURE 01			RF
20	0813750-59	. ADAPTER ASSY-REAR WEMAC			2
- 20A	A6417-10Z-1	. NUT - TINNERMAN			4
21	0813610-1	. VALVE - WEMAC			2
- 21A	S-1021Z-6-10C	. SCREW-ATTACH WEMAC & ADAPTER			8
22	S1053E12T	. DUCT-30.0 IN. LG BKI REF S-1053E12T30.0			2
23	S1053E12T	. DUCT-32.0 IN. LG BKI REF S-1053E12T32.0			2
- 23A	S1891-20	. CLAMP-ATTACH DUCTS TO ADAPTERS			8 R
24		. ADAPTER-FORWARD WEMAC REFER TO 31-10-00 FIGURES 01 & 02			RF
- 24A		. VALVE - WEMAC-REFER TO 32-10-00 FIGURES 01 & 02			RF
25	S1053E10T	. DUCT-21.0 IN. LG BKI REF S-1053E10T21.0			2
- 25A	S1891-24	. CLAMP-ATTACH DUCTS TO OUTLET ASSEMBLY & FORWARD WEMAC			4 R
26		. ADAPTER-REFER TO 53-30-00 FIGURE 01			RF
27	S1053E20T	. DUCT - 34.0 IN. LG BKI-34.0 IN. LG BKI REF S-1053E20T34.0			1
- 27A	NAS397-42	. CLAMP-ATTACH DUCT TO PLENUM & "Y" ADAPTER			2
28		. UNION - DEFROST OUTLET-REFER TO 53-10-01 FIGURE 01			RF
29	S1053E16T	. DUCT-12.0 IN. LG BULK ITEM REF S-1053E16T12.0			2
- 29A	S1891-32	. CLAMP-ATTACH DUCT TO "Y" ADAPTER & DEFROST UNION			4 R
30		. CONTROL ASSY-CABIN AIR REFER TO 31-10-00 FIGURES 01 & 02			RF
31		. CONTROL ASSY - DEFROST-REFER TO 31-10-00 FIGURES 01 & 02			RF
32		. ADAPTER - AIR SPILL-REFER TO 53-20-00 FIGURE 01 & 53-10-02 FIGURE 02			RF
33		. AIR SPILL-REFER TO 53-10-02 FIGURE 02			RF
34	S1053E32T	. DUCT-5.0 IN. LG BKI REF S-1053E32T50			1
35	S1891-64	. CLAMP-ATTACH DUCT TO ADAPTERS			2 R
36	0813750-44	. ELBOW ASSY-AIR SPILL			1
37	S-1021Z-6-6	. SCREW-ATTACH ELBOW TO REAR SEAT			4
38	S3712-4	. NUT-ATTACH ELBOW TO REAR SEAT TINNERMAN A6052-6Z-3			4 R
39	0813750-45	. ANGLE-ATTACH ELBOW TO FLOORBD	35000	35064	1
40	AN520-10R5	. SCREW-ATTACH ANGLE	35000	35064	2

CESSNA AIRCRAFT COMPANY
MODEL 310 THRU 310D
 ILLUSTRATED PARTS CATALOG

A55755



AIRPLANES 35333 THRU 35546

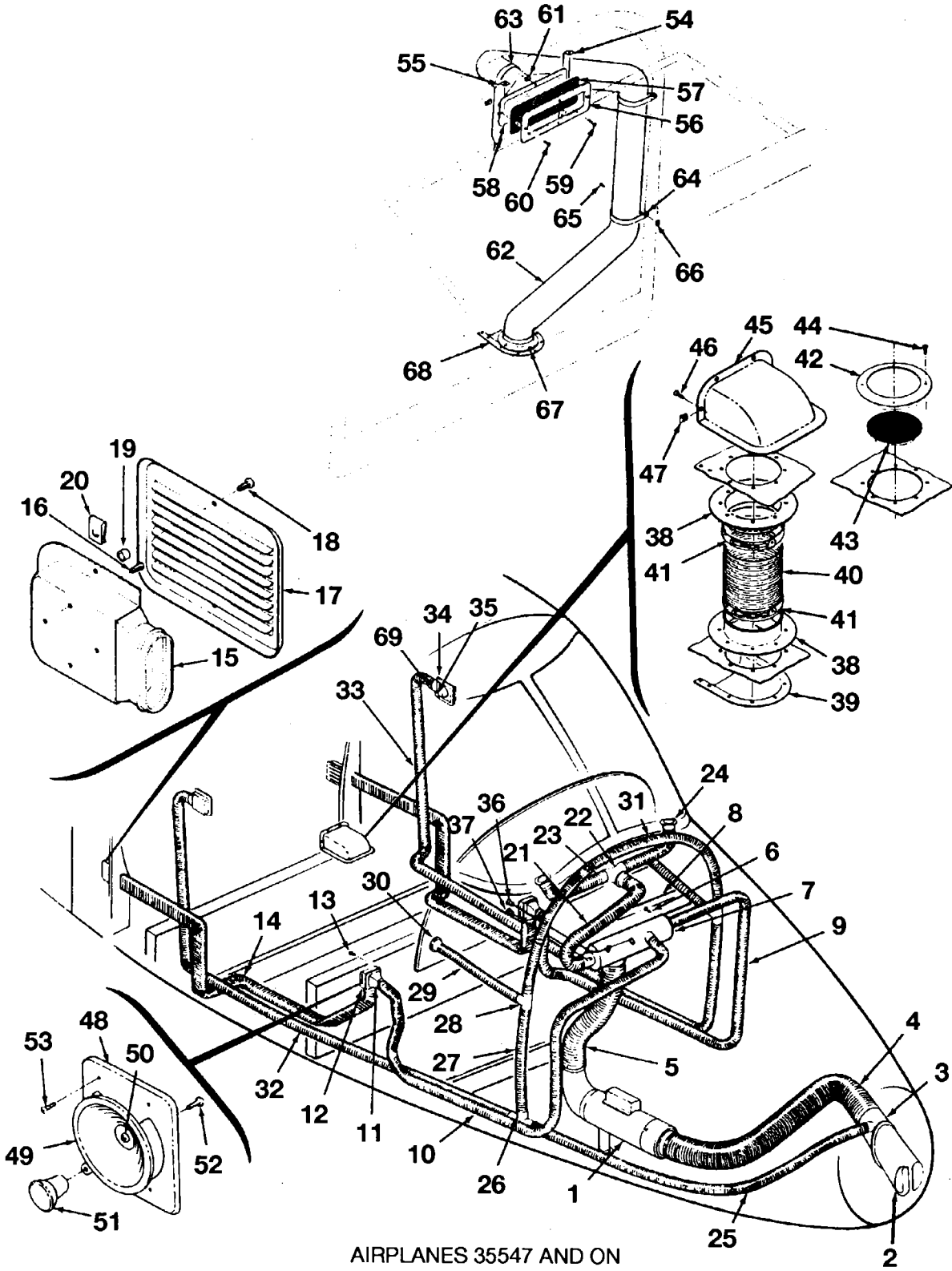
CABIN HEAT AND VENTILATION SYSTEM INSTALLATION
 FIGURE 02 (SHEET 1)

**CESSNA AIRCRAFT COMPANY
MODEL 310 THRU 310D
ILLUSTRATED PARTS CATALOG**

FIG ITEM	PART NUMBER	NOMENCLATURE	EFFECT		UNITS PER ASSY
			FROM	TO	
02		CABIN HEAT AND VENTILATION SYSTEM INSTALLATION	35333	35546	RF
- 1		. HEATER INSTALLATION - CABIN-REFER TO 21-40-00 FIGURE 07 FOR BREAKDOWN			RF
2	0813140-21	. ADAPTER-NOSE INLET REFER TO 53-30-00 FIGURE 03 FOR BREAKDOWN			1
3	0813762-1	. ADAPTER ASSY-NOSE INLET REFER TO 53-30-00 FIGURE 03 FOR BREAKDOWN			1
4	S1053E32T	. DUCT-40.0 IN. LG BKI REF S-1053E32T40 0			1
- 4A	S1891-64	. CLAMP-ATTACH DUCT TO ADAPTER ASSY & HEATER			2 R
5	S1053E32T	. DUCT-9.0 IN. LG BKI REF S-1053E32T9 0			1
- 5A	S1891-64	. CLAMP-ATTACH DUCT TO HEATER & PLENUM CHAMBER			2 R
6	S-10212-8-8	. SCREW-ATTACH PLENUM CHAMBER			4
- 6A	S3230-4	. NUT-ATTACH PLENUM CHAMBER TINNERMAN A1778-8Z-3			4 R
7	0813005-56	. PLENUM-REFER TO 21-40-00 FIGURE 04 FOR BREAKDOWN			1
8		. OUTLET ASSY-REFER TO 53-30-00 FIGURE 01			RF
9	0813766-1	. DUCT ASSY-REAR SEAT LH WARM AIR FLEXIBLE			1
10	0813766-2	. DUCT ASSY-REAR SEAT RH WARM AIR FLEXIBLE			1
- 10A	S1026CG	. CLAMP BAND-09.78 IN. LG BKI REF S-1026BG09 78			4 R
11	0813772-1	. ADAPTER-REAR SEAT OUTLET			2
12	S-10212-8-7	. SCREW-ATTACH REGULATOR			8
13	0813725-1	. REGULATOR ASSY-REAR SEAT OUTLET			2
14	0813503-8	. KNOB ASSY-REGULATOR ASSY			1
15	AN515-8R9	. SCREW-ATTACH KNOB			1
16	NAS43DD3-11N	. SPACER-ATTACH KNOB			1 R
17		. ADAPTER ASSY-REFER TO 53-10-02 FIGURE 01			RF
18	0813750-59	. ADAPTER ASSY-REAR WEMAC			2
- 18A	A6417-10Z-1	. NUT - TINNERMAN			4
19	0813610-2	. VALVE-WEMAC			2
- 19A	S-1021Z-6-10C	. SCREW-ATTACH WEMAC & ADAPTER			8
20	S1053E12T	. DUCT-32.0 IN. LG BKI REF S-1053E12T32 0			2
21	S1053E12T	. DUCT-62.0 IN. LG BKI REF S-1053E12T62 0			1
22	S1053E12T	. DUCT-85.0 IN. LG BKI REF S-1053E12T85 0			1
- 22A	S1891-20	. CLAMP-ATTACH DUCTS TO ADAPTERS			8 R
23	0813764-1	. TEE-FRESH AIR DUCT			1
24	S1053E16T	. DUCT-58.0 IN. LG BKI REF S-1053E16T580			1
- 24A	S1891-32	. CLAMP-ATTACH DUCT TO NOSE ADAPTER & TEE			2 R
25	S1053E20T	. DUCT-34.0 IN. LG BKI REF S-1053E20T340			1
- 25A	S1026CG	. CLAMP BAND-8.21 IN. LG BKI S-1026BG8 21X			2 R
26	0813764-2	. TEE-FORWARD WEMAC			22
27	S1053E10T	. DUCT-19.0 IN. LG BKI REF S1053E10T19			2
- 27A	S1026CG	. CLAMP BAND-7.42 IN. LG BKI REF S-1026BG742X			4 R
28		. ADAPTER - FORWARD WEMAC-REFER TO 31-10-00 FIGURES 01 & 02			RF
29		. VALVE-WEMAC REFER TO 31-10-00 FIGURES 01 & 02			RF
29A	S1053E12T	. DUCT-60.0 IN. LG BKI REF S-1053E12T60.0			1
- 29B	S1026CG	. CLAMP BAND-8.21 IN. LG BKI REF S-1026BG8 21X			2 R
30	S1053E20T	. DUCT-34.0 IN. LG BKI REF S-1053E20T34.0			1
- 30A	S1891-40	. CLAMP- ATTACH DUCT TO PLENUM CHAMBER & "Y" ADAPTER			2 R
31		. ADAPTER-REFER TO 53-30-00 FIGURE 01			RF
32	S1053E16T	. DUCT-12.0 IN. LG BKI REF S-1053E16T120			2
- 32A	S1891-32	. CLAMP-ATTACH DUCT TO "Y" ADAPTER & DEFROST UNION			4 R
33		. UNION - DEFROST OUTLET-REFER TO 53-10-01 FIGURE 01			RF
34		. CONTROL ASSY - CABIN AIR-REFER TO 31-10-00 FIGURES 01 & 02			RF
35		. CONTROL ASSY - DEFROST-REFER TO 31-10-00 FIGURES 01 & 02			RF
36		. CONTROL - HEAT-REFER TO 31-10-00 FIGURE 02	35487	35546	RF
37		. ADAPTER - AIR SPILL-REFER TO 53-20-00 FIGURE 01 & 53-10-02 FIGURE 01			RF
38		. AIR SPILL-REFER TO 53-10-02 FIGURE 01			RF
39	S1053E32T	. DUCT-5.0 IN. LG BKI REF S-1053E32T5.0			1
40	S1891-64	. CLAMP-ATTACH DUCT TO ADAPTERS			2 R
41	0813750-44	. ELBOW ASSY-AIR SPILL			1
42	S-10212-6-6	. SCREW-ATTACH ELBOW TO REAR SEAT			4
43	S3712-4	. NUT-ATTACH ELBOW TO REAR SEAT TINNERMAN A6052-6Z-3			3 R

CESSNA AIRCRAFT COMPANY
MODEL 310 THRU 310D
ILLUSTRATED PARTS CATALOG

A55756



AIRPLANES 35547 AND ON
CABIN HEAT AND VENTILATION SYSTEM INSTALLATION
FIGURE 03 (SHEET 1)

CESSNA AIRCRAFT COMPANY MODEL 310 THRU 310D ILLUSTRATED PARTS CATALOG

FIG ITEM	PART NUMBER	NOMENCLATURE	EFFECT		UNITS PER ASSY
			FROM	TO	
03		CABIN HEAT AND VENTILATION SYSTEM INSTALLATION	35547	& ON	RF
1		HEATER INSTALLATION-CABIN-REFER TO 21-40-00 FIGURE 08 FOR BREAKDOWN			RF
2	0813140-21	ADAPTER-NOSE INLET REFER TO 21-40-00 FIGURE 08 FOR BREAKDOWN			1
3	0813762-1	ADAPTER ASSY-NOSE DUCT REFER TO 53-30-00 FIGURE 03 FOR BREAKDOWN			1
4	S1053E32T	DUCT-35 IN. LG BKI REF S-1053E32T35 0			1
- 4A	S1891-64	CLAMP-ATTACH DUCT TO ADAPTER ASSY & HEATER			2 R
5	S1053E32T	DUCT-10 IN. LG BKI REF S-1053E32T100			1
- 5A	S1891-64	CLAMP-ATTACH DUCT TO HEATER & PLENUM CHAMBER			2 R
6	S-1021Z-8-8	SCREW-ATTACH PLENUM CHAMBER			4
- 6A	S3230-4	NUT-ATTACH PLENUM CHAMBER TINNERMAN A1778-8Z-3			4 R
7	0813005-56	PLENUM-REFER TO 21-40-00 FIGURE 01 FOR BREAKDOWN			1
8		OUTLET ASSY-HEATER LWR FWD-REFER TO 53-30-00 FIGURE 01			RF
9	0813766-1	DUCT ASSY-REAR SEAT LH WARM AIR FLEXIBLE			1
10	0813766-2	DUCT ASSY-REAR SEAT RH WARM AIR FLEXIBLE			1
- 10A	S1026CG	CLAMP BAND-9.78 INCHES LG BKI REF S-1026BG0978			4 R
11	0813772-1	ADAPTER-REAR SEAT OUTLET			2
12	0813730-1	BOX ASSY-REAR HEAT VALVE	35547	35756	2
- 12A	0813503-8	KNOB ASSY-VALVE PLATE			1
- 12B	AN515-8R6	SCREW-ATTACH KNOB			1
13	S-1021Z-8-6	SCREW-ATTACH BOX ASSY	35547	35756	8
14	0813770-1	DUCT-INSULATED BOX ASSY TO ADAPTER	35547	35756	2
- 14A	S1026CG	CLAMP BAND-10 IN. LG BKI REF S-1026BG1000			4 R
- 14B	0813771-1	CLAMP-ATTACH DUCT TO FRONT SPAR	35547	35756	2
- 14C	S-1021Z-6-6	SCREW-ATTACH CLAMP			2
15	0813735-1	ADAPTER ASSY-REAR OUTLET	35547	35756	2
16	S-1021Z-6-6	SCREW-ATTACH ADAPTER	35547	35756	8
- 16A	NA8395-5-3	NUT-ATTACH ADAPTER-TINNERMAN A1887-6Z-3	35547	35756	8
17	0813739-1	GRILL REAR-REAR OUTLET	35547	35756	2
18	S-1021Z-8-12	SCREW-ATTACH GRILL	35547	35756	4
19	NAS43DD3-13N	SPACER-ATTACH GRILL	35547	35756	4 R
20	S3228-17	NUT-ATTACH GRILL TINNERMAN A1348-8Z-3	35547	35756	4 R
21	S1053E20T	DUCT-34 IN. LG BKI REF S-1053E20T340			1
- 21A	S1891-40	CLAMP-ATTACH DUCT TO PLENUM CHAMBER & "Y" ADAPTER			2 R
22		ADAPTER ASSY-HEATER-REFER TO 53-30-00 FIGURE 01			RF
23	S1053E16T	DUCT-12 IN. LG BKI REF S-1053E16T330			2
- 23A	S1891-32	CLAMP-ATTACH DUCT TO DEFROST UNION			2 R
- 23B	S1891-32	CLAMP-ATTACH DUCT TO "Y" ADAPTER			2 R
24		UNION - DEFROST OUTLET-REFER TO 53-10-01 FIGURE 01			RF
25	S1053E16T	DUCT-58 IN. LG BKI REF S-1053E16T580			1
- 25A	S1891-32	CLAMP-ATTACH DUCT TO NOSE ADAPTER & TEE			2 R
26	0813764-1	TEE-FRESH AIR DUCT			1
27	S1053E12T	DUCT-16 IN. LG BKI REF S-1053E12T160			1
- 27A	S1026CG	CLAMP BAND-8.21 IN. LG BKI REF S-1026BG8 21X			2 R
28	0813764-2	TEE-FORWARD WEMAC			2
29	S-1053ELOT	DUCT-19 IN. LG BULK ITEM REF S-1053E10T19.0			2
- 29A	S1026CG	CLAMP BAND-7.42 IN. LG BKI REF S-1026BG742X			4 R
30		ADAPTER - VALVE-REFER TO 31-10-00 FIGURE 03			RF
- 30A		VALVE - WEMAC-REFER TO 31-10-00 FIGURE 03			RF
31	S1053E12T	DUCT-60 INCHES LG BKI REF S-1053E12T600			1
- 31A	S1026CG	CLAMP BAND-8.21 INCHES LG BKI REF S-1026BG8 21X			2 R
32	0813776-1	DUCT-RH REAR WEMAC FLEXIBLE			1
33	0813776-2	DUCT-LH REAR WEMAC FLEXIBLE			1
- 33A	S1026CG	CLAMP BAND-7.21 IN. LG BKI REF S-1026BG07 21			4 R
34	0813750-59	ADAPTER ASSY-REAR WEMAC			2
- 34A	A6417-10Z-1	NUT-TINNERMAN			4
35	0813610-2	VALVE-WEMAC			2
- 35A	S-1021Z-6-10C	SCREW-ATTACH WEMAC & ADAPTER			8
36		CONTROL ASSY - CABIN AIR-REFER TO 31-10-00 FIGURE 03			RF
37		CONTROL ASSY-DEFROST REFER TO 31-10-00 FIGURE 03			RF
38		ADAPTER - AIR SPILL-REFER TO 53-20-00 FIGURE 01 & 53-10-02 FIGURE 01			RF
39		AIR SPILL-REFER TO 53-10-02 FIGURE 02			RF
40	S1053E32T	DUCT-5 IN. LG BKI REF S-1053E32T50	35547	35771	1
- 40A	S1053E20T	DUCT-5.2 IN. LG BKI REF S-1053E20T5.2	35772	35937	1

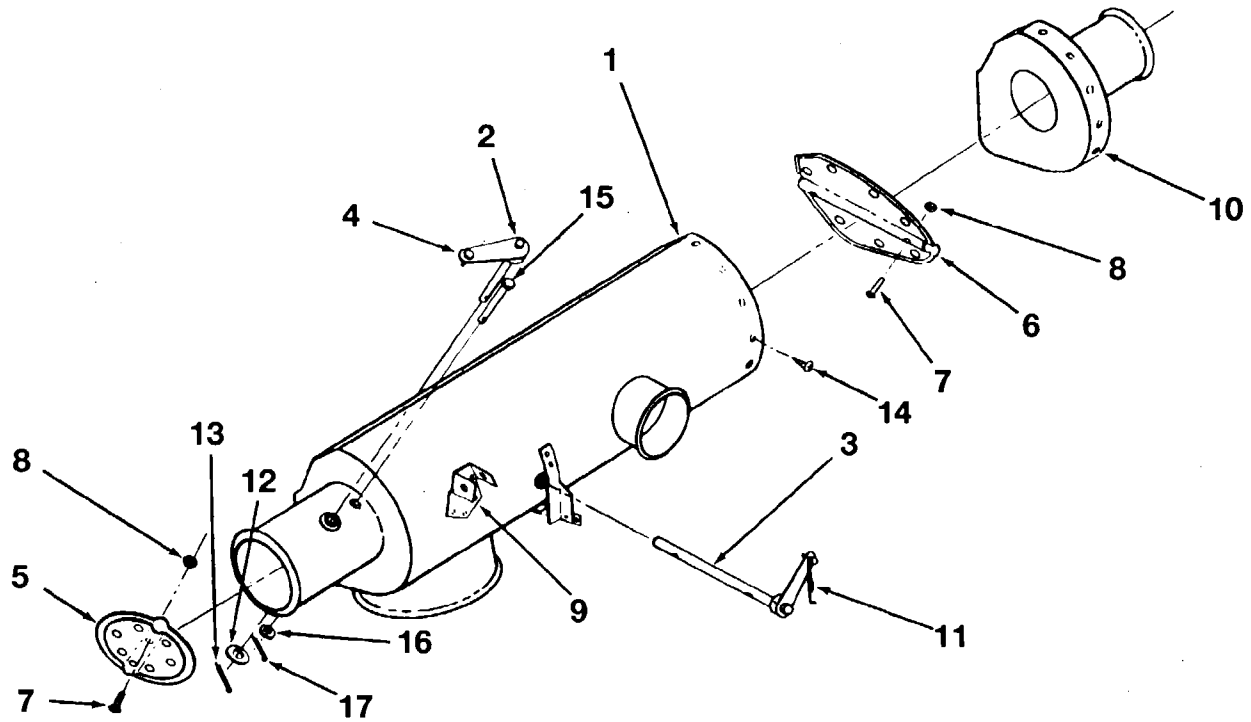
CESSNA AIRCRAFT COMPANY
MODEL 310 THRU 310D
ILLUSTRATED PARTS CATALOG

FIG ITEM	PART NUMBER	NOMENCLATURE	EFFECT		UNITS PER ASSY
			FROM	TO	
03					
41	S1026CG	. CLAMP BAND-11.53 IN. LG REF S-1026BG11.53X			2 R
42	0811927-1	. RETAINER-AIR SPILL SCREEN	35547	35756	1
43	0811926-1	. SCREEN-AIR SPILL	35547	35756	1
44	AN525-10R7	. SCREW-ATTACH RETAINER	35547	35756	4
45	0813750-44	. ELBOW ASSY-AIR SPILL	35757	35937	1
46	S-1021Z-6-8	. SCREW-ATTACH ELBOW TO REAR SEAT	35757	35937	4
47	S3712-4	. NUT-ATTACH ELBOW TO REAR SEAT TINNERMAN A6052-6Z-3	35757	35937	4 R
48	0813720-1	. DIFFUSER ASSEMBLY-REAR SEAT OUTLET	35757	& ON	2
49	0813722-1 DIFFUSER			1
50	AN515-8R10 SCREW-ATTACH DIFFUSER			1
- 50A	NAS1149FN816P WASHER-ATTACH DIFFUSER			1 R
- 50B	MS21044N08 NUT-ATTACH DIFFUSER			1 R
51	0813503-8 KNOB ASSY-DIFFUSER			1
52	AN515-8R5 SCREW-ATTACH KNOB			1
53	S-1021Z-8-8 SCREW-ATTACH DIFFUSER ASSY	35757	& ON	8
- 53A	NAS43DD-3-13 SPACER-ATTACH DIFFUSER ASSY	35757	& ON	8
54	0813784-3 SUPPORT-AIR VENT ADAPTER LH REFER TO NOTE 1	35938	& ON	1
55	0813784-4 SUPPORT-AIR VENT ADAPTER RH REFER TO NOTE 1	35938	& ON	1
- 55A	MS21047L06 NUTPLATE-REFER TO NOTE 1			1 R
56	0813782-1 FRAME CABIN AIR VENT-REFER TO NOTE 1	35938	& ON	1
57	0813783-1 SCREEN CABIN AIR VENT-REFER TO NOTE 1	35938	& ON	1
58	0813781-1 ADAPTER CABIN AIR VENT-REFER TO NOTE 1	35938	& ON	1
59	S-1021Z-6-8C SCREW-REFER TO NOTE 1	35938	& ON	2
60	AN515-6R4 SCREW-REFER TO NOTE 1	35938	& ON	2
61	S3712-5 NUT-REFER TO NOTE 1 TINNERMAN A188-6Z-3	35938	& ON	4 R
62	S-1053E20T DUCT-60.0 IN LG BULK ITEM REF S-1053E20T60.0 REFER TO NOTE 1	35938	& ON	1
63	S-1026BG CLAMP-11.53 IN. LG BULK ITEM REF S-1026BG11.53X REFER TO NOTE 1	35938	& ON	2
64	AN742D40 CLAMP-SECURE DUCT REFER TO NOTE 1	35938	& ON	2
65	S-1021Z-8-8 SCREW-ATTACH CLAMP REFER TO NOTE 1	35938	& ON	2
66	S3230-4 NUT-ATTACH CLAMP REFER TO NOTE 1	35938	& ON	2 R
67	0813786-1 ADAPTER-AIR SPILL REFER TO NOTE 1	35938	& ON	1
68	0813750-31 AIR SPILL-REFER TO NOTE 1	35938	& ON	1
69	1200018-1 FILTER ELEMENT-AIR FILTER LOCATED AT EACH WEMAC	39069	& ON	4

NOTE 1—THESE PARTS WERE INSTALLED ON AIRPLANES SERIAL 35772 THRU 35937 WHEN AN OPTIONAL SEATING ARRANGEMENT WAS INCORPORATED

CESSNA AIRCRAFT COMPANY
MODEL 310 THRU 310D
ILLUSTRATED PARTS CATALOG

A55757



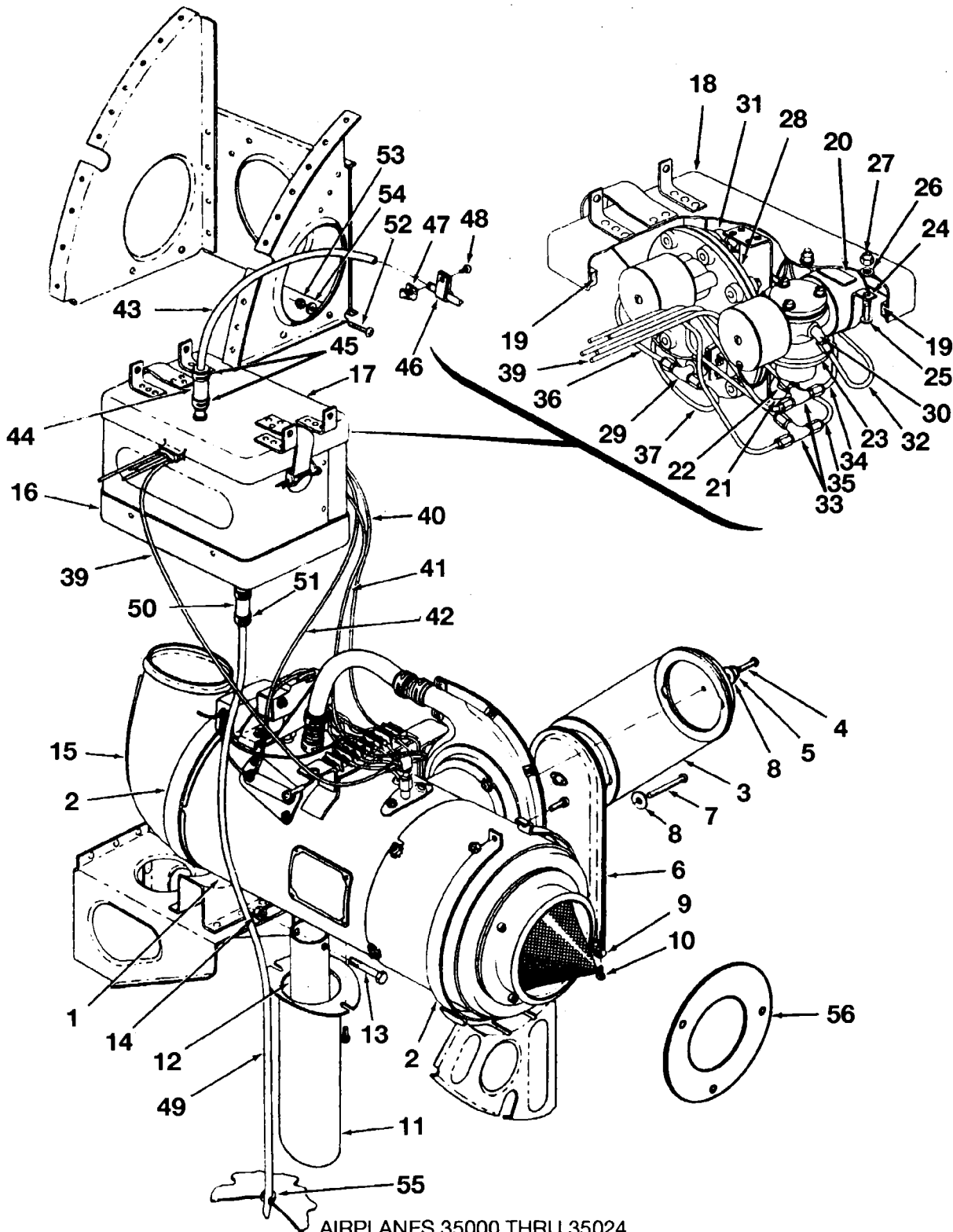
PLENUM CHAMBER ASSEMBLY
FIGURE 04 (SHEET 1)

CESSNA AIRCRAFT COMPANY
MODEL 310 THRU 310D
ILLUSTRATED PARTS CATALOG

FIG ITEM	PART NUMBER	NOMENCLATURE	EFFECT		UNITS PER ASSY
			FROM	TO	
04					
-		PLENUM CHAMBER ASSEMBLY			RF
0	0813005-56	PLENUM CHAMBER ASSY-REFER TO 21-40-00 FIGURES 01, 02 & 03 FOR NHA			1
1	0813750-6	PLENUM CHAMBER			1
2	0813005-25	ARM & SHAFT ASSY-DEFROST			1
3	0813005-32	ARM & SHAFT ASSY-PLENUM VALVE			1
4	0450311	CLAMP-ATTACH CONTROL TO ARMS			1
- 4A	NAS1149F0332P	WASHER-ATTACH CLAMP			1 R
- 4B	MS21045L3	NUT-ATTACH CLAMP			1 R
5	0813005-27	VALVE ASSEMBLY-DEFROST			1
6	0813005-34	VALVE-PLENUM CHAMBER			1
7	AN515-6R10	SCREW-ATTACH VALVES TO SHAFTS			4
8	MS21044N06	NUT-ATTACH VALVES TO SHAFTS			4 R
9	0813005-41	BRACKET ASSY-ATTACH PLENUM CONTROL			1
10	0813750-25	CAP-PLENUM END			1
11	0850483-2	SPRING			1
12	NAS1149F0432P	WASHER-ATTACH DEFROSTER VALVE			1 R
13	MS24665-5	COTTER PIN-ATTACH DEFROSTER VALVE			1
14	S-1021Z-6-6	SCREW-ATTACH END CAP			9
- 14A	S3230-2	NUT-ATTACH END CAP TINNERMAN AL 181-6Z-3			9 R
15	MS20392-2-81	PIN-STOP			1
16	NAS1149F0332P	WASHER-ATTACH PIN			1 R
17	MS24665-130	PIN COTTER-ATTACH PIN			1

CESSNA AIRCRAFT COMPANY
MODEL 310 THRU 310D
 ILLUSTRATED PARTS CATALOG

A55758



AIRPLANES 35000 THRU 35024

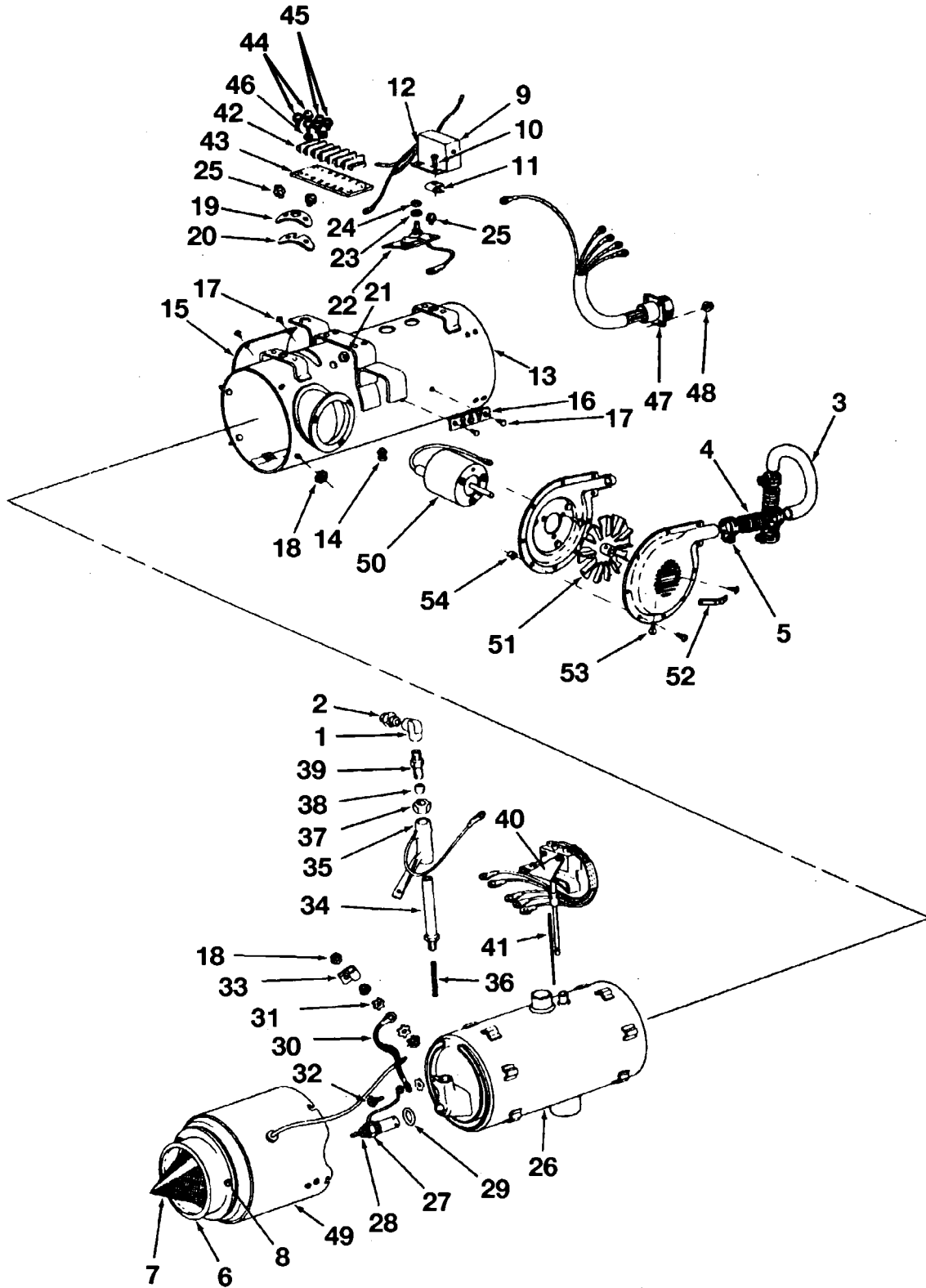
CABIN HEATER INSTALLATION
 FIGURE 05 (SHEET 1)

CESSNA AIRCRAFT COMPANY MODEL 310 THRU 310D ILLUSTRATED PARTS CATALOG

FIG ITEM	PART NUMBER	NOMENCLATURE	EFFECT			UNITS PER ASSY
			FROM	TO		
05						
1	0813800	CABIN HEATER INSTALLATION REFER TO 21-40-00 FIGURE 01 FOR NHA HEATER ASSY-CABIN REFER TO 21-40-00 FIGURE 06 FOR BREAKDOWN	35000	35024		RF 1
2	0311779-23	CLAMP-ATTACH HEATER TO AIRFRAME				2
3	0813150-46	INTAKE ASSY-AIR UPPER				1
4	S-1021Z-6-8	SCREW-ATTACH AIR INTAKE ASSY TO HEATER				1
5	AN936B8	WASHER-ATTACH AIR INTAKE ASSY TO HEATER				1
6	0813150-47	INTAKE ASSY-AIR LOWER				1
7	AN515-8R32	SCREW-ATTACH UPR AIR INTAKE ASSY TO LWR AIR INTAKE ASSY				1
8	AN970-3	WASHER-ATTACH POINTS OF AIR INTAKE ASSY				2
9	S3228-1	NUT-ATTACH LWR AIR INTAKE ASSY TO SKIN TINNERMAN A6187-4Z-3				2 R
10	S-1021Z-4-6	SCREW-ATTACH LWR AIR INTAKE ASSY TO SKIN				2
11	0813150-40	SHROUD ASSY-HEATER EXHAUST				1
12	0813150-33	TUBE-EXHAUST				1
13	AN3-20A	BOLT-ATTACH EXHAUST TUBE TO HEATER				1
14	MS21045L3	NUT-ATTACH EXHAUST TUBE TO HEATER				1 R
15	0813750-38	ADAPTER ASSY-OUTLET				1
16	0813775-3	BOTTOM ASSY-FUEL CONTROL HOUSING				1
17	0813775-1	FUEL CONTROL HOUSING				1
18	0813775-2	LID ASSY				1
19	0813775-9	SEAL				1
- 19A	0813775-10	SEAL-ABLE AND LINE OPENINGS ON HOUSING				2
20	0813775-11	PAD				2
21	0850375-1	CHECK VALVE				2
- 21A	AN902B4	SEAL-CHECK VALVE				4
22	AN894-4-2D	BUSHING-EXPANDER				4
- 22A	AN742D17	CLAMP-ATTACH CHECK VALVE TO MOUNTING BRACKET				2
23	0813775-14	VALVE-FUEL CONTROL				1
24	0813775-7	SUPPORT-FUEL CONTROL VALVE				2
25	AN515C8R9	SCREW-ATTACH CHECK AND FUEL CONTROL VALVES				6
26	AN936B8	WASHER				6
27	MS21044N08	NUT-ATTACH CHECK AND FUEL CONTROL VALVES				6 R
28	0813850-9	VALVE-SAFETY				1
29	AN825-2D	TEE-INLET PORT OF SAFETY VALVE				1
30	MS20822-2D	ELBOW-FUEL CONTROL VALVE PORTS				2
31	AN823-2D	ELBOW-SAFETY VALVE OUTLET				1
32	0800106-139	TUBE ASSY-SAFETY VALVE TO FUEL CONTROL VALVE				1
33	AN824-2D	TEE-FUEL CONTROL HOUSING ASSY				2
34	0800106-136	LINE ASSY-UPR TEE TO CHECK VALVE				1
35	0800106-133	LINE ASSY-LWR TEE TO CHECK VALVE				1
36	0800106-137	LINE ASSY-UPR CHECK VALVE TO SAFETY VALVE TEE				1
37	0800106-134	TUBE ASSY-LWR CHECK VALVE TO SAFETY VALVE TEE				1
39	0800106-140	TUBE ASSY-FUEL CONTROL HOUSING TO HEATER				1
40	0812450-224	CABLE-SAFETY VALVE TO HEATER				1
41	0812450-222	CABLE-RESTRICTION VALVE TO HEATER				1
42	0812450-223	CABLE-SHUTOFF VALVE TO OVERHEAT SWITCH				1
43	0800106-141	VENT LINE-FUEL CONTROL HOUSING TO NOSE				1
44	S51-4	HOSE-3 IN. LG BULK ITEM REF S-51-4-12				1
45	S2357-1	CLAMP-VENT LINE HOSE				2 R
46	A3049A-4-92	CLAMP-SUPPORT OF VENT LINE TINNERMAN				3
47	A1049-8Z-1	NUT-ATTACH VENT LINE CLAMP TINNERMAN				3
48	AN515-8R9	SCREW-ATTACH VENT LINE CLAMP				3
49	0800106-142	DRAIN LINE-FUEL CONTROL HOUSING BOTTOM				1
50	S51-6	HOSE-3 IN. LG BULK ITEM REF S-51-6-12				1
51	S2357-1	CLAMP-DRAIN LINE HOSE				2 R
52	AN525-1032R7	SCREW-ATTACH LINE CONTROL HOUSING TO AIRFRAME				4
53	MS21045L3	NUT-ATTACH FUEL CONTROL HOUSING TO AIRFRAME				4 R
54	NAS1149F0363P	WASHER				4 R
55	MS35489-11	GROMMET-DRAIN LINE TO SKIN				1
56		ORIFICE-HEATER WINTERIZATION OPTIONAL REFER TO 25-70-00 FIGURE 01				RF

CESSNA AIRCRAFT COMPANY
MODEL 310 THRU 310D
ILLUSTRATED PARTS CATALOG

A55759



AIRPLANES 35000 THRU 35024

CABIN HEATER ASSEMBLY
FIGURE 06 (SHEET 1)

**CESSNA AIRCRAFT COMPANY
MODEL 310 THRU 310D
ILLUSTRATED PARTS CATALOG**

FIG ITEM	PART NUMBER	NOMENCLATURE	EFFECT FROM TO	UNITS PER ASSY
		1 2 3 4 5 6 7		
06		CABIN HEATER ASSEMBLY REFER TO 21-40-00 FIGURE 05 FOR NHA	35000 35024	RF
-		STEWART WARNER MODEL 978M-H24		
- 0	0813800	HEATER ASSY-REFER TO 21-40-00 FIGURE 05 FOR NHA STEWART WARNER MODEL 978M-H24		1
1	AN916-1D	ELBOW		1
2	AS5194B0202	ADAPTER-NIPPLE		1 R
3	0813750-35	TUBE		1
4	0813800-5	COUPLER-FLEXIBLE		2
5	NAS397-17	CLAMP		4
6	0813750-24	ADAPTER BLOWER		1
7	0813750-36	SCREEN		1
8	AN500-8-7	SCREW-ATTACH BLOWER ADAPTER TO HEATER		3
9	0813800-6	BRACKET ASSY-RELAY		1
- 9A	08138000-4	BRACKET		1
- 9B	0813800-7	RELAY		1
10	S1021Z8-6	SCREW		2
11	S3712-16	NUT-TINNERMAN A1789-8Z-3		2 R
12	MS35489-4	GROMMET		1
13	G-488904	HOUSING ASSY		1
14	488223	SCREW-HOUSING		3
15	484114	NAMEPLATE		1
16	484153	NAMEPLATE-24 VOLT		1
17	118730	RIVET-TUBULAR ATTACH NAMEPLATE		6
18	487283	NUT-ATTACH VENTILATING FAN ASSY		7
19	488164	FLANGE-FUEL LINE		1
20	488163	PLATE-TOPPING		1
21	475127	GROMMET		1
22	G-484015	SWITCH ASSY-OVERHEAT		1
23	79372	LOCKWASHER-OVERHEAT SWITCH		1
24	76784	NUT-OVERHEAT SWITCH		1
25	488223	SCREW-ATTACH FUEL LINE FLANGE		4
26	G-488636	EXCHANGER ASSY-HEAT		1
27	G-484055	IGNITER ASSY		1
28	7228	NUT-IGNITOR		2
29	475067	GASKET-IGNITOR		1
30	G-486216	LEAD ASSY-GROUND		1
31	475005	WASHER-GROUND LEAD		3
32	487277	SCREW-GROUND LEAD		1
33	485160	CLAMP-SUPPORT		1
34	G-488167	STANDPIPE		1
35	G-488171	RESISTOR ASSY		1
36	474948	CABLE-KNIT		1
37	39337	NUT-ATTACH STANDPIPE TO UNION		1
38	4208	COLLAR-COMPRESSION		1
39	4209	UNION-CONNECT STANDPIPE TO ELBOW		1
40	G-486085	SWITCH ASSY-FLAME		1
41	486901	ROD-QUARTZ		1
42	484140	STRIP-TERMINAL		1
43	484141	STRIP-DOUBLE MARKER		1
44	488067	SCREW-ATTACH TERMINAL STRIP TO BRACKET		4
45	488066	SCREW-ATTACH STRIP CONNECTIONS		12
46	79372	LOCKWASHER-TERMINAL		4
47	G-488322	RECEPTACLE ASSY		1
48	488558	SCREW-ATTACH RECEPTACLE ASSY		4
49	G-488937	COVER-FAN		1
- 49A	711233	MOTOR-BLOWER REFER TO 21-40-00 FIGURE 08		1
- 49B	G-488932	WHEEL ASSY-BLOWER REFER TO 21-40-00 FIGURE 08		1
- 49C	G-700148	BRACKET ASSY-MOTOR MOUNTING REFER TO 21-40-00 FIGURE 08		1
- 49D	700146	MOUNT-MOTOR SHOCK REFER TO 21-40-00 FIGURE 08		3
- 49E	170920	SCREW-ATTACH BRACKET REFER TO 21-40-00 FIGURE 08		4
- 49F	G-486216	LEAD ASSY-GROUND REFER TO 21-40-00 FIGURE 08		1
- 49G	487357	SCREW-ATTACH GROUND LEAD REFER TO 21-40-00 FIGURE 08		2
- 49H	475005	WASHER-LOCK ATTACH GROUND LEAD REFER TO 21-40-00 FIGURE 08		2
- 49I	487283	NUT-ATTACH GROUND LEAD REFER TO 21-40-00 FIGURE 08		1
50	G-701151	MOTOR ASSY		1
51	G484046	WHEEL-BLOWER		1
52	700147	BRACKET-AIR INLET		1
53	18672	SCREW		11
54	489319	NUT-SPEED		9

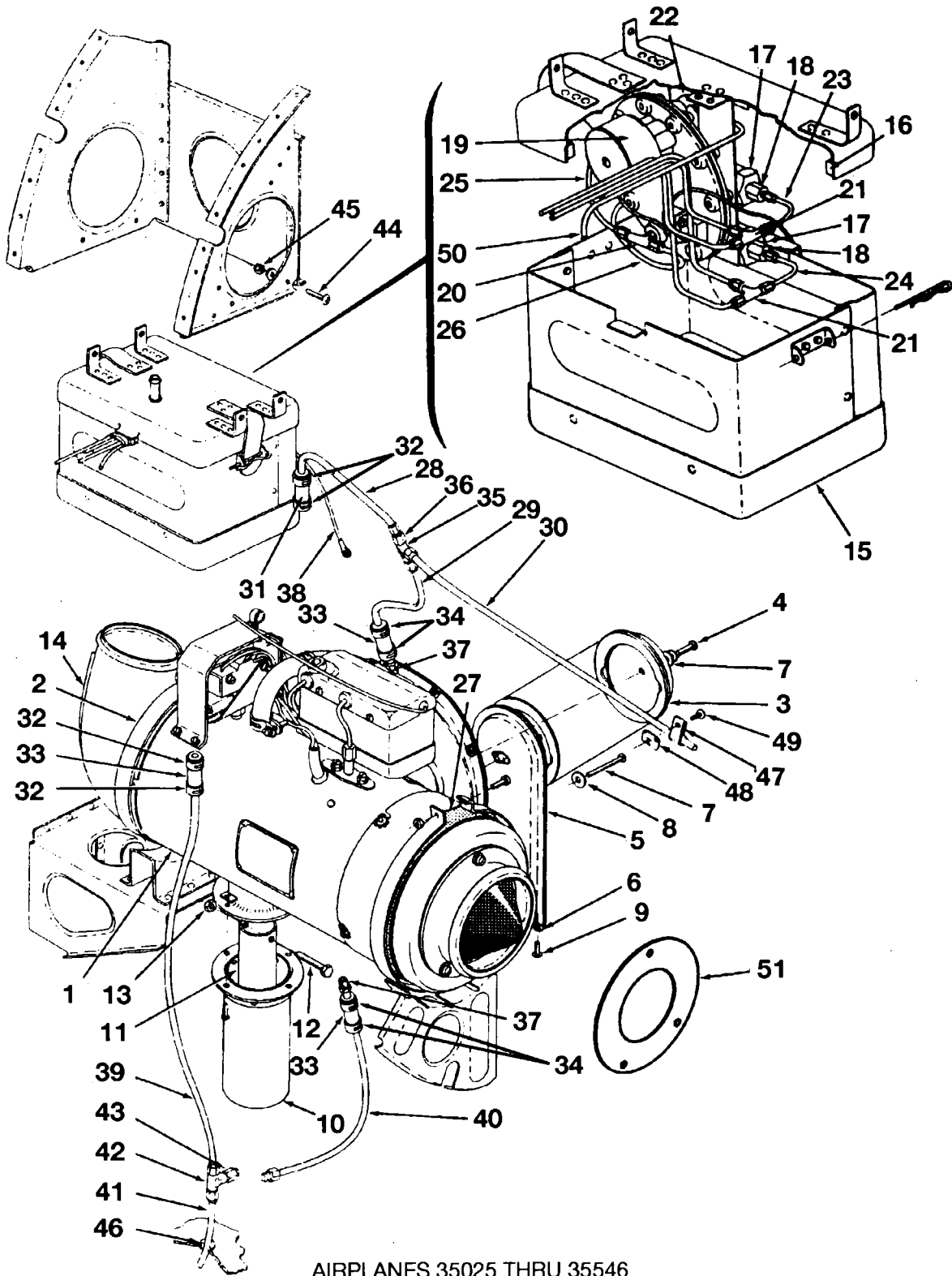
- ITEM NOT ILLUSTRATED.

© Cessna Aircraft Company

Figure 06
Page 2
21-40-00
Jul 3/2006

CESSNA AIRCRAFT COMPANY
MODEL 310 THRU 310D
 ILLUSTRATED PARTS CATALOG

A55760



AIRPLANES 35025 THRU 35546
 CABIN HEATER INSTALLATION
 FIGURE 07 (SHEET 1)

CESSNA AIRCRAFT COMPANY

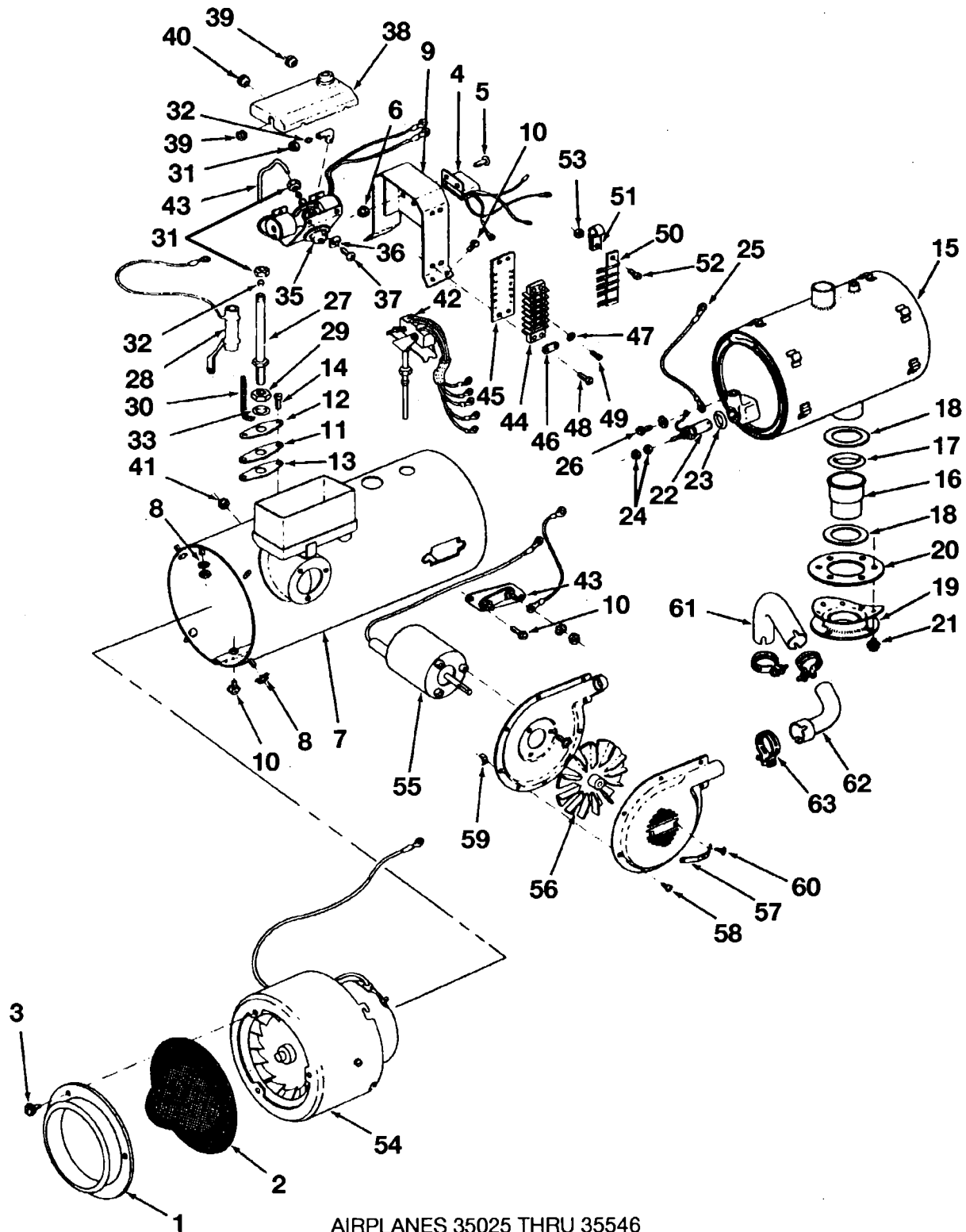
MODEL 310 THRU 310D

ILLUSTRATED PARTS CATALOG

FIG ITEM	PART NUMBER	NOMENCLATURE	EFFECT		UNITS PER ASSY
			FROM	TO	
07					
- 1	0813900-2	CABIN HEATER INSTALLATION REFER TO 21-40-00 FIGURE 01 & 02 FOR NHA HEATER ASSY-CABIN REFER TO 21-40-00 FIGURE 08 FOR BREAKDOWN	35025	35546	RF 1
2	0311779-23	CLAMP-ATTACH HEATER TO AIRFRAME			2
3	0813150-46	INTAKE ASSY-AIR UPPER			1
4	S-1021Z-6-8	SCREW-ATTACH AIR INTAKE ASSY TO HEATER			1
- 4A	AN936B8	WASHER-ATTACH AIR INTAKE ASSY TO HEATER			1
5	0813150-47	INTAKE ASSY-AIR LOWER			1
6	S3228-1	NUT-ATTACH LWR AIR INTAKE ASSY TO SKIN TINNERMAN A6187-4Z-3			2 R
7	AN515-8R32	SCREW-ATTACH UPR AIR INTAKE ASSY TO LWR AIR INTAKE ASSY			1
8	AN970-3	WASHER-ATTACH POINTS OF AIR INTAKE ASSY			2
9	S-1021Z-4-6	SCREW-ATTACH LWR AIR INTAKE ASSY TO SKIN			2
10	0813900-3	SHROUD ASSY-HEATER EXHAUST			1
11	0813900-10	TUBE-EXHAUST			1
12	AN3C17A	BOLT-ATTACH EXHAUST TUBE TO HEATER			1
13	MS21046C3	NUT-ATTACH EXHAUST TUBE TO HEATER			1 R
14	0813750-38	ADAPTER ASSY-OUTLET	35000	35486	1
- 14A	0813779-4	ADAPTER ASSY-OUTLET	35487	35546	1
- 14B	MS21047L3	NUTPLATE-ATTACH THERMOSTAT	35487	35546	2 R
15	0813775-3	BOTTOM ASSY-FUEL CONTROL HOUSING			1
- 15A	0813775-18	HOUSING ASSY			1
- 15B	0813775-17	LID ASSY			1
16	0813775-9	SEAL			1
- 16A	0813775-10	SEAL-CABLE AND TUBING OPENINGS ON HOUSING			2
17	0850375-1	CHECK VALVE			2
- 17A	AN902B4	SEAL-CHECK VALVE			4
18	AN894-4-2D	BUSHING-EXPANDER			4
- 18A	AN742D17	CLAMP-ATTACH CHECK VALVE TO MOUNTING BRACKET			2
- 18B	AN515C8R9	SCREW-ATTACH CHECK VALVE CLAMPS TO MOUNTING BRACKET			2
- 18C	AN936B8	WASHER-ATTACH CHECK VALVE CLAMPS TO MOUNTING BRACKET			2
- 18D	MS21044N08	NUT-ATTACH CHECK VALVE CLAMPS TO MOUNTING BRACKET			2 R
19	0813850-9	VALVE-SAFETY			1
20	AN825-2D	TEE-INLET PORT OF SAFETY VALVE			1
21	AN824-2D	TEE-FUEL CONTROL HOUSING ASSY			2
22	AN823-2D	ELBOW-SAFETY VALVE OUTLET			1
23	0800106-136	LINE ASSY-UPR TEE TO CHECK VALVE			1
24	0800106-133	LINE ASSY-LWR TEE TO CHECK VALVE			1
25	0800106-137	LINE ASSY-UPR CHECK VALVE TO SAFETY VALVE TEE			1
26	0800106-134	TUBE ASSY-LWR CHECK VALVE TO SAFETY VALVE TEE			1
27	0813825-7	STRAP-ATTACH HEATER TO AIRFRAME			2
28	0800106-160	LINE ASSY-VENT FUEL CONTROL HOUSING			1
29	0800106-162	LINE ASSY-VENT FUEL CONTROL HOUSING			1
30	0800106-159	LINE ASSY-VENT NOSE TO HEATER INSTALLATION			1
31	S51-6	HOSE-2 IN. LG BULK ITEM REF S-51-6-8			2
32	S2357-2	CLAMP-FUEL CONTROL HOUSING VENT			4 R
33	S51-4	HOSE-2 IN. LG BULK ITEM REF S-51-4-8			2
34	S2357-1	CLAMP-FUEL CONTROL VALVE HOUSING			4 R
35	AN824-4D	TEE-VENT LINES			1
36	AN893-2D	BUSHING-VENT LINE TEE			1
37	AN840-4D	ADAPTER-HOSE FUEL CONTROL VALVE HOUSING			2
38	0812450-224	CABLE-FROM FUEL CONTROL HOUSING TO HEATER			1
39	0800106-161	TUBE ASSY-DRAIN FUEL CONTROL HOUSING			1
40	0800106-163	LINE ASSY-DRAIN FUEL CONTROL VALVE HOUSING			1
41	0800106-157	TUBE ASSY-DRAIN OUTLET			1
42	AN824-6D	TEE-DRAIN LINES			1
43	AN894-6-4D	BUSHING-DRAIN LINE TEE			1
44	AN520-10R6	SCREW-ATTACH FUEL CONTROL HOUSING TO AIRFRAME			4
45	MS21045L3	NUT-ATTACH FUEL CONTROL HOUSING TO AIRFRAME			4 R
46	MS35489-11	GROMMET-DRAIN LINE OUTLET			1
47	A3049A-4-92	CLAMP-VENT LINE TINNERMAN			1
48	A1049-8Z-1	NUT-VENT LINE CLAMP TINNERMAN			1
49	AN515-8119	SCREW			1
50	0800106-158	LINE ASSY-FUEL CONTROL HOUSING TO HEATER			1
51		ORIFICE-HEATER WINTERIZATION OPT REFER TO 25-70-00 FIGURE 01			RF

CESSNA AIRCRAFT COMPANY
MODEL 310 THRU 310D
 ILLUSTRATED PARTS CATALOG

A55761



AIRPLANES 35025 THRU 35546

CABIN HEATER ASSEMBLY
 FIGURE 08 (SHEET 1)

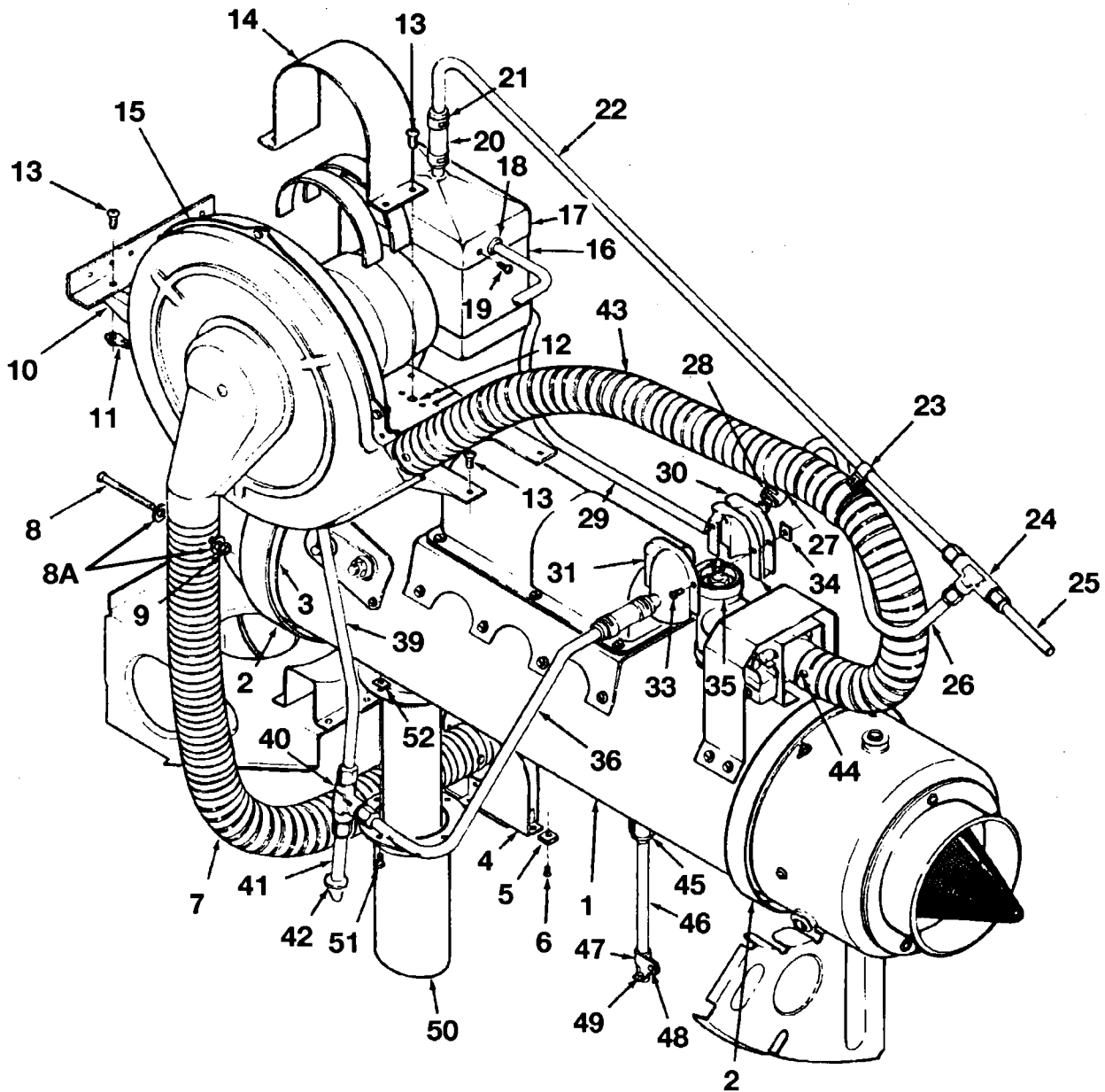
CESSNA AIRCRAFT COMPANY
MODEL 310 THRU 310D
ILLUSTRATED PARTS CATALOG

FIG ITEM	PART NUMBER	NOMENCLATURE	EFFECT		UNITS PER ASSY
			FROM	TO	
08		CABIN HEATER ASSEMBLY			RF
- 0	0813900-2	HEATER ASSY-CABIN REFER TO 21-40-00 FIGURE 07 FOR NHA STEWART WARNER MODEL 940-B24	35025	35546	1
1	0813750-24	ADAPTER BLOWER			1
2	0813750-36	SCREEN			1
3	AN500-8-6	SCREW-ATTACH BLOWER ADAPTER			3
4	0813900-19	RELAY BRACKET ASSY			1
- 4A	0813900-18	BRACKET			1
- 4B	0813780-1	RELAY			1
5	S-1021Z-8-7	SCREW-ATTACH RELAY BRACKET ASSY			2
6	NAS395-17	NUT-ATTACH RELAY BRACKET ASSY			2
7	G-711219	HOUSING ASSY-STEWART WARNER			1
8	487283	NUT-ATTACH VENTILATING FAN ASSY STEWART WARNER			5
9	G-711244	GUARD ASSY-SWITCH STEWART WARNER			1
10	487274	SCREW-ATTACH SWITCH GUARD STEWART WARNER			9
11	711222	GASKET-FUEL LINE STEWART WARNER			1
12	711224	PLATE-STANDPIPE STEWART WARNER			1
13	711223	FLANGE-FUEL LINE STEWART WARNER			1
14	487357	SCREW-ATTACH FUEL LINE FLANGE ASSY STEWART WARNER			2
15	G-711237	HEAT EXCHANGER-STEWART WARNER			1
16	486238	EXTENSION-EXHAUST			1
17	486802	O-RING-EXHAUST STEWART WARNER			1
18	486803	WASHER-EXHAUST STEWART WARNER			2
19	711240	ADAPTER-EXHAUST SHROUD STEWART WARNER			1
20	711241	GASKET-EXHAUST STEWART WARNER			1
21	AN500-8-4	SCREW-ATTACH EXHAUST ADAPTER TO HOUSING			6
22	G-484055	IGNITER ASSY-STEWART WARNER			1
23	475067	GASKET-IGNITER STEWART WARNER			1
24	7228	NUT-IGNITER STEWART WARNER			2
25	G-486216	LEAD ASSY-GROUND STEWART WARNER			1
26	487277	SCREW-ATTACH GROUND LEAD TO HEAT EXCHANGER STEWART WARNER			1
27	G-711231	STANDPIPE-FUEL LINE STEWART WARNER			1
28	489852	RESISTOR			1
29	711230	NUT-ATTACH STANDPIPE TO HEAT EXCHANGER STEWART WARNER			1
30	474948	CABLE-KNIT			1
31	91426	NUT-FUEL LINE UNIONS STEWART WARNER			3
32	91427	SLEEVE-FUEL LINE UNIONS STEWART WARNER			3
33	711098	O-RING-STANDPIPE STEWART WARNER			1
34	711221	TUBE-FUEL LINE STEWART WARNER			1
35	G-711210	VALVE-FUEL CONTROL STEWART WARNER			1
36	711205	NUT-ATTACH FUEL CONTROL VALVE STEWART WARNER			4
37	79990	SCREW-ATTACH FUEL CONTROL VALVE STEWART WARNER			4
38	G-711217	COVER-FUEL CONTROL VALVE HOUSING STEWART WARNER			1
39	473455	GROMMET-FUEL LINE STEWART WARNER			1
40	711215	GROMMET-FUEL CONTROL VALVE HOUSING STEWART WARNER			2
41	475127	GROMMET-HEATER HOUSING STEWART WARNER			1
42	G-486085	SWITCH-FLAME DETECTOR STEWART WARNER			1
43	G-486332	SWITCH-OVERHEAT STEWART WARNER			1
44	484140	STRIP-TERMINAL STEWART WARNER			1
45	484141	STRIP-DOUBLER MARKER STEWART WARNER			1
46	485152	JUMPER-GROUND TERMINAL STEWART WARNER			1
47	79372	LOCK WASHER-TERMINAL STRIP AND OVERHEAT SWITCH STEWART WARNER			6
48	488559	SCREW-TERMINAL STRIP STEWART WARNER			4
49	488066	SCREW-TERMINAL STRIP CONNECTIONS STEWART WARNER			10
50	484955	STRIP-CONNECTOR STEWART WARNER			1
51	484986	CLAMP-CABLE STEWART WARNER			1
52	488066	SCREW-ATTACH CABLE CLAMP STEWART WARNER			1
53	76784	NUT-ATTACH CABLE CLAMP STEWART WARNER			1
54	G-700176	BLOWER ASSY-MOTOR STEWART WARNER REFER TO NOTE 1			1
- 54A	G-700180	COVER-FAN STEWART WARNER			1
55	G-701151	MOTOR ASSY-STEWART WARNER			1
56	G484046	WHEEL-BLOWER			1
57	700147	BRACKET-STEWART WARNER			1
58	18672	SCREW-ATTACH AIR BLOWER HOUSING STEWART WARNER			9
59	489319	NUT-SPEED STEWART WARNER			9
60	AN508-6-5	SCREW-ATTACH BRACKET TO BLOWER HOUSING			2
61	711227	TUBE-COMBUSTION AIR STEWART WARNER			1
62	711228	TUBE-COMBUSTION AIR STEWART WARNER			1
63	489408	CLAMP-COMBUSTION AIR TUBE STEWART WARNER			3

NOTE 1—THIS ASSEMBLY ALSO INCLUDES 711233 BLOWER MOTOR, G-488932 WHEEL ASSEMBLY, G-700148 BRACKET ASSEMBLY, 700146 MOTOR SHOCK MOUNT, G-486216 GROUND LEAD ASSEMBLY, 487357 SCREW, 475005 WASHER AND 487283 NUT.

CESSNA AIRCRAFT COMPANY
MODEL 310 THRU 310D
ILLUSTRATED PARTS CATALOG

A55762



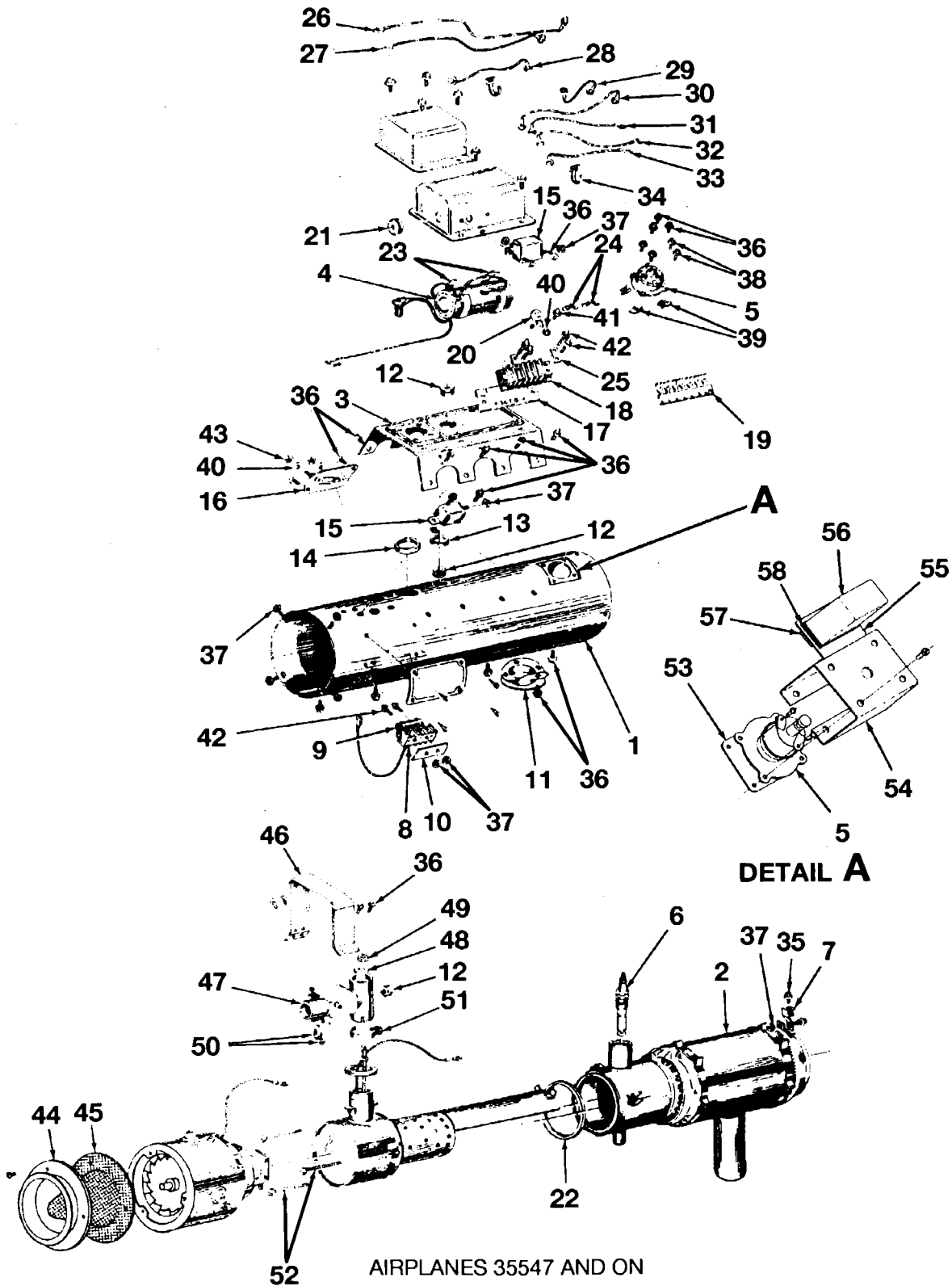
AIRPLANES 35547 AND ON
CABIN HEATER INSTALLATION
FIGURE 09 (SHEET 1)

CESSNA AIRCRAFT COMPANY
MODEL 310 THRU 310D
ILLUSTRATED PARTS CATALOG

FIG ITEM	PART NUMBER	NOMENCLATURE	EFFECT FROM TO	UNITS PER ASSY
		1 2 3 4 5 6 7		
09				
- 1	0813825-4	CABIN HEATER INSTALLATION REFER TO 21-40-00 FIGURE 03 FOR NHA HEATER ASSY-CABIN REFER TO 21-40-00 FIGURE 10 FOR BREAKDOWN	35547 & ON	RF 1
2	0311779-23	CLAMP-ATTACH HEATER TO AIRFRAME		2
- 2A	0813839-1	STRAP-ASBESTOS		2
3	0813779-2	HEATER ADAPTER ASSY		1
4	0813746-1	INLET ASSY-AIR		1
5	S3228-1	NUT-ATTACH INLET ASSY TINNEMAN A6187-4Z-3		4 R
6	S-1022Z-4-6	SCREW-ATTACH INLET ASSY		4
7	0813838-2	TUBE BLOWER OUT-BLOWER INLET		1
8	AN515-8R30	SCREW-ATTACH BLOWER INLET HOSE		2
8A	NAS1149FN816P	WASHER-ATTACH BLOWER INLET HOSE		2 R
9	S2903-08	NUT-ATTACH BLOWER INLET HOSE		2 R
10	0813727-1	SUPPORT ASSY-BLOWER HEATER		1
11	NAS682A08	NUTPLATE-ATTACH SUPPORT TO BULKHEAD		2
12	MS21049L08	NUTPLATE-ATTACH BLOWER		4 R
- 12A	MS21049L08	NUTPLATE-ATTACH BLOWER ALT FOR NAS681A08		4 R
13	AN515-8R7	SCREW-ATTACH SUPPORT AND BLOWER		8
14	0813742-1	CLAMP ASSY-ATTACH BLOWER		1
- 14A	0813825-5	HEATER ASSY		1
15	0813865-1	BLOWER-HEATER REFER TO 21-40-01 FIGURE 01 FOR BREAKDOWN STEWART WARNER G-714750		1
16	0813747-1	SHROUD ASSY-FUEL PUMP		1
- 16A	MS21071L08	NUT		2 R
17	0813747-2	LID ASSY-TOP FUEL PUMP		1
18	MS35489-6S	GROMMET-FORWARD ATTACH LINE		1
- 18A	MS35489-4S	GROMMET-AFT ATTACH LINE		1
19	AN515-8R5	SCREW-ATTACH LID ASSY		2
20	S51-4	HOSE-2 IN. LG BULK ITEM REF S-51-4-8		3
21	S2357-1	CLAMP-ATTACH HOSE		6 R
22	0800106-245	LINE ASSY-FUEL PUMP TO TEE		1
23	A3049A-22-98	CLAMP-ATTACH BLOWER OUTLET HOSE TINNEMAN		1
- 23A	A3049A-4-92	CLAMP-ATTACH FUEL LINE TINNEMAN		1
- 23B	S-1021Z-8-10	SCREW-ATTACH CLAMPS		2
- 23C	S3230-4	NUT-ATTACH CLAMPS		2 R
24	AN824-4D	TEE-FUEL LINES		1
25	0800106-243	LINE ASSY		1
26	0800106-244	LINE ASSY-TEE TO BURNER		1
27	S51-4	HOSE-1.5 IN. LG BULK ITEM REF S-51-4-6		1
28	S2357-1	CLAMP-ATTACH HOSE		2 R
29	0800106-242	LINE ASSY-PUMP TO BURNER		1
- 29A	AS5194D0302	ADAPTER-ATTACH LINE AT HEATER FUEL PUMP		1 R
30	0813757-1	SHROUD HALF ASSY-INLET		1
31	0813757-2	SHROUD HALF ASSY-OUTLET		1
32	0813757-5	GASKET-SEAL		2
33	S-1021Z-4-6	SCREW-ATTACH SHROUD HALF		2
34	S3230-1	NUT-ATTACH SHROUD HALF TINNEMAN A1776-4Z-3		2 R
35	AN737TW56	CLAMP-ATTACH SHROUD		1
36	0800106-246	LINE ASSY-DRAIN BURNER SHROUD TO TEE		1
- 37		DELETED-NOT USED		
- 38		DELETED-NOT USED		
39	0800106-247	LINE ASSY-DRAIN FUEL PUMP SHROUD TO TEE		1
40	AN824-4D	TEE-DRAIN LINES		1
41	0800106-259	LINE ASSY-DRAIN OUTLET		1
42	MS35489-6	GROMMET-DRAIN LINE OUTLET		1
43	0813825-2	TUBE-BLOWER OUTLET		1
44	AN515-8R26	SCREW-ATTACH BLOWER OUTLET HOSE		2
- 44A	NAS1149FN816P	WASHER-ATTACH BLOWER OUTLET HOSE		2 R
- 44B	S2903-08	NUT-ATTACH BLOWER OUTLET HOSE		2 R
45	AN816-6C	NIPPLE-HEATER DRAIN		1
46	0800106-248	LINE ASSY-DRAIN		1
47	795-6	CLIP-DRAIN LINE SUPPORT ADEL		1
48	AN515-8R8	SCREW-ATTACH CLIP TO LINE		1
- 48A	S2903-08	NUT-ATTACH CLIP TO LINE		1 R
49	AN509-632R6	SCREW-ATTACH CLIP TO SKIN		1
- 49A	H10-06	NUT-ATTACH CLIP TO SKIN KAYNAR		1
50	0813749-1	SHROUD ASSY-HEATER EXHAUST		1
51	S-1021Z-6R6	SCREW-ATTACH SHROUD		4
52	S3230-2	NUT-ATTACH SHROUD		4 R

CESSNA AIRCRAFT COMPANY
MODEL 310 THRU 310D
 ILLUSTRATED PARTS CATALOG

A55763



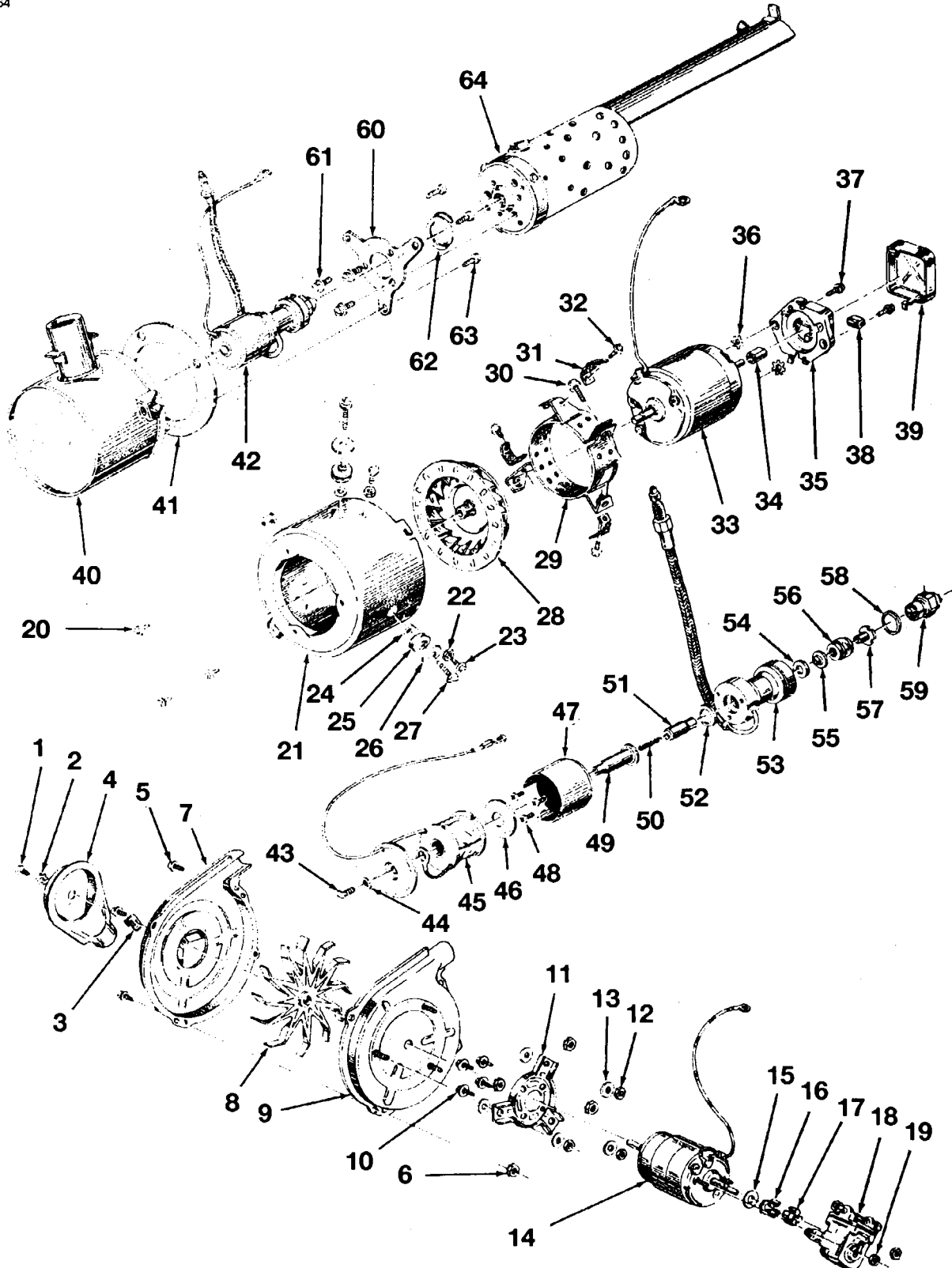
CESSNA AIRCRAFT COMPANY MODEL 310 THRU 310D ILLUSTRATED PARTS CATALOG

FIG ITEM	PART NUMBER	NOMENCLATURE	EFFECT FROM TO	UNITS PER ASSY
	1 2 3 4 5 6 7			
10		CABIN HEATER ASSEMBLY		
- 0	0813825-4	HEATER ASSY-CABIN FSO 0813825-9 REFER TO 21-40-00 FIGURE 09 FOR NHA	35547 & ON	RF 1
- A	0813825-9	HEATER ASSY-CABIN REFER TO 21-40-00 FIGURE 09 FOR NHA	35547 & ON	RF 1
- B		HEATER COMPONENTS-BURNER & BLOWER ASSYS REFER TO 21-40-01 FIGURE 01 FOR BREAKDOWN		RF
1	G-714725	HOUSING ASSY-HEAT EXCHANGER STEWART WARNER		1
2	0813825-6	WELD ASSY-HEAT		1
3	G-714726	SHELF ASSY-STEWART WARNER		1
4	714714	COIL ASSY-IGNITION 24V STEWART WARNER		1
5	714712	SWITCH-OVERHEAT FSO 719831-1 STEWART WARNER		1
- 5A	719831-1	SWITCH OVERHEAT-STEWART WARNER REFER TO NOTE 1		1
6	G-714715	SPARK PLUG-VENTILATED STEWART WARNER		1
7	489145	LEAD ASSY-GROUND STEWART WARNER		4
8	715294	BLOCK ASSY-TERMINAL STEWART WARNER		1
9	717305	RESISTOR-10W 50 OHM STEWART WARNER		1
10	715289	INSULATOR-STEWART WARNER		1
11	0813748-1	SHROUD ASSY		1
12	488993	GROMMET-STEWART WARNER		2
13	715007	SHIELDING-GASKET ELECTRONIC STEWART WARNER		1
14	714899	SHIELDING-GASKET ELECTRONIC STEWART WARNER		1
15	714892	FILTER-RADIO INTERFERENCE STEWART WARNER		2
16	G714886	SWITCH-DUCT LIMIT STEWART WARNER		1
17	714798	STRIP-DOUBLE MARKER STEWART WARNER		1
18	484140	STRIP-TERMINAL STEWART WARNER		1
19	715178	STRIP-FANNING STEWART WARNER		1
20	714995	CAPACITOR		1
21	488589	GROMMET-STEWART WARNER		1
22	474363	GASKET		1
23	714722	PAD-STEWART WARNER		2
24	700380	JUMPER-STEWART WARNER		2
25	485152	JUMPER-GROUND TERMINAL STEWART WARNER		2
26	G-714723	CABLE ASSY-STEWART WARNER		1
27	G-714765	CABLE ASSY-STEWART WARNER		1
28	G-714766	CABLE ASSY-STEWART WARNER		1
29	G-714787	CABLE ASSY-STEWART WARNER		1
30	G-714800	CABLE ASSY-STEWART WARNER		1
31	G-714799	CABLE ASSY-STEWART WARNER		1
32	G-714719	CABLE ASSY-STEWART WARNER		1
33	G-715013	CABLE ASSY-STEWART WARNER		1
34	474995	CLAMP-CABLE STEWART WARNER		2
35	487357	SCREW-STEWART WARNER		2
36	487274	SCREW-STEWART WARNER		28
37	487283	NUT		12
38	79990	SCREW-STEWART WARNER		4
39	711205	NUT-STEWART WARNER		4
40	79372	LOCKWASHER-STEWART WARNER		3
41	488066	SCREW-STEWART WARNER		12
42	484079	SCREW-STEWART WARNER		6
43	76784	NUT-STEWART WARNER		2
44	0813750-55	ADAPTER-BLOWER		1
45	0813750-36	SCREEN		1
46	715006	GUARD-SWITCH STEWART WARNER		1
47	G-717570	SWITCH ASSY-AIR FLOW STEWART WARNER		1
48	477727	GASKET-FUEL LINE STEWART WARNER		1
49	77878	NUT-STEWART WARNER		1
50	170677	SCREW-STEWART WARNER		2
51	487348	CLAMP-HOSE STEWART WARNER		1
52	76528	SCREW-STEWART WARNER		3
53	720962	GASKET-STEWART WARNER		1
54	720719	GUARD-OVERHEAT SWITCH STEWART WARNER		1
55	0813836-1	BRACKET		1
- 55A	MS25036-49	TERMINAL		5
56	KHS17D11	RELAY-24V POTTER-BRUMFIELD		1
57	27E008	SOCKET-RELAY MOUNTING POTTER-BRUMFIELD		1
58	24A037	RETAINER-RELAY POTTER-BRUMFIELD		1

NOTE 1—WHEN ORDERING THIS PART FOR SPARES, ALSO ORDER 0813836-1 BRACKET, MS25036-49 TERMINAL, KHS17D11 RELAY, 27E008 SOCKET AND 24A037 RELAY RETAINER FOR INITIAL FIELD INSTALLATION

CESSNA AIRCRAFT COMPANY
MODEL 310 THRU 310D
ILLUSTRATED PARTS CATALOG

A55764



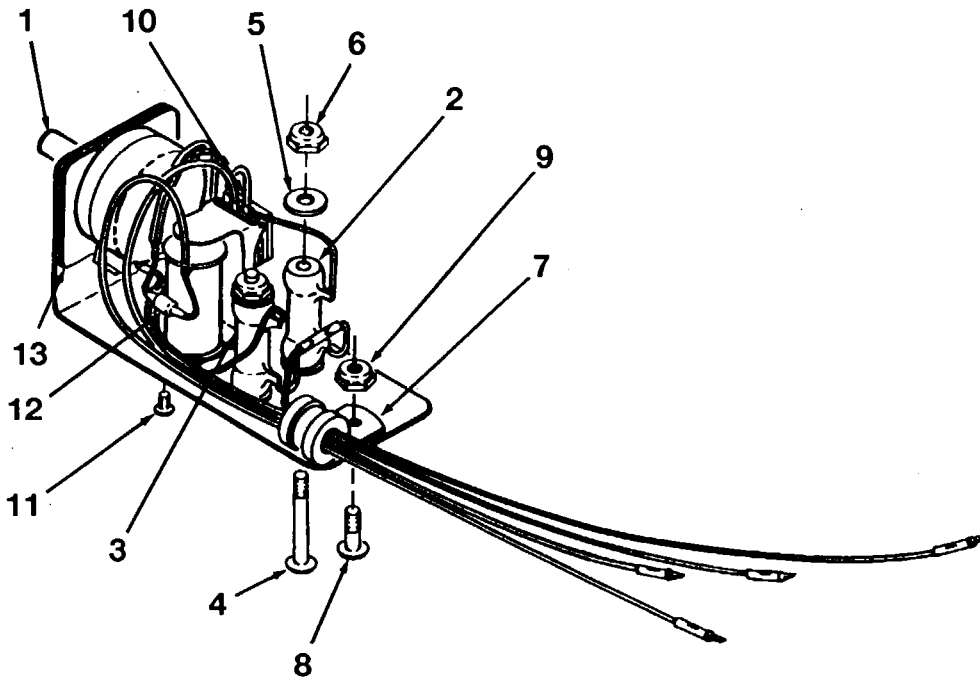
HEATER COMPONENTS AND BLOWER AND FUEL PUMP ASSEMBLY
FIGURE 01 (SHEET 1)

CESSNA AIRCRAFT COMPANY
MODEL 310 THRU 310D
ILLUSTRATED PARTS CATALOG

FIG ITEM	PART NUMBER	NOMENCLATURE	EFFECT FROM TO	UNITS PER ASSY
	1 2 3 4 5 6 7			
01		HEATER COMPONENTS AND BLOWER AND FUEL PUMP ASSEMBLY		RF
0	0813865-1	BLOWER AND FUEL PUMP ASSY-REFER TO 21-40-00 FIGURE 09 FOR NHA STEWART WARNER G-714750		1
1	18370	SCREW-ATTACH ADAPTER ASSY STEWART WARNER		1
2	475005	WASHER-LOCK ATTACH ADAPTER ASSY STEWART WARNER		1
3	488555	NUT-SPEED ATTACH ADAPTER ASSY STEWART WARNER		1
4	G-714996	ADAPTER ASSY-INLET STEWART WARNER		1
5	487274	SCREW-ATTACH HOUSING ASSYS STEWART WARNER		4
6	487283	NUT-ATTACH HOUSING ASSYS STEWART WARNER		4
7	G-714802	HOUSING ASSY-BLOWER FRONT STEWART WARNER		1
8	G-715078	WHEEL ASSY-BLOWER STEWART WARNER		1
9	G-714804	HOUSING ASSY-BLOWER STEWART WARNER		1
10	487275	SCREW-ATTACH MOUNTING BRACKET STEWART WARNER		4
11	715290	BRACKET-MOTOR MOUNTING STEWART WARNER		1
12	45569	NUT-ATTACH MOUNTING BRKT TO BLOWER STEWART WARNER		3
13	481074	WASHER-ATTACH MOUNTING BRKT TO BLOWER STEWART WARNER		6
14	714709	MOTOR-COMBUSTION AIR STEWART WARNER		1
15	477096	WASHER-STEWART WARNER		1
16	735100	CONNECTOR		1
17	735101	COUPLING		1
18	G-714769	PUMP ASSY-FUEL STEWART WARNER		1
19	470381	NUT-ATTACH PUMP TO MOTOR STEWART WARNER		2
- 19A		HEATER COMPONENTS-BURNER & BLOWER ASSYS REFER TO 21-40-00 FIGURE 10 FOR NHA		RF
- 19B	G-714717	BREAKER POINT & VENT BLOWER ASSY-STEWART WARNER		1
20	487274	SCREW-ATTACH SCREEN STEWART WARNER		3
21	G-714900	HOUSING ASSY-BLOWER STEWART WARNER		1
22	487283	NUT		3
23	487357	SCREW-STEWART WARNER		3
24	484869	WASHER-STEWART WARNER		3
25	700146	SHOCK MOUNT-STEWART WARNER		3
26	700383	WASHER-STEWART WARNER		3
27	170920	FASTENER-STEWART WARNER		3
28	G-488932	WHEEL ASSY-BLOWER STEWART WARNER		1
29	G-700148	BRACKET ASSY-MOTOR MOUNTING STEWART WARNER		1
30	170920	FASTENER-ATTACH MOUNTING BRACKET STEWART WARNER		1
31	489145	LEAD ASSY-GROUND STEWART WARNER		3
32	17350	SCREW-ATTACH LEAD ASSY STEWART WARNER		3
33	714708	MOTOR-BLOWER STEWART WARNER		1
34	715995	CAM-BREAKER STEWART WARNER		1
35	G-714961	BASE ASSY-IGNITION UNIT STEWART WARNER		1
36	475005	LOCKWASHER-ATTACH BASE ASSY STEWART WARNER		2
37	714907	SCREW-ATTACH BASE ASSY		2
38	735449	GROMMET-STEWART WARNER		1
39	714992	COVER-MOTOR STEWART WARNER		1
- 39A	G-714716	BURNER ASSY-STEWART WARNER		1
40	G-714731	CAP ASSY-BURNER HOUSING STEWART WARNER		1
41	714792	ORIFICE-COMBUSTION AIR STEWART WARNER		1
42	G-714739	FUEL NOZZLE & SOLENOID ASSY-STEWART WARNER		1
43	73376	SCREW-STEWART WARNER		1
44	79404	WASHER-STEWART WARNER		1
45	G-714999	COIL ASSY-STEWART WARNER		1
46	476229	WASHER-STEWART WARNER		1
47	484044	CUP-SOLENOID STEWART WARNER		1
48	79921	SCREW-ATTACH CUP TO HOLDER ASSY STEWART WARNER		3
49	G-476220	CORE ASSY-SLEEVE STEWART WARNER		1
50	476339	SPRING-VALVE STEWART WARNER		1
51	488478	PLUNGER ASSY-STEWART WARNER		1
52	474669	GASKET		1
53	G-714742	HOLDER ASSY-NOZZLE STEWART WARNER		1
54	735059	GASKET		1
55	715062	SEAT-VALVE STEWART WARNER		1
56	735127	SCREW-VALVE SEAT STEWART WARNER		1
57	735329	SPACER-STEWART WARNER		1
58	715167	GASKET-STEWART WARNER		1
59	714710	NOZZLE-FUEL STEWART WARNER		1
60	714738	SUPPORT-BURNER STEWART WARNER		1
61	79911	SCREW-ATTACH BURNER SUPPORT STEWART WARNER		3
62	714737	RING-RETAINING		1
63	79295	SCREW-ATTACH BURNER SUPPORT TO CUP ASSY STEWART WARNER		3
64	G-714778	MIXER ASSY & BAFFLE-STEWART WARNER		1

CESSNA AIRCRAFT COMPANY
MODEL 310 THRU 310D
ILLUSTRATED PARTS CATALOG

A55690



AIRPLANES 35000 THRU 35486

CABIN HEAT CONTROL ASSEMBLY
FIGURE 01 (SHEET 1)

CESSNA AIRCRAFT COMPANY
MODEL 310 THRU 310D
ILLUSTRATED PARTS CATALOG

FIG ITEM	PART NUMBER	NOMENCLATURE	EFFECT		UNITS PER ASSY
			FROM	TO	
01					
		CABIN HEAT CONTROL ASSEMBLY			RF
0	0612352-1	. CONTROL ASSY-CABIN HEAT REFER TO 31-10-00 FIGURES 01 & 02 FOR NHA	35000	35486	1
1		. . RHEOSTAT-TYPE 43 5000 OHM CLAROSTAT MFG CO			RF
2		. . RESISTOR-800 OHM OHMITE MFG CO			RF
3		. . RESISTOR-380 OHM OHMITE MFG CO			RF
4	AN515-6R22	. . SCREW-ATTACH RESISTOR			2
5	NAS70P144-375	. . WASHER-ATTACH RESISTOR			4
6	MS21044N06	. . NUT-ATTACH RESISTOR			2 R
7	AN742D5C	. . CLAMP			1
8	AN520-10R5	. . SCREW-ATTACH CLAMP			1
9	MS21045L3	. . NUT-ATTACH CLAMP			1 R
10	MH2267	. . RELAY-24 VOLT 700 OHM POTTER & BRUMFIELD			1
11	AN515-3R2	. . SCREW-ATTACH RELAY			2
12		. . GERMANIUM DIODE-TYPE 1N34A SYLVANIA ELECT PROD INC			RF
13	0812352-11	. . INSULATION			1

CHAPTER

22

AUTO FLIGHT

CESSNA AIRCRAFT COMPANY
MODEL 310 THRU 310D
ILLUSTRATED PARTS CATALOG

LIST OF EFFECTIVE PAGES

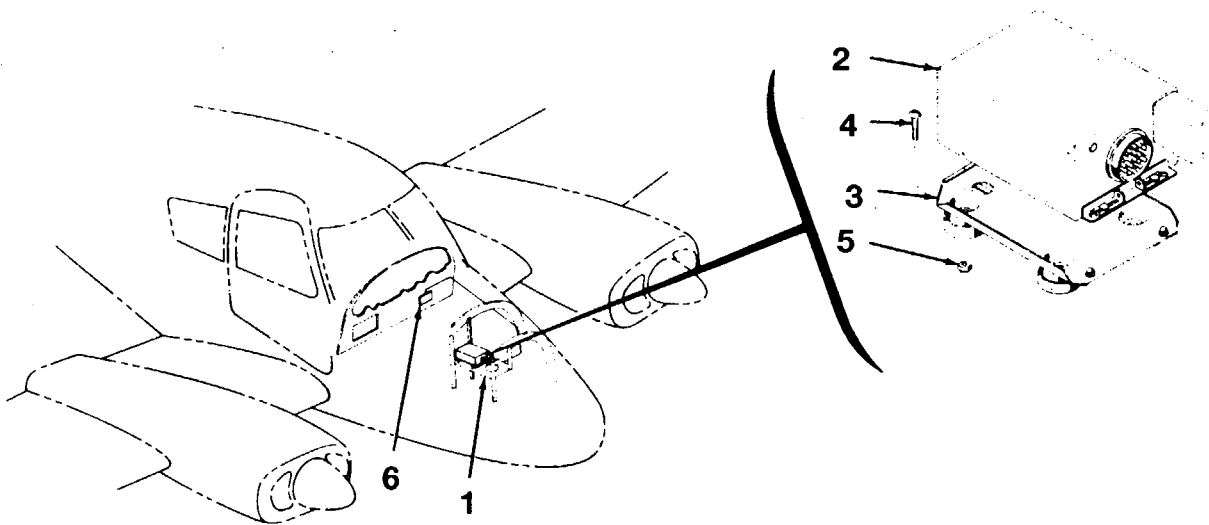
CHAPTER-SECTION-SUBJECT	PAGE	DATE
22-Title		
22-List of Effective Pages		
22-Record of Temporary Revisions		
22-Contents		
22-10-00 Figure 01	1	Jul 5/2004
	2	Jul 5/2004
22-10-00 Figure 02	1	Jul 3/2006
	2	Jul 3/2006
22-10-01 Figure 01	1	Jul 3/2006
	2	Jul 3/2006
22-10-02 Figure 01	1	Jul 5/2004
	2	Jul 5/2004
22-50-00 Figure 01	1	Jul 3/2006
	2	Jul 3/2006

CESSNA AIRCRAFT COMPANY
MODEL 310 THRU 310D
ILLUSTRATED PARTS CATALOG

<u>SUBJECT</u>	<u>CH SEC SUBJ FIG</u>	<u>EFFECTIVITY</u>
DYNAVIA AUTOPILOT OMNI COUPLER INSTALLATION	22-10-00-01	39032 & ON
LEAR AUTOPILOT INSTALLATION	22-10-00-02	
LEAR AUTOPILOT SERVO AND CABLE INSTALLATION	22-10-01-01	
RECEPTACLE BOX INSTALLATION	22-10-02-01	
LEAR AUTOPILOT FOLLOW-UP SYSTEM INSTALLATION	22-50-00-01	

CESSNA AIRCRAFT COMPANY
MODEL 310 THRU 310D
ILLUSTRATED PARTS CATALOG

A55873



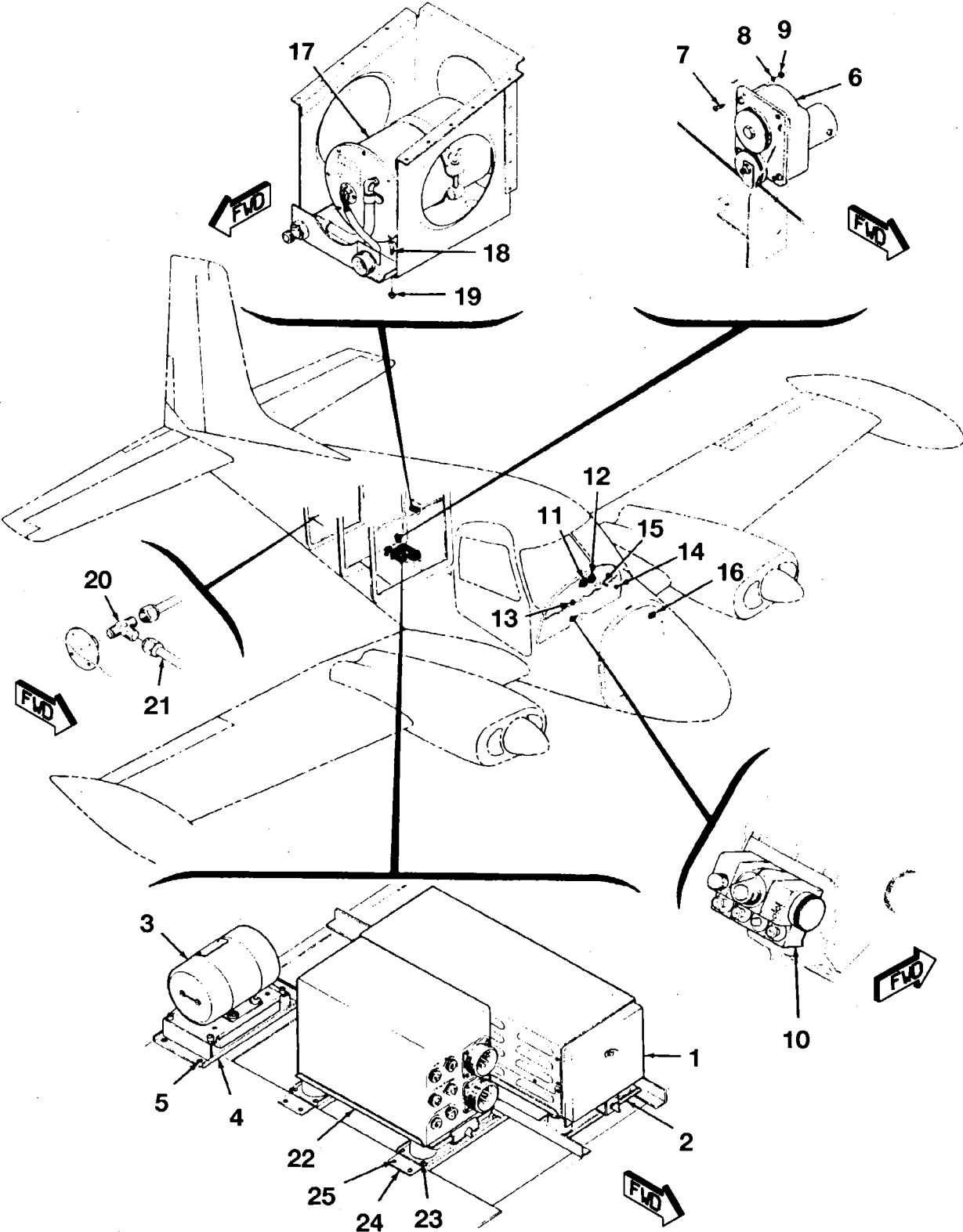
AIRPLANES 39032 AND ON
DYNAVIA AUTOPILOT OMNI COUPLER INSTALLATION
FIGURE 01 (SHEET 1)

CESSNA AIRCRAFT COMPANY
MODEL 310 THRU 310D
ILLUSTRATED PARTS CATALOG

FIG ITEM	PART NUMBER	NOMENCLATURE	EFFECT		UNITS
			FROM	TO	PER ASSY
01		DYNAVIA AUTOPILOT OMNI COUPLER INSTALLATION	39032	& ON	RF
1		. SHELF ASSY RADIO CONTROL-REFER TO 53-10-06 FIGURE 06			RF
2	0812666-5	. COMPUTER-DYNAVIA ANC-3A			1
3	0812465-259	. MOUNT-COMPUTER			1
4	AN515-8R14	. SCREW-ATTACH MOUNT			4
5	MS21044N08	. NUT-ATTACH MOUNT			4 R
6		. PANEL ASSY & INSTALLATION-RADIO CONTROL REFER TO 31-10-02 FIGURE 22			RF

CESSNA AIRCRAFT COMPANY
MODEL 310 THRU 310D
ILLUSTRATED PARTS CATALOG

A55887



LEAR AUTOPILOT INSTALLATION
FIGURE 02 (SHEET 1)

CESSNA AIRCRAFT COMPANY

MODEL 310 THRU 310D

ILLUSTRATED PARTS CATALOG

FIG ITEM	PART NUMBER	NOMENCLATURE	EFFECT		UNITS PER ASSY
			FROM	TO	
02		LEAR AUTOPILOT INSTALLATION			RF
- 0		AUTOPILOT SERVO & CABLES INSTALLATION-REFER TO 22-10-01 FIGURE 01 FOR BREAKDOWN			RF
- A		AUTOPILOT FOLLOW-UP SYSTEM INSTALLATION-REFER TO 22-50-00 FIGURE 01 FOR BREAKDOWN			RF
- B		BOX INSTALLATION-RECEPTACLE REFER TO 22-10-02 FIGURE 01 FOR BREAKDOWN			RF
1	0861400-27	AMPLIFIER-LEAR 97228-12			1
2	0861400-64	MOUNT-AMPLIFIER			1
- 2A	AN515-8R6	SCREW-ATTACH AMPLIFIER			8
- 2B	MS20364-832C	NUT-ATTACH AMPLIFIER			8
3	0861400-9	DYNAMOTOR-LEAR LD-5-2B			1
- 3A	AN507-832R6	SCREW-ATTACH DYNAMOTOR			4
4	0814000-146	BRACKET-DYNAMOTOR MOUNTING			1
5	AN515-8R6	SCREW-ATTACH BRACKET			4
- 5A	MS20364-832C	NUT-ATTACH BRACKET			4
6	0861400-8	SERVO-ELEVATOR TRIM LEAR 868G-2			1
7	AN515-8R10	SCREW-ATTACH SERVO			4
8	NAS1149DN832H	WASHER-ATTACH SERVO			4 R
9	MS21044N08	NUT-ATTACH SERVO			4 R
10	0861400-2	CONTROL-TRANSPONDER LEAR 937B			1
- 10A	AN515-6R6	SCREW-ATTACH CONTROLLER			4
11	0861400-1	GYRO-ATTITUDE LEAR 97411			1
- 11A	AN520B10R10	SCREW-ATTACH ATTITUDE GYRO			3
12	0861400-3	GYRO-DIRECTIONAL LEAR 976M			1
- 12A	AN520B10R14	SCREW-ATTACH DIRECTIONAL GYRO			4
13	0861400-10	TRIM INDICATOR-RUDDER			1
- 13A	AN515B6R9	SCREW-ATTACH TRIM INDICATOR			4
14	S382-2	SWITCH-AUTOPILOT MASTER			1
- 14A	0813506	NUT-SWITCH DECORATIVE	35000	35546	1
- 14B	S1216-1	NUT-SWITCH DECORATIVE	35547	& ON	1
- 14C	S384-1	KNOB-SWITCH			1
15	T1002	LH WING LIGHT SWITCH			1
16		BOX INSTALLATION-NETWORK LOADING REFER TO 23-00-00 FIGURE 04 FOR BREAKDOWN			RF
- 16A		ALTITUDE CONTROLLER INSTALLATION			RF
17	0861400-15	ALTITUDE CONTROLLER-LEAR 2203-D			1
18	AN515-8R6	SCREW-ATTACH ALTITUDE CONTROLLER			4
19	MS21044N08	NUT-ATTACH ALTITUDE CONTROLLER			4 R
20	AN826-4D	TEE-STATIC SOURCE			1
21	0800106-176	LINE-STATIC	35000	35546	1
- 21A	0800106-263	TUBE ASSY-STATIC	35547	& ON	1
- 21B		APPROACH COUPLER INSTALLATION			RF
22	0861400-11	COUPLER-LEAR 1350B-2			1
23	AN515-8R6	SCREW-ATTACH APPROACH COUPLER			8
- 23A	MS20364-832C	NUT-ATTACH APPROACH COUPLER			8
24	0814000-100	CHANNEL-APPROACH COUPLER MOUNTING	35000	35715	2
- 24A	0814000-166	BRACKET-APPROACH COUPLER MOUNTING	35716	& ON	2
25	AN515-8R6	SCREW-ATTACH CHANNEL	35000	35715	8
- 25A	AN515-8R6	SCREW-ATTACH CHANNEL	35716	& ON	4
- 25B	MS35206-332	SCREW-ATTACH CHANNEL	35716	& ON	4 R
- 25C	NAS43DD-3-51	SPACER-ATTACH CHANNEL	35716	& ON	4
- 25D	MS20364-832C	NUT-ATTACH CHANNEL	35000	35715	8
- 25E	MS20364-832C	NUT-ATTACH CHANNEL	35716	& ON	4

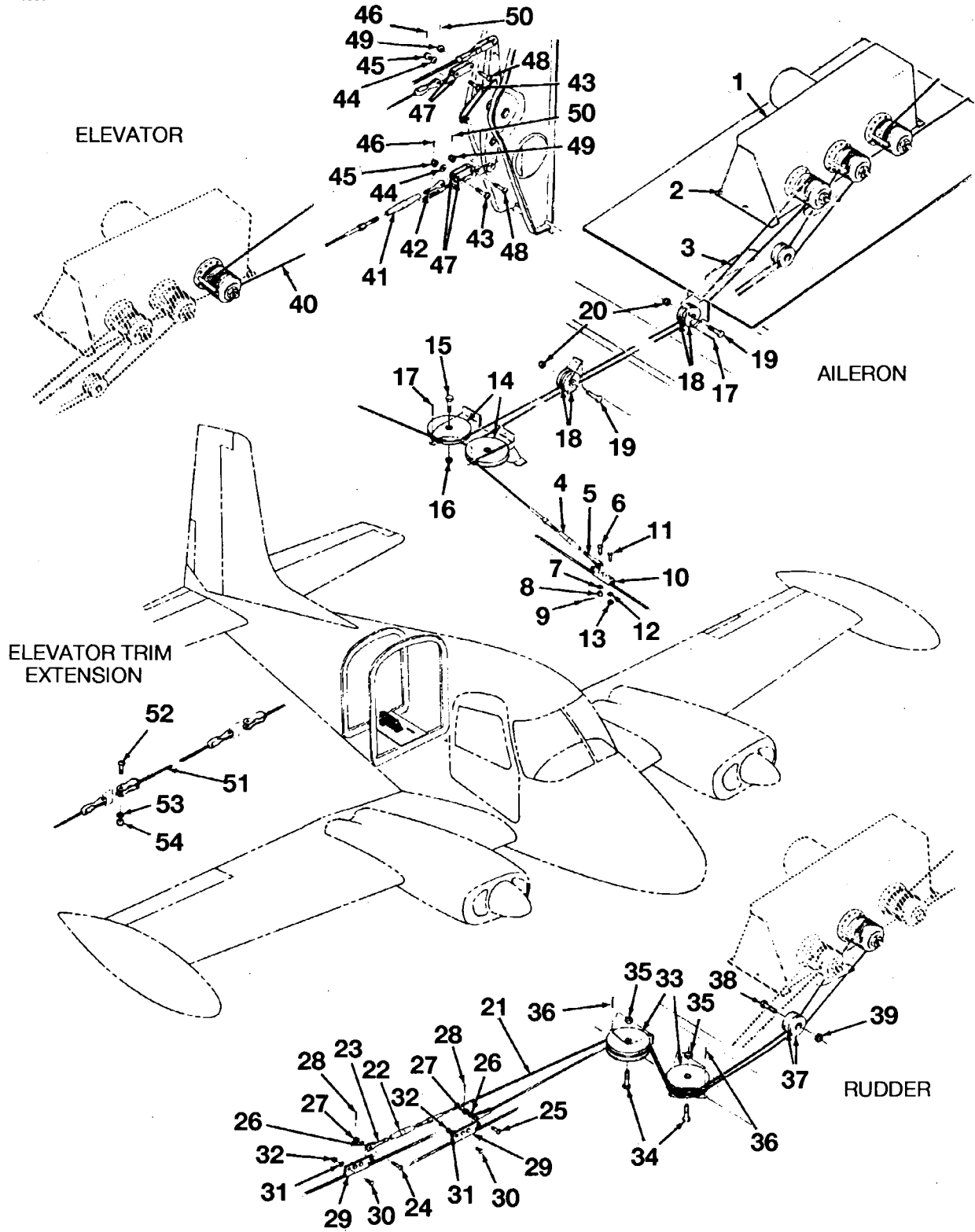
- ITEM NOT ILLUSTRATED

© Cessna Aircraft Company

Figure 02
Page 2
22-10-00 Jul 3/2006

CESSNA AIRCRAFT COMPANY
MODEL 310 THRU 310D
 ILLUSTRATED PARTS CATALOG

A55889



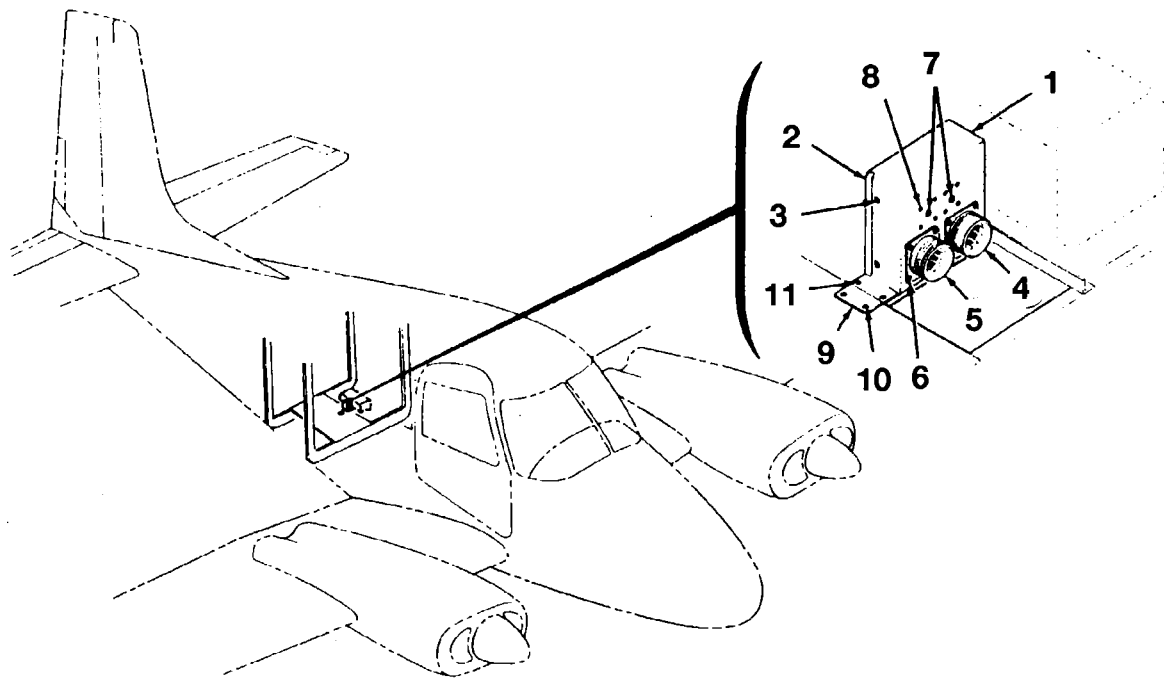
LEAR AUTOPILOT SERVO AND CABLE INSTALLATION
 FIGURE 01 (SHEET 1)

CESSNA AIRCRAFT COMPANY
MODEL 310 THRU 310D
ILLUSTRATED PARTS CATALOG

FIG ITEM	PART NUMBER	NOMENCLATURE	EFFECT		UNITS PER ASSY
			FROM	TO	
01		LEAR AUTOPILOT SERVO AND CABLE INSTALLATION REFER TO 22-10-00			RF
		FIGURE 02 FOR NHA			
1	0861400-4	. SENSOR-3 AXIS LEAR L21D2 OR 121D3			1
2	AN515-8R8	. SCREW-ATTACH SERVO			6
- 2A	NAS1149DN832H	. WASHER-ATTACH SERVO			6 R
- 2B	MS21044N08	. NUT-ATTACH SERVO			6 R
3	0860207-25	. CABLE ASSY-AILERON ACTUATOR			1
4	AN155B-8S	. BARREL-TURNBUCKLE			2
5	AN161-8RS	. FORK			2
6	AN23-9	. BOLT-ATTACH FORK TO CLAMP			2
7	NAS1149D0316H	. WASHER-ATTACH FORK TO CLAMP			2 R
8	AN310-3	. NUT-ATTACH FORK TO CLAMP			2
9	MS24665-132	. COTTER PIN-SECURE NUT			2
10	0861400-14	. CLAMP-CABLE			2
11	AN3-4A	. BOLT-ATTACH CLAMPS			6
12	NAS1149D0363H	. WASHER-ATTACH CLAMPS			6 R
13	MS21045L3	. NUT-ATTACH CLAMPS			6 R
14	S378-2	. PULLEY-AILERON ACTUATOR CABLE			2
15	AN3-5A	. BOLT-ATTACH PULLEYS			2
16	MS21045L3	. NUT-ATTACH PULLEYS			2 R
17	MS24665-134	. COTTER PIN-CABLE GUARD			2
18	S378-1	. PULLEY-AILERON ACTUATOR CABLE			4
19	AN3-10A	. BOLT-ATTACH PULLEYS			2
20	MS21045L3	. NUT-ATTACH PULLEYS			2 R
21	0860207-97	. CABLE ASSY-RUDDER ACTUATOR			1
22	AN155B-8S	. BARREL-TURNBUCKLE			1
23	AN161-8RS	. FORK			1
24	AN23-9	. BOLT-ATTACH FORK TO CLAMP ON RH RUDDER CABLE			1
25	AN23-8	. BOLT-ATTACH CABLE TO CLAMP ON LH RUDDER CABLE			1
26	NAS1149D0316H	. WASHER-ATTACH CABLE TO CLAMP			2 R
27	AN310-3	. NUT-ATTACH CABLE TO CLAMP			2
28	MS24665-132	. COTTER PIN-SECURE NUT			2
29	0861400-14	. CLAMP-CABLE			2
		ATTACHING PARTS			
30	AN3-4A	. BOLT-ATTACH CLAMPS			6
31	NAS1149D0363H	. WASHER-ATTACH CLAMPS			6 R
32	MS21045L3	. NUT-ATTACH CLAMPS			6 R
33	S378-2	. PULLEY-RUDDER ACTUATOR CABLE			4
34	AN3-10A	. BOLT-ATTACH PULLEYS			2
35	MS21045L3	. NUT-ATTACH PULLEYS			2 R
36	MS24665-136	. COTTER PIN-CABLE GUARDS			4
37	S378-1	. PULLEY-RUDDER ACTUATOR CABLE			2
38	AN3-12A	. BOLT-ATTACH PULLEYS			1
- 38A	NAS-43-3-8	. SPACER-ATTACH PULLEYS			1
39	MS21045L3	. NUT-ATTACH PULLEYS			1 R
- 39A	NAS42DD-3-55	. SPACER-CABLE GUARD			2
- 39B	MS24665-138	. COTTER PIN-CABLE GUARD			2
40	0860207-23	. CABLE-ELEVATOR ACTUATOR			1
41	AN155B-8S	. BARREL-TURNBUCKLE			1
42	AN165-8RS	. EYE TURNBUCKLE			1
43	AN23-10	. BOLT-ATTACH CABLE TO LINK			2
44	NAS1149F0363P	. WASHER-ATTACH CABLE TO LINK			2 R
45	AN320-3	. NUT-ATTACH CABLE TO LINK			2
46	MS24665-134	. COTTER PIN-SECURE NUT			2
47	0510160	. LINK			4
48	AN23-11	. BOLT-ATTACH LINK TO BELLCRANK			2
49	AN320-3	. NUT-ATTACH LINK TO BELLCRANK			2
50	MS24665-134	. COTTER PIN-SECURE NUT			2
51	0860207-14	. CABLE ASSY-ELEVATOR TRIM EXTENSION			1
52	AN3-4A	. BOLT-ATTACH EXTENSION CABLE			1
53	NAS1149F0332P	. WASHER-ATTACH EXTENSION CABLE			1 R
54	MS21045L3	. NUT-ATTACH EXTENSION CABLE			1 R

CESSNA AIRCRAFT COMPANY
MODEL 310 THRU 310D
ILLUSTRATED PARTS CATALOG

A55890



RECEPTACLE BOX INSTALLATION
FIGURE 01 (SHEET 1)

**CESSNA AIRCRAFT COMPANY
MODEL 310 THRU 310D
ILLUSTRATED PARTS CATALOG**

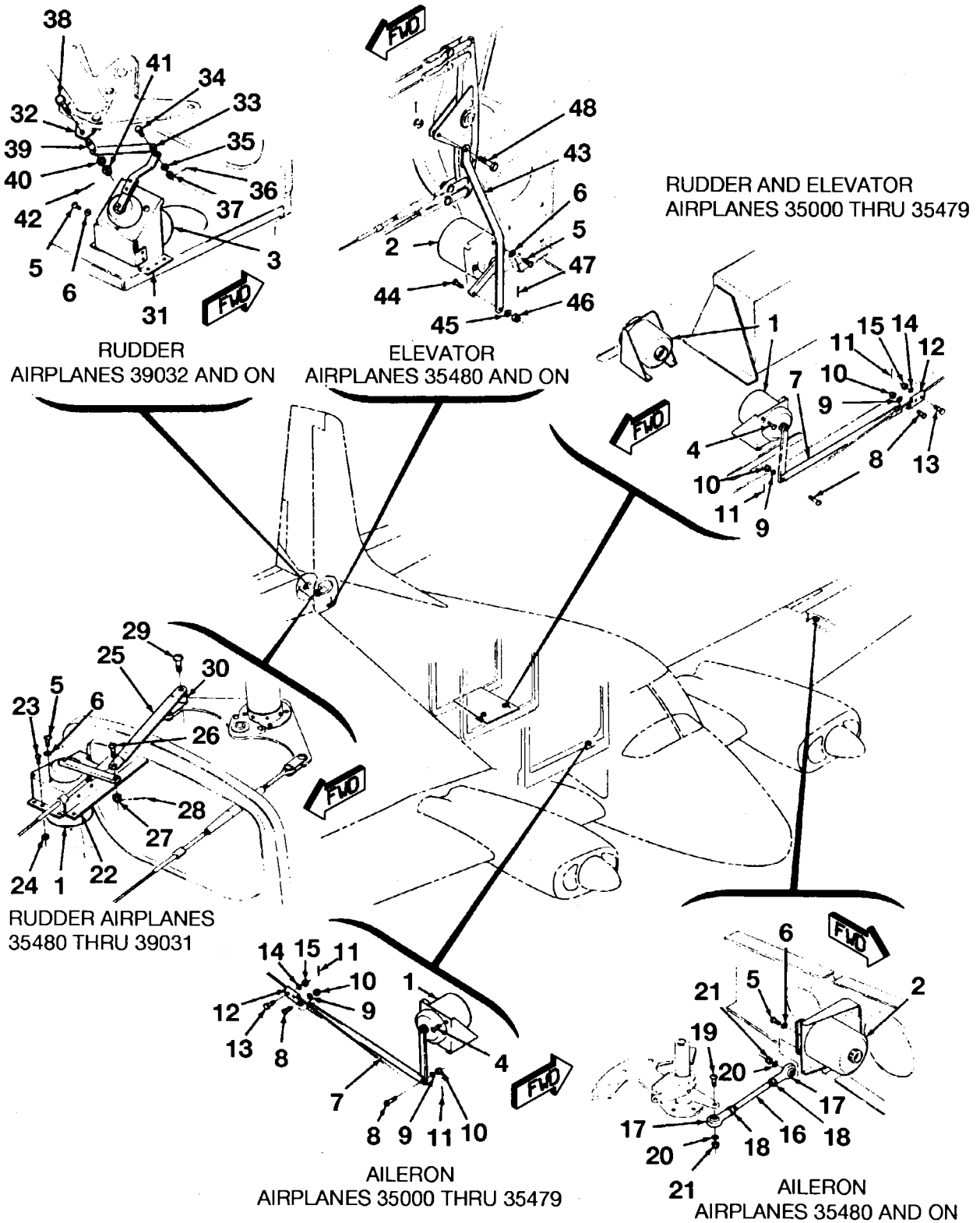
FIG ITEM	PART NUMBER	NOMENCLATURE	EFFECT		UNITS
			FROM	TO	PER ASSY
01		RECEPTACLE BOX INSTALLATION REFER TO 22-10-00 FIGURE 02 FOR NHA			RF
-					
1	0861405-4	. BRACKET-RECEPTACLE BOX			1
2	0861405-3	. COVER-RECEPTACLE BOX			1
3	S-1021Z-4-4	. SCREW-ATTACH COVER			4
4	MS3102A-28-11P	. RECEPTACLE			1
5	MS310ZA-28-IIS	. RECEPTACLE			1
6	AN515-6R5	. SCREW-ATTACH RECEPTACLES			8
- 6A	MS35649-265T	. NUT-ATTACH RECEPTACLES			8 R
7	0812491-1	. RELAY-24 VOLT WHEN APPROACH COUPLER & ALTITUDE CONTROLLER ARE NOT USED	35134	& ON	1
- 7A	0812491-1	. RELAY-24 VOLT WHEN APPROACH COUPLER IS NOT USED			2
8	AN515-3R2	. SCREW-ATTACH RELAY			AR
- 8A	AN935-3	. WASHER-ATTACH RELAY			AR
9	0814000-100	. CHANNEL-RECEPTACLE BOX MOUNTING	35000	35715	1
- 9A	0814000-166	. BRACKET-RECEPTACLE BOX MOUNTING	35716	& ON	1
10	AN515-8R6	. SCREW-ATTACH CHANNEL	35000	35715	4
- 10A	AN515-8R6	. SCREW-ATTACH CHANNEL	35716	& ON	2
- 10B	MS35206-332	. SCREW-ATTACH CHANNEL	35716	& ON	2 R
- 10C	NAS43DD-3-51	. SPACER-ATTACH CHANNEL	35716	& ON	2
- 10D	MS20364-832C	. NUT-ATTACH CHANNEL	35000	35715	4
- 10E	MS20364-832C	. NUT-ATTACH CHANNEL	35716	& ON	2
11	AN515-8R6	. SCREW-ATTACH BOX TO MOUNTING CHANNEL			4
- 11A	MS20364-832C	. NUT-ATTACH BOX TO MOUNTING CHANNEL			4

- ITEM NOT ILLUSTRATED

© Cessna Aircraft Company

CESSNA AIRCRAFT COMPANY
MODEL 310 THRU 310D
 ILLUSTRATED PARTS CATALOG

A55888



LEAR AUTOPILOT FOLLOW-UP SYSTEM INSTALLATION
 FIGURE 01 (SHEET 1)

**CESSNA AIRCRAFT COMPANY
MODEL 310 THRU 310D
ILLUSTRATED PARTS CATALOG**

FIG ITEM	PART NUMBER	NOMENCLATURE	EFFECT		UNITS PER ASSY
			FROM	TO	
01		LEAR AUTOPILOT FOLLOW-UP SYSTEM INSTALLATION REFER TO 22-10-00			RF
		FIGURE 02 FOR NHA			
1	0861400-6	. UNIT FOLLOW-UP-LEAR 1408A	35000	39031	3
2	0861400-6	. UNIT FOLLOW-UP-LEAR 1408A	39032	& ON	2
3	0861400-63	. LINK-RUDDER	39032	& ON	1
4	AN515-6R5	. SCREW-ATTACH FOLLOW-UP UNIT	35000	35479	9
5	AN515-6R6	. SCREW-ATTACH FOLLOW-UP UNIT	35480	& ON	9
6	MS35338-41	. WASHER-ATTACH FOLLOW-UP UNIT	35480	& ON	9 R
7	0861400-12	. LINK ASSY-FOLLOW-UP	35000	35479	3
8	AN23-11	. BOLT-ATTACH LINKS	35000	35479	6
9	NAS1149D0363H	. WASHER-ATTACH LINKS	35000	35479	6 R
10	AN310-3	. NUT-ATTACH LINKS	35000	35479	6
11	MS24665-134	. COTTER PIN-SECURE NUTS	35000	35479	6
12	0861400-13	. CABLE CLAMP-FOLLOW-UP	35000	35479	3
13	AN3-4A	. BOLT-ATTACH CLAMPS	35000	35479	6
14	NAS1149D0363H	. WASHER-ATTACH CLAMPS	35000	35479	6 R
15	MS21045L3	. NUT-ATTACH CLAMPS	35000	35479	6 R
16	0820002-2	. ROD ASSY-AILERON FOLLOW-UP	35480	& ON	1
17	AN951-REB3N	. ROD END			2
18	AN316-4R	. NUT-CHECK			2
19	AN515-10R16	. SCREW-ATTACH ROD ASSY	35480	99999	2
20	NAS1149F0332P	. WASHER-ATTACH ROD ASSY	35480	99999	2 R
21	MS21045L3	. NUT-ATTACH ROD ASSY	35480	99999	2 R
22	0814120-3	. BRACKET ASSY-RUDDER FOLLOW-UP	35480	39031	1
23	AN515-6R6	. SCREW-ATTACH BRACKET ASSY	35480	39031	5
24	MS21044N06	. NUT-ATTACH BRACKET ASSY	35480	39031	5 R
25	0861400-53	. LINK-RUDDER FOLLOW-UP	35480	39031	1
26	AN23-9	. BOLT-ATTACH LINK TO FOLLOW-UP	35480	39031	1
27	AN310-3	. NUT-ATTACH LINK TO FOLLOW-UP	35480	39031	1
28	MS24665-132	. COTTER PIN-SECURE NUT	35480	39031	1
29	AN23-18	. BOLT-ATTACH LINK TO RUDDER BELLCRANK	35480	39031	1
30	0814120-4	. SPACER-ATTACH LINK TO RUDDER BELLCRANK	35480	39031	1
31	0814125-1	. BRACKET-RUDDER FOLLOW-UP UNIT	39032	99999	1
32	0814121-1	. BRACKET-RUDDER LINK ATTACH	39032	99999	1
33	0814123-1	. LINK-RUDDER FOLLOW-UP	39032	99999	1
34	AN23-9	. BOLT-ATTACH LINK TO FOLLOW-UP UNIT	39032	99999	1
35	NAS1149D0363H	. WASHER-ATTACH LINK TO FOLLOW-UP UNIT	39032	99999	2 R
36	AN310-3	. NUT-ATTACH LINK TO FOLLOW-UP UNIT	39032	99999	1
37	MS24665-132	. COTTER PIN-SECURE NUT	39032	99999	1
38	AN23-26	. BOLT-ATTACH LINK TO BELLCRANK BRACKET	39032	99999	1
39	0814122-1	. SPACER-ATTACH LINK TO BELLCRANK BRACKET	39032	99999	1
40	NAS1149D0316H	. WASHER-ATTACH LINK TO BELLCRANK BRACKET	39032	99999	3 R
41	AN310-3	. NUT-ATTACH LINK TO BELLCRANK BRACKET	39032	99999	1
42	MS24665-132	. COTTER PIN-SECURE NUT	39032	99999	1
43	0861400-54	. LENS-ELEVATOR FOLLOW-UP	35480	99999	1
44	AN23-9	. BOLT-ATTACH LINK TO FOLLOW-UP	35480	99999	1
45	NAS1149F0332P	. WASHER-ATTACH LINK TO FOLLOW-UP	35480	99999	1 R
46	AN310-3	. NUT-ATTACH LINK TO FOLLOW-UP	35480	99999	1
47	MS24665-132	. COTTER PIN-SECURE NUT	35480	99999	1
48	AN3-12	. BOLT-ATTACH LINK TO ELEVATOR BELLCRANK	35480	99999	1

CHAPTER

23

COMMUNICATIONS

CESSNA AIRCRAFT COMPANY
MODEL 310 THRU 310D
 ILLUSTRATED PARTS CATALOG

LIST OF EFFECTIVE PAGES

CHAPTER-SECTION-SUBJECT	PAGE	DATE
23-Title		
23-List of Effective Pages		
23-Record of Temporary Revisions		
23-Contents		
23-00-00 Figure 01	1	Jul 3/2006
	2	Jul 3/2006
23-00-00 Figure 02	1	Jul 5/2004
	2	Jul 5/2004
23-00-00 Figure 03	1	Jul 3/2006
	2	Jul 3/2006
23-00-00 Figure 04	1	Jul 5/2004
	2	Jul 5/2004
23-00-00 Figure 05	1	Jul 3/2006
	2	Jul 3/2006
23-10-00 Figure 01	1	Jul 3/2006
	2	Jul 3/2006
23-10-00 Figure 02	1	Jul 3/2006
	2	Jul 3/2006
23-10-00 Figure 03	1	Jul 3/2006
	2	Jul 3/2006
23-10-00 Figure 04	1	Jul 3/2006
	2	Jul 3/2006
23-10-00 Figure 05	1	Jul 3/2006
	2	Jul 3/2006
23-10-00 Figure 06	1	Jul 5/2004
	2	Jul 5/2004
23-10-00 Figure 07	1	Jul 5/2004
	2	Jul 5/2004
23-10-01 Figure 01	1	Jul 5/2004
	2	Jul 5/2004
23-10-01 Figure 02	1	Jul 5/2004
	2	Jul 5/2004
23-10-01 Figure 03	1	Jul 3/2006
	2	Jul 3/2006
23-10-01 Figure 04	1	Jul 3/2006
	2	Jul 3/2006
23-10-01 Figure 05	1	Jul 3/2006
	2	Jul 3/2006
23-10-02 Figure 01	1	Jul 5/2004
	2	Jul 5/2004
23-10-02 Figure 02	1	Jul 5/2004
	2	Jul 5/2004
23-10-02 Figure 03	1	Jul 5/2004
	2	Jul 5/2004
23-10-02 Figure 04	1	Jul 5/2004
	2	Jul 5/2004
23-10-02 Figure 05	1	Jul 5/2004
	2	Jul 5/2004

CESSNA AIRCRAFT COMPANY
MODEL 310 THRU 310D
 ILLUSTRATED PARTS CATALOG

23-10-02 Figure 06	1	Jul 5/2004
	2	Jul 5/2004
23-10-02 Figure 07	1	Jul 5/2004
	2	Jul 5/2004
23-10-02 Figure 08	1	Jul 5/2004
	2	Jul 5/2004
	3	Jul 5/2004
23-10-02 Figure 09	1	Jul 5/2004
	2	Jul 5/2004
23-10-02 Figure 10	1	Jul 3/2006
	2	Jul 3/2006
23-10-02 Figure 11	1	Jul 5/2004
	2	Jul 5/2004
23-10-02 Figure 12	1	Jul 5/2004
	2	Jul 5/2004
23-10-02 Figure 13	1	Jul 5/2004
	2	Jul 5/2004
23-10-02 Figure 14	1	Jul 5/2004
	2	Jul 5/2004
23-10-02 Figure 15	1	Jul 5/2004
	2	Jul 5/2004
23-10-02 Figure 16	1	Jul 5/2004
	2	Jul 5/2004
23-10-02 Figure 17	1	Jul 5/2004
	2	Jul 5/2004
23-10-02 Figure 18	1	Jul 5/2004
	2	Jul 5/2004
23-10-02 Figure 19	1	Jul 5/2004
	2	Jul 5/2004
23-10-02 Figure 20	1	Jul 5/2004
	2	Jul 5/2004
23-10-02 Figure 21	1	Jul 5/2004
	2	Jul 5/2004
23-10-02 Figure 22	1	Jul 5/2004
	2	Jul 5/2004
23-10-02 Figure 23	1	Jul 3/2006
	2	Jul 3/2006
23-10-02 Figure 24	1	Jul 3/2006
	2	Jul 3/2006
23-10-02 Figure 25	1	Jul 5/2004
	2	Jul 5/2004
23-20-01 Figure 01	1	Jul 5/2004
	2	Jul 5/2004
23-20-01 Figure 02	1	Jul 5/2004
	2	Jul 5/2004
23-20-01 Figure 03	1	Jul 5/2004
	2	Jul 5/2004
23-20-01 Figure 04	1	Jul 5/2004
	2	Jul 5/2004
23-20-01 Figure 05	1	Jul 5/2004
	2	Jul 5/2004
23-20-02 Figure 01	1	Jul 5/2004

23 - LIST OF EFFECTIVE PAGES

CESSNA AIRCRAFT COMPANY
MODEL 310 THRU 310D
ILLUSTRATED PARTS CATALOG

	2	Jul 5/2004
23-20-02 Figure 02	1	Jul 5/2004
	2	Jul 5/2004
23-20-02 Figure 03	1	Jul 5/2004
	2	Jul 5/2004
23-20-02 Figure 04	1	Jul 5/2004
	2	Jul 5/2004
23-20-03 Figure 01	1	Jul 3/2006
	2	Jul 3/2006
23-20-03 Figure 02	1	Jul 5/2004
	2	Jul 5/2004
23-20-03 Figure 03	1	Jul 5/2004
	2	Jul 5/2004
23-50-00 Figure 01	1	Jul 5/2004
	2	Jul 5/2004
23-50-00 Figure 02	1	Jul 3/2006
	2	Jul 3/2006
23-50-01 Figure 01	1	Jul 5/2004
	2	Jul 5/2004
23-50-01 Figure 02	1	Jul 5/2004
	2	Jul 5/2004
23-50-01 Figure 03	1	Jul 5/2004
	2	Jul 5/2004
23-60-00 Figure 01	1	Jul 5/2004
	2	Jul 5/2004

**CESSNA AIRCRAFT COMPANY
MODEL 310 THRU 310D
ILLUSTRATED PARTS CATALOG**

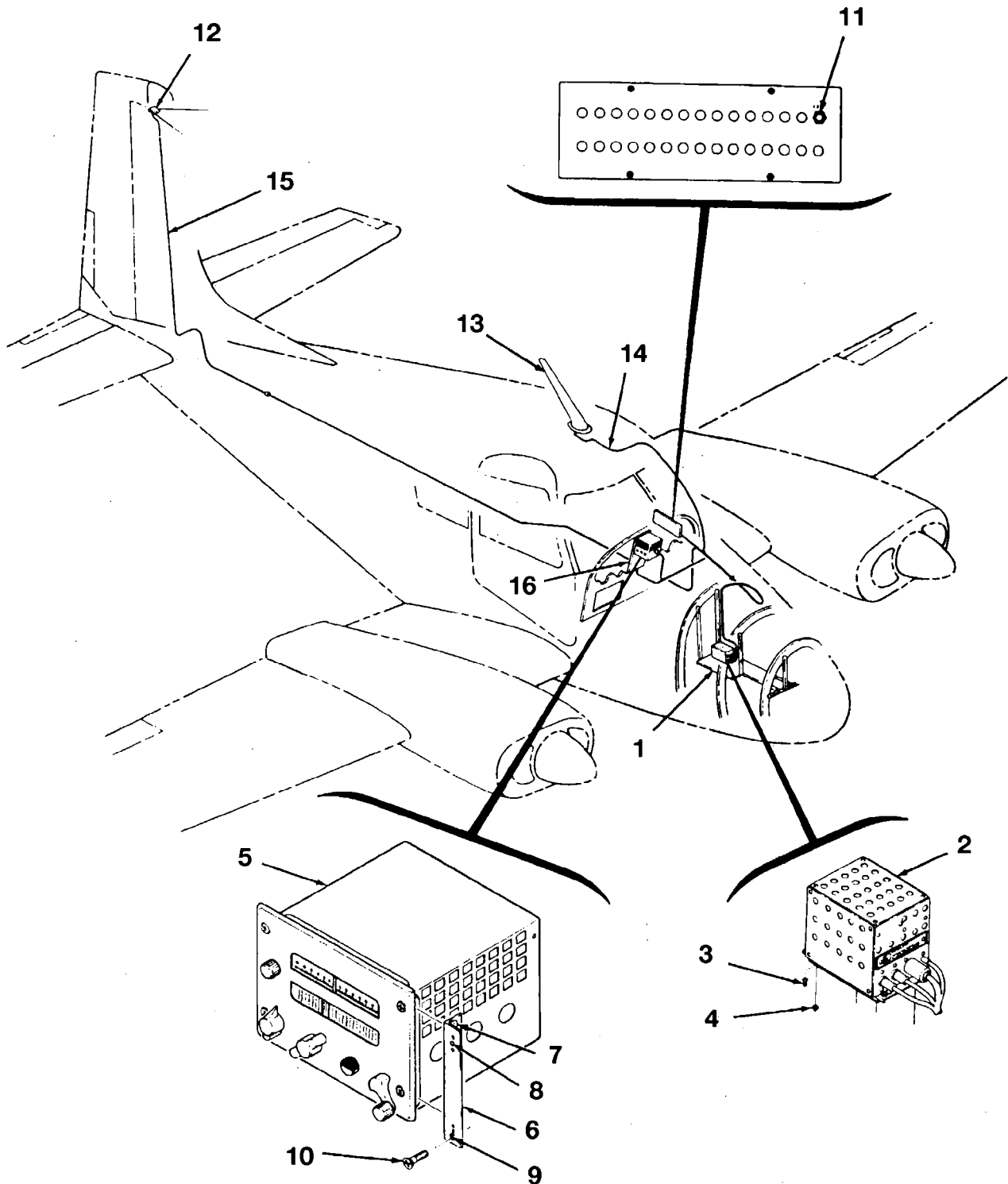
<u>SUBJECT</u>	<u>CH SEC SUBJ FIG</u>	<u>EFFECTIVITY</u>
NARCO SIMPLEXER INSTALLATION	23-00-00-01	35772 & ON
NARCO LFR-3B LOW FREQUENCY RECEIVER INSTALLATION	23-00-00-02	35772 & ON
AUDIO TRANSFORMER AND KEYING RELAY INSTALLATION	23-00-00-03	35097 & ON
NETWORK LOADING BOX INSTALLATION	23-00-00-04	35097 & ON
OMNI-TENNA INSTALLATION	23-00-00-05	35097 & ON
LEAR LVTR-36 TRANSMITTER-RECEIVER INSTALLATION	23-10-00-01	35097 35546
LEAR LTRA-6 VHF COMMUNICATIONS WITH OMNI	23-10-00-02	35097 35546
LEAR LTRA-6 VHF COMMUNICATIONS WITH OMNI	23-10-00-03	35547 35771
LEAR LTRA-6 VHF COMMUNICATIONS INSTALLATION	23-10-00-04	35547 35771
LEAR LTTR-6A TRANSCEIVER INSTALLATION	23-10-00-05	
LEAR LTR-800 TRANSMITTER-RECEIVER INSTALLATION	23-10-00-06	35547 39031
RESISTOR KIT INSTALLATION	23-10-00-07	35547 & ON
NARCO 1016 TRANSCEIVER INSTALLATION	23-10-01-01	35547 & ON
ANTENNA RELAY INSTALLATION	23-10-01-02	35097 35435
LOW FREQUENCY ANTENNA INSTALLATION	23-10-01-03	35097 & ON
VHF ANTENNA INSTALLATION	23-10-01-04	35097 & ON
HIGH FREQUENCY REEL ANTENNA INSTALLATION	23-10-01-05	35213 & ON
RADIO CONTROL PANEL ASSEMBLY AND INSTALLATION	23-10-02-01	35097 35546
RADIO CONTROL PANEL ASSEMBLY AND INSTALLATION	23-10-02-02	35097 35546
RADIO CONTROL PANEL ASSEMBLY AND INSTALLATION	23-10-02-03	35097 35546
RADIO CONTROL PANEL ASSEMBLY AND INSTALLATION	23-10-02-04	35547 35771
RADIO CONTROL PANEL ASSEMBLY AND INSTALLATION	23-10-02-05	35547 35771
RADIO CONTROL PANEL ASSEMBLY AND INSTALLATION	23-10-02-06	35547 35771
RADIO CONTROL PANEL ASSEMBLY AND INSTALLATION	23-10-02-07	35547 35771
RADIO CONTROL PANEL ASSEMBLY AND INSTALLATION	23-10-02-08	35547 39031
RADIO CONTROL PANEL ASSEMBLY AND INSTALLATION	23-10-02-09	35547 35771
RADIO CONTROL PANEL ASSEMBLY AND INSTALLATION	23-10-02-10	35547 39031
RADIO CONTROL PANEL ASSEMBLY AND INSTALLATION	23-10-02-11	35772 39031
RADIO CONTROL PANEL ASSEMBLY AND INSTALLATION	23-10-02-12	35772 39031
RADIO CONTROL PANEL ASSEMBLY AND INSTALLATION	23-10-02-13	35772 39031
RADIO CONTROL PANEL ASSEMBLY AND INSTALLATION	23-10-02-14	35772 39031
RADIO CONTROL PANEL ASSEMBLY AND INSTALLATION	23-10-02-15	35772 39031
RADIO CONTROL PANEL ASSEMBLY AND INSTALLATION	23-10-02-16	35864 39031
RADIO CONTROL PANEL ASSEMBLY AND INSTALLATION	23-10-02-17	39032 & ON
RADIO CONTROL PANEL ASSEMBLY AND INSTALLATION	23-10-02-18	39032 & ON
RADIO CONTROL PANEL ASSEMBLY AND INSTALLATION	23-10-02-19	39032 & ON
RADIO CONTROL PANEL ASSEMBLY AND INSTALLATION	23-10-02-20	39032 & ON
RADIO CONTROL PANEL ASSEMBLY AND INSTALLATION	23-10-02-21	39032 & ON

**CESSNA AIRCRAFT COMPANY
MODEL 310 THRU 310D
ILLUSTRATED PARTS CATALOG**

<u>SUBJECT</u>	<u>CH SEC SUBJ FIG</u>	<u>EFFECTIVITY</u>
RADIO CONTROL PANEL ASSEMBLY AND INSTALLATION	23-10-02-22	39032 & ON
RADIO CONTROL PANEL ASSEMBLY AND INSTALLATION	23-10-02-23	39032 & ON
RADIO CONTROL PANEL ASSEMBLY AND INSTALLATION	23-10-02-24	39032 & ON
RADIO CONTROL PANEL ASSEMBLY AND INSTALLATION	23-10-02-25	39250 & ON
NARCO MARK V RECEIVER-TRANSMITTER INSTALLATION	23-20-01-01	39032 & ON
NARCO DUAL MARK V RECEIVER-TRANSMITTER INSTALLATION	23-20-01-02	39250 & ON
NARCO LFR-3B LOW FREQUENCY RECEIVER INSTALLATION	23-20-01-03	39032 & ON
RECEIVER CONTROL ASSEMBLY	23-20-01-04	
NARCO 1021 OMNI INSTALLATION	23-20-01-05	39032 & ON
ARC RT-11 TRANSCEIVER INSTALLATION	23-20-02-01	35772 & ON
ARC T-11B TRANSMITTER INSTALLATION	23-20-02-02	35097 35771
ARC T-22 TRANSMITTER INSTALLATION	23-20-02-03	35772 39031
ARC T-25A TRANSMITTER INSTALLATION	23-20-02-04	39032 & ON
SUN-AIR S-5-RTR TRANSCEIVER INSTALLATION	23-20-03-01	
SUN-AIR HIGH FREQUENCY TRANSCEIVER INSTALLATION	23-20-03-02	
ANTENNA LOADING COIL ASSEMBLY	23-20-03-03	35213 & ON
RADIO SPEAKER INSTALLATION	23-50-00-01	35000 35306
RADIO SPEAKER INSTALLATION	23-50-00-02	35307 & ON
FLITE-TRONICS AUDIO AMPLIFIER INSTALLATION	23-50-01-01	35097 35428
FLITE-TRONICS AUDIO AMPLIFIER INSTALLATION	23-50-01-02	
ARC AUDIO AMPLIFIER INSTALLATION	23-50-01-03	35429 39031
DISCHARGE WICK INSTALLATION	23-60-00-01	

CESSNA AIRCRAFT COMPANY
MODEL 310 THRU 310D
ILLUSTRATED PARTS CATALOG

A55849



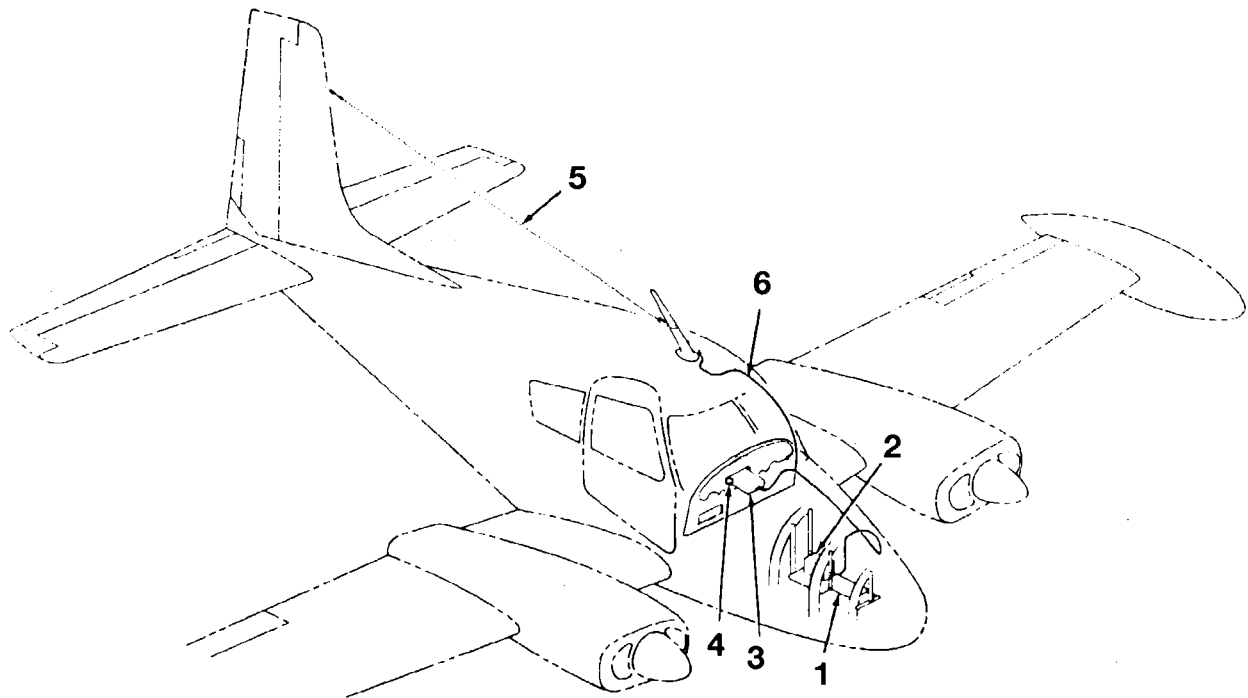
AIRPLANES 35772 AND ON
NARCO SIMPLEXER INSTALLATION
FIGURE 01 (SHEET 1)

CESSNA AIRCRAFT COMPANY
MODEL 310 THRU 310D
ILLUSTRATED PARTS CATALOG

FIG ITEM	PART NUMBER	NOMENCLATURE	EFFECT		UNITS PER ASSY
			FROM	TO	
01		NARCO SIMPLEXER INSTALLATION	35772	& ON	RF
-		. SHELF INSTALLATION-RADIO			RF
1		. MODULATOR-NARCO V24MP-2A			1
2	0812651-5	. SCREW-ATTACH MODULATOR			4
3	AN515-8R8	. NUT-ATTACH MODULATOR			4 R
4	MS21044N08	. SIMPLEXER-NARCO VC-27B			1
5	0812651-2	. SCREW-ATTACH SIMPLEXER			4
- 5A	AN515-6R6	. ANGLE ASSY-SIMPLEXER MOUNTING LH			1
6	0812648-1	. ANGLE ASSY-SIMPLEXER MOUNTING RH			1
- 6A	0812648-2	. NUTPLATE			2 R
7	MS21069L06	. NUTPLATE			1 R
8	MS21069L3	. NUTPLATE ALT FOR NAS697A3			1 R
- 8A	MS21069L3	. NUT-PLATE			1 R
9	MS21071L3	. NUT-PLATE ALT FOR NAS696A3			1 R
- 9A	MS21071L3	. SCREW-ATTACH ANGLES			4
10	AN507-1032R8	. CIRCUIT BREAKER-KLIXON			1
11	PSM-5N	. ANTENNA INSTALLATION OMNI-REFER TO 23-00-00 FIGURE 05	35772	39031	RF
12		. ANTENNA INSTALLATION OMNI-REFER TO 23-00-00 FIGURE 05	39032	& ON	RF
- 12A		. ANTENNA INSTALLATION VHF-REFER TO 23-10-01 FIGURE 04			RF
13		. CABLE ASSY-ANTENNA SIMPLEXER TO VHF ANTENNA			1
14	0812647-6	. CABLE ASSY-ANTENNA SIMPLEXER TO OMNITENNA	39032	& ON	1
15	0812647-35	. PANEL ASSY & INSTALLATION-RADIO CONTROL			RF
- 15A		. PANEL ASSY & INSTALLATION-RADIO CONTROL			RF
16		. PANEL ASSY & INSTALLATION-SIMPLEXER SWITCH			RF
- 16A					RF

CESSNA AIRCRAFT COMPANY
MODEL 310 THRU 310D
ILLUSTRATED PARTS CATALOG

A55859



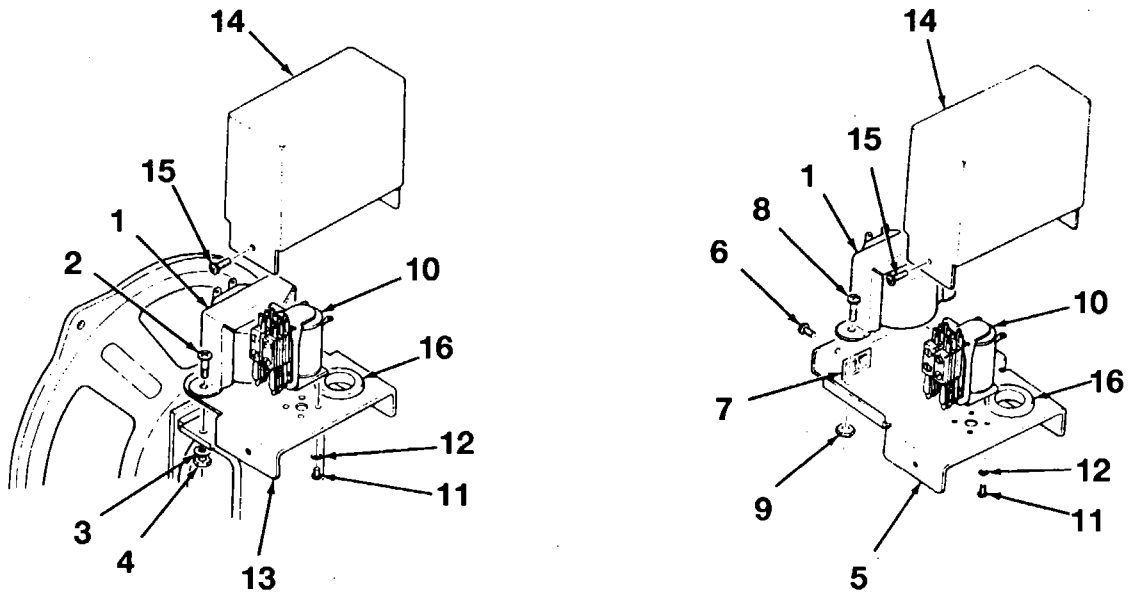
AIRPLANES 35772 AND ON
NARCO LFR-3B LOW FREQUENCY RECEIVER INSTALLATION
FIGURE 02 (SHEET 1)

CESSNA AIRCRAFT COMPANY
MODEL 310 THRU 310D
ILLUSTRATED PARTS CATALOG

FIG ITEM	PART NUMBER	NOMENCLATURE	EFFECT		UNITS PER ASSY
			FROM	TO	
02		NARCO LFR-3B LOW FREQUENCY RECEIVER INSTALLATION	35772	& ON	RF
-		. SHELF INSTALLATION-RADIO REFER TO 53-10-06 FIGURE 05			RF
1		. MODULATOR-V24MP-2A REFER TO 23-00-00 FIGURE 01			RF
2		. RECEIVER-NARCO LFR-3B			1
3	0812651-1	. SCREW-ATTACH RECEIVER			4
3A	AN515-6R6	. BRACKET ASSY-RECEIVER MOUNTING RH			1
4	0812649-2	. BRACKET ASSY-RECEIVER MOUNTING LH			1
- 4A	0812649-1	. NUTPLATE			2
- 4B	MK1000-06	. SCREW-ATTACH BRACKETS			2
- 4C	AN507-632R8	. SCREW-ATTACH BRACKETS			2
- 4D	S-1022Z-6-8	. NUT-ATTACH BRACKETS			2 R
- 4E	S3230-2	. ANTENNA INSTALLATION-LOW FREQUENCY REFER TO 23-10-01 FIGURE	35772	39031	RF
5		03			
- 5A		. ANTENNA INSTALLATION-LOW FREQUENCY REFER TO 23-10-01 FIGURE	39032	& ON	RF
		03			
6	0812647-8	. CABLE ASSY-ANTENNA RECEIVER TO ANTENNA			1

CESSNA AIRCRAFT COMPANY
MODEL 310 THRU 310D
ILLUSTRATED PARTS CATALOG

A55924



AIRPLANES 35097 AND ON

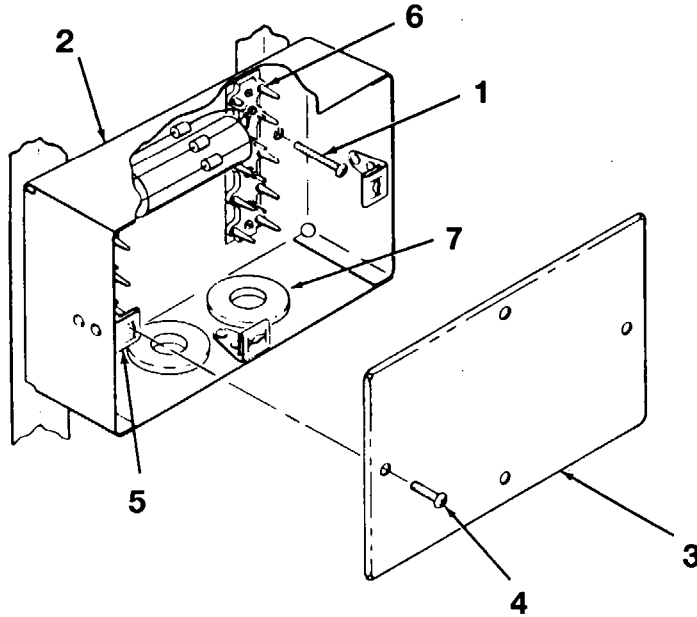
AUDIO TRANSFORMER AND KEYING RELAY INSTALLATION
FIGURE 03 (SHEET 1)

**CESSNA AIRCRAFT COMPANY
MODEL 310 THRU 310D
ILLUSTRATED PARTS CATALOG**

FIG ITEM	PART NUMBER	NOMENCLATURE	EFFECT		UNITS
			FROM	TO	PER ASSY
03		AUDIO TRANSFORMER AND KEYING RELAY INSTALLATION	35097	& ON	RF
1	0511028	. TRANSFORMER-AUDIO			1
2	AN515-8R6	. SCREW	35097	35306	2
3	NAS1149FN816P	. WASHER	35097	35306	2 R
4	MS21044N08	. NUT	35097	35306	2 R
5	0812526-1	. BRACKET-RELAY & TRANSFORMER	35307	& ON	1
6	S-1021Z-6-6	. SCREW-ATTACH BRACKET	35307	& ON	2
7	S3230-2	. NUT-ATTACH BRACKET	35307	& ON	2 R
8	AN515-6R6	. SCREW-ATTACH TRANSFORMER	35307	& ON	2
9	MS21044N06	. NUT-ATTACH TRANSFORMER	35307	& ON	2 R
- 9A		. RELAY INSTALLATION-KEYING	35097	& ON	RF
10	0812491-1	. RELAY-24 VOLT KEYING			1
11	AN515-3R2	. SCREW-ATTACH RELAY			4
12	AN935-3	. WASHER-ATTACH RELAY			4
13	0812750-13	. BRACKET-RELAY	35097	35306	1
14	0812750-14	. COVER-DUST			1
15	S-1021Z-4-4	. SCREW-ATTACH COVER			2
16	MS35489-14	. GROMMET			1

CESSNA AIRCRAFT COMPANY
MODEL 310 THRU 310D
ILLUSTRATED PARTS CATALOG

A55925



AIRPLANES 35097 AND ON
NETWORK LOADING BOX INSTALLATION
FIGURE 04 (SHEET 1)

CESSNA AIRCRAFT COMPANY
MODEL 310 THRU 310D
ILLUSTRATED PARTS CATALOG

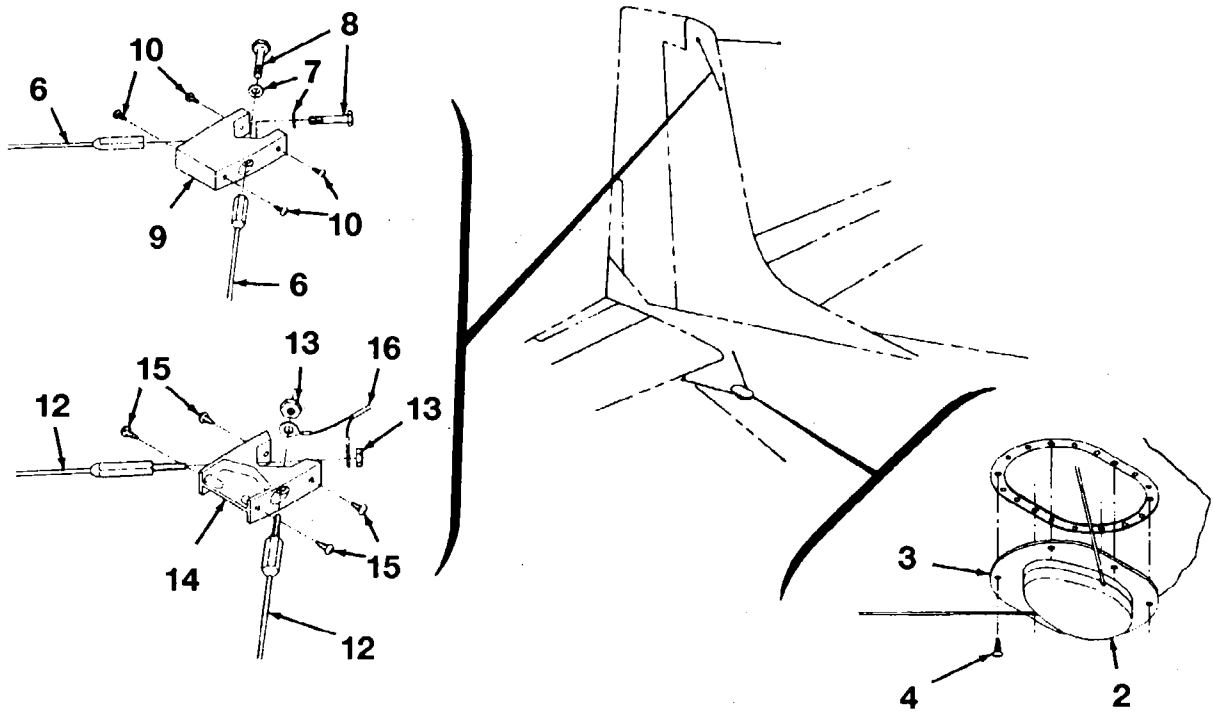
FIG ITEM	PART NUMBER	NOMENCLATURE	EFFECT		UNITS
			FROM	TO	PER ASSY
04		NETWORK LOADING BOX INSTALLATION	35097	& ON	RF
1	AN515-8R14	. SCREW-ATTACH BOX ASSY			2
2	0812490-1	. BOX ASSY-NETWORK LOADING			1
3	0812490-4	. . BOX ASSY			1
4	S-1021Z-8-6	. . SCREW-ATTACH COVER			4
5	A5980-8Z-1	. . NUT-ATTACH COVER TINNEMAN			4
6	AN3436-2-4	. . TERMINAL			2
- 6A	AN515-4R8	. . SCREW-ATTACH TERMINAL STRIPS			4
- 6B	AN340-4	. . NUT-ATTACH TERMINAL STRIPS			4
7	MS35489-14	. . GROMMET			2

- ITEM NOT ILLUSTRATED

© Cessna Aircraft Company

CESSNA AIRCRAFT COMPANY
MODEL 310 THRU 310D
ILLUSTRATED PARTS CATALOG

A55934



AIRPLANES 35097 AND ON
OMNI-TENNA INSTALLATION
FIGURE 05 (SHEET 1)

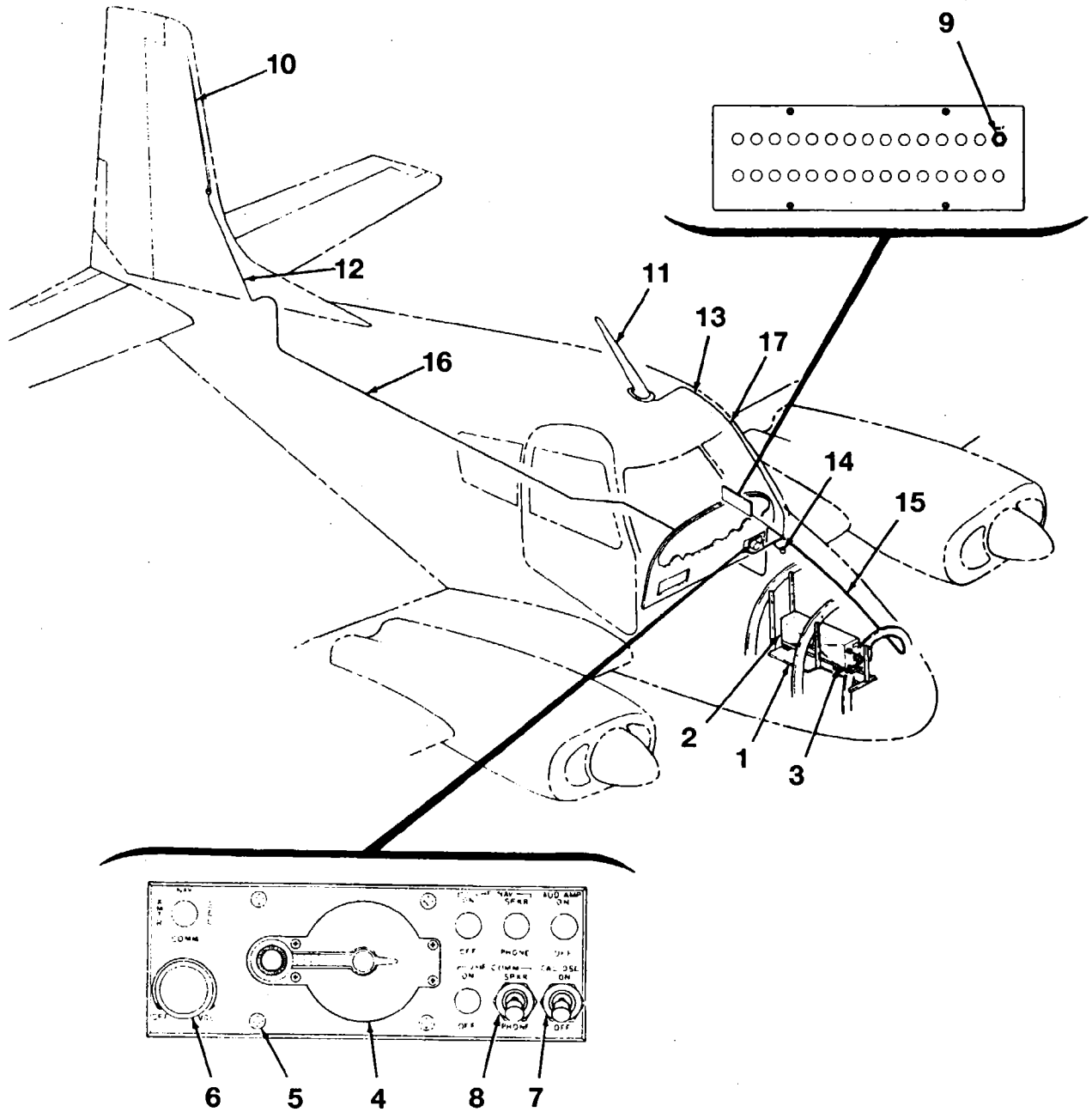
CESSNA AIRCRAFT COMPANY
MODEL 310 THRU 310D
ILLUSTRATED PARTS CATALOG

FIG ITEM	PART NUMBER	NOMENCLATURE	EFFECT		UNITS PER ASSY
			FROM	TO	
05		OMNI-TENNA INSTALLATION			
1		. ANTENNA INSTALLATION-LEAR REFER TO NOTE 1	35097	& ON	RF
2	0812485-14	. . ANTENNA-LEAR MODEL LA-6	35097	35171	RF
3	0812485-24	. . COVER			1
4	S-1021Z-8-6	. . SCREW-ATTACH COVER PLATE			1
5		. . ANTENNA INSTALLATION-FIN MOUNTED LEAR REFER TO NOTE 1	35172	39031	6
6	0311835-59	. . ANTENNA			RF
7	NAS1149F0463P	. . WASHER-ATTACH MAST			2
8	AN4C11A	. . BOLT-ATTACH MAST			2 R
9	0812478-1	. . MOUNT-ANTENNA			2
10	PK46F-8-6	. . SCREW-ATTACH MOUNT			1
11		. . ANTENNA INSTALLATION-FIN MOUNTED REFER TO NOTE 1	39032	& ON	4
12	1270012-1	. . ANTENNA ROD ASSY	39032	39231	2
- 12A	1270012-5	. . ANTENNA ROD	39232	& ON	2
13	MS21045L3	. . NUT-ATTACH ROD ASSY & BALUN STUB			2 R
14	0812686-1	. . MOUNT-ANTENNA			1
15	S-1021Z-8-6	. . SCREW-ATTACH MOUNT			4
16	1270013-3	. . BALUN STUB ASSY-OMNI ANTENNA			1

NOTE 1—INDEX NUMBER FOR TEXT REFERENCE PURPOSES ONLY. DOES NOT APPEAR ON ILLUSTRATIONS

CESSNA AIRCRAFT COMPANY
MODEL 310 THRU 310D
 ILLUSTRATED PARTS CATALOG

A55841



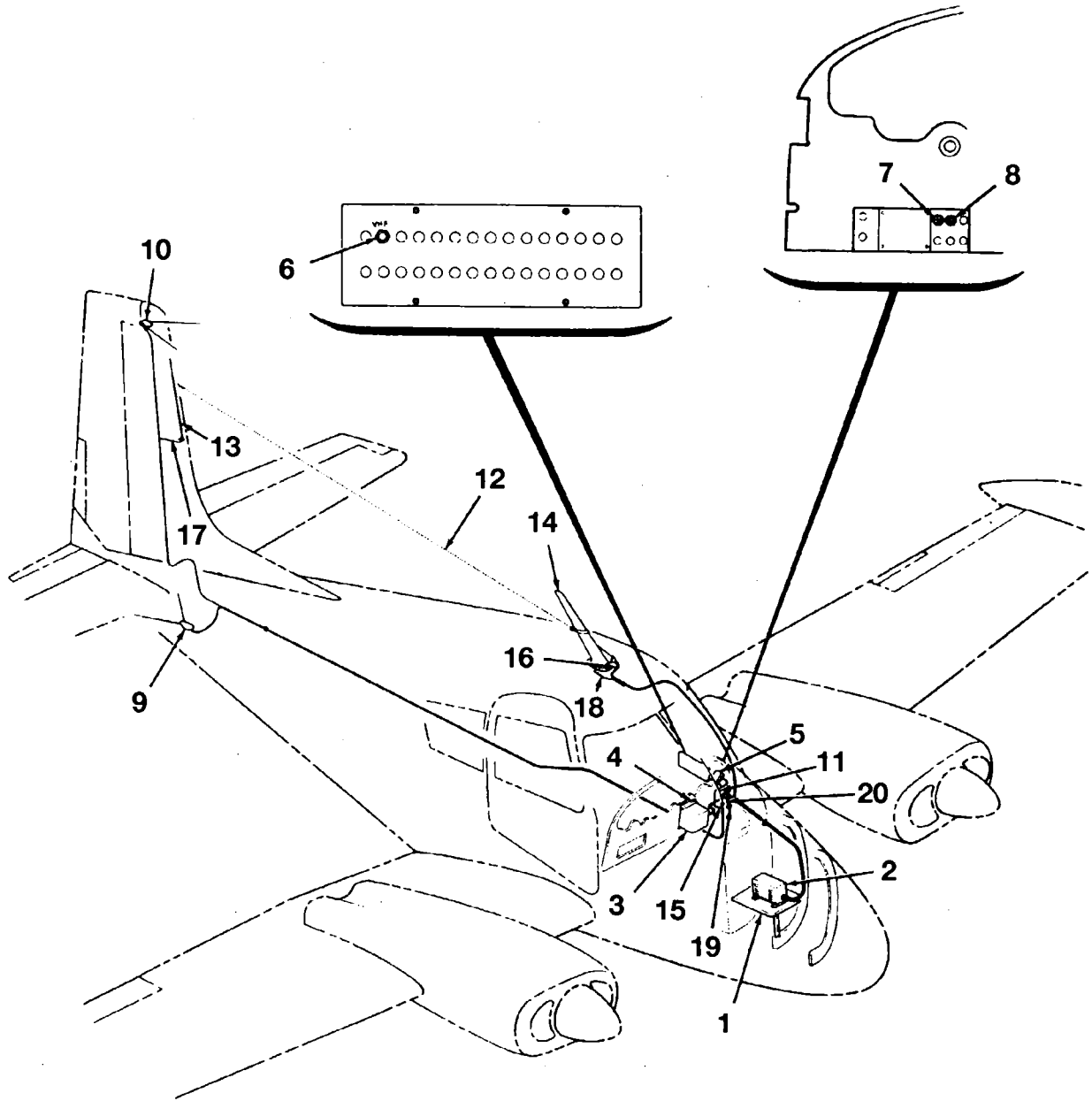
AIRPLANES 35097 THRU 35546
 LEAR LVTR-36 TRANSMITTER-RECEIVER INSTALLATION
 FIGURE 01 (SHEET 1)

CESSNA AIRCRAFT COMPANY
MODEL 310 THRU 310D
ILLUSTRATED PARTS CATALOG

FIG ITEM	PART NUMBER	NOMENCLATURE	EFFECT		UNITS
			FROM	TO	PER ASSY
01		LEAR LVTR-36 TRANSMITTER-RECEIVER INSTALLATION	35097	35546	RF
-		. SHELF INSTALLATION-RADIO			RF
2		. TRANSMITTER-RECEIVER LEAR 2209-B			RF
3	0812455-16	. SHOCKMOUNT-TRANSMITTER RECEIVER LEAR 97024			1
- 3A	AN515-8R8	. SCREW-ATTACH SHOCKMOUNT			8
- 3B	MS21044N08	. NUT-ATTACH SHOCKMOUNT			8 R
4		. SELECTOR-REMOTE FREQUENCY LEAR 2207-D			RF
5	AN515-4R12	. SCREW-ATTACH SELECTOR			4
- 5A	NAS1149FN432P	. WASHER-ATTACH SELECTOR			4 R
6	0813507-4	. KNOB-SWITCH AND VOLUME CONTROL	35097	35180	1
- 6A	0813503-12	. KNOB ASSY-SWITCH AND VOLUME CONTROL	35181	35333	1
- 6B	0813503-14	. KNOB-SWITCH AND VOLUME CONTROL	35334	35546	1
- 6C	Q-13-114	. VOLUME CONTROL-INTERNATIONAL RESISTANCE CO			1
- 6D	76-2	. SWITCH-INTERNATIONAL RESISTANCE CO			1
7	T1002	. LH WING LIGHT SWITCH-CALIBRATION OSC HETHERINGTON			1
8	S382-3	. SWITCH-AUDIO			1
- 8A	0813506	. NUT-SWITCH			2
- 8B	S384-1	. KNOB-SWITCH			2
9	PSM-5N	. CIRCUIT BREAKER-KLIXON			1
10		. ANTENNA INSTALLATION VHF-REFER TO 23-10-01 FIGURE 04	35097	35171	RF
- 11		. ANTENNA INSTALLATION-REFER TO 23-10-01 FIGURE 04	35172	35546	RF
12	0812455-49	. CABLE ASSY-ANTENNA	35097	35171	1
13	0812455-294	. CABLE ASSY-ANTENNA	35172	35546	1
14		. ANTENNA RELAY INSTALLATION-REFER TO 23-10-01 FIGURE 02	35097	35435	RF
- 14A		. ANTENNA RELAY INSTALLATION-REFER TO 23-10-01 FIGURE 02	35436	35546	RF
15	0812452-34	. CABLE ASSY-ANTENNA RELAY TO TRANSMITTER RECEIVER	35097	35435	1
- 15A	0812452-75	. CABLE ASSY-ANTENNA RELAY TO TRANSMITTER RECEIVER	35436	35546	1
16	0812452-33	. CABLE ASSY-ANTENNA RELAY TO VHF ANTENNA	35097	35171	1
17	0812452-52	. CABLE ASSY-ANTENNA RELAY TO VHF ANTENNA	35172	35435	1
- 17A	0812452-73	. CABLE ASSY-ANTENNA RELAY TO VHF ANTENNA	35436	35546	1

CESSNA AIRCRAFT COMPANY
MODEL 310 THRU 310D
ILLUSTRATED PARTS CATALOG

A55842



AIRPLANES 35907 THRU 35546
LEAR LTRA-6 VHF COMMUNICATIONS WITH OMNI
FIGURE 02 (SHEET 1)

CESSNA AIRCRAFT COMPANY

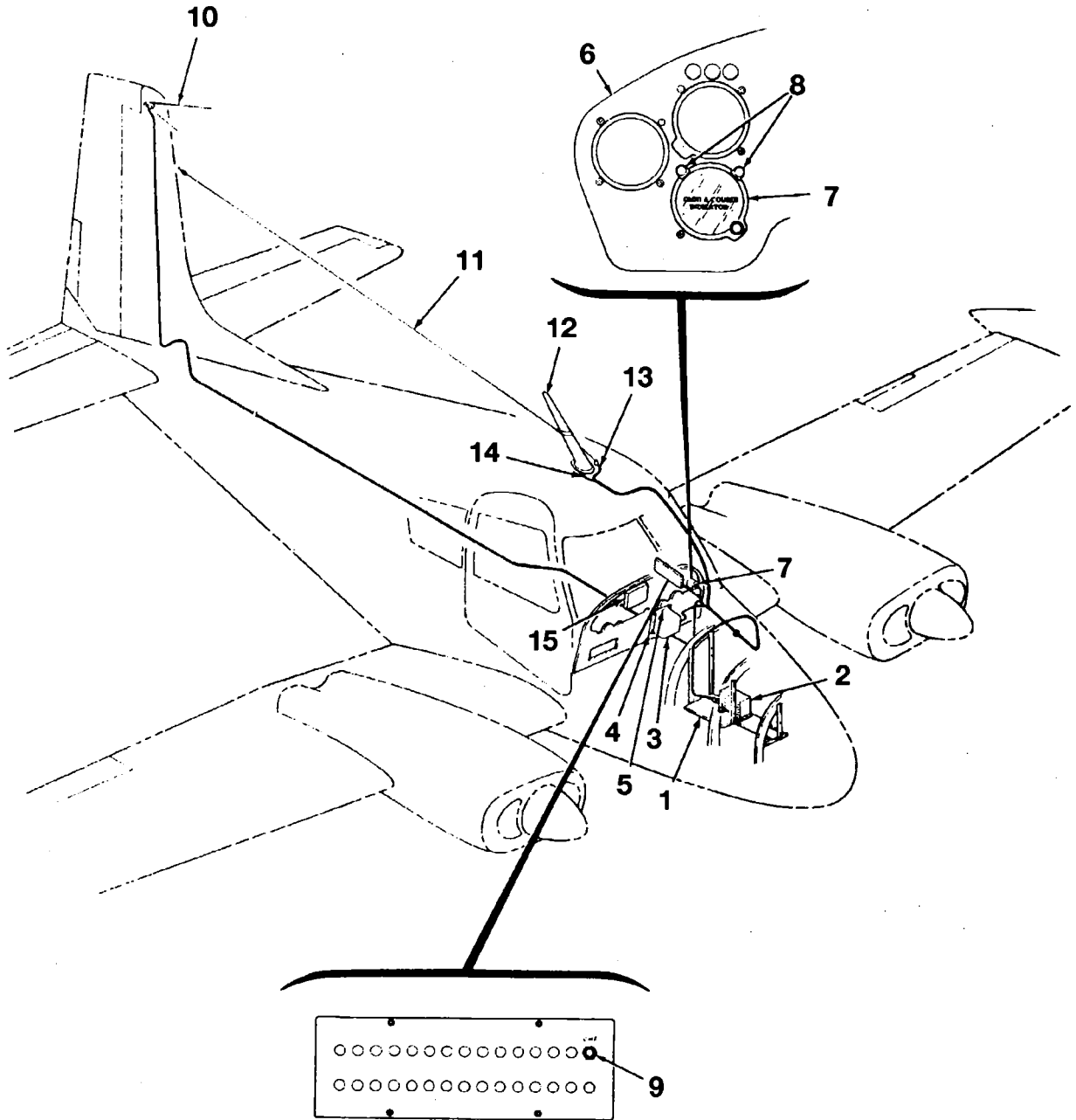
MODEL 310 THRU 310D

ILLUSTRATED PARTS CATALOG

FIG ITEM	PART NUMBER	NOMENCLATURE	EFFECT		UNITS PER ASSY
			FROM	TO	
02		LEAR LTRA-6 VHF COMMUNICATIONS WITH OMNI	35097	35546	RF
- 1		. SHELF INSTALLATION-RADIO			RF
- 2		. OMNI RANGE CONVERTER-LEAR 2214-B1			RF
- 2A	AN520-10R8	. SCREW-ATTACH CONVERTER			8
- 2B	MS21045L3	. NUT-ATTACH CONVERTER			8 R
- 3		. LTRA-6 PANEL UNIT-LEAR			RF
- 4	0812750-11	. ANGLE ASSY-PANEL UNIT			2
- 4A	NAS444-1-A	. NUTPLATE-TINNERMAN A8580-6Z-3			2
- 4B	S-1022Z-6-6	. SCREW-ATTACH ANGLE			4
- 4C	S-1021Z-6-6	. SCREW-ATTACH PANEL UNIT			4
- 4D	S3230-2	. NUT-ATTACH PANEL UNIT			4 R
- 5		. UNIMETER-LEAR 2215-B4			RF
- 5A	AN515B6R11	. SCREW-ATTACH UNIMETER			3
- 6	PSM-10N	. CIRCUIT BREAKER-KLAXON			1
- 7	AN3027-2	. SWITCH-TOGGLE DOUBLE POLE MASTER LTRA-6			1
- 8	S382-3	. SWITCH-AUDIO			1
- 8A	0813506	. NUT-SWITCH DECORATIVE			2
- 8A	MS35058-23	. SWITCH-AUDIO ALT FOR S382-3			1 R
- 8A	MS35058-23	. SWITCH-AUDIO ALT FOR S382-3			1 R
- 8B	S384-1	. KNOB-SWITCH			2
- 9		. ANTENNA INSTALLATION OMNI-REFER TO 23-10-00 FIGURE 05	35097	35171	RF
- 10		. ANTENNA INSTALLATION OMNI-REFER TO 23-10-00 FIGURE 05	35172	35546	RF
- 11		. ANTENNA INSTALLATION-LOW FREQUENCY REFER TO 23-10-01 FIGURE 03	35097	35171	RF
- 12		. ANTENNA INSTALLATION-LOW FREQUENCY REFER TO 23-10-01 FIGURE 03	35172	35546	RF
- 13		. ANTENNA INSTALLATION VHF-REFER TO 23-10-01 FIGURE 04	35097	35171	RF
- 14		. ANTENNA INSTALLATION VHF-REFER TO 23-10-01 FIGURE 04	35172	35546	RF
- 15	0812455-36	. CABLE ASSY-ANTENNA LF ANT TO PANEL UNIT	35097	35171	1
- 16	0812455-348	. CABLE ASSY-ANTENNA LF ANT TO PANEL UNIT	35172	35546	1
- 17	0812455-33	. CABLE ASSY-ANTENNA VHF ANT TO PANEL UNIT	35097	35171	1
- 17A		. CABLE ASSY-ANTENNA VHF ANT TO RELAY REFER TO 23-10-00 FIGURE 01	35097	35171	RF
- 18	0812455-292	. CABLE ASSY-ANTENNA VHF ANT TO PANEL UNIT	35172	35546	1
- 18A		. CABLE ASSY-ANTENNA VHF ANT TO RELAY REFER TO 23-10-00 FIGURE 01	35172	35435	RF
- 18B		. CABLE ASSY-ANTENNA VHF ANT TO RELAY REFER TO 23-10-00 FIGURE 01	35436	35546	RF
- 19		. ANTENNA RELAY INSTALLATION-REFER TO 23-10-01 FIGURE 02	35097	35435	RF
- 19A		. ANTENNA RELAY INSTALLATION-REFER TO 23-10-01 FIGURE 02	35436	35546	RF
- 20	0812452-42	. CABLE ASSY-ANTENNA RELAY TO PANEL UNIT	35097	35435	1
- 20A	0812452-74	. CABLE ASSY-ANTENNA RELAY TO PANEL LIGHT	35436	35546	1

CESSNA AIRCRAFT COMPANY
MODEL 310 THRU 310D
ILLUSTRATED PARTS CATALOG

A55843



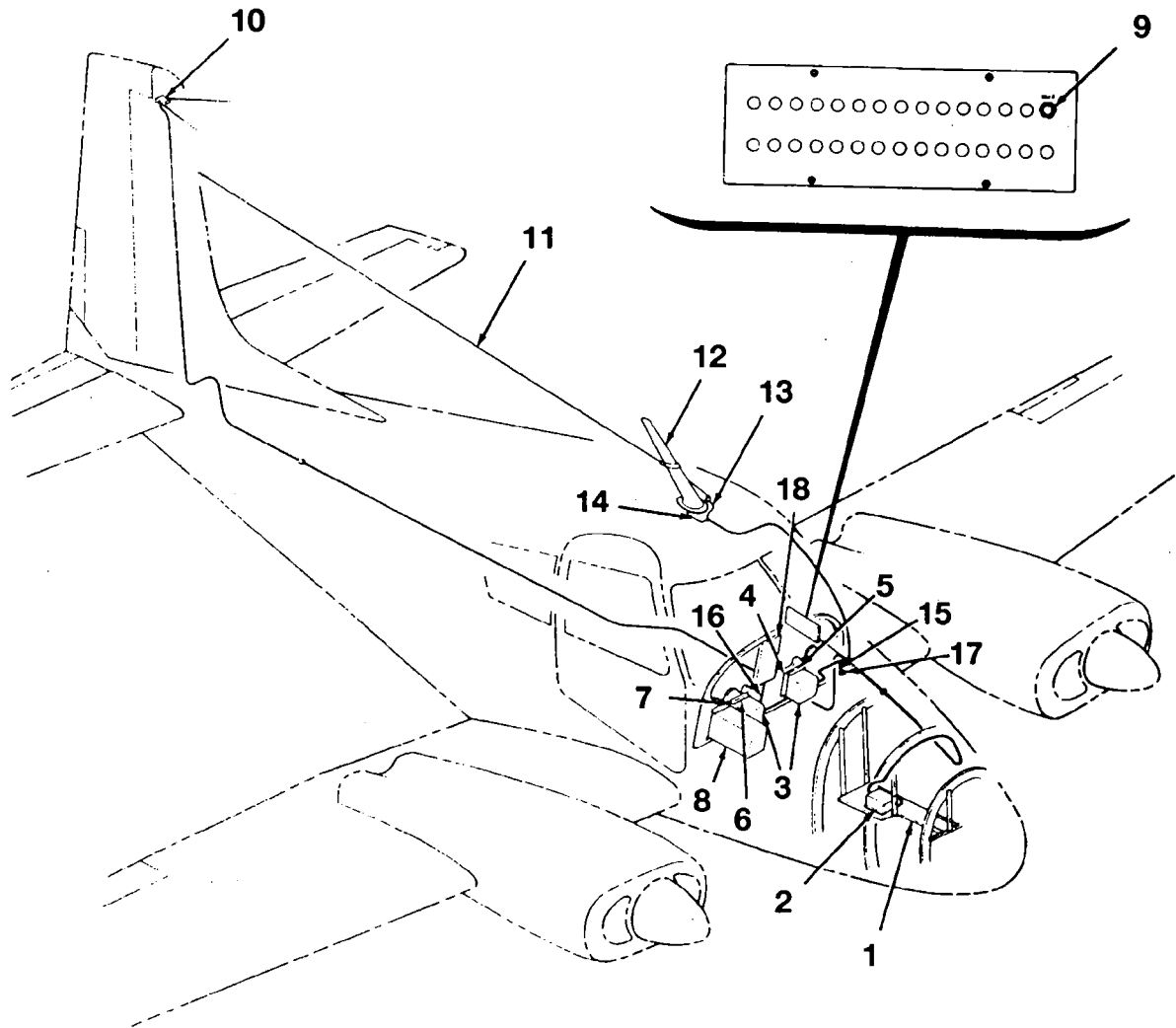
AIRPLANES 35547 THRU 35771
LEAR LTR-6 VHF COMMUNICATIONS WITH OMNI
FIGURE 03 (SHEET 1)

CESSNA AIRCRAFT COMPANY
MODEL 310 THRU 310D
ILLUSTRATED PARTS CATALOG

FIG ITEM	PART NUMBER	NOMENCLATURE	EFFECT		UNITS PER ASSY
			FROM	TO	
03		LEAR LTRA-6 VHF COMMUNICATIONS WITH OMNI	35547	35771	RF
1		. SHELF INSTALLATION-RADIO			RF
2		. OMNI RANGE CONVERTER-LEAR 2214-B1			RF
- 2A	AN520-10R8	. SCREW-ATTACH CONVERTER			8
- 2B	H10-3	. NUT-ATTACH CONVERTER			8
3		. LTRA-6 PANEL UNIT-LEAR			RF
4	0812602-1	. MOUNTING BRACKET			2
5	0812599-1	. FILLER ASSY			1
- 5A	S-1021Z-6-6	. SCREW-ATTACH PANEL UNIT			4
- 5B	S3230-2	. NUT-ATTACH PANEL UNIT			4 R
6	0813435-1	. PANEL-PRIMARY SHOCK			1
7		. UNIMETER-LEAR 2215-B4			RF
- 7A	AN507B6R12	. SCREW-ATTACH UNIMETER			1
8	A8970-1-327	. POST LIGHT-REFER TO 33-10-00 FIGURE 03 FOR BREAKDOWN GRIMES MFG.			2 R
9	PSM-10N	. CIRCUIT BREAKER-KLIXON			1
10		. ANTENNA INSTALLATION OMNI-REFER TO 23-00-00 FIGURE 05			RF
11		. ANTENNA INSTALLATION LOW FREQUENCY-REFER TO 23-10-01 FIGURE 03			RF
12		. ANTENNA INSTALLATION VHF-REFER TO 23-10-01 FIGURE 04			RF
13	0812545-36	. CABLE ASSY-ANTENNA LF ANTENNA TO PANEL UNIT			1
14	0812545-37	. CABLE ASSY-ANTENNA VHF ANTENNA TO PANEL UNIT			1
15		. PANEL ASSY & INSTALLATION-RADIO CONTROL			RF

CESSNA AIRCRAFT COMPANY
MODEL 310 THRU 310D
ILLUSTRATED PARTS CATALOG

A55844



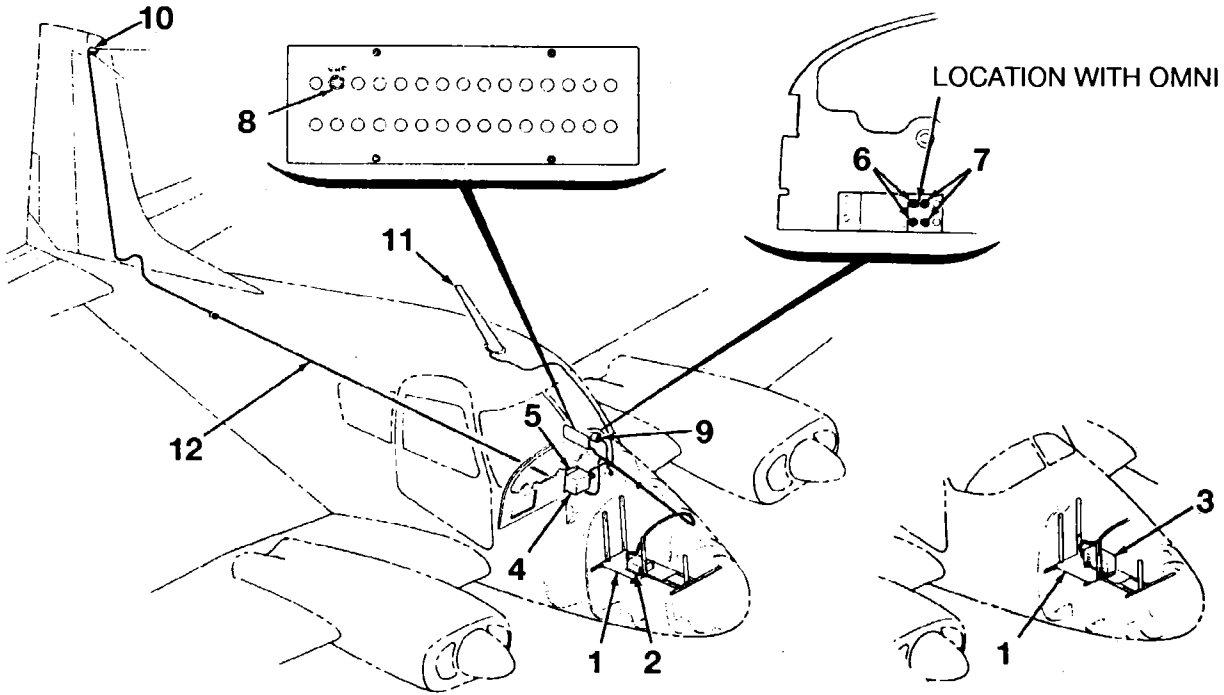
AIRPLANES 35547 THRU 35771
LEAR LTRA-6 VHF COMMUNICATIONS INSTALLATION
FIGURE 04 (SHEET 1)

**CESSNA AIRCRAFT COMPANY
MODEL 310 THRU 310D
ILLUSTRATED PARTS CATALOG**

FIG ITEM	PART NUMBER	NOMENCLATURE	EFFECT		UNITS PER ASSY
			FROM	TO	
04		LEAR LTRA-6 VHF COMMUNICATIONS INSTALLATION	35547	35771	RF
- 0		LTRA-6 VHF COMMUNICATIONS INSTALLATION-LEAR ALTERNATE LOCATION	35547	35771	RF
- A		LTRA-6 VHF COMMUNICATIONS INSTALLATION WITH ADDITIONAL RT-10EP TRANSMITTER-LEAR STANDARD LOCATION	35547	35771	RF
- B		LTRA-6 VHF COMMUNICATIONS INSTALLATION WITH ADDITIONAL RT-10EP TRANSMITTER-LEAR ALTERNATE LOCATION	35547	35771	RF
1		SHELF INSTALLATION-RADIO REFER TO 53-10-06 FIGURE 05			RF
2	0812455-20	POWER SUPPLY-LEAR LD-S			1
- 2A	AN515-8R8	SCREW-ATTACH POWER SUPPLY			4
- 2B	H10-08	NUT-ATTACH POWER SUPPLY			4
3		LTRA-6 PANEL UNIT-LEAR			RF
4	0812602-1	MOUNTING BRACKET-FOR STANDARD LOCATION			2
5	0812599-1	FILTER ASSY-FOR STANDARD LOCATION			1
6	0812601-1	MOUNTING BRACKET-FOR ALTERNATE LOCATION			2
7	0812598-1	SEPARATOR-FOR ALTERNATE LOCATION			1
- 7A	S-1022Z-6-6	SCREW-ATTACH SEPARATOR IN ALTERNATE LOCATION			2
- 7B	S3230-2	NUT-ATTACH SEPARATOR IN ALTERNATE LOCATION			2 R
- 7C	S-1021Z-6-6	SCREW-ATTACH PANEL UNIT			4
- 7D	S3230-2	NUT-ATTACH PANEL UNIT			4 R
8		GLOVE BOX ASSY INSTALLATION-SMALL FOR ALTERNATE LOCATION REFER TO 25-10-01 FIGURE 02 FOR BREAKDOWN			RF R
9	PSM-10N	CIRCUIT BREAKER-KLIXON			1
10		ANTENNA INSTALLATION OMNI-REFER TO 23-00-00 FIGURE 05			RF
11		ANTENNA INSTALLATION LOW FREQUENCY-REFER TO 23-10-01 FIGURE 03			RF
12		ANTENNA INSTALLATION VHF-REFER TO 23-10-01 FIGURE 04			RF
13	0812545-36	CABLE ASSY-ANTENNA LF ANTENNA TO PANEL UNIT FOR STANDARD LOCATION			1
- 13A	0812545-50	CABLE ASSY-ANTENNA LF ANTENNA TO PANEL UNIT FOR ALTERNATE LOCATION			1
14	0812545-37	CABLE ASSY-ANTENNA VHF ANTENNA TO PANEL UNIT FOR STANDARD LOCATION			1
- 14A	0812545-51	CABLE ASSY-ANTENNA VHF ANTENNA TO PANEL UNIT FOR ALTERNATE LOCATION			1
- 14B	0812548-8	CABLE ASSY-ANTENNA VHF ANTENNA TO ANTENNA RELAY LTRA-6 WITH ADDITIONAL RT-10EP TRANSMITTER			1
15	0812548-3	CABLE ASSY-ANTENNA RELAY TO PANEL UNIT FOR STANDARD LOCATION WITH ADDITIONAL RT-10EP TRANSMITTER			1
- 15A	0812548-22	CABLE ASSY-ANTENNA RELAY TO PANEL UNIT FOR ALTERNATE LOCATION WITH ADDITIONAL RT-10EP TRANSMITTER			1
16	0812548-4	CABLE ASSY-ANTENNA RELAY TO RT-10EP TRANSMITTER LTRA-6 WITH ADDITIONAL RT-10EP TRANSMITTER			1
- 16A	0812548-8	CABLE ASSY-ANTENNA VHF TO RELAY LTRA-6 WITH ADDITIONAL RT-10EP TRANSMITTER			1
17		ANTENNA RELAY INSTALLATION - LTRA-6 WITH ADDITIONAL RT-10EP TRANSMITTER-REFER TO 23-10-01 FIGURE 02			RF
18		PANEL ASSY & INSTALLATION-RADIO CONTROL			RF

CESSNA AIRCRAFT COMPANY
MODEL 310 THRU 310D
ILLUSTRATED PARTS CATALOG

A55845



AIRPLANES 35213 THRU 35546
LEAR LTTR-6A TRANSCEIVER INSTALLATION
FIGURE 05 (SHEET 1)

CESSNA AIRCRAFT COMPANY
MODEL 310 THRU 310D
ILLUSTRATED PARTS CATALOG

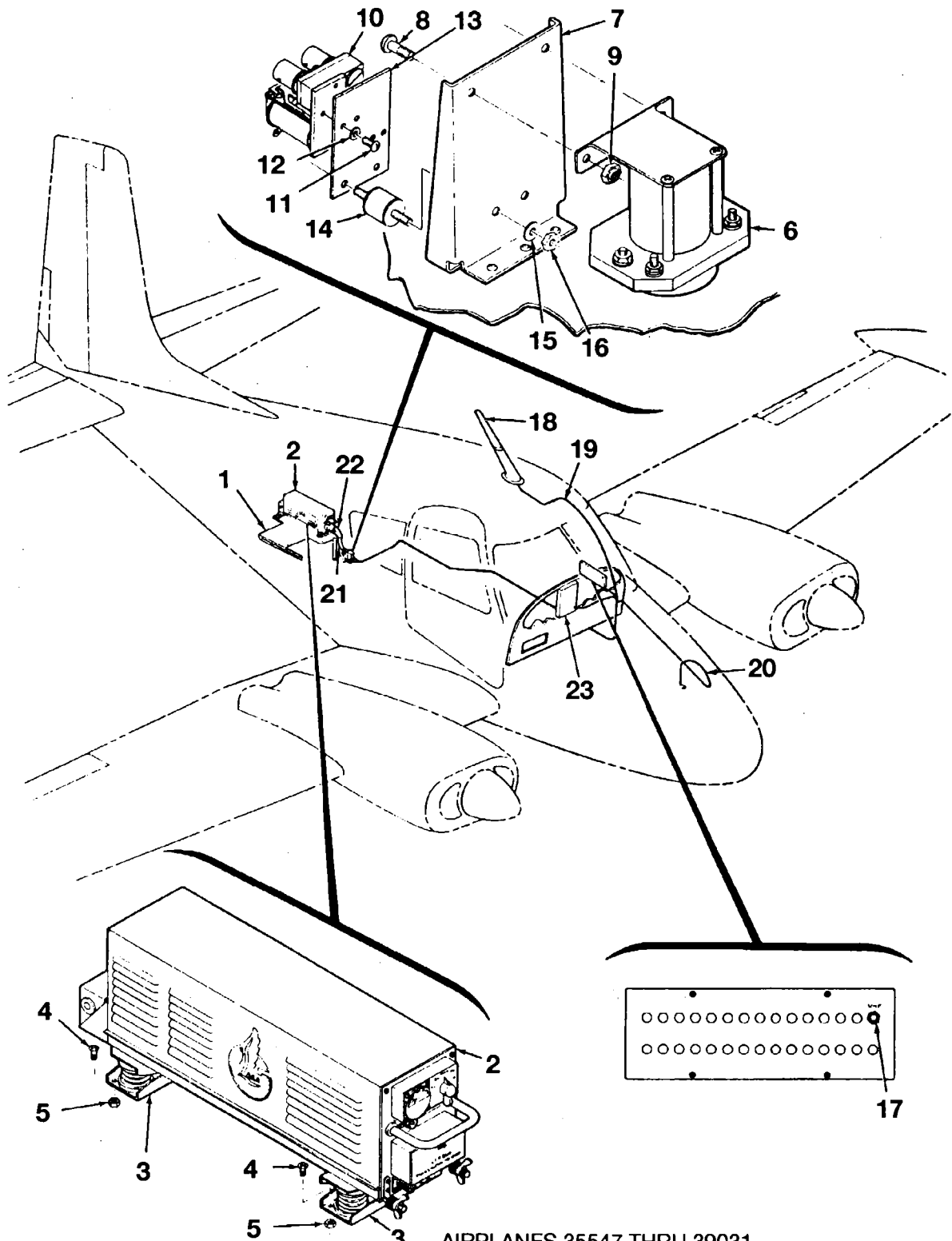
FIG ITEM	PART NUMBER	NOMENCLATURE	EFFECT		UNITS
			FROM	TO	PER ASSY
05		LEAR LTTR-6A TRANSCEIVER INSTALLATION			
-		. LTTR-6A TRANSCEIVER INSTALLATION-LEAR	35213	35546	RF
0		. SHELF INSTALLATION-RADIO			RF
1		. POWER SUPPLY-LEAR LD-5 USED WITHOUT OMNI			1
2	0812455-20	. BRACKET-POWER SUPPLY USED WITHOUT OMNI			2
- 2A	0311835-27	. SCREW-ATTACH BRACKET USED WITHOUT OMNI			4
- 2B	AN515-8R8	. NUT-ATTACH BRACKET USED WITHOUT OMNI			4 R
- 2C	MS21044N08	. OMNI RANGE CONVERTER-LEAR 2214-BL USED WITH OMNI			RF
3		. SCREW-ATTACH CONVERTER USED WITH OMNI			8
- 3A	AN520-10R8	. NUT-ATTACH CONVERTER USED WITH OMNI			8 R
- 3B	MS21045L3	. PANEL UNIT-LEAR LTTR-6A			RF
4		. SCREW-ATTACH PANEL UNIT			4
- 4A	S-1021Z-6-6	. NUT-ATTACH PANEL UNIT			4 R
- 4B	S3230-2	. ANGLE ASSY-MOUNTING			2
5	0812750-11	. NUTPLATE-TINNERMAN A8580-6Z-3			2
- 5A	NAS444-1-A	. SCREW-ATTACH ANGLE ASSY			4
- 5B	S-1022Z-6-6	. SWITCH-TOGGLE DOUBLE POLE MASTER			1
6	AN3027-2	. SWITCH-AUDIO			1
7	S382-3	. NUT-SWITCH DECORATIVE			2
- 7A	0813506	. SWITCH-AUDIO ALT FOR S382-3			1 R
- 7A	MS35058-23	. KNOB-SWITCH			2
- 7B	S384-1	. CIRCUIT BREAKER-KLIXON			1
8	PSM-10	. UNIMETER-LEAR 2215-B4 USED WITH OMNI			RF
9		. SCREW-ATTACH UNIMETER USED WITH OMNI			3
- 9A	AN515B6R11	. LTTR-6A TRANSCEIVER INSTALLATION WITH OMNI-LEAR	35213	35546	RF
- A		. ANTENNA INSTALLATION OMNI			RF
10		. ANTENNA INSTALLATION VHF			RF
11		. CABLE ASSY-ANTENNA VHF TO PANEL UNIT			1
12	0812455-292				

- ITEM NOT ILLUSTRATED

© Cessna Aircraft Company

CESSNA AIRCRAFT COMPANY
MODEL 310 THRU 310D
 ILLUSTRATED PARTS CATALOG

A55846



AIRPLANES 35547 THRU 39031

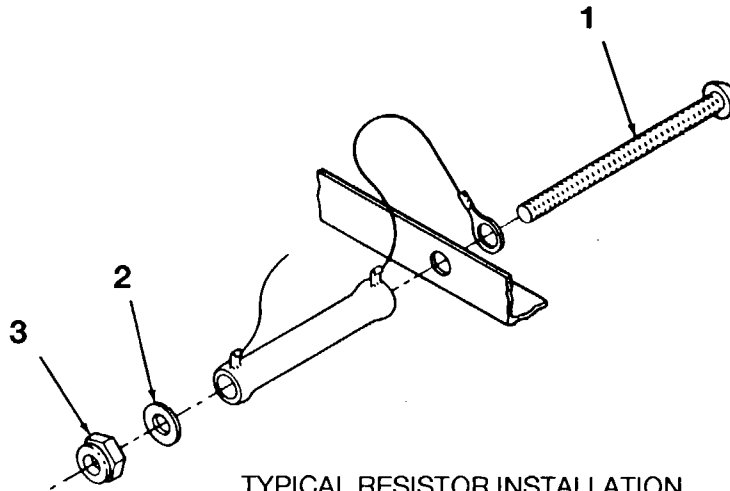
LEAR LTR-800 TRANSMITTER-RECEIVER INSTALLATION
 FIGURE 06 (SHEET 1)

CESSNA AIRCRAFT COMPANY
MODEL 310 THRU 310D
ILLUSTRATED PARTS CATALOG

FIG ITEM	PART NUMBER	NOMENCLATURE	EFFECT		UNITS PER ASSY
			FROM	TO	
06		LEAR LTR-800 TRANSMITTER-RECEIVER INSTALLATION	35547	39031	RF
1		. SHELF INSTALLATION RADIO-REFER TO 53-10-06 FIGURE 06			RF
2	0812587-3	. TRANSMITTER RECEIVER LTR-800-LEAR 705615-04			1
3	0812587-4	. SHOCKMOUNT-TRANSMITTER RECEIVER			1
4	AN515-8R8	. SCREW-ATTACH SHOCKMOUNT			8
5	H10-08	. NUT-ATTACH SHOCKMOUNT			8
6	ES/1A/24VD	. RELAY-ADVANCE ELECTRIC & RELAY CO			1
7	0812611-1	. BRACKET-RELAY			1
8	AN515-8R8	. SCREW-ATTACH RELAY			2
9	H10-08	. NUT-ATTACH RELAY			2
10	0813626-2	. ANTENNA RELAY			1
11	AN515-4R4	. SCREW-ATTACH ANTENNA RELAY			4
12	MS35333-36	. WASHER-ATTACH ANTENNA RELAY			4 R
13	0812534-2	. BRACKET-RELAY			1
14	0411059-1	. MOUNT-RELAY			2
15	MS35333-38	. WASHER-ATTACH BRACKET & SHOCKMOUNT			4 R
16	MS35649-282	. NUT-ATTACH BRACKET & SHOCKMOUNT			4 R
17	PSM-8N	. CIRCUIT BREAKER-KLIXON			1
18		. ANTENNA INSTALLATION VHF-REFER TO 23-10-01 FIGURE 04			RF
19	0812587-9	. CABLE ASSY-ANTENNA TO RELAY			1
20	0812587-10	. CABLE ASSY-ANTENNA T-1113 TRANSMITTER TO RELAY	35547	35771	1
21	0812587-7	. CABLE ASSY-ANTENNA RELAY TO RECEIVER			1
22	0812587-8	. CABLE ASSY-ANTENNA RELAY TO TRANSMITTER			1
23		. PANEL ASSY & INSTALLATION-RADIO CONTROL REFER TO 31-10-02 FIGURE 09			RF
- 23A		. PANEL ASSY & INSTALLATION-RADIO CONTROL REFER TO 31-10-02 FIGURE 07			RF
- 23B		. PANEL ASSY & INSTALLATION-RADIO CONTROL REFER TO 31-10-02 FIGURE 12			RF

CESSNA AIRCRAFT COMPANY
MODEL 310 THRU 310D
ILLUSTRATED PARTS CATALOG

A55929



TYPICAL RESISTOR INSTALLATION
LOCATION: IN BACK OF INSTRUMENT PANEL AND
JUST LEFT OF CENTERLINE.

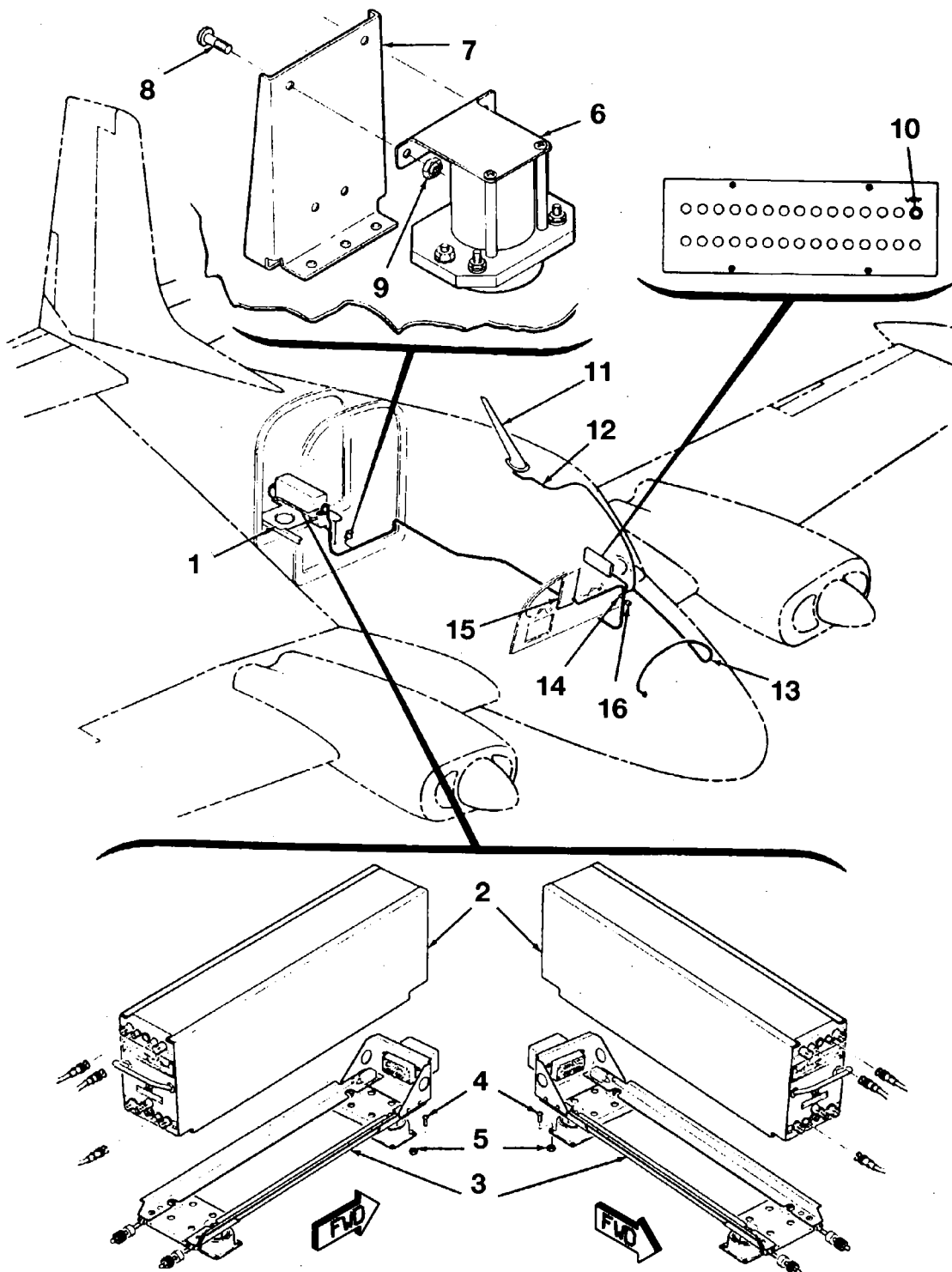
AIRPLANES 35547 AND ON
RESISTOR KIT INSTALLATION
FIGURE 07 (SHEET 1)

CESSNA AIRCRAFT COMPANY
MODEL 310 THRU 310D
ILLUSTRATED PARTS CATALOG

FIG ITEM	PART NUMBER	NOMENCLATURE	EFFECT		UNITS
			FROM	TO	PER ASSY
07		RESISTOR KIT INSTALLATION	35547	& ON	RF
-		RESISTOR KIT ASSY			RF
- 0		RESISTOR-OHMITE 75 OHM-10 WATT			1
- A	BROWN DEVIL	RESISTOR KIT NO-1			RF
- B		RESISTOR-OHMITE 150 OHM-5 WATT			1
- C	BROWN DEVIL	RESISTOR-OHMITE 50 OHM-20 WATT			1
- D	BROWN DEVIL	RESISTOR KIT NO-2			RF
- E		RESISTOR-OHMITE 50 OHM-20 WATT			1
- F	BROWN DEVIL	RESISTOR KIT NO-3			RF
- G		RESISTOR-OHMITE 100 OHM-10 WATT			1
- H	BROWN DEVIL	RESISTOR KIT NO-4			RF
- I		RESISTOR-OHMITE 150 OHM-10 WATT			1
- J	BROWN DEVIL	RESISTOR KIT NO-5			RF
- K		RESISTOR-OHMITE 200 OHM-5 WATT			1
- M	BROWN DEVIL	RESISTOR KIT NO-6			RF
- N		RESISTOR-OHMITE 300 OHM-5 WATT			1
- O	BROWN DEVIL	RESISTOR KIT NO-8			RF
- P		RESISTOR-OHMITE 400 OHM-5 WATT			1
- Q	BROWN DEVIL	RESISTOR KIT NO-9			RF
- R		RESISTOR-OHMITE 150 OHM-10 WATT			1
- S	BROWN DEVIL	RESISTOR-OHMITE 100 OHM-10 WATT			1
- T	BROWN DEVIL	RESISTOR KIT NO-10			RF
- U		RESISTOR-OHMITE 100 OHM-10 WATT			1
- V	BROWN DEVIL	RESISTOR-OHMITE 400 OHM-5 WATT			1
- W	BROWN DEVIL	SCREW-ATTACH 5 WATT RESISTORS			AR
1	AN515-8R24	SCREW-ATTACH 10 WATT RESISTORS			AR
- 1A	AN515-8R34	SCREW-ATTACH 20 WATT RESISTORS			AR
- 1B	AN515-8R10	WASHER-PHENOLIC ATTACH 5 & 10 WATT RESISTORS			AR
2	NAS70P-177-375	SPACER-PHENOLIC ATTACH 20 WATT RESISTORS			AR
- 2A	0813614-1	NUT-ATTACH RESISTORS			AR
3	H10-08				

CESSNA AIRCRAFT COMPANY
MODEL 310 THRU 310D
 ILLUSTRATED PARTS CATALOG

A55848



AIRPLANES 39032 AND ON

AIRPLANES 35547 AND ON

AIRPLANES 35547 THRU 39031

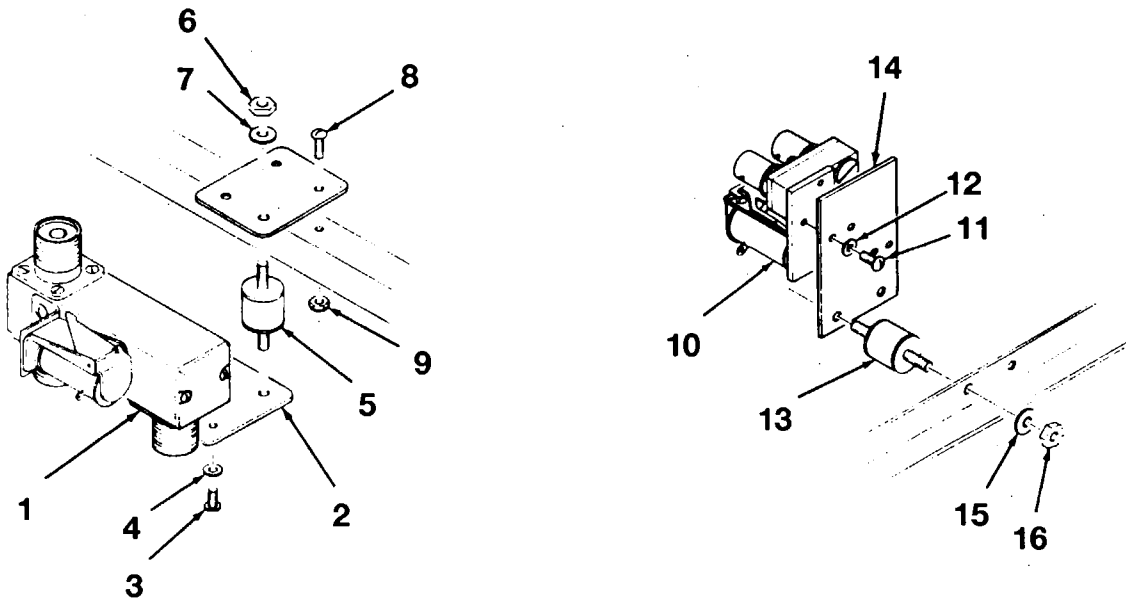
NARCO 1016 TRANSCEIVER INSTALLATION
 FIGURE 01 (SHEET 1)

**CESSNA AIRCRAFT COMPANY
MODEL 310 THRU 310D
ILLUSTRATED PARTS CATALOG**

FIG ITEM	PART NUMBER	NOMENCLATURE	EFFECT		UNITS
			FROM	TO	PER ASSY
01		NARCO 1016 TRANSCEIVER INSTALLATION	35547	& ON	RF
1		. SHELF INSTALLATION RADIO			RF
2	0812623-4	. TRANSCEIVER-NARCO VSC-1	35547	35742	1
- 2A	0812623-7	. TRANSCEIVER-NARCO VSC-2	35743	& ON	1
3	0812623-5	. SHOCKMOUNT-TRANSCEIVER	35547	35742	1
- 3A	0812623-8	. SHOCKMOUNT-TRANSCEIVER	35743	& ON	1
4	AN515-8R8	. SCREW-ATTACH SHOCKMOUNT			12
5	H10-08	. NUT-ATTACH SHOCKMOUNT			12
6	ES/1A/24VD	. RELAY-ADVANCE ELECTRIC & RELAY CO			1
7	0812611-1	. BRACKET-RELAY			1
8	AN515-8R8	. SCREW-ATTACH RELAY TO BRACKET			2
9	H10-08	. NUT-ATTACH RELAY TO BRACKET			2
10	PSM-6N	. CIRCUIT BREAKER-KLIXON			1
11		. ANTENNA INSTALLATION VHF-REFER TO 23-10-01 FIGURE 04			RF
12	0812622-10	. CABLE ASSY-ANTENNA TO TRANSCEIVER			1
13	0812622-9	. CABLE ASSY-ANTENNA TRANSCEIVER TO TRANSMITTER			1
14	0812677-14	. CABLE ASSY-ANTENNA TRANSMITTER TO ANTENNA RELAY	39032	& ON	1
14A		. CABLE ASSY-ANTENNA RELAY TO ANTENNA REFER TO 23-20-01 FIGURE 01	39032	& ON	RF
15		. PANEL ASSY & INSTALLATION-RADIO CONTROL REFER TO 31-10-02 FIGURE 08.	35547	35771	RF
- 15A		. PANEL ASSY & INSTALLATION-RADIO CONTROL REFER TO 31-10-02 FIGURE 15.	35772	39031	RF
- 15B		. PANEL ASSY & INSTALLATION-RADIO CONTROL REFER TO 31-10-02 FIGURE 11.	35547	39031	RF
- 15C		. PANEL ASSY & INSTALLATION-RADIO CONTROL REFER TO 31-10-02 FIGURE 18.	39032	& ON	RF
- 15D		. PANEL ASSY & INSTALLATION-RADIO CONTROL REFER TO 31-10-02 FIGURE 20.	39032	& ON	RF
- 15E		. PANEL ASSY & INSTALLATION-RADIO CONTROL REFER TO 31-10-02 FIGURE 25.	39032	& ON	RF
16		. ANTENNA RELAY INSTALLATION	39032	& ON	RF

CESSNA AIRCRAFT COMPANY
MODEL 310 THRU 310D
ILLUSTRATED PARTS CATALOG

A55922



AIRPLANES 35097 AND ON
ANTENNA RELAY INSTALLATION
FIGURE 02 (SHEET 1)

**CESSNA AIRCRAFT COMPANY
MODEL 310 THRU 310D
ILLUSTRATED PARTS CATALOG**

FIG ITEM	PART NUMBER	NOMENCLATURE	EFFECT		UNITS
			FROM	TO	PER ASSY
02		ANTENNA RELAY INSTALLATION	35097	35435	RF
-					
1	0813626-1	. RELAY-ANTENNA			1
2	0812504-2	. BRACKET-RELAY			2
3	AN515-6R4	. SCREW-ATTACH RELAY			2
4	MS35335-30	. WASHER-ATTACH RELAY			2 R
5	0411059-1	. MOUNT			2
6	MS35649-282	. NUT-ATTACH SHOCKMOUNT			4 R
7	MS35333-38	. WASHER-ATTACH SHOCKMOUNT			4 R
8	AN515-6R5	. SCREW-ATTACH BRACKET			2
9	MS21044N06	. NUT-ATTACH BRACKET			2 R
- 9A		. RELAY INSTALLATION-ANTENNA	35436	& ON	RF
10	0813626-2	. ANTENNA RELAY			1
11	AN515-4R4	. SCREW-ATTACH RELAY			4
12	MS35333-36	. WASHER-ATTACH RELAY			4 R
13	0411059-1	. MOUNT			1
14	0812534-2	. BRACKET-RELAY			1
15	MS35333-38	. WASHER-ATTACH BRACKET & SHOCKMOUNT			4 R
16	MS35649-282	. NUT-ATTACH BRACKET & SHOCKMOUNT			4 R

- ITEM NOT ILLUSTRATED

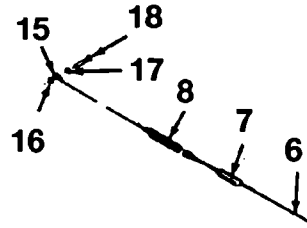
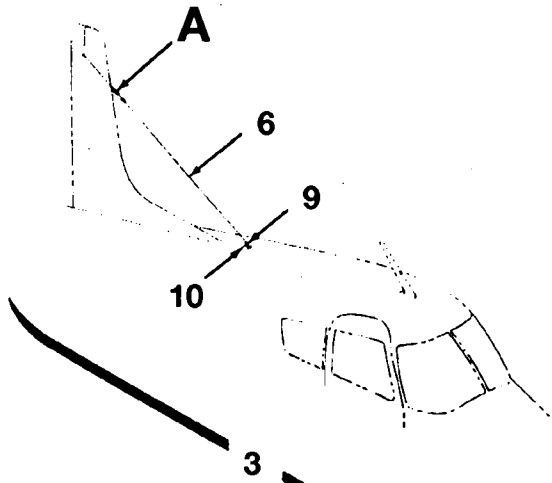
© Cessna Aircraft Company

23-10-01

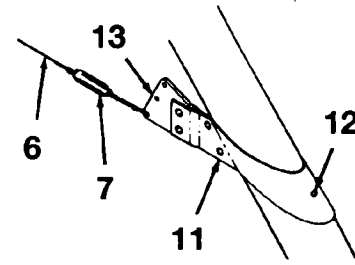
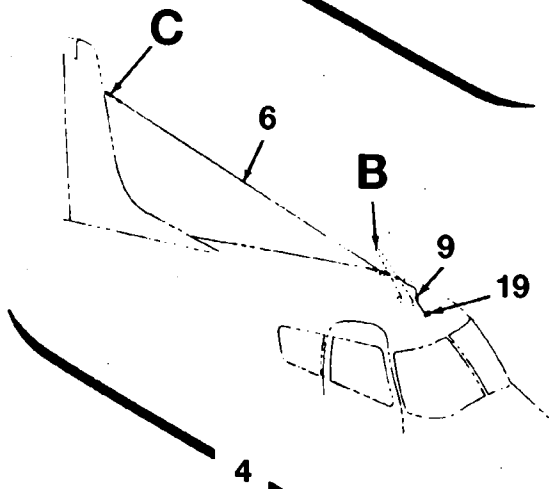
Figure 02
Page 2
Jul 3/2006

CESSNA AIRCRAFT COMPANY
MODEL 310 THRU 310D
 ILLUSTRATED PARTS CATALOG

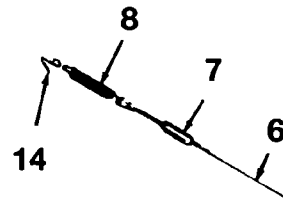
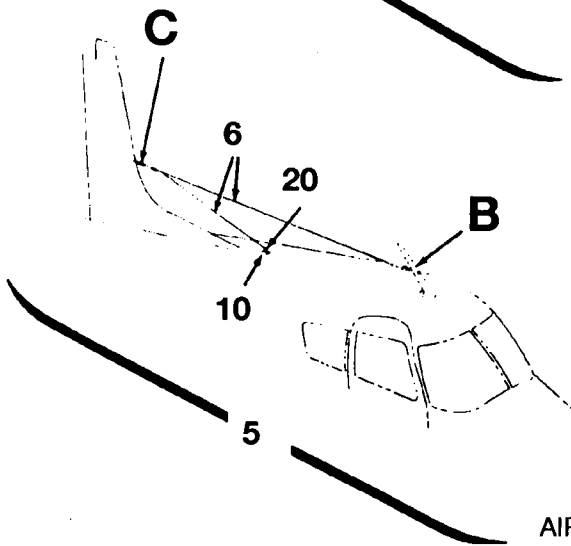
A55931



DETAIL A



DETAIL B



DETAIL C



AIRPLANES 35097 AND ON

LOW FREQUENCY ANTENNA INSTALLATION
 FIGURE 03 (SHEET 1)

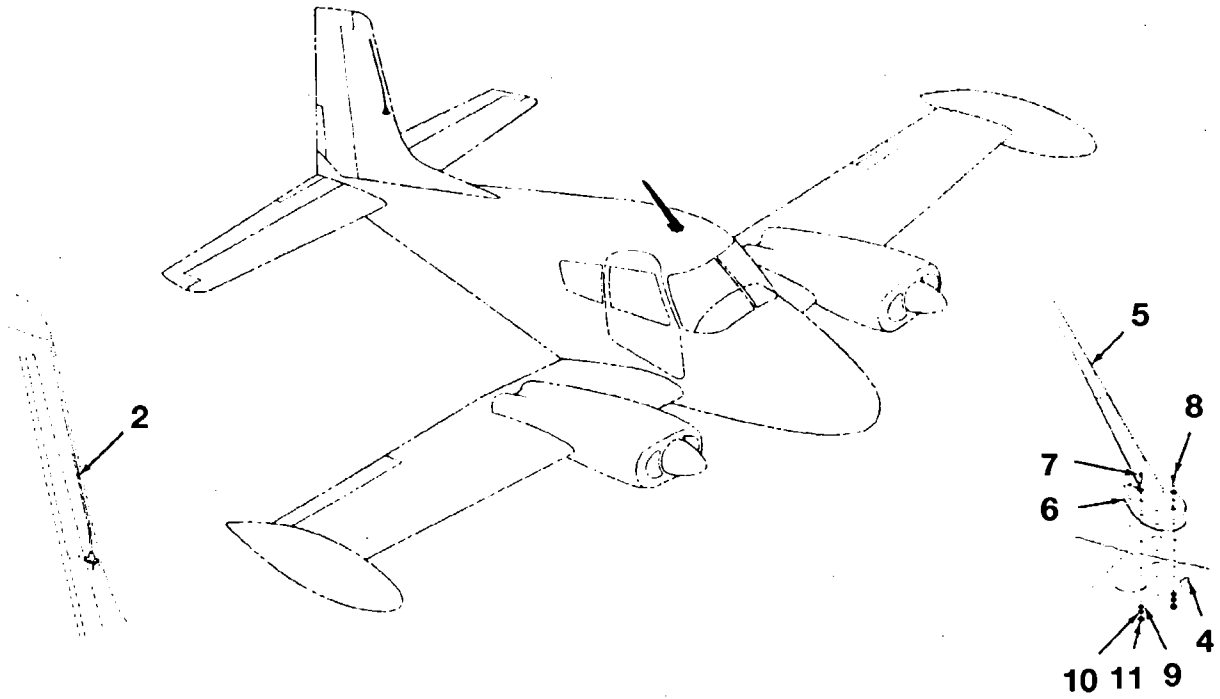
CESSNA AIRCRAFT COMPANY MODEL 310 THRU 310D ILLUSTRATED PARTS CATALOG

FIG ITEM	PART NUMBER	NOMENCLATURE	EFFECT		UNITS PER ASSY
			FROM	TO	
03		LOW FREQUENCY ANTENNA INSTALLATION	35097	& ON	RF
-		ANTENNA INSTALLATION-LEAR REFER TO NOTE 1	35097	35171	RF
1		ANTENNA-WHIP LEAR TYPE 64192-01			1
- 2A	AN509C8R8	SCREW-ATTACH ANTENNA			4
- 2B	MS21044N08	NUT-ATTACH ANTENNA			4 R
- 2C	AN4C20	BOLT-ATTACH CABLE			1
- 2D	MS35338-44	WASHER-ATTACH CABLE			1 R
3		ANTENNA INSTALLATION-DETAIL A	35213	35546	RF
4		ANTENNA INSTALLATION-DETAIL B	35172	& ON	RF
5		ANTENNA INSTALLATION-DETAIL C	35547	& ON	RF
6	18/30HS	WIRE-ANTENNA MATL SPEC W-106A BULK ITEM DETAILS A, B & C			AR
7	463	INSULATOR-DETAILS A & B BIRNBACH			1
- 7A	463	INSULATOR-DETAIL C ONLY BIRNBACH			2
8	S1282-1	SPRING-DETAILS A, B & C			1
9	0411067-1	INSULATOR-DETAILS A & B ONLY			1
10	0812513-1	DOUBLER-DETAILS A & C ONLY			1
11	0812503-1	CLIP-DETAILS B & C ONLY			1
12	CR163C-4-4	RIVET-ATTACH CLIP DETAILS B & C ONLY CHERRY RIVET CO			1
13	0812502-1	INSULATION-DETAILS B & C ONLY			1
14	0411686	CLIP-DETAILS B & C ONLY			1
15	AN100-3	THIMBLE-DETAIL A ONLY			1
16	NAS1149D0416H	WASHER-ATTACH THIMBLE DETAIL A ONLY			2 R
17	NAS1149DN616H	WASHER-ATTACH THIMBLE DETAIL A ONLY			1 R
18	AN515-6R12	SCREW-ATTACH THIMBLE DETAIL A ONLY			1
19	SO239	RECEPTACLE-DETAIL B ONLY			1
- 19A	AN515-4R6	SCREW-ATTACH RECEPTACLE DETAIL B ONLY			4
- 19B	MS21044N04	NUT-ATTACH RECEPTACLE DETAIL B ONLY			4 R
20	4125	INSULATOR-DETAIL C ONLY			1

NOTE 1—A COMBINATION OF ANTENNAS, LOW FREQUENCY OR SENSE, MOUNTED TO THE VHF SPIKE ANTENNA REQUIRES ONLY ONE EACH OF THE ATTACHING PARTS.

CESSNA AIRCRAFT COMPANY
MODEL 310 THRU 310D
ILLUSTRATED PARTS CATALOG

A55932



AIRPLANES 35097 AND ON
VHF ANTENNA INSTALLATION
FIGURE 04 (SHEET 1)

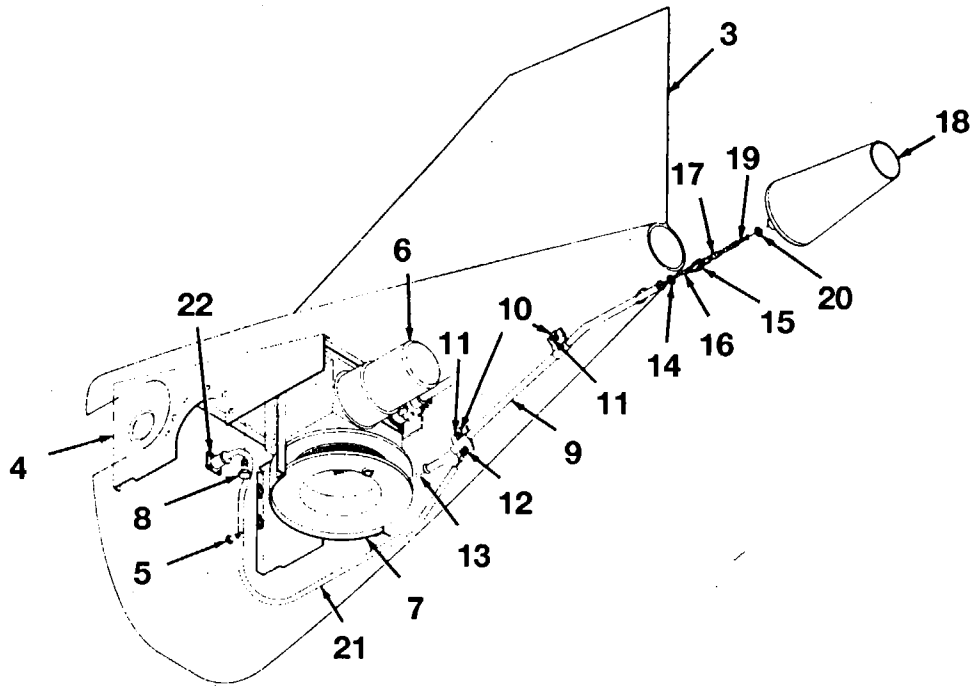
**CESSNA AIRCRAFT COMPANY
MODEL 310 THRU 310D
ILLUSTRATED PARTS CATALOG**

FIG ITEM	PART NUMBER	NOMENCLATURE	EFFECT		UNITS
			FROM	TO	PER ASSY
04		VHF ANTENNA INSTALLATION	35097	& ON	RF
1		ANTENNA INSTALLATION-ARC REFER TO NOTE 1	35097	35171	RF
2	0812485-16	ANTENNA-A-12 ARC 12401			1
3		ANTENNA INSTALLATION-LEAR REFER TO NOTE 1	35172	& ON	RF
4		DOUBLER-ANTENNA REFER TO NOTE 1			RF
5	0812489-2	ANTENNA-LEAR 2217A			1
6	0812488-1	SPACER-ANTENNA			1
7	AN500-8-14	SCREW-ATTACH ANTENNA			3
8	AN500-8-16	SCREW-ATTACH ANTENNA			6
9	NAS1149DN832H	WASHER-ATTACH ANTENNA			6 R
10	MS35333-106	WASHER-ATTACH ANTENNA			12 R
11	MS21044N08	NUT-ATTACH ANTENNA			6 R

NOTE 1—INDEX NUMBER FOR TEXT REFERENCE PURPOSES ONLY. DOES NOT APPEAR ON ILLUSTRATION.

CESSNA AIRCRAFT COMPANY
MODEL 310 THRU 310D
ILLUSTRATED PARTS CATALOG

A55933



AIRPLANES 35213 AND ON
HIGH FREQUENCY REEL ANTENNA INSTALLATION
FIGURE 05 (SHEET 1)

CESSNA AIRCRAFT COMPANY MODEL 310 THRU 310D ILLUSTRATED PARTS CATALOG

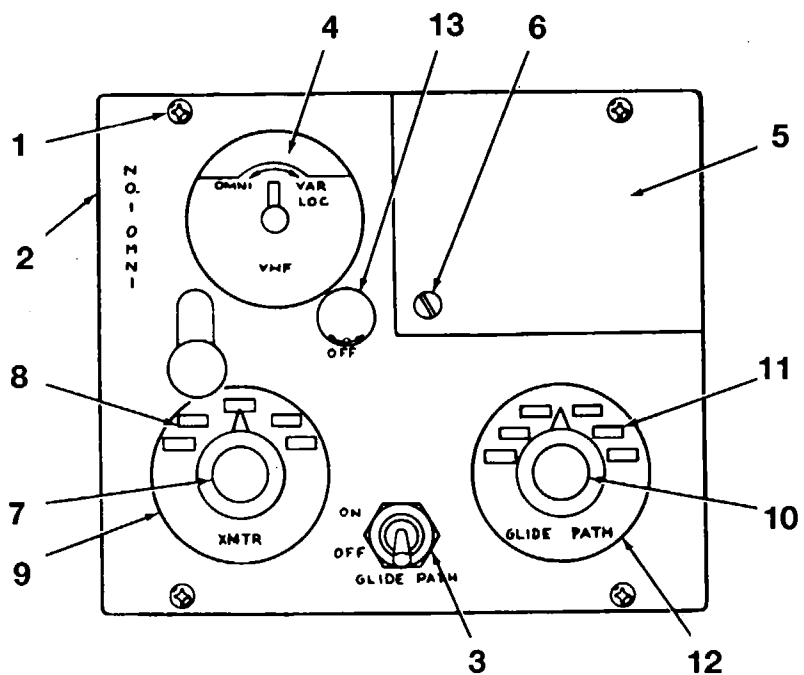
FIG ITEM	PART NUMBER	NOMENCLATURE	EFFECT		UNITS
			FROM	TO	PER ASSY
05		HIGH FREQUENCY REEL ANTENNA INSTALLATION	35213	& ON	RF
1		ANTENNA INSTALLATION-REFER TO NOTE 2	35213	39031	RF
2		ANTENNA INSTALLATION-REFER TO NOTE 2	39032	& ON	RF
3		STINGER ASSY-REFER TO 53-10-07 FIGURE 05	35213	39031	RF
- 3A	0814309-2	STRINGER	39032	& ON	1
4	0814312-1	BRACKET ASSY-MOUNTING			1
- 4A	22A3-02	NUTPLATE			4
- 4B	MS21047L4	NUT			4 R
5	AN3-4A	BOLT-ATTACH BRACKET ASSY			8
6	0814316-1	REEL-TRAILING ANTENNA SIGNAL CORPS RL-42-A			1
7	0814315-1	COVER ASSY-REEL UNIT			1
8	AN4-5A	BOLT-ATTACH REEL UNIT & SHIELD			4
9	0814304-1	TUBE ASSY-ANTENNA FEED	39032	& ON	1
- 9A	0814317-1	TUBE ASSY-ANTENNA	35213	39031	1
10	A7344-6Z-3	NUT-TINNERMAN			2
- 10A	A7344-6Z-3	NUT-TINNERMAN	39032	& ON	2
11	S-1021Z-6-8	SCREW-ATTACH TUBE ASSY			2
12	MS21044N08	NUT-ATTACH TUBE ASSY			1 R
- 12A	AN515-832R8	SCREW-ATTACH TUBE ASSY			1
13	0814308-2	CABLE ANTENNA-REFER TO NOTE 1			1
- 13A	0814308-5	CABLE ANTENNA-REFER TO NOTE 1			1
14	NAS1149F0332P	WASHER			1 R
15	AN100-3	THIMBLE			1
16	RA2610-2	SLEEVE-LOOP FITTING CENTER PULL TRU LOC			1
17	F4NSL	SWIVEL-BALL BEARING SAMPO INC			1
18	0814318-1	CONE WIND-ANTENNA			1
19	MS24665-351	COTTER PIN-ATTACH WINDCONE			1
20	NAS1149FN432P	WASHER-ATTACH WINDCONE	35213	39273	2 R
21	0814308-4	CABLE ASSY-ANTENNA	39273	39273	1
- 21A	0812563-2	CABLE ASSY-ANTENNA	39274	& ON	1
22	MS21044N04	NUT-ATTACH CABLE RECEPTACLE	35213	39273	4 R
- 22A	AN515-4R8	SCREW-ATTACH CABLE RECEPTACLE	35213	39273	4

NOTE 1—WHEN THE TRANSCEIVER UNIT HAS ONE OR MORE FREQUENCIES BELOW 2400KC USE 0814308-5 CABLE, USE 0814308-2 CABLE FOR FRQUENCIES OF 2400 KC & ABOVE.

NOTE 2—INDEX NUMBER FOR TEXT REFERENCE PURPOSES ONLY. DOES NOT APPEAR ON ILLUSTRATION.

CESSNA AIRCRAFT COMPANY
MODEL 310 THRU 310D
ILLUSTRATED PARTS CATALOG

A55891



AIRPLANES 35097 THRU 35546

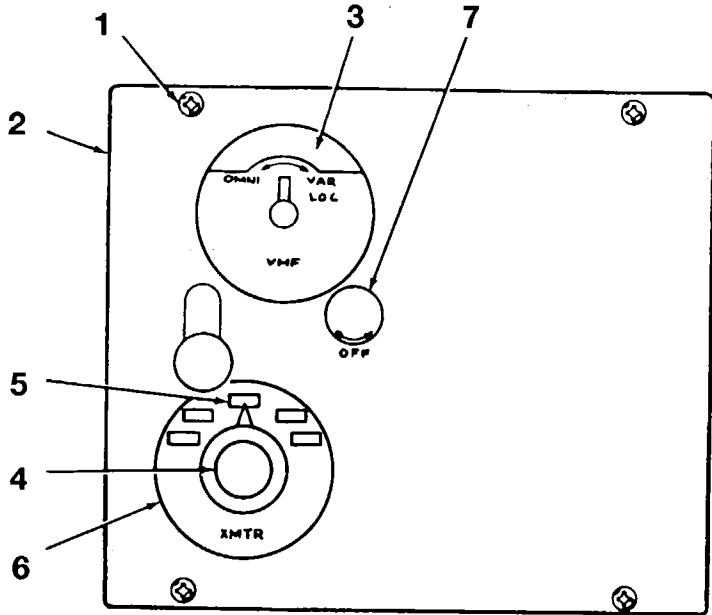
RADIO CONTROL PANEL ASSEMBLY AND INSTALLATION
FIGURE 01 (SHEET 1)

CESSNA AIRCRAFT COMPANY
MODEL 310 THRU 310D
ILLUSTRATED PARTS CATALOG

FIG ITEM	PART NUMBER	NOMENCLATURE	EFFECT		UNITS PER ASSY
			FROM	TO	
01		RADIO CONTROL PANEL ASSEMBLY AND INSTALLATION	35097	35546	RF
-		.. SCREW-ATTACH PANEL			4
- 1A	A1181-M-1	.. NUT-ATTACH PANEL TINNERMAN			4
- 1B	0812466-125	.. PANEL ASSY-CONTROL			1
2	0812466-22	.. PLATE ASSY-FACE			1
- 2A	0812466-23	.. PLATE ASSY-BACK			1
- 2B	AN515-3R4	.. SCREW-ATTACH BACK PLATE			4
- 2C	0812466-21	.. DUST COVER			1
- 2D	S-1021Z-6-6	.. SCREW-ATTACH DUST COVER			6
3	T1002	.. LH WING LIGHT SWITCH-GLIDE PATH MASTER HETHERINGTON INC ..			1
- 3A	0813506	.. NUT-SWITCH DECORATIVE			1
4		.. RECEIVER CONTROL ASSY-LH CRANK REFER TO 23-20-01 FIGURE 04 FOR BREAKDOWN			RF
5	0812466-206	.. COVER PLATE			1
6	S-1021Z-6-5	.. SCREW-ATTACH COVER			1
- 6A	S3230-2	.. NUT-ATTACH COVER			1 R
7	14087	.. KNOB-TRANSMITTER CONTROL ARC			1
- 7A	4140	.. SCREW-SET ARC ATTACH KNOB			1
- 7B	1005	.. REPAIR KIT-ARC			1
- 7C	4697	.. NUT-ARC			1
- 7D	4048	.. WASHER-LOCK ARC			1
- 7E	14376	.. SWITCH-ROTARY ARC			1
8	14034	.. TAB-ENGRAVED WITH 5 ARC			AR
9	0812466-98	.. COVER ASSY-TRANSMITTER			1
10	14087	.. KNOB-GLIDE PATH CONTROL ARC			1
- 10A	4140	.. SCREW-SET ARC ATTACH KNOB			1
- 10B	1005	.. REPAIR KIT-ARC			1
- 10C	4697	.. NUT-ARC			1
- 10D	4048	.. WASHER-LOCK ARC			1
- 10E	0813513-6	.. SWITCH-SELECTOR			1
11	14034	.. TAB-ENGRAVED WITH 5 ARC			AR
12	0812466-97	.. COVER ASSY-GLIDE PATH			1
13	6749	.. KNOB-VOLUME CONTROL ARC			1
- 13A	4140	.. SCREW-SET ARC ATTACH KNOB			1
- 13B	4697	.. NUT-ARC ATTACH VOLUME CONTROL			1
- 13C	4048	.. WASHER-LOCK ARC ATTACH VOLUME CONTROL			1
- 13D	PQ11-114	.. CONTROL-VOLUME IRC			1
- 13E	76-1	.. SWITCH-IRC			1

CESSNA AIRCRAFT COMPANY
MODEL 310 THRU 310D
ILLUSTRATED PARTS CATALOG

A55892



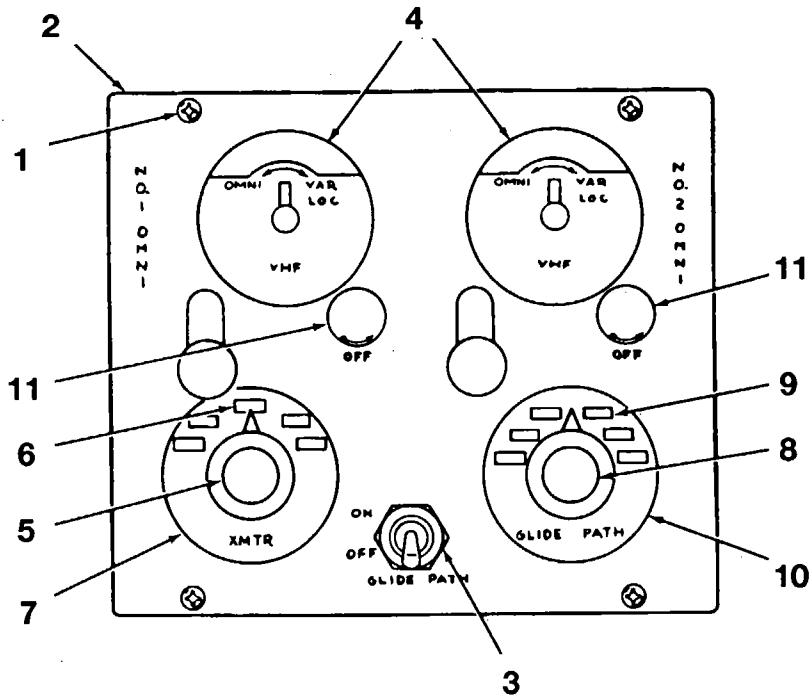
AIRPLANES 35097 THRU 35546
RADIO CONTROL PANEL ASSEMBLY AND INSTALLATION
FIGURE 02 (SHEET 1)

CESSNA AIRCRAFT COMPANY
MODEL 310 THRU 310D
ILLUSTRATED PARTS CATALOG

FIG ITEM	PART NUMBER	NOMENCLATURE	EFFECT		UNITS
			FROM	TO	PER ASSY
02		RADIO CONTROL PANEL ASSEMBLY AND INSTALLATION	35097	35546	RF
-		.. SCREW-ATTACH PANEL			4
1	S-1021Z-6-6	.. NUT-ATTACH PANEL TINNERMAN			4
- 1A	A1181-M-1	.. PANEL ASSY-CONTROL			1
- 1B	0812466-164	.. PLATE ASSY-FACE			1
2	0812466-215	.. PLATE ASSY-BACK			1
- 2A	0812466-23	.. SCREW-ATTACH BACK PLATE			4
- 2B	AN515-3R4	.. DUST COVER			1
- 2C	0812466-21	.. SCREW-ATTACH DUST COVER			6
- 2D	S-1021Z-6-6	.. RECEIVER CONTROL ASSY-LH CRANK REFER TO 23-20-01 FIGURE 04 FOR BREAKDOWN			RF
3		.. KNOB-TRANSMITTER CONTROL ARC			1
4	14087	.. SCREW-SET ARC			1
- 4A	4140	.. REPAIR KIT-ARC			1
- 4B	1005	.. NUT-ARC			1
- 4C	4697	.. WASHER-LOCK ARC			1
- 4D	4048	.. SWITCH-ROTARY ARC			1
- 4E	14376	.. TAB-ENGRAVED WITH 5 ARC			AR
5	14034	.. COVER ASSY-TRANSMITTER			1
6	0812466-98	.. KNOB-VOLUME CONTROL ARC			1
7	6749	.. SCREW-SET ARC ATTACH KNOB			1
- 7A	4140	.. NUT-ARC ATTACH VOLUME CONTROL			1
- 7B	4697	.. WASHER-LOCK ARC ATTACH VOLUME CONTROL			1
- 7C	4048	.. CONTROL-VOLUME IRC			1
- 7D	PQ11-114	.. SWITCH-IRC			1
- 7E	76-1				1

CESSNA AIRCRAFT COMPANY
MODEL 310 THRU 310D
ILLUSTRATED PARTS CATALOG

A55893



AIRPLANES 35097 THRU 35546

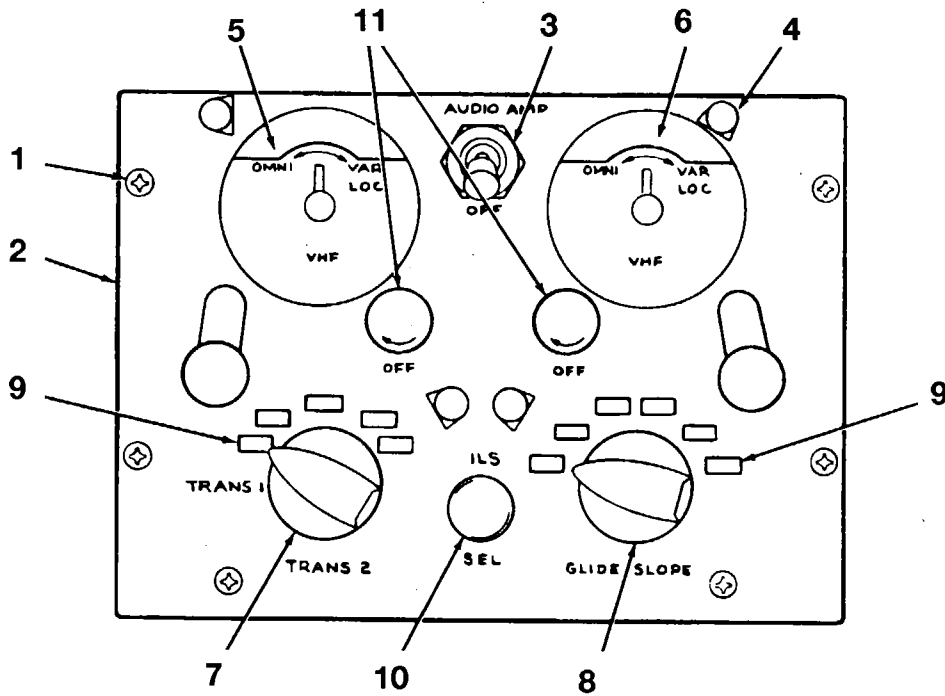
RADIO CONTROL PANEL ASSEMBLY AND INSTALLATION
FIGURE 03 (SHEET 1)

CESSNA AIRCRAFT COMPANY
MODEL 310 THRU 310D
ILLUSTRATED PARTS CATALOG

FIG ITEM	PART NUMBER	NOMENCLATURE	EFFECT		UNITS PER ASSY
			FROM	TO	
03					
-		RADIO CONTROL PANEL ASSEMBLY AND INSTALLATION	35097	35546	RF
1	S-1021Z-6-6	SCREW-ATTACH PANEL			4
- 1A	A1181-M-1	NUT-ATTACH PANEL TINNERMAN			4
- 1B	0812466-166	PANEL ASSY-CONTROL			1
2	0812466-22	PLATE ASSY-FACE			1
- 2A	0812466-23	PLATE ASSY-BACK			1
- 2B	AN515-3R4	SCREW-ATTACH BACK PLATE			4
- 2C	0812466-21	DUST COVER			1
- 2D	S-1021Z-6-6	SCREW-ATTACH DUST COVER			6
3	T1002	LH WING LIGHT SWITCH-GLIDE PATH MASTER HETHERINGTON INC			1
- 3A	0813506	NUT-SWITCH DECORATIVE			1
4		RECEIVER CONTROL ASSY-LH CRANK REFER TO 23-20-01 FIGURE 04 FOR BREAKDOWN			RF
5	14087	KNOB-TRANSMITTER CONTROL ARC			1
- 5A	4140	SCREW-SET ARC			1
- 5B	1005	REPAIR KIT-ARC			1
- 5C	4697	NUT-ARC			1
- 5D	4048	WASHER-LOCK ARC			1
- 5E	14376	SWITCH-ROTARY ARC			1
6	14034	TAB-ENGRAVED WITH 5 ARC			AR
7	0812466-98	COVER ASSY-TRANSMITTER			1
8	14087	KNOB-GLIDE PATH CONTROL ARC			1
- 8A	4140	SCREW-SET ARC ATTACH KNOB			1
- 8B	1005	REPAIR KIT-ARC			1
- 8C	4697	NUT-ARC			1
- 8D	4048	WASHER-LOCK ARC			1
- 8E	0813513-6	SWITCH-SELECTOR			1
9	14034	TAB-ENGRAVED WITH 5 ARC			AR
10	0812466-97	COVER ASSY-GLIDE PATH			1
11	6749	KNOB-VOLUME CONTROL ARC			2
- 11A	4140	SCREW-SET ARC			2
- 11B	4697	NUT-ARC ATTACH VOLUME CONTROL			2
- 11C	4048	WASHER-LOCK ARC ATTACH VOLUME CONTROL			2
- 11D	PQ11-114	CONTROL-VOLUME IRC			2
- 11E	76-1	SWITCH-IRC			2

CESSNA AIRCRAFT COMPANY
MODEL 310 THRU 310D
ILLUSTRATED PARTS CATALOG

A55894



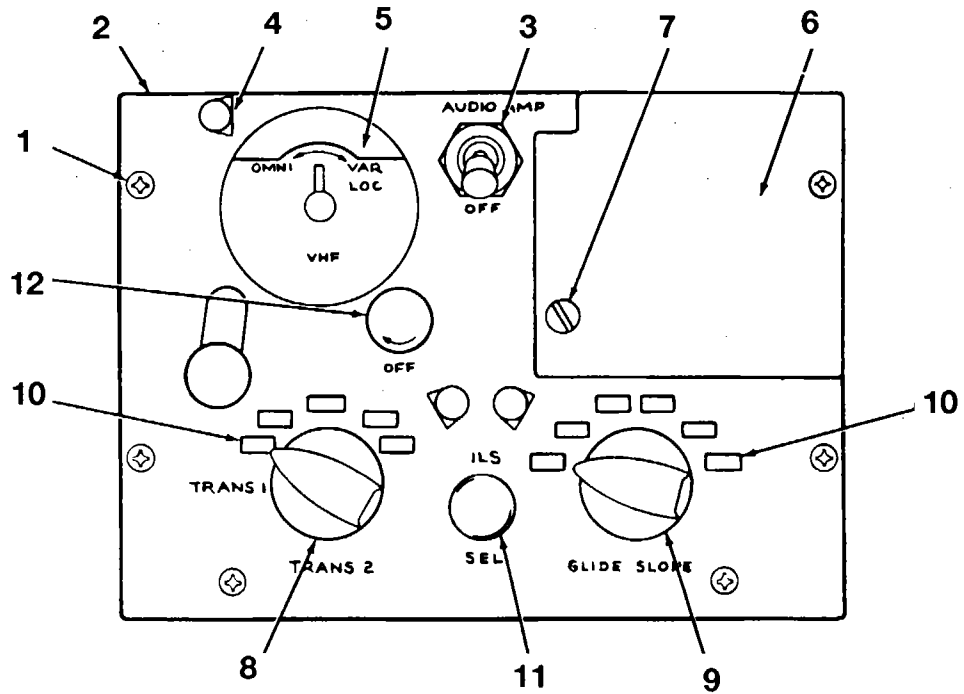
AIRPLANES 35547 THRU 35771
RADIO CONTROL PANEL ASSEMBLY AND INSTALLATION
FIGURE 04 (SHEET 1)

CESSNA AIRCRAFT COMPANY
MODEL 310 THRU 310D
ILLUSTRATED PARTS CATALOG

FIG ITEM	PART NUMBER	NOMENCLATURE	EFFECT		UNITS PER ASSY
			FROM	TO	
04		RADIO CONTROL PANEL ASSEMBLY AND INSTALLATION	35547	35771	RF
-		.. SCREW-ATTACH PANEL			6
- 1	AN507-632R8	.. SCREW-ATTACH PANEL			1
- 1A	0813452-8	.. PANEL ASSY-CONTROL			1
- 2	0813452-5	.. PANEL ASSY-FACE			1
- 2A	0813452-6	.. PLATE ASSY-BACK			1
- 2B	AN515-3R4	.. SCREW-ATTACH BACK PLATE			4
- 2C	0813452-7	.. DUST COVER			1
- 2D	S-1021Z-6-6	.. SCREW-ATTACH DUST COVER			3
- 3	T1002	.. LH WING LIGHT SWITCH-AUDIO AMP HETHERINGTON INC			1
- 3A	S1216-1	.. NUT-SWITCH DECORATIVE			1
- 3B	S384-1	.. KNOB-SWITCH			1
- 4	A5299-24	.. POSTLIGHT-REFER TO 33-10-00 FIGURE 03 FOR BREAKDOWN GRIMES MFG.			4
- 5		.. RECEIVER CONTROL ASSY-LH CRANK REFER TO 23-20-01 FIGURE 04 FOR BREAKDOWN			RF
- 6		.. RECEIVER CONTROL ASSY-RH CRANK REFER TO 23-20-01 FIGURE 04 FOR BREAKDOWN			RF
- 7	0813475-5	.. KNOB ASSY-TRANSMITTER CONTROL			1
- 7A	72062N	.. SWITCH-TRANSMITTER CONTROL INTERNATIONAL INSTR INC			1
- 8	0813475-5	.. KNOB ASSY-GLIDE SLOPE CONTROL			1
- 8A	72062N	.. SWITCH-GLIDE SLOPE CONTROL INTERNATIONAL INSTR INC			1
- 9	14034	.. TAB-ENGRAVED WITH 5 ARC			11
- 10	SS48152-K2215	.. PLUG BUTTON-UNITED CARR.			1
- 11	6749	.. KNOB-VOLUME CONTROL ARC			2
- 11A	4140	.. SCREW-SET ARC ATTACH KNOB			2
- 11B	4697	.. NUT-ARC ATTACH VOLUME CONTROL			2
- 11C	4048	.. WASHER-LOCK ARC ATTACH VOLUME CONTROL			2
- 11D	PQ11-114	.. CONTROL-VOLUME IRC			2
- 11E	76-1	.. SWITCH-IRC			2

CESSNA AIRCRAFT COMPANY
MODEL 310 THRU 310D
ILLUSTRATED PARTS CATALOG

A55895



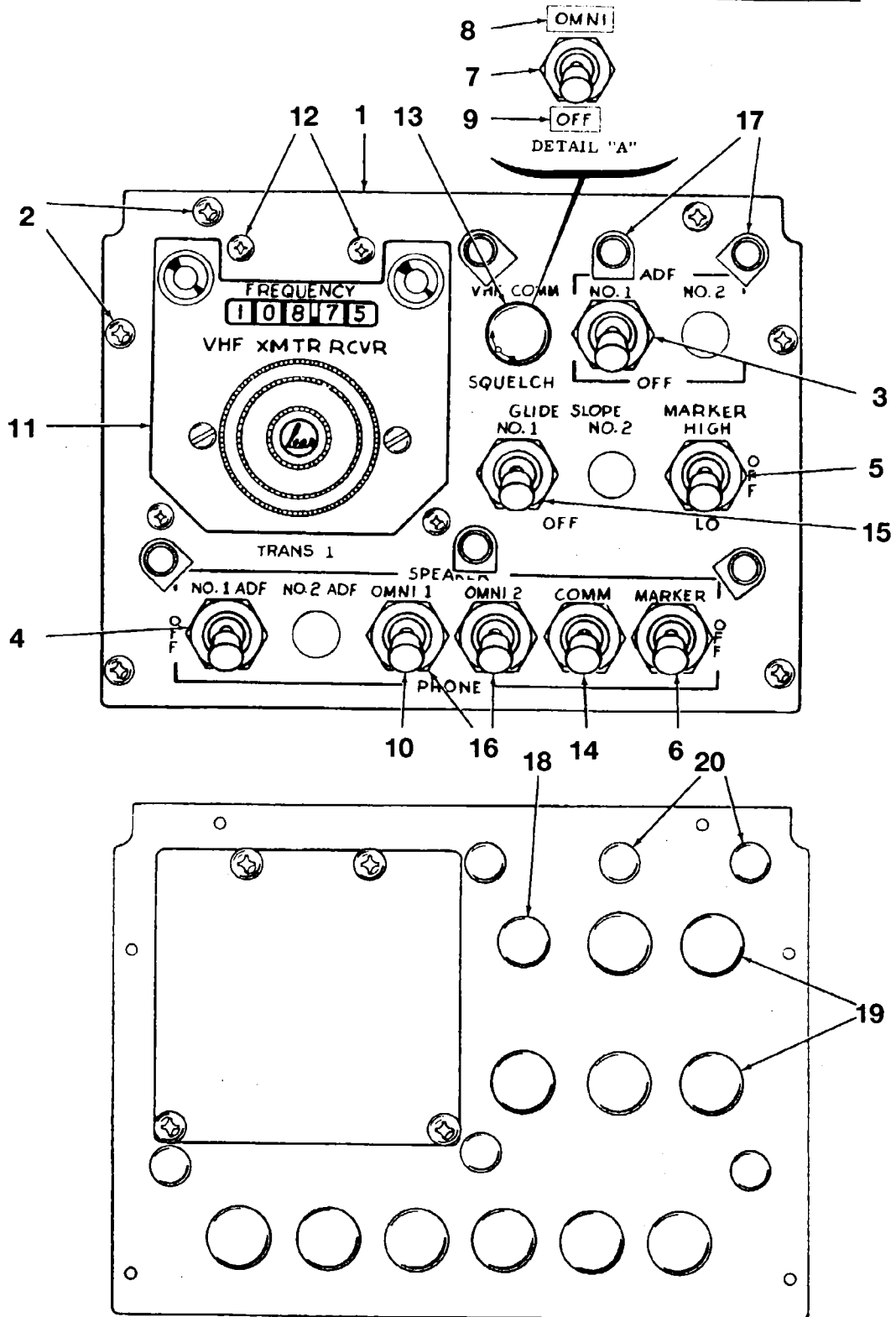
AIRPLANES 35547 THRU 35771
RADIO CONTROL PANEL ASSEMBLY AND INSTALLATION
FIGURE 05 (SHEET 1)

**CESSNA AIRCRAFT COMPANY
MODEL 310 THRU 310D
ILLUSTRATED PARTS CATALOG**

FIG ITEM	PART NUMBER	NOMENCLATURE	EFFECT		UNITS PER ASSY
			FROM	TO	
05		RADIO CONTROL PANEL ASSEMBLY AND INSTALLATION	35547	35771	RF
- 1	AN507-632R8	.. SCREW-ATTACH PANEL			6
- 1A	0813452-11	.. PANEL ASSY-CONTROL			1
2	0813452-5	.. PANEL ASSY-FACE			1
- 2A	0813452-6	.. PLATE ASSY-BACK			1
- 2B	AN515-3R4	.. SCREW-ATTACH BACK PLATE			4
- 2C	0813452-7	.. DUST COVER			1
- 2D	S-1021Z-6-6	.. SCREW-ATTACH DUST COVER			3
3	T1002	.. LH WING LIGHT SWITCH-AUDIO AMP HETHERINGTON INC			1
- 3A	S1216-1	.. NUT-SWITCH DECORATIVE			1
- 3B	S384-1	.. KNOB-SWITCH			1
4	A5299-24	.. POSTLIGHT-REFER TO 33-10-00 FIGURE 03 FOR BREAKDOWN GRIMES MFG			4
5		.. RECEIVER CONTROL ASSY-LH CRANK REFER TO 33-10-00 FIGURE 03 FOR BREAKDOWN			RF
6	0813454-1	.. COVER PLATE			1
7	S-1021Z-6-6	.. SCREW-ATTACH COVER PLATE			1
- 7A	S3230-2	.. NUT-ATTACH COVER PLATE			1 R
8	0813475-5	.. KNOB ASSY-TRANSMITTER CONTROL			1
- 8A	72062N	.. SWITCH-TRANSMITTER CONTROL INTERNATIONAL INSTR INC			1
9	0813475-5	.. KNOB ASSY-GLIDE SLOPE CONTROL			1
- 9A	72062N	.. SWITCH-GLIDE SLOPE CONTROL INTERNATIONAL INSTR INC			1
10	14034	.. TAB-ENGRAVED WITH 5 ARC			11
11	SS48152-K2215	.. PLUG BUTTON-UNITED CARR			1
12	6749	.. KNOB-VOLUME CONTROL ARC			1
- 12A	4140	.. SCREW-SET ARC ATTACH KNOB			1
- 12B	4697	.. NUT-ARC ATTACH VOLUME CONTROL			1
- 12C	4048	.. WASHER-LOCK ARC ATTACH VOLUME CONTROL			1
- 12D	PQ11-114	.. CONTROL-VOLUME IRC			1
- 12E	76-1	.. SWITCH-IRC			1

CESSNA AIRCRAFT COMPANY
MODEL 310 THRU 310D
 ILLUSTRATED PARTS CATALOG

A55896



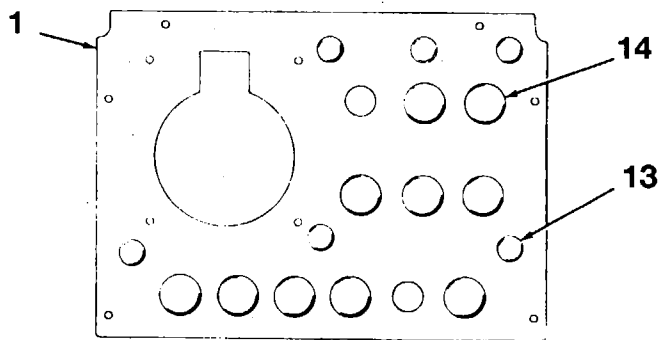
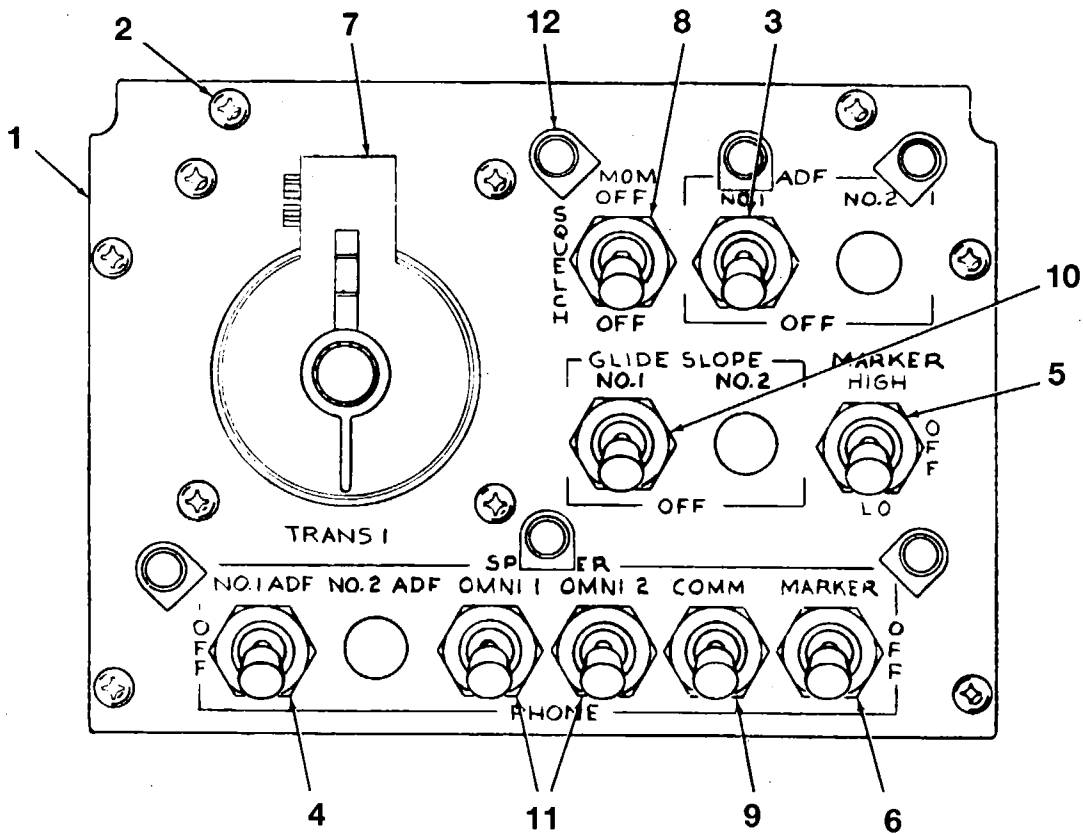
AIRPLANES 35547 THRU 35771
 RADIO CONTROL PANEL ASSEMBLY AND INSTALLATION
 FIGURE 06 (SHEET 1)

CESSNA AIRCRAFT COMPANY
MODEL 310 THRU 310D
ILLUSTRATED PARTS CATALOG

FIG ITEM	PART NUMBER	NOMENCLATURE	EFFECT		UNITS PER ASSY
			FROM	TO	
06		RADIO CONTROL PANEL ASSEMBLY AND INSTALLATION	35547	35771	RF
1	0813452-4	. PANEL ASSY-RADIO CONTROL			1
2	AN507-632R8	. SCREW			6
- 2A		. LEAR ADF-12 COMPONENTS INSTALLATION			RF
- 2B		. ARC ADF-21 COMPONENTS INSTALLATION			RF
3	AN3027-2	. SWITCH TOGGLE DOUBLE POLE-MASTER ADF-12 ONLY			1
- 3A	0812543-3	. BRACKET-CAPACITOR ADF-12 ONLY	35547	35752	1
- 3B	CA-275X	. CAPACITOR-ADF-12 ONLY MALLORY	35547	35752	1
- 3C	AN515-8R6	. SCREW-ATTACH CAPACITOR ADF-12 ONLY	35547	35752	1
- 3D	H10-08	. NUT-ADF-12 ONLY	35547	35752	1
4	S382-1	. SWITCH-AUDIO			1
- 4A	S1216-1	. NUT-SWITCH DECORATIVE ADF 12 ONLY			2
- 4B	S1216-1	. NUT-SWITCH DECORATIVE ADF 12 ONLY			1
- 4C	S384-1	. KNOB-SWITCH			2
- 4D	S384-1	. KNOB-SWITCH			1
- 4E		. LEAR A-2200 MARKER BEACON COMPONENTS INSTALLATION			RF
5	MS35059-21	. SWITCH-MARKER			1 R
6	S382-1	. SWITCH-AUDIO			1
- 6A	S1216-1	. NUT-SWITCH DECORATIVE			2
- 6B	S384-1	. KNOB-SWITCH			2
- 6C		. LEAR LTRA-6 OMNI & VHF COMM COMPONENTS INSTALLATION			RF
7	AN3027-2	. SWITCH TOGGLE DOUBLE POLE-LTRA-6 MASTER SEE DETAIL A			1
8	0812480-82	. PLACARD-OMNI SEE DETAIL A			1
9	0812480-81	. PLACARD-OFF SEE DETAIL A			1
10	S382-1	. SWITCH-AUDIO			1
- 10A	S1216-1	. NUT-SWITCH DECORATIVE			2
- 10B	S384-1	. KNOB-SWITCH			2
- 10C		. LEAR LTR-800 TRANSMITTER-RECEIVER COMPONENTS INSTALLATION			RF
11	0812587-2	. CONTROL UNIT-LEAR 705481-02			1
12	AN507-632R22	. SCREW-ATTACH CONTROL UNIT			4
- 12A	H10-06	. NUT-ATTACH CONTROL UNIT			4
13	PQ11-120	. VOLUME CONTROL-SQUELCH INTERNATIONAL RESISTANCE CO			1
- 13A	4697	. NUT-ARC			1
- 13B	4048	. WASHER-ARC			1
- 13C	6749	. KNOB-ARC			1
- 13D	4140	. SCREW-ARC			1
14	MS35059-21	. SWITCH-AUDIO			1 R
- 14A	S1216-1	. NUT-SWITCH DECORATIVE			1
- 14B	S384-1	. KNOB-SWITCH			1
- 14C		. DARE R-89M GLIDE PATH RECEIVER COMPONENTS INSTALLATION			RF
15	S382-2	. SWITCH-POWER			1
- 15A	S1216-1	. NUT-SWITCH DECORATIVE			1
- 15B	S384-1	. KNOB-SWITCH			1
- 15C		. ARC 15D NAV SYSTEM COMPONENTS INSTALLATION-QUANTITIES SHOWN ARE FOR DUAL INSTALLATION			RF
16	S382-1	. SWITCH-AUDIO			2
- 16A	S1216-1	. NUT-SWITCH DECORATIVE			2
- 16B	S384-1	. KNOB-SWITCH			2
17	A5299-24	. POSTLIGHT-REFER TO 33-10-00 FIGURE 03 FOR BREAKDOWN GRIMES MFG.			AR
18	HS-51077-K2215	. PLUG BUTTON-UNITED CARR			AR
19	SS-48152-K2215	. PLUG BUTTON-UNITED CARR			AR
20	SS-48151-K2215	. PLUG BUTTON-UNITED CARR			AR

CESSNA AIRCRAFT COMPANY
MODEL 310 THRU 310D
 ILLUSTRATED PARTS CATALOG

A55897



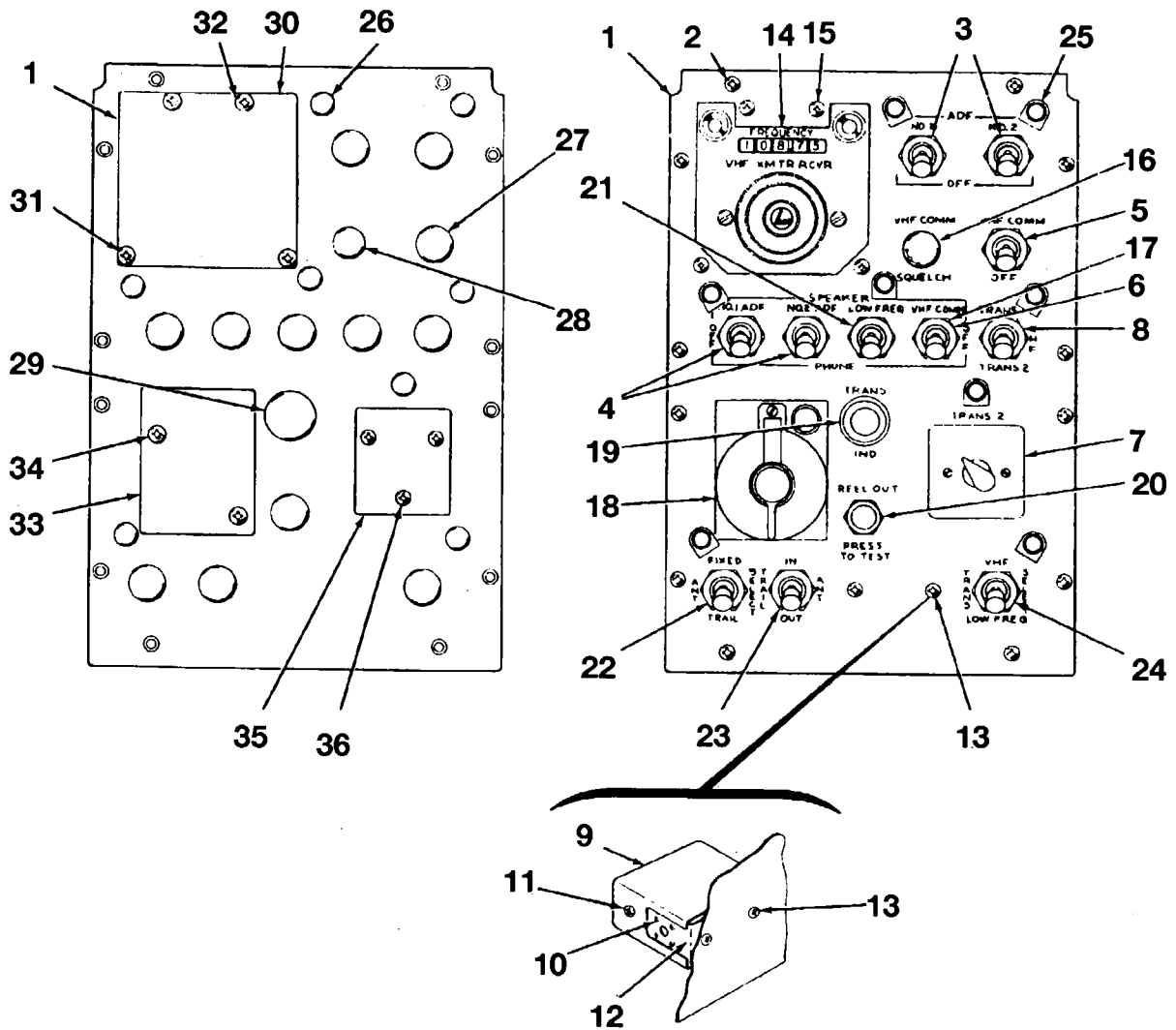
AIRPLANES 35547 THRU 35771
 RADIO CONTROL PANEL ASSEMBLY AND INSTALLATION
 FIGURE 07 (SHEET 1)

CESSNA AIRCRAFT COMPANY
MODEL 310 THRU 310D
ILLUSTRATED PARTS CATALOG

FIG ITEM	PART NUMBER	NOMENCLATURE	EFFECT		UNITS PER ASSY
			FROM	TO	
07		RADIO CONTROL PANEL ASSEMBLY AND INSTALLATION	35547	35771	RF
1	0812617-2	. . . PANEL ASSY-CONTROL			1
2	AN507-632R8	. . . SCREW-ATTACH PANEL			6
- 2A		. . . LEAR ADF-12 COMPONENTS INSTALLATION			RF
- 2B		. . . ARC ADF-21 COMPONENTS INSTALLATION			RF
3	AN3027-2	. . . SWITCH-TOGGLE DOUBLE POLE-MASTER ADF-12 ONLY			1
4	S382-1	. . . SWITCH-AUDIO			1
- 4A	S1216-1	. . . NUT-SWITCH DECORATIVE ADF-12 ONLY			2
- 4B	S1216-1	. . . NUT-SWITCH DECORATIVE ADF-21 ONLY			1
- 4C	S384-1	. . . KNOB-SWITCH ADF-12 ONLY			2
- 4D	S384-1	. . . KNOB-SWITCH ADF-21 ONLY			1
- 4E	0812543-3	. . . BRACKET-CAPACITOR ADF-12 ONLY	35547	35752	1
- 4F	CA-275X	. . . CAPACITOR-ADF-12 ONLY MALLORY	35547	35752	1
- 4G	AN515-8R6	. . . SCREW-ATTACH CAPACITOR (ADF-12 ONLY)	35547	35752	2
- 4H	H10-08	. . . NUT-ADF-12 ONLY	35547	35752	2
- 4I		. . . LEAR A-2200 MARKER BEACON COMPONENTS INSTALLATION			RF
5	MS35059-21	. . . SWITCH-MARKER			1 R
6	S382-1	. . . SWITCH-AUDIO			1
- 6A	S1216-1	. . . NUT-SWITCH DECORATIVE			2
- 6B	S384-1	. . . KNOB-SWITCH			2
- 6C		. . . NARCO 1016 TRANSCEIVER COMPONENTS INSTALLATION			RF
7	0812623-1	. . . CHANNEL SELECTOR-NARCO VSSC-1	35547	35578	1
- 7A	0812623-6	. . . CHANNEL SELECTOR-NARCO VSSC-1A	35579	35771	1
- 7B	0812623-2	. . . HEAD PHONE CONTROL-NARCO M-54147-G104			1
- 7C	AN507-632R8	. . . SCREW-ATTACH CHANNEL SELECTOR			4
- 7D	H10-06	. . . NUT-ATTACH CHANNEL SELECTOR			4
8	AN3021-5	. . . SWITCH-SQUELCH			1
9	S382-1	. . . SWITCH-AUDIO			1
- 9A	S1216-1	. . . NUT-SWITCH DECORATIVE			2
- 9B	S384-1	. . . KNOB-SWITCH			2
- 9C		. . . DARE R-89M GLIDE PATH RECEIVER COMPONENTS INSTALLATION			RF
10	S382-2	. . . SWITCH-POWER			1
- 10A	S1216-1	. . . NUT-SWITCH DECORATIVE			1
- 10B	S384-1	. . . KNOB-SWITCH			1
- 10C		. . . ARC 15D NAVIGATION SYSTEM COMPONENTS INSTALLATION-QUANTITIES SHOWN ARE FOR DUAL INSTL			RF
11	S382-1	. . . SWITCH-AUDIO			2
- 11A	S1216-1	. . . NUT-SWITCH DECORATIVE			2
- 11B	S384-1	. . . KNOB-SWITCH			2
12	A5299-24	. . . POSTLIGHT-REFER TO 33-10-00 FIGURE 03 FOR BREAKDOWN GRIMES MFG			AR
13	SS48151-K2215	. . . PLUG BUTTON-UNITED CARR			AR
14	SS48152-K2215	. . . PLUG BUTTON-UNITED CARR			AR

CESSNA AIRCRAFT COMPANY
MODEL 310 THRU 310D
 ILLUSTRATED PARTS CATALOG

A55898



AIRPLANES 35547 THRU 39031
 RADIO CONTROL PANEL ASSEMBLY AND INSTALLATION
 FIGURE 08 (SHEET 1)

CESSNA AIRCRAFT COMPANY
MODEL 310 THRU 310D
ILLUSTRATED PARTS CATALOG

FIG ITEM	PART NUMBER	NOMENCLATURE	EFFECT		UNITS PER ASSY
			FROM	TO	
08					
-		RADIO CONTROL PANEL ASSEMBLY AND INSTALLATION	35547	39031	RF
1	0813453-2	. PANEL ASSY-CONTROL			1
2	AN507-632R8	. SCREW-ATTACH PANEL			12
- 2A		. LEAR ADF-12 COMPONENTS INSTALLATION-QTY SHOWN FOR DUAL INSTLN	35547	35771	RF
- 2B		. LEAR ADF-12E-2 COMPONENTS INSTALLATION-QTY SHOWN FOR DUAL INSTLN	35772	39031	RF
3	AN3027-2	. SWITCH-TOGGLE DOUBLE POLE MASTER ADF			2
- 3A	0812543-3	. BRACKET-CAPACITOR	35547	35752	1
- 3B	CA-275X	. CAPACITOR-MALLORY	35547	35752	2
- 3C	AN515-8R6	. SCREW-ATTACH CAPACITOR	35547	35752	2
- 3D	H10-08	. NUT	35547	35752	2
4	S382-1	. SWITCH-AUDIO			2
- 4A	S1216-1	. NUT-SWITCH DECORATIVE			4
- 4B	S384-1	. KNOB-SWITCH			4
4C		. LEAR LTRA-6 VHF COMM COMPONENTS INSTALLATION-RADIO CONTROL	35547	35771	RF
5	AN3027-2	. SWITCH-TOGGLE DOUBLE POLE LTRA-6 MASTER			1
6	S382-1	. SWITCH-AUDIO			1
- 6A	S1216-1	. NUT-SWITCH DECORATIVE			2
- 6B	S384-1	. KNOB-SWITCH			2
- 6C		. LEAR RT-10EP TRANSMITTER COMPONENTS INSTALLATION	35547	35771	RF
7	0812548-1	. LEAR RT-10EP TRANSMITTER			1
- 7A	AN515-4R4	. SCREW-ATTACH TRANSMITTER			4
- 7B	0812625-1	. BRACE-FLEX ATTACH TRANSMITTER			1
- 7C	S-1021Z-4-4	. SCREW-ATTACH BRACE			1
8	S382-2	. SWITCH-SELECTOR			1
- 8A	S1216-1	. NUT-SWITCH DECORATIVE			1
- 8B	S384-1	. KNOB-SWITCH			1
9	0812491-1	. RELAY-24 VOLT-ANTENNA			1
10	AN515-3R2	. SCREW-ATTACH RELAY			4
- 10A	AN935-3	. WASHER-ATTACH RELAY			4
- 10B	0813481-1	. COVER-RELAY			1
11	S-1021Z-4-4	. SCREW-ATTACH COVER			2
- 11A	MS35489-9	. GROMMET			1
12	0813482-1	. BRACKET-RELAY			1
13	S-1022Z-4-5	. SCREW-ATTACH BRACKET			2
- 13A	S3230-1	. NUT-ATTACH BRACKET			2 R
- 13B		. LEAR LTR-800 TRANSMITTER - RECEIVER COMPONENTS INSTALLATION			RF
14	0812587-2	. CONTROL UNIT-LEAR 705481-02			1
15	AN507-632R22	. SCREW-ATTACH CONTROL UNIT			4
- 15A	H10-06	. NUT-ATTACH CONTROL UNIT			4
16	PQ11-120	. VOLUME CONTROL-SQUELCH IRC			1
- 16A	4697	. NUT-ARC			1
- 16B	4048	. WASHER-ARC			1
- 16C	6749	. KNOB-ARC			1
- 16D	4140	. SCREW-ARC			1
17	MS35059-21	. SWITCH-AUDIO			1 R
- 17A	S1216-1	. NUT-SWITCH DECORATIVE			1
- 17B	S384-1	. KNOB-SWITCH			1
- 17C		. SUN-AIR S-5-RTR TRANSCEIVER COMPONENTS INSTALLATION			RF
18	0812800-3	. CONTROL HEAD-SUN-AIR			1
19	101	. KEYBOARD-INDICATOR LIGHT TRANSMITTER (DRAKE TYPE 100)			1
20	L3100AM	. LIGHT ASSY-REEL OUT HETHERINGTON INC			1
- 20A	AN3140-327	. BULB-INDICATOR			1
21	S382-3	. SWITCH-AUDIO			1
- 21A	MS35058-23	. SWITCH-AUDIO ALT FORS382-3			1
22	S382-3	. SWITCH-ANTENNA SELECTOR			1
- 22A	MS35058-23	. SWITCH-ANTENNA SELECTOR ALT FORS382-3			1
23	MS35059-21	. SWITCH-REEL			1 R
- 23B	S384-1	. KNOB-SWITCH			3
24	MS35059-23	. SWITCH-TRANSMITTER SELECTOR			1 R
- 24A	S1216-1	. NUT-SWITCH DECORATIVE			1
- 24B	S384-1	. KNOB-SWITCH			1
25	A5299-24	. POSTLIGHT-REFER TO 33-10-00 FIGURE 03 FOR BREAKDOWN GRIMES MFG			AR
26	SS48151	. PLUG BUTTON-UNITED CARR			AR
27	SS48152	. BUTTON-PLUG UNITED CARR			AR
28	HS51077	. PLUG BUTTON-UNITED CARR			AR
29	SS50727	. PLUG BUTTON-UNITED CARR			AR

CESSNA AIRCRAFT COMPANY
MODEL 310 THRU 310D
 ILLUSTRATED PARTS CATALOG

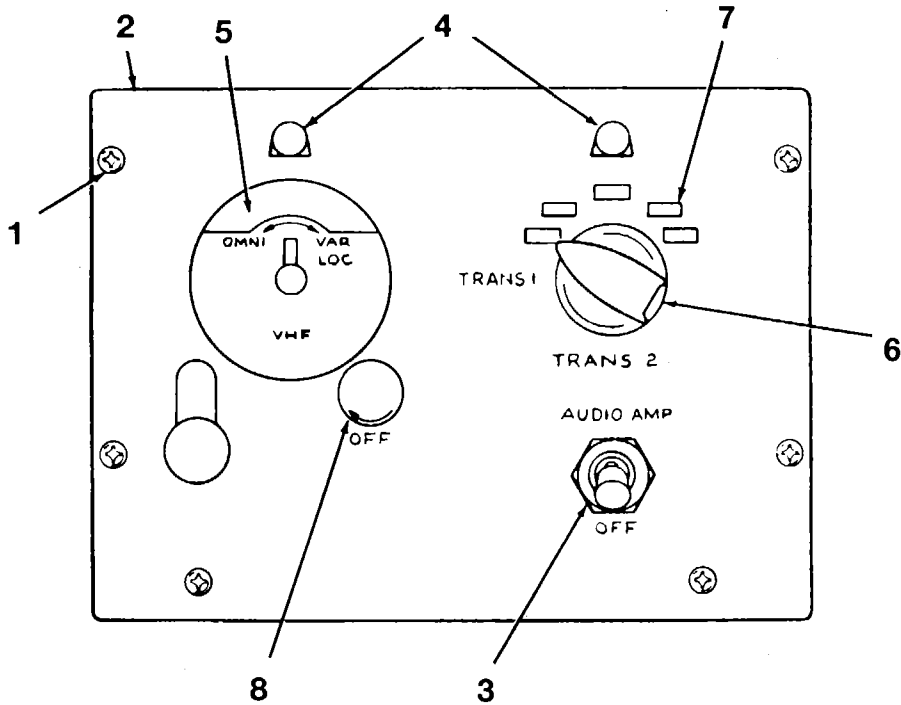
FIG ITEM	PART NUMBER	NOMENCLATURE	EFFECT		UNITS PER ASSY
			FROM	TO	
		1 2 3 4 5 6 7			
08					
30	0812507-1	. COVER PLATE			AR
31	AN515-6R8	. SCREW-ATTACH COVER PLATE			AR
- 31A	H10-06	. NUT-ATTACH COVER PLATE			AR
32	S-1021Z-6-6	. SCREW-ATTACH COVER PLATE			AR
- 32A	S3230-2	. NUT-ATTACH COVER PLATE			AR R
33	0812613-1	. COVER PLATE			AR
34	S-1021Z-6-6	. SCREW-ATTACH COVER PLATE			AR
- 34A	S3230-2	. NUT-ATTACH COVER PLATE			AR R
35	0812613-2	. COVER PLATE			AR
36	S-1021Z-4-6	. SCREW-ATTACH COVER PLATE			AR
- 36A	S3230-1	. NUT-ATTACH COVER PLATE			AR R

- ITEM NOT ILLUSTRATED

© Cessna Aircraft Company

CESSNA AIRCRAFT COMPANY
MODEL 310 THRU 310D
ILLUSTRATED PARTS CATALOG

A55899



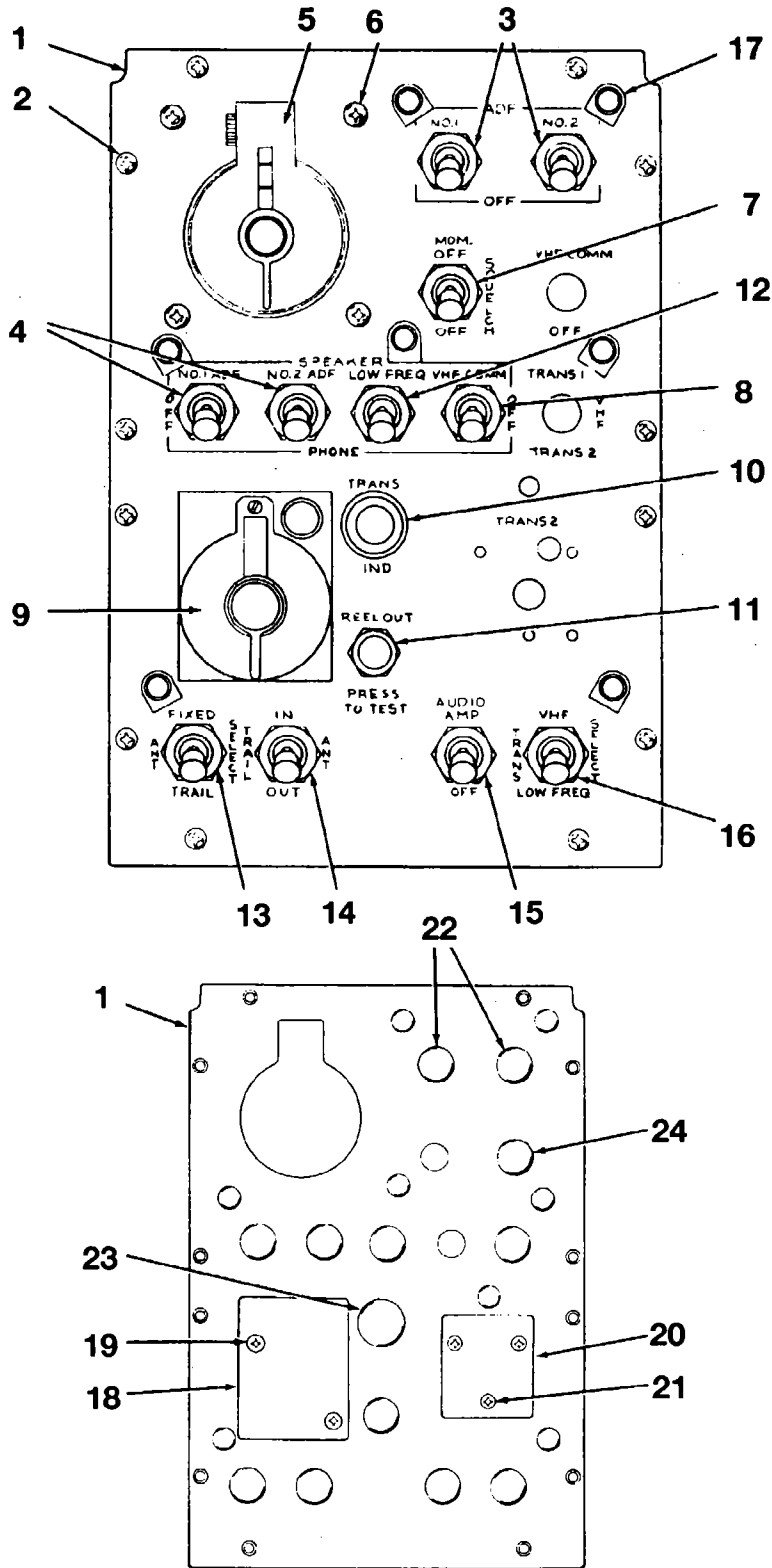
AIRPLANES 35547 THRU 35771
RADIO CONTROL PANEL ASSEMBLY AND INSTALLATION
FIGURE 09 (SHEET 1)

CESSNA AIRCRAFT COMPANY
MODEL 310 THRU 310D
ILLUSTRATED PARTS CATALOG

FIG ITEM	PART NUMBER	NOMENCLATURE	EFFECT		UNITS PER ASSY
			FROM	TO	
09		RADIO CONTROL PANEL ASSEMBLY AND INSTALLATION	35547	35771	RF
-		.. SCREW-ATTACH PANEL			6
- 1	AN507-632R8	.. PANEL ASSY-CONTROL			1
- 1A	0813456-7	.. PLATE ASSY-FACE			1
- 2	0813456-2	.. PLATE ASSY-BACK			1
- 2A	0813456-5	.. SCREW-ATTACH BACK PLATE			4
- 2B	AN515-3R4	.. DUST COVER			1
- 2C	0813456-6	.. SCREW-ATTACH DUST COVER			3
- 2D	S-1021Z-6-6	.. LH WING LIGHT SWITCH-AUDIO AMP HETHERINGTON INC			1
- 3	T1002	.. NUT-SWITCH DECORATIVE			1
- 3A	S1216-1	.. KNOB			1
- 3B	S384-1	.. POSTLIGHT-REFER TO 33-10-00 FIGURE 03 FOR BREAKDOWN GRIMES MFG			2
- 4	A5299-24	.. RECEIVER CONTROL ASSY-LH CRANK REFER TO 23-20-01 FIGURE 04 FOR BREAKDOWN			RF
- 5		.. KNOB ASSY-TRANSMITTER CONTROL			1
- 6	0813475-5	.. SWITCH-TRANSMITTER CONTROL INTERNATIONAL INSTR INC			1
- 6A	72062N	.. TAB-ENGRAVED WITH 5 ARC			5
- 7	14034	.. KNOB-VOLUME CONTROL ARC			1
- 8	6749	.. SCREW-ARC ATTACH VOLUME CONTROL			1
- 8A	4140	.. NUT-ARC ATTACH VOLUME CONTROL			1
- 8B	4697	.. WASHER-LOCK ARC ATTACH VOLUME CONTROL			1
- 8C	4048	.. CONTROL-VOLUME IRC			1
- 8D	PQ11-114	.. SWITCH-IRC			1
- 8E	76-1				1

CESSNA AIRCRAFT COMPANY
MODEL 310 THRU 310D
 ILLUSTRATED PARTS CATALOG

A55901



AIRPLANES 35547 THRU 39031
 RADIO CONTROL PANEL ASSEMBLY AND INSTALLATION
 FIGURE 10 (SHEET 1)

CESSNA AIRCRAFT COMPANY

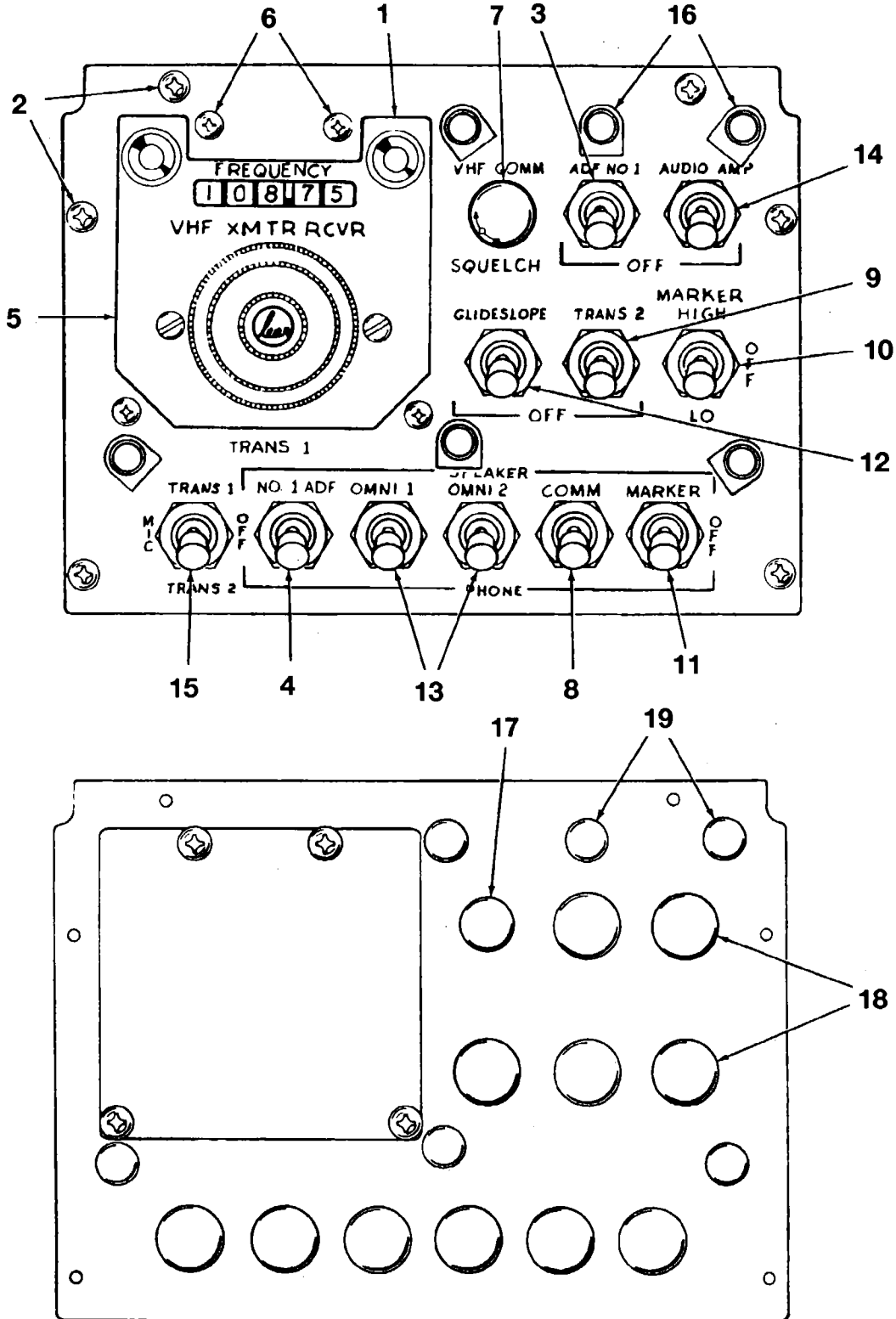
MODEL 310 THRU 310D

ILLUSTRATED PARTS CATALOG

FIG ITEM	PART NUMBER	NOMENCLATURE	EFFECT		UNITS PER ASSY
			FROM	TO	
10					
- 1	0812621-2	RADIO CONTROL PANEL ASSEMBLY AND INSTALLATION	35547	39031	RF
2	AN507-632R8	.. PANEL ASSY-CONTROL			1
- 2A		.. SCREW-ATTACH PANEL			12
- 2B		.. LEAR ADF-12 COMPONENTS INSTALLATION-QTY SHOWN FOR DUAL .. INSTL	35547	35771	RF
- 2B		.. LEAR ADF-12E-2 COMPONENTS INSTALLATION-QTY SHOWN FOR DUAL .. INSTL	35772	39031	RF
3	AN3027-2	.. SWITCH-TOGGLE DOUBLE POLE MASTER ADF			2
4	S382-1	.. SWITCH-AUDIO			2
- 4A	S1216-1	.. SWITCH-SWITCH DECORATIVE			4
- 4B	S384-1	.. SWITCH-SWITCH			4
- 4C	0812543-3	.. BRACKET-CAPACITOR	35547	35752	1
- 4D	CA-275X	.. CAPACITOR-MALLORY	35547	35752	2
- 4E	AN515-8R6	.. SCREW-ATTACH CAPACITOR	35547	35752	2
- 4F	H10-08	.. NUT	35547	35752	2
- 4G		.. NARCO 1016 TRANSCEIVER COMPONENTS INSTALLATION			RF
5	0812623-1	.. CHANNEL SELECTOR-NARCO VSSC-1	35547	35578	1
- 5A	0812623-6	.. CHANNEL SELECTOR-NARCO VSSC-1A	35579	39031	1
- 5B	0812623-2	.. HEAD PHONE CONTROL-NARCO M-54147-6104			1
6	AN507-632R8	.. SCREW-ATTACH CHANNEL SELECTOR			4
- 6A	H10-06	.. NUT-ATTACH CHANNEL SELECTOR			4
7	AN3021-5	.. SWITCH-SQUELCH			1
8	S382-1	.. SWITCH-AUDIO			1
- 8A	S1216-1	.. SWITCH-SWITCH DECORATIVE			2
- 8B	S384-1	.. SWITCH-SWITCH			2
- 8C		.. SUN-AIR S-5-RTR TRANSCEIVER COMPONENTS INSTALLATION			RF
9	0812800-3	.. CONTROL HEAD-SUN-AIR			1
10	101	.. KEYBOARD-INDICATOR LIGHT TRANSMITTER DRAKE TYPE 100			1
11	L3100-AM	.. INDICATOR LIGHT-REEL OUT HETHERINGTON INC			1
- 11A	AN3140-327	.. BULB-INDICATOR			1
12	S382-3	.. SWITCH-AUDIO			1
- 12A	MS35058-23	.. SWITCH-AUDIO ALT FOR S382-3			1 R
13	S382-3	.. SWITCH-ANTENNA SELECTOR			1
- 13A	MS35058-23	.. SWITCH-ANTENNA SELECTOR ALT FOR S382-3			1 R
14	MS35059-21	.. SWITCH-REEL			1 R
- 14A	S1216-1	.. NUT-SWITCH DECORATIVE			3
- 14B	S384-1	.. KNOB-SWITCH			3
- 14C		.. ARC F-13A AUDIO AMPLIFIER COMPONENTS INSTALLATION			RF
15	S382-2	.. SWITCH-AUDIO AMPLIFIER			1
- 15A	S1216-1	.. NUT-SWITCH DECORATIVE			1
- 15B	S384-1	.. KNOB-SWITCH			1
16	MS35059-23	.. SWITCH-TRANSMITTER SELECTOR			1 R
- 16A	S1216-1	.. NUT-SWITCH DECORATIVE			1
- 16B	S384-1	.. KNOB-SWITCH			1
17	A5299-24	.. POSTLIGHT-REFER TO 33-10-00 FIGURE 03 FOR BREAKDOWN GRIMES .. MFG			AR
18	0812613-1	.. COVER			AR
19	S-1021Z-6-6	.. SCREW-ATTACH COVER			AR
- 19A	S3230-2	.. NUT-ATTACH COVER			AR R
20	0812613-2	.. COVER			AR
21	S1021Z-4-6	.. SCREW-ATTACH COVER			AR
- 21A	S3230-1	.. NUT-ATTACH COVER			AR R
22	SS48151	.. PLUG BUTTON-UNITED CARR			AR
23	SS50727	.. PLUG BUTTON-UNITED CARR			AR
24	SS48152	.. BUTTON-UNITED CARR			AR

CESSNA AIRCRAFT COMPANY
MODEL 310 THRU 310D
 ILLUSTRATED PARTS CATALOG

A55902



AIRPLANES 35772 THRU 39031
 RADIO CONTROL PANEL ASSEMBLY AND INSTALLATION
 FIGURE 11 (SHEET 1)

CESSNA AIRCRAFT COMPANY

MODEL 310 THRU 310D

ILLUSTRATED PARTS CATALOG

FIG ITEM	PART NUMBER	NOMENCLATURE	EFFECT FROM TO	UNITS PER ASSY
11		RADIO CONTROL PANEL ASSEMBLY AND INSTALLATION	35772 39031	RF
- 1	0813452-13	. PANEL ASSY-RADIO CONTROL		1
- 2	AN507-632R8	. SCREW		6
- 2A		. LEAR ADF-12E-2 COMPONENTS INSTALLATION		RF
- 2B		. ARC ADF-21 COMPONENTS INSTALLATION		RF
- 3	AN3027-2	. SWITCH-TOGGLE DOUBLE POLE MASTER ADF-12E-2 ONLY		1
- 4	S382-1	. SWITCH-AUDIO		1
- 4A	S1216-1	. NUT-SWITCH DECORATIVE ADF-12E-2 ONLY		2
- 4B	S1216-1	. NUT-SWITCH DECORATIVE ADF-21 ONLY		1
- 4C	S384-1	. KNOB-SWITCH		2
- 4D	S384-1	. KNOB-SWITCH		1
- 4E		. LEAR LTR-800 TRANSMITTER-RECEIVER COMPONENTS INSTALLATION		RF
- 5	0812587-2	. CONTROL UNIT-LEAR 705481-02		1
- 6	AN507-632R22	. SCREW-ATTACH CONTROL UNIT		4
- 6A	H10-06	. NUT-ATTACH CONTROL UNIT		4
- 7	PQ11-120	. VOLUME CONTROL-SQUELCH INTERNATIONAL RESISTANCE CO		1
- 7A	4697	. NUT-ARC		1
- 7B	4048	. WASHER-ARC		1
- 7C	6749	. KNOB-ARC		1
- 7D	4140	. SCREW-ARC		1
- 8	MS35059-21	. SWITCH-AUDIO		1 R
- 8A	S1216-1	. NUT-SWITCH DECORATIVE		1
- 8B	S384-1	. KNOB-SWITCH		1
- 8C		. ARC T-22 TRANSMITTER COMPONENTS INSTALLATION		RF
- 9	S382-2	. SWITCH		1
- 9A	S1216-1	. NUT-SWITCH DECORATIVE		1
- 9B	S384-1	. KNOB-SWITCH		1
- 9C		. DARE DM-3 MARKER BEACON COMPONENTS INSTALLATION		RF
- 10	MS35059-21	. SWITCH		1 R
- 11	S382-1	. SWITCH-AUDIO		1
- 11A	S1216-1	. NUT-SWITCH DECORATIVE		2
- 11B	S384-1	. KNOB-SWITCH		2
- 11C		. DARE DGS-20 GLIDE SLOPE COMPONENTS INSTALLATION		RF
- 12	S382-2	. SWITCH		1
- 12A	S1216-1	. NUT-SWITCH DECORATIVE		1
- 12B	S384-1	. KNOB-SWITCH		1
- 12C		. ARC 15E NAV SYSTEM COMPONENTS INSTALLATION-QTYS SHOWN FOR DUAL INSTALLATION		RF
- 13	S382-1	. SWITCH-AUDIO		2
- 13A	S1216-1	. NUT-SWITCH DECORATIVE		2
- 13B	S384-1	. KNOB-SWITCH		2
- 13C		. ARC F-13A AUDIO AMPLIFIER COMPONENTS INSTALLATION		RF
- 14	S382-2	. SWITCH-AUDIO AMPLIFIER		1
- 14A	S1216-1	. NUT-SWITCH DECORATIVE		1
- 14B	S384-1	. KNOB-SWITCH		1
- 15	MS35059-23	. SWITCH-TRANSMITTER SELECTOR		1 R
- 15A	S1216-1	. NUT-SWITCH DECORATIVE		1
- 15B	S384-1	. KNOB-SWITCH		1
- 16	A5299-24	. POSTLIGHT-REFER TO 33-10-00 FIGURE 03 FOR BREAKDOWN GRIMES MFG		AR
- 17	HS-51077-K2215	. PLUG BUTTON-UNITED CARR		AR
- 18	SS-48152-K2215	. PLUG BUTTON-UNITED CARR		AR
- 19	SS-48151-K2215	. PLUG BUTTON-UNITED CARR		AR

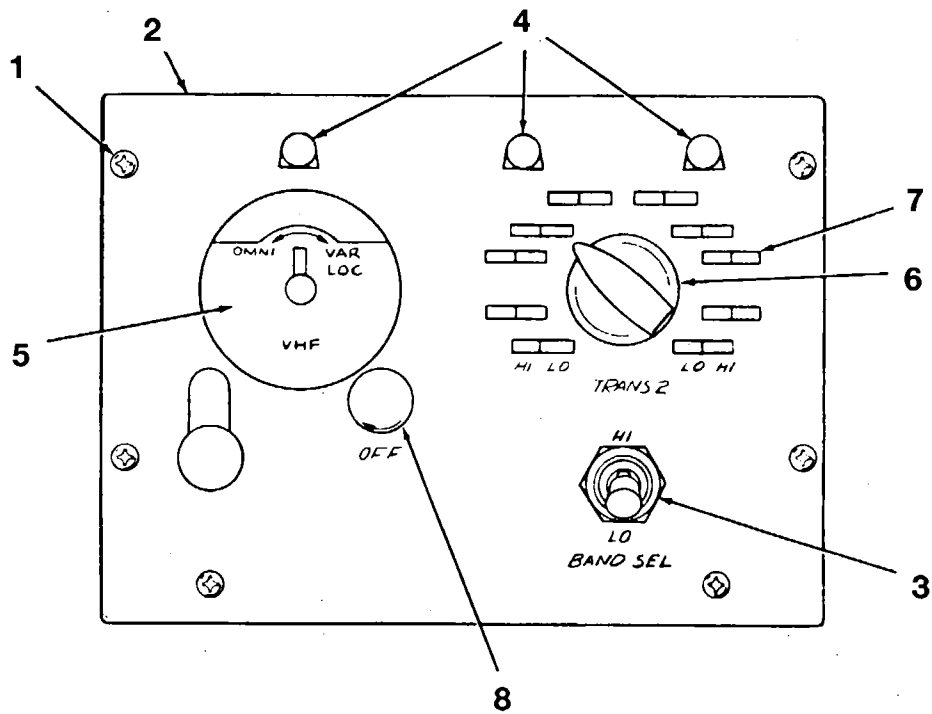
- ITEM NOT ILLUSTRATED

© Cessna Aircraft Company

Figure 11
Page 2
23-10-02 Jul 3/2006

CESSNA AIRCRAFT COMPANY
MODEL 310 THRU 310D
ILLUSTRATED PARTS CATALOG

A55903



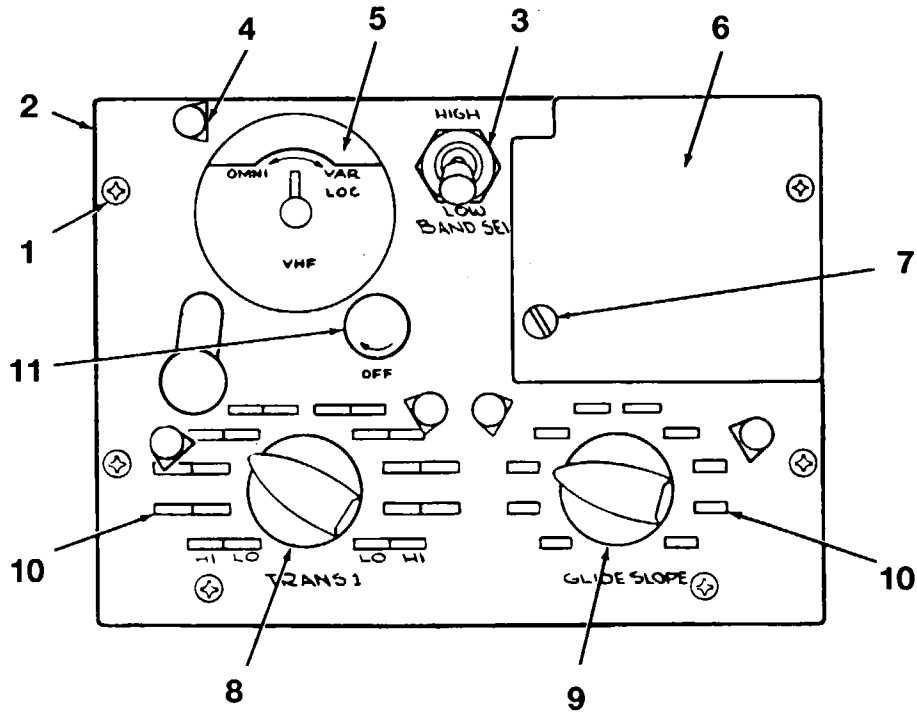
AIRPLANES 35772 THRU 39031
RADIO CONTROL PANEL ASSEMBLY AND INSTALLATION
FIGURE 12 (SHEET 1)

CESSNA AIRCRAFT COMPANY
MODEL 310 THRU 310D
ILLUSTRATED PARTS CATALOG

FIG ITEM	PART NUMBER	NOMENCLATURE	EFFECT		UNITS PER ASSY
			FROM	TO	
12					
-		RADIO CONTROL PANEL ASSEMBLY AND INSTALLATION	35772	39031	RF
1	AN507-632R8	.. SCREW-ATTACH PANEL			6
- 1A	0813456-11	.. PANEL ASSY-CONTROL			1
2	0813456-10	.. PLATE ASSY-FACE			1
- 2A	0813456-5	.. PLATE ASSY-BACK			1
- 2B	AN515-3R4	.. SCREW-ATTACH BACK PLATE			4
- 2C	0813456-6	.. DUST COVER			1
- 2D	S-1021Z-6-6	.. SCREW-ATTACH DUST COVER			3
3	S382-2	.. SWITCH-BAND SELECTOR			1
- 3A	S1216-1	.. NUT-SWITCH DECORATIVE			1
- 3B	S384-1	.. KNOB-SWITCH			1
4	A5299-24	.. POSTLIGHT-REFER TO 33-10-00 FIGURE 03 FOR BREAKDOWN GRIMES MFG.			3
5		.. RECEIVER CONTROL ASSY-LH CRANK REFER TO 23-20-01 FIGURE 04 FOR BREAKDOWN			RF
6	0813475-5	.. KNOB ASSY-TRANSMITTER CONTROL			1
- 6A	71121N	.. SWITCH-TRANSMITTER CONTROL INTERNATIONAL INSTR INC			1
7	14034	.. TAB-ENGRAVED WITH 5 ARC			20
8	6749	.. KNOB-VOLUME CONTROL ARC			1
- 8A	4140	.. SCREW-SET ARC ATTACH VOLUME CONTROL			1
- 8B	4697	.. NUT-ARC ATTACH VOLUME CONTROL			1
- 8C	4048	.. WASHER-LOCK ARC ATTACH VOLUME CONTROL			1
- 8D	PQ-11-114	.. VOLUME CONTROL-IRC			1
- 8E	76-1	.. SWITCH-IRC			1

CESSNA AIRCRAFT COMPANY
MODEL 310 THRU 310D
ILLUSTRATED PARTS CATALOG

A55904



AIRPLANES 35772 THRU 39031

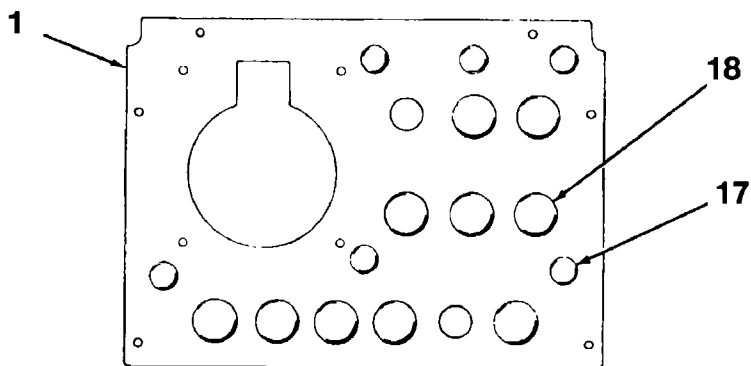
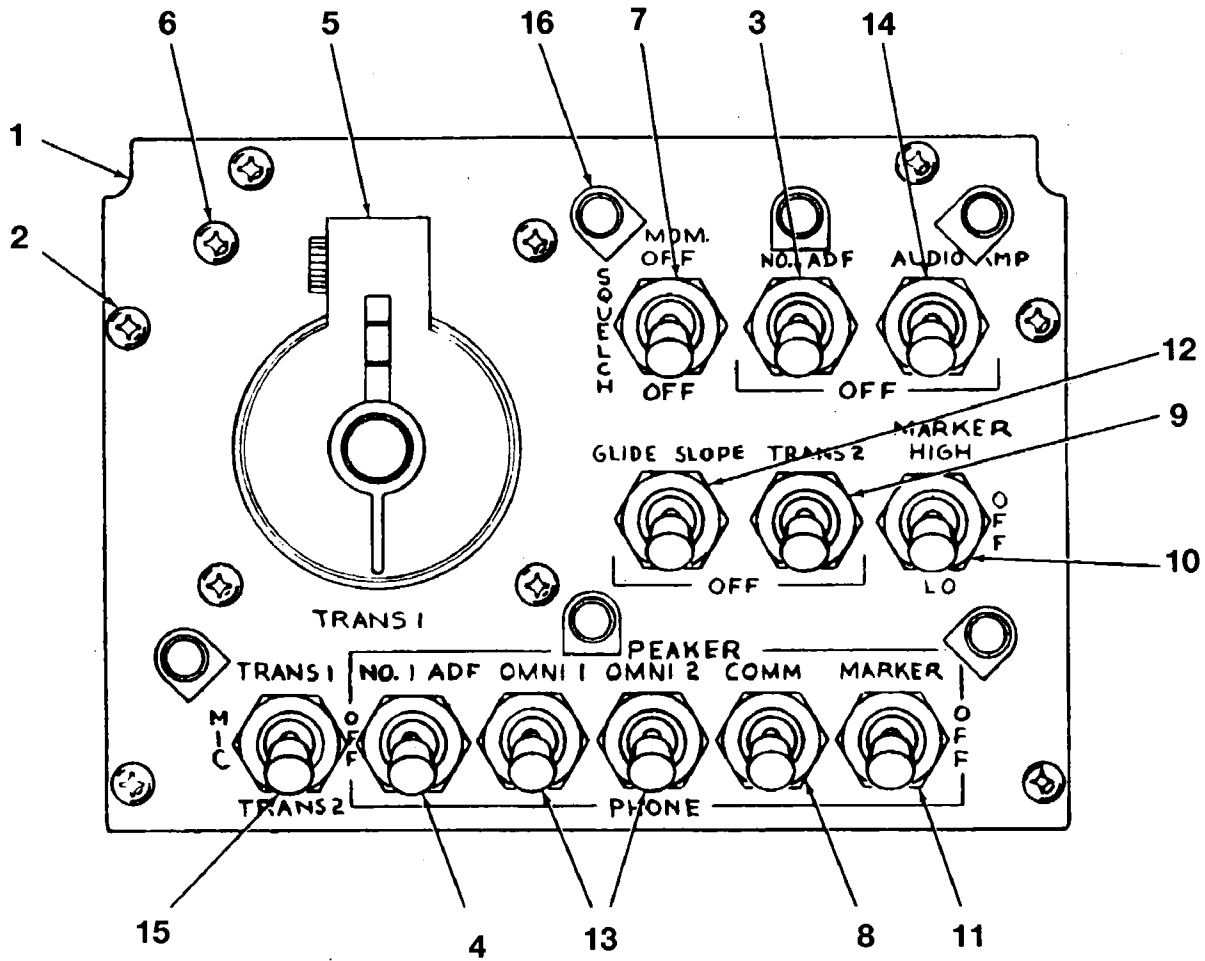
RADIO CONTROL PANEL ASSEMBLY AND INSTALLATION
FIGURE 13 (SHEET 1)

CESSNA AIRCRAFT COMPANY
MODEL 310 THRU 310D
ILLUSTRATED PARTS CATALOG

FIG ITEM	PART NUMBER	NOMENCLATURE	EFFECT		UNITS PER ASSY
			FROM	TO	
13		RADIO CONTROL PANEL ASSEMBLY AND INSTALLATION	35772	39031	RF
- 1	AN507-632R8	.. SCREW-ATTACH PANEL			6
- 1A	0813472-5	.. PANEL ASSY-CONTROL			1
2	0813472-1	.. PLATE ASSY-FACE			1
- 2A	0813452-6	.. PLATE ASSY-BACK			1
- 2B	AN515-3R4	.. SCREW-ATTACH BACK PLATE			4
- 2C	0813452-7	.. DUST COVER			1
- 2D	S-1021Z-6-6	.. SCREW-ATTACH DUST COVER			3
3	S382-2	.. SWITCH-BAND SELECTOR			1
- 3A	S1216-1	.. NUT-SWITCH DECORATIVE			1
- 3B	S384-1	.. KNOB-SWITCH			1
4	A5299-24	.. POSTLIGHT-REFER TO 33-10-00 FIGURE 03 FOR BREAKDOWN GRIMES MFG.			5
5		.. RECEIVER CONTROL ASSY-LH CRANK REFER TO 23-20-01 FIGURE 04 FOR BREAKDOWN			RF
6	0813454-1	.. COVER PLATE			1
7	S-1021Z-6-6	.. SCREW-ATTACH COVER PLATE			1
- 7A	S3230-2	.. NUT-ATTACH COVER PLATE			1 R
8	0813475-5	.. KNOB ASSY-TRANSMITTER CONTROL			1
- 8A	71121N	.. SWITCH-TRANSMITTER CONTROL INTERNATIONAL INSTR INC			1
9	0813475-5	.. KNOB ASSY-GLIDE SLOPE CONTROL			1
- 9A	71121N	.. SWITCH-GLIDE SLOPE CONTROL INTERNATIONAL INSTR INC			1
10	14034	.. TAB-ENGRAVED WITH 5 ARC			30
11	6749	.. KNOB-VOLUME CONTROL ARC			1
- 11A	4140	.. SCREW-SET ARC ATTACH KNOB			1
- 11B	4697	.. NUT-ARC ATTACH VOLUME CONTROL			1
- 11C	4048	.. WASHER-LOCK ARC ATTACH VOLUME CONTROL			1
- 11D	PQ-11-114	.. VOLUME CONTROL-IRC			1
- 11E	76-1	.. SWITCH-IRC			1

CESSNA AIRCRAFT COMPANY
MODEL 310 THRU 310D
 ILLUSTRATED PARTS CATALOG

A55905



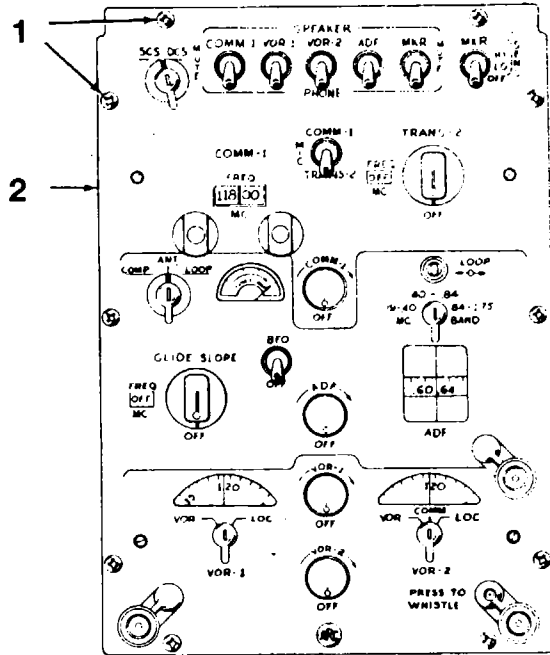
AIRPLANES 35772 THRU 39031
 RADIO CONTROL PANEL ASSEMBLY AND INSTALLATION
 FIGURE 14 (SHEET 1)

CESSNA AIRCRAFT COMPANY
MODEL 310 THRU 310D
ILLUSTRATED PARTS CATALOG

FIG ITEM	PART NUMBER	NOMENCLATURE	EFFECT FROM TO	UNITS PER ASSY
14				
-		RADIO CONTROL PANEL ASSEMBLY AND INSTALLATION	35772 39031	RF
1	0812617-4	. PANEL ASSY-CONTROL		1
2	AN507-632R8	. SCREW-ATTACH PANEL		6
- 2A		. LEAR ADF-12E-2 COMPONENTS INSTALLATION		RF
- 2B		. ARC ADF-21 COMPONENTS INSTALLATION		RF
3	AN3027-2	. SWITCH-TOGGLE DOUBLE POLE MASTER ADF-12E-2 ONLY		1
4	S382-1	. SWITCH-AUDIO		1
- 4A	S1216-1	. NUT-SWITCH DECORATIVE ADF-12E-2 ONLY		2
- 4B	S1216-1	. NUT-SWITCH DECORATIVE ADF-21 ONLY		1
- 4C	S384-1	. KNOB-SWITCH ADF-12E-2 ONLY		2
- 4D	S384-1	. KNOB-SWITCH ADF-21 ONLY		1
- 4E		. NARCO 1016 TRANSCEIVER COMPONENTS INSTALLATION		RF
5	0812623-6	. CHANNEL SELECTOR-NARCO VSSC-LA		1
- 5A	0812623-2	. HEAD PHONE CONTROL-NARCO M-54147-G104		1
6	AN507-632R8	. SCREW-ATTACH CHANNEL SELECTOR		4
- 6A	H10-06	. NUT-ATTACH CHANNEL SELECTOR		4
7	AN3021-5	. SWITCH-SQUELCH		1
8	S382-1	. SWITCH-AUDIO		1
- 8A	S1216-1	. NUT-SWITCH DECORATIVE		2
- 8B	S384-1	. KNOB-SWITCH		2
- 8C		. ARC T-22 TRANSMITTER COMPONENTS INSTALLATION		RF
9	S382-2	. SWITCH		1
- 9A	S1216-1	. NUT-SWITCH DECORATIVE		1
- 9B	S384-1	. KNOB-SWITCH		1
- 9C		. DARE DM-3 MARKER BEACON COMPONENTS INSTALLATION		RF
10	MS35059-21	. SWITCH		1 R
11	S382-1	. SWITCH-AUDIO		1
- 11A	S1216-1	. NUT-SWITCH DECORATIVE		2
- 11B	S384-1	. KNOB-SWITCH		2
- 11C		. DARE DGS-20 GLIDE SLOPE COMPONENTS INSTALLATION		RF
12	S382-2	. SWITCH		1
- 12A	S1216-1	. NUT-SWITCH DECORATIVE		1
- 12B	S384-1	. KNOB-SWITCH		1
- 12C		. ARC 15E NAV SYSTEM COMPONENTS INSTALLATION-QTY SHOWN FOR DUAL INSTALLATION		RF
13	S382-1	. SWITCH-AUDIO		2
- 13A	S1216-1	. NUT-SWITCH DECORATIVE		2
- 13B	S384-1	. KNOB-SWITCH		2
- 13C		. ARC F-13A AUDIO AMPLIFIER COMPONENTS INSTALLATION		RF
14	S382-2	. SWITCH-AUDIO AMPLIFIER		1
- 14A	S1216-1	. NUT-SWITCH DECORATIVE		1
- 14B	S384-1	. KNOB-SWITCH		1
15	MS35059-23	. SWITCH-TRANSMITTER SELECTOR		1 R
- 15A	S1216-1	. NUT-SWITCH DECORATIVE		1
- 15B	S384-1	. KNOB-SWITCH		1
16	A5299-24	. POSTLIGHT-REFER TO 33-10-00 FIGURE 03 FOR BREAKDOWN GRIMES MFG		AR
17	SS48151-K2215	. PLUG BUTTON-UNITED CARR		AR
18	SS48152-K2215	. PLUG BUTTON-UNITED CARR		AR

CESSNA AIRCRAFT COMPANY
MODEL 310 THRU 310D
 ILLUSTRATED PARTS CATALOG

A55906



AIRPLANES 35772 THRU 39031

RADIO CONTROL PANEL ASSEMBLY AND INSTALLATION
 FIGURE 15 (SHEET 1)

CESSNA AIRCRAFT COMPANY
MODEL 310 THRU 310D
 ILLUSTRATED PARTS CATALOG

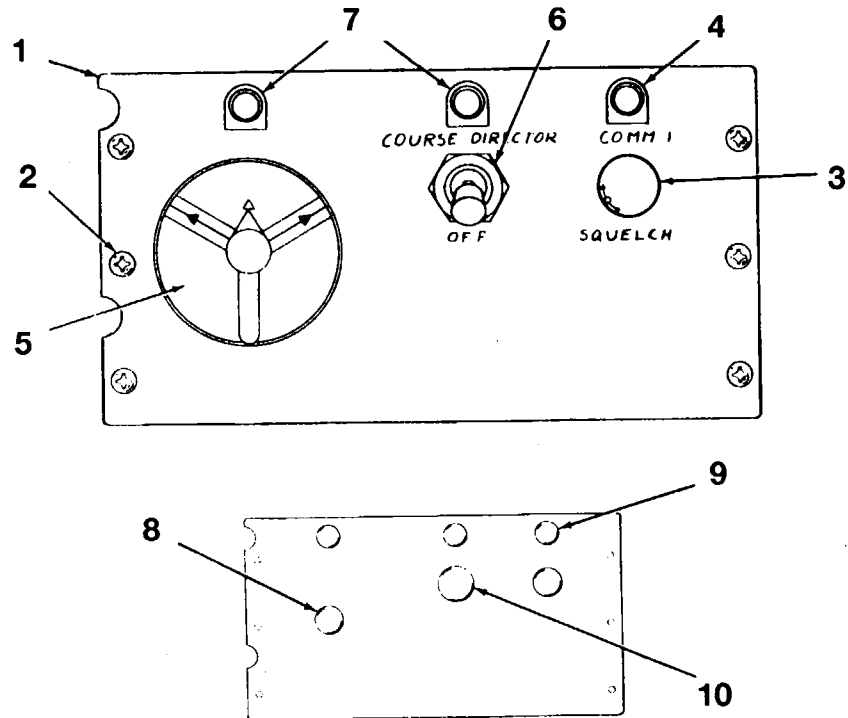
FIG ITEM	PART NUMBER	NOMENCLATURE	EFFECT		UNITS PER ASSY
			FROM	TO	
		1 2 3 4 5 6 7			
15		RADIO CONTROL PANEL ASSEMBLY AND INSTALLATION			
1	AN515-6R12	SCREW-ATTACH PANEL	35772	39031	RF 10
2	0812640-1	PANEL ASSY-CONTROL ARC C-77A			1

- ITEM NOT ILLUSTRATED

© Cessna Aircraft Company

CESSNA AIRCRAFT COMPANY
MODEL 310 THRU 310D
ILLUSTRATED PARTS CATALOG

A55910



AIRPLANES 35864 THRU 39031

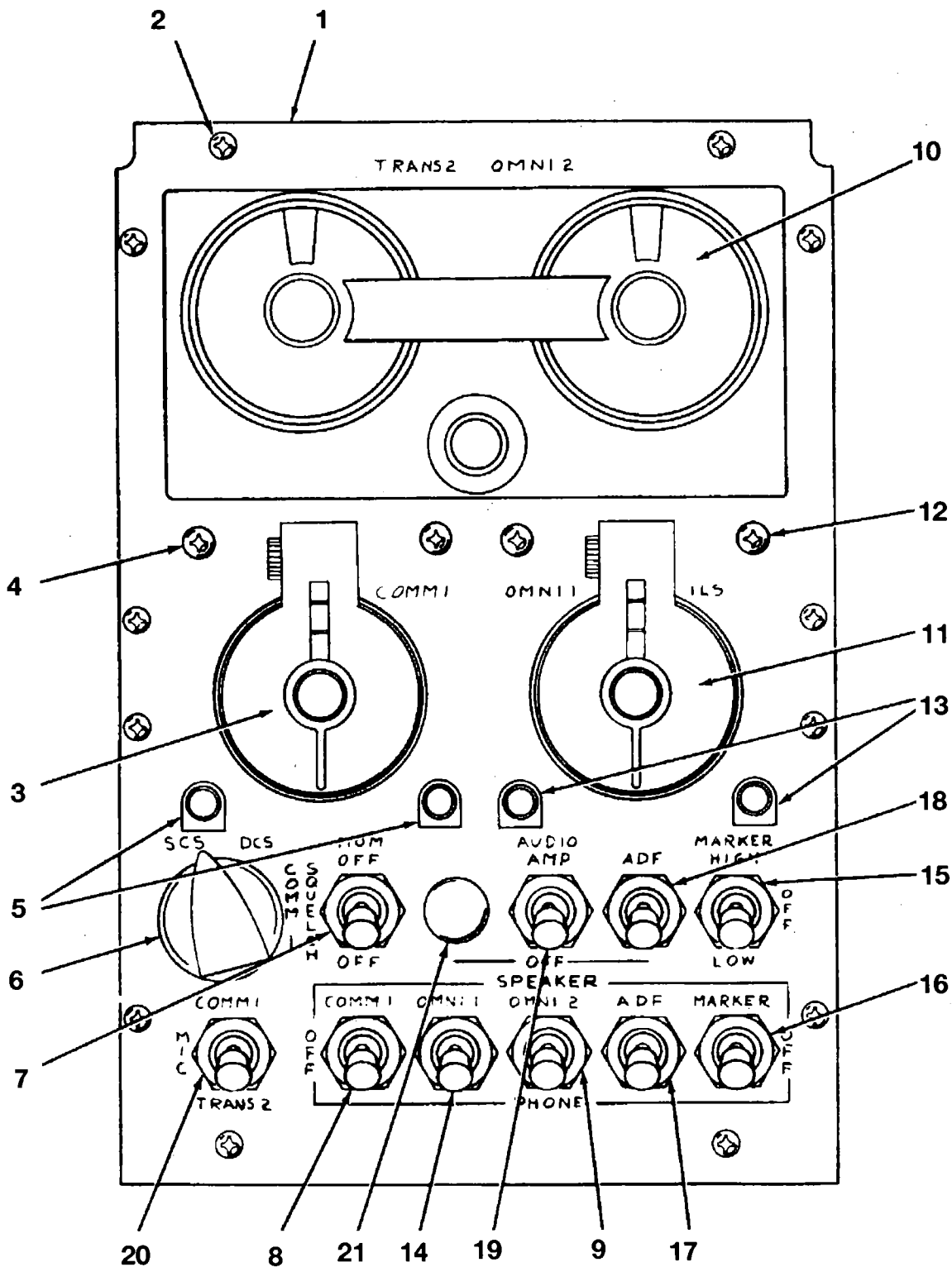
RADIO CONTROL PANEL ASSEMBLY AND INSTALLATION
FIGURE 16 (SHEET 1)

CESSNA AIRCRAFT COMPANY
MODEL 310 THRU 310D
ILLUSTRATED PARTS CATALOG

FIG ITEM	PART NUMBER	NOMENCLATURE	EFFECT		UNITS PER ASSY
			FROM	TO	
16		RADIO CONTROL PANEL ASSEMBLY AND INSTALLATION			
- 1	0812664-1	. PANEL ASSY-CONTROL	35864	39031	RF
2	S-1021Z-4-8	. SCREW-ATTACH PANEL			1
- 2A	S3230-1	. NUT-ATTACH PANEL			6
- 2B		. ARC RT-11A TRANSCEIVER COMPONENTS INSTALLATION			6 R
3	Q11-133	. VOLUME CONTROL-INTERNATIONAL RESISTANCE CO			RF
- 3A	4697	. NUT-ARC			1
- 3B	4048	. WASHER-ARC			1
- 3C	6749	. KNOB-ARC			1
- 3D	4140	. SCREW-ARC			1
4	A5299-24	. POSTLIGHT-REFER TO 33-10-00 FIGURE 03 FOR BREAKDOWN GRIMES MFG.			1
- 4A		. ARC CD-1 COURSE DIRECTOR COMPONENTS INSTALLATION			RF
5	0812628-2	. CONTROL UNIT-C-60 ARC 18330			1
6	S382-2	. SWITCH			1
- 6A	S1216-1	. NUT-SWITCH DECORATIVE			1
- 6B	S384-1	. KNOB-SWITCH			1
7	A5299-24	. POSTLIGHT-REFER TO 33-10-00 FIGURE 03 FOR BREAKDOWN GRIMES MFG.			2
8	HS51077	. PLUG BUTTON-UNITED CARR			AR
9	SS48151	. PLUG BUTTON-UNITED CARR			AR
10	SS48152	. BUTTON-UNITED CARR			AR

CESSNA AIRCRAFT COMPANY
MODEL 310 THRU 310D
 ILLUSTRATED PARTS CATALOG

A55911



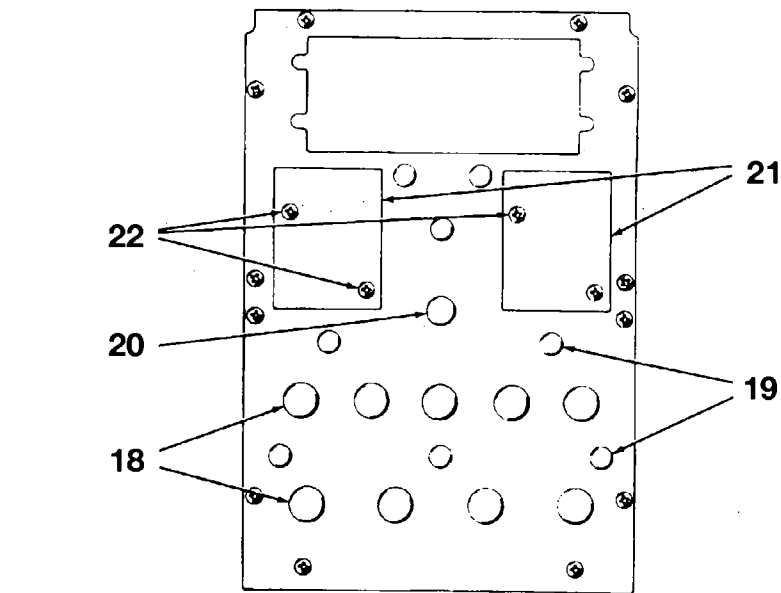
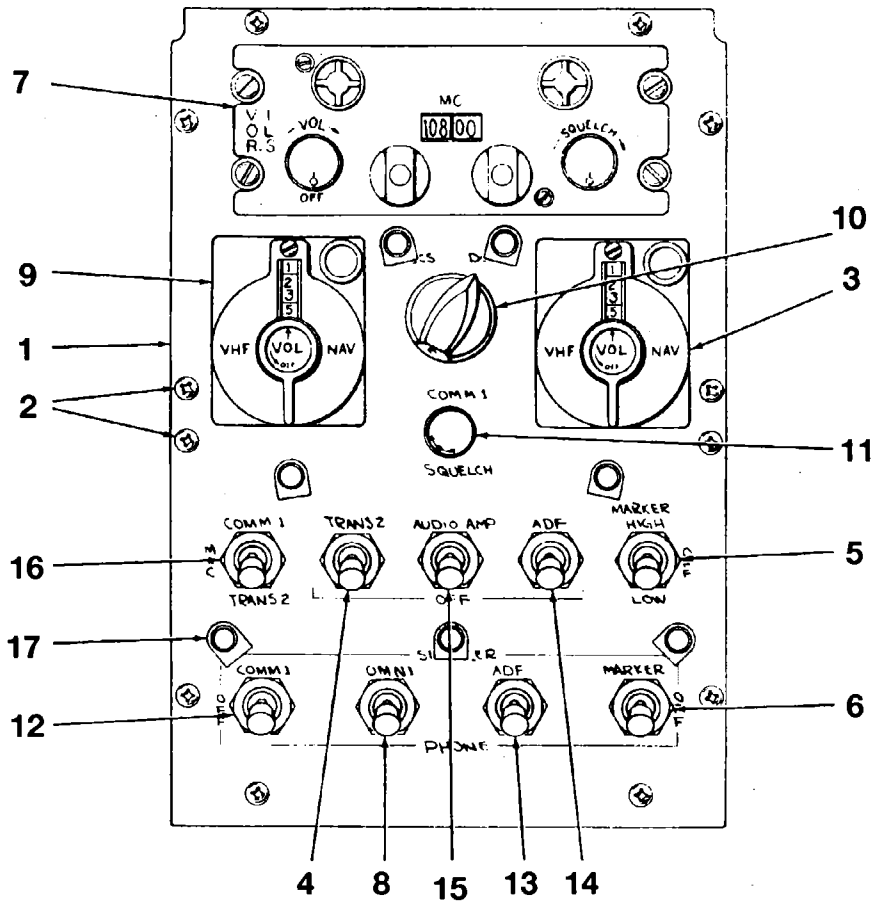
AIRPLANES 39032 AND ON
 RADIO CONTROL PANEL ASSEMBLY AND INSTALLATION
 FIGURE 17 (SHEET 1)

CESSNA AIRCRAFT COMPANY MODEL 310 THRU 310D ILLUSTRATED PARTS CATALOG

FIG ITEM	PART NUMBER	NOMENCLATURE	EFFECT FROM TO	UNITS PER ASSY
		1 2 3 4 5 6 7		
17		RADIO CONTROL PANEL ASSEMBLY AND INSTALLATION	39032 & ON	RF
1	0812683-1	. PANEL ASSY-CONTROL		1
2	AN507-632R8	. SCREW-ATTACH PANEL		12
- 2A		. NARCO 1016 TRANSCEIVER COMPONENTS INSTALLATION		RF
3	0812623-6	. CHANNEL SELECTOR-NARCO VSSC-LA		1
- 3A	0812623-2	. HEAD PHONE CONTROL-NARCO M-54147-G104		1
4	AN507-632R8	. SCREW-ATTACH CHANNEL SELECTOR		2
- 4A	H10-06	. NUT-ATTACH CHANNEL SELECTOR		2
5	A8970-1-327	. POSTLIGHT-REFER TO 33-10-00 FIGURE 03 FOR BREAKDOWN GRIMES MFG.		2
6	58021N	. SWITCH-INTERNATIONAL INSTR INC		1
- 6A	0813475-5	. KNOB ASSY-SWITCH		1
- 6B	AN565D8H5	. SET SCREW		1
7	AN3021-5	. SWITCH-SQUELCH		1
8	S382-1	. SWITCH-AUDIO		1
- 8A	S1216-1	. NUT-SWITCH DECORATIVE		2
- 8B	S384-1	. KNOB-SWITCH		2
- 8C		. NARCO MARK V RECEIVER-TRANSMITTER COMPONENTS INSTALLATION		RF
9	S382-1	. SWITCH-AUDIO		1
10		. MARK V RECEIVER-TRANSMITTER INSTALLATION-REFER TO 23-20-01 FIGURE 01		RF
- 10A	S1216-1	. NUT-SWITCH DECORATIVE		1
- 10B	S384-1	. KNOB-SWITCH		1
- 10C		. NARCO 1021 OMNI & ARC R-31A GLIDE SLOPE COMPONENTS INSTALLATION		RF
11	0812623-9	. CHANNEL SELECTOR-VSRC-2 RECEIVER		1
12	AN507-632R8	. SCREW-ATTACH CHANNEL SELECTOR		2
- 12A	MS21044N06	. NUT-ATTACH CHANNEL SELECTOR		2 R
- 12B	0812623-2	. HEADPHONE CONTROL-NARCO M-54147-G104		1
13	A8970-1-327	. POSTLIGHT-NARCO 1021 OMNI ONLY REFER TO 33-10-00 FIGURE 03 FOR BREAKDOWN GRIMES MFG.		2
14	S382-1	. SWITCH-AUDIO NARCO 1021 OMNI ONLY		1
- 14A	S1216-1	. NUT-SWITCH DECORATIVE NARCO 1021 OMNI ONLY		1
- 14B	S384-1	. KNOB-SWITCH NARCO 1021 ONLY		1
- 14C		. ARC R-33A MARKER BEACON COMPONENTS INSTALLATION		RF
15	MS35059-21	. SWITCH		1 R
16	S382-1	. SWITCH-AUDIO		1
- 16A	S1216-1	. NUT-SWITCH DECORATIVE		2
- 16B	S384-1	. KNOB-SWITCH		2
- 16C		. ARC ADF-21 COMPONENTS INSTALLATION		RF
- 16D		. LEAR ADF-12E-2 COMPONENTS INSTALLATION		RF
17	S382-1	. SWITCH-AUDIO		1
18	AN3027-2	. SWITCH-TOGGLE DOUBLE POLE MASTER ADF-12E-2 ONLY		1
- 18A	S1216-1	. NUT-SWITCH DECORATIVE ADF-21 ONLY		1
- 18B	S1216-1	. NUT-SWITCH DECORATIVE ADF-12E-2 ONLY		2
- 18C	S384-1	. KNOB-SWITCH ADF-21 ONLY		1
- 18D	S384-1	. KNOB-SWITCH ADF-12E-2 ONLY		2
- 18E		. FLITE-TRONICS AUDIO AMPLIFIER COMPONENTS INSTALLATION		RF
19	AN3027-2	. SWITCH-TOGGLE DOUBLE POLE AUDIO AMPLIFIER		1
- 19A	S1216-1	. NUT-SWITCH DECORATIVE		1
- 19B	S384-1	. KNOB-SWITCH		1
20	7664K3	. SWITCH-TRANSMITTER SELECTOR CUTLER-HAMMER		1
- 20A	S1216-1	. NUT-SWITCH DECORATIVE		1
- 20B	S384-1	. KNOB-SWITCH		1
21	SS48152-K2215	. PLUG BUTTON-UNITED CARR		AR

CESSNA AIRCRAFT COMPANY
MODEL 310 THRU 310D
 ILLUSTRATED PARTS CATALOG

A55912



AIRPLANES 39032 AND ON

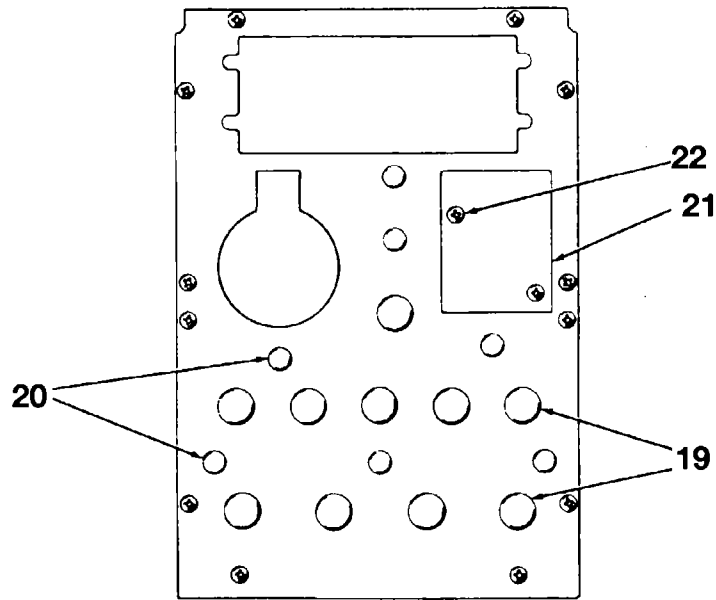
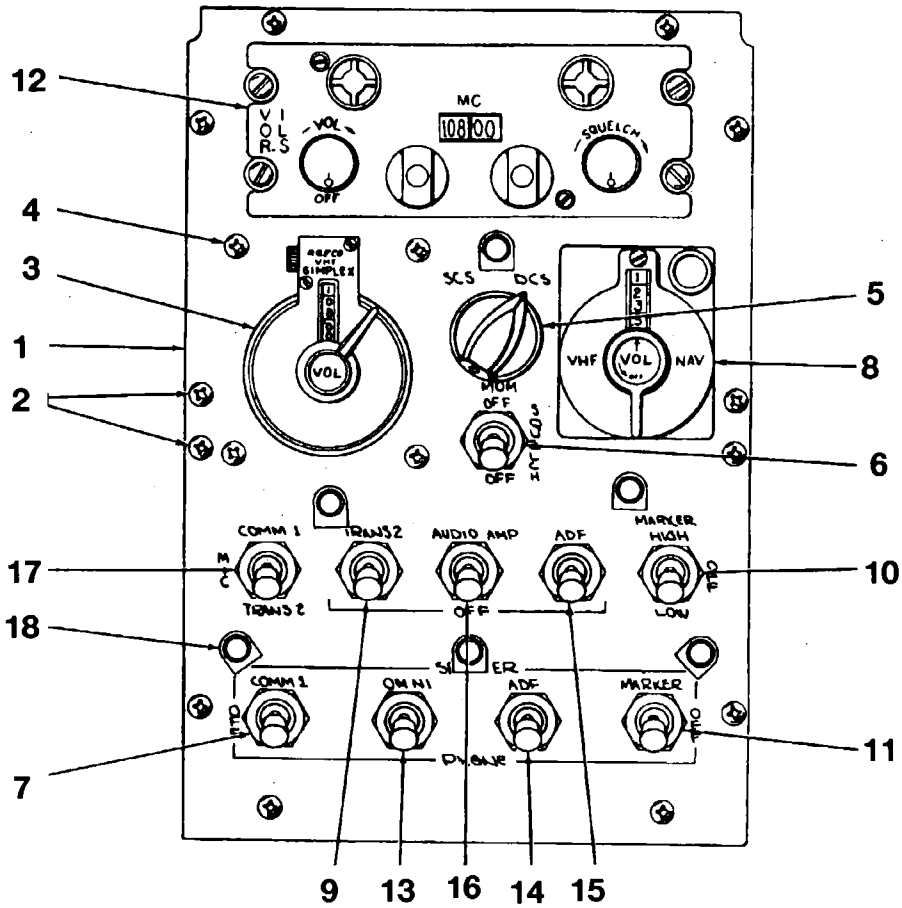
RADIO CONTROL PANEL ASSEMBLY AND INSTALLATION
 FIGURE 18 (SHEET 1)

CESSNA AIRCRAFT COMPANY MODEL 310 THRU 310D ILLUSTRATED PARTS CATALOG

FIG ITEM	PART NUMBER	NOMENCLATURE	EFFECT FROM TO	UNITS PER ASSY
18				
-		RADIO CONTROL PANEL ASSEMBLY AND INSTALLATION	39032 & ON	RF
1	0812708-1	PANEL ASSY-RADIO CONTROLS		1
2	AN507-632R8	SCREW-ATTACH PANEL		12
- 2A		ARC T-25A TRANSMITTER COMPONENTS INSTALLATION		RF
3	0812681-1	CONTROL HEAD ASSY-MODEL MGWS-28-3943 GABLES ENGRG		1
4	S382-2	SWITCH		1
- 4A	S1216-1	NUT-SWITCH DECORATIVE		1
- 4B	S384-1	KNOB-SWITCH		1
- 4C		ARC R-33A MARKER BEACON COMPONENTS INSTALLATION		RF
5	MS35059-21	SWITCH		1 R
6	S382-1	SWITCH-AUDIO		1
- 6A	S1216-1	NUT-SWITCH DECORATIVE		2
- 6B	S384-1	KNOB-SWITCH		2
- 6C		ARC R-31A GLIDE SLOPE & ARC 15F NAV SYSTEM COMPONENTS INSTALLATION		RF
7	0812696-3	CONTROL-C-88A ARC 22500		1
8	S382-1	SWITCH-AUDIO NAVIGATION SYSTEM		1
- 8A	S1216-1	NUT-SWITCH DECORATIVE NAVIGATION SYSTEM		1
- 8B	S384-1	KNOB-SWITCH NAVIGATION SYSTEM		1
- 8C		ARC RT-11A TRANSCEIVER COMPONENTS INSTALLATION		RF
9	0812681-3	CONTROL HEAD ASSY-MODEL MGWS-28-3943P S GABLES ENGRG		1
10	5802IN	SWITCH-INTERNATIONAL INSTR INC		1
- 10A	0813475-5	KNOB ASSY-SWITCH		1
11	Q11-128	VOLUME CONTROL-SQUELCH INTERNATIONAL RESISTANCE CO		1
- 11A	4697	NUT-ARC		1
- 11B	4048	WASHER-ARC		1
- 11C	6749	KNOB-ARC		1
- 11D	4140	SCREW-ARC		1
12	S382-1	SWITCH-AUDIO		1
- 12A	S1216-1	NUT-SWITCH DECORATIVE		1
- 12B	S384-1	KNOB-SWITCH		1
- 12C		ARC ADF-21 COMPONENTS INSTALLATION		RF
- 12D		LEAR ADF-12E-2 COMPONENTS INSTALLATION		RF
13	S382-1	SWITCH-AUDIO		1
14	AN3027-2	SWITCH-TOGGLE DOUBLE POLE MASTER ADF-12E-2 ONLY		1
- 14A	S1216-1	NUT-SWITCH DECORATIVE ADF-21 ONLY		1
- 14B	S1216-1	NUT-SWITCH DECORATIVE ADF-12E-2 ONLY		2
- 14C	S384-1	KNOB-SWITCH ADF-21 ONLY		1
- 14D	S384-1	KNOB-SWITCH ADF-12E-2 ONLY		2
- 14E		FLITE-TRONICS AUDIO AMPLIFIER COMPONENTS INSTALLATION		RF
15	AN3027-2	SWITCH-TOGGLE DOUBLE POLE AUDIO AMPLIFIER		1
- 15A	S1216-1	NUT-SWITCH DECORATIVE		1
- 15B	S384-1	KNOB-SWITCH		1
16	MS35059-23	SWITCH-TRANSMITTER SELECTOR		1 R
- 16A	S1216-1	NUT-SWITCH DECORATIVE		1
- 16B	S384-1	KNOB-SWITCH		1
17	A5299-24	POSTLIGHT-REFER TO 33-10-00 FIGURE 03 FOR BREAKDOWN GRIMES MFG.		AR
18	SS48152-K2215	PLUG BUTTON-UNITED CARR		AR
19	SS48151-K2215	PLUG BUTTON-UNITED CARR		AR
20	SS48192-K2215	PLUG BUTTON-UNITED CARR		AR
21	0812613-1	PLATE-COVER		AR
22	S-1021Z-6-6	SCREW-ATTACH COVER PLATE		AR
- 22A	S3230-2	NUT-ATTACH COVER PLATE		AR R

CESSNA AIRCRAFT COMPANY
MODEL 310 THRU 310D
 ILLUSTRATED PARTS CATALOG

A55913



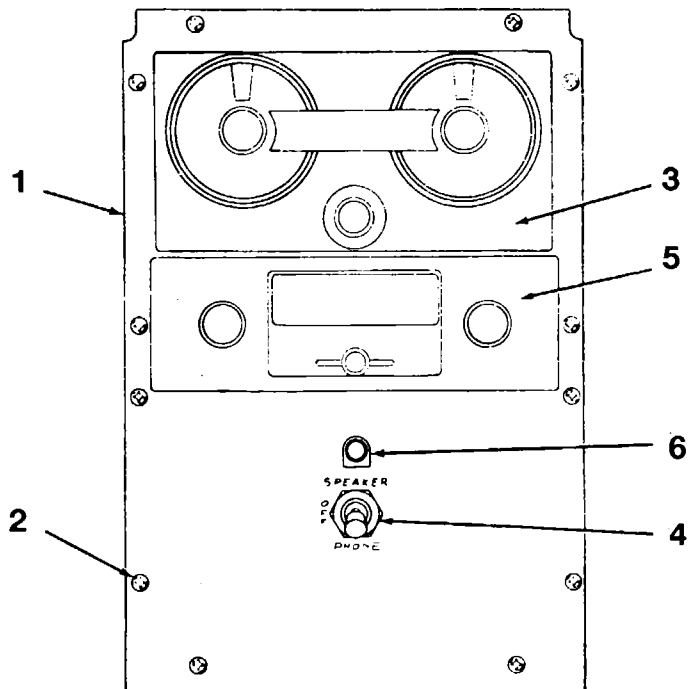
AIRPLANES 39032 AND ON
 RADIO CONTROL PANEL ASSEMBLY AND INSTALLATION
 FIGURE 19 (SHEET 1)

CESSNA AIRCRAFT COMPANY
MODEL 310 THRU 310D
ILLUSTRATED PARTS CATALOG

FIG ITEM	PART NUMBER	NOMENCLATURE	EFFECT FROM TO	UNITS PER ASSY
	1 2 3 4 5 6 7			
19		RADIO CONTROL PANEL ASSEMBLY AND INSTALLATION	39032 & ON	RF
- 1	0812709-1	. PANEL ASSY-RADIO CONTROL		1
- 2	AN507-632R8	. SCREW-ATTACH PANEL		12
- 2A		. NARCO 1016 TRANSCEIVER COMPONENTS INSTALLATION		RF
- 3	0812623-6	. CHANNEL SELECTOR-NARCO VSSC-LA		1
- 3A	0812623-2	. HEAD PHONE CONTROL-NARCO MI-54147-G104		1
- 4	AN507-632R8	. SCREW-ATTACH CHANNEL SELECTOR		4
- 4A	H10-06	. NUT-ATTACH CHANNEL SELECTOR		4
- 5	58021N	. SWITCH-INTERNATIONAL INSTR INC		1
- 5A	0813475-5	. KNOB ASSY-SWITCH		1
- 5B	AN565DSH5	. SETSCREW		1
- 6	AN3021-5	. SWITCH-SQUELCH		1
- 7	S382-1	. SWITCH-AUDIO		1
- 7A	S1216-1	. NUT-SWITCH DECORATIVE		2
- 7B	S384-1	. KNOB-SWITCH		2
- 7C		. ARC T-25A TRANSMITTER COMPONENTS INSTALLATION		RF
- 8	0812681-1	. CONTROL HEAD ASSY-MODEL MCWS-28-3943 GABLES ENGRG		1
- 9	S382-2	. SWITCH		1
- 9A	S1216-1	. NUT-SWITCH DECORATIVE		1
- 9B	S384-1	. KNOB-SWITCH		1
- 9C		. ARC R-33A MARKER BEACON COMPONENTS INSTALLATION		RF
- 10	MS35059-21	. SWITCH		1 R
- 11	S382-1	. SWITCH-AUDIO		1
- 11A	S1216-1	. NUT-SWITCH DECORATIVE		2
- 11B	S384-1	. KNOB-SWITCH		2
- 11C		. ARC R-31A GLIDE SLOPE & ARC 15F NAV SYSTEM COMPONENTS INSTALLATION		RF
- 12	0812696-3	. CONTROL C-88A ARC 22500		1
- 13	S382-1	. SWITCH-AUDIO NAVIGATION SYSTEM		1
- 13A	S1216-1	. NUT-SWITCH DECORATIVE NAVIGATION SYSTEM		1
- 13B	S384-1	. KNOB-SWITCH NAVIGATION SYSTEM		1
- 13C		. ARC ADF-21 COMPONENTS INSTALLATION		RF
- 13D		. LEAR ADF-12E-2 COMPONENTS INSTALLATION		RF
- 14	S382-1	. SWITCH-AUDIO		1
- 15	AN3027-2	. SWITCH-TOGGLE DOUBLE POLE MASTER ADF ADF-12E-2 ONLY		1
- 15A	S1216-1	. NUT-SWITCH DECORATIVE ADF-21 ONLY		1
- 15B	S1216-1	. NUT-SWITCH DECORATIVE ADF-12E-2 ONLY		1
- 15C	S384-1	. KNOB-SWITCH ADF-21 ONLY		2
- 15D	S384-1	. KNOB-SWITCH ADF-12E-2 ONLY		1
- 15E		. FLITE-TRONICS AUDIO AMPLIFIER COMPONENTS INSTALLATION		RF
- 16	AN3027-2	. SWITCH-TOGGLE DOUBLE POLE AUDIO AMPLIFIER		1
- 16A	S1216-1	. NUT-SWITCH DECORATIVE		1
- 16B	S384-1	. KNOB-SWITCH		1
- 17	MS35059-23	. SWITCH-TRANSMITTER SELECTOR		1 R
- 17A	S1216-1	. NUT-SWITCH DECORATIVE		1
- 17B	S384-1	. KNOB-SWITCH		1
- 18	A5299-24	. POSTLIGHT-REFER TO 33-10-00 FIGURE 03 FOR BREAKDOWN GRIMES MFG		AR
- 19	SS48152-K2215	. PLUG BUTTON-UNITED CARR		AR
- 20	SS48151-K2215	. PLUG BUTTON-UNITED CARR		AR
- 21	0812613-1	. PLATE-COVER		AR
- 22	S-1021Z-6-6	. SCREW-ATTACH COVER PLATE		AR
- 22A	S3230-2	. NUT-ATTACH COVER PLATE		AR R

CESSNA AIRCRAFT COMPANY
MODEL 310 THRU 310D
ILLUSTRATED PARTS CATALOG

A55914



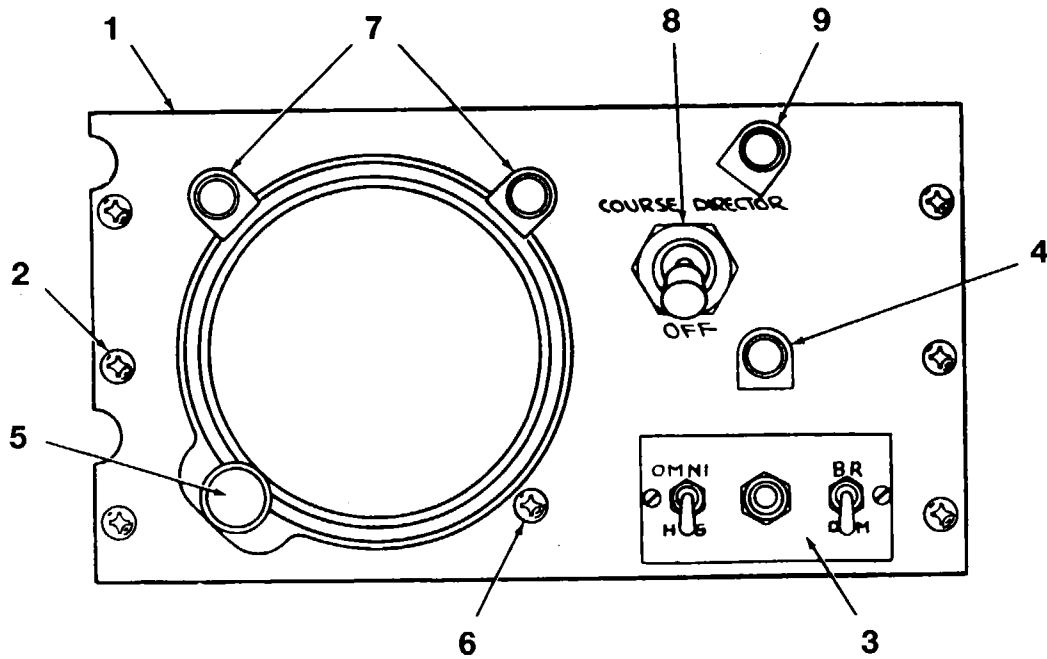
AIRPLANES 39032 AND ON
RADIO CONTROL PANEL ASSEMBLY AND INSTALLATION
FIGURE 20 (SHEET 1)

CESSNA AIRCRAFT COMPANY
MODEL 310 THRU 310D
ILLUSTRATED PARTS CATALOG

FIG ITEM	PART NUMBER	NOMENCLATURE	EFFECT		UNITS PER ASSY
			FROM	TO	
		1 2 3 4 5 6 7			
20		RADIO CONTROL PANEL ASSEMBLY AND INSTALLATION			
- 1	0812683-2	. PANEL ASSY-CONTROL	39032	& ON	RF
2	AN507-632R8	. SCREW-ATTACH PANEL			1
- 2A		. NARCO MARK V RECEIVER-TRANSMITTER COMPONENTS INSTALLATION			12 RF
3		. MARK V RECEIVER-TRANSMITTER INSTALLATION-REFER TO 23-20-01 FIGURE 01			RF
4	MS35059-21	. SWITCH-AUDIO			1 R
- 4A	S1216-1	. NUT-SWITCH DECORATIVE			1
- 4B	S384-1	. KNOB-SWITCH			1
5		. NARCO LFR-3B LOW FREQ RECEIVER INSTALLATION-REFER TO 23-20-01 FIGURE 03			RF
6	A5299-24	. POSTLIGHT-REFER TO 33-10-00 FIGURE 03 FOR BREAKDOWN GRIMES MFG			1

CESSNA AIRCRAFT COMPANY
MODEL 310 THRU 310D
ILLUSTRATED PARTS CATALOG

A55915



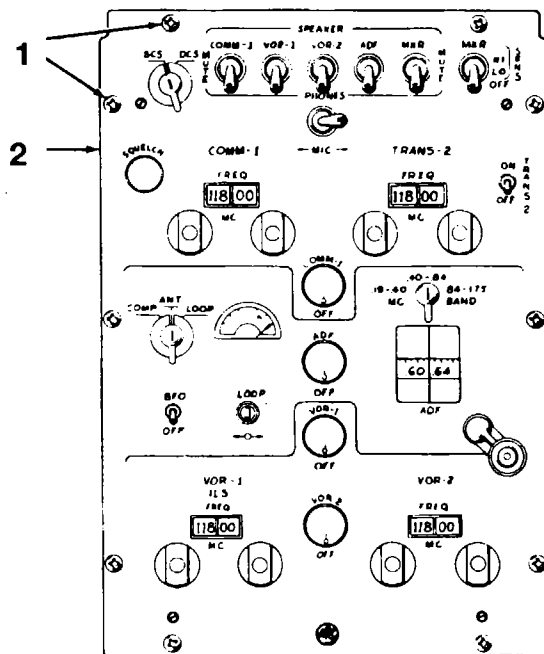
AIRPLANES 39032 AND ON
RADIO CONTROL PANEL ASSEMBLY AND INSTALLATION
FIGURE 21 (SHEET 1)

**CESSNA AIRCRAFT COMPANY
MODEL 310 THRU 310D
ILLUSTRATED PARTS CATALOG**

FIG ITEM	PART NUMBER	NOMENCLATURE	EFFECT		UNITS PER ASSY
			FROM	TO	
21		RADIO CONTROL PANEL ASSEMBLY AND INSTALLATION	39032	& ON	RF
- 1	0812711-1	. PANEL ASSY-CONTROL			1
2	S-1021Z-4-8	. SCREW-ATTACH PANEL			6
- 2A	S3230-1	. NUT-ATTACH PANEL			6 R
- 2B		. DYNAVIA ANC-3A AUTOPILOT COUPLER COMPONENTS INSTALLATION			RF
3	0812666-4	. CONTROLLER-DYNAVIA ANC-C2			1
4	A5299-24	. POSTLIGHT-REFER TO 33-10-00 FIGURE 03 FOR BREAKDOWN GRIMES MFG			1
- 4A		. ARC CD-1 COURSE DIRECTOR COMPONENTS INSTALLATION			RF
5	0812628-13	. DIRECTOR CONTROL-S-10 ARC 20200			1
6	AN507B632R12	. SCREW-ATTACH DIRECTOR CONTROL			1
- 6A	MS21044N06	. NUT-ATTACH DIRECTOR CONTROL			1 R
7	A8970-2-327	. LIGHT ASSY-REFER TO 33-10-00 FIGURE 03 FOR BREAKDOWN GRIMES MFG			2
8	S382-2	. SWITCH			1
- 8A	S1216-1	. NUT-SWITCH DECORATIVE			1
- 8B	S384-1	. KNOB-SWITCH			1
9	A5299-24	. POSTLIGHT-REFER TO 33-10-00 FIGURE 03 FOR BREAKDOWN GRIMES MFG			1

CESSNA AIRCRAFT COMPANY
MODEL 310 THRU 310D
 ILLUSTRATED PARTS CATALOG

A55917



AIRPLANES 39032 AND ON
 RADIO CONTROL PANEL ASSEMBLY AND INSTALLATION
 FIGURE 22 (SHEET 1)

CESSNA AIRCRAFT COMPANY
MODEL 310 THRU 310D
 ILLUSTRATED PARTS CATALOG

FIG ITEM	PART NUMBER	NOMENCLATURE	EFFECT FROM TO	UNITS PER ASSY
		1 2 3 4 5 6 7		
22				
-		RADIO CONTROL PANEL ASSEMBLY AND INSTALLATION	39032 & ON	RF
1	AN515-6R12	SCREW-ATTACH PANEL		10
2	0812712-1	PANEL ASSY-CONTROL ARC C -77C		1

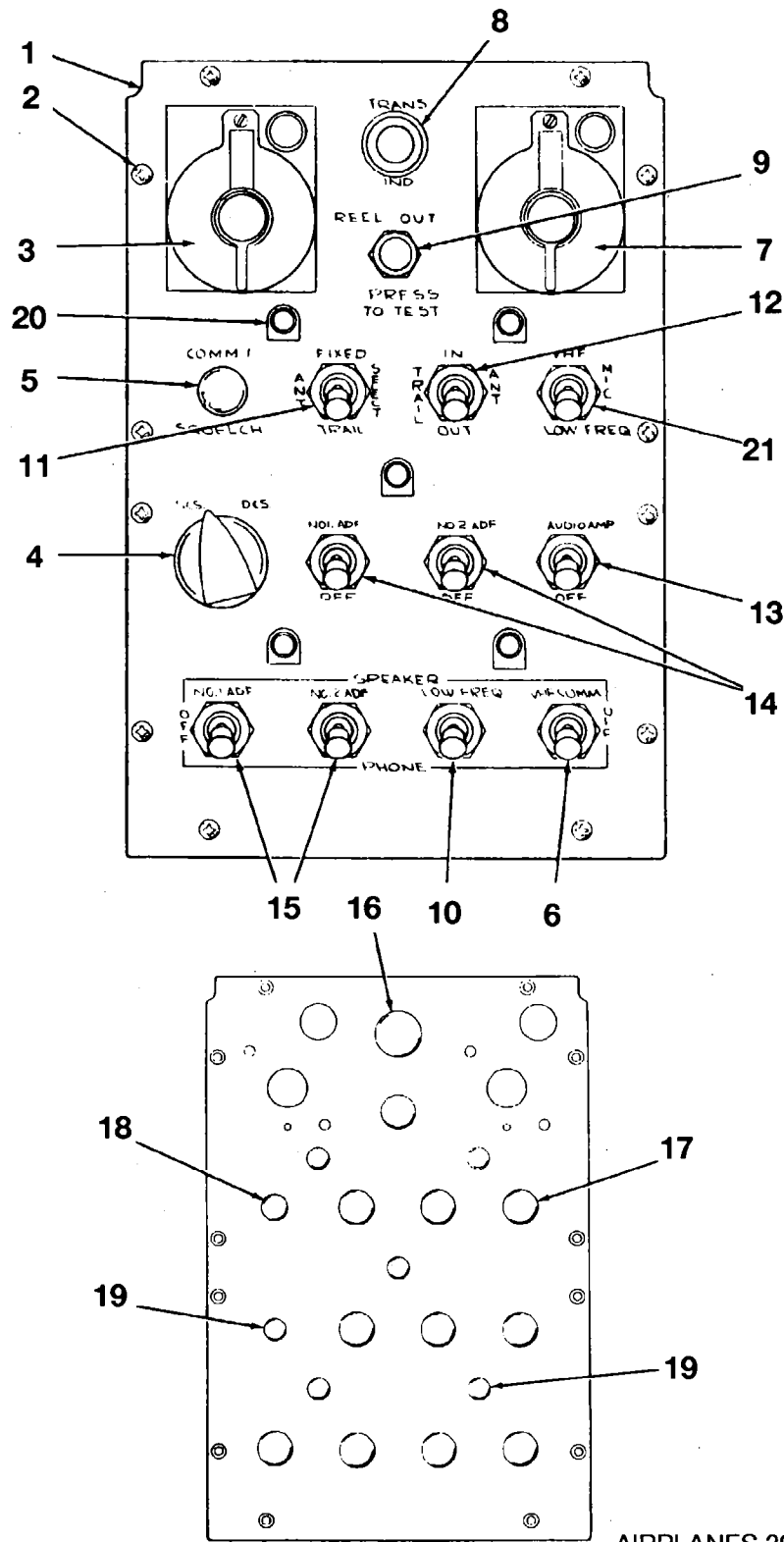
- ITEM NOT ILLUSTRATED

© Cessna Aircraft Company

Figure 22
 Page 2
 23-10-02 Jul 5/2004

CESSNA AIRCRAFT COMPANY
MODEL 310 THRU 310D
 ILLUSTRATED PARTS CATALOG

A55918



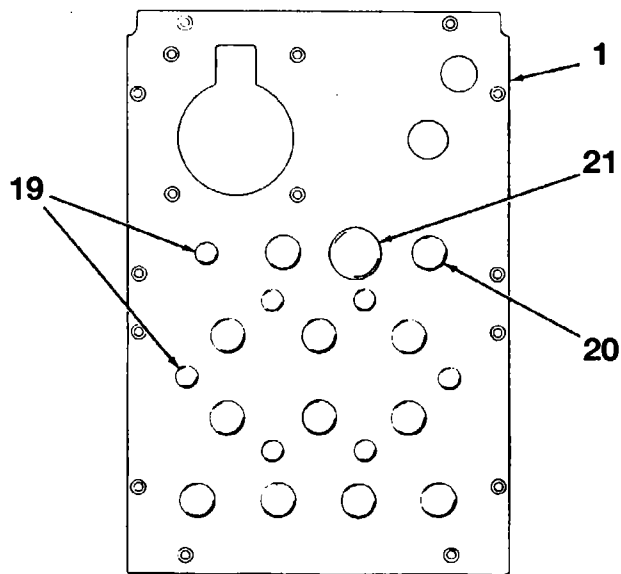
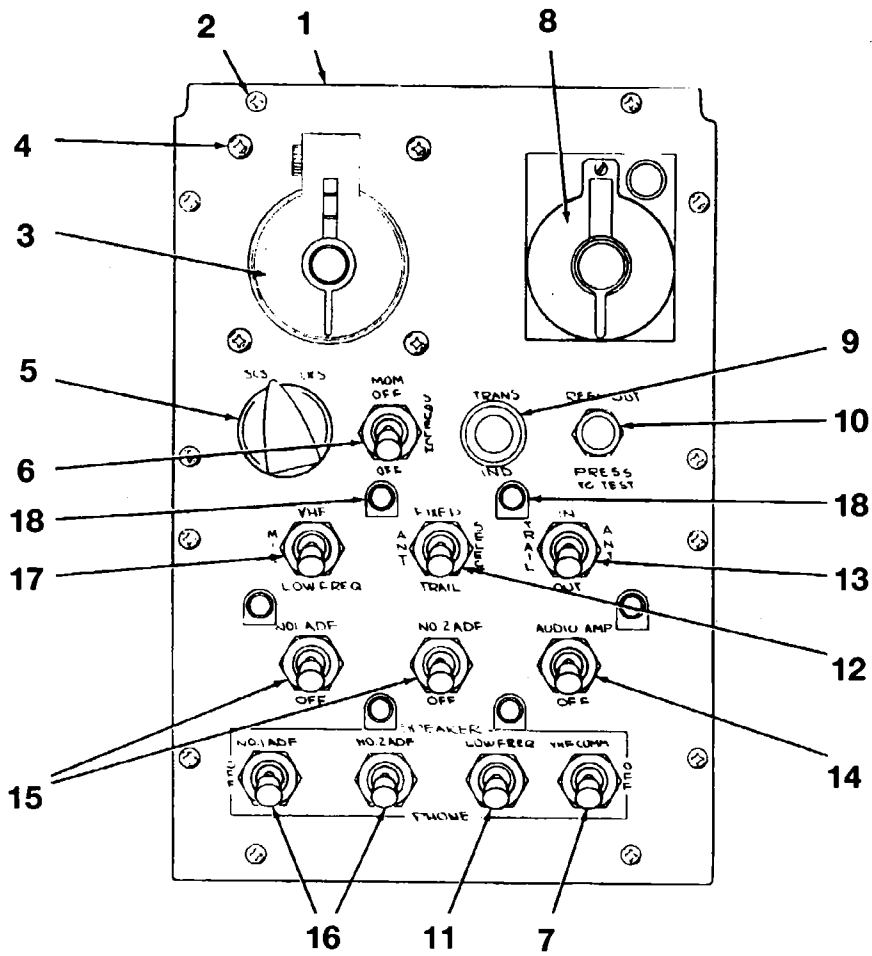
RADIO CONTROL PANEL ASSEMBLY AND INSTALLATION
 FIGURE 23 (SHEET 1)

CESSNA AIRCRAFT COMPANY
MODEL 310 THRU 310D
ILLUSTRATED PARTS CATALOG

FIG ITEM	PART NUMBER	NOMENCLATURE	EFFECT		UNITS PER ASSY
			FROM	TO	
23					
-		RADIO CONTROL PANEL ASSEMBLY AND INSTALLATION			
1	0812716-3	PANEL ASSY-CONTROL	39032	& ON	RF
- 1A	0812716-5	PANEL ASSY-CONTROL	39032	39273	1
2	AN507-632R8	SCREW-ATTACH PANEL	39274	& ON	1
- 2A		ARC RT-11A TRANSCEIVER COMPONENTS INSTALLATION			12
3	0812681-3	CONTROL HEAD ASSY-MODEL MCWS-28-3943 P S GABLES ENG			RF
4	58021N	SWITCH-INTERNATIONAL INSTR INC			1
- 4A	0813475-5	KNOB ASSY-SWITCH			1
5	Q11-128	VOLUME CONTROL-SQUELCH INTERNATIONAL RESISTANCE CO			1
- 5A	4697	NUT-ARC			1
- 5B	4048	WASHER-ARC			1
- 5C	6749	KNOB-ARC			1
- 5D	4140	SCREW-ARC			1
6	S382-1	SWITCH-AUDIO			1
- 6A	S1216-1	NUT-SWITCH DECORATIVE			1
- 6B	S384-1	KNOB-SWITCH			1
- 6C		SUN-AIR S-5-RTR TRANSCEIVER COMPONENTS INSTALLATION	39032	39273	RF
- 6D		SUN-AIR T-5-R TRANSCEIVER COMPONENTS INSTALLATION	39274	& ON	RF
7	0812800-3	CONTROL HEAD-SUN-AIR			1
8	NO 101	INDICATOR LIGHT-TRANSMITTER DRAKE TYPE 100	39032	39273	1
9	L-3100-AM	INDICATOR LIGHT-REEL OUT HETHERINGTON INC	39032	39273	1
- 9A	AN3140-327	BULB-INDICATOR			1
- 9B	VM911M-4	INDICATOR LIGHT-REEL OUT MARCO	39274	& ON	1
- 9C	AN3140-327	BULB-INDICATOR	39274	& ON	1
10	S382-3	SWITCH-AUDIO	39032	39273	1
- 10A	MS35059-21	SWITCH-AUDIO	39274	& ON	1
- 10A	MS35058-23	SWITCH-AUDIO ALT FOR S382-3	39032	39273	1
11	S382-3	SWITCH-ANTENNA SELECTOR			1
- 11A	MS35058-23	SWITCH-ANTENNA SELECTOR			1
12	MS35059-21	SWITCH-REEL			1
- 12A	S1216-1	NUT-SWITCH DECORATIVE			3
- 12B	S384-1	KNOB-SWITCH			3
- 12C		FLITE-TRONICS AUDIO AMPLIFIER COMPONENTS INSTALLATION			RF
13	AN3027-2	SWITCH-TOGGLE DOUBLE POLE AUDIO AMPLIFIER			1
- 13A	S1216-1	NUT-SWITCH DECORATIVE			1
- 13B	S384-1	KNOB-SWITCH			1
- 13C		LEAR ADF-12E-2 COMPONENTS INSTALLATION-QTY SHOWN FOR DUAL INSTALLATION			RF
14	AN3027-2	SWITCH-TOGGLE DOUBLE POLE MASTER ADF			2
15	S382-1	SWITCH-AUDIO			2
- 15A	S1216-1	NUT-SWITCH DECORATIVE			4
- 15B	S384-1	KNOB-SWITCH			4
16	SS50727-K2215	PLUG BUTTON-UNITED CARR			AR
17	SS48152-K2215	PLUG BUTTON-UNITED CARR			AR
18	HS51077-K2215	PLUG BUTTON-UNITED CARR			AR
19	SS48151-K2215	PLUG BUTTON-UNITED CARR			AR
20	A5299-24	POSTLIGHT-REFER TO 33-10-00 FIGURE 03 FOR BREAKDOWN GRIMES MFG			AR
21	MS35059-23	SWITCH-TRANSMITTER SELECTOR			1
- 21A	S1216-1	NUT-SWITCH DECORATIVE			1
- 21B	S384-1	KNOB-SWITCH			1

CESSNA AIRCRAFT COMPANY
MODEL 310 THRU 310D
 ILLUSTRATED PARTS CATALOG

A55919



AIRPLANES 39032 AND ON

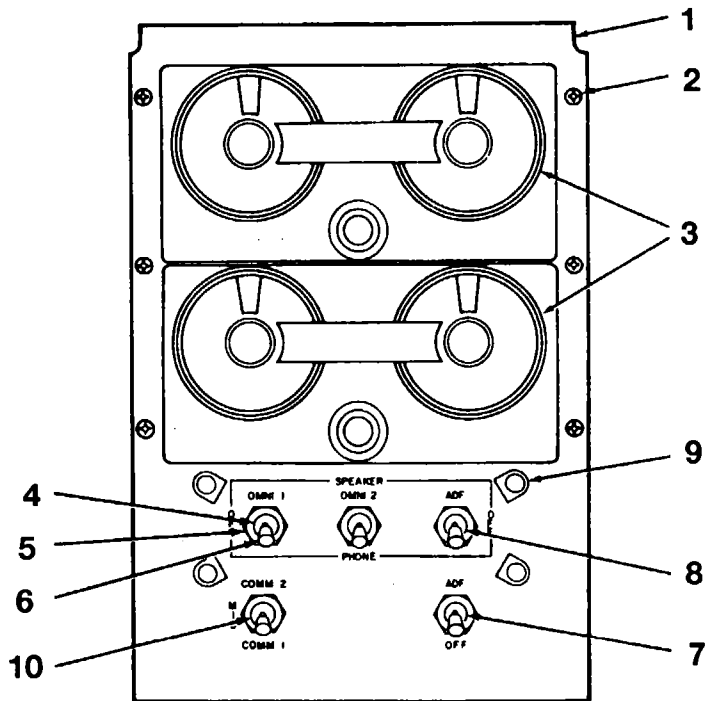
RADIO CONTROL PANEL ASSEMBLY AND INSTALLATION
 FIGURE 24 (SHEET 1)

CESSNA AIRCRAFT COMPANY
MODEL 310 THRU 310D
ILLUSTRATED PARTS CATALOG

FIG ITEM	PART NUMBER	NOMENCLATURE	EFFECT FROM TO	UNITS PER ASSY
24				
-		RADIO CONTROL PANEL ASSEMBLY AND INSTALLATION		
1	0812717-3 PANEL ASSY-CONTROL	39032 & ON	RF
- 1A	0812717-5 PANEL ASSY-CONTROL	39032 39273	1
2	AN507-632R8 SCREW-ATTACH PANEL	39274 & ON	1
- 2A	 NARCO 1016 TRANSCEIVER COMPONENTS INSTALLATION		12
3	0812623-6 CHANNEL SELECTOR-NARCO VSSC-IA		RF
- 3A	0812623-2 HEAD PHONE CONTROL-NARCO M-54147-6104		1
4	AN507-632R8 SCREW-ATTACH CHANNEL SELECTOR		4
- 4A	H10-06 NUT-ATTACH CHANNEL SELECTOR		4
5	58021N SWITCH-INTERNATIONAL INSTR INC		1
- 5A	0813475-5 KNOB ASSY-SWITCH		1
- 5B	AN565D8H5 SETSCREW		1
6	AN3021-5 SWITCH-SQUELCH		1
7	S382-1 SWITCH-AUDIO		1
- 7A	S1216-1 NUT-SWITCH DECORATIVE		2
- 7B	S384-1 KNOB-SWITCH		2
- 7C	 SUN-AIR S-5-RTR TRANSCEIVER COMPONENTS INSTALLATION	39032 39273	RF
- 7D	 SUN-AIR T-5 -R TRANSCEIVER COMPONENTS INSTALLATION	39274 & ON	RF
8	0812800-3 CONTROL HEAD-SUN-AIR		1
9	101 KEYBOARD-INDICATOR LIGHT TRANSMITTER DRAKE TYPE 100	39032 39273	1
10	L-3100-AM INDICATOR LIGHT-REEL-OUT HETHERINGTON INC	39032 39273	1
- 10A	AN3140-327 BULB-INDICATOR		1
- 10B	VM911M-4 INDICATOR LIGHT-REEL-OUT MARCO	39274 & ON	1
- 10C	AN3140-327 BULB-INDICATOR	39274 & ON	1
11	S382-3 SWITCH-AUDIO	39032 39273	1
- 11A	MS35059-21 SWITCH-AUDIO	39274 & ON	1 R
- 11A	MS35058-23 SWITCH-AUDIO	39032 39273	1 R
12	S382-3 SWITCH-ANTENNA SELECTOR		1
- 12A	MS35058-23 SWITCH-ANTENNA SELECTOR		1 R
13	MS35059-21 SWITCH-REEL		1 R
- 13A	S1216-1 NUT-SWITCH DECORATIVE		3
- 13B	S384-1 KNOB-SWITCH		3
- 13C	 FLITE-TRONICS AUDIO AMPLIFIER COMPONENTS INSTALLATION		RF
14	AN3027-2 SWITCH-AUDIO AMPLIFIER		1
- 14A	S1216-1 NUT-SWITCH DECORATIVE		1
- 14B	S384-1 KNOB-SWITCH		1
- 14C	 LEAR ADF-12E-2 COMPONENTS INSTALLATION-QTY SHOWN FOR DUAL INSTALLATION		RF
15	AN3027-2 SWITCH-MASTER ADF		2
16	S382-1 SWITCH-AUDIO		2
- 16A	S1216-1 NUT-SWITCH DECORATIVE		4
- 16B	S384-1 KNOB-SWITCH		4
17	MS35059-23 SWITCH-TRANSMITTER SELECTOR		1 R
- 17A	S1216-1 NUT-SWITCH DECORATIVE		1
- 17B	S384-1 KNOB-SWITCH		1
18	A5299-24 POSTLIGHT-REFER TO 33-10-00 FIGURE 03 FOR BREAKDOWN GRIMES MFG		AR
19	SS48151-K2215 PLUG BUTTON-UNITED CARR		AR
20	SS48152-K2215 PLUG BUTTON-UNITED CARR		AR
21	SS50727-K2215 PLUG BUTTON-UNITED CARR		AR

CESSNA AIRCRAFT COMPANY
MODEL 310 THRU 310D
ILLUSTRATED PARTS CATALOG

A55920



AIRPLANES 39250 AND ON
RADIO CONTROL PANEL ASSEMBLY AND INSTALLATION
FIGURE 25 (SHEET 1)

CESSNA AIRCRAFT COMPANY
MODEL 310 THRU 310D
ILLUSTRATED PARTS CATALOG

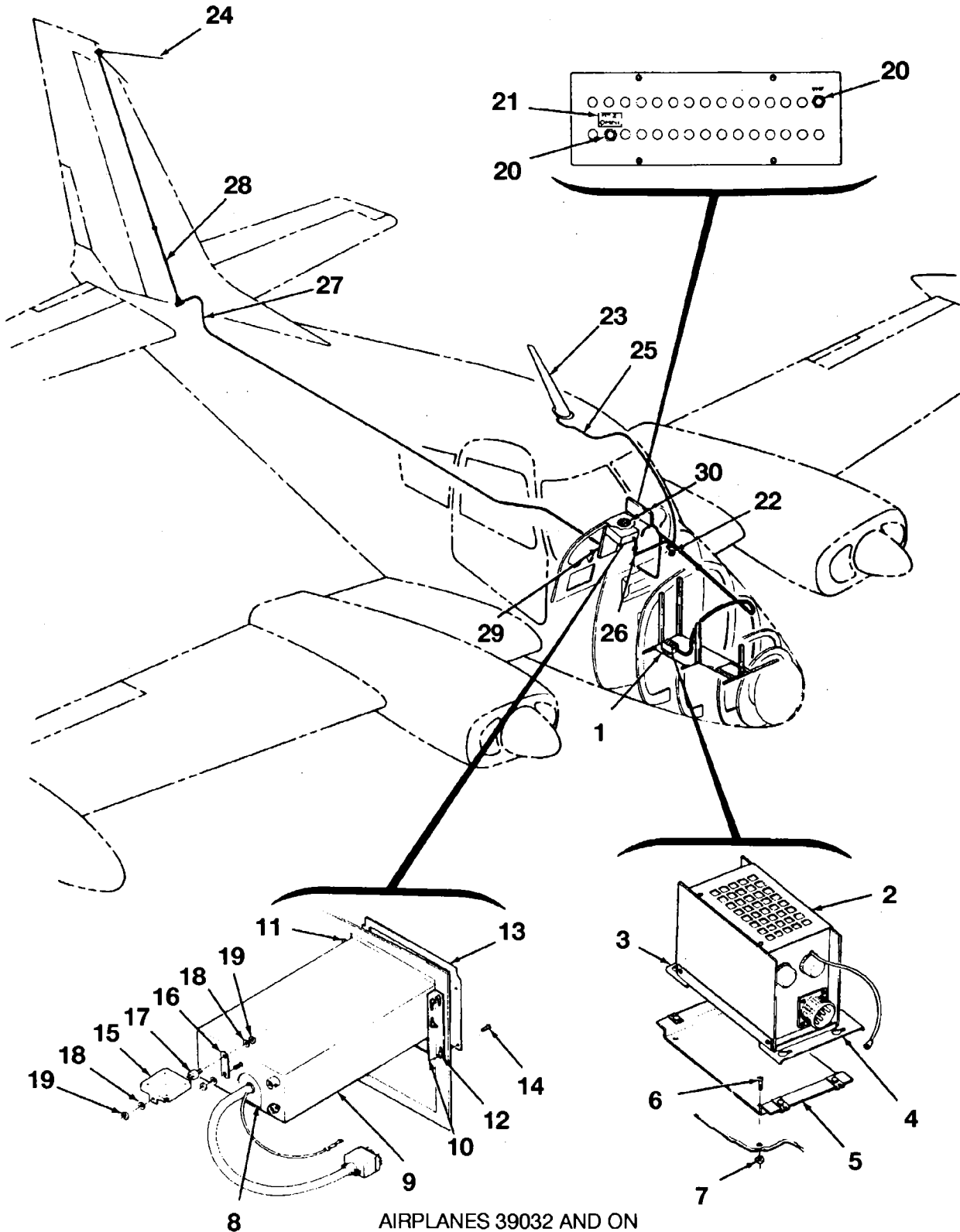
FIG ITEM	PART NUMBER	NOMENCLATURE	EFFECT FROM TO	UNITS PER ASSY
	1 2 3 4 5 6 7			
25		RADIO CONTROL PANEL ASSEMBLY AND INSTALLATION	39250 & ON	RF
- 1	0870006-1	. PANEL ASSY-CONTROL		1
2	AN507-632R8	. SCREW-ATTACH PANEL		8
- 2A		. NARCO DUAL MARK V RECEIVER-TRANSMITTER COMPONENTS INSTALLATION		RF
3		. MARK V RECEIVER TRANSMITTER INSTALLATION-REFER TO 23-20-01 FIGURE 02		RF
4	MS35059-21	. SWITCH-AUDIO		2 R
5	S1216-1	. NUT-SWITCH DECORATIVE		2
6	S384-1	. KNOB-SWITCH		2
- 6A		. LEAR ADF-12E-2 COMPONENTS INSTALLATION		RF
7	AN3027-2	. SWITCH-TOGGLE DOUBLE POLE MASTER ADF		1
8	S382-1	. SWITCH-AUDIO		1
- 8A	S1216-1	. NUT-SWITCH DECORATIVE		2
- 8B	S384-1	. KNOB-SWITCH		2
9	A5299-24	. POSTLIGHT-REFER TO 33-10-00 FIGURE 03 FOR BREAKDOWN GRIMES MFG		4
10	7664K3	. SWITCH-TRANSMITTER SELECTOR CUTLER HAMMER		1
- 10A	S1216-1	. NUT-SWITCH DECORATIVE		1
- 10B	S384-1	. KNOB-SWITCH		1

- ITEM NOT ILLUSTRATED

© Cessna Aircraft Company

CESSNA AIRCRAFT COMPANY
MODEL 310 THRU 310D
 ILLUSTRATED PARTS CATALOG

A55850



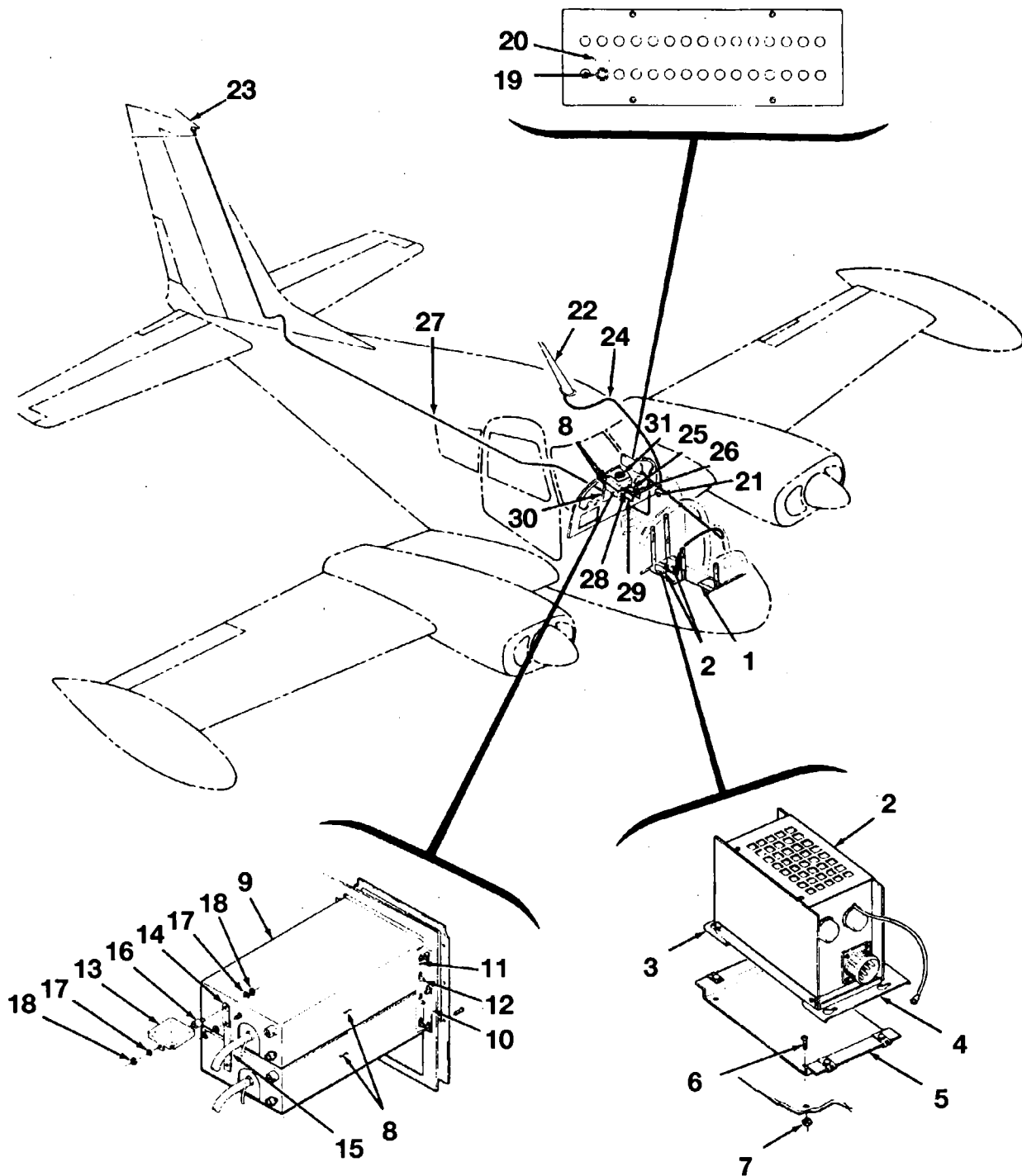
AIRPLANES 39032 AND ON
 NARCO MARK V RECEIVER-TRANSMITTER INSTALLATION
 FIGURE 01 (SHEET 1)

**CESSNA AIRCRAFT COMPANY
MODEL 310 THRU 310D
ILLUSTRATED PARTS CATALOG**

FIG ITEM	PART NUMBER	NOMENCLATURE	EFFECT		UNITS PER ASSY
			FROM	TO	
01		NARCO MARK V RECEIVER-TRANSMITTER INSTALLATION	39032	& ON	RF
- 1		. SHELF INSTALLATION-RADIO			RF
2	0770034-8	. MODULATOR-POWER SUPPLY NARCO T24MP-7			1
3	0770034-11	. MOUNTING BRACKET			1
4	0770034-12	. MOUNTING BRACKET			1
5	0770034-3	. MOUNTING PLATE			1
6	AN515-8R8	. SCREW-ATTACH MOUNTING PLATE			4
7	MS21044N08	. NUT-ATTACH MOUNTING PLATE			4
8	0770034-1	. RECEIVER-TRANSMITTER UNIT-NARCO 54479-102			1 R
9	0770034-2	. COVER-DUST			1
10	0812684-3	. ANGLE ASSY-SUPPORT LH			1
11	0812684-4	. ANGLE ASSY-SUPPORT RH			1
12	MK2000-06	. NUTPLATE			4
- 12A	0812684-1	. BRACKET ASSY-SUPPORT LH USED WHEN LOW FREQ RECEIVER IS INSTALLED			1
- 12B	0812684-2	. BRACKET ASSY-SUPPORT RH USED WHEN LOW FREQ RECEIVER IS INSTALLED			1
- 12C	MK2000-06	. NUTPLATE			6
13	0812683-3	. MOUNTING PANEL-USED FOR INSTALLATION OF MARK V RECEIVER-TRANSMITTER UNIT ONLY			1
14	AN507-632R8	. SCREW-ATTACH MOUNTING PANEL			4
15	0812684-6	. SUPPORT			1
16	0812684-5	. SUPPORT			1
17	0411059-1	. MOUNT			1
18	AN936B8	. WASHER-ATTACH SHOCKMOUNT			2
19	AN340B8	. NUT-ATTACH SHOCKMOUNT			2
20	PSM-6N	. CIRCUIT BREAKER-KLIXON			1
21	0812480-41	. DECAL-NO 2 OMNI USED WHEN OMNI CONVERTER IS INSTALLED			1
22		. ANTENNA RELAY INSTALLATION-REFER TO 23-10-01 FIGURE 02			RF
23		. ANTENNA INSTALLATION-VHF REFER TO 23-10-01 FIGURE 04			RF
24		. ANTENNA INSTALLATION OMNI-REFER TO 23-00-00 FIGURE 05			RF
25	0812677-15	. CABLE ASSY-ANTENNA TO ANTENNA RELAY			1
26	0812677-13	. CABLE ASSY-ANTENNA TO TRANSMITTER			1
- 26A	0812677-4	. CABLE ASSY-ANTENNA RELAY TO TRANSMITTER			1
27	0812706-2	. CABLE ASSY-ANTENNA RECEIVER TO TEE USED WITH OMNI			1
28		. CABLE ASSY-ANTENNA TEE TO OMNI ANTENNA REFER TO 23-20-01 FIGURE 05			RF
29		. PANEL ASSY & RADIO CONTROL INSTALLATION			RF
- 29A		. PANEL ASSY & RADIO CONTROL INSTALLATION			RF
- 29B		. PANEL ASSY & RADIO CONTROL INSTALLATION			RF
- 29C		. PANEL ASSY & RADIO CONTROL INSTALLATION			RF
30		. VENT INSTALLATION-INSTRUMENT PANEL DECK REFER TO 53-20-01 FIGURE 01 FOR BREAKDOWN	39250	99999	RF

CESSNA AIRCRAFT COMPANY
MODEL 310 THRU 310D
ILLUSTRATED PARTS CATALOG

A55851



AIRPLANES 39250 AND ON

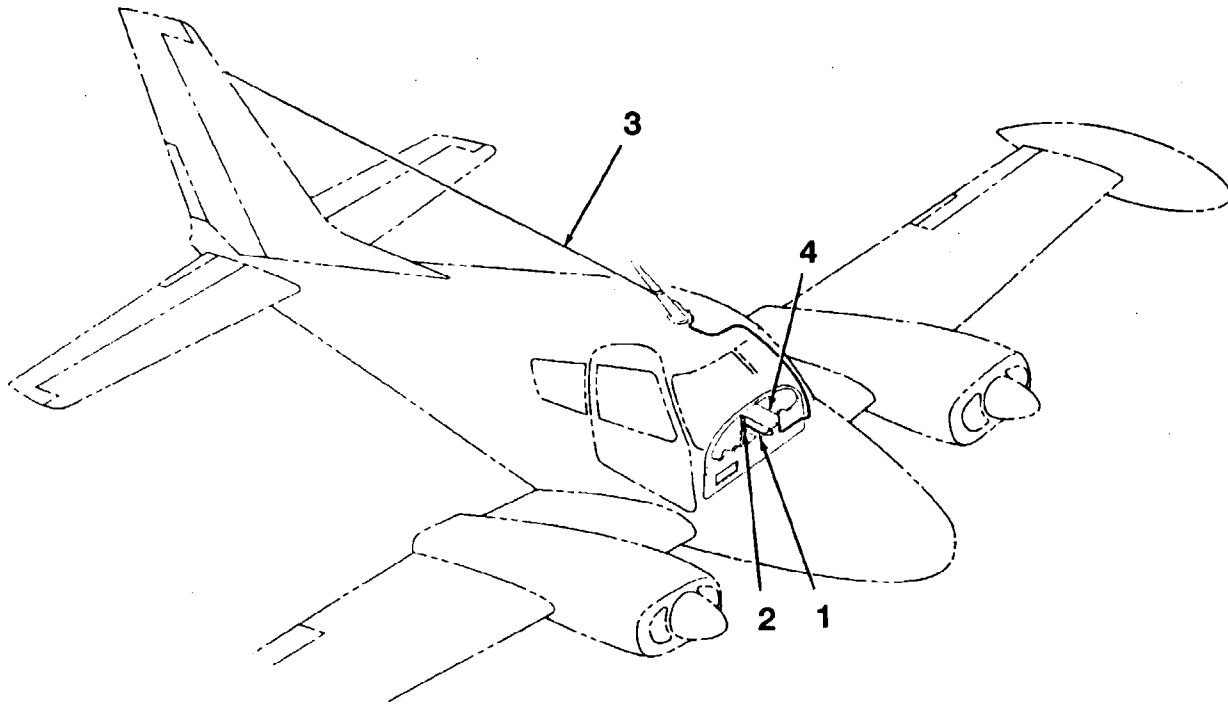
NARCO DUAL MARK V RECEIVER-TRANSMITTER INSTALLATION
FIGURE 02 (SHEET 1)

CESSNA AIRCRAFT COMPANY
MODEL 310 THRU 310D
ILLUSTRATED PARTS CATALOG

FIG ITEM	PART NUMBER	NOMENCLATURE	EFFECT		UNITS PER ASSY
			FROM	TO	
02		NARCO DUAL MARK V RECEIVER-TRANSMITTER INSTALLATION	39250	& ON	RF
1		. SHELF INSTALLATION-RADIO REFER TO 53-10-06 FIGURE 05			RF
2	0770034-8	. MODULATOR-POWER SUPPLY NARCO T24MP-7			2
3	0770034-11	. MOUNTING BRACKET			2
4	0770034-12	. MOUNTING BRACKET			2
5	0770034-3	. MOUNTING PLATE			2
6	AN515-8R8	. SCREW-ATTACH MOUNTING PLATE			8
7	MS21044N08	. NUT-ATTACH MOUNTING PLATE			8 R
8	0770034-1	. RECEIVER-TRANSMITTER UNIT-NARCO 54479-102			2
9	0770034-2	. COVER-DUST			2
10	0870006-4	. ANGLE ASSY-SUPPORT			2
11	MK2000-06	. NUTPLATE			7
12	AN515-6R6	. SCREW-ATTACH RECEIVER-TRANSMITTER UNIT			8
13	0812684-6	. SUPPORT			1
14	0812684-5	. SUPPORT			1
15	0870006-6	. TIE STRAP			1
16	0411059-1	. MOUNT			1
17	AN936B8	. WASHER-ATTACH SHOCKMOUNT			2
18	AN340B8	. NUT-ATTACH SHOCKMOUNT			2
19	PSM-6N	. CIRCUIT BREAKER-KLIXON			2
20	0812480-41	. DECAL-NO. 2 OMNI			1
21		. ANTENNA RELAY INSTALLATION-REFER TO 23-10-01 FIGURE02			RF
22		. ANTENNA INSTALLATION-VHF REFER TO 23-10-01 FIGURE 04			RF
23		. ANTENNA INSTALLATION-OMNI REFER TO 23-00-00 FIGURE 05			RF
24	0812677-15	. CABLE ASSY-ANTENNA TO RELAY			1
25	0812677-13	. CABLE ASSY-ANTENNA RELAY TO NO 1 RECEIVER-TRANSMITTER UNIT			1
26	0870005-2	. CABLE ASSY-ANTENNA RELAY TO NO 2 RECEIVER-TRANSMITTER UNIT			1
27	0870005-5	. CABLE ASSY-ANTENNA TO TEE			1
28	0870005-4	. CABLE ASSY-ANTENNA TEE TO NO 1 RECEIVER-TRANSMITTER UNIT			1
29	0870005-3	. CABLE ASSY-ANTENNA TEE TO NO 2 RECEIVER-TRANSMITTER UNIT			1
30		. PANEL ASSEMBLY & INSTALLATION-RADIO CONTROL REFER TO 31-10-02 FIGURE 26			RF
31		. VENT INSTALLATION-INSTRUMENT PANEL DECK REFER TO 53-20-01 FIGURE 01 FOR BREAKDOWN			RF

CESSNA AIRCRAFT COMPANY
MODEL 310 THRU 310D
ILLUSTRATED PARTS CATALOG

A55860



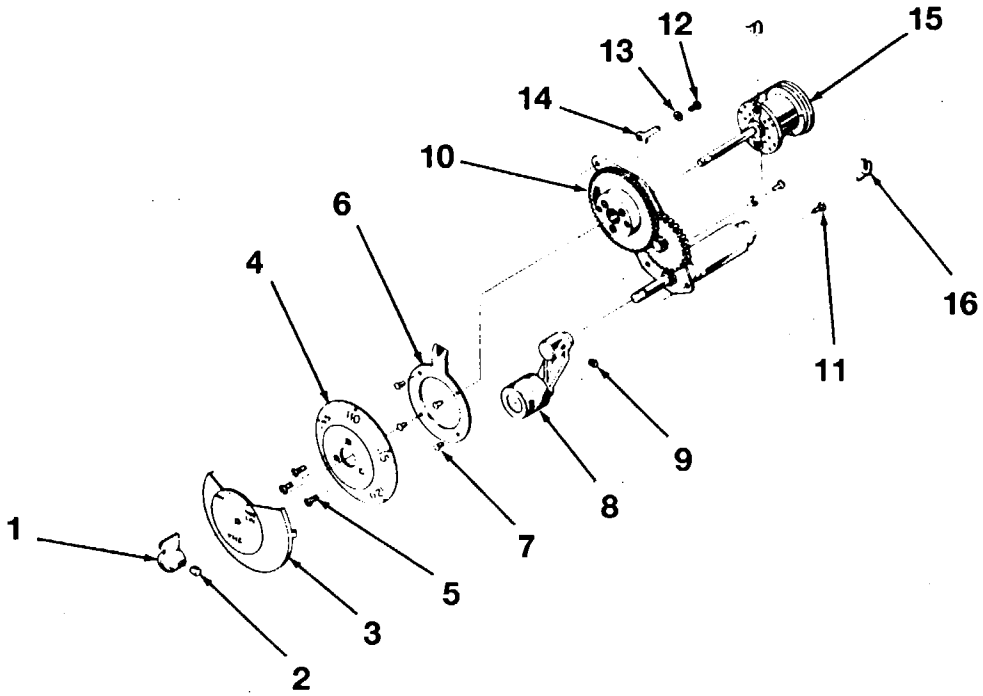
AIRPLANES 39032 AND ON
NARCO LFR-3B LOW FREQUENCY RECEIVER INSTALLATION
FIGURE 03 (SHEET 1)

CESSNA AIRCRAFT COMPANY
MODEL 310 THRU 310D
 ILLUSTRATED PARTS CATALOG

FIG ITEM	PART NUMBER	NOMENCLATURE	EFFECT		UNITS PER ASSY
			FROM	TO	
		1 2 3 4 5 6 7			
03		NARCO LFR-3B LOW FREQUENCY RECEIVER INSTALLATION			
-		RECEIVER-NARCO LFR-3B	39032	& ON	RF
1	0812651-1	SCREW-ATTACH RECEIVER			1
- 1A	AN515-6R6	BRACKET ASSY-RECEIVER MOUNTING RH REFER TO 23-20-01 FIGURE			4
2		01			RF
- 2A		BRACKET ASSY-RECEIVER MOUNTING LH REFER TO 23-20-01 FIGURE			RF
		01			
- 2B		SCREW-ATTACH BRACKET REFER TO 23-20-01 FIGURE 01			RF
3		ANTENNA INSTALLATION-LOW FREQUENCY REFER TO 23-10-01 FIGURE			RF
		03			
- 3A	0812677-5	CABLE ASSY-ANTENNA RECEIVER TO ANTENNA			1
4		NARCO MARK V RECEIVER-TRANSMITTER UNIT			RF

CESSNA AIRCRAFT COMPANY
MODEL 310 THRU 310D
ILLUSTRATED PARTS CATALOG

A55921



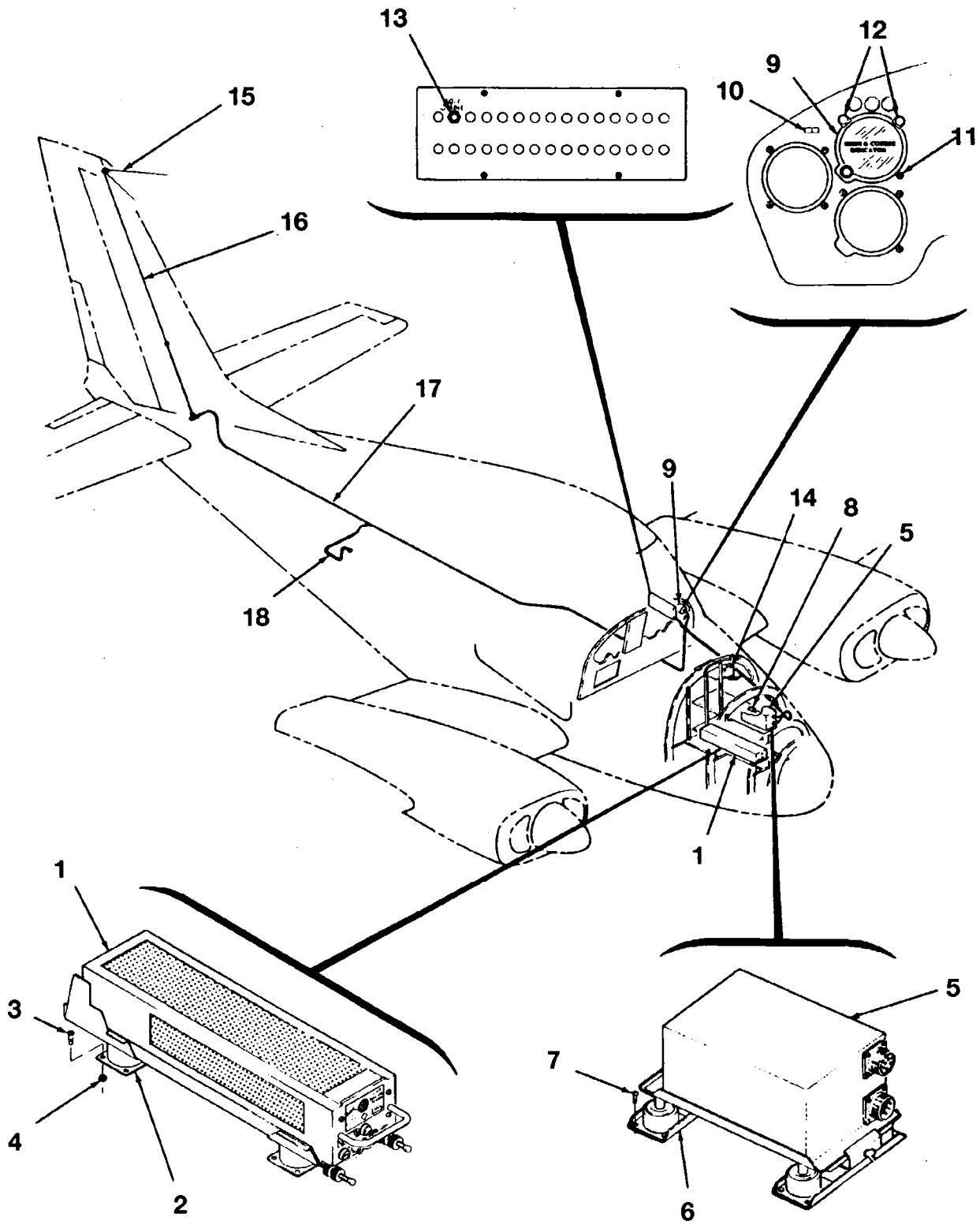
RECEIVER CONTROL ASSEMBLY
FIGURE 04 (SHEET 1)

CESSNA AIRCRAFT COMPANY
MODEL 310 THRU 310D
ILLUSTRATED PARTS CATALOG

FIG ITEM	PART NUMBER	NOMENCLATURE	EFFECT FROM TO	UNITS PER ASSY
04				
-		RECEIVER CONTROL ASSEMBLY		RF
- 0		. RECEIVER CONTROL ASSY-LH CRANK		RF
1	12715	. LEVER-ARC		1
2	4140	. SETSCREW-ARC ATTACH LEVER		1
3	0812466-96	. SHIELD-DIAL		1
4	12716	. DIAL-WITH 550 WHITE ARC		1
5	152	. SCREW-SIZE 3/16 ARC ATTACH DIAL		3
6	12591	. INDICATOR-WITH 550 ARC		1
7	234	. RIVET-ARC ATTACH INDICATOR		4
8	10021	. ZIP-PC 100MB 3 PCK ARC		1
9	4140	. SETSCREW-ARC ATTACH CRANK		1
10	14628	. GEAR UNIT-RH DIAL CRANK ARC		1
- 10A	14627	. GEAR UNIT-LH DIAL CRANK ARC		1
11	163	. SCREW-ARC ATTACH GEAR UNIT		1
12	103	. SCREW-SIZE 3/16 ARC ATTACH GEAR UNIT		2
13	4558	. CUSTOM CARPET-LOCK ARC ATTACH GEAR UNIT		2
14	5914	. TERMINAL-ARC		1
15	14633	. SWITCH-ROTARY ARC		1
16	14593	. CLIP-ARC ATTACH SWITCH		2

CESSNA AIRCRAFT COMPANY
MODEL 310 THRU 310D
ILLUSTRATED PARTS CATALOG

A55872



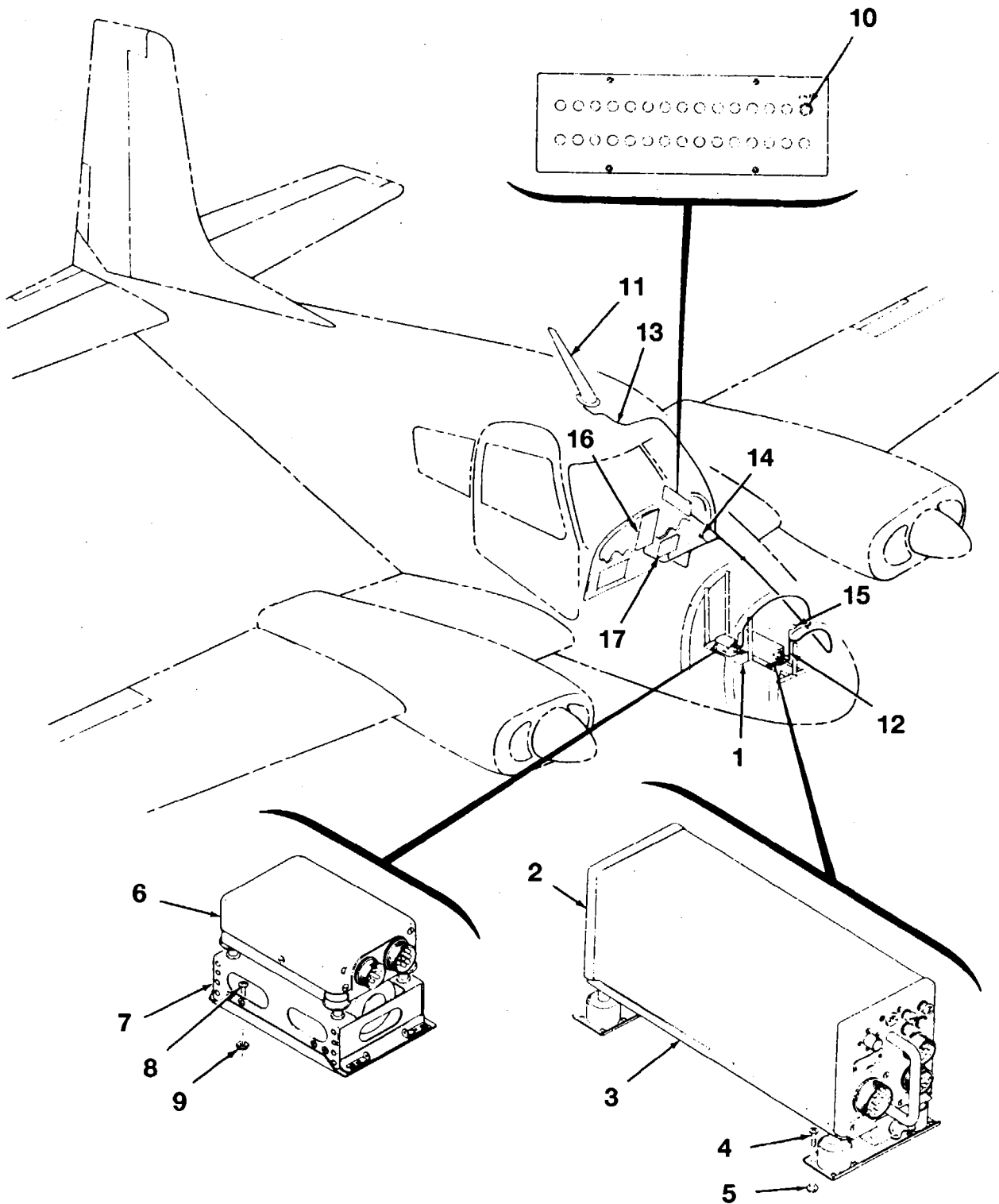
AIRPLANES 39032 AND ON
NARCO 1021 OMNI INSTALLATION
FIGURE 05 (SHEET 1)

CESSNA AIRCRAFT COMPANY
MODEL 310 THRU 310D
ILLUSTRATED PARTS CATALOG

FIG ITEM	PART NUMBER	NOMENCLATURE	EFFECT		UNITS PER ASSY
			FROM	TO	
05		NARCO 1021 OMNI INSTALLATION			
- 0		. SHELF INSTALLATION-RADIO REFER TO 53-10-06 FIGURE 05	39032	& ON	RF
1	0812623-10	. RECEIVER-NARCO VSRP-1			RF
2	0812623-8	. SHOCKMOUNT-RECEIVER			1
3	AN515-8R8	. SCREW-ATTACH SHOCKMOUNT			8
4	MS21044N08	. NUT-ATTACH SHOCKMOUNT			8 R
5	0812651-7	. CONVERTER-NARCO VOA-3A			1
6	0812651-6	. MOUNT-CONVERTER			1
7	AN515-8R8	. SCREW-ATTACH MOUNT			8
- 7A	MS21044N08	. NUT-ATTACH MOUNT			8 R
8	AN3320-1	. RELAY			1
- 8A	AN515-8R8	. SCREW-ATTACH RELAY			2
- 8B	MS21044N08	. NUT-ATTACH RELAY			2 R
- 8C	AN781-1	. NIPPLE-TERMINAL			4
9	0812651-8	. INDICATOR-NARCO CS-5			1
10	0812480-48	. PLACARD			1
11	AN507B632R12	. SCREW-ATTACH INDICATOR			1
12	A8970-1-327	. POSTLIGHT-REFER TO 33-10-00 FIGURE 03 FOR BREAKDOWN GRIMES MFG			2
13	PSM-5N	. CIRCUIT BREAKER-KLIXON			1
- 13A		. PANEL ASSY & INSTALLATION-RADIO CONTROL REFER TO 31-10-02 FIGURE 18			RF
14		. LOADING BOX-NETWORK REFER TO 23-00-00 FIGURE 04			RF
15		. ANTENNA INSTALLATION-OMNI REFER TO 23-00-00 FIGURE 05			RF
16	0812706-65	. CABLE ASSY-ANTENNA TO TEE			1
17	0812706-66	. CABLE ASSY-ANTENNA TEE TO RECEIVER			1
18	0812706-3	. CABLE ASSY-ANTENNA RECEIVER TO NARCO 1016 TRANSCEIVER			1

CESSNA AIRCRAFT COMPANY
MODEL 310 THRU 310D
ILLUSTRATED PARTS CATALOG

A55852



AIRPLANES 35772 AND ON

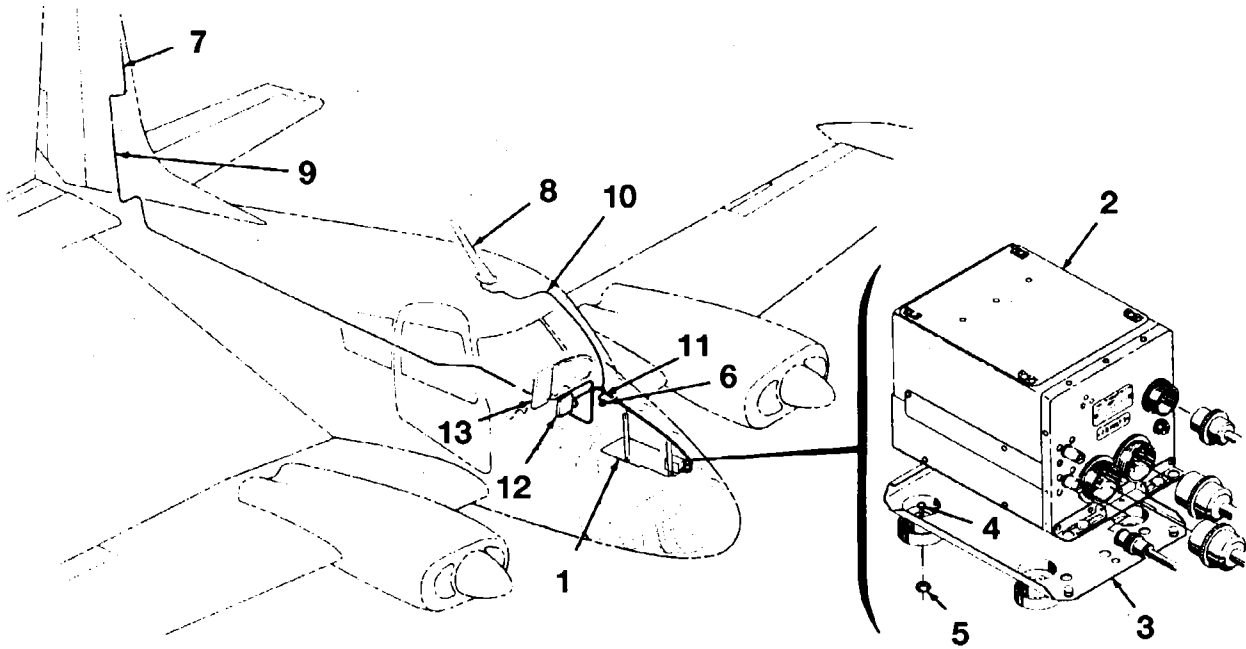
ARC RT-11 TRANSCEIVER INSTALLATION
FIGURE 01 (SHEET 1)

CESSNA AIRCRAFT COMPANY
MODEL 310 THRU 310D
ILLUSTRATED PARTS CATALOG

FIG ITEM	PART NUMBER	NOMENCLATURE	EFFECT FROM TO	UNITS PER ASSY
	1 2 3 4 5 6 7			
01		ARC RT-11 TRANSCEIVER INSTALLATION	35772 & ON	RF
-		. SHELF INSTALLATION-RADIO		RF
1		. TRANSCEIVER-ARC TYPE RT-11A		1
2	0812635-6	. MOUNT-TRANSCEIVER		1
3	0812635-5	. SCREW-ATTACH TRANSCEIVER MOUNT		8
4	AN515-8R8	. NUT-ATTACH TRANSCEIVER MOUNT		8 R
5	MS21044N08	. POWER UNIT-ARC TYPE P-15A		1
6	0812635-4	. MOUNT-POWER UNIT		1
7	0812635-3	. SCREW-ATTACH POWER UNIT MOUNT		4
8	AN515-8R8	. NUT-ATTACH POWER UNIT MOUNT		4 R
9	MS21044N08	. CIRCUIT BREAKER-KLIXON		1
10	PSM-8N	. ANTENNA INSTALLATION-VHF REFER TO 23-10-01 FIGURE 04		RF
11		. CABLE ASSY-ANTENNA TRANSCEIVER TO ANTENNA RELAY	35772 39031	1
12	0812632-4	. CABLE ASSY-ANTENNA RELAY TO ANTENNA	35772 39031	RF
13		. CABLE ASSY-ANTENNA TRANSCEIVER TO ANTENNA	39032 & ON	1
- 13A	0812715-7	. ANTENNA RELAY INSTALLATION-REFER TO 23-10-01 FIGURE 02	35772 39031	RF
14		. CABLE ASSY-ANTENNA TRANSCEIVER TO T-25A TRANSMITTER	39032 & ON	1
15	0812715-6	. PANEL ASSY & INSTALLATION-RADIO CONTROL REFER TO 31-10-02 FIGURE 16	35772 39031	RF
16		. PANEL ASSY & INSTALLATION-RADIO CONTROL REFER TO 31-10-02 FIGURE 23	39032 & ON	RF
- 16A		. PANEL ASSY & INSTALLATION-RADIO CONTROL REFER TO 31-10-02 FIGURE 19	39032 & ON	RF
- 16B		. PANEL ASSY & INSTALLATION-RADIO CONTROL REFER TO 31-10-02 FIGURE 24	39032 & ON	RF
- 16C		. PANEL ASSY & INSTALLATION-RADIO CONTROL REFER TO 31-10-02 FIGURE 17	35772 39031	RF
17				

CESSNA AIRCRAFT COMPANY
MODEL 310 THRU 310D
ILLUSTRATED PARTS CATALOG

A55856



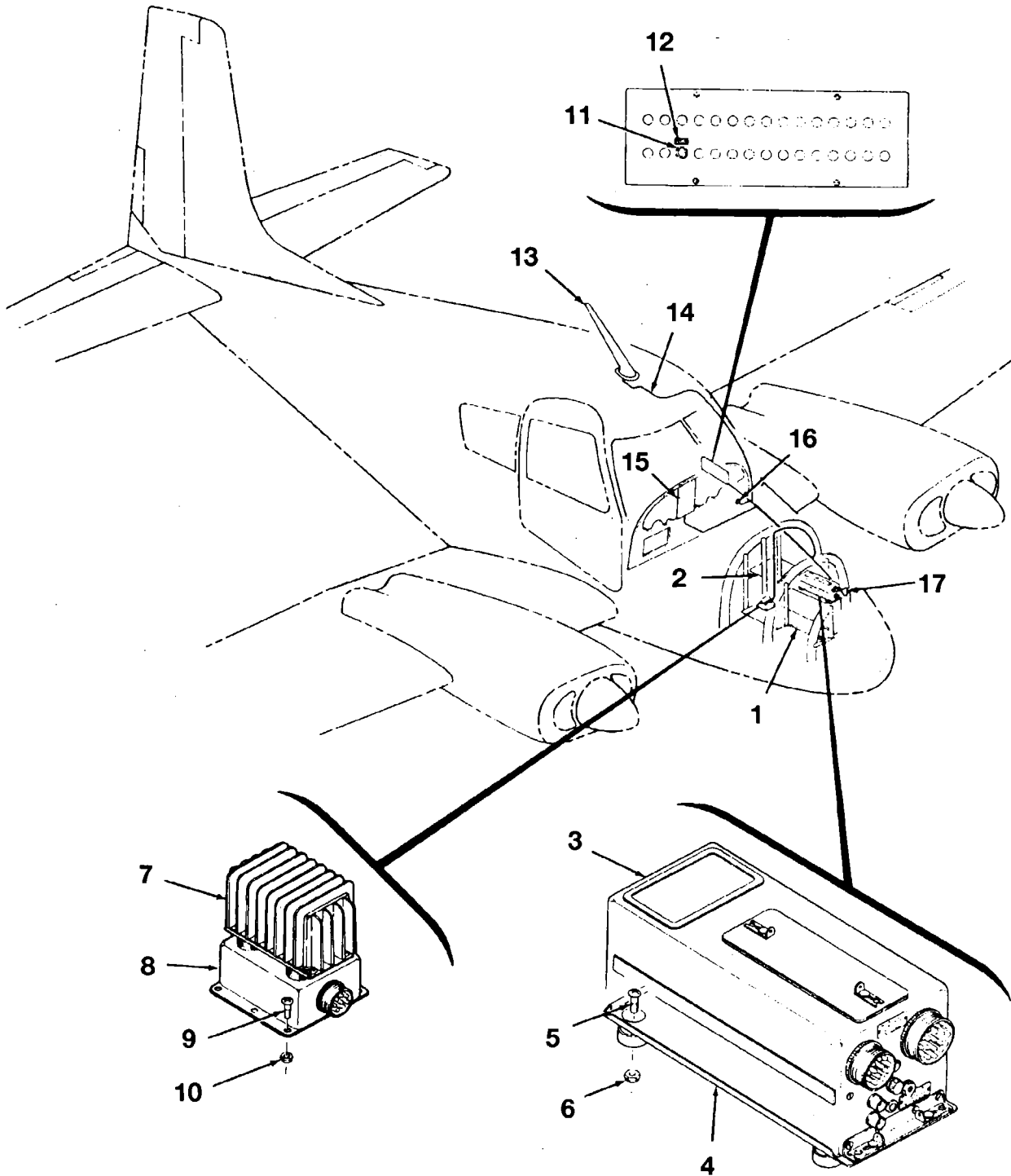
AIRPLANES 35097 THRU 35771
ARC T-11B TRANSMITTER INSTALLATION
FIGURE 02 (SHEET 1)

CESSNA AIRCRAFT COMPANY
MODEL 310 THRU 310D
ILLUSTRATED PARTS CATALOG

FIG ITEM	PART NUMBER	NOMENCLATURE	EFFECT FROM TO	UNITS PER ASSY
	1 2 3 4 5 6 7			
02		ARC T-11B TRANSMITTER INSTALLATION	35097 35771	RF
-		. SHELF INSTALLATION-RADIO		RF
1		. TRANSMITTER-T-11B ARC 15840		1
2	0812465-258	. MOUNT-M-11A ARC 12501		1
3	0812465-259	. SCREW-ATTACH SHOCKMOUNT		4
4	AN515-8R14	. NUT-ATTACH SHOCKMOUNT		4 R
5	MS21044N08	. ANTENNA RELAY INSTALLATION	35097 35428	RF
6		. ANTENNA INSTALLATION-VHF REFER TO 23-10-01 FIGURE 04	35097 35171	RF
7		. ANTENNA INSTALLATION-VHF REFER TO 23-10-01 FIGURE 04	35172 & ON	RF
8		. CABLE ASSY-ANTENNA TO TRANSMITTER	35097 35171	1
9	0812645-283	. CABLE ASSY-ANTENNA TO TRANSMITTER	35172 35546	1
10	0812645-282	. CABLE ASSY-ANTENNA TO TRANSMITTER	35547 35771	1
- 10A	0812645-24	. CABLE ASSY-ANTENNA RELAY TO TRANSMITTER	35097 35428	1
11	0812452-35	. CABLE ASSY-ANTENNA RELAY TO VHF ANTENNA REFER TO 23-10-00	35171 35171	RF
- 11A		FIGURE 01		
- 11B		. CABLE ASSY-ANTENNA RELAY TO VHF ANTENNA REFER TO 23-10-00	35428 35428	RF
		FIGURE 01		
12		. PANEL ASSY & INSTALLATION-RADIO CONTROL REFER TO 31-10-02	35097 35546	RF
		FIGURE 02		
- 12A		. PANEL ASSY & INSTALLATION-RADIO CONTROL REFER TO 31-10-02	35097 35546	RF
		FIGURE 03		
- 12B		. PANEL ASSY & INSTALLATION-RADIO CONTROL REFER TO 31-10-02	35097 35546	RF
		FIGURE 04		
13		. PANEL ASSY & INSTALLATION-RADIO CONTROL REFER TO 31-10-02	35547 35771	RF
		FIGURE 05		
- 13A		. PANEL ASSY & INSTALLATION-RADIO CONTROL REFER TO 31-10-02	35547 35771	RF
		FIGURE 06		
- 13B		. PANEL ASSY & INSTALLATION-RADIO CONTROL REFER TO 31-10-02	35547 35771	RF
		FIGURE 10		

CESSNA AIRCRAFT COMPANY
MODEL 310 THRU 310D
ILLUSTRATED PARTS CATALOG

A55857



AIRPLANES 35772 THRU 39031

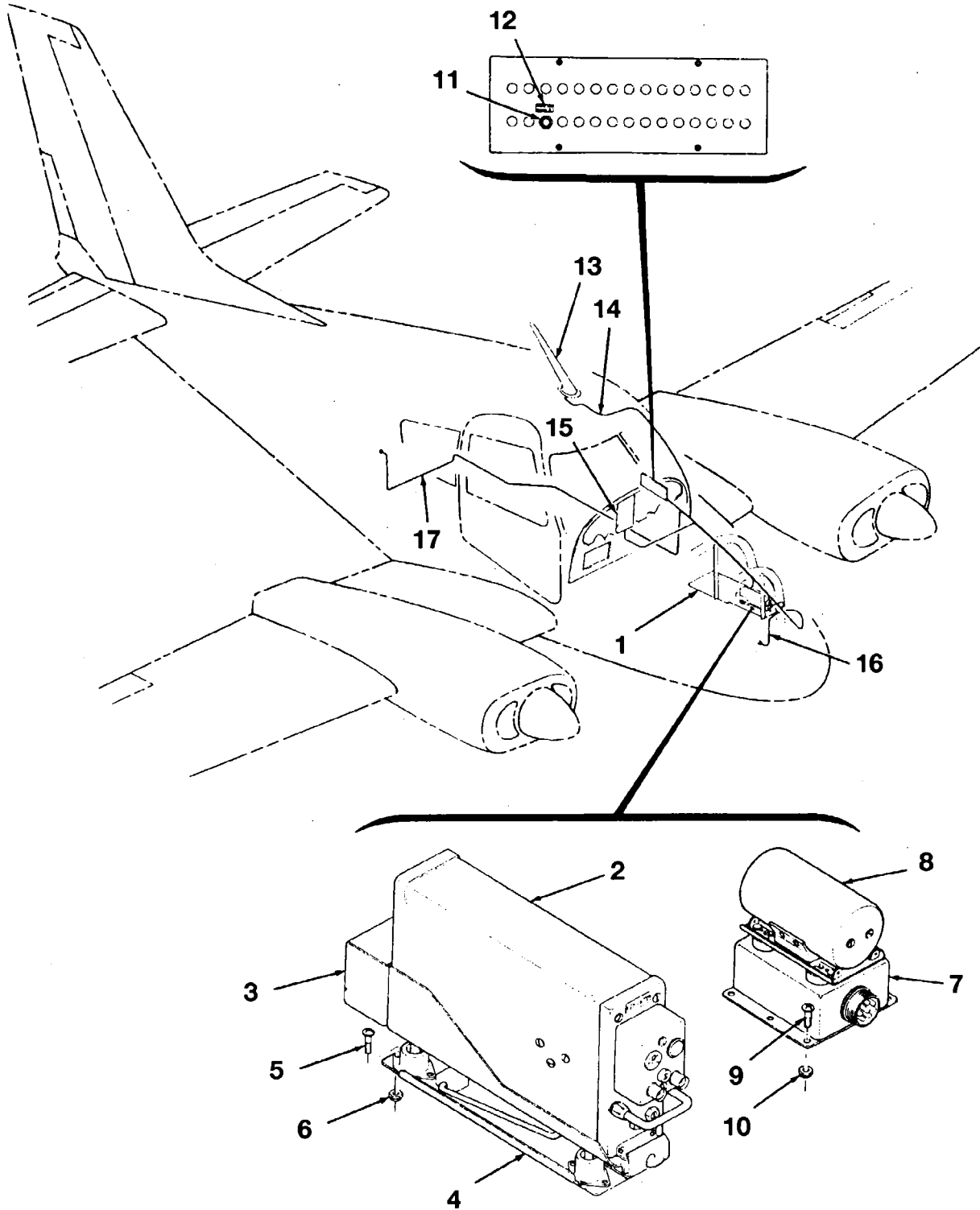
ARC T-22 TRANSMITTER INSTALLATION
FIGURE 03 (SHEET 1)

CESSNA AIRCRAFT COMPANY
MODEL 310 THRU 310D
ILLUSTRATED PARTS CATALOG

FIG ITEM	PART NUMBER	NOMENCLATURE	EFFECT		UNITS PER ASSY
			FROM	TO	
03		ARC T-22 TRANSMITTER INSTALLATION	35772	39031	RF
-		. SHELF INSTALLATION-RADIO			RF
1		. SHELF INSTALLATION-RADIO			RF
2		. TRANSMITTER-ARC T-22			1
3	0812631-3	. SHOCKMOUNT-TRANSMITTER			1
4	0812631-2	. SCREW-ATTACH TRANSMITTER MOUNT			4
5	AN515-8R14	. NUT-ATTACH TRANSMITTER MOUNT			4 R
6	MS21044N08	. DYNAMOTOR ASSY			1
- 6A	0812628-12	. DYNAVERTER-DV-L0A ARC 19840			1
7	0812465-320	. POWER UNIT-P-12 ARC 17620			1
8	0812628-11	. SCREW-ATTACH DYNAMOTOR ASSY			4
9	AN515-8R8	. NUT-ATTACH DYNAMOTOR ASSY			4 R
10	MS21044N08	. CIRCUIT BREAKER-KLIXON			1
11	PSM-6N	. PLACARD			1
12	0812480-86	. ANTENNA INSTALLATION VHF-REFER TO 23-10-01 FIGURE 04			RF
13		. CABLE ASSY-ANTENNA TO RELAY			1
14	0812632-46	. PANEL ASSY & INSTALLATION-RADIO CONTROL REFER TO 31-10-02 FIGURE 13			RF
15		. PANEL ASSY & INSTALLATION-RADIO CONTROL REFER TO 31-10-02 FIGURE 14			RF
- 15A		. PANEL ASSY & INSTALLATION-RADIO CONTROL REFER TO 31-10-02 FIGURE 12			RF
- 15B		. PANEL ASSY & INSTALLATION-RADIO CONTROL REFER TO 31-10-02 FIGURE 15			RF
- 15C		. T-22 TRANSMITTER INSTALLATION WITH C-77A CONTROL UNIT-ARC	35772	39031	RF
- 15D		. T-22 TRANSMITTER INSTALLATION WITH C-77A CONTROL UNIT	35772	39031	RF
16		. SHELF INSTALLATION-RADIO REFER TO 53-10-06 FIGURE 05			RF
17		. TRANSMITTER-ARC T-22			1
18	0812631-3	. SHOCK MOUNT-TRANSMITTER			1
19	0812631-2	. SCREW-ATTACH TRANSMITTER MOUNT			4
20	AN515-8R14	. NUT-ATTACH TRANSMITTER MOUNT			4 R
21	MS21044N08	. ANTENNA INSTALLATION-VHF REFER TO 23-10-01 FIGURE 04			RF
22		. CABLE ASSY-ANTENNA TO RELAY			1
23	0812632-2	. PANEL ASSY & INSTALLATION-RADIO CONTROL REFER TO 31-10-02 FIGURE 16			RF
24		. ANTENNA RELAY INSTALLATION			RF
25		. CABLE ASSY-ANTENNA RELAY TO TRANSMITTER			1
26	0812632-3				

CESSNA AIRCRAFT COMPANY
MODEL 310 THRU 310D
ILLUSTRATED PARTS CATALOG

A55858



AIRPLANES 39032 AND ON
ARC T-25A TRANSMITTER INSTALLATION
FIGURE 04 (SHEET 1)

CESSNA AIRCRAFT COMPANY

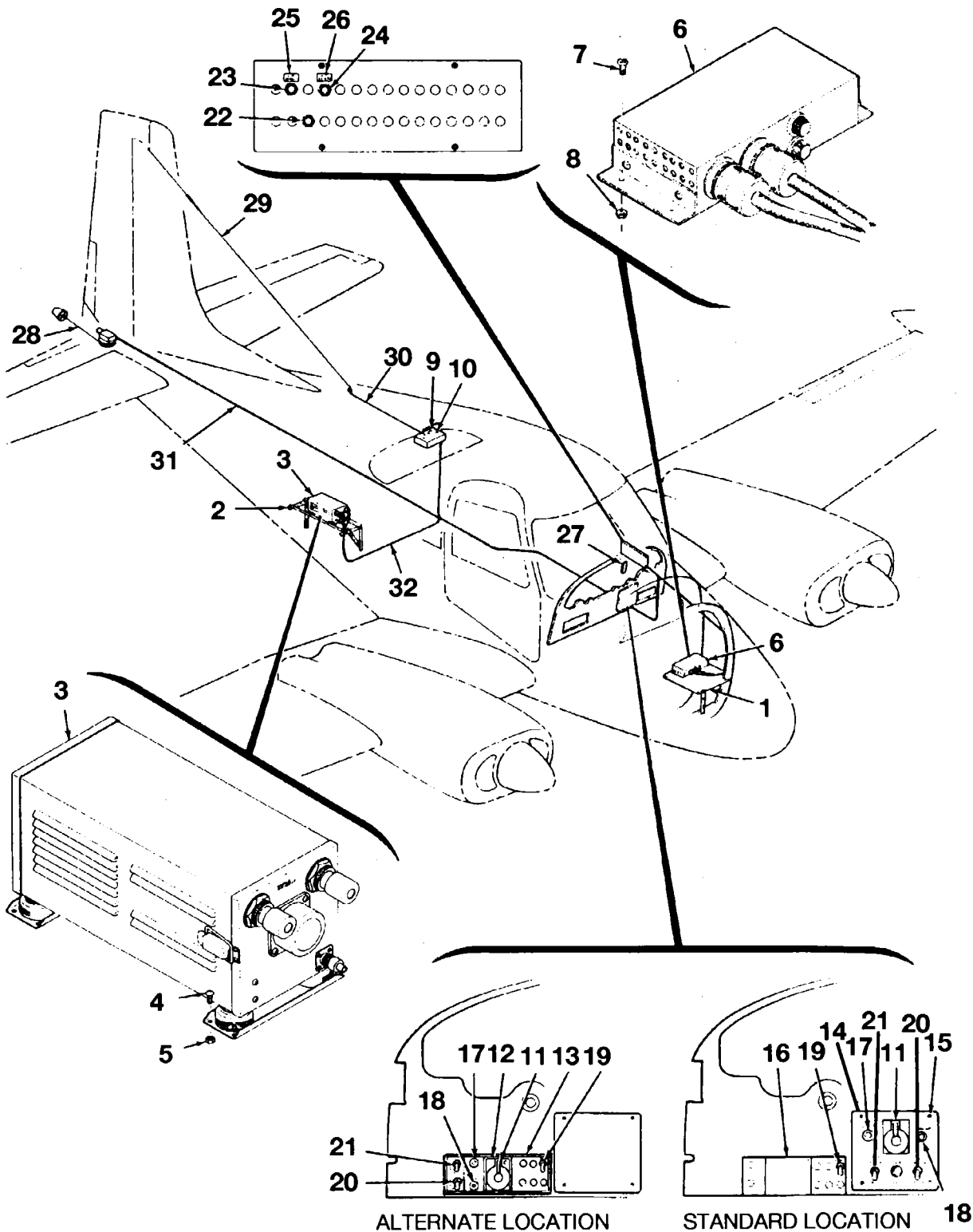
MODEL 310 THRU 310D

ILLUSTRATED PARTS CATALOG

FIG ITEM	PART NUMBER	NOMENCLATURE	EFFECT FROM TO	UNITS PER ASSY
		1 2 3 4 5 6 7		
04		ARC T-25A TRANSMITTER INSTALLATION		
-		. SHELF INSTALLATION-RADIO REFER TO 53-10-06 FIGURE 05	39032 & ON	RF
1		. TRANSMITTER-T-25A ARC 21600		RF
2	0812678-4	. KIT CONNECTOR-M 1/2 ARC 22366		1
3	0812678-3	. MOUNT-TRANSMITTER M-41A ARC 21790		1
4	0812678-2	. SCREW-ATTACH MOUNT		1
5	AN515-6R8	. NUT-ATTACH MOUNT		8
6	MS21044N06	. DYNAMOTOR ASSY		8 R
- 6A	0812628-12	. POWER UNIT-P-12 ARC 17620		1
7	0812628-11	. DYNVERTER-DV-10A ARC 19840		1
8	0812465-320	. SCREW-ATTACH POWER SUPPLY		4
9	AN515-8R8	. NUT-ATTACH POWER SUPPLY		4 R
10	MS21044N08	. CIRCUIT BREAKER-KLIXON		1
11	PSM-3N	. PLACARD-AUDIO AMP TRANS 2		1
12	0812480-86	. ANTENNA INSTALLATION-VHF REFER TO 23-10-01 FIGURE 04		RF
13		. CABLE ASSY-ANTENNA TRANSMITTER		1
14	0812680-50	. PANEL ASSY & INSTALLATION-RADIO CONTROL REFER TO 31-10-02		RF
15		FIGURE 19		
- 15A		. PANEL ASSY & INSTALLATION-RADIO CONTROL REFER TO 31-10-02		RF
		FIGURE 20		
16	0812716-6	. CABLE ASSY-ANTENNA TRANSMITTER TO RT-11A TRANSMITTER		1
- 16A		. TRANSCEIVER-RT-11A REFER TO 23-20-02 FIGURE 01		RF
17	0812622-9	. CABLE ASSY-ANTENNA TRANSMITTER TO VSC-2 TRANSCEIVER		1
- 18		. T-25A TRANSMITTER INSTALLATION WITH C-77C CONTROL UNIT-ARC	39032 & ON	RF
19		. SHELF INSTALLATION-RADIO REFER TO 53-10-06 FIGURE 05		RF
20	0812678-4	. TRANSMITTER-T-25A ARC 21600		1
21	0812678-3	. CONNECTOR KIT-M 1/2 ARC 22366		1
22	0812678-2	. MOUNT-TRANSMITTER M-41A ARC 21790		1
23	AN515-6R8	. SCREW-ATTACH MOUNT		8
24	MS21044N06	. NUT-ATTACH MOUNT		8 R
25		. CIRCUIT BREAKER-REFER TO 34-50-00 FIGURE 04 AND 34-50-00 FIGURE		RF
		05		
26		. ANTENNA INSTALLATION-VHF REFER TO 23-10-01 FIGURE 04		RF
27	0812680-50	. CABLE ASSY-ANTENNA TO TRANSMITTER		1
28		. PANEL ASSY & INSTALLATION-RADIO CONTROL REFER TO 31-10-02		RF
		FIGURE 23		
29	0812715-6	. CABLE ASSY-ANTENNA TRANSMITTER TO RT-11A TRANSMITTER		1

CESSNA AIRCRAFT COMPANY
MODEL 310 THRU 310D
 ILLUSTRATED PARTS CATALOG

A55853



AIRPLANES 35213 THRU 35546

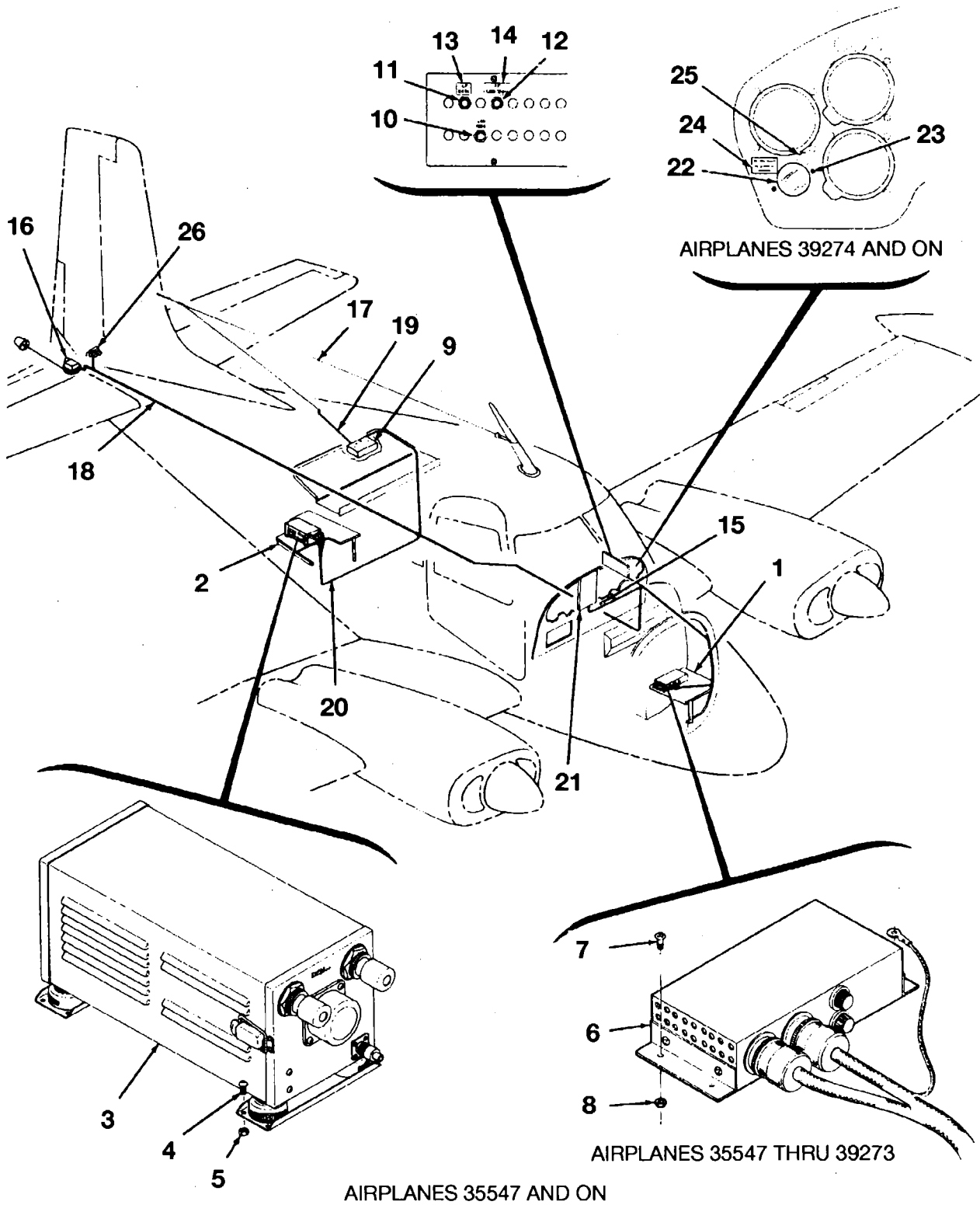
SUN-AIR S-5-RTR TRANSCEIVER INSTALLATION
 FIGURE 01 (SHEET 1)

CESSNA AIRCRAFT COMPANY MODEL 310 THRU 310D ILLUSTRATED PARTS CATALOG

FIG ITEM	PART NUMBER	NOMENCLATURE	EFFECT		UNITS PER ASSY
			FROM	TO	
01		SUN-AIR S-5-RTR TRANSCEIVER INSTALLATION			RF
- 0		S-5-RTR HIGH FREQUENCY TRANSCEIVER INSTALLATION-SUN-AIR STANDARD LOCATION	35213	35546	RF
- A		S-5-RTR HIGH FREQUENCY TRANSCEIVER INSTALLATION-SUN-AIR ALTERNATE LOCATION	35213	35546	RF
1		SHELF INSTALLATION-RADIO REFER TO 53-10-06 FIGURE 05			RF
2		SHELF INSTALLATION-RADIO REFER TO 53-10-06 FIGURE 06			RF
3	0812800-1	TRANSCEIVER-SUN-AIR S-5-RTR			1
4	AN515-8R8	SCREW-ATTACH TRANSCEIVER			8
5	MS21044N08	NUT-ATTACH TRANSCEIVER			8 R
6	0812800-2	POWER SUPPLY-SUN-AIR S-5-TPS			1
7	AN515-8R8	SCREW-ATTACH POWER SUPPLY			4
8	MS21044N08	NUT-ATTACH POWER SUPPLY			4 R
9	0812509-1	COIL ASSY-LOADING REFER TO 23-20-03 FIGURE 03 FOR BREAKDOWN			1
10	AN515-8R8	SCREW-ATTACH LOADING COIL			4
- 10A	NAS43-3-8	SPACER-ATTACH LOADING COIL			4
- 10B	MS21044N08	NUT-ATTACH LOADING COIL			4 R
11	0812800-3	CONTROL HEAD-SUN-AIR			1
12	0812508-1	MOUNTING PLATE-FOR ALTERNATE LOCATION			1
- 12A	AN507-440R5	SCREW-ATTACH MOUNTING PLATE FOR ALTERNATE LOCATION			4
- 12B	MS21044N04	NUT-ATTACH MOUNTING PLATE FOR ALTERNATE LOCATION			4 R
13	0813551-2	PANEL-DECORATIVE FOR ALTERNATE LOCATION	35213	35227	1
- 13A	0813554-1	PANEL-DECORATIVE FOR ALTERNATE LOCATION	35229	35229	1
			35228	35228	1
			35230	35546	1
14	0812512-1	PANEL ASSY-MOUNTING FOR STANDARD LOCATION			1
15	S-1021Z-6-6	SCREW-ATTACH MOUNTING PANEL FOR STANDARD LOCATION			4
- 15A	S3230-2	NUT-ATTACH MOUNTING PANEL FOR STANDARD LOCATION			4 R
16	0813552-1	PANEL-DECORATIVE FOR STANDARD LOCATION	35213	35227	1
- 16A	0813555-1	PANEL-DECORATIVE FOR STANDARD LOCATION	35229	35229	1
			35228	35228	1
			35230	35546	1
17	147-1142	INDICATOR-TRANSMITTER E F JOHNSON CO			1
- 17A	47	BULB-PILOT E F JOHNSON CO			1
18	L-3100-AM	INDICATOR-REEL OUT HETHERINGTON INC			1
- 18A	AN3140-327	BULB-INDICATOR			1
19	S382-3	SWITCH-AUDIO			1
- 19A	MS35058-23	SWITCH-AUDIO ALT FOR S382-3			1 R
20	S382-3	SWITCH-ANTENNA SELECTOR			1
- 20A	MS35058-23	SWITCH-ANTENNA SELECTOR ALT FOR S382-3			1 R
21	MS35059-21	SWITCH-REEL			1 R
- 21A	0813506	NUT-SWITCH DECORATIVE			3
- 21B	S384-1	KNOB-SWITCH			3
22	PSM-20N	CIRCUIT BREAKER-LOW FREQ KLIXON			1
23	PSM-8N	CIRCUIT BREAKER-LF REEL KLIXON			1
24	PSM-5N	CIRCUIT BREAKER-LF CONTROL KLIXON			1
25	0812514-1	PLACARD-LF REEL	35213	35200	1
- 25A	0812514-3	DECAL-LF REEL	35202	35225	1
			35201	35201	1
			35226	35546	1
26	0812514-2	PLACARD-LF CONTROL	35213	35200	1
- 26A	0812514-4	PLACARD-LF CONTROL	35202	35225	1
			35201	35201	1
			35226	35546	1
27	0812800-54	HOLDER-FREQUENCY CARD			1
28		ANTENNA INSTALLATION REEL-REFER TO 23-10-01 FIGURE 05			RF
29		ANTENNA INSTALLATION LOW FREQUENCY-REFER TO 23-10-01 FIGURE 03			RF
30	0812800-34	CABLE ASSY-LF ANTENNA TO LOADING COIL			1
31	0812800-33	CABLE ASSY-REEL ANTENNA TO LOADING COIL			1
32	0812800-5	CABLE ASSY-ANTENNA LOADING COIL TO TRANSCEIVER			1

CESSNA AIRCRAFT COMPANY
MODEL 310 THRU 310D
 ILLUSTRATED PARTS CATALOG

A55854



SUN-AIR HIGH FREQUENCY TRANSCEIVER INSTALLATION
 FIGURE 02 (SHEET 1)

CESSNA AIRCRAFT COMPANY

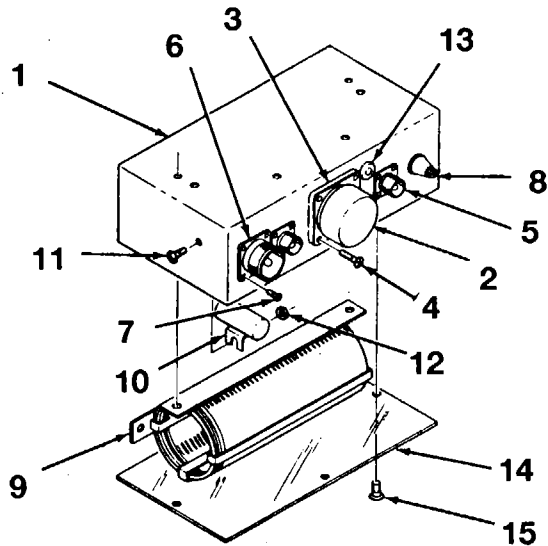
MODEL 310 THRU 310D

ILLUSTRATED PARTS CATALOG

FIG ITEM	PART NUMBER	NOMENCLATURE	EFFECT FROM TO	UNITS PER ASSY
02		SUN-AIR HIGH FREQUENCY TRANSCEIVER INSTALLATION		RF
- 0		S-5-RTR HIGH FREQUENCY TRANSCEIVER INSTALLATION-SUN-AIR	35547 39273	RF
- A		T-5-R HIGH FREQUENCY TRANSCEIVER INSTALLATION-SUN-AIR	39274 & ON	RF
1		SHELF INSTALLATION-RADIO REFER TO 53-10-06 FIGURE 05	35547 39273	RF
2		SHELF INSTALLATION-RADIO REFER TO 53-10-06 FIGURE 06		RF
3	0812800-1	TRANSCEIVER-SUN-AIR S-5-RTR	35547 39273	1
- 3A	0812800-57	TRANSCEIVER-SUN-AIR T-5-R	39274 & ON	1
4	AN515-8R8	SCREW-ATTACH TRANSCEIVER		8
5	MS21044N08	NUT-ATTACH TRANSCEIVER		8 R
6	0812800-2	POWER SUPPLY-SUN-AIR S-5-TPS	35547 39273	1
7	AN515-8R8	SCREW-ATTACH POWER SUPPLY	35547 39273	4
8	MS21044N08	NUT-ATTACH POWER SUPPLY	35547 39273	4 R
9	0812509-1	LOADING COIL ASSY-REFER TO 23-20-03 FIGURE 03 FOR BREAKDOWN		1
- 9A	AN515-8R8	SCREW-ATTACH LOADING COIL		4
- 9B	NAS43-3-8	SPACER-ATTACH LOADING COIL		4
- 9C	MS21044N08	NUT-ATTACH LOADING COIL		4 R
10	PSM-20N	CIRCUIT BREAKER-LOW FREQUENCY KLIXON	35547 39273	1
- 10A	PSM-10N	CIRCUIT BREAKER-LOW FREQUENCY KLIXON	39274 & ON	1
11	PSM-8N	CIRCUIT BREAKER-LF REEL KLIXON	35547 39273	1
- 11A	PSM-5N	CIRCUIT BREAKER-LF REEL KLIXON	39274 & ON	1
12	PSM-5N	CIRCUIT BREAKER-LF CONTROL KLIXON	35547 39273	1
13	0812514-3	DECAL-LF REEL		1
14	0812514-4	PLACARD-LF CONTROL	35547 39273	1
15	0812800-54	HOLDER-FREQUENCY CARD	35772 & ON	1
- 15A	S-1022Z-6-4	SCREW-ATTACH CARD HOLDER	35772 & ON	2
16		ANTENNA INSTALLATION-REEL REFER TO 23-10-01 FIGURE 05	35547 39031	RF
- 16A		ANTENNA INSTALLATION-REEL REFER TO 23-10-01 FIGURE 05	39032 & ON	RF
17		ANTENNA INSTALLATION-LOW FREQUENCY REFER TO 23-10-01 FIGURE 03	35547 39031	RF
- 17A		ANTENNA INSTALLATION-LOW FREQUENCY REFER TO 23-10-01 FIGURE 03	39032 & ON	RF
18	0812616-33	CABLE ASSY-REEL ANTENNA TO LOADING COIL	35547 39273	1
- 18A	0812563-4	CABLE ASSY-REEL ANTENNA TO LOADING COIL	39274 & ON	1
19	0812616-34	CABLE ASSY-LF ANTENNA TO LOADING COIL	35547 39273	1
- 19A	0812563-6	CABLE ASSY-LF ANTENNA TO LOADING COIL	39274 & ON	1
20	0812616-5	CABLE ASSY-ANTENNA LOADING COIL TO TRANSCEIVER	35547 39273	1
- 20A	0812563-5	CABLE ASSY-ANTENNA LOADING COIL TO TRANSCEIVER	39274 & ON	1
21		PANEL ASSY & INSTALLATION-RADIO CONTROL REFER TO 31-10-02 FIGURE 09	35547 39031	RF
- 21A		PANEL ASSY & INSTALLATION-RADIO CONTROL REFER TO 31-10-02 FIGURE 11	35547 39031	RF
- 21B		PANEL ASSY & INSTALLATION-RADIO CONTROL REFER TO 31-10-01 FIGURE 04	35772 & ON	RF
- 21C		PANEL ASSY & INSTALLATION-RADIO CONTROL REFER TO 31-10-02 FIGURE 24	39032 & ON	RF
- 21D		PANEL ASSY & INSTALLATION-RADIO CONTROL REFER TO 31-10-02 FIGURE 25	39032 & ON	RF
22	0812800-55	METER-SUN-AIR M-1	39274 & ON	1
- 22A	0812564-1	METER-RH	39274 & ON	1
23	AN515-440R8	SCREW-ATTACH METER	39274 & ON	2
- 23A	MS21044N04	NUT-ATTACH METER	39274 & ON	2 R
24	0812514-5	PLACARD-LF TRANS ADJUST ANTENNA FOR MAX	39274 & ON	1
25	A8970-2-327	LIGHT ASSY-REFER TO 33-10-00 FIGURE 03 FOR BREAKDOWN GRIMES MFG	39274 & ON	1
26	0812800-56	INVERTER RF-SUN-AIR I-4-S	39274 & ON	1
- 26A	0812562-1	SPACER-RADIO FREQUENCY INVERTER	39274 & ON	1
- 26B	AN515-8R8	SCREW-ATTACH RF INVERTER	39274 & ON	2

CESSNA AIRCRAFT COMPANY
MODEL 310 THRU 310D
ILLUSTRATED PARTS CATALOG

A55855



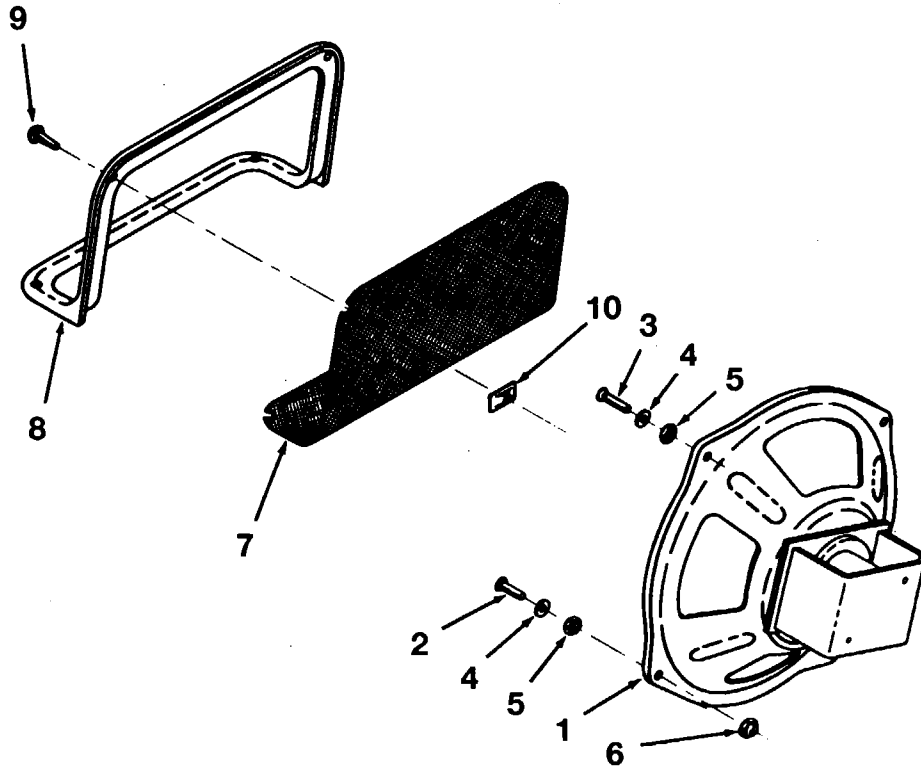
AIRPLANES 35213 AND ON
ANTENNA LOADING COIL ASSEMBLY
FIGURE 03 (SHEET 1)

CESSNA AIRCRAFT COMPANY
MODEL 310 THRU 310D
ILLUSTRATED PARTS CATALOG

FIG ITEM	PART NUMBER	NOMENCLATURE	EFFECT		UNITS PER ASSY
			FROM	TO	
03					
- 0	0812509-1	ANTENNA LOADING COIL ASSEMBLY LOADING COIL ASSY-ANTENNA REFER TO 23-20-03 FIGURES 01 AND 02 FOR NHA	35213	& ON	RF 1
1	0812509-5	CHASSIS ASSY-LOADING COIL			1
- 1A	NAS444-1-A	NUTPLATE-TINNERMAN A8580-6Z-3			4
2	A35632-001	SOLENOID-GH LELAND INC			1
3	0812509-23	SPACER-SOLENOID			2
4	AN515-8R10	SCREW-ATTACH SOLENOID			4
- 4A	MS35338-42	WASHER-ATTACH SOLENOID			4 R
- 4B	MS35649-282	NUT-ATTACH SOLENOID			4 R
5	S0239	RECEPTACLE			2
6	MS3102A-18-12P	PLUG			1
7	AN515-4R6	SCREW-ATTACH RECEPTACLE & PLUG			12
- 7A	MS35338-40	WASHER-ATTACH RECEPTACLE & PLUG			12 R
- 7B	AN340-4	NUT-ATTACH RECEPTACLE & PLUG			12
8	0411067-1	INSULATOR-FEED-THRU			1
9	0812509-24	COIL			1
10	0411081-2	SUPPRESSOR			1
11	AN515-8R8	SCREW-ATTACH COIL & SUPPRESSOR			5
12	MS21044N08	NUT-ATTACH COIL & SUPPRESSOR			5 R
13	MS35489-6	GROMMET			1
14	0812509-4	COVER-COIL ASSY			1
15	S-1021Z-6-8	SCREW-ATTACH COVER			4

CESSNA AIRCRAFT COMPANY
MODEL 310 THRU 310D
ILLUSTRATED PARTS CATALOG

A55772



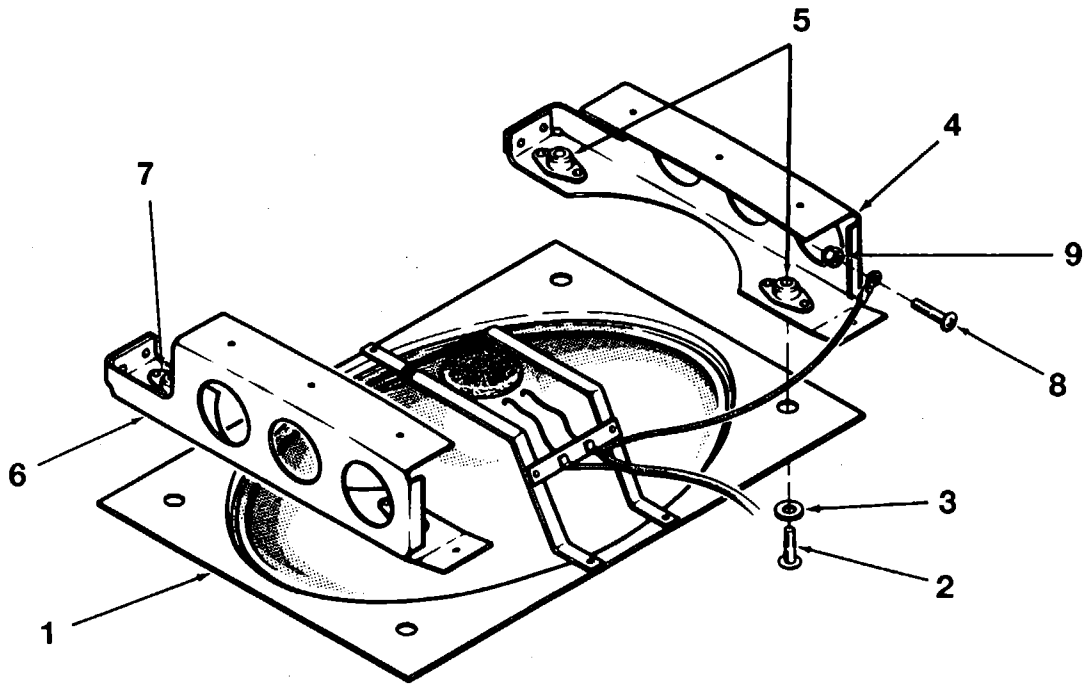
AIRPLANES 35000 THRU 35306
RADIO SPEAKER INSTALLATION
FIGURE 01 (SHEET 1)

CESSNA AIRCRAFT COMPANY
MODEL 310 THRU 310D
ILLUSTRATED PARTS CATALOG

FIG ITEM	PART NUMBER	NOMENCLATURE	EFFECT		UNITS PER ASSY
			FROM	TO	
		1 2 3 4 5 6 7			
01		RADIO SPEAKER INSTALLATION REFER TO 24-30-00 FIGURE 03 FOR NHA	35000	35306	RF
1	0411062-1	. SPEAKER-RADIO			1
2	AN507-632R12	. SCREW-ATTACH SPEAKER			3
3	AN507-632R18	. SCREW-ATTACH SPEAKER			1
4	MS35333-37	. WASHER-ATTACH SPEAKER			4 R
5	AN340-6	. NUT-ATTACH SPEAKER			4
6	MS20364-632C	. NUT-ATTACH SPEAKER			4
7	0813625-1	. SCREEN-SPEAKER			1
8	0813625-2	. FRAME-SPEAKER			1
9	S-1021Z-6-8	. SCREW-ATTACH SCREEN & FRAME			4
10	S3230-2	. NUT-TINNERMAN A1181-6Z-3			4 R

CESSNA AIRCRAFT COMPANY
MODEL 310 THRU 310D
ILLUSTRATED PARTS CATALOG

A55773



AIRPLANES 35307 AND ON
RADIO SPEAKER INSTALLATION
FIGURE 02 (SHEET 1)

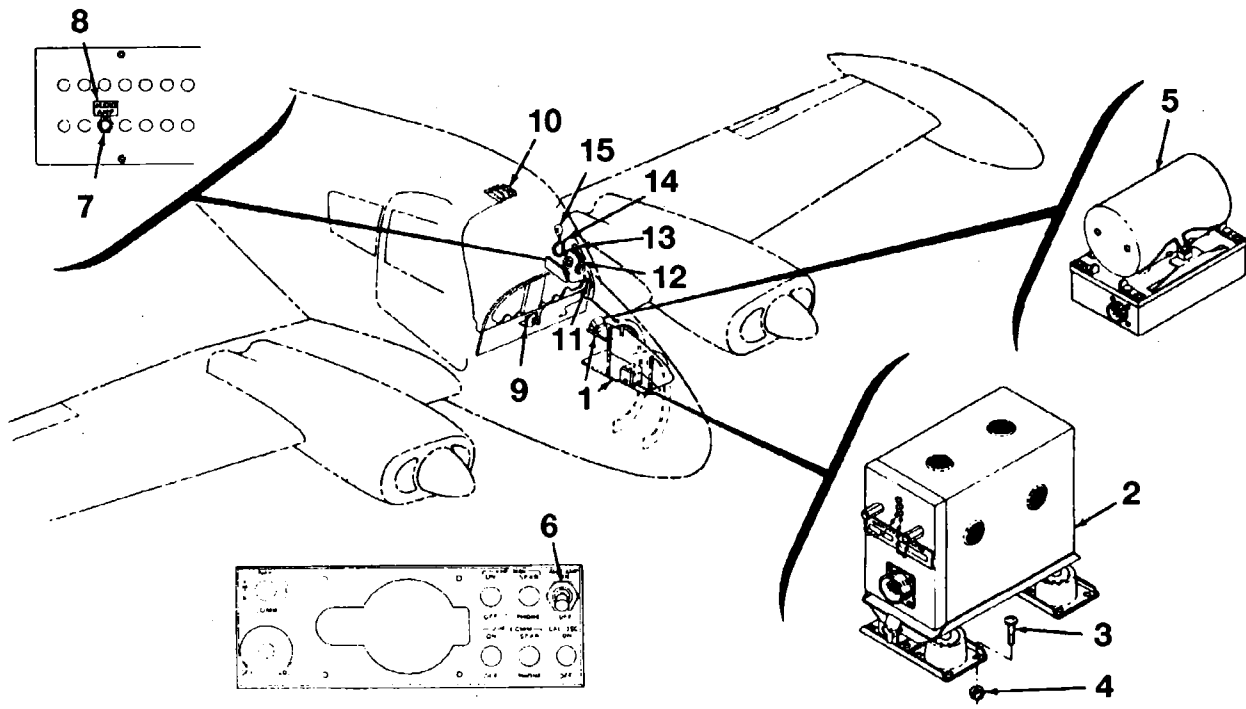
CESSNA AIRCRAFT COMPANY
MODEL 310 THRU 310D
ILLUSTRATED PARTS CATALOG

FIG ITEM	PART NUMBER	NOMENCLATURE	EFFECT		UNITS PER ASSY
			FROM	TO	
		1 2 3 4 5 6 7			
02					
-		RADIO SPEAKER INSTALLATION REFER TO 24-30-00 FIGURE 03 FOR NHA		35307 & ON	RF
1	0812522-1	. SPEAKER-RADIO FSO 525-LOC4HT			NP
- 1A	525-10C4HT	. SPEAKER-RADIO MMEC REFER TO NOTE 1			1
2	AN515-8R6	. SCREW-ATTACH SPEAKER			4
3	NAS1149FN832P	. WASHER-ATTACH SPEAKER			4 R
4	0812521-1	. BRACKET ASSY-LH			1
5	NAS680A08	. NUTPLATE			2
6	0812521-2	. BRACKET ASSY-RH			1
7	NAS680A08	. NUTPLATE			2
8	AN515-8R6	. SCREW-ATTACH SPEAKER GROUND			1
9	MS21044N08	. NUT-ATTACH SPEAKER GROUND			1 R

NOTE 1—WHEN ORDERING THIS PART, ALSO ORDER SK310-73A FOR INITIAL FIELD INSTALLATION.

CESSNA AIRCRAFT COMPANY
MODEL 310 THRU 310D
ILLUSTRATED PARTS CATALOG

A55884



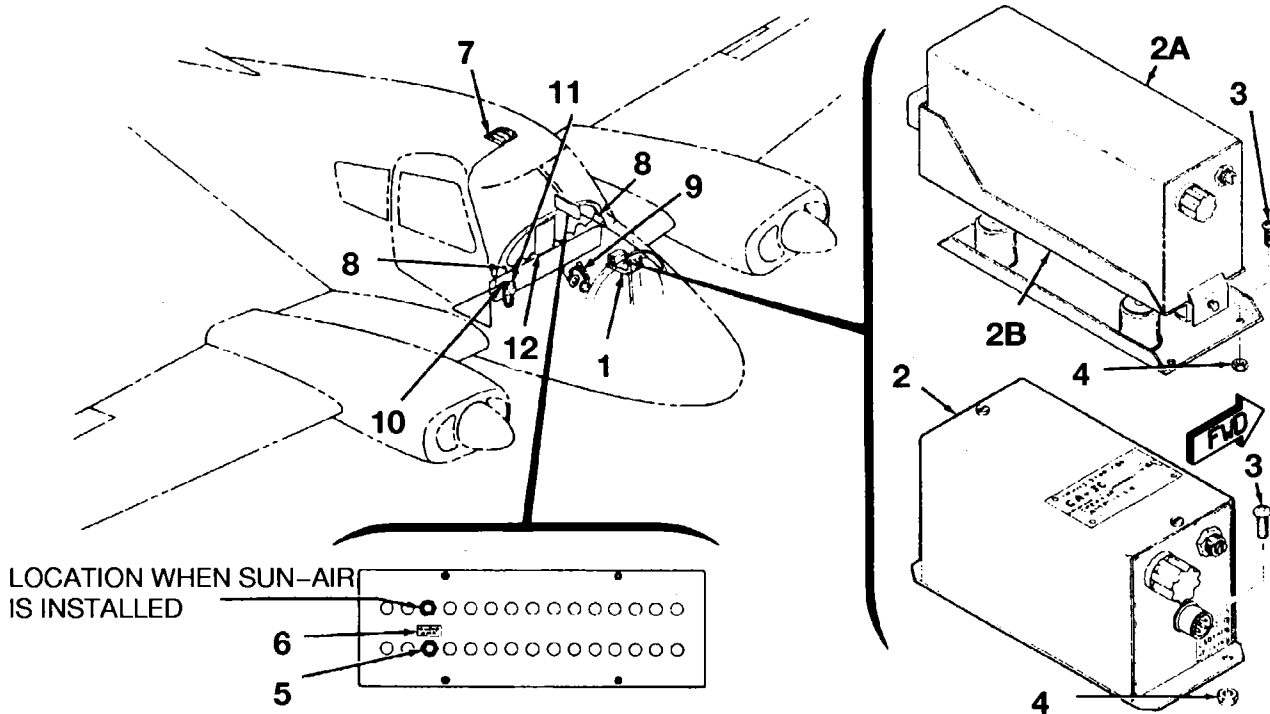
AIRPLANES 35097 THRU 35428
FLITE-TRONICS AUDIO AMPLIFIER INSTALLATION
FIGURE 01 (SHEET 1)

CESSNA AIRCRAFT COMPANY
MODEL 310 THRU 310D
ILLUSTRATED PARTS CATALOG

FIG ITEM	PART NUMBER	NOMENCLATURE	EFFECT		UNITS PER ASSY
			FROM	TO	
01		FLITE-TRONICS AUDIO AMPLIFIER INSTALLATION			
-			35097	35428	RF
1		. SHELF INSTALLATION-RADIO REFER TO 53-10-06 FIGURE 05			RF
2		. AUDIO AMPLIFIER-FLITE-TRONICS INC CA-1			RF
- 2A	SM-1	. SHOCKMOUNT-FLITE-TRONICS INC			1
3	AN515-8R6	. SCREW-ATTACH MOUNT			8
4	MS21044N08	. NUT-ATTACH MOUNT			8 R
5	0812473-2	. DYNAMOTOR-FLITE-TRONICS INC PU-3-24V			1
- 5A	AN515-8R6	. SCREW-ATTACH DYNAMOTOR			4
- 5B	MS21044N08	. NUT-ATTACH DYNAMOTOR			4 R
6	S382-2	. SWITCH-AUDIO AMPLIFIER			1
- 6A	0813506	. NUT-SWITCH DECORATIVE			1
- 6B	S384-1	. KNOB-SWITCH			1
7	PSM-5N	. CIRCUIT BREAKER-KLIXON			1
8	0812473-17	. PLACARD-CIRCUIT BREAKER AUDIO AMP	35097	35180	1
- 8A	0812473-18	. PLACARD-CIRCUIT BREAKER AUDIO AMP	35181	35200	1
			35202	35225	
- 8B	0812473-29	. PLACARD-CIRCUIT BREAKER AUDIO AMP	35201	35201	1
			35226	35428	
9		. SPEAKER INSTALLATION-RADIO REFER TO 23-50-00 FIGURE 01	35097	35306	RF
10		. SPEAKER INSTALLATION-RADIO REFER TO 23-50-00 FIGURE 02	35307	35428	RF
11		. JACK-PHONE REFER TO 31-10-00 FIGURE 02			RF
12	0770039-1	. HEADSET ASSY			AR
13	0511018	. HOOK-HEADSET			AR
- 13A	S-1021Z-6-8	. SCREW-ATTACH HOOK			AR
14	S1102-1	. JACK-MICROPHONE			1
15	0411057-6	. MICROPHONE			1
- 15A	S1342-3	. BRACKET-MICROPHONE			1

CESSNA AIRCRAFT COMPANY
MODEL 310 THRU 310D
 ILLUSTRATED PARTS CATALOG

A55886



AIRPLANES 39032 AND ON
 FLITE-TRONICS AUDIO AMPLIFIER INSTALLATION
 FIGURE 02 (SHEET 1)

**CESSNA AIRCRAFT COMPANY
MODEL 310 THRU 310D
ILLUSTRATED PARTS CATALOG**

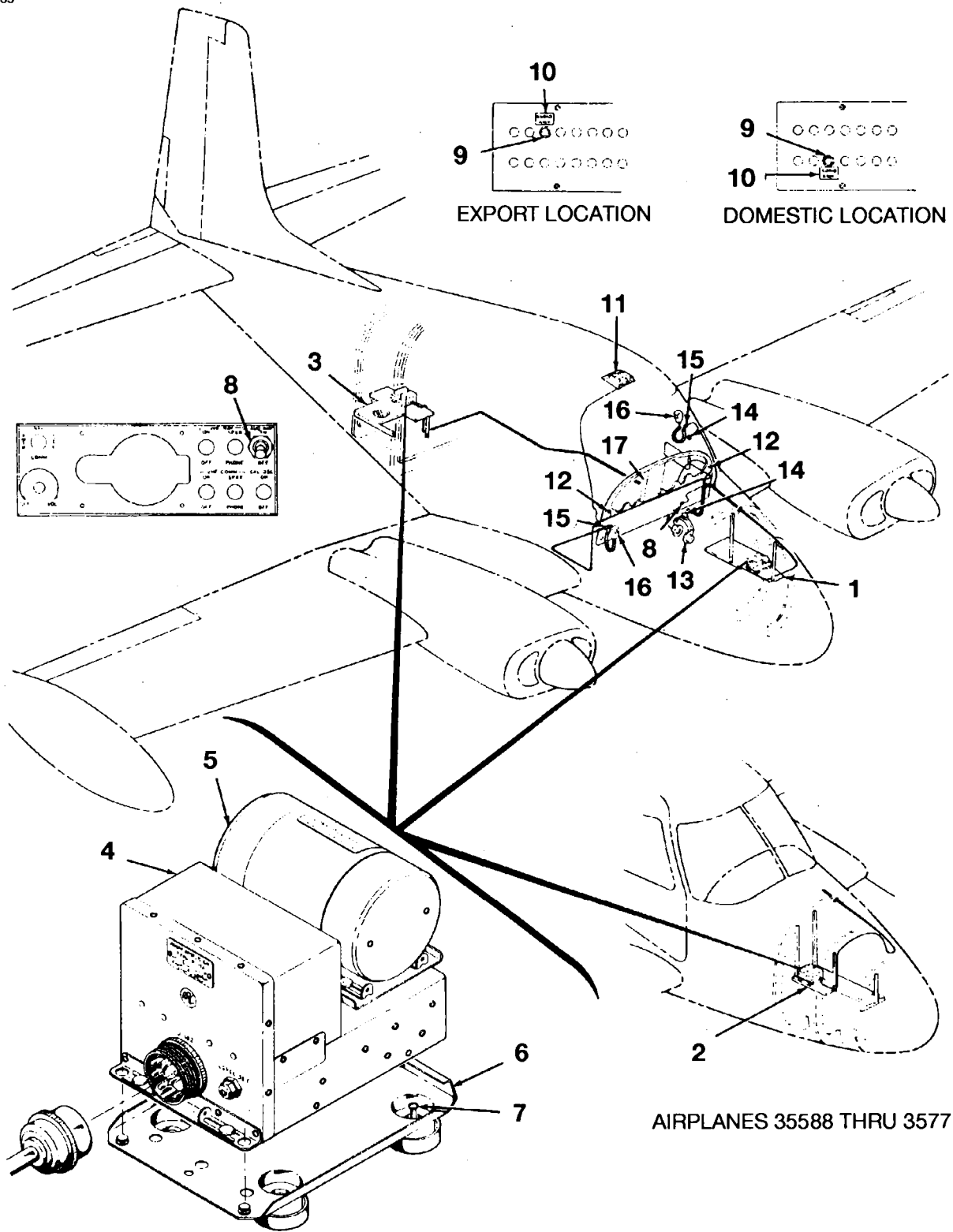
FIG ITEM	PART NUMBER	NOMENCLATURE	EFFECT FROM TO	UNITS PER ASSY
	1 2 3 4 5 6 7			
02		FLITE-TRONICS AUDIO AMPLIFIER INSTALLATION		RF
- 0		. AUDIO AMPLIFIER INSTALLATION-REFER TO NOTE 1 FLITE-TRONICS CA-3C	39032 & ON	RF
- A		. AUDIO AMPLIFIER INSTALLATION-REFER TO NOTE 2 FLITE-TRONICS CA-2A	39181 & ON	RF
1		. SHELF INSTALLATION-RADIO REFER TO 53-10-06 FIGURE 05		RF
2	0812721-1	. AUDIO AMPLIFIER-FLITE-TRONICS CA-3C-1-24V	39032 & ON	1
2A	0870012-3	. AUDIO ISOLATION AMPLIFIER-FLITE-TRONICS CA-2A	39181 & ON	1
2B	0870012-2	. SHOCKMOUNT-AMPLIFIER	39181 & ON	1
3	AN515-6R6	. SCREW		4
4	MS21044N06	. NUT		4 R
5	PSM-2N	. CIRCUIT BREAKER-KLIXON		1
6	0812480-42	. DECAL-AUDIO AMP		1
7		. SPEAKER INSTALLATION-RADIO REFER TO 23-50-00 FIGURE 02		RF
8		. JACK-PHONE REFER TO 31-10-00 FIGURE 03		RF
9	0770039-1	. HEADSET ASSY		AR
- 9A	0511018	. HOOK-HEADSET		AR
- 9B	S-1021Z-6-8	. SCREW-ATTACH HOOK		AR
10	S1102-1	. JACK-MICROPHONE		1
11	0411057-6	. MICROPHONE		1
- 11A	0813462-1	. BRACKET ASSY-MICROPHONE		1
- 11B	S-1021Z-6-8	. SCREW-ATTACH BRACKET		3
12		. PANEL ASSY & INSTALLATION-RADIO CONTROL REFER TO 31-10-02 FIGURE 23		RF
- 12A		. PANEL ASSY & INSTALLATION-RADIO CONTROL REFER TO 31-10-02 FIGURE 18		RF
- 12B		. PANEL ASSY & INSTALLATION-RADIO CONTROL REFER TO 31-10-02 FIGURE 19		RF
- 12C		. PANEL ASSY & INSTALLATION-RADIO CONTROL REFER TO 31-10-02 FIGURE 20		RF
- 12D		. PANEL ASSY & INSTALLATION-RADIO CONTROL REFER TO 31-10-02 FIGURE 24		RF
- 12E		. PANEL ASSY & INSTALLATION-RADIO CONTROL REFER TO 31-10-02 FIGURE 25		RF

NOTE 1—IN SALES GROUPS 2 & 3, THIS INSTALLATION USED FOR SERIAL 39032 THRU 39180.

NOTE 2—IN SALES GROUPS 2 & 3, THIS INSTALLATION USED FOR SERIAL 39181 & ON

CESSNA AIRCRAFT COMPANY
MODEL 310 THRU 310D
 ILLUSTRATED PARTS CATALOG

A55885



AIRPLANES 35588 THRU 35771

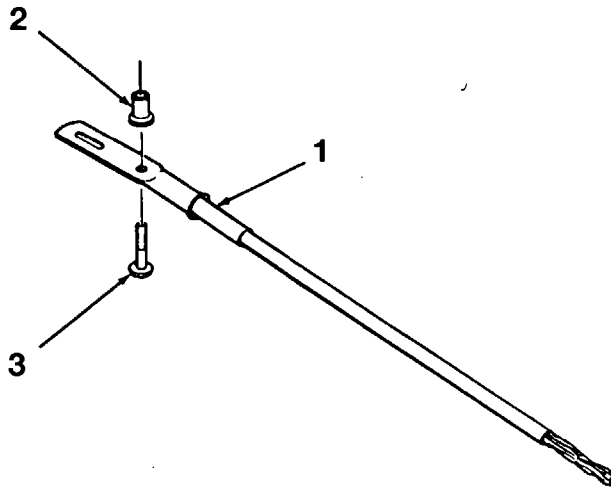
AIRPLANES 35429 THRU 39031
 ARC AUDIO AMPLIFIER INSTALLATION
 FIGURE 03 (SHEET 1)

CESSNA AIRCRAFT COMPANY
MODEL 310 THRU 310D
ILLUSTRATED PARTS CATALOG

FIG ITEM	PART NUMBER	NOMENCLATURE	EFFECT		UNITS PER ASSY
			FROM	TO	
03					
- 1		ARC AUDIO AMPLIFIER INSTALLATION	35429	39031	RF
2		. SHELF INSTALLATION-RADIO REFER TO 53-10-06 FIGURE 05	35429	35771	RF
3		. SHELF INSTALLATION-RADIO REFER TO 53-10-06 FIGURE 05	35588	39031	RF
4		. SHELF INSTALLATION-RADIO REFER TO 53-10-06 FIGURE 06	35772	39031	RF
4	0812465-292	. AUDIO AMPLIFIER-F-13 ARC 17200	35429	35470	1
- 4A	0812465-298	. AUDIO AMPLIFIER-F-13A ARC 18090	35471	39031	1
5	0812465-251	. DYNAMOTOR-D-10A ARC 14402			1
6	0812465-259	. MOUNT-M-11A ARC 12501			1
7	AN515-8R14	. SCREW-ATTACH MOUNT			4
- 7A	MS21044N08	. NUT-ATTACH MOUNT			4 R
8	S382-2	. SWITCH-AUDIO AMPLIFIER	35429	35546	1
- 8A	0813506	. NUT-SWITCH DECORATIVE	35429	35546	1
- 8B	S384-1	. KNOB-SWITCH	35429	35546	1
9	PSM-5N	. CIRCUIT BREAKER-KLIXON	35429	35771	1
- 9A	PSM-2N	. CIRCUIT BREAKER-KLIXON	35772	39031	1
10	0812480-42	. DECAL-AUDIO AMP			1
11		. SPEAKER INSTALLATION-RADIO REFER TO 23-50-00 FIGURE 01			RF
12		. JACK-PHONE REFER TO 31-10-00 FIGURES 02 AND 03			RF
13	0770039-1	. HEADSET ASSY			AR
14	0511018	. HOOK-HEADSET			AR
- 14A	S-1021Z-6-8	. SCREW-ATTACH HOOK			AR
15	S1102-1	. JACK-MICROPHONE			1
16	0411057-6	. MICROPHONE			1
- 16A	S-1342-3	. BRACKET-MICROPHONE	35429	35546	1
- 16B	0813462-1	. BRACKET ASSY-MICROPHONE	35547	39031	1
- 16C	S-1021Z-6-8	. SCREW-ATTACH BRACKET	35547	39031	3
17		. PANEL ASSY & INSTALLATION-RADIO CONTROL REFER TO 31-10-02 FIGURE 06	35547	35771	RF
- 17A		. PANEL ASSY & INSTALLATION-RADIO CONTROL REFER TO 31-10-02 FIGURE 10	35547	35771	RF
- 17B		. PANEL ASSY & INSTALLATION-RADIO CONTROL REFER TO 31-10-02 FIGURE 05	35547	35771	RF
- 17C		. PANEL ASSY & INSTALLATION-RADIO CONTROL REFER TO 31-10-02 FIGURE 11	35588	39031	RF
- 17D		. PANEL ASSY & INSTALLATION-RADIO CONTROL REFER TO 31-10-02 FIGURE 12	35772	39031	RF
- 17E		. PANEL ASSY & INSTALLATION-RADIO CONTROL REFER TO 31-10-02 FIGURE 15	35772	39031	RF
- 17F		. PANEL ASSY & INSTALLATION-RADIO CONTROL REFER TO 31-10-02 FIGURE 16	35772	39031	RF

CESSNA AIRCRAFT COMPANY
MODEL 310 THRU 310D
ILLUSTRATED PARTS CATALOG

A55806



DISCHARGE WICK INSTALLATION
FIGURE 01 (SHEET 1)

CESSNA AIRCRAFT COMPANY
MODEL 310 THRU 310D
 ILLUSTRATED PARTS CATALOG

FIG ITEM	PART NUMBER	NOMENCLATURE	EFFECT FROM TO	UNITS PER ASSY
	1 2 3 4 5 6 7			
01		DISCHARGE WICK INSTALLATION		RF
-		. WICK - DISCHARGE		5
1	AN/ASA-3A	. RIVNUT		10
2	A8K75	. SCREW		10
3	AN515-8R10			

- ITEM NOT ILLUSTRATED

© Cessna Aircraft Company

CHAPTER

24

**ELECTRICAL
POWER**

CESSNA AIRCRAFT COMPANY
MODEL 310 THRU 310D
ILLUSTRATED PARTS CATALOG

LIST OF EFFECTIVE PAGES

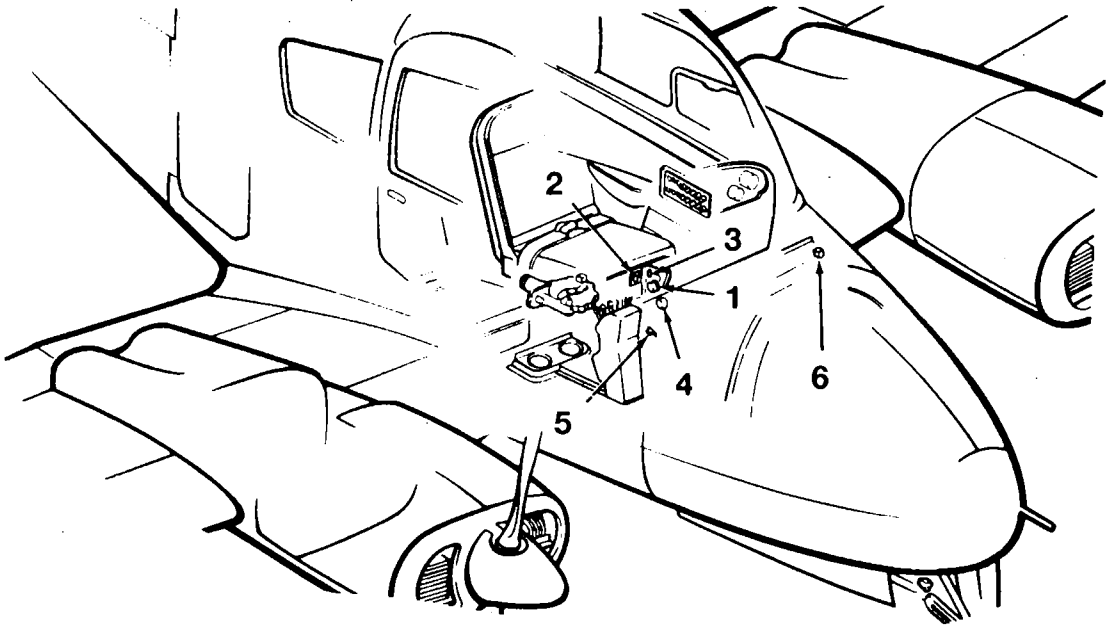
CHAPTER-SECTION-SUBJECT	PAGE	DATE
24-Title		
24-List of Effective Pages		
24-Record of Temporary Revisions		
24-Contents		
24-10-00 Figure 01	1	Jul 5/2004
	2	Jul 5/2004
24-10-00 Figure 02	1	Jul 5/2004
	2	Jul 5/2004
24-30-00 Figure 01	1	Jul 5/2004
	2	Jul 5/2004
24-30-00 Figure 02	1	Jul 5/2004
	2	Jul 5/2004
24-30-00 Figure 03	1	Jul 5/2004
	2	Jul 5/2004
24-30-00 Figure 04	1	Jul 5/2004
	2	Jul 5/2004
24-30-10 Figure 01	1	Jul 3/2006
	2	Jul 3/2006
24-30-10 Figure 02	1	Jul 3/2006
	2	Jul 3/2006
24-30-20 Figure 01	1	Jul 3/2006
	2	Jul 3/2006
24-30-20 Figure 02	1	Jul 5/2004
	2	Jul 5/2004
24-30-20 Figure 03	1	Jul 5/2004
	2	Jul 5/2004
24-30-20 Figure 04	1	Jul 3/2006
	2	Jul 3/2006
24-40-00 Figure 01	1	Jul 5/2004
	2	Jul 5/2004
24-50-00 Figure 01	1	Jul 5/2004
	2	Jul 5/2004
24-50-10 Figure 01	1	Jul 5/2004
	2	Jul 5/2004

CESSNA AIRCRAFT COMPANY
MODEL 310 THRU 310D
ILLUSTRATED PARTS CATALOG

<u>SUBJECT</u>	<u>CH SEC SUBJ FIG</u>	<u>EFFECTIVITY</u>
ELECTRICAL EQUIPMENT COMPONENTS-WARNING SYSTEM	24-10-00-01	
FILTER CAPACITOR INSTALLATION	24-10-00-02	35097 & ON
BATTERY BOX INSTALLATION	24-30-00-01	35000 35316
BATTERY BOX INSTALLATION	24-30-00-02	35317 & ON
ELECTRICAL EQUIPMENT INSTALLATION	24-30-00-03	
ELECTRICAL EQUIPMENT COMPONENTS-WING	24-30-00-04	
ELECTRICAL EQUIPMENT COMPONENTS-GENERATING SYSTEM	24-30-10-01	
50 AMP GENERATOR INSTALLATION	24-30-10-02	
ELECTRICAL SWITCHES INSTALLATION	24-30-20-01	
ELECTRICAL WIRING INSTALLATION	24-30-20-02	
ELECTRICAL WIRING INSTALLATION - FUSELAGE	24-30-20-03	
ELECTRICAL WIRING INSTALLATION-ENGINE	24-30-20-04	
GROUND SERVICE PLUG INSTALLATION	24-40-00-01	
CIRCUIT BREAKER PANEL INSTALLATION	24-50-00-01	
JUNCTION BOX INSTALLATION	24-50-10-01	

CESSNA AIRCRAFT COMPANY
MODEL 310 THRU 310D
ILLUSTRATED PARTS CATALOG

A55769



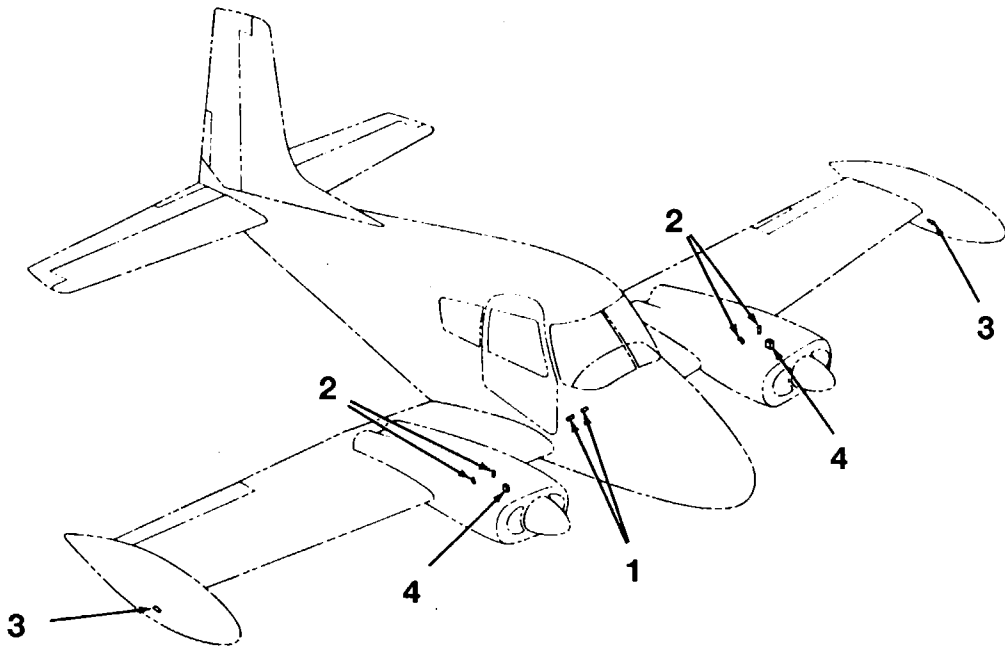
ELECTRICAL EQUIPMENT COMPONENTS-WARNING SYSTEM
FIGURE 01 (SHEET 1)

**CESSNA AIRCRAFT COMPANY
MODEL 310 THRU 310D
ILLUSTRATED PARTS CATALOG**

FIG ITEM	PART NUMBER	NOMENCLATURE	EFFECT		UNITS PER ASSY
			FROM	TO	
01		ELECTRICAL EQUIPMENT COMPONENTS-WARNING SYSTEM REFER TO			RF
-		24-30-00 FIGURE 03 FOR NHA			
1	0843505-3	SIGNAL HORN-GEAR WARNING			1
- 1A	AN515-8R5	SCREW-ATTACH GEAR WARNING HORN			3
- 1B	MS21044N08	NUT-ATTACH GEAR WARNING HORN			3 R
2	0812472-1	FLASHER-GEAR WARNING HORN	35000	35644	1
- 2A	AN23-9A	BOLT-ATTACH FLASHER	35000	35644	4
3	0843506-1	RESISTOR ASSY-GEAR WARNING HORN	35000	35644	1
- 3A	AN515-5R6	SCREW-ATTACH RESISTOR	35000	35644	2
- 3B	MS35333-37	WASHER-ATTACH RESISTOR	35000	35644	2 R
- 3C	AN340-5	NUT-ATTACH RESISTOR	35000	35644	2
4	0511062-9	HORN ASSY-STALL WARNING	35547	& ON	1
- 4A	0313313-3	BRACKET-STALL WARNING HORN	35547	& ON	1
- 4B	AN515-6R7	SCREW-ATTACH BRACKET	35547	& ON	2
- 4C	H10-06	NUT-ATTACH BRACKET KAYNAR	35547	& ON	2
- 4D	AN515B6R12	SCREW-ATTACH HORN	35547	& ON	4
5	AN3320-1	RELAY-GEAR WARNING	35645	& ON	1
- 5A	AN515-8R10	SCREW-ATTACH RELAY	35645	& ON	2
- 5B	MS21044N08	NUT-ATTACH RELAY	35645	& ON	2 R
6		FLASHER ASSY-NAVIGATION LIGHT & GEAR WARNING REFER TO			RF
		24-30-00 FIGURE 03			
- 6A		GEAR HORN SWITCH-LEFT & RIGHT THROTTLE REFER TO 24-30-20			RF
		FIGURE 01			

CESSNA AIRCRAFT COMPANY
MODEL 310 THRU 310D
ILLUSTRATED PARTS CATALOG

A55928



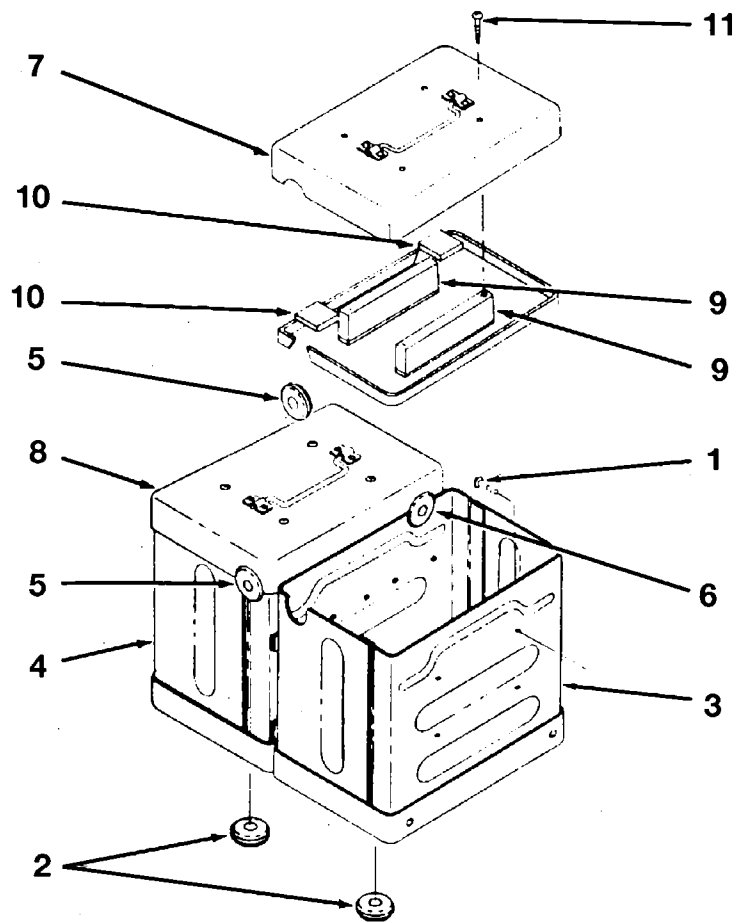
AIRPLANES 35097 AND ON
FILTER CAPACITOR INSTALLATION
FIGURE 02 (SHEET 1)

CESSNA AIRCRAFT COMPANY
MODEL 310 THRU 310D
ILLUSTRATED PARTS CATALOG

FIG ITEM	PART NUMBER	NOMENCLATURE	EFFECT		UNITS PER ASSY
			FROM	TO	
02					
-		FILTER CAPACITOR INSTALLATION	35097	& ON	RF
1	CE31C451G	. CAPACITOR-SPRAGUE			2
- 1A	AN742-22	. CLAMP-ATTACH CAPACITOR			2
- 1B	AN520-10R12	. SCREW-ATTACH CLAMP			2
- 1C	MS21047L3	. NUTPLATE-ATTACH CLAMP			2 R
- 1D		. FILTER CAPACITOR INSTALLATION-MAGNETO	35097	& ON	RF
2	MF-3	. FILTER-LEAR			4
- 2A	A-A-59178-1	. NIPPLE			4 R
- 2B		. FILTER CAPACITOR INSTALLATION-AUXILIARY FUEL PUMP	35097	& ON	RF
3	48P10	. CAPACITOR			2
- 3A		. FILTER CAPACITOR INSTALLATION-GENERATOR	35275	& ON	RF
4	93874	. FILTER			2
- 4A	AN742D34	. CLAMP-ATTACH CAPACITOR			4
- 4B	AN515-8R8	. SCREW-ATTACH CAPACITOR & CLAMP			4
- 4C	MS21044N08	. NUT-ATTACH CAPACITOR & CLAMP			4 R

CESSNA AIRCRAFT COMPANY
MODEL 310 THRU 310D
ILLUSTRATED PARTS CATALOG

A55566



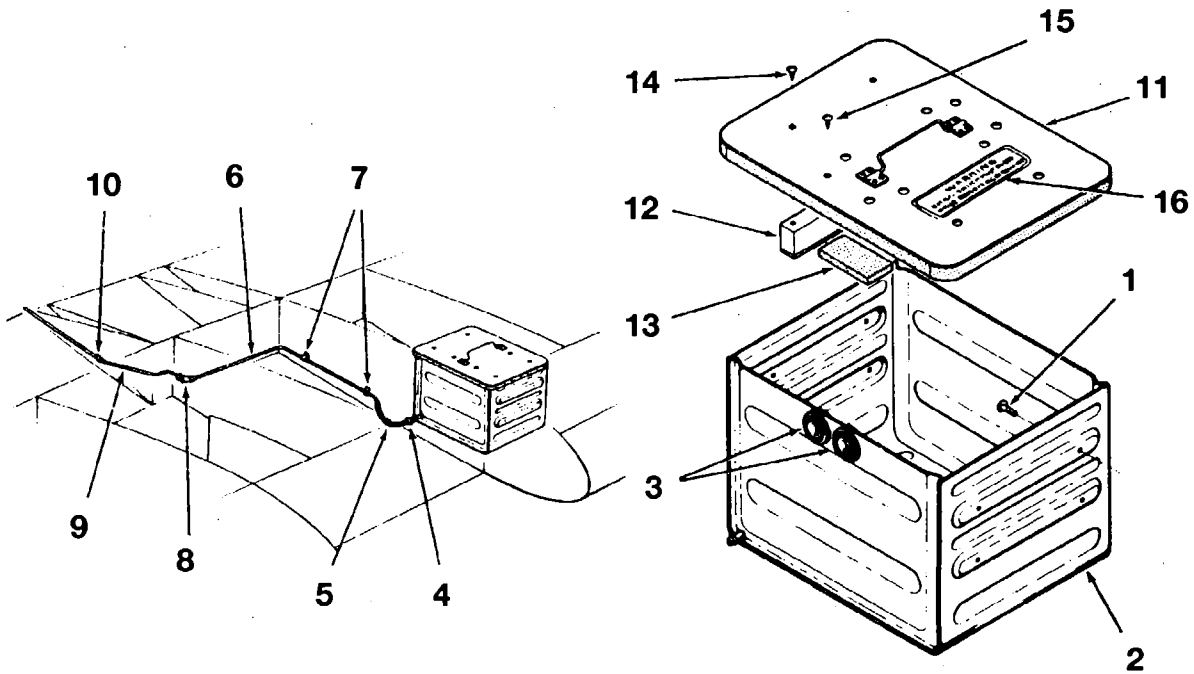
BATTERY BOX INSTALLATION
FIGURE 01 (SHEET 1)

CESSNA AIRCRAFT COMPANY
MODEL 310 THRU 310D
ILLUSTRATED PARTS CATALOG

FIG ITEM	PART NUMBER	NOMENCLATURE	EFFECT		UNITS PER ASSY
			FROM	TO	
01		BATTERY BOX INSTALLATION REFER TO 57-10-00 FIGURE 01 FOR NHA	35000	35316	RF
1	AN515-8R5	SCREW-ATTACH BATTERY BOX TO SUPPORTS			8
2	MS35489-11	GROMMET-BATTERY BOX DRAIN TUBE OPENING			2
- 2A	0822005-19	BOX ASSY-BATTERY LEFT WING			1
3	0822005-9	BOX ASSY-BATTERY LEFT WING FWD			1
4	0822005-10	BOX ASSY-BATTERY LEFT WING AFT			1
5	MS35489-12	GROMMET			2
6	MS35489-77	GROMMET			1
7	0822005-14	LID ASSY-BATTERY BOX FORWARD			1
8	0822005-11	LID ASSY-BATTERY BOX AFT			1
9	0413307-6	INSULATOR-BATTERY BOX LIDS			2
10	0413307-7	INSULATOR-BATTERY BOX LIDS			2
11	AN545-8R6	WOODSCREW-ATTACH INSULATORS			4

CESSNA AIRCRAFT COMPANY
MODEL 310 THRU 310D
ILLUSTRATED PARTS CATALOG

A55567



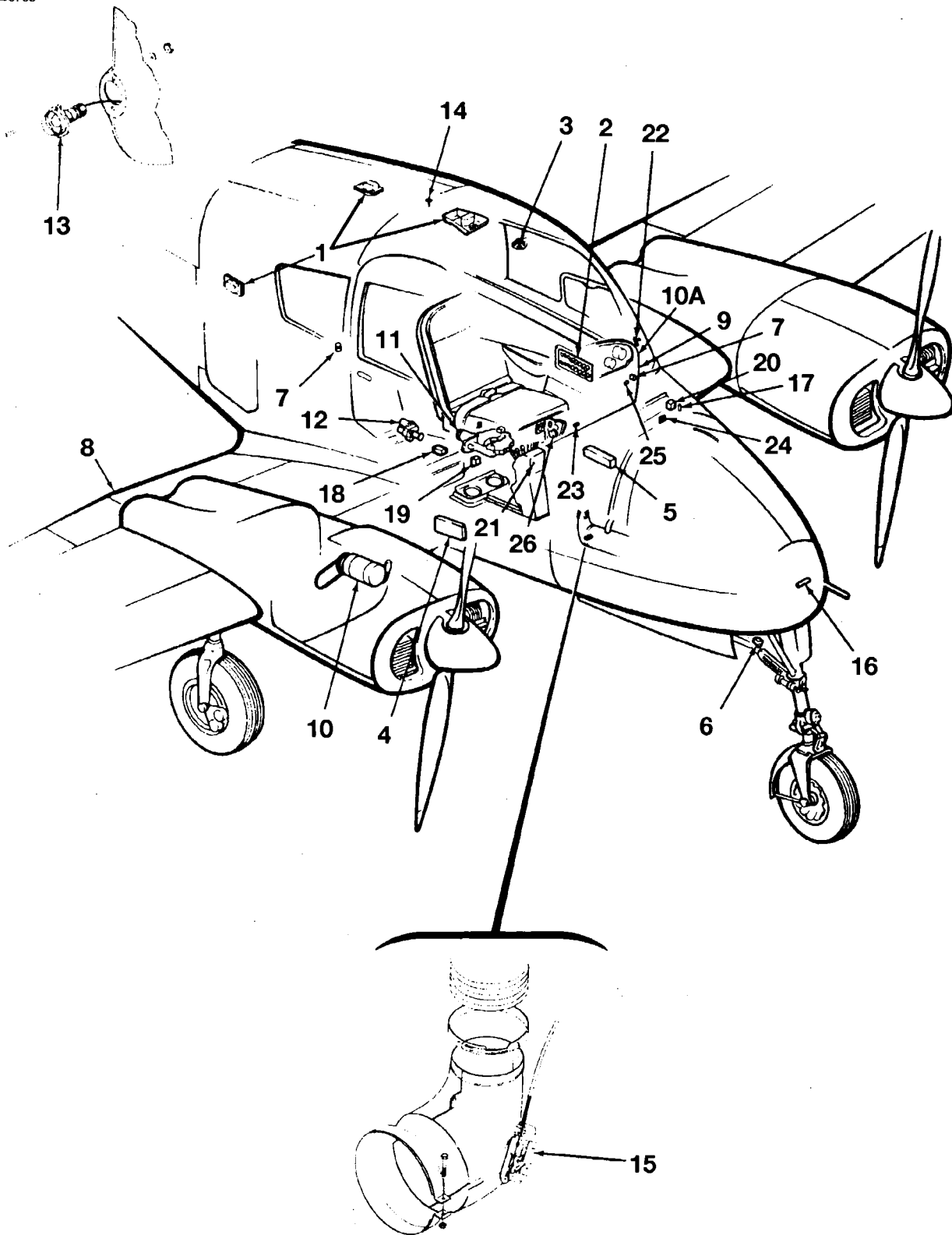
BATTERY BOX INSTALLATION
FIGURE 02 (SHEET 1)

CESSNA AIRCRAFT COMPANY
MODEL 310 THRU 310D
ILLUSTRATED PARTS CATALOG

FIG ITEM	PART NUMBER	NOMENCLATURE	EFFECT		UNITS
			FROM	TO	PER ASSY
02		BATTERY BOX INSTALLATION	35317	& ON	RF
1	AN515-8R7	SCREW-ATTACH BATTERY BOX TO SUPPORTS			8
2	0822010-1	BOX ASSY-LEFT WING			1
3	MS35489-19	GROMMET			2
4	MS35489-14	GROMMET			1
5	S307-7	RUBBER-TUBING 6 INCHES LG BULK ITEM REF S-307-7-0060			1
- 5A	S2357-1	CLAMP-ATTACH TUBING			2 R
6	0800106-209	LINE ASSY-TUBE DRAIN			1
7	MS21919WDG4	CLAMP-ATTACH DRAIN TUBE			2 R
- 7A	S1021Z-8-8	SCREW-ATTACH CLAMP			2
8	AN833-4D	ELBOW-ATTACH TUBES			1
- 8A	AN924-4D	NUT-ATTACH ELBOW			1
9	0800106-210	LINE ASSY-TUBE DRAIN			1
10	A3047A-4	CLAMP-ATTACH DRAIN TUBE TINNEMAN			1
- 10A	S1021Z-8-8	SCREW-ATTACH CLAMP			1
11	0822011-1	COVER ASSY-BATTERY BOX			1
12	0413307-6	INSULATOR-BATTERY BOX COVER			4
13	0413307-5	SPACER			4
14	S1021A-8-12	SCREW-ATTACH SPACER			8
15	0822011-3	INSULATOR-BATTERY BOX COVER			2
16	0822012-1	PLACARD-BATTERY BOX COVER			1

CESSNA AIRCRAFT COMPANY
MODEL 310 THRU 310D
ILLUSTRATED PARTS CATALOG

A55765



ELECTRICAL EQUIPMENT INSTALLATION
FIGURE 03 (SHEET 1)

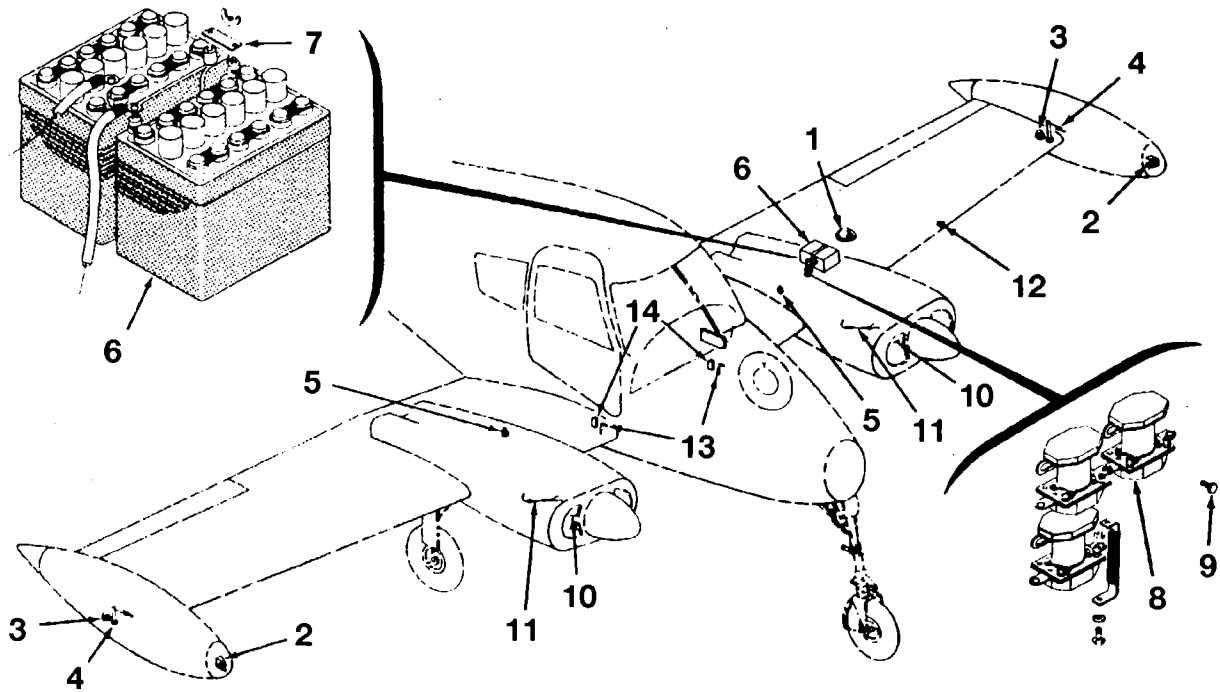
**CESSNA AIRCRAFT COMPANY
MODEL 310 THRU 310D
ILLUSTRATED PARTS CATALOG**

FIG ITEM	PART NUMBER	NOMENCLATURE	EFFECT FROM TO	UNITS PER ASSY
		1 2 3 4 5 6 7		
03		ELECTRICAL EQUIPMENT INSTALLATION		RF
1		INSTRUMENT DOME & BAGGAGE COMPARTMENT LIGHT INSTALLATION-REFER TO 33-10-00 FIGURE 02		RF
2		CIRCUIT PANEL INSTALLATION-REFER TO 24-50-00 FIGURE 01		RF
2A	0812350-70	BUS BAR-CIRCUIT BREAKER PANEL		1
3		SPEAKER INSTALLATION-REFER TO 23-50-00 FIGURES 01 AND 02		RF
4		RIGHT JUNCTION BOX INSTALLATION-REFER TO 24-50-10 FIGURE 01		RF
5		LEFT JUNCTION BOX INSTALLATION-REFER TO 24-50-10 FIGURE 01		RF
6		ELECTRICAL SWITCHES INSTALLATION-REFER TO 24-30-20 FIGURE 01		RF
7		CIGAR LIGHTER INSTALLATION-REFER TO 31-10-00 FIGURES 01, 02, AND 03		RF
8		ELECTRICAL EQUIPMENT COMPONENTS-WINGS REFER TO 24-30-00 FIGURE 04		RF
9		ELECTRICAL EQUIPMENT-STATIONARY INSTRUMENT PANEL REFER TO 31-10-00 FIGURES 01, 02, AND 03 FOR INSTALLATION		RF
10		ELECTRICAL EQUIPMENT COMPONENTS-GENERATING SYSTEM REFER TO 24-30-10 FIGURE 01		RF
10A		INSTRUMENT PANEL LIGHTING INSTALLATION-REFER TO 31-10-00 FIGURE 01		RF
11		LANDING GEAR MOTOR-REFER TO 32-30-00 FIGURE 06		RF
12		FLAP ACTUATOR MOTOR		RF
13		TAIL LIGHT ASSY-REFER TO 53-10-07 FIGURE 05		RF
14	0812356	THERMOSTAT-HEATER	35000 35486	1
14A	AN500-8R12	SCREW-ATTACH THERMOSTAT	35000 35486	2
15	0813767-1	THERMOSTAT-HEATER	35487 35546	1
15A	0813767-3	THERMOSTAT-HEATER REFER TO NOTE 1	35547 & ON	1
15B	AN520-10R8	SCREW-ATTACH THERMOSTAT	35487 & ON	2
16	0813601-3	TEMPERATURE BULB-OUTSIDE AIR		1
17	0563	RESISTOR OHMITE	35000 35546	1
17A	9	NO 9 DOUBLE PULL BRACKET-ATTACH RESISTOR OHMITE	35000 35546	2
17B	AN515-6R4	SCREW-ATTACH RESISTOR	35000 35546	2
17C	MS21044N06	NUT-ATTACH RESISTOR	35000 35546	2 R
17D		DELETED-NOT USED		
18	0850469-1	RELAY ASSY		1
18A	AN520-10R8	SCREW-ATTACH RELAY	35000 35876	4
18B	AN520-10R8	SCREW-ATTACH RELAY	35877 & ON	2
19	AN3141R-301	LAMP-FUEL SELECTOR VALVE GENERAL ELECTRIC		1
19A	6619127-202	SOCKET-BAYONET COLE HERSEE CO		1 R
19B	0812350-38	COVER-FUEL SELECTOR LIGHT	35000 35546	1
19C	0812403-1	COVER-FUEL SELECTOR LIGHT	35547 & ON	1
19D	S-1021Z-6-6	SCREW-ATTACH COVER		2
19E	A6607-6Z-3	CLIP-ATTACH COVER TINNEMAN		2
20	0812353-1	FLASHER-NAVIGATION LIGHT		1
20A	0812353-2	GLASS FLASHING CARTRIDGE		1
20B	AN520-10R14	SCREW-ATTACH FLASHER		3
21	351	WELDING MACHINES-PANEL LIGHT OHMITE MODEL H	35000 35546	1
21A	0813503-3	KNOB-RHEOSTAT	35016 35546	1
21B	0813507-3	KNOB-RHEOSTAT	35000 35015	1
22	0713017-20	MAP LIGHT	35000 35546	1
22A	AN3141-301	LAMP-MAP LIGHT		1
22B	0713017-3	BASE-MAP LIGHT	35000 35546	1
22C	S-1021Z-6-6	SCREW-ATTACH BASE	35000 35546	2
23		RESISTOR-COMPASS RHEOSTAT TYPE 48W 200 OHM 10 WATT	35343 & ON	RF
23A	AN515-8R36	SCREW-ATTACH RESISTOR	35343 & ON	1
23B	NAS70P-177-375	SPACER-ATTACH RESISTOR	35343 & ON	2
23C	MS21044N08	NUT-ATTACH RESISTOR	35343 & ON	1 R
24	IDI-760	RESISTOR-OHMITE MFG CO	35325 & ON	2
24A	0813622-1	SUPPORT BLOCK-RESISTOR	35325 & ON	1
24B	AN507-832R16	SCREW-ATTACH RESISTOR	35325 & ON	4
24C	MS35333-38	WASHER-ATTACH RESISTOR	35325 & ON	8 R
24D	MS35649-282	NUT-ATTACH RESISTOR	35325 & ON	8 R
24E	AN507-1032R14	SCREW-ATTACH SUPPORT	35325 & ON	2
25	4537	FUSE HOLDER-FUSE BUSSMAN MFG CO	35651 & ON	1
25A	AN507-632RB	SCREW-ATTACH FUSE HOLDER	35651 & ON	2
25B	SFE7 1/2	FUSE-BUSSMAN MFG CO	35651 & ON	3
26		ELECTRICAL EQUIPMENT COMPONENTS-WARNING SYSTEM REFER TO 24-10-00 FIGURE 01		RF

NOTE 1—WHEN ORDERING THIS PART FOR AIRPLANES SERIAL 35547 THRU 35713, ALSO ORDER S-1053E32T DUCT AND 0813779-2 HEATER ADAPTER ASSY.

CESSNA AIRCRAFT COMPANY
MODEL 310 THRU 310D
ILLUSTRATED PARTS CATALOG

A55766



ELECTRICAL EQUIPMENT COMPONENTS-WING
FIGURE 04 (SHEET 1)

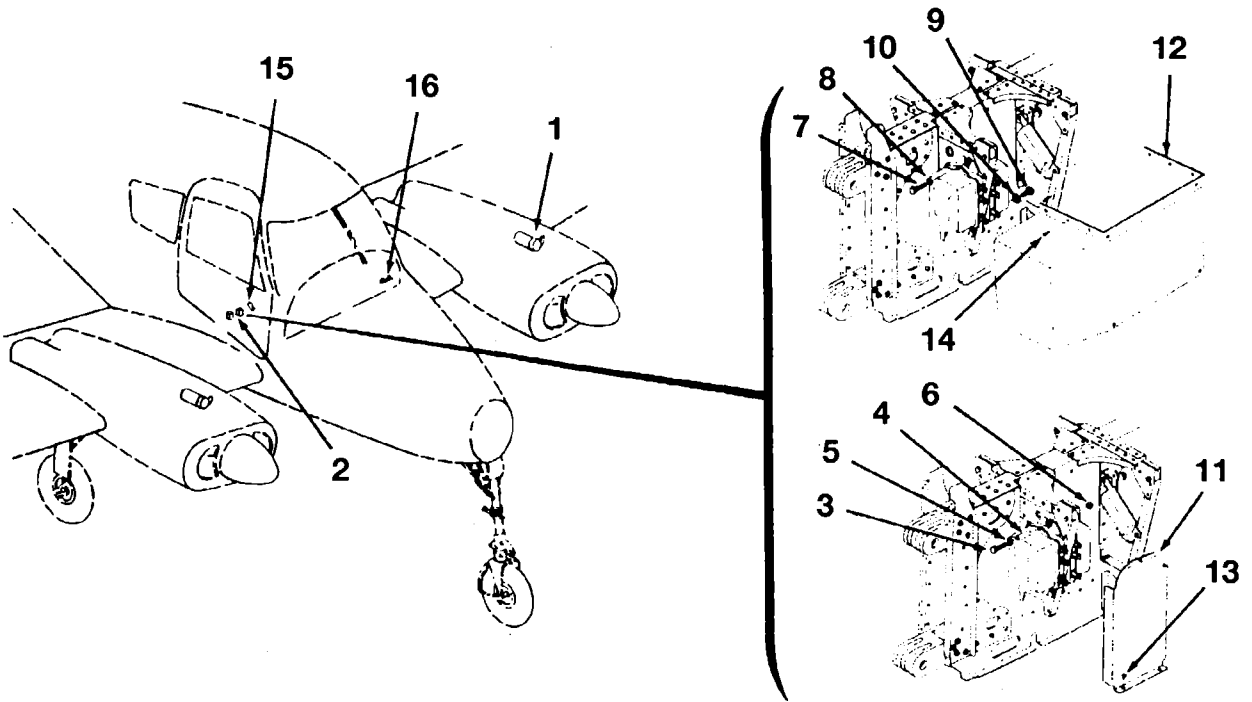
CESSNA AIRCRAFT COMPANY
MODEL 310 THRU 310D
ILLUSTRATED PARTS CATALOG

FIG ITEM	PART NUMBER	NOMENCLATURE	EFFECT		UNITS PER ASSY
			FROM	TO	
04		ELECTRICAL EQUIPMENT COMPONENTS-WING REFER TO 24-30-00 FIGURE 03 FOR NHA			RF
1		LANDING LIGHT INSTALLATION-REFER TO 33-40-00 FIGURE 01 FOR BREAKDOWN			RF
2		NAVIGATION LIGHT INSTALLATION-REFER TO 33-40-00 FIGURE 02 FOR BREAKDOWN			RF
3		FUEL BOOSTER PUMP-REFER TO 28-40-00 FIGURE 01			RF
4		TIP TANK FUEL GAGE-REFER TO 28-40-00 FIGURE 01			RF
5		SOLENOID VALVE-PRIMER			RF
6	0511319-1	BATTERY ASSY			2
7	0820001-1	BUS BAR-BATTERY			1
8	0850469-1	RELAY ASSY-REFER TO NOTE 1			3
9	AN3-4A	BOLT-ATTACH CONTACTOR	35000	35728	6
- 9A	AN3-4A	BOLT-ATTACH RELAY	35729	& ON	4
- 9B	AN515-8R8	SCREW-ATTACH RELAY	35729	& ON	2
- 9C	NAS1149F0363P	WASHER-ATTACH RELAY	35729	& ON	2 R
10	0813601-3	TEMPERATURE BULB			2
11	0813601-4	TEMPERATURE BULB-CYLINDER HEAD			2
- 11A	AN4076-1	FITTING-CYLINDER HEAD TEMPERATURE BULB			2
12	0511062-6	WING UNIT-STALL			1
- 12A	S-1021Z-8-6	SCREW-ATTACH STALL WARNING UNIT			4
- 12B	S3712-16	NUT-ATTACH STALL WARNING UNIT TINNERMAN AL 789-8Z-3			4 R
13	M50W5-1	RESISTOR-5 OHM 5 WATT SAGE ELECTRONIC CORP	35772	35842	4
- 13A	0561	DIVIDOHM-10 OHM 50 WATT OMHITE	35843	& ON	4
- 13B	AN515-4R8	SCREW-ATTACH RESISTOR	35772	35842	8
- 13C	AN515-8-72	SCREW-ATTACH RESISTOR	35843	& ON	4
- 13D	0812660-2	WASHER-ATTACH RESISTOR	35843	& ON	8
- 13E	MS21044N08	NUT-ATTACH RESISTOR	35843	& ON	4 R
- 13F	0812660-1	BRACKET-RESISTOR	35843	& ON	4
- 13G	AN515-6R4	SCREW-ATTACH BRACKET	35843	& ON	8
14	0850404-1	RELAY-AUXILIARY PUMP			2
- 14A	AN515-8R8	SCREW-ATTACH RELAY			4

NOTE 1—WHEN ORDERING PART NUMBER 0850469-1 FOR AIRPLANES SERIAL 35000 THRU 35728, ALSO ORDER 0850484-1 BUS BAR.

CESSNA AIRCRAFT COMPANY
MODEL 310 THRU 310D
ILLUSTRATED PARTS CATALOG

A55767



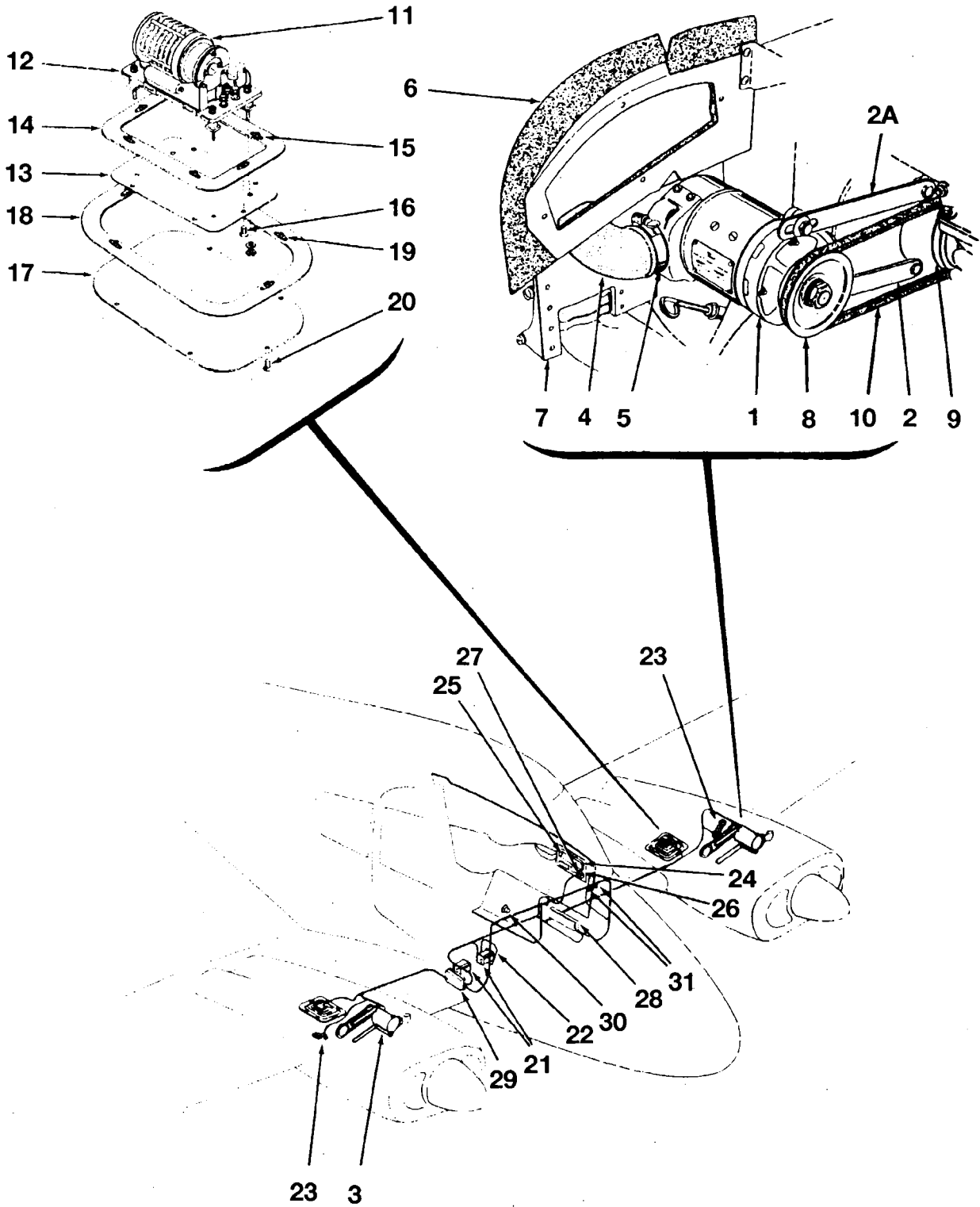
ELECTRICAL EQUIPMENT COMPONENTS-GENERATING SYSTEM
FIGURE 01 (SHEET 1)

CESSNA AIRCRAFT COMPANY
MODEL 310 THRU 310D
ILLUSTRATED PARTS CATALOG

FIG ITEM	PART NUMBER	NOMENCLATURE	EFFECT		UNITS PER ASSY
			FROM	TO	
01		ELECTRICAL EQUIPMENT COMPONENTS-GENERATING SYSTEM REFER TO			RF
-		24-30-00 FIGURE 03 FOR NHA			
1		. GENERATOR-25 AMP REFER TO 71-00-00 FIGURE 02			RF
2	0850460-8	. REGULATOR-VOLTAGE			2
3	AN4-17A	. BOLT-ATTACH REGULATOR	35000	35476	3
4	NAS43-4-45	. SPACER-ATTACH REGULATOR	35481	35481	
5	NAS1149F0432P	. WASHER-ATTACH REGULATOR	35000	35476	3
6	MS21042L4	. NUT-ATTACH REGULATOR	35481	35481	
7	AN4-7A	. BOLT-ATTACH REGULATOR	35000	35476	3 R
8	NAS1149F0463P	. WASHER-ATTACH REGULATOR	35481	35481	
9	AN520-10R14	. SCREW-ATTACH REGULATOR	35000	35476	3 R
10	NAS1149F0363P	. WASHER-ATTACH REGULATOR	35481	35481	
11	0812358-1	. SHIELD-VOLTAGE REGULATOR TERMINAL	35477	35480	5
12	0812531-1	. REGULATOR SHIELD-VOLTAGE REGULATOR TERMINAL	35482	& ON	
13	S-10212-6-6	. SCREW-ATTACH SHIELD	35477	35480	5 R
14	S-10212-6-6	. SCREW-ATTACH SHIELD	35482	& ON	
15	0850460-5	. RELAY-PARALLEL	35477	35480	1
- 15A	AN4-3A	. BOLT-ATTACH RELAY	35482	& ON	
- 15B	NAS1149F0432P	. WASHER-ATTACH RELAY	35477	35480	1 R
- 15C	MS21042L4	. NUT-ATTACH RELAY	35482	& ON	
16		. SWITCHES GENERATOR-REFER TO 31-10-01 FIGURES 01 AND 02			RF

CESSNA AIRCRAFT COMPANY
MODEL 310 THRU 310D
 ILLUSTRATED PARTS CATALOG

A55783



50 AMP GENERATOR INSTALLATION
 FIGURE 02 (SHEET 1)

CESSNA AIRCRAFT COMPANY

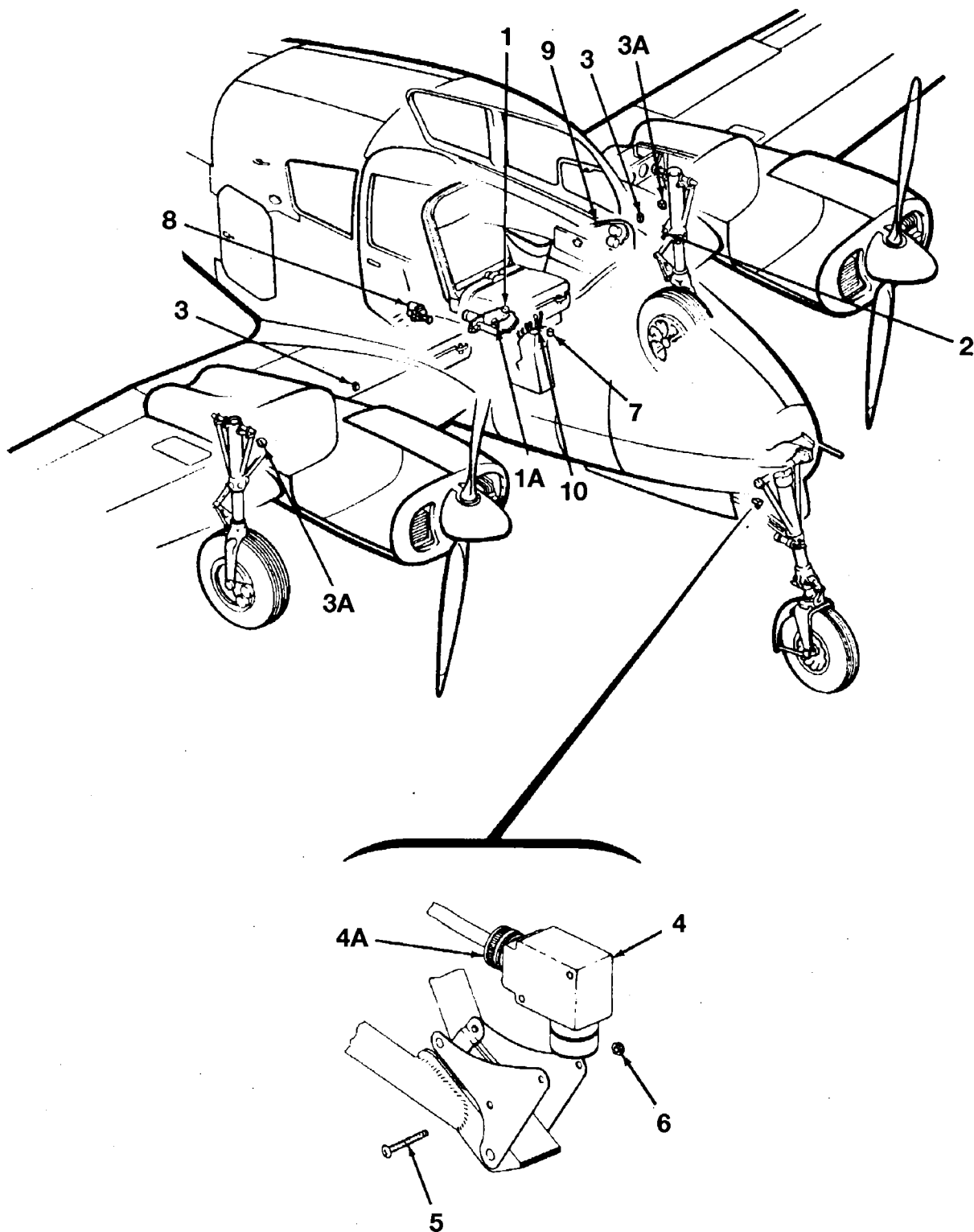
MODEL 310 THRU 310D

ILLUSTRATED PARTS CATALOG

FIG ITEM	PART NUMBER	NOMENCLATURE	EFFECT		UNITS PER ASSY
			FROM	TO	
02		50 AMP GENERATOR INSTALLATION			RF
- 1	0851729-1	. GENERATOR-50 AMP BENDIX 30E22-1-B			2
2	0851730-12	. BRACKET-GENERATOR SUPPORT	35000	35771	2
2A	0851730-13	. ARM-GENERATOR BRACKET	35000	35771	2
3	0851730-11	. BRACKET-GENERATOR	35000	35771	2
- 3A	627690	. BRACKET-GENERATOR CONTINENTAL	35772	& ON	2
- 3B	0851730-20	. PAL NUT	35772	& ON	4
- 3C	0851730-14	. WASHER			2
- 3D	0851730-15	. SPACER	35547	35771	2
4	0850466-1	. TUBE-BLAST	35000	35771	2
- 4A	0850597-1	. BLAST TUBE	35772	& ON	2
5	AN737TW74	. CLAMP-SECURE BLAST TUBE			2
6	0851710-1	. BAFFLE-UPPER	35000	35771	2
7	0851720-1	. BAFFLE ASSY-LOWER	35000	35227	2
- 7A	0851756-1	. BAFFLE ASSY-LOWER	35229	35262	2
			35228	35228	2
			35263	35771	2
8	0851730-6	. SHEAVE-GENERATOR	35000	35771	2
- 8A	0851730-21	. SHEAVE-GENERATOR	35772	& ON	1
9	0851730-4	. SHEAVE-CRANKSHAFT	35000	35771	2
10	0851730-5	. BELT-GENERATOR	35000	35771	2
11	0812481-1	. REGULATOR-VOLTAGE			2
12	0812482-1	. BASE ASSY-VOLTAGE REGULATOR			2
13	0812479-3	. PLATE-REGULATOR MOUNTING			2
14	0812479-4	. DOUBLER ASSY-MOUNTING PLATE			2
15	MS21047L3	. NUTPLATE			6 R
16	AN520-10R7	. SCREW-ATTACH MOUNTING PLATE			12
17	0812479-5	. DOOR-ACCESS			2
18	0812479-2	. DOUBLER ASSY-ACCESS DOOR			2
19	MS21049L3	. NUTPLATE			6 R
- 19A	MS21049L3	. NUTPLATE ALT FOR NAS681A3			6 R
20	AN507-1032R6	. SCREW-ATTACH ACCESS DOOR			12
21	0812483-2	. CUTOUT-REVERSE CURRENT			2
- 21A	AN3-12	. BOLT-ATTACH CUTOUT			6
- 21B	NAS43-3-40	. SPACER-ATTACH OUTBOARD CUTOUT			1
- 21C	NAS43-3-44	. SPACER-ATTACH CUTOUT			4
- 21D	NAS43-4-37	. SPACER-ATTACH INBOARD CUTOUT			1
- 21E	NAS1149F0332P	. WASHER			6 R
- 21F	MS21045L3	. NUT			6 R
22	0811300-54	. PLATE-INBOARD CUTOUT MOUNTING			1
23	0812484-1	. RESISTOR-PARALLELING			2
- 23A	AN3-11	. BOLT-ATTACH RESISTOR			8
- 23B	NAS43-3-16	. SPACER-ATTACH RESISTOR			8
- 23C	NAS1149F0332P	. WASHER-ATTACH RESISTOR			8 R
- 23D	MS21045L3	. NUT-ATTACH RESISTOR			8 R
24	0812492-2	. PANEL ASSY-MOUNTING	35000	35184	1
- 24A	MS21059L06K	. NUTPLATE			2 R
- 24B	NAS444-1	. NUT-TINNERMAN A6191-6Z-3			10
25	48152	. PLUG BUTTON-UNITED CARR			2
26	0812494-5	. PANEL ASSY-CIRCUIT BREAKER	35000	39008	1
- 26A	0812668-1	. PANEL ASSY-CIRCUIT BREAKER	39009	& ON	1
27	PLM-50	. CIRCUIT BREAKER-KLIXON	35000	39008	2
- 27A	PDM-50	. CIRCUIT BREAKER-KLIXON	39009	& ON	2
- 27B	AN520-10R10	. SCREW-ATTACH CIRCUIT BREAKER TO PANEL	35000	39008	4
- 27C	AN507-8R10	. SCREW-ATTACH CIRCUIT BREAKER TO PANEL	39009	& ON	4
- 27D	S-1021Z-6-6	. SCREW-ATTACH CIRCUIT BREAKER TO MOUNTING PANEL			4
28	0812370-2	. COVER-LEFT JUNCTION BOX			1
29	0812350-58	. COVER-RIGHT JUNCTION BOX			1
30	0311037-6	. AMMETER	35000	35546	1
- 30A	0311037-10	. AMMETER	35547	& ON	1
- 30B	22370-120	. SHUNT-GARWIN			1
31	AN3027-2	. SWITCH			2

CESSNA AIRCRAFT COMPANY
MODEL 310 THRU 310D
ILLUSTRATED PARTS CATALOG

A55768



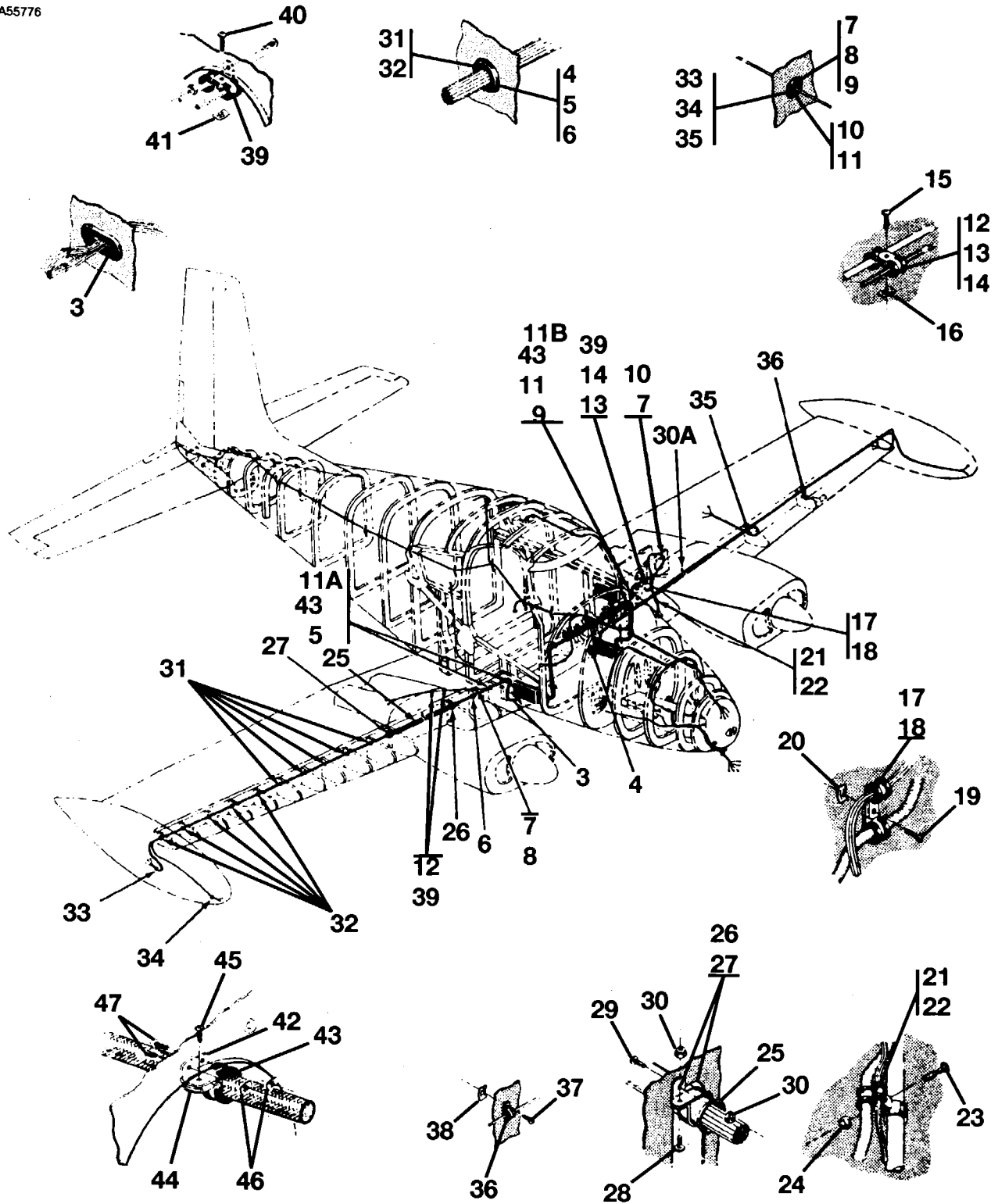
ELECTRICAL SWITCHES INSTALLATION
FIGURE 01 (SHEET 1)

CESSNA AIRCRAFT COMPANY MODEL 310 THRU 310D ILLUSTRATED PARTS CATALOG

FIG ITEM	PART NUMBER	NOMENCLATURE	EFFECT		UNITS PER ASSY
			FROM	TO	
01		ELECTRICAL SWITCHES INSTALLATION REFER TO 24-30-00 FIGURE 03 FOR NHA			RF
1	DT-2R-A7	. MICRO SWITCH-LANDING GEAR ACTUATOR UP GEAR LIMIT MICRO SWITCH CORP			1
1A	BZ-R31	. MICRO SWITCH-LANDING GEAR ACTUATOR DOWN GEAR LIMIT	35000	35644	1
- 1B	MD2721	. ACTUATOR-UP GEAR SWITCH MICRO SWITCH CORP			1
- 1C	AN515-6R18	. SCREW-ATTACH ACTUATOR & SWITCH			2
- 1D	NAS1149FN632P	. WASHER-ATTACH ACTUATOR & SWITCH			2 R
- 1E	MS20364-632C	. NUT-ATTACH ACTUATOR & SWITCH			2
- 1F	DT-2R-A7	. MICRO SWITCH-LANDING GEAR ACTUATOR DOWN GEAR LIMIT MICRO SWITCH CORP	35645	& ON	1
- 1G	MD2721	. ACTUATOR-DOWN GEAR SWITCH MICRO SWITCH CORP			1
- 1H	AN515-6R18	. SCREW-ATTACH ACTUATOR & SWITCH			2
- 1I	NAS1149FN632P	. WASHER-ATTACH ACTUATOR & SWITCH			2 R
- 1J	MS20364-632C	. NUT-ATTACH ACTUATOR & SWITCH			2
2	IVA20	. SWITCH-LEFT GEAR MICRO SWITCH CORP	35069	& ON	1
- 2A	IVA20	. SWITCH-RIGHT GEAR MICRO SWITCH CORP	35000	35068	1
- 2B	MS35206-332	. SCREW-ATTACH SAFETY SWITCH RH GEAR	35000	35068	2 R
- 2C	MS35206-332	. SCREW-ATTACH SAFETY SWITCH LH GEAR	35069	& ON	2 R
- 2D	MS21044N08	. NUT-ATTACH SAFETY SWITCH RH GEAR	35000	35068	2 R
- 2E	MS21044N08	. NUT-ATTACH SAFETY SWITCH LH GEAR	35069	& ON	2 R
3	AN3022-8	. SWITCH-LEFT & RIGHT GEAR DOWN	35000	35497	2
3A	ISE3-3	. INCOMP-MAST-LEFT & RIGHT GEAR DOWN MICRO SWITCH CORP	35498	& ON	2
- 3B	AN515-6R8	. SCREW-ATTACH SWITCH	35000	35497	4
- 3C	0841000-101	. LEAF ACTUATOR			2
- 3D	AN515-2R10	. SCREW-ATTACH SWITCH	35498	& ON	4
- 3E	AN936A2	. WASHER-ATTACH SWITCH	35498	& ON	4
- 3F	0841235-2	. SPACER SWITCH-ATTACH SWITCH	35498	& ON	2
- 3G	MS35649-222	. NUT-ATTACH SWITCH	35498	& ON	4 R
4	2VB1	. MICRO SWITCH-NOSE GEAR DOWN MINNEAPOLIS HONEYWELL			1
4A	AN3058-6	. COUPLING-CONDUIT			1
- 4B	AN3067-5	. SEAL ASSY			1
- 4C	AN3054-6	. NUT			1
5	AN515-8R22	. SCREW-ATTACH SWITCH			2
6	MS21044N08	. NUT-ATTACH SWITCH			2 R
7	BZ-R31	. MICRO SWITCH-LEFT & RIGHT THROTTLE MICRO SWITCH CORP	35031	35643	1
- 7A	BZ-R31	. MICRO SWITCH-LEFT & RIGHT THROTTLE MICRO SWITCH CORP	35714	& ON	2
- 7B	9-10-831	. ACTUATOR-GEAR HORN SWITCH MICRO SWITCH CORP	35644	35713	1
			35031	35643	1
			35714	& ON	
- 7C	088133-2	. ACTUATOR-GEAR HORN SWITCH INBOARD	35644	35713	1
- 7D	088133-3	. ACTUATOR-GEAR HORN SWITCH OUTBOARD	35644	35713	1
- 7E	AN515-6R32	. SCREW-ATTACH SWITCH	35644	35713	2
- 7F	MS21044N06	. NUT-ATTACH SWITCH	35644	35713	2 R
- 7G	NAS1149FN616P	. WASHER-ATTACH SWITCH	35644	35713	4 R
- 7H	NAS1149DN632K	. WASHER	35031	35643	AR R
			35714	& ON	
- 7I	MS21044N06	. NUT-ATTACH ACTUATOR & SWITCH	35031	35643	2 R
			35714	& ON	
- 7J	AN515-6R26	. SCREW-ADJUST SWITCH	35714	& ON	1
- 7K	MS20364-632C	. NUT-ADJUST SWITCH	35714	& ON	1
- 7L	AN3234-1	. SWITCH-LEFT & RIGHT THROTTLE MICRO SWITCH CORP	35000	35030	2
- 7M	JV-5	. ACTUATOR-GEAR HORN SWITCH MICRO SWITCH CORP	35000	35030	2
- 7N	0861100-96	. SPACER-GEAR HORN SWITCH	35000	35030	3
- 7O	AN515-4R20	. SCREW-ATTACH SWITCH	35000	35030	2
- 7P	MS21044N04	. NUT-ATTACH SWITCH	35000	35030	2 R
8		. LIMIT SWITCH-FLAP UP & DOWN REFER TO 27-50-00 FIGURE 02			RF
9		. SWITCHES-INSTRUMENT PANEL REFER TO 31-10-01 FIGURES 01 & 02			RF
10		. SWITCHES-CONTROL PEDESTAL REFER TO 53-20-02 FIGURE 01			RF

CESSNA AIRCRAFT COMPANY
MODEL 310 THRU 310D
 ILLUSTRATED PARTS CATALOG

A55776



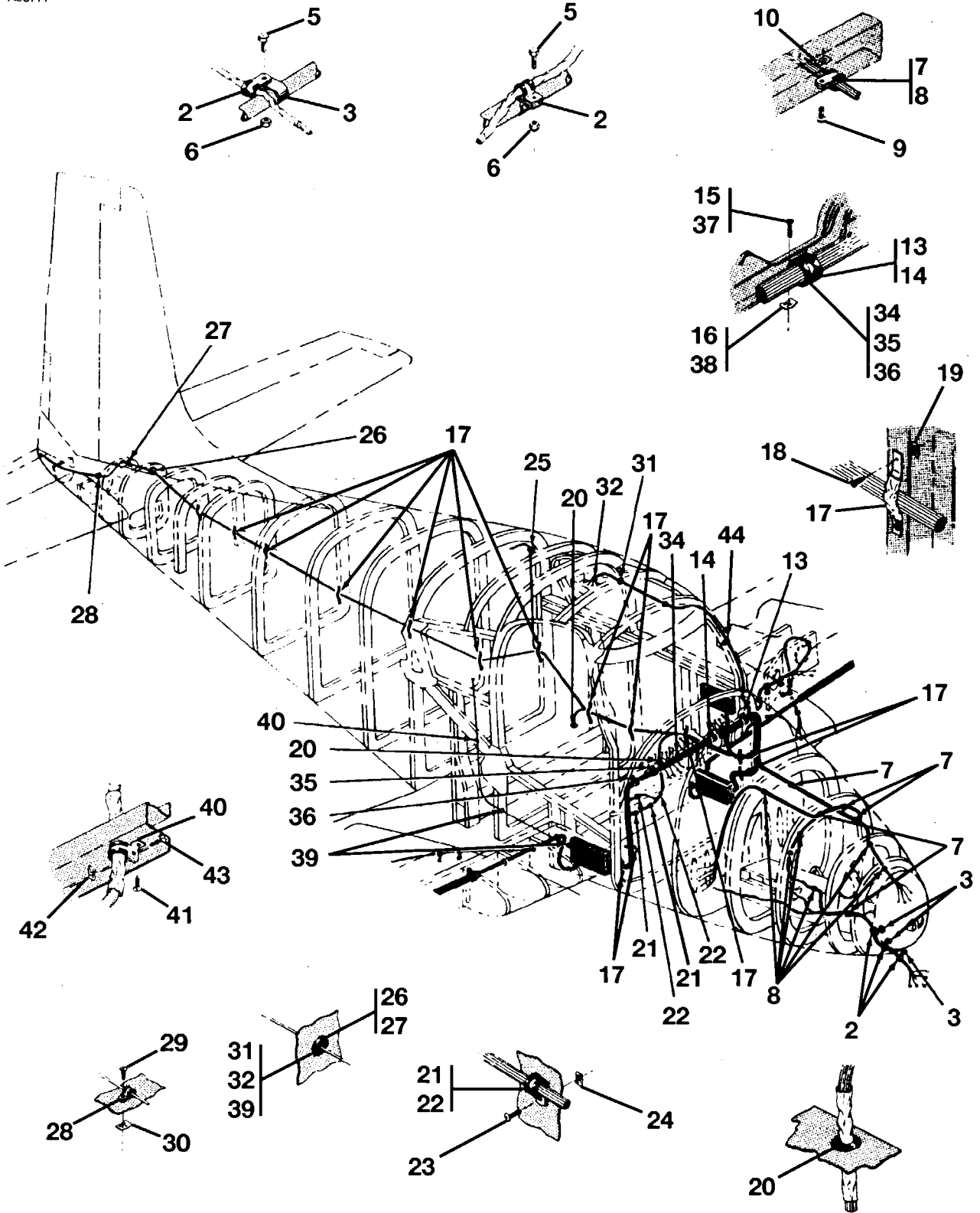
ELECTRICAL WIRING INSTALLATION
 FIGURE 02 (SHEET 1)

CESSNA AIRCRAFT COMPANY
MODEL 310 THRU 310D
ILLUSTRATED PARTS CATALOG

FIG ITEM	PART NUMBER	NOMENCLATURE	EFFECT		UNITS PER ASSY
			FROM	TO	
02		ELECTRICAL WIRING INSTALLATION			RF
- 0		ELECTRICAL WIRING INSTALLATION FUSELAGE-REFER TO 24-30-20 FIGURE 03 FOR BREAKDOWN			RF
- A		ELECTRICAL WIRING INSTALLATION ENGINE-REFER TO 24-30-20 FIGURE 04 FOR BREAKDOWN			RF
- 1		DELETED-NOT USED			
- 2		DELETED-NOT USED			
3	MS35489-23	GROMMET-INSTALL HARNESS ASSY THRU FUSELAGE RH GEAR ONLY			1
4	MS35489-119	GROMMET-INSTALL HARNESS ASSY THRU FUSELAGE LH GEAR ONLY			1
5	MS35489-22	GROMMET-LEADING EDGE ROOT RIB			4
6	MS35489-51	GROMMET-LEADING EDGE RIB			2
7	MS35489-6	GROMMET-INSTALL RH GEAR SWITCH & SAFETY SWITCH WIRES	35000	35068	2
8	MS35489-6	GROMMET-INSTALL RH GEAR SWITCH WIRE	35069	99999	1
9	MS35489-6	GROMMET-INSTALL LH GEAR SWITCH WIRE	35000	35068	1
10	MS35489-6	GROMMET-INSTALL RH GEAR SAFETY SWITCH WIRE	35069	35557	1
11	MS35489-11	GROMMET-INSTALL LH GEAR SWITCH & SWITCH WIRE	35069	99999	1
11A	MS35489-8	GROMMET-INSTALL RH GEAR SWITCH SAFETY SWITCH & INDICATOR WIRES	35558	99999	1
11B	MS35489-12	GROMMET-INSTALL LH GEAR SWITCH SAFETY SWITCH & INDICATOR WIRES	35558	99999	1
12	A3046A-4-92	CLAMP-ATTACH LANDING GEAR SWITCH WIRE TO BRAKE LINE RH GEAR ONLY TINNERMAN			4
13	A3046A-6-92	CLAMP-ATTACH LANDING GEAR SWITCH & SAFETY SWITCH WIRES LH GEAR ONLY TINNERMAN			2
14	A3046A-4-92	CLAMP-ATTACH WIRE CLAMPS TO BRAKE LINE LH GEAR ONLY TINNERMAN			2
15	S-1021Z-8-7	SCREW-ATTACH CLAMP			2
16	S3230-4	NUT-ATTACH CLAMP TINNERMAN AL 778-8Z-3			2 R
17	A3046A-8-92	CLAMP-ATTACH LANDING GEAR SAFETY SWITCH WIRE TO BRAKE LINE LH GEAR ONLY TINNERMAN			1
18	A3046A-4-92	CLAMP-ATTACH LANDING GEAR SAFETY SWITCH WIRE TO BRAKE LINE LH GEAR ONLY TINNERMAN			1
19	S-1021Z-8-7	SCREW-ATTACH CLAMP LH GEAR ONLY TINNERMAN			1
20	S3230-4	NUT-ATTACH CLAMP LH GEAR ONLY TINNERMAN A1778-8Z-3			1 R
21	AN742D4C	CLAMP-ATTACH LANDING GEAR SAFETY SWITCH WIRE TO BRAKE LINE RH GEAR ONLY	35000	35068	1
22	AN742D4C	CLAMP-ATTACH LANDING GEAR SAFETY SWITCH WIRE	35069	39139	1
- 22A	MS21919DG2	CLAMP-ATTACH LANDING GEAR SAFETY SWITCH WIRE	39140	99999	1
23		SCREW-ATTACH CLAMP REFER TO 32-41-00 FIGURE 02			RF
24		NUT-ATTACH CLAMP REFER TO 32-41-00 FIGURE 02			RF
25	0820000-22	CONDUIT-INSTALL HARNESS ASSY			2
26	795-12	CLIP-ATTACH CONDUIT ADEL			2
27	795-12R	CLIP-ATTACH CONDUIT ADEL			2
28	AN516-6R6	SCREW-ATTACH CLIP			4
29	AN516-6R4	SCREW-ATTACH CLIP			4
30	MS21044N06	NUT-ATTACH CLIP			8 R
30A	AN742-12	CLAMP-ATTACH CONDUIT			2
- 30B	AN515-8R14	SCREW-ATTACH CLAMP			2
31	MS35489-16	GROMMET-INSTALL HARNESS ASSY THRU LEADING EDGE RIBS			10
32	MS35489-9	GROMMET-INSTALL HARNESS ASSY THRU LEADING EDGE RIBS			10
33		GROMMET-INSTALL HARNESS ASSY THRU TIP TANK BULKHEAD			RF
34		GROMMET-INSTALL NAVIGATION LIGHT WIRE THRU TIP TANK BULKHEAD			RF
35	MS35489-134	GROMMET-INSTALL LANDING LIGHT WIRE LH WING ONLY			1
36	MS21919WDG4	CLAMP-ATTACH STALL WARNING INDICATOR WIRE LH WING ONLY			1 R
37	S-1021Z-8-8	SCREW-ATTACH CLAMP LH WING ONLY			1
38	S3230-4	NUT-ATTACH CLAMP LH WING ONLY TINNERMAN AL 778-8Z-3			1 R
39	A3046A-6-92	CLAMP-ATTACH WIRES TO RIB LH TINNERMAN			1
- 39A	A3046A-4-92	CLAMP-ATTACH WIRES TO RIB RH TINNERMAN			1
40	AN520-10R8	SCREW-SECURE CLAMPS TO RIB			2
41	MS21045L3	NUT-SECURE CLAMPS TO RIB			2 R
- 41A		NUT-ATTACH WIRES TO RIB REFER TO 32-41-00 FIGURE 02 TINNERMAN A1778-8Z-3			RF
- 41B		SCREW-ATTACH WIRES TO RIB REFER TO 32-41-00 FIGURE 02			RF
42	AN743-7	BRACKET-ATTACH WIRES TO RIB			1
43	MS21919DG6	CLAMP-ATTACH WIRES TO RIB			1
44	S3230-4	NUT-ATTACH CLAMPS TINNERMAN A1778-8Z-3			1 R
45	S-1021Z-8-6	SCREW-ATTACH CLAMPS			1
46	S3230-2	NUT-SECURE BRACKET TO RIB TINNERMAN A1181A-6Z-3			2 R
47	S-1021Z-6-6	SCREW-SECURE BRACKET TO RIB TINNERMAN A1181A-6Z-3			2

CESSNA AIRCRAFT COMPANY
MODEL 310 THRU 310D
 ILLUSTRATED PARTS CATALOG

A55777



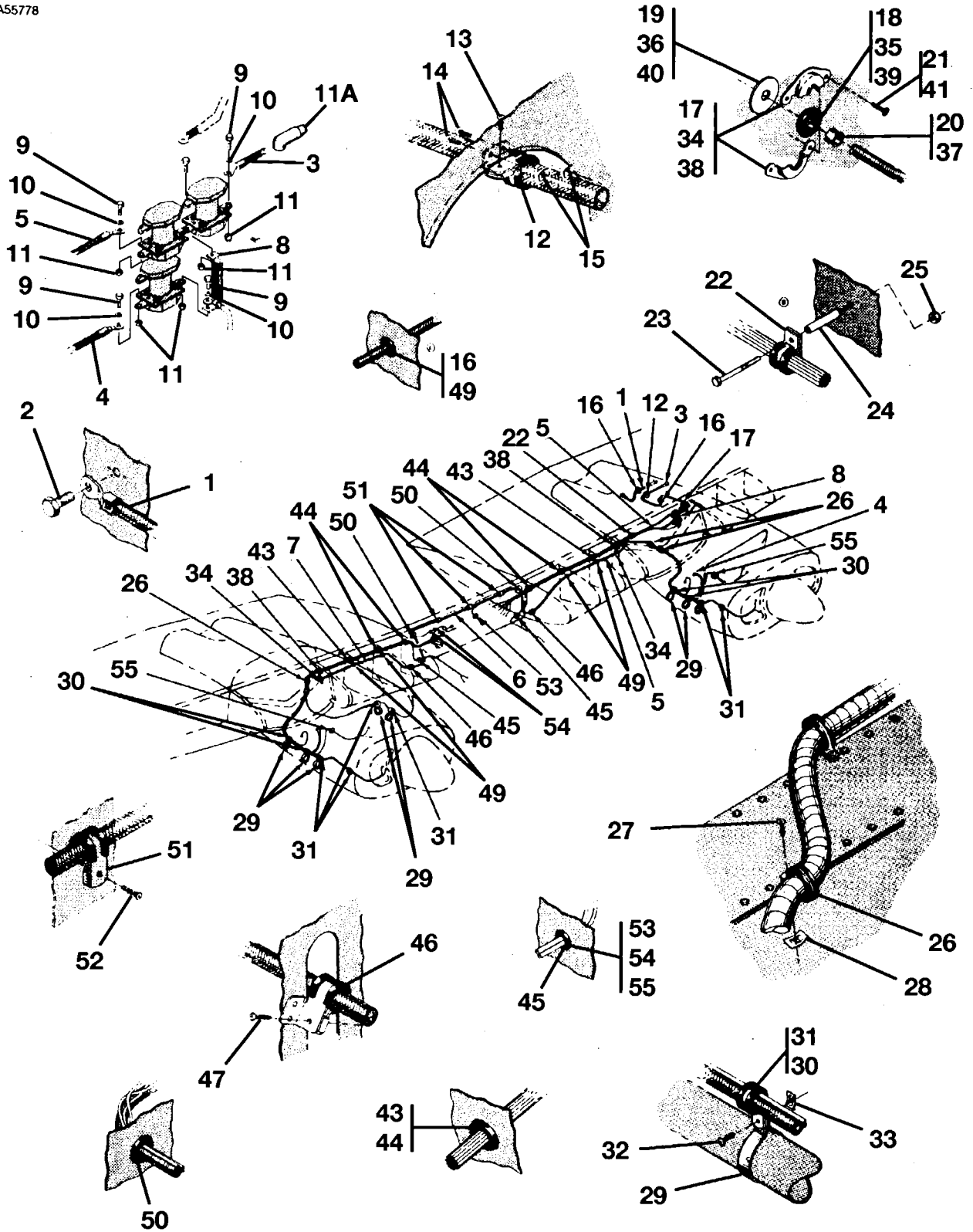
ELETRICAL WIRING INSTALLATION - FUSELAGE
 FIGURE 03 (SHEET 1)

**CESSNA AIRCRAFT COMPANY
MODEL 310 THRU 310D
ILLUSTRATED PARTS CATALOG**

FIG ITEM	PART NUMBER	NOMENCLATURE	EFFECT		UNITS PER ASSY
			FROM	TO	
03		ELETRICAL WIRING INSTALLATION - FUSELAGE REFER TO 24-30-20 FIGURE 02 FOR NHA			RF
- 1		. DELETED-NOT USED			
2	MS21919DG6	. CLAMP-ATTACH LANDING GEAR MICRO SWITCH WIRE			3
3	MS21919DG12	. CLAMP-ATTACH LANDING GEAR MICRO SWITCH WIRE			3
- 4		. DELETED-NOT USED			
5	AN3-3A	. BOLT-ATTACH CLAMPS			3
6	MS21045L3	. NUT-ATTACH CLAMPS			3 R
7	A3046A-6-92	. CLAMP-ATTACH HARNESS ASSY TINNERMAN			5
8	A3046A-4-92	. CLAMP-ATTACH HARNESS ASSY TINNERMAN			6
9	S-1021Z-6-8	. SCREW-ATTACH CLAMP			13
10	S3230-2	. NUT-ATTACH CLAMP TINNERMAN			13 R
- 11		. DELETED-NOT USED			
- 12		. DELETED-NOT USED			
- 12A		. DELETED-NOT USED			
13	MS21919DG18	. CLAMP-ATTACH HARNESS ASSY TO INSTRUMENT PANEL			1
14	MS21919DG14	. CLAMP-ATTACH HARNESS ASSY TO INSTRUMENT PANEL			1
15	S-1021Z-8-8	. SCREW-ATTACH CLAMP			2
16	NAS786-8Z-3	. NUT-ATTACH CLAMP			2
17	0814000-147	. STRAP-ATTACH HARNESS ASSY TO FUSELAGE BULKHEAD			14
18	S-1021Z-8-8	. SCREW-ATTACH STRAP			28
19	NAS786-8Z-3	. NUT-ATTACH STRAP			28
20		. GROMMET-INSTALL HARNESS ASSY THRU FLOORBOARD SKIN REFER TO 53-20-00 FIGURES 01 & 03			RF
21	A3046A-4-92	. CLAMP-ATTACH LANDING GEAR ACTUATOR BOX WIRE TINNERMAN			2
22	A3046A-6-92	. CLAMP-ATTACH LANDING GEAR ACTUATOR BOX WIRE			2
23	S-1021Z-8-8	. SCREW-ATTACH CLAMP			4
24	NAS786-8Z-3	. NUT-ATTACH CLAMP			4
25		. BRACKET ASSY-ATTACH HEATER THERMOSTAT REFER TO 53-10-03 FIGURE 02			RF
26		. GROMMET-INSTALL REAR NAVIGATION LIGHT WIRES TO FUSELAGE BULKHEAD REFER TO 53-10-07 FIGURE 04			RF
27	MS35489-119S	. GROMMET-INSTALL REAR NAVIGATION LIGHT WIRES TO FUSELAGE BULKHEAD			1
28	A3046A-4-92	. CLAMP-ATTACH REAR NAVIGATION LIGHT WIRE TO FUSELAGE BULKHEAD TINNERMAN			1
29	S-1021Z-8-8	. SCREW-ATTACH CLAMP			1
30	NAS786-8Z-3	. NUT-ATTACH CLAMP			1
31		. GROMMET-INSTALL LIGHT CONSOLE WIRE REFER TO 53-30-00 FIGURE 02			RF
32		. GROMMET-INSTALL LIGHT CONSOLE WIRE REFER TO 33-10-00 FIGURE 02			RF
- 33		. DELETED-NOT USED			
34	MS21919DG14	. CLAMP-ATTACH HARNESS ASSY TO INSTRUMENT PANEL			1
35	AN742D14C	. CLAMP-ATTACH HARNESS ASSY TO INSTRUMENT PANEL			1
36	MS21919DG12	. CLAMP-ATTACH HARNESS ASSY TO INSTRUMENT PANEL			1
37	S-1021Z-8-8	. SCREW-ATTACH CLAMP			3
38	NAS786-8Z-3	. NUT-ATTACH CLAMP			3
39	MS35489-4	. GROMMET-ATTACH CIGAR LIGHTER WIRE	35000	35771	2
40	1758E-3R	. CLIP-ATTACH CIGAR LIGHTER WIRE ADEL	35000	35000	1
41	S-1021Z-6-6	. SCREW-ATTACH CLAMP			1
42	S3230-2	. NUT-ATTACH CLIP TINNERMAN AL 181-6Z-3	35000	35771	1 R
43	S-1021Z-8-8	. SCREW-ATTACH CLAMP	35000	35771	1
44	MS21919G4	. CLAMP-ATTACH LIGHT CONSOLE WIRE			1
- 44A	AN507-632R6	. SCREW-ATTACH CLAMP			1
- 44B	MS21044N06	. NUT-ATTACH CLAMP			1 R

CESSNA AIRCRAFT COMPANY
MODEL 310 THRU 310D
 ILLUSTRATED PARTS CATALOG

A55778



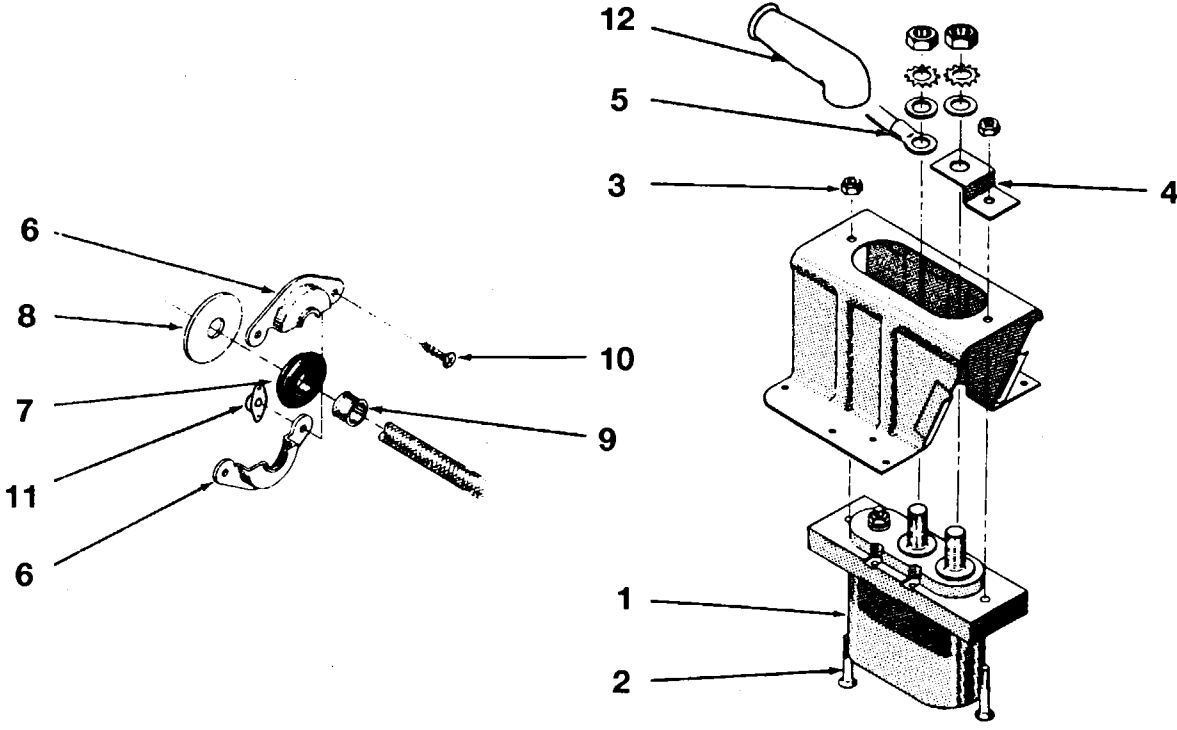
ELECTRICAL WIRING INSTALLATION-ENGINE
 FIGURE 04 (SHEET 1)

CESSNA AIRCRAFT COMPANY
MODEL 310 THRU 310D
ILLUSTRATED PARTS CATALOG

FIG ITEM	PART NUMBER	NOMENCLATURE	EFFECT		UNITS PER ASSY
			FROM	TO	
04		ELECTRICAL WIRING INSTALLATION-ENGINE REFER TO 24-30-20 FIGURE 02 FOR NHA			RF
1	0812450-142	BATTERY CABLE-BATTERY GROUND 4 GAGE 3 IN LG			1
2	AN4-3A	BOLT-ATTACH GROUND CABLE			1
3	0812450-2	CABLE ASSY-FROM BATTERY TO MAIN CONTACTOR 4 GAGE 22 IN LG			1
4	0812450-6	CABLE ASSY-FROM LEFT CONTACTOR TO LEFT STARTER 4 GAGE 58 IN LG			1
5	0812450-8L	CABLE ASSY-FROM RIGHT CONTACTOR THRU LEFT WING ROOT RIB 4 GAGE 54 IN LG			1
6	0812450-8F	CABLE ASSY-FROM LEFT WING ROOT RIB TO RIGHT WING ROOT RIB 4 GAGE 58 IN LG			1
7	0812450-8R	CABLE ASSY-FROM RIGHT WING ROOT RIB TO RIGHT STARTER 4 GAGE 81 IN LG			1
8	0850471-2	BUS BAR-CONTACTOR	35000	35728	1
8A	0850484-1	BUS BAR ASSY	35729	& ON	1
9	AN4-5A	BOLT-ATTACH BATTERY CABLES TO CONTACTOR			5
10	NAS1149F0563P	WASHER-ATTACH BATTERY CABLES TO CONTACTORS			4 R
11	MS21044N4	NUT-ATTACH BATTERY CABLES TO CONTACTORS			5 R
11A	AN781-3	NIPPLE			4
12	1746-6	CLAMP-ATTACH BATTERY CABLE TO LEFT WING RIB ADEL			1
13	S-1021Z-8-10	SCREW-ATTACH CLAMP			1
14	S-1021Z-6-6	SCREW-ATTACH CLAMP			2
15	S3230-1	NUT-ATTACH CLAMP			2 R
16	MS35489-11	GROMMET-INSTALL BATTERY CABLES THRU LEFT UPPER WING SKIN & RIB			2
17	S353-1	SHIELD-LEFT FIREWALL INSTALL BATTERY CABLE THRU FIREWALL			2
18	MS35489-20	GROMMET-LEFT FIREWALL INSTALL BATTERY CABLE THRU FIREWALL			1
19	S3520-4	GROMMET-SHIELD ASBESTOS INSTALL BATTERY CABLE THRU LEFT FIREWALL			2 R
20	0713003-51	FAIRLEAD-INSTALL BATTERY CABLE THRU LEFT FIREWALL			1
21	AN515C8R7	SCREW-ATTACH SHIELD			2
22	MS21919DF14	CLAMP-ATTACH CABLE TO LEFT ENGINE FIREWALL			1
23	AN3-22A	BOLT-ATTACH CLAMP			1
24	0825000-34	RIB RH-ATTACH CABLE TO LEFT ENGINE FIREWALL			1
25	MS21045L3	NUT-ATTACH CABLE TO LEFT ENGINE FIREWALL	35000	35138	1 R
26	MS21919DG12	CLAMP-ATTACH CABLE TO ENGINE SUPPORT WEB			4
27	S-1021Z-10-6	SCREW-ATTACH CLAMP			4
28	S3230-5	NUT-ATTACH CLAMP TINNERMAN A1779-10A-3			4 R
29	AN742D34	CLAMP-ATTACH CABLE CLAMP TO ENGINE			8
30	A3046A-9-35	CLAMP-ATTACH BATTERY CABLE TINNERMAN			4
31	A3046A-4	CLAMP-ATTACH BATTERY CABLE TINNERMAN			6
32	S-1021Z-8-8	SCREW-ATTACH CLAMPS			8
33	S3230-4	NUT-ATTACH CLAMPS TINNERMAN #A1778-8A-3			8 R
34	S353-1	SHIELD-ATTACH BATTERY CABLE THRU LEADING EDGE RIB			4
35	MS35489-20	GROMMET-ATTACH BATTERY CABLE THRU LEADING EDGE RIB			2
36	S3520-4	GROMMET-ASBESTOS ATTACH BATTERY CABLE THRU LEADING EDGE RIB			2 R
37	0713003-51	FAIRLEAD-ATTACH BATTERY CABLE THRU LEADING EDGE RIB			2
38	S353-3	SHIELD-ATTACH WIRE BUNDLE THRU LEADING EDGE RIB			4
39	MS35489-19	GROMMET-ATTACH WIRE BUNDLE THRU LEADING EDGE RIB			2
40	S3520-3	GROMMET-SHIELD ASBESTOS ATTACH WIRE BUNDLE THRU LEADING EDGE RIB			2 R
41	AN515-8R6	SCREW-ATTACH SHIELD			8
43		GROMMET-INSTALL WIRE BUNDLE THRU LEADING EDGE RIB REFER TO 24-30-20 FIGURE 02			RF
44		GROMMET-INSTALL WIRE BUNDLE THRU LEADING EDGE RIB REFER TO 24-30-20 FIGURE 02			RF
45	MS35489-7S	GROMMET-INSTALL WIRE BUNDLE THRU FUSELAGE			2
46		CLAMP-ATTACH BATTERY CABLE TO LEADING EDGE RIB REFER TO 57-40-00 FIGURES 01 AND 02			RF
47	AN520-10R6	SCREW-ATTACH CLAMP			2
48	MS21045L3	NUT-ATTACH CLAMP			2 R
49	MS35489-11	GROMMET-INSTALL BATTERY CABLE THRU LEADING EDGE RIB			4
50	MS35489-22	GROMMET-INSTALL BATTERY CABLE THRU FUSELAGE FRONT SPAR			2
51	MS21919DG12	CLAMP-ATTACH CABLE TO FUSELAGE FRONT SPAR			3
52	S-1021Z-6-6	SCREW-ATTACH CLAMP			3
53		GROMMET-INSTALL WIRE THRU FUSELAGE FRONT SPAR REFER TO 57-10-00 FIGURE 09			RF
54		GROMMET-INSTALL WIRE THRU FUSELAGE FRONT SPAR REFER TO 53-20-00 FIGURE 05			RF
55	MS35489-46S	GROMMET-INSTALL WIRE THRU ENGINE BAFFLE			2

CESSNA AIRCRAFT COMPANY
MODEL 310 THRU 310D
ILLUSTRATED PARTS CATALOG

A55805



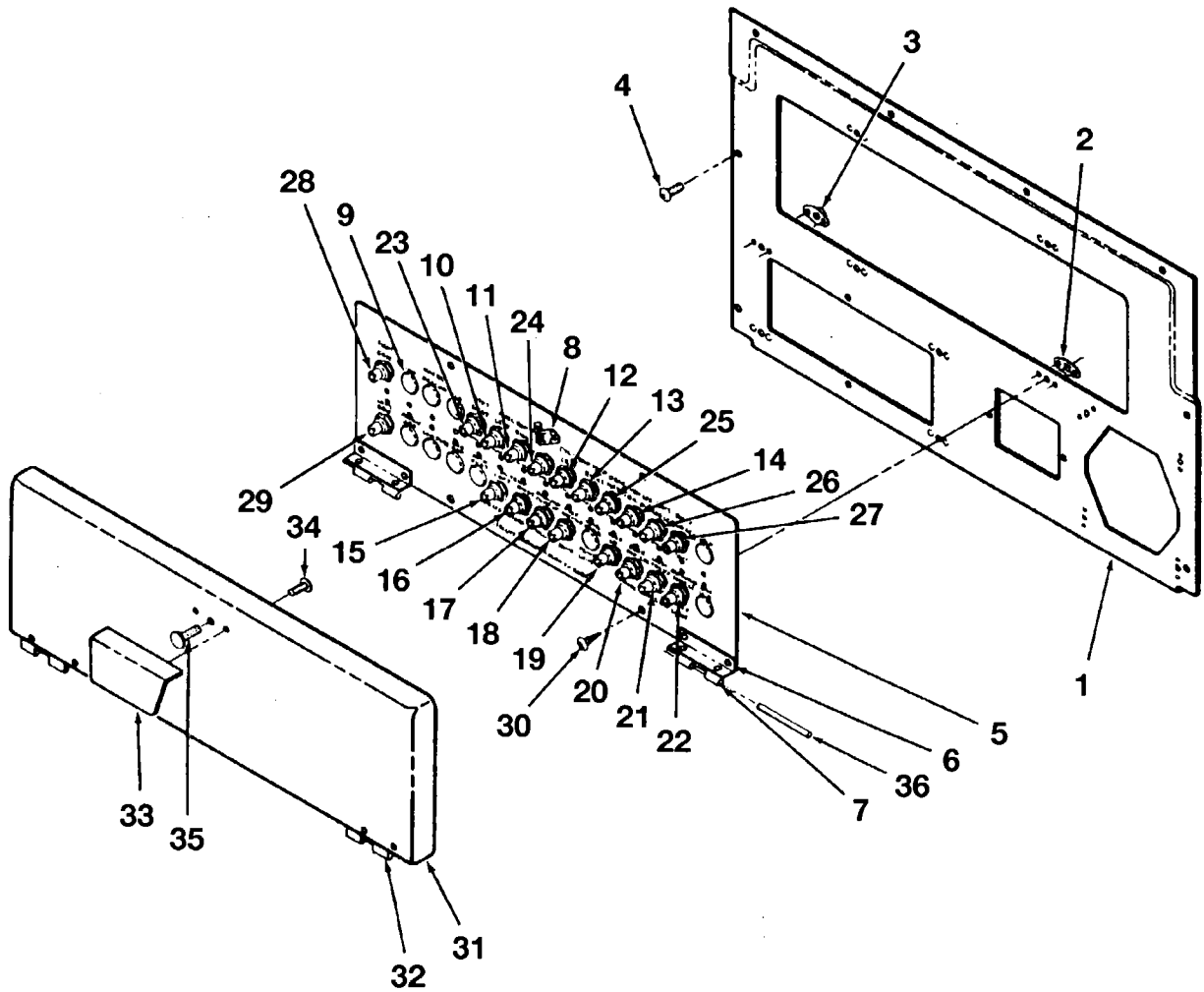
GROUND SERVICE PLUG INSTALLATION
FIGURE 01 (SHEET 1)

CESSNA AIRCRAFT COMPANY
MODEL 310 THRU 310D
ILLUSTRATED PARTS CATALOG

FIG ITEM	PART NUMBER	NOMENCLATURE	EFFECT		UNITS PER ASSY
			FROM	TO	
01		GROUND SERVICE PLUG INSTALLATION			RF
1	AN2552-3A	. RECEPTACLE			1
2	AN510-10R14	. SCREW-ATTACH RECEPTACLE			2
3	MS21045L3	. NUT-ATTACH RECEPTACLE			2 R
4	0312155-10	. GROUND STRAP			1
5	0812450-139	. CABLE-RECEPTACLE TO STARTER SOLENOID SWITCH.			1
6	S353-1	. SHIELD-ATTACH CABLE			2
7	MS35489-20	. GROMMET-ATTACH CABLE	35000	35728	1
- 7A	MS35489-16	. GROMMET-ATTACH CABLE	35729	& ON	1
8	S3520-4	. GROMMET SHIELD ASBESTOS ATTACH CABLE.			2 R
9	0713003-51	. FAIRLEAD-ATTACH CABLE			1
10	AN515C8R9	. SCREW-ATTACH SHIELD			2
11	NAS680A08	. NUTPLATE-ATTACH SHIELD	35000	35728	2
12	AN781-3	. NIPPLE			1

CESSNA AIRCRAFT COMPANY
MODEL 310 THRU 310D
ILLUSTRATED PARTS CATALOG

A55696



CIRCUIT BREAKER PANEL INSTALLATION
FIGURE 01 (SHEET 1)

CESSNA AIRCRAFT COMPANY
MODEL 310 THRU 310D
ILLUSTRATED PARTS CATALOG

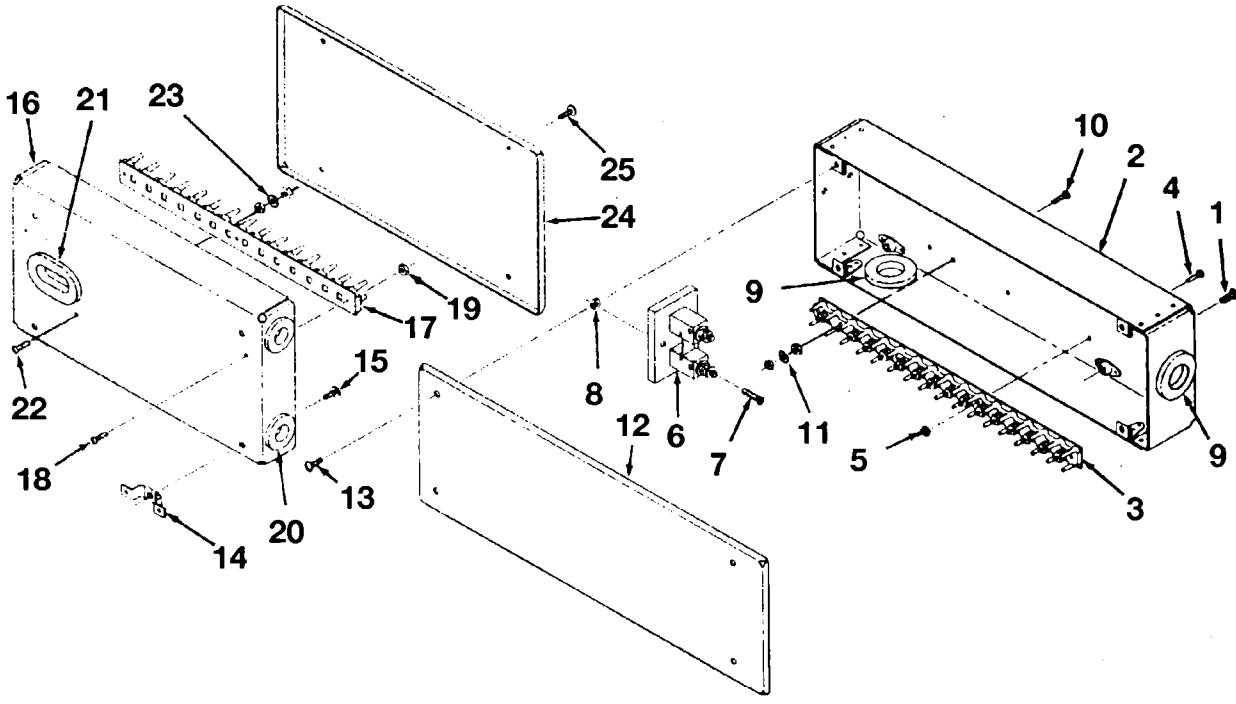
FIG ITEM	PART NUMBER	NOMENCLATURE	EFFECT		UNITS PER ASSY
			FROM	TO	
01		CIRCUIT BREAKER PANEL INSTALLATION REFER TO 24-30-00 FIGURE 03 FOR NHA			RF
1	0891000-8	. PANEL-CIRCUIT BREAKER MOUNTING	35000	35184	1
- 1A	0812492-2	. PANEL ASSY-CIRCUIT BREAKER MOUNTING	35184	& ON	1
2	NAS444-1 NUT-TINNERMAN A6191-6Z	35000	35184	6
- 2A	NAS444-1 NUT-TINNERMAN A6191-6Z	35185	& ON	10
3	MS21059L06K NUTPLATE			2 R
- 3A	0812346-1 CHANNEL-RUBBER			1
4	AN515-6R6 SCREW-ATTACH MOUNTING PANEL			8
5	0812350-52 PANEL ASSY-CIRCUIT BREAKER	35000	35180	1
- 5A	0812350-61 PANEL ASSY-CIRCUIT BREAKER	35181	35546	1
- 5B	0812405-2 PANEL ASSY-CIRCUIT BREAKER	35547	35771	1
- 5C	0812405-5 PANEL ASSY-CIRCUIT BREAKER	35772	35905	1
- 5D	0812405-14 PANEL ASSY-CIRCUIT BREAKER	35906	& ON	1
6	0812350-3 ANGLE-HINGE			2
7	0812350-4 HINGE HALF			2
- 7A	S3002-1 STUD-TINNERMAN	35547	& ON	1 R
8	A1663-022-3 CATCH-TINNERMAN	35000	35278	1
- 8A	S3002-1 STUD-TINNERMAN	35279	35546	1 R
9	SS-48152-K2215 PLUG BUTTON-UNITED CARR	35000	35771	10
- 9A	SS-48152-K2215 PLUG BUTTON-UNITED CARR	35772	& ON	11
10	PSM5N CIRCUIT BREAKER-LEFT FUEL BOOST AND AIR TEMP	35000	35771	1
- 10A	PSM5N CIRCUIT BREAKER-LEFT AUXILIARY PUMPS AND AIR TEMP	35772	& ON	1
11	PSM5N CIRCUIT BREAKER-RIGHT FUEL BOOST AND STARTER RELAYS	35000	35771	1
- 11A	PSM5N CIRCUIT BREAKER-RIGHT AUXILIARY PUMPS AND STARTER RELAYS	35772	& ON	1
12	PSM5N CIRCUIT BREAKER-LEFT CYL HEAD TEMP, T & B, FLAP POSITION	35000	35771	1
13	PSM5N CIRCUIT BREAKER-RIGHT CYL HEAD TEMP & STALL WARNING	35000	35771	1
- 13A	PSM2N CIRCUIT BREAKER-T & B, FLAP POSITION AND STALL WARNING	35772	& ON	1
14	PSM5N CIRCUIT BREAKER-NAVIGATION LIGHTS, OIL DILUTION & PRIMERS	35000	35771	1
- 14A	PSM5N CIRCUIT BREAKER-NAVIGATION LIGHTS & OIL DILUTION	35772	& ON	1
15	PSM5N CIRCUIT BREAKER-LEFT OIL TEMP & LEFT LANDING LIGHT MOTOR	35000	35771	1
- 15A	PSM5N CIRCUIT BREAKER-LEFT ENGINE GAGE & LEFT LANDING LIGHT MOTOR	35772	& ON	1
16	PSM5N CIRCUIT BREAKER-RIGHT OIL TEMP & RIGHT LANDING LIGHT MOTOR	35000	35546	1
- 16A	PSM2N CIRCUIT BREAKER-RIGHT OIL TEMP & RIGHT LANDING LIGHT MOTOR	35547	35771	1
- 16B	PSM2N CIRCUIT BREAKER-RIGHT ENGINE GAGE & RIGHT LANDING LIGHT MOTOR	35772	& ON	1
17	PSM5N CIRCUIT BREAKER-FUEL GAGE, COMPT LIGHT & RADIO DIAL LIGHTS	35000	35546	1
- 17A	PSM2N CIRCUIT BREAKER-FUEL GAGE, COMPT LIGHT, RADIO DIAL & DOME LIGHT	35547	& ON	1
18	PSM5N CIRCUIT BREAKER-PROPELLER ANTI-ICE & FLAP DOWN			1
19	PSM5N CIRCUIT BREAKER-FLAP UP	35000	35546	1
- 19A	PSM5N CIRCUIT BREAKER-FLAP UP, FLIGHT INSTRUMENT LIGHT	35547	& ON	1
20	PSM5N CIRCUIT BREAKER-GEAR INDICATOR LIGHTS & GEAR HORN	35000	35546	1
- 20A	PSM3N CIRCUIT BREAKER-GEAR INDICATOR LIGHTS & GEAR HORN	35547	& ON	1
21	PSM5N CIRCUIT BREAKER-ULTRAVIOLET & REAR DOME LIGHTS	35000	35546	1
- 21A	PSM3N CIRCUIT BREAKER-RED FLOOD, FRONT DOME & BAGGAGE LIGHTS	35547	& ON	1
22	PSM5N CIRCUIT BREAKER-RED INSTRUMENT DOME & BAGGAGE LIGHTS	35000	35546	1
- 22A	PSM2N CIRCUIT BREAKER-ENGINE INSTL SWITCH PANEL & FUEL SELECTOR LIGHTS	35547	& ON	1
23	PSM10N CIRCUIT BREAKER-PITOT HEAT & FLARES	35000	35546	1
- 23A	PSM8N CIRCUIT BREAKER-PITOT HEAT, FLARES & STALL WARNING HEAT	35547	& ON	1
24	PSM15N CIRCUIT BREAKER-CABIN HEAT	35000	35546	1
- 24A	PSM6N CIRCUIT BREAKER-CABIN HEAT	35547	& ON	1
25	PSM15N CIRCUIT BREAKER-GEAR MOTOR & GEAR RELAY			1
26	PSM15N CIRCUIT BREAKER-LEFT LANDING LIGHT & FRONT CIGAR LIGHTER	35000	35546	1
- 26A	PSM10N CIRCUIT BREAKER-LEFT LANDING LIGHT & FRONT CIGAR LIGHTER	35547	& ON	1
27	PSM15N CIRCUIT BREAKER-RIGHT LANDING LIGHT & REAR CIGAR LIGHTER	35000	35546	1
- 27A	PSM10N CIRCUIT BREAKER-RIGHT LANDING LIGHT & REAR CIGAR LIGHTER	35547	& ON	1
28	PSM25N CIRCUIT BREAKER-RIGHT GENERATOR			1
29	PSM25N CIRCUIT BREAKER-LEFT GENERATOR			1
30	S-1021Z-6-6 SCREW-ATTACH CIRCUIT BREAKER PANEL			4
31	0812350-14 DOOR ASSY-CIRCUIT BREAKER PANEL	35000	35180	1
- 31A	0812350-64 DOOR ASSY-CIRCUIT BREAKER PANEL	35181	35278	1
- 31B	0812350-69 DOOR ASSY-CIRCUIT BREAKER PANEL	35279	35546	1
- 31C	0812506-1 DOOR ASSY-CIRCUIT BREAKER PANEL	35547	35771	1
- 31D	0812506-5 DOOR ASSY-CIRCUIT BREAKER PANEL	35772	39031	1
- 31E	0812506-14 DOOR ASSY-CIRCUIT BREAKER PANEL	39032	& ON	1
32	0812350-13 HINGE HALF-CIRCUIT BREAKER DOOR			2
33	0813508-1 KNOB ASSY-CIRCUIT BREAKER DOOR			1
34	AN515-6R5 SCREW-ATTACH KNOB			2
35	P102-11 STUD-TINNERMAN	35000	35278	1
- 35A	0812345-1 CATCH ASSY-DOOR	35279	& ON	1
36	AN253-2-180 HINGE PIN-ATTACH DOOR			2

- ITEM NOT ILLUSTRATED

© Cessna Aircraft Company

CESSNA AIRCRAFT COMPANY
MODEL 310 THRU 310D
ILLUSTRATED PARTS CATALOG

A55774



JUNCTION BOX INSTALLATION
FIGURE 01 (SHEET 1)

**CESSNA AIRCRAFT COMPANY
MODEL 310 THRU 310D
ILLUSTRATED PARTS CATALOG**

FIG ITEM	PART NUMBER	NOMENCLATURE	EFFECT		UNITS PER ASSY
			FROM	TO	
01		JUNCTION BOX INSTALLATION REFER TO 24-30-00 FIGURE 03 FOR NHA			RF
- 1	AN515-6R6	SCREW-ATTACH JUNCTION BOX TO SKIN			4
- 1A		LEFT JUNCTION BOX ASSY			RF
2	0812350-7	BOX-LEFT JUNCTION			1
3	AN3436-2-16	TERMINAL-LEFT JUNCTION BOX			2
4	AN515-4R5	SCREW-ATTACH TERMINAL TO JUNCTION BOX			8
5	AN340-4	NUT-ATTACH TERMINAL TO JUNCTION BOX			8
6	22370-60	SHUNT-LEFT JUNCTION BOX GARWIN INC			1
7	AN515-6R10	SCREW-ATTACH SHUNT TO JUNCTION BOX			2
8	MS21044N06	NUT-ATTACH SHUNT TO JUNCTION BOX			2 R
9	MS35489-20	GROMMET			2
10	AN515-6R14	SCREW			1
11	MS35335-30	WASHER			1 R
12	0812350-11	COVER-LEFT JUNCTION BOX	35000	35068	1
- 12A	0812370-1	COVER-LEFT JUNCTION BOX	35069	& ON	1
13	S-1021Z-8-6	SCREW-ATTACH COVER TO JUNCTION BOX			4
- 13A		RIGHT JUNCTION BOX INSTALLATION-REFER TO 24-30-00 FIGURE 03 FOR NHA			RF
14	0812350-9	BRACKET-RIGHT JUNCTION BOX			4
15	S-1021Z-8-6	SCREW-ATTACH BRACKET TO JUNCTION BOX			4
- 15A	0812350-44	BOX ASSY			1
16	0812350-8	BOX-RIGHT JUNCTION			1
17	AN3436-2-14	TERMINAL-RIGHT JUNCTION			2
18	AN515-4R5	SCREW-ATTACH TERMINAL TO JUNCTION BOX			6
19	AN340-4	NUT-ATTACH TERMINAL TO JUNCTION BOX			6
20	MS35489-14	GROMMET			2
21	MS35489-23	GROMMET			1
22	AN515-6R14	SCREW			1
23	MS35335-30	WASHER			1 R
24	0812350-10	COVER-RIGHT JUNCTION BOX	35000	35068	1
- 24A	0812350-56	COVER-RIGHT JUNCTION BOX	35069	& ON	1
25	S-1021Z-8-6	SCREW-ATTACH COVER TO JUNCTION BOX			4

CHAPTER

25

**EQUIPMENT/
FURNISHINGS**

CESSNA AIRCRAFT COMPANY
MODEL 310 THRU 310D
 ILLUSTRATED PARTS CATALOG

LIST OF EFFECTIVE PAGES

CHAPTER-SECTION-SUBJECT	PAGE	DATE
25-Title		
25-List of Effective Pages		
25-Record of Temporary Revisions		
25-Contents		
25-10-00 Figure 01	1	Jul 5/2004
	2	Jul 5/2004
	3	Jul 5/2004
25-10-00 Figure 02	1	Jul 3/2006
	2	Jul 3/2006
25-10-00 Figure 03	1	Jul 3/2006
	2	Jul 3/2006
	2	Jul 3/2006
25-10-01 Figure 01	1	Jul 5/2004
	2	Jul 5/2004
25-10-01 Figure 02	1	Jul 5/2004
	2	Jul 5/2004
25-20-00 Figure 01	1	Jul 3/2006
	2	Jul 3/2006
25-20-00 Figure 02	1	Jul 3/2006
	2	Jul 3/2006
	3	Jul 3/2006
25-20-00 Figure 03	1	Jul 3/2006
	2	Jul 3/2006
25-20-00 Figure 04	1	Jul 5/2004
	2	Jul 5/2004
	3	Jul 5/2004
25-20-01 Figure 01	1	Jul 3/2006
	2	Jul 3/2006
	3	Jul 3/2006
25-20-01 Figure 02	1	Jul 3/2006
	2	Jul 3/2006
	3	Jul 3/2006
25-20-02 Figure 01	1	Jul 5/2004
	2	Jul 5/2004
25-20-02 Figure 02	1	Jul 3/2006
	2	Jul 3/2006
25-20-02 Figure 03	1	Jul 5/2004
	2	Jul 5/2004
25-21-00 Figure 01	1	Jul 5/2004
	2	Jul 5/2004
25-21-00 Figure 02	1	Jul 3/2006
	2	Jul 3/2006
	3	Jul 3/2006
25-21-00 Figure 03	1	Jul 3/2006
	2	Jul 3/2006
25-21-00 Figure 04	1	Jul 3/2006
	2	Jul 3/2006
25-21-00 Figure 05	1	Jul 5/2004
	2	Jul 5/2004
25-21-00 Figure 06	1	Jul 3/2006

CESSNA AIRCRAFT COMPANY
MODEL 310 THRU 310D
ILLUSTRATED PARTS CATALOG

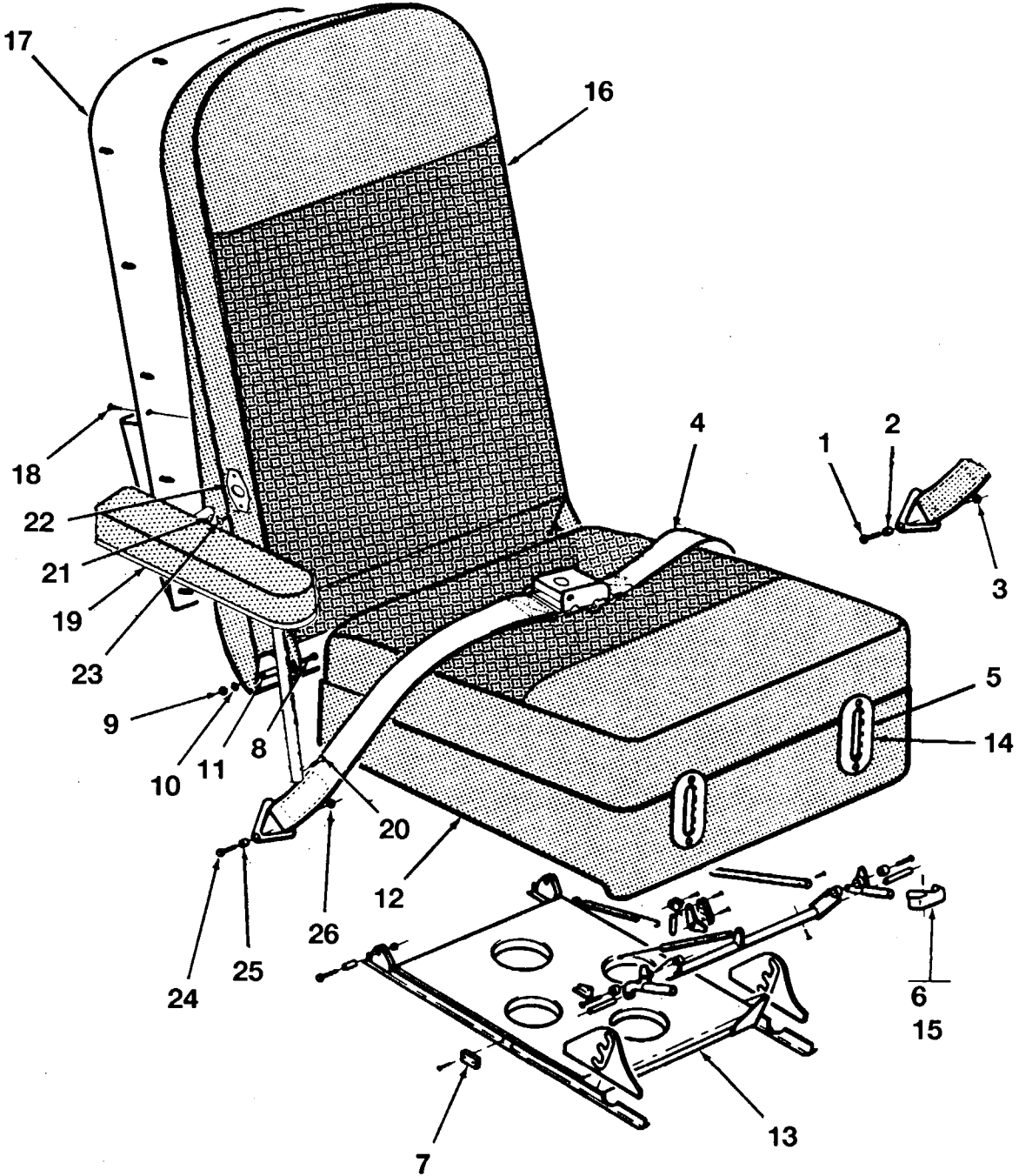
	2	Jul 3/2006
25-21-01 Figure 01	1	Jul 3/2006
	2	Jul 3/2006
25-21-02 Figure 01	1	Jul 5/2004
	2	Jul 5/2004
25-50-00 Figure 01	1	Jul 5/2004
	2	Jul 5/2004
25-50-00 Figure 02	1	Jul 5/2004
	2	Jul 5/2004
25-60-00 Figure 01	1	Jul 5/2004
	2	Jul 5/2004
25-60-00 Figure 02	1	Jul 5/2004
	2	Jul 5/2004
25-60-00 Figure 03	1	Jul 5/2004
	2	Jul 5/2004
25-70-00 Figure 01	1	Jul 3/2006
	2	Jul 3/2006
25-80-00 Figure 01	1	Jul 5/2004
	2	Jul 5/2004

**CESSNA AIRCRAFT COMPANY
MODEL 310 THRU 310D
ILLUSTRATED PARTS CATALOG**

<u>SUBJECT</u>	<u>CH SEC SUBJ FIG</u>	<u>EFFECTIVITY</u>
FRONT SEAT INSTALLATION	25-10-00-01	
FRONT SEAT PAN AND ACTUATING MECHANISM	25-10-00-02	
CREW SEAT BELT AND SHOULDER HARNESS INSTALLATION	25-10-00-03	35000 039299
GLOVE COMPARTMENT INSTALLATION	25-10-01-01	
SMALL GLOVE BOX INSTALLATION	25-10-01-02	35547 & ON
UPHOLSTERY INSTALLATION	25-20-00-01	35000 35200 35202 35225
UPHOLSTERY INSTALLATION	25-20-00-02	35201 35201 35226 35546
UPHOLSTERY INSTALLATION	25-20-00-03	35547 35571
UPHOLSTERY INSTALLATION	25-20-00-04	35772 & ON
UPHOLSTERY TRIM INSTALLATION	25-20-01-01	35000 35546
UPHOLSTERY TRIM INSTALLATION	25-20-01-02	35547 & ON
CARPET INSTALLATION	25-20-02-01	35000 35546
CARPET INSTALLATION	25-20-02-02	35547 35771
CARPET INSTALLATION	25-20-02-03	35772 & ON
CABIN EQUIPMENT AND SEATING	25-21-00-01	
REAR SEAT INSTALLATION	25-21-00-02	
SHOULDER HARNESS INSTALLATION	25-21-00-03	
RECLINING REAR SEAT INSTALLATION	25-21-00-04	35547 & ON
RECLINING REAR SEAT ADJUSTMENT MECHANISM INSTALLATION	25-21-00-05	
AFT SINGLE SEAT INSTALLATION	25-21-00-06	35772 & ON
LOUNGE INSTALLATION	25-21-01-01	35772 & ON
CENTER SINGLE SEAT INSTALLATION	25-21-02-01	
BAGGAGE COMPARTMENT UPHOLSTERY INSTALLATION	25-50-00-01	35000 35546
BAGGAGE COMPARTMENT UPHOLSTERY INSTALLATION	25-50-00-02	35547 35771
FLARE INSTALLATION	25-60-00-01	35000 35546
FLARE INSTALLATION	25-60-00-02	35547 & ON
PORTABLE STRETCHER INSTALLATION	25-60-00-03	
WINTERIZATION BAFFLES INSTALLATION	25-70-00-01	
CABIN SOUNDPROOFING SEALS AND BOOTS INSTALLATION	25-80-00-01	35547 & ON

CESSNA AIRCRAFT COMPANY
MODEL 310 THRU 310D
ILLUSTRATED PARTS CATALOG

A55678



FRONT SEAT INSTALLATION
FIGURE 01 (SHEET 1)

CESSNA AIRCRAFT COMPANY
MODEL 310 THRU 310D
ILLUSTRATED PARTS CATALOG

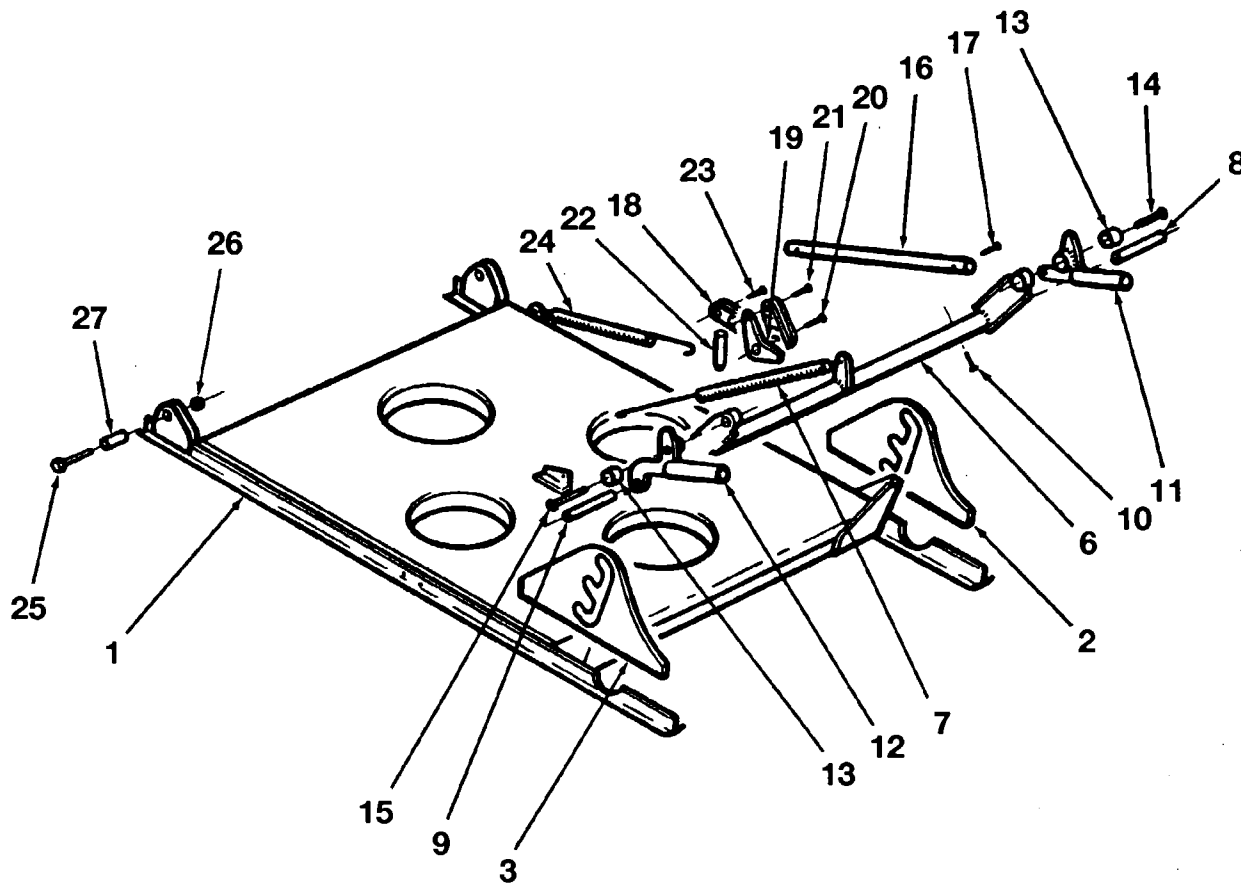
FIG ITEM	PART NUMBER	NOMENCLATURE	EFFECT		UNITS PER ASSY
			FROM	TO	
01		FRONT SEAT INSTALLATION			RF
- 0		. SEAT INSTALLATION-LH FRONT			RF
- A		. SEAT INSTALLATION-RH FRONT			RF
1	AN4-6A	. BOLT-ATTACH SAFETY BELT OUTBD			1
2	NAS43-4-20	. SPACER-ATTACH SAFETY BELT OUTBD			1
3	MS21044N4	. NUT-ATTACH SAFETY BELT OUTBD			1 R
4	0311710-7	. BELT-SEAT FSO S1746-2	35000	35200	NP
- 4A	LL01AL28AL30AA	. BELT ASSY-SEAT	35202	35225	
			35000	35200	1 R
			35202	35225	
			35772	39031	
- 4B	0311710-11	. BELT-SEAT FSO S1746-2	35201	35201	NP
			35226	35771	
- 4C	LL01AL28AL30AA	. BELT ASSY-SEAT	35201	35201	1 R
			35226	35771	
- 4D	0311710-12	. BELT-SEAT FSO S1746-2	35772	39031	NP
- 4E	LL01AL28AL30AA	. BELT ASSY-SEAT	39032	& ON	1 R
5	0812200-81	. ESCUTCHEON	35000	35546	2
- 5A	S-1021Z-4-4	. SCREW-ATTACH ESCUTCHEON	35000	35546	4
6	0812205-1	. SEAT HANDLE	35000	35546	2
- 6A	MS16562-17	. PIN-ATTACH SEAT HANDLES	35000	35546	4
7	0812200-111	. STOP PLATE			1
- 7A	AN525-832R12	. SCREW-ATTACH PLATE			2
8	AN3-10A	. BOLT-ATTACH SEAT BOTTOM TO SEAT BACK			2
9	MS21045L3	. NUT-ATTACH SEAT BOTTOM TO SEAT BACK			2 R
10	NAS1149F0363P	. WASHER-ATTACH SEAT BOTTOM TO SEAT BACK			2 R
11	NAS43-3-8	. SPACER-ATTACH SEAT BOTTOM TO SEAT BACK			2
- 11A	0812200-91	. BOTTOM ASSY	35000	35200	1
			35202	35225	
- 11B	0812200-97	. BOTTOM ASSY	35201	35201	1
			35226	35546	
- 11C	0812536-5	. SEAT BOTTOM ASSY	35547	& ON	1
12	0891103-1	. SEAT BOTTOM-BARE LESS PAN AND ACTUATING MECHANISM	35000	35200	1
			35202	35225	
- 12A	0891103-2	. SEAT BOTTOM-BARE LESS PAN AND ACTUATING MECHANISM	35201	35201	1
			35226	35546	
- 12B	0891103-4	. SEAT BOTTOM-BARE LESS PAN AND ACTUATING MECHANISM	35547	& ON	1
- 12C	0891104-1	. UPHOLSTERY COVER ASSY-SEAT BOTTOM	35000	35200	1
			35202	35225	
- 12D	0811455-28	. UPHOLSTERY COVER ASSY-SEAT BOTTOM	35201	35201	1
			35226	35546	
- 12E	0812536-4	. COVER-SEAT BOTTOM	35547	& ON	1
13		. PAN & ACTUATING MECHANISM-FRONT SEAT REFER TO 25-10-00 FIGURE 02			RF
14	0812200-81	. ESCUTCHEON	35547	& ON	2
- 14A	S-1021Z-4-4	. SCREW-ATTACH ESCUTCHEON PLATE	35547	& ON	4
15	0700106-2	. KNOB-SEAT	35547	& ON	2
- 15A	S-1021Z-6-8	. SCREW-ATTACH HANDLE	35547	& ON	2

**CESSNA AIRCRAFT COMPANY
MODEL 310 THRU 310D
ILLUSTRATED PARTS CATALOG**

FIG ITEM	PART NUMBER	NOMENCLATURE	EFFECT		UNITS	
			FROM	TO	PER	ASSY
01						
16	0812200-92	. BACK ASSY-FRONT SEAT	35000	35200	1	
- 16A	0812200-96	. BACK ASSY-FRONT SEAT	35202	35225		
			35201	35201	1	
			35226	35546		
- 16B	0812536-2	. BACK ASSY-FRONT SEAT	35547	39031	1	
- 16C	0812536-79	. BACK ASSY-LH FRONT SEAT	39032	& ON	1	
- 16D	0812536-78	. BACK ASSY-RH FRONT SEAT	39032	& ON	1	
- 16E	0891104-2	. UPHOLSTERY COVER ASSY-SEAT BACK	35000	35200	1	
			35202	35225		
- 16F	0811455-4	. UPHOLSTERY COVER ASSY-SEAT BACK	35201	35201	1	
			35226	35546		
- 16G	0812536-3	. COVER ASSY-SEAT BACK	35547	& ON	1	
17	0812536-6	. PANEL ASSY-SEAT BACK	35547	& ON	1	
18	S-1023Z-6-8	. SCREW-ATTACH PANEL ASSY	35547	& ON	2	
- 18A	S1066C2	. WASHER-ATTACH PANEL ASSY	35547	& ON	2	
- 18B	S3712-6	. NUT-ATTACH PANEL ASSY	35547	& ON	2	R
19	0812536-73	. ARM REST ASSY-LH FRONT SEAT INBD	39032	& ON	1	
- 19A	0812536-72	. ARM REST ASSY-RH FRONT SEAT INBD	39032	& ON	1	
- 19B	0812536-69	. BACK ASSY-LH INBD ARM REST			1	
- 19C	0812536-68	. COVER ASSY-RH INBD ARMREST			1	
20	NKN221-8	. SCREW			1	
21	0812970-2	. GUIDE-ATTACH ARM REST	39032	& ON	1	
- 21A	0812968-1	. SPRING-RETRACTION LH SEAT BACK	39032	39169	1	
- 21B	0812968-2	. SPRING-RETRACTION RH SEAT BACK	39032	39169	1	
- 21C	0812965-1	. SPRING-ARM REST BRACKET	39032	& ON	1	
22	0812966-1	. PLATE-ARM REST INBD	39032	& ON	1	
23	S-1021A-4-8C	. SCREW-ATTACH ESCUTCHEON PLATE	39032	& ON	2	
24	AN4-13A	. BOLT-ATTACH SAFETY BELT INBD			1	
25	NAS43-4-55	. SPACER-ATTACH SAFETY BELT INBD			1	
- 25A	NAS43DD6-43FC	. SPACER-ATTACH SAFETY BELT INBD			1	R
26	MS21044N4	. NUT-ATTACH SAFETY BELT INBD			1	R

CESSNA AIRCRAFT COMPANY
MODEL 310 THRU 310D
ILLUSTRATED PARTS CATALOG

A55679



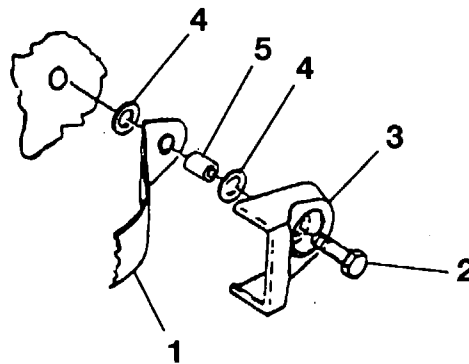
FRONT SEAT PAN AND ACTUATING MECHANISM
FIGURE 02 (SHEET 1)

CESSNA AIRCRAFT COMPANY
MODEL 310 THRU 310D
ILLUSTRATED PARTS CATALOG

FIG ITEM	PART NUMBER	NOMENCLATURE	EFFECT		UNITS PER ASSY
			FROM	TO	
02		FRONT SEAT PAN AND ACTUATING MECHANISM REFER TO 25-10-00 FIGURE			RF
-		01 FOR NHA			
1	0812200-6	. PAN ASSY			1
2	0812200-33	. . BRACKET-ADJUSTMENT LH			1
3	0812200-34	. . BRACKET-ADJUSTMENT RH			1
- 4		. DELETED-NOT USED			
- 5		. DELETED-NOT USED			
6	0812200-38	. WELD ASSY			1
7	0310196-4	. SPRING			1
8	0812200-49	. PIN LH-ATTACH ACTUATOR ASSY LH			1
9	0812200-50	. PIN RH-ATTACH ACTUATOR ASSY RH			1
10	MS20392-1-13	. PIN-ATTACH ACTUATOR ASSY PINS			2
- 10A	MS24665-130	. PIN COTTER-ATTACH ACTUATOR ASSY PINS			2
11	0812200-43	. ARM ASSY LH	35000	35546	1
- 11A	0812200-103	. ARM ASSY LH	35547	99999	1
12	0812200-44	. ARM ASSY RH	35000	35546	1
- 12A	0812200-102	. ARM ASSY RH	35547	99999	1
13	NAS43-4-12	. SPACER			2
14	MS20392-3-43	. PIN-ATTACH LH ARM			1
15	MS20392-3-37	. PIN-ATTACH RH ARM			1
- 15A	MS24665-132	. COTTER PIN-ATTACH ARM PINS			2
16	0812200-47	. SLIDE RELEASE TUBE			1
17	MS20392-1-11	. PIN-ATTACH SLIDE RELEASE TUBE TO ARM			1
- 17A	MS24665-130	. COTTER PIN-ATTACH SLIDE RELEASE TUBE TO ARM			1
- 17B	NAS1149FN616P	. WASHER-ATTACH SLIDE RELEASE TUBE TO ARM			1 R
18	0812200-52	. PIVOT ARM ASSY			1
19	0812201-1	. PIN-STOP			1
20	MS20392-2-13	. PIN-ATTACH PIVOT ARM TO PAN			1
- 20A	NAS1149F0332P	. WASHER-ATTACH PIVOT ARM TO PAN			1 R
- 20B	MS24665-132	. COTTER PIN-ATTACH PIVOT ARM TO PAN			1
21	MS20392-1-15	. PIN-ATTACH PIVOT ARM TO SLIDE RELEASE TUBE			1
- 21A	NAS1149FN432P	. WASHER-ATTACH PIVOT ARM TO SLIDE RELEASE TUBE			1 R
- 21B	MS24665-130	. COTTER PIN-ATTACH PIVOT ARM TO SLIDE RELEASE TUBE			1
22	0812200-51	. LOCK PIN			1
23	MS20392-1-11	. PIN-ATTACH PIVOT ARM TO LOCK PIN			1
- 23A	MS24665-130	. COTTER PIN-ATTACH PIVOT ARM TO LOCK PIN			1
24	0310196-3	. SPRING			1
25	AN3-5A	. BOLT-ATTACH SEAT BOTTOM FRAME TO PAN			2
26	MS21045L3	. NUT-ATTACH SEAT BOTTOM FRAME TO PAN			2 R
27	NAS43-3-11	. SPACER-ATTACH SEAT BOTTOM FRAME TO PAN			2

CESSNA AIRCRAFT COMPANY
MODEL 310 THRU 310D
ILLUSTRATED PARTS CATALOG

A61622



CREW SEAT BELT AND SHOULDER HARNESS INSTALLATION
FIGURE 03 (SHEET 1)

A0890019

CESSNA AIRCRAFT COMPANY
MODEL 310 THRU 310D
ILLUSTRATED PARTS CATALOG

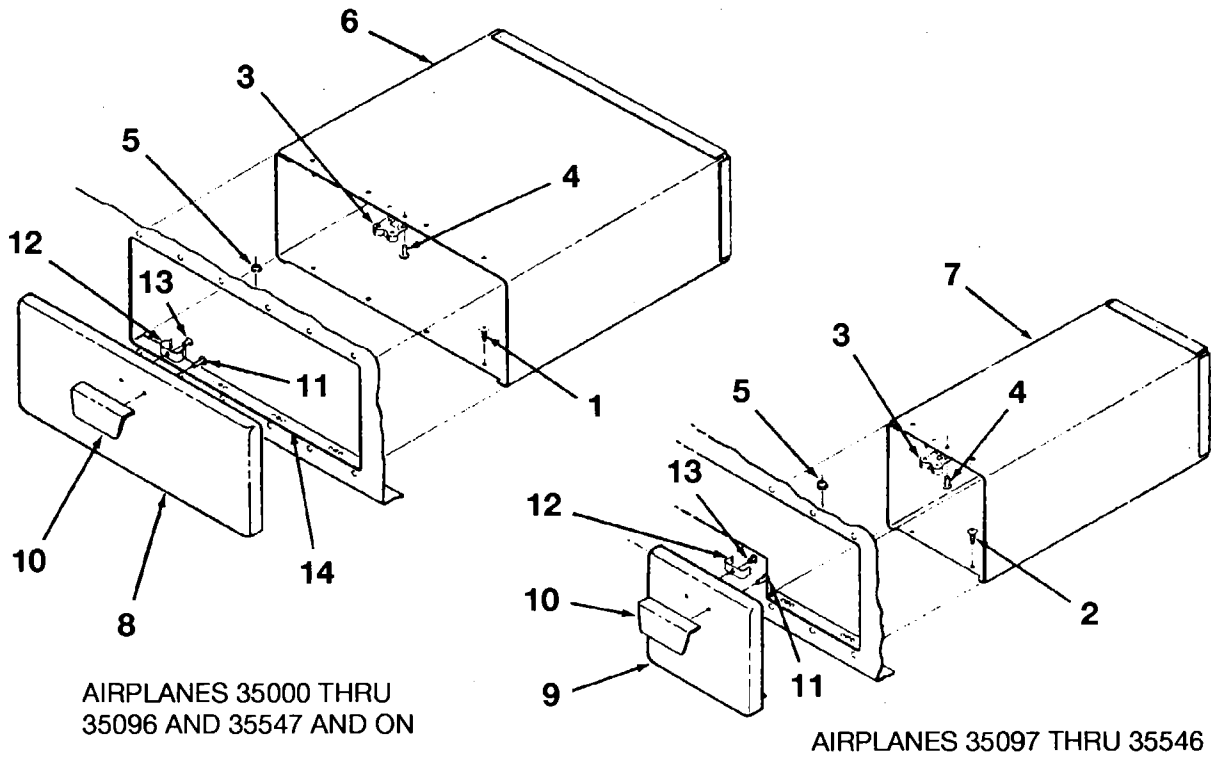
FIG ITEM	PART NUMBER	NOMENCLATURE	EFFECT		UNITS
			FROM	TO	PER ASSY
03					
-		CREW SEAT BELT AND SHOULDER HARNESS INSTALLATION REFER TO NOTE 1	35000	039299	RF R
1	502987-401-2251	. BELT ASSY	V0FWE1		02 R
2	NAS464P4A8	. BOLT			02 R
3	0415010-1	. COVER			02 R
4	NAS1149F0663P	. WASHER			04 R
5	NAS43HT4-24	. SPACER			02 R
- 6	MS21044N4	. NUT			04 R
- 7	0812868-1	. DOUBLER			01 R
- 8	0812868-2	. DOUBLER			01 R
		ATTACHING PARTS			
- 9	CR3242-4-04	. RIVET	V11815		30 R
- 10	MS20470AD3-5	. RIVET	V11815		04 R

NOTE 1—AIRPLANES -35000 THRU -39229 INCORPORATING MEB96-11

R

CESSNA AIRCRAFT COMPANY
MODEL 310 THRU 310D
ILLUSTRATED PARTS CATALOG

A55688



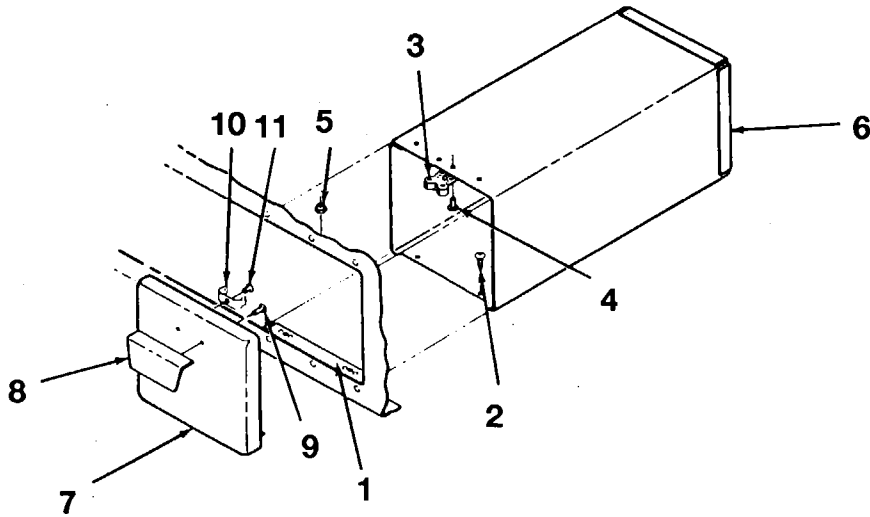
GLOVE COMPARTMENT INSTALLATION
FIGURE 01 (SHEET 1)

CESSNA AIRCRAFT COMPANY
MODEL 310 THRU 310D
ILLUSTRATED PARTS CATALOG

FIG ITEM	PART NUMBER	NOMENCLATURE	EFFECT		UNITS PER ASSY
			FROM	TO	
01		GLOVE COMPARTMENT INSTALLATION			RF
- 0		GLOVE COMPARTMENT INSTALLATION-REFER TO 31-10-00 FIGURE 01 FOR NHA	35000	35096	RF
- A		GLOVE COMPARTMENT INSTALLATION-REFER TO 31-10-00 FIGURE 02 FOR NHA	35097	35546	RF
- B		GLOVE COMPARTMENT INSTALLATION-REFER TO 31-10-00 FIGURE 03 FOR NHA	35547	& ON	RF
1	S-1021Z-6-6	SCREW-ATTACH GLOVE COMPARTMENT	35000	35096	8
			35547	& ON	
2	S-1021Z-6-6	SCREW-ATTACH GLOVE COMPARTMENT	35097	35546	4
3	0713009-2	CATCH-GLOVE COMPARTMENT			1
4	AN515-6R6	SCREW-ATTACH CATCH			2
5	MS21044N06	NUT-ATTACH CATCH			2 R
6	0813500-28	WELD ASSY-GLOVE	35000	35096	1
- 6A	0813470-1	BOX ASSY-GLOVE	35547	& ON	1
7	0813500-26	GLOVE BOX-GLOVE	35097	35546	1
8	0813500-29	DOOR ASSY-GLOVE COMPARTMENT	35000	35096	1
- 8A	0813470-3	DOOR ASSY-GLOVE COMPARTMENT	35547	& ON	1
9	0813500-27	DOOR ASSY-GLOVE COMPARTMENT	35097	35546	1
10	0813508-1	KNOB ASSY-GLOVE COMPARTMENT DOOR			1
11	AN515-8R6	SCREW-ATTACH KNOB			2
12	0713009-1	CLIP-GLOVE COMPARTMENT DOOR			1
13	AN515-6R4	SCREW-ATTACH CLIP			1
- 13A	MS21044N06	NUT-ATTACH CLIP			1 R
14	0813466-1	ANGLE ASSY-REINFORCING	35547	& ON	2
- 14A	NAS444-1-A	NUTPLATE-TINNERMAN A8580-6Z-3			4

CESSNA AIRCRAFT COMPANY
MODEL 310 THRU 310D
ILLUSTRATED PARTS CATALOG

A55927



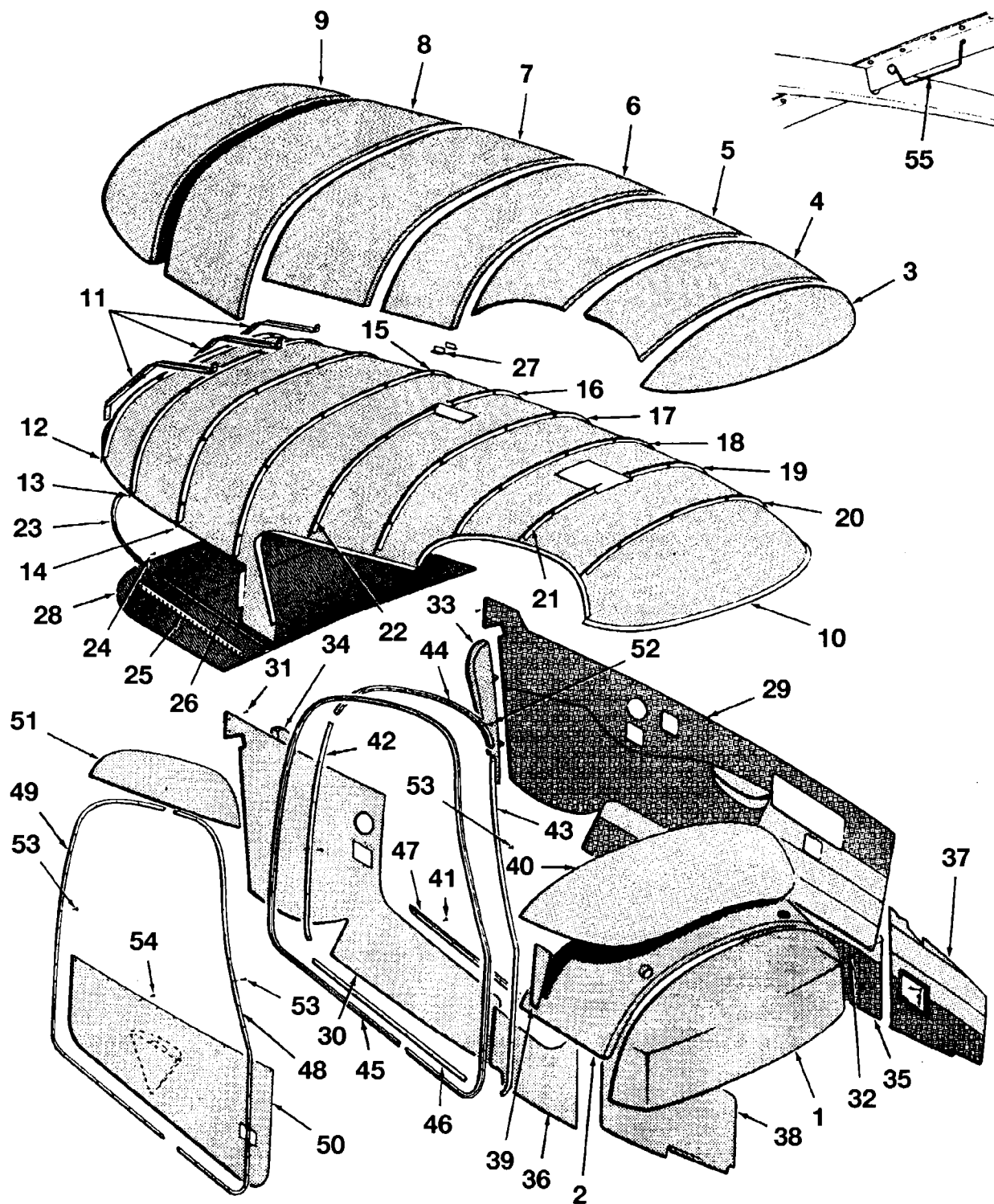
AIRPLANES 35547 AND ON
SMALL GLOVE BOX INSTALLATION
FIGURE 02 (SHEET 1)

CESSNA AIRCRAFT COMPANY
MODEL 310 THRU 310D
 ILLUSTRATED PARTS CATALOG

FIG ITEM	PART NUMBER	NOMENCLATURE	EFFECT		UNITS PER ASSY
			FROM	TO	
		1 2 3 4 5 6 7			
02		SMALL GLOVE BOX INSTALLATION			
-			35547	& ON	RF
1	0812603-1	. BRACKET ASSY-GLOVE BOX			1
- 1A	0812603-2	. BRACKET ASSY-GLOVE BOX			1
- 1B	NAS444-4-A	. NUTPLATE			2
2	S-1021Z-6-6	. SCREW-ATTACH GLOVE BOX			4
3	0713009-2	. CATCH-GLOVE BOX			1
4	AN515-6R6	. SCREW-ATTACH CATCH			2
5	H10-06	. NUT-ATTACH CATCH			2
6	0813500-26	. GLOVE BOX-GLOVE			1
7	0813500-27	. DOOR ASSY-GLOVE BOX			1
8	0813508-1	. KNOB ASSY-GLOVE BOX DOOR			1
9	AN515-8R6	. SCREW-ATTACH KNOB			2
10	0713009-1	. CLIP-GLOVE BOX DOOR			1
11	AN515-6R4	. SCREW-ATTACH CLIP			1
- 11A	MS21044N06	. NUT-ATTACH CLIP			1 R

CESSNA AIRCRAFT COMPANY
MODEL 310 THRU 310D
ILLUSTRATED PARTS CATALOG

A55667



UPHOLSTERY INSTALLATION
FIGURE 01 (SHEET 1)

**CESSNA AIRCRAFT COMPANY
MODEL 310 THRU 310D
ILLUSTRATED PARTS CATALOG**

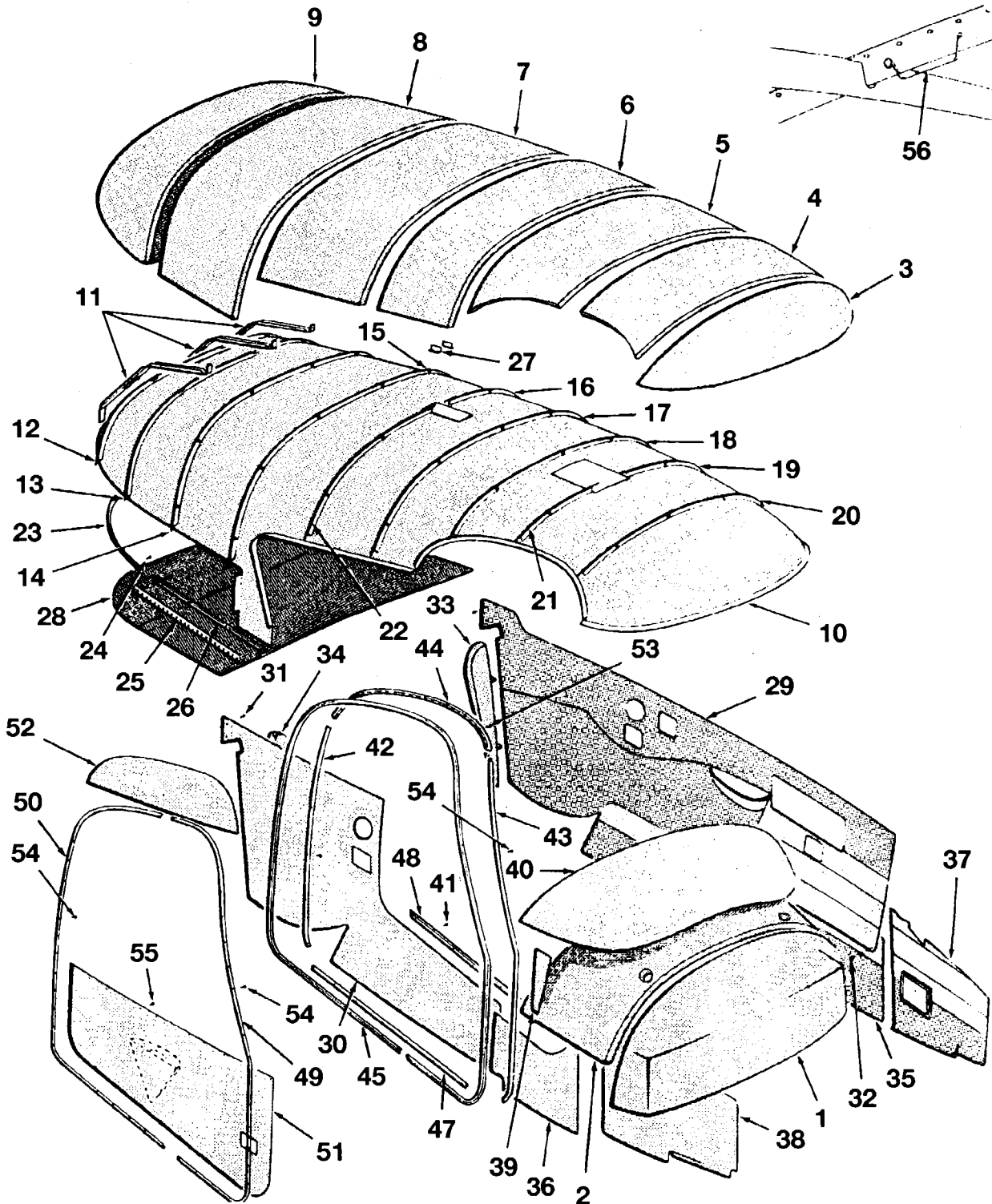
FIG ITEM	PART NUMBER	NOMENCLATURE	EFFECT		UNITS PER ASSY
			FROM TO		
01		UPHOLSTERY INSTALLATION	35000	35200	RF
-			35202	35225	
- 0		UPHOLSTERY TRIM INSTALLATION-REFER TO 25-20-01 FIGURE 01 FOR BREAKDOWN			RF
- A		UPHOLSTERY INSTALLATION-BAGGAGE COMPARTMENT REFER TO 25-50-01 FIGURE 01 FOR BREAKDOWN			RF
- B		CARPET INSTALLATION-REFER TO 25-20-02 FIGURE 01 FOR BREAKDOWN			RF
1	0811470-19	INSULATION-FIREWALL			1
2	0811470-33	INSULATION-INSTRUMENT PANEL DECK			1
3	0811470-21	INSULATION-CABIN TOP			1
4	0811470-22	INSULATION-CABIN TOP			1
5	0811470-23	INSULATION-CABIN TOP			1
6	0811470-24	INSULATION-CABIN TOP			1
7	0811470-25	INSULATION-CABIN TOP			1
8	0811470-26	INSULATION-CABIN TOP			1
9	0811400-47	BOOT ASSY-INSULATION			1
10	0811400-1	HEADLINER			1
11	0811400-3	SUPPORT-HEADLINER			3
12	0811400-5	WIRE-HEADLINER			1
13	0811400-6	WIRE-HEADLINER			1
14	0811400-7	WIRE-HEADLINER			1
15	0811400-8	WIRE-HEADLINER			1
16	0811400-9	WIRE-HEADLINER			1
17	0811400-10	WIRE-HEADLINER			1
18	0811400-11	WIRE-HEADLINER			1
19	0811400-12	WIRE-HEADLINER			1
20	0811400-13	WIRE-HEADLINER			1
21	0811400-42	WIRE-HEADLINER			1
22	0811400-44	WIRE-HEADLINER			1
23	0811400-39	RETAINER-UPHOLSTERY LH			1
- 23A	0811400-38	RETAINER-UPHOLSTERY RH			1
24	S-1021Z-4-4	SCREW-ATTACH UPHOLSTERY RETAINERS			28
25	0811400-43	RETAINER-UPHOLSTERY			2
26	0811400-40	RETAINER-UPHOLSTERY			2
27		SHIELD ASSY-SWITCH REFER TO 33-10-00 FIGURE 02			RF
28	0811430-53	COVER ASSY-BAGGAGE SHELF			1
29	0811485-3	PANEL-UPHOLSTERY LH			1
30	0811485-2	PANEL-UPHOLSTERY RH			1
31	S-1021Z-4-6	SCREW-ATTACH UPHOLSTERY PANEL			4
32	S-1023Z-6-8	SCREW-ATTACH UPHOLSTERY PANEL			1
33	0811485-5	PANEL-UPHOLSTERY LH			1
34	0811485-4	PANEL-UPHOLSTERY RH			1
35	0811480-72	PANEL-LOWER UPHOLSTERY LH			1
36	0811480-4	PANEL-LOWER UPHOLSTERY RH			1
37	0811480-6	PANEL-FORWARD UPHOLSTERY LH			1
38	0811480-3	PANEL-FORWARD UPHOLSTERY RH			1
39	0811480-2	PANEL-UPPER UPHOLSTERY RH			1
40	0811470-40	COVER-INSTRUMENT PANEL DECK			1
41	S-1021Z-4-8	SCREW-ATTACH UPHOLSTERY PANELS			18
- 41A	NAS1149DN432H	WASHER-ATTACH UPHOLSTERY PANELS TO CABIN FLOOR			12 R
42	0811440-9	RETAINER-AFT JAMB			1
43	0811440-8	RETAINER-FORWARD JAMB			1
44	0811440-14	CLIP ASSY			1
45	0811440-63	WINDLACE			1
46	0811440-65	RETAINER-LOWER JAMB			1
47	0811440-72	RETAINER-UPHOLSTERY			1
48	0811440-56	RETAINER-DOOR UPHOLSTERY FORWARD			1
49	0811440-55	RETAINER-DOOR UPHOLSTERY AFT			1
50	0811440-22	PANEL-DOOR UPHOLSTERY LOWER REFER TO NOTE 1			1
- 50A	0811440-70	PANEL-DOOR UPHOLSTERY LOWER REFER TO NOTE 2			1
51	0811440-2	PANEL DOOR UPHOLSTERY UPPER			1
52	S-1021Z-4-4	SCREW-ATTACH CLIP ASSY TO AIRFRAME			10
53	S-1022A-4-4	SCREW-ATTACH UPHOLSTERY RETAINERS			59
54	S-1021Z-4-6	SCREW-ATTACH UPHOLSTERY PANELS			17
55	0811400-36	SUPPORT-WIRE RH			17
- 55A	0811400-37	SUPPORT-WIRE LH			16

NOTE 1—EFFECTIVE SERIALS 35000 THRU 35022, 35024 THRU 35047, 35049 THRU 35061, 35063 THRU 35068, 35070 THRU 35074.

NOTE 2—EFFECTIVE SERIALS 35023, 35048, 35062, 35069, 35075 THRU 35200, 35202 THRU 35225

CESSNA AIRCRAFT COMPANY
MODEL 310 THRU 310D
 ILLUSTRATED PARTS CATALOG

A55668



AIRPLANES 35201 AND 35226 THRU 35546
 UPHOLSTERY INSTALLATION
 FIGURE 02 (SHEET 1)

**CESSNA AIRCRAFT COMPANY
MODEL 310 THRU 310D
ILLUSTRATED PARTS CATALOG**

FIG ITEM	PART NUMBER	NOMENCLATURE	EFFECT		UNITS PER ASSY
			FROM	TO	
02		UPHOLSTERY INSTALLATION	35201	35201	RF
-			35226	35546	
- 0		UPHOLSTERY TRIM INSTALLATION-REFER TO 25-20-01 FIGURE 01 FOR BREAKDOWN			RF
- A		UPHOLSTERY INSTALLATION-BAGGAGE COMPARTMENT REFER TO 25-50-00 FIGURE 01 FOR BREAKDOWN			RF
- B		CARPET INSTALLATION-REFER TO 25-20-02 FIGURE 01 FOR BREAKDOWN			RF
1	0811470-19	INSULATION-FIREWALL			1
2	0811470-33	INSULATION-INSTRUMENT PANEL DECK			1
3	0811470-21	INSULATION-CABIN TOP			1
4	0811470-22	INSULATION-CABIN TOP			1
5	0811470-23	INSULATION-CABIN TOP			1
6	0811470-24	INSULATION-CABIN TOP			1
7	0811470-25	INSULATION-CABIN TOP			1
8	0811470-26	INSULATION-CABIN TOP			1
9	0811400-47	BOOT ASSY-INSULATION			1
10	0811400-1	HEADLINER	35201	35201	1
			35226	35226	
			35227	35227	
			35229	35249	
- 10A	0811400-48	HEADLINER	35228	35228	1
			35250	35546	
11	0811400-3	SUPPORT-HEADLINER			3
12	0811400-5	WIRE-HEADLINER			1
13	0811400-6	WIRE-HEADLINER			1
14	0811400-7	WIRE-HEADLINER			1
15	0811400-8	WIRE-HEADLINER			1
16	0811400-9	WIRE-HEADLINER			1
17	0811400-10	WIRE-HEADLINER			1
18	0811400-11	WIRE-HEADLINER			1
19	0811400-12	WIRE-HEADLINER			1
20	0811400-13	WIRE-HEADLINER			1
21	0811400-42	WIRE-HEADLINER			1
22	0811400-44	WIRE-HEADLINER			1
23	0811400-39	RETAINER-UPHOLSTERY LH			1
- 23A	0811400-38	RETAINER-UPHOLSTERY RH			1
		ATTACHING PARTS			
24	S-1021Z-4-4	SCREW-ATTACH UPHOLSTERY RETAINERS			28
25	0811400-43	RETAINER-UPHOLSTERY	35201	35201	2
			35226	35226	
			35227	35227	
			35229	35249	
- 25A	0811402-1	RETAINER-UPHOLSTERY	35228	35228	2
			35250	35546	
26	0811400-40	RETAINER-UPHOLSTERY	35201	35201	2
			35226	35226	
			35227	35227	
			35229	35249	
- 26A	0811401-1	RETAINER-UPHOLSTERY	35228	35228	2
			35250	35546	
27		SHIELD ASSY-SWITCH REFER TO 33-10-00 FIGURE 02			RF
28	0811430-53	COVER ASSY-BAGGAGE SHELF	35201	35201	1
			35226	35226	
			35227	35227	
			35229	35249	
- 28A	0811430-63	COVER ASSY-BAGGAGE SHELF	35228	35228	1
			35250	35546	
29	0811451-51	PANEL ASSY-UPHOLSTERY LH	35201	35201	1
			35226	35226	
			35227	35227	
			35229	35249	
- 29A	0811451-28	PANEL ASSY-UPHOLSTERY LH	35228	35228	1
			35250	35546	
30	0811451-23	PANEL ASSY-UPHOLSTERY RH	35201	35201	1
			35226	35226	
			35227	35227	
			35229	35249	

- ITEM NOT ILLUSTRATED

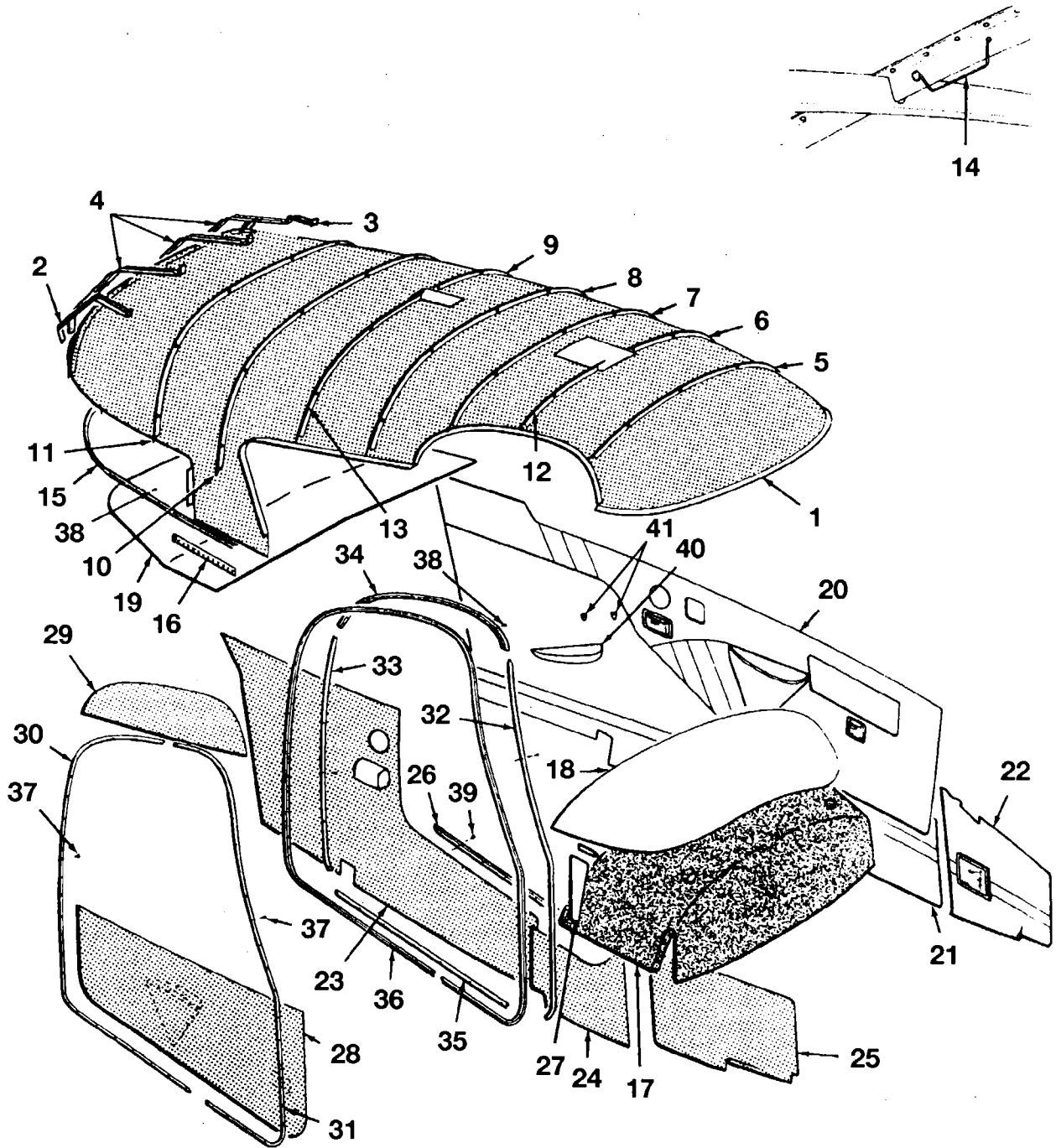
© Cessna Aircraft Company

**CESSNA AIRCRAFT COMPANY
MODEL 310 THRU 310D
ILLUSTRATED PARTS CATALOG**

FIG ITEM	PART NUMBER	NOMENCLATURE	EFFECT		UNITS PER ASSY
			FROM	TO	
02					
- 30A	0811451-9	PANEL ASSY-UPHOLSTERY RH	35228	35228	1
			35250	35546	
31	S-1021Z-4-6	SCREW-ATTACH UPHOLSTERY PANELS			4
32	S-1021Z-6-8	SCREW-ATTACH UPHOLSTERY PANELS			1
33	0811451-59	PANEL-UPHOLSTERY LH	35201	35201	1
			35226	35226	
			35227	35227	
			35229	35249	
34	0811451-68	PANEL-UPHOLSTERY RH	35201	35201	1
			35226	35226	
			35227	35227	
			35229	35249	
35	0811452-32	PANEL ASSY-LOWER UPHOLSTERY LH			1
- 35A	NAS444-1	NUT-TINNERMAN A6191-6Z-3			2
36	0811452-2	PANEL-LOWER UPHOLSTERY RH			1
37	0811452-25	PANEL-FORWARD UPHOLSTERY LH			1
38	0811452-9	PANEL-FORWARD UPHOLSTERY RH			1
39	0811452-16	PANEL-FORWARD UPHOLSTERY RH			1
40	0811470-40	COVER-INSTRUMENT PANEL DECK			1
41	S-1021Z-4-8	SCREW-ATTACH UPHOLSTERY PANELS			18
- 41A	NAS1149DN432H	WASHER-ATTACH UPHOLSTERY PANELS TO CABIN FLOOR			12 R
42	0811440-9	RETAINER-AFT JAMB			1
43	0811440-8	RETAINER-FORWARD JAMB			1
44	0811440-14	CLIP ASSY			1
45	0811440-68	WINDLACE			1
- 46		DELETED-NOT USED			
47	0811440-65	RETAINER-LOWER JAMB			1
48	0811440-72	RETAINER-UPHOLSTERY			1
49	0811440-56	RETAINER-DOOR UPHOLSTERY FORWARD			1
50	0811440-55	RETAINER-DOOR UPHOLSTERY AFT			1
51	0811453-2	UPHOLSTERY PANEL-DOOR LOWER			1
52	0811453-21	PANEL-DOOR UPHOLSTERY UPPER			1
53	S-1021Z-4-4	SCREW-ATTACH CLIP ASSY TO AIRFRAME			10
54	S-1022A-4-4	SCREW-ATTACH UPHOLSTERY RETAINERS			59
55	S-1021Z-4-6	SCREW-ATTACH UPHOLSTERY PANELS			17
56	0811400-36	SUPPORT-WIRE RH			17
- 56A	0811400-37	SUPPORT-WIRE LH			16

CESSNA AIRCRAFT COMPANY
MODEL 310 THRU 310D
ILLUSTRATED PARTS CATALOG

A55669



AIRPLANES 35547 THRU 35771

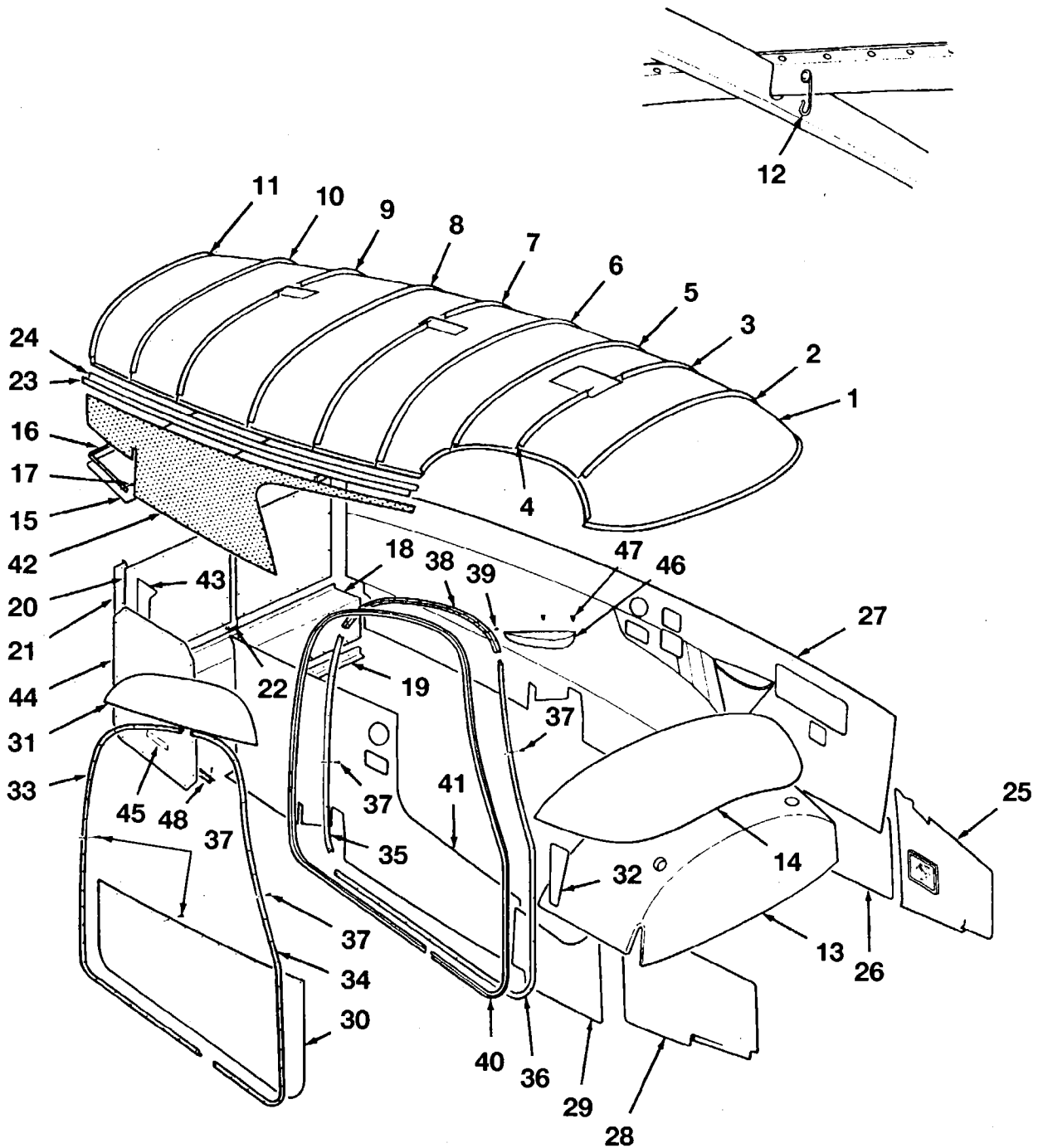
UPHOLSTERY INSTALLATION
FIGURE 03 (SHEET 1)

**CESSNA AIRCRAFT COMPANY
MODEL 310 THRU 310D
ILLUSTRATED PARTS CATALOG**

FIG ITEM	PART NUMBER	NOMENCLATURE	EFFECT		UNITS PER ASSY
			FROM	TO	
03		UPHOLSTERY INSTALLATION	35547	35571	RF
- 0		UPHOLSTERY TRIM INSTALLATION-REFER TO 25-20-01 FIGURE 02 FOR BREAKDOWN			RF
- A		UPHOLSTERY INSTALLATION-BAGGAGE COMPARTMENT REFER TO 25-50-00 FIGURE 02 FOR BREAKDOWN			RF
- B		CARPET INSTALLATION-REFER TO 25-50-02 FIGURE 02 FOR BREAKDOWN			RF
1	0811443-2	HEADLINER ASSY			1
2	0811677-1	SUPPORT ASSY-HEADLINER			1
3	0811677-2	SUPPORT ASSY-HEADLINER			1
4	0811678-1	SUPPORT-HEADLINER			3
5	0811400-13	WIRE-HEADLINER			1
6	0811400-12	WIRE-HEADLINER			1
7	0811400-11	WIRE-HEADLINER			1
8	0811400-10	WIRE-HEADLINER			1
9	0811400-9	WIRE-HEADLINER			1
10	0811400-8	WIRE-HEADLINER			1
11	0811400-7	WIRE-HEADLINER			1
12	0811400-42	WIRE-HEADLINER			1
13	0811400-44	WIRE-HEADLINER			1
14	0811400-37	WIRE SUPPORT-HEADLINER LH			15
- 14A	0811400-36	WIRE SUPPORT-HEADLINER RH			16
15	0811443-31	RETAINER-HEADLINER			1
16	0811403-1	RETAINER-HEADLINER			2
17	0811470-19	INSULATION-INSTRUMENT PANEL DECK			1
18	0811470-40	COVER-INSTRUMENT PANEL DECK			1
19	0811443-14	COVER-BAGGAGE SHELF			1
20	0811443-5	PANEL ASSY-UPHOLSTERY LH			1
21	0811443-9	UPHOLSTERY PANEL-LOWER LH			1
22	0811443-13	UPHOLSTERY PANEL-FORWARD LH			1
23	0811443-4	PANEL ASSY-UPHOLSTERY RH			1
24	0811443-8	UPHOLSTERY PANEL-LOWER RH			1
- 24A	NAS1149DN432H	WASHER-ATTACH PANELS TO FLOORBOARD			14 R
25	0811443-12	UPHOLSTERY PANEL-FORWARD RH			1
26	0811440-72	RETAINER			1
27	0811443-6	PANEL ASSY-UPHOLSTERY UPPER RH			1
28	0811443-10	DOOR UPHOLSTERY-LOWER			1
29	0811443-7	DOOR UPHOLSTERY-UPPER			1
30	0811440-55	RETAINER			1
31	0811440-56	RETAINER			1
32	0811440-8	RETAINER-FORWARD JAMB			1
33	0811440-9	RETAINER-AFT JAMB			1
34	0811440-14	CLIP ASSY			1
35	0811440-65	RETAINER-LOWER JAMB			1
36	0811443-3	WINDLACE			1
37	S-1021Z-4-4	SCREW-ATTACH UPHOLSTERY PANELS			42
38	S-1021Z-4-4	SCREW-ATTACH HEADLINER RETAINERS			27
39	S-1021Z-4-8	SCREW-ATTACH UPHOLSTERY PANELS			22
40	0812536-19	ARMREST ASSY-LH REAR			1
- 40A	0812536-87	COVER-LH ARMREST			1
- 40B	0812536-18	ARMREST ASSY-RH REAR			1
- 40C	0812536-86	COVER-RH ARMREST			1
41	0812339-1	SOCKET ASSY-ARMREST			4
- 41A	AN515-6R10	SCREW-ATTACH ARMREST TAB SOCKETS			12

CESSNA AIRCRAFT COMPANY
MODEL 310 THRU 310D
ILLUSTRATED PARTS CATALOG

A55670



AIRPLANES 35772 AND ON

UPHOLSTERY INSTALLATION
FIGURE 04 (SHEET 1)

CESSNA AIRCRAFT COMPANY
MODEL 310 THRU 310D
ILLUSTRATED PARTS CATALOG

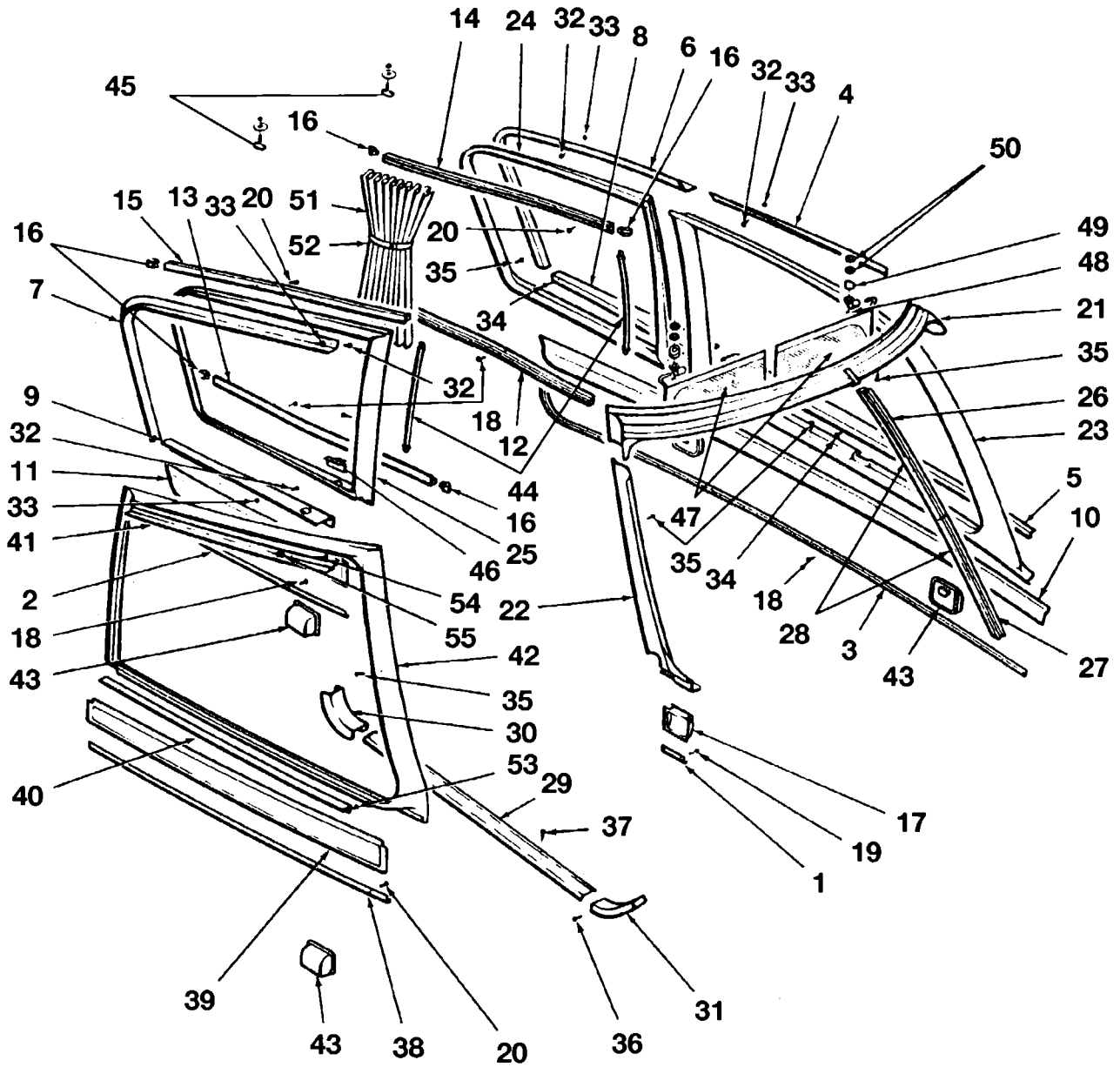
FIG ITEM	PART NUMBER	NOMENCLATURE	EFFECT FROM TO	UNITS	
				PER	ASSY
04		UPHOLSTERY INSTALLATION	35772 & ON	RF	
-		UPHOLSTERY TRIM INSTALLATION-REFER TO 25-20-01 FIGURE 02 FOR BREAKDOWN		RF	
- 0		CARPET INSTALLATION-REFER TO 25-20-02 FIGURE 03 FOR BREAKDOWN		RF	
- A		UPHOLSTERY HEADLINER ASSY			1
1	0811405-2	WIRE-HEADLINER			1
2	0811405-11	WIRE-HEADLINER			1
3	0811405-12	WIRE-HEADLINER			1
4	0811405-13	WIRE-HEADLINER			1
5	0811405-14	WIRE-HEADLINER			1
6	0811405-15	WIRE-HEADLINER			1
7	0811405-16	WIRE-HEADLINER			1
8	0811405-17	WIRE-HEADLINER			1
9	0811405-18	WIRE-HEADLINER			1
10	0811405-19	WIRE-HEADLINER			1
11	0811405-20	WIRE-HEADLINER			1
12	0811406-1	CLIP-HEADLINER WIRE			38
13	0811470-19	INSULATION-INSTRUMENT PANEL DECK			1
14	0811470-40	COVER-INSTRUMENT PANEL DECK			1
15	0811405-55	COVER ASSY-LUGGAGE SHELF			1
16	0811405-58	TRIM-LUGGAGE SHELF			1
17	S-1021A-4-6	SCREW-ATTACH TRIM			7
18	0811405-4	UPHOLSTERY ASSY-LOWER BAGGAGE WALL			1
- 18A	CM2822-2	SPRING-DZUS			8 R
- 18B	AJ4-50	STUD-ATTACH UPHOLSTERY ASSY DZUS			9 R
- 18C	GA4-250	GROMMET-ATTACH UPHOLSTERY ASSY DZUS			9
- 18D	S-1021Z-6-6	SCREW-ATTACH UPHOLSTERY ASSY			4
- 18E	S3229-1	NUT-ATTACH UPHOLSTERY ASSY TINNERMAN			4 R
19	0811652-1	SUPPORT ASSY-BOTTOM			1
- 19A	CM2822-2	SPRING-DZUS			5 R
- 19B	S-1021A-6-4	SCREW-ATTACH SUPPORT			16
20	0811405-3	UPHOLSTERY PANEL-UPPER BAGGAGE WALL			2
- 20A	AJ4-50	STUD-ATTACH UPHOLSTERY PANEL DZUS			12 R
- 20B	GA4-250	GROMMET-ATTACH UPHOLSTERY PANEL DZUS			12
21	0811617-2	SUPPORT ASSY-LUGGAGE WALL RH			1
- 21A	0811617-1	SUPPORT ASSY-LUGGAGE WALL LH			1
- 21B	CM2822-2	SPRING-ATTACH UPHOLSTERY PANEL DZUS			2 R
22	0811622-1	SUPPORT ASSY-LUGGAGE WALL			1
- 22A	CM2822-2	SPRING-ATTACH UPHOLSTERY PANEL DZUS			4 R
- 22B	MK2000-06	NUTPLATE			4
- 22C	AN515-6R8	SCREW-ATTACH SUPPORT ASSY			2
- 22D	AN507-6R8	INCOMP-MAST-ATTACH SUPPORT ASSY			2
23	0811407-4	STRIP-RETAINER SUPPORT RH			1
- 23A	0811407-3	STRIP-RETAINER SUPPORT LH			1
- 23B	NAS444-1	NUT-ANCHOR TINNERMAN A6191-6Z-3			11
24	0811407-5	RETAINER-STRIP			2
- 24A	S-1022Z-6-6	SCREW-ATTACH RETAINER			24
25	0811405-21	PANEL ASSY-LH FORWARD			1
26	0811405-25	PANEL UPHOLSTERY ASSY-LOWER LH			1
27	0811405-35	PANEL UPHOLSTERY ASSY-LH SIDE			1
28	0811405-22	PANEL-RH FORWARD			1
29	0811405-26	PANEL UPHOLSTERY ASSY-LOWER RH			1
30	0811405-53	PANEL UPHOLSTERY ASSY-LOWER DOOR			1
31	0811405-51	PANEL UPHOLSTERY ASSY-UPPER DOOR			1
32	0811405-29	PANEL UPHOLSTERY ASSY-RH SUPPORT			1
33	0811405-34	RETAINER-AFT DOOR FRAME			1
34	0811405-33	RETAINER-FORWARD DOOR FRAME			1
35	0811405-32	RETAINER-AFT DOOR JAMB			1
36	0811405-31	RETAINER-FORWARD DOOR JAMB			1
37	S-1022A-4-4	SCREW-ATTACH RETAINERS			76
38	0811440-14	CLIP ASSY			1
39	S-1021A-4-4	SCREW-ATTACH CLIP ASSY			10
40	0811405-30	WINDLACE ASSY			1

CESSNA AIRCRAFT COMPANY
MODEL 310 THRU 310D
 ILLUSTRATED PARTS CATALOG

FIG ITEM	PART NUMBER	NOMENCLATURE	EFFECT		UNITS PER ASSY
			FROM	TO	
		1 2 3 4 5 6 7			
04					
41	0811405-36	. PANEL UPHOLSTERY ASSY-RH SIDE			1
42	0811408-2	. PANEL-AFT RH			1
- 42A	0811408-1	. PANEL-AFT LH			1
43	0811405-40	. PANEL UPHOLSTERY ASSY-RH			1
- 43A	S-1021A-4-8	. SCREW-ATTACH PANELS			17
44	0811405-42	. UPHOLSTERY PANEL-BAGGAGE DOOR			1
- 44A	807	. TRIM CLIP-ATTACH PANEL AU-VE-CO			16
45	0812480-19	. PLACARD-BAGGAGE DOOR			1
- 45A	S-1021Z-4-8	. SCREW-ATTACH PLACARD			2
46	0812536-19	. ARMREST ASSY-LH REAR			1
- 46A	0812536-87	. COVER-LH ARMREST			1
- 46B	0812536-18	. ARMREST ASSY-RH REAR			1
- 46C	0812536-86	. COVER-LH ARMREST			1
47	0812339-1	. SOCKET ASSY			4
- 47A	AN515-6R10	. SCREW-ATTACH ARMREST SOCKET			12
48	0311623-2	. SCUFF PLATE			1
- 48A	S1021A-4-8	. SCREW-ATTACH SCUFF PLATE			4

CESSNA AIRCRAFT COMPANY
MODEL 310 THRU 310D
 ILLUSTRATED PARTS CATALOG

A55671



AIRPLANES 35000 THRU 35546

UPHOLSTERY TRIM INSTALLATION
 FIGURE 01 (SHEET 1)

CESSNA AIRCRAFT COMPANY
MODEL 310 THRU 310D
ILLUSTRATED PARTS CATALOG

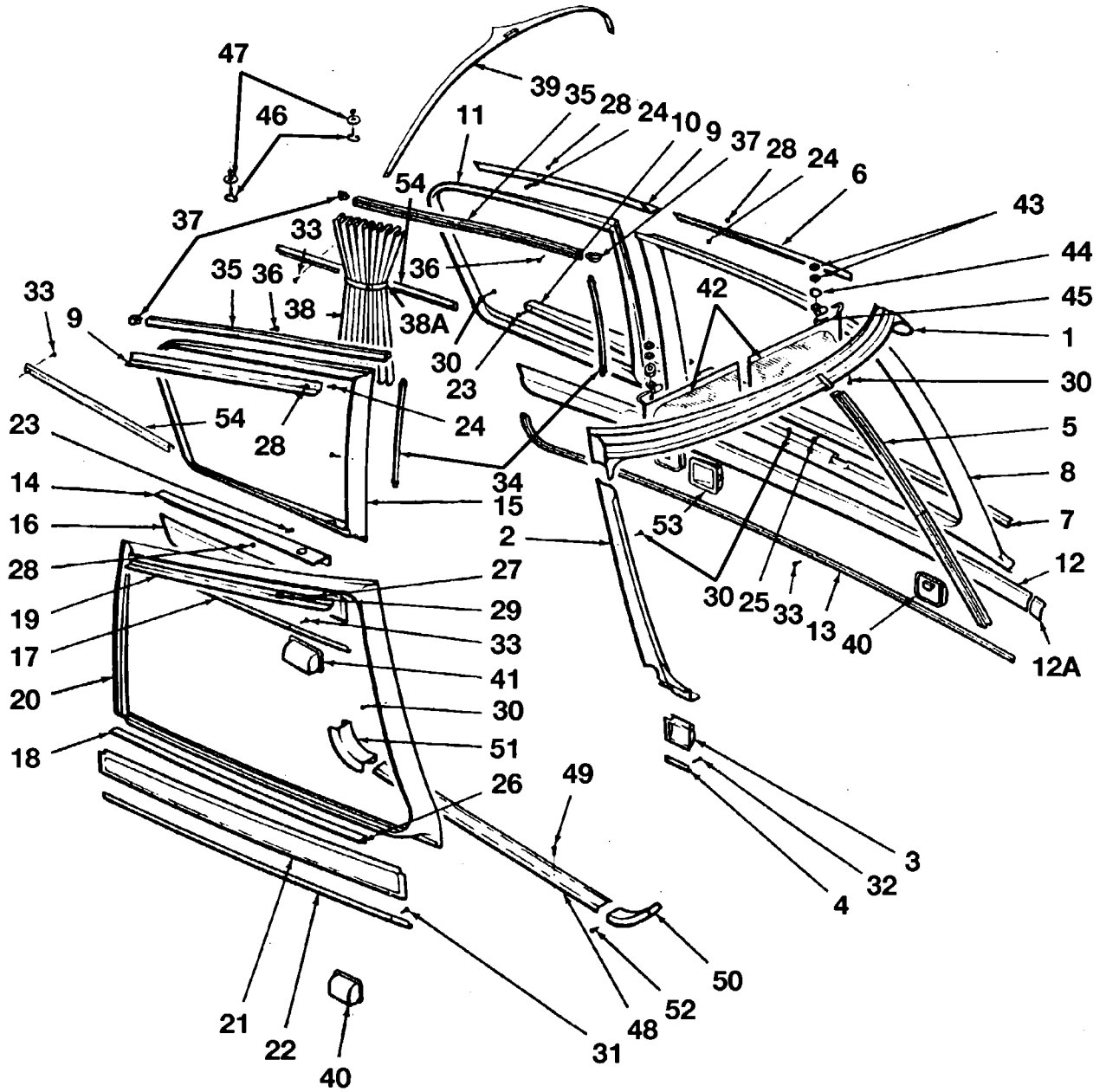
FIG ITEM	PART NUMBER	NOMENCLATURE	EFFECT		UNITS PER ASSY
			FROM	TO	
01		UPHOLSTERY TRIM INSTALLATION REFER TO 25-20-00 FIGURES 01 & 02 FOR NHA	35000	35546	RF
1	0811410-20	. RETAINER-UPHOLSTERY			1
2	0811420-14	. RETAINER-UPHOLSTERY			1
3	0811420-13	. RETAINER-UPHOLSTERY			1
4	0811680-6	. SUPPORT-LEFT FRONT WINDOW TRIM UPPER			1
5	0811680-9	. SUPPORT-LEFT FRONT WINDOW TRIM LOWER			1
6	0811690-11	. SUPPORT-LEFT REAR WINDOW TRIM UPPER	35000	35262	1
7	0811690-12	. SUPPORT-RIGHT REAR WINDOW TRIM UPPER	35000	35262	1
- 7A	0811754-1	. SUPPORT-LEFT & RIGHT REAR WINDOW TRIM UPPER	35263	35546	2
8	0811690-13	. SUPPORT-LEFT REAR WINDOW TRIM LOWER RU 352Q	35000	35262	1
- 8A	0811697-1	. SUPPORT-LEFT REAR WINDOW TRIM LOWER	35263	35546	1
9	0811690-14	. SUPPORT-RIGHT REAR WINDOW TRIM LOWER	35000	35262	1
- 9A	0811697-2	. SUPPORT-RIGHT REAR WINDOW TRIM LOWER	35263	35546	1
10	0811680-13	. TRIM-LH			1
11	0811690-9	. TRIM PAD-RH	35000	35227	1
- 11A	0811690-36	. TRIM-RH	35229	35262	
			35228	35228	1
			35263	35546	
12	0811420-19	. TRACK-LH CURTAIN LOWER			1
13	0811420-20	. TRACK-RH CURTAIN LOWER			1
14	0811420-21	. TRACK-LH CURTAIN UPPER			1
15	0811420-15	. TRACK-RH CURTAIN UPPER			1
16	0811420-16	. STOP-CURTAIN TRACK			6
17	0811700-24	. TRIM PAD			1
18	S-10212-4-8	. SCREW-ATTACH TRIM SUPPORTS & LWR CURTAIN TRACKS			31
19	S-10212-4-6	. SCREW-ATTACH FRONT RH TRIM SUPPORT			2
20	S-10212-4-4	. SCREW-ATTACH UPR CURTAIN TRACKS & DOOR TRIM SUPPORT			21
21	0811700-20	. TRIM-UPPER WINDSHIELD			1
22	0811700-21	. TRIM-RH WINDOW POST			1
23	0811680-15	. TRIM-LH FRONT WINDOW			1
24	0811690-29	. TRIM-LH REAR WINDOW	35000	35262	1
- 24A	0811755-5	. TRIM-LH REAR WINDOW	35263	35546	1
25	0811690-27	. TRIM-RH REAR WINDOW	35000	35262	1
- 25A	0811755-6	. TRIM-RH REAR WINDOW	35263	35546	1
26	0811700-46	. TRIM-CENTER STRIP UPPER	35000	35015	1
27	0811700-47	. TRIM-CENTER STRIP LOWER	35000	35015	1
28	0811700-53	. TRIM-CENTER STRIP	35016	35546	1
29	0811440-11	. STEP-DOOR JAMB			1
- 29A	0811440-52	. STEP-DOOR JAMB			1
30	0811493-1	. FILLET-AFT DOOR JAMB			1
- 30A	0811493-3	. FILLET-AFT DOOR JAMB			1
31	0811492-1	. FILLET-FORWARD DOOR JAMB			1
- 31A	0811511-1	. FILLET-FORWARD DOOR JAMB			1
32	AN515-6R4	. SCREW-ATTACH WINDOW TRIM SUPPORTS			39
33	MS20364-632C	. NUT-ATTACH WINDOW TRIM SUPPORTS			27
34	S-10222-8-8	. SCREW-ATTACH WINDOW TRIM SUPPORTS TO AIRFRAME			13
35	S-10232-6-8	. SCREW-ATTACH WINDOW & WINDSHIELD TRIM			88
- 35A	S-1066C2	. WASHER-FINISHING ATTACH WINDOW & WINDSHIELD TRIM			88
36	S-10212-4-4	. SCREW-ATTACH AFT & FORWARD DOOR JAMB FILLETS			18
37	S-1022A-6-5	. SCREW-ATTACH DOOR JAMB STEP			6
38	0811440-6	. RETAINER-MAIN DOOR TRIM PAD			1
39	0811525-7	. TRIM PAD-MAIN DOOR			1
40	0811525-5	. TRIM SUPPORT-WINDOW TRIM LOWER			1
41	0811525-6	. TRIM SUPPORT-WINDOW TRIM UPPER			1
42	0811525-8	. TRIM-DOOR WINDOW			1
43	0811439-1	. ASH RECEIVER ASSY			4
- 43A	0411030-5	. RETAINER			1
- 43B	0811439-2	. ASH RECEIVER			1
- 43C	0813504-1	. KNOB			1
44	0811420-18	. ASSIST CORD	35000	35200	2
- 44A	0811420-29	. ASSIST CORD	35202	35225	
			35201	35201	2
			35226	35546	
- 44B	S-10232-10-6	. SCREW-ATTACH CORD			4
45	0511186	. HOOK COAT HANGER			2
46	0811690-28	. COVER-CIGAR LIGHTER TRIM	35000	35227	1
			35229	35262	

**CESSNA AIRCRAFT COMPANY
MODEL 310 THRU 310D
ILLUSTRATED PARTS CATALOG**

FIG ITEM	PART NUMBER	NOMENCLATURE	EFFECT		UNITS PER ASSY
			FROM	TO	
01					
47	0812000-1	SUN VISOR ASSY			2
48	AN3-15A	BOLT-ATTACH SUN VISOR			2
49	0811700-35	VISOR MOUNT			2
50	NAS1149D0963H	WASHER-VISOR MOUNT			4 R
51	0811485-25	CURTAIN ASSY	35000	35200	2
- 51A	0811451-3	CURTAIN ASSY-LH	35202	35225	
			35201	35201	1
			35226	35546	
- 51B	0811451-2	CURTAIN ASSY-RH	35201	35201	1
			35226	35546	
52	0811485-27	STRAP-CURTAIN	35000	35200	2
			35202	35225	
- 52A	0811451-5	STRAP ASSY-CURTAIN	35201	35201	2
			35226	35546	
53	S-10212-8-6	SCREW-ATTACH LOWER DOOR WINDOW TRIM SUPPORT			17
54	S-10222-8-6	SCREW-ATTACH UPPER DOOR WINDOW TRIM SUPPORT			12
55	S3230-4	NUTPLATE-ATTACH UPPER DOOR WINDOW TRIM SUPPORT TINNERMAN A1778-8Z-3			12 R

CESSNA AIRCRAFT COMPANY
MODEL 310 THRU 310D
ILLUSTRATED PARTS CATALOG

A55672



AIRPLANES 35547 AND ON

UPHOLSTERY TRIM INSTALLATION
FIGURE 02 (SHEET 1)

**CESSNA AIRCRAFT COMPANY
MODEL 310 THRU 310D
ILLUSTRATED PARTS CATALOG**

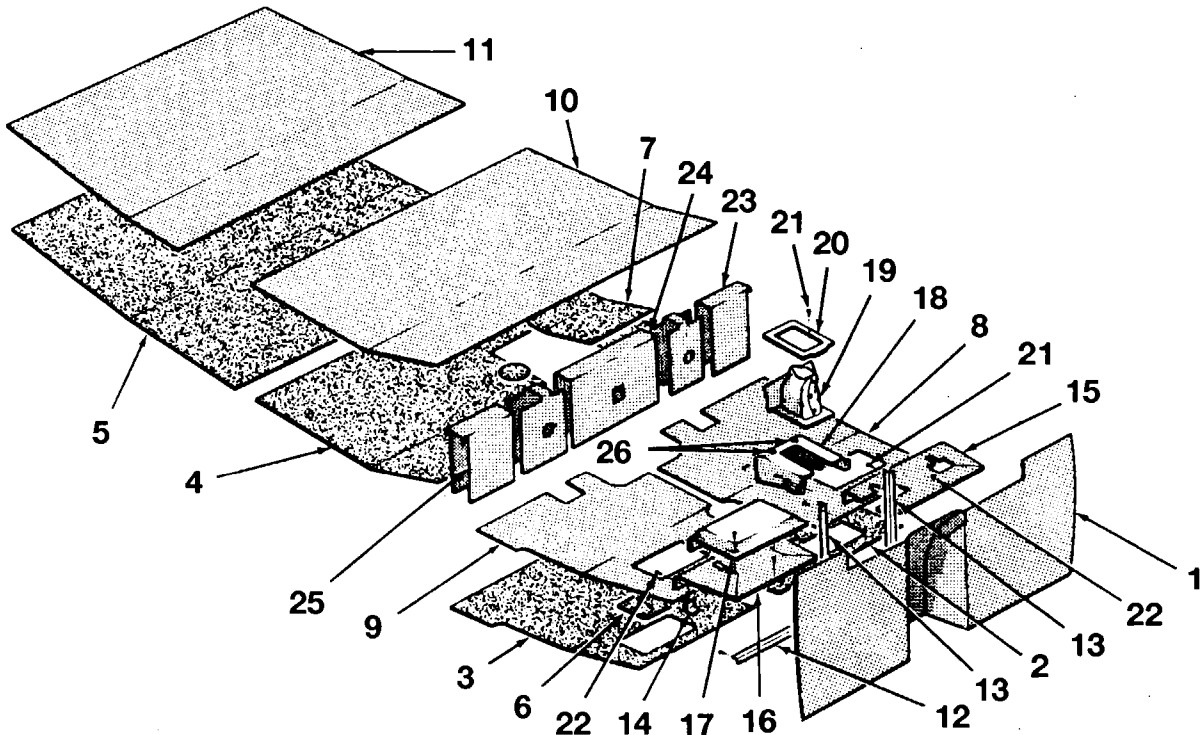
FIG ITEM	PART NUMBER	NOMENCLATURE	EFFECT		UNITS PER ASSY
			FROM	TO	
02		UPHOLSTERY TRIM INSTALLATION REFER TO 25-20-00 FIGURES 03 & 04 FOR NHA	35547	& ON	RF
1	0811700-20	. TRIM-UPPER WINDSHIELD	35547	35771	1
- 1A	0811712-1	. TRIM-UPPER WINDSHIELD	35772	& ON	1
2	0811704-1	. TRIM-RH WINDOW POST			1
3	0811700-24	. TRIM PAD-RH FORWARD	35547	35771	1
- 3A	0811405-47	. PANEL-RH FORWARD INSERT	35772	& ON	1
4	0811410-20	. RETAINER-RH FORWARD	35547	35771	1
- 4A	0811458-11	. RETAINER-RH FORWARD	35772	& ON	1
5	0811700-53	. TRIM-WINDSHIELD CENTER	35547	35771	1
- 5A	0811712-2	. TRIM-WINDSHIELD CENTER	35772	& ON	1
6	0811680-6	. SUPPORT-LEFT FRONT WINDOW TRIM UPPER			1
7	0811683-1	. SUPPORT-LEFT FRONT WINDOW TRIM LOWER			1
8	0811681-2	. TRIM-LEFT FRONT WINDOW			1
9	0811754-1	. SUPPORT-REAR WINDOW TRIM UPPER			2
10	0811697-1	. SUPPORT-LEFT REAR WINDOW TRIM LOWER			1
11	0811758-3	. TRIM ASSY-LEFT REAR WINDOW	35547	35771	1
- 11A	0811758-6	. TRIM ASSY-LEFT REAR WINDOW	35772	& ON	1
- 11B	AN227-8 STUD	35547	35771	3
- 11C	AN227-8 STUD	35772	& ON	4
- 11D	MS27980-8B EYELET	35547	35771	3
- 11E	MS27980-8B EYELET	35772	& ON	4
12	0811680-17	. TRIM PAD-LH	35547	35771	1
12A	0811405-46	. PANEL-LH FORWARD INSERT	35772	& ON	1
- 12B	0811405-45	. PANEL-LH INSERT	35772	& ON	1
13	0811420-13	. RETAINER-LH	35547	35771	1
- 13A	0811458-4	. RETAINER-LH	35772	& ON	1
14	0811696-2	. SUPPORT-RIGHT REAR WINDOW TRIM LOWER			1
15	0811758-4	. TRIM ASSY-RIGHT REAR WINDOW	35547	35771	1
- 15A	0811758-8	. TRIM ASSY-RIGHT REAR WINDOW	35772	& ON	1
- 15B	AN227-8 STUD	35547	35771	3
- 15C	AN227-8 STUD	35772	& ON	4
- 15D	MS27980-8B EYELET	35547	35771	3
- 15E	MS27980-8B EYELET	35772	& ON	4
16	0811690-40	. TRIM PAD-RH REAR	35547	35771	1
- 16A	0811405-44	. PANEL-RH REAR INSERT	35772	& ON	1
17	0811420-14	. RETAINER-RH REAR	35547	35771	1
- 17A	0811458-5	. RETAINER	35772	& ON	1
18	0811525-5	. TRIM SUPPORT-DOOR WINDOW LOWER			1
19	0811525-6	. TRIM SUPPORT-DOOR WINDOW UPPER			1
20	0811526-2	. DOOR TRIM-DOOR WINDOW			1
21	0811525-7	. DOOR TRIM PAD	35547	35771	1
- 21A	0811405-70	. PANEL-DOOR INSERT	35772	& ON	1
22	0811440-6	. RETAINER-DOOR TRIM	35547	35771	1
- 22A	0811458-12	. RETAINER-DOOR PANEL	35772	& ON	1
		ATTACHING PARTS			
23	AN515-6R5	. SCREW-ATTACH WINDOW TRIM SUPPORT			46
24	AN507-632R4	. SCREW-ATTACH WINDOW TRIM SUPPORT			90
25	S-1022Z-8-8	. SCREW-ATTACH WINDOW TRIM SUPPORT			7
26	S-1021Z-8-6	. SCREW-ATTACH WINDOW TRIM SUPPORT			17
27	S-1022Z-8-6	. SCREW-ATTACH WINDOW TRIM SUPPORT			12
28	MS20364-632C	. NUT-ATTACH WINDOW TRIM SUPPORT			146
29	S3230-4	. NUT-ATTACH WINDOW TRIM SUPPORT TINNEMAN A1778-8Z-3			12
30	S-1021Z-6-6C	. SCREW-ATTACH WINDOW TRIM			107
31	S-1021Z-4-4	. SCREW-ATTACH RETAINER	35547	35771	7
- 31A	S-1021Z-4-6	. SCREW-ATTACH RETAINER	35772	& ON	7
32	S-1021Z-4-6	. SCREW-ATTACH RETAINER			2
33	S-1021Z-4-8	. SCREW-ATTACH RETAINER	35547	35771	17
- 33A	S-1021Z-4-6	. SCREW-ATTACH RETAINER	35772	& ON	35
34	0811443-33	. ASSIST CORD-CABIN	35547	35771	2
- 34A	0811405-48	. CORD ASSY-CABIN	35772	& ON	2
- 34B	T-5/8	. SCREW-ATTACH ASSIST CORD AU-VE-CO	35547	35771	4
- 34C	T-7/8	. SCREW-ATTACH ASSIST CORD AU-VE-CO	35772	& ON	4
35	0811447-1	. CURTAIN TRACK	35547	35771	2
- 35A	0811387-1	. CURTAIN TRACK	35772	& ON	2
36	S-1021Z-4-4	. SCREW-ATTACH TRACK	35547	35771	12

CESSNA AIRCRAFT COMPANY
MODEL 310 THRU 310D
ILLUSTRATED PARTS CATALOG

FIG ITEM	PART NUMBER	NOMENCLATURE	EFFECT		UNITS PER ASSY
			FROM	TO	
02					
37	0811420-16	. STOP-CURTAIN	35547	35771	4
- 37A	0811388-1	. END FITTING-CURTAIN TRACK	35772	& ON	4
37B	S-1023A-6-14	. SCREW-ATTACH END FITTING	35772	& ON	4
38	0811443-35	. CURTAIN-LH	35547	35771	1
38A	0811405-77	. CURTAIN STRAP ASSY	35772	& ON	1
- 38B	0811443-36	. CURTAIN-RH	35547	35771	1
- 38C	0811405-49	. CURTAIN ASSY-LH	35772	& ON	1
- 38D	0811405-50	. CURTAIN ASSY-RH	35772	& ON	1
39	0811443-41	. TIARA ASSY	35547	35771	1
40	0811419-2	. ASH RECEIVER			2
- 40A	0811030-5	. DOUBLER			2
41	0811419-5	. ASH RECEIVER			2
- 41A	0811419-6	. RETAINER			2
- 41B	S-1021A-6-6	. SCREW-ATTACH FORWARD ASH RECEIVER			4
- 41C	S-10212-6-8	. SCREW-ATTACH REAR ASH RECEIVER			4
- 41D	S3228-1	. NUT-ATTACH ASH RECEIVER TINNERMAN A6187-4Z-3			8 R
42	0812000-1	. SUN VISOR ASSY			2
43	NAS1149D0963H	. WASHER-ATTACH SUN VISOR			4 R
44	0811700-35	. VISOR MOUNT			2
45	AN3-15A	. BOLT-ATTACH SUN VISOR			2
46	0511186	. HOOK COAT HANGER			2
47	0500010-4	. WASHER-COAT HOOK			2
48	0811440-52	. STEP DOOR JAMB			1
49	S-1022A-6-6	. SCREW-ATTACH DOOR JAMB STEP			6
50	0811511-1	. FILLET ASSY-FORWARD DOOR JAMB			1
51	0811493-3	. FILLET-AFT DOOR JAMB			1
52	S-10212-4-5	. SCREW-ATTACH DOOR JAMB FILLETS	35547	35771	18
- 52A	S-1021A-4-6	. SCREW-ATTACH FILLETS	35772	& ON	12
- 52B	S-1022A-4-6	. SCREW-ATTACH FILLETS	35772	& ON	6
53	0811083-1	. PAN-CIGAR LIGHTER TRIM	35772	& ON	1
- 53A	S-10212-6-6C	. SCREW-ATTACH PAN	35772	& ON	2
- 53B	0811084-1	. TRIM-CIGAR LIGHTER	35772	& ON	1
54	0811458-9	. RETAINER-AFT	35772	& ON	2

CESSNA AIRCRAFT COMPANY
MODEL 310 THRU 310D
ILLUSTRATED PARTS CATALOG

A55675



AIRPLANES 35000 THRU 35546

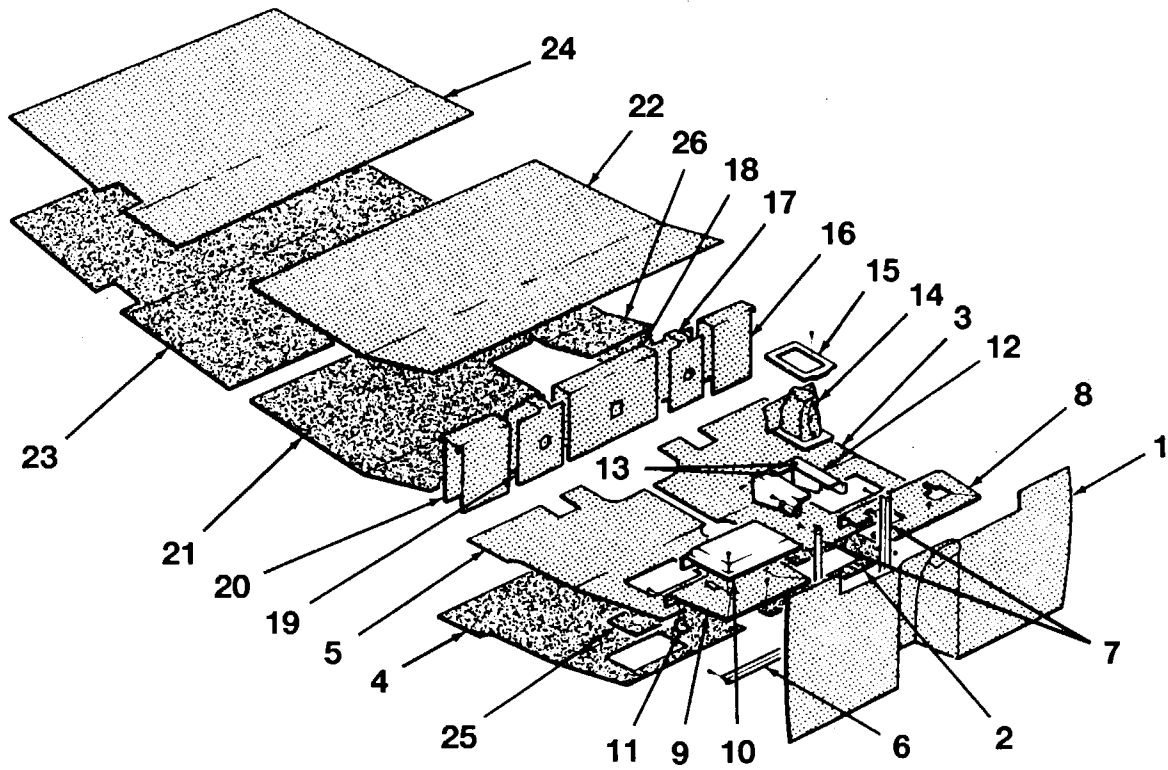
CARPET INSTALLATION
FIGURE 01 (SHEET 1)

CESSNA AIRCRAFT COMPANY
MODEL 310 THRU 310D
ILLUSTRATED PARTS CATALOG

FIG ITEM	PART NUMBER	NOMENCLATURE	EFFECT		UNITS PER ASSY
			FROM	TO	
01					
-		CARPET INSTALLATION REFER TO 25-20-00 FIGURES 01 & 02 FOR NHA	35000	35546	RF
1	0811480-42	. CARPET-BULKHEAD STA 0.00			1
2	0811470-5	. COVER-FLOORBOARD FRONT LH			1
3	0811470-4	. COVER-FLOORBOARD FRONT RH			1
4	0811470-3	. COVER-FLOORBOARD FRONT SPAR TO REAR SPAR			1
5	0811470-2	. COVER-FLOORBOARD AFT CABIN AND BAGGAGE COMPARTMENT			1
6	0811470-6	. COVER-SCUFF PLATE			2
7	0811470-8	. COVER-LANDING GEAR ACTUATOR ACCESS DOOR			1
8	0811480-59	. CARPET-FRONT FLOORBOARD LH			1
9	0811480-60	. CARPET-FRONT FLOORBOARD RH			1
10	0811470-16	. CARPET-CABIN CENTER FLOORBOARD	35000	35064	1
- 10A	0811470-31	. CARPET-CABIN CENTER FLOORBOARD	35065	35546	1
11	0811470-17	. COVER-BAGGAGE COMPARTMENT FLOOR			1
12	0811410-14	. ANGLE-SUPPORT RH			1
- 12A	0811410-15	. ANGLE-SUPPORT LH			1
13	0811480-48	. S-ANGLE-SUPPORT			2
14	0811410-10	. ANGLE-SUPPORT			6
15	0811410-3	. COVER PANEL-RUDDER BARS LH			1
16	0811410-2	. COVER PANEL-RUDDER BARS RH			1
17	0811410-1	. COVER ASSY-RUDDER SHIELD RH			1
18	0811410-16	. COVER-CONTROL COLUMN			1
19	0811480-20	. BOOT-CONTROL COLUMN			1
20	0811410-23	. RETAINER-CONTROL COLUMN BOOT			1
21	S-1021Z-4-6	. SCREW-ATTACH SUPPORT ANGLE TO BULKHEAD 0.00 CONTROL COLUMN COVER & CONTROL COLUMN BOOT			27
22	S-1021Z-4-8	. SCREW-ATTACH COVER PLATES AND RUDDER SHIELD			36
- 22A	AN960-D4	. WASHER-ATTACH COVER PLATES AND RUDDER SHIELD			36
23	0811470-14	. CARPET-FRONT SPAR LH			1
24	0811470-13	. CARPET-FRONT SPAR CENTER			1
25	0811470-15	. CARPET-FRONT SPAR RH			1
26	MS35489-11S	. GROMMET			2

CESSNA AIRCRAFT COMPANY
MODEL 310 THRU 310D
ILLUSTRATED PARTS CATALOG

A55676



AIRPLANES 35547 THRU 35771

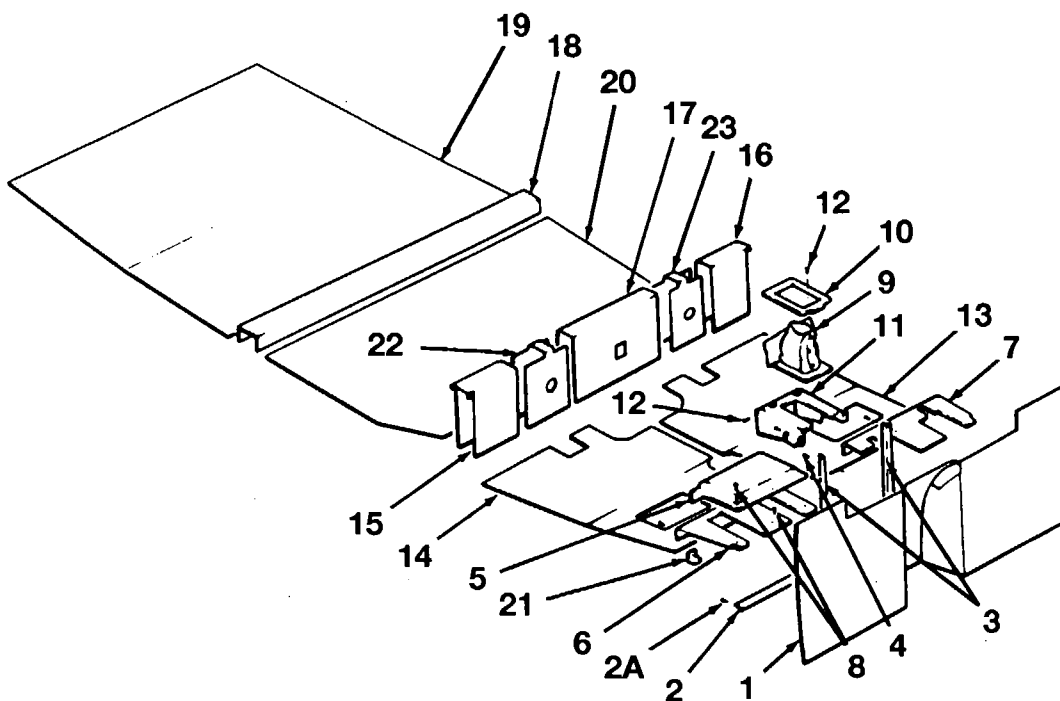
CARPET INSTALLATION
FIGURE 02 (SHEET 1)

CESSNA AIRCRAFT COMPANY
MODEL 310 THRU 310D
ILLUSTRATED PARTS CATALOG

FIG ITEM	PART NUMBER	NOMENCLATURE	EFFECT		UNITS PER ASSY
			FROM	TO	
					1 2 3 4 5 6 7
02		CARPET INSTALLATION REFER TO 25-20-00 FIGURE 03 FOR NHA			
-			35547	35771	RF
1	0811443-30	CARPET-BULKHEAD STA 0.00			1
2	0811470-5	COVER-FLOORBOARD FRONT LH			1
3	0811443-29	CARPET-FLOORBOARD FRONT LH			1
4	0811470-4	COVER-FLOORBOARD FRONT RH			1
5	0811443-24	CARPET-FLOORBOARD FRONT RH			1
6	0811410-14	ANGLE-RH SUPPORT			1
- 6A	0811410-15	ANGLE-LH SUPPORT			1
7	0811480-48	S-ANGLE-SUPPORT			2
- 7A	S-1021Z-4-6	SCREW-ATTACH SUPPORT & CARPET			13
8	0811443-23	SHIELD ASSY-RUDDER BAR LH			1
9	0811443-22	SHIELD ASSY-RUDDER BAR RH			1
10	0811443-32	COVER ASSY-RH RUDDER ARM OPENINGS			1
11	0811410-10	ANGLE-SUPPORT			6
- 11A	S-1021Z-4-8	SCREW-ATTACH SHIELDS & COVERS			36
- 11B	NAS1149DN432H	WASHER-ATTACH SHIELDS & COVER			36 R
12	0811410-24	COVER ASSY-CONTROL COLUMN			1
13	MS35489-118	GROMMET			2
14	0811480-20	BOOT-CONTROL COLUMN			1
15	0811410-23	RETAINER-CONTROL COLUMN BOOT			1
- 15A	S-1021Z-4-6	SCREW-ATTACH COVER BOOT & RETAINER			22
16	0811443-27	CARPET ASSY-FRONT SPAR LH OUTBOARD			1
17	0811443-38	CARPET ASSY-FRONT SPAR LH INBOARD			1
18	0811443-28	CARPET ASSY-FRONT SPAR CENTER			1
19	0811443-39	CARPET ASSY-FRONT SPAR RH INBOARD			1
20	0811443-26	CARPET ASSY-FRONT SPAR RH OUTBOARD			1
21	0811470-3	COVER-FLOORBOARD FRONT SPAR TO REAR SPAR			1
22	0811443-25	CARPET ASSY-FLOORBOARD FRONT SPAR TO REAR SPAR			1
23	0811470-2	COVER-FLOORBOARD BAGGAGE COMPARTMENT			1
24	0811470-17	COVER-FLOORBOARD BAGGAGE COMPARTMENT			1
25	0811470-6	COVER-SCUFF PLATE			2
26	0811470-8	COVER-LANDING GEAR ACTUATOR ACCESS DOOR			1

CESSNA AIRCRAFT COMPANY
MODEL 310 THRU 310D
ILLUSTRATED PARTS CATALOG

A55677



AIRPLANES 35772 AND ON

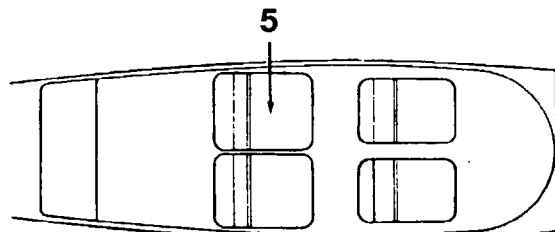
CARPET INSTALLATION
FIGURE 03 (SHEET 1)

CESSNA AIRCRAFT COMPANY
MODEL 310 THRU 310D
ILLUSTRATED PARTS CATALOG

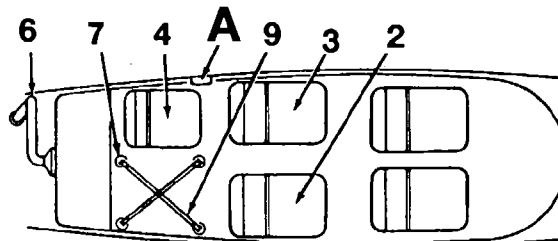
FIG ITEM	PART NUMBER	NOMENCLATURE	EFFECT		UNITS PER ASSY
			FROM	TO	
03					
-		CARPET INSTALLATION REFER TO 15-20-00 FIGURE 04 FOR NHA	35772	& ON	RF
1	0811405-6	. COVER ASSY-BULKHEAD STA 0.00			1
2	0811410-14	. ANGLE-RH SUPPORT			1
2A	PK84XA-4-10	. SCREW-ATTACH SUPPORT			9
- 2B	0811410-15	. ANGLE-LH SUPPORT			1
3	0811480-48	. S-ANGLE-SUPPORT			2
4	S-1021A-4-6	. SCREW-ATTACH SUPPORT & CARPET			4
5	0811405-66	. COVER PLATE ASSY-RH RUDDER ARM OPENING			1
6	0811405-9	. COVER PLATE ASSY-RH RUDDER ARM			1
7	0811405-7	. COVER PLATE ASSY-LH RUDDER ARM			1
8	S-1021A-4-8	. SCREW-ATTACH RUDDER ARM COVERS			36
9	0811480-20	. BOOT-CONTROL COLUMN			1
10	0811410-23	. RETAINER-CONTROL COLUMN BOOT			1
11	0811410-24	. COVER ASSY-CONTROL COLUMN			1
- 11A	MS35489-11S	. . GROMMET			2
12	PK84XA-4-10	. SCREW-ATTACH CONTROL COLUMN COVER & CONTROL COLUMN BOOT			14
13	0811405-67	. CARPET ASSY-PILOT FLOOR LH			1
14	0811405-68	. CARPET ASSY-PILOT FLOOR RH			1
15	0811405-62	. CARPET ASSY-FRONT SPAR RH SIDE			1
16	0811405-63	. CARPET ASSY-FRONT SPAR LH SIDE			1
17	0811405-64	. CARPET ASSY-FRONT SPAR CENTER			1
18	0811405-60	. CARPET ASSY-REAR SPAR			1
19	0811405-59	. CARPET ASSY-REAR FLOOR			1
20	0811405-61	. CARPET ASSY-CENTER FLOOR			1
21	0811410-10	. ANGLE-SUPPORT			6
22	0811405-222	. CARPET ASSY-FRONT SPAR RH SIDE			1
23	0811405-223	. CARPET ASSY-FRONT SPAR LH SIDE			1

CESSNA AIRCRAFT COMPANY
MODEL 310 THRU 310D
 ILLUSTRATED PARTS CATALOG

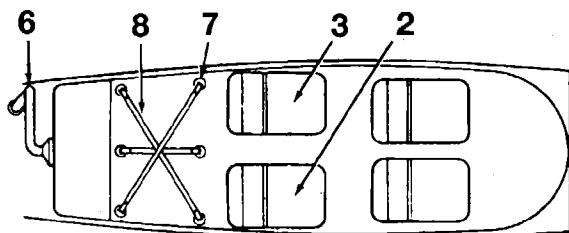
A55822



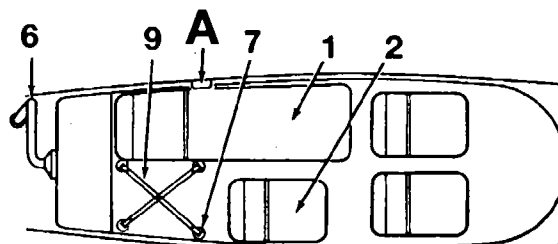
RECLINING REAR SEATS



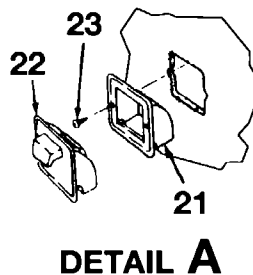
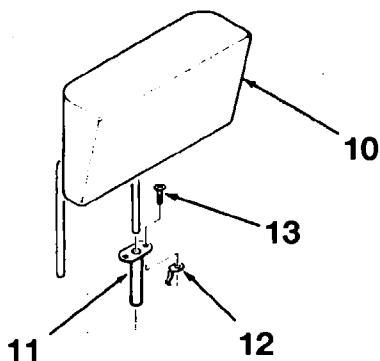
TWO CENTER SEATS AND 1 AFT SEAT



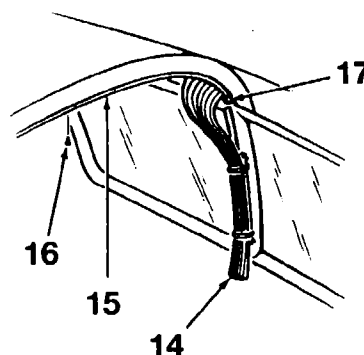
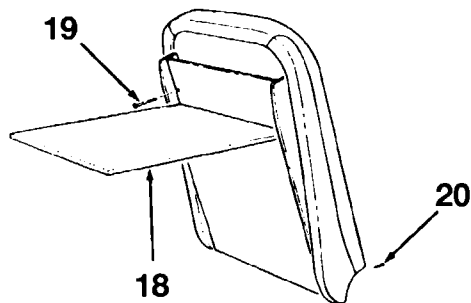
TWO CENTER SEATS



LOUNGE AND RH CENTER SEAT



DETAIL A



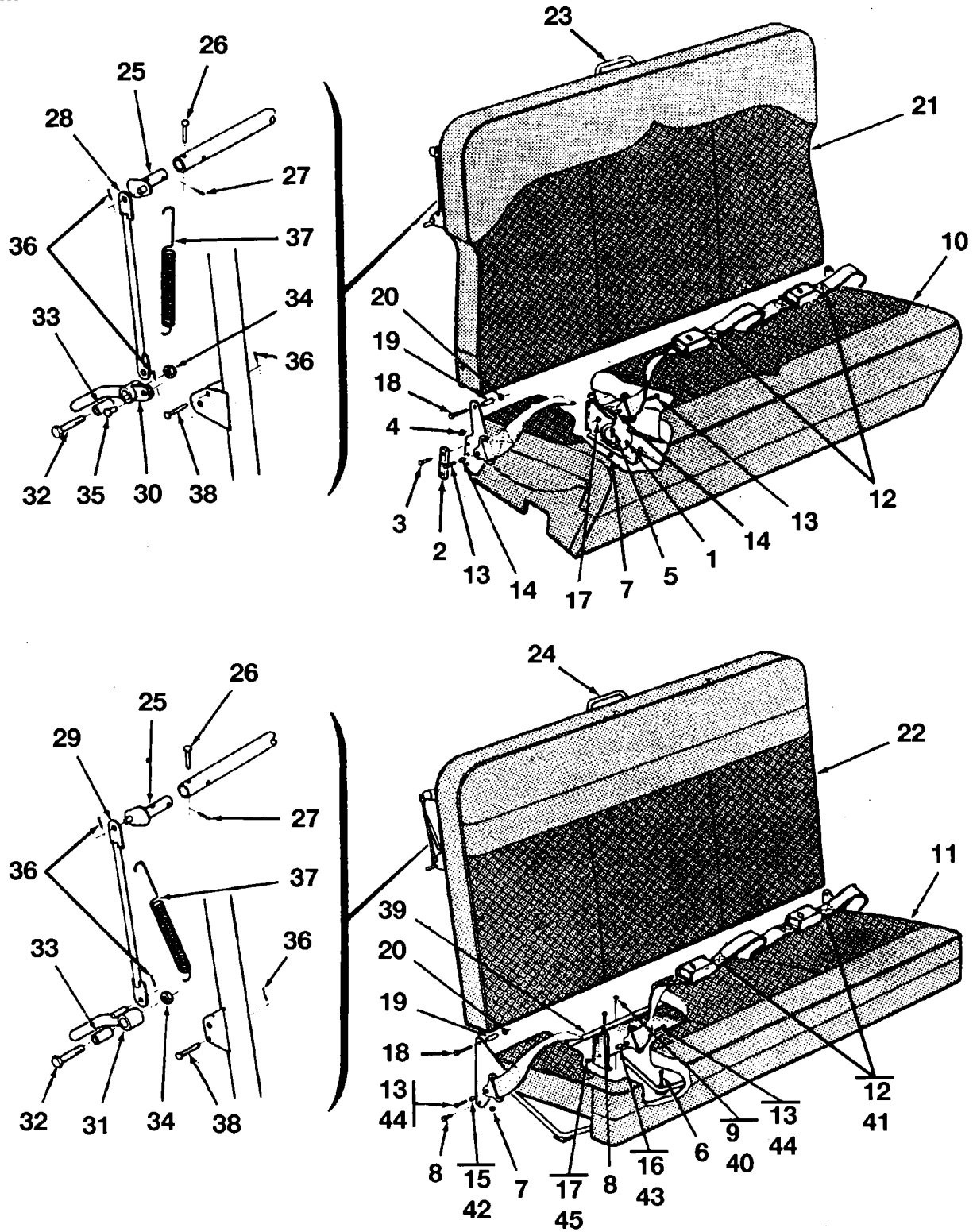
CABIN EQUIPMENT AND SEATING
 FIGURE 01 (SHEET 1)

CESSNA AIRCRAFT COMPANY
MODEL 310 THRU 310D
ILLUSTRATED PARTS CATALOG

FIG ITEM	PART NUMBER	NOMENCLATURE	EFFECT FROM TO	UNITS PER ASSY
	1 2 3 4 5 6 7			
01		CABIN EQUIPMENT AND SEATING		RF
- 1		. LOUNGE INSTALLATION-REFER TO 25-21-01 FIGURE 01 FOR BREAKDOWN	35772 & ON	RF
- 2		. SINGLE SEAT INSTALLATION-RH REFER TO 25-21-02 FIGURE 01 FOR BREAKDOWN	35772 & ON	RF
- 3		. SINGLE SEAT INSTALLATION-LH REFER TO 25-21-02 FIGURE 01 FOR BREAKDOWN	35772 & ON	RF
- 4		. AFT SINGLE SEAT INSTALLATION-REFER TO 25-21-00 FIGURE 06 FOR BREAKDOWN	35772 & ON	RF
- 5		. RECLINING REAR SEAT INSTALLATION-REFER TO 25-21-00 FIGURE 04 FOR BREAKDOWN	35547 & ON	RF
- 6		. CABIN AIR EXHAUST INSTALLATION-REFER TO 21-40-00 FIGURE 03 FOR BREAKDOWN	35772 35937	RF
- 7	0511165	. EYEBOLT-CARGO TIE-DOWN	35772 35934	AR
- 7A	FDC1885M2-2	. FITTING-CARGO TIE-DOWN DAVIS AIRCRAFT PRODUCTS INC	35935 & ON	AR
- 7B	0800071-1	. SPACER	35935 & ON	AR
- 7C	AN509-1032R18	. SCREW-ATTACH TIE-DOWN FITTING	35935 & ON	AR
- 8	0800070-3	. TIE-DOWN-LARGE	35772 & ON	1
- 9	0800070-4	. TIE-DOWN-SMALL	35772 & ON	AR
- 9A	FDC-2525-2	. TIE-CLIP-FOR LARGE TIE-DOWN DAVIS AIRCRAFT PRODUCTS		6
- 9B	FDC-2525-2	. TIE-CLIP-FOR SMALL TIE-DOWN DAVIS AIRCRAFT PRODUCTS		4
- 9C	0800070-5	. CASE ASSY-LUGGAGE TIE-DOWN	35772 & ON	AR
- 9D		. SEAT HEADREST INSTALLATION	35772 & ON	RF
- 10	0800023-2	. HEADREST ASSEMBLY	35772 39031	1
- 10A	0800023-5	. HEADREST	39032 & ON	1
- 11	0812240-1	. SOCKET ASSY	35772 39031	2
- 11A	0812240-2	. PLATE ASSY	39032 & ON	2
- 12	0812257-1	. SPRING-SOCKET ASSY		2
- 13	S-1021Z-6-10C	. SCREW		4
- 13A		. DIVIDING CURTAIN INSTALLATION	35772 & ON	RF
- 14	0800064-2	. CURTAIN ASSY		1
- 15	0800067-4	. TRACK ASSY		1
- 16	S-1021Z-4-8	. SCREW-ATTACH TRACK		1
- 17	0811388-1	. END FITTING		2
- 17A	S-1023Z-6-12	. SCREW-ATTACH FITTING		2
- 17B		. WRITING TABLE INSTALLATION	35772 & ON	RF
- 18	0800066-1	. TABLE-WRITING	35772 39031	1
- 18A	0800066-2	. TABLE-WRITING	39032 & ON	1
- 19	AN501-10-32	. SCREW-ATTACH WRITING TABLE		2
- 20	AN545-6R6	. WOOD SCREW-ATTACH WRITING TABLE		2
- 20A		. AFT ASH RECEIVER INSTALLATION	39032 & ON	RF
- 21	0411030-5	. RETAINER		1
- 22	0811419-2	. ASH RECEIVER		1
- 23	S-1021Z-6-6	. SCREW-ATTACH RETAINER		2
- 23A	S3228-1	. NUT-ATTACH RETAINER		2 R
- 23B		. PORTABLE STRETCHER INSTALLATION-REFER TO 25-60-00 FIGURE 03		RF
- 23C		. SHOULDER HARNESS INSTALLATION-REFER TO 25-21-00 FIGURE 03		RF
- 23D		. FIRE EXTINGUISHER INSTALLATION-REFER TO 26-20-00 FIGURE 01		RF
- 23E		. CARGO TIE-DOWN LUGS INSTALLATION-REFER TO 53-40-00 FIGURE 01		RF

CESSNA AIRCRAFT COMPANY
MODEL 310 THRU 310D
 ILLUSTRATED PARTS CATALOG

A55680



REAR SEAT INSTALLATION
 FIGURE 02 (SHEET 1)

CESSNA AIRCRAFT COMPANY
MODEL 310 THRU 310D
ILLUSTRATED PARTS CATALOG

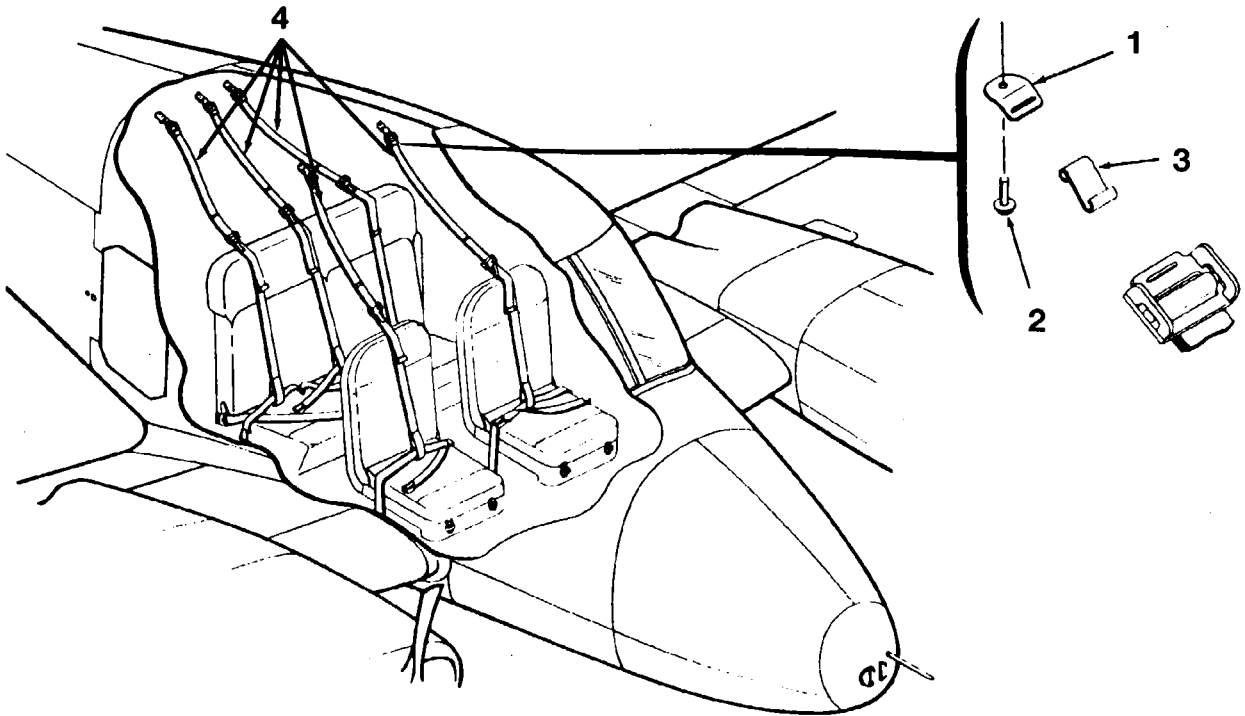
FIG ITEM	PART NUMBER	NOMENCLATURE	EFFECT		UNITS PER ASSY
			FROM	TO	
02		REAR SEAT INSTALLATION			RF
1	AN520-10R5	. SCREW-ATTACH SEAT BOTTOM	35000	35064	16
2	0812300-50	. SPACER-ATTACH SEAT BOTTOM	35000	35064	2
3	AN3-6A	. BOLT-ATTACH SEAT BOTTOM	35000	35064	6
4	MS21045L3	. NUT-ATTACH SEAT BOTTOM	35000	35064	6 R
5	AN4-5A	. BOLT-ATTACH SEAT BOTTOM	35000	35064	4
6	AN4-15A	. BOLT-ATTACH SEAT BOTTOM	35065	& ON	2
7	MS21044N4	. NUT-ATTACH SEAT BOTTOM	35000	35064	4 R
- 7A	MS21044N4	. NUT-ATTACH SEAT BOTTOM	35065	& ON	2 R
- 7B	NAS1149F0463P	. WASHER-ATTACH SEAT BOTTOM	35547	& ON	AR R
8	AN4-5A	. BOLT-ATTACH SEAT BOTTOM	35065	& ON	4
9	S-1021Z-6-6	. SCREW-ATTACH SKIRTS	35056	35546	9
10	0812300-55	. BOTTOM ASSY-REAR SEAT	35000	35064	1
11	0812310-22	. BOTTOM ASSY-REAR SEAT	35065	35200	1
- 11A	0812310-23	. BOTTOM ASSY-REAR SEAT	35202	35225	
			35201	35201	1
			35226	35546	
- 11B	0812536-15	. BOTTOM ASSY-REAR SEAT	35547	& ON	1
- 11C	0891105-1	. UPHOLSTERY COVER ASSY-REAR SEAT BOTTOM	35000	35064	1
- 11D	0811460-34	. UPHOLSTERY COVER ASSY-REAR SEAT BOTTOM	35065	35200	1
			35202	35225	
- 11E	0811465-47	. UPHOLSTERY COVER ASSY-REAR SEAT BOTTOM	35201	35201	1
			35226	35546	
- 11F	0812536-13	. UPHOLSTERY COVER ASSY-REAR SEAT BOTTOM	35547	& ON	1
12	0311710-7	. BELT-SEAT FSO S1746-2	35000	35200	NP
			35202	35225	
- 12A	LL01AL28AL30AA	. BELT ASSY-SEAT	35000	35200	3 R
			35202	35225	
- 12B	0311710-11	. BELT-SEAT FSO S1746-2	35201	35201	NP
			35226	35226	
- 12C	LL01AL28AL30AA	. BELT ASSY-SEAT	35201	35201	3 R
			35226	35546	
13	AN4-5A	. BOLT-ATTACH SAFETY BELT			4
14	NAS43-4-12	. SPACER-ATTACH SAFETY BELT	35000	35064	4
15	NAS43-4-13	. SPACER-ATTACH SAFETY BELT	35065	35546	2
16	NAS43-4-26	. SPACER-ATTACH SAFETY BELT	35065	35546	2
17	MS21044N4	. NUT-ATTACH SAFETY BELT	35000	35546	4 R
18	AN3-14A	. BOLT-ATTACH SEAT BACK TO SEAT BOTTOM			2
19	NAS43DD3-76FC	. SPACER-ATTACH SEAT BACK TO SEAT BOTTOM			2 R
20	MS21045L3	. NUT-ATTACH SEAT BACK TO SEAT BOTTOM			2 R
21	0812300-54	. BACK ASSY-REAR SEAT	35000	35200	1
			35202	35225	
- 21A	0812300-57	. BACK ASSY-REAR SEAT	35201	35201	1
			35226	35226	
			35227	35227	
			35229	35249	
22	0812315-3	. BACK ASSY-REAR SEAT	35228	35228	1
			35250	35546	
- 22A	0812536-16	. BACK ASSY-REAR SEAT	35547	& ON	1
- 22B	0891105-2	. UPHOLSTERY COVER ASSY-REAR SEAT BACK	35000	35200	1
			35202	35225	
- 22C	0811465-2	. UPHOLSTERY COVER ASSY-REAR SEAT BACK	35201	35201	1
			35226	35226	
			35227	35227	
			35229	35249	
- 22D	0811465-74	. UPHOLSTERY COVER ASSY-REAR SEAT BACK	35228	35228	1
			35250	35546	
- 22E	0812536-14	. COVER-REAR SEAT BACK	35547	& ON	1
23	0812300-32	. HANDLE-SEAT BACK	35000	35227	1
			35229	35249	
24	0812315-4	. HANDLE-SEAT BACK	35228	35228	1
			35250	35492	
- 24A	0812315-8	. HANDLE-SEAT BACK	35493	& ON	1
25	0812300-16	. ARM ASSY-SEAT BACK			2
26	MS20392-2-17	. PIN-ATTACH SEAT BACK ARM TO HANDLE			4
27	MS24665-130	. COTTER PIN-ATTACH SEAT BACK ARM TO HANDLE			4
28	0812300-7	. TIE-ROD ASSY	35000	35227	2
			35229	35249	

CESSNA AIRCRAFT COMPANY
MODEL 310 THRU 310D
ILLUSTRATED PARTS CATALOG

FIG ITEM	PART NUMBER	NOMENCLATURE	EFFECT		UNITS
			FROM	TO	PER ASSY
02					
29	0812317-1	TIE-ROD	35228	35228	2
			35250	35492	
- 29A	0812317-6	ROD ASSY	35492	& ON	2
30	0812300-11	LATCH ASSY	35000	35227	2
			35229	35249	
31	0812316-2	LATCH ASSY-RH	35228	35228	1
			35250	& ON	
- 31A	0812316-1	LATCH ASSY-LH	35228	35228	1
			35250	& ON	
32	AN3-10A	BOLT-ATTACH LATCH TO FRAME			2
33	NAS43-3-40	SPACER-ATTACH LATCH TO FRAME			2
34	MS21045L3	NUT-ATTACH LATCH TO FRAME			2 R
35	MS20392-2-7	PIN-ATTACH TIE-ROD TO LATCH	35000	35227	2
			35229	35249	
36	MS24665-130	COTTER PIN-ATTACH TIE-ROD AND STOP PIN			6
37	0310196-4	SPRING			2
38	MS20392-1-25	PIN-SPRING			2
39	0812310-18	SKIRT-AFT RH	35547	& ON	1
- 39A	0812310-7	SKIRT-AFT MIDDLE	35547	& ON	1
- 39B	0812310-25	SKIRT-AFT LH	35547	35756	1
			35938	& ON	
- 39C	0812310-17	SKIRT-AFT LH	35757	35937	1
40	S-1021Z-6-6	SCREW-ATTACH SKIRTS	35547	& ON	24
41	0311710-11	BELT-SEAT FSO S1746-2	35547	35771	NP
- 41A	LL01AL35AL33AA	BELT ASSY-SEAT	35547	35771	3 R
- 41B	0311710-12	BELT-SEAT FSO S1746-2	35772	39031	NP
- 41C	LL01AL28AL30AA	BELT ASSY-SEAT	35772	39031	3 R
- 41D	LL01AL28AL30AA	BELT ASSY-SEAT	39032	& ON	3 R
42	NAS43-4-13	SPACER-ATTACH SAFETY BELT	35547	& ON	2
43	NAS43-4-26	SPACER-ATTACH SAFETY BELT	35547	& ON	2
44	AN4-5A	BOLT-ATTACH SAFETY BELT	35547	& ON	4
45	MS21044N4	NUT-ATTACH SAFETY BELT	35547	& ON	4 R

CESSNA AIRCRAFT COMPANY
MODEL 310 THRU 310D
ILLUSTRATED PARTS CATALOG

A55808



SHOULDER HARNESS INSTALLATION
FIGURE 03 (SHEET 1)

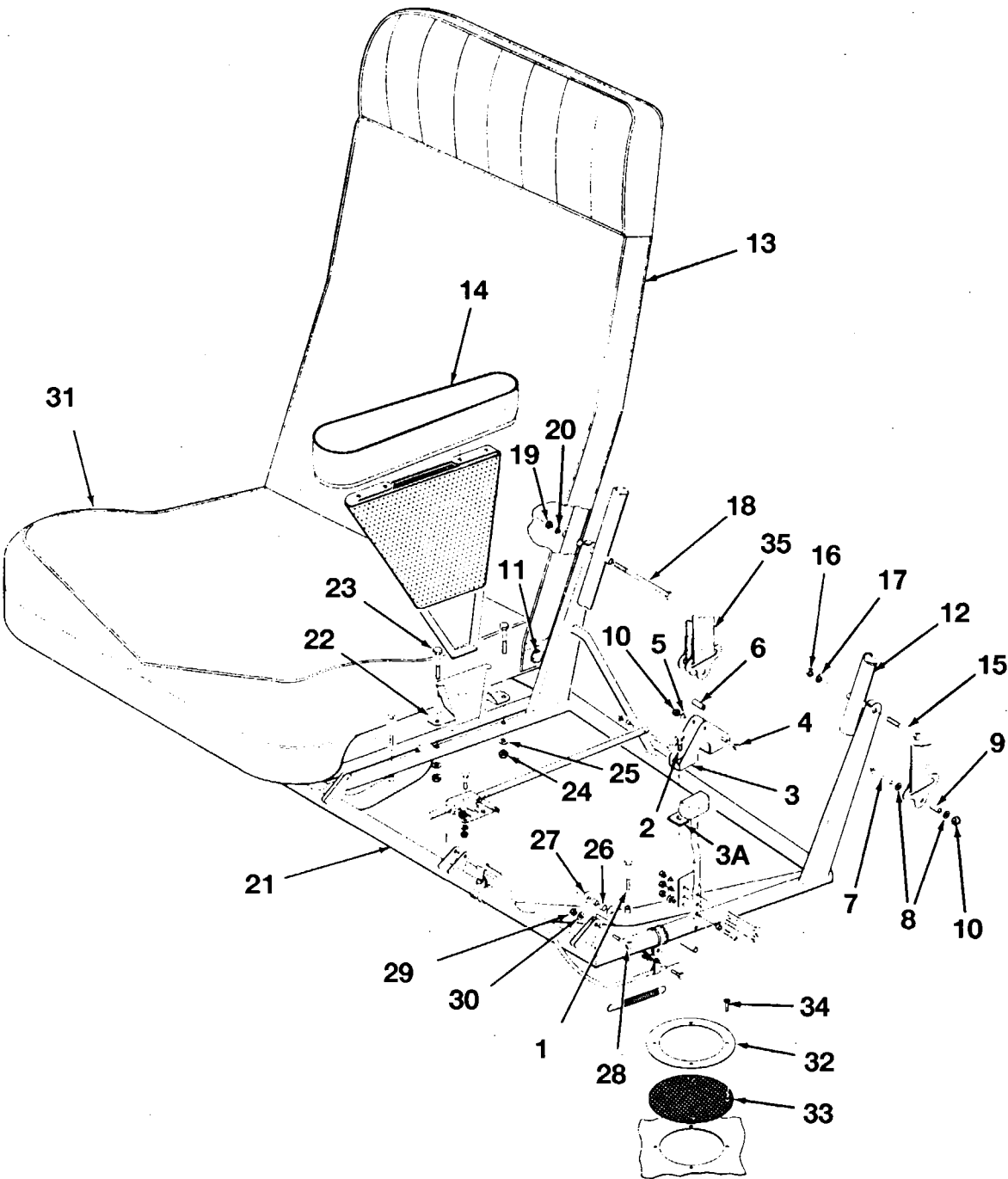
CESSNA AIRCRAFT COMPANY
MODEL 310 THRU 310D
ILLUSTRATED PARTS CATALOG

FIG ITEM	PART NUMBER	NOMENCLATURE	EFFECT		UNITS
			FROM	TO	PER ASSY
03		SHOULDER HARNESS INSTALLATION			RF
-					
1	0311880-1	. BRACKET			1
2	NAS229-10	. SCREW-ATTACH BRACKET			1
3	0311880-2	. HOOK-ATTACH HARNESS ASSY TO BRACKET			1
4	0511233	. HARNESS ASSY	35000	35225	1
- 4A	0511233-7	. HARNESS ASSY	35226	& ON	1
- 5	S-2237-3	. BUSHING-REFER TO NOTE 1			1 R
					R

NOTE 1—AIRPLANES INCORPORATING MEB96-04.

CESSNA AIRCRAFT COMPANY
MODEL 310 THRU 310D
ILLUSTRATED PARTS CATALOG

A55823



AIRPLANES 35547 AND ON
RECLINING REAR SEAT INSTALLATION
FIGURE 04 (SHEET 1)

CESSNA AIRCRAFT COMPANY

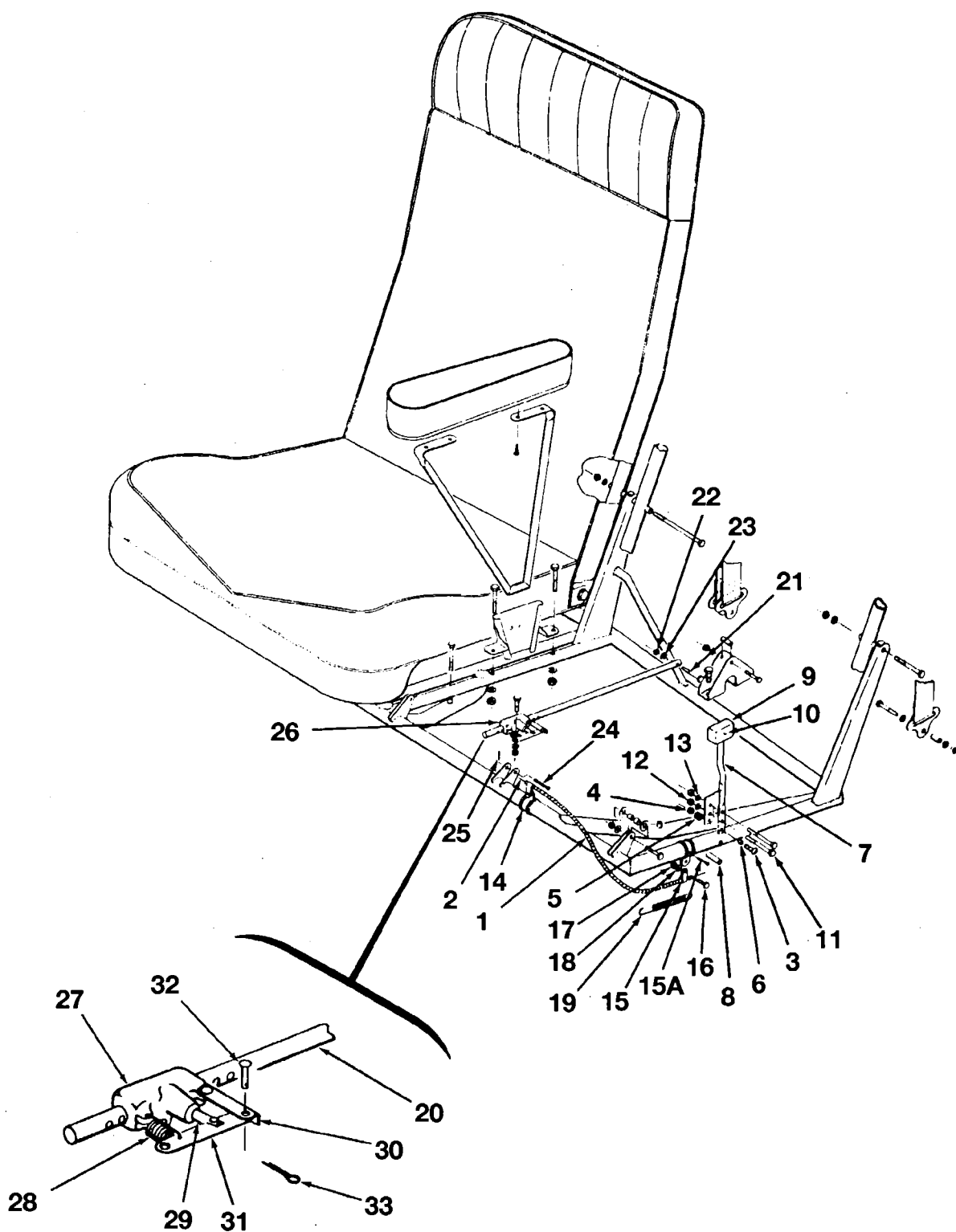
MODEL 310 THRU 310D

ILLUSTRATED PARTS CATALOG

FIG ITEM	PART NUMBER	NOMENCLATURE	EFFECT		UNITS PER ASSY
			FROM TO		
04		RECLINING REAR SEAT INSTALLATION REFER TO 25-21-00 FIGURE 01 FOR NHA	35547	& ON	RF
1	AN4-14A	BOLT-ATTACH FRAME TO REAR SPAR			3
2	AN4-5A	BOLT-ATTACH FRAME TO FLOORBOARD	35547	39031	4
- 2A	AN4-10A	BOLT-ATTACH FRAME TO FLOORBOARD	39032	& ON	4
3	0812371-1	BRACKET-SAFETY BELT			2
3A	0812371-2	SPACER	39032	& ON	2
4	AN4-12A	BOLT-ATTACH SAFETY BELT INBOARD			2
5	NAS1149F0432P	WASHER-ATTACH SAFETY BELT INBOARD			2 R
6	0812374-13	SPACER-ATTACH SAFETY BELT INBOARD			2
7	AN4-6A	BOLT-ATTACH SAFETY BELT OUTBOARD			2
8	NAS1149F0463P	WASHER-ATTACH SAFETY BELT OUTBOARD			2 R
9	0812374-12	SPACER-ATTACH SAFETY BELT OUTBOARD			2
10	MS21044N4	NUT-ATTACH SAFETY BELTS			4 R
11	AN23-28	BOLT-ATTACH SEAT BACK TO SEAT BOTTOM			4
- 11A	MS21045L3	NUT-ATTACH SEAT BACK TO SEAT BOTTOM			4 R
- 11B	NAS1149F0363P	WASHER-ATTACH SEAT BACK TO SEAT BOTTOM			4 R
- 11C	0812374-7	BUSHING-ATTACH SEAT BACK TO SEAT BOTTOM			4
12	0812536-11	SEAT BACK ASSY-LH	35547	35847	1
- 12A	0812536-67	SEAT BACK ASSY-LH	35848	& ON	1
- 12B	0812536-9	COVER ASSY-LH	35547	35847	1
- 12C	0812536-63	COVER ASSY-LH	35848	& ON	1
13	0812536-12	SEAT BACK ASSY-RH	35547	35847	1
- 13A	0812536-66	SEAT BACK ASSY-RH	35848	& ON	1
- 13B	0812536-10	COVER-RH	35547	35847	1
- 13C	0812536-62	COVER-RH	35848	& ON	1
14	0812536-20	ARM REST ASSY-CENTER			1
- 14A	0812536-21	COVER-ARM REST CENTER			1
15	AN4-23A	BOLT-ATTACH SEAT BACK TO FRAME ASSY OUTBOARD			2
16	MS21044N4	NUT-ATTACH SEAT BACK TO FRAME ASSY OUTBOARD			2 R
17	NAS1149F0432P	WASHER-ATTACH SEAT BACK TO FRAME ASSY OUTBOARD			2 R
- 17A	0812374-6	BUSHING-ATTACH SEAT BACK TO FRAME ASSY OUTBOARD			2
- 17B	0812374-14	SPACER-ATTACH SEAT BACK TO FRAME ASSY OUTBOARD			2
18	AN4-40A	BOLT-ATTACH SEAT BACK TO FRAME ASSY INBOARD			1
19	MS21044N4	NUT-ATTACH SEAT BACK TO FRAME ASSY INBOARD			1 R
20	NAS1149F0432P	WASHER-ATTACH SEAT BACK TO FRAME ASSY INBOARD			1 R
- 20A	0812374-5	BUSHING-ATTACH SEAT BACK TO FRAME ASSY INBOARD			1
- 20B	0812374-3	SPACER-ATTACH SEAT BACK TO FRAME ASSY INBOARD			1
- 20C	0812301-15	SEAT BOTTOM			1
- 20D		ADJUSTMENT MECHANISM INSTALLATION-RECLINING REAR SEAT REFER TO 25-21-00 FIGURE 05 FOR BREAKDOWN			RF
21	0812302-11	FRAME ASSY-SEAT			1
22	0812311-1	SUPPORT ASSY-ARM REST			1
23	AN3-11A	BOLT-ATTACH SUPPORT ASSY			3
24	MS21045L3	NUT-ATTACH SUPPORT ASSY			3 R
25	NAS1149F0332P	WASHER-ATTACH SUPPORT ASSY			3 R
26	0812374-4	ROLLER-ATTACH SEAT BOTTOM TO FRAME ASSY			4
- 26A	0812374-1	SPACER-ATTACH SEAT BOTTOM TO FRAME ASSY			4
27	0812374-8	WASHER-ATTACH SEAT BOTTOM TO FRAME ASSY			8
28	AN3-5A	BOLT-ATTACH SEAT BOTTOM TO FRAME ASSY			4
29	MS21045L3	NUT-ATTACH SEAT BOTTOM TO FRAME ASSY			4 R
30	NAS1149F0332P	WASHER-ATTACH SEAT BOTTOM TO FRAME ASSY			4 R
31	0812536-8	UPHOLSTERY ASSY			2
- 31A	0812536-7	COVER ASSY-SEAT BOTTOM			1
32	0811927-1	RETAINER-CABIN AIR EXHAUST SCREEN	35547	35771	1
- 32A	0813788-1	RETAINER-SCREEN	35772	39031	1
33	0811926-1	SCREEN-CABIN AIR EXHAUST	35547	35771	1
- 33A	0813789-1	SCREEN-CABIN AIR EXHAUST	35772	39031	1
34	AN525-10R7	SCREW-ATTACH RETAINER	35547	35771	4
- 34A	S-1021Z-6-8	SCREW-ATTACH RETAINER	35772	39031	4
35		BELT ASSY-SAFETY REFER TO 25-21-00 FIGURE 02			RF

CESSNA AIRCRAFT COMPANY
MODEL 310 THRU 310D
ILLUSTRATED PARTS CATALOG

A55824



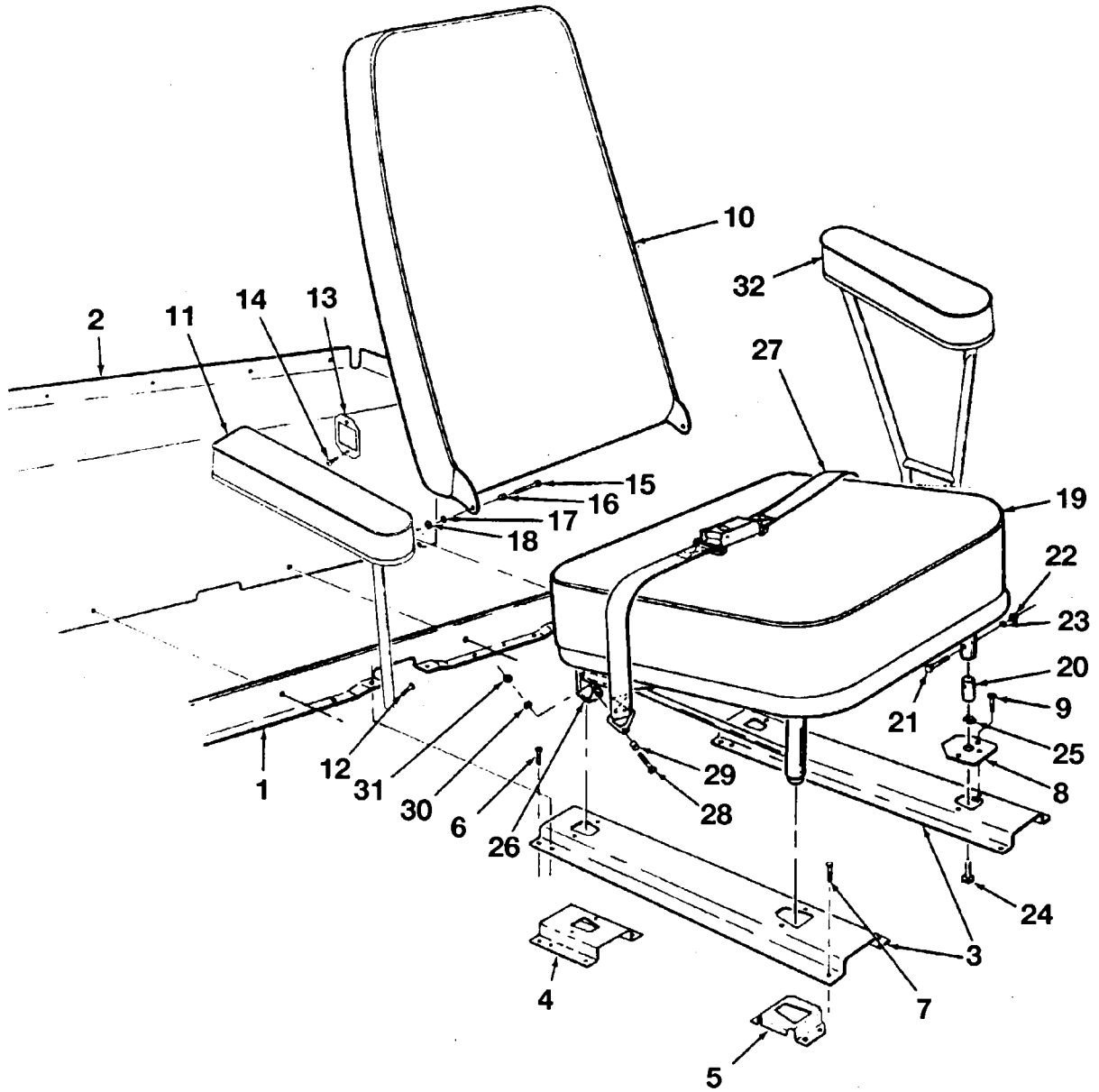
RECLINING REAR SEAT ADJUSTMENT MECHANISM INSTALLATION
FIGURE 05 (SHEET 1)

CESSNA AIRCRAFT COMPANY
MODEL 310 THRU 310D
ILLUSTRATED PARTS CATALOG

FIG ITEM	PART NUMBER	NOMENCLATURE	EFFECT		UNITS PER ASSY
			FROM	TO	
05		RECLINING REAR SEAT ADJUSTMENT MECHANISM INSTALLATION REFER			RF
-		TO 25-21-00 FIGURE 04 FOR NHA			
1	0812397-1	. CASING-SEAT ADJUSTMENT WIRE			2
2	0812397-2	. WIRE-SEAT ADJUSTMENT			2
3	0850024-4	. CLAMP			4
4	H10-3	. NUT			4
5	NAS1149F0363P	. WASHER			8 R
6	0812374-16	. SPACER			4
7	0812401-1	. ARM ASSY-SEAT ADJUSTMENT			2
8	0812374-15	. SPACER-CONTROL STOP			2
9	0700106-2	. KNOB-SEAT ADJUSTMENT			2
10	AN531-6R8	. SCREW-ATTACH KNOB TO LEVER ASSY			2
11	AN3-14A	. BOLT-ATTACH LEVER ASSY TO FRAME ASSY			4
12	H10-3	. NUT-ATTACH LEVER ASSY TO FRAME ASSY KAYNAR			4
13	NAS1149F0332P	. WASHER-ATTACH LEVER ASSY TO FRAME ASSY			6 R
14	A2980A-16-27	. CLAMP-ATTACH WIRE & CASING TO FRAME ASSY TINNERMAN			4
15	A4886A-3-27	. CLAMP-ATTACH WIRE & CASING TO FRAME ASSY TINNERMAN			4
15A	MS20392-2-37	. PIN-SECURE CLAMP			2
- 15B	MS24665-130	. COTTER PIN			2
16	AN3-3A	. BOLT-ATTACH CLAMPS			4
17	H10-3	. NUT-ATTACH CLAMPS KAYNAR			4
18	NAS1149F0332P	. WASHER-ATTACH CLAMPS			4 R
19	0310196-3	. SPRING-LEVER RETURN			2
20	0812394-1	. TUBE-SEAT ADJUSTMENT			2
21	AN3-17A	. BOLT-ATTACH SEAT ADJUSTMENT TUBE TO SEAT BOTTOM ASSY			2
22	H10-3	. NUT-ATTACH SEAT ADJUSTMENT TUBE TO SEAT BOTTOM ASSY KAYNAR			2
23	NAS1149F0332P	. WASHER-ATTACH SEAT ADJUSTMENT TUBE TO SEAT BOTTOM ASSY			2 R
24	MS20392-2-31	. PIN-ATTACH STOP ASSY TO FRAME ASSY			2
25	MS24665-130	. COTTER PIN			2
26	0812390-3	. LEVER ASSY-REAR SEAT LH			1
- 26A	0812390-4	. STOP ASSY-REAR SEAT RH			1
27	0812391-1	. STOP-ADJUSTMENT LH			1
- 27A	0812391-2	. STOP-ADJUSTMENT RH			1
28	0812392-1	. SPRING			1
29	0812393-1	. PIN			1
30	0812395-1	. LINK			1
31	0812396-2	. LEVER			1
32	MS20392-1-9	. PIN			3
33	MS24665-130	. COTTER PIN			3

CESSNA AIRCRAFT COMPANY
MODEL 310 THRU 310D
ILLUSTRATED PARTS CATALOG

A55827



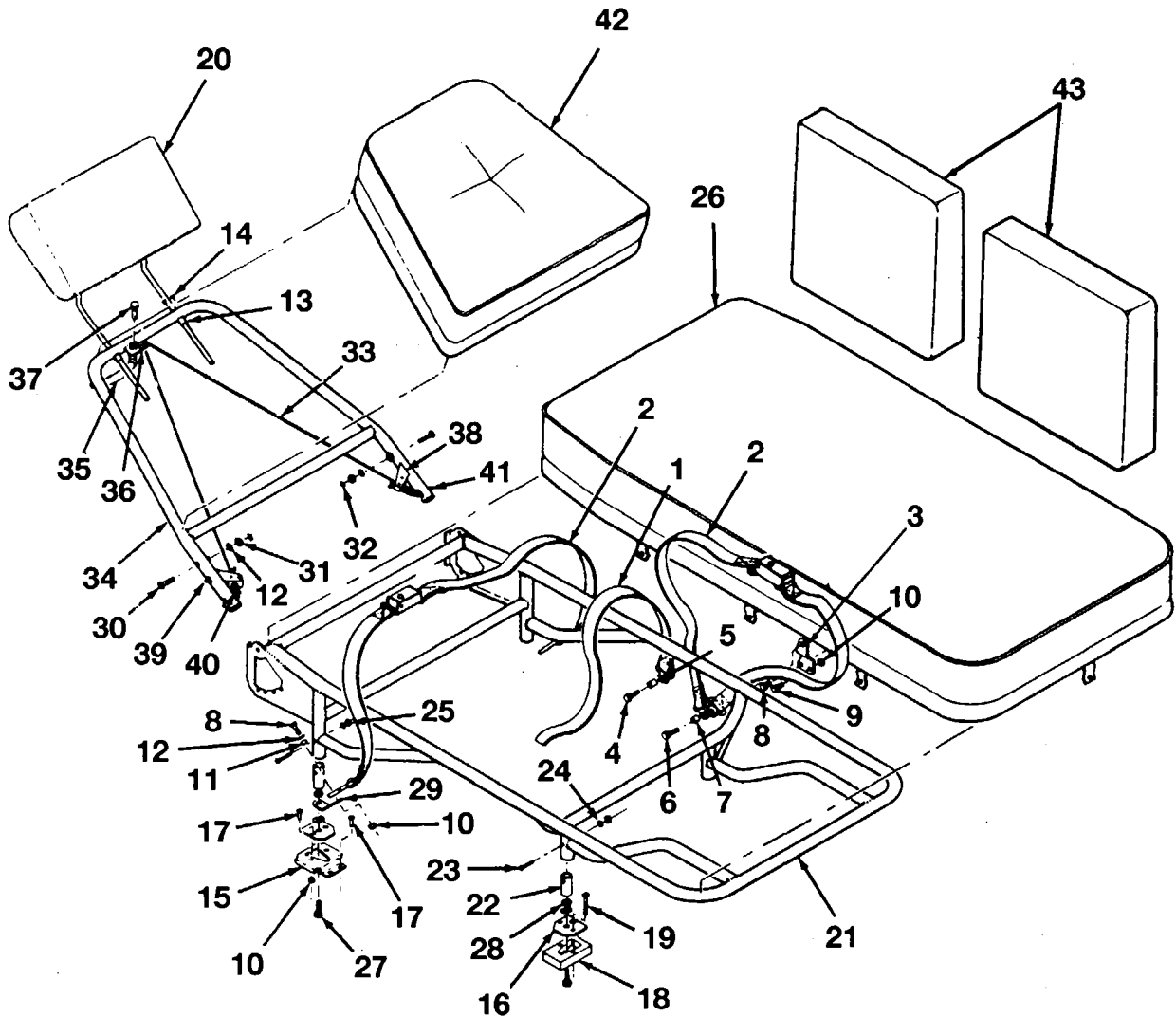
AIRPLANES 35772 AND ON
AFT SINGLE SEAT INSTALLATION
FIGURE 06 (SHEET 1)

CESSNA AIRCRAFT COMPANY
MODEL 310 THRU 310D
ILLUSTRATED PARTS CATALOG

FIG ITEM	PART NUMBER	NOMENCLATURE	EFFECT FROM TO	UNITS PER ASSY	
				1 2 3 4 5 6 7	
06		AFT SINGLE SEAT INSTALLATION REFER TO 25-21-00 FIGURE 01 FOR NHA	35772 & ON	RF	
-		. . . SUPPORT-BAGGAGE COMPARTMENT CURTAIN			1
1	0811652-3	. . . PANEL ASSY-LOWER LUGGAGE WALL			1
2	0811405-74	. . . SUPPORT ASSY-AFT SEAT	35772	39031	2
3	0812276-1	. . . SUPPORT-AFT SEAT	39032	& ON	2
4	0812291-1	. . . BRACKET-MOUNTING	39032	& ON	2
5	0812252-1	. . . SCREW-ATTACH SUPPORT			12
6	NAS221-6	. . . SCREW-ATTACH SUPPORT	35772	39031	4
7	NAS222-8	. . . SCREW-ATTACH BRACKET	39032	& ON	8
- 7A	NAS222-8	. . . WEDJIT-MONADNOCK MILLS			4
8	295409	. . . BOLT-ATTACH PLATE			8
9	AN4-4A	. . . NUT-ATTACH PLATE TO MOUNTING BRACKET	39032	& ON	4 R
- 9A	MS21044N4	. . . SEAT ASSY-AFT SINGLE			RF
- 9B		. . . SEAT BACK ASSY-AFT SINGLE	35772	39031	1
10	0812280-3	. . . SEAT BACK ASSY-AFT SINGLE	39032	& ON	1
- 10A	0812960-1	. . . UPHOLSTERY COVER ASSY-SEAT BACK	35772	39031	1
- 10B	0812280-5	. . . UPHOLSTERY COVER ASSY-SEAT BACK	39032	& ON	1
- 10C	0812960-5	. . . ARM REST ASSY-RH	39032	& ON	1
11	0812960-4	. . . COVER ASSY-ARM REST			1
- 11A	0812538-68	. . . SCREW-NYLOK CORP			1
12	NKN221-8	. . . SPRING-RETRACTION	39032	39169	1
- 12A	0812968-2	. . . GUIDE-ATTACH ARM REST	39032	& ON	1
- 12B	0812970-2	. . . PLATE-ARM REST	39032	& ON	1
13	0812966-1	. . . SCREW-ATTACH PLATE	39032	& ON	2
14	S-1021A-4-8C	. . . BOLT-ATTACH SEAT BACK TO SEAT BOTTOM			2
15	AN3-12A	. . . SPACER-ATTACH SEAT BACK TO SEAT BOTTOM			2
16	NAS43-3-8	. . . WASHER-ATTACH SEAT BACK TO SEAT BOTTOM			2 R
17	NAS1149F0363P	. . . NUT-ATTACH SEAT BACK TO SEAT BOTTOM			2 R
18	MS21045L3	. . . SEAT BOTTOM ASSY-AFT SINGLE	35772	39031	1
19	0812280-4	. . . SEAT BOTTOM ASSY-AFT SINGLE	39032	& ON	1
- 19A	0812960-2	. . . UPHOLSTERY COVER ASSY-SEAT BOTTOM	35772	39031	1
- 19B	0812280-6	. . . UPHOLSTERY COVER ASSY-SEAT BOTTOM	39032	& ON	1
- 19C	0812960-7	. . . SPRING-ARM REST BRACKET	39032	& ON	1
- 19D	0812965-1	. . . PLUG			4
20	0812277-1	. . . BOLT-ATTACH PLUG			4
21	AN4-11A	. . . NUT-ATTACH PLUG			4 R
22	MS21044N4	. . . WASHER-ATTACH PLUG			4 R
23	NAS1149F0432P	. . . STUD-WEDJIT MONADNOCK MILLS			4
24	295375-1	. . . NUT-SECURE STUD			4
25	AN316-4R	. . . LINK-SAFETY BELT			2
26	0812233-1	. . . SAFETY BELT ASSY-FSO S1746-2	35772	39031	NP
27	0311710-12	. . . BELT ASSY	35772	39031	1 R
- 27A	LL01AL28AL30AA	. . . BELT ASSY	39032	& ON	1 R
- 27B	LL01AL28AL30AA	. . . ATTACHING PARTS			
28	AN4-4A	. . . BOLT-ATTACH SAFETY BELT			2
29	NAS43-4-8	. . . SPACER-ATTACH SAFETY BELT			2
30	NAS1149F0432P	. . . WASHER-ATTACH SAFETY BELT			2 R
31	MS21044N4	. . . NUT-ATTACH SAFETY BELT			2 R
32	0812960-3	. . . ARM REST ASSY-LH	39032	& ON	1
- 32A	0812960-9	. . . COVER ASSY-ARM REST			1

CESSNA AIRCRAFT COMPANY
MODEL 310 THRU 310D
ILLUSTRATED PARTS CATALOG

A55825



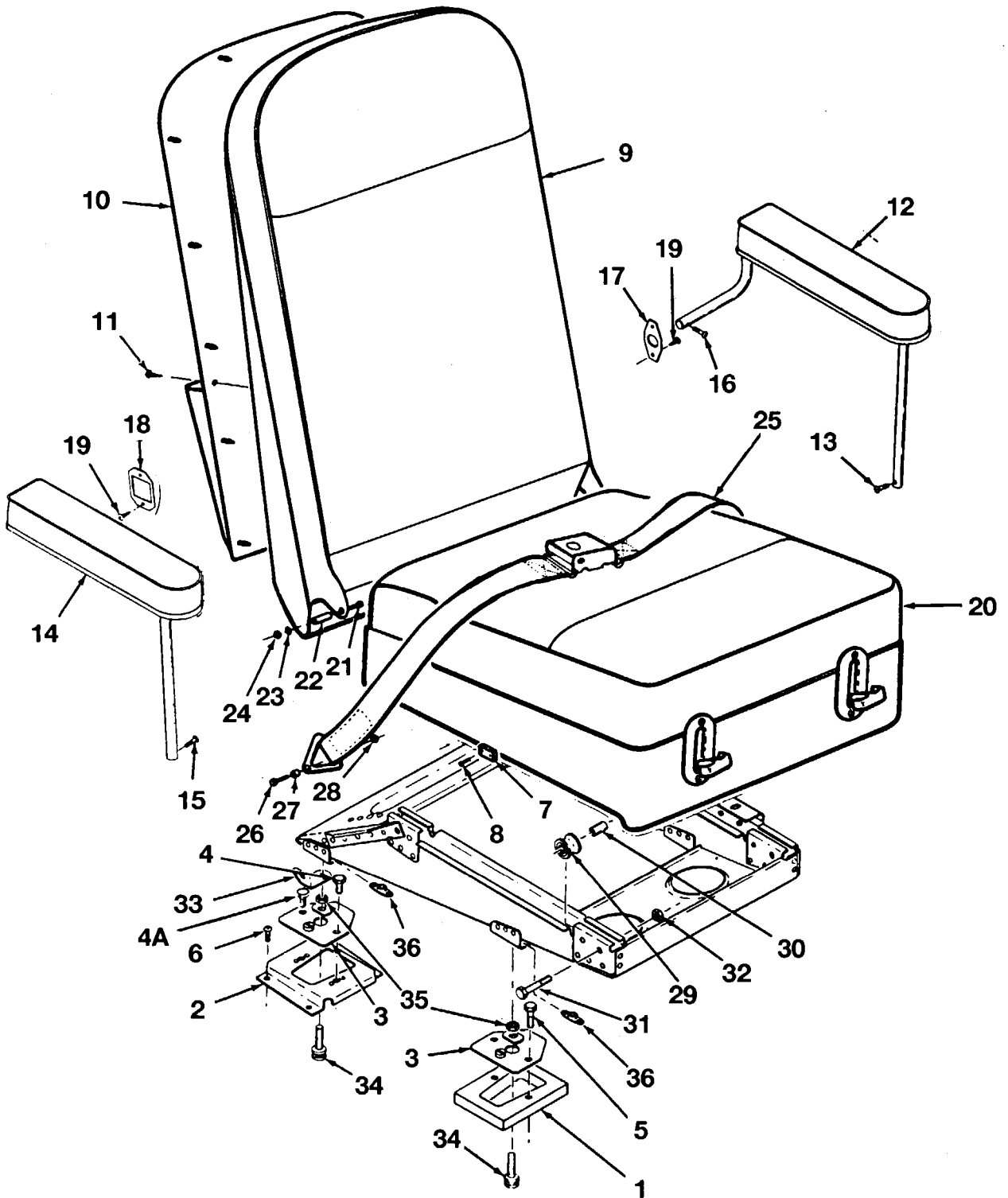
AIRPLANES 35772 AND ON
LOUNGE INSTALLATION
FIGURE 01 (SHEET 1)

CESSNA AIRCRAFT COMPANY
MODEL 310 THRU 310D
ILLUSTRATED PARTS CATALOG

FIG ITEM	PART NUMBER	NOMENCLATURE	EFFECT FROM TO	UNITS	
				PER ASSY	
01		LOUNGE INSTALLATION REFER TO 25-21-00 FIGURE 01 FOR NHA			
-			35772	& ON	RF
1	0311710-13	. SEAT BELT ASSY-FSO S1746-2	35772	39031	NP
- 1A	LL01AL28AL30AA	. BELT ASSY-SEAT	35772	39031	1 R
- 1B	LL01AL35AL33AA	. BELT ASSY-SEAT	39032	& ON	1 R
2	0311710-14	. SEAT BELT ASSY-FSO S1746-32	35772	39031	NP
- 2A	LL01AL35AL33AA	. BELT ASSY-SEAT	35772	39031	2 R
- 2B	LL01AL35AL33AA	. BELT ASSY-SEAT	39032	& ON	2 R
3	0812232-1	. BRACKET-SAFETY BELT			1
4	AN4-5A	. BOLT-ATTACH SAFETY BELT			1
5	NAS43-4-12	. SPACER			1
6	AN4-6A	. BOLT-ATTACH SAFETY BELT			1
7	NAS43-4-24	. SPACER			1
8	AN4-4A	. BOLT			3
9	AN4-3A	. BOLT-ATTACH BRACKET			1
10	MS21044N4	. NUT			7 R
11	NAS43-4-8	. SPACER			2
12	NAS1149F0432P	. WASHER			2 R
13	0812240-1	. SOCKET ASSY-HEADREST	35772	39031	2
- 13A	0812240-2	. PLATE ASSY-HEADREST	39032	& ON	2
14	S-1021Z-6-30C	. SCREW-ATTACH SOCKET			4
- 14A	0812257-1	. SPRING			2
- 14B	NAS1149FN632P	. WASHER			2 R
15	0812252-1	. BRACKET-MOUNTING			2
16	295409	. WEDJIT-MONADNOCK MILLS			4
17	NAS222-8	. SCREW			12
18	0812253-1	. SPACER			2
19	NAS222-17	. SCREW			4
20	0800023-2	. HEADREST ASSY	35772	39031	1
- 20A	0800023-5	. HEADREST	39032	& ON	1
- 20B	0812225-8	. LOUNGE ASSY			1
- 20C	0812225-7	. BOTTOM ASSY-LOUNGE			1
21	0812230-11	. FRAME ASSY			1
22	0812250-1	. PLUG SUPPORT			4
23	MS27039-4-22	. SCREW-ATTACH SUPPORT			4 R
24	NAS1149F0432P	. WASHER-ATTACH SUPPORT			4 R
25	MS21044N4	. NUT-ATTACH SUPPORT			4 R
26	0812536-35	. COVER ASSY-LOUNGE			1
27	295375-1	. STUD-WEDJIT FASTENER MONADNOCK MILLS			4
28	AN316-4R	. NUT-CHECK			4
29	0812233-1	. LINK-SAFETY BELT			2
30	AN24-28	. BOLT-CLEVIS			2
31	AN310-4	. NUT			2
32	MS24665-153	. COTTER PIN			2
- 32A	0812225-3	. BACK ASSY-LOUNGE			1
33	0812225-4	. WIRE-ADJUST			1
34	0812226-1	. BACK ASSY			1
35	0812243-1	. HANDLE ASSY-ADJUST			1
36	0812244-1	. ARM ASSY-ADJUST			1
- 36A	NAS1149F0632P	. WASHER-ATTACH HANDLE & ARM			1 R
- 36B	NAS561P3-9	. ROLL PIN-ATTACH ADJUST ARM			1
- 36C	MS16562-26	. ROLL PIN-ATTACH ADJUST ARM ALT FOR NAS561P3-9			1 R
- 36D	NAS561-3-8	. ROLL PIN-ATTACH ADJUST HANDLE			1
37	0812251-1	. PIN-ADJUST			1
38	0812258-1	. BRACKET ASSY-ADJUST			2
39	AN3-13A	. BOLT-ATTACH BRACKET			2
- 39A	NAS1149F0332P	. WASHER-ATTACH BRACKET			2 R
- 39B	MS21045L3	. NUT-ATTACH BRACKET			2 R
40	0812255-1	. SPRING-ADJUST			2
41	0812249-1	. PIN ASSY-ADJUST			2
42	0812536-39	. COVER-LOUNGE BACK			1
43	0812536-40	. UPHOLSTERY ASSY-PILLOW			2
- 43A	0812536-42	. COVER ASSY			1

CESSNA AIRCRAFT COMPANY
MODEL 310 THRU 310D
ILLUSTRATED PARTS CATALOG

A55826



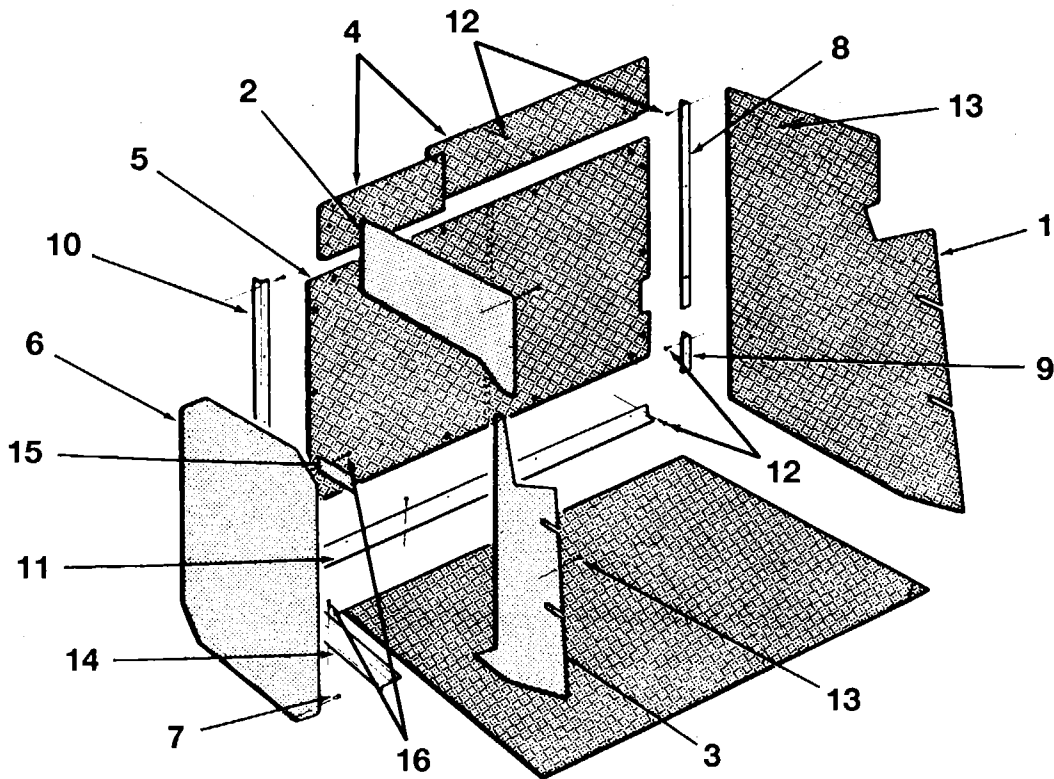
AIRPLANES 35772 AND ON
CENTER SINGLE SEAT INSTALLATION
FIGURE 01 (SHEET 1)

**CESSNA AIRCRAFT COMPANY
MODEL 310 THRU 310D
ILLUSTRATED PARTS CATALOG**

FIG ITEM	PART NUMBER	NOMENCLATURE	EFFECT		UNITS PER ASSY
			FROM	TO	
01		CENTER SINGLE SEAT INSTALLATION			RF
0		SEAT INSTALLATION-RH CENTER SINGLE REFER TO 25-21-00 FIGURE 01 FOR NHA	35772	& ON	RF
- A		SEAT INSTALLATION-LH CENTER SINGLE REFER TO 25-21-00 FIGURE 01 FOR NHA	35772	& ON	RF
1	0812253-1	SPACER-ATTACH SEAT			2
2	0812271-4	BRACKET ASSY-WEDJIT PLATE RH OUTBOARD			1
- 2A	0812281-2	BRACKET ASSY-WEDJIT PLATE RH INBOARD			1
- 2B	0812271-3	BRACKET ASSY-WEDJIT PLATE LH OUTBOARD			1
- 2C	0812281-1	BRACKET-WEDJIT PLATE LH INBOARD			1
- 2D	MS21069L4	NUTPLATE			2 R
3	295409	WEDJIT			4
4	AN4-4A	BOLT-ATTACH WEDJIT ASSY FWD			2
4A	AN4-3A	BOLT-ATTACH WEDJIT ASSY AFT			2
5	AN4-11A	BOLT-ATTACH WEDJIT ASSY			4
6	NAS221-8	SCREW-ATTACH OUTBOARD BRACKET ASSY			4
- 6A	AN4-5A	BOLT-ATTACH INBOARD BRACKET ASSY			2
- 6B		SEAT ASSY-CENTER	35772	39031	RF
- 6C		SEAT ASSY-CENTER RH	39032	& ON	RF
- 6D		SEAT ASSY-CENTER LH	39032	& ON	RF
7	0812200-111	STOP PLATE			1
8	AN515-8R12	SCREW-ATTACH STOP PLATE			2
9	0812536-2	BACK ASSY	35772	39031	1
- 9A	0812536-88	BACK ASSY-RH	39032	& ON	1
- 9B	0812536-89	BACK ASSY-LH	39032	& ON	1
- 9C	0812536-3	COVER ASSY-SEAT BACK			1
10	0812536-6	PANEL ASSY-SEAT BACK			1
11	S-1023Z-6-8C	SCREW-ATTACH PANEL ASSY			2
- 11A	S-1066C2	WASHER-ATTACH PANEL ASSY			2
- 11B	S3712-6	NUT-ATTACH PANEL ASSY			2 R
12	0812536-72	ARM REST ASSY-RH INBOARD	39032	& ON	1
- 12A	0812536-73	ARM REST ASSY-LH INBOARD	39032	& ON	1
- 12B	0812536-68	COVER ASSY-RH INBOARD ARM REST			1
- 12C	0812536-69	BACK ASSY-LH INBOARD ARM REST			1
13	NKN221-8	SCREW			1
14	0812536-94	ARM REST ASSY-RH OUTBOARD	39032	& ON	1
- 14A	0812536-95	ARM REST ASSY-LH OUTBOARD	39032	& ON	1
- 14B	0812536-96	SEAT BACK-RH OUTBOARD ARM REST			1
- 14C	0812536-98	COVER ASSY-LH OUTBOARD ARM REST			1
15	NKN221-8	SCREW			1
16	0812970-2	GUIDE-ATTACH ARM RESTS	39032	& ON	1
- 16A	0812968-2	SPRING-RETRACTION RH SEAT BACK	39032	39169	1
- 16B	0812968-1	SPRING-RETRACTION LH SEAT BACK	39032	39169	1
- 16C	0812965-1	SPRING-ARM REST BRACKET	39032	& ON	2
17	0812966-1	PLATE-ARM REST INBOARD	39032	& ON	1
18	0812967-1	ESCUTCHEON PLATE-ARM REST OUTBOARD	39032	& ON	1
19	S-1021A-4-8C	SCREW-ATTACH ESCUTCHEON PLATE	39032	& ON	4
20	0812536-5	BOTTOM ASSY-REFER TO 25-10-00 FIGURE 01 FOR BREAKDOWN			1
21	AN3-10A	BOLT-ATTACH SEAT BOTTOM TO SEAT BACK			2
22	NAS43-3-8	SPACER-ATTACH SEAT BOTTOM TO SEAT BACK			2
23	NAS1149F0363P	WASHER-ATTACH SEAT BOTTOM TO SEAT BACK			2 R
24	MS21045L3	NUT-ATTACH SEAT BOTTOM TO SEAT BACK			2 R
25	0311710-12	SAFETY BELT ASSY-FSO S1746-2	35772	39031	NP
- 25A	LL01AL28AL30AA	BELT ASSY	35772	39031	1 R
- 25B	LL01AL28AL30AA	BELT ASSY	39032	& ON	1 R
26	AN4-5A	BOLT-ATTACH SAFETY BELT			2
27	NAS43-4-12	SPACER-ATTACH SAFETY BELT			2
28	MS21044N4	NUT-ATTACH SAFETY BELT			2 R
- 28A	0812261-2	SUPPORT ASSY-CENTER SINGLE SEAT	35772	35943	1
- 28B	0812288-1	SUPPORT ASSY-CENTER SINGLE SEAT	35944	& ON	1
29	0311310	ROLLER			4
30	0311586	BUSHING			4
31	AN3-11A	BOLT-ATTACH ROLLER			4
32	MS21045L3	NUT-ATTACH ROLLER			4 R
33	0812272-2	LINK-ATTACH SAFETY BELT RH			1
- 33A	0812272-1	LINK-ATTACH SAFETY BELT LH			1
34	295375-1	STUD-WEDJIT MONADNOCK MILLS			4
35	AN316-4R	NUT			4
36	MS21047L4	NUT-PLATE			4 R

CESSNA AIRCRAFT COMPANY
MODEL 310 THRU 310D
ILLUSTRATED PARTS CATALOG

A55673



AIRPLANES 35000 THRU 35546

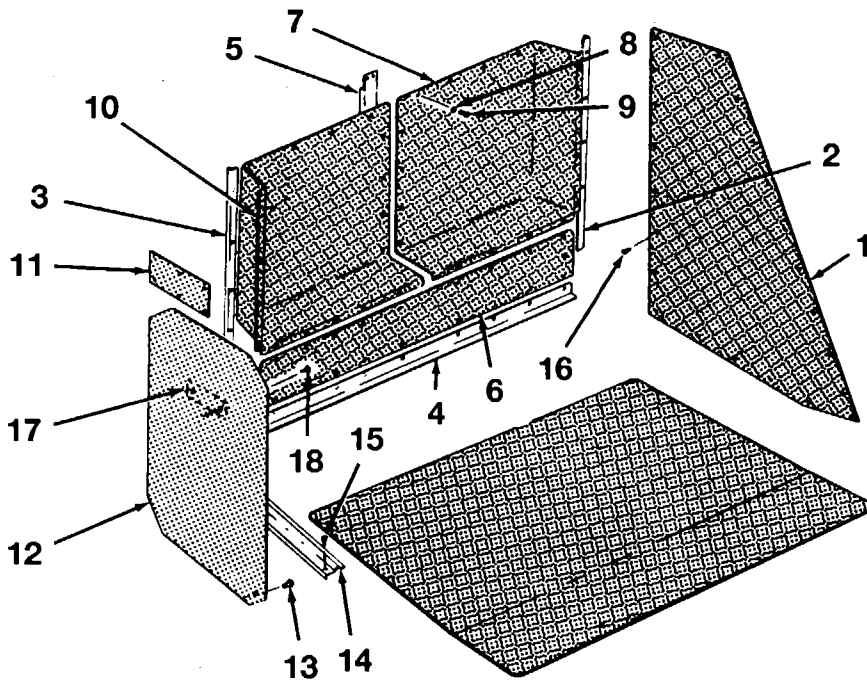
BAGGAGE COMPARTMENT UPHOLSTERY INSTALLATION
FIGURE 01 (SHEET 1)

**CESSNA AIRCRAFT COMPANY
MODEL 310 THRU 310D
ILLUSTRATED PARTS CATALOG**

FIG ITEM	PART NUMBER	NOMENCLATURE	EFFECT		UNITS PER ASSY
			FROM	TO	
01		BAGGAGE COMPARTMENT UPHOLSTERY INSTALLATION REFER TO 25-21-00	35000	35546	RF
-		FIGURES 01 & 02 FOR NHA			
1	0811430-51	. COVER ASSY-LH	35000	35227	1
			35229	35249	
- 1A	0811430-61	. COVER ASSY-LH	35228	35228	1
			35250	35546	
2	0811430-46	. COVER ASSY-RH UPPER	35000	35227	1
			35229	35249	
- 2A	0811430-62	. COVER ASSY-RH UPPER	35228	35228	1
			35250	35546	
3	0811430-44	. COVER ASSY-RH FORWARD	35000	35227	1
			35229	35249	
- 3A	0811430-60	. COVER ASSY-RH FORWARD	35228	35228	1
			35250	35546	
4	0811430-39	. PANEL ASSY-UPPER AFT	35000	35249	1
- 4A	0811431-1	. PANEL ASSY-UPPER AFT LH	35250	35546	1
- 4B	0811431-2	. PANEL ASSY-UPPER AFT RH	35250	35546	1
5	0811430-23	. CURTAIN-REAR			1
6	0811428-2	. UPHOLSTERY ASSY-BAGGAGE COMPARTMENT DOOR			1
7	99608	. STUD-TRIMOUNT ATTACH DOOR COVER UNITED CARR			28
8	0811430-59	. SUPPORT ASSY-REAR CURTAIN LH UPPER			1
9	0811430-33	. SUPPORT ASSY-REAR CURTAIN LH LOWER			1
10	0811430-58	. SUPPORT ASSY-REAR CURTAIN RH	35000	35249	1
- 10A	0811431-3	. SUPPORT ASSY-REAR CURTAIN RH	35250	35546	1
11	0811430-32	. SUPPORT ASSY-REAR CURTAIN LOWER			1
12	S-1021Z-6-4	. SCREW-ATTACH CURTAIN SUPPORTS & AFT UPPER PANELS			AR
13	S-1021Z-6-8	. SCREW-ATTACH PANELS			AR
14	0311623-2	. SCUFF PLATE			1
15	0812480-19	. PLACARD-BAGGAGE CAPACITY			1
16	S-1021Z-4-8	. SCREW-ATTACH SCUFF PLATE AND PLACARD			5

CESSNA AIRCRAFT COMPANY
MODEL 310 THRU 310D
ILLUSTRATED PARTS CATALOG

A55674



AIRPLANES 35547 THRU 35771

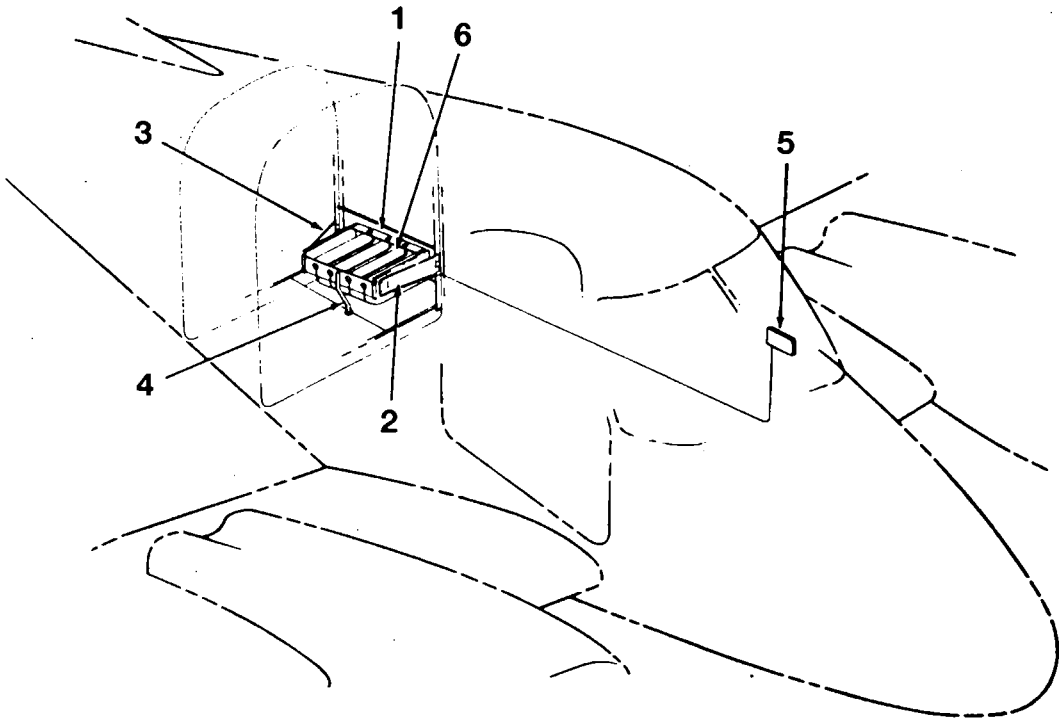
BAGGAGE COMPARTMENT UPHOLSTERY INSTALLATION
FIGURE 02 (SHEET 1)

**CESSNA AIRCRAFT COMPANY
MODEL 310 THRU 310D
ILLUSTRATED PARTS CATALOG**

FIG ITEM	PART NUMBER	NOMENCLATURE	EFFECT		UNITS PER ASSY
			FROM	TO	
02		BAGGAGE COMPARTMENT UPHOLSTERY INSTALLATION REFER TO 25-20-00	35547	35771	RF
-		FIGURE 03 FOR NHA			
1	0811443-15 PANEL ASSY-UPHOLSTERY LH			1
2	0811655-1 SIDE SUPPORT ASSY-CURTAIN LH			1
3	0811655-2 SIDE SUPPORT ASSY-CURTAIN RH			1
4	0811652-1 BOTTOM SUPPORT ASSY-CURTAIN			1
- 4A	CM2822-2 SPRING			5 R
- 4B	S-1021Z-6-4 SCREW-ATTACH BOTTOM SUPPORT			16
5	0811637-1 SUPPORT ASSY-CURTAIN			1
- 5A	MK2000-06 NUTPLATE			4
- 5B	CM2822-2 SPRING			6 R
- 5C	AN515-6R8 SCREW-ATTACH CENTER SUPPORT			4
6	0811443-18 CURTAIN ASSY-REAR LOWER			1
- 6A	A-4-35 FASTENER-ATTACH CURTAIN ASSY DZUS			9
- 6B	GA4-250 GROMMET			9
7	0811443-19 CURTAIN ASSY-REAR LH			1
8	A-4-35 FASTENER-ATTACH CURTAIN ASSY DZUS			13
9	GA4-250 GROMMET			13
10	0811443-20 CURTAIN ASSY-REAR RH			1
- 10A	A-4-35 FASTENER-ATTACH CURTAIN ASSY & OXYGEN ACCESS DOOR DZUS			15
- 10B	GA4-250 GROMMET			15
11	0811443-16 PANEL ASSY-UPHOLSTERY UPPER RH			1
12	0811443-17 PANEL ASSY-BAGGAGE DOOR			1
13	99608 STUD-TRIMOUNT ATTACH PANEL TO DOOR UNITED CARR			28
14	0311623-2 SCUFF PLATE-BAGGAGE DOOR			1
15	S-1021Z-4-8 SCREW-ATTACH SCUFF PLATE			3
16	S-1021Z-6-8 SCREW-ATTACH UPHOLSTERY PANELS			AR
17	0812480-19 PLACARD-BAGGAGE CAPACITY			1
18	S-1021Z-4-8 SCREW-ATTACH PLACARD			2

CESSNA AIRCRAFT COMPANY
MODEL 310 THRU 310D
ILLUSTRATED PARTS CATALOG

A55790



AIRPLANES 35000 THRU 35546
FLARE INSTALLATION
FIGURE 01 (SHEET 1)

CESSNA AIRCRAFT COMPANY
MODEL 310 THRU 310D
ILLUSTRATED PARTS CATALOG

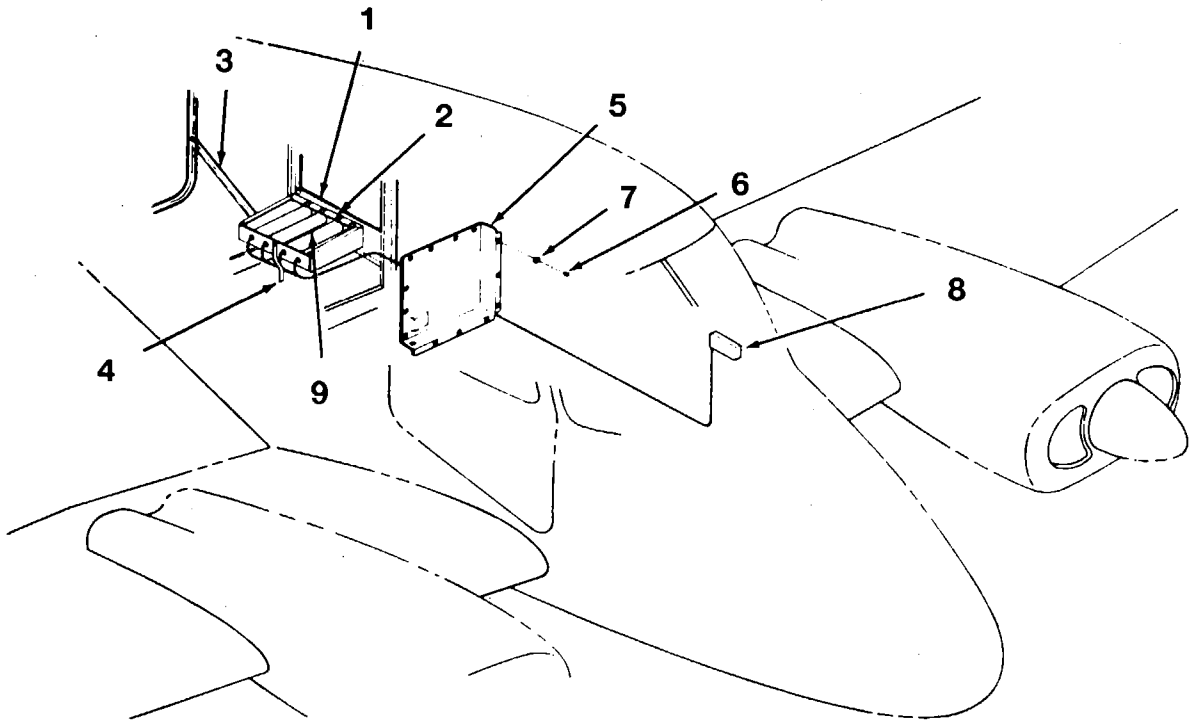
FIG ITEM	PART NUMBER	NOMENCLATURE	EFFECT		UNITS PER ASSY
			FROM	TO	
01		FLARE INSTALLATION	35000	35546	RF
-		. BOLT-FLARE			1
1	0814300-2	. BRACKET-FORWARD			1
2	0814000-33	. BRACKET-AFT			1
3	0814000-30	. SUPPORT	35056	35546	1
4	0814000-149	. BRACKET-SUPPORT	35000	35055	1
- 4A	0814000-34	. SCREW-ATTACH SUPPORT BRACKET TO FLARE BRACKET			3
- 4B	AN545-6R4	. SWITCH-FLARE			1
5	0814300-1	. SCREW-ATTACH SWITCH			4
- 5A	S-1021Z-6-6	. FLARE-1 1/2 MINUTE			4
6	0814300-3				

- ITEM NOT ILLUSTRATED

© Cessna Aircraft Company

CESSNA AIRCRAFT COMPANY
MODEL 310 THRU 310D
ILLUSTRATED PARTS CATALOG

A55791



AIRPLANES 35547 AND ON
FLARE INSTALLATION
FIGURE 02 (SHEET 1)

**CESSNA AIRCRAFT COMPANY
MODEL 310 THRU 310D
ILLUSTRATED PARTS CATALOG**

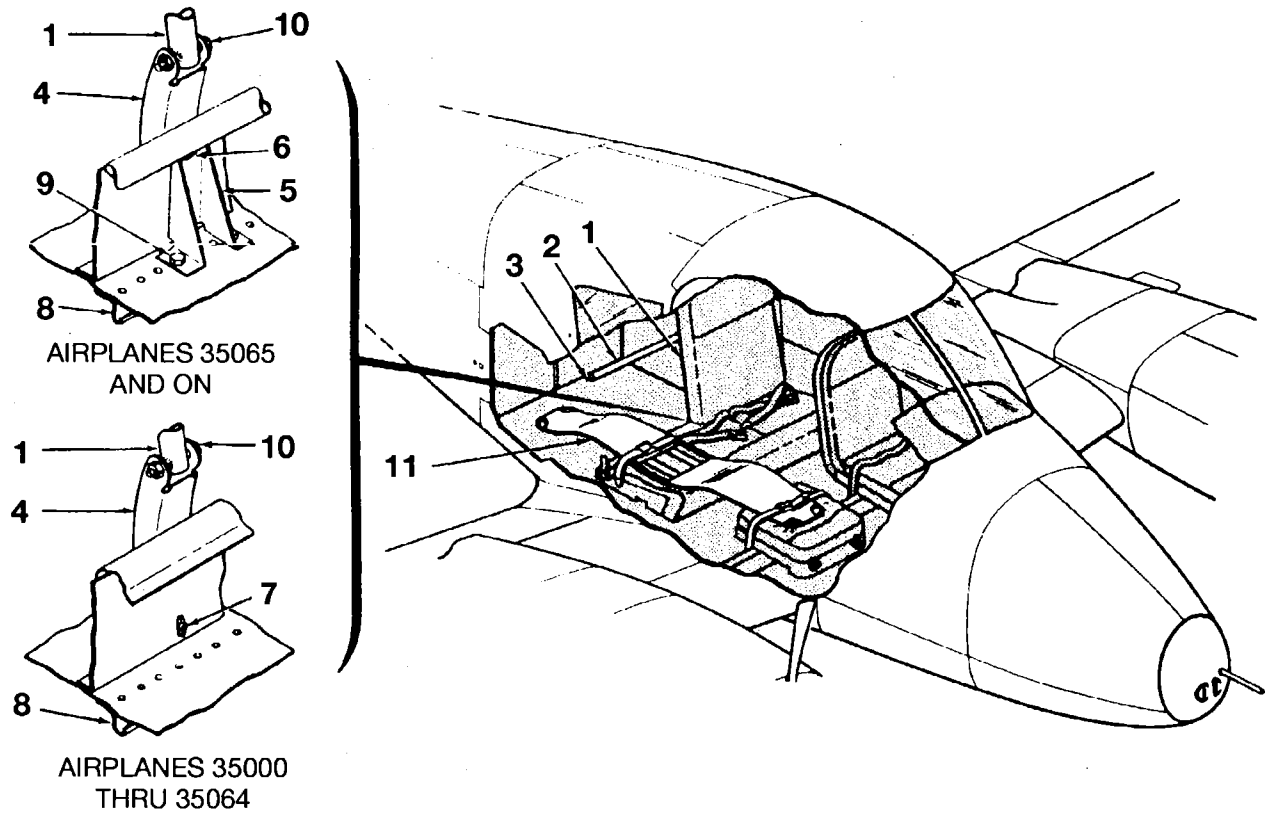
FIG ITEM	PART NUMBER	NOMENCLATURE	EFFECT		UNITS
			FROM	TO	PER ASSY
02		FLARE INSTALLATION	35547	& ON	RF
1	0814306-1	. DOUBLER-FLARE			1
2	0814300-2	. BOLT-FLARE			1
3	0814307-1	. BRACE-FLARE			1
- 3A	AN520-10R8	. SCREW-ATTACH SIDE BRACE TO FLARE BRACKET			1
- 3B	NAS1149F0363P	. WASHER-ATTACH SIDE BRACE TO FLARE BRACKET			1 R
- 3C	MS21045L3	. NUT-ATTACH SIDE BRACE TO FLARE BRACKET			1 R
4	0814000-149	. SUPPORT-FLARE			1
- 4A	AN545-6R4	. SCREW-ATTACH SUPPORT TO FLARE BRACKET			3
5	0811443-37	. CURTAIN ASSY-LH	35547	35771	1
- 5A	0811405-71	. PANEL-LH	35772	& ON	1
6	AJ4-35	. STUD	35547	35771	13 R
- 6A	AJ4-35	. STUD	35772	& ON	12 R
7	GA4-250	. GROMMET	35547	35771	13
- 7A	GA4-250	. GROMMET	35772	& ON	12
8	0814300-1	. SWITCH-FLARE			1
- 8A	S-1021Z-6-6	. SCREW-ATTACH SWITCH			4
9	0814300-3	. FLARE-1 1/2 MINUTE			4

- ITEM NOT ILLUSTRATED

© Cessna Aircraft Company

CESSNA AIRCRAFT COMPANY
MODEL 310 THRU 310D
ILLUSTRATED PARTS CATALOG

A55807



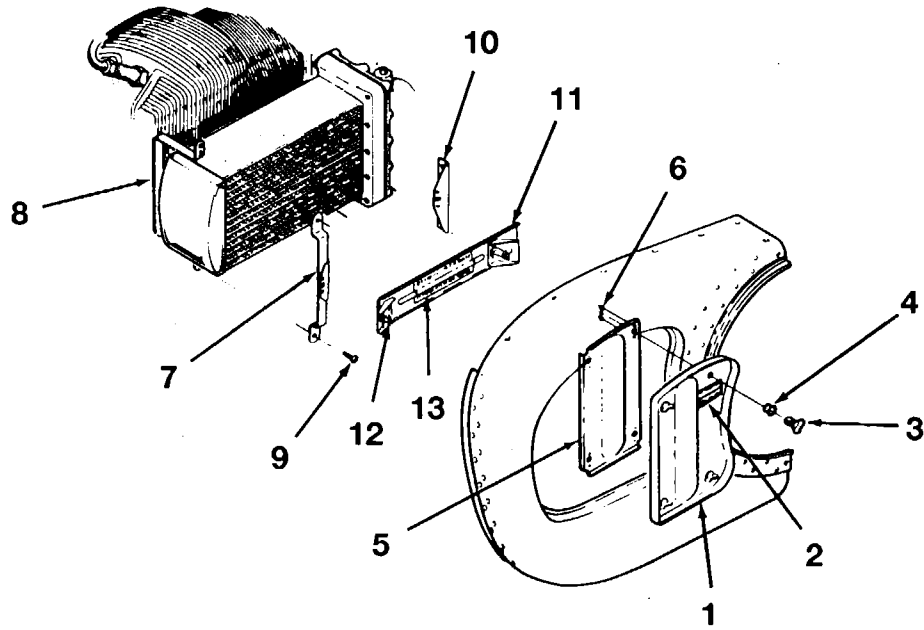
PORTABLE STRETCHER INSTALLATION
FIGURE 03 (SHEET 1)

CESSNA AIRCRAFT COMPANY
MODEL 310 THRU 310D
ILLUSTRATED PARTS CATALOG

FIG ITEM	PART NUMBER	NOMENCLATURE	EFFECT		UNITS PER ASSY
			FROM	TO	
03		PORTABLE STRETCHER INSTALLATION			RF
-		SEAT BACK ASSY			1
1	0800035-4	SEAT BACK ASSY			1
- 1A	S5-225	SPRING-DZUS			2
2	0800035-5	SUPPORT ASSY			1
3	0512170-3	PIN			2
		ATTACHING PARTS			
3A	AW5-40	FASTENER-ATTACH SUPPORT ASSY TO SEAT BACK			2
- 3B	GA5-312	GROMMET-ATTACH SUPPORT ASSY TO SEAT BACK			2
		BRACKET-PIVOT POINT			1
4	0800035-11	BRACKET-PIVOT POINT			1
5	0800035-2	BRACKET	35065	& ON	1
6	MS21047L3	NUTPLATE-ANCHOR			2 R
7	MS21047L3	NUTPLATE-ANCHOR	35000	35064	2 R
8	0800035-15	STRINGER-FLOORBOARD			1
- 8A	MS21047L3	NUTPLATE-ANCHOR	35065	& ON	2 R
		ATTACHING PARTS			
9	AN3-5A	BOLT-ATTACH BRACKET ASSY TO FLOORBOARD	35065	& ON	2
- 9A	AN3-4A	BOLT-ATTACH PIVOT POINT BRACKET			2
10	AN3-15A	BOLT-ATTACH SEAT BACK TO PIVOT POINT BRACKET			2
- 10A	NAS4300-3-77	SPACER-ATTACH SEAT BACK TO PIVOT POINT BRACKET			2
- 10B	MS21045L3	NUT-ATTACH SEAT BACK TO PIVOT POINT BRACKET			2 R
		BATTERY CLIP-GRANPORTABLE			1
11	100	BATTERY CLIP-GRANPORTABLE			1

CESSNA AIRCRAFT COMPANY
MODEL 310 THRU 310D
ILLUSTRATED PARTS CATALOG

A55811



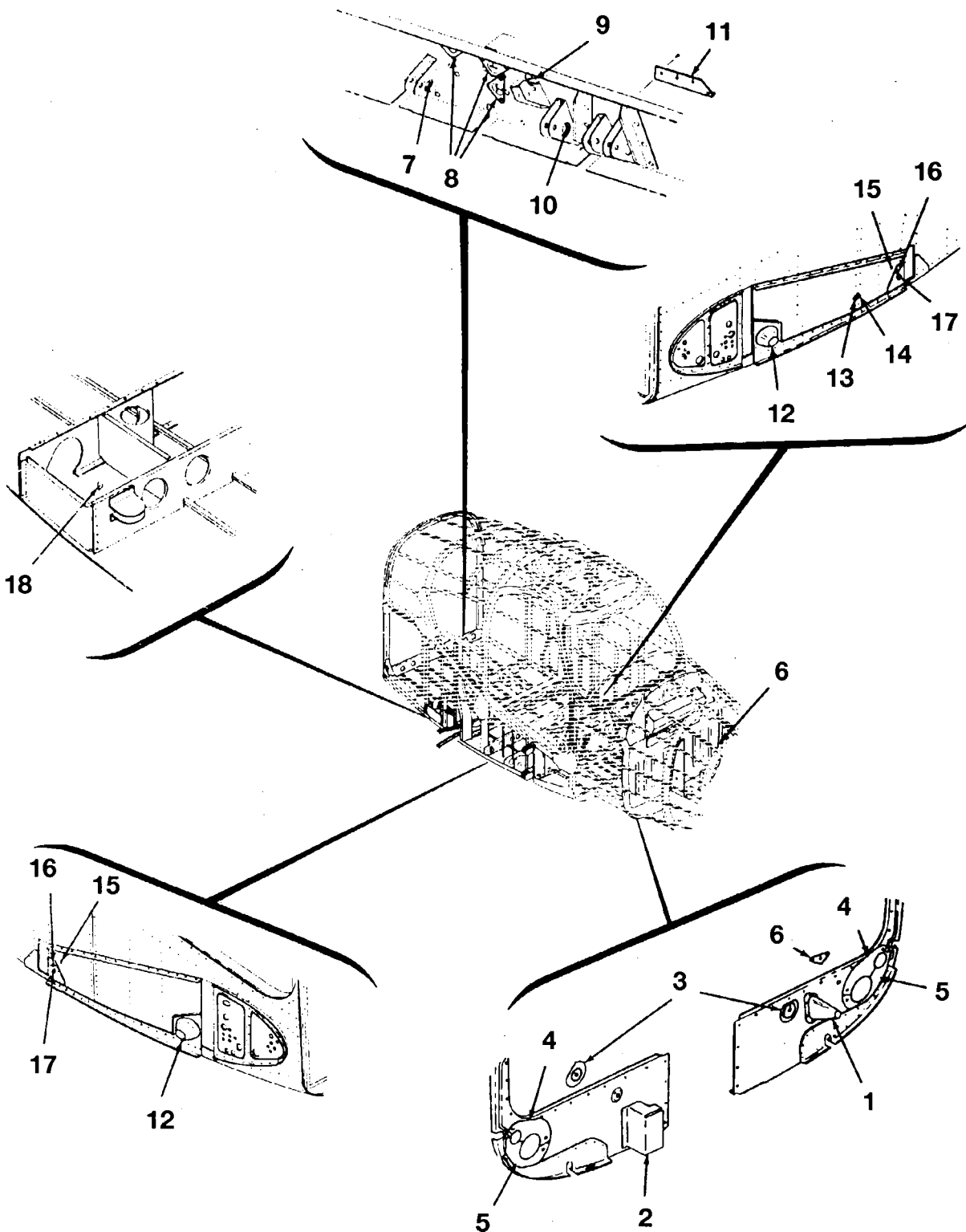
WINTERIZATION BAFFLES INSTALLATION
FIGURE 01 (SHEET 1)

CESSNA AIRCRAFT COMPANY
MODEL 310 THRU 310D
ILLUSTRATED PARTS CATALOG

FIG ITEM	PART NUMBER	NOMENCLATURE	EFFECT		UNITS PER ASSY
			FROM	TO	
01		WINTERIZATION BAFFLES INSTALLATION			RF
- 0	0813901-5	. ORIFICE-HEATER			1
1	0850491-3	. BAFFLE ASSY-RH COWL OUTBOARD & LH COWL INBOARD			2
- 1A	0850491-1	. BAFFLE ASSY-RH COWL INBOARD & LH COWL OUTBOARD			2
2	0552103 DECAL			1
3	AJW4-3 STUD-ATTACH BAFFLE DZUS			4
4	GA4-250 GROMMET-ATTACH BAFFLE			4
5	0850492-6 PLATE ASSY-RH COWL OUTBOARD & LH COWL INBOARD			2
- 5A	0850492-5 PLATE ASSY-RH COWL INBOARD & LH COWL OUTBOARD			2
6	CM2822-2 SPRING-ATTACH BAFFLE			4 R
- 6A	0812480-58 DECAL-WINTERIZATION	35000	35180	1
- 6B	0812480-59 DECAL-WINTERIZATION	35181	& ON	1
7	0850033-1 STRAP ASSY	35000	39031	2
- 7A	CM2822-2 SPRING-ATTACH STRAP ASSY			1 R
8	0850006-1 STRAP ASSY	35000	39031	2
- 8A	MS21071L08 NUT-ANCHOR			2 R
9	AN515-8R7 SCREW-ATTACH STRAPS			4
10	0850035-1 SUPPORT ASSY-BAFFLE	35000	39031	2
- 10A	NAS1149F0463P WASHER-ATTACH BAFFLE			4 R
11	0850034-1 BAFFLE ASSY	35000	39031	2
12	AJ4-35 STUD			2 R
- 12A	GA4-250 GROMMET			2
13	0812480-59 DECAL			1

CESSNA AIRCRAFT COMPANY
MODEL 310 THRU 310D
ILLUSTRATED PARTS CATALOG

A55626



AIRPLANES 35547 AND ON
CABIN SOUNDPROOFING SEALS AND BOOTS INSTALLATION
FIGURE 01 (SHEET 1)

CESSNA AIRCRAFT COMPANY
MODEL 310 THRU 310D
ILLUSTRATED PARTS CATALOG

FIG ITEM	PART NUMBER	NOMENCLATURE	EFFECT FROM TO	UNITS	
				PER ASSY	RF
01		CABIN SOUNDPROOFING SEALS AND BOOTS INSTALLATION REFER TO	35547	& ON	RF
-		53-10-00 FIGURE 01 FOR NHA			
1	0812920-1	. BOOT ASSY-NOSE GEAR ACTUATOR ROD			1
- 1A	S-1021Z-4-5	. SCREW-ATTACH BOOT ASSY			4
- 1B	S-1022Z-4-6	. SCREW-ATTACH BOOT ASSY			2
2	0812909-2	. COVER ASSY-RUDDER CABLE RETURN PULLEY			1
- 2A	S-1021Z-4-5	. SCREW-ATTACH COVER ASSY			4
3	0812902-3	. RETAINER ASSY-CONTROL CABLE			2
- 3A	S-1021Z-4-5	. SCREW-ATTACH SEAL & RETAINER ASSY			8
4	0812914-1	. SEAL-AIR DUCT			2
5	0812914-2	. LOWER SEAL-AIR DUCT			2
- 5A	S-1021Z-4-5	. SCREW-ATTACH SEALS			8
6	0812901-8	. RETAINER ASSY-CONTROL CABLE			2
- 6A	S-1021Z-4-5	. SCREW-ATTACH SEAL & RETAINER ASSY			4
7	0812901-10	. RETAINER ASSY-CONTROL CABLE			1
8	0812901-7	. RETAINER ASSY-CONTROL CABLE			3
9	0812901-9	. RETAINER ASSY-CONTROL CABLE			1
10	0812901-11	. RETAINER ASSY-CONTROL CABLE			1
11	0812905-3	. RETAINER ASSY-CONTROL CABLE			1
- 11A	S-1021Z-4-5	. SCREW-ATTACH SEAL & RETAINER ASSY			14
12	0812907-1	. BOOT ASSY-MAIN GEAR ACTUATOR ROD			2
- 12A	S-1021Z-4-5	. SCREW-ATTACH BOOT ASSY			16
13	0812908-1	. COVER-TRIM PULLEY LH ONLY			1
14	0812908-4	. RETAINER ASSY-TRIM PULLEY LH ONLY			1
- 14A	S-1021Z-4-5	. SCREW-ATTACH COVER SEAL & RETAINER ASSY			4
15	0812904-3	. SEAL ASSY-CONTROL CABLE			2
16	0812919-3	. RETAINER ASSY-CONTROL CABLE			2
17	0812903-3	. SEAL ASSY-CONTROL CABLE			2
- 17A	S-1021Z-4-5	. SCREW-ATTACH SEAL & RETAINER ASSY			12
18	0812901-8	. RETAINER ASSY-RETRACTABLE STEP CABLE			1
- 18A	S-1021Z-4-5	. SCREW-ATTACH SEAL & RETAINER ASSY			2

CHAPTER

26

**FIRE
PROTECTION**

CESSNA AIRCRAFT COMPANY
MODEL 310 THRU 310D
ILLUSTRATED PARTS CATALOG

LIST OF EFFECTIVE PAGES

CHAPTER-SECTION-SUBJECT	PAGE	DATE
26-Title		
26-List of Effective Pages		
26-Record of Temporary Revisions		
26-Contents		
26-20-00 Figure 01	1	Jul 5/2004
	2	Jul 5/2004

CESSNA AIRCRAFT COMPANY
MODEL 310 THRU 310D
ILLUSTRATED PARTS CATALOG

SUBJECT

CH SEC SUBJ FIG

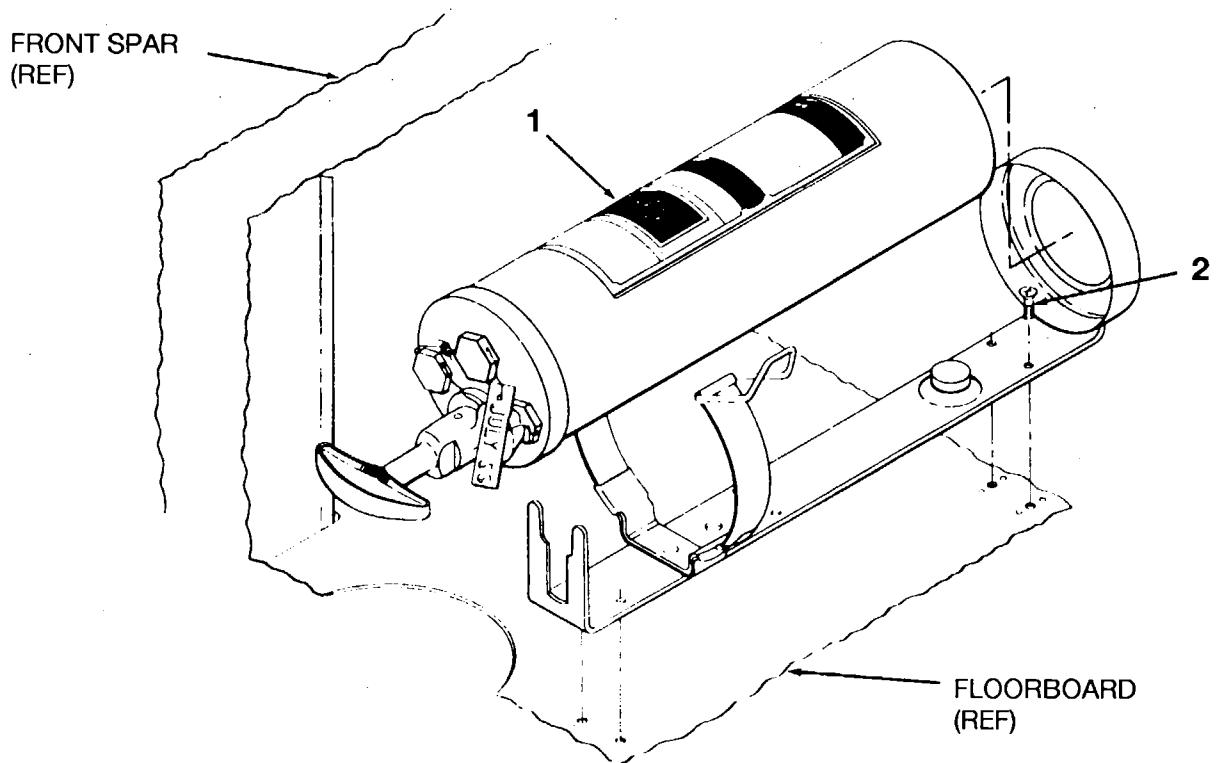
EFFECTIVITY

FIRE EXTINGUISHER INSTALLATION

26-20-00-01

CESSNA AIRCRAFT COMPANY
MODEL 310 THRU 310D
ILLUSTRATED PARTS CATALOG

A55809



FIRE EXTINGUISHER INSTALLATION
FIGURE 01 (SHEET 1)

CESSNA AIRCRAFT COMPANY
MODEL 310 THRU 310D
 ILLUSTRATED PARTS CATALOG

FIG ITEM	PART NUMBER	NOMENCLATURE	EFFECT		UNITS PER ASSY
			FROM	TO	
01		FIRE EXTINGUISHER INSTALLATION			RF
1	0800111-1	. FIRE EXTINGUISHER			1
2	AN515-8R16	. SCREW-ATTACH FIRE EXTINGUISHER BRACKET			4

CHAPTER

27

**FLIGHT
CONTROLS**

CESSNA AIRCRAFT COMPANY
MODEL 310 THRU 310D
 ILLUSTRATED PARTS CATALOG

LIST OF EFFECTIVE PAGES

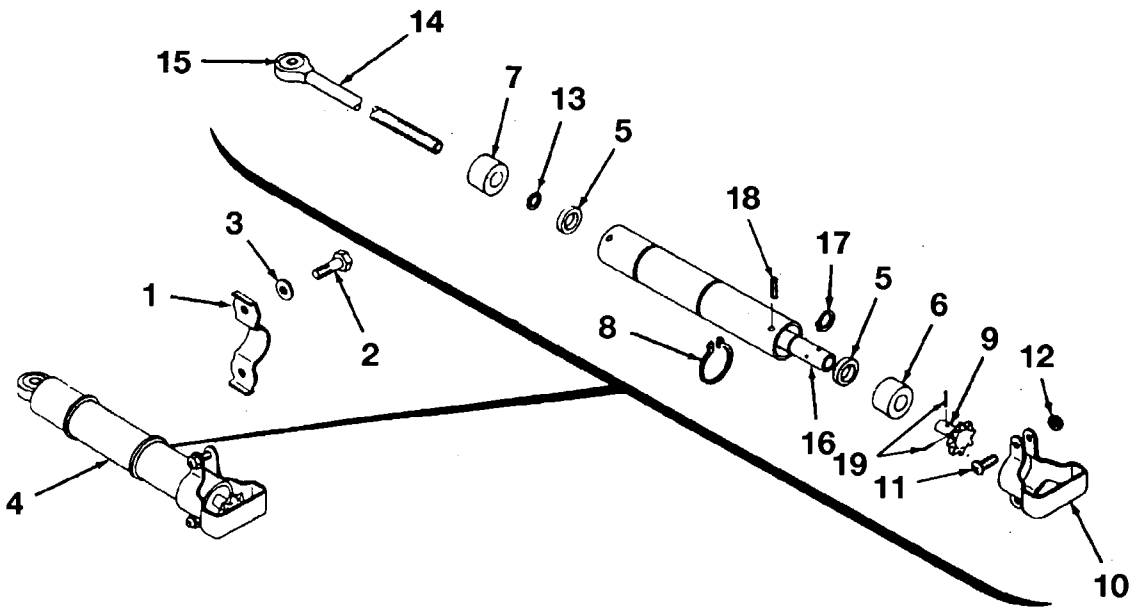
CHAPTER-SECTION-SUBJECT	PAGE	DATE
27-Title		
27-List of Effective Pages		
27-Record of Temporary Revisions		
27-Contents		
27-00-00 Figure 01	1	Jul 5/2004
	2	Jul 5/2004
27-00-00 Figure 02	1	Jul 5/2004
	2	Jul 5/2004
27-00-00 Figure 03	1	Jul 3/2006
	2	Jul 3/2006
27-10-00 Figure 01	1	Jul 3/2006
	2	Jul 3/2006
	3	Jul 3/2006
27-10-00 Figure 02	1	Jul 3/2006
	2	Jul 3/2006
27-20-00 Figure 01	1	Jul 3/2006
	2	Jul 3/2006
27-20-01 Figure 01	1	Jul 3/2006
	2	Jul 3/2006
	3	Jul 3/2006
27-20-02 Figure 01	1	Jul 3/2006
	2	Jul 3/2006
27-30-00 Figure 01	1	Jul 3/2006
	2	Jul 3/2006
27-30-00 Figure 02	1	Jul 3/2006
	2	Jul 3/2006
27-30-01 Figure 01	1	Jul 3/2006
	2	Jul 3/2006
27-30-01 Figure 02	1	Jul 5/2004
	2	Jul 5/2004
27-50-00 Figure 01	1	Jul 5/2004
	2	Jul 5/2004
27-50-00 Figure 02	1	Jul 3/2006
	2	Jul 3/2006
27-50-00 Figure 03	1	Jul 3/2006
	2	Jul 3/2006
27-50-00 Figure 04	1	Jul 3/2006
	2	Jul 3/2006

CESSNA AIRCRAFT COMPANY
MODEL 310 THRU 310D
ILLUSTRATED PARTS CATALOG

<u>SUBJECT</u>	<u>CH SEC SUBJ FIG</u>	<u>EFFECTIVITY</u>
RUDDER TRIM TAB ACTUATOR INSTALLATION	27-00-00-01	
AILERON TRIM TAB ACTUATOR INSTALLATION	27-00-00-02	
ELEVATOR TRIM TAB ACTUATOR INSTALLATION	27-00-00-03	
AILERON CONTROL SYSTEM INSTALLATION	27-10-00-01	
AILERON TRIM CONTROL SYSTEM INSTALLATION	27-10-00-02	
RUDDER CONTROL SYSTEM INSTALLATION	27-20-00-01	
RUDDER TRIM CONTROL SYSTEM INSTALLATION	27-20-01-01	
BRAKE AND RUDDER PEDAL INSTALLATION	27-20-02-01	
ELEVATOR CONTROL SYSTEM INSTALLATION	27-30-00-01	
ELEVATOR TRIM CONTROL SYSTEM INSTALLATION	27-30-00-02	
CONTROL COLUMN INSTALLATION	27-30-01-01	
DUAL CONTROLS INSTALLATION	27-30-01-02	
FLAP CONTROL SYSTEM INSTALLATION	27-50-00-01	
FLAP ACTUATOR REDUCTION UNIT INSTALLATION	27-50-00-02	
SPEED CONTROL SYSTEM INSTALLATION	27-50-00-03	35000 35546
SPEED CONTROL SYSTEM INSTALLATION	27-50-00-04	35547 & ON

CESSNA AIRCRAFT COMPANY
MODEL 310 THRU 310D
ILLUSTRATED PARTS CATALOG

A55735



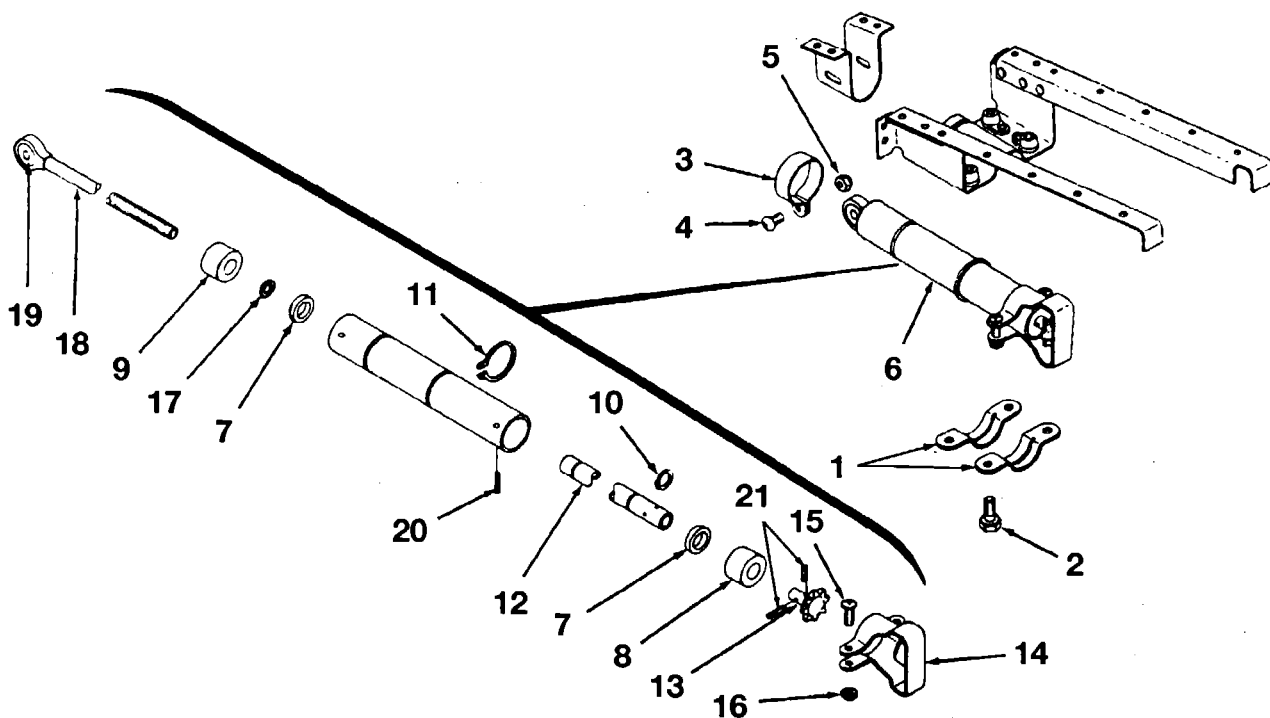
RUDDER TRIM TAB ACTUATOR INSTALLATION
FIGURE 01 (SHEET 1)

CESSNA AIRCRAFT COMPANY
MODEL 310 THRU 310D
ILLUSTRATED PARTS CATALOG

FIG ITEM	PART NUMBER	NOMENCLATURE	EFFECT		UNITS
			FROM	TO	PER ASSY
01		RUDDER TRIM TAB ACTUATOR INSTALLATION REFER TO 27-20-01 FIGURE 01 FOR NHA			RF
1	0432126	. CLAMP-ATTACH ACTUATOR	35000	35771	2
- 1A	0432126	. CLAMP-ATTACH ACTUATOR	35772	& ON	3
2	AN3-5A	. BOLT-ATTACH ACTUATOR	35000	35771	4
- 2A	AN3-5A	. BOLT-ATTACH ACTUATOR	35772	& ON	6
3	NAS1149F0332P	. WASHER-ATTACH ACTUATOR	35000	35771	4 R
- 3A	NAS1149F0332P	. WASHER-ATTACH ACTUATOR	35772	& ON	6 R
4	0310293-4	. ACTUATOR ASSY-TAB	35000	35771	1
- 4A	0310293-7	. ACTUATOR ASSY-TAB	35772	& ON	1
5	0310295	. COLLAR-ACTUATOR			2
6	0310297-1	. BEARING-ACTUATOR			1
7	0310298-1	. BEARING-ACTUATOR			1
8	NAS670-81	. RING-OUTSIDE	35000	35771	2
- 8A	NAS670-81	. RING-OUTSIDE	35772	& ON	1
9	0310332	. SPROCKET-ROLL CHAIN			1
10	0310422	. GUARD-ROLL CHAIN			1
11	AN515-8R8	. SCREW-ATTACH GUARD			2
12	MS21044N08	. NUT-ATTACH GUARD			2 R
13	MS28775-010	. O-RING-ACTUATOR			1 R
14	0310362-7	. SCREW ASSY-ACTUATOR	35000	35771	1
- 14A	0310362-11	. SCREW ASSY-ACTUATOR	35772	& ON	1
15	PN-3A	. BEARING-TORRINGTON			1
16	0310352	. SCREW-INTERNAL THREAD	35000	35771	1
- 16A	0831276-3	. SCREW TAB-INTERNAL THREAD	35772	& ON	1
17	NAS670-34	. RETAINER RING-INSIDE	35000	35771	2
- 17A	NAS670-37	. RING-INSIDE	35772	& ON	2
18	1/16 X 625 TYPE 3	. PIN-GROOVE			2
19	3/32 X 375 TYPE3	. PIN-GROOVE			2

CESSNA AIRCRAFT COMPANY
MODEL 310 THRU 310D
ILLUSTRATED PARTS CATALOG

A55736



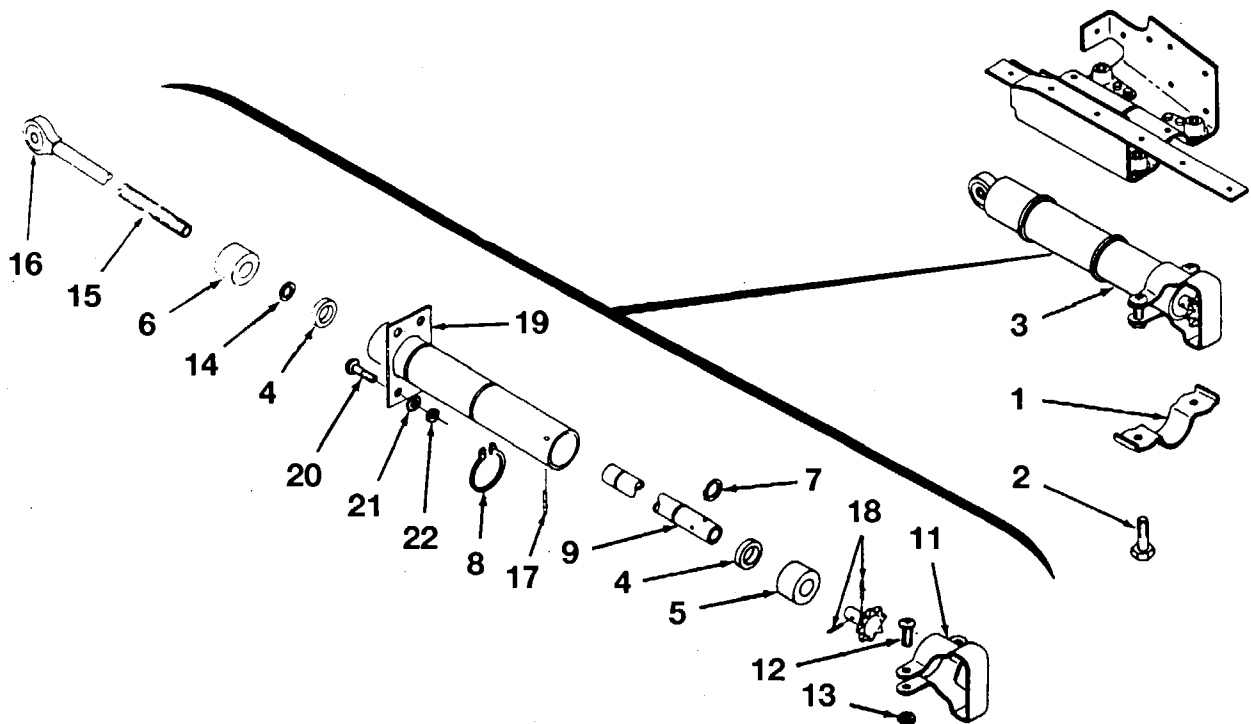
AILERON TRIM TAB ACTUATOR INSTALLATION
FIGURE 02 (SHEET 1)

CESSNA AIRCRAFT COMPANY
MODEL 310 THRU 310D
ILLUSTRATED PARTS CATALOG

FIG ITEM	PART NUMBER	NOMENCLATURE	EFFECT		UNITS PER ASSY
			FROM	TO	
02		AILERON TRIM TAB ACTUATOR INSTALLATION REFER TO 27-10-00 FIGURE 02 FOR NHA			RF
1	0820000-13	. CLIP-ATTACH ACTUATOR			2
2	AN3-4A	. BOLT-ATTACH CLAMP			4
3	A3052A-14-27	. CLAMP-ATTACH ACTUATOR TINNEMAN			1
4	AN515-8R5	. SCREW-ATTACH CLAMP			1
5	MS21044N08	. NUT-ATTACH CLAMP			1 R
6	0310293-2	. ACTUATOR ASSY-AILERON TRIM TAB			1
7	0310295	. . COLLAR-ACTUATOR			2
8	0310297-1	. . BEARING-ACTUATOR			1
9	0310298-1	. . BEARING-ACTUATOR			1
10	NAS670-34	. . RETAINER RING-INSIDE			2
11	NAS670-81	. . RING-OUTSIDE			2
12	0310352	. . SCREW-INTERNAL THREAD			1
13	0310332	. . SPROCKET-ROLL CHAIN			1
14	0310422	. . GUARD-ROLL CHAIN			1
15	AN515-8R8	. . SCREW-ATTACH GUARD			2
16	MS21044N08	. . NUT-ATTACH GUARD			2 R
17	MS28775-010	. . PACKING-ACTUATOR			1 R
18	0310362-5	. . SCREW ASSY-ACTUATOR			1
19	PN-3A	. . BEARING-TORRINGTON			1
20	1/16 X 625 TYPE	. . GROOVE PIN			2
21	3/32 X 375 TYPE	. . GROOVE PIN			2

CESSNA AIRCRAFT COMPANY
MODEL 310 THRU 310D
ILLUSTRATED PARTS CATALOG

A55737



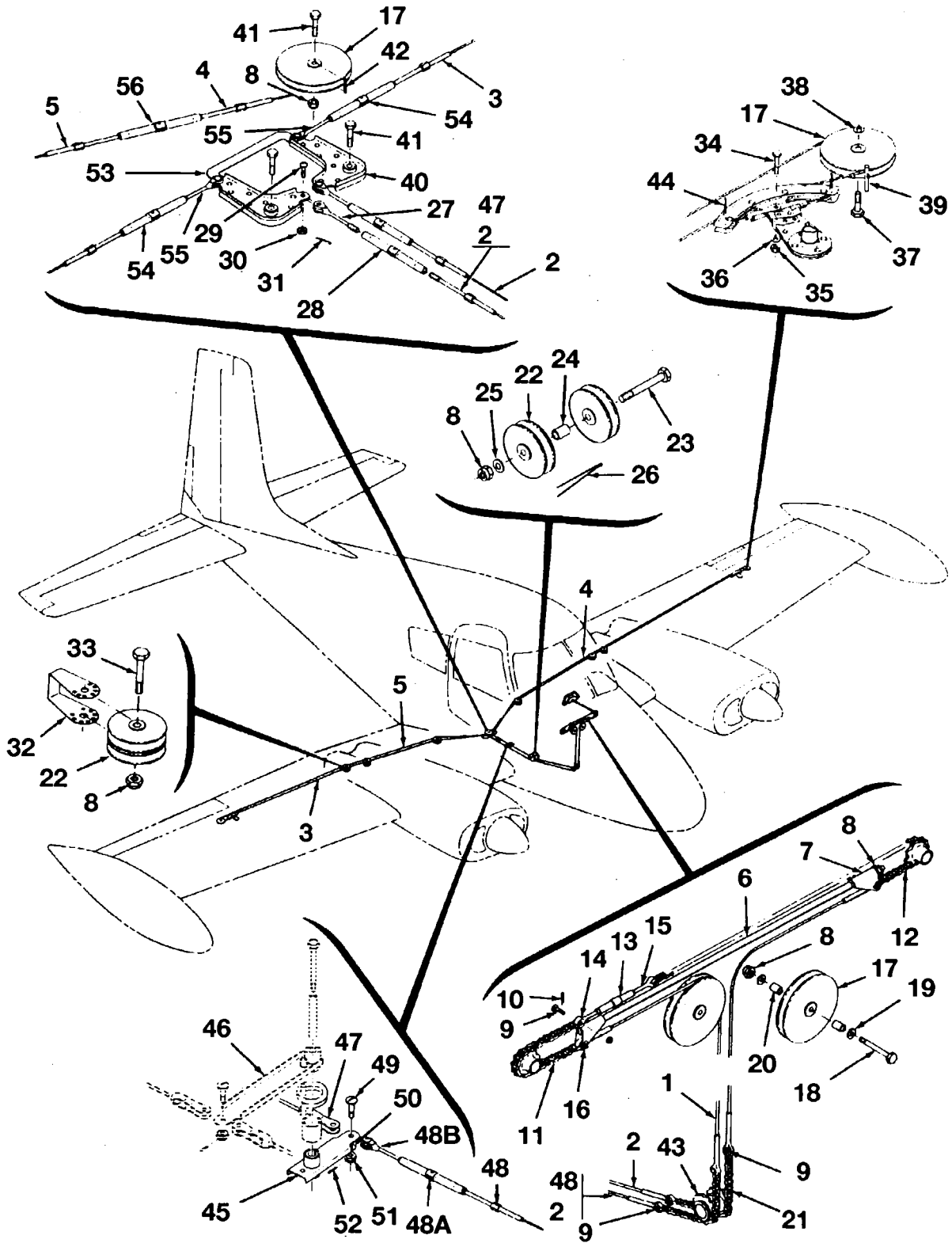
ELEVATOR TRIM TAB ACTUATOR INSTALLATION
FIGURE 03 (SHEET 1)

CESSNA AIRCRAFT COMPANY
MODEL 310 THRU 310D
ILLUSTRATED PARTS CATALOG

FIG ITEM	PART NUMBER	NOMENCLATURE	EFFECT		UNITS PER ASSY
			FROM	TO	
03		ELEVATOR TRIM TAB ACTUATOR INSTALLATION REFER TO 27-30-00 FIGURE 02 FOR NHA			RF
1	0432126	. CLAMP-ATTACH ACTUATOR			2
2	AN3-4A	. BOLT-ATTACH ACTUATOR			4
3	0310293-2	. ACTUATOR ASSY-ELEVATOR TRIM TAB			1
4	0310295	. . COLLAR-ACTUATOR			1
5	0310297-1	. . BEARING-ACTUATOR			1
6	0310298-1	. . BEARING-ACTUATOR			1
7	NAS670-34	. . RETAINER RING-INSIDE			2
8	NAS670-81	. . RING-OUTSIDE			2
9	0310352	. . SCREW-INTERNAL THREAD			1
10	0310332	. . SPROCKET-ROLL CHAIN			1
11	0310422	. . GUARD-ROLL CHAIN			1
12	AN515-8R8	. . SCREW-ATTACH GUARD			2
13	MS21044N08	. . NUT-ATTACH GUARD			2 R
14	MS28775-010	. . PACKING-ACTUATOR			1 R
15	0310362-5	. . SCREW ASSY-ACTUATOR			1
16	PN-3A	. . BEARING			1
17	1/16 X .625 TYPE 3	. . PIN-GROOVE			2
18	3/32 X .375 TYPE 3	. . PIN-GROOVE			2
19	0832150-1	. . SPACER	35772	& ON	1
20	AN515-8R10	. . SCREW-ATTACH SPACER	35772	& ON	4
21	NAS1149FN816P	. . WASHER-ATTACH SPACER			4 R
22	MS21044N08	. . NUT-ATTACH SPACER	35772	& ON	4 R

CESSNA AIRCRAFT COMPANY
MODEL 310 THRU 310D
 ILLUSTRATED PARTS CATALOG

A55728



AILERON CONTROL SYSTEM INSTALLATION
 FIGURE 01 (SHEET 1)

CESSNA AIRCRAFT COMPANY
MODEL 310 THRU 310D
ILLUSTRATED PARTS CATALOG

FIG ITEM	PART NUMBER	NOMENCLATURE	EFFECT		UNITS
			FROM	TO	PER ASSY
01		AILERON CONTROL SYSTEM INSTALLATION			RF
1	0860207-34	CABLE ASSY-AILERON COLUMN VERTICAL RH			1
- 1A	0860207-110	CABLE ASSY-AILERON COLUMN VERTICAL LH REFER TO NOTE 1			1
2	0860207-5	CABLE-AILERON FORWARD	35000	39031	2
- 2A	0860207-5	CABLE-AILERON FORWARD	39032	& ON	1
3	0860207-6	CABLE ASSY-AILERON AFT			2
4	0860207-7	CABLE-AILERON CARRY THRU LH			1
5	0860207-8	CABLE ASSY-AILERON CARRY THRU RH			1
6	0861300-6	FOLLOW-THRU ASSY-AILERON			1
7	0861300-13	FITTING ASSY-AILERON FOLLOW-THRU			1
8	MS21044N4	NUT			11 R
9	AN21-10	BOLT			6
- 9A	AN320-1	NUT			6
10	MS24665-132	COTTER PIN-SECURE NUT			8
11	0860175-1	CHAIN-AILERON RH			1
12	0860175-2	CHAIN-AILERON LH			1
13	AN155B-32S	BARREL-CONNECT CHAINS			1
14	NAS288-35-LH	TERMINAL-CONNECT CHAINS			1
15	NAS288-35-RH	TERMINAL-CONNECT CHAINS			1
16	AN21-12	BOLT-ATTACH TERMINALS			2
- 16A	AN320-1	NUT-ATTACH TERMINALS			2
17	S378-4	PULLEY			5
18	AN4-20A	BOLT-ATTACH PULLEY			2
19	NAS1149F0432P	WASHER-ATTACH PULLEY			4 R
20	NAS43-4-27	SPACER-PULLEY			4
21	0860175-3	CHAIN-LOWER RH CONNECT COLUMN CABLE & FORWARD CABLE			1
- 21A	0860175-1	CHAIN-LOWER LH CONNECT COLUMN CABLE & FORWARD CABLE			1
22	S378-3L	PULLEY			14
23	AN4-15A	BOLT-ATTACH PULLEY			1
24	NAS43-4-8	SPACER-PULLEY			1
25	NAS1149F0463P	WASHER-ATTACH PULLEY			1 R
26	MS24665-140	COTTER PIN-CABLE GUARD			1
27	AN161-22RL	FORK-CABLE TO AILERON BELLCRANK	35000	39031	2
- 27A	AN161-22RL	FORK-LH CABLE TO AILERON BELLCRANK	39032	& ON	1
- 27B	AN161-22RS	FORK-RH CABLE TO AILERON BELLCRANK	39032	& ON	1
28	AN155B-32L	BARREL-FORK TO CABLE	35000	39031	2
- 28A	AN155B-32L	BARREL-LH FORK TO CABLE	39032	& ON	1
- 28B	AN155B-32S	BARREL-RH FORK TO CABLE	39032	& ON	1
29	AN23-10	BOLT-ATTACH FORK TO BELLCRANK			4
30	AN320-3	NUT-ATTACH FORK TO BELLCRANK			4
31	MS24665-7	COTTER PIN-ATTACH NUT			4
32	0411421-8	CABLE GUARD-WING PULLEYS			6
33	AN4-14A	BOLT-ATTACH WING PULLEYS			6
34	AN3-10A	BOLT-ATTACH CABLES TO AILERON BELLCRANK			2
35	MS21045L3	NUT-ATTACH CABLES TO AILERON BELLCRANK			2 R
36	NAS1149F0363P	WASHER-ATTACH CABLES TO AILERON BELLCRANK			2 R
37	AN4-10A	BOLT-ATTACH PULLEY			2
38	NAS1149F0463P	WASHER-ATTACH PULLEY	35000	35289	2 R
39	NAS427T16	PIN-CABLE GUARD			2
40	0861500-13	BELLCRANK ASSY-AILERON			2
41	AN4-10A	BOLT			3
42	MS24665-134	COTTER PIN-CABLE GUARD			1
43	0861300-27	SPROCKET ASSY			2
- 43A	S1003-39A	BEARING			1
- 43B	AN5-30A	BOLT-ATTACH SPROCKETS			1
- 43C	NAS43-5-21	SPACER-ATTACH SPROCKETS			2
- 43D	AN970-5	WASHER-ATTACH SPROCKETS			4
- 43E	0861300-17	SPACER-ATTACH SPROCKETS			2
- 43F	NAS1149F0563P	WASHER-ATTACH SPROCKETS			1 R
- 43G	MS21044N5	NUT-ATTACH SPROCKETS			1 R

NOTE 1—WHEN ORDERING 0860207-110 CABLE, ALSO ORDER 0860175-1 CHAIN. WHEN ORDERING 0860175-1 CHAIN, ALSO ORDER 0860207-110 CABLE.

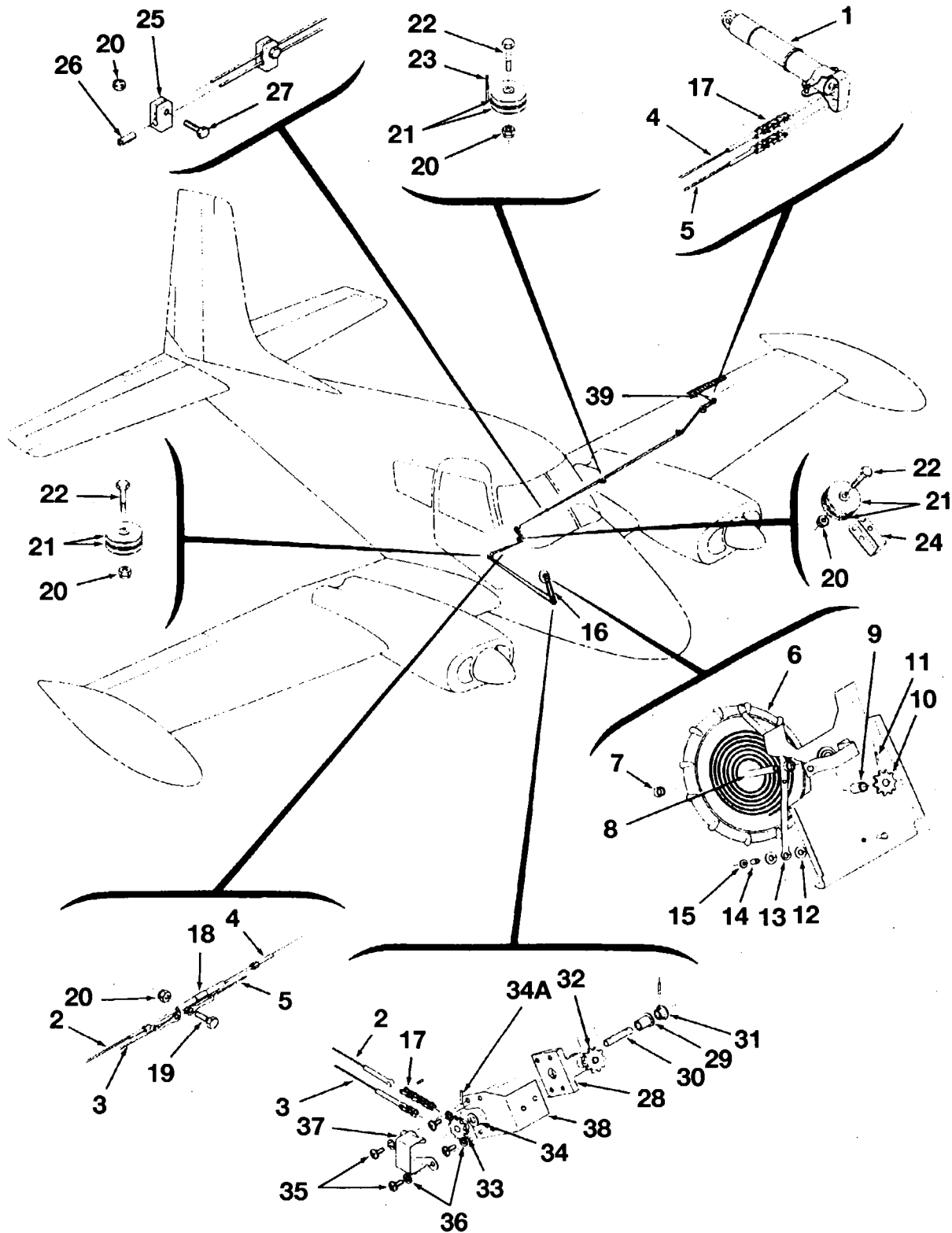
CESSNA AIRCRAFT COMPANY
MODEL 310 THRU 310D
ILLUSTRATED PARTS CATALOG

FIG ITEM	PART NUMBER	NOMENCLATURE	EFFECT		UNITS PER ASSY
			FROM	TO	
01					
44	MS24665-283	. COTTER PIN-CABLE GUARD			4
45	0861511-1	. BELLCRANK ASSY-AILERON	39032	& ON	1
46		. BELLCRANK ASSY-AILERON REFER TO 32-50-00 FIGURE 01	39032	& ON	RF
47	0860207-107	. CABLE-AILERON CENTER RH	39032	& ON	1
48	0860207-114	. CABLE-AILERON FORWARD RH REFER TO NOTE 1	39032	& ON	1
48A	AN155B-32L	. BARREL	39240	& ON	1
48B	AN161-22RL	. FORK	39240	& ON	1
49	AN23-12	. BOLT-CLEVIS	39032	& ON	1
50	NAS1149F0332P	. WASHER	39032	& ON	1 R
51	AN320-3	. NUT	39032	& ON	1
52	MS24665-7	. COTTER PIN	39032	& ON	1
53	0812002-2	. LINK	35836	& ON	1
54	AN155B-32L	. BARREL-ATTACH CABLE			2
55	AN161-22RL	. FORK-ATTACH CABLE			2
56	AN155B-32L	. BARREL-ATTACH CABLE			1

NOTE 1—WHEN ORDERING THIS PART FOR AIRPLANES SERIAL 39032 THRU 39239, ALSO ORDER AN155B-32L BARREL AND AN161-22RL FORK.

CESSNA AIRCRAFT COMPANY
MODEL 310 THRU 310D
 ILLUSTRATED PARTS CATALOG

A55732



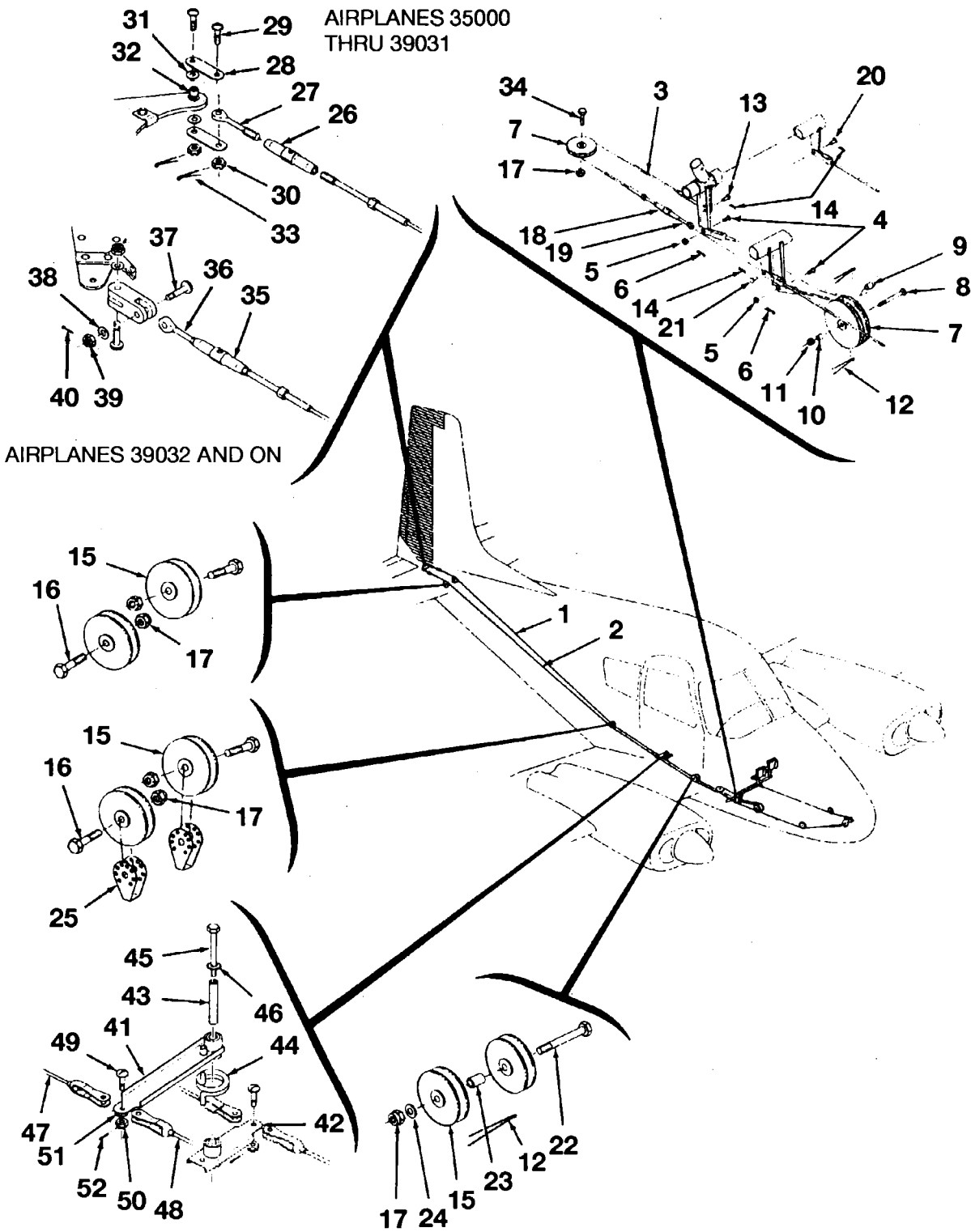
AILERON TRIM CONTROL SYSTEM INSTALLATION
 FIGURE 02 (SHEET 1)

CESSNA AIRCRAFT COMPANY
MODEL 310 THRU 310D
ILLUSTRATED PARTS CATALOG

FIG ITEM	PART NUMBER	NOMENCLATURE	EFFECT		UNITS PER ASSY
			FROM	TO	
02		AILERON TRIM CONTROL SYSTEM INSTALLATION			RF
- 1		ACTUATOR INSTALLATION-AILERON TRIM TAB REFER TO 27-00-00			RF
		FIGURE 02 FOR BREAKDOWN			
2	0860207-19	CABLE-AILERON TRIM LEFT			1
3	0860207-20	CABLE-AILERON TRIM RIGHT			1
4	0860207-21	CABLE-AILERON TRIM TOP			1
5	0860207-22	CABLE-AILERON TRIM BOTTOM			1
6	0861100-137	WHEEL ASSY-AILERON TRIM			1
7	NAS43-4-8	SPACER-WHEEL			2
8	0861100-24	SHAFT-WHEEL			1
9	NAS43-4-22	SPACER-SPROCKET			1
10	0432134-1	SPROCKET-AILERON TRIM			1
11	NAS561P3-8	PIN-ATTACH SPROCKET			1
- 11A	MS16562-25	PIN-ATTACH SPROCKET ALT FOR NAS561P3-8			1 R
12	NAS1149D0363H	WASHER-TRIM INDICATOR			2 R
13	0861100-64	INDICATOR-AILERON TRIM			1
14	0413283	SPACER-TRIM INDICATOR			1
15	NAS1149DN432H	WASHER-TRIM INDICATOR			1 R
16	0860175-6	PEDESTAL CHAIN-AILERON TRIM UPPER			1
17	0860175-7	TAB CHAIN-AILERON TRIM LOWER AND ACTUATOR			2
18	AN155B-8S	BARREL-CONNECT CABLE			1
19	AN3-4A	BOLT-CONNECT CABLE			1
20	MS21045L3	NUT-CONNECT CABLE ATTACH PULLEY			9 R
21	S378-1	PULLEY			12
22	AN3-10A	BOLT-ATTACH PULLEY			6
23	MS24665-136	COTTER PIN-CABLE GUARD			1
24	0811000-119	GUARD ASSY-CABLE			1
25	0411523	BLOCK-ADJUST TRIM CONTROL			2
26	0411524	BUSHING-ADJUST TRIM CONTROL			2
27	AN3-6A	BOLT-ATTACH BLOCK			2
- 27A	0861100-11	GEAR ASSY-AILERON TRIM			1
28	0861100-5	SPROCKET GEAR-GEAR ASSY			1
29	S1004-2A	BEARING			2
30	0861100-7	SHAFT-GEAR ASSY			2
31	0861100-6	GEAR MITER			2
32	0432134-1	SPROCKET-GEAR ASSY			1
- 32A	NAS1149F0432P	WASHER-GEAR ASSY			1 R
- 32B	NAS561P3-8	PIN-ATTACH MITER GEAR AND SPROCKET			3
- 32C	MS16562-25	PIN-ATTACH MITER GEAR AND SPROCKET ALT FOR NAS561P3-8			3 R
33	0432134-1	SPROCKET-GEAR ASSY			1
34	NAS1149F0432P	WASHER-GEAR ASSY			1 R
34A	NAS561P3-8	PIN-ATTACH SPROCKET			1
- 34B	MS16562-25	PIN-ATTACH SPROCKET ALT FOR NAS561P3-8			1 R
35	AN515-8R6	SCREW-ATTACH GEAR ASSY			4
36	MS35333-38	WASHER-ATTACH GEAR ASSY			4 R
37	0861100-97	GUARD CHAIN-SPROCKET			1
38	0861100-98	SUPPORT-GUARD			1
39	0862100-71	PUSH PULL ASSY-PUSH PULL AILERON TRIM			1
- 39A	AN3-7A	BOLT-ATTACH FORWARD END OF ROD TO ACTUATOR			1
- 39B	AN3-5A	BOLT-ATTACH AFT END OF ROD TO TAB			1
- 39C	0862100-78	SPACER-ROD TO TAB			1
- 39D	MS21045L3	NUT-ATTACH ROD TO ACTUATOR AND TAB			2 R

CESSNA AIRCRAFT COMPANY
MODEL 310 THRU 310D
 ILLUSTRATED PARTS CATALOG

A35959



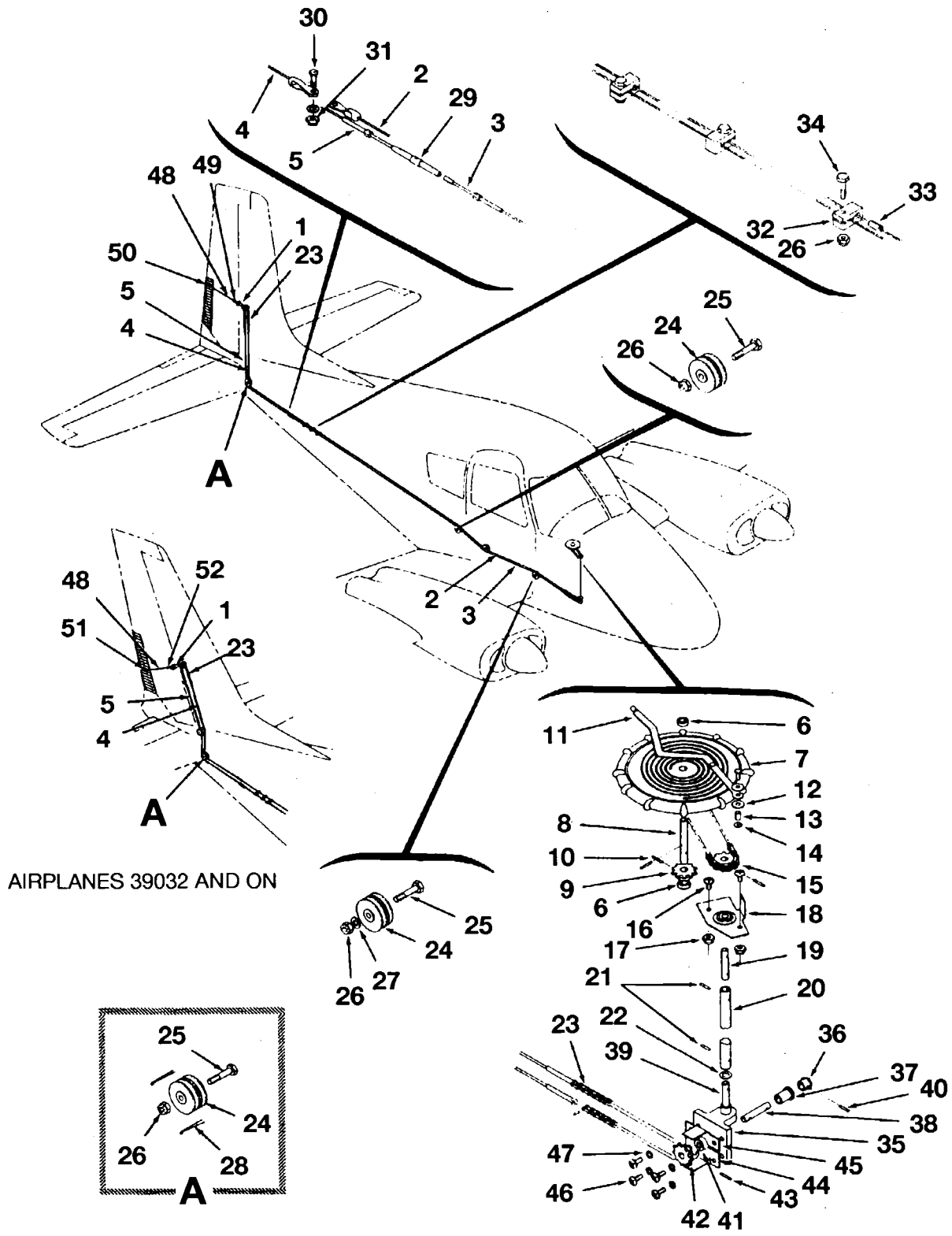
RUDDER CONTROL SYSTEM INSTALLATION
 FIGURE 01 (SHEET 1)

CESSNA AIRCRAFT COMPANY
MODEL 310 THRU 310D
ILLUSTRATED PARTS CATALOG

FIG ITEM	PART NUMBER	NOMENCLATURE	EFFECT		UNITS PER ASSY
			FROM	TO	
01		RUDDER CONTROL SYSTEM INSTALLATION			RF
1	0860207-3	. CABLE-RUDDER CONTROL LEFT			1
2	0860207-4	. CABLE-RUDDER CONTROL RIGHT	35000	39031	1
3	0860207-33	. CABLE ASSY-RUDDER POSITION			1
4	AN23-10	. BOLT-ATTACH RUDDER CABLE TO TORQUE TUBE			2
5	AN310-3	. NUT-ATTACH RUDDER CABLE TO TORQUE TUBE			2
6	MS24665-132	. COTTER PIN-SECURE NUT			2
7	S378-4	. PULLEY-RUDDER CABLE			3
8	AN4-22A	. BOLT-ATTACH PULLEY			1
9	NAS43-4-33	. SPACER	35000	35546	1
- 9A	NAS43-4-28	. SPACER	35547	& ON	1
10	NAS43-4-16	. SPACER	35000	35546	1
- 10A	NAS43-4-10	. SPACER	35547	& ON	2
11	MS21044N4	. NUT-ATTACH PULLEY			7 R
12	MS24665-143	. COTTER PIN-CABLE GUARD			3
13	AN23-12	. BOLT-ATTACH RUDDER POSITION CABLE			1
- 13A	AN310-3	. NUT-ATTACH RUDDER POSITION CABLE			1
14	MS24665-132	. COTTER PIN-SECURE NUT			3
15	S378-3L	. PULLEY			6
16	AN4-10A	. BOLT-ATTACH PULLEY			4
17	MS21044N4	. NUT-ATTACH PULLEY			4 R
18	AN155B-32S	. BARREL-TURNBUCKLE			3
19	AN165-22RS	. EYE TURNBUCKLE			1
- 19A	NAS648A22RS	. EYE TURNBUCKLE ALT FOR AN165-22RS			1 R
20	AN23-10	. BOLT-ATTACH NOSE STEERING CABLE			1
21	AN23-11	. BOLT-ATTACH NOSE STEERING CABLE			1
- 21A	AN310-3	. NUT-ATTACH CABLES			2
22	AN4-20A	. BOLT-ATTACH PULLEYS AT FRONT SPAR			1
23	NAS43-4-32	. SPACER-ATTACH PULLEYS AT FRONT SPAR			1
24	NAS1149F0463P	. WASHER-ATTACH PULLEYS AT FRONT SPAR			1 R
25	0411421-2	. CABLE GUARD			2
26	AN155B-32L	. BARREL-TURNBUCKLE	35000	39031	2
27	AN165-22RL	. EYE TURNBUCKLE	35000	39031	2
28	0510160	. LINK-RUDDER CABLE	35000	39031	4
		ATTACHING PARTS			
29	AN23-10	. BOLT-ATTACH LINK	35000	39031	4
30	AN320-3	. NUT-ATTACH LINK	35000	39031	4
31	NAS1149F0432P	. WASHER-ATTACH LINK	35000	39031	4 R
32	0861500-65	. SPACER-ATTACH LINK	35000	39031	2
33	MS24665-134	. COTTER PIN-SECURE NUT			4
34	AN4-7A	. BOLT-ATTACH PULLEY			1
35	AN155B-32S	. BARREL-TURNBUCKLE	39032	& ON	2
36	AN165-22RL	. EYE TURNBUCKLE	39032	& ON	2
37	AN23-15	. BOLT	39032	& ON	2
38	NAS1149F0332P	. WASHER	39032	& ON	2 R
39	AN320-3	. NUT	39032	& ON	2
40	MS24665-134	. COTTER PIN	39032	& ON	2
41	0861512-1	. BELLCRANK ASSY-RUDDER	39032	& ON	1
42		. BELLCRANK ASSY-AILERON REFER TO 27-10-00 FIGURE 01	39032	& ON	RF
43	0861513-1	. SPACER-BELLCRANK	39032	& ON	1
44	0861514-1	. SPRING-TORSION FSO 0861514-2	39032	& ON	NP R
- 44A	0861514-2	. SPRING-TORSION	39032	& ON	1 R
45	AN3-22A	. BOLT-ATTACH BELLCRANK	39032	& ON	1
46	NAS1149F0332P	. WASHER-ATTACH BELLCRANK	39032	& ON	1 R
- 47	0860207-105	. CABLE ASSY-AFT RUDDER RH	39032	& ON	1
48	0860207-104	. CABLE ASSY-FORWARD RUDDER RH	39032	& ON	1
49	AN23-12	. BOLT-ATTACH CABLES	39032	& ON	1
50	AN320-3	. NUT-ATTACH CABLES	39032	& ON	1
51	NAS1149F0332P	. WASHER-ATTACH CABLES	39032	& ON	1 R
52	MS24665-7	. COTTER PIN-SECURE NUT	39032	& ON	1

CESSNA AIRCRAFT COMPANY
MODEL 310 THRU 310D
 ILLUSTRATED PARTS CATALOG

A55731



RUDDER TRIM CONTROL SYSTEM INSTALLATION
 FIGURE 01 (SHEET 1)

**CESSNA AIRCRAFT COMPANY
MODEL 310 THRU 310D
ILLUSTRATED PARTS CATALOG**

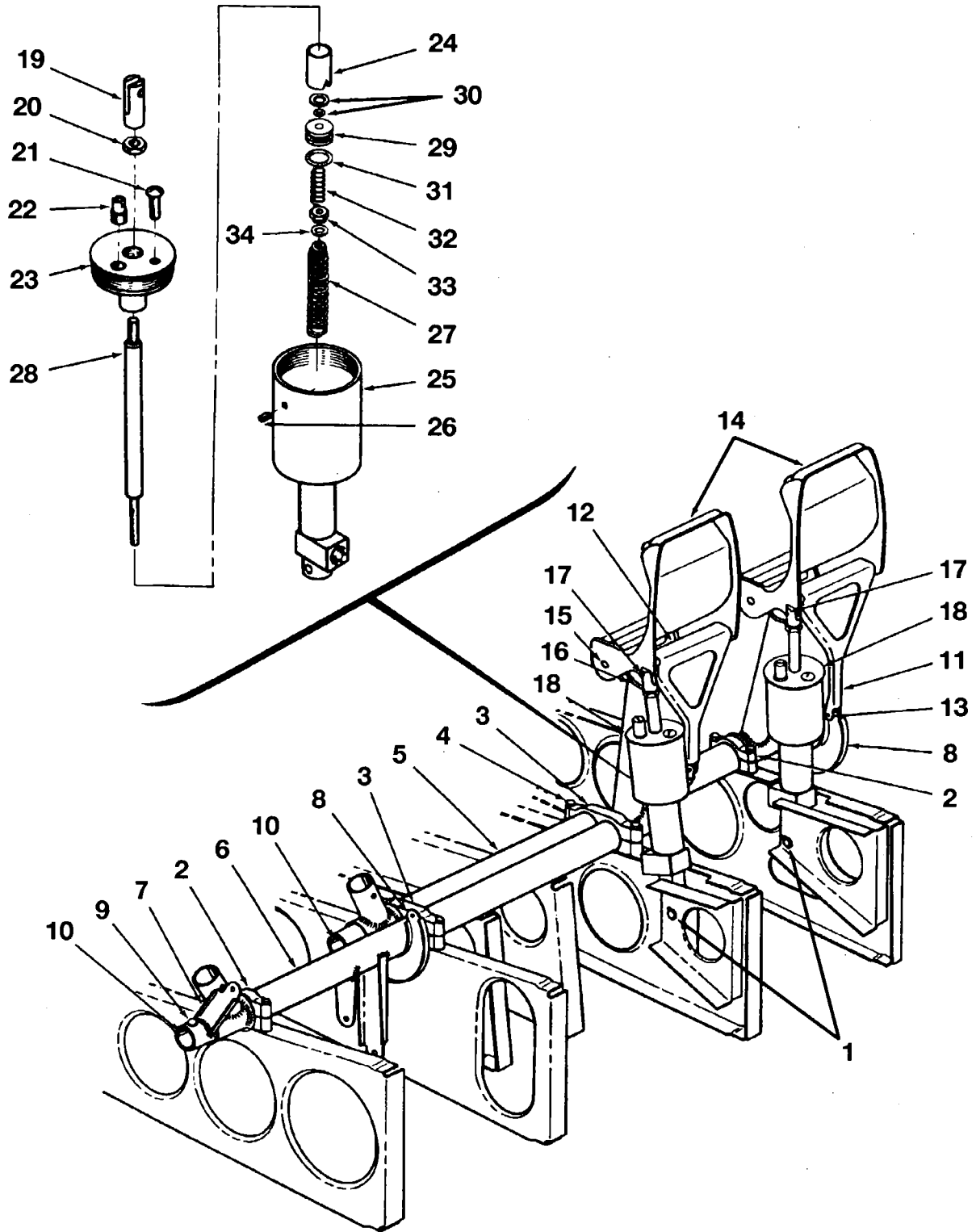
FIG ITEM	PART NUMBER	NOMENCLATURE	EFFECT		UNITS PER ASSY
			FROM	TO	
01		RUDDER TRIM CONTROL SYSTEM INSTALLATION			RF
1		ACTUATOR INSTALLATION-RUDDER TRIM TAB REFER TO 27-00-00			RF
		FIGURE 01 FOR BREAKDOWN			
2	0860207-15	CABLE-RUDDER TAB FORWARD LEFT			1
3	0860207-16	CABLE-RUDDER TAB FORWARD RIGHT			1
4	0860207-17	CABLE ASSY-RUDDER TAB AFT LEFT	35000	35771	1
- 4A	0860207-102	CABLE ASSY-RUDDER TAB AFT LEFT	35772	39031	1
- 4B	0860207-108	CABLE-RUDDER TAB AFT LEFT	39032	& ON	1
5	0860207-18	CABLE ASSY-RUDDER TAB AFT RIGHT	35000	35771	1
- 5A	0860207-103	CABLE-RUDDER TAB AFT RIGHT	35772	39031	1
- 5B	0860207-109	CABLE-RUDDER TAB AFT RIGHT	39032	& ON	1
6	NAS43-4-5	SPACER-RUDDER TRIM WHEEL			2
7	0861100-137	WHEEL ASSY-RUDDER TRIM			1
8	0861100-23	SHAFT-RUDDER TRIM WHEEL			1
9	0432134-1	SPROCKET-RUDDER TRIM WHEEL			2
10	NAS561P3-8	PIN-ATTACH SPROCKET WHEEL			3
- 10A	MS16562-25	PIN-ATTACH SPROCKET WHEEL FOR NAS561P3-8			3 R
11	0861100-63	INDICATOR-RUDDER TRIM			1
12	NAS1149D0363H	WASHER-TRIM INDICATOR			2 R
13	0413283	SPACER-TRIM INDICATOR			1
14	NAS1149DN432H	WASHER-TRIM INDICATOR			1 R
15	0860175-8	PEDESTAL CHAIN-UPPER			1
16	AN515-8R5	SCREW-ATTACH PLATE ASSY			2
17	MS20364-832C	NUT-ATTACH PLATE ASSY			2
18	0861100-71	PLATE ASSY			1
19	0861100-7	SHAFT-TORQUE TUBE			1
20	0861102-1	TORQUE TUBE ASSY-RUDDER TRIM			1
- 20A	MS20270BB8	UNIVERSAL-TORQUE TUBE			1
- 20B	NAS561P3-8	PIN-ATTACH UNIVERSAL			2
- 20C	MS16562-25	PIN-ATTACH UNIVERSAL ALT NAS561P3-8			2 R
21	NAS561P3-7	PIN			2
22	NAS1149F0432P	WASHER-TORQUE TUBE			1 R
23	0860175-9	TAB CHAIN-RUDDER TRIM			2
24	S378-1	PULLEY	35000	39031	8
- 24A	S378-1	PULLEY	39032	& ON	10
25	AN3-10A	BOLT-ATTACH PULLEY	35000	39031	4
- 25A	AN3-10A	BOLT-ATTACH PULLEY	39032	& ON	5
26	MS21045L3	NUT-ATTACH PULLEY	35000	39031	7 R
- 26A	MS21045L3	NUT-ATTACH PULLEY	39032	& ON	8 R
27	NAS1149F0332P	WASHER-ATTACH PULLEY			AR R
28	MS24665-136	COTTER PIN-CABLE GUARD	35000	39031	2
- 28A	MS24665-136	COTTER PIN-CABLE GUARD	39032	& ON	4
29	AN155B-8S	BARREL-CABLE CONNECT			1
30	AN3-4A	BOLT-CONNECT CABLE			1
- 30A	NAS1149F0332P	WASHER-CONNECT CABLE			1 R
31	MS21045L3	NUT-CONNECT CABLE			1 R
32	0411523	BLOCK-ADJUST TRIM CONTROL			3
33	0411524	BUSHING-ADJUST TRIM CONTROL			3
34	AN3-6A	BOLT-ATTACH BLOCK			3
- 34A	0861100-12	GEAR ASSY			1
35	0861100-5	SPROCKET GEAR			1
36	0861100-6	GEAR MITER			2
37	S1004-2A	BEARING			2
38	0861100-7	SHAFT-SPROCKET			1
39	0861100-102	SHAFT-TORQUE TUBE			1
40	NAS561P3-7	PIN-ATTACH MITER GEARS			2
41	NAS1149F0432P	WASHER-SPROCKET			1 R
42	0432134-1	SPROCKET			1
43	NAS561P3-8	PIN-ATTACH SPROCKET			1
- 43A	MS16562-25	PIN-ATTACH SPROCKET ALT FOR NAS561P3-8			1 R
44	0861100-100	CHAIN GUARD-LOWER			1
45	0861100-101	CHAIN GUARD-UPPER			1
46	AN515-8R6	SCREW-ATTACH GEAR ASSY			4
47	MS35333-38	WASHER-ATTACH GEAR ASSY			4 R
48	0813000-64	DOUBLER-PUSH PULL TRIM TAB ACTUATOR TO TRIM TAB	35000	35771	1
- 48A	0832141-3	ROD ASSY-PUSH PULL TRIM TAB ACTUATOR TO TRIM TAB	35772	39031	1
- 48B	0832141-7	ROD ASSY-PUSH PULL TRIM TAB ACTUATOR TO TRIM TAB	39032	& ON	1
49	AN3-7A	BOLT-ATTACH ROD	35000	39031	1
- 49A	NAS1149F0332P	WASHER-ATTACH ROD	35000	39031	1 R
- 49B	MS21045L3	NUT-ATTACH ROD	35000	39031	1 R

CESSNA AIRCRAFT COMPANY
MODEL 310 THRU 310D
ILLUSTRATED PARTS CATALOG

FIG ITEM	PART NUMBER	NOMENCLATURE	EFFECT		UNITS	
			FROM	TO	PER	ASSY
01						
50	AN3-7A	. BOLT-ATTACH ROD	35000	35771	1	
- 50A	NAS1149F0332P	. WASHER-ATTACH ROD	35000	35771	1	R
- 50B	MS21045L3	. NUT-ATTACH ROD	35000	35771	1	R
- 50C	AN174-7	. BOLT-ATTACH ROD	35772	39031	1	
- 50D	NAS1149F0463P	. WASHER-ATTACH ROD	35772	39031	1	R
- 50E	MS24665-132	. COTTER PIN-ATTACH ROD	35772	39031	1	
- 50F	AN310-4	. NUT-ATTACH ROD	35772	39031	1	
51	AN4-10	. BOLT-ATTACH ROD	39032	& ON	1	
- 51A	NAS1149F0463P	. WASHER-ATTACH ROD	39032	& ON	1	R
- 51B	AN310-4	. NUT-ATTACH ROD	39032	& ON	1	
- 51C	MS24665-132	. COTTER PIN-ATTACH ROD	39032	& ON	1	
52	AN3-7	. BOLT-ATTACH ROD	39032	& ON	1	
- 52A	NAS1149F0363P	. WASHER-ATTACH ROD	39032	& ON	1	R
- 52B	AN310-3	. NUT-ATTACH ROD	39032	& ON	1	
- 52C	MS24665-132	. COTTER PIN-ATTACH ROD	39032	& ON	1	

CESSNA AIRCRAFT COMPANY
MODEL 310 THRU 310D
ILLUSTRATED PARTS CATALOG

A55723



BRAKE AND RUDDER PEDAL INSTALLATION
FIGURE 01 (SHEET 1)

CESSNA AIRCRAFT COMPANY

MODEL 310 THRU 310D

ILLUSTRATED PARTS CATALOG

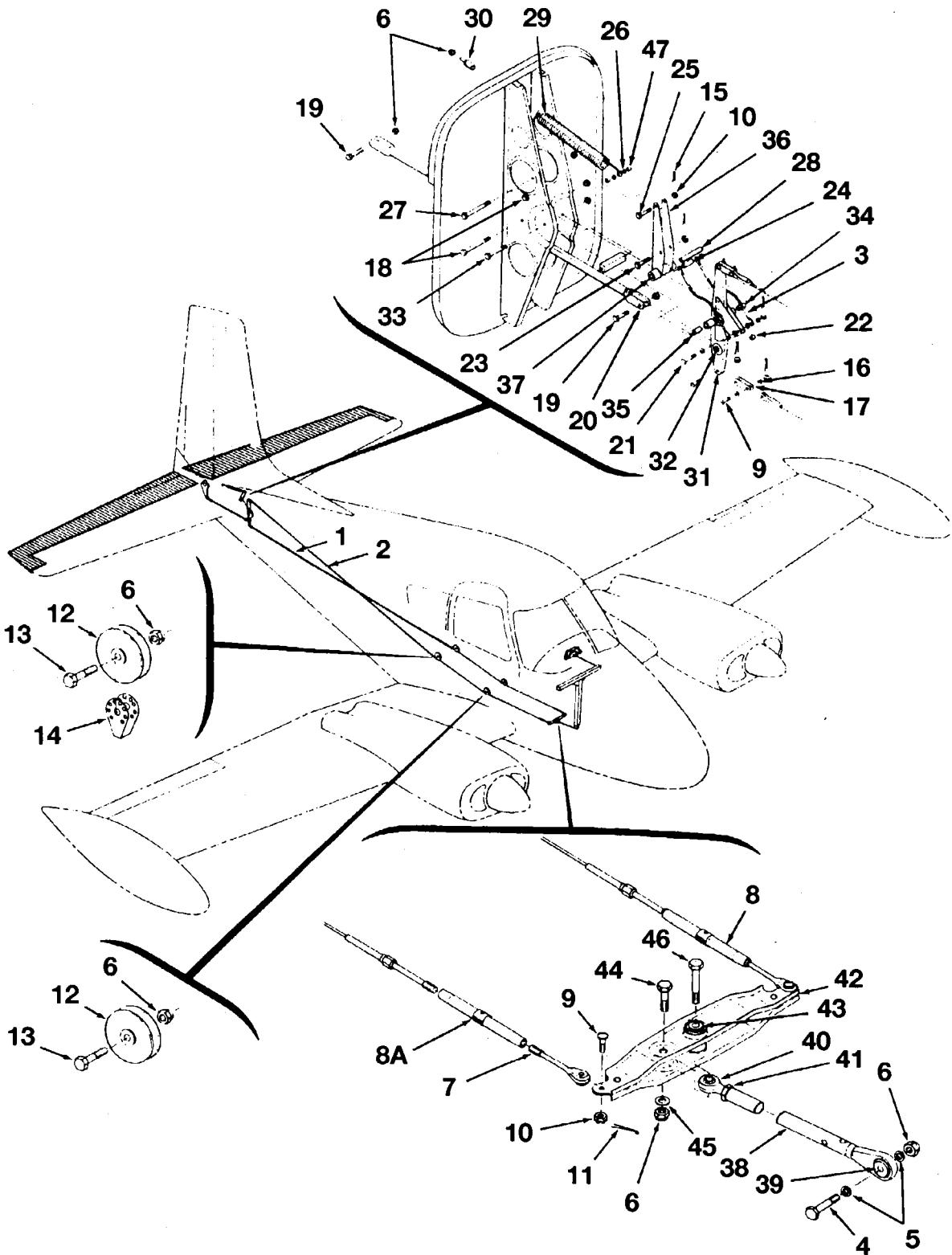
FIG ITEM	PART NUMBER	NOMENCLATURE	EFFECT		UNITS PER ASSY
			FROM	TO	
01		BRAKE AND RUDDER PEDAL INSTALLATION			RF
1	MS20392-3-51	. PIN-ATTACH BRAKE CYLINDER TO STRUCTURE			2
- 1A	MS24665-132	. COTTER PIN-ATTACH BRAKE CYLINDER TO STRUCTURE			2
- 1B	NAS43-4-22	. SPACER-ATTACH BRAKE CYLINDER TO STRUCTURE			4
2	0861700-37	. BEARING ASSY-MATCHED SET	35000	35546	NP R
- 2A	0861700-57	. BEARING ASSY-MATCHED SET	35547	& ON	NP R
- 2B	0861700-200	. BEARING ASSY-MATCHED SET	39033	39299	2 R
3	0861700-36	. BEARING ASSY-MATCHED SET	35000	35546	2
- 3A	0861700-60	. BEARING ASSY-MATCHED SET	35547	& ON	2
4	AN3-13A	. BOLT-ATTACH PEDAL ASSY TO STRUCTURE			8
- 4A	MS21059L3	. NUTPLATE-ATTACH PEDAL ASSY TO STRUCTURE			8 R
- 4B		. PEDAL ASSY-BRAKE & RUDDER			RF
5	0861700-1	. RUDDER TORQUE TUBE-LH			1
6	0861700-2	. RUDDER TORQUE TUBE-RH			1
- 6A	S1003-50A	. . . BEARING			2
- 6B	0861700-6	. . . BEARING			2
- 6C	S1003-130	. . . BEARING-ALT FOR 0861700-6 BEARING			2
7	0861700-13	. COUPLING WELD ASSY			2
8	0861700-15	. COUPLING WELD ASSY			2
9	MS20392-2-29	. PIN-ATTACH COUPLING ASSYS TO TORQUE TUBE			4
- 9A	MS24665-132	. COTTER PIN-ATTACH COUPLING ASSYS TO TORQUE TUBE			4
10	0861700-17	. BRAKE TORQUE TUBE			2
11	0861700-18	. BRAKE LINK			1
12	0861700-19	. BRAKE LINK			1
13	MS20392-2-11	. PIN-ATTACH LINKS TO COUPLINGS			2
- 13A	MS24665-132	. COTTER PIN-ATTACH LINKS TO COUPLINGS			2
14	0861706-1	. RUDDER PEDAL-REFER TO NOTE 2			2
15	0861700-22	. PIN-ATTACH RUDDER PEDAL	35000	35015	2
- 15A	0861700-50	. PIN-ATTACH RUDDER PEDAL	35016	& ON	2
- 15B	NAS561C3-2	. PIN-RETAIN PEDAL			2
16	0861711-1	. SPRING-RUDDER RETURN	35016	& ON	2
- 16A	NAS43-5-87	. SPACER-RETAIN SPRING	35016	& ON	2
17	0861700-21	. PIN-ATTACH BRAKE LINK & CYLINDER ASSY	35000	35350	2
- 17A	0861700-20	. PIN-ATTACH BRAKE LINK	35351	& ON	2
- 17B	NAS1149F0332P	. WASHER-ATTACH BRAKE LINK & CYLINDER ASSY	35000	35350	2 R
- 17C	NAS1149F0332P	. WASHER-ATTACH BRAKE LINK	35351	& ON	4 R
- 17D	MS24665-132	. COTTER PIN-ATTACH BRAKE LINK & CYLINDER ASSY			4
- 17E	MS20392-2-17	. PIN-ATTACH BRAKE CYLINDER ASSY REFER TO NOTE 2	35351	& ON	2
- 17F	MS24665-130	. COTTER PIN-ATTACH BRAKE CYLINDER ASSY	35351	& ON	2
18	0861710-5	. BRAKE MASTER CYLINDER ASSY			2
19	0541140	. CLEVIS-ROD END			1
20	AN316-4R	. NUT-CHECK			1
21	S1024X1-2	. SCREW			1
22	0541139	. PLUG-FILLER			1
23	0541151	. COVER-MASTER CYLINDER			1
24	0541149	. SLEEVE-PISTON ROD			1
25	0861710-2	. BODY-MASTER CYLINDER			1
26	AN565D6H3	. SET SCREW			1
27	0861712-1	. SPRING-PISTON RETURN			1
- 27A	0861710-4	. PISTON ASSY-MASTER CYLINDER			1
28	0541144	. ROD-PISTON			1
29	0861710-3	. PISTON-MASTER CYLINDER			1
30	200AC-6	. LOCK-O-SEAL-PISTON ROD FRANKLIN C WOLF INC			1
31	MS28775-113	. O-RING-PISTON			1 R
32	0541148-1	. SPRING-PISTON			1
33	MS21044N6	. NUT-PISTON			1
34	NAS1149FN632P	. WASHER			1 R
- 34A	0861710-200	. SEAL KIT-OVERHAUL BRAKE MASTER CYLINDER REFER TO NOTE 1			1

NOTE 1—THIS KIT FOR CESSNA MANUFACTURED BRAKE MASTER CYLINDER PART NUMBER 0861710-5 ONLY

NOTE 2—WHEN ORDERING THIS PART FOR AIRPLANES PRIOR TO SERIAL 35351, ALSO ORDER 0861700-20 PIN, AN960-10L WASHER AND MS24665-130 COTTER PIN.

CESSNA AIRCRAFT COMPANY
MODEL 310 THRU 310D
ILLUSTRATED PARTS CATALOG

A55729



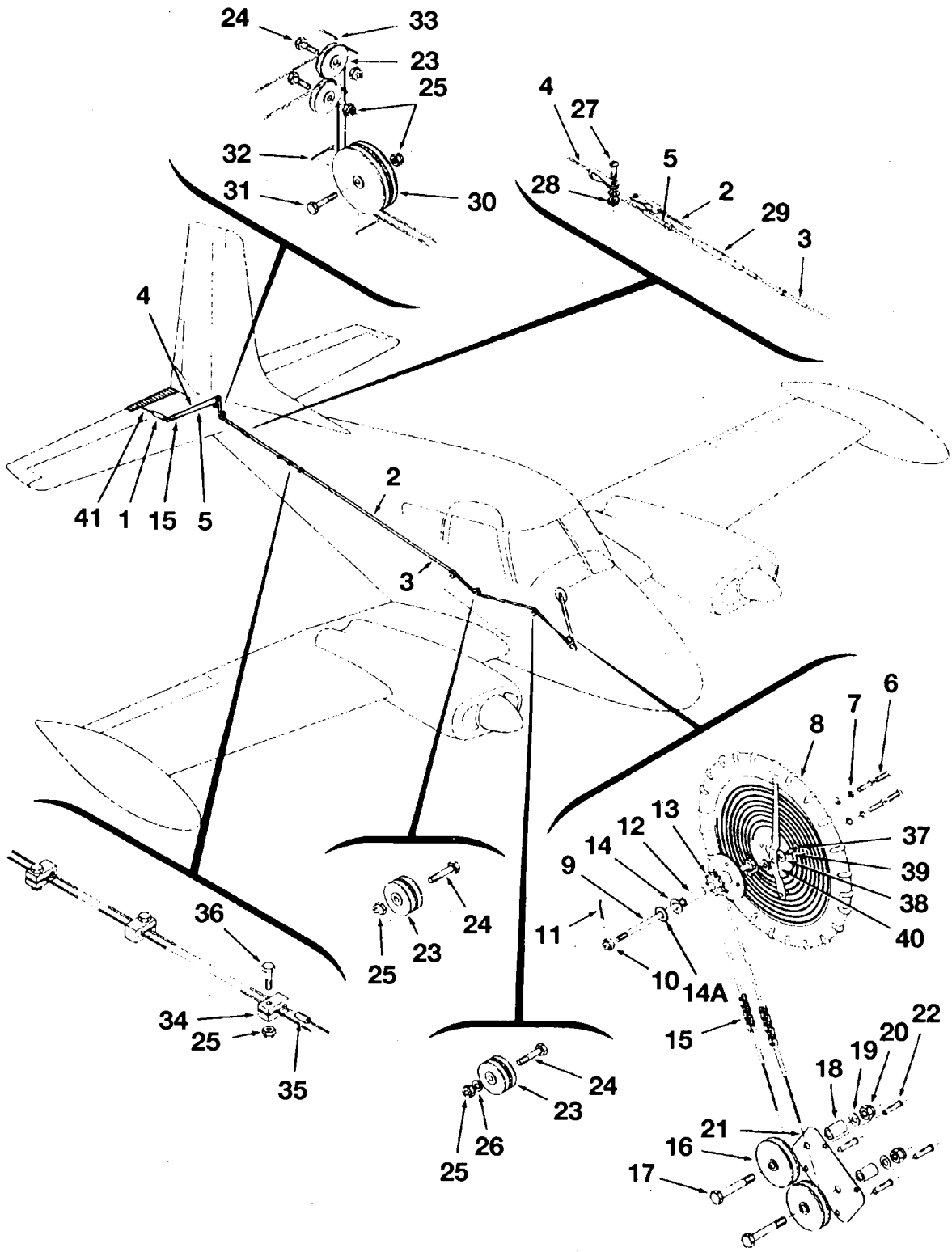
ELEVATOR CONTROL SYSTEM INSTALLATION
FIGURE 01 (SHEET 1)

CESSNA AIRCRAFT COMPANY
MODEL 310 THRU 310D
ILLUSTRATED PARTS CATALOG

FIG ITEM	PART NUMBER	NOMENCLATURE	EFFECT		UNITS PER ASSY
			FROM	TO	
01		ELEVATOR CONTROL SYSTEM INSTALLATION			RF
1	0860207-1	CABLE-ELEVATOR LEFT			1
2	0860207-2	CABLE-ELEVATOR RIGHT			1
3	0860207-35	CABLE ASSY-ELEVATOR DOWN SPRING	35000	35546	2
- 3A	0860207-115	CABLE ASSY-ELEVATOR DOWN SPRING MATCHED SET	35547	& ON	2
4	AN4-12A	BOLT-ATTACH TUBE ASSY TO CONTROL COLUMN			1
5	NAS43-4-5	SPACER-TUBE ASSY			2
6	MS21044N4	NUT			11 R
7	AN161-22RL	FORK-ATTACH CABLE TO FORWARD BELLCRANK			2
8	AN155B-32L	BARREL-ATTACH LH CABLE TO FORWARD BELLCRANK			1
8A	AN155B-32S	BARREL-ATTACH RH CABLE TO FORWARD BELLCRANK			1
9	AN23-10	BOLT-ATTACH FORK			6
10	AN320-3	NUT-ATTACH FORK			9
11	MS24665-7	COTTER PIN-ATTACH NUT			2
12	S378-3L	PULLEY			4
13	AN4-10A	BOLT-ATTACH PULLEY			4
14	0411421-2	CABLE GUARD-PULLEY			2
15	MS24665-134	COTTER PIN-ATTACH NUT			7
16	NAS1149F0363P	WASHER-CABLE LINK			4 R
17	0510160	LINK-CABLE			4
18	AN4-25A	BOLT-ATTACH BELLCRANK STOP			2
- 18A	0510146-5	SPACER-ELEVATOR BELLCRANK			2
- 18B	MS21044N4	NUT-ATTACH BELLCRANK STOP			2 R
19	AN4-13A	BOLT-ATTACH TUBE TO ELEVATOR BELLCRANK			2
20	0814000-24	TUBE ASSY-ELEVATOR			1
21	AN3-11	BOLT-ATTACH DOWN SPRING CABLE			1
22	NAS43-3-20	SPACER-ATTACH CABLE			1
23	AN3-11	BOLT-ATTACH DOWN SPRING CABLE TO CHANNEL			1
24	NAS43-3-35	SPACER-ATTACH CABLE			1
25	AN3-11	BOLT-ATTACH SPRING TO CHANNEL			1
26	NAS1149F0332P	WASHER-ATTACH SPRING TO CHANNEL			2 R
27	AN4-25A	BOLT-ATTACH CHANNEL			1
28	NAS43-3-96	SPACER-CHANNEL			1
29	0814006	SPRING-ELEVATOR DOWN	35000	35771	1
- 29A	0814011-1	SPRING-ELEVATOR DOWN	35772	& ON	1
30	AN43B-4A	EYE BOLT-ATTACH SPRING			1
31	0814000-92	BELLCRANK ASSY-ELEVATOR	35000	35546	1
- 31A	0814007-1	BELLCRANK ASSY-ELEVATOR	35547	& ON	1
32	KP-4	BEARING-FAFNIR			2
33	AN4-16A	BOLT-ATTACH BELLCRANK			1
34	NAS43-4-26	SPACER-BELLCRANK			2
35	0814000-144	SPACER-BELLCRANK			2
36	0814000-139	CHANNEL ASSY-ELEVATOR DOWN SPRING			1
37	B610	BEARING-TORRINGTON			2
38	0861500-4	PUSH PULL ASSY-FORWARD			1
39	LS-4	BEARING-HEIM			1
40	HMX4	ROD END-HEIM			1
41	AN316-5R	NUT-CHECK			1
42	0861500-1	BELLCRANK ASSY-FORWARD			1
43	MS24462-4	BEARING			2 R
44	AN4-7A	BOLT-ATTACH TUBE TO BELLCRANK			1
45	NAS1149F0432P	WASHER-ATTACH TUBE TO BELLCRANK			1 R
46	AN4-14A	BOLT-ATTACH BELLCRANK			1
47	NAS43-3-16	SPACER-ATTACH SPRING			2

CESSNA AIRCRAFT COMPANY
MODEL 310 THRU 310D
ILLUSTRATED PARTS CATALOG

A55733



ELEVATOR TRIM CONTROL SYSTEM INSTALLATION
FIGURE 02 (SHEET 1)

CESSNA AIRCRAFT COMPANY
MODEL 310 THRU 310D
ILLUSTRATED PARTS CATALOG

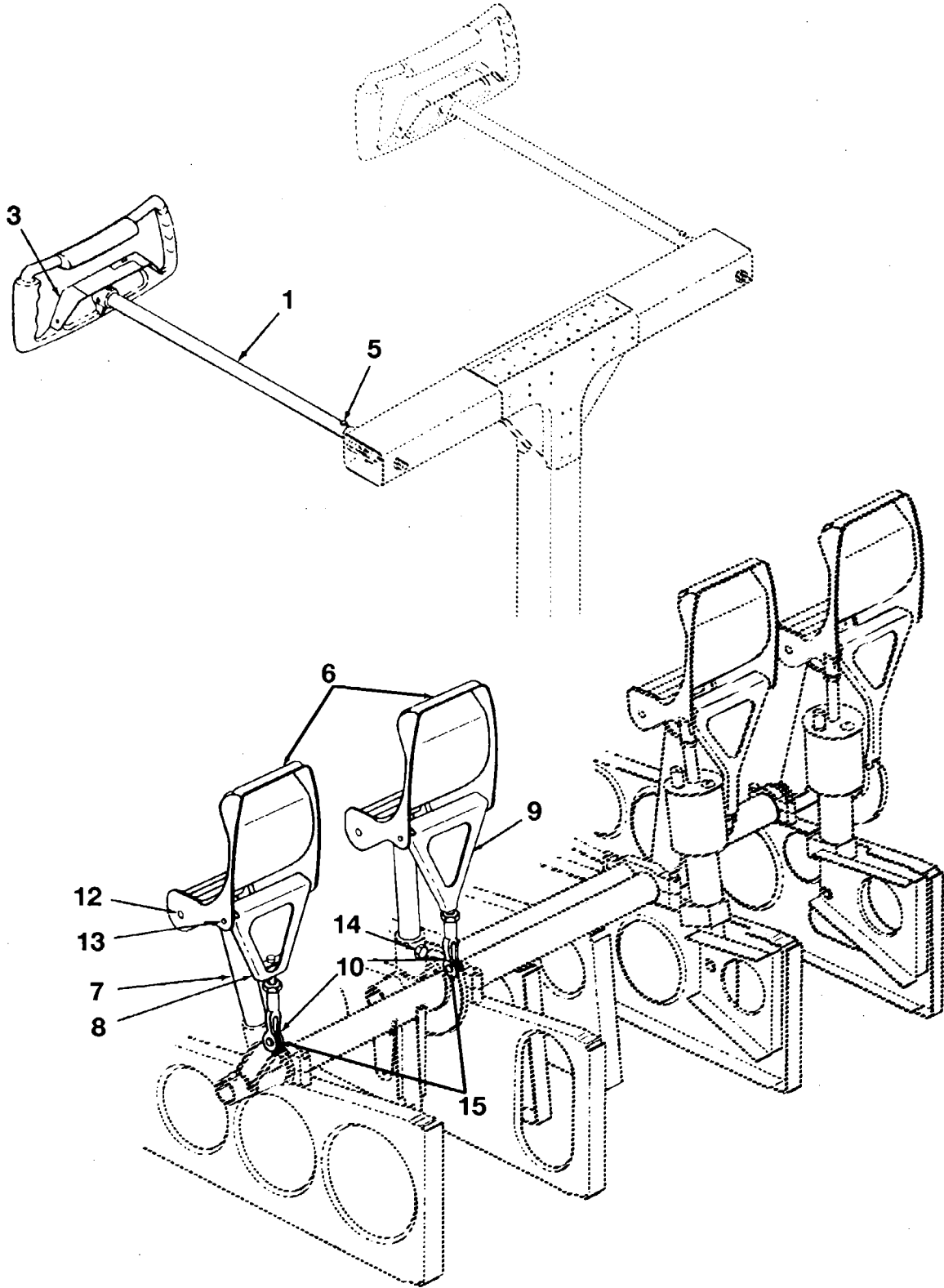
FIG ITEM	PART NUMBER	NOMENCLATURE	EFFECT		UNITS PER ASSY
			FROM	TO	
02		ELEVATOR TRIM CONTROL SYSTEM INSTALLATION			RF
1		TAB ACTUATOR INSTALLATION-ELEVATOR TRIM REFER TO 27-00-00 FIGURE 03 FOR BREAKDOWN			RF
2	0860207-9	CABLE-FORWARD LEFT			1
3	0860207-10	CABLE-FORWARD RIGHT			1
4	0860207-11	CABLE ASSY-AFT LEFT			1
5	0860207-12	CABLE ASSY-AFT RIGHT			1
6	AN507-632R10	SCREW-ATTACH WHEEL TO SPROCKET			4
7	MS35790-1	WASHER-LOCK			4 R
8	0861100-138	TAB WHEEL-ELEVATOR TRIM			1
9	AN3-62	BOLT-ATTACH SPROCKET			1
10	AN320-3	NUT-ATTACH SPROCKET			1
11	MS24665-132	COTTER PIN-SECURE NUT			1
12	S1003-4A	BEARING			1
13	0861100-44	SPROCKET ASSY-TRIM CHAIN			1
14	NAS1149B0563H	WASHER-BEARING			1 R
14A	NAS1149F0532P	WASHER			1 R
15	0860175-5	CHAIN-ELEVATOR TRIM			2
16	MS20219-2	PULLEY-FORWARD			2
17	AN4-15A	BOLT-ATTACH PULLEY			2
18	NAS43-4-41	SPACER-PULLEY			2
19	NAS1149F0432P	WASHER-ATTACH PULLEY			2 R
20	MS21044N4	NUT-ATTACH PULLEY			2 R
21	0861100-76	BRACKET-GUARD CABLE			1
22	NAS427T12	PIN-GUARD CABLE			4
23	S378-1	PULLEY			8
24	AN3-10A	BOLT-ATTACH PULLEY			5
25	MS21045L3	NUT-ATTACH PULLEY			10 R
26	NAS1149F0332P	WASHER-ATTACH PULLEY			AR R
27	AN3-4A	BOLT-CONNECT CABLES			1
- 27A	NAS1149F0332P	WASHER-CONNECT CABLES			1 R
28	MS21045L3	NUT-CONNECT CABLES			1 R
29	AN155B-8S	BARREL-CONNECT CABLES			1
30	S378-2	PULLEY-AFT LOWER			2
31	AN3-5A	BOLT-ATTACH PULLEY			2
32	MS24665-136	COTTER PIN-CABLE GUARD			2
33	MS24665-134	COTTER PIN-CABLE GUARD			4
34	0411523	BLOCK-ADJUST TRIM CONTROL			3
35	0411524	BUSHING-ADJUST TRIM CONTROL			3
36	AN3-6A	BOLT-ATTACH BLOCKS			3
37	NAS1149DN432H	WASHER-TRIM INDICATOR			1 R
38	NAS1149D0363H	WASHER-TRIM INDICATOR			2 R
39	0413283	SPACER-TRIM INDICATOR			1
40	0861157-1	INDICATOR ARM ASSY-TRIM INDICATOR			1
41	0832000-42	TUBE ASSY-PUSH PULL TRIM TAB ACTUATOR	35000	35771	1
- 41A	0832141-5	ROD ASSY-PUSH PULL TRIM TAB ACTUATOR	35772	& ON	1
- 41B	AN3-7A	BOLT-ATTACH TUBE ASSY			2
- 41C	NAS1149F0332P	WASHER-ATTACH TUBE ASSY			2 R
- 41D	MS21045L3	NUT-ATTACH TUBE ASSY			2 R

CESSNA AIRCRAFT COMPANY
MODEL 310 THRU 310D
ILLUSTRATED PARTS CATALOG

FIG ITEM	PART NUMBER	NOMENCLATURE	EFFECT		UNITS PER ASSY
			FROM	TO	
01		CONTROL COLUMN INSTALLATION			RF
-					
1	AN5-37A	. . . BOLT-ATTACH CONTROL COLUMN LOWER			1
2	NAS43-5-61	. . . SPACER-ATTACH CONTROL COLUMN LOWER			1
3	NAS1149F0563P	. . . WASHER-ATTACH CONTROL COLUMN LOWER			1 R
4	MS21044N5	. . . NUT-ATTACH CONTROL COLUMN LOWER			1 R
- 4A	0896000-1	. . . COLUMN ASSY-CONTROL			1
5	0896000-3	. . . SHAFT ASSY-UNIVERSAL JOINT MATCHED SET			2
- 6		. . . DELETED-NOT USED			
- 7		. . . DELETED-NOT USED			
8	0411047	. . . SPROCKET-AILERON CHAIN			2
9	NAS561P6-14	. . . PIN-ATTACH UNIVERSAL JOINT			2
- 9A	MS16562-49	. . . PIN-ATTACH UNIVERSAL JOINT ALT FOR NAS561P6-14			2 R
10	AN3-11A	. . . BOLT-ATTACH SPROCKET			2
11	MS21045L3	. . . NUT-ATTACH SPROCKET			2 R
12	AN3-12A	. . . BOLT-ATTACH ADAPTER			2
13	MS21045L3	. . . NUT-ATTACH ADAPTER			2 R
14	NAS1149F0863P	. . . WASHER-ATTACH SHAFT			2 R
15	AN310-8	. . . NUT-ATTACH SHAFT			2
16	MS24665-136	. . . COTTER PIN-ATTACH SHAFT			2
17	0896000-2	. . . TEE ASSY-CONTROL			1
18	S1004-38A	. . . BEARING			2
19	S1004-25A	. . . BEARING			2
20	MS20218-2	. . . BEARING-FAFNIR			2 R
21	AN3-10A	. . . BOLT-ATTACH CONTROL WHEEL & TUBE ASSY			1
22	MS21045L3	. . . NUT-ATTACH CONTROL WHEEL & TUBE ASSY			1 R
23	0861300-47	. . . CONTROL WHEEL & TUBE ASSY	35000	35546	1
- 23A	0861300-49	. . . CONTROL WHEEL & TUBE ASSY	35547	35771	1
- 23B	0861300-41	. . . CONTROL WHEEL & TUBE ASSY	35772	& ON	1
24	0861300-45	. . . TUBE ASSY-CONTROL			1
25	MS35489-4	. . . GROMMET			4
26	0413216	. . . RIVET-ATTACH WHEEL TO TUBE	35000	35771	2
- 26A	0413216-1	. . . RIVET-ATTACH WHEEL TO TUBE	35772	& ON	2
- 26B	0861305-17	. . . CONTROL WHEEL ASSY	35000	35546	1
- 26C	0861305-19	. . . CONTROL WHEEL ASSY	35547	35771	1
- 26D	0861310-1	. . . CONTROL WHEEL ASSY	35772	& ON	1
- 27		. . . DELETED-NOT USED			
28	0861305-13	. . . OVERLAY ASSY-CONTROL WHEEL	35000	35546	1
- 28A	0861305-15	. . . OVERLAY ASSY-CONTROL WHEEL	35547	35771	1
- 28B	0861310-3	. . . OVERLAY ASSY-CONTROL WHEEL	35772	& ON	1
- 29		. . . DELETED-NOT USED			
30	0861305-4	. . . BRACKET-AUTO PILOT SWITCH	35000	35771	1
- 30A	0861309-1	. . . BRACKET-AUTO PILOT SWITCH	35772	& ON	2
31	AN507-632R6	. . . SCREW-ATTACH BRACKET	35000	35771	2
32	AN340-6	. . . NUT-ATTACH BRACKET	35000	35771	2

CESSNA AIRCRAFT COMPANY
MODEL 310 THRU 310D
ILLUSTRATED PARTS CATALOG

A55780



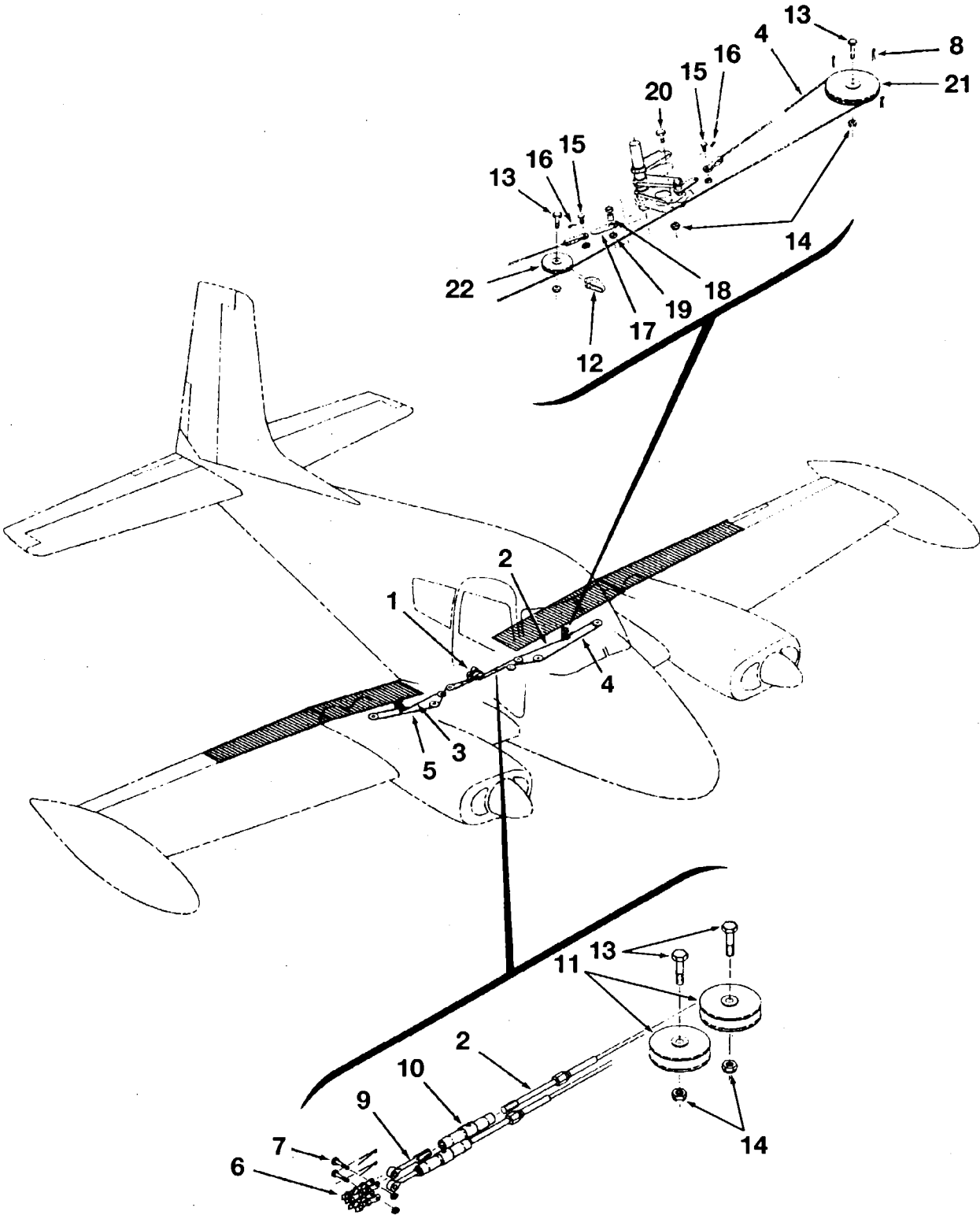
DUAL CONTROLS INSTALLATION
FIGURE 02 (SHEET 1)

CESSNA AIRCRAFT COMPANY
MODEL 310 THRU 310D
ILLUSTRATED PARTS CATALOG

FIG ITEM	PART NUMBER	NOMENCLATURE	EFFECT		UNITS
			FROM	TO	PER ASSY
02		DUAL CONTROLS INSTALLATION			RF
- 0	0861300-48	. CONTROL TUBE ASSY-RH	35000	35546	1
- A	0861300-50	. CONTROL TUBE ASSY-RH	35547	35771	1
- B	0861300-42	. CONTROL TUBE ASSY-RH	35772	& ON	1
1	0861300-22	. TUBE-RH			1
- 1A	0861305-18	. WHEEL ASSY-RH	35000	35546	1
- 1B	0861305-20	. WHEEL ASSY-RH	35547	35771	1
- 1C	0861310-2	. WHEEL ASSY-RH	35772	& ON	1
- 2		. DELETED-NOT USED			
3	0861305-14	. . . OVERLAY ASSY-RH	35000	35546	1
- 3A	0861305-16	. . . OVERLAY ASSY-RH	35547	35771	1
- 3B	0861310-4	. . . OVERLAY ASSY-RH	35772	& ON	1
- 4		. DELETED-NOT USED			
5	AN3-10A	. BOLT-ATTACH CONTROL TUBE ASSY			1
- 5A	MS21045L3	. NUT-ATTACH CONTROL TUBE ASSY			1 R
6	0861706-1	. PEDAL-RUDDER			2
7	0861700-31	. RUDDER PEDAL ARM ASSY			2
- 7A	0861700-6	. BEARING			1
8	0861700-46	. BRAKE LINK ASSY			1
9	0861700-42	. BRAKE LINK ASSY			1
10	AN486-4	. CLEVIS			1
- 11		. DELETED-NOT USED			
12	0861700-22	. PIN-ATTACH RUDDER PEDAL TO ARM ASSY			2
- 12A	NAS561C3-20	. PIN-SECURE PIN			2
13	0861700-20	. PIN-ATTACH LINK ASSY TO PEDAL			2
- 13A	NAS1149F0332P	. WASHER-ATTACH LINK ASSY TO PEDAL			4 R
- 13B	MS24665-132	. COTTER PIN-SECURE PIN			6
14	AN3-11A	. BOLT-ATTACH ARM ASSY TO TORQUE TUBE			2
- 14A	MS21045L3	. NUT-ATTACH ARM ASSY TO TORQUE TUBE			2 R
15	MS20392-2-11	. PIN-ATTACH ARM ASSY TO TORQUE TUBE			2

CESSNA AIRCRAFT COMPANY
MODEL 310 THRU 310D
ILLUSTRATED PARTS CATALOG

A55730



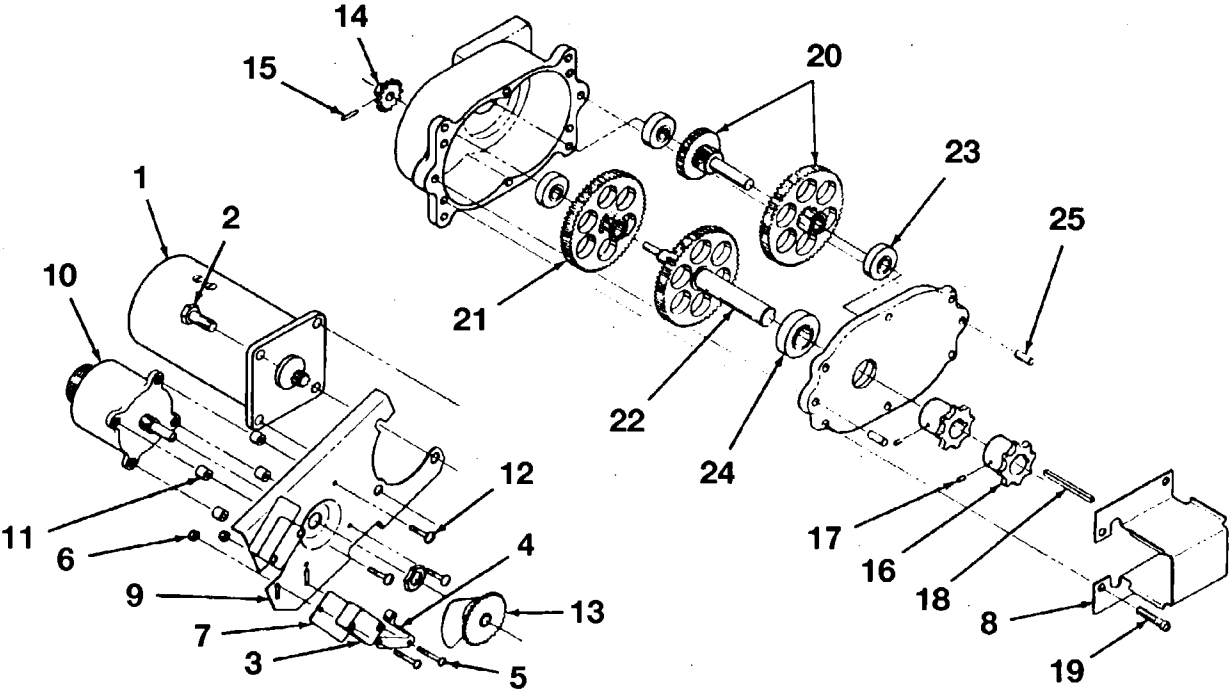
FLAP CONTROL SYSTEM INSTALLATION
FIGURE 01 (SHEET 1)

CESSNA AIRCRAFT COMPANY
MODEL 310 THRU 310D
ILLUSTRATED PARTS CATALOG

FIG ITEM	PART NUMBER	NOMENCLATURE	EFFECT		UNITS PER ASSY
			FROM	TO	
01		FLAP CONTROL SYSTEM INSTALLATION			RF
-		FLAP ACTUATOR & REDUCTION UNIT INSTALLATION-REFER TO 27-50-00			RF
1		FIGURE 02 FOR BREAKDOWN			
- 1A	NAS221-10	SCREW-ATTACH FLAP ACTUATOR			4
- 1B	MS21045L3	NUT-ATTACH FLAP ACTUATOR			4 R
2	0860207-27	CABLE ASSY-FLAP DIRECT LEFT			1
3	0860207-28	CABLE ASSY-FLAP DIRECT RIGHT			1
4	0860207-29	CABLE ASSY-FLAP RETURN LEFT			1
5	0860207-30	CABLE-FLAP RETURN RIGHT			1
6	0860175-4	FLAP CHAIN-FLAP CABLE			2
7	AN21-10	BOLT-ATTACH TERMINAL TO CHAIN			4
- 7A	AN320-1	NUT-ATTACH TERMINAL TO CHAIN			4
- 7B	MS24665-5	COTTER PIN-SECURE NUT			4
8	MS24665-134	COTTER PIN-ATTACH CABLE GUARD			6
9	NAS288-35RH	TERMINAL-CHAIN TO BARREL			4
10	AN155B-32S	BARREL-TERMINAL TO CABLE			4
11	S378-3	PULLEY			4
12	0411421-2	CABLE GUARD			2
13	AN4-10A	BOLT-ATTACH PULLEY			8
14	MS21044N4	NUT-ATTACH PULLEY			10 R
15	AN23-11	BOLT-ATTACH CABLE TO BELLCRANK			4
- 15A	AN320-3	NUT-ATTACH CABLE TO BELLCRANK			4
16	MS24665-132	COTTER PIN-SECURE NUT			4
17	0862100-44	LINK-BELLCRANK TO CABLE			2
18	NAS43-4-28	SPACER-BUSHING			2
19	NAS43-6-7	SPACER-BELLCRANK			4
20	AN4-7A	BOLT-ATTACH LINK TO BELLCRANK			2
21	S378-4	PULLEY			2
22	S378-3L	PULLEY			2

CESSNA AIRCRAFT COMPANY
MODEL 310 THRU 310D
ILLUSTRATED PARTS CATALOG

A55734



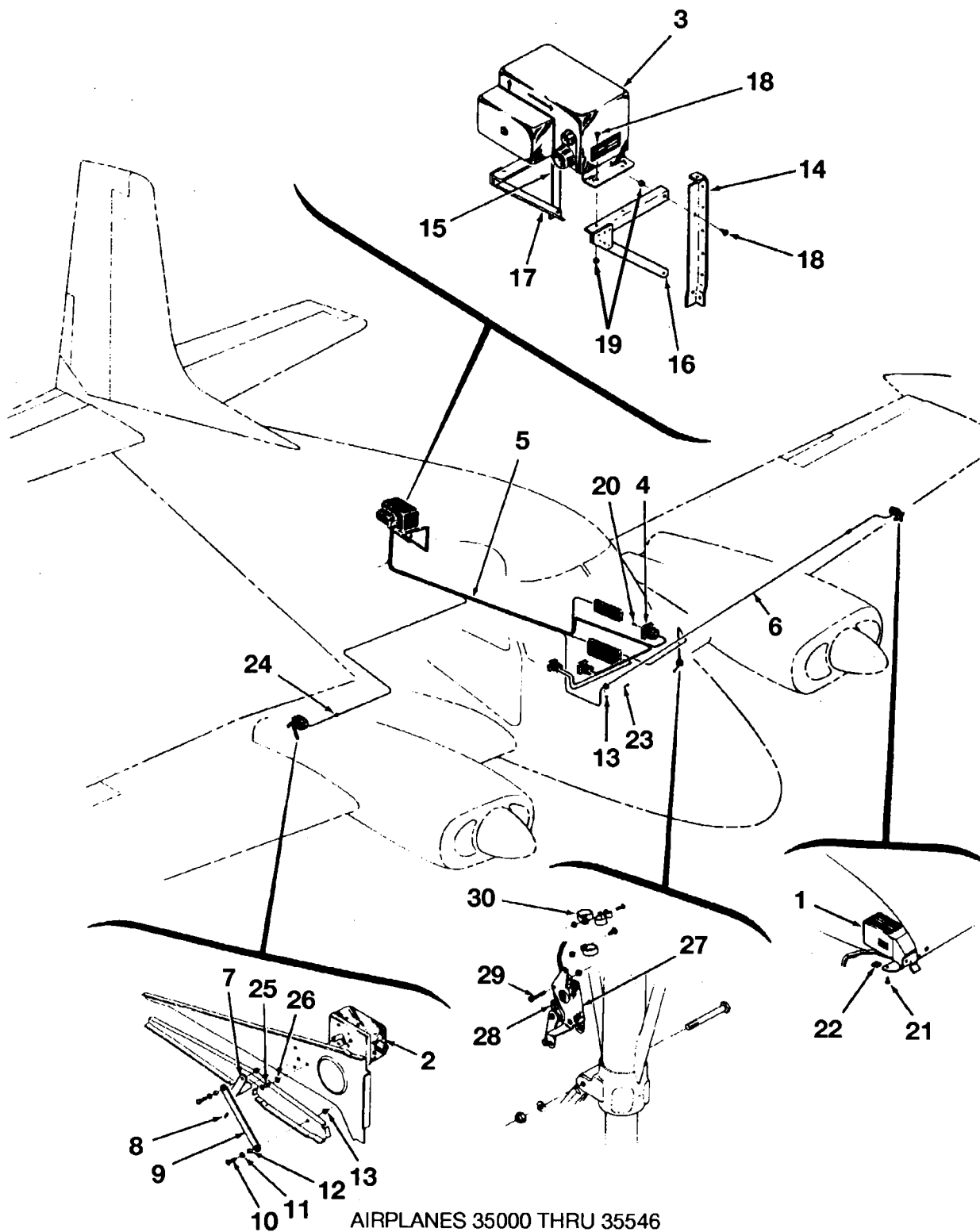
FLAP ACTUATOR REDUCTION UNIT INSTALLATION
FIGURE 02 (SHEET 1)

CESSNA AIRCRAFT COMPANY
MODEL 310 THRU 310D
ILLUSTRATED PARTS CATALOG

FIG ITEM	PART NUMBER	NOMENCLATURE	EFFECT		UNITS PER ASSY
			FROM	TO	
02		FLAP ACTUATOR REDUCTION UNIT INSTALLATION REFER TO 27-50-00			RF
		FIGURE 01 FOR NHA			
1	0861505-9	. MOTOR-FLAP ACTUATOR ELECTRONICS COMMUNICATION INC 50-00927-000			1
- 1A	0861505-5	. MOTOR-FLAP ACTUATOR GEN ELECTRIC 5BA25HJ119 ALTERNATE			1
2	ANK-4-8	. BOLT-ATTACH MOTOR AND BRACKET ASSEMBLY TO ACTUATOR AIRCO SUPPLY			4
3	AN3234-1	. SWITCH			2
4	JV-5	. ACTUATOR-MICRO SWITCH MICRO SWITCH CORP			2
5	AN515-4R12	. SCREW-ATTACH MICRO SWITCH & ACTUATOR			4
6	MS21044N04	. NUT-ATTACH MICRO SWITCH & ACTUATOR			4 R
7	0861100-111	. SPACER-MICRO SWITCH			2
8	0861500-64	. SPROCKET GUARD			1
- 8A	0861500-52	. BRACKET ASSY-FLAP SWITCH			1
9	0861500-68	. BRACKET ASSY			1
10	0813603-2	. TRANSMITTER-GENERAL ELECTRIC 8TJ9PAV			1
11	NAS43DD1-12N	. SPACER-TRANSMITTER			4 R
12	AN515B6R10	. SCREW-ATTACH TRANSMITTER			4
13	0861500-43	. CAM ASSY			1
- 13A	0861505-8	. FLAP ACTUATOR ASSY FSO 0861505-12			NP R
- 13B	0861505-12	. FLAP ACTUATOR ASSY			1 R
14	0310327	. PINION			1
15	NAS561C2-5	. PIN ROLL-ATTACH PINIONS			1
- 15A	MS16562-191	. PIN ROLL-ATTACH PINIONS ALT FOR NAS561C2-5			1 R
16	0861500-51	. SPROCKET-KEYED			2
- 16A	0861500-71	. SPROCKET-PINNED			2
17	AN565D6H3	. SET SCREW-SECURE KEYED SPROCKET			2
18	0861500-50	. KEY-SECURE KEYED SPROCKET			1
- 18A	0861500-70	. PIN-SECURE PINNED SPROCKET			2
19	AN500A6-8	. SCREW-ATTACH COVER			6
20	0861560-1	. DRIVE ASSY-INPUT & TRANSFER			1
21	0861558-1	. GEAR ASSY-TRANSFER			1
22	0861556-2	. SHAFT ASSY-OUTPUT KEYED SHAFT			1
- 22A	0861556-19	. SHAFT ASSY-OUTPUT PINNED SHAFT			1
23	AN201KP5A	. BEARING			3
24	AN201KP8A	. BEARING			1
25	7-0608-1	. DOWEL PIN-DANLY			2

CESSNA AIRCRAFT COMPANY
MODEL 310 THRU 310D
 ILLUSTRATED PARTS CATALOG

A55781



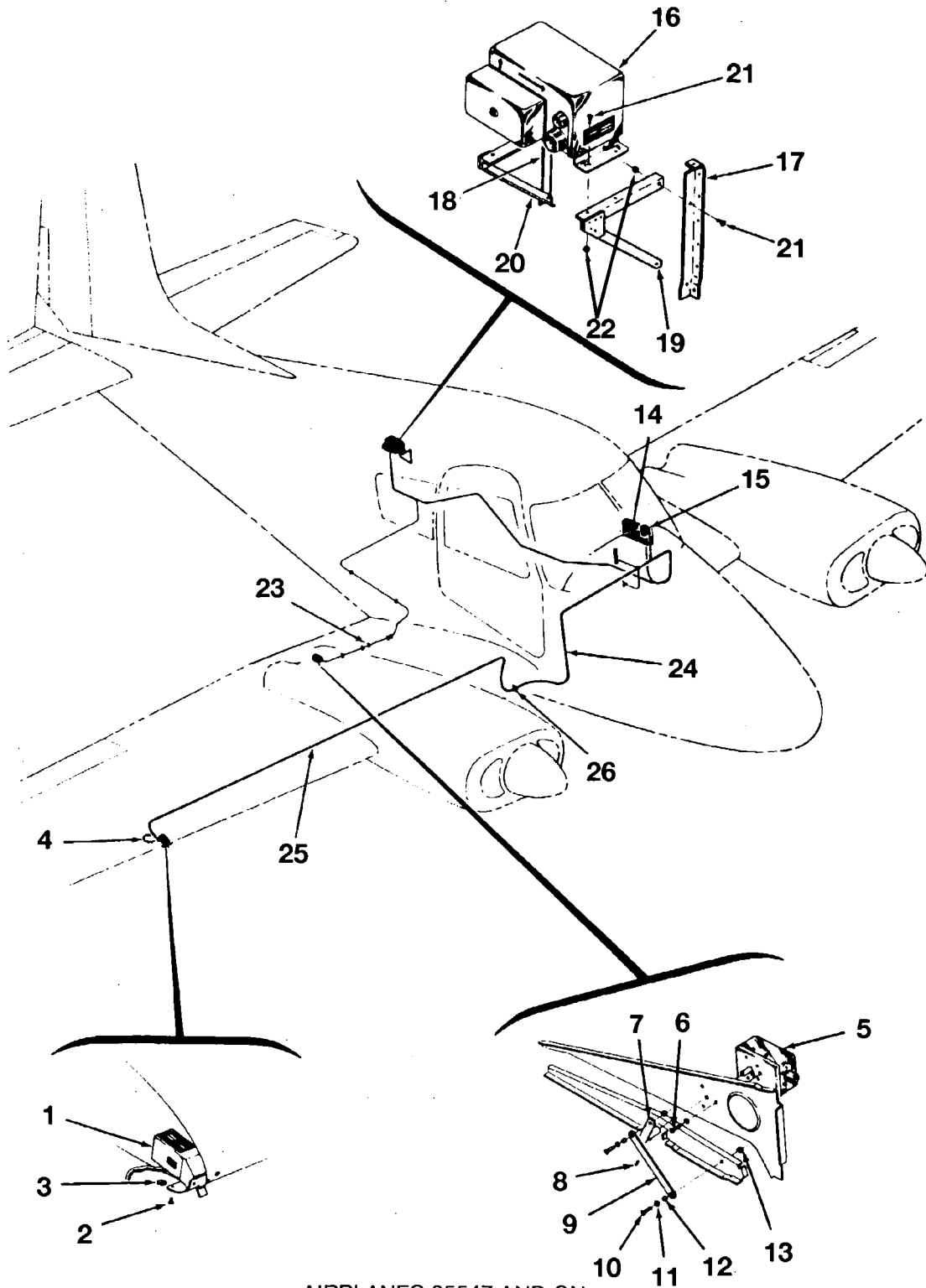
AIRPLANES 35000 THRU 35546
 SPEED CONTROL SYSTEM INSTALLATION
 FIGURE 03 (SHEET 1)

CESSNA AIRCRAFT COMPANY
MODEL 310 THRU 310D
ILLUSTRATED PARTS CATALOG

FIG ITEM	PART NUMBER	NOMENCLATURE	EFFECT		UNITS PER ASSY
			FROM	TO	
03		SPEED CONTROL SYSTEM INSTALLATION	35000	35546	RF
1	0812325-6	. TRANSDUCER-LIFT			1
2	0812325-5	. POTENTIOMETER-FLAP			1
3	0812325-1	. COMPUTER-LIFT			1
4	0812325-4	. INDICATOR-SPEED CONTROL			1
5	0812326-47	. CABLE ASSY			1
6	0812326-2	. CABLE ASSY			1
7	0812326-4	. ARM ASSY-FLAP POTENTIOMETER			1
8	AN565B6H3	. SET SCREW-FLAP POTENTIOMETER ARM ASSY			1
9	0812326-9	. ARM-FLAP POTENTIOMETER			1
10	AN515-4R6	. SCREW-ATTACH FLAP POTENTIOMETER ARMS			2
11	NAS1149FN432P	. WASHER-ATTACH FLAP POTENTIOMETER ARMS			2 R
12	NAS43-0-3	. SPACER-ATTACH FLAP POTENTIOMETER ARMS			2
13	MS21044N04	. NUT			6 R
14	0812328-2	. BRACKET-FRONT			1
15	0812328-1	. BRACKET-REAR			1
16	0812329-8	. SUPPORT-FRONT			1
17	0812329-7	. SUPPORT-REAR			1
18	AN515-8R8	. SCREW-ATTACH LIFT COMPUTER AND SUPPORTS			8
19	MS21044N08	. NUT-ATTACH LIFT COMPUTER AND SUPPORTS			8 R
20	AN515B6R12	. SCREW-ATTACH SPEED CONTROL INDICATOR			4
21	S-1022Z-8-6	. SCREW-ATTACH LIFT TRANSDUCER			4
22	NAS396-4A3	. NUT-ATTACH LIFT TRANSDUCER			4
23	AN515-4R4	. SCREW-ATTACH RECEPTACLE TO LEFT SIDE OF FUSELAGE			4
24	MS35489-4	. GROMMET			7
25	AN515-8R4	. SCREW-ATTACH FLAP POTENTIOMETER			3
26	MS35338-42	. WASHER-ATTACH FLAP POTENTIOMETER			3 R
- 26A	0841007-1	. INSTALLATION KIT-SAFETY SWITCH			1
27	0841007-2	. BRACKET-SWITCH			1
28	0841007-3	. SWITCH-SAFETY			1
29	AN515-8R26	. SCREW			2
30	AN742D6C	. CLAMP			1
- 30A	0812326-33	. DECAL-RIGHT JUNCTION BOX COVER	35000	35068	1
- 30B	0812326-34	. DECAL-LEFT JUNCTION BOX COVER	35069	35546	1

CESSNA AIRCRAFT COMPANY
MODEL 310 THRU 310D
ILLUSTRATED PARTS CATALOG

A55782



AIRPLANES 35547 AND ON
SPEED CONTROL SYSTEM INSTALLATION
FIGURE 04 (SHEET 1)

CESSNA AIRCRAFT COMPANY
MODEL 310 THRU 310D
ILLUSTRATED PARTS CATALOG

FIG ITEM	PART NUMBER	NOMENCLATURE	EFFECT FROM TO	UNITS	
				PER ASSY	RF
04		SPEED CONTROL SYSTEM INSTALLATION	35547 & ON		
1	0812341-3	. TRANSDUCER- LIFT			1
2	S-1022Z-8-6	. SCREW- ATTACH TRANSDUCER			4
3	NAS396-4A3	. NUT- ATTACH TRANSDUCER			4
4	0822380-16	. DOUBLER ASSY- ACCESS OPENING			1
- 4A	0822380-5	. DOOR ACCESS- ACCESS OPENING			1
- 4B	AN507-1032R6	. SCREW- ATTACH DOOR			4
5	0812341-4	. POTENTIOMETER- FLAP			1
6	AN515-8R4	. SCREW- ATTACH POTENTIOMETER			3
7	0820104-1	. ARM ASSY			1
8	AN565B6H3	. SET SCREW			1
9	0820104-2	. ARM			1
10	AN515-4R6	. SCREW- ATTACH ARMS			2
11	NAS1149FN432P	. WASHER- FLAT ATTACH ARMS			2 R
12	NAS43-0-3	. SPACER- ATTACH ARMS			2
13	H10-04	. NUT- ATTACH ARMS KAYNAR			2
14	PSM-2N	. CIRCUIT BREAKER- KLIXON			1
- 14A	0812480-84	. DECAL			1
15	0812341-1	. INDICATOR			1
- 15A	0812336-1	. BRACKET- INDICATOR			1
- 15B	AN515-6R5	. SCREW- ATTACH INDICATOR TO BRACKET			4
- 15C	NAS1149FN632P	. WASHER- ATTACH INDICATOR TO BRACKET			4 R
- 15D	AN507-832R7	. SCREW- ATTACH BRACKET			3
- 15E	MS35489-4	. GROMMET- ATTACH BRACKET			3
- 15F	H10-08	. NUT- ATTACH BRACKET KAYNAR			3
16	0812341-2	. COMPUTER- LIFT			1
17	0812334-1	. BRACKET- FRONT			1
18	0812334-2	. BRACKET- REAR			1
19	0812335-8	. SUPPORT ASSY- FRONT			1
20	0812335-7	. SUPPORT ASSY- REAR			1
21	AN515-8R8	. SCREW- ATTACH COMPUTER AND SUPPORTS			8
22	H10-08	. NUT- ATTACH COMPUTER AND SUPPORTS . KAYNAR			8
23	MS35489-4	. GROMMET			7
24	0812340-2	. CABLE ASSY			1
25	0812340-3	. CABLE ASSY			1
26	AN515-4R4	. SCREW- ATTACH RECEPTACLE			4
- 26A	H10-04	. NUT- ATTACH RECEPTACLE KAYNAR			4

CHAPTER

28

FUEL

CESSNA AIRCRAFT COMPANY
MODEL 310 THRU 310D
ILLUSTRATED PARTS CATALOG

LIST OF EFFECTIVE PAGES

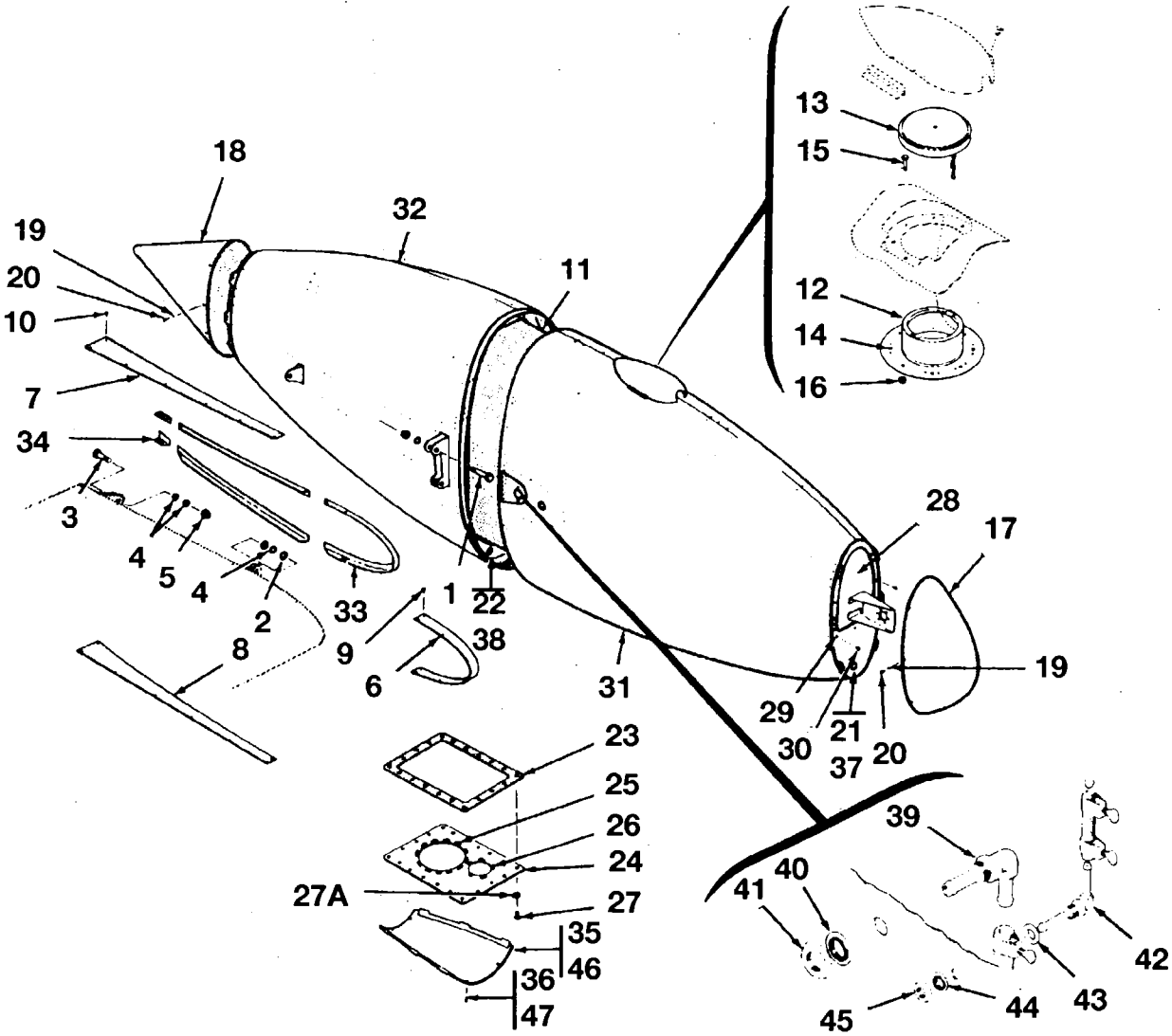
CHAPTER-SECTION-SUBJECT	PAGE	DATE
28-Title		
28-List of Effective Pages		
28-Record of Temporary Revisions		
28-Contents		
28-10-00 Figure 01	1	Jul 3/2006
	2	Jul 3/2006
	3	Jul 3/2006
28-10-00 Figure 02	1	Jul 3/2006
	2	Jul 3/2006
28-10-00 Figure 03	1	Jul 3/2006
	2	Jul 3/2006
28-20-00 Figure 01	1	Jul 3/2006
	2	Jul 3/2006
28-20-00 Figure 02	1	Jul 3/2006
	2	Jul 3/2006
	3	Jul 3/2006
28-20-00 Figure 03	1	Jul 3/2006
	2	Jul 3/2006
28-20-00 Figure 04	1	Jul 3/2006
	2	Jul 3/2006
28-20-00 Figure 05	1	Jul 3/2006
	2	Jul 3/2006
28-20-01 Figure 01	1	Jul 3/2006
	2	Jul 3/2006
	3	Jul 3/2006
28-20-01 Figure 02	1	Jul 3/2006
	2	Jul 3/2006
28-20-01 Figure 03	1	Jul 3/2006
	2	Jul 3/2006
28-40-00 Figure 01	1	Jul 5/2004
	2	Jul 5/2004

CESSNA AIRCRAFT COMPANY
MODEL 310 THRU 310D
ILLUSTRATED PARTS CATALOG

<u>SUBJECT</u>	<u>CH SEC SUBJ FIG</u>	<u>EFFECTIVITY</u>
FUEL TANK INSTALLATION	28-10-00-01	
FUEL TANK FORWARD ASSEMBLY	28-10-00-02	
FUEL TANK AFT ASSEMBLY	28-10-00-03	
FUEL SYSTEM INSTALLATION	28-20-00-01	35000 35546
FUEL SYSTEM INSTALLATION	28-20-00-02	35547 & ON
FUEL SYSTEM COMPONENTS-ENGINE NACELLE TO TIP TANK	28-20-00-03	
FUEL SELECTOR VALVE INSTALLATION	28-20-00-04	
FUEL SELECTOR VALVE ASSEMBLY	28-20-00-05	
AUXILIARY FUEL SYSTEM AND STRUCTURE INSTALLATION	28-20-01-01	
AUXILIARY FUEL SYSTEM INSTALLATION	28-20-01-02	
FUEL SELECTOR VALVE ASSEMBLY - AUXILIARY FUEL SYSTEM	28-20-01-03	
FUEL SYSTEM COMPONENTS-TIP TANK	28-40-00-01	

CESSNA AIRCRAFT COMPANY
MODEL 310 THRU 310D
ILLUSTRATED PARTS CATALOG

A55590



AIRPLANES 39133 THRU 39153

FUEL TANK INSTALLATION
FIGURE 01 (SHEET 1)

CESSNA AIRCRAFT COMPANY
MODEL 310 THRU 310D
ILLUSTRATED PARTS CATALOG

FIG ITEM	PART NUMBER	NOMENCLATURE	EFFECT		UNITS PER ASSY
			FROM	TO	
01		FUEL TANK INSTALLATION			RF
1	NAS464-4A13	. BOLT-ATTACH FUEL TANK TO WING FRONT SPAR			4
2	NAS1149F0463P	. WASHER-ATTACH FUEL TANK TO WING FRONT SPAR			8 R
3	NAS464-4A4	. BOLT-ATTACH FUEL TANK TO WING REAR SPAR			2
4	NAS1149F0432P	. WASHER-ATTACH FUEL TANK TO WING SPARS			10 R
5	MS21044N4	. NUT-ATTACH FUEL TANK TO WING SPARS			6 R
6	0820000-29	. COVER-LH FUEL TANK FRONT			1
- 6A	0820000-30	. COVER-RH FUEL TANK FRONT			1
7	0820000-31	. COVER-LH FUEL TANK UPR			1
- 7A	0820000-32	. COVER-RH FUEL TANK UPR			1
8	0820000-33	. COVER-LH FUEL TANK LWR			1
- 8A	0820000-34	. COVER-RH FUEL TANK LWR			1
		ATTACHING PARTS			
9	S1022Z-8-8	. SCREW-ATTACH FRONT FAIRINGS			12
10	S1021Z-8-6	. SCREW-ATTACH UPR AND LWR FAIRINGS			24
		—*—			
11	0823100-1	. FUEL BLADDER REFER TO NOTE 1	35000	35306	2
			35308	35441	
11A	0823100-11	. FUEL BLADDER REFER TO NOTE 1			2
- 11B	0823100-10	. RING-ACCESS FRAME			1
- 11C	0823110-3	. FUEL BLADDER-REFER TO NOTE 1	35307	35307	2
			35442	39132	
			39154	& ON	
- 11D	0823110-2	. . . PLATE - TANK			1
- 11E	0823000-139	. NYLON CORD-ATTACH BLADDER TO TANK	35307	35307	2
			35442	39132	
			39154	& ON	
12	0823300-13	. FILLER ASSY-FUEL TANK	35000	39132	2
			39154	& ON	
13	0823300-14	. . . CAP - FILLER			1
- 13A	1197	. . . GASKET-EATON MFG CO			1
14	NAS680A08	. NUTPLATE			7
		ATTACHING PARTS			
15	AN515-8R8	. SCREW-ATTACH FILLER CAP ASSY	35000	39132	16
			39154	& ON	
16	MS21044N08	. NUT-ATTACH FILLER CAP ASSY	35000	39132	2 R
			39154	& ON	
		—*—			
17	0823230-1	. CAP-NOSE			2
18	0823225-1	. CAP TAIL			2
		ATTACHING PARTS			
19	S1066C2	. WASHER-ATTACH NOSE & TAIL CAPS			24
20	AN507-832R8	. SCREW-ATTACH NOSE & TAIL CAPS			24
		—*—			
21	MS35489-4	. GROMMET	35000	39132	2
			39154	& ON	
22	MS35489-9	. GROMMET	35000	39132	2
			39154	& ON	
23	0823100-4	. GASKET-SUMP FLOOR			2
24	0823000-110	. FLOOR ASSY-SUMP			2
25	MS21047L4	. . . NUT			12 R
26	22NA1K3-02	. . . NUT-CAP ESNA			5
		ATTACHING PARTS			
27	AN4H5A	. BOLT-ATTACH SUMP FLOOR			40
		—*—			
27A	600-001-1/4	. LOCK-O-SEAL	39133	39153	40
			39178	& ON	
28	0823000-93	. DOOR ASSY-LH TANK NOSE ACCESS	35000	39132	1
			39154	& ON	
- 28A	0823000-92	. DOOR ASSY-RE TANK NOSE ACCESS	35000	39132	1
			39154	& ON	
29	22NKA1-82	. . . NUTPLATE- ESNA			7

NOTE 1—REFER TO 28-40-00 FIGURE 01 FOR ATTACHING CLAMPS.

CESSNA AIRCRAFT COMPANY MODEL 310 THRU 310D ILLUSTRATED PARTS CATALOG

FIG ITEM	PART NUMBER	NOMENCLATURE	EFFECT		UNITS PER ASSY
			FROM	TO	
01		ATTACHING PARTS			
30	AN515-8R8	SCREW- ATTACH DOOR ASSY	35000	39132	14
			39154	& ON	
- 30A	0823000-149	FUEL TANK ASSY- LH REFER TO NOTE 1			1
- 30B	0823000-151	TANK- LH REFER TO NOTE 2			1
- 30C	0892300-7	FUEL TANK ASSY- LH REFER TO NOTE 3			1
- 30D	0823000-150	TANK ASSY- RH REFER TO NOTE 1			1
- 30E	0823000-152	TANK ASSY- RH REFER TO NOTE 2			1
- 30F	0892300-6	FUEL TANK ASSY- RH REFER TO NOTE 3			1
31	0823000-71	TANK ASSY- FRONT SECTION ASSY LH FUEL TANK REFER TO 28-10-00 FIGURE 02 FOR BREAKDOWN REFER TO NOTE 1			1
- 31A	0823000-135	FRONT SECTION ASSY LH FUEL TANK- REFER TO 28-10-00 FIGURE 02 FOR BREAKDOWN REFER TO NOTE 2			1
- 31B		FRONT SECTION ASSY LH FUEL TANK- REFER TO 28-10-00 FIGURE 02 FOR BREAKDOWN REFER TO NOTE 3			RF
- 31C	0823000-72	FRONT SECTION ASSY RE FUEL TANK- REFER TO 28-10-00 FIGURE 02 FOR BREAKDOWN REFER TO NOTE 1			1
- 31D	0823000-136	TANK- FRONT SECTION ASSY RH FUEL TANK - REFER TO 28-10-00 FIGURE 02 FOR BREAKDOWN REFER TO NOTE 2			1
- 31E		FRONT SECTION ASSY - RH FUEL TANK- REFER TO 28-10-00 FIGURE 02 FOR BREAKDOWN REFER TO NOTE 3			RF
32	0823000-73	AFT SECTION ASSY LH FUEL TANK- REFER TO 28-10-00 FIGURE 03 FOR BREAKDOWN REFER TO NOTE 1			1
- 32A	0823000-137	TANK- AFT SECTION ASSY LH FUEL TANK - REFER TO 28-10-00 FIGURE 03 FOR BREAKDOWN REFER TO NOTE 2			1
- 32B		AFT SECTION ASSY LH FUEL TANK- REFER TO 28-10-00 FIGURE 03 FOR BREAKDOWN REFER TO NOTE 3			RF
- 32C	0823000-74	AFT SECTION ASSY- RH FUEL TANK - REFER TO 28-10-00 FIGURE 03 FOR BREAKDOWN REFER TO NOTE 1			1
- 32D	0823000-138	TANK ASSY- AFT SECTION ASSY RH FUEL TANK - REFER TO 56-10-00 FIGURE 01 FOR BREAKDOWN REFER TO NOTE 2			1
- 32E		AFT SECTION ASSY RH FUEL TANK- REFER TO 56-10-00 FIGURE 01 FOR BREAKDOWN REFER TO NOTE 3			RF
33	NAS444-14	NUTPLATE- TINNERMAN 6162-8Z-1			2
34	S3431-3	NUT- TINNERMAN 6191-8Z-3	35000	39132	2 R
			39154	& ON	
35	0823001-1	DOOR ASSY- SUMP REFER TO NOTE 3			1
36	AN507-832R8	SCREW- ATTACH SUMP DOOR REFER TO NOTE 3			4
37	MS35489-4	GROMMET- REFER TO NOTE 3			1
38	MS35489-9	GROMMET- REFER TO NOTE 3			1
39	AN848-8D	ELBOV- REFER TO NOTE 3			1
40	250-515-8	SEAL- REFER TO NOTE 3			1
41	AN924-8D	NUT- REFER TO NOTE 3			1
42	AN848-4D	ELBOW- REFER TO NOTE 3			1
43	NAS1149F0763P	WASHER- REFER TO NOTE 3			1 R
44	250-515-4	LOCK-O-SEAL- FRANKLIN C WOLFE CO REFER TO NOTE 3			1
45	AN924-4D	NUT- REFER TO NOTE 3			1
46	0823000-57	DOOR ASSY- SUMP USED WITH ADEL PUMP	35000	35771	2
- 46A	0823000-111	DOOR ASSY- SUMP USED WITH PESCO PUMP	35000	35771	2
- 46B	0823000-112	DOOR ASSY- SUMP USED WITH LEAR PUMP	35000	35771	2
- 46C	0823001-1	DOOR ASSY- USED WITH ADEL PUMP	35772	39132	2
			39154	& ON	
47	AN507-832R8	SCREW- ATTACH SUMP DOOR	35000	39132	8
			39154	& ON	

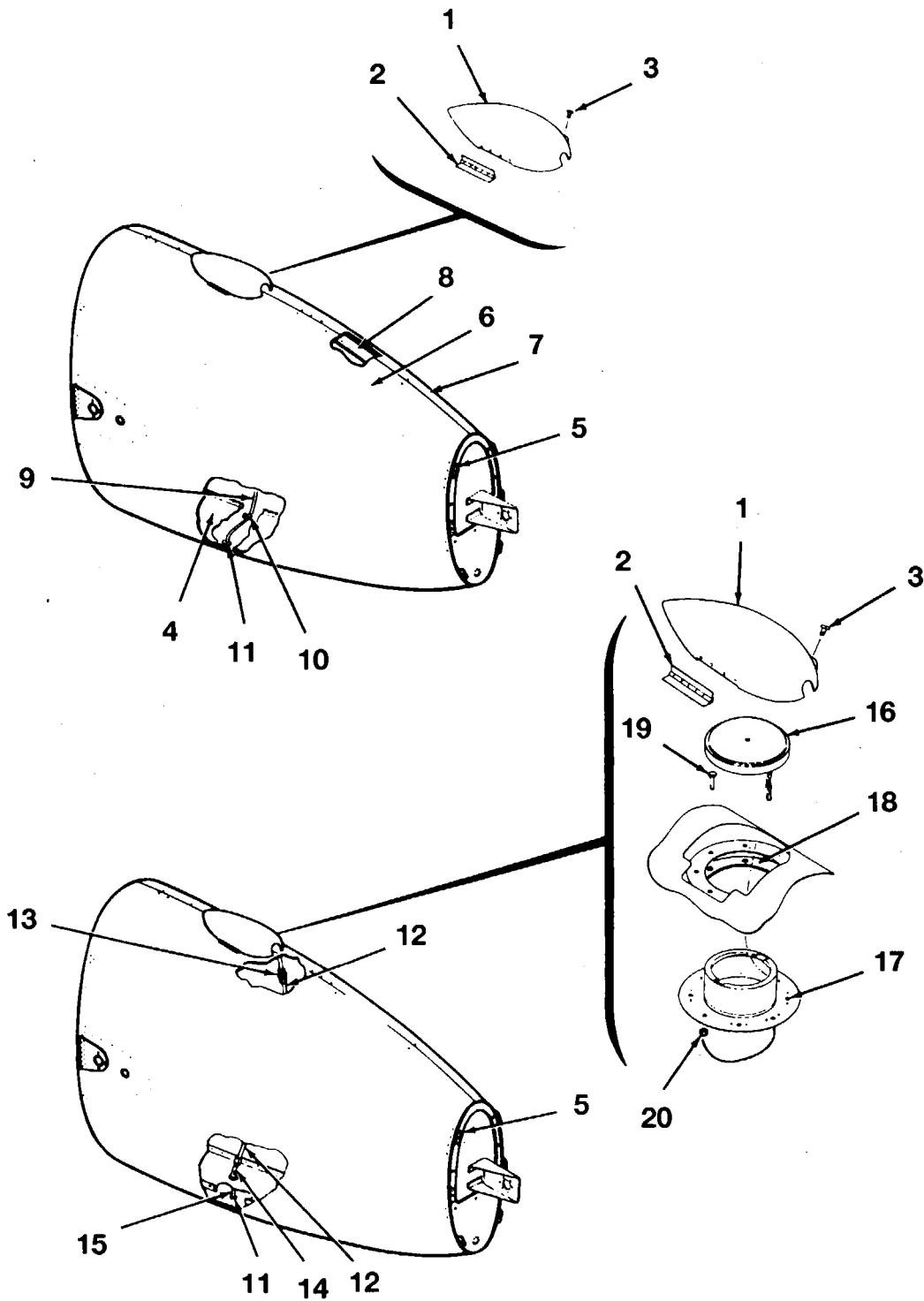
NOTE 1—EFFECTIVE SERIAL 35000 THRU 35306, 35308 THRU 35441

NOTE 2—EFFECTIVE SERIALS 35307, 35442 THRU 39132, 39154 & ON

NOTE 3—EFFECTIVE SERIALS 39133 THRU 39153

CESSNA AIRCRAFT COMPANY
MODEL 310 THRU 310D
ILLUSTRATED PARTS CATALOG

A55591



FUEL TANK FORWARD ASSEMBLY
FIGURE 02 (SHEET 1)

CESSNA AIRCRAFT COMPANY
MODEL 310 THRU 310D
ILLUSTRATED PARTS CATALOG

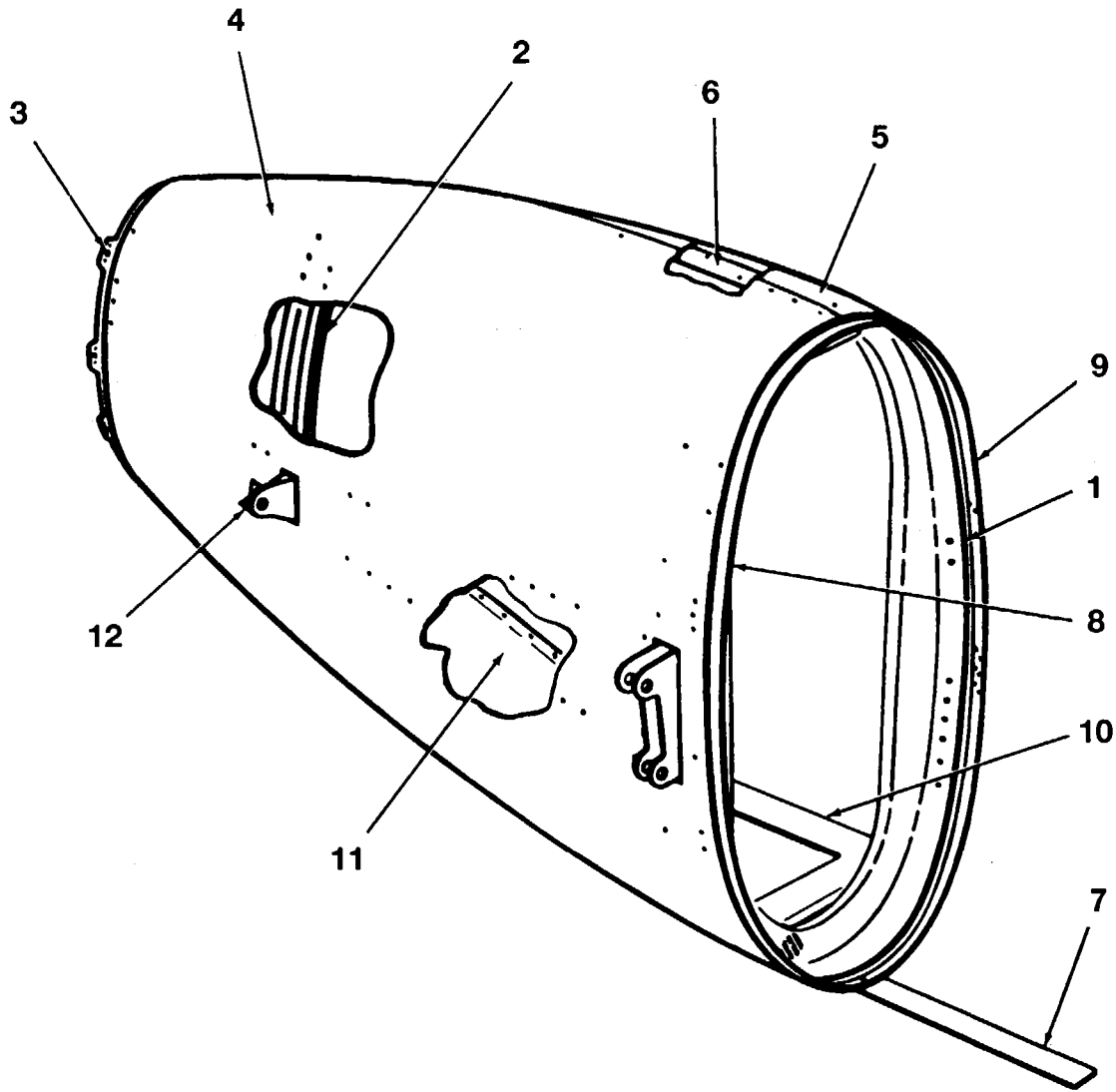
FIG ITEM	PART NUMBER	NOMENCLATURE	EFFECT FROM TO	UNITS PER ASSY
		1 2 3 4 5 6 7		
02				
- 0	0823000-71	FUEL TANK FORWARD ASSEMBLY FRONT SECTION ASSY- LH FUEL TANK - REFER TO 28-10-00 FIGURE 01 FOR NHA REFER TO NOTE 1		RF 1
- A	0823000-135	FRONT SECTION ASSY- LH FUEL TANK - REFER TO 28-10-00 FIGURE 01 FOR NHA REFER TO NOTE 2		1
- B		FRONT SECTION ASSY- LH FUEL TANK - REFER TO 28-10-00 FIGURE 01 FOR NHA REFER TO NOTE 3		RF
- C	0823000-72	FRONT SECTION ASSY- LH FUEL TANK - REFER TO 28-10-00 FIGURE 01 FOR NHA REFER TO NOTE 1		1
- D	0823000-136	FRONT SECTION ASSY- LH FUEL TANK - REFER TO 28-10-00 FIGURE 01 FOR NHA REFER TO NOTE 2		1
- E		FRONT SECTION ASSY- LH FUEL TANK - REFER TO 28-10-00 FIGURE 01 FOR NHA REFER TO NOTE 3		RF
1	0823000-61	COVER ASSY- LH FUEL TANK GAS CAP		1
- 1A	0823000-62	COVER ASSY- RH FUEL TANK GAS CAP		1
2	0892300-1	HINGE ASSY		1
3	AJW4-25C	STUD		2 R
- 3A	GA4-250	GROMMET		2
- 3B	CM2822-2	SPRING		2 R
4	0823000-88	FLOOR ASSY	35000 39132 39154 & ON	1
5	MS21049L08	NUTPLATE- ATTACH NOSE CAP		6 R
- 5A	MS21049L08	NUTPLATE- ATTACH NOSE CAP ALT FOR NAS681A08		6 R
6	0823000-3	SKIN- LH FUEL TANK INBD REFER TO NOTE 1		1
- 6A	0823000-127	SKIN ASSY- LH FUEL TANK INBD REFER TO NOTE 2		1
- 6B	0823000-4	SKIN-FWD IN- RH FUEL TANK INBD REFER TO NOTE 1		1
- 6C	0823000-128	SKIN- RH FUEL TANK INBD REFER TO NOTE 2		1
7	0823000-5	SKIN- LH FUEL TANK OUTBD REFER TO NOTE 1		1
- 7A	0823000-129	SKIN ASSY- LH FUEL TANK OUTBD REFER TO NOTE 2		1
- 7B	0823000-6	SKIN- RH FUEL TANK OUTBD REFER TO NOTE 1		1
- 7C	0823000-130	SKIN- RE FUEL TANK OUTBD REFER TO NOTE 2		1
8	0823000-17	DOUBLER- FRONT SECTION UPR	35000 39132 39154 & ON	1
- 8A	0823000-18	DOUBLER- FRONT SECTION LWR	35000 39132 39154 & ON	1
- 8B	T548	FASTENER- SNAP ATTACH BLADDER TO TANK UNITED CARR REFER TO NOTE 1		10
- 8C	0823310-1	LOOP- ATTACH BLADDER TO TANK REFER TO NOTE 2		24
9	0800106-305	LINE- DRAIN	35176 35691	1
- 9A	0800106-305	LINE- DRAIN LH	35692 39132 39154 & ON	1
- 9B	0800106-306	LINE- DRAIN RH	35692 29132 39154 & ON	1
- 9C	S307-5	LINE- DRAIN 1 75 INCHES LG BKI REF S-307-5-0014	35176 39010	1
- 9D	S307-8	LINE- DRAIN 1 75 INCHES IG BKI REF S-307-0014	39011 39132 39154 & ON	1
10	AN742D4	CLAMP- ATTACH LINE	35176 39010	1
- 10A	AN742D5	CLAMP- ATTACH LINE	39011 39132 39154 & ON	1
- 10B	AN507-632R5	SCREW- ATTACH LINE	35176 39132 39154 & ON	1
- 10C	MS21044N06	NUT- ATTACH LINE	35176 39132 39154 & ON	1 R
11	MS35489-6	GROMMET	35176 39132 39154 & ON	1
- 11A	MS35489-9	GROMMET	39113 39153	1
12	0800106-315	LINE ASSY- DRAIN	39113 39153	1
13	AS5174D0505	UNION	39113 39153	1 R
14	AN837-5D	ELBOW	39113 39153	1
- 14A	NAS1149F0863P	WASHER	39113 39153	1 R
- 14B	250-515-5	LOCK-O-SEAL FRANKLIN C WOLFE CO	39113 39153	1
- 14C	AN924-5D	NUT	39113 39153	1
15	0800106-316	LINE ASSY- DRAIN	39113 39153	1
- 15A	0823300-19	STANDPIPE ASSY- LH FILLER CAP	39113 39153	1
- 15B	0823300-20	STAND PIPE ASSY- RH FILLER CAP	39113 39153	1
16	0823300-11	CAP- FILLER		1
- 16A	1197	GASKET- EATON MFG CO		1
17	NAS680A08	NUTPLATE		7
18	0823000-184	GASKET	39113 39153	1
19	AN515-8R8	SCREW- ATTACH STANDPIPE & GASKET		8
20	MS21044N08	NUT- ATTACH STANDPIPE GASKET & VAPOR LINE		1 R

NOTE 1—EFFECTIVE SERIAL 35000 THRU 35306, 35308 THRU 35441

NOTE 2—EFFECTIVE SERIAL 35307, 35442 THRU 39132, 39154 & ON.

CESSNA AIRCRAFT COMPANY
MODEL 310 THRU 310D
ILLUSTRATED PARTS CATALOG

A55592



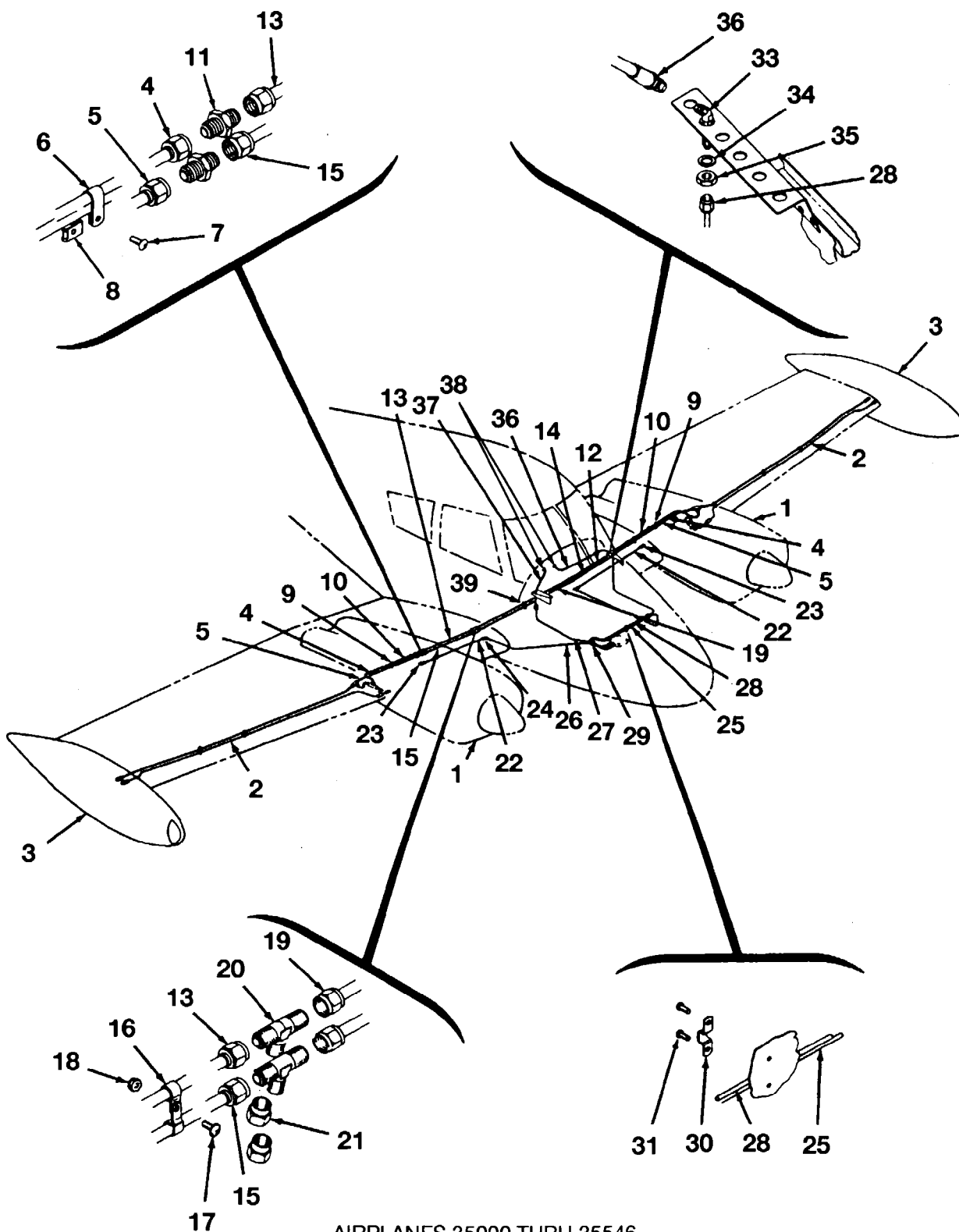
FUEL TANK AFT ASSEMBLY
FIGURE 03 (SHEET 1)

CESSNA AIRCRAFT COMPANY MODEL 310 THRU 310D ILLUSTRATED PARTS CATALOG

FIG ITEM	PART NUMBER	NOMENCLATURE	EFFECT		UNITS	
			FROM	TO	PER	ASSY
03						
- 0	0823000-73	FUEL TANK AFT ASSEMBLY . AFT SECTION ASSY- LH FUEL TANK REFER TO 28-10-00 FIGURE 01 FOR NHA	35000	35306	01	RF
- A	0823000-137	. AFT SECTION ASSY- LH FUEL TANK REFER TO 28-10-00 FIGURE 01 FOR NHA	35308	35441		
			35307	35307	01	
			35442	39132		
			39154	& ON		
- B		. AFT SECTION ASSY- LH FUEL TANK REFER TO 28-10-00 FIGURE 01 FOR NHA	39133	39153	RF	
- C	0823000-74	. AFT SECTION ASSY- RH FUEL TANK REFER TO 28-10-00 FIGURE 01 FOR NHA	35000	35306	01	
			35308	35441		
- D	0823000-138	. AFT SECTION ASSY- RH FUEL TANK REFER TO 28-10-00 FIGURE 01 FOR NHA	35307	35307	01	
			35442	39132		
			39154	& ON		
- E		. AFT SECTION ASSY- RH FUEL TANK REFER TO 28-10-00 FIGURE 01 FOR NHA	39133	39153	RF	
1	0823075-1	. BULKHEAD ASSY- LH AFT SECTION FRONT	35000	39132	1	
			39154	& ON		
- 1A	0823075-2	. BULKHEAD ASSY- RH AFT SECTION FRONT	35000	39132	1	
			39154	& ON		
- 1B	MS21059L08	. NUTPLATE- ATTACH SUMP DOOR				2 R
- 1C	MS21059L08	. NUTPLATE- ATTACH SUMP DOOR				2 R
2	0823075-11	. BULKHEAD ASSY- LH AFT SECTION REAR	35000	39132	1	
			39154	& ON		
- 2A	0823075-12	. BULKHEAD ASSY- RH AFT SECTION REAR	35000	39132	1	
			39154	& ON		
3	MS21049L08	. NUTPLATE- ATTACH TAIL CAP				6 R
- 3A	MS21049L08	. NUTPLATE- ATTACH TAIL CAP ALT FOR NAS681A08				6 R
4	0823000-7	. SKIN- LH FUEL TANK INBD	35000	35306	1	
			35308	35441		
- 4A	0823000-131	. SKIN- LH FUEL TANK INBD	35307	35307	1	
			35442	39132		
			39154	& ON		
- 4B	0823000-8	. SKIN- RH FUEL TANK INBD	35000	35306	1	
			35308	35441		
- 4C	0823000-132	. SKIN- RH FUEL TANK INBD	35307	35307	1	
			35442	39132		
			39154	& ON		
5	0823000-9	. SKIN- LH FUEL TANK OUTBD	35000	35306	1	
			35308	35441		
- 5A	0823000-133	. SKIN- LH FUEL TANK OUTBD	35307	35307	1	
			35442	39132		
			39154	& ON		
- 5B	0823000-10	. SKIN- RH FUEL TANK OUTBD	35000	35306	1	
			35308	35441		
- 5C	0823000-134	. SKIN- RH FUEL TANK OUTBD	35307	35307	1	
			35442	39132		
			39154	& ON		
6	0823000-15	. DOUBLER- AFT SECTION UPR	35000	39132	1	
			39154	& ON		
7	0823000-16	. DOUBLER- AFT SECTION LWR	35000	39132	1	
			39154	& ON		
8	0823000-98	. DOUBLER- INBD	35000	39132	1	
			39154	& ON		
9	0823000-29	. DOUBLER- OUTBD	35000	39132	1	
			39154	& ON		
10	0823000-89	. SUPPORT- SUMP	35000	39132	1	
			39154	& ON		
11	0823000-76	. FLOOR ASSY- FUEL TANK	35000	39132	1	
			39154	& ON		
12	S3431-3	. NUTPLATE- TINNEMAN 6191-8Z-3	39133	39153	2 R	
- 12A	T548	. FASTENER SNAP - ATTACH BLADDER	35000	35306	14	
			35308	35441		
- 12B	0823310-1	. LOOP- ATTACH BLADDER TO TANK	35307	35307	26	
			35442	39132		
			39154	99999		

CESSNA AIRCRAFT COMPANY
MODEL 310 THRU 310D
 ILLUSTRATED PARTS CATALOG

A55738



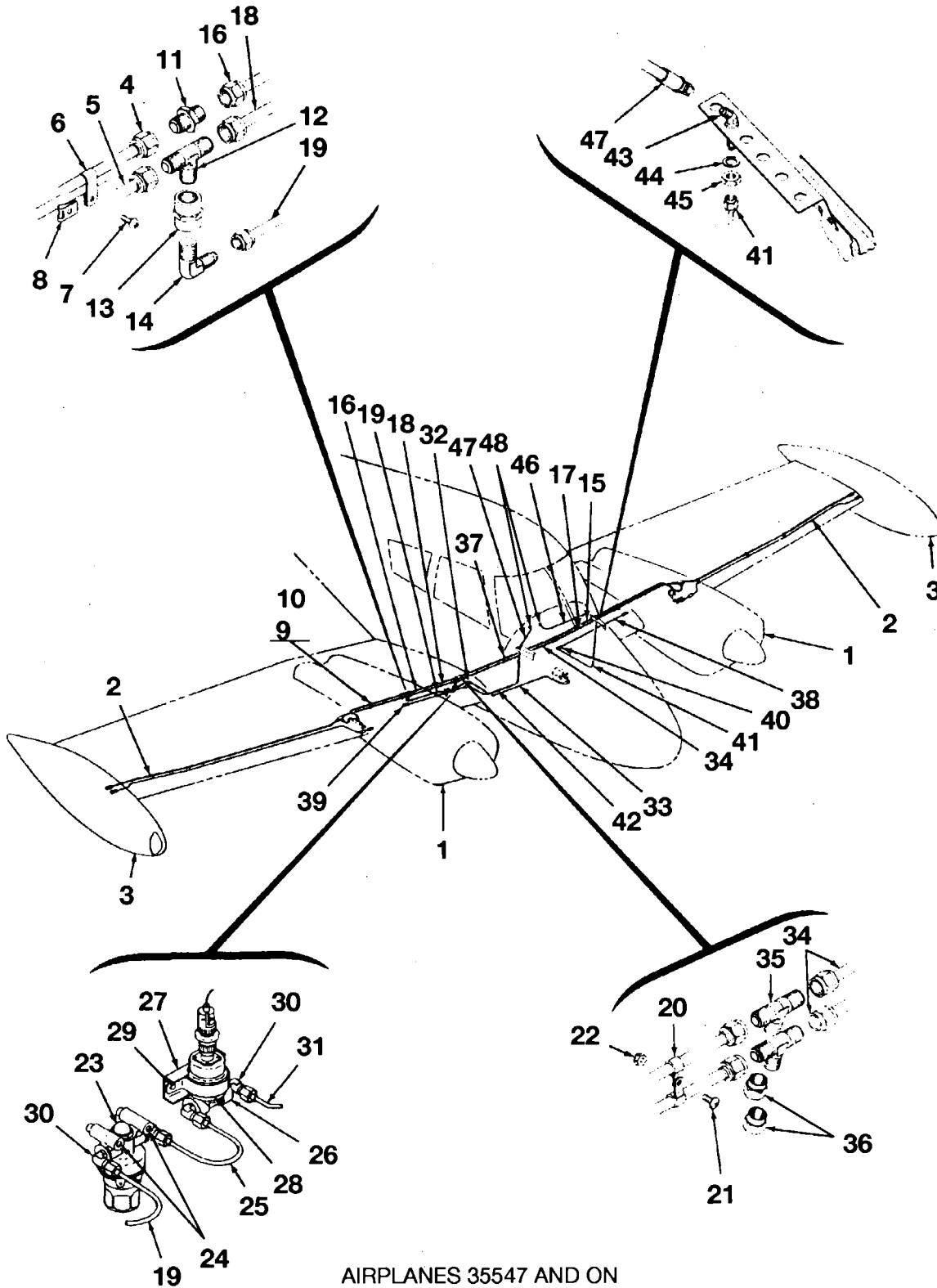
AIRPLANES 35000 THRU 35546
 FUEL SYSTEM INSTALLATION
 FIGURE 01 (SHEET 1)

CESSNA AIRCRAFT COMPANY MODEL 310 THRU 310D ILLUSTRATED PARTS CATALOG

FIG ITEM	PART NUMBER	NOMENCLATURE	EFFECT		UNITS PER ASSY
			FROM	TO	
01		FUEL SYSTEM INSTALLATION			
- 1		FUEL SYSTEM COMPONENTS-ENGINE NACELLE REFER TO 73-10-00	35000	35546	RF
		FIGURE 02 FOR BREAKDOWN			RF
2		FUEL SYSTEM COMPONENTS-ENGINE NACELLE TO TIP TANK REFER TO			
		28-20-00 FIGURE 03 FOR BREAKDOWN			RF
3		FUEL SYSTEM COMPONENTS-TIP TANK REFER TO 73-10-00 FIGURE 03			
		FOR BREAKDOWN			RF
4	0800106-5	LINE ASSY-SELECTOR VALVE TO UNION			2
5	0800106-9	LINE ASSY-JUNCTION TO UNION			2
6	440-16-8	CLAMP-ATTACH FUEL LINES AT STA 5750 ADEL			4
7	S-1021Z-8-8	SCREW-ATTACH CLAMP			4
8	S3228-17	NUT-ATTACH CLAMP TINNERMAN A1348-8Z-3			4 R
9	440-16-8	CLAMP-ATTACH FUEL LINES ADEL	35139	35460	2
- 9A	440-16-8	CLAMP-ATTACH FUEL LINE LEFT WING ADEL	35461	35546	1
- 9B	441-16-8	CLAMP-ATTACH FUEL LINE RIGHT WING ADEL	35461	35546	1
- 9C	AN515-8R14	SCREW-ATTACH CLAMP	35139	35546	2
- 9D	NAS43-3-16	SPACER-ATTACH CLAMP	35139	35546	2
10	MS35489-11	GROMMET	35000	35138	8
11	AS5174D0606	UNION-JOIN FUEL LINES			6 R
12	0800106-143	TUBE ASSY-UNION TO WING ROOT LEFT			1
13	0800106-144	LINE ASSY-UNION TO WING ROOT RIGHT			1
14	0800106-145	LINE ASSY-UNION TO WING ROOT LEFT			1
15	0800106-146	TUBE ASSY-UNION TO WING ROOT RIGHT			1
16	AN742-8C	CLAMP-ATTACH FUEL LINES AT WING ROOT			4
17	AN520-10R8	SCREW-ATTACH CLAMP			2
18	MS21045L3	NUT-ATTACH CLAMP			2 R
19	0800106-37	LINE ASSY-FUEL CROSS FEED			2
20	AN824-6D	TEE-CONNECT CROSS FEED RIGHT SIDE			2
21	AN929-6	CAP ASSY-PRESSURE CAP CROSS FEED TEE			2
22	0800106-49	LINE ASSY-NACELLE RIB TO WING ROOT			2
23	AN832-2	UNION-CONNECT FUEL PRESSURE LINE AT NACELLE RIB			2
- 23A	NAS1149F0563P	WASHER-CONNECT FUEL PRESSURE LINE AT NACELLE RIB			4 R
- 23B	AN924-2	NUT-CONNECT FUEL PRESSURE LINE AT NACELLE RIB			2
24	AN833-2D	ELBOW-CONNECT FUEL PRESSURE LINE AT FUSELAGE			2
- 24A	NAS1149D0563K	WASHER-CONNECT FUEL PRESSURE LINE AT FUSELAGE			2 R
- 24B	AN924-2D	NUT-CONNECT FUEL PRESSURE LINE AT FUSELAGE			2
25	0800106-131	TUBE ASSY-FUEL PRESSURE LH FUSELAGE CONNECTOR TO HEATER			1
26	0800106-130	TUBE ASSY-FUEL PRESSURE RH FUSELAGE CONNECTOR TO HEATER			1
27	0800106-132	TUBE ASSY-FUEL PRESSURE RH HEATER TO LINE BRACKET			1
28	0800106-135	TUBE ASSY-FUEL PRESSURE RH HEATER TO LINE BRACKET			1
29	MS35489-11	GROMMET-FUEL LINE STA 000			1
30	455-2-6	CLIP-ATTACH FUEL LINES ADEL			3
31	S-1021Z-4-6	SCREW-ATTACH CLIP			6
- 32		DELETED-NOT USED			
- 32A		DELETED-NOT USED			
- 32B		DELETED-NOT USED			
33	AN837-2D	ELBOW-CONNECT FUEL PRESSURE LINES AT LINE BRACKET			2
34	NAS1149D0563K	WASHER-ATTACH ELBOW TO LINE BRACKET			2 R
35	AN924-2D	NUT-ATTACH ELBOW TO LINE BRACKET			2
36	S1168-2-33	HOSE ASSY-HOSE ASSY FUEL PRESSURE LINE BRACKET TO LEFT			1
		ENGINE GAGE			
37	S1168-2-18-1/4	HOSE ASSY-HOSE ASSY FUEL PRESSURE LINE BRACKET TO RIGHT			1
		ENGINE GAGE			
38	AS5194D0202	ADAPTER-CONNECT HOSE TO ENGINE GAGE			2 R
39	440-16-8	CLAMP-ATTACH FUEL CROSS FEED LINES ADEL			1
- 39A	S307-10	TUBING-2 INCHES LG BULK ITEM REF S-307-10-002			1
- 39B	S-1021Z-8-7	SCREW-ATTACH CLAMP			1

CESSNA AIRCRAFT COMPANY
MODEL 310 THRU 310D
 ILLUSTRATED PARTS CATALOG

A55739



AIRPLANES 35547 AND ON

FUEL SYSTEM INSTALLATION
 FIGURE 02 (SHEET 1)

**CESSNA AIRCRAFT COMPANY
MODEL 310 THRU 310D
ILLUSTRATED PARTS CATALOG**

FIG ITEM	PART NUMBER	NOMENCLATURE	EFFECT FROM TO	UNITS PER ASSY
02		FUEL SYSTEM INSTALLATION		
- 1		FUEL SYSTEM COMPONENTS - ENGINE NACELLE- REFER TO 73-10-00 FIGURE 01 & 02 FOR BREAKDOWN	35547 & ON	RF RF
2		FUEL SYSTEM COMPONENTS - ENGINE NACELLE TO TIP TANK- REFER TO 28-20-00 FIGURE 03 FOR BREAKDOWN		RF
3		FUEL SYSTEM COMPONENTS - TIP TANK- REFER TO 28-40-00 FIGURE 01 FOR BREAKDOWN		RF
4	0800106-5	LINE ASSY- SELECTOR VALVE TO UNION		2
5	0800106-9	LINE ASSY- JUNCTION TO UNION		2
6	440-16-8	CLAMP- ATTACH FUEL LINES AT STA 5750 ADEL		4
7	S-1021Z-8-8	SCREW- ATTACH CLAMP		4
8	S3228-17	NUT- ATTACH CLAMP TINNERMAN A1348-8Z-3		4 R
9	440-16-8	CLAMP- ATTACH FUEL LINE LEFT WING ADEL		1
- 9A	441-16-8	CLAMP- ATTACH FUEL LINE RIGHT WING ADEL		1
10	AN515-8R14	SCREW- ATTACH CLAMPS		2
10A	NAS43-3-16	SPACER- ATTACH CLAMPS		2
11	AS5174D0606	UNION- ATTACH CLAMPS		5 R
12	AN825-6D	TEE- ATTACH HEATER FUEL LINE		1
13	AN910-2D	COUPLING- CONNECT TEE & ELBOW		1
14	MS20822-4-4D	ELBOW- ATTACH HEATER FUEL LINE		1
15	0800106-143	TUBE ASSY- UNION TO WING ROOT LEFT		1
16	0800106-144	LINE ASSY- UNION TO WING ROOT RIGHT		1
17	0800106-145	LINE ASSY- UNION TO WING ROOT LEFT		1
18	0800106-258	LINE ASSY- TEE TO WING ROOT RIGHT		1
19	0800106-252	LINE ASSY- ELBOW TO FILTER		1
20	MS21919G-6	CLAMP - ATTACH FUEL LINES AT WING ROOT		4
21	AN520-10R8	SCREW- ATTACH CLAMP		2
22	MS21045L3	NUT- ATTACH CLAMP		2 R
23	0850475-6	FILTER ASSY- HEATER FUEL WHEN EXHAUSTED USE 0850475-8- REFER TO 73-10-00 FIGURE 03 FOR BREAKDOWN	35547 35642	1
- 23A	0850475-8	FILTER ASSY - HEATER FUEL- REFER TO 73-10-00 FIGURE 03 FOR BREAKDOWN REFER TO NOTE 1	35643 & ON	1
24	AN515-8R28	SCREW- ATTACH FILTER		2
- 24A	NAS43-3-16	SPACER- ATTACH FILTER		2
- 24B	S2903-08	NUT- ATTACH FILTER		2 R
25	0800106-251	LINE ASSY- FILTER TO SOLENOID VALVE		1
26	0850450	VALVE- SOLENOID	35547 35695	1
- 26A	0850451-2	SOLENOID VALVE- SOLENOID	35696 & ON	1
27	0851505-1	BRACKET- ATTACH SOLENOID VALVE	35547 35695	1
- 27A	0851566-1	BRACKET- ATTACH SOLENOID VALVE	35696 & ON	1
28	0851505-2	CLAMP- ATTACH SOLENOID VALVE	35547 35695	1
- 28A	0851566-2	CLAMP- ATTACH SOLENOID VALVE	35696 & ON	1
29	AN515-8R8	SCREW- ATTACH SOLENOID VALVE		2
- 29A	S2903-08	NUT- ATTACH SOLENOID VALVE		2 R
30	MS20822-4D	ELBOW- ATTACH LINES TO FILTER & SOLENOID VALVE	35547 35642	4
- 30A	MS20822-4D	ELBOW- ATTACH LINES TO FILTER & SOLENOID VALVE	35643 & ON	2
- 30B	AN833-4D	ELBOW- ATTACH LINES TO FILTER & SOLENOID VALVE	35643 & ON	2 R
- 30C	MS28778-4	GASKET- ATTACH LINES TO FILTER & SOLENOID VALVE	35643 & ON	2
- 30D	AN924-4D	NUT- ATTACH LINES TO FILTER & SOLENOID VALVE	35643 & ON	2

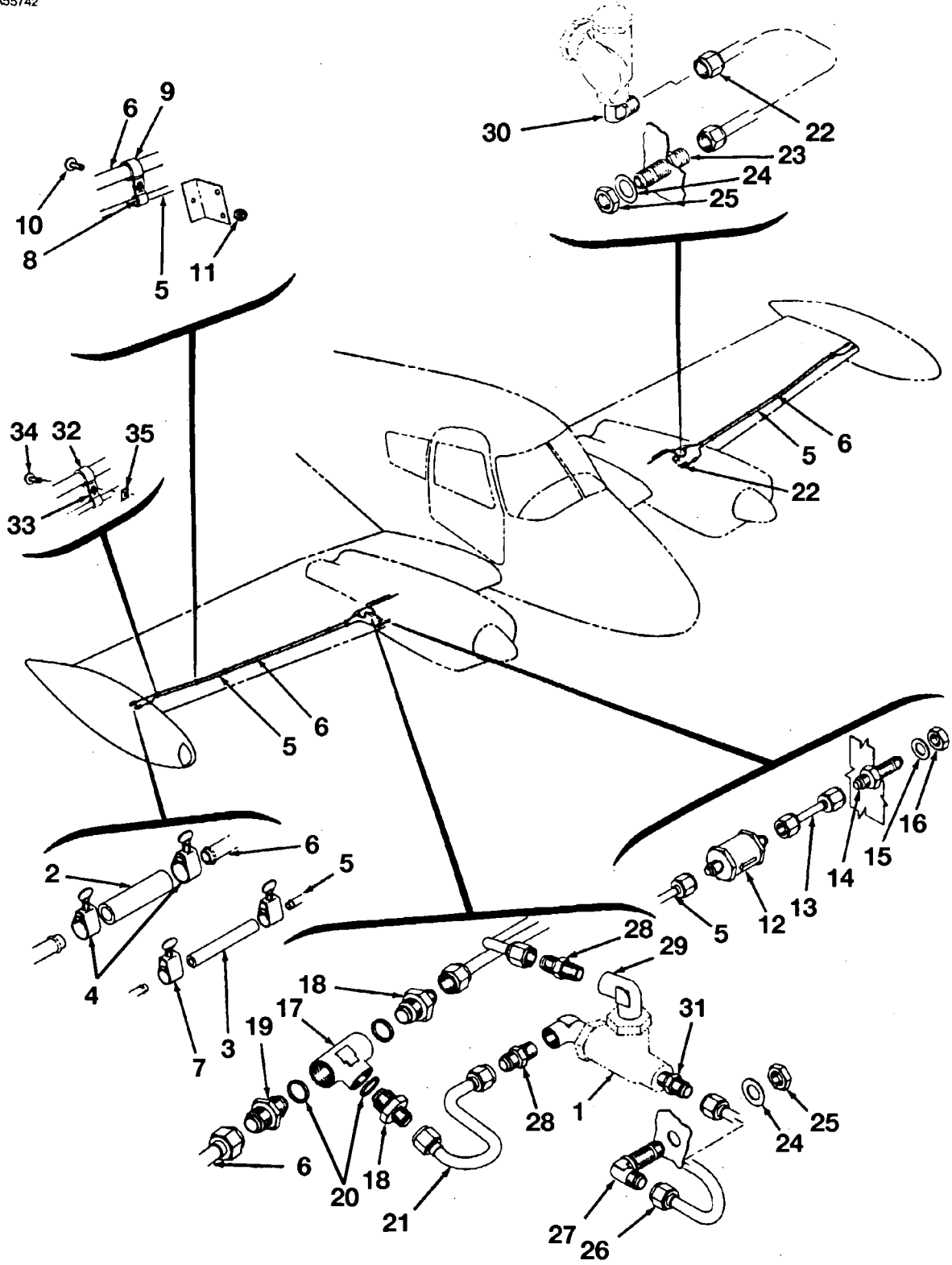
NOTE 1—WHEN ORDERING THIS PART FOR AIRPLANES -35547 THRU -35642 ALSO ORDER AN833-4D ELBOW, AN6290-4 GASKET AND AN924-4D NUT

**CESSNA AIRCRAFT COMPANY
MODEL 310 THRU 310D
ILLUSTRATED PARTS CATALOG**

FIG ITEM	PART NUMBER	NOMENCLATURE	EFFECT		UNITS PER ASSY
			FROM	TO	
02					
31	0800106-250	. LINE ASSY- SOLENOID VALVE TO WING ROOT			1
32	AN833-4D	. ELBOW- CONNECT HEATER FUEL LINE AT WING ROOT			1
- 32A	AN924-4D	. NUT- ATTACH ELBOW			1
33	0800106-241	. LINE ASSY- HEATER FUEL LINE			1
- 33A	AS5194D0402	. ADAPTER- ATTACH LINE AT HEATER FUEL PUMP			1 R
34	0800106-37	. LINE ASSY- FUEL CROSS FEED			1
35	AN824-6D	. TEE- CONNECT CROSS FEED RIGHT SIDE			2
36	AN929-6	. CAP ASSY- PRESSURE CAP CROSS FEED TEE			2
37	440-16-8	. CLAMP- ATTACH FUEL CROSS FEED LINES ADEL			1
- 37A	S307-10	. TUBING- 2 INCHES LG BULK ITEM REF S-307-10-002			1
- 37B	S-1021Z-8-7	. SCREW- ATTACH CLAMP			1
38	0800106-49	. LINE ASSY- FUEL PRESSURE NACELLE RIB TO WING ROOT			2
39	AN832-2	. UNION- CONNECT FUEL PRESSURE LINE AT NACELLE RIB			2
- 39A	NAS1149F0563P	. WASHER- CONNECT FUEL PRESSURE LINE AT NACELLE RIB			4 R
- 39B	AN924-2	. NUT- CONNECT FUEL PRESSURE LINE AT NACELLE RIB			2
40	AN833-2D	. ELBOW- CONNECT FUEL PRESSURE LINE AT FUSELAGE			2
- 40A	NAS1149D0563K	. WASHER- CONNECT FUEL PRESSURE LINE AT FUSELAGE			2 R
- 40B	AN924-2D	. NUT- CONNECT FUEL PRESSURE LINE AT FUSELAGE			2
41	0800106-257	. LINE ASSY- FUEL PRESS LH FUSELAGE CONNECTOR TO LINE BRKT			1
42	0800106-256	. LINE ASSY- FUEL PRESS RH FUSELAGE CONNECTOR TO LINE BRKT			1
43	AN837-2D	. ELBOW- CONNECT FUEL PRESSURE LINES AT LINE BRACKET			2
44	NAS1149D0563K	. WASHER- ATTACH ELBOW TO LINE BRACKET			2 R
45	AN924-2D	. NUT- LOCK ATTACH ELBOW TO LINE BRACKET			2
46	S1168-2-36	. HOSE ASSY- FUEL PRESS LINE BRKT TO LEFT ENG GAGE			1
47	S1168-2-13	. HOSE ASSY- FUEL PRESS LINE BRKT TO RT ENG GAGE			1
48	AS5194D0202	. ADAPTER- CONNECT HOSE TO ENGINE GAGE	35547	35771	2 R
- 48A	0813627-1	. SNUBBER- CONNECT HOSE TO FUEL PRESSURE GAGE	35772	& ON	2

CESSNA AIRCRAFT COMPANY
MODEL 310 THRU 310D
 ILLUSTRATED PARTS CATALOG

A55742



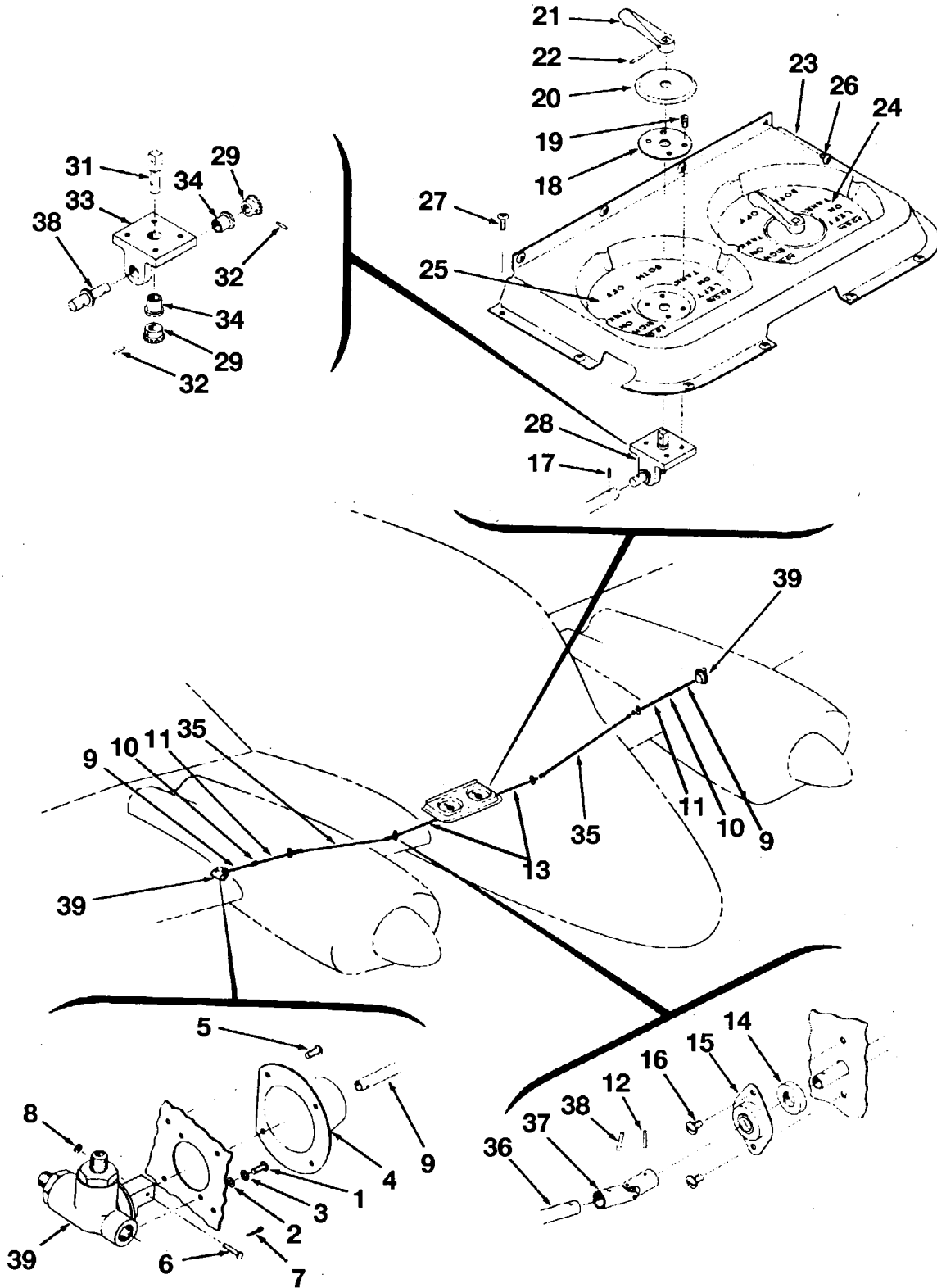
FUEL SYSTEM COMPONENTS-ENGINE NACELLE TO TIP TANK
 FIGURE 03 (SHEET 1)

**CESSNA AIRCRAFT COMPANY
MODEL 310 THRU 310D
ILLUSTRATED PARTS CATALOG**

FIG ITEM	PART NUMBER	NOMENCLATURE	EFFECT		UNITS PER ASSY
			FROM	TO	
03		FUEL SYSTEM COMPONENTS-ENGINE NACELLE TO TIP TANK REFER TO 28-20-00 FIGURES 01 & 20 FOR NHA			RF
1		VALVE INSTALLATION-FUEL SELECTOR REFER TO 28-20-00 FIGURE 04 FOR BREAKDOWN			RF
2	S51-8	HOSE-2.75 IN. LG BULK ITEM REF S-51-8-11			2
3	S51-4	HOSE-3 IN. LG BULK ITEM REF S-51-4-12			2
4	AN737TW30	CLAMP-ATTACH HOSES			4 R
5	0800106-170	LINE ASSY-VAPOR RETURN LINE			2
6	0800106-1	LINE ASSY-FUEL LINE			2
7	AN737RM22	CLAMP-ATTACH HOSES			4
8	AN742-6C	CLAMP-ATTACH VAPOR RETURN LINE			8
9	MS21919G-8	CLAMP-ATTACH FUEL LINE			8
10	AN520-10R8	SCREW-ATTACH CLAMPS			8
11	MS21045L3	NUT-ATTACH CLAMPS			8 R
12	0850375-1	CHECK VALVE-VAPOR RETURN			2
13	0800106-171	LINE ASSY-VAPOR RETURN CHECK VALVE TO NACELLE RIB			2
14	AN832-4	UNION-CONNECT VAPOR LINE TO NACELLE RIB			2
15	NAS1149F0763P	WASHER-CONNECT VAPOR LINE TO NACELLE RIB			2 R
16	AN924-4	NUT-CONNECT VAPOR LINE TO NACELLE RIB			2
17	AN938D8	TEE-FUEL LINE JUNCTION			2
18	AN919-12D	REDUCER-ATTACH LINES TO TEE			4
19	MS24392D8	UNION-ATTACH LINES TO TEE			2 R
20	AN902B8	GASKET-SEAL TEE			6
21	0800106-3	LINE ASSY-JUNCTION TO VALVE			2
22	0800106-7	LINE ASSY-LH VALVE TO NACELLE RIB			1
23	AN832-6	UNION-LH ATTACH FUEL LINE TO NACELLE RIB			1
24	NAS1149F0932P	WASHER-ATTACH FUEL LINE TO NACELLE RIB			2 R
25	AN924-6	NUT-ATTACH FUEL LINE TO NACELLE RIB			2
26	0800106-8	FUEL LINE-RH VALVE TO NACELLE RIB			1
27	AN833-6	ELBOW-RH ATTACH FUEL LINE TO NACELLE RIB			1
28	AS5194D0604	ADAPTER-CONNECT LINE TO SELECTOR VALVE			4 R
29	AN916-2D	ELBOW-CONNECT LINE TO SELECTOR VALVE			4
30	MS20822-6-2D	ELBOW-CONNECT LINE TO LEFT SELECTOR VALVE			1
31	AS5194D0606	ADAPTER-CONNECT LINE TO RIGHT SELECTOR VALVE			1 R
32	MS21919DG-7	CLAMP-ATTACH FUEL LINE			2
33	MS21919DG-4	CLAMP-ATTACH FUEL LINE			2
34	S-1021Z-8-8	SCREW-ATTACH FUEL LINE			2
35	S3230-4	NUT-ATTACH FUEL LINE TINNEMAN A1778-8Z-3			2 R

CESSNA AIRCRAFT COMPANY
MODEL 310 THRU 310D
 ILLUSTRATED PARTS CATALOG

A55743



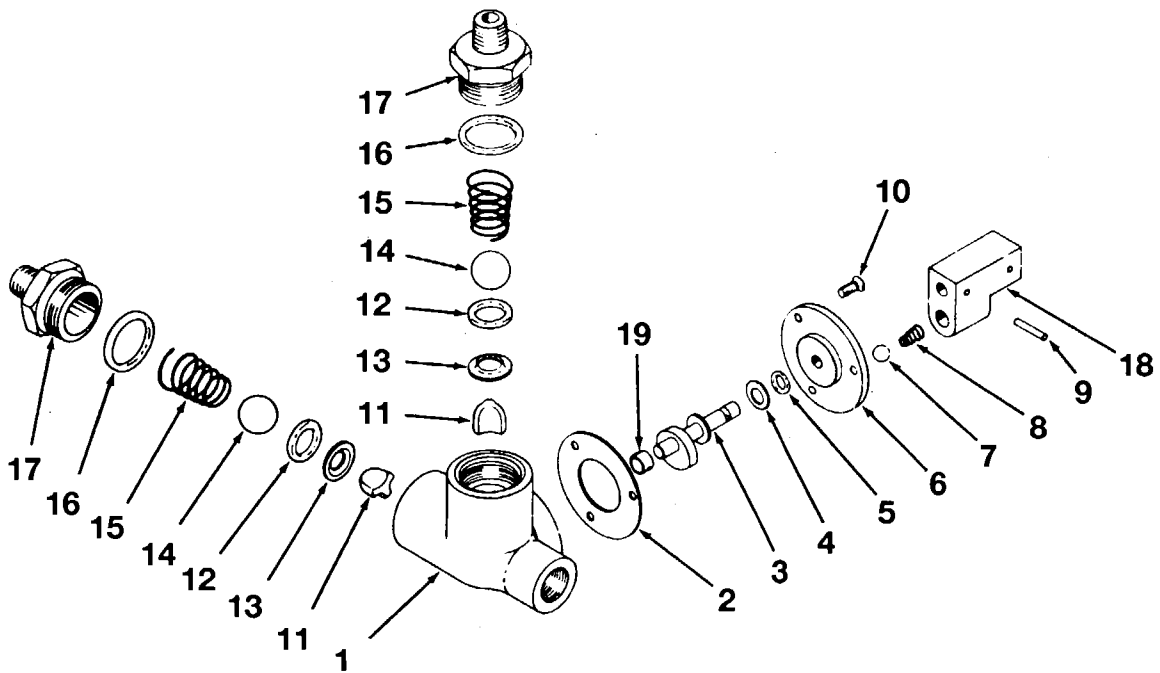
FUEL SELECTOR VALVE INSTALLATION
 FIGURE 04 (SHEET 1)

CESSNA AIRCRAFT COMPANY
MODEL 310 THRU 310D
ILLUSTRATED PARTS CATALOG

FIG ITEM	PART NUMBER	NOMENCLATURE	EFFECT		UNITS PER ASSY
			FROM	TO	
04		FUEL SELECTOR VALVE INSTALLATION REFER TO 28-20-00 FIGURE 03 FOR NHA			RF
1	AN515-8R8	SCREW- ATTACH FUEL VALVE			4
2	NAS1149FN832P	WASHER- ATTACH FUEL VALVE			4 R
3	MS35333-38	WASHER- ATTACH FUEL VALVE			4 R
4	0820000-14	SHIELD- FUEL VALVE			2
5	AN520-10R8	SCREW- ATTACH SHIELD			8
6	MS20392-1-21	PIN- ATTACH TORQUE TUBE			2
7	MS24665-132	COTTER PIN- ATTACH PIN			2
8	NAS1149FN432P	WASHER- ATTACH PIN			2 R
9	0820000-3	TUBE ASSY- OUTER			2
10	MS20392-1-15	PIN- CONNECT TORQUE TUBES			2
- 10A	NAS1149DN416H	WASHER- CONNECT TORQUE TUBES			2 R
- 10B	MS24665-132	COTTER PIN- CONNECT TORQUE TUBES			2
11	0820000-5	TORQUE TUBE - MIDDLE WHEN EXHAUSTED USE 0820000-51	35000	39100	2
- 11A	0820000-51	TUBE- MIDDLE			2
12	NAS561P4-9	PIN			4
- 12A	MS16562-34	PIN ALT FOR NAS561P4-9			4 R
13	0812000-13	TORQUE TUBE- FUSELAGE			2
14	0820005-1	BEARING BLOCK- TORQUE TUBE SUPPORT			4
15	S352	SHIELD- BEARING BLOCK			4
16	AN515-8R6	SCREW- ATTACH SHIELD			8
17	NAS561P4-6	PIN- ATTACH TORQUE TUBE TO GEAR ASSY NAS561P4-6			2
- 17A	MS16562-31	PIN- ATTACH TORQUE TUBE TO GEAR ASSY ALT FOR			2 R
18	0812000-18	DOUBLER- GEAR SUPPORT			2
19	AN500A6-6	SCREW- ATTACH GEAR SUPPORT			8
20	0812000-19	DISC- DECORATIVE COVER			2
21	0513107-4	HANDLE- FUEL VALVE	35000	35773	2
- 21A	0513107	HANDLE- FUEL VALVE	35774	& ON	2
22	NAS561P3-9	PIN- ATTACH HANDLE	35000	35473	2
22	NAS561P3-9	PIN- ATTACH HANDLE	35000	35473	2
- 22A	AN565D6H3	SET SCREW- ATTACH HANDLE	35474	35773	2
- 22B	22K2-048	NUT- CAP ATTACH HANDLE KAYNAR	35774	& ON	2
- 22C		DELETED-NOT USED			
23	0812000-25	SUPPORT PAN ASSY- FUEL VALVE COVER SUPPORT	35000	35328	1
- 23A	0812000-28	SUPPORT PAN ASSY- FUEL VALVE COVER SUPPORT	35329	& ON	1
24	0812480-27	METALCAL- FUEL SELECTOR VALVE LH			1
25	0812480-28	METALCAL- FUEL SELECTOR VALVE RH			1
26	S-1021Z-8-4	SCREW- ATTACH SUPPORT PAN			4
27	S-1021Z-8-8	SCREW - ATTACH SUPPORT PAN			6
28	0812000-22	GEAR SUPPORT- FUEL VALVE	35000	35289	2
- 28A	0812000-27	GEAR SUPPORT ASSY- FUEL VALVE	35290	35773	2
- 28B	0812000-30	GEAR SUPPORT ASSY- FUEL VALVE	35774	& ON	2
29	0861100-6	GEAR MITER- FUEL VALVE GEAR SUPPORT			2
30	0812000-7	SHAFT- TORQUE TUBE			1
31	0812000-8	SHAFT- HANDLE	35000	35289	1
- 31A	0812000-26	SHAFT- HANDLE	35290	35773	1
- 31B	0812005-1	SHAFT- HANDLE	35774	& ON	1
- 31C	5103-25-MF	RING- EXTERNAL RETAINING TRUARC	35774	& ON	1
32	NAS561P3-7	PIN- ATTACH SHAFTS TO GEARS			2
33	0812000-21	BRACKET ASSY- FUEL VALVE GEAR SUPPORT			1
34	S1004-3B	BEARING			2
35	0820000-17	TORQUE TUBE ASSY- FUEL VALVE			2
36	0820000-6	TUBE- FUEL VALVE TORQUE TUBE ASSY			1
37	0820000-12	U JOINT- FUEL VALVE TORQUE TUBE ASSY			2
38	NAS561P4-9	PIN- ATTACH U-JOINT			2
39	0855013-1	VALVE- FUEL SELECTOR - REFER TO 28-20-00 FIGURE 05 FOR BREAKDOWN			2

CESSNA AIRCRAFT COMPANY
MODEL 310 THRU 310D
ILLUSTRATED PARTS CATALOG

A55744



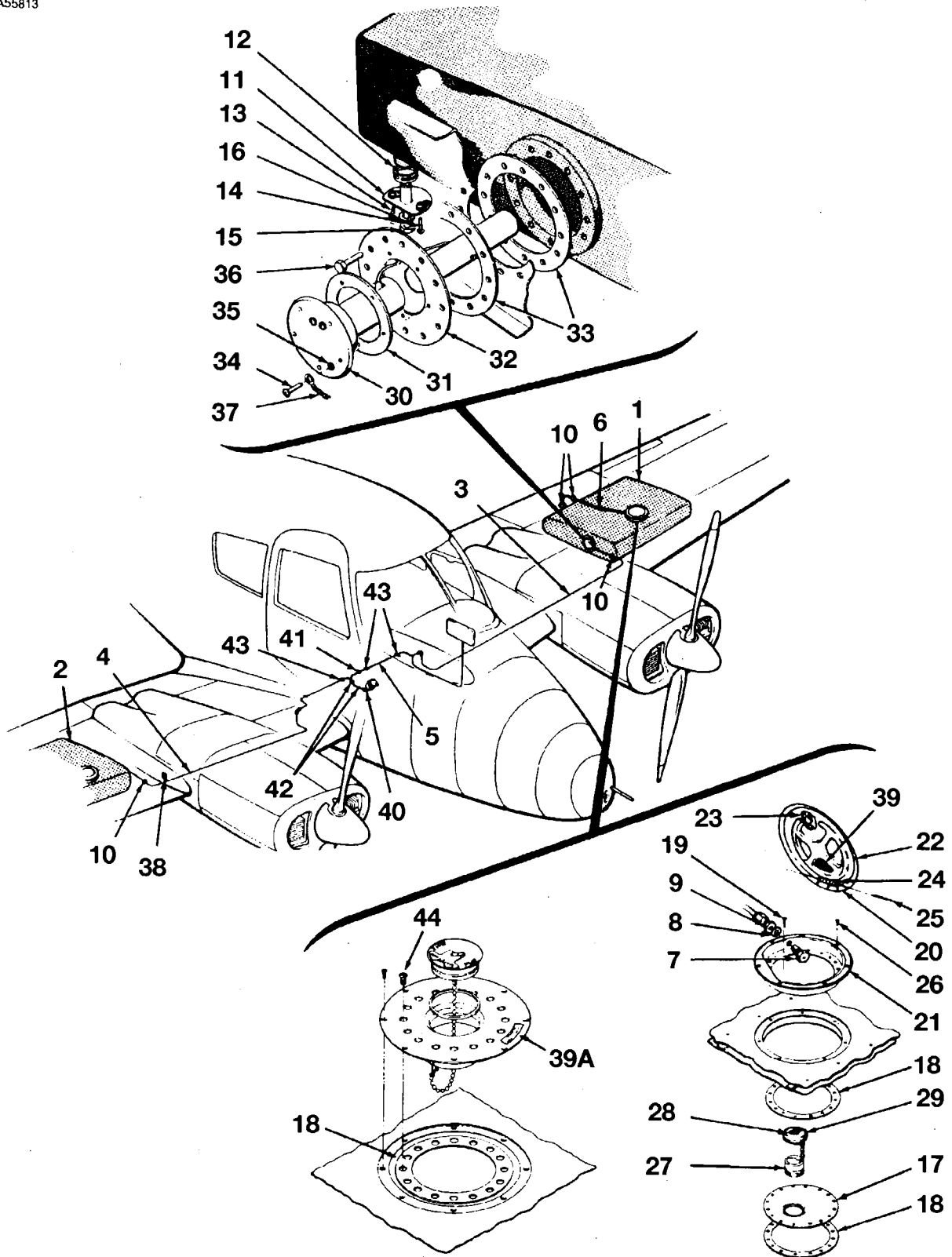
FUEL SELECTOR VALVE ASSEMBLY
FIGURE 05 (SHEET 1)

CESSNA AIRCRAFT COMPANY
MODEL 310 THRU 310D
ILLUSTRATED PARTS CATALOG

FIG ITEM	PART NUMBER	NOMENCLATURE	EFFECT		UNITS PER ASSY
			FROM	TO	
05		FUEL SELECTOR VALVE ASSEMBLY			RF
0	0855013-1	. VALVE-FUEL SELECTOR REFER TO 28-20-00 FIGURE 04 FOR NHA			1
1	0855012-1	. BASE-FUEL VALVE			1
2	0311076	. GASKET-VALVE PLATE			1
3	0311072	. CAM-FUEL VALVE			1
4	NAS1149C0432R	. WASHER-FUEL VALVE			1 R
5	AF934-5	. O-RING-FUEL VALVE PLATE			1
6	0855010-3	. PLATE-FUEL VALVE			1
7	S272-209	. BALL-HANDLE LOCK			1
8	0855010-5	. SPRING-HANDLE LOCK			1
9	NAS561P4-10	. PIN-ATTACH HOUSING			1
9A	MS16562-35	. PIN-ATTACH HOUSING ALT FOR NAS561P4-10			1 R
10	AN507-632R6	. SCREW-ATTACH PLATE			3
11	0855011-1	. FLUTE VALVE-FUEL VALVE			2
12	AF934-11	. O-RING-FUEL VALVE			2
13	0311077	. RETAINER-O-RING			2
14	S272-220	. BALL-FUEL VALVE			2
15	0855010-7	. SPRING-FUEL VALVE			2
16	MS29513-116	. O-RING-FUEL VALVE			2
17	0855014-1	. FITTING-FUEL VALVE			2
18	0855010-2	. HOUSING-FUEL VALVE			1
19	S1003-9A	. BEARING			1

CESSNA AIRCRAFT COMPANY
MODEL 310 THRU 310D
 ILLUSTRATED PARTS CATALOG

A55813



AUXILIARY FUEL SYSTEM AND STRUCTURE INSTALLATION
 FIGURE 01 (SHEET 1)

**CESSNA AIRCRAFT COMPANY
MODEL 310 THRU 310D
ILLUSTRATED PARTS CATALOG**

FIG ITEM	PART NUMBER	NOMENCLATURE	EFFECT		UNITS PER ASSY
			FROM	TO	
01		AUXILIARY FUEL SYSTEM AND STRUCTURE INSTALLATION			RF
- 0	0892003-1	STRUCTURE ASSY - LEFT WING WHEN EXHAUSTED USE 0892003-5-REFER TO 57-10-01 FIGURE 01 FOR BREAKDOWN REFER TO NOTE 1	35228	35228	1
- A	0892003-5	STRUCTURE ASSY LEFT WING- REFER TO 57-10-01 FIGURE 01 FOR BREAKDOWN REFER TO NOTE 3	35228	35228	1
- B	0892003-13	STRUCTURE ASSY LEFT WING - WHEN EXHAUSTED USE 0892003-15-REFER TO 57-10-01 FIGURE 01 FOR BREAKDOWN REFER TO NOTE 2	35263	35771	1
- C	0892003-15	STRUCTURE ASSY LEFT WING- REFER TO 57-10-01 FIGURE 01 FOR BREAKDOWN REFER TO NOTE 2	35772	& ON	1
- D	0892003-2	STRUCTURE ASSY - RIGHT WING - WHEN EXHAUSTED USE 0892003-6-REFER TO 57-10-01 FIGURE 04 FOR BREAKDOWN	35228	35228	1
- E	0892003-6	STRUCTURE ASSY - RIGHT WING- REFER TO 57-10-01 FIGURE 04 FOR BREAKDOWN REFER TO NOTE 1	35263	35728	1
- F	0892003-14	STRUCTURE ASSY RIGHT WING - WHEN EXHAUSTED USE 0892003-16-REFER TO 57-10-01 FIGURE 04 FOR BREAKDOWN REFER TO NOTE 2	35228	35228	1
- G	0892003-16	STRUCTURE ASSY RIGHT WING- REFER TO 57-10-01 FIGURE 04 FOR BREAKDOWN REFER TO NOTE 2	35772	& ON	1
- H		FUEL SYSTEM INSTALLATION- REFER TO 28-20-01 FIGURE 02 FOR BREAKDOWN			RF
1	0823343-3	BLADDER- LH FUEL			1
2	0823343-4	BLADDER- RH FUEL			1
3	0812330-1	CABLE ASSY- LH			1
4	0812330-2	CABLE ASSY- RH			1
5	0812330-3	CABLE ASSY	35000	35546	1
- 5A	0812330-12	CABLE ASSY	35547	& ON	1
- 5B	AN515-4R5	SCREW- ATTACH CABLE RECEPTACLE AT FUSELAGE			8
- 5C	MS21044N04	NUT- ATTACH CABLE RECEPTACLE AT FUSELAGE			8 R
6	0800106-221	LINE ASSY- LH OVERFLOW	35000	39031	1
- 6A	0800106-222	LINE ASSY- RH OVERFLOW	35000	39031	1
7	0720004-1	UNION- ATTACH OVERFLOW LINES	35000	39031	2
8	NAS1149D0663K	WASHER- ATTACH OVERFLOW LINES	35000	39031	2 R
9	AN924-3D	NUT- ATTACH OVERFLOW LINES	35000	39031	2
10	MS35489-4	GROMMET	35000	39031	6
11	0322526-6	ADAPTER ASSY			2
12	S2357-2	CLAMP- ATTACH ADAPTER TO TANK			2 R
13	AN515-8R7	SCREW- ATTACH ADAPTER			2
14	AN500A8-7	SCREW- ATTACH ADAPTER			2

NOTE 1—THIS ASSEMBLY INCORPORATES A MODIFICATION TO THE LANDING GEAR DOOR MECHANISM SUPPORT STRUCTURE. AIRPLANES SERIALS 35791 THRU 35833 HAVE BEEN MODIFIED AT FACTORY.

NOTE 2—WHEN ORDERING EITHER OF THESE WING STRUCTURE ASSEMBLIES FOR AIRPLANES SERIAL35772 THRU 35833, ALSO ORDER AN6-33A BOLT, AN509-616R58 SCREW, AN960-616L WASHER, 10310-021-2 BEARING, 5045001-201 LH ARM ASSEMBLY, 5045001-202 RH ARM ASSEMBLYAN960-816L WASHER, 0843502-1 SPACER, 0826000-39 LH DOOR ASSEMBLY AND 0826000-40 RH DOOR ASSEMBLY. THIS ASSEMBLY IS EQUIPPED WITH 1/2" DIAMETER DE-ICE LINES, LOCATED BEHIND THE FIREWALL. WHEN ORDERING THIS ASSEMBLY FOR AIRPLANES SERIAL 35906 & ON EQUIPPED WITH THE GOODRICH STORED ENERGY TYPE DE-ICE SYSTEM (3/8" LINES) ALSO ORDER (2) TWO 0820526-1 UNION, (2) S-51-8 HOSE 2 INCHES LONG AND (4) NAS397-12 CLAMPS.

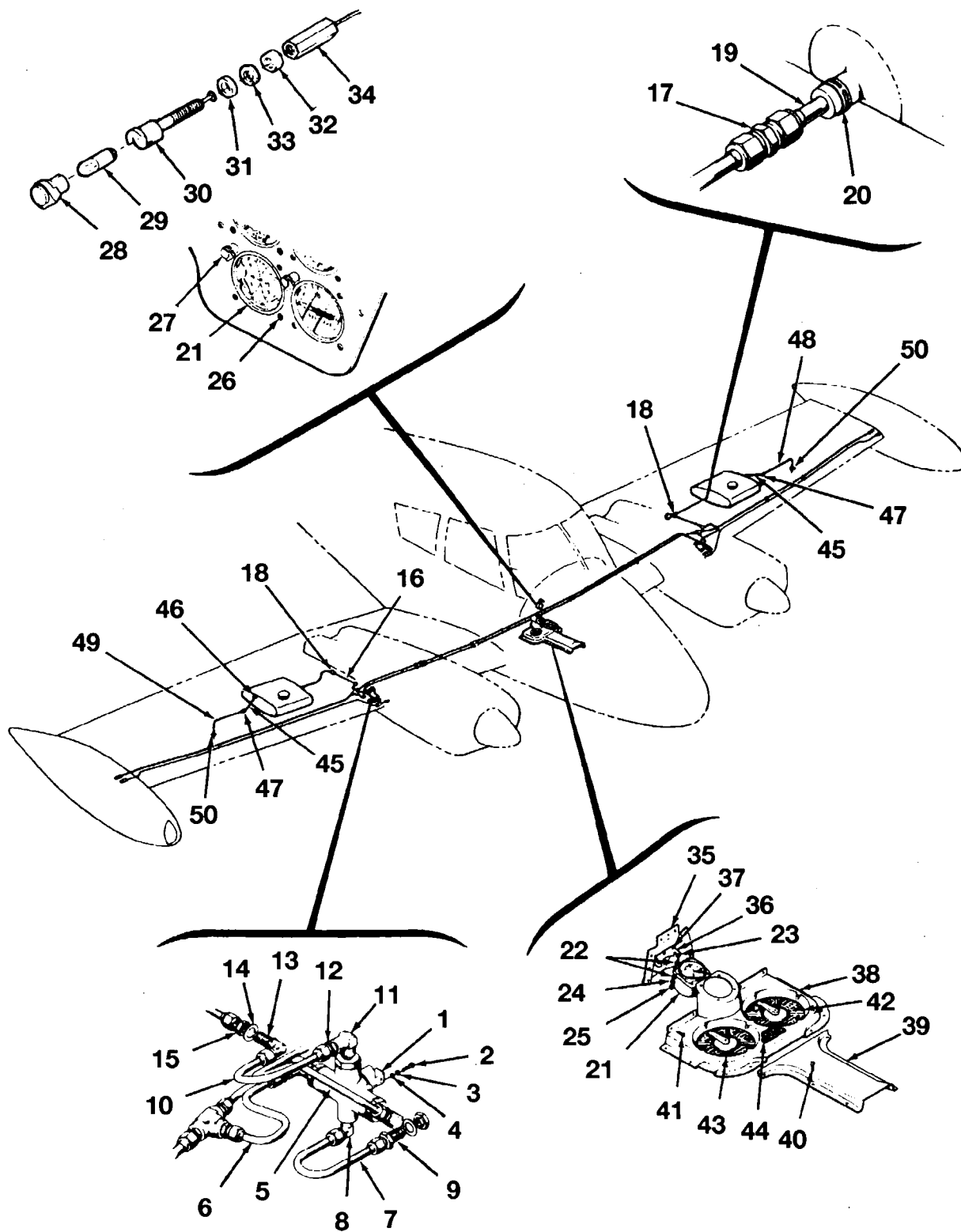
NOTE 3—WHEN ORDERING THIS ASSEMBLY FOR AIRPLANES PRIOR TO SERIAL 35729, ALSO ORDER 0850469-1 RELAY, AN515-8R8 SCREW, AN960-10 WASHER AND 0850484-1 BUS BAR ASSY.

CESSNA AIRCRAFT COMPANY
MODEL 310 THRU 310D
ILLUSTRATED PARTS CATALOG

FIG ITEM	PART NUMBER	NOMENCLATURE	EFFECT		UNITS PER ASSY
			FROM	TO	
01					
15	0320105	PLUG- DRAIN	35000	39031	2
- 15A	3D113	DRAINCOCK	39032	& ON	2
16	AN902B4	SEAL	35000	39031	2
17	0823353-1	ADAPTER ASSY- FILLER NECK	35000	39031	2
18	0726002-1	GASKET- ADAPTER ASSY	35000	39031	4
- 18A	0726002-1	GASKET- ADAPTER ASSY	39032	& ON	2
19	NAS222-8	SCREW- ATTACH ADAPTER ASSY	35000	39031	32
- 19A	0721300-1	FILLER NECK- FUEL CELL - SINGLE ACTION HINGE	35000	35537	2
- 19B	0823359-1	NECK- FUEL CELL - SPRING LOADED HINGE	35538	39031	2
20	0721300-4	PLATE- FUEL DOOR	35000	35537	1
- 20A	0823359-6	PLATE ASSY- FUEL DOOR	35538	39031	1
21	0721300-9	NECK- FILLER	35000	35537	1
- 21A	0721300-21	NECK- FILLER	35538	39031	1
- 21B	0721300-16	DOOR- FUEL	35000	35537	1
22	0721300-19	DOOR- FUEL			1
23	S1188-1	LATCH ASSY			1
- 23A	MS24665-134	COTTER PIN			1
24	0721300-18	HINGE- FUEL DOOR			1
- 24A	0721300-17	HINGE			2
25	AN253-2-175	PIN- HINGE			1
- 25A	0823359-2	WELD ASSY	35538	39031	1
- 25B	S1188-1	LATCH ASSY	35538	39031	1
- 25C	0823359-3	HINGE	35538	39031	1
- 25D	MS24665-134	COTTER PIN	35538	39031	1
26	S-1022Z-8-8	SCREW- ATTACH FILLER NECK ASSY	35000	39031	14
27	0823350-1	FILLER NECK- FUEL	35000	39031	2
28	0823300-15	CAP ASSY- FUEL	35000	39031	2
29	0812209-2	METALCAL			1
- 29A	P565-134A-4	RIVET- ATTACH METALCAL			1
- 29B	0823360-1	GASKET			1
30	0823344-1	FUEL GAGE ASSY- TANK UNIT			2
32	0322546	ADAPTER- FUEL GAGE			2
321	0322541	GASKET- FUEL GAGE			2
33	0823355-1	GASKET- ADAPTER ASSY			4
34	AN3-5A	BOLT- ATTACH GROUND WIRE & FUEL GAGE			2
- 34A	AN3-4A	BOLT- ATTACH FUEL GAGE			8
35	600-001-10-0S	STAT-O-SEAL- ATTACH FUEL GAGE			10
36	AN4-4A	BOLT- ATTACH ADAPTER ASSY			24
37	0831005-6	BONDING STRAP			2
- 37A	AN507-632R5	SCREW- ATTACH BOND STRAP			2
- 37B	MS20364-632C	NUT- ATTACH BOND STRAP			2
38	0812208-3	DECAL- RH ONLY			1
39	0823354-1	SILKSCREEN- FUEL DOOR	35000	35771	2
39A	0800060-2	DECAL	39032	& ON	2
- 39B	0823354-2	PLACARD FUEL FILLER CAP- FUEL DOOR	35772	39031	2
40	1739-5	CLAMP- ATTACH CABLE ASSEMBLIES - E I DUPONT DE NEMOURS & CO ADEL	35000	35546	1
41	1739-4	CLAMP- ATTACH CABLE ASSEMBLIESE I DUPONT DE NEMOURS & CO ADEL	35000	35546	1
42	MS21919DG5	CLAMP- ATTACH CABLE ASSEMBLIES	35000	35546	2
43	MS21919WDG3	CLAMP- ATTACH CABLE ASSEMBLIES	35000	35546	4 R
- 43A	S-1021Z-8-8	SCREW- ATTACH CLAMPS	35000	35546	8
- 43B	S3230-4	NUT- ATTACH CLAMPS TINNERMAN A1778-8Z-1	35000	35546	8 R
44	AN507-428R7	SCREW- ATTACH FUEL CELL	39032	& ON	32

CESSNA AIRCRAFT COMPANY
MODEL 310 THRU 310D
 ILLUSTRATED PARTS CATALOG

A55820



AUXILIARY FUEL SYSTEM INSTALLATION
 FIGURE 02 (SHEET 1)

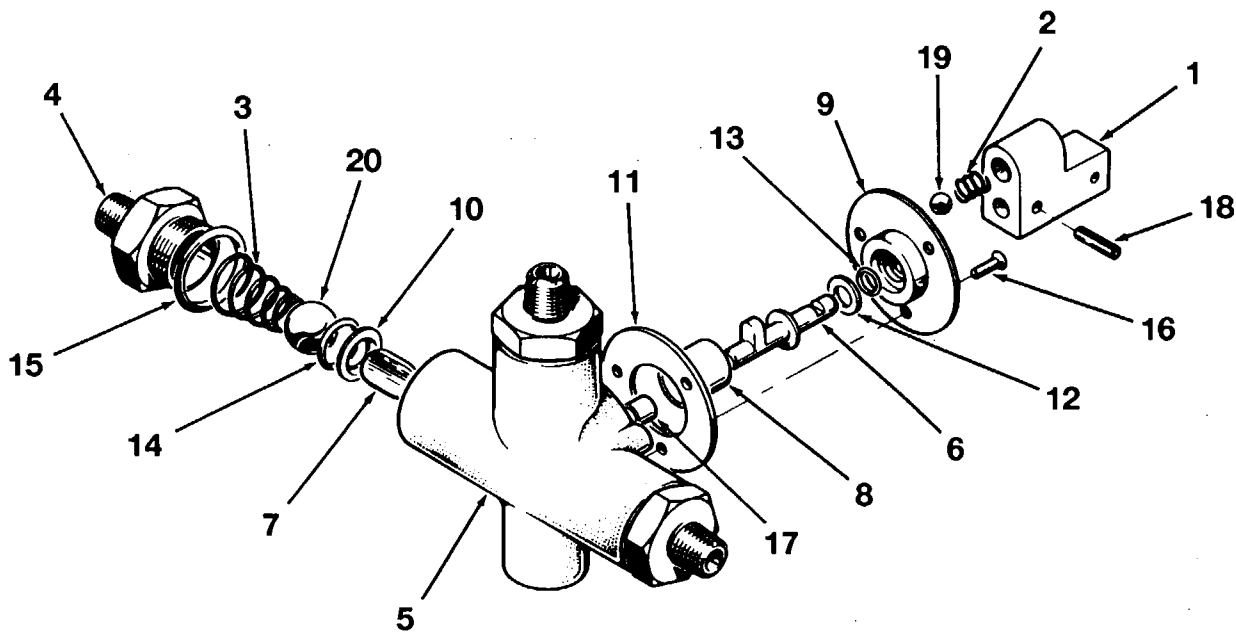
CESSNA AIRCRAFT COMPANY
MODEL 310 THRU 310D
ILLUSTRATED PARTS CATALOG

FIG ITEM	PART NUMBER	NOMENCLATURE	EFFECT		UNITS PER ASSY
			FROM	TO	
02		AUXILIARY FUEL SYSTEM INSTALLATION REFER TO 28-20-00 FIGURE 01 FOR NHA REFER TO NOTE 1			RF
1	0855020-1	. VALVE ASSY-FUEL SELECTOR FSO 0855020-4 REFER TO 28-20-01 FIGURE 03 FOR BREAKDOWN			1
2	AN515-8R8	. SCREW-ATTACH FUEL SELECTOR VALVE			4
3	NAS1149FN832P	. WASHER-ATTACH FUEL SELECTOR VALVE			4 R
4	AN936-A8	. WASHER-ATTACH FUEL SELECTOR VALVE			4
5	0800106-212	. LINE ASSY-RH SELECTOR VALVE TO UNION			1
- 5A	0800106-213	. LINE ASSY-LH SELECTOR VALVE TO UNION			1
6	0800106-215	. LINE ASSY-JUNCTION TO SELECTOR VALVE			2
7	0800106-216	. LINE ASSY-SELECTOR VALVE TO NACELLE RIB			2
8	MS20822-6-6D	. ELBOW-CONNECT LINE TO SELECTOR VALVE			2
9	AN832-6	. UNION-CONNECT LINE TO NACELLE RIB			2
10	0800106-214	. LINE FUEL-SELECTOR VALVE TO FRONT SPAR			2
11	AN916-2D	. ELBOW-CONNECT LINE TO SELECTOR VALVE			6
12	AS5194D0202	. ADAPTER-CONNECT LINE TO SELECTOR VALVE			2 R
13	AN833-6D	. ELBOW-CONNECT LINE TO FRONT SPAR			2
14	NAS1149F0963P	. WASHER-CONNECT LINE TO FRONT SPAR			2 R
15	AN924-6D	. NUT-CONNECT LINE TO FRONT SPAR			2
16	0800106-218	. LINE ASSY-RH FRONT SPAR TO UNION			1
- 16A	0800106-217	. LINE ASSY-LH FRONT SPAR TO UNION			1
17	AS5174D0606	. UNION-CONNECT LINES			2 R
18	795-8	. CLAMP-ATTACH LINE ADEL			2
- 18A	AN515-8R7	. SCREW-ATTACH CLAMP			4
- 18B	MS21044N08	. NUT-ATTACH CLAMP			4 R
19	0823345-1	. TUBE ASSY-UNION TO TANK			2
20	NAS397-14-1	. CLAMP-ATTACH LINE TO TANK			2
21	0813609-2	. FUEL GAGE	35000	35546	1
- 21A	0813609-8	. FUEL GAGE	35547	& ON	1
22	0812214-1	. MOUNT-FUEL GAGE ATTACH FUEL GAGE	35000	35546	8
23	AN515B6R12	. SCREW-ATTACH FUEL GAGE	35000	35546	4
24	NAS1149FN416P	. WASHER-ATTACH FUEL GAGE	35000	35546	4 R
25	MS20365B632C	. NUT-ATTACH FUEL GAGE	35000	35546	4
26	AN507B632R12	. SCREW-ATTACH FUEL GAGE	35547	& ON	3
- 26A	NAS1149FN416P	. WASHER-ATTACH FUEL GAGE	35547	& ON	3 R
- 26B	MS20365B632C	. NUT-ATTACH FUEL GAGE	35547	& ON	3
27	A8970-1-327	. POST LIGHT-INSTRUMENT GRIMES MFG	35547	& ON	1
28	A6747	. HOOD-LIGHTING FIXTURE GRIMES MFG			1
29	AN3140-327	. BULB-LIGHTING FIXTURE			1
30	A9160-1	. SOCKET-LIGHTING FIXTURE GRIMES MFG			1
31	A9163-1	. WASHER-SPACER LIGHTING FIXTURE GRIMES MFG			1
32	A9164-1	. CONNECTOR-LIGHTING FIXTURE GRIMES MFG			1
33	8	. LOCK WASHER-SPLIT ATTACH LIGHTING FIXTURE GRIMES MFG			1
34	8-32	. NUT-HEXAGONAL ATTACH LIGHTING FIXTURE GRIMES MFG			1
35	0812211-1	. PAN-FUEL GAGE	35000	35546	1
36	0812213-1	. CLIP-ATTACH FUEL GAGE	35000	35546	1
37	S-1021Z-6-6	. SCREW-ATTACH CLIP	35000	35546	3
38	0812207-1	. FRAME-SUPPORT	35000	35546	1
- 38A	0812204-1	. PAN-SUPPORT	35547	& ON	1
39	0812206-3	. COVER-CONTROL			1
40	S-1021Z-8-8	. SCREW-ATTACH SUPPORT PAN & CONTROL COVER			12
41	S-1021Z-8-4	. SCREW-ATTACH SUPPORT PAN			4
42	0812208-6	. DECAL-FUEL SELECTOR VALVE LH			1
43	0812208-7	. METALCAL-FUEL SELECTOR VALVE RH			1
44	0812209-1	. DECAL	35000	35771	1
- 44A	0812209-3	. PLACARD	35772	& ON	1
45	0800106-223	. LINE ASSY-VENT			2
46	NAS397-12-1	. CLAMP-ATTACH VENT LINE TO TANK			2
47	AN832-4D	. UNION-ATTACH LINES			2
- 47A	AN924-4D	. NUT-ATTACH LINES			2
48	0800106-230	. TUBE ASSY-LH VENT			1
49	0800106-231	. LINE ASSY-RH VENT			1
50	758-4	. CLAMP-ATTACH LINES ADEL			2
- 50A	NAS220-8	. SCREW-ATTACH CLAMP			4
- 50B	MS21044N08	. NUT-ATTACH CLAMP			4 R

NOTE 1—ALL PARTS OF THE AUXILIARY FUEL SYSTEM NOT SHOWN, OR SHOWN IN PHANTOM ARE IDENTICAL TO THE PARTS IN THE STANDARD FUEL SYSTEM AND MAY BE FOUND IN THE STANDARD EQUIPMENT SECTION OF THIS CATALOG

CESSNA AIRCRAFT COMPANY
MODEL 310 THRU 310D
ILLUSTRATED PARTS CATALOG

A55821



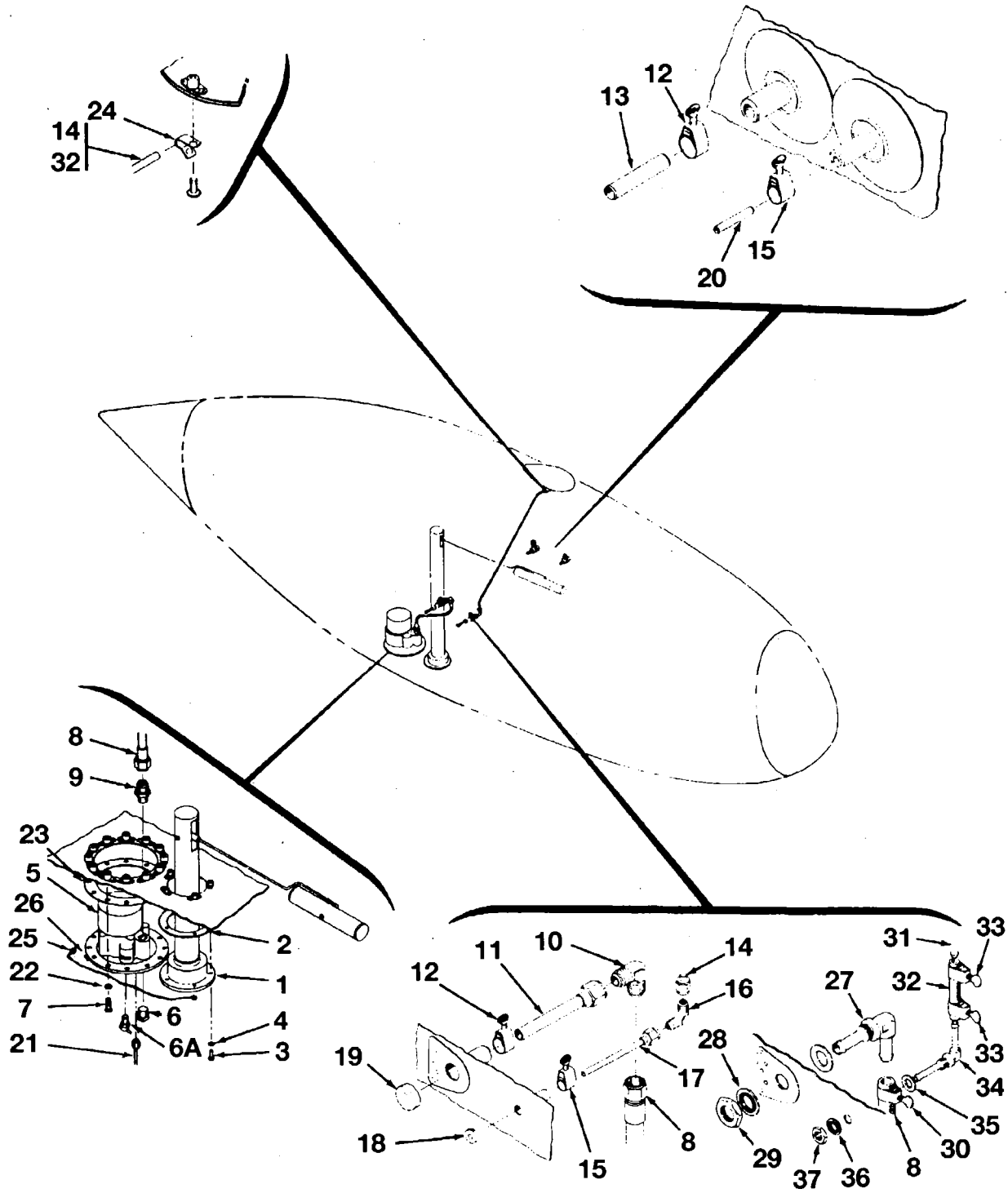
FUEL SELECTOR VALVE ASSEMBLY - AUXILIARY FUEL SYSTEM
FIGURE 03 (SHEET 1)

CESSNA AIRCRAFT COMPANY
MODEL 310 THRU 310D
 ILLUSTRATED PARTS CATALOG

FIG ITEM	PART NUMBER	NOMENCLATURE	EFFECT		UNITS PER ASSY
			FROM	TO	
03					
-		FUEL SELECTOR VALVE ASSEMBLY - AUXILIARY FUEL SYSTEM			RF
0	0855020-1	. VALVE ASSY-FUEL SELECTOR REFER TO 28-20-01 FIGURE 02 FOR NHA			1
1	0855010-2	. HOUSING			1
2	0855010-5	. SPRING			1
3	0855010-7	. SPRING			3
4	0855014-1	. FITTING			3
5	0855021-1	. BASE			1
6	0855022-1	. CRANK			1
7	0855023-1	. FLUTE			3
8	0855024-1	. RING-CAM			1
9	0855025-1	. PALTE-DETENT			1
10	0311077	. RETAIN			3
11	0311076	. GASKET			1
12	NAS1149C0432R	. WASHER			1 R
13	AF-934-5	. O-RING			1
14	AF-934-11	. O-RING			3
15	MS29513-116	. PACKING			3
16	AN507-632R6	. SCREW-ATTACH DETENT PLATE			3
- 16A	MS24693S26	. SCREW-ATTACH DETENT PLATE ALT FOR AN507-632R6			3 R
17	S1003-9A	. BEARING			1
18	NAS561P4-10	. PIN			1
19	S272-209	. BALL			1
20	S272-220	. BALL			3

CESSNA AIRCRAFT COMPANY
MODEL 310 THRU 310D
 ILLUSTRATED PARTS CATALOG

A55746



AIRPLANES 39154 AND ON
 AND 35000 THRU 39132

AIRPLANES 39133
 THRU 39153

FUEL SYSTEM COMPONENTS-TIP TANK
 FIGURE 01 (SHEET 1)

CESSNA AIRCRAFT COMPANY MODEL 310 THRU 310D ILLUSTRATED PARTS CATALOG

FIG ITEM	PART NUMBER	NOMENCLATURE	EFFECT		UNITS PER ASSY
			FROM	TO	
01		FUEL SYSTEM COMPONENTS-TIP TANK REFER TO 28-20-00 FIGURES 01 & 02 FOR NHA			RF
1	0850425	GAGE-TIP TANK LIQUIDOMETER CORP EA470B-968			2
2	0322541	GASKET-FUEL GAGE			2
3	AN520-10R8	SCREW-ATTACH FUEL GAGE			10
4	600-001-10-0S	STAT-O-SEAL-ATTACH FUEL GAGE PARKER SEAL CO			10
5	0850400-1	PUMP ASSY-BOOSTER USES ADEL 26900	35000	35771	2
- 5A	0850401-2	PUMP ASSY-BOOSTER USES PESCO 122723-111-01 ALT	35000	35771	2
- 5B	0850402-2	PUMP ASSY-BOOSTER USES LEAR ROMEC RG-11250-A ALT	35000	35771	2
- 5C	0850403-1	PUMP-AUXILIARY FUEL USES ADEL 55895-1	35772	& ON	2
6	MS20913-3	PLUG-USE WITH 0850400-1 & 0850401-1	35000	35771	1
6A	0511199-20	DRAIN VALVE			1
- 6B	AS5169-08	PLUG	35772	& ON	1 R
- 6C	MS29512-8	O-RING-PLUG	35772	& ON	1
- 6D	AS5194D0202	ADAPTER-USED WITH 0850401-1	35000	35771	1 R
- 6E	AN912-1	BUSHING-USED WITH 0850401-1	35000	35771	1
- 6F	AN902B4	SEAL-USED WITH 0850402-1	35000	35771	1
- 6G	AN919-1D	REDUCER-USED WITH 0850402-1	35000	35771	1
- 6H	AN919-1	REDUCER	35772	& ON	1
- 6I	AS5169-04	PLUG	35772	& ON	1 R
- 6J	MS29512-4	PACKING	35772	& ON	2
7	AN4-6A	BOLT-ATTACH BOOSTER PUMP	35000	35771	24
- 7A	AN4-7A	BOLT-ATTACH AUXILIARY FUEL PUMP	35772	& ON	24
8	0823250-1	CLAMP-TIP TANK SUBMERGED	35000	39132	2
					39154 & ON
- 8A	S51-8	HOSE-18 INCHES LG BULK ITEM REF S-51-8-72	39133	39153	2
- 8B	0800106-319	LINE ASSY	39133	39153	2
9	AS5194B0806	NIPPLE-ATTACH LINE TO PUMP	35000	35771	2 R
- 9A	AS5174-0808	UNION-ATTACH LINE TO PUMP	35772	& ON	2 R
- 9B	MS29512-8	O-RING	35772	& ON	2
10	AN821-8D	ELBOW-CONNECT LINES	35000	39132	2
					39154 & ON
11	0800106-21	LINE ASSY-EXIT LINE	35000	39132	2
					39154 & ON
12	AN737TW30	CLAMP-ATTACH LINE TO BLADDER CLAMP PLUG	35000	39132	4 R
					39154 & ON
- 12A	AN737RM24	CLAMP-ATTACH LINE TO BLADDER CLAMP PLUG USED WITH BLADDER 0823110-1	35000	39132	4
					39154 & ON
13	0823000-54	PLUG-BAR CLOSE OPPOSITE OUTLET	35000	39132	2
					39154 & ON
14	0800106-34	LINE VAPOR-TANK RETURN	35000	39132	2
					39154 & ON
15	AN737RM22	CLAMP-ATTACH VAPOR RETURN LINE TO BLADDER	35000	39132	4
					39154 & ON
16	AN821-4D	ELBOW-CONNECT VAPOR LINES	35000	39132	2
					39154 & ON
17	0890106-33	LINE ASSY-VAPOR RETURN LINE INLET	35000	39132	2
					39154 & ON
18	MS35489-6	GROMMET-VAPOR RETURN LINE	35000	39132	2
					39154 & ON
19	MS35489-14S	GROMMET-FUEL LINE	35000	39132	2
					39154 & ON
20	0823000-97	PLUG-BAR CLOSE OPPOSITE OUTLET	35000	39132	2
					39154 & ON
21	0800106-22	LINE ASSY-DRAIN			2
22	600-001-1/4	LOCK-O-SEAL-ATTACH FUEL PUMP PARKER SEAL CO			24
23	0823100-3	GASKET-BOOSTER PUMP			2
24	AN742D4	CLAMP-ATTACH RETURN LINE			2
25	0831005-6	BONDING STRAP			2
26	AN515-6R6	SCREW-ATTACH BONDING STRAP			2
27		ELBOW-REFER TO FIGURE 32-39	39133	39153	RF
28		LOCK-O-SEAL-ATTACH ELBOW REFER TO 28-10-00 FIGURE 01	39133	39153	RF
29		NUT-ATTACH ELBOW REFER TO 28-10-00 FIGURE 01	39133	39153	RF
30	AN737TW30	CLAMP-ATTACH HOSE	39133	39153	4 R
31	0800106-317	LINE-LH VAPOR RETURN	39133	39153	1
- 31A	0800106-318	LINE-RH VAPOR RETURN	39133	39153	1
32	S51-4	HOSE-3 IN. LG BULK ITEM REF S-51-4-12	39133	39153	2
33	AN737RM22	CLAMP-ATTACH HOSE	39133	39153	4
34		ELBOW-REFER TO 28-10-00 FIGURE 01	39133	39153	RF
35		WASHER-REFER TO 28-10-00 FIGURE 01	39133	39153	RF
36		LOCK-O-SEAL-ATTACH ELBOW REFER TO 28-10-00 FIGURE 01	39133	39153	RF
37		NUT-ATTACH ELBOW REFER TO 28-10-00 FIGURE 01	39133	39153	RF

CHAPTER

30

**ICE AND RAIN
PROTECTION**

CESSNA AIRCRAFT COMPANY
MODEL 310 THRU 310D
ILLUSTRATED PARTS CATALOG

LIST OF EFFECTIVE PAGES

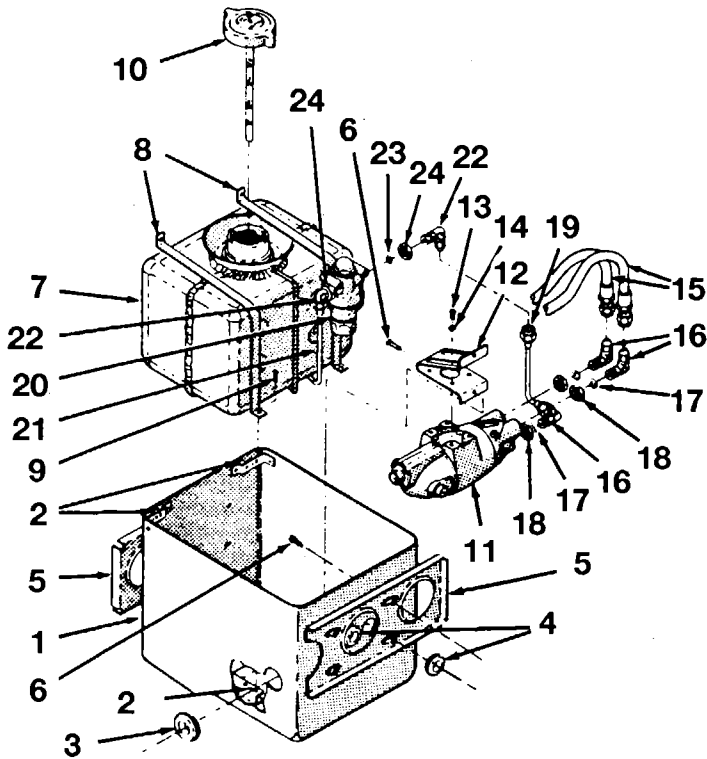
CHAPTER-SECTION-SUBJECT	PAGE	DATE
30-Title		
30-List of Effective Pages		
30-Record of Temporary Revisions		
30-Contents		
30-00-00 Figure 01	1	Jul 5/2004
	2	Jul 5/2004
30-10-00 Figure 01	1	Jul 3/2006
	2	Jul 3/2006
30-10-00 Figure 02	1	Jul 3/2006
	2	Jul 3/2006
30-10-00 Figure 03	1	Jul 3/2006
	2	Jul 3/2006
30-10-00 Figure 04	1	Jul 3/2006
	2	Jul 3/2006
30-10-00 Figure 05	1	Jul 3/2006
	2	Jul 3/2006
	3	Jul 3/2006
30-10-00 Figure 06	1	Jul 3/2006
	2	Jul 3/2006
30-20-00 Figure 01	1	Jul 5/2004
	2	Jul 5/2004
30-60-00 Figure 01	1	Jul 3/2006
	2	Jul 3/2006

CESSNA AIRCRAFT COMPANY
MODEL 310 THRU 310D
ILLUSTRATED PARTS CATALOG

<u>SUBJECT</u>	<u>CH SEC SUBJ FIG</u>	<u>EFFECTIVITY</u>
ANTI-ICE COMPARTMENT EQUIPMENT INSTALLATION	30-00-00-01	
DE-ICE SYSTEM INSTALLATION	30-10-00-01	35000 35905
DE-ICE SYSTEM COMPONENTS-FUSELAGE CENTER SECTION	30-10-00-02	35000 35905
DE-ICE SYSTEM COMPONENTS-FUSELAGE NOSE SECTION	30-10-00-03	35000 35905
DE-ICE SYSTEM COMPONENTS-WINGS AND EMPENNAGE	30-10-00-04	35000 35905
LIGHT WEIGHT DE-ICE INSTALLATION	30-10-00-05	35906 & ON
RESERVOIR AND SHELF INSTALLATION	30-10-00-06	
DE-ICE SYSTEM COMPONENTS-ENGINE NACELLE	30-20-00-01	35000 35905
ANTI-ICE SYSTEM INSTALLATION	30-60-00-01	

CESSNA AIRCRAFT COMPANY
MODEL 310 THRU 310D
ILLUSTRATED PARTS CATALOG

A55793



ANTI-ICE COMPARTMENT EQUIPMENT INSTALLATION
FIGURE 01 (SHEET 1)

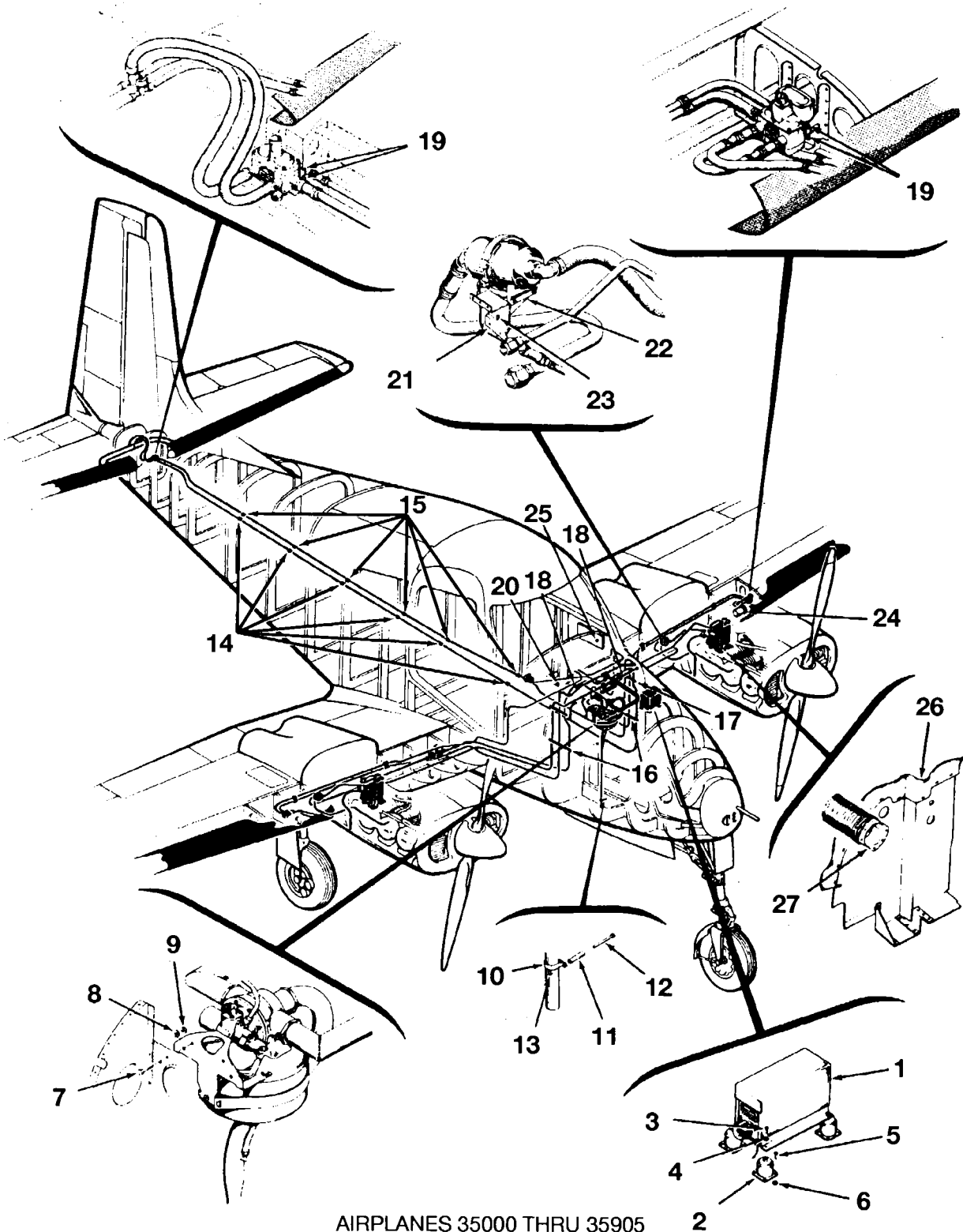
CESSNA AIRCRAFT COMPANY
MODEL 310 THRU 310D
ILLUSTRATED PARTS CATALOG

FIG ITEM	PART NUMBER	NOMENCLATURE	EFFECT		UNITS PER ASSY
			FROM	TO	
01		ANTI-ICE COMPARTMENT EQUIPMENT INSTALLATION REFER TO 30-60-00			RF
-		FIGURE 01 FOR NHA			
1	0820100-3	. PAN ASSY-SAFETY			1
2	NAS682A3	. . NUTPLATE			4
3	MS35489-119	. . GROMMET	35000	35374	1
- 3A	HS50726-K2215	. . PLUG BUTTON-UNITED CARR.	35376	35441	1
			35375	35375	1
			35442	& ON	
4	MS35489-17	. . GROMMET			2
5		. SUPPORT ASSY-REFER TO 57-10-00 FIGURE 06			RF
6	AN515-8R8	. SCREW-ATTACH SAFETY PAN			8
7	0820100-2	. TANK ASSY-ANTI-ICE			1
8	0820100-6	. STRAP-ATTACH TANK			2
9	AN520-10R7	. SCREW-ATTACH STRAP			4
10	0311360-6	. DIP STICK ASSY-ANTI-ICE TANK			1
11	0850475-1	. PUMP-ANTI-ICE ADEL 20820-1			1
12	0820100-16	. BRACKET-ATTACH PUMP			1
13	AN515-416R8	. SCREW-ATTACH PUMP			4
14	MS35338-44	. WASHER-ATTACH PUMP			4 R
15	S-1168-4-10	. HOSE ASSY-PUMP TO FRONT SPAR			2
16	AN833-4D	. ELBOW			3 R
17	AN902B4	. SEAL			3
18	AN924-4D	. NUT			3
19	0800106-120	. LINE ASSY-PUMP TO FILTER			1
20	0850475-6	. FILTER ASSY-FSO 0850475-8 REFER TO 73-10-00 FIGURE 03 FOR BREAKDOWN	35000	35642	NP
- 20A	0850475-8	. FILTER-REFER TO 73-10-00 FIGURE 03 FOR BREAKDOWN REFER TO NOTE 1	35643	& ON	1
21	0800106-121	. LINE ASSY-FILTER TO TANK			1
- 21A	AS4857D01	. TEE-ATTACH FILTER TO BOTTOM OF TANK			1 R
- 21B	AS5194D0402	. ADAPTER-ATTACH FILTER TUBE TO BOTTOM OF TANK			1 R
- 21C	MS27769D2	. PLUG-ATTACH FILTER TUBE TO BOTTOM OF TANK			1 R
22	MS20822-4D	. ELBOW	35000	35642	2
- 22A	AN833-4D	. ELBOW	35643	& ON	2 R
23	AN6290-4	. GASKET	35643	& ON	2
24	AN924-4D	. NUT	35643	& ON	2

NOTE 1—WHEN ORDERING THIS PART FOR AIRCRAFT PRIOR TO SERIAL 35643, ALSO ORDER AN921-4D ELBOW, AN6290-4 GASKET AND AN924-4D NUT

CESSNA AIRCRAFT COMPANY
MODEL 310 THRU 310D
ILLUSTRATED PARTS CATALOG

A55794



AIRPLANES 35000 THRU 35905

DE-ICE SYSTEM INSTALLATION
FIGURE 01 (SHEET 1)

CESSNA AIRCRAFT COMPANY

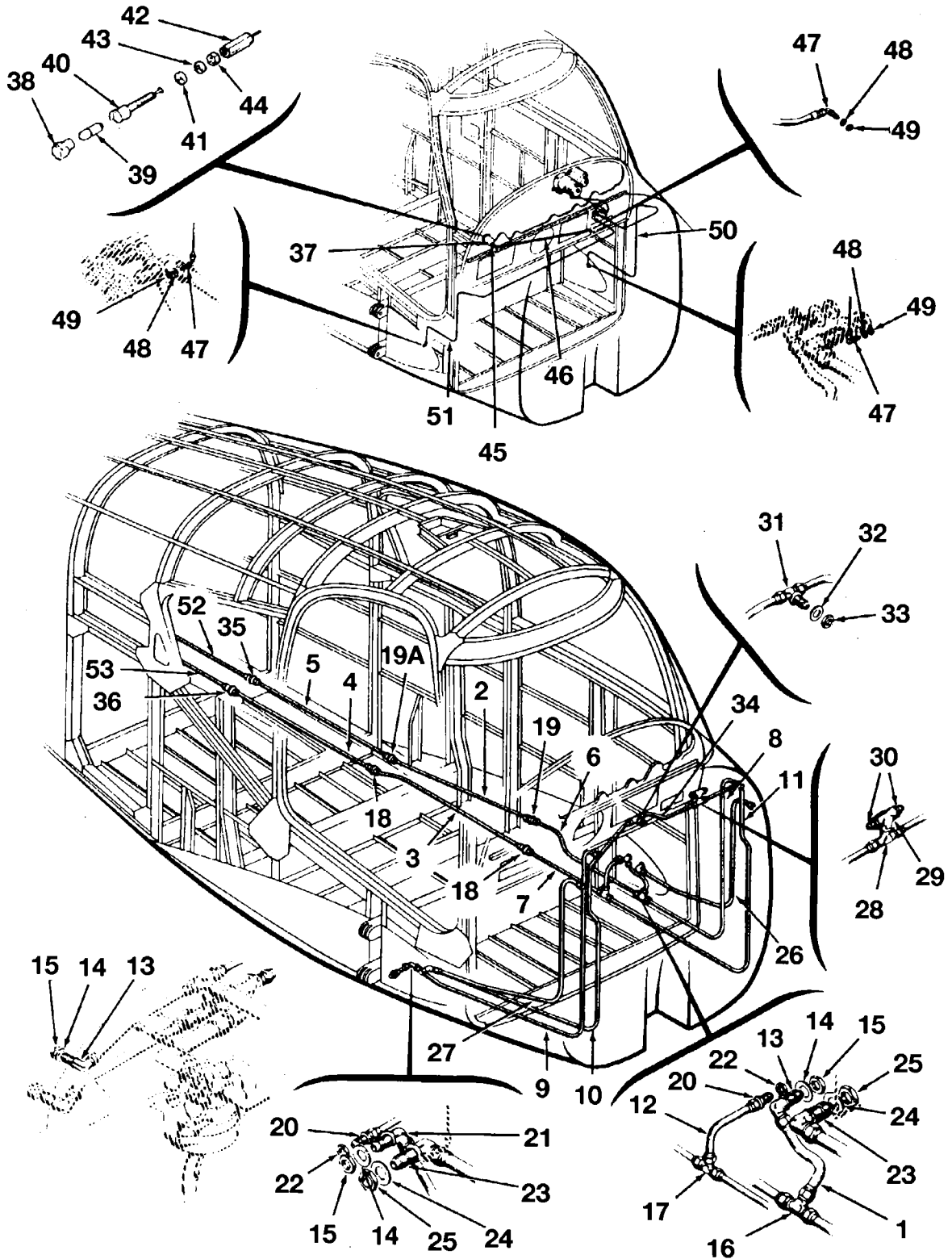
MODEL 310 THRU 310D

ILLUSTRATED PARTS CATALOG

FIG ITEM	PART NUMBER	NOMENCLATURE	EFFECT		UNITS PER ASSY
			FROM	TO	
01		DE-ICE SYSTEM INSTALLATION	35000	35905	RF
- 0		SYSTEM COMPONENTS FUSELAGE CENTER SECTION-DE-ICE REFER TO 30-10-00 FIGURE 02 FOR BREAKDOWN			RF
- A		SYSTEM COMPONENTS WINGS AND EMPENNAGE-DE-ICE REFER TO 30-10-00 FIGURE 04 FOR BREAKDOWN			RF
- B		SYSTEM COMPONENTS FUSELAGE NOSE SECTION-DE-ICE REFER TO 30-10-00 FIGURE 03 FOR BREAKDOWN			RF
- C		SYSTEM COMPONENTS ENGINE NACELLE DE-ICE-DE-ICE REFER TO 30-20-00 FIGURE 01 FOR BREAKDOWN			RF
1	081362-1	ELECTRICAL TIMER			1
2	770-4G	BARRYMOUNT-THE BARRY CORP			4
3	AN515-8R5	SCREW-ATTACH TIMER TO MOUNTING			4
4	MS35338-42	WASHER-ATTACH TIMER TO MOUNTING			4 R
5	AN520-10R8	SCREW-ATTACH TIMER MOUNTINGS TO NOSE SECTION			16
6	MS21045L3	NUT-ATTACH TIMER MOUNTINGS TO NOSE SECTION			16 R
7	AN4-4A	BOLT-ATTACH COMBINATION UNIT TO AIRFRAME			5
8	NAS1149F0432P	WASHER-ATTACH COMBINATION UNIT TO AIRFRAME			5 R
9	MS21044N4	NUT-ATTACH COMBINATION UNIT TO AIRFRAME			5 R
10	AN742D17	CLAMP			1
11	NAS43DD3-110	SPACER			1
12	AN520-10R36	SCREW			1
13	MS21045L3	NUT			1 R
14	A3049A-8-98	CLAMP-TINNERMAN			6
- 14A	S-1021Z-8-7	SCREW			6
- 14B	A5980-8Z-3	BRACKET-ANGLE TINNERMAN			6
15	A3049A-12-98	CLAMP-TINNERMAN			6
- 15A	S-1021Z-8-8	SCREW			6
- 15B	A5980-8Z-3	BRACKET-ANGLE TINNERMAN			6
16	0814000-147	STRAP			2
- 16A	S-1021Z-6-6	SCREW			4
- 16B	S3230-2	NUT-TINNERMAN A1181-6Z-3			4 R
- 17		DELETED-NOT USED			
18	A3049A-8-98	CLAMP-TINNERMAN			2
- 18A	S-1021Z-8-8	SCREW			2
- 18B	S3230-4	NUT-TINNERMAN A1778-8Z-3			2 R
19	AN520-10R7	SCREW-ATTACH SOLENOID VALVE			12
- 19A	AN936-A10	WASHER-ATTACH SOLENOID VALVE			12
20	S382-3	SWITCH			1
- 20A	MS35058-23	SWITCH ALT FOR S382-3			1 R
- 20B	0813506	NUT-ATTACH SWITCH	35000	35546	1
- 20C	S1216-1	NUT-ATTACH SWITCH	35547	35905	1
- 20D	S384-1	KNOB-SWITCH			1
21	0852000-1	BRACKET-LH			1
- 21A	0852000-2	BRACKET-RH			1
22	0852000-4	SUPPORT-OIL SEPARATOR			2
23	AN3-10A	BOLT			4
- 23A	MS21045L3	NUT			4 R
24		DE-ICE LIGHT INSTALLATION-REFER TO 30-10-00 FIGURE 05 FOR BREAKDOWN			RF
25	PSM-8N	CIRCUIT BREAKER-KLIXON			1
26	0851700-129	BAFFLE ASSY-ENGINE	35000	35227	2
- 26A	0851753-2	BAFFLE ASSY-ENGINE	35229	35262	2
- 26B	0851753-4	BAFFLE ASSY-ENGINE	35228	35228	2
27	430262	UNION	35263	35713	1
- 27A	450262	UNION	35772	35905	2
- 27B	0851712-2	BAFFLE ASSY	35772	35905	2

CESSNA AIRCRAFT COMPANY
MODEL 310 THRU 310D
 ILLUSTRATED PARTS CATALOG

A55795



AIRPLANES 35000 THRU 35905

DE-ICE SYSTEM COMPONENTS-FUSELAGE CENTER SECTION
 FIGURE 02 (SHEET 1)

CESSNA AIRCRAFT COMPANY

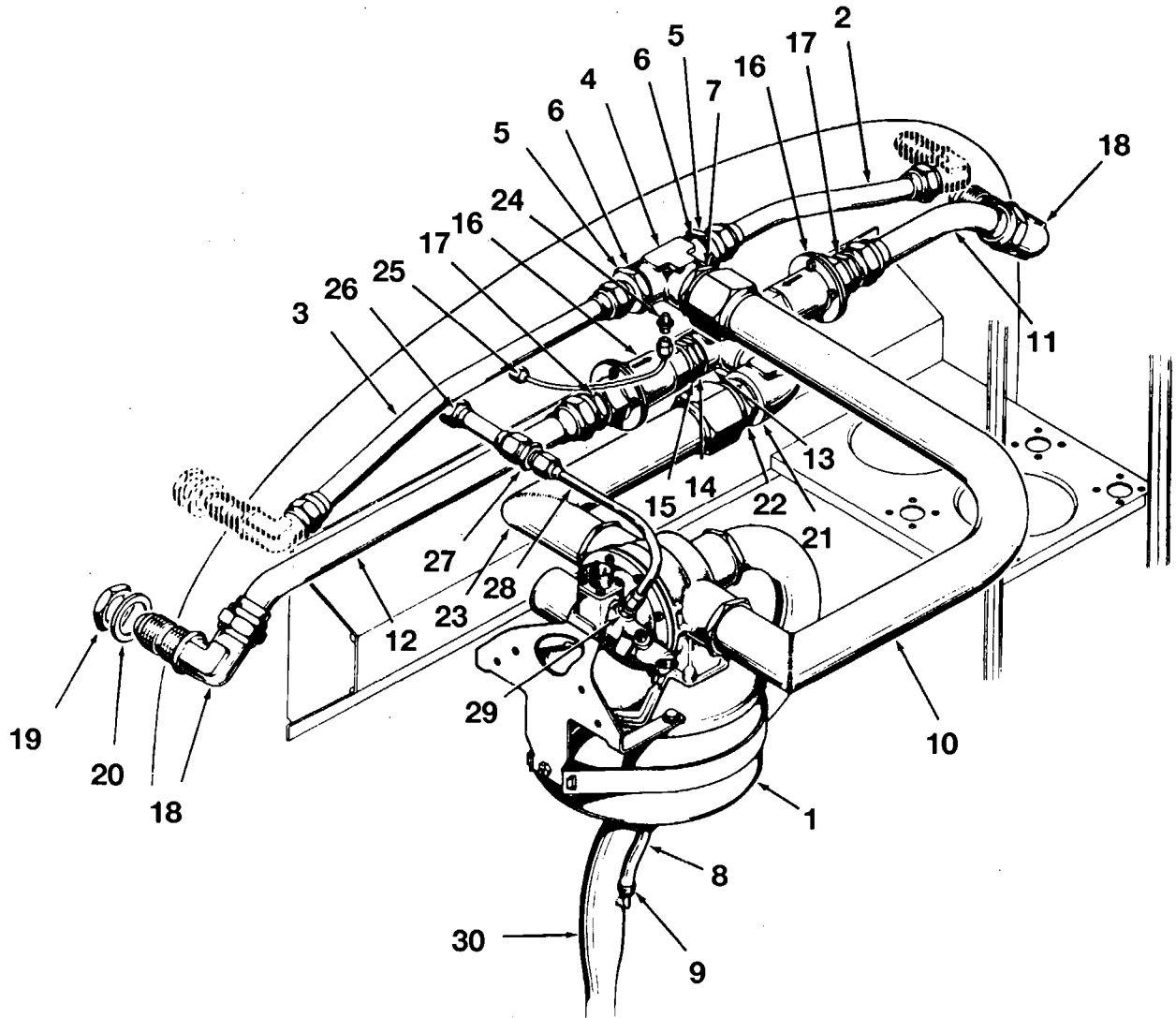
MODEL 310 THRU 310D

ILLUSTRATED PARTS CATALOG

FIG ITEM	PART NUMBER	NOMENCLATURE	EFFECT		UNITS PER ASSY
			FROM	TO	
02		DE-ICE SYSTEM COMPONENTS-FUSELAGE CENTER SECTION REFER TO 30-10-00 FIGURE 01 FOR NHA	35000	35905	RF
1	0800106-99	. LINE ASSY-LEFT WING TEE TO ELBOW			1
2	0800106-249	. LINE ASSY-PRESSURE	35000	35728	1
- 2A	0800106-267	. TUBE ASSY-PRESSURE	35729	35905	1
3	0800106-186	. TUBE ASSY-VACUUM			1
4	0800106-187	. TUBE ASSY-VACUUM			1
5	0800106-188	. LINE ASSY-PRESSURE			1
6	0800106-105	. LINE ASSY-PRESSURE	35000	35728	1
- 6A	0800106-268	. TUBE ASSY-PRESSURE	35729	35905	1
7	0800106-103	. LINE ASSY-VACUUM			1
8	0800106-77	. LINE DEICE-LEFT WING ROOT TO BULKHEAD			1
9	0800106-78	. LINE ASSY-RIGHT WING ROOT TO BULKHEAD			1
10	0800106-86	. LINE ASSY-BULKHEAD TEE TO RIGHT WING			1
11	0800106-87	. LINE ASSY-BULKHEAD TEE TO LEFT WING			1
12	0800106-107	. LINE DEICE-FUSELAGE TEE TO WING			1
13	AN833-12D	. ELBOW			3
14	NAS1149D1790K	. WASHER			4 R
15	AN924-12D	. NUT			4
16	AN824-12D	. TEE			1
17	AN824-8D	. TEE			1
18	MS24392D8	. UNION			2 R
19	AS5174D1212	. UNION	35000	35728	1 R
19A	S51-12	. HOSE-4 INCHES LG BULK ITEM REF S-51-12-16	35729	35905	1
- 19B	S1891-12	. CLAMP-ATTACH HOSE	35729	35905	1 R
- 19C	AS5174D1212	. UNION			1 R
20	AN832-8D	. UNION			2
21	AN837-12D	. ELBOW			1
22	AN924-8D	. NUT			2
23	AN833-16D	. ELBOW			2
24	NAS1149D2190K	. WASHER			2 R
25	AN924-16D	. NUT			2
26	0800106-75	. LINE DEICE-LEFT WING ROOT TO BULKHEAD			1
27	0800106-76	. LINE DEICE-RIGHT WING ROOT TO BULKHEAD			1
28	AN825-8D	. TEE-VACUUM TO INSTRUMENTS			1
29	AS4857D03	. TEE-VACUUM TO INSTRUMENTS			2 R
30	AS5194D0606	. ADAPTER	35000	35349	2 R
- 30A	AS5194D0806	. ADAPTER	35350	35905	2 R
31	AN834-8D	. TEE			1
32	NAS1149D1290K	. WASHER			1 R
33	AN924-8D	. NUT			1
34	0800106-165	. TUBE ASSY-BULKHEAD TEE TO GYRO TEE			1
35	AS5174D1212	. UNION			1 R
36	MS24392D8	. UNION			1 R
37	0813612-1	. PRESSURE GAGE			1
- 37A	AN507B632R12	. SCREW-ATTACH GAGE			4
- 37B	MS20365B632C	. NUT-ATTACH GAGE			4
- 37C	A8970-1-327	. POST LIGHT	35547	35905	1
38	A6747	. HOOD-LIGHTING FIXTURE GRIMES MFG CO			1
39	AN3140-327	. BULB-LIGHTING FIXTURE			1
40	A9160-1	. SOCKET-LIGHTING FIXTURE GRIMES MFG CO			1
41	A9163-1	. WASHER-SPACER LIGHTING FIXTURE GRIMES MFG CO			1
42	A9164-1	. CONNECTOR-LIGHTING FIXTURE GRIMES MFG CO			1
43	8	. LOCK WASHER-SPLIT ATTACH LIGHTING FIXTURE GRIMES MFG CO			1
44	8-32	. NUT-ATTACH LIGHTING FIXTURE GRIMES MFG CO			1
45	AS5194D0202	. ADAPTER			1 R
46	S-1168-2-25	. HOSE			1
47	AN833-2D	. ELBOW			3
48	NAS1149D0563K	. WASHER			3 R
49	AN924-2D	. NUT			3
50	0800106-167	. TUBE ASSY-TEST VALVE TO LEFT SIDE			1
51	0800106-168	. TUBE ASSY-TEST VALVE TO RIGHT SIDE			1
52	0800106-189	. LINE DEICE-PRESSURE			1
53	0800106-190	. LINE DEICE-VACUUM			1

CESSNA AIRCRAFT COMPANY
MODEL 310 THRU 310D
ILLUSTRATED PARTS CATALOG

A55796



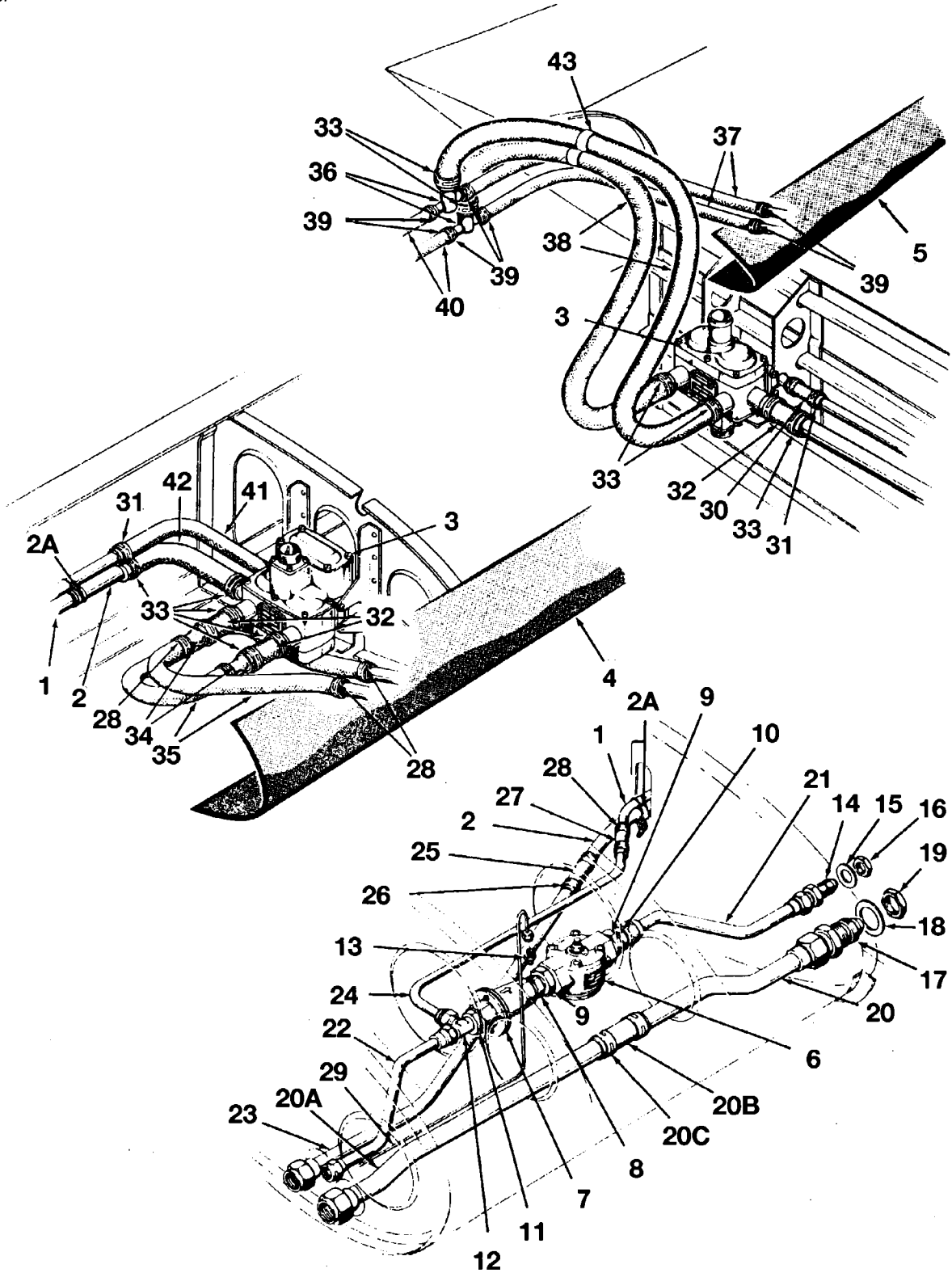
AIRPLANES 35000 THRU 35905
DE-ICE SYSTEM COMPONENTS-FUSELAGE NOSE SECTION
FIGURE 03 (SHEET 1)

**CESSNA AIRCRAFT COMPANY
MODEL 310 THRU 310D
ILLUSTRATED PARTS CATALOG**

FIG ITEM	PART NUMBER	NOMENCLATURE	EFFECT		UNITS PER ASSY
			FROM	TO	
03		DE-ICE SYSTEM COMPONENTS-FUSELAGE NOSE SECTION REFER TO	35000	35905	RF
-		30-10-00 FIGURE 01 FOR NHA			
		. UNIT COMBINATION			1
1	0813614-1	. LINE ASSY-LEFT BULKHEAD TO TEE	35000	35047	1
2	0800106-81	. TUBE ASSY-LEFT BULKHEAD TO TEE	35048	35905	1
- 2A	0800106-197	. LINE ASSY-RIGHT BULKHEAD TO TEE	3500	35047	1
3	0800106-82	. LINE DEICE-RIGHT BULKHEAD TO TEE	35048	35905	1
- 3A	0800106-198	. TEE			1
4	0813300-96	. REDUCER			2
5	AN919-23D	. GASKET			3
6	AN902B16	. REDUCER			1
7	AN919-27D	. HOSE-4 INCHES LG BULK ITEM REF S-51-8-16			1
8	S51-8	. CLAMP			2 R
9	S2357-2	. LINE ASSY-COMBINATION UNIT TO BULKHEAD	35000	35047	1
10	0800106-90	. TUBE ASSY-COMBINATION UNIT TO BULKHEAD	35048	35905	1
- 10A	0800107-3	. LINE ASSY-BULKHEAD TO LEFT CHECK VALVE			1
11	0800106-80	. LINE ASSY-BULKHEAD TO RIGHT CHECK VALVE			1
12	0800106-79	. TEE			1
13	AN917-10D	. BUSHING			2
14	AN912-13D	. NIPPLE			2
15	AN911-6D	. CHECK VALVE			2
16	0813618-1	. NIPPLE			2
17	AN816-16-12D	. ELBOW-BULKHEAD			2
18	AN833-16D	. NUT			2
19	AN924-16D	. WASHER			2 R
20	NAS1149D2190K	. ELBOW			1
21	AN833-16D	. NIPPLE			1
22	AN816-25D	. LINE ASSY-TEE TO COMBINATION UNIT	35000	35047	1
23	0800106-83	. TUBE DEICE-TEE TO COMBINATION UNIT	35048	35905	1
- 23A	0800107-2	. ADAPTER			1 R
24	AS5194D0202	. TUBE ASSY-PRESSURE GAGE			1
25	0800106-85	. LINE ASSY-BULKHEAD TO REDUCER			1
26	0800106-88	. REDUCER			1
27	AN919-10D	. LINE ASSY-REDUCER TO COMBINATION UNIT			1
28	0800106-89	. ADAPTER			1 R
29	AS5194D0402	. TUBE DEICE-COMBINATION UNIT EXHAUST			1
30	0800107-1				

CESSNA AIRCRAFT COMPANY
MODEL 310 THRU 310D
 ILLUSTRATED PARTS CATALOG

A55787



AIRPLANES 35000 THRU 35905
 DE-ICE SYSTEM COMPONENTS-WINGS AND EMPENNAGE
 FIGURE 04 (SHEET 1)

CESSNA AIRCRAFT COMPANY

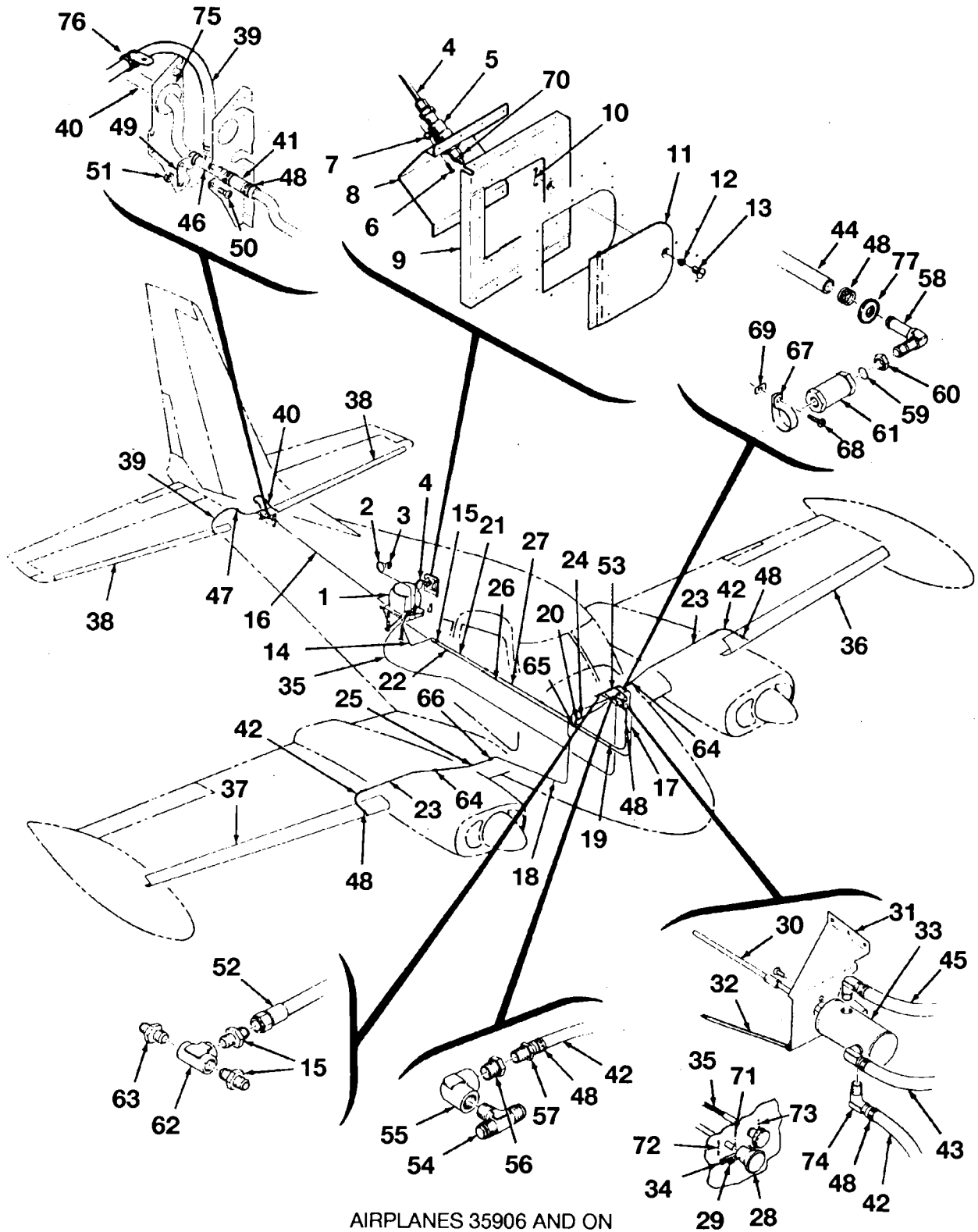
MODEL 310 THRU 310D

ILLUSTRATED PARTS CATALOG

FIG ITEM	PART NUMBER	NOMENCLATURE	EFFECT		UNITS PER ASSY
			FROM	TO	
04		DE-ICE SYSTEM COMPONENTS-WINGS AND EMPENNAGE REFER TO 30-10-00 FIGURE 01 FOR NHA	35000	35905	RF
1	0800106-177	. TUBE DEICE-VALVE TO SPLICE			2
2	0800106-178	. TUBE DEICE-VALVE TO SPLICE			2
2A	AN742-D16	. CLAMP			4
- 2B	A5980-8Z-3	. BRACKET-ANGLE TINNERMAN			4
- 2C	S-1021Z-8-8	. SCREW-ATTACH CLAMP			4
3	0813620-1	. VALVE-SOLENOID			3
4	0820500-1	. BOOT-LEFT WING			1
- 4A	0820500-2	. BOOT-RIGHT WING			1
5	0820500-3	. BOOT-STABILIZER			2
6	0813619-1	. RELIEF VALVE			2
7	0813618-1	. CHECK VALVE			2
8	0820000-23	. NIPPLE			2
9	AN912-10D	. BUSHING			4
10	AN816-10-12D	. NIPPLE			2
11	AN912-8D	. BUSHING			2
12	AN826-8D	. TEE			2
13	AS5194D0202	. ADAPTER			2 R
14	AN832-10	. UNION			2
15	NAS1149D1490K	. WASHER			2 R
16	AN924-10D	. NUT			2
17	AN832-16	. UNION			2
18	NAS1149D2190K	. WASHER			2 R
19	AN924-16D	. NUT			2
20	0800106-228	. TUBE ASSY-ENGINE BULKHEAD TO SPLICE			2
20A	0800106-229	. LINE DEICE-FUSELAGE TO SPLICE			2
20B	S51-16	. HOSE-3 INCHES LG BULK ITEM REF S-51-16-12			2
20C	S2357-2	. CLAMP			4 R
21	0800106-19	. LINE DEICE-ENGINE BULKHEAD TO VALVE			2
22	0800106-13	. LINE DEICE-TEE TO FUSELAGE			2
23	0800106-15	. LINE DEICE-SPLICE TO FUSELAGE			2
24	0800106-17	. LINE-SPLICE TO TEE			2
25	S51-12	. HOSE-4 INCHES LG BULK ITEM REF S-51-12-16			2
26	S1891-12	. CLAMP			4 R
27	S51-8	. HOSE-4 INCHES LG BULK ITEM REF S51-8-16			2
28	S2357-2	. CLAMP			12 R
29	0800106-111	. TUBE ASSY-SUCTION LH			1
- 29A	0800106-112	. TUBE ASSY-SUCTION RH			1
30	0820500-11	. HOSE			1
31	S2357-2	. CLAMP			6 R
32	0820500-12	. HOSE			5
33	MS20392-6-16	. CLAMP			18
34	0820000-26	. UNION ASSY-HOSE			4
35	0820500-10	. HOSE			4
36	0832000-144	. TEE			2
37	0820500-17	. HOSE			2
38	0820500-18	. HOSE			2
39	S2357-1	. CLAMP			8 R
40	0820500-23	. HOSE			2
41	0820500-21	. HOSE-LEFT WING			1
- 41A	0820500-22	. HOSE-RIGHT WING			1
42	0820500-19	. HOSE-LEFT WING			1
- 42A	0820500-20	. HOSE-RIGHT WING			1
43	A3049A-16-98	. CLAMP-TINNERMAN			2
- 43A	S-1021Z-10-8	. SCREW-ATTACH CLAMP			1
- 43B	S3230-4	. NUT-ATTACH CLAMP TINNERMAN A1778-8Z-1			1 R

CESSNA AIRCRAFT COMPANY
MODEL 310 THRU 310D
 ILLUSTRATED PARTS CATALOG

A55799



AIRPLANES 35906 AND ON
 LIGHT WEIGHT DE-ICE INSTALLATION
 FIGURE 05 (SHEET 1)

**CESSNA AIRCRAFT COMPANY
MODEL 310 THRU 310D
ILLUSTRATED PARTS CATALOG**

FIG ITEM	PART NUMBER	NOMENCLATURE	EFFECT		UNITS PER ASSY
			FROM	TO	
05		LIGHT WEIGHT DE-ICE INSTALLATION	35906	& ON	RF
- 1		RESERVOIR & SHELF INSTALLATION-REFER TO 30-10-00 FIGURE 06 FOR BREAKDOWN			RF
2	0800106-286	LINE ASSY			1
3	0820517-23	GAGE			1
- 3A	0800061-1	BRACKET			1
- 3B	0800062-1	COVER-SINGLE GAGE			1
- 3C	0820518-1	COVER-DUAL GAGE			1
- 3D	AS5174J0404	UNION			1 R
- 3E	AN6290-4	GASKET			1
4	0800106-285	LINE ASSY			1
5	0820531-1	BUSHING ASSY			1
		ATTACHING PARTS			
6	AN515-8R8	SCREW-ATTACH BUSHING			3
7	MS21044N08	NUT-ATTACH BUSHING			3 R

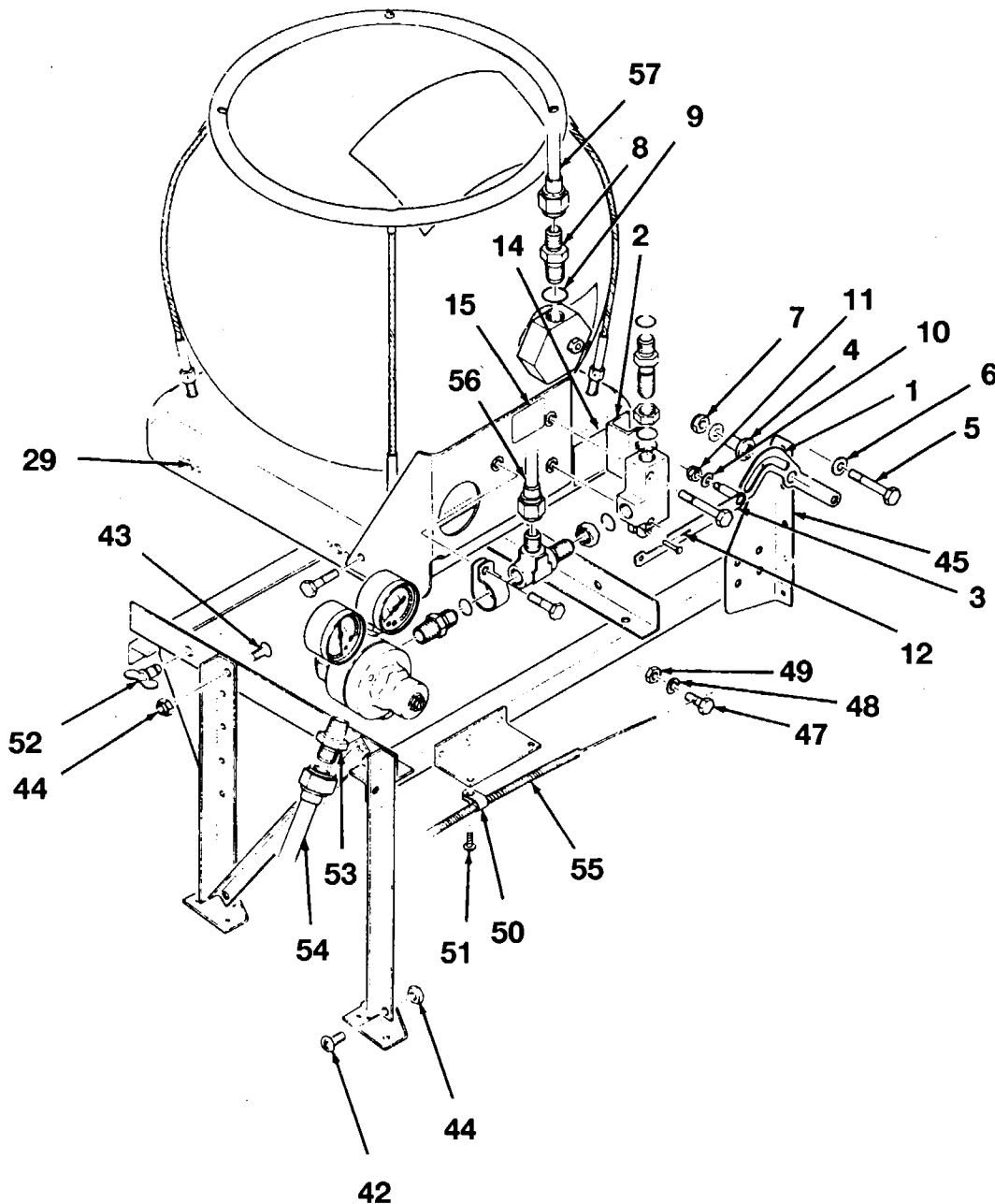
8	0800043-1	BRACKET			1
9	0800041-5	DOUBLER ASSY			1
10	S4-275	SPRING			1
11	0800042-1	DOOR ASSY			1
12	GF4-150	GROMMET			1
13	F4-30	FASTENER			1
- 13A	FJ4-30	FASTENER ALT FOR F4-30			1 R
- 13B	0812480-90	PLACARD-DE-ICE FILLER			1
14	0800106-284	LINE ASSY			1
15	AS5174D0606	UNION			7 R
16	0800106-282	DE-ICE LINE			1
17	0800106-291	LINE ASSY			1
18	0800106-292	LINE ASSY			1
19	0800106-293	LINE ASSY			1
20	0800106-294	LINE ASSY			1
21	0800106-295	LINE ASSY			1
22	0800106-296	LINE ASSY			1
23	0800106-297	DE-ICE LINE			1
24	0800106-299	LINE ASSY			1
25	0800106-300	LINE ASSY			1
26	0800106-301	LINE ASSY			1
- 26A		DE-ICE LIGHT INSTALLATION-REFER TO 33-40-00 FIGURE 05 FOR NHA			RF
27	0800106-302	LINE ASSY			1
28	0813503-6	KNOB ASSY			1
29	MS16562-17	PIN-ESNA			1
30	0820524-1	ROD ASSY			1
- 30A	AN315-3R	NUT-SECURE ROD ASSY			1
31	0820533-1	BRACKET			1
32	0820532-1	SUPPORT			1
33	0820517-7	VALVE			1
34	0820530-1	PLATE			1
35	0820517-6	CABLE ASSY-CONTROL			1
36	0820517-9	BOOT WING LH			1
37	0820517-10	BOOT WING RH			1
38	0820517-11	BOOT HORIZONTAL STABILIZER			2
39	0820517-13	HOSE			1
40	0820517-14	HOSE			1
41	0820517-15	HOSE			1
42	0820517-16	HOSE			3
43	0820517-17	HOSE			1
44	0820517-18	HOSE ASSY			1
45	0820517-20	HOSE ASSY			1
46	0820529-1	TUBE ASSY			1
47	MS35489-18S	GROMMET			4
48	S2357-1	CLAMP			15 R
49	0820525-1	CLIP			1
50	AN520-10RG	SCREW			2
51	MS21045L3	NUT			2 R
52	S1168-6-6	HOSE ASSY			1
53	AN824-6D	TEE			1
54	AN825-8D	TEE			1
55	AN916-3D	ELBOW			1
56	AN912-2D	BUSHING			1
57	AN840-6D	ADAPTER-NIPPLE			1
58	AN838-6D	ELBOW			1
59	AN6290-6	GASKET			1

CESSNA AIRCRAFT COMPANY
MODEL 310 THRU 310D
ILLUSTRATED PARTS CATALOG

FIG ITEM	PART NUMBER	NOMENCLATURE	EFFECT							UNITS PER ASSY
			FROM	TO	1	2	3	4	5	
05										
60	AN924-6D	. NUT								1
61	0850375-4	. CHECK VALVE								1
62	AN938-6D	. TEE								1
63	AN919-4D	. REDUCER								1
64	S51-6	. HOSE-3 INCHES LG BULK ITEM REF S-51-6-12								2
- 64A	S2357-2	. CLAMP-ATTACH HOSE								4 R
65	AN826-6D	. TEE								1
66	AN832-6D	. UNION								2
- 66A	NAS1149D0963K	. WASHER-ATTACH UNION								2 R
- 66B	AN924-6D	. NUT-ATTACH UNION								2
67	MS21919DG18	. CLAMP								1
68	S-1021Z-10-8	. SCREW								1
69	S3230-5	. NUT								1 R
70	3368-3	. VALVE-CHARGING GOODRICH								1
71	0812480-91	. PLACARD-DE-ICE								1
72	0812480-92	. PLACARD-CYCLE								1
73	0812480-93	. PLACARD-CHARGE								1
74	AN842-6D	. ELBOW								2
75	MS35489-20	. GROMMET								1
76	MS21919DG10	. CLAMP								1
- 76A	S-1021Z-8-8	. SCREW-ATTACH CLAMP								1
- 76B	S3230-4	. NUT-ATTACH CLAMP								1 R
77	MS35489-20	. GROMMET								1

CESSNA AIRCRAFT COMPANY
MODEL 310 THRU 310D
ILLUSTRATED PARTS CATALOG

A55800



RESERVOIR AND SHELF INSTALLATION
FIGURE 06 (SHEET 1)

CESSNA AIRCRAFT COMPANY
MODEL 310 THRU 310D
ILLUSTRATED PARTS CATALOG

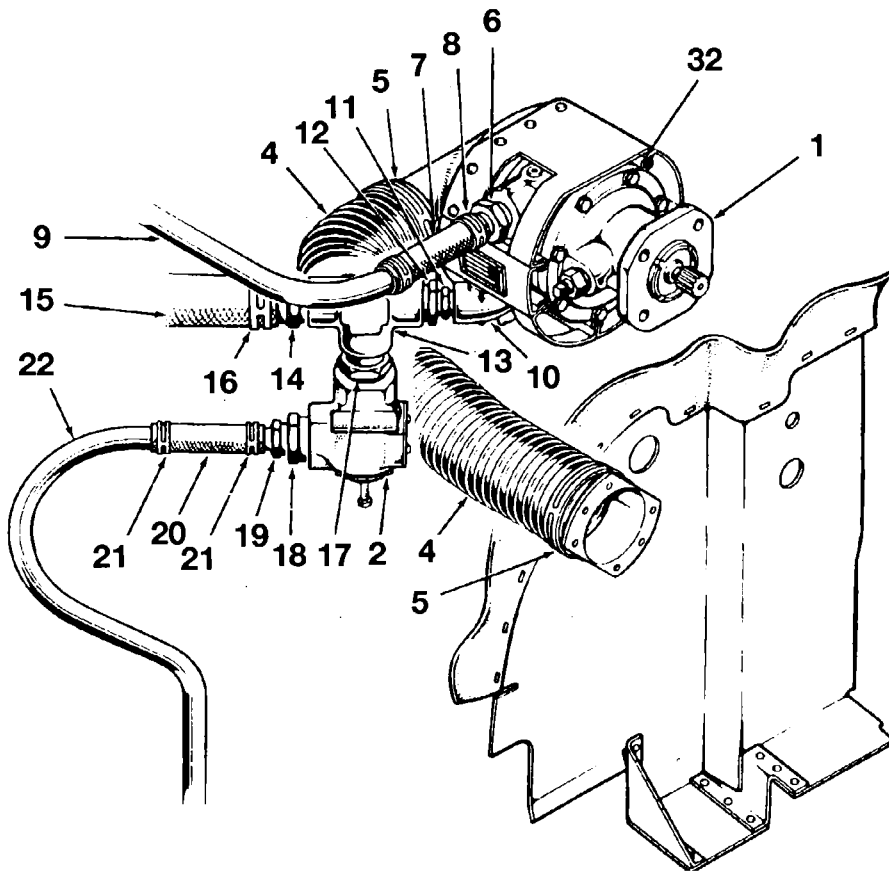
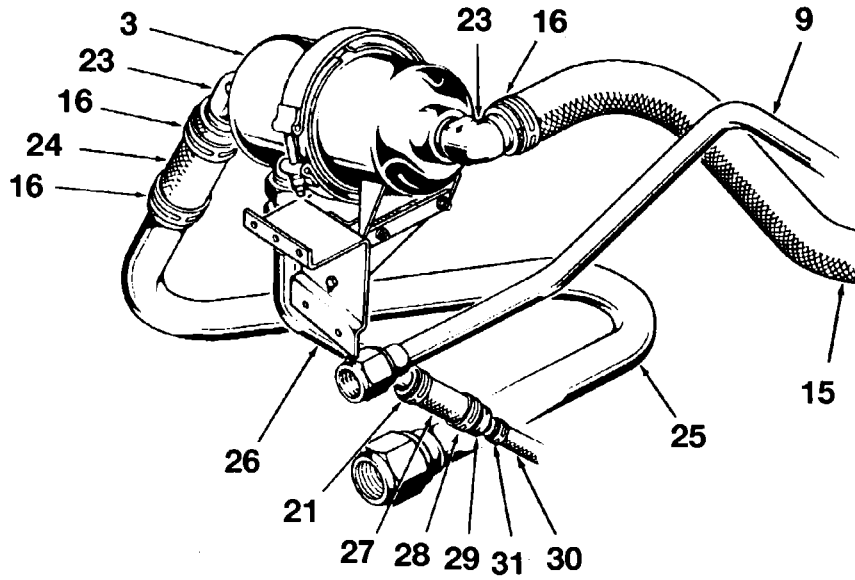
FIG ITEM	PART NUMBER	NOMENCLATURE	EFFECT FROM TO	UNITS PER ASSY
06		RESERVOIR AND SHELF INSTALLATION REFER TO 30-10-00 FIGURE 05 FOR NHA		RF
- 0	0820517-22	RESERVOIR & LINKAGE ASSY		1
1	0820536-1	CAM REFER TO NOTE 1		1
2	0820536-2	SUPPORT REFER TO NOTE 2		1
- 2A	AN3-4A	BOLT- ATTACH SUPPORT		2
- 2B	NAS1149F0332P	WASHER- ATTACH SUPPORT		2 R
- 2C	MS21045L3	NUT- ATTACH SUPPORT		2 R
3	0820535-1	LEVER ASSY		1
4	0820535-3	BUSHING		1
5	AN3-7A	BOLT		1
6	NAS1149F0332P	WASHER		2 R
7	MS21045L3	NUT		1 R
8	AS5174J0404	UNION		1 R
9	MS28778-2	O-RING		1
10	NAS1149FN632P	WASHER		1 R
11	MS21044N06	NUT		1 R
12	MS24665-132	COTTER PIN		1
- 12A	0820517-8	RESERVOIR ASSY		1
- 13		DELETED-NOT USED		
14	3D1245-2	LABEL- GOODRICH		1
15	3D1245-3	LABEL- GOODRICH		1
- 16		DELETED-NOT USED		
- 17		DELETED-NOT USED		
- 17A		DELETED-NOT USED		
- 18		DELETED-NOT USED		
- 19		DELETED-NOT USED		
- 20		DELETED-NOT USED		
- 20A		DELETED-NOT USED		
- 21		DELETED-NOT USED		
- 22		DELETED-NOT USED		
- 23		DELETED-NOT USED		
- 23A		DELETED-NOT USED		
- 24		DELETED-NOT USED		
- 25		DELETED-NOT USED		
- 26		DELETED-NOT USED		
- 27		DELETED-NOT USED		
- 28		DELETED-NOT USED		
- 28A		DELETED-NOT USED		
29	S4A-200	SPRING- DZUS		4
- 30		DELETED-NOT USED		
- 31		DELETED-NOT USED		
- 32		DELETED-NOT USED		
- 32A	0820519-1	SHELF ASSY		1
- 33		DELETED-NOT USED		
- 34		DELETED-NOT USED		
- 35		DELETED-NOT USED		
- 36		DELETED-NOT USED		
- 37		DELETED-NOT USED		
- 38		DELETED-NOT USED		
- 39		DELETED-NOT USED		
- 40		DELETED-NOT USED		
- 41		DELETED-NOT USED		
42	AN520-10R8	SCREW		7
43	AN507-1032RB	SCREW		6
44	MS20635-1032C	NUT		13
45	0820521-1	BRACKET		2
- 46		DELETED-NOT USED		
47	0450311	CLAMP		2
48	NAS1149F0332P	WASHER		2 R
49	MS21045L3	NUT		2 R
50	AN742D4	CLAMP		2
51	S-1021Z-8-8	SCREW		2
52	AW4-35	FASTENER- DZUS		4
53	AS5194D0604	ADAPTER		1 R
54		LINE ASSY- REFER TO 30-10-00 FIGURE 05		RF
55		CABLE ASSY CONTROL- REFER TO 30-10-00 FIGURE 05		RF
56		LINE ASSY- REFER TO 30-10-00 FIGURE 05		RF
57		LINE ASSY- REFER TO 30-10-00 FIGURE 05		RF

NOTE 1—WHEN ORDERING 0820536-1 CAM FOR AIRPLANE SERIAL 35906 THRU 39007, ALSO ORDER 0820536-2 SUPPORT

NOTE 2—WHEN ORDERING 0820536-2 SUPPORT FOR AIRPLANE SERIAL 35906 THRU 39007, ALSO ORDER 0820536-1 CAM

CESSNA AIRCRAFT COMPANY
MODEL 310 THRU 310D
 ILLUSTRATED PARTS CATALOG

A55798



AIRPLANES 35000 THRU 35905

DE-ICE SYSTEM COMPONENTS-ENGINE NACELLE
 FIGURE 01 (SHEET 1)

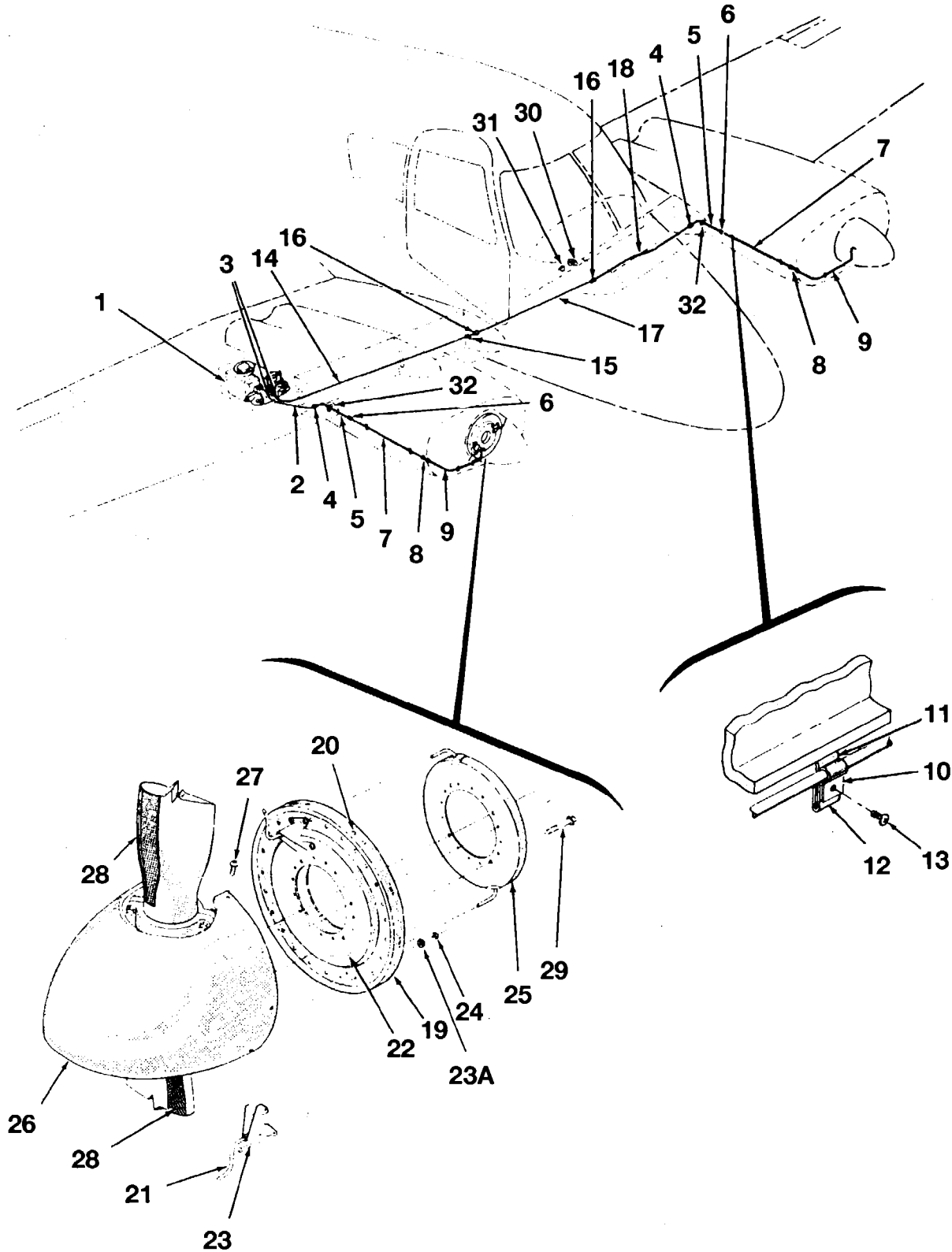
CESSNA AIRCRAFT COMPANY
MODEL 310 THRU 310D
ILLUSTRATED PARTS CATALOG

FIG ITEM	PART NUMBER	NOMENCLATURE	EFFECT		UNITS PER ASSY
			FROM	TO	
01		DE-ICE SYSTEM COMPONENTS-ENGINE NACELLE REFER TO 30-10-00	35000	35905	RF
-		FIGURE 01 FOR NHA			
1	0813617-1	PUMP-AIR			2
2	0813616-1	VALVE-SAFETY			2
3	0813615-1	SEPARATOR-OIL			2
4	S1053E16T	DUCT-18 INCHES LG BULK ITEM REF S-1053E16T180			2
5	S1891-32	CLAMP			4 R
6	AN840-10D	ADAPTER			2
7	S51-10	HOSE-2.5 INCHES LG BULK ITEM REF S-51-10-10			2
8	S2357-2	CLAMP			4 R
9	0800106-97	LINE DEICE-FIREWALL TO LEFT PUMP			1
- 9A	0800106-96	LINE ASSY-FIREWALL TO RIGHT PUMP	35000	35771	1
- 9B	0800106-276	LINE ASSY-FIREWALL TO RIGHT PUMP	35771	35905	1
10	AN915-4D	ELBOW			2
11	AN911-4D	NIPPLE			2
12	AN912-7D	BUSHING			2
13	AN917-6D	TEE			2
14	AN840-16D	NIPPLE			2
15	S51-8	HOSE-5.5 INCHES LG BULK ITEM REF S-51-8-22			2
16	S1891-24	CLAMP			8 R
17	AN911-6D	NIPPLE			2
18	AN912-8D	BUSHING			2
19	AN840-8D	ADAPTER-HOSE			2
20	S51-8	HOSE-3.25 INCHES LG BULK ITEM REF S-51-8-13			2
21	S2357-2	CLAMP			6 R
22	0800106-102	VALVE LINE-SAFETY OVERBOARD			2
23	AN844-16D	ELBOW-HOSE			4
24	S51-16	HOSE-ELBOW 3 INCHES LG BULK ITEM REF S-51-16-12			2
25	0800106-95	TUBE ASSY-LEFT OIL SEPARATOR TO BULKHEAD			1
- 25A	0800106-94	LINE ASSY-RIGHT OIL SEPARATOR TO BULKHEAD			1
26	0800106-68	LINE OIL-OIL RETURN			2
27	S51-8	HOSE-3 INCHES LG BULK ITEM REF S-51-8-12			2
28	S2357-2	CLAMP			2 R
29	0852000-16	ADAPTER-OIL			2
30	S51-4	HOSE-27 INCHES LG BULK ITEM REF S-51-4-108			2
- 30A	AN840-4	ADAPTER-OIL RETURN LINE CONNECTION TO THE ENGINE			2
31	AN737RM22	CLAMP			4
32	S202RB	RUBBER-MOULDING 2.60 INCHES LG BULK ITEM REF S-202R260B			6
- 32A	0850528-1	ADAPTER-INDUCTION AIR HEAT REFER TO NOTE 1	35772	35905	2
- 32B	S1891-52	CLAMP-ATTACH ADAPTER TO AIR BOX REFER TO NOTE 1	35772	35905	2 R
- 32C	0850560-3	DUCT-ADAPTER TO SHROUD REFER TO NOTE 1	35772	35905	2
- 32D	S-1168-2-26 3/4	HOSE ASSY-FUEL PRESSURE LH ENGINE ONLY REFER TO NOTE 1	35772	35905	1
- 32E	0800106-277	BREATHER LINE CRANKCASE AFT-REFER TO NOTE 1	35772	35905	2

NOTE 1—THE DE-ICE SYSTEM INSTALLED ON AIRPLANE SERIAL 35772 THRU 35905 HAD THE INDUCTION AIR HEAT SHROUDS INSTALLED ON THE LH ENGINE STACK. THIS INSTALLATION REQUIRES SAME PARTS AS ON 71-60-00 FIGURE 02 EXCEPT FOR 0850528-1 ADAPTER, NAS398-50 CLAMP AND 0850560-3 DUCT. S-1168-2-26 3/4 HOSE ASSY AND 0800106-277 BREATHER LINE WERE ALSO REQUIRED.

CESSNA AIRCRAFT COMPANY
MODEL 310 THRU 310D
ILLUSTRATED PARTS CATALOG

A55792



ANTI-ICE SYSTEM INSTALLATION
FIGURE 01 (SHEET 1)

CESSNA AIRCRAFT COMPANY
MODEL 310 THRU 310D
ILLUSTRATED PARTS CATALOG

FIG ITEM	PART NUMBER	NOMENCLATURE	EFFECT		UNITS PER ASSY
			FROM	TO	
01		ANTI-ICE SYSTEM INSTALLATION			
- 1		EQUIPMENT INSTALLATION-ANTI-ICE COMPARTMENT REFER TO 30-00-00 FIGURE 01			RF RF
2	0800106-124	LINE ASSY-RIGHT FRONT SPAR TO RIGHT WING LEADING EDGE RIB			1
3	AN833-4D	ELBOW			2
- 3A	AN960-716D	WASHER			2
- 3B	AN924-4D	NUT			2
4	AN832-4	UNION			2
- 4A	NAS1149F0763P	WASHER			2 R
- 4B	AN924-4	NUT			2
5	AE24544-001K	KIT-HOSE LH & RH			1
- 5A	CM3758B224000S	HOSE ASSY-PROPELLER ANTI-ICE LH & RH			1
6	AS5174D0404	UNION			2 R
7	0800106-91	LINE ASSY-UNION TO CHECK VALVE			2
8	0850475-3	VALVE-CHECK			2
9	0800106-92	LINE ASSY-CHECK VALVE TO SLINGER RING			2
10	AN742D4	CLAMP-ATTACH LINE			8
11	0852000-15	BRACKET-ATTACH LINE			4
12	S3228-14	NUT-ATTACH LINE TINNERMAN A1274-8Z-3			4 R
13	S-1021Z-88	SCREW-ATTACH LINE			4
14	0800106-122	LINE ASSY-RIGHT FRONT SPAR TO RIGHT WING LEADING EDGE ROOT RIB			1
15	786-6	CLAMP-ATTACH LINE ADEL			1
- 15A	AN515-8R8	SCREW-ATTACH CLAMP			3
- 15B	MS21044N08	NUT-ATTACH CLAMP			3 R
16	AS5174D0404	UNION-ATTACH LINES AT ROOT RIB			2 R
17	0800106-101	LINE ASSY-RIGHT WING ROOT RIB TO LEFT WING ROOT RIB			1
18	0800106-47	LINE ASSY-LEFT WING ROOT RIB TO LEFT WING LEADING EDGE RIB			1
19	0850315-3	SPINNER BULKHEAD-ANTI-ICE REFER TO NOTE 1			2
20	MS21047L3	NUTPLATE-ATTACH SPINNER DOME			14 R
21		LINE ASSY-ANTI-ICE USED WITH 0850308-1 SLINGER RING REFER TO NOTE 2			RF
- 21A		LINE ASSY-ANTI-ICE USED WITH 0850308-2 SLINGER RING REFER TO NOTE 3			RF
22	NAS680A08	NUTPLATE-ATTACH LINE ASSY			4
23	NAS220-8	SCREW-ATTACH LINE ASSY			8
23A	NAS1149FN832P	WASHER-ATTACH LINE ASSY			4 R
24	MS21044N08	NUT-ATTACH LINE ASSY			4 R
25	0850308-1	SLINGER RING ASSY-ANTI-ICE .250 INCH FEEDER LINE			1
- 25A	0850308-2	SLINGER-ANTI-ICE .1875 INCH FEEDER LINE			1
26		DOME ASSY-PROPELLER SPINNER REFER TO 61-10-00 FIGURE 01			RF
27		SCREW-ATTACH SPINNER DOME REFER TO 61-10-00 FIGURE 01			RF
28	0850475-4	SHOE-ANTI-ICE			4
29	AN4-17A	BOLT-ATTACH BULKHEAD TO PROPELLER HUB			8
- 29A	NAS1149F0463P	WASHER-ATTACH BULKHEAD TO PROPELLER HUB			8 R
- 29B	MS21044N4	NUT-ATTACH BULKHEAD TO PROPELLER HUB			8 R
30	H-50-R2-352-T2	RHEOSTAT ANTI-ICE-OHMITE			1
- 30A	0813507-4	KNOB-ANTI-ICE RHEOSTAT	35000	35015	1
- 30B	AN565B6-8	SCREW-ATTACH KNOB	35000	35015	1
- 30C	0813503-4	KNOB ASSY-ANTI-ICE RHEOSTAT	35016	35180	1
- 30D	0813503-12	KNOB ASSY-ANTI-ICE RHEOSTAT	35181	35333	1
- 30E	0813503-14	KNOB-ANTI-ICE RHEOSTAT	35334	35546	1
- 30F	AN565B6H3	SET SCREW-ATTACH KNOB	35016	35546	1
- 30G	0813475-3	KNOB ASSY-ANTI-ICE RHEOSTAT	35547	& ON	1
- 30H	AN565D8H5	SET SCREW-ATTACH KNOB	35547	& ON	1
31	S382-2	SWITCH-ANTI-ICE	35547	& ON	1
- 31A	S1216-1	NUT-ATTACH SWITCH	35547	& ON	1
- 31B	S384-1	KNOB-SWITCH	35547	& ON	1
32	A3047A-05	CLAMP-TINNERMAN			2
- 32A	S-1021Z-8-6	SCREW-ATTACH CLAMP			2

NOTE 1—WHEN ORDERING THIS ASSEMBLY, ALSO ORDER SK310-36.

NOTE 2—FOR REPLACEMENT OF THIS ASSEMBLY, ORDER SK310-35

NOTE 3—FOR REPLACEMENT OF THIS ASSEMBLY, ORDER SK310-36

CHAPTER

31

**INDICATING/
RECORDING
SYSTEMS**

CESSNA AIRCRAFT COMPANY
MODEL 310 THRU 310D
 ILLUSTRATED PARTS CATALOG

LIST OF EFFECTIVE PAGES

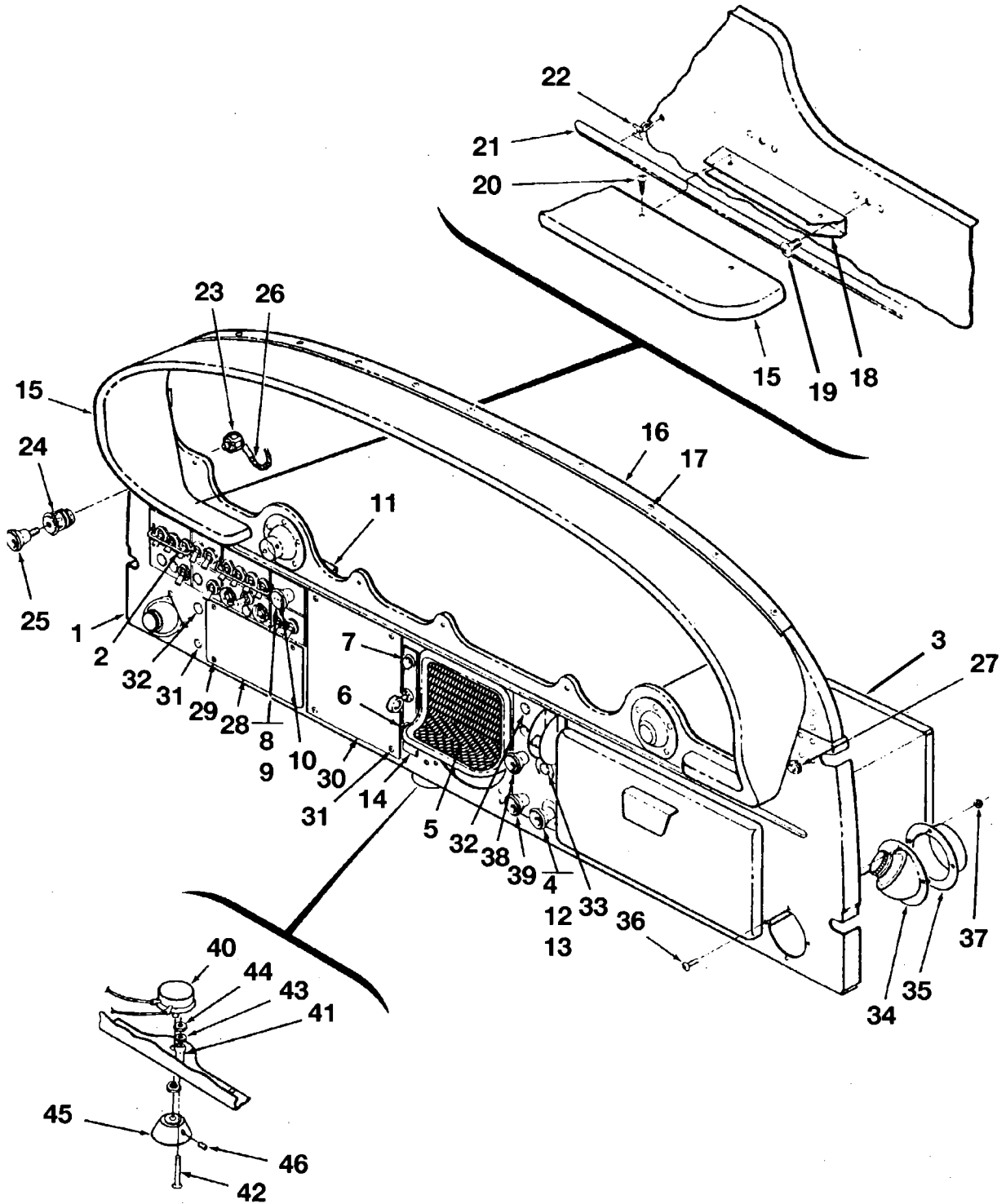
CHAPTER-SECTION-SUBJECT	PAGE	DATE
31-Title		
31-List of Effective Pages		
31-Record of Temporary Revisions		
31-Contents		
31-10-00 Figure 01	1	Jul 3/2006
	2	Jul 3/2006
	3	Jul 3/2006
31-10-00 Figure 02	1	Jul 3/2006
	2	Jul 3/2006
	3	Jul 3/2006
31-10-00 Figure 03	1	Jul 3/2006
	2	Jul 3/2006
	3	Jul 3/2006
31-10-00 Figure 04	1	Jul 5/2004
	2	Jul 5/2004
31-10-00 Figure 05	1	Jul 5/2004
	2	Jul 5/2004
31-10-00 Figure 06	1	Jul 3/2006
	2	Jul 3/2006
31-10-00 Figure 07	1	Jul 5/2004
	2	Jul 5/2004
31-10-00 Figure 08	1	Jul 3/2006
	2	Jul 3/2006
	3	Jul 3/2006
31-10-01 Figure 01	1	Jul 5/2004
	2	Jul 5/2004
31-10-01 Figure 02	1	Jul 5/2004
	2	Jul 5/2004
31-10-01 Figure 03	1	Jul 5/2004
	2	Jul 5/2004
31-10-01 Figure 04	1	Jul 3/2006
	2	Jul 3/2006
31-10-01 Figure 05	1	Jul 5/2004
	2	Jul 5/2004
31-10-02 Figure 01	1	Jul 5/2004
	2	Jul 5/2004

CESSNA AIRCRAFT COMPANY
MODEL 310 THRU 310D
ILLUSTRATED PARTS CATALOG

<u>SUBJECT</u>	<u>CH SEC SUBJ FIG</u>	<u>EFFECTIVITY</u>
STATIONARY INSTRUMENT PANEL EQUIPMENT INSTALLATION	31-10-00-01	35000 35096
STATIONARY INSTRUMENT PANEL EQUIPMENT INSTALLATION	31-10-00-02	35097 35546
STATIONARY INSTRUMENT PANEL EQUIPMENT INSTALLATION	31-10-00-03	
STATIONARY INSTRUMENT PANEL ASSEMBLIES	31-10-00-04	
SHOCK MOUNTED INSTRUMENT PANEL INSTALLATION	31-10-00-05	35000 35546
SHOCK MOUNTED INSTRUMENT PANEL INSTALLATION	31-10-00-06	35547 & ON
SHOCK MOUNTED INSTRUMENT PANEL ASSEMBLY	31-10-00-07	35000 35546
SHOCK MOUNTED INSTRUMENT PANEL ASSEMBLY	31-10-00-08	35547 & ON
STATIONARY INSTRUMENT PANEL SWITCHES INSTALLATION	31-10-01-01	35000 35546
STATIONARY INSTRUMENT PANEL SWITCHES AND LIGHTING INSTALLATION	31-10-01-02	35547 & ON
SWITCH PANEL ASSEMBLY AND INSTALLATION	31-10-01-03	35772 & ON
SWITCH PANEL ASSEMBLY AND INSTALLATION	31-10-01-04	35772 & ON
NARCO VC-27B SWITCH PANEL ASSEMBLY AND INSTALLATION	31-10-01-05	35772 & ON
DECORATIVE PANEL INSTALLATION	31-10-02-01	35000 35835

CESSNA AIRCRAFT COMPANY
MODEL 310 THRU 310D
ILLUSTRATED PARTS CATALOG

A55681



AIRPLANES 35000 THRU 35096

STATIONARY INSTRUMENT PANEL EQUIPMENT INSTALLATION
FIGURE 01 (SHEET 1)

CESSNA AIRCRAFT COMPANY
MODEL 310 THRU 310D
ILLUSTRATED PARTS CATALOG

FIG ITEM	PART NUMBER	NOMENCLATURE	EFFECT		UNITS PER ASSY
			FROM	TO	
01		STATIONARY INSTRUMENT PANEL EQUIPMENT INSTALLATION	35000	35096	RF
- 1		PANEL ASSEMBLIES-STATIONARY INSTRUMENT REFER TO 31-10-00 FIGURE 04 FOR BREAKDOWN			RF
2		SWITCHES INSTALLATION-STATIONARY PANEL REFER TO 31-10-01 FIGURE 01 FOR BREAKDOWN			RF
3		GLOVE COMPARTMENT INSTALLATION-REFER TO 25-10-01 FIGURE 01 FOR BREAKDOWN			RF
4	0812352-1	HEAT CONT ASSY-REFER TO 21-60-00 FIGURE 06 FOR BREAKDOWN			1
5		SPEAKER INSTALLATION-RADIO REFER TO 23-50-00 FIGURE 01 FOR INSTALLATION			RF
6	L1000G	LIGHT ASSY-INDICATOR			1
7	L1000R	LIGHT ASSY-INDICATOR HETHERINGTON INC			1
- 7A	AN3140-327	BULB			1
- 7B	0813500-20	SLEEVE			2
8	0813503-4	KNOB ASSY-VACUUM TEST VALVE	35016	35096	1
- 8A	AN565B6H3	SET SCREW-ATTACH VALVE KNOB	35016	35096	1
9	0813507-4	KNOB-VACUUM TEST VALVE	35000	35015	1
- 9A	AN565B6H3	SET SCREW-ATTACH VALVE KNOB	35000	35015	1
10	0812480-25	DECAL			1
11	0813577-1	VALVE ASSY-VACUUM TEST REFER TO 37-10-00 FIGURE 03 FOR BREAKDOWN			1
- 11A	AN515-6R16	SCREW-ATTACH VALVE REFER TO 37-10-00 FIGURE 03 FOR BREAKDOWN			4
12	0813503-4	KNOB ASSY-HEAT CONTROL	35016	35096	1
- 12A	AN565B6H3	SET SCREW-ATTACH HEAT CONTROL KNOB	85016	35096	1
13	0813507-4	KNOB-HEAT CONTROL	35000	35015	1
- 13A	AN565B6-3S	SETSCREW-ATTACH HEAT CONTROL KNOB	35000	35015	1
14		DECORATIVE PANEL INSTALLATION-REFER TO 31-10-02 FIGURE 01 FOR BREAKDOWN			RF
15	0813512-6	HOOD-INSTRUMENT PANEL			1
16	0813500-84	TRIM STRIP			1
17	AN515-8R10	SCREW-ATTACH HOOD & TRIM STRIP			11
18	0813512-5	CHANNEL-HOOD			2
19	AN515-8R5	SCREW-ATTACH HOOD CHANNEL			4
20	S-1021Z-4-4	SCREW-ATTACH HOOD TO CHANNEL			8
21	0813500-77	TRIM-INSTRUMENT PANEL			1
22	99437	CLIP-ATTACH TRIM UNITED CARR			6
- 22A		CIGAR LIGHTER INSTALLATION-REFER TO 24-30-00 FIGURE 03 FOR NHA			RF
- 22B	0813608-15	LIGHTER ASSY-CIGAR LESS KNOB			1
23	0813608-8	FUSE			1
24	0813608-4	HEATING ELEMENT			1
- 24A	0813608-5	FLANGE			1
25	0813503-1	KNOB ASSY-CIGAR LIGHTER	35016	35096	1
- 25A	0813507-1	KNOB ASSY-CIGAR LIGHTER	35000	35015	1
26	0813608-9	RESISTOR CORD			1
27	S-1103-1	PIN ASSY-PHONE			2
- 27A	2055785-1	PIN ASSY-PHONE ALT FOR S-1103-1			2 R
28	0813500-74	PLATE-OPTIONAL INSTRUMENT OPENING COVER			1
29	S-1021Z-6-6	SCREW-ATTACH COVER PLATE			4
- 29A	S3230-2	NUT-ATTACH COVER PLATE TINNERMAN A1181-6Z-3			4 R
30	0812750-8	PLATE-OPTIONAL INSTRUMENT OPENING COVER			1
31	S-1021Z-6-6	SCREW-ATTACH COVER PLATE			4
- 31A	S3230-2	NUT-ATTACH COVER PLATE TINNERMAN A1181-6Z-3			4 R
32	51118	PLUG BUTTON-UNITED CARR			7
33	50704	PLUG BUTTON-UNITED CARR			2
34	0813610-1	VALVE-WEMAC			2
35	0813750-41	ADAPTER-WEMAC VALVE			2
36	S-1021Z-6-8C	SCREW-ATTACH WEMAC VALVE			8
37	S3230-2	NUT-ATTACH WEMAC VALVE TINNERMAN A1181-6Z-3			8 R
38	0813509-16	DEFROST CONTROL-CABIN AIR REF 0813509-7			1
39	0813509-16	DEFROST CONTROL-REF 0813509-8			1
- 39A	0813507-19	KNOB-CABIN AIR & DEFROSTER	35000	35015	2
- 39B	0813503-6	KNOB ASSY-CABIN AIR & DEFROSTER	35016	35096	2
40	0413126-5	RHEOSTAT-COMPASS			1

CESSNA AIRCRAFT COMPANY
MODEL 310 THRU 310D
 ILLUSTRATED PARTS CATALOG

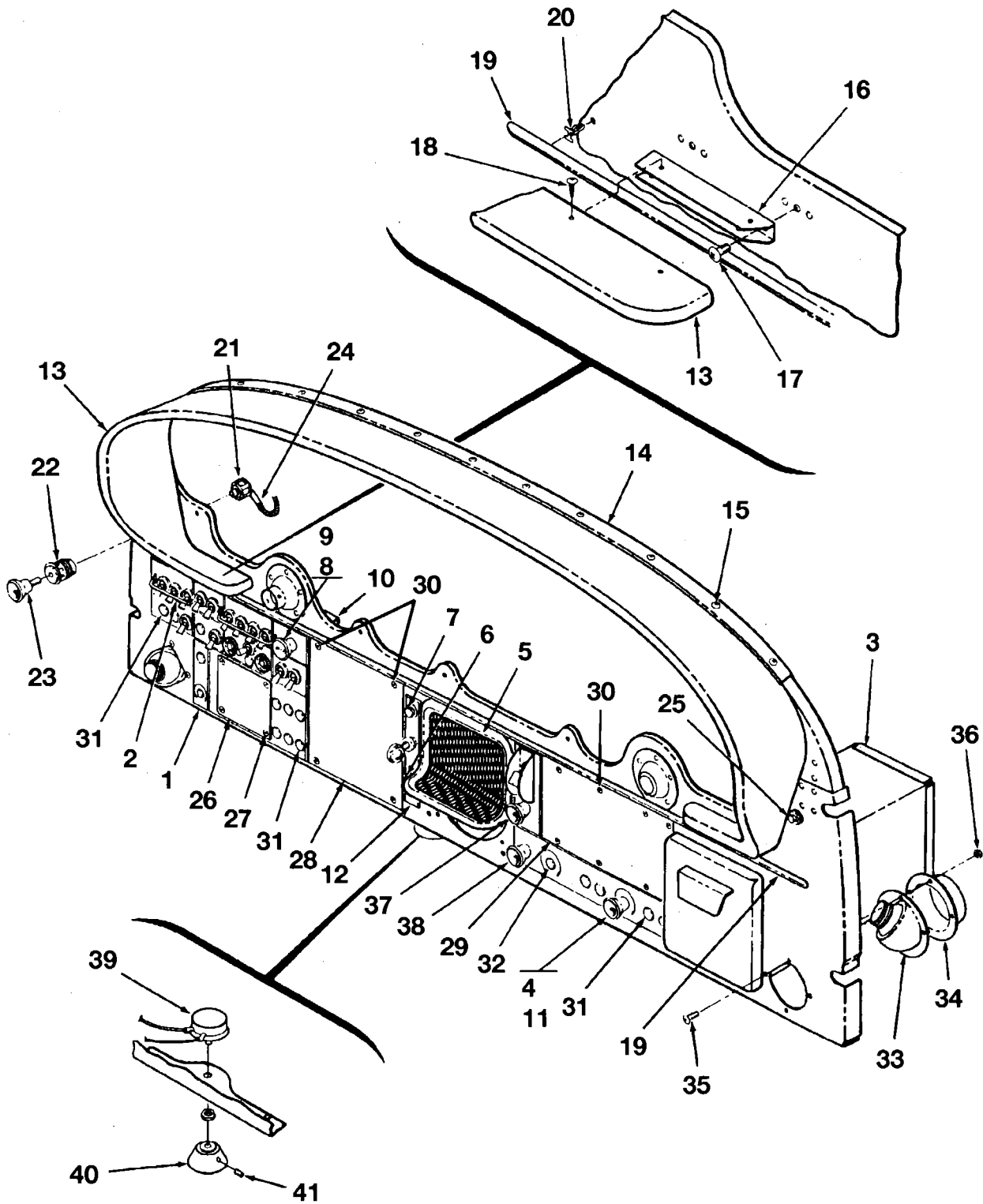
FIG ITEM	PART NUMBER	NOMENCLATURE	EFFECT		UNITS	
			FROM	TO	PER	ASSY
		1 2 3 4 5 6 7				
01						
41	"BROWN DEVIL"	. RESISTOR LUG-TYPE 48 150 OHM 5 WATT	35000	35015	1	
42	AN515-6R22	. SCREW-ATTACH RESISTOR	35000	35015	1	
43	NAS70P144-375	. WASHER-ATTACH RESISTOR	35000	35015	2	
44	MS21044N06	. NUT-ATTACH RESISTOR	35000	35015	1	R
45	0813503-3	. KNOB-COMPASS RHEOSTAT	35016	35096	1	
- 45A	0813507-3	. KNOB ASSY-COMPASS RHEOSTAT	35000	35015	1	
46	AN565B6H3	. . SET SCREW-ATTACH KNOB	35016	35096	1	
- 46A	AN565B6-8	. . SCREW-ATTACH KNOB	35000	35015	1	

- ITEM NOT ILLUSTRATED

© Cessna Aircraft Company

CESSNA AIRCRAFT COMPANY
MODEL 310 THRU 310D
 ILLUSTRATED PARTS CATALOG

A55682



AIRPLANES 35097 THRU 35546

STATIONARY INSTRUMENT PANEL EQUIPMENT INSTALLATION
 FIGURE 02 (SHEET 1)

CESSNA AIRCRAFT COMPANY MODEL 310 THRU 310D ILLUSTRATED PARTS CATALOG

FIG ITEM	PART NUMBER	NOMENCLATURE	EFFECT		UNITS PER ASSY
			FROM	TO	
02					
1		STATIONARY INSTRUMENT PANEL EQUIPMENT INSTALLATION	35097	35546	RF
2		STATIONARY PANEL INSTALLATION-REFER TO 31-10-00 FIGURE 04 FOR BREAKDOWN			RF
3		SWITCHES INSTALLATION-STATIONARY PANEL REFER TO 31-10-01 FIGURE 01 FOR BREAKDOWN			RF
4	0812352-1	GLOVE COMPARTMENT INSTALLATION-REFER TO 25-20-01 FIGURE 01 FOR BREAKDOWN			RF
4	0812352-1	HEAT CONTROL ASSY-CABIN REFER TO 25-20-01 FIGURE 01 FOR BREAKDOWN	35097	35486	1
- 4A	0813509-13	CONTROL-CABIN HEAT	35487	35546	1
5		SPEAKER INSTALLATION-RADIO REFER TO 23-50-00 FIGURES 01 & 02 FOR INSTALLATION			RF
6	L1000G	LIGHT ASSY-INDICATOR			1
7	L1000R	LIGHT ASSY-INDICATOR HETHERINGTON INC.			1
- 7A	AN3140-327	BULB			1
- 7B	0813500-20	SLEEVE-LIGHT ASSY	35097	35227	2
- 7C	0813528-1	SLEEVE-LIGHT ASSY	35229	35229	
			35228	35228	2
			35230	35546	
8	0813503-4	KNOB ASSY-VACUUM TEST VALVE	35097	35180	1
- 8A	0813503-12	KNOB ASSY-VACUUM TEST VALVE	35181	35333	1
- 8B	0813503-14	KNOB-VACUUM TEST VALVE	35334	35546	1
- 8C	AN565B6H3	SET SCREW-ATTACH VALVE KNOB			1
9	0812480-25	DECAL			1
10	0813577-1	VALVE ASSY-VACUUM TEST REFER TO 37-10-00 FIGURE 03 FOR BREAKDOWN			1
- 10A	AN515-6R16	SCREW-ATTACH VALVE REFER TO 37-10-00 FIGURE 03 FOR BREAKDOWN			4
11	0813503-4	KNOB ASSY-HEAT CONTROL	35097	35180	1
- 11A	0813503-12	KNOB ASSY-HEAT CONTROL	35181	35333	1
- 11B	0813503-14	KNOB-HEAT CONTROL	35334	35486	1
- 11C	AN565B6H3	SET SCREW-ATTACH HEAT CONTROL KNOB			1
- 11D	0813503-6	KNOB ASSY-HEAT CONTROL	35487	35546	1
12		DECORATIVE PANEL INSTALLATION-REFER TO 31-10-02 FIGURE 01 FOR BREAKDOWN			RF
13	0813512-6	HOOD-INSTRUMENT PANEL			1
14	0813500-84	TRIM STRIP	35097	35367	1
- 14A	0813500-124	TRIM STRIP	35368	35546	1
15	AN515-8R10	SCREW-ATTACH HOOK & TRIM STRIP	35097	35367	11
- 15A	AN515-6R10	SCREW-ATTACH HOOD & TRIM STRIP	35368	35546	11
16	0813512-5	CHANNEL-HOOD			2
17	AN515-8R5	SCREW-ATTACH HOOD CHANNEL			4
18	S-1021Z-4-4	SCREW-ATTACH HOOD CHANNEL			8
19	0813500-77	TRIM-INSTRUMENT PANEL			1
20	99437	CLIP-ATTACH TRIM			6
- 20A		CIGAR LIGHTER INSTALLATION-REFER TO 24-30-00 FIGURE 03 FOR NHA			RF
- 20B	0813608-15	LIGHTER ASSY-CIGAR LESS KNOB			1
21	0813608-8	FUSE			1
22	0813608-4	HEATING ELEMENT			1
- 22A	0813608-5	FLANGE			1
23	0813503-1	KNOB ASSY-CIGAR LIGHTER			1
24	0813608-9	RESISTOR CORD	35097	35324	1
25	S-1103-1	PIN ASSY-PHONE			2
- 25A	2055785-1	PIN ASSY-PHONE ALT FOR S-1103-1			2
26	0812750-7	PLATE-OPTIONAL INSTRUMENT OPENING COVER			1
27	AN515-4R12	SCREW-ATTACH COVER			4
- 27A	NAS1149FN432P	WASHER-ATTACH COVER			4
- 27B	MS21044N04	NUT-ATTACH COVER			4
28	0812750-8	PLATE-OPTIONAL INSTRUMENT OPENING COVER			1
29	0812750-6	PLATE-OPTIONAL INSTRUMENT OPENING COVER			1
30	S-1021Z-6-6	SCREW-ATTACH COVER PLATES			12
- 30A	S3230-2	NUT-ATTACH COVER PLATES TINNEMAN A1181-6Z-3			12
31	48161	PLUG BUTTON-UNITED CARR			15
32	50704	PLUG BUTTON-UNITED CARR			2
33	0813610-1	WEMAC VALVE	35097	35332	2
- 33A	0813610-2	WEMAC VALVE	35333	35546	2

CESSNA AIRCRAFT COMPANY
MODEL 310 THRU 310D
ILLUSTRATED PARTS CATALOG

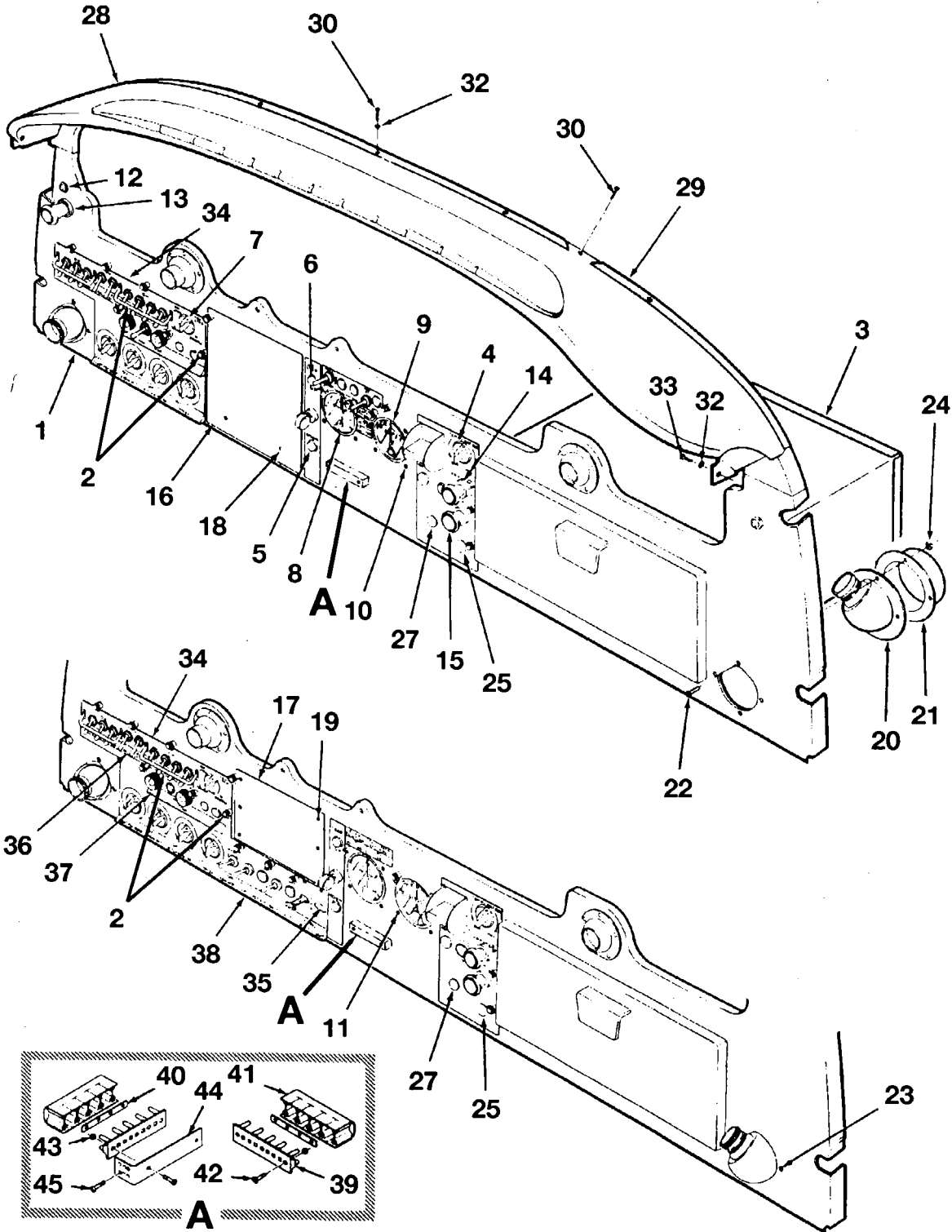
FIG ITEM	PART NUMBER	NOMENCLATURE	EFFECT		UNITS PER ASSY
			FROM	TO	
		1 2 3 4 5 6 7			
02					
34	0813750-41	. ADAPTER-WEMAC VALVE			2
35	S-1021Z-6-8C	. SCREW-ATTACH WEMAC VALVE			8
36	S3230-2	. NUT-ATTACH WEMAC VALVE TINNERMAN A1181-6Z-3			8 R
37	0813509-16	. DEFROST CONTROL-CABIN AIR REF 0813509-7			1
38	0813509-16	. DEFROST CONTROL-REF 0813509-8			1
- 38A	0813503-6	. KNOB ASSY-CABIN AIR & DEFROSTER			2
39	0413126-5	. RHEOSTAT-COMPASS	35097	35342	1
- 39A	0413126-8	. RHEOSTAT-COMPASS	35343	35546	1
40	0813503-3	. KNOB-COMPASS RHEOSTAT			1
41	AN565B6H3	. SET SCREW-ATTACH KNOB			1

- ITEM NOT ILLUSTRATED

© Cessna Aircraft Company

CESSNA AIRCRAFT COMPANY
MODEL 310 THRU 310D
 ILLUSTRATED PARTS CATALOG

A55683



AIRPLANES 35547 AND ON

STATIONARY INSTRUMENT PANEL EQUIPMENT INSTALLATION
 FIGURE 03 (SHEET 1)

CESSNA AIRCRAFT COMPANY
MODEL 310 THRU 310D
ILLUSTRATED PARTS CATALOG

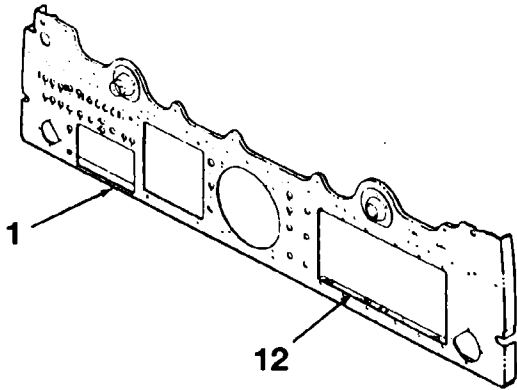
FIG ITEM	PART NUMBER	NOMENCLATURE	EFFECT		UNITS PER ASSY
			FROM	TO	
03		STATIONARY INSTRUMENT PANEL EQUIPMENT INSTALLATION			RF
1		STATIONARY INSTRUMENT PANEL ASSEMBLIES-REFER TO 31-10-00 FIGURE 04 FOR BREAKDOWN			RF
2		SWITCHES & LIGHTING INSTALLATION-STATIONARY INSTRUMENT PANEL REFER TO 31-10-01 FIGURE 02 FOR BREAKDOWN			RF
3		GLOVE COMPARTMENT INSTALLATION-REFER TO 25-10-01 FIGURE 01 FOR BREAKDOWN			RF
4	0813475-3	KNOB ASSY-TEMPERATURE CONTROL			1
- 4A	AN565D8H5	SET SCREW-ATTACH KNOB			1
- 4B	0813501-1	CONTROL ASSY			1
5	L1000G	LIGHT ASSY-INDICATOR	35547	35749	1
- 5A	AN3140-327	BULB-LIGHT ASSY			1
- 5B	VM911M-3	LIGHT-INDICATOR MARCO	35750	& ON	1
- 5C	AN3140-327	BULB	35750	& ON	1
6	L1000R	LIGHT ASSY-INDICATOR HETHERINGTON INC	35547	35749	1
- 6A	AN3140-327	BULB			1
- 6B	VM911M-2	LIGHT-INDICATOR MARCO	35750	& ON	1
- 6C	AN3140-327	BULB	35750	& ON	1
- 6D	0813528-1	SLEEVE-LIGHT ASSY	35547	35749	2
7	0813475-3	KNOB ASSY-VACUUM TEST VALVE			1
- 7A	AN565D8H5	SET SCREW-ATTACH KNOB			1
- 7B	0813577-1	VALVE ASSY-VACUUM TEST REFER TO 37-10-00 FIGURE 03 FOR BREAKDOWN			1
- 7C	AN515-6R16	SCREW-ATTACH VALVE REFER TO 37-10-00 FIGURE 03 FOR BREAKDOWN			4
8	CM2625L1	INDICATOR-FLAP POSITION			1
9	0311037-9	AMMETER			1
10	AN507B632R12	SCREW-ATTACH INDICATOR & AMMETER	35547	35771	5
11	AN507B632R12	SCREW-ATTACH INDICATOR & AMMETER	35772	& ON	6
12	S-1103-1	PIN ASSY-PHONE			2
- 12A	2055785-1	PIN ASSY-PHONE ALT FOR S-1103-1			2 R
- 12B		CIGAR LIGHTER INSTALLATION-REFER TO 24-30-00 FIGURE 03 FOR NHA			RF
13	0813608-15	LIGHTER ASSY-CIGAR LESS KNOB	35547	35771	1
- 13A	0813608-4	HEATING ELEMENT			1
- 13B	0813608-8	FUSE			1
- 13C	0813608-5	FLANGE			1
- 13D	0513052-8	LIGHTER ASSY-CIGAR LESS KNOB	35772	& ON	1
- 13E	0513039-1	ELEMENT-HEATING			1
- 13F	0513039-4	TRIM CUP			1
- 13G	0813503-1	KNOB ASSY			1
14	0813509-16	DEFROST CONTROL-CABIN AIR REF 0813509-7			1
15	0813509-16	DEFROST CONTROL-REF 0813509-8			1
- 15A	0813503-6	KNOB ASSY-CABIN AIR & DEFROST CONTROL			2
- 15B	MS16562-17	PIN-ATTACH KNOB			2
16	0813433-1	COVER ASSY-STATIONARY INSTRUMENT PANEL OPENING	35547	35771	1
17	0812642-1	COVER PLATE-RADIO CUTOUT	35772	& ON	1
18	S-1021Z-6-6	SCREW-ATTACH COVER	35547	35771	2
19	S-1021Z-4-6	SCREW-ATTACH COVER	35772	& ON	6
- 19A	S3230-2	NUT-ATTACH COVER TINNEMAN A1181-6Z-3	35547	35771	2 R
- 19B	S3230-1	NUT-ATTACH COVER TINNEMAN A1776-4Z-3	35772	& ON	6 R
20	0813610-2	VALVE-WEMAC			2
21	0813750-41	ADAPTER-VALVE			2
22	S-1021Z-6-8C	SCREW-ATTACH VALVE	35547	35771	8
23	S-1022Z-6-8	SCREW-ATTACH VALVE	35772	& ON	8
24	S3230-2	NUT-ATTACH VALVE TINNEMAN ALL 81-6Z-3			8 R
25	BS51338	PLUG BUTTON-UNITED CARR			8
- 26		DELETED-NOT USED			
27	BS48154	PLUG BUTTON			1
28	0813426-1	HOOD-INSTRUMENT PANEL			1
29	0813424-1	RETAINER-HOOD INSTRUMENT PANEL	35547	35771	1
- 29A	0813424-3	RETAINER-HOOD INSTRUMENT PANEL ATTACHING PARTS	35772	& ON	1
30	AN507-832R10	SCREW-ATTACH HOOD & RETAINER TO INSTRUMENT PANEL			13
- 31		DELETED-NOT USED			
32	S1067B1	WASHER-FINISHING ATTACH HOOD TO INSTRUMENT PANEL			8
33	S-1023Z-6-10C	SCREW-ATTACH HOOD			2

CESSNA AIRCRAFT COMPANY
MODEL 310 THRU 310D
ILLUSTRATED PARTS CATALOG

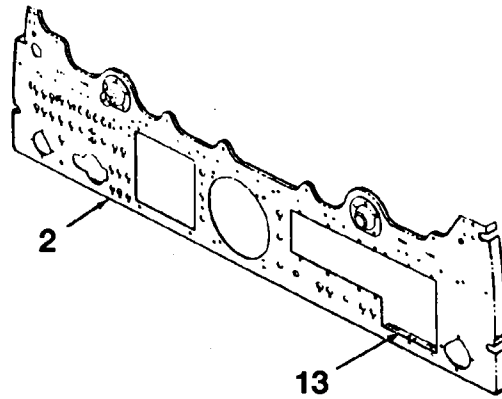
FIG ITEM	PART NUMBER	NOMENCLATURE	EFFECT		UNITS PER ASSY
			FROM	TO	
03					
34		. DECORATIVE PANEL INSTALLATION-REFER TO 31-10-02 FIGURE 01 FOR BREAKDOWN			RF
35	0812643-1	. COVER PLATE	35772	& ON	1
- 35A	AN507-632R6	. SCREW-ATTACH COVER PLATE	35772	& ON	2
- 35B	MS21044N06	. NUT-ATTACH COVER PLATE	35772	& ON	2 R
36	0812652-1	. STRIP ASSY-NOMENCLATURE	35836	& ON	1
37	0812652-10	. STRIP ASSY-NOMENCLATURE	35836	& ON	1
38	0812652-3	. STRAP-NOMENCLATURE	35836	& ON	1
- 38A	S-1021Z-4-4	. SCREW-ATTACH STRIP ASSY	35836	& ON	10
- 38B	0813441-3	. WASHER-ATTACH STRIP ASSY	35836	& ON	10
39	AN3436-2-4	. TERMINAL			1
40	AN3433-2-4	. BUS-TERMINAL BLOCK			1
41	397-4	. COVER-TERMINAL BLOCK HENERY ENG CO			1
42	AN515-4R5	. SCREW-ATTACH BLOCK			2
43	AN340-4	. NUT-ATTACH BLOCK			2
44	0812674-1	. BRACKET ASSY	35955	& ON	1
45	AN515-4R6	. SCREW-ATTACH BRACKET	35955	& ON	2

CESSNA AIRCRAFT COMPANY
MODEL 310 THRU 310D
 ILLUSTRATED PARTS CATALOG

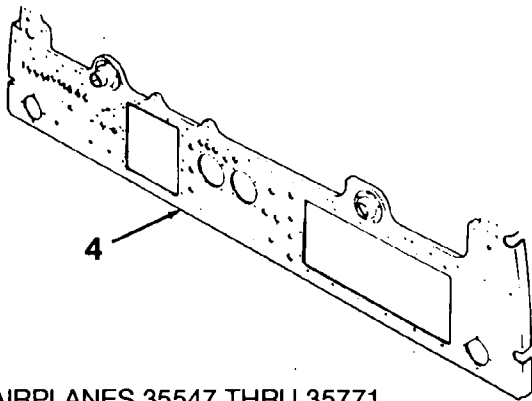
A55685



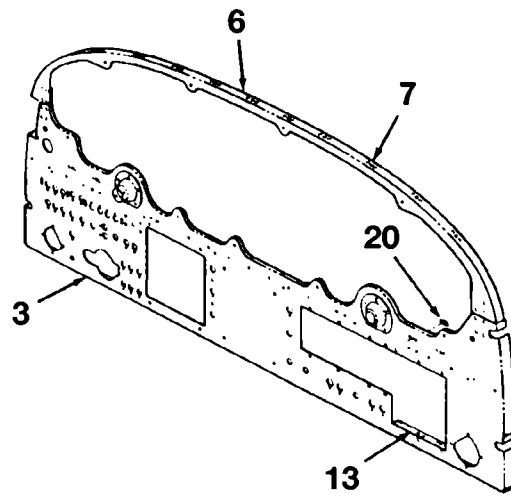
AIRPLANES 35000 THRU 35096



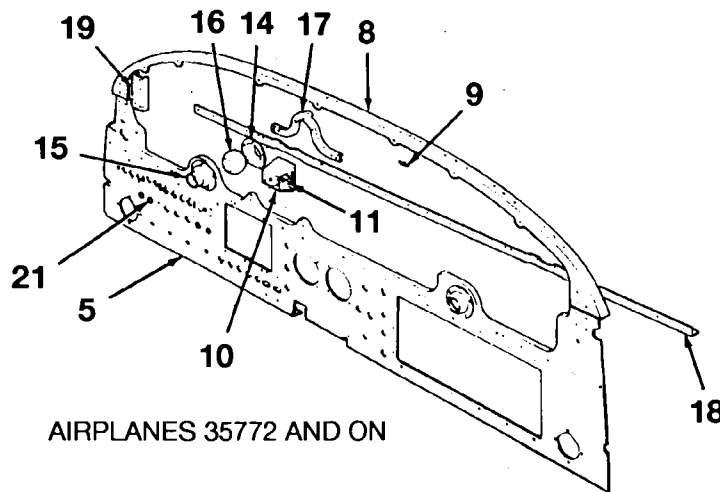
AIRPLANES 35097 THRU 35306



AIRPLANES 35547 THRU 35771



AIRPLANES 35307 THRU 35546



AIRPLANES 35772 AND ON

STATIONARY INSTRUMENT PANEL ASSEMBLIES
 FIGURE 04 (SHEET 1)

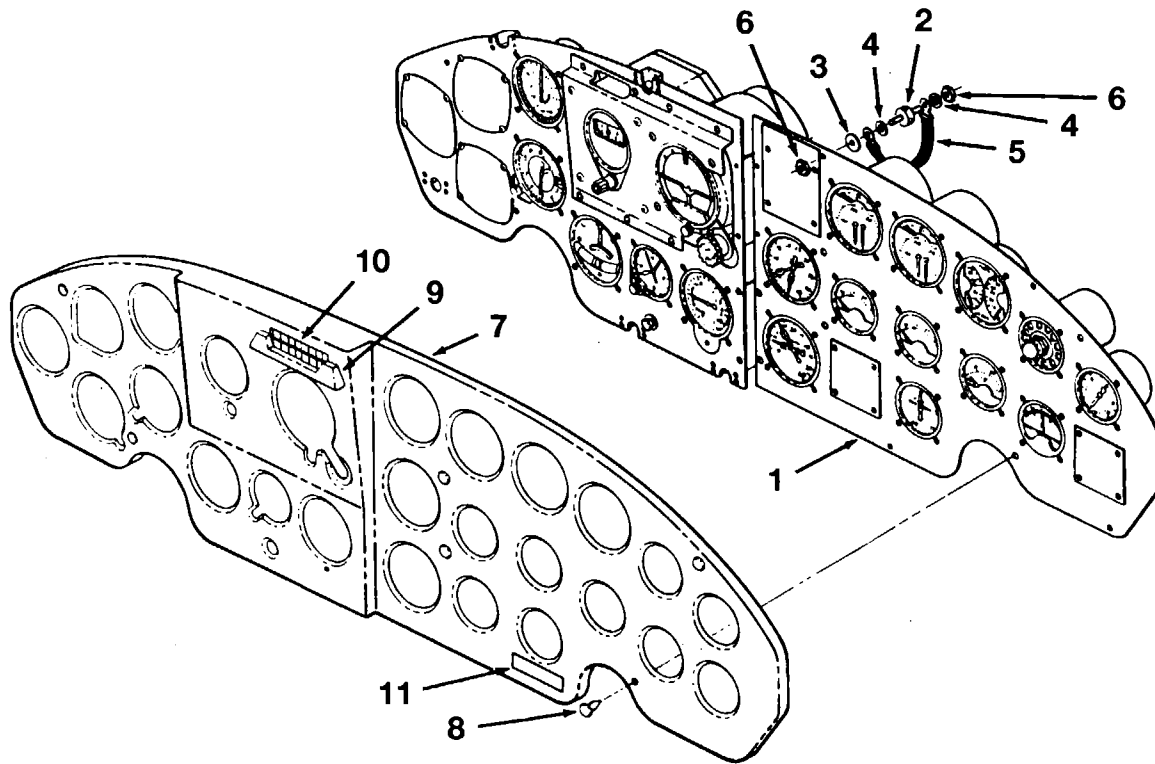
CESSNA AIRCRAFT COMPANY
MODEL 310 THRU 310D
ILLUSTRATED PARTS CATALOG

FIG ITEM	PART NUMBER	NOMENCLATURE	EFFECT		UNITS PER ASSY
			FROM	TO	
		1 2 3 4 5 6 7			
04		STATIONARY INSTRUMENT PANEL ASSEMBLIES REFER TO 53-10-01 FIGURE			RF
-		01 FOR NHA			
- 0	0891100-2	. STATIONARY INSTRUMENT PANEL ASSY	35000	35096	1
- A	0891100-3	. STATIONARY INSTRUMENT PANEL ASSY	35097	35306	1
- B	0891102-1	. STATIONARY INSTRUMENT PANEL ASSY	35307	35367	1
- C	0891102-2	. STATIONARY INSTRUMENT PANEL ASSY	35368	35546	1
- D	0813451-1	. STATIONARY INSTRUMENT PANEL ASSY	35547	35771	1
- E	0813451-3	. STATIONARY INSTRUMENT PANEL ASSY	35772	35835	1
- F	0813451-5	. STATIONARY INSTRUMENT PANEL ASSY	35836	& ON	1
- G	0812653-3	. PLACARD-LH SIDE REFER TO NOTE 1	35836	& ON	1
- H	0812653-2	. PLACARD-RH SIDE REFER TO NOTE 1	35836	35905	1
- I	0812653-4	. PLACARD-RH SIDE REFER TO NOTE 1	35906	& ON	1
1	0813500-59	. STATIONARY INSTRUMENT PANEL-LOWER	35000	35096	1
2	0813500-112	. STATIONARY INSTRUMENT PANEL-LOWER	35097	35306	1
3	0813500-117	. STATIONARY INSTRUMENT PANEL-LOWER	35307	35546	1
4	0813480-1	. STATIONARY INSTRUMENT PANEL-LOWER	35547	35771	1
5	0813480-4	. STATIONARY INSTRUMENT PANEL-LOWER	35772	& ON	1
6	0813500-93	. STATIONARY INSTRUMENT PANEL-UPPER	35000	35367	1
- 6A	0813500-122	. STATIONARY INSTRUMENT PANEL-UPPER	35368	35546	1
7	NAS680A08	. NUTPLATE	35000	35367	11
- 7A	MS21047L06	. NUTPLATE	35368	35546	11 R
8	0813455-1	. STATIONARY INSTRUMENT PANEL-UPPER	35547	& ON	1
9	NAS680A08	. NUTPLATE	35547	& ON	13
10	0813514-6	. BRACKET ASSY-VACUUM TEST VALVE			1
11	MS21047L06	. NUTPLATE			4 R
12	0813500-30	. ANGLE ASSY-STATIONARY INSTRUMENT PANEL	35000	35096	2
13	0813500-31	. ANGLE ASSY-STATIONARY INSTRUMENT PANEL	35097	35546	2
- 13A	NAS444-1-A	. NUTPLATE-TINNERMAN A8580-6Z-3	35000	35096	4
- 13B	NAS444-1-A	. NUTPLATE-TINNERMAN A8580-6Z-3	35097	35546	2
14	0813500-57	. SOCKET-CONTROL TUBE			3
15	0813500-79	. SOCKET-CONTROL TUBE LOCK			1
16	0411224	. TUBE-BALL CONTROL			2
17	0813500-14	. ANGLE-REINFORCING			2
18	0813500-15	. ANGLE-REINFORCING			1
19	0813500-61	. CHANNEL-REINFORCING			1
20	NAS680A08	. NUTPLATE	35000	35546	4
21	SS48192-K2215	. PLUG BUTTON-UNITED CARR.	35772	& ON	2

NOTE 1—PLACARDS ARE FOR REPLACEMENT OF SILKSCREEN LETTERING

CESSNA AIRCRAFT COMPANY
MODEL 310 THRU 310D
ILLUSTRATED PARTS CATALOG

A55691



AIRPLANES 35000 THRU 35546

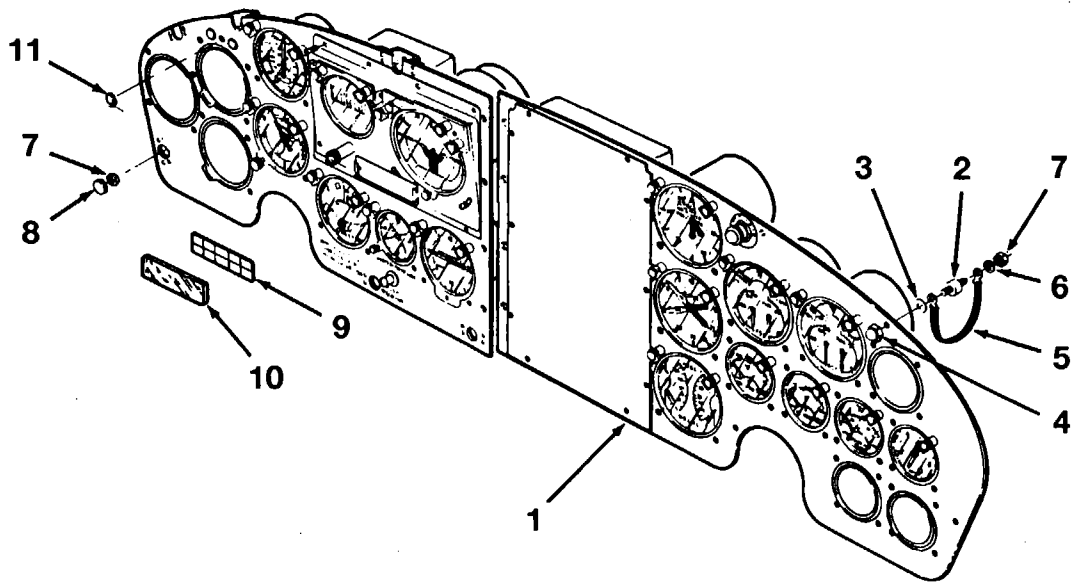
SHOCK MOUNTED INSTRUMENT PANEL INSTALLATION
FIGURE 05 (SHEET 1)

CESSNA AIRCRAFT COMPANY
MODEL 310 THRU 310D
ILLUSTRATED PARTS CATALOG

FIG ITEM	PART NUMBER	NOMENCLATURE	EFFECT		UNITS PER ASSY
			FROM	TO	
05					
-		SHOCK MOUNTED INSTRUMENT PANEL INSTALLATION	35000	35546	RF
1		. SHOCK PANEL ASSEMBLY-REFER TO 31-10-00 FIGURE 07 FOR BREAKDOWN			RF
2	0411059-1	. SHOCKMOUNT			9
3	S355	. SPACER			9
4	MS35333-106	. WASHER-ATTACH SHOCK PANEL			18 R
5	0831005-3	. BONDING STRAP			2
6	AN340B8	. NUT-ATTACH SHOCK PANEL			18
7	0813500-34-124	. PANEL COVER	35000	35180	1
- 7A	0813500-115-124	. PANEL COVER	35181	35200	1
			35202	35225	
- 7B	0813500-115-151	. PANEL COVER	35201	35201	1
			35226	35361	
- 7C	0813500-116-151	. PANEL COVER	35362	35546	1
8	99188	. PLUG BUTTON-ATTACH COVER UNITED CARR			8
9	0713028-4	. RETAINER-COMPASS CARD	35000	35200	1
			35202	35225	
- 9A	0713028-5	. RETAINER-COMPASS CARD	35201	35201	1
			35226	35546	
- 9B	AN515-6R4	. SCREW-ATTACH RETAINER			2
10	0713028-8	. CORRECTION CARD-COMPASS			1
- 10A	0713028-3	. COVER-COMPASS CARD			1
11	0812344-1	. DECAL-FLAP INDICATOR	35447	35546	1

CESSNA AIRCRAFT COMPANY
MODEL 310 THRU 310D
ILLUSTRATED PARTS CATALOG

A41040



AIRPLANES 35547 AND ON

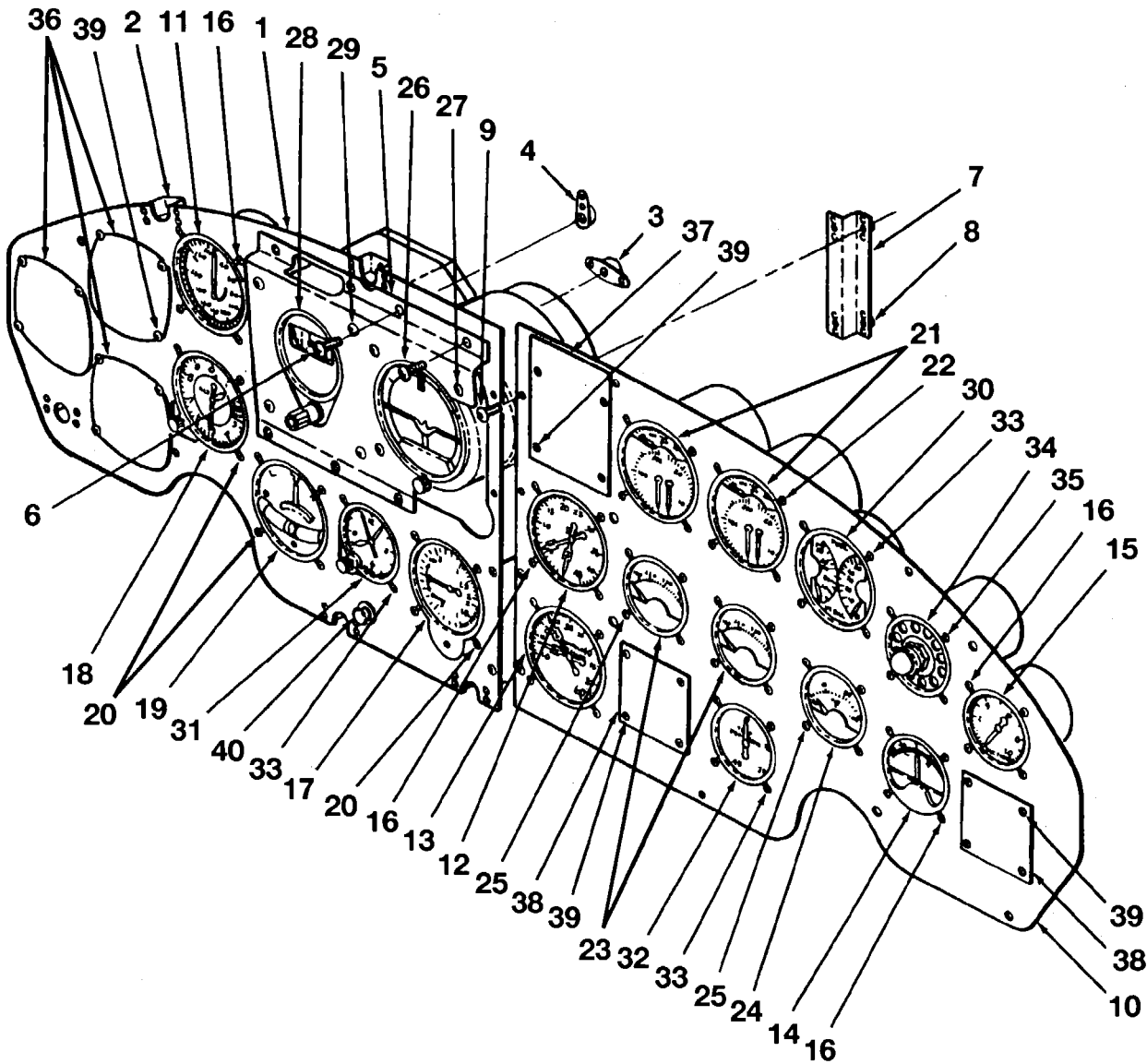
SHOCK MOUNTED INSTRUMENT PANEL INSTALLATION
FIGURE 06 (SHEET 1)

CESSNA AIRCRAFT COMPANY
MODEL 310 THRU 310D
ILLUSTRATED PARTS CATALOG

FIG ITEM	PART NUMBER	NOMENCLATURE	EFFECT		UNITS PER ASSY
			FROM	TO	
		1 2 3 4 5 6 7			
06		SHOCK MOUNTED INSTRUMENT PANEL INSTALLATION			
-			35547	& ON	RF
1		. SHOCK PANEL ASSY-REFER TO 31-10-00 FIGURE 08 FOR BREAKDOWN			RF
2	0411059-1	. SHOCKMOUNT-ATTACH SHOCK PANEL			12
3	NAS1149DN832H	. WASHER-ATTACH SHOCK PANEL			6 R
4	22K2-82	. NUT-ATTACH SHOCK PANEL ESNA			6
5	0831005-3	. BONDING STRAP-ATTACH SHOCK PANEL			2
6	MS35333-106	. WASHER-ATTACH SHOCK PANEL			18 R
7	AN340B8	. NUT-ATTACH SHOCK PANEL			18
8	BS48157-K2215	. PLUG BUTTON-UNITED CARR			6
9	0713028-8	. CORRECTION CARD-COMPASS			1
10	0713028-3	. CARD COVER-COMPASS			1
11	BS51338-K2215	. PLUG BUTTON-UNITED CARR			3

CESSNA AIRCRAFT COMPANY
MODEL 310 THRU 310D
ILLUSTRATED PARTS CATALOG

A55693



AIRPLANES 35000 THRU 35546

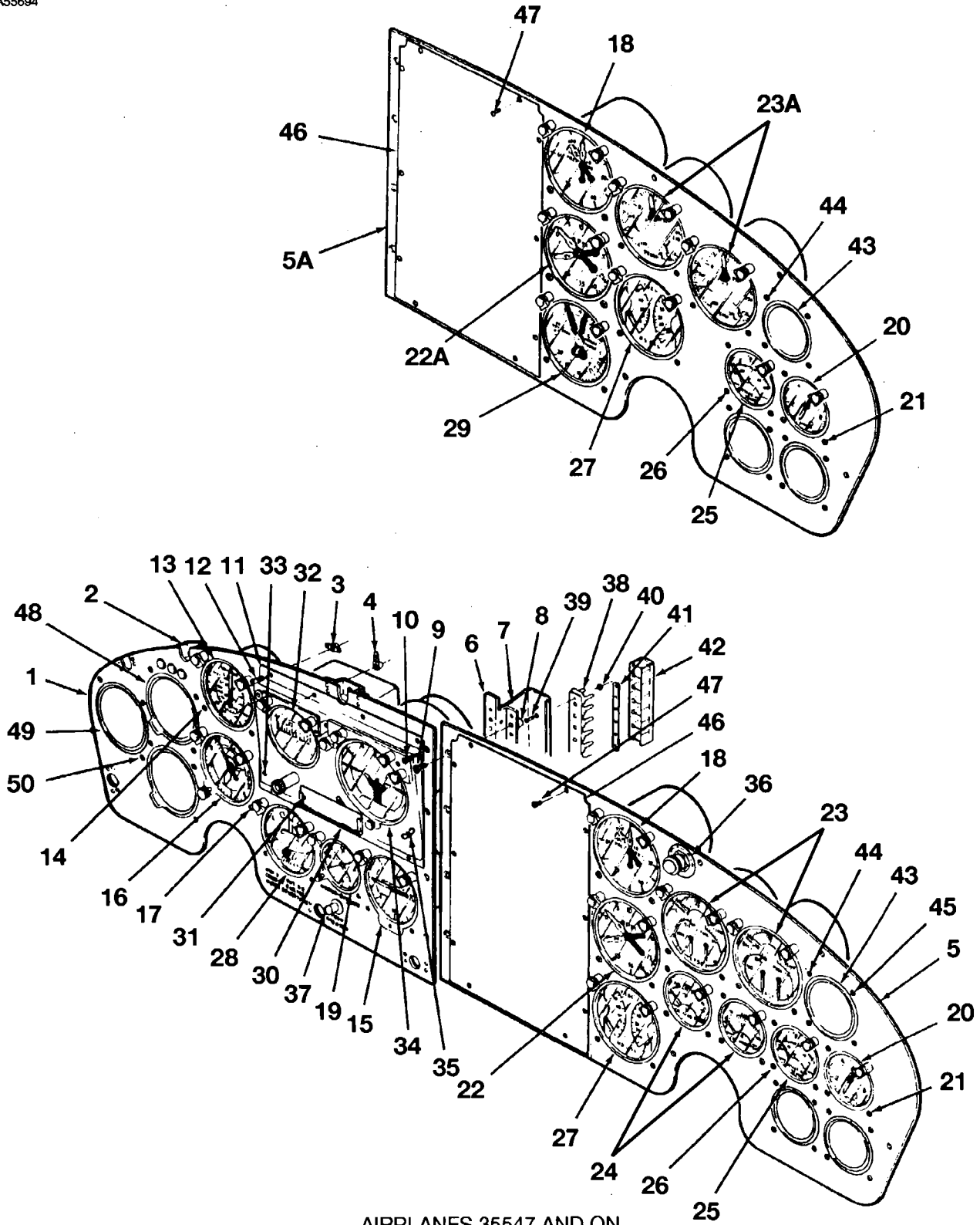
SHOCK MOUNTED INSTRUMENT PANEL ASSEMBLY
FIGURE 07 (SHEET 1)

**CESSNA AIRCRAFT COMPANY
MODEL 310 THRU 310D
ILLUSTRATED PARTS CATALOG**

FIG ITEM	PART NUMBER	NOMENCLATURE	EFFECT			UNITS PER ASSY
			FROM TO	35546	RF	
07		SHOCK MOUNTED INSTRUMENT PANEL ASSEMBLY REFER TO 31-10-00	35000	35546	RF	
-		FIGURE 05 FOR NHA				
- 0	0813500-3	. SHOCK PANEL ASSY-BARE				1
1	0813500-120	. . . SHOCK PANEL ASSY-LH				1
2	0813500-12	. . . SHOCK MOUNT BRACKET				5
3	MS21047L06	. . . NUTPLATE				5 R
4	MK2000-06	. . . NUTPLATE-ANCHOR KAYNAR				2
5	0813500-9	. . . BRACKET-GYRO				1
6	AN515-6R9	. . . SCREW-ATTACH BRACKET				7
7	0813500-11	. . . ANGLE ASSY				2
8	NAS680A08	. . . NUTPLATE				4
9	AN515-8R10	. . . SCREW-ATTACH ANGLE ASSY				4
- 9A	AN515-8R10	. . . SCREW-ATTACH ANGLE ASSY				4
10	0813500-6	. . . PANEL-RH SHOCK				1
11	0813604-1	. . . AIRSPEED INDICATOR				1
12	0813605-1	. . . TACHOMETER				1
13	0813606-6	. . . GAGE-MANIFOLD PRESSURE				1
14	0311037-5	. . . AMMETER				1
15	0311057-2	. . . SUCTION GAGE-SUCTION				1
16	AN515B6R10	. . . SCREW-ATTACH INSTRUMENTS				20
17	0311034-1	. . . VERTICAL SPEED INDICATOR				1
18	0311026-1	. . . ALTIMETER				1
19	0813607-2	. . . TURN & BANK INDICATOR				1
20	AN515B6R12	. . . SCREW-ATTACH INSTRUMENTS				12
21	0813600-4	. . . GAGE-ENGINE				2
22	AN515B6R11	. . . SCREW-ATTACH INSTRUMENTS				8
23	0813601-2	. . . GAGE-CYLINDER HEAD TEMPERATURE				2
24	0813601-7	. . . GAGE-OUTSIDE AIR TEMPERATURE				1
25	AN515B6R11	. . . SCREW-ATTACH INSTRUMENTS				12
- 25A	MS20365B632C	. . . NUT-ATTACH INSTRUMENTS				12
26	0311058-3	. . . GYRO-HORIZONTAL				1
27	AN520B10R10	. . . SCREW-ATTACH INSTRUMENT				3
28	0311056-5	. . . GYRO-DIRECTIONAL				1
29	AN520B10R14	. . . SCREW-ATTACH INSTRUMENT				4
30	0813609-1	. . . GAGE-DUAL FUEL				1
31	0411010-3	. . . CLOCK				1
32	0813603-3	. . . FLAP INDICATOR				1
33	AN515B6R10	. . . SCREW-ATTACH INSTRUMENTS				6
- 33A	MS20365B632C	. . . NUT-ATTACH INSTRUMENTS				6
34	0511062-7	. . . WARNING UNIT-STALL WARNING				1
- 34A	MS25231-313	. . . LAMP-STALL WARNING INDICATOR				1
35	AN515B6R7	. . . SCREW-ATTACH INSTRUMENTS				4
36	0812750-9	. . . COVER PLATE-OPTIONAL INSTRUMENT OPENING				3
37	0812750-10	. . . COVER PLATE-OPTIONAL INSTRUMENT OPENING				1
38	0713200-7	. . . COVER-OPTIONAL INSTRUMENT OPENING				2
39	S-1021Z-6-6	. . . SCREW-ATTACH COVER PLATE				21
- 39A	S3230-2	. . . NUT-ATTACH COVER PLATE TINNERMAN A1181-6Z				21 R
40	L3100AM	. . . LIGHT ASSY-INDICATOR HETHERINGTON INC				1
- 40A	AN3140-327	. . . BULB				1

CESSNA AIRCRAFT COMPANY
MODEL 310 THRU 310D
 ILLUSTRATED PARTS CATALOG

A55694



AIRPLANES 35547 AND ON
 SHOCK MOUNTED INSTRUMENT PANEL ASSEMBLY
 FIGURE 08 (SHEET 1)

CESSNA AIRCRAFT COMPANY
MODEL 310 THRU 310D
ILLUSTRATED PARTS CATALOG

FIG ITEM	PART NUMBER	NOMENCLATURE	EFFECT		UNITS PER ASSY
			FROM	TO	
08		SHOCK MOUNTED INSTRUMENT PANEL ASSEMBLY REFER TO 31-10-00	35547	& ON	RF
		FIGURE 06 FOR NHA			
1	0813410-1	. SHOCK PANEL ASSY-LH			1
2	0813500-12	. SHOCK MOUNT BRACKET			6
3	MS21069L06	. NUTPLATE			6 R
4	MK2000-06	. NUTPLATE			1
5	0813420-1	. SHOCK PANEL ASSY-RH	35547	35771	1
5A	0812638-1	. SHOCK PANEL ASSY-RH	35772	& ON	1
- 5B	MS21069L06	. NUTPLATE	35547	35771	12 R
- 5C	MS21059L06	. NUTPLATE	35772	& ON	12 R
6	0813418-1	. ANGLE ASSY			1
7	0813432-1	. SUPPORT			1
8	NAS680A08	. NUTPLATE			8
9	AN509-8R12	. SCREW-ATTACH ANGLE			4
- 9A	MS24694-S9	. SCREW-ATTACH ANGLE ALT FOR AN509-8R12			4 R
10	AN507-832R10	. SCREW-ATTACH PANEL ASSYS			4
11	0813415-1	. BRACKET-GYRO			1
12	AN507-632R8	. SCREW-ATTACH BRACKET			7
13	0813604-4	. AIRSPEED INDICATOR	35547	35771	1
- 13A	CM2640L1	. AIRSPEED INDICATOR	35772	& ON	1
14	AN507B632R16	. SCREW-ATTACH INDICATOR			2
15	0311034-5	. VERTICAL SPEED INDICATOR			1
16	0311026-5	. ALTIMETER			1
17	AN507B632R16	. SCREW-ATTACH INSTRUMENTS			3
- 17A	MS20365B632C	. NUT-ATTACH INSTRUMENTS			3
18	0813606-7	. GAGE-MANIFOLD PRESSURE			1
19	0411010-5	. CLOCK			1
20	S-1300L1	. GAGE-SUCTION			1
21	AN507B632R12	. SCREW-ATTACH INSTRUMENTS			6
- 21A	MS20365B632C	. NUT-ATTACH INSTRUMENTS			6
22	0813605-5	. TACHOMETER	35547	35771	1
22A	0813605-7	. TACHOMETER	35772	& ON	1
23	0813600-4	. GAGE-ENGINE	35547	35771	2
23A	0813600-5	. GAGE-ENGINE	35772	35830	2
- 23B	0813600-6	. GAGE-ENGINE	35831	35937	2
- 23C	0813600-10	. GAGE-ENGINE	35938	& ON	2
24	0813601-2	. CYLINDER HEAD TEMPERATURE GAGE	35547	35771	2
25	0813601-10	. BULB-OUTSIDE AIR TEMPERATURE			1
26	AN507B632R12	. SCREW-ATTACH INSTRUMENTS	35547	35771	15
- 26A	AN507B632R12	. SCREW-ATTACH INSTRUMENTS	35772	& ON	9
27	0813609-6	. GAGE-FUEL	35547	39132	1
			39154	& ON	
- 27A	0813609-3	. GAGE-FUEL	39133	39153	1
28	0813607-3	. TURN & BANK INDICATOR			1
- 28A	AN507B632R14	. SCREW-ATTACH INSTRUMENTS			4
29	0813624-1	. GAGE-FUEL PRESSURE	35772	& ON	1
- 29A	AN507B632R14	. SCREW-ATTACH GAGE	35772	& ON	2
- 29B	MS20365B632C	. NUT-ATTACH GAGE	35772	& ON	2
30	0813570-1	. HOLDER-COMPASS CARD			1
31	S-1022Z-4-4	. SCREW-ATTACH HOLDER			2
32	0311056-6	. GYRO-DIRECTIONAL			1
33	AN507B1032R12	. SCREW-ATTACH GYRO			2
34	0311058-6	. GYRO-HORIZONTAL			1
35	AN520B10R16	. SCREW-ATTACH GYRO			2
36	0511062-8	. LIGHT ASSY-STALL WARNING	35547	35771	1
- 36A	MS25231-313	. LAMP-LIGHT ASSY			1
37	L-3100-AM	. LIGHT-INDICATOR HETHERINGTON INC			1
- 37A	AN3140-327	. BULB-LIGHT INDICATOR			1
38	AN3436-2-6	. TERMINAL BLOCK			2
		ATTACHING PARTS			
39	AN515-4R5	. SCREW-ATTACH TERMINAL BLOCK			4
40	AN340-4	. NUT-ATTACH TERMINAL BLOCK			4
41	AN3433-2-6	. BUS-TERMINAL BLOCK			2
42	397-6	. COVER-TERMINAL BLOCK HENRY ENGINEERING CO			2
43	0813468-1	. COVER PLATE-INSTRUMENT PANEL OPENING			3
44	S-1021Z-6-7	. SCREW-ATTACH COVERS			2
- 44A	S-1021Z-6-8	. SCREW-ATTACH COVERS			1
45	S-1022Z-6-8	. SCREW-ATTACH COVERS			9
- 45A	S3230-1	. NUT-TINNERMAN A1776-4Z-3			4 R
- 45B	S3230-2	. NUT-TINNERMAN A1181-6Z-3			8 R

CESSNA AIRCRAFT COMPANY
MODEL 310 THRU 310D
ILLUSTRATED PARTS CATALOG

FIG ITEM	PART NUMBER	NOMENCLATURE	EFFECT		UNITS PER ASSY
			FROM	TO	
08					
46	0813469-1	. COVER-INSTRUMENT PANEL RADIO CUTOUT			1
47	AN507-632R8	. SCREW-ATTACH COVER			10
48	0813468-2	. COVER PLATE-INSTRUMENT PANEL OPENING			2
49	0813468-3	. COVER PLATE-INSTRUMENT PANEL OPENING			1
50	S-1021Z-6-7	. SCREW-ATTACH COVERS			6
- 50A	S-1022Z-6-7	. SCREW-ATTACH COVERS			3
- 50B	S3230-2	. NUT-ATTACH COVERS TINNEMAN A1181-6Z-3			9 R

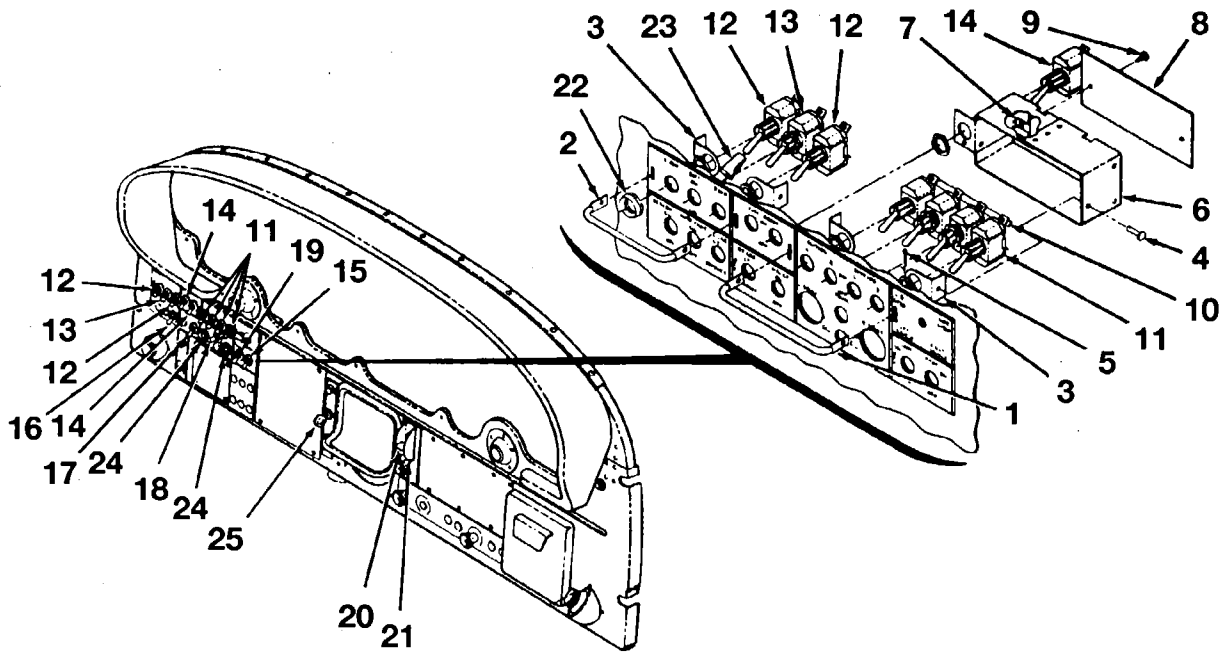
- ITEM NOT ILLUSTRATED

© Cessna Aircraft Company

Figure 08
Page 3
31-10-00 Jul 3/2006

CESSNA AIRCRAFT COMPANY
MODEL 310 THRU 310D
ILLUSTRATED PARTS CATALOG

A55686



AIRPLANES 35000 THRU 35546

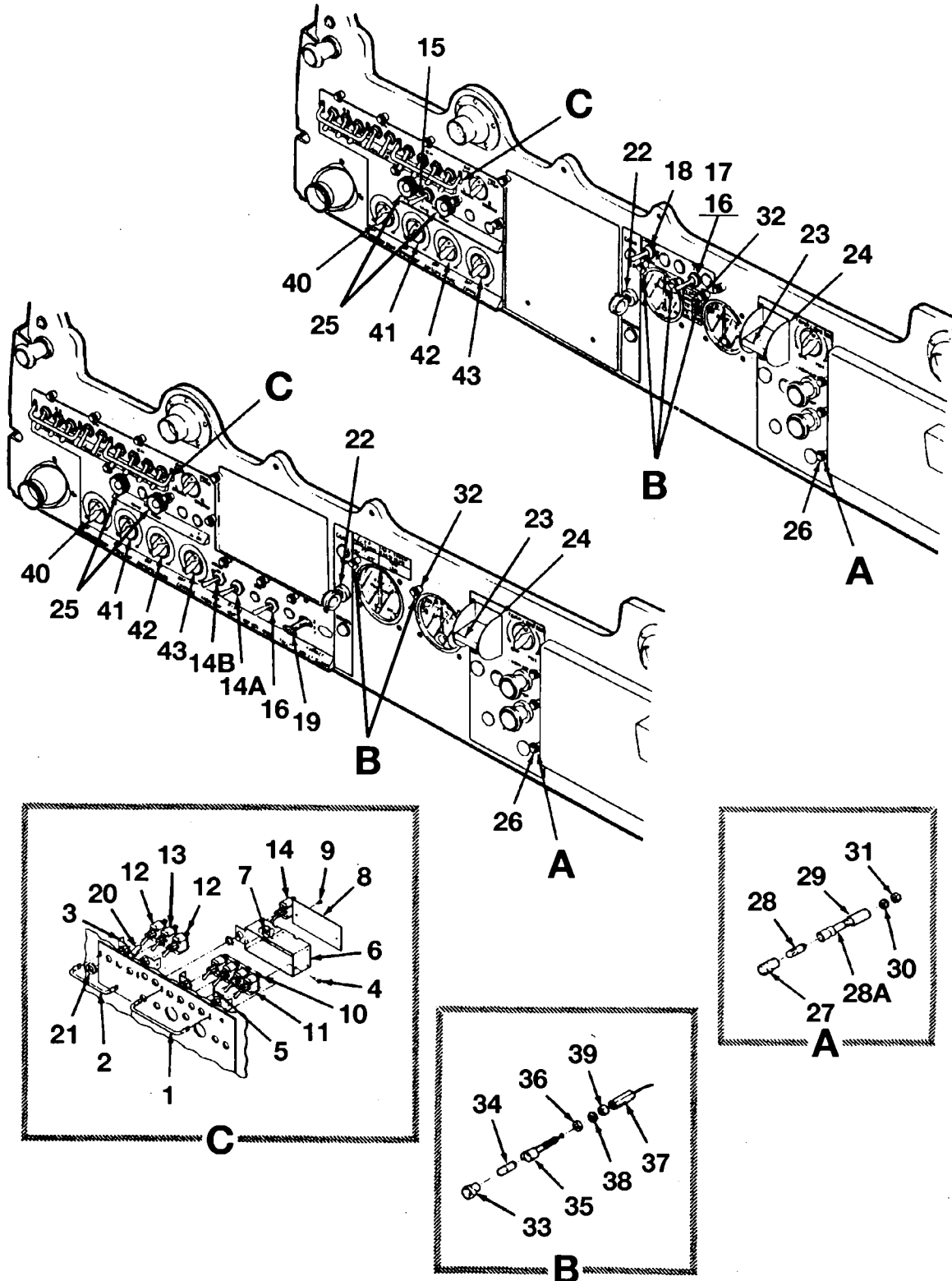
STATIONARY INSTRUMENT PANEL SWITCHES INSTALLATION
FIGURE 01 (SHEET 1)

CESSNA AIRCRAFT COMPANY
MODEL 310 THRU 310D
ILLUSTRATED PARTS CATALOG

FIG ITEM	PART NUMBER	NOMENCLATURE	EFFECT		UNITS	
			FROM	TO	PER ASSY	
01		STATIONARY INSTRUMENT PANEL SWITCHES INSTALLATION	35000	35546	RF	
-						
1	0813500-21	. BAR-SWITCH				1
2	0813500-22	. BAR-SWITCH				1
3	0813500-23	. BRACKET-SWITCH BAR				4
4	MS20392-1-7	. PIN-ATTACH SWITCH BARS				4
5	MS24665-132	. COTTER PIN-SECURE PIN				4
6	0813500-83	. SHIELD				1
7	S3228-14	. NUT-TINNERMAN A1274-8Z-3				2 R
8	0813500-82	. COVER				1
9	S-1021Z-8-6	. SCREW-ATTACH COVER				2
10	0813500-94	. GROUND BUS				1
11	S382-2	. SWITCH-IGNITION				4
12	S382-2	. SWITCH-GENERATOR				2
13	S382-2	. SWITCH-BATTERY				1
14	S382-2	. SWITCH-FUEL BOOST				2
15	S382-2	. SWITCH-PITOT HEAT				1
16	MS35059-21	. SWITCH-LEFT LANDING LIGHT	35000	35025		1 R
- 16A	S382-1	. SWITCH-LEFT LANDING LIGHT	35026	35546		1
17	MS35059-23	. SWITCH-NAVIGATION LIGHT				1 R
- 17A	"LITTLE DEVIL"	. RESISTOR-FIXED CARBON 560 OHM 1 WATT				1
18	AN3021-7	. SWITCH-PRIME				1
19	S382-1	. SWITCH-CABIN HEAT				1
20	0813511-1	. SWITCH-FLAP CONTROL				1
- 20A	0813526-1	. KNOB-FLAP SWITCH				1
21	0813527-1	. GUARD-FLAP SWITCH				1
22	0813506	. NUT-ATTACH SWITCHES				14
23	S-384	. KNOB-SWITCH				14
24	C1006RGUR	. SWITCH-STARTER				2
25	0813525-2	. SWITCH-LANDING GEAR				1
- 25A	0813502-1	. KNOB-LANDING GEAR SWITCH				1

CESSNA AIRCRAFT COMPANY
MODEL 310 THRU 310D
 ILLUSTRATED PARTS CATALOG

A55687



AIRPLANES 35547 AND ON
 STATIONARY INSTRUMENT PANEL SWITCHES AND LIGHTING INSTALLATION
 FIGURE 02 (SHEET 1)

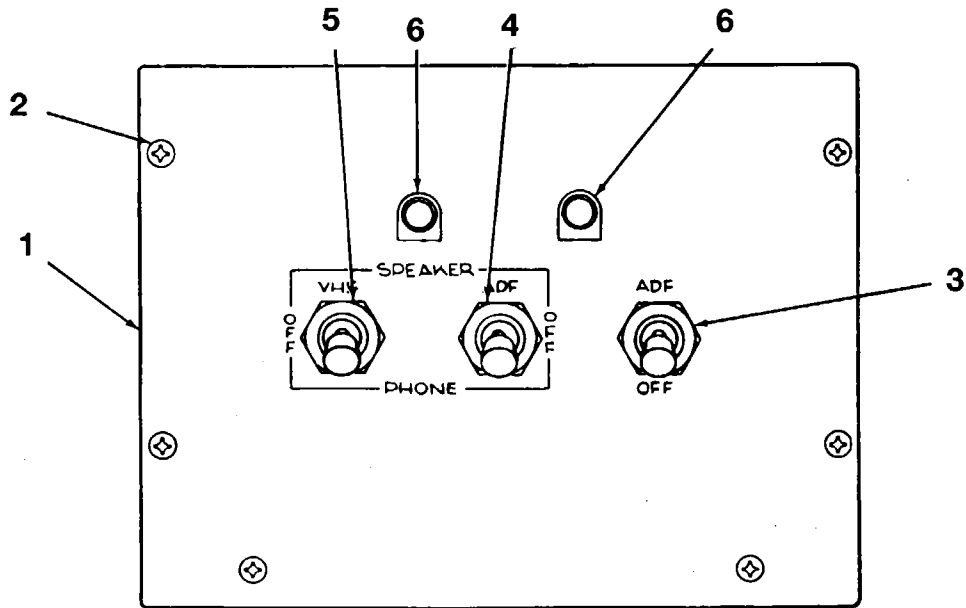
CESSNA AIRCRAFT COMPANY
MODEL 310 THRU 310D
ILLUSTRATED PARTS CATALOG

FIG ITEM	PART NUMBER	NOMENCLATURE	EFFECT		UNITS PER ASSY
			FROM	TO	
02		STATIONARY INSTRUMENT PANEL SWITCHES AND LIGHTING INSTALLATION REFER TO 31-10-00 FIGURE 03 FOR NHA	35547	& ON	RF
1	0813474-1	. SWITCH BAR			1
2	0813474-2	. SWITCH BAR			1
3	0813500-23	. BRACKET-SWITCH BAR			4
4	MS20392-1-7	. PIN-ATTACH SWITCH BARS			4
5	MS24665-132	. COTTER PIN-ATTACH SWITCH BARS			4
6	0813500-83	. SHIELD-IGNITION SWITCHES			1
7	S3228-14	. NUT-TINNERMAN A1274-8Z-3			2 R
8	0813500-82	. COVER-SHIELD IGNITION SWITCHES			1
9	S-1021Z-8-6	. SCREW-ATTACH COVER			2
10	0813500-94	. GROUND BUS			1
11	S382-2	. SWITCH-IGNITION			4
12	S382-2	. SWITCH-GENERATOR			2
13	S382-2	. SWITCH-BATTERY			1
14	S382-2	. SWITCH-FUEL BOOST			2
14A	S382-2	. SWITCH-PITOT HEAT	35772	& ON	1
14B	MS35059-21	. SWITCH-CABIN HEAT	35772	& ON	1 R
15	AN3021-7	. SWITCH-PRIME	35547	& ON	1
16	MS35059-23	. SWITCH-NAVIGATION LIGHT	35547	3564	1 R
			35750	& ON	
17	6AT10	. SWITCH-NAVIGATION LIGHT MICRO SWITCH CORP	35645	35749	1
- 17A	"LITTLE DEVIL"	. 1200 OHMS 1 WATT-OHMITE MFG CO	35547	35749	1
18	S382-1	. SWITCH-LEFT LANDING LIGHT	35547	35771	1
19	AN3022-15B	. SWITCH-LEFT LANDING LIGHT	35772	& ON	1
20	S384-1	. KNOB-SWITCH	35546	35771	12
- 20A	S384-1	. KNOB-SWITCH	35772	& ON	11
21	S1216-1	. NUT-ATTACH SWITCHES			13
22	0813525-2	. SWITCH-LANDING GEAR			1
- 22A	0813502-1	. KNOB-LANDING GEAR SWITCH			1
23	0813511-1	. SWITCH-FLAP CONTROL			1
- 23A	0813526-1	. KNOB-FLAP SWITCH			1
24	0813527-1	. GUARD-FLAP SWITCH			1
25	C1006RGUR	. SWITCH-STARTER HETHERINGTON INC			2
- 25A		. LIGHTING INSTALLATION-STATIONARY INSTRUMENT PANEL REFER TO 33-10-00 FIGURE 01 FOR NHA			RF
26	A5299-24	. LIGHTING FIXTURE-GRIMES MFG	35547	35771	11
- 26A	A5299-24	. LIGHTING FIXTURE-GRIMES MFG	35772	& ON	13
27	A5075	. HOOD-LIGHTING FIXTURE GRIMES MFG			1
28	334	. LAMP-LIGHTING FIXTURE GRIMES MFG			1
28A	A5043A	. SOCKET-LIGHTING FIXTURE GRIMES MFG			1
29	A5039	. SPACER-LIGHTING FIXTURE GRIMES MFG			1
30	10	. CLAMP-ATTACH LIGHTING FIXTURE GRIMES MFG			1
31	A5045	. NUT-ATTACH LIGHTING FIXTURE			1
32	A8970-1-327	. POST LIGHT	35547	35771	3
- 32A	A8970-1-327	. POST LIGHT	35772	& ON	2
33	A6747	. HOOD-LIGHTING FIXTURE GRIMES MFG			1
34	AN3140-327	. BULB-LIGHTING FIXTURE			1
35	A9160-1	. SOCKET-LIGHTING FIXTURE GRIMES MFG			1
36	A9163-1	. WASHER-SPACER LIGHTING FIXTURE GRIMES MFG			1
37	A9164-1	. CONNECTOR-LIGHTING FIXTURE GRIMES MFG			1
38	8	. LOCK WASHER-SPLIT ATTACH LIGHTING FIXTURE GRIMES MFG			1
39	8-32	. NUT-HEXAGONAL ATTACH LIGHTING FIXTURE GRIMES MFG CO			1
- 39A		. CONTROL INSTALLATION-LIGHTING	35547	& ON	RF
40	J-22-R2-352	. RHEOSTAT-FLIGHT INSTRUMENT & RADIO LIGHT CONTROL OHMITE			1
- 40A	J-16-R2-352	. RHEOSTAT-FLIGHT INSTRUMENT & RADIO CONTROL OHMITE			AR
41	H-50-R2-352	. RHEOSTAT-ENGINE INSTRUMENT LIGHT CONTROL OHMITE			1
42	H-50-R2-352	. RHEOSTAT-PANEL SWITCHES & FUEL SELECTOR LIGHT CONTROL OHMITE			1
43	0413126-8	. RHEOSTAT-COMPASS LIGHT CONTROL			1
- 43A	0813475-3	. KNOB ASSY-LIGHTING CONTROL RHEOSTATS			4
- 43B	AN565D8H5	. SET SCREW-ATTACH KNOB			1

NOTE 1—REFER TO 53-20-02 FIGURE 01 FOR SWITCHES LOCATED ON CONTROL PEDESTAL. J-16-R2-352 RHEOSTAT USED ON AIRPLANES EQUIPPED WITH RADIOS

CESSNA AIRCRAFT COMPANY
MODEL 310 THRU 310D
ILLUSTRATED PARTS CATALOG

A55907



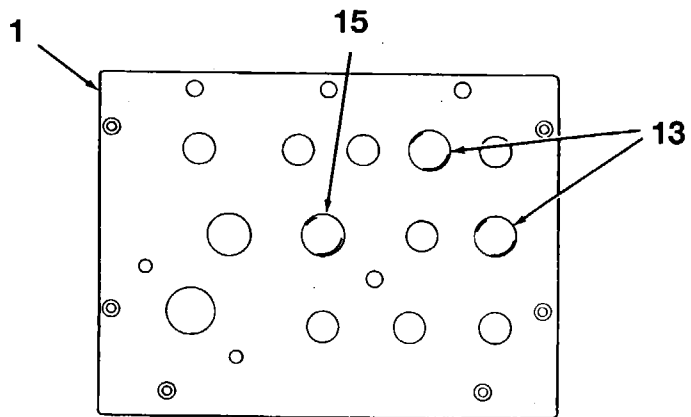
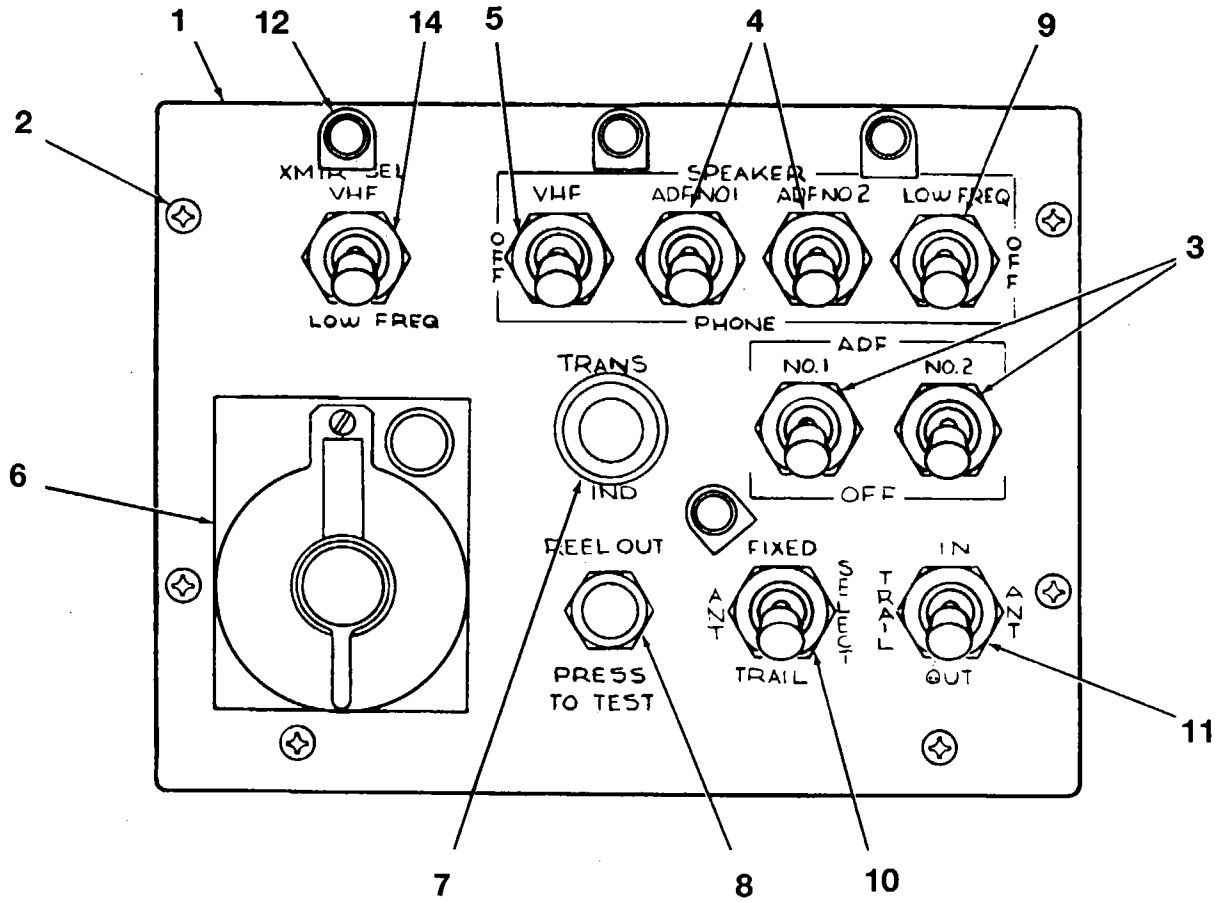
AIRPLANES 35772 AND ON
SWITCH PANEL ASSEMBLY AND INSTALLATION
FIGURE 03 (SHEET 1)

CESSNA AIRCRAFT COMPANY
MODEL 310 THRU 310D
ILLUSTRATED PARTS CATALOG

FIG ITEM	PART NUMBER	NOMENCLATURE	EFFECT		UNITS
			FROM	TO	PER ASSY
03		SWITCH PANEL ASSEMBLY AND INSTALLATION	35772	& ON	RF
1	0812650-6	SWITCH PANEL ASSY			1
2	AN507-632R8	SCREW-ATTACH PANEL			6
- 2A		LEAR ADF-12E-2 COMPONENTS INSTALLATION			RF
3	AN3027-2	SWITCH-MASTER ADF			1
4	S382-1	SWITCH-AUDIO			1
- 4A	S1216-1	NUT-SWITCH DECORATIVE			2
- 4B	S384-1	KNOB-SWITCH			2
- 4C		NARCO VC-27B SIMPLEXER COMPONENTS INSTALLATION			RF
- 4D		NARCO MARK V RECEIVER TRANSMITTER COMPONENTS INSTALLATION	39032	& ON	RF
- 4E		MOTOROLA LNC-100 TRANSCEIVER COMPONENTS INSTALLATION	39250	& ON	RF
5	MS35059-21	SWITCH-AUDIO NARCO VC-27B & MARK V			1 R
- 5A	S382-1	SWITCH-AUDIO MOTOROLA LNC-100 ONLY			1
- 5B	S1216-1	NUT-SWITCH DECORATIVE			1
- 5C	S384-1	KNOB-SWITCH			1
6	A5299-24	POSTLIGHT-REFER TO 33-10-00 FIGURE 03 FOR BREAKDOWN GRIMES MFG			AR

CESSNA AIRCRAFT COMPANY
MODEL 310 THRU 310D
 ILLUSTRATED PARTS CATALOG

A55908



AIRPLANES 35772 AND ON
 SWITCH PANEL ASSEMBLY AND INSTALLATION
 FIGURE 04 (SHEET 1)

CESSNA AIRCRAFT COMPANY
MODEL 310 THRU 310D
ILLUSTRATED PARTS CATALOG

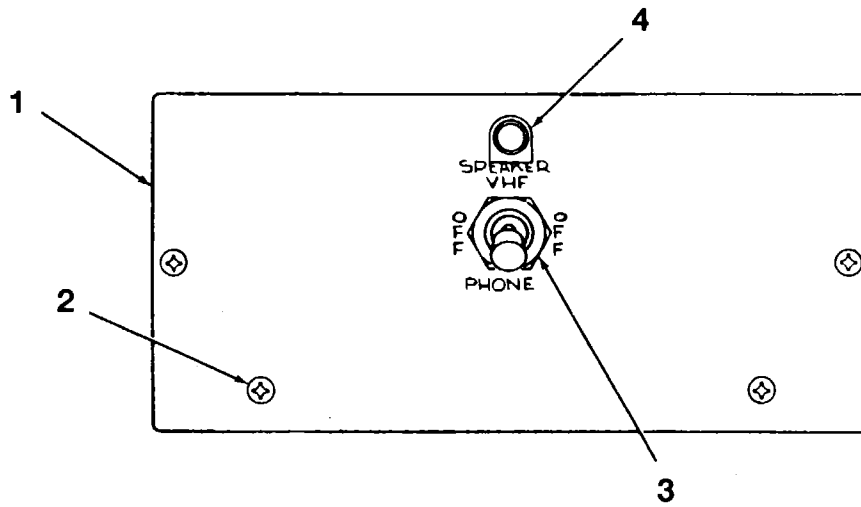
FIG ITEM	PART NUMBER	NOMENCLATURE	EFFECT		UNITS
			FROM	TO	PER ASSY
04		SWITCH PANEL ASSEMBLY AND INSTALLATION			
-			35772	& ON	RF
1	0812650-3	PANEL ASSY-CONTROL	35772	39273	1
- 1A	0812650-11	PANEL ASSY-CONTROL	39274	& ON	1
2	AN507-632R8	SCREW-ATTACH PANEL ASSY			6
- 2A		LEAR ADF-12E-2 COMPONENTS INSTLN - QTY SHOWN FOR DUAL INSTL			RF
3	AN3027-2	SWITCH-TOGGLE DOUBLE POLE MASTER ADF			2
4	S382-1	SWITCH-AUDIO			2
- 4A	S1216-1	NUT-SWITCH DECORATIVE			4
- 4B	S384-1	KNOB-SWITCH			4
- 4C		NARCO VC-27B SIMPLEXER COMPONENTS INSTALLATION			RF
- 4D		NARCO MARK V RECEIVER-TRANSMITTER COMPONENTS INSTALLATION	39032	& ON	RF
- 4E		MOTOROLA LNC-100 TRANSCEIVER COMPONENTS INSTALLATION	39250	& ON	RF
5	MS35059-21	SWITCH-AUDIO (NARCO VC-27B & MARK V ONLY)			1 R
- 5A	S382-1	SWITCH-AUDIO (MOTOROLA LNC-100 ONLY)			1
- 5B	S1216-1	NUT-SWITCH DECORATIVE			1
- 5C	S384-1	KNOB-SWITCH			1
- 5D		SUN-AIR S-5-RTR TRANSCEIVER COMPONENTS INSTALLATION	35772	39273	RF
- 5E		SUN-AIR T-5-R TRANSCEIVER COMPONENTS INSTALLATION	39274	& ON	RF
6	0812800-3	CONTROL HEAD - SUN-AIR			1
7	101	KEYBOARD-INDICATOR LIGHT TRANSMITTER (DRAKE TYPE 100)	35772	39273	1
8	L-3100-AM	INDICATOR LIGHT - REEL OUT HETHERINGTON INC	35772	39273	1
- 8A	AN3140-327	BULB-INDICATOR			1
- 8B	VM911M-4	INDICATOR LIGHT - REEL OUT MARCO	39274	& ON	1
- 8C	AN3140-327	BULB-INDICATOR	39274	& ON	1
9	S382-3	SWITCH-AUDIO	35772	39273	1
- 9A	MS35058-23	SWITCH-AUDIO ALT FOR S382-3	35772	39273	1 R
- 9B	MS35059-21	SWITCH-AUDIO	39274	& ON	1 R
10	S382-3	SWITCH-ANTENNA SELECTOR			1
- 10A	MS35058-23	SWITCH-ANTENNA SELECTOR ALT FOR			1 R
11	MS35059-21	SWITCH-REEL			1 R
- 11A	S1216-1	NUT-SWITCH DECORATIVE			3
- 11B	S384-1	KNOB-SWITCH			3
12	A5299-24	POSTLIGHT-REFER TO 23-00-00 FIGURE 04 FOR BRKDN GRIMES MFG			AR R
13	SS48152	BUTTON-UNITED CARR			AR
- 14	7664K3	SWITCH-TRANSMITTER SELECTOR CUTLER HAMMER			1
- 14A	S1216-1	NUT-SWITCH DECORATIVE			1
- 14B	S384-1	KNOB-SWITCH			1
15	SS50727-K2215	PLUG BUTTON-UNITED CARR	39274	& ON	AR

- ITEM NOT ILLUSTRATED

© Cessna Aircraft Company

CESSNA AIRCRAFT COMPANY
MODEL 310 THRU 310D
ILLUSTRATED PARTS CATALOG

A55909



AIRPLANES 35772 AND ON

NARCO VC-27B SWITCH PANEL ASSEMBLY AND INSTALLATION
FIGURE 05 (SHEET 1)

CESSNA AIRCRAFT COMPANY
MODEL 310 THRU 310D
ILLUSTRATED PARTS CATALOG

FIG ITEM	PART NUMBER	NOMENCLATURE	EFFECT		UNITS
			FROM	TO	PER ASSY
05		NARCO VC-27B SWITCH PANEL ASSEMBLY AND INSTALLATION	35772	& ON	RF
-					
1	0812650-9	. PANEL ASSY-SWITCH			1
2	AN507-632R8	. SCREW-ATTACH PANEL			4
3	S382-1	. SWITCH-AUDIO			1
- 3A	S1216-1	. NUT-SWITCH DECORATIVE			1
- 3B	S384-1	. KNOB-SWITCH			1
4	A5299-24	. POSTLIGHT-REFER TO 33-10-00 FIGURE 03 FOR BREAKDOWN GRIMES MFG			1

- ITEM NOT ILLUSTRATED

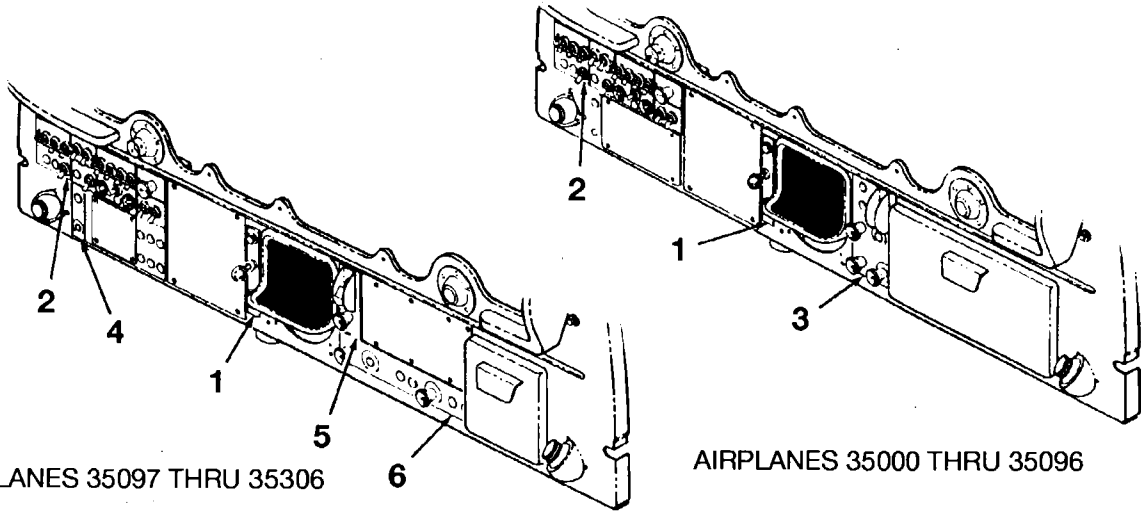
© Cessna Aircraft Company

31-10-01

Figure 05
Page 2
Jul 5/2004

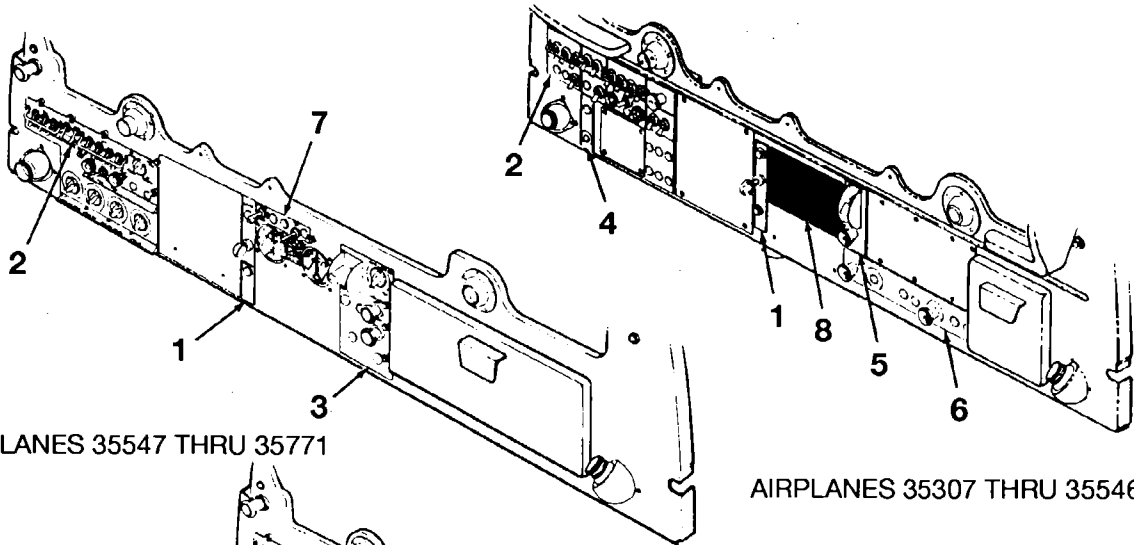
CESSNA AIRCRAFT COMPANY
MODEL 310 THRU 310D
 ILLUSTRATED PARTS CATALOG

A55684



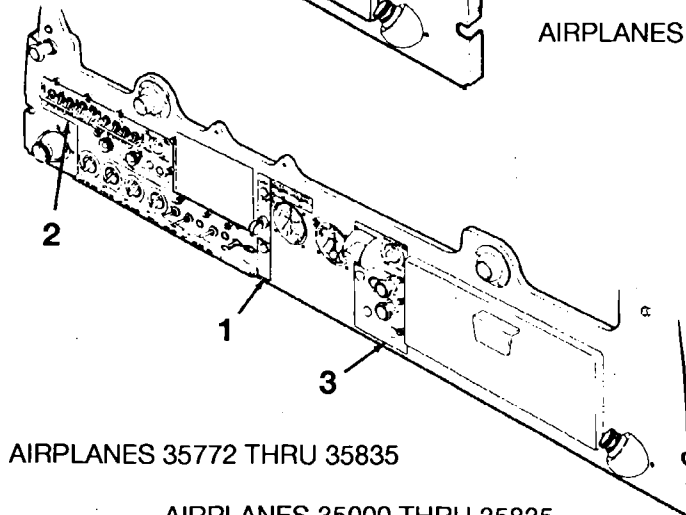
AIRPLANES 35097 THRU 35306

AIRPLANES 35000 THRU 35096



AIRPLANES 35547 THRU 35771

AIRPLANES 35307 THRU 35546



AIRPLANES 35772 THRU 35835

AIRPLANES 35000 THRU 35835
 DECORATIVE PANEL INSTALLATION
 FIGURE 01 (SHEET 1)

CESSNA AIRCRAFT COMPANY
MODEL 310 THRU 310D
ILLUSTRATED PARTS CATALOG

FIG ITEM	PART NUMBER	NOMENCLATURE	EFFECT		UNITS PER ASSY
			FROM	TO	
01		DECORATIVE PANEL INSTALLATION REFER TO 31-10-00 FIGURES 01, 02 & 03 FOR NHA	35000	35835	RF
- 1	0813510-24	. PANEL - DECORATIVE	35000	35180	1
- 1A	0813510-26	. PANEL - DECORATIVE	35181	35227	1
			35229	35229	
- 1B	0813556-4	. PANEL - DECORATIVE	35228	35228	1
			35230	35546	
- 1C	0813575-6	. PANEL - DECORATIVE	35547	35835	1
2	0813510-1	. PANEL - DECORATIVE	35000	35030	1
- 2A	0813510-10	. PANEL - DECORATIVE	35031	35180	1
- 2B	0813510-20	. PANEL - DECORATIVE	35181	35227	1
			35229	35229	
- 2C	0813556-1	. PANEL - DECORATIVE	35228	35228	1
			35230	35546	
- 2D	0813575-11	. PANEL - DECORATIVE	35547	35771	1
- 2E	0813575-15	. PANEL - DECORATIVE	35772	35835	1
3	0813510-3	. PANEL - DECORATIVE	35000	35096	1
- 3A	0813575-9	. PANEL - DECORATIVE	35547	35835	1
4	0813510-11	. PANEL - DECORATIVE	35097	35180	1
- 4A	0813510-21	. PANEL - DECORATIVE	35181	35227	1
			35229	35229	
- 4B	0813556-2	. PANEL - DECORATIVE	35228	35228	1
			35230	35546	
5	0813510-12	. PANEL - DECORATIVE	35097	35180	1
- 5A	0813510-22	. PANEL - DECORATIVE	35181	35227	1
			35229	35229	
- 5B	0813556-3	. PANEL - DECORATIVE	35228	35228	1
			35230	35546	
6	0813510-13	. PANEL - DECORATIVE	35097	35180	1
- 6A	0813510-23	. PANEL - DECORATIVE	35181	35227	1
			35229	35229	
- 6B	0813556-5	. PANEL - DECORATIVE	35228	35228	1
			35230	35486	
- 6C	0813556-6	. PANEL - DECORATIVE	35487	35546	1
7	0813575-14	. PANEL - DECORATIVE	35547	35771	1
8	0812527-1	. SHEET - DECORATIVE	35307	35546	1

CHAPTER

32

LANDING GEAR

CESSNA AIRCRAFT COMPANY
MODEL 310 THRU 310D
 ILLUSTRATED PARTS CATALOG

LIST OF EFFECTIVE PAGES

CHAPTER-SECTION-SUBJECT	PAGE	DATE
32-Title		
32-List of Effective Pages		
32-Record of Temporary Revisions		
32-Contents		
32-10-00 Figure 01	1	Jul 3/2006
	2	Jul 3/2006
32-10-00 Figure 02	1	Jul 3/2006
	2	Jul 3/2006
	3	Jul 3/2006
32-10-01 Figure 01	1	Jul 3/2006
	2	Jul 3/2006
32-20-00 Figure 01	1	Jul 3/2006
	2	Jul 3/2006
32-20-00 Figure 02	1	Jul 3/2006
	2	Jul 3/2006
32-20-00 Figure 03	1	Jul 5/2004
	2	Jul 5/2004
32-20-00 Figure 04	1	Jul 5/2004
	2	Jul 5/2004
32-20-00 Figure 05	1	Jul 3/2006
	2	Jul 3/2006
32-20-01 Figure 01	1	Jul 3/2006
	2	Jul 3/2006
32-30-00 Figure 01	1	Jul 3/2006
	2	Jul 3/2006
32-30-00 Figure 02	1	Jul 3/2006
	2	Jul 3/2006
32-30-00 Figure 03	1	Jul 3/2006
	2	Jul 3/2006
	3	Jul 3/2006
32-30-00 Figure 04	1	Jul 3/2006
	2	Jul 3/2006
32-30-00 Figure 05	1	Jul 5/2004
	2	Jul 5/2004
32-30-00 Figure 06	1	Jul 3/2006
	2	Jul 3/2006
32-30-00 Figure 07	1	Jul 3/2006
	2	Jul 3/2006
	3	Jul 3/2006
32-40-00 Figure 01	1	Jul 3/2006
	2	Jul 3/2006
32-40-01 Figure 01	1	Jul 3/2006
	2	Jul 3/2006
32-41-00 Figure 01	1	Jul 3/2006
	2	Jul 3/2006
32-41-00 Figure 02	1	Jul 3/2006
	2	Jul 3/2006
32-41-01 Figure 01	1	Jul 3/2006
	2	Jul 3/2006

32 - LIST OF EFFECTIVE PAGES

CESSNA AIRCRAFT COMPANY
MODEL 310 THRU 310D
ILLUSTRATED PARTS CATALOG

32-50-00 Figure 01

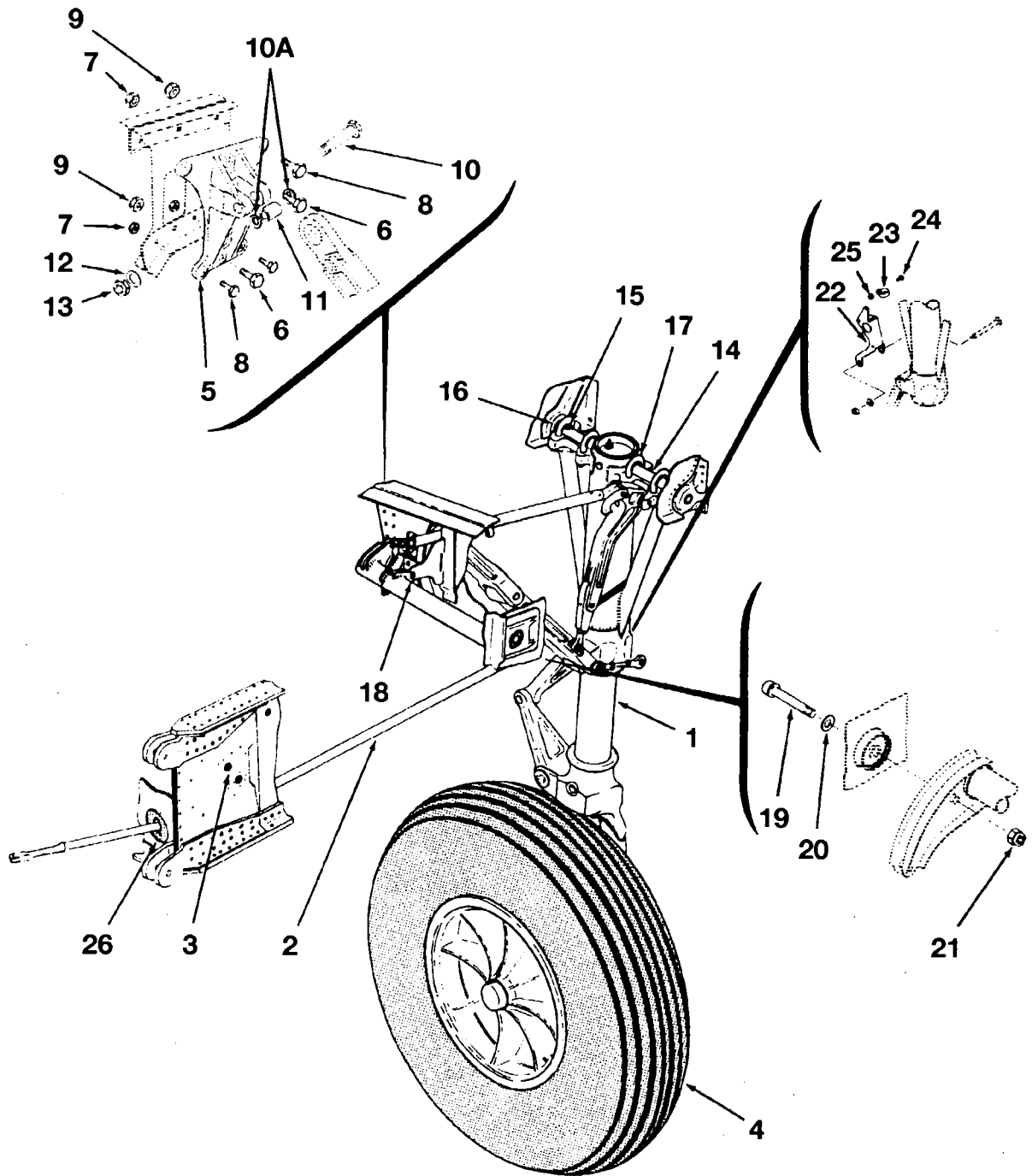
1 Jul 3/2006
2 Jul 3/2006

CESSNA AIRCRAFT COMPANY
MODEL 310 THRU 310D
ILLUSTRATED PARTS CATALOG

<u>SUBJECT</u>	<u>CH SEC SUBJ FIG</u>	<u>EFFECTIVITY</u>
MAIN LANDING GEAR INSTALLATION	32-10-00-01	
MAIN LANDING GEAR STRUT ASSEMBLY	32-10-00-02	
MAIN LANDING GEAR DOORS INSTALLATION	32-10-01-01	
NOSE GEAR INSTALLATION	32-20-00-01	
NOSE GEAR STRUT INSTALLATION	32-20-00-02	
NOSE GEAR SHOCK STRUT UPPER ASSEMBLY	32-20-00-03	
NOSE GEAR SHOCK STRUT LOWER ASSEMBLY	32-20-00-04	
SHIMMY DAMPER INSTALLATION	32-20-00-05	
NOSE GEAR DOORS INSTALLATION	32-20-01-01	
MAIN GEAR DOORS RETRACTION LINKAGE INSTALLATION	32-30-00-01	
MAIN LANDING GEAR LINKAGE INSTALLATION	32-30-00-02	
MAIN LANDING GEAR LINKAGE COMPONENTS	32-30-00-03	
NOSE GEAR LINKAGE INSTALLATION	32-30-00-04	
NOSE GEAR LINKAGE COMPONENTS	32-30-00-05	
LANDING GEAR ACTUATOR INSTALLATION	32-30-00-06	
LANDING GEAR MANUAL EXTENSION MECHANISM INSTALLATION	32-30-00-07	
MAIN WHEEL INSTALLATION	32-40-00-01	
NOSE WHEEL INSTALLATION	32-40-01-01	
BRAKE INSTALLATION	32-41-00-01	
BRAKE SYSTEM INSTALLATION	32-41-00-02	
PARKING BRAKE INSTALLATION	32-41-01-01	
NOSE WHEEL STEERING CONTROL SYSTEM INSTALLATION	32-50-00-01	

CESSNA AIRCRAFT COMPANY
MODEL 310 THRU 310D
ILLUSTRATED PARTS CATALOG

A55648



MAIN LANDING GEAR INSTALLATION
FIGURE 01 (SHEET 1)

CESSNA AIRCRAFT COMPANY
MODEL 310 THRU 310D
ILLUSTRATED PARTS CATALOG

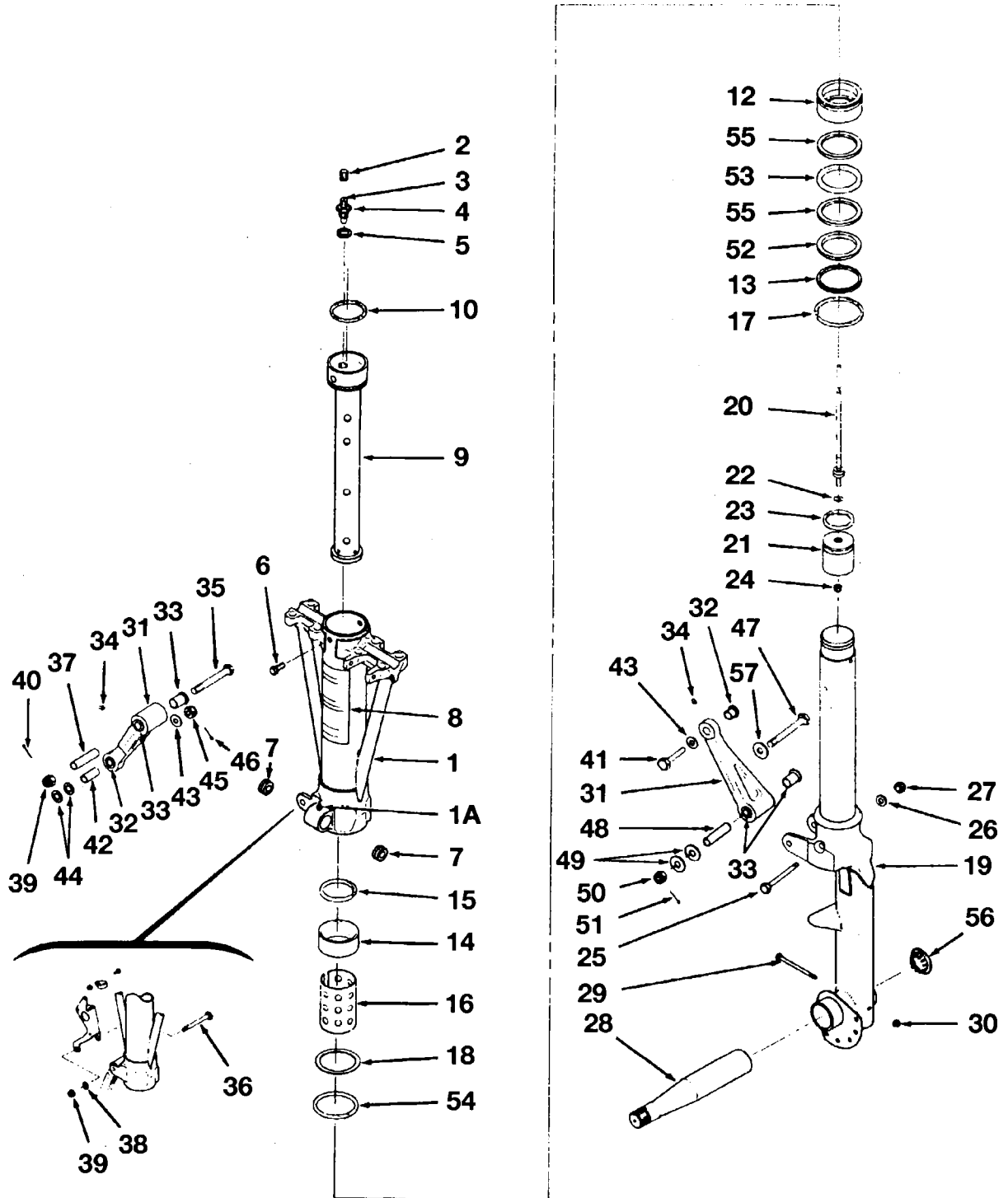
FIG ITEM	PART NUMBER	NOMENCLATURE	EFFECT		UNITS PER ASSY
			FROM	TO	
01		MAIN LANDING GEAR INSTALLATION			RF
1	0841000-97	STRUT ASSY-MAIN LANDING GEAR LH REFER TO 32-10-00 FIGURE 02 FOR BREAKDOWN REFER TO NOTE 2			1
- 1A	0841000-96	STRUT ASSY-MAIN LANDING GEAR RH REFER TO 32-10-00 FIGURE 02 FOR BREAKDOWN REFER TO NOTE 2			1
2		LINKAGE INSTALLATION-MAIN LANDING GEAR REFER TO 32-30-00 FIGURE 02 FOR BREAKDOWN			RF
3		LINKAGE INSTALLATION-MAIN LANDING GEAR DOORS RETRACTION REFER TO 32-30-00 FIGURE 02 FOR BREAKDOWN			RF
4		WHEEL INSTALLATION-MAIN LANDING GEAR REFER TO 32-40-00 FIGURE 01 FOR BREAKDOWN			RF
- 4A		BRAKE INSTALLATION-REFER TO 32-41-00 FIGURE 01 FOR BREAKDOWN			RF
5	0822180-5	SUPPORT-LH GEAR SIDE BRACE			1
- 5A	0822180-6	SUPPORT-RH GEAR SIDE BRACE			1
6	AN3-6A	BOLT-ATTACH FORGING TO RIB			4
7	MS21045L3	NUT-ATTACH FORGING TO RIB			4 R
8	AN4-10A	BOLT-ATTACH FORGING TO RIB			8
9	MS21044N4	NUT-ATTACH FORGING TO RIB			8 R
10	AN7-22A	BOLT-ATTACH UPPER SIDE LINK ASSY TO FORGING			2
10A	NAS1149F1032P	WASHER-ATTACH UPPER SIDE LINK ASSY TO FORGING			AR R
11	0841202-1	SPACER-ATTACH UPPER SIDE LINK ASSY TO FORGING	35477	& ON	2
12	NAS1149F0763P	WASHER-ATTACH UPPER SIDE LINK ASSY TO FORGING			2 R
13	AN363-720	NUT-ATTACH UPPER SIDE LINK ASSY TO FORGING			2 R
14	0894000-9	SHAFT ASSY-ATTACH MAIN LANDING GEAR			4
15	MS16562-44	PIN			1
16	0841000-13	WASHER-THICKNESS .063 AFT END ONLY			2
- 16A	0841000-13	WASHER-FWD END			AR
- 16B	0841000-81	WASHER-THICKNESS .035 FWD END ONLY			AR
- 16C	0841000-82	WASHER-THICKNESS .028 FWD END ONLY			AR
17	0841000-6	CLAMP ASSY-ATTACH MAIN LANDING GEAR			8
- 17A	NAS1149F0563P	WASHER-ATTACH CLAMPS			16 R
- 17B	NAS1149F0663P	WASHER-ATTACH CLAMPS			16 R
- 17C	MS21044N5	NUT-ATTACH CLAMPS			16 R
18	AN5-10A	BOLT-ATTACH TORQUE TUBE TO FORWARD AUXILIARY SPAR	35000	35771	2
- 18A	AN5-11A	BOLT-ATTACH TORQUE TUBE TO FORWARD AUXILIARY SPAR	35772	& ON	2
- 18B	NAS43-5-8	SPACER-ATTACH TORQUE TUBE TO FORWARD AUXILIARY SPAR	35772	& ON	2
- 18C	NAS1149F0532P	WASHER-ATTACH TORQUE TUBE TO FORWARD AUXILIARY SPAR			2 R
- 18D	MS21044N5	NUT-ATTACH TORQUE TUBE TO FORWARD AUXILIARY SPAR			2 R
19	NAS146-36	BOLT-ATTACH TORQUE TUBE TO FORWARD SPAR			2
20	MS2002-6C	WASHER-ATTACH TORQUE TUBE TO FORWARD SPAR			2
21	MS21044N6	NUT-ATTACH TORQUE TUBE TO FORWARD SPAR			2 R
22	0841000-14	BRACKET-ATTACH MICRO SWITCH TO RH MAIN LANDING GEAR REFER TO NOTE 1			1
23	AN735D12	CLAMP-ATTACH BRACKET TO RH MAIN LANDING GEAR			1
24	AN520-10R7	SCREW-ATTACH BRACKET TO RH MAIN LANDING GEAR REFER TO NOTE 1			1
25	MS21045L3	NUT-ATTACH BRACKET TO RH MAIN LANDING GEAR REFER TO NOTE 1			1 R
26	0822001-16	DIAPHRAM-LANDING GEAR ACTUATION ROD LH	35000	35546	1
- 26A	0822001-17	DIAPHRAM-LANDING GEAR ACTUATION ROD RH	35000	35546	1
- 26B	S-1021Z-6-6	SCREW-ATTACH DIAPHRAM	35000	35546	AR
- 26C	NAS446-2	NUT-ATTACH DIAPHRAM	35000	35546	AR

NOTE 1—THIS PART INSTALLED ON RH MAIN LANDING GEAR SERIALS 35000 THRU 35068, AND ON LH MAIN LANDING GEAR SERIALS 35069 & ON.

NOTE 2—WHEN ORDERING THIS ASSEMBLY FOR AIRPLANES PRIOR TO SERIAL 35477, ALSO ORDER 0841203-1 SPACER.

CESSNA AIRCRAFT COMPANY
MODEL 310 THRU 310D
 ILLUSTRATED PARTS CATALOG

A55652



MAIN LANDING GEAR STRUT ASSEMBLY
 FIGURE 02 (SHEET 1)

**CESSNA AIRCRAFT COMPANY
MODEL 310 THRU 310D
ILLUSTRATED PARTS CATALOG**

FIG ITEM	PART NUMBER	NOMENCLATURE	EFFECT		UNITS PER ASSY
			FROM	TO	
02		MAIN LANDING GEAR STRUT ASSEMBLY			RF
0	0841000-97	. STRUT ASSY-MAIN LANDING GEAR LH REFER TO 32-10-00 FIGURE 01 FOR NHA REFER TO NOTE 1			1
- A	0841000-96	. STRUT ASSY-MAIN LANDING GEAR RH REFER TO 32-10-00 FIGURE 01 FOR NHA REFER TO NOTE 1			1
- B	0841200-39	. SHOCK STRUT ASSY-LH MAIN LANDING GEAR REFER TO NOTE 1			1
- C	0841200-38	. SHOCK STRUT ASSY-RH MAIN LANDING GEAR REFER TO NOTE 1			1
1	0841200-37	. TRUSS WELD ASSY-LH SHOCK STRUT REFER TO NOTE 2			1
1A	1736	. GREASE FITTING-DRIVE ALEMITE			1
- 1B	0841200-36	. TRUSS WELD ASSY-RH SHOCK STRUT REFER TO NOTE 2			1
- 1C	0543036-1	. VALVE ASSY-SHOCK ABSORBER			1
2	0543036-4	. CAP			1
3	0543036-3	. CORE			1
- 4		. DELETED-NOT USED			
5	AN901-5A	. GASKET-SHOCK STRUT ASSY			1
6	AN5H5A	. BOLT-SHOCK STRUT ASSY			2
7	NAS77-10-045	. BUSHING-SHOCK STRUT ASSY	35477	& ON	2 R
- 7A	NAS505-6	. BEARING-SHOCK STRUT ASSY	35000	35476	2
8	0812480-29	. METALCAL-SHOCK STRUT ASSY			1
9	0841200-33	. ORIFICE PISTON SUPPORT ASSY-SHOCK STRUT			1
10	MS28775-225	. O-RING-SHOCK STRUT ASSY			1 R
- 11		. DELETED-NOT USED			
12	0841200-42	. RING-PACK SUPPORT			1
13	0841200-15	. RING-PACK SUPPORT RETAINING			1
14	0841200-18	. BEARING-MAIN STRUT ASSY			1
15	0841200-19	. LOCK RING-MAIN STRUT ASSY			1
16	0841200-20	. SPACER-EXTEND STOP			1
17	0841200-25	. LOCK RING-MAIN STRUT ASSY			1
18	0841200-31	. SHIM-MAIN STRUT ASSY			AR
19	0841201-1	. STRUT-LH MAIN ASSY			1
- 19A	0841201-2	. STRUT-RH MAIN ASSY			1
20	0841200-21	. METERING PIN ASSY-LOWER STRUT			1
21	0841200-7	. PLUG-PIN BASE			1
22	MS28775-010	. O-RING-LOWER STRUT ASSY			1 R
23	MS28775-221	. O-RING-LOWER STRUT ASSY			1 R
24	MS21044N4	. NUT-ATTACH PIN ASSY TO PIN BASE			1 R
25	AN5-26A	. BOLT-ATTACH TUBE TO WELD ASSY			1
26	NAS1149F0563P	. WASHER-ATTACH TUBE TO WELD ASSY			1 R
27	MS21044N5	. NUT-ATTACH TUBE TO WELD ASSY			1 R
28	0841000-7	. AXLE-WHEEL			1
29	AN4-25A	. BOLT-ATTACH AXLE			1
30	MS21044N4	. NUT-ATTACH AXLE			1 R
31	0841000-65	. LINK ASSY-LH MAIN LANDING GEAR LOWER TORQUE			1
- 31A	0841000-91	. LINK-LH MAIN LANDING GEAR UPPER TORQUE			1
- 31B	0841000-64	. LINK ASSY-RH MAIN LANDING GEAR TORQUE			2
32	0841003-2	. BUSHING-LINK ASSY			1
33	NAS77-8-088	. BUSHING-LINK ASSY			2 R
34	MS15002-1	. FITTING-LUBRICATION			2 R
35	AN176-30	. BOLT-ATTACH LINK ASSY LH GEAR 35000 THRU 35068, RH GEAR 35069 & ON			1
36	AN176-31	. BOLT-ATTACH LINK ASSY RH GEAR 35000 THRU 35068, LH GEAR 35069 & ON			1
37	0841004-7	. SPACER-ATTACH LINK ASSY			1
38	NAS1149F0632P	. WASHER-ATTACH LINK ASSY RH GEAR 35000 THRU 35068, LH GEAR 35069 & ON			1 R
39	AN310-6	. NUT-ATTACH LINK ASSY			1
40	MS24665-134	. COTTER PIN-SECURE NUT			1
41	AN175-16	. BOLT-ATTACH LINK ASSEMBLIES TOGETHER			1
42	0841004-6	. SPACER-ATTACH LINK ASSEMBLIES TOGETHER			1
43	0841000-70	. WASHER-ATTACH LINK ASSEMBLIES TOGETHER			2
44	NAS1149F0732P	. WASHER-ATTACH LINK ASSEMBLIES TOGETHER			AR R
- 44A	NAS1149F0763P	. WASHER-ATTACH LINK ASSEMBLIES TOGETHER			AR R
45	AN310-5	. NUT-ATTACH LINK ASSEMBLIES TOGETHER			1
46	MS24665-134	. COTTER PIN-SECURE NUT			1
47	AN176-31	. BOLT-ATTACH LINK ASSY TO LOWER STRUT ASSY			1
48	0841000-84	. SPACER-ATTACH LINK ASSY TO LOWER STRUT ASSY			1
49	0841000-85	. WASHER-ATTACH LINK ASSY TO LOWER STRUT ASSY			2
50	AN310-6	. NUT-ATTACH LINK ASSY TO LOWER STRUT ASSY			1

NOTE 1—WHEN ORDERING THIS ASSEMBLY FOR AIRPLANES PRIOR TO SERIAL 35477, ALSO ORDER 0841203-1 SPACER

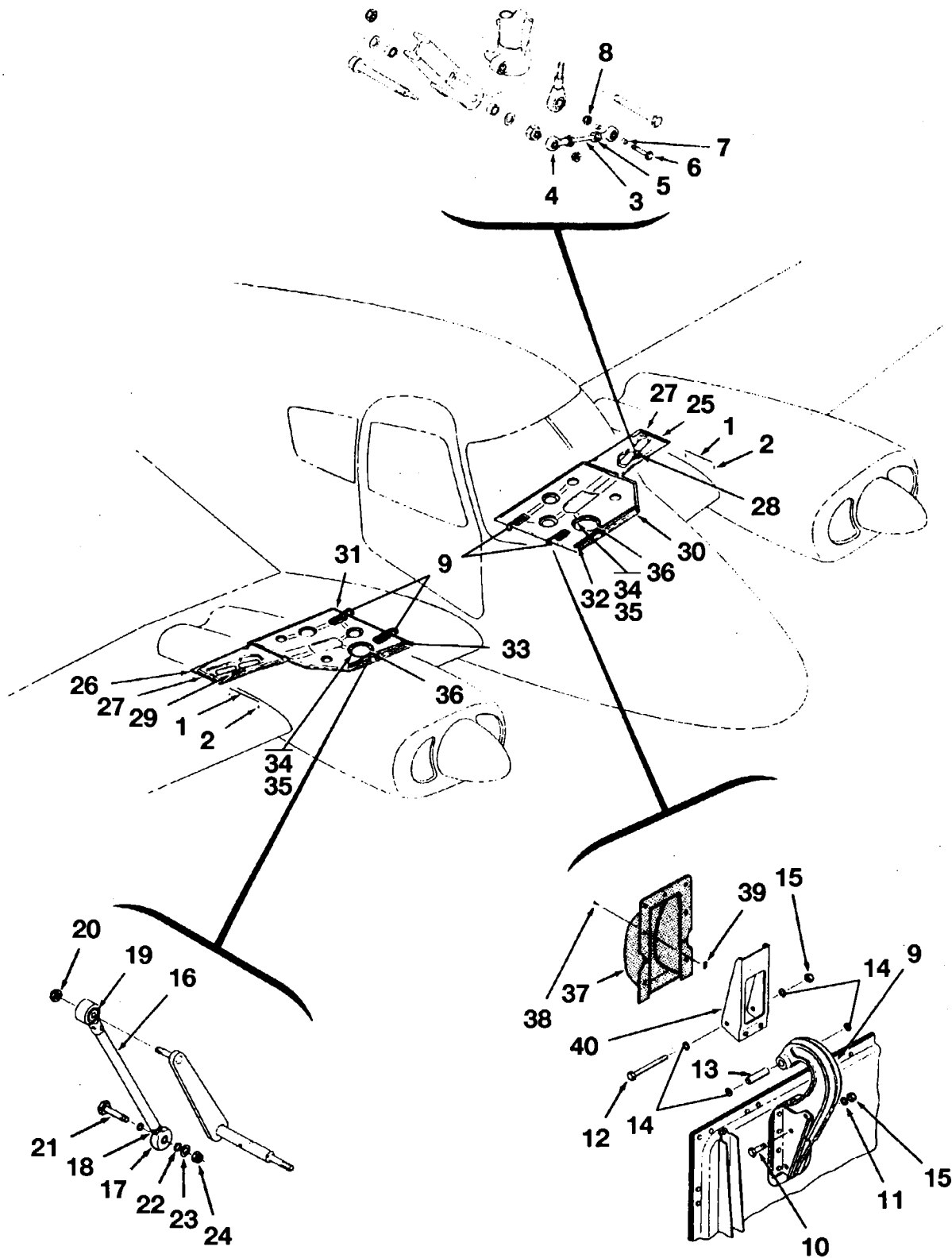
NOTE 2—WHEN ORDERING THIS PART FOR AIRPLANES PRIOR TO SERIAL 35477, ALSO ORDER 0841203-1 SPACER, 1736 FITTING AND NAS77-10-45

CESSNA AIRCRAFT COMPANY
MODEL 310 THRU 310D
 ILLUSTRATED PARTS CATALOG

FIG ITEM	PART NUMBER	NOMENCLATURE	EFFECT		UNITS PER ASSY
			FROM	TO	
		1 2 3 4 5 6 7			
02					
51	MS24665-134	. COTTER PIN-SECURE NUT			1
52	S11065-21	. RING SCRAPER-MAIN STRUT ASSY W S SHAMBAN CO			1
53	MS28775-329	. O-RING-MAIN STRUT ASSY			1 R
54	MS28775-228	. O-RING-MAIN STRUT ASSY			1 R
55	MS28782-32	. RETAINER-MAIN STRUT ASSY BACKUP			2
56	SS50726K-2215	. PLUG BUTTON-UNITED CARR			2
57	0841000-88	. SHIM			AR

CESSNA AIRCRAFT COMPANY
MODEL 310 THRU 310D
ILLUSTRATED PARTS CATALOG

A55665



MAIN LANDING GEAR DOORS INSTALLATION
FIGURE 01 (SHEET 1)

CESSNA AIRCRAFT COMPANY

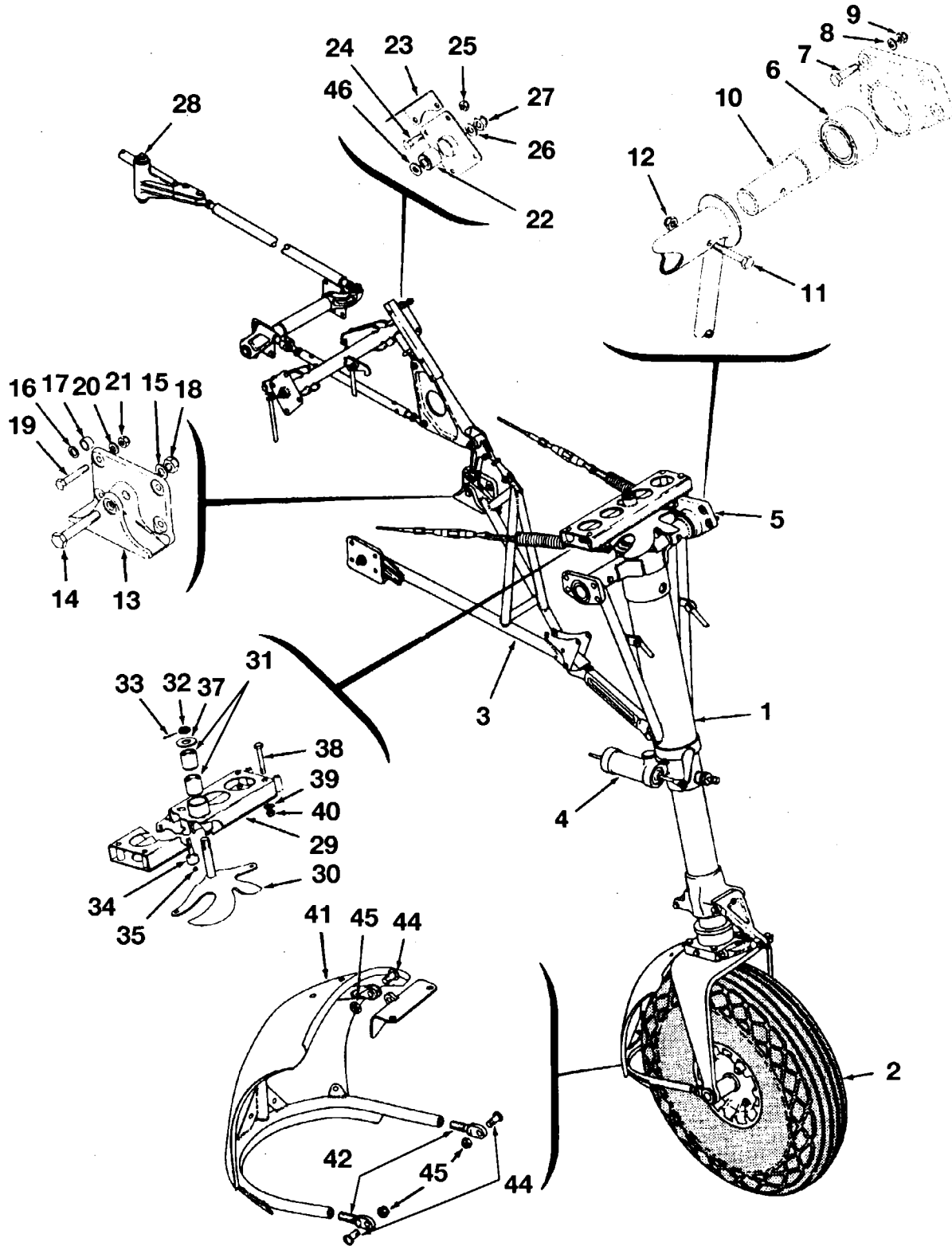
MODEL 310 THRU 310D

ILLUSTRATED PARTS CATALOG

FIG ITEM	PART NUMBER	NOMENCLATURE	EFFECT		UNITS PER ASSY
			FROM	TO	
01		MAIN LANDING GEAR DOORS INSTALLATION			RF
- 0		DOOR INSTALLATION - MAIN GEAR LH- REFER TO 57-10-00 FIGURE 01 FOR NHA			RF
- A		DOOR INSTALLATION - MAIN GEAR RH- REFER TO 57-10-00 FIGURE 05 FOR NHA			RF
- B	S1057-1	SEAL- DOOR BULK ITEM	35000	39031	AR
- C	S1058-2	SEAL- DOOR BULK ITEM	39032	& ON	AR
- D	0851036-1	CLIP- ATTACH SEAL	39032	& ON	2
- E	49662-2-K2215	FASTENER- ATTACH SEAL UNITED CARR			28
1	AN253-2-10.00	HINGE PIN			1
2	MS24665-3	COTTER PIN- SECURE			2
3	0841000-5	LINK ASSY- STRUT DOOR			1
4	S3059-3	ROD END- HEIM			2 R
5	AN315-3R	NUT- LOCK			2
6	AN3-10	BOLT- ATTACH STRUT DOOR LINK ASSY TO DOOR			1
7	NAS42-6-9	SPACER- ATTACH STRUT DOOR LINK ASSY TO DOOR			2
8	AN320-3	NUT- ATTACH STRUT DOOR LINK ASSY TO DOOR			1
9	0826005-1	ARM HINGE			2
10	AN3-5A	BOLT- ATTACH HINGE ARM TO MAIN WHEEL WELL DOOR ASSY			6
11	NAS1149F0363P	WASHER- ATTACH HINGE ARM TO MAIN WHEEL WELL DOOR ASSY			6 R
12	AN3-21A	BOLT- ATTACH HINGE ARM TO WING			2
13	NAS43-3-86	SPACER- ATTACH HINGE ARM TO WING			2
14	NAS1149D0363H	WASHER- ATTACH HINGE ARM TO WING			8 R
15	MS21045L3	NUT			8 R
16	0843500-13	TUBE ASSY- WHEEL WELL DOOR			1
17	HM-4	BEARING- ROD END HEIM			1
18	AN316-4R	NUT- LOCK			1
19	MS24462-4	BEARING			1 R
20	MS21042L4	NUT- ATTACH WHEEL WELL DOOR LINK ASSY TO RETRACTION GEAR			1 R
21	AN4-12A	BOLT- ATTACH DOOR LINK TO MAIN WHEEL WELL DOOR			1
22	NAS43-4-8	SPACER- ATTACH DOOR LINK TO MAIN WHEEL WELL DOOR			2
23	NAS1149F0463P	WASHER- ATTACH DOOR LINK TO MAIN WHEEL WELL DOOR			1 R
24	MS21042L4	NUT- ATTACH DOOR LINK TO MAIN WHEEL WELL DOOR			1 R
25	0826000-1	ASSY RH STRUT			1
26	0826000-2	ASSY RH STRUT			1
27	0826000-30	HINGE HALF- DOOR			1
28	0826000-14	CHANNEL STRUT- LH LINK ATTACHMENT			1
29	0826000-13	CHANNEL STRUT- RH LINK ATTACHMENT			1
- 29A	NAS680A08	NUTPLATE			1
- 29B	AN515-8R8	SCREW			1
30	0826000-3	ASSY LH WELL	35000	35833	1
- 30A	0826000-39	DOOR ASSY- LH WHEEL WELL	35834	& ON	1
31	0826000-4	ASSY RH WELL	35000	35833	1
- 31A	0826000-40	DOOR ASSY- RH WHEEL WELL	35834	& ON	1
32	0826000-15	CHANNEL- LH ACTUATOR ATTACHMENT	35000	35833	1
- 32A	0826000-37	CHANNEL ACT- LH ATTACHMENT	35834	& ON	1
33	0826000-16	CHANNEL- RH ACTUATOR ATTACHMENT	35000	35833	1
- 33A	0826000-38	CHANNEL ACT- RH ATTACHMENT	35834	& ON	1
34	0826000-27	DOUBLER ACCESS			1
35	MS21049L3	NUTPLATE- DOUBLER			6 R
- 35A	MS21049L3	NUTPLATE- DOUBLER ALT FOR NAS681A3			6 R
36	0826000-25	PLATE ACCESS			1
- 36A	AN507-1032R8	SCREW- ATTACH COVER			6
37	0822001-3	HINGE COVER ASSY			2
38	S-1021Z-6-6	SCREW- ATTACH COVER			AR
39	NAS446-2	NUT- ATTACH COVER			AR
40		BRACKET - LANDING GEAR DOOR FWD HINGE- REFER TO 57-10-00 FIGURES 02 & 06			RF
- 40A		BRACKET - LANDING GEAR DOOR AFT HINGE- REFER TO 57-10-00 FIGURES 02 & 06			RF

CESSNA AIRCRAFT COMPANY
MODEL 310 THRU 310D
ILLUSTRATED PARTS CATALOG

A55655



NOSE GEAR INSTALLATION
FIGURE 01 (SHEET 1)

CESSNA AIRCRAFT COMPANY

MODEL 310 THRU 310D

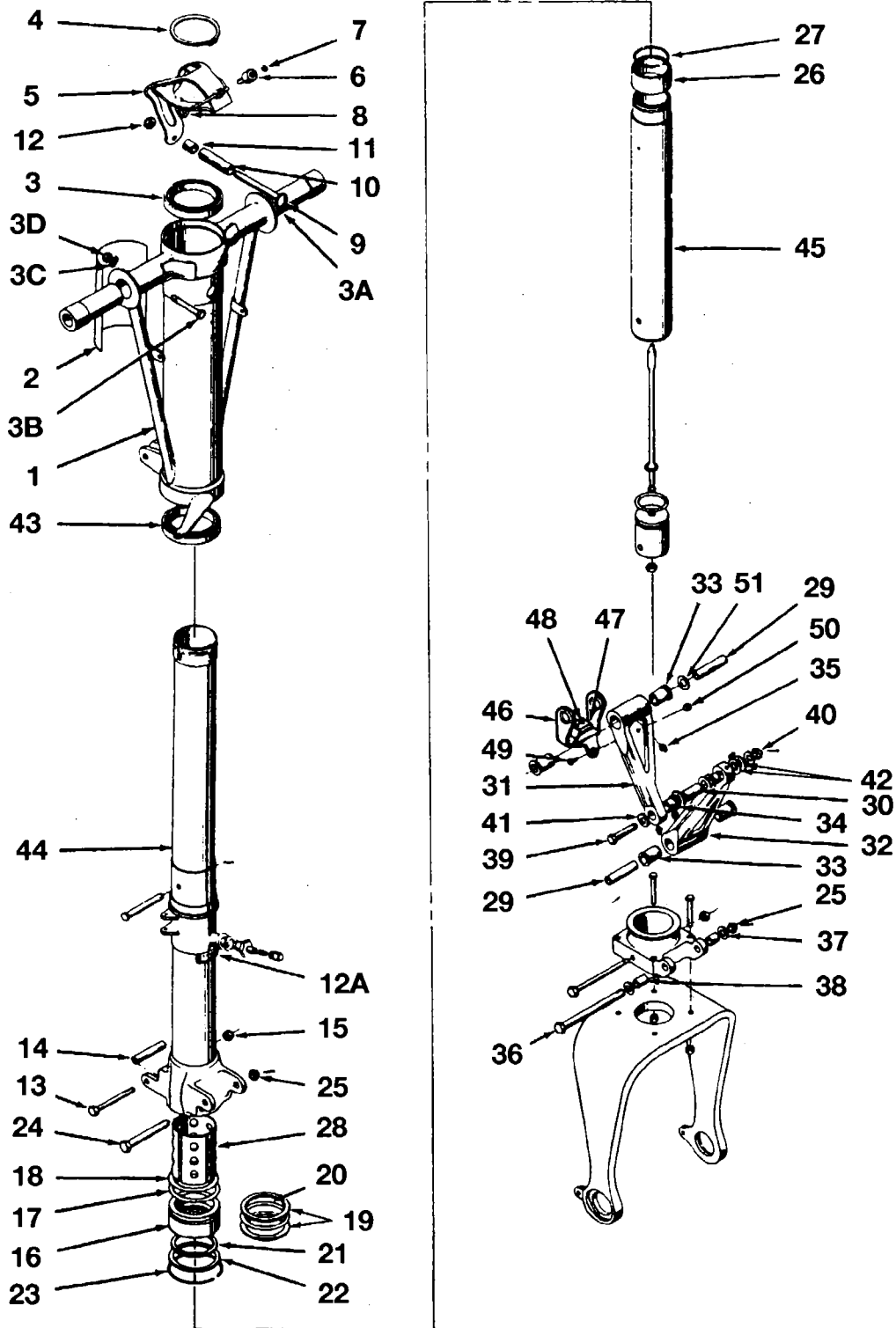
ILLUSTRATED PARTS CATALOG

FIG ITEM	PART NUMBER	NOMENCLATURE	EFFECT		UNITS PER ASSY
			FROM	TO	
01		NOSE GEAR INSTALLATION			RF
1	0842000-73	NOSE GEAR ASSY- STRUT REFER TO 32-20-00 FIGURE 02 FOR BREAKDOWN			1
2		WHEEL INSTALLATION - NOSE GEAR- REFER TO 32-40-01 FIGURE 01 FOR BREAKDOWN			RF
3		LINKAGE INSTALLATION - NOSE GEAR- REFER TO 32-30-00 FIGURE 04 FOR BREAKDOWN			RF
4		SHIMMY DAMPENER ASSEMBLY & INSTALLATION- REFER TO 32-20-00 FIGURE 05 FOR BREAKDOWN			RF
5	0842007-1	RETAINER ASSY- SHOCK STRUT			2
6	BR1916	BEARING- TORRINGTON			1
7	AN4-10A	ATTACHING PARTS			
8	NAS1149F0463P	BOLT- ATTACH RETAINER TO NOSE SECTION			8
9	22FS428	WASHER- ATTACH RETAINER TO NOSE SECTION			8 R
- 9A	22FT428	NUT- ATTACH RETAINER TO NOSE SECTION			6
10		NUT- ATTACH RETAINER TO NOSE SECTION			2
11		SUPPORT TUBE - TRUNNION- REFER TO 32-20-00 FIGURE 02			RF
12		BOLT - ATTACH TRUNNION SUPPORT TUBE TO TRUNNION- REFER TO 32-20-00 FIGURE 02			RF
13	0842105-1	NUT - ATTACH TRUNNION SUPPORT TUBE TO TRUNNION- REFER TO 32-20-00 FIGURE 02			RF
- 13A	0842105-2	MACHINING-DRAG LINK LH- TRUSS BRACE ASSY			1
14	AN5-14A	MACHINING-DRAG LINK RH- TRUSS BRACE ASSY			1
- 14A	AN5-16A	ATTACHING PARTS			
15	NAS1149F0532P	BOLT- ATTACH TRUSS DRAG BRACE ASSEMBLY TO RETAINER	35000	35041	2
16	NAS1149F0563P	BOLT- ATTACH TRUSS DRAG BRACE ASSEMBLY TO RETAINER	35042	& ON	2
17	NAS43HT5-15	WASHER- ATTACH TRUSS DRAG BRACE ASSEMBLY TO RETAINER			2 R
18	MS21044N5	WASHER- ATTACH TRUSS DRAG BRACE ASSEMBLY TO RETAINER	35000	35041	2 R
19	AN4-6A	SPACER- ATTACH TRUSS DRAG BRACE ASSEMBLY TO RETAINER	35000	35041	2
20	NAS1149F0463P	NUT- ATTACH TRUSS DRAG BRACE ASSEMBLY TO RETAINER			2 R
21	MS21044N4	BOLT- ATTACH RETAINER TO NOSE SECTION			8
- 21A	0813000-73	WASHER- ATTACH RETAINER TO NOSE SECTION			8 R
22	4NCC910P	NUT- ATTACH RETAINER TO NOSE SECTION			8 R
23	0813150-2	BEARING ASSY- UP-LOCK TUBE SUPPORT			2
24	AN3-4A	BEARING- TORRINGTON			1
25	MS21045L3	STOP-DOWN LOCK	35000	35046	2
26	NAS1149F0432P	BOLT- ATTACH BEARING ASSY TO NOSE SECTION			8
27	MS21044N4	NUT- ATTACH BEARING ASSY TO NOSE SECTION			8 R
28	AN4-31A	WASHER- UNDER AN365-428 NUTS			2 R
- 28A	NAS1149F0432P	NUT- ATTACH UP-LOCK TUBE TO SUPPORT BEARING ASSEMBLY			2 R
- 28B	0843400-19	BOLT- ATTACH BELLCRANK TO BRACKET			1
- 28C	NAS1149F0632P	WASHER- ATTACH BELLCRANK TO BRACKET			1 R
- 28D	0813150-29	WASHER- ATTACH BELLCRANK TO BRACKET			2 R
29	0813150-28	NOSE STEERING ASSY			1
30	0813150-52	WELD ASSY- STEERING YOKE			1
31	BRA7	YOKE - STEERING REFER TO NOTE 1			1
- 31A	NAS506-7	BEARING- TORRINGTON			2
32	AN320-7	BEARING	35000	35069	2
33	MS24665-283	NUT- ATTACH YOKE TO STEERING ASSY SUPPORT			1
34	CR10-1	COTTER PIN			1
- 34A	NAS561P2-7	BEARING- TORRINGTON			1
- 34B	MS16562-5	PIN- ATTACH BEARING			1
35	NAS516-1A	PIN- ATTACH BEARING ALT FOR NAS561P2-7			1 R
- 36		FITTING- LUBRICATION			1 R
- 36A		DELETED-NOT USED			
37	0813150-31	DELETED-NOT USED			
38	AN4-17	WASHER			1
39	NAS1149F0432P	BOLT- ATTACH STEERING ASSY TO NOSE SECTION			4
40	MS21044N4	WASHER- ATTACH STEERING ASSY TO NOSE SECTION			4 R
41	0842000-5	NUT- ATTACH STEERING ASSY TO NOSE SECTION			4 R
42	0842000-41	WHEEL SCRAPER ASSY			1
- 43		BOLT			2
44	AN24-11A	DELETED-NOT USED			
45	MS21042L4	BOLT- CLEVIS ATTACH MUD GUARD & SCRAPER			3
46	NAS1149F0463P	NUT- CLEVIS ATTACH MUD GUARD & SCRAPER			3 R
		WASHER- ATTACH UP-LOCK TORQUE TUBE LH SIDE ONLY			1 R

NOTE 1—WHEN ORDERING THIS PART FOR AIRCRAFT PRIOR TO SERIAL 35070, ALSO ORDER TWO (2) BRA7 BEARINGS

CESSNA AIRCRAFT COMPANY
MODEL 310 THRU 310D
 ILLUSTRATED PARTS CATALOG

A55658



NOSE GEAR STRUT INSTALLATION
 FIGURE 02 (SHEET 1)

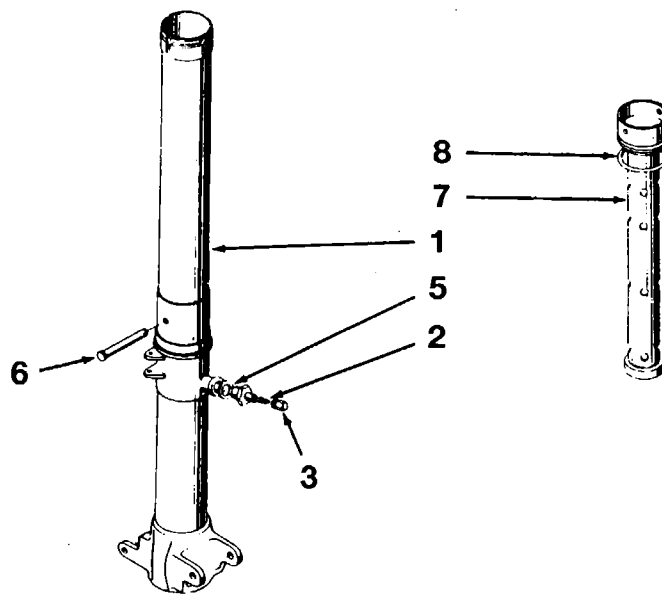
CESSNA AIRCRAFT COMPANY
MODEL 310 THRU 310D
ILLUSTRATED PARTS CATALOG

FIG ITEM	PART NUMBER	NOMENCLATURE	EFFECT FROM TO	UNITS PER ASSY
02				
0	0842000-73	NOSE GEAR STRUT INSTALLATION STRUT ASSY - NOSE GEAR- REFER TO 32-20-00 FIGURE 01 FOR NHA REFER TO NOTE 1		RF 1
1	0842000-72	TRUNNION ASSY- SHOCK STRUT REFER TO NOTE 1		1
2	0812480-29	METALCAL		1
3	AN202KP37B	BEARING- BALL		1
3A	0842000-65	TUBE- TRUNION		2
3B	AN4-16A	BOLT- ATTACH TRUNION SUPPORT TUBE TO TRUNION		2
3C	NAS1149F0463P	WASHER- ATTACH TRUNION SUPPORT TUBE TO TRUNION		2 R
3D	MS21044N4	NUT- ATTACH TRUNION SUPPORT TUBE TO TRUNION		2 R
4	NAS670-231	SNAP RING- EXTERNAL RETAINER		1
5	0842000-52	WHEEL WELD ASSY		1
6	CR10-1	BEARING- WHEEL STRAIGHTENER TORRINGTON		1
7	NAS516-1A	FITTING- LUBRICATOR		1 R
8	MS21042L4	NUT- ATTACH CAM ROLLER BEARING TO WHEEL STRAIGHTENER		1 R
9	AN25-50A	BOLT- CLEVIS ATTACH BARREL BRACE & WELD ASSEMBLY TO STRAIGHTENER		1
10	NAS43-5-130	SPACER- INNER		1
11	0842000-53	SPACER- OUTER		1
12	MS20364-524C	NUT- ATTACH BARREL BRACE & WELD ASSEMBLY TO STRAIGHTENER		1
12A	0812480-57	METALCAL- NOSE GEAR	35449 35822	1
- 12B	0842000-67	SHOCK STRUT ASSY		1
13	AN4-26A	BOLT- ATTACH SPACER FOR UP-WHEEL POSITION LOCK		1
14	NAS43-4-128	SPACER- UP-WHEEL POSITION LOCK		1
15	MS21044N4	NUT- ATTACH SPACER FOR UP-WHEEL POSITION LOCK		1 R
16	0841200-42	RING- PACK SUPPORT		1
17	MS28775-228	O-RING- HOUSING SEAL		1 R
18	0841200-31	SHIM- SHOCK STRUT		AR
19	MS28782-32	RETAINER- BACK-UP		2
20	MS28775-329	O-RING- INNER TUBE SEAL		1 R
21	S11065-21	RING SCRAPER- W S SHAMBAN & CO		1
22	0841200-15	RING- PACK RETAINER		1
23	0841200-25	LOCK RING		1
24	AN176-27	BOLT- ATTACH TORQUE LINKS TO HOUSING OF BARREL		1
25	AN310-6	NUT- TORQUE LINKS ATTACH POINTS		2
26	0841200-18	BEARING- BETWEEN INNER TUBE & BARREL		1
27	0841200-19	LOCK RING- LOCKS BEARING TO INNER TUBE		1
28	0743010-1	SPACER- EXTEND STOP	35000 35448 35823 & ON	1
29	0841000-84	SPACER- TORQUE LINKS ATTACH POINTS		2
30	0841000-83	SPACER- BETWEEN TORQUE LINKS		1
31	0841000-65	LINK ASSY- UPPER	35000 35448 35823 & ON 35449 35822	1
- 31A	0841000-95	TORQUE LINK ASSY- UPPER		1
32	0841000-64	TORQUE LINK ASSY- LOWER		1
33	NAS77-8-088	BUSHING		2 R
34	0841000-99	BUSHING		1
35	MS15002-1	FITTING- LUBRICATOR		2 R
36	AN176-42	BOLT- ATTACH TORQUE LINKS TO YOKE HUB		1
37	NAS1149F0632P	WASHER- TOWING POINTS		2 R
38	NAS42-12-32	SPACER- TOWING POINTS	35012 & ON	2
39	AN175-16	BOLT- ATTACH TORQUE LINKS		1
40	AN310-5	NUT- ATTACH TORQUE LINKS		1
41	0841000-70	WASHER- ATTACH TORQUE LINKS		2
42	NAS1149F0732P	WASHER- ATTACH TORQUE LINKS		AR R
- 42A	NAS1149F0763P	WASHER- ATTACH TORQUE LINKS		AR R
43	AN202KP37B	BEARING- BALL		1
44	0842200-10	SHOCK STRUT ASSY- NOSE GEAR UPR REFER TO 32-20-00 FIGURE 03 FOR BREAKDOWN		1
45	0842201-1	SHOCK STRUT ASSY- NOSE GEAR LWR REFER TO 32-20-00 FIGURE 04 FOR BREAKDOWN		1
46	0842016-1	STOP ASSY- NOSE GEAR EXTEND	35449 35822	1
47	0842016-3	BUMPER		1
48	AN515-6R14	SCREW- ATTACH BUMPER		2
- 48A	NAS1149FN632P	WASHER- ATTACH BUMPER		2 R
- 48B	NAS43-1-32	SPACER- ATTACH BUMPER		2
- 48C	MS21044N06	NUT- ATTACH BUMPER		2 R
49	AN515-8R8	SCREW- ATTACH STOP ASSY	35449 35822	1
50	MS20364-832C	NUT- ATTACH STOP ASSY	35449 35822	1
51	0841000-88	SHIM- ALIGNMENT		AR

NOTE 1—WHEN ORDERING THIS ASSEMBLY FOR AIRPLANES PRIOR TO SERIAL 35052, ALSO ORDER 0842107-2 DRAG BRACE AND 0842000-70 TRUSS ASSEMBLY

CESSNA AIRCRAFT COMPANY
MODEL 310 THRU 310D
ILLUSTRATED PARTS CATALOG

A55659



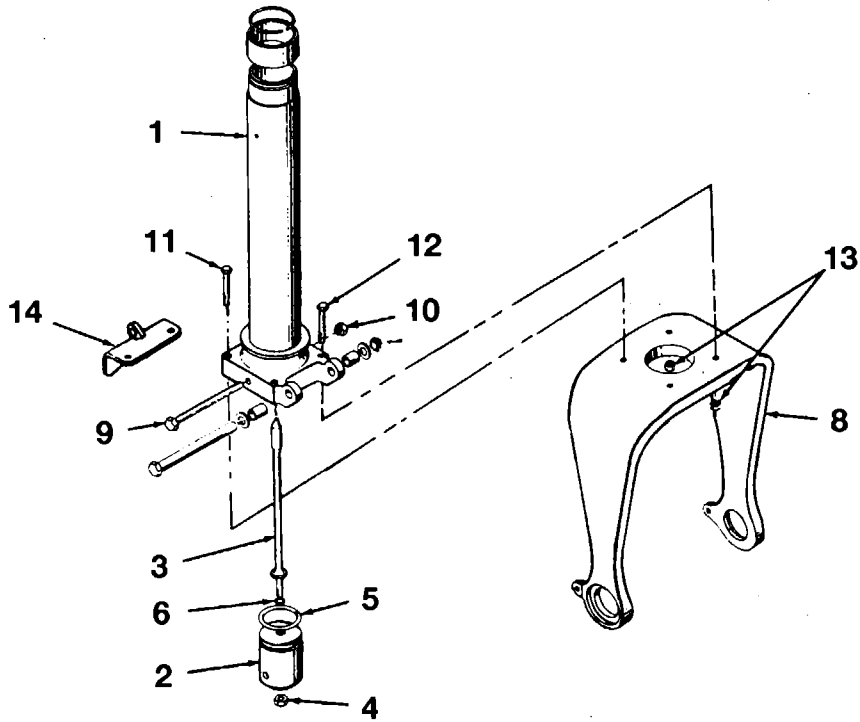
NOSE GEAR SHOCK STRUT UPPER ASSEMBLY
FIGURE 03 (SHEET 1)

CESSNA AIRCRAFT COMPANY
MODEL 310 THRU 310D
 ILLUSTRATED PARTS CATALOG

FIG ITEM	PART NUMBER	NOMENCLATURE	EFFECT		UNITS PER ASSY
			FROM	TO	
03					
-		NOSE GEAR SHOCK STRUT UPPER ASSEMBLY			RF
- 0	0842200-10	. SHOCK STRUT UPPER ASSY- NOSE GEAR REFER TO 32-20-00 FIGURE 02 FOR NHA			1
1	0842200-2	. . . BARREL			1
- 1A	0543036-1	. . VALVE ASSY- AIR VALVE AND FILLER PLUG			1
2	0543036-3	. . . CORE			1
3	0543036-4	. . . CAP			1
- 4		. . . DELETED-NOT USED			
5	AN901-5A	. . GASKET- AIR VALVE AND FILLER PLUG			1
6	MS20392-4-75	. . PIN- ATTACH BARREL TO HEAD AND ORIFICE PISTON SUPPORT ASSEMBLY			1
7	0842200-9	. . SUPPORT ASSY- ORIFICE PISTON			1
8	MS28775-225	. . . O-RING- HEAD AND TUBE ASSEMBLY SEALING			1 R

CESSNA AIRCRAFT COMPANY
MODEL 310 THRU 310D
ILLUSTRATED PARTS CATALOG

A55660



NOSE GEAR SHOCK STRUT LOWER ASSEMBLY
FIGURE 04 (SHEET 1)

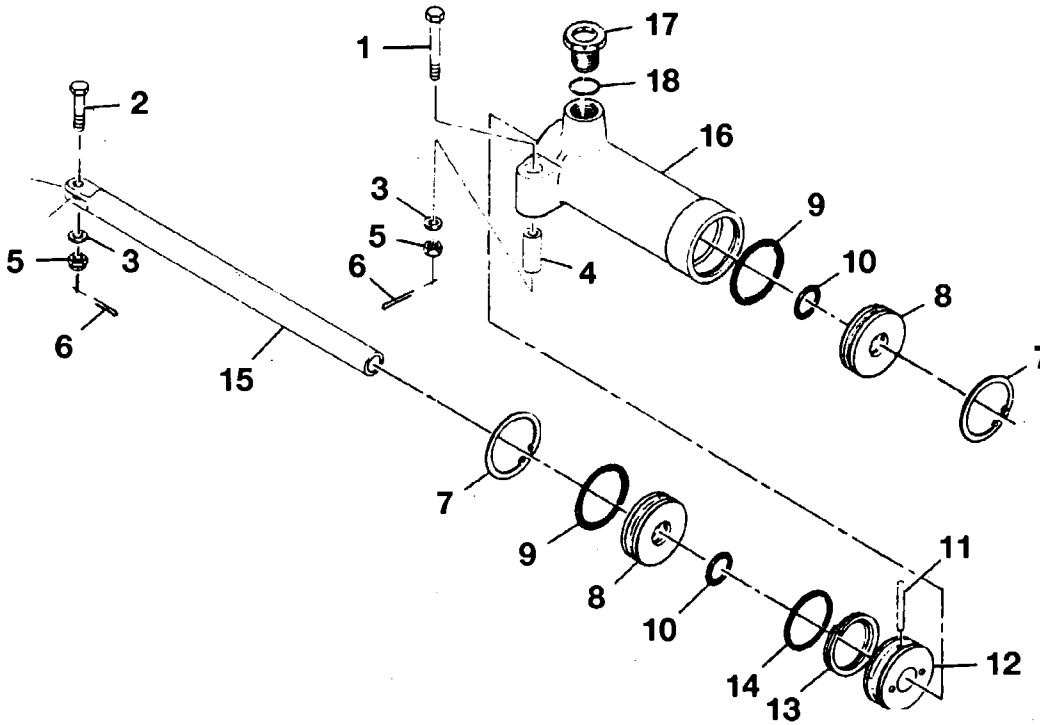
CESSNA AIRCRAFT COMPANY
MODEL 310 THRU 310D
ILLUSTRATED PARTS CATALOG

FIG ITEM	PART NUMBER	NOMENCLATURE	EFFECT		UNITS PER ASSY
			FROM	TO	
04					
-		NOSE GEAR SHOCK STRUT LOWER ASSEMBLY			RF
- 0	0842201-1	SHOCK STRUT LOWER ASSY- NOSE GEAR REFER TO 32-20-00 FIGURE 02 FOR NHA			1
1	0842201-200	TUB HUB ASSY			1
2	0841200-7	PLUG- PIN BASE			1
3	0841200-21	METERING PIN ASSY			1
4	MS21044N4	NUT- ATTACH METERING PIN TO BASE PLUG			1
5	MS28775-221	O-RING- PIN BASE PLUG SEAL			1 R
6	MS28775-010	O-RING- METERING PIN SEAL			1 R
- 7		DELETED-NOT USED			
9	0842000-30	YOKE REFER TO NOTE 1			1
- 9A	AN5-35A	BOLT- ATTACH YOKE HUB TUBE & PIN BASE PLUG			1
10	MS21044N5	NUT- ATTACH YOKE HUB TO INNER TUBE & PIN BASE PLUG			1
11	AN5-17A	BOLT- ATTACH YOKE HUB			2
12	AN5-16A	BOLT- ATTACH YOKE HUB			2
13	MS21044N5	NUT- ATTACH YOKE HUB			4
14	0842000-44	BRACKET MUD GUARD & SCRAPER MOUNTING REFER TO NOTE 1.			1

NOTE 1—WHEN REPLACING THIS PART ON ALL AIRPLANES IT IS NECESSARY TO CONVERT TO 5/16 IN. DIAMETER BOLTS AND NUTS.
ENLARGE BOLT HOLES IN MATING AS NECESSARY.

CESSNA AIRCRAFT COMPANY
MODEL 310 THRU 310D
ILLUSTRATED PARTS CATALOG

A55661



SHIMMY DAMPER INSTALLATION
FIGURE 05 (SHEET 1)

CESSNA AIRCRAFT COMPANY
MODEL 310 THRU 310D
ILLUSTRATED PARTS CATALOG

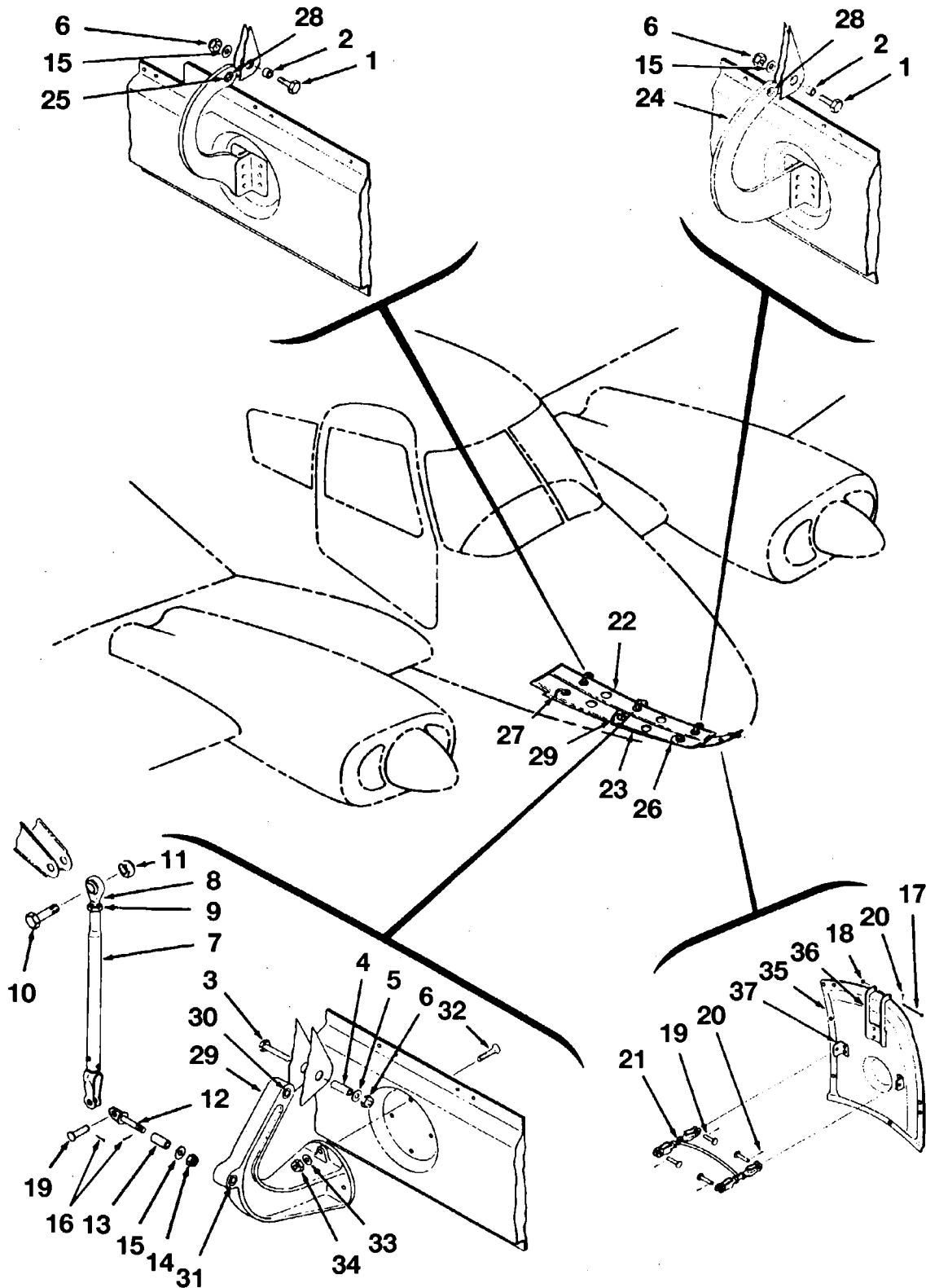
FIG ITEM	PART NUMBER	NOMENCLATURE	EFFECT		UNITS PER ASSY
			FROM	TO	
05		SHIMMY DAMPER INSTALLATION			RF
- 0	0842400-1	SHIMMY DAMP ASSY- WEU 0842410-1			1
- A	0842410-1	SHIMMY DAMP ASSY- WEU 0842410-2			1
- C	0842410-2	SHIMMY DAMP ASSY			1
1	NAS464P3-17	BOLT			1
2	NAS464P3-7	BOLT			1
3	NAS1149F0363P	WASHER			2 R
4	NAS75-3-027	BUSHING			1
6	AN320-3	NUT			2
- 6A	MS24665-130	COTTER PIN			2
7	MS16625-1131	RING- INTERNAL RETAINER			2
8	0842413-1	HEAD BEARING- WEU 0842413-2			2
- 8A	0842413-2	HEAD BEARING			2
9	MS28775-215	O-RING			2 R
10	MS28775-112	O-RING			2 R
11	NAS561P4-14	PIN			1
- 11A	MS16562-37	PIN ALT FOR NAS561P4-14			1 R
12	0842412-1	PISTON- WEU 0842412-2			1
- 12A	0842412-2	PISTON			1
13	MS28782-18	RETAINER			1
14	MS28775-213	O-RING			1 R
15	0842411-1	ROD			1
16	0842405-6	BARREL- WEU 0842405-7			1
- 16A	0842405-7	BARREL			1
17	AS5169D05L	PLUG/BLEEDER- FILLER			1 R
18	AN6227-7	O-RING			1
- 18A	0842400-200	SEAL KIT-OVERHAUL- SHIMMY DAMPER REFER TO NOTE 1			1
- 18B	0842410-200	SEAL KIT-OVERHAUL REFER TO NOTE 2			1

NOTE 1—USE WITH 0842400-1, CESSNA MANUFACTURED NOSE GEAR SHIMMY DAMPERS ONLY

NOTE 2—USE WITH 0842410-1 AND 0842410-2 CESSNA MANUFACTURED NOSE GEAR SHIMMY DAMPERS ONLY

CESSNA AIRCRAFT COMPANY
MODEL 310 THRU 310D
ILLUSTRATED PARTS CATALOG

A55666



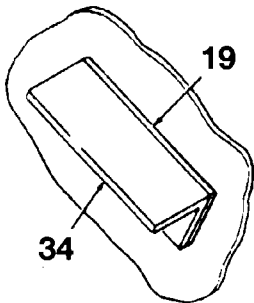
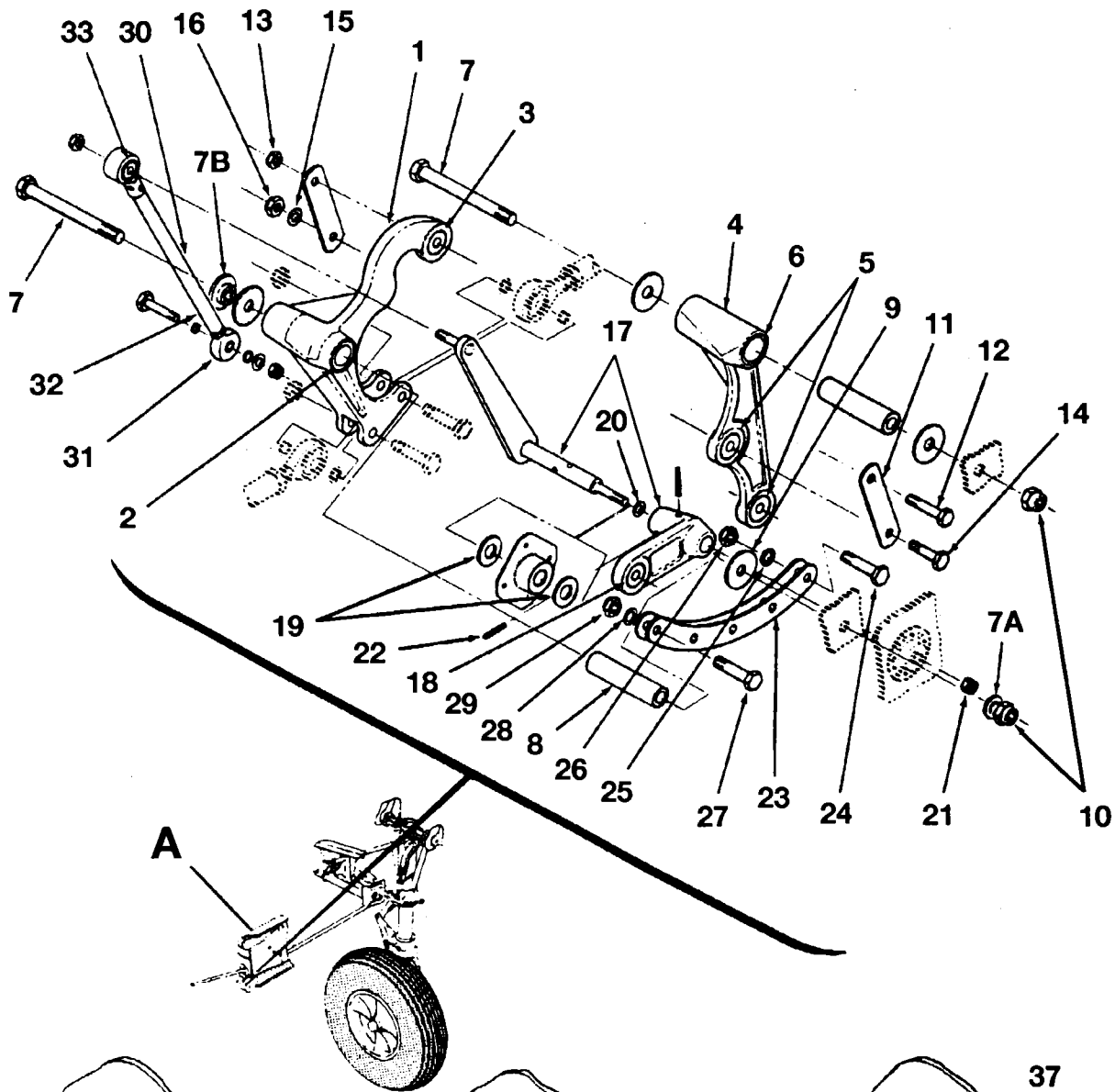
NOSE GEAR DOORS INSTALLATION
FIGURE 01 (SHEET 1)

CESSNA AIRCRAFT COMPANY
MODEL 310 THRU 310D
ILLUSTRATED PARTS CATALOG

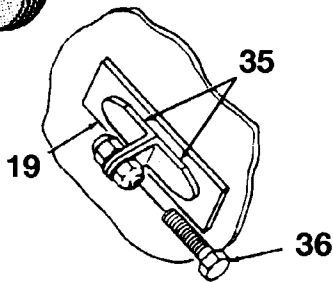
FIG ITEM	PART NUMBER	NOMENCLATURE	EFFECT FROM TO	UNITS PER ASSY
01		NOSE GEAR DOORS INSTALLATION		
- 0	S-1057-1	SEAL-DOOR BULK ITEM	35000 39031	RF
- A	S1058-2	SEAL-DOOR BULK ITEM	39032 & ON	AR
- B	49662-2-K2215	FASTENER-ATTACH SEAL UNITED CARR		41
1	AN3-5A	BOLT-ATTACH FRONT & REAR HINGES TO FUSELAGE		4
2	0813300-18	SPACER-ATTACH FRONT & REAR HINGES TO FUSELAGE		4
3	AN3-11	BOLT-ATTACH MIDDLE HINGE TO FUSELAGE		2
4	NAS75-3-025	BUSHING-ATTACH MIDDLE HINGE TO FUSELAGE		2
5	NAS1149F0363P	WASHER-ATTACH MIDDLE HINGE TO FUSELAGE		2 R
6	MS20364-1032C	NUT-ATTACH HINGES		6
7	0813300-53	DOOR DRIVE ASSY-NOSE GEAR MAIN DOOR		2
8	HM-4	BEARING-ROD END HEIM		1
9	AN316-4R	NUT-LOCK		1
10	AN4-7A	BOLT-ATTACH NOSE GEAR MAIN DOOR LINK ASSY TO RETRACTION GEAR		2
11	MS21044N4	NUT-ATTACH NOSE GEAR MAIN DOOR LINK ASSY TO RETRACTION GEAR		2 R
12	AN42-10	BOLT-ATTACH NOSE GEAR MAIN DOOR LINK ASSY TO MIDDLE HINGE		2
13	NAS75-3-021	SPACER-ATTACH NOSE GEAR MAIN DOOR LINK ASSY TO MIDDLE HINGE		2
14	AN310-3	NUT-ATTACH NOSE GEAR MAIN DOOR LINK ASSY TO MIDDLE HINGE		2
15	NAS1149F0332P	WASHER		6 R
16	MS24665-134	COTTER PIN		6
17	MS20392-1-51	PIN-ATTACH FORWARD DOOR TO NOSE		1
18	NAS1149CN432R	WASHER-ATTACH FORWARD DOOR TO NOSE		1 R
19	MS20392-2-11	PIN		6
20	MS24665-130	COTTER PIN		5
21	0813300-77	TIE ROD ASSY		1
22	0813300-1	DOOR ASSY-LH MAIN NOSE GEAR		1
23	0813300-2	DOOR ASSY-RH MAIN NOSE GEAR		1
24	0813300-7	HINGE ASSY-FWD LH MAIN NOSE GEAR DOOR		1
25	0813300-93	HINGE ASSY-FWD LH MAIN NOSE GEAR DOOR		1
26	0813300-92	HINGE ASSY-FWD RH MAIN NOSE GEAR DOOR		1
27	0813300-8	HINGE ASSY-FWD RH MAIN NOSE GEAR DOOR		1
28	S1003-16A	BEARING		1
29	0843538-1	HINGE ASSY-MIDDLE MAIN NOSE GEAR DOOR		1
30	S1003-23A	BEARING		1
31	S1003-22A	BEARING		1
32	AN507-832R12	SCREW-ATTACH MIDDLE HINGE ASSY TO MAIN NOSE GEAR DOOR		4
33	NAS1149FN816P	WASHER-ATTACH MIDDLE HINGE ASSY TO MAIN NOSE GEAR DOOR		4 R
34	MS21044N08	NUT-ATTACH MIDDLE HINGE ASSY TO MAIN NOSE GEAR DOOR		4 R
35	0813300-13	DOOR ASSY-NOSE GEAR FORWARD		1
36	0813300-14	HINGE-NOSE GEAR FORWARD DOOR ASSY		1
37	0813300-15	BRACKET-NOSE GEAR FORWARD DOOR ASSY		2

CESSNA AIRCRAFT COMPANY
MODEL 310 THRU 310D
 ILLUSTRATED PARTS CATALOG

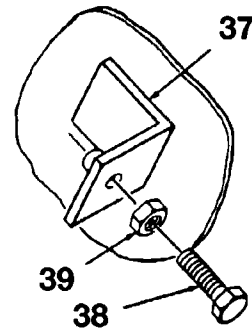
A55649



DETAIL A
 AIRPLANES 35000 THRU 35637
 AIRPLANES 38001 THRU 38080



DETAIL A
 AIRPLANES 35638 THRU 35833
 AIRPLANES 38081 THRU 38160



DETAIL A
 AIRPLANES 35834 AND ON

MAIN GEAR DOORS RETRACTION LINKAGE INSTALLATION
 FIGURE 01 (SHEET 1)

CESSNA AIRCRAFT COMPANY

MODEL 310 THRU 310D

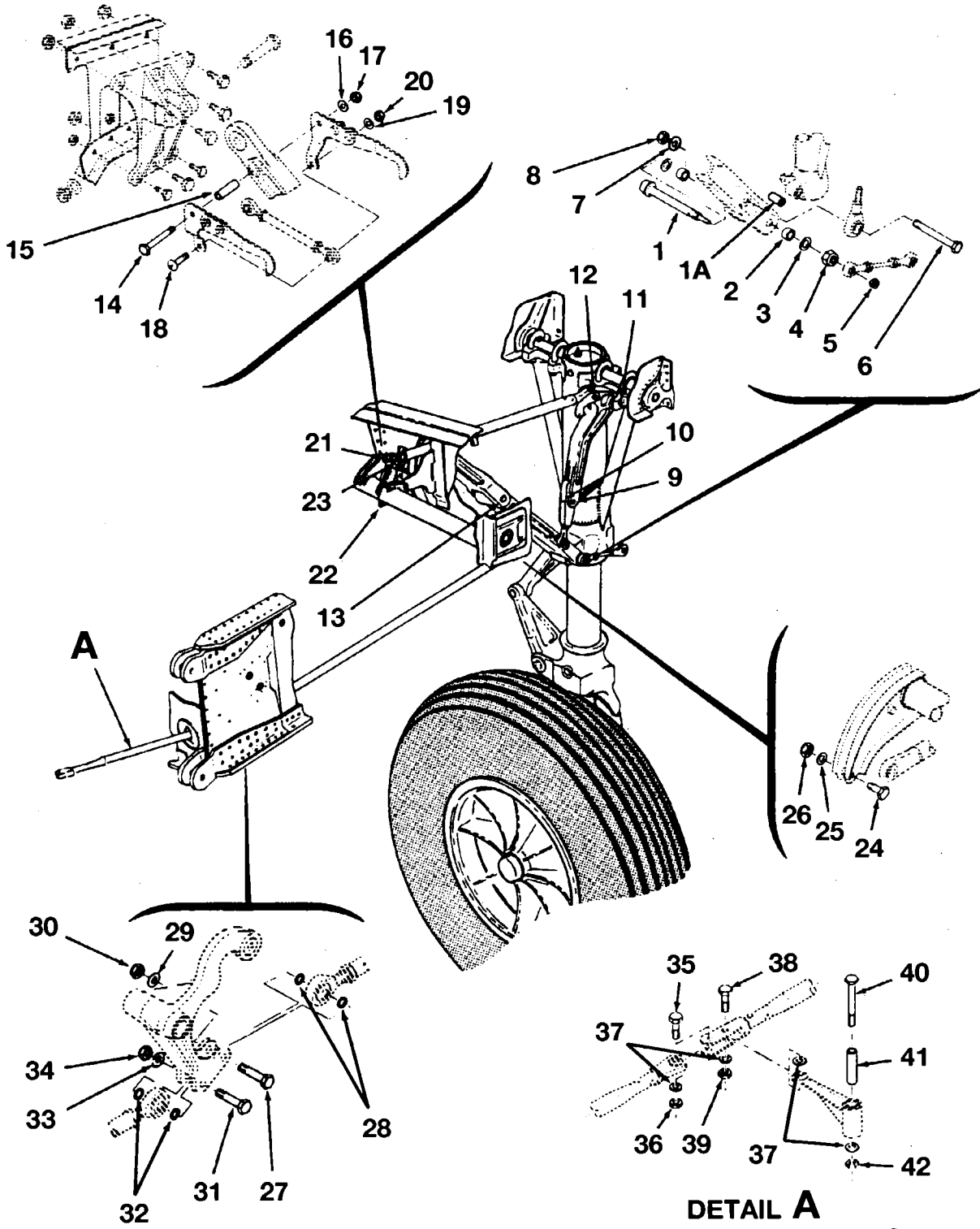
ILLUSTRATED PARTS CATALOG

FIG ITEM	PART NUMBER	NOMENCLATURE	EFFECT FROM TO	UNITS PER ASSY
		1 2 3 4 5 6 7		
01		MAIN GEAR DOORS RETRACTION LINKAGE INSTALLATION		RF
- 1	0841106-1	. BELLCRANK ASSY-MAIN GEAR LH		1
- 1A	0841106-2	. IDLER BELLCRANK-MAIN GEAR RH		1
2	BH108	. . BEARING		2
3	NAS505-4	. . BEARING-MAIN GEAR BELLCRANK		1
4	0841104-3	. BELLCRANK ASSY-LH		1
- 4A	0841104-7	. BELLCRANK ASSY-LH ALT FOR 0841104-3		1 R
- 4B	0841104-4	. BELLCRANK ASSY-RH		1
- 4C	0841104-8	. BELLCRANK ASSY-RH ALT FOR 0841104-4		1 R
5	NAS505-4	. . BEARING-BELLCRANK ROCKER ARM		2
6	BH-108	. . BEARING		2
7	AN6-33A	. BOLT-ATTACH IDLER BELLCRANK & ROCKER ARM	35000 35790	4
- 7A	NAS1149F0632P	. WASHER	35834 & ON	
7B	10310-021-2	. BEARING	35791 35833	2 R
7C	AN6-33A	. BOLT-ATTACH ROCKER ARM	35791 35833	2
7D	AN509-616R58	. SCREW-ATTACH IDLER BELLCRANK	35791 35833	2
8	0843500-51	. SPACER-ATTACH IDLER BELLCRANK & ROCKER ARM		4
9	S1003-64A	. BEARING-THRUST-ATTACH IDLER BELLCRANK & ROCKER ARM		8
10	MS21044N6	. NUT-ATTACH IDLER BELLCRANK & ROCKER ARM		4 R
11	0843500-28	. LINK-UPR CONNECTING		4
12	AN4-10A	. BOLT-ATTACH UPPER CONNECTING LINK TO IDLER BELLCRANK		2
13	MS21042L4	. NUT-ATTACH UPPER CONNECTING LINK TO IDLER BELLCRANK		2 R
14	AN4-10A	. BOLT-ATTACH UPPER CONNECTING LINK TO ROCKER ARM		2
15	AN960-414L	. WASHER-ATTACH UPPER CONNECTING LINK TO ROCKER ARM		2
16	MS21042L4	. NUT-ATTACH UPPER CONNECTING LINK TO ROCKER ARM		2 R
17	5045001-201	. CRANK ASSY SPARE-00R ACTUATOR LH MATCHED SET REFER TO NOTE 1		1
- 17A	5045001-202	. CRANK ASSY SPARE-DOOR ACTUATOR RH MATCHED SET REFER TO NOTE 1		1
- 17B	5045001-203	. SPACER STOP SPARE	35000 35833 38001 38160	1
18	NAS505-4	. . BEARING-DOOR ACTUATOR ARM ASSY		1
19	NAS1149F0832P	. WASHER-ATTACH ARM ASSY	35000 35833	4 R
- 19A	NAS1149F0832P	. WASHER-ATTACH ARM ASSY	35834 & ON	2 R
- 19B	0843502-1	. SPACER-ATTACH ARM ASSY	35834 & ON	2
20	0843500-45	. WASHER-ATTACH ARM ASSY		2
21	MS21044N4	. NUT-ATTACH ARM ASSY		2 R
22	NAS561P6-14	. PIN-ATTACH ARM ASSY		4
- 22A	MS16562-49	. PIN-ATTACH ARM ASSY ALT FOR NAS561P6-14		4 R
23	0843500-6	. LINK ASSY-BELLCRANK ROCKER ARM		2
24	NAS464-4A-9	. BOLT-ATTACH LWR LINK TO ROCKER ARM		2
25	NAS1149F0432P	. WASHER-ATTACH LWR LINK TO ROCKER ARM		2 R
26	MS21044N4	. NUT-ATTACH LWR LINK TO ROCKER ARM		2 R
27	AN24-14A	. BOLT-ATTACH LWR LINK TO DOOR ACTUATOR ARM ASSY		2
28	NAS1149F0432P	. WASHER-ATTACH LWR LINK TO DOOR ACTUATOR ARM ASSY		2 R
29	MS21042L4	. NUT-ATTACH LWR LINK TO DOOR ACTUATOR ARM ASSY		2 R
30		. TUBE ASSY-DOOR LINK REFER TO 32-10-01 FIGURE 01		RF
31		. . ROD END REFER TO 32-10-01 FIGURE 01		RF
32		. . NUT CHECK REFER TO 32-10-01 FIGURE 01		RF
33		. . BEARING ASSY REFER TO 32-10-01 FIGURE 01		RF
34	5045001-58	. ANGLE-STOP LH & RH	35000 35637 38001 38080	2
35	22NA7-68-02	. NUTPLATE	35638 35833	2
36	NAS428H3A20	. BOLT	38081 38160 35638 35833	2 R
37	0822003-1	. STOP BRACKET-STOP LH & RH	38081 38160	
38	NAS564-45	. BOLT	35834 & ON	2
39	AN315-4R	. NUT	35834 & ON	1

NOTE 1—WHEN ORDERING THIS PART FOR INITIAL FIELD INSTALLATION ALSO ORDER 5045001-203 SPACER 35000 THRU 35833 & 38001 THRU 38160

CESSNA AIRCRAFT COMPANY
MODEL 310 THRU 310D
 ILLUSTRATED PARTS CATALOG

A55650



DETAIL A

RH ONLY, SERIAL 35815 AND ON

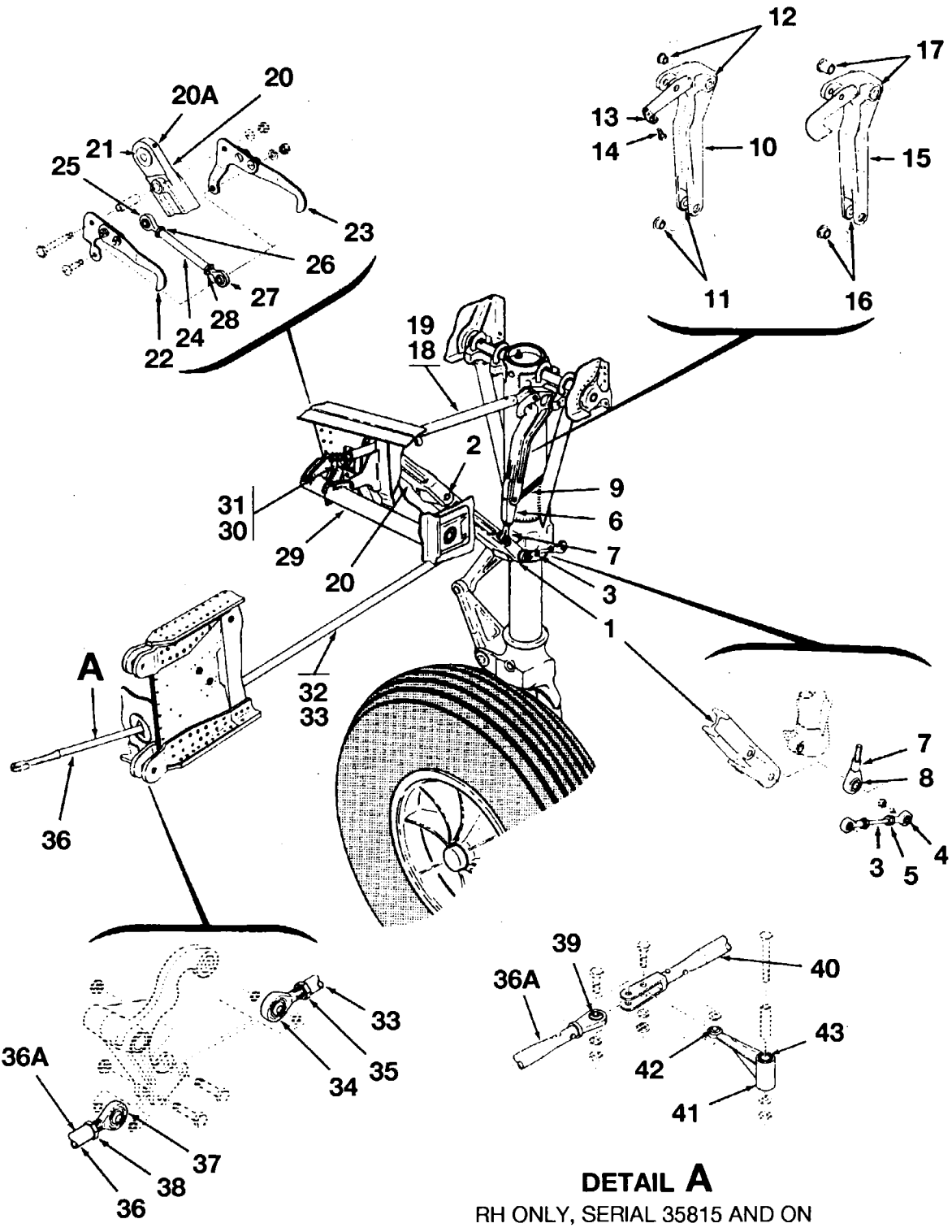
MAIN LANDING GEAR LINKAGE INSTALLATION
 FIGURE 02 (SHEET 1)

CESSNA AIRCRAFT COMPANY
MODEL 310 THRU 310D
ILLUSTRATED PARTS CATALOG

FIG ITEM	PART NUMBER	NOMENCLATURE	EFFECT FROM TO	UNITS PER ASSY
		1 2 3 4 5 6 7		
02		MAIN LANDING GEAR LINKAGE INSTALLATION REFER TO 32-30-00 FIGURE 02 FOR NHA		RF
- 0		LINKAGE COMPONENTS - MAIN GEAR REFER TO 32-30-00 FIGURE 03 FOR BREAKDOWN		RF
1	0841000-92	BOLT-ATTACH SIDE LINK ASSY & DOOR STRUT LINK ASSY TO MAIN GEAR		2
1A	0841203-1	SPACER-ATTACH SIDE LINK ASSY	35477 & ON	2
2	NAS43-6-17	SPACER-ATTACH SIDE LINK ASSY		4
3	NAS1149F0663P	WASHER-ATTACH SIDE LINK ASSY		4 R
4	MS21044N08	NUT-ATTACH SIDE LINK ASSY		2 R
5	MS21044N08	NUT-ATTACH DOOR STRUT LINK ASSY		2 R
6	AN5-23A	BOLT-ATTACH RETRACTION LINK ASSY TO SIDE LINK ASSY		2
7	0841000-93	WASHER-ATTACH RETRACTION LINK ASSY TO SIDE LINK ASSY		2
8	MS21044N5	NUT-ATTACH RETRACTION LINK ASSY TO SIDE LINK ASSY		2 R
9	0841000-75	PIN-ATTACH BELLCRANK ASSY TO RETRACTION LINK ASSY		2
10	AN565B-8H-9	SET SCREW - SECURE PIN		2
11	AN4-25A	BOLT-ATTACH BELLCRANK TO SHOCK STRUT ASSY		2
- 11A	0841225-4	SPACER-ATTACH BELLCRANK TO SHOCK STRUT ASSY	35042 & ON	4
- 11B	MS21044N4	NUT-ATTACH BELLCRANK TO SHOCK STRUT ASSY		2 R
12	AN5-13A	BOLT-ATTACH AFT PUSH-PULL TUBE ASSY TO BELLCRANK ASSY		2
- 12A	NAS1149F0563P	WASHER-ATTACH AFT PUSH-PULL TUBE ASSY TO BELLCRANK ASSY		2 R
- 12B	MS21044N4	NUT-ATTACH AFT PUSH-PULL TUBE ASSY TO BELLCRANK ASSY		2 R
13	NAS464-6A28	BOLT-ATTACH UPR & LWR SIDE LINK ASSYS TOGETHER		2
- 13A	0841203-1	SPACER - ATTACH UPR & LWR SIDE LINK ASSY	35477 & ON	2
- 13B	NAS1149F0632P	WASHER-ATTACH UPR & LWR SIDE LINK ASSYS TOGETHER		2 R
- 13C	MS20364-624C	NUT-ATTACH UPR & LWR SIDE LINK ASSYS TOGETHER		2
14	AN4-20A	BOLT-ATTACH UPLOCK HALVES TO UPR SIDE LINK ASSY		2
15	0841000-80	SPACER-ATTACH UPLOCK HALVES TO UPR SIDE LINK ASSY		2
16	NAS1149F0463P	WASHER-ATTACH UPLOCK HALVES TO UPR SIDE LINK ASSY		2 R
17	MS21044N4	NUT-ATTACH UPLOCK HALVES TO UPR SIDE LINK ASSY		2 R
18	AN24-15A	BOLT-ATTACH PUSH-PULL UPLOCK ASSY TO UPLOCK HALVES		2
19	NAS1149F0432P	WASHER-ATTACH PUSH-PULL UPLOCK ASSY TO UPLOCK HALVES		2 R
20	MS21044N4	NUT-ATTACH PUSH-PULL UPLOCK ASSY TO UPLOCK HALVES		2 R
21	AN24-13A	BOLT-ATTACH PUSH-PULL UPLOCK ASSY TO TORQUE TUBE WELD ASSY		2
- 21A	NAS1149F0432P	WASHER-ATTACH PUSH-PULL UPLOCK ASSY TO TORQUE TUBE WELD ASSY		2 R
- 21B	MS21044N4	NUT-ATTACH PUSH-PULL UPLOCK ASSY TO TORQUE TUBE WELD ASSY		2 R
22	AN316-8R	NUT-ATTACH FORK BOLT TO TORQUE TUBE WELD ASSY	35000 35771	2
23	AN25-16A	BOLT-ATTACH AFT PUSH-PULL TUBE ASSY TO FORK BOLT		2
- 23A	MS21044N5	NUT-ATTACH AFT PUSH-PULL TUBE ASSY TO FORK BOLT		2 R
24	AN25-14A	BOLT-ATTACH FWD PUSH-PULL TUBE ASSY TO TORQUE TUBE WELD ASSY		2
25	NAS1149F0532P	WASHER-ATTACH FWD PUSH-PULL TUBE ASSY TO TORQUE TUBE WELD ASSY		2 R
26	MS21044N5	NUT-ATTACH FWD PUSH-PULL TUBE ASSY TO TORQUE TUBE WELD ASSY		2 R
27	NAS464-5A14	BOLT-ATTACH FWD PUSH-PULL TUBE ASSY TO IDLER BELLCRANK		2
28	NAS1149F0532P	WASHER-ATTACH FWD PUSH-PULL TUBE ASSY TO IDLER BELLCRANK		4 R
29	NAS1149F0563P	WASHER-ATTACH FWD PUSH-PULL TUBE ASSY TO IDLER BELLCRANK		2 R
30	MS20364-524C	NUT-ATTACH FWD PUSH-PULL TUBE ASSY TO IDLER BELLCRANK		2
31	NAS464-5A14	BOLT-ATTACH GEAR DRIVE TUBE ASSY TO IDLER BELLCRANK		2
32	NAS1149F0532P	WASHER-ATTACH GEAR DRIVE TUBE ASSY TO IDLER BELLCRANK		4 R
33	NAS1149F0563P	WASHER-ATTACH GEAR DRIVE TUBE ASSY TO IDLER BELLCRANK		2 R
34	MS20364-524C	NUT-ATTACH GEAR DRIVE TUBE ASSY TO IDLER BELLCRANK		2
35	AN5-11A	BOLT-ATTACH PUSH-PULL TUBES	35815 & ON	1
36	MS21044N5	NUT-ATTACH PUSH-PULL TUBES	35815 & ON	1 R
37	NAS1149F0532P	WASHER	35815 & ON	4 R
38	AN4-11A	BOLT-ATTACH PUSH-PULL TUBE TO BELLCRANK	35815 & ON	1
39	MS21044N4	NUT-ATTACH PUSH-PULL TUBE TO BELLCRANK	35815 & ON	1 R
40	AN4-24A	BOLT-ATTACH BELLCRANK	35815 & ON	1
41	0843400-122	SPACER	35815 & ON	1
42	MS21044N4	NUT-ATTACH BELLCRANK	35815 & ON	1 R

CESSNA AIRCRAFT COMPANY
MODEL 310 THRU 310D
 ILLUSTRATED PARTS CATALOG

A55651



DETAIL A

RH ONLY, SERIAL 35815 AND ON

MAIN LANDING GEAR LINKAGE COMPONENTS
 FIGURE 03 (SHEET 1)

CESSNA AIRCRAFT COMPANY
MODEL 310 THRU 310D
ILLUSTRATED PARTS CATALOG

FIG ITEM	PART NUMBER	NOMENCLATURE	EFFECT		UNITS PER ASSY
			FROM TO		
03		MAIN LANDING GEAR LINKAGE COMPONENTS REFER TO 32-30-00 FIGURE 02 FOR NHA			RF
1	0841103-7	SIDE LINK ASSY-LOWER LH REFER TO NOTE 1			1
- 1A	0841103-11	SIDE LINK ASSY-LOWER LH REFER TO NOTE 1 ALT FOR 0841103-7			1 R
- 1B	0841103-8	SIDE LINK ASSY-LOWER RH REFER TO NOTE 1			1
- 1C	0841103-12	SIDE LINK ASSY-LOWER RH REFER TO NOTE 1 ALT FOR 0841103-8			1 R
- 1D	1736	GREASE FITTING-DRIVE ALEMITE			1
2	NAS77-10-045	BUSHING-LOWER SIDE LINK ASSY	35477	& ON	2 R
- 2A	NAS505-6	BEARING-LOWER SIDE LINK ASSY	35000	35476	2
3		LINK ASSY-DOOR REFER TO 32-10-01 FIGURE 01			RF
4		ROD END-REFER TO 32-10-01 FIGURE 01 HEIM			RF
5		NUT-CHECK REFER TO 32-10-01 FIGURE 01			RF
6	0841100-1	LINK-SIDE BRACE LOCK	35000	35497	2
- 6A	0841100-4	LINK ASSY-SIDE BRACE LOCK	35498	& ON	2
- 6B	0841235-3	BRACKET SWITCH			1
7	0841101-1	END FITTING ASSY-SIDE BRACE LOCK			2
8	KWB5	BEARING-KAHR			1
9	0841006	SPRING-GEAR LOCK			2
10	0841000-77	BELLCRANK ASSY-MAIN GEAR LH	35000	35041	1
- 10A	0841000-78	BELLCRANK ASSY-MAIN GEAR RH	35000	35041	1
11	S1004-11B	BEARING-FLANGED BEARING			2
12	S1004-3B	BEARING-FLANGED			2
13	AN256-10	NUTPLATE-RIGHT ANGLE			1
14	NAS428-3A4	BOLT-RIGHT ANGLE PLATE NUT			1 R
15	0841225-1	BELLCRANK ASSY-MAIN GEAR LH	35042	35497	1
- 15A	0841225-9	BELLCRANK ASSY-MAIN GEAR LH	35498	& ON	1
- 15B	0841225-2	BELLCRANK ASSY-MAIN GEAR RH	35042	35497	1
- 15C	0841225-10	BELLCRANK ASSY-MAIN GEAR RH	35498	& ON	1
16	S1004-11B	BEARING-FLANGED			2
17	S1004-17B	BUSHING-FLANGED			2
18	0841000-59	TUBE ASSY-AFT	35000	35041	2
- 18A	HMX5E	ROD END-HEIM			2
- 18B	AN316-6R	NUT-CHECK			2
19	0840125-200	TUBE ASSY-AFT	35042	& ON	2
- 19A	HRBH5ES	ROD END-INBOARD KAHR			1
- 19B	AN316-7R	NUT-CHECK			1
- 19C	HSBG5S	BEARING-GROOVED OUTBOARD KAHR			1
20	0841102-4	LINK ASSY-SIDE LINK ASSY UPPER REFER TO NOTE 3			1
20A	1736	GREASE FITTING-DRIVE ALEMITE			1
21	S132-10P17	BUSHING-UPPER SIDE LINK ASSY	35477	& ON	1
- 21A	NAS505-7	BEARING-UPPER SIDE LINK ASSY	35000	35476	1
22	0841140-5	UPLOCK ASSY-MAIN GEAR FORWARD			2
23	0841140-6	UPLOCK ASSY-MAIN GEAR SHAFT			22
24	0841000-58	LOCK ASSY-MAIN GEAR			2
25	HM-4	BEARING-ROD END HEIM	35000	35476	1
- 25A	HM-4	BEARING-ROD END HEIM	35477	& ON	2
26	AN316-4R	NUT-CHECK	35000	35476	1
- 26A	AN316-4R	NUT-CHECK	35477	& ON	2
27	HML4	ROD END-HEIM	35000	35476	1
28	AN316-4R	NUT-CHECK	35000	35476	1
29	0843510-15	TORQUE TUBE ASSY-LH FSO 0853500-201 REFER TO NOTE 2			NP
- 29A	0843510-16	TORQUE TUBE ASSY-RH FSO 0853500-202 REFER TO NOTE 2			NP
- 29B	AN316-8R	NUT-CHECK USED WITH 5243518-3	35772	& ON	1
- 29C	AN316-10R	NUT-CHECK USED WITH 5141052-1	35772	& ON	1
- 29D	NAS77A-5-8	BUSHING			21
30	0843518-1	BOLT-FORK	35772	& ON	2
31	5243518-3	BOLT-FORK USED WITH 0843510-15 & 16 REFER TO NOTE 2	35000	35041	2
- 31A	5141052-1	BOLT-FORK USED WITH 0843500-201 & 202 REFER TO NOTE 2	35042	35771	2
32	0843500-5	TUBE ASSY-PUSH FULL MAIN GEAR FORWARD	35000	35041	2
- 32A	HMX5E	ROD END-HEIM			2
- 32B	AN316-6R	NUT-CHECK			2
33	0840125-6	TUBE ASSY-PUSH PULL MAIN GEAR FORWARD	35042	& ON	2
34	HRBH5ES	ROD END-INBOARD KAHR			1
35	AN316-7R	NUT-CHECK			1
- 35A	HSBG5S	GROOVED BEARING-OUTBOARD END KAHR			1

NOTE 1—WHEN ORDERING THIS ASSEMBLY FOR AIRPLANES PRIOR TO SERIAL 35477, ALSO ORDER 0841203-1 SPACER.

NOTE 2—PRIOR TO ORDERING A NEW FORK BOLT, THE PART NUMBER OF THE TORQUE TUBE ASSEMBLY MUST BE KNOWN. FORK BOLT 5243518-3 IS 1/2" DIAMETER, WHILE 5141052-1 IS 5/8" DIAMETER.

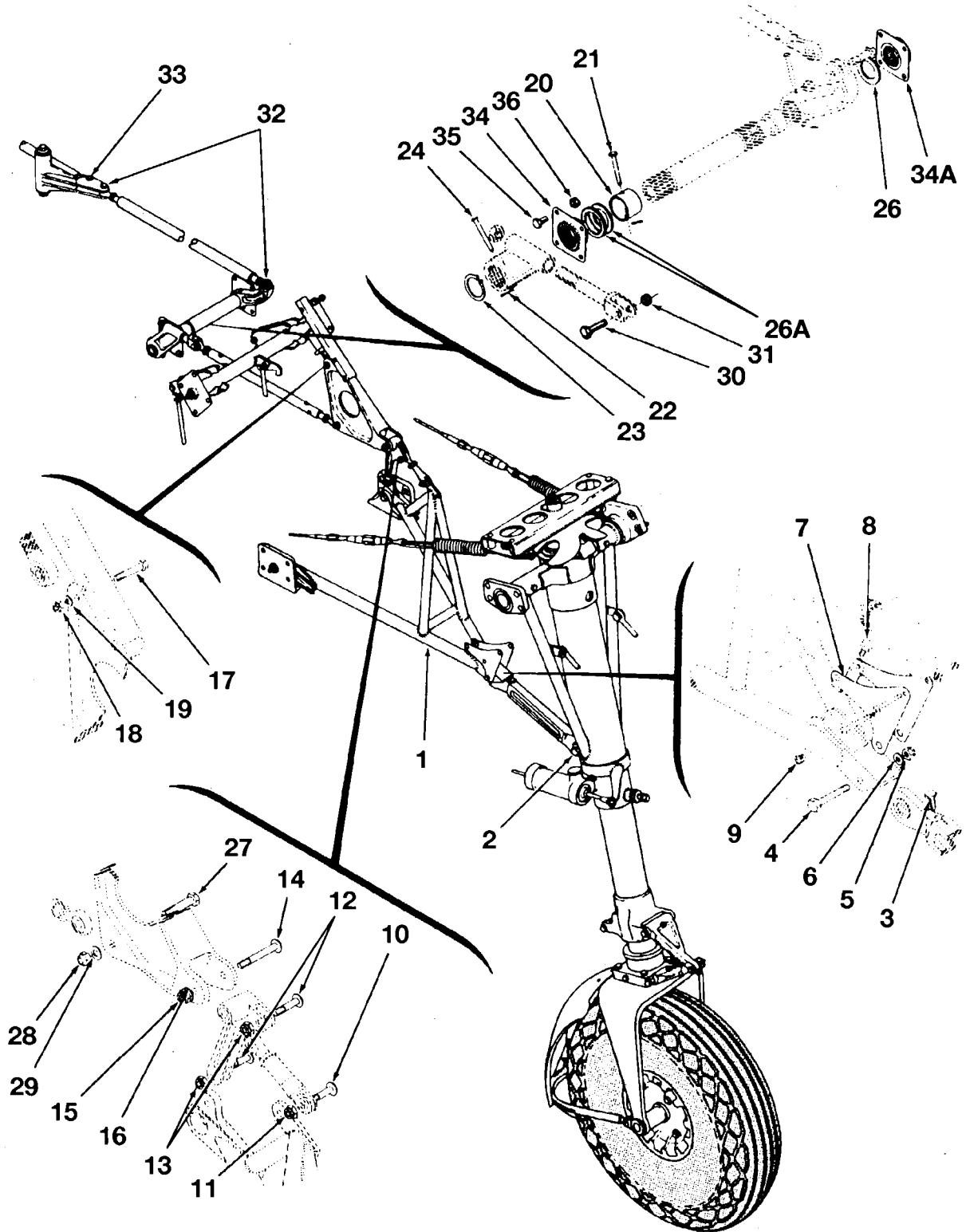
NOTE 3—WHEN ORDERING THIS ASSEMBLY FOR AIRPLANES PRIOR TO SERIAL 35477, ALSO ORDER 0841202-1 SPACER

CESSNA AIRCRAFT COMPANY
MODEL 310 THRU 310D
ILLUSTRATED PARTS CATALOG

FIG ITEM	PART NUMBER	NOMENCLATURE	EFFECT		UNITS
			FROM	TO	PER ASSY
03					
36	0841130-2	. TUBE ASSY-GEAR DRIVE LH			1
36A	0841137-1	. TUBE ASSY-PUSH-PULL BELLCRANK TO IDLER BELLCRANK	35815	& ON	1
- 36B	0841135-4	. TUBE ASSY-GEAR DRIVE RH	35000	35000	1
			35814	35814	
37	HRBH5ES	. . ROD END-KAHR			1
38	AN316-7R	. . NUT-CHECK			1
39	HSBG5S	. . BEARING-GROOVED-KAHR	35815	& ON	1
40	0841138-1	. TUBE ASSY-PUSH-PULL ACTUATOR TO BELL CRANK	35815	& ON	1
41	0841136-4	. BELLCRANK ASSY-MAIN GEAR RETRACTION	35815	& ON	1
42	HSB4	. . BEARING-KAHR			1
43	S1004-14A	. . BEARING			2

CESSNA AIRCRAFT COMPANY
MODEL 310 THRU 310D
ILLUSTRATED PARTS CATALOG

A56656



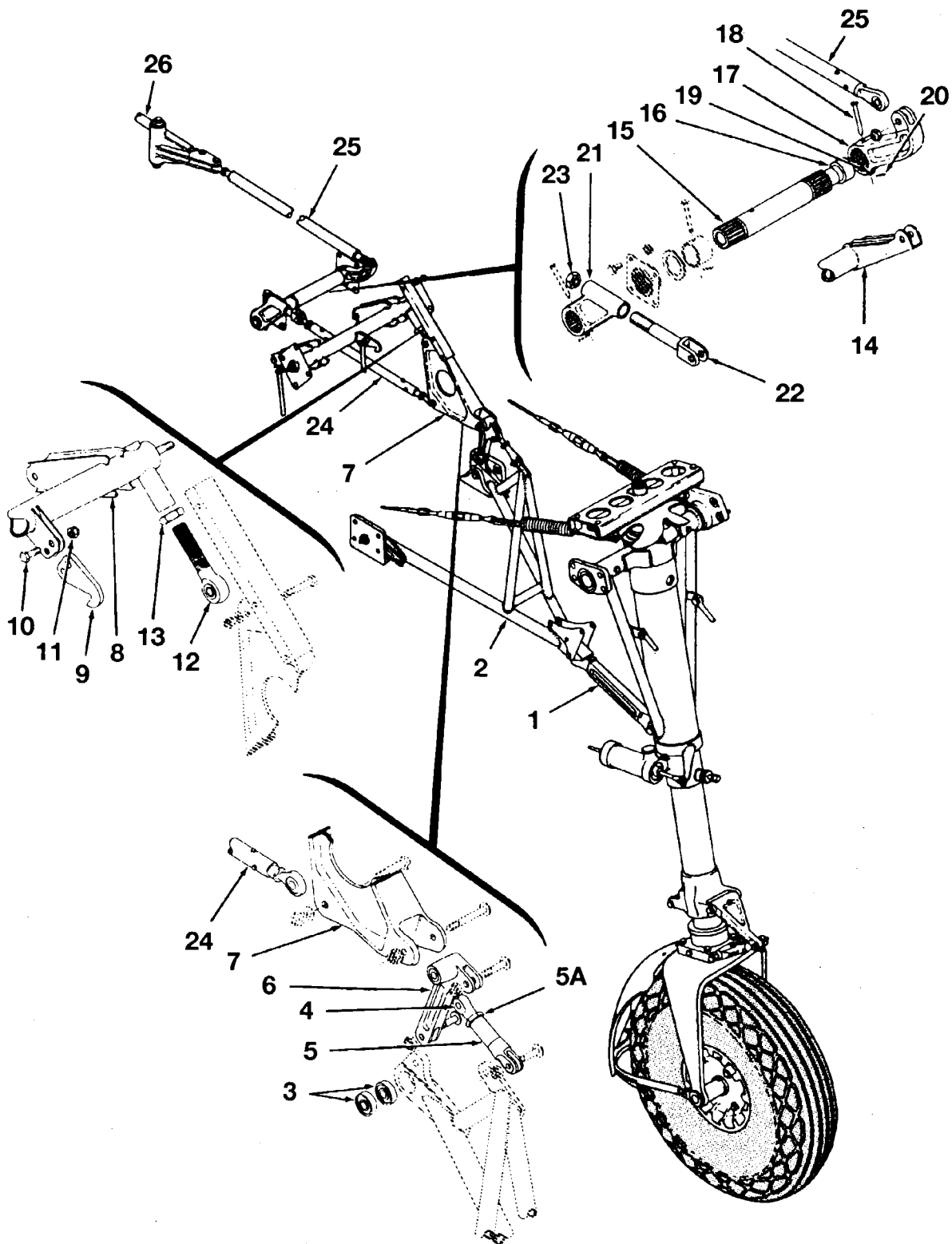
NOSE GEAR LINKAGE INSTALLATION
FIGURE 04 (SHEET 1)

CESSNA AIRCRAFT COMPANY
MODEL 310 THRU 310D
ILLUSTRATED PARTS CATALOG

FIG ITEM	PART NUMBER	NOMENCLATURE	EFFECT		UNITS PER ASSY
			FROM	TO	
04		NOSE GEAR LINKAGE INSTALLATION REFER TO 32-20-00 FIGURE 01 FOR NHA			RF
1		LINKAGE COMPONENTS-REFER TO 32-30-00 FIGURE 05 FOR BREAKDOWN			RF
2	AN5-12A	BOLT-ATTACH DRAG LINK OR BRACE TO TRUNNION			1
- 2A	MS21044N5	NUT-ATTACH DRAG LINK OR BRACE TO TRUNNION			1 R
- 2B	NAS1149F0532P	WASHER-ATTACH DRAG LINK OR BRACE TO TRUNNION			1 R
3	NAS428H3A4	BOLT-ADJUSTING			1 R
4	AN5-14A	BOLT-ATTACH DRAG LINK TO DRAG BRACE TRUSS ASSY			1
5	MS21044N5	NUT-ATTACH DRAG LINK TO DRAG BRACE TRUSS ASSY			1 R
6	NAS1149F0563P	WASHER-ATTACH DRAG LINK TO DRAG BRACE TRUSS ASSY			AR R
- 6A	NAS1149F0532P	WASHER-ATTACH DRAG LINK TO DRAG BRACE TRUSS ASSY			AR R
7	0842000-74	BRACKET ASSY-MICRO SWITCH			1
8	AN3-4A	BOLT-ATTACH SWITCH BRACKET TO DRAG BRACE TRUSS			1
9	MS21045L3	NUT-ATTACH SWITCH BRACKET TO DRAG BRACE TRUSS			1 R
10	AN24-14A	BOLT-CLEVIS ATTACH ADJUSTING FORK TO DRAG BRACE TRUSS			1
11	MS21044N4	NUT-ATTACH ADJUSTING FORK TO DRAG BRACE TRUSS			1 R
12	AN24-13A	BOLT-ATTACH RETRACT ARM			2
13	MS21042L4	NUT-ATTACH RETRACT ARM			2 R
14	AN24-28A	BOLT-ATTACH BELLCRANK TO RETRACT ARM	35000	35046	1
			35146	& ON	
- 14A	AN24-27A	BOLT-ATTACH BELLCRANK TO RETRACT ARM	35047	35145	1
15	MS21042L4	NUT-ATTACH BELLCRANK TO RETRACT ARM			1 R
16	NAS1149F0432P	WASHER-ATTACH BELLCRANK TO RETRACT ARM			1 R
17	AN4-11A	BOLT-ATTACH UPLOCK TORQUE TUBE ASSY TO BELLCRANK	35000	35046	1
- 17A	AN4-12A	BOLT-ATTACH UPLOCK TORQUE TUBE ASSY TO BELLCRANK	35047	& ON	1
18	MS21044N4	NUT-ATTACH UPLOCK TORQUE TUBE ASSY TO BELLCRANK			1 R
19	NAS1149F0432P	WASHER-ATTACH UPLOCK TORQUE TUBE ASSY TO BELLCRANK			1 R
20	0813300-74	COLLAR-STOP			1
21	MS20392-2-37	PIN-RETAINER STOP COLLAR			1
22	MS24665-130	COTTER PIN-STOP COLLAR & ADJUSTING BELLCRANK PINS			2
23	NAS670-100	RING-LOCK RETAINER OF ADJUSTING BELLCRANK	35000	35041	1
24	MS20392-2-49	PIN-RETAINER OF ADJUSTING BELLCRANK	35042	& ON	1
- 25		DELETED-NOT USED			
26	0813300-33	WASHER-ASIDE OF RETRACTION TORQUE TUBE RETAINING BEARINGS	35000	35546	1
26A	0813300-33	WASHER-ASIDE OF RETRACTION TORQUE TUBE RETAINING BEARINGS	35000	35546	1
- 26B	0813300-33	WASHER-ASIDE OF RETRACTION TORQUE TUBE RETAINING BEARINGS	35547	& ON	AR
- 26C	0842006-1	WASHER-ASIDE OF RETRACTION TORQUE TUBE RETAINING BEARINGS	35547	& ON	AR
- 26D	0842006-2	WASHER-ASIDE OF RETRACTION TORQUE TUBE RETAINING BEARINGS	35547	& ON	AR
27	AN4-13A	BOLT-ATTACH GEAR DRIVE TUBE TO BELLCRANK	35000	35046	1
- 27A	NAS464-5A13	BOLT-ATTACH GEAR DRIVE TUBE TO BELLCRANK	35047	& ON	1
28	MS21042L4	NUT-ATTACH GEAR DRIVE TUBE TO BELLCRANK	35000	35046	1 R
- 28A	MS20364-524C	NUT-ATTACH GEAR DRIVE TUBE TO BELLCRANK	35047	& ON	1
29	NAS1149F0432P	WASHER	35000	35046	1 R
- 29A	NAS1149F0532P	WASHER	35047	& ON	1 R
30	AN4-10A	BOLT-ATTACH GEAR DRIVE TUBE TO TORQUE TUBE	35000	35041	1
- 30A	AN5-10A	BOLT-ATTACH GEAR DRIVE TUBE TO TORQUE TUBE	35042	& ON	1
31	MS21044N4	NUT-ATTACH GEAR DRIVE TUBE TO TORQUE TUBE	35000	35041	1 R
- 31A	MS21044N5	NUT-ATTACH GEAR DRIVE TUBE TO TORQUE TUBE	35042	& ON	1 R
32	AN5-11A	BOLT-ATTACH INTERMEDIATE GEAR DRIVE TUBE			2
- 32A	MS21044N5	NUT-ATTACH INTERMEDIATE GEAR DRIVE TUBE			2 R
- 32B	NAS1149F0563P	WASHER-ATTACH INTERMEDIATE GEAR DRIVE TUBE	35000	35041	1 R
- 32C	NAS43-5-4	SPACER-ATTACH INTERMEDIATE GEAR DRIVE TUBE	35000	35041	2
- 32D	NAS1149F0532P	WASHER-ATTACH IDLER BELLCRANK TO MAIN GEAR DRIVE TUBE	35042	& ON	1 R
33	AN4-11A	BOLT-ATTACH IDLER BELLCRANK TO MAIN GEAR DRIVE TUBE			1
- 33A	MS21044N4	NUT-ATTACH IDLER BELLCRANK TO MAIN GEAR DRIVE TUBE			1 R
- 33B	NAS1149F0463P	WASHER-ATTACH IDLER BELLCRANK TO MAIN GEAR DRIVE TUBE			1 R
- 33C	NAS43-4-6	SPACER-ATTACH IDLER BELLCRANK TO MAIN GEAR DRIVE TUBE			2
34	0813300-35	HOUSING-TORQUE TUBE SUPPORT	35000	35529	2
34A	0842110-1	BEARING ASSY-TORQUE TUBE SUPPORT	35530	& ON	1
- 34B	0813300-35	HOUSING-TORQUE TUBE INBOARD SUPPORT	35530	& ON	1
35	AN3-3A	BOLT-ATTACH TORQUE TUBE SUPPORT BEARING ASSY TO NOSE SECTION			8
36	MS20364-1032C	NUT-ATTACH TORQUE TUBE SUPPORT BEARING ASSY TO NOSE SECTION			8

CESSNA AIRCRAFT COMPANY
MODEL 310 THRU 310D
ILLUSTRATED PARTS CATALOG

A55657



NOSE GEAR LINKAGE COMPONENTS
FIGURE 05 (SHEET 1)

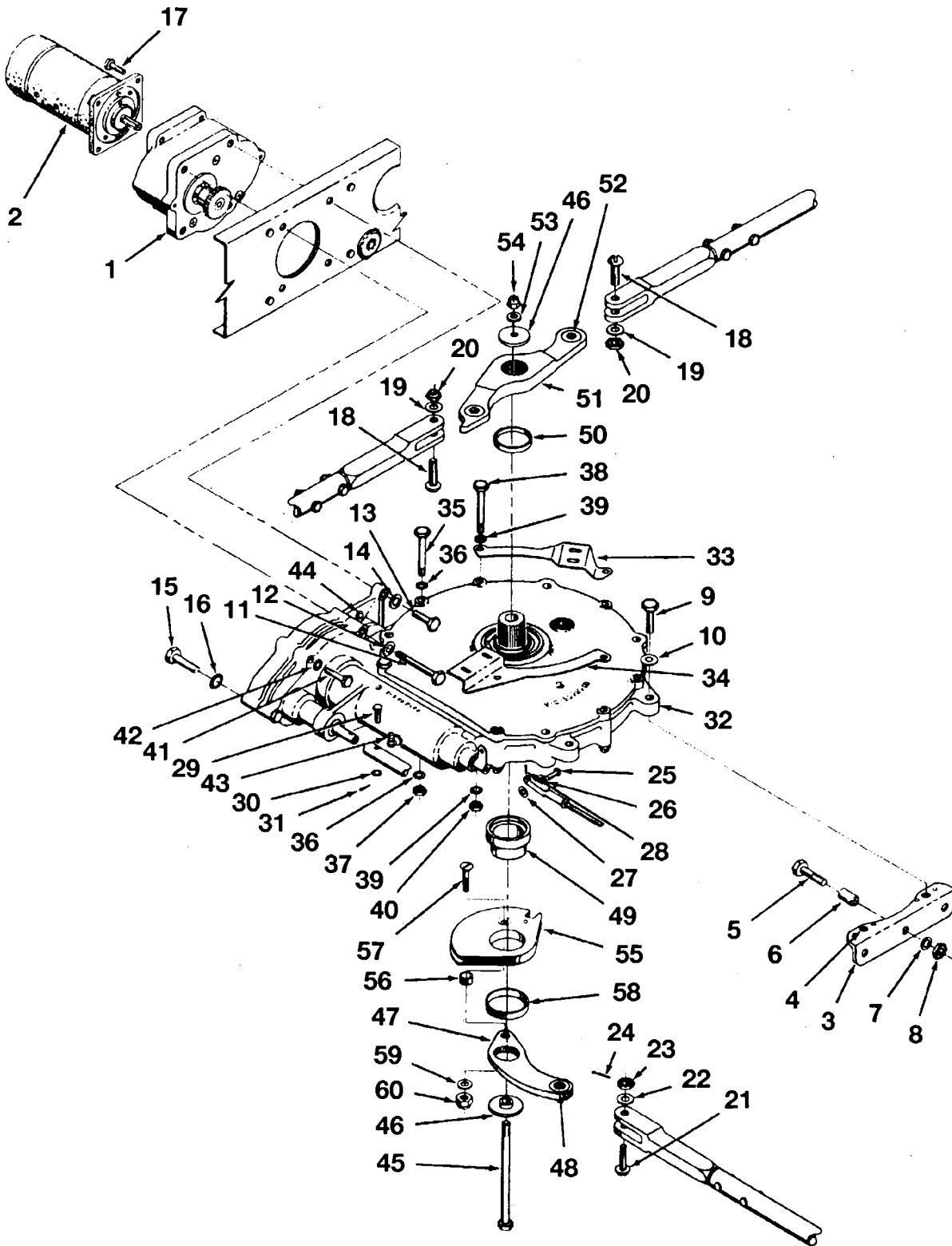
CESSNA AIRCRAFT COMPANY
MODEL 310 THRU 310D
ILLUSTRATED PARTS CATALOG

FIG ITEM	PART NUMBER	NOMENCLATURE	EFFECT		UNITS PER ASSY
			FROM	TO	
05		NOSE GEAR LINKAGE COMPONENTS REFER TO 32-30-00 FIGURE 04 FOR NHA			RF
1	0842000-3	. DRAG LINK ASSY	35000	35051	1
- 1A	0842107-2	. BRACE - DRAG REFER TO NOTE 1	35052	& ON	1
2	0842000-4	. TRUSS ASSY DRAG	35000	35041	1
3	AN201KP5A	. BEARING	35000	35041	2
- 3A		. DELETED-NOT USED			
- 3B	0842000-70	. TRUSS ASSY - DRAG BRACE REFER TO NOTE 1	35052	& ON	1
- 3C	AN201KP5A	. BEARING	35042	& ON	4
4	0842000-32	. EYE BOLT- ADJUSTING			1
5	0842000-33	. FORK- ADJUSTING			1
5A	AN316-6R	. NUT- CHECK			1
6	0842108-2	. ARM ASSY- RETRACT			1
7	0842140-2	. LINK ASSY- BELLCRANK			1
- 7A	0813300-90	. TORQUE TUBE ASSY- UP-LOCK			1
8	0813300-46	. WELD ASSY- UP-LOCK TORQUE			1
9	0813300-47	. HOOK- UP-LOCK			1
10	AN4-6A	. BOLT- ATTACH HOOK TO TORQUE TUBE			2
11	MS21044N4	. NUT- ATTACH HOOK TO TORQUE TUBE			2 R
12	0813301-1	. ROD ASSY- ADJUSTING			1
- 12A	MS24462-4	. BEARING			1 R
13	AN316-8R	. NUT- ROD END			1
14	0813300-31	. BELLCRANK WELD ASSY- RETRACTION	35000	35041	1
- 14A	0842130-5	. TORQUE TUBE ASSY - RETRACTION REFER TO NOTE 2	35042	& ON	1
15	0842130-2	. TORQUE TUBE	35042	35529	1
- 15A	0842130-4	. TORQUE TUBE	35530	& ON	1
16	0842130-3	. COLLAR	35042	35529	1
17	5045203-3	. BELLCRANK	35042	35529	1
- 17A	5045203-2	. BELLCRANK	35530	& ON	1
18	MS20392-2-51	. PIN			1
19	NAS1149F0332P	. WASHER			1 R
20	MS24665-130	. COTTER PIN			1
21	0813300-51	. WELD ASSY- ADJUSTING	35000	35041	1
- 21A	0842104-1	. BELLCRANK- ADJUSTING	35042	35529	1
- 21B	0842104-2	. BELLCRANK- ADJUSTING	35530	& ON	1
22	0813300-55	. FORK- ADJUSTING	35000	35041	1
- 22A	0813300-102	. FORK- ADJUSTING	35042	& ON	1
- 22B	NAS43-8-5	. SPACER	35000	35041	1
23	AN316-8R	. NUT			1
24	0813300-39	. TUBE ASSY- GEAR DRIVE	35000	35041	1
- 24A	0813300-85	. ROD END ASSY			2
- 24B	MS24462-4	. BEARING- FIXED END			2 R
- 24C	AN316-5R	. NUT- LOCK			2
- 24D	0840125-4	. TUBE ASSY- GEAR DRIVE	35042	& ON	1
- 24E	HRBH5ES	. ROD END- HEIM			1
- 24F	AN316-7R	. NUT- LOCK			1
- 24G	HSBG5S	. BEARING-GROOVED- KAHR			1
25	0813300-54	. TUBE ASSY- INTERMEDIATE GEAR DRIVE	35000	35041	1
- 25A	HMX5E	. ROD END- HEIM			2
- 25B	AN316-6R	. NUT- LOCK			2
- 25C	0840125-3	. TUBE ASSY- INTERMEDIATE GEAR DRIVE	35042	& ON	1
- 25D	HRBH5ES	. ROD END- HEIM			1
- 25E	AN316-7R	. NUT- LOCK			1
- 25F	HSBG5S	. BEARING-GROOVED- KAHR			1
- 25G	0842102-2	. ARM ASSY- BELLCRANK - IDLER			1
26	0842120-1	. TUBE ASSY- GEAR MAIN DRIVE FSO 0842121-1			1
- 26A	4NBC612ZP	. BEARING- TORRINGTON			1
- 26B	0842121-1	. TUBE ASSY- GEAR MAIN DRIVE			1
- 26C	MS24461-4	. BEARING			1

NOTE 1—WHEN ORDERING THIS ASSEMBLY FOR AIRPLANES SERIAL 35042 THRU 35051 ALSO ORDER 0842107-2.
NOTE 2—WHEN ORDERING THIS PART FOR AIRCRAFT SERIAL 35042 THRU 35529, ALSO ORDER 0842110-1 BEARING ASSEMBLY.

CESSNA AIRCRAFT COMPANY
MODEL 310 THRU 310D
ILLUSTRATED PARTS CATALOG

A55663



LANDING GEAR ACTUATOR INSTALLATION
FIGURE 06 (SHEET 1)

CESSNA AIRCRAFT COMPANY
MODEL 310 THRU 310D
ILLUSTRATED PARTS CATALOG

FIG ITEM	PART NUMBER	NOMENCLATURE	EFFECT		UNITS PER ASSY
			FROM	TO	
06		LANDING GEAR ACTUATOR INSTALLATION			RF
1	0894000-2	REDUCTION UNIT-LANDING GEAR ACTUATION NEW			1
- 1A	0894000-8	REDUCTION UNIT-LANDING GEAR ACTUATION RECONDITIONED			1
2	0843300-11	MOTOR-ALT 5BA25HJ-121A			1
- 2A	0843300-13	MOTOR-50-00928-000			1
- 2B	0843300-12	MOTOR-ALT 5BA25HJ-121A RECONDITIONED			1
- 2C	0843300-14	MOTOR-50-00928-000 RECONDITIONED			1
3	0843400-114	BRACKET ASSY-ACTUATOR MOUNTING			1
4	MS21047L4	NUT-MOUNT ACTUATOR			2 R
5	AN4-26A	BOLT-ATTACH MOUNTING BRACKET TO FRONT SPAR			3
6	NAS43DD4-123FC	SPACER-ATTACH MOUNTING BRACKET TO FRONT SPAR			3 R
7	NAS1149F0432P	WASHER-ATTACH MOUNTING BRACKET TO FRONT SPAR			6 R
8	MS21044N4	NUT-ATTACH MOUNTING BRACKET TO FRONT SPAR			3 R
9	AN4-11A	BOLT-ATTACH ACTUATOR ASSY TO MOUNTING BRACKET			2
10	NAS1149F0432P	WASHER-ATTACH ACTUATOR ASSY TO MOUNTING BRACKET			2 R
11	AN174H22A	BOLT-ATTACH ACTUATOR AND REDUCTION UNIT TO BULKHEAD			2
12	NAS1149F0463P	WASHER-ATTACH ACTUATOR AND REDUCTION UNIT TO BULKHEAD			2 R
13	AN4H7A	BOLT-ATTACH ACTUATOR AND REDUCTION UNIT TO BULKHEAD			1
- 13A	AN4H10A	BOLT-ATTACH ACTUATOR AND REDUCTION UNIT TO BULKHEAD			1
14	NAS1149F0463P	WASHER-ATTACH ACTUATOR AND REDUCTION UNIT TO BULKHEAD			2 R
15	AN3H4A	BOLT-ATTACH ACTUATOR ASSY TO BULKHEAD			1
16	NAS43DD3-7FC	SPACER-ATTACH ACTUATOR ASSY TO BULKHEAD			1 R
17	ANK4-8	BOLT-AIRCO SUPPLY ATTACH MOTOR TO REDUCTION UNIT			4
18	NAS464-4A11	BOLT-ATTACH MAIN GEAR LINKAGE TO ACTUATOR			2
19	NAS1149F0463P	WASHER-ATTACH MAIN GEAR LINKAGE TO ACTUATOR			4 R
20	MS21042L4	NUT-ATTACH MAIN GEAR LINKAGE TO ACTUATOR			2 R
21	AN24-16	BOLT-ATTACH MAIN GEAR LINKAGE TO ACTUATOR			1
22	NAS1149F0432P	WASHER-ATTACH MAIN GEAR LINKAGE TO ACTUATOR			1 R
23	AN320-4	NUT-ATTACH MAIN GEAR LINKAGE TO ACTUATOR			1
24	MS24665-134	COTTER PIN-SECURE NUT			1
25	MS20392-2-13	PIN-ATTACH MANUAL EXTENSION DISENGAGE ROD TO ACTUATOR			1
26	NAS1149F0363P	WASHER-ATTACH MANUAL EXTENSION DISENGAGE ROD TO ACTUATOR			1 R
27	NAS1149F0332P	WASHER-ATTACH MANUAL EXTENSION DISENGAGE ROD TO ACTUATOR			1 R
28	MS24665-130	COTTER PIN-SECURE PIN			1
29	MS20392-2-17	PIN-ATTACH MANUAL EXTENSION DRIVE ROD TO ACTUATOR			1
30	NAS1149F0332P	WASHER-ATTACH MANUAL EXTENSION DRIVE ROD TO ACTUATOR			1 R
31	MS24665-130	COTTER PIN-SECURE PIN			1
32	0894000-4	ACTUATOR ASSY-LANDING GEAR NEW			1
- 32A	0894000-7	ACTUATOR ASSY-LANDING GEAR RECONDITIONED			1
33	0843400-46	BRACKET-UP LIMIT SWITCH			1
34	0843400-47	BRACKET-DOWN LIMIT SWITCH			1
35	AN3-16A	BOLT-ATTACH TOP COVER			4
36	NAS1149F0332P	WASHER-ATTACH TOP COVER			8 R
37	MS21045L3	NUT-ATTACH TOP COVER			4 R
38	AN3-17A	BOLT-ATTACH TOP COVER			3
39	NAS1149F0332P	WASHER-ATTACH TOP COVER			6 R
40	MS21045L3	NUT-ATTACH TOP COVER			3 R
41	AN3H10A	BOLT-ATTACH SIDE COVER			3
42	NAS1149F0332P	WASHER-ATTACH SIDE COVER			1 R
43	AN944-301	FITTING-GREASE			1
44	AN944-101	FITTING-GREASE			1
- 44A	MS27641-20	BEARING-UPPER			1
- 44B	MS27642-23	BEARING-LOWER			1
45	AN4-43A	BOLT-CENTER			1
46	0843400-41	CAP-GEAR BOX			2
47	0843400-8	BELLCRANK ASSY-GEAR BOX	35000	35546	1
- 47A	0843400-117	BELLCRANK ASSY-GEAR BOX	35547	& ON	1
48	4NBC612ZP	BEARING-TORRINGTON			1
49	0843400-39	SPACER-GEAR BOX			1
50	0843400-38	SPACER-GEAR BOX			1
51	0843400-33	BELLCRANK ASSY-GEAR BOX			1
52	LS4	HEIM BEARING			2
53	NAS1149F0432P	WASHER-CENTER BOLT			1 R
54	MS21044N4	NUT-CENTER BOLT			1 R
55	0811908-1	PULLEY-CABIN STEP ACTUATING	35547	& ON	1
56	0811920-2	SPACER-ATTACH ACTUATING PULLEY	35547	& ON	1
57	AN509-416R17	SCREW-ATTACH ACTUATING PULLEY	35547	& ON	1
- 57A	MS24694-S104	SCREW-ATTACH ACTUATING PULLEY ALT FOR AN509-416R17	35547	& ON	1 R
58	0811920-3	SPACER-ATTACH ACTUATING PULLEY	35547	& ON	1
59	NAS1149F0432P	WASHER-ATTACH ACTUATING PULLEY	35547	& ON	1 R
60	MS21042L4	NUT-ATTACH ACTUATING PULLEY	35547	& ON	1 R

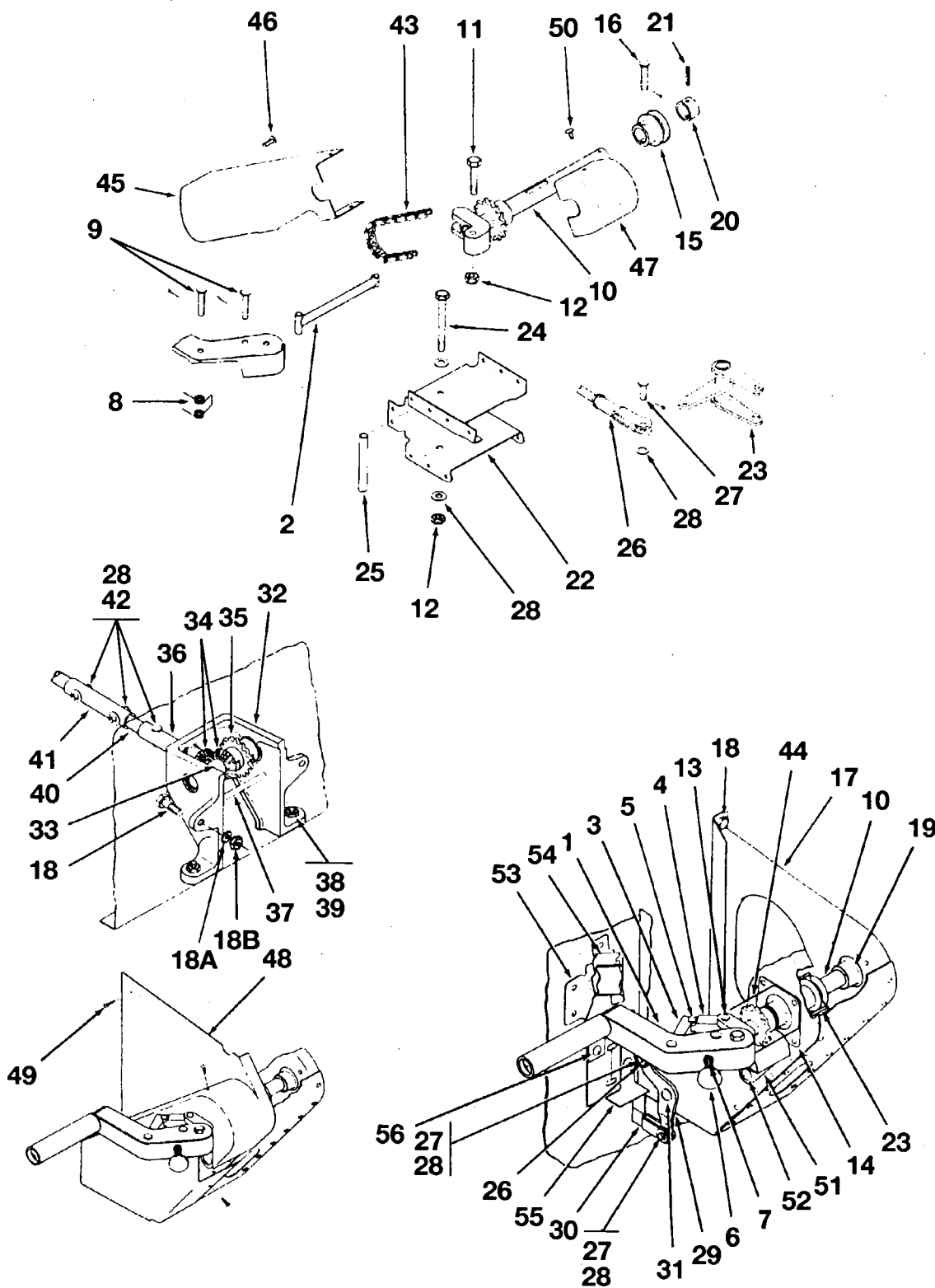
- ITEM NOT ILLUSTRATED

© Cessna Aircraft Company

Figure 06
Page 2
32-30-00 Jul 3/2006

CESSNA AIRCRAFT COMPANY
MODEL 310 THRU 310D
 ILLUSTRATED PARTS CATALOG

A55664



LANDING GEAR MANUAL EXTENSION MECHANISM INSTALLATION
 FIGURE 07 (SHEET 1)

**CESSNA AIRCRAFT COMPANY
MODEL 310 THRU 310D
ILLUSTRATED PARTS CATALOG**

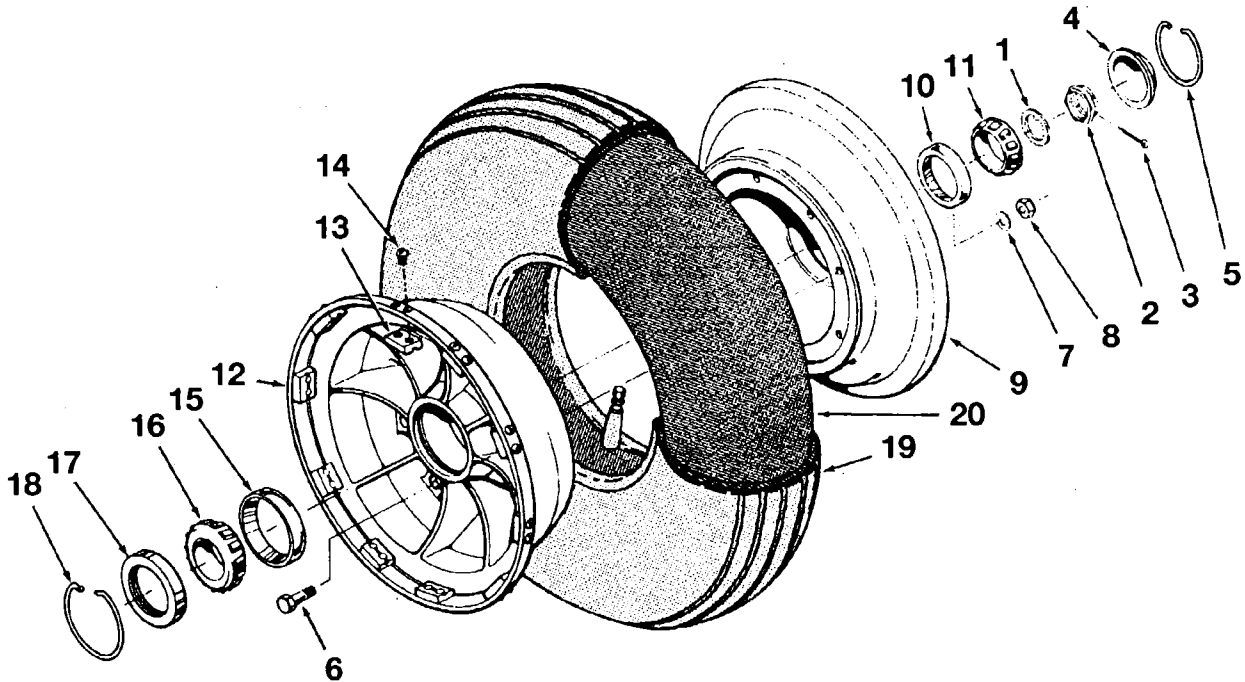
FIG ITEM	PART NUMBER	NOMENCLATURE	EFFECT		UNITS PER ASSY
			FROM	TO	
07		LANDING GEAR MANUAL EXTENSION MECHANISM INSTALLATION			RF
1	0843400-57	CRANK ASSY-MANUAL EXTENSION MECHANISM			1
2	0843413-1	SPOOL LINK-CRANK ARM			1
3	0843400-61	LINK-CRANK ARM LH			1
4	0843400-62	LINK-CRANK ARM RH			1
5	MS20392-1-11	PIN-CLEVIS			1
6	0843400-63	PIN-LOCK RELEASE			1
7	0843411	SPRING-LOCK RELEASE PIN			1
8	0843412	SPRING-CRANK LINK			1
9	MS20392-2-25	PIN-CLEVIS			2
10	0843400-72	CRANK SHAFT ASSY			1
11	AN3-10A	BOLT-ATTACH CRANK ASSY TO CRANK SHAFT ASSY			1
12	MS20364-1032C	NUT			2
13	MS20392-1-21	PIN-CLEVIS			1
14	0843400-70	SUPPORT ASSY-CRANK SHAFT BEARING			1
- 14A	S1004-23A	BEARING			1
15	0843400-79	SPOOL-CRANK SHAFT ASSY			1
16	MS20392-2-23	PIN-CLEVIS			1
17	0843400-94	BRACKET ASSY-CRANK SHAFT ASSY SUPPORT			1
18	AN3-5A	BOLT			2
18A	NAS1149D0316K	WASHER			2 R
18B	MS21045L3	NUT			2 R
- 18C	AN3-6A	BOLT			1
- 18D	AN515-6R8	SCREW-ATTACH BRACKET ASSY TO FRONT SPAR			1
- 18E	NAS1149FN632P	WASHER-ATTACH BRACKET ASSY TO FRONT SPAR			1 R
19	0843400-71	SUPPORT ASSY-CRANK SHAFT BEARING			1
- 19A	S-1004-23A	BEARING			1
20	0843400-80	COLLAR-SHAFT ASSY			1
21	NAS561P4-10	PIN			1
- 21A	MS16562-35	PIN ALT FOR NAS561P4-10			1 R
22	0843400-86	BRACKET-UPPER BELLCRANK			1
23	0843400-81	BELLCRANK ASSY-UPPER			1
24	AN3-17A	BOLT-ATTACH UPPER BELLCRANK ASSY TO UPPER BELLCRANK BRACKET			1
25	NAS75-3-110	BUSHING-ATTACH UPPER BELLCRANK ASSY TO UPPER BELLCRANK BRACKET			1
26	NAS363HH262	ROD ASSY-UPPER			1
27	MS20392-2-13	PIN-CLEVIS			3
28	NAS1149F0332P	WASHER			AR R
29	0843400-78	BELLCRANK-ROD ASSY			1
30	NAS363HH262	ROD ASSY-LOWER			1
31	AN23-9A	BOLT-ATTACH ROD ASSY BELLCRANK TO SEAT WEB			1
- 31A	NAS43-3-9	SPACER-ATTACH ROD ASSY BELLCRANK TO SEAT WEB			1
- 31B	0843400-48	BRACKET ASSY-EMERGENCY SYSTEM GEAR			1
32	0841107-2	BRACKET ASSY-EMERGENCY SYSTEM			1
- 32A	S1004-22A	BEARING			3
33	0843400-50	GEAR SHAFT			1
- 33A	NAS670-50	RING-SECURE GEAR SHAFT			1
34	0843400-49	GEAR			2
- 34A	NAS561P4-10	PIN			2
- 34B	MS16562-35	PIN ALT FOR NAS561P4-10			2 R
35	0843400-52	SPROCKET-EMERGENCY SYSTEM			1
- 35A	NAS561P4-12	PIN			1
36	0843400-51	GEAR SHAFT			1
37	MS20392-2-93	PIN			1
38	MS21045L3	NUT			3 R
39	AN509-10R10	SCREW-ATTACH GEAR BRACKET ASSY TO FUSELAGE BOTTOM			2
- 39A	MS24694-S52	SCREW-ATTACH GEAR BRACKET ASSY TO FUSELAGE BOTTOM ALT FOR AN509-10R10			2 R
40	0843400-87	SHAFT			1
41	0843400-112	SHAFT			1
42	MS20392-2-17	PIN-CLEVIS			2
43	0860175-10	EMERGENCY GEAR CHAIN ASSY-EMERGENCY SYSTEM			1
44	0843400-105	BRACKET-CHAIN GUARD			1
45	0843400-107	CHAIN GUARD-EMERGENCY SYSTEM			1
46	S1021Z-6-4	SCREW-ATTACH CHAIN GUARD	35000	35571	1
- 46A	S3712-4	NUT-ATTACH CHAIN GUARD TO SEAT WEB	35000	35571	2 R
47	0843400-106	CHAIN GUARD-UPPER	35000	35571	1
48	0800053-1	COVER-CHAIN GUARD	35572	& ON	1
49	S1021Z-8-4	SCREW-ATTACH CHAIN GUARD	35572	& ON	3
50	S1021Z-8-6	SCREW-ATTACH CHAIN GUARD	35000	35571	2

CESSNA AIRCRAFT COMPANY
MODEL 310 THRU 310D
ILLUSTRATED PARTS CATALOG

FIG ITEM	PART NUMBER	NOMENCLATURE	EFFECT		UNITS PER ASSY
			FROM	TO	
			1	2	3
07					
51	0843400-110	. CHAIN TIGHT ASSY-EMERGENCY SYSTEM			1
52	AN515-8R6	. SCREW-ATTACH CHAIN TIGHTEN ASSY TO SEAT WEB			2
- 52A	NAS1149FN816P	. WASHER-ATTACH CHAIN TIGHTEN ASSY TO SEAT WEB			3 R
- 52B	MS21044N08	. NUT-ATTACH CHAIN TIGHTEN ASSY TO SEAT WEB			1 R
53	0843400-102	. CLIP ASSY-SECURE CRANK			1
54	0843400-104	. CLIP			1
55	0811301-1	. SEAL ASSY			1
56	S-1021Z-6-6	. SCREW-ATTACH SEAL ASSY			4
- 56A	S3230-2	. NUT-ATTACH SEAL ASSY			4 R

CESSNA AIRCRAFT COMPANY
MODEL 310 THRU 310D
ILLUSTRATED PARTS CATALOG

A55653



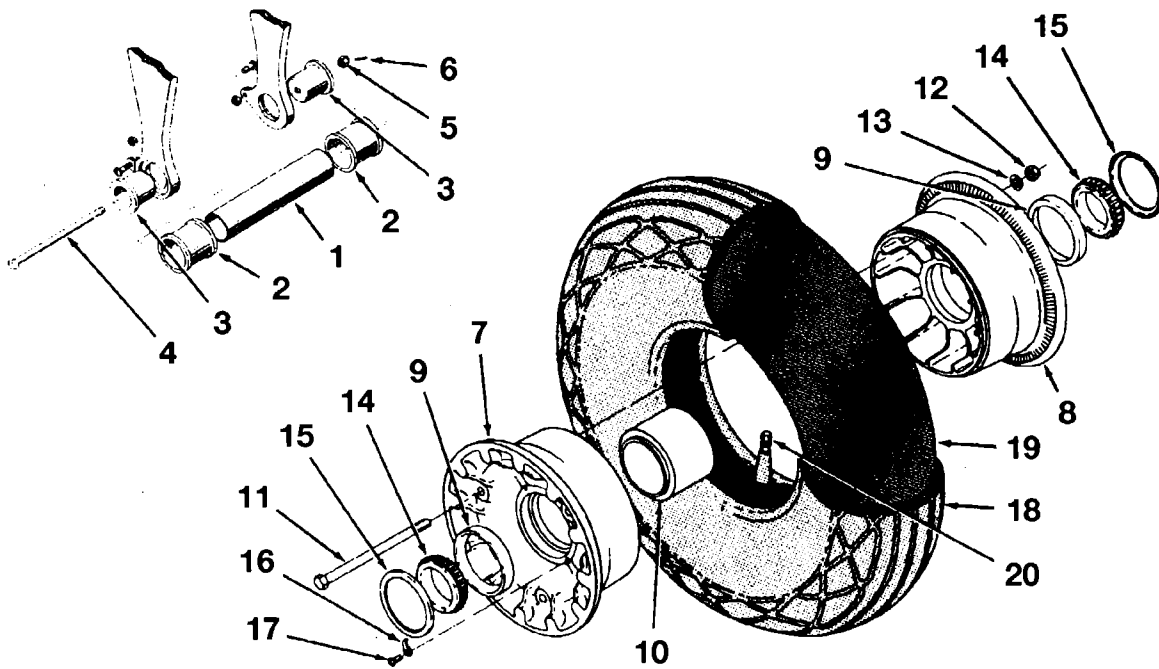
MAIN WHEEL INSTALLATION
FIGURE 01 (SHEET 1)

CESSNA AIRCRAFT COMPANY
MODEL 310 THRU 310D
ILLUSTRATED PARTS CATALOG

FIG ITEM	PART NUMBER	NOMENCLATURE	EFFECT		UNITS PER ASSY
			FROM	TO	
01		MAIN WHEEL INSTALLATION REFER TO 32-10-00 FIGURE 01 FOR NHA			RF
- 1	AN7503-15	WASHER-ATTACH WHEEL TO LANDING GEAR			1
2	MS21025-15	NUT-ATTACH WHEEL TO LANDING GEAR			1 R
3	MS24665-357	COTTER PIN-SECURE NUT			1
- 3A	0341006-1	WHEEL ASSY-MAIN LANDING GEAR GY95-3238			1
4	95-2892	CAP-BEARING GOODYEAR			1
5	95-2882	SNAP RING-BEARING CUP RETAINER GOODYEAR			1
6	AN4-12A	BOLT-GY95-2001 ATTACH NO BRAKE HALF TO BRAKE HALF			8
7	NAS1149F0463P	WASHER-GY95-0897 ATTACH NO BRAKE HALF TO BRAKE HALF			8 R
8	MS21044N4	NUT-GY95-1567 ATTACH NO BRAKE HALF TO BRAKE HALF			8 R
9	95-3212	WHEEL SUBASSY-NO BRAKE HALF GOODYEAR			1
10	95-0231	CUP-BEARING GOODYEAR			1
11	95-0222	CONE-BEARING GOODYEAR			1
12	95-3211	WHEEL SUBASSY-BRAKE HALF GOODYEAR			1
13	95-4234	KEY-DISC DRIVE GOODYEAR			10
14	95-20656	SCREW-DISC DRIVE RETAINING GOODYEAR			20
15	95-0386	CUP-BEARING GOODYEAR			1
16	95-0389	CONE-BEARING GOODYEAR			1
17	95-968	RETAINER-FELT SEAL GOODYEAR			2
- 17A	95-969	SEAL-FELT GOODYEAR			1
18	95-1595	SNAP RING-BEARING RETAINER GOODYEAR			1
19	0841010-2	TIRE-6 50 X 10 6 PLY			1
20	0341006-12	TUBE-6 50 X 10			1

CESSNA AIRCRAFT COMPANY
MODEL 310 THRU 310D
ILLUSTRATED PARTS CATALOG

A55662



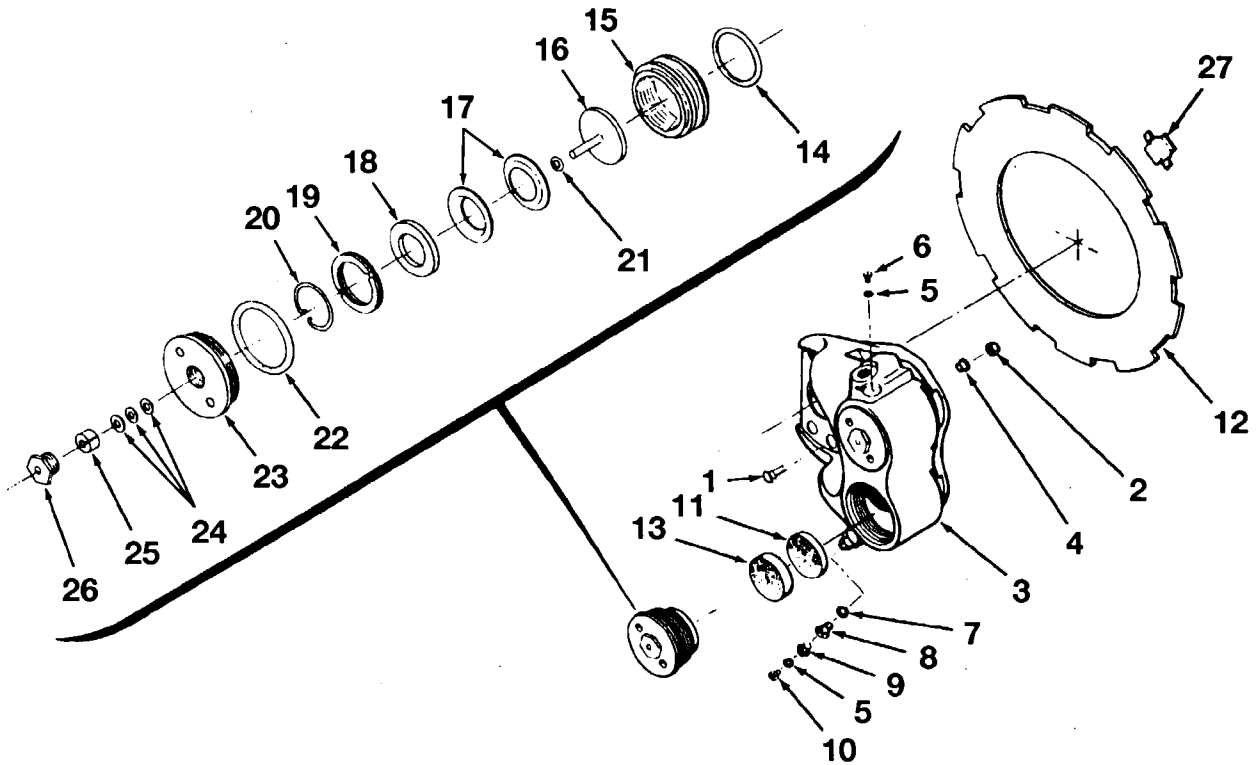
NOSE WHEEL INSTALLATION
FIGURE 01 (SHEET 1)

CESSNA AIRCRAFT COMPANY
MODEL 310 THRU 310D
ILLUSTRATED PARTS CATALOG

FIG ITEM	PART NUMBER	NOMENCLATURE	EFFECT		UNITS PER ASSY
			FROM	TO	
01		NOSE WHEEL INSTALLATION REFER TO 32-20-00 FIGURE 01 FOR NHA			RF
- 1	0842000-36	. TUBE-AXLE			1
2	0842000-35	. SPACER-AXLE			2
3	0842000-37	. BUCKET-AXLE BOLT			2
4	AN5-55	. BOLT-AXLE			1
5	AN310-5	. NUT-AXLE BOLT			1
6	MS24665-134	. COTTER PIN			1
- 6A	0842210-6	. WHEEL ASSY-NOSE GOODYEAR 9532186			1
7	95-2312S	. . WHEEL SUBASSY-FEMALE HALF GOODYEAR	35000	35870	1
- 7A	9524203	. . WHEEL SUBASSY-FEMALE HALF GOODYEAR	35871	& ON	1
8	95-2313S	. . WHEEL SUBASSY-MALE HALF GOODYEAR	35000	35870	1
- 8A	9524318	. . WHEEL SUBASSY-MALE HALF GOODYEAR	35871	& ON	1
9	95-0477	. . . CUP-BEARING GOODYEAR			2
- 9A	9524491	. . . CLIP-VALVE MALE HALF ONLY GOODYEAR	35871	& ON	1
		ATTACHING PARTS			
- 9B	AN504-8R8	. . . SCREW-MALE HALF ONLY ATTACH CLIP GOODYEAR	35871	& ON	1
10	95-21698	. . SPACER-HUB GOODYEAR	35000	35870	1
11	AN4-47A	. . BOLT-GOODYEAR 95-20202	35000	35870	3
- 11A	AN4-13A	. . BOLT-GOODYEAR 95-3139	35871	& ON	3
12	MS21044N4	. . NUT-GOODYEAR 95-1567	35000	35870	3 R
- 12A	32FE-428	. . NUT-FLEXLOC	35871	& ON	3
13	NAS1149D0463K	. . WASHER-GOODYEAR 95-4264	35000	35870	3 R
- 13A	NAS1149F0463P	. . WASHER-GOODYEAR 95-0897	35871	& ON	3 R
14	95-0476	. . CONE-BEARING GOODYEAR			2
15	95-1043	. . RING-BEARING RETAINER GOODYEAR	35000	35870	2
- 15A	9524218	. . SEAL-BEARING GOODYEAR	35871	& ON	2
16	95-2243	. . TERMINAL-GOODYEAR	35000	35870	4
- 16A	AN504-6R4	. . SCREW-GOODYEAR 95-2244			4
18	0441016-24	. TIRE-600 X 6 6 PLY			1
19	0441016-13	. TUBE-600 X 6			1
20	AN813-1B	. . CAP-TUBE AIR VALVE			1

CESSNA AIRCRAFT COMPANY
MODEL 310 THRU 310D
ILLUSTRATED PARTS CATALOG

A55654



BRAKE INSTALLATION
FIGURE 01 (SHEET 1)

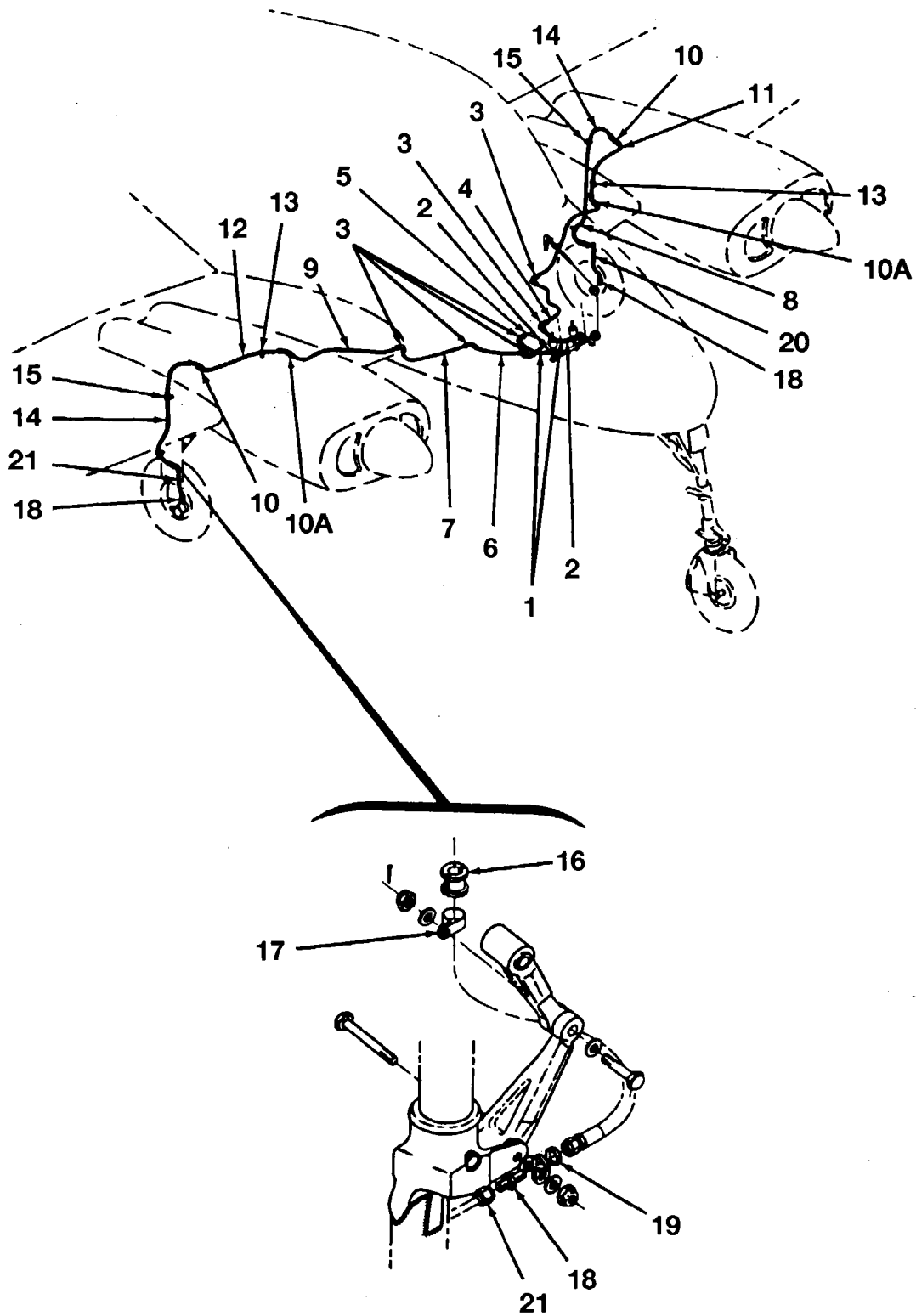
**CESSNA AIRCRAFT COMPANY
MODEL 310 THRU 310D
ILLUSTRATED PARTS CATALOG**

FIG ITEM	PART NUMBER	NOMENCLATURE	EFFECT FROM TO	UNITS PER ASSY
	1 2 3 4 5 6 7			
01		BRAKE INSTALLATION REFER TO 32-10-00 FIGURE 01 FOR NHA		
- 1	AN4-6A	. . . BOLT- ATTACH BRAKE TO WHEEL		RF 5
2	MS21044N4	. . . NUT- ATTACH BRAKE TO WHEEL		5 R
- 2A		. . . BRAKE ASSY- MAIN GEAR SELF ADJUSTING REFER TO NOTE 1		RF
- 2B	0841015-21	. . . BRAKE ASSY- MAIN GEAR GY95-31731 NON-SELF ADJUSTING		1
3	95-21792	. . . HOUSING ASSY- BRAKE GOODYEAR		1
4	95-2796	. . . BUSHING- MOUNTING BOLT GOODYEAR		8
5	95-4486	. . . WASHER- PLAIN BLEEDER GOODYEAR		3
6	AN502-10-6	. . . SCREW- FILLISTER HEAD BLEEDER GY95-050		2
7	AN6290-4	. . . GASKET- BLEEDER INLET GY95-5761		2
8	95-3218	. . . ADAPTER- BLEEDER GOODYEAR		1
9	079-00300	. . . VALVE- BLEEDER GY95-5039		1 R
10	AN520-10R5	. . . SCREW- ROUND HEAD BLEEDER GY95-0969		1
11	95-23452	. . . LINING- BRAKE ANVIL GOODYEAR		2
12	95-2568	. . . DISC- BRAKE GOODYEAR		1
13	95-23453	. . . LINING- BRAKE PISTON GOODYEAR		2
14	MS28775-330	. . . PACKING- PISTON SEAL GY95-4733		2 R
15	95-23619	. . . PISTON- BRAKE USED WITH SELF ADJUSTING BRAKE GOODYEAR		2
- 15A	95-23575	. . . PISTON- BRAKE USED WITH NON-SELF ADJUSTING BRAKE GOODYEAR		2
16	95-10565	. . . PIN- SELF ADJUSTING USED WITH SELF ADJUSTING BRAKE GOODYEAR		2
17	95-10893	. . . SPRING WASHER- USED WITH SELF ADJUSTING BRAKE GOODYEAR		4
18	95-21226	. . . PLATE - SPRING- USED WITH SELF ADJUSTING BRAKE GOODYEAR		2
19	95-10998	. . . RING- ADJ USED WITH SELF ADJUSTING BRAKE GOODYEAR		2
20	95-10853	. . . SNAP RING- PISTON USED WITH SELF ADJUSTING BRAKE GOODYEAR		2
21	MS28775-010	. . . O-RING- ADJUSTING SPRING STEEL GY95-4705 USED WITH SELF-ADJUSTING BRAKE		2 R
22	MS28775-230	. . . O-RING- CYLINDER HEAD GY95-4808		2 R
23	95-21627	. . . HEAD- CYLINDER USED WITH SELF ADJUSTING BRAKE GOODYEAR		2
- 23A	95-23563	. . . HEAD- CYLINDER USED WITH NON-SELF ADJUSTING BRAKE GOODYEAR		2
24	NAS1149F0463P	. . . WASHER- ADJUSTING PIN SPACER GY95-4369 USED WITH SELF-ADJUSTING BRAKE		6 R
25	95-10895	. . . GRIP- ADJUSTING PIN USED WITH SELF ADJUSTING BRAKE GOODYEAR		2
26	95-10894	. . . NUT- ADJUSTING USED WITH SELF ADJUSTING BRAKE GOODYEAR		2
27	95-10375	. . . CLIP- DISC GOODYEAR		5

NOTE 1—THIS BRAKE ASSEMBLY IS NO LONGER AVAILABLE FOR SPARES. TO REPLACE ORDER 0841015-21. TO CONVERT SELF ADJUSTING BRAKES TO NON-SELF ADJUSTING BRAKES ORDER SK310-9. SK310-9 CONSISTS OF PARTS TO CONVERT BOTH BRAKE ASSEMBLIES

CESSNA AIRCRAFT COMPANY
MODEL 310 THRU 310D
ILLUSTRATED PARTS CATALOG

A55724



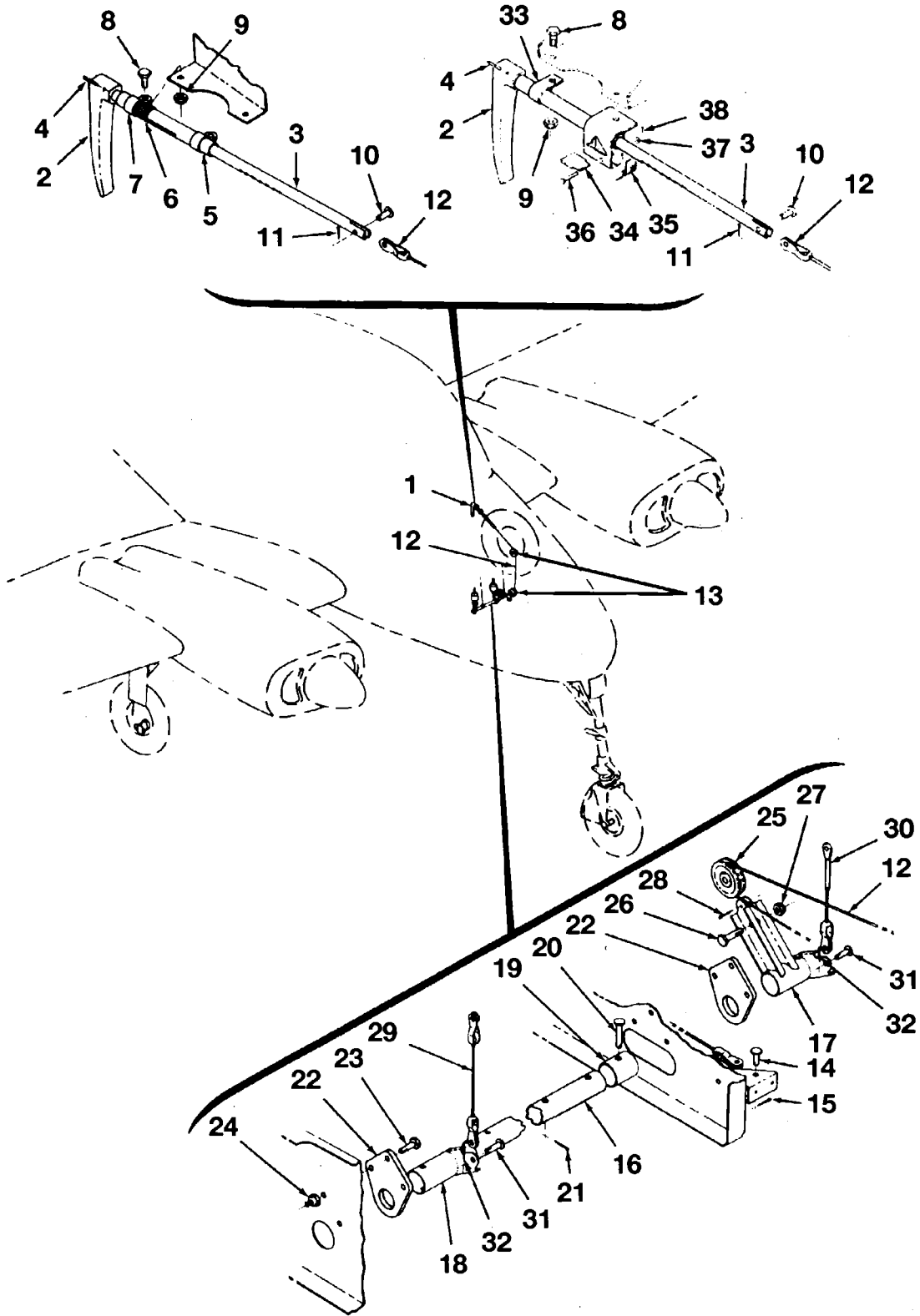
BRAKE SYSTEM INSTALLATION
FIGURE 02 (SHEET 1)

CESSNA AIRCRAFT COMPANY
MODEL 310 THRU 310D
ILLUSTRATED PARTS CATALOG

FIG ITEM	PART NUMBER	NOMENCLATURE	EFFECT FROM TO	UNITS PER ASSY
02		BRAKE SYSTEM INSTALLATION		
- 0		. BRAKE INSTALLATION - PARKING REFER TO 32-41-01 FIGURE 01 FOR BREAKDOWN		RF RF
1	350-4-0080	. HOSE ASSY-BRAKE LINE		2 R
2	AN823-4D	. ELBOW-ATTACH HOSE TO MASTER CYLINDER		2
3	AN833-4D	. ELBOW-ATTACH LINE		6
- 3A	NAS1149D0763K	. WASHER-ATTACH LINE		6 R
- 3B	AN924-4D	. NUT-ATTACH LINE		6
4	0800106-262	. LINE ASSY-BRAKE LH		1
5	0800106-173	. LINE ASSY-BRAKE RH		1
6	0800106-28	. LINE ASSY-BRAKE RH		1
7	0800106-172	. LINE ASSY-BRAKE RH		1
8	0800106-25	. LINE ASSY-BRAKE LH		1
9	0800106-26	. LINE ASSY-BRAKE RH		1
10	AN837-4D	. ELBOW-ATTACH LINES		2
10A	AN832-4D	. UNION-ATTACH LINES		2
- 10B	NAS1149D0763H	. WASHER-ATTACH ELBOW		4 R
- 10C	AN924-4D	. NUT-ATTACH ELBOW		4
11	0800106-23	. LINE ASSY-BRAKE LH		1
12	0800106-24	. LINE ASSY-BRAKE RH		1
		ATTACHING PARTS		
13	MS21919G-4	. CLAMP - ATTACH BRAKE LINE		2
- 13A	AN520-10R7	. SCREW-ATTACH CLAMP		2
- 13B	MS21045L3	. NUT-ATTACH CLAMP		2 R
14	350-4-0360	. HOSE ASSY-BRAKE LINE		2 R
15	AN742-11	. CLAMP - ATTACH BRAKE LINE TO UPPER MAIN GEAR STRUT	35000 39139	2
- 15A	0841000-102	. BRACKET-ATTACH BRAKE LINE TO UPPER MAIN GEAR STRUT	39140 & ON	2
- 15B	AN742D8	. CLAMP-ATTACH BRAKE LINE TO MAIN GEAR STRUT		2
- 15C		. CLAMP-ATTACH SAFETY SWITCH WIRE RH GEAR REFER TO 24-30-20 FIGURE 02	35000 35068	RF R
- 15D		. CLAMP-ATTACH SAFETY SWITCH WIRE LH GEAR REFER TO 24-30-20 FIGURE 02	35069 & ON	RF R
- 15E	AN520-10R7	. SCREW-ATTACH CLAMPS	35000 39139	2
- 15F	AN520-10R8	. SCREW-ATTACH CLAMPS	39140 & ON	2
- 15G	MS21045L3	. NUT-ATTACH CLAMPS		2 R
16	0841000-10	. BUSHING		4
17	0841000-68	. CLAMP-ATTACH BUSHING & BRAKE LINE TO TORQUE LINK		2
18	AS5174D0404	. UNION		4 R
19	0841000-8	. CLAMP-ATTACH UNION TO LOWER MAIN GEAR STRUT		2
20	0800106-41	. LINE ASSY-BRAKE LH		1
21	0800106-42	. LINE ASSY-BRAKE RH		1

CESSNA AIRCRAFT COMPANY
MODEL 310 THRU 310D
 ILLUSTRATED PARTS CATALOG

A55725



PARKING BRAKE INSTALLATION
 FIGURE 01 (SHEET 1)

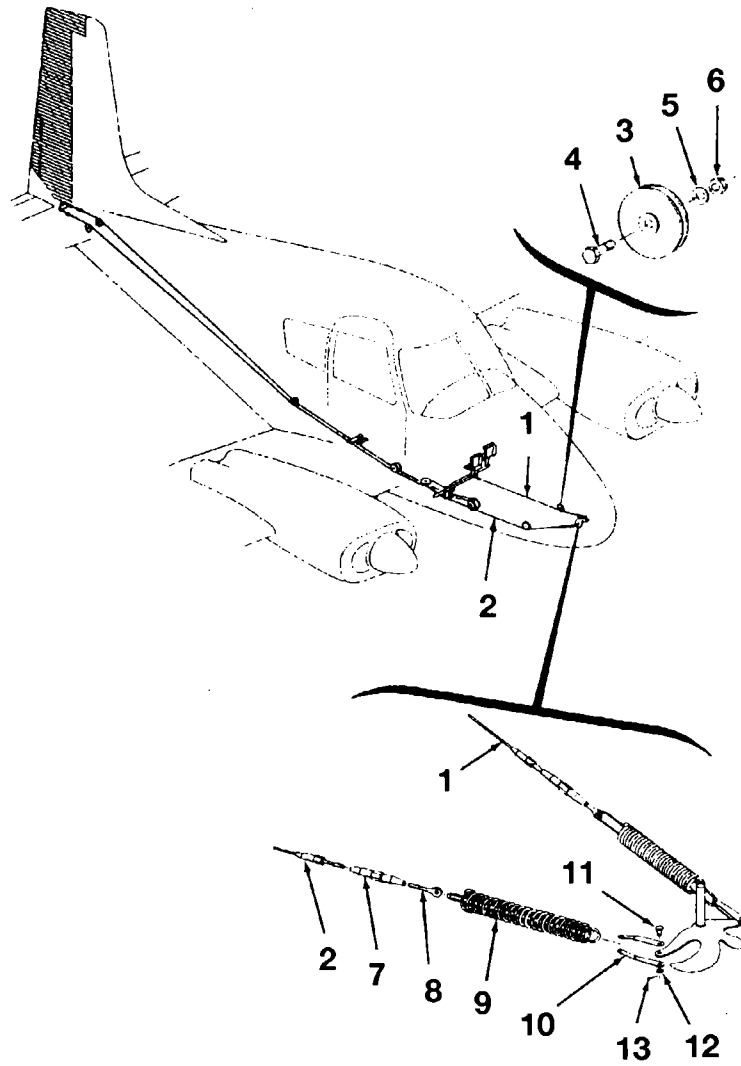
CESSNA AIRCRAFT COMPANY
MODEL 310 THRU 310D
ILLUSTRATED PARTS CATALOG

FIG ITEM	PART NUMBER	NOMENCLATURE	EFFECT		UNITS PER ASSY
			FROM	TO	
01		PARKING BRAKE INSTALLATION REFER TO 32-41-00 FIGURE 02 FOR NHA			RF
- 1	0813150-22	HANDLE ASSY- PARKING BRAKE	35000	35432	1
- 1A	0813150-55	HANDLE ASSY- PARKING BRAKE	35433	35771	1
- 1B	0813150-61	HANDLE- PARKING BRAKE	35772	& ON	1
2	0811490-75	HANDLE			1
3	0813150-16	TUBE- PARKING BRAKE	35000	35432	1
- 3A	0813150-54	TUBE- PARKING BRAKE	35433	35771	1
- 3B	0813150-60	TUBE- PARKING BRAKE	35772	& ON	1
4	NAS561-5-12	PIN			1
5	0813156-1	HOUSING ASSY BRAKE- PARKING BRAKE TUBE	35000	35771	1
6	0861910	SPRING- PARKING BRAKE	35000	35771	1
7	AN742-8	CLAMP- ATTACH PARKING BRAKE HOUSING	35000	35771	2
8	AN3-5A	BOLT- ATTACH CLAMPS			2
9	MS20364-1032C	NUT- ATTACH CLAMPS			2
10	MS20392-2-13	PIN- ATTACH CABLE TO HANDLE ASSY			1
11	MS24665-130	COTTER PIN			1
12	0860207-36	CABLE ASSY- PARKING BRAKE	35000	35432	1
- 12A	0860207-93	CABLE ASSY- PARKING BRAKE	35433	& ON	1
13	S378-2	PULLEY- PARKING BRAKE			2
- 13A	AN3-6A	BOLT- ATTACH PULLEYS			2
- 13B	NAS1149F0332P	WASHER- ATTACH PULLEYS			2 R
- 13C	MS20364-1032C	NUT- ATTACH PULLEYS			2
- 13D	0411421-4	CABLE GUARD- PULLEY			4
14	MS20392-2-7	PIN- ATTACH CABLE TO BULKHEADS			1
15	MS24665-130	COTTER PIN			1
16	0861500-55	TORQUE TUBE- PARKING BRAKE			1
17	0861500-56	COUPLING ASSY- PARKING BRAKE			1
18	0861500-61	COUPLING ASSY- PARKING BRAKE			1
19	0861500-54	COLLAR- TUBE LOCK			1
20	MS20392-2-29	PIN- ATTACH COUPLINGS & COLLAR TO TORQUE TUBE			3
21	MS24665-132	COTTER PIN			3
22	0861500-63	SUPPORT- TORQUE TUBE			2
23	AN3-4A	BOLT- ATTACH SUPPORT			6
24	MS21045L3	NUT- ATTACH SUPPORT			6 R
25	S378-1	PULLEY- PARKING BRAKE			1
26	AN3-6A	BOLT- ATTACH PULLEY			1
27	MS21045L3	NUT- ATTACH PULLEY			1 R
28	MS24665-281	COTTER PIN			2
29	0860207-37	CABLE ASSY PARKING BRAKE RH REFER TO NOTE 1			1
30	0860207-38	CABLE ASSY PARKING BRAKE LH REFER TO NOTE 1			1
31	MS20392-2-7	PIN- ATTACH CABLE TO COUPLING			2
32	MS24665-130	COTTER PIN			2
34	0813165-1	PLATE			1
35	0813166-1	SPRING			1
36	MS20392-1-21	PIN- ATTACH SPRING			1
37	NAS1149FN432P	WASHER- ATTACH SPRING			1 R
38	MS24665-132	COTTER PIN- SECURE PIN			1

NOTE 1—THESE PARTS ARE TO BE ORDERED IN PAIRS FOR AIRPLANES, SERIAL 35000 THRU 35508 EXCEPT 35263, 35266, 35269, 35271, 35281, 35289, 35293, 35297, 35304 & 33305

CESSNA AIRCRAFT COMPANY
MODEL 310 THRU 310D
ILLUSTRATED PARTS CATALOG

A55727



NOSE WHEEL STEERING CONTROL SYSTEM INSTALLATION
FIGURE 01 (SHEET 1)

CESSNA AIRCRAFT COMPANY
MODEL 310 THRU 310D
ILLUSTRATED PARTS CATALOG

FIG ITEM	PART NUMBER	NOMENCLATURE	EFFECT FROM TO	UNITS PER ASSY
		1 2 3 4 5 6 7		
01		NOSE WHEEL STEERING CONTROL SYSTEM INSTALLATION		RF
1	0860207-31	. CABLE ASSY- NOSE WHEEL STEERING LEFT		1
2	0860207-32	. CABLE ASSY- NOSE WHEEL STEERING RIGHT		1
3	S378-3L	. PULLEY		2
		ATTACHING PARTS		
4	AN4-10A	. BOLT		1
5	NAS1149F0432P	. WASHER		1 R
6	MS21044N4	. NUT		1 R
		—*—		
7	AN155B-32S	. BARREL- TURNBUCKLE		2
8	AN161-22RS	. FORK- TURNBUCKLE		2
9	0842005	. SPRING		2
10	0310219-2	. LINK- SPRING ATTACH		4
11	MS20392-2-9	. PIN- SPRING ATTACH		2
12	NAS1149F0332P	. WASHER- SPRING ATTACH		2 R
13	MS24665-134	. COTTER PIN- SPRING ATTACH		2

CHAPTER

33

LIGHTS

CESSNA AIRCRAFT COMPANY
MODEL 310 THRU 310D
ILLUSTRATED PARTS CATALOG

LIST OF EFFECTIVE PAGES

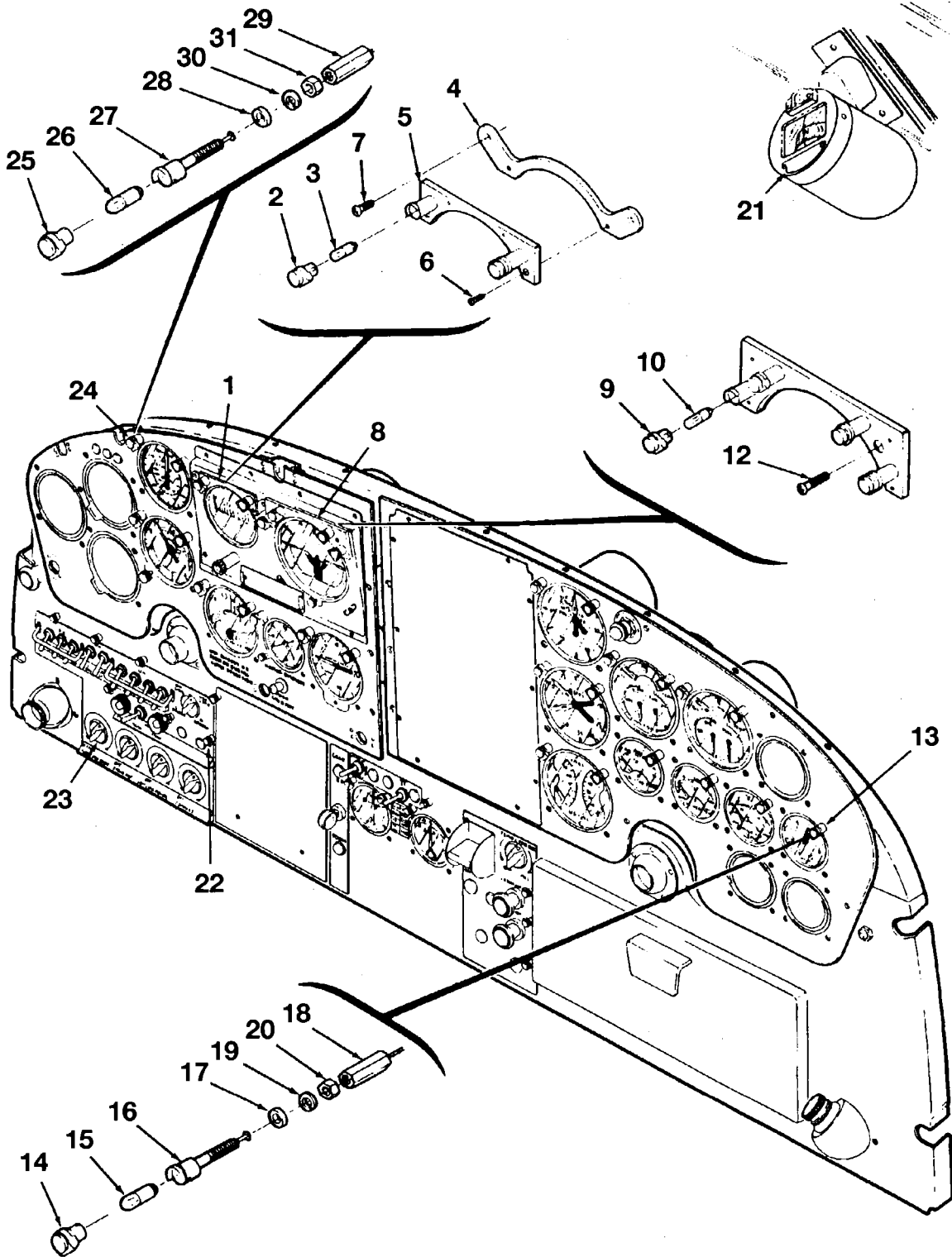
CHAPTER-SECTION-SUBJECT	PAGE	DATE
33-Title		
33-List of Effective Pages		
33-Record of Temporary Revisions		
33-Contents		
33-10-00 Figure 01	1	Jul 3/2006
	2	Jul 3/2006
33-10-00 Figure 02	1	Jul 5/2004
	2	Jul 5/2004
33-10-00 Figure 03	1	Jul 5/2004
	2	Jul 5/2004
33-40-00 Figure 01	1	Jul 5/2004
	2	Jul 5/2004
33-40-00 Figure 01A	1	Jul 5/2004
	2	Jul 5/2004
33-40-00 Figure 02	1	Jul 5/2004
	2	Jul 5/2004
33-40-00 Figure 03	1	Jul 5/2004
	2	Jul 5/2004
33-40-00 Figure 04	1	Jul 5/2004
	2	Jul 5/2004
33-40-00 Figure 05	1	Jul 5/2004
	2	Jul 5/2004
33-40-00 Figure 06	1	Jul 5/2004
	2	Jul 5/2004

CESSNA AIRCRAFT COMPANY
MODEL 310 THRU 310D
ILLUSTRATED PARTS CATALOG

<u>SUBJECT</u>	<u>CH SEC SUBJ FIG</u>	<u>EFFECTIVITY</u>
INSTRUMENT PANEL LIGHTING INSTALLATION	33-10-00-01	35547 & ON
LIGHT INSTALLATION - INSTRUMENT, DOME AND BAGGAGE COMPARTMENT	33-10-00-02	
LIGHTING FIXTURES	33-10-00-03	
LANDING LIGHT INSTALLATION	33-40-00-01	
RIGHT HAND LANDING LIGHT INSTALLATION	33-40-00-01A	
NAVIGATION LIGHTS INSTALLATION	33-40-00-02	
ROTATING BEACON INSTALLATION	33-40-00-03	35000 35546
FIN MOUNTED ROTATING BEACON INSTALLATION	33-40-00-04	35547 & ON
DE-ICE LIGHT INSTALLATION	33-40-00-05	
TAXI LIGHT INSTALLATION	33-40-00-06	

CESSNA AIRCRAFT COMPANY
MODEL 310 THRU 310D
ILLUSTRATED PARTS CATALOG

A55695



AIRPLANES 35547 AND ON
INSTRUMENT PANEL LIGHTING INSTALLATION
FIGURE 01 (SHEET 1)

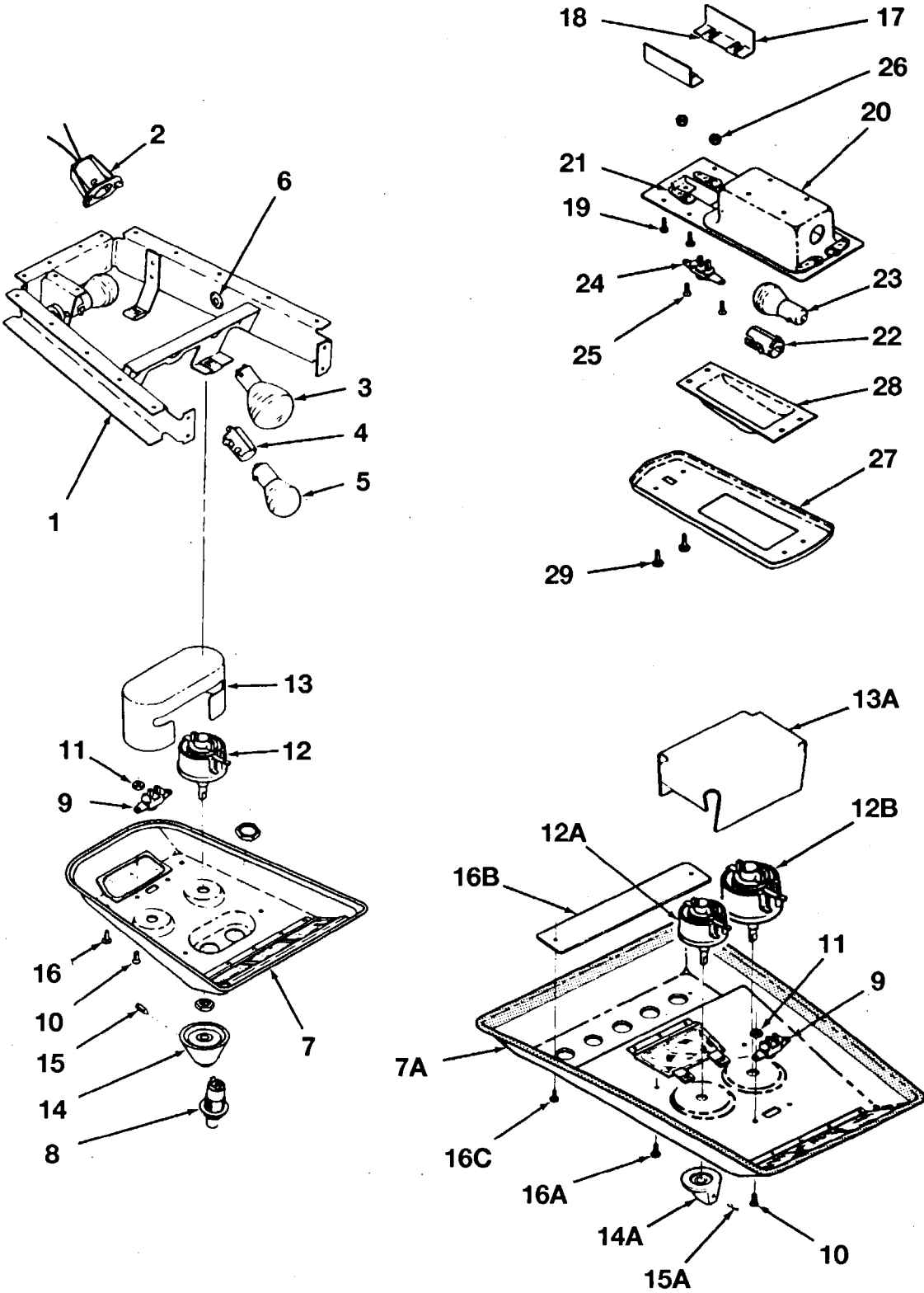
**CESSNA AIRCRAFT COMPANY
MODEL 310 THRU 310D
ILLUSTRATED PARTS CATALOG**

FIG ITEM	PART NUMBER	NOMENCLATURE	EFFECT		UNITS PER ASSY
			FROM	TO	
01		INSTRUMENT PANEL LIGHTING INSTALLATION REFER TO 24-30-00 FIGURE 03 FOR NHA	35547	& ON	RF
1	B6641-2	. . . LIGHT-FIXTURE GRIMES MFG			1
2	A6747	. . . HOOD-LIGHTING FIXTURE GRIMES MFG			2
3	AN3140-327	. . . BULB-LIGHTING FIXTURE			2
4	A6992	. . . MOUNTING PLATE-GRIMES MFG			1
5	A6993	. . . COVER PLATE-GRIMES MFG			1
6	A7006	. . . ATTACHING PARTS . . . SCREW-GRIMES MFG			2
7	AN520B10R14	. . . SCREW-ATTACH LIGHTING FIXTURE			2
8	B6642-3	. . . LIGHT-GRIMES MFG			1
9	A6747	. . . HOOD-LIGHTING FIXTURE GRIMES MFG			4
10	AN3140-327	. . . BULB-LIGHTING FIXTURE			4
- 11		. . . DELETED-NOT USED			
12	AN520B10R16	. . . SCREW-ATTACH LIGHTING FIXTURE			2
13	A8970-1-327	. . . POST LIGHT			17
14	A6747	. . . HOOD-LIGHTING FIXTURE GRIMES MFG			1
15	AN3140-327	. . . BULB-LIGHTING FIXTURE			1
16	A9160-1	. . . SOCKET-LIGHTING FIXTURE GRIMES MFG			1
17	A9163-1	. . . WASHER-SPACER LIGHTING FIXTURE GRIMES MFG			1
18	A9164-1	. . . CONNECTOR-LIGHTING FIXTURE GRIMES MFG			1
19	8	. . . LOCKWASHER - SPLIT-ATTACH LIGHTING FIXTURE GRIMES MFG			1
20	8-32	. . . CAP NUT-ATTACH LIGHTING FIXTURE GRIMES MFG			1
21		. . . LIGHTING INSTALLATION - COMPASS			RF
22		. . . LIGHTING INSTALLATION - STATIONARY INSTRUMENT PANEL-REFER TO 31-10-01 FIGURE 02 FOR BREAKDOWN			RF
23		. . . LIGHT CONTROL INSTALLATION-REFER TO 31-10-01 FIGURE 02 FOR BREAKDOWN			RF
24	A8970-2-327	. . . LIGHT ASSY			6
25	A6747	. . . HOOD-LIGHTING FIXTURE GRIMES MFG			1
26	AN3140-327	. . . BULB-LIGHTING FIXTURE GRIMES MFG			1
27	A9160-2	. . . SOCKET-LIGHTING FIXTURE GRIMES MFG			1
28	A9163-1	. . . WASHER-SPACER LIGHTING FIXTURE GRIMES MFG			1
29	A9164-1	. . . CONNECTOR-LIGHTING FIXTURE GRIMES MFG			1
30	8	. . . LOCKWASHER - SPLIT-ATTACH LIGHTING FIXTURE GRIMES MFG			1
31	8-32	. . . CAP NUT-ATTACH LIGHTING FIXTURE GRIMES MFG			1
- 32	2670067-1	. . . POST LIGHT ASSY-REFER TO NOTE 1			1 R
- 33	5198526-5	. . . PLACARD-REFER TO NOTE 1			1 R
- 34	5198526-6	. . . PLACARD-REFER TO NOTE 1			1 R
- 35	2505059-4	. . . PLACARD-AUX FUEL PUMP REFER TO NOTE 1			1 R
36	2505059-5	. . . PLACARD-AUX FUEL PUMP REFER TO NOTE 1			1 R
37	D1318-13	. . . AUX FUEL PUMP-REFER TO NOTE 1			1 R

NOTE 1—AIRPLANES 310C-0001 AND ON INCORPORATING MEB88-03.

CESSNA AIRCRAFT COMPANY
MODEL 310 THRU 310D
 ILLUSTRATED PARTS CATALOG

A55771



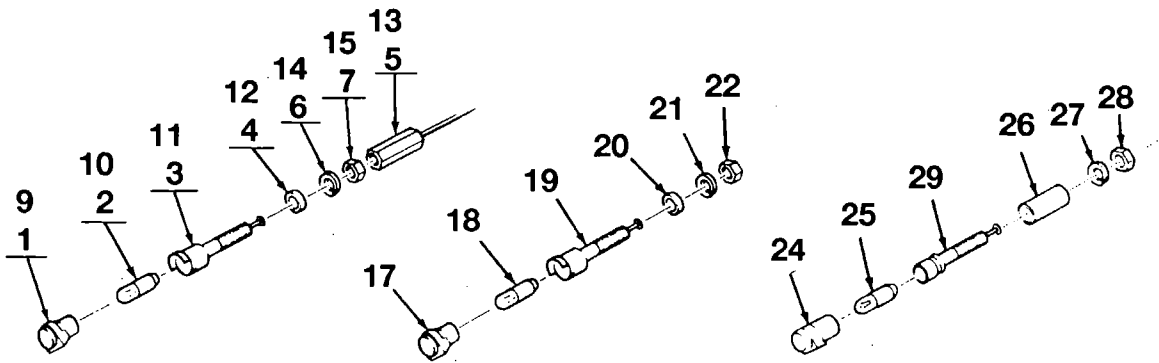
LIGHT INSTALLATION - INSTRUMENT, DOME AND BAGGAGE COMPARTMENT
 FIGURE 02 (SHEET 1)

**CESSNA AIRCRAFT COMPANY
MODEL 310 THRU 310D
ILLUSTRATED PARTS CATALOG**

FIG ITEM	PART NUMBER	NOMENCLATURE	EFFECT		UNITS PER ASSY
			FROM	TO	
02		LIGHT INSTALLATION - INSTRUMENT, DOME AND BAGGAGE COMPARTMENT			RF
-		REFER TO 24-30-00 FIGURE 03 FOR NHA			
- 0		.. LIGHT INSTALLATION - INSTRUMENT			RF
1		.. SUPPORT ASSY- LIGHT CONSOLE REFER TO 53-10-05 FIGURE 01			RF
2	2806DC	.. SOCKET- INDEXED COLE-HERSEE	35000	35546	2
- 2A	6619127-202	.. SOCKET- BAYONET COLE-HERSEE	35547	& ON	2 R
3	AN3125-1	.. BULB- LIGHT	35000	35546	2
- 3A	GE305R	.. BULB- LIGHT GENERAL ELECTRIC	35547	& ON	2
4	6619127-202	.. SOCKET- BAYONET COLE-HERSEE			2 R
5	AN3124-307	.. BULB- LIGHT	35000	35546	2
- 5A	GE305	.. LAMP- LIGHT GENERAL ELECTRIC	35547	& ON	2
6	MS35489-6	.. GROMMET- SUPPORT ASSY			1
7	0812350-67	.. COVER ASSY- INCLUDES LENSES	35000	35546	1
7A	0811415-5-179	.. COVER ASSY- COLOR-TURQUOISE - INCLUDES LENSES	35547	35771	1
- 7B	0811415-5-191	.. COVER ASSY- COLOR: WHITE-GOLD - INCLUDES LENSES	35547	35771	1
- 7C	0811415-5-106	.. COVER- INCLUDES LENSES	35772	& ON	1
8	C-100P-3	.. SWITCH- HETHERINGTON	35000	35546	2
9	0713029	.. SWITCH			1
10	S-1021Z-6-6C	.. SCREW- ATTACH SWITCH			2
11	S3230-2	.. NUT- TINNEMAN A1181-6Z-3			2 R
12	H75-R2-351	.. RHEOSTAT- OHMITE	35000	35546	2
12A	H75-R2-351	.. RHEOSTAT- OHMITE	35547	& ON	1
12B	J35-R2-351	.. RHEOSTAT- OHMITE	35547	& ON	1
13	0812348-1	.. SHIELD- RHEOSTAT	35000	35546	1
13A	0812324-2	.. SHIELD- RHEOSTAT	35547	& ON	1
14	0813507-3	.. KNOB ASSY- RHEOSTAT	35000	35015	2
14A	0813475-1	.. KNOB ASSY- RHEOSTAT	35547	& ON	2
- 14B	0813503-3	.. KNOB- RHEOSTAT	35016	35546	2
15	AN565B6-8	.. SETSCREW	35000	35015	1
15A	AN565D8H5	.. SETSCREW	35547	& ON	1
- 15B	AN565B6H3	.. SETSCREW	35016	35546	1
16	S-1021Z-8-8C	.. SCREW- ATTACH COVER TO SUPPORT ASSY	35000	35546	4
16A	S-1021Z-8-10C	.. SCREW- ATTACH COVER TO SUPPORT ASSY	35547	& ON	2
16B	0812003-1	.. PLATE- OXYGEN OUTLET COVER	35547	& ON	1
16C	S-10212-6-6C	.. SCREW- ATTACH PLATE	35547	& ON	2
- 16D		.. LIGHTS INSTALLATION- DOME & BAGGAGE COMPARTMENT			RF
17	0812359-1	.. SHIELD ASSY- SWITCH - DOME LIGHT ONLY			4
18	S3228-1	.. NUT- TINNEMAN A6187-4Z-3			4 R
19	S-1021Z-4-6	.. SCREW - ATTACH SHIELD			8
- 19A	0812351-4	.. HOUSING ASSY- DOME & BAGGAGE COMPARTMENT LIGHT			2
20	0812351-1	.. WELD ASSY- DOME & BAGGAGE COMPARTMENT LIGHT			1
21	NAS445-4	.. NUT- TINNEMAN A6194-8Z-1			2
22	6619127-202	.. SOCKET			1 R
23	305	.. BULB WHITE- DOME & BAGGAGE COMPARTMENT LIGHT GENERAL ELECTRIC ELEC			1
24	0713029	.. SWITCH			1
25	AN507-632R7	.. SCREW- ATTACH SWITCH			2
26	MS21044N06	.. NUT- ATTACH SWITCH			2 R
27	0812351-3	.. COVER- DOME & BAGGAGE COMPARTMENT LIGHT			2
28	0812351-2	.. GLASS COVER			2
29	S-1021Z-8-10C	.. SCREW- ATTACH COVER AND GLASS TO HOUSING			8

CESSNA AIRCRAFT COMPANY
MODEL 310 THRU 310D
ILLUSTRATED PARTS CATALOG

A55926



AIRPLANES 35547 AND ON

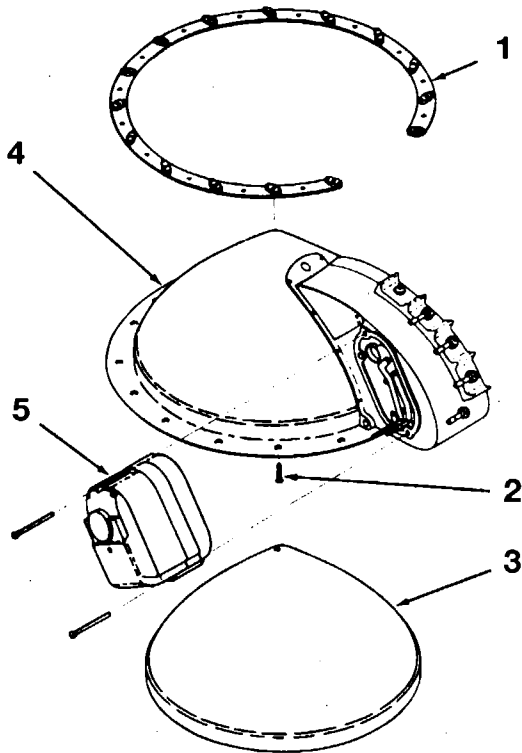
LIGHTING FIXTURES
FIGURE 03 (SHEET 1)

CESSNA AIRCRAFT COMPANY
MODEL 310 THRU 310D
ILLUSTRATED PARTS CATALOG

FIG ITEM	PART NUMBER	NOMENCLATURE	EFFECT		UNITS
			FROM	TO	PER ASSY
03		LIGHTING FIXTURES			RF
0	A8970-1-327	. POST LIGHT-GRIMES MFG	35547	& ON	1
1	A6747	. HOOD-GRIMES MFG			1
2	AN3140-327	. BULB			1
3	A9160-1	. SOCKET-GRIMES MFG			1
4	A9163-1	. WASHER-SPACER GRIMES MFG			1
5	A9164-1	. CONNECTOR-GRIMES MFG			1
6	8	. LOCK WASHER-SPLIT ATTACH LIGHTING FIXTURE GRIMES MFG			1
7	8-32	. NUT-HEXAGAONAL ATTACH LIGHTING FIXTURE GRIMES MFG			1
- 8	A8970-2-327	. LIGHT ASSY-GRIMES MFG	35547	& ON	AR
9	A-6747	. HOOD-GRIMES MFG			1
10	AN3140-327	. BULB			1
11	A9160-2	. SOCKET-GRIMES MFG			1
12	A9163-1	. WASHER-SPACER GRIMES MFG			1
13	A9164-1	. CONNECTOR-GRIMES MFG			1
14	8	. LOCK WASHER-SPLIT ATTACH LIGHTING FIXTURE GRIMES MFG			1
15	8-32	. NUT-HEXAGONAL ATTACH LIGHTING FIXTURE GRIMES MFG			1
- 16	A8975-1-327	. LIGHTING FIXTURE-GRIMES MFG	35547	& ON	AR
17	A6747	. HOOD-GRIMES MFG			1
18	AN3140-327	. BULB			1
19	A9155-1	. SOCKET-GRIMES MFG			1
20	A9163-2	. WASHER - SPACER-GRIMES MFG			1
21	10	. CLAMP-SPLIT ATTACH LIGHTING FIXTURE GRIMES MFG			1
22	A5045	. NUT - ATTACH LIGHTING FIXTURE-GRIMES MFG			1
- 23	A5299-24	. POSTLIGHT-GRIMES MFG	35547	& ON	AR
24	A5075	. HOOD-GRIMES MFG			1
25	334	. LAMP-GRIMES MFG			1
26	A5039	. SPACER-GRIMES MFG			1
27	10	. CLAMP-SPLIT ATTACH LIGHTING FIXTURE GRIMES MFG			1
28	A5045	. NUT - ATTACH LIGHTING FIXTURE-GRIMES MFG			1
29	A5043A	. SOCKET-GRIMES MFG			1

CESSNA AIRCRAFT COMPANY
MODEL 310 THRU 310D
ILLUSTRATED PARTS CATALOG

A55770



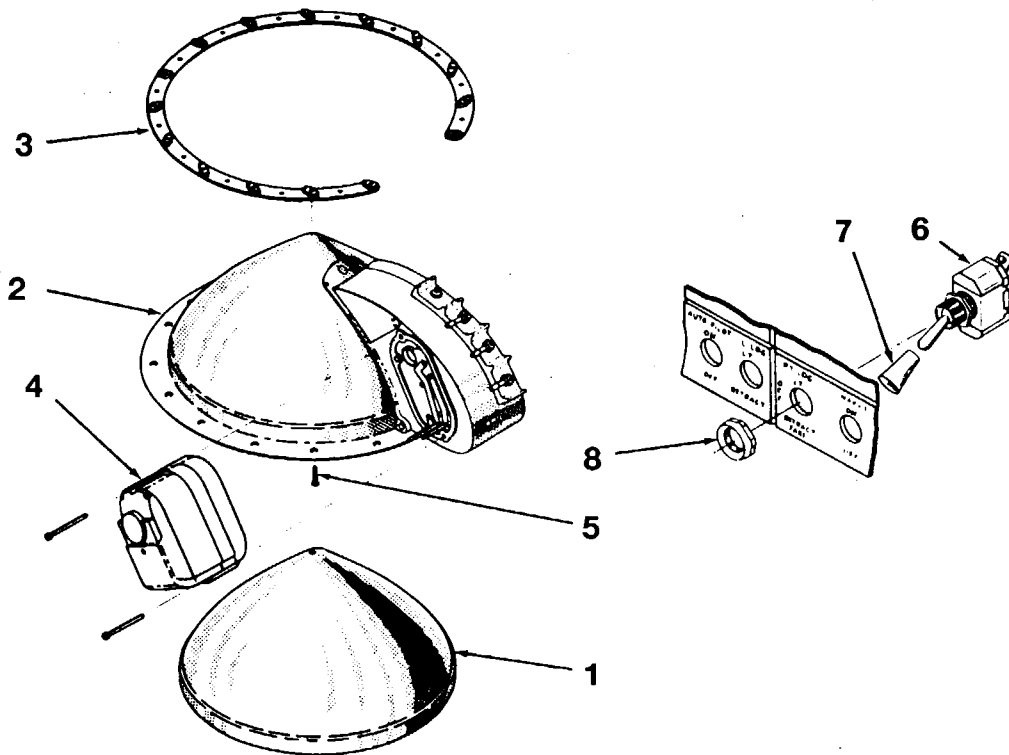
LANDING LIGHT INSTALLATION
FIGURE 01 (SHEET 1)

CESSNA AIRCRAFT COMPANY
MODEL 310 THRU 310D
 ILLUSTRATED PARTS CATALOG

FIG ITEM	PART NUMBER	NOMENCLATURE	EFFECT		UNITS PER ASSY
			FROM	TO	
01		LANDING LIGHT INSTALLATION REFER TO 24-30-00 FIGURE 04 FOR NHA			RF
- 0	0322006-10	. . . LIGHT-LANDING			1
- A	B-3963A	. . . SWITCH ASSY-LIMIT GRIMES MFG CO			1
1	A2507-1	. . . RETAINER BAND ASSY-LANDING LIGHT GRIMES MFG CO			1
2	AN505-6R10	. . . SCREW-ATTACH LANDING LIGHT & RETAINER			15
3	M-4552	. . . BULB-LANDING LIGHT GRIMES MFG CO			1
4	D-3849	. . . OUTER CANOPY-LANDING LIGHT GRIMES MFG CO			1
5	G2905-24	. . . MOTOR-POWER UNIT LANDING LIGHT GRIMES MFG CO			1

CESSNA AIRCRAFT COMPANY
MODEL 310 THRU 310D
ILLUSTRATED PARTS CATALOG

A55804



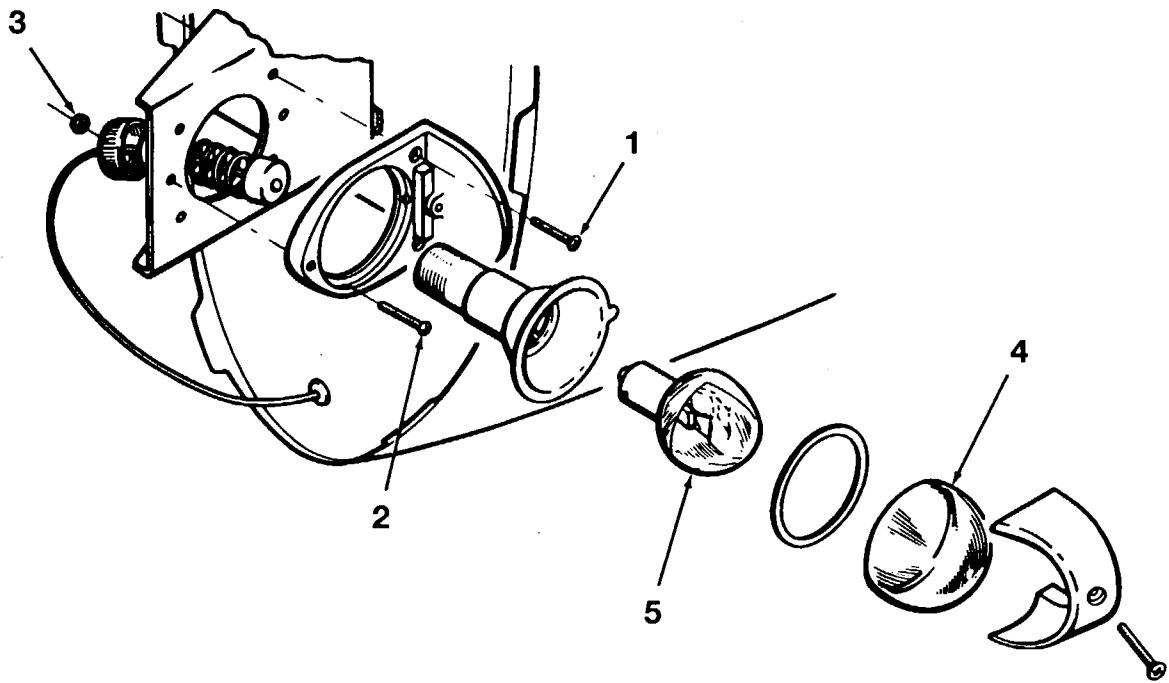
RIGHT HAND LANDING LIGHT INSTALLATION
FIGURE 01A (SHEET 1)

CESSNA AIRCRAFT COMPANY
MODEL 310 THRU 310D
ILLUSTRATED PARTS CATALOG

FIG ITEM	PART NUMBER	NOMENCLATURE	EFFECT		UNITS PER ASSY
			FROM	TO	
01A		RIGHT HAND LANDING LIGHT INSTALLATION			RF
- 0	0322006-10	. LIGHT-RIGHT LANDING GRIMES G-3801A-LA			1
- A	B-3963A	. . SWITCH ASSY-LIMIT GRIMES MFG			1
1	M-4552	. . BULB-LANDING LIGHT GRIMES MFG			1
2	D-3849	. . OUTER CANOPY-LANDING LIGHT GRIMES MFG			1
3	A2507-1	. . RETAINER BAND ASSY-LANDING LIGHT RETAINER GRIMES MFG			1
4	G2905-24	. . MOTOR-POWER UNIT LANDING LIGHT GRIMES MFG			1
5	AN505-6R10	. . SCREW-ATTACH LANDING LIGHT			15
- 5A	AN515-6R6	. . SCREW-ATTACH GROUND WIRE			1
- 5B	MS21044N06	. . NUT-ATTACH GROUND WIRE			1 R
6	MS35059-21	. . SWITCH	35000	35546	1 R
- 6A	S382-1	. . SWITCH	35547	35771	1
- 6B	AN3022-15B	. . SWITCH	35772	& ON	1
- 6C	AN507-632R6	. . SCREW-ATTACH SWITCH TO INSTRUMENT PANEL	35772	& ON	2
7	S384-1	. . KNOB-SWITCH	35000	35771	1
8	0813506	. . NUT-SECURE SWITCH	35000	35546	1
- 8A	0813473-1	. . NUT-SECURE SWITCH	35547	35771	1
- 8B	PSM-5N	. . CIRCUIT BREAKER-USED WITH AIRCRAFT NOT EQUIPPED WITH TAXI LIGHT KLIXON			1
- 8C	PSM-10N	. . CIRCUIT BREAKER-USED WITH AIRCRAFT NOT EQUIPPED WITH TAXI LIGHT KLIXON			1

CESSNA AIRCRAFT COMPANY
MODEL 310 THRU 310D
ILLUSTRATED PARTS CATALOG

A55775



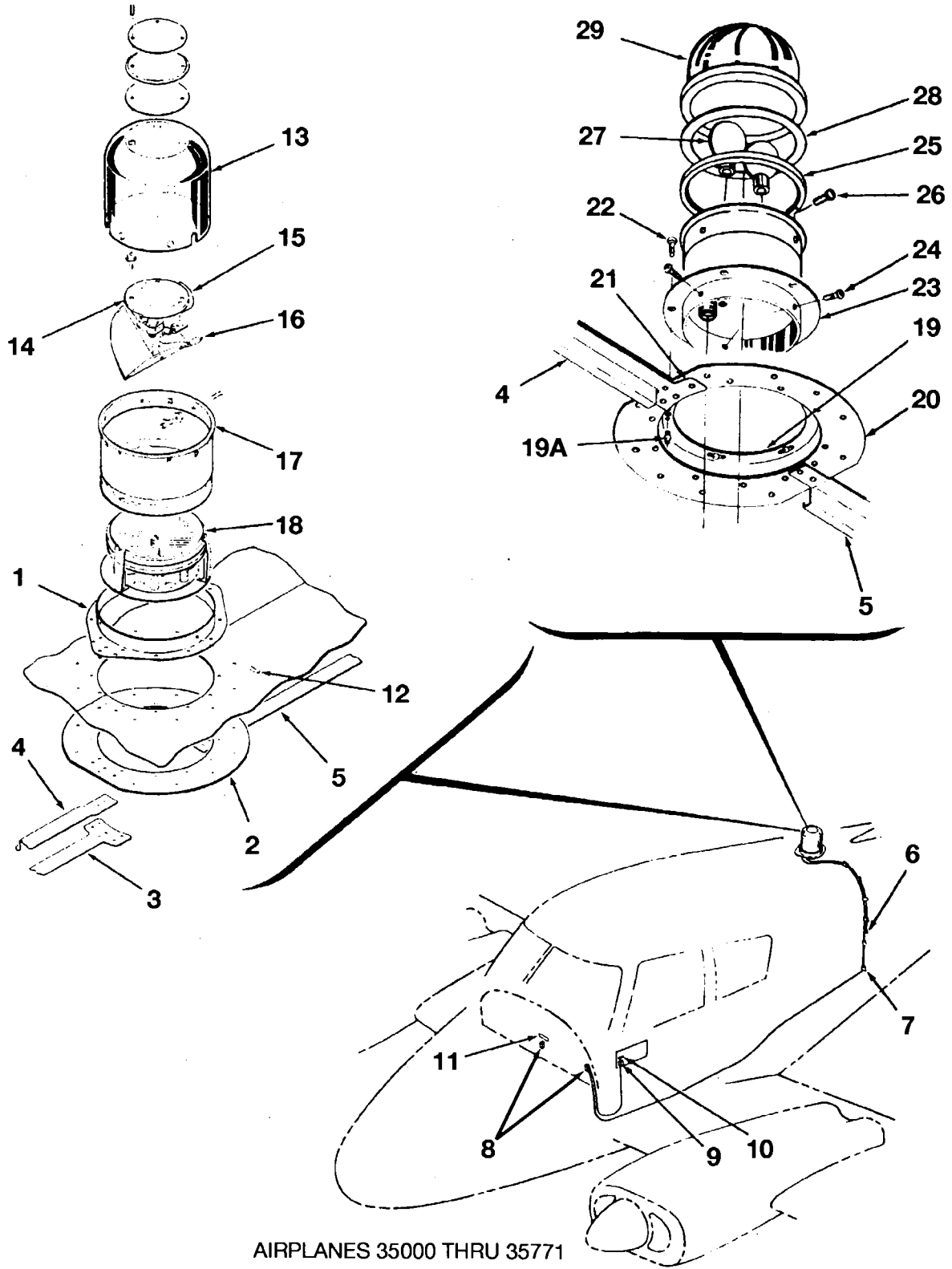
NAVIGATION LIGHTS INSTALLATION
FIGURE 02 (SHEET 1)

CESSNA AIRCRAFT COMPANY
MODEL 310 THRU 310D
 ILLUSTRATED PARTS CATALOG

FIG ITEM	PART NUMBER	NOMENCLATURE	EFFECT		UNITS PER ASSY
			FROM	TO	
02		NAVIGATION LIGHTS INSTALLATION			RF
- 0		. LIGHT INSTALLATION-NAVIGATION LH RED			RF
- A		. LIGHT INSTALLATION-NAVIGATION RH GREEN			RF
1	AN505-4R8 SCREW			2
2	AN515-4R8 SCREW			1
3	MS21044N04 NUT			3 R
- 3A	0823200-1 WING LIGHT ASSY-NAVIGATION LH RED			1
- 3B	0823200-2 WING LIGHT ASSY-NAVIGATION RH GREEN			1
4	AN3042-1 COVER-RED			1
- 4A	AN3042-2 COVER-GREEN			1
5	A-7512-24 LAMP-GRIMES			1

CESSNA AIRCRAFT COMPANY
MODEL 310 THRU 310D
ILLUSTRATED PARTS CATALOG

A55784



AIRPLANES 35000 THRU 35771

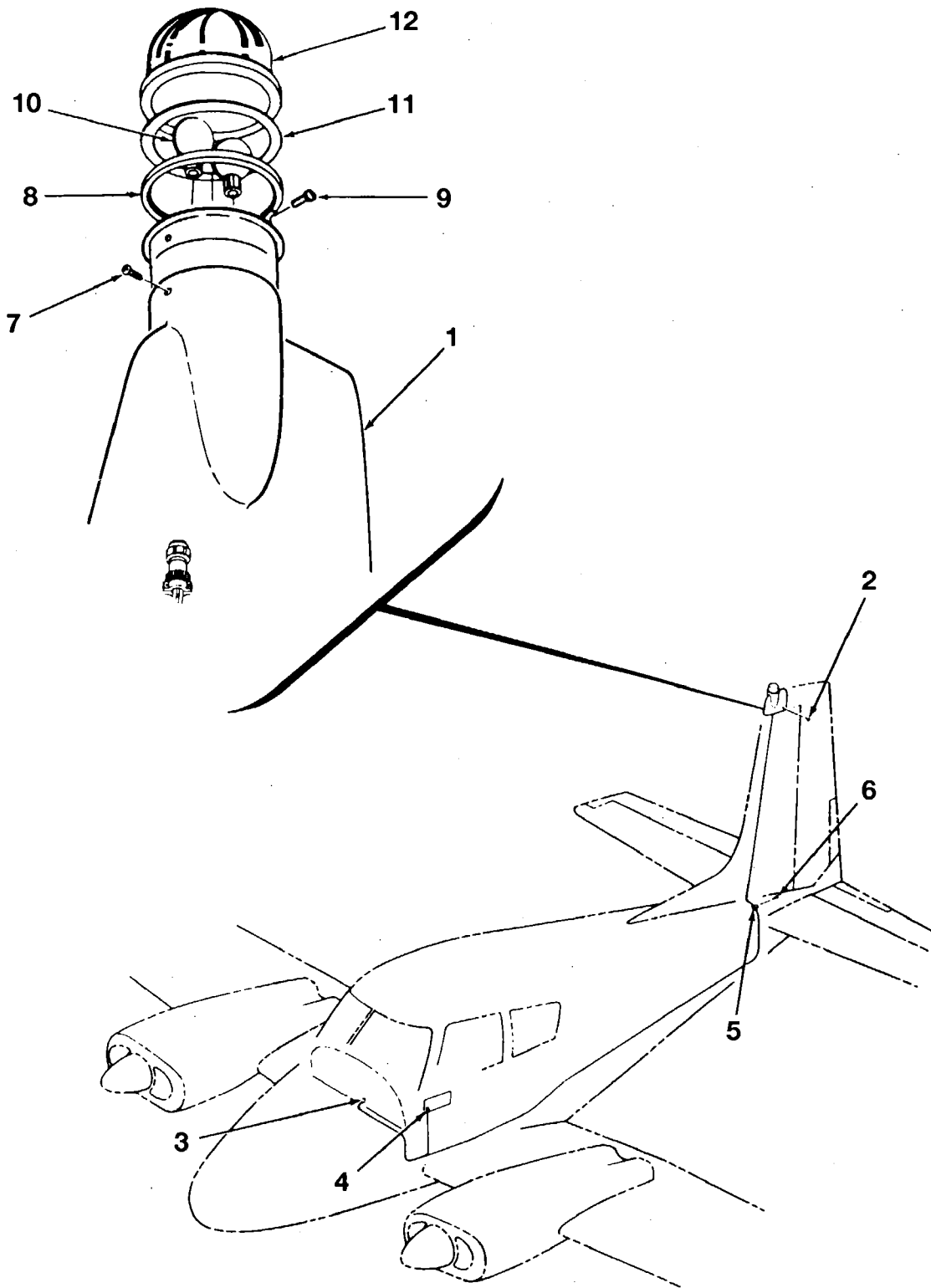
ROTATING BEACON INSTALLATION
FIGURE 03 (SHEET 1)

**CESSNA AIRCRAFT COMPANY
MODEL 310 THRU 310D
ILLUSTRATED PARTS CATALOG**

FIG ITEM	PART NUMBER	NOMENCLATURE	EFFECT		UNITS PER ASSY
			FROM	TO	
03		ROTATING BEACON INSTALLATION	35000	35546	RF
1	0813517-7	BRACKET-ROTATING BEACON MOUNTING			1
2	0813517-3	DOUBLER-BRACKET			1
3	0813517-9	STRAP			1
4	0811100-66	STRINGER			1
5	0811100-67	STRINGER			1
6	AN515-8R8	SCREW-ATTACH GROUND CABLE			1
- 6A	MS21044N08	NUT-ATTACH GROUND CABLE			1 R
7	A3046A-4	CLAMP-ATTACH CABLES TINNERMAN			6
- 7A	S-1021Z-8-7	SCREW-ATTACH CLAMPS			6
- 7B	S3230-4	NUT-ATTACH CLAMPS TINNERMAN S1778-8Z-3			6 R
8	S382-2	SWITCH-ROTATING BEACON			1
- 8A	0813506	NUT-ATTACH SWITCH			1
- 8B	S384-1	KNOB-SWITCH	35547	35771	1
9	PSM-5N	CIRCUIT BREAKER-KLIXON			1
10	0813517-8	DECAL-CIRCUIT BREAKER	35000	35180	1
- 10A	0813517-11	DECAL-CIRCUIT BREAKER	35181	35225	1
- 10B	0813517-12	DECAL-CIRCUIT BREAKER	35226	35771	1
11	0813517-6	DECAL-INSTRUMENT PANEL	35000	35180	1
- 11A	0813517-10	DECAL-INSTRUMENT PANEL	35181	35546	1
12	AN515-6R10	SCREW-ATTACH LIGHT ASSY			3
- 12A	0813650	ROTATING LIGHT ASSY			1
13	B-5791	GLOBE-GRIMES MFG			1
14		MOTOR & REFLECTOR ASSY			RF
15	A6458	MOTOR-GRIMES MFG			1
16	B-6000A	REFLECTOR ASSY-GRIMES MFG			1
17	D-6004	GASKET-GRIMES MFG			1
18	4594	LAMP-100 WATT 28 V GRIMES MFG			1
- 18A		SMALL ROTATING BEACON INSTALLATION	35000	35771	RF
19	0813571-3	BRACKET-ROTATING BEACON MOUNTING			1
19A	MK1000-04	NUTPLATE KAYLOCK-KAYNAR			5
20	0813571-2	DOUBLER-BRACKET			1
21	0813571-4	STRAP			1
22	AN515-4R6	SCREW-ATTACH LIGHT ASSY			5
- 22A	0813650-8	ROTATING BEACON LIGHT ASSY-GRIMES MFG G-7740-10-24			1
23	B-6740-1	FLANGE-ROTATING BEACON MOUNTING GRIMES MFG			1
24	AN515-6R6	SCREW-ATTACH LIGHT ASSY TO MOUNTING FLANGE			2
25	A-7635	RETAINER BAND-LENS GRIMES MFG			1
26	A-7634	SCREW-ATTACH RETAINER BAND GRIMES MFG			1
27	A7079-24	LAMP-REFLECTOR GRIMES MFG			2
28	A7632	GASKET-GRIMES MFG			1
29	A7942	LENS-GLASS GRIMES MFG			1

CESSNA AIRCRAFT COMPANY
MODEL 310 THRU 310D
ILLUSTRATED PARTS CATALOG

A55785



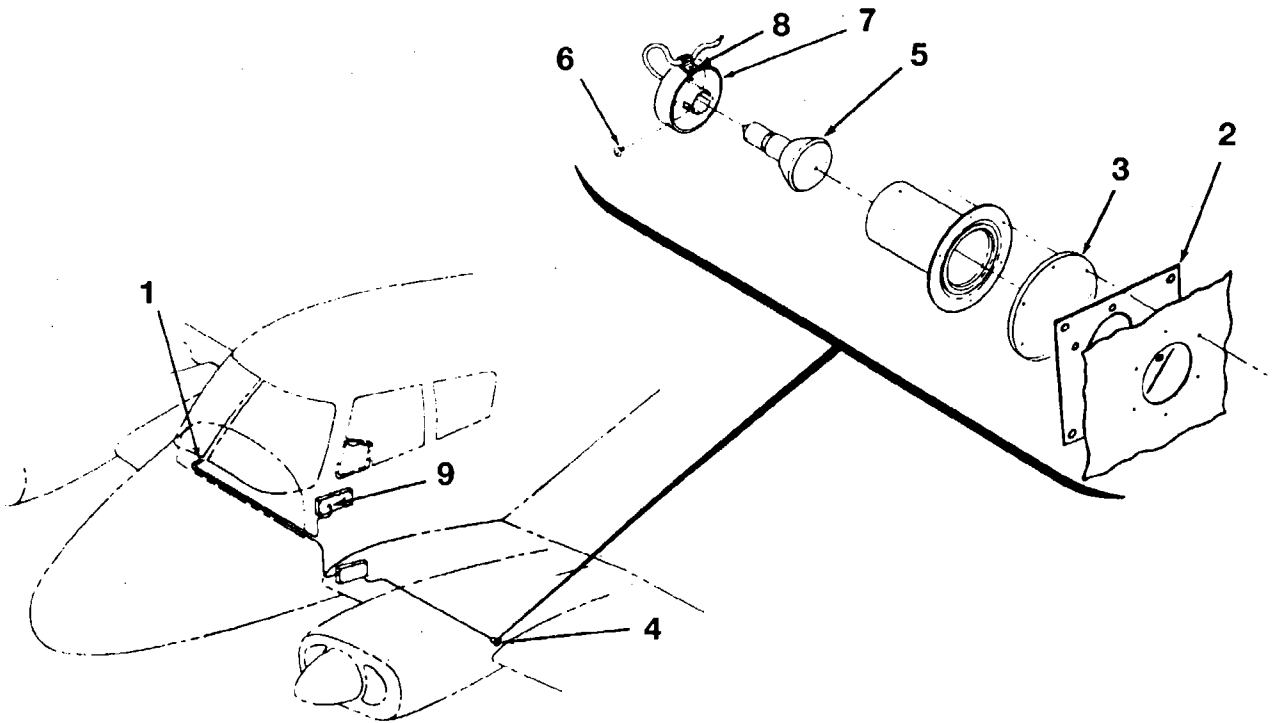
AIRPLANES 35547 AND ON
FIN MOUNTED ROTATING BEACON INSTALLATION
FIGURE 04 (SHEET 1)

CESSNA AIRCRAFT COMPANY
MODEL 310 THRU 310D
ILLUSTRATED PARTS CATALOG

FIG ITEM	PART NUMBER	NOMENCLATURE	EFFECT		UNITS PER ASSY
			FROM	TO	
04		FIN MOUNTED ROTATING BEACON INSTALLATION			
-			35547	& ON	RF
1	0831016-1	. TIP ASSY-FIN	35547	39031	1
- 1A	0831360-1	. TIP ASSY-FIN	39032	& ON	1
2	AN507-632R6	. SCREW-ATTACH FIN TIP	35547	39031	6
- 2A	AN507-632R6	. SCREW-ATTACH FIN TIP	39032	& ON	20
3	S382-2	. SWITCH-ROTATING BEACON	35547	35771	1
- 3A	MS35059-23	. SWITCH-ROTATING BEACON	35772	& ON	1 R
- 3B	S1216-1	. NUT-ATTACH SWITCH			1
- 3C	S384-1	. KNOB-SWITCH			1
4	PSM5N	. CIRCUIT BREAKER-KLIXON			1
5	MS21919WDG4	. CLAMP			4 R
6	AN515-6R8	. SCREW-ATTACH GROUND WIRE			4
- 6A	MS21044N06	. NUT-ATTACH GROUND WIRE			4 R
7	AN515-6R6	. SCREW-ATTACH LIGHT ASSY			3
- 7A	0813650-9	. LIGHT ASSY-ROTATING BEACON GRIMES MFG G-7740A-24	35547	39031	1
- 7B	0813650-10	. LIGHT ASSY-ROTATING BEACON GRIMES MFG G-7740A-11-24	39032	& ON	1
8	A7635	. . . RETAINER BAND-LENS GRIMES MFG			1
9	A7634	. . . SCREW-ATTACH RETAINER BAND GRIMES MFG			1
10	A7079-24	. . . LAMPS-REFLECTOR GRIMES MFG			2
11	A7632	. . . GASKET-GRIMES MFG			1
12	A7942	. . . LENS-GLASS GRIMES MFG			1

CESSNA AIRCRAFT COMPANY
MODEL 310 THRU 310D
ILLUSTRATED PARTS CATALOG

A55801



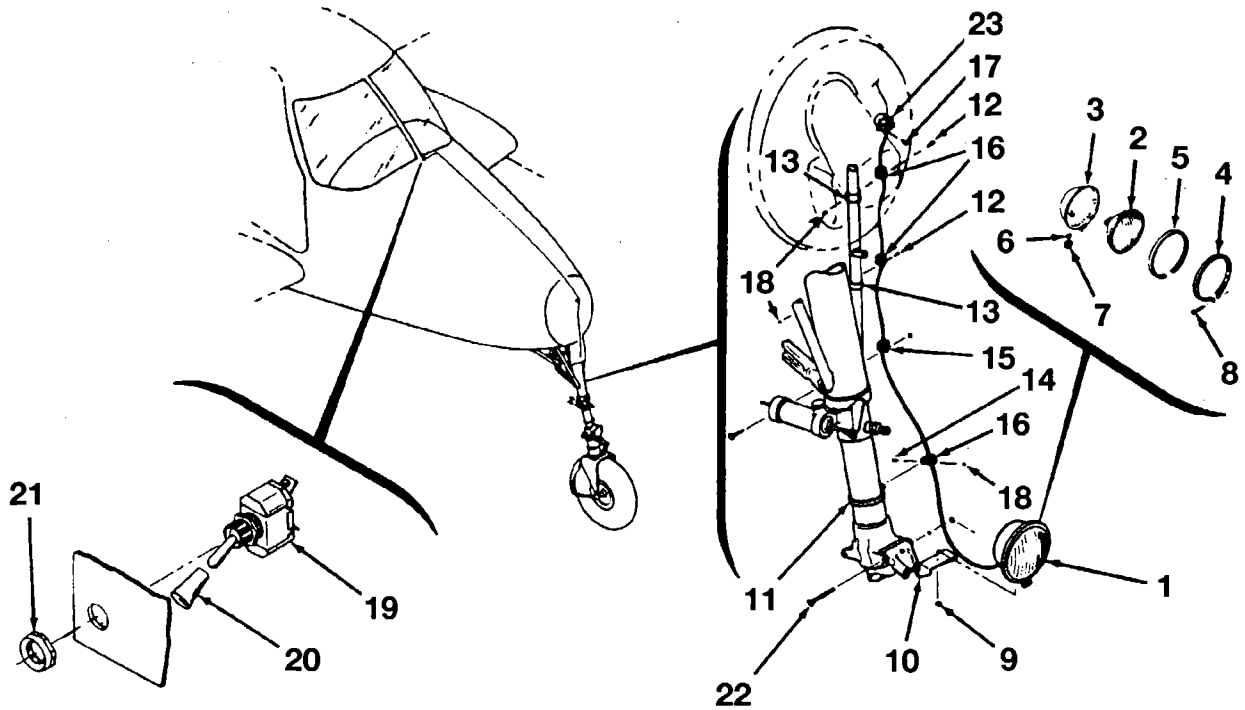
DE-ICE LIGHT INSTALLATION
FIGURE 05 (SHEET 1)

CESSNA AIRCRAFT COMPANY
MODEL 310 THRU 310D
ILLUSTRATED PARTS CATALOG

FIG ITEM	PART NUMBER	NOMENCLATURE	EFFECT		UNITS
			FROM	TO	PER ASSY
05		DE-ICE LIGHT INSTALLATION			RF
-					
1	T1002	. LH WING LIGHT SWITCH-HETHERINGTON INC			1
- 1A	S384-1	. KNOB-SWITCH			1
- 1B	0813506	. NUT-ATTACH SWITCH	35000	35546	1
- 1C	S1216-1	. NUT-ATTACH SWITCH	35547	& ON	1
2	0820502-1	. DOUBLER			1
3	0820501-1	. LENS-DE-ICE LIGHT			1
4	0820501-5	. LIGHT ASSY-DE-ICE			1
5	GE1385	. . BULB-24 VOLT			1
6	S-1021Z-6-4	. . SCREW			2
7	0820501-7	. . SOCKET ASSY			1
8	MS21919WH2	. . CLAMP-SECURE WIRE			1
- 8A	S-1021Z-6-6	. SCREW-ATTACH CLAMP			1
9	PSM-2N	. CIRCUIT BREAKER-GRIMES MFG G-7740A-24			1

CESSNA AIRCRAFT COMPANY
MODEL 310 THRU 310D
ILLUSTRATED PARTS CATALOG

A55803



TAXI LIGHT INSTALLATION
FIGURE 06 (SHEET 1)

CESSNA AIRCRAFT COMPANY
MODEL 310 THRU 310D
ILLUSTRATED PARTS CATALOG

FIG ITEM	PART NUMBER	NOMENCLATURE	EFFECT		UNITS PER ASSY
			FROM	TO	
06		TAXI LIGHT INSTALLATION			RF
1	0842215-8	. TAXI LIGHT ASSY			1
2	GE4594	. . LAMP-LIGHT ASSY			1
3	B4213A	. . CANOPY			1
4	B4209	. . RETAINER RING			1
5	A4212	. . GASKET			1
6	A4203	. . GROMMET			1
7	A4711	. . NUT			1
8	AN515-6R14	. . SCREW-RETAINER			1
9	MS20365-420C	. . NUT-ATTACH LIGHT TO BRACKET			1
10	0842010-1	. . BRACKET-MOUNTING			1
11	AN735D36	. . CLAMP-ATTACH CABLE			1
12	AN3-3A	. . BOLT-ATTACH CLAMP			1
13	MS21919DG12	. . CLAMP-ATTACH CABLE			2
14	AN520-10R8	. . SCREW-ATTACH CLAMP			1
15	0842000-63	. . CLAMP-ATTACH CABLE			1
16	MS21919WDG4	. . CLAMP-ATTACH CABLE			3 R
17	S-1021Z-8-6	. . SCREW-ATTACH CLAMP			1
18	MS21045L3	. . NUT-ATTACH CLAMP			3 R
19	MS35059-21	. . SWITCH-TAXI	35000	35546	1 R
- 19A	S382-2	. . SWITCH-TAXI	35547	& ON	1
20	S384-1	. . KNOB-SWITCH			1
21	0813506	. . NUT-SECURE SWITCH	35000	35546	1
- 21A	S1216-1	. . NUT-SECURE SWITCH	35547	& ON	1
22	AN176-30A	. . BOLT-ATTACH MOUNTING BRACKET			1
- 22A	PSM-10N	. . CIRCUIT BREAKER-USED WITH AIRCRAFT EQUIPPED WITH RH LANDING LIGHT KLIXON			1
- 22B	PSM-5N	. . CIRCUIT BREAKER-USED WITH AIRCRAFT NOT EQUIPPED WITH RH LANDING LIGHT KLIXON			1
23	MS21919DG6	. . CLAMP-ATTACH CABLE			1

CHAPTER

34

NAVIGATION

CESSNA AIRCRAFT COMPANY
MODEL 310 THRU 310D
 ILLUSTRATED PARTS CATALOG

LIST OF EFFECTIVE PAGES

CHAPTER-SECTION-SUBJECT	PAGE	DATE
34-Title		
34-List of Effective Pages		
34-Record of Temporary Revisions		
34-Contents		
34-10-00 Figure 01	1	Jul 3/2006
	2	Jul 3/2006
34-20-00 Figure 01	1	Jul 5/2004
	2	Jul 5/2004
34-20-00 Figure 02	1	Jul 5/2004
	2	Jul 5/2004
34-20-00 Figure 03	1	Jul 5/2004
	2	Jul 5/2004
34-20-00 Figure 04	1	Jul 5/2004
	2	Jul 5/2004
34-20-00 Figure 05	1	Jul 5/2004
	2	Jul 5/2004
34-30-00 Figure 01	1	Jul 5/2004
	2	Jul 5/2004
34-30-00 Figure 02	1	Jul 5/2004
	2	Jul 5/2004
34-30-01 Figure 01	1	Jul 3/2006
	2	Jul 3/2006
34-30-01 Figure 02	1	Jul 5/2004
	2	Jul 5/2004
34-30-01 Figure 03	1	Jul 5/2004
	2	Jul 5/2004
34-30-02 Figure 01	1	Jul 3/2006
	2	Jul 3/2006
34-30-02 Figure 02	1	Jul 5/2004
	2	Jul 5/2004
34-50-00 Figure 01	1	Jul 5/2004
	2	Jul 5/2004
34-50-00 Figure 02	1	Jul 5/2004
	2	Jul 5/2004
34-50-00 Figure 03	1	Jul 3/2006
	2	Jul 3/2006
34-50-00 Figure 04	1	Jul 5/2004
	2	Jul 5/2004
	3	Jul 5/2004
34-50-00 Figure 05	1	Jul 5/2004
	2	Jul 5/2004
34-50-01 Figure 01	1	Jul 3/2006
	2	Jul 3/2006
34-50-01 Figure 02	1	Jul 5/2004
	2	Jul 5/2004
34-50-01 Figure 03	1	Jul 3/2006
	2	Jul 3/2006
34-50-01 Figure 04	1	Jul 3/2006

CESSNA AIRCRAFT COMPANY
MODEL 310 THRU 310D
ILLUSTRATED PARTS CATALOG

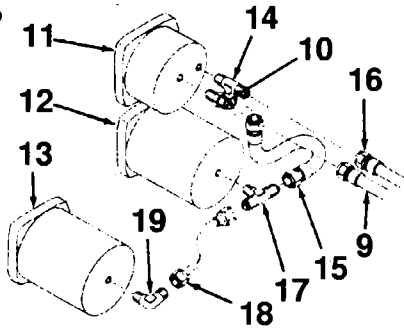
	2	Jul 3/2006
34-50-01 Figure 05	1	Jul 5/2004
	2	Jul 5/2004
	3	Jul 5/2004
34-50-01 Figure 06	1	Jul 5/2004
	2	Jul 5/2004
	3	Jul 5/2004
34-50-02 Figure 01	1	Jul 5/2004
	2	Jul 5/2004
34-50-02 Figure 02	1	Jul 5/2004
	2	Jul 5/2004
34-50-03 Figure 01	1	Jul 5/2004
	2	Jul 5/2004
	3	Jul 5/2004
34-50-05 Figure 01	1	Jul 5/2004
	2	Jul 5/2004
34-50-05 Figure 02	1	Jul 3/2006
	2	Jul 3/2006
34-50-05 Figure 03	1	Jul 5/2004
	2	Jul 5/2004
34-60-00 Figure 01	1	Jul 5/2004
	2	Jul 5/2004

**CESSNA AIRCRAFT COMPANY
MODEL 310 THRU 310D
ILLUSTRATED PARTS CATALOG**

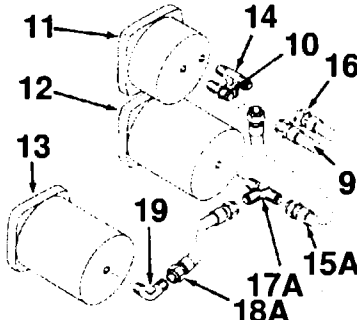
<u>SUBJECT</u>	<u>CH SEC SUBJ FIG</u>	<u>EFFECTIVITY</u>
PITOT SYSTEM INSTALLATION	34-10-00-01	
COMPASS INSTALLATION	34-20-00-01	
ARC CD-1 COURSE DIRECTOR SYSTEM INSTALLATION	34-20-00-02	35772 39031
ARC CD-1 COURSE DIRECTOR SYSTEM INSTALLATION	34-20-00-03	39032 & ON
ARC CD-1 COURSE DIRECTOR PANEL ASSEMBLY AND INSTALLATION	34-20-00-04	35772 35863
ARC CD-1 COURSE DIRECTOR PANEL ASSEMBLY AND INSTALLATION	34-20-00-05	39032 & ON
LEAR A-2200 MARKER BEACON INSTALLATION	34-30-00-01	35097 35546
LEAR A-2200 MARKER BEACON INSTALLATION	34-30-00-02	35547 35771
DARE GLIDE SLOPE AND MARKER BEACON INSTALLATION	34-30-01-01	35772 39031
DARE R-89M SINGLE GLIDE PATH RECEIVER INSTALLATION	34-30-01-02	35097 35771
GLIDE PATH ANTENNA INSTALLATION	34-30-01-03	35097 & ON
ARC GLIDE SLOPE AND MARKER BEACON INSTALLATION	34-30-02-01	39032 & ON
MARKER BEACON ANTENNA INSTALLATION	34-30-02-02	35097 & ON
NARCO VOA-3A NAVIGATION CONVERTER INSTALLATION	34-50-00-01	35772 & ON
NARCO DUAL VOA-3A NAVIGATION CONVERTER INSTALLATION	34-50-00-02	39250 & ON
ARC NAVIGATION SYSTEM INSTALLATION	34-50-00-03	35334 35546
ARC NAVIGATION SYSTEM INSTALLATION	34-50-00-04	35547 & ON
ARC NAVIGATION SYSTEM INSTALLATION	34-50-00-05	39032 & ON
LEAR ADF-12 INSTALLATION	34-50-01-01	35097 35546
LEAR DUAL ADF-12 INSTALLATION	34-50-01-02	35213 35546
LEAR ADF-12 INSTALLATION	34-50-01-03	35547 35771
LEAR DUAL ADF-12 INSTALLATION	34-50-01-04	35547 35771
LEAR ADF-12E-2 INSTALLATION	34-50-01-05	35772 & ON
LEAR ADF-12E-2 WITH GONIO INSTALLATION	34-50-01-06	39032 & ON
LEAR ADF-14 INSTALLATION	34-50-02-01	35097 35546
LEAR DUAL ADF-14 INSTALLATION	34-50-02-02	35213 35546
ARC ADF-21 INSTALLATION	34-50-03-01	35547 35771
ADF LOOP ANTENNA INSTALLATION	34-50-05-01	35097 & ON
ADF SENSE ANTENNA INSTALLATION	34-50-05-02	35097 & ON
CABIN BOTTOM ADF SENSE ANTENNA INSTALLATION	34-50-05-03	35547 & ON
MOTOROLA LNC-100 TRANSCEIVER INSTALLATION	34-60-00-01	

CESSNA AIRCRAFT COMPANY
MODEL 310 THRU 310D
 ILLUSTRATED PARTS CATALOG

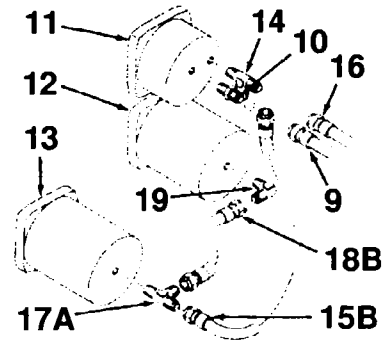
A55749



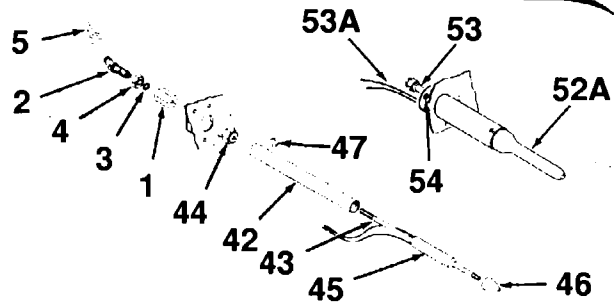
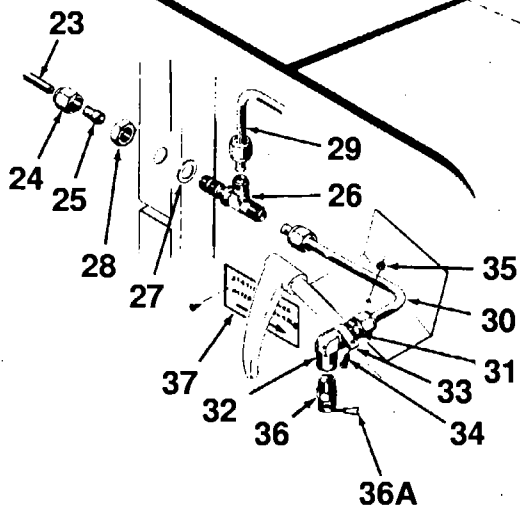
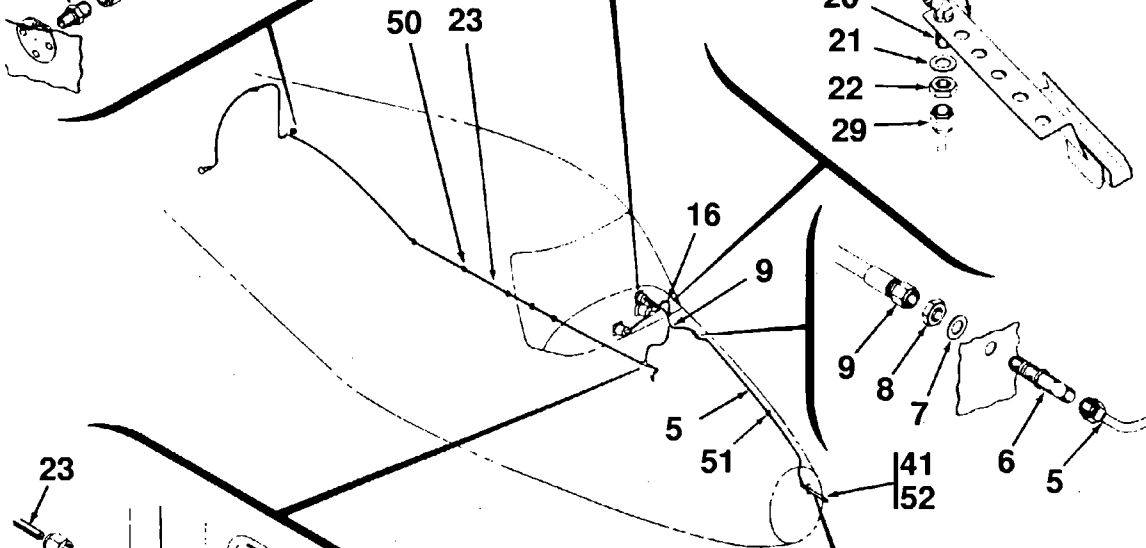
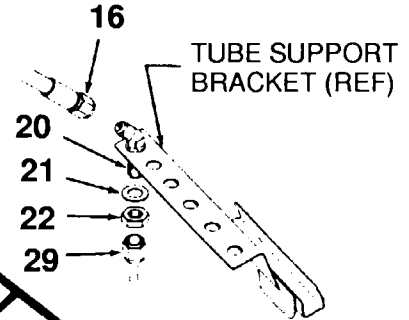
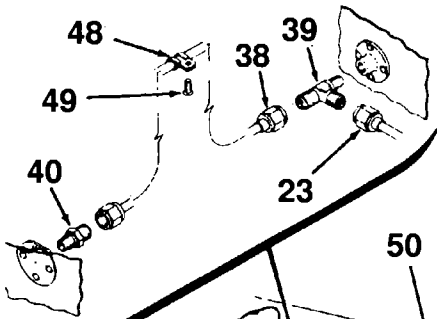
AIRPLANES 35000
 THRU 35546



AIRPLANES 35547
 THRU 35831



AIRPLANES 35832 AND ON



PITOT SYSTEM INSTALLATION
 FIGURE 01 (SHEET 1)

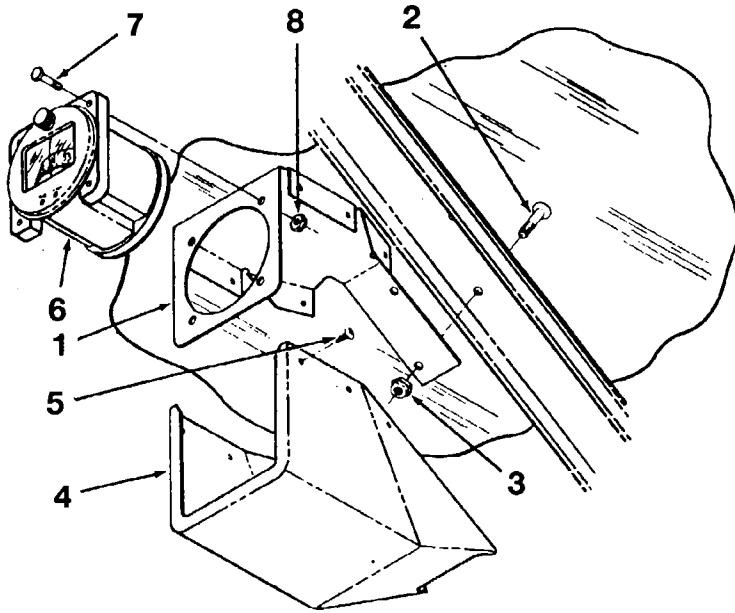
CESSNA AIRCRAFT COMPANY
MODEL 310 THRU 310D
ILLUSTRATED PARTS CATALOG

FIG ITEM	PART NUMBER	NOMENCLATURE	EFFECT		UNITS PER ASSY
			FROM	TO	
01		PITOT SYSTEM INSTALLATION REFER TO NOTE 1			RF
1	0813175-4	REDUCER- CONNECT PITOT	35000	35658	1
2	AN837-4D	ELBOW- CONNECT LINE TO PITOT	35000	35658	1
- 2A	AN821-4D	ELBOW- CONNECT LINE TO PITOT	35659	& ON	1
3	MS28775-012	SEAL- CONNECT LINE TO PITOT	35000	35658	1 R
4	AN924-4D	NUT- CONNECT LINE TO PITOT	35000	35658	1
5	0800106-115	TUBE ASSY- PITOT	35000	35771	1
- 5A	0800106-269	LINE ASSY- PITOT	35772	& ON	1
6	AN833-4D	ELBOW- ATTACH LINE TO STA 0 00 BULKHEAD			1
7	NAS1149D0763K	WASHER- ATTACH LINE TO STA 0 00 BULKHEAD			1 R
8	AN924-4D	NUT- ATTACH LINE TO STA 0 00 BULKHEAD			1
9	S-1168-4-20	HOSE ASSY- STA. 0.00 TO AIRSPEED INDICATOR			1
10	AS5194D0402	ADAPTER- CONNECT HOSE TO INSTRUMENT			1 R
11		INDICATOR- AIRSPEED REFER TO 31-10-00 FIGURES 07 & 08			RF
12		ALTIMETER- REFER TO 31-10-00 FIGURES 07 & 08			RF
13		INDICATOR- VERTICAL SPEED - REFER TO 31-10-00 FIGURES 07 & 08			RF
14	AN826-4D	TEE- AIRSPEED INDICATOR			1
15	S1168-4-7	HOSE ASSY- AIRSPEED TO ALTIMETER	35000	35546	1
15A	S1168-4-10-1/2	HOSE ASSY- AIRSPEED TO ALTIMETER	35547	35831	1
15B	S1168-4-14-1/2	HOSE ASSY- AIRSPEED TO VERTICAL SPEED			1
16	S1168-4-14-1/2	HOSE ASSY- STATIC SOURCE AIRSPEED TO BRACKET			1
17	AN825-4D	TEE	35000	35546	1
17A	AN826-4D	TEE	35547	& ON	1
18	S1168-4-10	LINE ASSY- ALTIMETER TO VERTICAL SPEED	35000	35546	1
18A	S1168-4-8-1/2	HOSE ASSY- ALTIMETER TO VERTICAL SPEED	35547	35831	1
18B	S1168-4-10-1/2	HOSE ASSY- ALTIMETER TO VERTICAL SPEED	35832	& ON	1
19	MS20822-4D	ELBOW			1
20	AN834-4D	TEE- ATTACH HOSE TO BRACKET			1
21	NAS1149D0763K	WASHER- ATTACH ELBOW TO BRACKET			1 R
22	AN924-4D	NUT- ATTACH ELBOW TO BRACKET			1
23	0800106-338	LINE ASSY- STATIC SOURCE TO TEE			1
24	AN818-4D	NUT- ATTACH LINE TO TEE			1
25	MS20819-4D	SLEEVE- SLEEVE - ATTACH LINE TO TEE			1
26	AN804D4	TEE- ATTACH LINE TO STA 20.00 BULKHEAD			1
27	NAS1149F0763P	WASHER- ATTACH TEE TO STA 20.00 BULKHEAD			1 R
28	AN924-4D	NUT- ATTACH TEE TO STA 20 00 BULKHEAD			1
29	0800106-233	LINE ASSY- STATIC TEE TO BRACKET			1
30	0800106-232	LINE ASSY- STATIC SOURCE DRAIN TEE TO DRAIN VALVE			1
31	AS5194D0402	NIPPLE- CONNECT LINE TO DRAIN VALVE			1 R
32	AN916-1D	ELBOW- CONNECT LINE TO DRAIN VALVE			1
33	A2980A-9-27	CLAMP- ATTACH ELBOW TO PARKING BRAKE BRACKET TINNERMAN			1
34	AN520-10R8	SCREW- ATTACH CLAMP TO PARKING BRAKE BRACKET			1
35	MS21045L3	NUT- ATTACH CLAMP TO PARKING BRAKE BRACKET			1 R
36	0511199-20	DRAIN VALVE- STATIC SOURCE			1
36A	S-430-1	KNOB DRAIN VALVE			1
37	0813007-4	PLACARD- STATIC PRESSURE ALTERNATE SOURCE			1
- 37A	S-1022Z-4-4	SCREW- ATTACH PLACARD			2
38	0800106-117	TUBE ASSY- STATIC CROSSOVER			1
39	AN826-4D	TEE- CONNECT CROSSOVER LINE TO LEFT SIDE			1
40	AS5194D0402	ADAPTER- CONNECT CROSSOVER LINE TO RIGHT SIDE			1 R
41	0813175-1	PITOT ASSY	35000	35659	1
42	0813175-2	TUBE- PITOT			1
43	0813175-3	STEM- PITOT			1
44	0813175-5	FITTING- PITOT			1
45	0813176-1	HEATER- PITOT			1
46	0721105-4	NOSE FITTING- PITOT			1
47	MS35489-4	GROMMET			1
48	A3046A-4-92	CLAMP- ATTACH CROSSOVER LINE TINNERMAN			1
49	S-1021Z-4-6	SCREW- ATTACH CLAMP			1
50	MS35489-6	GROMMET			7
51	MS21919WDG4	CLAMP- ATTACH LINE			1 R
- 51A	S-1021Z-6-6	SCREW- ATTACH CLAMP			1
- 51B	S3230-2	NUT- ATTACH CLAMP TINNERMAN AL181-6Z-3			1 R
52	0813177-1	TUBE ASSY- PITOT	35659	& ON	1
52A	0813177-2	PITOT TUBE			1
53	0800106-264	LINE ASSY			1
53A	0813177-4	WIRE			1
54	AN515-6R4	SCREW- ATTACH TUBE ASSY	35659	& ON	4
- 54A	AN936-6	WASHER- ATTACH TUBE ASSY	35659	& ON	4
- 54B	0813180-1	SPACER- PITOT TUBE SUPPORT	35659	& ON	1

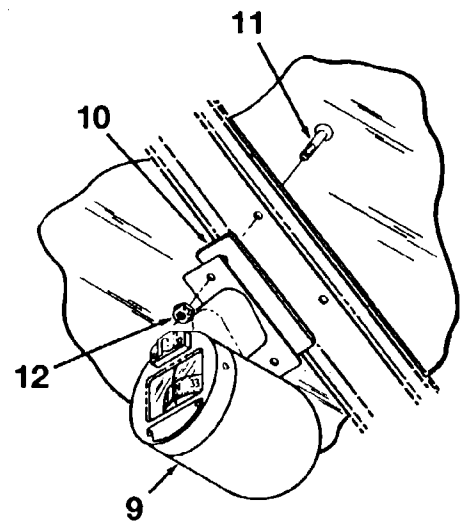
NOTE 1—ON ALL AIRPLANES NOT INCORPORATING A STATIC SOURCE DRAIN VALVE, SK310-10 MUST BE ORDERED TO REPLACE TUBE ASSEMBLY FROM STATIC SOURCE TO TUBE SUPPORT BRACKET

CESSNA AIRCRAFT COMPANY
MODEL 310 THRU 310D
ILLUSTRATED PARTS CATALOG

A55689



AIRPLANES 35000 THRU 35015



AIRPLANES 35016 AND ON

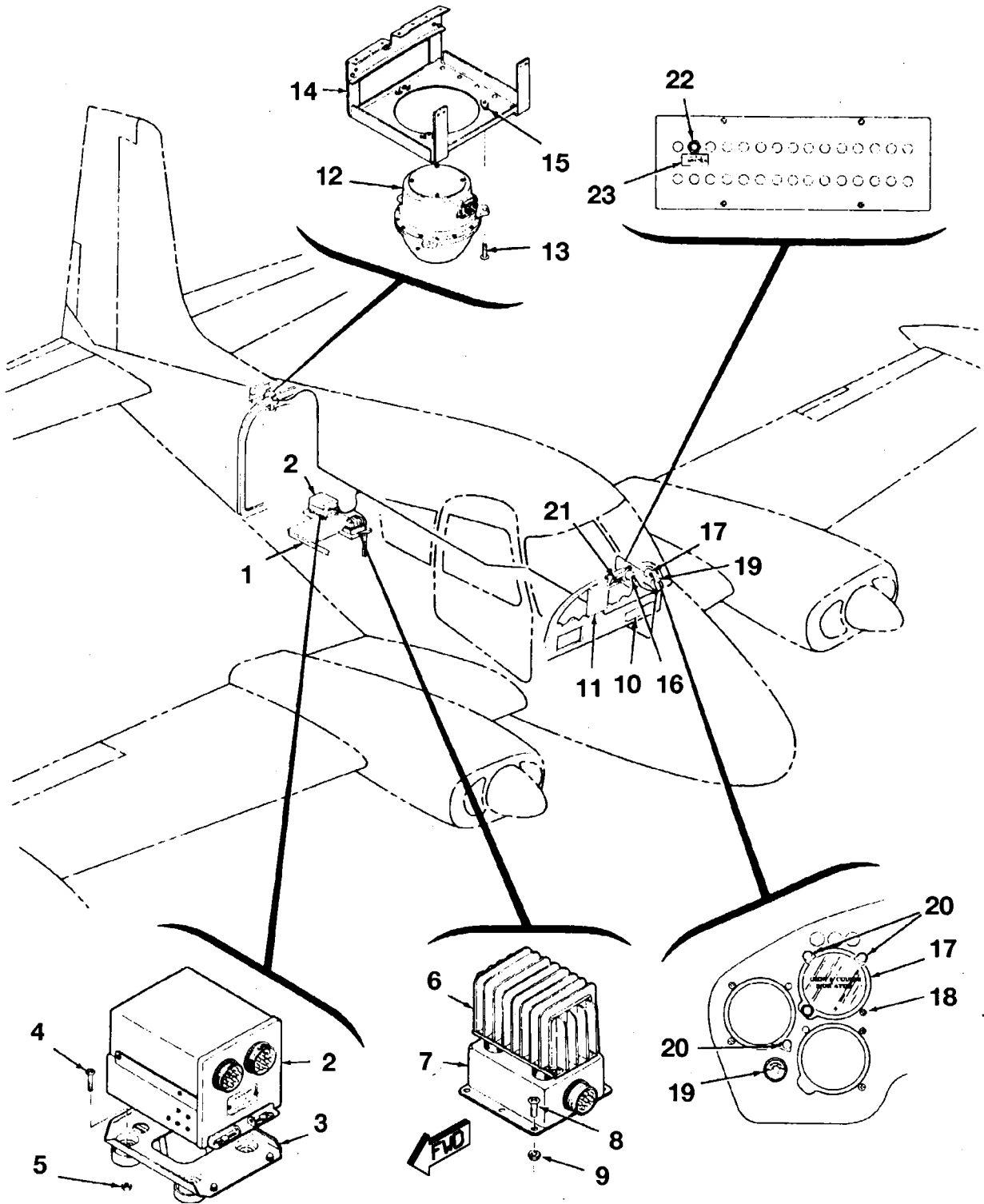
COMPASS INSTALLATION
FIGURE 01 (SHEET 1)

CESSNA AIRCRAFT COMPANY
MODEL 310 THRU 310D
ILLUSTRATED PARTS CATALOG

FIG ITEM	PART NUMBER	NOMENCLATURE	EFFECT		UNITS
			FROM	TO	PER ASSY
01		COMPASS INSTALLATION			RF
-					
1	0813516-2	. BRACKET-COMPASS	35000	35015	1
2	AN507-1032R10	. SCREW-ATTACH COMPASS BRACKET	35000	35015	2
3	MS20364-1032C	. NUT-ATTACH COMPASS BRACKET	35000	35015	2
4	0813516-3	. COVER-COMPASS BRACKET	35000	35015	1
5	S-1021Z-4-4	. SCREW-ATTACH COVER	35000	35015	6
6	0411008-2	. COMPASS	35000	35015	1
7	AN515B6R	. SCREW-ATTACH COMPASS	35000	35015	4
8	MS20365B632C	. NUT-ATTACH COMPASS	35000	35015	4
9	0813611-5	. COMPASS	35016	& ON	1
10	0813623-1	. PLATE	35319	35546	1
11	AN507-1032R14	. SCREW-ATTACH COMPASS	35016	35546	2
- 11A	MS24694-S57	. SCREW-ATTACH COMPASS	35547	& ON	2 R
12	MS20364-1032C	. NUT-ATTACH COMPASS	35016	35546	2
- 12A	H10-03	. NUT-ATTACH COMPASS KAYNAR	35547	& ON	2

CESSNA AIRCRAFT COMPANY
MODEL 310 THRU 310D
 ILLUSTRATED PARTS CATALOG

A55870



AIRPLANES 35772 THRU 39031

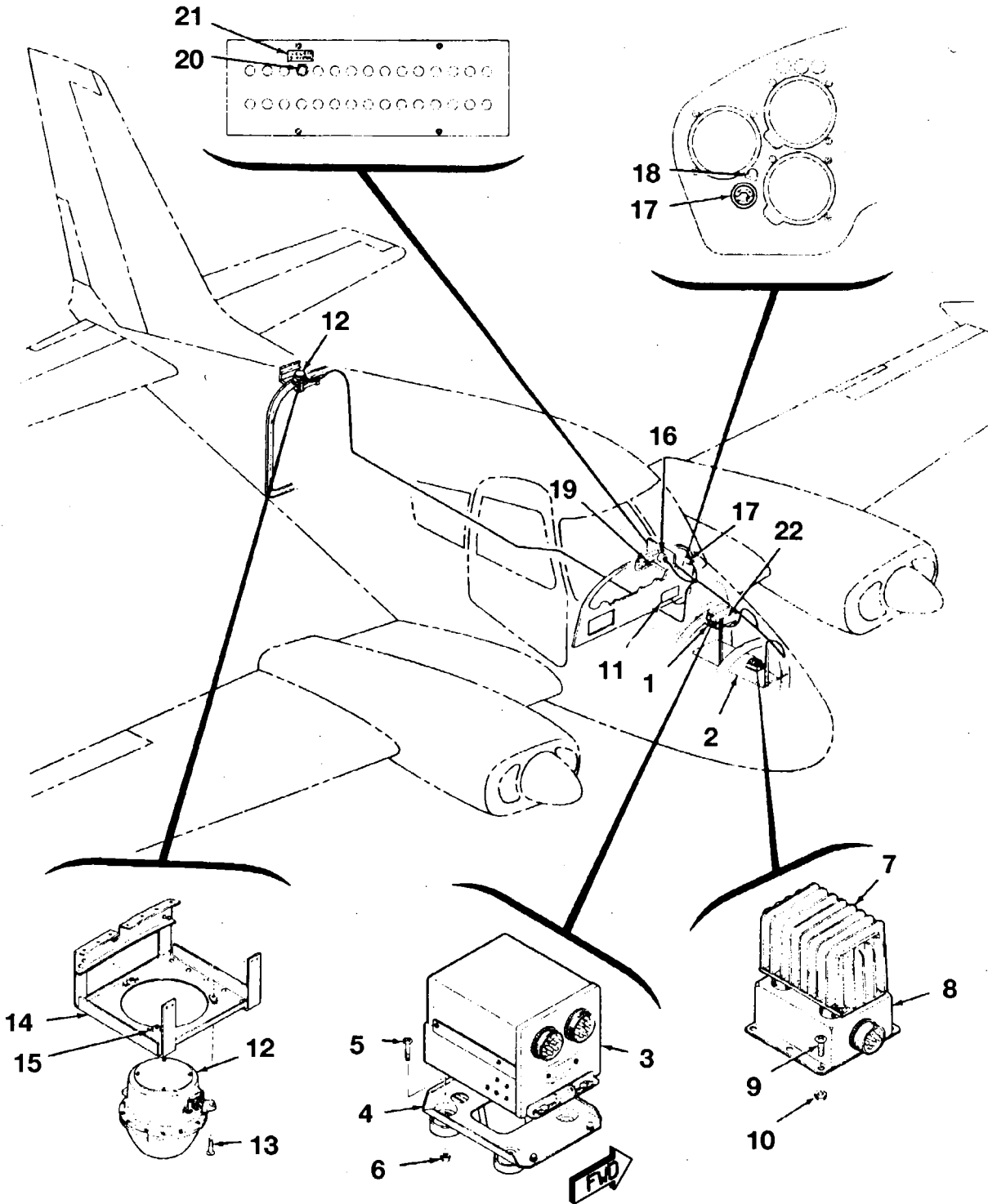
ARC CD-1 COURSE DIRECTOR SYSTEM INSTALLATION
 FIGURE 02 (SHEET 1)

CESSNA AIRCRAFT COMPANY
MODEL 310 THRU 310D
ILLUSTRATED PARTS CATALOG

FIG ITEM	PART NUMBER	NOMENCLATURE	EFFECT		UNITS PER ASSY
			FROM	TO	
02		ARC CD-1 COURSE DIRECTOR SYSTEM INSTALLATION	35772	39031	RF
-		SHELF INSTALLATION RADIO-REFER TO 53-10-06 FIGURE 06			RF
1		COMPUTER AMPLIFIER-CA-10A ARC18320			1
2	0812628-6	MOUNTING UNIT-M-27 ARC 18290			1
3	0812628-7	SCREW-ATTACH COMPUTER MOUNT			4
4	AN515-8R14	NUT-ATTACH COMPUTER MOUNT			4 R
5	MS21044N08	DYNAVERTER-DV-10A ARC 19840			1
6	0812465-320	POWER UNIT-P-12 ARC 17620			1
7	0812628-11	SCREW-ATTACH DYNAVERTER & POWER UNIT			6
8	AN515-8R8	NUT-ATTACH DYNAVERTER & POWER UNIT			6 R
9	MS21044N08	PANEL ASSY & INSTALLATION-RADIO CONTROL REFER TO 34-20-00 FIGURE 04	35772	35836	RF
10		PANEL ASSY & INSTALLATION-RADIO CONTROL REFER TO 31-10-02 FIGURE 17	35864	39031	RF
- 10A		PANEL ASSY & INSTALLATION-RADIO CONTROL REFER TO 31-10-02 FIGURE 16			RF
11		COMPASS TRANSMITTER-CT-10 ARC 20060			1
12	0812628-9	SCREW-ATTACH COMPASS TRANSMITTER			3
13	AN515B8R14	BRACKET ASSY-COMPASS TRANSMITTER			1
14	0812630-1	NUTPLATE			3
15	AN366DF832	SLAVED GYRO-G-12 DIRECTIONAL ARC 20172 USED WITHOUT AUTOPILOT			1
16	0812628-4	SLAVED GYRO-ARC G12/L2 DIRECTIONAL USED WITH AUTOPILOT			1
- 16A	0812628-5	COURSE INDICATOR-IN-14 ARC 18028			1
17	0812628-3	SCREW-ATTACH INDICATOR			1
18	AN507B632R12	NUT-ATTACH INDICATOR			1 R
- 18A	MS21044N06	SLAVING METER-IN-11 ARC-20003			1
19	0812628-1	LIGHT ASSY-REFER TO 33-10-00 FIGURE 03 FOR BREAKDOWN GRIMES MFG			3
20	A8970-2-327	SWITCH-MONITOR HETHERINGTON			1
21	T1033	CIRCUIT BREAKER-KLIXON			1
22	PSM-5N	PLACARD-COURSE INDICATOR			1
23	0812480-85				

CESSNA AIRCRAFT COMPANY
MODEL 310 THRU 310D
ILLUSTRATED PARTS CATALOG

A55871



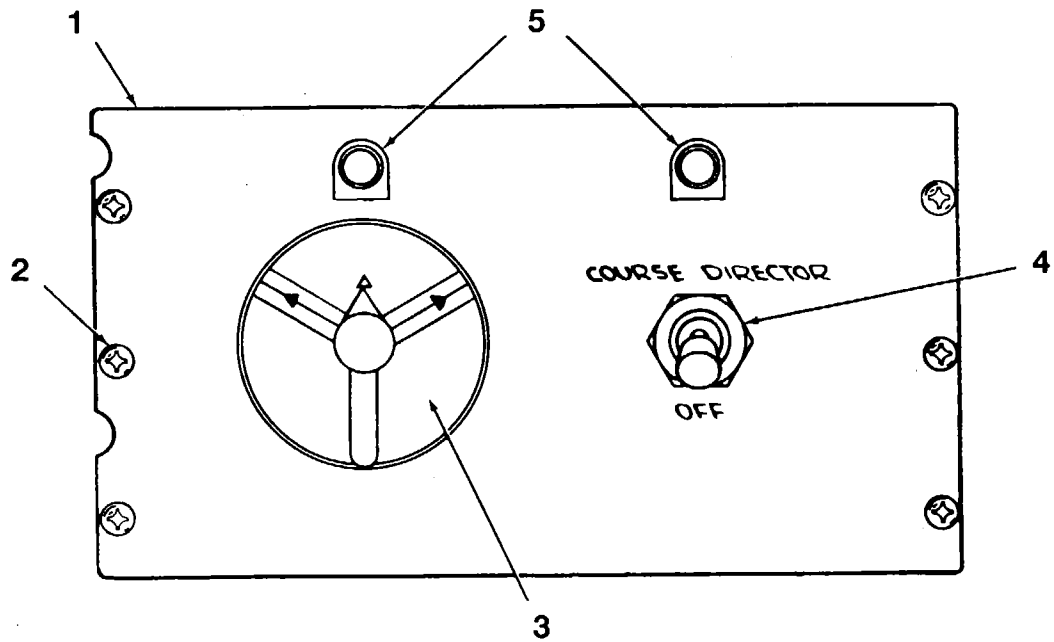
AIRPLANES 39032 AND ON
ARC CD-1 COURSE DIRECTOR SYSTEM INSTALLATION
FIGURE 03 (SHEET 1)

**CESSNA AIRCRAFT COMPANY
MODEL 310 THRU 310D
ILLUSTRATED PARTS CATALOG**

FIG ITEM	PART NUMBER	NOMENCLATURE	EFFECT		UNITS
			FROM	TO	PER ASSY
03		ARC CD-1 COURSE DIRECTOR SYSTEM INSTALLATION	39032	& ON	RF
1		. RADIO SHELF INSTALLATION-REFER TO 53-10-06 FIGURE 05.			RF
2		. RADIO SHELF INSTALLATION-REFER TO 53-10-06 FIGURE 05.			RF
3	0812628-6	. COMPUTER AMPLIFIER-CA-L0A ARC 18320			1
4	0812628-7	. MOUNTING UNIT-M-27 ARC 18290			1
5	AN515-8R14	. SCREW-ATTACH COMPUTER MOUNT			4
6	MS21044N08	. NUT-ATTACH COMPUTER MOUNT			4 R
- 6A	0812628-12	. POWER UNIT ASSEMBLY			1
7	0812465-320	. DYNAVERTER-DV-10A ARC 19840			1
8	0812628-11	. POWER UNIT-P-12 ARC 17620			1
9	AN515-8R8	. SCREW-ATTACH DYNAVERTER & POWER UNIT			4
10	MS21044N08	. NUT-ATTACH DYNAVERTER & POWER UNIT			4 R
11		. PANEL ASSY & INSTALLATION-RADIO CONTROL REFER TO 31-10-00 FIGURE 22.			RF
- 11A		. PANEL ASSY-CD-1 COURSE DIRECTOR REFER TO 34-20-00 FIGURE 05 .			RF
12	0812628-9	. COMPASS TRANSMITTER-CT-10 ARC 20060			1
13	AN515B8R14	. SCREW-ATTACH COMPASS TRANSMITTER			3
14	0812630-1	. BRACKET ASSY-COMPASS TRANSMITTER			1
15	AN366DF832	. NUTPLATE			3
16	0812628-4	. SLAVED GYRO-G-12 ARC 20172			1
17	0812628-1	. SLAVING METER-IN-11 ARC 20003			1
18	A8970-2-327	. LIGHT ASSY-REFER TO 33-10-00 FIGURE 03 FOR BREAKDOWN GRIMES MFG.			1
19	T1033	. SWITCH-MONITOR HETHERINGTON			1
20	PSM-3N	. CIRCUIT BREAKER-KLIXON			1
21	0812480-85	. PLACARD-COURSE DIRECTOR			1
22		. BOX INSTALLATION-NETWORK LOADING REFER TO 23-00-00 FIGURE 04			RF

CESSNA AIRCRAFT COMPANY
MODEL 310 THRU 310D
ILLUSTRATED PARTS CATALOG

A55900



AIRPLANES 35772 THRU 35863

ARC CD-1 COURSE DIRECTOR PANEL ASSEMBLY AND INSTALLATION
FIGURE 04 (SHEET 1)

CESSNA AIRCRAFT COMPANY
MODEL 310 THRU 310D
ILLUSTRATED PARTS CATALOG

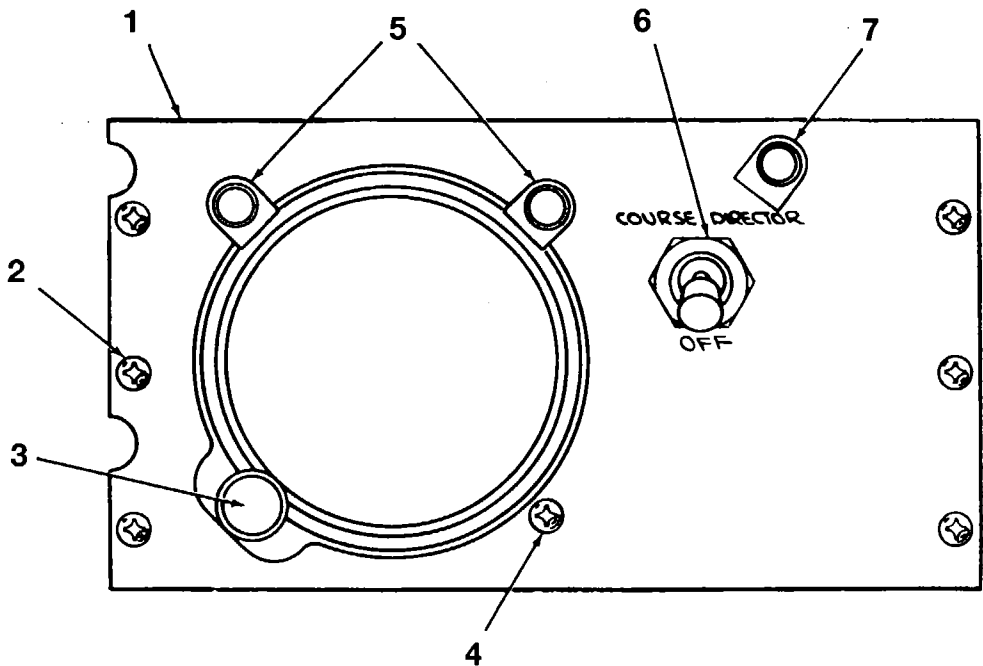
FIG ITEM	PART NUMBER	NOMENCLATURE	EFFECT		UNITS PER ASSY
			FROM	TO	
04		ARC CD-1 COURSE DIRECTOR PANEL ASSEMBLY AND INSTALLATION	35772	35863	RF
1	0812627-4	. MOUNTING ASSY-CONTROL UNIT			1
2	S1021Z4-8	. SCREW-ATTACH MOUNTING ASSY			6
2A	S3230-1	. NUT-ATTACH MOUNTING ASSY			6 R
3	0812628-2	. CONTROL UNIT-C-60 ARC 18330			1
4	S382-2	. SWITCH			1
4A	S1216-1	. NUT-SWITCH DECORATIVE			1
4B	S384-1	. KNOB-SWITCH			1
5	A5299-24	. POSTLIGHT-REFER TO 33-10-00 FIGURE 03 FOR BREAKDOWN			2

- ITEM NOT ILLUSTRATED

© Cessna Aircraft Company

CESSNA AIRCRAFT COMPANY
MODEL 310 THRU 310D
ILLUSTRATED PARTS CATALOG

A55916



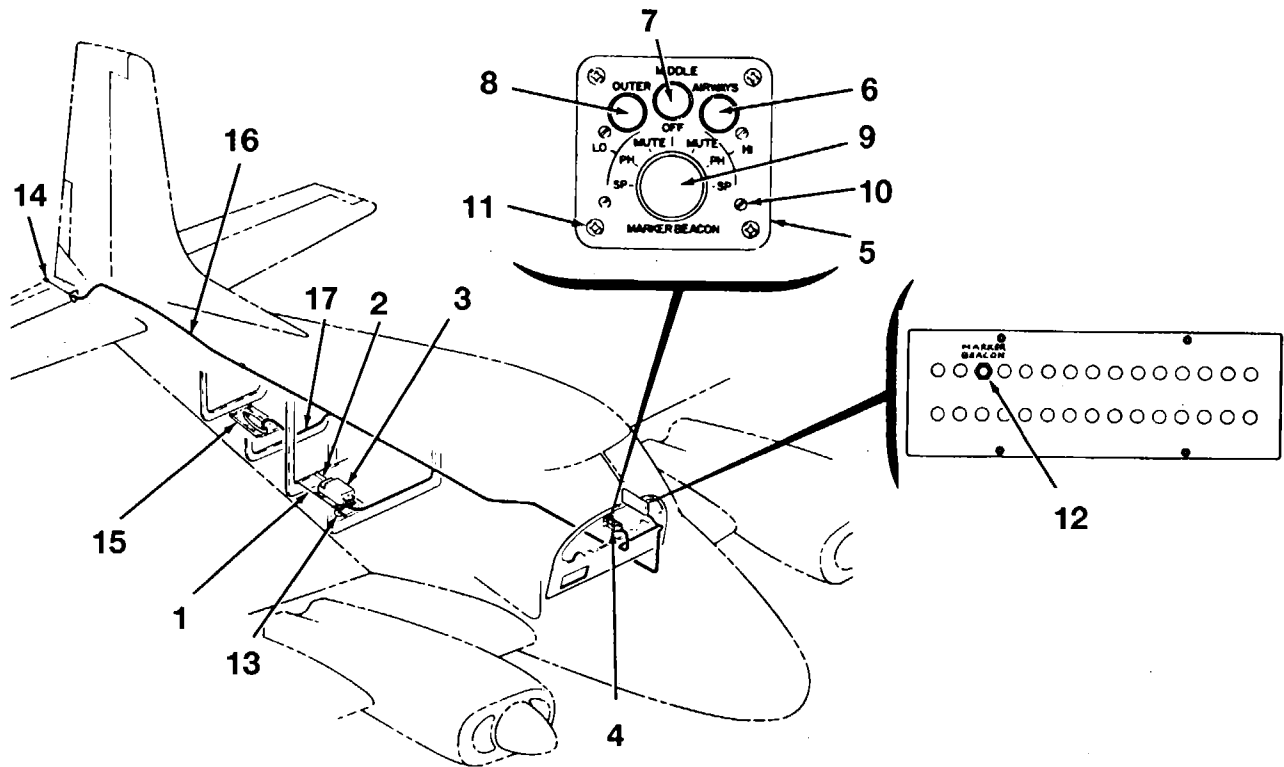
AIRPLANES 39032 AND ON
ARC CD-1 COURSE DIRECTOR PANEL ASSEMBLY AND INSTALLATION
FIGURE 05 (SHEET 1)

CESSNA AIRCRAFT COMPANY
MODEL 310 THRU 310D
ILLUSTRATED PARTS CATALOG

FIG ITEM	PART NUMBER	NOMENCLATURE	EFFECT		UNITS PER ASSY
			FROM	TO	
05		ARC CD-1 COURSE DIRECTOR PANEL ASSEMBLY AND INSTALLATION	39032	& ON	RF
-		. CONTROL PLATE ASSY			1
1	0812711-4	. SCREW-ATTACH PLATE ASSY			6
2	S-1021Z-4-8	. NUT-ATTACH PLATE ASSY			6 R
- 2A	S3230-1	. DIRECTOR CONTROL-S-10 ARC 20200			1
3	0812628-13	. SCREW-ATTACH DIRECTOR CONTROL			1
4	AN507B632R12	. NUT-ATTACH DIRECTOR CONTROL			1 R
- 4A	MS21044N06	. LIGHT ASSY-REFER TO 33-10-00 FIGURE 03 FOR BREAKDOWN GRIMES			2
5	A8970-2-327	MFG			1
6	S382-2	. SWITCH			1
- 6A	S1216-1	. NUT-SWITCH DECORATIVE			1
- 6B	S384-1	. KNOB-SWITCH			1
7	A5299-24	. POSTLIGHT-REFER TO 33-10-00 FIGURE 03 FOR BREAKDOWN GRIMES			1
		MFG			1

CESSNA AIRCRAFT COMPANY
MODEL 310 THRU 310D
ILLUSTRATED PARTS CATALOG

A41042



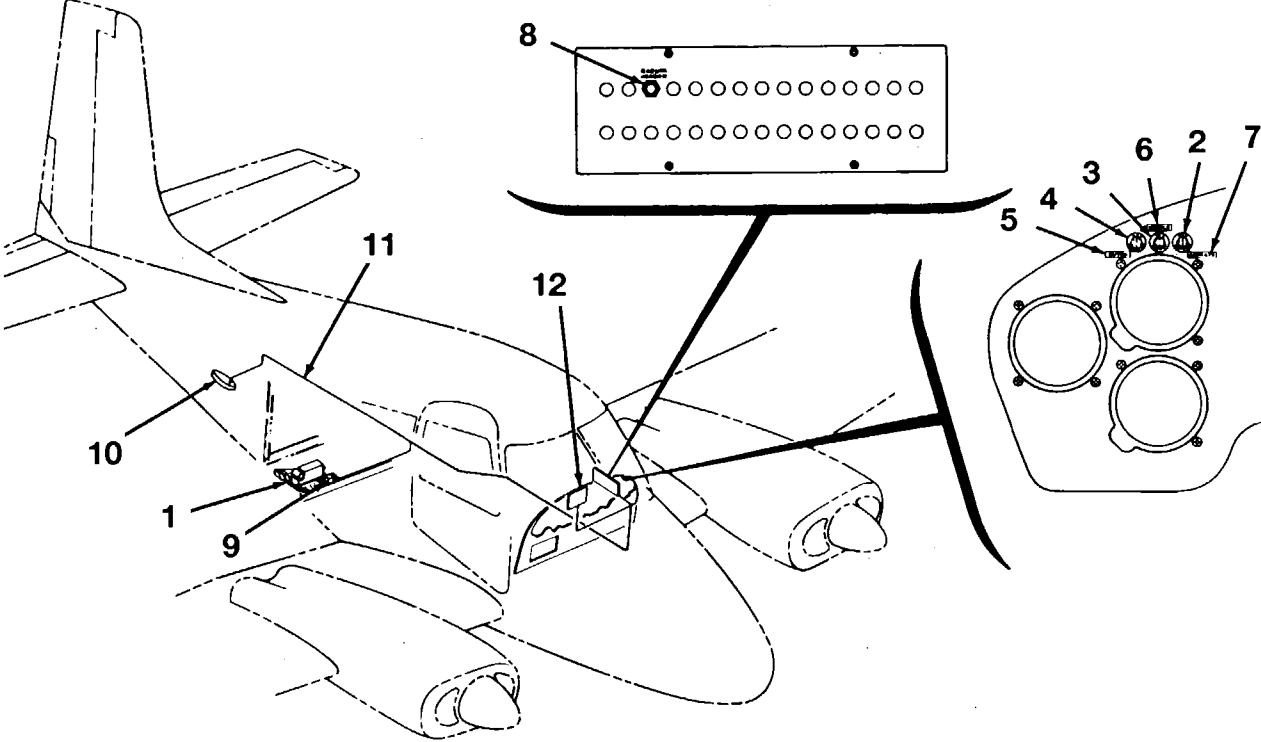
AIRPLANES 35097 THRU 35546
LEAR A-2200 MARKER BEACON INSTALLATION
FIGURE 01 (SHEET 1)

**CESSNA AIRCRAFT COMPANY
MODEL 310 THRU 310D
ILLUSTRATED PARTS CATALOG**

FIG ITEM	PART NUMBER	NOMENCLATURE	EFFECT		UNITS PER ASSY
			FROM	TO	
01		LEAR A-2200 MARKER BEACON INSTALLATION	35097	35546	RF
-		. ANGLE-RECEIVER MOUNTING	35097	35148	1
- 1A	0812459-29	. ANGLE-RECEIVER MOUNTING	35149	35546	1
2	0814000-90	. ANGLE-RECEIVER MOUNTING	35097	35148	1
- 2A	0812459-30	. ANGLE-RECEIVER MOUNTING	35149	35546	1
3		. RECEIVER & SHOCKMOUNT-MARKER BEACON			RF
- 3A	AN520-10RB	. SCREW-ATTACH RECEIVER & SHOCKMOUNT	35097	35546	8
- 3B	MS21045L3	. NUT-ATTACH RECEIVER & SHOCKMOUNT	35097	35546	8 R
4	0812459-1	. CONTROL UNIT ASSY-MARKER BEACON			1
5	0812459-28	. PANEL-INDICATOR			1
6	VM911M-1	. LIGHT ASSY-WHITE INDICATOR MARCO INDUSTRIES CO			1
7	VM911M-4	. LIGHT ASSY-AMBER INDICATOR MARCO INDUSTRIES CO			1
8	VM911M-10	. LIGHT ASSY-BLUE INDICATOR MARCO INDUSTRIES CO			1
- 8A	AN3140-327	. BULB-INDICATOR			3
9	0813503-4	. KNOB	35097	35180	1
- 9A	0813503-12	. KNOB	35181	35333	1
- 9B	0812503-14	. KNOB	35334	35546	1
- 9C	PA-2008	. SWITCH-SELECTOR CENTRALAB			1
- 9D	232	. NUT-ATTACH SWITCH MALLORY			1
- 9E	MS3102-20-27P	. RECEPTACLE			1
- 9F	0812459-2	. ROD-SUPPORT RECEPTACLE			4
10	AN515B4R5	. SCREW-ATTACH SUPPORT RODS & RECEPTACLE			8
11	AN515B6R8	. SCREW-ATTACH CONTROL UNIT ASSY			4
- 11A	MS20365B632C	. NUT-ATTACH CONTROL UNIT ASSY			4
12	PSM-5N	. CIRCUIT BREAKER-KLIXON			1
13	93874	. FILTER-CAPACITOR	35275	35546	1
- 13A	AN515-8R6	. SCREW-ATTACH CAPACITOR	35275	35546	2
- 13B	MS21044N08	. NUT-ATTACH CAPACITOR	35275	35546	2 R
14		. ANTENNA INSTALLATION-MARKER BEACON REFER TO 34-30-02 FIGURE 02	35097	35176	RF
15		. ANTENNA INSTALLATION-MARKER BEACON REFER TO 34-30-02 FIGURE 02	35177	35546	RF
16	0812455-111	. CABLE ASSY-ANTENNA TO RECEIVER	35097	35176	1
17	0812455-290	. CABLE ASSY-ANTENNA TO RECEIVER	35177	35546	1

CESSNA AIRCRAFT COMPANY
MODEL 310 THRU 310D
ILLUSTRATED PARTS CATALOG

A41043



AIRPLANES 35547 THRU 35771
LEAR A-2200 MARKER BEACON INSTALLATION
FIGURE 02 (SHEET 1)

**CESSNA AIRCRAFT COMPANY
MODEL 310 THRU 310D
ILLUSTRATED PARTS CATALOG**

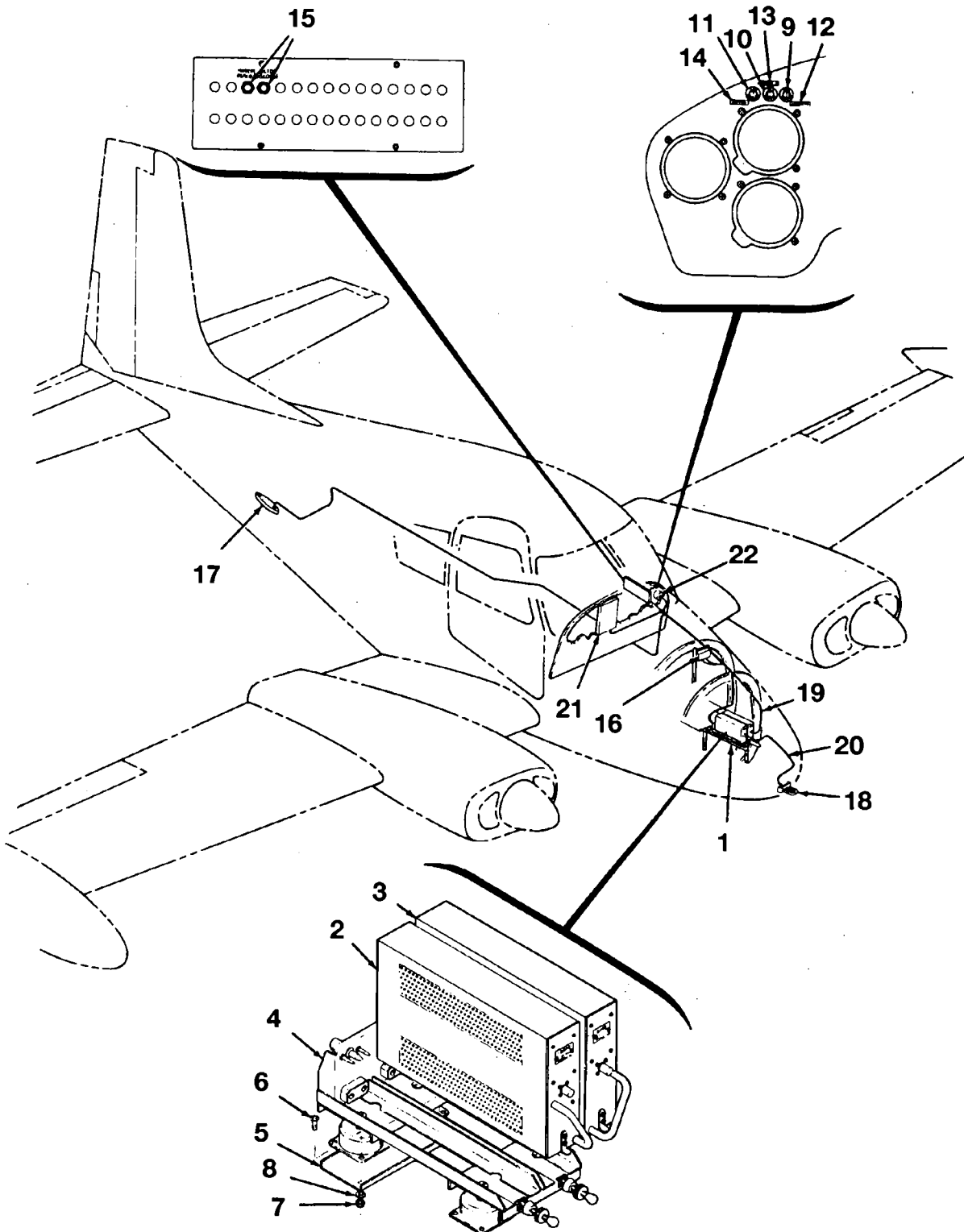
FIG ITEM	PART NUMBER	NOMENCLATURE	EFFECT		UNITS PER ASSY
			FROM	TO	
					1 2 3 4 5 6 7
02		LEAR A-2200 MARKER BEACON INSTALLATION	35547	35771	RF
- 0		. SUPPORT INSTALLATION RECEIVER-REFER TO 53-10-00 FIGURE 05			RF
1		. RECEIVER & SHOCKMOUNT-MARKER BEACON			RF
- 1A	AN515-8R8	. SCREW-ATTACH RECEIVER & SHOCKMOUNT			8
2	VM911M-1	. LIGHT ASSY-WHITE INDICATOR MARCO INDUSTRIES CO			1
3	VM911M-4	. LIGHT ASSY-AMBER INDICATOR MARCO INDUSTRIES CO			1
4	VM911M-10	. LIGHT ASSY-BLUE INDICATOR MARCO INDUSTRIES CO			1
- 4A	AN3140-327	. BULB-INDICATOR			3
5	0812480-77	. DECAL-OUTER			1
6	0812480-78	. DECAL-MIDDLE			1
7	0812480-79	. DECAL-AIRWAYS			1
8	PSM-2N	. CIRCUIT BREAKER-KLIXON			1
9	93874	. FILTER-CAPACITOR	35547	35752	1
- 9A	AN515-8R6	. SCREW-ATTACH CAPACITOR	35547	35752	2
- 9B	H10-08	. NUT-ATTACH CAPACITOR	35547	35752	2
10		. ANTENNA INSTALLATION MARKER BEACON-REFER TO 34-30-02 FIGURE 02			RF
11	0812586-4	. CABLE ASSY-ANTENNA			1
12		. PANEL ASSY & INSTALLATION-RADIO CONTROL REFER TO 31-00-02 FIGURE 07			RF
- 12A		. PANEL ASSY & INSTALLATION-RADIO CONTROL REFER TO 31-00-02 FIGURE 08			RF

- ITEM NOT ILLUSTRATED

© Cessna Aircraft Company

CESSNA AIRCRAFT COMPANY
MODEL 310 THRU 310D
ILLUSTRATED PARTS CATALOG

A41044



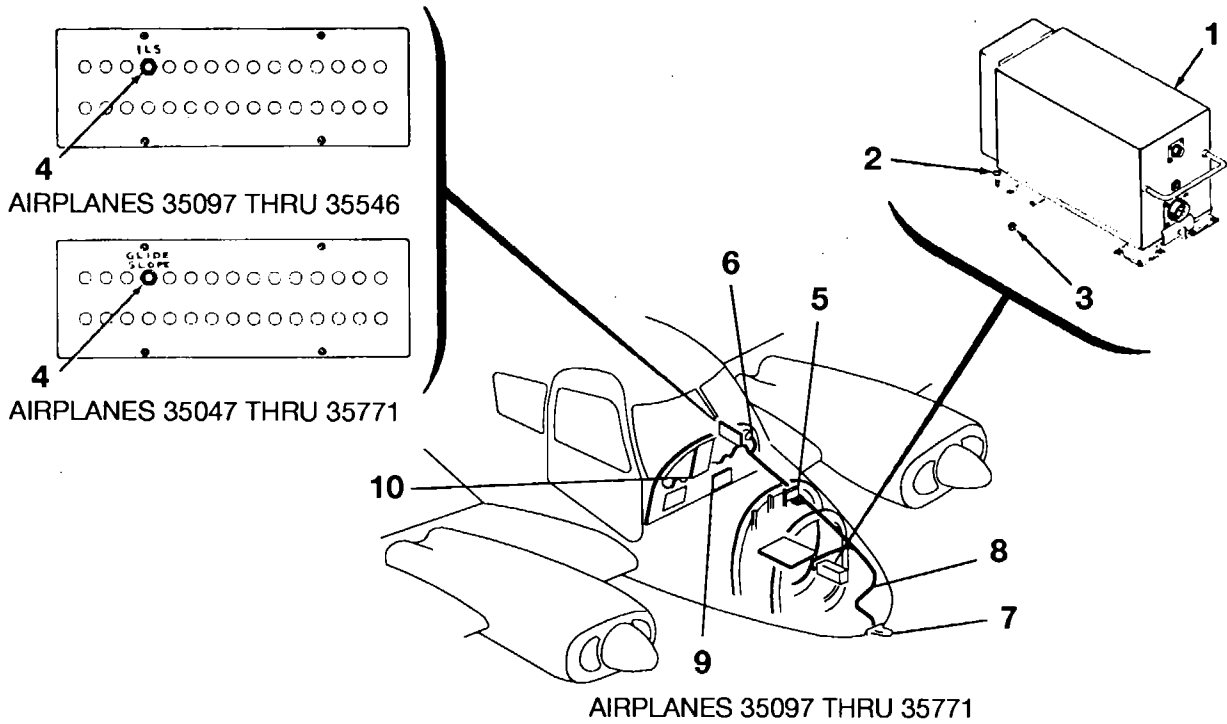
AIRPLANES 35772 THRU 39031
DARE GLIDE SLOPE AND MARKER BEACON INSTALLATION
FIGURE 01 (SHEET 1)

**CESSNA AIRCRAFT COMPANY
MODEL 310 THRU 310D
ILLUSTRATED PARTS CATALOG**

FIG ITEM	PART NUMBER	NOMENCLATURE	EFFECT		UNITS PER ASSY
			FROM	TO	
01		DARE GLIDE SLOPE AND MARKER BEACON INSTALLATION	35772	39031	RF
-		RADIO SHELF INSTALLATION-REFER TO 53-10-06 FIGURE 05			RF
1		GLIDE SLOPE RECEIVER-DARE DGS-20			1
2	0812639-1	MARKER BEACON RECEIVER-DARE DM-3			1
3	0812639-2	SHOCKMOUNT-DUAL DARE M/MBGS-2	35772	35974	1
4	0812639-3	SHOCKMOUNT-DUAL DARE M/MBGS-2A	35975	39031	1
- 4A	0812639-4	SUPPORT-SHOCKMOUNT	35772	35974	2
5	0812641-1	SCREW-ATTACH SHOCKMOUNT			8
6	AN515-8R8	NUT-ATTACH SHOCKMOUNT			8 R
7	MS21044N08	WASHER-ATTACH SHOCKMOUNT			4 R
8	NAS1149FN832P	INDICATOR LIGHT-WHITE MARKER BEACON MARCO IND			1
9	VM911M-1	INDICATOR LIGHT-AMBER MARKER BEACON MARCO IND			1
10	VM911M-4	INDICATOR LIGHT-BLUE MARKER BEACON MARCO IND			1
11	VM911M-10	BULB-INDICATOR LIGHT			3
- 11A	330	DECAL-AIRWAYS			1
12	0812480-79	DECAL-MIDDLE			1
13	0812480-78	DECAL-OUTER			1
14	0812480-77	CIRCUIT BREAKER-KLIXON			2
15	PSM-2N	BOX INSTALLATION-NETWORK LOADING REFER TO 23-00-00 FIGURE 04			RF
16		ANTENNA INSTALLATION-MARKER BEACON REFER TO 34-30-00 FIGURE 02			RF
17		ANTENNA INSTALLATION-GLIDE SLOPE REFER TO 34-30-00 FIGURE 01			RF
18		CABLE ASSY-ANTENNA MARKER BEACON RECEIVER TO ANTENNA			1
19	0812637-8	CABLE ASSY-ANTENNA GLIDE SLOPE RECEIVER TO ANTENNA			1
20	0812637-9	PANEL ASSEMBLY & INSTALLATION-RADIO CONTROL REFER TO 31-10-00 FIGURE 16			RF
- 21A		PANEL ASSEMBLY & INSTALLATION-RADIO CONTROL REFER TO 31-10-02 FIGURE 14			RF
- 21B		PANEL ASSEMBLY & INSTALLATION-RADIO CONTROL REFER TO 31-10-02 FIGURE 12			RF
- 21C		PANEL ASSEMBLY & INSTALLATION-RADIO CONTROL REFER TO 31-10-02 FIGURE 15			RF
22		OMNI CROSS-POINTER METER-REFER TO 34-50-00 FIGURE 04			RF

CESSNA AIRCRAFT COMPANY
MODEL 310 THRU 310D
ILLUSTRATED PARTS CATALOG

A55874



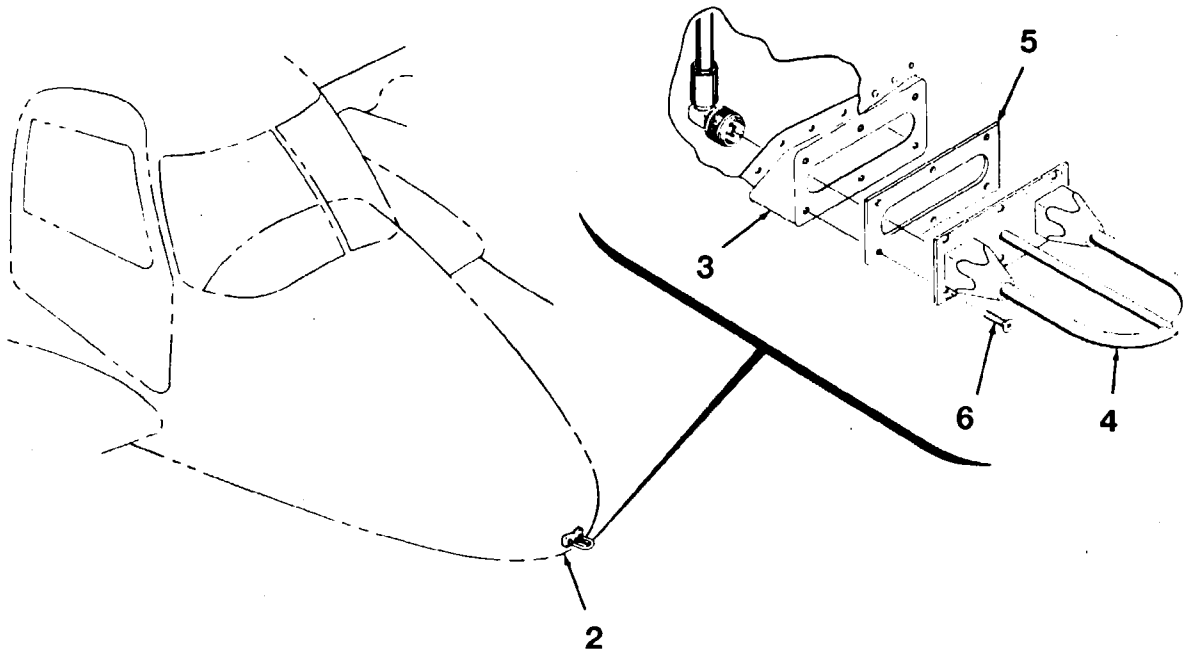
DARE R-89M SINGLE GLIDE PATH RECEIVER INSTALLATION
FIGURE 02 (SHEET 1)

CESSNA AIRCRAFT COMPANY
MODEL 310 THRU 310D
ILLUSTRATED PARTS CATALOG

FIG ITEM	PART NUMBER	NOMENCLATURE	EFFECT		UNITS PER ASSY
			FROM	TO	
02		DARE R-89M SINGLE GLIDE PATH RECEIVER INSTALLATION	35097	35771	RF
- 0		. RADIO SHELF INSTALLATION-REFER TO 53-10-06 FIGURE 05			RF
1	0812533-1	. RECEIVER & SHOCKMOUNT-GLIDE PATH DARE R-89M			1
2	AN515-8R8	. SCREW-ATTACH RECEIVER & MOUNT			8
3	MS21044N08	. NUT-ATTACH RECEIVER & MOUNT			8 R
4	PSM-5N	. CIRCUIT BREAKER-KLIXON			1
5		. BOX INSTALLATION-NETWORK LOADING REFER TO 23-00-00 FIGURE 04			RF
6		. METER-COURSE INDICATOR SEE NAVIGATION SYSTEMS			RF
7		. ANTENNA INSTALLATION-GLIDE PATH REFER TO 34-30-01 FIGURE 03 . .			RF
8	0812465-293	. CABLE ASSY-ANTENNA TO RECEIVER			1
9		. PANEL ASSY & INSTALLATION-RADIO CONTROL REFER TO 31-10-02 FIGURE 02	35097	35546	RF
- 9A		. PANEL ASSY & INSTALLATION-RADIO CONTROL REFER TO 31-10-02 FIGURE 04	35097	35546	RF
10		. PANEL ASSY & INSTALLATION-RADIO CONTROL REFER TO 31-10-00 FIGURE 05	35547	35771	RF
- 10A		. PANEL ASSY & INSTALLATION-RADIO CONTROL REFER TO 31-10-02 FIGURE 07	35547	35771	RF
- 10B		. PANEL ASSY & INSTALLATION-RADIO CONTROL REFER TO 31-10-02 FIGURE 08	35547	35771	RF

CESSNA AIRCRAFT COMPANY
MODEL 310 THRU 310D
ILLUSTRATED PARTS CATALOG

A55935



AIRPLANES 35097 AND ON

GLIDE PATH ANTENNA INSTALLATION
FIGURE 03 (SHEET 1)

**CESSNA AIRCRAFT COMPANY
MODEL 310 THRU 310D
ILLUSTRATED PARTS CATALOG**

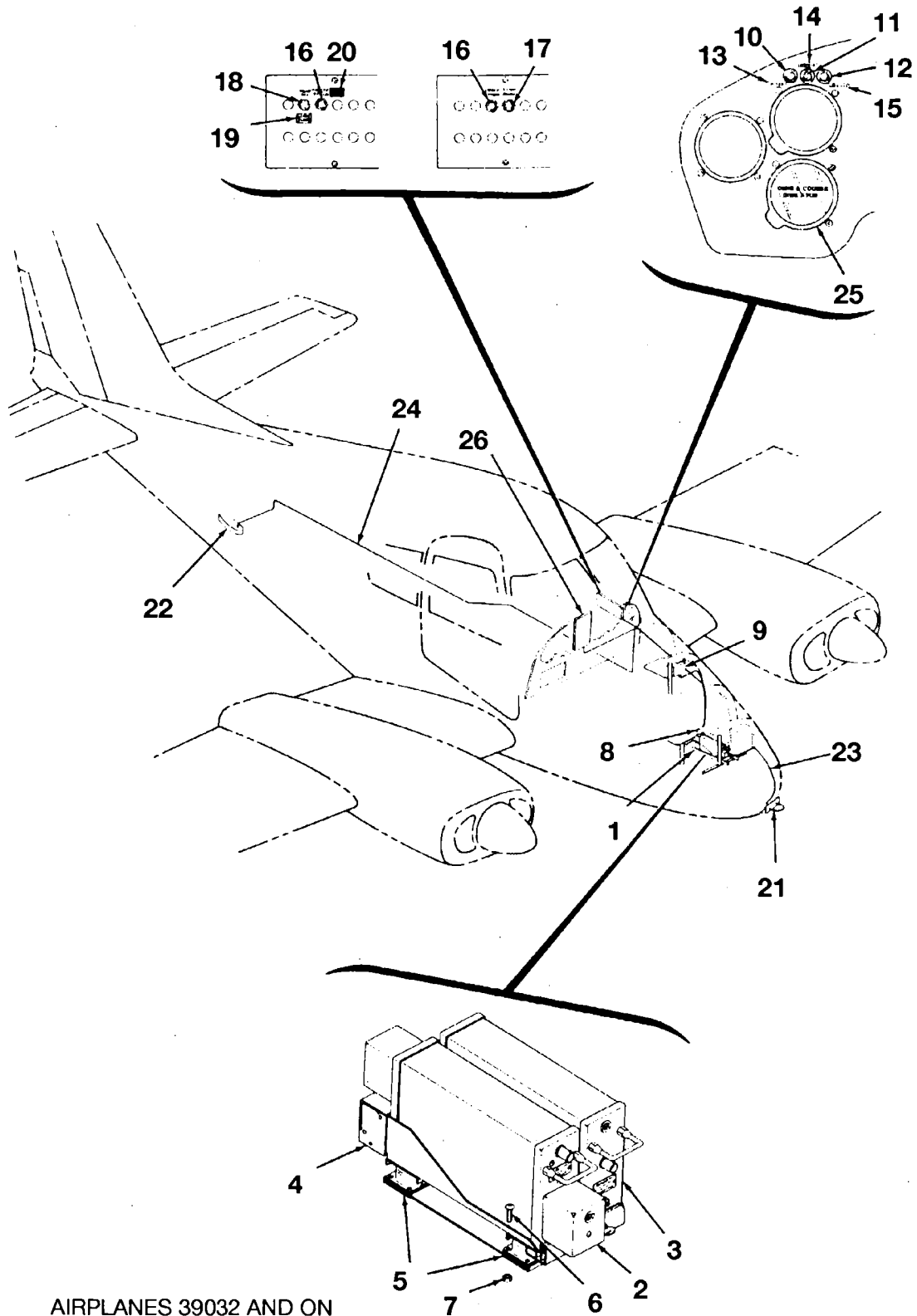
FIG ITEM	PART NUMBER	NOMENCLATURE	EFFECT		UNITS
			FROM	TO	PER ASSY
03		GLIDE PATH ANTENNA INSTALLATION	35097	& ON	RF
-		. ANTENNA INSTALLATION-COLLINS RADIO CO.			RF
- 1		. . . NOSE CAP ASSY	35097	35658	1
- 2A	0812485-26	. . . NOSE CONE ASSY	35659	& ON	1
3	0812485-21	. . . BRACKET ASSY-ANTENNA			1
- 3A	MS21047L3 NUTPLATE			2 R
- 3B	NAS682A3 NUTPLATE			4
4	0812485-11	. . . ANTENNA-COLLINS RADIO TYPE 37P-4			1
5	503-9568-002	. . . GASKET			1
6	AN507C1032R10	. . . SCREW-ATTACH ANTENNA			6

- ITEM NOT ILLUSTRATED

© Cessna Aircraft Company

CESSNA AIRCRAFT COMPANY
MODEL 310 THRU 310D
ILLUSTRATED PARTS CATALOG

A55869



AIRPLANES 39032 AND ON

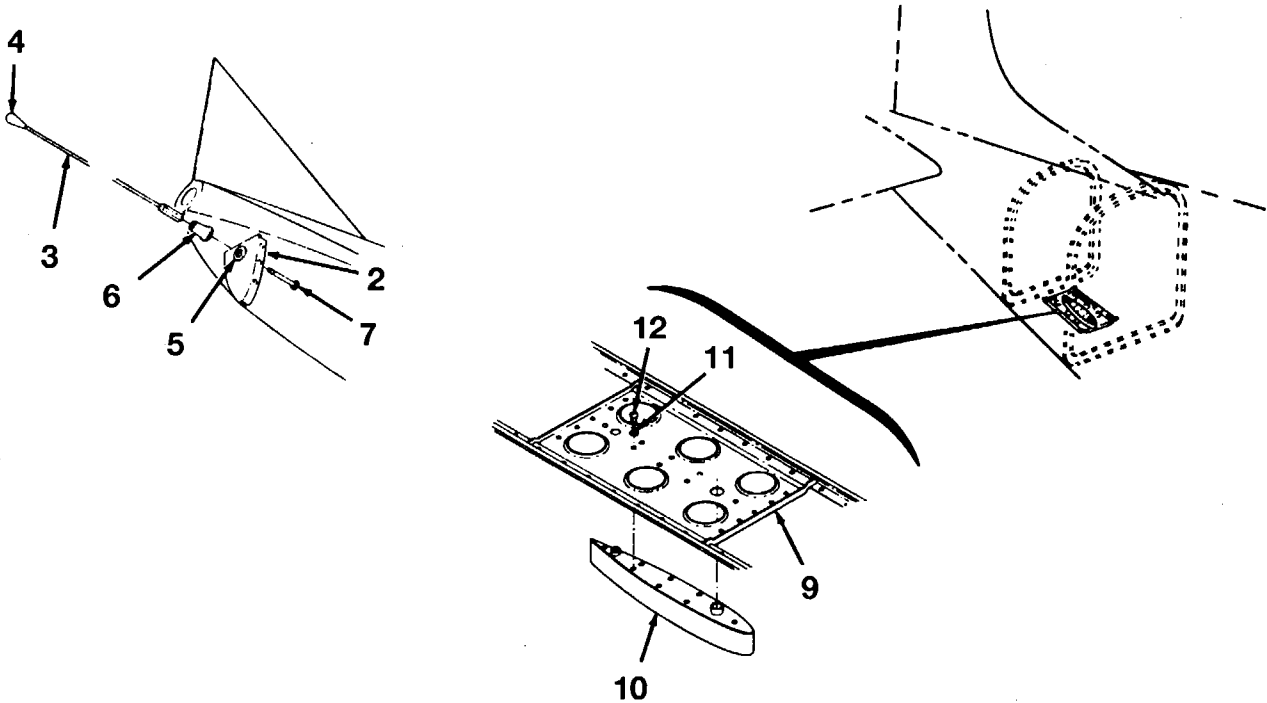
ARC GLIDE SLOPE AND MARKER BEACON INSTALLATION
FIGURE 01 (SHEET 1)

CESSNA AIRCRAFT COMPANY
MODEL 310 THRU 310D
ILLUSTRATED PARTS CATALOG

FIG ITEM	PART NUMBER	NOMENCLATURE	EFFECT		UNITS PER ASSY
			FROM	TO	
01		ARC GLIDE SLOPE AND MARKER BEACON INSTALLATION	39032	& ON	RF
-		SHELF ASSY-RADIO REFER TO 53-10-06 FIGURE 05			RF
1		RECEIVER-R-31A ARC 21420 (28V)			1
2	0812695-4	MARKER BEACON RECEIVER-R-33A ARC 21430			1
3	0812695-5	MOUNT-M-42A			1
4	0812695-2	KIT, CONNECTOR-M2 ARC 22443			1
- 4A	0812695-3	KIT, CONNECTOR-S2 ARC 22424			1
- 4B	0812695-6	BRACKET-MOUNTING			2
5	0812698-1	SCREW-ATTACH SHOCKMOUNT			8
6	AN515-6R8	NUT-ATTACH SHOCKMOUNT			8 R
7	MS21044N06	RELAY-GLIDE SLOPE USED WHEN NARCO 1021 OMNI IS INSTALLED			1
8	AN3320-1	SCREW-ATTACH RELAY			2
- 8A	AN515-8R8	NUT-ATTACH RELAY			2 R
- 8B	MS21044N08	NIPPLE			4
- 8C	AN781-1	LOADING BOX INSTALLATION - NETWORK REFER TO 23-00-00 FIGURE 04			RF R
9		INDICATOR LIGHT-BLUE MARKER BEACON MARCO IND			1
10	VM911M-10	INDICATOR LIGHT-AMBER MARKER BEACON MARCO IND			1
11	VM911M-4	INDICATOR LIGHT-WHITE MARKER BEACON MARCO IND			1
12	VM911M-1	LAMP-INDICATOR			3
- 12A	MS25237-327	DECAL-OUTER			1
13	0812480-77	DECAL-MIDDLE			1
14	0812480-78	DECAL-AIRWAYS			1
15	0812480-79	CIRCUIT BREAKER-MARKER BEACON KLIXON			1
16	PSM-2N	CIRCUIT BREAKER-GLIDE SLOPE KLIXON			1
17	PSM-2N	CIRCUIT BREAKER-NO. 1 OMNI REFER TO 23-20-01 FIGURE 05, AND 34-50-00 FIGURES 04 & 05			RF
18		DECAL-GLIDE SLOPE USED WHEN NO 1 OMNI IS INSTALLED			1
19	0812480-83	PLACARD-BLACK USED WHEN NO 1 OMNI IS INSTALLED			1
20	0812480-96	ANTENNA INSTALLATION-GLIDE SLOPE REFER TO 34-30-01 FIGURE 03			RF
21		ANTENNA INSTALLATION-MARKER BEACON REFER TO 34-30-02 FIGURE 02			RF
22		CABLE ASSY-ANTENNA TO GLIDE SLOPE RECEIVER			1
23	0812705-5	CABLE ASSY-ANTENNA TO MARKER BEACON RECEIVER			1
24	0812705-4	COURSE INDICATOR-NARCO CS-5 REFER TO 23-20-01 FIGURE 05			RF
25		COURSE INDICATOR ARC REFER TO 34-50-00 FIGURE 04 & 05			RF
- 25A		PANEL ASSY & INSTALLATION-RADIO CONTROL REFER TO 31-10-02 FIGURE 23			RF
26		PANEL ASSY & INSTALLATION-RADIO CONTROL REFER TO 31-10-02 FIGURE 18			RF
- 26A		PANEL ASSY & INSTALLATION-RADIO CONTROL REFER TO 31-10-02 FIGURE 19			RF
- 26B		PANEL ASSY & INSTALLATION-RADIO CONTROL REFER TO 31-10-02 FIGURE 20			RF
- 26C					

CESSNA AIRCRAFT COMPANY
MODEL 310 THRU 310D
ILLUSTRATED PARTS CATALOG

A55939



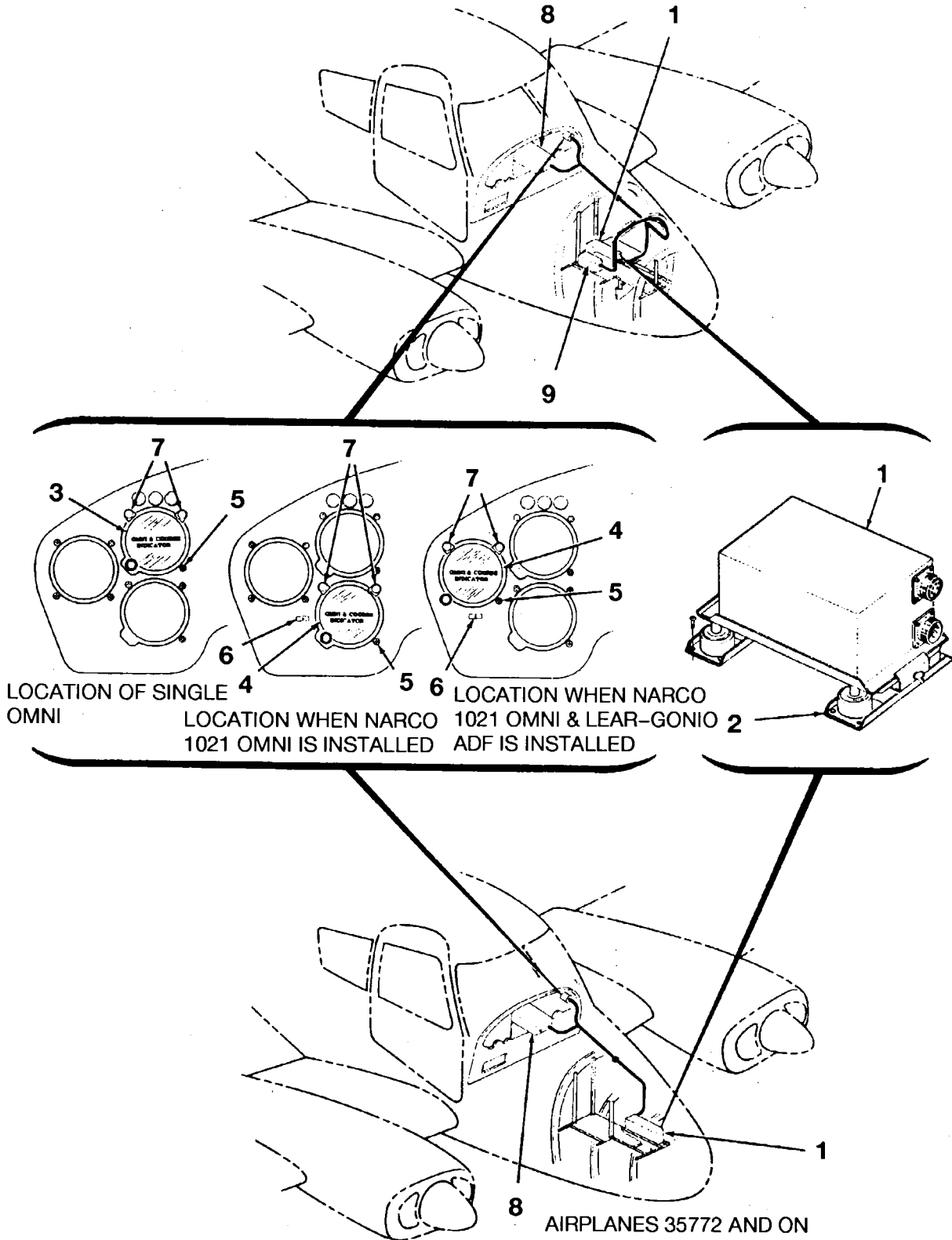
AIRPLANES 35097 AND ON
MARKER BEACON ANTENNA INSTALLATION
FIGURE 02 (SHEET 1)

CESSNA AIRCRAFT COMPANY
MODEL 310 THRU 310D
ILLUSTRATED PARTS CATALOG

FIG ITEM	PART NUMBER	NOMENCLATURE	EFFECT		UNITS
			FROM	TO	PER ASSY
02		MARKER BEACON ANTENNA INSTALLATION	35097	& ON	RF
- 1		. ANTENNA INSTALLATION	35097	& ON	RF
2		. BRACKET-ANTENNA			RF
3	0814100-63	. ANTENNA			1
4	0814100-64	. GUARD- ANTENNA			1
5	MS35489-5	. GROMMET			1
6	1528	. INSULATOR- LEAR			1
7	AN4-22A	. BOLT- ATTACH ANTENNA & INSULATOR			1
- 8		. ANTENNA INSTALLATION- COLLINS	35177	& ON	RF
9	0813521-1	. DOUBLER- ANTENNA			1
10	0813522-1	. ANTENNA- COLLINS RADIO CO. 37X-2			1
11	MS35335-32	. WASHER- ATTACH ANTENNA			8 R
12	AN520-10R5	. SCREW- ATTACH ANTENNA			8

CESSNA AIRCRAFT COMPANY
MODEL 310 THRU 310D
 ILLUSTRATED PARTS CATALOG

A55861



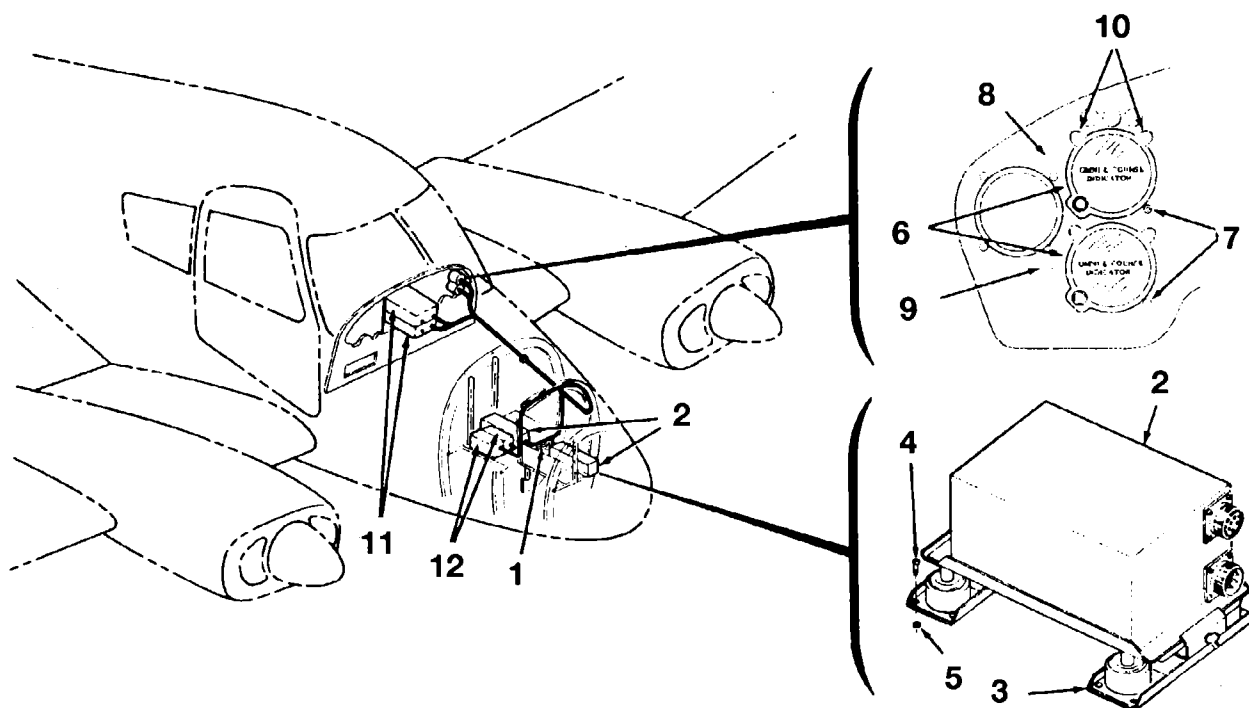
AIRPLANES 35772 AND ON
NARCO VOA-3A NAVIGATION CONVERTER INSTALLATION
FIGURE 01 (SHEET 1)

**CESSNA AIRCRAFT COMPANY
MODEL 310 THRU 310D
ILLUSTRATED PARTS CATALOG**

FIG ITEM	PART NUMBER	NOMENCLATURE	EFFECT		UNITS PER ASSY
			FROM	TO	
01		NARCO VOA-3A NAVIGATION CONVERTER INSTALLATION	35772	& ON	RF
- 0		. RADIO SHELF INSTALLATION			RF
1	0812651-7	. CONVERTER-NARCO VOA-3A NAVIGATION			1
2	0812651-6	. MOUNT-CONVERTER NARCO 53365-102			1
- 2A	AN515-8R8	. SCREW-ATTACH MOUNT			8
- 2B	MS21044N08	. NUT-ATTACH MOUNT			8 R
3	0812651-3	. AIRSPEED INDICATOR-NARCO CS-3A SINGLE OMNI INSTALLATION			1
4	0812651-8	. INDICATOR-NARCO CS-5 USED WHEN NARCO 1021 OMNI IS INSTALLED	39032	& ON	1
5	AN507B632R12	. SCREW-ATTACH INDICATOR			1
6	0812480-49	. DECAL-2 USED WHEN NARCO 1021 OMNI IS INSTALLED	39032	& ON	1
7	A-8970-1-327	. LIGHTING FIXTURE-REFER TO 33-10-00 FIGURE 03 FOR BREAKDOWN GRIMES MFG			2
8		. SIMPLEXER VC-27B-REFER TO 23-00-00 FIGURE 01	35772	39031	RF
- 8A		. RECEIVER TRANSMITTER UNIT MARK V-REFER TO 23-20-01 FIGURE 01	39032	& ON	RF
9		. MODULATOR POWER SUPPLY-REFER TO 23-20-01 FIGURE 01	39032	& ON	RF

CESSNA AIRCRAFT COMPANY
MODEL 310 THRU 310D
ILLUSTRATED PARTS CATALOG

A55862



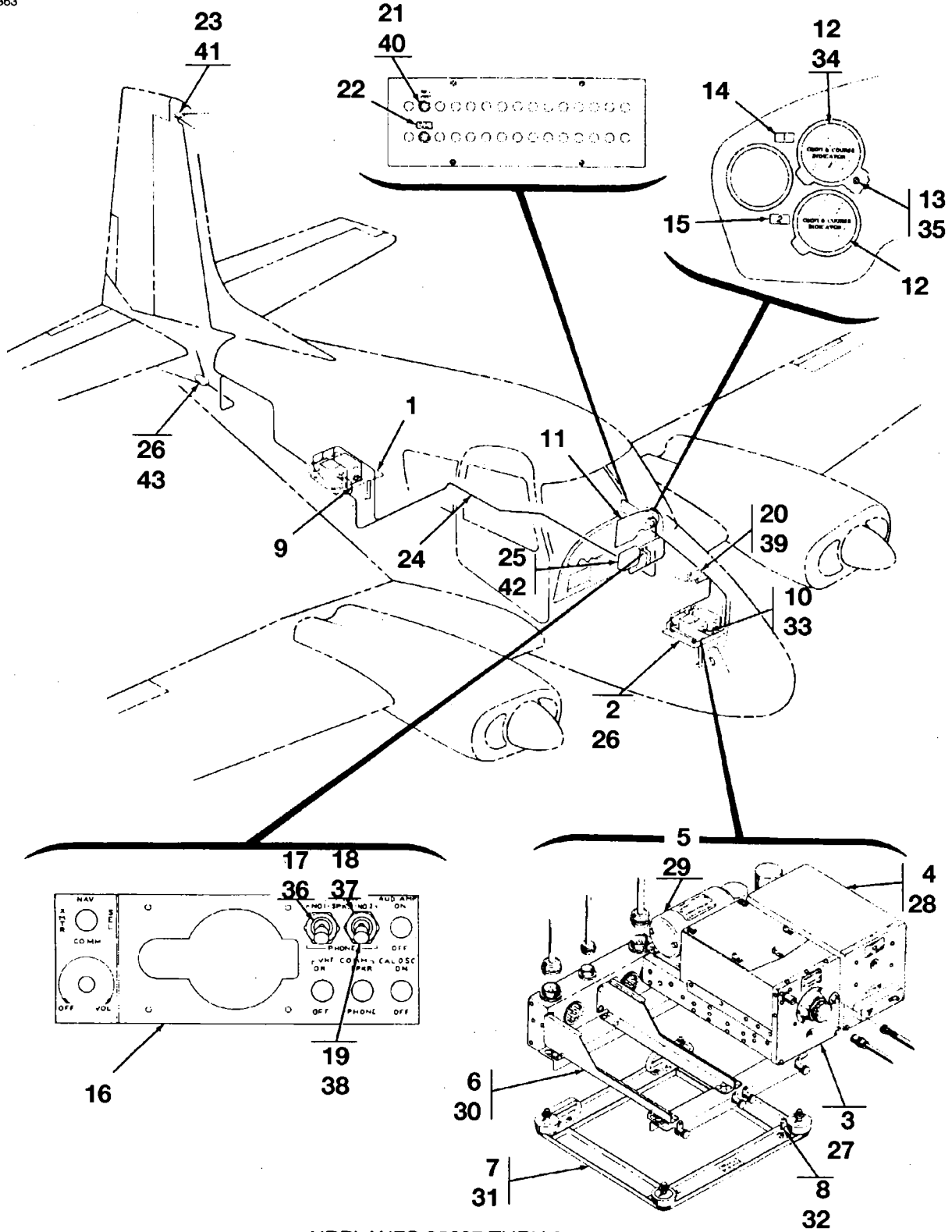
AIRPLANES 39250 AND ON
NARCO DUAL VOA-3A NAVIGATION CONVERTER INSTALLATION
FIGURE 02 (SHEET 1)

**CESSNA AIRCRAFT COMPANY
MODEL 310 THRU 310D
ILLUSTRATED PARTS CATALOG**

FIG ITEM	PART NUMBER	NOMENCLATURE	EFFECT FROM TO	UNITS
				PER ASSY
		1 2 3 4 5 6 7		
02		NARCO DUAL VOA-3A NAVIGATION CONVERTER INSTALLATION	39250 & ON	RF
1		. RADIO SHELF INSTALLATION-REFER TO 53-10-06 FIGURE 05		RF
2	0812651-7	. CONVERTER-NARCO VOA-3A NAVIGATION		2
3	0812651-6	. MOUNT-CONVERTER		2
4	AN515-8R8	. SCREW-ATTACH CONVERTERS		16
5	MS21044N08	. NUT-ATTACH CONVERTERS		16 R
6	0812651-3	. AIRSPEED INDICATOR-NARCO CS-3A		2
7	AN507B632R12	. SCREW-ATTACH INDICATORS		2
8	0812480-48	. DECAL-1		1
9	0812480-49	. DECAL-2		1
10	A8970-1-327	. POST LIGHT-REFER TO 33-10-00 FIGURE 03 FOR BREAKDOWN GRIMES MFG		4
11		. RECEIVER-TRANSMITTER UNITS MARK V-REFER TO 23-20-01 FIGURE 01		RF
12		. MODULATORS POWER SUPPLY-REFER TO 23-20-01 FIGURE 01		RF

CESSNA AIRCRAFT COMPANY
MODEL 310 THRU 310D
 ILLUSTRATED PARTS CATALOG

A55863



AIRPLANES 35097 THRU 35546
 ARC NAVIGATION SYSTEM INSTALLATION
 FIGURE 03 (SHEET 1)

**CESSNA AIRCRAFT COMPANY
MODEL 310 THRU 310D
ILLUSTRATED PARTS CATALOG**

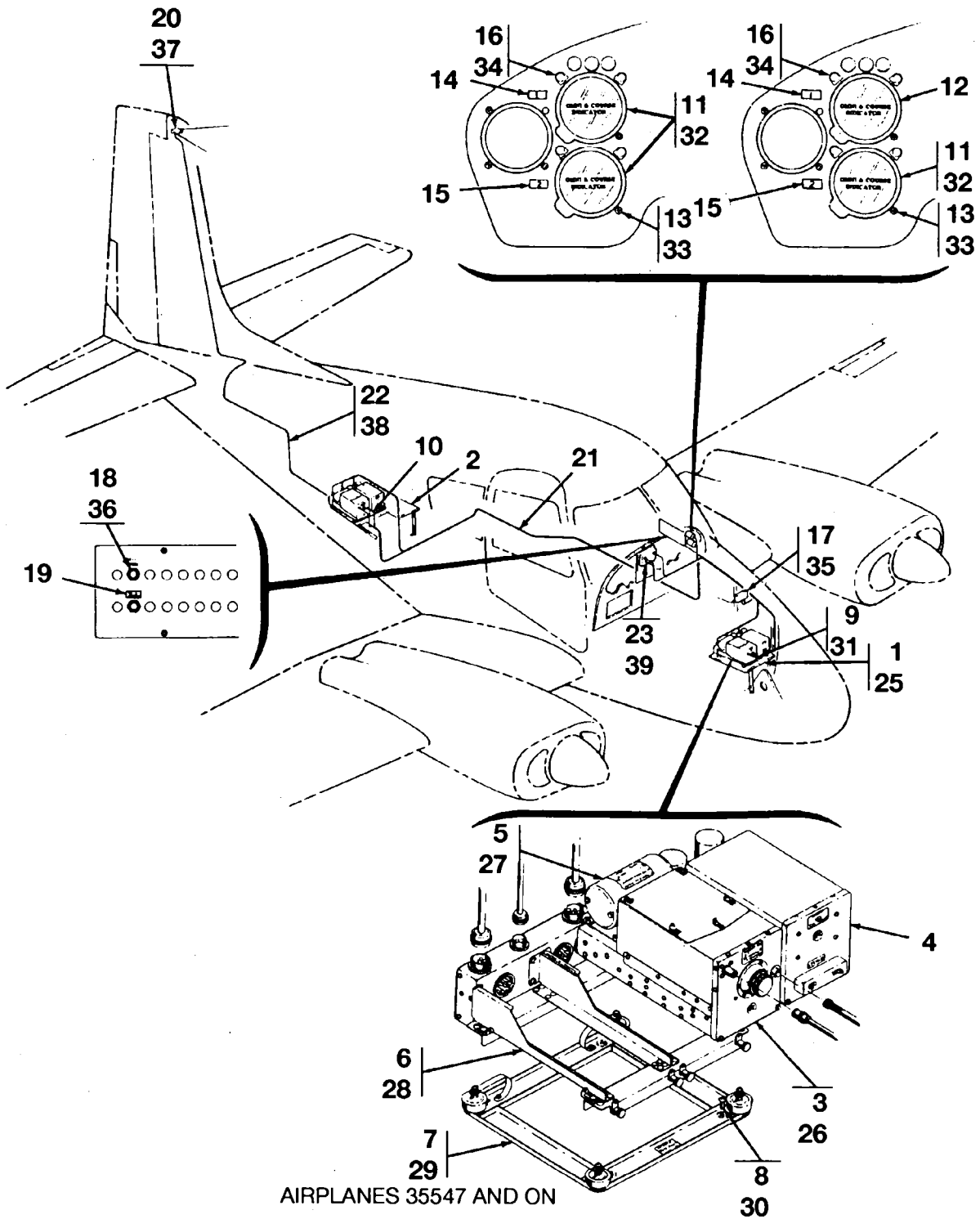
FIG ITEM	PART NUMBER	NOMENCLATURE	EFFECT		UNITS PER ASSY
			FROM	TO	
03		ARC NAVIGATION SYSTEM INSTALLATION	35334	35546	RF
1		RADIO SHELF INSTALLATION-REFER TO 53-10-06 FIGURE 05			RF
2		RADIO SHELF INSTALLATION-REFER TO 53-10-06 FIGURE 06			RF
- 2A	0812465-246	NAVIGATION SYSTEM-ARC 15D			2
3	0812465-247	RECEIVER-R-13B ARC 15511			1
4	0812465-321	CONVERTER-B-13A-1 ARC 22900			1
5	0812465-251	DYNAMOTOR-D-10A ARC 14402			1
6	0812465-250	RACK-E-14 ARC 15880			1
7	0812465-248	MOUNTING-TYPE M10 ARC 12901			1
8	AN515-8R8	SCREW-ATTACH MOUNT			16
- 8A	MS21044N08	NUT-ATTACH MOUNT			16 R
9	0812462-98	LINKAGE ASSY-MECHANICAL			1
10	0812465-254	LINKAGE ASSY-MECHANICAL			1
11	0813561-1	SHOCK PANEL ASSY			1
12	0812456-264	METER-COURSE INDICATOR ARC 16706			1
		ATTACHING PARTS			
13	AN515B6R12	SCREW-ATTACH INDICATOR METER			6
- 13A	MS20365B632C	NUT-ATTACH INDICATOR METER			6
14	0812480-48	DECAL-1	35452	35546	1
15	0812480-49	DECAL-2	35452	35546	1
16	0813567-1	DECORATIVE PANEL			1
17	S382-3	SWITCH-AUDIO			2
- 17A	MS35058-23	SWITCH-AUDIO ALT FOR S382-3			2 R
18	0813506	NUT-SWITCH DECORATIVE			2
19	S348-1	KNOB-SWITCH			2
20		BOX INSTALLATION-NETWORK LOADING REFER TO 23-00-00 FIGURE 04			RF
21	PSM-5N	CIRCUIT BREAKER-KLIXON			2
22	0812480-41	DECAL-CIRCUIT BREAKER NO 2 OMNI			1
23		ANTENNA INSTALLATION-OMNI REFER TO 23-00-00 FIGURE 05			RF
24	0812462-103	CABLE ASSEMBLY-ANTENNA NO 1 RECEIVER NO 2 RECEIVER			1
25		PANEL ASSEMBLY & INSTALLATION-RADIO CONTROL REFER TO 31-10-02 FIGURE 04			RF
- 25A		NAVIGATION SYSTEM INSTALLATION-ARC SINGLE	35097	35546	RF
26		RADIO SHELF INSTALLATION-REFER TO 53-10-06 FIGURE 05			RF
- 26A	0812465-246	NAVIGATION SYSTEM-ARC 15D			1
27	0812465-247	RECEIVER-R-13B ARC 15511			1
28	0812465-321	CONVERTER-B-13A-1 ARC 22900			1
29	0812465-251	DYNAMOTOR-D-10A ARC 14402			1
30	0812465-250	RACK-E-14 ARC 15880			1
31	0812465-248	MOUNTING-TYPE M10 ARC 12901			1
32	AN515-8R8	SCREW-ATTACH MOUNT			8
- 32A	MS21044N08	NUT-ATTACH MOUNT			8 R
33	0812465-254	LINK ASSY-MECHANICAL			1
34	0812456-265	METER-COURSE INDICATOR ARC 16706			1
35	AN515B6R12	SCREW-ATTACH INDICATOR METER			3
- 35A	MS20365B632C	NUT-ATTACH INDICATOR METER			3
36	S382-3	SWITCH-AUDIO			1
- 36A	MS35058-23	SWITCH-AUDIO ALT FOR S382-3			1 R
37	0813506	NUT-SWITCH DECORATIVE			1
38	S384-1	KNOB-SWITCH			1
39		BOX INSTALLATION-NETWORK REFER TO 23-00-00 FIGURE 04			RF
40	PSM-5N	CIRCUIT BREAKER-KLIXON			1
41		ANTENNA INSTALLATION-OMNI REFER TO 23-00-00 FIGURE 04	35172	35546	RF
42		PANEL ASSEMBLY & INSTALLATION-RADIO CONTROL REFER TO 31-10-02 FIGURE 02			RF
- 42A		PANEL ASSEMBLY & INSTALLATION-RADIO CONTROL REFER TO 31-10-02 FIGURE 03			RF
43		ANTENNA INSTALLATION-OMNI REFER TO 23-00-00 FIGURE 05	35097	35171	RF

CESSNA AIRCRAFT COMPANY
MODEL 310 THRU 310D
 ILLUSTRATED PARTS CATALOG

A55864

AIRPLANES 35547 AND ON

AIRPLANES 35772 THRU 39031
 WHEN CD-1 COURSE
 DIRECTOR IS INSTALLED



AIRPLANES 35547 AND ON
 ARC NAVIGATION SYSTEM INSTALLATION
 FIGURE 04 (SHEET 1)

CESSNA AIRCRAFT COMPANY
MODEL 310 THRU 310D
ILLUSTRATED PARTS CATALOG

FIG ITEM	PART NUMBER	NOMENCLATURE	EFFECT		UNITS PER ASSY
			FROM	TO	
04		ARC NAVIGATION SYSTEM INSTALLATION	35547	& ON	RF
1		RADIO SHELF INSTALLATION-REFER TO 53-10-06 FIGURE 05 REFER TO NOTE 1			RF
2		RADIO SHELF INSTALLATION-REFER TO 53-10-06 FIGURE 06			RF
- 2A	0812465-246	NAVIGATION SYSTEM-ARC 15D	35547	35771	2
- 2B	0812465-310	NAVIGATION SYSTEM-ARC 15E	35772	39031	2
- 2C	0812465-314	NAVIGATION SYSTEM-ARC 15F	39032	& ON	2
3	0812456-247	RECEIVER-R-13B ARC 15511	35547	35771	1
- 3A	0812465-312	RECEIVER-R-32 ARC 19810	35772	39031	1
- 3B	0812465-313	RECEIVER-R-34A ARC 21440	39032	& ON	1
4	0812465-321	CONVERTER-B-13A-1 ARC 22900			1
5	0812456-251	DYNAMOTOR-D-10A ARC 14402	35547	39031	1
- 5A	0812465-320	DYNAVERTER-DV-10A ARC 19840	39032	& ON	1
6	0812465-250	RACK-E-14 ARC 15880	35547	35771	1
			39032	& ON	
- 6A	0812465-311	RACK-E-17 ARC 18900	35772	39031	1
7	0812465-248	MOUNTING-TYPE M10 ARC 12901			1
8	AN515-8R8	SCREW-ATTACH MOUNT			16
- 8A	MS21044N08	NUT-ATTACH MOUNT			16 R
9	0812589-5	LINKAGE ASSY-MECHANICAL	35547	39031	1
10	0812589-6	LINKAGE ASSY-MECHANICAL	35547	39031	1
11	0812465-323	INDICATOR-COURSE ARC 27300 TYPE IN-10-1			2
12		METER-COURSE INDICATOR USED WITH COURSE DIRECTOR REFER TO 34-20-00 FIGURE 02	35772	39031	RF
13	AN507B632R12	SCREW-ATTACH INDICATOR METER			2
- 13A	MS21044N06	NUT-ATTACH INDICATOR METER			2 R
14	0812480-48	PLACARD-COURSE INDICATOR METER 1			1
15	0812480-49	DECAL-COURSE INDICATOR METER 2			1
16	A-8970-2-327	LIGHTING FIXTURE-REFER TO 33-10-00 FIGURE 03 FOR BREAKDOWN			4
17		BOX INSTALLATION-NETWORK LOADING REFER TO 23-00-00 FIGURE 04			RF
18	PSM-5N	CIRCUIT BREAKER-NO 1 OMNI KLIXON			2
19	0812480-41	DECAL-CIRCUIT BREAKER NO 2 OMNI			1
20		ANTENNA INSTALLATION-OMNI REFER TO 23-00-00 FIGURE 05	35547	39031	RF
- 20A		ANTENNA INSTALLATION-OMNI REFER TO 23-00-00 FIGURE 05	39032	& ON	RF
21	0812462-103	CABLE ASSY-ANTENNA NO 1 RECEIVER TO NO 2 RECEIVER			1
22	0812714-37	CABLE ASSY-ANTENNA RECEIVER TO ANTENNA	39032	& ON	1
23		PANEL ASSY & INSTALLATION-RADIO CONTROL REFER TO 31-10-02 FIGURE 07	35547	35771	RF
- 23A		PANEL ASSY & INSTALLATION-RADIO CONTROL REFER TO 31-10-02 FIGURE 08	35547	35771	RF
- 23B		PANEL ASSY & INSTALLATION-RADIO CONTROL REFER TO 31-10-02 FIGURE 05	35547	35771	RF
- 23C		PANEL ASSY & INSTALLATION-RADIO CONTROL REFER TO 31-10-02 FIGURE 16	35772	39031	RF
- 23D		PANEL ASSY & INSTALLATION-RADIO CONTROL REFER TO 31-10-02 FIGURE 23	39032	& ON	RF
24		NAVIGATION SYSTEM INSTALLATION-ARC SINGLE	35547	& ON	RF
- 25		RADIO SHELF INSTALLATION-REFER TO 53-10-06 FIGURE 05			RF
- 25A	0812465-246	NAVIGATION SYSTEM-ARC 15D	35547	35771	1
- 25B	0812465-310	NAVIGATION SYSTEM-ARC 15E	35772	39031	1
- 25C	0812465-314	NAVIGATION SYSTEM-ARC 15F	39032	& ON	1
26	0812465-247	RECEIVER-R-13B ARC 15511	35547	35771	1
- 26A	0812465-312	RECEIVER-R-32 ARC 19810	35772	39031	1
- 26B	0812465-313	RECEIVER-R-34A ARC 21440	39032	& ON	1
- 26C	0812465-321	CONVERTER-B-13A-1 ARC 22900			1
27	0812465-251	DYNAMOTOR-D-10A ARC 14402	35547	39031	1
- 27A	0812465-320	DYNAVERTER-DV-10A ARC 19840	39032	& ON	1
28	0812465-250	RACK-E-14 ARC 15880	35547	35771	1
- 28A	0812465-31	RACK-E-17 ARC 19880	35772	39031	1
29	0812465-248	MOUNTING-TYPE M10 ARC 12901			1
30	AN515-8R8	SCREW-ATTACH MOUNT			8
- 30A	MS21044N08	NUT-ATTACH MOUNT			8 R
31	0812589-5	LINKAGE ASSY-MECHANICAL	35547	39031	1
32	0812465-323	INDICATOR-COURSE ARC 27300 TYPE IN-10-1 UPPER LOCATION			1
33	AN507B632R12	SCREW-ATTACH INDICATOR METER			1
- 33A	MS21044N06	NUT-ATTACH INDICATOR METER			1 R
34	A-8970-2-327	LIGHTING FIXTURE-REFER TO 33-10-00 FIGURE 03 FOR BREAKDOWN			2

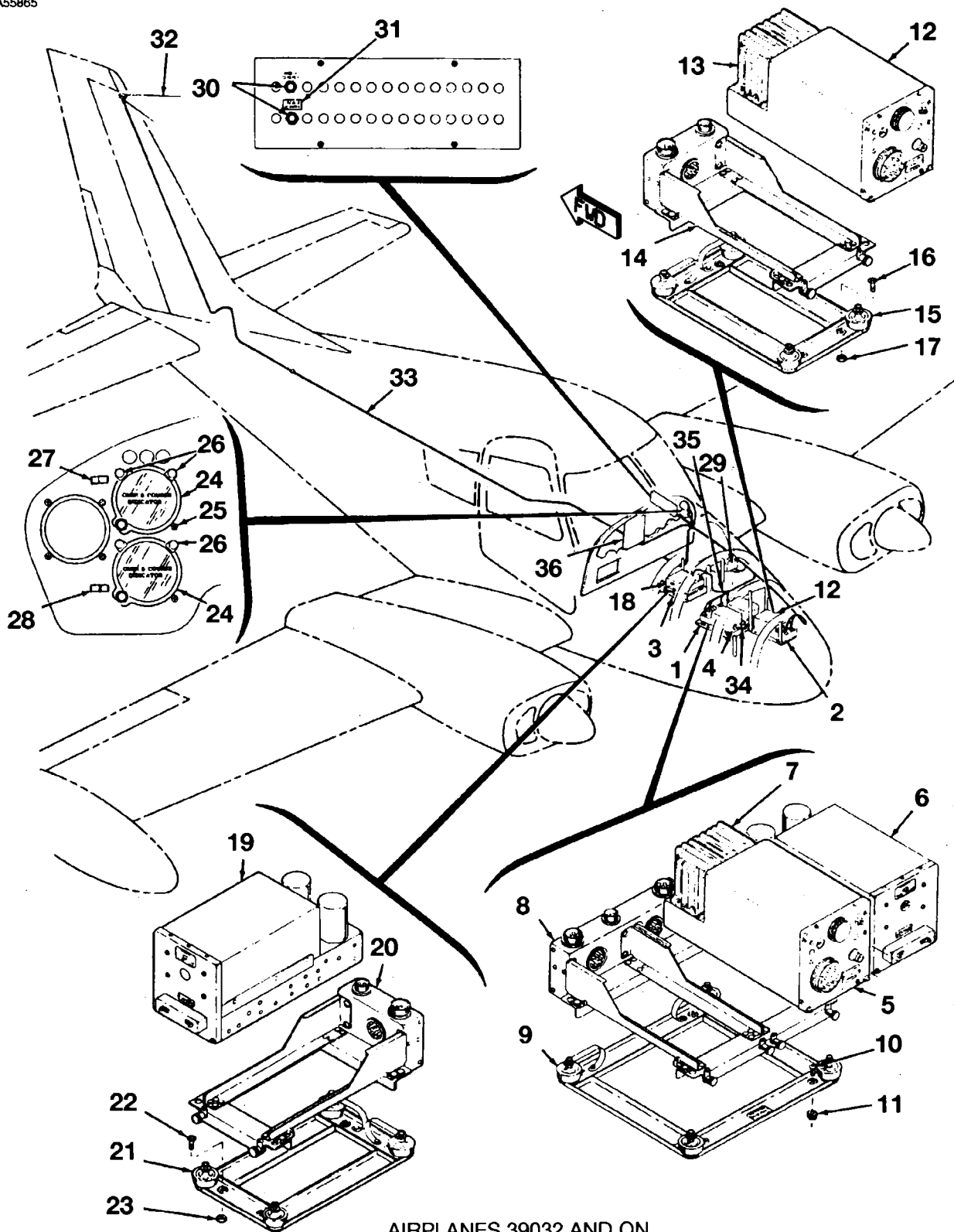
NOTE 1—REFER TO 34-50-00 FIGURE 05 FOR DUAL NAVIGATION SYSTEM WITH ALL UNITS LOCATED IN THE NOSE SECTION

**CESSNA AIRCRAFT COMPANY
MODEL 310 THRU 310D
ILLUSTRATED PARTS CATALOG**

FIG ITEM	PART NUMBER	NOMENCLATURE	EFFECT		UNITS PER ASSY
			FROM	TO	
04					
35		BOX INSTALLATION-NETWORK LOADING REFER TO 23-00-00 FIGURE 04			RF
36	PSM-5N	CIRCUIT BREAKER-#1 OMNI			1
- 36A	PSM-3N	CIRCUIT BREAKER-#1 OMNI USED WHEN COURSE DIRECTOR INSTALLED	39032	& ON	1
37		ANTENNA INSTALLATION-OMNI REFER TO 23-00-00 FIGURE 05	35547	39031	RF
- 37A		ANTENNA INSTALLATION-OMNI REFER TO 23-00-00 FIGURE 05	39032	& ON	RF
38	0812707-92	CABLE ASSY-ANTENNA TO RECEIVER	39032	& ON	1
39		PANEL ASSY & INSTALLATION-RADIO CONTROL REFER TO 31-10-02 FIGURE 07	35547	35771	RF
- 39A		PANEL ASSY & INSTALLATION-RADIO CONTROL REFER TO 31-10-02 FIGURE 08	35547	35771	RF
- 39B		PANEL ASSY & INSTALLATION-RADIO CONTROL REFER TO 31-10-02 FIGURE 06	35547	35771	RF
- 39C		PANEL ASSY & INSTALLATION-RADIO CONTROL REFER TO 31-10-02 FIGURE 10	35547	35774	RF
- 39D		PANEL ASSY & INSTALLATION-RADIO CONTROL REFER TO 31-10-02 FIGURE 12	35772	39031	RF
- 39E		PANEL ASSY & INSTALLATION-RADIO CONTROL REFER TO 31-10-02 FIGURE 14	35772	39031	RF
- 39F		PANEL ASSY & INSTALLATION-RADIO CONTROL REFER TO 31-10-02 FIGURE 13	35772	39031	RF
- 39G		PANEL ASSY & INSTALLATION-RADIO CONTROL REFER TO 31-10-02 FIGURE 13	35772	39031	RF
- 39H		PANEL ASSY & INSTALLATION-RADIO CONTROL REFER TO 31-10-02 FIGURE 20	39032	& ON	RF
- 39I		PANEL ASSY & INSTALLATION-RADIO CONTROL REFER TO 31-10-02 FIGURE 29	39032	& ON	RF

CESSNA AIRCRAFT COMPANY
MODEL 310 THRU 310D
 ILLUSTRATED PARTS CATALOG

A55865



AIRPLANES 39032 AND ON
 ARC NAVIGATION SYSTEM INSTALLATION
 FIGURE 05 (SHEET 1)

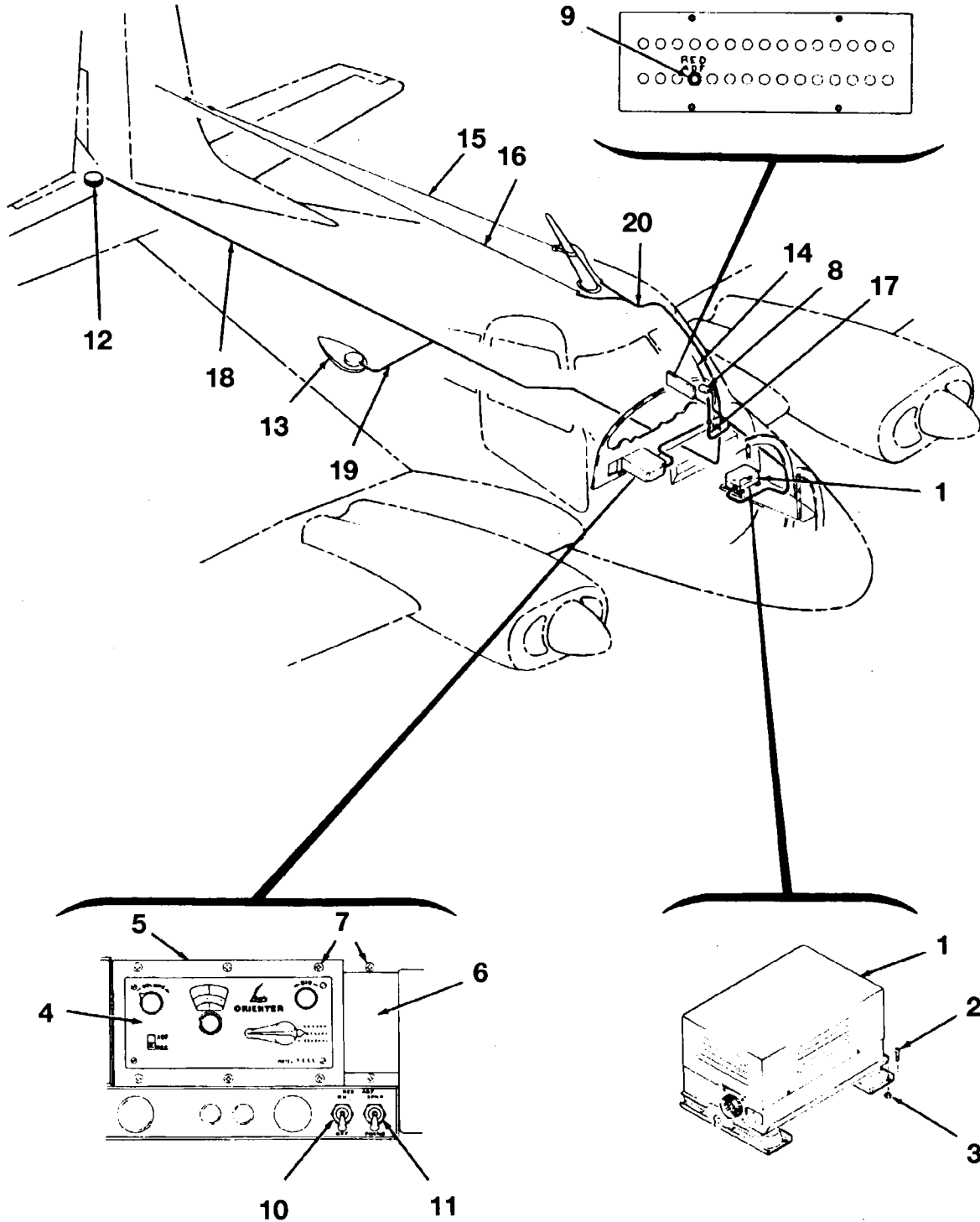
CESSNA AIRCRAFT COMPANY
MODEL 310 THRU 310D
ILLUSTRATED PARTS CATALOG

FIG ITEM	PART NUMBER	NOMENCLATURE	EFFECT FROM TO	UNITS	
				PER ASSY	
05		ARC NAVIGATION SYSTEM INSTALLATION REFER TO NOTE 1	39032 & ON	RF	
1		. SHELF INSTALLATION - RADIO- REFER TO 53-10-06 FIGURE 05		RF	
2		. SHELF INSTALLATION - RADIO- REFER TO 53-10-06 FIGURE 06		RF	
3		. SHELF INSTALLATION - RADIO- REFER TO 53-10-06 FIGURE 06		RF	
4	0812465-314	. NAVIGATION SYSTEM- ARC 15F		1	
5	0812465-313	. RECEIVER- R-34A ARC 21440		1	
6	0812465-321	. CONVERTER- B-13A-1 ARC 22900		1	
7	0812465-320	. DYNAVERTER- DV-10A ARC 19840		1	
8	0812465-250	. RACK- E-14 ARC 15880		1	
9	0812465-248	. MOUNTING, TYPE M10- ARC 12901		1	
10	AN515-8R8	. SCREW- ATTACH MOUNT		8	
11	MS21044N08	. NUT- ATTACH MOUNT		8	R
- 11A	0812465-315	. RECEIVER ASSY- OMNI		1	
12	0812465-313	. RECEIVER- R-34A ARC 21440		1	
13	0812465-320	. DYNAVERTER- DV-10A ARC 19840		1	
14	0812465-317	. RACK- E-15 ARC 16760 (28V)		1	
15	0812465-319	. MOUNT- M-25 ARC 16780		1	
16	AN515-8R8	. SCREW- ATTACH MOUNT		8	
17	MS21044N08	. NUT- ATTACH MOUNT		8	R
18	0812465-316	. CONVERTER ASSY		1	
19	0812465-321	. CONVERTER- B-13A-1 ARC 22900		1	
20	0812465-324	. RACK- E-16A-1 ARC 25360		1	
21	0812465-319	. MOUNT- M-25 ARC 16780		1	
22	AN515-8R8	. SCREW- ATTACH MOUNT		8	
23	MS21044N08	. NUT- ATTACH MOUNT		8	R
24	0812465-323	. INDICATOR- COURSE ARC 27300 TYPE IN-10-1		2	
25	AN507B632R12	. SCREW- ATTACH INDICATOR METER		2	
- 25A	MS21044N06	. NUT- ATTACH INDICATOR METER		2	R
26	A-8970-2-327	. LIGHTING FIXTURE- REFER TO 33-10-00 FIGURE 03 FOR BREAKDOWN GRIMES MFG		4	
27	0812480-48	. PLACARD - 1		1	
28	0812480-49	. DECAL - 2		1	
29		. BOX INSTALLATION- NETWORK LOADING REFER TO 23-00-00 FIGURE 04		RF	
30	PSM-5N	. CIRCUIT BREAKER- KLIXON		2	
31	0812480-41	. DECAL- CIRCUIT BREAKER NO 2 OMNI		1	
32		. ANTENNA INSTALLATION OMNI - DROP TENNA REFER TO 23-00-00 FIGURE 05		RF	
33	0812707-92	. CABLE ASSY- ANTENNA TO RECEIVER		1	
34	0812707-90	. CABLE ASSY- ANTENNA RECEIVER TO RECEIVER		1	
35	0812707-79	. CABLE ASSY- ANTENNA RECEIVER TO CONVERTER		1	
36		. PANEL ASSY & INSTALLATION- RADIO CONTROL REFER TO 31-10-02 FIGURE 23		RF	

NOTE 1—REFER TO 34-50-00 FIGURE 04 FOR DUAL NAVIGATION SYSTEM WITH ONE UNIT LOCATED IN AFT SECTION AND ONE UNIT LOCATED IN NOSE SECTION

CESSNA AIRCRAFT COMPANY
MODEL 310 THRU 310D
 ILLUSTRATED PARTS CATALOG

A55875



AIRPLANES 35097 THRU 35546

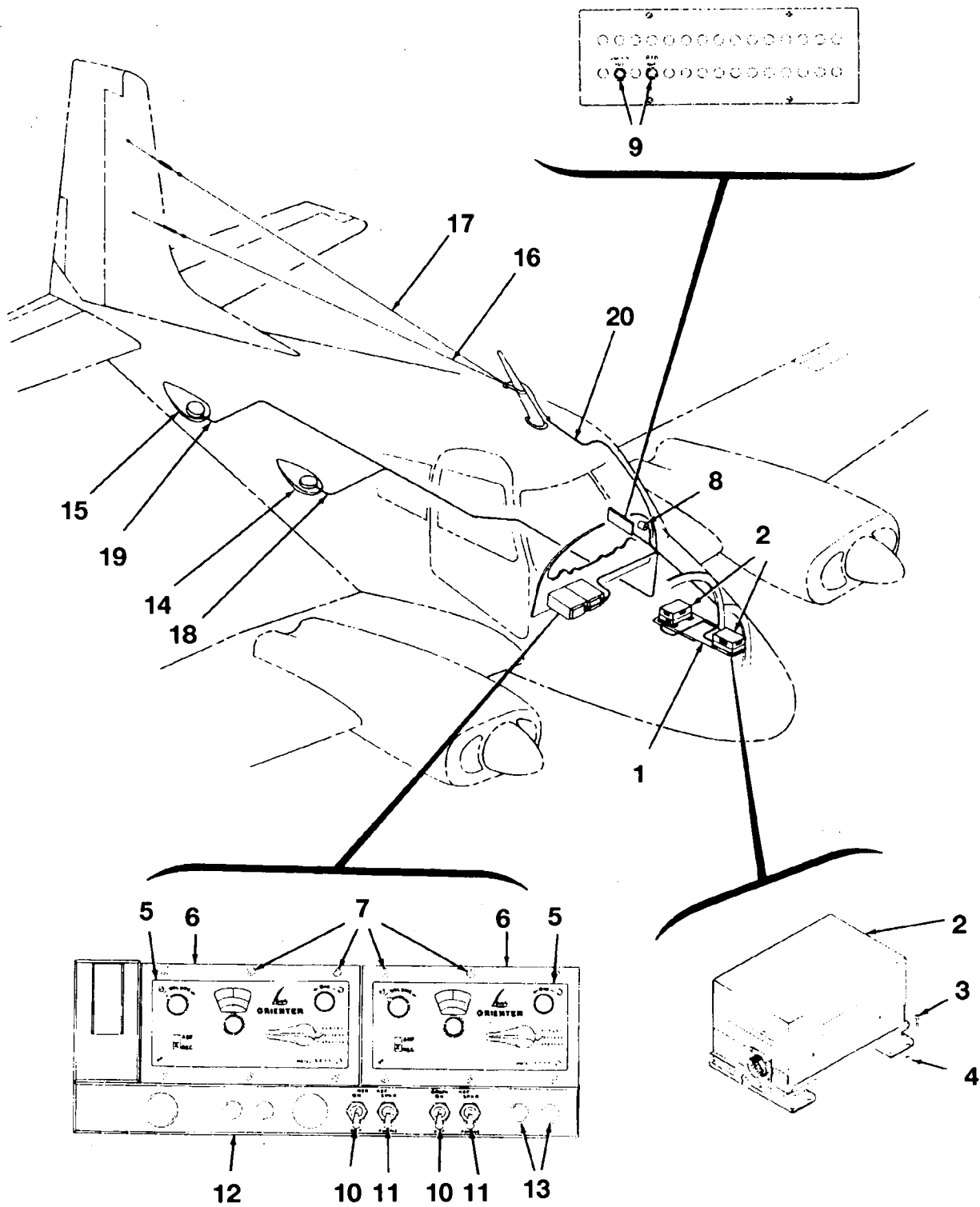
LEAR ADF-12 INSTALLATION
 FIGURE 01 (SHEET 1)

CESSNA AIRCRAFT COMPANY
MODEL 310 THRU 310D
ILLUSTRATED PARTS CATALOG

FIG ITEM	PART NUMBER	NOMENCLATURE	EFFECT		UNITS PER ASSY
			FROM	TO	
01		LEAR ADF-12 INSTALLATION			
- 0		. RADIO SHELF INSTALLATION-REFER TO 53-10-06 FIGURE 06	35097	35546	RF
1	0812455-11	. AMPLIFIER & SHOCKMOUNT-LEAR ADF-12			RF
2	AN515-8R8	. SCREW-ATTACH AMPLIFIER			1
3	MS21044N08	. NUT-ATTACH AMPLIFIER			8
4	0812455-10	. TUNER-LEAR ADF-12			8 R
- 4A	0812750-5	. BRACE-TUNER			1
- 4B	S-1021Z-6-6	. SCREW-ATTACH BRACE			2
- 4C	S3230-2	. NUT-ATTACH BRACE			2 R
- 4D	AN507-632R8	. SCREW-ATTACH TUNER			4
- 4E	MS21044N06	. NUT-ATTACH TUNER			4 R
5	0812750-1	. ADAPTER ASSY-TUNER MOUNTING			1
- 5A	0812750-4	. COVER-ADAPTER			1
6	0812750-19	. DIVIDER			1
7	S-1022Z-6-6	. SCREW-ATTACH ADAPTER COVER & DIVIDER			8
- 7A	S3230-2	. NUT-ATTACH ADAPTER COVER & DIVIDER			8 R
8	0311835-2	. INDICATOR-AZIMUTH			1
- 8A	AN515B6R11	. SCREW-ATTACH INDICATOR			4
9	PSM-5N	. CIRCUIT BREAKER-KLIXON			1
10	AN3027-2	. SWITCH-TOGGLE DOUBLE POLE MASTER ADF-12			1
- 10A	0812517-1	. BRACKET-CAPACITOR	35275	35546	1
- 10B	93874	. FILTER-CAPACITOR	35275	35546	1
- 10C	AN515-8R6	. SCREW-ATTACH CAPACITOR	35275	35546	2
- 10D	MS21044N08	. NUT-ATTACH CAPACITOR	35275	35546	2 R
11	S382-3	. SWITCH-AUDIO			1
- 11A	MS35058-23	. SWITCH-AUDIO ALT FOR S382-3			1 R
- 11B	0813506	. NUT-SWITCH DECORATIVE			2
- 11C	S384-1	. KNOB-SWITCH			2
12		. ANTENNA INSTALLATION-1ST ADF LOOP REFER TO 34-50-05 FIGURE 01	35097	35176	RF
13		. ANTENNA INSTALLATION-1ST ADF LOOP REFER TO 34-50-05 FIGURE 01	35177	35546	RF
14		. ANTENNA INSTALLATION-LOW FREQUENCY REFER TO 34-50-05 FIGURE 02	35097	35171	RF
15		. ANTENNA INSTALLATION-1ST SENSE REFER TO 34-50-05 FIGURE 02	35172	35546	RF
- 15A		. ANTENNA INSTALLATION-1ST SENSE REFER TO 34-50-05 FIGURE 02	35213	35546	RF
16		. ANTENNA INSTALLATION-SENSE REFER TO 34-50-05 FIGURE 02	35213	35546	RF
17	0812455-40	. CABLE ASSY-ANTENNA LOW FREQUENCY ANTENNA TO TUNER	35097	35171	1
18	0812455-208	. CABLE ASSY-ANTENNA ADF LOOP ANTENNA TO TUNER	35097	35176	1
19	0812455-313	. CABLE ASSY-ANTENNA ADF LOOP ANTENNA TO TUNER	35177	35370	1
			35487	35546	
- 19A	0812455-398	. CABLE ASSY-ANTENNA ADF LOOP ANTENNA TO TUNER	35371	35486	1
20	0812455-349	. CABLE ASSY-ANTENNA 1ST SENSE ANTENNA TO TUNER	35172	35546	1

CESSNA AIRCRAFT COMPANY
MODEL 310 THRU 310D
 ILLUSTRATED PARTS CATALOG

A55876



AIRPLANES 35213 THRU 35546
 LEAR DUAL ADF-12 INSTALLATION
 FIGURE 02 (SHEET 1)

CESSNA AIRCRAFT COMPANY
MODEL 310 THRU 310D
ILLUSTRATED PARTS CATALOG

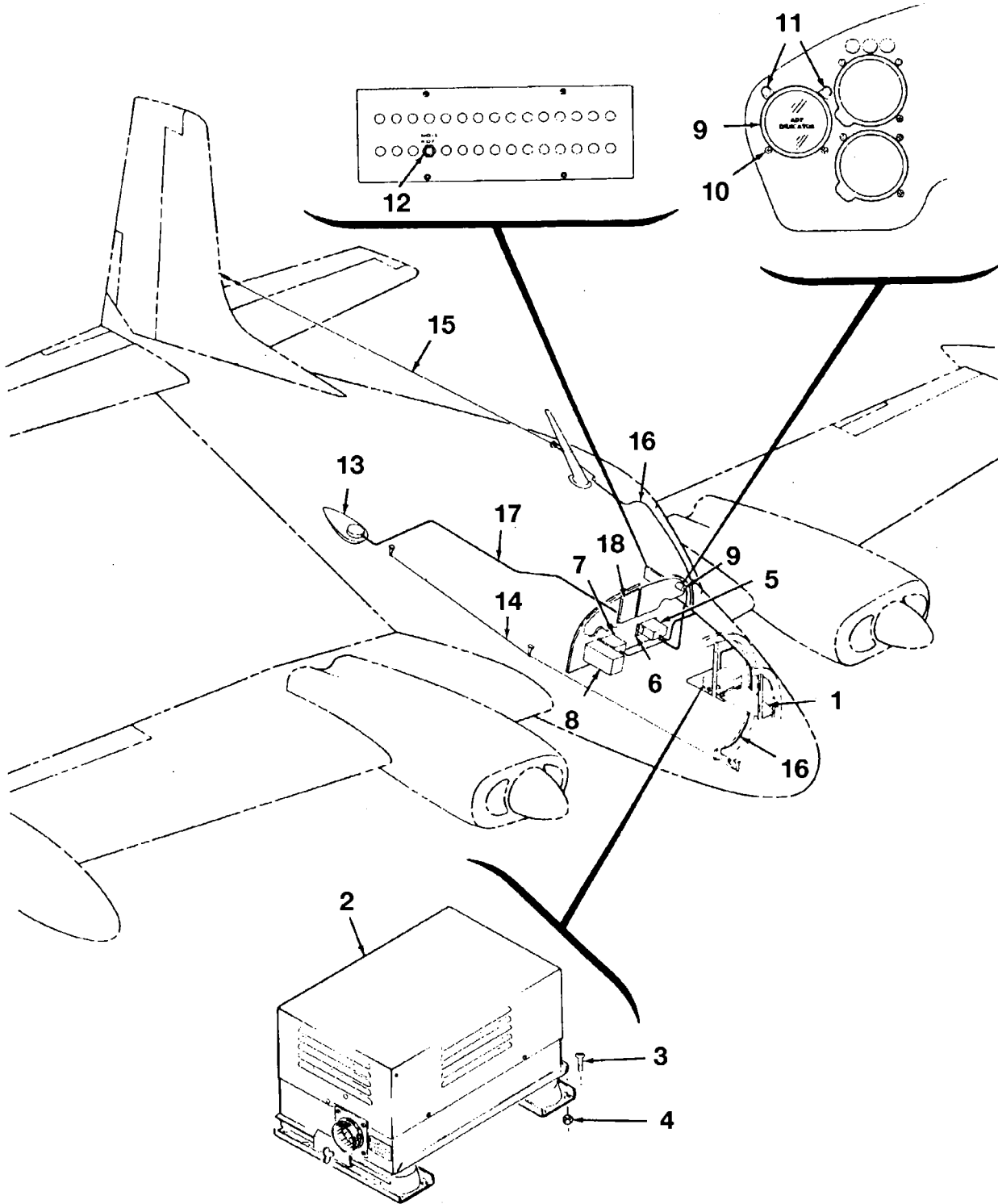
FIG ITEM	PART NUMBER	NOMENCLATURE	EFFECT		UNITS PER ASSY
			FROM	TO	
02					
-		LEAR DUAL ADF-12 INSTALLATION	35213	35546	RF
1		. RADIO SHELF INSTALLATION-REFER TO 53-10-06 FIGURE 05			RF
2	0812455-11	. AMPLIFIER & SHOCKMOUNT-LEAR ADF-12			2
3	AN515-8R8	. SCREW-ATTACH AMPLIFIER			16
4	MS21044N08	. NUT-ATTACH AMPLIFIER			16 R
5	0812455-10	. TUNER-LEAR ADF-12			2
- 5A	0812750-5	. BRACE-TUNER			2
- 5B	S-1021Z-6-6	. SCREW-ATTACH BRACE			4
- 5C	S3230-2	. NUT-ATTACH BRACE			4 R
- 5D	AN507-632R8	. SCREW-ATTACH TUNER			8
- 5E	MS21044N06	. NUT-ATTACH TUNER			8 R
6	0812750-1	. ADAPTER ASSY-TUNER MOUNTING			2
- 6A	0812750-4	. COVER-ADAPTER			2
7	S-1022Z-6-6	. SCREW-ATTACH ADAPTER & COVER			12
- 7A	S3230-2	. NUT-ATTACH ADAPTER & COVER			12 R
8	0812455-13	. INDICATOR-DUAL AZIMUTH			1
- 8A	AN515B6R11	. SCREW-ATTACH INDICATOR			4
9	PSM-5N	. CIRCUIT BREAKER-KLIXON			2
10	AN3027-2	. SWITCH-TOGGLE DOUBLE POLE MASTER ADF-12			2
- 10A	0812517-1	. BRACKET-CAPACITOR	35275	35546	1
- 10B	93874	. FILTER	35275	35546	2
- 10C	AN515-8R6	. SCREW-ATTACH CAPACITOR	35275	35546	4
- 10D	MS21044N08	. NUT-ATTACH CAPACITOR	35275	35546	4 R
11	S382-3	. SWITCH-AUDIO			2
- 11A	813506	. NUT-SWITCH DECORATIVE			4
- 11B	S384-1	. KNOB-SWITCH			4
12	0813550-2	. DECORATIVE PANEL	35213	35227	1
			35229	35229	
- 12A	0813553-1	. DECORATIVE PANEL	35228	35228	1
			35230	35546	
- 12B	0812505-1	. PLATE-SWITCH MOUNTING			1
13	48161	. PLUG BUTTON-UNITED CARR			2
14		. ANTENNA INSTALLATION-1ST ADF LOOP REFER TO 34-50-05 FIGURE 01			RF
15		. ANTENNA INSTALLATION-2ND ADF LOOP REFER TO 34-50-05 FIGURE 01			RF
16		. ANTENNA INSTALLATION-1ST SENSE REFER TO 34-50-05 FIGURE 02			RF
17		. ANTENNA INSTALLATION-2ND SENSE REFER TO 34-50-05 FIGURE 02			RF
18	0812455-313	. CABLE ASSY-ANTENNA TUNER TO 1ST ADF LOOP	35213	35370	1
			35487	35546	
- 18A	0812455-398	. CABLE ASSY-ANTENNA TUNER TO 1ST ADF LOOP	35371	35486	1
19	0812455-318	. CABLE ASSY-ANTENNA TUNER TO 2ND ADF LOOP	35213	35370	1
			35487	35546	
- 19A	0812455-396	. CABLE ASSY-ANTENNA TUNER TO 2ND ADF LOOP	35371	35486	1
20	0812455-349	. CABLE ASSY-ANTENNA TUNER TO 1ST SENSE ANTENNA			1
- 20A	0812455-351	. CABLE ASSY-ANTENNA TUNER TO 2ND SENSE ANTENNA			1

- ITEM NOT ILLUSTRATED

© Cessna Aircraft Company

CESSNA AIRCRAFT COMPANY
MODEL 310 THRU 310D
ILLUSTRATED PARTS CATALOG

A55877



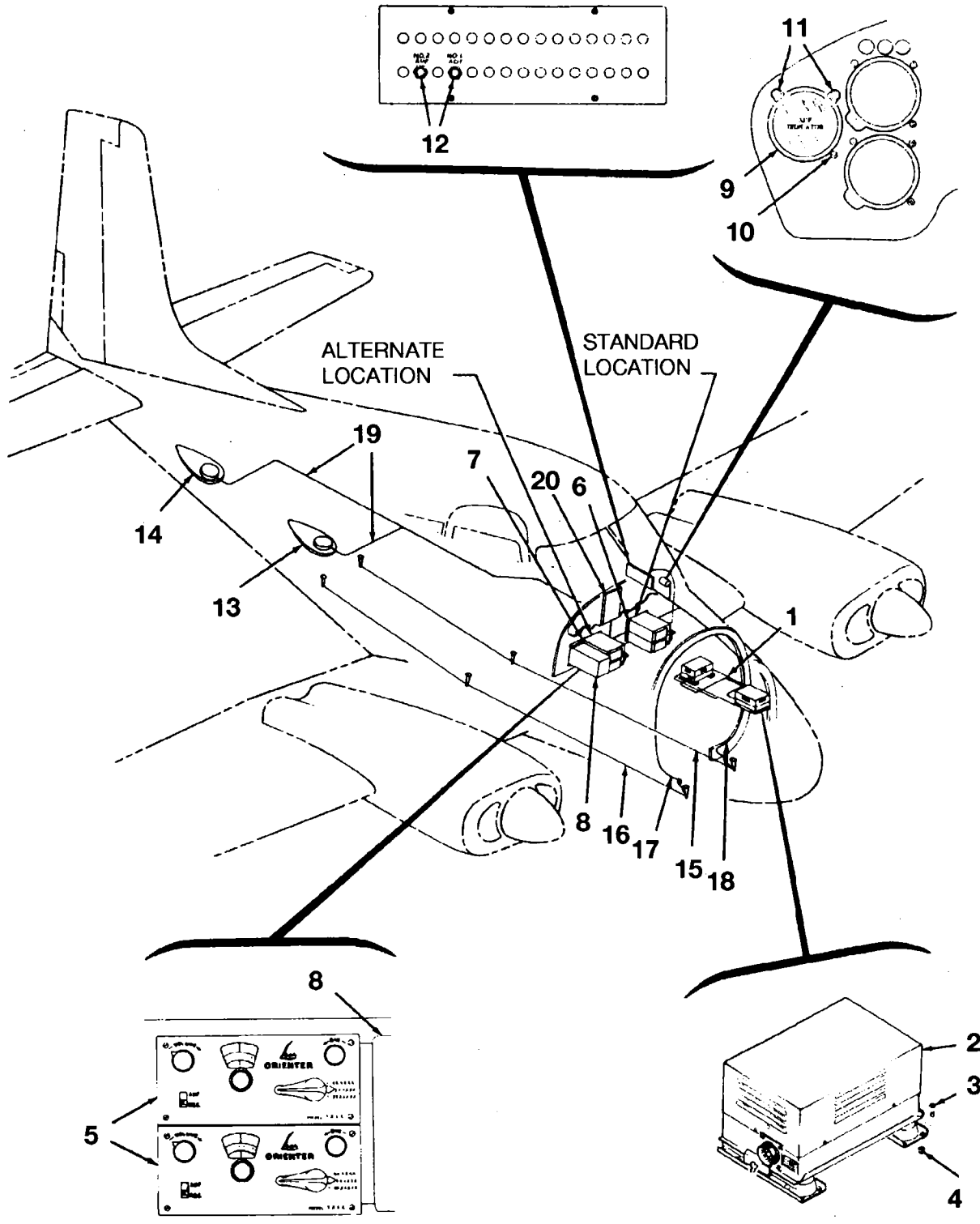
AIRPLANES 35547 THRU 35771
LEAR ADF-12 INSTALLATION
FIGURE 03 (SHEET 1)

**CESSNA AIRCRAFT COMPANY
MODEL 310 THRU 310D
ILLUSTRATED PARTS CATALOG**

FIG ITEM	PART NUMBER	NOMENCLATURE	EFFECT		UNITS PER ASSY
			FROM	TO	
03		LEAR ADF-12 INSTALLATION	35547	35771	RF
- 0		. ADF-12 INSTALLATION-LEAR STANDARD LOCATION			RF
- A		. ADF-12 INSTALLATION-LEAR ALTERNATE LOCATION			RF
1		. SHELF INSTALLATION-RADIO REFER TO 53-10-06 FIGURE 05			RF
2	0812455-11	. AMPLIFIER & SHOCKMOUNT-LEAR ADF-12			1
3	AN515-8R8	. SCREW-ATTACH AMPLIFIER			8
4	H10-08	. NUT-ATTACH AMPLIFIER			8
5	0812455-10	. TUNER - LEAR ADF-12			1
- 5A	0813434-1	. FILLER ASSY-PANEL CUTOUT - STANDARD LOCATION	35547	35676	1
- 5B	0813434-5	. FILLER ASSY-PANEL CUTOUT - STANDARD LOCATION	35677	35771	1
- 5C	0813436-1	. FILLER ASSY-PANEL CUTOUT - ALTERNATE LOCATION			1
6	0812612-2	. BRACKET ASSY-RH STANDARD LOCATION			1
- 6A	0812612-1	. BRACKET ASSY-LH STANDARD LOCATION			1
- 6B	NAS444-1	. NUTPLATE-TINNERMAN A6191-6Z-3			1
- 6C	NAS455-1	. NUTPLATE-TINNERMAN A6194-6Z-3			3
- 6D	S-1022Z-6-6	. SCREW-ATTACH TUNER & FILLER IN STANDARD LOCATION			8
7	0813438-1	. BRACKET-MOUNTING LH ALTERNATE LOCATION			1
- 7A	0813437-1	. BRACKET ASSY-SEPARATOR RH FOR ALTERNATE LOCATION			1
- 7B	S-1022Z-6-6	. SCREW- ATTACH TUNER & FILLER IN ALTERNATE LOCATION			6
- 7C	S3230-2	. NUT-ATTACH TUNER & FILLER IN ALTERNATE LOCATION			6 R
8		. GLOVE BOX ASSY INSTALLATION-SMALL FOR ALTERNATE LOCATION REFER TO 25-10-01 FIGURE 02 FOR BREAKDOWN			RF R
9	0311835-2	. INDICATOR-AZIMUTH			1
10	AN507B6R12	. SCREW-ATTACH INDICATOR			1
11	A-8975-1-327	. LIGHTING FIXTURE REFER TO 33-10-00 FIGURE 03 FOR BREAKDOWN GRIMES MFG			2
12	PSM-5N	. CIRCUIT BREAKER-KLIXON			1
13		. ANTENNA INSTALLATION-1ST ADF LOOP REFER TO 34-50-05 FIGURE 01			RF
14		. ANTENNA INSTALLATION-1ST SENSE REFER TO 34-50-05 FIGURE 03			RF
15		. ANTENNA INSTALLATION-1ST SENSE REFER TO 34-50-05 FIGURE 02			RF
16	0812645-14	. CABLE ASSY-TUNER TO SENSE ANTENNA			1
- 16A	0812645-15	. CABLE ASSY-ANTENNA FOR ALTERNATE LOCATION TUNER TO SENSE ANTENNA			1
17	0812455-208	. CABLE ASSY-ANTENNA TUNER TO LOOP ANTENNA			1
18		. PANEL ASSY & INSTALLATION-RADIO CONTROL REFER TO 31-10-02 FIGURE 08			RF
- 18A		. PANEL ASSY & INSTALLATION- RADIO CONTROL REFER TO 31-10-02 FIGURE 07			RF
- 18B		. PANEL ASSY & INSTALLATION-RADIO CONTROL REFER TO 31-10-02 FIGURE 11			RF
- 18C		. PANEL ASSY & INSTALLATION-RADIO CONTROL REFER TO 31-10-02 FIGURE 09			RF

CESSNA AIRCRAFT COMPANY
MODEL 310 THRU 310D
 ILLUSTRATED PARTS CATALOG

A55878



AIRPLANES 35547 THRU 35771

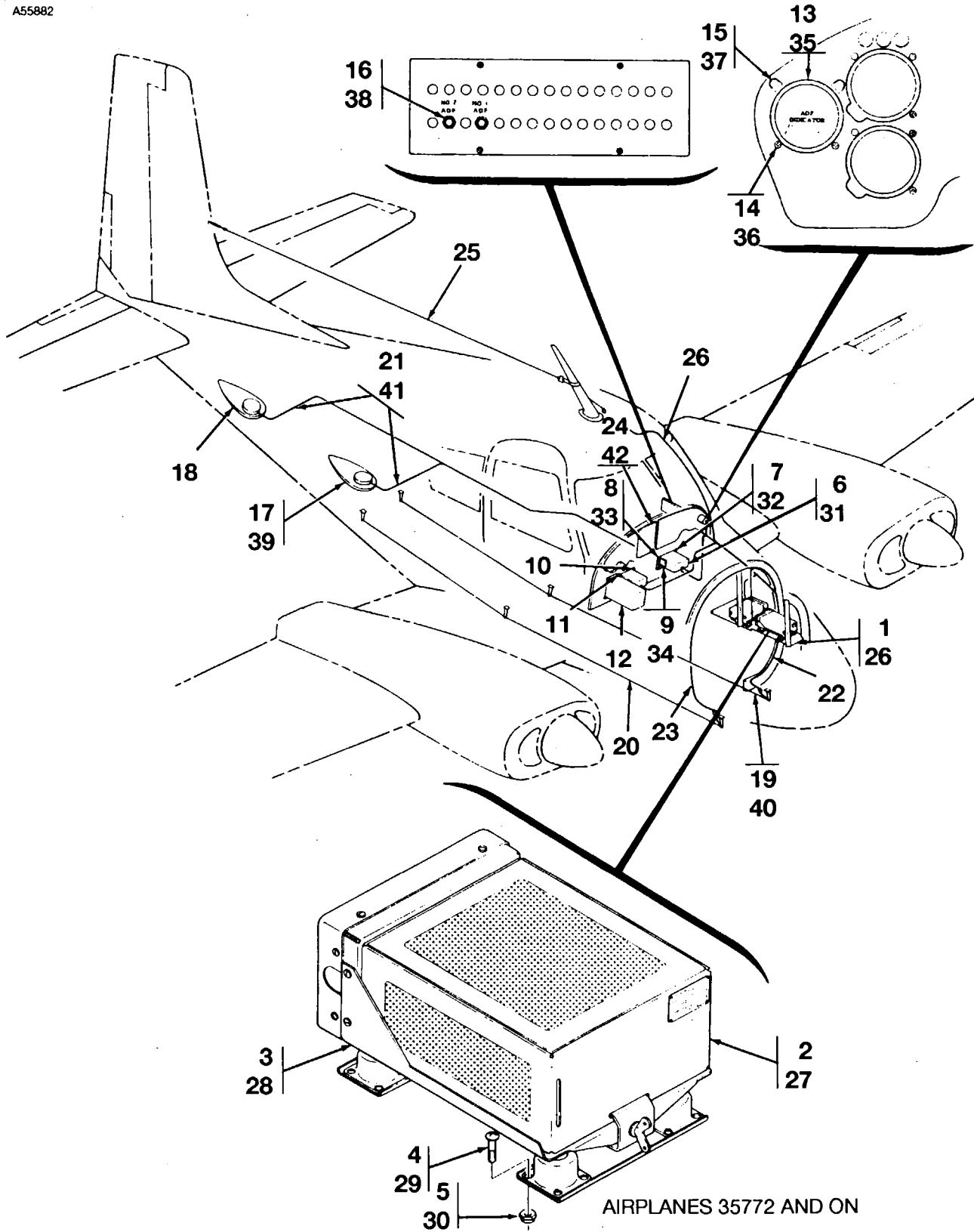
LEAR DUAL ADF-12 INSTALLATION
 FIGURE 04 (SHEET 1)

CESSNA AIRCRAFT COMPANY MODEL 310 THRU 310D ILLUSTRATED PARTS CATALOG

FIG ITEM	PART NUMBER	NOMENCLATURE	EFFECT		UNITS PER ASSY
			FROM	TO	
04		LEAR DUAL ADF-12 INSTALLATION	35547	35771	RF
- 0		. DUAL ADF-12 INSTALLATION-LEAR STANDARD LOCATION			RF
- A		. DUAL ADF-12 INSTALLATION - LEAR ALTERNATE LOCATION			RF
1		. SHELF INSTALLATION-RADIO REFER TO 53-10-06 FIGURE 05			RF
2	0812455-11	. AMPLIFIER & SHOCKMOUNT-LEAR ADF-12			2
3	AN515-8R8	. SCREW-ATTACH AMPLIFIERS			16
4	H10-08	. NUT-ATTACH AMPLIFIERS			16
5	0812455-10	. TUNER-LEAR ADF-12			2
- 5A	0812612-1	. BRACKET ASSY-LEFT STANDARD LOCATION			1
6	0812612-2	. BRACKET ASSY-RIGHT STANDARD LOCATION			1
- 6A	NAS444-1	. . NUTPLATE-TINNERMAN A6191-6Z-3			1
- 6B	NAS445-1	. . NUTPLATE-TINNERMAN A6194-6Z-3			3
- 6C	S-1022Z-6-6	. SCREW-ATTACH TUNERS			8
- 6D	0813438-1	. BRACKET-ATTACH TUNERS			1
7	0812437-1	. BRACKET-SEPARATOR RIGHT ALTERNATE LOCATION			1
- 7A	S3230-2	. NUT-ATTACH TUNERS ALTERNATE LOCATION			8 R
8		. GLOVE BOX ASSY INSTALLATION - SMALL (ALTERNATE LOCATION) REFER TO 25-10-01 FIGURE 02 FOR BREAKDOWN			RF R
9	0812455-13	. INDICATOR-DUAL AZIMUTH			1
10	AN507B6R12	. SCREW-ATTACH INDICATOR			1
11	A-8975-1-327	. LIGHTING FIXTURE REFER TO 33-10-00 FIGURE 03 FOR BRKDN GRIMES MFG			2
12	PSM-5N	. CIRCUIT BREAKER-KLIXON			2
13		. ANTENNA INSTALLATION-1ST ADF LOOP REFER TO 34-50-05 FIGURE 01			RF
14		. ANTENNA INSTALLATION-2ND ADF LOOP REFER TO 34-50-05 FIGURE 01			RF
15		. ANTENNA INSTALLATION-1ST SENSE REFER TO 34-50-05 FIGURE 03			RF
16		. ANTENNA INSTALLATION-2ND SENSE REFER TO 34-50-05 FIGURE 03			RF
17	0812581-59	. CABLE ASSY-ANTENNA STANDARD LOCATION TUNER TO 2ND SENSE ANTENNA			1
- 17A	0812581-76	. CABLE ASSY-ANTENNA STANDARD LOCATION TUNER TO 2ND SENSE ANTENNA			1
18	0812645-14	. CABLE ASSY-ANTENNA STANDARD LOCATION TUNER TO 1ST SENSE ANTENNA			1
- 18A	0812645-15	. CABLE ASSY-ANTENNA STANDARD LOCATION TUNER TO 1ST SENSE ANTENNA			1
19	0812455-208	. CABLE ASSY-ANTENNA TUNER TO ADF LOOP ANTENNA			2
20		. PANEL ASSY & INSTALLATION-RADIO CONTROL REFER TO 31-10-02 FIGURE 09			RF
- 20A		. PANEL ASSY & INSTALLATION-RADIO CONTROL REFER TO 31-10-02 FIGURE 11			RF

CESSNA AIRCRAFT COMPANY
MODEL 310 THRU 310D
 ILLUSTRATED PARTS CATALOG

A55882



AIRPLANES 35772 AND ON

LEAR ADF-12E-2 INSTALLATION
 FIGURE 05 (SHEET 1)

CESSNA AIRCRAFT COMPANY

MODEL 310 THRU 310D

ILLUSTRATED PARTS CATALOG

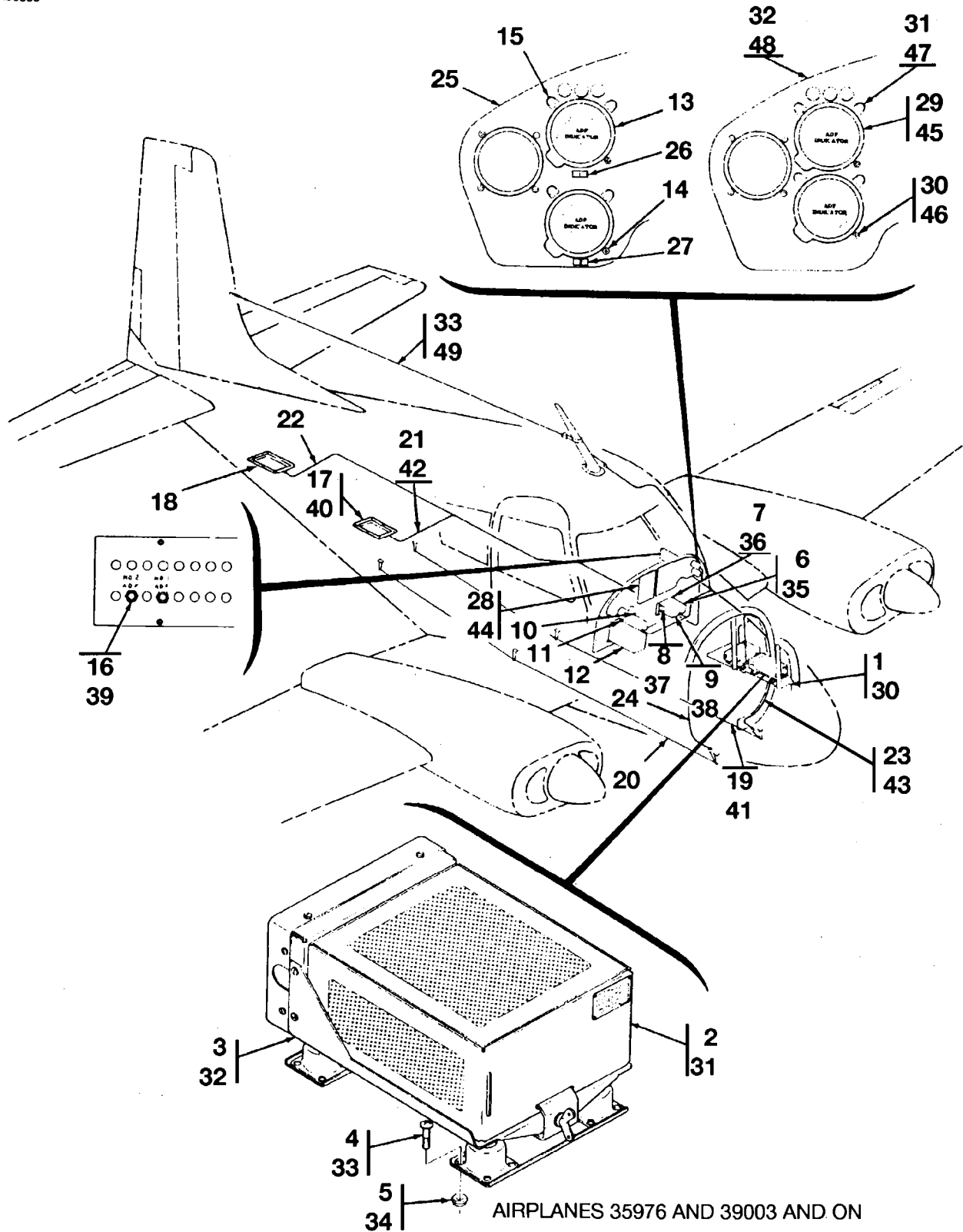
FIG ITEM	PART NUMBER	NOMENCLATURE	EFFECT		UNITS PER ASSY
			FROM	TO	
05		LEAR ADF-12E-2 INSTALLATION	35772	& ON	RF
1		. SHELF INSTALLATION - RADIO REFER TO 53-10-06 FIGURE 05			RF
2	0812644-4	. AMPLIFIER- LEAR ADF-12E-2			2
3	0812644-3	. SHOCKMOUNT ASSY- AMPLIFIER			2
4	AN515-8R8	. SCREW- ATTACH SHOCKMOUNTS			16
5	MS21044N08	. NUT- ATTACH SHOCKMOUNTS			16 R
6	0812644-2	. TUNER- LEAR ADF-12E-2			2
- 6A	0812644-5	. DUST COVER- TUNER			2
7	0812646-1	. MOUNTING BRACKET- TUNER MOUNTING LH			1
8	0812646-2	. MOUNTING BRACKET- TUNER MOUNTING RH			1
- 8A	NAS445-1	. NUTPLATE- TINNERMAN A6194-6Z-3			3
9	0813484-1	. LUG ASSY- FILLER			1
10	0813438-1	. MOUNTING BRACKET			1
11	0813437-1	. BRACKET ASSY- SEPARATOR			1
- 11A	0813436-1	. FILLER ASSY			1
- 11B	S-1022Z-6-6	. SCREW- ATTACH TUNERS AND FILLER PLATES			12
- 11C	S3230-2	. NUT- ATTACH 2ND ADF TUNER AND FILLER PLATE			6 R
12		. GLOVE BOX ASSY INSTALLATION- SMALL REFER TO 25-10-01 FIGURE 02 FOR BREAKDOWN			RF
13	0812455-13	. INDICATOR- DUAL AZIMUTH			1
14	AN507B632R12	. SCREW- ATTACH INDICATOR			1
15	A8970-2-327	. LIGHT ASSY REFER TO 33-10-00 FIGURE 03 FOR BREAKDOWN			2
16	PSM-5N	. CIRCUIT BREAKER- KLIXON . GRIMES MFG			2
17		. ANTENNA INSTALLATION- 1ST ADF LOOP REFER TO 34-50-05 FIGURE 01			RF
18		. ANTENNA INSTALLATION- 2ND ADF LOOP REFER TO 34-50-05 FIGURE 01			RF
19		. ANTENNA INSTALLATION- 1ST SENSE REFER TO 34-50-05 FIGURE 03			RF
20		. ANTENNA INSTALLATION- 2ND SENSE REFER TO 34-50-05 FIGURE 03			RF
21	0812455-208	. CABLE ASSY- ANTENNA TO TUNER			2
22	0812645-14	. CABLE ASSY- ANTENNA TO TUNER			1
23	0812645-15	. CABLE ASSY- ANTENNA TO TUNER			1
24		. PANEL ASSY & INSTALLATION- RADIO CONTROL REFER TO 31-10-02 FIGURE 11	35772	39031	RF
- 24A		. PANEL ASSY & INSTALLATION- RADIO CONTROL REFER TO 31-10-02 FIGURE 09	35772	39031	RF
- 24B		. PANEL ASSY & INSTALLATION - SWITCH- RADIO CONTROL REFER TO 31-10-01 FIGURE 04			RF
- 24C		. PANEL ASSY & INSTALLATION- RADIO CONTROL REFER TO 31-10-02 FIGURE 26	39032	& ON	RF
- 24D		. PANEL ASSY & INSTALLATION- RADIO CONTROL REFER TO 31-10-02 FIGURE 24	39032	& ON	RF
- 25		. ADF-12E-2 INSTALLATION - LEAR SINGLE	35772	& ON	RF
26		. SHELF INSTALLATION - RADIO- REFER TO 53-10-06 FIGURE 05			RF
27	0812644-4	. AMPLIFIER- LEAR ADF-12E-2			1
28	0812644-3	. SHOCKMOUNT ASSY- AMPLIFIER			1
29	AN515-8R8	. SCREW- ATTACH SHOCKMOUNT			8
30	MS21044N08	. NUT- ATTACH SHOCKMOUNT			8 R
31	0812644-2	. TUNER- LEAR ADF-12E-2			1
- 31A	0812644-5	. DUST COVER- TUNER			1
32	0812646-1	. MOUNTING BRACKET- TUNER MOUNTING			1
33	0812646-2	. MOUNTING BRACKET- TUNER MOUNTING			1
- 33A	NAS445-1	. NUTPLATE- TINNERMAN A6194-6Z-3			3
34	0813484-1	. LUG ASSY- FILLER			1
- 34A	S-1022Z-6-6	. SCREW - ATTACH TUNER & FILLER PLATE			6
35	0311835-2	. INDICATOR - AZIMUTH			1
36	AN507B632R12	. SCREW- ATTACH INDICATOR			1
37	A8970-2-327	. LIGHT ASSY- REFER TO 33-10-00 FIGURE 03 FOR BREAKDOWN GRIMES MFG			2
38	PSM-5N	. CIRCUIT BREAKER- KLIXON			1
39		. ANTENNA INSTALLATION - 1ST ADF LOOP- REFER TO 34-50-05 FIGURE 01			RF
40		. ANTENNA INSTALLATION - 1ST SENSE- REFER TO 34-50-05 FIGURE 03			RF
41	0812455-208	. CABLE ASSY- ANTENNA TO TUNER			1

**CESSNA AIRCRAFT COMPANY
MODEL 310 THRU 310D
ILLUSTRATED PARTS CATALOG**

FIG ITEM	PART NUMBER	NOMENCLATURE	EFFECT		UNITS PER ASSY
			FROM	TO	
05					
42		PANEL ASSY & INSTALLATION- RADIO CONTROL REFER TO 31-10-02 FIGURE 11	35772	39031	RF
- 42A		PANEL ASSY & INSTALLATION- RADIO CONTROL REFER TO 31-10-02 FIGURE 09	39772	39031	RF
- 42B		PANEL ASSY & INSTALLATION- RADIO CONTROL REFER TO 31-10-02 FIGURE 15	35772	39031	RF
- 42C		PANEL ASSY & INSTALLATION- RADIO CONTROL REFER TO 31-10-02 FIGURE 12	35772	39031	RF
- 42D		PANEL ASSY & INSTALLATION- RADIO CONTROL REFER TO 31-10-01 FIGURE 04			RF
- 42E		PANEL ASSY & INSTALLATION- RADIO CONTROL REFER TO 31-10-01 FIGURE 03			RF
- 42F		PANEL ASSY & INSTALLATION- RADIO CONTROL REFER TO 31-10-02 FIGURE 24	39032	& ON	RF
- 42G		PANEL ASSY & INSTALLATION- RADIO CONTROL REFER TO 31-10-02 FIGURE 25	39032	& ON	RF
- 42H		PANEL ASSY & INSTALLATION- RADIO CONTROL REFER TO 31-10-02 FIGURE 18	39032	& ON	RF
- 42J		PANEL ASSY & INSTALLATION- RADIO CONTROL REFER TO 31-10-02 FIGURE 19	39032	& ON	RF
- 42K		PANEL ASSY & INSTALLATION- RADIO CONTROL REFER TO 31-10-02 FIGURE 20	39032	& ON	RF
43		ANTENNA INSTALLATION - 1ST SENSE- RADIO CONTROL REFER TO 34-50-05 FIGURE 02	35772	39031	RF
- 43A		ANTENNA INSTALLATION - 1ST SENSE- RADIO CONTROL REFER TO 34-50-05 FIGURE 02	39032	& ON	RF
44	0812645-14	CABLE ASSY- ANTENNA TO TUNER			1

CESSNA AIRCRAFT COMPANY
MODEL 310 THRU 310D
 ILLUSTRATED PARTS CATALOG

A55883



AIRPLANES 35976 AND 39003 AND ON
 LEAR ADF-12E-2 WITH GONIO INSTALLATION
 FIGURE 06 (SHEET 1)

CESSNA AIRCRAFT COMPANY
MODEL 310 THRU 310D
ILLUSTRATED PARTS CATALOG

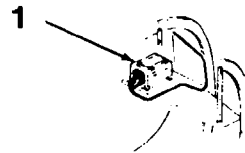
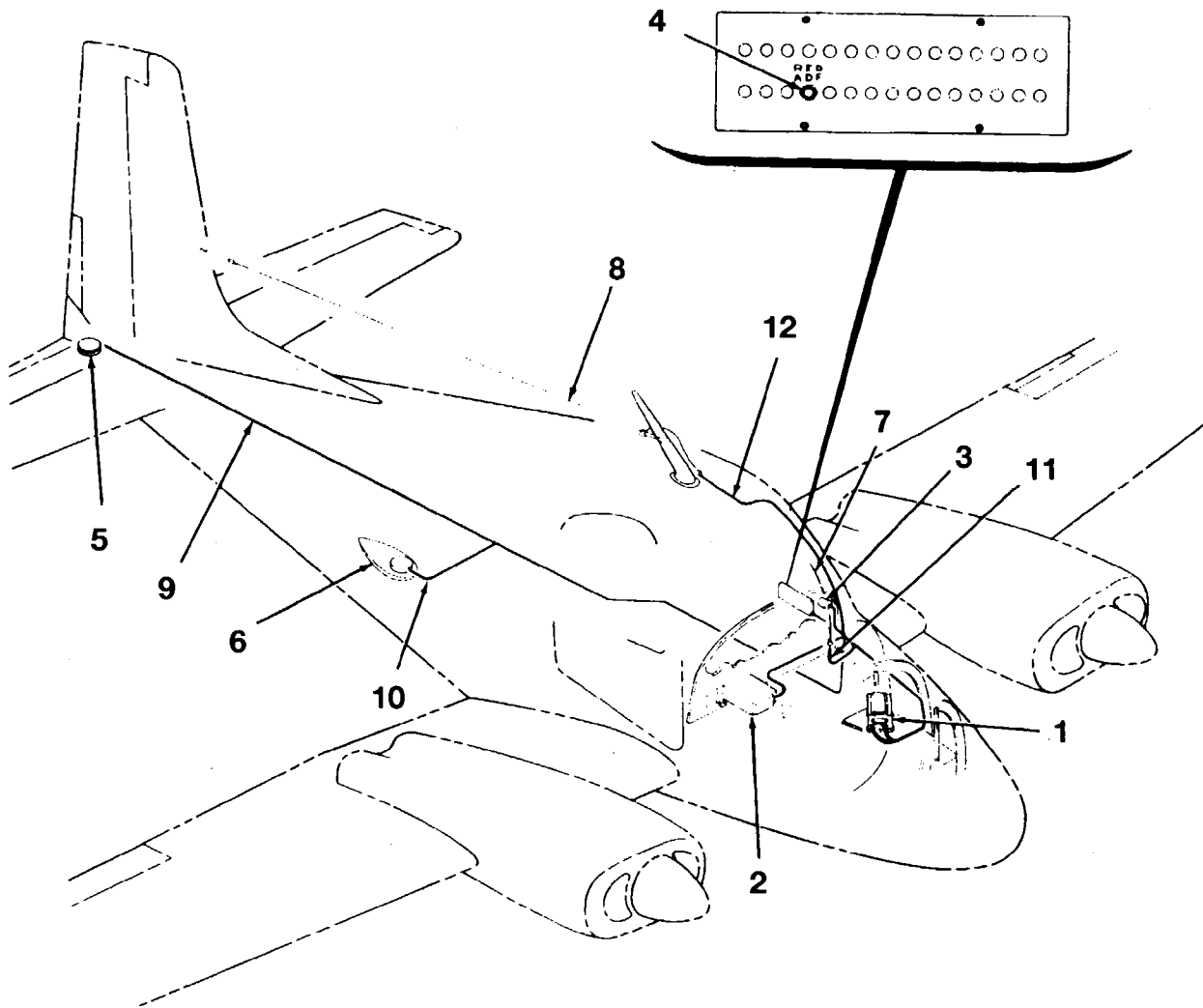
FIG ITEM	PART NUMBER	NOMENCLATURE	EFFECT		UNITS PER ASSY
			FROM	TO	
06		LEAR ADF-12E-2 WITH GONIO INSTALLATION	39032	& ON	RF
-		. SHELF INSTALLATION- RADIO REFER TO 53-10-06 FIGURE 05			RF
1		. AMPLIFIER- LEAR ADF-12E-2			2
2	0812644-4	. SHOCKMOUNT ASSY- AMPLIFIER			2
3	0812644-3	. SCREW- ATTACH SHOCKMOUNTS			16
4	AN515-8R8	. NUT- ATTACH SHOCKMOUNTS			16 R
5	MS21044N08	. TUNER- LEAR ADF-12E-2			1
6	0812644-2	. DUST COVER- TUNER			2
- 6A	0812644-6	. MOUNTING BRACKET- TUNER MOUNTING LH			1
7	0812646-1	. MOUNTING BRACKET- TUNER MOUNTING RH			1
8	0812646-2	. NUTPLATE- TINNEMAN A6194-6Z-3			3
- 8A	NAS455-1	. LUG ASSY- FILLER			1
9	0813484-1	. MOUNTING BRACKET			1
10	0813438-1	. BRACKET ASSY- SEPARATOR			1
11	0813437-1	. FILLER ASSY			1
- 11A	0813436-1	. SCREW- ATTACH TUNERS & FILLER PLATES			12
- 11B	S-1022Z-6-6	. NUT- ATTACH 2ND ADF TUNER & FILLER PLATE			6 R
- 11C	S3230-2	. GLOVE BOX INSTALLATION- SMALL REFER TO 25-10-01 FIGURE 02 FOR BREAKDOWN			RF
12		. INDICATOR - GONIO			2
13	0812659-2	. SCREW- ATTACH INDICATOR			6
14	AN507B632R8	. POSTLIGHT REFER TO 33-10-00 FIGURE 03 FOR BREAKDOWN GRIMES MFG			4
15	A5299-24	. CIRCUIT BREAKER- KLIXON			2
16	PSM-5N	. ANTENNA INSTALLATION- 1ST GONIO REFER TO 34-50-05 FIGURE 01			RF
17		. ANTENNA INSTALLATION- 1ST GONIO REFER TO 34-50-05 FIGURE 01			RF
18		. ANTENNA INSTALLATION- 1ST SENSE REFER TO 34-50-05 FIGURE 03			RF
19		. ANTENNA INSTALLATION- 2ND SENSE REFER TO 34-50-05 FIGURE 03			RF
20		. CABLE ASSY- 1ST GONIO-TENNA TO INDICATOR	39032	39273	1
21	0812645-19	. CABLE ASSY- 1ST GONIO-TENNA TO INDICATOR	39274	& ON	1
- 21A	0812645-69	. CABLE ASSY- 2ND GONIO-TENNA TO INDICATOR	39032	39273	1
22	0812645-21	. CABLE ASSY- 2ND GONIO-TENNA TO INDICATOR	39274	& ON	1
- 22A	0812645-72	. CABLE ASSY- 1ST SENSE-ANTENNA TO TUNER			1
23	0812645-14	. CABLE ASSY- 2ND SENSE ANTENNA TO TUNER			1
24	0812645-15	. SHOCK PANEL- PRIMARY INSTRUMENT SHOCK			1
25	0813408-1	. SHOCK MOUNT BRACKET			6
- 25A	0813500-12	. NUTPLATE			6 R
- 25B	MS21069L06	. NUT			1
- 25C	NAS696A06	. PLACARD - 1			1
26	0812480-48	. DECAL - 2			1
27	0812480-49	. PANEL ASSY & INSTALLATION- RADIO CONTROL REFER TO 31-10-02 FIGURE 25			RF
28		. PANEL ASSY & INSTALLATION- RADIO CONTROL REFER TO 31-10-02 FIGURE 16			RF
- 28A		. PANEL ASSY & INSTALLATION- RADIO CONTROL REFER TO 31-10-02 FIGURE 24			RF
- 28B		. ADF-12E-2 WITH GONIO INSTALLATION - LEAR SINGLE	35976	35976	RF
- 29			39003	& ON	RF
30		. SHELF INSTALLATION- RADIO CONTROL REFER TO 53-10-06 FIGURE 05			RF
31	0812644-4	. AMPLIFIER- LEAR ADF-12E-2			1
32	0812644-3	. SHOCKMOUNT ASSY- AMPLIFIER			1
33	AN515-8R8	. SCREW- ATTACH SHOCKMOUNT			8
34	MS21044N08	. NUT- ATTACH SHOCKMOUNT			8 R
35	0812644-2	. TUNER- LEAR ADF-12E-2			2
- 35A	0812644-6	. DUST COVER- TUNER			1
36	0812646-1	. MOUNTING BRACKET- TUNER MOUNTING LH			1
37	0812646-2	. MOUNTING BRACKET- TUNER MOUNTING RH			1
- 37A	NAS445-1	. NUTPLATE- TINNEMAN A6194-6Z-3			3
38	0813484-1	. LUG ASSY- FILLER			1
- 38A	S-1022Z-6-6	. SCREW- ATTACH TUNER & FILLER PLATE			6
39	PSM-5N	. CIRCUIT BREAKER- KLIXON			1
40		. ANTENNA INSTALLATION- GONIO - REFER TO 34-50-05 FIGURE 01			RF
41		. ANTENNA INSTALLATION- 1ST SENSE - REFER TO 34-50-05 FIGURE 03			RF
42	0812645-19	. CABLE ASSY- 1ST GONIO-TENNA TO INDICATOR	35976	35976	1
- 42A	0812645-69	. CABLE ASSY- 1ST GONIO-TENNA TO INDICATOR	39003	39273	1
43	0812645-14	. CABLE ASSY- ANTENNA TO TUNER	39274	& ON	1

CESSNA AIRCRAFT COMPANY
MODEL 310 THRU 310D
ILLUSTRATED PARTS CATALOG

FIG ITEM	PART NUMBER	NOMENCLATURE	EFFECT		UNITS PER ASSY
			FROM	TO	
06					
44		PANEL ASSY & INSTALLATION- RADIO CONTROL REFER TO 31-10-02 FIGURE 11	35976	35976	RF
- 44A		PANEL ASSY & INSTALLATION- RADIO CONTROL REFER TO 31-10-02 FIGURE 09	39003	39031	RF
- 44B		PANEL ASSY & INSTALLATION- RADIO CONTROL REFER TO 31-10-02 FIGURE 15	35976	35976	RF
- 44C		PANEL ASSY & INSTALLATION- RADIO CONTROL REFER TO 31-10-02 FIGURE 12	39003	39031	RF
- 44D		PANEL ASSY & INSTALLATION- RADIO CONTROL REFER TO 31-10-01 FIGURE 04			RF
- 44E		PANEL ASSY & INSTALLATION- SWITCH REFER TO 31-10-01 FIGURE 03			RF
- 44F		PANEL ASSY & INSTALLATION- SWITCH REFER TO 31-10-02 FIGURE 25	39032	& ON	RF
- 44G		PANEL ASSY & INSTALLATION- SWITCH REFER TO 31-10-02 FIGURE 24	39032	& ON	RF
- 44H		PANEL ASSY & INSTALLATION- SWITCH REFER TO 31-10-02 FIGURE 18	39032	& ON	RF
- 44I		PANEL ASSY & INSTALLATION- SWITCH REFER TO 31-10-02 FIGURE 19	39032	& ON	RF
- 44J		PANEL ASSY & INSTALLATION- SWITCH REFER TO 31-10-02 FIGURE 20	39032	& ON	RF
45	0812659-2	INDICATOR- GONIO			1
46	AN507B632R8	SCREW- ATTACH INDICATOR			3
47	A5299-24	POSTLIGHT REFER TO 33-10-00 FIGURE 03 FOR BREAKDOWN GRIMES MFG.			2
48	0813409-1	PANEL ASSY - PRIMARY INSTRUMENT SHOCK			1
- 48A	0813500-12	SHOCK MOUNT BRACKET			6
- 48B	MS21069L06	NUTPLATE			6 R
- 48C	MK2000-06	NUTPLATE			1
49		ANTENNA INSTALLATION- 1ST SENSE REFER TO 34-50-05 FIGURE 02			RF

CESSNA AIRCRAFT COMPANY
MODEL 310 THRU 310D
ILLUSTRATED PARTS CATALOG

A55879



AIRPLANES 35213 THRU 35221

AIRPLANES 35097 THRU 35546

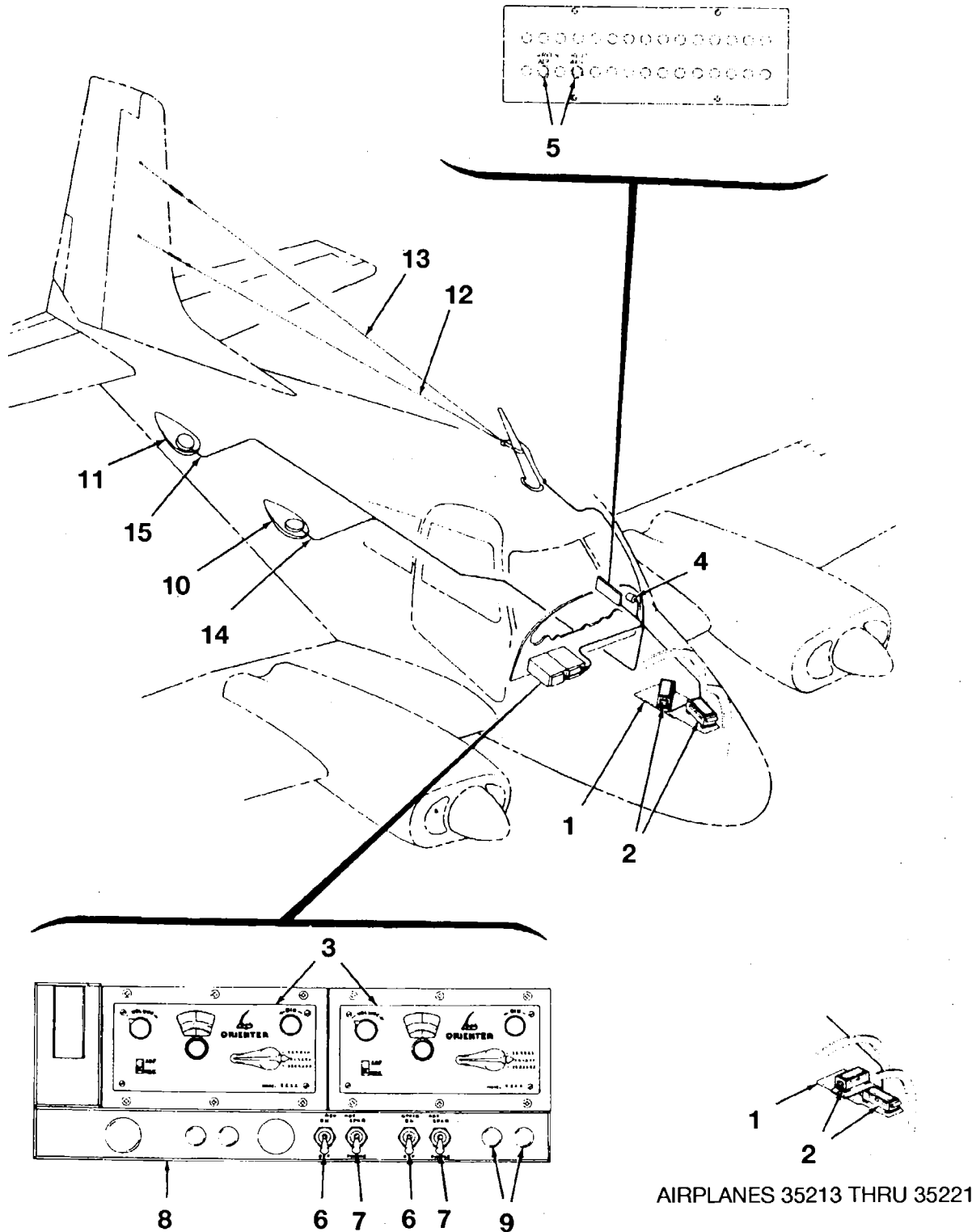
LEAR ADF-14 INSTALLATION
FIGURE 01 (SHEET 1)

CESSNA AIRCRAFT COMPANY
MODEL 310 THRU 310D
ILLUSTRATED PARTS CATALOG

FIG ITEM	PART NUMBER	NOMENCLATURE	EFFECT		UNITS	
			FROM	TO	PER	ASSY
01		LEAR ADF-14 INSTALLATION				
- 0		. SHELF INSTALLATION-REFER TO 53-10-06 FIGURE 05	35097	35546	RF	
1		. AMPLIFIER & SHOCKMOUNT-LEAR ADF-14C			RF	
- 1A	AN520-10R24	. SCREW-ATTACH AMPLIFIER	35097	35221	8	
- 1B	AN515-1032R8	. SCREW-ATTACH AMPLIFIER	35222	35546	8	
- 1C	NAS43DD-4-64	. SPACER-ATTACH AMPLIFIER	35097	35221	8	
- 1D	MS21045L3	. NUT-ATTACH AMPLIFIER			8	R
2		. TUNER-LEAR ADF-14			RF	
- 2A	S-1022Z-6-6	. SCREW-ATTACH TUNER			8	
- 2B	S3230-2	. NUT-ATTACH TUNER			8	R
3	0311835-2	. INDICATOR-AZIMUTH			1	
- 3A	AN515B6R11	. SCREW-ATTACH INDICATOR			4	
4	PSM-5N	. CIRCUIT BREAKER-KLIXON			1	
- 4A	AN3027-2	. SWITCH-MASTER ADF-14			1	
- 4B	MS35059-23	. SWITCH-AUDIO			1	R
- 4C	0812517-1	. BRACKET-CAPACITOR	35275	35546	1	
- 4D	93874	. FILTER-CAPACITOR	35275	35546	1	
- 4E	AN515-8R6	. SCREW-ATTACH CAPACITOR	35275	35546	2	
- 4F	MS21044N08	. NUT-ATTACH CAPACITOR	35275	35546	2	R
- 4G	0813506	. NUT-SWITCH DECORATIVE			2	
- 4H	S384-1	. KNOB-SWITCH			2	
5		. ANTENNA INSTALLATION-1ST ADF LOOP REFER TO 34-50-05 FIGURE 01	35097	35176	RF	
6		. ANTENNA INSTALLATION-1ST ADF LOOP REFER TO 34-50-05 FIGURE 01	35177	35546	RF	
7		. ANTENNA INSTALLATION-LOW FREQUENCY REFER TO 34-50-05 FIGURE 02	35097	35171	RF	
8		. ANTENNA INSTALLATION-1ST SENSE REFER TO 34-50-05 FIGURE 02	35172	35546	RF	
9	0812455-74	. CABLE ASSY-ANTENNA ADF LOOP TO TUNER	35097	35176	1	
10	0812455-316	. CABLE ASSY-ANTENNA ADF LOOP TO TUNER	35176	35370	1	
			35487	35546		
- 10A	0812455-399	. CABLE ASSY-ANTENNA ADF LOOP TO TUNER	35371	35486	1	
11	0812455-189	. CABLE ASSY-ANTENNA LOW FREQUENCY TO TUNER	35097	35171	1	
12	0812455-350	. CABLE ASSY-ANTENNA 1ST SENSE TO TUNER	35172	35546	1	

CESSNA AIRCRAFT COMPANY
MODEL 310 THRU 310D
 ILLUSTRATED PARTS CATALOG

A55880



AIRPLANES 35213 THRU 35546
 LEAR DUAL ADF-14 INSTALLATION
 FIGURE 02 (SHEET 1)

AIRPLANES 35213 THRU 35221

CESSNA AIRCRAFT COMPANY

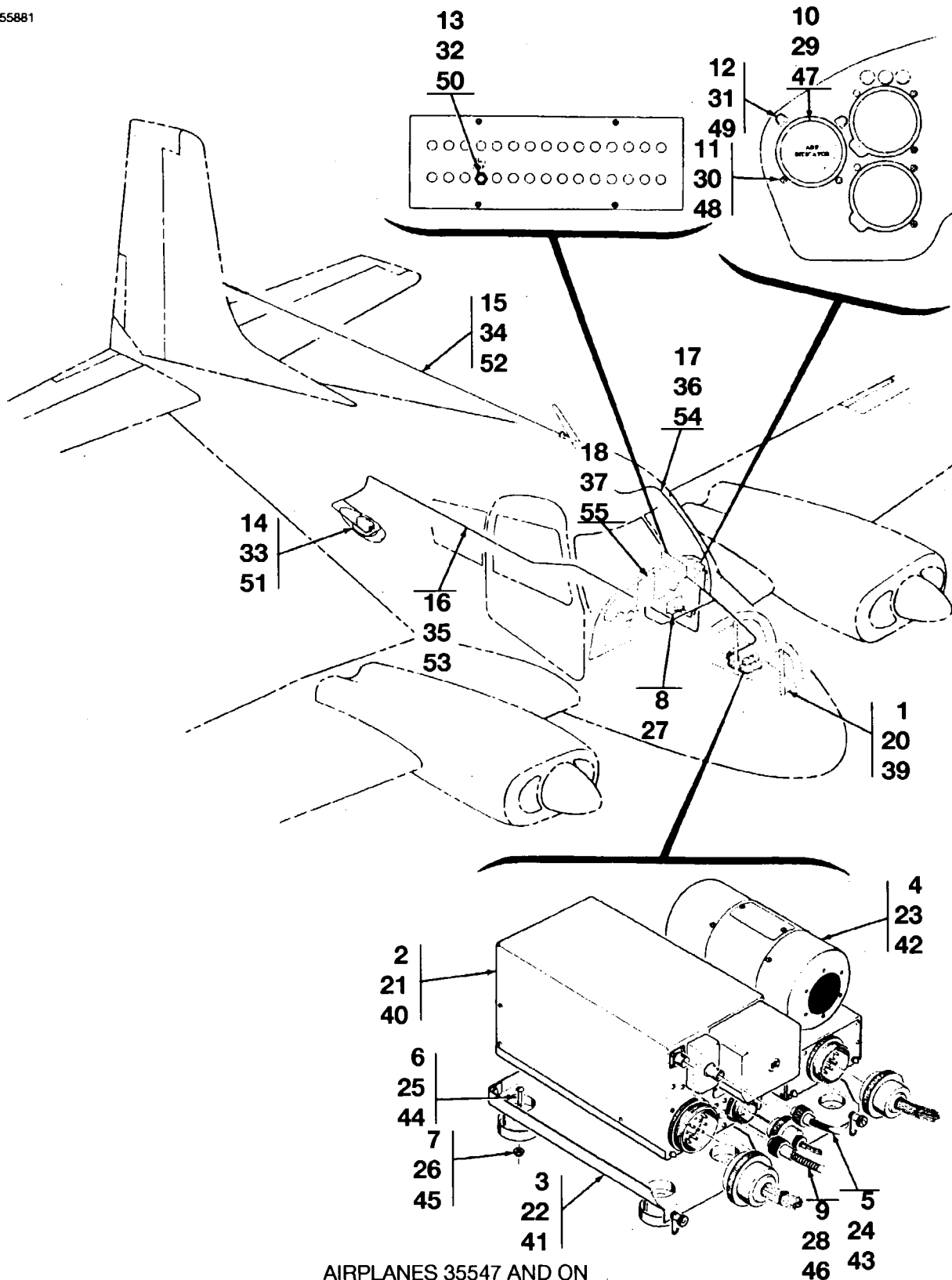
MODEL 310 THRU 310D

ILLUSTRATED PARTS CATALOG

FIG ITEM	PART NUMBER	NOMENCLATURE	EFFECT		UNITS PER ASSY
			FROM	TO	
02		LEAR DUAL ADF-14 INSTALLATION			
- 1		. RADIO SHELF INSTALLATION-REFER TO 53-10-06 FIGURE 05	35213	35546	RF
- 2		. AMPLIFIER & SHOCKMOUNT-LEAR ADF-14C			RF
- 2A	AN520-10R8	. SCREW-ATTACH AMPLIFIER	35213	35221	8
- 2B	AN520-10R24	. SCREW-ATTACH AMPLIFIER	35213	35221	8
- 2C	NAS43DD4-64FC	. SPACER-ATTACH AMPLIFIER	35213	35221	8 R
- 2D	AN520-10R8	. SCREW-ATTACH AMPLIFIER	35222	35546	16
- 2E	MS21045L3	. NUT-ATTACH AMPLIFIER	35222	35546	16 R
- 3		. TUNER-LEAR ADF-14			RF
- 3A	S-1022Z-6-6	. SCREW-ATTACH TUNER			12
- 3B	S3230-2	. NUT-ATTACH TUNER			12 R
- 4	0812455-13	. INDICATOR-DUAL AZIMUTH LEAR 63938A			1
- 4A	AN515B6R11	. SCREW-ATTACH INDICATOR			4
- 5	PSM-5N	. CIRCUIT BREAKER-KLIXON			2
- 6	AN3027-2	. SWITCH-TOGGLE DOUBLE POLE MASTER ADF-14			2
- 6A	0812517-1	. BRACKET-CAPACITOR	35275	35546	1
- 6B	93874	. FILTER-CAPACITOR	35275	35546	2
- 6C	AN515-8R6	. SCREW-ATTACH CAPACITOR	35275	35546	4
- 6D	MS21044N08	. NUT-ATTACH CAPACITOR	35275	35546	4 R
- 7	MS35059-23	. SWITCH-AUDIO			2 R
- 7A	0813506	. NUT-SWITCH DECORATIVE			4
- 7B	S384-1	. KNOB-SWITCH			4
- 7C	0812505-1	. PLATE-SWITCH MOUNTING			1
- 8	0813550-2	. DECORATIVE PANEL	35213	35227	1
- 8A	0813553-1	. DECORATIVE PANEL	35229	35229	1
- 8A	0813553-1	. DECORATIVE PANEL	35228	35228	1
- 8A	0813553-1	. DECORATIVE PANEL	35230	35546	1
9	48161	. PLUG BUTTON-1ST ADF LOOP REFER TO 34-50-05 FIGURE 01 UNITED CARR			2
10		. ANTENNA INSTALLATION-1ST ADF LOOP REFER TO 34-50-05 FIGURE 01			RF
11		. ANTENNA INSTALLATION-2ND ADF LOOP REFER TO 34-50-05 FIGURE 01			RF
12		. ANTENNA INSTALLATION-1ST SENSE REFER TO 34-50-05 FIGURE 02			RF
13		. ANTENNA INSTALLATION-2ND SENSE REFER TO 34-50-05 FIGURE 02			RF
14	0812455-316	. CABLE ASSY-ANTENNA TUNER TO 1ST ADF LOOP	35213	35370	1
- 14A	0812455-399	. CABLE ASSY-ANTENNA TUNER TO 1ST ADF LOOP	35487	35546	1
- 14A	0812455-399	. CABLE ASSY-ANTENNA TUNER TO 1ST ADF LOOP	35371	35486	1
- 15	0812455-320	. CABLE ASSY-ANTENNA TUNER TO 2ND ADF LOOP	35213	35370	1
- 15A	0812455-397	. CABLE ASSY-ANTENNA TUNER TO 2ND ADF LOOP	35487	35546	1
- 15A	0812455-397	. CABLE ASSY-ANTENNA TUNER TO 2ND ADF LOOP	35371	35486	1
- 16	0812455-350	. CABLE ASSY-ANTENNA TUNER TO 1ST SENSE ANTENNA			1
- 16A	0812455-352	. CABLE ASSY-ANTENNA TUNER TO 2ND SENSE ANTENNA			1

CESSNA AIRCRAFT COMPANY
MODEL 310 THRU 310D
 ILLUSTRATED PARTS CATALOG

A55881



AIRPLANES 35547 AND ON
 ARC ADF-21 INSTALLATION
 FIGURE 01 (SHEET 1)

CESSNA AIRCRAFT COMPANY
MODEL 310 THRU 310D
ILLUSTRATED PARTS CATALOG

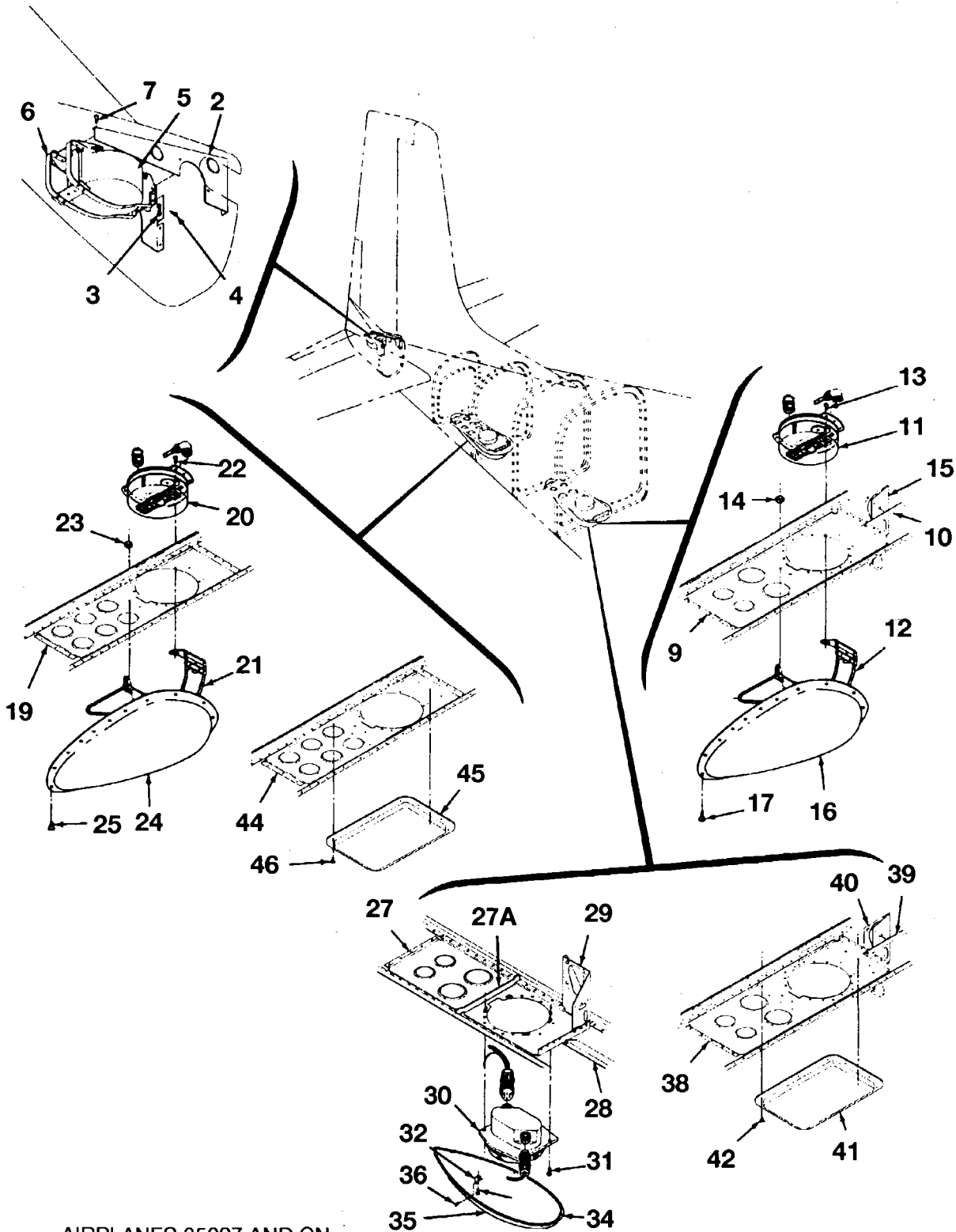
FIG ITEM	PART NUMBER	NOMENCLATURE	EFFECT FROM TO	UNITS PER ASSY
		1 2 3 4 5 6 7		
01		ARC ADF-21 INSTALLATION		
- 1		. SHELF INSTALLATION - RADIO- REFER TO 53-10-06 FIGURE 05	35547 35771	RF
2	0812580-6	. RECEIVER- ARC 20480 (28V) TYPE R-30A		RF
3	0812580-81	. MOUNT- RECEIVER ARC 21660 TYPE M-26A		1
4	0812580-8	. POWER UNIT- ARC 20490 (28V) TYPE P-14A		1
5	0812580-82	. MOUNT- POWER UNIT ARC 21650 TYPE M-28A		1
6	AN515-6R8	. SCREW- ATTACH RECEIVER & POWER UNIT SHOCKMOUNTS		8
7	MS21044N06	. NUT- ATTACH RECEIVER & POWER UNIT SHOCKMOUNTS		8 R
8	0812580-3	. CONTROL- ARC 20500 (28V) TYPE C-59A		1
- 8A	0812602-1	. BRACKET- CONTROL UNIT MOUNTING		2
- 8B	0812606-1	. ADAPTER ASSY- CONTROL UNIT		1
- 8C	PB 3 1/2	. SPRING- DZUS		4
- 8D	AN515-6R6	. SCREW- ATTACH ADAPTER ASSEMBLY		4
- 8E	MS21044N06	. NUT- ATTACH ADAPTER ASSEMBLY		4 R
9	0812580-10	. LINK ASSY- MECHANICAL		1
10	0812580-83	. INDICATOR- ARC 27310 TYPE IN-12-1		1
11	AN507B632R12	. SCREW- ATTACH INDICATOR		1
- 11A	MS21044N06	. NUT- ATTACH INDICATOR		1 R
12	A8970-2-327	. LIGHT ASSY- REFER TO 33-10-00 FIGURE 03 FOR BREAKDOWN GRIMES MFG		2
13	PSM-3N	. CIRCUIT BREAKER- KLIXON		1
14		. ANTENNA INSTALLATION- ARC FWD ADF LOOP REFER TO 34-50-05 FIGURE 01		RF
15		. ANTENNA INSTALLATION- SENSE REFER TO 34-50-05 FIGURE 02		RF
16	0812580-13	. CABLE- ANTENNA LOOP ANTENNA TO RECEIVER		1
17	0812580-14	. CABLE ASSY- ANTENNA SENSE ANTENNA TO RECEIVER		1
- 17A	UG306/U	. ADAPTER- ANGLE		1
18		. PANEL ASSY & INSTALLATION- RADIO CONTROL REFER TO 31-10-02 FIGURE 07		RF
- 18A		. PANEL ASSY & INSTALLATION- RADIO CONTROL REFER TO 31-10-02 FIGURE 08		RF
- 19		. ADF-21 INSTALLATION- ARC	35772 & ON	RF
20		. SHELF INSTALLATION- RADIO - REFER TO 53-10-06 FIGURE 05		RF
21	0812580-6	. RECEIVER- ARC 20480 (28V) TYPE R-30A		1
22	0812-580-81	. RECEIVER- ARC 21660 TYPE M-26A		1
23	0812580-8	. POWER UNIT- ARC 20490 (28V) TYPE P-14A		1
24	0812580-82	. MOUNT- POWER UNIT ARC 21650 TYP M-28A		1
25	AN515-6R8	. SCREW- ATTACH RECEIVER & POWER UNIT SHOCKMOUNTS		8
26	MS21044N06	. NUT- ATTACH RECEIVER & POWER UNIT SHOCKMOUNTS		8 R
27	0812580-3	. CONTROL- ARC 20500 (28V) TYPE C-59A		1
- 27A	0812627-2	. ADAPTOR- PANEL		1
- 27B	PB-3 1/2	. SPRING		4
- 27C	S-1021Z-4-8	. SCREW- ATTACH ADAPTER		6
- 27D	S3230-1	. NUT- ATTACH ADAPTER		6 R
28	0812580-10	. LINK ASSY- MECHANICAL		1
29	0812580-83	. INDICATOR- ARC 27310 TYPE IN-12-1		1
30	AN507B632R12	. SCREW- ATTACH INDICATOR		1
- 30A	MS21044N06	. NUT- ATTACH INDICATOR		1 R
31	A8970-2-327	. LIGHT ASSY- REFER TO 33-10-00 FIGURE 03 FOR BREAKDOWN		2
32	PSM-3N	. CIRCUIT BREAKER		1
33		. ANTENNA INSTALLATION- ARC FWD ADF LOOP REFER TO 34-50-05 FIGURE 01		RF
34		. ANTENNA INSTALLATION- SENSE REFER TO 34-50-05 FIGURE 02	35772 39031	RF
- 34A		. ANTENNA INSTALLATION- SENSE REFER TO 34-50-05 FIGURE 02	39032 & ON	RF
35	0812580-13	. CABLE- ANTENNA LOOP ANTENNA TO RECEIVER		1
36	0812580-14	. CABLE ASSY- ANTENNA SENSE ANTENNA TO RECEIVER		1
- 36A	UG306/U	. ADAPTER- ANGLE		1

CESSNA AIRCRAFT COMPANY
MODEL 310 THRU 310D
ILLUSTRATED PARTS CATALOG

FIG ITEM	PART NUMBER	NOMENCLATURE	EFFECT		UNITS PER ASSY
			FROM	TO	
01					
37		PANEL ASSY & INSTALLATION- RADIO CONTROL REFER TO 31-10-02 FIGURE 12.	35772	39031	RF
- 37A		PANEL ASSY & INSTALLATION- RADIO CONTROL REFER TO 31-10-02 FIGURE 15.	35772	39031	RF
- 37B		PANEL ASSY & INSTALLATION- RADIO CONTROL REFER TO 31-10-02 FIGURE 18.	39032	& ON	RF
- 37C		PANEL ASSY & INSTALLATION- RADIO CONTROL REFER TO 31-10-02 FIGURE 19.	39032	& ON	RF
- 37D		PANEL ASSY & INSTALLATION- RADIO CONTROL REFER TO 31-10-02 FIGURE 20.	39032	& ON	RF
38		ADF-21 INSTALLATION- ARC	35772	& ON	RF
39		SHELF INSTALLATION- RADIO REFER TO 53-10-06 FIGURE 05			RF
40	0812580-6	RECEIVER- ARC 20480 (28V) TYPE R-30A			1
41	0812580-81	MOUNT- RECEIVER ARC 21660 TYPE M-26A			1
42	0812580-8	POWER UNIT- ARC 20490 (28V) TYPE P-14A			1
43	0812580-82	MOUNT- POWER UNIT ARC 21650 TYPE M-28A			1
44	AN515-6R8	SCREW- ATTACH RECEIVER & POWER UNIT SHOCKMOUNTS			8
45	MS21044N06	NUT- ATTACH RECEIVER & POWER UNIT SHOCKMOUNTS			8 R
46	0812580-59	LINKAGE ASSY- MECHANICAL			1
47	0812580-83	INDICATOR- ARC 27310 TYPE IN-12-1			1
48	AN507B632R12	SCREW- ATTACH INDICATOR			1
- 48A	MS21044N06	NUT- ATTACH INDICATOR			1 R
49	A8970-2-327	LIGHT ASSY- REFER TO 33-10-00 FIGURE 03 FOR BREAKDOWN			2
50	PSM-3N	CIRCUIT BREAKER			1
51		ANTENNA INSTALLATION- ARC FWD ADF LOOP REFER TO 34-50-05 FIGURE 01.			RF
52		ANTENNA INSTALLATION- SENSE REFER TO 34-50-05 FIGURE 02.	35772	39031	RF
- 52A		ANTENNA INSTALLATION- SENSE REFER TO 34-50-05 FIGURE 02.	39032	& ON	RF
53	0812580-13	CABLE- ANTENNA LOOP ANTENNA TO RECEIVER			1
54	0812580-14	CABLE ASSY- ANTENNA SENSE ANTENNA TO RECEIVER			1
- 54A	UG306/U	ADAPTER- ANGLE			1
55		PANEL ASSY & INSTALLATION- RADIO CONTROL ARC C-77A REFER TO 31-10-02 FIGURE 16.	35772	39031	RF
- 55A		PANEL ASSY & INSTALLATION- RADIO CONTROL ARC C-77A REFER TO 31-10-02 FIGURE 23.	39032	& ON	RF

CESSNA AIRCRAFT COMPANY
MODEL 310 THRU 310D
 ILLUSTRATED PARTS CATALOG

A55936



AIRPLANES 35097 AND ON

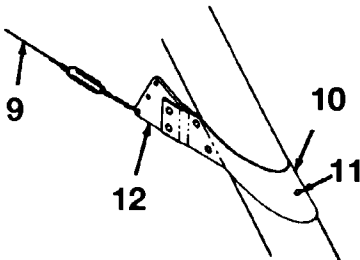
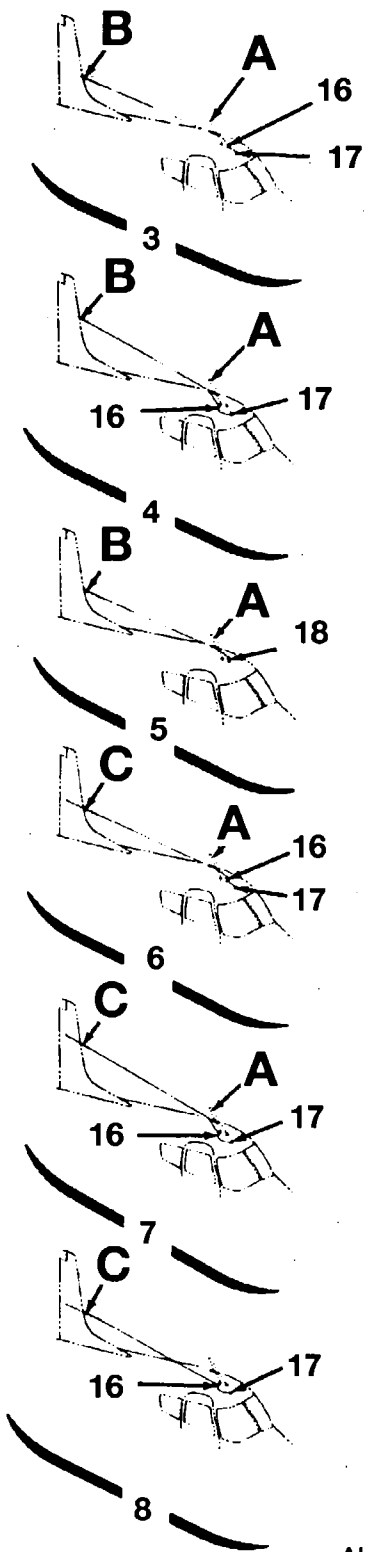
ADF LOOP ANTENNA INSTALLATION
 FIGURE 01 (SHEET 1)

CESSNA AIRCRAFT COMPANY
MODEL 310 THRU 310D
ILLUSTRATED PARTS CATALOG

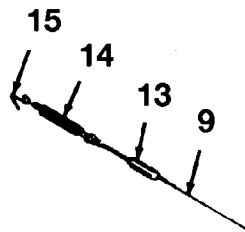
FIG ITEM	PART NUMBER	NOMENCLATURE	EFFECT		UNITS PER ASSY
			FROM	TO	
01		ADF LOOP ANTENNA INSTALLATION	35097	& ON	RF
- 1		ANTENNA INSTALLATION- LEAR	35097	35176	RF
2	0814100-14	BRACKET ASSY- PLATE			1
3	22A3-02	NUTPLATE			4
4	AN3C4A	BOLT- ATTACH BRACKET ASSY			8
5	0812455-165	LOOP ASSY- LFL-3A LEAR MODEL 700939-03			1
6	0812455-116	STRIP ASSY- CORRECTOR			1
7	AN515-832R10	SCREW- ATTACH LOOP & CORRECTOR STRIP			4
- 8		ANTENNA INSTALLATION- LEAR 1ST	35177	& ON	RF
9	0812497-1	DOUBLER- ANTENNA			1
10	0812474-1	STRINGER			1
11	0812455-165	LOOP ASSY- LFL-3A LEAR MODEL 700939-03			1
12	0311835-120	STRIP ASSY- CORRECTOR			1
13	AN515-8R8	SCREW- ATTACH LOOP & CORRECTOR STRIP			4
14	MS20365D632C	NUT- ATTACH LOOP & CORRECTOR STRIP			4
- 14A	AN515DD6R6	SCREW- ATTACH CORRECTOR STRIP			4
15	0812498-1	BRACKET- TRIM TAB SERVO			1
16	0311835-121	BLISTER- LOOP			1
17	AN515DD6R8	SCREW - ATTACH BLISTER			19
- 17A	NAS680A06K	NUTPLATE- ATTACH BLISTER			17
- 17B	NAS682A06K	NUTPLATE- ATTACH BLISTER			2
- 18		ANTENNA INSTALLATION- LEAR 2ND	35213	& ON	RF
19	0813524-1	DOUBLER- ANTENNA			1
20	0812455-165	LOOP ASSY- LFL-3A LEAR MODEL 700939-03			1
21	0311835-120	STRIP ASSY- CORRECTOR			1
22	AN515-8R8	SCREW- ATTACH LOOP & CORRECTOR STRIP			4
23	MS20365D632C	NUT- ATTACH LOOP & CORRECTOR STRIP			4
- 23A	AN515DD6R6	SCREW- ATTACH CORRECTOR STRIP			4
24	0311835-121	BLISTER- LOOP			1
25	AN515DD6R8	SCREW- ATTACH BLISTER			19
- 25A	NAS680A06K	NUTPLATE - ATTACH BLISTER			19
- 26		ANTENNA INSTALLATION- ARC FORWARD	35547	& ON	RF
27	0812497-1	DOUBLER- ANTENNA			1
27A	0870004-1	BRACE			1
28	0812474-1	STRINGER			1
29	0812498-1	BRACKET-TRIM TAB SERVO			1
30	0812580-4	LOOP- L-11 ARC 18000			1
31	AN515-8R12	SCREW- ATTACH LOOP			4
- 31A	NAS686A08K	NUTPLATE- ATTACH LOOP			4
32	19039	BRACKET- LOOP HOUSING ARC			6
33	AN515-6R8	SCREW- ATTACH BRACKET			6
- 33A	NAS680A06K	NUTPLATE- ATTACH BRACKET			6
34	18744	GASKET- RUBBER ARC			1
35	0812580-5	HOUSING- LOOP ARC 177664			1
36	8813	SCREW- ARC ATTACH HOUSING			6
- 37		ANTENNA INSTALLATION- LEAR 1ST GONIO	35976	35976	RF
			39003	& ON	
38	0812497-1	DOUBLER- ANTENNA			1
39	0812474-1	STRINGER			1
40	0812498-1	BRACKET- TRIM TAB SERVO			1
41	0812659-1	GONIO-TENNA- LEAR MODEL 2321D	35976	35976	1
			39003	39273	
- 41A	0812659-3	GONIO-TENNA- LEAR 2321F	39274	& ON	1
42	S-1021Z-8-6	SCREW- ATTACH GONIO-TENNA			10
- 43		ANTENNA INSTALLATION- LEAR 2ND GONIO	39032	& ON	RF
44	0813524-1	DOUBLER - ANTENNA			1
45	0812659-1	GONIO-TENNA- LEAR MODEL 2321D	39032	39273	1
- 45A	0812659-3	GONIO-TENNA- LEAR 2321F	39274	& ON	1
46	S-1021Z-8-6	SCREW- ATTACH GONIO-TENNA			10

CESSNA AIRCRAFT COMPANY
MODEL 310 THRU 310D
 ILLUSTRATED PARTS CATALOG

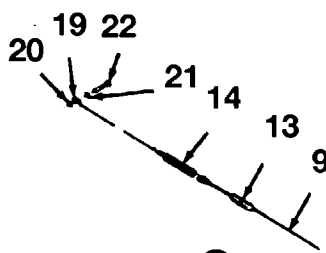
A55937



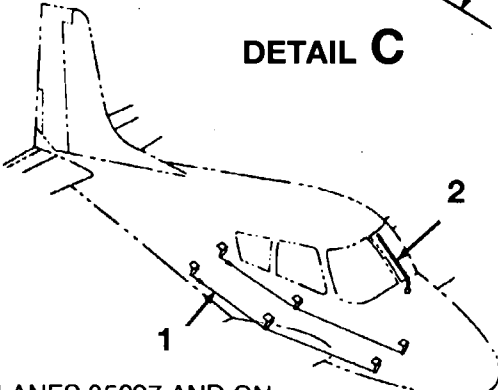
DETAIL A



DETAIL B



DETAIL C



AIRPLANES 35097 AND ON
 ADF SENSE ANTENNA INSTALLATION
 FIGURE 02 (SHEET 1)

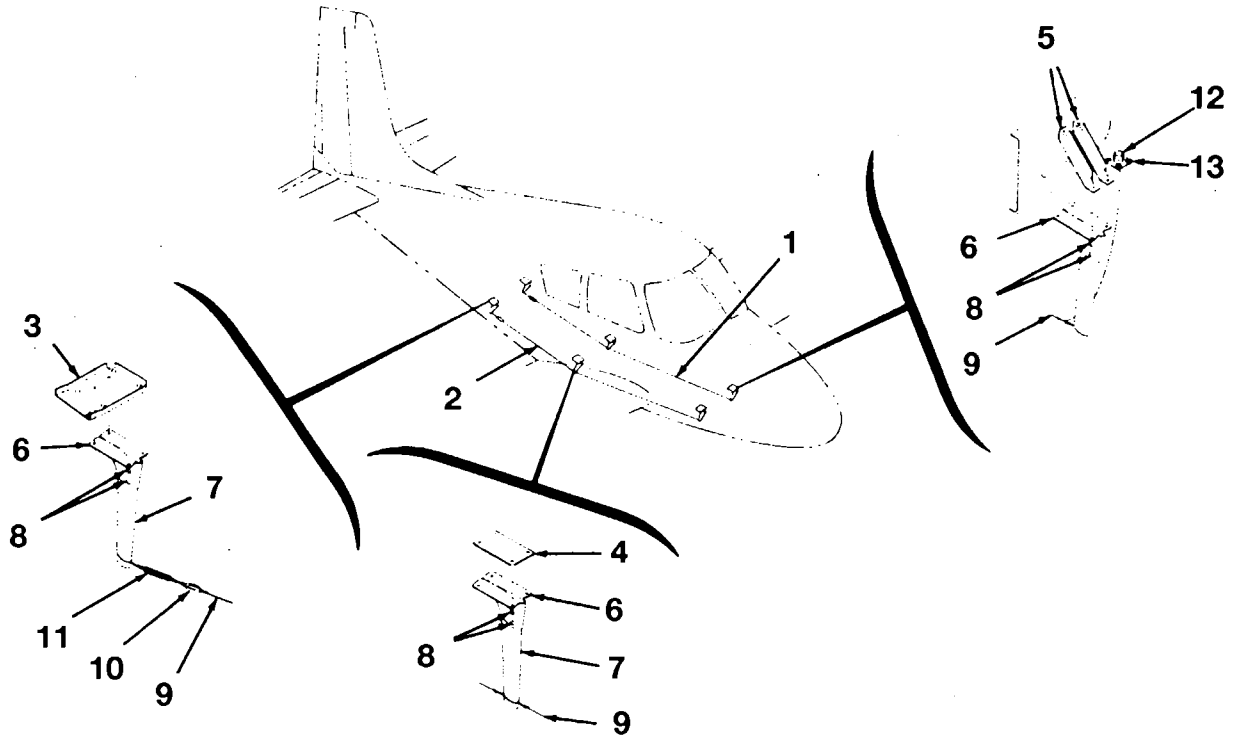
**CESSNA AIRCRAFT COMPANY
MODEL 310 THRU 310D
ILLUSTRATED PARTS CATALOG**

FIG ITEM	PART NUMBER	NOMENCLATURE	EFFECT		UNITS
			FROM	TO	PER ASSY
02		ADF SENSE ANTENNA INSTALLATION REFER TO NOTE 1	35097	& ON	RF
1		ADF SENSE ANTENNA INSTLLATION-CABIN BOTTOM REFER TO 34-50-05 FIGURE 03 FOR BREAKDOWN	35547	& ON	RF
2		ANTENNA INSTALLATION REFER TO 23-10-01 FIGURE 03	35097	35171	RF
3		ANTENNA INSTALLATION- 1ST SENSE DETAIL A	35172	& ON	RF
4		ANTENNA INSTALLATION 2ND SENSE DETAIL B	35172	35546	RF
5		ANTENNA INSTALLATION- SENSE DETAIL C	35547	& ON	RF
6		ANTENNA INSTALLATION- 1ST SENSE DETAIL D	35213	35546	RF
7		ANTENNA INSTALLATION- 2ND SENSE DETAIL E	35213	35546	RF
8		ANTENNA INSTALLATION- SENSE DETAIL F	35213	35546	RF
9	18/30 HS	WIRE- ANTENNA MATERIAL SPEC W-106A BKI			AR
10	0812503-1	CLIP- DETAIL A B C D & E ONLY			1
11	CR163C-4-4	RIVET- DETAIL A B C D & E ONLY CHERRY RIVET CO			1
12	0812502-1	INSULATOR- DETAIL A B C D & E ONLY			1
13	463	INSULATOR			1
14	S1282-1	SPRING			1
15	0411686	CLIP- DETAIL A B & C ONLY			1
16	0411067-1	INSULATOR- DETAIL A B C E & F ONLY			1
17	SO239	RECEPTACLE- DETAIL A B C D E & F ONLY			1
- 17A	AN515-4R6	SCREW- ATTACH RECEPTACLE DETAIL A B D E & F ONLY			4
- 17B	MS21044N04	NUT- ATTACH RECEPTACLE DETAIL A B D E & F ONLY			4 R
18	19077	INSULATOR - ARC DETAIL C ONLY			1
19	AN100-3	THIMBLE- DETAIL D E & F ONLY			1
20	NAS1149D0416H	WASHER- ATTACH THIMBLE DETAIL D E & F ONLY			2 R
21	NAS1149DN616H	WASHER- ATTACH THIMBLE DETAIL D E & F ONLY			1 R
22	AN515-6R12	SCREW- ATTACH THIMBLE DETAIL D E & F ONLY			1

NOTE 1—A COMBINATION OF ANTENNAS, SENSE OR LOW FREQUENCY, MOUNTED TO THE VHF SPIKE ANTENNA REQUIRES ONLY ONE EACH OF THE ATTACHING PARTS

CESSNA AIRCRAFT COMPANY
MODEL 310 THRU 310D
ILLUSTRATED PARTS CATALOG

A55938



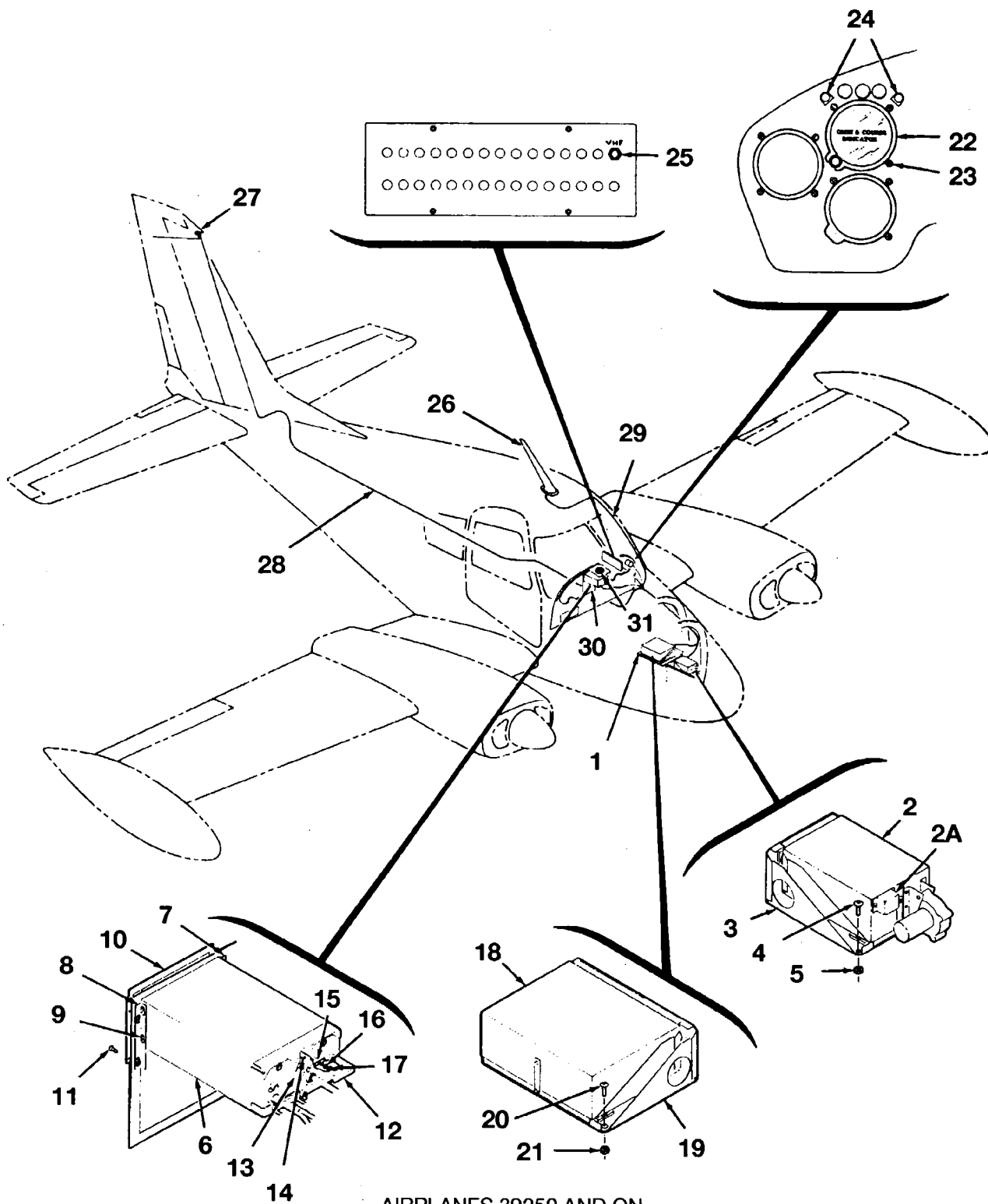
AIRPLANES 35547 AND ON
CABIN BOTTOM ADF SENSE ANTENNA INSTALLATION
FIGURE 03 (SHEET 1)

CESSNA AIRCRAFT COMPANY
MODEL 310 THRU 310D
ILLUSTRATED PARTS CATALOG

FIG ITEM	PART NUMBER	NOMENCLATURE	EFFECT		UNITS
			FROM	TO	PER ASSY
03		CABIN BOTTOM ADF SENSE ANTENNA INSTALLATION REFER TO 34-50-05	35547	& ON	RF
		FIGURE 02 FOR NHA			
1		. ANTENNA INSTALLATION-1ST SENSE	35547	& ON	RF
2		. ANTENNA INSTALLATION-2ND SENSE	35547	& ON	RF
3	0812619-2	. BRACKET-SUPPORT 2ND SENSE ANTENNA ONLY			1
- 3A	0812619-1	. BRACKET-SUPPORT 1ST SENSE ANTENNA ONLY			1
4	0812619-3	. DOUBLER			1
5	0812619-4	. ANGLE-SUPPORT			2
6	0411670	. BRACKET-ANTENNA MAST MOUNTING			3
7	0411217	. MAST-RADIO ANTENNA			3
8	AN515-6R10	. SCREW-ATTACH MAST			6
- 8A	H10-06	. NUT-ATTACH MAST			6
9	18/30HS	. WIRE-ANTENNA MATERIAL SPEC W-106A			AR
10	463	. INSULATOR			1
11	S1282-1	. SPRING			1
12	83-798	. RECEPTACLE-AMPHENAL			1
13	MS21044N04	. NUT-ATTACH RECEPTACLE			4 R
- 13A	AN515-4R6	. SCREW-ATTACH RECEPTACLE			4

CESSNA AIRCRAFT COMPANY
MODEL 310 THRU 310D
 ILLUSTRATED PARTS CATALOG

A55847



AIRPLANES 39250 AND ON

MOTOROLA LNC-100 TRANSCEIVER INSTALLATION
 FIGURE 01 (SHEET 1)

**CESSNA AIRCRAFT COMPANY
MODEL 310 THRU 310D
ILLUSTRATED PARTS CATALOG**

FIG ITEM	PART NUMBER	NOMENCLATURE	EFFECT		UNITS
			FROM	TO	PER ASSY
01		MOTOROLA LNC-100 TRANSCEIVER INSTALLATION			RF
- 0		. LNC-100 TRANSCEIVER INSTALLATION - MOTOROLA	39250	& ON	RF
- A		. LNC-100 TRANSCEIVER INSTALLATION WITH OMNI - MOTOROLA	39250	& ON	RF
1		. SHELF INSTALLATION - RADIO REFER TO 53-10-06 FIGURE 05			RF
2	0870002-7	. POWER SUPPLY - 2355F-1 (MOTOROLA 713400-04)			1
2A	0870002-14	. SUPPORT- NOISE			1
- 2B	AN507-440R6	. SCREW- ATTACH SUPPRESSOR			2
3	0870002-8	. SHOCKMOUNT			1
4	AN515-8R8	. SCREW- ATTACH SHOCKMOUNT			4
5	MS21044N08	. NUT- ATTACH SHOCKMOUNT			4 R
6	0870002-1	. TRANS- MOTOROLA 715800			1
- 6A	AN515-6R6	. SCREW- ATTACH TUNER			4
7	0870003-1	. ANGLE ASSY- SUPPORT LH			1
8	0870003-2	. ANGLE ASSY- SUPPORT RH			1
9	MK2000-06	. NUTPLATE			4
10	0870003-6	. PANEL- MOUNTING			1
11	AN507-632R8	. SCREW- ATTACH MOUNTING PANEL			6
12	0812684-6	. SUPPORT			1
13	0870003-5	. SUPPORT- TUNER			1
14	MS21044N08	. NUT- ATTACH SUPPORT			1 R
15	0411059-1	. MOUNT			1
16	AN936B8	. WASHER- ATTACH SHOCKMOUNT			2
17	AN340B8	. NUT- ATTACH SHOCKMOUNT			2
18	0870002-5	. CONVERTER- OMNI MOTOROLA 713403-02 USED WITH OMNI			1
19	0870002-6	. SHOCKMOUNT- USED WITH OMNI			1
20	AN515-8R8	. SCREW- ATTACH SHOCKMOUNT USED WITH OMNI			4
21	MS21044N08	. NUT- ATTACH SHOCKMOUNT USED WITH OMNI			4 R
22	0870002-2	. SELECT- COURSE SELECTOR MOTOROLA 4080B1 USED WITH OMNI			1
23	AN507B632R8	. SCREW- ATTACH INDICATOR USED WITH OMNI			3
24	A5299-24	. POSTLIGHT- USED WITH OMNI REFER TO 33-10-00 FIGURE 03 FOR BREAKDOWN GRIMES MFG			2
25	PSM-5N	. CIRCUIT BREAKER- KLIXON			1
26		. ANTENNA INSTALLATION - VHF REFER TO 23-10-01 FIGURE 04			RF
27		. ANTENNA INSTALLATION OMNI REFER TO 23-00-00 FIGURE 05			RF
28	0870001-6	. CABLE ASSY- ANTENNA OMNI ANTENNA TO TUNER)			1
29	0870001-7	. CABLE ASSY- ANTENNA VHF ANTENNA TO TUNER)			1
30		. PANEL ASSY & INSTALLATION - RADIO CONTROL REFER TO 31-10-01 FIGURE 03			RF
- 30A		. PANEL ASSY & INSTALLATION- RADIO CONTROL REFER TO 31-10-01 FIGURE 04			RF
31		. VENT INSTALLATION - INSTRUMENT PANEL DECK- RADIO CONTROL REFER TO 53-01-01 FIGURE 01 FOR BREAKDOWN			RF

CHAPTER

35

OXYGEN

CESSNA AIRCRAFT COMPANY
MODEL 310 THRU 310D
ILLUSTRATED PARTS CATALOG

LIST OF EFFECTIVE PAGES

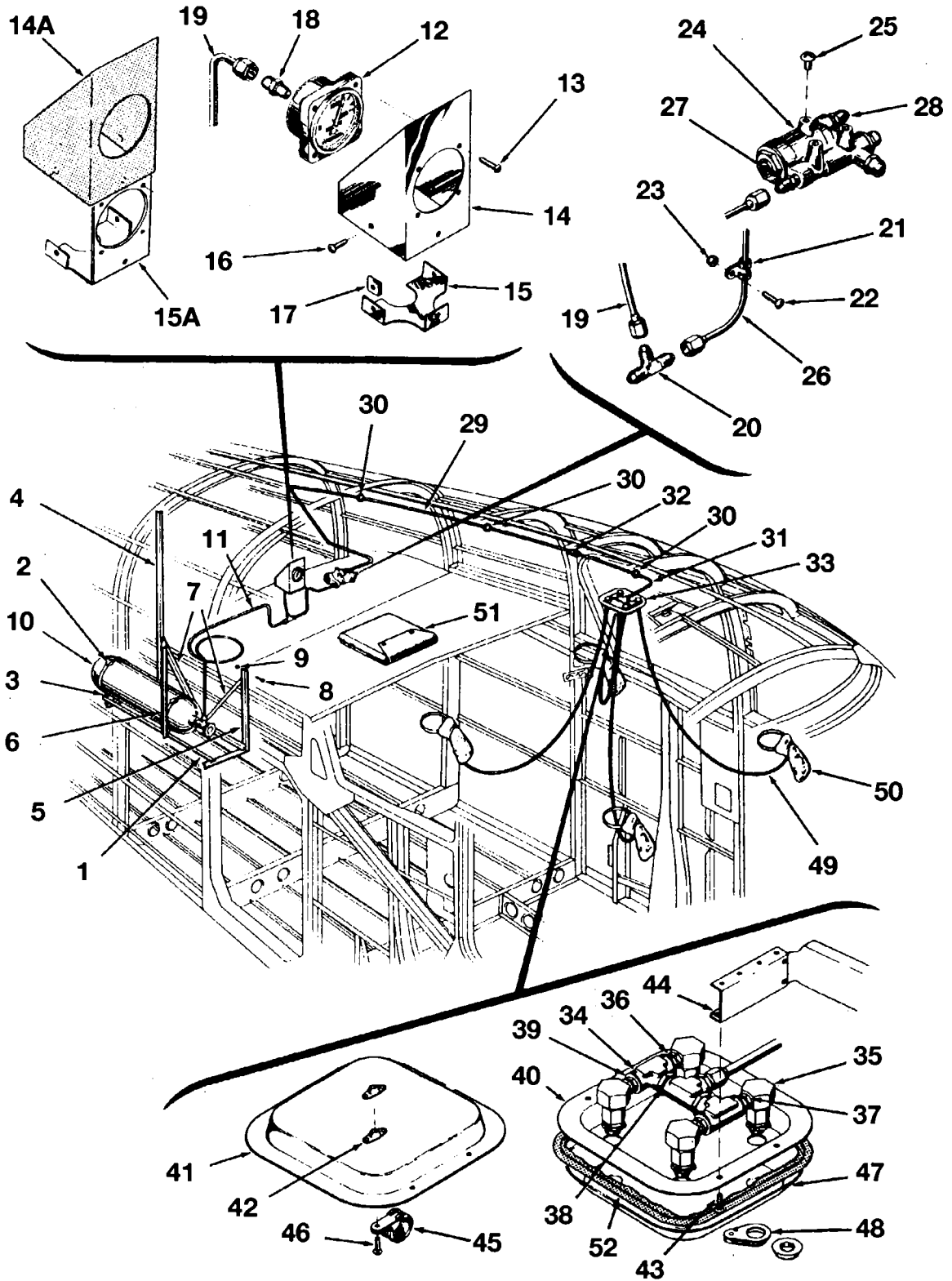
CHAPTER-SECTION-SUBJECT	PAGE	DATE
35-Title		
35-List of Effective Pages		
35-Record of Temporary Revisions		
35-Contents		
35-10-00 Figure 01	1	Jul 3/2006
	2	Jul 3/2006
35-10-00 Figure 02	1	Jul 3/2006
	2	Jul 3/2006
35-10-00 Figure 03	1	Jul 3/2006
	2	Jul 3/2006
	3	Jul 3/2006
35-10-00 Figure 04	1	Jul 5/2004
	2	Jul 5/2004

CESSNA AIRCRAFT COMPANY
MODEL 310 THRU 310D
ILLUSTRATED PARTS CATALOG

<u>SUBJECT</u>	<u>CH SEC SUBJ FIG</u>	<u>EFFECTIVITY</u>
4 PORT OXYGEN SYSTEM INSTALLATION	35-10-00-01	
5 PORT OXYGEN SYSTEM INSTALLATION	35-10-00-02	35000 35546
5 PORT OXYGEN SYSTEM INSTALLATION	35-10-00-03	35547 & ON
FORWARD MOUNTED 5 PORT OXYGEN SYSTEM INSTALLATION	35-10-00-04	39032 & ON

CESSNA AIRCRAFT COMPANY
MODEL 310 THRU 310D
 ILLUSTRATED PARTS CATALOG

A55786



4 PORT OXYGEN SYSTEM INSTALLATION
 FIGURE 01 (SHEET 1)

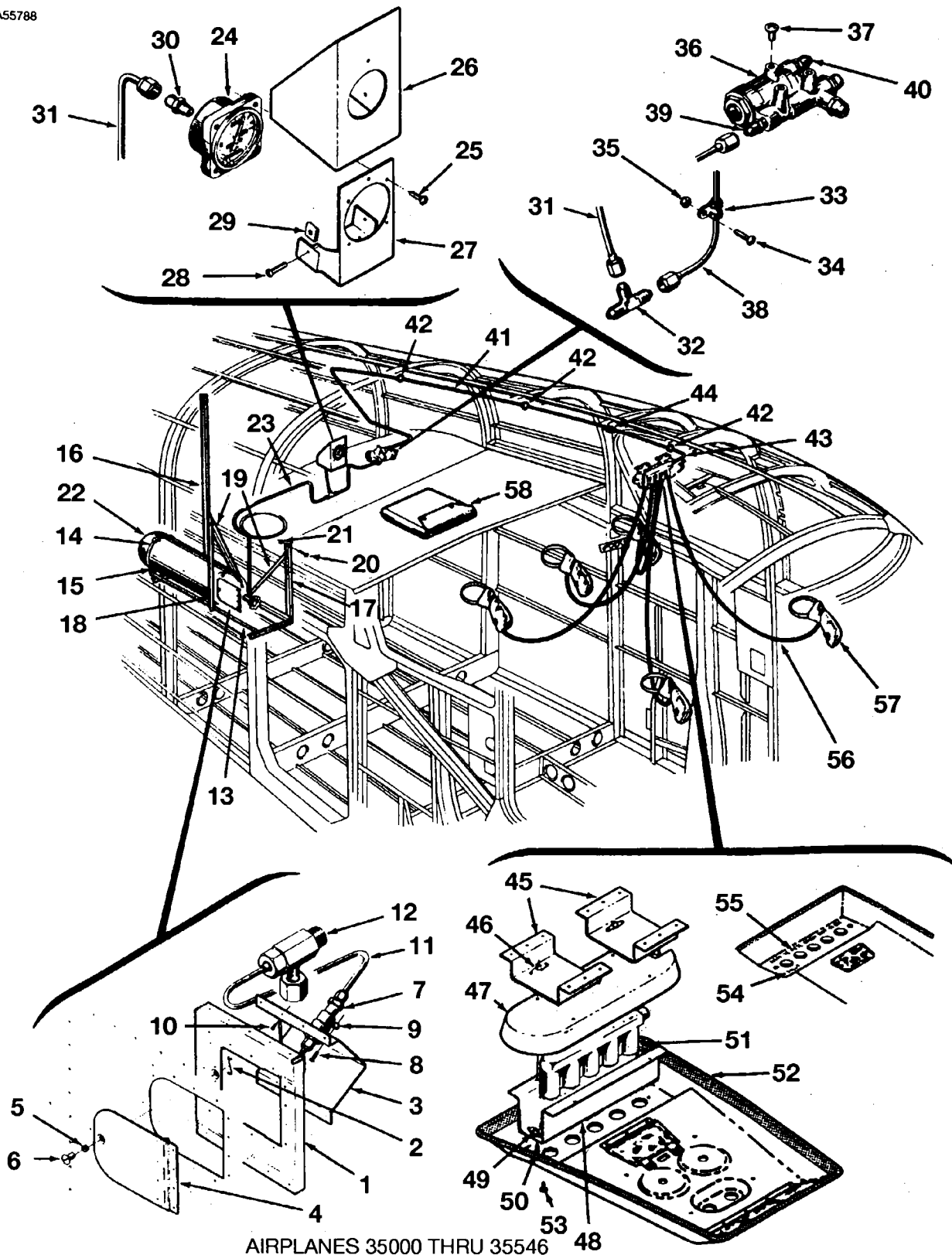
CESSNA AIRCRAFT COMPANY
MODEL 310 THRU 310D
ILLUSTRATED PARTS CATALOG

FIG ITEM	PART NUMBER	NOMENCLATURE	EFFECT		UNITS PER ASSY
			FROM	TO	
01		4 PORT OXYGEN SYSTEM INSTALLATION			RF
1	0800030-3	CASE-OXYGEN MASK CYLINDER			1
2	1200057-1	BRACKET-CYLINDER MOUNTING			2
3	AN4-5A	BOLT-ATTACH CYLINDER MOUNTING BRACKET TO SHELF ASSY			4
- 3A	MS21044N4	NUT-ATTACH CYLINDER MOUNTING BRACKET TO SHELF ASSEMBLY			4 R
4	0800030-8	HANGER-CYLINDER SHELF REAR			1
5	0800030-11	HANGER-CYLINDER SHELF FWD			1
6	0800030-17	BRACE-RH			1
7	0800030-18	BRACE-LH			2
8	AN515-8R7	SCREW-ATTACH CYLINDER SHELF ASSY AND BRACES			6
9	MS21044N08	NUT-ATTACH CYLINDER SHELF ASSY AND BRACES			6 R
10	1200058-1	CYLINDER			1
11	0800045-4	TUBE-OXYGEN FROM CYLINDER TO TEE REFER TO NOTE 1			1
12	S1325N1	PRESSURE GAGE-OXYGEN			1
13	AN515B6R10	SCREW-ATTACH OXYGEN GAGE TO COVER			4
14	0800030-6	COVER-OXYGEN GAGE	35000	35285	1
14A	0800031-1	COVER-OXYGEN GAGE	35286	35546	1
15	0800030-7	MOUNTING-COVER	35000	35285	1
15A	0800032-1	MOUNTING-COVER	35286	35546	1
16	S-1021Z-6R6	SCREW-ATTACH COVER TO MOUNTING			3
17	A1804-6Z-3	NUT-ATTACH COVER TO MOUNTING TINNERMAN			3
18	S3190-1	NIPPLE GAGE INLET-REFER TO NOTE 1			1 R
19	0800045-1	TUBE-OXYGEN FROM GAGE TO TEE REFER TO NOTE 1			1
20	0800045-12	TEE-HIGH PRESSURE OXYGEN LINES REFER TO NOTE 1			1
21	436A5	SUPPORT CLIP-ADEL			2
22	AN515-6R6	SCREW-ATTACH SUPPORT CLIP			2
23	MS21044N06	NUT-ATTACH SUPPORT CLIP			2 R
24	0812363-1	REGULATOR-OXYGEN			1
25	NAS222-12	SCREW-ATTACH REGULATOR TO BAGGAGE SHELF			3
26	0800045-2	TUBE-OXYGEN HIGH PRESSURE REFER TO NOTE 1			1
27	S3190-1	FITTING-OXYGEN REGULATOR INLET REFER TO NOTE 1			1 R
28	MS20822-5D	ELBOW-OXYGEN REGULATOR OUTLET	35000	35191	1
- 28A	AS5194D0502	ADAPTER-OXYGEN REGULATOR OUTLET	35192	35546	1 R
29	0800106-181	LINE-OXYGEN REAR LOW PRESSURE	35000	35191	1
- 29A	0800106-205	LINE-OXYGEN REAR LOW PRESSURE	35192	35546	1
30	MS35489-10	GROMMET-LOW PRESSURE LINE			3 R
31	0800106-182	LINE-OXYGEN FRONT LOW PRESSURE	35000	35191	1
- 31A	0800106-206	LINE-OXYGEN FRONT LOW PRESSURE	35192	35546	1
32	AN832-5D	UNION-ATTACH FRONT AND REAR LOW PRESSURE OXYGEN TUBES			1
- 32A	AN924-5D	NUT-ATTACH FRONT AND REAR LOW PRESSURE OXYGEN TUBES			1
- 32B	NAS1149D0863K	WASHER-ATTACH FRONT AND REAR LOW PRESSURE OXYGEN TUBES			1 R
33	0800030-2	MANIFOLD ASSY			1
34	AN938-5D	TEE			3
35	0812364-1	OXYGEN COUPLING			4
36	0812365-1	RESTRICTOR-LINE			3
37	0812365-2	RESTRICTOR-LINE			1
- 37A	AS5174D0505	UNION			3 R
38	NAS1149D0863K	WASHER			8 R
39	AN902B5	GASKET			8
40	0800030-14	PAN-MOUNTING MANIFOLD ASSY	35000	35285	1
41	0800033-1	PAN ASSY-MOUNTING	35286	35546	1
42	NAS680A08	NUTPLATE			2
43	S-1021Z-6R6	SCREW-ATTACH MOUNTING PAN TO AIRFRAME			4
44	A1804-6Z-3	NUT-ATTACH MOUNTING PAN TO AIRFRAME TINNERMAN	35000	35285	4
- 44A	A1804-6Z-3	NUT-ATTACH MOUNTING PAN TO AIRFRAME TINNERMAN	35286	35546	2
- 44B	NAS488-1	NUT-ATTACH MOUNTING PAN TO AIRFRAME TINNERMAN A6310-6Z-3	35286	35546	2
45	MS21919DG14	CLAMP-ATTACH MANIFOLD ASSY	35286	35546	2
46	AN515-8R7	SCREW-ATTACH MANIFOLD ASSY	35286	35546	2
47	0800036-5	COVER-MOUNTING PAN			1
48	0812366-1	COVER-DUST			4
49	0800030-4	MASK LINE ASSY			4
50	0812369-1	MASK-OXYGEN			4
51	0800030-19	CASE-OXYGEN MASK			1
52	0800030-27	BEAD ASSY-LEATHER			1

NOTE 1—THIS FIGURE IS FOR REPLACEMENT PARTS ONLY. WHEN ORDERING PARTS FOR AIRPLANES INCORPORATING A 4 PART OXYGEN SYSTEM, ORDER THE FOLLOWING PARTS: 0800045-4 TUBE, 0800045-11 NIPPLE, 0800045-1 TUBE, 0800045-12 TEE, 0800045-2 TUBE AND 0800045-11 FITTING.

CESSNA AIRCRAFT COMPANY
MODEL 310 THRU 310D
 ILLUSTRATED PARTS CATALOG

A55788



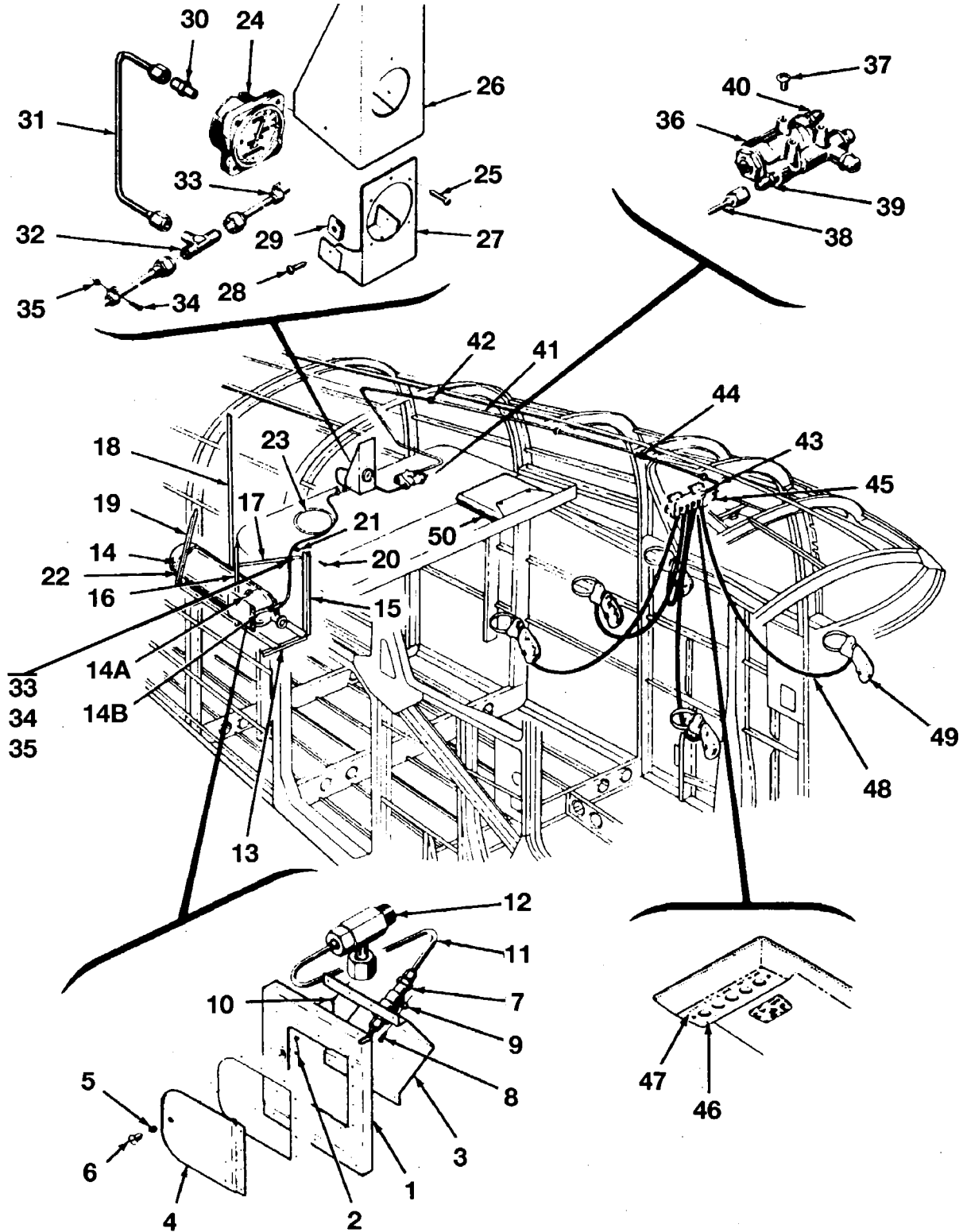
AIRPLANES 35000 THRU 35546
5 PORT OXYGEN SYSTEM INSTALLATION
 FIGURE 02 (SHEET 1)

**CESSNA AIRCRAFT COMPANY
MODEL 310 THRU 310D
ILLUSTRATED PARTS CATALOG**

FIG ITEM	PART NUMBER	NOMENCLATURE	EFFECT		UNITS PER ASSY
			FROM	TO	
02		5 PORT OXYGEN SYSTEM INSTALLATION	35000	35546	RF
1	0800041-1	DOUBLER ASSY - OXYGEN REFILL DOOR			1
2	S4-275	SPRING- DZUS			1
3	0800043-1	BRACKET- FILLER VALVE			1
4	0800042-1	DOOR ASSY- OXYGEN REFILL			1
5	GF4-150	GROMMET- DZUS			1
6	F4-30	FASTENER- DZUS			1
- 6A	FJ4-30	FASTENER- DZUS ALT FOR F4-30			1 R
7	0800045-6	FILLER VALVE ASSY- OXYGEN TANK OUTSIDE FILLER			1
8	AN515-8R8	SCREW- ATTACH FILLER VALVE			3
9	MS21044N08	NUT- ATTACH FILLER VALVE			3 R
10	S-1021Z-4-6	SCREW- ATTACH CHAIN			1
11	0800045-3	OXYGEN LINE- FROM FILLER VALVE TO CYLINDER			1
12	0800045-5	TEE- CYLINDER			1
13	0800030-3	CASE-OXYGEN MASK- CYLINDER			1
14	1200057-1	BRACKET- CYLINDER MOUNTING			2
15	AN4-5A	BOLT- ATTACH CYLINDER MOUNTING BRACKET			4
- 15A	MS21044N4	NUT- ATTACH CYLINDER MOUNTING BRACKET			4 R
16	0800030-8	HANGER- CYLINDER SHELF-REAR			1
17	0800030-11	HANGER- CYLINDER SHELF-FWD			1
18	0800030-17	BRACE - RH			1
19	0800030-18	BRACE - LH			2
20	AN515-8R7	SCREW- ATTACH SHELF ASSY & BRACES			6
21	MS21044N08	NUT- ATTACH SHELF ASSY & BRACES			6 R
22	1200058-1	CYLINDER FSO 2C382-48			1
23	0800045-4	OXYGEN LINE- OXYGEN FROM CYLINDER TO TEE			1
24	S1325N1	PRESSURE GAGE- OXYGEN PRESSURE WEU C668522-0101			1
25	AN515B6R10	SCREW- ATTACH GAGE TO COVER MOUNT			4
26	0800031-1	COVER- OXYGEN GAGE			1
27	0800032-1	BRACKET- COVER MOUNTING			1
28	S-1021Z-6R6	SCREW- ATTACH COVER			3
29	A1804-6Z-3	NUT- ATTACH COVER TINNERMAN			3
30	S3190-1	NIPPLE- GAGE INLET			1 R
31	0800045-1	OXYGEN LINE- FROM GAGE TO TEE			1
32	0800045-12	TEE- HIGH PRESSURE OXYGEN LINE			1
33	436A-5	CLIP- SUPPORT ADEL			2
34	AN515-6R6	SCREW- ATTACH CLIP			2
35	MS21044N06	NUT- ATTACH CLIP			2 R
36	0812363-1	REGULATOR- OXYGEN			1
37	NAS222-12	SCREW- ATTACH REGULATOR			3
38	0800045-2	LINE ASSY - OXYGEN HIGH PRESSURE			1
39	S3190-1	NIPPLE- OXYGEN REGULATOR INLET			1 R
40	AS5194D0502	ADAPTER- OXYGEN REGULATOR OUTLET			1 R
41	0800106-205	LINE OXYGEN- REAR LOW PRESSURE			1
42	MS35489-10	GROMMET- LOW PRESSURE LINE			3 R
43	0800106-227	TUBE ASSY OXYGEN- FRONT LOW PRESSURE			1
44	AN832-5D	UNION- ATTACH LINE ASSEMBLIES			1
- 44A	NAS1149D0863K	WASHER- ATTACH LINE ASSEMBLIES			2 R
- 44B	AN924-5D	NUT- ATTACH LINE ASSEMBLIES			1
45	0800046-1	SUPPORT ASSY- OXYGEN OUTLET			2
46	MS21047L06	NUTPLATE			2 R
47	0800048-1	RETAINER- OXYGEN OUTLET UPHOLSTERY			1
48	0800047-1	BRACKET ASSY- OXYGEN OUTLET MOUNTING			1
49	NAS444-1	NUTPLATE- TINNERMAN A6191-6Z-3			2
50	AN515-6R8	SCREW- ATTACH RETAINER & BRACKET ASSEMBLY			4
51	0800045-9	5PORT OXYGEN OUTLET- 5 PORTS			1
- 51A	AN507-632R6	SCREW- ATTACH OXYGEN OUTLET			4
52	0800049-5	COVER ASSY- INCLUDES LENSES			1
53	S-1021Z-6-6C	SCREW- ATTACH COVER ASSEMBLY			2
54	0812331-1	DECAL- PILOT			1
55	0812331-2	DECAL- REMOVE HOSE WHEN NOT IN USE			1
56	0800030-30	MASK LINE ASSY			5
57	0812369-1	MASK- OXYGEN			5
58	0800030-19	CASE- OXYGEN MASK			1

CESSNA AIRCRAFT COMPANY
MODEL 310 THRU 310D
 ILLUSTRATED PARTS CATALOG

A41041



AIRPLANES 35547 AND ON

5 PORT OXYGEN SYSTEM INSTALLATION
 FIGURE 03 (SHEET 1)

CESSNA AIRCRAFT COMPANY
MODEL 310 THRU 310D
ILLUSTRATED PARTS CATALOG

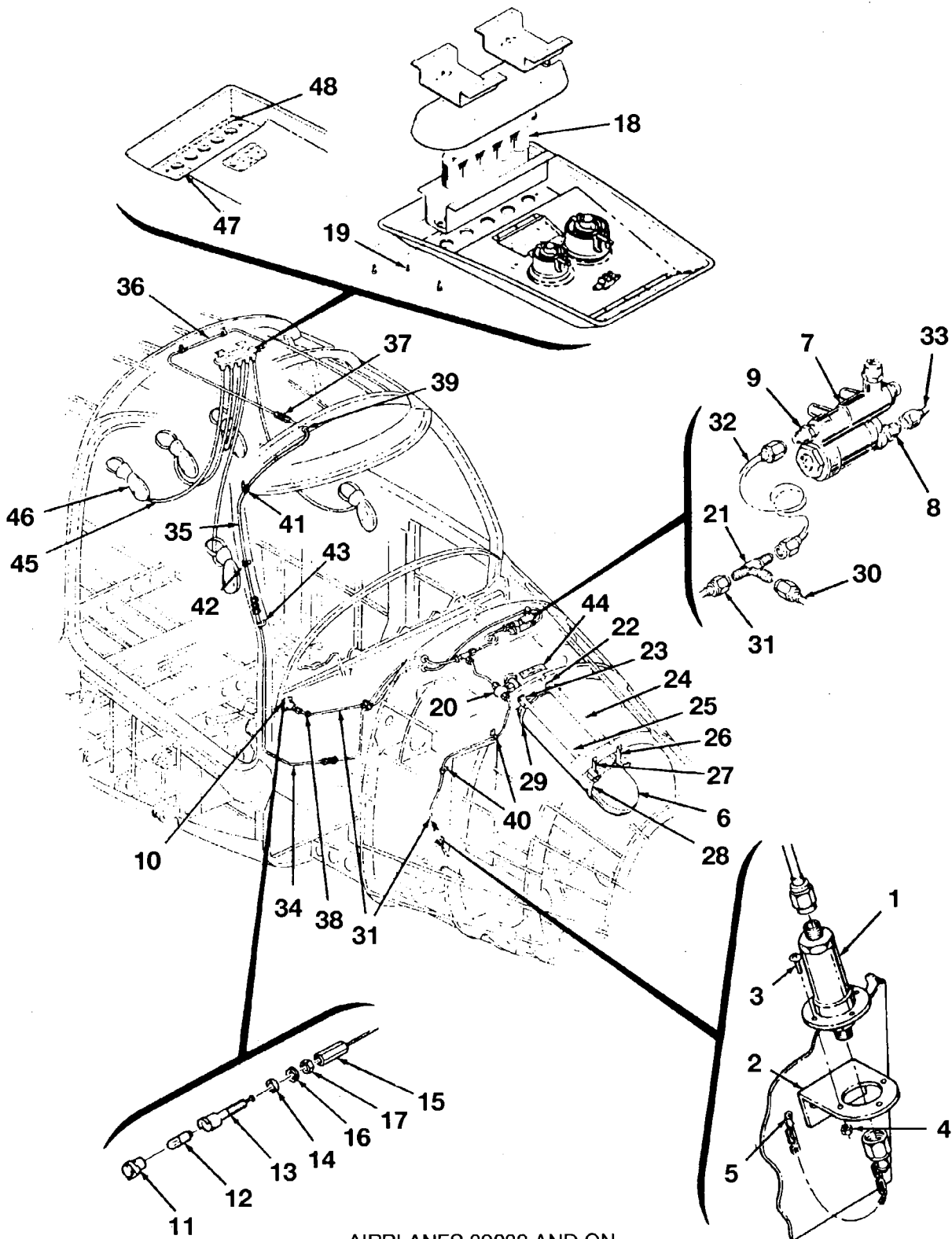
FIG ITEM	PART NUMBER	NOMENCLATURE	EFFECT		UNITS
			FROM	TO	PER ASSY
03		5 PORT OXYGEN SYSTEM INSTALLATION	35547	& ON	RF
1	0800041-3	DOUBLER-OXYGEN REFILL			1
2	S4-275	SPRING			1
3	0800043-1	BRACKET-FILLER VALVE			1
4	0800042-1	DOOR ASSY-OXYGEN REFILL			1
5	GF4-150	GROMMET			1
6	F4-30	FASTENER			1
- 6A	FJ4-30	FASTENER ALT FOR F4-30			1 R
7	0800045-6	FILLER VALVE ASSY-OXYGEN TANK OUTSIDE REFILL			1
8	AN515-8R8	SCREW-ATTACH FILLER VALVE			2
9	MS21044N08	NUT-ATTACH FILLER VALVE			3 R
10	S-1021Z-4-6	SCREW-ATTACH CHAIN			1
11	0800045-3	OXYGEN LINE-OXYGEN FILLER VALVE TO CYLINDER	35771	35771	1
- 11A	0800045-14	OXYGEN LINE-OXYGEN FILLER VALVE TO CYLINDER	35772	& ON	1
12	0800045-5	TEE-CYLINDER	35547	35771	1
- 12A	0800045-15	TEE-CYLINDER	35772	& ON	1
13	0811674-3	SHELF ASSY-CYLINDER			1
14	1200057-1	BRACKET-CYLINDER MOUNTING			1
14A	1200057-2	BRACKET ASSY-CYLINDER MOUNTING			1
14B	0811673-1	STRAP ASSY			1
- 14C	S4-200	SPRING			1
- 14D	GA4-250	GROMMET			1
- 14E	AJ4-35	STUD			1 R
- 14F	AN3-3A	BOLT-ATTACH STRAP			1
- 14G	MS21045L3	NUT-ATTACH STRAP			1 R
- 14H	NAS1149F0332P	WASHER-ATTACH STRAP			1 R
- 14I	AN4-5A	BOLT-ATTACH CYLINDER MOUNTING BRACKET			4
- 14J	MS21044N4	NUT-ATTACH CYLINDER MOUNTING BRACKET			4 R
15	0811675-1	HANGER-SHELF FORWARD			1
16	0811675-3	BRACE-RH	35547	35771	1
- 16A	0811656-1	BRACE-RH	35772	& ON	1
17	0811675-4	BRACE-LH			1
18	0811675-7	HANGER-SHELF REAR			1
19	0811675-8	ANGLE-REAR SUPPORT			1
20	AN520-10R8	SCREW-ATTACH SHELF ASSY & BRACES	35547	35771	8
- 20A	AN520-10R8	SCREW-ATTACH SHELF ASSY & BRACES	35772	& ON	7
- 20B	AN507-1032R8	SCREW-ATTACH SHELF ASSY & BRACES	35772	& ON	1
21	MS21045L3	NUT-ATTACH SHELF ASSY & BRACES	35547	35771	8 R
- 21A	MS21045L3	NUT-ATTACH SHELF ASSY & BRACES	35772	& ON	7 R
22	1200058-1	CYLINDER			1
23	0800045-4	OXYGEN LINE-CYLINDER TO TEE	35547	35771	1
- 23A	0800045-17	OXYGEN LINE-CYLINDER TO TEE	35772	& ON	1
24	S1325N1	PRESSURE GAGE-OXYGEN			1
25	AN515B6R12	SCREW-ATTACH GAGE TO COVER MOUNT			4
26	0800036-2	COVER-OXYGEN GAGE	35547	35771	1
- 26A	0800062-1	COVER-OXYGEN GAGE	35772	& ON	1
27	0800032-1	BRACKET-COVER MOUNTING	35547	35771	1
- 27A	0800061-1	BRACKET-COVER MOUNTING	35772	& ON	1
28	S-1021Z-6R6	SCREW-ATTACH COVER			3
29	A1804-6Z-3	NUT-ATTACH COVER TINNERMAN			3
30	S3190-1	NIPPLE-GAGE INLET			1 R
31	0800045-1	OXYGEN LINE-GAGE TO TEE	35547	35771	1
- 31A	0800045-16	OXYGEN LINE-GAGE TO TEE	35772	& ON	1
32	0800045-12	TEE-HIGH PRESSURE OXYGEN LINE			1
33	436A-5	CLIP-SUPPORT ADEL			3
34	AN515-6R6	SCREW-ATTACH CLIP			3
35	MS21044N06	NUT-ATTACH CLIP			3 R
36	0812363-1	REGULATOR-OXYGEN			1
37	NAS222-12	SCREW-ATTACH REGULATOR			3
38	0800045-2	LINE ASSY-OXYGEN HIGH PRESSURE	35547	35771	1
39	S3190-1	NIPPLE-OXYGEN REGULATOR INLET	35547	35771	1 R
40	AS5194D0502	ADAPTER-OXYGEN REGULATOR OUTLET			1 R
41	0800106-205	LINE-OXYGEN REAR LOW PRESSURE	35547	35771	1
- 41A	0800106-270	TUBE ASSY-OXYGEN REAR LOW PRESSURE	35772	& ON	1
42	MS35489-10	GROMMET-LOW PRESSURE LINE	35547	35771	3 R
- 42A	MS35489-10	GROMMET-LOW PRESSURE LINE	35772	& ON	4 R
43	0800106-227	TUBE ASSY-OXYGEN FRONT LOW PRESSURE			1
44	AN832-5D	UNION-ATTACH LINE ASSYS			1
- 44A	NAS1149D0863K	WASHER-ATTACH LINE ASSYS			2 R
- 44B	AN924-5D	NUT-ATTACH LINE ASSYS			1

CESSNA AIRCRAFT COMPANY
MODEL 310 THRU 310D
 ILLUSTRATED PARTS CATALOG

FIG ITEM	PART NUMBER	NOMENCLATURE	EFFECT		UNITS PER ASSY
			FROM	TO	
		1 2 3 4 5 6 7			
03					
45	0800045-9	. 5 PORT OXYGEN OUTLET			1
- 45A	AN507-632R6	. SCREW-ATTACH OXYGEN OUTLET			4
46	0812331-1	. DECAL-PILOT			1
47	0812331-2	. DECAL-REMOVE HOSE WHEN NOT IN USE			1
48	0800030-30	. MASK LINE ASSY			5
49	0812369-1	. MASK-OXYGEN			5
50	0800030-19	. CASE OXYGEN MASK			1

CESSNA AIRCRAFT COMPANY
MODEL 310 THRU 310D
ILLUSTRATED PARTS CATALOG

A55789



AIRPLANES 39032 AND ON
FORWARD MOUNTED 5 PORT OXYGEN SYSTEM INSTALLATION
FIGURE 04 (SHEET 1)

CESSNA AIRCRAFT COMPANY
MODEL 310 THRU 310D
ILLUSTRATED PARTS CATALOG

FIG ITEM	PART NUMBER	NOMENCLATURE	EFFECT FROM TO	UNITS PER ASSY	
				1 2 3 4 5 6 7	
04		FORWARD MOUNTED 5 PORT OXYGEN SYSTEM INSTALLATION	39032 & ON	RF	
- 1	0800045-6	. FILLER VALVE ASSY		1	
2	0800091-1	. BRACKET		1	
3	AN515-8R8	. SCREW-ATTACH VALVE TO BRACKET		3	
4	MS21044N08	. NUT-ATTACH VALVE TO BRACKET		3	R
5	S-1021Z-4-6	. SCREW-ATTACH CHAIN TO FUSELAGE		1	
6	1200058-1	. CYLINDER-FSO 2C382-48		NP	
7	0812363-1	. REGULATOR-OXYGEN AUTOMATIC		1	
- 7A	NAS222-12	. SCREW-ATTACH REGULATOR		3	
8	AS5194D0502	. ADAPTER-OUTLET		1	R
9	S3190-1	. NIPPLE-INLET		1	R
10	S1325L1	. PRESSURE GAGE-FSO C668522-0101		NP	
- 10A	AN515B6R12	. SCREW-ATTACH GAGE		3	
- 10B	AS5194D0302	. ADAPTER		1	R
- 10C	A8970-2-327	. LIGHT ASSY		1	
11	A6747	. HOOD-GRIMES MFG		1	
12	AN3140-327	. BULB-GRIMES MFG		1	
13	A9160-2	. SOCKET-GRIMES MFG		1	
14	A-9163-1	. WASHER-GRIMES MFG		1	
15	A-9164-1	. CONNECTOR-GRIMES MFG		1	
16	8	. LOCK WASHER-GRIMES MFG		1	
17	8-32	. NUT-GRIMES MFG		1	
18	0800045-9	. 5 PORT OXYGEN OUTLET		1	
19	AN507-632R6	. SCREW-ATTACH OUTLET		4	
- 19A	AS5194D0302	. ADAPTER-ATTACH LINE TO OUTLET		1	R
20	0800045-15	. TEE		1	
21	0800045-12	. TEE		1	
22	0800089-1	. LUG-RH		1	
23	0800089-2	. LUG-LH		1	
24	0800089-3	. HANGER-RH		1	
25	0800089-4	. HANGER-LH		1	
26	0800089-5	. HANGER-RH		1	
27	0800089-6	. HANGER-LH		1	
- 27A	AN520-10R10	. SCREW-ASSEMBLE HANGERS		6	
- 27B	AN520-10R8	. SCREW-ASSEMBLE HANGERS		2	
- 27C	MS21045L3	. NUT-ASSEMBLE HANGERS		8	R
28	0800090-1	. CLAMP ASSY		1	
29	0800090-2	. CLAMP ASSY		1	
30	0800045-16	. OXYGEN LINE		1	
31	0800045-14	. OXYGEN LINE		2	
32	0800045-21	. OXYGEN LINE		1	
33	0800106-307	. TUBE ASSY		1	
34	0800106-310	. LINE ASSY		1	
35	0800106-308	. LINE ASSY		1	
36	0800106-309	. TUBE ASSY		1	
37	AS5174D0505	. UNION		3	R
38	MS35489-5	. GROMMET		1	
39	MS35489-10	. GROMMET		3	
40	MS21919DG5	. CLAMP		2	
- 40A	S-1021Z-8-8	. SCREW-ATTACH CLAMP		2	
- 40B	S3230-4	. NUT-ATTACH CLAMP		2	R
41	MS21919DG5	. CLAMP		1	
- 41A	AN515-6R8	. SCREW-ATTACH CLAMP		1	
- 41B	MS20364-632C	. NUT-ATTACH CLAMP		1	
42	MS21919DG5	. CLAMP		1	
- 42A	S-1022A-6-8	. SCREW-ATTACH CLAMP		1	
- 42B	S3712-4	. NUT-ATTACH CLAMP		1	R
43	MS21919DG5	. CLAMP		1	
- 43A	AN507-632R12	. SCREW-ATTACH CLAMP		1	
44	0812480-97	. PLACARD		1	
45	0800030-80	. LINE ASSY		5	
46	0812369-1	. MASK		5	
47	0812331-1	. DECAL-PILOT		1	
48	0812331-2	. DECAL-REMOVE HOSE WHEN NOT IN USE		1	
- 48A	0800030-19	. CASE-OXYGEN MASK		1	

CHAPTER

37

VACUUM

CESSNA AIRCRAFT COMPANY
MODEL 310 THRU 310D
ILLUSTRATED PARTS CATALOG

LIST OF EFFECTIVE PAGES

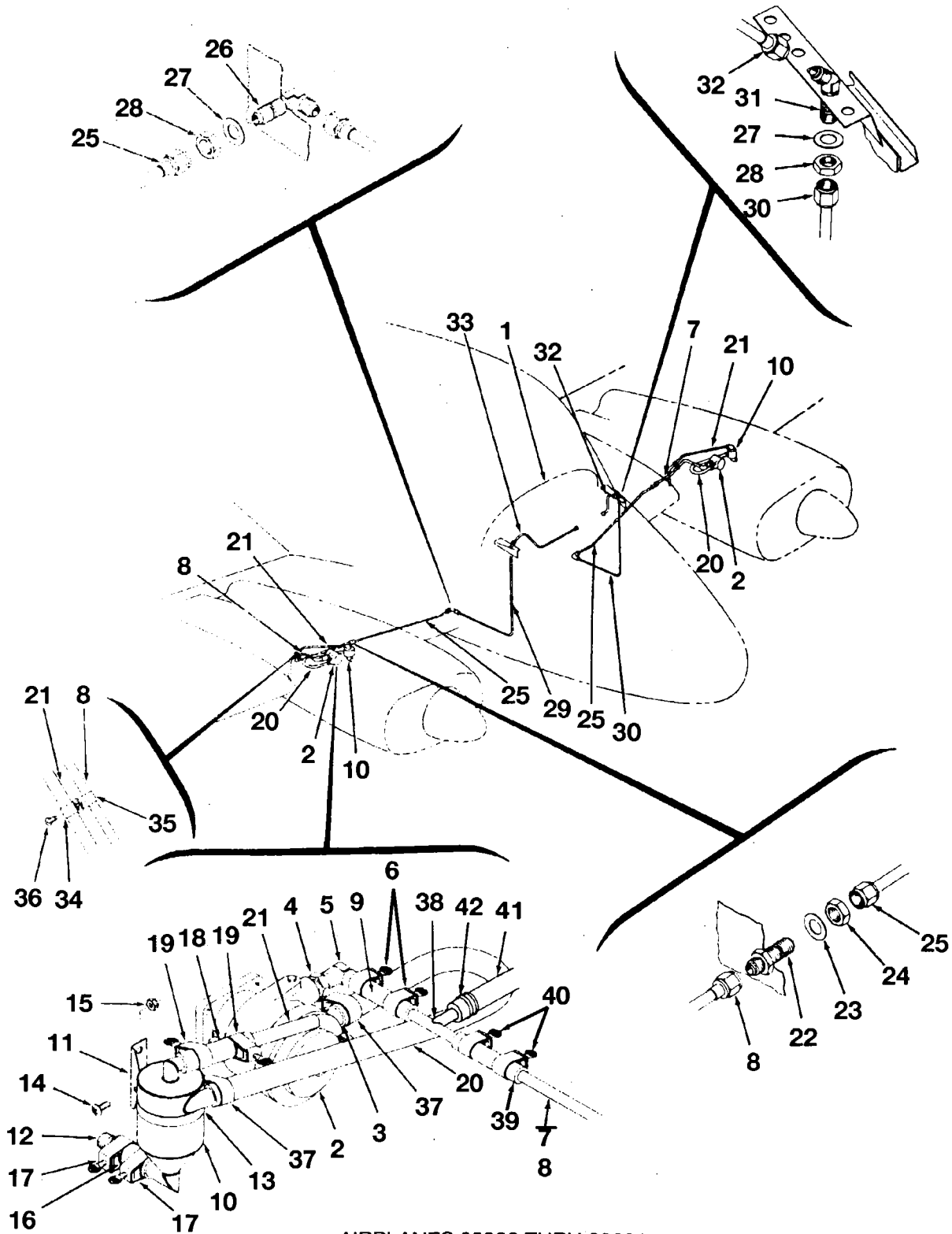
CHAPTER-SECTION-SUBJECT	PAGE	DATE
37-Title		
37-List of Effective Pages		
37-Record of Temporary Revisions		
37-Contents		
37-10-00 Figure 01	1	Jul 3/2006
	2	Jul 3/2006
37-10-00 Figure 02	1	Jul 3/2006
	2	Jul 3/2006
37-10-00 Figure 03	1	Jul 3/2006
	2	Jul 3/2006
37-10-00 Figure 04	1	Jul 5/2004
	2	Jul 5/2004

CESSNA AIRCRAFT COMPANY
MODEL 310 THRU 310D
ILLUSTRATED PARTS CATALOG

<u>SUBJECT</u>	<u>CH SEC SUBJ FIG</u>	<u>EFFECTIVITY</u>
VACUUM SYSTEM INSTALLATION	37-10-00-01	35000 39031
VACUUM SYSTEM INSTALLATION	37-10-00-02	39032 & ON
VACUUM SYSTEM COMPONENTS-INSTRUMENT PANEL	37-10-00-03	
VACUUM SYSTEM RELIEF VALVE INSTALLATION	37-10-00-04	

CESSNA AIRCRAFT COMPANY
MODEL 310 THRU 310D
 ILLUSTRATED PARTS CATALOG

A55750



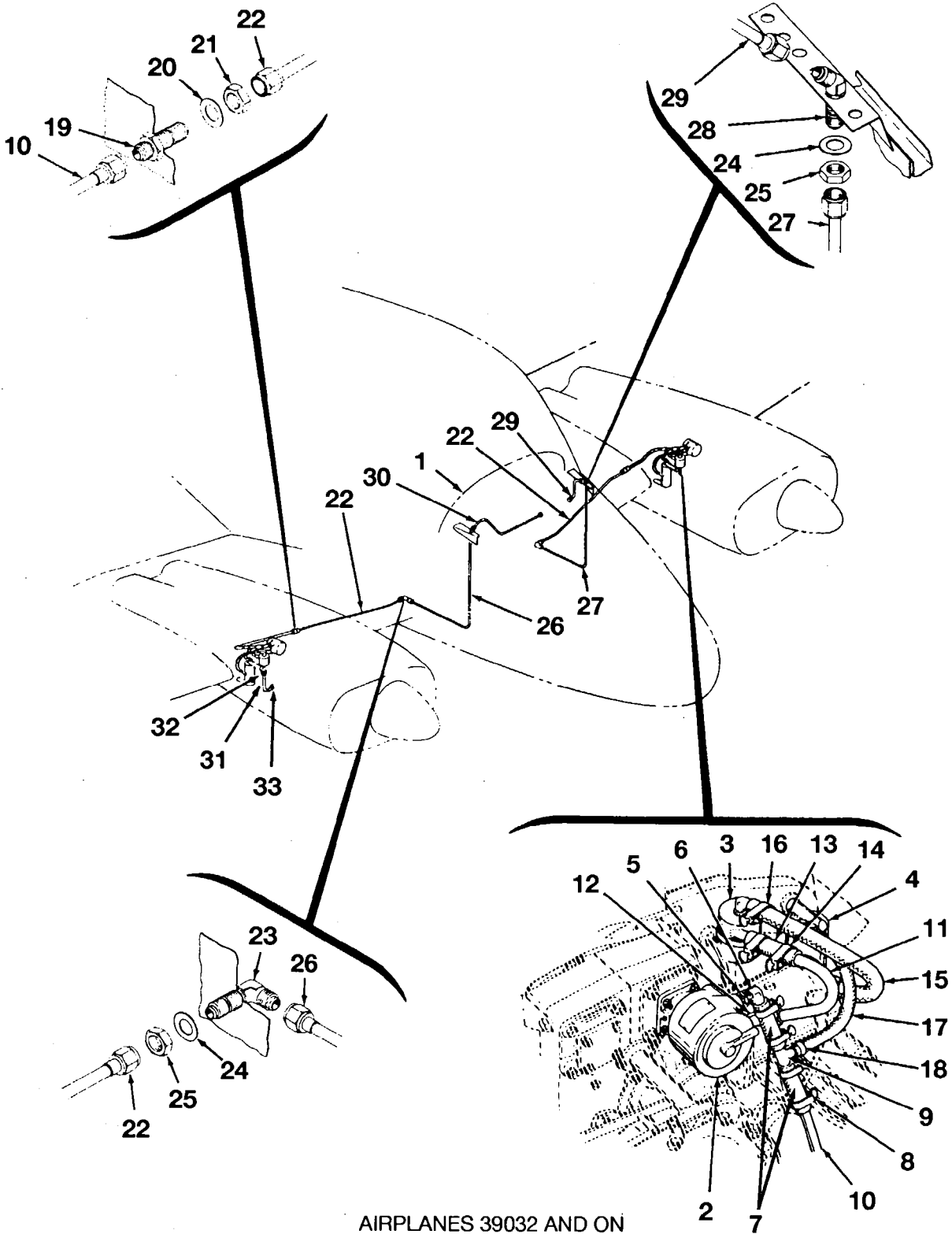
AIRPLANES 35000 THRU 39031
 VACUUM SYSTEM INSTALLATION
 FIGURE 01 (SHEET 1)

CESSNA AIRCRAFT COMPANY MODEL 310 THRU 310D ILLUSTRATED PARTS CATALOG

FIG ITEM	PART NUMBER	NOMENCLATURE	EFFECT		UNITS PER ASSY
			FROM	TO	
01		VACUUM SYSTEM INSTALLATION	35000	39031	RF
-		VACUUM SYSTEM COMPONENTS-INSTRUMENT PANEL REFER TO			RF
1		37-10-00 FIGURE 03 FOR BREAKDOWN			
2		VACUUM PUMP-REFER TO 71-00-00 FIGURE 02			RF
3	AN840-9	ADAPTER-ATTACH SEPARATOR LINE			2
4	AN912-2	BUSHING-VACUUM PUMP			2
5	AN842-6D	ELBOW-HOSE ATTACH VACUUM LINE			2
6	AN737RM22	CLAMP-ATTACH SUCTION LINE			4
7	0800106-67	LINE ASSY-PUMP TO FIREWALL LEFT	35000	35771	1
- 7A	0800106-280	LINE VACUUM-PUMP TO FIREWALL LEFT	35772	39031	1
8	0800106-66	LINE ASSY-PUMP TO FIREWALL RIGHT	35000	35771	1
- 8A	0800106-279	LINE ASSY-PUMP TO FIREWALL RIGHT	35772	39031	1
9	S51-6	HOSE-3 IN. LG BULK ITEM REF S-51-6-12			2
10		OIL SEPARATOR-VACUUM SYSTEM REFER TO 71-00-00 FIGURE 02			RF
11		BRACKET-REFER TO 71-00-00 FIGURE 02			RF
12		FITTING ENGINE BLOCK-ENGINE BLOCK REFER TO 71-00-00 FIGURE 02			RF
13		CLAMP-ATTACH OIL SEPERATOR REFER TO 71-00-00 FIGURE 02			RF
14		SCREW-ATTACH CLAMP REFER TO 71-00-00 FIGURE 02			RF
15		NUT-ATTACH CLAMP REFER TO 71-00-00 FIGURE 02			RF
16		HOSE SEPARATOR TO ENGINE BLOCK-REFER TO 71-00-00 FIGURE 02			RF
17		CLAMP-ATTACH HOSE REFER TO 71-00-00 FIGURE 02			RF
18	S51-8	HOSE-3 IN. LG BULK ITEM REFER TO 71-00-00 FIGURE 02			2
19	AN737TW30	CLAMP-ATTACH HOSE			4 R
20	S51-10	HOSE-18 IN LG BULK ITEM REF-S-51-10-72			2
21	0800106-191	LINE-SEPARATOR TO OVERBD	35000	35771	2
- 21A	0800106-274	LINE ASSY-SEPARATOR TO OVERBD	35772	39031	2
22	AN832-6	UNION-CONNECT TUBE AT FIREWALL			2
23	NAS1149F0963P	WASHER-CONNECT TUBE AT FIREWALL			2 R
24	AN924-6	NUT-CONNECT TUBE AT FIREWALL			2
25	0800106-53	LINE ASSY-FIREWALL TO FUSELAGE			2
26	AN833-6D	ELBOW-CONNECT LINE AT FUSELAGE ROOT			2
27	NAS1149D0963K	WASHER-CONNECT LINE AT FUSELAGE ROOT			4 R
28	AN924-6D	NUT-CONNECT LINE AT FUSELAGE ROOT			4
29	0800106-129	TUBE ASSY-ROOT TO BRACKET RIGHT			1
31	AN837-6D	ELBOW-CONNECT LINE AT BRACKET			2
32	0800106-175	LINE VACUUM-BRACKET TO SOURCE LEFT			1
33	0800106-174	LINE VACUUM-BRACKET TO SOURCE RIGHT			1
34	A2981A-8-27	CLAMP-ATTACH LINE TINNERMAN			2
35	AN742D6	CLAMP-ATTACH LINE			2
36	S-1021Z-8-8	SCREW-ATTACH CLAMPS			2
37	AN737RM34	CLAMP-ATTACH SEPARATOR HOSE			4
38	0851540-1	TEE ASSY	35772	39031	2
39	S51-6	HOSE-3 IN. LG BULK ITEM REFS-51-6-12	35772	39031	2
40	AN737RM22	CLAMP-ATTACH HOSE	35772	39031	4
41	S51-4	HOSE-10 IN. LG BULK ITEM REF S51-4-40 TEE TO OIL SEPARATOR	35772	39031	2
42	S2357-1	CLAMP-ATTACH HOSE	35772	39031	4 R

CESSNA AIRCRAFT COMPANY
MODEL 310 THRU 310D
ILLUSTRATED PARTS CATALOG

A55751



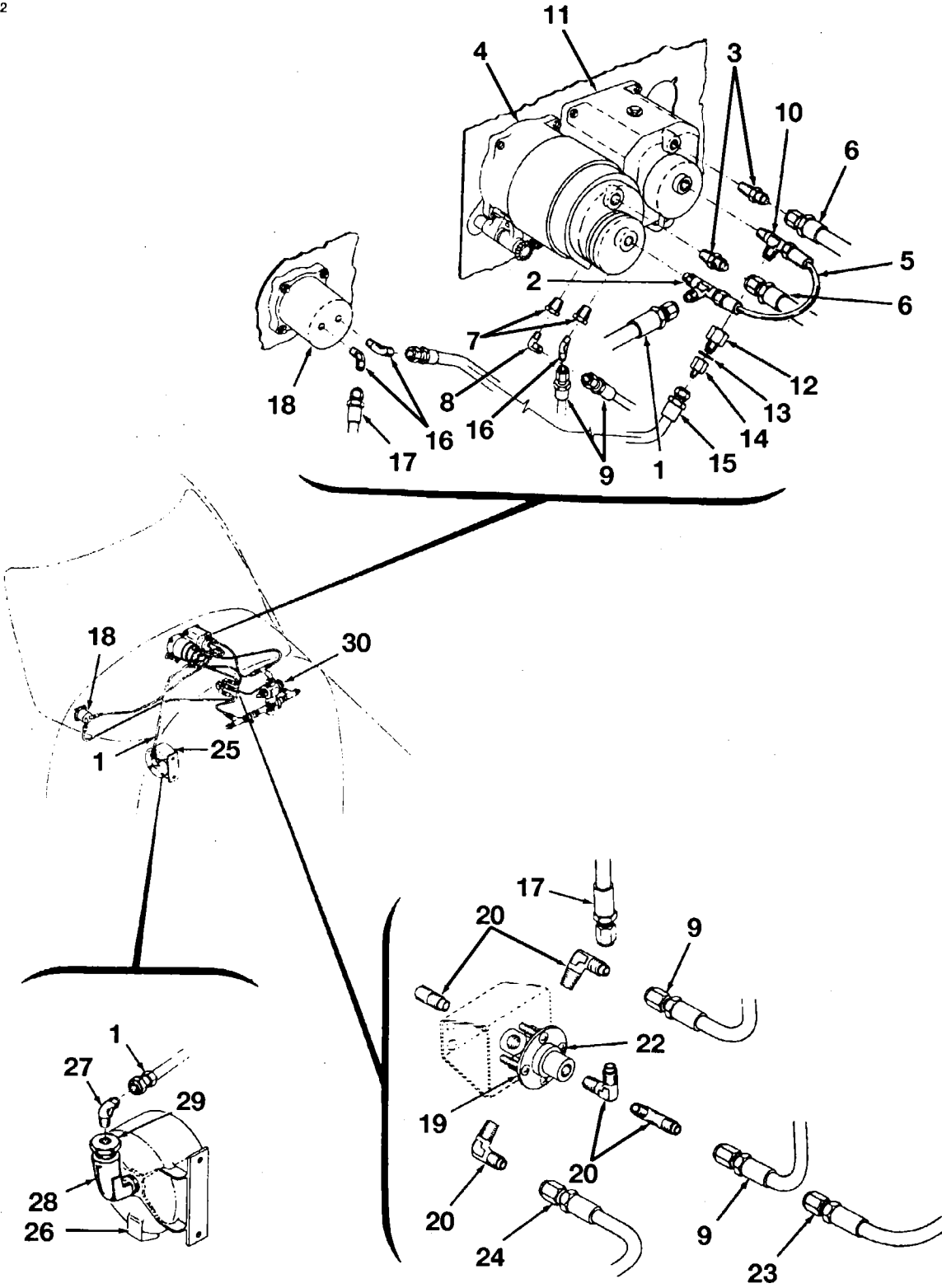
AIRPLANES 39032 AND ON
VACUUM SYSTEM INSTALLATION
FIGURE 02 (SHEET 1)

**CESSNA AIRCRAFT COMPANY
MODEL 310 THRU 310D
ILLUSTRATED PARTS CATALOG**

FIG ITEM	PART NUMBER	NOMENCLATURE	EFFECT		UNITS
			FROM	TO	PER ASSY
02		VACUUM SYSTEM INSTALLATION	39032	& ON	RF
1		VACUUM SYSTEM COMPONENTS-INSTRUMENT PANEL REFER TO 37-10-00 FIGURE 03 FOR BREAKDOWN			RF
2		VACUUM PUMP-REFER TO 71-00-00 FIGURE 02			RF
3		OIL SEPARATOR-VACUUM SYSTEM REFER TO 71-00-00 FIGURE 02			RF
4		OIL SEPARATOR-BREATHER LINE REFER TO 71-00-00 FIGURE 02			RF
5	AN912-2D	BUSHING			2
6	AN842-6D	ELBOW-HOSE			2
7	S51-6	HOSE-3 IN. LG BULK ITEM REF S-51-6-12			4
8	AN737RM22	CLAMP-ATTACH HOSE			8
9	0851540-1	TEE ASSY-VACUUM LINE			2
10	0800106-280	LINE VACUUM-TEE TO FIREWALL LEFT			1
- 10A	0800106-279	LINE ASSY-TEE TO FIREWALL RIGHT			1
11	0800106-311	LINE ASSY-PUMP TO SEPARATOR			2
12	AN823-8D	ELBOW-ATTACH LINE TO PUMP			2
13	S51-8	HOSE-3 IN. LG BULK ITEM REF S-51-8-12			2
14	S2357-2	CLAMP-ATTACH HOSE			4 R
15	S51-8	HOSE-15 IN. LG BULK ITEM REF S-51-8-60			2
16	S2357-2	CLAMP-ATTACH HOSE			4 R
17	S51-4	HOSE-11 IN. LG BULK ITEM REF S-51-4-44			2
18	S2357-1	CLAMP-ATTACH HOSE			4 R
19	AN832-6	UNION-CONNECT LINE AT FIREWALL			2
20	NAS1149F0963P	WASHER-CONNECT LINE AT FIREWALL			2 R
21	AN924-6	NUT-CONNECT LINE AT FIREWALL			2
22	0800106-53	LINE ASSY-FIREWALL TO FUSELAGE			2
23	AN833-6D	ELBOW-CONNECT LINE AT FUSELAGE ROOT			2
24	NAS1149D0963K	WASHER-CONNECT LINES			4 R
25	AN924-6D	NUT-CONNECT LINES			4
26	0800106-129	TUBE ASSY-ROOT TO BRACKET RIGHT			1
27	0800106-128	LINE ASSY-ROOT TO BRACKET LEFT			1
28	AN837-6D	ELBOW-CONNECT LINE AT BRACKET			2
29	0800106-175	LINE VACUUM-BRACKET TO SOURCE LEFT			1
30	0800106-174	LINE VACUUM-BRACKET TO SOURCE RIGHT			1
31	0800106-313	LINE ASSY-OIL SEPARATOR TO ENGINE BLOCK			2
- 31A	AN742D4	CLAMP-ATTACH LINE			2
- 31B	S-1021Z-8-8	SCREW-ATTACH LINE			2
- 31C	S3228-14	NUT-ATTACH LINE			2 R
32	S51-4	HOSE-3.5 IN. LG BULK ITEM REF S-51-4-14			2
- 32A	S2357-1	CLAMP-ATTACH HOSE			2 R
33	NA823-4B	ELBOW-ATTACH LINE			2

CESSNA AIRCRAFT COMPANY
MODEL 310 THRU 310D
ILLUSTRATED PARTS CATALOG

A55752



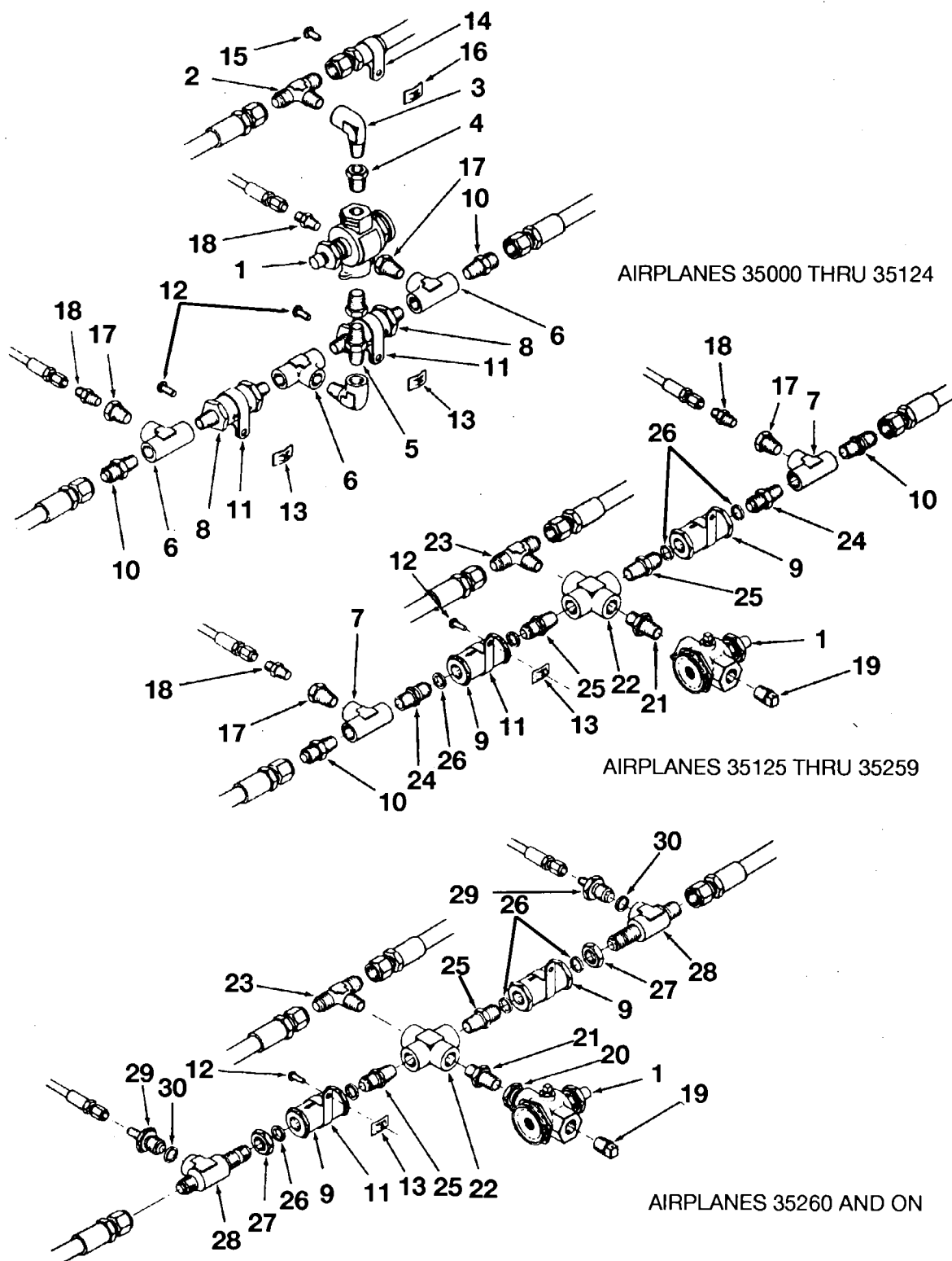
VACUUM SYSTEM COMPONENTS-INSTRUMENT PANEL
FIGURE 03 (SHEET 1)

CESSNA AIRCRAFT COMPANY
MODEL 310 THRU 310D
ILLUSTRATED PARTS CATALOG

FIG ITEM	PART NUMBER	NOMENCLATURE	EFFECT		UNITS PER ASSY
			FROM	TO	
03		VACUUM SYSTEM COMPONENTS-INSTRUMENT PANEL REFER TO 37-10-00			RF
		FIGURES 01 & 02 FOR NHA			
1	S-1168-6-27	HOSE ASSY-FILTER TO GYRO HORIZON			1
2	AN826-6D	TEE-CONNECT HOSE TO GYRO HORIZON			1
3	AS5194D0604	ADAPTER-CONNECT HOSE TO GYRO HORIZON	35000	35124	2 R
- 3A	AS5194D0804	NIPPLE-ATTACH HOSE TO GYROS	35125	& ON	2 R
4		GYRO HORIZON-REFER TO 31-10-00 FIGURES 07 & 08			RF
5	S-1168-6-11-1/2	HOSE ASSY-GYRO HORIZON TO DIRECTIONAL GYRO			1
6	S-1168-6-12	HOSE ASSY-GYROS TO RELIEF VALVE	35000	35124	2
- 6A	S-1168-8-17	HOSE ASSY-GYROS TO RELIEF VALVE	35125	& ON	2
7	AN912-1D	BUSHING-ADAPT ELBOW TO GYROS			2
8	MS20822-2D	ELBOW-ATTACH HOSE TO TEST VALVE			1
9	S1168-2-15-1/2	HOSE-HOSE ASSY GYROS TO TEST VALVE			2
10	AN826-6D	TEE-DIRECTIONAL GYRO	35000	39039	1
- 10A	AS5194D0604	ADAPTER-DIRECTIONAL GYRO	39040	& ON	1 R
11		DIRECTIONAL GYRO-REFER TO 31-10-00 FIGURES 07 & 08			RF
12	AN894D6-4	BUSHING-CONNECT HOSE TO TEE	35000	39039	1
13	AN902B4	SEAL-EXPANDER	35000	39039	1
14	AN894D4-2	BUSHING-CONNECT HOSE TO TEE	35000	39039	1
15	S-1168-2-29	HOSE ASSY-DIRECTIONAL GYRO TO VACUUM GAGE	35000	39039	1
16	AN823-2D	ELBOW-ATTACH HOSES TO GYRO & VACUUM GAGE	35000	39039	3
- 16A	AN823-2D	ELBOW-ATTACH HOSES TO GYRO & VACUUM GAGE	39040	& ON	2
17	S1168-2-35	HOSE ASSY-VACUUM GAGE TO TEST VALVE			1
18		SUCTION GAGE-REFER TO 31-10-00 FIGURES 07 & 08			RF
19	0813577-1	VALVE ASSY-VACUUM TEST REFER TO 31-10-00 FIGURES 01, 02 & 03 FOR NHA			1 R
20	MS20822-2D	ELBOW-ATTACH HOSES TO TEST VALVE			5
22		SCREW-ATTACH VALVE REFER TO 31-10-00 FIGURES 01, 02 & 03			RF
23	S1168-2-22	HOSE ASSY-TEST VALVE TO LEFT SOURCE			1
24	S1168-2-24	HOSE ASSY-TEST VALVE TO RIGHT SOURCE			1
25	0813252-1	FILTER			1
26	29536	FILTER			1
27	AN823-6D	ELBOW-FILTER ASSY			1
28	AN914-6D	ELBOW-FILTER ASSY			1
29	AN912-9D	BUSHING-FILTER ASSY			1
30		RELIEF VALVE INSTALLATION-VACUUM REFER TO 37-10-00 FIGURE 04 FOR BREAKDOWN			RF

CESSNA AIRCRAFT COMPANY
MODEL 310 THRU 310D
ILLUSTRATED PARTS CATALOG

A55753



VACUUM SYSTEM RELIEF VALVE INSTALLATION
FIGURE 04 (SHEET 1)

CESSNA AIRCRAFT COMPANY
MODEL 310 THRU 310D
ILLUSTRATED PARTS CATALOG

FIG ITEM	PART NUMBER	NOMENCLATURE	EFFECT		UNITS PER ASSY
			FROM	TO	
04		VACUUM SYSTEM RELIEF VALVE INSTALLATION REFER TO 37-10-00 FIGURE 03 FOR NHA			RF
		. RELIEF VALVE-VACUUM SYSTEM REFER TO NOTE 1			1
1	0813619-3	. TEE-RELIEF VALVE	35000	35124	1
2	AN825-6D	. ELBOW-RELIEF VALVE	35065	35124	2
3	AN914-2D	. BUSHING-RELIEF VALVE	35000	35124	2
4	AN912-2D	. NIPPLE-RELIEF VALVE	35000	35124	1
5	AN911-2D	. TEE-RELIEF VALVE LOWER	35000	35124	2 R
6	AS4857D02	. TEE-RELIEF VALVE LOWER	35125	35259	2 R
7	AS4857D02	. CHECK VALVE	35000	35124	2
8	0812110-1	. CHECK VALVE	35125	& ON	2
9	0850375-4	. ADAPTER-ATTACH TUBE FROM PUMP	35000	35259	2 R
10	AS5194D0604	. CLAMP-ATTACH CHECK VALVE			2
11	AN742D17	. SCREW-ATTACH CLAMP			2
12	S-1021Z-10-8	. NUT-ATTACH CLAMP TINNERMAN A1779-10Z-3			2 R
13	S3230-5	. CLAMP-ATTACH HOSE	35000	35124	1
14	AN742-17	. SCREW-ATTACH CLAMP	35000	35124	1
15	S-1021Z-10-8	. NUT-ATTACH CLAMP TINNERMAN A1779-10Z-3	35000	35124	1 R
16	S3230-5	. BUSHING-ATTACH HOSE FROM TEST VALVE	35000	35259	2
17	AN912-1D	. ADAPTER-ATTACH HOSE FROM TEST VALVE	35000	35259	2 R
18	AS5194D0202	. PLUG	35125	35274	1
19	MS20913-3D	. PLUG	35275	& ON	1
- 19A	MS20913-4D	. BUSHING	35275	& ON	1
20	AN912-4D	. NIPPLE	35125	& ON	1
21	AN911-3D	. CROSS	35125	& ON	1
22	AN918-3D	. TEE	35125	& ON	1
23	AN825-8D	. ADAPTER	35125	35259	2 R
24	AS5194D0604	. ADAPTER	35125	& ON	2 R
25	AS5194D0606	. GASKET	35125	& ON	4
26	AN902B6	. NUT	35260	& ON	2
27	AN924-6D	. TEE	35260	& ON	2 R
28	MS24388D6	. REDUCER	35260	& ON	2
29	AN919-4D	. GASKET	35260	& ON	2
30	AN902B6				

NOTE 1—WHEN ORDERING THIS PART FOR AIRPLANES SERIAL 35275 THRU 39299, ALSO ORDER MS20913-3D PLUG.

CHAPTER

52

DOORS

CESSNA AIRCRAFT COMPANY
MODEL 310 THRU 310D
ILLUSTRATED PARTS CATALOG

LIST OF EFFECTIVE PAGES

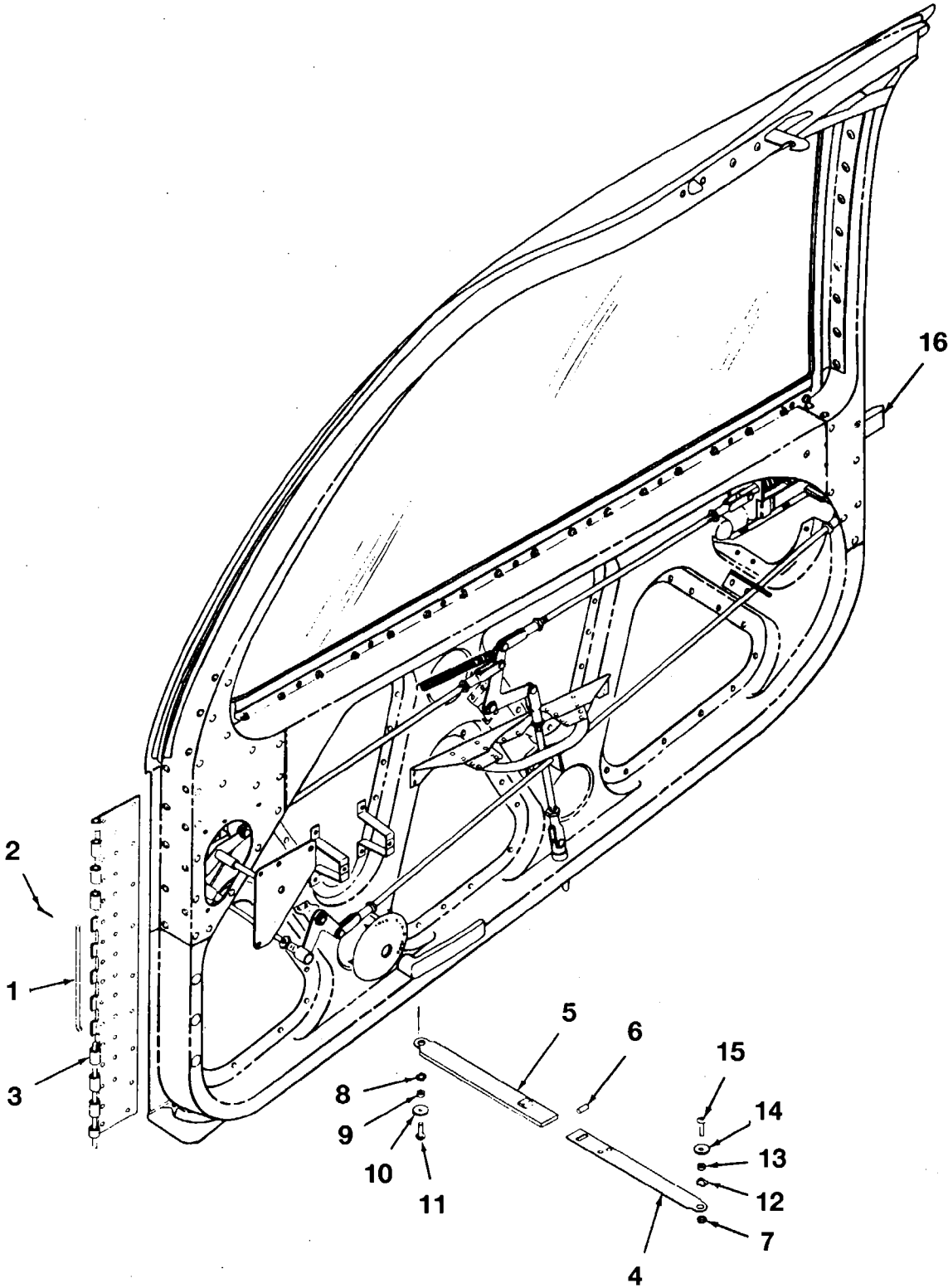
CHAPTER-SECTION-SUBJECT	PAGE	DATE
52-Title		
52-List of Effective Pages		
52-Record of Temporary Revisions		
52-Contents		
52-10-00 Figure 01	1	Jul 3/2006
	2	Jul 3/2006
52-10-00 Figure 02	1	Jul 3/2006
	2	Jul 3/2006
52-10-00 Figure 03	1	Jul 5/2004
	2	Jul 5/2004
52-10-00 Figure 04	1	Jul 5/2004
	2	Jul 5/2004
52-10-00 Figure 05	1	Jul 3/2006
	2	Jul 3/2006
52-30-00 Figure 01	1	Jul 5/2004
	2	Jul 5/2004
52-30-00 Figure 02	1	Jul 3/2006
	2	Jul 3/2006
52-40-00 Figure 01	1	Jul 5/2004
	2	Jul 5/2004
52-60-00 Figure 01	1	Jul 3/2006
	2	Jul 3/2006
52-60-00 Figure 02	1	Jul 3/2006
	2	Jul 3/2006

CESSNA AIRCRAFT COMPANY
MODEL 310 THRU 310D
 ILLUSTRATED PARTS CATALOG

<u>SUBJECT</u>	<u>CH SEC SUBJ FIG</u>	<u>EFFECTIVITY</u>
CABIN DOOR INSTALLATION	52-10-00-01	
CABIN DOOR STRUCTURE ASSEMBLIES	52-10-00-02	
CABIN DOOR LATCH SYSTEM INSTALLATION	52-10-00-03	35000 35022 35024 35047 35049 35061 35063 35068 35070 35074
CABIN DOOR LATCH SYSTEM INSTALLATION	52-10-00-04	
CABIN DOOR LATCH ASSEMBLIES	52-10-00-05	
BAGGAGE DOOR INSTALLATION	52-30-00-01	35000 35441
BAGGAGE DOOR INSTALLATION	52-30-00-02	35442 & ON
OIL FILLER DOOR AREA DETAILS-HAT SECTION COWL	52-40-00-01	35000 35771
CABIN STEP INSTALLATION	52-60-00-01	35000 35546
CABIN STEP INSTALLATION	52-60-00-02	35547 & ON

CESSNA AIRCRAFT COMPANY
MODEL 310 THRU 310D
ILLUSTRATED PARTS CATALOG

A55639



CABIN DOOR INSTALLATION
FIGURE 01 (SHEET 1)

CESSNA AIRCRAFT COMPANY
MODEL 310 THRU 310D
ILLUSTRATED PARTS CATALOG

FIG ITEM	PART NUMBER	NOMENCLATURE	EFFECT		UNITS PER ASSY
			FROM	TO	
01		CABIN DOOR INSTALLATION REFER TO 53-10-00 FIGURE 01 FOR NHA			RF
1	0811011-1	. HINGE PIN-REFER TO NOTE 3			2
2	MS24665-22	. COTTER PIN-REFER TO NOTE 3			2
- 2A	AN253-2-1562	. HINGE PIN-REFER TO NOTE 1			1
3	0811010-2	. HINGE HALF-CABIN DOOR REFER TO NOTE 3			1
- 3A	0811486-7	. HINGE HALF-CABIN DOOR REFER TO NOTE 1			1
4	0811488-1	. STRAP ASSY-DOOR STOP			1
5	0811488-4	. CHANNEL-DOOR STOP			1
6	0811488-5	. ROLLER-DOOR STOP			1
		ATTACHING PARTS			
7	0811503-1	. SPACER-ATTACH DOORSTOP TO DOOR			1
8	3515-18-01	. WASHER-SPRING SHAKEPROOF INC ATTACH DOORSTOP TO DOOR			1
9	NAS43-3-10	. SPACER-ATTACH DOORSTOP TO DOOR			1
10	NAS1149F0563P	. WASHER-ATTACH DOORSTOP TO DOOR			1 R
11	AN525-10R12	. SCREW-ATTACH DOORSTOP TO DOOR			1
12	3515-18-01	. WASHER-SPRING SHAKEPROOF INC ATTACH DOORSTOP TO DOOR			1
13	NAS43-3-10	. SPACER-ATTACH DOORSTOP TO JAMB			1
14	NAS1149F0563P	. WASHER-ATTACH DOORSTOP TO JAMB			1 R
15	AN525-10R10	. SCREW-ATTACH DOORSTOP TO JAMB			1
- 15A	0891000-2	. DOOR ASSY-CABIN REFER TO NOTE 2			1
- 15B	0891000-3	. DOOR ASSY-CABIN REFER TO NOTE 1			1
- 15C	0891000-13	. DOOR ASSY-CABIN	35547	& ON	1
16		. LATCH SYSTEM INSTALLATION-CABIN DOOR REFER TO 52-10-00 FIGURE 04 FOR BREAKDOWN REFER TO NOTE 3			RF
- 16A		. LATCH SYSTEM INSTALLATION-CABIN DOOR REFER TO 52-10-00 FIGURE 03 FOR BREAKDOWN REFER TO NOTE 1			RF
- 16B		. STRUCTURE ASSYS-CABIN DOOR REFER TO 52-10-00 FIGURE 02 FOR BREAKDOWN			RF

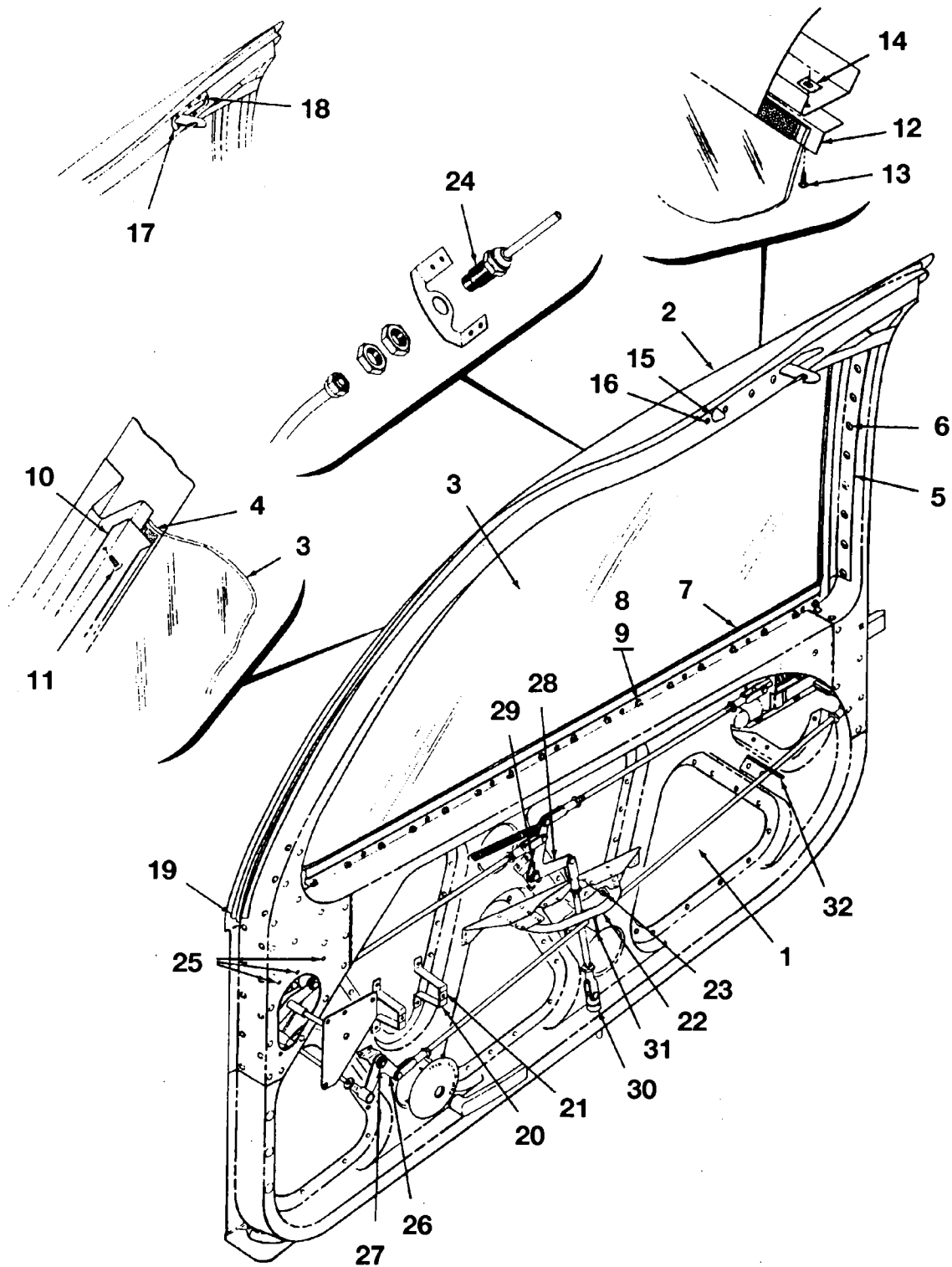
NOTE 1—EFFECTIVE SERIALS 35000 THRU 35022, 35024 THRU 35047, 35049 THRU 35061, 35063 THRU 35068, 35070 THRU 35074.

NOTE 2—EFFECTIVE SERIALS 35023, 35048, 35062, 35069, 35075 THRU 35546.

NOTE 3—EFFECTIVE SERIALS 35023, 35048, 35062, 35069, 35075 & ON

CESSNA AIRCRAFT COMPANY
MODEL 310 THRU 310D
ILLUSTRATED PARTS CATALOG

A55640



CABIN DOOR STRUCTURE ASSEMBLIES
FIGURE 02 (SHEET 1)

CESSNA AIRCRAFT COMPANY
MODEL 310 THRU 310D
ILLUSTRATED PARTS CATALOG

FIG ITEM	PART NUMBER	NOMENCLATURE	EFFECT		UNITS PER ASSY
			FROM	TO	
02		CABIN DOOR STRUCTURE ASSEMBLIES REFER TO 52-10-00 FIGURE 01 FOR NHA			RF
- 0	0891000-4	STRUCTURE ASSY-CABIN DOOR REFER TO NOTE 2			1
- A	0891000-5	STRUCTURE ASSY-CABIN DOOR REFER TO NOTE 1			1
- B	0891000-10	STRUCTURE ASSY-CABIN DOOR	35547	& ON	1
1	0811489-5	SKIN-OUTER LOWER REFER TO NOTE 3			1
- 1A	0811486-5	SKIN-OUTER LOWER REFER TO NOTE 1			1
2	0811486-29	SKIN-OUTER UPPER			1
3	0811486-6	WINDOW DOOR-CABIN	35000	35546	1
- 3A	0811516-1	WINDOW DOOR-CABIN	35547	& ON	1
4	471	BLUE PLASTIC TAPE P840-MINNESOTA MINING			AR
5	0811486-15	RETAINER-WINDOW AFT	35000	35546	1
- 5A	0811518-1	RETAINER-WINDOW AFT	35547	& ON	1
6	S-1021Z-8-8	SCREW-ATTACH RETAINER			8
7	0811486-16	RETAINER-WINDOW LOWER	35000	35546	1
- 7A	0811515-1	RETAINER-WINDOW LOWER	35547	& ON	1
8	AN507-632R6	SCREW-ATTACH RETAINER			17
9	MS21044N06	NUT-ATTACH RETAINER			17 R
10	0811486-17	RETAINER-WINDOW FORWARD	35000	35546	1
- 10A	0811517-1	RETAINER-WINDOW FORWARD	35547	& ON	1
11	S-1021Z-8-8	SCREW-FORWARD ATTACH RETAINER			12
12	0811486-18	RETAINER-WINDOW UPPER			1
13	S-1021Z-8-6	SCREW-ATTACH RETAINER			14
14	S3230-4	NUT-ATTACH RETAINER TINNERMAN A1778-8Z-3			14 R
15	0811486-31	STRIKER-DOOR	35000	35135	1
16	AN525-10R10	SCREW-ATTACH STRIKER	35000	35135	2
- 16A	MS21045L3	NUT-ATTACH STRIKER	35000	35135	2 R
17	0811486-75	ESCUTCHEON-LATCH REFER TO NOTE 1			1
18	AN531-4R4	SCREW-ATTACH ESCUTCHEON REFER TO NOTE 1			6
19	S1079-1	SEAL-WEATHERSTRIP 144 INCHES LG BULK ITEM REF S-1079-1-14400			1
20	0811486-21	BRACKET-ASH RECEIVER			2
21	S3228-1	NUT			2 R
22	0811486-70	BRACKET ASSY-ARM REST REINFORCEMENT			1
23	NAS445-4	NUT-OFFSET ANCHOR TINNERMAN A6194-8Z			2
24	0850250-93	SWIVEL ASSY-TELEFLEX REFER TO NOTE 1			1
- 24A	0850250-120	SWIVEL ASSY-TELEFLEX REFER TO NOTE 3			2
25	NAS680A08	NUTPLATE			3
- 25A	0811490-15	BRACKET ASSY-IDLER REFER TO NOTE 3			1
26	0811490-63	BELLCRANK-IDLER			1
27	0811490-64	ATTACHING PARTS			1
- 27A	NAS1149F0632P	PIN-ATTACH BELLCRANK			1 R
- 27B	AN320-6	WASHER-ATTACH BELLCRANK			1
- 27C	MS24665-285	NUT-ATTACH BELLCRANK			1
- 27D	0811490-8	COTTER PIN-ATTACH BELLCRANK			1
28	0811490-65	BRACKET ASSY-BAYONET REFER TO NOTE 3			1
29	0811490-64	BELLCRANK-BAYONET			1
- 29A	NAS1149F0632P	PIN-ATTACH BELLCRANK			1 R
- 29B	AN320-6	WASHER-ATTACH BELLCRANK			1
- 29C	MS24665-285	NUT-ATTACH BELLCRANK			1
30	0811490-17	COTTER PIN-ATTACH BELLCRANK			1
31	0811490-20	CASE ASSY-BAYONET BOLT REFER TO NOTE 3			1
32	0811499-1	BRACKET ASSY-GUIDE REFER TO NOTE 3			1
32	0811499-1	BRACKET ASSY-GUIDE REFER TO NOTE 3			1

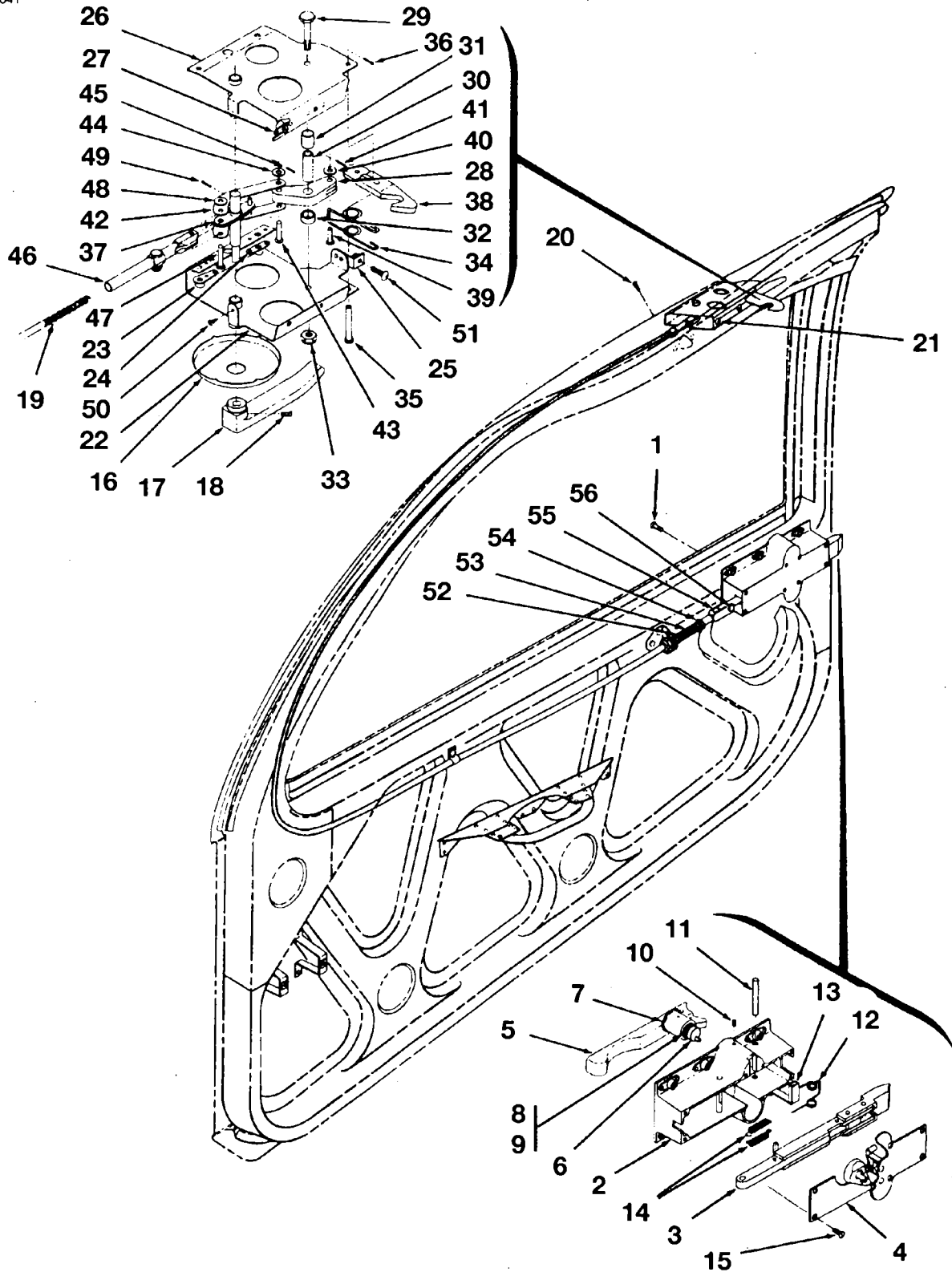
NOTE 1—EFFECTIVE SERIALS 35000 THRU 35022, 35024 THRU 35047, 35049 THRU 35061, 35063 THRU 35068, 35070 THRU 35074.

NOTE 2—EFFECTIVE SERIALS 35023, 35048, 35062, 35069, 35075 THRU 35546.

NOTE 3—EFFECTIVE SERIALS 35023, 35048, 35062, 35069, 35075 & ON

CESSNA AIRCRAFT COMPANY
MODEL 310 THRU 310D
ILLUSTRATED PARTS CATALOG

A55641



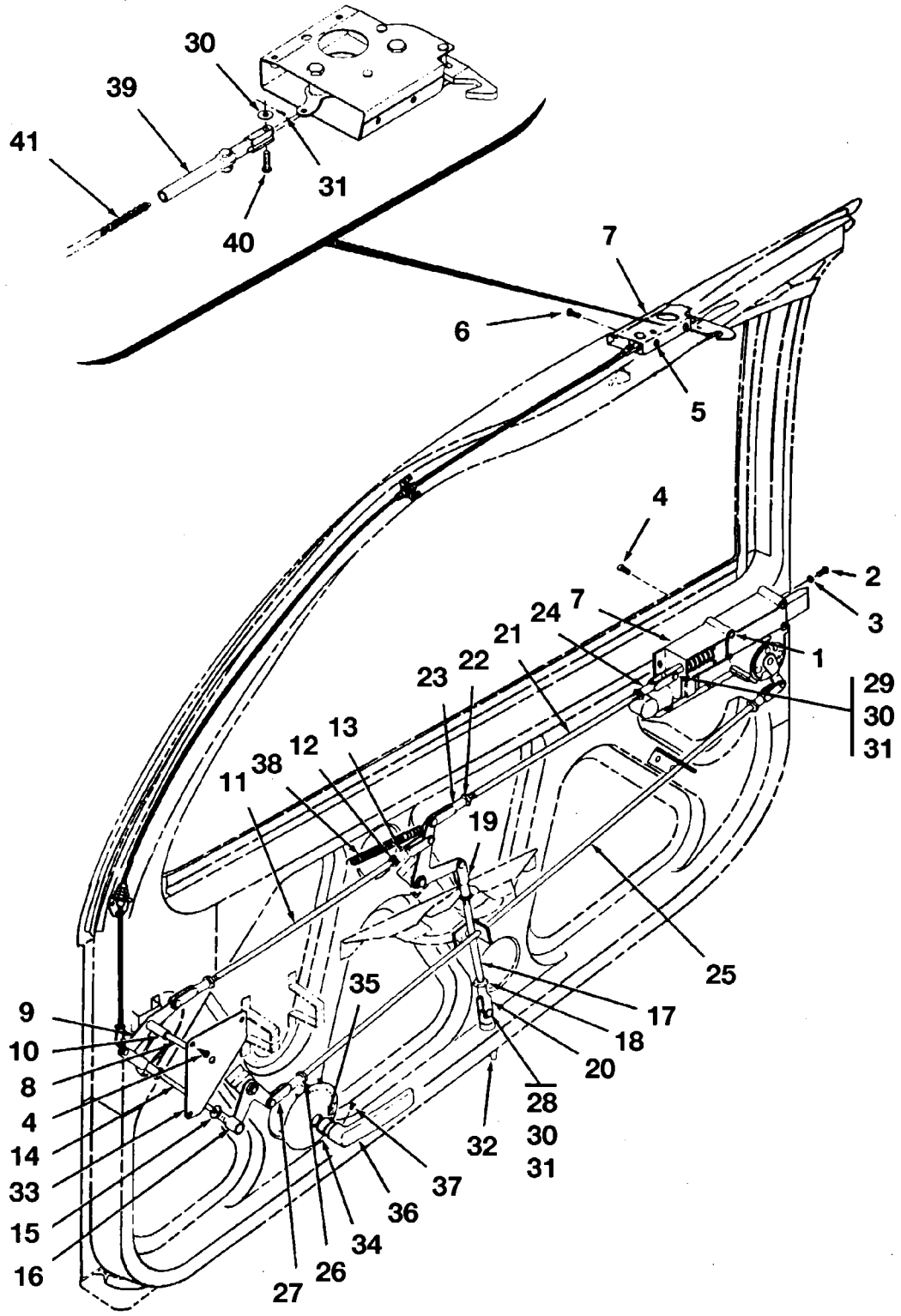
CABIN DOOR LATCH SYSTEM INSTALLATION
FIGURE 03 (SHEET 1)

CESSNA AIRCRAFT COMPANY
MODEL 310 THRU 310D
ILLUSTRATED PARTS CATALOG

FIG ITEM	PART NUMBER	NOMENCLATURE	EFFECT		UNITS PER ASSY
			FROM	TO	
03		CABIN DOOR LATCH SYSTEM INSTALLATION REFER TO 52-10-00 FIGURE 01 FOR NHA	35000	35022	RF
			35024	35047	
			35049	35061	
			35063	35068	
			35070	35074	
1	AN507-832R8	SCREW-ATTACH LATCH ASSY			6
- 1A	0811490-1	MAIN DOOR LOCK-LOWER			1
2	0811490-37	CASE ASSY-DOOR LATCH			1
3	0811490-39	BOLT ASSY-DOOR LATCH			1
4	0811490-41	BUTTON & COVER ASSY-DOOR LATCH			1
5	0811490-34	HANDLE-DOOR LATCH			1
6	0811490-31	CYLINDER ASSY-DOOR LOCK			1
7	0811490-32	SHELL-DOOR LOCK			1
8	0811490-33	WASHER-ATTACH CYLINDER TO SHELL			1
9	NAS670-50	RING-ATTACH CYLINDER TO SHELL TRUARC			1
10	AN565B6H4	SCREW-ATTACH LOCK TO CASE			1
11	0811490-35	PIN GROOVE			1
12	0811490-36	SPRING			1
13	0811490-38	LOCK BAR ASSY-DOOR LOCK			1
14	0811490-40	SPRING			2
15	AN507-632-6	SCREW-ATTACH BUTTON & COVER ASSY			8
16	0811486-38	ESCUTCHEON PLATE			1
17	0811490-3	HANDLE-INSIDE DOOR LATCH			1
18	0811490-4	SCREW-ATTACH HANDLE			1
19	0850250-94	LATCH CABLE			1
20	AN507-832R8	SCREW-ATTACH UPPER LATCH			2
21	AN525-832R8	SCREW-ATTACH UPPER LATCH			2
- 21A	0811486-67	LATCH ASSY-UPPER			1
22	0811486-61	PANEL ASSY-LOWER			1
23	MS21051-08	NUTPLATE			1 R
24	NAS680A08	NUTPLATE			1
25	AN256-10	NUTPLATE-RIGHT ANGLE			1
25	AN256-10	NUTPLATE-RIGHT ANGLE			1
26	0811486-64	PANEL-UPPER			1
27	NAS680A08	NUTPLATE			2
28	0811486-46	BELLCRANK LOCK			1
29	AN4-13A	BOLT-ATTACH BELLCRANK			1
30	NAS43-4-70	SPACER-ATTACH BELLCRANK			1
31	NAS43-6-32	SPACER-ATTACH BELLCRANK			1
32	NAS43-6-12	SPACER-ATTACH BELLCRANK			1
33	MS21042L4	NUT-THIN			1 R
34	0811491	SPRING-DOOR LATCH			1
35	MS20392-2-39	PIN-ATTACH LATCH SPRING			1
36	MS24665-132	COTTER PIN-ATTACH LATCH SPRING			1
37	0811486-43	BRAZE-BELLCRANK			1
38	0811486-47	ARM LOCK			1
39	MS20392-2-13	PIN-ATTACH LOCK ARM			1
40	NAS1149F0332P	WASHER-ATTACH LOCK ARM			1 R
41	MS24665-132	COTTER PIN-ATTACH LOCK ARM			1
42	0811486-65	LINK-LATCH			2
43	MS20392-2-19	PIN-ATTACH LATCH LINK			1
44	NAS1149F0332P	WASHER-ATTACH LATCH LINK			1 R
45	MS24665-132	COTTER PIN-ATTACH LATCH LINK			1
46	0850250-92	CLEVIS-TELEFLEX			1
47	MS20392-2-21	PIN-ATTACH TELEFLEX CLEVIS			1
48	NAS1149F0332P	WASHER-ATTACH TELEFLEX CLEVIS			1 R
49	MS24665-132	COTTER PIN-ATTACH TELEFLEX CLEVIS			1
50	S-1021Z-6R4	SCREW			1
51	AN520-10R10	SCREW-ARM LOCK STOP			1
52	NAS1149F0332P	WASHER			1 R
53	0310190-2	SPRING			1
54	AN315-3R	NUT			1
55	0811486-90	CLEVIS-ROD END			1
56	MS20392-2-19	PIN			1
- 56A	NAS1149F0332P	WASHER			1 R
- 56B	MS24665-132	COTTER PIN			1

CESSNA AIRCRAFT COMPANY
MODEL 310 THRU 310D
ILLUSTRATED PARTS CATALOG

A55842



CABIN DOOR LATCH SYSTEM INSTALLATION
FIGURE 04 (SHEET 1)

CESSNA AIRCRAFT COMPANY
MODEL 310 THRU 310D
ILLUSTRATED PARTS CATALOG

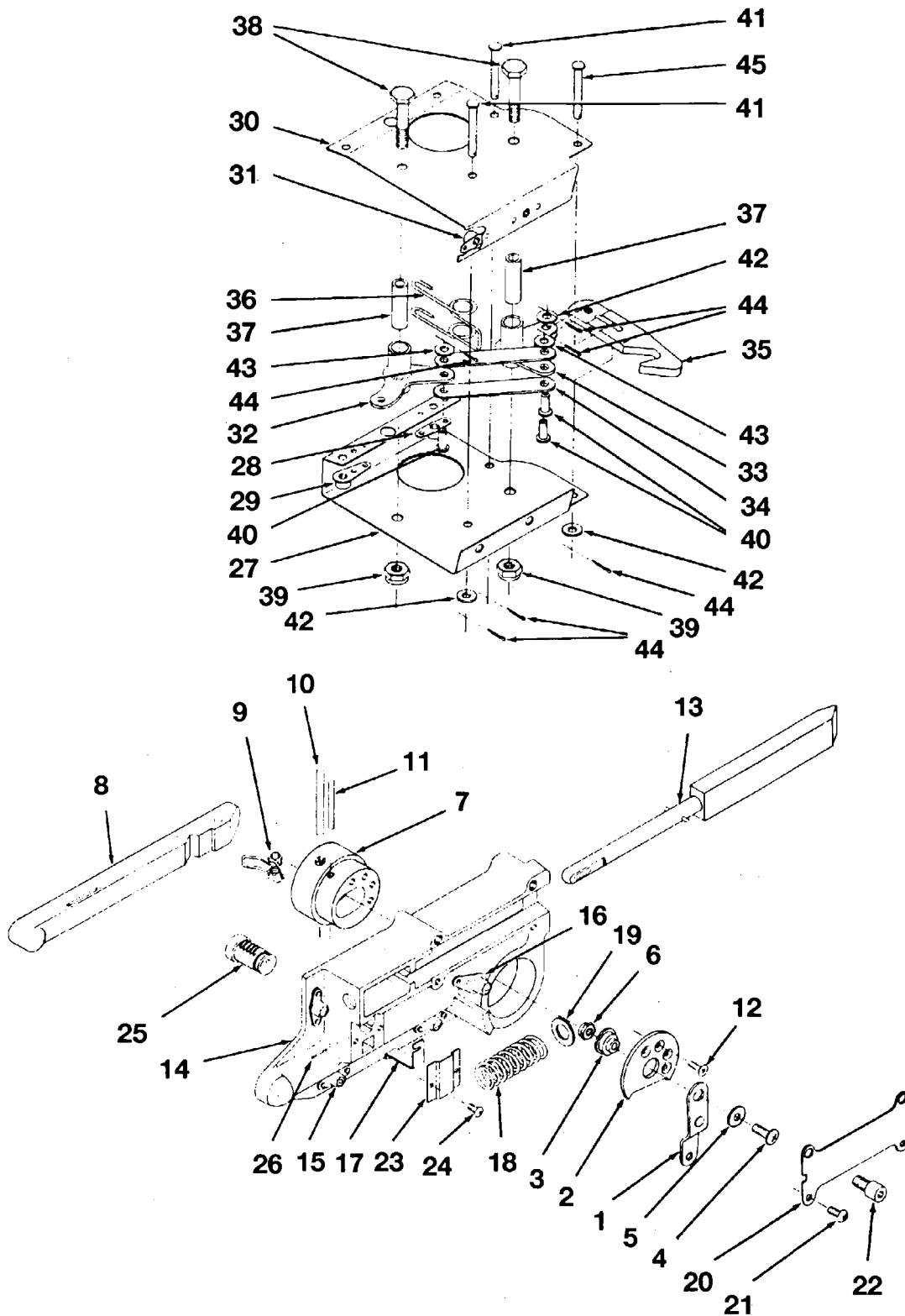
FIG ITEM	PART NUMBER	NOMENCLATURE	EFFECT		UNITS PER ASSY
			FROM	TO	
04		CABIN DOOR LATCH SYSTEM INSTALLATION REFER TO 52-10-00 FIGURE 01 FOR NHA REFER TO NOTE 1			RF
1	AN507-632R7	SCREW-ATTACH LOWER LATCH			2
2	AN525-10R6	SCREW-ATTACH LOWER LATCH			2
3	4010-14-00	LOCKWASHER-ATTACH LOWER LATCH SHAKEPROOF INC.			2
4	AN507-832R8	SCREW-ATTACH LOWER LATCH & DOOR HANDLE PLATE			11
5	AN525-832R8	SCREW-ATTACH UPPER LATCH			2
- 5A	4008-14-00	LOCKWASHER-ATTACH UPPER LATCH SHAKEPROOF INC.			2
6	AN507-832R8	SCREW-ATTACH UPPER LATCH			2
7		LATCH ASSY-CABIN DOOR LOWER & UPPER REFER TO 52-10-00 FIGURE 05 FOR BREAKDOWN			RF
- 7A	0811490-9	BRACKET ASSY-DOOR LATCH HANDLE REFER TO NOTE 2			1
- 7B	0811490-86	BRACKET ASSY-DOOR LATCH HANDLE	35772	39025	1
- 7C	0811490-93	BRACKET ASSY-DOOR LATCH HANDLE	39026	& ON	1
8	0811490-59	SPINDLE ASSY-DOOR HANDLE REFER TO NOTE 2			1
- 8A	0811490-84	SPINDLE ASSY-DOOR HANDLE	35772	39025	1
- 8B	0811490-87	SPINDLE ASSY-DOOR HANDLE	39026	& ON	1
- 8C	AN320-6	NUT-ATTACH SPINDLE			1
- 8D	MS24665-285	COTTER PIN-ATTACH SPINDLE			1
9	0811490-60	BELLCRANK-DOOR HANDLE	35000	39025	1
- 9A	0811490-89	BELLCRANK-DOOR HANDLE	39026	& ON	1
10	0811490-61	BUSHING-DOOR HANDLE	35000	39025	1
- 10A	0811490-90	BUSHING-DOOR HANDLE	39026	& ON	1
- 10B	0811490-62	GROOVE PIN-ATTACH BUSHING	35000	39025	1
- 10C	0811490-92	GROOVE PIN-ATTACH BUSHING	39026	& ON	1
- 10D	0811490-10	LINKAGE ASSY-HANDLE			1
11	0811490-66	ROD-LINKAGE			1
12	AN316-4R	NUT			2
13	AN486-4	CLEVIS			2
- 13A	0811490-13	LINKAGE ASSY-IDLER			1
14	0811490-67	ROD-LINKAGE			1
15	AN316-4R	NUT			2
16	AN486-4	CLEVIS			2
- 16A	0811490-12	LINKAGE ASSY-BAYONET			1
17	0811490-68	ROD-LINKAGE			1
18	AN316-4R	NUT			2
19	AN486-4	CLEVIS			1
20	AN486-3	CLEVIS			1
- 20A	0811490-11	LINKAGE ASSY BOLT			1
21	0811490-52	ROD-LINKAGE			1
22	AN316-4R	NUT			2
23	AN486-4	CLEVIS			1
24	AN486-3	CLEVIS			1
- 24A	0811490-14	LINKAGE ASSY-OUTSIDE HANDLE			1
25	0811490-69	ROD-LINKAGE			1
26	AN316-4R	NUT			2
27	AN486-4	CLEVIS			2
28	MS20392-2-11	PIN-ATTACH CLEVIS TO BELLCRANK			9
29	MS20392-2-17	PIN-ATTACH CLEVIS TO BELLCRANK			1
30	NAS1149F0332P	WASHER-ATTACH CLEVIS			12 R
31	MS24665-132	COTTER PIN-ATTACH CLEVIS			12
32	0811490-16	BOLT-BAYONET			1
33	0811490-19	PLATE-DOOR HANDLE	35000	39025	1
- 33A	0811490-91	PLATE-DOOR HANDLE	39026	& ON	1
34	0811478-3	ESCUTCHEON PLATE-REFER TO NOTE 2			1
- 34A	0811478-4	ESCUTCHEON PLATE	35772	& ON	1
35	0811502-1	SPACER-DOOR HANDLE REFER TO NOTE 2			1
36	0811490-3	HANDLE-DOOR	35023	35023	1
			35048	35048	
			35062	35062	
			35069	35069	
			35075	35546	
- 36A	0811490-74	HANDLE-DOOR	35547	35771	1
- 36B	0811490-83	HANDLE-DOOR	35772	39025	1
- 36C	0811490-88	HANDLE-DOOR	39026	& ON	1
37	0811490-4	SCREW-ATTACH DOOR HANDLE			1
38	0811498-1	SPRING			1
39	0850250-121	CONTROL-TELEFLEX			2
40	MS20392-2-15	PIN-ATTACH CLEVIS			2
41	0850250-117	LATCH CABLE			1

NOTE 1—EFFECTIVE SERIALS 35023, 35048, 35062, 35069, 35075 & ON.

NOTE 2—EFFECTIVE SERIALS 35023, 35048, 35062, 35069, 35071 THRU 35773.

CESSNA AIRCRAFT COMPANY
MODEL 310 THRU 310D
 ILLUSTRATED PARTS CATALOG

A55643



CABIN DOOR LATCH ASSEMBLIES
 FIGURE 05 (SHEET 1)

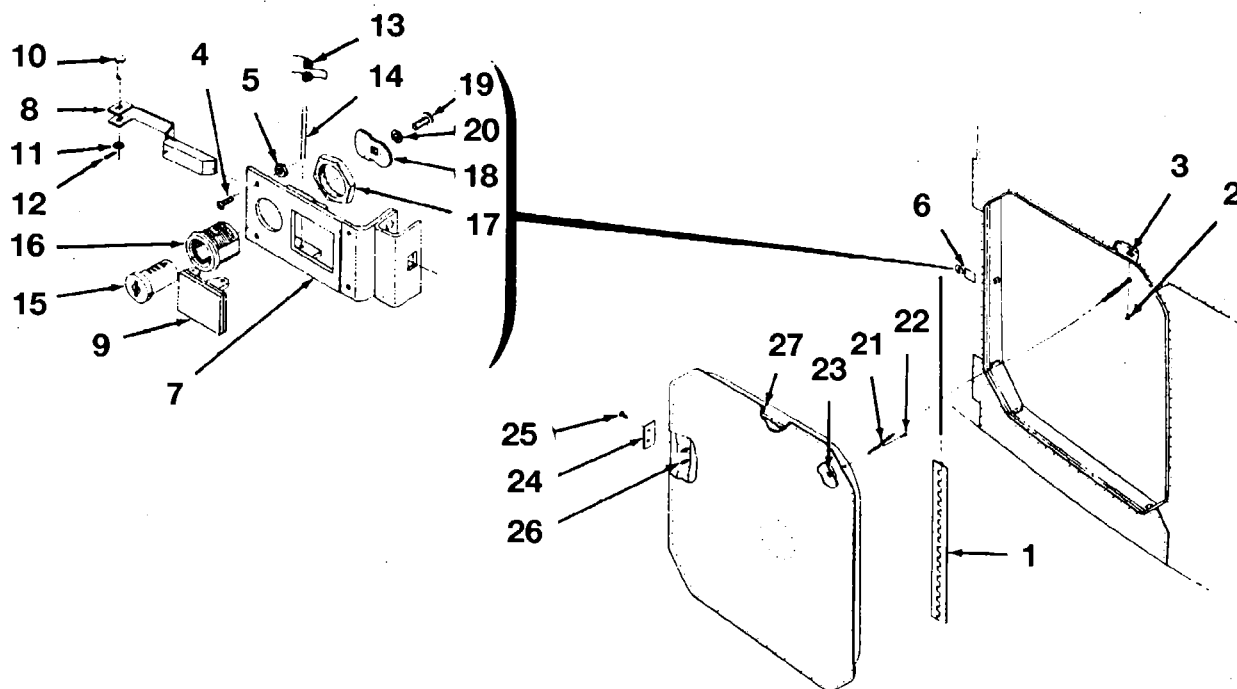
CESSNA AIRCRAFT COMPANY
MODEL 310 THRU 310D
ILLUSTRATED PARTS CATALOG

FIG ITEM	PART NUMBER	NOMENCLATURE	EFFECT		UNITS PER ASSY
			FROM	TO	
05		CABIN DOOR LATCH ASSEMBLIES REFER TO 52-10-00 FIGURE 04 FOR			RF
-		NHA-REFER TO NOTE 1			
- 0	0811490-18	LOCK ASSY-CABIN DOOR LOWER			1
- A	0811490-70	CAM ASSY-DOOR LATCH			1
1	0811490-45	ARM ASSY-DOOR LATCH CAM			1
2	0811490-46	PLATE			1
3	0811490-47	HUB			1
4	AN525-832R9	SCREW			1
5	NAS1149FN816P	WASHER			1 R
6	MS20364-832C	NUT			1
- 6A	0811490-71	CASE & HANDLE ASSY-DOOR LATCH			1
7	0811490-54	CASE-HANDLE			1
8	0811490-58	HANDLE ASSY-DOOR LATCH			1
9	0811490-57	SPRING			1
10	0811490-56	PIN			1
11	0811490-55	PIN			1
12	AN507-832R10	SCREW-ATTACH CAM ASSY			4
13	0811490-44	BOLT ASSY-DOOR LATCH			1
14	0811490-48	CASE ASSY-DOOR LATCH			1
15	AN366DF832	NUTPLATE			3
16	NAS682A08	NUTPLATE			2
17	0811490-51	LOCKBAR-DOOR LOCK			1
18	0811490-49	SPRING-DOOR LATCH			1
19	NAS1149F0663P	WASHER			1 R
20	0811490-43	COVER-DOOR LATCH BOLT			1
21	AN507-832R8	SCREW-ATTACH BOLT COVER			2
22	0811490-42	STUD-ATTACH BOLT COVER			2
23	0811490-50	COVER-DOOR LOCK LOCKBAR			1
24	AN515-4R7	SCREW-ATTACH LOCKBAR COVER			2
25	0811490-53	CYLINDER-LOCK			1
26	52-022-094-1000	ROLL PIN-ATTACH LOCK CYLINDER ESNA			1
- 26A	0811496-1	LATCH ASSY-CABIN DOOR UPPER			1
27	0811497-1	PANEL ASSY-LOWER			1
28	NAS680A08	NUTPLATE			1
29	NAS680A08	NUTPLATE			1
30	0811497-2	PANEL ASSY-UPPER			1
31	NAS680A08	NUTPLATE			2
32	0811477-1	BELLCRANK-IDLER			1
33	0811477-2	BELLCRANK-LOCK			1
34	0811477-5	LINK-UPPER LATCH			2
35	0811486-47	ARM LOCK-LOCK			1
36	0811491	SPRING			1
37	0811477-8	SPACER-BELLCRANK			2
38	AN4-14A	BOLT			2
39	MS21042L4	NUT			2 R
40	MS20392-2-9	PIN			3
41	MS20392-2-39	PIN			2
42	NAS1149F0332P	WASHER			3 R
43	NAS1149F0363P	WASHER			2 R
44	MS24665-132	COTTER PIN			6
45	MS20392-2-37	PIN			1

NOTE 1—EFFECTIVE SERIALS 35023, 35048, 35062, 35069, 35075 & ON

CESSNA AIRCRAFT COMPANY
MODEL 310 THRU 310D
ILLUSTRATED PARTS CATALOG

A55644



AIRPLANES 35000 THRU 35441

BAGGAGE DOOR INSTALLATION
FIGURE 01 (SHEET 1)

CESSNA AIRCRAFT COMPANY
MODEL 310 THRU 310D
ILLUSTRATED PARTS CATALOG

FIG ITEM	PART NUMBER	NOMENCLATURE	EFFECT		UNITS PER ASSY
			FROM	TO	
01		BAGGAGE DOOR INSTALLATION REFER TO 53-10-00 FIGURE 01 FOR NHA	35000	35441	RF
1	0891000-7	HINGE ASSY-BAGGAGE DOOR			1
2	S-1021Z-8-8	SCREW-ATTACH CHAIN TO FUSELAGE			1
3	MS21047L06	NUTPLATE-ANCHOR ATTACH CHAIN TO FUSELAGE			1 R
4	AN507-832R5	SCREW-ATTACH LATCH			4
5	MS21044N08	NUT-ATTACH LATCH			4 R
6	0811490-7	BAGGAGE DOOR LOCK			1
7	0811490-24	CASE ASSY			1
8	0811490-29	BOLT ASSY			1
9	0811490-25	FLAP ASSY			1
10	MS20392-1-11	PIN-FLAT HEAD ATTACH FLAP			1
11	AN690-4L	WASHER-ATTACH BOLT			1
12	MS24665-130	COTTER PIN-ATTACH BOLT			1
13	0811490-22	SPRING			1
14	0811490-23	PIN-ATTACH FLAP			1
15	0811490-26	CYLINDER ASSY			1
16	0811490-27	SHELL-79 IN LG BKI REF S-1042-1-79-00			1
		ATTACHING PARTS			
17	0811490-28	NUT-ATTACH SHELL			1

18	0811490-21	CAM			1
		ATTACHING PARTS			
19	AN515-6R5	SCREW-ATTACH CAM			1
20	MS35338-41	WASHER-ATTACH CAM			1 R

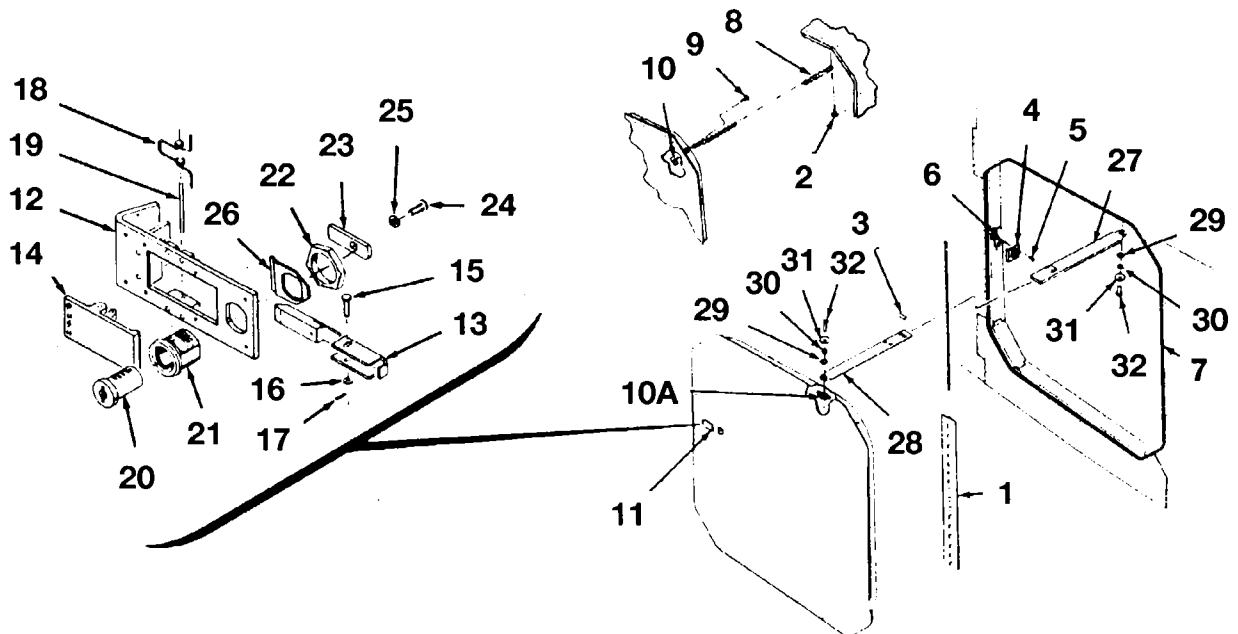
- 20A	0891000-6	DOOR ASSY-BAGGAGE			1
21	0811634-6	CHAIN DOORSTOP			1
		ATTACHING PARTS			
22	S-1021Z-6-6	SCREW-ATTACH CHAIN			1
23	NAS444-1	NUT-ANCHOR ATTACH CHAIN TINNERMAN A6191-6Z-3			1

24	0811634-4	PLATE-STRIKER			1
		ATTACHING PARTS			
25	AN515-8R5	SCREW-ATTACH PLATE			2
26	NAS680A8	NUTPLATE-ATTACH PLATE			2

27	S-1042-1	SEAL-79 INCHES LG BKI REF S-1042-1-79-00			1

CESSNA AIRCRAFT COMPANY
MODEL 310 THRU 310D
ILLUSTRATED PARTS CATALOG

A55645



AIRPLANES 35442 AND ON

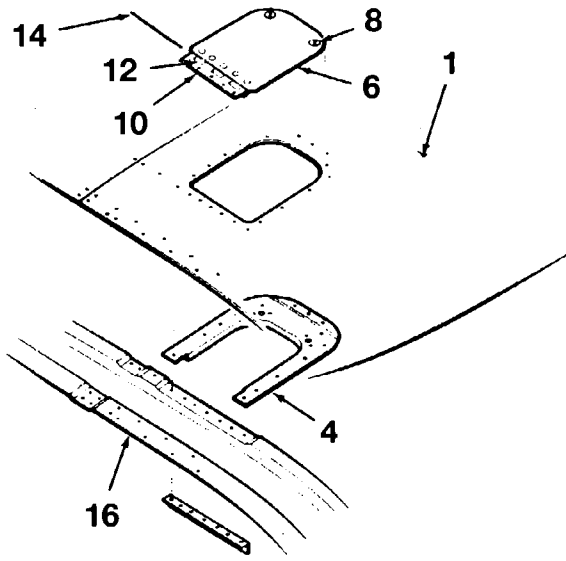
BAGGAGE DOOR INSTALLATION
FIGURE 02 (SHEET 1)

**CESSNA AIRCRAFT COMPANY
MODEL 310 THRU 310D
ILLUSTRATED PARTS CATALOG**

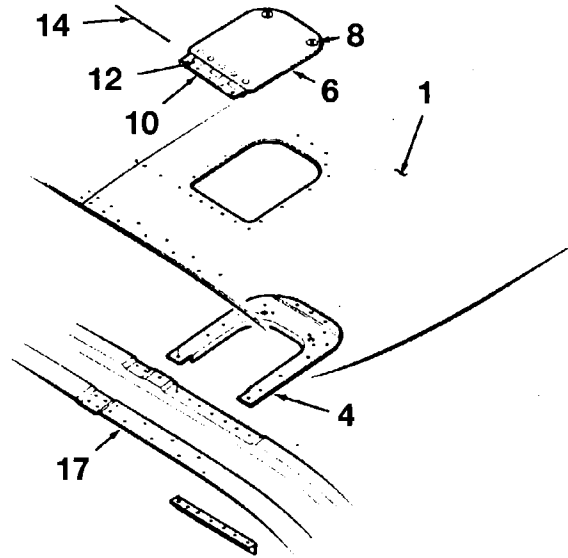
FIG ITEM	PART NUMBER	NOMENCLATURE	EFFECT		UNITS
			FROM	TO	PER ASSY
02		BAGGAGE DOOR INSTALLATION REFER TO 52-10-00 FIGURE 01 FOR NHA	35442	& ON	RF
1	0891000-7	. HINGE ASSY-BAGGAGE DOOR			1
2	S-1021Z-8-8	. SCREW-ATTACH CHAIN	35442	35771	1
3	0811488-5	. ROLLER-DOOR STOP	35772	& ON	1
4	0811636-1	. STRIKER PLATE			1
5	AN515-8R5	. SCREW-ATTACH STRIKER PLATE			2
6	MS21061L08K	. NUTPLATE-ATTACH STRIKER PLATE			2 R
7	S1042-1	. RUBBER-SEAL 79 INCHES LG BULK ITEM REF S-1042-1-79 00			1
- 7A	0891001-2	. DOOR ASSY-BAGGAGE	35442	35771	1
- 7B	0891001-3	. DOOR ASSY-BAGGAGE	35772	& ON	1
8	0811634-6	. CHAIN DOORSTOP	35442	35771	1
9	S-1021Z-6-6	. SCREW-ATTACH CHAIN	35442	35771	1
10	NAS444-1	. NUT-ANCHOR ATTACH CHAIN TINNERMAN A6191-6Z-3	35442	35771	1
10A	MS21071L3	. NUT-ATTACH DOOR STOP	35772	& ON	1 R
11	0811490-73	. LOCK-BAGGAGE DOOR ADAMS-RITE MFG CO 1930			1
12	LY1065	. CASE ASSY-ADAMS-RITE MFG CO			1
13	LY1067	. BOLT ASSY-ADAMS-RITE MFG CO			1
14	LF448	. FLAP-LOCK ADAMS-RITE MFG CO			1
15	MS20392-1-11	. PIN-FLAP HEAD ATTACH BOLT			1
16	NAS1149FN416P	. WASHER-ATTACH BOLT			1 R
17	MS24655-130	. COTTER PIN-ATTACH BOLT			1
18	LS381	. SPRING-ADAMS-RITE MFG CO			1
19	LP49	. PIN FLAP-ADAMS-RITE MFG CO			1
20	CY72	. CYLINDER ASSY-ADAMS-RITE MFG CO			1
21	CL38-500	. SHELL-ADAMS-RITE MFG CO			1
22	AR292	. NUT-ATTACH SHELL ADAMS-RITE MFG CO			1
23	CC44	. CAM-ADAMS-RITE MFG CO			1
24	AN515-6R5	. SCREW-ATTACH CAM			1
25	MS35338-41	. WASHER-ATTACH CAM			1 R
26	0811490-79	. STOP FLAP			1
27	0811488-4	. CHANNEL-DOOR STOP	35772	& ON	1
28	0811488-1	. STRAP ASSY-DOOR STOP	35772	& ON	2
29	3515-18-01	. WASHER-ATTACH DOOR STOP SPRING SHAKEPROOF INC	35772	& ON	2
30	NAS43-3-10	. SPACER-ATTACH DOOR STOP	35772	& ON	2
31	NAS1149F0563P	. WASHER-ATTACH DOOR STOP	35772	& ON	2 R
32	AN525-10R10	. SCREW-ATTACH DOOR STOP	35772	& ON	2

CESSNA AIRCRAFT COMPANY
MODEL 310 THRU 310D
 ILLUSTRATED PARTS CATALOG

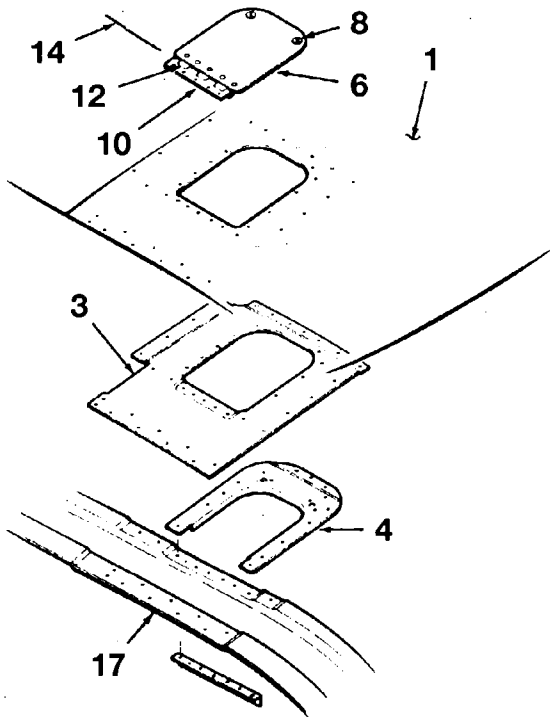
A55709



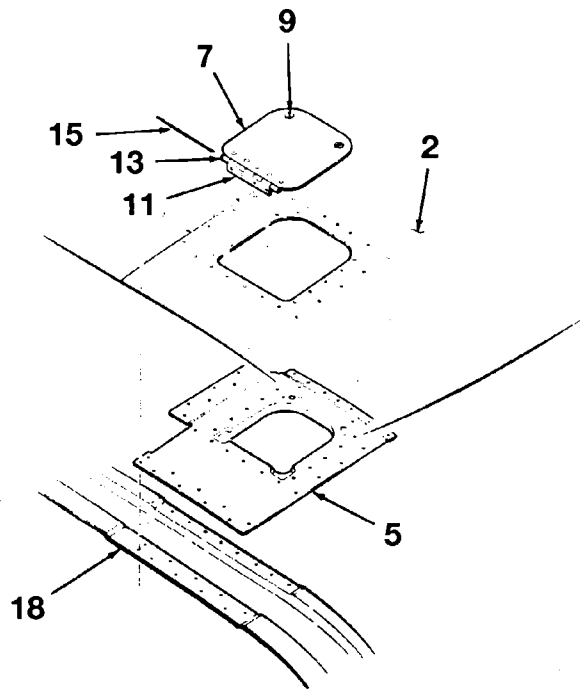
AIRPLANES 35457 THRU 35546



AIRPLANES 35547 THRU 35559



AIRPLANES 35560 THRU 35713



AIRPLANES 35714 THRU 35771

AIRPLANES 35000 THRU 35771

OIL FILLER DOOR AREA DETAILS-HAT SECTION COWL
 FIGURE 01 (SHEET 1)

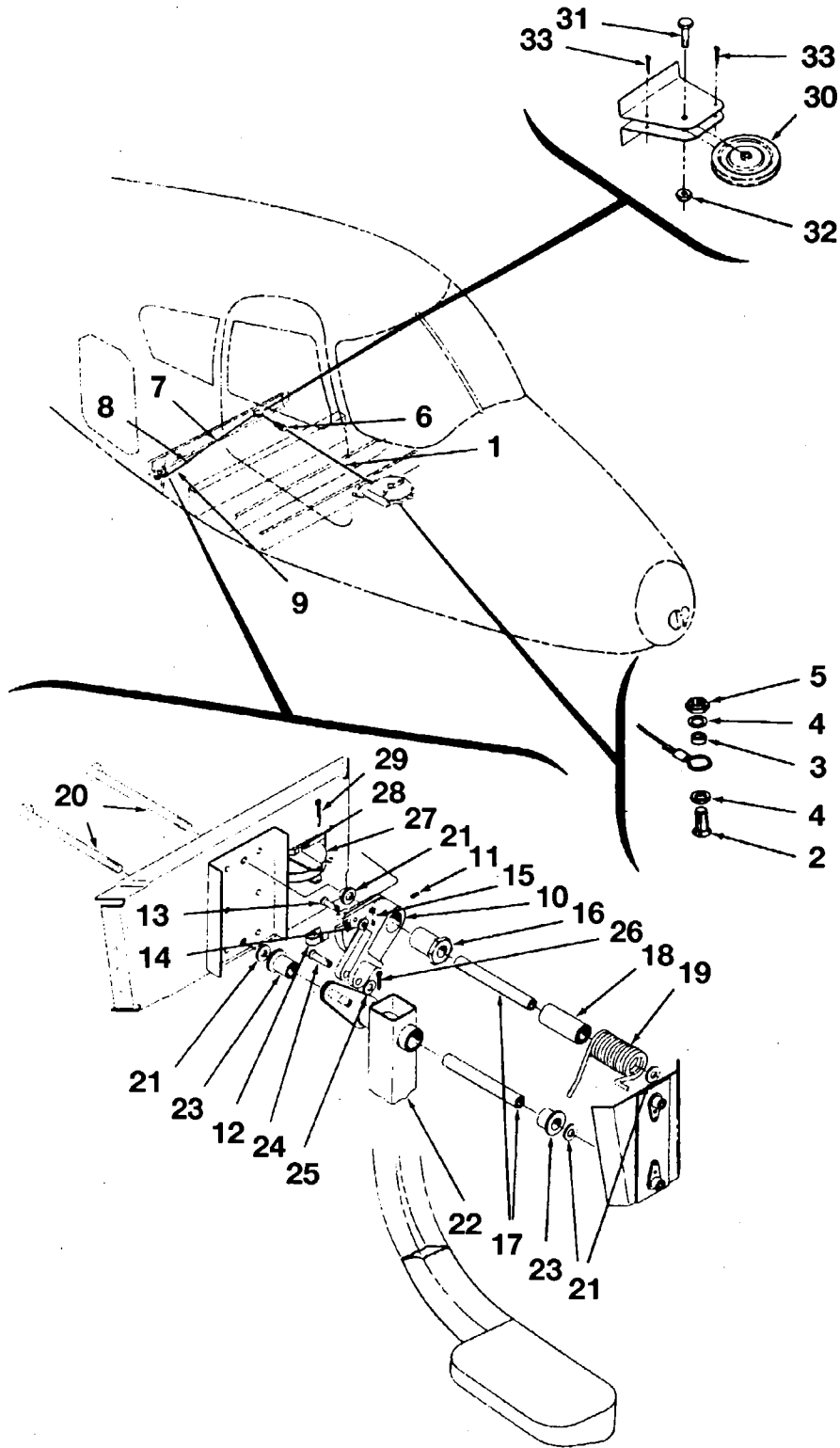
CESSNA AIRCRAFT COMPANY
MODEL 310 THRU 310D
ILLUSTRATED PARTS CATALOG

FIG ITEM	PART NUMBER	NOMENCLATURE	EFFECT		UNITS
			FROM	TO	PER ASSY
01		OIL FILLER DOOR AREA DETAILS-HAT SECTION COWL REFER TO 71-20-00 FIGURES 01 & 02 FOR NHA-REFER TO NOTE 1	35000	35771	RF
1	0851020-3	. SKIN-FRONT LEFT	35457	35713	1
2	0851030-9	. SKIN-FRONT LEFT	35714	35771	1
3	0850426-1	. DOUBLER-SKIN	35560	35713	1
4	0850417-1	. DOUBLER ASSY	35457	35713	1
- 4A	CM2822-2	. . SPRING-DZUS			2 R
5	0850427-1	. DOUBLER-SKIN	35714	35771	1
- 5A	CM2822-2	. . SPRING-DZUS			2 R
6	0850433-1	. DOOR ASSY-OIL FILLER	35475	35713	1
7	0850434-1	. DOOR ASSY-OIL FILLER	35714	35771	1
8	AJ4-25	. . STUD-DZUS	35457	35713	2 R
9	AJ4-30	. . STUD-DZUS	35714	35771	2 R
- 9A	GA4-250	. . GROMMET-DZUS			2
10	0850419-1	. . HINGE HALF	35457	35713	1
11	0851002-1	. . HINGE HALF	35714	35771	1
12	0850419-2	. . HINGE HALF	35457	35713	1
13	0851003-1	. . HINGE HALF	35714	35771	1
14	AN253-2-350	. . HINGE PIN	35457	35713	1
15	AN253-2-394	. . HINGE PIN	35714	35771	1
16	0851021-1	. FORMER-HAT SECTION	35457	35546	1
17	0851021-2	. FORMER-HAT SECTION	35547	35713	1
18	0851021-3	. HAT	35714	35771	1

NOTE 1—THIS FIGURE IS DESCRIPTIVE OF PARTS USED ON ORIGINAL EQUIPMENT BY SERIALS. DUE TO REPLACEMENT OF PARTS IN THIS AREA EITHER BY SERVICE KITS OR BY THE LATEST CONFIGURATION REPLACEMENT COWL, SERIAL INFORMATION MAY NOT BE APPLICABLE. BY MATCHING AIRPLANE WITH THE CONFIGURATION ILLUSTRATED ON OPPOSITE PAGE, CORRECT IDENTIFICATION OF PART NUMBERS CAN BE DETERMINED. REFER TO 71-10-00 FIGURE 04 FOR REPLACEMENT OF ORIGINAL EQUIPMENT IN THE OIL FILLER DOOR AREA FOR AIRPLANES WITH SERIAL 35000 THRU 35456. SERVICE KIT SK310-23 INCORPORATING THE LATEST DESIGN PARTS MY BE ORDERED TO IMPROVE THE OIL FILLER DOOR AREA IN ALL HAT SECTION ENGINE COWLS

CESSNA AIRCRAFT COMPANY
MODEL 310 THRU 310D
 ILLUSTRATED PARTS CATALOG

A55646



AIRPLANES 35000 THRU 35546
 CABIN STEP INSTALLATION
 FIGURE 01 (SHEET 1)

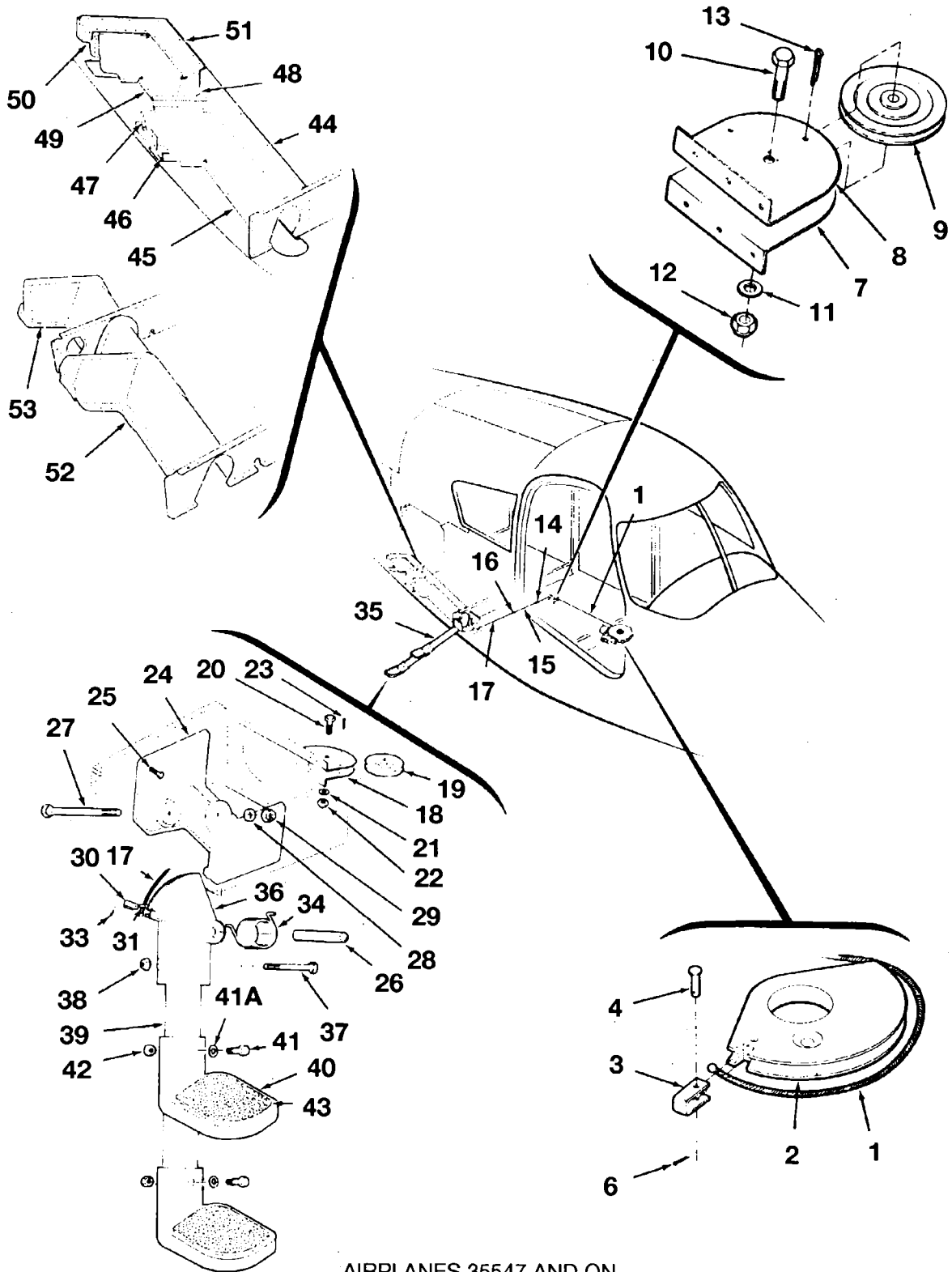
CESSNA AIRCRAFT COMPANY
MODEL 310 THRU 310D
ILLUSTRATED PARTS CATALOG

FIG ITEM	PART NUMBER	NOMENCLATURE	EFFECT		UNITS	
			FROM TO		PER	ASSY
01		CABIN STEP INSTALLATION	35000	35546	RF	
1	0860207-88	CABLE ASSY-FORWARD STEP RETRACTION				1
2	AN509-416R11	SCREW-ATTACH STEP RETRACTION CABLE TO ACTUATOR				1
- 2A	MS24694-S98	SCREW-ATTACH STEP RETRACTION CABLE TO ACTUATOR ALT FOR AN509-416R11				1 R
3	NAS43-4-8	SPACER-ATTACH STEP RETRACTION CABLE TO ACTUATOR				1
4	NAS1149F0432P	WASHER-ATTACH STEP RETRACTION CABLE TO ACTUATOR				2 R
5	MS21042L4	NUT-ATTACH STEP RETRACTION CABLE TO ACTUATOR				1 R
6	0811593-1	SPRING ASSY-STEP				1
7	0860207-89	CABLE ASSY-AFT STEP RETRACTION				1
8	AN155B-8S	BARREL				1
9	0860207-90	CABLE ASSY-AFT STEP RETRACTION				1
10	0811595-1	ACTUATOR-TORSIONAL				1
11	AN565D6H3	SET SCREW				1
12	0811592-21	CLAMP CABLE				1
13	MS20392-1-13	PIN-ATTACH CABLE CLAMP				1
14	NAS1149FN432P	WASHER-ATTACH CABLE CLAMP				1 R
15	MS24665-130	COTTER PIN-ATTACH CABLE CLAMP				1
16	0811592-22	ADJUSTMENT BUSHING				1
17	0811592-12	SPACER				2
18	0811592-16	SPACER				1
19	0811596-1	SPRING-TORSIONAL				1
20	AN4-36A	BOLT-ATTACH ACTUATOR & STEP				2
21	NAS1149F0432P	WASHER-ATTACH ACTUATOR & STEP				4 R
22	0811592-2	STEP WELD ASSY				1
23	S1004-18A	BEARING				2
24	MS20392-3-21	PIN-FLAT HEAD ATTACH STEP TO ACTUATOR				1
25	NAS1149F0432P	WASHER-ATTACH STEP TO ACTUATOR				3 R
26	MS24665-132	COTTER PIN-ATTACH STEP TO ACTUATOR				1
27	S378-3L	PULLEY				1
28	AN4-10A	BOLT-ATTACH PULLEY				1
- 28A	NAS1149F0432P	WASHER-ATTACH PULLEY				1 R
- 28B	MS21044N4	NUT-ATTACH PULLEY				1 R
29	MS24665-283	COTTER PIN-CABLE GUARD				2
30	S378-1	PULLEY-REFER TO NOTE 1				1
31	AN3-6A	BOLT-ATTACH PULLEY				11
32	MS21045L3	NUT-ATTACH PULLEY				1 R
33	MS24665-132	COTTER PIN-CABLE GUARD				2

NOTE 1—WHEN ORDERING THIS PART, ALSO ORDER 0811225-68 AND -69 STEP PULLEY BRACKETS.

CESSNA AIRCRAFT COMPANY
MODEL 310 THRU 310D
 ILLUSTRATED PARTS CATALOG

A55647



AIRPLANES 35547 AND ON

CABIN STEP INSTALLATION
 FIGURE 02 (SHEET 1)

CESSNA AIRCRAFT COMPANY
MODEL 310 THRU 310D
ILLUSTRATED PARTS CATALOG

FIG ITEM	PART NUMBER	NOMENCLATURE	EFFECT		UNITS PER ASSY
			FROM	TO	
02		CABIN STEP INSTALLATION	35547	& ON	RF
1	0860207-98	. CABLE ASSY-FORWARD STEP RETRACTION			1
2		. PULLEY-CABIN STEP ACTUATING REFER TO 32-30-00 FIGURE 06			RF
3	0811923-1	. CLAMP-ATTACH CABLE TO PULLEY	35547	35969	1
- 3A	0811923-2	. CLAMP-ATTACH CABLE TO PULLEY	35970	& ON	1
4	MS20392-1-13	. PIN-ATTACH CABLE TO PULLEY	35547	35969	1
- 4A	MS20392-1-11	. PIN-ATTACH CABLE TO PULLEY	35970	& ON	1
- 5		. DELETED-NOT USED			
6	MS24665-130	. COTTER PIN-SECURE PIN			1
7	0811937-1	. BRACKET-PULLEY			1
8	0811937-2	. BRACKET-PULLEY			1
9	S378-1	. PULLEY-REFER TO NOTE 1			1
10	AN3-7A	. BOLT-ATTACH PULLEY			1
11	NAS1149F0332P	. WASHER-ATTACH PULLEY			1 R
12	MS21045L3	. NUT-ATTACH PULLEY			1 R
13	MS24665-134	. COTTER PIN-CABLE GUARD			2
14	0811593-5	. SPRING ASSY-STEP			1
15	0860207-99	. CABLE ASSY			1
16	AN155B-8S	. BARREL			1
17	0860207-100	. CABLE-PULLEY			1
18		. BRACKET-PULLEY REFER TO 53-10-02 FIGURES 01 & 02 FOR NHA			RF
19	S-378-3L	. PULLEY			1
20	AN4-10A	. BOLT-ATTACH PULLEY			1
21	NAS1149F0463P	. WASHER-ATTACH PULLEY			1 R
22	MS21044N4	. NUT-ATTACH PULLEY			1 R
23	MS24665-134	. COTTER PIN-CABLE GUARD			2
24	0811903-1	. SUPPORT STEP			1
25	AN3-6A	. BOLT-ATTACH SUPPORT	35547	35677	10
			35679	35683	
- 25A	AN3-5A	. BOLT-ATTACH SUPPORT	35678	35678	7
			35684	& ON	
- 25B	AN3-4A	. BOLT-INBOARD UPPER ROW ATTACH SUPPORT	35678	35678	3
			35684	& ON	
- 25C	AN3-13A	. BOLT-OUTBOARD AFT ATTACH SUPPORT	35678	35678	2
			35684	& ON	
26	0811920-1	. SPACER			1
27	AN6-63A	. BOLT-ATTACH STRUT ASSY			1
28	NAS1149F0632P	. WASHER-ATTACH STRUT ASSY			1 R
29	MS20364-624C	. NUT-ATTACH STRUT ASSY			1
30	0811923-1	. CLAMP-CABLE	35547	35756	1
- 30A	0811935-1	. STOP-CABLE ATTACH CABLE TO YOKE	35757	& ON	1
31	MS20392-1-13	. PIN-ATTACH CABLE CLAMP			1
- 32		. DELETED-NOT USED			
33	MS24665-130	. COTTER PIN-SECURE PIN			1
34	0811907-1	. SPRING-TORSIONAL			1
35	0811901-2	. STEP-RETRACTABLE ENTRANCE STEP			1
36	0811933-1	. YOKE ASSY-RETRACTABLE ENTRANCE STEP			1
37	AN4-31A	. BOLT-ATTACH YOKE TO STRUT			1
38	MS21042L4	. NUT-ATTACH YOKE TO STRUT			1 R
39	0811905-2	. SUPPORT TUBE-RETRACTABLE ENTRANCE STEP			1
40	0811932-1	. STEP-RETRACTABLE ENTRANCE			2
41	AN3-26A	. BOLT-ATTACH STEP TO TUBE			2
41A	NAS1149F0363P	. WASHER-ATTACH STEP TO TUBE			2 R
42	MS20364-1032C	. NUT-ATTACH STEP TO TUBE			2
43	0811916-1	. TREAD-STEP			2
44	0811910-1	. SUPPORT-STEP HOUSING INBOARD	35547	35914	1
45	0811910-2	. SUPPORT-STEP HOUSING OUTBOARD	35547	35914	1
46	0811919-1	. ANGLE-REINFORCEMENT	35547	35914	1
47	0811910-3	. SUPPORT-STEP HOUSING	35547	35914	1
48	0811910-5	. SUPPORT-STEP HOUSING	35547	35914	1
49	0811912-1	. CHANNEL-STEP HOUSING	35547	35914	1
50	0811913-1	. CHANNEL-STEP HOUSING	35547	35914	1
51	0811914-1	. COVER-STEP HOUSING	35547	35914	1
52	0811597-1	. STEP HOUSING-FORWARD	35915	& ON	1
53	0811597-2	. STEP HOUSING-AFT	35915	& ON	1

NOTE 1—WHEN ORDERING THIS PART FOR AIRCRAFT SERIAL 35547 THRU 35892, ALSO ORDER 0811937-1 AND -2 PULLEY BRACKETS

CHAPTER

53

FUSELAGE

CESSNA AIRCRAFT COMPANY
MODEL 310 THRU 310D
 ILLUSTRATED PARTS CATALOG

LIST OF EFFECTIVE PAGES

CHAPTER-SECTION-SUBJECT	PAGE	DATE
53-Title		
53-List of Effective Pages		
53-Record of Temporary Revisions		
53-Contents		
53-10-00 Figure 01	1	Jul 5/2004
	2	Jul 5/2004
	3	Jul 5/2004
53-10-01 Figure 01	1	Jul 5/2004
	2	Jul 5/2004
	3	Jul 5/2004
53-10-02 Figure 01	1	Jul 5/2004
	2	Jul 5/2004
53-10-02 Figure 02	1	Jul 3/2006
	2	Jul 3/2006
	3	Jul 3/2006
53-10-03 Figure 01	1	Jul 5/2004
	2	Jul 5/2004
53-10-03 Figure 02	1	Jul 5/2004
	2	Jul 5/2004
53-10-04 Figure 01	1	Jul 3/2006
	2	Jul 3/2006
	3	Jul 3/2006
53-10-04 Figure 02	1	Jul 5/2004
	2	Jul 5/2004
53-10-05 Figure 01	1	Jul 3/2006
	2	Jul 3/2006
	3	Jul 3/2006
53-10-06 Figure 01	1	Jul 5/2004
	2	Jul 5/2004
53-10-06 Figure 02	1	Jul 5/2004
	2	Jul 5/2004
53-10-06 Figure 03	1	Jul 3/2006
	2	Jul 3/2006
53-10-06 Figure 04	1	Jul 5/2004
	2	Jul 5/2004
53-10-06 Figure 05	1	Jul 5/2004
	2	Jul 5/2004
53-10-06 Figure 06	1	Jul 5/2004
	2	Jul 5/2004
53-10-07 Figure 01	1	Jul 5/2004
	2	Jul 5/2004
53-10-07 Figure 02	1	Jul 5/2004
	2	Jul 5/2004
53-10-07 Figure 03	1	Jul 5/2004
	2	Jul 5/2004
53-10-07 Figure 04	1	Jul 5/2004
	2	Jul 5/2004
53-10-07 Figure 05	1	Jul 5/2004
	2	Jul 5/2004

CESSNA AIRCRAFT COMPANY
MODEL 310 THRU 310D
ILLUSTRATED PARTS CATALOG

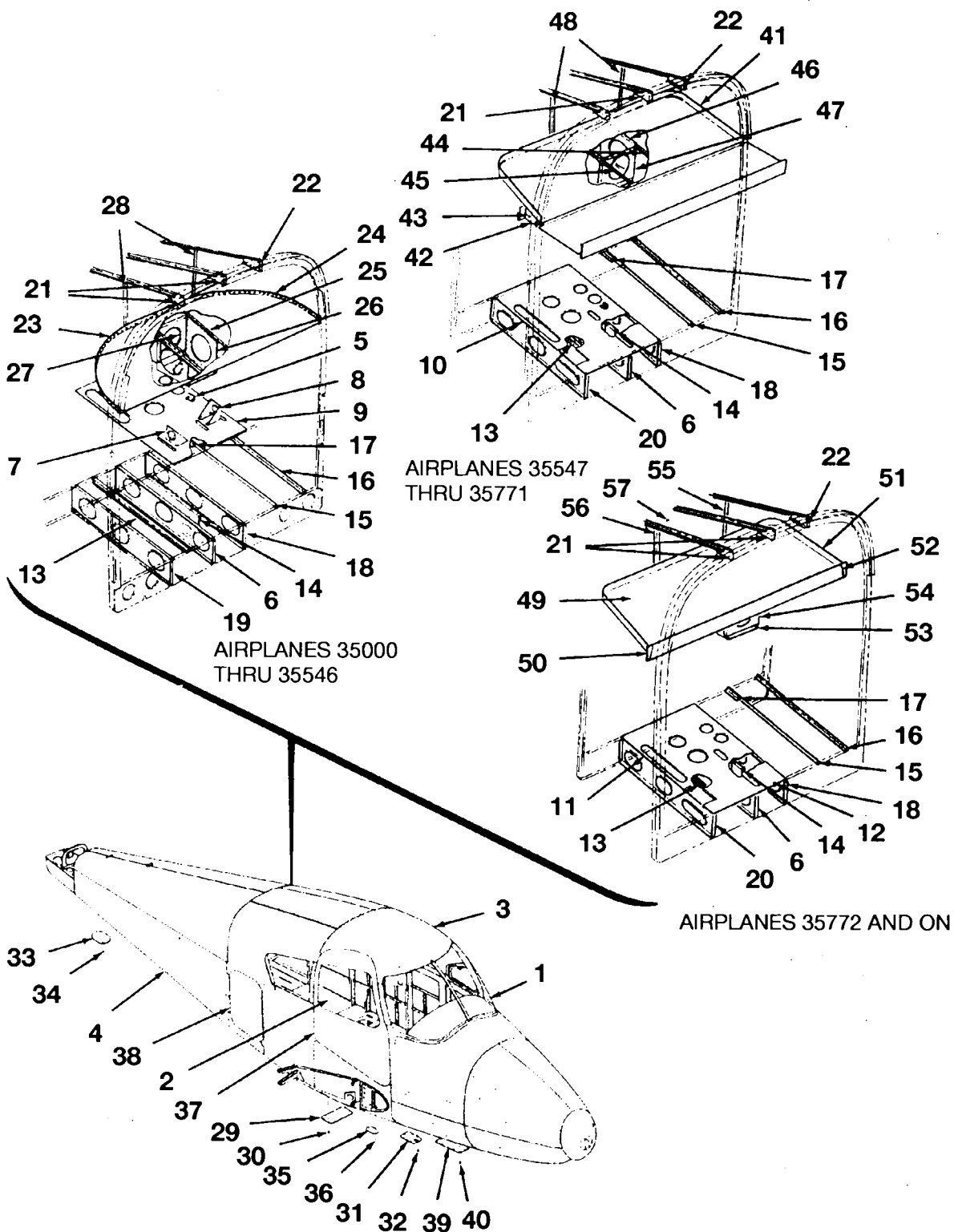
53-20-00 Figure 01	1	Jul 5/2004
	2	Jul 5/2004
	3	Jul 5/2004
53-20-00 Figure 02	1	Jul 5/2004
	2	Jul 5/2004
53-20-00 Figure 03	1	Jul 5/2004
	2	Jul 5/2004
53-20-00 Figure 04	1	Jul 5/2004
	2	Jul 5/2004
53-20-00 Figure 05	1	Jul 5/2004
	2	Jul 5/2004
53-20-00 Figure 06	1	Jul 5/2004
	2	Jul 5/2004
53-20-00 Figure 07	1	Jul 5/2004
	2	Jul 5/2004
53-20-01 Figure 01	1	Jul 5/2004
	2	Jul 5/2004
53-20-02 Figure 01	1	Jul 3/2006
	2	Jul 3/2006
	3	Jul 3/2006
53-20-02 Figure 02	1	Jul 3/2006
	2	Jul 3/2006
53-30-00 Figure 01	1	Jul 5/2004
	2	Jul 5/2004
53-30-00 Figure 02	1	Jul 5/2004
	2	Jul 5/2004
53-30-00 Figure 03	1	Jul 5/2004
	2	Jul 5/2004
53-30-00 Figure 04	1	Jul 5/2004
	2	Jul 5/2004
53-40-00 Figure 01	1	Jul 3/2006
	2	Jul 3/2006

CESSNA AIRCRAFT COMPANY
MODEL 310 THRU 310D
ILLUSTRATED PARTS CATALOG

<u>SUBJECT</u>	<u>CH SEC SUBJ FIG</u>	<u>EFFECTIVITY</u>
FUSELAGE ASSEMBLY	53-10-00-01	
FUSELAGE NOSE AND CABIN SECTION ASSEMBLY	53-10-01-01	
FUSELAGE CABIN BOTTOM ASSEMBLY	53-10-02-01	35000 35546
FUSELAGE CABIN BOTTOM ASSEMBLY	53-10-02-02	35547 & ON
FUSELAGE CABIN LEFT SIDE ASSEMBLY	53-10-03-01	
CABIN LEFT SIDE ASSEMBLY BULKHEADS AND STRINGERS INSTALLATION	53-10-03-02	
FUSELAGE CABIN RIGHT SIDE ASSEMBLY	53-10-04-01	
CABIN RIGHT SIDE ASSEMBLY BULKHEADS AND STRINGERS INSTALLATION	53-10-04-02	
FUSELAGE CABIN TOP ASSEMBLY	53-10-05-01	
FUSELAGE NOSE SECTION INSTALLATION	53-10-06-01	
NOSE SECTION SKINS AND STRINGERS INSTALLATION	53-10-06-02	
NOSE GEAR WELL FORMERS INSTALLATION	53-10-06-03	
NOSE GEAR WELL STIFFENERS INSTALLATION	53-10-06-04	
RADIO SHELVES INSTALLATION	53-10-06-05	
RADIO SHELVES INSTALLATION	53-10-06-06	35097 & ON
FUSELAGE AFT SECTION ASSEMBLY	53-10-07-01	
FUSELAGE AFT SECTION BOTTOM ASSEMBLY	53-10-07-02	
FUSELAGE AFT SECTION COMPONENTS	53-10-07-03	
FUSELAGE TAILCONE ASSEMBLY	53-10-07-04	
FUSELAGE STINGER ASSEMBLY	53-10-07-05	
FLOORBOARD INSTALLATION	53-20-00-01	35000 39031
COVER PLATES INSTALLATION	53-20-00-02	35000 39031
REMOVABLE FLOORBOARD INSTALLATION	53-20-00-03	
REMOVABLE FLOORBOARDS AND COVER PLATES INSTALLATION	53-20-00-04	39032 & ON
FRONT SEAT SUPPORT INSTALLATION	53-20-00-05	
FUSELAGE CONTROLS SUPPORT BRACKETS INSTALLATION	53-20-00-06	
FRONT SEAT SAFETY BELT BRACKETS INSTALLATION	53-20-00-07	
INSTRUMENT PANEL DECK VENT INSTALLATION	53-20-01-01	39250 & ON
CONTROL PEDESTAL INSTALLATION	53-20-02-01	35000 35771
CONTROL PEDESTAL INSTALLATION	53-20-02-02	35772 & ON
FUSELAGE BULKHEAD COMPONENTS INSTALLATION FS 0.00	53-30-00-01	
FUSELAGE BULKHEAD ASSEMBLY FS 20.00	53-30-00-02	
FUSELAGE BULKHEAD ASSEMBLY FS 52.06	53-30-00-03	
FUSELAGE BULKHEAD ASSEMBLY FS 109.375	53-30-00-04	
HOISTING LUGS AND CARGO TIE-DOWN LUGS INSTALLATION	53-40-00-01	

CESSNA AIRCRAFT COMPANY
MODEL 310 THRU 310D
 ILLUSTRATED PARTS CATALOG

A55603



FUSELAGE ASSEMBLY
 FIGURE 01 (SHEET 1)

CESSNA AIRCRAFT COMPANY
MODEL 310 THRU 310D
ILLUSTRATED PARTS CATALOG

FIG ITEM	PART NUMBER	NOMENCLATURE	EFFECT		UNITS PER ASSY
			FROM	TO	
01		FUSELAGE ASSEMBLY			RF
- 1		WINDSHIELD INSTALLATION-REFER TO 56-10-00 FIGURE 01 FOR BREAKDOWN			RF
2		FLOORBOARD INSTALLATION-REFER TO 53-20-00 FIGURE 01 FOR BREAKDOWN	35000	39031	RF
- 2A		FLOORBOARD INSTALLATION-REFER TO 53-20-00 FIGURE 03 FOR BREAKDOWN	39032	& ON	RF
3		NOSE & CABIN SECTION ASSY-FUSELAGE REFER TO 53-10-01 FIGURE 03 FOR BREAKDOWN			RF
- 3A		SEALS & BOOTS INSTALLATION-CABIN SOUNDPROOFING REFER TO 25-80-01 FIGURE 01 FOR BREAKDOWN	35547	& ON	RF
4	0891200-1	AFT SECTION ASSY-FUSELAGE REFER TO 53-10-07 FIGURE 01 FOR BREAKDOWN	35000	35546	1
- 4A	0891201-1	AFT SECTION ASSY-FUSELAGE FSO 0891201-3 REFER TO 53-10-07 FIGURE 01 FOR BREAKDOWN	35547	35914	NP
- 4B	0891201-3	AFT SECTION-FUSELAGE REFER TO 53-10-07 FIGURE 01 FOR BREAKDOWN	35547	& ON	1
5	0814000-35	SUPPORT-BRACKET	35000	35055	1
- 5A	0814000-148	SUPPORT-BRACKET	35056	35546	1
6	0814000-140	SUPPORT-AUTOPILOT			1
7	0814000-42	BRACKET-AUTOPILOT FOLLOW-UP	35000	35479	1
8	0814000-141	BRACKET-AUTOPILOT FOLLOW-UP	35000	35479	1
9	0814000-43	PAN-TOP	35000	35546	1
10	0812609-1	PAN-TOP	35547	35771	1
11	0812609-3	PAN-TOP	35772	39031	1
- 11A	0812609-4	PAN-TOP	39032	& ON	1
12	MS21047L3	NUTPLATE-ATTACH FLOORBOARDS			6 R
- 12A	NAS682A3	NUTPLATE-ATTACH FLOORBOARDS			1
- 12B	MS21047L3	NUTPLATE	35772	39031	1 R
13	0814000-45	REINFORCEMENT-J SECTION			1
14	0814000-47	BRACKET-LH PULLEY			1
15	0814000-89	ANGLE-AMPLIFIER			1
- 15A	MS21047L06	NUTPLATE-ATTACH ANGLE	39032	& ON	2 R
- 15B	AN515-6R6	SCREW-ATTACH ANGLE	39032	& ON	2
16	0814000-90	ANGLE-AMPLIFIER			1
17	0814000-91	ANGLE-AMPLIFIER			1
18	0814000-125	SIDE PAN-LH SIDE	35000	35715	1
- 18A	0814000-167	SIDE PAN ASSY-LH SIDE	35716	& ON	1
- 18B	MS21047L08K	NUTPLATE			4 R
19	0814000-126	PAN-RH SIDE	35000	35546	1
20	0812609-2	PAN-RH SIDE	35547	& ON	1
21	0811000-92	BRACKET ASSY-SHOULDER HARNESS RH & CENTER			2
22	0811000-91	BRACKET ASSY-SHOULDER HARNESS LH			1
- 22A	NAS682A3	NUTPLATE			1
23	0811644-17	SHELF ASSY-AFT BAGGAGE	35000	35546	1
24	0811644-12	STIFFENER-REAR SHELF			1
25	0811644-13	STIFFENER-WEB			2
26	0811644-20	BRACKET ASSY-ALTITUDE CONTROL MOUNTING			1
27	0811644-19	STIFFENER			1
28	0811644-11	SUPPORT-VERTICAL	35000	35546	2
29	0811250-21	COVER PLATE-INSPECTION OPENING COVER			1
- 29A	0812915-2	GASKET-INSPECTION PLATE	35547	& ON	1
30	AN507-832R8	SCREW-ATTACH COVER PLATE			10
31	0812917-1	PLATE ASSY-INSPECTION OPENING COVER			1
- 31A	0812917-2	GASKET			1
32	AN507-832R8	SCREW-ATTACH COVER PLATE			5
33	0814000-99	COVER PLATE-INSPECTION OPENING COVER			1
34	S-1021Z-8-6	SCREW-ATTACH COVER PLATE			6
35	0811250-45	INSPECTION PLATE-OPENING COVER			2
- 35A	0812916-2	GASKET-INSPECTION PLATE	35547	& ON	2
36	AN515-6R6	SCREW-ATTACH COVER PLATE			4
37		CABIN DOOR INSTALLATION-REFER TO 52-10-00 FIGURE 01 FOR BREAKDOWN			RF
38		BAGGAGE DOOR INSTALLATION-REFER TO 52-30-00 FIGURES 01 & 02 FOR BREAKDOWN			RF
39	0813011-1	PLATE-INSPECTION OPENING COVER	35368	& ON	1
- 39A	0812918-2	GASKET-INSPECTION PLATE	35547	& ON	1
40	AN507-832R7	SCREW-ATTACH COVER PLATE	35368	& ON	16
41	0811661-1	BAGGAGE SHELF ASSY	35547	35771	1
- 41A	CM2822-2	SPRING			8 R
42	0811653-1	SUPPORT ASSY-CURTAIN			1
- 42A	0811653-2	SUPPORT ASSY-CURTAIN			1
43	CM2822-2	SPRING			2 R

- ITEM NOT ILLUSTRATED

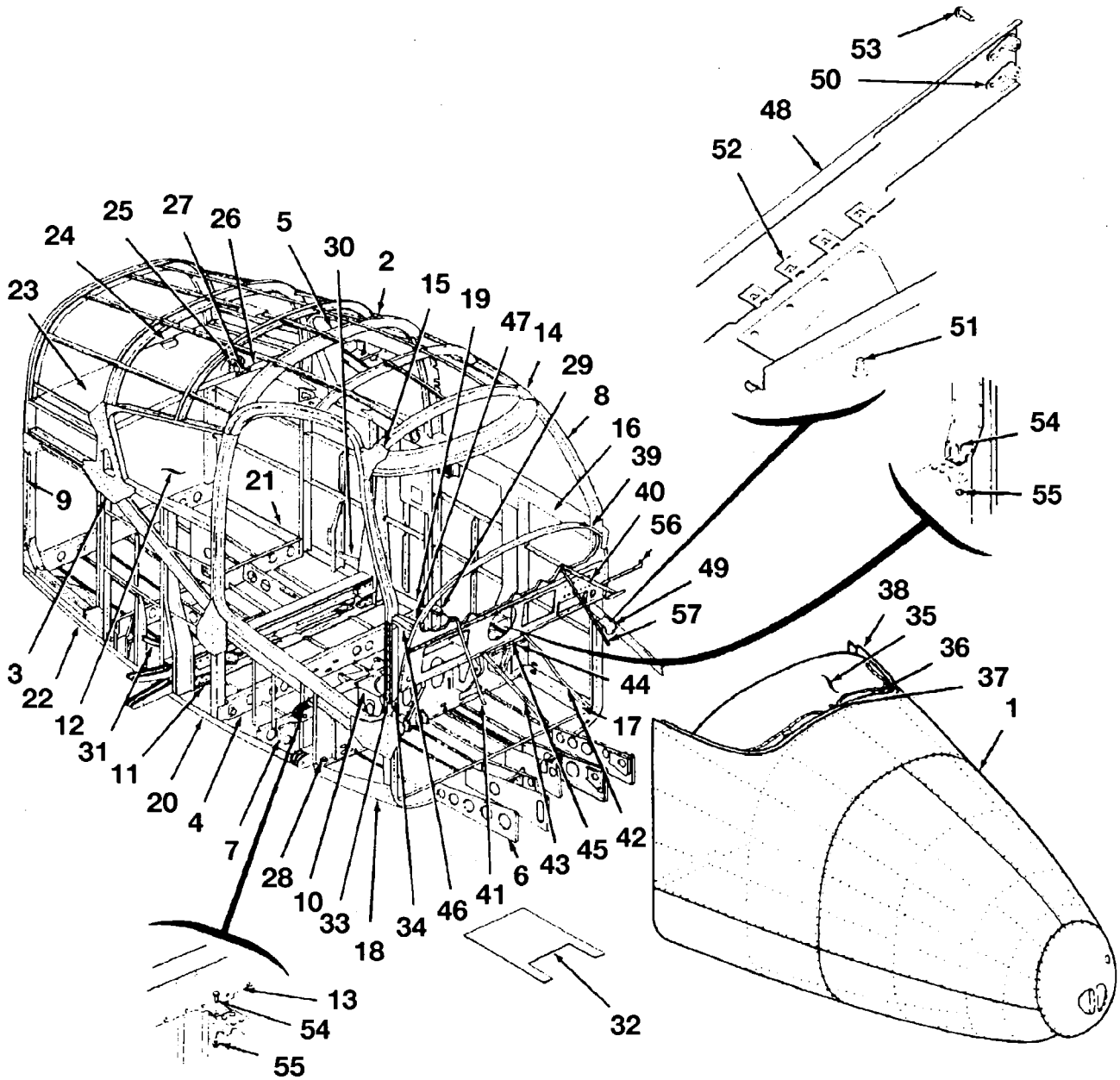
© Cessna Aircraft Company

CESSNA AIRCRAFT COMPANY
MODEL 310 THRU 310D
 ILLUSTRATED PARTS CATALOG

FIG ITEM	PART NUMBER	NOMENCLATURE	EFFECT		UNITS PER ASSY
			FROM	TO	
		1 2 3 4 5 6 7			
01					
44	0811688-3	.. STIFFENER-LH			1
45	0811688-2	.. STIFFENER-RH			1
46	0811671-1	.. BRACKET-ALTITUDE CONTROL MOUNTING			1
47	0811672-1	.. STIFFENER-ALTITUDE CONTROL MOUNTING BRACKET			1
48	0811666-1	.. SUPPORT-VERTICAL			2
49	0811601-1	.. SHELF ASSY-LUGGAGE	35547	35771	1
50	0811603-1	.. STIFFENER ASSY-LUGGAGE SHELF FORWARD	35772	& ON	1
- 50A	CM2822-2	.. SPRING			8 R
51	0811602-1	.. STIFFENER-LUGGAGE SHELF AFT			1
52	0811608-1	.. COVER-LUGGAGE SHELF SUPPORT			1
53	0811671-1	.. BRACKET-ALTITUDE CONTROL MOUNTING			1
54	0811672-1	.. STIFFENER-ALTITUDE CONTROL MOUNTING BRACKET			1
55	0811607-1	.. SUPPORT-LUGGAGE SHELF	35772	& ON	1
56	0811607-2	.. SUPPORT-LUGGAGE SHELF	35772	& ON	1
57	S-1021Z-8-6	.. SCREW-ATTACH COVER PLATE	35772	& ON	2

CESSNA AIRCRAFT COMPANY
MODEL 310 THRU 310D
ILLUSTRATED PARTS CATALOG

A55609



FUSELAGE NOSE AND CABIN SECTION ASSEMBLY
FIGURE 01 (SHEET 1)

**CESSNA AIRCRAFT COMPANY
MODEL 310 THRU 310D
ILLUSTRATED PARTS CATALOG**

FIG ITEM	PART NUMBER	NOMENCLATURE	EFFECT		UNITS PER ASSY
			FROM	TO	
01		FUSELAGE NOSE AND CABIN SECTION ASSEMBLY REFER TO 53-10-00			RF
-		FIGURE 01 FOR NHA			
1		NOSE SECTION INSTALLATION-FUSELAGE REFER TO 53-10-06 FIGURE 01			RF
		FOR BREAKDOWN			
2		SIDE ASSY-FUSELAGE CABIN LH REFER TO 53-10-03 FIGURE 01 FOR			RF
		BREAKDOWN			
3		SIDE ASSY-FUSELAGE CABIN RH REFER TO 53-10-04 FIGURE 01 FOR			RF
		BREAKDOWN			
4		BOTTOM ASSY-FUSELAGE CABIN REFER TO 53-10-02 FIGURE 01 FOR	35000	35546	RF
		NHA			
- 4A		BOTTOM ASSY-FUSELAGE CABIN REFER TO 53-10-02 FIGURE 02 FOR	35547	& ON	RF
		NHA			
5		TOP ASSY-FUSELAGE CABIN REFER TO 53-10-05 FIGURE 01 FOR			RF
		BREAKDOWN			
6		CONTROLS SUPPORT BRACKET INSTALLATION-REFER TO 53-20-00			RF
		FIGURE 06 FOR BREAKDOWN			
7		BRACKET INSTALLATION-SAFETY BELT REFER TO 53-20-00 FIGURE 07			RF
		FOR BREAKDOWN			
8		BULKHEAD ASSY-STA 200 REFER TO 53-30-00 FIGURE 02 FOR			RF
		BREAKDOWN			
9		BULKHEAD ASSY-FUSELAGE STA 109.375 REFER TO 53-30-00 FIGURE 04			RF
		FOR BREAKDOWN			
10		SPAR ASSY-CABIN FRONT REFER TO 57-10-00 FIGURE 09 FOR			RF
		BREAKDOWN			
11		SPAR ASSY-CABIN REAR REFER TO 57-10-00 FIGURE 10 FOR			RF
		BREAKDOWN			
12		WINDOWS INSTALLATION-CABIN REFER TO 56-10-00 FIGURE 02 FOR			RF
		BREAKDOWN			
13	0811150-46	DOUBLER-LOWER DOOR JAMB			1
14	0811150-24	DOUBLER-LH STRUCTURE JUNCTION			1
15	0811150-25	DOUBLER-RH STRUCTURE JUNCTION			1
16	0811150-59	DOUBLER-CHANNEL ASSY			1
- 16A	NAS455-1	NUTPLATE-TINNERMAN A6194-6Z-3			2
17	0811250-27	DOUBLER-FUSELAGE FORWARD LH LOWER CORNER			1
18	0811250-28	DOUBLER-FUSELAGE FORWARD RH LOWER CORNER			1
19	0811250-29	DOUBLER-FUSELAGE CENTER LH LOWER CORNER			1
20	0811250-30	DOUBLER-FUSELAGE CENTER RH LOWER CORNER			1
21	0811250-31	DOUBLER-FUSELAGE REAR LH LOWER CORNER			1
22	0811250-32	DOUBLER-FUSELAGE REAR RH LOWER CORNER	35000	35546	1
- 22A	0811250-46	DOUBLER-FUSELAGE REAR RH LOWER CORNER	35547	& ON	1
23	0811644-1	SHELF ASSY-FORWARD	35000	35227	1
			35229	35249	
- 23A	0811650-2	SHELF ASSY-FORWARD	35228	35228	1
			35250	35546	
24	0811644-9	SUPPORT-AFT			1
25	0811644-23	HANGER ASSY			2
26	0811644-7	STIFFENER-FORWARD	35000	35227	1
			35229	35249	
- 26A	0811650-7	STIFFENER-FORWARD	35228	35228	1
			35250	35546	
27	0811644-8	SUPPORT-FORWARD	35000	35227	1
			35229	35249	
- 27A	0811650-8	SUPPORT-FORWARD	35228	35228	1
			35250	35546	
28	MS21059L08	NUTPLATE			4 R
29	0811000-121	BRACKET ASSY-TRIM PULLEY			1
30	0811076-2	CHANNEL-REINFORCEMENT	35065	35771	1
- 30A	0811079-1	SUPPORT ASSY-REAR SEAT	35772	& ON	1
- 30B	MS21051L4	NUT-PLATE			3 R
31	0811076-1	CHANNEL-REINFORCEMENT	35065	& ON	1
32	0813000-130	SKIN-BOTTOM FORWARD	35000	35367	1
- 32A	0813000-140	SKIN-BOTTOM FORWARD	35368	& ON	1

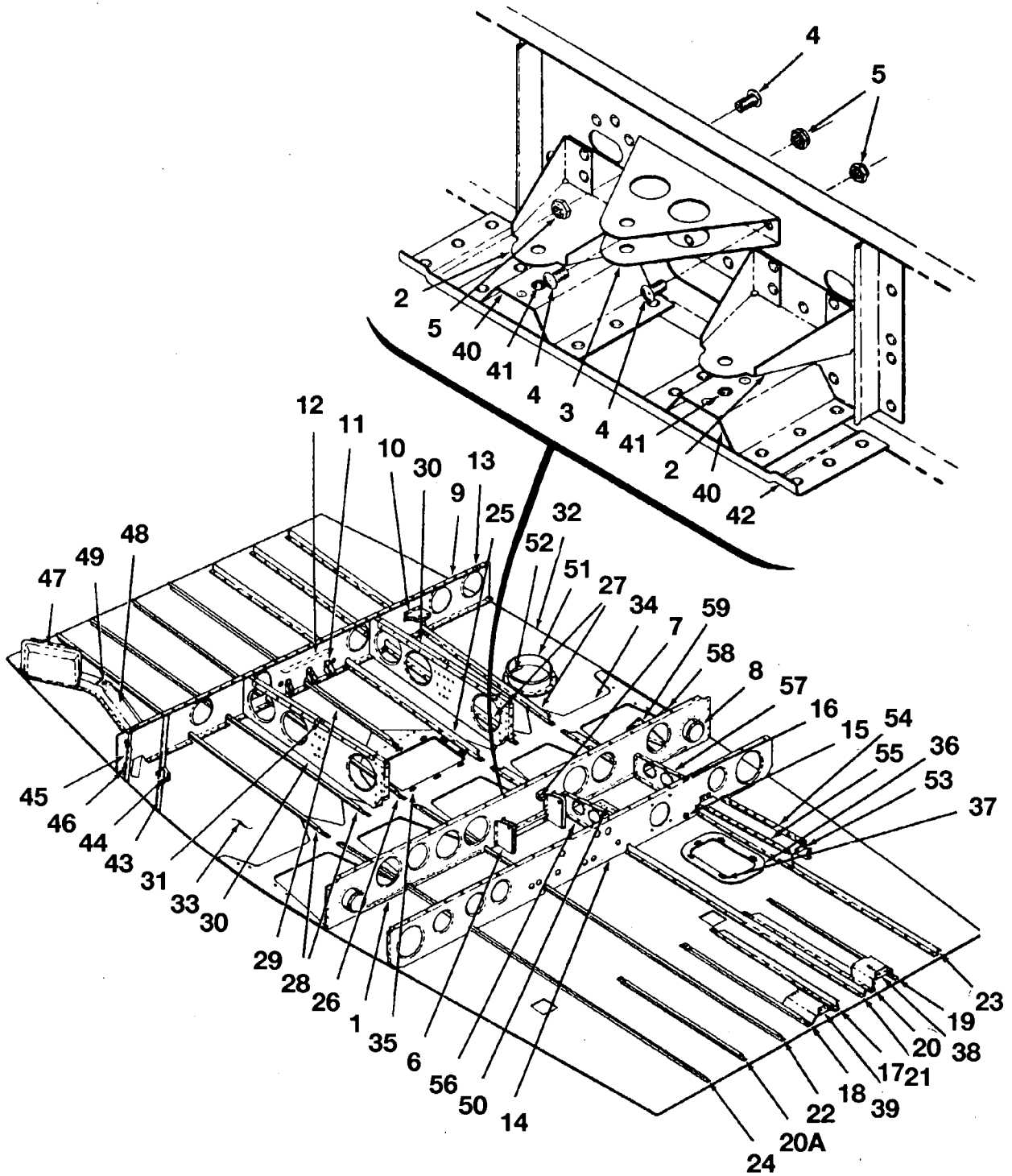
**CESSNA AIRCRAFT COMPANY
MODEL 310 THRU 310D
ILLUSTRATED PARTS CATALOG**

FIG ITEM	PART NUMBER	NOMENCLATURE	EFFECT		UNITS PER ASSY
			FROM	TO	
01					
33	0813000-111	. HINGE HALF-CABIN DOOR REFER TO NOTE 1			1
- 33A	0811010-1	. HINGE HALF-BULKHEAD CABIN DOOR	35023	35023	1
				35048	35048
				35062	35062
				35069	35069
				35075	35771
- 33B	0811010-3	. HINGE HALF-BULKHEAD CABIN DOOR	35772	& ON	1
34	0813000-120	. CHANNEL-HINGE REINFORCEMENT REFER TO NOTE 1			1
35	0811700-5	. SKIN ASSY-INSTRUMENT PANEL DECK	35000	35546	1
- 35A	0811709-1	. SKIN ASSY-INSTRUMENT PANEL DECK	35547	& ON	1
36	0450262	. UNION-DEFROST			2
37	MS35489-4	. GROMMET			1
38	0811700-4	. RETAINER-LOWER INSIDE WINDSHIELD	35000	35546	1
- 38A	0811706-1	. RETAINER-LOWER INSIDE WINDSHIELD	35547	& ON	1
39		. PANEL ASSEMBLIES-STATIONARY INSTRUMENT REFER TO 31-10-00 FIGURE 04 FOR BREAKDOWN			RF
- 39A	0813483-1	. BRACKET-INSTRUMENT PANEL SUPPORT	35772	& ON	1
40	0811700-43	. BRACE ASSY-INSTRUMENT PANEL UPPER LH			1
41	0811700-44	. BRACE-INSTRUMENT PANEL UPPER RH	35000	35954	1
- 41A	0812676-1	. BRACE ASSY-INSTRUMENT PANEL UPPER RH	35955	& ON	1
42	0811700-48	. BRACE-INSTRUMENT PANEL LOWER LH			1
43	0811700-40	. BRACE-INSTRUMENT PANEL LOWER RH			1
44	0811700-54	. TRUSS	35031	& ON	1
45	0811700-56	. BRACKET-SWITCH MOUNT	35031	35713	1
46	0813305-1	. PAN-REINFORCEMENT			1
47	0811700-16	. SUPPORT-PANEL RH	35000	35771	1
- 47A	0811700-61	. SUPPORT-PANEL RH	35772	& ON	1
- 47B	0811700-17	. SUPPORT-PANEL LH			1
48	0813150-62	. BRACKET ASSY-PARKING BRAKE			1
49	0813167-1	. BRACKET ASSY-PARKING BRAKE			1
50	NAS682A08	. NUTPLATE			4
51	S-1021Z-6-6	. SCREW-ATTACH BRACKET TO STIFFENER			4
52	NAS396-1A3	. NUT-ATTACH BRACKET TO STIFFENER			4
53	AN507-832R7	. SCREW-ATTACH PARKING BRAKE BRACKET			4
54	AN4-10A	. BOLT-ATTACH DOUBLERS TO FRONT SPAR			4
55	MS21042L4	. NUT-ATTACH DOUBLERS TO FRONT SPAR			4 R
56	0811700-60	. BRACKET-ANTENNA RELAY	35097	35322	1
57	0811700-62	. BRACE-INSTRUMENT PANEL	35772	& ON	1

NOTE 1—EFFECTIVE SERIALS, 35000 THRU 35022, 35024 THRU 35047, 35049 THRU 35061, 35063 THRU 35068, 35070 THRU 35074

CESSNA AIRCRAFT COMPANY
MODEL 310 THRU 310D
ILLUSTRATED PARTS CATALOG

A55610



AIRPLANES 35000 THRU 35546

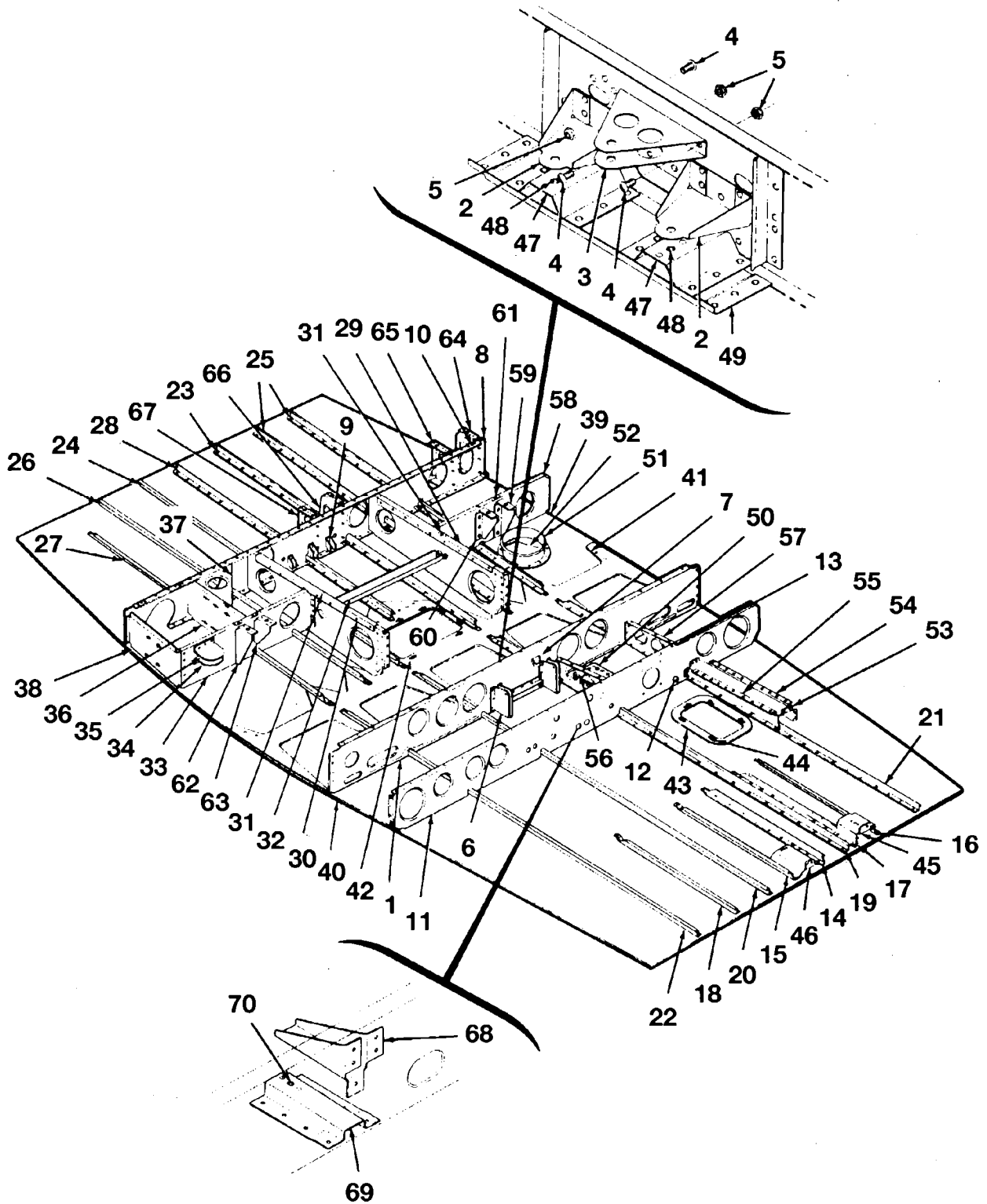
FUSELAGE CABIN BOTTOM ASSEMBLY
FIGURE 01 (SHEET 1)

CESSNA AIRCRAFT COMPANY
MODEL 310 THRU 310D
ILLUSTRATED PARTS CATALOG

FIG ITEM	PART NUMBER	NOMENCLATURE	EFFECT		UNITS
			FROM	TO	PER ASSY
01		FUSELAGE CABIN BOTTOM ASSEMBLY REFER TO 53-10-01 FIGURE 01 FOR NHA	35000	35546	RF
1	0811200-41	. BULKHEAD ASSY-LOWER STA 58.75			1
2	0811200-12	. BRACKET-UPPER AILERON BELLCRANK			2
3	0811200-15	. BRACKET-PULLEY			1
4	AN525-10R6	. SCREW-ATTACH PULLEY BRACKET			3
5	MS20364-1032C	. NUT-ATTACH PULLEY BRACKET			3
6	0811200-19	. BRACKET-ELEVATOR PULLEY			2
7	0412467	. BRACKET-AILERON TAB			1
8	0811200-45	. ADAPTER ASSY			2
9	0811225-32	. BULKHEAD ASSY-LOWER STA 89.25			1
10	0811225-68	. BRACKET-STEP PULLEY			1
- 10A	0811225-69	. BRACKET-STEP PULLEY			1
11	0412467	. BRACKET-PULLEY			3
12	0811225-41	. STRIP-RUB			1
13	MS21047L4	. NUT-PLATE			2 R
14	0811075-52	. BULKHEAD ASSY-STA 49.75			1
15	S338-7	. FAIRLEAD HALF			1
- 15A	S339-2	. CLIP			1
16	MS21047L4	. NUTPLATE-ATTACH CARGO TIE-DOWN LUGS	35065	35546	2 R
17	0811100-51	. STRINGER-LH			1
18	0811100-52	. STRINGER-RH			1
19	0811100-53	. STRINGER-LH			1
20	0811100-54	. STRINGER-RH			1
20A	0811100-72	. STRINGER-RH			1
21	0811100-55	. STRINGER-LH FWD			1
22	0811100-56	. STRINGER-RH FWD			1
23	0811100-57	. STRINGER-LH FWD			1
24	0811100-58	. STRINGER-RH FWD			1
25	0811100-59	. STRINGER-LH AFT			1
26	0811100-60	. STRINGER-RH AFT			1
27	0811100-61	. STRINGER-LH AFT			2
28	0811100-62	. STRINGER-RH AFT			2
29	0811100-63	. STRINGER-CENTER			1
30	0811251-1	. CHANNEL ASSY	35065	35546	2
- 30A	0811250-25	. CHANNEL ASSY-LH	35000	35064	1
- 30B	0811250-26	. CHANNEL ASSY-RH	35000	35064	1
31	MS21047L4	. NUTPLATE	35065	35546	1 R
- 31A	MS21047L3	. NUTPLATE	35000	35064	1 R
32	0811250-1	. SKIN-LH			1
33	0811250-2	. SKIN-RH			1
34	0811250-24	. GUSSET ASSY-REAR SPAR			1
35	MS21049L08	. NUTPLATE			10 R
36	0811250-36	. DOUBLER ASSY			1
37	MS21049L08	. NUTPLATE			5 R
38	0811150-32	. BRACKET ASSY			1
39	0811150-34	. BRACKET ASSY			1
40	0811150-36	. BRACKET ASSY			2
41	MS21047L4	. NUTPLATE			1 R
42	0811150-38	. DOUBLER			1
43	0891100-5	. SUPPORT ASSY-FWD			1
44	0811592-14	. BRACKET-PULLEY			1
- 44A	0811592-15	. BRACKET-PULLEY			1
45	0811592-25	. SUPPORT ASSY-AFT			1
46	MS21051L4	. NUT			2 R
47	0811592-4	. WELL-STEP			1
48	0811592-20	. COVER ASSY-STEP ARM			1
- 48A	MS21047L3	. NUTPLATE			1 R
49	AN3-3A	. BOLT-UP STOP			1
- 49A	0811592-7	. COVER BRACKET-ATTACH COVER TO BULKHEAD			1
50	0811250-41	. BRACKET ASSY			1
- 50A	NAS682A3	. NUTPLATE			4
51	0813750-29	. ADAPTER			1
52	0813750-31	. AIR SPILL			1
53	0843350-1	. CHANNEL ASSY			1
54	0843350-2	. ANGLE-MOUNTING			1
55	0843350-4	. ANGLE-MOUNTING			1
56	0843360-2	. STIFFENER-BULKHEAD INBD			1
57	0843360-1	. STIFFENER-BULKHEAD OUTBD			1
58	0811150-39	. CHANNEL-SUPPORT	35000	35479	1
59	0811250-42	. BRACKET-AILERON FOLLOW-UP	35000	35479	1

CESSNA AIRCRAFT COMPANY
MODEL 310 THRU 310D
ILLUSTRATED PARTS CATALOG

A55611



AIRPLANES 35547 AND ON

FUSELAGE CABIN BOTTOM ASSEMBLY
FIGURE 02 (SHEET 1)

**CESSNA AIRCRAFT COMPANY
MODEL 310 THRU 310D
ILLUSTRATED PARTS CATALOG**

FIG ITEM	PART NUMBER	NOMENCLATURE	EFFECT		UNITS PER ASSY
			FROM	TO	
02		FUSELAGE CABIN BOTTOM ASSEMBLY REFER TO 53-10-01 FIGURE 01 FOR NHA	35547	& ON	RF
1	0811200-62	. BULKHEAD ASSY-LWR STA 58.75	35547	39031	1
- 1A	0811200-63	. BULKHEAD ASSY-LWR STA 58.75	39032	& ON	1
- 1B	MS21047L3	. . NUTPLATE-ATTACH FLOORBOARDS	39032	& ON	16 R
2	0811200-12	. . BRACKET-UPPER AILERON BELLCRANK			2
3	0811200-15	. . BRACKET-PULLEY			1
4	ANS25-10R6	. . SCREW-ATTACH PULLEY BRACKET			3
5	MS21045L3	. . NUT-ATTACH PULLEY BRACKET			3 R
6	0811200-19	. . BRACKET-ELEVATOR PULLEY			2
7	0412467	. . BRACKET-AILERON TAB			1
8	0811227-1	. BULKHEAD ASSY-LWR STA 89.25	35547	39031	1
- 8A	0811227-3	. BULKHEAD ASSY-LWR STA 89.25	39032	& ON	1
9	0412467	. . BRACKET-PULLEY			3
- 9A	0811225-41	. . STRIP-RUB			1
10	MS21069L4	. . NUTPLATE			8 R
- 10A	MS21047L4	. . NUTPLATE			1 R
- 10B	NAS680A08	. . NUTPLATE			1
- 10C	NAS682A3	. . NUTPLATE	39032	& ON	1
- 10D	MS21047L3	. . NUTPLATE-ATTACH FLOORBOARDS	39032	& ON	12 R
11	0811075-52	. BULKHEAD ASSY-STA 49.75	35547	39031	1
- 11A	0811075-57	. BULKHEAD ASSY-STA 49.75	39032	& ON	1
- 11B	MS21047L3	. . NUTPLATE-ATTACH FLOORBOARDS	39032	& ON	13 R
- 11C	MS21053L3	. . NUTPLATE-ATTACH FLOORBOARDS	39032	& ON	2 R
12	S338-7	. . FAIRLEAD HALF			2
- 12A	S339-2	. . CLIP			1
13	MS21047L4	. . NUT-ATTACH CARGO TIE-DOWN LUGS			2 R
14	0811100-51	. STRINGER-LH			1
15	0811100-52	. STRINGER-RH			1
16	0811100-53	. STRINGER-LH			1
17	0811100-54	. STRINGER-RH			1
18	0811100-72	. STRINGER-RH			1
19	0811100-55	. STRINGER-LH FWD			1
20	0811100-56	. STRINGER-RH FWD			1
21	0811100-57	. STRINGER-LH FWD			1
22	0811100-58	. STRINGER-RH FWD			1
23	0811100-59	. STRINGER-LH AFT			1
24	0811100-60	. STRINGER-RH AFT			1
25	0811100-61	. STRINGER-LH AFT			2
26	0811100-62	. STRINGER-RH AFT			1
27	0811100-75	. STRINGER-RH AFT	35547	35914	1
- 27A	0811100-81	. STRINGER-RH AFT	35915	& ON	1
28	0811100-63	. STRINGER-CENTER			1
29	0811254-5	. CHANNEL ASSY-LH	35547	39031	1
- 29A	0811254-7	. CHANNEL ASSY-LH	39032	& ON	1
30	0811254-6	. CHANNEL ASSY-RH	35547	39031	1
- 30A	0811254-8	. CHANNEL ASSY-RH	39032	& ON	1
- 30B	MS21047L3	. . NUTPLATE-ATTACH FLOORBOARDS	39032	& ON	4 R
- 30C	NAS682A3	. . NUTPLATE-ATTACH FLOORBOARDS	39032	& ON	2
31	MS21047L4	. . NUTPLATE			2 R
- 31A	MS21051L4	. . NUTPLATE			2 R
32	0811922-1	. CABLE GUARD-CABLE STEP RETRACTION			1
33	0811917-5	. CHANNEL ASSY	35547	39031	1
- 33A	0811917-7	. CHANNEL ASSY	39032	& ON	1
- 33B	MS21047L3	. . NUTPLATE	35547	39031	2 R
- 33C	MS21047L3	. . NUTPLATE	39032	& ON	4 R
- 33D	NAS680A08	. . NUTPLATE			1
34	0811915-1	. . BRACKET-PULLEY			1
35	0811915-2	. . BRACKET-PULLEY			1
36	0811909-3	. CHANNEL ASSY-STEP SUPPORT INBD	35547	39031	1
- 36A	0811909-6	. CHANNEL ASSY-STEP SUPPORT INBD	39032	& ON	1
- 36B	MS21047L3	. . NUTPLATE			6 R
- 36C	NAS680A08	. . NUTPLATE			1
37	0811924-1	. GUSSET ASSY-STEP SUPPORT	35547	39031	1
- 37A	0811924-3	. GUSSET ASSY-STEP SUPPORT	39032	& ON	1
- 37B	NAS680A08	. . NUTPLATE	35547	39031	1
- 37C	MS21047L3	. . NUTPLATE	39032	& ON	6 R

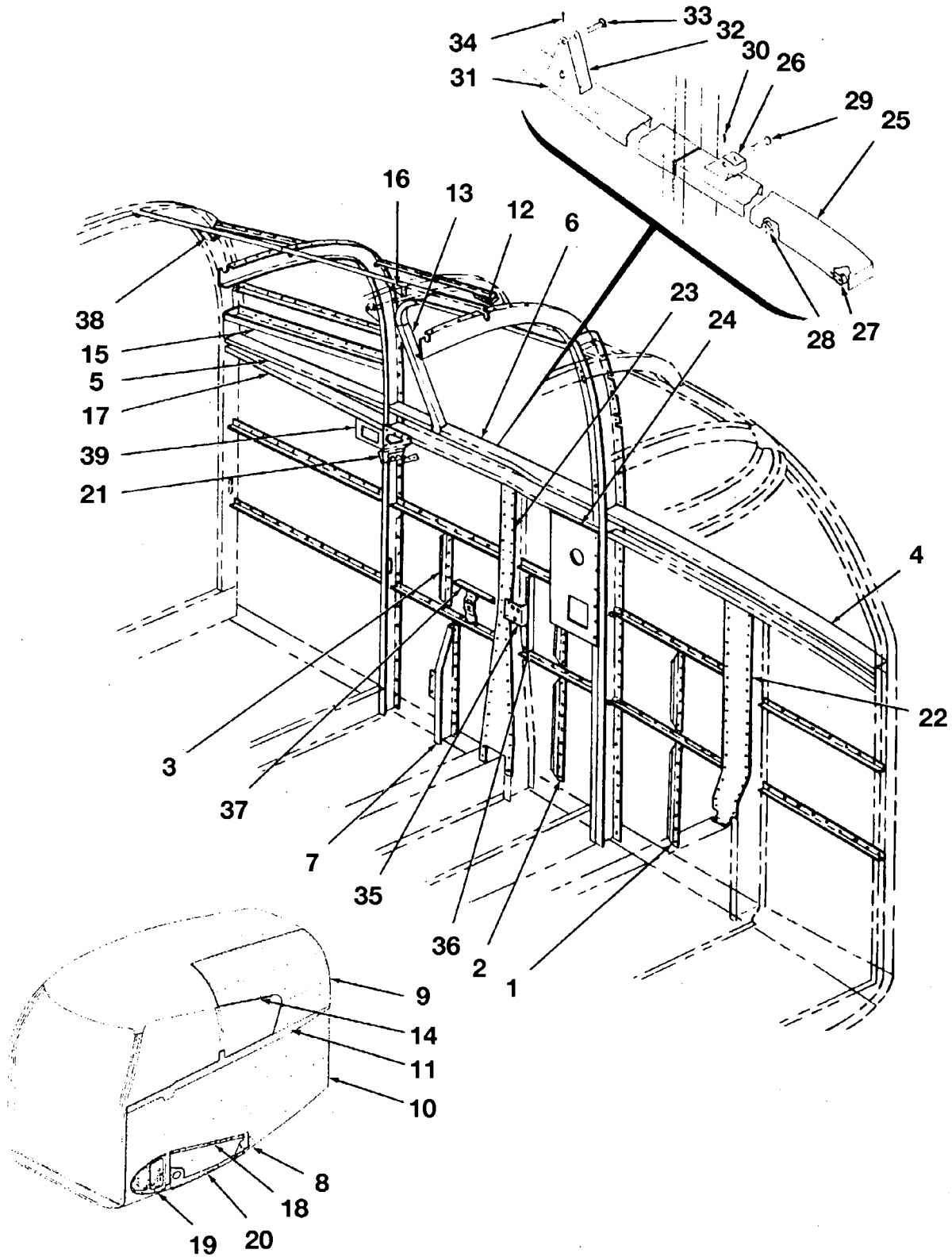
CESSNA AIRCRAFT COMPANY
MODEL 310 THRU 310D
ILLUSTRATED PARTS CATALOG

FIG ITEM	PART NUMBER	NOMENCLATURE	EFFECT		UNITS PER ASSY
			FROM	TO	
02					
38	0811921-1	. CHANNEL ASSY-STEP SUPPORT OUTBD	35547	35686	1
- 38A	0811921-3	. CHANNEL ASSY-STEP SUPPORT OUTBD	35687	& ON	1
- 38B	MS21047L3	. . NUTPLATE			6 R
39	0811250-1	. SKIN-LH	35547	35771	1
- 39A	0811250-48	. SKIN-LH	35772	35937	1
- 39B	0811250-77	. SKIN-LH REFER TO NOTE 1	35938	& ON	1
40	0811250-2	. SKIN-RH			1
41	0811250-24	. GUSSET ASSY-REAR SPAR			1
42	MS21049L08	. . NUTPLATE			10 R
- 42A	MS21049L08	. . NUTPLATE ALT FOR NAS681A08			10 R
43	0811250-36	. DOUBLER ASSY			1
44	MS21049L08	. . NUTPLATE			5 R
- 44A	MS21049L08	. . NUTPLATE ALT FOR NAS681A08			5 R
45	0811150-32	. BRACKET ASSY			1
46	0811150-34	. BRACKET ASSY			1
47	0811150-36	. BRACKET ASSY			2
48	MS21047L4	. . NUT			1 R
49	0811150-38	. DOUBLER			1
50	0811250-41	. BRACKET ASSY			1
- 50A	NAS682A3	. . NUTPLATE			4
51	0813750-29	. ADAPTER	35547	35771	1
- 51A	0813786-1	. ADAPTER	35772	35937	1
52	0813750-31	. AIR SPILL	35547	35937	1
53	0843350-1	. CHANNEL ASSY			1
54	0843350-2	. . ANGLE-MOUNTING			1
55	0843350-4	. . ANGLE-MOUNTING			1
56	0843360-2	. STIFFENER-BULKHEAD INBD			1
57	0843360-1	. STIFFENER-BULKHEAD OUTBD			1
58	0811936-3	. CHANNEL ASSY-SEAT REINFORCEMENT	35772	39031	1
- 59	0811936-5	. CHANNEL ASSY-SEAT REINFORCEMENT	39032	& ON	1
59A	0812269-1	. . BRACKET ASSY-FLOORBOARD REINFORCEMENT OUTBD			1
60	0812269-3	. . BRACKET ASSY-FLOORBOARD REINFORCEMENT OUTBD			1
- 60A	NAS682A3	. . NUTPLATE			1
61	MS21047L3	. . NUTPLATE	35772	39031	2 R
- 61A	MS21047L3	. . NUTPLATE	39032	& ON	4 R
62	0812269-1	. BRACKET ASSY-FLOORBOARD REINFORCEMENT	35772	& ON	1
63	0812269-3	. BRACKET ASSY-FLOORBOARD REINFORCEMENT	35772	& ON	1
- 63A	NAS682A3	. . NUTPLATE			1
64	0812254-1	. CHANNEL ASSY-LOUNGE SUPPORT	35772	& ON	1
65	0812254-2	. BRACKET ASSY-LOUNGE SUPPORT	35772	& ON	1
- 65A	MS21047L4	. . NUTPLATE			1 R
66	0812254-1	. CHANNEL ASSY-LOUNGE SUPPORT	35772	39031	1
- 66A	0812254-7	. BRACKET-LOUNGE SUPPORT	39032	& ON	1
67	0812254-2	. BRACKET ASSY-LOUNGE SUPPORT	35772	39031	1
- 67A	0812254-8	. CHANNEL ASSY-LOUNGE SUPPORT	39032	& ON	1
- 67B	MS21047L4	. . NUTPLATE			1 R
- 67C	MS21047L3	. . NUTPLATE	39032	& ON	1 R
68	0861515-3	. BRACKET-UPPER	39032	& ON	1
69	0861515-1	. BRACKET ASSY-LOWER	39032	& ON	1
70	MS21047L3	. . NUTPLATE			1 R

NOTE 1—OPTIONAL SERIAL 35772 THRU 35937 WHEN AIRPLANE INCORPORATES OPTINAL REAR CABIN AIR EXHAUST

CESSNA AIRCRAFT COMPANY
MODEL 310 THRU 310D
ILLUSTRATED PARTS CATALOG

A55612



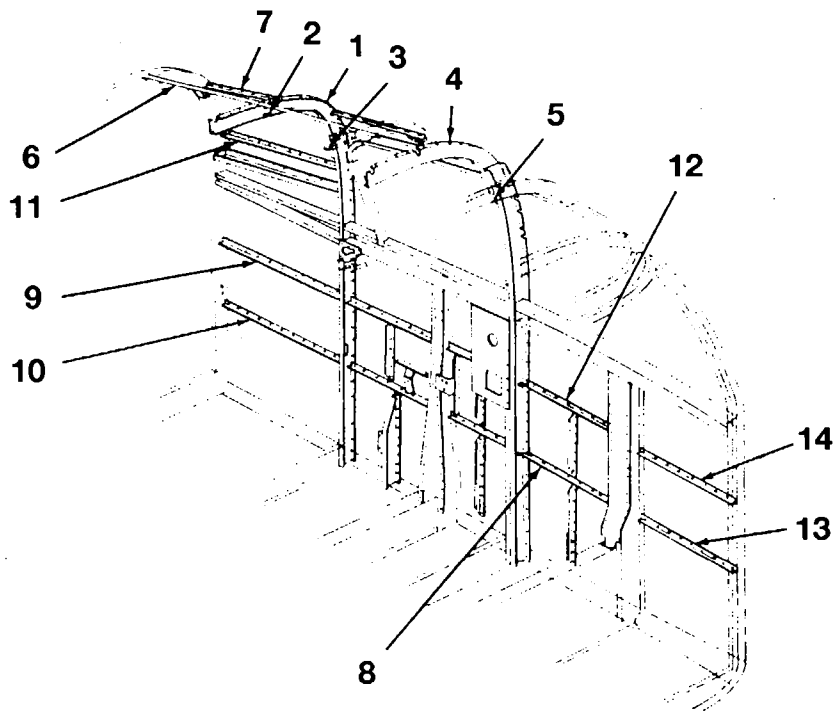
FUSELAGE CABIN LEFT SIDE ASSEMBLY
FIGURE 01 (SHEET 1)

**CESSNA AIRCRAFT COMPANY
MODEL 310 THRU 310D
ILLUSTRATED PARTS CATALOG**

FIG ITEM	PART NUMBER	NOMENCLATURE	EFFECT FROM TO	UNITS PER ASSY
		1 2 3 4 5 6 7		
01		FUSELAGE CABIN LEFT SIDE ASSEMBLY REFER TO 53-10-01 FIGURE 01 FOR NHA		RF
- 0		BULKHEADS & STRINGERS INSTALLATION-CABIN LH SIDE ASSY REFER TO 53-10-03 FIGURE 02 FOR BREAKDOWN		RF
1	0811100-40	STIFFENER		1
2	0811100-41	STRINGER-STIFFENER		1
3	0811100-42	STRINGER-STIFFENER		3
4	0811000-10	CHANNEL ASSY-SIDE WINDOW LWR	35000 35546	1
- 4A	0811003-1	CHANNEL ASSY-SIDE WINDOW LWR	35547 & ON	1
- 4B	NAS682A06	NUTPLATE		2
- 4C	MS21047L06	NUTPLATE		25 R
5	0811000-41	CHANNEL-SKIN SPLICE		1
6	0811000-94	CHANNEL ASSY-REAR WINDOW		1
- 6A	0811000-93	SHIM		2
7	0811150-49	CHANNEL ASSY-LH	35000 35771	1
- 7A	0811078-1	BULKHEAD ASSY-LH	35772 & ON	1
- 7B	0811150-27	DOUBLER-REAR SEAT		1
8	0811000-115	DOUBLER		1
9	0811000-46	SKIN-UPR LH		1
10	0811000-89	SKIN-LWR LH	35000 35905	1
- 10A	0811000-143	SKIN-LWR LH	35906 & ON	1
11	0811150-21	DOUBLER-OUTSIDE		1
12	0811000-81	BRACKET-STRINGER END		1
13	0811075-3	JAMB ASSY-REAR WINDOW		1
14	0811000-27	HINGE HALF-EMERGENCY WINDOW		1
15	0811000-1	CHANNEL-BAGGAGE SHELF SUPPORT LH	35000 35249	1
- 15A	0811000-131	CHANNEL-BAGGAGE SHELF SUPPORT LH	35250 35546	1
- 15B	0811000-137	CHANNEL-BAGGAGE SHELF SUPPORT LH	35547 35771	1
16	0811000-95	BRACKET ASSY-LH SHOULDER HARNESS		1
- 16A	NAS682A3	NUTPLATE		1
17	0811150-19	CHANNEL-REINFORCEMENT		1
18	0811000-65	STIFF		1
19	0811000-7	FAIRING-RIB LH		1
20	0811150-51	BRACKET-FILLET ATTACHING LH		1
21	0811150-47	CATCH-REAR SEAT LH	35000 35249	1
- 21A	0812322-1	CATCH ASSY-REAR SEAT LH	35250 35546	1
- 21B	0812320-3	BRACKET ASSY-REAR SEAT CATCH LH	35547 & ON	1
22	0811075-19	DOUBLER-FRONT SPAR LH BULKHEAD		1
23	0811075-21	DOUBLER-REAR SPAR LH BULKHEAD	35000 35771	1
- 23A	0811081-1	DOUBLER-REAR SPAR LH BULKHEAD	35772 & ON	1
24	0812500-11	PANEL-LH MOUNTING	35000 35546	1
- 24A	0812559-1	PANEL-LH MOUNTING	35547 & ON	1
25	0811150-55	CHANNEL ASSY-FORWARD		1
26	0412467	BRACKET-PULLEY		1
27	NAS682A06K	NUTPLATE		1
28	MS21047L06	NUTPLATE		3 R
29	MS20392-2-23	PIN-FLATHEAD		1
30	MS24665-130	COTTER PIN		1
31	0811150-56	CHANNEL ASSY-AFT		1
32	0812500-13	BRACKET ASSY		1
33	MS20392-2-23	PIN-FLATHEAD		2
34	MS24665-130	COTTER PIN		2
35	NAS680A06K	NUTPLATE	35547 & ON	4
- 35A	NAS682A06	NUTPLATE	35547 & ON	2
36	0811100-76	STRINGER-STIFFENER	35547 & ON	1
37	0812558-1	SUPPORT ANGLE-ARM REST	35547 & ON	1
38	0811007-1	SUPPORT-COAT HANGER HOOK	35547 35771	1
39	0812682-1	SUPPORT-ASH RECEIVER	39032 & ON	1

CESSNA AIRCRAFT COMPANY
MODEL 310 THRU 310D
ILLUSTRATED PARTS CATALOG

A55615



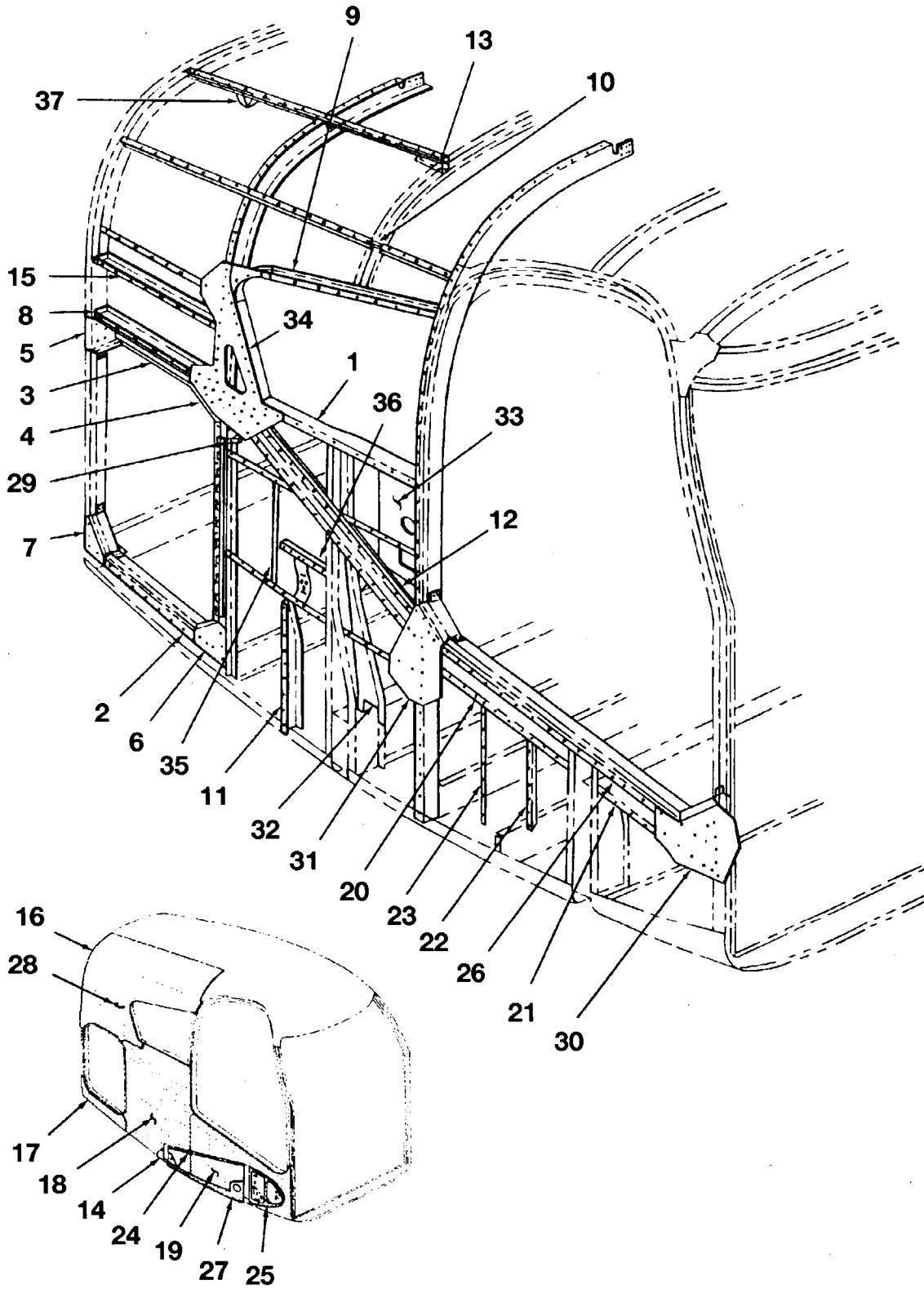
CABIN LEFT SIDE ASSEMBLY BULKHEADS AND STRINGERS INSTALLATION
FIGURE 02 (SHEET 1)

**CESSNA AIRCRAFT COMPANY
MODEL 310 THRU 310D
ILLUSTRATED PARTS CATALOG**

FIG ITEM	PART NUMBER	NOMENCLATURE	EFFECT		UNITS
			FROM	TO	PER ASSY
02		CABIN LEFT SIDE ASSEMBLY BULKHEADS AND STRINGERS INSTALLATION			RF
- 1	0811225-30	. BULKHEAD ASSY-LH STA 89.25	35000	35486	1
- 1A	0811225-45	. BULKHEAD ASSY-LH STA 89.25	35487	35771	1
- 1B	0811225-63	. BULKHEAD ASSY-LH STA 89.25	35772	& ON	1
2	MS21047L3	. . NUTPLATE	35000	35771	1 R
3	0811225-24	. . BRACKET ASSY-THERMOSTAT	35000	35486	1
- 3A	NAS682A08	. . . NUTPLATE			2
4	0811200-40	. BULKHEAD ASSY-LH STA 58.75			1
5	NAS680A03	. . NUTPLATE			2
6	0811100-21	. STRINGER-TOP INBD			1
7	0811100-23	. STRINGER-TOP OUTBD			1
8	0811100-38	. STRINGER			1
9	0811100-39	. STRINGER			1
10	0811100-64	. STRINGER			1
11	0811100-31	. STRINGER			1
12	0811100-43	. STRINGER	35000	35771	1
- 12A	0811100-80	. STRINGER	35772	& ON	1
- 12B	0811100-79	. STRINGER	35772	& ON	1
13	0811100-44	. STRINGER			1
14	0811100-82	. STRINGER			1

CESSNA AIRCRAFT COMPANY
MODEL 310 THRU 310D
ILLUSTRATED PARTS CATALOG

A55613



FUSELAGE CABIN RIGHT SIDE ASSEMBLY
FIGURE 01 (SHEET 1)

CESSNA AIRCRAFT COMPANY
MODEL 310 THRU 310D
ILLUSTRATED PARTS CATALOG

FIG ITEM	PART NUMBER	NOMENCLATURE	EFFECT		UNITS PER ASSY
			FROM	TO	
01		FUSELAGE CABIN RIGHT SIDE ASSEMBLY REFER TO 53-10-01 FIGURE 01 FOR NHA			RF
- 0		BULKHEADS & STRINGERS INSTALLATION-CABIN RH SIDE ASSY REFER TO 53-10-04 FIGURE 02 FOR BREAKDOWN			RF
1	0811000-14	CHANNEL-REAR WINDOW			1
2	0811000-15	JAMB-LWR BAGGAGE DOOR			1
3	0811000-130	JAMB ASSY-UPR BAGGAGE DOOR	35000	35771	1
- 3A	0811000-139	JAMB ASSY-UPR BAGGAGE DOOR	35772	& ON	1
- 3B	NAS444-1	NUTPLATE	35000	35771	1
- 3C	MS21071L3	NUTPLATE	35772	& ON	1 R
4	0811075-15	FILLET-BAGGAGE DOOR UPR	35000	35771	1
- 4A	0811075-20	FILLET-BAGGAGE DOOR UPR	35772	& ON	1
5	0811075-16	DOOR FILLET-BAGGAGE DOOR UPR			1
6	0811075-17	DOOR FILLET-BAGGAGE DOOR LWR			1
7	0811075-18	DOOR FILLET-BAGGAGE DOOR LWR			1
8	0811000-42	CHANNEL-RH			1
9	0811075-6	FRAME ASSY-REAR WINDOW			1
10	0811000-82	BRACKET-STRINGER END			1
11	0811150-50	CHANNEL ASSY-RH	35000	35546	1
- 11A	0811150-68	CHANNEL ASSY-RH	35547	& ON	1
- 11B	0811150-27	DOUBLER-REAR SEAT			1
12	0811150-23	HAT SECTION-REINFORCEMENT			1
13	0811000-96	BRACKET ASSY-RH SHOULDER HARNESS			1
- 13A	NAS682A3	NUTPLATE			1
14	0811000-116	DOUBLER-RH			1
15	0811000-2	CHANNEL-BAGGAGE SHELF SUPPORT	35000	35249	1
- 15A	0811000-132	CHANNEL-BAGGAGE SHELF SUPPORT	35250	35546	1
- 15B	0811000-136	CHANNEL-BAGGAGE SHELF SUPPORT	35547	35771	1
16	0811000-40	SKIN-TOP RH AFT			1
17	0811000-156	SKIN-RH LWR AFT			1
18	0811000-55	SKIN-RH CENTER			1
19	0811000-43	SKIN-FWD LWR RH	35000	35905	1
- 19A	0811000-144	SKIN-FWD LWR RH	35906	& ON	1
20	0811150-43	CHANNEL-DOOR JAMB AFT			1
21	0811150-22	CHANNEL-DOOR JAMB FWD			1
22	0811100-46	STRINGER-STIFFENER			1
23	0811100-47	STRINGER-STIFFENER			1
24	0811000-66	STRINGER-STIFFENER			1
25	0811000-8	FAIRING-RIB RH			1
26	0811000-124	CHANNEL ASSY-LWR DOOR JAMB REFER TO NOTE 1			1
- 26A	0811000-128	CHANNEL ASSY-LWR DOOR JAMB	35023	35023	1
			35048	35048	
			35062	35062	
			35069	35069	
			35075	& ON	
- 26B	MS21047L3	NUTPLATE			1 R
- 26C	MS21059L08	NUTPLATE	35023	35023	2 R
			35048	35048	
			35062	35062	
			35069	35069	
			35075	& ON	
27	0811150-52	BRACKET-FILLET ATTACHING RH			1
28	0811000-79	HANDLE			1
- 28A	NAS1149F0463P	WASHER-ATTACH HANDLE			2 R
- 28B	MS21044N4	NUT-ATTACH HANDLE			2 R
29	0811150-48	CATCH-REAR SEAT RH	35000	35249	1
- 29A	0812322-2	CATCH ASSY-REAR SEAT RH	35250	35546	1
- 29B	0812320-4	BRACKET ASSY-REAR SEAT CATCH RH	35547	& ON	1
30	0811150-44	FILLET-CABIN DOOR FWD REFER TO NOTE 1			1
- 30A	0811150-65	FILLET-CABIN DOOR FWD	35023	35023	1
			35048	35048	
			35063	35063	
			35069	35069	
			35075	& ON	
31	0811150-45	FILLET-CABIN DOOR AFT REFER TO NOTE 1			1
- 31A	0811150-66	FILLET-CABIN DOOR AFT	35023	35023	1
			35048	35048	
			35062	35062	
			35069	35069	
			35075	& ON	
32	0811075-22	DOUBLER-REAR SPAR RH BULKHEAD			1

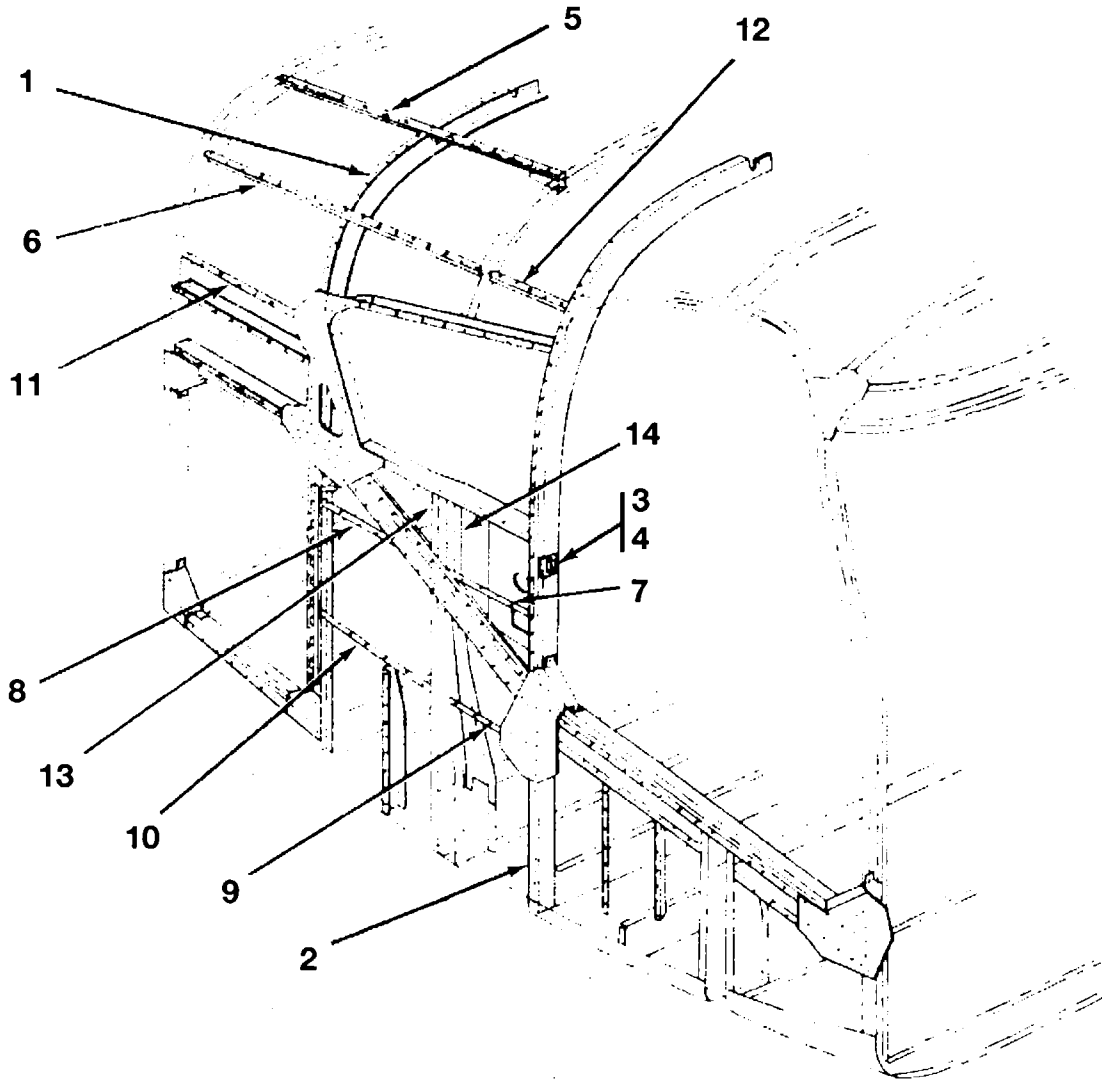
NOTE 1—EFFECTIVE SERIALS 35000 THRU 35074 EXCEPT 35023, 35048, 35062 AND 35069

CESSNA AIRCRAFT COMPANY
MODEL 310 THRU 310D
ILLUSTRATED PARTS CATALOG

FIG ITEM	PART NUMBER	NOMENCLATURE	EFFECT		UNITS
			FROM	TO	PER ASSY
01					
33	0812500-12	. MOUNTING PANEL-RH.	35000	35546	1
- 33A	0812559-2	. MOUNTING PANEL-RH.	35547	& ON	1
34	0811150-26	. DOUBLER-REAR WINDOW			1
35	0811100-68	. STRINGER-STIFFENER			1
- 35A	MS21047L06	. NUTPLATE	35547	& ON	4 R
- 35B	NAS682A06	. NUTPLATE	35547	& ON	2
36	0812558-2	. SUPPORT ANGLE-ARM REST	35547	& ON	1
37	0811077-1	. SUPPORT-COAT HANGER HOOK	35547	35771	1

CESSNA AIRCRAFT COMPANY
MODEL 310 THRU 310D
ILLUSTRATED PARTS CATALOG

A55614



CABIN RIGHT SIDE ASSEMBLY BULKHEADS AND STRINGERS INSTALLATION
FIGURE 02 (SHEET 1)

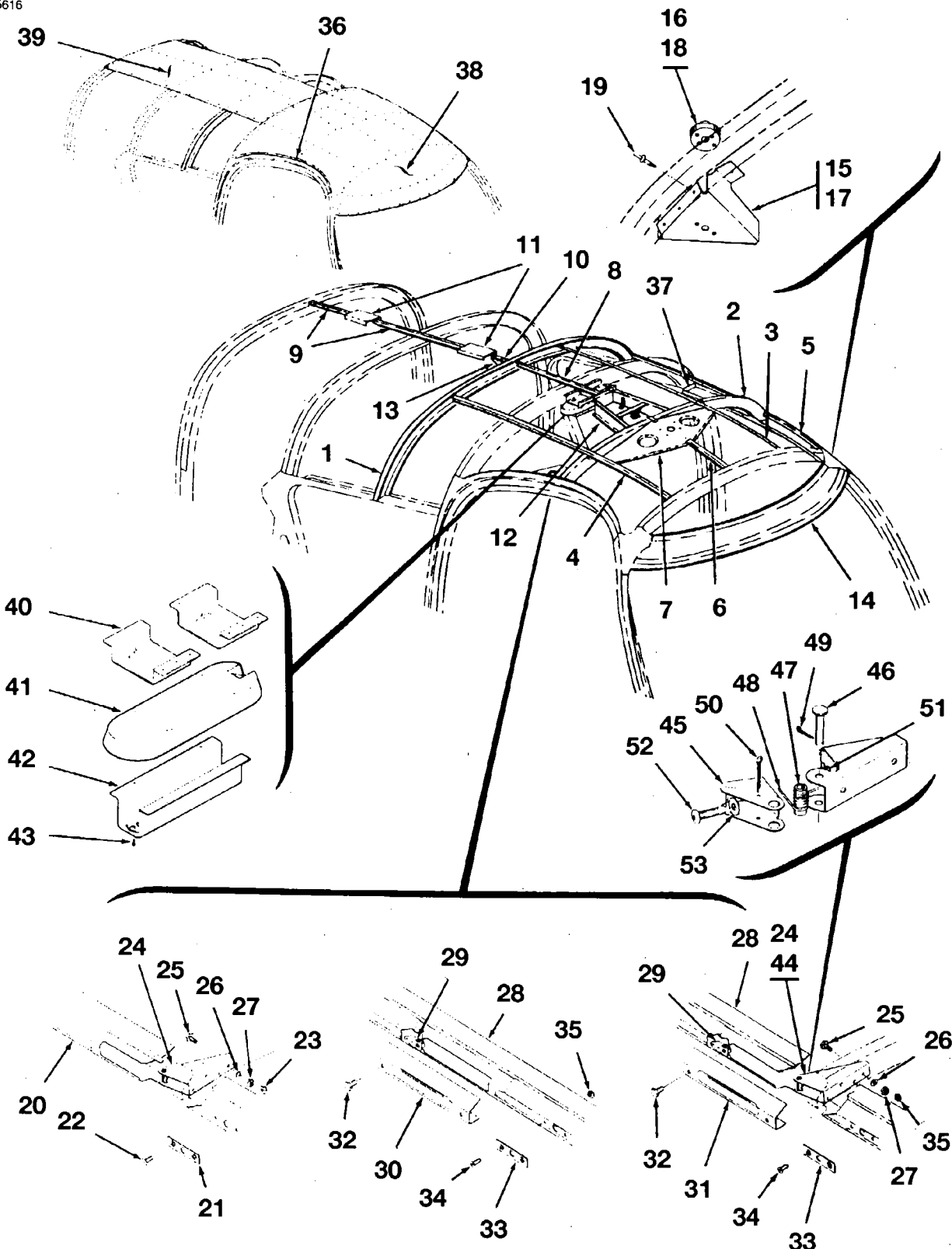
CESSNA AIRCRAFT COMPANY
MODEL 310 THRU 310D
ILLUSTRATED PARTS CATALOG

FIG ITEM	PART NUMBER	NOMENCLATURE	EFFECT		UNITS
			FROM	TO	PER ASSY
02		CABIN RIGHT SIDE ASSEMBLY BULKHEADS AND STRINGERS INSTALLATION			RF
-		REFER TO 53-10-04 FIGURE 01 FOR NHA			
1	0811225-57	. BULKHEAD ASSY-RH STA 89.25	35000	35686	1
- 1A	0811225-55	. BULKHEAD ASSY-RH STA 89.25	35687	35771	1
- 1B	0811225-62	. BULKHEAD ASSY-RH STA 89.25	35772	& ON	1
- 1C	MS21047L3	. NUTPLATE	35000	35771	1 R
2	0811200-50	. BULKHEAD ASSY-RH STA 58.75 REFER TO NOTE 1			1
- 2A	0811200-59	. BULKHEAD ASSY-RH STA 58.75	35023	35023	1
			35048	35048	
			35062	35062	
			35069	35069	
			35075	& ON	
- 2B	A6191A-10Z-1	. . NUT-TINNERMAN REFER TO NOTE 1			2
- 2C	NAS680A03	. . NUTPLATE	35023	35023	2
			35048	35048	
			35062	35062	
			35069	35069	
			35075	& ON	
3	0811200-49	. . STRIKE PLATE-REFER TO NOTE 1			1
- 3A	0811501-1	. . STRIKE PLATE	35023	35023	1
			35048	35048	
			35062	35062	
			35069	35069	
			35075	& ON	
4	MS21044N08	. NUT-ATTACH STRIKE PLATE			2 R
- 4A	MS20365-832	. NUT-ATTACH STRIKE PLATE REFER TO NOTE 1			2
- 4B	MS21061L08K	. . NUTPLATE	35023	35023	2 R
			35048	35048	
			35062	35062	
			35069	35069	
			35075	& ON	
5	0811100-22	. STRINGER-TOP INBD			1
6	0811100-24	. STRINGER-TOP OUTBD			1
7	0811101-1	. STIFFENER-STRINGER			1
8	0811100-27	. STRINGER			1
9	0811100-28	. STRINGER			1
10	0811100-29	. STRINGER			1
11	0811100-30	. STRINGER			1
12	0811100-36	. STRINGER-TOP			1
13	0811075-28	. BULKHEAD-REAR SPAR			1
14	0811075-36	. BULKHEAD-REAR SPAR UPPER			1

NOTE 1—EFFECTIVE SERIALS 35000 THRU 35074 EXCEPT 35023, 35048, 36062 & 35069

CESSNA AIRCRAFT COMPANY
MODEL 310 THRU 310D
 ILLUSTRATED PARTS CATALOG

A55616



FUSELAGE CABIN TOP ASSEMBLY
 FIGURE 01 (SHEET 1)

CESSNA AIRCRAFT COMPANY
MODEL 310 THRU 310D
ILLUSTRATED PARTS CATALOG

FIG ITEM	PART NUMBER	NOMENCLATURE	EFFECT		UNITS PER ASSY
			FROM	TO	
01		FUSELAGE CABIN TOP ASSEMBLY REFER TO 53-10-01 FIGURE 01 FOR NHA			RF
1	0811075-24	. BULKHEAD ASSY-STA 70			1
2	0811240-9	. BULKHEAD ASSY-STA 44.38			1
3	0811100-33	. STRINGER-TOP LH FWD			1
4	0811100-34	. STRINGER-TOP RH FWD			1
5	0811100-35	. STRINGER-TOP LH FWD			1
6	0811100-37	. STRINGER-TOP CENTER FWD	35000	35171	1
- 6A	0811100-70	. STRINGER-TOP CENTER FWD	35172	35531	1
- 6B	0811100-74	. STRINGER-TOP CENTER RH FWD	35532	& ON	1
- 6C	0811100-73	. STRINGER-TOP CENTER LH FWD	35532	& ON	1
7	0812487-1	. DOUBLER-ANTENNA	35172	35531	1
- 7A	0812332-1	. DOUBLER-ANTENNA	35532	& ON	1
8	0811100-32	. STRINGER-TOP CENTER CENTER			1
9	0811100-25	. STRINGER-TOP CENTER AFT 30.80 INCHES LONG	35000	35771	1
- 9A	0811100-77	. STRINGER-TOP CENTER AFT 17.80 INCHES LONG	35772	35772	1
- 9B	0811100-78	. STRINGER-TOP CENTER AFT 9.15 INCHES LONG	35772	& ON	1
10	0811000-67	. STIFFENER-DOME LIGHT			1
11	0812350-40	. BRACKET-DOME LIGHT MOUNTING	35000	35771	1
- 11A	0812350-40	. BRACKET-DOME LIGHT MOUNTING	35772	& ON	2
12	0891100-6	. SUPPORT ASSY-LIGHT CONSOLE	35000	35546	1
- 12A	0891100-9	. SUPPORT-LIGHT CONSOLE	35547	& ON	1
- 12B	S3228-14	. NUT-TINNERMAN A1274-8Z-3	35000	35546	4
- 12C	S3228-14	. NUT-TINNERMAN A1274-8Z-3	35547	& ON	2
13	0811000-69	. BRACKET-STRINGER END			1
14	0811075-47	. FORMER ASSY-WINDSHIELD			1
15	0811700-37	. VISOR ASSY-LH			1
16	0811700-36	. NUTPLATE ASSY			1
17	0811700-38	. VISOR MOUNTING ASSY-RH			1
18	0811700-55	. NUTPLATE ASSY			1
19	CR163C-5-4	. RIVET-BLIND ATTACH VISOR MOUNTING CHERRY RIVET CO			6
20	0811150-28	. JAMB ASSY-UPPER DOOR	35000	38022	1
			35024	35047	
			35049	35061	
			35063	35068	
			35070	35074	
21	0811150-60	. PLATE-STRIKE			1
		. ATTACHING PARTS			
22	AN509-10R8	. SCREW-ATTACH STRIKE PLATE			2
- 22A	MS24694-S50	. SCREW-ATTACH STRIKE PLATE ALT FOR AN509-10R8			2
23	MS21045L3	. NUT-ATTACH STRIKE PLATE			2
		. ---			
24	0811000-112	. BRACKET ASSY-REFER TO NOTE 1			1
25	AN3-5A	. BOLT-ATTACH BRACKET REFER TO NOTE 1			1
- 25A	AN3-5A	. BOLT-ATTACH BRACKET	39037	& ON	2
26	NAS1149F0332P	. WASHER-ATTACH BRACKET REFER TO NOTE 1			1
- 26A	NAS1149F0332P	. WASHER-ATTACH BRACKET	39037	& ON	2
27	MS21045L3	. NUT-ATTACH BRACKET REFER TO NOTE 1			1
- 27A	MS21045L3	. NUT-ATTACH BRACKET	39037	& ON	2
28	0811165-1	. JAMB ASSY-UPPER DOOR	35023	35023	1
			35048	35048	
			35062	35062	
			35069	35069	
			35075	& ON	
29	MS21071L3	. NUTPLATE			2
30	0811160-1	. PLATE ASSY-LATCH	35023	35023	1
			35048	35048	
			35062	35062	
			35076	35094	
31	0811160-6	. LATCH PLATE	35069	35069	1
			35075	35075	
			35095	& ON	
32	AN3-4A	. BOLT-ATTACH LATCH PLATE	35023	35023	2
			35048	35048	
			35062	35062	
			35069	35069	
			35075	35094	
- 32A	AN507-1032R10	. SCREW-ATTACH LATCH PLATE	35095	& ON	2

NOTE 1—EFFECTIVE SERIALS 35000 THRU 35022, 35024 THRU 35047, 35049 THRU 35061, 35063 THRU 35075, 35095 THRU 39036. R

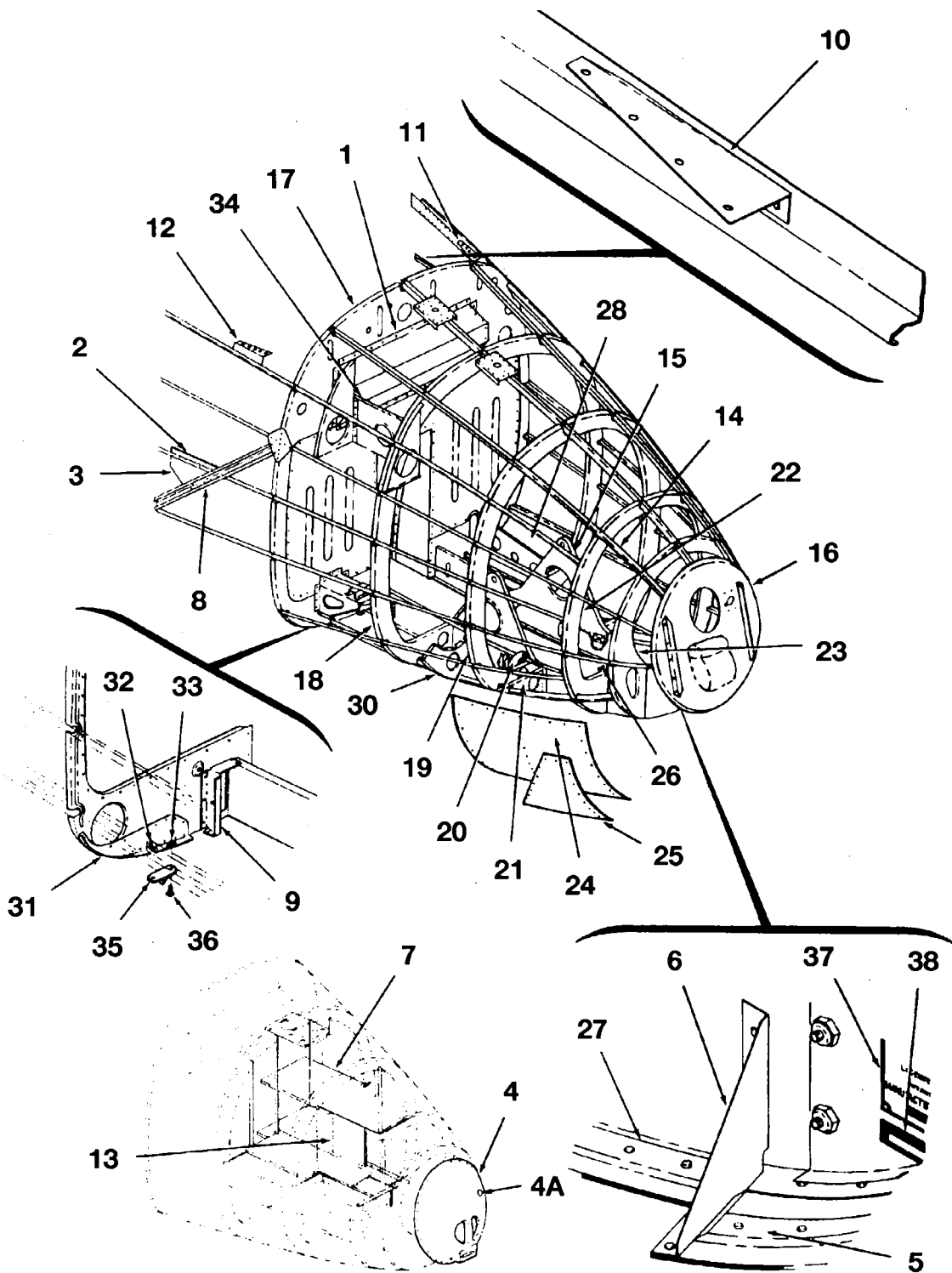
CESSNA AIRCRAFT COMPANY
MODEL 310 THRU 310D
ILLUSTRATED PARTS CATALOG

FIG ITEM	PART NUMBER	NOMENCLATURE	EFFECT		UNITS PER ASSY
			FROM	TO	
01					
33	0811150-60	. STRIKE PLATE-REFER TO NOTE 1			1
34	AN509-10R8	. SCREW-ATTACH STRIKE PLATE REFER TO NOTE 1			2
- 34A	AN509-10R8	. SCREW-ATTACH STRIKE PLATE ALT FOR AN509-10R8 REFER TO NOTE . 1			2 R
35	MS21045L3	. NUT-ATTACH STRIKE PLATE REFER TO NOTE 1			2 R
36	0811155-2	. CHANNEL-DRIP	35000	35294	1
37	0811075-44	. CHANNEL ASSY-PILOT WINDOW			1
38	0811000-47	. SKIN-TOP FORWARD			1
39	0811000-122	. SKIN-TOP AFT			1
40	0800046-1	. SUPPORT ASSY-OXYGEN OUTLET	35547	& ON	2
- 40A	MS21047L06	. . NUTPLATE			2 R
41	0800048-1	. RETAINER-OXYGEN OUTLET UPHOLSTERY	35547	& ON	1
42	0800047-1	. BRACKET ASSY-OXYGEN OUTLET MOUNTING	35547	& ON	1
- 42A	NAS444-1	. . NUTPLATE-TINNERMAN A6191-6Z-3			2
43	AN515-6R8	. SCREW-ATTACH RETAINER & BRACKET ASSY	35547	& ON	4
44	0811090-1	. BRACKET ASSY-DOOR LATCH	39037	& ON	1
45	0811090-9	. . BRACKET ASSY			1
46	MS20392-2-25	. . PIN-ATTACH BRACKET ASSY			1
47	0811090-7	. . SPACER-ATTACH BRACKET ASSY			1
48	0811090-3	. . SPRING			1
49	MS24665-149	. COTTER PIN-SECURE PIN			1
50	MS24665-154	. . COTTER PIN-SECURE SPRING REFER TO NOTE 1			1
51	MS21075L3N	. . NUTPLATE			1 R
52	AN520-10R12	. SCREW-ADJUSTMENT			1
53	NAS1149D0316H	. WASHER			1 R

NOTE 1—EFFECTIVE SERIALS 35023, 35048, 35062, 35069, 35075 THRU 35135.

CESSNA AIRCRAFT COMPANY
MODEL 310 THRU 310D
ILLUSTRATED PARTS CATALOG

A55627



FUSELAGE NOSE SECTION INSTALLATION
FIGURE 01 (SHEET 1)

CESSNA AIRCRAFT COMPANY MODEL 310 THRU 310D ILLUSTRATED PARTS CATALOG

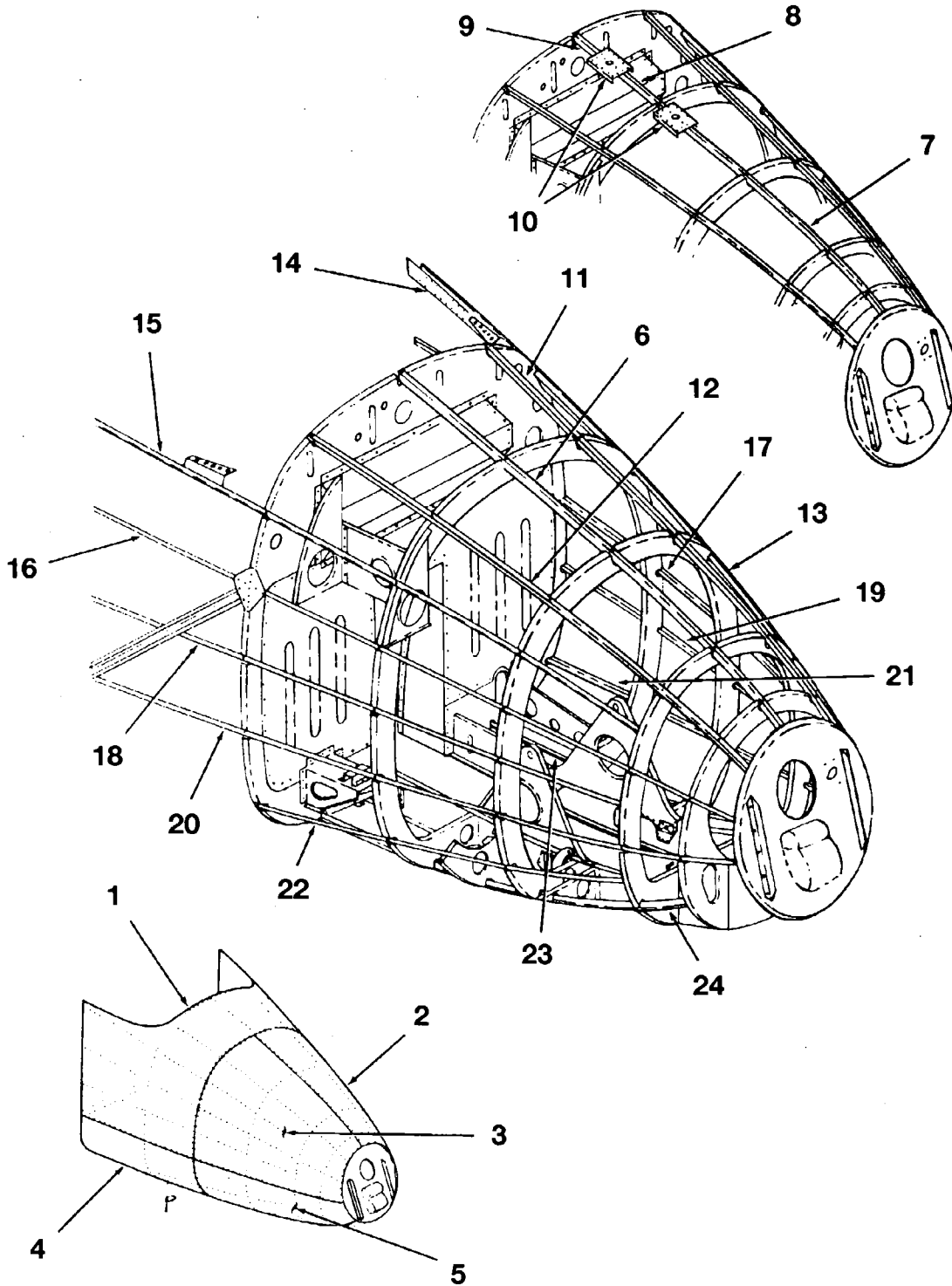
FIG ITEM	PART NUMBER	NOMENCLATURE	EFFECT		UNITS PER ASSY
			FROM	TO	
01		FUSELAGE NOSE SECTION INSTALLATION REFER TO 53-10-01 FIGURE 01 FOR NHA			RF
1		BULKHEAD COMPONENTS INSTALLATION-FUSELAGE STA 1.00 REFER TO 53-30-00 FIGURE 01 FOR BEAKDOWN			RF
2	0813310-1	CHANNEL			1
3	0813310-2	PLATE-REINFORCEMENT			1
4	0813000-139	NOSE CAP ASSY	35000	35658	1
4A	0813155-1	MOULDING-PITOT TUBE	35000	35658	1
- 4B	0813160-1	NOSE CAP ASSY	35659	& ON	1
- 4C	0813159-1	MOULDING-PITOT TUBE	35659	& ON	1
5	0813150-57	RETAINER-SEAL FWD LH			1
- 5A	0813150-56	RETAINER-SEAL FWD RH			1
6	0813000-35	BRACKET-SEAL SUPPORT LH			1
- 6A	0813000-36	BRACKET-SEAL SUPPORT RH			1
7		RADIO SHELF INSTALLATION-REFER TO 53-10-06 FIGURE 05 FOR BREAKDOWN			RF
8	0813000-88	HAT SECTION			1
9	0813000-145	BRACKET-PULLEY			1
10	0813150-50	STIFFENER-PARKING BRAKE BRACKET			1
11	0813300-94	BRACKET-TUBE SUPPORT LH			1
12	0813300-95	BRACKET-TUBE SUPPORT RH			1
13		STIFFENER INSTALLATION-NOSE GEAR WELL REFER TO 53-10-06 FIGURE 04 FOR BREAKDOWN			RF
- 13A		DELETED-NOT USED			
- 13B		DELETED-NOT USED			
- 13C	0891300-9	NOSE SECTION ASSY-FUSELAGE REFER TO NOTE 1	35000	35546	1
- 13D	0891300-7	NOSE SECTION ASSY-FUSELAGE REFER TO NOTE 2	35547	& ON	1
14		SKINS & STRINGERS INSTALLATION-NOSE SECTION REFER TO 53-10-06 FIGURE 02 FOR BREAKDOWN			RF
15		FORMERS INSTALLATION-NOSE GEAR WELL REFER TO 53-10-06 FIGURE 03 FOR BREAKDOWN			RF
16		BULKHEAD ASSY-FUSELAGE STA 52.06 REFER TO 53-30-00 FIGURE 03 FOR BREAKDOWN			RF
17	0813005-2	BULKHEAD-NOSE SECTION STA 0.00	35000	35546	1
- 17A	0813005-59	BULKHEAD-NOSE SECTION STA 0.00	35547	& ON	1
18	0813000-7	BULKHEAD-NOSE SECTION STA 13.625			1
19	0813000-99	BULKHEAD ASSY-NOSE SECTION STA 27.25			1
20	0813000-30	BRACKET-PULLEY			2
- 20A	AN520-10R5	SCREW-ATTACH PULLEY BRACKETS			2
- 20B	NAS1149F0363P	WASHER-ATTACH PULLEY BRACKETS			2 R
- 20C	MS21045L3	NUT-ATTACH PULLEY BRACKETS			2 R
21	0813000-4	BULKHEAD-NOSE SECTION RH LWR STA 29.93			1
- 21A	0813000-5	BULKHEAD-NOSE SECTION LH LWR STA 29.93			1
22	0813000-3	BULKHEAD-NOSE SECTION STA 39.45			1
23	0813130	BULKHEAD-NOSE SECTION STA 45.56			1
24	0813000-64	DOUBLER-SKIN RH			1
- 24A	0813000-63	DOUBLER-SKIN LH			1
25	0813000-132	GUSSET-RH	35031	& ON	1
- 25A	0813000-131	GUSSET-LH	35031	& ON	1
26	NAS454-162C4	RIVET-BLIND			6
27	0813150-59	RETAINER-SEAL AFT LH			1
- 27A	0813150-58	RETAINER-SEAL AFT RH			1
28	0813000-48	SUPPORT-TORQUE TUBE AFT			1
- 29		DELETED-NOT USED			
30	0813000-119	HEATER SUPPORT	35000	35546	1
- 30A	0813728-1	HEATER SUPPORT	35547	& ON	1
31	0813005-44	DOUBLER-RH JACKPOINT	35000	35522	1
- 31A	0813568-8	DOUBLER ASSY-RH JACKPOINT	35523	35546	1
- 31B	0813568-10	DOUBLER ASSY-RH JACKPOINT	35547	& ON	1
- 31C	MS21047L3	NUTPLATE-ATTACH JACKPOINTS			1 R
- 31D	0813005-47	DOUBLER-LH JACKPOINT	35000	35522	1
- 31E	0813568-7	DOUBLER ASSY-LH JACKPOINT	35523	& ON	1
- 31F	MS21047L3	NUTPLATE-ATTACH JACKPOINTS			1 R
32	MS21051L3K	NUTPLATE-ATTACH JACKPOINTS			22 R
33	MS21047L3	NUTPLATE-ATTACH JACKPOINTS	35000	35522	2 R
34	0813150-12	BRACKET ASSY-OIL SEPARATOR	35000	39031	1
35	0811500-1	BRAZE ASSY-JACKING PLATE			2
36	AN509-10R9	SCREW-ATTACH JACKING PLATE			4
37	S-1112-1	MAA NAMEPLATE			1
38	713047	PLATE-FINISH & TRIMMING			1

NOTE 1—WHEN ORDERING THIS ASSEMBLY, ALSO ORDER 0813160-1 NOSE CAP ASSEMBLY AND AN821-4D ELBOW.

NOTE 2—WHEN ORDERING THIS ASSEMBLY FOR AIRPLANES SERIAL 35547 THRU 35658, ALSO ORDER 0813160-1 NOSE CAP ASSEMBLY AND AN821-4D ELBOW.

CESSNA AIRCRAFT COMPANY
MODEL 310 THRU 310D
ILLUSTRATED PARTS CATALOG

A55628



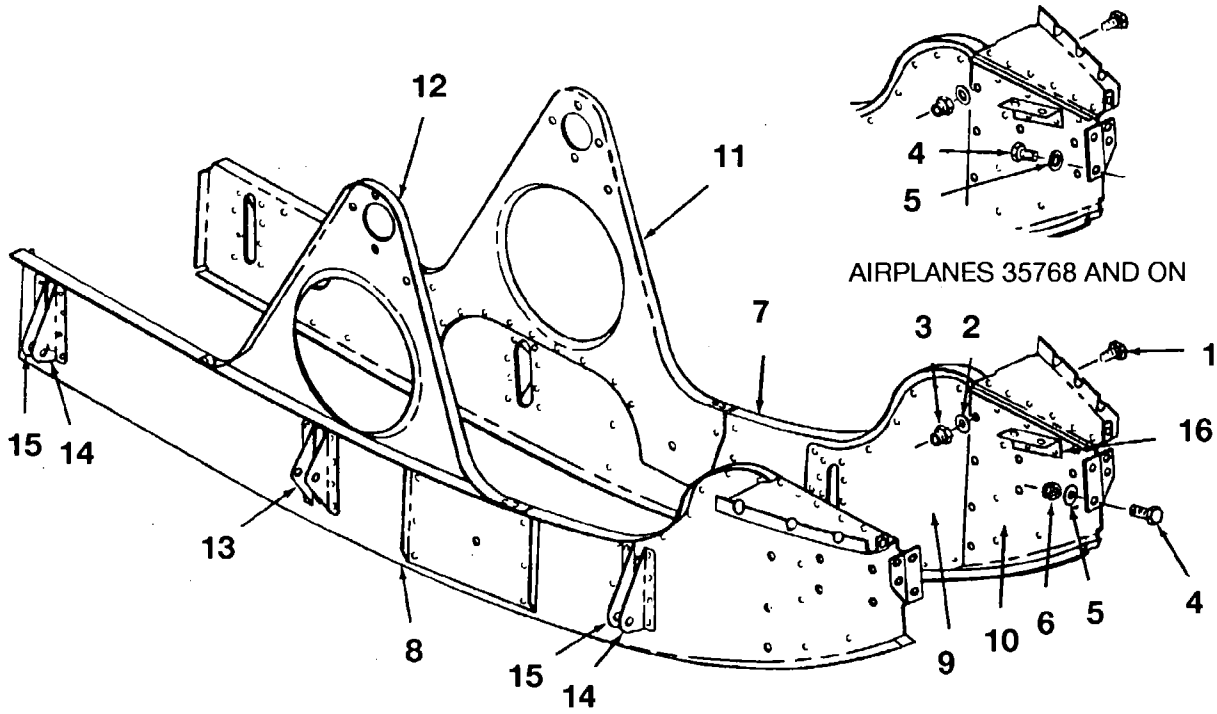
NOSE SECTION SKINS AND STRINGERS INSTALLATION
FIGURE 02 (SHEET 1)

**CESSNA AIRCRAFT COMPANY
MODEL 310 THRU 310D
ILLUSTRATED PARTS CATALOG**

FIG ITEM	PART NUMBER	NOMENCLATURE	EFFECT		UNITS PER ASSY
			FROM	TO	
02		NOSE SECTION SKINS AND STRINGERS INSTALLATION			RF
- 1	0813000-50	. SKIN-UPR AFT			1
2	0813000-51	. SKIN-UPR FWD LH			1
3	0813000-74	. SKIN-UPR FWD RH			1
4	0813000-52	. SKIN-LWR AFT RH	35000	35546	1
- 4A	0813000-148	. SKIN-LWR AFT RH	35547	& ON	1
- 4B	0813000-129	. SKIN-LWR AFT LH			1
5	0813000-54	. SKIN-LWR FWD RH			1
- 5A	0813000-55	. SKIN-LWR FWD LH			1
6	0811100-71	. STRINGER-CENTER UPR			1
7	0811100-1	. STRINGER-CENTER UPR FWD	35000	35171	1
8	0811100-65	. STRINGER-CENTER UPR CENTER	35000	35171	1
9	0811100-20	. STRINGER-CENTER UPR AFT	35000	35171	1
10	0813000-121	. DOUBLER	35000	35171	2
11	0811100-2	. STRINGER-LH			1
12	0811100-3	. STRINGER-RH			1
13	0811100-17	. STRINGER-BULB			1
14	0813000-110	. CHANNEL ASSY			1
15	0811100-5	. STRINGER-RH			1
16	0811100-69	. STRINGER-RH			1
- 16A	0811100-6	. STRINGER-LH			1
- 16B	0811100-16	. STRINGER-BULB			1
17	0811100-8	. STRINGER-LH			1
18	0811100-9	. STRINGER-RH			1
19	0811100-10	. STRINGER-LH			1
20	0811100-11	. STRINGER-RH			1
21	0811100-12	. STRINGER-LH			1
22	0811100-13	. STRINGER-RH			1
23	0811100-14	. STRINGER-LH			1
24	0811100-15	. STRINGER-RH			1

CESSNA AIRCRAFT COMPANY
MODEL 310 THRU 310D
ILLUSTRATED PARTS CATALOG

A55631



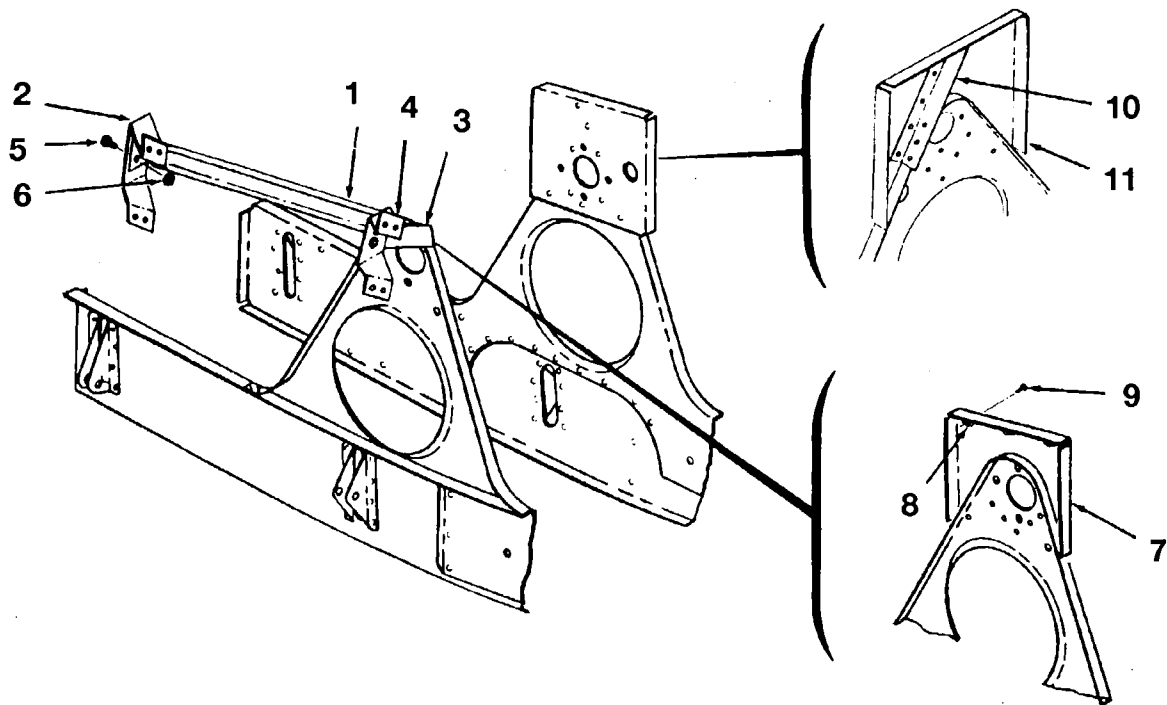
NOSE GEAR WELL FORMERS INSTALLATION
FIGURE 03 (SHEET 1)

CESSNA AIRCRAFT COMPANY
MODEL 310 THRU 310D
ILLUSTRATED PARTS CATALOG

FIG ITEM	PART NUMBER	NOMENCLATURE	EFFECT FROM TO	UNITS PER ASSY
03				
-		NOSE GEAR WELL FORMERS INSTALLATION REFER TO 53-10-06 FIGURE 01 FOR NHA		RF
1	AN4-4A	. BOLT-ATTACH GEAR WELL SUPPORT		8
2	NAS1149F0432P	. WASHER-ATTACH GEAR WELL SUPPORT		8 R
3	MS21042L4	. NUT-ATTACH GEAR WELL SUPPORT		8 R
4	AN4-5A	. BOLT-ATTACH GEAR WELL SUPPORT		4
5	NAS1149F0463P	. WASHER-ATTACH GEAR WELL SUPPORT		4 R
6	MS21042L4	. NUT-ATTACH GEAR WELL SUPPORT	35000 35767	4 R
7	0813000-57	. GEAR WELL ASSY-NOSE LH		1
8	0813000-56	. GEAR WELL ASSY-NOSE RH		1
9	0813000-25	. BRACKET-NOSE GEAR LH FORMER		1
- 9A	0813000-26	. BRACKET-NOSE GEAR RH FORMER		1
10	0813000-33	. DOUBLER-BEARING RETAINER LH		1
- 10A	0813000-34	. DOUBLER-BEARING RETAINER RH		1
11	0813000-45	. FRAME-LH TORQUE TUBE		1
12	0813000-46	. FRAME-RH TORQUE TUBE		1
13	0813000-59	. BRACKET-NOSE GEAR WELL DOOR CENTER HINGE		2
14	0813000-61	. BRACKET-NOSE GEAR RH DOOR HINGE HALF FWD		2
- 14A	0813000-60	. BRACKET-NOSE GEAR LH DOOR HINGE HALF FWD		2
15	0813000-60	. BRACKET-NOSE GEAR RH DOOR HINGE HALF AFT		2
- 15A	0813000-61	. BRACKET-NOSE GEAR LH DOOR HINGE HALF AFT		2
16	0813000-105	. ANGLE-GEAR WELL STRAIGHTENER LH		1
- 16A	0813000-106	. ANGLE-GEAR WELL STRAIGHTENER RH		1
- 17	0813008-3	. DOUBLER		1
- 18	0813008-4	. DOUBLER		1

CESSNA AIRCRAFT COMPANY
MODEL 310 THRU 310D
ILLUSTRATED PARTS CATALOG

A55632



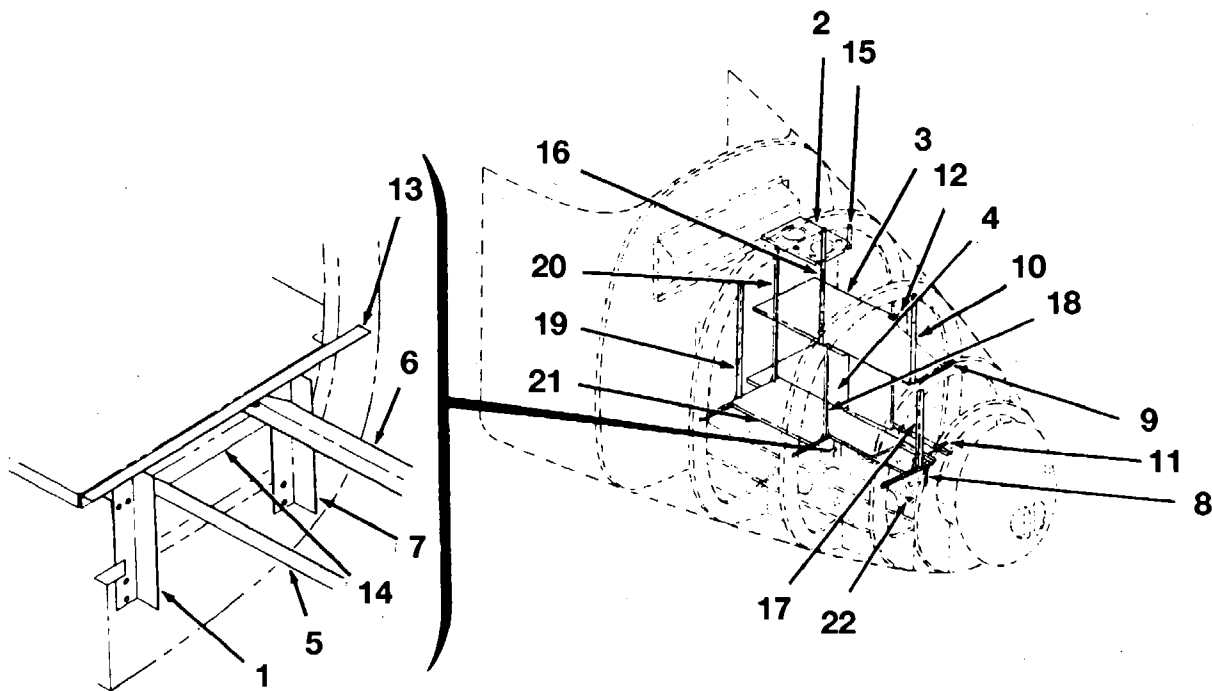
NOSE GEAR WELL STIFFENERS INSTALLATION
FIGURE 04 (SHEET 1)

CESSNA AIRCRAFT COMPANY
MODEL 310 THRU 310D
 ILLUSTRATED PARTS CATALOG

FIG ITEM	PART NUMBER	NOMENCLATURE	EFFECT		UNITS PER ASSY
			FROM	TO	
04		NOSE GEAR WELL STIFFENERS INSTALLATION REFER TO 53-10-06 FIGURE 01 FOR NHA			RF
1	0813000-133	. ANGLE-TRUSS AFT	35000	35546	1
2	0813000-134	. BRACKET	35000	35546	1
3	0813000-122	. ANGLE-TRUSS FWD	35000	35336	1
- 3A	0813000-141	. ANGLE-TRUSS FWD	35337	35546	1
4	0813000-135	. BRACKET	35000	35546	1
5	AN3-3A	. BOLT-ATTACH BRACKETS & ANGLES	35000	35546	4
6	MS21045L3	. NUT-ATTACH BRACKETS & ANGLES	35000	35546	4 R
7	0813157-1	. SUPPORT ASSY	35547	& ON	1
8	NAS680A08	. NUTPLATE			3
9	AN515-8R7	. SCREW-ATTACH SUPPORT ASSY	35547	& ON	3
10	0813154-2	. STIFFENER			1
11	0813154-1	. SUPPORT ASSY			1

CESSNA AIRCRAFT COMPANY
MODEL 310 THRU 310D
ILLUSTRATED PARTS CATALOG

A55633



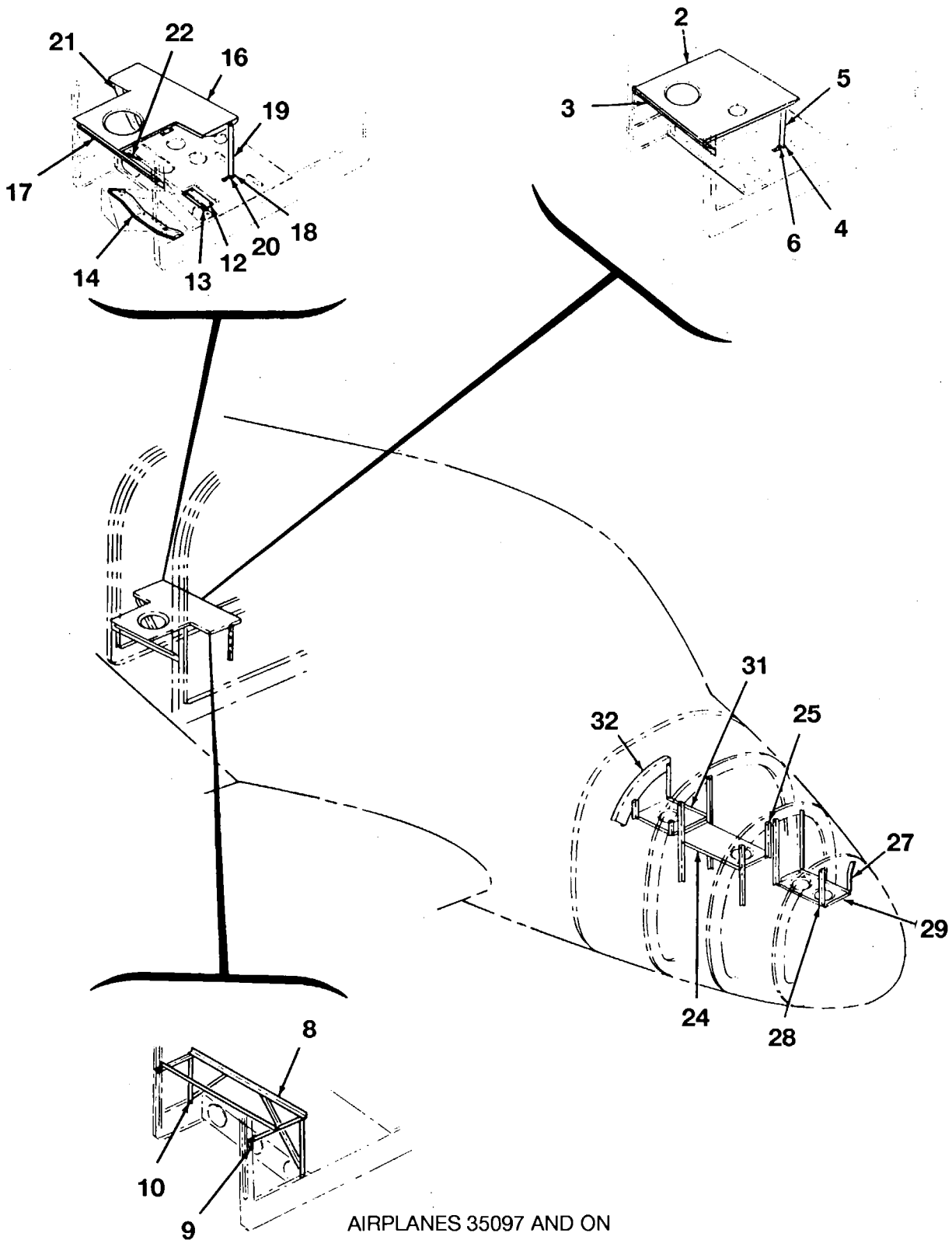
RADIO SHELVES INSTALLATION
FIGURE 05 (SHEET 1)

CESSNA AIRCRAFT COMPANY
MODEL 310 THRU 310D
ILLUSTRATED PARTS CATALOG

FIG ITEM	PART NUMBER	NOMENCLATURE	EFFECT		UNITS PER ASSY
			FROM	TO	
05					
-		RADIO SHELVES INSTALLATION REFER TO 53-10-06 FIGURE 01 FOR NHA			RF
1	0813300-91	. ANGLE			1
2	0813300-57	. SHELF TIMER			1
3	0813300-103	. SHELF ASSY-RADIO			1
4	0813300-59	. SHELF RADIO			1
5	0813300-61	. ANGLE-MOUNTING	35000	35974	1
- 5A	0813316-1	. ANGLE-MOUNTING	35975	& ON	1
6	0813300-62	. ANGLE-MOUNTING	35000	35974	1
- 6A	0813316-2	. ANGLE-MOUNTING	35975	& ON	1
7	0813300-63	. ANGLE			1
8	0813300-64	. ANGLE			1
9	0813300-66	. ANGLE			1
10	0813300-67	. ANGLE			1
11	0813300-68	. ANGLE			1
12	0813300-70	. ANGLE			1
13	0813300-71	. ANGLE			1
14	0813300-72	. ANGLE			1
15	0813300-97	. ANGLE ASSY			1
- 15A	NAS680A08	. NUTPLATE			1
16	0813300-98	. ANGLE ASSY			1
- 16A	NAS680A08	. NUTPLATE			1
17	0813201-15	. ANGLE-FWD HANGER			1
18	0813201-3	. ANGLE-FWD HANGER			1
19	0813201-9	. ANGLE ASSY-OUTBD REAR HANGER			1
20	0813201-10	. ANGLE ASSY-INBD REAR HANGER			1
- 20A	NAS682A08	. NUTPLATE			1
21	0813201-8	. SHELF ASSY-RADIO			1
- 21A	NAS680A08	. NUTPLATE			4
- 21B	NAS682A08	. NUTPLATE			3
22	AN515-8R7	. SCREW-ATTACH RADIO SHELF			7

CESSNA AIRCRAFT COMPANY
MODEL 310 THRU 310D
ILLUSTRATED PARTS CATALOG

A55923



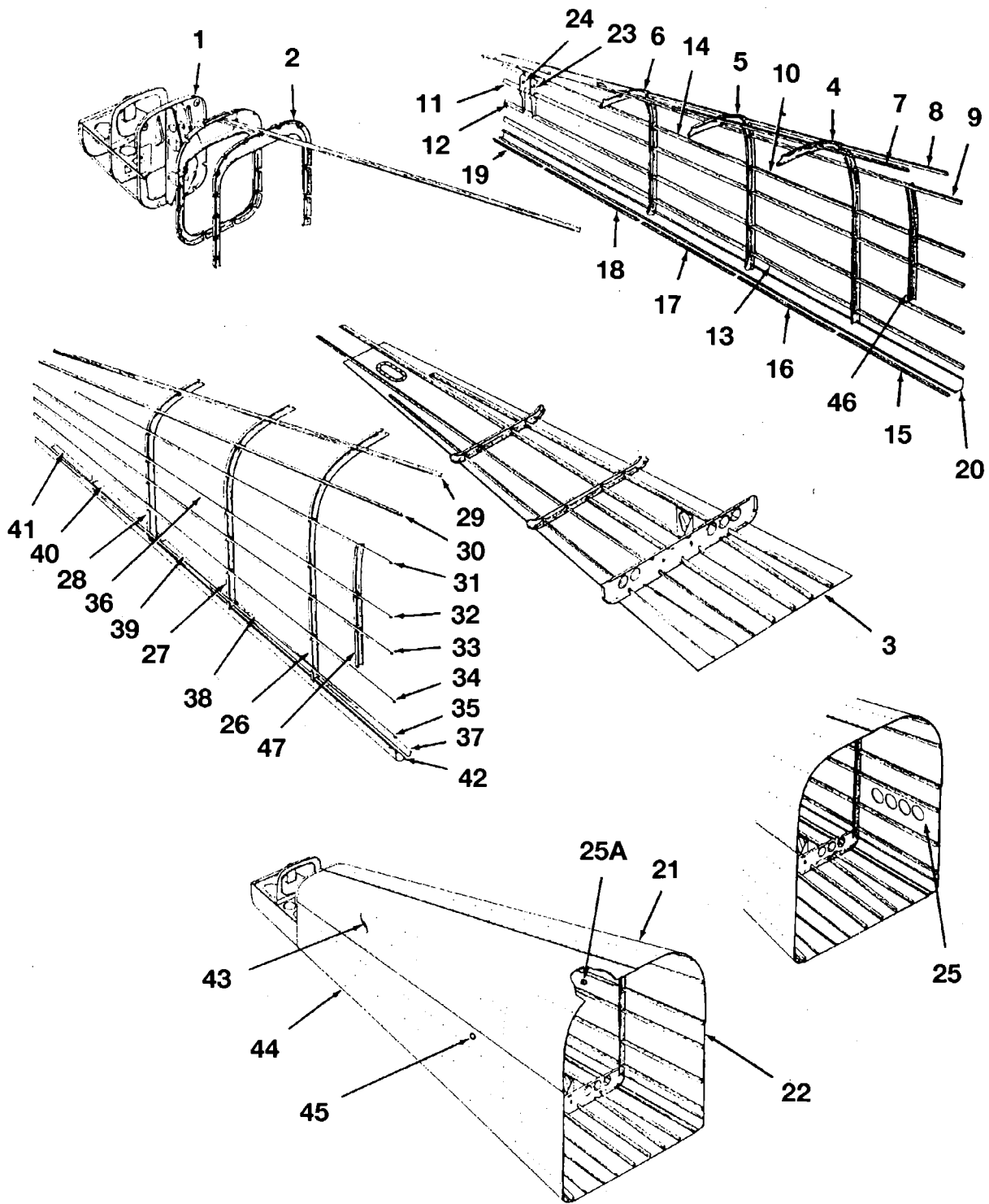
AIRPLANES 35097 AND ON
RADIO SHELVES INSTALLATION
FIGURE 06 (SHEET 1)

CESSNA AIRCRAFT COMPANY
MODEL 310 THRU 310D
ILLUSTRATED PARTS CATALOG

FIG ITEM	PART NUMBER	NOMENCLATURE	EFFECT		UNITS PER ASSY
			FROM	TO	
06					
- 1		RADIO SHELVES INSTALLATION	35097	& ON	RF
2	0812529-1	.. SHELF INSTALLATION-REAR RADIO	35097	35546	RF
- 2A	MS21047L3	.. RADIO SHELF ASSY			1
3	0812529-3	.. NUTPLATE			2 R
- 3A	MS21047L3	.. SHELF MOUNTING ASSY			1
- 3B	AN3-3A	.. NUTPLATE			3 R
4	0812529-2	.. BOLT-ATTACH SHELF TO MOUNTING ASSY			3
- 4A	MS21047L3	.. BRACKET ASSY-SHELF			2
5	0812528-7	.. NUTPLATE			1 R
- 5A	0812528-8	.. SUPPORT-SHELF FORWARD			1
6	AN3-3A	.. SUPPORT-SHELF AFT			1
- 7		.. BOLT-ATTACH SUPPORTS			4
8	0812515-1	.. SHELF INSTALLATION-SUN-AIR RADIO	35213	35546	RF
9	0812516-11	.. RADIO SHELF ASSY			1
10	AN515-8R8	.. SHELF BRACKET			1
- 10A	MS21044N08	.. SCREW-ATTACH SHELF			4
11	0812610-1	.. NUT-ATTACH SHELF			4 R
12	MS21069L08	.. SHELF INSTALLATION-MARKER BEACON	35547	35771	RF
- 12A	MS21069L08	.. SUPPORT BRACKET ASSY			1
- 12B	MS21071L08	.. NUTPLATE			1 R
13	0812610-2	.. NUT			4 R
- 13A	MS21069L08	.. SUPPORT ANGLE ASSY			1
- 13B	AN515-8R8	.. NUTPLATE			2 R
14	0812608-1	.. SCREW-ATTACH ANGLE & BRACKET			3
- 14A	MS21071L08	.. SUPPORT CHANNEL ASSY			1
- 15		.. NUT			4 R
16	0812594-1	.. SHELF INSTALLATION-REAR RADIO	35547	& ON	RF
- 16A	MS21047L3	.. SHELF ASSY-RADIO			1
17	0812597-1	.. NUTPLATE			1 R
- 17A	MS21047L3	.. MOUNTING ASSY-SHELF			1
- 17B	MS21071L3	.. NUTPLATE			2 R
- 17C	AN3-3A	.. NUT			1 R
18	0812529-2	.. BOLT-ATTACH SHELF TO MOUNTING ASSY			3
- 18A	MS21047L3	.. BRACKET ASSY-SHELF			2
- 18B	AN515-8R7	.. NUTPLATE			1 R
- 18C	MS21044N08	.. SCREW-ATTACH BRACKET			4
19	0812528-7	.. NUT-ATTACH BRACKET			4 R
- 19A	0812528-8	.. SUPPORT-SHELF FORWARD			1
20	AN3-4A	.. SUPPORT-SHELF AFT			1
- 20A	MS21045L3	.. BOLT-ATTACH SUPPORTS			4
21	0812593-2	.. NUT-ATTACH FORWARD SUPPORT			1 R
- 21A	AN520-10R8	.. ANGLE-SUPPORT			2
- 21B	MS21045L3	.. SCREW-ATTACH ANGLE			4
22	0812593-3	.. NUT-ATTACH ANGLE			4 R
- 22A	AN515-6R5	.. BRACE-ANGLE			1
- 22B	H10-06	.. SCREW-ATTACH BRACE			1
23	0812468-1	.. NUT-ATTACH BRACE			1
24	0812468-13	.. RADIO SHELF INSTALLATION	39032	& ON	RF
- 25A	AN515-6R6	.. SHELF ASSY-RADIO			1
- 25B	MS21044N06	.. ANGLE-SUPPORT			1
26	0813190-3	.. SCREW-ATTACH SHELF & SUPPORT			5
27	0813190-2	.. NUT-ATTACH SHELF & SUPPORT			5 R
- 28A	NAS969A08	.. RADIO SHELF INSTALLATION	39032	& ON	RF
- 28B	CM2822-2	.. SUPPORT ASSY-LH			1
- 28C	AN515-8R5	.. SUPPORT ASSY-RH			1
29	0813195-1	.. NUTPLATE			2
- 29A	GA4-250	.. SPRING			6 R
- 29B	AW4-35	.. SCREW-ATTACH SUPPORTS			4
30	0813196-2	.. PAN ASSY-RADIO			1
- 31A	NAS969A08	.. GROMMET			12
32	0813197-1	.. STUD FASTENER-DZUS			12
- 32A	NAS969A08	.. RADIO SHELF INSTALLATION	39032	& ON	RF
- 32B	AN515-8R6	.. SHELF ASSY-RADIO			1
		.. NUTPLATE			2
		.. BULKHEAD ASSY-PARTIAL			1
		.. NUTPLATE			4
		.. SCREW-ATTACH SHELF			6

CESSNA AIRCRAFT COMPANY
MODEL 310 THRU 310D
 ILLUSTRATED PARTS CATALOG

A55634



FUSELAGE AFT SECTION ASSEMBLY
 FIGURE 01 (SHEET 1)

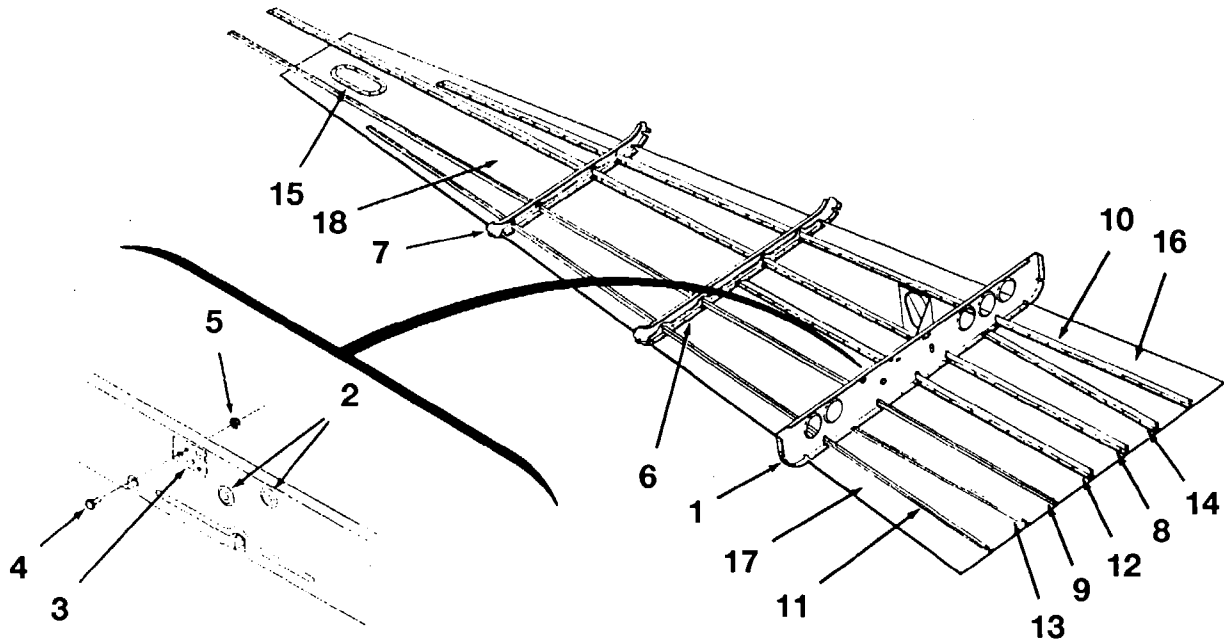
CESSNA AIRCRAFT COMPANY
MODEL 310 THRU 310D
ILLUSTRATED PARTS CATALOG

FIG ITEM	PART NUMBER	NOMENCLATURE	EFFECT		UNITS PER ASSY
			FROM	TO	
01		FUSELAGE AFT SECTION ASSEMBLY			RF
- 0	0891200-1	AFT SECTION ASSY-FUSELAGE REFER TO 53-10-00 FIGURE 01 FOR NHA	35000	35546	1
- A	0891201-1	AFT SECTION ASSY-FUSELAGE FSO 0891201-3 REFER TO 53-10-00 FIGURE 01 FOR NHA	35547	35914	NP
- B	0891201-3	AFT SECTION ASSY-FUSELAGE REFER TO 53-10-00 FIGURE 01 FOR NHA REFER TO NOTE 1	35547	& ON	1
1		TAILCONE ASSY-AFT SECTION REFER TO 53-10-07 FIGURE 04 FOR BREAKDOWN			RF
2		AFT SECTION COMPONENTS-FUSELAGE REFER TO 53-10-07 FIGURE 03 FOR BREAKDOWN			RF
3		BOTTOM ASSY-AFT SECTION REFER TO 53-10-07 FIGURE 02 FOR BREAKDOWN	35000	35546	RF
- 3A		BOTTOM ASSY-AFT SECTION REFER TO 53-10-07 FIGURE 02 FOR BREAKDOWN	35547	& ON	RF
- 3B		SIDE ASSY-AFT SECTION LH			RF
4	0814200-24	BULKHEAD-LH STA 132.00			1
5	0814200-6	BULKHEAD-LH STA 154.75			1
6	0814200-10	BULKHEAD-LH STA 177.50			1
7	0814000-51	STRINGER-LH SIDE			1
8	0814000-53	STRINGER-LH SIDE			1
9	0814000-55	STRINGER-LH SIDE			1
10	0814000-57	STRINGER-LH SIDE			1
11	0814000-59	STRINGER-LH SIDE			1
12	0814000-61	STRINGER-LH SIDE			1
13	0814000-63	STRINGER-LH SIDE			1
14	0814000-103	STRINGER-LH SIDE			1
15	0814000-67	STRINGER-INTERCOSTAL			1
16	0814000-69	STRINGER-INTERCOSTAL			1
17	0814000-71	STRINGER-INTERCOSTAL			1
18	0814000-73	STRINGER-INTERCOSTAL			1
19	0814000-75	STRINGER-INTERCOSTAL			1
20	0814000-97	DOUBLER-SKIN			1
21	0814000-83	SKIN-TOP LH			1
22	0814000-85	SKIN-LH			1
23	0814100-12	BRACKET-SOLENOID			1
24	0814100-13	BRACKET-SOLENOID			1
25	0814000-29	DOUBLER-FLARE	35000	35546	1
25A	S347-1	FLANGE-PITOT STATIC			1
- 25B	S1141-2	WASHER-PITOT STATIC			1
- 25C		SIDE ASSY-AFT SECTION RH			RF
26	0814200-3	BULKHEAD-RH STA 132.00			1
27	0814200-7	BULKHEAD-RH STA 154.75			1
28	0814200-9	BULKHEAD-RH STA 177.50			1
29	0814000-50	STRINGER-RH SIDE			1
30	0814000-52	STRINGER-RH SIDE			1
31	0814000-56	STRINGER-RH SIDE			1
32	0814000-58	STRINGER-RH SIDE			1
33	0814000-60	STRINGER-RH SIDE			1
34	0814000-62	STRINGER-RH SIDE			1
35	0814000-64	STRINGER-RH SIDE			1
36	0814000-102	STRINGER-RH SIDE			1
37	0814000-68	STRINGER-INTERCOSTAL	35000	35546	1
- 37A	0814000-154	STRINGER-INTERCOSTAL	35547	35914	1
- 37B	0814000-174	STRINGER-INTERCOSTAL	35915	& ON	1
38	0814000-70	STRINGER-INTERCOSTAL			1
39	0814000-72	STRINGER-INTERCOSTAL			1
40	0814000-74	STRINGER-INTERCOSTAL			1
41	0814000-76	STRINGER-INTERCOSTAL			1
42	0814000-97	DOUBLER-SKIN	35000	35546	1
- 42A	0814000-160	DOUBLER-SKIN	35547	& ON	1
43	0814000-82	SKIN-TOP UPR RH			1
44	0814000-84	SKIN-RH SIDE			1
45	S347-1	FLANGE-PITOT STATIC			1
- 45A	S1141-2	WASHER-PITOT STATIC			1
46	0814201-1	BULKHEAD-LH SIDE STA 114.375	35547	35771	1
- 46A	0814202-1	BULKHEAD-LH SIDE STA 114.375	35772	& ON	1
47	0814201-2	BULKHEAD-RH SIDE STA 114.375	35547	35771	1
- 47A	0814202-2	BULKHEAD-RH SIDE STA 114.375	35772	& ON	1

NOTE 1—WHEN ORDERING THIS PART FOR AIRCRAFT SERIAL 35547 THRU 35914, ALSO ORDER 0811597-2 STEP HOUSING

CESSNA AIRCRAFT COMPANY
MODEL 310 THRU 310D
ILLUSTRATED PARTS CATALOG

A55635



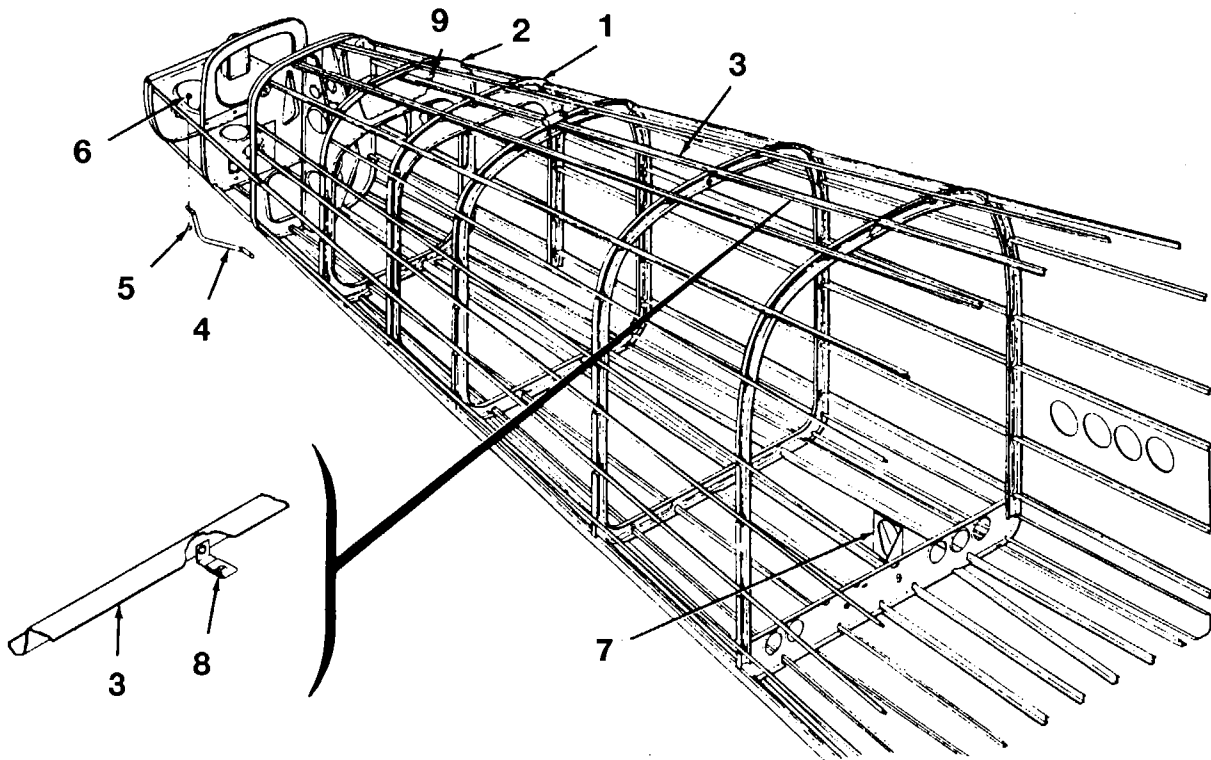
FUSELAGE AFT SECTION BOTTOM ASSEMBLY
FIGURE 02 (SHEET 1)

CESSNA AIRCRAFT COMPANY
MODEL 310 THRU 310D
ILLUSTRATED PARTS CATALOG

FIG ITEM	PART NUMBER	NOMENCLATURE	EFFECT		UNITS PER ASSY
			FROM	TO	
02		FUSELAGE AFT SECTION BOTTOM ASSEMBLY REFER TO 53-10-07 FIGURE 01 FOR NHA			RF
1	0814200-32	. BULKHEAD-AFT SECTION BOTTOM STA 132.00			1
2	S338-6	. . FAIRLEAD HALF			4
- 2A	S339-2	. . CLIP-FAIRLEAD			2
3	0814210-1	. . RUB STRIP			1
4	AN515-8R7	. SCREW-ATTACH RUB STRIP			2
5	MS21044N08	. NUT-ATTACH RUB STRIP			2 R
6	0814200-5	. BULKHEAD-AFT SECTION BOTTOM STA 154.75			1
7	0814200-30	. BULKHEAD-AFT SECTION BOTTOM STA 177.50			1
8	0814000-77	. STRINGER-BOTTOM			1
9	0814000-78	. STRINGER-BOTTOM			1
10	0814000-79	. STRINGER-BOTTOM			1
11	0814000-80	. STRINGER-BOTTOM	35000	35546	1
- 11A	0814000-155	. STRINGER-BOTTOM	35547	35914	1
- 11B	0814000-177	. STRINGER-BOTTOM	35915	& ON	1
12	0814000-81	. STRINGER-BOTTOM			1
13	0814000-94	. STRINGER-BOTTOM			1
14	0814000-95	. STRINGER-BOTTOM			1
15	0814000-98	. DOUBLER-INSPECTION OPENING			1
15A	S3228-12	. NUT-TINNERMAN A1786-8Z-3			6 R
16	0814000-87	. SKIN-BOTTOM LH FWD			1
17	0814000-86	. SKIN-BOTTOM RH FWD	35000	35546	1
- 17A	0814000-153	. SKIN-FWD LWR RH	35547	& ON	1
18	0814000-88	. SKIN-AFT BOTTOM			1

CESSNA AIRCRAFT COMPANY
MODEL 310 THRU 310D
ILLUSTRATED PARTS CATALOG

A55636



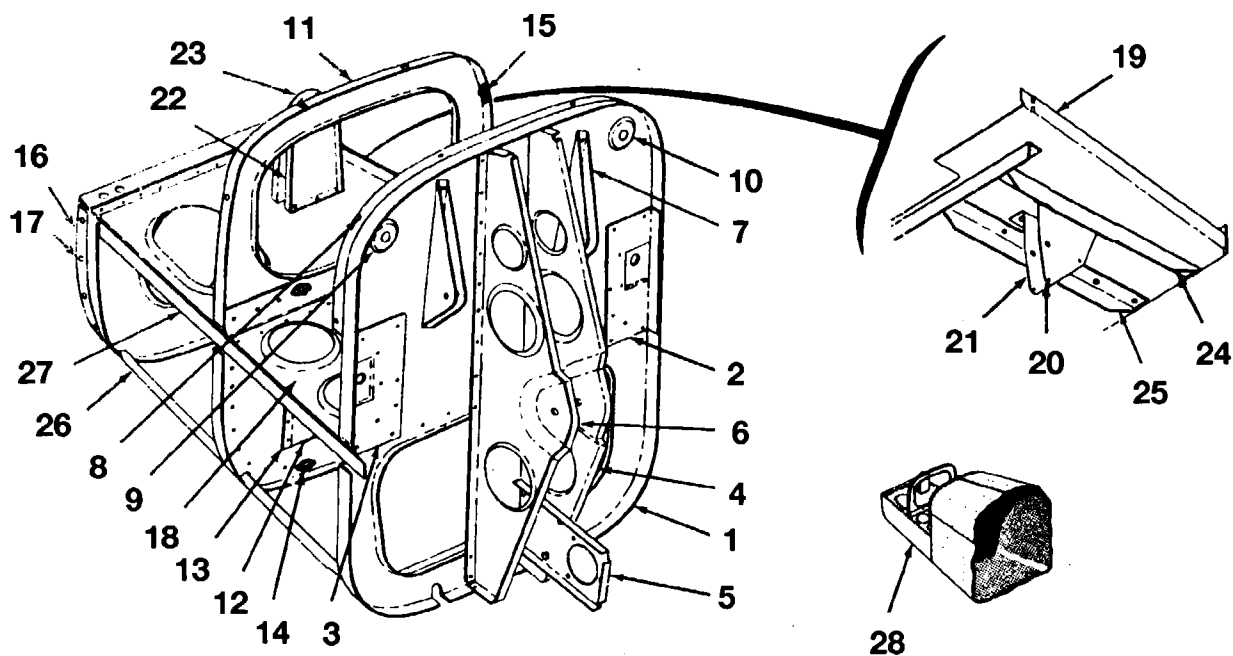
FUSELAGE AFT SECTION COMPONENTS
FIGURE 03 (SHEET 1)

CESSNA AIRCRAFT COMPANY
MODEL 310 THRU 310D
 ILLUSTRATED PARTS CATALOG

FIG ITEM	PART NUMBER	NOMENCLATURE	EFFECT		UNITS PER ASSY
			FROM	TO	
		1 2 3 4 5 6 7			
03		FUSELAGE AFT SECTION COMPONENTS REFER TO 53-10-07 FIGURE 01 FOR			RF
-		NHA			
1	0814200-15	. BULKHEAD-AFT SECTION STA 189.10			1
2	0814200-1	. BULKHEAD ASSY-AFT SECTION STA 200.70			1
3	0814000-54	. STRINGER-CENTER UPR			1
4	0814000-28	. BUMPER-TAILCONE			1
5	AN520-10R6	. SCREW-ATTACH TAILCONE BUMPER			2
6	MS20364-1032C	. NUT-ATTACH TAILCONE BUMPER			2
7	0814000-44	. BRACKET-TRIM TAB SERVO			1
8	A6990-4Z-92	. BRACKET-TINNERMAN			1
9	MS35489-7	. GROMMET			1

CESSNA AIRCRAFT COMPANY
MODEL 310 THRU 310D
ILLUSTRATED PARTS CATALOG

A55637



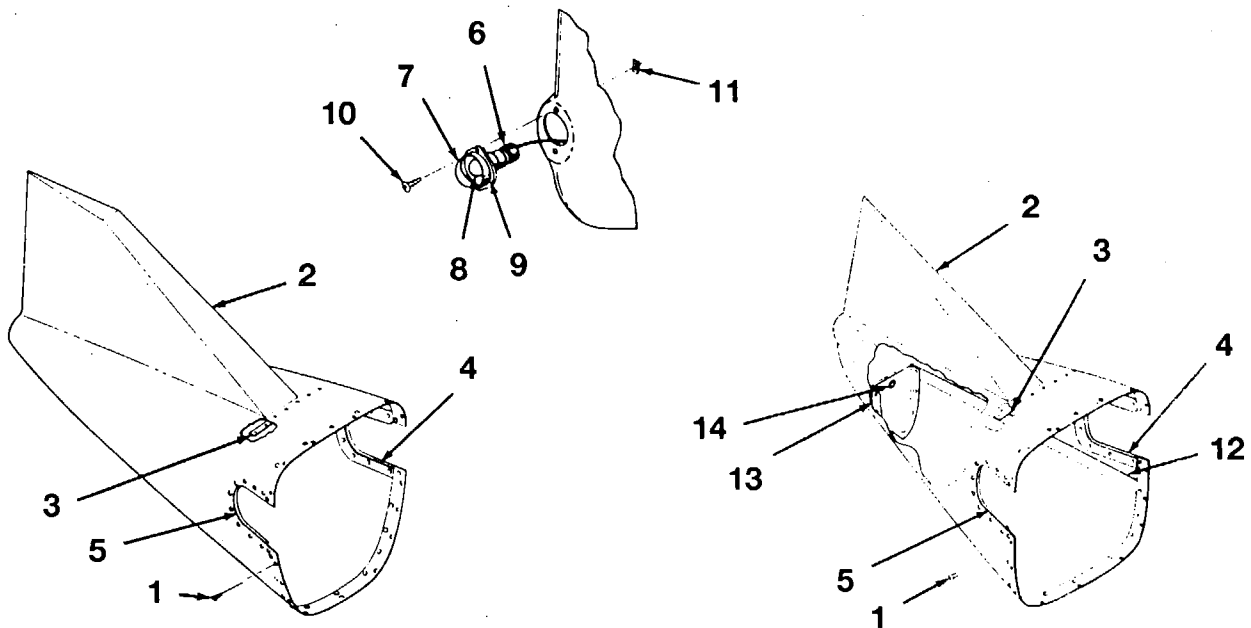
FUSELAGE TAILCONE ASSEMBLY
FIGURE 04 (SHEET 1)

CESSNA AIRCRAFT COMPANY
MODEL 310 THRU 310D
ILLUSTRATED PARTS CATALOG

FIG ITEM	PART NUMBER	NOMENCLATURE	EFFECT		UNITS PER ASSY
			FROM	TO	
04		FUSELAGE TAILCONE ASSEMBLY REFER TO 53-10-07 FIGURE 01 FOR NHA			RF
- 1	0891200-2	BULKHEAD-TAILCONE STA 214.00 FSO 0891200-10	35000	39031	NP
- 1A	0891200-10	BULKHEAD-TAILCONE STA 214.00			1
2	0814000-9	DOUBLER-STABILIZER ATTACHMENT LH			1
3	0814000-8	DOUBLER-STABILIZER ATTACHMENT RH			1
4	0814000-11	BRACKET-ELEVATOR BELLCRANK LH	35000	35479	1
- 4A	0814000-151	BRACKET ASSY-ELEVATOR BELLCRANK LH	35480	& ON	1
5	0814110-1	BRACKET-ELEVATOR FOLLOW-UP AUTOPILOT FOLLOW-UP UNIT			1
6	0814000-10	BRACKET-ELEVATOR BELLCRANK RH			1
7	0814000-186	BRACKET-RUDDER PULLEY			2
8	NAS680A08	NUTPLATE			6
9	MS35489-15S	GROMMET			1
10	MS35489-119S	GROMMET			1
11	0891200-3	BULKHEAD ASSY-TAILCONE STA 224.00 FSO 0891200-11	35000	39031	NP
- 11A	0891200-11	BULKHEAD-TAILCONE STA 224.00			1
12	0814000-17	BRACKET-RUDDER TRIM			1
13	0814000-16	BRACKET-RUDDER TRIM			1
14	MS21047L06	NUTPLATE-ATTACH FIN ESNA			4 R
15	NAS680A08	NUTPLATE			4
16	0814000-101	BULKHEAD-TAILCONE STA 234.00			1
17	MS21059L06K	NUTPLATE			9 R
18	0814000-26	PAN-FWD TAILCONE SECTION			1
- 18A		DELETED-NOT USED			
19	0891200-12	PAN ASSY-TAILCONE AFT			1
20	0814000-21	BRACKET-TRIM TAB LWR LH			1
21	0814000-22	BRACKET-TRIM TAB LWR RH			1
22	0814000-124	BRACKET-TRIM TAB UPR FWD			1
23	0814000-23	BRACKET-TRIM TAB UPR AFT			1
24	0814010-1	STIFFENER			1
25	0814009-1	STIFFENER			1
26	0814000-66	STRINGER-RH TAILCONE			1
- 26A	0814000-65	STRINGER-LH TAILCONE			1
27	0814000-132	STRINGER-RH ANGLE			1
- 27A	0814000-133	STRINGER-LH ANGLE			1
28	0814000-49	SKIN-TAILCONE			1

CESSNA AIRCRAFT COMPANY
MODEL 310 THRU 310D
ILLUSTRATED PARTS CATALOG

A55638



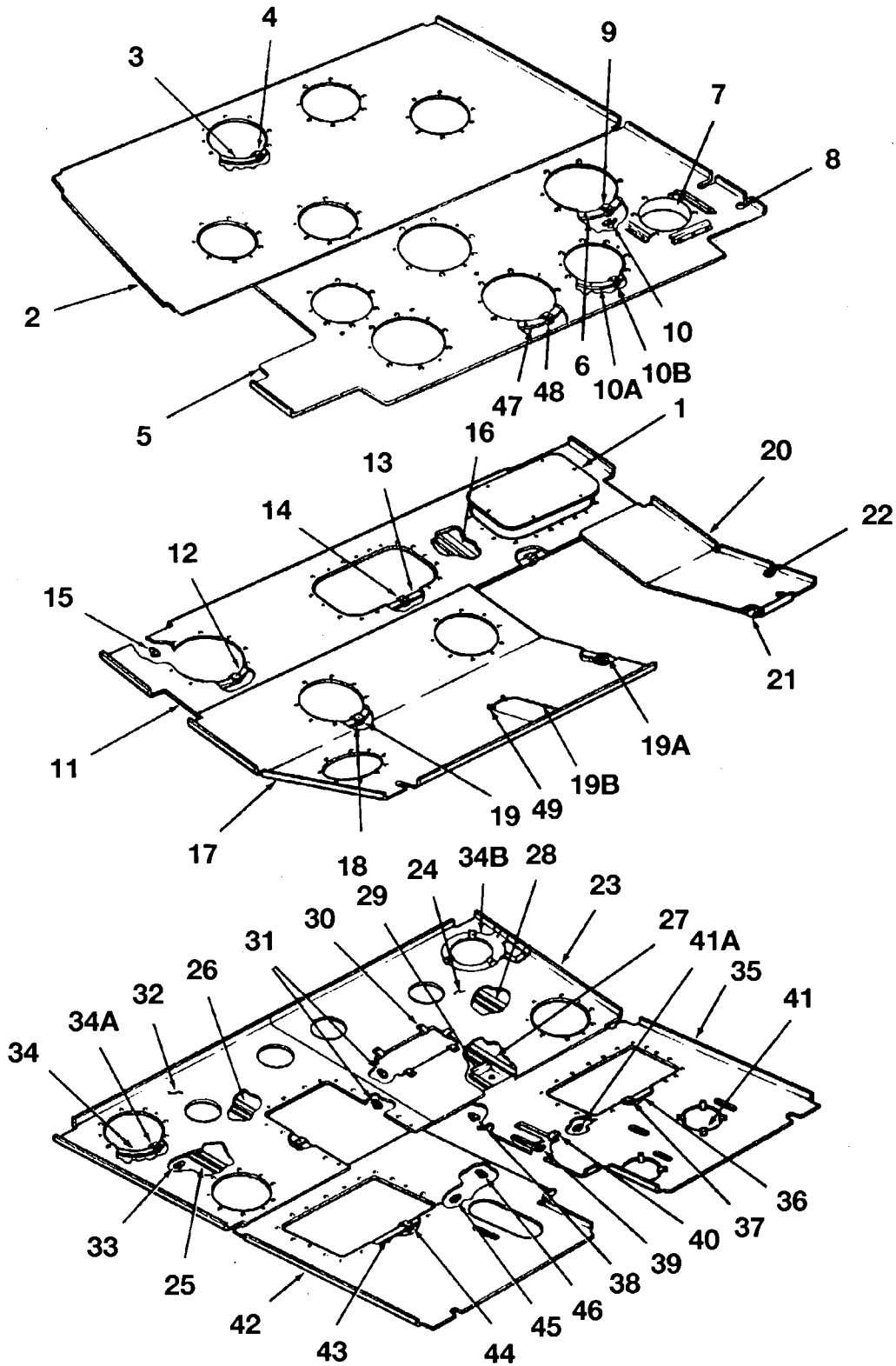
FUSELAGE STINGER ASSEMBLY
FIGURE 05 (SHEET 1)

CESSNA AIRCRAFT COMPANY
MODEL 310 THRU 310D
 ILLUSTRATED PARTS CATALOG

FIG ITEM	PART NUMBER	NOMENCLATURE	EFFECT		UNITS PER ASSY
			FROM	TO	
		1 2 3 4 5 6 7			
05		FUSELAGE STINGER ASSEMBLY			RF
- 1	AN515-6R8	. SCREW-ATTACH STINGER TO FUSELAGE			15
2	0814100-67	. STRINGER ASSY-COMplete	35000	35176	1
- 2A	0814100-72	. STRINGER ASSY-COMplete	35177	39031	1
- 2B	0831340-1	. STRINGER ASSY-COMplete	39032	& ON	1
3	0814100-45	. . . ANGLE-STIFFENER			1
4	0814100-49	. . . DOUBLER-STINGER			1
5	0814100-50	. . . DOUBLER-STINGER			1
6	0433006-4	. . . TAIL LIGHT ASSY			1
7	0433006-2	. . . LENS-TAIL LIGHT CLEAR			1
8	MS35478-305	. . . LAMP-SINGLE CONTACT			1
9	0433006-12	. . . RETAINER-LENS			1
- 9A	0433006-11	. . . GASKET			1
10	S-1021A-4-10	. . . SCREW-ATTACH LIGHT			2
11	S3228-1	. . . NUT-ATTACH LIGHT TINNERMAN A6187-4Z-3			2 R
12	0814100-69	. . . STRAP-GROUND	35000	35176	1
13	0814100-68	. . . BRACKET-ANTENNA	35000	35176	1
14	MS35489-5	. . . GROMMET	35000	35176	1

CESSNA AIRCRAFT COMPANY
MODEL 310 THRU 310D
 ILLUSTRATED PARTS CATALOG

A55605



AIRPLANES 35000 THRU 39031
 FLOORBOARD INSTALLATION
 FIGURE 01 (SHEET 1)

**CESSNA AIRCRAFT COMPANY
MODEL 310 THRU 310D
ILLUSTRATED PARTS CATALOG**

FIG ITEM	PART NUMBER	NOMENCLATURE	EFFECT		UNITS PER ASSY
			FROM	TO	
01		FLOORBOARD INSTALLATION REFER TO 53-10-00 FIGURE 01 FOR NHA	35000	39031	RF
-		COVER PLATES INSTALLATION-FLOORBOARD REFER TO 53-20-00			RF
1		FIGURE 02 FOR BREAKDOWN			
2	0811375-9	PANEL ASSY-FLOORBOARD STA 89.25-109.375	35000	35546	1
- 2A	0811382-1	FLOORBOARD ASSY-FLOORBOARD STA 89.25-109.375	35547	35771	1
- 2B	0811382-3	PANEL ASSY-FLOORBOARD STA 89.25-109.375	35772	39031	1
3	S237-2P	DOUBLER ASSY-INSPECTION OPENING	35000	35836	4 R
- 3A	S237-2P	DOUBLER ASSY-INSPECTION OPENING	35837	39031	5 R
4	S3228-14	NUT			3 R
- 4A	MS21047L3	NUTPLATE	35935	39031	23 R
- 4B	NAS682A3	NUTPLATE	35935	39031	1
- 4C	MS21051L4	NUTPLATE	35772	39031	1 R
5	0811375-10	PANEL ASSY-FLOORBOARD STA 69.203-89.25	35000	35064	1
- 5A	0811376-1	PANEL ASSY-FLOORBOARD STA 69.203-89.25 REFER TO NOTE 1	35065	35546	1
- 5B	0811381-5	PANEL ASSY-FLOORBOARD STA 69.203-89.25	35547	35771	1
- 5C	0811381-7	PANEL ASSY-FLOORBOARD STA 69.203-89.25	35772	39031	1
6	0811375-56	DOUBLER-INSPECTION OPENING			3
7	0813750-29	ADAPTER	35000	35546	1
- 7A	0813750-52	ADAPTER ASSY	35547	35771	1
- 7B	0813786-2	ADAPTER ASSY	35772	39031	1
- 7C	MS21069L08K	NUTPLATE	35547	35771	4 R
- 7D	NAS444-1	NUTPLATE-TINNERMAN A6191-6Z-3	35772	39031	4
8	MS35489-19	GROMMET			1
9	S3228-14	NUT			9 R
10	MS21047L3K	NUTPLATE	35000	35064	8 R
10A	S237-2P	DOUBLER ASSY-INSPECTION OPENING	35772	39031	2 R
10B	S3228-14	NUT			3 R
11	0811375-11	PANEL ASSY-FLOORBOARD STA 58.75-69.203 REFER TO NOTE 2			1
12	0811375-56	DOUBLER-INSPECTION OPENING			1
13	0811375-53	STIFFENER			2
14	S3228-14	NUT			19 R
15	MS21047L3K	NUTPLATE-ATTACH REAR SEAT	35000	35064	8 R
16	0811375-21	STRINGER-TO MATCH SEAT ATTACHMENT STIFFENER FLOORBOARD LOCATE POINT	35000	35064	1
17	0811375-70	PANEL ASSY-FLOORBOARD RH STA 37.50-58.75 REFER TO NOTE 3	35000	35546	1
			35757	39031	
18	S237-2P	DOUBLER ASSY-INSPECTION OPENING			ARR
19	S3228-14	NUT			3 R
19A	S3228-14	NUT			5 R
19B	0811385-1	DOUBLER-INSPECTION OPENING	35815	39031	1
20	0811375-13	PANEL ASSY-FLOORBOARD LH STA 37.50-58.75			1
21	S3228-14	NUT			5 R
22	MS35489-11S	GROMMET			1
23	0811375-14	PANEL ASSY-FLOORBOARD STA 20.00-37.50			1
24	0811375-7	PANEL-FLOORBOARD LH			1
25	0811375-28	CHANNEL-LH FWD FLOORBOARD			11
26	0811375-29	CHANNEL-FLOORBOARD			1
27	0811375-32	CHANNEL-FLOORBOARD			1
28	0811375-49	CHANNEL-RH FWD FLOORBOARD			1
29	0811375-38	SUPPORT-IDLER UPR			10
30	S3228-14	NUT			10 R
31	NAS444-05	NUT			4
32	0811375-51	PANEL-FLOORBOARD RH			1
33	NAS680A08	NUTPLATE			4
34	S237-2P	DOUBLER ASSY-INSPECTION OPENING			4 R
34A	S3228-14	NUT			3 R
34B	0811383-1	DOUBLER-FLOORBOARD			1

NOTE 1—WHEN ORDERING THIS PART FOR AIRPLANES PRIOR TO SERIAL 35180, ALSO ORDER 0811377-1 AND -2 FLOORBOARD BRACKET

NOTE 2—WHEN ORDERING THIS PART FOR AIRPLANES PRIOR TO SERIAL 35065, ALSO ORDER NAS680A3K NUT AND 0811375-21 STIFFENER

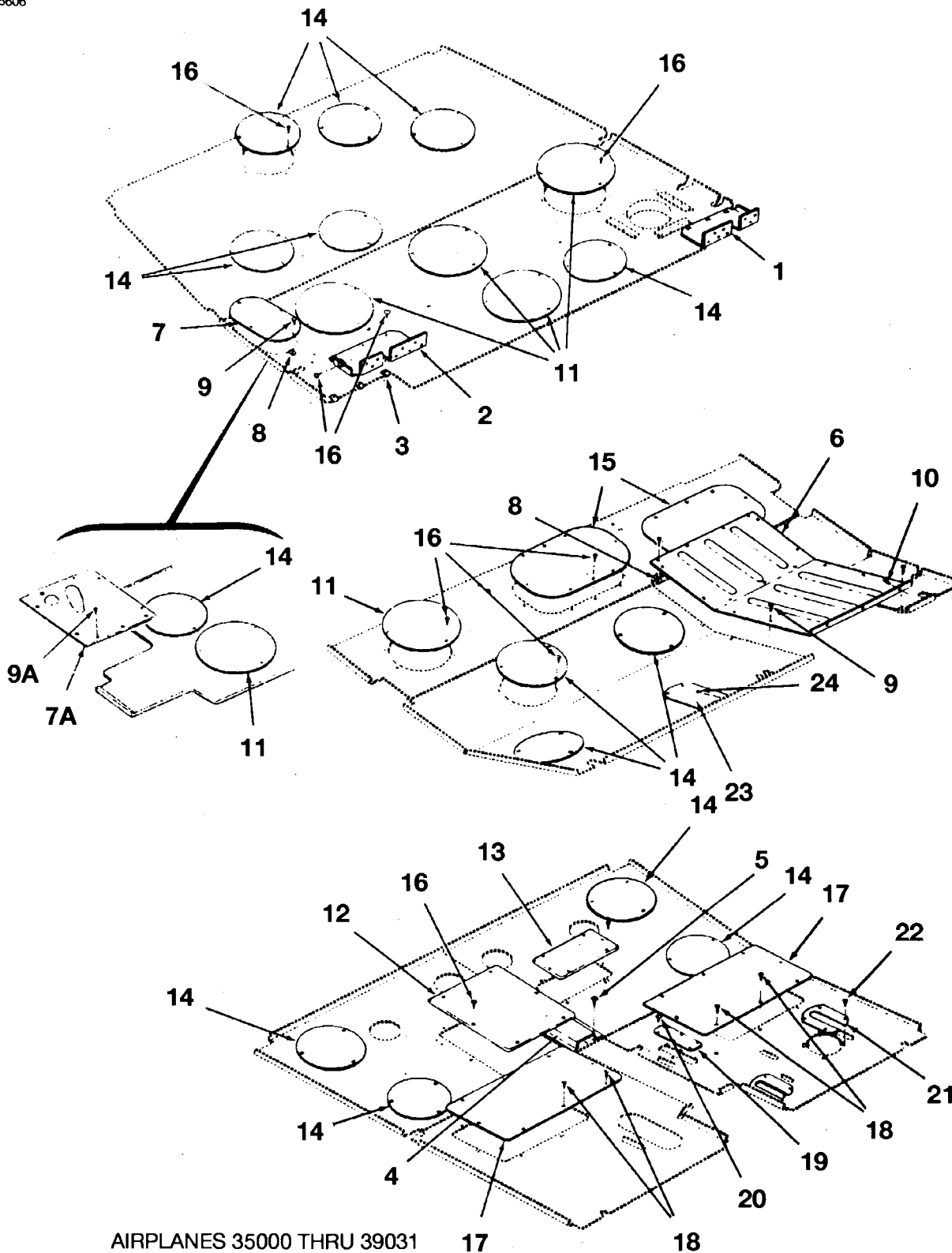
NOTE 3—THIS ASSEMBLY REPLACES FLOORBOARD USED FOR SERIALS 35000 THRU 35546 AND 35757 THRU 35814. WHEN ORDERING THIS ASSEMBLY FOR AIRPLANES PRIOR TO SERIAL 35815, EXCEPT SERIALS 35547 THRU 35756, ALSO ORDER NAS395-14-3 NUT AND 0811384-1 PLATE ASSEMBLY

CESSNA AIRCRAFT COMPANY
MODEL 310 THRU 310D
ILLUSTRATED PARTS CATALOG

FIG ITEM	PART NUMBER	NOMENCLATURE	EFFECT		UNITS PER ASSY
			FROM	TO	
01					
35	0811375-15	. PANEL ASSY-FLOORBOARD LH STA 0.00-20.00			1
36	0811375-39	. . DOUBLER-INSPECTION OPENING			1
37	S3228-14	. . NUT			52 R
38	MS21047L3K	. . NUTPLATE			1 R
39	MS21051L3K	. . NUTPLATE			6 R
40	S3228-1	. . NUT			8 R
41	S3228-1	. . NUT			2 R
41A	NAS444-5	. . NUT			1
42	0811375-16	. PANEL ASSY-FLOORBOARD RH STA 0.00-20.00			1
43	0811375-39	. . DOUBLER-INSPECTION OPENING			15
44	S3228-14	. . NUT			5 R
45	MAS444-5	. . NUT-TINNERMAN A6195-8Z-3			2
46	MS21047L3K	. . NUTPLATE			4 R
47	0811375-56	. DOUBLER-INSPECTION OPENING	35772	39031	1
48	S3228-14	. . NUT	35772	39031	3 R
49	S3228-14	. . NUT	35815	39031	4 R

CESSNA AIRCRAFT COMPANY
MODEL 310 THRU 310D
 ILLUSTRATED PARTS CATALOG

A55606



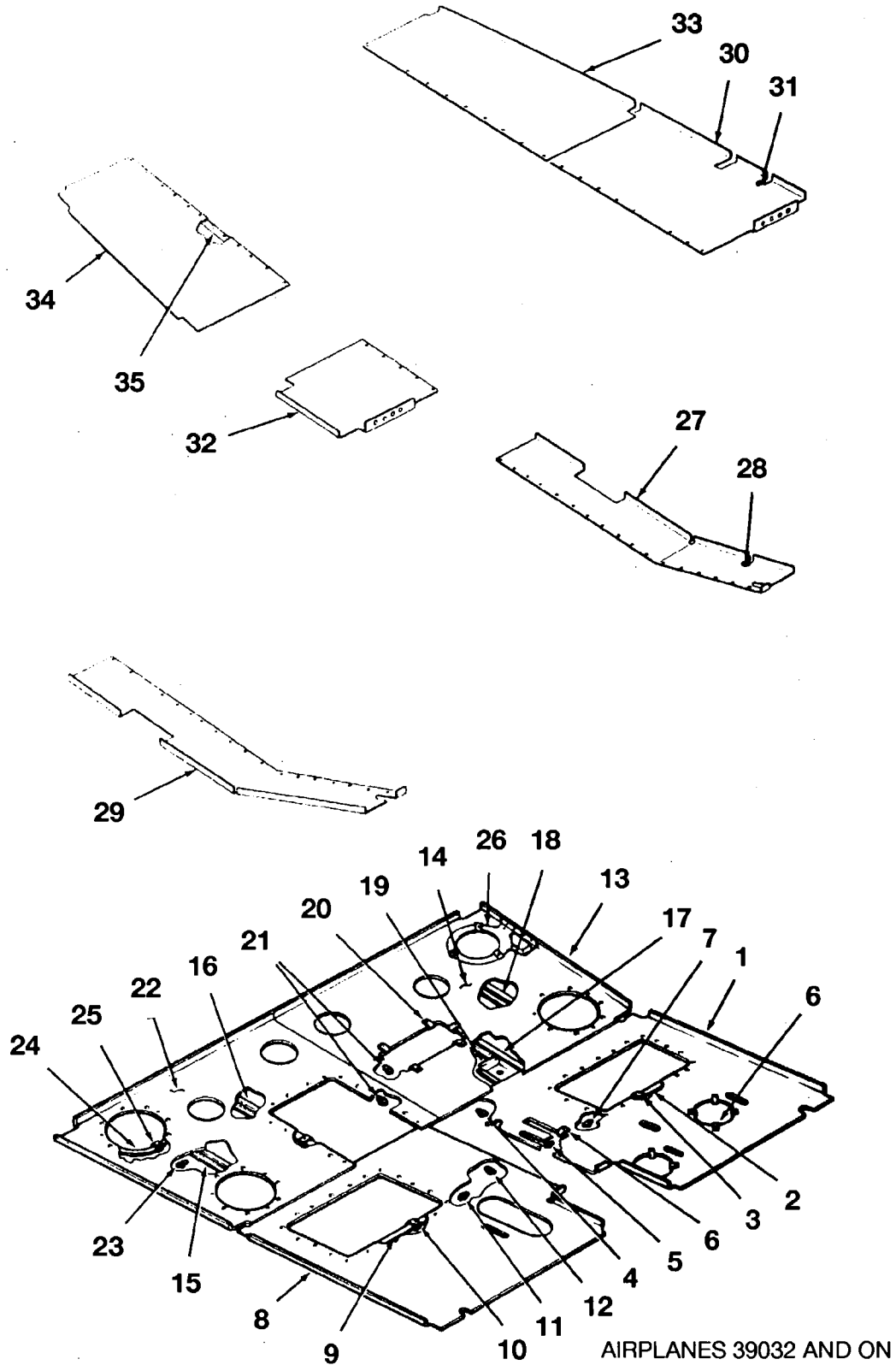
COVER PLATES INSTALLATION
 FIGURE 02 (SHEET 1)

CESSNA AIRCRAFT COMPANY
MODEL 310 THRU 310D
ILLUSTRATED PARTS CATALOG

FIG ITEM	PART NUMBER	NOMENCLATURE	EFFECT		UNITS PER ASSY
			FROM	TO	
02		COVER PLATES INSTALLATION REFER TO 53-20-00 FIGURE 01 FOR NHA	35000	39031	RF
1	0811377-1	. BRACKET-FLOORBOARD SUPPORT LH			1
2	0811377-2	. BRACKET-FLOORBOARD SUPPORT RH			1
3	S3712-16	. NUT-ATTACH SUPPORT BRACKETS			8 R
4	0812000-15	. COVER-ENGINE CONTROLS	35000	35328	1
- 4A	0812206-2	. COVER-ENGINE CONTROLS	35329	39031	1
5	S-1021Z-8-8	. SCREW-ATTACH COVER			4
6	0811375-6	. COVER PLATE	35000	35546	1
- 6A	0811379-1	. COVER ASSY-LANDING GEAR ACTUATOR	35547	35756	1
- 6B	0811279-5	. COVER ASSY-LANDING GEAR ACTUATOR	35757	39031	1
7	0811375-36	. COVER-ACCESS	35000	35546	1
7A	0811930-4	. COVER ASSY-RETRACTABLE STEP	35547	39031	1
8	S3228-14	. NUT-ATTACH COVER PLATES	35000	35546	11 R
- 8A	S3228-14	. NUT-ATTACH COVER PLATES	35547	39031	7 R
9	S-1021Z-8-6	. SCREW-ATTACH COVER PLATES			21
9A	AN515-8R8	. SCREW-ATTACH COVER PLATES	35547	39031	4
- 9B	S-1021Z-8-6	. SCREW-ATTACH COVER PLATES			17
- 9C	AN3-10A	. BOLT-ATTACH COVER PLATES	35547	39031	2
- 9D	NAS221-8	. SCREW-ATTACH COVER PLATES	35547	39031	2
10	AN520-10R8	. SCREW-ATTACH COVER PLATES			3
11	0811375-57	. COVER PLATE	35000	35773	4
- 11A	0811375-57	. COVER PLATE	35774	39031	5
- 11B	0812910-4	. GASKET-COVER PLATE	35547	35773	4
- 11C	0812910-4	. GASKET-COVER PLATE	35774	39031	5
12	0811375-33	. COVER-INSPECTION			1
- 12A	0812913-2	. GASKET-INSPECTION COVER PLATE	35547	39031	1
13	0811375-34	. COVER-INSPECTION			1
- 13A	0812912-2	. GASKET-INSPECTION COVER PLATE	35547	39031	1
14	S225-1	. PLATE-COVER	35000	35771	10
- 14A	S225-1	. PLATE-COVER	35772	35814	12
- 14B	S225-1	. PLATE-COVER	35815	35836	11
- 14C	S225-1	. PLATE-COVER	35837	39031	14
- 14D	0812910-3	. GASKET-COVER PLATE	35547	35771	10
- 14E	0812910-3	. GASKET-COVER PLATE	35772	35814	12
- 14F	0812910-3	. GASKET-COVER PLATE	35815	35836	11
- 14G	0812910-3	. GASKET-COVER PLATE	35837	39031	14
15	0811375-54	. COVER PLATE			2
- 15A	0812911-2	. GASKET-PLATE	35547	39031	2
16	S-1021Z-8-6	. SCREW-ATTACH COVER PLATES & SUPPORT BRACKETS			121
17	0811375-37	. COVER PLATE			2
18	S-1023Z-8-10	. SCREW-ATTACH COVER			16
19	0811375-55	. COVER PLATE			1
20	S-1021Z-4-4	. SCREW-ATTACH COVER PLATES			6
21	0811375-58	. PLATE			2
22	S-1021Z-4-5	. SCREW			8
23	0811384-1	. COVER PLATE	35815	39031	1
24	AN520-10R10	. SCREW-ATTACH COVER PLATE	35815	39031	2

CESSNA AIRCRAFT COMPANY
MODEL 310 THRU 310D
ILLUSTRATED PARTS CATALOG

A55607



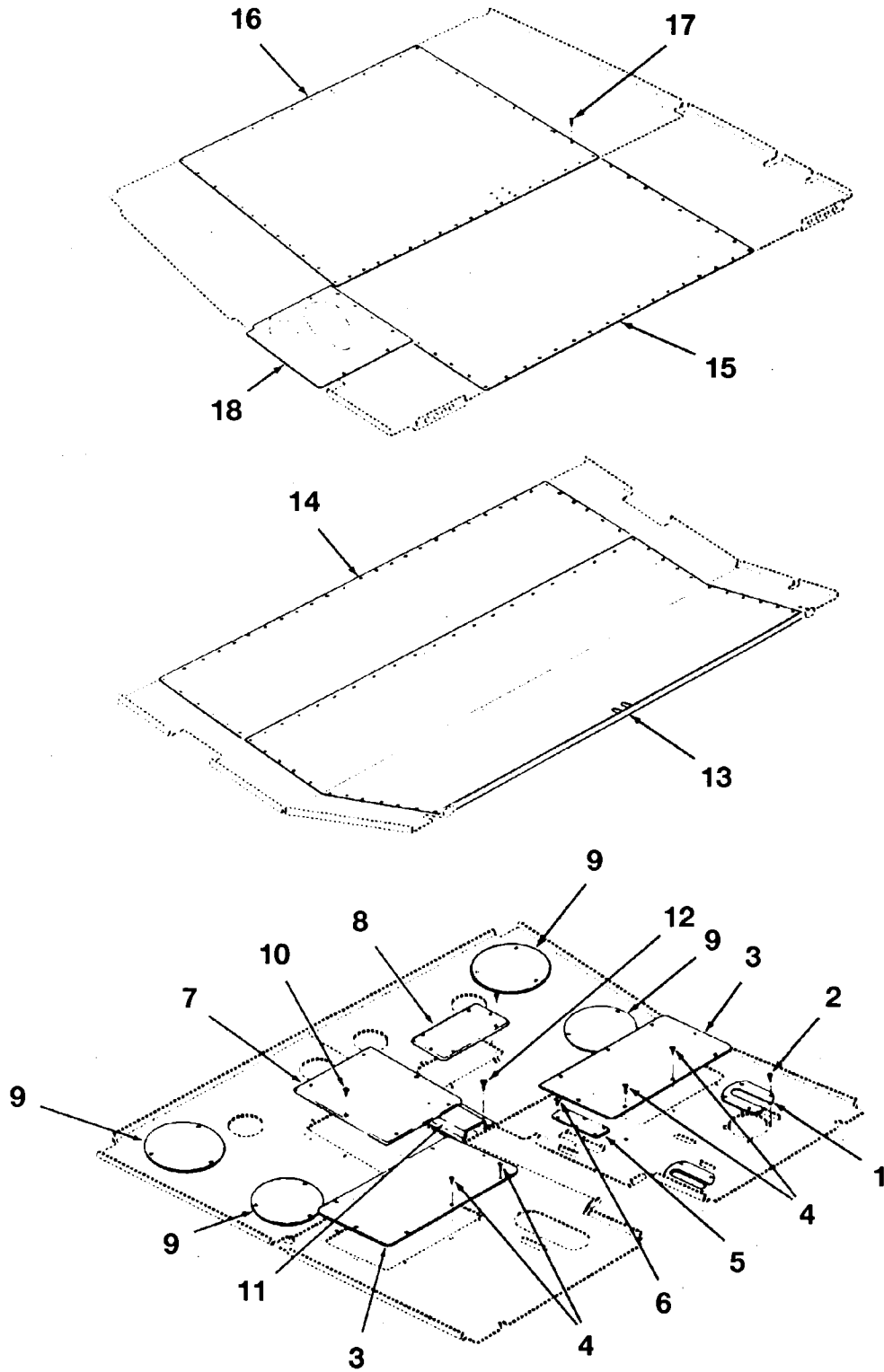
REMOVABLE FLOORBOARD INSTALLATION
FIGURE 03 (SHEET 1)

CESSNA AIRCRAFT COMPANY
MODEL 310 THRU 310D
ILLUSTRATED PARTS CATALOG

FIG ITEM	PART NUMBER	NOMENCLATURE	EFFECT		UNITS PER ASSY
			FROM	TO	
03		REMOVABLE FLOORBOARD INSTALLATION			RF
- 0		. FLOORBOARD INSTALLATION-FUSELAGE REMOVABLE REFER TO 53-10-00	39032	& ON	RF
		FIGURE 01 FOR NHA			
- A		. REMOVABLE FLOORBOARDS & COVER PLATES INSTALLATION-REFER TO			RF
		53-20-00 FIGURE 04 FOR BREAKDOWN			
1	0811375-15	. PANEL ASSY-FLOORBOARD LH STA 0.00-20.00			1
2	0811375-39	. DOUBLER-INSPECTION OPENING			1
3	S3228-14	. NUT			5 R
4	MS21047L3K	. NUTPLATE			2 R
5	MS21051L3K	. NUTPLATE			1 R
6	S3228-1	. NUT			14 R
7	NAS444-5	. NUT-TINNERMAN A6195-8Z-3			2
8	0811375-16	. PANEL ASSY-FLOORBOARD RH STA 0.00-20.00			1
9	0811375-39	. DOUBLER-INSPECTION OPENING			1
10	S3228-14	. NUT			5 R
11	NAS444-5	. NUT-TINNERMAN A6195-8Z-3			2
12	MS21047L3K	. NUTPLATE			4 R
13	0811375-14	. PANEL ASSY-FLOORBOARD STA 20.00-37.50			1
14	0811375-7	. PANEL-FLOORBOARD LH			1
15	0811375-28	. CHANNEL-LH FWD FLOORBOARD			1
16	0811375-29	. CHANNEL-FLOORBOARD			1
17	0811375-32	. CHANNEL-FLOORBOARD			1
18	0811375-49	. CHANNEL-RH FWD FLOORBOARD			1
19	0811375-38	. SUPPORT-IDLER UPR			1
20	S3228-14	. NUT			10 R
21	NAS444-5	. NUT-TINNERMAN A6195-8Z-3			4
22	0811375-51	. PANEL-FLOORBOARD RH			1
23	NAS680A08	. NUTPLATE			4
24	S237-2P	. DOUBLER ASSY-INSPECTION OPENING			4 R
25	S3228-14	. NUT			3 R
26	0811383-1	. DOUBLER-FLOORBOARD			1
27	0811391-5	. FLOORBOARD INSTALLATION-LEFT			1
- 27A	MS21047L3	. NUTPLATE			9 R
28	MS35489-11S	. GROMMET			1
29	0811391-6	. FLOORBOARD INSTALLATION-RIGHT			1
- 29A	MS21047L3	. NUTPLATE			9 R
30	0811391-3	. FLOORBOARD INSTALLATION			1
- 30A	MS21047L3	. NUTPLATE			6 R
31	MS35489-22	. GROMMET			1
32	0811391-4	. FLOORBOARD INSTALLATION			1
- 32A	MS21047L3	. NUTPLATE			3 R
33	0811391-14	. FLOORBOARD ASSY-LEFT REAR			1
- 33A	MS21047L3	. NUTPLATE			16 R
- 33B	NAS682A3	. NUTPLATE			1
34	0811391-2	. FLOORBOARD ASSY-RIGHT REAR			1
- 34A	MS21047L3	. NUTPLATE			8 R
35	0811393-2	. ANGLE-FLOORBOARD			1
- 35A	MS21047L3	. NUTPLATE			10 R

CESSNA AIRCRAFT COMPANY
MODEL 310 THRU 310D
ILLUSTRATED PARTS CATALOG

A55608



AIRPLANES 39032 AND ON

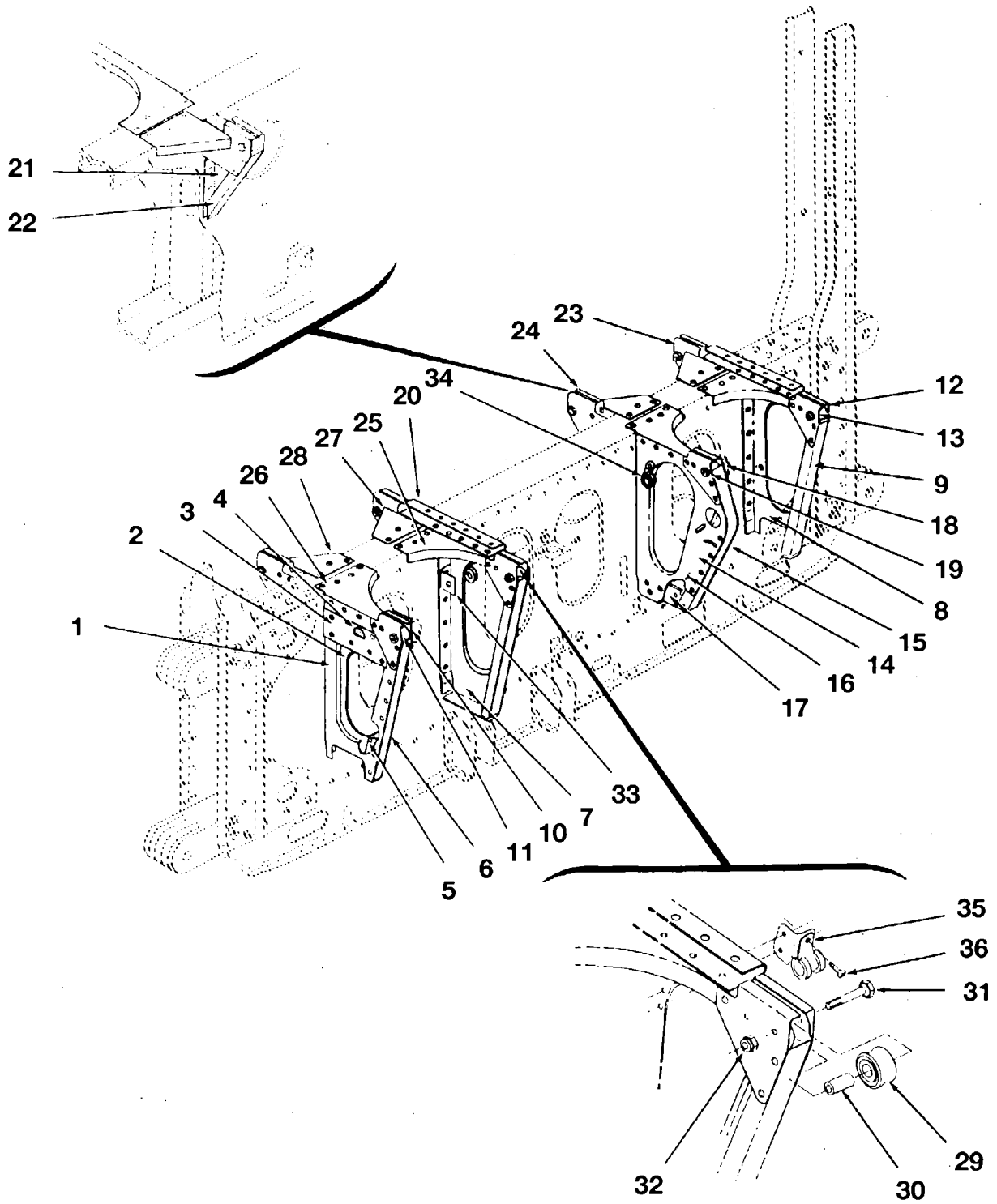
REMOVABLE FLOORBOARDS AND COVER PLATES INSTALLATION
FIGURE 04 (SHEET 1)

CESSNA AIRCRAFT COMPANY
MODEL 310 THRU 310D
ILLUSTRATED PARTS CATALOG

FIG ITEM	PART NUMBER	NOMENCLATURE	EFFECT		UNITS PER ASSY
			FROM	TO	
04		REMOVABLE FLOORBOARDS AND COVER PLATES INSTALLATION REFER TO	39032	& ON	RF
-		53-20-00 FIGURE 03 FOR NHA			
1	0811375-58	. COVER PLATE			2
2	S-1021Z-4-5	. SCREW-ATTACH COVER PLATES			8
3	0811375-37	. COVER			2
4	S-1023Z-8-10	. SCREW-ATTACH COVER PLATE			16
5	0811375-55	. COVER PLATE			1
6	S-1021Z-4-4	. SCREW-ATTACH COVER PLATE			6
7	0811375-33	. COVER-INSPECTION			1
- 7A	0812913-2	. GASKET-INSPECTION COVER			1
8	0811375-34	. COVER-INSPECTION			1
- 8A	0812912-2	. GASKET-INSPECTION COVER			1
9	S225-1	. PLATE-COVER			4
10	S-1021Z-8-6	. SCREW-ATTACH COVER PLATES			24
11	0812206-2	. COVER-ENGINE CONTROLS			1
12	S-1021Z-8-8	. SCREW-ATTACH CONTROLS COVER			4
13	0811392-4	. FLOORBOARD ASSY-FORWARD MID			1
14	0811392-3	. FLOORBOARD ASSY-REAR MID			1
15	0811392-2	. FLOORBOARD-FORWARD REAR			1
16	0811392-1	. FLOORBOARD ASSY-REAR			1
- 16A	MS21047L3	. NUTPLATE			9 R
- 16B	NAS682A3	. NUTPLATE			1
- 16C	MS21047L4	. NUTPLATE			2 R
- 16D	MS21051L4	. NUTPLATE			1 R
17	NAS221-6	. SCREW-ATTACH FLOORBOARDS			182
18	0811930-4	. COVER ASSY-RETRACTABLE STEP			1
- 18A	AN515-10R8	. SCREW-ATTACH COVER PLATE			4
- 18B	AN3-4A	. BOLT-ATTACH COVER PLATE			2
- 18C	NAS221-8	. SCREW-ATTACH COVER PLATE			2
- 18D	AN520-416R8	. SCREW-ATTACH COVER PLATE			1

CESSNA AIRCRAFT COMPANY
MODEL 310 THRU 310D
ILLUSTRATED PARTS CATALOG

A55618



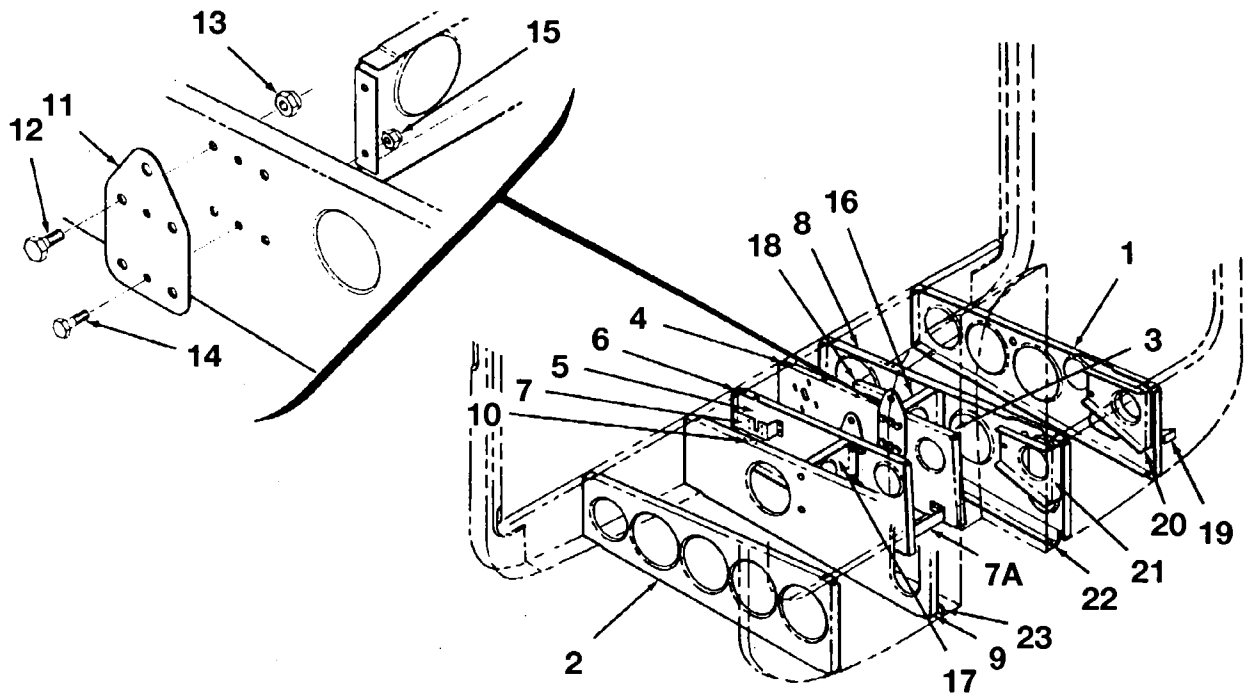
FRONT SEAT SUPPORT INSTALLATION
FIGURE 05 (SHEET 1)

CESSNA AIRCRAFT COMPANY
MODEL 310 THRU 310D
ILLUSTRATED PARTS CATALOG

FIG ITEM	PART NUMBER	NOMENCLATURE	EFFECT		UNITS
			FROM	TO	PER ASSY
05		FRONT SEAT SUPPORT INSTALLATION REFER TO 57-10-00 FIGURE 09 FOR NHA			RF
1	0811300-19	. WEB-RIGHT FRONT SEAT SUPPORT FWD	35000	35476	1
- 1A	0811300-58	. WEB-RIGHT FRONT SEAT SUPPORT FWD	35481	35481	1
- 1B	MS21051L4	. . . NUT-ANCHOR	35477	35480	1
- 1C	MS35489-11	. . . GROMMET	35482	& ON	2 R
2	0811300-50	. PLATE-RIGHT FRONT SEAT SUPPORT			1
- 2A	0811300-56	. PLATE ASSY-RIGHT FRONT SEAT SUPPORT	35000	35476	1
- 2B	MS21051L4	. . . NUT-ANCHOR	35481	35481	1
- 2C	MS35489-11	. . . GROMMET	35477	35480	1
3	0811300-49	. DOUBLER-RIGHT FRONT SEAT SUPPORT	35482	& ON	3 R
4	MS35489-11	. . . GROMMET	35000	35476	1
5	0811300-59	. DOUBLER ASSY-RIGHT FRONT SEAT SUPPORT	35481	35481	1
- 5A	NAS682A3	. . . NUTPLATE-ANCHOR	35000	35476	2
6	0811300-39	. CHANNEL-RIGHT FRONT SEAT FWD ROLLER OUTBD	35481	35481	1
7	0811300-18	. WEB-RIGHT FRONT SEAT SUPPORT FWD LH	35481	35481	1
8	0811300-44	. WEB-LEFT FRONT SEAT SUPPORT FWD LH	35481	35481	1
9	0811300-22	. CHANNEL-FRONT SEAT FWD ROLLER LH	35481	35481	2
10	0811300-20	. BRACKET-FWD RIGHT FRONT SEAT ROLLER LH	35481	35481	2
11	0811300-21	. BRACKET-FWD RIGHT FRONT SEAT ROLLER RH	35481	35481	2
12	0811300-20	. BRACKET-FWD LEFT FRONT SEAT ROLLER OUTBD LH	35481	35481	1
13	0811300-21	. BRACKET-FWD LEFT FRONT SEAT ROLLER OUTBD RH	35481	35481	1
14	0811300-7	. WEB-LEFT FRONT SEAT SUPPORT FWD INBD	35481	35481	1
15	0811300-11	. CHANNEL ASSY-LEFT FRONT SEAT FWD ROLLER INBD	35481	35481	1
16	NAS680A08	. . . NUTPLATE	35481	35481	1
17	0811300-42	. BRACKET-BELLCRANK	35481	35481	1
18	0811300-31	. BRACKET-LEFT FRONT SEAT FWD ROLLER INBD LH	35481	35481	1
19	0811300-6	. BRACKET-LEFT FRONT SEAT FWD ROLLER INBD RH	35481	35481	1
20	0811300-27	. LOCK FRONT SEAT	35481	35481	2
21	0811300-24	. WEB-FRONT SEAT SUPPORT AFT LH	35481	35481	2
- 21A	0811300-25	. WEB-FRONT SEAT SUPPORT AFT RH	35481	35481	2
22	0811300-23	. CHANNEL-FRONT SEAT AFT ROLLER LH	35481	35481	2
- 22A	0811300-41	. CHANNEL-FRONT SEAT AFT ROLLER RH	35481	35481	2
23	0811300-26	. BRACKET-AFT FRONT SEAT ROLLER LH	35481	35481	2
24	0811300-40	. BRACKET-AFT FRONT SEAT ROLLER RH	35481	35481	2
25	0811300-15	. BRACKET-FRONT SEAT UPR FWD LH	35481	35481	2
26	0811300-14	. BRACKET-FRONT SEAT UPR FWD RH	35481	35481	2
27	0811300-16	. BRACKET-FRONT SEAT UPR LEFT LH	35481	35481	2
28	0811300-17	. BRACKET-FRONT SEAT UPR AFT RH	35481	35481	2
29	0311310	. ROLLER-SEAT	35481	35481	8
30	0311586	. BUSHING-SEAT ROLLER	35481	35481	8
31	AN3-11A	. BOLT-ATTACH SEAT ROLLER	35481	35481	8
32	MS21045L3	. NUT-ATTACH SEAT ROLLER	35481	35481	8 R
33	0811300-51	. BRACKET-ANGLE	35000	35058	1
34	1747-6	. CLIP-ADEL	35000	35058	2
35	1747-R-6	. CLAMP-ADEL	35000	35058	1
36	S-1021Z-8-8	. SCREW	35000	35058	3

CESSNA AIRCRAFT COMPANY
MODEL 310 THRU 310D
ILLUSTRATED PARTS CATALOG

A55622



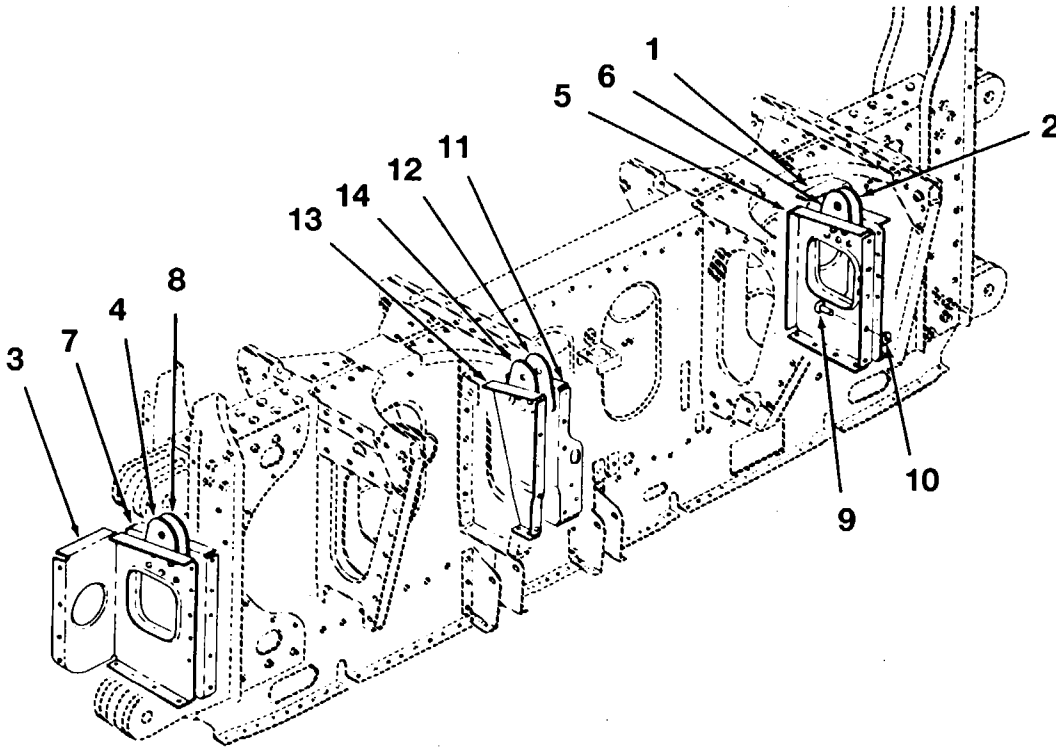
FUSELAGE CONTROLS SUPPORT BRACKETS INSTALLATION
FIGURE 06 (SHEET 1)

CESSNA AIRCRAFT COMPANY
MODEL 310 THRU 310D
ILLUSTRATED PARTS CATALOG

FIG ITEM	PART NUMBER	NOMENCLATURE	EFFECT		UNITS PER ASSY
			FROM	TO	
06		FUSELAGE CONTROLS SUPPORT BRACKETS INSTALLATION REFER TO			RF
		53-10-01 FIGURE 01 FOR NHA			
1	0813000-127	. BRACKET ASSY-RUDDER LH OUTBD			1
2	0813000-40	. BRACKET-RUDDER RH OUTBD			1
3	0813000-86	. STIFFENER ASSY-CONTROL SUPPORT LH	35000	35367	1
- 3A	0813013-1	. STIFFENER ASSY-CONTROL SUPPORT LH	35368	& ON	1
4	NAS682A3	. . NUTPLATE			1
- 4A	NAS680A08	. . NUTPLATE	35368	& ON	7
5	0813000-112	. STIFFENER ASSY-CONTROL SUPPORT RH	35000	35367	1
- 5A	0813012-1	. STIFFENER ASSY-CONTROL SUPPORT RH	35368	& ON	1
6	NAS682A3	. . NUTPLATE			1
7	0813000-124	. . BRACKET-GEAR SUPPORT			1
7A	0813010-1	. SUPPORT ASSY-ACCESS OPENING	35368	& ON	1
- 7B	NAS680A08	. NUTPLATE	35368	& ON	7
- 7C		. DELETED-NOT USED			
- 7D	NAS680A08	. NUTPLATE			1
8	0813000-128	. BRACKET ASSY-RUDDER LH			1
9	0813000-116	. BRACKET ASSY-RUDDER RH			1
10	NAS444-5	. . NUT-TINNERMAN A6195-8Z-3			2
11	0813000-62	. BRACKET-CONTROL			8
12	AN4-5A	. BOLT-ATTACH CONTROL BRACKET			8
13	MS21044N4	. NUT-ATTACH CONTROL BRACKET			4 R
14	AN3-5A	. BOLT-ATTACH CONTROL BRACKET			4
15	MS21045L3	. NUT-ATTACH CONTROL BRACKET			1 R
16	0813000-37	. STIFFENER-CONTROL COLUMN LH			1
17	0813000-94	. STIFFENER-CONTROL COLUMN RH			1
18	0813000-82	. BRACKET ASSY-ELEVATOR TRIM			1
- 18A	NAS682A3	. . NUTPLATE			1
19	0813000-95	. TAB-LOCK FASTENER			1
20	0813000-27	. SUPPORT-BRAKE CYLINDER LH			1
21	0813000-28	. SUPPORT-BRAKE CYLINDER RH			1
22	0811100-18	. STRINGER			1
23	0811100-19	. STRINGER			1

CESSNA AIRCRAFT COMPANY
MODEL 310 THRU 310D
ILLUSTRATED PARTS CATALOG

A55623



FRONT SEAT SAFETY BELT BRACKETS INSTALLATION
FIGURE 07 (SHEET 1)

**CESSNA AIRCRAFT COMPANY
MODEL 310 THRU 310D
ILLUSTRATED PARTS CATALOG**

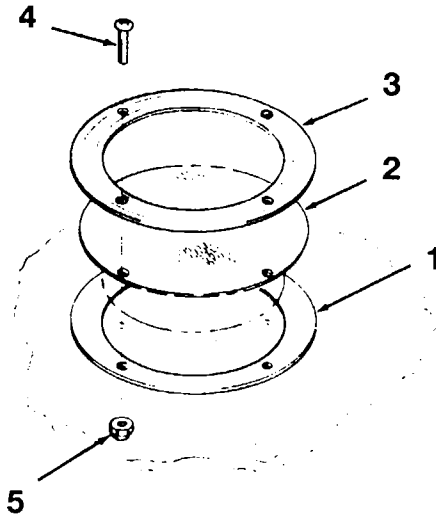
FIG ITEM	PART NUMBER	NOMENCLATURE	EFFECT		UNITS	
			FROM	TO	PER	ASSY
07		FRONT SEAT SAFETY BELT BRACKETS INSTALLATION REFER TO 53-10-01				RF
-		FIGURE 01 FOR NHA				
1	0811150-7	. BRACKET ASSY-SAFETY BELT LH OUTBD	35000	35725	1	
- 1A	0811150-71	. BRACKET ASSY-SAFETY BELT LH OUTBD	35726	& ON	1	
2	0811150-13	. . LUG-SAFETY BELT			1	
3	0811150-8	. BRACKET ASSY-SAFETY BELT RH OUTBD	35000	35725	1	
- 3A	0811150-72	. BRACKET ASSY-SAFETY BELT RH OUTBD	35726	& ON	1	
4	0811150-13	. . LUG-SAFETY BELT			1	
5	0811150-5	. BRACKET ASSY-SAFETY BELT LH INBD			1	
6	0811150-13	. . LUG-SAFETY BELT			1	
7	0811150-6	. BRACKET ASSY-SAFETY BELT RH INBD			1	
8	0811150-13	. . LUG-SAFETY BELT			1	
9	NAS178-6-4	. PIN-HI-SHEAR ATTACH INBD BRACKETS			2	
10	NAS528A6	. COLLAR-ATTACH INBD BRACKETS			2	R
11	0811150-12	. BRACKET ASSY-SAFETY BELT CENTER LH	35000	39031	1	
- 11A	0811150-75	. BRACKET ASSY-SAFETY BELT CENTER LH	39032	& ON	1	
- 11B	MS21047L3	. . NUTPLATE	39032	& ON	2	R
12	0811150-13	. . LUG-SAFETY BELT			1	
13	0811150-11	. BRACKET ASSY-SAFETY BELT CENTER RH			1	
- 13A	0811150-73	. BRACKET ASSY-SAFETY BELT CENTER RH	39032	& ON	1	
- 13B	MS21047L3	. . NUTPLATE	39032	& ON	2	R
14	0811150-13	. . LUG-SAFETY BELT			1	

- ITEM NOT ILLUSTRATED

© Cessna Aircraft Company

CESSNA AIRCRAFT COMPANY
MODEL 310 THRU 310D
ILLUSTRATED PARTS CATALOG

A55930



AIRPLANES 39250 AND ON
INSTRUMENT PANEL DECK VENT INSTALLATION
FIGURE 01 (SHEET 1)

CESSNA AIRCRAFT COMPANY
MODEL 310 THRU 310D
 ILLUSTRATED PARTS CATALOG

FIG ITEM	PART NUMBER	NOMENCLATURE	EFFECT		UNITS
			FROM	TO	PER ASSY
01		INSTRUMENT PANEL DECK VENT INSTALLATION	39250	& ON	RF
1	0870008-1	. DOUBLER-DECK VENT			1
2	0513172-2	. SCREEN-VENT			1
3	0513172-1	. RETAINER-VENT			1
4	S-1021Z-6-8	. SCREW-ATTACH RETAINER			4
5	S3712-6	. NUT-ATTACH RETAINER			4 R

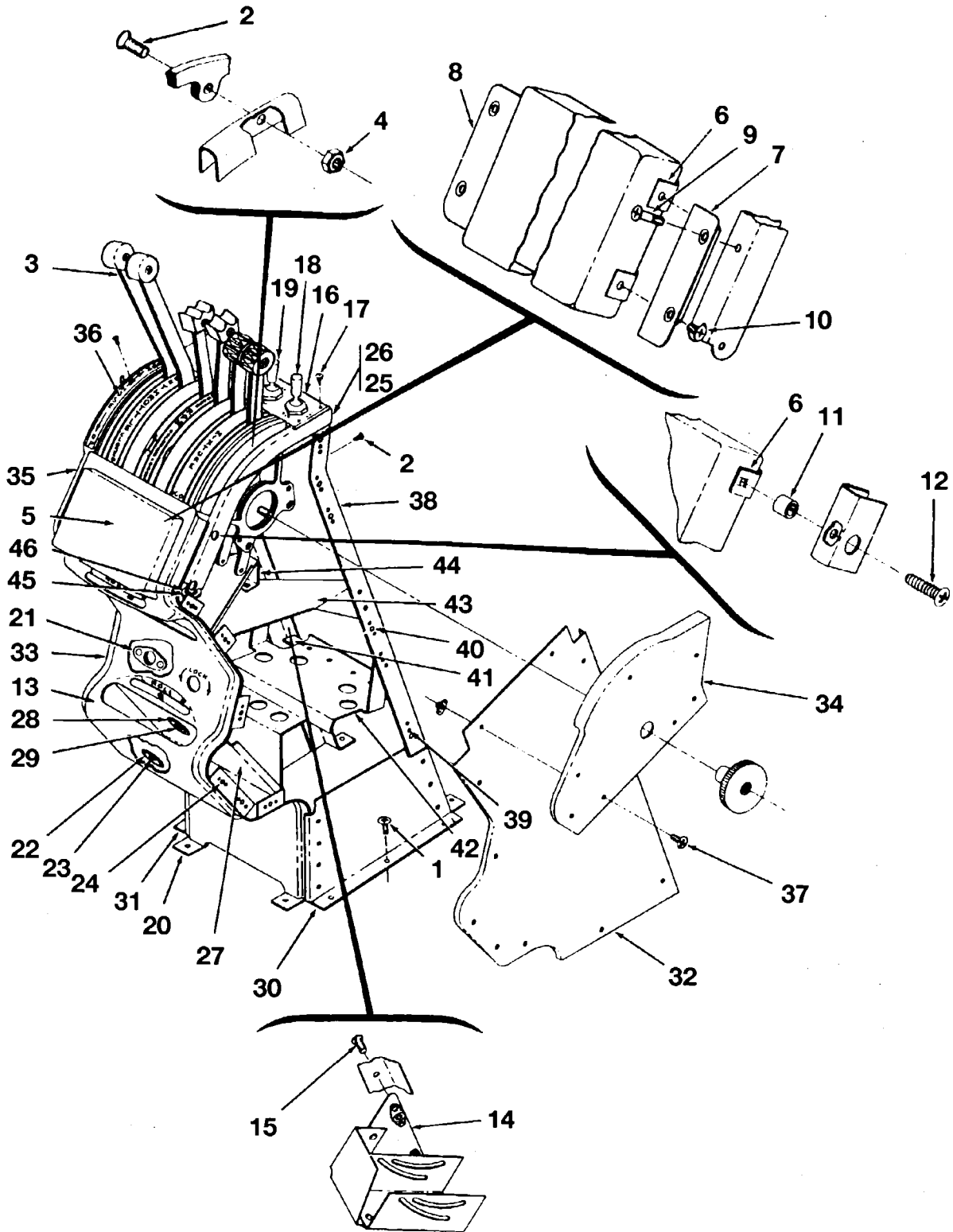
- ITEM NOT ILLUSTRATED

© Cessna Aircraft Company

Figure 01
 Page 2
53-20-01 Jul 3/2006

CESSNA AIRCRAFT COMPANY
MODEL 310 THRU 310D
ILLUSTRATED PARTS CATALOG

A55697



AIRPLANES 35000 THRU 35771
CONTROL PEDESTAL INSTALLATION
FIGURE 01 (SHEET 1)

CESSNA AIRCRAFT COMPANY
MODEL 310 THRU 310D
ILLUSTRATED PARTS CATALOG

FIG ITEM	PART NUMBER	NOMENCLATURE	EFFECT		UNITS PER ASSY
			FROM	TO	
01		CONTROL PEDESTAL INSTALLATION	35000	35771	RF
1	AN520-10R8	. SCREW-ATTACH PEDESTAL ASSY TO FLOORBOARD			10
2	AN507-1032R8	. SCREW-ATTACH PEDESTAL ASSY TO STATIONARY PANEL & QUADRANT ASSY TO PEDESTAL			6
3	0861200	. QUADRANT ASSY-CONTROLS REFER TO 76-10-01 FIGURE 01 FOR BREAKDOWN	35000	35546	1
- 3A	0861200-38	. QUADRANT ASSY-CONTROLS REFER TO 76-10-01 FIGURE 02 FOR BREAKDOWN	35547	35771	1
4	MS20364-1032C	. NUT-ATTACH QUADRANT ASSY TO PEDESTAL			4
5	0861100-81	. COVER BOX ASSY-PEDESTAL FRONT			1
6	S3228-17	. NUT-TINNERMAN A1348-8Z-3			4 R
7	0861110-4	. SUPPORT ANGLE-ATTACH BOX COVER	35070	35771	1
8	0861110-7	. SUPPORT ANGLE-ATTACH BOX COVER	35070	35771	1
9	AN507-632R8	. SCREW-ATTACH ANGLE	35070	35771	4
10	S1021Z-8-6	. SCREW-ATTACH COVER BOX	35070	35771	4
11	NAS43-3-18	. SPACER-ATTACH COVER BOX	35000	35069	4
12	S1021Z-8-13	. SCREW-ATTACH COVER BOX	35000	35069	4
13	0861100-80-124	. COVER-PEDESTAL FRONT	35000	35000	1
- 13A	0861100-120-124	. COVER-PEDESTAL FRONT REFER TO NOTE 1	35070	35200	1
- 13B	0861100-120-156	. COVER-PEDESTAL FRONT	35202	35225	
			35201	35201	1
			35226	35328	
- 13C	0861100-126-156	. COVER-PEDESTAL FRONT	35329	35546	1
- 13D	0861100-126-193	. COVER-PEDESTAL FRONT	35547	35771	1
14	0861100-37	. BRACKET ASSY-SWITCH MOUNT	35000	35069	1
- 14A	MS21049L08	. NUTPLATE			2 R
- 14B	MS21049L08	. NUTPLATE ALT FOR NAS681A08			2 R
- 14C	0861119-1	. SUPPORT-SWITCH	35714	35771	1
15	AN507-832R6	. SCREW-ATTACH SWITCH MOUNT BRACKET	35000	35069	2
- 15A	AN515-6R4	. SCREW-ATTACH SWITCH MOUNT	35714	35771	2
16	0861306-1	. COVER-PEDESTAL TOP	35307	35546	1
- 16A	0861307-1	. PLATE-SWITCH MOUNTING	35547	35771	1
17	S1022Z-4-4	. SCREW-ATTACH COVER	35307	35771	4
18	MS35059-21	. SWITCH-HEAT FAN	35547	35771	1 R
19	S382-1	. SWITCH-PITOT	35547	35771	1
- 19A	S1216-1	. NUT-ATTACH SWITCHES	35547	35771	2
- 19B	S384-1	. KNOB-SWITCH	35547	35771	2
- 19C	0896001-1	. PEDESTAL ASSY-CONTROLS REFER TO NOTE 1	35000	35546	1
- 19D	0896001-2	. PEDESTAL ASSY-CONTROLS	35547	35771	1
20	0861100-3	. BRACKET ASSY-FACE SUPPORT	35000	35069	1
- 20A	0861100-119	. BRACKET ASSY-FACE SUPPORT	35070	35771	1
21	0861100-69	. SPACER			2
22	0411420	. HOUSING-BEARING			1
23	B-45	. BEARING-TORRINGTON			1
24	MS21049L08K	. NUTPLATE			12 R
- 24A	MS21049L08	. NUTPLATE ALT FOR NAS681A08K			12 R
25	0861110-88	. CHANNEL ASSY-RH	35000	35069	1
- 25A	0861100-6	. GEAR MITER	35070	35771	1
26	0861110-89	. CHANNEL ASSY-LH	35000	35069	1
- 26A	0861100-5	. SPROCKET GEAR-LH	35070	35771	1
- 26B	MS21049L08	. NUTPLATE			2
- 26C	MS21049L08	. NUTPLATE ALT FOR MS21049L08			2 R
27	0861100-68	. BRACKET ASSY-AILERON TRIM TAB WHEEL			1
28	0411420	. HOUSING-BEARING TORRINGTON			11
29	B-45	. BEARING			1
30	0861100-22	. PANEL ASSY-RH LOWER			1
31	0861100-21	. PANEL ASSY-LH LOWER			1
- 31A	MS21049L08	. NUTPLATE			1 R
- 31B	MS21049L08	. NUTPLATE ALT FOR NAS681A08			1 R
32	0861100-84	. SIDE PANEL ASSY-RH			1
33	0861100-43	. PANEL-LH	35000	35546	1
- 33A	0861100-134	. SIDE PANEL ASSY-LH	35547	35771	1
- 33B	MS21049L08	. NUTPLATE			2 R
- 33C	MS21049L08	. NUTPLATE ALT FOR NAS681A08			2 R
34	0861100-18	. HOUSING-SIDE PANEL RH UPPER	35000	35069	1
- 34A	0861100-116	. HOUSING-SIDE PANEL RH UPPER	35070	35771	1
35	0861100-91	. HOUSING ASSY-SIDE PANEL LH UPPER	35000	35069	1
- 35A	0861100-117	. HOUSING ASSY-SIDE PANEL LH UPPER	35070	35771	1
36	0812480-35	. METALCAL-TAB POSITION INDICATOR			1
37	AN507-832R6	. SCREW-ATTACH HOUSING & PANELS			32

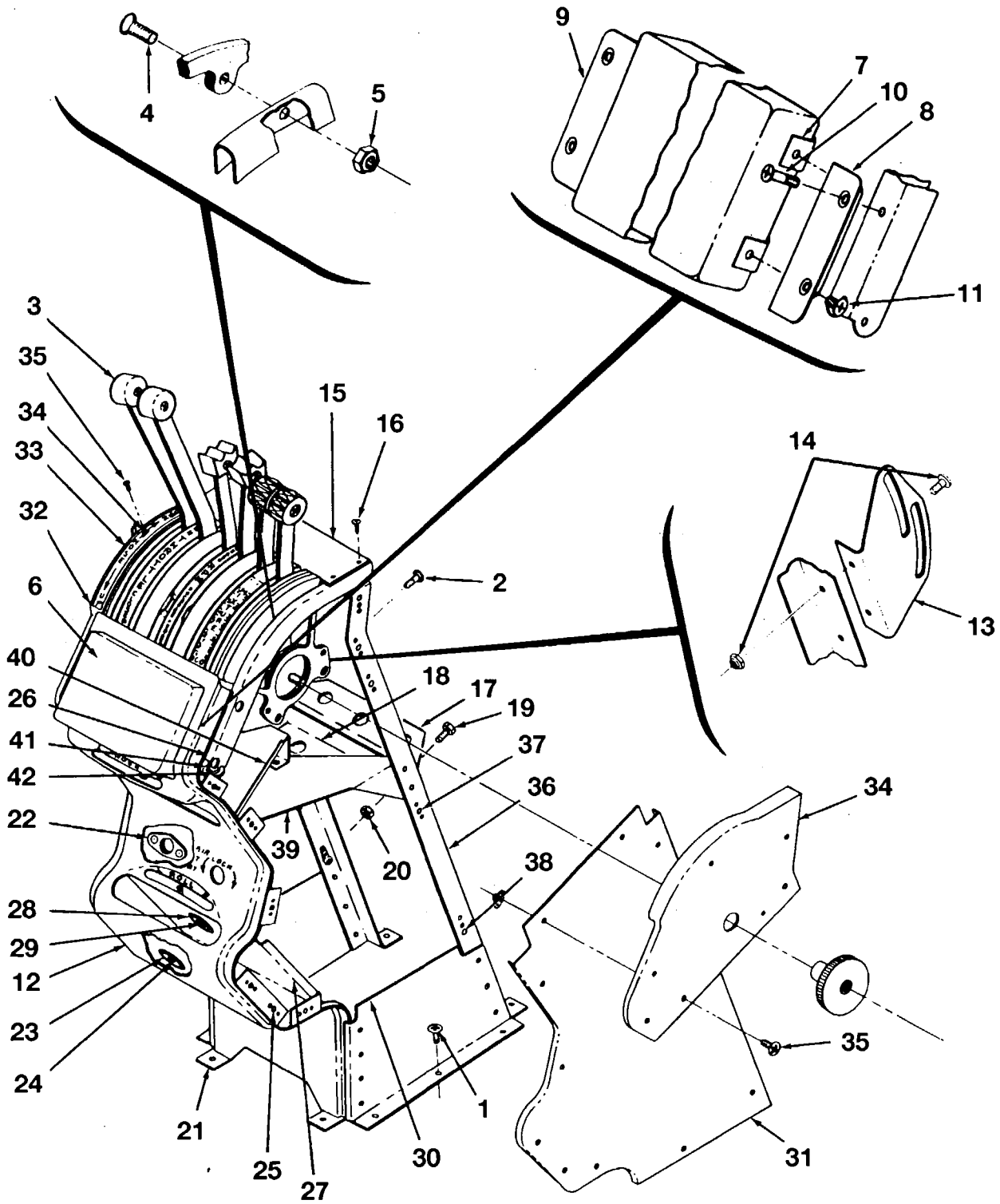
NOTE 1—WHEN ORDERING THIS PART FOR AIRPLANES PRIOR TO SERIAL 35070, ALSO ORDER 0861110-4 AND -7 ANGLES, AN 507-632R8 AND S1021Z-8-6 SCREWS

CESSNA AIRCRAFT COMPANY
MODEL 310 THRU 310D
 ILLUSTRATED PARTS CATALOG

FIG ITEM	PART NUMBER	NOMENCLATURE	EFFECT		UNITS PER ASSY
			FROM	TO	
		1 2 3 4 5 6 7			
01					
38	0861100-10	.. SUPPORT-RH			1
- 38A	0861100-9	.. ANGLE ASSY-LH			1
- 38B	MK2000-06	.. NUTPLATE-LH ONLY KAYNAR			2
- 38C	MS21047L3	.. NUTPLATE			1 R
39	MS21053L08	.. NUTPLATE			23 R
40	MS21049L08	.. NUTPLATE			1 R
- 40A	MS21049L08	.. NUTPLATE ALT FOR NAS681A08			1 R
41	0861100-8	.. BRACKET-SUPPORT			1
42	0861100-125	.. BRACKET-QUADRANT CONTROL			1
43	0861100-74	.. BRACKET ASSY-RUDDER TRIM TAB LOWER			1
44	0861100-75	.. BRACKET ASSY-RUDDER TRIM TAB UPPER			1
45	0411420	.. HOUSING-BEARING			11
46	B-45	.. BEARING			1

CESSNA AIRCRAFT COMPANY
MODEL 310 THRU 310D
ILLUSTRATED PARTS CATALOG

A55698



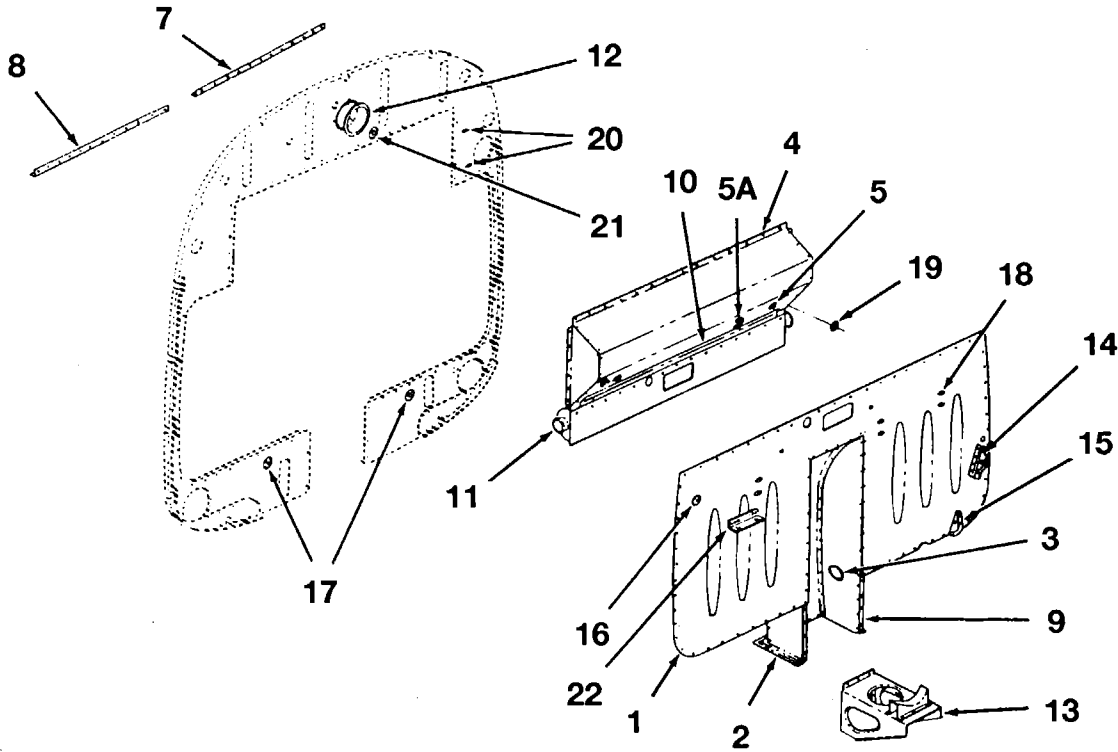
AIRPLANES 35772 AND ON
CONTROL PEDESTAL INSTALLATION
FIGURE 02 (SHEET 1)

CESSNA AIRCRAFT COMPANY
MODEL 310 THRU 310D
ILLUSTRATED PARTS CATALOG

FIG ITEM	PART NUMBER	NOMENCLATURE	EFFECT FROM TO	UNITS	
				PER ASSY	
02		CONTROL PEDESTAL INSTALLATION			
- 1	AN520-10R8	SCREW-ATTACH PEDESTAL ASSY TO FLOORBOARD	35772 & ON	RF	10
2	AN507-1032R8	SCREW-ATTACH PEDESTAL ASSY TO STATIONARY PANEL			2
3	0861200-45	CONTROL QUADRANT-REFER TO 76-10-01 FIGURE 01 FOR BREAKDOWN	35772 35934		1
- 3A	0861201-1	CONTROL QUADRANT ASSY-REFER TO 76-10-01 FIGURE 03 FOR BREAKDOWN	35935 & ON		1
4	AN507-1032R8	SCREW-ATTACH QUADRANT ASSY TO PEDESTAL			4
5	MS20364-1032C	NUT-ATTACH QUADRANT ASSY TO PEDESTAL			4
6	0861100-81	COVER BOX ASSY-PEDESTAL FRONT			1
7	S3228-17	NUT-TINNERMAN A1348-SZ-3			4 R
8	0861110-4	SUPPORT ANGLE-ATTACH COVER BOX ASSY			1
9	0861110-7	SUPPORT ANGLE-ATTACH COVER BOX ASSY			1
10	AN507-632R8	SCREW-ATTACH SUPPORT ANGLE			4
11	S-1021Z-8-6	SCREW-ATTACH SUPPORT ANGLE			4
12	0861112-1-193	COVER-PEDESTAL FRONT			1
13	0851523-1	BRACKET-GEAR WARNING SWITCH			1
14	AN515-6R6	SCREW-ATTACH BRACKET			2
- 14A	MS20364-632C	NUT-ATTACH BRACKET			2
15	0861306-1	COVER-PEDESTAL TOP			1
16	S-1022Z-4-4	SCREW-ATTACH COVER			4
- 16A	0896001-3	PEDESTAL-CONTROLS			1
17	0851522-1	BRACKET-RH ENGINE CONTROL SUPPORT			1
18	0851521-1	BRACKET-LH ENGINE CONTROL SUPPORT			1
19	AN3-4A	BOLT-ATTACH BRACKETS			2
20	MS20364-1032C	NUT-ATTACH BRACKETS			2
21	0861112-2	BRACKET ASSY-FACE SUPPORT			1
22	0850510-1	SPACER			2
23	0411420	HOUSING-BEARING			1
24	B-45	BEARING-TORRINGTON			1
25	MS21049L08K	NUTPLATE			12 R
- 25A	MS21049L08	NUTPLATE ALT FOR NAS681A08K			12 R
26	0861110-6	CHANNEL ASSY-RH			1
- 26A	0861110-5	CHANNEL-LH			1
- 26B	MS21049L08	NUTPLATE			1 R
- 26C	MS21049L08	NUTPLATE ALT FOR NAS681A08K			1 R
27	0861100-68	BRACKET ASSY-AILERON TRIM TAB WHEEL			1
28	0411420	HOUSING-BEARING			1
29	B-45	BEARING-TORRINGTON			1
30	0861100-22	PANEL ASSY-RH LOWER			1
- 30A	0861100-21	PANEL ASSY-LH LOWER			1
- 30B	MS21049L08K	NUTPLATE			1 R
- 30C	MS21049L08	NUTPLATE ALT FOR NAS681A08K			1 R
31	0861100-84	SIDE PANEL ASSY-RH			1
- 31A	0861100-134	SIDE PANEL ASSY-LH			1
- 31B	MS21049L08K	NUTPLATE			2 R
- 31C	MS21049L08	NUTPLATE ALT FOR NAS681A08K			2 R
32	0861100-117	HOUSING ASSY-SIDE PANEL LH UPPER			1
33	0812480-35	METALCAL-TAB POSITION INDICATOR			1
- 33A	MS21047L06	NUTPLATE			2 R
34	0861100-116	HOUSING-SIDE PANEL RH UPPER			1
35	AN507-832R6	SCREW-ATTACH HOUSING & PANELS			32
36	0861111-2	ANGLE ASSY-RH			1
- 36A	0861111-1	ANGLE ASSY-LH			1
37	MS21049L08	NUTPLATE			4 R
- 37A	MS21049L08	NUTPLATE ALT FOR NAS681A08K			4 R
38	MS21053L08	NUTPLATE			2 R
39	0861100-74	BRACKET ASSY-RUDDER TRIM TAB LOWER			1
40	0861100-75	BRACKET ASSY-RUDDER TRIM TAB UPPER			1
41	0411420	HOUSING-BEARING			1
42	B-45	BEARING-TORRINGTON			1

CESSNA AIRCRAFT COMPANY
MODEL 310 THRU 310D
ILLUSTRATED PARTS CATALOG

A55629



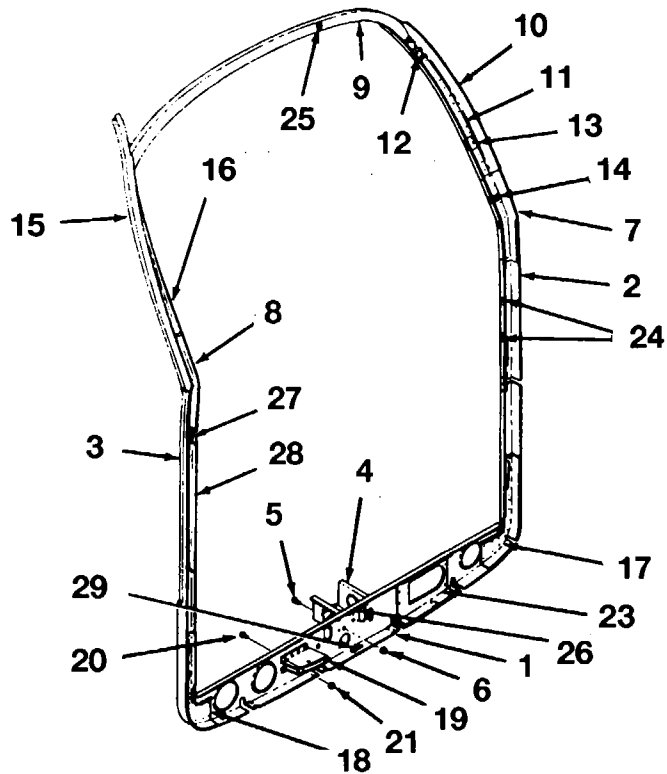
FUSELAGE BULKHEAD COMPONENTS INSTALLATION FS 0.00
FIGURE 01 (SHEET 1)

**CESSNA AIRCRAFT COMPANY
MODEL 310 THRU 310D
ILLUSTRATED PARTS CATALOG**

FIG ITEM	PART NUMBER	NOMENCLATURE	EFFECT FROM TO	UNITS PER ASSY
	1 2 3 4 5 6 7			
01		FUSELAGE BULKHEAD COMPONENTS INSTALLATION FS 0.00 REFER TO		RF
-		53-10-06 FIGURE 01 FOR NHA		
1	0813005-3	. COVER PLATE-PANEL BULKHEAD CENTER		1
2	0813005-4	. NOSE GEAR WELL ASSY		1
3	HS48174-K2215	. PLUG BUTTON-UNITED CARR		1
4	0813005-8	. CUP ASSY-CONTROL TEE		1
5	MS21047L3	. NUTPLATE-ATTACH CIGAR LIGHTER RESISTORS	35325 & ON	2 R
5A	MS21047L06	. NUTPLATE-ATTACH CIGAR LIGHTER FUSES	35651 & ON	2 R
- 6		. DELETED-NOT USED		
7	0813005-13	. STIFFENER-HORIZONTAL LH		1
8	0813005-14	. STIFFENER-HORIZONTAL RH		1
9	0813005-18	. STIFFENER-VERTICAL RH		1
- 9A	0813005-17	. STIFFENER-VERTICAL LH		1
10	0813005-19	. STIFFENER-HORIZONTAL		1
11	0813750-12	. OUTLET ASSY-HEATER LWR FWD	35000 35332	1
- 11A	0813750-48	. OUTLET ASSY-HEATER LWR FWD	35333 & ON	1
12	0813750-8	. ADAPTER ASSY-HEATER Y		1
13	0813005-21	. BRACKET ASSY-HEATER SUPPORT	35000 35546	1
- 13A	0813729-1	. SUPPORT ASSY-HEATER	35547 & ON	1
14	0813005-39	. BRACKET ASSY-PARKING BRAKE PULLEY		1
- 14A	MS21047L3	. NUTPLATE-ATTACH BRACKETS		1 R
- 14B	AN507-1032R6	. SCREW-ATTACH BRACKETS		1
15	0411468	. BRACKET-PULLEY		1
- 15A	AN520-10R6	. SCREW-ATTACH PULLEY BRACKET		1
- 15B	MS21045L3	. NUT-ATTACH PULLEY BRACKET		1 R
16	MS35489-11	. GROMMET		1
17	S-338-6	. BUSHING-FAIRLEAD		4
- 17A	S-339-2	. CLIP-FAIRLEAD		2
18	A6191-4Z-3	. NUTPLATE-ATTACH HEATER LINES TINNERMAN		6
19	NAS682A3	. NUTPLATE		1
20	MS21047L3	. NUTPLATE		2 R
21	MS35489-22	. GROMMET		1
22	0813726-1	. ANGLE BRACKET-HEATER BLOWER	35547 & ON	1

CESSNA AIRCRAFT COMPANY
MODEL 310 THRU 310D
ILLUSTRATED PARTS CATALOG

A55620



FUSELAGE BULKHEAD ASSEMBLY FS 20.00
FIGURE 02 (SHEET 1)

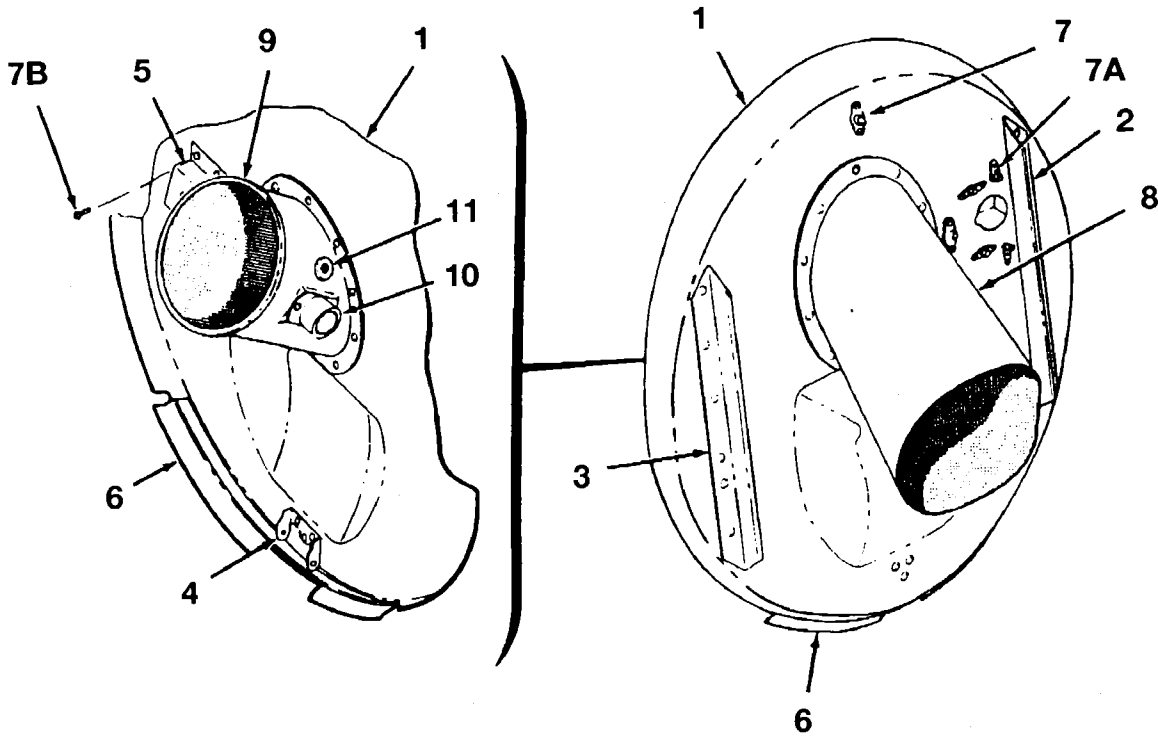
CESSNA AIRCRAFT COMPANY
MODEL 310 THRU 310D
ILLUSTRATED PARTS CATALOG

FIG ITEM	PART NUMBER	NOMENCLATURE	EFFECT		UNITS PER ASSY
			FROM	TO	
02		FUSELAGE BULKHEAD ASSEMBLY FS 20.00 REFER TO 53-10-01 FIGURE 01 FOR NHA			RF
1	0811200-6	. BULKHEAD-LWR			1
2	0811200-7	. BULKHEAD-LH			1
3	0811200-8	. BULKHEAD-RH REFER TO NOTE 1			1
- 3A	0811200-55	. BULKHEAD-RH	35023	35023	1
			35048	35048	
			35062	35062	
			35069	35069	
			35075	& ON	
4	0811200-11	. BRACKET-ELEVATOR			1
5	AN520-10R9	. SCREW-ATTACH BRACKET			1
6	MS21045L3	. NUT-ATTACH BRACKET			1 R
7	0811200-13	. SPLICE-LH CHANNEL			1
8	0811200-14	. SPLICE-RH CHANNEL REFER TO NOTE 1			1
- 8A	0811200-56	. SPLICE-RH CHANNEL	35023	35023	1
			35048	35048	
			35062	35062	
			35069	35069	
			35075	& ON	
9	0811200-16	. CHANNEL-OVERHEAD			1
10	0811200-29	. ANGLE-LH OUTER			1
11	0811200-31	. ANGLE-LH INNER			1
12	0811200-46	. TAB ASSY-MICROPHONE BRACKET MOUNTING	35000	35546	1
- 12A	MS21047L06	. NUTPLATE-ATTACH MICROPHONE BRACKET			2 R
13	0811200-52	. TAB ASSY-HEADSET HOOK MOUNTING	35000	35546	1
- 13A	NAS444-1	. NUT-ATTACH HEADSET HOOK TINNERMAN A6191-6Z-3			2
14	0811200-47	. TAB-MIC JACK	35000	35546	1
15	0811200-30	. ANGLE-RH OUTER			1
16	0811200-32	. ANGLE-RH INNER			1
17	0811200-21	. DOUBLER-LH JACK POINT			1
18	0811200-22	. DOUBLER-RH JACK POINT			1
19	0811200-23	. BRACKET-RUDDER			1
20	AN3-4A	. BOLT-ATTACH BRACKET			2
21	MS21045L3	. NUT-ATTACH BRACKET			2 R
- 22		. DELETED-NOT USED			
23	0811200-27	. DOUBLER-BULKHEAD			1
24	MS21047L06	. NUTPLATE			2 R
25	MS35489-6	. GROMMET			1
26	0811200-48	. RUB BLOCK			1
27	0813206-1	. CHANNEL-REINFORCEMENT	35023	35023	1
			35048	35048	
			35062	35062	
			35069	35069	
			35075	& ON	
28	0813307-1	. STIFFENER	35023	35023	1
			35048	35048	
			35062	35062	
			35069	35069	
			35075	35771	
- 28A	0813307-2	. STIFFENER	35772	& ON	1
29	NAS680A08	. NUTPLATE	35368	& ON	1

NOTE 1—EFFECTIVE SERIALS 35000 THRU 35074 EXCEPT 35023, 35048, 35062 & 35069

CESSNA AIRCRAFT COMPANY
MODEL 310 THRU 310D
ILLUSTRATED PARTS CATALOG

A55630



FUSELAGE BULKHEAD ASSEMBLY FS 52.06
FIGURE 03 (SHEET 1)

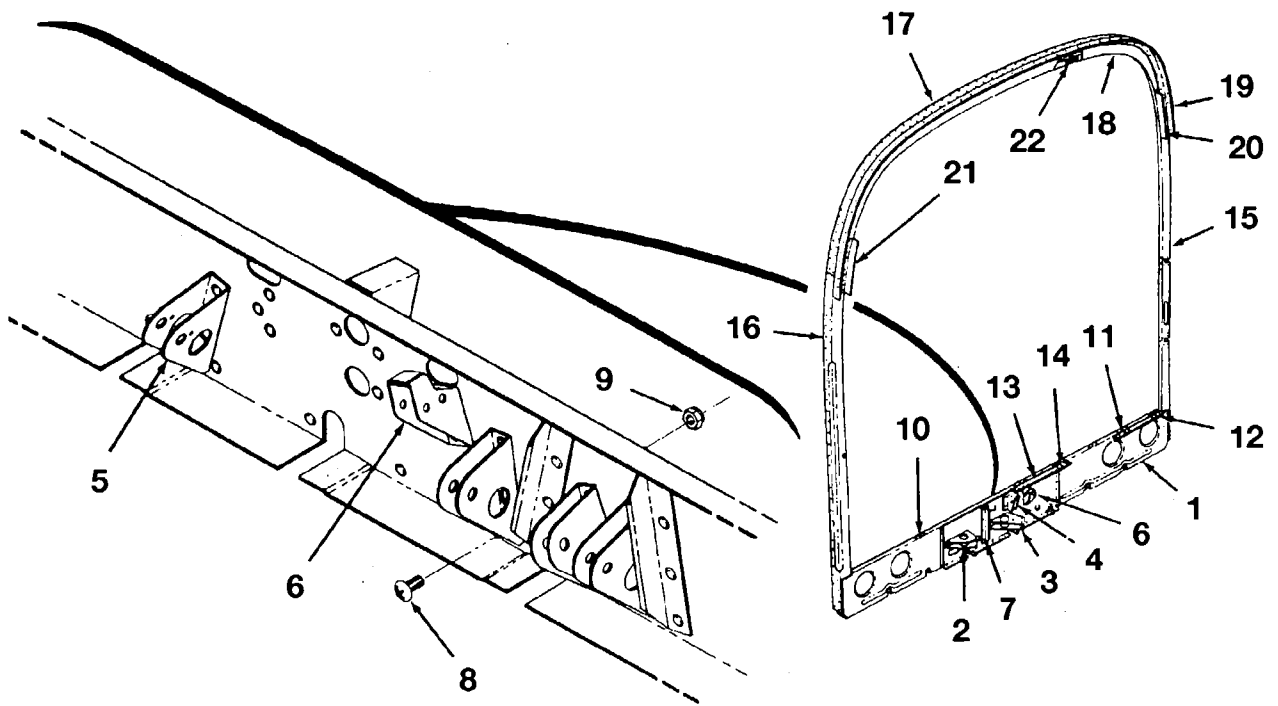
CESSNA AIRCRAFT COMPANY
MODEL 310 THRU 310D
ILLUSTRATED PARTS CATALOG

FIG ITEM	PART NUMBER	NOMENCLATURE	EFFECT		UNITS PER ASSY
			FROM	TO	
03		FUSELAGE BULKHEAD ASSEMBLY FS 52.06 REFER TO 53-10-06 FIGURE 01 FOR NHA			RF
0	0891300-4	BULKHEAD ASSY-FUSELAGE	35000	35658	1
A	0891300-8	BULKHEAD ASSY-FUSELAGE REFER TO NOTE 1	35659	& ON	1
1	0813140-5	BULKHEAD-NOSE	35000	35658	1
- 1A	0813142-4	BULKHEAD-NOSE	35659	& ON	1
2	0813140-16	ANGLE-LH STIFFENER	35000	35658	1
- 2A	0813181-2	STIFFENER ASSY-NOSE BULKHEAD LH	35659	& ON	1
- 2B	K1000-4	NUTPLATE			2
3	0813140-15	ANGLE-RH STIFFENER	35000	35767	1
- 3A	0813140-27	STIFFENER ASSY-RH			1
- 3B	K1000-4	NUTPLATE			2
4	0813140-20	BRACKET-HINGE			1
5	0813140-25	BRACKET-PITOT ATTACHMENT	35000	35658	1
- 5A	0813179-1	COLLAR-PITOT TUBE SUPPORT	35659	& ON	1
6	0813140-26	Z SECTION			1
7	MS21047L06	NUTPLATE	35000	35658	4 R
7A	NAS682A06	NUTPLATE	35000	35658	2
- 7B	AN515DD6R4	SCREW	35000	35658	4
7C	MS21047L06	NUTPLATE	35659	& ON	2 R
8	0813140-21	ADAPTER-NOSE INLET REFER TO 21-40-00 FIGURES 01, 02 & 03 FOR NHA			1
9	0813140-22	ADAPTER ASSY-NOSE DUCT REFER TO 21-40-00 FIGURE 01 FOR NHA	35000	35332	1
- 9A	0813762-1	ADAPTER ASSY-NOSE DUCT REFER TO 21-40-00 FIGURES 02 & 03 FOR NHA	35333	& ON	1
10	0411849	NUT-FLANGE			1
11	MS35489-6	GROMMET			1

NOTE 1—THIS ASSEMBLY REPLACES 0891300-4 BULKHEAD ASSEMBLY IN A COMPLETE NOSE SECTION ASSEMBLY ONLY, FOR SERIALS 35000 & ON. INDIVIDUAL BULKHEAD ASSEMBLIES MAY BE ORDERED BY DESIGNATED SERIALS.

CESSNA AIRCRAFT COMPANY
MODEL 310 THRU 310D
ILLUSTRATED PARTS CATALOG

A55621



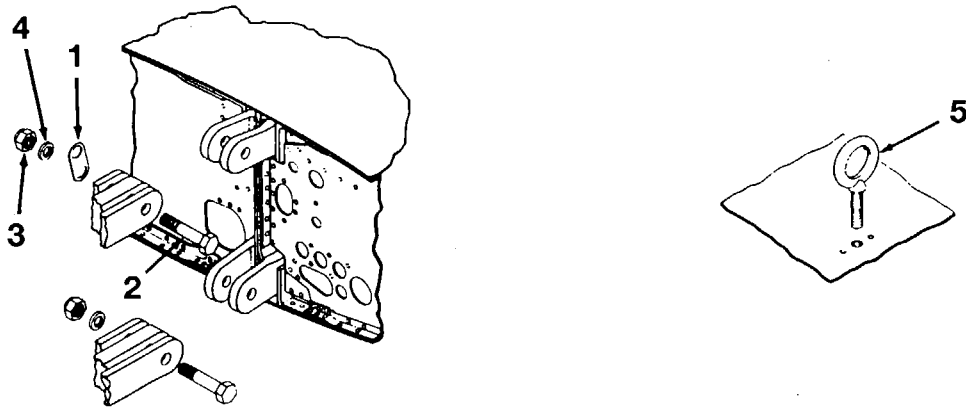
FUSELAGE BULKHEAD ASSEMBLY FS 109.375
FIGURE 04 (SHEET 1)

CESSNA AIRCRAFT COMPANY
MODEL 310 THRU 310D
ILLUSTRATED PARTS CATALOG

FIG ITEM	PART NUMBER	NOMENCLATURE	EFFECT		UNITS PER ASSY
			FROM	TO	
04		FUSELAGE BULKHEAD ASSEMBLY FS 109.375 REFER TO 53-10-01 FIGURE 01 FOR NHA			RF
- 0	0811225-9	. BULKHEAD ASSY-FUSELAGE STA 109.375	35000	35546	1
- A	0811225-51	. BULKHEAD ASSY-FUSELAGE STA 109.375	35547	35771	1
- B	0811225-61	. BULKHEAD ASSY-FUSELAGE STA 109.375	35772	39031	1
- C	0811225-70	. BULKHEAD ASSY-FUSELAGE STA 109.375	39032	& ON	1
1	0811225-34	. BULKHEAD ASSY-LWR STA 109.375	35000	35546	1
- 1A	0811225-50	. BULKHEAD ASSY-LWR STA 109.375	35547	35771	1
- 1B	0811225-66	. BULKHEAD ASSY-LWR STA 109.375	35772	39031	1
- 1C	0811225-71	. BULKHEAD ASSY-LWR STA 109.375	39032	& ON	1
2	0811225-6	. . . PULLEY BRACKET-RUDDER SERVO CABLE OUTBD PULLEY			1
3	0811225-7	. . . PULLEY BRACKET-RUDDER SERVO CABLE INBD PULLEY			1
4	0811225-8	. . . PULLEY BRACKET-AILERON AUTOPILOT PULLEY			1
5	0814150-1	. . . PULLEY BRACKET-PULLEY			4
6	0412467	. . . BRACKET-PULLEY			2
7	0811225-40	. . . ANGLE			3
8	AN520-10R7	. . . SCREW-ATTACH PULLEY BRACKETS			5
9	MS20364-1032C	. . . NUT-ATTACH PULLEY BRACKETS			5
10	MS21047L4	. . . NUTPLATE	35000	35546	2 R
11	MS21047L3	. . . NUTPLATE	35772	39031	3 R
- 11A	MS21047L3	. . . NUTPLATE	39032	& ON	7 R
12	0812278-1	. . . ANGLE ASSY	35772	& ON	1
13	0812279-1	. . . ANGLE ASSY	35772	& ON	1
14	MS21047L3	. . . NUTPLATE			2 R
15	0811225-11	. . . BULKHEAD-LH	35000	35771	1
- 15A	0811225-59	. . . BULKHEAD-LH	35772	& ON	1
16	0811225-12	. . . BULKHEAD-RH	35000	35771	1
- 16A	0811225-60	. . . BULKHEAD-RH	35772	& ON	1
17	0811225-21	. . . BULKHEAD-UPPER UPPER			1
18	0811225-22	. . . BULKHEAD-LOWER UPPER	35000	35771	1
- 18A	0811225-64	. . . BULKHEAD-LOWER UPPER	35772	& ON	1
19	0811225-16	. . . STIFFENER-BULKHEAD			1
20	0811225-37	. ANGLE-LH			1
21	0811225-36	. ANGLE-RH			1
22	MS21047L3	. NUTPLATE	35772	& ON	2 R

CESSNA AIRCRAFT COMPANY
MODEL 310 THRU 310D
ILLUSTRATED PARTS CATALOG

A55810



HOISTING LUGS AND CARGO TIE-DOWN LUGS INSTALLATION
FIGURE 01 (SHEET 1)

CESSNA AIRCRAFT COMPANY
MODEL 310 THRU 310D
 ILLUSTRATED PARTS CATALOG

FIG ITEM	PART NUMBER	NOMENCLATURE	EFFECT		UNITS PER ASSY
			FROM	TO	
		1 2 3 4 5 6 7			
01		HOISTING LUGS AND CARGO TIE-DOWN LUGS INSTALLATION			RF
-		. LUG-HOISTING			2
1	0800020-2	. BOLT-ATTACH LUGS			2
2	AN10-30A	. NUT-ATTACH LUGS			2 R
3	MS21044N10	. WASHER-ATTACH LUGS			2 R
4	NAS1149F1063P	. CARGO TIE-DOWN LUGS INSTALLATION			RF
- 4A		. EYEBOLT-CARGO TIE-DOWN LUG			8
5	0511165				

CHAPTER

54

**NACELLES/
PYLONS**

CESSNA AIRCRAFT COMPANY
MODEL 310 THRU 310D
ILLUSTRATED PARTS CATALOG

LIST OF EFFECTIVE PAGES

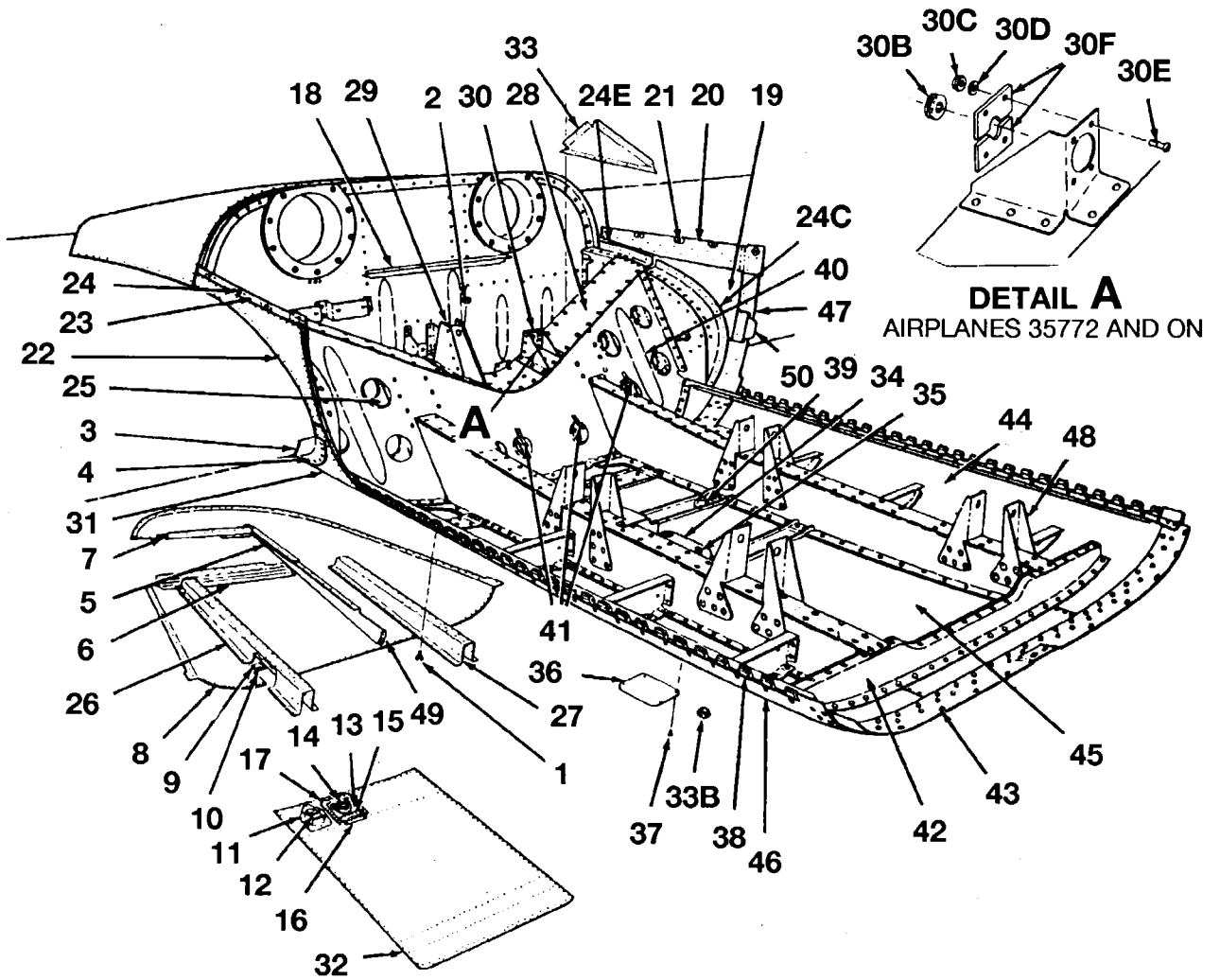
CHAPTER-SECTION-SUBJECT	PAGE	DATE
54-Title		
54-List of Effective Pages		
54-Record of Temporary Revisions		
54-Contents		
54-10-00 Figure 01	1	Jul 3/2006
	2	Jul 3/2006
	3	Jul 3/2006
54-10-00 Figure 02	1	Jul 3/2006
	2	Jul 3/2006
	3	Jul 3/2006
54-10-00 Figure 03	1	Jul 5/2004
	2	Jul 5/2004
54-10-00 Figure 04	1	Jul 3/2006
	2	Jul 3/2006
54-10-00 Figure 05	1	Jul 5/2004
	2	Jul 5/2004
54-10-00 Figure 06	1	Jul 3/2006
	2	Jul 3/2006
54-10-01 Figure 01	1	Jul 5/2004
	2	Jul 5/2004
54-10-01 Figure 02	1	Jul 5/2004
	2	Jul 5/2004
54-10-01 Figure 03	1	Jul 5/2004
	2	Jul 5/2004
54-10-01 Figure 04	1	Jul 5/2004
	2	Jul 5/2004

CESSNA AIRCRAFT COMPANY
MODEL 310 THRU 310D
ILLUSTRATED PARTS CATALOG

<u>SUBJECT</u>	<u>CH SEC SUBJ FIG</u>	<u>EFFECTIVITY</u>
LEFT ENGINE LOWER NACELLE INSTALLATION	54-10-00-01	
RIGHT ENGINE LOWER NACELLE INSTALLATION	54-10-00-02	
LEFT ENGINE UPPER NACELLE INSTALLATION	54-10-00-03	35000 35771
LEFT ENGINE UPPER NACELLE INSTALLATION	54-10-00-04	35772 & ON
RIGHT ENGINE UPPER NACELLE INSTALLATION	54-10-00-05	35000 35771
RIGHT ENGINE UPPER NACELLE INSTALLATION	54-10-00-06	35772 & ON
LEFT FIREWALL INSTALLATION	54-10-01-01	35000 35728
LEFT FIREWALL INSTALLATION	54-10-01-02	35729 & ON
RIGHT FIREWALL INSTALLATION	54-10-01-03	35000 35728
RIGHT FIREWALL INSTALLATION	54-10-01-04	35729 & ON

CESSNA AIRCRAFT COMPANY
MODEL 310 THRU 310D
 ILLUSTRATED PARTS CATALOG

A55568



LEFT ENGINE LOWER NACELLE INSTALLATION
 FIGURE 01 (SHEET 1)

CESSNA AIRCRAFT COMPANY
MODEL 310 THRU 310D
ILLUSTRATED PARTS CATALOG

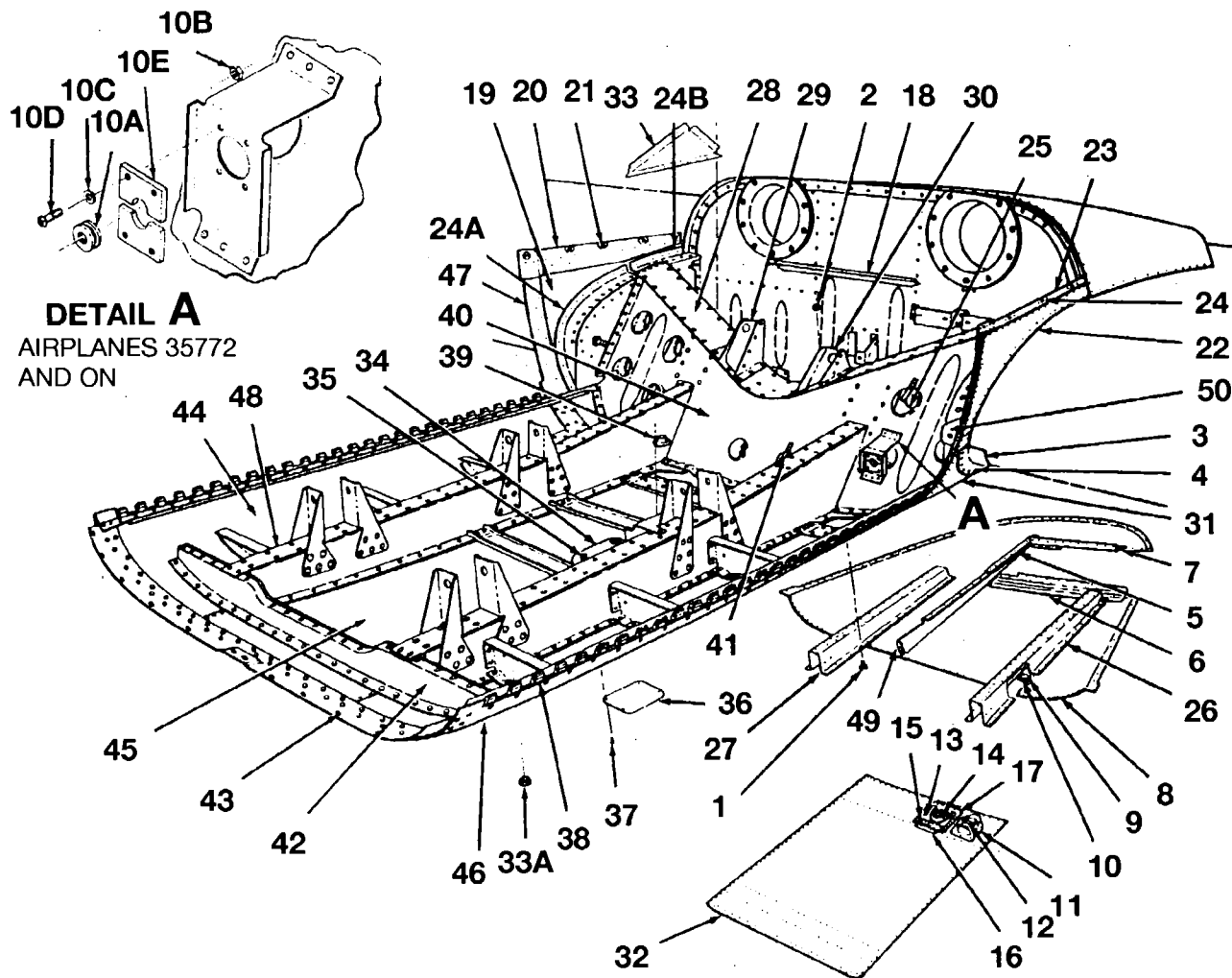
FIG ITEM	PART NUMBER	NOMENCLATURE	EFFECT		UNITS PER ASSY
			FROM	TO	
01		LEFT ENGINE LOWER NACELLE INSTALLATION REFER TO 57-10-00 FIGURE 02 FOR NHA			RF
1	AN3H5A	. BOLT-ATTACH LWR ENGINE NACELLE			4
2	MS21045L3	. NUT-ATTACH LWR ENGINE NACELLE			4 R
3	0851000-53	. FILLET-LEFT ENGINE NACELLE LOWER INBD			1
- 3A	0851000-51	. FILLET-LEFT ENGINE NACELLE LOWER OUTBD			1
4	CR162C-4-2	. BLIND RIVET-ATTACH FILLETS CHERRY RIVET CO			2
5	0851000-100	. HINGE HALF-LANDING GEAR DOOR			1
6	0851000-201	. FORMER-LEFT LWR ENGINE NACELLE FORWARD			1
7	0851000-103	. FORMER-LEFT LWR ENGINE NACELLE AFT			1
8	0851000-143	. SKIN ASSY-LEFT LWR ENGINE NACELLE AFT			1
9	0851000-145	. RETAINER ASSY-LWR NACELLE INSPECTION PLATE			2
10	NAS444-14 NUT-ANCHOR TINNERMAN A6162-8Z-1			1
11	0851000-11	. ADAPTER-LWR NACELLE ENGINE VENT	35000	35000	1
- 11A	0851000-206	. ADAPTER ASSY-LWR NACELLE ENGINE VENT	39031	39031	1
12	0851000-108 BLOCK ADAPTER-PHENOLIC	39032	& ON	1
- 12A	0851000-205 PHENOLIC BLOCK	35000	39031	1
13	0851000-17	. DOOR ASSY-LWR NACELLE FUEL STRAINER	39032	& ON	1
- 13A	0851590-1	. DOOR ASSY-LWR NACELLE FUEL STRAINER	35000	39031	1
14	H-5000-040-051 LATCH-FUEL STRAINER DOOR HARTZELL	35000	39031	1
- 14A	AJ3-25 FASTENER-FUEL STRAINER DOOR DZUS	39032	& ON	2
- 14B	CM2823-6 GROMMET-SECURE FASTENER DZUS	39032	& ON	2 R
15	0851000-151 HINGE HALF-FUEL STRAINER DOOR			1
16	0851000-152 HINGE HALF-FUEL STRAINER DOOR			1
- 16A	0851000-153 PIN HINGE-DOOR HINGE			1
17	0851000-92	. DOUBLER-LWR NACELLE FUEL STRAINER DOOR	35000	39031	1
- 17A	0851589-1	. DOUBLER ASSY-LWR NACELLE FUEL STRAINER DOOR	39032	& ON	1
- 17B	CM2822-6 SPRING-DZUS			2 R
18	0851000-96	. STIFFENER-LWR NACELLE SKIN			1
19	0851000-55	. SKIN-LWR NACELLE OUTBD			1
20	0851000-27	. DOUBLER ASSY-LWR NACELLE PARTING LINE OUTBD	35000	35546	1
- 20A	0851514-1	. DOUBLER ASSY-LWR NACELLE PARTING LINE OUTBD	35547	35654	1
- 20B	0851514-9	. DOUBLER ASSY-LWR NACELLE PARTING LINE OUTBD	35655	35771	1
- 20C	0851009-1	. DOUBLER ASSY-LWR NACELLE PARTING LINE OUTBD	35772	& ON	1
21	MS21059L3 NUTPLATE-ANCHOR	35000	35546	4 R
- 21A	5-81-1 RECEPTACLE-PACHMAYR	35547	35654	3
- 21B	244-16 RECEPTACLE-CAMLOC FASTENER CORP	35655	& ON	3
22	0851000-57	. SKIN-LWR NACELLE INBD			1
23	0851000-29	. DOUBLER ASSY-LWR NACELLE PARTING LINE INBD	35000	35546	1
- 23A	0851514-3	. DOUBLER ASSY-LWR NACELLE PARTING LINE INBD	35547	35654	1
- 23B	0851514-11	. DOUBLER-LWR NACELLE PARTING LINE INBD	35655	35771	1
- 23C	0851008-1	. DOUBLER ASSY-LWR NACELLE PARTING LINE INBD	35772	& ON	1
24	MS21059L3 NUTPLATE-ANCHOR	35000	35546	4 R
- 24A	5-81-1 RECEPTACLE-PACHMAYR	35547	35654	3
- 24B	244-16 RECEPTACLE-CAMLOC FASTENER CORP	35655	& ON	3
24C	0851500-31	. COVER-OUTBD RIB			1
- 24D	0851500-29	. COVER-INBD RIB			1
24E	0822350-213	. ANGLE-FWD OUTBD			1
- 24F	0822350-215	. ANGLE-FWD INBD			1
25	0851500-43	. WEB-ENGINE SUPPORT AFT			1
26	0851500-67	. SUPPORT ASSY-STRINGER INBD			1
27	0851500-69	. SUPPORT ASSY-STRINGER OUTBD			1
28	0851500-47	. CAP-LWR NACELLE			1
29	0852000-21	. BRACKET ASSY-MIXTURE CONTROL	35000	35771	1
30	0852000-23	. BRACKET ASSY-THROTTLE CONTROL	35000	35771	1
- 30A	0851519-1	. SUPPORT ASSY-PROPELLER CONTROL LH	35772	& ON	1
30B	MS35489-35S GROMMET			1
30C	MS21044N08 NUT			4 R
30D	NAS1149FN832P WASHER			4 R
30E	AN515-8R8 SCREW			4
30F	0851519-3	. BLOCK-RUB			2

**CESSNA AIRCRAFT COMPANY
MODEL 310 THRU 310D
ILLUSTRATED PARTS CATALOG**

FIG ITEM	PART NUMBER	NOMENCLATURE	EFFECT		UNITS PER ASSY
			FROM	TO	
01					
31	0851000-163	. SKIN-NACELLE AFT INBD			1
- 31A	0851000-159	. SKIN-NACELLE AFT OUTBD			1
32	0851000-161	. SKIN-NACELLE AFT CENTER			1
33	0851500-25	. FILLET-OUTBD FIREWALL RIB			1
- 33A	0851500-27	. FILLET-INBD FIREWALL RIB			1
33B	HS-51026-K2215	. PLUG BUTTON-ACCESS HOLE UNITED CARR.	35228	35228	4
- 33C	0892000-11	. NACELLE-LEFT ENGINE LWR	35263	& ON	1
- 33D		. NACELLE ASSY-LEFT ENGINE LWR	35000	35227	1
- 33E	0895002-3	. NACELLE-LEFT ENGINE LWR	35229	35262	1
- 33F		. NACELLE ASSY-LEFT ENGINE LWR	35228	35228	RF
34	0851000-12	. STIFFENER ASSY-LWR NACELLE OIL DRAIN DOOR	35263	35546	1
35	MS21049L3 NUTPLATE-ANCHOR	35547	35654	4 R
- 35A	MS21049L3 NUTPLATE-ANCHOR ALT FOR NAS681A3			4 R
36	0851000-99 DOOR-LWR NACELLE OIL DRAIN			1
37	AN507-1032R8 SCREW-ATTACH OIL DRAIN DOOR			4
38	0851000-50 HINGE HALF-COWL DOORS			2
39	S347-1 FLANGE-LOWER NACELLE	35000	35771	2
- 39A	S347-2 FLANGE-LOWER NACELLE	35772	& ON	3
40	0851500-89 WEB ASSY-ENGINE SUPPORT FWD			1
41	0851500-93 SUPPORT-PROP CONTROL			3
42	0851600-1 FORMER ASSY-LWR NACELLE			1
43	MS21059L3 NUTPLATE-ANCHOR ATTACH NOSE CAP	35000	35546	12 R
- 43A	5-81-1 RECEPTACLE-PACHMAYR	35547	35654	8
- 43B	244-16 RECEPTACLE-CAMLOC FASTENER CORP	35655	& ON	8
44	0851000-165 SKIN-NACELLE FWD OUTBD			1
45	0851000-167 SKIN-NACELLE FWD CTR			1
46	0851000-168 SKIN-NACELLE FWD INBD			1
47	0851000-189 RUB STRIP-LWR NACELLE			2
48	 ENGINE MOUNT INSTALLATION-LEFT ENGINE REFER TO 71-20-00 FIGURE 01 FOR BREAKDOWN			RF
49	0851000-105 SUPPORT			1
50	0851584-1 TAB ASSY-FUEL STRAINER DRAIN HANDLE	39032	& ON	1
- 50A	0851584-3 SILKSCREEN-PLACARD			1

CESSNA AIRCRAFT COMPANY
MODEL 310 THRU 310D
 ILLUSTRATED PARTS CATALOG

A55584



RIGHT ENGINE LOWER NACELLE INSTALLATION
 FIGURE 02 (SHEET 1)

CESSNA AIRCRAFT COMPANY

MODEL 310 THRU 310D

ILLUSTRATED PARTS CATALOG

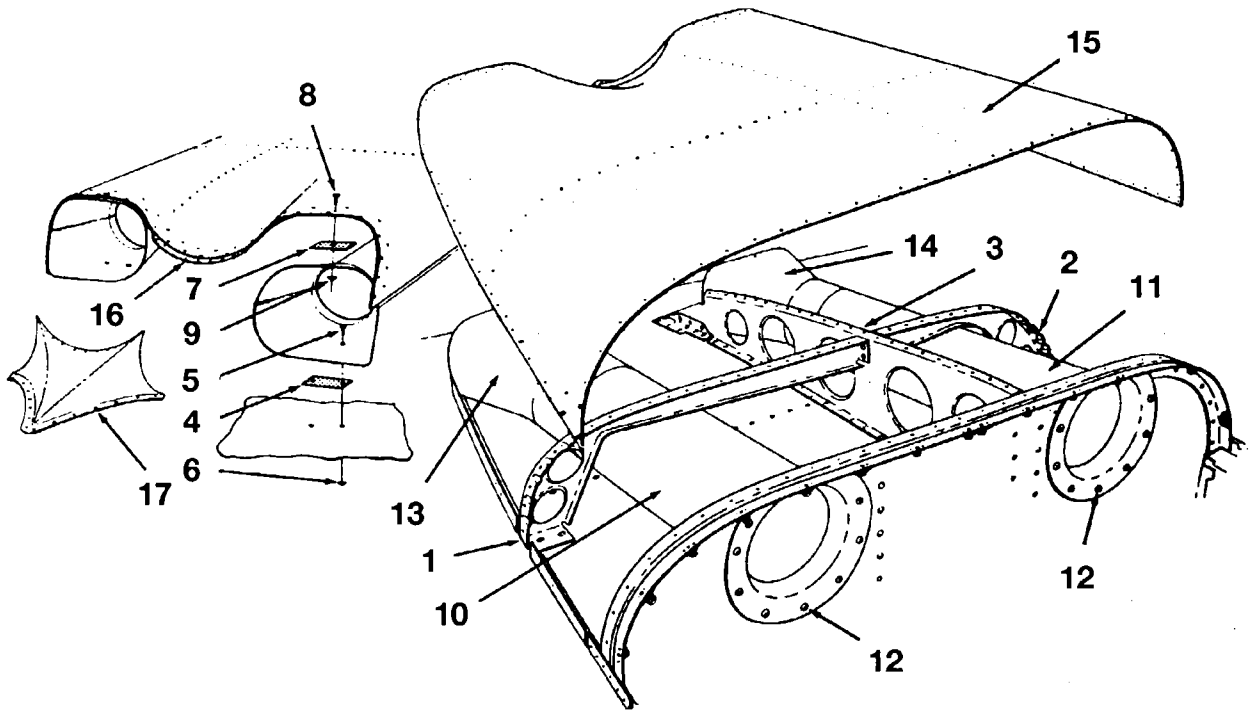
FIG ITEM	PART NUMBER	NOMENCLATURE	EFFECT		UNITS PER ASSY
			FROM	TO	
02		RIGHT ENGINE LOWER NACELLE INSTALLATION REFER TO 57-10-00 FIGURE 06 FOR NHA			RF
1	AN3H5A	. BOLT-ATTACH LWR ENGINE NACELLE			4
2	MS21045L3	. NUT-ATTACH LWR ENGINE NACELLE			4 R
3	0851000-54	. FILLET-RIGHT ENGINE NACELLE LWR INBD			1
- 3A	0851000-52	. FILLET-RIGHT ENGINE NACELLE LWR OUTBD			1
4	CR162C-4-2	. RIVET-BLIND ATTACH FILLETS CHERRY RIVET CO			2
5	0851000-100	. HINGE HALF-LANDING GEAR DOOR			1
6	0851000-200	. FORMER-RIGHT LWR ENGINE NACELLE FWD			1
7	0851000-104	. FORMER-RIGHT LWR ENGINE NACELLE AFT			1
8	0851000-144	. SKIN ASSY-RIGHT LWR ENGINE NACELLE AFT			1
9	0851000-145 RETAINER ASSY-LWR NACELLE INSPECTION PLATE			2
10	NAS444-14 NUT-ANCHOR TINNERMAN A6162-8Z-1			1
- 10A	0851520-1	. SUPPORT ASSY-PROPELLER CONTROL RIGHT ENGINE	35772	& ON	1
10B	MS35489-35S GROMMET			1
10C	MS21044N08 NUT			4 R
10D	NAS1149FN832P WASHER			4 R
10E	AN515-8R8 SCREW			4
10F	0851519-3 BLOCK			2
11	0851000-11	. ADAPTER-LWR NACELLE ENGINE VENT	35000	39031	1
- 11A	0851000-206	. ADAPTER ASSY-LWR NACELLE ENGINE VENT	39032	& ON	1
12	0851000-108 BLOCK ADAPTER-PHENOLIC	35000	39031	1
- 12A	0851000-205 PHENOLIC BLOCK	39032	& ON	1
13	0851000-17	. DOOR ASSY-LWR NACELLE FUEL STRAINER	35000	39031	1
- 13A	0851590-2	. DOOR ASSY-LWR NACELLE FUEL STRAINER	39032	& ON	1
14	H-5000-040-051 LATCH-FUEL STRAINER DOOR HARTWELL	35000	39031	1
- 14A	AJ3-25 FASTENER-FUEL STRAINER DOOR DZUS	39032	& ON	2
- 14B	CM2823-6 GROMMET-SECURE FASTENER DZUS	39032	& ON	2 R
15	0851000-151 HINGE HALF-FUEL STRAINER DOOR			1
16	0851000-152 HINGE HALF-FUEL STRAINER DOOR			1
- 16A	0851000-153 HINGE PIN-DOOR HINGE			1
17	0851000-92	. DOUBLER-LWR NACELLE FUEL STRAINER DOOR	35000	39031	1
- 17A	0851589-1	. DOUBLER ASSY-LWR NACELLE FUEL STRAINER DOOR	39032	& ON	1
- 17B	CM2822-6 SPRING-DZUS			2 R
18	0851000-96	. STIFFENER-LWR NACELLE SKIN			1
19	0851000-56	. SKIN-LWR NACELLE OUTBD			1
20	0851000-28	. DOUBLER ASSY-LWR NACELLE PARTING LINE OUTBD	35000	35546	1
- 20A	0851514-2	. DOUBLER ASSY-LWR NACELLE PARTING LINE OUTBOARD	35547	35654	1
- 20B	0851514-10	. DOUBLER-LWR NACELLE PARTING LINE OUTBD	35655	35771	1
- 20C	0851009-2	. DOUBLER ASSY-LWR NACELLE PARTING LINE OUTBD	35772	& ON	1
21	MS21059L3 NUTPLATE	35000	35546	4 R
- 21A	5-81-1 RECEPTACLE-PACHMAYR	35547	35654	3
- 21B	244-16 RECEPTACLE-CAMLOC FASTENER CORP	35655	& ON	3
22	0851000-58	. SKIN-LWR NACELLE INBD			1
23	0851000-30	. DOUBLER ASSY-LWR NACELLE PARTING LINE INBD	35000	35546	1
- 23A	0851514-4	. DOUBLER ASSY-LWR NACELLE PARTING LINE INBD	35547	35654	1
- 23B	0851514-12	. DOUBLER-LWR NACELLE PARTING LINE INBD	35655	35771	1
- 23C	0851008-2	. DOUBLER ASSY-LWR NACELLE PARTING LINE INBD	35772	& ON	1
24	MS21059L3 NUTPLATE	35000	35546	4 R
- 24A	5-81-1 RECEPTACLE-PACHMAYR	35547	35654	3
- 24B	244-16 RECEPTACLE-CAMLOC FASTENER CORP	35655	& ON	3
24C	0851500-32	. COVER-OUTBD RIB			1
- 24D	0851500-30	. COVER-INBD RIB			1
24E	0822350-214	. ANGLE-FWD OUTBD			1
- 24F	0822350-216	. ANGLE-FWD INBD			1
25	0851500-44	. WEB-ENGINE SUPPORT AFT			1
26	0851500-66	. SUPPORT ASSY-STRINGER INBD			1
27	0851500-68	. SUPPORT ASSY-STRINGER INBD			1
28	0851500-48	. CAP-LWR NACELLE			1
29	0852000-21	. BRACKET ASSY-MIXTURE CONTROL	35000	35771	1
30	0852000-23	. BRACKET ASSY-THROTTLE CONTROL	35000	35771	1

CESSNA AIRCRAFT COMPANY
MODEL 310 THRU 310D
ILLUSTRATED PARTS CATALOG

FIG ITEM	PART NUMBER	NOMENCLATURE	EFFECT		UNITS PER ASSY
			FROM	TO	
02					
31	0851000-158	SKIN-NACELLE AFT INBD			1
- 31A	0851000-160	SKIN-NACELLE AFT OUTBD			1
32	0851000-161	SKIN-NACELLE AFT CENTER			1
33	0851500-26	FILLET-OUTBD FIREWALL RIB			1
- 33A	0851500-28	FILLET-INBD FIREWALL RIB			1
		ATTACHING PARTS			
33B	HS-51026-K2215	PLUG BUTTON-ACCESS HOLE UNITED CARR	35228	35228	4
			35263	& ON	
- 33C	0892000-10	NACELLE-RIGHT ENGINE LWR	35000	35227	1
			35229	35262	
- 33D		NACELLE ASSY-RIGHT ENGINE LWR	35228	35228	RF
			35263	35546	
- 33E	0895002-4	NACELLE-RIGHT ENGINE LWR	35547	35654	1
- 33F		NACELLE ASSY-RIGHT ENGINE LWR	35655	& ON	RF
34	0851000-12	STIFFENER ASSY-LWR NACELLE OIL DRAIN DOOR			1
35	MS21049L3	NUTPLATE-ANCHOR			4 R
- 35A	MS21049L3	NUTPLATE-ANCHOR ALT FOR NAS681A3			4 R
36	0851000-99	DOOR-LWR NACELLE OIL DRAIN			1
37	AN507-1032R8	SCREW-ATTACH OIL DRAIN DOOR			4
38	0851000-50	HINGE HALF-COWL DOORS			2
39	S347-1	FLANGE-LWR NACELLE	35000	35771	2
- 39A	S347-2	FLANGE-LWR NACELLE	35772	& ON	3
40	0851500-88	WEB ASSY-ENGINE SUPPORT FWD			1
41	0851500-93	SUPPORT-PROPELLER CONTROL			2
42	0851600-1	FORMER ASSY-LWR NACELLE			1
43	MS21059L3	NUTPLATE-ANCHOR ATTACH NOSE CAP	35000	35546	12 R
- 43A	5-81-1	RECEPTACLE-PACHMAYR	35547	35654	8
- 43B	244-16	RECEPTACLE-CAMLOC FASTENER CORP	35655	& ON	8
44	0851000-166	SKIN-NACELLE FWD OUTBD			1
45	0851000-164	SKIN-NACELLE FWD CENTER			1
46	0851000-162	SKIN-NACELLE FWD INBD			1
47	0851000-189	RUB STRIP-LWR NACELLE			2
48		ENGINE MOUNT INSTALLATION-RIGHT ENGINE REFER TO 71-20-00 FIGURE 02 FOR BREAKDOWN			RF
49	0851000-106	SUPPORT			1
50	0851584-1	TAB ASSY-FUEL STRAINER DRAIN HANDLE	39032	& ON	1
- 50A	0851584-3	SILKSCREEN-PLACARD			1

CESSNA AIRCRAFT COMPANY
MODEL 310 THRU 310D
ILLUSTRATED PARTS CATALOG

A55572



AIRPLANES 35000 THRU 35771

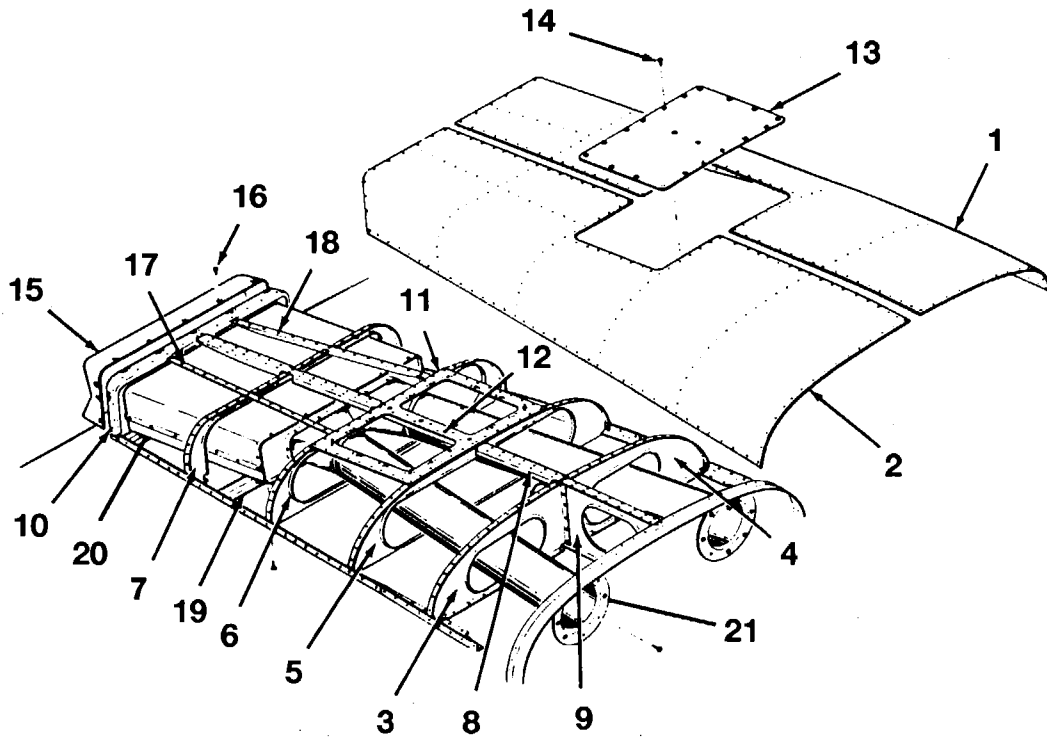
LEFT ENGINE UPPER NACELLE INSTALLATION
FIGURE 03 (SHEET 1)

CESSNA AIRCRAFT COMPANY
MODEL 310 THRU 310D
ILLUSTRATED PARTS CATALOG

FIG ITEM	PART NUMBER	NOMENCLATURE	EFFECT		UNITS PER ASSY
			FROM	TO	
03		LEFT ENGINE UPPER NACELLE INSTALLATION REFER TO 57-10-00 FIGURE 02 FOR NHA	35000	35771	RF
1	0851500-61	. BULKHEAD-UPR NACELLE INBD			1
2	0851500-63	. BULKHEAD-UPR NACELLE OUTBD			1
3	0851550-7	. FORMER ASSY-UPR NACELLE	35000	35728	1
- 3A	0851550-9	. FORMER ASSY-UPR NACELLE	35729	35771	1
4	0851000-35	. BLOCK-LWR DIFFUSER			2
5	AN525-10R8	. SCREW-ATTACH DIFFUSER BLOCK			4
6	MS21045L3	. NUT-ATTACH DIFFUSER BLOCK			4 R
7	0851000-49	. BLOCK-UPR DIFFUSER			2
8	AN525-10R7	. SCREW-ATTACH DIFFUSER BLOCK			2
9	MS21045L3	. NUT-ATTACH DIFFUSER BLOCK			2 R
10	0850622-2	. EJECTOR-TUBE ASSY INBD EXHAUST AUGMENTER			1
11	0850622-1	. EJECTOR-TUBE ASSY OUTBD EXHAUST AUGMENTER			1
12	AN515-8R8	. SCREW-ATTACH EJECTORS			18
13	0850621-2	. DIFFUSER-INBD EXHAUST			1
14	0850621-1	. DIFFUSER-OUTBD EXHAUST			1
15	0851000-37	. SKIN-UPR NACELLE			1
16	0851000-181	. STIFFENER-UPR NACELLE AFT SKIN			1
17	0851000-19	. TAIL PIECE-UPR NACELLE			1

CESSNA AIRCRAFT COMPANY
MODEL 310 THRU 310D
ILLUSTRATED PARTS CATALOG

A55573



AIRPLANES 35772 AND ON

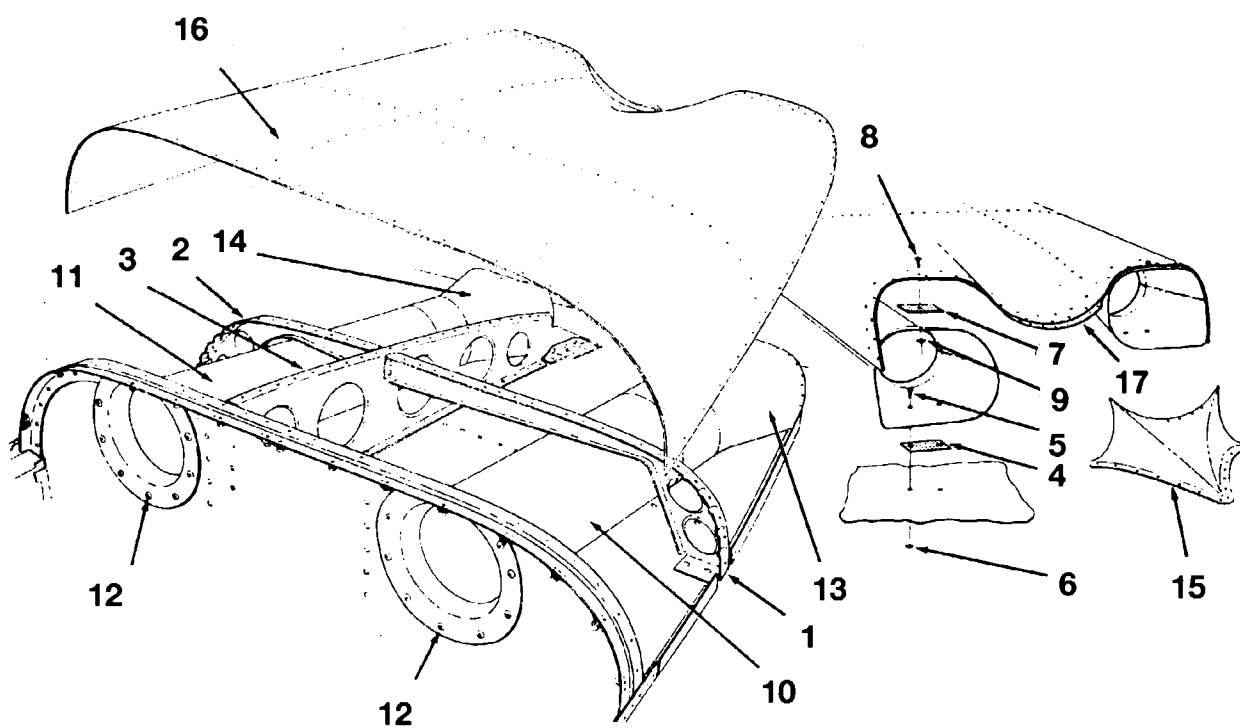
LEFT ENGINE UPPER NACELLE INSTALLATION
FIGURE 04 (SHEET 1)

CESSNA AIRCRAFT COMPANY
MODEL 310 THRU 310D
ILLUSTRATED PARTS CATALOG

FIG ITEM	PART NUMBER	NOMENCLATURE	EFFECT		UNITS PER ASSY
			FROM	TO	
04		LEFT ENGINE UPPER NACELLE INSTALLATION REFER TO 57-10-00 FIGURE 02 FOR NHA	35772	& ON	RF
1	0850629-3	. SKIN-UPR NACELLE OUTBD			1
2	0850629-5	. SKIN-UPR NACELLE OUTBD			1
3	0850634-1	. BULKHEAD-UPR NACELLE OUTBD			1
4	0850635-1	. BULKHEAD-UPR NACELLE OUTBD			1
5	0850633-1	. BULKHEAD-UPR NACELLE			1
6	0850632-1	. BULKHEAD-UPR NACELLE			1
7	0850631-1	. BULKHEAD-UPR NACELLE			1
8	0850639-1	. DOUBLER-UPR NACELLE			1
9	0850636-1	. STIFFENER ASSY-UPR NACELLE			1
10	0850642-3	. DOUBLER-UPR NACELLE			1
- 10A	MS21075L3N	. NUTPLATE			7 R
- 10B	MK2031-3	. NUTPLATE-KAYNAR			2
11	0850640-1	. DOUBLER ASSY-UPR NACELLE			1
- 11A	MS21049L08	. NUTPLATE			16 R
- 11B	MS21049L08	. NUTPLATE ALT FOR NAS681A08			16 R
12	MS21049L08	. NUTPLATE-UPR NACELLE			4 R
- 12A	MS21049L08	. NUTPLATE-UPR NACELLE ALT FOR NAS681A08			4 R
13	0850641-1	. DOOR-UPR NACELLE			1
14	AN507-832R7	. SCREW-ATTACH DOOR			20
15	0850637-11	. CAP ASSY-UPR NACELLE			1
- 15A	NAS680A06K	. NUTPLATE-ATTACH MUFFLER TO CAP			16
16	1032NF-2A	. MACHINE SCREW-1000 FLATHEAD RECESSED CHROME PLATED ATTACH CAP			9
17	0850638-2	. STIFFENER-UPR NACELLE			1
18	0850638-1	. STIFFENER-UPR NACELLE			1
19	0850643-1	. CHANNEL-UPR NACELLE			1
20	0850644-1	. CHANNEL-UPR NACELLE			1
21		. MUFFLER AND EJECTOR INSTALLATION REFER TO 78-20-00 FIGURE 01			RF

CESSNA AIRCRAFT COMPANY
MODEL 310 THRU 310D
ILLUSTRATED PARTS CATALOG

A55588



AIRPLANES 35000 THRU 35771

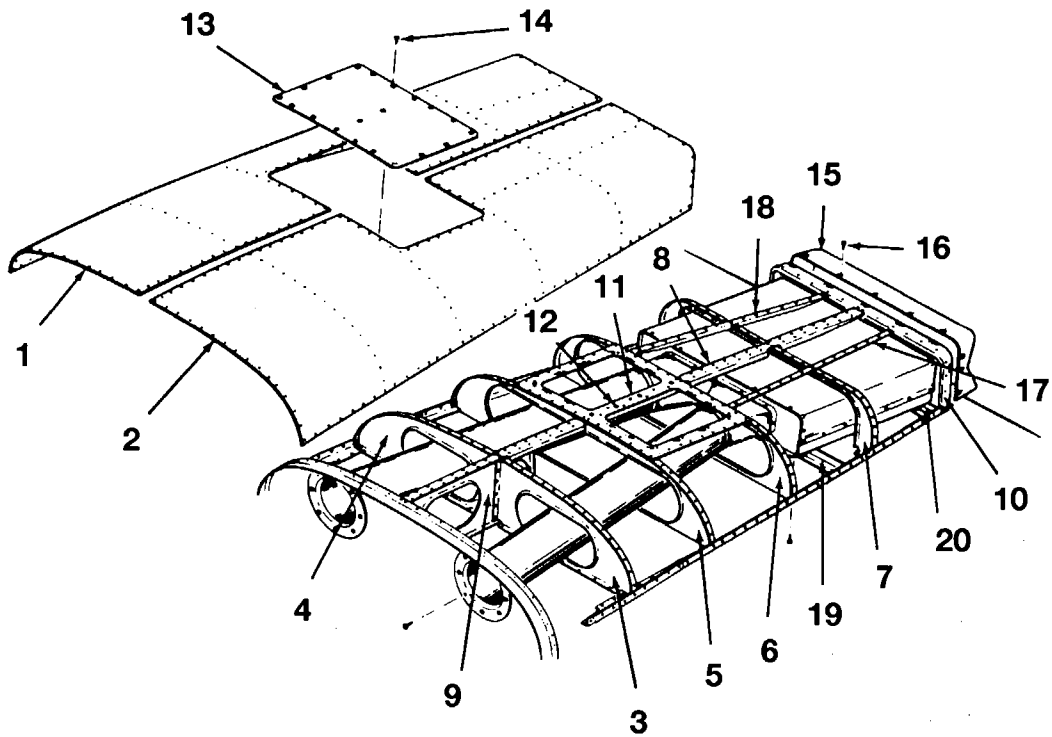
RIGHT ENGINE UPPER NACELLE INSTALLATION
FIGURE 05 (SHEET 1)

CESSNA AIRCRAFT COMPANY
MODEL 310 THRU 310D
ILLUSTRATED PARTS CATALOG

FIG ITEM	PART NUMBER	NOMENCLATURE	EFFECT		UNITS
			FROM	TO	PER ASSY
05		RIGHT ENGINE UPPER NACELLE INSTALLATION REFER TO 57-10-00 FIGURE 06 FOR NHA	35000	35771	RF
1	0851500-62	. BULKHEAD-UPR NACELLE INBD			1
2	0851500-64	. BULKHEAD-UPR NACELLE OUTBD			1
3	0851550-8	. FORMER ASSY-UPR NACELLE	35000	35728	1
- 3A	0851550-10	. FORMER ASSY-UPR NACELLE	35729	35771	1
4	0851000-35	. BLOCK-LWR DIFFUSER			2
5	AN525-10R8	. SCREW-ATTACH DIFFUSER BLOCK			4
6	MS21045L3	. NUT-ATTACH DIFFUSER BLOCK			4 R
7	0851000-49	. BLOCK-UPR DIFFUSER			2
8	AN525-10R7	. SCREW-ATTACH DIFFUSER BLOCK			2
9	MS21045L3	. NUT-ATTACH DIFFUSER BLOCK			2 R
10	0850622-1	. EJECTOR-INBD EXHAUST AUGMENTER			1
11	0850622-2	. EJECTOR-OUTBD EXHAUST AUGMENTER			1
12	AN515-8R8	. SCREW-ATTACH TUBES			18
13	0850621-1	. DIFFUSER-INBD EXHAUST			1
14	0850621-2	. DIFFUSER-OUTBD EXHAUST			1
15	0851000-20	. TAIL PIECE-RIGHT ENGINE UPR NACELLE			1
16	0851000-38	. SKIN-UPR NACELLE			1
17	0851000-180	. STIFFENER-UPR NACELLE AFT SKIN			1

CESSNA AIRCRAFT COMPANY
MODEL 310 THRU 310D
ILLUSTRATED PARTS CATALOG

A55589



AIRPLANES 35772 AND ON

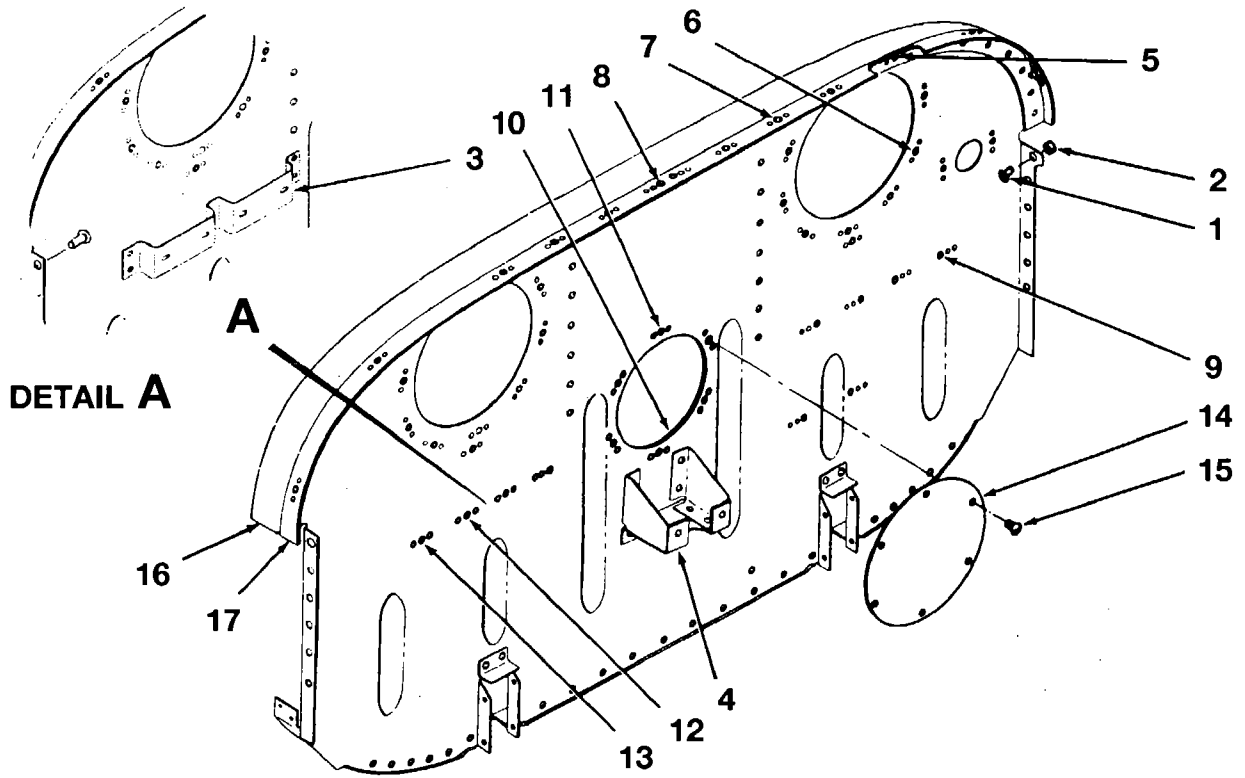
RIGHT ENGINE UPPER NACELLE INSTALLATION
FIGURE 06 (SHEET 1)

**CESSNA AIRCRAFT COMPANY
MODEL 310 THRU 310D
ILLUSTRATED PARTS CATALOG**

FIG ITEM	PART NUMBER	NOMENCLATURE	EFFECT		UNITS PER ASSY
			FROM	TO	
06		RIGHT ENGINE UPPER NACELLE INSTALLATION REFER TO 57-10-00 FIGURE	35772	& ON	RF
-		06 FOR NHA			
1	0850629-4	. SKIN-UPR NACELLE OUTBD			1
2	0850629-6	. SKIN-UPR NACELLE INBD			1
3	0850634-2	. BULKHEAD-UPR NACELLE OUTBD			1
4	0850635-2	. BULKHEAD-UPR NACELLE INBD			1
5	0850633-2	. BULKHEAD-UPR NACELLE			1
6	0850632-2	. BULKHEAD-UPR NACELLE			1
7	0850631-2	. BULKHEAD-UPR NACELLE			1
8	0850639-1	. DOUBLER-UPR NACELLE			1
9	0850636-2	. STIFFENER ASSY-UPR NACELLE			1
10	0850642-4	. DOUBLER-UPR NACELLE			1
- 10A	MS21075L3N	. NUTPLATE			7 R
- 10B	MK2031-3	. NUTPLATE-KAYNAR			2
11	0850640-1	. DOUBLER ASSY-UPR NACELLE			1
- 11A	MS21049L08	. NUTPLATE			16 R
- 11B	MS21049L08	. NUTPLATE ALT FOR NAS681A08			16 R
12	MS21049L08	. NUTPLATE-UPR NACELLE			4 R
- 12A	MS21049L08	. NUTPLATE-UPR NACELLE ALT FOR NAS681A08			4 R
13	0850641-1	. DOOR-UPR NACELLE			1
14	AN507-832R7	. SCREW-ATTACH DOOR			20
15	0850637-12	. CAP ASSY-UPR NACELLE			1
- 15A	NAS680A06K	. NUTPLATE-ATTACH MUFFLER TO CAP			16
16	1032NF-2A	. MACHINE SCREW-1000 FLATHEAD RECESSED CHROME PLATED ATTACH CAP			9
17	0850638-2	. STIFFENER-UPR NACELLE			1
18	0850638-1	. STIFFENER-UPR NACELLE			1
19	0850643-2	. CHANNEL-UPR NACELLE			1
20	0850644-2	. CHANNEL-UPR NACELLE			1

CESSNA AIRCRAFT COMPANY
MODEL 310 THRU 310D
ILLUSTRATED PARTS CATALOG

A55570



AIRPLANES 35000 THRU 35728

LEFT FIREWALL INSTALLATION
FIGURE 01 (SHEET 1)

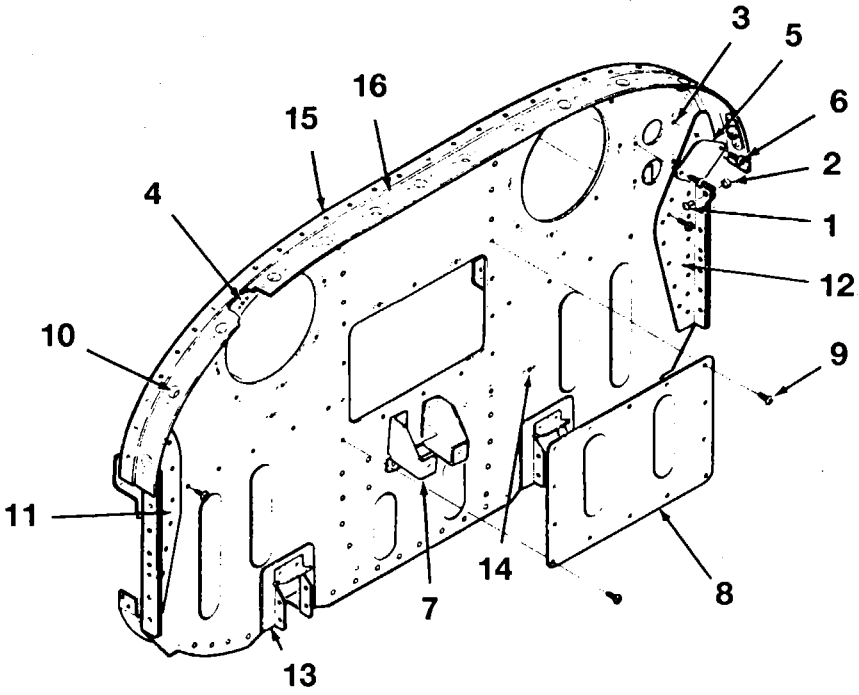
CESSNA AIRCRAFT COMPANY
MODEL 310 THRU 310D
ILLUSTRATED PARTS CATALOG

FIG ITEM	PART NUMBER	NOMENCLATURE	EFFECT		UNITS
			FROM	TO	PER ASSY
01		LEFT FIREWALL INSTALLATION REFER TO 57-10-00 FIGURE 06 FOR NHA	35000	35728	RF
-					2
1	NAS178-6-3	. PIN-RIVET ATTACH FIREWALL			2 R
2	NAS528A6	. COLLAR-ATTACH FIREWALL			1
- 2A	0851500-1	. FIREWALL ASSY-LEFT ENGINE REFER TO NOTE 1	35000	35546	1
- 2B	0851500-109	. FIREWALL-LEFT ENGINE	35547	35654	1
- 2C	0851500-111	. FIREWALL-LEFT ENGINE	35655	35728	1
3	0851500-18	. BRACKET-SOLENOID	35000	35138	1
4	0851500-19	. BRACKET ASSY-FUEL STRAINER			1
5	NAS680A08	. NUTPLATE			8
6	NAS680A8K	. PLATE-ANCHOR			18
7	MS21059L3	. NUTPLATE-ANCHOR	35000	35546	10 R
8	12LHA407-02	. NUTPLATE-ANCHOR ESNA	35000	35546	2
- 8A	5-81-1	. RECEPTACLE-PACHMAYR	35547	35654	13
- 8B	244-16	. RECEPTACLE-CAMLOC CORP	35655	35728	13
9	NAS682A3	. NUTPLATE			6
10	0851506-2	. DOUBLER ASSY-ACCESS COVER	35139	35728	1
11	NAS680A06K	. NUTPLATE-ANCHOR			6
12	MS21069L3	. NUTPLATE	35139	35728	3 R
13	MS21071L3	. NUT	35139	35728	1 R
14	0851506-1	. ACCESS COVER	35139	35728	1
15	AN515-6R6	. SCREW-ATTACH ACCESS COVER	35139	35728	6
16	0851500-13	. ANGLE-REAR UPPER			1
17	0851500-11	. ANGLE-FWD UPPER	35000	35546	1
- 17A	0851513-7	. ANGLE-FWD UPPER	35547	35728	1

NOTE 1—WHEN ORDERING THIS PARTS FOR AIRCRAFT PRIOR TO SERIAL 35139, ALSO ORDER 0851505-2 CLAMP AND 0851505-1 BRACKET

CESSNA AIRCRAFT COMPANY
MODEL 310 THRU 310D
ILLUSTRATED PARTS CATALOG

A55571



AIRPLANES 35729 AND ON

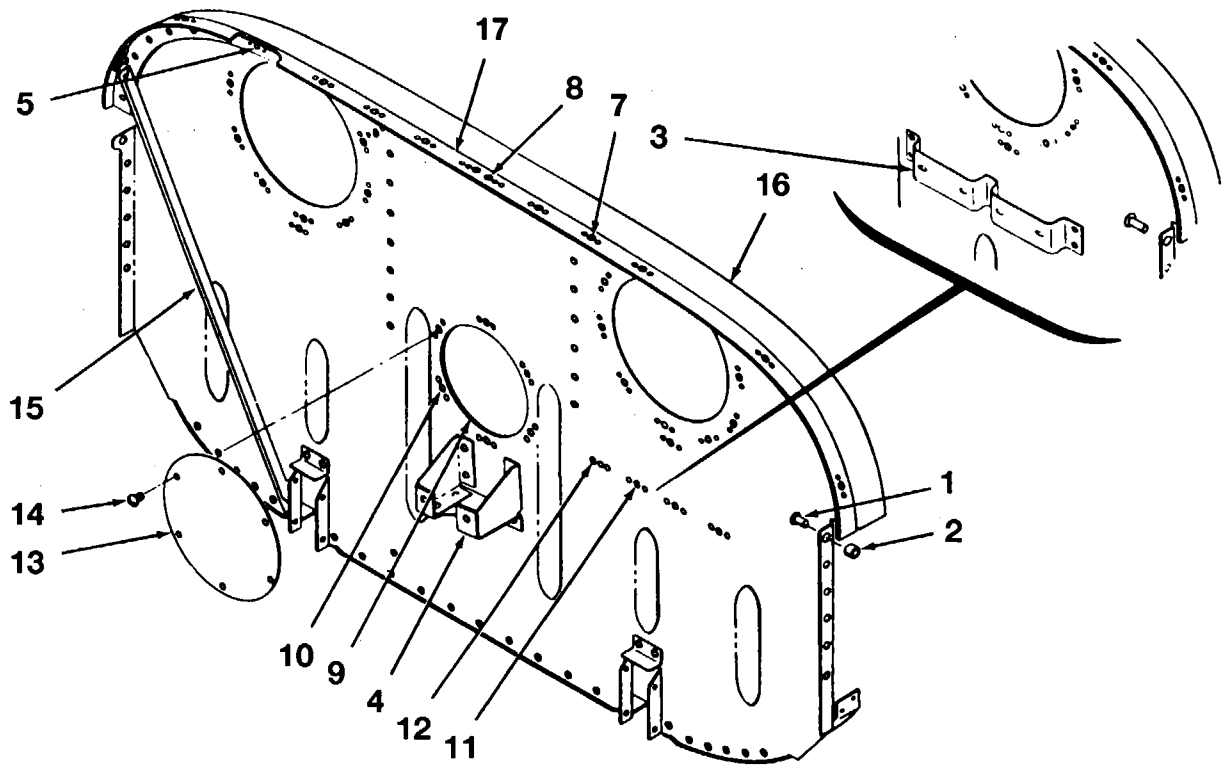
LEFT FIREWALL INSTALLATION
FIGURE 02 (SHEET 1)

CESSNA AIRCRAFT COMPANY
MODEL 310 THRU 310D
ILLUSTRATED PARTS CATALOG

FIG ITEM	PART NUMBER	NOMENCLATURE	EFFECT		UNITS	
			FROM	TO	PER	ASSY
02		LEFT FIREWALL INSTALLATION REFER TO 57-10-00 FIGURE 02 FOR NHA	35729	& ON	RF	
- 1	NAS178-6-3	. PIN-RIVET HI-SHEAR ATTACH FIREWALL				2
2	NAS528A6	. COLLAR-ATTACH FIREWALL				2 R
- 2A	0895004-1	. FIREWALL-LEFT ENGINE	35729	35771		1
- 2B	0895004-3	. FIREWALL-LEFT ENGINE	35772	& ON		1
3	NAS680A8K	. ANCHOR NUT	35729	35771		26
- 3A	NAS680A8K	. ANCHOR NUT	35772	& ON		22
4	NAS680A8	. ANCHOR NUT	35729	35771		6
- 4A	NAS680A8	. ANCHOR NUT	35772	& ON		4
5	0851708-1	. COVER PLATE				1
6	AN515-8R5	. SCREW-ATTACH PLATE				4
7	0851500-19	. BRACKET ASSY-FUEL STRAINER				1
8	0851501-3	. PLATE-ACCESS	35729	35771		1
- 8A	0851501-1	. PLATE-ACCESS	35772	& ON		1
9	AN515-8R4	. SCREW-ATTACH PLATE				12
10	244-16	. RECEPTACLE-CAMLOC CORP				13
11	0851569-1	. DOUBLER				1
12	0851569-3	. DOUBLER				1
13	0851570-1	. DOUBLER				2
14	MS21047L3K	. NUTPLATE-ANCHOR	35772	& ON		1 R
15	0851500-12	. ANGLE-REAR UPR	35729	35771		1
16	0851513-7	. ANGLE-FORWARD UPR	35729	35771		1
- 16A	0851510-7	. ANGLE-FORWARD UPR	35772	& ON		1

CESSNA AIRCRAFT COMPANY
MODEL 310 THRU 310D
ILLUSTRATED PARTS CATALOG

A55586



AIRPLANES 35000 THRU 35728

RIGHT FIREWALL INSTALLATION
FIGURE 03 (SHEET 1)

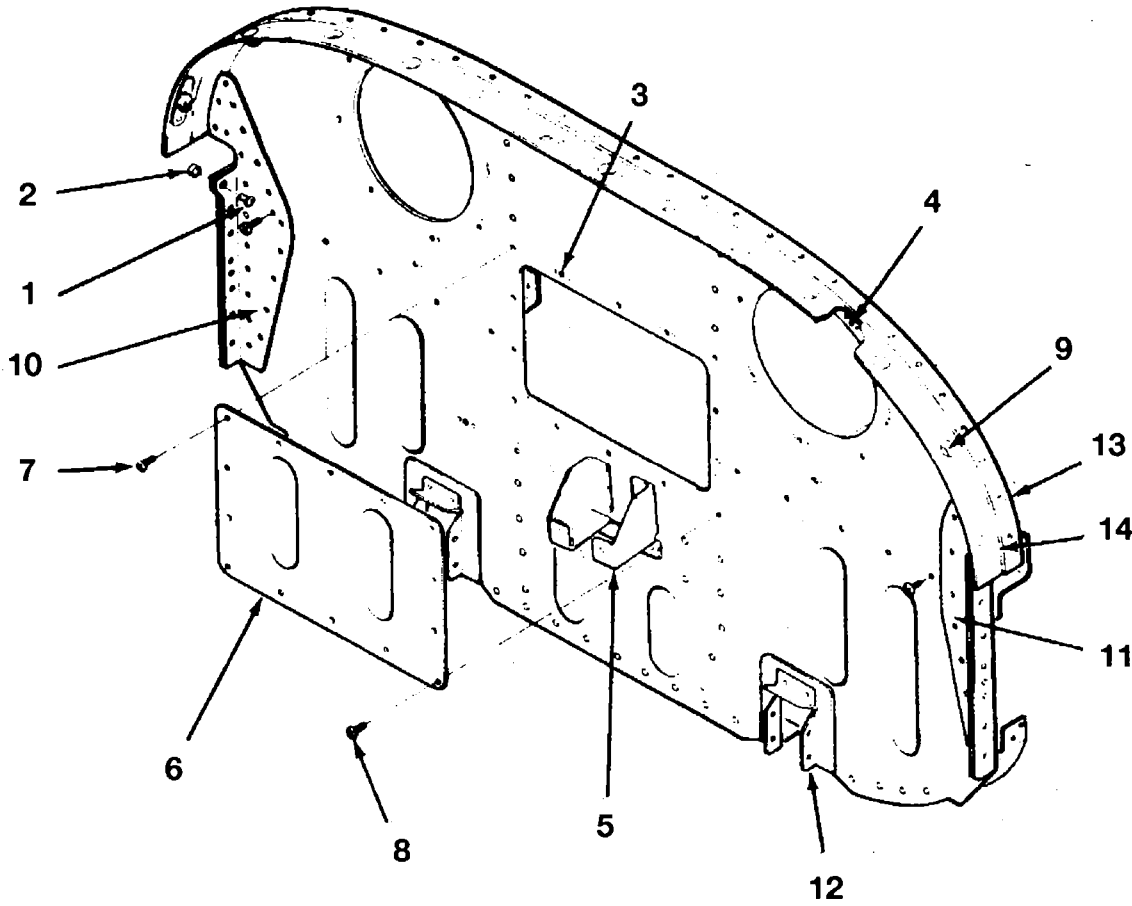
CESSNA AIRCRAFT COMPANY
MODEL 310 THRU 310D
ILLUSTRATED PARTS CATALOG

FIG ITEM	PART NUMBER	NOMENCLATURE	EFFECT		UNITS	
			FROM	TO	PER ASSY	
03		RIGHT FIREWALL INSTALLATION REFER TO 57-10-00 FIGURE 06 FOR NHA	35000	35728	RF	
1	NAS178-6-3	.. PIN-ATTACH FIREWALL				2
2	NAS528A6	.. COLLAR-ATTACH FIREWALL				2 R
- 2A	0851500-2	.. FIREWALL ASSY-RIGHT ENGINE	35000	35546		1
- 2B	0851500-110	.. FIREWALL-RIGHT ENGINE	35547	35654		1
- 2C	0851500-112	.. FIREWALL-RIGHT ENGINE	35655	35728		1
3	0851500-18	.. BRACKET-SOLENOID	35000	35138		1
4	0851500-19	.. BRACKET ASSY-FUEL STRAINER				1
5	NAS680A08	.. NUTPLATE				6
6	MS21047L08K	.. NUTPLATE-ANCHOR				18 R
7	MS21059L3	.. NUTPLATE-ANCHOR	35000	35546		10 R
8	12LHA407-02	.. NUTPLATE-ANCHOR ESNA	35000	35546		2
- 8A	5-81-1	.. RECEPTACLE-PACHMAYR	35547	35654		13
- 8B	244-16	.. RECEPTACLE-CAMLOC CORP.	35655	35728		13
9	0851506-2	.. DOUBLER ASSY-ACCESS COVER	35139	35728		1
10	NAS680A06K	.. NUTPLATE-ANCHOR				6
11	MS21069L3	.. NUTPLATE	35139	35728		3 R
12	MS21071L3	.. NUT	35139	35728		1 R
13	0851506-1	.. COVER-ACCESS OPENING	35139	35728		1
14	AN515-6R6	.. SCREW-ATTACH ACCESS COVER	35139	35728		6
15	0851512-1	.. STIFFENER-FIREWALL				1
16	0851500-12	.. ANGLE-REAR UPR				1
17	0851500-10	.. ANGLE-FWD UPR	35000	35546		1
- 17A	0851513-8	.. ANGLE-FWD UPR	35547	35728		1

NOTE 1—WHEN ORDERING THIS PARTS FOR AIRCRAFT PRIOR TO SERIAL 35139, ALSO ORDER 0851505-2 CLAMP AND 0851505-1 BRACKET

CESSNA AIRCRAFT COMPANY
MODEL 310 THRU 310D
ILLUSTRATED PARTS CATALOG

A55587



AIRPLANES 35729 AND ON

RIGHT FIREWALL INSTALLATION
FIGURE 04 (SHEET 1)

CESSNA AIRCRAFT COMPANY
MODEL 310 THRU 310D
ILLUSTRATED PARTS CATALOG

FIG ITEM	PART NUMBER	NOMENCLATURE	EFFECT		UNITS
			FROM	TO	PER ASSY
04		RIGHT FIREWALL INSTALLATION REFER TO 57-10-00 FIGURE 06 FOR NHA	35729	& ON	RF
-		. PIN-HI-SHEAR ATTACH FIREWALL			2
1	NAS178-6-3	. COLLAR-ATTACH FIREWALL			2 R
2	NAS528A6	. FIREWALL-RIGHT ENGINE	35729	35771	1
- 2A	0895004-2	. FIREWALL-RIGHT ENGINE	35772	& ON	1
- 2B	0895004-4	. ANCHOR NUT	35729	35771	21
3	NAS680A8K	. ANCHOR NUT	35772	& ON	18
- 3A	NAS680A8K	. ANCHOR NUT	35729	35771	6
4	NAS680A8	. ANCHOR NUT	35772	& ON	4
- 4A	NAS680A8	. BRACKET ASSY-FUEL STRAINER			1
5	0851500-19	. PLATE-ACCESS	35729	35771	1
6	0851501-3	. PLATE-ACCESS	35772	& ON	1
- 6A	0851501-2	. SCREW-ATTACH PLATE			12
7	AN515-8R4	. SCREW-ATTACH PLATE			2
8	AN515-8R5	. RECEPTACLE			13
9	244-16	. DOUBLER			1
10	0851569-2	. DOUBLER			1
11	0851569-4	. DOUBLER			2
12	0851570-1	. ANGLE-REAR UPR	35729	35771	1
13	0851500-13	. ANGLE-FWD UPR	35729	35771	1
14	0851513-8	. ANGLE-FWD UPR	35772	& ON	1
- 14A	0851510-8	. ANGLE-FWD UPR			

CHAPTER

55

STABILIZERS

CESSNA AIRCRAFT COMPANY
MODEL 310 THRU 310D
ILLUSTRATED PARTS CATALOG

LIST OF EFFECTIVE PAGES

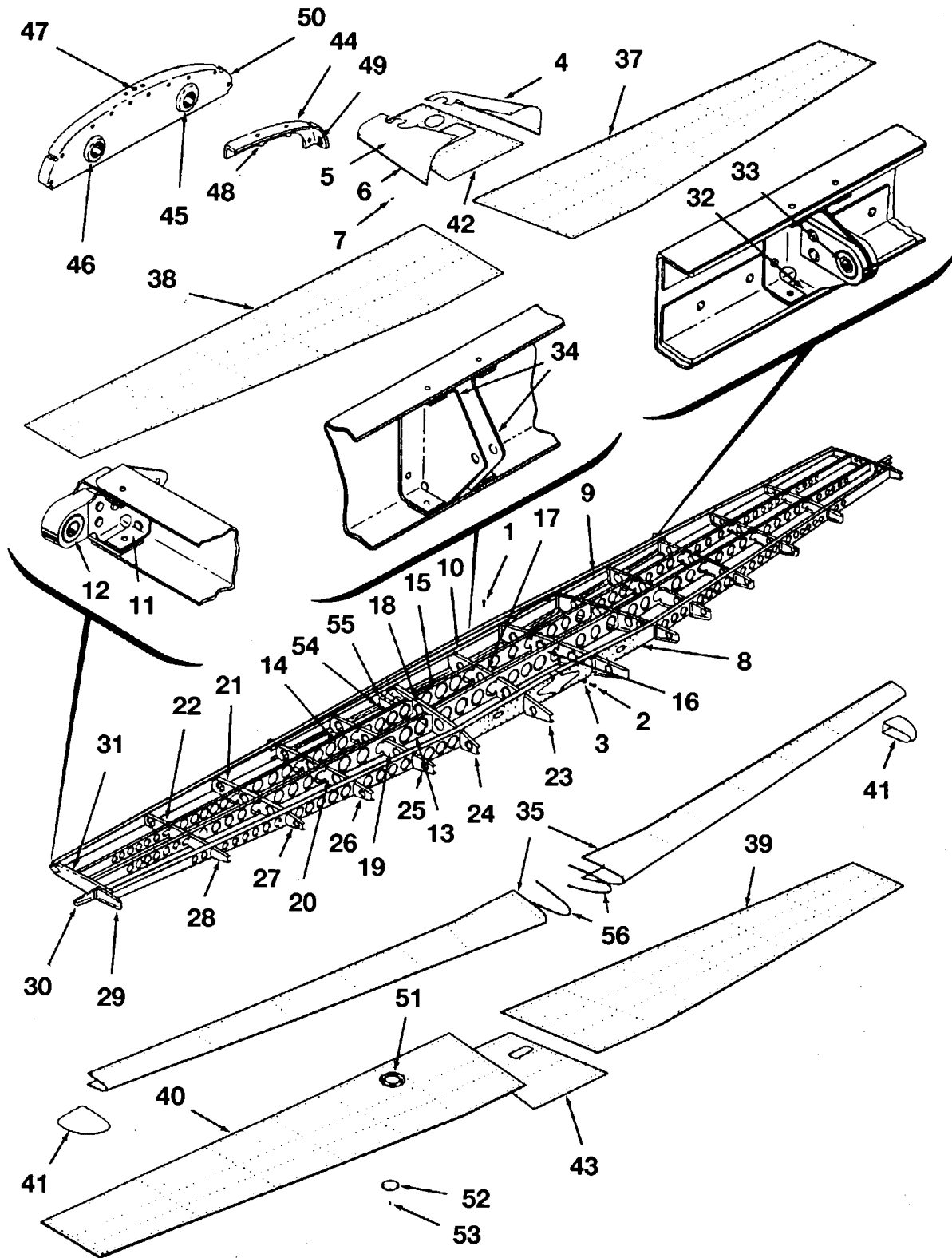
CHAPTER-SECTION-SUBJECT	PAGE	DATE
55-Title		
55-List of Effective Pages		
55-Record of Temporary Revisions		
55-Contents		
55-10-00 Figure 01	1	Jul 3/2006
	2	Jul 3/2006
	3	Jul 3/2006
55-20-00 Figure 01	1	Jul 3/2006
	2	Jul 3/2006
	3	Jul 3/2006
55-20-00 Figure 02	1	Jul 3/2006
	2	Jul 3/2006
55-30-00 Figure 01	1	Jul 3/2006
	2	Jul 3/2006
55-30-00 Figure 02	1	Jul 5/2004
	2	Jul 5/2004
55-30-00 Figure 03	1	Jul 3/2006
	2	Jul 3/2006
55-40-00 Figure 01	1	Jul 3/2006
	2	Jul 3/2006
55-40-00 Figure 02	1	Jul 5/2004
	2	Jul 5/2004
55-40-00 Figure 03	1	Jul 3/2006
	2	Jul 3/2006
	3	Jul 3/2006
55-40-00 Figure 04	1	Jul 3/2006
	2	Jul 3/2006

CESSNA AIRCRAFT COMPANY
MODEL 310 THRU 310D
ILLUSTRATED PARTS CATALOG

<u>SUBJECT</u>	<u>CH SEC SUBJ FIG</u>	<u>EFFECTIVITY</u>
STABILIZER INSTALLATION	55-10-00-01	
ELEVATOR INSTALLATION	55-20-00-01	
ELEVATOR TRIM TAB INSTALLATION	55-20-00-02	
FIN AND DORSAL INSTALLATION	55-30-00-01	35000 39031
FIN AND DORSAL SPARS AND RIBS INSTALLATION	55-30-00-02	35000 39031
SWEPT TAIL FIN AND DORSAL INSTALLATION	55-30-00-03	39032 & ON
RUDDER INSTALLATION	55-40-00-01	35000 39031
RUDDER SPARS AND RIBS INSTALLATION	55-40-00-02	35000 39031
SWEPT TAIL RUDDER INSTALLATION	55-40-00-03	
RUDDER TRIM TAB INSTALLATION	55-40-00-04	

CESSNA AIRCRAFT COMPANY
MODEL 310 THRU 310D
ILLUSTRATED PARTS CATALOG

A55596



STABILIZER INSTALLATION
FIGURE 01 (SHEET 1)

CESSNA AIRCRAFT COMPANY
MODEL 310 THRU 310D
ILLUSTRATED PARTS CATALOG

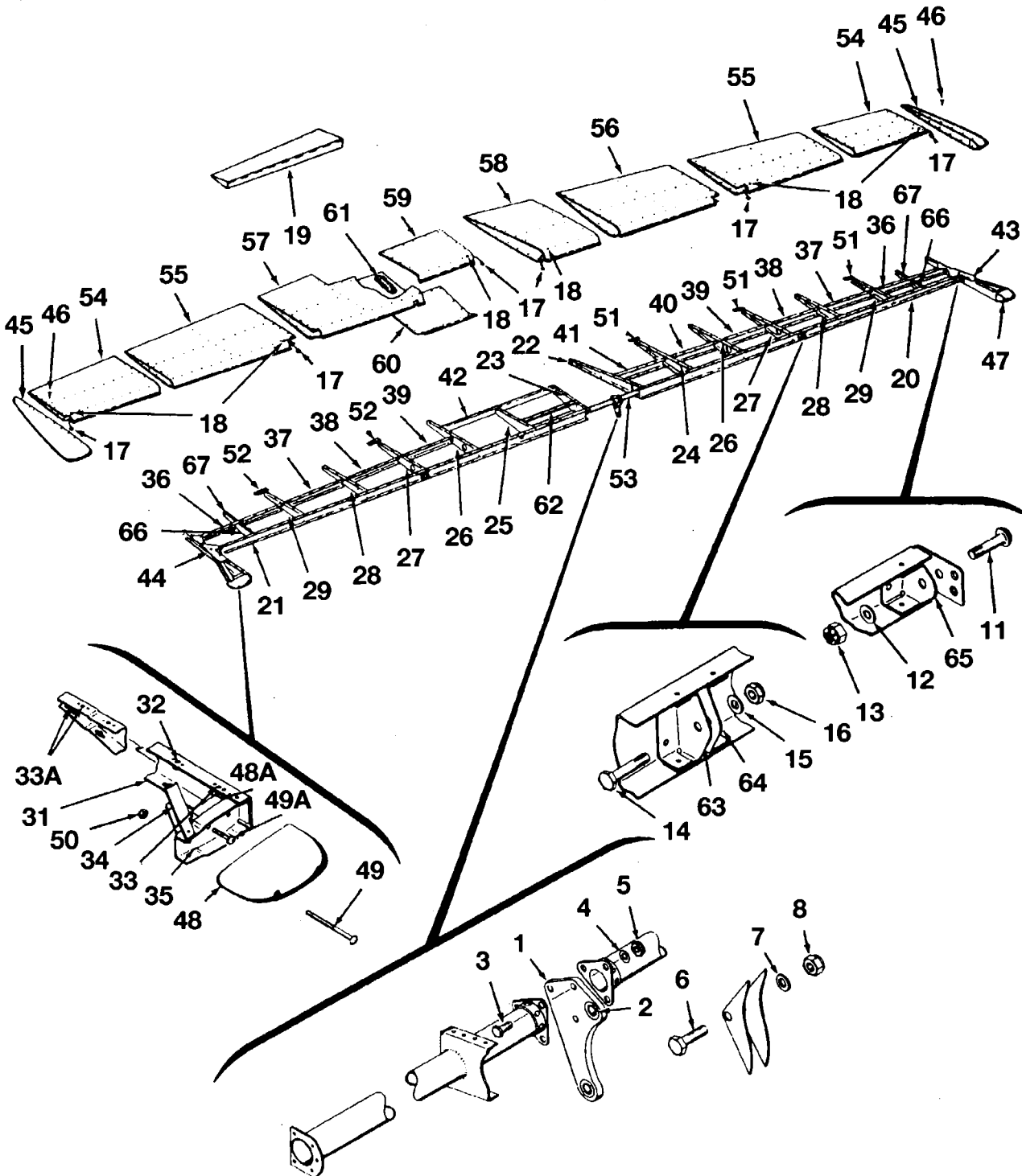
FIG ITEM	PART NUMBER	NOMENCLATURE	EFFECT		UNITS PER ASSY
			FROM	TO	
01		STABILIZER INSTALLATION			RF
1	AN5-6A	BOLT-ATTACH STABILIZER REAR SPAR TO FUSELAGE BULKHEAD			4
- 1A	NAS1149F0663P	WASHER-ATTACH STABILIZER REAR SPAR TO FUSELAGE BULKHEAD			4 R
- 1B	MS21044N5	NUT-ATTACH STABILIZER REAR SPAR TO FUSELAGE BULKHEAD			4 R
2	AN4-5A	BOLT-ATTACH STABILIZER FRONT SPAR TO FUSELAGE BULKHEAD			2
3	NAS1149F0432P	WASHER-ATTACH STABILIZER FRONT SPAR TO FUSELAGE BULKHEAD			2 R
4	0814100-61	FAIRING ASSY-STABILIZER LH	35000	39031	1
- 4A	0814100-73	FAIRING ASSY-STABILIZER LH	39032	& ON	1
5	0814100-60	FAIRING ASSY-STABILIZER RH	35000	39031	1
- 5A	0814100-74	FAIRING ASSY-STABILIZER RH	39032	& ON	1
6	S-202RB	MOULDING-RUBBER 20 INCHES LG BULK ITEM REF S-202R200OB			1
7	AN515-8R8	SCREW-ATTACH FAIRING			14
- 7A	0893002-1	STABILIZER ASSY	35000	39031	1
- 7B	0893002-2	STABILIZER ASSY-FSO 0893002-3	39032	39309	NP
- 7C	0893002-3	STABILIZER ASSY	39032	& ON	1
8	0832250-1	SPAR ASSY-STABILIZER FRONT			1
- 8A	MS21059L4	NUTPLATE-ATTACH STABILIZER FRONT SPAR TO FUSELAGE BULKHEAD			2 R
9	0832250-2	SPAR ASSY-STABILIZER REAR			1
10	MS21047L3	NUTPLATE			4 R
11	0832000-56	BRACKET ASSY-STABILIZER HALF OUTBD HINGE			2
12	MS24462-4	BEARING			1 R
13	0832250-12	SPAR-FWD AUXILIARY			2
14	0832250-13	SPAR-REAR AUXILIARY			2
15	0832250-16	SPAR-REAR CARRY-THRU	35000	39031	1
- 15A	0832250-70	SPAR-REAR CARRY-THRU	39032	& ON	1
16	0832250-17	SPAR-FWD CARRY-THRU			1
17	0832250-18	RIB-STABILIZER			2
18	0832250-19	RIB-STABILIZER			2
19	0832250-20	RIB-STABILIZER			2
20	0832250-21	RIB-STABILIZER			2
21	0832250-22	RIB-STABILIZER			2
22	0832250-23	RIB-STABILIZER			2
23	0832250-25	RIB-STABILIZER NOSE			2
24	0832250-26	RIB-STABILIZER NOSE			2
25	0832250-27	RIB-STABILIZER NOSE			2
26	0832250-28	RIB-STABILIZER NOSE			2
27	0832250-29	RIB-STABILIZER NOSE			2
28	0832250-30	RIB-STABILIZER NOSE			2
29	0832250-31	RIB-STABILIZER NOSE	35000	39263	2
- 29A	0832250-66	RIB-STABILIZER NOSE	39264	& ON	2
30	0832250-41	RIB-STABILIZER	35000	39263	2
- 30A	0832250-67	RIB-STABILIZER TIP	39264	& ON	2
31	0832250-3	RIB ASSY-STABILIZER	35000	39263	2
- 31A	0832250-69	RIB ASSY-STABILIZER	39264	& ON	2
32	0832000-51	BRACKET ASSY-STABILIZER HALF HINGE FSO 5332099-4			NP R
- 32A	5332099-4	BRACKET ASSY-STABILIZER HALF HINGE			1 R
33	MS24462-4	BEARING			1 R
34	0832000-35	BRACKET-STABILIZER HALF CENTER HINGE FSO 5332100-3			NP R
- 34A	5332100-3	BRACKET-STABILIZER HALF CENTER HINGE			2 R
35	0832000-5	SKIN-STABILIZER LEADING EDGE			2
- 36		DELETED-NOT USED			
37	0832000-7	SKIN-STABILIZER UPR LH	35000	39263	1
- 37A	0832000-165	SKIN-STABILIZER UPR LH	39264	& ON	1
38	0832000-8	SKIN-STABILIZER UPR RH	35000	39263	1
- 38A	0832000-166	SKIN-STABILIZER UPR RH	39264	& ON	1
39	0832000-9	SKIN-STABILIZER LWR LH	35000	39263	1
- 39A	0832000-167	SKIN-STABILIZER LWR LH	39264	& ON	1
40	0832000-10	SKIN-STABILIZER LWR LH	35000	39263	1
- 40A	0832000-168	SKIN-STABILIZER LWR RH	39264	& ON	1
41	0832115	TIP-STABILIZER	35000	39263	2
- 41A	0832115-1	TIP-STABILIZER	39264	& ON	2
42	0832000-11	SKIN-STABILIZER UPR CENTER	35000	39031	1
- 42A	0832000-164	SKIN-STABILIZER UPR CENTER	39032	& ON	1
43	0832000-12	SKIN-STABILIZER LWR CENTER	35000	39031	1
- 43A	0832000-163	SKIN-STABILIZER LWR CENTER	39032	& ON	1
- 43B	0832000-36	BULKHEAD ASSY-STABILIZER REAR			1
44	0832000-68	ANGLE-BULKHEAD AFT LEFT			1
- 44A	0832000-39	ANGLE-BULKHEAD AFT RIGHT			1
45	MS35489-119S	GROMMET-BULKHEAD LH			1

CESSNA AIRCRAFT COMPANY
MODEL 310 THRU 310D
 ILLUSTRATED PARTS CATALOG

FIG ITEM	PART NUMBER	NOMENCLATURE	EFFECT		UNITS PER ASSY
			FROM	TO	
			1	2	3
01			4	5	6
46	MS35489-15S	. . . GROMMET-BULKHEAD RH			1
47	NAS680A08	. . . NUTPLATE			2
48	MS21059L06	. . . NUTPLATE			4 R
49	NAS682A06	. . . NUTPLATE			2
50	MS21051-08	. . . NUTPLATE			2 R
- 50A	0822380-10	. . . DOUBLER ASSY-SKIN LWR RH			1
51	MS21049L3	. . . NUTPLATE			4 R
- 51A	MS21049L3	. . . NUTPLATE ALT FOR NAS681A3			4 R
52	0822380-8	. . . DOOR ACCESS-PLATE			1
53	AN507-1032R7	. . . SCREW-ATTACH PLATE			4
54	0832000-45	. . . ANGLE-TAB ACTUATOR SUPPORT			1
55	0832000-40	. . . SUPPORT ASSY-TAB ACTUATOR			1
- 55A	NAS447-10SP	. . . NUTPLATE			4
56	S-202RB	. . . MOULDING-RUBBER 180 IN LG BULK ITEM REF S-202R180O0B			1

CESSNA AIRCRAFT COMPANY
MODEL 310 THRU 310D
ILLUSTRATED PARTS CATALOG

A55600



ELEVATOR INSTALLATION
FIGURE 01 (SHEET 1)

CESSNA AIRCRAFT COMPANY
MODEL 310 THRU 310D
ILLUSTRATED PARTS CATALOG

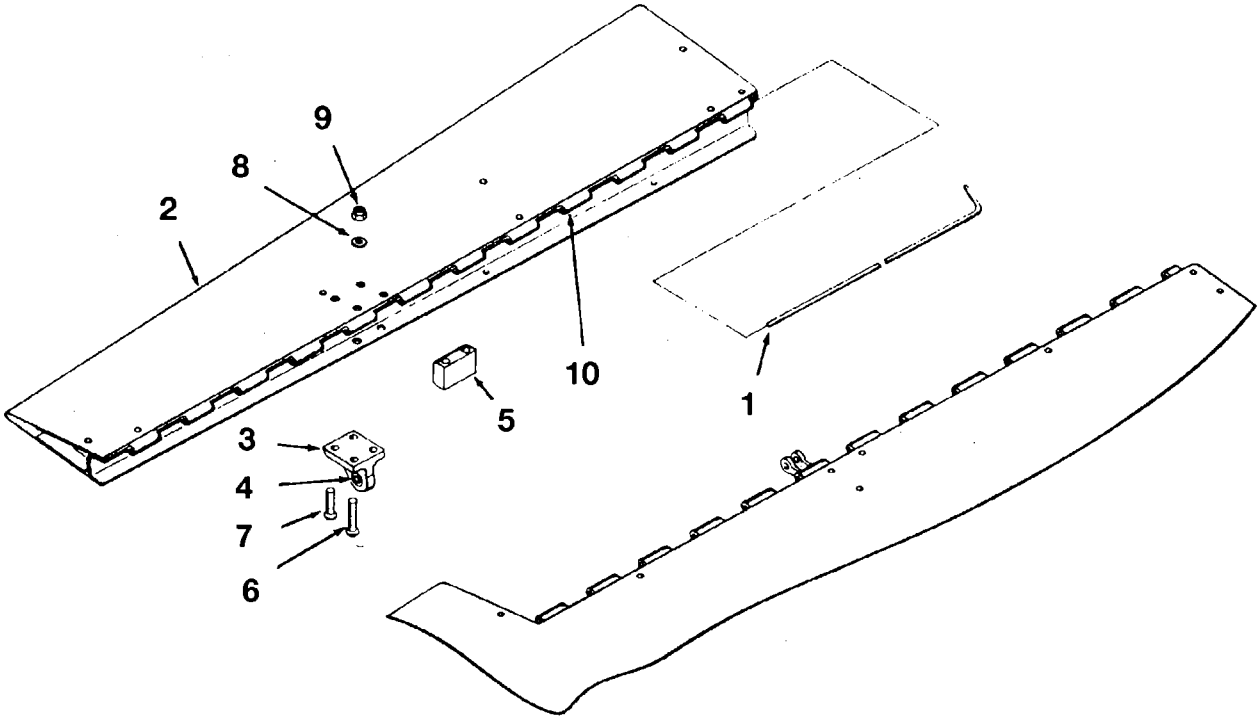
FIG ITEM	PART NUMBER	NOMENCLATURE	EFFECT		UNITS PER ASSY
			FROM	TO	
01		ELEVATOR INSTALLATION			RF
1	0832000-33	CRANK ASSY-PYLON ELEVATOR			1
2	MS27640-4	BEARING			2 R
3	AN3-7A	BOLT-ATTACH TORQUE TUBE TO PYLON			3
4	NAS1149F0332P	WASHER-ATTACH TORQUE TUBE TO PYLON			3 R
5	MS21045L3	NUT-ATTACH TORQUE TUBE TO PYLON			3 R
6	AN4-11A	BOLT-ATTACH PYLON TO STABILIZER			1
7	NAS1149F0463P	WASHER-ATTACH PYLON TO STABILIZER			2 R
8	MS21044N4	NUT-ATTACH PYLON TO STABILIZER			1 R
- 9		DELETED-NOT USED			
- 10		DELETED-NOT USED			
11	AN4-11A	BOLT-ATTACH OUTBD HINGE			2
12	NAS1149F0463P	WASHER-ATTACH OUTBD HINGE			4 R
- 12A	NAS1149F0432P	WASHER-ATTACH OUTBD HINGE			2 R
13	MS21044N4	NUT-ATTACH OUTBD HINGE			2 R
14	AN4-12A	BOLT-ATTACH INBD HINGE			2
15	NAS1149F0463P	WASHER-ATTACH INBD HINGE			2 R
16	MS21044N4	NUT-ATTACH INBD HINGE			2 R
17	0831005-1	BONDING STRAP			2
18	AN515-6R8	SCREW-ATTACH BONDING STRAP			4
- 18A	MS21044N06	NUT-ATTACH BONDING STRAP			4 R
19		TRIM TAB INSTALLATION-ELEVATOR REFER TO 55-20-00 FIGURE 02 FOR BREAKDOWN			RF
- 19A	0832000-3	ELEVATOR ASSY-LH			1
- 19B	0893000-2	ELEVATOR ASSY-RH LESS TRIM TAB	35000	35771	1
- 19C	0832126-15	ELEVATOR ASSY-RH LESS TRIM TAB	35772	& ON	1
20	0832250-15	SPAR-ELEVATOR FRONT LH			1
21	0832250-64	SPAR-ELEVATOR FRONT RH			1
22	0832250-34	RIB-ELEVATOR INBD LH			1
23	0832250-52	RIB-ELEVATOR INBD RH	35000	35771	1
- 23A	0832130-1	RIB-ELEVATOR INBD RH	35772	& ON	1
24	0832250-57	RIB ASSY-ELEVATOR LH			1
25	0832250-56	RIB ASSY-ELEVATOR RH	35000	35771	1
- 25A	0832131-1	RIB ASSY-ELEVATOR RH	35772	& ON	1
26	0832250-36	RIB-ELEVATOR LH			1
- 26A	0832250-36	RIB-ELEVATOR RH	35000	35771	1
- 26B	0832132-1	RIB-ELEVATOR RH	35772	& ON	1
27	0832250-37	RIB-ELEVATOR LH			1
- 27A	0832250-37	RIB-ELEVATOR RH	35000	35771	1
- 27B	0832133-1	RIB-ELEVATOR RH	35772	& ON	1
28	0832250-38	RIB-ELEVATOR			1
29	0832250-39	RIB-ELEVATOR			1
- 30		DELETED-NOT USED			
31	0832250-4	RIB ASSY-ELEVATOR TIP			1
32	NAS682A08	NUTPLATE-ATTACH ELEVATOR TIP			2
33	NAS680A08	NUTPLATE-ATTACH ELEVATOR TIP			10
33A	MS21069L08	NUTPLATE-ATTACH ELEVATOR TIP			2 R
34	0832250-32	RIB-ELEVATOR TIP CANTED			1
35	0832250-33	RIB-ELEVATOR TIP WEIGHT ATTACHMENT			1
36	0832000-20	CHANNEL-ELEVATOR AUXILIARY			1
37	0832000-21	CHANNEL-ELEVATOR AUXILIARY			1
38	0832000-22	CHANNEL-ELEVATOR AUXILIARY			1
39	0832000-23	CHANNEL-ELEVATOR AUXILIARY			1
40	0832000-24	CHANNEL-ELEVATOR AUXILIARY LH			1
41	0832000-25	CHANNEL-ELEVATOR AUXILIARY RH			1
42	0832000-26	CHANNEL-ELEVATOR AUXILIARY RH	35000	35771	1
- 42A	0832137-1	RIB-ELEVATOR AUXILIARY RH	35772	& ON	1
43	0832000-61	GUSSET-ELEVATOR UPR LH & LWR RH			1
44	0832000-62	GUSSET-ELEVATOR UPR RH & LWR LH			1
45	0832120-1	TIP-ELEVATOR			1
46	NAS220-6	SCREW-ATTACH TIP ASSY			12
- 46A	NAS220-5	SCREW-ATTACH TIP ASSY			2
47	0832125-1	WEIGHT-ELEVATOR BALANCE LH			1
48	0832125-2	WEIGHT-ELEVATOR BALANCE RH			1
48A	0832125-3	WEIGHT-ELEVATOR BALANCE RH	35772	& ON	1
49	AN520-10R48	SCREW-ATTACH WEIGHT	35000	35771	2
49A	AN520-10R16	SCREW-ATTACH RH WEIGHT	35772	& ON	1
- 49B	AN520-10R48	SCREW-ATTACH WEIGHT	35772	& ON	2
- 49C	AN520-10R48	SCREW-ATTACH WEIGHT	35772	& ON	1
- 49D	NAS603-56	SCREW-ATTACH WEIGHT	35772	& ON	1

CESSNA AIRCRAFT COMPANY
MODEL 310 THRU 310D
ILLUSTRATED PARTS CATALOG

FIG ITEM	PART NUMBER	NOMENCLATURE	EFFECT		UNITS
			FROM	TO	PER ASSY
01					
50	MS21045L3	.. NUT-ATTACH LH WEIGHT			2 R
- 50A	MS21045L3	.. NUT-ATTACH RH WEIGHT			3 R
- 50B	NAS1149F0363P	.. WASHER-ATTACH RH WEIGHT			2 R
51	0832000-29	.. BLOCK-ELEVATOR TRAILING EDGE REINFORCEMENT LH			3
52	0832000-29	.. BLOCK-ELEVATOR TRAILING EDGE REINFORCEMENT LH	35000	35771	2
- 52A	0832000-29	.. BLOCK-ELEVATOR TRAILING EDGE REINFORCEMENT LH	35772	& ON	3
53	0832000-30	.. TUBE ASSY-TORQUE			1
54	0832000-13	.. SKIN-ELEVATOR OUTBD			1
55	0832000-14	.. SKIN-ELEVATOR MIDDLE LH			1
- 55A	0832000-14	.. SKIN-ELEVATOR MIDDLE RH	35000	35771	1
- 55B	0832126-7	.. SKIN-ELEVATOR MIDDLE RH	35772	& ON	1
56	0832000-15	.. SKIN-ELEVATOR MIDDLE LH			1
57	0832000-15	.. SKIN-ELEVATOR MIDDLE RH	35000	35771	1
- 57A	0832126-5	.. SKIN-ELEVATOR MIDDLE UPR RH	35772	& ON	1
- 57B	0832126-13	.. SKIN-ELEVATOR MIDDLE LWR RH	35772	& ON	1
58	0832000-17	.. SKIN-ELEVATOR INBD LH			1
59	0832000-18	.. SKIN-ELEVATOR INBD UPR RH	35000	35771	1
- 59A	0832126-3	.. SKIN-ELEVATOR INBD UPR RH	35772	& ON	1
60	0832000-66	.. SKIN-ELEVATOR INBD LWR RH	35000	35771	1
- 60A	0832126-4	.. SKIN-ELEVATOR INBD LWR RH	35772	& ON	1
61	0831000-43	.. COVER-PUSH-PULL TUBE			1
62	0832106-1	.. STIFFENER-RH SKIN	35374	& ON	2
63	0832000-54	.. BRACKET-MIDDLE ELEVATOR HINGE INBD FSO 5334119-4			NP R
- 63A	5334119-4	.. BRACKET-MIDDLE ELEVATOR HINGE INBD			1 R
64	0832000-55	.. BRACKET-MIDDLE ELEVATOR HINGE OUTBD FSO 5334119-3			NP R
- 64A	5334119-3	.. BRACKET-MIDDLE ELEVATOR HINGE OUTBD			1 R
65	0832000-63	.. BRACKET-OUTBD ELEVATOR HINGE FSO 5334120-2			NP
- 65A	5334120-2	.. BRACKET-OUTBD ELEVATOR HINGE			1 R
66	0832144-1	.. RIB			1
67	0832144-2	.. RIB			1

CESSNA AIRCRAFT COMPANY
MODEL 310 THRU 310D
ILLUSTRATED PARTS CATALOG

A55602



ELEVATOR TRIM TAB INSTALLATION
FIGURE 02 (SHEET 1)

CESSNA AIRCRAFT COMPANY
MODEL 310 THRU 310D
ILLUSTRATED PARTS CATALOG

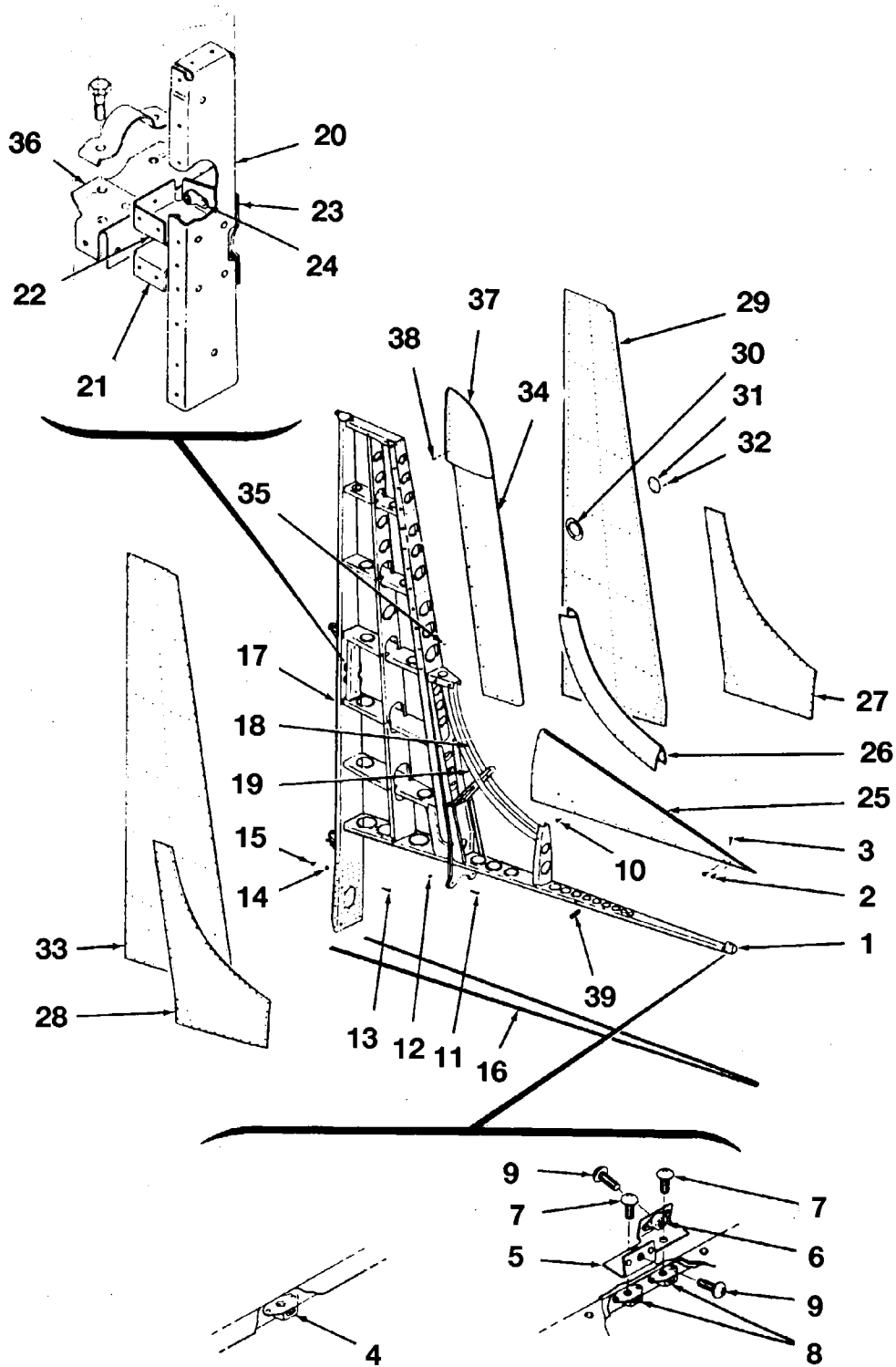
FIG ITEM	PART NUMBER	NOMENCLATURE	EFFECT		UNITS	
			FROM	TO	PER	ASSY
02		ELEVATOR TRIM TAB INSTALLATION REFER TO 55-20-00 FIGURE 01 FOR NHA				RF
-						
1	AN253-2-3050	HINGE PIN	35000	35771		1
- 1A	AN253-2-4210	HINGE PIN	35772	& ON		1
2	0832000-2	TRIM TAB ASSY-ELEVATOR	35000	35771		1
- 2A	0832126-12	TRIM TAB ASSY-ELEVATOR	35772	& ON		1
3	0831000-50	HORN ASSY-ELEVATOR				1
4	PN-3A	BEARING-TORRINGTON				1
5	0832000-44	SPACER-TAB SPAR	35000	35771		1
- 5A	0832152-1	SPACER-TAB SPAR	35772	& ON		2
6	AN515-8R24	SCREW-ATTACH HORN TO TAB				2
7	AN515-8R22	SCREW-ATTACH HORN TO TAB				2
8	NAS1149FN816P	WASHER-ATTACH HORN TO TAB				4 R
9	MS21044N08	NUT-ATTACH HORN TO TAB				4 R
10	0832000-48	HINGE-TAB HALF	35000	35771		1
- 10A	AN257Y3-4250	HINGE-TAB HALF	35772	& ON		1

- ITEM NOT ILLUSTRATED

© Cessna Aircraft Company

CESSNA AIRCRAFT COMPANY
MODEL 310 THRU 310D
 ILLUSTRATED PARTS CATALOG

A55593



AIRPLANES 35000 THRU 35195

AIRPLANES 35196 THRU 39031

FIN AND DORSAL INSTALLATION
 FIGURE 01 (SHEET 1)

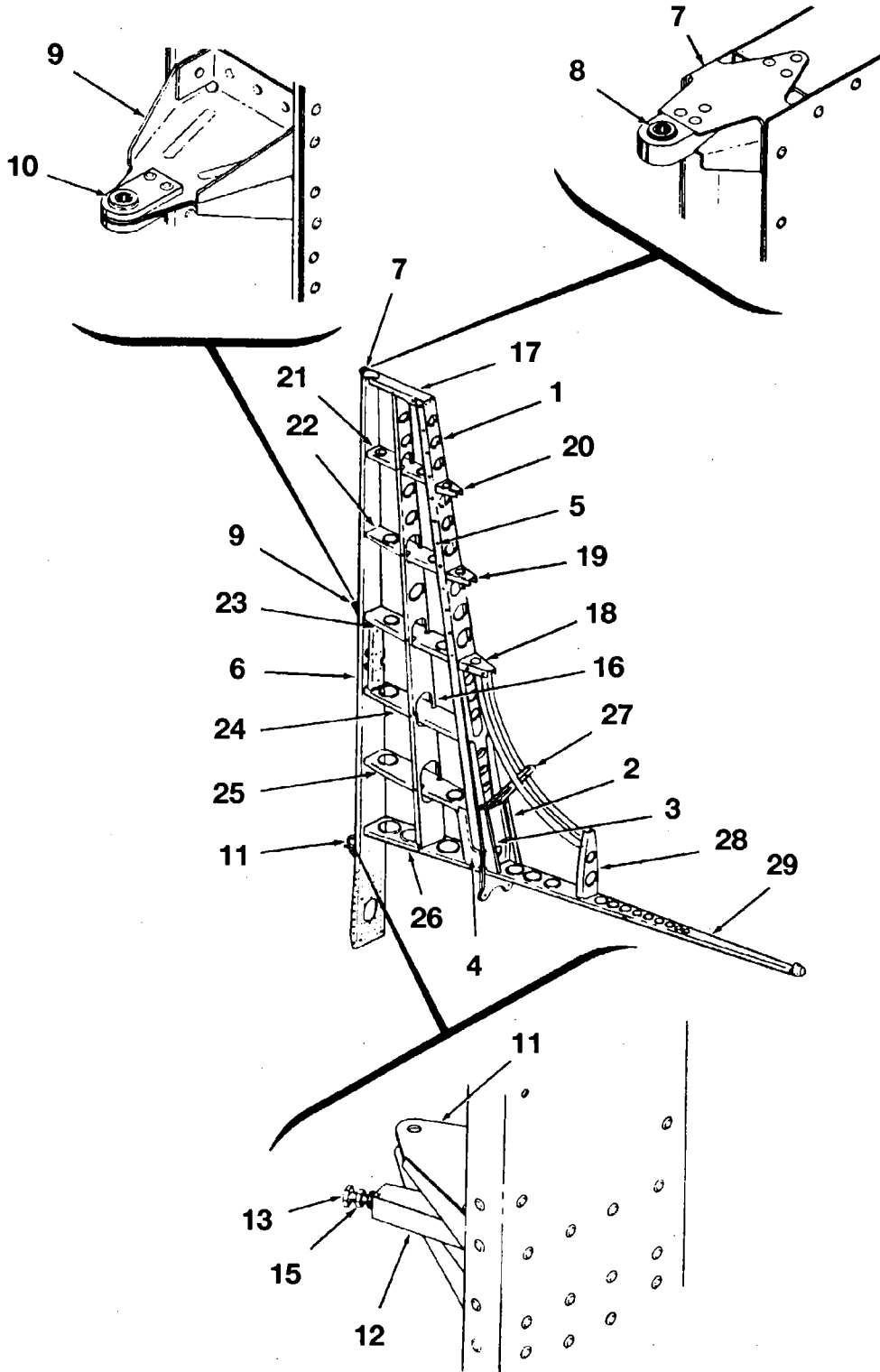
CESSNA AIRCRAFT COMPANY
MODEL 310 THRU 310D
ILLUSTRATED PARTS CATALOG

FIG ITEM	PART NUMBER	NOMENCLATURE	EFFECT		UNITS PER ASSY
			FROM	TO	
01		FIN AND DORSAL INSTALLATION			
-		FIN AND DORSAL INSTALLATION	35000	39031	RF
1	0831000-79	. SPACER-FIN ATTACHMENT	35000	35195	1
2	S1022Z-4-6	. SCREW-ATTACH SPACER	35000	35195	4
3	NAS221-32	. SCREW-ATTACH FIN TO FUSELAGE	35000	35195	1
4	MS21059L3	. NUTPLATE-ATTACH FIN TO FUSELAGE	35000	35195	1 R
5	0814002-1	. CHANNEL ASSY-FIN ATTACHMENT	35196	39031	1
6	NAS680A08	. NUTPLATE			2
7	AN515-8R7	. SCREW-ATTACH CHANNEL ASSY	35196	39031	2
8	MS21047L08K	. NUTPLATE-ATTACH CHANNEL ASSY	35196	39031	2 R
9	AN515-8R6	. SCREW-ATTACH FIN TO FUSELAGE	35196	39031	2
10	AN520-10R9	. SCREW-ATTACH FIN TO FUSELAGE			2
11	AN6-12A	. BOLT-ATTACH FIN TO FUSELAGE			2
12	MS21044N6	. NUT-ATTACH FIN TO FUSELAGE			2 R
13	AN6-6A	. BOLT-ATTACH FIN TO FUSELAGE	35000	35327	4
- 13A	AN6-7A	. BOLT-ATTACH FIN TO FUSELAGE	35328	39031	4
14	NAS1149F0663P	. WASHER-ATTACH FIN TO FUSELAGE			2 R
15	MS21044N6	. NUT-ATTACH FIN TO FUSELAGE	35000	35327	4 R
16	S202RB	. RUBBER-CHANNEL 180 INCHES LG BULK ITEM REF S-202R18000B			AR
- 16A	0893001-1	. FIN & DORSAL ASSY-REFER TO NOTE 1	35000	35371	1
- 16B	0893001-3	. FIN & DORSAL ASSY	35372	35771	1
- 16C	0893001-4	. FIN & DORSAL ASSY	35772	39031	1
17		. SPARS & RIBS INSTALLATION-FIN & DORSAL REFER TO 55-30-00			RF
		FIGURE 02 FOR BREAKDOWN			
18	0831000-29	. DOUBLER-DORSAL LH			1
19	0831000-30	. DOUBLER-DORSAL RH			1
- 19A	0831000-71	. SUPPORT-TAB ACTUATOR	35000	35771	1
- 19B	0831270	. SUPPORT ASSY-TAB ACTUATOR	35772	39031	1
20	0831000-70	. CHANNEL-ACTUATOR SUPPORT	35000	35771	1
- 20A	0831271-1	. CHANNEL-ACTUATOR SUPPORT	35772	39031	1
21	0831000-57	. BRACKET-SADDLE SUPPORT	35000	35771	1
- 21A	0831269-1	. BRACKET-SADDLE SUPPORT	35772	39031	1
22	0831000-58	. BRACKET-SADDLE SUPPORT	35000	35771	1
- 22A	0831268-1	. BRACKET-SADDLE SUPPORT	35771	39031	1
23	0831000-59	. SADDLE-ACTUATOR			1
24	22NA3-02	. NUT-PLATE ESNA			4
25	0831000-9	. SKIN-DORSAL FWD			1
26	0831000-10	. SKIN-DORSAL UPR			1
27	0831000-11	. SKIN-DORSAL LWR LEFT			1
28	0831000-12	. SKIN-DORSAL LWR RIGHT			1
29	0831000-13	. SKIN-FIN LEFT	35000	35771	1
- 29A	0831001-4	. SKIN-FIN LEFT	35772	39031	1
30	0822380-2	. DOUBLER ASSY-FIN LEFT ACCESS OPENING	35000	35771	1
- 30A	0822380-17	. DOUBLER-FIN LEFT ACCESS OPENING	35772	39031	1
- 30B	MS21049L3	. NUTPLATE			4 R
- 30C	MS21049L3	. NUTPLATE ALT FOR NAS681A3			4 R
31	0822380-8	. DOOR ACCESS			1
32	AN507-1032R7	. SCREW-ATTACH ACCESS PLATE			4
33	0831000-14	. SKIN-FIN RIGHT			1
34	0831110-17	. LEADING EDGE-FIN	35000	35371	1
- 34A	0831001-2	. SKIN-FIN LEADING EDGE	35372	39031	1
35	AN507-632R6	. SCREW-ATTACH LEADING EDGE	35000	35371	30
- 35A	AN507-632R6	. SCREW-ATTACH LEADING EDGE SKIN	35372	39031	3
36	0831265-1	. BRACKET	35772	39031	1
37	0831014-1	. TIP-FIN	35372	39031	1
38	AN507-632R6	. SCREW-ATTACH FIN TIP	35372	39031	6
39	0831000-84	. BRACKET-FIN ATTACHMENT			1

NOTE 1—WHEN ORDERING THIS PART FOR AIRPLANES PRIOR TO SERIAL 35196, ALSO ORDER 0814002-1 CHANNEL ASSEMBLY, AN515-8R6 SCREW, NAS680A08K NUTPLATE AND AN515-8R6 SCREW.

CESSNA AIRCRAFT COMPANY
MODEL 310 THRU 310D
ILLUSTRATED PARTS CATALOG

A55594



AIRPLANES 35000 THRU 39031

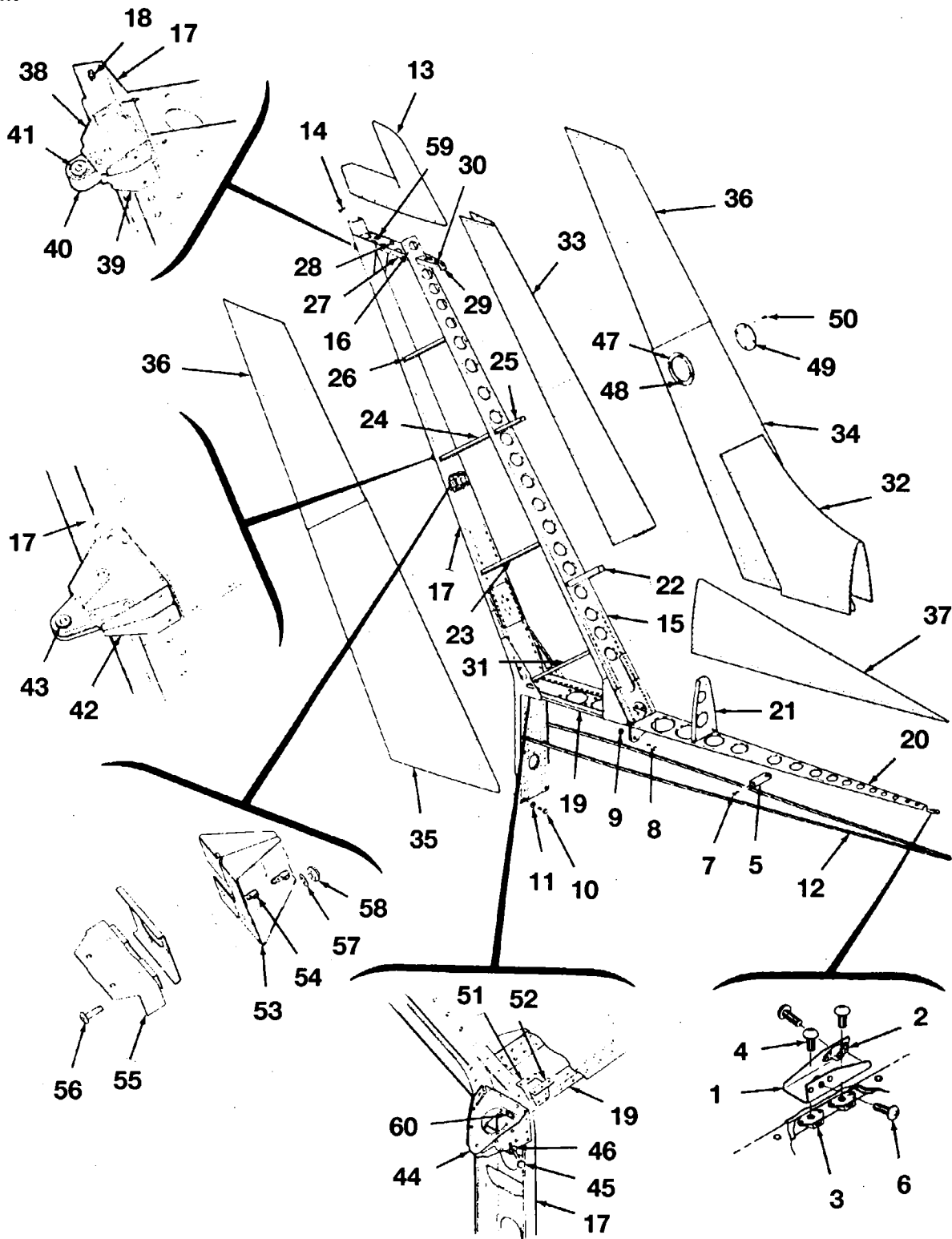
FIN AND DORSAL SPARS AND RIBS INSTALLATION
FIGURE 02 (SHEET 1)

**CESSNA AIRCRAFT COMPANY
MODEL 310 THRU 310D
ILLUSTRATED PARTS CATALOG**

FIG ITEM	PART NUMBER	NOMENCLATURE	EFFECT		UNITS PER ASSY
			FROM	TO	
02		FIN AND DORSAL SPARS AND RIBS INSTALLATION REFER TO 55-30-00	35000	39031	RF
-		FIGURE 01 FOR NHA			
1	0831250-1	SPAR-FIN FRONT	35000	35371	1
- 1A	0831010-1	SPAR-FIN FRONT	35372	39031	1
2	0831250-67	BRACKET-FWD LEFT			1
3	0831250-68	BRACKET-FWD RIGHT			1
4	0831250-70	BRACKET-AFT RIGHT			1
- 4A	0831250-69	BRACKET-AFT LEFT			1
5	MS21047L06	NUTPLATE	35000	35371	24 R
- 5A	MS21047L06	NUTPLATE	35372	39031	2 R
- 5B	MS21047L06	NUTPLATE	35372	39031	1 R
6	0831250-82	SPAR-FIN REAR			1
7	0831000-34	HINGE ASSY-RUDDER UPR			1
8	MS24462-4	BEARING			1 R
9	0831106-1	HINGE ASSY-RUDDER CTR			1
10	MS24462-4	BEARING			1 R
11	0831000-88	HINGE ASSY-RUDDER LWR			1
12	0831000-80	STOP-RUDDER PYLON	35000	35959	2
- 12A	0831000-87	STOP-RUDDER PYLON	35960	39031	2
13	NAS428H3A11	BOLT-STOP	35000	35959	2 R
- 13A	0831003-1	STOP BOLT-STOP	35960	39031	2
- 14		DELETED-NOT USED			
15	AN315-3R	NUT-STOP	35000	35959	2
- 15A	AN316-4R	NUT-STOP	35960	39031	2
16	0831250-14	SPAR-FIN AUXILIARY			1
17	0831250-5	RIB-FIN	35000	35371	1
- 17A	0831015-1	RIB-FIN	35372	39031	1
- 17B	MS21047L06	NUTPLATE	35000	35371	2 R
- 17C	MS21047L06	NUTPLATE	35372	39031	6 R
18	0831250-6	RIB-FIN LEADING EDGE	35000	35371	1
- 18A	MS21047L06	NUTPLATE			4 R
- 18B	0831013-1	RIB-FIN LEADING EDGE	35372	39031	1
19	0831012-1	RIB-FIN LEADING EDGE	35372	39031	1
20	0831012-2	RIB-FIN LEADING EDGE	35372	39031	1
21	0831250-57	RIB-FIN	35000	35371	1
- 21A	0831011-1	RIB-FIN	35372	39031	1
22	0831250-28	RIB-FIN	35000	35371	1
- 22A	0831011-2	RIB-FIN	35372	39031	1
23	0831250-29	RIB-FIN	35000	35371	1
- 23A	0831250-3	RIB ASSY-FIN	35372	39031	1
24	0831250-30	RIB ASSY-FIN	35000	35771	1
- 24A	0831267-1	RIB-FIN	35772	39031	1
25	0831250-81	RIB ASSY-FIN			1
26	0831250-32	RIB-FIN			1
27	0831250-49	RIB-DORSAL			1
28	0831250-50	RIB-DORSAL			1
29	0831250-79	RIB-DORSAL			1

CESSNA AIRCRAFT COMPANY
MODEL 310 THRU 310D
ILLUSTRATED PARTS CATALOG

A55595



AIRPLANES 39032 AND ON

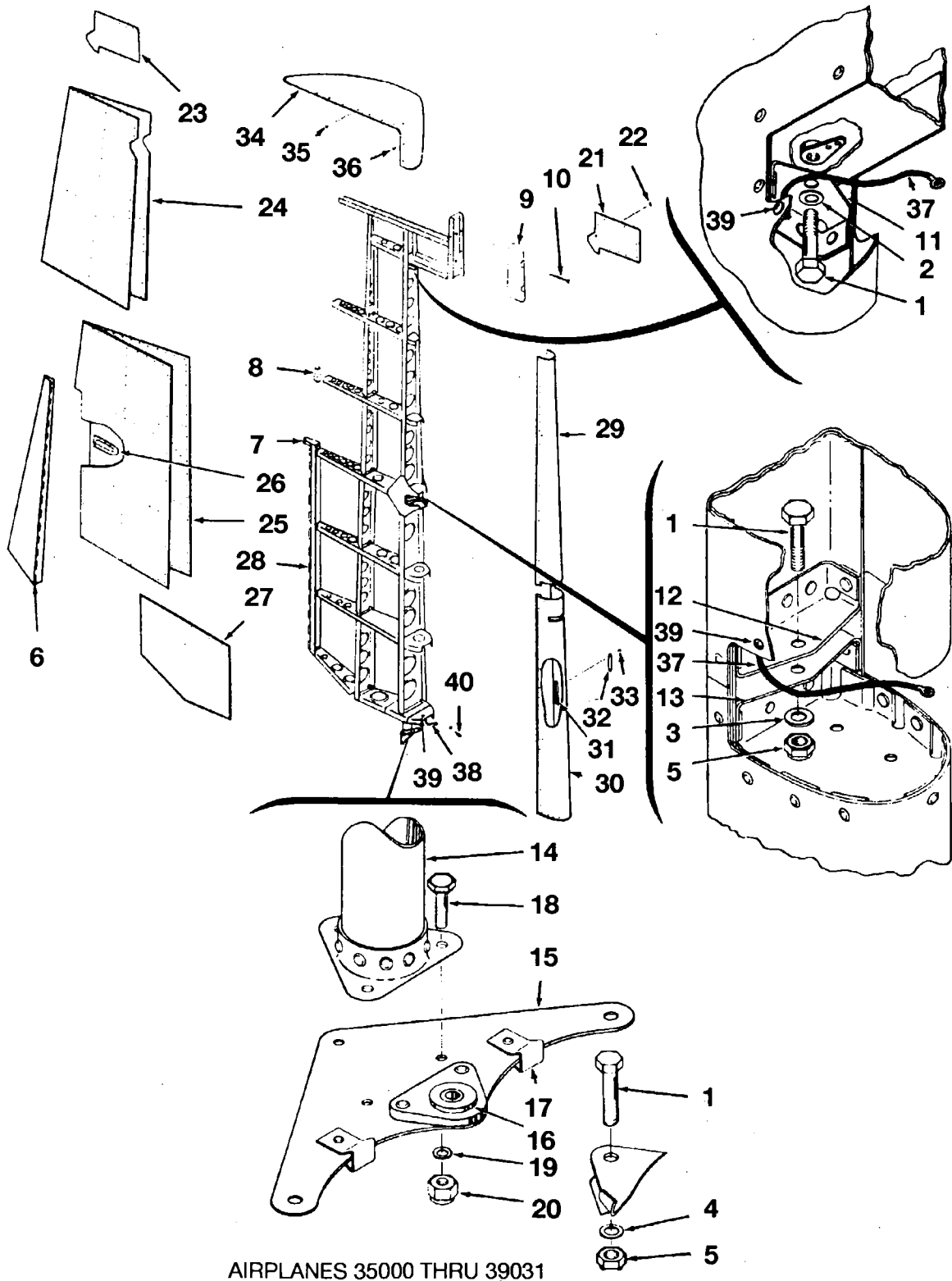
SWEPT TAIL FIN AND DORSAL INSTALLATION
FIGURE 03 (SHEET 1)

**CESSNA AIRCRAFT COMPANY
MODEL 310 THRU 310D
ILLUSTRATED PARTS CATALOG**

FIG ITEM	PART NUMBER	NOMENCLATURE	EFFECT		UNITS
			FROM	TO	PER ASSY
03		SWEPT TAIL FIN AND DORSAL INSTALLATION	39032	& ON	RF
-					
1	0831322-1	CHANNEL ASSY-DORSAL			1
2	MS21069L08	NUTPLATE			2 R
3	MS21047L08K	NUTPLATE-ATTACH CHANNEL ASSY			2 R
4	AN515-8R7	SCREW-ATTACH CHANNEL ASSY			2
5	0831323-1	BRACKET ASSY-DORSAL ATTACH			1
- 5A	MS21059L3	NUTPLATE			2 R
6	AN515-8R6	SCREW-ATTACH FIN TO FUSELAGE			2
7	AN520-10R9	SCREW-ATTACH FIN TO FUSELAGE			2
8	AN6-12A	BOLT-ATTACH FIN TO FUSELAGE			2
9	MS21044N6	NUT-ATTACH FIN TO FUSELAGE			2 R
10	AN6-7A	BOLT-ATTACH FIN TO FUSELAGE			4
11	NAS1149F0663P	WASHER-ATTACH FIN TO FUSELAGE			4 R
12	S202RB	RUBBER-ATTACH FIN TO FUSELAGE			1
13	0831337-1	TIP ASSY-FIN			1
14	AN515-6R6	SCREW-ATTACH FIN TIP			20
- 14A	0831002-19	FIN ASSY			1
15	0831300-1	SPAR ASSY-FIN FRONT			1
16	MK1000-06	NUTPLATE-KAYNAR			4
17	0831301-1	SPAR ASSY-FIN REAR			1
18	MK1000-06	NUTPLATE-KAYNAR			2
19	0831303-1	RIB ASSY-FIN ROOT			1
20	0831303-3	RIB-DORSAL			1
21	0831304-1	RIB-DORSAL NOSE			1
22	0831305-1	RIB-FIN NOSE			1
23	0831306-1	RIB-FIN LWR			1
24	0831307-1	RIB-FIN CTR WL 42.42			1
25	0831307-2	RIB-FIN NOSE WL 42.42			1
26	0831308-1	RIB-FIN CTR			1
27	0831329-1	RIB ASSY-FIN TIP ATTACH			1
28	MK1000-06	NUTPLATE-KAYNAR			6
29	0831329-2	RIB ASSY-FIN TIP ATTACH			1
30	MK1000-06	NUTPLATE-KAYNAR			6
31	0831333-1	RIB			1
32	0831002-6	FAIRING-DORSAL			1
33	0831002-7	SKIN-LEADING EDGE			1
34	0831002-8	SKIN-LWR LEFT FIN			1
35	0831002-9	SKIN-LWR RIGHT FIN			1
36	0831002-10	SKIN-UPR FIN			2
37	0831002-16	SKIN-DORSAL			1
38	0831350-1	BRACKET-FIN UPR HINGE UPR			1
39	0831350-2	BRACKET-FIN UPR HINGE LWR			1
40	0832000-147	BEARING ASSY-FIN UPR HINGE			1
41	MS24462-4	BEARING-FIN			11 R
42	0831106-4	HINGE ASSY-FIN MID			1
43	MS24462-4	BEARING			1 R
44	0831326-1	HINGE ASSY-FIN LWR			1
45	NAS428H3A11	BOLT-STOP			2 R
46	K19000-3	WASHER-SELF ALIGNING KAYNAR			2
- 46A	H19001-3	WASHER-SELF ALIGNING KAYNAR			2
- 46B	NAS1149F0332P	WASHER			2 R
47	0822380-2	DOUBLER ASSY-FIN ACCESS OPENING			1
48	MS21049L3	NUTPLATE			4 R
- 48A	MS21049L3	NUTPLATE ALT FOR NAS681A3			4 R
49	0822380-8	DOOR ACCESS-PLATE			1
50	AN507-1032R8	SCREW-ATTACH ACCESS PLATE			4
51	0831364-1	BRACKET-PULLEY LH			1
52	0831364-2	BRACKET-PULLEY RH			1
53	0831341-1	BRACKET ASSY-TAB ACTUATOR FWD			1
54	MS21071L3	NUTPLATE			4 R
55	0831346-1	BRACKET ASSY-TAB ACTUATOR AFT			1
- 55A	MS21071L3	NUTPLATE			2 R
56	AN520-10R8	SCREW-ATTACH TAB ACTUATOR BRACKETS			4
57	NAS1149F0332P	WASHER-ATTACH TAB ACTUATOR BRACKETS			4 R
58	MS21045L3	NUT-ATTACH TAB ACTUATOR BRACKETS			4 R
59	MK1000-06	NUTPLATE-KAYNAR			2
60	MS21069L4	NUTPLATE			1 R

CESSNA AIRCRAFT COMPANY
MODEL 310 THRU 310D
 ILLUSTRATED PARTS CATALOG

A55597



AIRPLANES 35000 THRU 39031

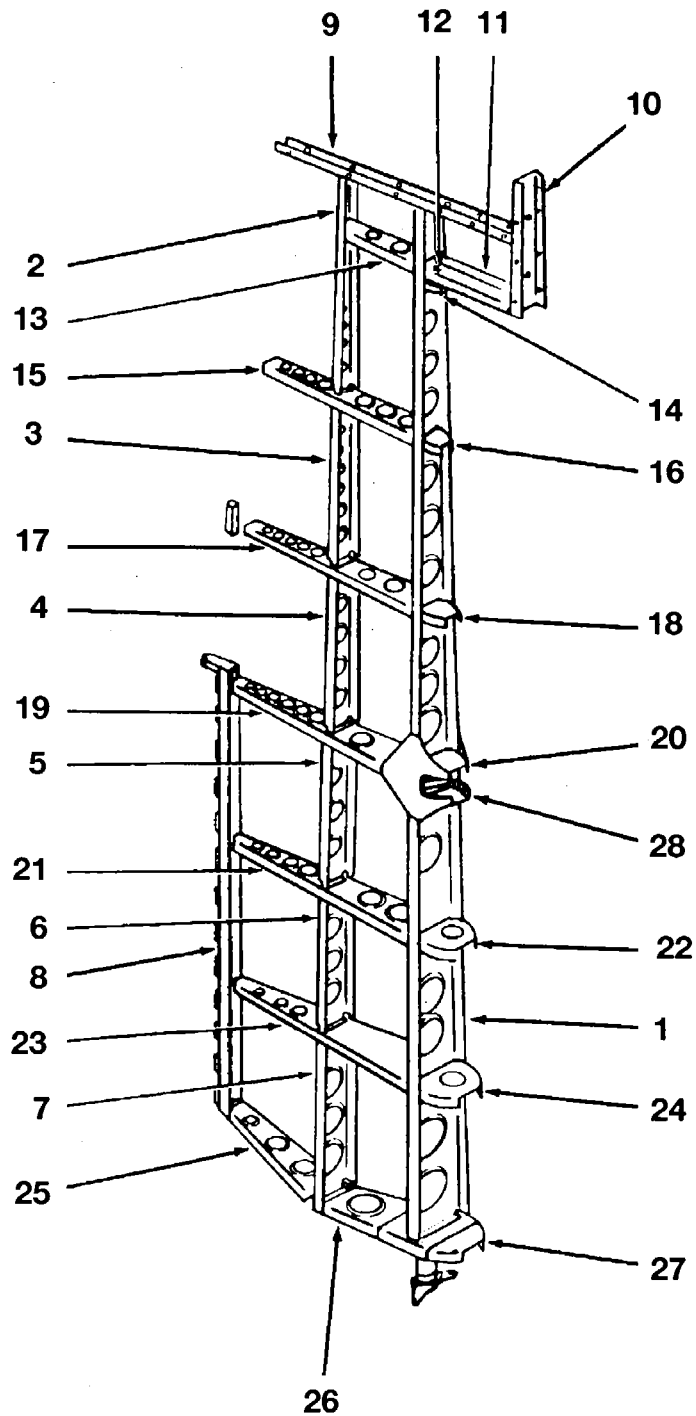
RUDDER INSTALLATION
 FIGURE 01 (SHEET 1)

**CESSNA AIRCRAFT COMPANY
MODEL 310 THRU 310D
ILLUSTRATED PARTS CATALOG**

FIG ITEM	PART NUMBER	NOMENCLATURE	EFFECT		UNITS PER ASSY
			FROM	TO	
01		RUDDER INSTALLATION	35000	39031	RF
-					
1	AN4-11A	BOLT-ATTACH RUDDER TO HINGES			3
2	NAS1149F0432P	WASHER-ATTACH RUDDER TO FIN UPR HINGE			1 R
3	NAS1149F0463P	WASHER-ATTACH RUDDER TO FIN CTR HINGE			1 R
4	NAS1149D0416H	WASHER-ATTACH RUDDER TO FIN LWR HINGE			3 R
5	MS21044N4	NUT-ATTACH RUDDER TO HINGES			2 R
- 5A	0831000-2	RUDDER ASSY-COMLETE	35000	35771	1
- 5B	0831253-1	RUDDER ASSY-COMLETE	35772	39031	1
6		TRIM TAB INSTALLATION-REFER TO 55-40-00 FIGURE 04 FOR BREAKDOWN			RF
- 6A	0893000-1	RUDDER-LESS TRIM TAB	35000	35771	1
- 6B	0831253-2	RUDDER ASSY-LESS TRIM TAB	35772	39031	1
- 6C		RUDDER SPARS & RIBS INSTALLATION-REFER TO 55-40-00 FIGURE 02 FOR BREAKDOWN			RF
7	0831000-18	FILLER	35000	35771	1
- 7A	0831258-1	FILLER	35772	39031	1
8	0831000-19	FILLER	35000	35771	1
9	0831120	WEIGHT-RUDDER BALANCE	35000	35771	1
- 9A	0831120-1	WEIGHT-RUDDER BALANCE	35772	39031	1
10	NAS222-44	SCREW-ATTACH WEIGHT			2
11	0831000-32	BRACKET-RUDDER HALF UPR			1
12	0831000-24	BRACKET-RUDDER HALF CTR UPR			1
13	0831000-25	BRACKET-RUDDER HALF CTR LWR			1
14	0831000-48	TUBE ASSY-TORQUE			1
15	0831000-38	BELLCRANK ASSY-RUDDER			1
16	MS27640-4	BEARING-PYLON			1 R
17	0831000-35	STOP-PYLON			2
18	AN3-5A	BOLT-ATTACH PYLON TO TORQUE TUBE			3
19	NAS1149F0332P	WASHER-ATTACH PYLON TO TORQUE TUBE			3 R
20	MS21045L3	NUT-ATTACH PYLON TO TORQUE TUBE			3 R
21	0831000-15	SKIN-RUDDER TOP LEFT			1
22	50727	BUTTON-UNITED CARR			1
23	0831000-16	SKIN-RUDDER TOP RIGHT			1
24	0831000-7	SKIN-RUDDER UPR	35000	35771	1
- 24A	0831253-8	SKIN-RUDDER UPR	35772	39031	1
25	0831000-6	SKIN-RUDDER MID	35000	35771	1
27	0831000-5	SKIN-RUDDER LWR	35000	35771	2
- 27A	0831253-5	SKIN-RUDDER LWR	35772	39031	2
28	0831000-43	COVER-PUSH-PULL TUBE	35000	35771	1
28	0831000-51	HINGE HALF-RUDDER TAB	35000	35771	1
- 28A	AN257Y3-2687	HINGE HALF-RUDDER TAB	35772	39031	1
29	0831000-8	SKIN-RUDDER LEADING EDGE UPR	35000	35771	1
30	0831000-72	SKIN-RUDDER LEADING EDGE LWR	35000	35771	1
- 30A	0831253-7	SKIN-RUDDER LEADING EDGE	35772	39031	1
31	0831000-22	DOUBLER-RUDDER LEADING EDGE ACCESS OPENING			4
- 31A	NAS445-10	NUTPLATE-ATTACH ACCESS PLATE TINNERMAN A6204-6Z-1			8
32	0831000-23	COVER-ACCESS OPENING			4
33	S1022Z-6-6	SCREW-ATTACH PLATE			8
34	0831115-1	RUDDER TIP			1
35	AN515-6R6	SCREW-ATTACH TIP			12
36	S1021Z-8-8	SCREW-ATTACH TIP			6
37	0831005-1	BONDING STRAP	35000	35544	2
- 37A	0831005-1	BONDING STRAP	35545	39031	1
38	0831005-2	STRAP	35000	35544	1
		ATTACHING PARTS			
39	AN515-6R8	SCREW-ATTACH BONDING STRAPS	35000	35544	5
- 39A	AN515-6R8	SCREW-ATTACH BONDING STRAPS	35545	39031	2
- 39B	MS21044N06	NUT-ATTACH BONDING STRAPS	35000	35544	5 R
- 39C	MS21044N06	NUT-ATTACH BONDING STRAPS	35545	39031	2 R
40		EYEBOLT-ATTACH LWR BONDING STRAP REFER TO 27-30-00 FIGURE 01			RF
- 40A		NUT-ATTACH LWR BONDING STRAP REFER TO 27-30-00 FIGURE 01			RF

CESSNA AIRCRAFT COMPANY
MODEL 310 THRU 310D
ILLUSTRATED PARTS CATALOG

A55598



AIRPLANES 35000 THRU 39031

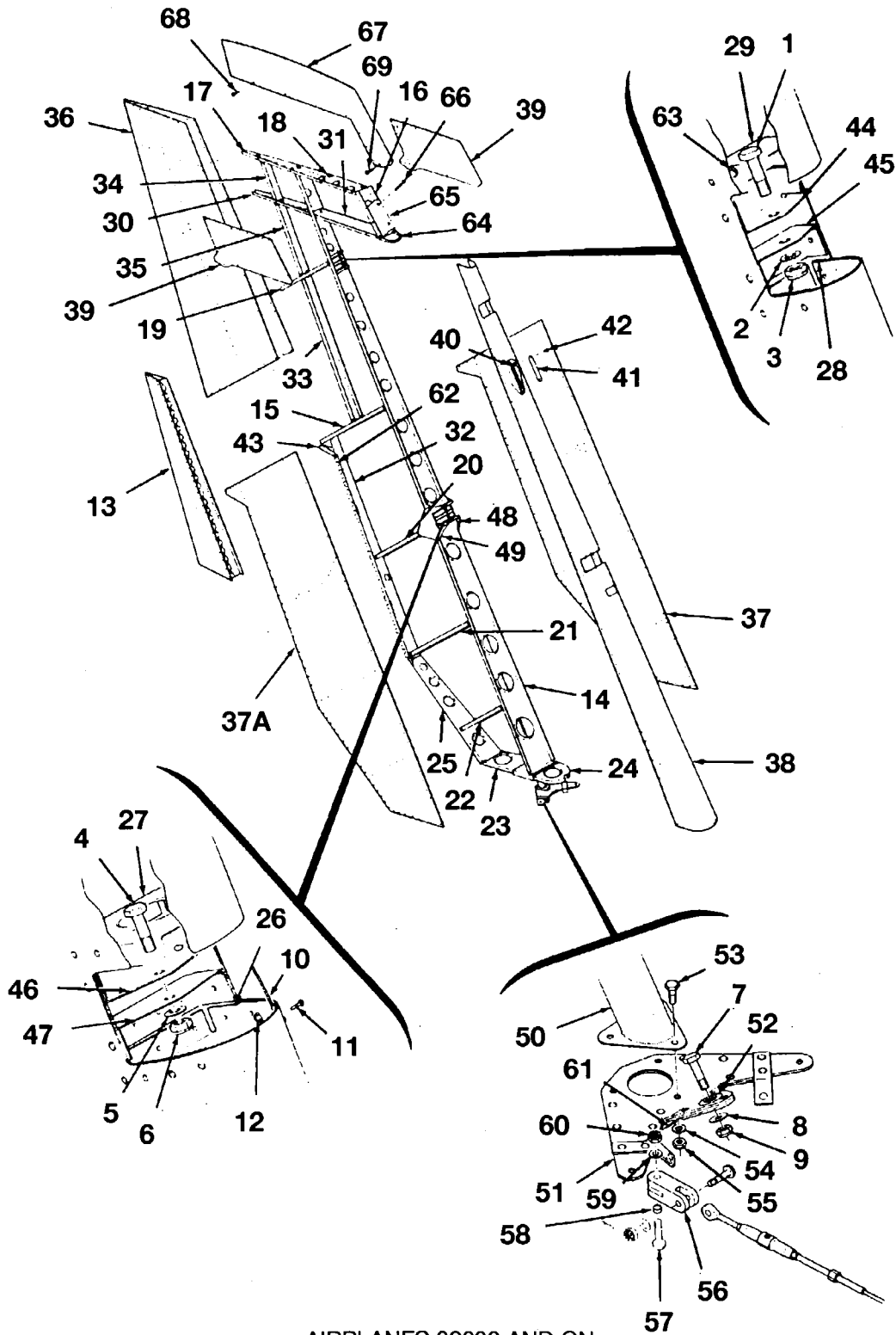
RUDDER SPARS AND RIBS INSTALLATION
FIGURE 02 (SHEET 1)

CESSNA AIRCRAFT COMPANY
MODEL 310 THRU 310D
ILLUSTRATED PARTS CATALOG

FIG ITEM	PART NUMBER	NOMENCLATURE	EFFECT		UNITS PER ASSY
			FROM	TO	
02		RUDDER SPARS AND RIBS INSTALLATION REFER TO 55-40-00 FIGURE 01 FOR NHA	35000	39031	RF
1	0831250-84	. SPAR-RUDDER FRONT			1
2	0831250-16	. CHANNEL-RUDDER AUXILIARY			1
3	0831250-17	. CHANNEL-RUDDER AUXILIARY			1
4	0831250-18	. CHANNEL-RUDDER AUXILIARY			1
5	0831250-19	. CHANNEL-RUDDER AUXILIARY			1
6	0831250-20	. CHANNEL-RUDDER AUXILIARY			1
7	0831250-21	. CHANNEL-RUDDER AUXILIARY			1
8	0831000-56	. CHANNEL-RUDDER AUXILIARY	35000	35771	1
- 8A	0831264-1	. SPAR-RUDDER AUXILIARY	35772	39031	1
9	0831250-3	. RIB ASSY-RUDDER			1
- 9A	MS21047L06	. NUTPLATE			12 R
10	0831250-4	. RIB-RUDDER			1
- 10A	MS21047L4	. NUTPLATE			2 R
11	0831250-78	. RIB-RUDDER			1
12	MS21051L4	. NUTPLATE			1 R
13	0831250-25	. RIB-RUDDER			1
14	0831250-34	. RIB-RUDDER			1
15	0831250-41	. RIB-RUDDER			1
16	0831250-33	. RIB-RUDDER			1
17	0831250-42	. RIB-RUDDER			1
18	0831250-35	. RIB-RUDDER			1
19	0831250-43	. RIB-RUDDER			1
20	0831250-36	. RIB-RUDDER			1
21	0831250-36	. RIB-RUDDER			1
22	0831250-38	. RIB-RUDDER			1
23	0831250-76	. RIB ASSY-RUDDER	35000	35771	1
- 23A	0831256-1	. RIB ASSY-RUDDER	35772	39031	1
24	0831250-39	. RIB-RUDDER			1
25	0831250-73	. RIB-RUDDER	35000	35771	1
- 25A	0831257-1	. RIB-RUDDER	35772	39031	1
26	0831250-46	. RIB-RUDDER			1
27	0831250-40	. RIB-RUDDER			1
28	0831250-37	. RIB-RUDDER			1

CESSNA AIRCRAFT COMPANY
MODEL 310 THRU 310D
ILLUSTRATED PARTS CATALOG

A55599



AIRPLANES 39032 AND ON

SWEPT TAIL RUDDER INSTALLATION
FIGURE 03 (SHEET 1)

CESSNA AIRCRAFT COMPANY
MODEL 310 THRU 310D
ILLUSTRATED PARTS CATALOG

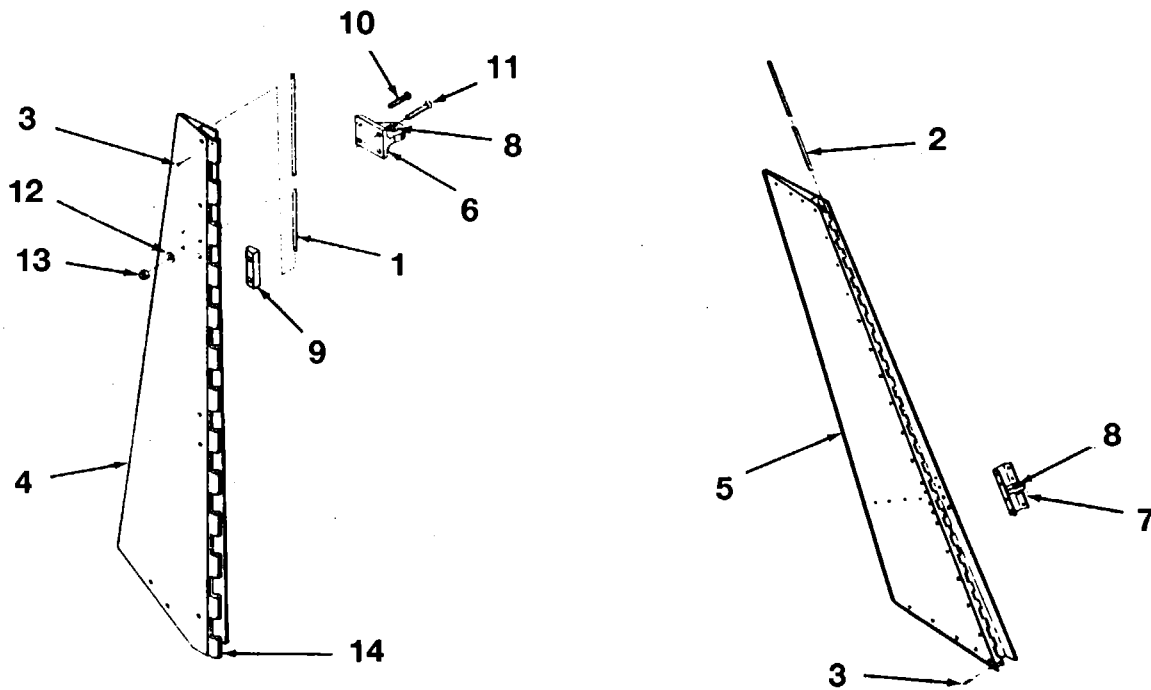
FIG ITEM	PART NUMBER	NOMENCLATURE	EFFECT		UNITS PER ASSY
			FROM	TO	
		1 2 3 4 5 6 7			
03		SWEPT TAIL RUDDER INSTALLATION			RF
- 1	AN4-11A	BOLT-ATTACH RUDDER TO UPR HINGE			1
2	NAS1149F0432P	WASHER-ATTACH RUDDER TO UPR HINGE			AR R
- 2A	NAS1149F0463P	WASHER-ATTACH RUDDER TO UPR HINGE			AR R
3	MS21044N4	NUT-ATTACH RUDDER TO UPR HINGE			1 R
4	AN4-11A	BOLT-ATTACH RUDDER TO CTR HINGE			1
5	NAS1149F0463P	WASHER-ATTACH RUDDER TO CTR HINGE			AR R
- 5A	NAS1149F0432P	WASHER-ATTACH RUDDER TO CTR HINGE			AR R
6	MS21044N4	NUT-ATTACH RUDDER TO CTR HINGE			1 R
7	AN4-10A	BOLT-ATTACH RUDDER TO LWR HINGE			1
8	NAS1149D0416H	WASHER-ATTACH RUDDER TO LWR HINGE			AR R
- 8A	NAS1149D0463H	WASHER-ATTACH RUDDER TO LWR HINGE			AR R
9	MS21044N4	NUT-ATTACH RUDDER TO LWR HINGE			1 R
10	0831005-1	BONDING STRAP			1
11	ANS15-6R8	SCREW-ATTACH BONDING STRAP			2
12	MS21044N06	NUT-ATTACH BONDING STRAP			2 R
- 12A	0831002-200	RUDDER ASSY-SWEPT TAIL COMPLETE			1
13		TRIM TAB INSTALLATION-RUDDER REFER TO 55-40-00 FIGURE 04 FOR BREAKDOWN			RF
- 13A	0831002-201	RUDDER ASSY-LESS TRIM TAB			1
14	0831302-1	SPAR-RUDDER			1
15	0831308-2	RIB-RUDDER			1
16	0831311-1	RIB ASSY-RUDDER TIP			1
- 16A	MS21069L4	NUTPLATE-ATTACH WEIGHT			2 R
- 16B	MK1000-06	NUTPLATE-ATTACH RUDDER TIP KAYNAR			6
17	0831312-1	RIB ASSY-RUDDER			1
18	MK1000-06	NUTPLATE-KAYNAR			8
19	0831313-1	RIB-RUDDER UPR HINGE			1
20	0831314-1	RIB-RUDDER CTR			1
21	0831315-1	RIB ASSY-RUDDER LWR			1
22	0831316-1	RIB-RUDDER LWR			1
23	0831317-1	RIB-RUDDER BOTTOM			1
24	0831317-2	RIB-RUDDER BOTTOM			1
25	0831318-1	RIB-RUDDER DIAGONAL			1
26	0831328-1	RIB-NOSE CTR HINGE			1
27	0831328-2	RIB-NOSE CTR HINGE			1
28	0831328-3	RIB-NOSE UPR HINGE			1
29	0831357-1	RIB-UPR HINGE TOP			1
30	0831345-1	RIB-RUDDER WL 6328			1
31	0831345-2	RIB-RUDDER WL 6328			1
32	0831319-1	CHANNEL-RUDDER TAB SUPPORT			1
33	0831321-1	CHANNEL-RUDDER STIFFENER			1
34	0831338-1	CHANNEL-RUDDER STIFFENER UPR			1
35	0831342-1	CHANNEL-RUDDER STIFFENER CTR			1
36	0831002-11	SKIN-RUDDER			1
37	0831002-13	SKIN-LWR RUDDER LH			1
37A	0831002-18	SKIN-LWR RUDDER RH			1
38	0831002-14	SKIN-RUDDER NOSE			1
39	0831002-15	SKIN			2
40	0831000-22	DOUBLER-RUDDER ACCESS OPENING			2
- 40A	NAS445-10	NUTPLATE-TINNERMAN A6204-6Z-1			4
41	0831000-23	COVER-ACCESS OPENING			2
42	S-1022Z-6-6	SCREW-ATTACH PLATE			4
43	0831327-1	FILLER BLOCK			1
44	0831351-1	HINGE HALF-RUDDER UPR UPR			1
45	0831351-2	HINGE HALF-RUDDER UPR LWR			1
46	0831353-1	HINGE BRACKET-UPR RUDDER CTR			1
47	0831353-2	HINGE BRACKET-LWR RUDDER CTR			1
48	0831352-1	DOUBLER-RUDDER CTR HINGE LH			1
49	0831352-2	DOUBLER-RUDDER CTR HINGE RH			1
50	0831359-1	TORQUE TUBE ASSY			1
51	0831325-1	BELLCRANK ASSY-RUDDER			1
52	MS27640-4	BEARING			1 R
53	AN3-5A	BOLT-ATTACH BELLCRANK TO TORQUE TUBE			3
54	NAS1149F0363P	WASHER-ATTACH BELLCRANK TO TORQUE TUBE			3 R
55	MS21045L3	NUT-ATTACH BELLCRANK TO TORQUE TUBE			3 R

CESSNA AIRCRAFT COMPANY
MODEL 310 THRU 310D
 ILLUSTRATED PARTS CATALOG

FIG ITEM	PART NUMBER	NOMENCLATURE	EFFECT		UNITS PER ASSY
			FROM	TO	
		1 2 3 4 5 6 7			
03					
56	0831355-1	LINK-BELLCRANK			2
57	AN23-14	BOLT-ATTACH LINK			2
58	0861500-72	SPACER-ATTACH LINK			2
59	NAS1149F0363P	WASHER-ATTACH LINK			2 R
60	AN320-3	NUT-ATTACH LINK			2
61	MS24665-136	COTTER PIN-SECURE NUT			2
62	AN257-Y3-2480	HINGE HALF-RUDDER TRIM			1
63	AN515-6R4	SCREW			2
- 63A	MK2000-06	NUTPLATE-KAYNAR			2
64	0831361-1	RIB ASSY			1
- 64A	NAS697A06	NUTPLATE			2
65	0831335-1	WEIGHT-RUDDER BALANCE			1
66	NAS222-44	SCREW-ATTACH WEIGHT			2
67	0831336-1	TIP ASSY-RUDDER			1
68	AN515-6R6	SCREW-ATTACH RUDDER TIP			14
69	AN515-6R4	SCREW-ATTACH RUDDER TIP			2

CESSNA AIRCRAFT COMPANY
MODEL 310 THRU 310D
ILLUSTRATED PARTS CATALOG

A55801



RUDDER TRIM TAB INSTALLATION
FIGURE 04 (SHEET 1)

CESSNA AIRCRAFT COMPANY
MODEL 310 THRU 310D
ILLUSTRATED PARTS CATALOG

FIG ITEM	PART NUMBER	NOMENCLATURE	EFFECT		UNITS PER ASSY
			FROM	TO	
04					
-		RUDDER TRIM TAB INSTALLATION REFER TO 55-40-00 FIGURE 01 & 03 FOR NHA			RF
1	AN253-2-2569	. HINGE PIN-ATTACH TAB TO RUDDER	35000	35771	1
- 1A	AN253-2-2610	. HINGE PIN-ATTACH TAB TO RUDDER	35772	39031	1
2	AN253-2-2450	. HINGE PIN-ATTACH TAB TO RUDDER	39032	& ON	1
3	MS24665-132	. COTTER PIN-SECURE HINGE			2
4	0831000-3	. TAB ASSY-RUDDER	35000	35771	1
- 4A	0831253-3	. TRIM TAB ASSY-RUDDER	35772	39031	1
5	0831002-5	. TAB ASSY-RUDDER	39032	& ON	1
6	0831000-50	. HORN ASSY-TAB	35000	35771	1
- 6A	0832143-2	. HORN ASSY-TAB	35772	39031	1
7	0832143-5	. HORN ASSY-TAB	39032	& ON	1
8	PN-3A	. . . BEARING-TORRINGTON	35000	35771	1
- 8A	S1003-9A	. . . BEARING	35772	& ON	1
9	0831000-53	. . . SPACER-TAB SPAR	35000	35771	1
10	AN515-8R14	. . . SCREW-ATTACH HORN TO TAB	35000	35771	2
11	AN515-8R16	. . . SCREW-ATTACH HORN TO TAB	35000	35771	2
12	NAS1149FN816P	. . . WASHER-ATTACH HORN TO TAB	35000	35771	4 R
13	MS21044N08	. . . NUT-ATTACH HORN TO TAB	35000	35771	4 R
14	0831000-52	. . . HINGE-TAB HALF	35000	35771	1
- 14A	AN257X3-2645	. . . HINGE-TAB HALF	35772	39031	1

- ITEM NOT ILLUSTRATED

© Cessna Aircraft Company

CHAPTER

56

WINDOWS

CESSNA AIRCRAFT COMPANY
MODEL 310 THRU 310D
ILLUSTRATED PARTS CATALOG

LIST OF EFFECTIVE PAGES

CHAPTER-SECTION-SUBJECT	PAGE	DATE
56-Title		
56-List of Effective Pages		
56-Record of Temporary Revisions		
56-Contents		
56-10-00 Figure 01	1	Jul 5/2004
	2	Jul 5/2004
56-10-00 Figure 02	1	Jul 3/2006
	2	Jul 3/2006
56-20-00 Figure 01	1	Jul 5/2004
	2	Jul 5/2004

CESSNA AIRCRAFT COMPANY
MODEL 310 THRU 310D
ILLUSTRATED PARTS CATALOG

SUBJECT

CH SEC SUBJ FIG

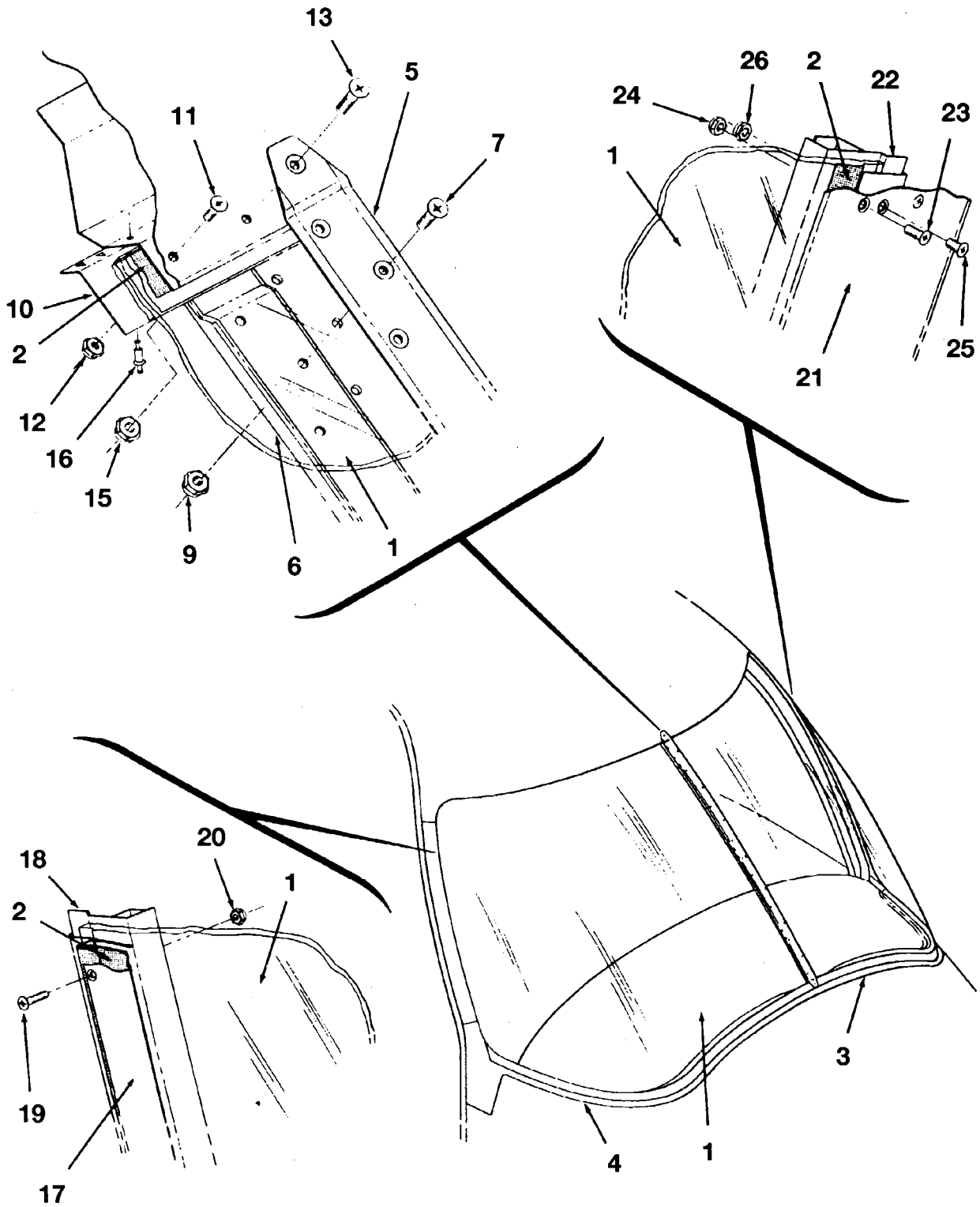
EFFECTIVITY

WINDSHIELD INSTALLATION
WINDOWS INSTALLATION
REAR WINDOWS INSTALLATION

56-10-00-01
56-10-00-02
56-20-00-01

CESSNA AIRCRAFT COMPANY
MODEL 310 THRU 310D
ILLUSTRATED PARTS CATALOG

A55604



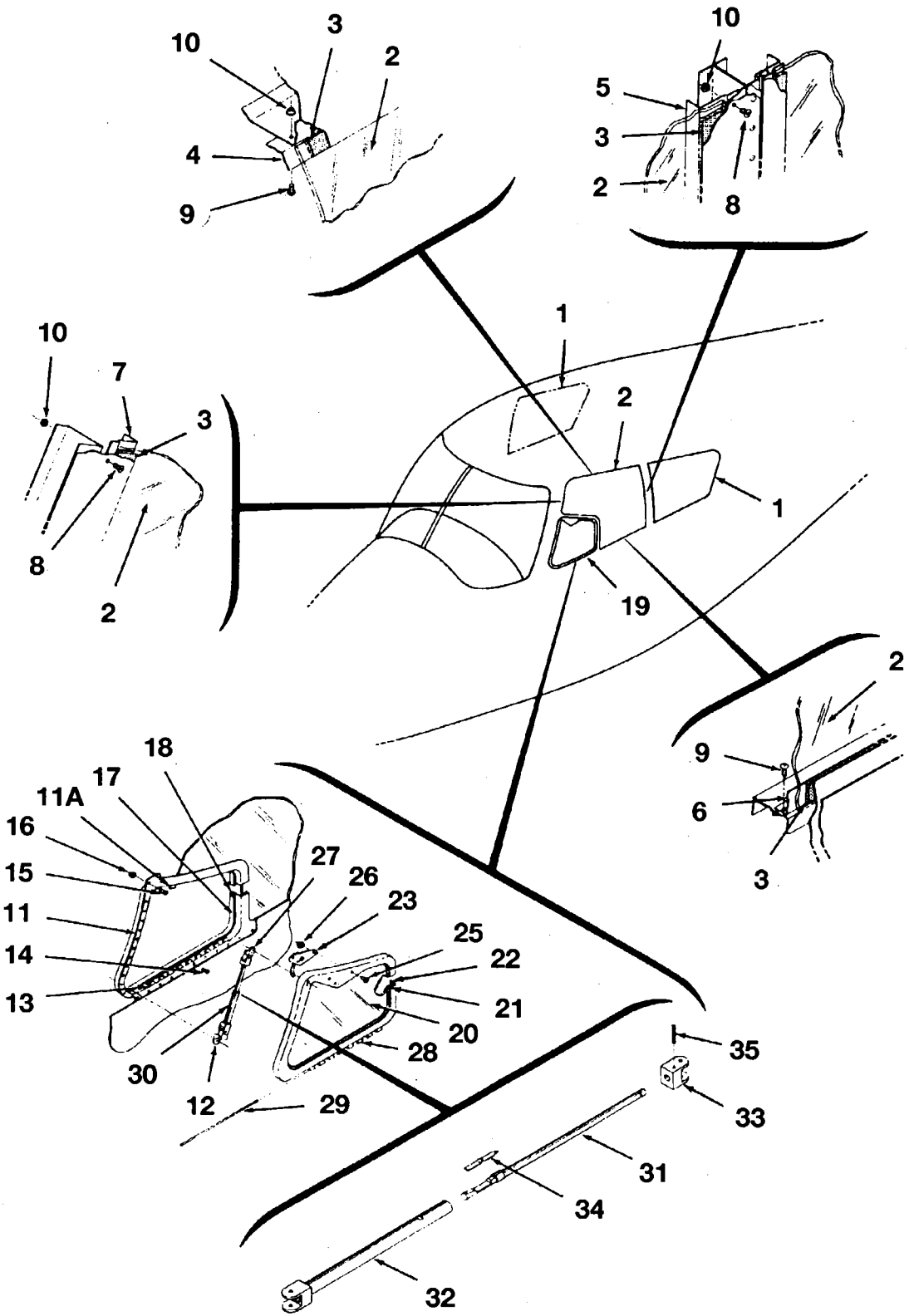
WINDSHIELD INSTALLATION
FIGURE 01 (SHEET 1)

**CESSNA AIRCRAFT COMPANY
MODEL 310 THRU 310D
ILLUSTRATED PARTS CATALOG**

FIG ITEM	PART NUMBER	NOMENCLATURE	EFFECT		UNITS
			FROM	TO	PER ASSY
01		WINDSHIELD INSTALLATION			RF
-		WINDSHIELD ASSY	35000	35015	1
- 1A	0811700-57	WINDSHIELD ASSY	35016	35546	1
- 1B	0811702-1	WINDSHIELD	35547	& ON	1
2	471	BLUE PLASTIC TAPE P840-MINNESOTA MINING			AR
3	0811707-1	RETAINER-LWR OUTSIDE LH			1
4	0811707-2	RETAINER-LWR OUTSIDE RH			1
5	0811700-10	STRIP-OUTSIDE CTR	35000	35015	1
- 5A	0811700-50	STRIP-OUTSIDE CTR	35016	35546	1
- 5B	0811737-1	STRIP-OUTSIDE CTR	35547	& ON	1
6	0811700-11	STIFFENER-INSIDE CTR	35000	35015	1
- 6A	0811700-51	STIFFENER-INSIDE CTR	35016	35546	1
- 6B	0811708-1	STIFFENER-INSIDE CTR	35547	& ON	1
7	AN507-1032R10	SCREW-ATTACH CTR STRIP & STIFFENER	35000	35015	17
- 7A	AN507-1032R10	SCREW-ATTACH CTR STRIP & STIFFENER	35016	35546	15
- 7B	AN507-1032R11	SCREW-ATTACH CTR STRIP & STIFFENER	35547	& ON	15
- 8		DELETED-NOT USED			
9	MS21045L3	NUT-ATTACH CTR STRIP & STIFFENER	35000	35015	17 R
- 9A	MS21045L3	NUT-ATTACH CTR STRIP & STIFFENER	35016	& ON	15 R
10	0811700-12	RETAINER-INSIDE UPR			1
11	AN507-1032R11	SCREW-ATTACH WINDSHIELD			22
12	MS20364-1032C	NUT-ATTACH WINDSHIELD			22
13	AN507-1032R14	SCREW-ATTACH CTR STRIPS WINDSHIELD & RETAINER			1
- 14		DELETED-NOT USED			
15	MS20364-1032C	NUT-ATTACH CTR STRIPS WINDSHIELD & RETAINER			1
16	NAS455-163C-4-2	BLIND RIVET-ATTACH RETAINER			25
17	0811700-13	SKIN-RH			1
18	0811700-14	RETAINER-INSIDE RH	35000	35546	1
- 18A	0811703-1	RETAINER-INSIDE RH	35547	& ON	1
		ATTACHING PARTS			
19	AN507-632R7	SCREW-ATTACH SKIN & WINDSHIELD	35000	35546	14
- 19A	AN507-632R9	SCREW-ATTACH SKIN & WINDSHIELD	35547	& ON	14
20	MS20364-1032C	NUT-ATTACH SKIN & WINDSHIELD			14
21	0811725-20	SKIN-LH			1
22	0811700-15	RETAINER-INSIDE LH	35000	35546	1
- 22A	0811705-1	RETAINER-INSIDE LH	35547	& ON	1
23	AN507-632R7	SCREW-ATTACH SKIN & WINDSHIELD	35546	35546	14
- 23A	AN507-632R9	SCREW-ATTACH SKIN & WINDSHIELD	35547	& ON	14
24	MS20364-632C	NUT-ATTACH SKIN & WINDSHIELD			14
25	AN507-632R3	SCREW-ATTACH RETAINER			10
26	MS20364-632C	NUT-ATTACH RETAINER			10

CESSNA AIRCRAFT COMPANY
MODEL 310 THRU 310D
ILLUSTRATED PARTS CATALOG

A55624



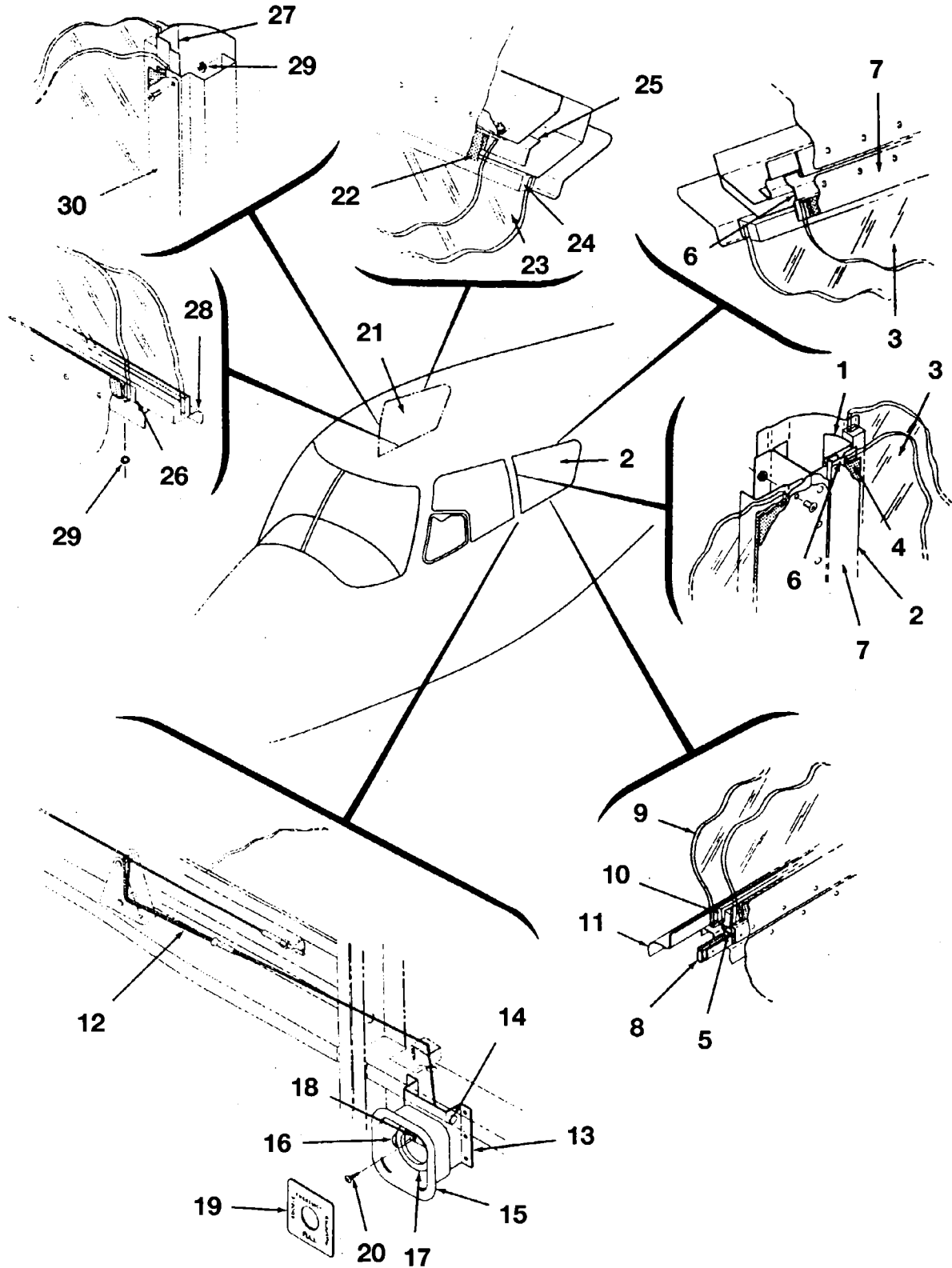
WINDOWS INSTALLATION
FIGURE 02 (SHEET 1)

**CESSNA AIRCRAFT COMPANY
MODEL 310 THRU 310D
ILLUSTRATED PARTS CATALOG**

FIG ITEM	PART NUMBER	NOMENCLATURE	EFFECT		UNITS PER ASSY
			FROM	TO	
02		WINDOWS INSTALLATION REFER TO 53-10-00 FIGURE 01 FOR NHA			RF
1		REAR WINDOWS INSTALLATION-REFER TO 25-80-00 FIGURE 01 FOR BREAKDOWN			RF
2	0811680-14	WINDOW-FRONT LH	35000	35546	1
- 2A	0811684-1	WINDOW-FRONT LH	35547	& ON	1
3	471	BLUE PLASTIC TAPE P840-MINNESOTA MINING			AR
4	0811680-2	RETAINER-WINDOW GLASS UPR			1
5	0811680-3	RETAINER-WINDOW GLASS REAR TRIM SUPPORT & SEAL	35000	35546	1
- 5A	0811682-1	RETAINER-WINDOW GLASS REAR TRIM SUPPORT & SEAL	35547	& ON	1
6	0811680-4	RETAINER-WINDOW GLASS LWR			1
7	0811725-25	RETAINER-WINDOW FWD	35000	35546	1
- 7A	0811732-1	RETAINER-WINDOW FWD	35547	& ON	1
8	AN507-632R4	SCREW-ATTACH RETAINER			17
9	AN515-6R5	SCREW-ATTACH RETAINER			13
10	MS20364-632C	NUT-ATTACH RETAINER			30
11	0811725-1	MAIN FRAME ASSY-WINDOW	35000	35546	1
11A	0811725-5	CATCH ASSY-LATCH			1
- 11B	0811729-1	FRAME ASSY-MAIN WINDOW	35547	& ON	1
12	0811725-4	TERMINAL ASSY-MAIN WINDOW FRAME			1
13	0811725-7	HINGE HALF			1
14	AN507-632R7	SCREW-ATTACH FRAME			11
15	AN507-632R4	SCREW-ATTACH FRAME & SKIN			9
16	MS20364-632C	NUT-ATTACH FRAME & SKIN			9
17	783	SILK TAPIS FABRIC CHANNEL-ATLANTIC INDIA RUBBER WORKS INC	35000	35546	AR
18	S2249-2	WEATHERSTRIP-TOYAD CORP			AR R
19	0811725-2	WINDOW ASSY-FOUL WEATHER	35000	35546	1
- 19A	0811727-1	WINDOW ASSY-FOUL WEATHER	35547	& ON	1
20	0811725-21	WINDOW-PLASTIC	35000	35546	1
- 20A	0811726-1	WINDOW-PLASTIC	35547	& ON	1
- 20B	471	BLUE PLASTIC TAPE P840-MINNESOTA MINING			AR
21	0811725-22	WINDOW FRAME	35000	35546	1
- 21A	0811728-1	RETAINER-WINDOW FRAME	35547	& ON	1
22	0811725-23	RETAINER-WINDOW	35000	35546	1
- 22A	0811728-2	RETAINER-WINDOW	35547	& ON	1
23	0811725-35	LATCH & BASE ASSY-FOUL WEATHER WINDOW			1
- 24		DELETED-NOT USED			
25	AN509-10R11	SCREW-ATTACH LATCH	35000	35546	3
- 25A	MS24694-S53	SCREW-ATTACH LATCH ALT FOR AN509-10R11	35000	35546	3 R
- 25B	AN509-10R9	SCREW-ATTACH LATCH	35547	& ON	3
- 25C	MS24694-S51	SCREW-ATTACH LATCH ALT FOR AN509-10R9	35547	& ON	3 R
26	22NKM-02	CAP NUT-ATTACH LATCH ESNA			3
27	0811725-4	TERMINAL ASSY-FOUL WEATHER WINDOW			1
28	0811725-8	HINGE HALF-REVERSE	35000	35546	1
- 28A	0811733-1	HINGE HALF-REVERSE	35547	& ON	1
29	AN253-2-1115	PIN-FOUL WEATHER WINDOW			1
30	0811735-1	TELESCOPIC ASSY-FOUL WEATHER WINDOW			1
31	0811735-2	SHAFT ASSY			1
32	0811735-3	TUBE ASSY			1
33	0811725-34	BRACKET-TELESCOPE			1
34	0811730-1	SPRING			1
35	NAS561P3-8	PIN-ROLL			1
- 35A	MS16562-25	PIN-ROLL ALT FOR NAS561P3-8			1 R

CESSNA AIRCRAFT COMPANY
MODEL 310 THRU 310D
ILLUSTRATED PARTS CATALOG

A55625



REAR WINDOWS INSTALLATION
FIGURE 01 (SHEET 1)

CESSNA AIRCRAFT COMPANY
MODEL 310 THRU 310D
ILLUSTRATED PARTS CATALOG

FIG ITEM	PART NUMBER	NOMENCLATURE	EFFECT		UNITS PER ASSY
			FROM	TO	
01		REAR WINDOWS INSTALLATION REFER TO 56-10-00 FIGURE 02 FOR NHA			RF
- 1	0811690-20	. RETAINER-TRIM SUPPORT & SEAL	35000	35262	1
- 1A	0811752-1	. RETAINER-TRIM SUPPORT & SEAL	35263	35546	1
- 1B	0811756-1	. RETAINER-TRIM SUPPORT & SEAL	35547	& ON	1
2	0811690-1	. WINDOW ASSY-EMERGENCY FSO 0811690-39	35000	35262	NP
- 2A	0811690-39	. WINDOW ASSY-EMERGENCY	35263	35546	1
- 2B	0811693-1	. WINDOW ASSY-EMERGENCY	35547	35771	1
- 2C	0811693-2	. WINDOW ASSY-EMERGENCY	35772	& ON	1
3	0811690-25	. WINDOW-PLASTIC	35000	35546	1
- 3A	0811691-1	. WINDOW-PLASTIC	25547	25771	1
- 3B	0811691-3	. WINDOW-PLASTIC	35772	& ON	1
4	471	. BLUE PLASTIC TAPE P840-MINNESOTA MINING			AR
5	0811690-2	. CATCH-WINDOW			4
6	0811690-3	. FRAME-WINDOW	35000	35546	1
- 6A	0811694-1	. FRAME-WINDOW	35547	35771	1
- 6B	0811694-2	. FRAME-WINDOW	35772	& ON	1
7	0811690-4	. SKIN-WINDOW	35000	35262	1
- 7A	0811690-38	. SKIN-WINDOW	35263	35771	1
- 7B	0811690-44	. SKIN-WINDOW	35772	& ON	1
8	0811760-3	. SEAL-WINDOW			1
9	0811755-7	. WINDOW-EMERGENCY INBD	35263	& ON	1
10	0811751-1	. MOULDING-EMERGENCY INBD WINDOW	35263	& ON	1
11		. TRIM-WINDOW REFER TO 25-20-01 FIGURES 01 & 02			RF
12	0812500-5	. CABLE ASSY-EMERGENCY WINDOW			1
- 12A	0812500-1	. MOUNTING ASSY-WINDOW RELEASE			1
13	0812500-2	. HAT SECTION			1
- 13A	NAS444-2	. NUT-TINNERMAN A6195-6Z-24A			2
14	MS20392-2-65	. PIN-FLATHEAD			1
- 14A	MS24665-130	. COTTER PIN			1
15	0812500-3	. PAN-WINDOW RELEASE			1
16	0812500-4	. CLIP RING			1
17	0812500-9	. TUBE RING-WINDOW RELEASE			1
18	RA2487-2	. BALL-TRULOC			1
19	0812500-10	. COVER-WINDOW RELEASE			1
20	S-1021Z-6-6C	. SCREW-ATTACH PAN & CLIP			2
21	0811690-26	. WINDOW-REAR RH OUTBD	35000	35546	1
- 21A	0811691-2	. WINDOW-REAR RH OUTBD	35547	& ON	1
22	471	. BLUE PLASTIC TAPE P840-MINNESOTA MINING			AR
23	0811755-8	. WINDOW-REAR RH INBD	35263	& ON	1
24	0811751-1	. MOULDING-REAR RH INBD WINDOW	35263	& ON	1
25	0811690-7	. RETAINER-WINDOW GLASS			1
26	0811690-8	. RETAINER-WINDOW GLASS			1
27	0811690-10	. TRIM SUPPORT & RETAINER-WINDOW	35000	35262	1
- 27A	0811753-1	. TRIM SUPPORT & RETAINER-WINDOW	35263	35546	1
- 27B	0811757-1	. TRIM SUPPORT-WINDOW	35547	& ON	1
28		. TRIM-WINDOW REFER TO 25-20-01 FIGURES 01 & 02			RF
29	MS20364-632C	. NUT-ATTACH RETAINERS			30
- 29A	AN507-632R4	. SCREW-ATTACH RETAINERS			11
- 29B	AN515-6R5	. SCREW-ATTACH RETAINERS			19
30	0811690-23	. SKIN-WINDOW POST	35000	35262	1
- 30A	0811690-37	. SKIN-WINDOW POST	35263	35791	1

CHAPTER

57

WINGS

CESSNA AIRCRAFT COMPANY
MODEL 310 THRU 310D
 ILLUSTRATED PARTS CATALOG

LIST OF EFFECTIVE PAGES

CHAPTER-SECTION-SUBJECT	PAGE	DATE
57-Title		
57-List of Effective Pages		
57-Record of Temporary Revisions		
57-Contents		
57-10-00 Figure 01	1	Jul 3/2006
	2	Jul 3/2006
	3	Jul 3/2006
57-10-00 Figure 02	1	Jul 5/2004
	2	Jul 5/2004
	3	Jul 5/2004
57-10-00 Figure 03	1	Jul 3/2006
	2	Jul 3/2006
57-10-00 Figure 04	1	Jul 3/2006
	2	Jul 3/2006
	3	Jul 3/2006
57-10-00 Figure 05	1	Jul 3/2006
	2	Jul 3/2006
	3	Jul 3/2006
57-10-00 Figure 06	1	Jul 5/2004
	2	Jul 5/2004
57-10-00 Figure 07	1	Jul 3/2006
	2	Jul 3/2006
57-10-00 Figure 08	1	Jul 3/2006
	2	Jul 3/2006
	3	Jul 3/2006
57-10-00 Figure 09	1	Jul 3/2006
	2	Jul 3/2006
57-10-00 Figure 10	1	Jul 3/2006
	2	Jul 3/2006
57-10-00 Figure 11	1	Jul 3/2006
	2	Jul 3/2006
57-10-01 Figure 01	1	Jul 5/2004
	2	Jul 5/2004
	3	Jul 5/2004
57-10-01 Figure 02	1	Jul 3/2006
	2	Jul 3/2006
57-10-01 Figure 03	1	Jul 3/2006
	2	Jul 3/2006
	3	Jul 3/2006
57-10-01 Figure 04	1	Jul 5/2004
	2	Jul 5/2004
	3	Jul 5/2004
57-10-01 Figure 05	1	Jul 3/2006
	2	Jul 3/2006
57-10-01 Figure 06	1	Jul 3/2006
	2	Jul 3/2006
	3	Jul 3/2006
57-40-00 Figure 01	1	Jul 3/2006
	2	Jul 3/2006
57-40-00 Figure 02	1	Jul 3/2006

CESSNA AIRCRAFT COMPANY
MODEL 310 THRU 310D
ILLUSTRATED PARTS CATALOG

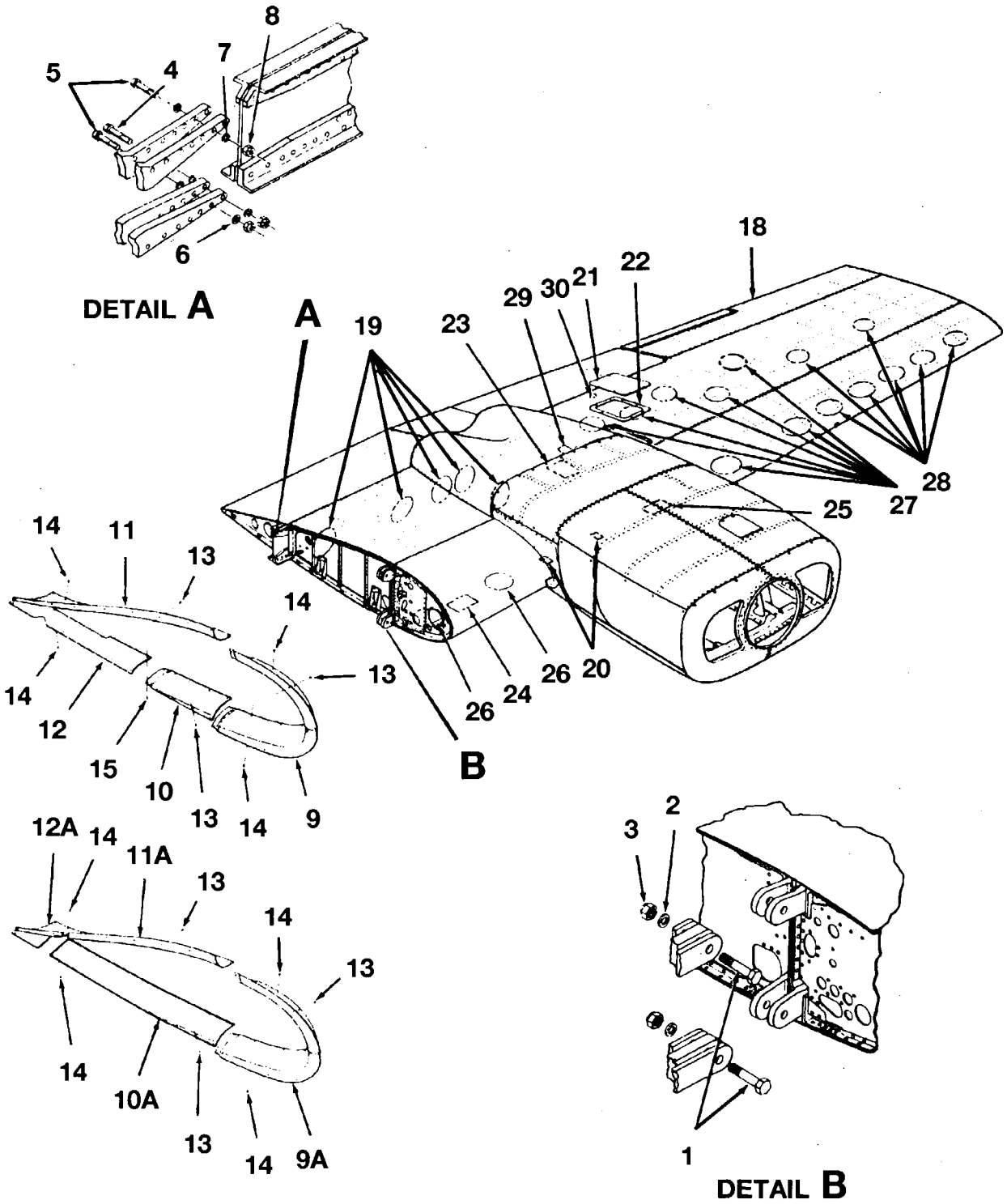
	2	Jul 3/2006
57-50-00 Figure 01	1	Jul 5/2004
	2	Jul 5/2004
57-50-00 Figure 02	1	Jul 5/2004
	2	Jul 5/2004
57-50-00 Figure 03	1	Jul 3/2006
	2	Jul 3/2006
57-50-00 Figure 04	1	Jul 3/2006
	2	Jul 3/2006
57-50-00 Figure 05	1	Jul 5/2004
	2	Jul 5/2004
57-50-00 Figure 06	1	Jul 5/2004
	2	Jul 5/2004
57-50-00 Figure 07	1	Jul 3/2006
	2	Jul 3/2006
57-50-00 Figure 08	1	Jul 3/2006
	2	Jul 3/2006
57-60-00 Figure 01	1	Jul 5/2004
	2	Jul 5/2004
57-60-00 Figure 02	1	Jul 5/2004
	2	Jul 5/2004
57-60-00 Figure 03	1	Jul 5/2004
	2	Jul 5/2004

CESSNA AIRCRAFT COMPANY
MODEL 310 THRU 310D
ILLUSTRATED PARTS CATALOG

<u>SUBJECT</u>	<u>CH SEC SUBJ FIG</u>	<u>EFFECTIVITY</u>
LEFT WING INSTALLATION	57-10-00-01	
LEFT WING STRUCTURE ASSEMBLY	57-10-00-02	
LEFT WING RIBS INSTALLATION	57-10-00-03	
LEFT WING SKINS AND STRINGERS INSTALLATION	57-10-00-04	
RIGHT WING INSTALLATION	57-10-00-05	
RIGHT WING STRUCTURE ASSEMBLY	57-10-00-06	
RIGHT WING RIBS INSTALLATION	57-10-00-07	
RIGHT WING SKINS AND STRINGERS INSTALLATION	57-10-00-08	
FUSELAGE FRONT SPAR ASSEMBLY	57-10-00-09	
FUSELAGE REAR SPAR ASSEMBLY	57-10-00-10	
WING SPAR STRAP	57-10-00-11	035000 039299
LEFT WING STRUCTURE ASSEMBLY - AUXILIARY FUEL SYSTEM	57-10-01-01	
LEFT WING RIBS INSTALLATION - AUXILIARY FUEL SYSTEM	57-10-01-02	
LEFT WING SKINS AND STRINGERS INSTALLATION - AUXILIARY FUEL SYSTEM	57-10-01-03	
RIGHT WING STRUCTURE ASSEMBLY - AUXILIARY FUEL SYSTEM	57-10-01-04	
RIGHT WING RIBS INSTALLATION - AUXILIARY FUEL SYSTEM	57-10-01-05	
RIGHT WING SKINS AND STRINGERS INSTALLATION - AUXILIARY FUEL SYSTEM	57-10-01-06	
LEFT WING FRONT SPAR AND LEADING EDGE ASSEMBLIES	57-40-00-01	
RIGHT WING FRONT SPAR AND LEADING EDGE ASSEMBLIES	57-40-00-02	
LEFT WING TRAILING EDGE ASSEMBLY	57-50-00-01	
LEFT WING CONTROLS SUPPORT BRACKETS INSTALLATION	57-50-00-02	
LEFT INBOARD FLAP INSTALLATION	57-50-00-03	
LEFT OUTBOARD FLAP INSTALLATION	57-50-00-04	
RIGHT WING TRAILING EDGE ASSEMBLY	57-50-00-05	
RIGHT WING CONTROLS SUPPORT BRACKETS INSTALLATION	57-50-00-06	
RIGHT INBOARD FLAP INSTALLATION	57-50-00-07	
RIGHT OUTBOARD FLAP INSTALLATION	57-50-00-08	
LEFT AILERON INSTALLATION	57-60-00-01	
RIGHT AILERON INSTALLATION	57-60-00-02	
AILERON TRIM TAB INSTALLATION	57-60-00-03	

CESSNA AIRCRAFT COMPANY
MODEL 310 THRU 310D
 ILLUSTRATED PARTS CATALOG

A55555



LEFT WING INSTALLATION
 FIGURE 01 (SHEET 1)

**CESSNA AIRCRAFT COMPANY
MODEL 310 THRU 310D
ILLUSTRATED PARTS CATALOG**

FIG ITEM	PART NUMBER	NOMENCLATURE	EFFECT		UNITS PER ASSY
			FROM	TO	
01		LEFT WING INSTALLATION			RF
		ATTACHING PARTS			
1	AN10-26A	BOLT-ATTACH FRONT SPAR TO FUSELAGE			02
2	NAS1149F1063P	WASHER-ATTACH FRONT SPAR TO FUSELAGE			02 R
3	MS21044N10	NUT-ATTACH FRONT SPAR TO FUSELAGE			02 R
4	NAS146-47	BOLT-ATTACH REAR SPAR TO FUSELAGE			12
5	NAS146-49	BOLT-ATTACH REAR SPAR TO FUSELAGE			02
6	MS20002-6C	WASHER-ATTACH REAR SPAR TO FUSELAGE			14
- 7	MS20002-6	WASHER-ATTACH REAR SPAR TO FUSELAGE			14
8	1801-064	NUT-ATTACH REAR SPAR TO FUSELAGE			14
9	0800051-1	FILLET ASSY-FRONT LEFT WING	35000	35546	01
9A	0800056-13	FILLET ASSY-FRONT LEFT WING	35547	& ON	01
10	0800051-5	FILLET-BOTTOM LEFT WING LWR	35000	35546	01
10A	0800056-5	FILLET-LWR LEFT WING	35547	& ON	01
11	0800051-3	FILLET-TOP LEFT WING	35000	35546	01
11A	0800056-7	FILLET-UPR LEFT WING	35547	& ON	01
12	0800051-7	FILLET-REAR LEFT WING LWR	35000	35546	01
12A	0800056-3	DECAL-REAR LEFT WING	35547	& ON	01
13	AN515-8R8	SCREW-ATTACH FILLET			AR
- 13A	AN520-10R10	SCREW-ATTACH FILLET	39055	& ON	AR
- 13B	AN520-10R8	SCREW-ATTACH FILLET	39055	& ON	AR
14	S1021Z4-4	SCREW			AR
15	S1022Z8-8	SCREW			AR
- 15A	T-71D035-832	BANC-LOK-BOOTS AIRCRAFT NUT CORP	35000	39054	AR
- 15B	S8KL75	RIVNUT-BF GOODRICH	39055	& ON	AR
- 15C	H10V190	RIVNUT-BF GOODRICH	39055	& ON	AR
- 15D	H10V70	RIVNUT-BF GOODRICH	39055	& ON	AR
- 15E		WING ASSY-COMPLÈTE LEFT			RF
- 15F	0892003-9	STRUCTURE ASSY-LEFT WING REFER TO 57-10-00 FIGURE 02 FOR BREAKDOWN REFER TO NOTES 1 AND 2	35000	35227	01
- 15G	0892003-3	STRUCTURE ASSY-LEFT WING FSO 0892003-7 REFER TO 57-10-00 FIGURE 02 FOR BREAKDOWN REFER TO NOTE 1	35229	35262	
			35228	35228	NP
			35263	35728	
- 15H	0892003-7	STRUCTURE ASSY-LEFT WING REFER TO 57-10-00 FIGURE 02 FOR BREAKDOWN REFER TO NOTES 1 AND 2	35228	35228	01
			35263	35771	
- 15J	0892003-11	STRUCTURE ASSY-LEFT WING REFER TO 57-10-00 FIGURE 02 FOR BREAKDOWN REFER TO NOTE 3	35772	& ON	01
- 16		DELETED-NOT USED			
- 17		DELETED-NOT USED			
- 17A		BATTERY BOX INSTALLATION-REFER TO 24-30-00 FIGURES 01 & 02 FOR BREAKDOWN			RF
- 17B		MAIN GEAR DOOR INSTALLATION-LEFT WING REFER TO 32-10-01 FIGURE 01 FOR BREAKDOWN			RF
18		AILERON INSTALLATION-LEFT WING REFER TO 57-60-00 FIGURE 01 FOR BREAKDOWN			RF
- 18A		FLAP INSTALLATION-LEFT WING INBD REFER TO 57-50-00 FIGURE 03 FOR BREAKDOWN			RF
- 18B		FLAP INSTALLATION-LEFT WING OUTBD REFER TO 57-50-00 FIGURE 04 FOR BREAKDOWN			RF
19	0822275-85	PLATE COVER-WHEEL WELL ATTACHING PARTS			05
- 19A	AN520-10R6	SCREW-ATTACH COVER PLATE			32

NOTE 1—THIS ASSEMBLY INCORPORATES A MODIFICATION TO THE LANDING GEAR DOOR MECHANISM SUPPORT STRUCTURE. AIRPLANES SERIALS 35791 THRU 35833 HAVE BEEN MODIFIED AT THE FACTORY.

NOTE 2—WHEN ORDERING 0892003-9 FOR APPLICABLE SERIALS OR 0892003-7 PRIOR TO SERIAL 35729, ALSO ORDER 0850469-1 RELAY, AN515-8R8 SCREW, AN960-10 WASHER AND 0850484-1 BUS BAR ASSEMBLY.

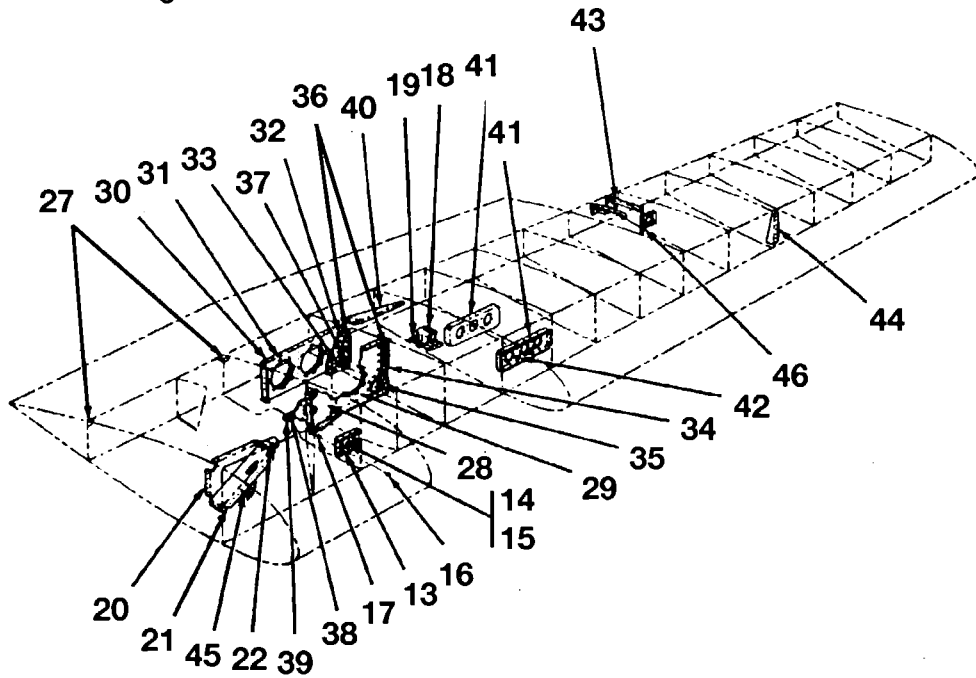
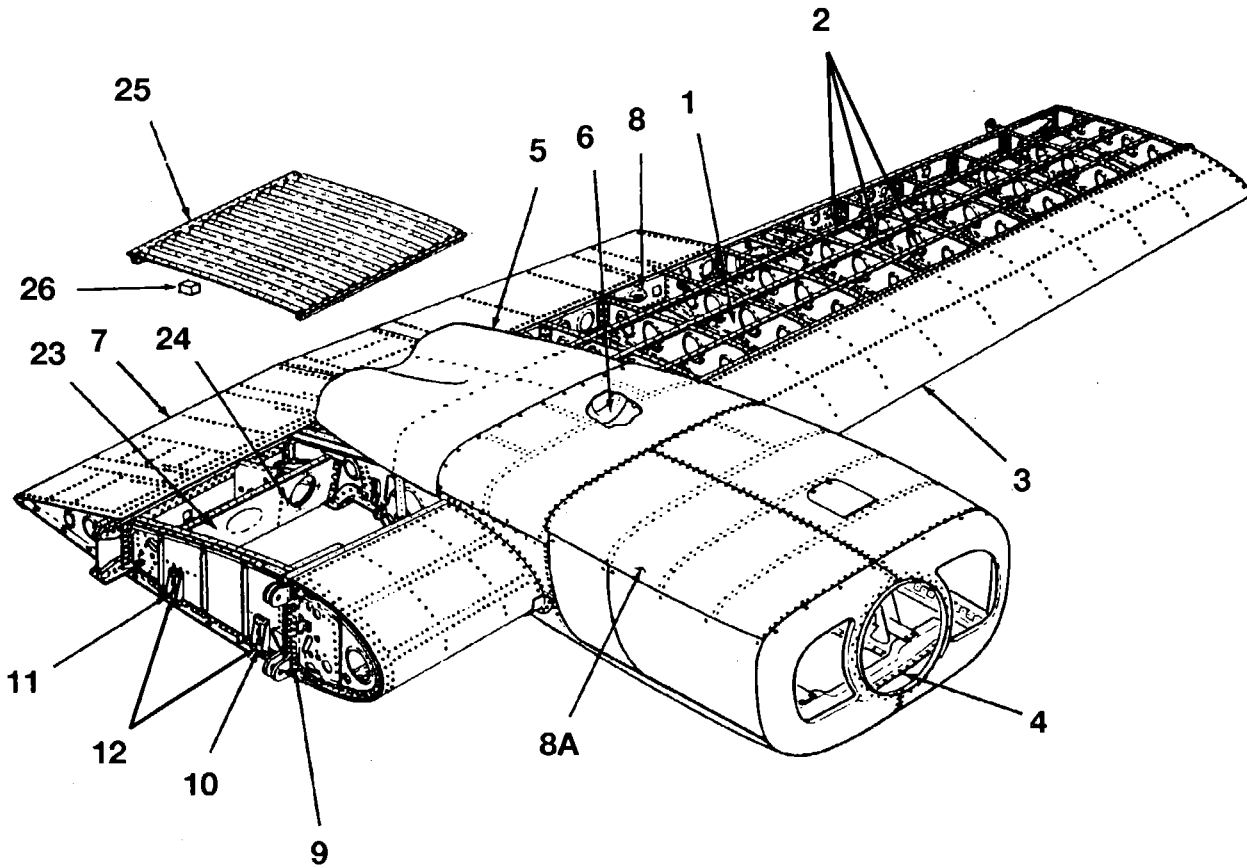
NOTE 3—WHEN ORDERING THIS ASSEMBLY FOR AIRPLANES SERIAL 35772 THRU 35833, ALSO ORDER AN6-33A BOLT 4 EACH, AN509-616R58 SCREW 2 EACH, AN960-616L WASHER 2 EACH, 10310-021-2 BEARING 2 EACH, 5045001-201 ARM ASSEMBLY, 5045001-202 ARM ASSEMBLY, AN960-816L WASHER 2 EACH, 0843502-1 SPACER 2 EACH 0826000-39 DOOR ASSEMBLY, 0826000-40 DOOR ASSEMBLY. THIS ASSEMBLY IS EQUIPPED WITH 1/2" DIAMETER DE-ICE LINES, LOCATED BEHIND THE FIREWALL. WHEN ORDERING THIS ASSEMBLY FOR AIRPLANES SERIAL 35906 & ON EQUIPPED WITH THE GOODRICH STORED ENERGY TYPE DE-ICE SYSTEM (3/8" LINES), ALSO ORDER (2) TWO 0820526-1 UNION, (2) TWO S-51-8 HOSE 2 INCHES LONG & (4) FOUR NAS397-12 CLAMPS

CESSNA AIRCRAFT COMPANY
MODEL 310 THRU 310D
ILLUSTRATED PARTS CATALOG

FIG ITEM	PART NUMBER	NOMENCLATURE	EFFECT		UNITS PER ASSY
			FROM	TO	
01					
20	0851000-95	.. PLATE-INSPECTION ATTACHING PARTS ..			02
- 20A	S1022Z8-6	.. SCREW-ATTACH PLATE - - - ..			01
21	0822005-26	.. COVER ASSY-BATTERY BOX ..			01
- 21A	0822005-3	.. RUB STRIP-COVER ..			02
- 21B	0822005-40	.. SEAL BOX COVER ..			02
- 21C	F4-35	.. FASTENER-STUD ATTACH COVER DZUS ATTACHING PARTS ..			08
- 21D	GF4-150	.. GROMMET-ATTACH COVER DZUS ..			08
22	0822005-8	.. SEAL-BATTERY BOX COVER - - - ..			01
23	0822275-21	.. ACCESS DOOR-PLATE INSPECTION ..			01
24	0822510-15	.. ACCESS DOOR-INBD PLATE INSPECTION ..			01
25	0822510-12	.. DOOR DEICE-OUTBD PLATE INSPECTION ATTACHING PARTS ..			01
- 25A	AN507-1032R6	.. SCREW-ATTACH INSPECTION PLATES ..	35000	35374	84
- 25B	AN507-1032R6	.. SCREW-ATTACH INSPECTION PLATES ..	35376	35420	88
- 25C	AN507-1032R6	.. SCREW-ATTACH INSPECTION PLATES ..	35375	35375	88
			35421	35489	
			35491	35505	
			35490	35490	92
			35506	& ON	
26	0822380-7	.. DOOR ACCESS-INSPECTION PLATE ..	35000	35301	02
- 26A	0822380-7	.. DOOR ACCESS-INSPECTION PLATE ..	35302	& ON	01
- 26B	0822361-1	.. DOOR ACCESS-INSPECTION PLATE ..	35302	& ON	01
27	0822380-6	.. DOOR ACCESS-INSPECTION PLATE ..	35000	35374	05
			35376	35420	
27A	0822380-6	.. DOOR ACCESS-INSPECTION PLATE ..	35375	35375	06
			35421	35489	
			35491	35505	
- 27B	0822380-6	.. DOOR ACCESS-INSPECTION PLATE ..	35490	35490	07
			35506	& ON	
28	0822380-5	.. DOOR ACCESS-INSPECTION PLATE ..			07
29	0312155-4	.. DOOR ASSY-GROUND SERVICE PLUG ..			01
- 29A	S147	.. SPRING ..			01
- 29B	AN253-2-225	.. PIN-HINGE ..			01
30	HS48174-K2215	.. PLUG BUTTON-UNITED CARR ..			06

CESSNA AIRCRAFT COMPANY
MODEL 310 THRU 310D
ILLUSTRATED PARTS CATALOG

A55556



LEFT WING STRUCTURE ASSEMBLY
FIGURE 02 (SHEET 1)

**CESSNA AIRCRAFT COMPANY
MODEL 310 THRU 310D
ILLUSTRATED PARTS CATALOG**

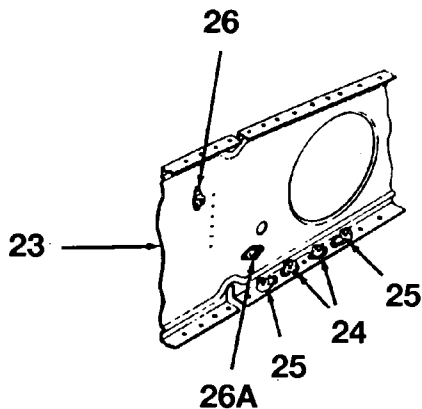
FIG ITEM	PART NUMBER	NOMENCLATURE	EFFECT		UNITS PER ASSY
			FROM	TO	
02		LEFT WING STRUCTURE ASSEMBLY			
0	0892003-9	STRUCTURE ASSY-LEFT WING REFER TO 57-10-00 FIGURE 01 FOR NHA	35000	35227	RF 1
A	0892003-3	STRUCTURE ASSY-LEFT WING FSO 0892003-7 REFER TO 57-10-00 FIGURE 01 FOR NHA	35228	35228	NP 1
B	0892003-7	STRUCTURE ASSY-LEFT WING REFER TO 57-10-00 FIGURE 01 FOR NHA	35263	35728	1
C	0892003-11	STRUCTURE ASSY-LEFT WING REFER TO 57-10-00 FIGURE 01 FOR NHA	35228	35228	1
			35263	35771	
			35772	& ON	1
1		RIBS INSTALLATION-LEFT WING REFER TO 57-10-00 FIGURE 03 FOR BREAKDOWN			RF
2		SKINS & STRINGS INSTALLATION-LEFT WING REFER TO 57-10-00 FIGURE 04 FOR BREAKDOWN			RF
3		FRONT SPAR & LEADING EDGE ASSYS-LEFT WING REFER TO 57-40-00 FIGURE 01 FOR BREAKDOWN			RF
4		ENGINE NACELLE INSTALLATION-LEFT WING LWR REFER TO 54-10-00 FIGURE 01 FOR BREAKDOWN			RF
5		ENGINE NACELLE INSTALLATION-LEFT WING UPR REFER TO 54-10-00 FIGURES 03 & 04 FOR BREAKDOWN			RF
6		FIREWALL INSTALLATION-LEFT WING REFER TO 54-10-01 FIGURES 01 & 02 FOR BREAKDOWN			RF
7		TRAILING EDGE ASSY-LEFT WING REFER TO FIGURE 57-50-00 01 FOR BREAKDOWN			RF
8		CONTROLS SUPPORT BRACKETS INSTALLATION-REFER TO 57-50-00 FIGURE 02 FOR BREAKDOWN			RF
8A		ENGINE COWL INSTALLATION-REFER TO 71-10-00 FIGURES 01 & 02 FOR BREAKDOWN			RF
9	AN4-22A	BOLT-ATTACH ROOT RIB TO FRONT SPAR			4
- 9A	MS20365-428	NUT-ATTACH ROOT RIB TO FRONT SPAR			4
10	0822100-45	BRACKET-FWD LANDING GEAR DOOR HINGE			1
11	0822100-46	BRACKET-AFT LANDING GEAR DOOR HINGE			1
12	AN507-1032R10	SCREW-ATTACH BRACKETS			4
- 12A	MS21045L3	NUT-ATTACH BRACKETS			4 R
13	0843508-1	SUPPORT ASSY-LANDING GEAR			1
14	AN200KP6	BEARING			1
15	NAS669-428C	RETAINER-BEARING			1
16	AN3-5A	BOLT-ATTACH SUPPORT			2
17	MS21045L3	NUT-ATTACH SUPPORT			2 R
18	0822006-1	BRACKET ASSY-LEFT WING GROUND SERVICE PLUG			1
19	0822000-39	DOUBLER-LEFT WING GROUND SERVICE PLUG OPENING			1
20	0822000-47	WEB BRACKET-LEFT WING LANDING GEAR DOOR ACTUATOR ROD SUPPORT	35000	35833	1
- 20A	0822000-93	WEB DOOR BRACKET-LEFT WING LANDING GEAR DOOR ACTUATOR ROD SUPPORT	35834	& ON	1
21	0822000-45	CHANNEL-LEFT WING LANDING GEAR DOOR REINFORCEMENT			1
- 21A	22NA7-68-02	NUTPLATE-DOOR STOP ESNA	35638	35833	2
- 21B	NAS428H3A20	BOLT-DOOR STOP	35638	35833	1 R
- 21C	0822003-1	BRACKET ASSY-STOP	35834	& ON	1
- 21D	NAS564-45	BOLT-DOOR STOP	35834	& ON	1
- 21E	AN315-4R	NUT-SECURE STOP BOLT	35834	& ON	1
22	CR163C-5-8	RIVET-ATTACH CHANNEL CHERRY RIVET CO.			3
23	0822275-5	SPAR ASSY-LEFT WING AUXILIARY			1
24	MS21047L3	NUTPLATE-SPAR			8 R
25	0822000-25	REINFORCEMENT-LEFT WING WALK			1
26	0822001-14	RUBBER SEAL-WING WALK REINFORCEMENT			13
27	0822001-5	SEAL CORNER-WING WALK CORNER REINFORCEMENT			2
28	0822275-31	SPAR ASSY-LEFT WING AUXILIARY			1
29	MS21047L3	NUTPLATE-SPAR			8 R
30	0822275-7	SPAR ASSY-LEFT WING AUXILIARY			1
31	MS21047L3	NUTPLATE-SPAR			16 R
32	0822724-1	SUPPORT ASSY-FORGING ASSY LEFT WING LANDING GEAR SUPPORT AFT			1

**CESSNA AIRCRAFT COMPANY
MODEL 310 THRU 310D
ILLUSTRATED PARTS CATALOG**

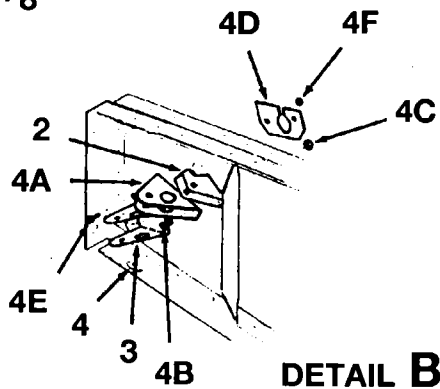
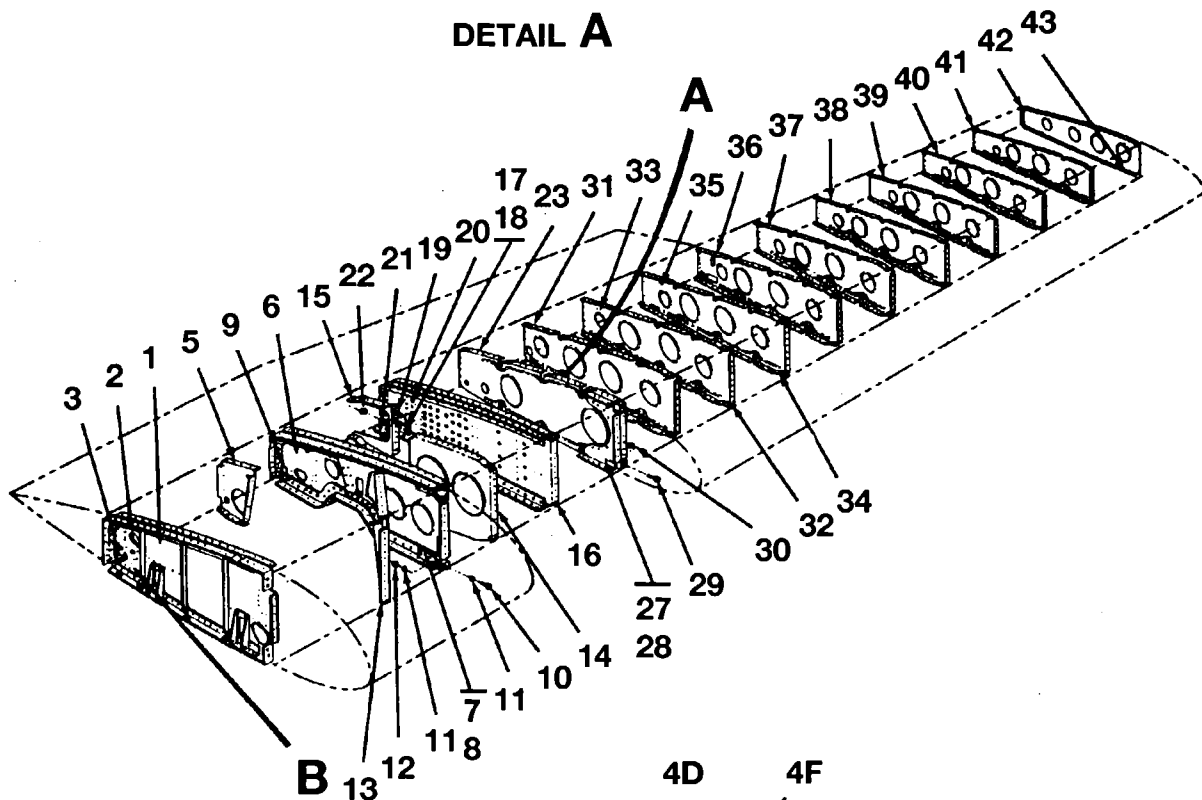
FIG ITEM	PART NUMBER	NOMENCLATURE	EFFECT		UNITS PER ASSY
			FROM	TO	
02					
33	NAS505-12	. BEARING-SUPPORT NEEDLE			1
34	0822720-1	. SUPPORT ASSY-FWD LEFT WING LANDING GEAR FORGING ASSY			1
35	NAS505-12	. BEARING-SUPPORT NEEDLE			1
36	AN3-5A	. BOLT-ATTACH FORGINGS AT TOP			4
- 36A	MS21045L3	. NUT-ATTACH FORGINGS AT TOP			4 R
37	AN4-6A	. BOLT-ATTACH FORGINGS AT BOTTOM			4
- 37A	MS21044N4	. NUT-ATTACH FORGINGS AT BOTTOM			4 R
38	0822275-102	. BRACKET ASSY-LANDING GEAR TORQUE TUBE			1
39	NAS505-5	. BEARING-BRACKET			1
40	0822275-121	. GUSSET-UPR INBD			1
- 40A	0822275-122	. GUSSET-LWR INBD			1
41	0822005-25	. SUPPORT ASSY-BATTERY BOX			2
42	NAS680A08	. NUTPLATE-ATTACH BATTERY BOX			8
43	0822350-134	. BRACKET ASSY-LEFT WING TAB ACTUATOR			1
- 43A	22NA3-02	. NUT-ATTACH ACTUATOR ESNA			4
44	0822275-83	. CHANNEL-MOORING LUG SUPPORT			1
45	0822000-55	. BEARING ASSY			1
46	0820004-1	. SUPPORT-AUTOPILOT AILERON FOLLOW-UP			1

CESSNA AIRCRAFT COMPANY
MODEL 310 THRU 310D
 ILLUSTRATED PARTS CATALOG

A55557



DETAIL A



DETAIL B

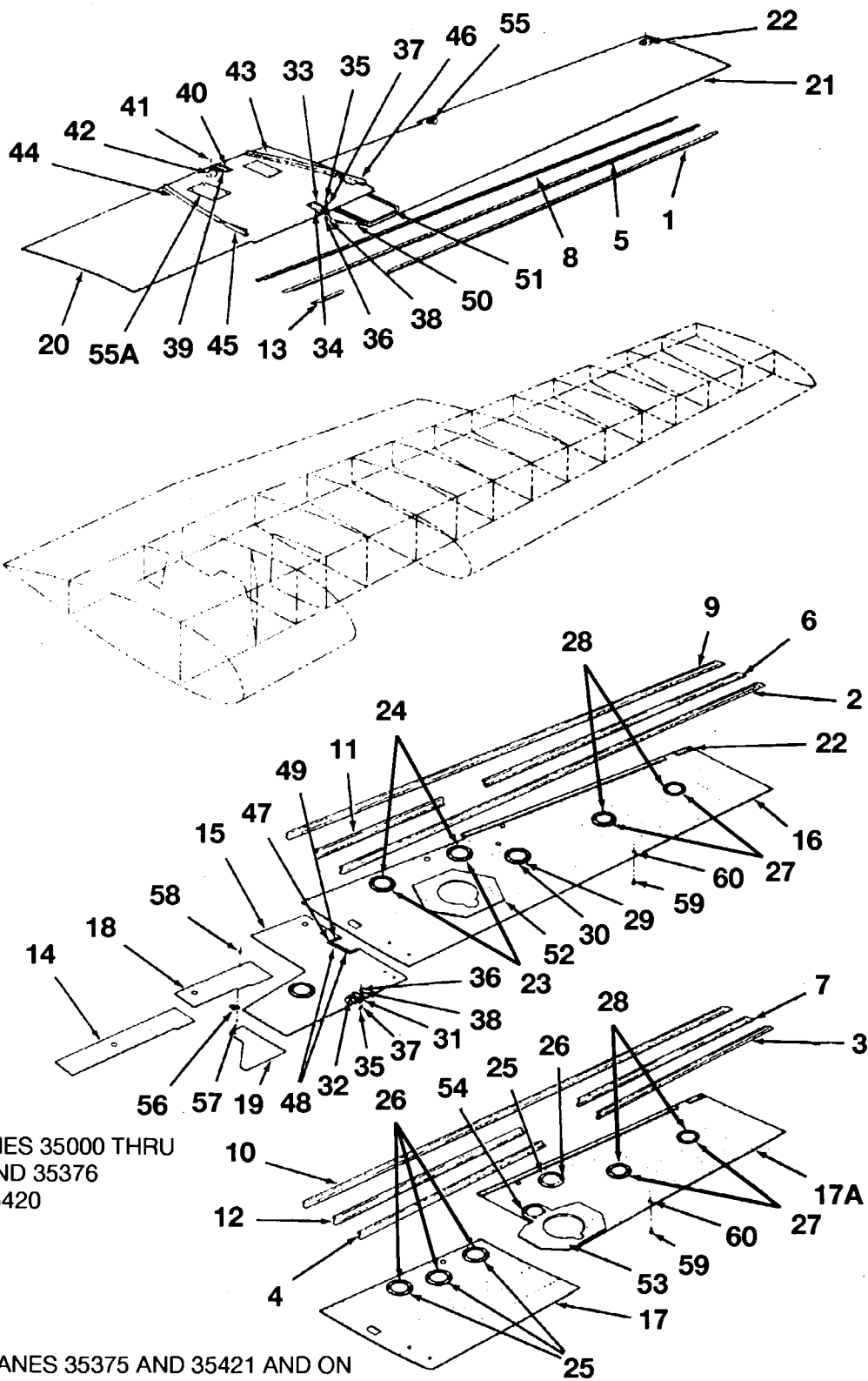
LEFT WING RIBS INSTALLATION
 FIGURE 03 (SHEET 1)

**CESSNA AIRCRAFT COMPANY
MODEL 310 THRU 310D
ILLUSTRATED PARTS CATALOG**

FIG ITEM	PART NUMBER	NOMENCLATURE	EFFECT		UNITS PER ASSY
			FROM	TO	
03		LEFT WING RIBS INSTALLATION REFER TO 57-10-00 FIGURE 02 FOR NHA			RF
1	0822100-1	RIB ASSY-LEFT WING CENTER ROOT			1
2	0412467	BRACKET-LEFT WING AILERON TRIM TAB PULLEY			1
3	0822350-170	BRACKET-AILERON PULLEY			1
4	NAS444-13	NUT-TINNERMAN #A6203-8Z-1			5
4A	0411671	BRACKET-LEFT WING FLAP PULLEY			1
4B	AN525-10R6	SCREW-ATTACH BRACKET			2
4C	MS21045L3	NUT-ATTACH BRACKET			2 R
4D	0822100-59	RUB BLOCK-LEFT WING			1
4E	AN515-8R8	SCREW-ATTACH RUB BLOCK			2
4F	MS21044N08	NUT-ATTACH RUB BLOCK			2 R
5	0822275-81	RIB-LEFT WING CTR			1
6	0822175-39	RIB ASSY-LEFT WING CTR			1
7	NAS178-6-5	RIVET-HI SHEAR ATTACH FITTINGS			8
8	NAS528A6	COLLAR-ATTACH RIVET			8 R
9	0822350-170	BRACKET-AILERON PULLEY			1
10	AN5-12A	BOLT-ATTACH RIB TO FRONT SPAR			2
11	NAS1149F0563P	WASHER-ATTACH RIB TO FRONT SPAR			4 R
12	MS21044N5	NUT-ATTACH RIB TO FRONT SPAR			2 R
13	0822275-71	RIB-LEFT WING CTR CANTED			1
14	0822275-69	RIB-LEFT WING CTR			1
15	0822350-189	RIB-LEFT WING CTR			1
16	0822175-3	RIB ASSY-LEFT WING CTR			1
17	NAS178-6-7	RIVET-HI SHEAR ATTACH FITTING			4
18	NAS528A6	COLLAR-ATTACH RIVET			4 R
19	0822350-170	BRACKET-AILERON PULLEY			1
20	0310113	BRACKET-AILERON TRIM TAB PULLEY			1
21	AN4-10A	BOLT-ATTACH RIB TO REAR SPAR			2
22	MS21044N4	NUT-ATTACH RIB TO REAR SPAR			2 R
23	0822275-1	RIB ASSY-LEFT WING CTR			1
- 23A	0822275-11	WEB STIFFENER			1
24	MS21049L3	NUTPLATE			2 R
- 24A	MS21049L3	NUTPLATE ALT FOR NAS681A3			2 R
25	NAS682A3	NUTPLATE			2
26	MS21047L4	NUTPLATE			1 R
26A	S3431-3	NUTPLATE-TINNERMAN A6191-8Z-3			2 R
27	NAS178-6-3	PIN-RIVET HI SHEAR			6
28	NAS528A6	COLLAR-ATTACH RIVET			6 R
29	AN4-11A	BOLT-ATTACH RIB TO FRONT SPAR			2
30	MS21044N4	NUT-ATTACH RIB TO FRONT SPAR			2 R
31	0822350-253	RIB ASSY-LEFT WING CTR			1
32	0822350-197	RIB ASSY-LEFT WING CTR	35000	35374	1
			35376	35420	
- 32A	0822350-243	RIB ASSY-LEFT WING CTR	35375	35375	1
			35421	& ON	
33	0412467	BRACKET-AILERON TRIM TAB PULLEY			1
34	0822350-199	RIB ASSY-LEFT WING CTR	35000	35374	1
			35376	35420	
- 34A	0822350-245	RIB ASSY-LEFT WING CTR	35375	35375	1
			35421	& ON	
35	0412467	BRACKET-AILERON TRIM TAB PULLEY			1
36	0822350-89	RIB-LEFT WING CTR	35000	35374	1
			35376	35420	
- 36A	0822350-239	RIB-LEFT WING CTR	35375	35375	1
			35421	& ON	
37	0822350-91	RIB-LEFT WING CTR			1
- 37A	0822350-241	RIB-LEFT WING CTR	35375	35375	1
			35421	35479	
- 37B	0822350-246	RIB ASSY-LEFT WING CTR	35480	& ON	1
38	0822350-93	RIB-LEFT WING CTR			1
39	0822350-95	RIB-LEFT WING CTR			1
40	0822350-97	RIB-LEFT WING CTR			1
41	0822350-99	RIB-LEFT WING CTR			1
42	0822350-201	RIB ASSY-LEFT WING CTR			1
43	NAS444-5	NUT-TINNERMAN A6195-8Z-1 ATTACH WING TIP COVER			8

CESSNA AIRCRAFT COMPANY
MODEL 310 THRU 310D
 ILLUSTRATED PARTS CATALOG

A55558



AIRPLANES 35000 THRU
 35374 AND 35376
 THRU 35420

AIRPLANES 35375 AND 35421 AND ON

LEFT WING SKINS AND STRINGERS INSTALLATION
 FIGURE 04 (SHEET 1)

CESSNA AIRCRAFT COMPANY
MODEL 310 THRU 310D
ILLUSTRATED PARTS CATALOG

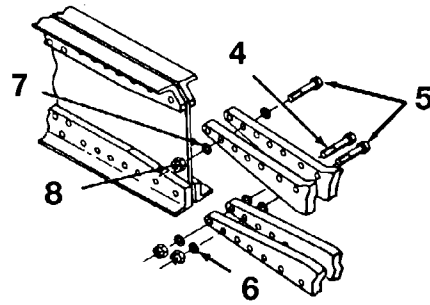
FIG ITEM	PART NUMBER	NOMENCLATURE	EFFECT		UNITS PER ASSY
			FROM	TO	
04		LEFT WING SKINS AND STRINGERS INSTALLATION			RF
1	0822815-19	. STRINGER-LEFT WING FWD UPR OUTBD	35000	35374	1
2	0822815-7	. STRINGER-LEFT WING FWD LWR OUTBD	35376	35420	1
3	0822815-23	. STRINGER-LEFT WING FWD LWR OUTBD	35375	35375	1
4	0822815-21	. STRINGER-LEFT WING FWD LWR INBD	35421 & ON		1
5	0822815-9	. STRINGER-LEFT WING UPR OUTBD	35375	35375	1
6	0822815-13	. STRINGER-LEFT WING LWR OUTBD	35421 & ON		1
7	0822815-27	. STRINGER-LEFT WING LWR OUTBD	35000	35374	1
8	0822815-15	. STRINGER-LEFT WING AFT UPR	35376	35420	1
9	0822815-17	. STRINGER-LEFT WING AFT LWR	35375	35375	1
10	0822815-29	. STRINGER-LEFT WING AFT LWR	35421 & ON		1
11	0822815-11	. STRINGER-LEFT WING LWR INBD	35000	35374	1
12	0822815-25	. STRINGER-LEFT WING LWR INBD	35376	35420	1
13	0822815-5	. STRINGER-LEFT WING UPR INBD	35375	35375	1
14	0822000-3	. SKIN-LWR INBD	35421 & ON		1
15	0822000-5	. SKIN-LWR CTR	35000	35374	1
16	0822000-69	. SKIN-LEFT WING LWR OUTBD	35376	35420	1
17	0822000-81	. SKIN-LEFT WING LWR CTR	35375	35375	1
17A	0822000-80	. SKIN-LEFT WING LWR OUTBD	35421 & ON		1
18	0822000-23	. SKIN-LWR AFT	35375	35375	1
19	0822000-40	. SKIN-LWR FWD	35421 & ON		1
20	0822000-9	. SKIN-UPR CTR	35000	35374	1
21	0822000-11	. SKIN-LEFT WING UPR OUTBD	35376	35420	1
22	NAS449-13	. NUTPLATE-TINNERMAN A6200-10Z-1 ATTACH TIP TANK FAIRING	35375	35375	2
23	0822380-2	. DOUBLER ASSY-ACCESS OPENING	35000	35374	2
24	MS21049L3	. . . NUTPLATE-ATTACH INSPECTION COVER	35376	35420	4 R
- 24A	MS21049L3	. . . NUTPLATE-ATTACH INSPECTION COVER ALT FOR NAS681A3			4 R
25	0822380-2	. DOUBLER ASSY-ACCESS OPENING	3549035506& ON		4
25A	0822380-2	. DOUBLER ASSY-ACCESS OPENING	35375	35505	3
26	MS21049L3	. . . NUTPLATE-ATTACH INSPECTION COVER			4 R
- 26A	MS21049L3	. . . NUTPLATE-ATTACH INSPECTION COVER ALT FOR NAS681A3			4 R
27	0822380-1	. DOUBLER ASSY-ACCESS OPENING			2
28	MS21049L3	. . . NUTPLATE-ATTACH INSPECTION COVER			4 R
- 28A	MS21049L3	. . . NUTPLATE-ATTACH INSPECTION COVER ALT FOR NAS681A3			4 R
29	0822380-14	. DOUBLER ASSY-ACCESS OPENING	35000	35374	1
30	MS21049L3	. . . NUTPLATE-ATTACH INSPECTION COVER	35376	35420	4 R
- 30A	MS21049L3	. . . NUTPLATE-ATTACH INSPECTION COVER ALT FOR NAS681A3			4 R
31	0822350-149	. ANGLE-LEFT LWR FWD REINFORCEMENT			1
32	0822350-150	. ANGLE-RIGHT LWR FWD REINFORCEMENT			1
33	0822350-151	. ANGLE-LEFT UPR FWD REINFORCEMENT	35000	35771	1
34	0822350-152	. ANGLE-RIGHT UPR FWD REINFORCEMENT	35000	35771	1
35	AN4-6A	. BOLT			8
36	MS21044N4	. NUT			8 R
37	NAS221-11	. SCREW			8
38	MS21045L3	. NUT			8 R
39	0822350-183	. ANGLE-RIGHT UPR AFT REINFORCEMENT	35000	35771	1
40	0822350-185	. ANGLE-LEFT UPR AFT REINFORCEMENT	35000	35771	1
41	NAS221-13	. SCREW			8
42	MS21045L3	. NUT			8 R
43	0822000-59	. ANGLE-AFT OUTBD ATTACH UPR NACELLE	35000	35771	1
- 43A	0822363-1	. ANGLE-AFT OUTBD ATTACH UPR NACELLE	35772	& ON	1
44	0822000-61	. ANGLE-AFT INBD ATTACH UPR NACELLE	35000	35771	1
- 44A	0822364-1	. ANGLE-AFT INBD ATTACH UPR NACELLE	35772	& ON	1
45	0822350-217	. ANGLE-FWD INBD ATTACH UPR NACELLE	35000	35771	1
- 45A	0822366-1	. ANGLE-FWD INBD ATTACH UPR NACELLE	35772	& ON	1

CESSNA AIRCRAFT COMPANY
MODEL 310 THRU 310D
ILLUSTRATED PARTS CATALOG

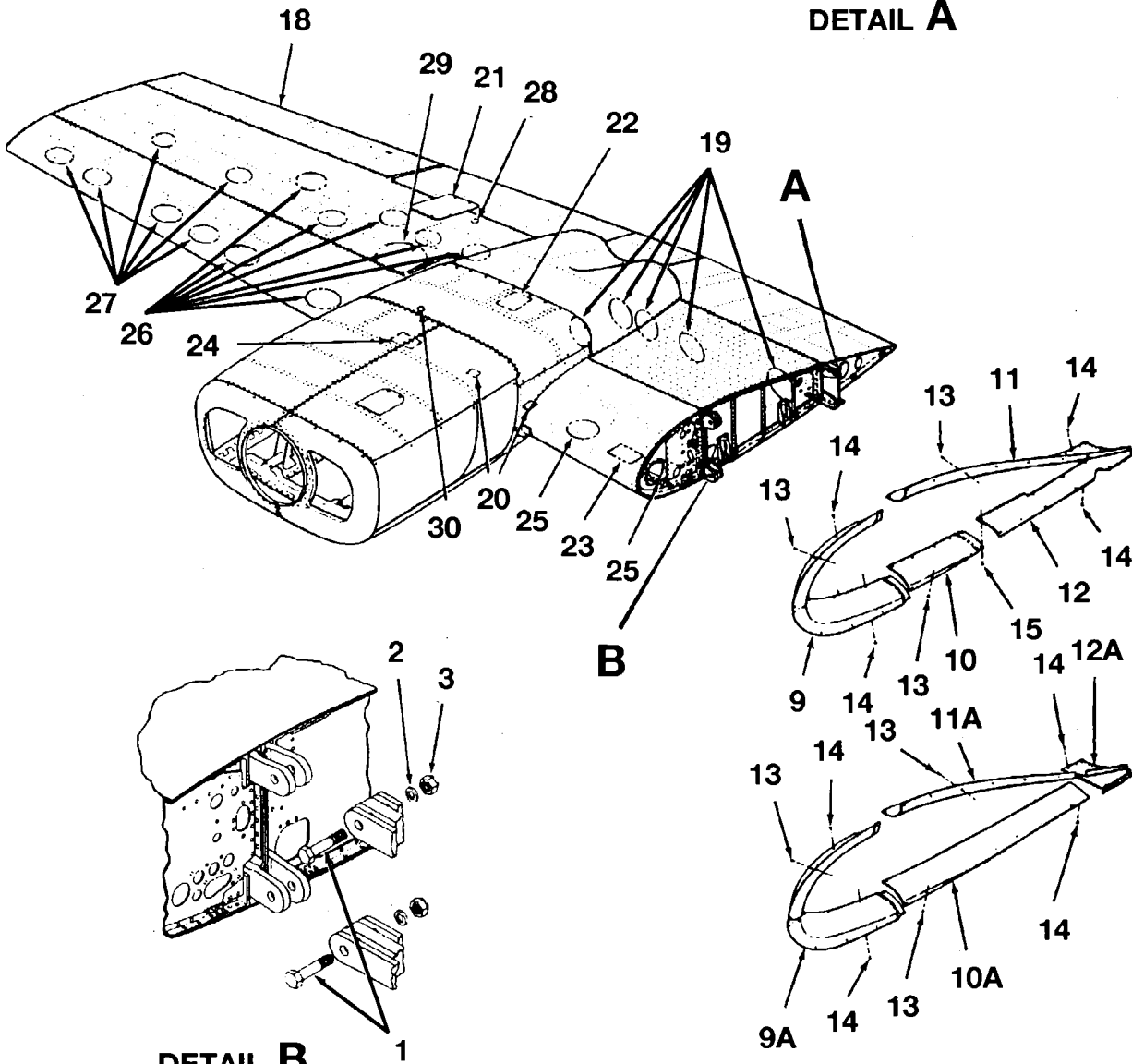
FIG ITEM	PART NUMBER	NOMENCLATURE	EFFECT		UNITS	
			FROM	TO	PER	ASSY
		1 2 3 4 5 6 7				
04						
46	0822350-219	ANGLE-FWD OUTBD ATTACH UPR NACELLE	35000	35771	1	
- 46A	0822365-1	ANGLE-FWD OUTBD ATTACH UPR NACELLE	35772	& ON	1	
47	0822275-29	DOUBLER ASSY-LEFT WING ACCESS OPENING			1	
48	MS21053L3	NUTPLATE-ATTACH DOUBLER			2	R
49	MS21049L3	NUTPLATE-ATTACH DOUBLER			4	R
- 49A	MS21049L3	NUTPLATE-ATTACH DOUBLER ALT FORNAS681A3			4	R
50	0822005-29	DOUBLER ASSY-BATTERY BOX OPENING			1	
51	CM2822-3	SPRING-ATTACH COVER DZUS			4	R
- 51A	CM2822-3	SPRING-ATTACH COVER DZUS			4	R
52	0822000-36	DOUBLER-LANDING LIGHT OPENING	35000	35374	1	
			35376	35420		
53	0822786-1	DOUBLER ASSY-LANDING LIGHT OPENING	35375	35375	1	
			35421	& ON		
54	MS21049L3	NUTPLATE			4	R
- 54A	MS21049L3	NUTPLATE ALT FOR NAS681A3			4	R
55	0822350-225	BRACKET ACTUATOR-AILERON TAB			1	
		ATTACHING PARTS				
55A	0822002-1	SHIELD-AUGMENTER	35487	35771	2	
- 55B	S-1021Z-4-4	SCREW-ATTACH SHIELD	35487	35771	8	
- 55C	S3230-1	NUT-TINNERMAN A1776-4Z-3 ATTACH SHIELD	35487	35771	8	R
56	0811500-1	BRAZE ASSY-JACKING PLATE LEFT WING			1	
57	AN509-10R13	SCREW-ATTACH JACKING PLATE			2	
- 57A	MS24694-S55	SCREW-ATTACH JACKING PLATE ALT FOR AN509-10R13			2	R
58	MS21045L3	NUT-ATTACH JACKING PLATE			2	R
59	0422344	EYEBOLT-LUG MOORING			1	
60	MS21047L5	NUTPLATE-ATTACH LUG			1	R

CESSNA AIRCRAFT COMPANY
MODEL 310 THRU 310D
 ILLUSTRATED PARTS CATALOG

A55574



DETAIL A



DETAIL B

RIGHT WING INSTALLATION
 FIGURE 05 (SHEET 1)

CESSNA AIRCRAFT COMPANY

MODEL 310 THRU 310D

ILLUSTRATED PARTS CATALOG

FIG ITEM	PART NUMBER	NOMENCLATURE	EFFECT		UNITS PER ASSY
			FROM	TO	
05		RIGHT WING INSTALLATION			RF
		ATTACHING PARTS			
1	AN10-26A	BOLT-ATTACH FRONT SPAR TO FUSELAGE			2
2	NAS1149F1063P	WASHER-ATTACH FRONT SPAR TO FUSELAGE			2 R
3	MS21044N10	NUT-ATTACH FRONT SPAR TO FUSELAGE			2 R
4	NAS146-47	BOLT-ATTACH REAR SPAR TO FUSELAGE			12
5	NAS146-49	BOLT-ATTACH REAR SPAR TO FUSELAGE			2
6	MS2002-6C	WASHER-ATTACH REAR SPAR TO FUSELAGE USED UNDER BOLT HEAD ONLY			14
7	MS2002-6	WASHER-ATTACH REAR SPAR TO FUSELAGE USED UNDER NUT			14
8	1801-064	NUT-ATTACH REAR SPAR TO FUSELAGE ESNA			14
9	0800051-2	FILLET ASSY-RIGHT WING FRONT	35000	35546	1
9A	0800056-14	FILLET ASSY-RIGHT WING FRONT	35547	& ON	1
10	0800051-6	FILLET-RIGHT WING LWR	35000	35546	1
10A	0800056-6	FILLET-RIGHT WING LWR	35547	& ON	1
11	0800051-4	FILLET-RIGHT WING UPR	35000	35546	1
11A	0800056-8	FILLET-RIGHT WING UPR	35547	& ON	1
12	0800051-18	FILLET-RIGHT WING REAR LWR	35000	35546	1
12A	0800056-4	FILLET-RIGHT WING REAR	35547	& ON	1
13	AN515-8R8	SCREW-ATTACH FILLET			AR
- 13A	AN520-10R10	SCREW-ATTACH FILLET	39055	& ON	AR
- 13B	AN520-10R8	SCREW-ATTACH FILLET	39055	& ON	AR
14	S1021Z-4-4	SCREW-ATTACH FILLET			AR
15	S1022Z-8-8	SCREW-ATTACH FILLET			AR
- 15A	T-71D035-832	BANC-LOK-BOOTS AIRCRAFT NUT CORP	35000	39054	AR
- 15B	S8KL75	RIVNUT-GOODRICH	39055	& ON	AR
- 15C	H10V190	RIVNUT-GOODRICH	39055	& ON	AR
- 15D	H10V70	RIVNUT-GOODRICH	39055	& ON	AR
- 15E		WING ASSY-RIGHT			RF
- 15F	0892003-10	STRUCTURE ASSY-RIGHT WING REFER TO 57-10-00 FIGURE 06 FOR BREAKDOWN REFER TO NOTE 1	35000	35227	1
15G	0892003-4	STRUCTURE ASSY-RIGHT WING REFER TO 57-10-00 FIGURE 06 FOR BREAKDOWN FSO 0892003-8 REFER TO NOTE 1	35229	35262	
- 15H	0892003-8	STRUCTURE ASSY-RIGHT WING REFER TO 57-10-00 FIGURE 06 FOR BREAKDOWN REFER TO NOTE 1	35228	35228	NP
- 15J	0892003-12	STRUCTURE ASSY-RIGHT WING REFER TO 57-10-00 FIGURE 06 FOR BREAKDOWN REFER TO NOTE 2	35263	35728	
- 16		DELETED-NOT USED	35228	35228	1
- 17		DELETED-NOT USED	35263	35728	
- 17A		MAIN GEAR DOOR INSTALLATION-RIGHT WING REFER TO 32-10-01 FIGURE 01 FOR BREAKDOWN	35228	35228	1
18		AILERON INSTALLATION-RIGHT WING REFER TO 57-60-00 FIGURE 02 FOR BREAKDOWN	35263	35771	
- 18A		FLAP INSTALLATION-RIGHT WING INBD REFER TO 57-50-00 FIGURE 07 FOR BREAKDOWN	35772	& ON	1
- 18B		FLAP INSTALLATION-RIGHT WING OUTBD REFER TO 57-50-00 FIGURE 08 FOR BREAKDOWN			RF
19	0822275-85	PLATE COVER-WHEEL WELL			5
- 19A	AN520-10R6	SCREW-ATTACH COVER PLATE			32
20	0851000-95	PLATE-INSPECTION			2
- 20A	S1022Z-8-6	SCREW-ATTACH PLATE			2
21	0822005-36	COVER ASSY-RH ANTI-ICE COMPARTMENT			1
- 21A	GF4-150	GROMMET-ATTACH COVER DZUS			8
- 21B	F4-35	FASTENER-ATTACH COVER DZUS			8
- 21C	0822005-38	SEAL-ANTI-ICE COVER			1
22	0822275-22	ACCESS DOOR-INSPECTION			1
23	0822510-15	ACCESS DOOR-INSPECTION INBD			1
24	0822510-12	ACCESS DOOR-INSPECTION OUTBD			1
25	0822380-7	ACCESS DOOR-INSPECTION	35000	35301	2
- 25A	0822380-7	ACCESS DOOR-INSPECTION	35302	& ON	1
- 25B	0822361-1	ACCESS DOOR-INSPECTION	35302	& ON	1

NOTE 1—THIS ASSEMBLY INCORPORATES A MODIFICATION TO THE LANDING GEAR DOOR MECHANISM SUPPORT STRUCTURE. AIRPLANES SERIALS 35791 THRU 35833 HAVE BEEN MODIFIED AT THE FACTORY.

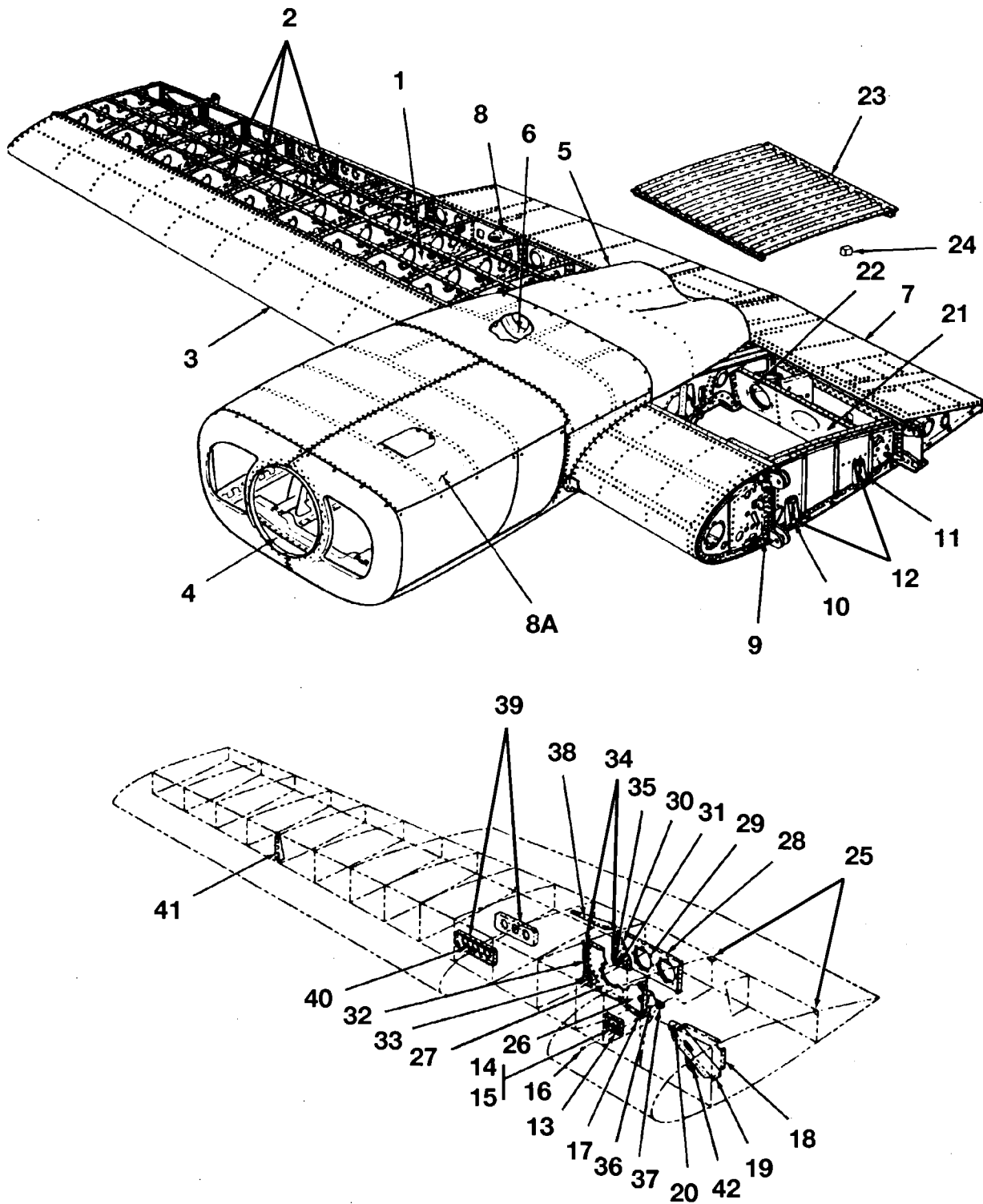
NOTE 2—WHEN ORDERING THIS ASSEMBLY FOR AIRPLANES SERIAL 35772 THRU 35833, ALSO ORDER AN6-33A BOLT 4 EACH, AN509-616R58 SCREW 2 EACH, AN960-616L WASHER 2 EACH, 10310-021-2 BEARING 2 EACH, 5045001-201 ARM ASSEMBLY, 5045001-202 ARM ASSEMBLY, AN960-816L WASHER 2 EACH, 0843502-1 SPACER 2 EACH 0826000-39 DOOR ASSEMBLY, 0826000-40 DOOR ASSEMBLY. THIS ASSEMBLY IS EQUIPPED WITH 1/2" DIAMETER DE-ICE LINES, LOCATED BEHIND THE FIREWALL. WHEN ORDERING THIS ASSEMBLY FOR AIRPLANES, SERIAL 35906 & ON EQUIPPED WITH THE GOODRICH STORED ENERGY TYPE DE-ICE SYSTEM (3/8" LINES) ALSO ORDER (2) TWO 0820526-1 UNION, (2) TWO S-51-8 HOSE 2 INCHES LONG & (4) FOUR NAS397-12 CLAMPS

**CESSNA AIRCRAFT COMPANY
MODEL 310 THRU 310D
ILLUSTRATED PARTS CATALOG**

FIG ITEM	PART NUMBER	1 2 3 4 5 6 7	NOMENCLATURE	EFFECT		UNITS
				FROM	TO	PER ASSY
05						
26	0822380-6		ACCESS DOOR-INSPECTION	35000	35374	5
				35376	35420	
26A	0822380-6		ACCESS DOOR-INSPECTION	35375	35375	6
				35421	35489	
				35489	35505	
- 26B	0822380-6		ACCESS DOOR-INSPECTION	35490	35490	7
				35506	& ON	
27	0822380-5		ACCESS DOOR-INSPECTION			6
- 27A	AN507-1032R6		SCREW-ATTACH INSPECTION PLATES	35000	35374	84
				35376	35420	
- 27B	AN507-1032R6		SCREW-ATTACH INSPECTION PLATES	35375	35375	88
				35421	35489	
				35489	35505	
- 27C	AN507-1032R6		SCREW-ATTACH INSPECTION PLATES	35490	35490	92
				35506	& ON	
28	HS48174-K2215		PLUG BUTTON-UNITED CARR.			6
29	0322622		PLATE-LANDING LIGHT OPENING			1
- 29A	S1021Z-8-6		SCREW-ATTACH COVER			8
- 29B	S3228-12		NUT-ATTACH COVER			8 R
30	0812208-3		DECAL			1

CESSNA AIRCRAFT COMPANY
MODEL 310 THRU 310D
 ILLUSTRATED PARTS CATALOG

A55575



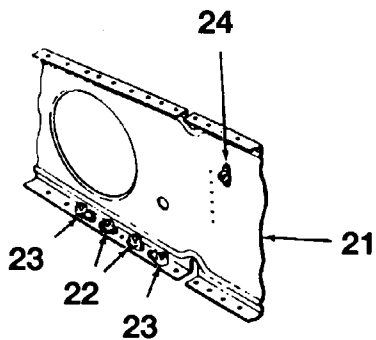
RIGHT WING STRUCTURE ASSEMBLY
 FIGURE 06 (SHEET 1)

**CESSNA AIRCRAFT COMPANY
MODEL 310 THRU 310D
ILLUSTRATED PARTS CATALOG**

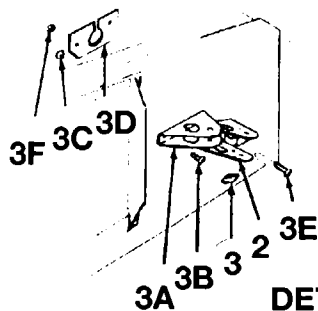
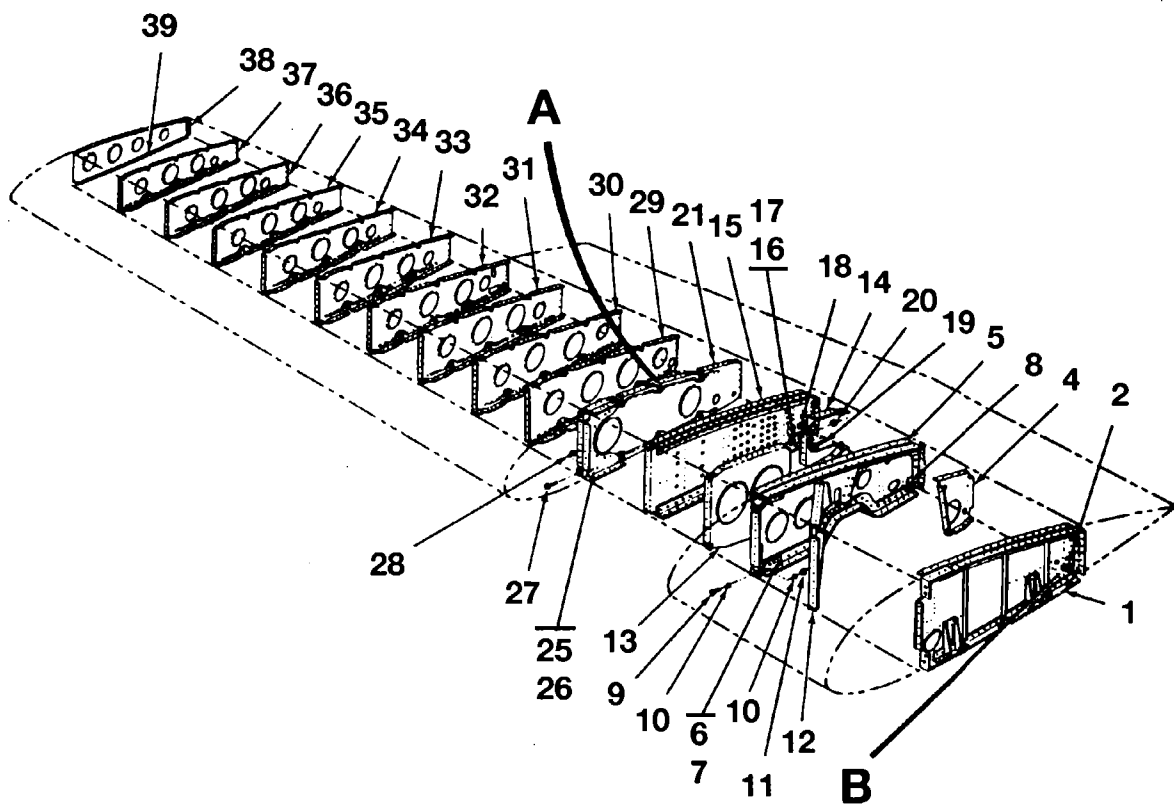
FIG ITEM	PART NUMBER	NOMENCLATURE	EFFECT		UNITS PER ASSY
			FROM	TO	
06		RIGHT WING STRUCTURE ASSEMBLY			RF
- 0	0892003-10	STRUCTURE ASSY-REFER TO 57-10-00 FIGURE 05 FOR NHA	35000	35227	1
- A	0892003-4	STRUCTURE ASSY-FSO 0892003-8 REFER TO 57-10-00 FIGURE 05 FOR NHA	35228	35228	NP
- B	0892003-8	STRUCTURE ASSY-REFER TO 57-10-00 FIGURE 05 FOR NHA	35263	35728	1
- C	0892003-12	STRUCTURE ASSY-REFER TO 57-10-00 FIGURE 05 FOR NHA	35228	35228	1
1		RIBS INSTALLATION-REFER TO 57-10-00 FIGURE 07 FOR BREAKDOWN	35263	35771	RF
2		SKINS & STRINGERS INSTALLATION-REFER TO 57-10-00 FIGURE 08 FOR BREAKDOWN	35772	& ON	RF
3		FRONT SPAR & LEADING EDGE ASSEMBLIES-REFER TO 57-40-00 FIGURE 02 FOR BREAKDOWN			RF
4		ENGINE NACELLE INSTALLATION-LOWER REFER TO 54-10-00 FIGURE 02 FOR BREAKDOWN			RF
5		ENGINE NACELLE INSTALLATION-UPPER REFER TO 54-10-00 FIGURES 05 & 06 FOR BREAKDOWN			RF
6		FIREWALL INSTALLATION-REFER TO 54-10-01 FIGURES 03 & 04 FOR BREAKDOWN			RF
7		TRAILING EDGE ASSY-REFER TO 57-50-00 FIGURE 05 FOR BREAKDOWN			RF
8		CONTROLS SUPPORT BRACKETS INSTALLATION-REFER TO 57-50-00 FIGURE 06 FOR BREAKDOWN			RF
8A		ENGINE COWL INSTALLATION-REFER TO 71-10-00 FIGURES 02 & 03 FOR BREAKDOWN			RF
9	AN4-22A	BOLT-ATTACH ROOT RIB TO FRONT SPAR			4
- 9A	MS21044N4	NUT-ATTACH ROOT RIB TO FRONT SPAR			4 R
10	0822100-45	BRACKET-LANDING GEAR DOOR FWD HINGE			1
11	0822100-46	BRACKET-LANDING GEAR DOOR AFT HINGE			1
12	AN507-1032R10	SCREW-ATTACH BRACKETS			4
- 12A	MS21045L3	NUT-ATTACH BRACKETS			4 R
13	0843508-1	SUPPORT ASSY-LANDING GEAR			1
14	AN200KP6	BEARING			1
15	NAS669-143	RING-BEARING			1
16	AN3-5A	BOLT-ATTACH SUPPORT			2
17	MS21045L3	NUT-ATTACH SUPPORT			2 R
18	0822000-48	WEB BRACKET-RIGHT WING LANDING GEAR DOOR ACTUATOR ROD SUPPORT	35000	35833	1
- 18A	0822000-94	WEB DOOR BRACKET-RIGHT WING LANDING GEAR DOOR ACTUATOR ROD SUPPORT	35834	& ON	1
19	0822000-46	CHANNEL-RIGHT WING LANDING GEAR DOOR ACTUATOR REINFORCEMENT			1
- 19A	22NA7-68-02	NUTPLATE-DOOR STOP ESNA	35638	35833	2
- 19B	NAS428H3A20	BOLT-DOOR STOP	35638	35833	1 R
- 19C	0822003-1	STOP BRACKET	35834	& ON	1
- 19D	NAS564-45	BOLT-DOOR STOP	35834	& ON	1
- 19E	AN315-4R	NUT-SECURE STOP BOLT	35834	& ON	1
20	CR163C-5-8	RIVET-ATTACH CHANNEL CHERRY RIVET CO.			3
21	0822275-6	SPAR ASSY-RIGHT WING AUXILIARY			1
22	MS21047L3	NUTPLATE-SPAR			8 R
23	0822000-26	REINFORCEMENT-RIGHT WING WALK			1
24	0822001-14	RUBBER SEAL-WING WALK REINFORCEMENT			13
25	0822001-5	SEAL-WING WALK CORNER REINFORCEMENT			2
26	0822275-32	SPAR ASSY-RIGHT WING AUXILIARY			1
27	MS21047L3	NUTPLATE-SPAR			8 R
28	0822275-8	SPAR ASSY-RIGHT WING AUXILIARY			1
29	MS21047L3	NUTPLATE-SPAR			16 R
30	0822724-2	SUPPORT ASSY-RIGHT WING LANDING GEAR SUPPORT AFT			1
31	NAS505-12	BEARING-SUPPORT NEEDLE			1
32	0822720-2	SUPPORT ASSY-RIGHT WING LANDING GEAR SUPPORT FWD			1
33	NAS505-12	BEARING-SUPPORT NEEDLE			1
34	AN3-5A	BOLT-ATTACH FORGINGS AT TOP			4
- 34A	MS21045L3	NUT-ATTACH FORGINGS AT TOP			4 R
35	AN4-6A	BOLT-ATTACH FORGINGS AT BOTTOM			4
- 35A	MS21044N4	NUT-ATTACH FORGINGS AT BOTTOM			4 R
36	0822275-102	BRACKET ASSY-LANDING GEAR TORQUE TUBE			1
37	NAS505-5	BEARING-BRACKET			1
38	0822275-121	GUSSET-UPR INBD			1
- 38A	0822275-122	GUSSET-LWR INBD			1
39	0822005-25	SUPPORT ASSY-RIGHT WING			2
40	NAS680A08	NUTPLATE			8
41	0822275-83	CHANNEL-MOORING LUG SUPPORT			1
42	0822000-55	BEARING ASSY			1

CESSNA AIRCRAFT COMPANY
MODEL 310 THRU 310D
 ILLUSTRATED PARTS CATALOG

A55576



DETAIL A



DETAIL B

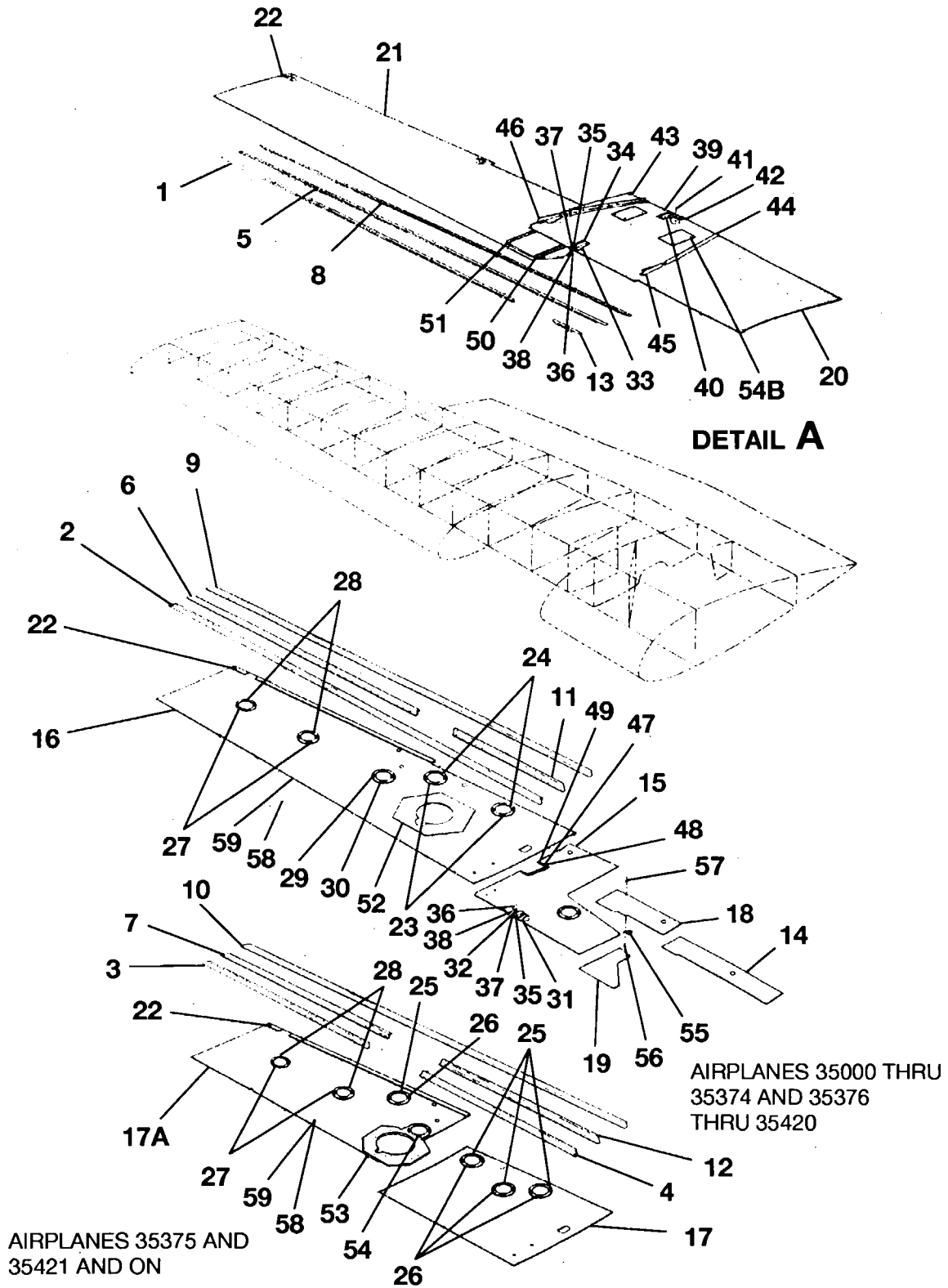
RIGHT WING RIBS INSTALLATION
 FIGURE 07 (SHEET 1)

CESSNA AIRCRAFT COMPANY
MODEL 310 THRU 310D
ILLUSTRATED PARTS CATALOG

FIG ITEM	PART NUMBER	NOMENCLATURE	EFFECT		UNITS PER ASSY
			FROM	TO	
07		RIGHT WING RIBS INSTALLATION REFER TO 57-10-00 FIGURE 06 FOR NHA			RF
1	0822100-2	. RIB ASSY-RIGHT WING CTR ROOT			1
2	0822350-170	. BRACKET-AILERON PULLEY			1
3	NAS444-13	. NUT-TINNERMAN #A6203-8Z-1			5
3A	0411671	. BRACKET-RIGHT WING FLAP PULLEY			1
3B	AN525-10R6	. SCREW-ATTACH BRACKET			2
3C	MS21045L3	. NUT-ATTACH BRACKET			2 R
3D	0822100-59	. RUB BLOCK-RIGHT WING			1
3E	AN515-8R8	. SCREW-ATTACH RUB BLOCK			2
3F	MS21044N08	. NUT-ATTACH RUB BLOCK			2 R
4	0822275-82	. RIB-RIGHT WING CTR			1
5	0822175-38	. RIB ASSY-RIGHT WING CTR			1
6	NAS178-6-5	. RIVET-HI SHEAR ATTACH FITTING			8
7	NAS528A6	. COLLAR-ATTACH RIVET			8 R
8	0822350-170	. BRACKET-AILERON PULLEY			1
9	AN5-12A	. BOLT-ATTACH RIB TO FRONT SPAR			2
10	NAS1149F0563P	. WASHER-ATTACH RIB TO FRONT SPAR			4 R
11	MS21044N5	. NUT-ATTACH RIB TO FRONT SPAR			2 R
12	0822275-72	. RIB-RIGHT WING CTR CANTED			1
13	0822275-70	. RIB-RIGHT WING CTR			1
14	0822350-190	. RIB-RIGHT WING CTR			1
15	0822175-4	. RIB ASSY-RIGHT WING CTR			1
		ATTACHING PARTS			
16	NAS178-6-7	. RIVET-HI SHEAR ATTACH FITTING			4
17	NAS528A6	. COLLAR-ATTACH RIVET			4 R
18	0822350-170	. BRACKET-AILERON PULLEY			1
19	AN4-10A	. BOLT-ATTACH RIB TO REAR SPAR			2
20	MS21044N4	. NUT-ATTACH RIB TO REAR SPAR			2 R
21	0822275-2	. RIB ASSY-RIGHT WING CTR			1
- 21A	0822275-12	. WEB STIFFENER			1
22	MS21049L3	. NUTPLATE			2 R
- 22A	MS21049L3	. NUTPLATE ALT FOR NAS681A3			2 R
23	NAS682A3	. NUTPLATE			2
24	MS21047L4	. NUTPLATE			1 R
25	NAS178-6-3	. PIN-RIVET HI SHEAR			6
26	NAS528A6	. COLLAR-ATTACH RIVET			6 R
27	AN4-11A	. BOLT-ATTACH RIB TO FRONT SPAR			2
28	MS21044N4	. NUT-ATTACH RIB TO FRONT SPAR			2 R
29	0822350-254	. RIB ASSY-RIGHT WING CTR			1
30	0822350-86	. RIB-RIGHT WING CTR	35000	35374	1
			35376	35420	
- 30A	0822350-255	. RIB ASSY-RIGHT WING CTR	35375	35375	1
			35421	& ON	
31	0822350-88	. RIB-RIGHT WING CTR	35000	35374	1
			35376	35420	
- 31A	0822350-236	. RIB-RIGHT WING CTR	35375	35375	1
			35421	& ON	
32	0822350-90	. RIB-RIGHT WING CTR	35000	35374	1
			35376	35420	
- 32A	0822350-238	. RIB-RIGHT WING CTR	35375	35375	1
			35421	& ON	
33	0822350-92	. RIB-RIGHT WING CTR	35000	35374	1
			35376	35420	
- 33A	0822350-240	. RIB-RIGHT WING CTR	35375	35375	1
			35421	& ON	
34	0822350-94	. RIB-RIGHT WING CTR			1
35	0822350-96	. RIB-RIGHT WING CTR			1
36	0822350-98	. RIB-RIGHT WING CTR			1
37	0822350-100	. RIB-RIGHT WING CTR			1
38	0822350-202	. RIB ASSY-RIGHT WING CTR			1
39	NAS444-5	. NUT-ATTACH WING TIP COVER TINNERMAN A6195-8Z-1			8

CESSNA AIRCRAFT COMPANY
MODEL 310 THRU 310D
 ILLUSTRATED PARTS CATALOG

A55577



DETAIL A

AIRPLANES 35000 THRU
 35374 AND 35376
 THRU 35420

AIRPLANES 35375 AND
 35421 AND ON

**RIGHT WING SKINS AND STRINGERS INSTALLATION
 FIGURE 08 (SHEET 1)**

**CESSNA AIRCRAFT COMPANY
MODEL 310 THRU 310D
ILLUSTRATED PARTS CATALOG**

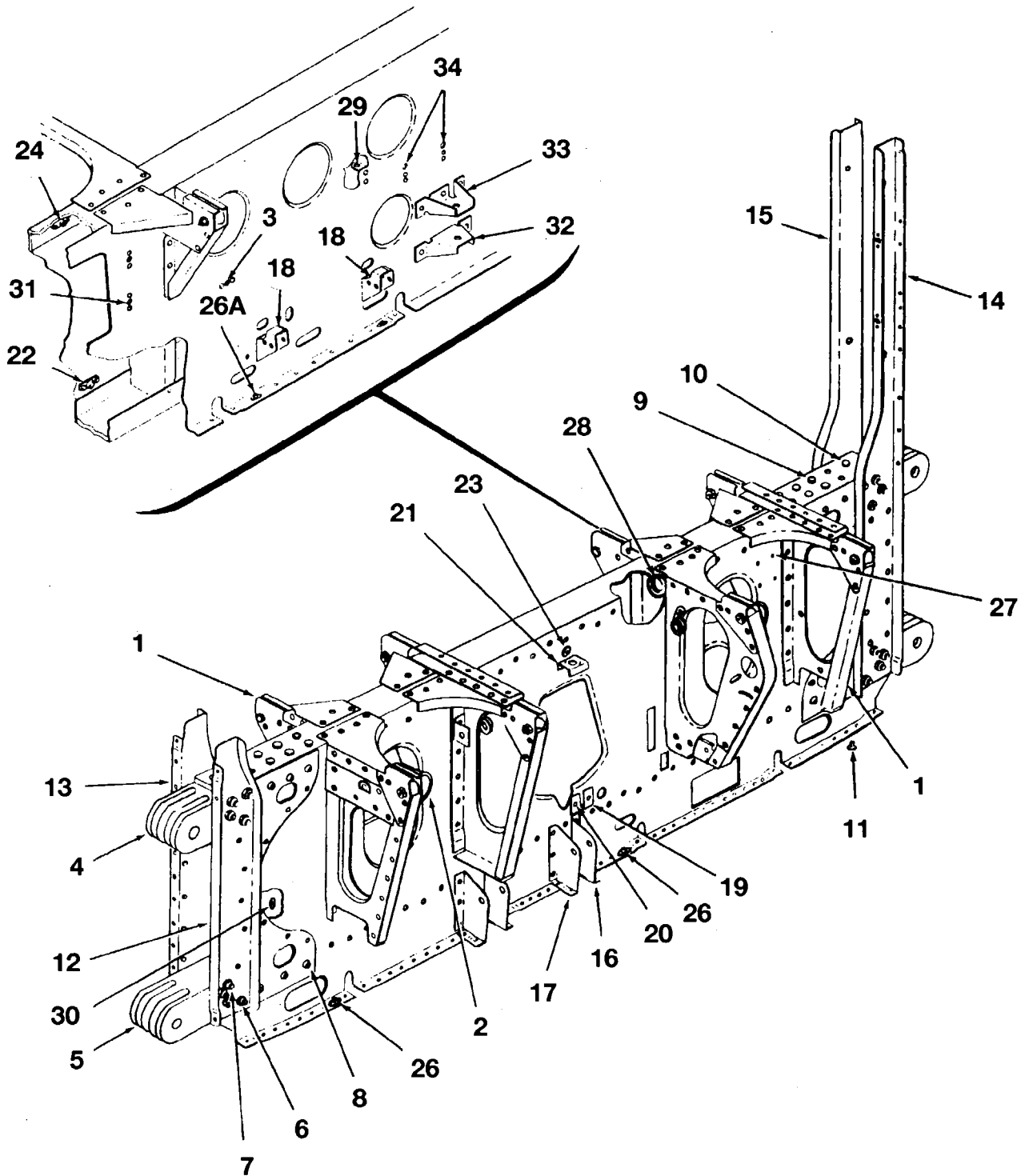
FIG ITEM	PART NUMBER	NOMENCLATURE	EFFECT		UNITS PER ASSY
			FROM	TO	
08		RIGHT WING SKINS AND STRINGERS INSTALLATION REFER TO 57-10-00			RF
		FIGURE 06 FOR NHA			
1	0822815-20	. STRINGER-RIGHT WING FWD UPR OUTBD			1
2	0822815-8	. STRINGER-RIGHT WING FWD LWR OUTBD	35000	35374	1
			35376	35420	
3	0822815-24	. STRINGER-RIGHT WING FWD LWR OUTBD	35375	35375	1
			35421	& ON	
4	0822815-22	. STRINGER-RIGHT WING FWD LWR INBD	35375	35375	1
			35421	& ON	
5	0822815-10	. STRINGER-RIGHT WING UPR OUTBD			1
6	0822815-14	. STRINGER-RIGHT WING LWR OUTBD	35000	35374	1
			35376	35420	
7	0822815-28	. STRINGER-RIGHT WING LWR OUTBD	35375	35375	1
			35421	& ON	
8	0822815-16	. STRINGER-RIGHT WING AFT UPR			1
9	0822815-18	. STRINGER-RIGHT WING AFT LWR	35000	35374	1
			35376	35420	
10	0822815-30	. STRINGER-RIGHT WING AFT LWR	35375	35375	1
			35421	& ON	
11	0822815-12	. STRINGER-RIGHT WING LWR INBD	35000	35374	1
			35376	35420	
12	0822815-26	. STRINGER-RIGHT WING LWR INBD	35375	35375	1
			35421	& ON	
13	0822815-6	. STRINGER-RIGHT WING UPR INBD			1
14	0822000-3	. SKIN-LWR INBD			1
15	0822000-5	. SKIN-LWR CTR			1
16	0822000-8	. SKIN-RIGHT WING LWR OUTBD	35000	35374	1
			35376	35420	
17	0822000-82	. SKIN-RIGHT WING LWR CTR	35375	35375	1
			35421	& ON	
17A	0822000-80	. SKIN-RIGHT WING LWR OUTBD	35375	35375	1
			35421	& ON	
18	0822000-23	. SKIN-LWR AFT			1
19	0822000-40	. SKIN-LWR FWD			1
20	0822000-9	. SKIN-UPR CTR			1
21	0822000-63	. SKIN-RIGHT WING UPR OUTBD			1
22	NAS449-13	. NUTPLATE-ATTACH TIP TANK FAIRING TINNERMAN A6200-1OZ-1			2
23	0822380-2	. DOUBLER ASSY-ACCESS OPENING	35000	35374	2
			35376	35420	
24	MS21049L3	. . NUTPLATE-ATTACH INSPECTION COVER			4 R
- 24A	MS21049L3	. . NUTPLATE-ATTACH INSPECTION COVER ALT FOR NAS681A3			4 R
25	0822380-2	. DOUBLER ASSY-ACCESS OPENING	35375	35375	3
			35421	35491	
			354189	35505	
- 25A	0822380-2	. DOUBLER ASSY-ACCESS OPENING	35490	35490	4
			35506	& ON	
26	AN372F1032	. . NUTPLATE-ATTACH INSPECTION COVER			4
27	0822380-1	. DOUBLER ASSY-ACCESS OPENING			2
28	MS21049L3	. . NUTPLATE-ATTACH INSPECTION COVER			4 R
- 28A	MS21049L3	. . NUTPLATE-ATTACH INSPECTION COVER ALT FOR NAS681A3			4 R
29	0822380-14	. DOUBLER ASSY-ACCESS OPENING	35000	35374	1
			35376	35420	
30	MS21049L3	. . NUTPLATE-ATTACH INSPECTION COVER			4 R
- 30A	MS21049L3	. . NUTPLATE-ATTACH INSPECTION COVER ALT FOR MS21049L3			4 R
31	0822350-149	. ANGLE-LEFT LWR FWD REINFORCEMENT			1
32	0822350-150	. ANGLE-RIGHT LWR FWD REINFORCEMENT			1
33	0822350-151	. ANGLE-LEFT UPR FWD REINFORCEMENT	35000	35771	1
34	0822350-152	. ANGLE-RIGHT UPR FWD REINFORCEMENT	35000	35771	1
35	AN4-6A	. BOLT			8
36	MS21044N4	. NUT			8 R
37	NAS221-11	. SCREW			8
38	MS21045L3	. NUT			8 R
39	0822350-184	. ANGLE-RIGHT UPR AFT REINFORCEMENT	35000	35771	1
40	0822350-186	. ANGLE-LEFT UPR AFT REINFORCEMENT	35000	35771	1
41	NAS221-13	. SCREW			8
42	MS21045L3	. NUT			8 R
43	0822000-60	. ANGLE-AFT OUTBD ATTACH UPR NACELLE	35000	35771	1
- 43A	0822363-2	. ANGLE-AFT OUTBD ATTACH UPR NACELLE	35772	& ON	1
44	0822000-62	. ANGLE-AFT INBD ATTACH UPR NACELLE	35000	35771	1
- 44A	0822364-2	. ANGLE-AFT INBD ATTACH UPR NACELLE	35772	& ON	1
45	0822350-218	. ANGLE-FWD INBD ATTACH UPR NACELLE	35000	35771	1
- 45A	0822366-2	. ANGLE-FWD INBD ATTACH UPR NACELLE	35772	& ON	1

CESSNA AIRCRAFT COMPANY
MODEL 310 THRU 310D
ILLUSTRATED PARTS CATALOG

FIG ITEM	PART NUMBER	NOMENCLATURE	EFFECT		UNITS PER ASSY
			FROM	TO	
08					
46	0822350-220	. ANGLE-FWD OUTBD ATTACH UPR NACELLE	35000	35771	1
- 46A	0822365-2	. ANGLE-FWD OUTBD ATTACH UPR NACELLE	35772	& ON	1
47	0822275-30	. DOUBLER ASSY-RIGHT WING ACCESS OPENING			1
48	MS21053L3	. . NUTPLATE-ATTACH DOUBLER			2 R
49	MS21049L3	. . NUTPLATE-ATTACH DOUBLER			4 R
- 49A	MS21049L3	. . NUTPLATE-ATTACH DOUBLER ALT FOR NAS681A3			4 R
50	0822005-34	. DOUBLER ASSY-ANTI-ICE DOOR			1
51	CM2822-3	. . SPRING-ATTACH DOUBLER DZUS			4 R
- 51A	CM2822-3	. . SPRING-ATTACH DOUBLER DZUS			4 R
52	0822000-36	. DOUBLER-LANDING LIGHT OPENING	35000	35374	1
			35376	35420	
53	0822786-2	. DOUBLER ASSY-LANDING LIGHT OPENING	35375	35375	1
			35421	& ON	
54	MS21049L3	. . NUTPLATE			4 R
- 54A	MS21049L3	. . NUTPLATE ALT FOR NAS681A3			4 R
54B	0822002-1	. SHIELD-AUGMENTER	35487	35771	2
- 54C	S1021Z-4-4	. SCREW-ATTACH SHIELD	35487	35771	8
- 54D	S3230-1	. NUT-ATTACH SHIELD TINNERMAN A1776-4Z-3	35487	35771	8 R
55	0811500-1	. BRAZE ASSY-JACKING PLATE RIGHT WING			1
56	AN509-10R13	. SCREW-ATTACH JACKING PLATE			2
- 56A	MS24694-S55	. SCREW-ATTACH JACKING PLATE ALT FOR MS24694-S55			2 R
57	MS21045L3	. NUT-ATTACH JACKING PLATE			2 R
58	0422344	. EYE BOLT-LUG MOORING			1
59	MS21047L5	. NUTPLATE-ATTACH LUG			1 R

CESSNA AIRCRAFT COMPANY
MODEL 310 THRU 310D
ILLUSTRATED PARTS CATALOG

A55617



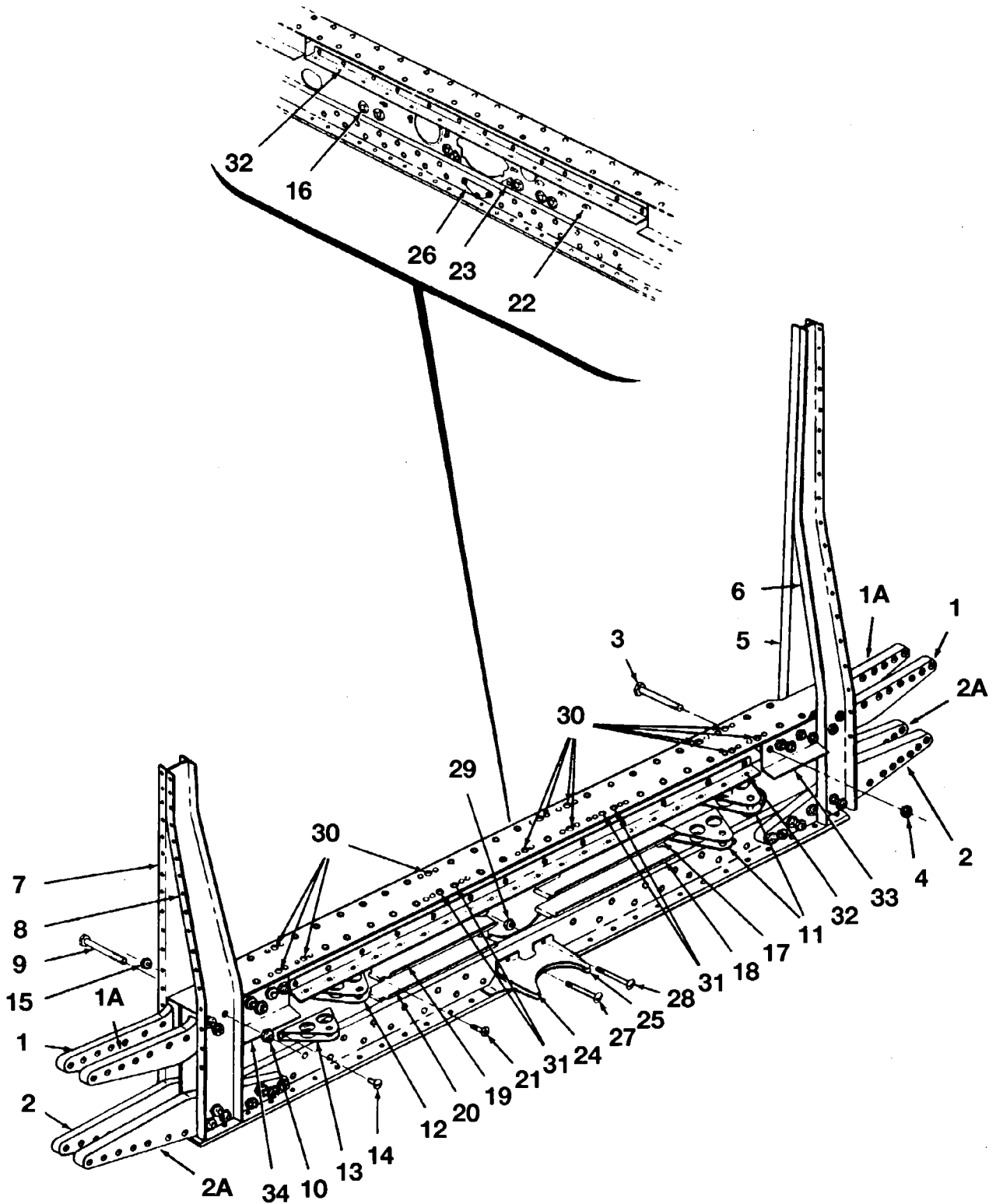
FUSELAGE FRONT SPAR ASSEMBLY
FIGURE 09 (SHEET 1)

CESSNA AIRCRAFT COMPANY
MODEL 310 THRU 310D
ILLUSTRATED PARTS CATALOG

FIG ITEM	PART NUMBER	NOMENCLATURE	EFFECT		UNITS PER ASSY
			FROM	TO	
09		FUSELAGE FRONT SPAR ASSEMBLY REFER TO 53-10-01 FIGURE 01 FOR NHA			RF
1		SUPPORT INSTALLATION - FRONT SEATS REFER TO 53-20-00 FIGURE 05 FOR BREAKDOWN			RF
2		ADAPTER-REAR FOOT REFER TO 21-40-00 FIGURE 01	35000	35332	RF
- 2A		ADAPTER REAR FOOT	35333	& ON	RF
3	MS21047L3	NUTPLATE	35000	39031	3 R
- 3A	MS21047L3	NUTPLATE-ATTACH FLOORBOARDS	39032	& ON	19 R
4	0811350-1	FITTING-UPR FSO 0811350-9			NP R
- 4A	0811350-9	FITTING-UPR			2 R
5	0811350-2	FITTING-LWR FSO 0811350-10			NP R
- 5A	0811350-10	FITTING-LWR			2 R
6	AN4-26A	BOLT-ATTACH FITTING AND CHANNEL			12
- 6A	MS21044N4	NUT-ATTACH FITTING AND CHANNEL			12 R
7	AN4-7A	BOLT-ATTACH FITTING AND CHANNEL			8
- 7A	MS21044N4	NUT-ATTACH FITTING AND CHANNEL			8 R
8	NAS178-6-8	PIN-HI-SHEAR ATTACH FITTINGS			24
- 8A	NAS528A6	COLLAR-ATTACH FITTINGS			24 R
9	NAS1054-8-8	PIN-HI-SHEAR ATTACH FITTINGS			24 R
10	NAS178-8-19	RIVET-HI-SHEAR ATTACH FITTINGS			8
11	NAS1054-8-10	PIN-HI-SHEAR ATTACH FITTINGS			4 R
- 11A	NAS528A8	COLLAR-ATTACH FITTINGS			36 R
12	0811075-13	CHANNEL-RH FRONT SPAR SUPPORT FWD			1
13	0811075-14	CHANNEL-RH FRONT SPAR SUPPORT AFT			1
14	0811075-33	CHANNEL ASSY-FRONT SPAR SUPPORT FWD LH			1
- 14A	MS21047L06	NUTPLATE			2 R
15	0811075-12	CHANNEL LH-FRONT SPAR SUPPORT AFT			1
16	0811300-47	BRACKET-PULLEY			2
17	0811300-48	BRACKET-PULLEY			2
18	0412467	BRACKET-ELEVATOR TAB CONTROL PULLEY			2
19	0310225	FAIRLEAD			1
20	S-1021Z-6-6	SCREW-ATTACH FAIRLEAD			2
21	0812350-37	BRACKET			1
22	MS21049L3	NUTPLATE			1 R
23	MS35489-4	GROMMET			1
24	MS21047L06	NUTPLATE			1 R
- 25		DELETED-NOT USED			
26	MS21047L06	NUTPLATE			3 R
26A	NAS696A06	NUT			1
27	MS21047L3	NUTPLATE			4 R
28	MS35489-20	GROMMET			4
29	A5980-8Z-3	BRACKET-ANGLE TINNERMAN			1
30	NAS444-1	NUTPLATE-TINNERMAN A6191-6Z-3			2
31	S3431-3	NUTPLATE-TINNERMAN A6191-8Z-3			8 R
32	0811303-1	BRACKET-BELLCRANK LWR			1
33	0811302-1	BRACKET-BELLCRANK UPR			1
34	MS21071L3	NUT-PLATE	35815	39031	2 R

CESSNA AIRCRAFT COMPANY
MODEL 310 THRU 310D
ILLUSTRATED PARTS CATALOG

A55619



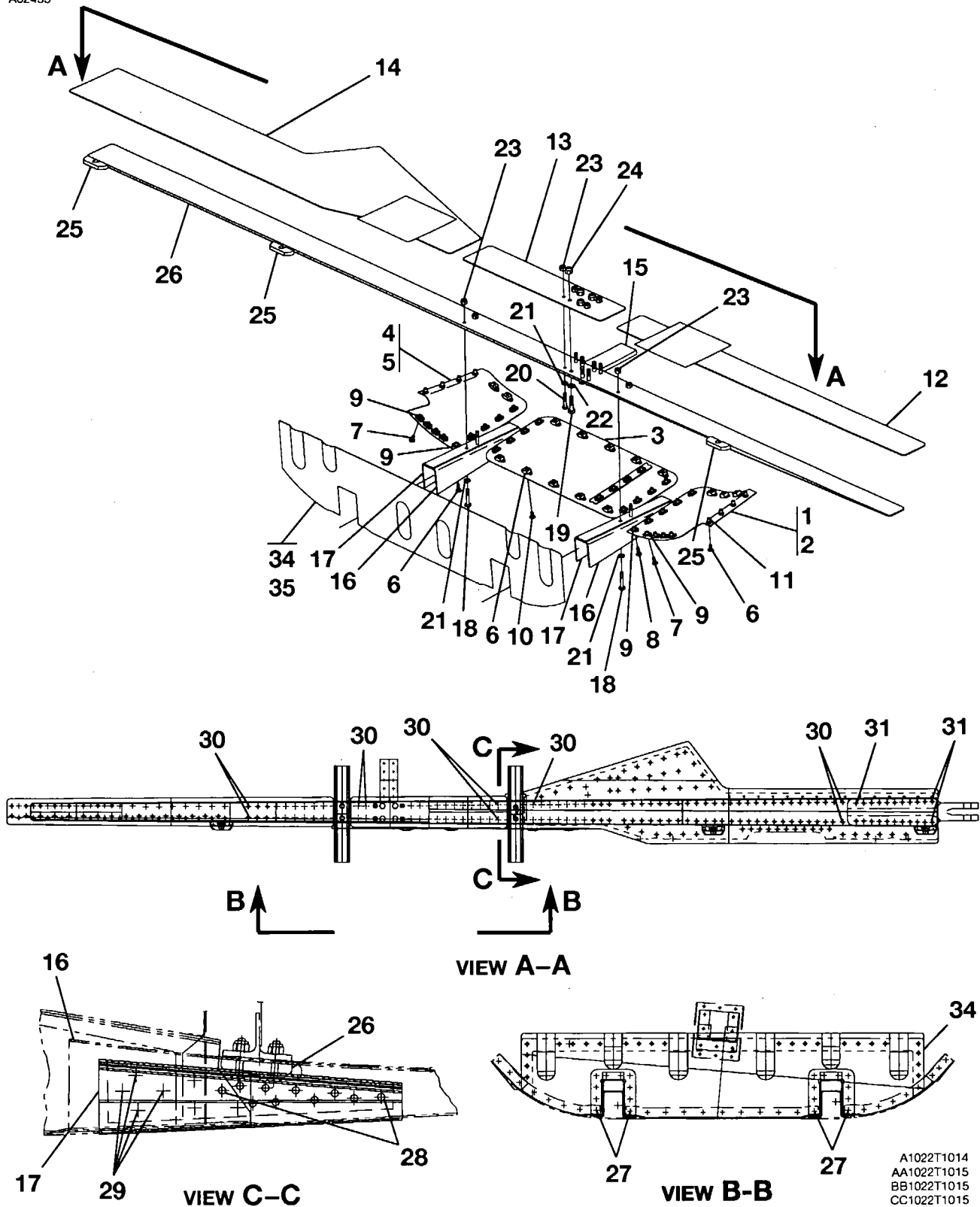
FUSELAGE REAR SPAR ASSEMBLY
FIGURE 10 (SHEET 1)

CESSNA AIRCRAFT COMPANY
MODEL 310 THRU 310D
ILLUSTRATED PARTS CATALOG

FIG ITEM	PART NUMBER	NOMENCLATURE	EFFECT FROM TO	UNITS PER ASSY
10		FUSELAGE REAR SPAR ASSEMBLY REFER TO 53-10-01 FIGURE 01 FOR NHA		RF
1	0811276-1	. FITTING-REAR SPAR UPR LH FWD & RH AFT WEU 0811310-1		2 R
1A	0811276-3	. FITTING-REAR SPAR UPR LH AFT & RH FWD WEU 0811310-1		2 R
1A	0811310-1	. FITTING-REAR SPAR UPR LH AFT & RH FWD		2 R
2	0811276-2	. FITTING-REAR SPAR LWR LH FWD & RH AFT WEU 0811310-2		2 R
2A	0811276-4	. FITTING-REAR SPAR LWR LH AFT & RE FWD WEU 0811310-2		2 R
2B	0811310-2	. FITTING-REAR SPAR UPR LH FWD & RH AFT		2
3	AN6-26A	. BOLT ATTACH FITTINGS		20
- 3A	NAS1149F0632P	. WASHER ATTACH LWR FITTINGS ONLY		10 R
4	MS21044N6	. NUT ATTACH FITTINGS		20 R
5	0811075-7	. BULKHEAD - REAR SPAR LH		1
6	0811075-9	. SUPPORT LH-REAR SPAR BULKHEAD		1
7	0811075-8	. BULKHEAD-REAR SPAR RH		1
8	0811075-10	. SUPPORT RH-REAR SPAR BULKHEAD		1
9	AN6-27A	. BOLT-ATTACH BULKHEAD AND FITTINGS		12
10	MS21044N06	. NUT-ATTACH BULKHEAD AND FITTINGS		12 R
11	0811275-19	. BRACKET LH-FLAP PULLEY		2
12	0811275-17	. BRACKET RH-FLAP DIRECT PULLEY		1
13	0811275-18	. BRACKET RH-FLAP RETURN PULLEY		1
14	AN520-10R6	. SCREW-ATTACH PULLEY BRACKET		12
15	MS20364-1032C	. NUT-ATTACH PULLEY BRACKET		12
16	S338-6	. FAIRLEAD HALF-BUSHING		12
- 16A	S339-2	. CLIP-FAIRLEAD		6
17	0811275-27	. PAN-FLAP ACTUATOR CHAIN HALF		1
18	0811275-32	. PAN-FLAP ACTUATOR CHAIN HALF		1
19	0811275-28	. PAN-FLAP ACTUATOR CHAIN HALF		1
20	0811275-33	. PAN-FLAP ACTUATOR CHAIN HALF		1
21	AN515-8R8	. SCREW-ATTACH PANS		7
22	NAS682A08K	. NUTPLATE-ANCHOR ATTACH PANS		7
23	0811275-16	. RUB BLOCK		2
24	0811275-15	. BRACKET UPPER-AILERON AUTO PILOT		1
25	0811275-14	. BRACKET LOWER-AILERON AUTO PILOT		1
26	0811275-13	. BLOCK-CABLE RUB		1
		ATTACHING PARTS		
27	AN23-23A	. BOLT-ATTACH BRACKET AND RUB BLOCK		1
28	AN23-24A	. BOLT-ATTACH BRACKET AND RUB BLOCK		2
29	MS21045L3	. NUT-ATTACH BRACKET AND RUB BLOCK		3 R
30	MS21047L4	. NUTPLATE	35000 35828	12 R
- 30A	MS21047L4	. NUTPLATE	35829 & ON	9 R
31	MS21051L4	. NUTPLATE		4 R
32	MS21047L3	. NUTPLATE-ATTACH FLOORBOARDS	39032 & ON	37 R
33	0811275-9	. SUPPORT-FLOORBOARD FWD LH	35000 39031	1
34	0811275-22	. SUPPORT-FLOORBOARD FWD RH	35000 39031	1
- 35	0811275-3	. SPAR CAP-LWR FWD		1
- 36	0811275-4	. SPAR CAP-LWR AFT		1

CESSNA AIRCRAFT COMPANY
MODEL 310 THRU 310D
 ILLUSTRATED PARTS CATALOG

A62455



WING SPAR STRAP
 FIGURE 11 (SHEET 1)

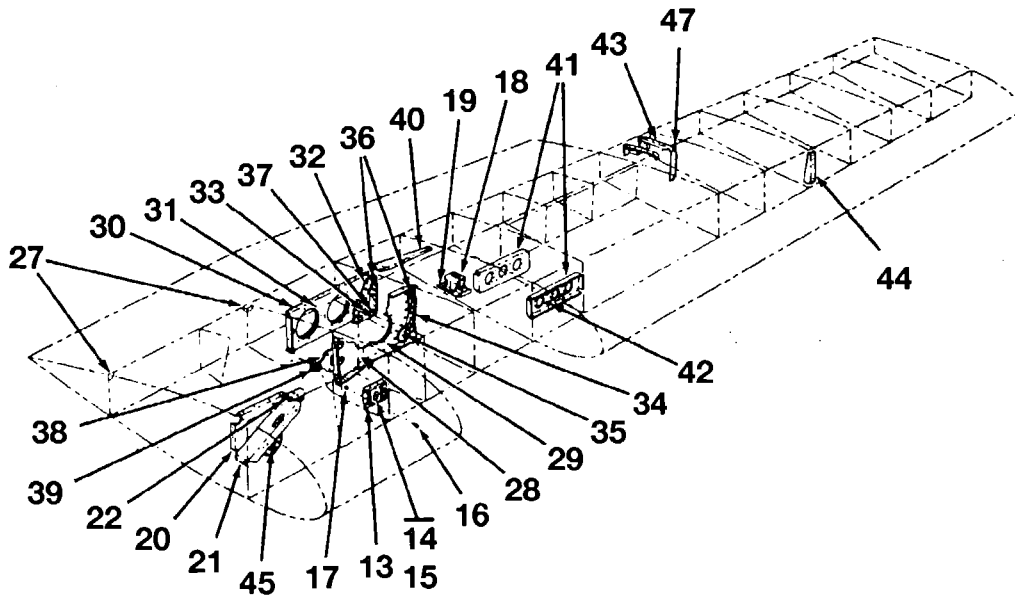
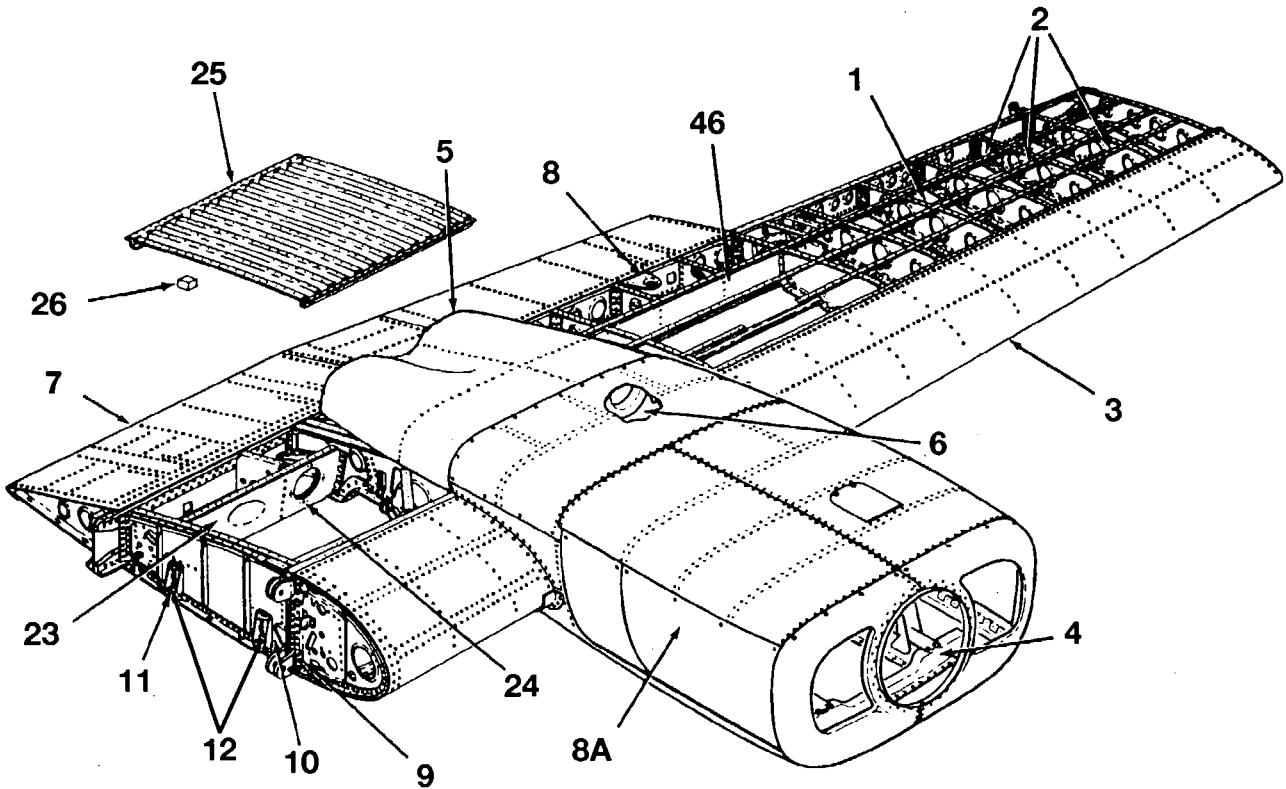
CESSNA AIRCRAFT COMPANY
MODEL 310 THRU 310D
ILLUSTRATED PARTS CATALOG

FIG ITEM	PART NUMBER	NOMENCLATURE	EFFECT		UNITS PER ASSY
			FROM	TO	
11		WING SPAR STRAP REFER TO NOTE 1	035000	039299	RF R
1	5295103-13	. ACCESS COVER-LH OUTBOARD			01
2	5295103-12	. ACCESS COVER-RH OUTBOARD			01
3	5295103-7	. ACCESS COVER-CENTER			01
4	5295103-11	. ACCESS COVER-LH INBOARD			01
5	5295103-10	. ACCESS COVER-RH INBOARD			01
6	AN525-832R6	. SCREW			23
7	AN525-832R7	. SCREW			28
8	AN525-832R8	. SCREW			02
9	MS21075L08N	. NUTPLATE			30
10	MS21059L08K	. NUTPLATE			15
11	NAS1329A08K75	. NUT			08
12	0892007-3	. DOUBLER-OUTBD			01
13	0892007-2	. DOUBLER-CENTER			01
14	0892007-1	. DOUBLER-INBOARD			01
15	0892007-7	. FILLER			01
16	0892007-5	. ANGLE			02
17	0892007-6	. ANGLE			02
		ATTACHING PARTS			
18	AN3H11A	. BOLT			04
19	AN4-10A	. BOLT			04
20	MS27039-1-17	. SCREW			04
21	NAS1149F0363P	. WASHER			08
22	NAS1149F0463P	. WASHER			04
23	MS21044C3	. NUT			08
24	MS21044C4	. NUT			04
25	5292005-46	. SCUPPER SHIM			03
26	5292005-48	. STRAP			01
27	HL18PB-5-2	. PIN			04
28	HL18PB-5-3	. PIN			11
29	HL18PB-5-5	. PIN			24
30	HL18PB-5-9	. PIN			116
31	HL18PB-6-13	. PIN			22
- 32	HL70-5	. COLLAR			AR
- 32A	S3191-08	. COLLAR ALT FOR HL70-5			AR
- 33	HL70-6	. COLLAR			AR
- 33A	S3191-3	. COLLAR ALT FOR HL70-6			AR
34	0892007-11	. FIREWALL SEGMENT	035000	035728	01
			038000	038080	
35	0892007-4	. FIREWALL SEGMENT	035729	035999	01
			038081	038161	
			039001	039299	

NOTE 1—AIRPLANES INCORPORATING MEB05-5

CESSNA AIRCRAFT COMPANY
MODEL 310 THRU 310D
ILLUSTRATED PARTS CATALOG

A55814



LEFT WING STRUCTURE ASSEMBLY - AUXILIARY FUEL SYSTEM
FIGURE 01 (SHEET 1)

CESSNA AIRCRAFT COMPANY
MODEL 310 THRU 310D
ILLUSTRATED PARTS CATALOG

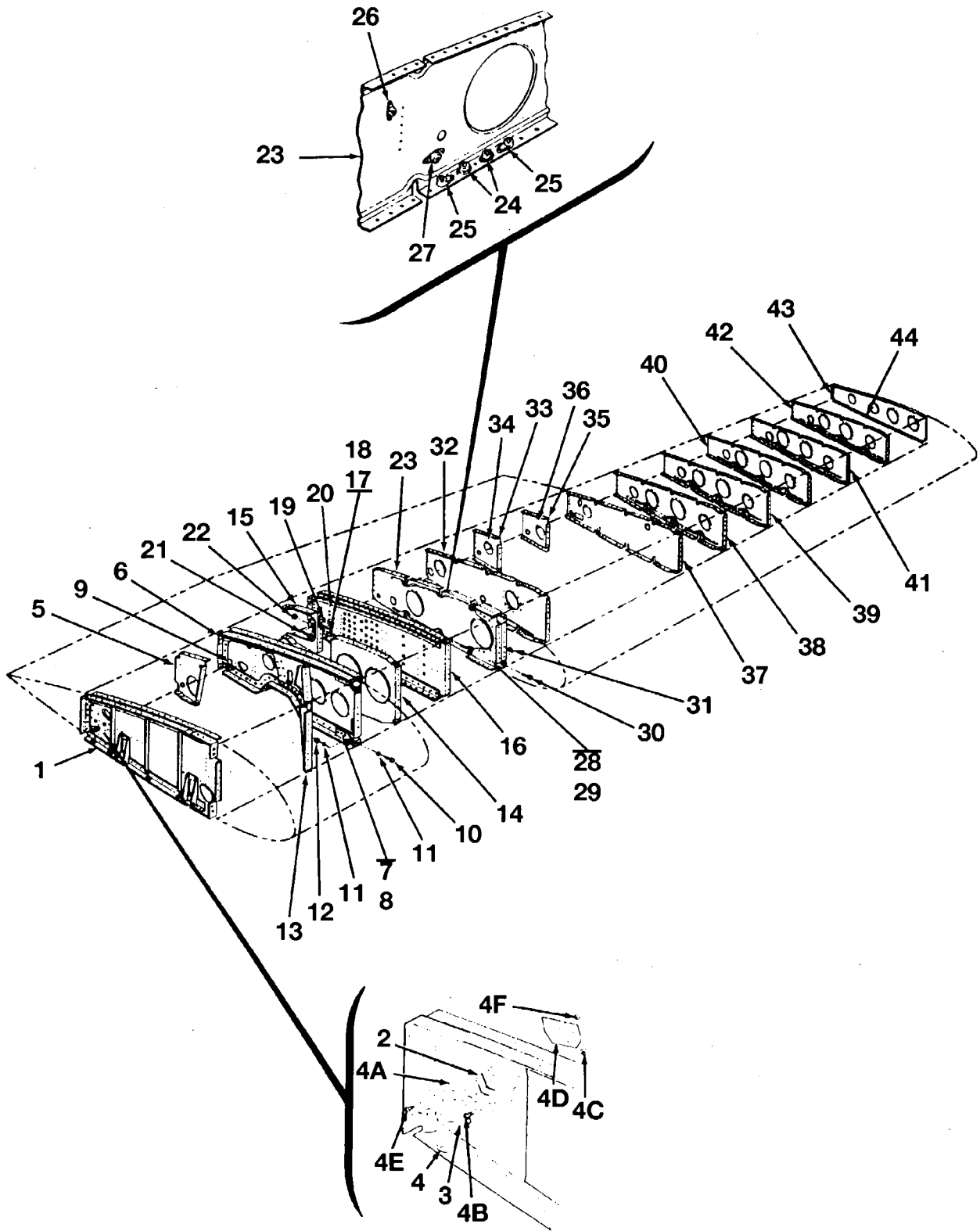
FIG ITEM	PART NUMBER	NOMENCLATURE	EFFECT FROM TO	UNITS PER ASSY
	1 2 3 4 5 6 7			
01		LEFT WING STRUCTURE ASSEMBLY - AUXILIARY FUEL SYSTEM		RF
- 0	0892003-1	. STRUCTURE ASSY- WHEN EXHAUSTED USE 0892003-5 REFER TO 28-20-01 FIGURE 01 FOR NHA	35228 35228	1
- A	0892003-5	. STRUCTURE ASSY REFER TO 28-20-01 FIGURE 01 FOR NHA	35228 35228	1
- B	0892003-13	. STRUCTURE ASSY- WHEN EXHAUSTED USE 0892003-15 - REFER TO 28-20-01 FIGURE 01 FOR NHA	35263 35771 35772 & ON	1
- C	0892003-15	. STRUCTURE ASSY REFER TO 28-20-01 FIGURE 01 FOR NHA	35772 & ON	1
1		. RIBS INSTALLATION REFER TO 57-10-01 FIGURE 02 FOR BREAKDOWN		RF
2		. SKINS & STRINGERS INSTALLATION REFER TO 57-10-01 FIGURE 03 FOR BREAKDOWN		RF
3		. FRONT SPAR & LEADING EDGE ASSYS REFER TO 57-40-00 FIGURE 01 FOR BREAKDOWN		RF
4		. ENGINE NACELLE INSTALLATION- LOWER REFER TO 54-10-00 FIGURE 01 FOR BREAKDOWN		RF
5		. ENGINE NACELLE INSTALLATION- UPPER REFER TO 54-10-00 FIGURES 03 & 04 FOR BREAKDOWN		RF
6		. FIREWALL INSTALLATION REFER TO 54-10-01 FIGURES 01 & 02 FOR BREAKDOWN		RF
7		. TRAILING EDGE ASSY REFER TO 57-50-00 FIGURE 01 FOR BREAKDOWN		RF
8		. CONTROLS SUPPORT BRACKETS INSTALL REFER TO 57-50-00 FIGURE 02 FOR BREAKDOWN		RF
8A		. ENGINE COWL INSTALLATION REFER TO 71-10-00 FIGURES 01 & 02 FOR BREAKDOWN		RF
9	AN4-22A	. BOLT- ATTACH ROOT RIB TO FRONT SPAR		4
- 9A	MS21044N4	. NUT- ATTACH ROOT RIB TO FRONT SPAR		4 R
10	0822100-45	. BRACKET FWD- LANDING GEAR DOOR FORWARD HINGE		1
11	0822100-46	. BRACKET AFT- LANDING GEAR DOOR AFT HINGE		1
12	AN507-1032R10	. SCREW- ATTACH BRACKETS		4
- 12A	MS21045L3	. NUT- ATTACH BRACKETS		4 R
13	0843508-1	. SUPPORT ASSY- LANDING GEAR		1
14	AN200KP6	. BEARING		1
15	NAS669-143	. RING- BEARING		1
16	AN3-5A	. BOLT- ATTACH SUPPORT		2
17	MS21045L3	. NUT- ATTACH SUPPORT		2 R
18	0822006-1	. BRACKET ASSY- LEFT WING GROUND SERVICE PLUG		1
19	0822000-39	. DOUBLER- LEFT WING GROUND SERVICE PLUG OPENING		1
20	0822000-47	. BRACKET- LEFT LANDING GEAR DOOR ACTUATOR ROD SUPPORT	35000 35833	1
- 20A	0822000-93	. BRACKET- LEFT LANDING GEAR DOOR ACTUATOR ROD SUPPORT	35834 & ON	1
- 20B	5045001-203	. SPACER STOP	35002 35833	1
			38001 38160	
21	0822000-45	. CHANNEL- LEFT WING LANDING GEAR DOOR ACTUATOR REINFORCEMENT		1
- 21A	22NA7-68-02	. NUTPLATE- DOOR STOP ESNA	35638 35833	2
- 21B	NAS428H3A20	. BOLT- DOOR STOP	35638 35833	1 R
- 21C	0822003-1	. BRACKET ASSY- STOP	35834 & ON	1
- 21D	NAS564-45	. BOLT- DOOR STOP	35834 & ON	1
- 21E	AN315-4R	. NUT- SECURE STOP BOLT	35834 & ON	1
22	CR163C-5-8	. RIVET- ATTACH CHANNEL CHERRY RIVET CO		3
23	0822275-5	. SPAR ASSY- LEFT WING AUXILIARY		1
24	MS21047L3	. NUTPLATE- SPAR		8 R
25	0822000-25	. REINFORCEMENT WINGWALK- LEFT		1
26	0822001-14	. RUBBER SEAL- WING WALK REINFORCEMENT		13
27	0622001-5	. SEAL- WING WALK CORNER REINFORCEMENT		2

**CESSNA AIRCRAFT COMPANY
MODEL 310 THRU 310D
ILLUSTRATED PARTS CATALOG**

FIG ITEM	PART NUMBER	NOMENCLATURE	EFFECT		UNITS PER ASSY
			FROM	TO	
01					
28	0822275-31	. SPAR ASSY- LEFT WING AUXILIARY			1
29	MS21047L3	. . NUTPLATE- SPAR			8 R
30	0822275-7	. SPAR ASSY- LEFT WING AUXILIARY			1
31	MS21047L3	. . NUTPLATE- SPAR			16 R
32	0822724-1	. SUPPORT ASSY- LEFT WING LANDING GEAR SUPPORT AFT.			1
33	NAS505-12	. . BEARING- SUPPORT NEEDLE			1
34	0822720-1	. SUPPORT ASSY- LEFT WING LANDING GEAR SUPPORT FORWARD			1
35	NAS505-12	. . BEARING- SUPPORT NEEDLE			1
36	AN3-5A	. BOLT- ATTACH FORGINGS AT TOP			4
- 36A	MS21045L3	. NUT- ATTACH FORGINGS AT TOP			4 R
37	AN4-6A	. BOLT- ATTACH FORGINGS AT BOTTOM			4
- 37A	MS21044N4	. NUT- ATTACH FORGINGS AT BOTTOM			4 R
38	0822275-102	. BRACKET ASSY- LANDING GEAR TORQUE TUBE			1
39	NAS505-5	. . BEARING- BRACKET			1
40	0822275-121	. GUSSET INBD- UPPER			1
- 40A	0822275-122	. GUSSET- LOWER INBD			1
41	0822005-25	. SUPPORT ASSY- BATTERY BOX			2
42	NAS680A08	. . NUTPLATE- ATTACH BATTERY BOX			8
43	0822350-134	. BRACKET ASSY- LEFT WING TAB ACTUATOR			1
- 43A	22NA3-02	. . NUT- ATTACH ACTUATOR ESNA			4
44	0822275-83	. CHANNEL- MOORING LUG SUPPORT			1
45	0822000-55	. BEARING ASSY			1
46	0823335-1	. SPAR- FALSE			1
47	0820004-1	. SUPPORT- AUTO-PILOT AILERON FOLLOW-UP			1

CESSNA AIRCRAFT COMPANY
MODEL 310 THRU 310D
ILLUSTRATED PARTS CATALOG

A55815



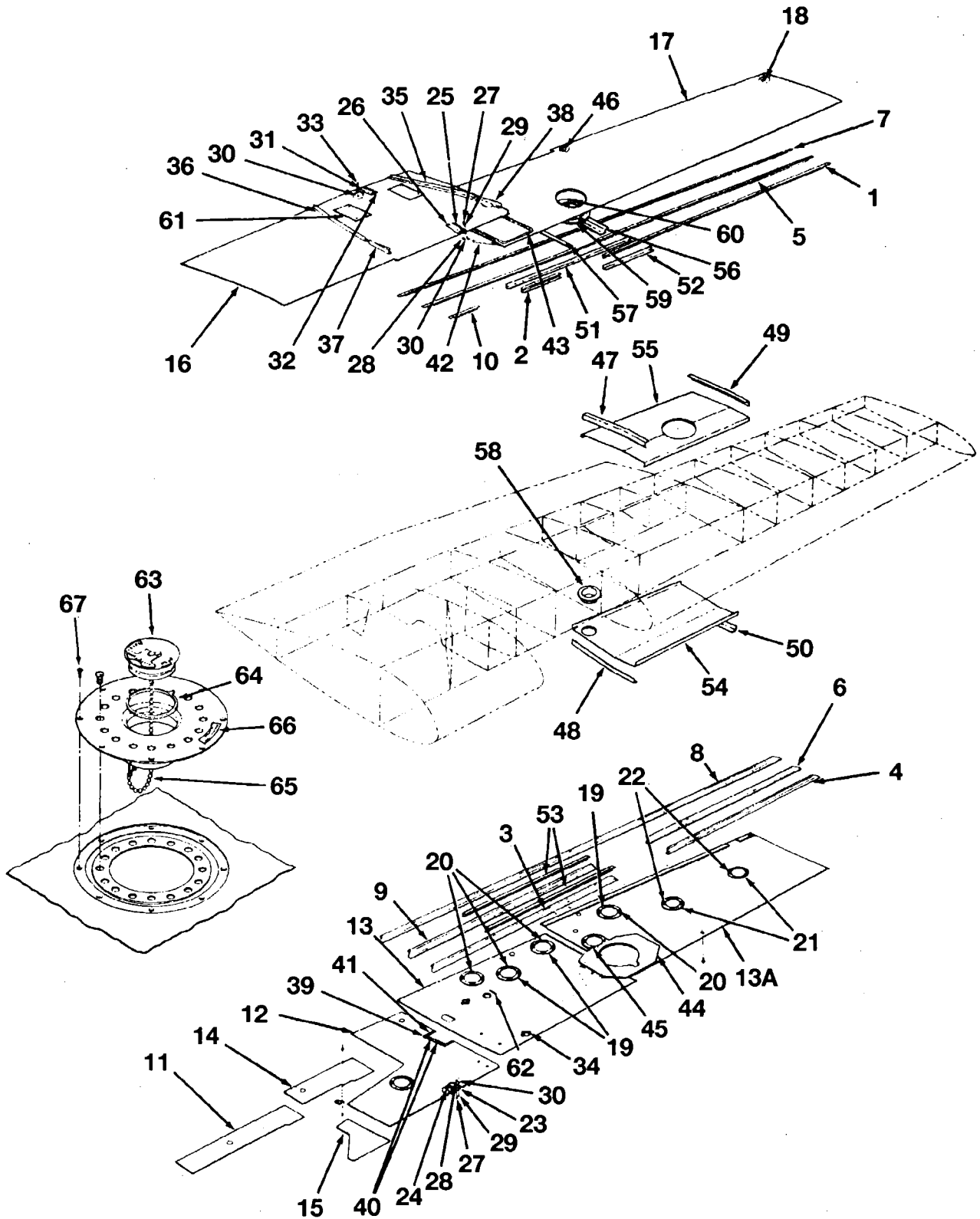
LEFT WING RIBS INSTALLATION - AUXILIARY FUEL SYSTEM
FIGURE 02 (SHEET 1)

CESSNA AIRCRAFT COMPANY
MODEL 310 THRU 310D
ILLUSTRATED PARTS CATALOG

FIG ITEM	PART NUMBER	NOMENCLATURE	EFFECT		UNITS PER ASSY
			FROM	TO	
02		LEFT WING RIBS INSTALLATION - AUXILIARY FUEL SYSTEM REFER TO			RF
		57-10-01 FIGURE 01 FOR NHA			
1	0822100-1	.. RIB ASSY-LEFT WING CTR ROOT			1
2	0412467	.. BRACKET-LEFT WING AILERON TRIM TAB PULLEY			1
3	0822350-170	.. BRACKET-AILERON PULLEY			1
4	NAS444-13	.. NUT-TINNERMAN A6203-8Z-1			5
4A	0411671	.. BRACKET-LEFT WING FLAP PULLEY			1
4B	AN525-10R6	.. SCREW-ATTACH BRACKET			2
4C	MS21045L3	.. NUT-ATTACH BRACKET			2 R
4D	0822100-59	.. RUB BLOCK-LEFT WING			1
4E	AN515-8R8	.. SCREW-ATTACH RUB BLOCK			2
4F	MS21044N08	.. NUT-ATTACH RUB BLOCK			2 R
5	0822275-81	.. RIB-LEFT WING CTR FSO 0822275-153			NP
6	0822175-39	.. RIB ASSY-LEFT WING CTR			1
7	NAS178-6-5	.. RIVET-HI-SHEAR ATTACH FITTING			8
8	NAS528A6	.. COLLAR-ATTACH RIVET			8 R
9	0822350-170	.. BRACKET-AILERON PULLEY			1
10	AN5-12A	.. BOLT-ATTACH RIB TO FRONT SPAR			2
11	NAS1149F0563P	.. WASHER-ATTACH RIB TO FRONT SPAR			4 R
12	MS21044N5	.. NUT-ATTACH RIB TO FRONT SPAR			2 R
13	0822275-71	.. RIB-LEFT WING CTR CANTED			1
14	0822275-69	.. RIB-LEFT WING CTR			1
15	0822350-189	.. RIB-LEFT WING CTR			1
16	0822175-3	.. RIB ASSY-LEFT WING CTR			1
17	NAS178-6-7	.. RIVET-HI-SHEAR ATTACH FITTING			4
18	NAS528A6	.. COLLAR-ATTACH RIVET			4 R
19	0822350-170	.. BRACKET-AILERON PULLEY			1
20	0310113	.. BRACKET-AILERON TRIM TAB PULLEY			1
21	AN4-10A	.. BOLT-ATTACH RIB TO REAR SPAR			2
22	MS21044N4	.. NUT-ATTACH RIB TO REAR SPAR			2 R
23	0822275-1	.. RIB ASSY-LEFT WING CTR			1
- 23A	0822275-11	.. WEB STIFFENER			1
24	MS21049L3	.. NUTPLATE			2 R
- 24A	MS21049L3	.. NUTPLATE ALT FOR NAS681A3			2 R
25	NAS682A3	.. NUTPLATE			2
26	MS21047L4	.. NUTPLATE			1 R
27	S3431-3	.. NUTPLATE-TINNERMAN A6191-8Z-3			2 R
28	NAS178-6-3	.. PIN-HI-SHEAR			6
29	NAS528A6	.. COLLAR-ATTACH RIVET			6 R
30	AN4-11A	.. BOLT-ATTACH RIB TO FRONT SPAR			2
31	MS21044N4	.. NUT-ATTACH RIB TO FRONT SPAR			2 R
32	0823331-3	.. RIB ASSY-LEFT WING CTR			1
33	0823332-1	.. RIB ASSY-AUXILIARY			1
34	0412467	.. BRACKET-AILERON TRIM TAB PULLEY			1
35	0823333-1	.. RIB ASSY-AUXILIARY			1
36	0412467	.. BRACKET-AILERON TRIM TAB PULLEY			1
37	0823334-3	.. RIB-LEFT WING CTR			1
38	0822350-241	.. RIB-LEFT WING CTR	35375	35375	1
			35442	35479	
- 38A	0822350-246	.. RIB ASSY-LEFT WING CTR	35480	& ON	1
39	0822350-93	.. RIB-LEFT WING CTR			1
40	0822350-95	.. RIB-LEFT WING CTR			1
41	0822350-97	.. RIB-LEFT WING CTR			1
42	0822350-99	.. RIB-LEFT WING CTR			1
43	0822350-201	.. RIB ASSY-LEFT WING CTR			1
44	NAS444-5	.. NUT-ATTACH WING TIP COVER TINNERMAN A6195-8Z-1			8

CESSNA AIRCRAFT COMPANY
MODEL 310 THRU 310D
 ILLUSTRATED PARTS CATALOG

A55816



LEFT WING SKINS AND STRINGERS INSTALLATION - AUXILIARY FUEL SYSTEM
 FIGURE 03 (SHEET 1)

CESSNA AIRCRAFT COMPANY
MODEL 310 THRU 310D
ILLUSTRATED PARTS CATALOG

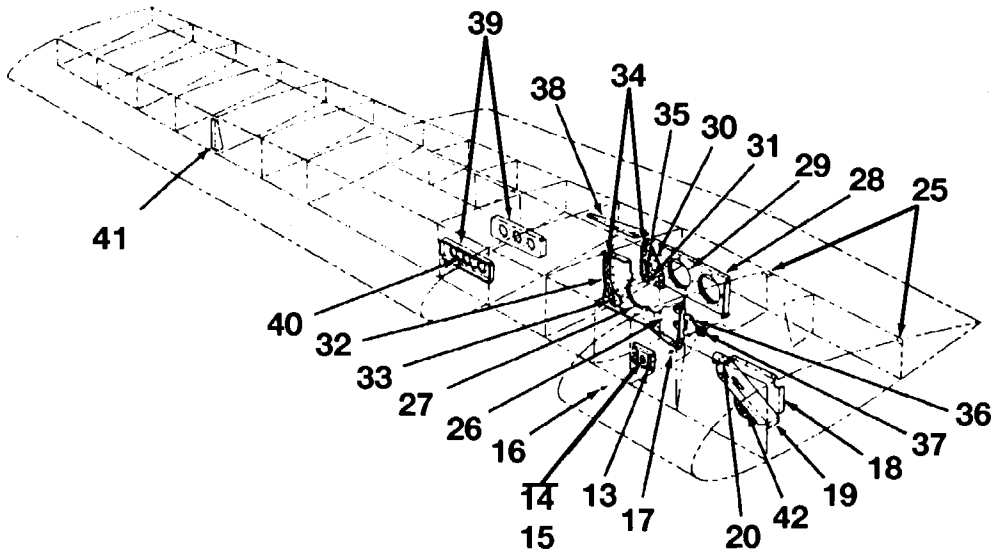
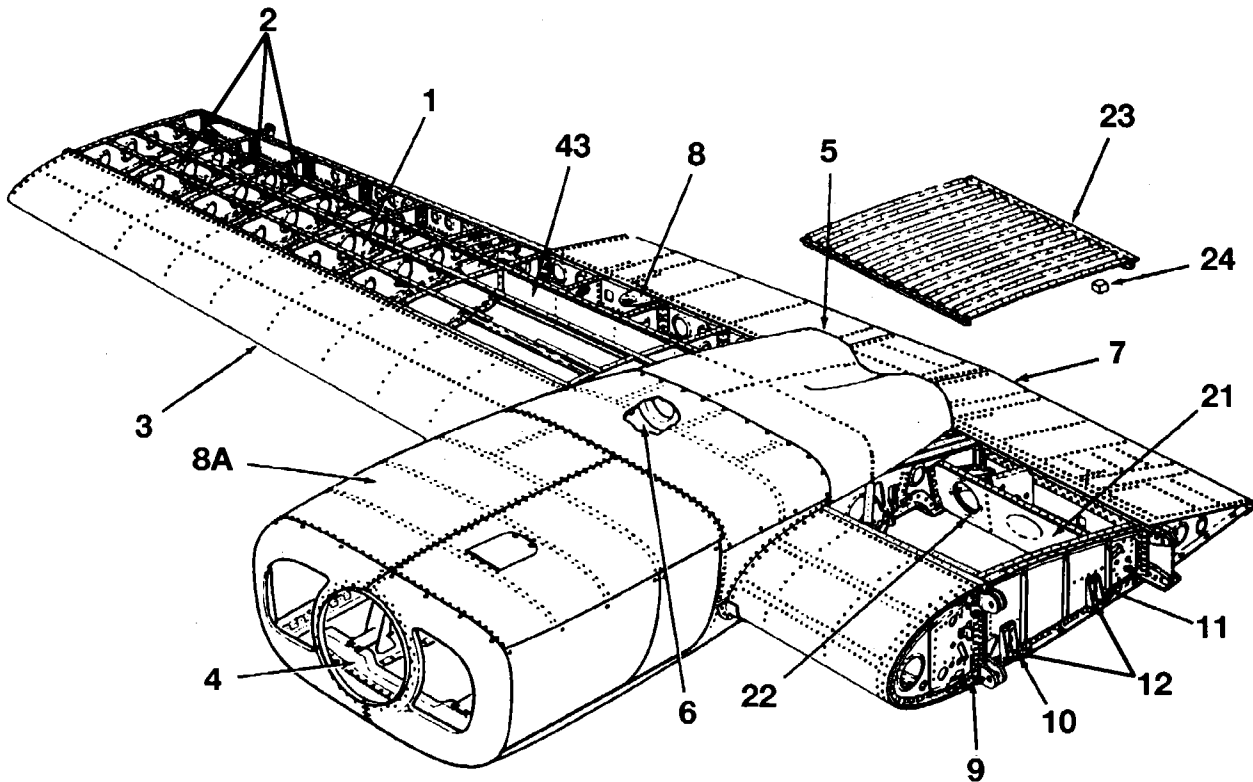
FIG ITEM	PART NUMBER	NOMENCLATURE	EFFECT		UNITS PER ASSY
			FROM	TO	
03		LEFT WING SKINS AND STRINGERS INSTALLATION - AUXILIARY FUEL SYSTEM REFER TO 57-10-01 FIGURE 01 FOR NHA			RF
1	0823356-7	. STRINGER-LEFT WING FORWARD UPPER OUTBD			1
2	0823356-3	. CHANNEL-LEFT WING FORWARD UPPER INBD			1
3	0822815-21	. STRINGER-LEFT WING FORWARD LOWER INBD			1
4	0822815-23	. STRINGER-LEFT WING FORWARD LOWER OUTBD			1
5	0822815-9	. STRINGER-LEFT WING UPPER OUTBD			1
6	0822815-27	. STRINGER-LEFT WING LOWER OUTBD			1
7	0822815-15	. STRINGER-LEFT WING AFT UPPER			1
8	0822815-29	. STRINGER-LEFT WING AFT LOWER			1
9	0822815-25	. STRINGER-LEFT WING LOWER INBD			1
10	0822815-5	. STRINGER-LEFT WING UPPER INBD			1
11	0822000-3	. SKIN-LOWER INBD			1
12	0822000-5	. SKIN-LOWER CENTER			1
13	0823330-9	. SKIN-LEFT WING LOWER CENTER			1
13A	0823330-11	. SKIN-LEFT WING LOWER OUTBOARD			1
14	0822000-23	. SKIN-LEFT WING LOWER AFT			1
15	0822000-40	. SKIN-LEFT WING LOWER FORWARD			1
16	0822000-9	. SKIN-LEFT WING UPPER CENTER			1
17	0823330-5	. SKIN-LEFT WING UPPER OUTBD	35000	39031	1
- 17A	0823330-15	. SKIN-LEFT WING UPPER OUTBD	39032	& ON	1
18	NAS449-13	. NUTPLATE-ATTACH TIP TANK FAIRING TINNERMAN A6200-10Z-1			2
19	0822380-2	. DOUBLER ASSY-ACCESS OPENING	35375	35505,	3
			35442	35490	
- 19A	0822380-2	. DOUBLER ASSY-ACCESS OPENING	35490	35490	4
			35506	& ON	
20	MS21049L3	. . NUTPLATE-ATTACH INSPECTION COVER			4 R
- 20A	MS21049L3	. . NUTPLATE-ATTACH INSPECTION COVER ALT FOR NAS681A3			4 R
21	0822380-1	. DOUBLER ASSY-ACCESS OPENING			2
22	MS21049L3	. . NUTPLATE-ATTACH INSPECTION COVER			4 R
- 22A	MS21049L3	. . NUTPLATE-ATTACH INSPECTION COVER ALT FOR NAS681A3			4 R
23	0822350-149	. ANGLE-LEFT LOWER FORWARD REINFORCEMENT			1
24	0822350-150	. ANGLE-RIGHT LOWER FORWARD REINFORCEMENT			1
25	0822350-151	. ANGLE-LEFT UPPER FORWARD REINFORCEMENT	35000	35771	1
26	0822350-152	. ANGLE-RIGHT UPPER FORWARD REINFORCEMENT	35000	35771	1
27	AN4-6A	. BOLT			8
28	MS21044N4	. NUT			8 R
29	NAS221-11	. SCREW			8
30	MS21045L3	. NUT			16 R
31	0822350-183	. ANGLE-RIGHT UPPER AFT REINFORCEMENT	35000	35771	1
32	0822350-185	. ANGLE-LEFT UPPER AFT REINFORCEMENT	35000	35771	1
33	NAS221-13	. SCREW			8
34	0823337-1	. GROMMET			2
35	0822000-59	. ANGLE-AFT OUTBD ATTACH UPPER NACELLE	35000	35771	1
- 35A	0822363-1	. ANGLE-AFT OUTBD ATTACH UPPER NACELLE	35772	& ON	1
36	0822000-61	. ANGLE-AFT INBD ATTACH UPPER NACELLE	35000	35771	1
- 36A	0822364-1	. ANGLE-AFT INBD ATTACH UPPER NACELLE	35772	& ON	1
37	0822350-217	. ANGLE-FORWARD INBD ATTACH UPPER	35000	35771	1
- 37A	0822366-1	. ANGLE-FORWARD INBD ATTACH UPPER	35772	& ON	1
38	0822350-219	. ANGLE-FORWARD INBD ATTACH UPPER	35000	35771	1
- 38A	0822365-1	. ANGLE-FORWARD OUTBD ATTACH UPPER NACELLE	35772	& ON	1
39	0822275-29	. DOUBLER ASSY-LEFT WING ACCESS OPENING			1
40	MS21053L3	. . NUTPLATE-ATTACH DOUBLER			2 R
41	MS21049L3	. . NUTPLATE-ATTACH DOUBLER			4 R
- 41A	MS21049L3	. . NUTPLATE-ATTACH DOUBLER ALT FOR NAS681A3			4 R
42	0822005-29	. DOUBLER ASSY-BATTERY BOX OPENING			1
43	CM2822-3	. . SPRING-ATTACH COVER DZUS			4 R
- 43A	CM2822-3	. . SPRING-ATTACH COVER DZUS			4 R
44	0822786-1	. DOUBLER ASSY-LANDING LIGHT OPENING			1
45	MS21049L3	. . NUTPLATE-ATTACH INSPECTION COVER			4 R
- 45A	MS21049L3	. . NUTPLATE-ATTACH INSPECTION COVER ALT FOR NAS681A3			4 R
46	0822350-225	. BRACKET ACTUATOR-AILERON TAB ACTUATOR			1
47	0823336-1	. ANGLE-SUPPORT			1
48	0823336-3	. ANGLE-SUPPORT			1
49	0823348-1	. ANGLE-SUPPORT			1
50	0823348-3	. ANGLE-SUPPORT			1
51	0823356-2	. ANGLE-UPPER SUPPORT			1
52	0823356-5	. ANGLE-UPPER SUPPORT			1
53	0823356-9	. ANGLE-LOWER SUPPORT			2
54	0823338-1	. FLOOR-TANK			1
55	0823339-3	. SKIN-TANK			1

CESSNA AIRCRAFT COMPANY
MODEL 310 THRU 310D
ILLUSTRATED PARTS CATALOG

FIG ITEM	PART NUMBER	NOMENCLATURE	EFFECT		UNITS PER ASSY
			FROM	TO	
		1 2 3 4 5 6 7			
03					
56	0823341-1	FORMER-TANK SKIN OUTBD			1
57	0823342-1	FORMER-TANK SKIN INBD			1
58	0823340-1	SUPPORT-DRAIN			1
59	0721200-26	RING	35000	39031	1
- 59A	0721304-1	RING	39032	& ON	1
60	S3431-3	NUT-TINNERMAN A6191A-8Z-3	35000	39031	7 R
- 60A	S3431-3	NUT-TINNERMAN A6191A-8Z-3	39032	& ON	8 R
61	0822002-1	SHIELD-AUGMENTER	35487	35771	2
- 61A	S-1021Z-4-4	SCREW- ATTACH SHIELD	35487	35771	8
- 61B	S3230-1	NUT-ATTACH SHIELD TINNERMAN A1776-4Z-3	35487	35771	8 R
62	0812480-37	DECAL	39032	& ON	1
- 62A	0721303-8	CAP & ADAPTER ASSY	39032	& ON	1
63	0721303-7	CAP ASSY			1
64	MS29513-232	O-RING			1
65	0721303-3	CHAIN			1
66	0721303-4	ADAPTOR			1
67	S-1022Z-8-8	SCREW- ATTACH ADAPTER	39032	& ON	8

CESSNA AIRCRAFT COMPANY
MODEL 310 THRU 310D
ILLUSTRATED PARTS CATALOG

A55817



RIGHT WING STRUCTURE ASSEMBLY - AUXILIARY FUEL SYSTEM
FIGURE 04 (SHEET 1)

CESSNA AIRCRAFT COMPANY
MODEL 310 THRU 310D
ILLUSTRATED PARTS CATALOG

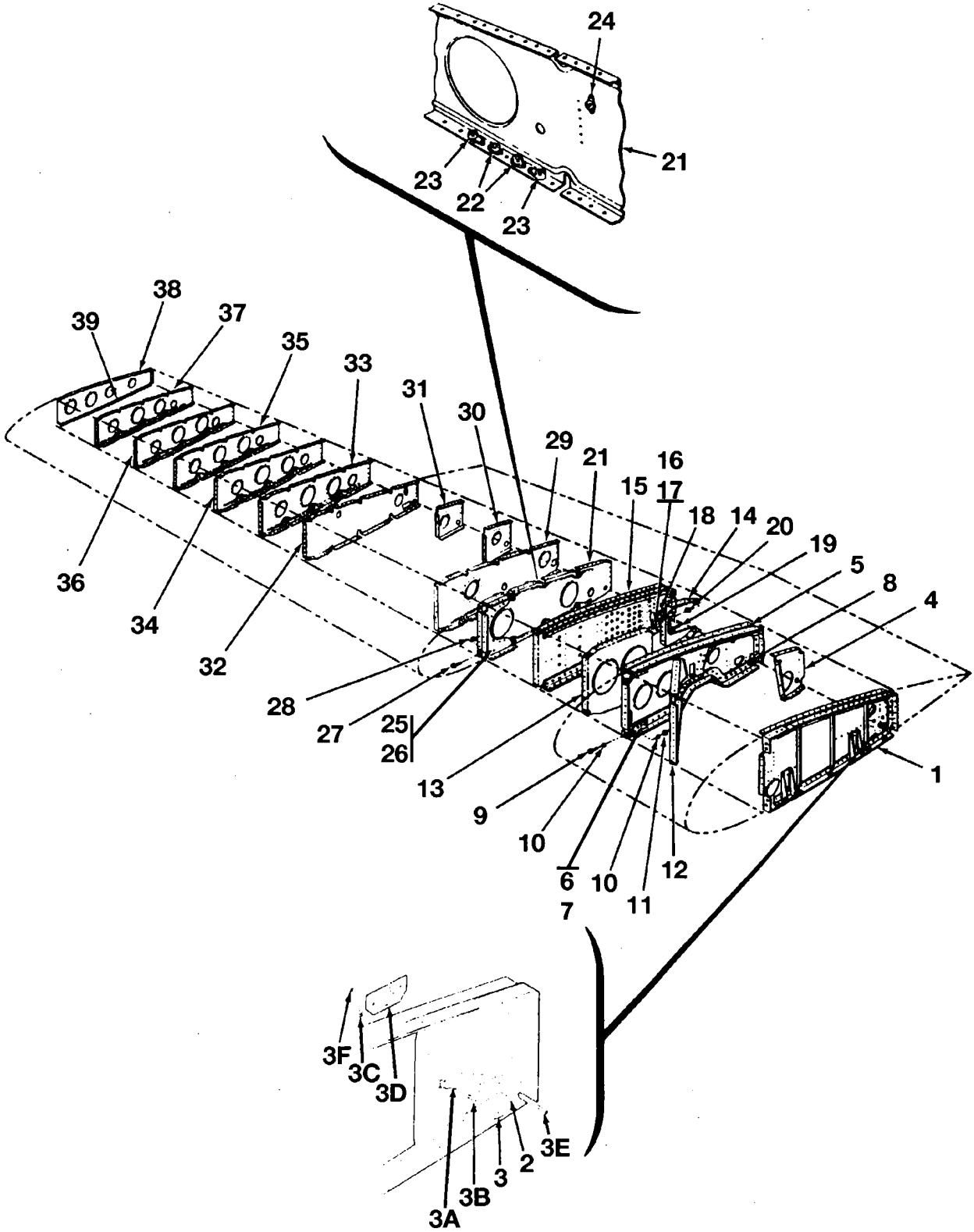
FIG ITEM	PART NUMBER	NOMENCLATURE	EFFECT		UNITS PER ASSY
			FROM	TO	
04					
- 0	0892003-2	RIGHT WING STRUCTURE ASSEMBLY - AUXILIARY FUEL SYSTEM STRUCTURE ASSY- WHEN EXHAUSTED USE 0892003-6 - REFER TO 28-20-01 FIGURE 01 FOR NHA	35228	35228	1 RF
- A	0892003-6	STRUCTURE ASSY REFER TO 28-20-01 FIGURE 01 FOR NHA	35228	35228	1 RF
- B	0892003-14	STRUCTURE ASSY- WHEN EXHAUSTED USE 0892003-16 - REFER TO 28-20-01 FIGURE 01 FOR NHA	35263	35772	1 RF
- C	0892003-16	STRUCTURE ASSY REFER TO 28-20-01 FIGURE 01 FOR NHA	35263	& ON	1 RF
1		RIBS INSTALLATION REFER TO 57-10-01 FIGURE 05 FOR BREAKDOWN			RF
2		SKINS & STRINGERS INSTALLATION REFER TO 57-10-01 FIGURE 06 FOR BREAKDOWN			RF
3		FRONT SPAR & LEADING EDGE ASSEMBLIES REFER TO 57-40-00 FIGURE 02 FOR BREAKDOWN			RF
4		ENGINE NACELLE INSTALLATION- LOWER REFER TO 54-10-00 FIGURE 02 FOR BREAKDOWN			RF
5		ENGINE NACELLE INSTALLATION - RIGHT WING UPR REFER TO 54-10-01 FIGURES 03 & 04 FOR BREAKDOWN			RF
6		FIREWALL INSTALLATION REFER TO 54-10-00 FIGURES 05 & 06 FOR BREAKDOWN			RF
7		TRAILING EDGE ASSY REFER TO 57-50-00 FIGURE 05 FOR BREAKDOWN			RF
8		CONTROLS SUPPORT BRACKETS INSTALLATION REFER TO 57-50-00 FIGURE 06 FOR BREAKDOWN			RF
8A		ENGINE COWL INSTALLATION REFER TO 71-20-00 FIGURES 02 & 03 FOR BREAKDOWN			RF
9	AN4-22A	BOLT- ATTACH ROOT RIB TO FRONT SPAR			4
- 9A	MS21044N4	NUT- ATTACH ROOT RIB TO FRONT SPAR			4 R
10	0822100-45	BRACKET FWD- LANDING GEAR DOOR HINGE			1
11	0822100-46	BRACKET AFT- LANDING GEAR DOOR HINGE			1
12	AN507-1032R10	SCREW- ATTACH BRACKETS			4
- 12A	MS21045L3	NUT- ATTACH BRACKET			4 R
13	0843508-1	SUPPORT ASSY- LANDING GEAR			1
14	AN200KP6	BEARING			1
15	NAS669-143	RING- BEARING			1
16	AN3-5A	BOLT- ATTACH SUPPORT			2
17	MS21045L3	NUT- ATTACH SUPPORT			2 R
18	0822000-48	BRACKET- RIGHT WING LANDING GEAR DOOR ACTUATOR ROD SUPPORT	35000	35833	1
- 18A	0822000-94	BRACKET- RIGHT WING LANDING GEAR DOOR ACTUATOR ACTUATOR SUPPORT	35834	& ON	1
- 18B	5045001-203	SPACER STOP	35001	35833	1
19	0822000-46	CHANNEL- RIGHT WING LANDING GEAR DOOR ACTUATOR REINFORCEMENT			1
- 19A	22NA7-68-02	NUTPLATE- DOOR STOP ESNA	35638	35833	2
- 19B	NAS428H3A20	BOLT- DOOR STOP	35638	35833	1 R
- 19C	0822003-1	BRACKET- STOP	35834	& ON	1
- 19D	NAS564-45	BOLT- DOOR STOP	35834	& ON	1
- 19E	AN315-4R	NUT- SECURE STOP BOLT	35834	& ON	1
20	CR163C-5-8	RIVET - ATTACH CHANNEL- CHERRY RIVET CO			3
21	0822275-6	SPAR ASSY- RIGHT WING AUXILIARY			1
22	MS21047L3	NUTPLATE- SPAR			8 R
23	0822000-26	REINFORCEMENT- RIGHT WING WALK			1
24	0822001-14	RUBBER SEAL- WING WALK REINFORCEMENT			13
25	0822001-5	SEAL CORNER- WING WALK REINFORCEMENT			2
26	0822275-32	SPAR ASSY- RIGHT WING AUXILIARY			1
27	MS21047L3	NUTPLATE- SPAR			8 R
28	0822275-8	SPAR ASSY- RIGHT WING AUXILIARY			1
29	MS21047L3	NUTPLATE- SPAR			16 R
30	0822724-2	SUPPORT ASSY- RIGHT WING LANDING GEAR SUPPORT AFT			1
31	NAS505-12	BEARING- SUPPORT NEEDLE			1

CESSNA AIRCRAFT COMPANY
MODEL 310 THRU 310D
ILLUSTRATED PARTS CATALOG

FIG ITEM	PART NUMBER	NOMENCLATURE	EFFECT		UNITS PER ASSY
			FROM	TO	
04					
32	0822720-2	SUPPORT ASSY- MAIN LANDING GEAR SUPPORT FORWARD			1
33	NAS505-12	BEARING- SUPPORT NEEDLE			1
34	AN3-5A	BOLT- ATTACH FORGINGS AT TOP			4
- 34A	MS21045L3	NUT- ATTACH FORGINGS AT TOP			4 R
35	AN4-6A	BOLT- ATTACH FORGINGS AT BOTTOM			4
- 35A	MS21044N4	NUT- ATTACH FORGINGS AT BOTTOM			4 R
36	0822275-102	BRACKET ASSY- LANDING GEAR TORQUE TUBE			1
37	NAS505-5	BEARING- BRACKET			1
38	0822275-121	GUSSET- UPPER INBD			1
- 38A	0822275-122	GUSSET- LOWER INBD			1
39	0822005-25	SUPPORT ASSY- RIGHT WING			2
40	NAS680A08	NUTPLATE			8
41	0822275-83	CHANNEL- MOORING LUG SUPPORT			1
42	0822000-55	BEARING ASSY			1
43	0823335-2	SPAR- FALSE			1

CESSNA AIRCRAFT COMPANY
MODEL 310 THRU 310D
 ILLUSTRATED PARTS CATALOG

A55818



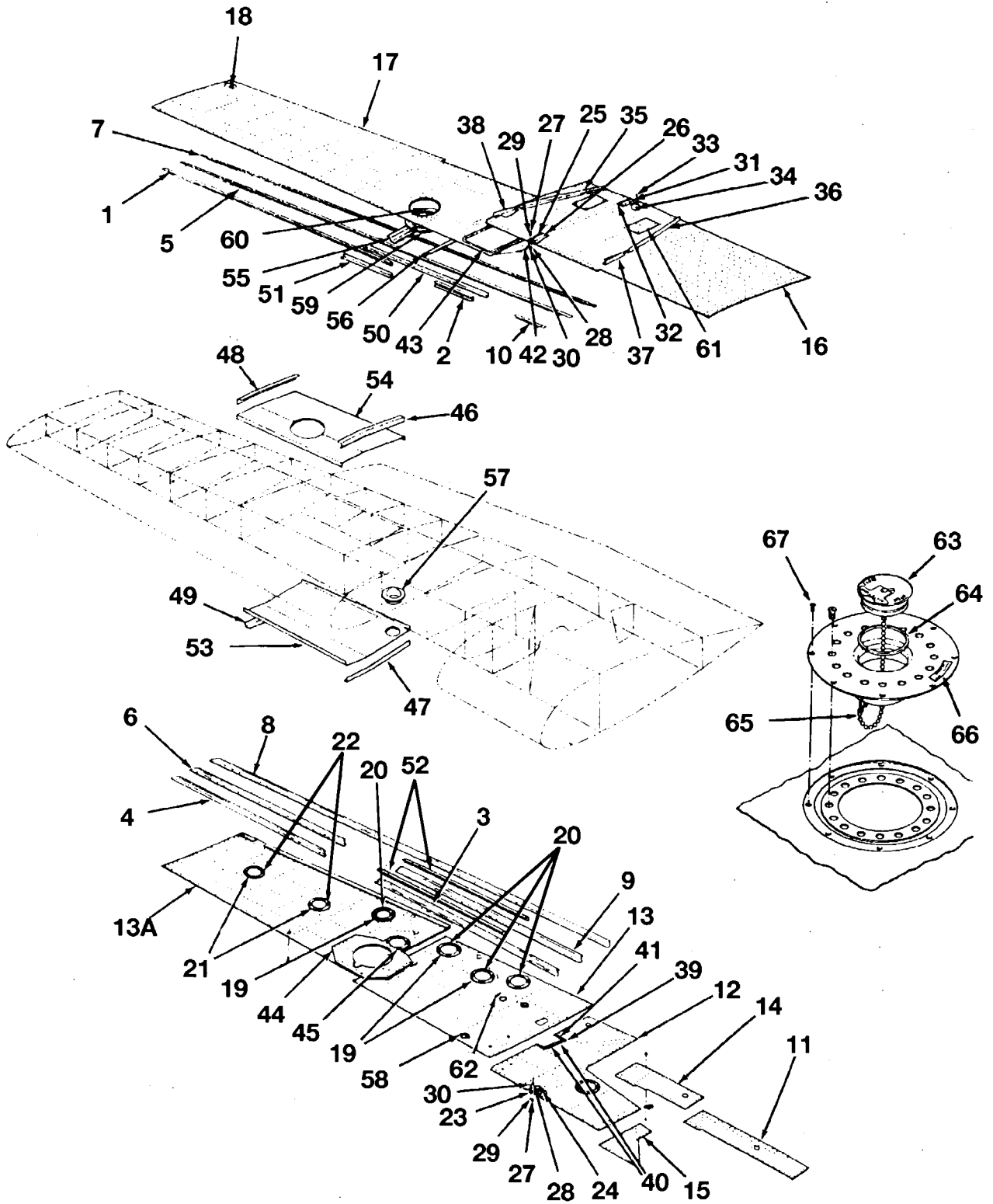
RIGHT WING RIBS INSTALLATION - AUXILIARY FUEL SYSTEM
 FIGURE 05 (SHEET 1)

**CESSNA AIRCRAFT COMPANY
MODEL 310 THRU 310D
ILLUSTRATED PARTS CATALOG**

FIG ITEM	PART NUMBER	NOMENCLATURE	EFFECT		UNITS PER ASSY
			FROM	TO	
05		RIGHT WING RIBS INSTALLATION - AUXILIARY FUEL SYSTEM REFER TO			RF
		57-10-01 FIGURE 04 FOR NHA			
1	0822100-2	. RIB ASSY-RIGHT WING CTR ROOT			1
2	0822350-170	. BRACKET-AILERON PULLEY			1
3	NAS444-13	. NUT-TINNERMAN A6203-8Z-1			5
3A	0411671	. BRACKET-RIGHT WING FLAP PULLEY			1
3B	AN525-10R6	. SCREW-ATTACH BRACKET			2
3C	MS21045L3	. NUT-ATTACH BRACKET			2 R
3D	0822100-59	. RUB BLOCK-RIGHT WING			1
3E	AN515-8R8	. SCREW-ATTACH RUB BLOCK			2
3F	MS21044N08	. NUT-ATTACH RUB BLOCK FSO-152			NP R
4	0822275-82	. RIB-RIGHT WING CTR			1
5	0822175-38	. RIB ASSY-RIGHT WING CTR			1
6	NAS178-6-5	. RIVET-HI-SHEAR ATTACH FITTING			8
7	NAS528A6	. COLLAR-ATTACH RIVET			8 R
8	0822350-170	. BRACKET-AILERON PULLEY			1
9	AN5-12A	. BOLT-ATTACH RIB TO FRONT SPAR			2
10	NAS1149F0563P	. WASHER-ATTACH RIB TO FRONT SPAR			4 R
11	MS21044N5	. NUT-ATTACH RIB TO FRONT SPAR			2 R
12	0822275-72	. RIB-RIGHT WING CTR CANTED			1
13	0822275-70	. RIB-RIGHT WING CTR			1
14	0822350-190	. RIB-RIGHT WING CTR			1
15	0822175-4	. RIB-RIGHT WING CTR			1
16	NAS178-6-7	. RIVET-HI-SHEAR ATTACH FITTING			4
17	NAS528A6	. COLLAR-ATTACH RIVET			4 R
18	0822350-170	. BRACKET-AILERON PULLEY			1
19	AN4-10A	. BOLT-ATTACH RIB TO REAR SPAR			2
20	MS21044N4	. NUT-ATTACH RIB TO REAR SPAR			2 R
21	0822275-2	. RIB ASSY-RIGHT WING CTR			1
- 21A	0822275-12	. WEB STIFFENER			1
22	NAS682A3	. NUTPLATE			2
23	22NA17-02	. NUTPLATE-ESNA			2
24	MS21047L4	. NUT			1 R
25	NAS178-6-3	. PIN-HI-SHEAR			6
26	NAS528A6	. COLLAR-ATTACH RIVET			6 R
27	AN4-11A	. BOLT-ATTACH RIB TO FRONT SPAR			2
28	MS21044N4	. NUT-ATTACH RIB TO FRONT SPAR			2 R
29	0823331-4	. RIB ASSY-RIGHT WING CTR			1
30	0823332-5	. RIB ASSY-AUXILIARY			1
31	0823333-4	. RIB-AUXILIARY			1
32	0823334-4	. RIB-RIGHT WING CTR			1
33	0822350-240	. RIB-RIGHT WING CTR			1
34	0822350-94	. RIB-RIGHT WING CTR			1
35	0822350-96	. RIB-RIGHT WING CTR			1
36	0822350-98	. RIB-RIGHT WING CTR			1
37	0822350-100	. RIB-RIGHT WING CTR			1
38	0822350-202	. RIB ASSY-RIGHT WING CTR			1
39	NAS444-5	. NUTPLATE-ATTACH WING TIP COVER TINNERMAN A6195-8Z-1			8

CESSNA AIRCRAFT COMPANY
MODEL 310 THRU 310D
 ILLUSTRATED PARTS CATALOG

A55819



RIGHT WING SKINS AND STRINGERS INSTALLATION - AUXILIARY FUEL SYSTEM
 FIGURE 06 (SHEET 1)

**CESSNA AIRCRAFT COMPANY
MODEL 310 THRU 310D
ILLUSTRATED PARTS CATALOG**

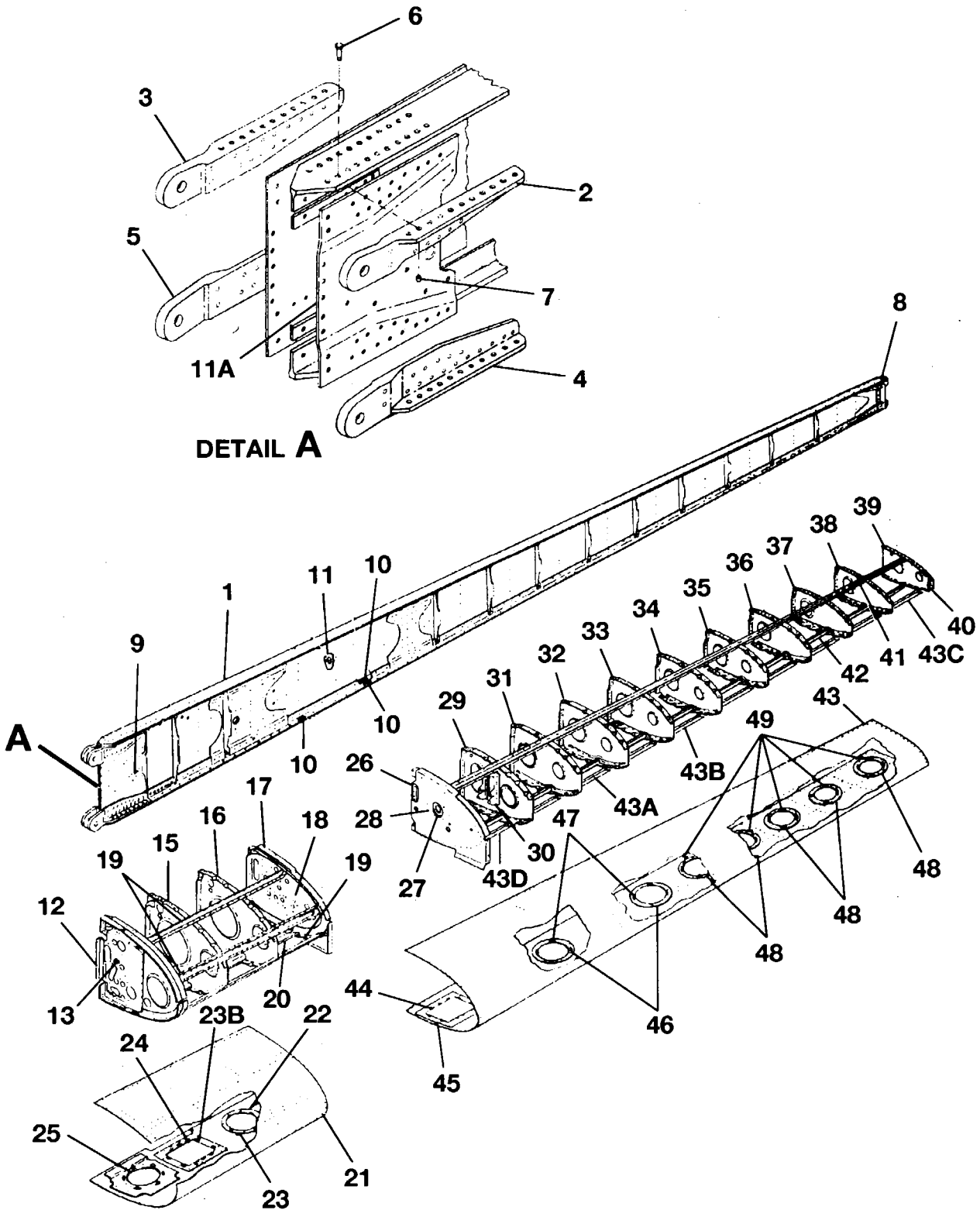
FIG ITEM	PART NUMBER	NOMENCLATURE	EFFECT		UNITS PER ASSY
			FROM	TO	
06		RIGHT WING SKINS AND STRINGERS INSTALLATION - AUXILIARY FUEL SYSTEM REFER TO 57-10-01 FIGURE 04 FOR NHA			RF
1	0823356-8	. STRINGER-RIGHT WING FORWARD UPPER OUTBD			1
2	0823356-4	. CHANNEL-RIGHT WING FORWARD UPPER INBD			1
3	0822815-22	. STRINGER-RIGHT WING FORWARD LOWER INBD			1
4	0822815-24	. STRINGER-RIGHT WING FORWARD LOWER OUTBD			1
5	0822815-10	. STRINGER-RIGHT WING UPPER OUTBD			1
6	0822815-28	. STRINGER-RIGHT WING LOWER OUTBD			1
7	0822815-16	. STRINGER-RIGHT WING AFT UPPER			1
8	0822815-30	. STRINGER-RIGHT WING AFT LOWER			1
9	0822815-26	. STRINGER-RIGHT WING LOWER INBD			1
10	0822815-6	. STRINGER-RIGHT WING UPPER INBD			1
11	0822000-3	. SKIN-LOWER INBD			1
12	0822000-5	. SKIN-LOWER CENTER			1
13	0823330-10	. SKIN-RIGHT WING LOWER CENTER			1
13A	0823330-11	. SKIN-RIGHT WING LOWER OUTBD			1
14	0822000-23	. SKIN-LOWER AFT			1
15	0822000-40	. SKIN-LOWER FORWARD			1
16	0822000-9	. SKIN-UPPER CENTER			1
17	0823330-6	. SKIN-RIGHT WING UPPER OUTBD	35000	39031	1
- 17A	0823330-16	. SKIN-RIGHT WING UPPER OUTBD	39032	& ON	1
18	NAS449-13	. NUTPLATE-ATTACH TIP TANK FAIRING TINNERMAN A6200-10Z-1			2
19	0822380-2	. DOUBLER ASSY-ACCESS OPENING	35375	35375	3
			35442	35489	
			35491	35505	
- 19A	0822380-2	. DOUBLER ASSY-ACCESS OPENING	35490	35490	4
			35506	& ON	
20	MS21049L3	. NUTPLATE-ATTACH INSPECTION COVER			4 R
- 20A	MS21049L3	. NUTPLATE-ATTACH INSPECTION COVER ALT FOR MS21049L3			4 R
21	0822380-1	. DOUBLER ASSY-ACCESS OPENING			2
22	MS21049L3	. NUTPLATE-ATTACH INSPECTION COVER			4 R
- 22A	MS21049L3	. NUTPLATE-ATTACH INSPECTION COVER ALT FOR NAS681A3			4 R
23	0822350-149	. ANGLE-LEFT LOWER FWD REINFORCEMENT			1
24	0822350-150	. ANGLE-RIGHT LOWER FWD REINFORCEMENT			1
25	0822350-151	. ANGLE-LEFT UPPER FWD REINFORCEMENT	35000	35771	1
26	0822350-152	. ANGLE-RIGHT UPPER FWD REINFORCEMENT	35000	35771	1
27	AN4-6A	. BOLT			8
28	MS21044N4	. NUT			8 R
29	NAS221-11	. SCREW			8
30	MS21045L3	. NUT			8 R
31	0822350-184	. ANGLE-RIGHT UPPER AFT REINFORCEMENT	35000	35771	1
32	0822350-186	. ANGLE-LEFT UPPER AFT REINFORCEMENT	35000	35771	1
33	NAS221-13	. SCREW			8
34	MS21045L3	. NUT			8 R
35	0822000-60	. ANGLE-AFT OUTBD ATTACH UPPER NACELLE	35000	35771	1
- 35A	0822363-2	. ANGLE-AFT OUTBD ATTACH UPPER NACELLE	35772	& ON	1
36	0822000-62	. ANGLE-AFT INBD ATTACH UPPER NACELLE	35000	35771	1
- 36A	0822364-2	. ANGLE-AFT INBD ATTACH UPPER NACELLE	35772	& ON	1
37	0822350-218	. ANGLE-FWD INBD ATTACH UPPER	35000	35771	1
- 37A	0822366-2	. ANGLE-FWD INBD ATTACH UPPER	35772	& ON	1
38	0822350-220	. ANGLE-FWD OUTBD ATTACH UPPER	35000	35771	1
- 38A	0822365-2	. ANGLE-FWD OUTBD ATTACH UPPER NACELLE	35772	& ON	1
39	0822275-30	. DOUBLER ASSY-RIGHT WING ACCESS OPENING			1
40	MS21053L3	. NUTPLATE-ATTACH DOUBLER			2 R
41	MS21049L3	. NUTPLATE-ATTACH DOUBLER			4 R
- 41A	MS21049L3	. NUTPLATE-ATTACH DOUBLER ALT FOR NAS681A3			4 R
42	0822005-34	. DOUBLER ASSY-ANTI-ICE DOOR			1
43	CM2822-3	. SPRING-ATTACH COVER DZUS			4 R
- 43A	CM2822-3	. SPRING-ATTACH COVER DZUS			4 R
44	0822786-2	. DOUBLER ASSY-LANDING LIGHT OPENING			1
45	MS21049L3	. NUTPLATE-ATTACH INSPECTION COVER			4 R
- 45A	MS21049L3	. NUTPLATE-ATTACH INSPECTION COVER ALT FOR NAS681A3			4
46	0823336-2	. ANGLE-SUPPORT			1
47	0823336-4	. ANGLE-SUPPORT			1
48	0823348-2	. ANGLE-SUPPORT			1
49	0823348-4	. ANGLE-SUPPORT			1
50	0823356-2	. ANGLE-UPPER SUPPORT			1
51	0823356-6	. ANGLE-UPPER SUPPORT			1
52	0823356-10	. ANGLE-LOWER SUPPORT			2
53	0823338-2	. FLOOR-TANK			1
54	0823339-4	. SKIN-TANK			1
55	0823341-2	. FORMER-TANK SKIN OUTBD			1

CESSNA AIRCRAFT COMPANY
MODEL 310 THRU 310D
 ILLUSTRATED PARTS CATALOG

FIG ITEM	PART NUMBER	NOMENCLATURE	EFFECT		UNITS PER ASSY
			FROM	TO	
06					
56	0823342-2	FORMER-TANK SKIN INBD			1
57	0823340-1	SUPPORT-DRAIN			1
58	0823337-1	GROMMET			2
59	0721200-26	RING	35000	39031	1
- 59A	0721304-1	RING	39032	& ON	1
60	S3431-3	NUT-TINNERMAN A6191-8Z-3	35000	39031	7 R
- 60A	S3431-3	NUT-TINNERMAN A6191-8Z-3	39032	& ON	8 R
61	0822002-1	SHIELD-AUGMENTER	35487	35771	2
- 61A	S-1021Z-4-4	SCREW-ATTACH SHIELD	35487	35771	8
- 61B	S3230-1	NUT-ATTACH SHIELD TINNERMAN A1776-4Z-3	35487	35771	8 R
62	0812480-37	DECAL	39032	& ON	1
- 62A	0721303-8	CAP & ADAPTER	39032	& ON	1
63	0721303-7	CAP			1
64	MS29513-232	O-RING			1
65	0721303-3	CHAIN			1
66	0721303-4	ADAPTOR			1
67	S-1022Z-8-8	SCREW-ATTACH ADAPTER	39032	& ON	8

CESSNA AIRCRAFT COMPANY
MODEL 310 THRU 310D
ILLUSTRATED PARTS CATALOG

A55559



LEFT WING FRONT SPAR AND LEADING EDGE ASSEMBLIES
FIGURE 01 (SHEET 1)

CESSNA AIRCRAFT COMPANY MODEL 310 THRU 310D ILLUSTRATED PARTS CATALOG

FIG ITEM	PART NUMBER	NOMENCLATURE	EFFECT FROM TO	UNITS PER ASSY
		1 2 3 4 5 6 7		
01		LEFT WING FRONT SPAR AND LEADING EDGE ASSEMBLIES		RF
1	0822500-1	SPAR ASSY-LEFT WING FRONT		1
2	0822550-5	FITTING-LEFT WING FRONT SPAR INBD UPR		1
3	0822550-7	FITTING-LEFT WING FRONT SPAR INBD UPR		1
4	0822550-9	FITTING-LEFT WING FRONT SPAR INBD LWR FWD		1
5	0822550-11	FITTING-LEFT WING FRONT SPAR INBD LWR		1
6	NAS177-6-8	RIVET-HI-SHEAR ATTACH FITTING		18
7	NAS528A6	COLLAR-ATTACH FITTING		18 R
8	0822500-33	WING FITTING-WING TIP FRONT SPAR		4
9	AN218P4	BEARING-FRONT SPAR LANDING GEAR ATTACHMENT		1
10	MS21047L3	NUTPLATE		3 R
11	NAS680A08	NUTPLATE		2
11A	0822500-5	DOUBLER-WEB		1
- 11B	0822510-3	LEADING EDGE ASSY-LEFT WING INBD	35000 35771	1
- 11C	0822510-21	LEADING EDGE ASSY-LEFT WING INBD	35772 & ON	1
12	0822100-3	RIB ASSY-LEFT WING INBD LEADING EDGE	35000 35771	1
- 12A	0822100-71	RIB ASSY-LEFT WING INBD LEADING EDGE	35772 & ON	1
13	768-6	CLIP-ADEL		1
- 14		DELETED-NOT USED		
- 14A	MK1000-06	NUTPLATE-KAYNAR	35772 & ON	4
- 14B	MS21075L08N	NUTPLATE	35772 & ON	2 R
15	0822275-73	NOSE RIB ASSY-LEFT WING INBD LEADING EDGE		1
16	0822275-75	NOSE RIB ASSY-LEFT WING INBD LEADING EDGE		1
17	0822175-5	NOSE RIB-LEFT WING INBD LEADING EDGE	35000 35771	1
- 17A	0822175-37	RIB ASSY-LEFT WING INBD LEADING EDGE	35772 & ON	1
- 17B	MS21047L08K	NUTPLATE	35772 & ON	6 R
18	6800D-080	NUT-RETAINER NUTT-SHELL CO GLENDALE CA	35000 35771	4
- 18A	6800D-080	NUT-RETAINER NUTT-SHELL CO GLENDALE CA	35772 & ON	3
- 18B	AN316-8R	NUT-CHECK	35000 35771	4
- 18C	AN316-8R	NUT-CHECK	35772 & ON	3
19	0822510-14	STRINGER-INBD LEADING EDGE		3
20	0822509-1	STRINGER-LEFT WING INBD LEADING EDGE LWR		1
21	0822510-7	SKIN-LEFT WING INBD LEADING EDGE		1
22	0822380-2	DOUBLER ASSY-INBD LEADING EDGE		1
23	MS21049L3	NUTPLATE-ATTACH INSPECTION COVER		4 R
- 23A	MS21049L3	NUTPLATE-ATTACH INSPECTION COVER ALT FOR NAS681A3		4 R
23B	0822510-16	DOUBLER ASSY-INBD LEADING EDGE		1 R
24	MS21049L3	NUTPLATE-ATTACH INSPECTION COVER		10 R
- 24A	MS21049L3	NUTPLATE-ATTACH INSPECTION COVER ALT FOR NAS681A3		10 R
25	0822360-1	DOUBLER ASSY-INBD LEADING EDGE		1
- 25A	MS21049L3	NUTPLATE-ATTACH INSPECTION COVER		6 R
- 25B	MS21049L3	NUTPLATE-ATTACH INSPECTION COVER ALT FOR NAS681A3		6 R
- 25C	0822510-5	LEADING EDGE ASSY-LEFT WING OUTBD		1
26	0822275-3	NOSE RIB ASSY-LEFT WING OUTBD LEADING EDGE		1
27	0822275-19	PLATE ASSY-FUEL VALVE		1
28	MS21059L3	NUTPLATE		4 R
29	0822350-193	NOSE RIB ASSY-LEFT WING OUTBD LEADING EDGE		1
30	0822350-168	ANGLE-SOLENOID VALVE	35000 35905	2
31	0822350-229	RIB ASSY-LEFT WING OUTBD LEADING EDGE		1
32	0822350-107	NOSE RIB-LEFT WING OUTBD LEADING EDGE		1
33	0822350-205	NOSE RIB ASSY-LEFT WING OUTBD LEADING EDGE		1
34	0822350-111	NOSE RIB-LEFT WING OUTBD LEADING EDGE		1
35	0822350-113	NOSE RIB-LEFT WING OUTBD LEADING EDGE		1
36	0822350-207	NOSE RIB ASSY-LEFT WING OUTBD LEADING EDGE		1
37	0822350-117	NOSE RIB-LEFT WING OUTBD LEADING EDGE		1
38	0822350-119	RIB-LEFT WING OUTBD LEADING EDGE		1
39	0822350-203	NOSE RIB ASSY-LEFT WING OUTBD		1
40	NAS444-14	NUTPLATE-TINNERMAN #A6162-8Z-1		4
41	0822815-1	STRINGER-LEFT WING OUTBD LEADING EDGE LWR		1
42	0822815-3	STRINGER-LEFT WING OUTBD LEADING EDGE LWR		1
43	0892002-1	SKIN ASSY-LEFT WING OUTBD LEADING EDGE		1
43A	0822815-31	STRINGER-INTERCOSTAL		7
43B	0822815-32	STRINGER-INTERCOSTAL		1
43C	0822815-33	STRINGER-INTERCOSTAL		1
43D	0822815-34	STRINGER-INTERCOSTAL		1
44	0822510-11	DOUBLER ASSY-OUTBD LEADING EDGE		1
45	MS21049L3	NUTPLATE-ATTACH INSPECTION COVER		10 R
- 45A	MS21049L3	NUTPLATE-ATTACH INSPECTION COVER ALT FOR NAS681A3		10 R
46	0822380-14	DOUBLER ASSY-LEFT WING OUTBD LEADING EDGE		2
47	MS21049L3	NUTPLATE-ATTACH INSPECTION COVER		4 R
- 47A	MS21049L3	NUTPLATE-ATTACH INSPECTION COVER ALT FOR NAS681A3		4 R
48	0822380-16	DOUBLER ASSY-LEFT WING OUTBD LEADING EDGE		5
49	MS21049L3	NUTPLATE-ATTACH INSPECTION COVER		4 R
- 49A	MS21049L3	NUTPLATE-ATTACH INSPECTION COVER ALT FOR NAS681A3		4 R

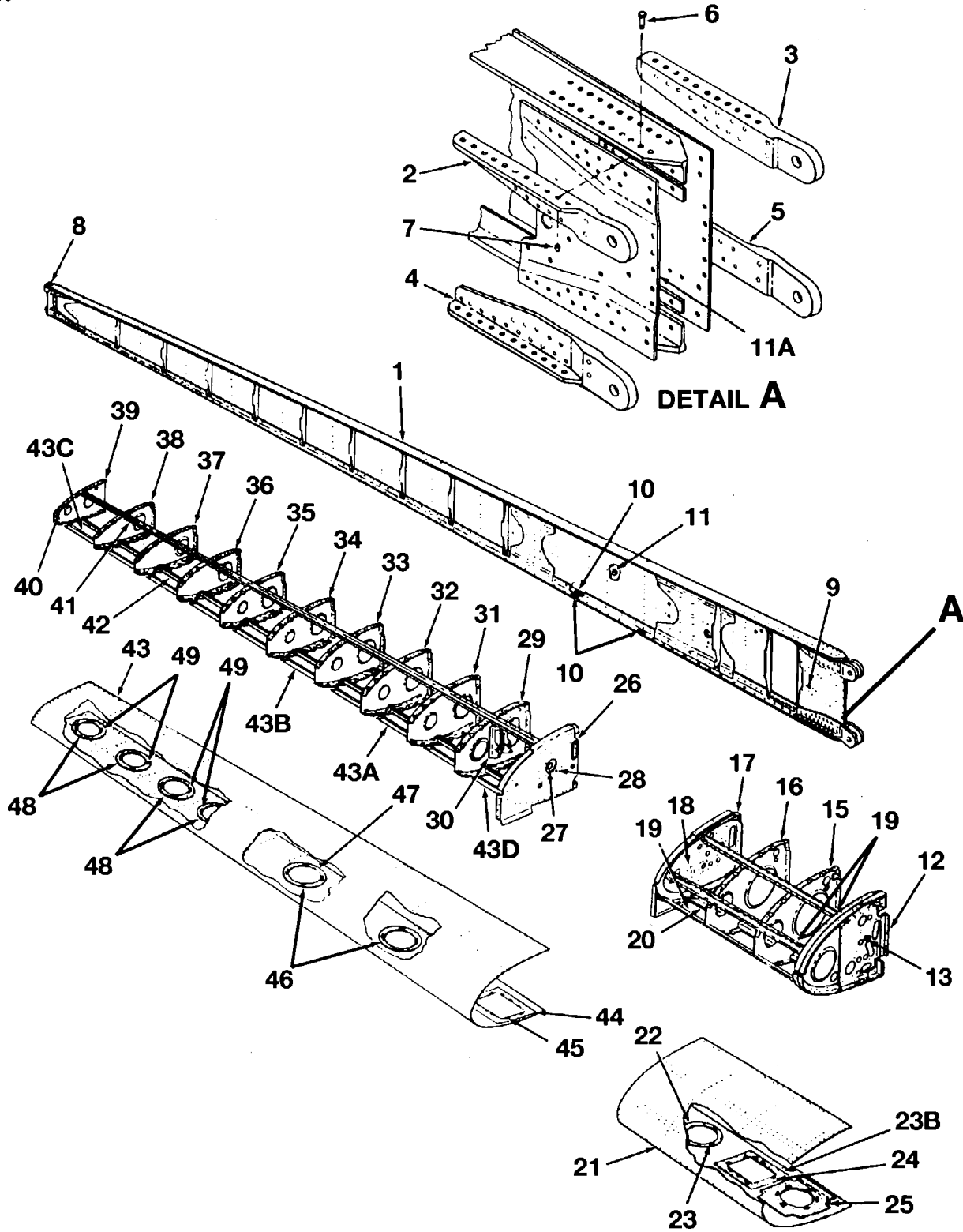
- ITEM NOT ILLUSTRATED

© Cessna Aircraft Company

Figure 01
Page 2
57-40-00 Jul 3/2006

CESSNA AIRCRAFT COMPANY
MODEL 310 THRU 310D
 ILLUSTRATED PARTS CATALOG

A55578



RIGHT WING FRONT SPAR AND LEADING EDGE ASSEMBLIES
 FIGURE 02 (SHEET 1)

**CESSNA AIRCRAFT COMPANY
MODEL 310 THRU 310D
ILLUSTRATED PARTS CATALOG**

FIG ITEM	PART NUMBER	NOMENCLATURE	EFFECT FROM TO	UNITS PER ASSY
		1 2 3 4 5 6 7		
02		RIGHT WING FRONT SPAR AND LEADING EDGE ASSEMBLIES		RF
1	0822500-2	SPAR ASSY-RIGHT WING FRONT		1
2	0822550-6	FITTING-RIGHT WING FRONT SPAR INBD UPR		1
3	0822550-8	FITTING-RIGHT WING FRONT SPAR INBD UPR		1
4	0822550-10	FITTING-RIGHT WING FRONT SPAR INBD LWR		1
5	0822550-12	FITTING-RIGHT WING FRONT SPAR INBD LWR AFT		1
6	NAS177-6-8	RIVET-HI-SHEAR ATTACH FITTING		18
7	NAS528A6	COLLAR-ATTACH FITTING		18 R
8	0822500-33	FITTING-WING TIP FRONT SPAR		4
9	AN218P4	BEARING-FRONT SPAR LANDING GEAR ATTACHMENT		1
10	MS21047L3	NUTPLATE-FRONT SPAR		3 R
11	NAS680A08	NUTPLATE-FRONT SPAR		2
11A	0822500-34	DOUBLER-WEB		1
- 11B	0822510-4	LEADING EDGE ASSY-RIGHT WING INBD	35000 35771	1
- 11C	0822510-20	LEADING EDGE ASSY-RIGHT WING INBD	35772 & ON	1
12	0822100-4	RIB ASSY-RIGHT WING INBD LEADING EDGE	35000 35771	1
- 12A	0822100-70	RIB ASSY-RIGHT WING INBD LEADING EDGE	35772 & ON	1
13	768-6	CLAMP-ADEL		1
- 14		DELETED-NOT USED		
- 14A	MK1000-06	NUTPLATE-KAYNAR	35772 & ON	4
- 14B	MS21075L08N	NUTPLATE	35772 & ON	2 R
15	0822275-74	RIB-RIGHT WING INBD LEADING EDGE		1
16	0822275-76	RIB-RIGHT WING INBD LEADING EDGE		1
17	0822175-6	RIB ASSY-RIGHT WING INBD LEADING EDGE	35000 35771	1
- 17A	0822175-36	RIB ASSY-RIGHT WING INBD LEADING EDGE	35772 & ON	1
- 17B	MS21047L08K	NUTPLATE	35772 & ON	6 R
18	6800D-080	NUT-RETAINER NUTT-SHELL CO GLENDALE CA	35000 35771	4
- 18A	6800D-080	NUT-RETAINER NUTT-SHELL CO GLENDALE CA	35772 & ON	3
- 18B	AN316-8R	NUT-CHECK	35000 35771	4
- 18C	AN316-8R	NUT-CHECK	35772 & ON	3
19	0822510-14	STRINGER-INBD LEADING EDGE		3
20	0822509-2	STRINGER-RIGHT WING INBD LEADING EDGE LWR		1
21	0822510-8	SKIN-RIGHT WING INBD LEADING EDGE		1
22	0822380-2	DOUBLER ASSY-INBD LEADING EDGE		1
23	MS21049L3	NUTPLATE-ATTACH INSPECTION COVER		4 R
- 23A	MS21049L3	NUTPLATE-ATTACH INSPECTION COVER ALT FOR NAS681A3		4 R
23B	0822510-16	DOUBLER ASSY-INBD LEADING EDGE		1
24	MS21049L3	NUTPLATE-ATTACH INSPECTION COVER		10 R
- 24A	MS21049L3	NUTPLATE-ATTACH INSPECTION COVER ALT FOR NAS681A3		10 R
25	0822360-2	DOUBLER ASSY-INBD LEADING EDGE		1
- 25A	MS21049L3	NUTPLATE-ATTACH INSPECTION COVER		6 R
- 25B	MS21049L3	NUTPLATE-ATTACH INSPECTION COVER ALT FOR NAS681A3		6 R
- 25C	0822510-6	LEADING EDGE ASSY-RIGHT WING OUTBD		1
26	0822275-4	RIB ASSY-RIGHT WING OUTBD LEADING EDGE		1
27	0822275-19	PLATE ASSY-FUEL VALVE		1
28	MS21059L3	NUTPLATE		4 R
29	0822350-194	RIB ASSY-RIGHT WING OUTBD LEADING EDGE		1
30	0822350-168	ANGLE-BRACKET SOLENOID VALVE	35000 35905	2
31	0822350-228	RIB ASSY-RIGHT WING OUTBD LEADING EDGE		1
32	0822350-108	RIB-RIGHT WING OUTBD LEADING EDGE		1
33	0822350-206	RIB ASSY-RIGHT WING OUTBD LEADING EDGE		1
34	0822350-112	RIB-RIGHT WING OUTBD LEADING EDGE		1
35	0822350-114	RIB-RIGHT WING OUTBD LEADING EDGE		1
36	0822350-208	RIB ASSY-RIGHT WING OUTBD LEADING EDGE		1
37	0822350-118	RIB-RIGHT WING OUTBD LEADING EDGE		1
38	0822350-120	RIB-RIGHT WING OUTBD LEADING EDGE		1
39	0822350-204	RIB ASSY-RIGHT WING OUTBD		1
40	NAS444-14	NUTPLATE-TINNERMAN #A6162-8Z-1		4
41	0822815-2	STRINGER-RIGHT WING OUTBD LEADING EDGE		1
42	0822815-4	STRINGER-RIGHT WING OUTBD LEADING EDGE		1
43	0892002-2	SKIN ASSY-RIGHT WING OUTBD LEADING EDGE		1
43A	0822815-31	STRINGER-INTERCOSTAL		7
43B	0822815-32	STRINGER-INTERCOSTAL		1
43C	0822815-33	STRINGER-INTERCOSTAL		1
43D	0822815-34	STRINGER-INTERCOSTAL		1
44	0822510-11	DOUBLER ASSY-OUTBD LEADING EDGE		1
45	MS21049L3	NUTPLATE-ATTACH INSPECTION COVER		10 R
- 45A	MS21049L3	NUTPLATE-ATTACH INSPECTION COVER ALT FOR NAS681A3		10 R
46	0822380-14	DOUBLER ASSY-RIGHT WING OUTBD LEADING EDGE		2
47	MS21049L3	NUTPLATE-ATTACH INSPECTION COVER		4 R
- 47A	MS21049L3	NUTPLATE-ATTACH INSPECTION COVER ALT FOR NAS681A3		4 R
48	0822380-16	DOUBLER ASSY-RIGHT WING OUTBD LEADING EDGE		4
49	MS21049L3	NUTPLATE-ATTACH INSPECTION COVER		4 R
- 49A	MS21049L3	NUTPLATE-ATTACH INSPECTION COVER ALT FOR NAS681A3		4 R

- ITEM NOT ILLUSTRATED

© Cessna Aircraft Company

Figure 02

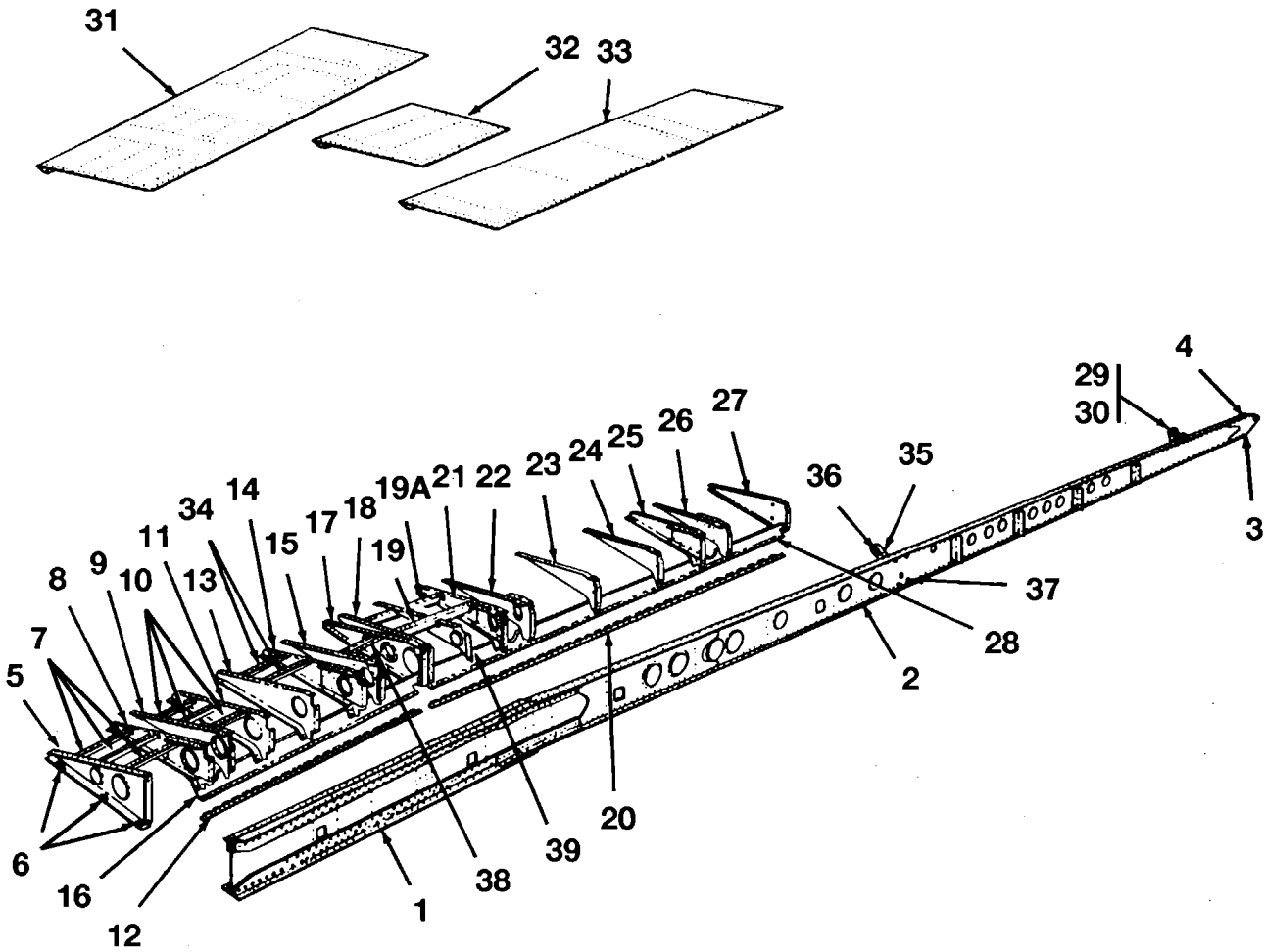
Page 2

57-40-00

Jul 3/2006

CESSNA AIRCRAFT COMPANY
MODEL 310 THRU 310D
ILLUSTRATED PARTS CATALOG

A55560



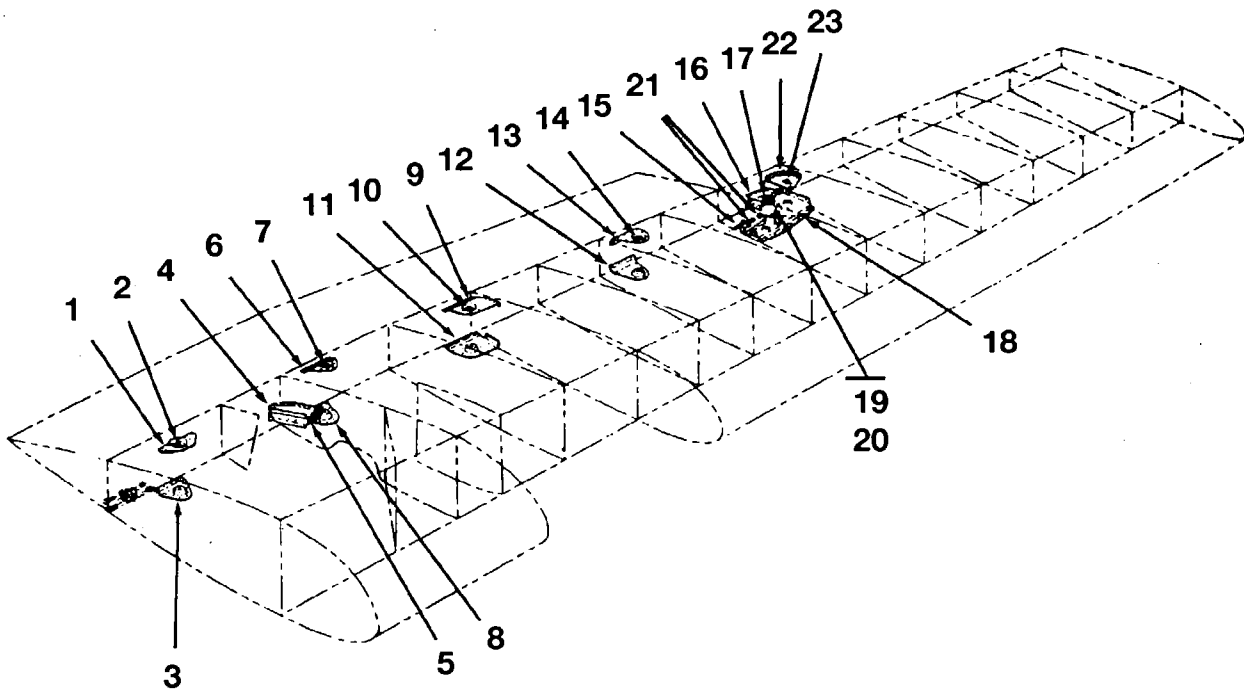
LEFT WING TRAILING EDGE ASSEMBLY
FIGURE 01 (SHEET 1)

CESSNA AIRCRAFT COMPANY
MODEL 310 THRU 310D
ILLUSTRATED PARTS CATALOG

FIG ITEM	PART NUMBER	NOMENCLATURE	EFFECT		UNITS PER ASSY
			FROM	TO	
01		LEFT WING TRAILING EDGE ASSEMBLY REFER TO 57-10-01 FIGURE 02 FOR NHA			RF
1	0822600-39	. SPAR ASSY-INBD			1
2	0822600-41	. SPAR ASSY-OUTBD			1
3	0822600-29	. FITTING-TIP TANK			1
4	0822600-30	. FITTING-TIP TANK			1
5	0822100-5	. RIB ASSY-LEFT WING TRAILING EDGE			1
6	NAS444-13	. NUT-TINNERMAN #A6203-8Z-1			3
7	0822350-173	. CHANNEL			3
8	0822350-1	. RIB ASSY-LEFT WING TRAILING EDGE			1
9	0822350-7	. RIB ASSY-LEFT WING TRAILING EDGE			1
10	0822350-172	. CHANNEL			3
11	0822350-23	. RIB-LEFT WING TRAILING EDGE			1
12	0822275-51	. HINGE HALF-FLAP INBD			1
13	0822350-25	. RIB-LEFT WING TRAILING EDGE			1
14	0822350-9	. RIB ASSY-LEFT WING TRAILING EDGE			1
15	0822350-11	. RIB ASSY-LEFT WING TRAILING EDGE			1
16	0822275-77	. STIFFENER-LEFT WING TRAILING EDGE INBD			1
17	0822350-33	. RIB-LEFT WING TRAILING EDGE			1
18	0822350-35	. RIB-LEFT WING TRAILING EDGE			1
19	0822611-5	. CHANNEL-LEFT WING TRAILING EDGE	35000	35771	1
19A	0822611-1	. CHANNEL-LEFT WING TRAILING EDGE	35000	35771	1
- 19B	0822613-1	. CHANNEL-LEFT WING TRAILING EDGE	35772	& ON	1
20	0822275-52	. HINGE HALF-FLAP OUTBD			1
21	0822350-13	. RIB ASSY-LEFT WING TRAILING EDGE			1
22	0822350-15	. RIB ASSY-LEFT WING TRAILING EDGE			1
23	0822350-47	. RIB-LEFT WING TRAILING EDGE			1
24	0822350-45	. RIB-LEFT WING TRAILING EDGE			1
25	0822350-17	. RIB ASSY-LEFT WING TRAILING EDGE			1
26	0822350-19	. RIB ASSY-LEFT WING TRAILING EDGE			1
27	0822350-49	. RIB-LEFT WING TRAILING EDGE			1
28	0822275-53	. STIFFENER-LEFT WING TRAILING EDGE OUTBD	35000	39290	1
- 28A	0822275-123	. STIFFENER-LEFT WING TRAILING EDGE OUTBD	39291	& ON	1
29	0824006-1	. HINGE ASSY-AILERON OUTBD	35000	39075	1
- 29A	0824006-7	. HINGE ASSY-AILERON OUTBD	39076	& ON	1
30	MS24462-4	. BEARING			1 R
31	0822610-3	. SKIN-LEFT WING TRAILING EDGE INBD			1
32	0822610-13	. SKIN-LEFT WING TRAILING EDGE CENTER			1
33	0822610-7	. SKIN-LEFT WING TRAILING EDGE OUTBD			2
34	0822611-3	. CHANNEL			2
35	0822605-4	. HINGE ASSY-AILERON INBD			1
36	MS24462-4	. BEARING-AILERON			1 R
37	AN3-4A	. BOLT-ATTACH AILERON HINGE TO WING REAR SPAR			4
- 37A	MS21045L3	. NUT-ATTACH AILERON HINGE TO WING REAR SPAR			4 R
38	0822613-2	. CHANNEL-LEFT WING TRAILING EDGE	35772	& ON	1
39	0822176-1	. RIB-LEFT WING TRAILING EDGE			1

CESSNA AIRCRAFT COMPANY
MODEL 310 THRU 310D
ILLUSTRATED PARTS CATALOG

A55561



LEFT WING CONTROLS SUPPORT BRACKETS INSTALLATION
FIGURE 02 (SHEET 1)

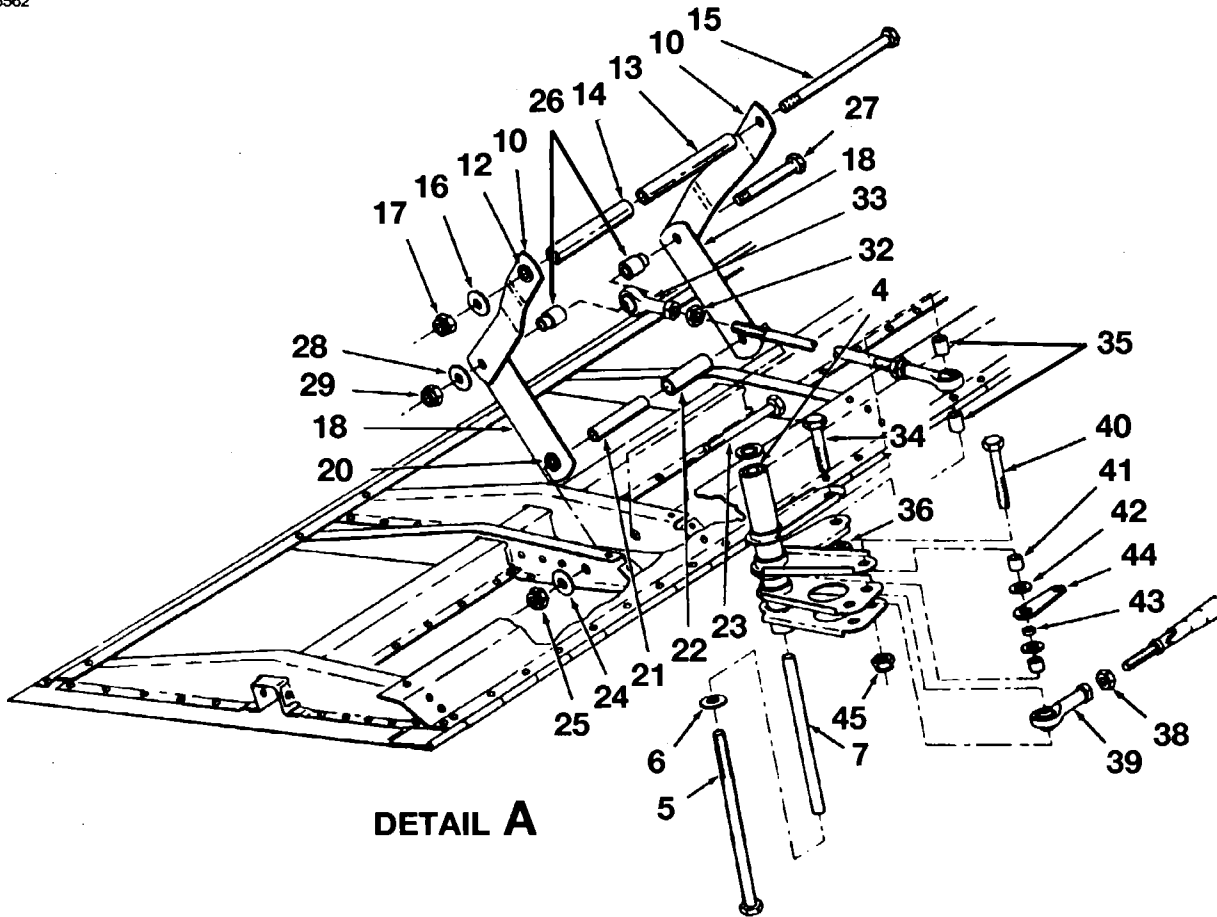
**CESSNA AIRCRAFT COMPANY
MODEL 310 THRU 310D
ILLUSTRATED PARTS CATALOG**

FIG ITEM	PART NUMBER	NOMENCLATURE	EFFECT		UNITS PER ASSY
			FROM	TO	
02		LEFT WING CONTROLS SUPPORT BRACKETS INSTALLATION REFER TO			RF
		57-10-01 FIGURE 02 FOR NHA			
1	0822275-43	. BRACKET ASSY-LEFT WING FLAP PULLEY UPR			1
2	MS21051L4	. . . NUTPLATE-ATTACH BELLCRANK			1 R
3	0822275-55	. BRACKET-FLAP PULLEY LWR			1
4	0822275-61	. BRACKET-LEFT WING FLAP PULLEY UPR			1
5	0822275-65	. BRACKET-LEFT WING FLAP PULLEY LWR			1
6	0822275-47	. BRACKET ASSY-FLAP BELLCRANK UPR			1
7	MS21047L4	. . . NUTPLATE-ATTACH BELLCRANK			1 R
8	0822275-79	. BRACKET-FLAP BELLCRANK LWR			1
9	0822275-39	. BRACKET ASSY-LEFT WING FLAP BELLCRANK UPR			1
10	MS21051L4	. . . NUTPLATE-ATTACH BELLCRANK			1 R
11	0822275-57	. BRACKET-LEFT WING FLAP BELLCRANK LWR			1
12	0822275-59	. BRACKET-OUTBD FLAP BELLCRANK LWR			1
13	0822275-35	. BRACKET ASSY-OUTBD FLAP BELLCRANK UPR			1
14	MS21047L4	. . . NUT-ATTACH FLAP BELLCRANK			1 R
15	0822350-131	. BRACKET ASSY-LEFT WING AILERON INBD STOP			1
- 15A	22NA17A-02	. . . NUTPLATE-AILERON BELLCRANK STOP			1
16	0822350-127	. BRACKET ASSY-LEFT WING UPR AILERON BELLCRANK			1
17	MS21047L4	. . . NUTPLATE-ATTACH BELLCRANK			1 R
18	0822350-195	. BRACKET ASSY-LEFT WING AILERON PULLEY LWR	35000	35289	1
- 18A	0822350-265	. BRACKET ASSY-LEFT WING AILERON PULLEY LWR REFER TO NOTE 1	35290	& ON	1
19	0822350-133	. . . BRACKET ASSY-AILERON BELLCRANK STOP			1
20	22NA17A-02 NUTPLATE-ESNA			1
21	NAS428H3A6	. BOLT-AILERON BELLCRANK STOP			2 R
22	0822350-129	. BRACKET ASSY-LEFT WING AILERON PULLEY	35000	35289	1
- 22A	0822350-261	. BRACKET ASSY-LEFT WING AILERON PULLEY REFER TO NOTE 2	35290	& ON	1
23	MS21047L4	. . . NUTPLATE-ATTACH PULLEY			1 R

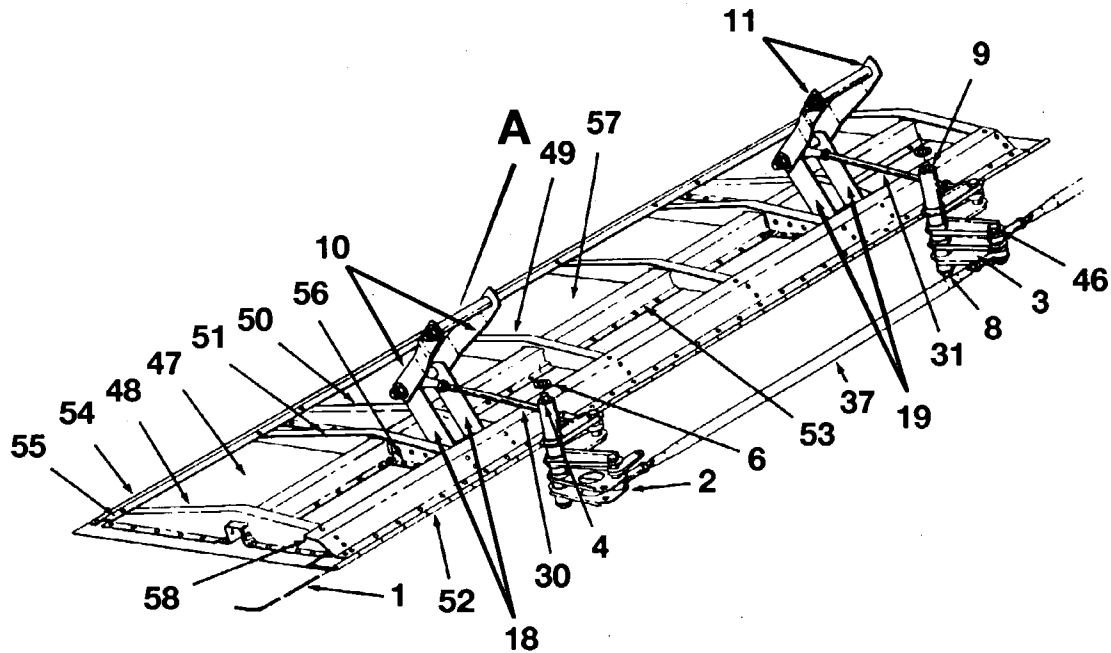
NOTE 1—WHEN ORDERING THIS PART, ALSO ORDER 0822350-261 BRACKET ASSY
 NOTE 2—WHEN ORDERING THIS PART, ALSO ORDER 0822350-265 BRACKET ASSY

CESSNA AIRCRAFT COMPANY
MODEL 310 THRU 310D
ILLUSTRATED PARTS CATALOG

A55562



DETAIL A



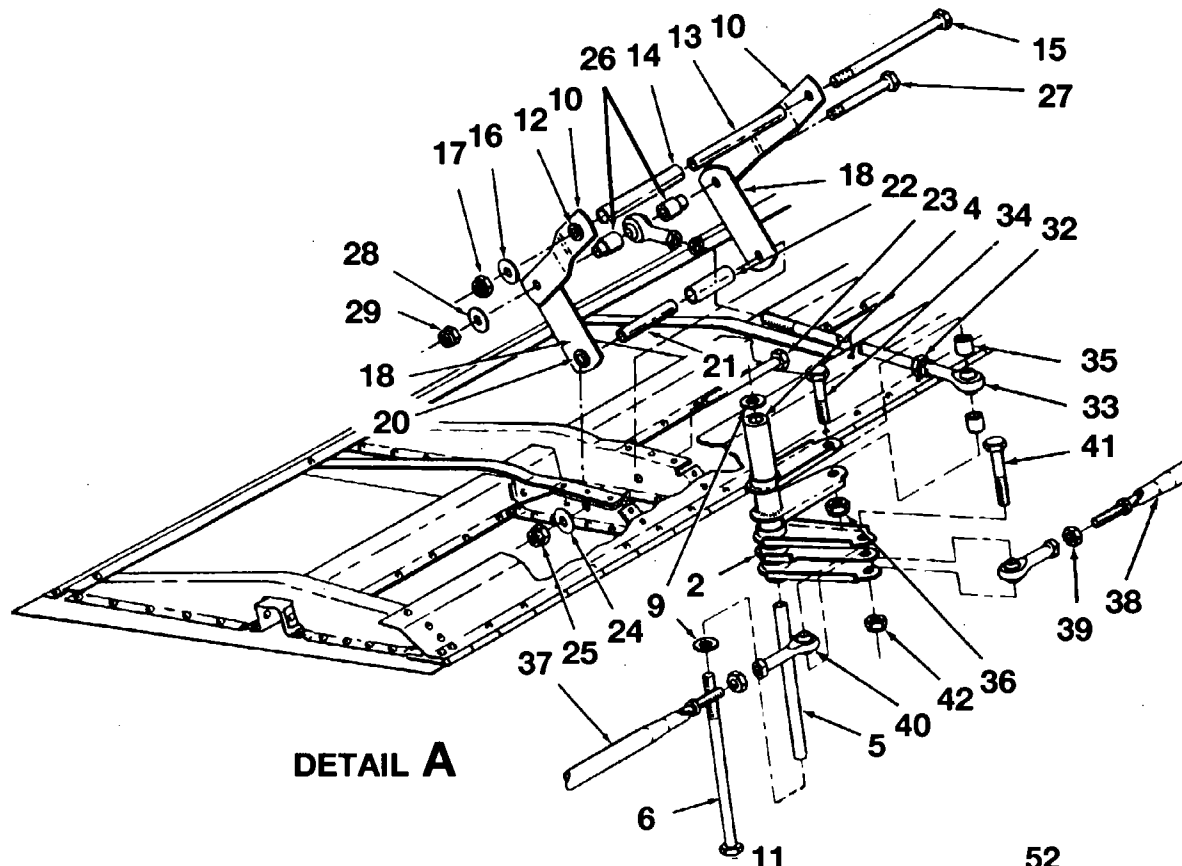
LEFT INBOARD FLAP INSTALLATION
FIGURE 03 (SHEET 1)

CESSNA AIRCRAFT COMPANY
MODEL 310 THRU 310D
ILLUSTRATED PARTS CATALOG

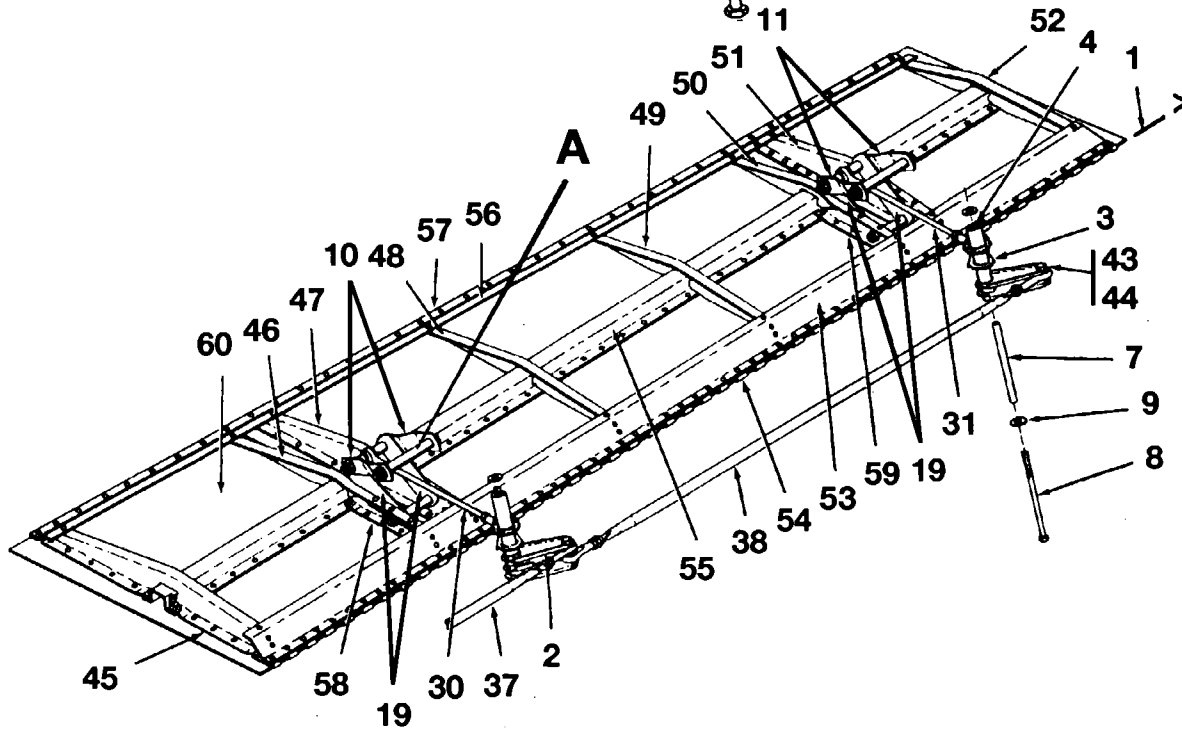
FIG ITEM	PART NUMBER	NOMENCLATURE	EFFECT FROM TO	UNITS PER ASSY
		1 2 3 4 5 6 7		
03		LEFT INBOARD FLAP INSTALLATION REFER TO 57-10-01 FIGURE 01 FOR NHA		RF
1	0820000-28	. PIN-INBD FLAP HINGE		1
2	0862100-11	. BELLCRANK ASSY-FLAP INBD		1
3	0862100-13	. BELLCRANK ASSY-FLAP OUTBD		1
4	B610	. BEARING-TORRINGTON		2
5	AN4H57A	. BOLT-ATTACH INBD BELLCRANK		1
6	0522629	. WASHER-ATTACH BELLCRANK		AR
7	0862100-18	. BUSHING-ATTACH INBD BELLCRANK		1
8	AN4H60A	. BOLT-ATTACH OUTBD BELLCRANK		1
9	0862100-19	. BUSHING-ATTACH OUTBD BELLCRANK		1
10	0862101-9	. LINK ASSY-FLAP SCISSORS INBD UPPER		2
11	0862101-10	. LINK ASSY-FLAP SCISSORS OUTBD UPPER		2
12	S1004-15A	. BEARING		1
13	0862101-24	. SPACER-ATTACH UPPER SCISSORS TO WING		2
14	0862101-25	. SPACER-ATTACH UPPER SCISSORS TO WING		2
15	AN4-41A	. BOLT-ATTACH UPPER SCISSORS TO WING		2
16	AN960-C416L	. WASHER-ATTACH UPPER SCISSORS TO WING		2
17	MS21044N4	. NUT-ATTACH UPPER SCISSORS TO WING		2 R
18	0862101-5	. LINK ASSY-FLAP SCISSORS INBD LOWER		2
19	0862101-6	. LINK ASSY-FLAP SCISSORS OUTBD LOWER		2
20	S1004-15A	. BEARING		2
21	0862101-22	. SPACER-ATTACH LOWER SCISSORS TO FLAP		2
22	0862101-23	. SPACER-ATTACH LOWER SCISSORS TO FLAP		2
23	AN4-25A	. BOLT-ATTACH LOWER SCISSORS TO FLAP		2
24	NAS1149C0432R	. WASHER-ATTACH LOWER SCISSORS TO FLAP		2 R
25	MS21044N4	. NUT-ATTACH LOWER SCISSORS TO FLAP		2 R
26	0862101-21	. SPACER-ATTACH UPPER & LOWER SCISSORS TO PUSH-PULL ROD		4
27	AN4-26A	. BOLT-ATTACH UPPER & LOWER SCISSORS TO PUSH-PULL ROD		2
28	NAS1149C0432R	. WASHER-ATTACH UPPER & LOWER SCISSORS TO PUSH-PULL ROD		2 R
29	MS21042L4	. NUT-ATTACH UPPER & LOWER SCISSORS TO PUSH-PULL ROD		2 R
30	0862100-50	. ROD ASSY-FLAP INBD PUSH-PULL		1
31	0862100-51	. ROD ASSY-FLAP OUTBD PUSH-PULL		1
32	AN316-4R	. NUT-PUSH-PULL ROD CHECK		2
33	S1106-4	. ROD END		2
34	AN4-12A	. BOLT-ATTACH PUSH-PULL ROD TO BELLCRANK		2
35	0862100-45	. SPACER-ATTACH PUSH-PULL ROD TO BELLCRANK		4
36	MS21044N4	. NUT-ATTACH PUSH-PULL ROD TO BELLCRANK		2 R
37	0862100-57	. ROD ASSY-FLAP INBD PUSH-PULL		2
38	AN316-4R	. NUT-PUSH-PULL ROD CHECK		2
39	S1106-4	. ROD END		2
40	AN4-17A	. BOLT-ATTACH PUSH-PULL ROD AND LINK TO INBD BELLCRANK		1
41	NAS43-4-19	. BUSHING-ATTACH PUSH-PULL ROD AND LINK TO INBD BELLCRANK		2
42	NAS1149F0432P	. WASHER-ATTACH PUSH-PULL ROD AND LINK TO INBD BELLCRANK		2 R
43	NAS43-4-15	. BUSHING-ATTACH PUSH-PULL ROD AND LINK TO INBD BELLCRANK		1
44	0862100-77	. LINK-FLAP CONTROL CABLE ATTACHMENT		1
45	MS21044N4	. NUT-ATTACH PUSH-PULL ROD AND LINK TO INBD BELLCRANK		1 R
46	AN4-13A	. BOLT-ATTACH PUSH-PULL RODS TO OUTBD BELLCRANK		1
46A	MS21044N4	. NUT-ATTACH PUSH-PULL RODS TO OUTBD BELLCRANK		1 R
47	0825000-1	. FLAP ASSY-LEFT WING INBD		1
48	0825000-17	. RIB-INBD FLAP		1
49	0825000-18	. RIB-INBD FLAP		2
50	0825000-19	. RIB-INBD FLAP		2
51	0825000-20	. RIB-INBD FLAP		3
52	0825000-57	. HINGE HALF-LEFT WING INBD FLAP		1
53	0825000-15	. STRINGER-INBD FLAP		1
54	0825000-63	. RUB STRIP-INBD FLAP		1
55	0825000-65	. TRAILING EDGE-LEFT WING INBD FLAP		1
56	0825000-50	. DOUBLER-INBD FLAP RH		2
56A	0825000-49	. DOUBLER-INBD FLAP LH		2
57	0825000-5	. SKIN-INBD FLAP		1
58	0825000-7	. LEADING EDGE-LEFT WING INBD FLAP		1

CESSNA AIRCRAFT COMPANY
MODEL 310 THRU 310D
ILLUSTRATED PARTS CATALOG

A55563



DETAIL A



LEFT OUTBOARD FLAP INSTALLATION
FIGURE 04 (SHEET 1)

CESSNA AIRCRAFT COMPANY

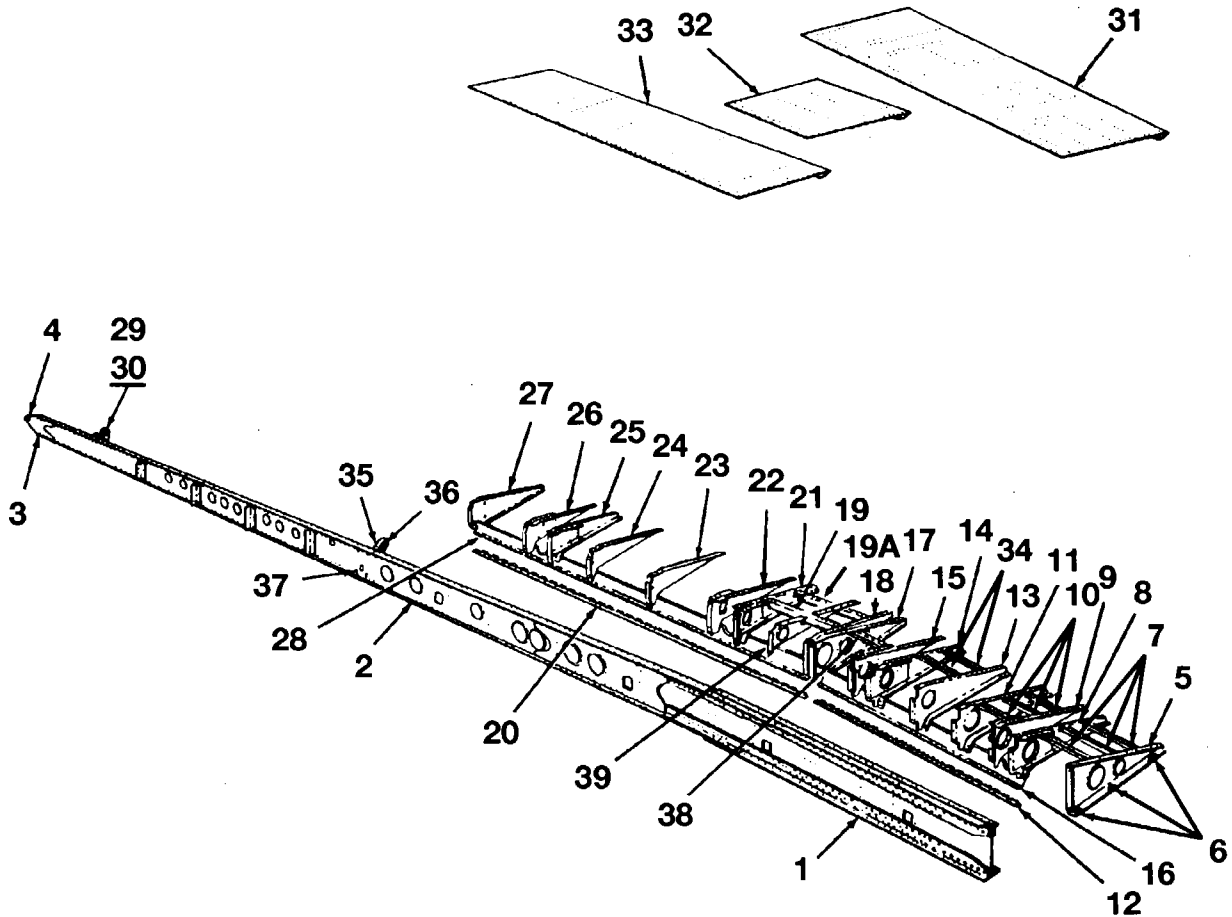
MODEL 310 THRU 310D

ILLUSTRATED PARTS CATALOG

FIG ITEM	PART NUMBER	NOMENCLATURE	EFFECT FROM TO	UNITS PER ASSY
		1 2 3 4 5 6 7		
04		LEFT OUTBOARD FLAP INSTALLATION REFER TO 57-10-01 FIGURE 01 FOR NHA		RF
1	0820000-27	. PIN-OUTBD FLAP HINGE		1
2	0862100-15	. BELLCRANK ASSY-FLAP INBD		1
3	0862100-17	. BELLCRANK ASSY-FLAP OUTBD		1
4	B610	. BEARING-TORRINGTON		2
5	0862100-20	. BUSHING-ATTACH INBD BELLCRANK		1
6	AN4H53A	. BOLT-ATTACH INBD BELLCRANK		1
7	0862100-21	. BUSHING-ATTACH INBD BELLCRANK		1
8	AN4H45A	. BOLT-ATTACH INBD BELLCRANK		1
9	0522629	. WASHER-ATTACH INBD BELLCRANK		AR
10	0862101-11	. LINK ASSY-FLAP SCISSORS INBD UPPER		2
11	0862101-12	. LINK ASSY-FLAP SCISSORS OUTBD UPPER		2
12	S1004-15A	. BEARING		1
13	0862101-24	. SPACER-ATTACH UPPER SCISSORS TO WING		2
14	0862101-25	. SPACER-ATTACH UPPER SCISSORS TO WING		2
15	AN4-41A	. BOLT-ATTACH UPPER SCISSORS TO WING		2
16	AN960-C416L	. WASHER-ATTACH UPPER SCISSORS TO WING		2
17	MS21044N4	. NUT-ATTACH UPPER SCISSORS TO WING		2 R
18	0862101-7	. LINK ASSY-FLAP SCISSORS INBD LWR		2
19	0862101-8	. LINK ASSY-FLAP SCISSORS OUTBD LWR		2
20	S1004-15A	. BEARING		2
21	0862101-22	. SPACER-ATTACH LOWER SCISSORS TO FLAP		2
22	0862101-23	. SPACER-ATTACH LOWER SCISSORS TO FLAP		2
23	AN4-25A	. BOLT-ATTACH LOWER SCISSORS TO FLAP		2
24	AN960-C416L	. WASHER-ATTACH LOWER SCISSORS TO FLAP		2
25	MS21044N4	. NUT-ATTACH LOWER SCISSORS TO FLAP		2 R
26	0862101-21	. SPACER-ATTACH UPPER & LOWER SCISSORS TO PUSH-PULL ROD		4
27	AN4-26A	. BOLT-ATTACH UPPER & LOWER SCISSORS TO PUSH-PULL ROD		2
28	NAS1149C0432R	. WASHER-ATTACH UPPER & LOWER SCISSORS TO PUSH-PULL ROD		2 R
29	MS21042L4	. NUT-ATTACH UPPER & LOWER SCISSORS TO PUSH-PULL ROD		2 R
30	0862100-52	. ROD ASSY-FLAP INBD PUSH-PULL		1
31	0862100-53	. ROD ASSY-FLAP OUTBD PUSH-PULL		1
32	AN316-4R	. NUT-PUSH-PULL ROD CHECK		2
33	S1106-4	. ROD END		2
34	AN4-12A	. BOLT-ATTACH PUSH-PULL ROD TO BELLCRANK		2
35	0862100-45	. SPACER-ATTACH PUSH-PULL ROD TO BELLCRANK		4
36	MS21044N4	. NUT-ATTACH PUSH-PULL ROD TO BELLCRANK		2 R
37		. ROD ASSY-FLAP PUSH-PULL REFER TO 57-50-00 FIGURE 3		RF
38	0862100-58	. ROD ASSY-FLAP OUTBD PUSH-PULL		1
39	AN316-4R	. NUT-PUSH-PULL ROD CHECK		2
40	S1106-4	. ROD END		2
41	AN4-13A	. BOLT-ATTACH PUSH-PULL RODS TO INBD BELLCRANK		1
42	MS21044N4	. NUT-ATTACH PUSH-PULL RODS TO INBD BELLCRANK		1 R
43	AN4-7A	. BOLT-ATTACH PUSH-PULL RODS TO OUTBD BELLCRANK		1
44	MS21044N4	. NUT-ATTACH PUSH-PULL RODS TO OUTBD BELLCRANK		1 R
- 44A	0825000-3	. FLAP ASSY-LEFT WING OUTBD		1
45	0825000-33	. RIB-OUTBD FLAP		1
46	0825000-35	. RIB-OUTBD FLAP RH		1
47	0825000-37	. RIB-OUTBD FLAP LH		1
48	0825000-39	. RIB-OUTBD FLAP		1
49	0825000-41	. RIB-OUTBD FLAP		1
50	0825000-43	. RIB-OUTBD FLAP RH		1
51	0825000-45	. RIB-OUTBD FLAP LH		1
52	0825000-47	. RIB-OUTBD FLAP		1
53	0825000-9	. LEADING EDGE-LEFT WING OUTBD FLAP		1
54	0825000-55	. HINGE HALF-OUTBD FLAP		1
55	0825000-13	. STRINGER-OUTBD FLAP		1
56	0825000-67	. TRAILING EDGE-LEFT WING OUTBD FLAP		1
57	0825000-64	. RUB STRIP-OUTBD FLAP		1
58	0825000-52	. DOUBLER-OUTBD FLAP RH		1
- 58A	0825000-51	. DOUBLER-OUTBD FLAP LH		1
59	0825000-54	. DOUBLER-OUTBD FLAP RH		1
- 59A	0825000-53	. DOUBLER-OUTBD FLAP LH		1
60	0825000-59	. SKIN-OUTBD FLAP		1

CESSNA AIRCRAFT COMPANY
MODEL 310 THRU 310D
ILLUSTRATED PARTS CATALOG

A55579



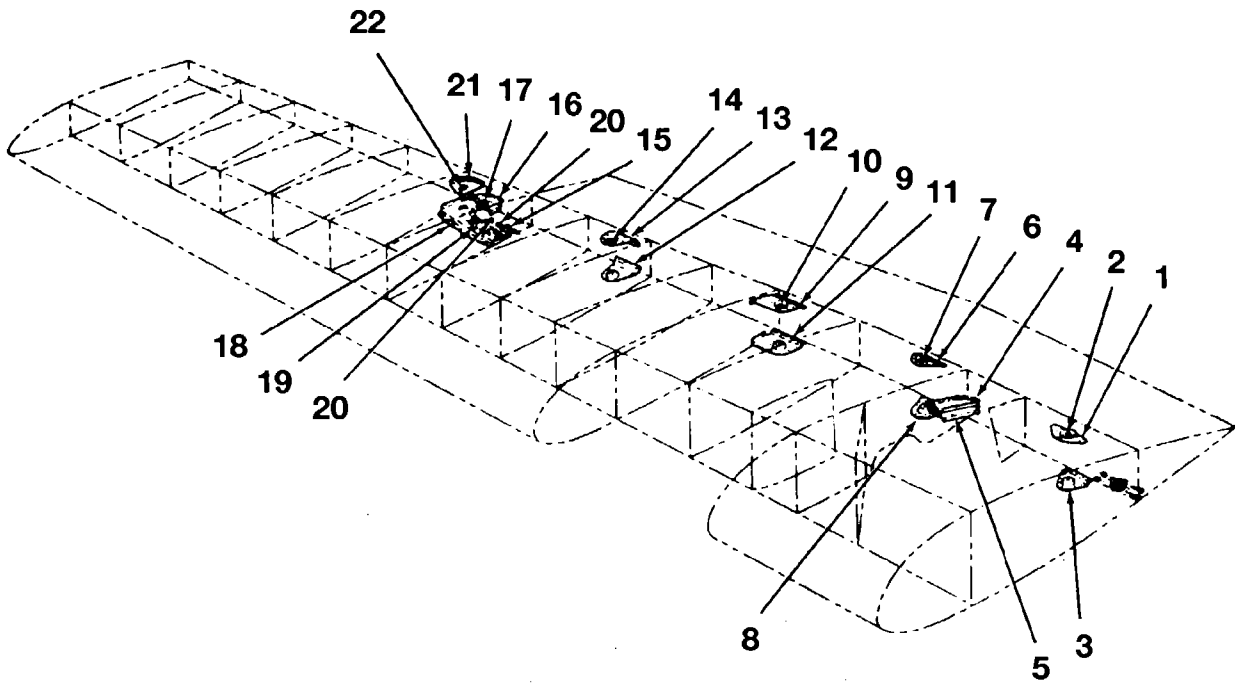
RIGHT WING TRAILING EDGE ASSEMBLY
FIGURE 05 (SHEET 1)

CESSNA AIRCRAFT COMPANY
MODEL 310 THRU 310D
ILLUSTRATED PARTS CATALOG

FIG ITEM	PART NUMBER	NOMENCLATURE	EFFECT FROM TO	UNITS	
				PER ASSY	
05		RIGHT WING TRAILING EDGE ASSEMBLY REFER TO 57-10-00 FIGURE 06 FOR NHA			RF
1	0822600-40	. SPAR ASSY-INBD			1
2	0822600-42	. SPAR ASSY-OUTBD			1
3	0822600-29	. . FITTING-TIP TANK FWD			1
4	0822600-30	. . . FITTING-TIP TANK AFT			1
5	0822100-6	. RIB ASSY-RIGHT WING TRAILING EDGE			1
6	NAS444-13	. . NUT-TINNERMAN #A6203-8Z-1			3
7	0822350-173	. CHANNEL			3
8	0822350-2	. RIB ASSY-RIGHT WING TRAILING EDGE			1
9	0822350-8	. RIB ASSY-RIGHT WING TRAILING EDGE			1
10	0822350-172	. CHANNEL			3
11	0822350-24	. RIB-RIGHT WING TRAILING EDGE			1
12	0822275-51	. HINGE HALF-FLAP INBD			1
13	0822350-26	. RIB-RIGHT WING TRAILING EDGE			1
14	0822350-10	. RIB ASSY-RIGHT WING TRAILING EDGE			1
15	0822350-12	. RIB ASSY-RIGHT WING TRAILING EDGE			1
16	0822275-78	. STIFFENER-RIGHT WING TRAILING EDGE INBD			1
17	0822350-34	. RIB-RIGHT WING TRAILING EDGE			1
18	0822350-36	. RIB-RIGHT WING TRAILING EDGE			1
19	0822611-6	. STRINGER-RIGHT WING TRAILING EDGE	35000	35771	1
19A	0822611-2	. CHANNEL-RIGHT WING TRAILING EDGE	35000	35771	1
- 19B	0822613-1	. CHANNEL-RIGHT WING TRAILING EDGE	35772	& ON	1
20	0822275-52	. HINGE HALF-FLAP OUTBD			1
21	0822350-14	. RIB ASSY-RIGHT WING TRAILING EDGE			1
22	0822350-16	. RIB ASSY-RIGHT WING TRAILING EDGE			1
23	0822350-48	. RIB-RIGHT WING TRAILING EDGE			1
24	0822350-46	. RIB-RIGHT WING TRAILING EDGE			1
25	0822350-18	. RIB ASSY-RIGHT WING TRAILING EDGE			1
26	0822350-20	. RIB ASSY-RIGHT WING TRAILING EDGE			1
27	0822350-50	. RIB-RIGHT WING TRAILING EDGE			1
28	0822275-54	. STIFFENER-RIGHT WING TRAILING EDGE OUTBD	35000	39290	1
- 28A	0822275-124	. STIFFENER-RIGHT WING TRAILING EDGE OUTBD	39291	& ON	1
29	0824006-2	. HINGE ASSY-AILERON	35000	39075	1
- 29A	0824006-8	. HINGE ASSY-AILERON	39076	& ON	1
30	MS24462-4	. BEARING			1 R
31	0822610-4	. SKIN-RIGHT WING TRAILING EDGE INBD			1
32	0822610-12	. SKIN-RIGHT WING TRAILING EDGE CTR			1
33	0822610-8	. SKIN-RIGHT WING TRAILING EDGE OUTBD			1
34	0822611-4	. CHANNEL-AILERON			2
35	0822605-4	. HINGE ASSY-INBD			1
36	MS24462-4	. BEARING-AILERON			1 R
37	AN3-4A	. BOLT-ATTACH AILERON HINGE TO WING REAR SPAR			4
- 37A	MS21045L3	. NUT-ATTACH AILERON HINGE TO WING REAR SPAR			4 R
38	0822613-2	. CHANNEL-RIGHT WING TRAILING EDGE	35772	& ON	1
39	0822176-2	. RIB-RIGHT WING TRAILING EDGE	39291	& ON	1

CESSNA AIRCRAFT COMPANY
MODEL 310 THRU 310D
ILLUSTRATED PARTS CATALOG

A55580



RIGHT WING CONTROLS SUPPORT BRACKETS INSTALLATION
FIGURE 06 (SHEET 1)

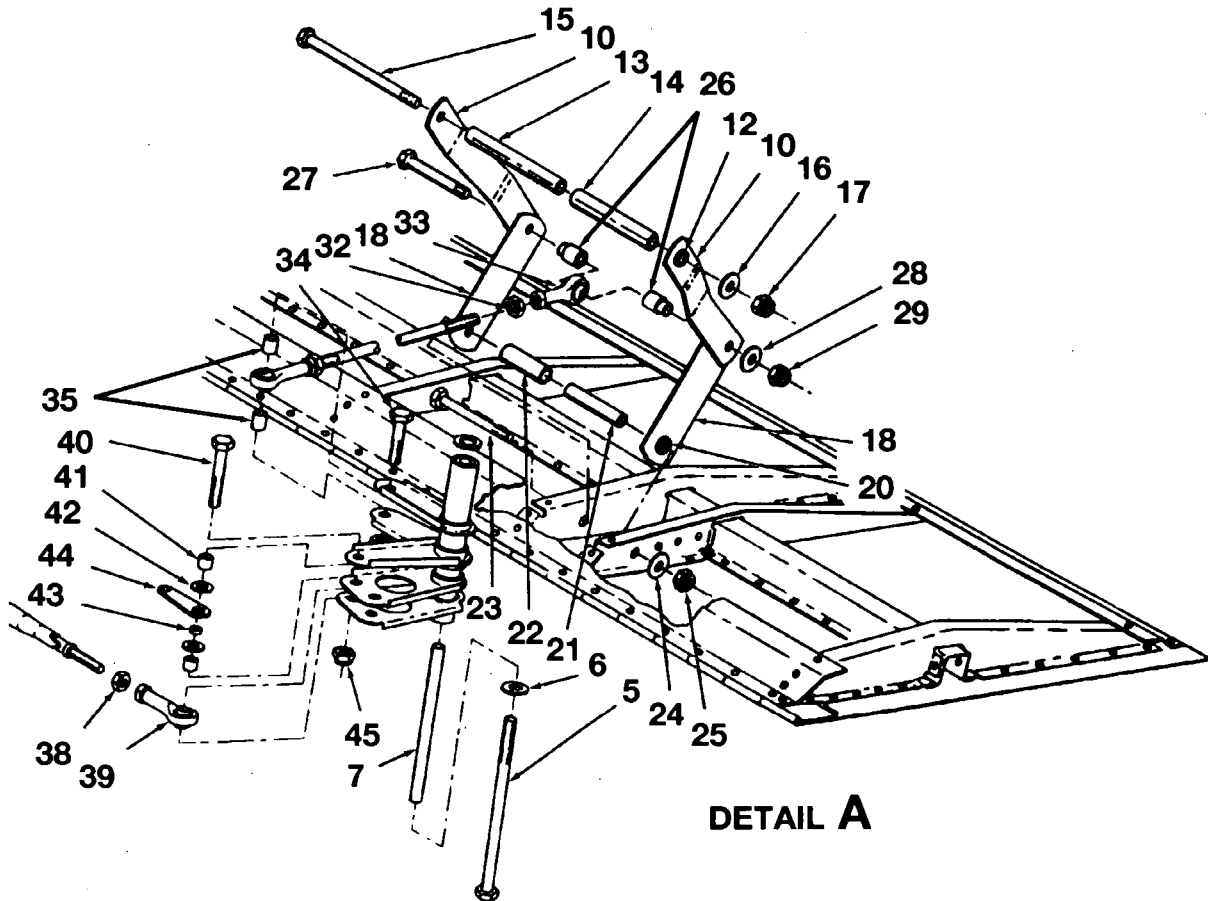
**CESSNA AIRCRAFT COMPANY
MODEL 310 THRU 310D
ILLUSTRATED PARTS CATALOG**

FIG ITEM	PART NUMBER	NOMENCLATURE	EFFECT		UNITS PER ASSY
			FROM	TO	
06		RIGHT WING CONTROLS SUPPORT BRACKETS INSTALLATION REFER TO 57-10-00 FIGURE 06 FOR NHA			RF
-		. BRACKET ASSY-RIGHT WING FLAP PULLEY UPPER			1
1	0822275-44	. . . NUTPLATE-ATTACH BELLCRANK			1 R
2	MS21051L4	. BRACKET-RIGHT WING FLAP PULLEY LOWER			1
3	0822275-55	. BRACKET-RIGHT WING FLAP PULLEY UPPER			1
4	0822275-62	. BRACKET-RIGHT WING FLAP PULLEY LOWER			1
5	0822275-66	. BRACKET ASSY-FLAP BELLCRANK UPPER			1
6	0822275-47	. . NUTPLATE-ATTACH BELLCRANK			1 R
7	MS21047L4	. BRACKET-FLAP BELLCRANK LOWER			1
8	0822275-79	. BRACKET ASSY-RIGHT WING FLAP BELLCRANK UPPER			1
9	0822275-40	. . NUTPLATE-ATTACH BELLCRANK			1 R
10	MS21047L4	. BRACKET-RIGHT WING FLAP BELLCRANK LOWER			1
11	0822275-58	. BRACKET-OUTBD FLAP BELLCRANK LOWER			1
12	0822275-59	. BRACKET ASSY-OUTBD FLAP BELLCRANK UPPER			1
13	0822275-35	. . NUTPLATE-ATTACH FLAP BELLCRANK			1 R
14	MS21047L4	. BRACKET ASSY-RIGHT WING AILERON INBD STOP			1
15	0822350-132	. . NUTPLATE-AILERON BELLCRANK STOP			1
- 15A	22NA17A-02	. BRACKET ASSY-RIGHT WING UPPER AILERON BELLCRANK			1
16	0822350-128	. . NUTPLATE-ATTACH BELLCRANK			1 R
17	MS21047L4	. BRACKET ASSY-RIGHT WING AILERON PULLEY LOWER REFER TO NOTE 1	35290	& ON	1
- 18A	0822350-264	. BRACKET ASSY-AILERON BELLCRANK STOP			1
19	0822350-133	. . NUTPLATE-ESNA			1
- 19A	22NA17A-02	. BOLT-AILERON BELLCRANK STOP			2 R
20	NAS428H3A6	. BRACKET ASSY-RIGHT WING AILERON PULLEY	35000	35289	1
21	0822350-130	. BRACKET ASSY-RIGHT WING AILERON PULLEY REFER TO NOTE 2	35290	& ON	1
- 21A	0822350-260	. . NUTPLATE-ATTACH PULLEY			1 R
22	MS21047L4				

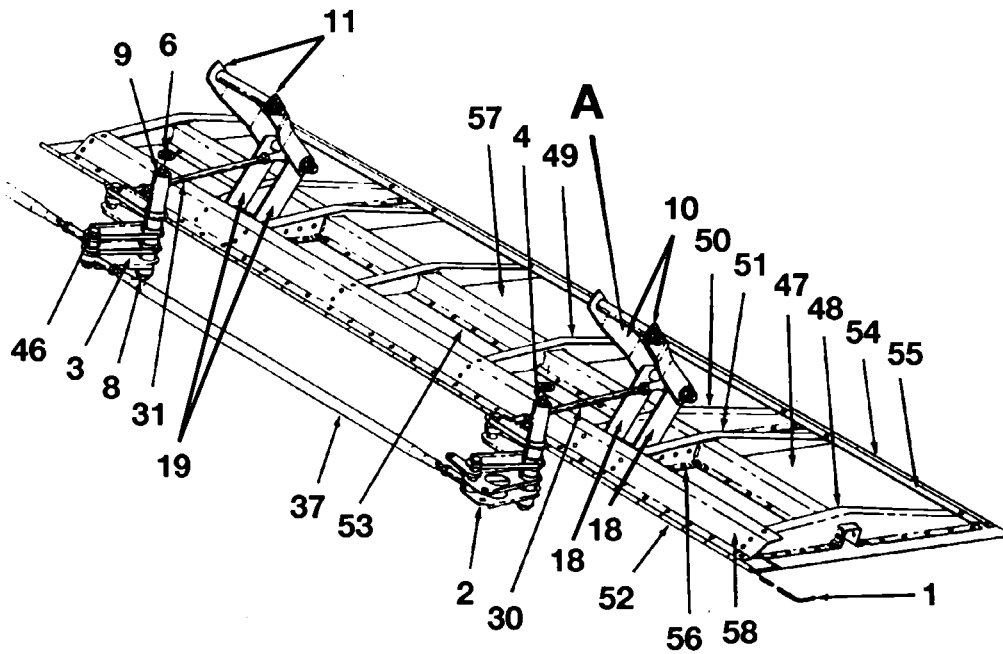
NOTE 1—WHEN ORDERING THIS PART, ALSO ORDER 0822350-260 BRACKET ASSY
NOTE 2—WHEN ORDERING THIS PART, ALSO ORDER 0822350-264 BRACKET ASSY

CESSNA AIRCRAFT COMPANY
MODEL 310 THRU 310D
 ILLUSTRATED PARTS CATALOG

A55581



DETAIL A



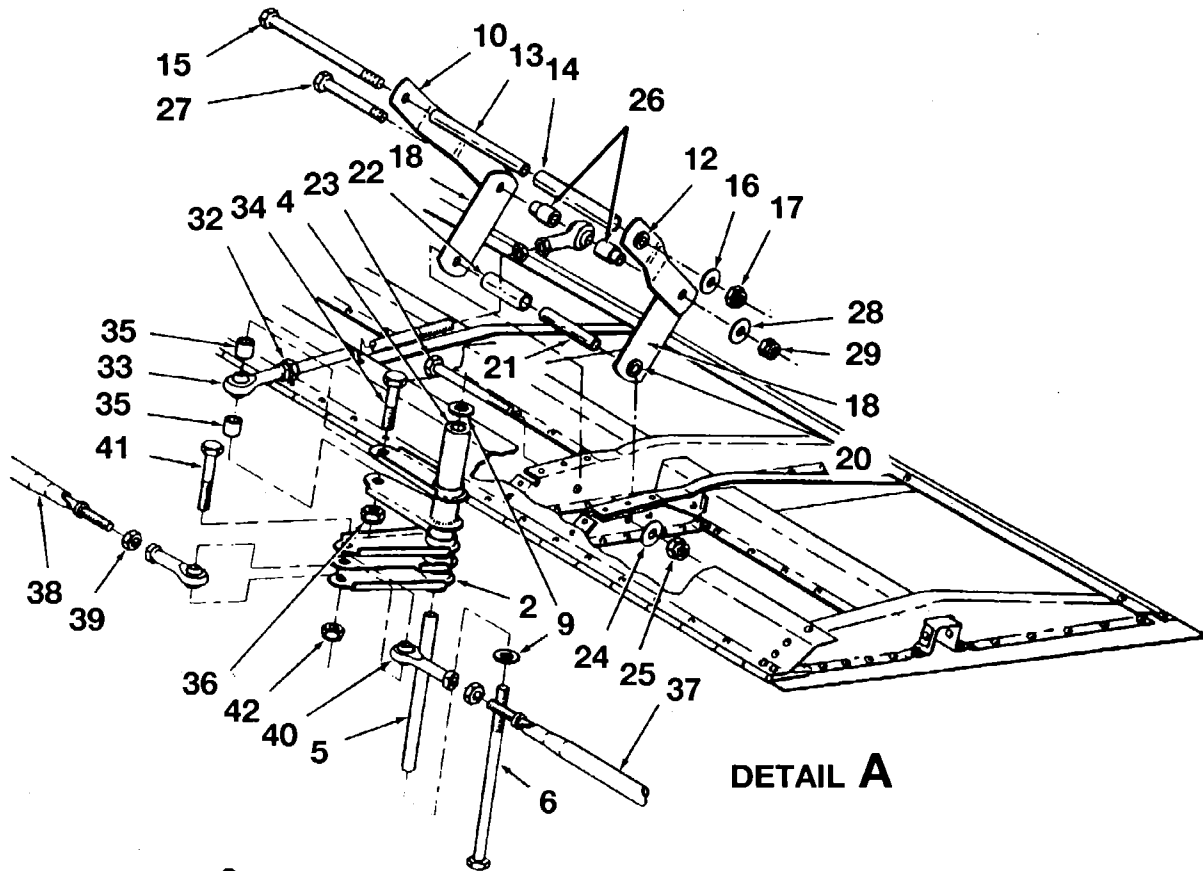
RIGHT INBOARD FLAP INSTALLATION
 FIGURE 07 (SHEET 1)

**CESSNA AIRCRAFT COMPANY
MODEL 310 THRU 310D
ILLUSTRATED PARTS CATALOG**

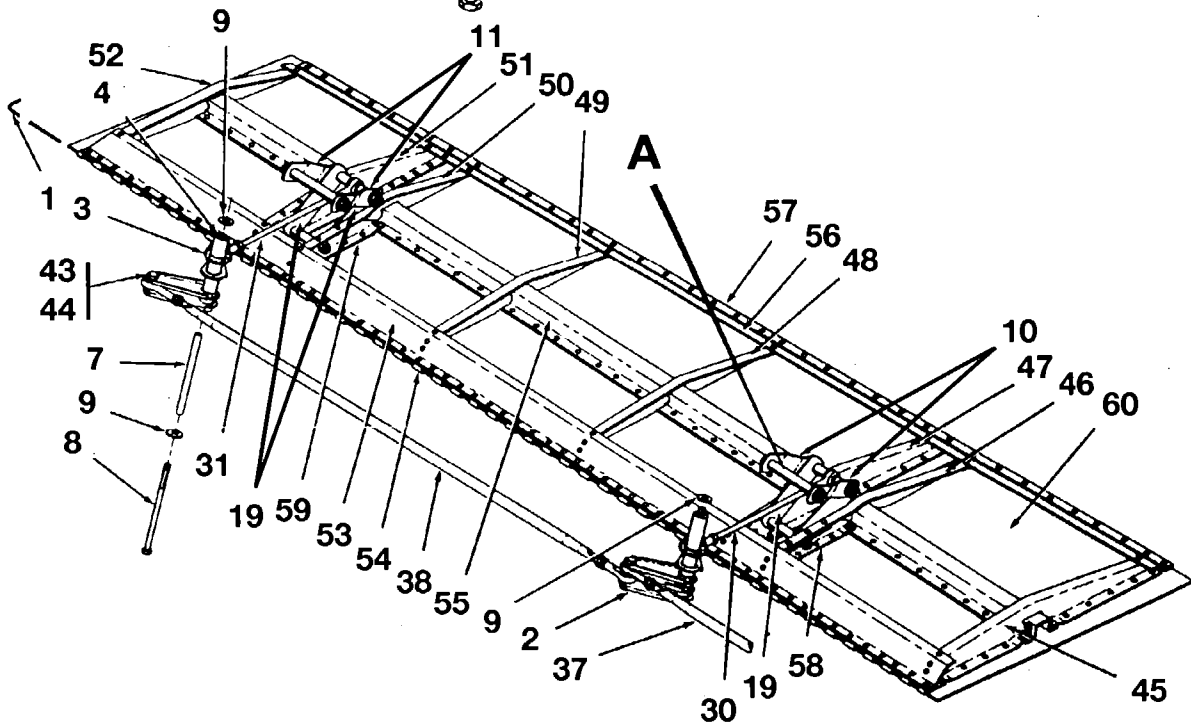
FIG ITEM	PART NUMBER	NOMENCLATURE	EFFECT		UNITS PER ASSY
			FROM	TO	
07		RIGHT INBOARD FLAP INSTALLATION REFER TO 57-10-00 FIGURE 05 FOR NHA			RF
1	0820000-28	. PIN-INBD FLAP HINGE			1
2	0862100-10	. BELLCRANK ASSY-FLAP INBD			1
3	0862100-12	. BELLCRANK ASSY-FLAP OUTBD			1
4	B610	. BEARING-TORRINGTON			2
5	AN4H57A	. BOLT-ATTACH INBD BELLCRANK			1
6	0522629	. WASHER-ATTACH BELLCRANK			AR
7	0862100-18	. BUSHING-ATTACH INBD BELLCRANK			1
8	AN4H60A	. BOLT-ATTACH OUTBD BELLCRANK			1
9	0862100-19	. BUSHING-ATTACH OUTBD BELLCRANK			1
10	0862101-9	. LINK ASSY-FLAP SCISSORS INBD UPPER			2
11	0862101-10	. LINK ASSY-FLAP SCISSORS OUTBD UPPER			2
12	S1004-15A	. BEARING			1
13	0862101-24	. SPACER-ATTACH UPPER SCISSORS TO WING			2
14	0862101-25	. SPACER-ATTACH UPPER SCISSORS TO WING			2
15	AN4-41A	. BOLT-ATTACH UPPER SCISSORS TO WING			2
16	AN960-C416L	. WASHER-ATTACH UPPER SCISSORS TO WING			2
17	MS21044N4	. NUT-ATTACH UPPER SCISSORS TO WING			2 R
18	0862101-5	. LINK ASSY-FLAP SCISSORS INBD LOWER			2
19	0862101-6	. LINK ASSY-FLAP SCISSORS INBD LOWER			2
20	S1004-15A	. BEARING			2
21	0862101-22	. SPACER-ATTACH LOWER SCISSORS TO FLAP			2
22	0862101-23	. SPACER-ATTACH LOWER SCISSORS TO FLAP			2
23	AN4-25A	. BOLT-ATTACH LOWER SCISSORS TO FLAP			2
24	AN960-C416L	. WASHER-ATTACH LOWER SCISSORS TO FLAP			2
25	MS21044N4	. NUT-ATTACH LOWER SCISSORS TO FLAP			2 R
26	0862101-21	. SPACER-ATTACH UPPER & LOWER SCISSORS TO PUSH-PULL ROD			4
27	AN4-26A	. BOLT-ATTACH UPPER & LOWER SCISSORS TO PUSH-PULL ROD			2
28	AN960-C416L	. WASHER-ATTACH UPPER & LOWER SCISSORS TO PUSH-PULL ROD			2
29	MS21042L4	. NUT-ATTACH UPPER & LOWER SCISSORS TO PUSH-PULL ROD			2 R
30	0862100-50	. ROD ASSY-FLAP INBD PUSH-PULL			1
31	0862100-51	. ROD ASSY-FLAP OUTBD PUSH-PULL			1
32	AN316-4R	. NUT-PUSH-PULL ROD CHECK			2
33	S1106-4	. ROD END			2
34	AN4-12A	. BOLT-ATTACH PUSH-PULL ROD TO BELLCRANK			2
35	0862100-45	. SPACER-ATTACH PUSH-PULL ROD TO BELLCRANK			4
36	MS21044N4	. NUT-ATTACH PUSH-PULL ROD TO BELLCRANK			2 R
37	0862100-57	. ROD ASSY-FLAP INBD PUSH-PULL			2
38	AN316-4R	. NUT-PUSH-PULL ROD CHECK			2
39	S1106-4	. ROD END			2
40	AN4-17A	. BOLT-ATTACH PUSH-PULL ROD AND LINK TO INBD BELLCRANK			1
41	NAS43-4-19	. BUSHING-ATTACH PUSH-PULL ROD AND LINK TO INBD BELLCRANK			2
42	NAS1149F0432P	. WASHER-ATTACH PUSH-PULL ROD AND LINK TO INBD BELLCRANK			2 R
43	NAS43-4-15	. BUSHING-ATTACH PUSH-PULL ROD AND LINK TO INBD BELLCRANK			1
44	0862100-77	. LINK-FLAP CONTROL CABLE ATTACHMENT			1
45	MS21044N4	. NUT-ATTACH PUSH-PULL ROD AND LINK TO INBD BELLCRANK			1 R
46	AN4-13A	. BOLT-ATTACH PUSH-PULL RODS TO OUTBD BELLCRANK			1
- 46A	MS21044N4	. NUT			1 R
47	0825000-2	. FLAP ASSY-RIGHT WING INBD			1
48	0825000-17	. RIB-INBD FLAP			2
49	0825000-18	. RIB-INBD FLAP			1
50	0825000-19	. RIB-INBD FLAP			3
51	0825000-20	. RIB-INBD FLAP			2
52	0825000-58	. HINGE HALF-RIGHT WING INBD FLAP			1
53	0825000-15	. STRINGER-INBD FLAP			1
54	0825000-63	. RUB STRIP-INBD FLAP			1
55	0825000-66	. TRAILING EDGE-RIGHT WING INBD FLAP			1
56	0825000-50	. DOUBLER-INBD FLAP RH			2
- 56A	0825000-49	. DOUBLER-INBD FLAP LH			2
57	0825000-6	. SKIN-INBD FLAP LH			1
58	0825000-8	. LEADING EDGE-RIGHT WING INBD FLAP			1

CESSNA AIRCRAFT COMPANY
MODEL 310 THRU 310D
 ILLUSTRATED PARTS CATALOG

A55582



DETAIL A



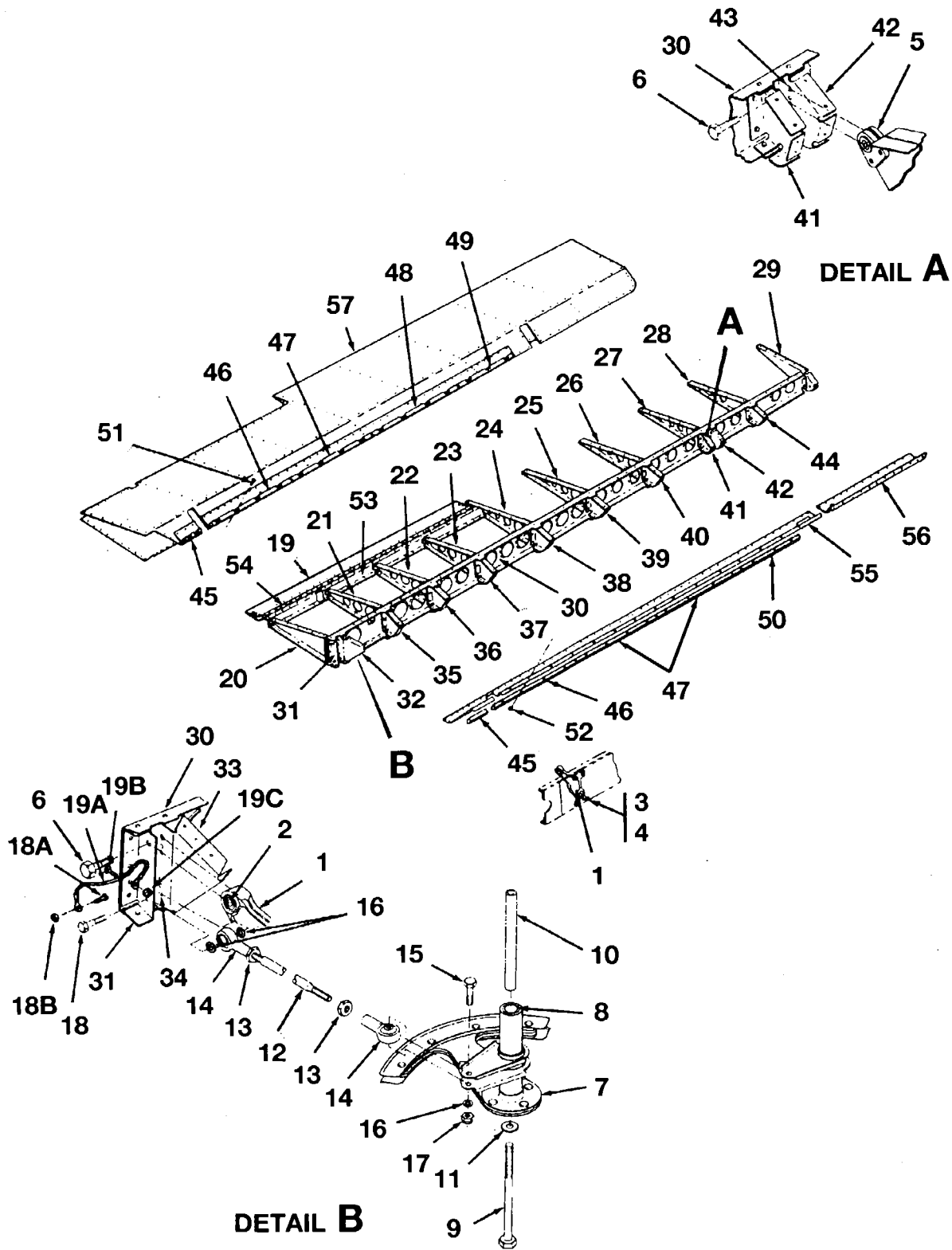
RIGHT OUTBOARD FLAP INSTALLATION
FIGURE 08 (SHEET 1)

CESSNA AIRCRAFT COMPANY
MODEL 310 THRU 310D
ILLUSTRATED PARTS CATALOG

FIG ITEM	PART NUMBER	NOMENCLATURE	EFFECT FROM TO	UNITS PER ASSY
		1 2 3 4 5 6 7		
08		RIGHT OUTBOARD FLAP INSTALLATION REFER TO 57-10-00 FIGURE 05 FOR NHA		RF
1	0820000-27	. PIN-OUTBD FLAP HINGE		1
2	0862100-14	. BELLCRANK ASSY-FLAP INBD		1
3	0862100-16	. BELLCRANK ASSY-FLAP OUTBD		1
4	B610	. BEARING		2
5	0862100-20	. BUSHING-ATTACH INBD BELLCRANK		1
6	AN4H53A	. BOLT-ATTACH INBD BELLCRANK		1
7	0862100-21	. BUSHING-ATTACH OUTBD BELLCRANK		1
8	AN4H45A	. BOLT-ATTACH OUTBD BELLCRANK		1
9	0522629	. WASHER-ATTACH BELLCRANK		AR
10	0862101-11	. LINK ASSY-FLAP SCISSORS INBD UPPER		2
11	0862101-12	. LINK ASSY-FLAP SCISSORS OUTBD UPPER		2
12	S1004-15A	. BEARING		1
13	0862101-24	. SPACER-ATTACH UPPER SCISSORS TO WING		2
14	0862101-25	. SPACER-ATTACH UPPER SCISSORS TO WING		2
15	AN4-41A	. BOLT-ATTACH UPPER SCISSORS TO WING		2
16	AN960-C416L	. WASHER-ATTACH UPPER SCISSORS TO WING		2
17	MS21044N4	. NUT-ATTACH UPPER SCISSORS TO WING		2 R
18	0862101-7	. LINK ASSY-FLAP SCISSORS INBD LOWER		2
19	0862101-8	. LINK ASSY-FLAP SCISSORS OUTBD LOWER		2
20	S1004-15A	. BEARING		2
21	0862101-22	. SPACER-ATTACH LOWER SCISSORS TO FLAP		2
22	0862101-23	. SPACER-ATTACH LOWER SCISSORS TO FLAP		2
23	AN4-25A	. BOLT-ATTACH LOWER SCISSORS TO FLAP		2
24	NAS1149C0432R	. WASHER-ATTACH LOWER SCISSORS TO FLAP		2 R
25	MS21044N4	. NUT-ATTACH LOWER SCISSORS TO FLAP		2 R
26	0862101-21	. SPACER-ATTACH UPPER & LOWER SCISSORS TO PUSH-PULL ROD		4
27	AN4-26A	. BOLT-ATTACH UPPER & LOWER SCISSORS TO PUSH-PULL ROD		2
28	NAS1149C0432R	. WASHER-ATTACH UPPER & LOWER SCISSORS TO PUSH-PULL ROD		2 R
29	MS21042L4	. NUT-ATTACH UPPER & LOWER SCISSORS TO PUSH-PULL ROD		2 R
30	0862100-52	. ROD ASSY-FLAP INBD PUSH-PULL		1
31	0862100-53	. ROD ASSY-FLAP OUTBD PUSH-PULL		1
32	AN316-4R	. NUT-PUSH-PULL ROD CHECK		2
33	S1106-4	. ROD END		2
34	AN4-12A	. BOLT-ATTACH PUSH-PULL ROD TO BELLCRANK		2
35	0862100-45	. SPACER-ATTACH PUSH-PULL ROD TO BELLCRANK		4
36	MS21044N4	. NUT-ATTACH PUSH-PULL ROD TO BELLCRANK		2 R
37		. ROD ASSY-FLAP PUSH-PULL REFER TO 57-50-00 FIGURE 07		RF
38	0862100-58	. ROD ASSY-FLAP OUTBD PUSH-PULL		1
39	AN316-4R	. NUT-PUSH-PULL ROD CHECK		2
40	S1106-4	. ROD END		2
41	AN4-13A	. BOLT-ATTACH PUSH-PULL RODS TO INBD BELLCRANK		1
42	MS21044N4	. NUT-ATTACH PUSH-PULL RODS TO INBD BELLCRANK		1 R
43	AN4-7A	. BOLT-ATTACH PUSH-PULL ROD TO OUTBD BELLCRANK		1
44	MS21044N4	. NUT-ATTACH PUSH-PULL ROD TO OUTBD BELLCRANK		1 R
- 44A	0825000-4	. FLAP ASSY-RIGHT WING OUTBD		1
45	0825000-34	. RIB-OUTBD FLAP		1
46	0825000-36	. RIB-OUTBD FLAP RH		1
47	0825000-38	. RIB-OUTBD FLAP LH		1
48	0825000-40	. RIB-OUTBD FLAP		1
49	0825000-42	. RIB-OUTBD FLAP		1
50	0825000-44	. RIB-OUTBD FLAP RH		1
51	0825000-46	. RIB-OUTBD FLAP LH		1
52	0825000-48	. RIB-OUTBD FLAP		1
53	0825000-10	. LEADING EDGE-RIGHT WING OUTBD FLAP		1
54	0825000-56	. HINGE HALF-RIGHT WING OUTBD FLAP		1
55	0825000-14	. STRINGER-OUTBD FLAP		1
56	0825000-68	. TRAILING EDGE-RIGHT WING OUTBD FLAP		1
57	0825000-64	. RUB STRIP-OUTBD FLAP		1
- 57A	0825000-52	. DOUBLER-OUTBD FLAP RH		1
58	0825000-51	. DOUBLER-OUTBD FLAP LH		1
- 58A	0825000-54	. DOUBLER-OUTBD FLAP RH		1
59	0825000-53	. DOUBLER-OUTBD FLAP LH		1
60	0825000-60	. SKIN-OUTBD FLAP		1

CESSNA AIRCRAFT COMPANY
MODEL 310 THRU 310D
 ILLUSTRATED PARTS CATALOG

A55564



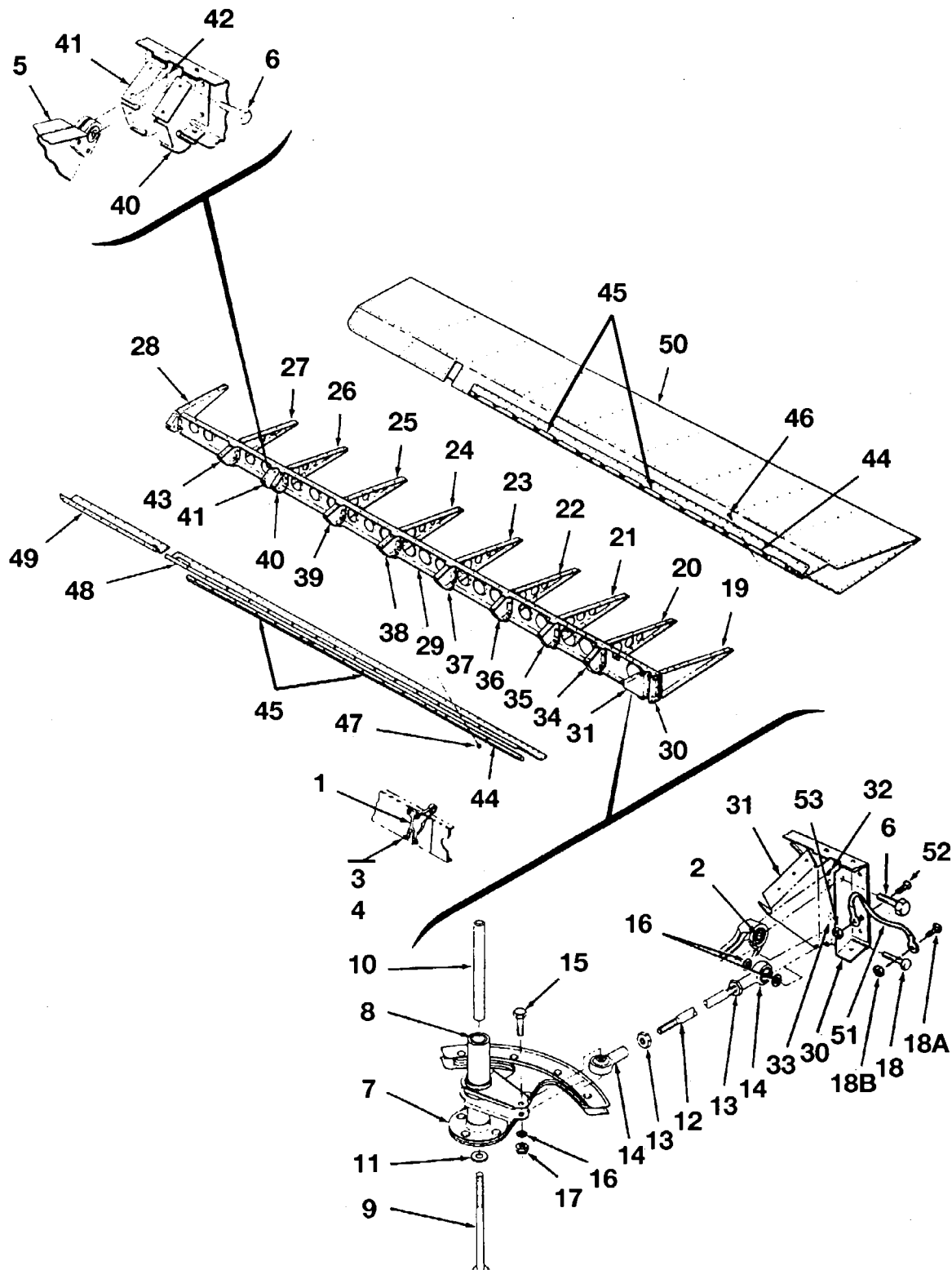
LEFT AILERON INSTALLATION
 FIGURE 01 (SHEET 1)

CESSNA AIRCRAFT COMPANY
MODEL 310 THRU 310D
ILLUSTRATED PARTS CATALOG

FIG ITEM	PART NUMBER	NOMENCLATURE	EFFECT FROM TO	UNITS PER ASSY
		1 2 3 4 5 6 7		
01		LEFT AILERON INSTALLATION REFER TO 57-10-00 FIGURE 01 FOR NHA		RF
- 1		HINGE ASSY-AILERON INBD REFER TO 57-50-00 FIGURE 01 FOR NHA		RF
2		BEARING-AILERON REFER TO 57-50-00 FIGURE 01 FOR NHA		RF
3		BOLT-ATTACH AILERON HINGE TO WING REAR SPAR REFER TO 57-50-00 FIGURE 01		RF
4		NUT-ATTACH AILERON HINGE TO WING REAR SPAR REFER TO 57-50-00 FIGURE 01		RF
5		HINGE ASSY-AILERON OUTBD REFER TO 57-50-00 FIGURE 01		RF
6	AN4-11A	BOLT-ATTACH AILERON TO HINGE		2
7	0862100-87	QUADRANT ASSY-LEFT WING AILERON		1
8	B610	BEARING-TORRINGTON		2
9	AN4H44A	BOLT-ATTACH QUADRANT TO WING		1
10	0862100-67	BUSHING-ATTACH QUADRANT TO WING		1
11	0522629	WASHER-ATTACH QUADRANT TO WING		AR
12	0862100-59	ROD ASSY-AILERON PUSH-PULL		1
13	AN316-4R	NUT-PUSH-PULL ROD CHECK		2
14	S1106-3	ROD END		2
15	AN3-10A	BOLT-ATTACH PUSH-PULL ROD TO QUADRANT		1
16	NAS1149F0363P	WASHER		3 R
17	MS21045L3	NUT-ATTACH PUSH-PULL ROD TO QUADRANT		1 R
18	AN3-10A	BOLT-ATTACH PUSH-PULL ROD TO AILERON		1
18A	AN515-6R6	SCREW-ATTACH BONDING STRAP	39103 & ON	1
18B	MS21044N06	NUT-ATTACH BONDING STRAP	39103 & ON	1 R
- 18C	0824000-1	AILERON ASSY-LEFT WING COMPLETE		1
19		TRIM TAB ASSY-LEFT WING AILERON REFER TO 57-60-00 FIGURE 03 FOR BREAKDOWN		RF
19A	0831005-1	BONDING STRAP	39103 & ON	1
19B	AN515-6R8	SCREW-ATTACH BONDING STRAP	39103 & ON	1
19C	MS21044N06	NUT-ATTACH BONDING STRAP	39103 & ON	1 R
- 19D	0892000-9	AILERON ASSY-LEFT WING LESS TRIM TAB		1
20	0824000-3	RIB-LEFT AILERON		1
21	0824000-5	RIB-LEFT AILERON		1
22	0824000-7	RIB-LEFT AILERON		1
23	0824000-9	RIB-LEFT AILERON		1
24	0824000-11	RIB-LEFT AILERON		1
25	0824000-13	RIB-LEFT AILERON		1
26	0824000-15	RIB-LEFT AILERON		1
27	0824000-17	RIB-LEFT AILERON		1
28	0824000-19	RIB-LEFT AILERON		1
29	0824000-21	RIB-LEFT AILERON		1
30	0824000-49	SPAR-LEFT AILERON		1
31	0824000-37	BRACKET-LEFT AILERON INBD HINGE RH		1
32	0824000-39	BRACKET ASSY-LEFT AILERON INBD HINGE LH		1
33	MS21051L4	NUTPLATE-ATTACH AILERON TO WING		1 R
34	NAS682A3	NUTPLATE-ATTACH AILERON TO WING		1
35	0824000-23	RIB-LEFT AILERON NOSE		1
36	0824000-25	RIB-LEFT AILERON NOSE		1
37	0824000-27	RIB-LEFT AILERON NOSE		1
38	0824000-29	RIB-LEFT AILERON NOSE		1
39	0824000-31	RIB-LEFT AILERON NOSE		1
40	0824000-33	RIB-LEFT AILERON NOSE		1
41	0824000-43	BRACKET-LEFT AILERON OUTBD HINGE RH		1
42	0824000-45	BRACKET ASSY-LEFT AILERON OUTBD HINGE LH		1
43	MS21051L4	NUTPLATE-ATTACH AILERON TO WING		1 R
44	0824000-35	RIB-LEFT AILERON NOSE		1
45	0824008-6	WEIGHT-LEFT AILERON		2
46	0824008-3	WEIGHT-LEFT AILERON		2
47	0824008-1	WEIGHT-LEFT AILERON		3
48	0824008-5	WEIGHT-LEFT AILERON		1
49	0824008-2	WEIGHT-LEFT AILERON		1
50	0824008-4	WEIGHT-LEFT AILERON		1
51	AN515-8R16	SCREW-ATTACH WEIGHTS		15
- 51A	AN515-8R11	SCREW-ATTACH WEIGHTS		2
52	MS21044N08	NUT-ATTACH WEIGHTS		17 R
53	0824000-59	SPAR-LEFT AILERON TAB SUPPORT		1
54	0824000-69	HINGE HALF-LEFT AILERON TAB		1
55	0824000-77	SKIN-LEFT AILERON LEADING EDGE INBD		1
56	0824000-73	SKIN-LEFT AILERON LEADING EDGE OUTBD		1
57	0824000-55	SKIN-LEFT AILERON		1

CESSNA AIRCRAFT COMPANY
MODEL 310 THRU 310D
 ILLUSTRATED PARTS CATALOG

A55583



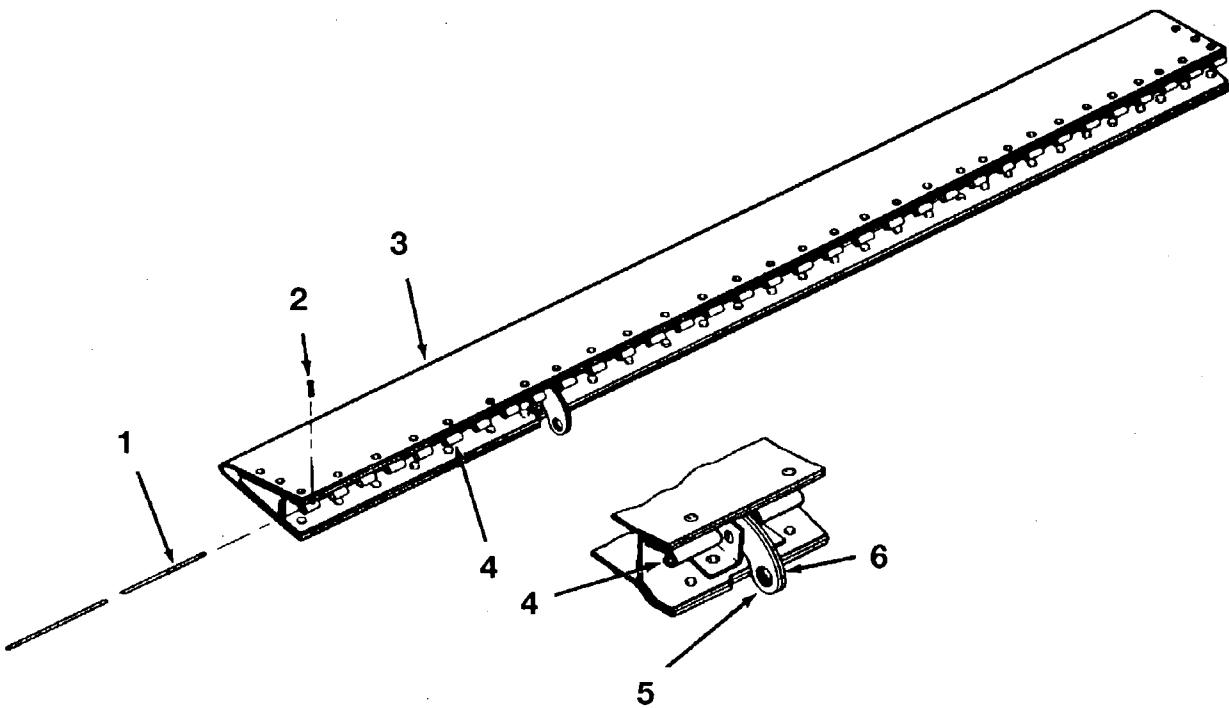
RIGHT AILERON INSTALLATION
 FIGURE 02 (SHEET 1)

CESSNA AIRCRAFT COMPANY MODEL 310 THRU 310D ILLUSTRATED PARTS CATALOG

FIG ITEM	PART NUMBER	NOMENCLATURE	EFFECT FROM TO	UNITS PER ASSY
		1 2 3 4 5 6 7		
02		RIGHT AILERON INSTALLATION REFER TO 57-10-00 FIGURE 05 FOR NHA		RF
1		HINGE ASSY-AILERON INBD REFER TO 57-50-00 FIGURE 05		RF
2		BEARING-AILERON HINGE INBD REFER TO 57-50-00 FIGURE 05		RF
3		BOLT-ATTACH AILERON HINGE INBD TO REAR SPAR REFER TO 57-50-00 FIGURE 05		RF
4		NUT-ATTACH AILERON HINGE INBD TO REAR SPAR REFER TO 57-50-00 FIGURE 05		RF
5		HINGE ASSY-AILERON OUTBD AILERON INBD REFER TO 57-50-00 FIGURE 05		RF
6	AN4-11A	BOLT-ATTACH AILERON TO HINGE		2
7	0862100-86	QUADRANT ASSY-RIGHT AILERON		1
8	B610	BEARING-TORRINGTON		2
9	AN4H44A	BOLT-ATTACH QUADRANT TO WING		1
10	0862100-67	BUSHING-ATTACH QUADRANT TO WING		1
11	0522629	WASHER-ATTACH QUADRANT TO WING		AR
12	0862100-59	ROD ASSY-AILERON PUSH-PULL		1
13	AN316-4R	NUT-PUSH-PULL ROD CHECK		2
14	S1106-4	ROD END		2
15	AN3-10A	BOLT-ATTACH PUSH-PULL ROD TO QUADRANT		1
16	NAS1149F0363P	WASHER		3 R
17	MS21045L3	NUT-ATTACH PUSH-PULL ROD TO QUADRANT		1 R
18	AN3-10A	BOLT-ATTACH PUSH-PULL ROD TO AILERON		1
18A	AN515-6R6	SCREW-ATTACH BONDING STRAP	39103 & ON	1
18B	MS21044N06	NUT-ATTACH BONDING STRAP	39103 & ON	1 R
18C	0824000-2	AILERON ASSY-RIGHT WING		1
19	0824000-4	RIB-RIGHT AILERON		1
20	0824000-6	RIB-RIGHT AILERON		1
21	0824000-8	RIB-RIGHT AILERON		1
22	0824000-10	RIB-RIGHT AILERON		1
23	0824000-12	RIB-RIGHT AILERON		1
24	0824000-14	RIB-RIGHT AILERON		1
25	0824000-16	RIB-RIGHT AILERON		1
26	0824000-18	RIB-RIGHT AILERON		1
27	0824000-20	RIB-RIGHT AILERON		1
28	0824000-22	RIB-RIGHT AILERON		1
29	0824000-50	SPAR-RIGHT AILERON		1
30	0824000-38	BRACKET-RIGHT AILERON INBD HINGE RH		1
31	0824000-40	BRACKET ASSY-RIGHT AILERON INBD HINGE LH		1
32	MS21051L4	NUTPLATE-ATTACH AILERON TO WING		1 R
33	NAS682A3	NUTPLATE-ATTACH AILERON TO WING		1
34	0824000-24	RIB-RIGHT AILERON NOSE		1
35	0824000-26	RIB-RIGHT AILERON NOSE		1
36	0824000-28	RIB-RIGHT AILERON NOSE		1
37	0824000-30	RIB-RIGHT AILERON NOSE		1
38	0824000-32	RIB-RIGHT AILERON NOSE		1
39	0824000-34	RIB-RIGHT AILERON NOSE		1
40	0824000-44	BRACKET-RIGHT AILERON OUTBD HINGE RH		1
41	0824000-46	BRACKET ASSY-RIGHT AILERON OUTBD HINGE LH		1
42	MS21051L4	NUTPLATE-ATTACH AILERON TO WING		1 R
43	0824000-36	RIB-RIGHT AILERON NOSE		1
44	0824008-2	WEIGHT-RIGHT AILERON		2
45	0824008-1	WEIGHT-RIGHT AILERON		4
46	AN515-8R16	SCREW-ATTACH WEIGHTS		11
47	MS21044N08	NUT-ATTACH WEIGHTS		11 R
48	0824000-76	SKIN-RIGHT AILERON FWD INBD		1
49	0824000-74	SKIN-RIGHT AILERON OUTBD		1
50	0824000-56	SKIN-RIGHT AILERON		1
51	0831005-1	BONDING STRAP	39103 & ON	1
52	AN515-6R8	SCREW-ATTACH BONDING STRAP	39103 & ON	1
53	MS21044N06	NUT-ATTACH BONDING STRAP	39103 & ON	1 R

CESSNA AIRCRAFT COMPANY
MODEL 310 THRU 310D
ILLUSTRATED PARTS CATALOG

A55565



AILERON TRIM TAB INSTALLATION
FIGURE 03 (SHEET 1)

CESSNA AIRCRAFT COMPANY
MODEL 310 THRU 310D
 ILLUSTRATED PARTS CATALOG

FIG ITEM	PART NUMBER	NOMENCLATURE	EFFECT		UNITS PER ASSY
			FROM	TO	
		1 2 3 4 5 6 7			
03		AILERON TRIM TAB INSTALLATION REFER TO 57-60-00 FIGURE 01			RF
1	AN253-2-2800	. . PIN-AILERON TRIM TAB HINGE			1
2	MS24665-151	. . COTTER PIN-SECURE HINGE PIN			2
		ATTACHING PARTS			
3	0824000-64	. . TAB ASSY-LEFT WING AILERON TRIM			1
4	0824000-54	. . HINGE-LEFT WING AILERON TRIM TAB HALF			1
5	0824000-61	. . HORN TAB-AILERON TAB INBD			1
6	0824000-82	. . FRAME-AILERON TAB OUTBD			1

CHAPTER

61

PROPELLERS

CESSNA AIRCRAFT COMPANY
MODEL 310 THRU 310D
ILLUSTRATED PARTS CATALOG

LIST OF EFFECTIVE PAGES

CHAPTER-SECTION-SUBJECT	PAGE	DATE
61-Title		
61-List of Effective Pages		
61-Record of Temporary Revisions		
61-Contents		
61-10-00 Figure 01	1	Jul 3/2006
	2	Jul 3/2006
61-10-00 Figure 02	1	Jul 3/2006
	2	Jul 3/2006
61-20-00 Figure 01	1	Jul 5/2004
	2	Jul 5/2004
	3	Jul 5/2004

CESSNA AIRCRAFT COMPANY
MODEL 310 THRU 310D
ILLUSTRATED PARTS CATALOG

SUBJECT

CH SEC SUBJ FIG

EFFECTIVITY

PROPELLER INSTALLATION

61-10-00-01

HARTZELL HC-82XF-2B/8433-4 PROPELLER ASSEMBLY

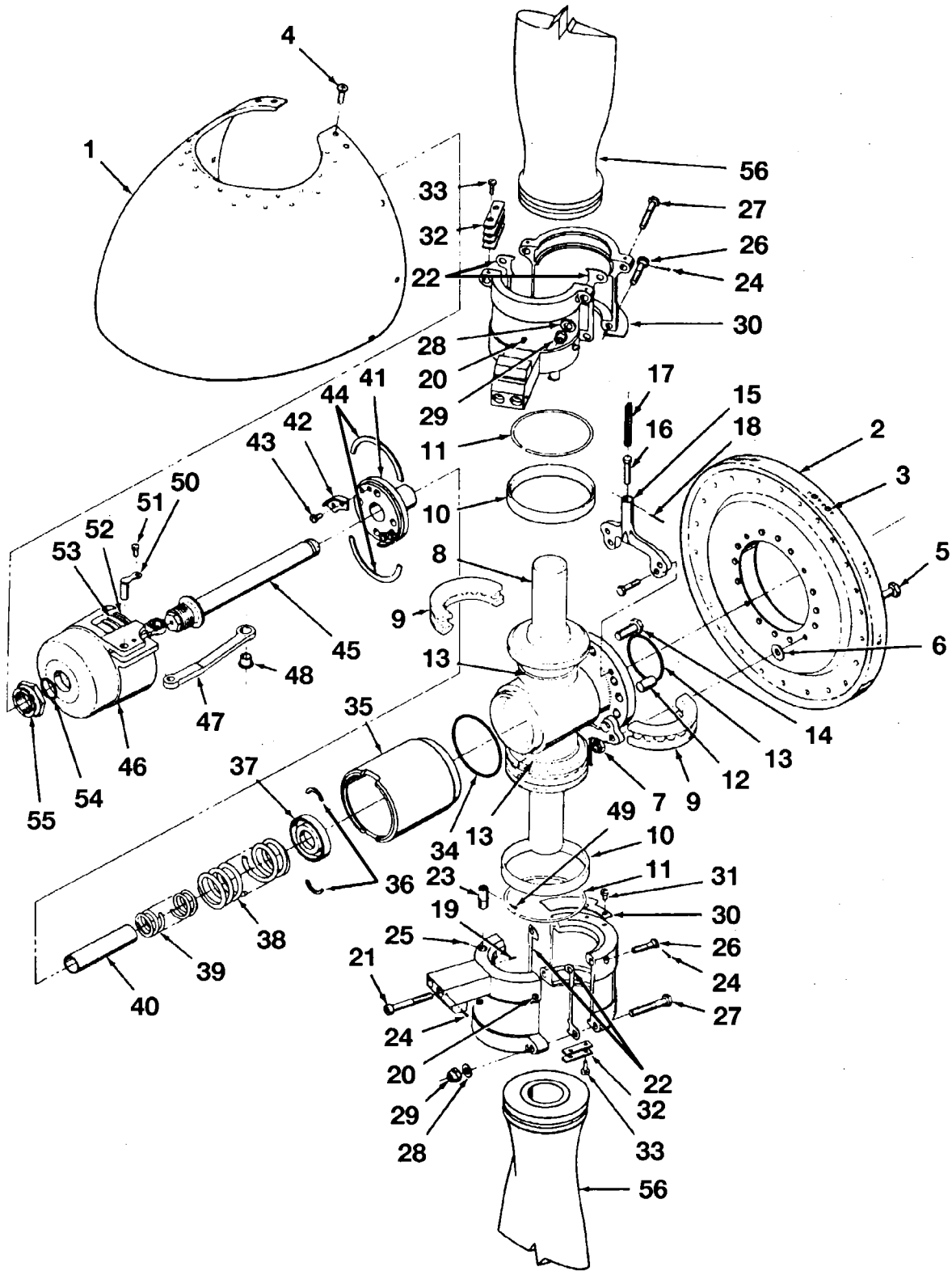
61-10-00-02

PROPELLER GOVERNOR ASSEMBLIES

61-20-00-01

CESSNA AIRCRAFT COMPANY
MODEL 310 THRU 310D
ILLUSTRATED PARTS CATALOG

A55702



PROPELLER INSTALLATION
FIGURE 01 (SHEET 1)

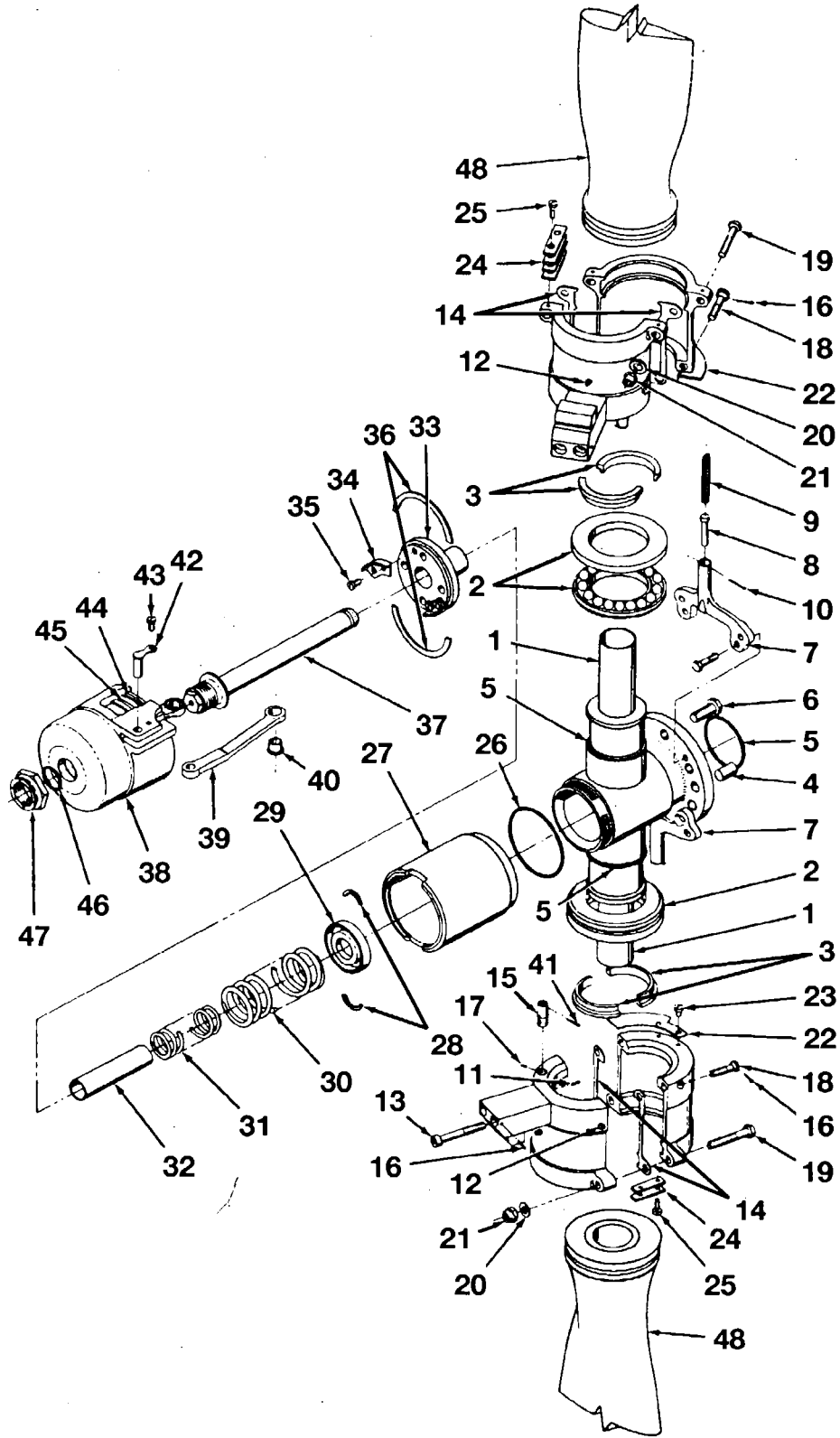
**CESSNA AIRCRAFT COMPANY
MODEL 310 THRU 310D
ILLUSTRATED PARTS CATALOG**

FIG ITEM	PART NUMBER	NOMENCLATURE	EFFECT		UNITS PER ASSY
			FROM	TO	
01		PROPELLER INSTALLATION			RF
1	0850311-1	SPINNER ASSY- PROPELLER SPINNER			1
2	0850300-6	BULKHEAD ASSY- PROPELLER SPINNER			1
3	MS21047L3	NUTPLATE			14 R
4	NAS221-7	SCREW- ATTACH DOME			14
5	AN4-16A	BOLT- ATTACH BULKHEAD TO HUB			4
6	NAS1149F0432P	WASHER- ATTACH BULKHEAD TO HUB			8 R
7	MS21044N4	NUT- ATTACH BULKHEAD TO HUB			4 R
- 7A		PROPELLER ASSY- HARTZELL HC-82XF-2B/8433-4 - REFER TO 61-10-00 FIGURE 02 FOR BREAKDOWN			RF
- 7B	0850325-50	PROPELLER ASSY- HARTZELL HC-A2XF-2 *12.5*	35000	35771	1
- 7C	0850325-55	PROPELLER ASSY- HARTZELL HC-AZXF-2 *13 5*/8433-4	35772	& ON	1
- 7D	840-37	HUB ASSY- PROPELLER HARTZELL			1
8	A-158L	TUBE- PILOT HARTZELL			2
9	A-971	BEARING- SPLIT HARTZELL			2
10	A-972	RING- GUIDE HARTZELL			2
11	A-974	RING- RETAINER WIRE HARTZELL			2
12	0752002-13	PIN- HUB MOUNTING DOWEL			2
13	MS28775-228	O-RING- HUB & BLADE MOUNT HARTZELL PRP-909-6			3 R
14	AN8H7A	BOLT- ATTACH HUB TO ENGINE			6
15	B-882-1	BRACKET- AUTOMATIC HIGH STOP HARTZELL			2
16	A-883	PIN- AUTOMATIC HIGH STOP HARTZELL			2
17	A-884	SPRING- AUTOMATIC HIGH STOP HARTZELL			2
18	MS24665-283	COTTER PIN			2
- 18A	838-10	CLAMP & COUNTERWEIGHT ASSY- HARTZELL			2
19	A-65	PIN- COUNTERWEIGHT STAKING HARTZELL			1
20	5010	FITTING- ZERK HARTZELL			2
21	7/16-20X3	SCREW- SOCKET HEAD			2
22	A-47-1	GASKET- CLAMP HARTZELL			2
23	A-304	LINKSCREW- HARTZELL			1
24	MS24665-281	COTTER PIN			4
25	A-285	PIN- STAKING HARTZELL			1
26	A-282	SCREW- CLAMP MOUNTING SOCKET HEAD HARTZELL			2
27	AN6-21A	BOLT- ATTACH CLAMPS			2
28	NAS1149F0663P	WASHER- ATTACH CLAMPS			2 R
29	AN363-624	NUT- ATTACH CLAMPS			2
30	A-881	STOP- AUTOMATIC HIGH HARTZELL			2
31	AN501A10-6	SCREW- ATTACH STOP			4
32	A-48	WEIGHT- BALANCE HARTZELL			AR
33	AN501A10	SCREW- ATTACH WEIGHTS - REFER TO NOTE 1			4
34	MS28775-235	O-RING- ATTACH CYLINDER HARTZELL PRP-909-13			1 R
35	B-854	CYLINDER- HARTZELL			1
36	A-858	SPLIT RING- REAR SPRING RETAINER HARTZELL			1
37	A-857	RETAINER- REAR SPRING HARTZELL			1
38	B-853	SPRING- OUTER HARTZELL			1
39	B-953	SPRING- INNER HARTZELL			1
40	A-860-1	TUBE- LOW STOP SPACER HARTZELL			1
41	A-856	MUSHROOM- OUTER SPRING HARTZELL			1
42	A-899	STOP- FEATHERING HARTZELL			2
43	AN501A10-4	SCREW- ATTACH STOP			4
44	A-859	SNAP RING- FRONT SPRING RETAINER HARTZELL			1
45	B-855A	TUBE- PILOT HARTZELL			1
46	C-852-6	PISTON- HARTZELL			1
47	A-861-3	LINK- PITCH CHANGE HARTZELL			2
48	A-944	BUSHING- HARTZELL			2
49	MS24665-283	COTTER PIN			2
50	A-1464	PIN- PITCH CHANGE LINK HARTZELL			2
51	AN501A10-6	SCREW- ATTACH LINK PIN			2
52	A863	SEAL- PISTON OUTER DUST HARTZELL			1
53	AN6227B46	SEAL O-RING- HARTZELL PRP-902-46			1
54	MS28775-114	O-RING- HARTZELL PRP-902-12			1 R
55	A-880-2	NUT- ATTACH PILOT TUBE HARTZELL			1
56	8433-4	BLADE ASSY- HARTZELL			2

NOTE 1—LENGTH OF SCREW VARIES WITH NUMBER OF WEIGHTS

CESSNA AIRCRAFT COMPANY
MODEL 310 THRU 310D
ILLUSTRATED PARTS CATALOG

A55703



HARTZELL HC-82XF-2B/8433-4 PROPELLER ASSEMBLY
FIGURE 02 (SHEET 1)

**CESSNA AIRCRAFT COMPANY
MODEL 310 THRU 310D
ILLUSTRATED PARTS CATALOG**

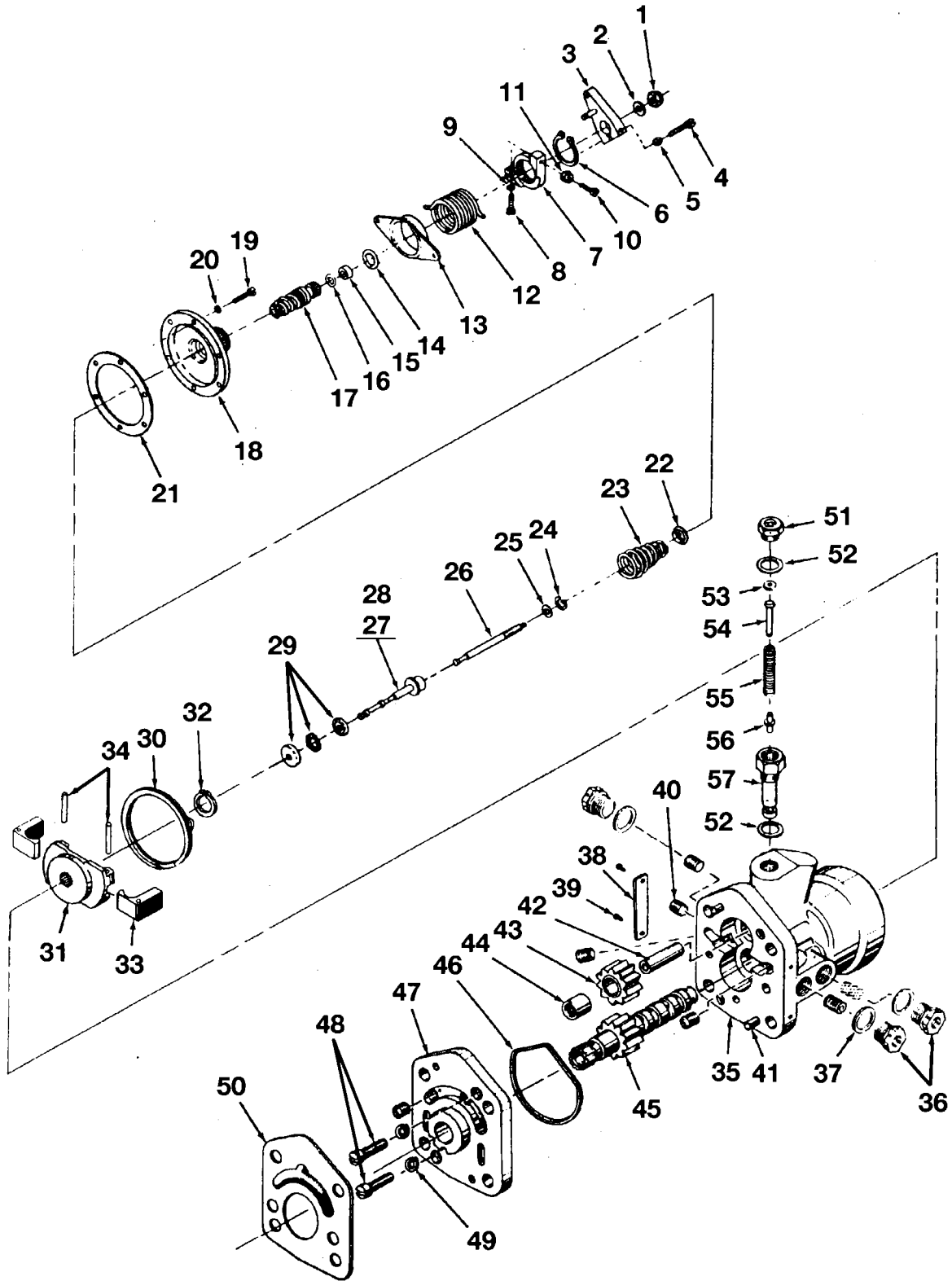
FIG ITEM	PART NUMBER	NOMENCLATURE	EFFECT		UNITS PER ASSY
			FROM	TO	
02		HARTZELL HC-82XF-2B/8433-4 PROPELLER ASSEMBLY REFER TO NOTE 1			RF
- 0	840-3	PROPELLER HUB ASSY			1
1	A-158L	TUBE-PILOT HARTZELL			2
2	A-14-A	BEARING-BLADE HARTZELL			2
3	A-159N	RING-BLADE SPLIT HARTZELL			2
4	.5002X1	PIN-HUB MOUNTING DOWEL DANLEY			2
5	MS28775-228	O-RING-HUB & BLADE MOUNTING HARTZELL PRP-909-6			3 R
6	AN8H7A	BOLT-ATTACH HUB TO ENGINE			6
7	B-882-1	BRACKET-AUTOMATIC HIGH STOP HARTZELL			2
8	A-883	PIN-AUTOMATIC HIGH STOP HARTZELL			2
9	A-884	SPRING-AUTOMATIC HIGH STOP HARTZELL			2
10	MS24665-283	COTTER PIN			2
- 10A	838-10	CLAMP & COUNTERWEIGHT ASSY-HARTZELL			2
11	A65	PIN-COUNTERWEIGHT STAKING HARTZELL			1
12	5010	FITTING-ZERK HARTZELL			2
13	7/16-20X3	SCREW-SOCKET HEAD			2
14	A47-1	GASKET-CLAMP HARTZELL			2
15	A-304	LINKSCREW-HARTZELL			1
16	MS24665-281	COTTER PIN			4
17	A-285	PIN-STAKING HARTZELL			1
18	A-282	SCREW-CLAMP MOUNTING SOCKET HEAD HARTZELL			2
19	AN6-21A	BOLT-ATTACH CLAMPS			2
20	NAS1149F0663P	WASHER-ATTACH CLAMPS			2 R
21	AN363-624	NUT-ATTACH CLAMPS			2
22	A-881	STOP-AUTOMATIC HIGH HARTZELL			2
23	AN3H-2A	SCREW-ATTACH STOP			4
24	A-48	WEIGHT-BALANCE HARTZELL			AR
25	AN501A10	SCREW-ATTACH WEIGHTS REFER TO NOTE 2			4
26	MS28775-235	O-RING-ATTACH CYLINDER HARTZELL PRP-909-1			1 R
27	B-854	CYLINDER-HARTZELL			1
28	A-858	SPLIT RING-REAR SPRING RETAINER HARTZELL			1
29	A-857	RETAINER-REAR SPRING HARTZELL			1
30	B-853	SPRING-OUTER HARTZELL			1
31	B-953	SPRING-INNER HARTZELL			1
32	A-860-1	TUBE-LOW STOP SPACER HARTZELL			1
33	A-856	MUSHROOM-OUTER SPRING HARTZELL			1
34	A-899	STOP-FEATHERING HARTZELL			2
35	AN501A10-6	SCREW-ATTACH STOP			4
36	A-859	SNAP RING-FRONT SPRING RETAINER HARTZELL			1
37	B-855A	TUBE-PILOT HARTZELL			1
38	C-852-6	PISTON-HARTZELL			1
39	A-861-3	LINK-PITCH CHANGE HARTZELL			2
40	A-944	BUSHING-HARTZELL			2
41	MS24665-283	COTTER PIN			2
42	A-1464	PIN-PITCH CHANGE LINK HARTZELL			2
43	AN501A10-6	SCREW-ATTACH LINK PIN			2
44	A863	SEAL-PISTON OUTER DUST HARTZELL			1
45	AN6227B46	O-RING-HARTZELL PRP-902-46			1
46	MS28775-114	O-RING-HARTZELL PRP-902-12			1 R
47	A-880-2	NUT-ATTACH PILOT TUBE HARTZELL			1
48	8433-4	BLADE ASSY-HARTZELL			2

NOTE 1—PROPELLER ASSEMBLY NO LONGER AVAILABLE. THIS FIGURE FOR SUPPORT ONLY. FOR COMPLETE PROPELLER REPLACEMENT, REFER TO 61-10-00 FIGURE 1

NOTE 2—LENGTH OF SCREW VARIES WITH NUMBER OF WEIGHTS

CESSNA AIRCRAFT COMPANY
MODEL 310 THRU 310D
ILLUSTRATED PARTS CATALOG

A55704



PROPELLER GOVERNOR ASSEMBLIES
FIGURE 01 (SHEET 1)

CESSNA AIRCRAFT COMPANY
MODEL 310 THRU 310D
ILLUSTRATED PARTS CATALOG

FIG ITEM	PART NUMBER	NOMENCLATURE	EFFECT		UNITS PER ASSY
			FROM	TO	
01		PROPELLER GOVERNOR ASSEMBLIES REFER TO 71-00-00 FIGURE 02 FOR NHA			RF
- 0		. GOVERNOR ASSY- WOODWARD 210105 - REFER TO NOTE 1	35000	35326	RF
- A		. GOVERNOR ASSY- WOODWARD 210155 - REFER TO NOTE 1	35327	35854	RF
- B		. GOVERNOR ASSY- WOODWARD 210265 - REFER TO NOTE 1	35855	35945	RF
- C	0750101-60	. GOVERNOR ASSY- WOODWARD 210290	35000	35772	1
- D	0750101-59	. GOVERNOR ASSY- WOODWARD 210280	35772	& ON	1
1	189522	. NUT- WOODWARD			1
2	186283	. WASHER- WOODWARD			1
3	210039	. LEVER ASSY - SPEED CONTROL- WOODWARD			1
4	188434	. SCREW- WOODWARD			1
5	AN935-10	. WASHER- WOODWARD 188141			1
6	189880	. RING - RETAINING- WOODWARD			1
7	400433	. RING - STOP- WOODWARD			1
8	190189	. SCREW- WOODWARD			1
9	MS35338-42	. WASHER- WOODWARD 189739			1 R
10	190576	. SCREW - FILLISTER HEAD- WOODWARD			1
11	188036	. NUT- WOODWARD			1
12	191869	. SPRING - CONTROL LEVER- WOODWARD			1
13	210035	. RETAINER - SPRING- WOODWARD			1
14	182684	. O-RING- WOODWARD			1
15	210034	. BUSHING - LIFT ROD			1
16	182194	. O-RING- WOODWARD			1
17	210100	. SHAFT - SPEED ADJUST			1
18	210023	. COVER- WOODWARD			1
19	AN503-8-10	. SCREW- WOODWARD 189482			6
20	MS35338-42	. WASHER- WOODWARD 189739			6 R
21	206337	. GASKET- COVER			1
22	210101	. SEAT - UPPER SPRING- WOODWARD 210105, 210155 & 210265 ONLY			1
- 22A	210214	. SEAT - UPPER SPRING- WOODWARD 210290 & 210280 ONLY			1
23	192315	. SPRING - SPEEDER- WOODWARD 210105, 210155 & 210265 ONLY			1
- 23A	192519	. SPRING - SPEED- WOODWARD 210290 & 210280 ONLY			1
24	189798	. RING - RETAINING- WOODWARD 210105, 210155 & 210265 ONLY			1
25	210025	. WASHER - PILOT VALVE LIFT- WOODWARD 210105, 210155 & 210265 ONLY			1
26	210044	. ROD - PILOT VALVE LIFT- WOODWARD			1
27	210119	. PLUNGER ASSY - PILOT VALVE- WOODWARD 210105 ONLY			1
- 27A	210124	. PLUNGER ASSY - PILOT VALVE- WOODWARD 210155 & 210265 ONLY			1
28	210268	. PLUNGER ASSY - PILOT VALVE- WOODWARD 210290 & 210280 ONLY			1
29	180004	. BEARING - PILOT VALVE- WOODWARD 210105, 210155 & 210265 ONLY			1
- 29A	180231	. BEARING - PILOT VALVE- WOODWARD 210290 & 210280 ONLY			1
- 29B	210216	. RACE BEARING- WOODWARD 210290 & 210280 ONLY			1
30	192103	. RING - SPIROLOX RETAINING- WOODWARD			1
31	210111	. FLYWEIGHT HEAD- WOODWARD 210105 210155 & 210265 ONLY			1
- 31A	210207	. HEAD- WOODWARD 210290 & 210280 ONLY			1
32	190094	. RING - RETAINING- WOODWARD 210105 210155 & 210265 ONLY			1
33	196000	. FLYWEIGHT- WOODWARD			2
34	210112	. PIN - FLYWEIGHT- WOODWARD			2
35	210109	. BODY - GOVERNOR- WOODWARD 210105 210155 & 210265 ONLY			1
- 35A	210271	. BODY - GOVERNOR- WOODWARD 210290 & 210280 ONLY			1
36	210095	. PLUG- WOODWARD 210290 & 210280 ONLY			3
37	190733	. WASHER- WOODWARD 210105 210155 & 210265 ONLY			3
38	193385	. NAMEPLATE- WOODWARD			1
39	189574	. SCREW - DRIVE- WOODWARD			2
40	190734	. PLUG - PIPE- WOODWARD			6
41	184793	. PIN - DOWEL- WOODWARD			2
42	210031	. STUD - IDLER GEAR- WOODWARD			1
43	204864	. GEAR - PUMP IDLER- WOODWARD			1
44	210036	. BEARING- WOODWARD			1
45	204865	. GEAR - PUMP DRIVE- WOODWARD 210105 ONLY			1
- 45A	210123	. GEAR - PUMP DRIVE- WOODWARD 210155 & 210565 ONLY			1
- 45B	210206	. GEAR - PUMP DRIVE- WOODWARD 210290 & 210280 ONLY			1
46	206336	. RING, VITON- WOODWARD			1
47	210022	. BASE - GOVERNOR- WOODWARD 210105 210155 & 210265 ONLY			1
- 47A	210274	. BASE - GOVERNOR- WOODWARD 210290 & 210280 ONLY			1
48	AN503-10-8	. SCREW- WOODWARD 218036			2
49	AN935-10	. WASHER- WOODWARD 188141			2

NOTE 1—THESE GOVERNOR ASSEMBLIES ARE NO LONGER AVAILABLE. SUPPORT PARTS FOR THESE GOVERNORS MAY BE FOUND ON THIS FIGURE. FOR COMPLETE REPLACEMENT OF GOVERNOR, USE 0750101-59 AND -60.

**CESSNA AIRCRAFT COMPANY
MODEL 310 THRU 310D
ILLUSTRATED PARTS CATALOG**

FIG ITEM	PART NUMBER	NOMENCLATURE	EFFECT		UNITS PER ASSY
			FROM	TO	
		1 2 3 4 5 6 7			
01					
50	MS100009	GASKET- WOODWARD 209217			1
- 50A	210067	VALVE ASSY - RELIEF- WOODWARD 210105, 210155 210290 & 210280 ONLY			1
- 50B	210204	VALVE ASSY - RELIEF- WOODWARD 210105, 210155, 210290 & 210280 ONLY			1
51	210076	CAP -RELIEF VALVE- WOODWARD			1
52	186320	PACKING- WOODWARD			2
53	186321	WASHER - SPRING- WOODWARD			AR
54	210077	PIN - STOP- WOODWARD			1
55	210068	SPRING - RELIEF VALVE- WOODWARD 210067 ONLY			1
- 55A	192370	SPRING - RELIEF VALVE- WOODWARD 210204 ONLY			1
56	210078	PLUNGER - RELIEF VALVE- WOODWARD			1
57	210071	BODY - RELIEF VALVE- WOODWARD			1

CHAPTER

71

POWER PLANT

CESSNA AIRCRAFT COMPANY
MODEL 310 THRU 310D
ILLUSTRATED PARTS CATALOG

LIST OF EFFECTIVE PAGES

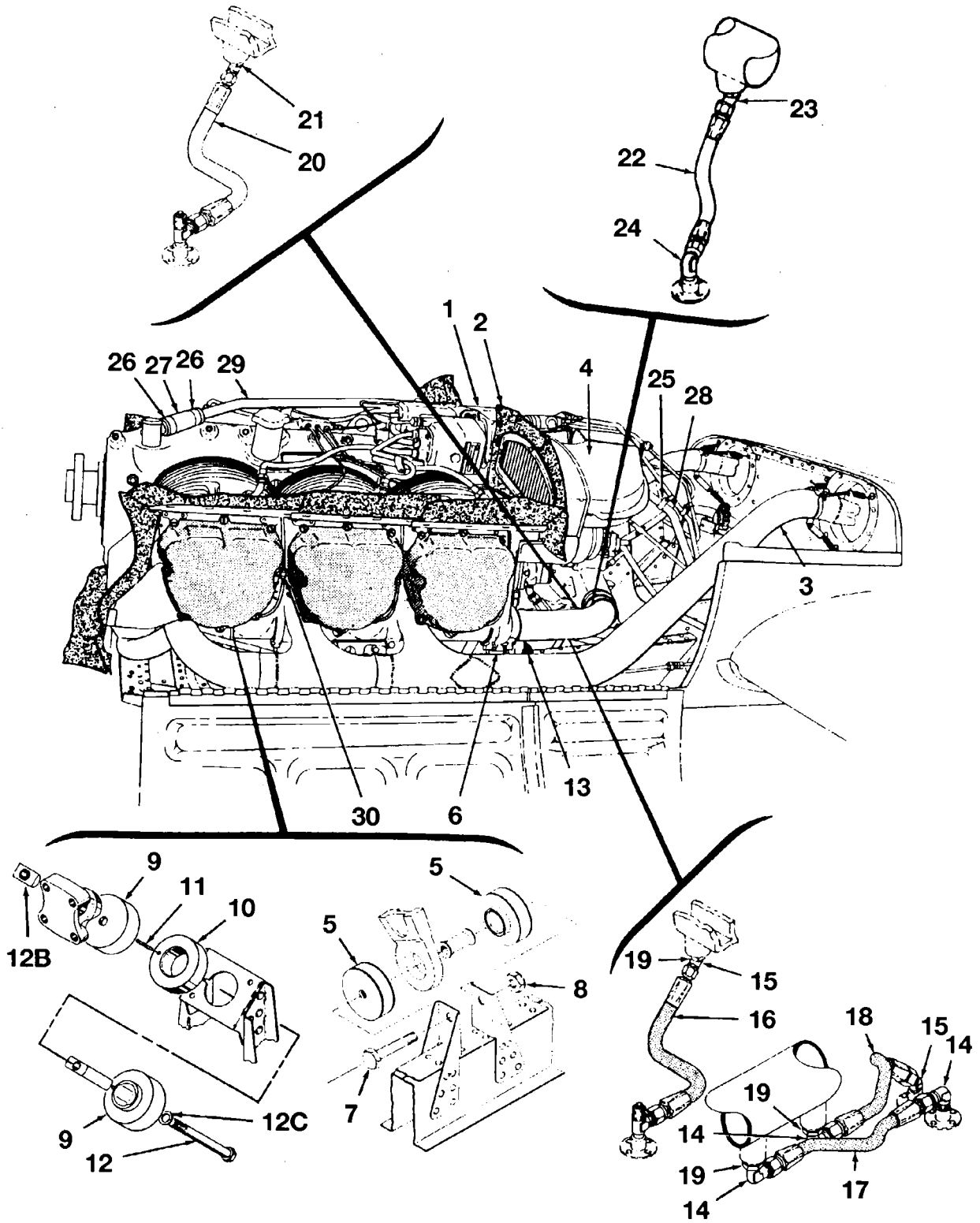
CHAPTER-SECTION-SUBJECT	PAGE	DATE
71-Title		
71-List of Effective Pages		
71-Record of Temporary Revisions		
71-Contents		
71-00-00 Figure 01	1	Jul 3/2006
	2	Jul 3/2006
	3	Jul 3/2006
71-00-00 Figure 02	1	Jul 5/2004
	2	Jul 5/2004
71-10-00 Figure 01	1	Jul 5/2004
	2	Jul 5/2004
71-10-00 Figure 02	1	Jul 5/2004
	2	Jul 5/2004
	3	Jul 5/2004
71-10-00 Figure 03	1	Jul 5/2004
	2	Jul 5/2004
71-10-00 Figure 04	1	Jul 5/2004
	2	Jul 5/2004
71-11-01 Figure 01	1	Jul 3/2006
	2	Jul 3/2006
71-11-01 Figure 02	1	Jul 5/2004
	2	Jul 5/2004
	3	Jul 5/2004
71-20-00 Figure 01	1	Jul 5/2004
	2	Jul 5/2004
71-20-00 Figure 02	1	Jul 5/2004
	2	Jul 5/2004
71-60-00 Figure 01	1	Jul 3/2006
	2	Jul 3/2006
71-60-00 Figure 02	1	Jul 3/2006
	2	Jul 3/2006

CESSNA AIRCRAFT COMPANY
MODEL 310 THRU 310D
ILLUSTRATED PARTS CATALOG

<u>SUBJECT</u>	<u>CH SEC SUBJ FIG</u>	<u>EFFECTIVITY</u>
ENGINE INSTALLATION	71-00-00-01	
MISCELLANEOUS ENGINE EQUIPMENT INSTALLATION	71-00-00-02	
ENGINE COWL INSTALLATION	71-10-00-01	35000 35546
ENGINE COWL INSTALLATION	71-10-00-02	35547 35771
ENGINE COWL INSTALLATION	71-10-00-03	35772 & ON
ENGINE COWL ASSEMBLY	71-10-00-04	35000 35456
ENGINE BAFFLES INSTALLATION	71-11-01-01	
ENGINE BAFFLES INSTALLATION	71-11-01-02	
LEFT ENGINE MOUNT INSTALLATION	71-20-00-01	
RIGHT ENGINE MOUNT INSTALLATION	71-20-00-02	
CARBURETOR AIR BOX INSTALLATION	71-60-00-01	35000 35771
AIR INDUCTION BOX INSTALLATION	71-60-00-02	35772 & ON

CESSNA AIRCRAFT COMPANY
MODEL 310 THRU 310D
ILLUSTRATED PARTS CATALOG

A55710



ENGINE INSTALLATION
FIGURE 01 (SHEET 1)

CESSNA AIRCRAFT COMPANY MODEL 310 THRU 310D ILLUSTRATED PARTS CATALOG

FIG ITEM	PART NUMBER	NOMENCLATURE	EFFECT		UNITS PER ASSY
			FROM	TO	
01		ENGINE INSTALLATION			RF
- 0		ENGINE EQUIPMENT INSTALLATION MISC REFER TO 51-0-00 FIGURE 02 FOR BREAKDOWN			RF
1	0-470-M CUST SPEC 5	ENGINE-CONTINENTAL REFER TO NOTE 3	35000	35227	1
- 1A	0-470-M	ENGINE-CONTINENTAL REFER TO NOTE 3	35229	35262	1
- 1B	10-470-D CUST SPEC 1	ENGINE-CONTINENTAL	35228	35228	1
2		BAFFLE INSTALLATION-ENGINE 0-470-B REFER TO 71-11-01 FIGURE 01	35263	35771	1
- 2A		BAFFLE INSTALLATION-ENGINE REFER TO 71-11-01 FIGURE 02 REFER TO NOTE 1	35772	& ON	1
3		EXHAUST STACK INSTALLATION REFER TO 78-20-00 FIGURE 01 FOR BREAKDOWN			RF
4		CARBURETOR AIR BOX INSTALLATION REFER TO 71-60-00 FIGURE 01 FOR BREAKDOWN	35000	35771	RF
- 4A		AIR INDUCTION BOX INSTALLATION REFER TO 71-60-00 FIGURE 02 FOR BREAKDOWN	35772	& ON	RF
5	0750102-1	MOUNT ASSY-ENGINE FWD 0-470-B & 0-470-M CUST SPEC 5			2
6	0750102-2	MOUNT ASSY-ENGINE AFT 0-470B & 0-470-M CUST SPEC 5			2
7	AN7-27A	BOLT-ATTACH MOUNTS 0-470-B & 0-470-M CUST SPEC 5			4
8	AN363-720	NUT-ATTACH MOUNTS 0-470-B & 470-M CUST SPEC 5 ENGINES			4 R
9	0750132-7	MOUNT ASSY-SHOCK 0-470-M & 10-470-D CUST SPEC 1 ENGINES REFER TO NOTE 2			4
10	0851551-1	SPACER-ATTACH MOUNTS 0-470-M & 10-470-D CUST SPEC 1 ENG			4
11	NAS561P4-15	PIN-ATTACH MOUNTS 0-470-M & 10-470-D CUST SPEC 1 ENGINES			4
12	AN7-33A	BOLT-ATTACH MOUNTS 0-470-M & 10-470-D CULT SPEC 1 ENGINES	35228	35228	4
12A	AN7-32A	BOLT-ATTACH MOUNTS 10-470-D ENGINE CUST SPEC. 1	35263	39193	4
12B	627773	NUT-BARREL 0-470-M & 10-470-D CUST SPEC 1 ENGINES CONTINENTAL	39194	& ON	4
12C	0851559-1	LOCKWASHER-SECURE BOLT 0-470-M & 10-470-D CUST SPEC. 1 ENGINES			1
13	0412007-6	BATTERY GROUND-ENGINE			1
- 13A	AN4-4A	BOLT-ATTACH GROUND STRAP			1
- 13B	MS21044N4	NUT-ATTACH GROUND STRAP			1 R
14	MS20822-4D	ELBOW-ATTACH DRAIN HOSE	35000	35025	3
15	AN823-4D	ELBOW-ATTACH DRAIN HOSE	35000	35025	2
16	S1499-4JJ8	HOSE ASSY-MANIFOLD DRAIN	35547	35771	1
17	S1499-4JJ9	HOSE ASSY-MANIFOLD DRAIN	35000	35025	2
18	S1499-4JJ4.125	HOSE ASSY-MANIFOLD DRAIN	35000	35025	2
19	AN912-1	BUSHING-ATTACH ELBOW TO MANIFOLD	35000	35025	3
20	S1499-4JJ7.5	HOSE ASSY-MANIFOLD DRAIN	35026	35771	1
21	AN823-4D	ELBOW-ATTACH DRAIN HOSE	35026	25771	1
22	S1499-4JJ7.5	HOSE ASSY-MANIFOLD DRAIN	35772	& ON	2
23	AN823-4B	ELBOW-ATTACH MANIFOLD DRAIN TO MANIFOLD	35772	& ON	2
24	AN823-4D	ELBOW-ATTACH MANIFOLD DRAIN TO FLANGE	35772	& ON	2
25	AN742D12	CLAMP-ATTACH BREATHER LINE AFT			1
- 25A	A2981A-8-27	CLAMP-ATTACH BREATHER LINE AFT TINNERMAN			1
- 25B	S-1021Z-8-8	SCREW-ATTACH CLAMPS			1
26	S1891-12	CLAMP-ATTACH BREATHER LINE FWD			2 R
27	S51-12	HOSE-3 INCHES LG BULK ITEM REF S-51-12-12			1

NOTE 1—THIS ENGINE BAFFLE INSTALLATION APPLIES TO ALL 0-470-M, 0-470-M CUST SPEC. 5 & 10-470-D (CUST SPEC. 1) ENGINES. THE 0-470-B ENGINE IS NO LONGER AVAILABLE, FOR REPLACEMENT ORDER 0-470-M (CUST SPEC.5) ENGINE. WHEN AN 0-470-M (CUST SPEC.5) ENGINE IS ORDERED TO REPLACE AN 0-470-B, ALSO ORDER 0851754-1 BAFFLE ASSEMBLY, 0851746-1 BAFFLE ASSEMBLY, 0750135-1 BAFFLE ASSEMBLY, 0750135-3 FORWARD BAFFLE, 0750135-8 BAFFLE ASSEMBLY, AN3-70A BOLT, AN3-60A BOLT, 0851748-1 BAFFLE ASSEMBLY AND 0851753-1 BAFFLE ASSEMBLY.

NOTE 2—WHEN ORDERING THIS PART FOR AIRCRAFT NOT INCORPORATING A LOCKING DEVICE FOR ENGINE MOUNT BOLTS ALSO ORDER AN7-32A BOLT AND 0851559-1 LOCKWASHER.

NOTE 3—THE 0-470-M ENGINE IS AVAILABLE IN THE FOLLOWING QUICK CHANGE KITS. 0895001-5 (WITH 25 AMP GENERATOR). 0895001-6 (WITH 25 AMP GENERATOR, ANTI-ICE & DE-ICE EQUIPMENT. 0895001-7 (WITH 50 AMP GENERATOR). 0895001-8 (WITH 50 AMP GENERATOR, ANTI-ICE AND DE-ICE EQUIPMENT).

NOTE 4—THE 10-470-D (CUST SPEC. 1) ENGINE IS AVAILABLE IN THE FOLLOWING QUICK CHANGE KITS. 0895005-1 (WITH 25 AMP GENERATOR) (SERIAL 35772 THRU 39031). 0895005-2 (WITH 50 AMP GENERATOR) (SERIAL 35772 THRU 39031). 0895005-3 (WITH 25 AMP GENERATOR) (SERIAL 39032 & ON). 0895005-4 (WITH 50 AMP GENERATOR)(SERIAL 39032 & ON)

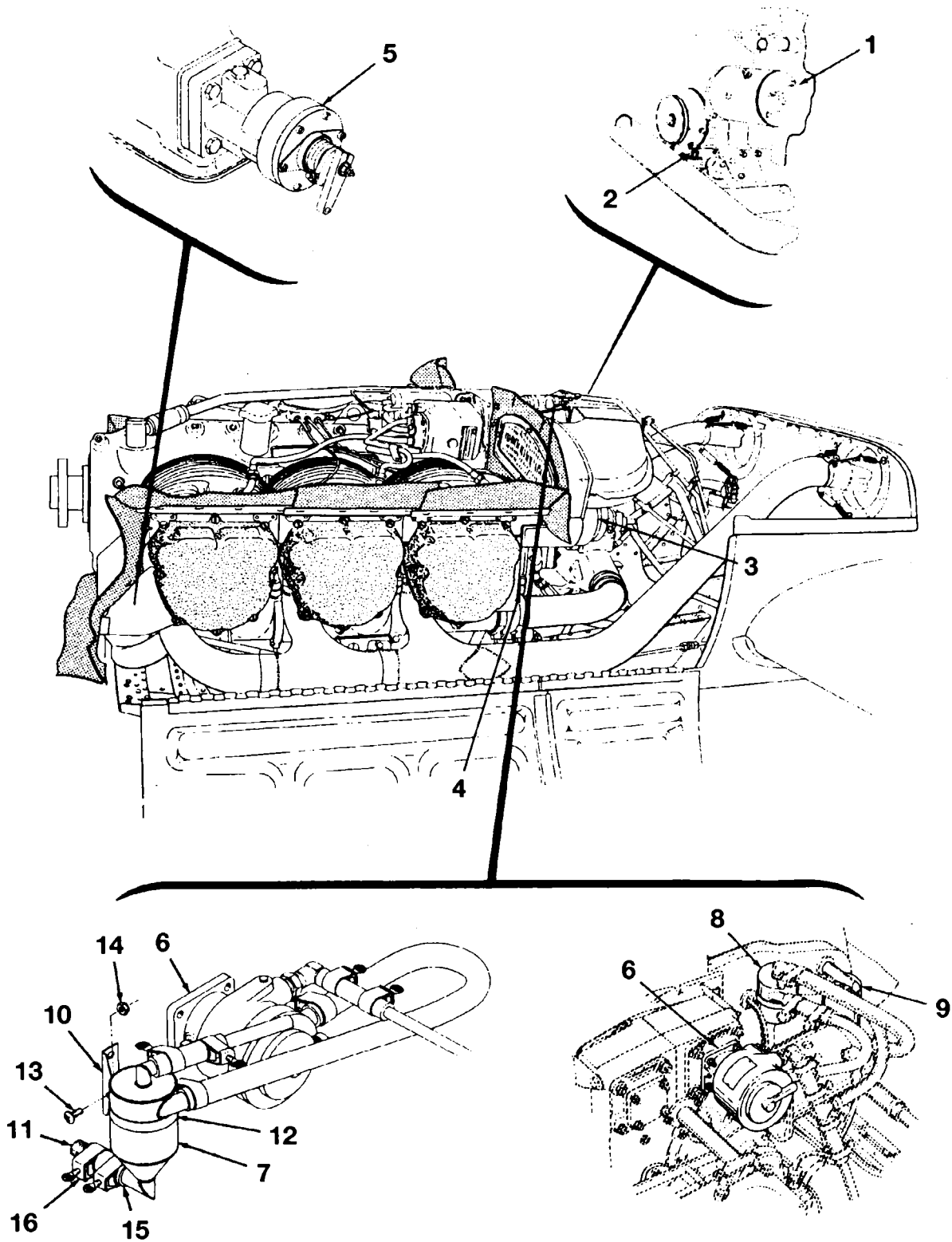
NOTE 5—AIRPLANES INCORPORATING MEB00-9

CESSNA AIRCRAFT COMPANY
MODEL 310 THRU 310D
ILLUSTRATED PARTS CATALOG

FIG ITEM	PART NUMBER	NOMENCLATURE	EFFECT		UNITS PER ASSY
			FROM	TO	
01					
28	0800106-65	. LINE-CRANKCASE AFT FSO 0890025-6	35000	35771	NP R
- 28A	0890025-3	. BREATHER LINE-CRANKCASE AFT	35000	35771	1 R
- 28B	0800106-271	. BREATHER LINE-CRANKCASE AFT FSO 0890025-9	35772	35859	NP R
- 28C	0890025-6	. LINE-CRANKCASE AFT	35772	35859	1 R
- 28D	0800106-278	. BREATHER LINE-CRANKCASE AFT FSO 0890025-3	35860	& ON	NP R
- 28E	0890025-9	. BREATHER LINE-CRANKCASE AFT	35860	39299	1 R
- 28F	0850917-1	. TUBE-BREATHER VENT REFER TO NOTE 5			AR R
- 28G	0850917-2	. TUBE-BREATHER VENT REFER TO NOTE 5			AR R
- 28H	0850917-3	. TUBE-BREATHER VENT REFER TO NOTE 5			AR R
- 28I	S1891-12	. CLAMP REFER TO NOTE 5			AR R
29	0800106-74	. LINE-CRANKCASE AFT	35000	35771	1
- 29A	0800106-275	. BREATHER LINE-CRANKCASE FWD	35772	35859	1
- 29B	0800106-281	. BREATHER LINE-CRANKCASE FWD	35860	& ON	1
29C	AN735D12	. CLAMP-ATTACH BREATHER LINE TO NACELLE	35000	35771	2
- 29D	A2981A-12-27	. CLAMP-ATTACH BREATHER LINE TO NACELLE TINNERMAN	35772	39031	1
- 29E	A2981A-12-27	. CLAMP-ATTACH BREATHER LINE TO NACELLE TINNERMAN	39032	& ON	2
- 29F	AN520-10R7	. SCREW-ATTACH CLAMP	35000	35771	1
- 29G	S-1021Z-10-10	. SCREW-ATTACH CLAMP	35772	39031	1
- 29H	S-1021Z-10-10	. SCREW-ATTACH CLAMP	39032	& ON	2
- 29J	MS21045L3	. NUT-ATTACH CLAMP	35000	35771	1 R
30	82582	. CLAMP-ADEL	35845	& ON	6

CESSNA AIRCRAFT COMPANY
MODEL 310 THRU 310D
ILLUSTRATED PARTS CATALOG

A55711



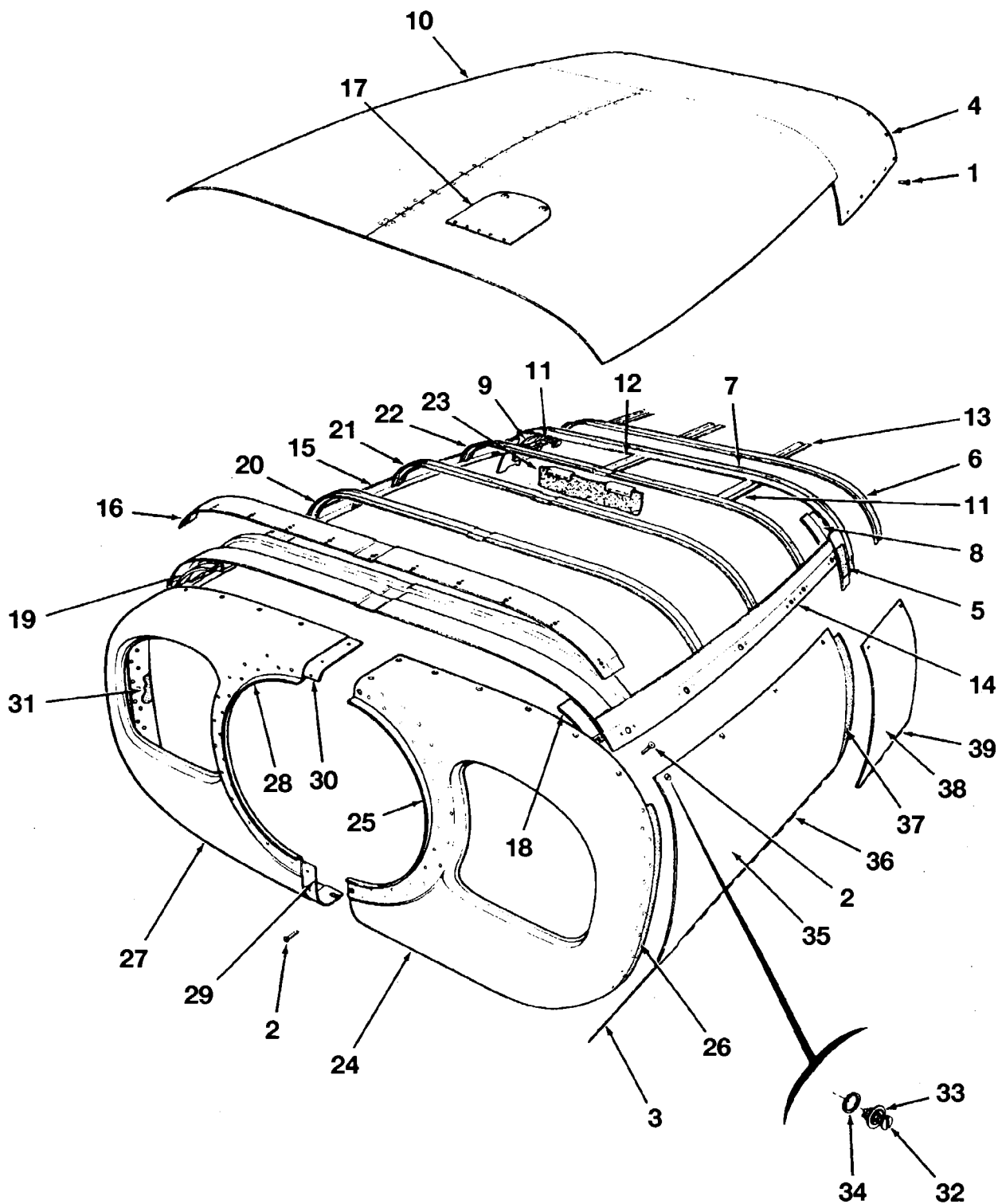
MISCELLANEOUS ENGINE EQUIPMENT INSTALLATION
FIGURE 02 (SHEET 1)

CESSNA AIRCRAFT COMPANY
MODEL 310 THRU 310D
ILLUSTRATED PARTS CATALOG

FIG ITEM	PART NUMBER	NOMENCLATURE	EFFECT		UNITS PER ASSY
			FROM	TO	
02		MISCELLANEOUS ENGINE EQUIPMENT INSTALLATION REFER TO 71-00-00			RF
-		FIGURE 01 FOR NHA			
1	0850461-1	. STARTER- DELCO REMY 1109909 4D7 OR 1108234			1
2	0850350-1	. TACHOMETER GENERATOR- GENERAL ELECTRIC 2CM9AAA			1
- 2A	0850350-2	. TACHOMETER GENERATOR- JACK & HEINTZ H60-050 ALTERNATE			1
3	0850462-3	. GENERATOR- 25 AMP DELCO REMY 1101911			1
- 3A	0851725-2	. BELT- GENERATOR			1
- 3B	0850596-1	. BLAST TUBE- GENERATOR	35772	& ON	1
- 3C	AN737RM38	. CLAMP- ATTACH BLAST TUBE	35772	& ON	1
4	0850490-1	. DIPSTICK- OIL	35000	35971	1
- 4A	0850490-2	. DIPSTICK- OIL	35972	& ON	1
5		. PROPELLER GOVERNOR ASSEMBLIES- AILERON INBD REFER TO 61-20-00 FIGURE 01			RF
6	0750104-2	. PUMP - VACUUM- PESCO 3P-194-F			1
- 6A	0750104-3	. PUMP - VACUUM- GARWIN G-450 ALTERNATE			1
- 6B	0750104-1	. PUMP - VACUUM- PESCO 3P-194-3 ALTERNATE			1
- 6C	AN4050-1	. BUSHING- USED WITH 0750104-1 ALTERNATE PUMP			1
- 6D	AN520-10R14	. SCREW- USED WITH 0750104-1 ALTERNATE PUMP			1
- 6E	AN935-10L	. WASHER- USED WITH 0750104-1 ALTERNATE PUMP			1
7	0850406-4	. OIL SEPARATOR ASSY- VACUUM SYSTEM	35000	39031	1
8	0850406-12	. OIL SEPARATOR ASSY- VACUUM SYSTEM	39032	& ON	1
9	0851542-1	. OIL SEPARATOR ASSY- BREATHER LINE	35772	& ON	1
10	0850407-1	. BRACKET- OIL SEPARATOR	35000	39031	1
11	0850405-7	. FITTING- ENGINE BLOCK	35000	39031	1
12	AN735-36	. CLAMP- ATTACH SEPARATOR	35000	39031	1
13	AN520-10R8	. SCREW- ATTACH CLAMP	35000	39031	1
14	MS21045L3	. NUT- ATTACH CLAMP	35000	39031	1 R
15	S51-10	. HOSE- 1 75 INCHES LG BULK ITEM REF S-51-10-7	35000	39031	1
16	AN737RM34	. CLAMP- ATTACH HOSE	35000	39031	2

CESSNA AIRCRAFT COMPANY
MODEL 310 THRU 310D
ILLUSTRATED PARTS CATALOG

A55705



AIRPLANES 35000 THRU 35546

ENGINE COWL INSTALLATION
FIGURE 01 (SHEET 1)

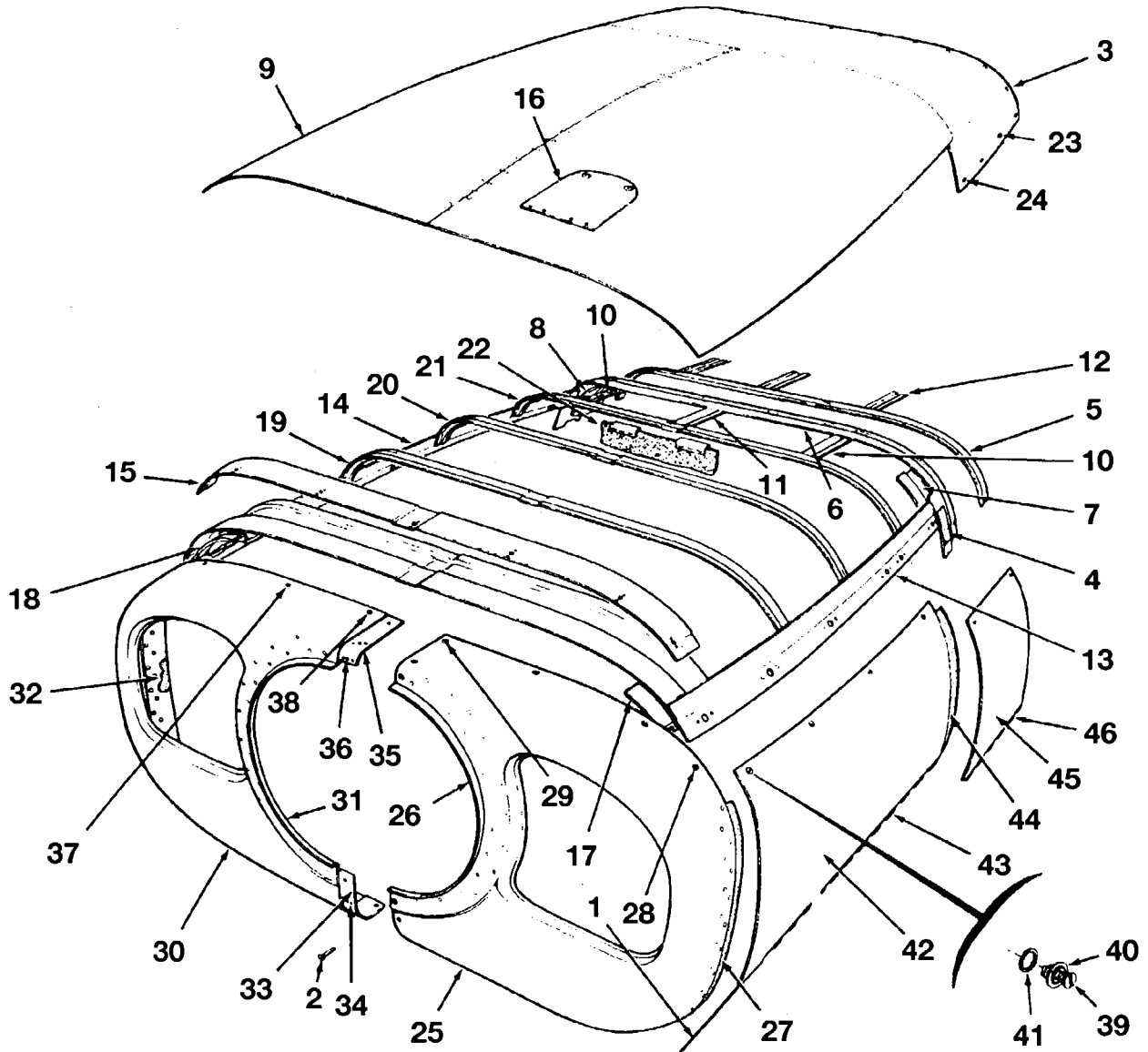
CESSNA AIRCRAFT COMPANY
MODEL 310 THRU 310D
ILLUSTRATED PARTS CATALOG

FIG ITEM	PART NUMBER	NOMENCLATURE	EFFECT		UNITS PER ASSY
			FROM	TO	
01		ENGINE COWL INSTALLATION			
- 1	AN507-1032R8	SCREW-ATTACH COWL	35000	35546	RF
- 2	AN507-1032R8	SCREW-ATTACH NOSE CAPS			20
3	AN253-2-3260	HINGE PIN-ATTACH COWL DOORS			30
- 3A	MS24665-22	COTTER PIN-SECURE HINGE			2
- 3B		COWL ASSY-ENGINE REFER TO 71-10-00 FIGURE 04 FOR BREAKDOWN	35000	35456	RF
- 3C	0851030-10	COWL ASSY-ENGINE REPLACEMENT COWL ASSY REFER TO 71-10-00 FIGURE 02 FOR BREAKDOWN	35457	35546	1
- 3D	088139-3	COWL ASSY-ENGINE FSO 0851020-17	35000	35456	NP
- 3E	0851020-17	COWL ASSY-ENGINE REPLACEMENT	35000	35456	1
- 3F	088139-2	COWL ASSY-ENGINE FSO 0851030-10	35457	35546	NP
4	0851020-16	SKIN-AFT	35000	35456	1
- 4A	0851020-12	SKIN-AFT	35457	35546	1
5	0851020-11	STRIP-RUB			2
6	0851024-1	FORMER-HAT SECTION			1
7	0851023-1	FORMER-HAT SECTION			1
8	0851027-1	DOUBLER-HAT SECTION FORMER			1
9	0851027-2	DOUBLER-HAT SECTION FORMER			1
10	0851020-4	SKIN-FRONT RIGHT			1
11	0851006-2	STIFFENER			2
12	0851006-1	STIFFENER			1
13	0851006-3	STIFFENER	35488	35546	3
14	0851025-3	STIFFENER-LEFT			1
15	0851025-4	STIFFENER-RIGHT			1
- 15A	244-16	RECEPTACLE-CAMLOC			12
16	0851025-5	DOUBLER			1
- 16A	MS21059L3	NUTPLATE-ANCHOR			12 R
17		OIL FILLER DOOR AREA DETAIL-AILERON INBD REFER TO 52-40-00 FIGURE 01 FOR BREAKDOWN			RF
18	0851026-1	DOUBLER-HAT SECTION FORMER			1
19	0851026-2	DOUBLER-HAT SECTION FORMER			1
20	0851022-1	FORMER-HAT SECTION			1
21	0851022-2	FORMER-HAT SECTION			1
22	0851022-3	FORMER-HAT SECTION			1
23	0851700-88	BAFFLE ASSY			1
- 23A	0851700-89	SEAL-BAFFLE			1
24	0851000-118	NOSE CAP ASSY-ENGINE COWL LH			1
25	0851000-126	STIFFENER-NOSE CAP LH			1
26	0851000-191	RUB STRIP			1
27	0851000-119	NOSE CAP ASSY-ENGINE COWL RH			1
28	0851000-128	STIFFENER-NOSE CAP RH			1
29	0851000-121	DOUBLER			1
- 29A	MS21059L3	NUTPLATE-ANCHOR			4 R
30	0851000-123	DOUBLER			1
- 30A	MS21059L3	NUTPLATE-ANCHOR			2 R
31	0851000-191	RUB STRIP			1
32	4002-4	STUD-ATTACH COWL DOORS CAMLOC			12
33	4002G	GROMMET-ATTACH COWL DOORS CAMLOC			12
34	R4G	SNAP RING-ATTACH COWL DOORS CAMLOC			12
35	0895000-2	DOOR ASSY-ENGINE COWL FORWARD LH			1
- 35A	0895000-3	DOOR ASSY-ENGINE COWL FORWARD RH			1
36	0851525-2	HINGE HALF-COWL LH FORWARD DOOR			1
- 36A	0851525-18	HINGE HALF-COWL RH FORWARD DOOR			1
37	0851525-6	RUB STRIP-FORWARD COWL DOOR			1
38	0895000-4	DOOR ASSY-ENGINE COWL AFT LH			1
- 38A	0895000-5	DOOR ASSY-ENGINE COWL AFT RH			1
39	0851525-13	HINGE HALF-COWL LH AFT DOOR			1
- 39A	0851525-14	HINGE HALF-COWL RH AFT DOOR			1

NOTE 1—TO REPLACE THIS COMPLETE COWL ASSEMBLY, ORDER 0851020-17 COWL ASSEMBLY. FOR REPLACEMENT PARTS OF THIS COWL ASSEMBLY, REFER TO 71-10-00 FIGURE 04

CESSNA AIRCRAFT COMPANY
MODEL 310 THRU 310D
ILLUSTRATED PARTS CATALOG

A55706



AIRPLANES 35547 THRU 35771

ENGINE COWL INSTALLATION
FIGURE 02 (SHEET 1)

CESSNA AIRCRAFT COMPANY
MODEL 310 THRU 310D
ILLUSTRATED PARTS CATALOG

FIG ITEM	PART NUMBER	NOMENCLATURE	EFFECT		UNITS PER ASSY
			FROM	TO	
02		ENGINE COWL INSTALLATION REFER TO 57-10-00 FIGURE 02 & 06 FOR NHA	35547	35771	RF
- 1	AN253-2-3260	. HINGE PIN-ATTACH COWL DOORS			2
- 1A	MS24665-22	. COTTER PIN-SECURE HINGE			4
2	AN507-1032R8	. SCREW-ATTACH NOSE CAPS			2
- 2A	0851030-8	. COWL ASSY-ENGINE FSO 0851030-10			NP
- 2B	0851030-10	. COWL ASSY-ENGINE REFER TO NOTE 1			1
3	0851030-4	. SKIN ASSY-AFT			1
4	0851020-11	. STRIP			2
5	0851034-1	. FORMER-HAT SECTION			1
6	0851033-1	. FORMER-HAT SECTION			1
7	0851035-1	. DOUBLER-HAT SECTION FORMER			1
8	0851035-2	. DOUBLER-HAT SECTION FORMER			1
9	0851020-4	. SKIN-FRONT RIGHT			1
10	0851006-2	. STIFFENER			2
11	0851006-1	. STIFFENER			1
12	0851032-1	. STIFFENER			3
13	0851025-3	. STIFFENER-LEFT			1
14	0851025-4	. STIFFENER-RIGHT			1
- 14A	244-16	. RECEPTACLE-CAMLOC			12
15	0851031-1	. DOUBLER ASSY	35547	35654	1
- 15A	0851031-7	. DOUBLER ASSY	35655	35771	1
- 15B	5-81-1	. RECEPTACLE-PACHMAYR	35547	35654	8
- 15C	244-16	. RECEPTACLE-CAMLOC	35655	35771	8
16		. OIL FILLER DOOR AREA DETAIL-REFER TO 52-40-00 FIGURE 01 FOR BREAKDOWN			RF
17	0851026-1	. DOUBLER-HAT SECTION FORMER			1
18	0851026-2	. DOUBLER-HAT SECTION FORMER			1
19	0851022-1	. FORMER-HAT SECTION			1
20	0851022-2	. FORMER-HAT SECTION			1
21	0851022-3	. FORMER-HAT SECTION			1
22	0851700-88	. BAFFLE ASSY			1
- 22A	0851700-89	. SEAL-BAFFLE			1
23	5-82-2A	. STUD ASSY-PACHMAYR	35547	35654	17
- 23A	4002-4	. STUD ASSY-CAMLOC	35655	35771	17
- 23B	4002G	. GROMMET-CAMLOC	35655	35771	17
24	5-82-4A	. STUD ASSY-PACHMAYR	35547	35654	2
- 24A	4002-6	. STUD ASSY-CAMLOC	35655	35771	2
- 24B	4002H	. GROMMET-CAMLOC	35655	35771	2
- 24C	5-8-2	. RETAINER-PACHMAYR	35547	35654	19
- 24D	R4G	. RETAINER-CAMLOC	35655	35771	19
25	0851040-1	. NOSE CAP ASSY-COWL LH	35547	35654	1
- 25A	0851040-29	. NOSE CAP ASSY-COWL LH	35655	35771	1
26	0851040-12	. STIFFENER-LH	35547	35654	1
- 26A	0851040-24	. STIFFENER-LH	35655	35771	1
27	0851040-8	. RUB STRIP			1
28	5-82-2A	. STUD ASSY-PACHMAYR	35547	35654	9
- 28A	4002-5	. STUD ASSY-CAMLOC	35655	35771	9
- 28B	4002G	. GROMMET-CAMLOC	35655	35771	9
29	5-82-2A	. STUD ASSY-PACHMAYR	35547	35654	2
- 29A	4002-6	. STUD ASSY-CAMLOC	35655	35771	2
- 29B	4002G	. GROMMET-CAMLOC	35655	35771	2
- 29C	5-8-2	. RETAINER-PACHMAYR	35547	35654	11
- 29D	R4G	. RETAINER-CAMLOC	35655	35771	11
30	0851040-2	. NOSE CAP ASSY-COWL RH	35547	35654	1
- 30A	0851040-28	. NOSE CAP ASSY-COWL RH	35655	35771	1
31	0851040-13	. STIFFENER-RH			1
32	0851040-8	. RUB STRIP			1
33	0851040-16	. DOUBLER ASSY	35547	35654	1
- 33A	0851040-27	. DOUBLER ASSY	35655	35771	1
34	5-81-1	. RECEPTACLE-PACHMAYR	35547	35654	1
- 34A	244-16	. RECEPTACLE-CAMLOC	35655	35771	1
- 34B	MS21059L3	. NUTPLATE-ANCHOR			2 R
35	0851040-17	. DOUBLER	35547	35654	1
- 35A	0851040-21	. DOUBLER	35655	35771	1

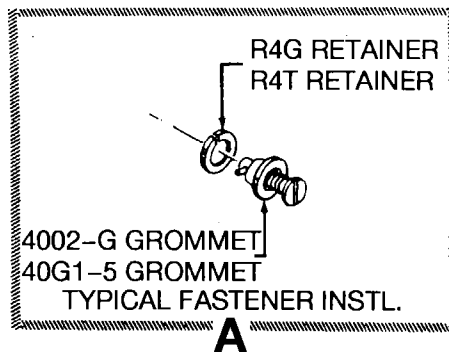
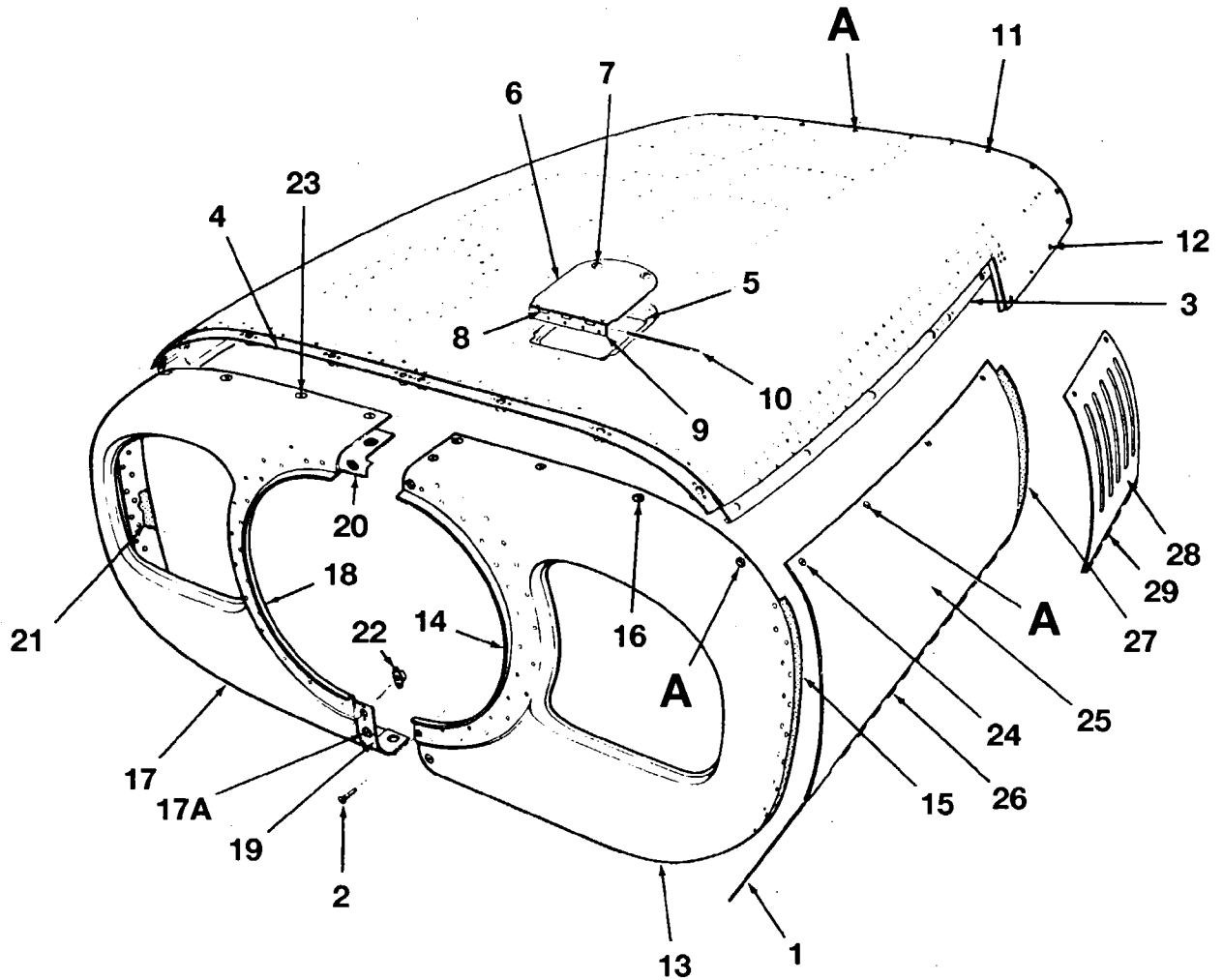
NOTE 1—ATTACHING HARDWARE FOR THIS COWL IS SHIPPED LOOSE. ONLY CAMLOC FASTENING HARDWARE IS SENT. EXTRA CAMLOC STUDS ARE ALSO INCLUDED FOR INSTALLATION OF NOSE CAP

CESSNA AIRCRAFT COMPANY
MODEL 310 THRU 310D
ILLUSTRATED PARTS CATALOG

FIG ITEM	PART NUMBER	NOMENCLATURE	EFFECT		UNITS	
			FROM	TO	PER	ASSY
02						
36	5-81-1	RECEPTACLE-PACHMAYR	35547	35654	2	
- 36A	244-16	RECEPTACLE-CAMLOC	35655	35771	2	
37	5-82-2A	STUD ASSY-PACHMAYR	35547	35654	6	
- 37A	4002-5	STUD ASSY-CAMLOC	35655	35771	6	
- 37B	4002G	GROMMET-CAMLOC	35655	35771	6	
38	5-82-4A	STUD ASSY-PACHMAYR	35547	35654	2	
- 38A	4002-6	STUD ASSY-CAMLOC	35655	35771	2	
- 38B	4002H	GROMMET-CAMLOC	35655	35771	2	
- 38C	5-8-2	RETAINER-PACHMAYR	35547	35654	8	
- 38D	R4G	RETAINER-CAMLOC	35655	35771	8	
39	4002-4	STUD ASSY-ATTACH COWL DOORS CAMLOC				12
40	4002G	GROMMET-ATTACH COWL DOORS CAMLOC				12
41	R4G	RETAINER-ATTACH COWL DOORS CAMLOC				12
42	0895000-2	DOOR ASSY-ENGINE COWL FORWARD LH				1
- 42A	0895000-3	DOOR ASSY-ENGINE COWL FORWARD RH				1
43	0851525-2	HINGE HALF-COWL LH FORWARD DOOR				11
- 43A	0851525-18	HINGE HALF-COWL RH FORWARD DOOR				1
44	0851525-6	RUB STRIP				1
45	0895000-4	DOOR ASSY-ENGINE COWL AFT LH				1
- 45A	0895000-5	DOOR ASSY-ENGINE COWL AFT RH				1
46	0851525-13	HINGE HALF-COWL LH AFT DOOR				1
- 46A	0851525-14	HINGE HALF-COWL RH AFT DOOR				1

CESSNA AIRCRAFT COMPANY
MODEL 310 THRU 310D
 ILLUSTRATED PARTS CATALOG

A55707



AIRPLANES 35772 AND ON
 ENGINE COWL INSTALLATION
 FIGURE 03 (SHEET 1)

**CESSNA AIRCRAFT COMPANY
MODEL 310 THRU 310D
ILLUSTRATED PARTS CATALOG**

FIG ITEM	PART NUMBER	NOMENCLATURE	EFFECT		UNITS
			FROM	TO	PER ASSY
03		ENGINE COWL INSTALLATION REFER TO 57-10-00 FIGURE 02 & 06	35772	& ON	RF
-		HINGE PIN-ATTACH COWL DOORS			2
1	AN253-2-3260	HINGE PIN-ATTACH COWL DOORS			2
- 1A	MS24665-22	COTTER PIN-SECURE HINGE PIN			4
2	AN507-1032R8	SCREW-ATTACH NOSE CAPS			2
- 2A	0851010-1	COWL ASSY-ENGINE			1
3	0851004-5	STIFFENER-LEFT			1
- 3A	0851004-6	STIFFENER-RIGHT			1
- 3B	244-16	RECEPTACLE-CAMLOC			12
4	0851004-3	STIFFENER ASSY-COWL FORWARD			1
- 4A	244-16	RECEPTACLE-CAMLOC			8
5	0851017-1	DOUBLER ASSY-OIL FILLER DOOR			1
- 5A	CM2822-2	SPRING-DZUS			2 R
6	0851019-1	DOOR ASSY-OIL FILLER			1
7	AJ4-30	GASTENER-DZUS			2 R
- 7A	GA4-250	GROMMET-DZUS			2
8	0851003-1	HINGE HALF			1
9	0851002-1	HINGE HALF			1
10	AN253-2-394	HINGE PIN			1
11	4002-3	STUD ASSY-CAMLOC			13
12	4002-4	STUD ASSY-CAMLOC			6
- 12A	40G1-5	GROMMET-CAMLOC			19
- 12B	R4T	RETAINER-CAMLOC			19
13	0851005-23	NOSE CAP ASSY-COWL LH			1
14	0851005-21	STIFFENER-REFER TO NOTE 1			1
- 14A	0850678-1	DOUBLER-REFER TO NOTE 2			1
15	0851000-191	RUB STRIP			1
16	4002-5	STUD ASSY-CAMLOC			11
- 16A	4002-6	STUD ASSY-CAMLOC			1
- 16B	4002G	GROMMET-CAMLOC			12
- 16C	R4G	RETAINER-CAMLOC			12
17	0851005-24	NOSE CAP ASSY-COWL RH			1
17A	244-16D	RECEPTACLE-CAMLOC			4
18	0851005-22	STIFFENER-REFER TO NOTE 3			1
- 18A	0850678-2	DOUBLER-REFER TO NOTE 4			1
19	0851028-1	DOUBLER			1
20	0851005-9	DOUBLER			1
21	0851000-191	RUB STRIP			1
22	MS21059L3	NUTPLATE			2 R
23	4002-5	STUD ASSY-CAMLOC			7
- 23A	4002-6	STUD-CAMLOC			1
- 23B	4002G	GROMMET-CAMLOC			8
- 23C	R4G	RETAINER-CAMLOC			8
24	4002-4	STUD-CAMLOC			12
- 24A	4002G	GROMMET-CAMLOC			12
- 24B	R4G	RETAINER-CAMLOC			12
25	0895000-2	DOOR ASSY-ENGINE COWL FORWARD LH			1
- 25A	0895000-3	DOOR ASSY-ENGINE COWL FORWARD RH			1
26	0851525-2	HINGE HALF-COWL LH FORWARD DOOR			1
- 26A	0851525-18	HINGE HALF-COWL RH FORWARD DOOR			1
27	0851525-6	RUB STRIP-FORWARD COWL DOOR			1
28	0895000-9	DOOR ASSY-ENGINE COWL AFT LH LOUVERED			1
- 28A	0895000-8	DOOR ASSY-ENGINE COWL AFT RH LOUVERED			1
29	0851525-13	HINGE HALF-COWL LH AFT DOOR			1
- 29A	0851525-14	HINGE HALF-COWL RH AFT DOOR			1

NOTE 1—WHEN ORDERING THIS PART, ALSO ORDER 0850678-1 DOUBLER

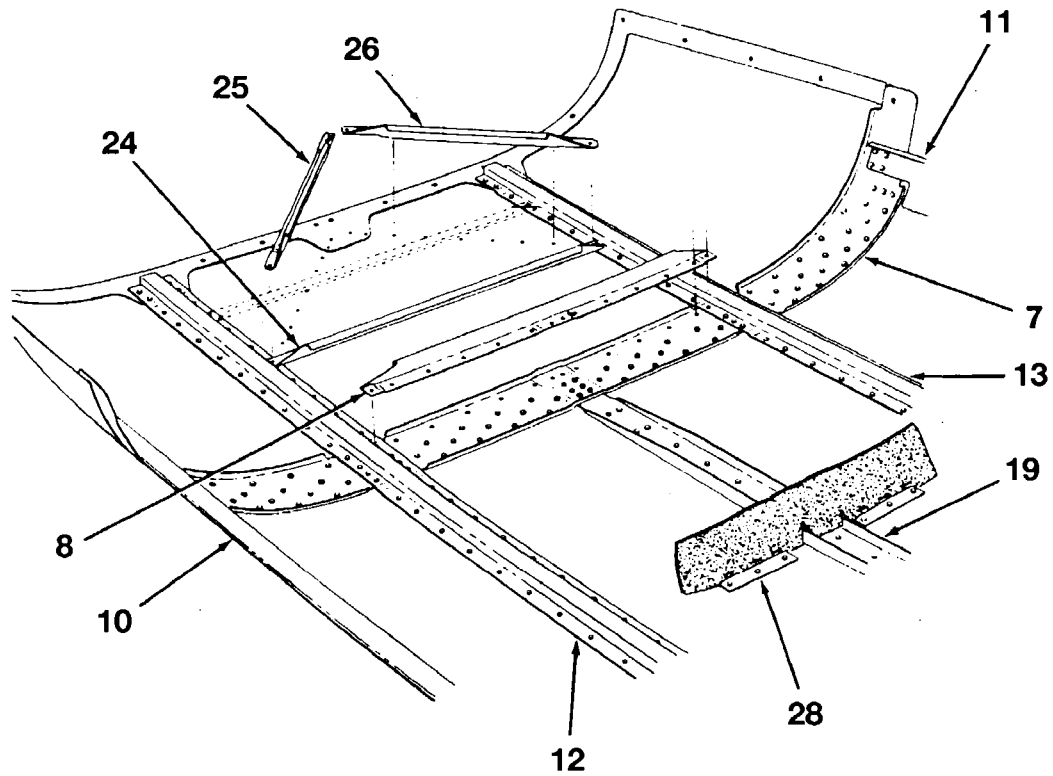
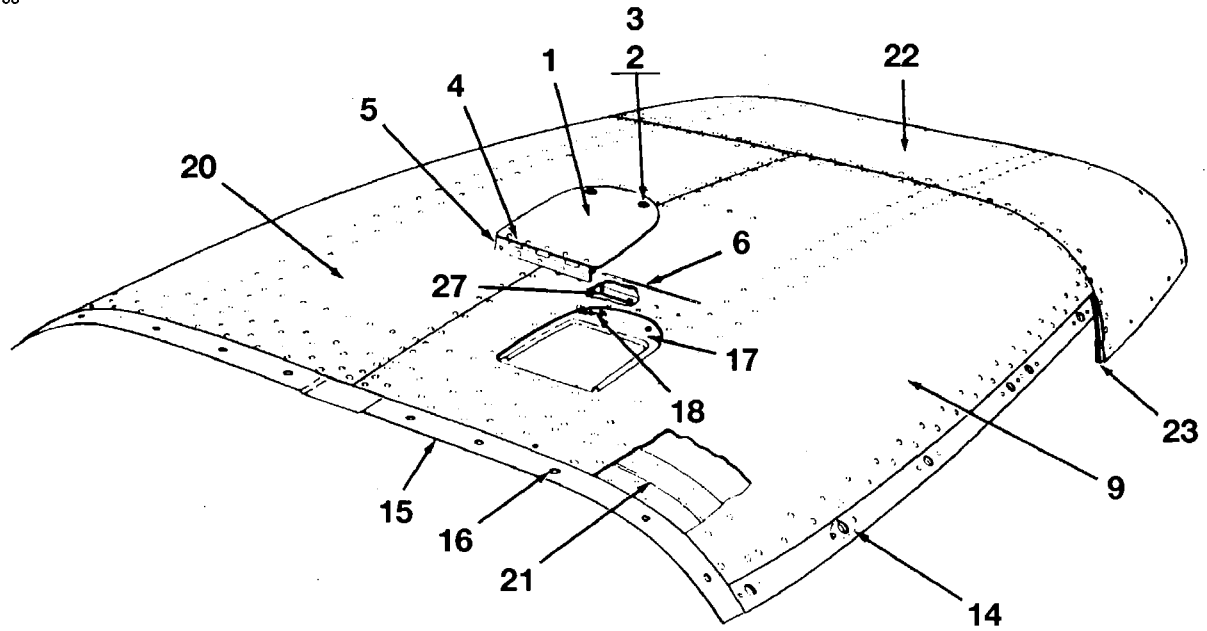
NOTE 2—WHEN ORDERING THIS PART, ALSO ORDER 0851005-21 STIFFENER

NOTE 3—WHEN ORDERING THIS PART, ALSO ORDER 0850678-2 DOUBLER

NOTE 4—WHEN ORDERING THIS PART, ALSO ORDER 0851005-22 STIFFENER

CESSNA AIRCRAFT COMPANY
MODEL 310 THRU 310D
ILLUSTRATED PARTS CATALOG

A55708



AIRPLANES 35000 THRU 35456
ENGINE COWL ASSEMBLY
FIGURE 04 (SHEET 1)

CESSNA AIRCRAFT COMPANY
MODEL 310 THRU 310D
ILLUSTRATED PARTS CATALOG

FIG ITEM	PART NUMBER	NOMENCLATURE	EFFECT		UNITS PER ASSY
			FROM	TO	
04		ENGINE COWL ASSEMBLY REFER TO 71-10-00 FIGURE 01 FOR NHA - REFER TO NOTE 1	35000	35456	RF
1	0850415-1	. DOOR ASSY-OIL FILTER REFER TO NOTE 2			1
2	AJ4-35	. . STUD-DZUS			2 R
3	GA4-250	. . GROMMET-DZUS			2
4	0851000-147	. HINGE HALF			1
5	0851000-148	. HINGE HALF			1
6	0851000-154	. HINGE PIN			1
7	0851000-193	. DOUBLER			1
8	0851516-1	. STIFFENER-COWL			1
9	0851000-199	. SKIN-FRONT LEFT REFER TO NOTE 3			1
10	0851000-77	. STIFFENER			1
11	0851000-78	. STIFFENER			1
12	0851000-115	. STIFFENER			1
13	0851000-116	. STIFFENER			1
14	244-16	. RECEPTACLE-CAMLOC			12
15	0851000-122	. DOUBLER ASSY			1
16	MS21059L3	. NUTPLATE			12 R
17	0850414-1	. STIFFENER ASSY-COWL REFER TO NOTE 2			1
18	CM2822-2	. SPRING-DZUS			2 R
19	0851000-194	. STIFFENER			1
20	0851020-4	. SKIN-FRONT RIGHT			1
21	0851000-176	. ANGLE ASSY-COWL			1
22	0851000-185	. SKIN ASSY-REAR			1
23	0851000-190	. RUB STRIP			2
24	0851000-195	. STIFFENER-COWL			1
25	0851000-197	. STIFFENER-COWL			1
26	0851000-198	. STIFFENER-COWL			1
27	0851517-1	. STIFFENER-OIL FILLER DOOR			1
28	0851700-88	. BAFFLE ASSY-ENGINE COWL			1
- 28A	0851700-89	. SEAL-BAFFLE			1

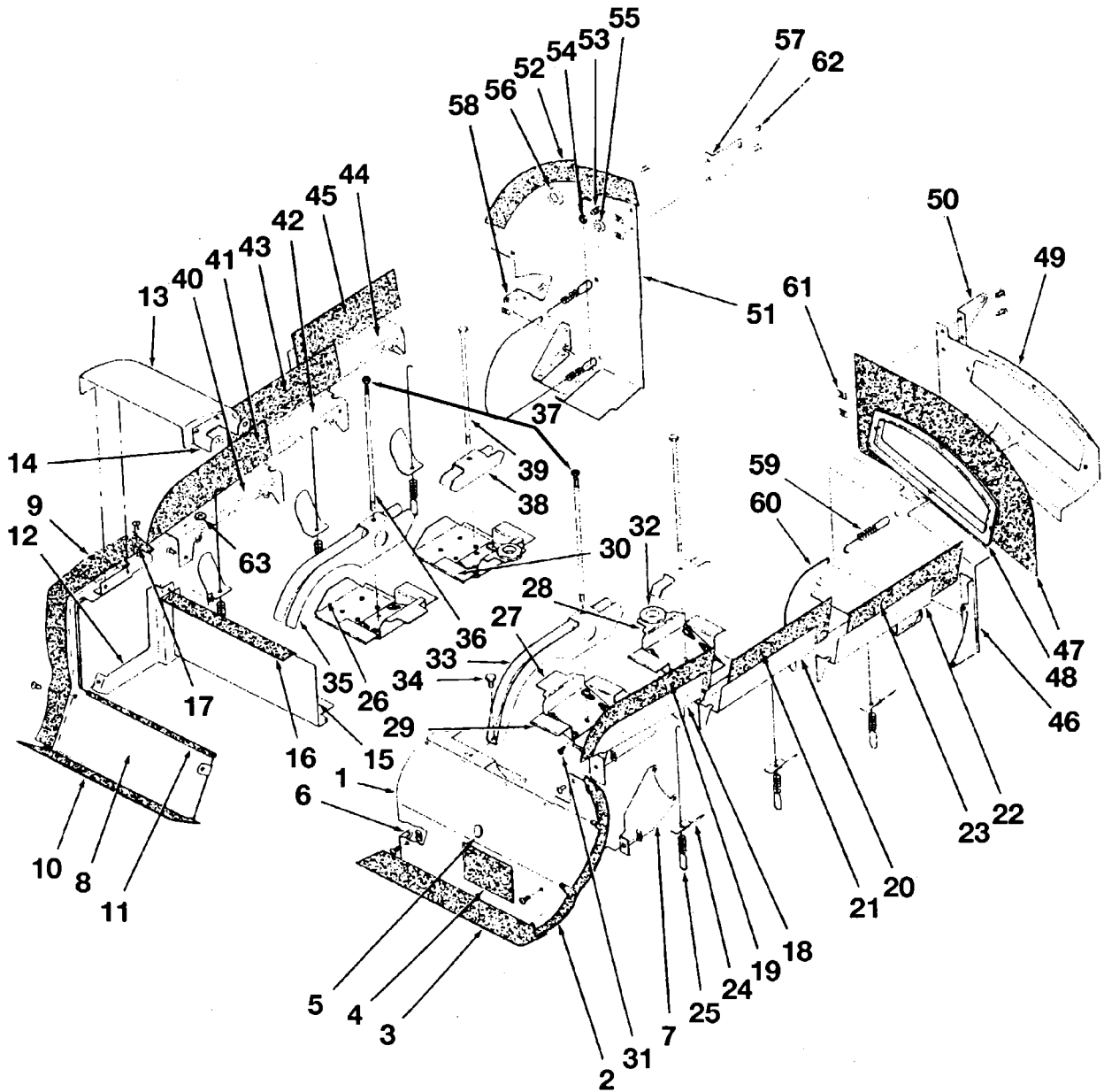
NOTE 1—THIS ASSEMBLY IS NOT AVAILABLE AS A COMPLETE REPLACEMENT ON SERIALS 35000 THRU 35456. THE ABOVE LISTINGS ARE FOR AVAILABLE REPLACEMENT PARTS USED ON THIS COWL ASSEMBLY. FOR COMPLETE COWL REPLACEMENT ORDER 0851020-17

NOTE 2—BOTH OF THESE PARTS MUST BE ORDERED FOR THE REPLACEMENT OF OIL DOOR IF PRESENT DOOR HAS SINGLE FASTENER

NOTE 3—WHEN ORDERING THIS PART FOR AIRPLANES INCORPORATING A SINGLE FASTENER OIL DOOR, ALSO ORDER 0850415-1 DOOR ASSEMBLY AND 0850414-1 STIFFENER ASSEMBLY

CESSNA AIRCRAFT COMPANY
MODEL 310 THRU 310D
ILLUSTRATED PARTS CATALOG

A55717



ENGINE BAFFLES INSTALLATION
FIGURE 01 (SHEET 1)

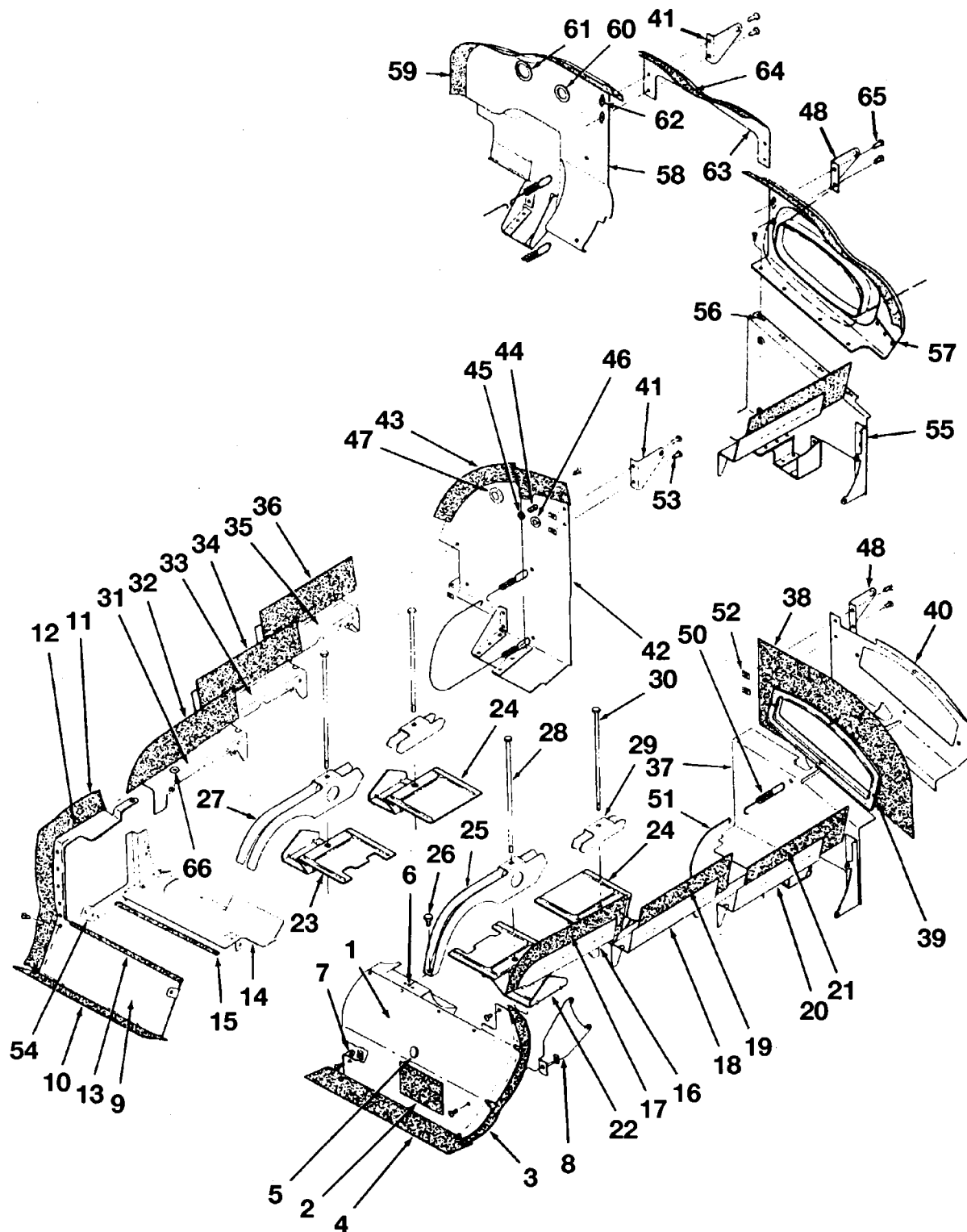
CESSNA AIRCRAFT COMPANY
MODEL 310 THRU 310D
ILLUSTRATED PARTS CATALOG

FIG ITEM	PART NUMBER	NOMENCLATURE	EFFECT		UNITS PER ASSY
			FROM	TO	
01		ENGINE BAFFLES INSTALLATION USED WITH 0-470-B ENGINE - REFER TO 71-00-00 FIGURE 01 FOR NHA			RF
1	0851700-99	. BAFFLE ASSY-FORWARD LH			1
2	0851700-71	. . SEAL-BAFFLE			1
3	0851700-74	. . SEAL-BAFFLE			1
4	0851700-92	. . SEAL-BAFFLE			1
5	SS-51026	. . PLUG BUTTON-UNITED CARR.			1
6	0851700-101	. . TAB-ATTACH FORWARD BAFFLE			1
7	0851700-68	. . SUPPORT ASSY-FORWARD LH BAFFLE			1
8	0851700-69	. . BAFFLE ASSY-OIL COOLER			1
9	0851700-79	. . SEAL-BAFFLE			1
10	0851700-77	. . SEAL-BAFFLE			1
11	S202RB	. . MOULDING-9.25 IN LG BULK ITEM REF S-202R925B			1
12	0851700-87	. . BRACKET ASSY			1
13	0851700-86	. . BAFFLE-AIR SCOOP			1
14	0851700-102	. . CHANNEL-AIR SCOOP ATTACH			1
15	0851700-116	. . BAFFLE ASSY-FORWARD CYLINDER			1
16	S202RB	. . MOULDING-8.25 INCHES LG BULK ITEM REF S-202R825B			1
17	NAS1149CN632R	. . WASHER			R
18	0851758-1	. . BAFFLE ASSY-FORWARD LEFT REFER TO NOTE 1			1
19	0851700-66	. . SEAL			1
20	0851759-2	. . BAFFLE ASSY-CENTER LEFT REFER TO NOTE 1			1
21	0851700-64	. . SEAL			1
22	0851760-1	. . BAFFLE ASSY-AFT LEFT REFER TO NOTE 1			1
23	0851760-3	. . SEAL			1
24	0851700-32	. . BAFFLE-SPARK PLUG			6
25	0450277-3	. . FASTENER-SPARK PLUG BAFFLE TO CYLINDER			6
26	0851744-1	. . BAFFLE ASSY-INTER CYLINDER			4
27	0851743-1	. . BAFFLE ASSY-FORWARD INTER CYLINDER			2
28	0851743-2	. . BAFFLE ASSY-AFT INTER CYLINDER			2
29	0851740-1	. . BAFFLE-FORWARD LH & AFT RH INTER CYLINDER ZEE			4
30	0851740-2	. . BAFFLE-AFT LH & FORWARD RH INTER CYLINDER ZEE			4
31	AN515-8R7	. . SCREW-ATTACH BAFFLES			16
32	MS35489-20S	. . GROMMET			2
33	0750117-30	. . SUPPORT-CYLINDER BAFFLE LH FORWARD			1
34	AN3C3A	. . BOLT-ATTACH BAFFLE SUPPORTS			1
35	0851700-96	. . SUPPORT-CYLINDER BAFFLE RH FORWARD			1
36	0851700-95	. . BOLT-ATTACH FORWARD BAFFLE SUPPORTS			2
37	AN315-3R	. . NUT-ATTACH FORWARD BAFFLE SUPPORT			4
38	0750117-31	. . SUPPORT-CYLINDER BAFFLE AFT			2
39	AN3-71A	. . BOLT-ATTACH BAFFLE SUPPORTS			2
40	0851761-1	. . BAFFLE ASSY-FORWARD RIGHT REFER TO NOTE 1			1
41	0851761-3	. . SEAL			1
42	0851759-1	. . BAFFLE ASSY-CENTER RIGHT REFER TO NOTE 1			1
43	0851700-64	. . SEAL			1
44	0851762-1	. . BAFFLE ASSY-AFT RIGHT REFER TO NOTE 1			1
45	0851700-64	. . SEAL			1
46	0851700-106	. . BAFFLE ASSY-LOWER REAR			1
47	0851700-108	. . SEAL-UPPER REAR			1
48	0851700-9	. . STIFFENER-UPPER REAR BAFFLE			1
49	0851700-105	. . BAFFLE-UPPER REAR			1
50	0851700-40	. . SUPPORT-REAR BAFFLE			1
51	0851700-35	. . BAFFLE ASSY-REAR			1
52	0851700-49	. . SEAL			1
53	AN832-2D	. . UNION			1
54	AN924-2D	. . NUT			1
55	MS35489-46S	. . GROMMET			1
56	MS35489-49	. . GROMMET			1
57	0851700-39	. . SUPPORT-REAR BAFFLE			1
58	0851700-85	. . ANGLE-REAR BAFFLE ATTACH			1
59	0450277-1	. . FASTENER-REAR BAFFLE TO CYLINDER			2
60	0450277-2	. . FASTENER-REAR BAFFLE TO CYLINDER			2
61	S3230-2	. . NUT-ATTACH BAFFLES TINNERMAN A1181-6Z-3			22 R
62	S-1021Z-6-6	. . SCREW-ATTACH BAFFLES			22
63	82	. . GROMMET-RUBBERCRAFT CORP.			AR

NOTE 1—WHEN ORDERING THIS PART, ALSO ORDER 82 GROMMETS

CESSNA AIRCRAFT COMPANY
MODEL 310 THRU 310D
ILLUSTRATED PARTS CATALOG

A55718



ENGINE Baffles INSTALLATION
FIGURE 02 (SHEET 1)

CESSNA AIRCRAFT COMPANY
MODEL 310 THRU 310D
ILLUSTRATED PARTS CATALOG

FIG ITEM	PART NUMBER	NOMENCLATURE	EFFECT		UNITS PER ASSY
			FROM	TO	
02		ENGINE BAFFLES INSTALLATION REFER TO 71-00-00 FIGURE 01 FOR NHA - REFER TO NOTE 1			RF
1	0851757-1	. BAFFLE ASSY-FORWARD LH			1
2	0851700-92	. SEAL-BAFFLE			1
3	0851700-71	. SEAL-BAFFLE			1
4	0851700-74	. SEAL-BAFFLE			1
5	HS51026	. PLUG BUTTON-UNITED CARR.			1
6	NAS682A3	. NUTPLATE			1
7	0851700-101	. TAB-ATTACH FORWARD BAFFLE			1
8	0851700-68	. SUPPORT ASSY-FORWARD LH BAFFLE			1
9	0851754-1	. BAFFLE ASSY-OIL COOLER 0-470-M 0-470-M CUST SPEC 5 & 10-470-D CUST SPEC 10	35772	39031	1
- 9A	0851754-2	. BAFFLE ASSY-OIL COOLER 10-470-D CUST SPEC 1	39032	& ON	1
10	0851700-77	. SEAL			1
11	0851700-79	. SEAL-0-470-M CUST SPEC 5 & 10-470-D CUST SPEC 1	35772	39031	1
- 11A	0851754-3	. SEAL	39032	& ON	1
12	0851703-1	. RETAINER			1
13	S202RB	. MOULDING-9.25 INCHES LG BULK ITEM REF S-2021192513			1
14	0851746-1	. BAFFLE ASSY-OIL COOLER 0-470-M 0-470-M CUST SPEC 5 & 10-470-D CUST SPEC 1	35772	39031	1
- 14A	0851746-2	. BAFFLE ASSY-OIL COOLER 10-470-D CUST SPEC 1	39032	& ON	1
15	S202RB	. MOULDING-8.75 INCHES LG BULK ITEM REF S-202R875B			1
16	0851758-1	. BAFFLE ASSY-FORWARD LEFT			1
17	0851700-66	. SEAL			1
18	0851759-2	. BAFFLE ASSY-CENTER LEFT			1
19	0851700-64	. SEAL			1
20	0851760-1	. BAFFLE ASSY-AFT LEFT			1
21	0851760-3	. SEAL			1
22	0750135-1	. BAFFLE ASSY-INTER CYLINDER			4
23	0750135-3	. BAFFLE-FORWARD INTER CYLINDER			2
24	0750135-8	. BAFFLE ASSY-AFT INTER CYLINDER			2
25	0750117-30	. SUPPORT-CYLINDER BAFFLE LH FORWARD			1
26	AN3-3A	. BOLT-ATTACH BAFFLE SUPPORT			1
27	0851700-96	. SUPPORT-CYLINDER BAFFLE RH FORWARD			1
28	AN3-70A	. BOLT-ATTACH FORWARD BAFFLE SUPPORT			2
29	0750117-31	. SUPPORT-CYLINDER BAFFLE AFT			2
30	AN3-60A	. BOLT-ATTACH AFT BAFFLE SUPPORTS			2
31	0851761-1	. BAFFLE ASSY-FORWARD RIGHT			1
32	0851761-3	. SEAL			1
33	0851759-1	. BAFFLE ASSY-CENTER RIGHT			1
34	0851700-64	. SEAL			1
35	0851762-1	. BAFFLE ASSY-AFT RIGHT			1
36	0851700-64	. SEAL			1
37	0851748-1	. BAFFLE ASSY-LOWER LH REAR 0-470-M & 0-470-M CUST SPEC 5			1
38	0851700-108	. SEAL-UPPER REAR 0-470-M & 0-470-M CUST SPEC 5			1
39	0851700-9	. STIFFENER-UPPER REAR BAFFLE 0-470-M & 0-470-M CUST SPEC 5			1
40	0851700-105	. BAFFLE-UPPER LH REAR 0-470-M & 0-470-M CUST SPEC 5			1
41	0851700-39	. SUPPORT-REAR BAFFLE			2
42	0851753-1	. BAFFLE ASSY-RH REAR 0-470-M & 0-470-M CUST SPEC 5			1
- 42A	0851753-3	. BAFFLE ASSY-RH REAR 0-470-M			1
43	0851700-49	. SEAL			1
44	AN832-2D	. UNION	35228	35228	1
			35263	35713	
- 44A	AN832-2D	. UNION	35714	35771	2
45	AN924-2D	. NUT	35228	35228	1
			35263	35713	
- 45A	AN924-2D	. NUT	35714	35771	2
46	MS35489-46S	. GROMMET			1
47	MS35489-49	. GROMMET			1
48	0851700-40	. SUPPORT-REAR BAFFLE			1
- 49		. DELETED-NOT USED			
50	0450277-1	. FASTENER-REAR BAFFLE TO CYLINDER			2
51	0450277-2	. FASTENER-REAR BAFFLE TO CYLINDER			2
52	S3230-2	. NUT-ATTACH BAFFLES 0-470-M & 0-470-M CUST SPEC 5 TINNERMAN A1181-6Z-3			16 R
- 52A	S3230-2	. NUT-ATTACH BAFFLES 10-470-D CUST SPEC 1 TINNERMAN A1181-6Z-3			6 R

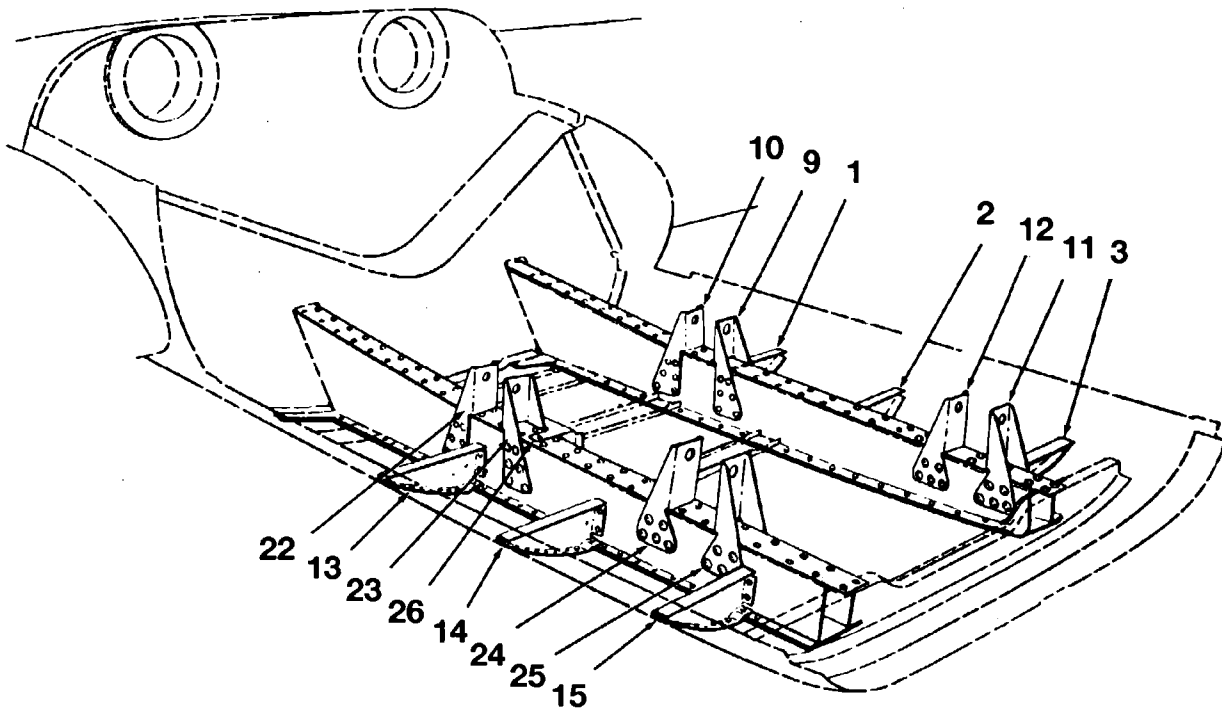
NOTE 1—THIS ENGINE BAFFLE INSTALLATION APPLIES TO ALL 0-470-M, 0-470-M CUST SPEC. 5 & 10-470-D CUST SPEC. 1 ENGINES

**CESSNA AIRCRAFT COMPANY
MODEL 310 THRU 310D
ILLUSTRATED PARTS CATALOG**

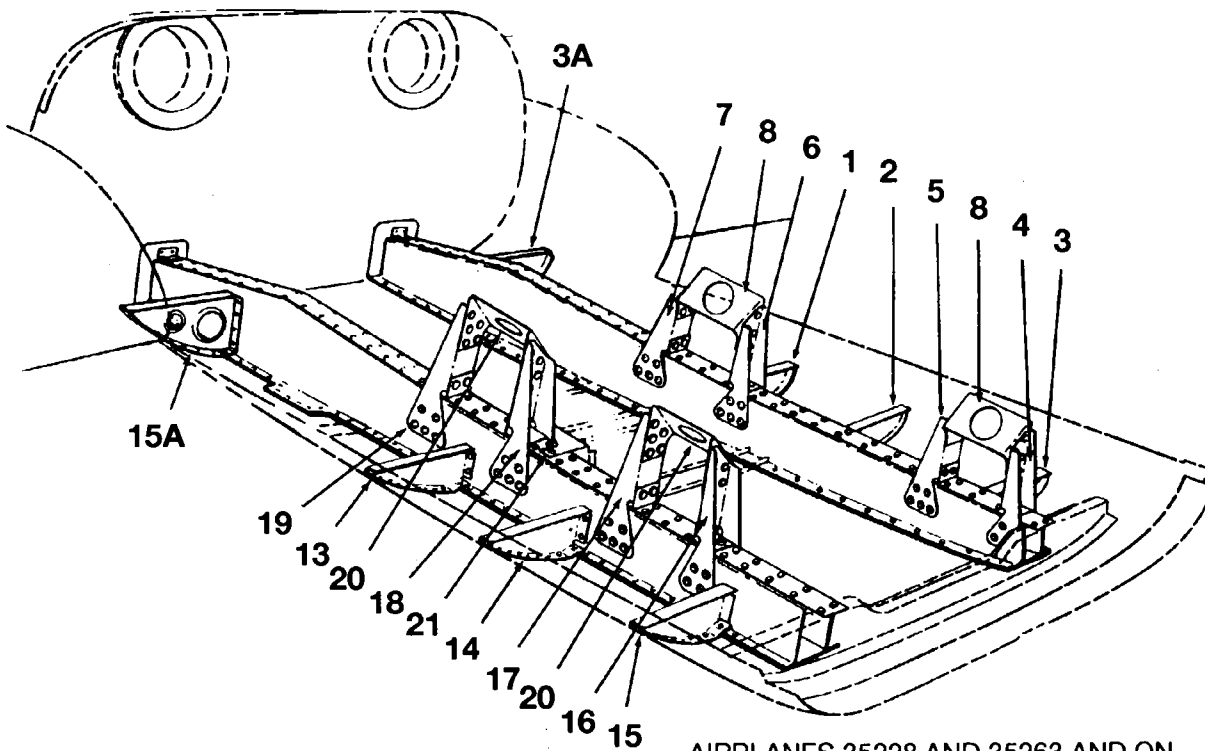
FIG ITEM	PART NUMBER	NOMENCLATURE	EFFECT		UNITS PER ASSY
			FROM	TO	
02		ATTACHING PARTS			
53	S-1021Z-6-6	SCREW-ATTACH BAFFLES 0-470-M & 0-470-M CUST SPEC 5			16
- 53A	S-1021A-6-6	SCREW-ATTACH BAFFLES 10-470-D CUST SPEC 1			6
54	0851700-87	BRACKET ASSY			1
55	0851711-1	BAFFLE ASSY-LOWER LH REAR 10-470-D CUST SPEC 1			1
- 55A	0851711-2	RUB BLOCK	35972	& ON	1
56	NAS680A08	NUTPLATE			4
57		BAFFLE ASSY-AIR INTAKE BOX F0-470-D CUST SPEC 1			RF
58	0851712-1	BAFFLE ASSY-RH REAR 10-470-D CUST SPEC 1			1
- 58A	0851712-7	BAFFLE ASSY-RH REAR 00-470-D CUST SPEC 1			1
59	0851712-5	SEAL			1
60	MS35489-12	GROMMET			1
61	MS35489-49	GROMMET			1
62	MS21059L3	NUTPLATE			2
63	0851713-1	BAFFLE ASSY-CENTER REAR 10-470-D CUST SPEC 1			1
64	0851713-3	SEAL			1
65	AN520-10R6	SCREW-ATTACH BAFFLE & SUPPORT 10-470-D CUST SPEC 1			4
66	AN931-5S9	GROMMET			6

CESSNA AIRCRAFT COMPANY
MODEL 310 THRU 310D
 ILLUSTRATED PARTS CATALOG

A55569



AIRPLANES 35000 THRU 35277
 AND 35229 THRU 35262



AIRPLANES 35228 AND 35263 AND ON

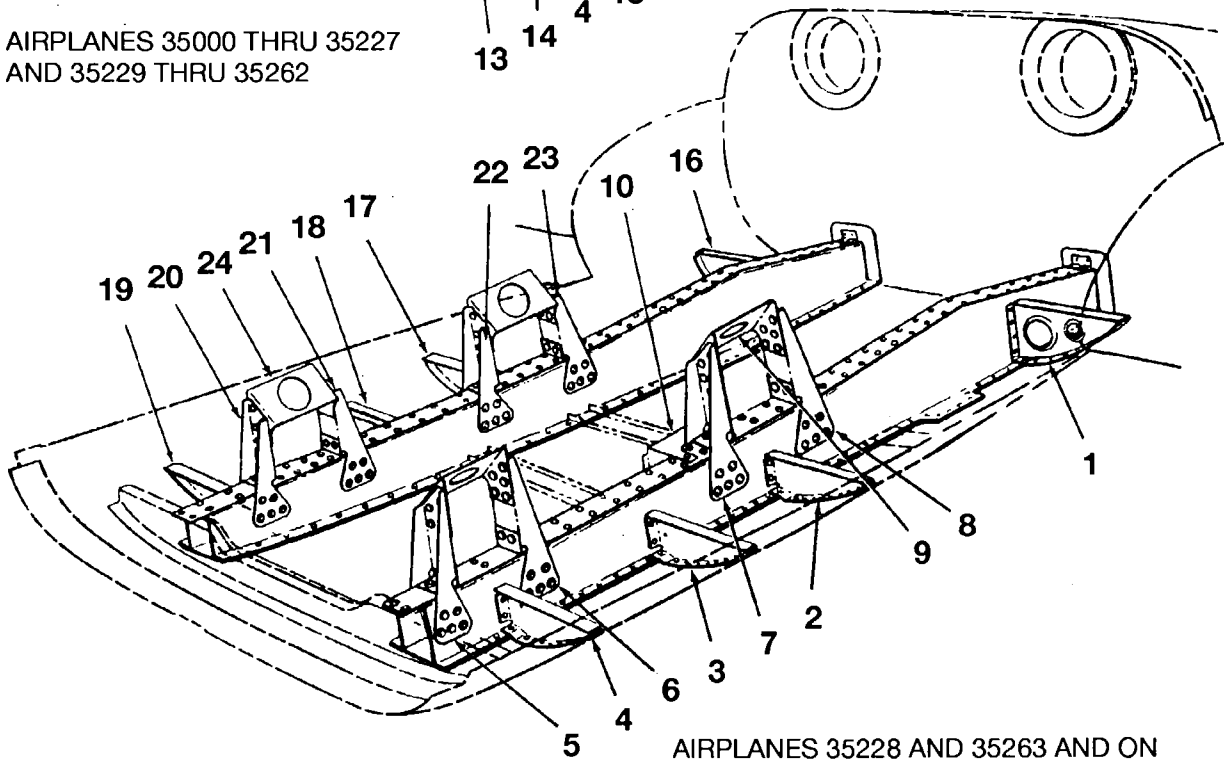
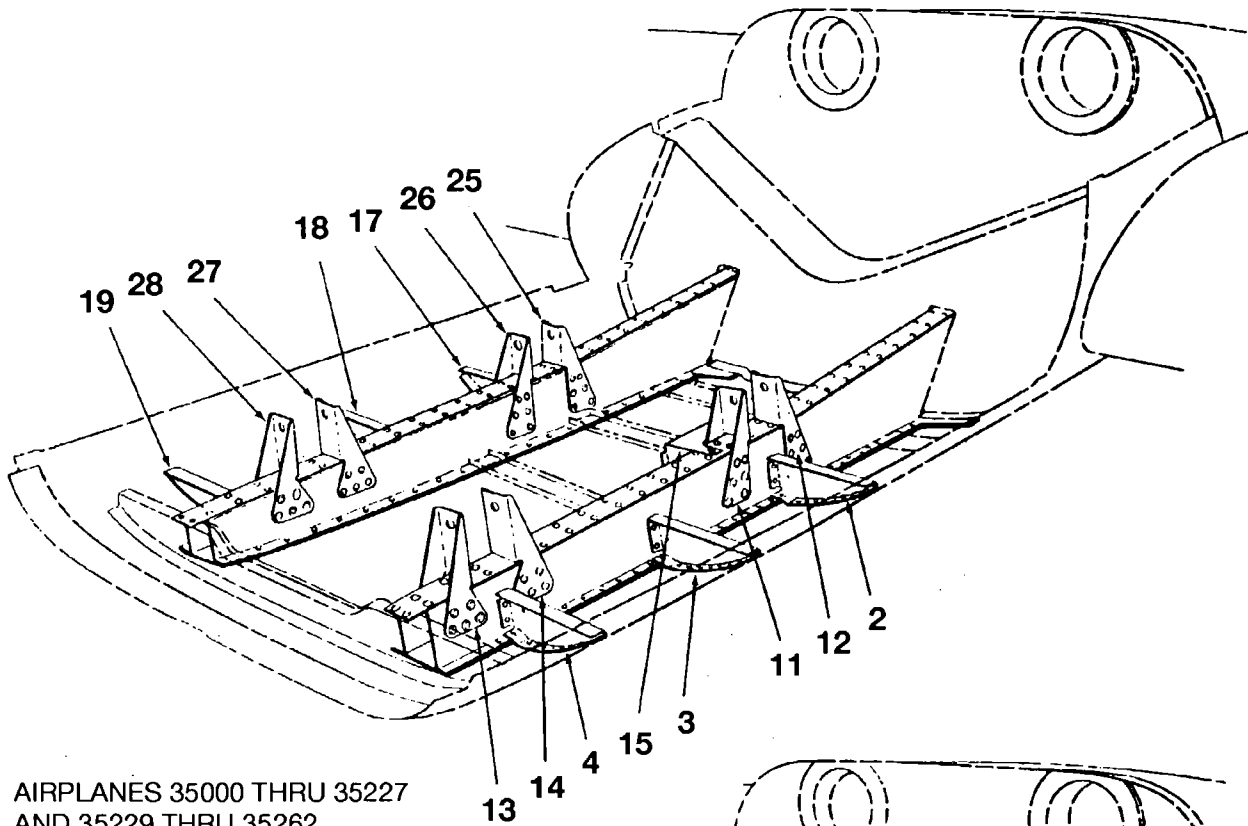
LEFT ENGINE MOUNT INSTALLATION
 FIGURE 01 (SHEET 1)

**CESSNA AIRCRAFT COMPANY
MODEL 310 THRU 310D
ILLUSTRATED PARTS CATALOG**

FIG ITEM	PART NUMBER	NOMENCLATURE	EFFECT		UNITS PER ASSY
			FROM	TO	
01		LEFT ENGINE MOUNT INSTALLATION REFER TO 54-10-00 FIGURE 01			RF
- 1	0851000-71	.. FORMER-NACELLE SKIN CENTER			1
2	0851000-73	.. FORMER-NACELLE SKIN CENTER			1
3	0851000-75	.. FORMER-NACELLE SKIN FWD			1
3A	0851561-3	.. FORMER-NACELLE SKIN AFT	35304	& ON	1
- 3B	0895100-4	.. STRINGER ASSY-ENGINE MOUNT OUTBD	35228	35228	1
			35263	35338	
- 3C	0895003-3	.. STRINGER ASSY-ENGINE MOUNT OUTBD	35339	& ON	1
4	0851553-1	.. BRACKET-FWD ENGINE MOUNT FWD	35228	35228	1
			35263	35338	
- 4A	0851553-2	.. BRACKET-FWD ENGINE MOUNT FWD	35339	35654	1
- 4B	0851554-4	.. BRACKET-FWD ENGINE MOUNT FWD	35655	& ON	1
5	0851554-1	.. BRACKET-FWD ENGINE MOUNT AFT	35228	35228	1
			35263	35338	
- 5A	0851554-3	.. BRACKET-FWD ENGINE MOUNT AFT	35339	& ON	1
6	0851555-1	.. BRACKET-AFT ENGINE MOUNT FWD	35228	35228	1
			35263	35338	
- 6A	0851555-3	.. BRACKET-AFT ENGINE MOUNT FWD	35339	& ON	1
7	0851555-2	.. BRACKET-AFT ENGINE MOUNT AFT	35228	35228	1
			35263	35338	
- 7A	0851555-4	.. BRACKET-AFT ENGINE MOUNT AFT	35339	& ON	1
8	0851552-1	.. SUPPORT-ENGINE MOUNT			2
- 8A	0851500-71	.. STRINGER ASSY-ENGINE MOUNT OUTBD	35000	35227	1
			35229	35262	
9	0851500-55	.. LUG-AFT ENGINE MOUNT FWD			1
10	0851500-56	.. LUG-AFT ENGINE MOUNT AFT			1
11	0851500-79	.. LUG-FWD ENGINE MOUNT FWD			1
12	0851500-80	.. LUG-FWD ENGINE MOUNT AFT			1
13	0851000-72	.. FORMER-NACELLE SKIN CENTER			1
14	0851000-74	.. FORMER-NACELLE SKIN CENTER			1
15	0851000-76	.. FORMER-NACELLE SKIN FWD			1
15A	0851562-1	.. FORMER-NACELLE SKIN AFT	35304	& ON	1
- 15B	0895100-3	.. STRINGER ASSY-ENGINE MOUNT INBD	35228	35228	1
			35263	35338	
- 15C	0895003-1	.. STRINGER ASSY-ENGINE MOUNT INBD	35339	& ON	1
16	0851554-1	.. BRACKET-FWD ENGINE MOUNT FWD	35228	35228	1
			35263	35338	
- 16A	0851554-3	.. BRACKET-FWD ENGINE MOUNT FWD	35339	& ON	1
17	0851554-2	.. BRACKET-FWD ENGINE MOUNT AFT	35228	35228	1
			35263	35338	
- 17A	0851554-4	.. BRACKET-FWD ENGINE MOUNT AFT	35339	& ON	1
18	0851555-2	.. BRACKET-AFT ENGINE MOUNT FWD	35228	35228	1
			35263	35338	
- 18A	0851555-4	.. BRACKET-AFT ENGINE MOUNT FWD	35339	& ON	1
19	0851555-1	.. BRACKET-AFT ENGINE MOUNT AFT	35228	35228	1
			35263	35338	
- 19A	0851555-3	.. BRACKET-AFT ENGINE MOUNT AFT	35339	& ON	1
20	0851552-1	.. SUPPORT-ENGINE MOUNT			2
21	0851557-7	.. BRACKET ASSY-OIL DRAIN BAFFLE			1
- 21A	0851500-73	.. STRINGER-ENGINE MOUNT INBD	35000	3522735229	1
22	0851500-55	.. LUG-AFT ENGINE MOUNT AFT			1
23	0851500-56	.. LUG-AFT ENGINE MOUNT FWD			1
24	0851500-79	.. LUG-FWD ENGINE MOUNT AFT			1
25	0851500-80	.. LUG-FWD ENGINE MOUNT FWD			1
26	0851500-85	.. BRACKET ASSY-OIL DRAIN BAFFLE			1

CESSNA AIRCRAFT COMPANY
MODEL 310 THRU 310D
ILLUSTRATED PARTS CATALOG

A55585



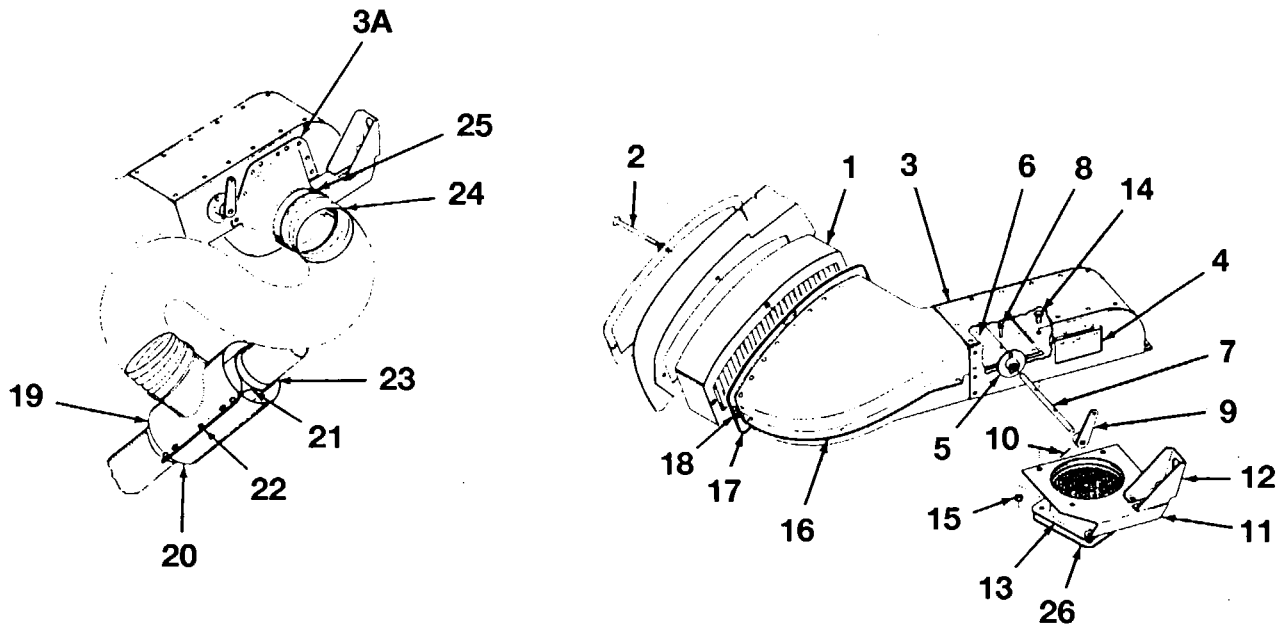
RIGHT ENGINE MOUNT INSTALLATION
FIGURE 02 (SHEET 1)

CESSNA AIRCRAFT COMPANY MODEL 310 THRU 310D ILLUSTRATED PARTS CATALOG

FIG ITEM	PART NUMBER	NOMENCLATURE	EFFECT		UNITS PER ASSY
			FROM	TO	
02		RIGHT ENGINE MOUNT INSTALLATION REFER TO 54-10-00 FIGURE 02			RF
- 1	0851561-2	. FORMER-NACELLE SKIN AFT	35304	& ON	1
2	0851000-71	. FORMER-NACELLE SKIN CENTER			1
3	0851000-73	. FORMER-NACELLE SKIN CENTER			1
4	0851000-75	. FORMER-NACELLE SKIN FWD			1
- 4A	0895100-5	. STRINGER ASSY-ENGINE MOUNT INBD	35228	35228	1
			35263	35338	
- 4B	0895003-2	. STRINGER ASSY-ENGINE MOUNT INBD	35939	& ON	1
5	0851553-1	. BRACKET-FWD ENGINE MOUNT FWD	35228	35228	1
			35263	35338	
- 5A	0851553-2	. BRACKET-FWD ENGINE MOUNT FWD	35339	35654	1
- 5B	0851554-4	. BRACKET-FWD ENGINE MOUNT FWD	35655	& ON	1
6	0851554-1	. BRACKET-FWD ENGINE MOUNT AFT	35228	35228	1
			35263	35338	
- 6A	0851554-3	. BRACKET-FWD ENGINE MOUNT AFT	35339	& ON	1
7	0851555-1	. BRACKET-AFT ENGINE MOUNT FWD	35228	35228	1
			35263	35338	
- 7A	0851555-3	. BRACKET-AFT ENGINE MOUNT FWD	35339	& ON	1
8	0851555-2	. BRACKET-AFT ENGINE MOUNT AFT	35228	35228	1
			35263	35338	
- 8A	0851555-4	. BRACKET-AFT ENGINE MOUNT AFT	35339	& ON	1
9	0851552-1	. SUPPORT-ENGINE MOUNT			2
10	0851557-8	. BRACKET ASSY-OIL DRAIN BAFFLE			1
- 10A	0851500-74	. STRINGER ASSY-ENGINE MOUNT INBD	35000	35227	1
			35229	35262	
11	0851500-55	. LUG-AFT ENGINE MOUNT AFT			1
12	0851500-56	. LUG-AFT ENGINE MOUNT FWD			1
13	0851500-79	. LUG-FWD ENGINE MOUNT AFT			1
14	0851500-80	. LUG-FWD ENGINE MOUNT FWD			1
15	0851500-86	. BRACKET ASSY-OIL DRAIN BAFFLE			1
16	0851562-2	. FORMER-NACELLE SKIN AFT	35304	& ON	1
17	0851000-72	. FORMER-NACELLE SKIN CENTER			1
18	0851000-74	. FORMER-NACELLE SKIN CENTER			1
19	0851000-76	. FORMER-NACELLE SKIN FWD			1
- 19A	0895100-6	. STRINGER ASSY-ENGINE MOUNT OUTBD	35228	35228	1
			35263	35338	
- 19B	0895003-4	. STRINGER ASSY-ENGINE MOUNT OUTBD	35339	& ON	1
20	0851554-1	. BRACKET-FWD ENGINE MOUNT FWD	35228	35228	1
			35263	35338	
- 20A	0851554-3	. BRACKET-FWD ENGINE MOUNT FWD	35339	& ON	1
21	0851554-2	. BRACKET-FWD ENGINE MOUNT AFT	35228	35228	1
			35263	35338	
- 21A	0851554-4	. BRACKET-FWD ENGINE MOUNT AFT	35339	& ON	1
22	0851555-2	. BRACKET-AFT ENGINE MOUNT FWD	35228	35228	1
			35263	35338	
- 22A	0851555-4	. BRACKET-AFT ENGINE MOUNT FWD	35339	& ON	1
23	0851555-1	. BRACKET-AFT ENGINE MOUNT AFT	35228	35228	1
			35263	35338	
- 23A	0851555-3	. BRACKET-AFT ENGINE MOUNT AFT	35339	& ON	1
24	0851552-1	. SUPPORT-ENGINE MOUNT			2
- 24A	0851500-72	. STRINGER-ENGINE MOUNT OUTBD	35000	35227	1
			35229	35262	
25	0851500-55	. LUG-AFT ENGINE MOUNT FWD			1
26	0851500-56	. LUG-AFT ENGINE MOUNT AFT			1
27	0851500-79	. LUG-FWD ENGINE MOUNT FWD			1
28	0851500-80	. LUG-FWD ENGINE MOUNT AFT			1

CESSNA AIRCRAFT COMPANY
MODEL 310 THRU 310D
ILLUSTRATED PARTS CATALOG

A55721



AIRPLANES 35000 THRU 35771

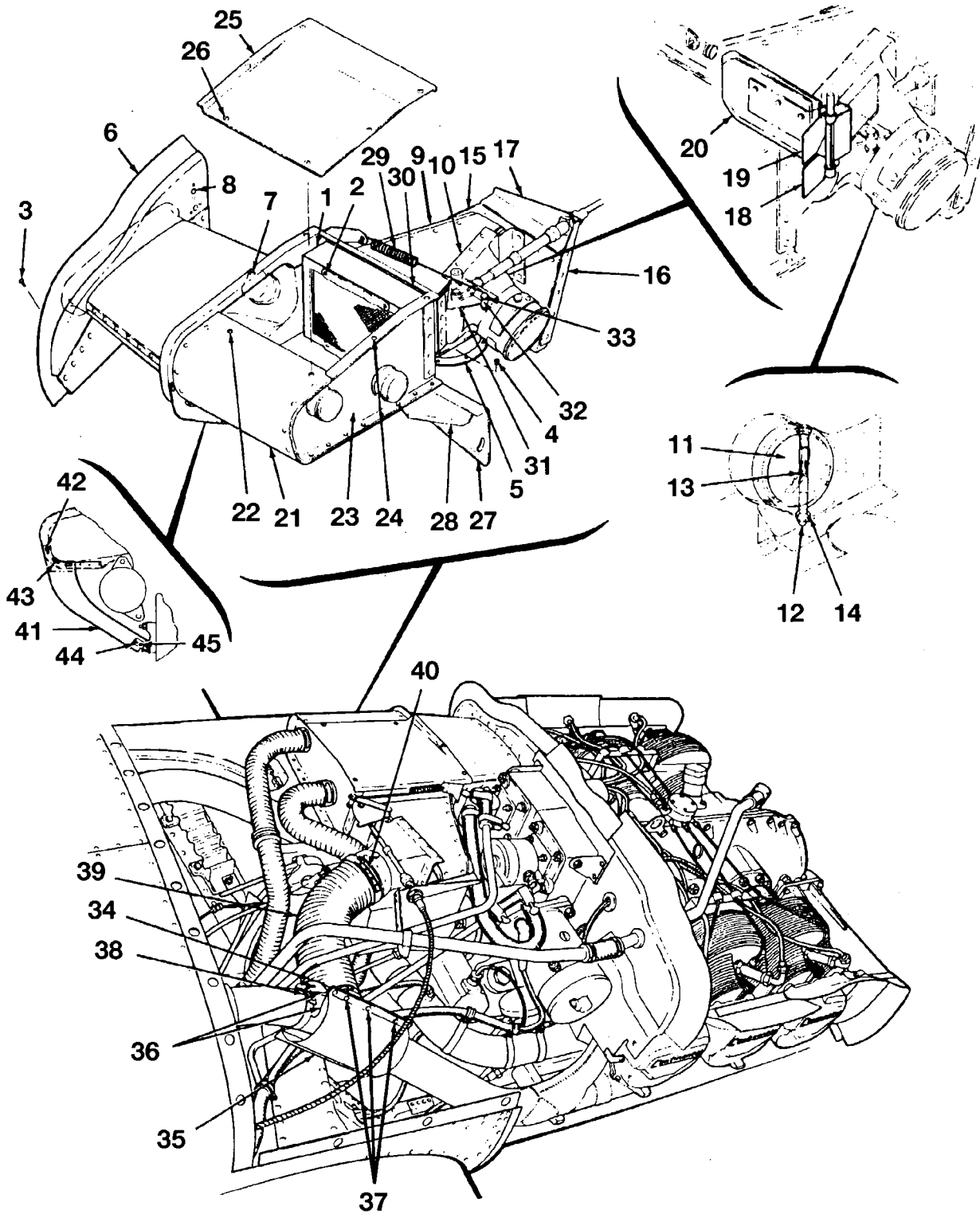
CARBURETOR AIR BOX INSTALLATION
FIGURE 01 (SHEET 1)

CESSNA AIRCRAFT COMPANY MODEL 310 THRU 310D ILLUSTRATED PARTS CATALOG

FIG ITEM	PART NUMBER	NOMENCLATURE	EFFECT		UNITS PER ASSY
			FROM	TO	
01					
-		CARBURETOR AIR BOX INSTALLATION REFER TO 71-00-00 FIGURE 01 FOR NHA	35000	35771	RF
1	0850550-2	. AIR FILTER-CARBURETOR AIR BOX			1
- 1A	13778-06	. . GASKET-AIR FILTER AIR MAZE CORP			1
2	AN3-25A	. BOLT-ATTACH CARBURETOR AIR BOX			4
- 2A	NAS1149F0363P	. WASHER-ATTACH CARBURETOR AIR BOX			8 R
- 2B	0850500-36	. BOX ASSY-CARBURETOR AIR			1
3	0850570-1	. . BOX ASSY-AIR			1
3A	0850568-1	. . . ADAPTER-CARBURETOR AIR BOX			1
4	0850500-12	. . . DOOR ASSY-CARBURETOR AIR BOX			2
5	0850500-31	. . . BUSHING ASSY-CARBURETOR AIR BOX			2
- 5A	S1997-5G5	. . . BEARING			1 R
6	0850500-16	. . . VALVE ASSY-CARBURETOR AIR BOX			1
7	0850500-13	. . . SHAFT-CARBURETOR AIR BOX			1
8	AN515-6R10	. . . SCREW-ATTACH VALVE TO SHAFT			2
- 8A	MS21044N06	. . . NUT-ATTACH VALVE TO SHAFT			2 R
9	0850500-30	. . . ARM ASSY-CARBURETOR AIR BOX			1
10	NAS561P3-10	. . . PIN-ROLL ATTACH ARM TO SHAFT			1
- 10A	MS16562-27	. . . PIN-ROLL ATTACH ARM TO SHAFT ALT FOR NAS561P3-10			1 R
11	0850569-1	. . . PLATE-CARBURETOR AIR BOX			1
12	0850500-28	. . . BRACKET-CONTROL MOUNTING			1
13	0850500-32	. . . THROAT ASSY-CARBURETOR AIR BOX			1
14	AN4-4A	. . . BOLT-ATTACH PLATE TO CARBURETOR AIR BOX			4
15	MS21044N4	. . . NUT-ATTACH PLATE TO CARBURETOR AIR BOX			4 R
16	0850500-3	. . . DUCT ASSY-CARBURETOR AIR BOX			1
17	0850500-8	. . . RETAINER-CARBURETOR AIR BOX			1
18	MS21059L3	. . . NUTPLATE-ATTACH CARBURETOR AIR BOX			4 R
19	0850561-3	. SHROUD HALF ASSY-CARBURETOR AIR INTAKE			1
20	0850564-4	. SHROUD HALF-CARBURETOR AIR INTAKE			1
21	0850572-2	. SUPPORT-SHROUD AFT			2
- 21A	0850572-1	. SUPPORT-SHROUD FORWARD			2
22	AN515-8R6	. SCREW-ATTACH SHROUD			10
- 22A	H10-08	. NUT-ATTACH SHROUD KAYNAR			10
23	AN737TW-82	. CLAMP-ATTACH SHROUD			2
24	0850560-3	. DUCT			1
25	S1891-52	. CLAMP-ATTACH DUCT			2 R
26	0851573-1	. GASKET			1

CESSNA AIRCRAFT COMPANY
MODEL 310 THRU 310D
 ILLUSTRATED PARTS CATALOG

A55722



AIRPLANES 35772 AND ON
 AIR INDUCTION BOX INSTALLATION
 FIGURE 02 (SHEET 1)

CESSNA AIRCRAFT COMPANY MODEL 310 THRU 310D ILLUSTRATED PARTS CATALOG

FIG ITEM	PART NUMBER	NOMENCLATURE	EFFECT		UNITS PER ASSY
			FROM	TO	
02		AIR INDUCTION BOX INSTALLATION REFER TO 71-00-00 FIGURE 01 FOR NHA			
- 1	0850593-1	. . . FILTER ASSY-AIR	35772	& ON	RF
- 1A	0850593-3	. . . FILTER ASSY-AIR	35772	35935	1
2	AJ3-230	. . . FASTENER-DZUS	35936	& ON	1
- 2A	CM2823-5	. . . GROMMET-DZUS	35772	35935	4
3	AN515-8R6	. . . SCREW-ATTACH AIR BOX TO BAFFLE	35772	35935	4 R
4	AN74A4	. . . BOLT-ATTACH AIR BOX			4
5	627368	. . . GASKET-ATTACH AIR BOX CONTINENTAL			1
- 5A	0850575-4	. . . BOX ASSY-AIR INTAKE			1
6	0850575-2	. . . HORN ASSY-AIR			1
7	CM2822-6	. . . SPRING-DZUS			2 R
8	MS21047L3	. . . NUTPLATE			2 R
9	0850575-5	. . . CHAMBER ASSY-FILTER			1
- 9A	CM2822-5	. . . SPRING-DZUS			4 R
10	0850521-2	. . . ADAPTER ASSY-INDUCTION AIR HEAT DUCT			1
11	0850525-1	. . . DOOR			2
12	AN3-34	. . . BOLT-ATTACH DOORS			1
- 12A	NAS43-3-10	. . . SPACER-ATTACH DOORS			2
13	0850526-1	. . . SPRING			1
- 13A	NAS1149D0363H	. . . WASHER-ATTACH DOORS			AR R
14	AN310-3	. . . NUT-ATTACH DOORS			1
- 14A	MS24665-130	. . . COTTER PIN			1
15	0850501-1	. . . BRACKET			1
16	0850502-2	. . . SUPPORT			1
17	0850502-1	. . . SUPPORT			1
18	0850516-1	. . . TRUNNION ASSY-LOWER			1
19	0850516-2	. . . TRUNNION ASSY-UPPER			1
20	0850575-6	. . . DOOR ASSY-ALTERNATE AIR			1
21	0850583-1	. . . SKIN ASSY-PRESSURE CHAMBER			1
22	CM2822-6	. . . SPRING-DZUS			2 R
23	0850584-1	. . . BULKHEAD ASSY-AFT			1
24	CM2822-6	. . . SPRING-DZUS			2 R
25	0850591-1	. . . PLATE ASSY-COVER			1
26	AJ3-25	. . . FASTENER-DZUS			6
- 26A	CM2823-6	. . . GROMMET-DZUS			6 R
27	0851524-2	. . . BRACKET-SUPPORT			1
28	0851574-1	. . . SUPPORT			1
29	0850512-1	. . . SPRING			1
30	0850574-1	. . . SEAL-AIR FILTER	35772	35935	1
- 30A	0850574-2	. . . SEAL-AIR FILTER	35936	& ON	1
31	0850504-1	. . . ACTUATOR ASSY			1
32	0850506-1	. . . LEVER ASSY			1
- 32A	NAS561P3-7	. . . ROLL PIN-ATTACH LEVER ASSY			1
- 32B	MS16562-24	. . . ROLL PIN-ATTACH LEVER ASSY ALT FOR NAS561P3-7			1 R
33	AN3-10A	. . . BOLT-ATTACH SPRING TO LEVER ASSY			1
- 33A	NAS1149F0363P	. . . WASHER-ATTACH SPRING TO LEVER ASSY			2 R
- 33B	MS21045L3	. . . NUT-ATTACH SPRING TO LEVER ASSY			1 R
34	0850561-3	. . . SHROUD HALF ASSY-HOT AIR INTAKE			1
35	0850564-4	. . . SHROUD-HOT AIR INTAKE			1
36	0850572-2	. . . SUPPORT-SHROUD AFT			2
- 36A	0850572-1	. . . SUPPORT-SHROUD FWD			2
37	AN515-8R6	. . . SCREW-ATTACH SHROUD			10
- 37A	H10-08	. . . NUT-ATTACH SHROUD KAYNAR			10
38	AN737TW-82	. . . CLAMP-ATTACH SHROUD			2
39	0850675-5	. . . DUCT-HOT AIR			1
40	S1891-52	. . . CLAMP-ATTACH DUCT			2 R
- 40A	0850604-8	. . . SUPPORT ASSY-AIR BOX			1
41	0850604-6	. . . CHANNEL ASSY-REFER TO NOTE 1			1
42	MS21071L08	. . . NUTPLATE			4 R
43	MS21069L08	. . . NUTPLATE			1 R
44	0850604-7	. . . BRACKET-REFER TO NOTE 2			1
45	AN515-8R8	. . . SCREW-ATTACH BRACKET			2
- 45A	AN515-8R8	. . . SCREW-ATTACH SUPPORT ASSY			3

NOTE 1—WHEN ORDERING 0850604-6 CHANNEL ASSEMBLY, ALSO ORDER 085604-7 BRACKET

NOTE 2—WHEN ORDERING 0850604-7 BRACKET, ALSO ORDER 085604-6 CHANNEL ASSEMBLY

CHAPTER

73

**ENGINE FUEL
AND CONTROL**

CESSNA AIRCRAFT COMPANY
MODEL 310 THRU 310D
ILLUSTRATED PARTS CATALOG

LIST OF EFFECTIVE PAGES

CHAPTER-SECTION-SUBJECT	PAGE	DATE
73-Title		
73-List of Effective Pages		
73-Record of Temporary Revisions		
73-Contents		
73-10-00 Figure 01	1	Jul 5/2004
	2	Jul 5/2004
73-10-00 Figure 02	1	Jul 3/2006
	2	Jul 3/2006
73-10-00 Figure 03	1	Jul 5/2004
	2	Jul 5/2004

CESSNA AIRCRAFT COMPANY
MODEL 310 THRU 310D
ILLUSTRATED PARTS CATALOG

SUBJECT

CH SEC SUBJ FIG

EFFECTIVITY

FUEL SYSTEM COMPONENTS - ENGINE NACELLE

73-10-00-01

35000 35771

FUEL SYSTEM COMPONENTS - ENGINE NACELLE

73-10-00-02

35772 & ON

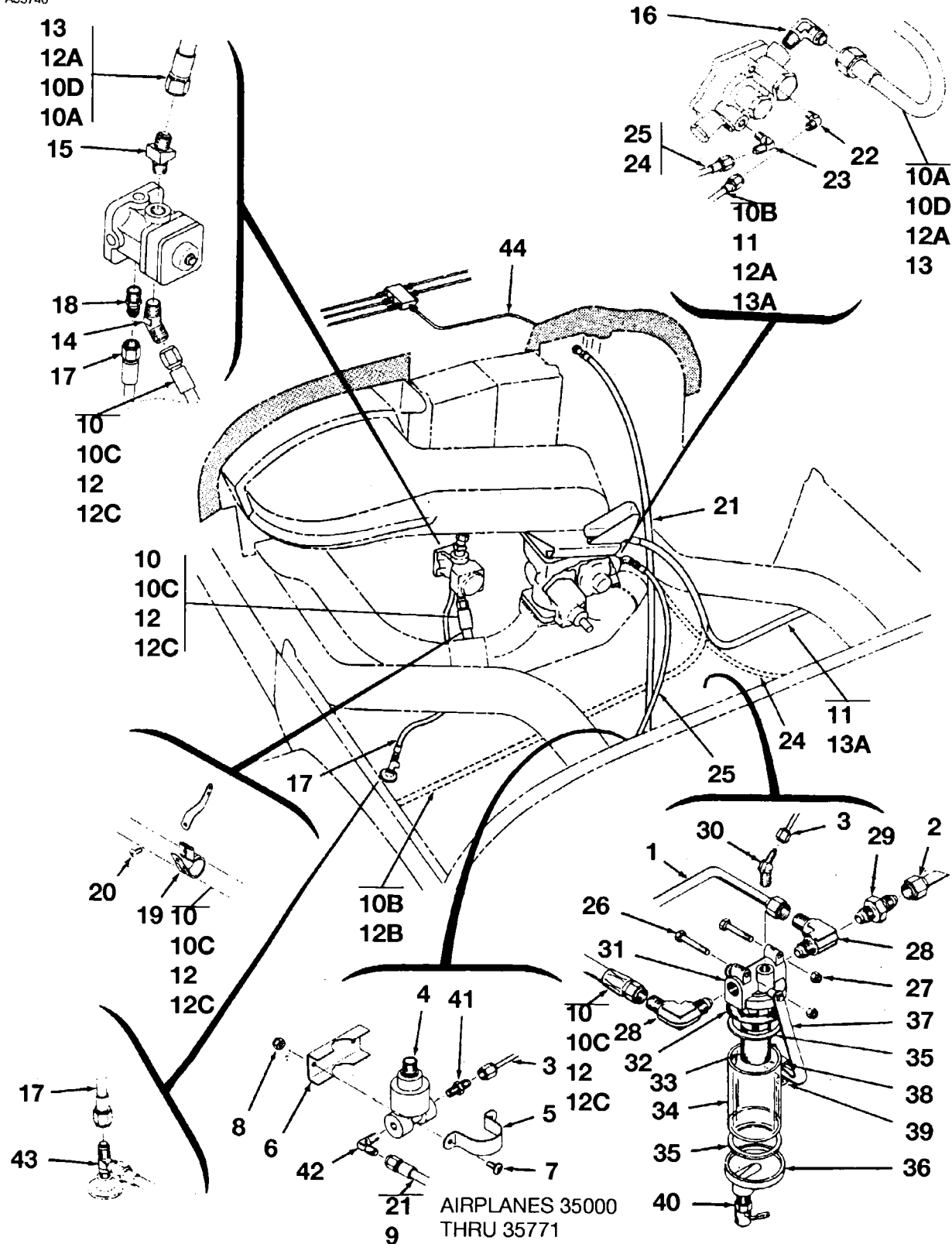
HEATER FUEL AND ANTI-ICE FLUID FILTER ASSEMBLY

73-10-00-03

35547 & ON

CESSNA AIRCRAFT COMPANY
MODEL 310 THRU 310D
 ILLUSTRATED PARTS CATALOG

A55740



FUEL SYSTEM COMPONENTS - ENGINE NACELLE
 FIGURE 01 (SHEET 1)

CESSNA AIRCRAFT COMPANY
MODEL 310 THRU 310D
ILLUSTRATED PARTS CATALOG

FIG ITEM	PART NUMBER	NOMENCLATURE	EFFECT		UNITS PER ASSY
			FROM	TO	
01		FUEL SYSTEM COMPONENTS - ENGINE NACELLE REFER TO 28-20-00	35000	35771	RF
		FIGURE 01 & 02 FOR NHA			
1	0800106-55	TUBE ASSY- FIREWALL TO STRAINER LEFT ENGINE			1
2	0800106-56	TUBE ASSY- FIREWALL TO STRAINER RIGHT ENGINE			1
3	0800106-62	TUBE ASSY- STRAINER TO PRIMER SOLENOID			2
4	0850450	VALVE- PRIMER			2
		ATTACHING PARTS			
5	0851505-2	CLAMP- SOLENOID ATTACH - REFER TO NOTE 1			2
6	0851505-1	BRACKET- SOLENOID ATTACH - REFER TO NOTE 1			2
7	AN520-10R7	SCREW- CLAMP ATTACH			4
8	MS21045L3	NUT- CLAMP ATTACH	35000	35139	4 R
9	0800403-11	LINE ASSY- PRIMER LINE LH			1
- 9A	AE24537-001K	KIT- HOSE LH & RH - REFER TO NOTE 2	35000	35604	1
- 9B	AE24537-001L	KIT- HOSE LH - REFER TO NOTE 2	35000	35604	1
10	CM3758D240A000S	HOSE ASSY- FUEL SUPPLY TO PUMP LH			1
10A	CM3758D200A000S	HOSE ASSY- FUEL PUMP TO CARBURETOR LH			1
10B	CM3758B282A000S	HOSE ASSY- VAPOR RETURN LH			1
10C		HOSE ASSY- OIL SYSTEM - REFER TO 79-20-00 FIGURE 01			RF
10D	AE24537-001R	KIT- HOSE RH - REFER TO NOTE 2	35000	35604	1
10E	CM3758D240A000S	HOSE ASSY- FUEL SUPPLY TO PUMP RH			1
10F	CM3758D200A000S	HOSE ASSY- FUEL PUMP TO CARBURETOR RH			1
11	CM3758B174A000S	HOSE ASSY- VAPOR RETURN RH			1
- 11A		HOSE ASSY- OIL RETURN - REFER TO 79-20-00 FIGURE 01			RF
- 11B	AE24538-001K	KIT- HOSE LH & RH - REFER TO NOTE 2	35605	35771	1
11C	AE24538-001L	KIT- HOSE LH - REFER TO NOTE 2	35605	35771	1
12	CM3758D240A000S	HOSE ASSY- FUEL SUPPLY TO PUMP LH			1
12A	CM3758D200A000S	HOSE ASSY- FUEL PUMP TO CARBURETOR LH			1
12B	CM3758B282A000S	HOSE ASSY- VAPOR RETURN LH			1
12C	CM3758D240A000S	HOSE ASSY- FUEL SUPPLY TO PUMP RH			1
12D		HOSE ASSY- OIL SYSTEM LH REFER TO 79-20-00 FIGURE 01			RF
12E	AE24538-001R	KIT- HOSE RH	35605	35771	1
13	CM3758D200A000S	HOSE ASSY- FUEL PUMP TO CARBURETOR RH			1
13A	CM3758B174A000S	HOSE ASSY- VAPOR RETURN RH			1
13B		HOSE ASSY- OIL SYSTEM RH REFER TO 79-20-00 FIGURE 01			RF
14	AN832-6B	ELBOW- STRAINER HOSE ATTACH			2
15	0850408-1	FITTING- FUEL PUMP			2
16	MS20822-6B	ELBOW- CONNECT PUMP TO CARBURETOR			2
17	S1168-4-5-3/4	HOSE ASSY- OVERBOARD DRAIN	35000	35338	2
- 17A	S1168-4-5-1/4	HOSE ASSY- OVERBOARD DRAIN	35339	35771	2
18	AS5194B0402	NIPPLE- CONNECT OVERBOARD DRAIN TO PUMP			2 R
19	A3047A-4	CLAMP- STRAINER HOSE ATTACH TINNERMAN			2
20	S102128-6	SCREW- CLAMP ATTACH			2
21	0800403-12	LINE ASSY- PRIMER LINE RH			1
22	AN823-4B	ELBOW- CONNECT VAPOR RETURN TO CARBURETOR			2
23	MS20822-2B	ELBOW- CONNECT FUEL PRESSURE TO CARBURETOR			2
24	0800403-9	LINE ASSY- FUEL PRESSURE CARBURETOR TO FIREWALL LH			1
25	0800403-10	LINE ASSY- FUEL PRESSURE CARBURETOR TO FIREWALL RH			1
26	AN4-13A	BOLT- FUEL STRAINER ATTACH			4
27	MS21044N4	NUT- FUEL STRAINER ATTACH			4 R
28	MS20822-6-6D	ELBOW- ATTACH FUEL VALVE LINE LEFT AND FUEL PUMP LINE			3
29	AS5194D0606	NIPPLE- ATTACH FUEL VALVE LINE RIGHT			1 R
30	AN823-2D	ELBOW- SOLENOID LINE ATTACH			2
- 30A	0511199-26	STRAINER- FUEL	35000	35546	2
30B	0511199-29	STRAINER- FUEL	35547	35771	2
31	33-199-2	BODY ASSY- FUEL STRAINER GARWIN	35000	35546	1
- 31A	33-199-44	BODY ASSY- FUEL STRAINER GARWIN	35547	35771	1
- 31B	33-199-31	FILTER ASSY- MICRONIC GARWIN			1
32	33-199-31-3	SCREEN- FLAT GARWIN			1
33	33-199-31-1	FILTER- MICRONIC GARWIN			1
34	33-199-5	GLASS BOWL- GARWIN			1
35	33-199-6	GASKET- GARWIN			1
36	33-199-1	CAP- GARWIN			1
37	33-199-3	ARM ASSY- GARWIN			1
38	33-199-8	NUT- GARWIN			1
39	33-199-7	BOLT- GARWIN			1
40	0511199-20	DRAIN VALVE- FUEL STRAINER			1
41	AS5194D0202	NIPPLE- SOLENOID LINE ATTACH			2 R
42	MS20822-2D	ELBOW- CONNECT PRIMER LINE TO SOLENOID			2
43	AN826-4D	TEE- CONNECT OVERBD DRAIN LINE TO SKINS			2
44	0800106-70	PRIMER LINE- BAFFLE TO DISTRIBUTOR			2

NOTE 1—WHEN ORDERING PARTS FOR AIRPLANES PRIOR TO SERIAL 35139, ORDER 0851505-2 CLAMP AND 0851505-1 BRACKET

NOTE 2—IN ADDITION TO THIS HOSE KIT, ORDER 0800403-11 LINE ASSEMBLY, 0800403-12 LINE ASSEMBLY, 0800403-9 LINE ASSEMBLY AND 0800403-10 LINE ASSEMBLY TO COMPLETE THE INSTALLATION

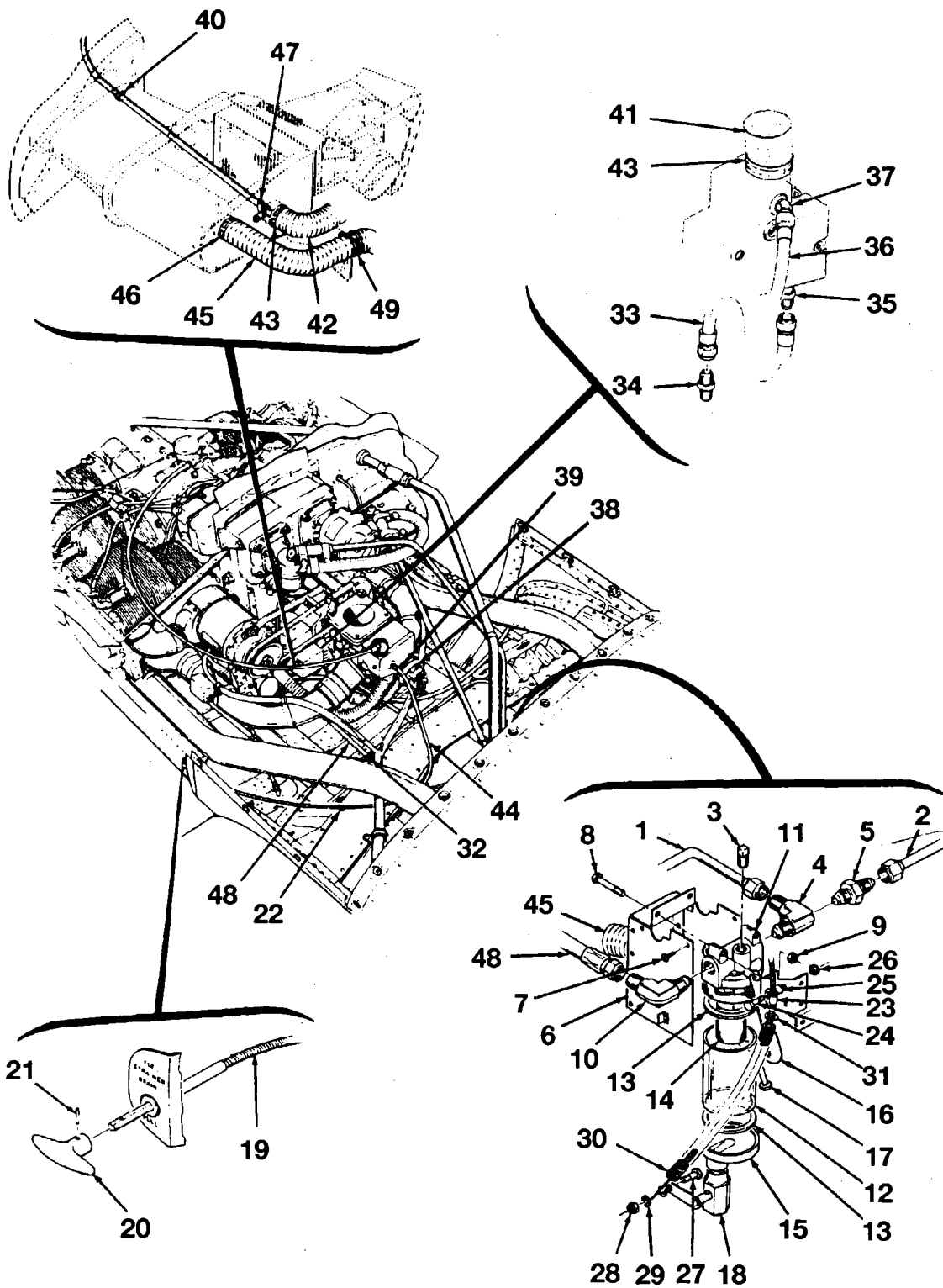
- ITEM NOT ILLUSTRATED

© Cessna Aircraft Company

Figure 01
Page 2
73-10-00
Jul 3/2006

CESSNA AIRCRAFT COMPANY
MODEL 310 THRU 310D
 ILLUSTRATED PARTS CATALOG

A55741



AIRPLANES 35772 AND ON
 FUEL SYSTEM COMPONENTS - ENGINE NACELLE
 FIGURE 02 (SHEET 1)

CESSNA AIRCRAFT COMPANY
MODEL 310 THRU 310D
ILLUSTRATED PARTS CATALOG

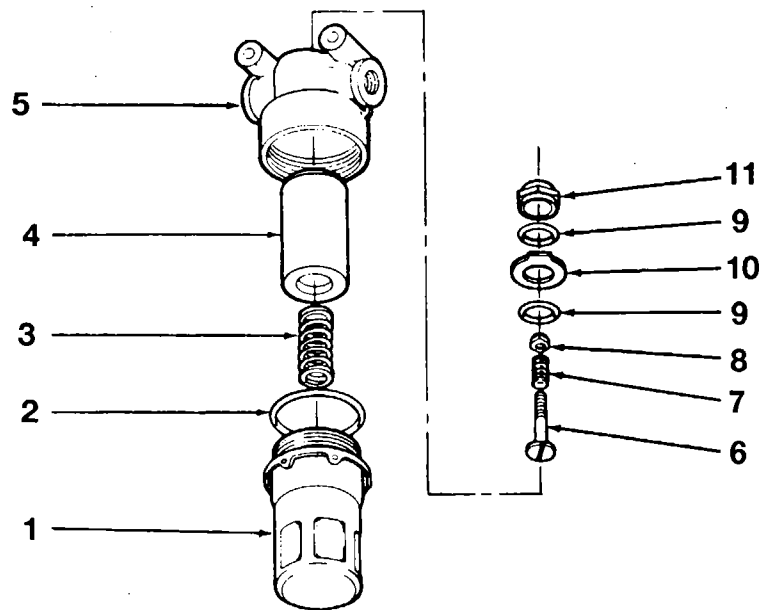
FIG ITEM	PART NUMBER	NOMENCLATURE	EFFECT		UNITS PER ASSY
			FROM	TO	
02		FUEL SYSTEM COMPONENTS - ENGINE NACELLE	35772	& ON	RF
1	0800106-55	. LINE ASSY- FIREWALL TO STRAINER LEFT ENGINE			1
2	0800106-56	. LINE ASSY- FIREWALL TO STRAINER RIGHT ENGINE			1
3	MS2913-1	. PLUG			2
4	MS20822-6-6D	. ELBOW- LINE ASSY ATTACH LEFT ENGINE			1
5	AS5194D0606	. NIPPLE- LINE ASSY ATTACH RIGHT ENGINE			1 R
6	0851715-1	. SHROUD ASSY			2
7	S-1021Z-4-6	. SCREW- SHROUD ATTACH			4
- 7A	S3230-1	. NUT- SHROUD ATTACH TINNERMAN A1776-4Z-3			4 R
8	AN4-13A	. BOLT- SHROUD & STRAINER ASSY ATTACH			4
9	MS21044N4	. NUT- SHROUD & STRAINER ASSY ATTACH			4 R
10	MS20822-6-6D	. ELBOW- ATTACH FUEL HOSE TO STRAINER			2
- 10A	0511199-33	. STRAINER ASSY- FUEL			2
11	33-199-41	. BODY ASSY- FUEL STRAINER GARWIN			1
12	33-199-5	. GLASS BOWL-GARWIN			1
13	33-199-6	. GASKET- GARWIN			2
14	33-199-71	. SCREEN ASSY- GARWIN			1
15	33-199-1	. CAP- GARWIN			1
16	33-199-3	. ARM ASSY- GARWIN			1
17	33-199-7	. BOLT- GARWIN			1
- 17A	33-199-8	. NUT- GARWIN			1
18	0511199-20	. DRAIN VALVE	35000	39031	2
- 18A	0511199-42	. DRAIN VALVE ASSY	39032	& ON	2
19	0523142-12	. CONTROL ASSY- REMOTE DRAIN	39032	& ON	2
20	0851588-1	. HANDLE			1
21	52-018-078-0500	. ROLL PIN- ESNA			1
22	0851591-1	. SUPPORT ANGLE- CONTROL ATTACH	39032	& ON	2
- 22A	AN742-D3	. CLAMP- CONTROL ATTACH	39032	& ON	2
- 22B	S-1021Z-8-6	. SCREW- CONTROL ATTACH	39032	& ON	2
23	AN742-D3	. CLAMP	39032	& ON	2
24	AN3-4	. BOLT	39032	& ON	2
25	NAS75-3-008	. BUSHING	39032	& ON	2
26	MS20364-1032C	. NUT	39032	& ON	2
27	0450311	. CLAMP	39032	& ON	2
28	MS21045L3	. NUT	39032	& ON	2 R
29	AN960-40	. WASHER	39032	& ON	2
30	0851593-1	. SPRING	39032	& ON	2
31	NAS1149F0432P	. WASHER	39032	& ON	2 R
32	MS21919DG7	. CLAMP- FUEL HOSE TO WEB ASSY ATTACH			2
- 32A	S-1021Z-8-6	. SCREW- CLAMP ATTACH			2
- 32B	S3230-4	. NUT- CLAMP ATTACH TINNERMAN A1778-8Z-3			2 R
33	S-1168-4-6-1/4	. HOSE ASSY- FUEL PUMP DRAIN			2
34	AS5194D0402	. NIPPLE- FUEL DRAIN LINE ATTACH			2 R
35	AS5194B0402	. NIPPLE- FUEL DRAIN LINE ATTACH			2 R
36	AE24539-001K	. KIT- HOSE LH & RH	35772	& ON	1
- 36A	AE24539-001L	. KIT- HOSE LH	35772	& ON	1
- 36B	CM3758D240A000S HOSE ASSY- FUEL SUPPLY TO PUMP LH			1
- 36C	CM3758B282A000S HOSE ASSY- VAPOR RETURN LH			1
36D	AE70131270220 HOSE ASSY- FUEL PRESSURE LH			1
- 36E	 HOSE ASSY- OIL SYSTEM - REFER TO 79-20-00 FIGURE 01			RF
- 36F	AE24539-001R KIT- HOSE RH	35772	& ON	1
- 36G	CM3758D240A000S HOSE ASSY- FUEL SUPPLY TO PUMP RH			1
- 36H	CM3758B224A000S HOSE ASSY- VAPOR RETURN RH			1
- 36I	AE7013127E0240 HOSE ASSY- FUEL PRESSURE RH			1
- 36J	 HOSE ASSY- OIL SYSTEM RH - REFER TO 79-20-00 FIGURE 01			RF
37	AN823-4B	. ELBOW			2
38	0850452-2	. SWITCH ASSY- PRESSURE			2
39	AN911-1	. NIPPLE- SWITCH ATTACH			2
40	A3047A-5-92	. CLAMP- FUEL LINE ATTACH			2
- 40A	S-1021Z-8-6	. SCREW- CLAMP ATTACH			2
41	S1053E12T	. DUCT- COOLING 7.5 INCHES LG BKI			2
42	S1053E12T	. DUCT- COOLING 12.0 INCHES LG BKI			2
43	S1891-20	. CLAMP			8 R
- 44		. DELETED-NOT USED			
45	S1053E10T	. DUCT- COOLING 29.0 INCHES LG BKI			2
46	S1891-24	. CLAMP			4 R
47	739-5	. CLAMP- FUEL LINE ATTACH			2
- 47A	S-1021Z-6-6	. SCREW- CLAMP ATTACH			4
- 47B	S3230-2	. NUT- CLAMP ATTACH TINNERMAN A1181-6Z-3			4 R
- 48		. DELETED-NOT USED			
49	MS21919DG22	. CLAMP			2
- 49A	S-1021Z-6-6	. SCREW- CLAMP ATTACH			2
- 49B	S3230-2	. NUT- CLAMP ATTACH TINNERMAN A1181-6Z-3			2 R

- ITEM NOT ILLUSTRATED

© Cessna Aircraft Company

CESSNA AIRCRAFT COMPANY
MODEL 310 THRU 310D
ILLUSTRATED PARTS CATALOG

A55745



AIRPLANES 35547 AND ON

HEATER FUEL AND ANTI-ICE FLUID FILTER ASSEMBLY
FIGURE 03 (SHEET 1)

CESSNA AIRCRAFT COMPANY
MODEL 310 THRU 310D
ILLUSTRATED PARTS CATALOG

FIG ITEM	PART NUMBER	NOMENCLATURE	EFFECT		UNITS PER ASSY
			FROM	TO	
03		HEATER FUEL AND ANTI-ICE FLUID FILTER ASSEMBLY	35547	& ON	RF
-			35547	35642	1
0	0850475-6	. FILTER ASSY- HEATER FUEL & ANTI-ICE FLUID - WHEN EXHAUSTED USE 0850475-8 - REFER TO 28-20-00 FIGURE 02 & 30-00-00 FIGURE 01 FOR NHA			
A	0850475-8	. FILTER ASSY- HEATER FUEL & ANTI-ICE FLUID - REFER TO 28-20-00 FIGURE 02 & 30-00-00 FIGURE 01 FOR NHA	35643	& ON	1
1	26413	. BOWL ASSY- FILTER SKINNER			1
2	26405-A	. O-RING- BOWL SKINNER	35547	35642	1
- 2A	26405	. GASKET- BOWL FLAT SKINNER	35643	& ON	1
3	26417-A	. SPRING- CONE RETAINER SKINNER			1
4	569807	. ELEMENT ASSY- FILTER SKINNER			1
5	26452-A	. HEAD- FILTER SKINNER	35547	35642	1
- 5A	26420-A	. HEAD- FILTER SKINNER	35643	& ON	1
6	26403	. VALVE- FILTER SKINNER			1
7	26409	. SPRING- VALVE SKINNER			1
8	26424	. NUT- VALVE SKINNER			1
9	26416-A	. GASKET- VALVE CAP SKINNER			2
10	26419	. PLATE- LOCKING SKINNER			1
11	26404	. CAP- VALVE SKINNER			1

CHAPTER

76

**ENGINE
CONTROLS**

CESSNA AIRCRAFT COMPANY
MODEL 310 THRU 310D
ILLUSTRATED PARTS CATALOG

LIST OF EFFECTIVE PAGES

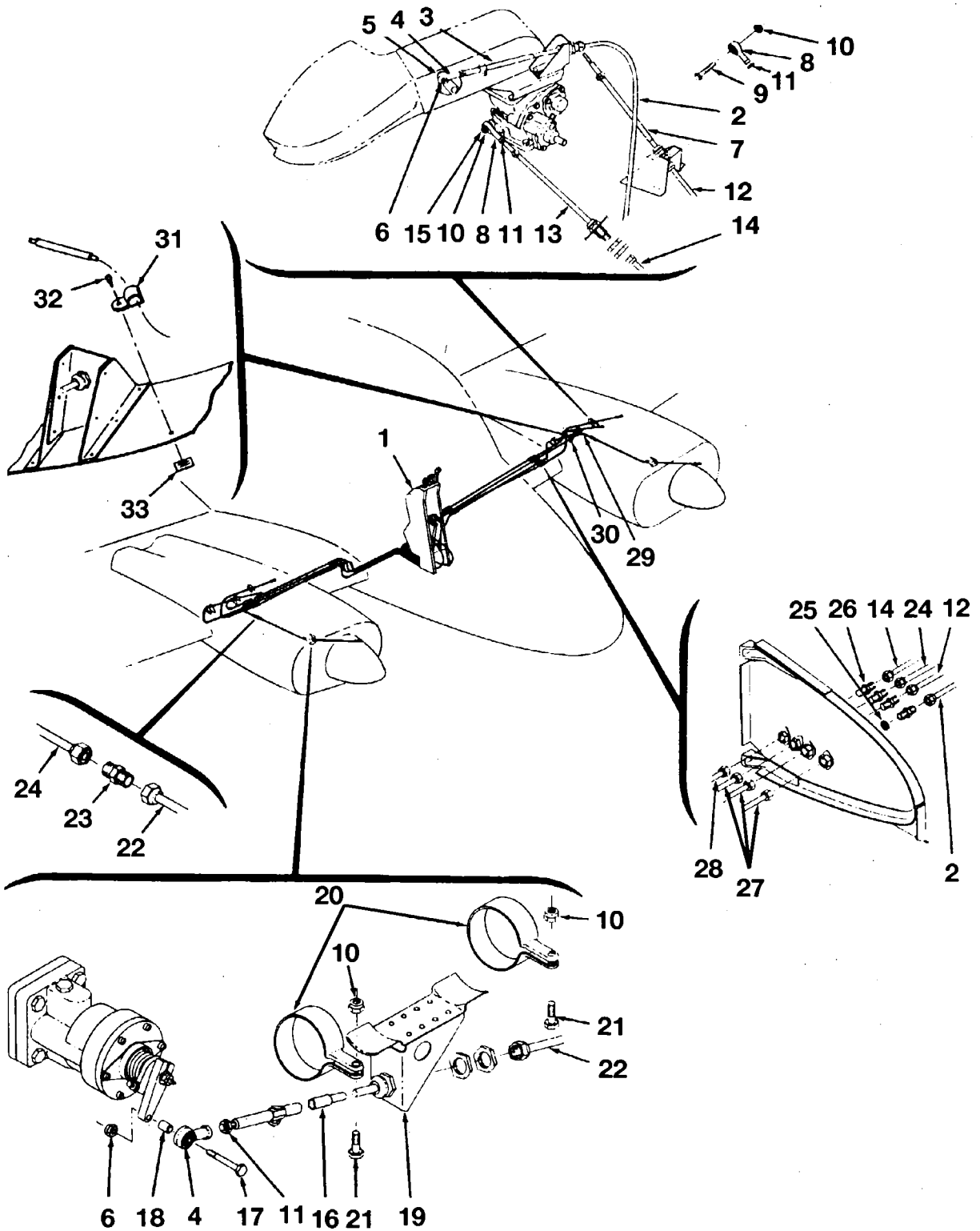
CHAPTER-SECTION-SUBJECT	PAGE	DATE
76-Title		
76-List of Effective Pages		
76-Record of Temporary Revisions		
76-Contents		
76-10-00 Figure 01	1	Jul 5/2004
	2	Jul 5/2004
76-10-00 Figure 02	1	Jul 5/2004
	2	Jul 5/2004
76-10-00 Figure 03	1	Jul 5/2004
	2	Jul 5/2004
76-10-00 Figure 04	1	Jul 5/2004
	2	Jul 5/2004
76-10-00 Figure 05	1	Jul 5/2004
	2	Jul 5/2004
76-10-01 Figure 01	1	Jul 5/2004
	2	Jul 5/2004
76-10-01 Figure 02	1	Jul 5/2004
	2	Jul 5/2004
76-10-01 Figure 03	1	Jul 5/2004
	2	Jul 5/2004

CESSNA AIRCRAFT COMPANY
MODEL 310 THRU 310D
ILLUSTRATED PARTS CATALOG

<u>SUBJECT</u>	<u>CH SEC SUBJ FIG</u>	<u>EFFECTIVITY</u>
ENGINE CONTROL SYSTEM INSTALLATION	76-10-00-01	35000 35771
ENGINE CONTROL SYSTEM INSTALLATION	76-10-00-02	35772 & ON
ENGINE CONTROL SYSTEM COMPONENTS - FUSELAGE	76-10-00-03	35000 35328
ENGINE CONTROL SYSTEM COMPONENTS - FUSELAGE	76-10-00-04	35329 35771
ENGINE CONTROL SYSTEM INSTALLATION	76-10-00-05	35772 & ON
CONTROL QUADRANT ASSEMBLY	76-10-01-01	35000 35546 35772 35934
CONTROL QUADRANT ASSEMBLY	76-10-01-02	35547 34771
CONTROL QUADRANT ASSEMBLY	76-10-01-03	35935 & ON

CESSNA AIRCRAFT COMPANY
MODEL 310 THRU 310D
 ILLUSTRATED PARTS CATALOG

A55712



AIRPLANES 35000 THRU 35771
 ENGINE CONTROL SYSTEM INSTALLATION
 FIGURE 01 (SHEET 1)

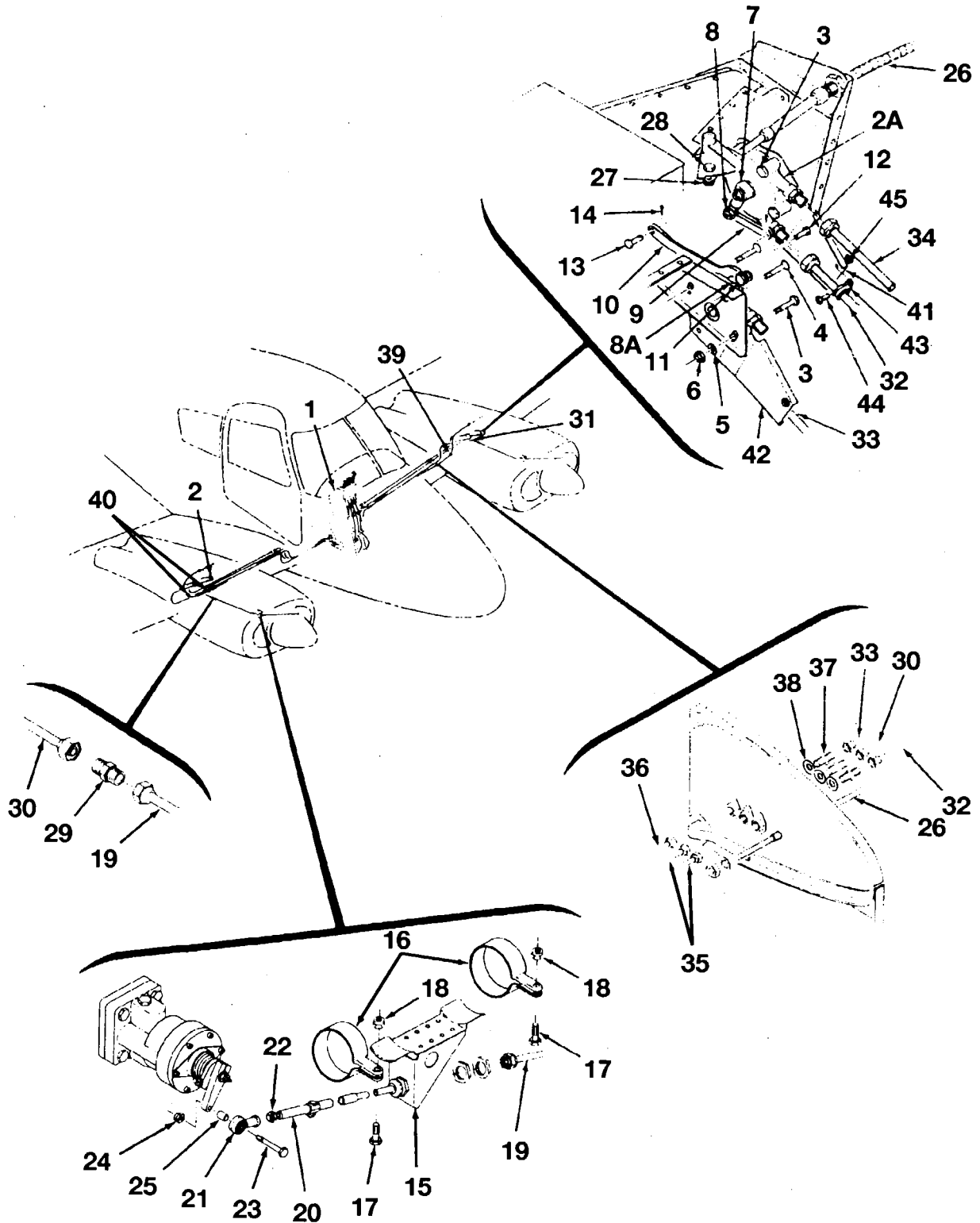
CESSNA AIRCRAFT COMPANY
MODEL 310 THRU 310D
ILLUSTRATED PARTS CATALOG

FIG ITEM	PART NUMBER	NOMENCLATURE	EFFECT		UNITS	
			FROM	TO	PER	ASSY
01		ENGINE CONTROL SYSTEM INSTALLATION REFER TO NOTE 1	35000	35771		RF
-		SYSTEM COMPONENTS FUSELAGE - ENGINE CONTROL REFER TO				RF
1		76-10-00 FIGURE 03 & 04 FOR BREAKDOWN				
2	0850250-43	CONDUIT- LH CARB AIR CONTROL-CARB AIR BOX TO ENGINE NACELLE RIB	35000	35328	1	
- 2A	0850250-127	CONDUIT- LH CARB AIR CONTROL-CARB AIR BOX TO ENGINE NACELLE RIB	35329	35771	1	
- 2B	0850250-44	CONDUIT- RH CARB AIR CONTROL-CARB AIR BOX TO ENGINE NACELLE RIB	35000	35328	1	
- 2C	0850250-128	CONDUIT- RH CARB AIR CONTROL-CARB AIR BOX TO ENGINE NACELLE RIB	35328	35771	1	
3	0850250-1	TELESCOPIC UNIT- CARBURETOR AIR				2
4	S-1106-3	ROD END				4
5	AN3-7A	BOLT- ATTACH CARBURETOR AIR CONTROL				2
6	MS21045L3	NUT- ATTACH CONTROL				4 R
7	0850250-10	TELESCOPIC UNIT- MIXTURE CONTROL				2
8	S-1106-4	ROD END				4
9	AN4-11A	BOLT- ATTACH MIXTURE CONTROL				2
10	MS21044N4	NUT- ATTACH CONTROL				8 R
11	AN315-4R	NUT- ROD END				8
12	0850250-45	CONDUIT- LH MIXTURE CONTROL-CARB TO ENGINE NACELLE RIB	35000	35328	1	
- 12A	0850250-129	CONDUIT- LH MIXTURE CONTROL-CARB TO ENGINE NACELLE RIB	35329	35771	1	
- 12B	0850250-46	CONDUIT- RH MIXTURE CONTROL-CARB TO ENGINE NACELLE RIB	35000	35328	1	
- 12C	0850250-130	CONDUIT- RH MIXTURE CONTROL-CARB TO ENGINE NACELLE RIB	35329	35771	1	
13	0850250-100	TELESCOPIC UNIT- THROTTLE CONTROL	35063	35771	2	
- 13A	0850250-10	TELESCOPIC UNIT- THROTTLE CONTROL	35000	35062	2	
14	0850250-41	CONDUIT- LH THROTTLE CONTROL-CARB TO ENGINE NACELLE RIB	35000	35328	1	
- 14A	0850250-125	CONDUIT- LH THROTTLE CONTROL-CARB TO ENGINE NACELLE RIB	35329	35771	1	
- 14B	0850250-42	CONDUIT- RH THROTTLE CONTROL-CARB TO ENGINE NACELLE RIB	35000	35328	1	
- 14C	0850250-126	CONDUIT- RH THROTTLE CONTROL-CARB TO ENGINE NACELLE RIB	35329	35771	1	
15	AN4-13A	BOLT- ATTACH THROTTLE CONTROL				2
16	0850250-2	TELESCOPIC UNIT- PROPELLER CONTROL				2
17	AN3-20A	BOLT- ATTACH PROPELLER CONTROL				2
18	NAS75-3-027	BUSHING- ATTACH PROP CONTROL				2
19	0852000-9	BRACKET- PROPELLER CONTROL				2
20	AN741-18D	TYPE A CLAMP- ATTACH BRACKET				4
21	AN4-6A	BOLT- ATTACH CLAMP				4
22	0850250-55	CONDUIT- PROPELLER CONTROL-PROPELLER GOVERNOR TO CONNECTOR	35000	35622	2	
- 22A	0850250-55	CONDUIT- RH PROPELLER CONTROL-PROPELLER GOVERNOR TO CONNECTOR	35624	35659	1	
- 22B	0850250-166	CONDUIT- LH PROPELLER CONTROL-PROPELLER GOVERNOR TO CONNECTOR	35623	35623	1	
23	0850250-5	CONNECTOR- PROPELLER CONTROL CONDUITS	35660	35771	2	
24	0850250-39	CONDUIT- LH PROP CONTROL-CONNECTOR TO ENG NACELLE RIB	35623	35623	1	
- 24A	0850250-123	CONDUIT- LH PROP CONTROL-CONNECTOR TO ENG NACELLE RIB	35660	35771	1	
- 24B	0850250-164	CONDUIT- LH PROP CONTROL-CONNECTOR TO ENG NACELLE RIB	35000	35328	1	
- 24C	0850250-40	CONDUIT- RH PROP CONTROL-CONNECTOR TO ENG NACELLE RIB	35329	35622	1	
- 24D	0850250-124	CONDUIT- RH PROP CONTROL-CONNECTOR TO ENG NACELLE RIB	35624	35659	1	
25	MS35333-44	WASHER- CONNECT CONDUITS AT ENGINE NACELLE RIB				8 R
26	0850250-4	CONNECTOR- CONNECT CONDUITS AT ENGINE NACELLE RIB				8
27	0850250-15	CONDUIT- CONTROL-ENGINE NACELLE RIB TO FUSELAGE				6
28	0850250-21	CONDUIT- THROTTLE CONTROL-ENG NACELLE RIB TO FUSELAGE				2
29	AN742D4	CLAMP- SECURE LH PROPELLER CONTROL CONDUIT	35574	35622	1	
- 29A	S-10212-8-6	SCREW- ATTACH CLAMP	35624	35659	1	
- 29B	S3230-4	NUT- ATTACH CLAMP	35574	35622	1	R
30	0850042-1	CLAMP- SECURE LH PROPELLER CONTROL CONDUIT AT FUEL FILTER	35624	35659	1	
31	MS21919WDG4	CLAMP- SECURE LH PROPELLER CONTROL CONDUIT	35771	35771	1	R
32	S-10212-10-10	SCREW- ATTACH CLAMP	35623	35623	1	
33	S3230-5	NUT- ATTACH CLAMP TINNERMAN A1779-10Z-3	35771	35771	1	
			35623	35623	1	R
			35660	35771		

NOTE 1—TO PREVENT CHAFING BETWEEN LH PROPELLER CONTROL CONDUIT AND FUEL LINE ORDER SK310-16 SERVICE KIT

CESSNA AIRCRAFT COMPANY
MODEL 310 THRU 310D
 ILLUSTRATED PARTS CATALOG

A55713



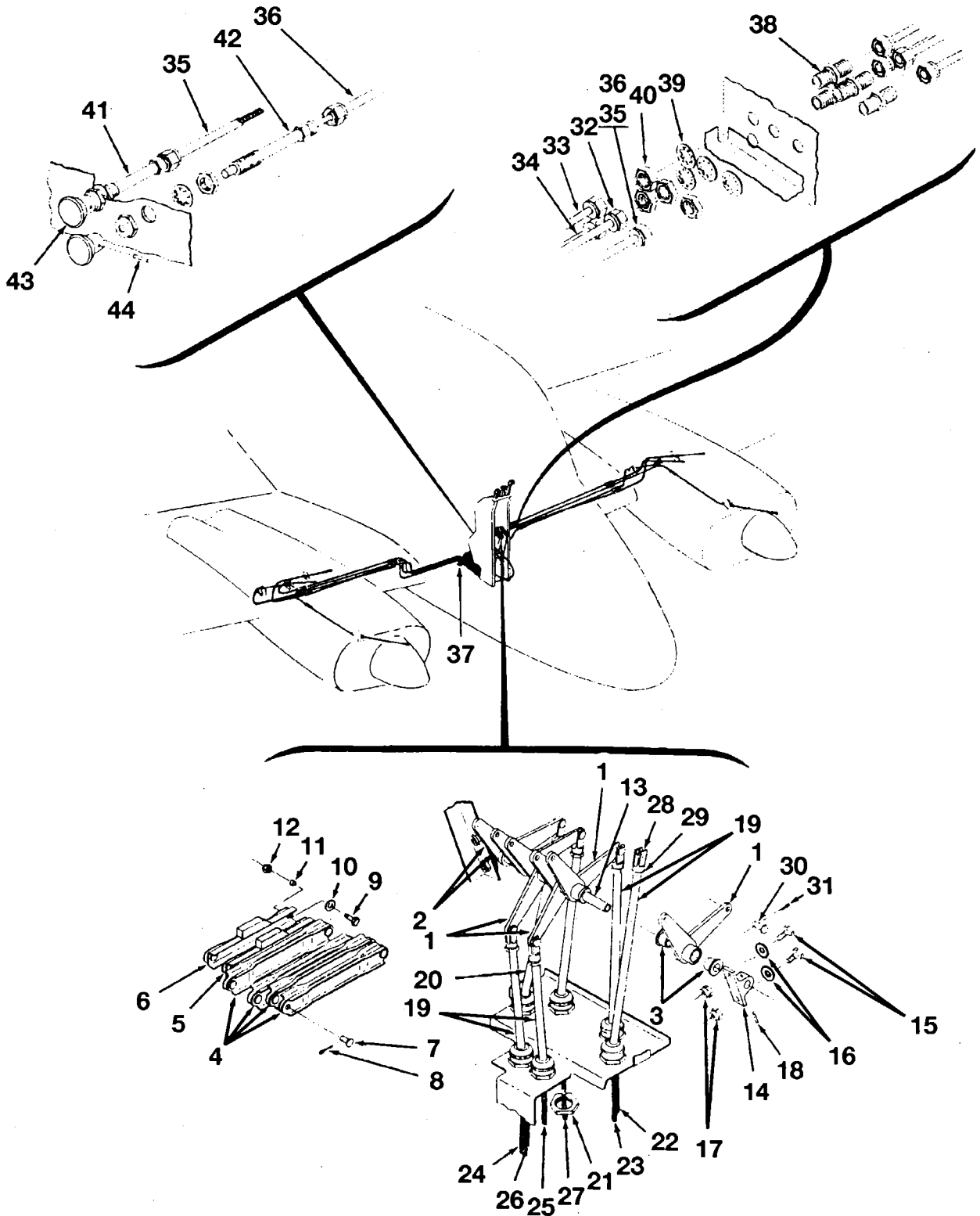
AIRPLANES 35772 AND ON
 ENGINE CONTROL SYSTEM INSTALLATION
 FIGURE 02 (SHEET 1)

CESSNA AIRCRAFT COMPANY
MODEL 310 THRU 310D
ILLUSTRATED PARTS CATALOG

FIG ITEM	PART NUMBER	NOMENCLATURE	EFFECT		UNITS PER ASSY
			FROM	TO	
02		ENGINE CONTROL SYSTEM INSTALLATION	35772	& ON	RF
1		ENGINE CONTROL SYSTEM COMPONENTS- FUSELAGE			RF
2	0850599-3	BOX- RH CONTROL TELEFLEX 15384			2
2A	0850599-1	BOX- LH CONTROL TELEFLEX 15384			2
3	AN3-11A	BOLT- ATTACH BOX			6
4	AN507-1032R18	SCREW- ATTACH BOX			8
5	NAS1149F0332P	WASHER- ATTACH BOX			14 R
6	AN363-1032	NUT- ATTACH BOX			14
7	0851619-1	BARREL ASSY- MIXTURE CONTROL			2
8	0851539-3	BOLT- EYE- MIXTURE CONTROL			2
- 8A	0851539-4	ARM ASSY- THROTTLE CONTROL			2
8B	0851539-2	ARM			1
- 8C	0851539-5	BOLT			1
9	0851538-1	LINK- MIXTURE			2
10	0851571-1	LINK- THROTTLE			2
11	AN3-3A	BOLT			4
- 11A	0861116-1	SPACER			4
- 11B	NAS1149F0332P	WASHER			4 R
- 11C	MS20364-1032C	NUT			4
12	MS20392-2-7	PIN			2
13	MS20392-2-9	PIN			2
14	MS24665-132	COTTER PIN			4
15	0852000-9	BRACKET			2
16	AN741-18P	CLAMP- TYPE A			4
17	AN4-6A	BOLT			4
18	MS21044N4	NUT			4 R
19	0850250-199	CONDUIT- PROPELLER			2
20	0850250-2	TELESCOPIC UNIT- PROPELLER			2
21	S-1106-3	ROD END			2
22	AN315-4R	NUT			2
23	AN3-17A	BOLT			2
24	MS21045L3	NUT			2 R
25	NAS75-3-029	BUSHING			2
26		CONTROL- HOT AIR- REFER TO 76-10-00 FIGURES 05			RF
27	0850509-1	CLEVIS- CONTROL			2
- 27A	AN315-3R	NUT- CHECK			2
28	AN3-7A	BOLT			2
- 28A	0850507-1	BUSHING			2
- 28B	NAS1149F0332P	WASHER			2 R
- 28C	MS20364-1032C	NUT			2
29	0850250-5	CONNECTOR			2
30	0850250-197	CONDUIT- LH PROPELLER CONTROL - CONNECTOR TO NACELLE RIB			1
- 30A	0850250-195	CONDUIT- RH PROPELLER CONTROL - CONNECTOR TO NACELLE RIB			1
31	0850042-1	CLAMP- SECURE LH CONDUIT			1
32	0850250-188	CONDUIT- LH MIXTURE CONTROL - CONTROL BOX TO NACELLE RIB			1
- 32A	0850250-189	CONDUIT- RH MIXTURE CONTROL - CONTROL BOX TO NACELLE RIB			1
33	0850250-186	CONDUIT- LH THROTTLE CONTROL - CONTROL BOX TO NACELLE RIB			1
- 33A	0850250-187	CONDUIT- RH THROTTLE CONTROL - CONTROL BOX TO NACELLE RIB			1
34	0850250-201	CONDUIT			4
35	0850250-15	CONDUIT- CONTROL - FUSELAGE TO NACELLE RIB			4
36	0850250-21	CONDUIT- THROTTLE CONTROL - FUSELAGE TO NACELLE RIB			2
37	0850250-4	CONNECTOR- CONNECT CONDUITS AT NACELLE RIB			6
38	MS35333-44	WASHER- CONNECT CONDUITS AT NACELLE RIB			6 R
39	A3046-A5-92	CLAMP- TINNEMAN - ATTACH LH HOT AIR CONTROL			1
- 39A	NAS43DD-3-13	SPACER- ATTACH LH HOT AIR CONTROL			1
40	A3046-A5-92	CLAMP- TINNEMAN - ATTACH RH HOT AIR CONTROL			2
- 40A	NAS43DD-3-13	SPACER- ATTACH RH HOT AIR CONTROL			2
- 40B	AN515-8R10	SCREW- ATTACH RH HOT AIR CONTROL			2
41	0850551-1	BRACE- MIXTURE CONTROL SUPPORT			2
42	0850551-2	BRACE- THROTTLE CONTROL SUPPORT			2
43	MS21919G4	CLAMP- ATTACH CONTROL			4
44	NAS221-6	SCREW- ATTACH CONTROL			4
45	MS21045L3	NUT- ATTACH CONTROL			4 R

CESSNA AIRCRAFT COMPANY
MODEL 310 THRU 310D
 ILLUSTRATED PARTS CATALOG

A55714



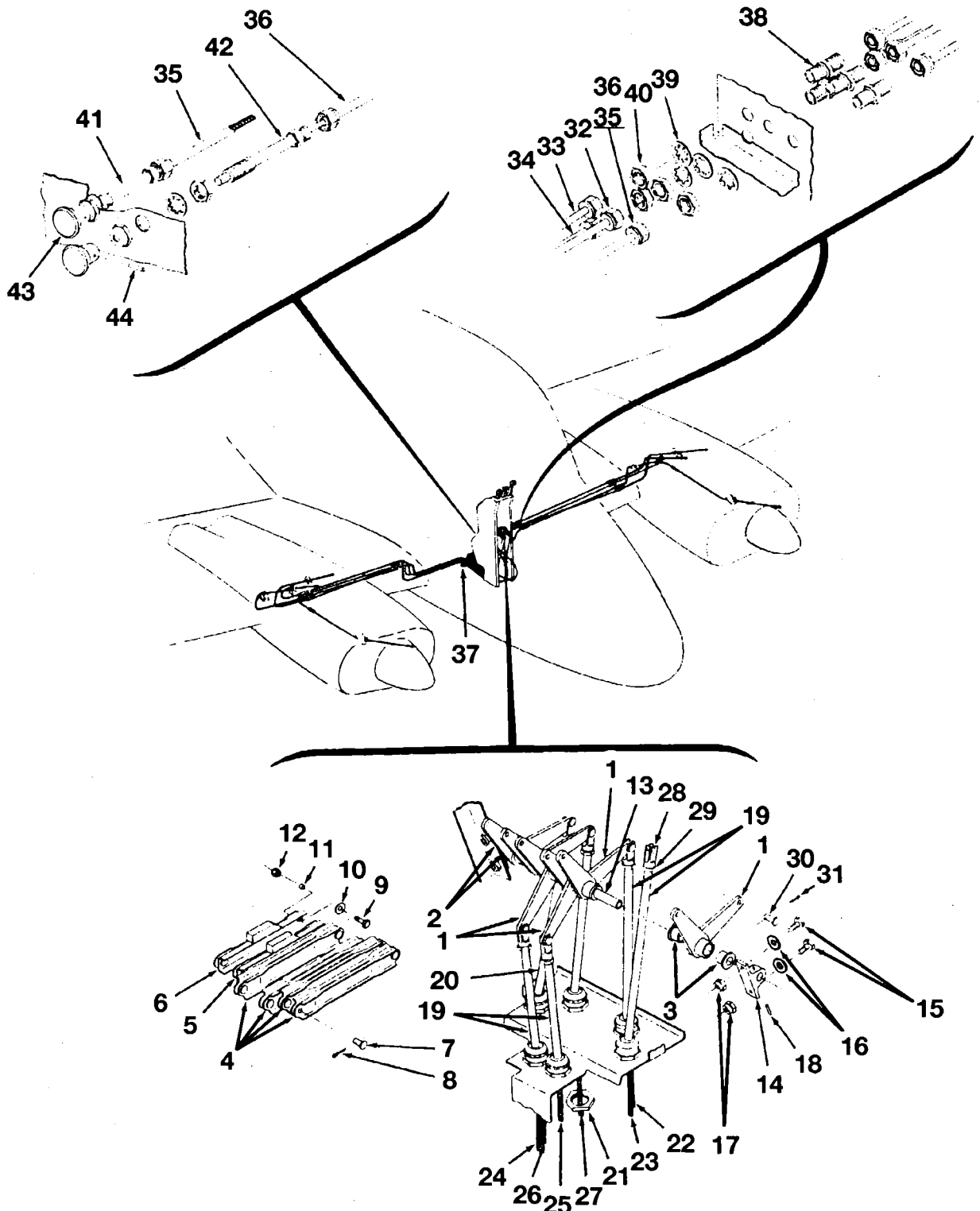
AIRPLANES 35000 THRU 35328
 ENGINE CONTROL SYSTEM COMPONENTS - FUSELAGE
 FIGURE 03 (SHEET 1)

CESSNA AIRCRAFT COMPANY
MODEL 310 THRU 310D
ILLUSTRATED PARTS CATALOG

FIG ITEM	PART NUMBER	NOMENCLATURE	EFFECT		UNITS
			FROM	TO	PER ASSY
03		ENGINE CONTROL SYSTEM COMPONENTS - FUSELAGE REFER TO 76-10-00	35000	35328	RF
		FIGURE 01 FOR NHA			
1	0861100-32	. BELLCRANK ASSY- CONTROLS			4
2	0861100-124	. BELLCRANK ASSY- THROTTLE	35031	35328	2
- 2A	0861100-33	. BELLCRANK ASSY- THROTTLE	35000	35030	1
- 2B	0861100-95	. BELLCRANK ASSY- THROTTLE	35000	35030	1
3	S1004-10A	. BEARING			2
4	0861100-39	. LINK- CONTROL QUADRANT	35031	35328	4
- 4A	0861100-39	. LINK- CONTROL QUADRANT	35000	35030	6
5	0861115-1	. LINK- CONTROL QUADRANT THROTTLE	35031	35328	1
6	0861115-2	. LINK- CONTROL QUADRANT THROTTLE	35031	35328	1
7	MS20392-2-7	. PIN- ATTACH LINKS	35031	35328	10
- 7A	MS20392-2-7	. PIN- ATTACH LINKS	35000	35030	12
8	MS24665-132	. COTTER PIN- ATTACH LINKS	35031	35328	10
- 8A	MS24665-132	. COTTER PIN- ATTACH LINKS	35000	35030	12
9	AN3-3A	. BOLT- ATTACH THROTTLE LINKS	35031	35328	2
10	NAS1149F0332P	. WASHER- ATTACH THROTTLE LINKS	35031	35328	2 R
11	0861116-1	. SPACER- ATTACH THROTTLE LINKS	35031	35328	2
12	MS20364-1032C	. NUT- ATTACH THROTTLE LINKS	35031	35328	2
13	0861100-34	. PIVOT TUBE- CONTROL BELL CRANKS			1
14	0861100-28	. BRACKET- PIVOT TUBE			2
15	AN3-4A	. BOLT- ATTACH BRACKET			4
16	NAS1149F0363P	. WASHER- ATTACH BRACKET			4 R
17	MS21045L3	. NUT- ATTACH BRACKET			4 R
18	52-022-094-0620	. ROLL PIN- ATTACH PIVOT TUBE ESNA			2
19	0850250-3	. CONTROL- PEDESTAL SWIVEL			4
20	0850250-8	. CONTROL- PEDESTAL SWIVEL			2
21	0850250-11	. HEX NUT- ATTACH PEDESTAL CONTROLS			12
22	0850250-159	. CABLE- LH MIXTURE CONTROL			1
23	0850250-160	. CABLE- RH MIXTURE CONTROL			1
24	0850250-157	. CABLE- LH PROPELLER CONTROL			1
25	0850250-158	. CABLE- RH PROPELLER CONTROL			1
26	0850250-155	. CABLE- LH THROTTLE CONTROL			1
27	0850250-156	. CABLE- RH THROTTLE CONTROL			1
28	0861105-1	. CLEVIS- TELEFLEX CONTROL			6
29	AN315-3R	. NUT- HOLD CLEVIS			6
30	MS20392-2-41	. PIN- ATTACH CLEVIS TO BELL CRANK			6
31	MS24665-132	. COTTER PIN- ATTACH PIN			6
32	0850250-101	. CONDUIT- MIXTURE CONTROL - PEDESTAL TO FUSELAGE LEFT			1
- 32A	0850250-102	. CONDUIT- MIXTURE CONTROL - PEDESTAL TO FUSELAGE RIGHT			1
33	0850250-103	. CONDUIT- PROPELLER CONTROL - PEDESTAL TO FUSELAGE LEFT			1
- 33A	0850250-104	. CONDUIT- PROPELLER CONTROL - PEDESTAL TO FUSELAGE RIGHT			1
34	0850250-105	. CONDUIT- THROTTLE CONTROL - PEDESTAL TO FUSELAGE LEFT			1
- 34A	0850250-106	. CONDUIT- THROTTLE CONTROL - PEDESTAL TO FUSELAGE RIGHT			1
35	0850250-107	. CONDUIT- CARBURETOR AIR CONTROL - PEDESTAL TO FUSELAGE LEFT			1
36	0850250-108	. CONDUIT- CARBURETOR AIR CONTROL - PEDESTAL TO FUSELAGE RIGHT			1
37	0812000-23	. CLIP- HOLD CONTROL TUBES			1
- 37A	S-1021Z-8-8	. SCREW- ATTACH CLIP			2
- 37B	S3230-4	. NUT- ATTACH CLIP TINNEMAN A1778-8Z-3			2 R
38	0850250-4	. CONNECTOR- BULKHEAD			8
39	MS35333-44	. WASHER- CONNECT CONDUIT AT FUSELAGE			8 R
40	AN316-8R	. NUT- CONNECT CONDUIT AT FUSELAGE			8
41	0850250-6	. PUSH-PULL ASSY- CARBURETOR AIR LH			1
42	0850250-7	. PUSH-PULL ASSY- CARBURETOR AIR RH			1
43	0813503-9	. KNOB- PUSH-PULL	35016	35328	2
- 43A	0813507-9	. KNOB- PUSH-PULL	35000	35015	2
44	MS16562-17	. ROLL PIN- ATTACH KNOB			2

CESSNA AIRCRAFT COMPANY
MODEL 310 THRU 310D
ILLUSTRATED PARTS CATALOG

A55715



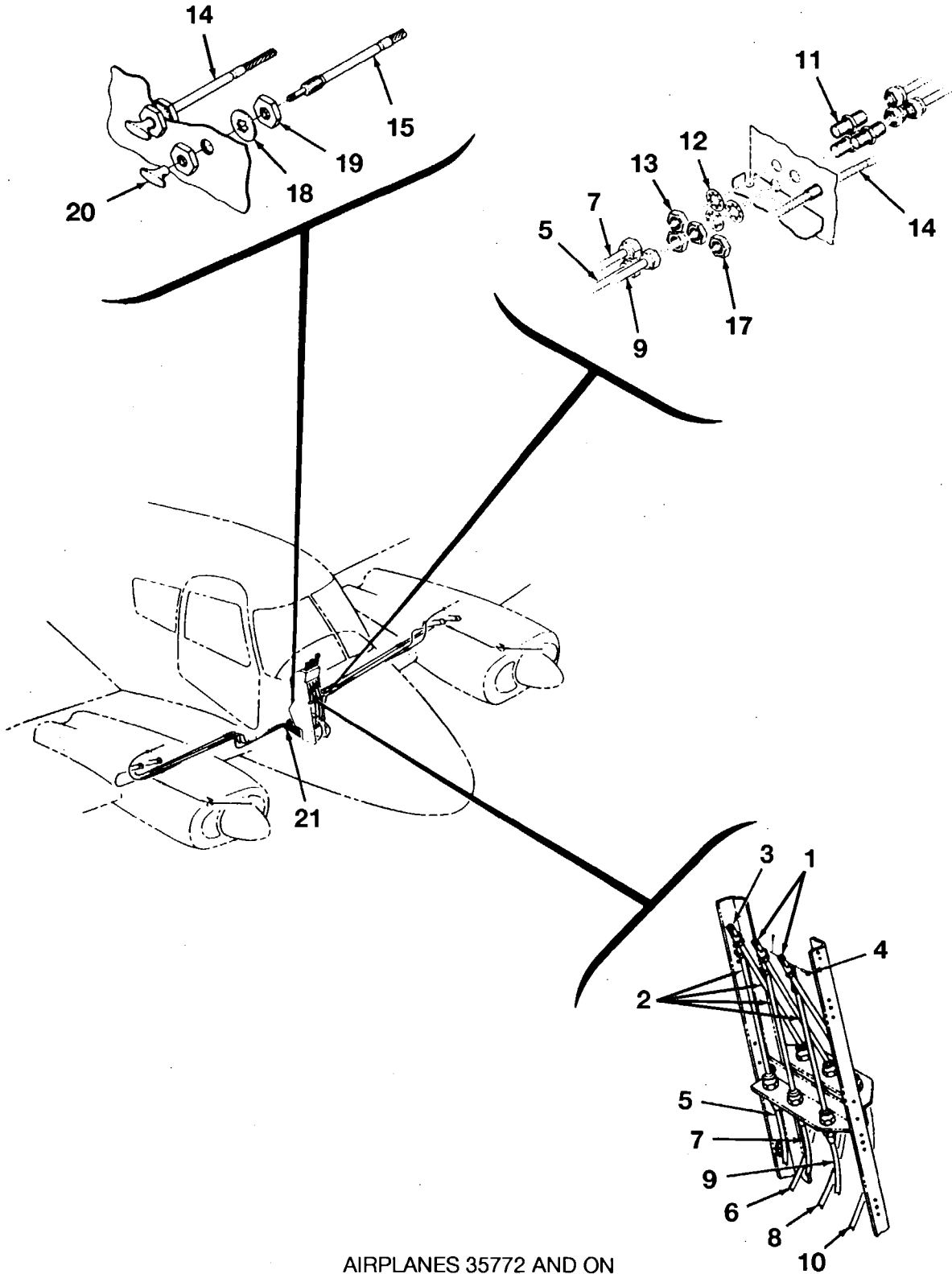
AIRPLANES 35329 THRU 35771
ENGINE CONTROL SYSTEM COMPONENTS - FUSELAGE
FIGURE 04 (SHEET 1)

CESSNA AIRCRAFT COMPANY
MODEL 310 THRU 310D
ILLUSTRATED PARTS CATALOG

FIG ITEM	PART NUMBER	NOMENCLATURE	EFFECT		UNITS	
			FROM	TO	PER	ASSY
04		ENGINE CONTROL SYSTEM COMPONENTS - FUSELAGE	35329	35771	RF	
1	0861100-32	. BELLCRANK ASSY- CONTROLS				4
2	0861100-124	. BELLCRANK ASSY- THROTTLE				2
3	S1004-10A	. . BEARING				2
4	0861100-39	. LINK- CONTROL QUADRANT				4
5	0861115-1	. LINK- CONTROL QUADRANT THROTTLE				1
6	0861115-2	. LINK- CONTROL QUADRANT THROTTLE				1
7	MS20392-2-7	. PIN- ATTACH LINKS				10
8	MS24665-132	. COTTER PIN- ATTACH LINKS				10
9	AN3-3A	. BOLT- ATTACH THROTTLE LINKS				2
10	NAS1149F0332P	. WASHER- ATTACH THROTTLE LINKS				2 R
11	0861116-1	. SPACER- ATTACH THROTTLE LINKS				2
12	MS20364-1032C	. NUT- ATTACH THROTTLE LINKS				2
13	0861100-34	. PIVOT TUBE- CONTROL BELLCRANKS				1
14	0861100-28	. BRACKET- PIVOT TUBE				2
15	AN3-4A	. BOLT- ATTACH BRACKET				4
16	NAS1149F0363P	. WASHER- ATTACH BRACKET				4 R
17	MS21045L3	. NUT- ATTACH BRACKET				4 R
18	52-022-094-0620	. ROLL PIN- ATTACH PIVOT TUBE ESNA				2
19	0850250-3	. CONTROL- PEDESTAL SWIVEL				4
20	0850250-8	. CONTROL- PEDESTAL SWIVEL				2
21	0850250-11	. HEX NUT- ATTACH PEDESTAL TELEFLEX CONTROLS				12
22	0850250-159	. CABLE- LH MIXER CONTROL				1
23	0850250-160	. CABLE- RH MIXER CONTROL				1
24	0850250-157	. CABLE- LH PROPELLER CONTROL				1
25	0850250-158	. CABLE- RH PROPELLER CONTROL				1
26	0850250-155	. CABLE- LH THROTTLE CONTROL				1
27	0850250-156	. CABLE- RH THROTTLE CONTROL				1
28	0861105-1	. CLEVIS- TELEFLEX CONTROL				6
29	AN315-3R	. NUT- HOLD CLEVIS				6
30	MS20392-2-17	. PIN- ATTACH CLEVIS TO BELLCRANK				6
31	MS24665-132	. COTTER PIN- ATTACH PIN				6
32	0850250-139	. CONDUIT- MIXTURE CONTROL PEDESTAL TO FUSELAGE LEFT				1
- 32A	0850250-140	. CONDUIT- MIXTURE CONTROL PEDESTAL TO FUSELAGE RIGHT				1
33	0850250-141	. CONDUIT- PROPELLER CONTROL PEDESTAL TO FUSELAGE LEFT				1
- 33A	0850250-142	. CONDUIT- PROPELLER CONTROL PEDESTAL TO FUSELAGE RIGHT				1
34	0850250-143	. CONDUIT- THROTTLE CONTROL PEDESTAL TO FUSELAGE LEFT				1
- 34A	0850250-144	. CONDUIT- THROTTLE CONTROL PEDESTAL TO FUSELAGE RIGHT				1
35	0850250-145	. CONDUIT- CARBURETOR AIR CONTROL - PEDESTAL TO FUSELAGE LEFT				1
36	0850250-146	. CONDUIT- CARBURETOR AIR CONTROL - PEDESTAL TO FUSELAGE RIGHT				1
37	0812000-23	. CLIP- HOLD CONTROL TUBES				1
- 37A	S-1021Z-8-8	. SCREW- ATTACH CLIP				2
- 37B	S3230-4	. NUT- ATTACH CLIP TINNEMAN A1778-8Z-3				2 R
38	0850250-4	. CONNECTOR- BULKHEAD				8
39	MS35333-44	. WASHER- CONNECT CONDUIT AT FUSELAGE				8 R
40	AN316-8R	. NUT- CONNECT CONDUIT AT FUSELAGE				8
41	0850250-161	. PUSH-PULL ASSY- C ARBURETOR AIR LH				1
42	0850250-162	. PUSH-PULL ASSY- C ARBURETOR AIR RH				1
43	0813503-9	. KNOB- PUSH-PULL				2
44	MS16562-17	. ROLL PIN- ATTACH KNOB				2

CESSNA AIRCRAFT COMPANY
MODEL 310 THRU 310D
ILLUSTRATED PARTS CATALOG

A55716



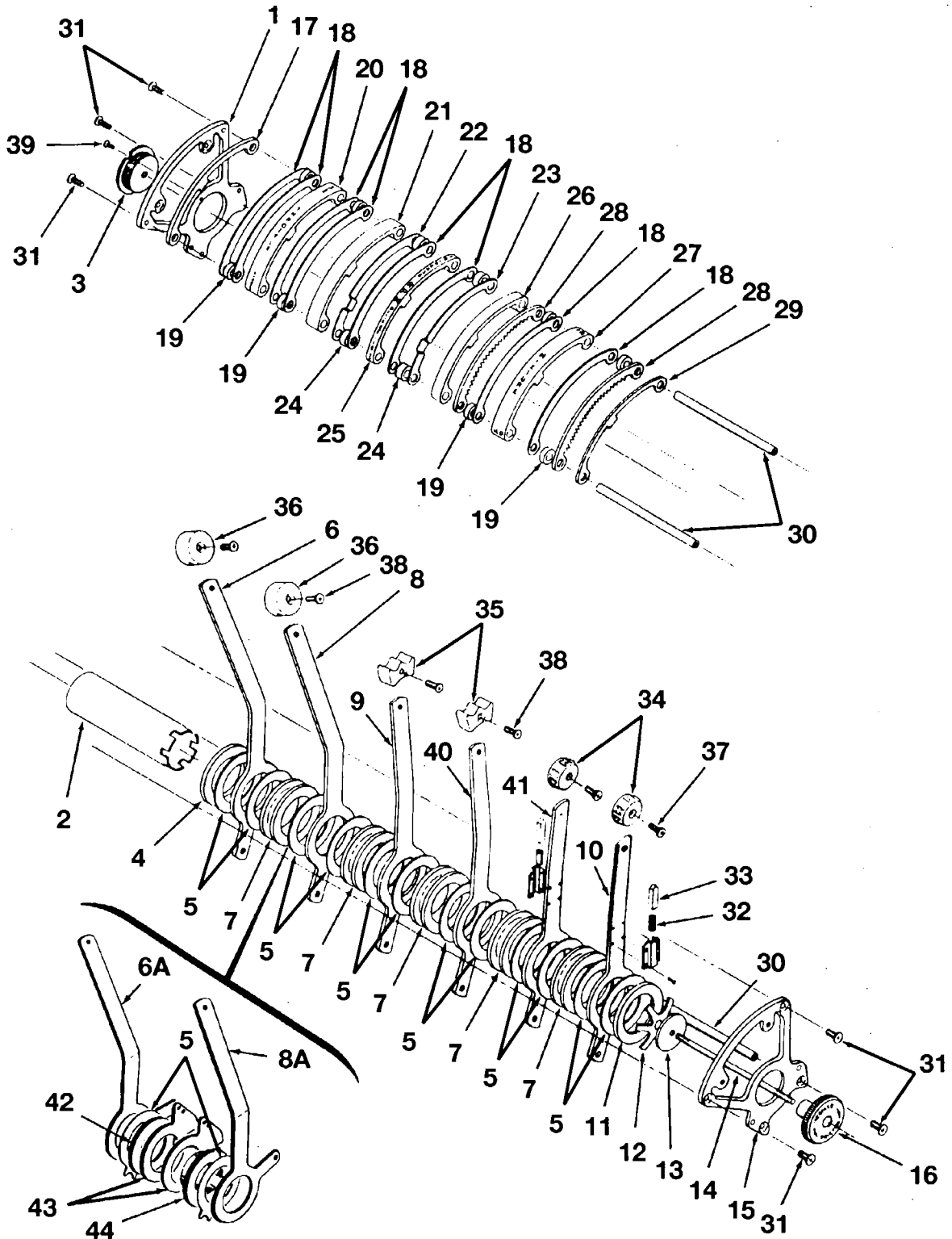
AIRPLANES 35772 AND ON
ENGINE CONTROL SYSTEM INSTALLATION
FIGURE 05 (SHEET 1)

CESSNA AIRCRAFT COMPANY
MODEL 310 THRU 310D
ILLUSTRATED PARTS CATALOG

FIG ITEM	PART NUMBER	NOMENCLATURE	EFFECT		UNITS PER ASSY
			FROM	TO	
05		ENGINE CONTROL SYSTEM INSTALLATION REFER TO 76-10-00 FIGURE 04	35772	& ON	RF
-		FOR NHA			
1	0850250-8	. SWIVEL ASSY			2
2	0850250-194	. SWIVEL ASSY			4
- 2A	0850250-11	. HEX NUT- ATTACH SWIVEL ASSY			12
3	0861105-1	. CLEVIS			6
- 3A	AN316-4	. NUT- ATTACH CLEVIS			6
4	MS20392-2-13	. PIN- ATTACH CLEVIS TO THROTTLE CONTROL			2
- 4A	MS20392-2-11	. PIN- ATTACH CLEVIS TO PROP & MIXTURE CONTROL			4
- 4B	NAS1149F0363P	. WASHER- ATTACH CLEVIS TO THROTTLE CONTROL			2 R
- 4C	MS24665-132	. COTTER PIN- SECURE PIN			6
5	0850250-174	. CONDUIT ASSY- LH THROTTLE			1
- 5A	0850250-168	. CABLE- LH THROTTLE			1
6	0850250-175	. CONDUIT ASSY- RH THROTTLE			1
- 6A	0850250-169	. CABLE- RH THROTTLE			1
7	0850250-176	. CONDUIT ASSY- LH PROPELLER			1
- 7A	0850250-170	. CABLE- LH PROPELLER			1
8	0850250-177	. CONDUIT ASSY- RH PROPELLER			1
- 8A	0850250-171	. CABLE- RH PROPELLER			1
9	0850250-178	. CONDUIT ASSY- LH MIXTURE			1
- 9A	0850250-169	. CABLE- LH MIXTURE			1
10	0850250-179	. CONDUIT ASSY- RH MIXTURE			1
- 10A	0850250-173	. CABLE- RH MIXTURE			1
11	0850250-4	. CONNECTOR- BULKHEAD			6
12	MS35333-44	. WASHER			6 R
13	AN316-8R	. NUT			6
14	0850511-1	. CONTROL ASSY- INDUCTION AIR HEAT LH			1
15	0850511-2	. CONTROL ASSY- INDUCTION AIR HEAT RH			1
- 16		. DELETED-NOT USED			
17	0850250-11	. HEX NUT			6
- 17A	AN936-A1016	. WASHER- USED ONLY AT AIR INDUCTION BOX LOCATION			2
18	AN936-A1416	. WASHER			1
19	AN924-10D	. NUT			1
20	0850527-1	. HANDLE			1
21	0812000-23	. CLIP- HOLD CONTROL TUBE			1
- 21A	S-1021Z-8-8	. SCREW			2

CESSNA AIRCRAFT COMPANY
MODEL 310 THRU 310D
ILLUSTRATED PARTS CATALOG

A55699



AIRPLANES 35000 THRU 35546 AND 35772 THRU 35934

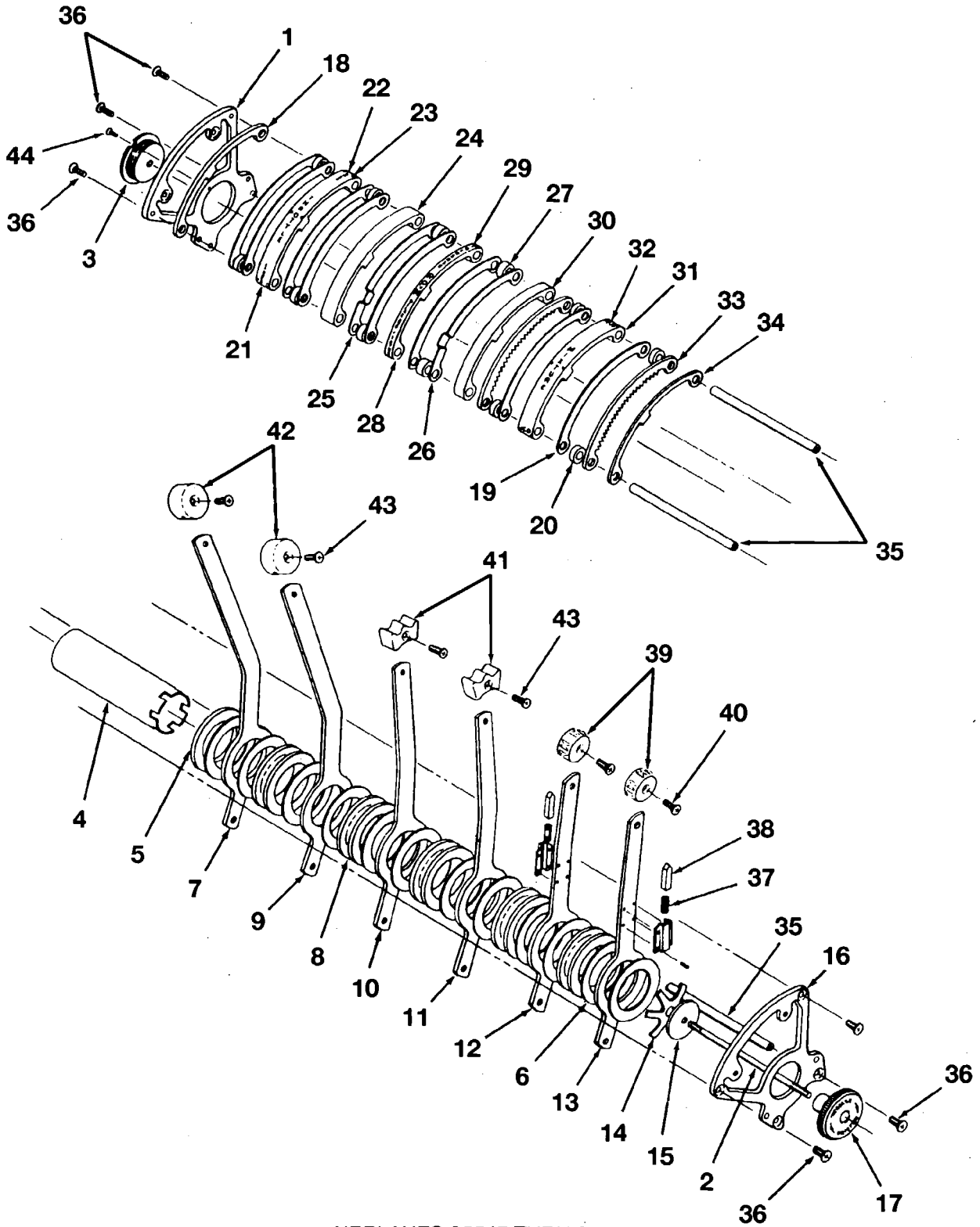
CONTROL QUADRANT ASSEMBLY
FIGURE 01 (SHEET 1)

CESSNA AIRCRAFT COMPANY
MODEL 310 THRU 310D
ILLUSTRATED PARTS CATALOG

FIG ITEM	PART NUMBER	NOMENCLATURE	EFFECT		UNITS PER ASSY
			FROM	TO	
01		CONTROL QUADRANT ASSEMBLY	35000	35546	RF
-			35772	35934	
0	861200	. QUADRANT ASSY- CONTROL - REFER TO 53-20-02 FIGURE 01 FOR NHA	35000	35546	1
- A	0861200-45	. QUADRANT ASSY- CONTROL - REFER TO 53-20-02 FIGURE 02 FOR NHA	35772	35934	1
1	25-100-2	. PLATE- MOUNTING SHAKESPEARE			1
2	25-265-16	. HUB- ENGINE CONTROL SHAKESPEARE			1
3	25-102	. RETAINER- SHAKESPEARE			1
4	25-112-150	. SPACER- SHAKESPEARE			1
5	25-104	. DISC- FRICTION SHAKESPEARE			12
6	25-265-8	. LEVER- LH THROTTLE SHAKESPEARE	35000	35546	1
6A	25-440-1	. LEVER- LH THROTTLE SHAKESPEARE	35772	35934	1
7	25-105-625	. SPACER- SHAKESPEARE	35000	35546	5
- 7A	25-105-625	. SPACER- SHAKESPEARE	35772	35934	4
8	25-265-8	. LEVER- RH THROTTLE SHAKESPEARE	35000	35546	1
8A	25-440-2	. LEVER- RH THROTTLE SHAKESPEARE	35772	35934	1
9	25-265-7-1	. LEVER- LH PITCH SHAKESPEARE	35000	35546	1
- 9A	25-439-1	. LEVER- LH PITCH SHAKESPEARE	35772	35934	1
10	25-286	. LEVER ASSY- RH MIXTURE SHAKESPEARE	35000	35546	1
- 10A	25-438-1	. LEVER ASSY- RH MIXTURE SHAKESPEARE	35772	35934	1
11	25-112-119	. SPACER- SHAKESPEARE			1
12	25-165	. SPRING- SHAKESPEARE			1
13	25-167	. WASSHER- SHAKESPEARE			1
14	25-285	. STUD- SHAKESPEARE			1
15	25-100-5	. PLATE- MOUNTING SHAKESPEARE			1
16	25-193	. KNOB- FRICTION SHAKESPEARE			1
17	25-265-2-152	. SPACER- SHAKESPEARE			1
18	25-106	. GUIDE- LEVER SHAKESPEARE			8
19	25-111-160	. SPACER- SHAKESPEARE			8
20	25-265-2-593T	. SPACER- SHAKESPEARE			1
21	25-265-5-593	. SPACER- SHAKESPEARE			1
22	25-287	. STOP- LH PITCH LEVER SHAKESPEARE			1
23	25-287	. STOP- RH PITCH LEVER SHAKESPEARE			1
24	25-111-272	. SPACER- SHAKESPEARE			4
25	25-265-2-323 RPM	. SPACER- SHAKESPEARE	35000	35546	1
- 25A	25-448	. SPACER- SHAKESPEARE	35772	35934	1
26	25-265-2-454	. SPACER- SHAKESPEARE			1
27	25-265-2-593M	. SPACER- SHAKESPEARE			1
28	25-265-5	. RACK- SHAKESPEARE	35000	35546	2
- 28A	25-445	. RACK- SHAKESPEARE	35772	35934	2
29	25-265-2-152	. SPACER- SHAKESPEARE	35772	35934	2
30	25-295	. ROD- GUIDE SHAKESPEARE	35772	35934	2
31	AN505-10R8	. SCREW			6
32	25-288	. SPRING- SHAKESPEARE			2
33	25-284	. STOP- RATCHET SHAKESPEARE	35000	35546	2
- 33A	24-444	. STOP- RATCHET SHAKESPEARE	35772	35934	2
34	0861224-1	. KNOB- MIXTURE LEVER			2
35	0861234-1	. KNOB- PROP PITCH LEVER			2
36	25-265-13	. KNOB- THROTTLE LEVER SHAKESPEARE	35000	35771	2
- 36A	4L4134-2B	. KNOB- THROTTLE LEVER HANSEN LYNN	35772	35934	2
37	AN507-1032R10	. SCREW- ATTACH MIXTURE KNOBS TO LEVERS			2
38	AN507-1032R8	. SCREW- ATTACH PITCH & THROTTLE KNOBS TO LEVER			4
39	AN507-632R5	. SCREW- RETAINER LOCK			1
40	25-265-7-2	. LEVER- RH PITCH SHAKESPEARE	35000	35546	1
- 40A	25-439-2	. LEVER- RH PITCH SHAKESPEARE	35772	35934	1
41	25-291	. LEVER ASSY- LH MIXTURE SHAKESPEARE	35000	35546	1
- 41A	25-438-2	. LEVER ASSY- LH MIXTURE SHAKESPEARE	35772	35934	1
42	25-441	. WASHER- SHAKESPEARE	35772	35934	1
43	25-443	. CAM- SHAKESPEARE	35772	35934	2
44	25-442	. SPACER- SHAKESPEARE	35772	35934	1

CESSNA AIRCRAFT COMPANY
MODEL 310 THRU 310D
ILLUSTRATED PARTS CATALOG

A55700



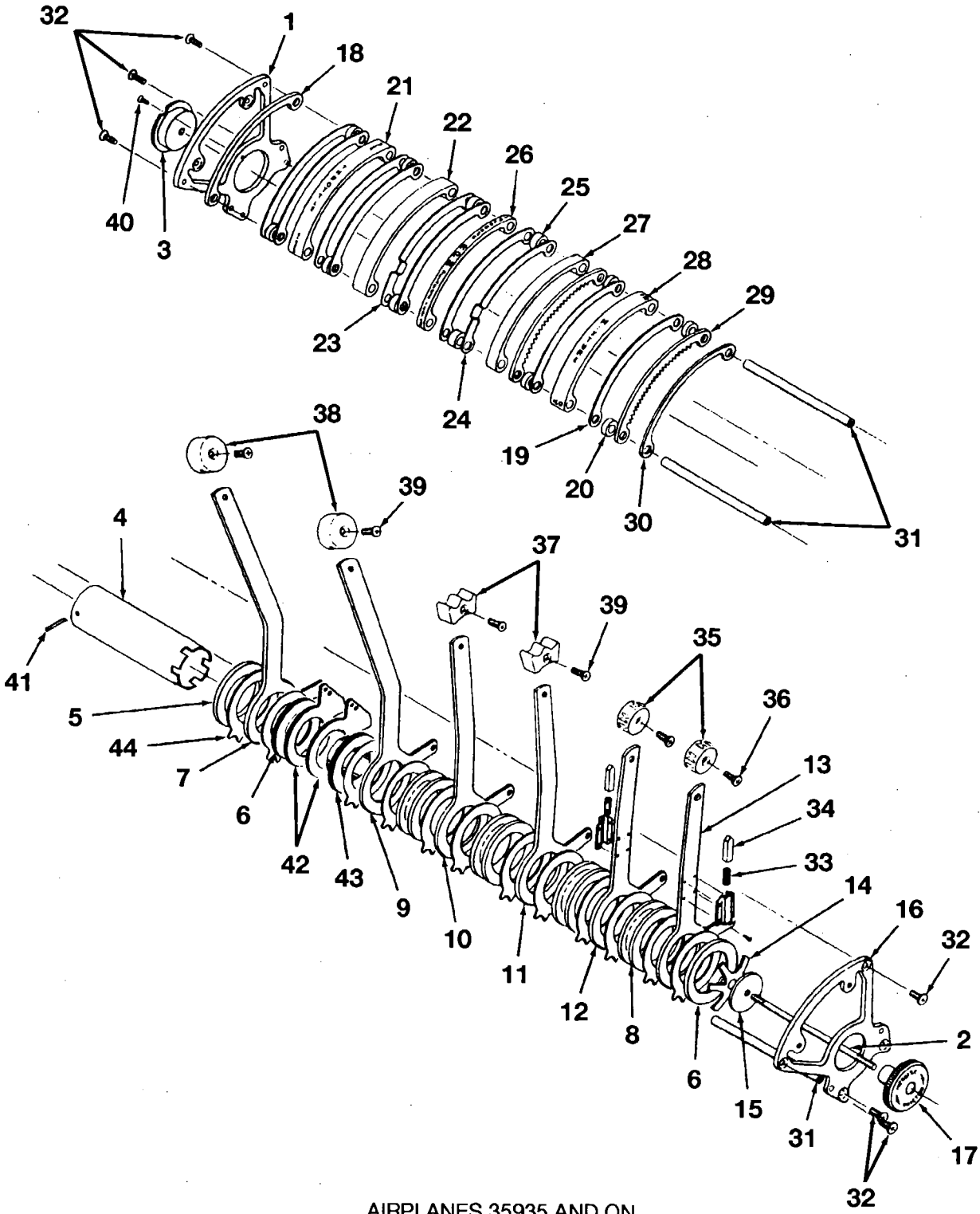
AIRPLANES 35547 THRU 35771
CONTROL QUADRANT ASSEMBLY
FIGURE 02 (SHEET 1)

CESSNA AIRCRAFT COMPANY
MODEL 310 THRU 310D
ILLUSTRATED PARTS CATALOG

FIG ITEM	PART NUMBER	NOMENCLATURE	EFFECT		UNITS PER ASSY
			FROM	TO	
02		CONTROL QUADRANT ASSEMBLY	35547	34771	RF
0	0861200-38	.. QUADRANT ASSY- CONTROL REFER TO 53-20-02 FIGURE 01 FOR NHA.			1
1	2L3897	.. PLATE- MOUNTING HANSEN LYNN			1
- 1A	2L3892	.. HUB ASSY- HANSEN LYNN			1
2		.. STUD			RF
3		.. RETAINER			RF
4		.. HUB- ENGINE CONTROL			RF
5	1L2189-144	.. SPACER- HUB HANSEN LYNN			1
6	5M77	.. DISC- FRICTION HANSEN LYNN			12
7	4L3882-1	.. LEVER- LH THROTTLE HANSEN LYNN			1
8	2L2451-630	.. SPACER- HANSEN LYNN			5
9	4L3882-2	.. LEVER- RH THROTTLE HANSEN LYNN			1
10	4L3886-1	.. LEVER- LH RPM HANSEN LYNN			1
11	4L3886-2	.. LEVER- RH RPM HANSEN LYNN			1
12	4L3880-1	.. LEVER- LH MIXTURE HANSEN LYNN			1
13	4L3880-2	.. LEVER- RH MIXTURE HANSEN LYNN			1
14	807	.. SPRING- HANSEN LYNN			1
15	1269	.. WASHER- HANSEN LYNN			1
16	2L3898	.. PLATE- MOUNTING HANSEN LYNN			1
17	2L3896	.. KNOB- FRICTION HANSEN LYNN			1
18	2L2727-109	.. SPACER- HANSEN LYNN			1
19	5M82	.. GUIDE- LEVER HANSEN LYNN			8
20	1L2729-188	.. SPACER- HANSEN LYNN			8
21	2L3893	.. SPACER- HANSEN LYNN			1
22	4L3879-2	.. NAME PLATE- HANSEN LYNN			1
23	AN535-00-3	.. SCREW- DRIVE ATTACH NAME PLATE			15
24	2L2727-560	.. SPACER- HANSEN LYNN			1
25	2L3929-1	.. DETENT STOP- LH PITCH LEVER HANSEN LYNN			1
26	2L3929-2	.. DETENT STOP- RH PITCH LEVER HANSEN LYNN			1
27	1L2729-281	.. SPACER- HANSEN LYNN			4
28	2L3928	.. SPACER- HANSEN LYNN			1
29	4L3879-8	.. NAME PLATE- HANSEN LYNN			1
30	2L2727-472	.. SPACER- HANSEN LYNN			1
31	2L3893	.. SPACER- HANSEN LYNN			1
32	4L3879-6	.. NAME PLATE- HANSEN LYNN			1
33	2L3927	.. SECTOR- HANSEN LYNN			2
34	2L2727-173	.. TOP SPACER- HANSEN LYNN			1
35	2L2615-4.684	.. POST- HANSEN LYNN			3
36	AN507-1032R6	.. SCREW			6
37	W1335	.. SPRING- HANSEN LYNN			2
38	1L3887	.. PLUNGER- HANSEN LYNN			2
39	0861224-1	.. KNOB- MIXTURE			2
40	AN507-1032R10	.. SCREW- ATTACH MIXTURE KNOB			2
41	0861234-1	.. KNOB- PROPELLER PITCH LEVER			2
42	4L4134-4	.. KNOB- THROTTLE HANSEN LYNN			2
43	AN507-1032R8	.. SCREW- ATTACH RPM & THROTTLE KNOBS			4
44	AN507-632R5	.. SCREW- RETAINER LOCK			1

CESSNA AIRCRAFT COMPANY
MODEL 310 THRU 310D
ILLUSTRATED PARTS CATALOG

A55701



AIRPLANES 35935 AND ON
CONTROL QUADRANT ASSEMBLY
FIGURE 03 (SHEET 1)

**CESSNA AIRCRAFT COMPANY
MODEL 310 THRU 310D
ILLUSTRATED PARTS CATALOG**

FIG ITEM	PART NUMBER	NOMENCLATURE	EFFECT		UNITS PER ASSY
			FROM	TO	
03					
0	0861201-1	CONTROL QUADRANT ASSEMBLY . QUADRANT ASSY- CONTROL - REFER TO 53-20-02 FIGURE 02 FOR NHA	35935	& ON	RF 1
1	0861211-2	. PLATE- MOUNTING			1
2	0861221-1	. STUD			1
3	0861219-1	. RETAINER			1
4	0861218-1	. HUB			1
5	0861216-2	. SPACER- HUB			1
6	0861216-1	. SPACER- HUB			2
7	0861203-1	. LEVER- LH THROTTLE			1
8	0861212-1	. SPACER			4
9	0861203-2	. LEVER- RH THROTTLE			1
10	0861202-1	. LEVER- LH PROP PITCH			1
11	0861202-2	. LEVER- RH PROP PITCH			1
12	0861204-1	. LEVER ASSY- LH MIXTURE			1
13	0861204-2	. LEVER ASSY- RH MIXTURE			1
14	0861210-1	. SPRING			1
15	0861209-1	. WASHER			1
16	0861211-1	. PLATE- MOUNTING			1
17	0861208-1	. NUT ASSY- FRICTION ADJUST			1
18	0861228-6	. SPACER			1
19	0861214-1	. GUIDE- LEVER			8
20	0861215-1	. SPACER- LEVER GUIDE			8
21	0861228-1	. SPACER- THROTTLE			1
22	0861228-4	. SPACER			1
23	0861217-2	. STOP- PITCH LEVER			1
24	0861217-1	. STOP- PITCH LEVER			1
25	0861215-2	. SPACER- LEVER GUIDE			4
26	0861228-2	. SPACER- PROP			1
27	0861228-5	. SPACER			1
28	0861228-3	. SPACER-MIXT			1
29	0861232-1	. RACK- MIXTURE CONTROL			2
30	0861228-7	. SPACER			1
31	0861220-1	. SPACER- MOUNTING PLATE			3
32	AN507-1032R8	. SCREW			6
33	0861207-1	. SPRING			2
34	0861206-1	. STOP- RATCHET			2
35	0861224-1	. KNOB- MIXTURE LEVER			2
36	AN507-1032R10	. SCREW- ATTACH MIXTURE KNOB			2
37	0861234-1	. KNOB- PROP PITCH LEVER			2
38	0861233-1	. KNOB- THROTTLE LEVER			2
39	AN507-1032R8	. SCREW- ATTACH PROP PITCH & THROTTLE KNOBS			4
40	AN507-632R5	. SCREW- RETAINER LOCK			1
41	NAS561P3-6	. PIN			2
42	0861227-1	. CAM			2
43	0861226-1	. SPACER- THROTTLE			1
44	0861213-1	. DISC- FRICTION			12

CHAPTER

77

**ENGINE
INDICATING**

CESSNA AIRCRAFT COMPANY
MODEL 310 THRU 310D
ILLUSTRATED PARTS CATALOG

LIST OF EFFECTIVE PAGES

CHAPTER-SECTION-SUBJECT	PAGE	DATE
77-Title		
77-List of Effective Pages		
77-Record of Temporary Revisions		
77-Contents		
77-10-00 Figure 01	1	Jul 3/2006
	2	Jul 3/2006

CESSNA AIRCRAFT COMPANY
MODEL 310 THRU 310D
ILLUSTRATED PARTS CATALOG

SUBJECT

CH SEC SUBJ FIG

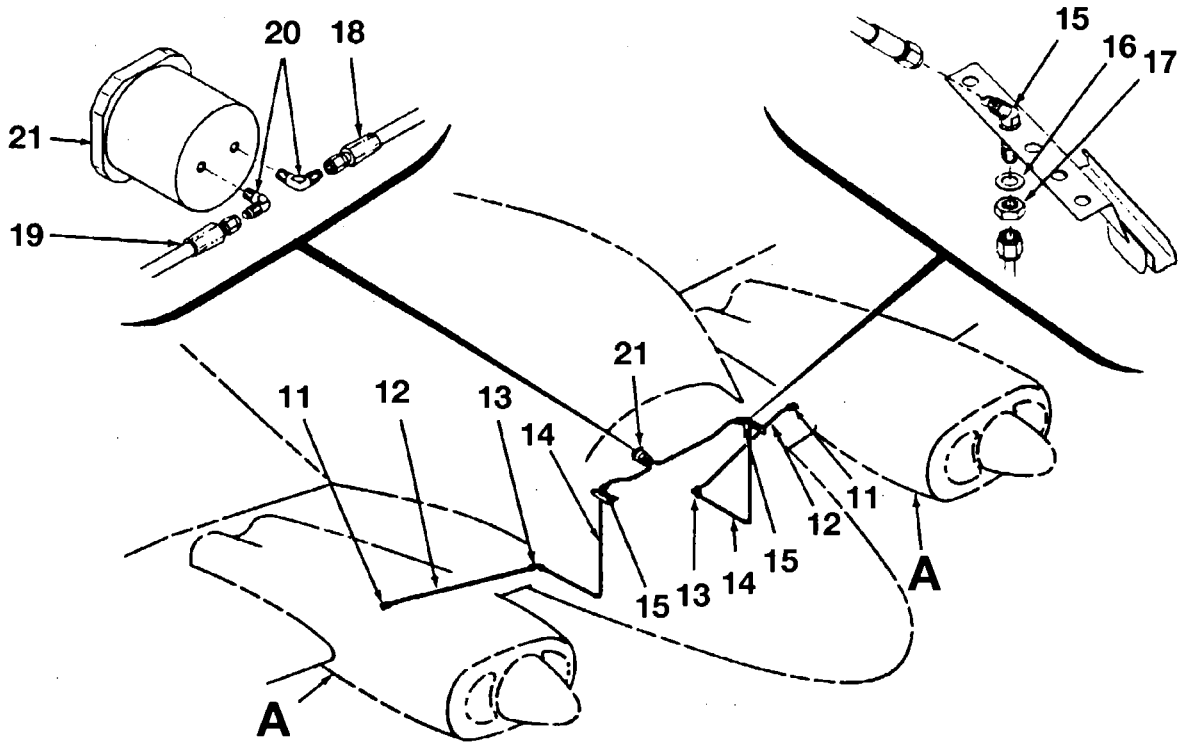
EFFECTIVITY

MANIFOLD PRESSURE SYSTEM INSTALLATION

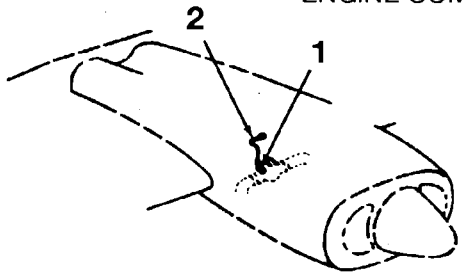
77-10-00-01

CESSNA AIRCRAFT COMPANY
MODEL 310 THRU 310D
 ILLUSTRATED PARTS CATALOG

A55748

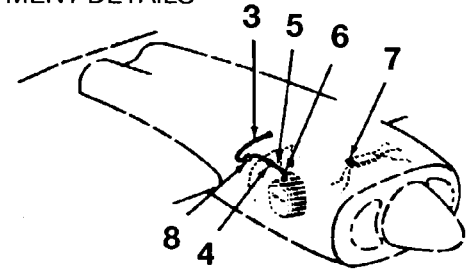


ENGINE COMPARTMENT DETAILS



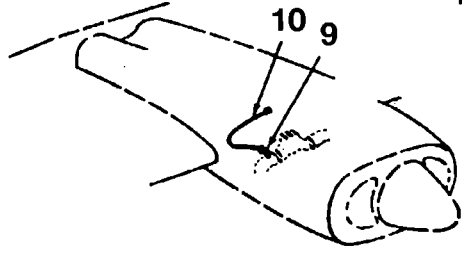
AIRPLANES 35000 THRU 35713

DETAIL A



AIRPLANES 35714
 THRU 35771

DETAIL A



AIRPLANES 35772 AND ON

DETAIL A

MANIFOLD PRESSURE SYSTEM INSTALLATION
 FIGURE 01 (SHEET 1)

CESSNA AIRCRAFT COMPANY
MODEL 310 THRU 310D
ILLUSTRATED PARTS CATALOG

FIG ITEM	PART NUMBER	NOMENCLATURE	EFFECT		UNITS
			FROM	TO	PER ASSY
01		MANIFOLD PRESSURE SYSTEM INSTALLATION			RF
1	MS20822-2B	ELBOW- ATTACH HOSE TO MANIFOLD	35000	35713	2
2	S1168-2-24	HOSE ASSY- MANIFOLD PRESSURE LEFT	35000	35713	1
- 2A	S1168-2-23-3/4	HOSE ASSY- MANIFOLD PRESSURE RIGHT	35000	35713	1
3	S1168-2-36-1/2	HOSE ASSY- MANIFOLD PRESSURE LEFT	35714	35771	1
- 3A	S-1168-2-44	HOSE ASSY- MANIFOLD PRESSURE RIGHT	35714	35771	1
4		UNION- CONNECT HOSE TO BAFFLE REFER TO 71-11-01 FIGURE 02			RF
5	0800106-266	LINE ASSY- MANIFOLD PRESSURE	35714	35771	2
6	AS5194B0202	NIPPLE- ATTACH LINE TO CYLINDER	35714	35771	2 R
7	MS20913-1	PLUG	35714	35771	2
8	AN742D12	CLAMP- ATTACH HOSE TO BREATHER LINE	35714	35771	2
- 8A	AN742D6	CLAMP- ATTACH HOSE TO BREATHER LINE	35714	35771	2
- 8B	S-1021Z-8-8	SCREW- ATTACH CLAMPS	35714	35771	2
- 8C	S3230-4	NUT- ATTACH CLAMPS TINNEMAN A1778-8Z-3	35714	35771	2 R
9	MS20822-2B	ELBOW- ATTACH HOSE TO MANIFOLD	35772	& ON	2
10	S1168-2-22	HOSE ASSY- MANIFOLD PRESSURE LEFT	35772	& ON	1
- 10A	S-1168-2-30	HOSE ASSY- MANIFOLD PRESSURE RIGHT	35772	& ON	1
11	AN832-2	UNION- CONNECT MANIFOLD PRESSURE AT FIREWALL			2
- 11A	NAS1149F0563P	WASHER- CONNECT MANIFOLD PRESSURE AT FIREWALL			2 R
- 11B	AN924-2	NUT- CONNECT MANIFOLD PRESSURE AT FIREWALL			2
12	0800106-49	LINE ASSY- FIREWALL TO FUSELAGE			2
13	AN833-2D	ELBOW- CONNECT MANIFOLD PRESSURE AT FUSELAGE			2
- 13A	NAS1149D0563K	WASHER- CONNECT MANIFOLD PRESSURE AT FUSELAGE			2 R
- 13B	AN924-2	NUT- CONNECT MANIFOLD PRESSURE AT FUSELAGE			2
14	0800106-31	LINE ASSY- FUSELAGE TO BRACKET			2
15	AN837-2D	ELBOW- ATTACH HOSE & LINE AT BRACKET			2
16	NAS1149D0563K	WASHER- ATTACH HOSE & LINE AT BRACKET			2 R
17	AN924-2	NUT- ATTACH HOSE & LINE AT BRACKET			2
18	S1168-2-24	HOSE ASSY- LEFT BRACKET TO GAGE	35000	35546	1
- 18A	S-1168-2-30	HOSE ASSY- LEFT BRACKET TO GAGE	35547	& ON	1
19	S-1168-2-21	HOSE ASSY- RIGHT BRACKET TO GAGE	35000	35546	1
- 19A	S1168-2-15-1/2	HOSE ASSY- RIGHT BRACKET TO GAGE	35547	& ON	1
20	MS20822-2D	ELBOW- ATTACH HOSE TO GAGE			2
21		MANIFOLD PRESSURE GAGE REFER TO 31-10-00 FIGURE 07 & 08			RF

CHAPTER

78

EXHAUST

CESSNA AIRCRAFT COMPANY
MODEL 310 THRU 310D
ILLUSTRATED PARTS CATALOG

LIST OF EFFECTIVE PAGES

CHAPTER-SECTION-SUBJECT	PAGE	DATE
78-Title		
78-List of Effective Pages		
78-Record of Temporary Revisions		
78-Contents		
78-10-00 Figure 01	1	Jul 3/2006
	2	Jul 3/2006
78-20-00 Figure 01	1	Jul 5/2004
	2	Jul 5/2004

CESSNA AIRCRAFT COMPANY
MODEL 310 THRU 310D
ILLUSTRATED PARTS CATALOG

SUBJECT

CH SEC SUBJ FIG

EFFECTIVITY

ENGINE EXHAUST STACK INSTALLATION
MUFFLER AND EJECTOR INSTALLATION

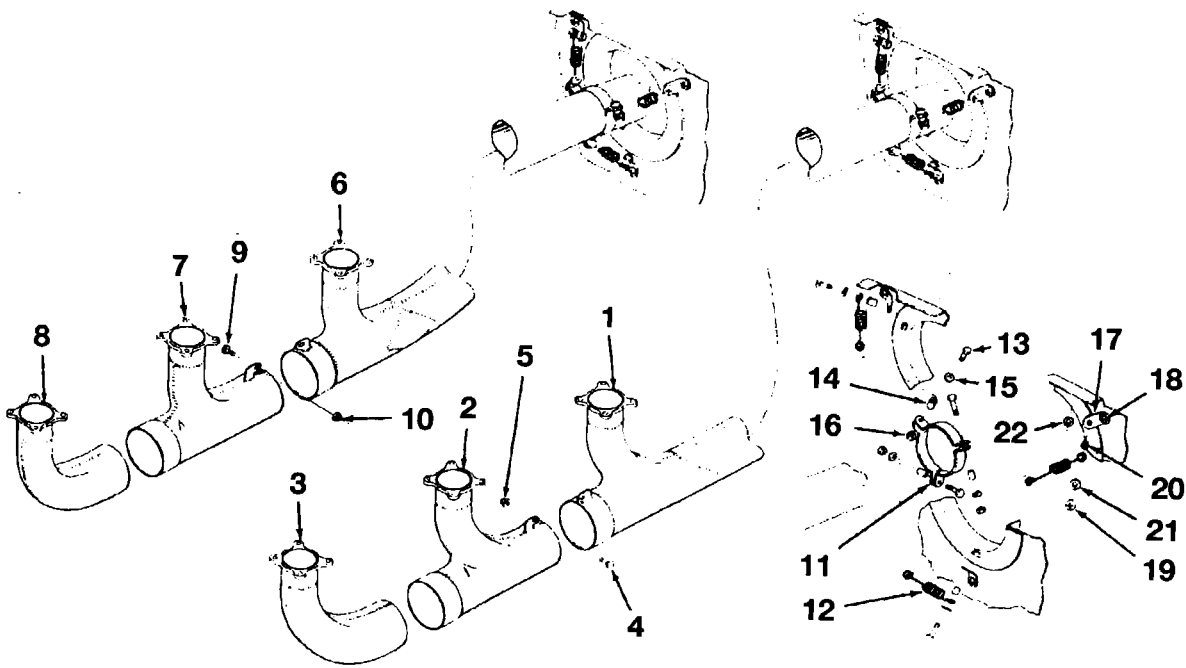
78-10-00-01

78-20-00-01

35771 & ON

CESSNA AIRCRAFT COMPANY
MODEL 310 THRU 310D
ILLUSTRATED PARTS CATALOG

A55719



ENGINE EXHAUST STACK INSTALLATION
FIGURE 01 (SHEET 1)

CESSNA AIRCRAFT COMPANY
MODEL 310 THRU 310D
ILLUSTRATED PARTS CATALOG

FIG ITEM	PART NUMBER	NOMENCLATURE	EFFECT		UNITS PER ASSY
			FROM	TO	
01		ENGINE EXHAUST STACK INSTALLATION REFER TO 71-00-00 FIGURE 01 FOR NHA			RF
- 0		STACK ASSY-LEFT BANK			RF
1	0850600-149	STACK ASSY-AFT			RF
- 1A	0850627-3	STACK ASSY-AFT	35000	35771	1 R
2	0850600-154	RISER ASSY-CENTER	35772	& ON	1
3	0850600-152	RISER ASSY-FWD			1 R
4	AN3-4A	BOLT-CONNECT STACKS			1 R
5	MS21046C3	NUT-CONNECT STACKS			1
- 5A		STACK ASSY-RIGHT BANK			1 R
6	0850600-150	STACK ASSY-AFT			RF
- 6A	0850627-4	STACK ASSY-AFT	35000	35771	1 R
7	0850600-155	RISER ASSY-CENTER	35772	& ON	1
8	0850600-153	RISER ASSY-FWD			1 R
9	AN3-4A	BOLT-CONNECT STACKS			1 R
10	MS21046C3	NUT-CONNECT STACKS			1
11	0852000-28	CLAMP-EXHAUST STACK CENTERING			1 R
12	0850489-1	SPRING-EXHAUST STACK CENTERING - REFER TO NOTE 1			6
13	AN3-6A	BOLT-ATTACH CLAMP & SPRING - REFER TO NOTE 1			6
14	0850477-1	SPACER-ATTACH CLAMP & SPRING - REFER TO NOTE 1			6
15	NAS1149F0363P	WASHER-ATTACH CLAMP & SPRING - REFER TO NOTE 1			6
16	MS21046C3	NUT-ATTACH CLAMP & SPRING			6 R
17	0850478-1	BRACKET-EXHAUST CENTERING SPRING - REFER TO NOTE 1			6 R
18	AN515-8R8	SCREW-ATTACH BRACKET			6
19	AN520-10R12	SCREW-ATTACH SPRING TO BRACKET - REFER TO NOTE 1			6
20	0850477-1	SPACER-ATTACH SPRING TO BRACKET - REFER TO NOTE 1			6
21	NAS1149F0363P	WASHER-ATTACH SPRING TO BRACKET - REFER TO NOTE 1			6
22	AN363CI032	NUT-ATTACH SPRING TO BRACKET - REFER TO NOTE 1			6 R

NOTE 1—THIS PART IS INCLUDED IN SERVICE KIT SK310-2. ON AIRPLANES PRIOR TO SERIAL 35160 ORDER THIS KIT TO CONVERT TO THE NEW CONFIGURATION. ON AIRPLANES 35161 AND ON INDIVIDUAL PARTS MAY BE ORDERED

- ITEM NOT ILLUSTRATED

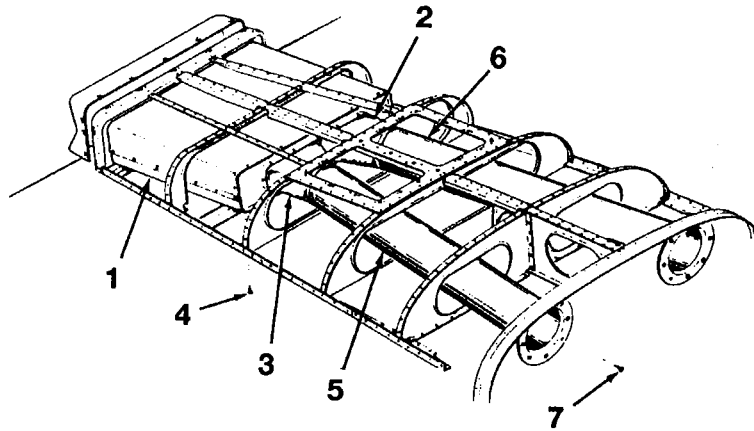
© Cessna Aircraft Company

78-10-00

Figure 01
Page 2
Jul 3/2006

CESSNA AIRCRAFT COMPANY
MODEL 310 THRU 310D
ILLUSTRATED PARTS CATALOG

A55720



AIRPLANES 35772 AND ON

MUFFLER AND EJECTOR INSTALLATION
FIGURE 01 (SHEET 1)

CESSNA AIRCRAFT COMPANY
MODEL 310 THRU 310D
 ILLUSTRATED PARTS CATALOG

FIG ITEM	PART NUMBER	1 2 3 4 5 6 7	NOMENCLATURE	EFFECT		UNITS PER ASSY
				FROM	TO	
01			MUFFLER AND EJECTOR INSTALLATION			
1	0850650-8		MUFFLER ASSY	35771	& ON	RF
2	0850626-10		DIFFUSER ASSY-MUFFLER			1
3	0850626-11		DIFFUSER ASSY-MUFFLER			1
- 3A	0850625-6		INSULATOR			1
- 3B	0850625-7		INSULATOR			6
4	AN520-10R6		SCREW-ATTACH MUFFLER			24
- 4A	AN515-6R5		SCREW-ATTACH MUFFLER TO NACELLE CAP			4
5	0850624-1		EJECTOR-RH OUTBD LH INBD			16
6	0850624-1		EJECTOR-RH INBD LH OUTBD			1
7	AN515-8R5		SCREW-ATTACH EJECTOR ASSY			1
						16

- ITEM NOT ILLUSTRATED

CHAPTER

79

OIL

CESSNA AIRCRAFT COMPANY
MODEL 310 THRU 310D
ILLUSTRATED PARTS CATALOG

LIST OF EFFECTIVE PAGES

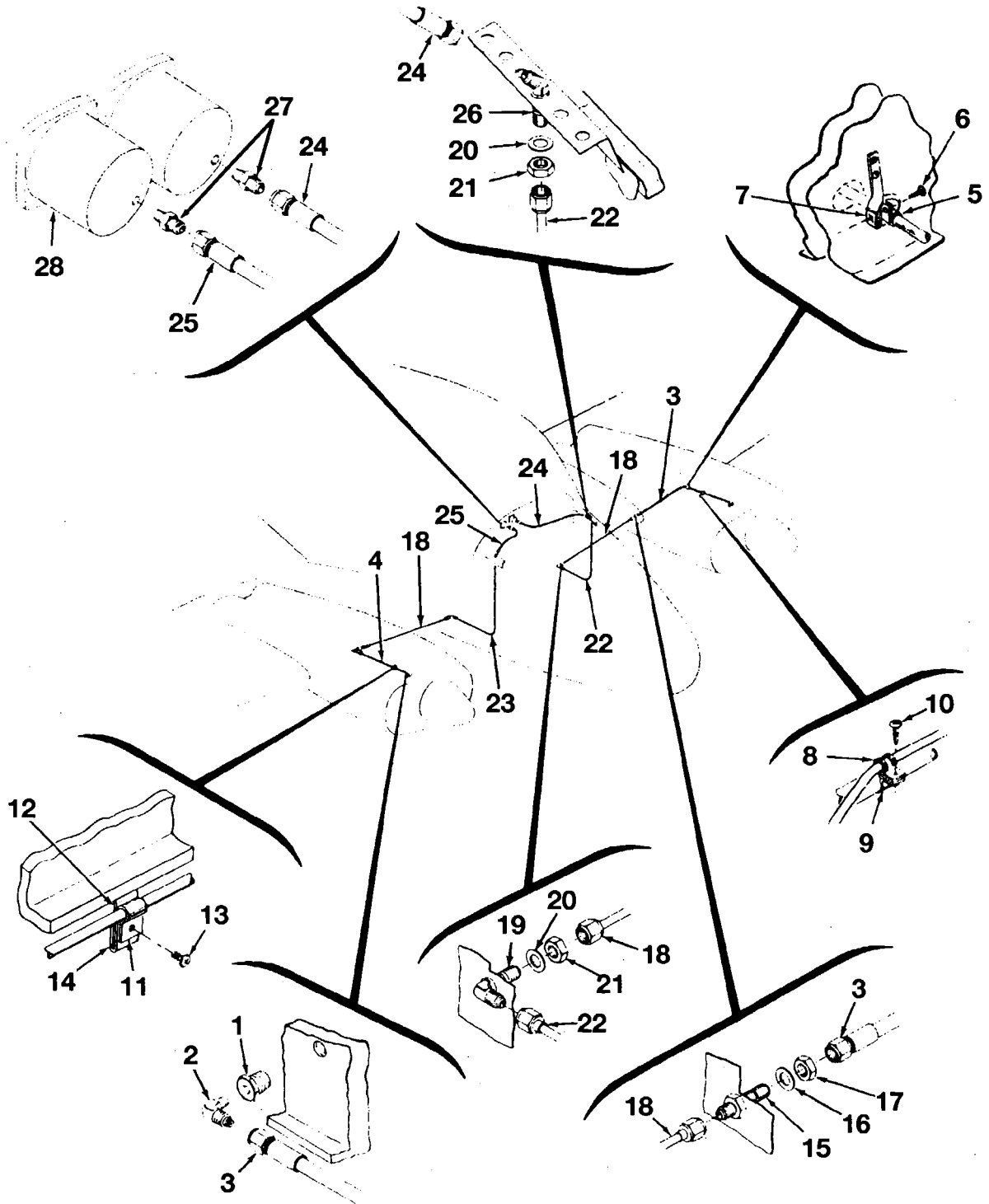
CHAPTER-SECTION-SUBJECT	PAGE	DATE
79-Title		
79-List of Effective Pages		
79-Record of Temporary Revisions		
79-Contents		
79-20-00 Figure 01	1	Jul 3/2006
	2	Jul 3/2006
79-20-00 Figure 02	1	Jul 5/2004
	2	Jul 5/2004
79-20-00 Figure 03	1	Jul 3/2006
	2	Jul 3/2006

CESSNA AIRCRAFT COMPANY
MODEL 310 THRU 310D
ILLUSTRATED PARTS CATALOG

<u>SUBJECT</u>	<u>CH SEC SUBJ FIG</u>	<u>EFFECTIVITY</u>
OIL SYSTEM INSTALLATION	79-20-00-01	
OIL DILUTION INSTALLATION	79-20-00-02	
NON-CONGEALING OIL COOLER INSTALLATION	79-20-00-03	35673 39031

CESSNA AIRCRAFT COMPANY
MODEL 310 THRU 310D
ILLUSTRATED PARTS CATALOG

A55747



OIL SYSTEM INSTALLATION
FIGURE 01 (SHEET 1)

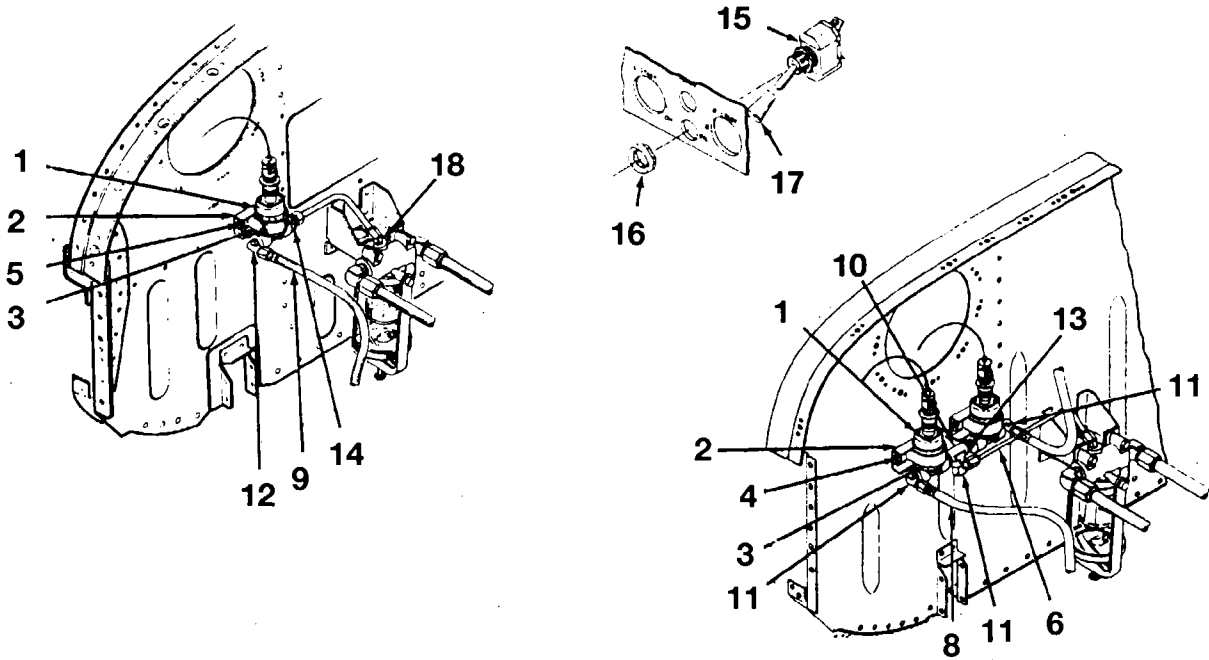
CESSNA AIRCRAFT COMPANY
MODEL 310 THRU 310D
ILLUSTRATED PARTS CATALOG

FIG ITEM	PART NUMBER	NOMENCLATURE	EFFECT		UNITS PER ASSY
			FROM	TO	
01		OIL SYSTEM INSTALLATION REFER TO NOTE 1			RF
- 1	AN912-3	. BUSHING- ADAPT ELBOW TO ENGINE BLOCK			2
- 2	0850487-1	. ELBOW- ATTACH HOSE TO BUSHING			2
- 2A	AE24537-001K	. KIT- HOSE LH & RH	35000	35604	1
- 2B	AE24537-001L KIT- HOSE LH	35000	35604	1
- 2C	 HOSE ASSY- FUEL SYSTEM LH - REFER TO 73-10-00 FIGURE 01			RF
- 3	CM3758B480A000S HOSE ASSY- OIL PRESSURE LH			1
- 3A	AE24537-001R KIT- HOSE RH	35000	35604	1
- 3B	 HOSE ASSY- FUEL SYSTEM RH REFER TO 73-10-00 FIGURE 01			RF
- 4	CM3758B404A000S HOSE ASSY- OIL PRESSURE RH			1
- 4A	AE24538-001K KIT- HOSE LH & RH	35605	35771	1
- 4B	AE24538-001L KIT- HOSE LH	35605	35771	1
- 4C	 HOSE ASSY- FUEL SYSTEM LH REFER TO 73-10-00 FIGURE 01			RF
- 4D	CM3758B480A000S HOSE ASSY- OIL PRESSURE LH			1
- 4E	AE24538-001R KIT- HOSE RH	35605	35771	1
- 4F	 HOSE ASSY- FUEL SYSTEM RH			RF
- 4G	CM3758B480A000S HOSE ASSY- OIL PRESSURE LH			1
- 4H	AE24539-001K KIT- HOSE LH & RH	35772	& ON	1
- 4J	AE24539-001L KIT- HOSE LH	35772	& ON	1
- 4K	 HOSE ASSY- FUEL SYSTEM LH			RF
- 4L	CM3758B480A000S HOSE ASSY- OIL PRESSURE			1
- 4M	AE24539-001R KIT- HOSE RH	35772	& ON	1
- 4N	 HOSE ASSY- FUEL SYSTEM RH			RF
- 4P	CM3758B480A000S HOSE ASSY- OIL PRESSURE RH			1
5	MS21919DG5 CLAMP- HOSE ATTACH			2
6	S1021Z8-6 SCREW- CLAMP ATTACH			2
7	S3230-4 NUT- CLAMP ATTACH TINNERMAN A1778-8Z-3			2 R
8	MS21919DG5 CLAMP- HOSE ATTACH	35000	35771	2
9	A2982A8-27 CLAMP- HOSE ATTACH	35000	35771	2
10	S1021Z8-8 SCREW- CLAMPS ATTACH	35000	35771	2
11	MS21919DG5 CLAMP- HOSE ATTACH	35771	& ON	2
12	0851700-101 TAB	35772	& ON	2
13	S1021Z8-8 SCREW- CLAMP ATTACH	35772	& ON	2
14	S3230-4 NUT- CLAMP ATTACH TINNERMAN A1778-8Z-3	35772	& ON	2 R
15	AN832-4 UNION- CONNECT LINE AT FIREWALL			2
16	NAS1149F0763P WASHER- CONNECT LINE AT FIREWALL			2 R
17	AN924-4 NUT- CONNECT LINE AT FIREWALL			2
18	0800106-45 LINE ASSY- FIREWALL TO FUSELAGE			2
19	AN833-4D ELBOW- CONNECT LINE TO FUSELAGE			2
20	AN960-PD716 WASHER- CONNECT LINE AT FUSELAGE AND BRACKET			4
21	AN924-4D NUT- CONNECT LINE AT FUSELAGE AND BRACKET			4
22	0800106-29 LINE ASSY- FUSELAGE TO BRACKET LH			1
23	0800106-30 LINE ASSY- FUSELAGE TO BRACKET RH			1
24	S1168-4-27-1/2 HOSE ASSY- LEFT BRACKET TO LEFT ENGINE GAGE	35000	35546	1
- 24A	S1168-4-36 HOSE ASSY- LEFT BRACKET TO LEFT ENGINE GAGE	35547	& ON	1
25	S1168-4-24 HOSE ASSY- RIGHT BRACKET TO RIGHT ENGINE GAGE	35000	35546	1
- 25A	S1168-4-10-1/2 HOSE ASSY- RIGHT BRACKET RIGHT ENGINE GAGE	35547	& ON	1
26	AN837-4D ELBOW- ATTACH LINE AT BRACKET			2
27	AS5194D0402 ADAPTER- ATTACH LINE ATTACH ENGINE GAGE			2 R
28	 ENGINE GAGE UNIT- REFER TO 31-10-00 FIGURE 07 & 08			RF

NOTE 1—ORDER SK310-20 SERVICE KIT TO REROUTE OIL PRESSURE HOSE IN RIGHT ENGINE NACELLE FOR AIRPLANES SERIAL 35000 THRU 35604

CESSNA AIRCRAFT COMPANY
MODEL 310 THRU 310D
ILLUSTRATED PARTS CATALOG

A55802



OIL DILUTION INSTALLATION
FIGURE 02 (SHEET 1)

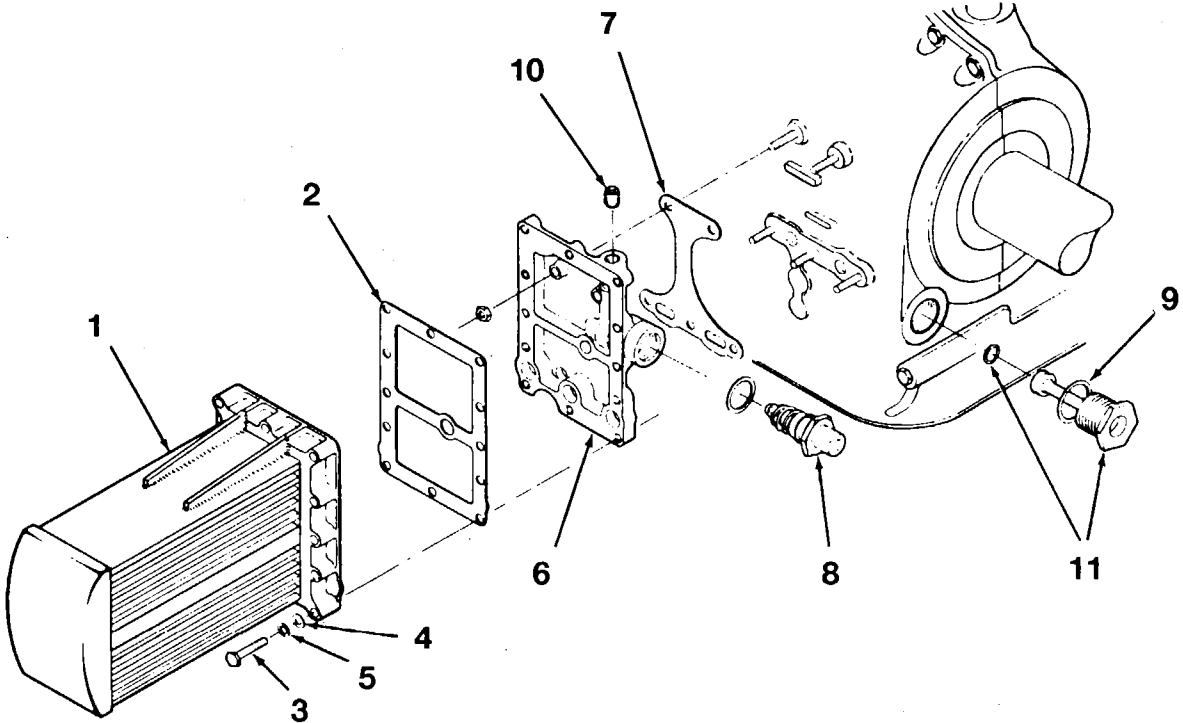
CESSNA AIRCRAFT COMPANY
MODEL 310 THRU 310D
ILLUSTRATED PARTS CATALOG

FIG ITEM	PART NUMBER	NOMENCLATURE	EFFECT		UNITS PER ASSY
			FROM	TO	
02		OIL DILUTION INSTALLATION			RF
- 1	0850450	. SOLENOID VALVE			2
2	0851505-1	. BRACKET- SOLENOID VALVE ATTACH			2
3	0851505-2	. CLAMP- SOLENOID VALVE ATTACH			2
4	AN520-10R7	. SCREW- BRACKET & CLAMP ATTACH	35000	35771	2
5	AN520-10R8	. SCREW- BRACKET & CLAMP ATTACH	35772	& ON	2
- 5A	MS21045L3	. NUT	35000	35138	2 R
6	CM3758B244A000S	. HOSE ASSY- FUEL TO SOLENOID RH - REFER TO NOTE 1			1
- 6A	CM3758B100A000S	. HOSE ASSY- FUEL TO SOLENOID LH - REFER TO NOTE 1			1
- 7		. DELETED-NOT USED			
8	0800403-8	. LINE ASSY- SOLENOID TO ENGINE LH			1
- 8A	0800403-7	. LINE ASSY- SOLENOID TO ENGINE RH	35000	35771	1
9	0800403-6	. LINE ASSY- SOLENOID TO ENGINE RH	35772	& ON	1
- 9A	MS21919DG6	. CLAMP- HOSE ASSEMBLY ATTACH			2
- 9B	S-1021Z-8-6	. SCREW- CLAMP RH SIDE ATTACH			1
- 9C	S3230-4	. NUT- CLAMP RH SIDE ATTACH			1 R
10	AS4857D01	. TEE	35000	35771	2 R
11	MS20822-2D	. ELBOW	35000	35771	6
12	MS20822-2D	. ELBOW- HOSE TO SOLENOID ATTACH	35712	& ON	6
13	AN911-1D	. NIPPLE- TEE TO SOLENOID ATTACH	35000	35771	4
- 13A	AS5194D0202	. ADAPTER- HOSE TO ENGINE ATTACH	35000	35771	2 R
14	AS5194D0202	. ADAPTER- FUEL LINE TO SOLENOID ATTACH	35772	& ON	4 R
15	AN3021-7	. SWITCH			1
16	0813506	. NUT	35000	35546	1
- 16A	S1216-1	. NUT	35547	& ON	1
17	S384-1	. KNOB			1
17A	0812480-256	. DECAL- OIL DILUTION	35000	35180	1
- 17B	0812480-34	. DECAL- OIL DILUTION	35181	35771	1
- 17C	0812480-89	. DECAL- OIL DILUTION	35772	& ON	1
18	AN823-2D	. ELBOW- FUEL LINE TO STRAINER ATTACH	35772	& ON	2

NOTE 1—IN ADDITION TO THIS PART, ORDER 0800403-8, 0800403-7 AND 0800403-6 LINE ASSEMBLIES TO COMPLETE THE INSTALLATION

CESSNA AIRCRAFT COMPANY
MODEL 310 THRU 310D
ILLUSTRATED PARTS CATALOG

A55812



AIRPLANES 35673 THRU 39031
NON-CONGEALING OIL COOLER INSTALLATION
FIGURE 03 (SHEET 1)

CESSNA AIRCRAFT COMPANY
MODEL 310 THRU 310D
ILLUSTRATED PARTS CATALOG

FIG ITEM	PART NUMBER	NOMENCLATURE	EFFECT		UNITS
			FROM	TO	PER ASSY
03		NON-CONGEALING OIL COOLER INSTALLATION	35673	39031	RF
1	0850018-3	. COOLER- OIL			2
2	0850018-4	. GASKET- COOLER			2
3	0850018-7	. BOLT- ATTACH COOLER			24
4	NAS1149F0432P	. WASHER- ATTACH COOLER			24 R
5	MS35333-40	. LOCK WASHER- ATTACH COOLER			24 R
6	0850018-8	. PLATE- COOLER			2
7	0850018-9	. GASKET- PLATE			2
8	0850018-2	. VALVE ASSY.			2
9	0850018-5	. GASKET- VALVE			2
10	MS27769-3	. PLUG- .250-18NPT			2 R
11	0850018-6	. PLUG- SPECIAL			2
- 11A	AS3570-113	. O-RING- PLUG			2 R