

Illustrated Parts Catalog

**1970
thru
1977**

MODEL 150 SERIES



THIS CATALOG SUPERSEDES AND REPLACES ALL 150 SERIES PARTS CATALOGS DATED: 1 JULY 1969 THRU 1 JULY 1976, AND REVISION 1 DATED 3 MARCH 1978, AND INCORPORATES TEMPORARY REVISION 1 DATED: 22 JANUARY 1995.

COPYRIGHT © 1996
CESSNA AIRCRAFT COMPANY
WICHITA, KANSAS, USA

P691-12
(RGI-100-11/01)

1 MARCH 1996

CESSNA AIRCRAFT COMPANY
MODEL 150 & A150
 Parts Catalog

LIST OF EFFECTIVE PAGES

Dates of Issue for original and revised pages are:

Original 0 1 March 1996

TOTAL NUMBER OF PAGES IN THIS PUBLICATION IS 502 CONSISTING OF THE FOLLOWING:

Page No.	Revision No.	Page No.	Revision No.	Page No.	Revision No.	Page No.	Revision No.
Title	0	299 blank	0				
A	0	300 thru 305	0				
i	0	306 blank	0				
ii	0	307 thru 336	0				
ii-a thru ii-d	0	337 blank	0				
iii	0	338 thru 346	0				
iv	0	347 blank	0				
iv-a thru iv-g	0	348 thru 352	0				
iv-h blank	0	353 blank	0				
v thru xxxiv	0	354 thru 362	0				
1 thru 6	0	363 blank	0				
7 blank	0	364 thru 376	0				
8 thru 44	0	377 blank	0				
45 blank	0	378 thru 388	0				
46 thru 62	0	389 blank	0				
63 blank	0	390 thru 398	0				
64 thru 82	0	399 blank	0				
83 blank	0	400 thru 409	0				
84 thru 90	0	410 blank	0				
91 blank	0	411 thru 415	0				
92 thru 114	0	416 blank	0				
115 blank	0	417 thru 454	0				
116 thru 122	0						
123 blank	0						
124 thru 148	0						
149 blank	0						
150 thru 164	0						
165 blank	0						
166 thru 176	0						
177 blank	0						
178 thru 185	0						
186 blank	0						
187 thru 198	0						
199 blank	0						
200 thru 210	0						
211 blank	0						
212 thru 220	0						
221 blank	0						
222 thru 276	0						
277 blank	0						
278 thru 298	0						

Upon receipt of the second and subsequent revisions to this book, personnel responsible for maintaining this publication in current status should ascertain that all previous revisions have been received and incorporated.

* The asterisk indicates pages revised, added, or deleted by the current revision.

150 & A150 Parts Catalog

INTRODUCTION.

The information in this publication is based on data available at the time of publication and is updated, supplemented, and automatically amended by all information issued in Service News Letters, Service Bulletins, Supplier Service Notices, Publication Changes, Revisions, Reissues and Temporary Revisions. All such amendments become part of and are specifically incorporated within this publication. Users are urged to keep abreast of the latest amendments to this publication through information available at authorized Cessna Service Stations or through the Cessna Product Support subscription services. Cessna Service Stations have also been supplied with a group of supplier publications which provide disassembly, overhaul, and parts breakdowns for some of the various supplier issued revisions and service information which may be reissued by Cessna thereby automatically amending this publication and are communicated to the field through authorized Cessna's Service Stations and/or through Cessna's subscription services.

WARNING:

ALL INSPECTION INTERVALS, REPLACEMENT TIME LIMITS, OVERHAUL TIME LIMITS, THE METHOD OF INSPECTION, LIFE LIMITS, CYCLE LIMITS, ETC., RECOMMENDED BY CESSNA ARE SOLELY BASED ON THE USE OF NEW, REMANUFACTURED, OR OVERHAULED CESSNA APPROVED PARTS. IF PARTS ARE DESIGNED, MANUFACTURED, REMANUFACTURED, OVERHAULED, PURCHASED, AND/OR APPROVED BY ENTITIES OTHER THAN CESSNA, THEN THE DATA IN CESSNA'S MAINTENANCE/SERVICE MANUAL AND PARTS CATALOGS ARE NO LONGER APPLICABLE AND THE PURCHASER IS WARNED NOT TO RELY ON SUCH DATA FOR NON-CESSNA PARTS. ALL INSPECTION INTERVALS, REPLACEMENT TIME LIMITS, OVERHAUL TIME LIMITS, THE METHOD OF INSPECTION, LIFE LIMITS, CYCLE LIMITS, ETC., FOR SUCH NON-CESSNA PARTS MUST BE OBTAINED FROM THE MANUFACTURER AND/OR SELLER OF SUCH NON-CESSNA PARTS.

Inspection, maintenance and parts requirements for STC installations are not included in this manual. When an STC installation is incorporated

on the airplane, those portions of the airplane affected by the installation must be inspected in accordance with the inspection program published by the owner of the STC. Since STC installations may change systems interface, operating characteristics and component loads or stresses on adjacent structures, Cessna provided inspection criteria may not be valid for airplanes with STC installations.

This illustrated parts catalog has been prepared to aid you in easily and quickly identifying parts of the models covered herein. The information in this catalog is based on data available at the time of publication.

This catalog features an index system consisting of:

1. An alphabetical index located in the front of the catalog.
2. A numerical index located in the back of the catalog, which lists all parts and figures in which they appear.

AEROFICHE. . . . This catalog has been designed for Aerofiche presentation. To facilitate the use of the catalog for Aerofiche, fiche and frame numbers have been added to the alphabetical and numerical indexes. Frame numbers appear at the bottom center of each page. Refer to the header of the applicable fiche for location of various indexing information.

STANDARD PARTS.

Many parts having standard usage have been incorporated into the Cessna Standard System. Parts in this group are designated with the part number prefix "S".

For standard hardware items such as Tinnerman nuts, clamps, etc. "AN" and "NAS" numbers have been used.

USABLE ON CODES. . . . Serial listings in this catalog are noted by a letter code located in the usable on code column which is the extreme right hand column of the parts list page. Usable on codes are applicable only to the figure on which they appear. The code letters and the serials to which they apply are listed at the end of the figure.

If no usable on code appears opposite a first column listing of the figure, the usage is applicable to all models and serials covered by this catalog. If no usable on code appears opposite any indented listing, the usage is applicable to all models and serials covered by the figure on which it appears.

Bold face type serials appearing on certain figures are for quick reference to large blocks of airplanes.

150 & A150 Parts Catalog

Reims Aviation serial usage is listed together with the Cessna Aircraft Company serial usage immediately following the parts listing on each individual figure where applicable.

NON-INTERCHANGEABLE PARTS. . . .When parts are not interchangeable with earlier models, all parts applicable to the particular usage is listed in the usable on column opposite each part. Care should be exercised in determining proper serial when ordering to insure receipt of correct part.

INTERCHANGEABLE PARTS. . . .When a later design part is completely interchangeable with the part it replaces, both parts will be serialized and the notation "when exhausted use_", or the abbreviation, "WEU_" will be entered following the listing of the earlier design part. This means that the earlier design part should be used on airplanes to which they apply until the supply of these parts is exhausted-- after which time the later design part must be used. This is done to simplify stocking of parts by our distributors and authorized Cessna Service Stations. The earlier part is as good physically and functionally, as the later design part-- the difference being the later design part can be used on more than one block of airplane serials.

SYMBOLS & PART NUMBER TERMS.

NP - The symbol "NP" appearing in the units per assembly column denotes that the item it appears opposite is not procurable.

AR - The symbol "AR" appearing in the units per assembly column denotes "As Required" and is used to indicate bulk quantity where an indefinite amount is used.

The following is a list of abbreviations that may appear in the description nomenclature:

ALT	Alternate Part	LH	Left Hand
ASSY	Assembly	M/G	Main Gear
BHD	Bulkhead	N/G	Nose Gear
BKI	Bulk item	PNL	Panel
COMP	Components	PRESS	Pressure
FSO	For spares order	RH	Right Hand
FWD	Forward	SECT	Section
IND	Indicator	UPR	Upper
INSTL	Installation	WEU	When Ex- hausted Use

Other key letter symbols spaced apart from and following the part nomenclature are for cataloging and manufacturing purposes only and are not to be considered by the customer.

A blank entry in the part number column appears before an unprocurable part or installation which is also denoted in the "Units Per Assembly" column by the use of the symbol "NP".

GROUP ASSEMBLY PARTS LIST ARRANGEMENT.

This section lists all replaceable items in the airplane and these items are detailed on illustrations throughout the section. The index numbers on the illustration are keyed to each accompanying parts list. The purpose of the index numbers is to provide complete and positive identification of the article, but should not be used for procurement purposes.

- a. The figure and index number column of the parts list shows the figure number once at the beginning of the list. The figure number is followed by a dash and the indexed number. The remaining index numbers are preceded by dash only.
- b. The part number column identifies the item by part number.
- c. In the description column, relationship of items covered is shown by the degree of indention of each item, for example: The wing assembly (Figure 3) is listed in column (1) of the description column. The wing structure, is the next lower assembly and is therefore listed in column (2).
- d. If two or more assemblies contain a majority of identical parts or the assemblies are left or right hand, the assemblies are listed together and the next lower assemblies or detail parts are listed as common for both assemblies, with the differing parts coded for usage on the correct major assembly.
- e. Attaching parts are listed immediately beneath the item to be attached and preceding any detail parts of the item. They are listed in the same column as the item they attach and are preceded by the caption "Attaching Parts". The end of the attaching parts listing is followed by a separating symbol ---*---.
- f. The quantity listed in the "Units Per Assembly" column for attaching parts denotes the quantity necessary to attach only one part. Total quantity necessary to attach more than one part is obtained by multiplying the attaching parts quantity by the number of parts attached.

150 & A150 Parts Catalog

- g. Component parts of the complete airplane which are not included in any assembly, but which are used in conjunction with, or attach to certain assemblies, are listed wither preceding the first detail or following the last detail of the assembly or installation, and in the same column as the major assembly or installation.
- h. The quantities listed in the "Units Per Assembly" column are the quantity used per figure.

ACCESSORY KITS.

For accessory kit listings, refer to separate Accessory Kit Catalog.

BULK ITEMS.

Certain items such as flexible air hose, rubber moldings and channels, windshield sealing strips etc., are noted in the catalog listings as bulk items. These listings also note the cut length of these materials for one installation. When an items is listed as bulk item, it will be supplied to the authorized Cessna Service Station in the most convenient bulk length or quantity. Reference to the cut length or quantity per installation provides for the most satisfactory disbursement to the customer.

HOW TO ORDER.

USE YOUR CATALOG TO ORDER PARTS. Use Parts and Accessories Order Form, which will be supplied by Cessna on request. Give complete information on addresses and make sure the part number and part name are as shown in the catalog. Be sure to specify quantities. Specify how the order is to be shipped, otherwise it will be sent out in the manner that seems best to the shipper.

SERIAL, COLOR, & CORROSION PROOFING.

Be sure to indicate model and serial number of the airplane. Serial number is very important to properly identify parts used on each airplane. When color is involved refer to "Upholstery & Interior Trim" section for example. If corrosion proofing is desired add the letters "CO" following the part number.

RETAIL ORDERS.

Retail orders will not be honored by the factory. They are to be placed with the authorized Cessna Service Station or distributor in the owner's territory and when received directly by the factory will be forwarded to the distributor from whose territory it was received. Considerable saving in time will result to the owner if his orders are placed with a authorized Cessna Service Station or distributor.

ADDITIONAL PUBLICATIONS.

In addition to the information in this Parts Catalog, a group of vendor publications is available from the Cessna Parts Distribution, which describe complete disassembly, overhaul and parts breakdown of some of the various vendor equipment items. A listing of these publications is issued periodically in the "Customer Care Supplies Catalog" which includes listings of Autopilots, Avionics Communications, and Navigation Equipment which are not covered in this manual. These publications are available from the Cessna Parts Distribution, Cessna Aircraft Company, 5800 East Pawnee, Box 1521, Wichita, Kansas 67218 USA.

Cessna Aircraft Company reserves the right to cancel, add or change the parts and assemblies described in the catalog without notice.

150 & A150 Parts Catalog

IMPORTANT INFORMATION CONCERNING KEEPING CESSNA PUBLICATIONS CURRENT

This Publication is kept current in two ways:

1. **REVISIONS/CHANGES.**

Revisions/changes are issued for this publication as required and include only pages that require updating.

2. **REISSUE.**

A reissue is issued as required, and is a complete manual incorporating all the latest information and outstanding revisions/changes. It supersedes and replaces previous issue(s).

REVISIONS/CHANGES and REISSUES can be purchased from your authorized Cessna Service Station or directly from the Cessna Parts Distribution, Cessna Aircraft Company, 5800 East Pawnee, Box 1521, Wichita, Kansas 67218 USA. This catalog lists all publications and Customer Care Supplies available from Cessna for prior year models as well as new products.

CUSTOMER COMMENTS ON MANUAL

Cessna Aircraft Company has endeavored to furnish you with an accurate, useful, up-to-date manual. This manual can be improved with your help. Please use the return cards, provided with your manual, to report any errors, discrepancies, and omissions in this manual as well as any general comments you wish to make.

150 & A150 Parts Catalog

"All aircraft, regardless of manufacturer, are certificated under model number designations. However, popular names are often used for marketing purposes. To provide a consistent method of referring to the various aircraft, model numbers will be used in this publication unless names are required to differentiate between versions of the same basic model. The following table provides a cross reference listing of popular name vs. model numbers." (For Argentine manufactured aircraft refer to page ii-b.)

NAME	MODEL YEAR	MODEL	SERIALS	
			BEGINNING	ENDING
150 150 TRAINER 150 COMMUTER 150 COMMUTER II	1970	150K	15071129	15072003
	1971	150L	15072004	15072628
	1972	150L	15072629	15073658
	1973	150L	15073659	15074850
	1974	150L	15074851	15075781
	1975	150M	15075782	15077005
150 COMMUTER 150 COMMUTER II	1976	150M	15077006	15078505
	1977	150M	15078506	
150 AEROBAT	1970	A150K	A1500001	A1500226
	1971	A150L	A1500227	A1500276
	1972	A150L	A1500277	A1500342
	1973	A150L	A1500343	A1500429
	1974	A150L	A1500430	A1500523
	1975	A150M	A1500524	A1500609
	1976	A150M	A1500610	A1500684
	1977	A150M	A1500685	
REIMS/CESSNA F150 F150 COMMUTER	1970	F150K	F15000530	F15000658
	1971	F150L	F15000659	F15000738
	1972	F150L	F15000739	F15000863
	1973	F150L	F15000864	F15001013
	1974	F150L	F15001014	F15001143
	1975	F150M	F15001144	F15001248
	1976	F150M	F15001249	F15001338
	1977	F150M	F15001339	
REIMS/CESSNA F150 AEROBAT	1970	FA150K	FA1500001	FA1500081
	1971	FA150L	FA1500082	FA1500121
	1972	FA150L	FA1500122	FA1500166
	1973	FA150L	FA1500167	FA1500211
	1974	FA150L	FA1500212	FA1500261
	1975	FA150M	FA1500262	FA1500281
	1976	FA150M	FA1500282	FA1500311
	1977	FA150M	FA1500312	

150 & A150 Parts Catalog

NOTE

Cessna assigned serials are used throughout this manual. Coverage in this manual, for Argentine manufactured aircraft, is determined by cross-referencing the Argentine assigned serials to the Cessna assigned serials shown in the chart below.

POPULAR NAME	MODEL YEAR	MODEL	SERIALS	
			BEGINNING	ENDING
AMC 150 STANDARD	1972	A150L	* A-1501001 ** 15073428	*A-1501018 **15073655
	1973	A150L	*A-1501019 **15074067	*A-1501039 **15074840
AMC 150 AEROBAT	1972	A-A150L	*A-A1500001 **A1500333 **A1500337	*A-A1500006 **A1500335 **A1500339
	1973	A-A150L	*A-A1500007 **A-1500366	*A-A1500009 **A1500377

*ARGENTINE ASSIGNED SERIALS

**CESSNA ASSIGNED SERIALS

FINISH & TRIM PLATE

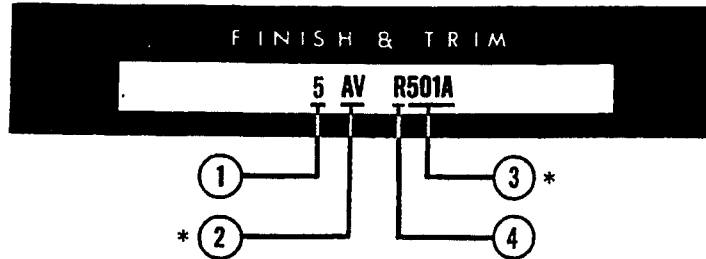
The "FINISH AND TRIM" plate is located on the seat pan next to the outboard left hand seat rail.

This plate indicates model year, interior color scheme and the exterior color combination.

Interpretation of information stamped on the Finish and Trim Plate is obtained by use of the Color Code Chart for the respective year.

Color Code Charts for yearly models appear on pages immediately following this page.

The Finish and Trim Plate is explained below. Explanatory remarks are keyed to the illustrated example.



- ① First column number indicates year.
- ② Second column letter or letters indicate interior color code of aircraft. Refer to Color Code Chart for respective year to obtain color.
- ③ Third column number or numbers indicate exterior trim. The basic number is found on the Color Code Chart and indicates colors and type paint used on the aircraft.
- ④ Standardized arctic color reversal is designated by the prefix "R" on the exterior color combination code for 1975 models and on.

* The special exterior and/or interior is denoted by the letters "SP" in lieu of the standard codes.

Interpretation of the example Finish and Trim Code 5-AV-R501A that is obtained from 1975 Color Code Chart is:

5 = 1975 model year
AV = Chestnut Brown Interior Scheme
501A = Vestal White & Flag Red exterior
R501A = Vestal White & Flag Red exterior (color reversal)

150 & A150 Parts Catalog

MODEL 150 & A150			PAINT CODE CHART				MODEL 150 & A150					
YEAR	INTERIOR COLOR		INTERIOR PAINT			SERIAL LISTING	EXTERIOR PAINT					
	CODE	CODE	AP	AC	BP		CODE	COLOR COMBINATIONS				
1 9 7 0	AP	Clove Brown Perforated Vinyl	BLACK SEMI-GLOSS (LACQUER) CES1054-156	BLACK SEMI-GLOSS (LACQUER) CES1054-156	BLACK SEMI-GLOSS (LACQUER) CES1054-156	51500001 THRU 51500226	701	VESTAL WHITE CES1054-802 (ACRYLIC) CES1054-398*	PROVINCIAL RED MET CES1054-963 (ACRYLIC) CES1054-998*			
			DULL BLACK (LACQUER) CES1054-193	DULL BLACK (LACQUER) CES1054-193	DULL BLACK (LACQUER) CES1054-193		702	VESTAL WHITE CES1054-802 (ACRYLIC) CES1054-398*	BLACK CHERRY MET CES1054-964 (ACRYLIC) CES1054-999*			
	AC	Clove Brown & Cloud Gray Vinyl	CLOUD GRAY (LACQUER) CES1054-531	CLOUD GRAY (LACQUER) CES1054-531	CLOUD GRAY (LACQUER) CES1054-531		703	VESTAL WHITE CES1054-802 (ACRYLIC) CES1054-398*	VALOR RED CES1054-966 (ACRYLIC) CES1054-409*			
			CLOUD GRAY (VINYL) CES1054-533	CLOUD GRAY (VINYL) CES1054-533	CLOUD GRAY (VINYL) CES1054-533		704	VESTAL WHITE CES1054-802 (ACRYLIC) CES1054-398*	ITALIAN GOLD CES1054-834 (ACRYLIC) CES1054-265*			
	BP	Silver Teal Blue Perforated Vinyl	INTERIOR PAINT				15071129 THRU 15072003	705	VESTAL WHITE CES1054-802 (ACRYLIC) CES1054-398*	OLIVE CES1054-944 (ACRYLIC) CES1054-A04*		
			INTERIOR COLOR CODE					706	VESTAL WHITE CES1054-802 (ACRYLIC) CES1054-398*	GLENWOOD GREEN MET CES1054-768 (ACRYLIC) CES1054-850*		
	BC	Silver Teal Blue & Cloud Gray Vinyl	BLACK SEMI-GLOSS (LACQUER) CES1054-156	BLACK SEMI-GLOSS (LACQUER) CES1054-156	BLACK SEMI-GLOSS (LACQUER) CES1054-156			707	VESTAL WHITE CES1054-802 (ACRYLIC) CES1054-398*	BLUE WING METALLIC CES1054-968 (ACRYLIC) CES1054-A05*		
			DULL BLACK (LACQUER) CES1054-193	DULL BLACK (LACQUER) CES1054-193	DULL BLACK (LACQUER) CES1054-193			708	VESTAL WHITE CES1054-802 (ACRYLIC) CES1054-398*	VENICE BLUE MET CES1054-833 (ACRYLIC) CES1054-572*		
	MP	Marigold Perforated Vinyl	CLOUD GRAY (LACQUER) CES1054-531	CLOUD GRAY (LACQUER) CES1054-531	CLOUD GRAY (LACQUER) CES1054-531			709	VESTAL WHITE CES1054-802 (ACRYLIC) CES1054-398*	VELVET BLACK CES1054-807 (ACRYLIC) CES1054-151*		
			CLOUD GRAY (VINYL) CES1054-533	CLOUD GRAY (VINYL) CES1054-533	CLOUD GRAY (VINYL) CES1054-533			710	VESTAL WHITE CES1054-802 (ACRYLIC) CES1054-398*	TIGER YELLOW CES1054-966 (ACRYLIC) CES1054-A03*		
	MV	Marigold Vinyl	INTERIOR PAINT					FA1500001 THRU FA1500081	4701	LUSTER WHITE CES1054-967 (ACRYLIC) CES1054-A10*	PROVINCIAL RED MET CES1054-963 (ACRYLIC) CES1054-998*	
			INTERIOR COLOR CODE						4702	LUSTER WHITE CES1054-967 (ACRYLIC) CES1054-A10*	BLACK CHERRY MET CES1054-964 (ACRYLIC) CES1054-999*	
	MC	Marigold & Cloud Gray Vinyl	BLACK SEMI-GLOSS (LACQUER) CES1054-156	BLACK SEMI-GLOSS (LACQUER) CES1054-156	BLACK SEMI-GLOSS (LACQUER) CES1054-156				4703	LUSTER WHITE CES1054-967 (ACRYLIC) CES1054-A10*	VALOR RED CES1054-966 (ACRYLIC) CES1054-409*	
			DULL BLACK (LACQUER) CES1054-193	DULL BLACK (LACQUER) CES1054-193	DULL BLACK (LACQUER) CES1054-193				4704	LUSTER WHITE CES1054-967 (ACRYLIC) CES1054-A10*	ITALIAN GOLD CES1054-834 (ACRYLIC) CES1054-265*	
	CP	Light Olive Perforated Vinyl	CLOUD GRAY (LACQUER) CES1054-531	CLOUD GRAY (LACQUER) CES1054-531	CLOUD GRAY (LACQUER) CES1054-531				4705	LUSTER WHITE CES1054-967 (ACRYLIC) CES1054-A10*	OLIVE CES1054-944 (ACRYLIC) CES1054-A04*	
			CLOUD GRAY (VINYL) CES1054-533	CLOUD GRAY (VINYL) CES1054-533	CLOUD GRAY (VINYL) CES1054-533				4706	LUSTER WHITE CES1054-967 (ACRYLIC) CES1054-A10*	GLENWOOD GREEN MET CES1054-768 (ACRYLIC) CES1054-850*	
	CC	Light Olive & Cloud Gray Vinyl	BLACK SEMI-GLOSS (LACQUER) CES1054-156	BLACK SEMI-GLOSS (LACQUER) CES1054-156	BLACK SEMI-GLOSS (LACQUER) CES1054-156				4707	LUSTER WHITE CES1054-967 (ACRYLIC) CES1054-A10*	BLUE WING METALLIC CES1054-968 (ACRYLIC) CES1054-A05*	
			DULL BLACK (LACQUER) CES1054-193	DULL BLACK (LACQUER) CES1054-193	DULL BLACK (LACQUER) CES1054-193				4708	LUSTER WHITE CES1054-967 (ACRYLIC) CES1054-A10*	VENICE BLUE MET CES1054-833 (ACRYLIC) CES1054-572*	
			CLOUD GRAY (LACQUER) CES1054-531	CLOUD GRAY (LACQUER) CES1054-531	CLOUD GRAY (LACQUER) CES1054-531				4709	LUSTER WHITE CES1054-967 (ACRYLIC) CES1054-A10*	VELVET BLACK CES1054-807 (ACRYLIC) CES1054-151*	
			CLOUD GRAY (VINYL) CES1054-533	CLOUD GRAY (VINYL) CES1054-533	CLOUD GRAY (VINYL) CES1054-533				4710	LUSTER WHITE CES1054-967 (ACRYLIC) CES1054-A10*	TIGER YELLOW CES1054-966 (ACRYLIC) CES1054-A03*	
					472A	VESTAL WHITE CES1054-802 (ACRYLIC) CES1054-398*			TROPICAL ORANGE CES1054-774 (ACRYLIC) CES1054-849*	GLENWOOD GREEN MET CES1054-768 (ACRYLIC) CES1054-850*		

NOTE: WHEN ORDERING PAINT SPECIFY CES1054 DASH NUMBER. EXAMPLE: CES1054-156 *Lacquer paint, used on French Aircraft only.

150 & A150 Parts Catalog

MODEL 150 & A150			PAINT CODE CHART			MODEL 150 & A150				
YEAR	INTERIOR COLOR		INTERIOR PAINT			SERIAL LISTING	EXTERIOR PAINT			
	CODE	CODE	AP	AC	BP		CODE	COLOR COMBINATIONS		
1 9 7 1	AP	Clove Brown Perforated Vinyl	BLACK SEMI-GLOSS (LACQUER) CES1054-156	BLACK SEMI-GLOSS (LACQUER) CES1054-156	BLACK SEMI-GLOSS (LACQUER) CES1054-156	15072004 THRU 15072628 A1500227 THRU A1500276 F15000659 THRU F15000738 FA1500082 THRU FA1500121	101 VESTAL WHITE	VALOR RED		
			DULL BLACK (LACQUER) CES1054-193	DULL BLACK (LACQUER) CES1054-193	DULL BLACK (LACQUER) CES1054-193		V101 CES1054-802 (ACRYLIC)	CES1054-806 (ACRYLIC)		
			CLOUD GRAY (LACQUER) CES1054-531	CLOUD GRAY (LACQUER) CES1054-531	CLOUD GRAY (LACQUER) CES1054-531		V102 CES1054-802 (ACRYLIC)	DUBONNET	CES1054-A18 (ACRYLIC)	
	AC	Clove Brown Perforated Vinyl						103 VESTAL WHITE	GOLDENROD	
		Cloud Gray Inserts						V103 CES1054-802 (ACRYLIC)	CES1054-803 (ACRYLIC)	
								V104 CES1054-802 (ACRYLIC)	COLONIAL BLUE MET	CES1054-A21 (ACRYLIC)
	BP	Holiday Blue Perforated Vinyl						V105 VESTAL WHITE	OLIVE	
								V105 CES1054-802 (ACRYLIC)	CES1054-944 (ACRYLIC)	
								V106 VESTAL WHITE	VELVET BLACK	
	BC	Holiday Blue Perforated Vinyl						V106 CES1054-802 (ACRYLIC)	CES1054-807 (ACRYLIC)	
		Cloud Gray Inserts						V106 CES1054-802 (ACRYLIC)		
								V106 CES1054-802 (ACRYLIC)	VALOR RED	CES1054-806 (ACRYLIC)
CP	Picnic Green Perforated Vinyl					V106 CES1054-802 (ACRYLIC)	DUBONNET	CES1054-A18 (ACRYLIC)		
						V106 CES1054-802 (ACRYLIC)	CES1054-987 (ACRYLIC)			
						V106 CES1054-802 (ACRYLIC)	GOLDENROD	CES1054-803 (ACRYLIC)		
CC	Picnic Green Perforated Vinyl					V106 CES1054-802 (ACRYLIC)	COLONIAL BLUE MET	CES1054-A21 (ACRYLIC)		
	Cloud Gray Inserts					V106 CES1054-802 (ACRYLIC)	OLIVE	CES1054-944 (ACRYLIC)		
						V106 CES1054-802 (ACRYLIC)	VELVET BLACK	CES1054-807 (ACRYLIC)		
CV	Picnic Green Perforated Vinyl					V106 CES1054-802 (ACRYLIC)	VALOR RED	CES1054-806 (ACRYLIC)		
	White & Black Inserts					V106 CES1054-802 (ACRYLIC)	DUBONNET	CES1054-A18 (ACRYLIC)		
						V106 CES1054-802 (ACRYLIC)	GOLDENROD	CES1054-803 (ACRYLIC)		
DP	Fiesta Red Perforated Vinyl					V106 CES1054-802 (ACRYLIC)	COLONIAL BLUE MET	CES1054-A21 (ACRYLIC)		
						V106 CES1054-802 (ACRYLIC)	OLIVE	CES1054-944 (ACRYLIC)		
						V106 CES1054-802 (ACRYLIC)	VELVET BLACK	CES1054-807 (ACRYLIC)		
DC	Fiesta Red Perforated Vinyl					V106 CES1054-802 (ACRYLIC)	VALOR RED	CES1054-806 (ACRYLIC)		
	Cloud Gray Inserts					V106 CES1054-802 (ACRYLIC)	DUBONNET	CES1054-A18 (ACRYLIC)		
						V106 CES1054-802 (ACRYLIC)	GOLDENROD	CES1054-803 (ACRYLIC)		
			INTERIOR PAINT							
			INTERIOR COLOR CODE							
			CV	DP	DC					
			BLACK SEMI-GLOSS (LACQUER) CES1054-156	BLACK SEMI-GLOSS (LACQUER) CES1054-156	BLACK SEMI-GLOSS (LACQUER) CES1054-156	121V VESTAL WHITE	VALOR RED	CES1054-806 (ACRYLIC)		
			DULL BLACK (LACQUER) CES1054-193	DULL BLACK (LACQUER) CES1054-193	DULL BLACK (LACQUER) CES1054-193	V121V CES1054-802 (ACRYLIC)	DUBONNET	CES1054-A18 (ACRYLIC)		
			CLOUD GRAY (LACQUER) CES1054-531	CLOUD GRAY (LACQUER) CES1054-531	CLOUD GRAY (LACQUER) CES1054-531	V122V VESTAL WHITE	GOLDENROD	CES1054-803 (ACRYLIC)		
			CLOUD GRAY (VINYL) CES1054-533	CLOUD GRAY (VINYL) CES1054-533	CLOUD GRAY (VINYL) CES1054-533	V122V CES1054-802 (ACRYLIC)	COLONIAL BLUE MET	CES1054-A21 (ACRYLIC)		
						V123V VESTAL WHITE	OLIVE	CES1054-944 (ACRYLIC)		
						V123V CES1054-802 (ACRYLIC)	VELVET BLACK	CES1054-807 (ACRYLIC)		
						V124V VESTAL WHITE	VALOR RED	CES1054-806 (ACRYLIC)		
						V124V CES1054-802 (ACRYLIC)	DUBONNET	CES1054-A18 (ACRYLIC)		
						V125V VESTAL WHITE	GOLDENROD	CES1054-803 (ACRYLIC)		
						V125V CES1054-802 (ACRYLIC)	COLONIAL BLUE MET	CES1054-A21 (ACRYLIC)		
						V126V VESTAL WHITE	OLIVE	CES1054-944 (ACRYLIC)		
						V126V CES1054-802 (ACRYLIC)	VELVET BLACK	CES1054-807 (ACRYLIC)		
						V121L LUSTER WHITE	VALOR RED	CES1054-806 (ACRYLIC)		
						V121L CES1054-967 (ACRYLIC)	DUBONNET	CES1054-A18 (ACRYLIC)		
						V122L LUSTER WHITE	GOLDENROD	CES1054-803 (ACRYLIC)		
						V122L CES1054-967 (ACRYLIC)	COLONIAL BLUE MET	CES1054-A21 (ACRYLIC)		
						V123L LUSTER WHITE	OLIVE	CES1054-944 (ACRYLIC)		
						V123L CES1054-967 (ACRYLIC)	VELVET BLACK	CES1054-807 (ACRYLIC)		
						V124L LUSTER WHITE	VALOR RED	CES1054-806 (ACRYLIC)		
						V124L CES1054-967 (ACRYLIC)	DUBONNET	CES1054-A18 (ACRYLIC)		
						V125L LUSTER WHITE	GOLDENROD	CES1054-803 (ACRYLIC)		
						V125L CES1054-967 (ACRYLIC)	COLONIAL BLUE MET	CES1054-A21 (ACRYLIC)		
						V126L LUSTER WHITE	OLIVE	CES1054-944 (ACRYLIC)		
						V126L CES1054-967 (ACRYLIC)	VELVET BLACK	CES1054-807 (ACRYLIC)		
						V181 VESTAL WHITE	CARNIVAL YELLOW	DRACO GREEN MET		
						V181 CES1054-802 (ACRYLIC)	CES1054-A15 (ACRYLIC)	CES1054-A23 (ACRYLIC)		
						V181 CES1054-398*	CES1054-A34*	CES1054-A36*		

NOTE: WHEN ORDERING PAINT SPECIFY CES1054 DASH NUMBER. EXAMPLE: CES1054-156 *Lacquer paint, used on French Aircraft only.

150 & A150 Parts Catalog

MODEL 150 & A150		PAINT CODE CHART				MODEL 150 & A150						
YEAR	INTERIOR COLOR		INTERIOR PAINT				SERIAL LISTING	EXTERIOR PAINT				
	CODE	CODE COLOR	AA	INTERIOR COLOR CODE		BB		CODE	COLOR COMBINATIONS			
1 9 7 2	AA	JAVA GOLD VINYL	BLACK SEMI-GLOSS (LACQUER) CES1054-156	BLACK SEMI-GLOSS (LACQUER) CES1054-156	BLACK SEMI-GLOSS (LACQUER) CES1054-156	BLACK SEMI-GLOSS (LACQUER) CES1054-156	15072629 THRU 15073658 A1500277 THRU A1500342 F15000739 THRU F15000863 FA1500122 THRU FA1500166	201	VESTAL WHITE CES1054-802 (ACRYLIC) CES1054-398*	VALOR RED CES1054-808 (ACRYLIC) CES1054-409*		
	AV	JAVA GOLD VINYL WITH CLOUD GREY INSERTS	DULL BLACK (LACQUER) CES1054-193	DULL BLACK (LACQUER) CES1054-193	DULL BLACK (LACQUER) CES1054-193	DULL BLACK (LACQUER) CES1054-193		A201V	202	VESTAL WHITE CES1054-802 (ACRYLIC) CES1054-398*	PROVINCIAL RED CES1054-863 (ACRYLIC)	
	BA	BOGOTA BLUE VINYL WITH BLACK & WHITE INSERTS	CLOUD GRAY (LACQUER) CES1054-531	CLOUD GRAY (LACQUER) CES1054-531	CLOUD GRAY (LACQUER) CES1054-531	CLOUD GRAY (LACQUER) CES1054-531		A203V	203	VESTAL WHITE CES1054-802 (ACRYLIC) CES1054-398*	EMPRESS BLUE CES1054-832 (ACRYLIC) CES1054-899*	
	BB	BOGOTA BLUE VINYL	CLOUD GRAY (VINYL) CES1054-533	CLOUD GRAY (VINYL) CES1054-533	CLOUD GRAY (VINYL) CES1054-533	CLOUD GRAY (VINYL) CES1054-533		A204V	204	VESTAL WHITE CES1054-802 (ACRYLIC) CES1054-398*	CONTRALTO BLUE CES1054-863 (ACRYLIC) CES1054-A56*	
	BV	BOGOTA BLUE VINYL WITH CLOUD GREY INSERTS	BLACK SEMI-GLOSS (LACQUER) CES1054-156	BLACK SEMI-GLOSS (LACQUER) CES1054-156	BLACK SEMI-GLOSS (LACQUER) CES1054-156	BLACK SEMI-GLOSS (LACQUER) CES1054-156		A205V	205	VESTAL WHITE CES1054-802 (ACRYLIC) CES1054-398*	TIGER YELLOW CES1054-A63 (ACRYLIC) CES1054-A03*	
	CA	PICNIC GREEN VINYL WITH BLACK & WHITE INSERTS	DULL BLACK (LACQUER) CES1054-193	DULL BLACK (LACQUER) CES1054-193	DULL BLACK (LACQUER) CES1054-193	DULL BLACK (LACQUER) CES1054-193		A206V	206	VESTAL WHITE CES1054-802 (ACRYLIC) CES1054-398*	OLIVE CES1054-944 (ACRYLIC) CES1054-A04*	
	CC	CYPRUS GREEN VINYL	CLOUD GRAY (LACQUER) CES1054-531	CLOUD GRAY (LACQUER) CES1054-531	CLOUD GRAY (LACQUER) CES1054-531	CLOUD GRAY (LACQUER) CES1054-531		A207V	207	VESTAL WHITE CES1054-802 (ACRYLIC) CES1054-398*	VALOR RED CES1054-808 (ACRYLIC)	
	CV	CYPRUS GREEN VINYL WITH CLOUD GREY INSERTS	CLOUD GRAY (VINYL) CES1054-533	CLOUD GRAY (VINYL) CES1054-533	CLOUD GRAY (VINYL) CES1054-533	CLOUD GRAY (VINYL) CES1054-533		A208V	208	VESTAL WHITE CES1054-802 (ACRYLIC) CES1054-398*	PROVINCIAL RED MET CES1054-963 (ACRYLIC)	
	DD	TAHITIAN RED VINYL	BLACK SEMI-GLOSS (LACQUER) CES1054-156	BLACK SEMI-GLOSS (LACQUER) CES1054-156				A209V	209	VESTAL WHITE CES1054-802 (ACRYLIC) CES1054-398*	CARNIVAL YELLOW CES1054-A15 (ACRYLIC)	
	DV	TAHITIAN RED VINYL WITH CLOUD GREY INSERTS	DULL BLACK (LACQUER) CES1054-193	DULL BLACK (LACQUER) CES1054-193				A210V	210	VESTAL WHITE CES1054-802 (ACRYLIC) CES1054-398*	TROPICAL ORANGE CES1054-774 (ACRYLIC)	
			CLOUD GRAY (LACQUER) CES1054-531	CLOUD GRAY (LACQUER) CES1054-531				A211V	211	VESTAL WHITE CES1054-802 (ACRYLIC) CES1054-398*	EMPRESS BLUE CES1054-832 (ACRYLIC)	
			CLOUD GRAY (VINYL) CES1054-533	CLOUD GRAY (VINYL) CES1054-533				A212V	212	VESTAL WHITE CES1054-802 (ACRYLIC) CES1054-398*	OLIVE CES1054-944 (ACRYLIC)	
						A213V	213	VESTAL WHITE CES1054-802 (ACRYLIC) CES1054-398*	TIGER YELLOW CES1054-966 (ACRYLIC)	EMPRESS BLUE CES1054-832 (ACRYLIC)		
						A239V	239	VESTAL WHITE CES1054-398*	VALOR RED CES1054-409*	DRACO GREEN MET CES1054-A35*		

NOTE: WHEN ORDERING PAINT SPECIFY CES1054 DASH NUMBER. EXAMPLE: CES1054-156

*Lacquer paint, used on French Aircraft only.

150 & A150 Parts Catalog

MODEL 150 & A150		PAINT CODE CHART						MODEL 150 & A150							
YEAR	INTERIOR COLOR		INTERIOR PAINT				SERIAL LISTING	EXTERIOR PAINT							
	CODE	COLOR	AC	AC3	AV	AV3		BA	BC	BC3	CODE	COLOR COMBINATIONS			
1 9 7 3	AC	CANYON TAN VINYL WITH CLOUD GRAY INSERTS	BLACK SEMI-GLOSS (LACQUER) CES1054-156	BLACK SEMI-GLOSS (LACQUER) CES1054-156	BLACK SEMI-GLOSS (LACQUER) CES1054-156	BLACK SEMI-GLOSS (LACQUER) CES1054-156	BLACK SEMI-GLOSS (LACQUER) CES1054-156	BLACK SEMI-GLOSS (LACQUER) CES1054-156	301	VESTAL WHITE CES1054-802 (ACRYLIC) CES1054-398*	CRANBERRY CES1054-875 (ACRYLIC) CES1054-881*				
		AC3	JAVA GOLD VINYL WITH CLOUD GRAY INSERTS	DULL BLACK (LACQUER) CES1054-193	DULL BLACK (LACQUER) CES1054-193	DULL BLACK (LACQUER) CES1054-193	DULL BLACK (LACQUER) CES1054-193	DULL BLACK (LACQUER) CES1054-193	DULL BLACK (LACQUER) CES1054-193	302	VESTAL WHITE CES1054-802 (ACRYLIC) CES1054-398*	FLAG RED CES1054-A93 (ACRYLIC) CES1054-B03*			
	AV	CANYON TAN VINYL							303	VESTAL WHITE CES1054-802 (ACRYLIC) CES1054-398*	TROPICAL ORANGE CES1054-774 (ACRYLIC) CES1054-849*				
	AV3	JAVA GOLD VINYL	CLOUD GRAY (LACQUER) CES1054-531	CLOUD GRAY (LACQUER) CES1054-531	CLOUD GRAY (LACQUER) CES1054-531	CLOUD GRAY (LACQUER) CES1054-531	CLOUD GRAY (LACQUER) CES1054-531	CLOUD GRAY (LACQUER) CES1054-531	304	VESTAL WHITE CES1054-802 (ACRYLIC) CES1054-398*	CONTRALTO BLUE CES1054-A83 (ACRYLIC) CES1054-A56*				
	BA	BOGOTA BLUE & CLOUD GRAY VINYL	CLOUD GRAY (VINYL) CES1054-533	CLOUD GRAY (VINYL) CES1054-533	CLOUD GRAY (VINYL) CES1054-533	CLOUD GRAY (VINYL) CES1054-533	CLOUD GRAY (VINYL) CES1054-533	CLOUD GRAY (VINYL) CES1054-533	305	VESTAL WHITE CES1054-802 (ACRYLIC) CES1054-398*	EMPRESS BLUE CES1054-832 (ACRYLIC) CES1054-899*				
	BC	ROYAL BLUE VINYL WITH CLOUD GRAY INSERTS	INTERIOR PAINT						15073659 THRU 15074850 F15000864 THRU F15001013 A1500343 THRU A1500429 FA1500167 THRU FA1500211	307	VESTAL WHITE CES1054-802 (ACRYLIC)	FLAG RED CES1054-A93 (ACRYLIC)			
	BC3	PEACOCK BLUE VINYL WITH CLOUD GRAY INSERTS	INTERIOR PAINT							308	VESTAL WHITE CES1054-802 (ACRYLIC)	TIGER YELLOW CES1054-966 (ACRYLIC)			
	BV	ROYAL BLUE VINYL	BLACK SEMI-GLOSS (LACQUER) CES1054-156	BLACK SEMI-GLOSS (LACQUER) CES1054-156	BLACK SEMI-GLOSS (LACQUER) CES1054-156	BLACK SEMI-GLOSS (LACQUER) CES1054-156	BLACK SEMI-GLOSS (LACQUER) CES1054-156	BLACK SEMI-GLOSS (LACQUER) CES1054-156		309	VESTAL WHITE CES1054-802 (ACRYLIC)	CONTRALTO BLUE CES1054-A63 (ACRYLIC)			
	BV3	PEACOCK BLUE VINYL	DULL BLACK (LACQUER) CES1054-193	DULL BLACK (LACQUER) CES1054-193	DULL BLACK (LACQUER) CES1054-193	DULL BLACK (LACQUER) CES1054-193	DULL BLACK (LACQUER) CES1054-193	DULL BLACK (LACQUER) CES1054-193		310	VESTAL WHITE CES1054-802 (ACRYLIC)	SHOAL TURQUOISE CES1054-804 (ACRYLIC)			
	CV3	GOLDEN OLIVE VINYL	CLOUD GRAY (LACQUER) CES1054-531	CLOUD GRAY (LACQUER) CES1054-531	CLOUD GRAY (LACQUER) CES1054-531	CLOUD GRAY (LACQUER) CES1054-531	CLOUD GRAY (LACQUER) CES1054-531	CLOUD GRAY (LACQUER) CES1054-531		311	VESTAL WHITE CES1054-802 (ACRYLIC)	GRANADA GREEN CES1054-A97 (ACRYLIC)			
	DC	DRAGON RED VINYL WITH CLOUD GRAY INSERTS	CLOUD GRAY (VINYL) CES1054-533	CLOUD GRAY (VINYL) CES1054-533	CLOUD GRAY (VINYL) CES1054-533	CLOUD GRAY (VINYL) CES1054-533	CLOUD GRAY (VINYL) CES1054-533	CLOUD GRAY (VINYL) CES1054-533		312	VESTAL WHITE CES1054-802 (ACRYLIC)	NUTMEG CES1054-A95 (ACRYLIC)			
	DC3	POPPY RED VINYL WITH CLOUD GRAY INSERTS	INTERIOR PAINT							313	VESTAL WHITE CES1054-802 (ACRYLIC) CES1054-398*	TROPICAL ORANGE CES1054-774 (ACRYLIC) CES1054-849*	CONTRALTO BLUE CES1054-A63 (ACRYLIC) CES1054-A56*		
	DV	DRAGON RED VINYL	INTERIOR COLOR CODE							314	VESTAL WHITE CES1054-802 (ACRYLIC) CES1054-398*	FLAG RED CES1054-A93 (ACRYLIC) CES1054-B03*	CONTRALTO BLUE CES1054-A63 (ACRYLIC) CES1054-A56*		
	DV3	POPPY RED VINYL	GV	CV3											
	GC	VELDT GOLD VINYL WITH CLOUD GRAY INSERTS	DULL BLACK (LACQUER) CES1054-193												
	GC3	GOLDEN OLIVE VINYL WITH CLOUD GRAY INSERTS	CLOUD GRAY (LACQUER) CES1054-531												
	GV	VELDT GOLD VINYL	CLOUD GRAY (VINYL) CES1054-533												

NOTE: WHEN ORDERING PAINT SPECIFY CES1054 DASH NUMBER. EXAMPLE: CES1054-156 *Lacquer paint, used on French Aircraft only.

150 & A150 Parts Catalog

MODEL 150 & A150		PAINT CODE CHART				MODEL 150 & A150				
YEAR	INTERIOR COLOR		INTERIOR PAINT				SERIAL LISTING	EXTERIOR PAINT		
	CODE	DESCRIPTION	AC	AV	BC	BV		CODE	COLOR COMBINATIONS	
1 9 7 5	AC	CHESTNUT BROWN WITH PERFORATED INSERTS	BLACK SEMI-GLOSS (LACQUER) CES1054-156	BLACK SEMI-GLOSS (LACQUER) CES1054-156	BLACK SEMI-GLOSS (LACQUER) CES1054-156	BLACK SEMI-GLOSS (LACQUER) CES1054-156	501	FLAG RED CES1054-A93 (ACRYLIC) CES1054-B93*		
			DULL BLACK (LACQUER) CES1054-193	DULL BLACK (LACQUER) CES1054-193	DULL BLACK (LACQUER) CES1054-193	DULL BLACK (LACQUER) CES1054-531	501A	VESTAL WHITE CES1054-802 (ACRYLIC) CES1054-398*	FLAG RED CES1054-A93 (ACRYLIC) CES1054-B93*	
	AV	CHESTNUT BROWN VINYL	CLOUD GRAY (LACQUER) CES1054-531	CLOUD GRAY (LACQUER) CES1054-531	CLOUD GRAY (LACQUER) CES1054-531	CLOUD GRAY (LACQUER) CES1054-531	502	SUMMER GOLD CES1054-B48 (ACRYLIC) CES1054-B54*		
			CLOUD GRAY (VINYL) CES1054-533	CLOUD GRAY (VINYL) CES1054-533	CLOUD GRAY (VINYL) CES1054-533	CLOUD GRAY (VINYL) CES1054-533	502A	VESTAL WHITE CES1054-802 (ACRYLIC) CES1054-398*	SUMMER GOLD CES1054-B48 (ACRYLIC) CES1054-B54*	
	BC	COPEN BLUE WITH PERFORATED INSERTS	CLOUD GRAY (VINYL) CES1054-533	CLOUD GRAY (VINYL) CES1054-533	CLOUD GRAY (VINYL) CES1054-533	CLOUD GRAY (VINYL) CES1054-533	503	TROPICAL ORANGE CES1054-774 (ACRYLIC) CES1054-849*		
			CHESTNUT BROWN (LACQUER) CES1054-B41	CHESTNUT BROWN (LACQUER) CES1054-B41	COPEN BLUE (LACQUER) CES1054-B29	COPEN BLUE (LACQUER) CES1054-B29	503A	VESTAL WHITE CES1054-802 (ACRYLIC) CES1054-398*	TROPICAL ORANGE CES1054-774 (ACRYLIC) CES1054-849*	
	BV	COPEN BLUE VINYL	INTERIOR PAINT				15075782 THRU 15077005 F1500144 THRU F15001248 A1500524 THRU A1500609 FA1500262 THRU FA1500281	504	EMPRESS BLUE CES1054-B32 (ACRYLIC) CES1054-899*	
			INTERIOR PAINT					504A	VESTAL WHITE CES1054-802 (ACRYLIC) CES1054-398*	EMPRESS BLUE CES1054-B32 (ACRYLIC) CES1054-899*
	CC	OLIVE GREEN WITH PERFORATED INSERTS	BLACK SEMI-GLOSS (LACQUER) CES1054-156	BLACK SEMI-GLOSS (LACQUER) CES1054-156	BLACK SEMI-GLOSS (LACQUER) CES1054-156	BLACK SEMI-GLOSS (LACQUER) CES1054-156		505	SATIN BLUE CES1054-B62 (ACRYLIC) CES1054-866*	
			DULL BLACK (LACQUER) CES1054-193	DULL BLACK (LACQUER) CES1054-193	DULL BLACK (LACQUER) CES1054-193	DULL BLACK (LACQUER) CES1054-193		505A	VESTAL WHITE CES1054-802 (ACRYLIC) CES1054-398*	SATIN BLUE CES1054-B62 (ACRYLIC) CES1054-866*
	CV	OLIVE GREEN VINYL	CLOUD GRAY (LACQUER) CES1054-531	CLOUD GRAY (LACQUER) CES1054-531	CLOUD GRAY (LACQUER) CES1054-531	CLOUD GRAY (LACQUER) CES1054-531		506	SPRING GREEN CES1054-B64 (ACRYLIC) CES1054-868*	
			CLOUD GRAY (VINYL) CES1054-533	CLOUD GRAY (VINYL) CES1054-533	CLOUD GRAY (VINYL) CES1054-533	CLOUD GRAY (VINYL) CES1054-533		506A	VESTAL WHITE CES1054-802 (ACRYLIC) CES1054-398*	SPRING GREEN CES1054-B64 (ACRYLIC) CES1054-868*
	DA	SUNSET RED & CLOUD GRAY VINYL	CLOUD GRAY (VINYL) CES1054-533	CLOUD GRAY (VINYL) CES1054-533	CLOUD GRAY (VINYL) CES1054-533	CLOUD GRAY (VINYL) CES1054-533		507	VESTAL WHITE CES1054-802 (ACRYLIC) CES1054-398*	FLAG RED CES1054-A93 (ACRYLIC) CES1054-B93*
			OLIVE GREEN (LACQUER) CES1054-B33	OLIVE GREEN (LACQUER) CES1054-B33	SUNSET RED (LACQUER) CES1054-B37	SUNSET RED (LACQUER) CES1054-B37		508	VESTAL WHITE CES1054-802 (ACRYLIC) CES1054-398*	TROPICAL ORANGE CES1054-774 (ACRYLIC) CES1054-849*
	DC	SUNSET RED WITH PERFORATED INSERTS	INTERIOR PAINT					509	VESTAL WHITE CES1054-802 (ACRYLIC) CES1054-398*	NUTMEG CES1054-A95 (ACRYLIC) CES1054-B17*
			INTERIOR PAINT					510	VESTAL WHITE CES1054-802 (ACRYLIC) CES1054-398*	CARNIVAL YELLOW CES1054-A19 (ACRYLIC) CES1054-A34*
	DV	SUNSET RED VINYL	BLACK SEMI-GLOSS (LACQUER) CES1054-156	BLACK SEMI-GLOSS (LACQUER) CES1054-156	BLACK SEMI-GLOSS (LACQUER) CES1054-156	BLACK SEMI-GLOSS (LACQUER) CES1054-156		511	VESTAL WHITE CES1054-802 (ACRYLIC) CES1054-398*	SUMMER GOLD CES1054-B48 (ACRYLIC) CES1054-B54*
			DULL BLACK (LACQUER) CES1054-193	DULL BLACK (LACQUER) CES1054-193	DULL BLACK (LACQUER) CES1054-193	DULL BLACK (LACQUER) CES1054-193		512	VESTAL WHITE CES1054-802 (ACRYLIC) CES1054-398*	EMPRESS BLUE CES1054-B32 (ACRYLIC) CES1054-899*
	GC	OLD GOLD WITH PERFORATED INSERTS	CLOUD GRAY (LACQUER) CES1054-531	CLOUD GRAY (LACQUER) CES1054-531	CLOUD GRAY (LACQUER) CES1054-531	CLOUD GRAY (LACQUER) CES1054-531		513	VESTAL WHITE CES1054-802 (ACRYLIC) CES1054-398*	SATIN BLUE CES1054-B62 (ACRYLIC) CES1054-B68*
			CLOUD GRAY (VINYL) CES1054-533	CLOUD GRAY (VINYL) CES1054-533	CLOUD GRAY (VINYL) CES1054-533	CLOUD GRAY (VINYL) CES1054-533		514	VESTAL WHITE CES1054-802 (ACRYLIC) CES1054-398*	SPRING GREEN CES1054-B64 (ACRYLIC) CES1054-B68*
GV	OLD GOLD VINYL	SUNSET RED (LACQUER) CES1054-B37	OLD GOLD (LACQUER) CES1054-B25	OLD GOLD (LACQUER) CES1054-B25	OLD GOLD (LACQUER) CES1054-B25	515		VESTAL WHITE CES1054-802 (ACRYLIC) CES1054-398*	NUTMEG CES1054-A95 (ACRYLIC) CES1054-B17* TROPICAL ORANGE CES1054-774 (ACRYLIC) CES1054-849*	

NOTE: WHEN ORDERING PAINT SPECIFY CES-1054 DASH NUMBER. EXAMPLE: CES1054-156

*Lacquer paint, used on French Aircraft only.

150 & A150 Parts Catalog

MODEL 150 & A150			PAINT CODE CHART				MODEL 150 & A150				
YEAR	INTERIOR COLOR		INTERIOR PAINT				SERIAL LISTING	EXTERIOR PAINT			
	CODE	COLOR	AC	BA	BC	CC		CODE	COLOR COMBINATIONS		
1 9 6 7 6	AC	CHESTNUT BROWN WITH PERFORATED INSERTS	BLACK SEMI-GLOSS (LACQUER) CES1054-156	BLACK SEMI-GLOSS (LACQUER) CES1054-156	BLACK SEMI-GLOSS (LACQUER) CES1054-156	BLACK SEMI-GLOSS (LACQUER) CES1054-156	15077006 THRU 15078505 F15001249 THRU F15001336 A1500610 THRU A1500684 FA1500282 THRU FA1500311	601	VESTAL WHITE CES1054-802 (ACRYLIC) CES1054-398*	FLAG RED CES1054-A93 (ACRYLIC) CES1054-B03*	
			DULL BLACK (LACQUER) CES1054-193	DULL BLACK (LACQUER) CES1054-193	DULL BLACK (LACQUER) CES1054-193	DULL BLACK (LACQUER) CES1054-193		601A		FLAG RED CES1054-B03*	
	BA	SAPPHIRE BLUE & CLOUD GRAY VINYL	CLOUD GRAY (LACQUER) CES1054-531	CLOUD GRAY (LACQUER) CES1054-531	CLOUD GRAY (LACQUER) CES1054-531	CLOUD GRAY (LACQUER) CES1054-531		602	VESTAL WHITE CES1054-802 (ACRYLIC) CES1054-398*	LATTICO CES1054-B88 (ACRYLIC) CES1054-B92*	
			CLOUD GRAY (VINYL) CES1054-533	CLOUD GRAY (VINYL) CES1054-533	CLOUD GRAY (VINYL) CES1054-533	CLOUD GRAY (VINYL) CES1054-533		602A		LATTICO CES1054-B92*	
	BC	SAPPHIRE BLUE WITH PERFORATED INSERTS	CHESTNUT BROWN (LACQUER) CES1054-B41	SAPPHIRE BLUE (LACQUER) CES1054-B73	SAPPHIRE BLUE (LACQUER) CES1054-B73	ORO GREEN (LACQUER) CES1054-B77		603	VESTAL WHITE CES1054-802 (ACRYLIC) CES1054-398*	SPANISH BRONZE CES1054-B80 (ACRYLIC) CES1054-B84*	
			INTERIOR PAINT					603A		SPANISH BRONZE CES1054-B94*	
	CC	ORO GREEN WITH PERFORATED INSERTS	INTERIOR COLOR CODE					604	VESTAL WHITE CES1054-802 (ACRYLIC) CES1054-398*	EMPRESS BLUE CES1054-832 (ACRYLIC) CES1054-899*	
			DC	GC	XA			604A		EMPRESS BLUE CES1054-899*	
	DC	RUBY RED WITH PERFORATED INSERTS	BLACK SEMI-GLOSS (LACQUER) CES1054-156	BLACK SEMI-GLOSS (LACQUER) CES1054-156	BLACK SEMI-GLOSS (LACQUER) CES1054-156			605	VESTAL WHITE CES1054-802 (ACRYLIC) CES1054-398*	SATIN BLUE CES1054-B62 (ACRYLIC) CES1054-B66*	
			DULL BLACK (LACQUER) CES1054-193	DULL BLACK (LACQUER) CES1054-193	DULL BLACK (LACQUER) CES1054-193			605A		SATIN BLUE CES1054-B66*	
	GC	TOPAZ GOLD WITH PERFORATED INSERTS	CLOUD GRAY (LACQUER) CES1054-531	CLOUD GRAY (LACQUER) CES1054-531	CLOUD GRAY (LACQUER) CES1054-531			606	VESTAL WHITE CES1054-802 (ACRYLIC) CES1054-398*	GRANADA GREEN CES1054-A97 (ACRYLIC) CES1054-B04*	
			CLOUD GRAY (VINYL) CES1054-533	CLOUD GRAY (VINYL) CES1054-533	CLOUD GRAY (VINYL) CES1054-533			606A		GRANADA GREEN CES1054-B04*	
	XA	SUNSET RED & CLOUD GRAY VINYL	RUBY RED (LACQUER) CES1054-B81	TOPAZ GOLD (LACQUER) CES1054-B85	SUNSET RED (LACQUER) CES1054-B37			607	VESTAL WHITE CES1054-802 (ACRYLIC) CES1054-398*	FLAG RED CES1054-A93 (ACRYLIC) CES1054-B03*	SATIN BLUE CES1054-B62 (ACRYLIC) CES1054-B66*
								614	VESTAL WHITE CES1054-802 (ACRYLIC) CES1054-398*	COOPER BROWN CES1054-B45 (ACRYLIC) CES1054-B99*	
								615	VESTAL WHITE CES1054-802 (ACRYLIC) CES1054-398*	VELVET BLACK CES1054-807 (ACRYLIC) CES1054-151*	

NOTE: WHEN ORDERING PAINT SPECIFY CES1054 DASH NUMBER. EXAMPLE: CES1054-156


*Lacquer paint, used on French Aircraft only.

150 & A150 Parts Catalog

MODEL 150 & A150		PAINT CODE CHART				MODEL 150 & A150					
YEAR	INTERIOR COLOR	INTERIOR PAINT				SERIAL LISTING	EXTERIOR PAINT				
		AC	AF	BA	BC		CODE	COLOR COMBINATIONS			
1 9 7 7	AC	CHESTNUT BROWN WITH PERFORATED INSERTS	BLACK SEMI-GLOSS (LACQUER) CES1054-156	BLACK SEMI-GLOSS (LACQUER) CES1054-156	BLACK SEMI-GLOSS (LACQUER) CES1054-156	BLACK SEMI-GLOSS (LACQUER) CES1054-156	15078506 & ON F15001339 & ON A1500685 & ON FA1500312 & ON	701	VESTAL WHITE CES1054-802 (ACRYLIC) CES1054-398*	ROYAL MAROON CES1054-B91 (ACRYLIC) CES1054-B95*	
			DULL BLACK (LACQUER) CES1054-193	DULL BLACK (LACQUER) CES1054-193	DULL BLACK (LACQUER) CES1054-193	DULL BLACK (LACQUER) CES1054-531		702	VESTAL WHITE CES1054-802 (ACRYLIC) CES1054-398*	FLAG RED CES1054-A93 (ACRYLIC) CES1054-B03*	
	AF	CHESTNUT BROWN VINYL & FABRIC	CLOUD GRAY (LACQUER) CES1054-531	CLOUD GRAY (LACQUER) CES1054-531	CLOUD GRAY (LACQUER) CES1054-531	CLOUD GRAY (LACQUER) CES1054-531		702A		FLAG RED CES1054-B03*	
			CLOUD GRAY (VINYL) CES1054-533	CLOUD GRAY (VINYL) CES1054-533	CLOUD GRAY (VINYL) CES1054-533	CLOUD GRAY (VINYL) CES1054-533		703	VESTAL WHITE CES1054-802 (ACRYLIC) CES1054-398*	TROPICAL ORANGE CES1054-774 (ACRYLIC) CES1054-849*	
	BA	SAPPHIRE BLUE & CLOUD GRAY VINYL	CHESTNUT BROWN (LACQUER) CES1054-B41	CHESTNUT BROWN (LACQUER) CES1054-B41	SAPPHIRE BLUE (LACQUER) CES1054-B73	SAPPHIRE BLUE (LACQUER) CES1054-B73		704	VESTAL WHITE CES1054-802 (ACRYLIC) CES1054-398*	SPANISH BRONZE CES1054-B90 (ACRYLIC) CES1054-B94*	
			INTERIOR PAINT					704A		SPANISH BRONZE CES1054-B94*	
	BC	SAPPHIRE BLUE WITH PERFORATED INSERTS	INTERIOR COLOR CODE					705	VESTAL WHITE CES1054-802 (ACRYLIC) CES1054-398*	LATIGO CES1054-B88 (ACRYLIC) CES1054-B92*	
			BF	CC	CF	DC		705A		LATIGO CES1054-B92*	
	BF	SAPPHIRE BLUE VINYL & FABRIC	BLACK SEMI-GLOSS (LACQUER) CES1054-156	BLACK SEMI-GLOSS (LACQUER) CES1054-156	BLACK SEMI-GLOSS (LACQUER) CES1054-156	BLACK SEMI-GLOSS (LACQUER) CES1054-156		706	VESTAL WHITE CES1054-802 (ACRYLIC) CES1054-398*	SATIN BLUE CES1054-B62 (ACRYLIC) CES1054-B60*	
			DULL BLACK (LACQUER) CES1054-193	DULL BLACK (LACQUER) CES1054-193	DULL BLACK (LACQUER) CES1054-193	DULL BLACK (LACQUER) CES1054-193		706A		SATIN BLUE CES1054-B66*	
	CC	ORO GREEN WITH PERFORATED INSERTS	CLOUD GRAY (LACQUER) CES1054-531	CLOUD GRAY (LACQUER) CES1054-531	CLOUD GRAY (LACQUER) CES1054-531	CLOUD GRAY (LACQUER) CES1054-531		707	VESTAL WHITE CES1054-802 (ACRYLIC) CES1054-398*	SERENA BLUE CES1054-A96 (ACRYLIC) CES1054-B16*	
			CLOUD GRAY (VINYL) CES1054-533	CLOUD GRAY (VINYL) CES1054-533	CLOUD GRAY (VINYL) CES1054-533	CLOUD GRAY (VINYL) CES1054-533		707A		SERENA BLUE CES1054-B16*	
	CF	ORO GREEN VINYL & FABRIC	SAPPHIRE BLUE (LACQUER) CES1054-B73	ORO GREEN (LACQUER) CES1054-B77	ORO GREEN (LACQUER) CES1054-B77	RUBY RED (LACQUER) CES1054-B81		708	VESTAL WHITE CES1054-802 (ACRYLIC) CES1054-398*	GRANADA GREEN CES1054-A97 (ACRYLIC) CES1054-B04*	
			INTERIOR PAINT					708A		GRANADA GREEN CES1054-B04*	
	DC	RUBY RED WITH PERFORATED INSERTS	DF	EC	GC & GF	HC & HF		709	VESTAL WHITE CES1054-802 (ACRYLIC) CES1054-398*	VELVET BLACK CES1054-807 (ACRYLIC) CES1054-151*	
			INTERIOR COLOR CODE					710	VESTAL WHITE CES1054-802 (ACRYLIC) CES1054-398*	FLAG RED CES1054-A93 (ACRYLIC) CES1054-B03*	SATIN BLUE CES1054-B62 (ACRYLIC) CES1054-B66*
	DF	RUBY RED VINYL & FABRIC	BLACK SEMI-GLOSS (LACQUER) CES1054-156	BLACK SEMI-GLOSS (LACQUER) CES1054-156	BLACK SEMI-GLOSS (LACQUER) CES1054-156	BLACK SEMI-GLOSS (LACQUER) CES1054-156					
			DULL BLACK (LACQUER) CES1054-193	DULL BLACK (LACQUER) CES1054-193	DULL BLACK (LACQUER) CES1054-193	DULL BLACK (LACQUER) CES1054-193					
	EC	CLOUD GRAY WITH PERFORATED INSERTS	CLOUD GRAY (LACQUER) CES1054-531	CLOUD GRAY (LACQUER) CES1054-531	CLOUD GRAY (LACQUER) CES1054-531	CLOUD GRAY (LACQUER) CES1054-531					
			CLOUD GRAY (VINYL) CES1054-533	CLOUD GRAY (VINYL) CES1054-533	CLOUD GRAY (VINYL) CES1054-533	CLOUD GRAY (VINYL) CES1054-533					
GC	TOPAZ GOLD WITH PERFORATED INSERTS	RUBY RED (LACQUER) CES1054-B81		TOPAZ GOLD (LACQUER) CES1054-B85	POPPY RED (LACQUER) CES1054-A85						
		NOTE: WHEN ORDERING PAINT SPECIFY CES-1054 DASH NUMBER. EXAMPLE: CES1054-156									

*Lacquer paint, used on French Aircraft only.

150 & A150 Parts Catalog

UPHOLSTERY
&
INTERIOR TRIM 

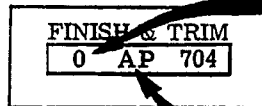
150 & A150 Parts Catalog

UPHOLSTERED PARTS - HOW TO ORDER

PARTS MARKED WITH A # FOLLOWING PART NUMBER REQUIRE A SECOND DASH NUMBER FOR COLOR & MATERIAL

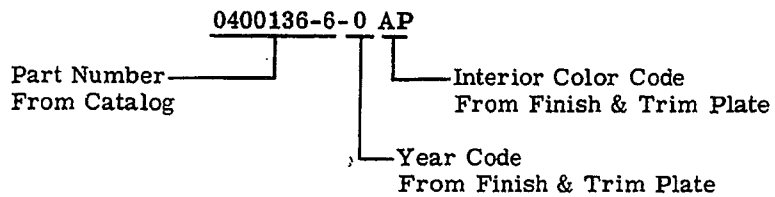
HOW TO DETERMINE 2nd DASH NUMBER

1. Find part number of desired part in catalog.
2. Refer to "FINISH & TRIM" plate, in the airplane, for your "Year Code" and "Interior Color Code."



3. Add the "Year Code" and "Interior Color Code," to the part number from catalog.

EXAMPLE OF COMPLETE NUMBER



150 & A150 Parts Catalog

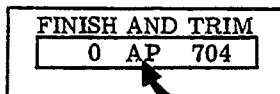
INTERIOR PAINTED OR PLASTIC PARTS HOW TO ORDER

PARTS MARKED WITH A < FOLLOWING PART NUMBER REQUIRE A SECOND DASH NUMBER FOR PROPER COLOR.

To obtain second dash number use of correct table, for your model year, is required.

To use table,

1. Find part number of desired part in catalog.
2. Refer to the "Finish and Trim" plate, in the airplane, for your "Interior Color Code."



3. Locate part number from catalog in table.
4. Add dash number for color that appears under your "Interior Color Code."

INTERIOR PAINTED OR PLASTIC PARTS 1970 MODEL YEAR ONLY 15071129 & ON F15000530 & ON A15000001 & ON FA15000001 & ON		INTERIOR COLOR CODE (From Finish and Trim Plate)										
PART NUMBER	PART NAME	AP	AC	BP	BC	MP	VM	CC	PI	CC	PI	CC
0400118-44	COVER - CENTER STRIP	532	532	532	532	532	532	532	532	532	532	532
0400118-104	TRIM COVER - REAR WINDOW	532	532	532	532	532	532	532	532	532	532	532
0400129-51	PANEL - BAGGAGE COMPARTMENT UPPER AFT	532	532	532	532	532	532	532	532	532	532	532
0400129-50	PANEL ASSEMBLY - BAGGAGE COMPARTMENT UPPER AFT	532	532	532	532	532	532	532	532	532	532	532
0400129-58	PANEL ASSEMBLY - COWL LH	532	532	532	532	532	532	532	532	532	532	532
0400129-72	PANEL - COWL RH	532	532	532	532	532	532	532	532	532	532	532
0400134-5	FRAME ASSEMBLY	533	533	533	533	533	533	533	533	533	533	533
0400138-1	SUPPORT ASSEMBLY - BACKREST LH	531	531	531	531	531	531	531	531	531	531	531
0400138-2	SUPPORT ASSEMBLY - BACKREST RH	531	531	531	531	531	531	531	531	531	531	531
0404013-1	COVER ASSEMBLY	532	532	532	532	532	532	532	532	532	532	532
0404013-3	SHIELD	532	532	532	532	532	532	532	532	532	532	532
0411204-1	FRAME ASSEMBLY - SEAT BOTTOM LH	533	533	533	533	533	533	533	533	533	533	533
0411204-2	FRAME ASSEMBLY - SEAT BOTTOM RH	533	533	533	533	533	533	533	533	533	533	533
0411481	STRIP - WINDSHIELD ATTACHMENT	531	531	531	531	531	531	531	531	531	531	531
0411599-5	SHIELD - RUDDER BAR LH	156	156	156	156	156	156	156	156	156	156	156
0411836-3	SHIELD - RUDDER BAR	156	156	156	156	156	156	156	156	156	156	156
0411870	STRIP - WINDSHIELD SIDE	531	531	531	531	531	531	531	531	531	531	531

EXAMPLES OF COMPLETE NUMBER

0400129-58 -532

Part Number
From Catalog

2nd Dash Number
From Table
(Interior Color Code AP)

150 & A150 Parts Catalog

INTERIOR PAINTED OR PLASTIC PARTS 1970 MODEL YEAR ONLY		INTERIOR COLOR CODE (From Finish and Trim Plate)										
15071129 THRU 15072003 A1500001 THRU A1500226	15000530 THRU F15000658 FA1500001 THRU FA15000081	PART NAME										
PART NUMBER	PART NAME	AP	AC	BP	BC	MP	VM	MC	IP	CC	CP	CC
0400129-58	PANEL ASSEMBLY - BAGGAGE COMPARTMENT UPPER AFT.	532	532	532	532	532	532	532	532	532	532	532
0400129-68	PANEL ASSEMBLY - COWL LH	532	532	532	532	532	532	532	532	532	532	532
0400129-72	PANEL - COWL RH	532	532	532	532	532	532	532	532	532	532	532
0400134-5	FRAME ASSEMBLY	533	533	533	533	533	533	533	533	533	533	533
0400138-1	SUPPORT ASSEMBLY - BACKREST LH	531	531	531	531	531	531	531	531	531	531	531
0400138-2	SUPPORT ASSEMBLY - BACKREST RH	531	531	531	531	531	531	531	531	531	531	531
0411204-1	FRAME ASSEMBLY - SEAT BOTTOM LH	533	533	533	533	533	533	533	533	533	533	533
0411204-2	FRAME ASSEMBLY - SEAT BOTTOM RH	533	533	533	533	533	533	533	533	533	533	533
0411481	STRIP - WINDSHIELD ATTACHMENT	531	531	531	531	531	531	531	531	531	531	531
0411599-5	SHIELD - RUDDER BAR LH	156	156	156	156	156	156	156	156	156	156	156
0411870	STRIP - WINDSHIELD SIDE	531	531	531	531	531	531	531	531	531	531	531
0411971-1	SHIELD - RUDDER BAR RH	156	156	156	156	156	156	156	156	156	156	156
0412070-5	SHELF ASSEMBLY - UTILITY	531	531	531	531	531	531	531	531	531	531	531
0413033-25	DOOR ASSEMBLY - CABIN LH	531	531	531	531	531	531	531	531	531	531	531
0413033-26	DOOR ASSEMBLY - CABIN RH	531	531	531	531	531	531	531	531	531	531	531
0413033-31	DOOR ASSEMBLY - CABIN LH	531	531	531	531	531	531	531	531	531	531	531
0413033-32	DOOR ASSEMBLY - CABIN RH	531	531	531	531	531	531	531	531	531	531	531
0413033-206	DOOR ASSEMBLY - CABIN RH	531	531	531	531	531	531	531	531	531	531	531
0413033-207	DOOR ASSEMBLY - CABIN LH	531	531	531	531	531	531	531	531	531	531	531
0413033-208	DOOR ASSEMBLY - CABIN LH	531	531	531	531	531	531	531	531	531	531	531
0413033-209	DOOR ASSEMBLY - CABIN LH	531	531	531	531	531	531	531	531	531	531	531
0413446-1	MARKER	597	597	597	597	597	597	597	597	597	597	597
0413454-1	COLLAR ASSEMBLY - CONTROL LOCK	156	156	156	156	156	156	156	156	156	156	156
0413458-1	DOOR ASSEMBLY - GLOVE BOX	978	978	976	976	977	977	977	977	975	975	975
0413461-2	COVER - ENGINE INSTRUMENT	989	989	989	989	989	989	989	989	989	989	989
0413461-3	PLATE - SPLICE	989	989	989	989	989	989	989	989	989	989	989
0413461-6	COVER - SHOCK PANEL	989	989	989	989	989	989	989	989	989	989	989
0413461-7	COVER - SHOCK PANEL	989	989	989	989	989	989	989	989	989	989	989
0413462-6	PANEL - SWITCH	978	978	976	976	977	977	977	977	975	975	975
0413463-2	COVER - CONTROL	978	978	976	976	977	977	977	977	975	975	975
0413467-2	EYEBROW - INSTRUMENT PANEL	710	710	710	710	710	710	710	710	710	710	710
0413467-3	COVER - RADIO CUTOUT	279	279	279	279	279	279	279	279	279	279	279
0413467-4	TRIM PANEL	978	978	976	976	977	977	977	977	975	975	975
0413467-5	COVER - STATIONARY PANEL	978	978	976	976	977	977	977	977	975	975	975
0413467-6	TRIM PANEL	978	978	976	976	977	977	977	977	975	975	975
0413470-1	COVER - ACCELEROMETER	279	279	279	279	279	279	279	279	279	279	279
0413475-1	COVER - COMPASS MOUNT SUPPORT	279	279	279	279	279	279	279	279	279	279	279
0413478-1	COVER - COMPASS MOUNT SUPPORT LOWER	279	279	279	279	279	279	279	279	279	279	279
0413484-7	SHIELD ASSEMBLY - LOWER	532	532	532	532	532	532	532	532	532	532	532
0413489-4	SHIELD - RH	532	532	532	532	532	532	532	532	532	532	532
0414001-3	PANEL - DOOR UPHOLSTERY LH	532	532	532	532	532	532	532	532	532	532	532

150 & A150 Parts Catalog

INTERIOR PAINTED OR PLASTIC PARTS 1970 MODEL YEAR ONLY		INTERIOR COLOR CODE (From Finish and Trim Plate)										
PART NUMBER	PART NAME	AP	AC	IB	BP	BC	IM	PM	VM	MC	CP	CC
15071129 THRU 15072003	F15000530 THRU F15000658	532	532	532	532	532	532	532	532	532	532	532
A1500001 THRU A1500226	FA1500001 THRU FA1500081	532	532	532	532	532	532	532	532	532	532	532
0414001-4	PANEL - DOOR UPHOLSTERY RH	532	532	532	532	532	532	532	532	532	532	532
0414002-1	PANEL - CABIN SIDE LH	532	532	532	532	532	532	532	532	532	532	532
0414002-2	PANEL - CABIN SIDE RH	532	532	532	532	532	532	532	532	532	532	532
0414012-1	RETAINER - SPEAKER GRILL	532	532	532	532	532	532	532	532	532	532	532
0414018-1	RETAINER - HEADLINER	531	531	531	531	531	531	531	531	531	531	531
0414018-2	RETAINER - HEADLINER	531	531	531	531	531	531	531	531	531	531	531
0414030-1	TRIM COVER - REAR WINDOW	532	532	532	532	532	532	532	532	532	532	532
0500310-1	BRACKET ASSEMBLY	156	156	156	156	156	156	156	156	156	156	156
0500312-2	MIRROR ASSEMBLY	279	279	279	279	279	279	279	279	279	279	279
1414087-15	CLAMP	531	531	531	531	531	531	531	531	531	531	531

150 & A150 Parts Catalog

INTERIOR PAINTED OR PLASTIC PARTS 1971 MODEL YEAR ONLY

15072004 THRU 15072628 FI5000659 THRU FI5000738
A1500227 THRU A1500276 FA1500082 THRU FA1500121

INTERIOR COLOR CODE

(From Finish and Trim Plate)

PART NUMBER	PART NAME	INTERIOR COLOR CODE											
		AP	AC	BP	BC	CP	CC	CC	C	V	D	P	DC
0400134-5	FRAME ASSEMBLY	533	533	533	533	533	533	533	533	533	533	533	533
0400138-1	SUPPORT ASSEMBLY - BACKREST LH	531	531	531	531	531	531	531	531	531	531	531	531
0400138-2	SUPPORT ASSEMBLY - BACKREST RH	531	531	531	531	531	531	531	531	531	531	531	531
0411204-1	FRAME ASSEMBLY - SEAT BOTTOM LH	533	533	533	533	533	533	533	533	533	533	533	533
0411204-2	FRAME ASSEMBLY - SEAT BOTTOM RH	533	533	533	533	533	533	533	533	533	533	533	533
0411481	STRIP - WINDSHIELD ATTACHMENT	531	531	531	531	531	531	531	531	531	531	531	531
0411599-5	SHIELD - RUDDER BAR LH	156	156	156	156	156	156	156	156	156	156	156	156
0411870	STRIP - WINDSHIELD SIDE	531	531	531	531	531	531	531	531	531	531	531	531
0411971-1	SHIELD - RUDDER BAR RH	156	156	156	156	156	156	156	156	156	156	156	156
0412070-5	SHELF ASSEMBLY - UTILITY	531	531	531	531	531	531	531	531	531	531	531	531
0413033-25	DOOR ASSEMBLY - CABIN LH	531	531	531	531	531	531	531	531	531	531	531	531
0413033-26	DOOR ASSEMBLY - CABIN RH	531	531	531	531	531	531	531	531	531	531	531	531
0413033-31	DOOR ASSEMBLY - CABIN LH	531	531	531	531	531	531	531	531	531	531	531	531
0413033-32	DOOR ASSEMBLY - CABIN RH	531	531	531	531	531	531	531	531	531	531	531	531
0413033-206	DOOR ASSEMBLY - CABIN RH	531	531	531	531	531	531	531	531	531	531	531	531
0413033-207	DOOR ASSEMBLY - CABIN LH	531	531	531	531	531	531	531	531	531	531	531	531
0413033-208	DOOR ASSEMBLY - CABIN RH	531	531	531	531	531	531	531	531	531	531	531	531
0413033-209	DOOR ASSEMBLY - CABIN LH	531	531	531	531	531	531	531	531	531	531	531	531
0413446-1	MARKER	597	597	597	597	597	597	597	597	597	597	597	597
0413454-1	COLLAR ASSEMBLY - CONTROL LOCK	156	156	156	156	156	156	156	156	156	156	156	156
0413458-1	DOOR ASSEMBLY - GLOVE BOX	978	978	978	978	978	978	978	978	978	978	978	978
0413461-2	COVER - ENGINE INSTRUMENT	989	989	989	989	989	989	989	989	989	989	989	989
0413461-3	PLATE - SPLICE	989	989	989	989	989	989	989	989	989	989	989	989
0413461-6	COVER - SHOCK PANEL	989	989	989	989	989	989	989	989	989	989	989	989
0413461-7	COVER - SHOCK PANEL	989	989	989	989	989	989	989	989	989	989	989	989
0413462-8	PANEL - SWITCH	978	978	978	978	978	978	978	978	978	978	978	978
0413463-2	COVER ASSEMBLY - CONTROL	279	279	279	279	279	279	279	279	279	279	279	279
0413463-3	COVER - RADIO CUTOFF	279	279	279	279	279	279	279	279	279	279	279	279
0413467-8	COVER - STATIONARY PANEL	279	279	279	279	279	279	279	279	279	279	279	279
0413470-1	COVER - ACCELEROMETER	279	279	279	279	279	279	279	279	279	279	279	279
0413475-1	COVER - COMPASS MOUNT SUPPORT	279	279	279	279	279	279	279	279	279	279	279	279
0413478-1	COVER - COMPASS MOUNT SUPPORT LOWER	532	532	532	532	532	532	532	532	532	532	532	532
0413484-7	SHIELD ASSEMBLY - LH	532	532	532	532	532	532	532	532	532	532	532	532
0413489-4	SHIELD - RH	978	978	978	978	978	978	978	978	978	978	978	978
0413512-1	INSERT - EYEBROW	978	978	978	978	978	978	978	978	978	978	978	978
0413512-2	INSERT - EYEBROW	978	978	978	978	978	978	978	978	978	978	978	978
0414001-3	PANEL ASSEMBLY - DOOR UPHOLSTERY LH	532	532	532	532	532	532	532	532	532	532	532	532

150 & A150 Parts Catalog

INTERIOR PAINTED OR PLASTIC PARTS

1971 MODEL YEAR ONLY

15072004 THRU 15072628 F15000659 THRU F15000738
 A1500227 THRU A1500276 FA1500082 THRU FA1500121

INTERIOR COLOR CODE
 (From Finish and Trim Plate)

PART NUMBER	PART NAME	INTERIOR COLOR CODE														
		A	P	A	C	B	P	B	C	P	C	C	V	D	P	D
0414001-4	PANEL ASSY - DOOR UPHOLSTERY RH	532	532	532	532	532	532	532	532	532	532	532	532	532	532	532
0414018-1	RETAINER - HEADLINER	531	531	531	531	531	531	531	531	531	531	531	531	531	531	531
0414018-2	RETAINER - HEADLINER	531	531	531	531	531	531	531	531	531	531	531	531	531	531	531
0414026-1	PANEL - DOOR UPHOLSTERY LH	532	532	532	532	532	532	532	532	532	532	532	532	532	532	532
0414026-2	PANEL - DOOR UPHOLSTERY RH	532	532	532	532	532	532	532	532	532	532	532	532	532	532	532
0414026-3	PANEL - CABIN SIDE LH	532	532	532	532	532	532	532	532	532	532	532	532	532	532	532
0414026-4	PANEL - CABIN SIDE RH	532	532	532	532	532	532	532	532	532	532	532	532	532	532	532
0414026-5	PANEL - DOOR UPHOLSTERY LH	532	532	532	532	532	532	532	532	532	532	532	532	532	532	532
0414026-6	PANEL - DOOR UPHOLSTERY RH	532	532	532	532	532	532	532	532	532	532	532	532	532	532	532
0414030-1	TRIM COVER - REAR WINDOW	532	532	532	532	532	532	532	532	532	532	532	532	532	532	532
0500310-1	BRACKET ASSEMBLY	156	156	156	156	156	156	156	156	156	156	156	156	156	156	156
0500312-2	MIRROR ASSEMBLY	279	279	279	279	279	279	279	279	279	279	279	279	279	279	279

150 & A150 Parts Catalog

INTERIOR PAINTED OR PLASTIC PARTS 1972 MODEL YEAR ONLY		INTERIOR COLOR CODE (From Finish and Trim Plate)									
PART NUMBER	PART NAME	AA	AV	BA	BB	BV	CA	CC	CV	DD	DV
0400134-5	FRAME ASSEMBLY	533	533	533	533	533	533	533	533	533	533
0400138-1	SUPPORT ASSEMBLY - BACKREST LH	531	531	531	531	531	531	531	531	531	531
0400138-2	SUPPORT ASSEMBLY - BACKREST RH	531	531	531	531	531	531	531	531	531	531
0411481	STRIP - WINDSHIELD ATTACHMENT	531	531	531	531	531	531	531	531	531	531
0411599-5	SHIELD - RUDDER BAR LH	156	156	156	156	156	156	156	156	156	156
0411870	STRIP - WINDSHIELD SIDE	531	531	531	531	531	531	531	531	531	531
0411971-1	SHIELD - RUDDER BAR RH	156	156	156	156	156	156	156	156	156	156
0412070-5	SHELF ASSEMBLY - UTILITY	531	531	531	531	531	531	531	531	531	531
0413033-25	DOOR ASSEMBLY - CABIN LH	531	531	531	531	531	531	531	531	531	531
0413033-26	DOOR ASSEMBLY - CABIN RH	531	531	531	531	531	531	531	531	531	531
0413033-31	DOOR ASSEMBLY - CABIN LH	531	531	531	531	531	531	531	531	531	531
0413033-32	DOOR ASSEMBLY - CABIN RH	531	531	531	531	531	531	531	531	531	531
0413033-206	DOOR ASSEMBLY - CABIN RH	531	531	531	531	531	531	531	531	531	531
0413033-207	DOOR ASSEMBLY - CABIN LH	531	531	531	531	531	531	531	531	531	531
0413033-208	DOOR ASSEMBLY - CABIN RH	531	531	531	531	531	531	531	531	531	531
0413033-209	DOOR ASSEMBLY - CABIN LH	531	531	531	531	531	531	531	531	531	531
0413446-1	MARKER	597	597	597	597	597	597	597	597	597	597
0413454-1	COLLAR ASSEMBLY - CONTROL LOCK						156				
0413458-1	DOOR ASSEMBLY - GLOVE BOX						A30				
0413461-2	COVER - ENGINE INSTRUMENT						989				
0413461-3	PLATE - SPLICE						989				
0413461-6	COVER - SHOCK PANEL						989				
0413461-7	COVER - SHOCK PANEL						989				
0413461-12	COVER - ENGINE INSTRUMENTS						989				
0413461-13	COVER ASSY - SHOCK PANEL	A59	A59	A59	A59	A59	A59	A59	A59	A59	A59
0413461-14	COVER ASSY - SHOCK PANEL	A59	A59	A59	A59	A59	A59	A59	A59	A59	A59
0413461-15	PLATE ASSY - SPLICE	A59	A59	A59	A59	A59	A59	A59	A59	A59	A59
0413462-8	PANEL - SWITCH	978	978	978	978	978	A44	A44	A48	A48	A52
0413463-2	COVER ASSY - CONTROL	978	978	978	978	978	A44	A44	A48	A48	A52
0413467-3	COVER - RADIO CUTOUT						A59	A59	A48	A48	A52
0413467-8	COVER - STATIONARY PANEL	978	978	978	978	978	A44	A44	A48	A48	A52
0413470-1	COVER - ACCELEROMETER	279	279	279	279	279	279	279	279	279	279
0413475-2	COVER - COMPASS MOUNT SUPPORT	279	279	279	279	279	279	279	279	279	279
0413478-1	COVER - COMPASS MOUNT SUPPORT LOWER	279	279	279	279	279	279	279	279	279	279
0413484-7	SHIELD ASSEMBLY - LH	532	532	532	532	532	532	532	532	532	532
0413489-4	SHIELD - RH	532	532	532	532	532	532	532	532	532	532
0413512-1	INSERT - EYEBROW	978	978	978	978	978	A44	A44	A48	A48	A52
0413512-2	INSERT - EYEBROW	978	978	978	978	978	A44	A44	A48	A48	A52
0413525-1	DOOR ASSY - GLOVE BOX	978	978	978	978	978	A44	A44	A48	A48	A52
0413525-10	DOOR ASSY - GLOVE BOX	978	978	978	978	978	A44	A44	A48	A48	A52
0413527-1	COVER - RADIO CUTOUT	978	978	978	978	978	A44	A44	A48	A48	A52
0414001-3	PANEL ASSY - DOOR UPHOLSTERY LH	A59	A59	A59	A59	A59	A30	A30	A48	A48	A52
0414001-4	PANEL ASSY - DOOR UPHOLSTERY RH						532	532	A69	A69	A59
							532	532			

150 & A150 Parts Catalog

INTERIOR PAINTED OR PLASTIC PARTS 1974 MODEL YEAR ONLY		INTERIOR COLOR CODE (From Finish and Trim Plate)									
PART NUMBER	PART NAME	AV AC	BV BC	CV CC	DV DC	GV GC	DA	F15001014 THRU F15001143 FA1500212 THRU FA1500261	F15074851 THRU 15075781 A1500430 THRU A1500523	F15001014 THRU F15001143 FA1500212 THRU FA1500261	F15074851 THRU 15075781 A1500430 THRU A1500523
0400134-5	FRAME ASSEMBLY	533	533	533	533	533	533				
0400138-1	SUPPORT ASSEMBLY - BACKREST LH	533	533	533	533	533	533				
0400138-2	SUPPORT ASSEMBLY - BACKREST RH	533	533	533	533	533	533				
0411481	STRIP - WINDSHIELD ATTACHMENT	531	531	531	531	531	531				
0411599-5	SHIELD - RUDDER BAR LH	156	156	156	156	156	156				
0411870	STRIP - WINDSHIELD SIDE	531	531	531	531	531	531				
0411971-1	SHIELD - RUDDER BAR RH	156	156	156	156	156	156				
0412070-5	SHELF ASSEMBLY - UTILITY	531	531	531	531	531	531				
0413033-25	DOOR ASSEMBLY - CABIN LH	531	531	531	531	531	531				
0413033-26	DOOR ASSEMBLY - CABIN RH	531	531	531	531	531	531				
0413033-31	DOOR ASSEMBLY - CABIN LH	531	531	531	531	531	531				
0413033-32	DOOR ASSEMBLY - CABIN RH	531	531	531	531	531	531				
0413033-206	DOOR ASSEMBLY - CABIN RH	531	531	531	531	531	531				
0413033-207	DOOR ASSEMBLY - CABIN LH	531	531	531	531	531	531				
0413033-208	DOOR ASSEMBLY - CABIN RH	531	531	531	531	531	531				
0413033-209	DOOR ASSEMBLY - CABIN LH	531	531	531	531	531	531				
0413446-1	MARKER - FLAP INDICATOR	597	597	597	597	597	597				
0413462-19	PANEL - SWITCH	B40	B28	B32	B36	B24	B36				
0413463-1	COVER ASSEMBLY - CONTROL	B40	B28	B32	B36	B24	B36				
0413467-9	COVER - STATIONARY PANEL	B40	B28	B32	B36	B24	B36				
0413470-1	COVER - ACCELEROMETER	279	279	279	279	279	279				
0413484-7	SHIELD ASSEMBLY - LH	532	532	532	532	532	532				
0413489-4	SHIELD - RH	532	532	532	532	532	532				
0413525-10	DOOR ASSEMBLY - GLOVE BOX	B40	B28	B32	B36	B24	B36				
0413529-7	PLATE ASSEMBLY - SPLICE	A59	A59	A59	A59	A59	A59				
0413529-8	COVER ASSEMBLY - ENGINE INSTRUMENT	A59	A59	A59	A59	A59	A59				
0413529-10	COVER ASSEMBLY - SHOCK PANEL	A59	A59	A59	A59	A59	A59				
0413529-11	COVER ASSEMBLY - SHOCK PANEL	A59	A59	A59	A59	A59	A59				
0413531-28	COVER - RADIO CUTOFF	A59	A59	A59	A59	A59	A59				
0413532-1	TRIM - RADIO COVER	A59	A59	A59	A59	A59	A59				
0414012-1	RETAINER - SPEAKER GRILL	532	532	532	532	532	532				
0414018-2	RETAINER - HEADLINER	531	531	531	531	531	531				
0414018-4	RETAINER - HEADLINER	531	531	531	531	531	531				
0414030-1	TRIM COVER - REAR WINDOW	532	532	532	532	532	532				
0415005-5	INSERT - EYEBROW	A59	A59	A59	A59	A59	A59				
0415005-6	INSERT - EYEBROW	A59	A59	A59	A59	A59	A59				
0415005-7	INSERT - EYEBROW	A59	A59	A59	A59	A59	A59				
0415005-8	INSERT - EYEBROW	A59	A59	A59	A59	A59	A59				

150 & A150 Parts Catalog

INTERIOR PAINTED OR PLASTIC PARTS 1975 MODEL YEAR		INTERIOR COLOR CODE (From Finish and Trim Plate)									
		PART NAME									
		PART NUMBER	PART NAME	AV	BV	CV	CC	DC	DV	GV	GC
	15075782 THRU 15077005	F15001144 THRU F15001248									
	A1500524 THRU A1500609	FA1500262 THRU FA1500281									
0400134-5	FRAME ASSEMBLY	533	533	533	533	533	533	533	533	533	
0400138-1	SUPPORT ASSEMBLY - BACKREST LH	533	533	533	533	533	533	533	533	533	
0400138-2	SUPPORT ASSEMBLY - BACKREST RH	533	533	533	533	533	533	533	533	533	
0411481	STRIP - WINDSHIELD ATTACHMENT	531	531	531	531	531	531	531	531	531	
0411599-5	SHIELD - RUDDER BAR LH	156	156	156	156	156	156	156	156	156	
0411870	STRIP - WINDSHIELD SIDE	531	531	531	531	531	531	531	531	531	
0411971-1	SHIELD - RUDDER BAR RH	156	156	156	156	156	156	156	156	156	
0412070-5	SHELF ASSEMBLY - UTILITY	531	531	531	531	531	531	531	531	531	
0413033-25	DOOR ASSEMBLY - CABIN LH	531	531	531	531	531	531	531	531	531	
0413033-26	DOOR ASSEMBLY - CABIN RH	531	531	531	531	531	531	531	531	531	
0413033-31	DOOR ASSEMBLY - CABIN LH	531	531	531	531	531	531	531	531	531	
0413033-32	DOOR ASSEMBLY - CABIN RH	531	531	531	531	531	531	531	531	531	
0413033-206	DOOR ASSEMBLY - CABIN RH	531	531	531	531	531	531	531	531	531	
0413033-207	DOOR ASSEMBLY - CABIN LH	531	531	531	531	531	531	531	531	531	
0413033-208	DOOR ASSEMBLY - CABIN RH	531	531	531	531	531	531	531	531	531	
0413033-209	DOOR ASSEMBLY - CABIN LH	531	531	531	531	531	531	531	531	531	
0413446-1	MARKER - FLAP INDICATOR	597	597	597	597	597	597	597	597	597	
0413462-22	PANEL - SWITCH	B40	B28	B32	B32	B36	B36	B24	B36	B36	
0413463-1	COVER ASSEMBLY - CONTROL	B40	B28	B32	B32	B36	B36	B24	B36	B36	
0413467-10	COVER - STATIONARY PANEL	B40	B28	B32	B32	B36	B36	B24	B36	B36	
0413470-1	COVER - ACCELEROMETER	B40	B28	B32	B32	B36	B36	B24	B36	B36	
0413525-10	DOOR ASSEMBLY - GLOVE BOX	B40	B28	B32	B32	B36	B36	B24	B36	B36	
0413529-7	PLATE ASSEMBLY - SPLICE	A59	A59	A59	A59	A59	A59	A59	A59	A59	
0413529-10	COVER ASSEMBLY - SHOCK PANEL	A59	A59	A59	A59	A59	A59	A59	A59	A59	
0413529-11	COVER ASSEMBLY - SHOCK PANEL	A59	A59	A59	A59	A59	A59	A59	A59	A59	
0413529-12	COVER ASSEMBLY - ENGINE INSTRUMENT	A59	A59	A59	A59	A59	A59	A59	A59	A59	
0413531-28	COVER - RADIO CUTOFF	A59	A59	A59	A59	A59	A59	A59	A59	A59	
0413532-1	TRIM - RADIO COVER	A59	A59	A59	A59	A59	A59	A59	A59	A59	
0414018-2	RETAINER - HEADLINER	531	531	531	531	531	531	531	531	531	
0414018-4	RETAINER - HEADLINER	531	531	531	531	531	531	531	531	531	
0414030-1	TRIM COVER - REAR WINDOW	532	532	532	532	532	532	532	532	532	
0415005-9	INSERT - EYEBROW	A59	A59	A59	A59	A59	A59	A59	A59	A59	
0415005-10	INSERT - EYEBROW	A59	A59	A59	A59	A59	A59	A59	A59	A59	
0415005-11	INSERT - EYEBROW	A59	A59	A59	A59	A59	A59	A59	A59	A59	
0415005-12	INSERT - EYEBROW	A59	A59	A59	A59	A59	A59	A59	A59	A59	

150 & A150 Parts Catalog

INTERIOR PAINTED OR PLASTIC PARTS 1976 MODEL YEAR		INTERIOR COLOR CODE (From Finish and Trim Plate)												
15077006 THRU 15078505 A1500610 THRU A1500684		FI5001249 THRU FI5001338 FA1500282 THRU FA1500311												
PART NUMBER	PART NAME	AC	BC	CC	DC	GC	BA	XA						
0400134-5	FRAME ASSY	533	533	533	533	533	533	533	533	533	533	533	533	533
0400138-1	SUPPORT ASSY - BACKREST LH	533	533	533	533	533	533	533	533	533	533	533	533	533
0400138-2	SUPPORT ASSY - BACKREST RH	533	533	533	533	533	533	533	533	533	533	533	533	533
0411481	STRIP - WINDSHIELD	531	531	531	531	531	531	531	531	531	531	531	531	531
0411599-5	SHIELD - RUDDER BAR LH	156	156	156	156	156	156	156	156	156	156	156	156	156
0411870	STRIP - WINDSHIELD SIDE	531	531	531	531	531	531	531	531	531	531	531	531	531
0411971-1	SHIELD - RUDDER BAR RH	156	156	156	156	156	156	156	156	156	156	156	156	156
0412070-5	SHELF ASSY - UTILITY	531	531	531	531	531	531	531	531	531	531	531	531	531
0413446-1	MARKER - FLAP INDICATOR	597	597	597	597	597	597	597	597	597	597	597	597	597
0413463-1	COVER ASSY - CONTROL	B40	B72	B76	B80	B84	B72	B72	B80	B84	B72	B72	B80	B84
0413470-1	COVER - ACCELEROMETER													
0413544-2	COVER ASSY - STATIONARY PANEL	A59	A59	A59	A59	A59	A59	A59	A59	A59	A59	A59	A59	A59
0413544-5	COVER ASSY - SHOCK PANEL	A59	A59	A59	A59	A59	A59	A59	A59	A59	A59	A59	A59	A59
0413545-2	COVER ASSY - LOWER INSTRUMENT PANEL	B40	B72	B76	B80	B84	B72	B72	B80	B84	B72	B72	B80	B84
0413546-1	MAP CASE ASSY	B40	B72	B76	B80	B84	B72	B72	B80	B84	B72	B72	B80	B84
0413546-2	DOOR ASSY - MAP CASE	B40	B72	B76	B80	B84	B72	B72	B80	B84	B72	B72	B80	B84
0413554-1	COVER ASSY - RADIO CUTOFF RH	A59	A59	A59	A59	A59	A59	A59	A59	A59	A59	A59	A59	A59
0413554-4	COVER ASSY - BACK UP ALTIMETER	A59	A59	A59	A59	A59	A59	A59	A59	A59	A59	A59	A59	A59
0414018-2	RETAINER - HEADLINER	531	531	531	531	531	531	531	531	531	531	531	531	531
0414018-4	RETAINER - HEADLINER	531	531	531	531	531	531	531	531	531	531	531	531	531
0415025-1	INSERT - EYEBROW	A59	A59	A59	A59	A59	A59	A59	A59	A59	A59	A59	A59	A59
0415025-2	INSERT - EYEBROW	A59	A59	A59	A59	A59	A59	A59	A59	A59	A59	A59	A59	A59

150 & A150 Parts Catalog

INTERIOR PAINTED OR PLASTIC PARTS 1977 MODEL YEAR		INTERIOR COLOR CODE (From Finish and Trim Plate)																					
PART NUMBER	PART NAME											AF	BF	CF	DF	GF	HF						
												AC	BC	CC	DC	EC	GC	HC					
0400134-5	FRAME ASSY	F15001339 & ON											533	533	533	533	533	533	533	533	533	533	
0400138-1	SUPPORT ASSY - BACKREST LH	FA1500312 & ON											533	533	533	533	533	533	533	533	533	533	533
0400138-2	SUPPORT ASSY - BACKREST RH												533	533	533	533	533	533	533	533	533	533	533
0411481	STRIP - WINDSHIELD												531	531	531	531	531	531	531	531	531	531	531
0411599-5	SHIELD - RUDDER BAR LH												156	156	156	156	156	156	156	156	156	156	156
0411870	STRIP - WINDSHIELD SIDE												531	531	531	531	531	531	531	531	531	531	531
0411971-1	SHIELD - RUDDER BAR RH												156	156	156	156	156	156	156	156	156	156	156
0412070-5	SHELF ASSY - UTILITY												531	531	531	531	531	531	531	531	531	531	531
0413463-1	COVER ASSY - CONTROL												B40	B72	B76	B80	B84	B84	B84	B84	B84	B84	B84
0413470-1	COVER - ACCELEROMETER												279	279	279	279	279	279	279	279	279	279	279
0413544-9	COVER ASSY - SHOCK PANEL												A59	A59	A59	A59	A59	A59	A59	A59	A59	A59	A59
0413544-11	COVER - STATIONARY PANEL												A59	A59	A59	A59	A59	A59	A59	A59	A59	A59	A59
0413546-13	MAP CASE ASSY												B40	B72	B76	B80	B84	B84	B84	B84	B84	B84	B84
0413546-14	DOOR ASSY - MAP CASE												B40	B72	B76	B80	B84	B84	B84	B84	B84	B84	B84
0413554-1	COVER ASSY - RADIO CUTOFF RH												A59	A59	A59	A59	A59	A59	A59	A59	A59	A59	A59
0413554-4	COVER ASSY - BACK UP ALTIMETER												A59	A59	A59	A59	A59	A59	A59	A59	A59	A59	A59
0413559-1	COVER - LOWER INSTRUMENT PANEL												A59	A59	A59	A59	A59	A59	A59	A59	A59	A59	A59
0414018-2	RETAINER - HEADLINER												B40	B72	B76	B80	B84	B84	B84	B84	B84	B84	B84
0414018-4	RETAINER - HEADLINER												531	531	531	531	531	531	531	531	531	531	531
0415025-1	INSERT - EYEBROW												531	531	531	531	531	531	531	531	531	531	531
0415025-2	INSERT - EYEBROW												A59	A59	A59	A59	A59	A59	A59	A59	A59	A59	A59

150 & A150 Parts Catalog

**ALPHABETICAL
INDEX** 

150 & A150 Parts Catalog

ALPHABETICAL INDEX

NOMENCLATURE	FIGURE	NOMENCLATURE	FIGURE
A		A (Cont)	
ABRASION BOOT	18	ASH RECEIVER	38A
ABRASION BOOT	19	ASSIST HANDLE	38
ACCELEROMETER	47	ASSIST HANDLE	38A
ACCELEROMETER	47A	ASSIST HANDLE	41
ACCELEROMETER	47B	AUTO PILOT-SEE ELECTRONICS MANUAL	
ACCELEROMETER	47C	AUXILIARY SEAT	46
ACCESSORY KITS-SEE ACCY KIT CATALOG		AXLE	36
ACTUATOR FLAP	69	AXLE	36A
ADAPTER FUEL TANK	12	AXLE	36B
ADAPTER FUEL TANK	13	AXLE MAIN LANDING GEAR	36
ADAPTER OIL COOLER	87	AXLE MAIN LANDING GEAR	36A
ADAPTER OIL FILTER	78	AXLE MAIN LANDING GEAR	36B
ADAPTER OIL TEMPERATURE	56		
ADHESIVE GASKET	1	B	
ADJUSTABLE SEAT VERTICAL	44D	BAFFLE INTER CYLINDER	59
ADJUSTABLE SEAT VERTICAL	45D	BAFFLE INTER CYLINDER	59A
AFT CARPET	42	BAFFLES ENGINE	59
AFT CARPET	42A	BAFFLES ENGINE	59A
AFT TAILCONE	30	BAGGAGE COMPARTMENT PANEL	42
AILERON	15	BAGGAGE COMPARTMENT PANEL	42A
AILERON BALANCE WEIGHT	15	BAGGAGE NET	42
AILERON BELLCRANK	15	BAGGAGE NET	42A
AILERON CABLE	66	BAGGAGE PLACARD	2
AILERON CABLE	67	BAGGAGE PLACARD	2A
AILERON CONTROL SYSTEM	66	BAGGAGE PLACARD	2B
AILERON HINGE	15	BAGGAGE PLACARD	2C
AILERON PULLEY BRACKET	4	BAGGAGE PLACARD	2D
AILERON PULLEY BRACKET	5	BARREL SHIMMY DAMPENER	35
AILERON PULLEY BRACKET	6	BARREL TURNBUCKLE	66
AILERON PULLEY BRACKET	7	BARREL TURNBUCKLE	71
AILERON PUSH PULL ROD	15	BARREL TURNBUCKLE	72
AILERON RIB	15	BATTERY	80
AILERON SERVO	67	BATTERY BOX	23
AIR FILTER	79	BATTERY BOX LID	23
AIR FILTER VACUUM	79	BATTERY CABLE	80
AIR FILTER VACUUM	79A	BATTERY CONTACTOR	80
AIR INTAKE HOSE	56	BATTERY GROUND STRAP	80
AIR OUTLET CAP	60	BEACON LIGHT FLASHER	84
AIR OUTLET CAP	60A	BEACON LIGHT FLASHING	34
AIRCRAFT IDENTIFICATION NAMEPLATE	23	BELLCRANK & BRACKET ELEVATOR	24
AIRSPPEED INDICATOR	47	BELLCRANK & BRACKET ELEVATOR	24A
AIRSPPEED INDICATOR	47A	BELLCRANK AILERON	15
AIRSPPEED INDICATOR	47B	BELLCRANK ELEVATOR	20
AIRSPPEED INDICATOR	47C	BELLCRANK ELEVATOR	71
AIRSPPEED INDICATOR	73	BELLCRANK ELEVATOR CENTRCL	64
AIRSPPEED INDICATOR	73A	BELLCRANK FLAP	70A
ALTERNATOR	57	BELT SEAT	25A
ALTERNATOR	59	BELT SEAT	50A
ALTERNATOR	82	BELT SEAT	50B
ALTERNATOR DRIVE	57	BLAST HOSE	56
ALTERNATOR DRIVE	82	BLAST TUBE	59A
ALTIMETER	47	BLAST TUBE SUPPORT	82
ALTIMETER	47A	BLOCK FUSELAGE SPAR	29
ALTIMETER	47B	BOARD MAP LIGHT CIRCUIT	85
ALTIMETER	47C	BOOT ABRASION	18
ALTIMETER	73	BOOT ABRASION	19
ALTIMETER	73A	BOTTOM SEAT	44
ALTIMETER DUAL	73A	BOTTOM SEAT	44A
ALTIMETER ENCODING	73A	BOTTOM SEAT	44B
AMMETER	47	BOTTOM SEAT	44C
AMMETER	47A	BOTTOM SEAT	44D
AMMETER	47B	BOTTOM SEAT	45
AMMETER	47C	BOTTOM SEAT	45A
ANCHOR BRAKE CYLINDER	26	BOTTOM SEAT	45B
ANCHOR BRAKE CYLINDER	26A	BOTTOM SEAT	45C
ARMREST	38		
ARMREST	38A		
ASH RECEIVER	38		

150 & A150 Parts Catalog

ALPHABETICAL INDEX

NOMENCLATURE	FIGURE	NOMENCLATURE	FIGURE
B (Cont)		B (Cont)	
BOTTOM SEAT	45D	BUS BAR	48B
BOTTOM SEAT	46	BUS BAR	48C
BOWL FUEL STRAINER	77	BUTTON PITOT STATIC LINE	26
BOX BATTERY	23	BUTTON PITOT STATIC LINE	26A
BOX GLOVE	49	BUTTON PITOT STATIC LINE	73
BRACE EXHAUST STACK	56	C	
BRACE FLOATPLANE	86	CABIN AIR CONTROL	60A
BRACE FLOATPLANE COWL DECK	86	CABIN AIR DOOR	60
BRAKE & RUDDER PEDAL	61	CABIN AIR OUTLET	60
BRAKE & RUDDER RETURN SPRING	61	CABIN AIR OUTLET	60A
BRAKE CYLINDER	37	CABIN AIR VENT ELBOW	8
BRAKE CYLINDER	37A	CABIN AIR VENT ELBOW	9
BRAKE CYLINDER	37B	CABIN AIR VENT ELBOW	60
BRAKE CYLINDER	37C	CABIN AIR VENT ELBOW	60A
BRAKE CYLINDER ANCHOR	26	CABIN AIR VENT SCOOP	8
BRAKE CYLINDER ANCHOR	26A	CABIN AIR VENT SCOOP	9
BRAKE CYLINDER BRACKET	61	CABIN DOOR	38
BRAKE DISC	37	CABIN DOOR	38A
BRAKE DISC	37B	CABIN DOOR CATCH	4
BRAKE DISC	37C	CABIN DOOR CATCH	5
BRAKE FAIRING	36B	CABIN DOOR CATCH	6
BRAKE HOSE	75	CABIN DOOR CATCH	7
BRAKE HOUSING	62	CABIN DOOR HANDLE	38
BRAKE LINE	36	CABIN DOOR HANDLE	38A
BRAKE LINE	36A	CABIN DOOR LATCH	39
BRAKE LINE	36B	CABIN DOOR LOCK	38
BRAKE LINE	75	CABIN DOOR LOCK	38A
BRAKE LINE STRAP	36	CABIN DOOR WEDGE	38
BRAKE LINING	37	CABIN DOOR WEDGE	38A
BRAKE LINING	37A	CABIN DOOR WINDOW	38
BRAKE LINING	37B	CABIN DOOR WINDOW	38A
BRAKE LINING	37C	CABIN ENTRANCE STEP	36
BRAKE MAIN GEAR	37	CABIN ENTRANCE STEP	36A
BRAKE MAIN GEAR	37A	CABIN ENTRANCE STEP	36B
BRAKE MAIN GEAR	37B	CABIN HEAT CONTROL	60
BRAKE MAIN GEAR	37C	CABIN HEAT CONTROL	60A
BRAKE PEDAL	61	CABIN HEATER	60
BRAKE SYSTEM	75	CABIN HEATER DEFLECTOR	41
BREAKER CIGAR LIGHTER CIRCUIT	47	CABIN HEATER DEFLECTOR	60
BREAKER CIGAR LIGHTER CIRCUIT	47A	CABIN HEATER DEFLECTOR	60A
BREAKER 20 AMP CIRCUIT	48C	CABIN HEATER VALVE	60
BREAKER 60 AMP CIRCUIT	48C	CABIN HEATER VALVE	60A
BULB ALSO SEE LIGHTS		CABIN HEATER VALVE TC SHROUD HOSE	56
BULB COMPASS	51	CABIN HEATING	60
BULB COMPASS	51A	CABIN HEATING	60A
BULB FLAP INDICATOR	70	CABIN HEATING & VENTILATING SYSTEM	60
BULB FLASHING BEACON	84	CABIN HEATING & VENTILATING SYSTEM	60A
BULB INSTRUMENT LIGHT	81	CABIN TOP	24
BULB INSTRUMENT LIGHT	81A	CABIN TOP	24A
BULB INSTRUMENT LIGHT	81B	CABIN TOP & FIREWALL UPHOLSTERY	41
BULB LANDING LIGHT	83B	CABIN TOP SKYLIGHT	24
BULK ITEMS—LIST OF	1	CABIN TOP SKYLIGHT	24A
BULKHEAD CONTROL TEE	26	CABIN TOP UPHOLSTERY	41
BULKHEAD CONTROL TEE	26A	CABIN UPHOLSTERY	42
BULKHEAD FLOORBOARD	26	CABIN UPHOLSTERY	42A
BULKHEAD FLOORBOARD	26A	CABLES—CONTROL—SEE APPLICABLE SYSTEM	
BULKHEAD FRONT DOORPOST	27	CAM DOOR LOCK	38
BULKHEAD FRONT DOORPOST	28	CAM DOOR LOCK	38A
BULKHEAD LANDING GEAR	25	CAM RECLINING SEAT	44
BULKHEAD MAIN LANDING GEAR	25	CAM RECLINING SEAT	44A
BULKHEAD MAIN LANDING GEAR	25A	CAM RECLINING SEAT	44B
BULKHEAD REAR DOORPOST	29	CAM RECLINING SEAT	44C
BULKHEAD SPINNER	53	CAM RECLINING SEAT	44D
BULKHEAD SPINNER	53A	CAM RECLINING SEAT	45
BULKHEAD TANK WELL	6		
BULKHEAD TANK WELL	7		
BUS BAR	48		
BUS BAR	48A		

150 & A150 Parts Catalog

ALPHABETICAL INDEX

NOMENCLATURE	FIGURE	NOMENCLATURE	FIGURE
C (Cont)		C (Cont)	
CAM RECLINING SEAT	45A	CIRCUIT BREAKER	47C
CAM RECLINING SEAT	45B	CIRCUIT BREAKER	48
CAM RECLINING SEAT	45C	CIRCUIT BREAKER	48A
CAM RECLINING SEAT	45D	CIRCUIT BREAKER	48B
CAP AIR OUTLET	60	CIRCUIT BREAKER	48C
CAP AIR OUTLET	60A	CIRCUIT BREAKER	80
CAP FUEL	12	CIRCUIT BREAKER CIGAR LIGHTER	47
CAP FUEL	13	CIRCUIT BREAKER CIGAR LIGHTER	47A
CAP FUEL TANK	12	CIRCUIT BREAKER 20 AMP.	48C
CAP FUEL TANK	13	CIRCUIT BREAKER 60 AMP.	48C
CAP MAIN GEAR HUB	36	CLOCK ELECTRIC	47
CAP MAIN GEAR HUB	36A	CLOCK ELECTRIC	47A
CAP MAIN GEAR HUB	36B	CLOCK ELECTRIC	47B
CAP NOSE	32	CLOCK ELECTRIC	47C
CAP NOSE WHEEL HUB	32	CLUSTER INSTRUMENT	47
CAPACITOR	47B	CLUSTER INSTRUMENT	47A
CAPACITOR	47C	CLUSTER INSTRUMENT	47B
CARBURETOR	57	CLUSTER INSTRUMENT	47C
CARBURETOR AIR FILTER	57	CLUTCH ROTARY	24
CARBURETOR AIR FILTER SEAL	56	CLUTCH ROTARY	24A
CARBURETOR FITTING	56	CLUTCH ROTARY	29
CARBURETOR HEAT CONTROL	47	CLUTCH ROTARY DOOR LATCH	24
CARBURETOR HEAT CONTROL	47A	CLUTCH ROTARY DOOR LATCH	24A
CARBURETOR HEAT CONTROL	47B	CLUTCH ROTARY DOOR LATCH	29
CARBURETOR HEAT CONTROL	47C	CLUTCH STARTER	57
CARBURETOR HEAT CONTROL	56	COAT HANGER HOOK	41
CARBURETOR MIXTURE CNTRGL	56	COLD AIR INLET	60A
CARD COMPASS CORRECTION	2	COLD AIR INLET DOOR	60A
CARD COMPASS CORRECTION	51	COLLAR CONTRL LOCK	47
CARGO TIE DOWN LATCH	42	COMPASS	51
CARGO TIE DOWN LATCH	42A	COMPASS	51A
CARPET	42	COMPASS BULB	51
CARPET	42A	COMPASS BULB	51A
CARPET AFT	42	COMPASS CORRECTION CARD	2
CARPET AFT	42A	COMPASS CORRECTION CARD	51
CARPET FORWARD	42	COMPONENTS & ACCESSORIES ENGINE	57
CASE MAP	49A	COMPONENTS ENGINE	57
CATALOG-HOW TO USE-SEE INTRODUCTION	49A	CONTACTOR BATTERY	80
CATCH CABIN DOOR	4	CONTACTOR STARTER	80
CATCH CABIN DOOR	5	CONTRL CABLES-SEE INDIVIDUAL SYSTEM	80
CATCH CABIN DOOR	6	CONTROL SYSTEMS-SEE INDIVID SYSTEMS	80
CATCH CABIN DOOR	7	CONTROL WHEEL SEE WHEEL-CONTROL	80
CATCH MAGNETIC	49	CONTROL-PUSHPULL-SEE ENGINE INSTL	80
CENTER FLOORBOARD	24	CONTROL-PUSHPULL-SEE INSTRUMENT PANEL	80
CENTER FLOORBOARD	24A	COOLER FLOATPLANE OIL	87
CENTER STRIP COVER	41	COOLER OIL	57A
CHAIN CONTROL Y	64	COOLER OIL	87
CHAIN ELEVATOR TRIM	72	CORD TOW HOOK	50
CHAIN PARKING BRAKE	75	COVERING BAGGAGE FLOOR	42
CHECK LIST PILOT	2A	COWL ACCESS DOOR	55
CHECK LIST PILOT	2B	COWL ACCESS DOOR	55A
CHECK LIST PILOT	2C	COWL DOOR UPPER	55
CHECK LIST PILOT	2D	COWL ENGINE	55
CHECK LIST PILOTS	2	COWL ENGINE	55A
CIGAR LIGHTER	47	COWL LOWER	55
CIGAR LIGHTER	47A	COWL LOWER	55A
CIGAR LIGHTER	47B	COWL OPENING COVER	54
CIGAR LIGHTER	47C	COWL UPPER	55
CIGAR LIGHTER FUSE	47A	COWL UPPER	55A
CIGAR LIGHTER FUSE	47B	CUP FUEL SAMPLER	14
CIGAR LIGHTER FUSE	47C	CUP HOLDER	50
CIGAR LIGHTER KNOB	47	CYLINDER BRAKE	37
CIGAR LIGHTER KNOB	47A	CYLINDER BRAKE	37A
CIGAR LIGHTER KNOB	47B	CYLINDER BRAKE	37B
CIGAR LIGHTER KNOB	47C	CYLINDER BRAKE	37C
CIRCUIT BOARD MAP LIGHT	85	CYLINDER MASTER BRAKE	62
CIRCUIT BREAKER	47	CYLINDER MASTER BRAKE	63
CIRCUIT BREAKER	47A		

150 & A150 Parts Catalog

ALPHABETICAL INDEX

NOMENCLATURE	FIGURE	NOMENCLATURE	FIGURE
D		E	
DAMPENER SHIMMY	35	ELBOW CABIN AIR VENT.	8
DEADENER SOUND	1	ELBOW CABIN AIR VENT.	9
DECALS-SEE PLACARDS		ELBOW CABIN AIR VENT.	60
DECK SKIN	26	ELBOW CABIN AIR VENT.	60A
DECK SKIN	26A	ELECTRIC CLOCK	47
DEFLECTOR	59	ELECTRIC CLOCK	47A
DEFLECTOR	59A	ELECTRIC CLOCK	47B
DEFLECTOR CABIN HEATER.	41	ELECTRIC CLOCK	47C
DEFLECTOR CABIN HEATER.	60	ELECTRICAL EQUIPMENT.	80
DEFLECTOR CABIN HEATER.	60A	ELECTRONIC EQUIP-SEE ELECT MANUAL	
DEFROSTER NOZZLE	26	ELEMENT FILTER.	79
DEFROSTER NOZZLE	26A	ELEMENT FILTER.	79A
DEFROSTER NOZZLE	60	ELEMENT KIT FILTER.	78
DEFROSTER NOZZLE	60A	ELEMENT KIT OIL FILTER.	76
DEFROSTER NOZZLE	80	ELEMENT VACUUM AIR FILTER	79
DIMMING TRANSISTORIZED LIGHT.	80	ELEMENT VACUUM FILTER	79
DIODE	80	ELEVATOR.	20
DIODE EXTERNAL POWER.	80	ELEVATOR BALANCE WEIGHT	20
DIODE MASTER SWITCH	48	ELEVATOR BELLCRANK.	20
DIODE MASTER SWITCH	48A	ELEVATOR BELLCRANK.	71
DIRECTIONAL GYRO.	47B	ELEVATOR CONTROL BELLCRANK.	64
DIRECTIONAL GYRO.	47C	ELEVATOR CONTROL CABLE.	71
DIRECTIONAL GYRO.	79A	ELEVATOR CONTROL LINK	64
DIRECTIONAL GYRO INDICATOR.	47	ELEVATOR CONTROL SYSTEM	71
DIRECTIONAL GYRO INDICATOR.	47A	ELEVATOR TAB.	20
DIRECTIONAL GYRO INDICATOR.	79	ELEVATOR TAB CONTROL BRACKET.	30
DISC BRAKE.	37	ELEVATOR TIP.	20
DISC BRAKE.	37B	ELEVATOR TRIM CHAIN	72
DISC BRAKE.	37C	ELEVATOR TRIM CONTROL	72
DISCHARGER STATIC	52A	ELEVATOR TRIM CONTROL SYSTEM.	72
DOOR CABIN.	38	ELEVATOR TRIM TAB	19A
DOOR CABIN.	38A	ELEVATOR TRIM TAB ACTUATOR.	19A
DOOR CABIN AIR.	60	EMBLEM CONTROL WHEEL.	28
DOOR CABIN LF.	38A	EMBLEM CONTROL WHEEL.	2C
DOOR CABIN RH	38A	EMBLEM CONTROL WHEEL.	2D
DOOR COLD AIR INLET	60A	EMERGENCY DOOR RELEASE.	40
DOOR COWL ACCESS.	55	EMERGENCY RELEASE HANDLE.	40
DOOR COWL ACCESS.	55A	ENCODING ALTIMETER.	73A
DOOR GLOVE BOX.	49	ENGINE.	56
DOOR GROUND SERVICE PLUG.	80	ENGINE BAFFLE	54
DOOR GUIDE.	24	ENGINE BAFFLE SEAL.	59A
DOOR GUIDE.	24A	ENGINE BAFFLES.	59
DOOR GUIDE.	29	ENGINE BAFFLES.	59A
DOOR JAMB	24	ENGINE COMPONENTS	57
DOOR JAMB	24A	ENGINE COMPONENTS & ACCESSORIES	57
DOOR LATCH.	39	ENGINE COWL	55
DOOR LATCH BRACKET.	38A	ENGINE COWL	55A
DOOR LATCH CABIN.	39	ENGINE MOUNT	56
DOOR LATCH HANDLE	39	ENGINE MOUNT BRACKET.	26
DOOR MAP CASE	49A	ENGINE MOUNT BRACKET.	26A
DOOR RELEASE EMERGENCY.	40	ENGINE MOUNT STRINGER	26
DOOR SILL	24	ENGINE MOUNT STRINGER	26A
DOOR SILL	24A	ENGINE OIL PLACARD.	2
DOOR WEDGE.	38	ENGINE OIL PLACARD.	2A
DOOR WEDGE.	38A	ENGINE OIL PLACARD.	2B
DOORPOST BULKHEAD REAR.	29	ENGINE OIL PLACARD.	2C
DOORPOST FRONT.	27	ENGINE OIL PLACARD.	2D
DOORPOST FRONT.	27	ENGINE OIL PLACARD.	55
DOORPOST FRONT.	26	ENGINE OIL PLACARD.	55A
DORSAL.	21	EQUIPMENT ELECTRICAL.	80
DORSAL.	21A	EQUIPMENT FUSELAGE.	50
DORSAL FIN FAIRING.	21	EQUIPMENT WINTERIZATION	54
DORSAL FIN FAIRING.	21A	EQUIPMENT WINTERIZATION	54A
DRIVE ALTERNATOR.	57	EXHALST STACK	58
DRIVE ALTERNATOR.	82	EXHAUST STACK BRACE	56
DUAL ALTIMETER.	73A	EXHAUST STACK SHROUD.	58
		EXTENSION FLAP.	16
		EXTENSION VALVE	32

150 & A150 Parts Catalog

ALPHABETICAL INDEX

NOMENCLATURE	FIGURE	NOMENCLATURE	FIGURE
E (Cont)		F (Cont)	
EXTENSION VALVE	36	FIN VENTRAL	86
EXTENSION VALVE	36A	FINISH & TRIM PLACARD	2
EXTENSION VALVE	36B	FINISH & TRIM PLACARD	2A
EXTERNAL POWER DIODE	80	FINISH & TRIM PLATE	28
EXTERNAL POWER FUSE	80	FINISH & TRIM PLATE	2C
EXTINGUISHER & BRACKET FIRE	50	FINISH & TRIM PLATE	2D
EXTINGUISHER FIRE	50	FINISH & TRIM PLATE	23
EYEBOLT	42	FINISH & TRIM-HOW TO READ-PAGE	III
EYEBOLT	42A	FIRE EXTINGUISHER	50
EYEBOLT	50A	FIRE EXTINGUISHER & BRACKET	50
EYEBOLT	50B	FIRE EXTINGUISHER BRACKET	50
EYEBOLT	86	FIREWALL	26
EYEBOLT HOISTING	86	FIREWALL	26A
EYEBOLT MOORING	17	FIREWALL SHEET	26
EYEBOLT MOORING	30	FIREWALL SHEET	26A
EYEBROW INSTRUMENT PANEL	47	FITTINGS FLOATPLANE	86
EYEBROW INSTRUMENT PANEL	47A	FLAP	16
EYEBROW INSTRUMENT PANEL	47B	FLAP ACTUATOR	69
EYEBROW INSTRUMENT PANEL	47C	FLAP ACTUATOR MOTOR	69
		FLAP BELLCRANK	70A
		FLAP CABLE	69
		FLAP CONTRCL BRACKET	16
		FLAP CONTROL BRACKET	70A
		FLAP CONTROL CABLE	70A
		FLAP EXTENSION	16
		FLAP INDICATOR	70A
		FLAP INDICATOR BULB	70
		FLAP LEVER	70A
		FLAP LEVER KNOB	70A
		FLAP LIMIT SWITCH	69
		FLAP LIMIT SWITCH	70A
		FLAP MOTOR HINGE	69
		FLAP POSITION INDICATOR	70
		FLAP POSITION INDICATOR	70A
		FLAP POSITION MARKER	70
		FLAP PULLEY BRACKET	4
		FLAP PULLEY BRACKET	5
		FLAP PULLEY BRACKET	6
		FLAP PULLEY BRACKET	7
		FLAP PUSH PULL ROD	16
		FLAP PUSH ROD	16
		FLAP SWITCH	47
		FLAP SWITCH	47A
		FLAP SWITCH	48B
		FLAP SWITCH	69
		FLAP SWITCH KNOB	47
		FLAP SWITCH KNOB	47A
		FLAP SWITCH KNOB	48B
		FLAP SYSTEM ELECTRIC	69
		FLASHER BEACON LIGHT	84
		FLASHING BEACON BULB	84
		FLASHING BEACON LIGHT	84
		FLASHING BEACON TIP	84
		FLOATPLANE BRACE	86
		FLOATPLANE COWL DECK BRACE	86
		FLOATPLANE FITTINGS	86
		FLOATPLANE PROPELLER	53
		FLOOR COVERING BAGGAGE	42
		FLOORBOARD	24
		FLOORBOARD	24A
		FLOORBOARD	29
		FLOORBOARD BULKHEAD	26
		FLOORBOARD BULKHEAD	26A
		FLOORBOARD CENTER	24
		FLOORBOARD CENTER	24A
		FLOORBOARD FRONT	26
		FLOORBOARD FRONT	26A
		FORWARD CARPET	42
F			
FAIRING BRAKE	36B		
FAIRING DORSAL FIN	21		
FAIRING DORSAL FIN	21A		
FAIRING MAIN GEAR	36A		
FAIRING MAIN GEAR	36B		
FAIRING NOSE GEAR SPEED	32		
FAIRING SCRAPER	36		
FAIRING SPEED	32		
FAIRING SPEED	36		
FAIRING STRUT	17		
FAIRING WHEEL	36A		
FAIRING WHEEL	36B		
FAIRING WING	3		
FAIRING WING TO FUSELAGE	3		
FASTENER INTER CYLINDER BAFFLE	59		
FASTENER INTER CYLINDER BAFFLE	59A		
FASTENER REAR BAFFLE	59		
FASTENER REAR BAFFLE	59A		
FELT GREASE SEAL	37		
FELT GREASE SEAL	37C		
FILLER NECK	12		
FILLER NECK	13		
FILLER NECK FUEL TANK	12		
FILLER NECK FUEL TANK	13		
FILLER TUBE ENGINE MOUNT	86		
FILTER	78		
FILTER	79A		
FILTER ACAPTER WRENCH	78		
FILTER AIR	79		
FILTER CARBURETOR AIR	57		
FILTER ELEMENT	79		
FILTER ELEMENT	79A		
FILTER ELEMENT KIT	78		
FILTER ELEMENT KIT OIL	78		
FILTER ELEMENT VACUUM	79		
FILTER ELEMENT VACUUM AIR	79		
FILTER FUEL STRAINER	77		
FILTER FULL FLOW OIL	78		
FILTER NOISE	80		
FILTER VACUUM AIR	79		
FILTER VACUUM AIR	79A		
FIN	21		
FIN	21A		
FIN ATTACH FITTING	21A		

150 & A150 Parts Catalog

ALPHABETICAL INDEX

NOMENCLATURE	FIGURE	NOMENCLATURE	FIGURE
F (Cont)		F (Cont)	
FRONT & CENTER SECTION FUSELAGE	24	FUEL VALVE	76
FRONT & CENTER SECTION FLSELAGE	24A	FUEL VENT VALVE	12
FRONT DOORPOST	27	FUEL VENT VALVE	13
FRONT DOORPOST	28	FULL FLOW OIL FILTER	78
FRONT DOORPOST BULKHEAD	27	FUSE	48
FRONT DOORPOST BULKHEAD	28	FUSE	48A
FRONT DOORPOST SPAR	27	FUSE	80
FRONT DOORPOST SPAR	28	FUSE CIGAR LIGHTER	47A
FRONT FLOORBOARD	26	FUSE CIGAR LIGHTER	47B
FRONT FLOORBOARD	26A	FUSE CIGAR LIGHTER	47C
FRONT SECTION	26	FUSE EXTERNAL POWER	80
FRONT SECTION	26A	FUSE HOLDER	80
FRONT SECTION FUSELAGE	26	FUSE HOLDER EXTERNAL POWER	80
FRONT SECTION FUSELAGE	26A	FUSE MAP LIGHT	85
FUEL CAP	12	FUSE MAP LIGHT	85A
FUEL CAP	13	FUSEHOLDER	47A
FUEL GAGE	47	FUSEHOLDER	47B
FUEL GAGE	47A	FUSEHOLDER	47C
FUEL GAGE	47B	FUSEHOLDER	48
FUEL GAGE	47C	FUSEHOLDER	48A
FUEL GAGE ACCESS COVER	3	FUSEHOLDER	49
FUEL GAGE TRANSMITTER	12	FUSELAGE	23
FUEL GAGE TRANSMITTER	13	FUSELAGE	26
FUEL HOSE	1	FUSELAGE	26A
FUEL HOSE	56	FUSELAGE	86
FUEL LINE	76	FUSELAGE EQUIPMENT	50
FUEL PRIMER	47	FUSELAGE SPAR BLOCK	29
FUEL PRIMER	47A	FUSELAGE TAILCONE	29
FUEL PRIMER	47B		
FUEL PRIMER	47C	G	
FUEL SAMPLER CUP	14	GAGE-SEE INDIVIDUAL LISTING	
FUEL SHUT OFF VALVE	76	GAS CAP-SEE FUEL CAP	
FUEL SHUT OFF VALVE	76A	GAS GAGE-SEE INSTRUMENT PANEL	
FUEL STRAINER	77	GASKET ADHESIVE	1
FUEL STRAINER BOWL	77	GASKET FUEL TANK ADAPTER	12
FUEL STRAINER BRACKET	26	GASKET FUEL TANK ADAPTER	13
FUEL STRAINER BRACKET	26A	GEAR BULKHEAD LANDING	25
FUEL STRAINER FILTER	77	GEAR MAGNETO DRIVE	57
FUEL STRAINER TOP	77	GLASS WINDOW	38
FUEL SYSTEM	76	GLASS WINDOW	38A
FUEL TANK	12	GLOVE BOX	49
FUEL TANK	13	GLOVE BOX DOOR	49
FUEL TANK	14	GREASE SEAL FELT	34
FUEL TANK ADAPTER	12	GREASE SEAL FELT	34A
FUEL TANK ADAPTER	13	GREASE SEAL FELT	34B
FUEL TANK ADAPTER GASKET	12	GREASE SEAL FELT	34C
FUEL TANK ADAPTER GASKET	13	GREASE SEAL FELT	37
FUEL TANK CAP	12	GREASE SEAL FELT	37A
FUEL TANK CAP	13	GREASE SEAL FELT	37B
FUEL TANK COVER	3	GREASE SEAL FELT	37C
FUEL TANK DRAIN VALVE	14	GRILL SPEAKER	41
FUEL TANK SPACER	10	GROUND SERVICE PLUG	80
FUEL TANK SPACER	11	GROUND SERVICE PLUG BRACKET	80
FUEL TANK STRAP	4	GROUND SERVICE PLUG DOOR	80
FUEL TANK STRAP	5	GROUND SERVICE PLUG RECEPTACLE	80
FUEL TANK STRAP	6	GROUND SERVICE PLUG RESISTOR	80
FUEL TANK STRAP	7	GROUND STRAP	12
FUEL TANK STRAP	12	GROUND STRAP	13
FUEL TANK STRAP	13	GROUND STRAP	47
FUEL TANK WING	13	GROUND STRAP	47A
FUEL TRANSMITTER GROUND STRAP	4	GROUND STRAP	47B
FUEL TRANSMITTER GROUND STRAP	5	GROUND STRAP	47C
FUEL TRANSMITTER GROUND STRAP	6	GROUND STRAP	56
FUEL TRANSMITTER GROUND STRAP	7	GROUND STRAP	80
FUEL TRANSMITTER GROUND STRAP	12	GUIDE DOOR	24
FUEL TRANSMITTER GROUND STRAP	13		
FUEL TRANSMITTER RESISTOR	13		
FUEL VALVE	14		

150 & A150 Parts Catalog

ALPHABETICAL INDEX

NOMENCLATURE	FIGURE	NOMENCLATURE	FIGURE
G (Cont)		H (Cont)	
GUIDE DOOR	24A	HOSE FUEL	56
GUIDE DOOR	29	HOSE HEATER	60
GYRO DIRECTIONAL	47B	HOSE HEATER	60A
GYRO DIRECTIONAL	47C	HOSE HEATER VALVE TO SHROUD	60
GYRO DIRECTIONAL	79A	HOSE HEATER VALVE TO SHROUD	60A
GYRO HORIZON	47B	HOSE OIL PRESSURE	78
GYRO HORIZON	47C	HOSES-SEE APPLICABLE SYSTEM	
GYRO HORIZON	79A	HOURLMETER	47
GYRO HORIZON INDICATOR	47	HOURLMETER	47A
GYRO HORIZON INDICATOR	47A	HOURLMETER	47B
GYRO HORIZON INDICATOR	79	HOURLMETER	47C
H		HOW TO ORDER PARTS-SEE INTRODUCTION	
HANDLE ASSIST	38	HOW TO ORDER UPHOL PARTS-PAGE	VI
HANDLE ASSIST	38A	HOW TO READ FINISH & TRIM-PAGE	III
HANDLE ASSIST	41	HOW TO USE CATALOG-SEE INTRODUCTION	
HANDLE CABIN DOOR	38	I	
HANDLE CABIN DOOR	38A	IGNITION HARNESS	57
HANDLE DOOR LATCH	39	IGNITION SWITCH COVER	48B
HANDLE EMERGENCY RELEASE	40	IGNITION SWITCH COVER	48C
HANDLE REFUELING	52	IGNITION SWITCH KIT	48
HANDLE SEAT	44	IGNITION SWITCH KIT	48A
HANDLE SEAT	44D	IGNITION SWITCH KIT	48B
HANDLE SEAT	45	IGNITION SWITCH KIT	48C
HANDLE SEAT	45D	INDICATOR-SEE INSTRUMENT PANEL	
HANDLE WINDOW LATCH	38	INERTIA REEL	50A
HANDLE WINDOW LATCH	38A	INERTIA REEL	50B
HARNES IGNITION	57	INLET COLD AIR	60A
HARNES SHOULDER	50A	INSTRUMENT CLUSTER	47
HARNES SHOULDER	50B	INSTRUMENT CLUSTER	47A
HEADLINER	41	INSTRUMENT CLUSTER	47B
HEADLINER RETAINER	41	INSTRUMENT CLUSTER	47C
HEATED PITOT	73	INSTRUMENT LIGHT BULB	81
HEATER	60	INSTRUMENT LIGHT BULB	81A
HEATER CABIN	60	INSTRUMENT LIGHT BULB	81B
HEATER HOSE	60	INSTRUMENT LIGHT LENS	81
HEATER HOSE	60A	INSTRUMENT LIGHT LENS	81A
HEATER PITOT	73	INSTRUMENT LIGHT LENS	81B
HEATER VALVE TO SHROUD HOSE	60	INSTRUMENT LIGHT RHEOSTAT	48
HEATER VALVE TO SHROUD HOSE	60A	INSTRUMENT LIGHT RHEOSTAT	48A
HEATING & VENTILATING SYSTEM CABIN	60	INSTRUMENT PANEL	47
HEATING & VENTILATING SYSTEM CABIN	60A	INSTRUMENT PANEL	47A
HEATING CABIN	60	INSTRUMENT PANEL	47B
HEATING CABIN	60A	INSTRUMENT PANEL	47C
HINGE AILERON	15	INSTRUMENT PANEL & EQUIPMENT	47
HINGE FLAP MOTOR	69	INSTRUMENT PANEL & EQUIPMENT	47A
HINGE HALF TAB	20	INSTRUMENT PANEL & EQUIPMENT	47B
HINGE WINDOW	38	INSTRUMENT PANEL & EQUIPMENT	47C
HINGE WINDOW	38A	INSTRUMENT PANEL EYEBROW	47
HOISTING EYEBOLT	86	INSTRUMENT PANEL EYEBROW	47A
HOLDER CUP	50	INSTRUMENT PANEL EYEBROW	47B
HOLDER EXTERNAL POWER FUSE	80	INSTRUMENT PANEL EYEBROW	47C
HOLDER FUSE	80	INSTRUMENT PANEL LIGHT	81
HOOK COAT HANGER	41	INSTRUMENT PANEL LIGHT	81A
HOOK SHOULDER HARNESS	50A	INSTRUMENT PANEL LIGHT	81B
HOOK TOW	50	INSTRUMENT PANEL PLACARD	2
HORIZON GYRO	47B	INSTRUMENT PANEL PLACARD	2A
HORIZON GYRO	47C	INSTRUMENT PANEL PLACARD	2B
HORIZON GYRO	79A	INSTRUMENT PANEL PLACARD	47
HORIZONTAL BAFFLE	59A	INSTRUMENT PANEL STATIONARY	26
HOSE AIR INTAKE	56	INSTRUMENT PANEL STATIONARY	26A
HOSE BLAST	56	INSTRUMENT-SEE INDIVIDUAL LISTINGS	
HOSE BRAKE	75	INTER CYLINDER BAFFLE	59
HOSE CABIN HEATER VALVE TO SHROUD	56	INTER CYLINDER BAFFLE	59A
HOSE FUEL	1	INTER CYLINDER BAFFLE FASTENER	59

150 & A150 Parts Catalog

ALPHABETICAL INDEX

NOMENCLATURE	FIGURE	NOMENCLATURE	FIGURE
I (Cont)		L (Cont)	
INTER CYLINDER BAFFLE FASTENER	59A	LANDING LIGHT WINDOW	83
INVERTER	68	LANDING LIGHT WING	83
J		LARGE SPINNER	53
JACK MICROPHONE-SEE ELECT MANUAL		LATCH	32
JACK PAD	50	LATCH	36A
JACK POINT	50	LATCH	36B
JACK-HEADSET-SEE ELECT MANUAL		LATCH	42
JAMB DOOR	24	LATCH	42A
JAMB DOOR	24A	LATCH	43
JOINT UNIVERSAL	64	LATCH	49A
K		LATCH CARGO TIE DOWN	42
KIT IGNITION SWITCH	48	LATCH CARGO TIE DOWN	42A
KIT IGNITION SWITCH	48A	LATCH DOOR	39
KIT IGNITION SWITCH	48B	LATCH SEAT BACK	43
KIT IGNITION SWITCH	48C	LATCH SEAT BELT	50A
KITS-SEE ACCESSORY KIT CATALOG		LATCH WHEEL FAIRING DOOR	32
KNOB CIGAR LIGHTER	47	LATCH WHEEL FAIRING DOOR	36A
KNOB CIGAR LIGHTER	47A	LATCH WHEEL FAIRING DOOR	36B
KNOB CIGAR LIGHTER	47B	LEADING EDGE SKIN	8
KNOB CIGAR LIGHTER	47C	LEADING EDGE SKIN	9
KNOB FLAP LEVER	70A	LEADING EDGE SKIN	18
KNOB FLAP SWITCH	47	LEADING EDGE SKIN	19
KNOB FLAP SWITCH	47A	LEADING EDGE WING	8
KNOB FLAP SWITCH	48B	LEADING EDGE WING	9
KNOB PRIMER	47	LENS INSTRUMENT LIGHT	81
KNOB PRIMER	47A	LENS INSTRUMENT LIGHT	81A
KNOB PRIMER	47B	LENS INSTRUMENT LIGHT	81B
KNOB PRIMER	47C	LENS STROBE LIGHT	3
KNOB RHEOSTAT	48	LENS TAIL LIGHT	22
KNOB RHEOSTAT	48A	LENS TAIL LIGHT	22A
KNOB THROTTLE	47	LENS WING POSITION LIGHT	3
KNOB THROTTLE	47A	LEVELER COMPONENTS WING	66
KNOB THROTTLE	47B	LEVELER WING	67
KNOB THROTTLE	47C	LEVER FLAP	70A
KNOS-SEE INDIVIDUAL APPLICATIONS		LID BATTERY BOX	23
L		LIGHT COWL LANDING	83A
LAMP TAIL	22	LIGHT COWL LANDING	83B
LAMP TAIL	22A	LIGHT FLASHING BEACON	84
LAMP WING POSITION	3	LIGHT LANDING	83
LAMPS-SEE BULBS		LIGHT MAP	85A
LAMPS-SEE LIGHTS		LIGHT OVERVOLTAGE	47
LANDING GEAR BULKHEAD	25	LIGHT OVERVOLTAGE	47A
LANDING GEAR FILLET PLATE	36	LIGHT OVERVOLTAGE	47B
LANDING GEAR MAIN	36	LIGHT OVERVOLTAGE	47C
LANDING GEAR MAIN	36A	LIGHT STROBE	3
LANDING GEAR MAIN	36B	LIGHT TAIL	22
LANDING GEAR SPRING	36	LIGHT TAIL	22A
LANDING GEAR SPRING	36A	LIGHT WING LANDING	83
LANDING GEAR SPRING	36B	LIGHTER CIGAR	47
LANDING LIGHT	83	LIGHTER CIGAR	47A
LANDING LIGHT BRACKET	8	LIGHTER CIGAR	47B
LANDING LIGHT BRACKET	9	LIGHTER CIGAR	47C
LANDING LIGHT BRACKET	83A	LIMIT SWITCHES-SEE SWITCHES	
LANDING LIGHT BULB	83B	LINES-SEE INDIVIDUAL SYSTEM	
LANDING LIGHT COVER	3	LINING BRAKE	37
LANDING LIGHT COWL	83A	LINING BRAKE	37A
LANDING LIGHT COWL	83B	LINING BRAKE	37B
		LINING BRAKE	37C
		LINK ELEVATOR CONTROL	64
		LINK RUDDER CENTRALIZER	86
		LINK TORQUE LOWER	33
		LINK TORQUE UPPER	33
		LIST PILOT CHECK	2A
		LIST PILOT CHECK	2B
		LIST PILOT CHECK	2C
		LIST PILOT CHECK	2D
		LIST PILOTS CHECK	2
		LOCK CABIN DOOR	38

150 & A150 Parts Catalog

ALPHABETICAL INDEX

NOMENCLATURE	FIGURE	NOMENCLATURE	FIGURE
L (Cont)		M (Cont)	
LOCK CABIN DOOR	38A	MOUNT COWL SHOCK.	26
LOCK CONTROL	50	MOUNT COWL SHOCK.	26A
LOWER COWL	55	MOUNT ENGINE	56
LOWER COWL	55A	MOUNT SHOCK	26
LOWER COWL NOSECAP.	55	MOUNT SHOCK	26A
LOWER COWL SKIN	55	MUFFLER	58
LOWER COWL SKIN	55A		
LUBRICATION FITTING	33	N	
LUBRICATOR FITTING.	33	NAMEPLATE	2
M		NAMEPLATE	2A
MAGNETIC CATCH.	49	NAMEPLATE	2B
MAGNETO	57	NAMEPLATE	2C
MAGNETO DRIVE GEAR.	57	NAMEPLATE	2D
MAIN GEAR BRAKE	37	NAMEPLATE AIRCRAFT IDENTIFICATION	23
MAIN GEAR BRAKE	37A	NAMEPLATE CONTROL WHEEL	2A
MAIN GEAR BRAKE	37B	NAMEPLATES.	2
MAIN GEAR BRAKE	37C	NAMEPLATES.	2A
MAIN GEAR FAIRING	36A	NAMEPLATES.	2B
MAIN GEAR FAIRING	36B	NAMEPLATES.	2C
MAIN GEAR HUB CAP	36	NAMEPLATES.	2D
MAIN GEAR HUB CAP	36A	NAMEPLATES & EXTERIOR MARKINGS.	2
MAIN GEAR HUB CAP	36B	NAMEPLATES & EXTERIOR MARKINGS.	2A
MAIN GEAR HUB CAP	36B	NAMEPLATES & EXTERIOR MARKINGS.	2B
MAIN GEAR WHEEL	37	NAMEPLATES & EXTERIOR MARKINGS.	2C
MAIN GEAR WHEEL	37A	NAMEPLATES & EXTERIOR MARKINGS.	2D
MAIN GEAR WHEEL	37B	NAVOMATIC-SEE ELECTRONICS MANUAL	
MAIN GEAR WHEEL	37C	NECK FILLER	12
MAIN LANDING GEAR	36	NECK FILLER	13
MAIN LANDING GEAR	36A	NECK FUEL TANK FILLER	12
MAIN LANDING GEAR	36B	NECK FUEL TANK FILLER	13
MAIN LANDING GEAR AXLE.	36	NET BAGGAGE	42
MAIN LANDING GEAR AXLE.	36A	NET BAGGAGE	42A
MAIN LANDING GEAR AXLE.	36B	NOISE FILTER.	80
MAIN LANDING GEAR BULKHEAD.	25	NOSE CAP.	32
MAIN LANDING GEAR BULKHEAD.	25A	NOSE GEAR	32
MAP CASE.	49A	NOSE GEAR SHOCK STRUT PLACARD	2
MAP CASE DOOR	49A	NOSE GEAR SHOCK STRUT PLACARD	2A
MAP LIGHT	85A	NOSE GEAR SHOCK STRUT PLACARD	2B
MAP LIGHT FUSE.	85	NOSE GEAR SHOCK STRUT PLACARD	2C
MAP LIGHT FUSE.	85A	NOSE GEAR SHOCK STRUT PLACARD	2D
MAP LIGHT SHIELD.	85A	NOSE GEAR SHOCK STRUT PLACARD	33
MARKER BEACON PLACARD	2C	NOSE GEAR STEERING TUBE	32
MARKER BEACON PLACARD	2D	NOSE GEAR STRUT	33
MARKER FLAP POSITION.	70	NOSE GEAR WHEEL	34
MASTER BRAKE CYLINDER	62	NOSE GEAR WHEEL	34A
MASTER BRAKE CYLINDER	63	NOSE GEAR WHEEL	34B
MASTER SWITCH	48	NOSE GEAR WHEEL	34C
MASTER SWITCH	48A	NOSE GEAR WHEEL & TIRE.	34B
MASTER SWITCH	48B	NOSE GEAR WHEEL & TIRE.	34C
MASTER SWITCH	48C	NOSE WHEEL HUB CAP.	32
MASTER SWITCH DIODE	48	NOSECAP	55
MASTER SWITCH DIODE	48A	NOSECAP	55A
METERING PIN.	33	NOSECAP LOWER COWL.	55
MIKE SWITCH	85A	NOSECAP UPPER COWL.	55
MIRROR REAR VIEW.	47A	NOSECAP UPPER COWL.	55A
MIRROR REAR VIEW.	47B	NOZZLE DEFROSTER.	26
MIRROR REAR VIEW.	47C	NOZZLE DEFROSTER.	26A
MIRROR REAR VIEW.	50	NOZZLE DEFROSTER.	60
MIXTURE CONTROL	47	NOZZLE DEFROSTER.	60A
MIXTURE CONTROL	47A		
MIXTURE CONTROL	47B	O	
MIXTURE CONTROL	47C	OIL COOLER.	57A
MOORING EYEBOLT	17		
MOORING EYEBOLT	30		
MOTOR FLAP ACTUATOR	69		

150 & A150 Parts Catalog

ALPHABETICAL INDEX

NOMENCLATURE	FIGURE	NOMENCLATURE	FIGURE
O (Cont)		P (Cont)	
OIL COOLER	87	PANEL SHOCK MOUNTED	47B
OIL COOLER ADAPTER	87	PANEL SHOCK MOUNTED	47C
OIL COOLER FLOATPLANE	87	PANEL SHOCK MOUNTED INSTRUMENT	47
OIL FILTER ADAPTER	78	PANEL SHOCK MOUNTED INSTRUMENT	47A
OIL FILTER PLACARD	2	PANEL SHOCK MOUNTED INSTRUMENT	47B
OIL FILTER PLACARD	2A	PANEL SHOCK MOUNTED INSTRUMENT	47C
OIL FILTER PLACARD	2B	PANEL STATIONARY	47
OIL FILTER PLACARD	2C	PANEL STATIONARY	47A
OIL FILTER PLACARD	2D	PANEL STATIONARY INSTRUMENT	47B
OIL FILTER PLACARD	78	PANEL STATIONARY INSTRUMENT	47C
OIL PRESSURE GAGE	47	PANEL SWITCH	48
OIL PRESSURE GAGE	47A	PANEL SWITCH	48A
OIL PRESSURE GAGE	47B	PARKING BRAKE CHAIN	75
OIL PRESSURE GAGE	47C	PARKING BRAKE CONTROL	47
OIL PRESSURE GAGE	78	PARKING BRAKE CONTROL	47A
OIL PRESSURE GAGE	78	PARKING BRAKE CONTROL	47B
OIL PRESSURE HOSE	78	PARKING BRAKE CONTROL	47C
OIL PRESSURE LINE	78	PARKING BRAKE CONTROL	75
OIL SYSTEM	78	PARKING BRAKE CONTROL	63
OIL TEMP GAGE	47	PEDAL BRAKE	61
OIL TEMP GAGE	47A	PEDAL BRAKE & RUDDER	61
OIL TEMP GAGE	47B	PEDAL RUDDER	61
OIL TEMP GAGE	47C	PEDAL RUDDER & BRAKE	61
OIL TEMPERATURE ADAPTER	56	PEDESTAL	440
OPERATIONAL LIMITATIONS PLACARD	2	PEDESTAL	45D
OPERATIONAL LIMITATIONS PLACARD	2A	PIN BASE PLUG	33
OPERATIONAL LIMITATIONS PLACARD	2B	PIN DOOR HINGE	38
OPERATIONAL LIMITATIONS PLACARD	2C	PIN DOOR HINGE	38A
OPERATIONAL LIMITATIONS PLACARD	2D	PIN METERING	33
OPERATIONAL LIMITATIONS PLACARD	86	PISTON MASTER CYLINDER	63
ORIFICE PISTON SUPPORT	33	PISTON SHIMMY DAMPENER	35
OUTBOARD AUXILIARY SPAR	10	PISTON SUPPORT ORIFICE	33
OUTBOARD AUXILIARY SPAR	11	PITOT HEATED	73
OUTLET CABIN AIR	60	PITOT HEATER	73
OUTLET CABIN AIR	60A	PITOT STATIC LINE BUTTON	26
OUTSIDE AIR TEMP GAGE	50	PITOT STATIC LINE BUTTON	26A
OVERVOLTAGE LIGHT	47	PITOT STATIC LINE BUTTON	73
OVERVOLTAGE LIGHT	47A	PITOT SYSTEM	73
OVERVOLTAGE LIGHT	47B	PITOT TUBE	8
OVERVOLTAGE LIGHT	47C	PITOT TUBE	9
OVERVOLTAGE SENSOR	47	PITOT TUBE	73
OVERVOLTAGE SENSOR	47A	PLACARDS SEE FIG 2	
OVERVOLTAGE SENSOR	47B	PLATE FINISH & TRIM	2B
OVERVOLTAGE SENSOR	47C	PLATE FINISH & TRIM	2C
		PLATE FINISH & TRIM	2D
		PLATE FINISH & TRIM	23
		PLATE FUEL INDICATOR	2
		PLATE FUEL INDICATOR	2A
		PLATE FUEL INDICATOR	2B
		PLATE FUEL INDICATOR	2C
		PLATE FUEL INDICATOR	2D
		PLATE FUEL INDICATOR	86
		PLATE LANDING GEAR FILLET	36
		PLATE PRESSURE	37
		PLATE PRESSURE	37A
		PLATE PRESSURE	37B
		PLATE PRESSURE	37C
		PLATE SCUFF	42A
		PLATE SCUFF	44D
		PLATE SCUFF	45D
		PLATE STRIKER	38
		PLATE STRIKER	38A
		PLUG PIN BASE	33
		PLUG SPARK	57
		POINT JACK	50
		POSITION INDICATOR FLAP	70
		POSITION INDICATOR FLAP	70A
		POWER SUPPLY STROBE LIGHT	3
P			
PAD CONTROL WHEEL	64		
PAD JACK	50		
PAINT-SEE FINISH & TRIM PLATE-PAGE	III		
PAINTED PARTS-HOW TO ORDER-PAGE	VII		
PAN SEAT	24		
PANEL & EQUIPMENT INSTRUMENT	47		
PANEL & EQUIPMENT INSTRUMENT	47A		
PANEL & EQUIPMENT INSTRUMENT	47B		
PANEL & EQUIPMENT INSTRUMENT	47C		
PANEL BAGGAGE COMPARTMENT	42		
PANEL BAGGAGE COMPARTMENT	42A		
PANEL INSTRUMENT	47		
PANEL INSTRUMENT	47A		
PANEL INSTRUMENT	47B		
PANEL INSTRUMENT	47C		
PANEL LIGHT INSTRUMENT	81		
PANEL LIGHT INSTRUMENT	81A		
PANEL LIGHT INSTRUMENT	81B		
PANEL SHOCK MOUNTED	47		
PANEL SHOCK MOUNTED	47A		

150 & A150 Parts Catalog

ALPHABETICAL INDEX

NOMENCLATURE	FIGURE	NOMENCLATURE	FIGURE
P (Cont)		R (Cont)	
POWER SUPPLY STROBE LIGHT	80	RECLINING SEAT CAM.	44
PRESSURE PLATE	37	RECLINING SEAT CAM.	44A
PRESSURE PLATE	37A	RECLINING SEAT CAM.	44B
PRESSURE PLATE	37B	RECLINING SEAT CAM.	44C
PRESSURE PLATE	37C	RECLINING SEAT CAM.	44D
PRIMER	1	RECLINING SEAT CAM.	45
PRIMER FUEL	47	RECLINING SEAT CAM.	45A
PRIMER FUEL	47A	RECLINING SEAT CAM.	45B
PRIMER FUEL	47B	RECLINING SEAT CAM.	45C
PRIMER FUEL	47C	RECLINING SEAT CAM.	45D
PRIMER KNOB	47	RECLINING SEAT HANDLE	44
PRIMER KNOB	47A	RECLINING SEAT HANDLE	44A
PRIMER KNOB	47B	RECLINING SEAT HANDLE	44B
PRIMER KNOB	47C	RECLINING SEAT HANDLE	44C
PRIMER LINE	56	RECLINING SEAT HANDLE	44D
PRIMER LINE	76	RECLINING SEAT HANDLE	45
PRIMER ZINC CHROMATE	1	RECLINING SEAT HANDLE	45A
PROPELLER	53	RECLINING SEAT HANDLE	45B
PROPELLER	53A	RECLINING SEAT HANDLE	45C
PROPELLER & SPINNER	53	RECLINING SEAT HANDLE	45D
PROPELLER & SPINNER	53A	REEL INERTIA	50A
PROPELLER FLOATPLANE	53	REEL INERTIA	50B
PROPELLER SPINNER	53	REFLECTOR	81
PROPELLER SPINNER	53A	REFLECTOR	81B
PULLEY BRACKET RUDDER	86	REFUELING HANDLE	52
PULLEYS—SEE APPLICABLE SYSTEM		REFUELING STEP & HANDLE	52
PUMP VACUUM	79	REGULATOR VOLTAGE	57
PUMP VACUUM	79A	REGULATOR VOLTAGE	80
		RELIEF VALVE	68
		RESISTOR	48B
		RESISTOR	48C
		RESISTOR	80
		RESISTOR	84
		RESISTOR	84
		RESISTOR FUEL TRANSMITTER	13
		RESISTOR GROUND SERVICE PLUG	80
		RESTRICTOR VALVE	68
		RETAINER HEADLINER	41
		RETAINER REAR WINDOW	29
		RETAINER WINDOW	29
		RHEOSTAT INSTRUMENT LIGHT	48
		RHEOSTAT INSTRUMENT LIGHT	48A
		RHEOSTAT KNOB	48
		RHEOSTAT KNOB	48A
		RIBS—SEE APPLICABLE STRUCTURE	
		RIVET SET KIT	37
		RIVET SET KIT	37A
		RIVET SET KIT	37B
		RIVET SET KIT	37C
		ROD AILERON PUSH PULL	15
		ROD FLAP PUSH	16
		ROD FLAP PUSH PULL	16
		ROTARY CLUTCH	24
		ROTARY CLUTCH	24A
		ROTARY CLUTCH	29
		ROTARY CLUTCH	29
		ROTARY DOOR LATCH CLUTCH	24
		ROTARY DOOR LATCH CLUTCH	24A
		ROTARY DOOR LATCH CLUTCH	29
		RUDDER	22
		RUDDER	22A
		RUDDER	30
		RUDDER & BRAKE PEDAL	61
		RUDDER BALANCE WEIGHT	22
		RUDDER BALANCE WEIGHT	22A
		RUDDER BAR SHIELD	42
		RUDDER BAR SHIELD	42A
		RUDDER CENTRALIZER LINK	86
		RUDDER CONTROL SYSTEM	65
		RUDDER CONTROL SYSTEM	65
		RUDDER PEDAL	61
		RUDDER PEDAL	61
		RUDDER SERVO	67
Q			
QUICK DRAIN OIL VALVE	78		
R			
RADIO CUTOUT COVER	47		
RADIO CUTOUT COVER	47A		
RADIO CUTOUT COVER	47B		
RADIO CUTOUT COVER	47C		
RADIOS—SEE CESSNA ELECTRONICS MANUAL			
RAIL SEAT	44B		
RAIL SEAT	44C		
RAIL SEAT	44D		
RAIL SEAT	45B		
RAIL SEAT	45C		
RAIL SEAT	45D		
REAR DOORPOST SPAR	29		
REAR VIEW MIRROR	47A		
REAR VIEW MIRROR	47B		
REAR VIEW MIRROR	47C		
REAR VIEW MIRROR	50		
REAR WINDOW	29		
REAR WINDOW RETAINER	29		
RECEIVER ASH	38		
RECEIVER ASH	38A		
RECEPTACLE GROUND SERVICE PLUG	80		
RECLINING SEAT	44		
RECLINING SEAT	44A		
RECLINING SEAT	44B		
RECLINING SEAT	44C		
RECLINING SEAT	45		
RECLINING SEAT	45A		
RECLINING SEAT	45B		
RECLINING SEAT	45C		

150 & A150 Parts Catalog

ALPHABETICAL INDEX

NOMENCLATURE	FIGURE	NOMENCLATURE	FIGURE
R (Cont)		S (Cont)	
RUDDER TRIM TAB	22	SEAT VERTICAL ADJUSTABLE.	45D
RUDDER TRIM TAB	22A	SENSOR OVERVOLTAGE.	47
S		SENSOR OVERVOLTAGE.	47A
SAFETY BELT-ALSO SEE SEAT BELTS		SENSOR OVERVOLTAGE.	47B
SCOOP CABIN AIR VENT.	8	SENSOR OVERVOLTAGE.	47C
SCOOP CABIN AIR VENT.	9	SERVICE PLUG GROUND	80
SCOOP STALL WARNING	74	SERVO AILERON	67
SCRAPER FAIRING	36	SERVO RUDDER.	37
SCUFF PLATE	42A	SET KIT RIVET	37A
SCUFF PLATE	44D	SET KIT RIVET	37B
SCUFF PLATE	45D	SHAFT TACHOMETER.	47
SEAL CARBURETOR AIR FILTER.	56	SHAFT TACHOMETER.	47A
SEAL ENGINE BAFFLE.	59A	SHAFT TACHOMETER.	47B
SEAL FELT GREASE.	34	SHAFT TACHOMETER.	47C
SEAL FELT GREASE.	34A	SHEET FIREWALL.	26
SEAL FELT GREASE.	34B	SHEET FIREWALL.	26A
SEAL FELT GREASE.	34C	SHELF UTILITY	41
SEAL FELT GREASE.	37A	SHIELD MAP LIGHT.	85A
SEAL FELT GREASE.	37B	SHIMMY DAMPENER	35
SEAL STEERING LINK.	26	SHOCK MOUNT	26
SEAL STEERING LINK.	26A	SHOCK MOUNT	26A
SEALANT	1	SHOCK MOUNT COWL.	26
SEAT AUXILIARY.	46	SHOCK MOUNT COWL.	26A
SEAT BACK LATCH	43	SHOCK MOUNTED INSTRUMENT PANEL.	47
SEAT BELT	25A	SHOCK MOUNTED INSTRUMENT PANEL.	47A
SEAT BELT	50A	SHOCK MOUNTED INSTRUMENT PANEL.	47B
SEAT BELT	50B	SHOCK MOUNTED INSTRUMENT PANEL.	47C
SEAT BELT BRACKET	24	SHOCK MOUNTED PANEL	47
SEAT BELT BRACKET	24A	SHOCK MOUNTED PANEL	47A
SEAT BELT BRACKET	50A	SHOCK MOUNTED PANEL	47B
SEAT BELT BRACKET	50B	SHOCK MOUNTED PANEL	47C
SEAT BELT BRACKET	50A	SHOCK PANEL COVER	47
SEAT BELT LATCH	24	SHOCK PANEL COVER	47A
SEAT PAN.	44B	SHOCK PANEL COVER	47B
SEAT RAIL	44C	SHOCK PANEL COVER	47C
SEAT RAIL	44D	SHOCK PANEL COVER	47C
SEAT RAIL	45B	SHOCK STRUT LOWER	33
SEAT RAIL	45C	SHOULDER HARNESS.	50A
SEAT RAIL	45D	SHOULDER HARNESS.	50B
SEAT RAIL INBOARD	44	SHOULDER HARNESS HOOK	50A
SEAT RAIL INBOARD	45	SHROUD EXHAUST STACK.	58
SEAT RAIL OUTBOARD.	44	SHUT OFF VALVE FUEL	76A
SEAT RAIL OUTBOARD.	44A	SILL DOOR	24
SEAT RAIL OUTBOARD.	45	SILL DOOR	24A
SEAT RAIL OUTBOARD.	45A	SKINS-SEE APPLICABLE STRUCTURE.	
SEAT RECLINING.	44	SKYLIGHT WINDOW	24
SEAT RECLINING.	44A	SKYLIGHT WINDOW	24A
SEAT RECLINING.	44B	SLANT LETTERS & NUMERALS STENCILS	2B
SEAT RECLINING.	44C	SLANT LETTERS & NUMERALS STENCILS	2C
SEAT RECLINING.	45	SLANT LETTERS & NUMERALS STENCILS	2D
SEAT RECLINING.	45A	SOUND DEADENER.	1
SEAT RECLINING.	45B	SOUNDPROOFING	42
SEAT RECLINING.	45C	SOUNDPROOFING	42B
SEAT RECLINING.	44	SPACER FUEL TANK.	10
SEAT STOP	44A	SPACER FUEL TANK.	11
SEAT STOP	44B	SPAR FRONT DCORPOST	27
SEAT STOP	44C	SPAR FRONT DCORPOST	28
SEAT STOP	44D	SPAR OUTBOARD AUXILIARY	10
SEAT STOP	45	SPAR OUTBOARD AUXILIARY	11
SEAT STOP	45A	SPAR REAR DCORPOST.	29
SEAT STOP	45B	SPAR WING	5
SEAT STOP	45C	SPAR WING	7
SEAT STOP	45D	SPAR WING	11
SEAT VERTICAL ADJUSTABLE.	44D	SPAR WING	11
		SPAR WING FRONT	10
		SPAR WING FRONT	11
		SPAR WING REAR.	10
		SPAR WING REAR.	11
		SPARK PLUG.	57

150 & A150 Parts Catalog

ALPHABETICAL INDEX

NOMENCLATURE	FIGURE	NOMENCLATURE	FIGURE
S (Cont)		S (Cont)	
SPARS WING	10	STRAP FUEL TANK	5
SPEAKER GRILL	41	STRAP FUEL TANK	6
SPEAKER-RADIO-SEE ELECTRONICS MANUAL.		STRAP FUEL TANK	7
SPEED FAIRING	32	STRAP FUEL TANK	12
SPEED FAIRING	36	STRAP FUEL TANK	13
SPEED FAIRING NOSE GEAR	32	STRAP FUEL TRANSMITTER GROUND	4
SPINNER BULKHEAD	53	STRAP FUEL TRANSMITTER GROUND	5
SPINNER BULKHEAD	53A	STRAP FUEL TRANSMITTER GROUND	6
SPINNER LARGE	53	STRAP FUEL TRANSMITTER GROUND	7
SPINNER PROPELLER	53	STRAP FUEL TRANSMITTER GROUND	12
SPINNER PROPELLER	53A	STRAP FUEL TRANSMITTER GROUND	13
STABILIZER	18	STRAP GROUND	12
STABILIZER	19	STRAP GROUND	13
STABILIZER TIP	18	STRAP GROUND	47
STABILIZER TIP	19	STRAP GROUND	47A
STACK EXHAUST	58	STRAP GROUND	47B
STAINLESS CABLES-SEE SPECIFIC SYSTEM.		STRAP GROUND	47C
STALL WARNING HORN	74	STRAP GROUND	56
STALL WARNING SCOOP	74	STRAP GROUND	80
STARTER	57	STRIKER PLATE	38
STARTER CLUTCH	57	STRIKER PLATE	38A
STARTER CONTACTOR	80	STRIP WINDSHIELD	31
STARTER CONTACTOR CABLE	80	STROBE LIGHT	3
STATIC DISCHARGER	52A	STRUT FAIRING	17
STATIC SOURCE SUMP	73	STRUT FITTING	10
STATIONARY INSTRUMENT PANEL	26	STRUT FITTING	11
STATIONARY INSTRUMENT PANEL	26A	STRUT FITTING	17
STATIONARY INSTRUMENT PANEL	47B	STRUT LOWER SHOCK	33
STATIONARY INSTRUMENT PANEL	47C	STRUT NOSE GEAR	33
STATIONARY PANEL	47	STRUT STEP	52
STATIONARY PANEL	47A	STRUT STEP	86
STATIONARY PANEL COVER	47	STRUT WING	17
STATIONARY PANEL COVER	47A	SUCTION GAGE	47
STEERING ARM	33	SUCTION GAGE	47A
STEERING LINK SEAL	26	SUCTION GAGE	47B
STEERING LINK SEAL	26A	SUCTION GAGE	47C
STENCILS	2B	SUCTION GAGE	79
STENCILS	2C	SUCTION GAGE	79A
STENCILS	2D	SUMP STATIC SOURCE	73
STENCILS SLANT LETTERS & NUMERALS	2B	SUN VISOR	51
STENCILS SLANT LETTERS & NUMERALS	2C	SUN VISOR	51A
STENCILS SLANT LETTERS & NUMERALS	2D	SWITCH & CIRCUIT BREAKER	488
STEP	36	SWITCH & CIRCUIT BREAKER	48C
STEP	52	SWITCH COVER	488
STEP	86	SWITCH COVER	48C
STEP & HANDLE REFUELING	52	SWITCH FLAP	47
STEP CABIN ENTRANCE	36	SWITCH FLAP	47A
STEP CABIN ENTRANCE	36A	SWITCH FLAP	488
STEP CABIN ENTRANCE	36B	SWITCH FLAP	69
STEP STRUT	52	SWITCH FLAP LIMIT	69
STEP STRUT	86	SWITCH FLAP LIMIT	70A
STOP SEAT	44	SWITCH MASTER	48
STOP SEAT	44A	SWITCH MASTER	48A
STOP SEAT	44B	SWITCH MASTER	48B
STOP SEAT	44C	SWITCH MASTER	48C
STOP SEAT	44D	SWITCH MIKE	85A
STOP SEAT	45	SWITCH PANEL	48
STOP SEAT	45A	SWITCH PANEL	48A
STOP SEAT	45B	SWITCHES-SEE INSTRUMENT PANEL	
STOP SEAT	45C	SYSTEMS-SEE INDIVIDUAL LISTINGS	
STOP SEAT	45D		
STRAINER DRAIN CONTRL	56		
STRAINER DRAIN LINE	76		
STRAINER DRAIN LINE	77		
STRAINER FUEL	77		
STRAP BATTERY GROUND	80		
STRAP BRAKE LINE	36		
STRAP FUEL TANK	4		
		T	
		TAB CONTROL PULLEY BRACKET	24
		TAB CONTROL PULLEY BRACKET	24A
		TAB CONTROL WHEEL	72

150 & A150 Parts Catalog

ALPHABETICAL INDEX

NOMENCLATURE	FIGURE	NOMENCLATURE	FIGURE
T (Cont)		T (Cont)	
TAB ELEVATOR.	20	TRIM TAB ACTUATOR ELEVATOR.	19A
TAB RUDDER TRIM	22	TRIM TAB ELEVATOR	19A
TAB RUDDER TRIM	22A	TRUE AIRSPEED INDICATOR	47
TAB WHEEL CABLE	72	TRUE AIRSPEED INDICATOR	47A
TACHOMETER.	47	TRUE AIRSPEED INDICATOR	47B
TACHOMETER.	47A	TRUE AIRSPEED INDICATOR	47C
TACHOMETER.	47B	TUBE BLAST.	59A
TACHOMETER.	47C	TUBE ENGINE MOUNT FILLER.	86
TACHOMETER SHAFT.	47	TUBE NOSE GEAR STEERING	32
TACHOMETER SHAFT.	47A	TUBE PITOT.	8
TACHOMETER SHAFT.	47B	TUBE PITOT.	9
TACHOMETER SHAFT.	47C	TUBE PITOT.	73
TAIL LAMP	22	TUBE POLYETHYLENE	1
TAIL LAMP	22A	TUBE POLYETHYLENE	73
TAIL LIGHT.	22	TUBE SHOCK STRUT.	33
TAIL LIGHT.	22A	TUBE WINTERIZATION VENT	54
TAILCONE.	29	TUBE WINTERIZATION VENT	54A
TAILCONE AFT.	30	TURN & BANK INDICATOR	47
TAILCONE FLSELAGE	29	TURN & BANK INDICATOR	47A
TAILPIPE.	58	TURN & BANK INDICATOR	47B
TANK DRAIN VALVE FUEL	14	TURN & BANK INDICATOR	47C
TANK FUEL	12	TURN COORDINATOR INDICATOR.	47
TANK FUEL	13	TURN COORDINATOR INDICATOR.	47A
TANK FUEL	14	TURN COORDINATOR INDICATOR.	47B
TANK WELL BULKHEAD.	6	TURN COORDINATOR INDICATOR.	47C
TANK WELL BULKHEAD.	7	TURN COORDINATOR INDICATOR.	68
TANK WING FUEL.	13	TWIN PACK BEVERAGE.	50
THROTTLE CONTROL.	47		
THROTTLE CONTROL.	47A	U	
THROTTLE CONTROL.	47B	UNIVERSAL JOINT	64
THROTTLE CONTROL.	47C	UPHOLSTERY CABIN.	42
THROTTLE CONTROL.	56	UPHOLSTERY CABIN.	42A
THROTTLE KNOB	47	UPHOLSTERY CABIN TOP.	41
THROTTLE KNOB	47A	UPHOLSTERY CABIN TOP & FIREWALL	41
THROTTLE KNOB	47B	UPPER COWL.	55
TINTED WINDSHIELD	31	UPPER COWL.	55A
TIP ELEVATOR.	20	UPPER COWL DOOR	55
TIP FLASHING BEACON	84	UPPER COWL NOSECAP.	55
TIP STABILIZER.	18	UPPER COWL NOSECAP.	55A
TIP STABILIZER.	19	UTILITY SHELF	41
TIP VERTICAL FIN.	21		
TIP WING.	4	V	
TIP WING.	5	VACUUM PUMP	79
TIP WING.	6	VACUUM PUMP	79A
TIP WING.	7	VACUUM RELIEF VALVE	79
TIRE.	34	VACUUM RELIEF VALVE	79A
TIRE.	34A	VACUUM SYSTEM	79
TIRE.	34B	VACUUM SYSTEM	79A
TIRE.	34C	VALVE CABIN HEATER.	60
TIRE.	37	VALVE CABIN HEATER.	60A
TIRE.	37A	VALVE EXTENSION	32
TIRE.	37B	VALVE EXTENSION	36
TIRE.	37C	VALVE EXTENSION	36A
TOP CABIN	24	VALVE EXTENSION	36B
TOP CABIN	24A	VALVE FUEL.	14
TOP FUEL STRAINER	77	VALVE FUEL.	76
TOP SKYLIGHT CABIN.	24	VALVE FUEL SHUT OFF	76
TOP SKYLIGHT CABIN.	24A	VALVE FUEL TANK DRAIN	14
TORQUE LOWER LINK	33	VALVE FUEL VENT	12
TORQUE UPPER LINK	33	VALVE FUEL VENT	13
TOW BAR	50	VALVE QUICK DRAIN OIL	78
TOW HOOK.	50	VALVE RELIEF.	66
TOW HOOK CORD	50		
TRANSISTORIZED LIGHT DIMMING.	80		
TRANSMITTER FUEL GAGE	12		
TRANSMITTER FUEL GAGE	13		
TRIM CONTROL ELEVATOR	72		
TRIM CONTROL SYSTEM ELEVATOR.	72		

150 & A150 Parts Catalog

ALPHABETICAL INDEX

NOMENCLATURE	FIGURE	NOMENCLATURE	FIGURE
V (Cont)		W (Cont)	
VALVE RESTRICTOR	68	WINDOW GLASS	38
VALVE VACUUM RELIEF	79	WINDOW GLASS	38A
VALVE VACUUM RELIEF	79A	WINDOW HINGE	38
VALVE WING LEVELER	47	WINDOW HINGE	38A
VALVE WING LEVELER	47A	WINDOW LANDING LIGHT	83
VALVE WING LEVELER	68	WINDOW LATCH HANDLE	38
VENT LINE	56	WINDOW LATCH HANDLE	38A
VENT LINE	76	WINDOW REAR	29
VENT TUBE WINTERIZATION	54	WINDOW SKYLIGHT	24
VENT TUBE WINTERIZATION	54A	WINDOW SKYLIGHT	24A
VENTRAL FIN	86	WINDSHIELD	31
VERTICAL ADJUSTABLE SEAT	440	WINDSHIELD STRIP	31
VERTICAL ADJUSTABLE SEAT	450	WINDSHIELD TINTED	31
VERTICAL FIN TIP	21	WING	4
VERTICAL REAR BAFFLE	59	WING	5
VERTICAL REAR BAFFLE	59A	WING	6
VERTICAL SPEED INDICATOR	47	WING	7
VERTICAL SPEED INDICATOR	47A	WING COMPLETE	3
VERTICAL SPEED INDICATOR	47B	WING FAIRING	3
VERTICAL SPEED INDICATOR	47C	WING FRONT SPAR	10
VERTICAL SPEED INDICATOR	73	WING FRONT SPAR	11
VERTICAL SPEED INDICATOR	73A	WING LEVELER	67
VISOR SUN	51	WING LEVELER COMPONENTS	68
VISOR SUN	51A	WING LEVELER VALVE	47
VOLTAGE REGULATOR	57	WING LEVELER VALVE	47A
VOLTAGE REGULATOR	80	WING LEVELER VALVE	68
		WING POSITION LAMP	3
		WING POSITION LIGHT LENS	3
		WING REAR SPAR	10
		WING REAR SPAR	11
		WING ROOT RIB	4
		WING ROOT RIB	5
		WING ROOT RIB	6
		WING ROOT RIB	7
		WING SPAR	5
		WING SPAR	7
		WING SPAR	11
		WING SPAR FITTING	10
		WING SPAR FITTING	11
		WING SPARS	10
		WING STRINGER	4
		WING STRINGER	5
		WING STRINGER	6
		WING STRINGER	7
		WING STRUCTURE	4
		WING STRUCTURE	5
		WING STRUCTURE	6
		WING STRUCTURE	7
		WING STRUT	17
		WING TIP	4
		WING TIP	5
		WING TIP	6
		WING TIP	7
		WING TO FUSELAGE FAIRING	3
		WINTERIZATION EQUIPMENT	54
		WINTERIZATION EQUIPMENT	54A
		WINTERIZATION PLACARD	2
		WINTERIZATION PLACARD	2A
		WINTERIZATION PLACARD	2B
		WINTERIZATION PLACARD	2C
		WINTERIZATION PLACARD	2D
		WINTERIZATION PLACARD	54
		WRENCH FILTER ADAPTER	78
		Z	
		ZINC CHROMATE PRIMER	1

150 & A150 Parts Catalog



150 & A150 Parts Catalog

FIGURE AND INDEX NO.	PART NUMBER	DESCRIPTION							UNITS PER ASSY	USABLE ON CODE
		1	2	3	4	5	6	7		
1 -		MISCELLANEOUS BULK ITEMS -----							AR	
- 1	C1C2	CONLEY-WELD EPOXY BASE ADHESIVE.		CEMENTING ----- PLASTIC TO PLASTIC PLASTIC TO METAL FIBERGLASS TO FIBERGLASS FIBERGLASS TO METAL METAL TO METAL						
- 2	EC880	ADHESIVE-SYNTHETIC RUBBER BASE OIL RESISTANT		CEMENTING ----- RUBBER TO METAL SOUNDPROOFING TO METAL UPHOLSTERY TO METAL						
- 3	1024A-B	CEMENT PARTS A & B		CEMENTING DE-ICER ----- AND ABRASION BOOTS TO WING AND STAB ILIZER LEADING EDGES.						
- 4	1007	PRIMER		USED ONLY FOR PRIMING ----- AREAS WHERE DE-ICER AND ABRASION BOOTS ARE TO BE INSTALLED WITH 1024A-B.						
- 5	576.1	SEALANT-EXTRUDED PERMAGUM		WEATHER SEALING ----- OF METAL LAP JOINTS.						
- 6	579.6	SEALANT-EXTRUDED ZINC CHROMATE		WEATHER SEALING ----- OF WINDOWS.						
- 7	S1078-1	SEALANT-SYNTHETIC RUBBER-FABRIC REINFORCED .06 THICK .50 WIDE		WINDSHIELD SEALING -----						
- 8	S1078-2	SEALANT-SYNTHETIC RUBBER-FABRIC REINFORCED .12 THICK .50 WIDE		WINDSHIELD SEALING -----						
- 9	S1078-3	SEALANT-SYNTHETIC RUBBER-FABRIC REINFORCED 2 MIL MYLAR TAPE BACKING. .06 THICK 1.50 WIDE		WINDSHIELD SEALING -----						
-10	EC1239AB	SEALANT-CATALYTIC		GENERAL PURPOSE ----- FOR FAYING SURFACES FILLET & RIVET SEALS FUEL SEALING AND AREAS WHERE SKYDROL IS PRESENT						
-11	700	SEALANT-FIREWALL		SEALING FIREWALL JOINTS ----- AND OPENINGS. WITHSTANDS 2000 DEGREE TEMP FOR 5 MINUTES.						
-12	EC776	ADHESIVE-GASKET FUEL RESISTANT SYNTHETIC RUBBER BASE.		CEMENTING GASKETS -----						
-13	550	SOUND DEADENER- LIQUID VIBRATION DAMPENER		VIBRATION DAMPENING ----- CAN BE BRUSHED OR SPRAYED.						
-14	MIL-P8585A	PRIMER-ZINC CHROMATE GREEN OR YELLOW		CORROSION PROOFING -----						
CONTINUED ON NEXT PAGE										

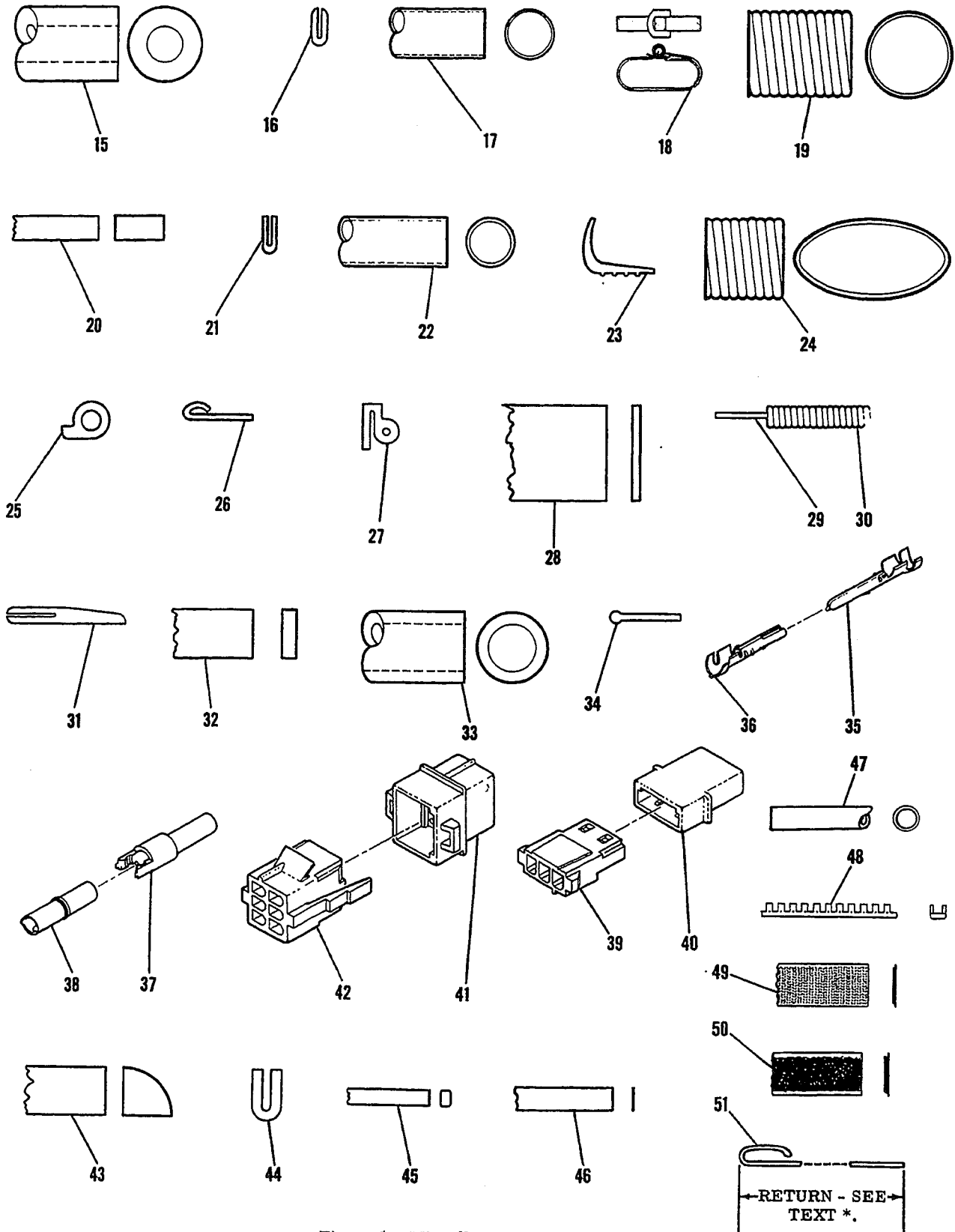
150 & A150 Parts Catalog

FIGURE AND INDEX NO.	PART NUMBER	DESCRIPTION							UNITS PER ASSY	USABLE ON CODE	
		1	2	3	4	5	6	7			
1 -14A	EC1675A-B	SEALANT-CATALYTIC							HOPPER ADAPTER TO HOPPER-CANTILEVER WING FUEL BAY		
-14B	PR0890	SEALANT-CATALYTIC ALTERNATE FOR EC1675A-B							HOPPER ADAPTER TO HOPPER-CANTILEVER WING FUEL BAY		
-14C	LOCTITE 5381	EPOXY MIXER CUP							URETHANE TO URETHANE URETHANE TO METAL POLYCARBONATE TO METAL ABS TO METAL	AR	
-14D	EC2216B/A	ADHESIVE PARTS A & B							METAL TO METAL	AR	
-14E	LOCTITE 8721	LOCKING & RETAINING COMPOUND							METAL TO METAL	AR	
-15	S51-4	HOSE-FUEL & OIL-1/4 ID							AVAILABLE BY THE FOOT	AR	
	S51-6	HOSE-FUEL & OIL-3/8 ID							AVAILABLE BY THE FOOT	AR	
	S51-8	HOSE-FUEL & OIL-1/2 ID							AVAILABLE BY THE FOOT	AR	
	S51-10	HOSE-FUEL & OIL-5/8 ID							AVAILABLE BY THE FOOT	AR	
	S51-12	HOSE-FUEL & OIL-3/4 ID							AVAILABLE BY THE FOOT	AR	
	S51-16	HOSE-FUEL & OIL-1.00 ID							AVAILABLE BY THE FOOT	AR	
	S51-32	HOSE-FUEL & OIL-2.00 ID							AVAILABLE BY THE FOOT	AR	
-16	S202RB	CHANNEL-EXTRUDED							BLACK AVAILABLE BY THE FOOT	AR	
	S202VW	CHANNEL-EXTRUDED							WHITE AVAILABLE BY THE FOOT	AR	
-17	S292-1	INSULATION SLEEVING-ELEC-.118 ID							AVAILABLE BY THE FOOT	AR	
	S292-2	INSULATION SLEEVING-ELEC-.133 ID							AVAILABLE BY THE FOOT	AR	
	S292-3	INSULATION SLEEVING-ELEC-.148 ID							AVAILABLE BY THE FOOT	AR	
	S292-4	INSULATION SLEEVING-ELEC-.166 ID							AVAILABLE BY THE FOOT	AR	
	S292-5	INSULATION SLEEVING-ELEC-.186 ID							AVAILABLE BY THE FOOT	AR	
	S292-6	INSULATION SLEEVING-ELEC-.208 ID							AVAILABLE BY THE FOOT	AR	
	S292-8	INSULATION SLEEVING-ELEC-.263 ID							AVAILABLE BY THE FOOT	AR	
	S292-11	INSULATION SLEEVING-ELEC-5/16 ID							AVAILABLE BY THE FOOT	AR	
	S292-12	INSULATION SLEEVING-ELEC-3/8 ID							AVAILABLE BY THE FOOT	AR	
	S292-14	INSULATION SLEEVING-ELEC-1/2 ID							AVAILABLE BY THE FOOT	AR	
	S292-16	INSULATION SLEEVING-ELEC-3/4 ID							AVAILABLE BY THE FOOT	AR	
	S292-28	INSULATION SLEEVING-ELEC-2-1/2 ID							AVAILABLE BY THE FOOT	AR	
-18	S1026BG	CLAMP-WRAP TYPE							AVAILABLE IN 100 FOOT ROLL	AR	
-19	S1053E7T	DUCT-FLEXIBLE-NEOPRENE IMPREGNATED							7/8 DIA	AR	
	S1053E8T	DUCT-FLEXIBLE-NEOPRENE IMPREGNATED							AVAILABLE IN 10 FOOT LENGTHS ONLY 1.00 DIA	AR	
	S1053E10T	DUCT-FLEXIBLE-NEOPRENE IMPREGNATED							AVAILABLE IN 10 FOOT LENGTHS ONLY 1-1/4 DIA	AR	
	S1053K10T	DUCT-FLEXIBLE-SILICONE IMPREGNATED							AVAILABLE IN 10 FOOT LENGTHS ONLY 1-1/4 DIA	AR	
	S1053E12T	DUCT-FLEXIBLE-NEOPRENE IMPREGNATED							AVAILABLE IN 10 FOOT LENGTHS ONLY 1-1 1/2 DIA	AR	
	S1053K12T	DUCT-FLEXIBLE-SILICONE IMPREGNATED							AVAILABLE IN 10 FOOT LENGTHS ONLY 1-1/2 DIA	AR	
	S1053E20T	DUCT-FLEXIBLE-NEOPRENE IMPREGNATED							AVAILABLE IN 10 FOOT LENGTHS ONLY 2-1/2 DIA	AR	
	S1053K20T	DUCT-FLEXIBLE-SILICONE IMPREGNATED							AVAILABLE IN 10 FOOT LENGTHS ONLY 2-1/2 DIA	AR	
	S1053E24T	DUCT-FLEXIBLE-NEOPRENE IMPREGNATED							AVAILABLE IN 10 FOOT LENGTHS ONLY 3.00 DIA	AR	
	S1053K24T	DUCT-FLEXIBLE-SILICONE IMPREGNATED							AVAILABLE IN 10 FOOT LENGTHS ONLY 3.00 DIA	AR	
	S1053K24W	DUCT-FLEXIBLE-SILICONE IMPREGNATED							AVAILABLE IN 10 FOOT LENGTHS ONLY 2 PLY 3.00 DIA	AR	
	S1053E28T	DUCT-FLEXIBLE-NEOPRENE IMPREGNATED							AVAILABLE IN 10 FOOT LENGTHS ONLY 3-1/2 DIA	AR	
	S1053K28W	DUCT-FLEXIBLE-SILICONE IMPREGNATED							AVAILABLE IN 10 FOOT LENGTHS ONLY 2 PLY 3-1/2 DIA	AR	
	S1053E32T	DUCT-FLEXIBLE-NEOPRENE IMPREGNATED							AVAILABLE IN 10 FOOT LENGTHS ONLY 4.00 DIA	AR	
	S1053K32T	DUCT-FLEXIBLE-SILICONE IMPREGNATED							AVAILABLE IN 10 FOOT LENGTHS ONLY 4.00 DIA	AR	
-20	S1047-1	SEAL-SPONGE RUBBER-1/4 THICK							AVAILABLE BY THE FOOT	AR	
	S1047-2	SEAL-SPONGE RUBBER-5/16 THICK							AVAILABLE BY THE FOOT	AR	
-21	S1055-1	CHANNEL-EXTRUDED RUBBER							AVAILABLE BY THE FOOT	AR	
-22	S1071-1	TUBE-POLYETHYLENE-1/4 DIA							AVAILABLE BY THE FOOT	AR	
	S1071-3	TUBE-POLYETHYLENE-3/8 DIA							AVAILABLE BY THE FOOT	AR	
	S1071-4	TUBE-POLYETHYLENE-1/2 DIA							AVAILABLE BY THE FOOT	AR	
	S1071-5	TUBE-POLYETHYLENE-5/8 DIA							AVAILABLE BY THE FOOT	AR	

CONTINUED ON NEXT PAGE

150 & A150 Parts Catalog

Bulk Items (Cont)



←RETURN - SEE
TEXT *.

Figure 1. Miscellaneous Bulk Items

150 & A150 Parts Catalog

FIGURE AND INDEX NO.	PART NUMBER	DESCRIPTION						UNITS PER ASSY	USABLE ON CODE
		1	2	3	4	5	6		
1 -23	S1084-1	SEAL-EXTRUDED RUBBER AVAILABLE BY THE FOOT -----						AR	
-24	S1110ET	DUCT-OVAL-FLEXIBLE-NEOPRENE IMPREGNATED -----						AR	
		AVAILABLE IN 10 FOOT LENGTHS ONLY							
-25	S1346-1	SEAL-SPONGE RUBBER AVAILABLE IN 12 FT LENGTHS ONLY -----						AR	
-26	S1366-1	MOULDING-EXTRUDED PLASTIC-SAND AVAILABLE BY THE FOOT -----						AR	
	S1366-2	MOULDING-EXTRUDED PLASTIC-FAWN AVAILABLE BY THE FOOT -----						AR	
	S1366-3	MOULDING-EXTRUDED PLASTIC-BLACK AVAILABLE BY THE FOOT -----						AR	
-27	S1378-1	SEAL-SPONGE RUBBER-BEIGE AVAILABLE IN 7 FT LENGTHS ONLY -----						AR	
	S1378-2	SEAL-SPONGE RUBBER-CLOUD GRAY -----						AR	
		AVAILABLE IN 7FT LENGTHS ONLY							
-28	S1389-1	SEALER STRIP-FELT-1.00 WIDE AVAILABLE BY THE FOOT -----						AR	
	S1389-2	SEALER STRIP-FELT-1-1/2 WIDE AVAILABLE BY THE FOOT -----						AR	
	S1389-3	SEALER STRIP-FELT-2.00 WIDE AVAILABLE BY THE FOOT -----						AR	
	S1389-4	SEALER STRIP-FELT 1-3/4 WIDE AVAILABLE BY THE FOOT -----						AR	
	S1389-5	SEALER STRIP-FELT-1-1/4 WIDE AVAILABLE BY THE FOOT -----						AR	
	S1389-6	SEALER STRIP-FELT-2-1/4 WIDE AVAILABLE BY THE FOOT -----						AR	
	S1389-7	SEALER STRIP-FELT-1-3/8 WIDE AVAILABLE BY THE FOOT -----						AR	
-29	S1398-1	CONTROL-PUSH PULL-WIRE AVAILABLE BY THE FOOT -----						AR	
-30	S1398-2	CONTROL-PUSH PULL-CASING AVAILABLE BY THE FOOT -----						AR	
-31	S1415-1	MOULDING-EXTRUDED VINYL -----						AR	
-32	S1441-1	SEAL-SPONGE RUBBER-3/8 WIDE AVAILABLE BY THE FOOT -----						AR	
	S1441-2	SEAL-SPONGE RUBBER-1/4 WIDE AVAILABLE BY THE FOOT -----						AR	
	S1441-3	SEAL-SPONGE RUBBER-1/2 WIDE AVAILABLE BY THE FOOT -----						AR	
-33	S1495-4	HOSE-RUBBER-1/4 ID AVAILABLE BY THE FOOT -----						AR	
	S1495-6	HOSE-RUBBER-3/8 ID AVAILABLE BY THE FOOT -----						AR	
	S1495-8	HOSE-RUBBER-1/2 ID AVAILABLE BY THE FOOT -----						AR	
	S1495-10	HOSE-RUBBER-5/8 ID AVAILABLE BY THE FOOT -----						AR	
-34	S1611-1	SEAL-EXTRUDED VINYL AVAILABLE BY THE FOOT -----						AR	
-35	S1635-1	ELECTRICAL PIN WIRE SIZE 22-18 -----						AR	
	S1635-2	ELECTRICAL PIN WIRE SIZE 18-14 -----						AR	
	S1635-3	ELECTRICAL PIN WIRE SIZE 18 GA-2 WIRE -----						AR	
-36	S1636-1	ELECTRICAL SOCKET WIRE SIZE 22-18 -----						AR	
	S1636-2	ELECTRICAL SOCKET WIRE SIZE 18-14 -----						AR	
	S1636-3	ELECTRICAL SOCKET WIRE SIZE 18 GA-2 WIRE -----						AR	
-37	S1637-1	HOUSING-ELECTRICAL PIN -----						AR	
-38	S1637-2	HOUSING-ELECTRICAL SOCKET -----						AR	
-39	S1638-1	HOUSING-ELECTRICAL SOCKET-3 CIRCUIT -----						AR	
-40	S1638-2	HOUSING-ELECTRICAL PIN-3 CIRCUIT -----						AR	
-41	S1640-6	HOUSING-ELECTRICAL PIN-6 CAVITY -----						AR	
	S1640-9	HOUSING-ELECTRICAL PIN-9 CAVITY -----						AR	
	S1640-12	HOUSING-ELECTRICAL PIN-12 CAVITY -----						AR	
	S1640-15	HOUSING-ELECTRICAL PIN-15 CAVITY -----						AR	
-42	S1641-6	HOUSING-ELECTRICAL SOCKET-6 CAVITY -----						AR	
	S1641-9	HOUSING-ELECTRICAL SOCKET-9 CAVITY -----						AR	
	S1641-12	HOUSING-ELECTRICAL SOCKET-12 CAVITY -----						AR	
	S1641-15	HOUSING-ELECTRICAL SOCKET-15 CAVITY -----						AR	
-43	S1116	SEAL-NEOPRENE AVAILABLE IN 12 FOOT LENGTHS ONLY -----						AR	
-44	S1356	SEAL-EXTRUDED RUBBER AVAILABLE BY THE FOOT -----						AR	
-45	S1614	LACING-KOROSEAL AVAILABLE BY THE FOOT -----						AR	
-46	3690-1/8	FILM-BLACK VINYL-1/8 IN WIDE AVAILABLE BY THE ROLL -----						AR	
	3690-1/4	FILM-BLACK VINYL-1/4 IN WIDE AVAILABLE BY THE ROLL -----						AR	
	3690-1/2	FILM-BLACK VINYL-1/2 IN WIDE AVAILABLE BY THE ROLL -----						AR	
-47	110691	WIRE-TEFLON AVAILABLE BY THE FOOT -----						AR	
-48	S1050-1	GROMMET-CATERPILLAR .056 WIDE -----						AR	
	S1050-2	GROMMET-CATERPILLAR .090 WIDE -----						AR	
	S1050-3	GROMMET-CATERPILLAR .131 WIDE -----						AR	
-49	S2092-3	FABRIC FASTENER-HOOK AVAILABLE BY THE FOOT -----						AR	
-50	S2092-4	FABRIC FASTENER-PILE AVAILABLE BY THE FOOT -----						AR	
-51	S1948-2-1	*	TRIM-EXTRUDED CLOUD GRAY AVAILABLE BY THE FOOT -----				AR		
	S1948-2-2	*	TRIM-EXTRUDED EBONY AVAILABLE BY THE FOOT -----				AR		
	S1948-2-3	*	TRIM-EXTRUDED SILVER TEAL BLUE AVAILABLE BY THE FOOT -----				AR		
	S1948-2-4	*	TRIM-EXTRUDED MARIGOLD AVAILABLE BY THE FOOT -----				AR		
	S1948-2-5	*	TRIM-EXTRUDED SUN GOLD AVAILABLE BY THE FOOT -----				AR		
	S1948-2-6	*	TRIM-EXTRUDED LIGHT OLIVE AVAILABLE BY THE FOOT -----				AR		
	S1948-2-7	*	TRIM-EXTRUDED CLOVE BROWN AVAILABLE BY THE FOOT -----				AR		

CONTINUED ON NEXT PAGE

150 & A150 Parts Catalog

FIGURE AND INDEX NO.	PART NUMBER		1	2	3	4	5	6	7	DESCRIPTION	UNITS PER ASSY	USABLE ON CODE
1 -	S1948-2-8	*	TRIM-EXTRUDED							HOLIDAY BLUE AVAILABLE BY THE FOOT -----	AR	
	S1948-2-9	*	TRIM-EXTRUDED							FIESTA RED AVAILABLE BY THE FOOT -----	AR	
	S1948-2-10	*	TRIM-EXTRUDED							PICNIC GREEN AVAILABLE BY THE FOOT -----	AR	
	S1948-2-11	*	TRIM-EXTRUDED							BOGOTA BLUE AVAILABLE BY THE FOOT -----	AR	
	S1948-2-12	*	TRIM-EXTRUDED							TAHITIAN RED AVAILABLE BY THE FOOT -----	AR	
	S1948-2-13	*	TRIM-EXTRUDED							CYPRUS GREEN AVAILABLE BY THE FOOT -----	AR	
	S1948-2-14	*	TRIM-EXTRUDED							PEACOCK BLUE AVAILABLE BY THE FOOT -----	AR	
	S1948-2-15	*	TRIM-EXTRUDED							POPPY RED AVAILABLE BY THE FOOT -----	AR	
	S1948-2-16	*	TRIM-EXTRUDED							GOLDEN OLIVE & OLIVE GREEN -----	AR	
										AVAILABLE BY THE FOOT		
	S1948-2-17	*	TRIM-EXTRUDED							SUNSET RED AVAILABLE BY THE FOOT -----	AR	
	S1948-2-18	*	TRIM-EXTRUDED							COPEN BLUE AVAILABLE BY THE FOOT -----	AR	
	S1948-2-19	*	TRIM-EXTRUDED							CHESTNUT BROWN AVAILABLE BY THE FOOT --	AR	
	S1948-2-20	*	TRIM-EXTRUDED							OLD GOLD AVAILABLE BY THE FOOT -----	AR	
	<p>NOTE. * PART NUMBER LISTED IN TEXT HAS A 1/2 INCH RETURN. FOR A 7/8 INCH RETURN CHANGE FIRST DASH NUMBER TO -1. EXAMPLE - S1948-1-4.</p>											

150 & A150 Parts Catalog

Placards

***ABCDEFGHIJKLMN
OPQRSTUVWXYZ
-1234567890***

LEFT HAND SLANT
(LEFT SIDE OF AIRPLANE)

***ABCDEFGHIJKLMN
OPQRSTUVWXYZ
-1234567890***

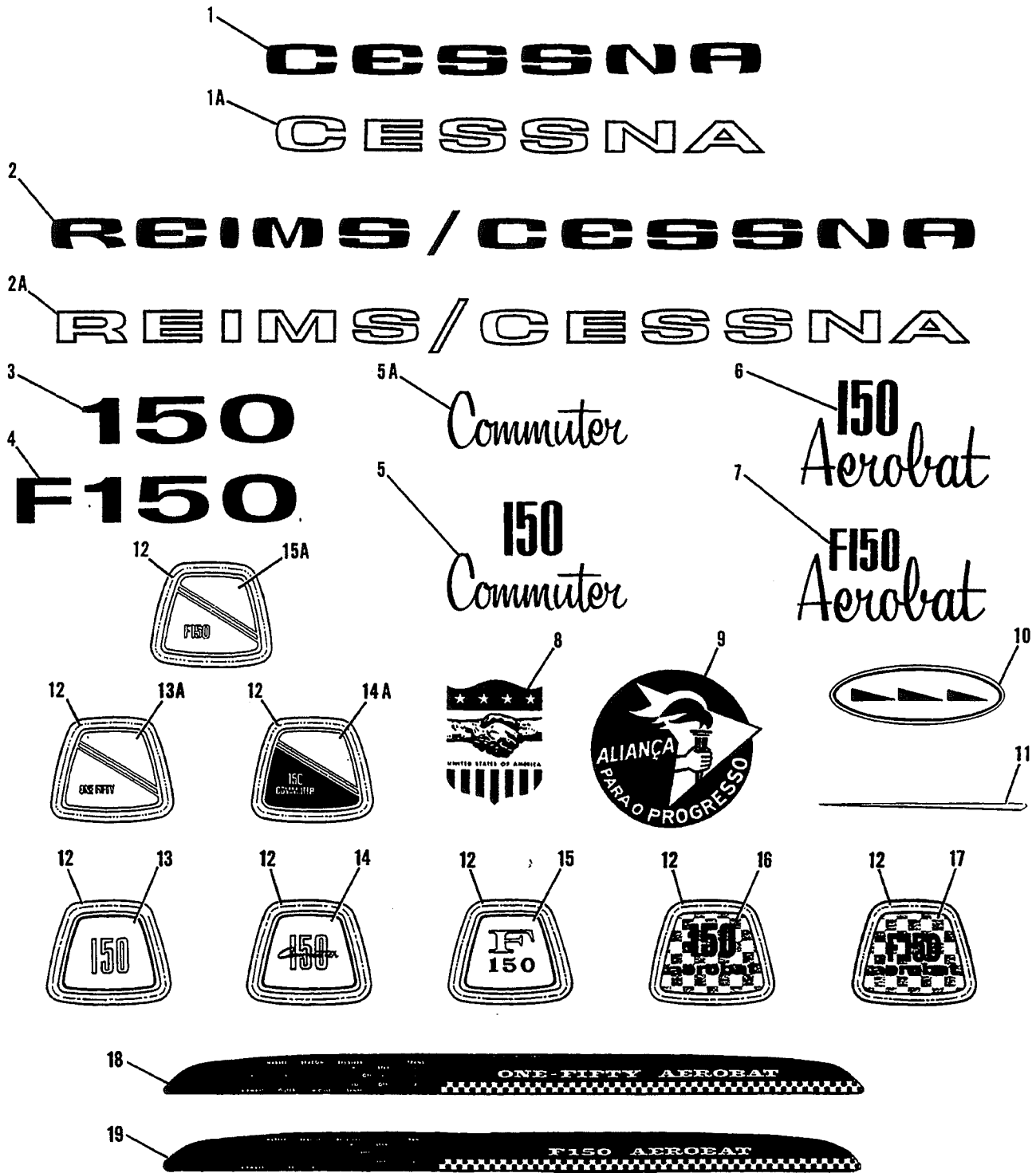
RIGHT HAND SLANT
(RIGHT SIDE OF AIRPLANE)

**ABCDEFGHIJKLMN
OPQRSTUVWXYZ
-1234567890**

Figure 2. (Sheet 1 of 5) Placards, Nameplates & Exterior Markings

150 & A150 Parts Catalog

Placards (Cont)



150 SERIAL 15071129 THRU 15073658
 F150 SERIAL F15000530 THRU F15000863
 A150 SERIAL A1500001 THRU A1500342
 FA150 SERIAL FA1500001 THRU FA1500166

Figure 2. (Sheet 3 of 5) Placards, Nameplates & Exterior Markings

150 & A150 Parts Catalog

Placards (Cont)

20

TOP	VIEW
N	
20	
40	
I	
130	
150	
Y	
30	
40	
100	
120	
130	
RADIO ON	
NO RADIO	

21

← N 9 0 0 0 R →

22

**DO NOT TURN OFF
ALTERNATOR IN FLIGHT
EXCEPT IN EMERGENCY**

23

This airplane is approved in the acrobatic category and must be operated in compliance with the operating limitations as stated in the form of placards, markings, and manuals.

MAXIMUMS

MANEUVERING SPEED (IAS) 118 mph CAS (103 knots)
GROSS WEIGHT 1600 lbs.
FLIGHT LOAD FACTOR Flaps Up +6.0, -3.0
Flaps Down +3.5

Acrobatic maneuvers with flaps extended are prohibited. Inverted flight is prohibited. Baggage compartment and/or child's seat must not be occupied during aerobatics.

— THE FOLLOWING AEROBATIC MANEUVERS ARE APPROVED —

Maneuver	Max. Entry Speed	Maneuver	Max. Entry Speed
Chandelles	120 mph (104 knots)	Lazy Eights	220 mph (194 knots)
Steep Turns	110 mph (96 knots)	Spins Slow Deceleration
Barrel Rolls	130 mph (113 knots)	Aileron Rolls	130 mph (113 knots)
Snap Rolls	90 mph (78 knots)	Immelmans	145 mph (126 knots)
Loops	130 mph (113 knots)	Cuban Eights	145 mph (126 knots)
Vertical Reversements	90 mph (78 knots)	Stalls (Except Whip Stalls) Slow Deceleration

Spin Recovery: opposite rudder - forward elevator - neutralize controls. Known icing conditions to be avoided. This airplane is certified for the following flight operations as of date of original airworthiness certificate.

DAY - NIGHT - VFR
129501-70

24

This airplane is approved in the acrobatic category and must be operated in compliance with the operating limitations as stated in the form of placards, markings, and manuals.

MAXIMUMS

MANEUVERING SPEED 118 mph CAS (103 knots)
GROSS WEIGHT 1600 lbs.
FLIGHT LOAD FACTOR Flaps Up +6.0, -3.0
Flaps Down +3.5

Acrobatic maneuvers with flaps extended are prohibited. Inverted flight is prohibited. Baggage compartment and/or child's seat must not be occupied during aerobatics.

— THE FOLLOWING AEROBATIC MANEUVERS ARE APPROVED —

Maneuver	Max. Entry Speed	Maneuver	Max. Entry Speed
Chandelles	100 mph (87 knots)	Lazy Eights	150 mph (131 knots)
Steep Turns	110 mph (96 knots)	Spins Slow Deceleration
Barrel Rolls	130 mph (113 knots)	Aileron Rolls	130 mph (113 knots)
Snap Rolls	90 mph (78 knots)	Immelmans	145 mph (126 knots)
Loops	130 mph (113 knots)	Cuban Eights	145 mph (126 knots)
Vertical Reversements	90 mph (78 knots)	Stalls (Except Whip Stalls) Slow Deceleration

Spin Recovery: opposite rudder - forward elevator - neutralize controls. Intentional spins with flaps extended are prohibited. Known icing conditions to be avoided. This airplane is certified for the following flight operations as of date of original airworthiness certificate.

DAY - NIGHT - VFR - IFR
129501-71

25

This airplane is approved in the utility category and must be operated in compliance with the operating limitations as stated in the form of placards, markings and manuals.

MAXIMUMS

MANEUVERING SPEED 109 mph CAS (95 knots)
GROSS WEIGHT 1600 lbs.
FLIGHT LOAD FACTOR Flaps Up +4.4, -1.76
Flaps Down +3.5

— NO AEROBATIC MANEUVERS APPROVED EXCEPT THOSE LISTED BELOW —

Maneuver	Max. Entry Speed	Maneuver	Max. Entry Speed
Chandelles	109 mph (95 knots)	Spins Slow Deceleration
Lazy Eights	109 mph (95 knots)	Stalls (except Whip Stalls) Slow Deceleration
Steep Turns	109 mph (95 knots)	Whip Stalls Slow Deceleration

Spin Recovery: opposite rudder - forward elevator - neutralize controls. Intentional spins with flaps extended are prohibited. Known icing conditions to be avoided. This airplane is certified for the following flight operations as of date of original airworthiness certificate.

DAY - NIGHT - VFR - IFR
129501-65

26

This airplane is approved in the utility category and must be operated in compliance with the operating limitations as stated in the form of placards, markings and manuals.

MAXIMUMS

MANEUVERING SPEED 109 mph CAS (95 knots)
GROSS WEIGHT 1600 lbs.
FLIGHT LOAD FACTOR Flaps Up +4.4, -1.76
Flaps Down +3.5

— NO AEROBATIC MANEUVERS APPROVED EXCEPT THOSE LISTED BELOW —

Maneuver	Max. Entry Speed	Maneuver	Max. Entry Speed
Chandelles	109 mph (95 knots)	Spins Slow Deceleration
Lazy Eights	109 mph (95 knots)	Stalls (except Whip Stalls) Slow Deceleration
Steep Turns	109 mph (95 knots)	Whip Stalls Slow Deceleration

Spin Recovery: opposite rudder - forward elevator - neutralize controls. Intentional spins with flaps extended are prohibited. Known icing conditions to be avoided. This airplane is certified for the following flight operations as of date of original airworthiness certificate.

DAY - NIGHT - VFR
129501-68

27

THIS AIRPLANE MUST BE OPERATED IN COMPLIANCE WITH THE OPERATING LIMITATIONS AS STATED IN THE FORM OF PLACARDS, MARKINGS AND MANUALS

UTILITY CATEGORY - FLIGHTPLANE

MAXIMUM DESIGN WEIGHT - 1600 LBS. DESIGN MANEUVERING SPEED - 109 MPH (95 KNOTS) REFER TO WEIGHT AND BALANCE DATA FOR LOADED CONFIGURATIONS

FLIGHT MANEUVERING LOAD FACTOR - FLAPS UP +4.4 -1.76 FLAPS DOWN +3.5

INTENTIONAL SPINS WITH FLAPS EXTENDED ARE PROHIBITED. SPIN RECOVERY: APPLY OPPOSITE RUDDER, FOLLOWED BY FORWARD ELEVATOR FOR NORMAL RECOVERY.

— NO AEROBATIC MANEUVERS APPROVED EXCEPT THOSE LISTED BELOW —

MANEUVER	ENTRY SPEED	MANEUVER	ENTRY SPEED
CHANDELLES	109 MPH (95 KNOTS)	SPINS SLOW DECELERATION
LAZY EIGHTS	109 MPH (95 KNOTS)	STALLS (EXCEPT WHIP STALLS) SLOW DECELERATION
STEEP TURNS	109 MPH (95 KNOTS)	WHIP STALLS SLOW DECELERATION

129501-11

28

REMOVE WHEN
O.A.T. EXCEEDS 20°F

29

WINTERIZATION KIT MUST BE REMOVED
WHEN OUTSIDE AIR TEMPERATURE IS
ABOVE 20°F.

0505009-2

30

○ FINISH & TRIM ○

33

FUEL
22.5 GALS
ON — OFF

31

120 POUNDS MAXIMUM
BAGGAGE
AND / OR AUXILIARY SEAT PASSENGER
FOR ADDITIONAL LOADING INSTRUCTIONS
SEE WEIGHT & BALANCE DATA

0305007-1

32

CAUTION 12 VOLTS D.C.
THIS AIRCRAFT IS EQUIPPED WITH
ALTERNATOR AND A NEGATIVE
GROUND SYSTEM.
OBSERVE PROPER POLARITY
REVERSE POLARITY WILL DAMAGE
ELECTRICAL COMPONENTS.

34

ENGINE OIL
ABOVE 40°F USE SAE 40
BELOW 40°F USE SAE 10W30 OR SAE 20
OIL CHANGED: _____
OIL USED: _____
USE ONLY OIL THAT COMPLIES WITH CONTINENTAL SPEC. 12-1
OILSMA BRANIFF HAVE LIST OF APPROVED OILS

35

CESSNA PART NO. C294303-0101
ELEMENT NO. C294303-0102
CHANGE OIL & FILTER ELEMENT
EVERY 20 HOURS.
TONGUE 20-25 FILLS
ADD IN ADDITIONAL QTY
OF ENGINE OIL WITH INSTALLATION
OF THIS FILTER & AT EACH
ELEMENT CHANGE.

- 36
- CHECK AIR OIL BROKE STRUT
CESSNA AIRCRAFT COMPANY, WENONA, INDIANA
FILLING INSTRUCTIONS
1. REMOVE VALVE CAP AND RELEASE ALL AIR.
 2. REMOVE VALVE HOUSING ASSEMBLY.
 3. CONFIRM STRUT IS COMPLETELY STOPPED BY CONTACT WITH OUTER BALLBEARING RING.
 4. OIL LEVEL.
 5. FLOW SHOULDN'T COMPLY WITH SPECIFICATION BALL BEARING.
 6. FILL STRUT TO BOTTOM OF VALVE INSTALLATION HOLES.
 7. FULLY EXTEND STRUT.
 8. REFLATE VALVE HOUSING ASSEMBLY.
 9. WITH STRUT FULLY EXTENDED AND HOW WHEEL CLEAR OF GROUND, RELEASE STRUT TO BE IN.

38

DO NOT OPEN WINDOW ABOVE 165 MPH IAS

029501-1

37

**EMERGENCY
DOOR RELEASE**
1. UNLATCH DOOR
2. PULL "D" RING

39

CAUTION
IF SPIN IS ENTERED INADVERTENTLY
1. CLOSE THE THROTTLE PROMPTLY.
2. APPLY FULL OPPOSITE RUDDER.
3. MOVE ELEVATOR CONTROL BRISKLY FORWARD OF NEUTRAL.
4. NEUTRALIZE RUDDER AND RECOVER FROM DIVE.

0405001-1

40

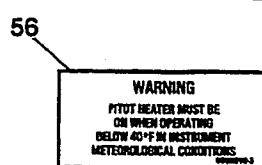
WARNING
TURN OFF STROBE LIGHTS WHEN TAXING IN VICINITY OF OTHER AIRCRAFT, OR DURING FLIGHT THROUGH CLOUDS, FOG OR HAZE.

150 SERIAL 15071129 THRU 15073658
F150 SERIAL F15000530 THRU F15000863
A150 SERIAL A1500001 THRU A1500342
FA150 SERIAL FA1500001 THRU FA1500166

Figure 2. (Sheet 4 of 5) Placards, Nameplates & Exterior Markings

150 & A150 Parts Catalog

Placards (Cont)



41 **CESSNA**

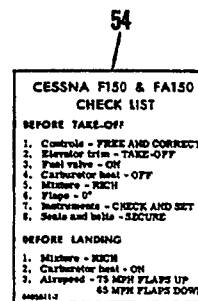
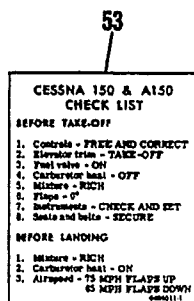
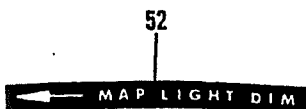
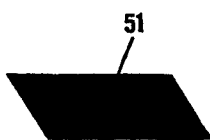
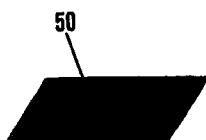
42 **REIMS / CESSNA**

43 **CESSNA 150**

45 **REIMS CESSNA F150**

44 **CESSNA 150**
Commuter

46 *Aerobat*



150 SERIAL 15071129 THRU 15073658
 F150 SERIAL F15000530 THRU F15000863
 A150 SERIAL A1500001 THRU A1500342
 FA150 SERIAL FA1500001 THRU FA1500166

Figure 2. (Sheet 5 of 5) Placards, Nameplates & Exterior Markings

150 & A150 Parts Catalog

FIGURE AND INDEX NO.	PART NUMBER	DESCRIPTION	UNITS PER ASSY							USABLE ON CODE	
			1	2	3	4	5	6	7		
2 -		PLACARDS, NAMEPLATES & EXTERIOR MARKINGS -----								NP	AN
- 1	1505014-1	NAMEPLATE-EXTERIOR CESSNA -----								2	OR
- 1A	1505022-1	NAMEPLATE-EXTERIOR CESSNA -----								2	B
- 2	1505015-10	NAMEPLATE-EXTERIOR REIMS/CESSNA -----								2	S
- 2A	0505024-1	NAMEPLATE-EXTERIOR REIMS/CESSNA -----								2	C
- 3	1505015-1	PLACARD-EXTERIOR 150 -----								2	D
- 4	1505015-2	PLACARD-EXTERIOR F150 -----								2	T
- 5	1505015-3	PLACARD-EXTERIOR 150 COMMUTER -----								2	R
- 5A	0405010-1	PLACARD-EXTERIOR COMMUTER -----								2	E
- 6	1505015-4	PLACARD-EXTERIOR 150 AEROBAT -----								2	V
- 7	1505015-22	PLACARD-EXTERIOR F150 AEROBAT -----								2	A
- 8	S1713-1	PLACARD-HANDS OF FRIENDSHIP -----								1	N
- 9	S1714-1	PLACARD-ALLIANCE FOR PROGRESS -----								1	P
- 10	0505012-1	PLACARD-EXTERIOR -----								2	N
	0505012-2	PLACARD-EXTERIOR -----								2	N
- 11	0505015-1	PLACARD-WHEEL FAIRING USED ON LH OUTBOARD & RH INBOARD --								2	N
	0505015-2	PLACARD-WHEEL FAIRING USED ON RH OUTBOARD & LH INBOARD --								2	N
- 12	0505017-1	PLATE-CONTROL WHEEL PLACARD -----								2	N
- 13	0505021-7	PLACARD-CONTROL WHEEL 150 -----								2	N
- 13A	0505025-1	PLACARD-CONTROL WHEEL 150 -----								2	N
	0405017-1	PLACARD-CONTROL WHEEL 150 -----								2	N
- 14	0505021-8	PLACARD-CONTROL WHEEL 150 COMMUTER -----								2	N
- 14A	0505025-2	PLACARD-CONTROL WHEEL 150 COMMUTER -----								2	N
	0405017-2	PLACARD-CONTROL WHEEL 150 COMMUTER -----								2	N
- 15	0505021-10	PLACARD-CONTROL WHEEL F150 -----								2	N
- 15A	0505025-3	PLACARD-CONTROL WHEEL F150 -----								2	N
	0405017-3	PLACARD-CONTROL WHEEL F150 -----								2	N
- 16	0505021-9	PLACARD-CONTROL WHEEL 150 AEROBAT -----								2	N
	0405017-4	PLACARD-CONTROL WHEEL 150 AEROBAT -----								2	N
- 17	0505021-11	PLACARD-CONTROL WHEEL F150 AEROBAT -----								2	N
- 18	0405004-1	PLACARD-INSTRUMENT PANEL 150 AEROBAT -----								1	J
	0405009-1	PLACARD-INSTRUMENT PANEL 150 AEROBAT -----								1	J
	0405004-3	PLACARD-INSTRUMENT PANEL 150 AEROBAT USED WHEN -----								1	J
	0405009-3	MARK 12B IS INSTALLED WITH VOA-50M INDICATOR. PLACARD-INSTRUMENT PANEL 150 AEROBAT USED WHEN -----								1	K
- 19	0405004-2	MARK 12B IS INSTALLED WITH VOA-50M INDICATOR. PLACARD-INSTRUMENT PANEL F150 AEROBAT -----								1	L
- 20	0405009-2	PLACARD-INSTRUMENT PANEL F150 AEROBAT -----								1	M
- 21	0713819-1	CARD-COMPASS CORRECTION -----								1	M
- 22	0505020-2	PLACARD ASSEMBLY-AIRPLANE IDENTIFICATION -----								NP	
- 23	1205001-45	PLACARD-MASTER SWITCH -----								1	AA
	1205001-69	PLACARD-OPERATIONAL LIMITATIONS A150 -----								1	J
	1205001-70	PLACARD-OPERATIONAL LIMITATIONS A150 VFR & IFR -----								1	K
- 24	1205001-46	PLACARD-OPERATIONAL LIMITATIONS A150 VFR ONLY -----								1	K
	1205001-71	PLACARD-OPERATIONAL LIMITATIONS FA150 -----								1	L
	1205001-72	PLACARD-OPERATIONAL LIMITATIONS FA150 VFR & IFR -----								1	M
	1205001-73	PLACARD-OPERATIONAL LIMITATIONS FA150 VFR ONLY -----								1	M
	1205001-74	PLACARD-OPERATIONAL LIMITATIONS FA150 VFR & IFR -----								1	M
	1205001-74	PLACARD-OPERATIONAL LIMITATIONS FA150 VFR ONLY -----								1	M
- 25	1205001-8	PLACARD-OPERATIONAL LIMITATIONS 150 -----								1	T
	1205001-65	PLACARD-OPERATIONAL LIMITATIONS 150 -----								1	T
	1205001-66	PLACARD-OPERATIONAL LIMITATIONS 150 VFR & IFR -----								1	AH
- 26	1205001-9	PLACARD-OPERATIONAL LIMITATIONS 150 VFR ONLY -----								1	AH
	1205001-67	PLACARD-OPERATIONAL LIMITATIONS F150 -----								1	U
	1205001-68	PLACARD-OPERATIONAL LIMITATIONS F150 VFR & IFR -----								1	AJ
	1205001-68	PLACARD-OPERATIONAL LIMITATIONS F150 VFR ONLY -----								1	AJ
	1205001-91	PLACARD-OPERATIONAL LIMITATIONS F150 VFR & IFR -----								1	AJ
	1205001-92	(IN FRENCH) PLACARD-OPERATIONAL LIMITATIONS F150 VFR ONLY -----								1	AJ
- 27	1205001-11	PLACARD-OPERATIONAL LIMITATIONS F150 VFR ONLY -----								1	AJ
- 28	0552110-1	PLACARD-OPERATIONAL LIMITATIONS FLOATPLANE -----								1	G
- 29	0505009-2	PLACARD-WINTERIZATION COVER -----								1	
- 30	0713047	PLACARD-WINTERIZATION -----								1	
- 31	0505007-1	PLACARD-FINISH & TRIM -----								1	
- 32	1205024-1	PLACARD-BAGGAGE & OR AUXILIARY SEAT -----								1	
		PLACARD-BATTERY BOX -----								1	

CONTINUED ON NEXT PAGE

150 & A150 Parts Catalog

FIGURE AND INDEX NO.	PART NUMBER	DESCRIPTION	UNITS PER ASSY	USABLE ON CODE
		1 2 3 4 5 6 7		
2 -33	0410218-1	PLATE ASSEMBLY-FUEL INDICATOR 22.5 GALS ----- WEU 0410218-10	1	
	0410218-6	PLATE ASSEMBLY-FUEL INDICATOR FLOATPLANE 21.5 GALS -- WEU 0410218-11	1	G
	0410218-2	PLATE ASSEMBLY-FUEL INDICATOR LONG RANGE 35.0 GALS -- WEU 0410218-12	1	
	0410218-7	PLATE ASSY-FUEL IND LONG RANGE FLOATPLANE 33.5 GALS - WEU 0410218-13	1	G
-34	S1397-5	PLACARD-ENGINE OIL CHANGE -----	1	
-35	1250410-3	PLACARD-OIL FILTER -----	1	
-36	0442145-1	PLACARD-NOSE GEAR SHOCK STRUT -----	1	
-37	0405003-2	PLACARD-EMERGENCY DOOR RELEASE -----	1	
-38	0405007-1	PLACARD-WINDOW LIMITATIONS -----	1	
-39	0405008-1	PLACARD-SPIN -----	1	
	0405008-2	PLACARD-SPIN -----	1	
-40	C622003-0103	PLACARD-STROBE LIGHT -----	1	
	C622003-0105	PLACARD-STROBE LIGHT -----	1	
-41	0405015-1	NAMEPLATE-EXTERIOR CESSNA -----	1	
-42	0505030-1	NAMEPLATE-EXTERIOR REIMS/CESSNA -----	1	
-43	0404012-1	PLACARD-EXTERIOR CESSNA 150 -----	1	
-44	0404012-2	PLACARD-EXTERIOR CESSNA 150 COMMUTER -----	1	
-45	0405014-1	PLACARD-EXTERIOR REIMS CESSNA F150 -----	1	
-46	0405016-1	PLACARD-EXTERIOR AEROBAT A150 -----	1	
	0405016-2	PLACARD-EXTERIOR AEROBAT FA150 -----	1	
-47	0404013-1	PLACARD-EXTERIOR -----	1	
-48	0405013-1	PLACARD-WHEEL FAIRING USED ON LH OUTBD & RH INBD -----	1	
-49	0405013-2	PLACARD-WHEEL FAIRING USED ON RH OUTBD & LH INBD -----	1	
-50	0405013-3	PLACARD-WHEEL FAIRING USED ON LH OUTBD & RH INBD -----	1	
-51	0405013-4	PLACARD-WHEEL FAIRING USED ON RH OUTBD & LH INBD -----	1	
-52	1205004-1	PLACARD-MAP LIGHT -----	1	
-53	0405011-1	CHECK LIST-PILOTS 150 & A150 WEU 0405011-6 -----	1	
-54	0405011-2	CHECK LIST-PILOTS F150 & FA150 WEU 0405011-6 -----	1	
-55	0890018-2	STICKER-PITOT HEAT WARNING POH MANUAL -----	1	
-56	0890018-3	PLACARD-PITOT HEAT WARNING -----	1	
		<p>A---150 SERIAL 15071129 THRU 15073658 A150 SERIAL A1500001 THRU A1500342</p> <p>B---F150 SERIAL F15000530 THRU F15000658 FA150 SERIAL FA1500001 THRU FA1500121</p> <p>C---150 SERIAL 15071129 THRU 15072628</p> <p>D---F150 SERIAL F15000530 THRU F15000738</p> <p>E---A150 SERIAL A1500001 THRU A1500276</p> <p>F---FA150 SERIAL FA1500001 FA1500166</p> <p>G---150 SERIAL 15071129 THRU 15072003 FLOATPLANE F150 SERIAL F15000530 THRU F15000658 FLOATPLANE</p> <p>H---A150 SERIAL A1500001 THRU A1500342 FA150 SERIAL FA1500001 THRU FA1500166</p> <p>J---A150 SERIAL A1500001 THRU A1500226</p> <p>K---A150 SERIAL A1500227 THRU A1500342</p> <p>L---FA150 SERIAL FA1500001 THRU FA1500081</p> <p>M---FA150 SERIAL FA1500082 THRU FA1500166</p> <p>N---150 SERIAL 15071129 THRU 15072003 F150 SERIAL F15000530 THRU F15000658 A150 SERIAL A1500001 THRU A1500226 FA150 SERIAL FA1500001 THRU FA1500081</p> <p>P---150 SERIAL 15072004 THRU 15072628 F150 SERIAL F15000659 THRU F15000738 A150 SERIAL A1500227 THRU A1500276 FA150 SERIAL FA1500082 THRU FA1500121</p> <p>Q---150 SERIAL 15071129 THRU 15072003 A150 SERIAL A1500001 THRU A1500276</p> <p>R---150 SERIAL 15072004 THRU 15072628</p> <p>S---F150 SERIAL F15000659 THRU F15000738</p> <p>T---150 SERIAL 15071129 THRU 15072003</p> <p>U---F150 SERIAL F15000530 THRU F15000658</p> <p>V---FA150 SERIAL FA1500001 THRU FA1500121</p> <p>W---150 SERIAL 15072629 THRU 15073658</p> <p>X---F150 SERIAL F15000739 THRU F15000863</p> <p>Y---A150 SERIAL A1500277 THRU A1500342</p> <p>Z---150 SERIAL 15072004 THRU 15072628 F150 SERIAL F15000659 THRU F15000738 A150 SERIAL A1500227 THRU A1500276 FA150 SERIAL FA1500082 THRU FA1500166</p>		
		CONTINUED ON NEXT PAGE		

H
H
A
M
Y
Z
A
B
Y
A
C
W
W
X
Y
A
C
A
E
A
D
A
D
A
K
A
K
A
L
A
F
A
G

150 & A150 Parts Catalog

FIGURE AND INDEX NO.	PART NUMBER	DESCRIPTION							UNITS PER ASSY	USABLE ON CODE
		1	2	3	4	5	6	7		
2 -		AA---150 SERIAL 15071129 THRU 15072628 F150 SERIAL F15000530 THRU F15000738 A150 SERIAL A1500001 THRU A1500276 FA150 SERIAL FA1500001 THRU FA1500121 AB---150 SERIAL 15072629 THRU 15073658 F150 SERIAL F15000739 THRU F15000863 A150 SERIAL A1500277 THRU A1500342 AC---FA150 SERIAL FA1500122 THRU FA1500166 AD---A150 SERIAL A1500277 THRU A1500342 FA150 SERIAL FA1500122 THRU FA1500166 AE---150 SERIAL 15072629 THRU 15073658 F150 SERIAL F15000739 THRU F15000863 A150 SERIAL A1500277 THRU A1500342 FA150 SERIAL FA1500122 THRU FA1500166 AF---150 SERIAL 15072629 THRU 15073658 A150 SERIAL A1500277 THRU A1500342 AG---F150 SERIAL F15000739 THRU F15000863 FA150 SERIAL FA1500122 THRU FA1500166 AH---150 SERIAL 15072004 THRU 15073658 AJ---F150 SERIAL F15000659 THRU F15000863 AK---150 SERIAL 15072629 THRU 15073658 F150 SERIAL F15000739 THRU F15000863 AL---150 SERIAL 15072004 THRU 15073658 F150 SERIAL F15000659 THRU F15000863 A150 SERIAL A1500227 THRU A1500342 FA150 SERIAL FA1500082 THRU FA1500166 AM---A150 SERIAL A1500001 THRU A1500276 FA150 SERIAL FA1500001 THRU FA1500166 AN---150 SERIAL 15071129 THRU 15073658 F150 SERIAL F15000530 THRU F15000863 A150 SERIAL A1500001 THRU A1500342 FA150 SERIAL FA1500001 THRU FA1500166								

150 & A150 Parts Catalog

Placards (Cont)

1 **CESSNA**

1A **CESSNA**

1B **CESSNA**

2 **REIMS/CESSNA**

2A **REIMS/CESSNA**

3 **150 commuter**

3A **150
COMMUTER**

4 **one fifty**

4A **150**

5 **F 150**

6 ***aerobat***

5A **F150**

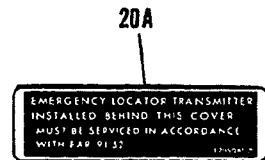
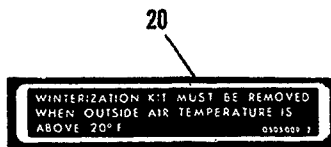
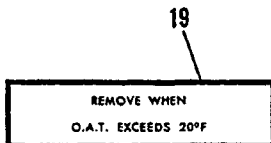
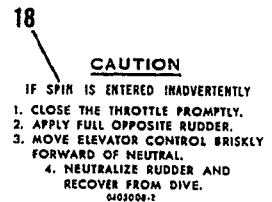
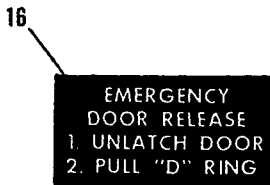
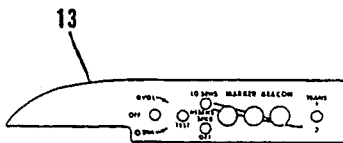
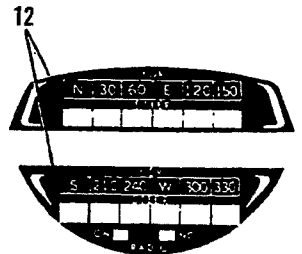
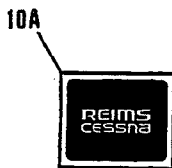
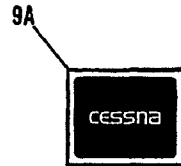
5B **F150
COMMUTER**

6A *aerobat*

150 SERIAL 15073659 THRU 15075781
F150 SERIAL F15000864 THRU F15001143
A150 SERIAL A1500343 THRU A1500523
FA150 SERIAL FA1500167 THRU FA1500261
Figure 2A. (Sheet 1 of 3) Placards, Nameplates & Exterior Markings

150 & A150 Parts Catalog

Placards (Cont)



150 SERIAL 15073659 THRU 15075781
 F150 SERIAL F15000864 THRU F15001143
 A150 SERIAL A1500343 THRU A1500523
 FA150 SERIAL FA1500167 THRU FA1500261

Figure 2A. (Sheet 2 of 3) Placards, Nameplates & Exterior Markings

150 & A150 Parts Catalog

Placards (Cont)

21

This airplane is approved in the utility category and must be operated in compliance with the operating limitations as stated in the form of placards, markings and manuals.

MAXIMUMS

MANEUVERING SPEED 109 mph CAS (95 knots)
 GROSS WEIGHT 1600 lbs.
 FLIGHT LOAD FACTOR: Flaps Up +4.4, -1.76
 Flaps Down +3.5

— NO ACROBATIC MANEUVERS APPROVED EXCEPT THOSE LISTED BELOW —

Maneuver	Max. Entry Speed	Maneuver	Max. Entry Speed
Chandelles	109 mph (95 knots)	Spins	Slow Deceleration
Lazy Eights	109 mph (95 knots)	Stalls (except whip stalls)	Slow Deceleration
Steep Turns	109 mph (95 knots)	Stalls (except whip stalls)	Slow Deceleration

Spin Recovery: opposite rudder - forward elevator - neutralize controls. Intentional spins with flaps extended are prohibited. Known icing conditions to be avoided. This airplane is certified for the following flight operations as of date of original airworthiness certificate.

DAY - NIGHT - VFR - IFR 1205081.65

22

This airplane is approved in the utility category and must be operated in compliance with the operating limitations as stated in the form of placards, markings and manuals.

MAXIMUMS

MANEUVERING SPEED 109 mph CAS (95 knots)
 GROSS WEIGHT 1600 lbs.
 FLIGHT LOAD FACTOR: Flaps Up +4.4, -1.76
 Flaps Down +3.5

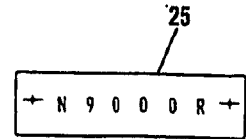
CROSSWIND 20 Knots at 90°

— NO ACROBATIC MANEUVERS APPROVED EXCEPT THOSE LISTED BELOW —

Maneuver	Max. Entry Speed	Maneuver	Max. Entry Speed
Chandelles	109 mph (95 knots)	Spins	Slow Deceleration
Lazy Eights	109 mph (95 knots)	Stalls (except whip stalls)	Slow Deceleration
Steep Turns	109 mph (95 knots)	Stalls (except whip stalls)	Slow Deceleration

Spin Recovery: opposite rudder - forward elevator - neutralize controls. Intentional spins with flaps extended are prohibited. Known icing conditions to be avoided. This airplane is certified for the following flight operations as of date of original airworthiness certificate.

DAY - NIGHT - VFR 1205081.68



26

FINISH & TRIM

23

This airplane is approved in the acrobatic category and must be operated in compliance with the operating limitations as stated in the form of placards, markings, and manuals.

MAXIMUMS

MANEUVERING SPEED (IAS) 118 mph CAS (103 knots)
 GROSS WEIGHT 1600 lbs.
 FLIGHT LOAD FACTOR Flaps Up +6.0, -3.0
 Flaps Down +3.5

Aerobatic maneuvers with flaps extended are prohibited. Inverted flight is prohibited. Baggage compartment and/or child's seat must not be occupied during aerobatics.

— THE FOLLOWING AEROBATIC MANEUVERS ARE APPROVED —

Maneuver	Max. Entry Speed	Maneuver	Max. Entry Speed
Chandelles	120 mph (104 knots)	Lazy Eights	120 mph (104 knots)
Steep Turns	110 mph (96 knots)	Spins	Slow Deceleration
Barrel Rolls	130 mph (113 knots)	Aleron Rolls	130 mph (113 knots)
Snap Rolls	90 mph (78 knots)	Immelmanns	145 mph (126 knots)
Loops	130 mph (113 knots)	Cuban Eights	145 mph (126 knots)
Vertical Reversements	90 mph (78 knots)	Stalls (except whip stalls)	Slow Deceleration

Spin Recovery: opposite rudder - forward elevator - neutralize controls. Known icing conditions to be avoided. This airplane is certified for the following flight operations as of date of original airworthiness certificate.

DAY - NIGHT - VFR 1205081.70

24

This airplane is approved in the acrobatic category and must be operated in compliance with the operating limitations as stated in the form of placards, markings, and manuals.

MAXIMUMS

MANEUVERING SPEED 118 mph CAS (103 knots)
 GROSS WEIGHT 1600 lbs.
 FLIGHT LOAD FACTOR Flaps Up +6.0, -3.0
 Flaps Down +3.5

CROSSWIND 20 knots at 90°

Aerobatic maneuvers with flaps extended are prohibited. Inverted flight is prohibited. Baggage compartment and/or child's seat must not be occupied during aerobatics.

— THE FOLLOWING AEROBATIC MANEUVERS ARE APPROVED —

Maneuver	Max. Entry Speed	Maneuver	Max. Entry Speed
Chandelles	120 mph (104 knots)	Lazy Eights	120 mph (104 knots)
Steep Turns	110 mph (96 knots)	Spins	Slow Deceleration
Barrel Rolls	130 mph (113 knots)	Aleron Rolls	130 mph (113 knots)
Snap Rolls	90 mph (78 knots)	Immelmanns	145 mph (126 knots)
Loops	130 mph (113 knots)	Cuban Eights	145 mph (126 knots)
Vertical Reversements	90 mph (78 knots)	Stalls (except whip stalls)	Slow Deceleration

Spin Recovery: opposite rudder - forward elevator - neutralize controls. Intentional spins with flaps extended are prohibited. Known icing conditions to be avoided. This airplane is certified for the following flight operations as of date of original airworthiness certificate.

DAY - NIGHT - VFR - IFR 1205081.71

27

CESNA AIR OIL SERVICE CENTER
 CESNA AIRCRAFT COMPANY, WICHITA, KANSAS
 FILING INSTRUCTIONS

- REMOVE VALVE CAP AND RELEASE ALL AIR.
- REMOVE VALVE KNOB ASSEMBLY.
- CHECK OIL LEVEL COMPLETELY AFTER IN CONTACT WITH OILY SAMPLE PIP.
- OIL LEVEL
- VALVE OIL SHOULD COMPLY WITH SPECIFICATION SAE 15W-50.
- FILL FERRY TO BOTTOM OF VALVE INSTALLATION HOLE.
- MAINTAIN OIL LEVEL AT BOTTOM OF VALVE INSTALLATION HOLE.
- FULLY RETURN FERRY.
- REPLACE VALVE KNOB ASSEMBLY.
- WITH FERRY FULLY EXTENDED AND WHEEL CLEAR OF GROUND, INFLATE FERRY TO 30 PSI.

30

120 POUNDS MAXIMUM BAGGAGE AND/OR AUXILIARY SEAT PASSENGER FOR ADDITIONAL LOADING INSTRUCTIONS SEE WEIGHT & BALANCE DATA 0005007.1

28

WARNING
 TURN OFF STROBE LIGHTS WHEN TAXIING IN VICINITY OF OTHER AIRCRAFT, OR DURING FLIGHT THROUGH CLOUDS, FOG OR HAZE. CA7903-003

29

CAUTION 12 VOLTS D.C. THIS AIRCRAFT IS EQUIPPED WITH ALTERNATOR AND A NEGATIVE GROUND SYSTEM. OBSERVE PROPER POLARITY REVERSE POLARITY WILL DAMAGE ELECTRICAL COMPONENTS.

31

ENGINE OIL
 ABOVE 40°F USE SAE 40
 BELOW 40°F USE SAE 10W30 OR SAE 20

OIL CHANGED: _____ DATE: _____
 OIL USED: _____

WHY ONLY ON THAT COMPLY WITH CONTINENTAL SPEC. PART 1-344
 (CESNA DEALERS HAVE LIST OF APPROVED OILS)

32

CESNA PART NO. C27452-001
 ELEMENT NO. C27452-012
 CHANGE OIL & FILTER ELEMENT EVERY 30 HOURS
 TORQUE 20-25 FT-LBS
 ADD IN ADDITIONAL OIL OF ENGINE OIL WITH INSTALLATION OF THIS FILTER & AT EACH ELEMENT CHANGE

33

FUEL
 22.5 GALS
 ON OFF

34

CESNA 150 & A150 CHECK LIST

BEFORE TAKE-OFF

- Controls - FREE AND CORRECT
- Elevator trim - TAKE-OFF
- Fuel valve - ON
- Carburetor heat - OFF
- Mixture - RICH
- Flaps - 0°
- Mastercylinder - CHECK AND SET
- Seats and belts - SECURE

BEFORE LANDING

- Mixture - RICH
- Carburetor heat - ON
- Airspeed - 75 MPH FLAPS UP
 65 MPH FLAPS DOWN 00011.1

35

CESNA F150 & FA150 CHECK LIST

BEFORE TAKE-OFF

- Controls - FREE AND CORRECT
- Elevator trim - TAKE-OFF
- Fuel valve - ON
- Carburetor heat - OFF
- Mixture - RICH
- Flaps - 0°
- Mastercylinder - CHECK AND SET
- Seats and belts - SECURE

BEFORE LANDING

- Mixture - RICH
- Carburetor heat - ON
- Airspeed - 75 MPH FLAPS UP
 65 MPH FLAPS DOWN 00011.2

36

150 AND AEROBAT CHECK LIST

BEFORE TAKE-OFF

- Controls - FREE AND CORRECT
- Elevator trim - TAKE-OFF
- Fuel valve - ON
- Carburetor heat - OFF
- Mixture - RICH
- Flaps - 0°
- Mastercylinder - CHECK AND SET
- Seats and belts - SECURE

BEFORE LANDING

- Mixture - RICH
- Carburetor heat - ON
- Airspeed - 75 MPH FLAPS UP
 65 MPH FLAPS DOWN 00011.4

37

WARNING
 PITOT HEATER MUST BE ON WHEN OPERATING BELOW 40°F IN INSTRUMENT METEOROLOGICAL CONDITIONS. 00009.3

38

WARNING
 PITOT HEATER MUST BE ON WHEN OPERATING BELOW 40°F IN INSTRUMENT METEOROLOGICAL CONDITIONS. 00009.3

150 SERIAL 15073659 THRU 15075781
 F150 SERIAL F15000864 THRU F15001143
 A150 SERIAL A1500343 THRU A1500523
 FA150 SERIAL FA1500167 THRU FA1500261

Figure 2A. (Sheet 3 of 3) Placards, Nameplates & Exterior Markings

150 & A150 Parts Catalog

FIGURE AND INDEX NO.	PART NUMBER	DESCRIPTION							UNITS PER ASSY	USABLE ON CODE
		1	2	3	4	5	6	7		
2A-		PLACARDS, NAMEPLATES & EXTERIOR MARKINGS -----							NP	A
- 1	0405020-2	NAMEPLATE-EXTERIOR CESSNA -----							2	N
	0405020-1	NAMEPLATE-EXTERIOR CESSNA -----							2	O
- 1A	0405028-1	NAMEPLATE-EXTERIOR CESSNA -----							2	P
- 1B	0405028-2	NAMEPLATE-EXTERIOR CESSNA -----							2	R
- 2	0405022-1	NAMEPLATE-EXTERIOR REIMS/CESSNA -----							2	S
	0405022-2	NAMEPLATE-EXTERIOR REIMS/CESSNA -----							2	U
- 2A	0405029-1	NAMEPLATE-EXTERIOR REIMS/CESSNA -----							2	M
- 3	0405024-1	PLACARD-EXTERIOR 150 COMMUTER -----							2	N
- 3A	0405030-2	PLACARD-EXTERIOR 150 COMMUTER -----							2	P
- 4	0405023-1	PLACARD-EXTERIOR ONE FIFTY -----							2	N
- 4A	0405030-1	PLACARD-EXTERIOR ONE FIFTY -----							2	P
- 5	0405025-1	PLACARD-EXTERIOR F150 -----							2	S
- 5A	0405030-3	PLACARD-EXTERIOR F150 -----							2	T
- 5B	0405030-5	PLACARD-EXTERIOR F150 COMMUTER -----							2	T
- 6	0405021-1	PLACARD-EXTERIOR AEROBAT -----							2	V
- 6A	0405030-4	PLACARD-EXTERIOR AEROBAT -----							2	W
- 7	S1714-1	PLACARD-ALLIANCE FOR PROGRESS -----							1	G
- 8	S1713-1	PLACARD-HANDS OF FRIENDSHIP -----							1	G
- 9	0405018-1	NAMEPLATE-CONTROL WHEEL -----							2	J
- 9A	0405027-1	NAMEPLATE-CONTROL WHEEL -----							2	L
- 10	0405018-2	NAMEPLATE-CONTROL WHEEL -----							2	K
- 10A	0405027-2	NAMEPLATE-CONTROL WHEEL -----							2	M
- 11	1205004-1	PLACARD-MAP LIGHT DIM -----							1	
- 12	0400213-6	PLACARD SET-COMPASS CORRECTION -----							1	
- 13	0405026-1	PLACARD-INSTRUMENT PANEL LH SIDE -----							1	X
- 14	0405009-5	PLACARD-INSTRUMENT PANEL LH SIDE -----							1	V
- 15	0405009-6	PLACARD-INSTRUMENT PANEL 150 AEROBAT -----							1	D
	0405009-8	PLACARD-INSTRUMENT PANEL FRA150 AEROBAT -----							1	E
- 16	0405003-2	PLACARD-EMERGENCY DOOR RELEASE -----							1	F
- 17	0405007-1	PLACARD-WINDOW LIMITATIONS -----							1	F
- 18	0405008-2	PLACARD-SPIN -----							1	F
- 19	0552110-1	PLACARD-WINTERIZATION COVER WEU 0552110-3 -----							1	H
	0552110-3	PLACARD-WINTERIZATION COVER -----							1	X
- 20	0505009-2	PLACARD-WINTERIZATION WHITE LETTERS -----							1	H
	0505009-3	PLACARD-WINTERIZATION BLACK LETTERS -----							1	X
- 20A	1205085-2	PLACARD-EMERGENCY LOCATOR TRANSMITTER -----							1	
- 21	1205001-65	PLACARD-OPERATIONAL LIMITATIONS 150 VFR & IFR -----							1	B
	1205001-66	PLACARD-OPERATIONAL LIMITATIONS 150 DAY & NIGHT VFR -----							1	B
	1205001-141	PLACARD-OPERATIONAL LIMITATIONS 150 DAY VFR -----							1	B
- 22	1205001-67	PLACARD-OPERATIONAL LIMITATIONS F150 VFR & IFR -----							1	C
	1205001-68	PLACARD-OPERATIONAL LIMITATIONS F150 DAY & NIGHT VFR -----							1	C
	1205001-143	PLACARD-OPERATIONAL LIMITATIONS F150 DAY VFR -----							1	C
	1205001-91	PLACARD-OPERATIONAL LIMITATIONS F150 VFR & IFR -----							1	C
	1205001-92	PLACARD-OPERATIONAL LIMITATIONS (IN FRENCH) F150 DAY & NIGHT VFR -----							1	C
	1205001-144	PLACARD-OPERATIONAL LIMITATIONS (IN FRENCH) F150 DAY VFR -----							1	C
- 23	1205001-69	PLACARD-OPERATIONAL LIMITATIONS A150 VFR & IFR -----							1	D
	1205001-70	PLACARD-OPERATIONAL LIMITATIONS A150 DAY & NIGHT VFR -----							1	D
	1205001-142	PLACARD-OPERATIONAL LIMITATIONS A150 DAY VFR -----							1	D
- 24	1205001-71	PLACARD-OPERATIONAL LIMITATIONS FA150 VFR & IFR -----							1	E
	1205001-72	PLACARD-OPERATIONAL LIMITATIONS FA150 DAY & NIGHT VFR -----							1	E
	1205001-145	PLACARD-OPERATIONAL LIMITATIONS FA150 DAY VFR -----							1	E
	1205001-93	PLACARD-OPERATIONAL LIMITATIONS FA150 VFR & IFR -----							1	E
	1205001-94	PLACARD-OPERATIONAL LIMITATIONS (IN FRENCH) FA150 DAY & NIGHT VFR -----							1	E
	1205001-146	PLACARD-OPERATIONAL LIMITATIONS (IN FRENCH) FA150 DAY VFR -----							1	E
- 25		PLACARD ASSEMBLY-AIRPLANE IDENTIFICATION -----							NP	
- 26	0713047	PLACARD-FINISH & TRIM -----							1	
- 27	0442145-1	PLACARD-NOSE GEAR SHOCK STRUT -----							1	
- 28	C622003-0105	PLACARD-STROBE LIGHT -----							1	
- 29	1205024-1	PLACARD-BATTERY BOX -----							1	
- 30	0505007-1	PLACARD-BAGGAGE & OR AUXILIARY SEAT -----							1	

CONTINUED ON NEXT PAGE

150 & A150 Parts Catalog

FIGURE AND INDEX NO.	PART NUMBER	DESCRIPTION	UNITS PER ASSY	USABLE ON CODE	
		1 2 3 4 5 6 7			
2A-31	S1397-5	PLACARD-ENGINE OIL CHANGE -----	1		
-32	1250410-3	PLACARD-OIL FILTER -----	1		
-33	0410218-10	PLATE ASSEMBLY-FUEL INDICATOR 22.5 GALS -----	1		
	0410218-12	PLATE ASSEMBLY-FUEL INDICATOR LONG RANGE 35.0 GALS --	1		
-34	0405011-1	CHECK LIST ASSEMBLY-PILOT WEU 0405011-6 -----	1	J K X	
-35	0405011-2	CHECK LIST ASSEMBLY-PILOT WEU 0405011-6 -----	1		
-36	0405011-6	CHECK LIST ASSEMBLY-PILOT -----	1		
	S1500	STENCIL-SLANT LETTERS & NUMERALS SEE SHT 1 & 2 FIG 2 ----	AR		
	S1600	STENCILS-VERTICAL LETTERS & NUMERALS SEE SHEET 1 & 2 FIG 2	AR		
-37	0890018-2	STICKER-PITOT HEAT WARNING POH MANUAL -----	1		
-38	0890018-3	PLACARD-PITOT HEAT WARNING -----	1		
<p>A---150 SERIAL 15073659 THRU 15075781 F150 SERIAL F15000864 THRU F15001143 A150 SERIAL A1500343 THRU A1500523 FA150 SERIAL FA1500167 THRU FA1500261</p> <p>B---150 SERIAL 15073659 THRU 15075781 F150 SERIAL F15000864 THRU F15001143 A150 SERIAL A1500343 THRU A1500523 FA150 SERIAL FA1500167 THRU FA1500261</p> <p>C---150 SERIAL 15073659 THRU 15075781 F150 SERIAL F15000864 THRU F15001143 A150 SERIAL A1500343 THRU A1500523 FA150 SERIAL FA1500167 THRU FA1500261</p> <p>D---150 SERIAL 15073659 THRU 15075781 F150 SERIAL F15000864 THRU F15001143 A150 SERIAL A1500343 THRU A1500523 FA150 SERIAL FA1500167 THRU FA1500261</p> <p>E---150 SERIAL 15073659 THRU 15075781 F150 SERIAL F15000864 THRU F15001143 A150 SERIAL A1500343 THRU A1500523 FA150 SERIAL FA1500167 THRU FA1500261</p> <p>F---150 SERIAL 15073659 THRU 15075781 F150 SERIAL F15000864 THRU F15001143 A150 SERIAL A1500343 THRU A1500523 FA150 SERIAL FA1500167 THRU FA1500261</p> <p>G---150 SERIAL 15073659 THRU 15075781 F150 SERIAL F15000864 THRU F15001143 A150 SERIAL A1500343 THRU A1500523 FA150 SERIAL FA1500167 THRU FA1500261</p> <p>H---150 SERIAL 15073659 THRU 15075781 F150 SERIAL F15000864 THRU F15001143 A150 SERIAL A1500343 THRU A1500523 FA150 SERIAL FA1500167 THRU FA1500261</p> <p>I---150 SERIAL 15073659 THRU 15075781 F150 SERIAL F15000864 THRU F15001143 A150 SERIAL A1500343 THRU A1500523 FA150 SERIAL FA1500167 THRU FA1500261</p> <p>J---150 SERIAL 15073659 THRU 15075781 F150 SERIAL F15000864 THRU F15001143 A150 SERIAL A1500343 THRU A1500523 FA150 SERIAL FA1500167 THRU FA1500261</p> <p>K---150 SERIAL 15073659 THRU 15075781 F150 SERIAL F15000864 THRU F15001143 A150 SERIAL A1500343 THRU A1500523 FA150 SERIAL FA1500167 THRU FA1500261</p> <p>L---150 SERIAL 15073659 THRU 15075781 F150 SERIAL F15000864 THRU F15001143 A150 SERIAL A1500343 THRU A1500523 FA150 SERIAL FA1500167 THRU FA1500261</p> <p>M---150 SERIAL 15073659 THRU 15075781 F150 SERIAL F15000864 THRU F15001143 A150 SERIAL A1500343 THRU A1500523 FA150 SERIAL FA1500167 THRU FA1500261</p> <p>N---150 SERIAL 15073659 THRU 15075781 F150 SERIAL F15000864 THRU F15001143 A150 SERIAL A1500343 THRU A1500523 FA150 SERIAL FA1500167 THRU FA1500261</p> <p>O---150 SERIAL 15073659 THRU 15075781 F150 SERIAL F15000864 THRU F15001143 A150 SERIAL A1500343 THRU A1500523 FA150 SERIAL FA1500167 THRU FA1500261</p> <p>P---150 SERIAL 15073659 THRU 15075781 F150 SERIAL F15000864 THRU F15001143 A150 SERIAL A1500343 THRU A1500523 FA150 SERIAL FA1500167 THRU FA1500261</p> <p>Q---150 SERIAL 15073659 THRU 15075781 F150 SERIAL F15000864 THRU F15001143 A150 SERIAL A1500343 THRU A1500523 FA150 SERIAL FA1500167 THRU FA1500261</p> <p>R---150 SERIAL 15073659 THRU 15075781 F150 SERIAL F15000864 THRU F15001143 A150 SERIAL A1500343 THRU A1500523 FA150 SERIAL FA1500167 THRU FA1500261</p> <p>S---150 SERIAL 15073659 THRU 15075781 F150 SERIAL F15000864 THRU F15001143 A150 SERIAL A1500343 THRU A1500523 FA150 SERIAL FA1500167 THRU FA1500261</p> <p>T---150 SERIAL 15073659 THRU 15075781 F150 SERIAL F15000864 THRU F15001143 A150 SERIAL A1500343 THRU A1500523 FA150 SERIAL FA1500167 THRU FA1500261</p> <p>U---150 SERIAL 15073659 THRU 15075781 F150 SERIAL F15000864 THRU F15001143 A150 SERIAL A1500343 THRU A1500523 FA150 SERIAL FA1500167 THRU FA1500261</p> <p>V---150 SERIAL 15073659 THRU 15075781 F150 SERIAL F15000864 THRU F15001143 A150 SERIAL A1500343 THRU A1500523 FA150 SERIAL FA1500167 THRU FA1500261</p> <p>W---150 SERIAL 15073659 THRU 15075781 F150 SERIAL F15000864 THRU F15001143 A150 SERIAL A1500343 THRU A1500523 FA150 SERIAL FA1500167 THRU FA1500261</p> <p>X---150 SERIAL 15073659 THRU 15075781 F150 SERIAL F15000864 THRU F15001143 A150 SERIAL A1500343 THRU A1500523 FA150 SERIAL FA1500167 THRU FA1500261</p>					

150 & A150 Parts Catalog

FIGURE AND INDEX NO.	PART NUMBER	DESCRIPTION							UNITS PER ASSY	USABLE ON CODE
		1	2	3	4	5	6	7		
2B-		PLACARDS, NAMEPLATES & EXTERIOR MARKINGS -----							NP	A
- 1	0405037-1	NAMEPLATE-EXTERIOR CESSNA BLACK LETTERS -----							2	
- 2	0405037-2	NAMEPLATE-EXTERIOR CESSNA WHITE LETTERS -----							2	
- 3	0405037-3	NAMEPLATE-EXTERIOR LH REIMS/CESSNA BLACK LETTERS -----							1	
	0405037-4	NAMEPLATE-EXTERIOR RH REIMS/CESSNA BLACK LETTERS -----							1	
- 4	0405037-5	NAMEPLATE-EXTERIOR LH REIMS/CESSNA WHITE LETTERS -----							1	
	0405037-6	NAMEPLATE-EXTERIOR RH REIMS/CESSNA WHITE LETTERS -----							1	
- 5	0405036-5	PLACARD-EXTERIOR LH 150 COMMUTER -----							1	
	0405036-6	PLACARD-EXTERIOR RH 150 COMMUTER -----							1	
- 6	0405036-9	PLACARD-EXTERIOR LH 150 COMMUTER II -----							1	
	0405036-10	PLACARD-EXTERIOR RH 150 COMMUTER II -----							1	
- 7	0405036-7	PLACARD-EXTERIOR LH F150 COMMUTER -----							1	
	0405036-8	PLACARD-EXTERIOR RH F150 COMMUTER -----							1	
- 8	0405036-3	PLACARD-EXTERIOR 150 BLACK LETTERS -----							2	
	0405036-4	PLACARD-EXTERIOR 150 WHITE LETTERS -----							2	
- 9	0405036-2	PLACARD-EXTERIOR F150 -----							2	
-10	0405036-1	PLACARD-EXTERIOR AEROBAT -----							2	
-11	S1714-1	PLACARD-ALLIANCE FOR PROGRESS -----							1	
-12	S1713-1	PLACARD-HANDS OF FRIENDSHIP -----							1	
-13	0405031-1	EMBLEM-CONTROL WHEEL -----							AR 2	B
-14	0405031-2	EMBLEM-CONTROL WHEEL -----							1	C
-15	1205004-1	PLACARD-MAP LIGHT -----							1	
-16	0400213-6	PLACARD SET-COMPASS CORRECTION -----							1	
-17	0405026-1	PLACARD-INSTRUMENT PANEL LH SIDE -----							1	
-18	0405009-6	PLACARD-INSTRUMENT PANEL 150 AEROBAT -----							1	D
	0405009-8	PLACARD-INSTRUMENT PANEL FA150 AEROBAT -----							1	E
-19	0405003-2	PLACARD-EMERGENCY DOOR RELEASE -----							2	F
-20	0405007-1	PLACARD-WINDOW LIMITATIONS -----							2	F
-20A	0405033-1	PLACARD-GLIDER TOW HOOK -----							1	
-21	0405008-2	PLACARD-SPIN -----							1	F

CONTINUED ON NEXT PAGE

150 & A150 Parts Catalog

Placards (Cont)

cessna 1

REIMS | CESSNA 3

cessna 2

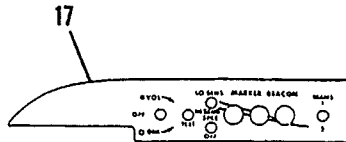
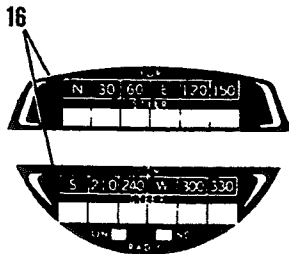
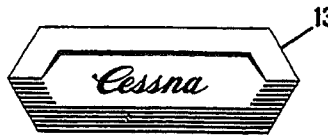
REIMS | CESSNA 4



150 8

F 150 9

aerobat 10



150 SERIAL 15075782 THRU 15077005
 F150 SERIAL F15001144 THRU F15001248
 A150 SERIAL A1500524 THRU A1500609
 FA150 SERIAL FA1500262 THRU FA1500281

Figure 2B. (Sheet 1 of 2) Placards, Nameplates & Exterior Markings

150 & A150 Parts Catalog

20A

MAX GROSS WT OF GLIDER
917 LBS

20

DO NOT OPEN WINDOW ABOVE 165 MPH IAS

21

Placards (Cont)

CAUTION
IF SPIN IS ENTERED INADVERTENTLY

- CLOSE THE THROTTLE PROMPTLY.
- APPLY FULL OPPOSITE RUDDER.
- MOVE ELEVATOR CONTROL BRISKLY FORWARD OF NEUTRAL.
- NEUTRALIZE RUDDER AND RECOVER FROM DIVE.

22

REMOVE WHEN
O.A.T. EXCEEDS 20°F

23

WINTERIZATION KIT MUST BE REMOVED WHEN OUTSIDE AIR TEMPERATURE IS ABOVE 20° F.

24

This airplane is approved in the utility category and must be operated in compliance with the operating limitations as stated in the form of placards, markings and manuals.

MAXIMUMS

MANEUVERING SPEED.....109 mph CAS (95 knots)
GROSS WEIGHT.....1800 lbs.
FLIGHT LOAD FACTOR.....Flaps Up +4.4, -1.76
Flaps Down +3.5

— NO ACROBATIC MANEUVERS APPROVED EXCEPT THOSE LISTED BELOW —

Maneuver	Max. Entry Speed	Maneuver	Max. Entry Speed
Chandelles.....109 mph (95 knots)		Stalls (except Slow Deceleration)	
Lazy Eights.....109 mph (95 knots)		whip stalls	
Sleep Turns.....109 mph (95 knots)		Spin Recovery: opposite rudder - forward elevator - neutralize controls. Intentional spins with flaps extended are prohibited. Known icing conditions to be avoided. This airplane is certified for the following flight operations as of date of original airworthiness certificate.	

DAY - NIGHT - VFR - IFR

25

This airplane is approved in the utility category and must be operated in compliance with the operating limitations as stated in the form of placards, markings and manuals.

MAXIMUMS

MANEUVERING SPEED.....109 mph CAS (95 knots)
GROSS WEIGHT.....1650 lbs.
FLIGHT LOAD FACTOR.....Flaps Up +4.4, -1.76
Flaps Down +3.5

CROSSWIND.....20 Knots at 90°

— NO ACROBATIC MANEUVERS APPROVED EXCEPT THOSE LISTED BELOW —

Maneuver	Max. Entry Speed	Maneuver	Max. Entry Speed
Chandelles.....109 mph (95 knots)		Stalls (except Slow Deceleration)	
Lazy Eights.....109 mph (95 knots)		whip stalls	
Sleep Turns.....109 mph (95 knots)		Spin Recovery: opposite rudder - forward elevator - neutralize controls. Intentional spins with flaps extended are prohibited. Known icing conditions to be avoided. This airplane is certified for the following flight operations as of date of original airworthiness certificate.	

DAY - NIGHT - VFR

26

This airplane is approved in the acrobatic category and must be operated in compliance with the operating limitations as stated in the form of placards, markings and manuals.

MAXIMUMS

MANEUVERING SPEED (IAS).....118 mph CAS (103 knots)
GROSS WEIGHT.....1600 lbs.
FLIGHT LOAD FACTOR.....Flaps Up +6.0, -3.0
Flaps Down +3.5

Aerobatic maneuvers with flaps extended are prohibited. Inverted flight is prohibited. Baggage compartment and/or child's seat must not be occupied during aerobatics.

— THE FOLLOWING AEROBATIC MANEUVERS ARE APPROVED —

Maneuver	Max. Entry Speed	Maneuver	Max. Entry Speed
Chandelles.....120 mph (104 knots)		Lazy Eights.....120 mph (104 knots)	
Sleep Turns.....110 mph (96 knots)		Spin.....Slow Deceleration	
Barrel Rolls.....130 mph (113 knots)		Aileron Rolls.....130 mph (113 knots)	
Snap Rolls.....90 mph (78 knots)		Innemanns.....145 mph (126 knots)	
Loops.....130 mph (113 knots)		Cuban Eights.....145 mph (126 knots)	
Vertical Reversements 90 mph (78 knots)		Stalls (Except whip stalls).....Slow Deceleration	

Spin Recovery: opposite rudder - forward elevator - neutralize controls. Known icing conditions to be avoided. This airplane is certified for the following flight operations as of date of original airworthiness certificate.

DAY - NIGHT - VFR

27

This airplane is approved in the acrobatic category and must be operated in compliance with the operating limitations as stated in the form of placards, markings and manuals.

MAXIMUMS

MANEUVERING SPEED.....118 mph CAS (103 knots)
GROSS WEIGHT.....1600 lbs.
FLIGHT LOAD FACTOR.....Flaps Up +6.0, -3.0
Flaps Down +3.5

CROSSWIND.....20 knots at 90°

Aerobatic maneuvers with flaps extended are prohibited. Inverted flight is prohibited. Baggage compartment and/or child's seat must not be occupied during aerobatics.

— THE FOLLOWING AEROBATIC MANEUVERS ARE APPROVED —

Maneuver	Max. Entry Speed	Maneuver	Max. Entry Speed
Chandelles.....120 mph (104 knots)		Lazy Eights.....120 mph (104 knots)	
Sleep Turns.....110 mph (96 knots)		Spin.....Slow Deceleration	
Barrel Rolls.....130 mph (113 knots)		Aileron Rolls.....130 mph (113 knots)	
Snap Rolls.....90 mph (78 knots)		Innemanns.....145 mph (126 knots)	
Loops.....130 mph (113 knots)		Cuban Eights.....145 mph (126 knots)	
Vertical Reversements 90 mph (78 knots)		Stalls (Except whip stalls).....Slow Deceleration	

Spin Recovery: opposite rudder - forward elevator - neutralize controls. Intentional spins with flaps extended are prohibited. Known icing conditions to be avoided. This airplane is certified for the following flight operations as of date of original airworthiness certificate.

DAY - NIGHT - VFR - IFR

28

+ N 9 0 0 R +

29

FINISH & TRIM

30

REMOVE VALVE CAP AND INCREASE ALL AIR.

REMOVE VALVE BUSHING ASSEMBLY.

VERIFY BUSHING IS COMPLETELY BYGONE BY CONTACT WITH BUSHING BALLS.

IF LEVEL:

- FLAP SHOCK BRACKETS COMPLETELY WITH SPECIFICATION REQUIREMENTS.
- PULL TIGHT TO BOTTOM OF VALVE INSTALLATION POINT.
- INSTALL OIL LEVEL AT BOTTOM OF VALVE INSTALLATION POINT.
- FULLY EXTEND PITTIT.
- REPLACE VALVE BUSHING ASSEMBLY.
- WITH PITTIT FULLY EXTENDED CHECK WHEEL CLEAR OF CONTROL. IF NOT, TRY TO SWIRL.

31

WARNING
TURN OFF STROBE LIGHTS WHEN TAXIING IN VICINITY OF OTHER AIRCRAFT, OR DURING FLIGHT THROUGH CLOUDS, FOG OR HAZE.

32

CAUTION 12 VOLTS D.C. THIS AIRCRAFT IS EQUIPPED WITH ALTERNATOR AND A NEGATIVE CIRCUIT SYSTEM. OBSERVE PROPER POLARITY REVERSE POLARITY WILL DAMAGE ELECTRICAL COMPONENTS.

33

120 POUNDS MAXIMUM BAGGAGE AND / OR AUXILIARY SEAT PASSENGER
FOR ADDITIONAL LOADING INSTRUCTIONS SEE WEIGHT & BALANCE DATA

34

ENGINE OIL
ABOVE 40°F USE SAE 40
BELOW 40°F USE SAE 10W30 OR SAE 20

OIL CHANGED: _____ DATE: _____

OIL USED: _____

USE ONLY OIL THAT COMPLIES WITH CONTINENTAL SPEC. PART-24A
CESSNA DEALERS HAVE LIST OF APPROVED OILS

35

ESTIMA PART NO. C27305-0101
ELEMENT NO. C27305-0102
CHANGE OIL & FILTER ELEMENT EVERY 50 HOURS
TORQUE 20-25 FT-LBS
ADD IN ADDITIONAL OIL OF ENGINE OIL WITH INSTALLATION OF THIS FILTER & AT EACH ELEMENT CHANGE

36

FUEL
22.5 GALS
ON
OFF

37

PITTS CHECKLIST

38

PARTS CHECKLIST

39

150 AND AEROBAT CHECK LIST
BEFORE TAKE-OFF

- Controls - FREE AND CORRECT
- Elevator trim - TAKE-OFF
- Fuel valve - ON
- Carburetor heat - OFF
- Mixture - RICH
- Flaps - UP
- Instruments - CHECK AND SET
- Seats and belts - SECURE

BEFORE LANDING

- Mixture - RICH
- Carburetor heat - ON
- Airspeed - 75 MPH FLAPS UP
65 MPH FLAPS DOWN

40

EMERGENCY LOCATOR TRANSMITTER
INSTALLED BEHIND THIS COVER.
MUST BE SERVICED IN ACCORDANCE WITH FAR PART 91.52

41

WARNING
PITOT HEATER MUST BE ON WHEN OPERATING BELOW 40°F IN INSTRUMENT METEOROLOGICAL CONDITIONS.

42

WARNING
PITOT HEATER MUST BE ON WHEN OPERATING BELOW 40°F IN INSTRUMENT METEOROLOGICAL CONDITIONS.

150 SERIAL 15075782 THRU 15077005
F150 SERIAL F15001144 THRU F15001248
A150 SERIAL A1500524 THRU A1500609
FA150 SERIAL FA1500262 THRU FA1500281

Figure 2B. (Sheet 2 of 2) Placards, Nameplates & Exterior Markings

150 & A150 Parts Catalog

FIGURE AND INDEX NO.	PART NUMBER	DESCRIPTION							UNITS PER ASSY	USABLE ON CODE
		1	2	3	4	5	6	7		
2B-22	0552110-3	PLACARD-WINTERIZATION COVER -----							2	
-23	0505009-3	PLACARD-WINTERIZATION -----							1	
-24	1205001-65	PLACARD-OPERATIONAL LIMITATIONS 150 VFR & IFR -----							1	G
	1205001-66	PLACARD-OPERATIONAL LIMITATIONS 150 DAY & NIGHT VFR -----							1	G
	1205001-141	PLACARD-OPERATIONAL LIMITATIONS 150 DAY VFR -----							1	G
-25	1205001-67	PLACARD-OPERATIONAL LIMITATIONS F150 VFR & IFR -----							1	H
	1205001-68	PLACARD-OPERATIONAL LIMITATIONS F150 DAY & NIGHT VFR -----							1	H
	1205001-143	PLACARD-OPERATIONAL LIMITATIONS F150 DAY VFR -----							1	H
	1205001-91	PLACARD-OPERATIONAL LIMITATIONS F150 VFR & IFR ----- (IN FRENCH)							1	H
	1205001-92	PLACARD-OPERATIONAL LIMITATIONS F150 DAY & NIGHT VFR ----- (IN FRENCH)							1	H
	1205001-144	PLACARD-OPERATIONAL LIMITATIONS F150 DAY VFR ----- (IN FRENCH)							1	H
-26	1205001-69	PLACARD-OPERATIONAL LIMITATIONS A150 VFR & IFR -----							1	D
	1205001-70	PLACARD-OPERATIONAL LIMITATIONS A150 DAY & NIGHT VFR -----							1	D
	1205001-142	PLACARD-OPERATIONAL LIMITATIONS A150 DAY VFR -----							1	D
-27	1205001-71	PLACARD-OPERATIONAL LIMITATIONS FA150 VFR & IFR -----							1	E
	1205001-72	PLACARD-OPERATIONAL LIMITATIONS FA150 DAY & NIGHT VFR -----							1	E
	1205001-145	PLACARD-OPERATIONAL LIMITATIONS FA150 DAY VFR -----							1	E
	1205001-93	PLACARD-OPERATIONAL LIMITATIONS FA150 VFR & IFR ----- (IN FRENCH)							1	E
	1205001-94	PLACARD-OPERATIONAL LIMITATIONS FA150 DAY & NIGHT VFR ----- (IN FRENCH)							1	E
	1205001-146	PLACARD-OPERATIONAL LIMITATIONS FA150 DAY VFR ----- (IN FRENCH)							1	E
-28		PLACARD ASSY-AIRPLANE IDENTIFICATION -----							NP	
-29	0713047	PLATE-FINISH & TRIM -----							1	
-30	0442145-1	PLACARD-NOSE GEAR SHOCK STRUT -----							1	
-31	C622003-0105	PLACARD-STROBE -----							1	
-32	1205024-1	PLACARD-BATTERY BOX & GROUND SERVICE PLUG -----							2	
-33	0505007-1	PLACARD-BAGGAGE & OR AUXILIARY SEAT -----							1	
-34	S1397-5	PLACARD-ENGINE OIL CHANGE -----							1	
-35	1250410-3	PLACARD-OIL FILTER -----							1	
-36	0410218-10	PLATE ASSY-FUEL INDICATOR 22.5 GALS -----							1	
	0410218-12	PLATE ASSY-FUEL INDICATOR LONG RANGE 35.0 GALS -----							1	
-37	0405035-5	CHECK LIST ASSY-PILOT -----							1	J
-38	0405035-6	CHECK LIST ASSY-PILOT -----							1	J
-39	0405032-1	PLACARD-PILOTS CHECK LIST -----							1	
-40	1205085-2	PLACARD-EMERGENCY LOCATOR TRANSMITTER -----							1	
	S1500	STENCILS-SLANT LETTERS & NUMERALS SEE SHT 1 & 2 FIG 2 -----							AR	
	S1600	STENCILS-VERTICAL LETTERS & NUMERALS SEE SHT 1 & 2 FIG 2 -----							AR	
-41	0890018-2	STICKER-PITOT HEAT WARNING POH MANUAL -----							1	
-42	0890018-3	PLACARD-PITOT HEAT WARNING -----							1	
		<p>A---150 SERIAL 15075782 THRU 15077005 F150 SERIAL F15001144 THRU F15001248 A150 SERIAL A1500524 THRU A1500609 FA150 SERIAL FA1500262 THRU FA1500281</p> <p>B---150 SERIAL 15075782 THRU 15077005 A150 SERIAL A1500524 THRU A1500609</p> <p>C---F150 SERIAL F15001144 THRU F15001248 FA150 SERIAL FA1500262 THRU FA1500281</p> <p>D---A150 SERIAL A1500524 THRU A1500609</p> <p>E---FA150 SERIAL FA1500262 THRU FA1500281</p> <p>F---A150 SERIAL A1500524 THRU A1500609 FA150 SERIAL FA1500262 THRU FA1500281</p> <p>G---150 SERIAL 15075782 THRU 15077005</p> <p>H---F150 SERIAL F15001144 THRU F15001248</p> <p>J---150 SERIAL 15075782 THRU 15077005 F150 SERIAL F15001144 THRU F15001248</p>								

150 & A150 Parts Catalog

FIGURE AND INDEX NO.	PART NUMBER	DESCRIPTION							UNITS PER ASSY	USABLE ON CODE
		1	2	3	4	5	6	7		
2C-		PLACARDS, NAMEPLATES & EXTERIOR MARKINGS -----							NP	A
- 1	0405039-1	STENCIL-EXTERIOR CESSNA -----							2	B
- 2	0405039-2	STENCIL-EXTERIOR REIMS/CESSNA -----							2	C
- 3	0405038-3	NAMEPLATE-EXTERIOR REIMS/CESSNA -----							2	F
- 4	0405042-3	PLACARD-EXTERIOR 150 COMMUTER WHITE LETTERS -----							2	B
	0405042-9	PLACARD-EXTERIOR 150 COMMUTER BLACK LETTERS -----							2	B
- 5	0405042-5	PLACARD-EXTERIOR 150 COMMUTER II WHITE LETTERS -----							2	B
	0405042-10	PLACARD-EXTERIOR 150 COMMUTER II BLACK LETTERS -----							2	B
- 6	0405042-2	PLACARD-EXTERIOR F150 -----							2	C
- 7	0405042-4	PLACARD-EXTERIOR F150 COMMUTER -----							2	C
- 8	0405042-7	PLACARD-EXTERIOR CESSNA AEROBAT -----							2	D
- 9	0405042-6	PLACARD-EXTERIOR AEROBAT -----							2	E
-10	S1714-1	PLACARD-ALLIANCE FOR PROGRESS -----							1	
-11	S1713-1	PLACARD-HANDS OF FRIENDSHIP -----							1	
-12	0405031-1	EMBLEM-CONTROL WHEEL -----							1	B
-13	0405031-2	EMBLEM-CONTROL WHEEL -----							1	C
-14	0405031-9	EMBLEM-CONTROL WHEEL -----							1	F
-15	1205004-1	PLACARD-MAP LIGHT -----							1	
-16	0400213-6	PLACARD SET-COMPASS CORRECTION -----							1	
-17	0405026-4	PLACARD-MARKER BEACON -----							1	
-18	0405003-2	PLACARD-EMERGENCY DOOR RELEASE -----							2	F
CONTINUED ON NEXT PAGE										

150 & A150 Parts Catalog

Placards (Cont)



reims/CESSNA

150 commuter

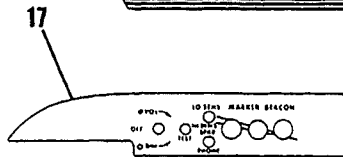
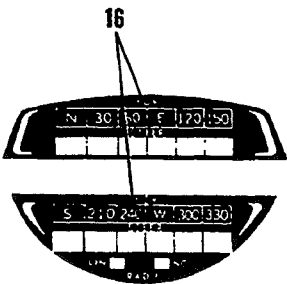
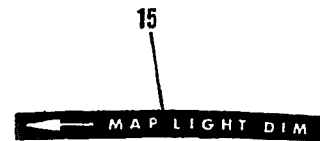
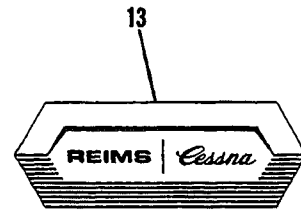
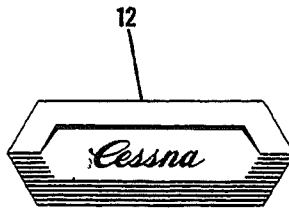
150 commuter II

F150

F150 commuter

CESSNA Aerobat

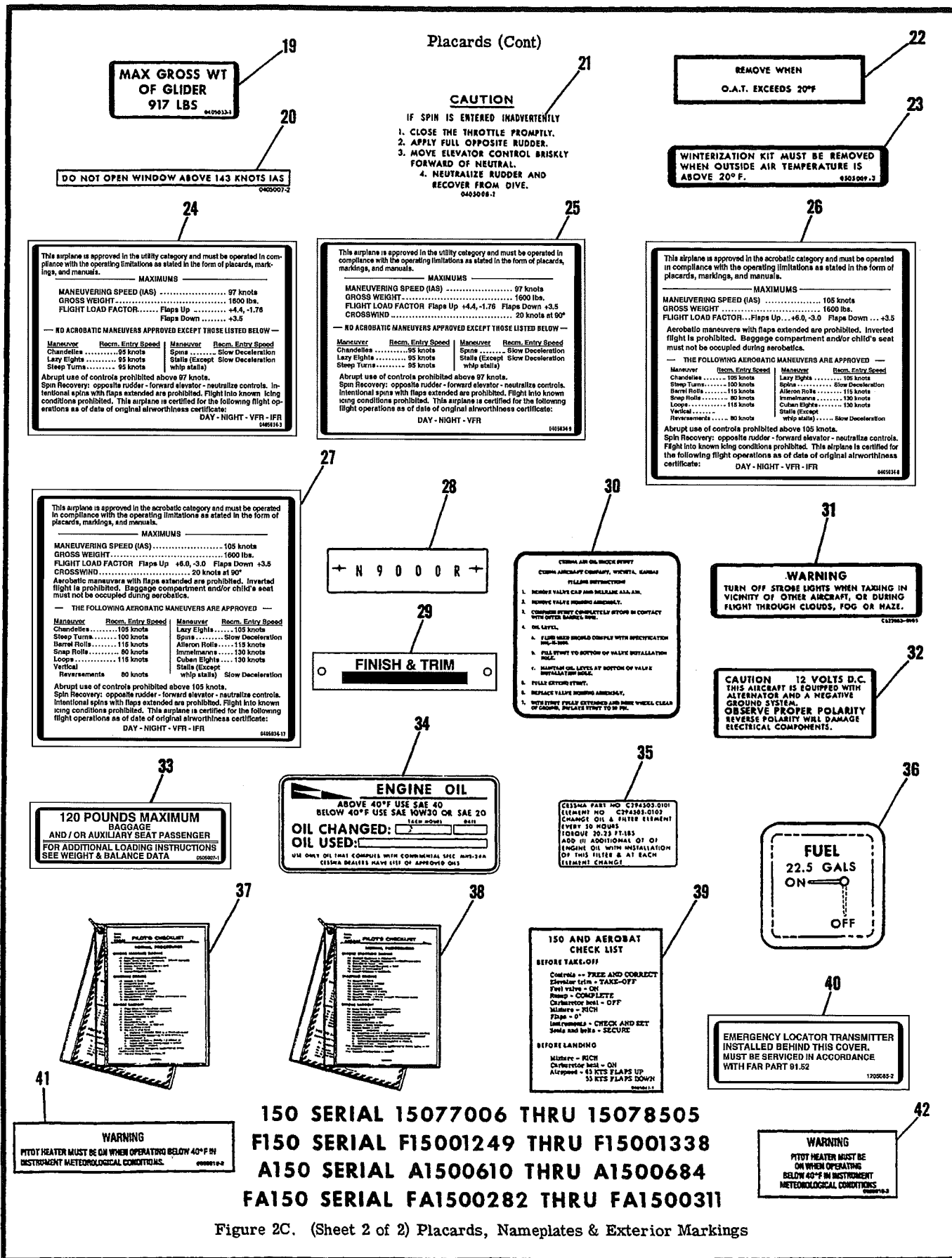
Aerobat



150 SERIAL 15077006 THRU 15078505
 F150 SERIAL F15001249 THRU F15001338
 A150 SERIAL A1500610 THRU A1500684
 FA150 SERIAL FA1500282 THRU FA1500311

Figure 2C. (Sheet 1 of 2) Placards, Nameplates & Exterior Markings

150 & A150 Parts Catalog



150 SERIAL 15077006 THRU 15078505
 F150 SERIAL F15001249 THRU F15001338
 A150 SERIAL A1500610 THRU A1500684
 FA150 SERIAL FA1500282 THRU FA1500311

Figure 2C. (Sheet 2 of 2) Placards, Nameplates & Exterior Markings

150 & A150 Parts Catalog

FIGURE AND INDEX NO.	PART NUMBER	DESCRIPTION							UNITS PER ASSY	USABLE ON CODE
		1	2	3	4	5	6	7		
2C-19	0405033-1	PLACARD-GLIDER TOW HOOK -----							1	
-20	0405007-2	PLACARD-WINDOW LIMITATIONS -----							2	F
-21	0405008-2	PLACARD-SPIN -----							1	F
-22	0552110-3	PLACARD-WINTERIZATION COVER -----							2	
-23	0505009-3	PLACARD-WINTERIZATION -----							1	
-24	0405034-3	PLACARD-OPERATIONAL LIMITATIONS	150	VFR-IFR	-----				1	B
-25	0405034-11	PLACARD-OPERATIONAL LIMITATIONS	F150	VFR-IFR	-----				AR	C
	0405034-9	PLACARD-OPERATIONAL LIMITATIONS	F150	DAY-NIGHT-VFR	-----				AR	C
	0405034-7	PLACARD-OPERATIONAL LIMITATIONS	F150	DAY-VFR	-----				AR	C
	0405034-12	PLACARD-OPERATIONAL LIMITATIONS	F150	VFR-IFR	-----				AR	C
	0405034-10	PLACARD-OPERATIONAL LIMITATIONS	F150	DAY-NIGHT-VFR	-----				AR	C
	0405034-8	PLACARD-OPERATIONAL LIMITATIONS	F150	DAY-VFR	-----				AR	C
-26	0405034-6	PLACARD-OPERATIONAL LIMITATIONS	A150	VFR-IFR	-----				AR	D
	0405034-5	PLACARD-OPERATIONAL LIMITATIONS	A150	DAY-NIGHT-VFR	-----				AR	D
	0405034-4	PLACARD-OPERATIONAL LIMITATIONS	A150	DAY-VFR	-----				AR	D
-27	0405034-17	PLACARD-OPERATIONAL LIMITATIONS	FA150	VFR-IFR	-----				AR	E
	0405034-15	PLACARD-OPERATIONAL LIMITATIONS	FA150	DAY-NIGHT-VFR	-----				AR	E
	0405034-13	PLACARD-OPERATIONAL LIMITATIONS	FA150	DAY-VFR	-----				AR	E
	0405034-18	PLACARD-OPERATIONAL LIMITATIONS	FA150	VFR-IFR	-----				AR	E
	0405034-16	PLACARD-OPERATIONAL LIMITATIONS	FA150	DAY-NIGHT-VFR	-----				AR	E
	0405034-14	PLACARD-OPERATIONAL LIMITATIONS	FA150	DAY-VFR	-----				AR	E
-28		PLACARD ASSY-AIRPLANE IDENTIFICATION -----							NP	
-29	0713047	PLATE-FINISH & TRIM -----							1	
-30	0442145-1	PLACARD-NOSE GEAR SHOCK STRUT -----							1	
-31	C622003-0105	PLACARD-STROBE -----							1	
-32	1205024-1	PLACARD-BATTERY BOX & GROUND SERVICE PLUG -----							2	
-33	0505007-1	PLACARD-BAGGAGE & OR AUXILIARY SEAT -----							1	
-34	S1397-5	PLACARD-ENGINE OIL CHANGE -----							1	
-35	1250410-3	PLACARD-OIL FILTER -----							1	
-36	0410218-10	PLATE ASSY-FUEL INDICATOR	22.5	GALS	-----				1	
	0410218-12	PLATE ASSY-FUEL INDICATOR	35.0	GALS	-----				1	
-37	0405040-1	CHECK LIST ASSY-PILOT -----							1	G
-38	0405040-2	CHECK LIST ASSY-PILOT -----							1	F
-39	0405041-1	PLACARD-PILOTS CHECK LIST -----							1	
-40	1205085-2	PLACARD-EMERGENCY LOCATOR TRANSMITTER -----							1	
	S1500	STENCILS-SLANT LETTERS & NUMERALS			SEE SHT 1 & 2 FIG 2 -----				AR	
	S1600	STENCILS-VERTICAL LETTERS & NUMERALS			SEE SHT 1 & 2 FIG 2 -----				AR	
-41	0890018-2	STICKER-PITOT HEAT WARNING POH MANUAL -----							1	
-42	0890018-3	PLACARD-PITOT HEAT WARNING -----							1	
		<p>A---150 SERIAL 15077006 THRU 15078505 F150 SERIAL F15001249 THRU F15001338 A150 SERIAL A1500610 THRU A1500684 FA150 SERIAL FA1500282 THRU FA1500311</p> <p>B---150 SERIAL 15077006 THRU 15078505 C---F150 SERIAL F15001249 THRU F15001338 D---A150 SERIAL A1500610 THRU A1500684 E---FA150 SERIAL FA1500282 THRU FA1500311 F---A150 SERIAL A1500610 THRU A1500684 FA150 SERIAL FA1500282 THRU FA1500311</p> <p>G---150 SERIAL 15077006 THRU 15078505 F150 SERIAL F15001249 THRU F15001338</p>								

150 & A150 Parts Catalog

FIGURE AND INDEX NO.	PART NUMBER	DESCRIPTION							UNITS PER ASSY	USABLE ON CODE
		1	2	3	4	5	6	7		
2D-		PLACARDS, NAMEPLATES & EXTERIOR MARKINGS -----							NP	A
- 1	0505061-1	NAMEPLATE-EXTERIOR CESSNA BLACK LETTERS -----							2	B
	0505061-3	NAMEPLATE-EXTERIOR CESSNA BLACK LETTERS -----							2	C
	0505061-4	NAMEPLATE-EXTERIOR CESSNA WHITE LETTERS -----							2	D
- 2	0505061-5	NAMEPLATE-EXTERIOR REIMS/CESSNA BLACK LETTERS -----							2	E
	0505061-6	NAMEPLATE-EXTERIOR REIMS/CESSNA WHITE LETTERS -----							2	C
- 2A	0405038-1	NAMEPLATE-EXTERIOR CESSNA USED WITH -----							2	C
		DISCOVER FLYING OPTION								
- 2B	0405046-1	PLACARD-EXTERIOR DISCOVER FLYING -----							2	C
- 3	0405043-1	PLACARD-EXTERIOR 150 COMMUTER WHITE LETTERS -----							2	C
	0405043-6	PLACARD-EXTERIOR 150 COMMUTER BLACK LETTERS -----							2	C
- 4	0405043-2	PLACARD-EXTERIOR 150 COMMUTER II WHITE LETTERS -----							2	C
	0405043-7	PLACARD-EXTERIOR 150 COMMUTER II BLACK LETTERS -----							2	C
- 5	0405043-3	PLACARD-EXTERIOR F150 COMMUTER WHITE LETTERS -----							2	C
- 6	0405043-5	PLACARD-EXTERIOR F150 WHITE LETTERS -----							2	E
- 7	0405043-9	PLACARD-EXTERIOR LH AEROBAT -----							1	F
- 8	0405043-8	PLACARD-EXTERIOR RH AEROBAT -----							1	F
- 9	S1714-1	PLACARD-ALLIANCE FOR PROGRESS -----							1	F
- 10	S1713-1	PLACARD-HANDS OF FRIENDSHIP -----							1	F
- 11	0405031-1	EMBLEM-CONTROL WHEEL -----							2	F
- 12	0405031-2	EMBLEM-CONTROL WHEEL -----							2	F
- 13	0405031-9	EMBLEM-CONTROL WHEEL -----							2	F
- 14	1205004-1	PLACARD-MAP LIGHT -----							1	F
- 15	0400213-6	PLACARD SET-COMPASS CORRECTION -----							1	F
- 16	0405026-4	PLACARD-MARKER BEACON -----							1	F
- 17	0405003-2	PLACARD-EMERGENCY DOOR RELEASE -----							2	F

CONTINUED ON NEXT PAGE

150 & A150 Parts Catalog

Placards (Cont)

1
cessna

2
reims/cessna

2A
cessna

2B
TakeOff

3
150
commuter

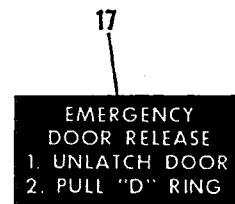
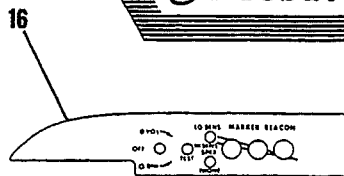
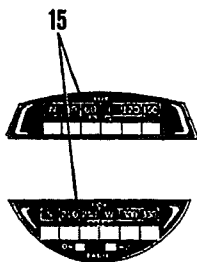
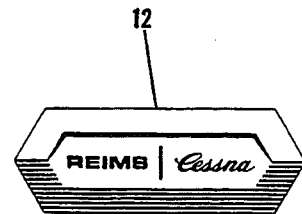
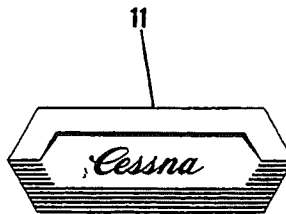
4
150
commuter II

5
F150
commuter

7
aerobat.

6
F150

8
aerobat.



150 SERIAL 15078506 & ON
F150 SERIAL F15001339 & ON
A150 SERIAL A1500685 & ON
FA150 SERIAL FA1500312 & ON

Figure 2D. (Sheet 1 of 2) Placards, Nameplates & Exterior Markings

150 & A150 Parts Catalog

Placards (Cont)

MAX GROSS WT OF GLIDER
917 LBS

0405023-1

DO NOT OPEN WINDOW ABOVE 143 KNOTS IAS

0405007-2

This airplane is approved in the utility category and must be operated in compliance with the operating limitations as stated in the form of placards, markings, and manuals.

MAXIMUMS

MANEUVERING SPEED (IAS) 97 knots
GROSS WEIGHT 1600 lbs.
FLIGHT LOAD FACTOR..... Flaps Up +4.4, -1.78
Flaps Down +3.5

--- NO AEROBATIC MANEUVERS APPROVED EXCEPT THOSE LISTED BELOW ---

Maneuver	Recon. Entry Speed	Maneuver	Recon. Entry Speed
Chandelles	95 knots	Spins	Slow Deceleration
Lazy Eights	95 knots	Stalls (Except Slow Deceleration)	Stalls (Except Slow Deceleration)
Sleep Turns	95 knots	Whip stalls	Whip stalls

Spin Recovery: opposite rudder - forward elevator - neutralize controls. Intentional spins with flaps extended are prohibited. Flight into known icing conditions prohibited. This airplane is certified for the following flight operations as of date of original airworthiness certificate:
DAY - NIGHT - VFR - IFR

0405023-1

This airplane is approved in the utility category and must be operated in compliance with the operating limitations as stated in the form of placards, markings, and manuals.

MAXIMUMS

MANEUVERING SPEED (IAS) 97 knots
GROSS WEIGHT 1600 lbs.
FLIGHT LOAD FACTOR Flaps Up +4.4, -1.78 Flaps Down +3.5
CROSSWIND 20 knots at 90°

--- NO AEROBATIC MANEUVERS APPROVED EXCEPT THOSE LISTED BELOW ---

Maneuver	Recon. Entry Speed	Maneuver	Recon. Entry Speed
Chandelles	95 knots	Spins	Slow Deceleration
Lazy Eights	95 knots	Stalls (Except Slow Deceleration)	Stalls (Except Slow Deceleration)
Sleep Turns	95 knots	Whip stalls	Whip stalls

Spin Recovery: opposite rudder - forward elevator - neutralize controls. Intentional spins with flaps extended are prohibited. Flight into known icing conditions prohibited. This airplane is certified for the following flight operations as of date of original airworthiness certificate:
DAY - NIGHT - VFR

0405024-1

This airplane is approved in the acrobatic category and must be operated in compliance with the operating limitations as stated in the form of placards, markings, and manuals.

MAXIMUMS

MANEUVERING SPEED (IAS) 105 knots
GROSS WEIGHT 1600 lbs.
FLIGHT LOAD FACTOR..... Flaps Up +6.0, -3.0 Flaps Down +3.5
CROSSWIND 20 knots at 90°

--- THE FOLLOWING AEROBATIC MANEUVERS ARE APPROVED ---

Maneuver	Recon. Entry Speed	Maneuver	Recon. Entry Speed
Chandelles	105 knots	Spins	Slow Deceleration
Sleep Turns	100 knots	Stalls (Except Slow Deceleration)	Stalls (Except Slow Deceleration)
Barrel Rolls	115 knots	Whip stalls	Whip stalls
Snap Rolls	80 knots	Imminent stalls	Imminent stalls
Loops	115 knots	Cuban Eights	130 knots
Vertical Reversals	80 knots	Stalls (Except Whip stalls)	Slow Deceleration

Spin Recovery: opposite rudder - forward elevator - neutralize controls. Flight into known icing conditions prohibited. This airplane is certified for the following flight operations as of date of original airworthiness certificate:
DAY - NIGHT - VFR - IFR

0405024-1

REMOVE WHEN
O.A.T. EXCEEDS 20°F

0531110-3

WINTERIZATION KIT MUST BE REMOVED
WHEN OUTSIDE AIR TEMPERATURE IS
ABOVE 20°F.

8803009-1

This airplane is approved in the acrobatic category and must be operated in compliance with the operating limitations as stated in the form of placards, markings, and manuals.

MAXIMUMS

MANEUVERING SPEED (IAS) 105 knots
GROSS WEIGHT 1600 lbs.
FLIGHT LOAD FACTOR..... Flaps Up +6.0, -3.0 Flaps Down +3.5
CROSSWIND 20 knots at 90°

--- THE FOLLOWING AEROBATIC MANEUVERS ARE APPROVED ---

Maneuver	Recon. Entry Speed	Maneuver	Recon. Entry Speed
Chandelles	105 knots	Spins	Slow Deceleration
Sleep Turns	100 knots	Stalls (Except Slow Deceleration)	Stalls (Except Slow Deceleration)
Barrel Rolls	115 knots	Whip stalls	Whip stalls
Snap Rolls	80 knots	Imminent stalls	Imminent stalls
Loops	115 knots	Cuban Eights	130 knots
Vertical Reversals	80 knots	Stalls (Except Whip stalls)	Slow Deceleration

Spin Recovery: opposite rudder - forward elevator - neutralize controls. Flight into known icing conditions prohibited. This airplane is certified for the following flight operations as of date of original airworthiness certificate:
DAY - NIGHT - VFR - IFR

0405024-1

This airplane is approved in the acrobatic category and must be operated in compliance with the operating limitations as stated in the form of placards, markings, and manuals.

MAXIMUMS

MANEUVERING SPEED (IAS) 105 knots
GROSS WEIGHT 1600 lbs.
FLIGHT LOAD FACTOR Flaps Up +6.0, -3.0 Flaps Down +3.5
CROSSWIND 20 knots at 90°

--- THE FOLLOWING AEROBATIC MANEUVERS ARE APPROVED ---

Maneuver	Recon. Entry Speed	Maneuver	Recon. Entry Speed
Chandelles	105 knots	Spins	Slow Deceleration
Sleep Turns	100 knots	Stalls (Except Slow Deceleration)	Stalls (Except Slow Deceleration)
Barrel Rolls	115 knots	Whip stalls	Whip stalls
Snap Rolls	80 knots	Imminent stalls	Imminent stalls
Loops	115 knots	Cuban Eights	130 knots
Vertical Reversals	80 knots	Stalls (Except Whip stalls)	Slow Deceleration

Spin Recovery: opposite rudder - forward elevator - neutralize controls. Intentional spins with flaps extended are prohibited. Flight into known icing conditions prohibited. This airplane is certified for the following flight operations as of date of original airworthiness certificate:
DAY - NIGHT - VFR - IFR

0405024-1

+ N 9 0 0 0 R +

FINISH & TRIM

ENGINE OIL

ABOVE 40°F USE SAE 40
BELOW 40°F USE SAE 10W30 OR SAE 20

OIL CHANGED: _____ DATE: _____

OIL USED: _____

USE ONLY OILS LISTED ON CONTAINER OR SEE INSTRUCTIONS
CECMA DEALERS HAVE LIST OF APPROVED OILS

CECMA PART NO C274303-010
ELEMENT NO CP4505-010
CHANGE OIL & FILTER ELEMENT
EVERY 30 HOURS
10000 3033 1188
ADD 0.1 ADDITIONAL QT OF
ENGINE OIL WITH INSTALLATION
OF THIS FILTER & AT EACH
ELEMENT CHANGE

WARNING

TURN OFF STROBE LIGHTS WHEN TAXIING IN VICINITY OF OTHER AIRCRAFT, OR DURING FLIGHT THROUGH CLOUDS, FOG OR HAZE.

C2799-001

CAUTION

12 VOLTS D.C.
THIS AIRCRAFT IS EQUIPPED WITH ALTERNATOR AND A NEGATIVE GROUND SYSTEM.
OBSERVE PROPER POLARITY REVERSE POLARITY WILL DAMAGE ELECTRICAL COMPONENTS.

120 POUNDS MAXIMUM
BAGGAGE
AND / OR AUXILIARY SEAT PASSENGER
FOR ADDITIONAL LOADING INSTRUCTIONS SEE WEIGHT & BALANCE DATA

050001-1

ENGINE OIL

ABOVE 40°F USE SAE 40
BELOW 40°F USE SAE 10W30 OR SAE 20

OIL CHANGED: _____ DATE: _____

OIL USED: _____

USE ONLY OILS LISTED ON CONTAINER OR SEE INSTRUCTIONS
CECMA DEALERS HAVE LIST OF APPROVED OILS

CECMA PART NO C274303-010
ELEMENT NO CP4505-010
CHANGE OIL & FILTER ELEMENT
EVERY 30 HOURS
10000 3033 1188
ADD 0.1 ADDITIONAL QT OF
ENGINE OIL WITH INSTALLATION
OF THIS FILTER & AT EACH
ELEMENT CHANGE

FUEL

24.5 GALS

ON OFF

150 AND AEROBAT CHECK LIST

BEFORE TAKE-OFF

Controls - FREEZE AND CORRECT
Elevator trim - TAKE-OFF
Fuel valve - ON
Prop - COMPLETE
Circuit breaker - OFF
Mixture - RICH
Flaps - 0°
Instruments - CHECK AND SET
Seats and belts - SECURE

BEFORE LANDING

Mixture - RICH
Circuit breaker - ON
Airspeed - 55 KTS
Flaps UP
35 KTS
Flaps DOWN

EMERGENCY LOCATOR TRANSMITTER
INSTALLED BEHIND THIS COVER.
MUST BE SERVICED IN ACCORDANCE
WITH FAR PART 91.82

1200005-2

WARNING

PITOT HEATER MUST BE ON WHEN OPERATING BELOW 40°F IN INSTRUMENT METEOROLOGICAL CONDITIONS.

050001-2

WARNING

PITOT HEATER MUST BE ON WHEN OPERATING BELOW 40°F IN INSTRUMENT METEOROLOGICAL CONDITIONS.

050001-2

ALTITUDE ENCODER
EQUIPPED

**150 SERIAL 15078506 & ON
F150 SERIAL F15001339 & ON
A150 SERIAL A1500685 & ON
FA150 SERIAL FA1500312 & ON**

Figure 2D. (Sheet 2 of 2) Placards, Nameplates & Exterior Markings

150 & A150 Parts Catalog

FIGURE AND INDEX NO.	PART NUMBER	DESCRIPTION						UNITS PER ASSY	USABLE ON CODE
		1	2	3	4	5	6		
2D-18	0405033-1	PLACARD-GLIDER TOW HOOK -----						1	
-19	0405007-2	PLACARD-WINDOW LIMITATIONS -----						2	F
-20	0405008-2	PLACARD-SPIN -----						1	F
-21	0552110-3	PLACARD-WINTERIZATION COVER -----						2	
-22	0505009-3	PLACARD-WINTERIZATION -----						1	
-23	0405034-3	PLACARD-OPERATIONAL LIMITATIONS 150 VFR-IFR -----						1	C
-24	0405034-11	PLACARD-OPERATIONAL LIMITATIONS F150 VFR-IFR -----						AR	E
	0405034-9	PLACARD-OPERATIONAL LIMITATIONS F150 DAY-NIGHT-VFR --						AR	E
	0405034-7	PLACARD-OPERATIONAL LIMITATIONS F150 DAY-VFR -----						AR	E
	0405034-12	PLACARD-OPERATIONAL LIMITATIONS F150 VFR-IFR -----						AR	E
	0405034-10	PLACARD-OPERATIONAL LIMITATIONS F150 DAY-NIGHT-VFR --						AR	E
	0405034-8	PLACARD-OPERATIONAL LIMITATIONS F150 DAY-VFR -----						AR	E
-25	0405034-6	PLACARD-OPERATIONAL LIMITATIONS A150 VFR-IFR -----						AR	B
	0405034-5	PLACARD-OPERATIONAL LIMITATIONS A150 DAY-NIGHT-VFR --						AR	B
	0405034-4	PLACARD-OPERATIONAL LIMITATIONS A150 DAY-VFR -----						AR	B
-26	0405034-17	PLACARD-OPERATIONAL LIMITATIONS FA150 VFR-IFR -----						AR	D
	0405034-15	PLACARD-OPERATIONAL LIMITATIONS FA150 DAY-NIGHT-VFR --						AR	D
	0405034-13	PLACARD-OPERATIONAL LIMITATIONS FA150 DAY-VFR -----						AR	D
	0405034-18	PLACARD-OPERATIONAL LIMITATIONS FA150 VFR-IFR -----						AR	D
	0405034-16	PLACARD-OPERATIONAL LIMITATIONS FA150 DAY-NIGHT-VFR --						AR	D
	0405034-14	PLACARD-OPERATIONAL LIMITATIONS FA150 DAY-VFR -----						AR	D
-27		PLACARD ASSY-AIRPLANE IDENTIFICATION -----						NP	
-28	0713047	PLATE-FINISH & TRIM -----						1	
-29	0442145-1	PLACARD-NOSE GEAR SHOCK STRUT -----						1	
-30	C622003-0105	PLACARD-STROBE -----						1	
-31	1205024-1	PLACARD-BATTERY BOX & GROUND SERVICE PLUG -----						2	
-32	0505007-1	PLACARD-BAGGAGE & OR AUXILIARY SEAT -----						1	
-33	S1397-5	PLACARD-ENGINE OIL CHANGE -----						1	
-34	1250410-3	PLACARD-OIL FILTER -----						1	
-35	0410218-10	PLATE ASSY-FUEL INDICATOR 22.5 GALS -----						1	
	0410218-12	PLATE ASSY-FUEL INDICATOR 35.0 GALS -----						1	
-36	0405045-1	CHECK LIST ASSY-PILOT -----						1	G
-37	0405045-7	CHECK LIST ASSY-PILOT -----						1	F
-38	0405041-1	PLACARD-PILOTS CHECK LIST -----						1	
-39	1205085-2	PLACARD-EMERGENCY LOCATOR TRANSMITTER -----						1	
	S1500	STENCILS-SLANT LETTERS & NUMERALS SEE SHT 1 & 2 FIG 2 --						AR	
	S1600	STENCILS-VERTICAL LETTERS & NUMERALS SEE SHT 1 & 2 FIG 2 --						AR	
-40	0405044-1	PLACARD-BLIND ENCODER -----						1	
-41	0890018-2	STICKER-PITOT HEAT WARNING POH MANUAL -----						1	
-42	0890018-3	PLACARD-PITOT HEAT WARNING -----						1	
		<p>A---150 SERIAL 15078506 & ON F150 SERIAL F15001339 & ON A150 SERIAL A1500685 & ON FA150 SERIAL FA1500312 & ON</p> <p>B---A150 SERIAL A1500685 & ON</p> <p>C---150 SERIAL 15078506 & ON</p> <p>D---FA150 SERIAL FA1500312 & ON</p> <p>E---F150 SERIAL F15001339 & ON</p> <p>F---A150 SERIAL A1500685 & ON FA150 SERIAL FA1500312 & ON</p> <p>G---150 SERIAL 15078506 & ON F150 SERIAL F15001339 & ON</p>							

150 & A150 Parts Catalog

FIGURE AND INDEX NO.	PART NUMBER	DESCRIPTION							UNITS PER ASSY	USABLE ON CODE
		1	2	3	4	5	6	7		
3 -		WING ASSEMBLY-COMplete LH	STANDARD RANGE	-----					NP	
		WING ASSEMBLY-COMplete RH	STANDARD RANGE	-----					NP	
		WING ASSEMBLY-COMplete LH	EXTENDED RANGE	-----					NP	
		WING ASSEMBLY-COMplete RH	EXTENDED RANGE	-----					NP	
		ATTACHING PARTS								
- 1	AN8-24A	BOLT	-----						1	
- 2	AN960-816	WASHER	-----						5	
- 3	MS20365-820C	NUT	-----						1	
- 4	AN7-24A	BOLT	-----						1	
- 5	0512123	BUSHING	-----						2	
- 6	AN960-716	WASHER	-----						3	
- 7	MS20365-720C	NUT	-----						1	

- 8	SEE FIG 15	AILERON INSTALLATION							1	
- 9	SEE FIG 16	FLAP INSTALLATION							1	
-10	SEE FIG 4	STRUCTURE ASSEMBLY-WING	150 STANDARD RANGE	-----					1	
	SEE FIG 5	STRUCTURE ASSEMBLY-WING	AEROBAT STANDARD RANGE	-----					1	A
-11	SEE FIG 6	STRUCTURE ASSEMBLY-WING	150 EXTENDED RANGE	-----					1	B
	SEE FIG 7	STRUCTURE ASSEMBLY-WING	AEROBAT EXTENDED RANGE	-----					1	A
-12	SEE FIG 12	FUEL TANK INSTALLATION	STANDARD RANGE	-----					1	B
-13	SEE FIG 13	FUEL TANK INSTALLATION	EXTENDED RANGE	-----					1	
-14	0426511-6	COVER ASSEMBLY-FUEL TANK LH	150 STANDARD RANGE	-----					1	
	0426511-7	COVER ASSEMBLY-FUEL TANK RH	150 STANDARD RANGE	-----					1	E
	0426511-19	COVER ASSEMBLY-FUEL TANK LH	150 STANDARD RANGE	-----					1	F
	0426511-18	COVER ASSEMBLY-FUEL TANK RH	150 STANDARD RANGE	-----					1	F
	0420030-1	COVER ASSEMBLY-FUEL TANK LH	AEROBAT STANDARD RANGE	-----					1	G
	0420030-2	COVER ASSEMBLY-FUEL TANK RH	AEROBAT STANDARD RANGE	-----					1	G
	0420030-5	COVER ASSEMBLY-FUEL TANK LH	AEROBAT STANDARD RANGE	-----					1	H
	0420030-6	COVER ASSEMBLY-FUEL TANK RH	AEROBAT STANDARD RANGE	-----					1	H
-15	0426516-1	COVER ASSEMBLY-FUEL TANK LH	150 EXTENDED RANGE	-----					1	E
	0426516-2	COVER ASSEMBLY-FUEL TANK RH	150 EXTENDED RANGE	-----					1	E
	0426516-15	COVER ASSEMBLY-FUEL TANK LH	150 EXTENDED RANGE	-----					1	F
	0426516-16	COVER ASSEMBLY-FUEL TANK RH	150 EXTENDED RANGE	-----					1	F
	0420030-3	COVER ASSEMBLY-FUEL TANK LH	AEROBAT EXTENDED RANGE	-----					1	F
	0420030-4	COVER ASSEMBLY-FUEL TANK RH	AEROBAT EXTENDED RANGE	-----					1	G
	0420030-7	COVER ASSEMBLY-FUEL TANK LH	AEROBAT EXTENDED RANGE	-----					1	G
	0420030-8	COVER ASSEMBLY-FUEL TANK RH	AEROBAT EXTENDED RANGE	-----					1	H
		ATTACHING PARTS								
-16	NAS220-6	SCREW	150 STANDARD RANGE	-----					7	A
	NAS220-6	SCREW	AEROBAT STANDARD RANGE	-----					10	B
-17	NAS220-8	SCREW	STANDARD RANGE	-----					25	
-18	NAS220-9	SCREW	STANDARD RANGE	-----					7	
-19	NAS220-12	SCREW	STANDARD RANGE	-----					3	
-20	NAS220-8	SCREW	150 EXTENDED RANGE	-----					51	A
	NAS220-8	SCREW	AEROBAT EXTENDED RANGE	-----					54	B
-20A	AN520-10R8	SCREW	-----						6	J

-21	0523619-1	GASKET-FUEL GAGE ACCESS							1	
-22	0523558-1	COVER-FUEL GAGE ACCESS							1	
		ATTACHING PARTS								
-23	S1021Z8-8	SCREW	-----						3	
-24	NAS395-14-3	NUT	-----						3	

-24A	0426011-4	FUEL FILLER NECK-CAP ADAPTER							1	J
	0426013-2	GASKET BETWEEN FILLER NECK & COVER							1	J
	C156001-0104	CHAIN ASSEMBLY							1	J
-25	S225-1	PLATE-INSPECTION	-----						1	
-26	S225-1	PLATE-INSPECTION	EXTENDED RANGE	-----	LH ONLY	-----			3	
-27	S225-2	PLATE-INSPECTION	-----						2	
		ATTACHING PARTS								
	S1021Z8-8	SCREW	-----						3	

CONTINUED ON NEXT PAGE

150 & A150 Parts Catalog

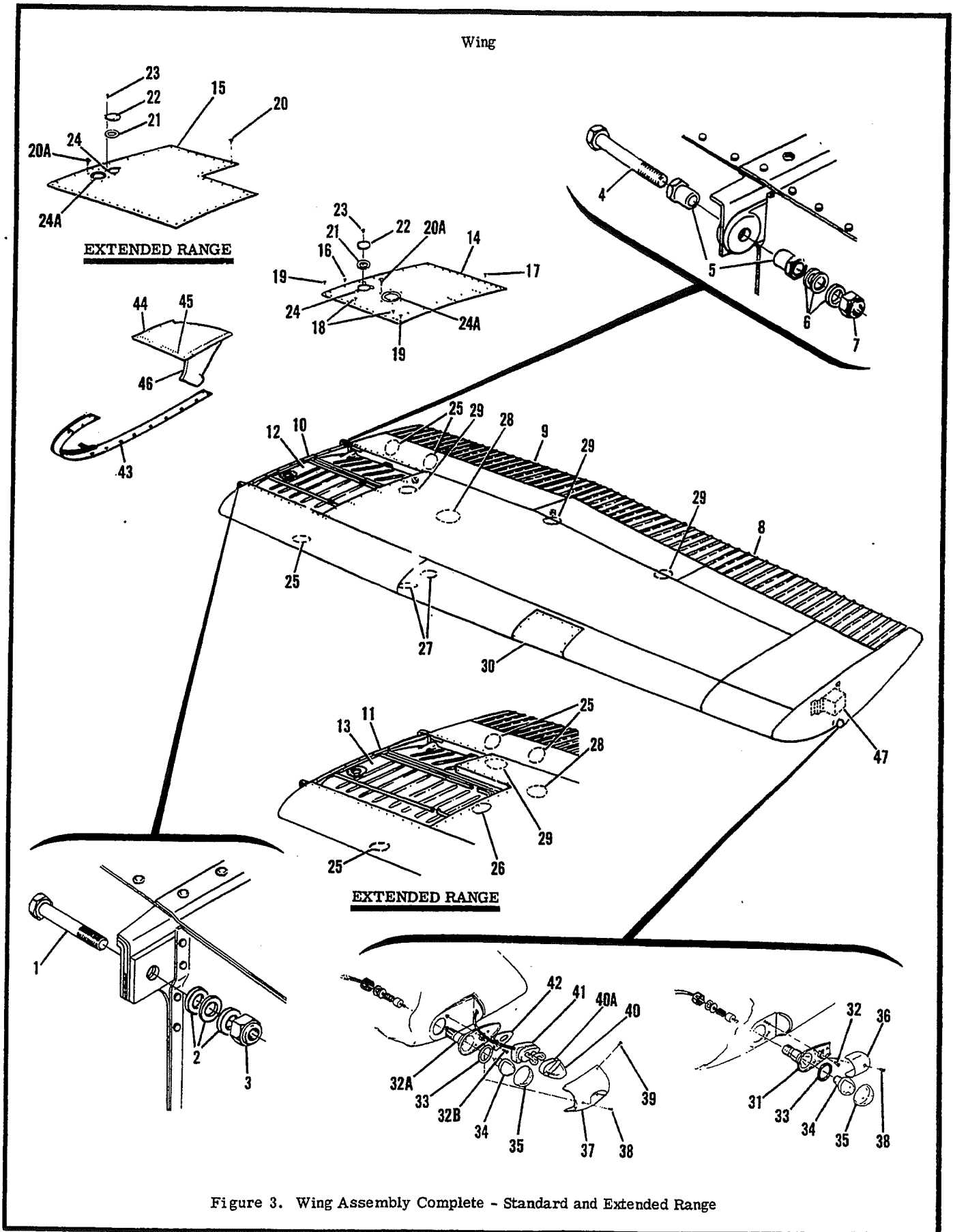


Figure 3. Wing Assembly Complete - Standard and Extended Range

150 & A150 Parts Catalog

FIGURE AND INDEX NO.	PART NUMBER	DESCRIPTION	1 2 3 4 5 6 7							UNITS PER ASSY	USABLE ON CODE
			1	2	3	4	5	6	7		
3 -28	S225-7	PLATE-INSPECTION RH WING ONLY -----								1	
	AN515-8R6	ATTACHING PARTS								6	
		SCREW -----								6	
		*-----									
-29	S329	PLATE-INSPECTION -----								3	
	S1021Z8-6	ATTACHING PARTS								4	
		SCREW -----								4	
		*-----									
-30	0523115-2	COVER-LANDING LIGHT CAP LH ONLY -----								1	C
	S1021Z8R6	ATTACHING PARTS								18	C
		SCREW -----								18	C
		*-----									
-31	SEE FIG 83	LANDING LIGHT INSTALLATION -----								1	C
	C622001-0202	BASE ASSEMBLY-WING POSITION LIGHT USED ON STANDARD TIP --								1	C
	C622001-0202	BASE ASSEMBLY-WING POSITION LIGHT USED ON -----								1	C
		CONICAL CAMBER WING TIP									
		ATTACHING PARTS									
-32	S1021Z8-6	SCREW USE ON STANDARD WING TIP -----								2	
	NAS446-4-3	NUT USE ON STANDARD WING TIP -----								2	
	AN507-832R8	SCREW USE ON CONICAL CAMBER WING TIP -----								2	C
	NAS1329A08K120	NUT USE ON CONICAL CAMBER WING TIP -----								2	C
		*-----									
-32A	C622001-0201	BASE ASSEMBLY-WING POSITION LIGHT USED ON -----								1	D
		CONICAL CAMBER WING TIP									
		ATTACHING PARTS									
-32B	AN507-632R8	SCREW -----								3	D
		*-----									
-33	A1257A	GASKET GMC -----								1	
-34	A7512-12	LAMP-WING POSITION GMC -----								1	
-35	A1280-2	LENS-WING POSITION LIGHT RED GMC -----								1	
	A1280-3	LENS-WING POSITION LIGHT GREEN GMC -----								1	
-36	0423007-1	SHIELD-WING LIGHT USE ON STANDARD WING TIP -----								1	
	0423564-1	SHIELD-WING LIGHT LH USE ON CONICAL CAMBER WING TIP -----								1	C
	0423564-2	SHIELD-WING LIGHT RH USE ON CONICAL CAMBER WING TIP -----								1	C
-37	0523566-1	SHIELD-WING LIGHT LH USE ON CONICAL CAMBER WING TIP -----								1	D
	0523566-5	SHIELD-WING LIGHT LH CUTOUT FOR STROBE LIGHT USE -----								1	D
		ON CONICAL CAMBER WING TIP									
	0523566-2	SHIELD-WING LIGHT RH USE ON CONICAL CAMBER WING TIP -----								1	D
	0523566-6	SHIELD-WING LIGHT RH CUTOUT FOR STROBE LIGHT USE -----								1	D
		ON CONICAL CAMBER WING TIP									
		ATTACHING PARTS									
-38	AN507-632R14	SCREW -----								1	
-39	AN507-632R8	SCREW -----								2	D
		*-----									
-40	C622003-0104	LENS-STROBE LIGHT -----								1	K
	C622006-0103	LENS-STROBE LIGHT -----								1	L
-40A	C622006-0105	GASKET-STROBE LIGHT LENS -----								1	L
-41	C622003-0101	LIGHT-STROBE -----								1	L
	C622006-0106	STROBE TUBE ASSEMBLY -----								1	L
-42	1520006-1	SPACER -----								1	L
-43	0426003-18	FAIRING-WING LH -----								1	L
	0426003-19	FAIRING-WING RH -----								1	L
		ATTACHING PARTS								1	
	S1022Z8-8	SCREW -----								6	
	S290D832	WASHER -----								6	
	S1021Z8-8	SCREW -----								3	
		*-----									
-44	0412032-1	FAIRING ASSEMBLY-WING TO FUSELAGE LH -----								1	
	0412032-2	FAIRING ASSEMBLY-WING TO FUSELAGE RH -----								1	
		ATTACHING PARTS									
	S1021Z8-8	SCREW -----								12	
		*-----									
-45	S1078-1	SEAL-* IN LG BULK ITEM REF S1078-1-* -----								1	
-46	S202VW	CHANNEL-12.75 IN LG BULK ITEM REF S202V12.75W -----								1	

CONTINUED ON NEXT PAGE

150 & A150 Parts Catalog

FIGURE AND INDEX NO.	PART NUMBER	DESCRIPTION	UNITS PER ASSY	USABLE ON CODE
		1 2 3 4 5 6 7		
3 -47	C622007-0101	POWER SUPPLY-STROBE LIGHT WEU C622008-0101 -----	1	M
	C622008-0101	POWER SUPPLY-STROBE LIGHT -----	1	N
	AN520-10R7	ATTACHING PARTS		
	0420034-1	SCREW -----	4	L
		BRACKET ASSEMBLY-POWER SUPPLY -----	2	L
		-----*		
		NOTE. *LENGTH TO BE DETERMINED LATER		
		A---150 SERIAL 15071129 & ON F150 SERIAL F15000530 & ON		
		B---A150 SERIAL A1500001 & ON FA150 SERIAL FA1500001 & ON		
		C---150 SERIAL 15071129 THRU 15072003 F150 SERIAL F15000530 THRU F15000658 A150 SERIAL A1500001 THRU A1500226 FA150 SERIAL FA1500001 THRU FA1500081		
		D---150 SERIAL 15072004 & ON F150 SERIAL F15000659 & ON A150 SERIAL A1500227 & ON FA150 SERIAL FA1500082 & ON		
		E---150 SERIAL 15071129 THRU 15072628 F150 SERIAL F15000530 THRU F15000738		
		F---150 SERIAL 15072629 & ON F150 SERIAL F15000739 & ON		
		G---A150 SERIAL A1500001 THRU A1500276 FA150 SERIAL FA1500001 THRU FA1500166		
		H---A150 SERIAL A1500277 & ON FA150 SERIAL FA1500167 & ON		
		J---150 SERIAL 15072629 & ON F150 SERIAL F15000738 & ON A150 SERIAL A1500277 & ON FA150 SERIAL FA1500167 & ON		
		K---150 SERIAL 15072004 THRU 15073658 F150 SERIAL F15000659 THRU F15000863 A150 SERIAL A1500227 THRU A1500342 FA150 SERIAL FA1500082 THRU FA1500166		
		L---150 SERIAL 15073659 & ON F150 SERIAL F15000864 & ON A150 SERIAL A1500343 & ON FA150 SERIAL FA1500167 & ON		
		M---150 SERIAL 15073659 THRU 15079291 F150 SERIAL F15000864 & ON A150 SERIAL A1500343 THRU A1500727 FA150 SERIAL FA1500167 & ON		
		N---150 SERIAL 15079292 & ON A150 SERIAL A1500728 & ON		

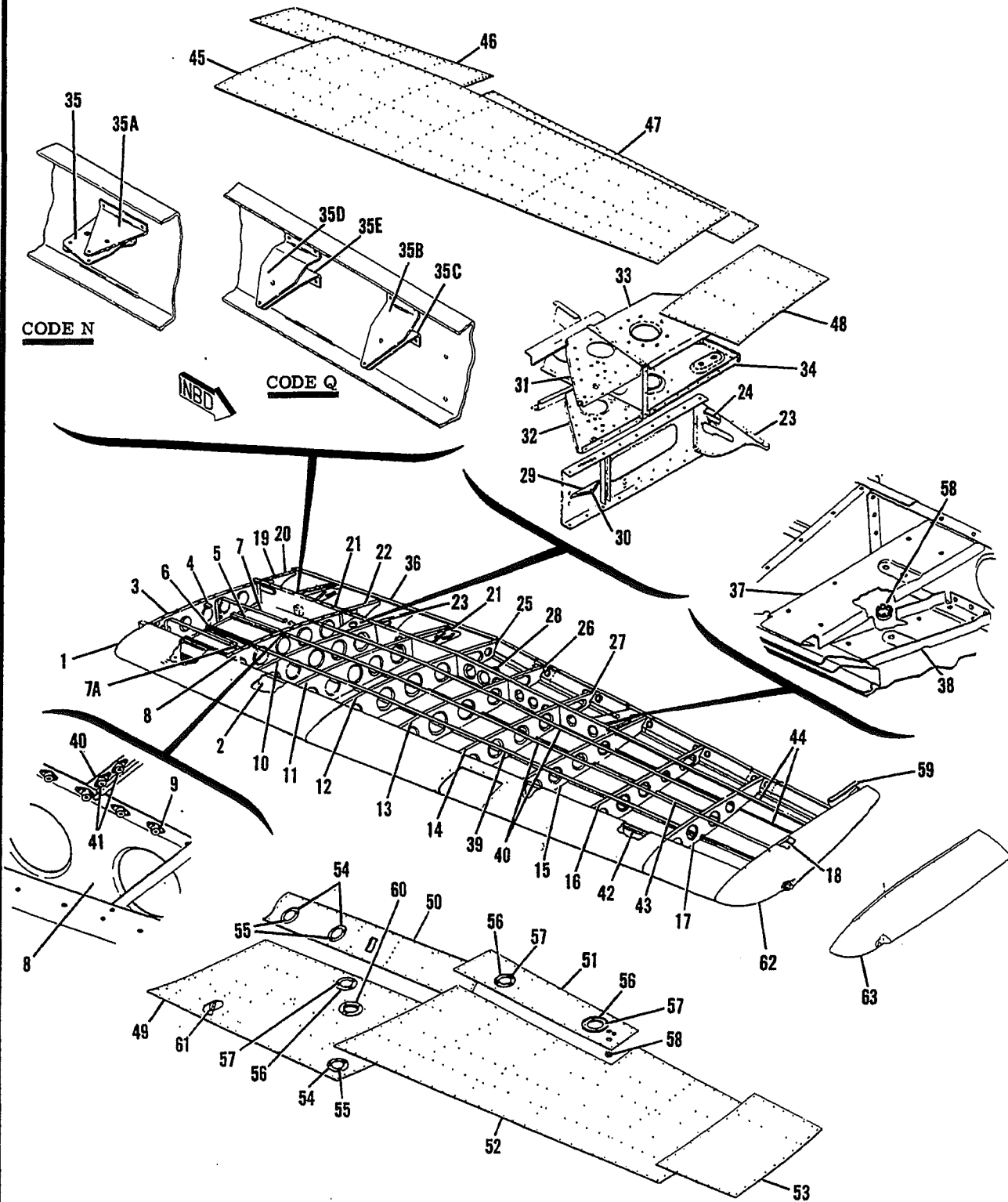
150 & A150 Parts Catalog

FIGURE AND INDEX NO.	PART NUMBER	DESCRIPTION	UNITS PER ASSY	USABLE ON CODE
		1 2 3 4 5 6 7		
4 -	0426005-38	STRUCTURE ASSEMBLY-RH WING STD RANGE WEU 0426005-94 -----	1	A K O C C P Q
	0426005-94	STRUCTURE ASSEMBLY-RH WING STD RANGE WEU 0426005-98 -----	1	
	0426005-98	STRUCTURE ASSEMBLY-RH WING STD RANGE -----	1	
	0426005-39	STRUCTURE ASSEMBLY-LH WING STD RANGE WEU 0426005-225 -----	1	
	0426005-225	STRUCTURE ASSEMBLY-LH WING STD RANGE -----	1	
	0426005-91	STRUCTURE ASSEMBLY-LH WING STD RANGE WEU 0426005-97 -----	1	
	0426005-97	STRUCTURE ASSEMBLY-LH WING STD RANGE -----	1	
- 1	SEE FIG 8	LEADING EDGE ASSEMBLY-WING -----	1	
- 2	SEE FIG 10	SPAR ASSEMBLIES-WING -----	1	
- 3	0426507-13	RIB ASSEMBLY-WING ROOT LH STA 22.125 -----	1	
	0426507-12	RIB ASSEMBLY-WING ROOT RH STA 22.125 -----	1	
	S1860-2A	NUTPLATE -----	6	
- 4	0516006-1	STRAP-FUEL TRANSMITTER GROUND -----	1	
- 5	0426506	HAT SECTION-FUEL TANK LOWER -----	4	
- 6	S2127-21.69	PAD-HAT SECTION -----	4	
- 7	0426512	STRAP ASSEMBLY-FUEL TANK INBOARD -----	2	
	0523522-11	STRAP ASSEMBLY-FUEL TANK INBOARD -----	2	
- 7A	0426512	STRAP ASSEMBLY-FUEL TANK OUTBOARD -----	2	
	0523522-1	STRAP ASSEMBLY-FUEL TANK OUTBOARD -----	2	
- 8	0523508-8	RIB ASSEMBLY-LEFT FUEL CELL STA 44.125 -----	1	
	0523508-35	RIB ASSEMBLY-LEFT FUEL CELL STA 44.125 -----	1	
	0523508-43	RIB ASSEMBLY-LEFT FUEL CELL STA 44.125 -----	1	
	0523508-5	RIB ASSEMBLY-RIGHT FUEL CELL STA 44.125 -----	1	
	0523508-34	RIB ASSEMBLY-RIGHT FUEL CELL STA 44.125 -----	1	
- 9	NAS680A08	NUTPLATE -----	11	
-10	0523509-1	RIB-WING CENTER SECTION STA 56.875 LH -----	1	
	0523509-1	RIB-WING CENTER SECTION STA 56.875 RH -----	1	
	0523509-16	RIB-WING CENTER SECTION STA 56.875 RH -----	1	
	0523509-20	RIB-WING CENTER SECTION STA 56.875 RH -----	1	
	0523564-2	DOUBLER-RH WING STA 56.875 -----	1	
	0523509-4	SPACER-RIB FORWARD STA 56.875 -----	1	

CONTINUED ON NEXT PAGE

150 & A150 Parts Catalog

Wing (Cont)



150 SERIAL 15071129 & ON
F150 SERIAL F15000530 & ON

Figure 4. Wing Structure Assembly - Standard Range

150 & A150 Parts Catalog

FIGURE AND INDEX NO.	PART NUMBER	DESCRIPTION							UNITS PER ASSY	USABLE ON CODE
		1	2	3	4	5	6	7		
4 -11	0523509-2	RIB-WING CENTER SECTION STA 69.625						WEU 0722201-2	1	G H J
	0523509-14	RIB-WING CENTER SECTION STA 69.625						WEU 0722201-2	1	
	0722201-2	RIB-WING CENTER SECTION STA 69.625							1	
-12	0523510-7	RIB-WING CENTER SECTION STA 84 LH							1	
	0523510-6	RIB-WING CENTER SECTION STA 84 RH							1	
-13	0523511-3	RIB-WING CENTER SECTION STA 102							1	
-14	0523512-3	RIB-WING CENTER SECTION STA 120							1	
-15	0523513-9	RIB-WING CENTER SECTION LH STA 138							1	
	0523513-10	RIB-WING CENTER SECTION RH STA 138							1	
-16	0523514-3	RIB-WING CENTER SECTION STA 156							1	
-17	0523515-3	RIB-WING CENTER SECTION STA 174							1	
-18	0720608-7	RIB-WING CENTER SECTION STA 192							1	
	S1863-3A	NUTPLATE							10	
-19	NAS395-14-3	NUT							3	
-20	0523232-2	RIB-WING ROOT TRAILING EDGE STA 22.125							1	
-21	0523231-13	RIB ASSEMBLY-FLAP TRACK STA 31.750 & 69.875							2	
	0523231-21	RIB ASSEMBLY-FLAP TRACK STA 31.750 & 69.875							2	
	0523231-5	BRACKET							2	
-22	0523233-9	RIB ASSEMBLY-WING TRAILING EDGE STA 44.125							1	
	0523234-24	RIB ASSEMBLY-WING TRAILING EDGE STA 44.125							1	
	0523233-8	RUB STRIP							1	
-23	0523233-4	RIB ASSEMBLY-WING TRAILING EDGE STA 56.875							1	
-24	0523233-3	RUB STRIP							1	
-25	0523230	RIB ASSEMBLY-WING TRAILING EDGE STA 84 LH							1	
	0523230-1	RIB ASSEMBLY-WING TRAILING EDGE STA 84 RH							1	
	0523230-4	ANGLE LH ONLY							1	
	0523230-5	ANGLE RH ONLY							1	
-26	0523511-4	RIB-WING TRAILING EDGE STA 102							1	
-27	0523512-4	RIB-WING TRAILING EDGE STA 120							1	
-28	0523408	BRACKET-AILERON PULLEY							1	
-29	0523407	BRACKET-FLAP PULLEY							1	
-30	0523407-1	BRACKET-FLAP PULLEY							1	
-31	0426515-2	BRACKET-FLAP BELLCRANK SUPPORT UPPER LH							1	
	0426515-3	BRACKET-FLAP BELLCRANK SUPPORT UPPER RH							1	
-32	0426515-4	BRACKET-FLAP BELLCRANK SUPPORT LOWER LH							1	
	0426515-5	BRACKET-FLAP BELLCRANK SUPPORT LOWER RH							1	
-33	0420015-1	BRACKET-FLAP ACTUATOR MOUNT UPPER RH							1	
-34	0420015-2	BRACKET-FLAP ACTUATOR MOUNT LOWER RH							1	
-35	0422293-1	BRACKET-LOWER LH							1	
	0422293-2	BRACKET-LOWER RH							1	
-35A	0422293-3	BRACKET-UPPER LH							1	
	0422293-4	BRACKET-UPPER RH							1	
-35B	0460204-1	BRACKET-FLAP PULLEY INBOARD UPPER							1	
-35C	0460204-2	BRACKET-FLAP PULLEY INBOARD LOWER							1	
-35D	0460205-1	BRACKET-FLAP PULLEY OUTBOARD UPPER							1	
-35E	0460205-2	BRACKET-FLAP PULLEY OUTBOARD LOWER							1	
-36	0720005-2	STIFFENER-TRAILING EDGE							1	
-37	0523219-2	CHANNEL-AILERON BELLCRANK SUPPORT UPPER LH							1	
	0523219-3	CHANNEL-AILERON BELLCRANK SUPPORT UPPER RH							1	
-38	0523219-4	CHANNEL-AILERON BELLCRANK SUPPORT LOWER LH							1	
	0523219-5	CHANNEL-AILERON BELLCRANK SUPPORT LOWER RH							1	
-39	0423541-13	STRINGER-WING LH UPPER FORWARD							1	
	0423541-14	STRINGER-WING RH UPPER FORWARD							1	
-40	0423541-15	STRINGER-WING LH UPPER CENTER & UPPER AFT							2	
	0423541-16	STRINGER-WING RH UPPER CENTER & UPPER AFT							2	
-41	NAS680A08	NUTPLATE							2	
-42	0423541-7	STRINGER-WING LH LOWER FORWARD							1	
	0423541-8	STRINGER-WING RH LOWER FORWARD							1	
-43	0423541-9	STRINGER-WING LH LOWER CENTER & LOWER AFT							2	
	0423541-10	STRINGER-WING RH LOWER CENTER & LOWER AFT							2	
-44	0523003-40	STRINGER-AFT OUTBOARD							2	
-45	0523007-14	SKIN-UPPER CENTER SECTION STA 44.125 TO 174 LH							1	
	0426005-26	SKIN-UPPER CENTER SECTION STA 44.125 TO 174 RH							1	
-46	0523007-16	SKIN-UPPER TRAILING EDGE STA 21.375 TO 84							1	
-47	0523003-80	SKIN-UPPER TRAILING EDGE STA 84 TO 174							1	
-48	0523003-81	SKIN-UPPER CENTER SECTION STA 174 TO 192							1	
-49	0426005-14	SKIN-LOWER CENTER SECTION STA 22.125 TO 84 LH							1	
	0426005-27	SKIN-LOWER CENTER SECTION STA 22.125 TO 84 RH							1	
-50	0523007-20	SKIN-LOWER TRAILING EDGE STA 21.375 TO 84 LH							1	
	0523007-19	SKIN-LOWER TRAILING EDGE STA 21.375 TO 84 RH							1	
-51	0523003-62	SKIN-LOWER TRAILING EDGE STA 84 TO 138							1	

CONTINUED ON NEXT PAGE

150 & A150 Parts Catalog

FIGURE AND INDEX NO.	PART NUMBER	DESCRIPTION							UNITS PER ASSY	USABLE ON CODE
		1	2	3	4	5	6	7		
4 -52	0523003-74	SKIN-LOWER CENTER SECTION STA 84 TO 174 -----							1	
-53	0523003-83	SKIN-LOWER CENTER SECTION STA 174 TO 192 -----							1	
-54	S237-2	DOUBLER ASSEMBLY-INSPECTION OPENING -----							3	
-55	NAS395-14-3	NUT -----							3	
-56	S330-2	DOUBLER ASSEMBLY-INSPECTION OPENING -----							4	
-57	NAS395-14-3	NUT -----							4	
-58	CM2692-28-1S	PLUG BUTTON -----							1	
-59	0721107-1	FAIRING-LH -----							1	
	0721107-2	FAIRING-RH -----							1	
-60	S1209-1	DOUBLER ASSEMBLY-INSPECTION OPENING RH WING -----							1	
	NAS680A08K	NUTPLATE -----							6	
-61	0426209-2	CATCH ASSY-CABIN DOOR WEU 0426209-4 -----							1	E
	0426209-4	CATCH ASSY-CABIN DOOR -----							1	F
	AN515-6R6	ATTACHING PARTS -----								
		SCREW -----							1	
		*-----								
-62	0423008-3-791	TIP-WING STANDARD -----							2	B
-63	0523565-201-791	TIP-WING LH CONICAL CAMBER -----							1	C
	0523565-200-791	TIP-WING RH CONICAL CAMBER -----							1	C
	0523565-29-791	TIP ASSEMBLY-WING LH CONICAL CAMBER -----							1	D
	0523565-30-791	TIP ASSEMBLY-WING RH CONICAL CAMBER -----							1	D
		ATTACHING PARTS -----								
	S1021Z8-8	SCREW -----							12	
	0423008-4	STIFFENER USE ON UPPER SIDE LH TIP & LOWER SIDE RH TIP -----							1	B
		USED WITH STANDARD WING TIP -----								
	0423008-5	STIFFENER USE ON UPPER SIDE RH TIP & LOWER SIDE LH TIP -----							1	B
		USED WITH STANDARD WING TIP -----								
	0523565-21	STIFFENER USE ON UPPER SIDE LH TIP & LOWER SIDE RH TIP -----							1	
		USED WITH CONICAL CAMBER WING TIP -----								
	0523565-22	STIFFENER USE ON UPPER SIDE RH TIP & LOWER SIDE LH TIP -----							1	
		USED WITH CONICAL CAMBER WING TIP -----								
	NAS1329A06K120	*-----								
		NUT -----							5	D
		<p>A---150 SERIAL 15071129 THRU 15072629 F150 SERIAL F15000530 THRU F15000738</p> <p>B---150 SERIAL 15071129 THRU 15077005</p> <p>C---150 SERIAL 15071129 THRU 15072003 F150 SERIAL F15000530 THRU F15000658</p> <p>D---150 SERIAL 15072004 & ON F150 SERIAL F15000659 & ON</p> <p>E---150 SERIAL 15071129 THRU 15072514 F150 SERIAL F15000530 THRU F15000738</p> <p>F---150 SERIAL 15072515 & ON F150 SERIAL F15000739 & ON</p> <p>G---150 SERIAL 15071129 THRU 15072491 F150 SERIAL F15000530 THRU F15000738</p> <p>H---150 SERIAL 15072492 THRU 15073351 F150 SERIAL F15000739 THRU F15000818</p> <p>J---150 SERIAL 15073352 & ON F150 SERIAL F15000819 & ON</p> <p>K---150 SERIAL 15072630 THRU 15074399 F150 SERIAL F15000739 THRU F15000943</p> <p>L---150 SERIAL 15071129 THRU 15073658 F150 SERIAL F15000530 THRU F15000863</p> <p>M---150 SERIAL 15073659 THRU 15074399 F150 SERIAL F15000864 THRU F15000943</p> <p>N---150 SERIAL 15071129 THRU 15074399 F150 SERIAL F15000530 THRU F15000943</p> <p>P---150 SERIAL 15072004 THRU 15074399 F150 SERIAL F15000659 THRU F15000943</p> <p>Q---150 SERIAL 15074400 & ON F150 SERIAL F15000944 & ON</p> <p>R---150 SERIAL 15071129 THRU 15073244 F150 SERIAL F15000530 THRU F15000833</p> <p>S---150 SERIAL 15073245 & ON F150 SERIAL F15000834 & ON</p>								

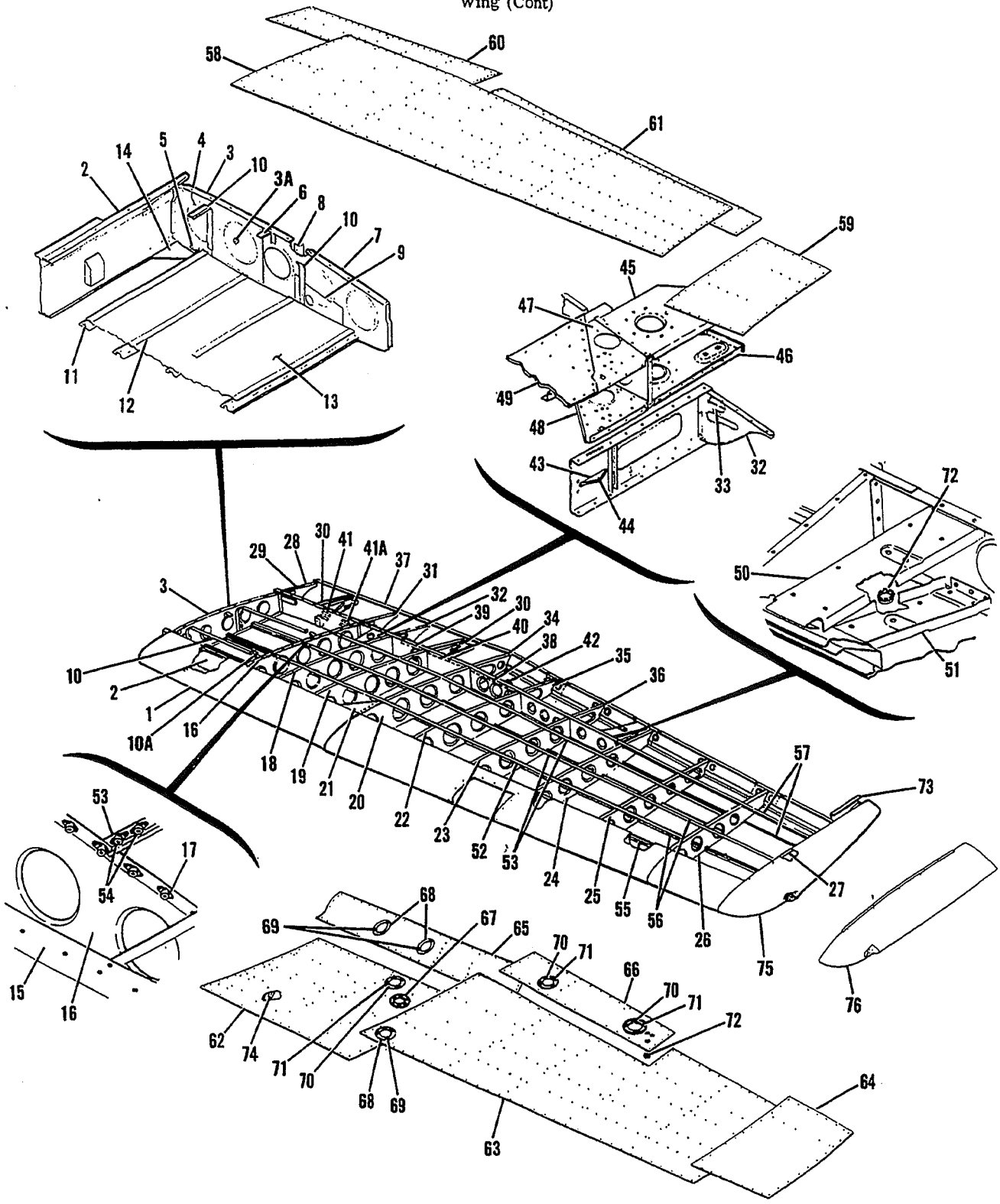
150 & A150 Parts Catalog

FIGURE AND INDEX NO.	PART NUMBER	DESCRIPTION	1 2 3 4 5 6 7							UNITS PER ASSY	USABLE ON CODE
			1	2	3	4	5	6	7		
5 -	0422401-1	STRUCTURE ASSEMBLY-WING LH STANDARD RANGE AEROBAT -----								1	C
	0422401-215	WEU 0422401-215									
	0422401-22	STRUCTURE ASSEMBLY-WING LH STANDARD RANGE AEROBAT -----								1	C
	0422401-27	STRUCTURE ASSEMBLY-WING LH STANDARD RANGE AEROBAT -----								1	H
	0422402-2	WEU 0422401-27									
	0422402-14	STRUCTURE ASSEMBLY-WING LH STANDARD RANGE AEROBAT -----								1	L
	0422402-18	STRUCTURE ASSEMBLY-WING RH STANDARD RANGE AEROBAT -----								1	A
- 1	SEE FIG 9	WEU 0422402-14									
- 2	SEE FIG 11	STRUCTURE ASSEMBLY-WING RH STANDARD RANGE AEROBAT -----								1	J
- 3	0426507-15	LEADING EDGE ASSEMBLY-WING								1	L
- 3A	0426507-14	SPAR ASSEMBLY-WING FRONT								1	
- 4	MS35489-9	RIB ASSEMBLY-WING ROOT STA 22.12 LH								1	
- 5	NAS680A08K	RIB ASSEMBLY-WING ROOT STA 22.12 RH								1	
- 6	S1860-2A	GROMMET								1	
- 7	0516006-1	NUTPLATE								10	
- 8	0422417-1	NUTPLATE								4	
- 9	0422417-2	STRAP-FUEL TRANSMITTER GROUND								1	
- 10	0426522-1	STIFFENER								1	
- 10A	0426522-2	STIFFENER								1	
- 11	S1860-2A	STIFFENER ASSEMBLY-LH								1	
- 12	0426512	STIFFENER ASSEMBLY-RH								1	
- 13	0523522-11	NUTPLATE								2	
- 14	0426512	STRAP ASSEMBLY-FUEL TANK INBOARD								2	M
- 15	0523522-1	STRAP ASSEMBLY-FUEL TANK INBOARD								2	N
- 16	0426506-2	STRAP ASSEMBLY-FUEL TANK OUTBOARD								2	M
- 17	0426506	STRAP ASSEMBLY-FUEL TANK OUTBOARD								2	N
- 18	S2127-21.69	HAT SECTION-FUEL TANK LOWER LH								4	
- 19	0422418-1	HAT SECTION-FUEL TANK LOWER RH								4	
- 20	0422416-1	PAD-HAT SECTION								4	
- 21	0523003-48	REINFORCEMENT-LOWER FUEL BAY								1	
- 22	0523508-37	GUSSET								1	
- 23	0523508-45	DOUBLER								1	
- 24	0523508-16	RIB ASSEMBLY-LEFT FUEL CELL STA 44.12								1	
- 25	0523508-36	RIB ASSEMBLY-LEFT FUEL CELL STA 44.12								1	
- 26	NAS680A08	RIB ASSEMBLY-RIGHT FUEL CELL STA 44.12								1	K
- 27	0523509-12	RIB ASSEMBLY-RIGHT FUEL CELL STA 44.12								1	L
- 28	0523509-12	NUTPLATE								11	L
- 29	0523509-18	RIB-WING CENTER SECTION STA 56.87 LH REF 0523509-10								1	
- 30	0523564-2	RIB-WING CENTER SECTION STA 56.87 RH								1	A
- 31	0523517-4	RIB-WING CENTER SECTION STA 56.87 RH								1	G
- 32	0523509-13	DOUBLER-RH WING STA 56.87								1	
- 33	0523510-19	SPACER								1	
- 34	0523510-20	RIB-WING CENTER SECTION STA 69.62								1	
- 35	0422410-1	RIB-WING CENTER SECTION STA 84 LH								1	
- 36	0422410-2	RIB-WING CENTER SECTION STA 84 RH								1	
- 37	0523511-14	GUSSET-WING STA 84 LH								1	
- 38	0523512-19	GUSSET-WING STA 84 RH								1	
- 39	0523513-13	RIB-WING CENTER SECTION STA 102								1	
- 40	0523513-14	RIB-WING CENTER SECTION STA 120								1	
- 41	0523514-7	RIB-WING CENTER SECTION STA 138 LH								1	
- 42	0523515-7	RIB-WING CENTER SECTION STA 138 RH								1	
- 43	0720608-7	RIB-WING CENTER SECTION STA 156								1	
- 44	S1863-3A	RIB-WING CENTER SECTION STA 174								1	
- 45	0523232-6	RIB ASSEMBLY-WING CENTER SECTION STA 192								1	
- 46	NAS395-14-3	NUTPLATE								10	
- 47	0523231-13	RIB-WING ROOT TRAILING EDGE STA 22.12								1	
- 48	0523231-21	NUT								4	
- 49	0523231-5	RIB ASSEMBLY-FLAP TRACK STA 31.75 & 69.87								2	
- 50	0523233-12	RIB ASSEMBLY-FLAP TRACK STA 31.75 & 69.87								2	L
- 51	0523233-8	BRACKET								2	L
- 52	0523233-13	RIB ASSEMBLY-WING TRAILING EDGE STA 44.12								1	
- 53	0523233-5	RIB ASSEMBLY-WING TRAILING EDGE STA 44.12								1	K
- 54	0523230-9	RUB STRIP								1	L
- 55	0523230-8	RIB ASSEMBLY-WING TRAILING EDGE STA 56.87								1	
- 56	0523230-4	RUB STRIP								1	
- 57	0523230-5	RIB ASSEMBLY-WING TRAILING EDGE STA 84 LH								1	
- 58	0523230-4	RIB ASSEMBLY-WING TRAILING EDGE STA 84 RH								1	
- 59	0523230-5	ANGLE LH								1	
- 60	0523511-15	ANGLE RH								1	
- 61	0523512-22	RIB-WING TRAILING EDGE STA 102								1	
- 62		RIB-WING TRAILING EDGE STA 120								1	

CONTINUED ON NEXT PAGE

150 & A150 Parts Catalog

Wing (Cont)



A150 SERIAL A1500001 & ON
FA150 SERIAL FA1500001 & ON

Figure 5. Wing Structure Assembly - Aerobat Standard Range

150 & A150 Parts Catalog

FIGURE AND INDEX NO.	PART NUMBER	DESCRIPTION							UNITS PER ASSY	USABLE ON CODE
		1	2	3	4	5	6	7		
5 -37	0720005-2	STIFFENER-TRAILING EDGE							1	
-38	0422419-1	STIFFENER-WING SPAR LH							1	
	0422419-2	STIFFENER-WING SPAR RH							1	
-39	0422419-3	STIFFENER-WING SPAR LH							1	
	0422419-4	STIFFENER-WING SPAR RH							1	
-40	0422419-5	STIFFENER-WING SPAR LH							1	
	0422419-6	STIFFENER-WING SPAR RH							1	
-41	0422293-1	BRACKET-LOWER LH							1	
	0422293-2	BRACKET-LOWER RH							1	
	0422293-3	BRACKET-UPPER LH							1	
	0422293-4	BRACKET-UPPER RH							1	
	0460204-1	BRACKET-FLAP PULLEY INBOARD UPPER							1	
	0460204-2	BRACKET-FLAP PULLEY INBOARD LOWER							1	
-41A	0460205-1	BRACKET-FLAP PULLEY OUTBOARD UPPER							1	
	0460205-2	BRACKET-FLAP PULLEY OUTBOARD LOWER							1	
-42	0523408	BRACKET-AILERON PULLEY							1	
-43	0523407	BRACKET-FLAP PULLEY							1	
-44	0523407-1	BRACKET-FLAP PULLEY							1	
-45	0420015-1	BRACKET-FLAP ACTUATOR MOUNT UPPER RH ONLY							1	
-46	0420015-2	BRACKET-FLAP ACTUATOR MOUNT LOWER RH ONLY							1	
-47	0426515-2	BRACKET-FLAP BELLCRANK SUPPORT UPPER LH							1	
	0426515-3	BRACKET-FLAP BELLCRANK SUPPORT UPPER RH							1	
-48	0426515-4	BRACKET-FLAP BELLCRANK SUPPORT LOWER LH							1	
	0426515-5	BRACKET-FLAP BELLCRANK SUPPORT LOWER RH							1	
-49	0422408-1	PLATE-REINFORCEMENT							1	
-50	0523219-2	CHANNEL-AILERON BELLCRANK SUPPORT UPPER LH							1	
	0523219-3	CHANNEL-AILERON BELLCRANK SUPPORT UPPER RH							1	
-51	0523219-4	CHANNEL-AILERON BELLCRANK SUPPORT LOWER LH							1	
	0523219-5	CHANNEL-AILERON BELLCRANK SUPPORT LOWER RH							1	
-52	0422413-1	STRINGER-WING LH UPPER FORWARD							1	
	0422413-2	STRINGER-WING RH UPPER FORWARD							1	
-53	0422413-3	STRINGER-WING LH UPPER CENTER & UPPER AFT							2	
	0422413-4	STRINGER-WING RH UPPER CENTER & UPPER AFT							2	
-54	NAS680A08	NUTPLATE							2	
-55	0422413-5	STRINGER-WING LH LOWER FORWARD							1	
	0422413-6	STRINGER-WING RH LOWER FORWARD							1	
-56	0422413-7	STRINGER-WING LH LOWER CENTER & LOWER AFT							2	
	0422413-8	STRINGER-WING RH LOWER CENTER & LOWER AFT							2	
-57	0523003-40	STRINGER-AFT OUTBOARD							2	
-58	0422401-2	SKIN-UPPER CENTER SECTION STA 44.12 TO 174 LH							1	
	0422402-11	SKIN-UPPER CENTER SECTION STA 44.12 TO 174 RH							1	
-59	0422401-7	SKIN-UPPER CENTER SECTION STA 174 TO 192							1	
-60	0422401-8	SKIN-UPPER TRAILING EDGE STA 22-12 TO 84							1	
-61	0422401-9	SKIN-UPPER TRAILING EDGE STA 84 TO 174							1	
-62	0422401-10	SKIN-LOWER CENTER SECTION STA 22.12 TO 69.62 LH							1	
	0422402-1	SKIN-LOWER CENTER SECTION STA 22.12 TO 69.62 RH							1	
-63	0422401-11	SKIN-LOWER CENTER SECTION STA 69.62 TO 174							1	
-64	0422401-12	SKIN-LOWER CENTER SECTION STA 174 TO 192							1	
-65	0422401-13	SKIN-LOWER TRAILING EDGE STA 22.12 TO 84 LH							1	
	0422402-7	SKIN-LOWER TRAILING EDGE STA 22.12 TO 84 RH							1	
-66	0422401-14	SKIN-LOWER TRAILING EDGE STA 84 TO 138							1	
-67	S1209-1	DOUBLER-INSPECTION OPENING RH WING							1	
	NAS680A08K	NUT							6	
-68	S237-2	DOUBLER-INSPECTION OPENING							3	
-69	NAS395-14-3	NUT							3	
-70	S330-2	DOUBLER-INSPECTION OPENING							3	
-71	NAS395-14-3	NUT							4	
-72	CM2692-28-1B	PLUG BUTTON							1	
-73	0721107-1	FAIRING LH							1	
	0721107-2	FAIRING RH							1	
-74	0426209-2	CATCH ASSY-CABIN DOOR WEU 0426209-4							1	
	0426209-4	CATCH ASSY-CABIN DOOR							1	
	AN515-6R6	ATTACHING PARTS							1	
	NAS680A06	SCREW							1	
		NUTPLATE							1	
		-----*								

K
K
K
L
L
L

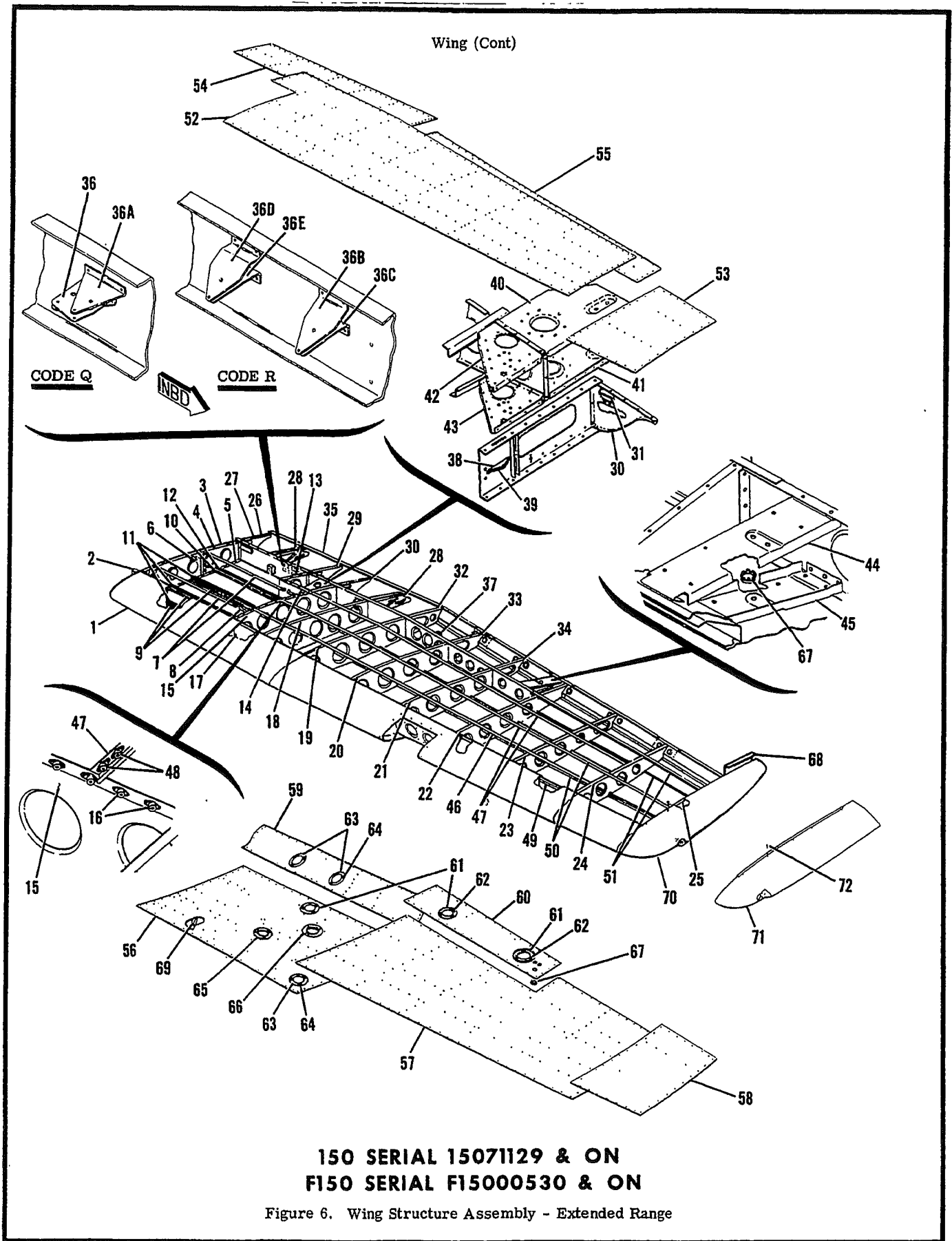
F
F

CONTINUED ON NEXT PAGE

150 & A150 Parts Catalog

FIGURE AND INDEX NO.	PART NUMBER	DESCRIPTION	UNITS PER ASSY	USABLE ON CODE	
		1 2 3 4 5 6 7			
5 -75 -76	0423008-3-791	TIP-WING STANDARD -----	2	B	
	0523565-201-791	TIP-WING LH CONICAL CAMBER -----	1	C	
	0523565-200-791	TIP-WING RH CONICAL CAMBER -----	1	C	
	0523565-29-791	TIP ASSEMBLY-WING LH CONICAL CAMBER -----	1	D	
	0523565-30-791	TIP ASSEMBLY-WING RH CONICAL CAMBER -----	1	D	
		ATTACHING PARTS			
	S102178-8	SCREW -----	12		
	0423008-4	STIFFENER USE ON UPPER SIDE LH TIP & LOWER SIDE RH TIP ----- USED WITH STANDARD WING TIP	1	B	
	0423008-5	STIFFENER USE ON UPPER SIDE RH TIP & LOWER SIDE LH TIP ----- USED WITH STANDARD WING TIP	1	B	
	0523565-21	STIFFENER USE ON UPPER SIDE LH TIP & LOWER SIDE RH TIP ----- USED WITH CONICAL CAMBER WING TIP	1		
	0523565-22	STIFFENER USE ON UPPER SIDE RH TIP & LOWER SIDE LH TIP ----- USED WITH CONICAL CAMBER WING TIP	1		
		---*---			
	NAS1329A06K120	NUT -----	5	D	
		A---A150 SERIAL A1500001 THRU A1500277 FA150 SERIAL FA1500001 THRU FA1500132			
		B---A150 SERIAL A1500001 & ON			
		C---A150 SERIAL A1500001 THRU A1500226 FA150 SERIAL FA1500001 THRU FA1500081			
		D---A150 SERIAL A1500227 & ON FA150 SERIAL FA1500082 & ON			
		E---A150 SERIAL A1500001 THRU A1500262 FA150 SERIAL FA1500001 THRU FA1500161			
		F---A150 SERIAL A1500263 & ON FA150 SERIAL FA1500162 & ON			
		G---A150 SERIAL A1500278 & ON FA150 SERIAL FA1500133 & ON			
		H---A150 SERIAL A1500227 THRU A1500387 FA150 SERIAL FA1500082 THRU FA1500211			
		J---A150 SERIAL A1500278 THRU A1500387 FA150 SERIAL FA1500133 THRU FA1500211			
		K---A150 SERIAL A1500001 THRU A1500387 FA150 SERIAL FA1500001 THRU FA1500211			
	L---A150 SERIAL A1500388 & ON FA150 SERIAL FA1500212 & ON				
	M---A150 SERIAL A1500001 THRU A1500322 FA150 SERIAL FA1500001 THRU FA1500166				
	N---A150 SERIAL A1500323 & ON FA150 SERIAL FA1500167 & ON				

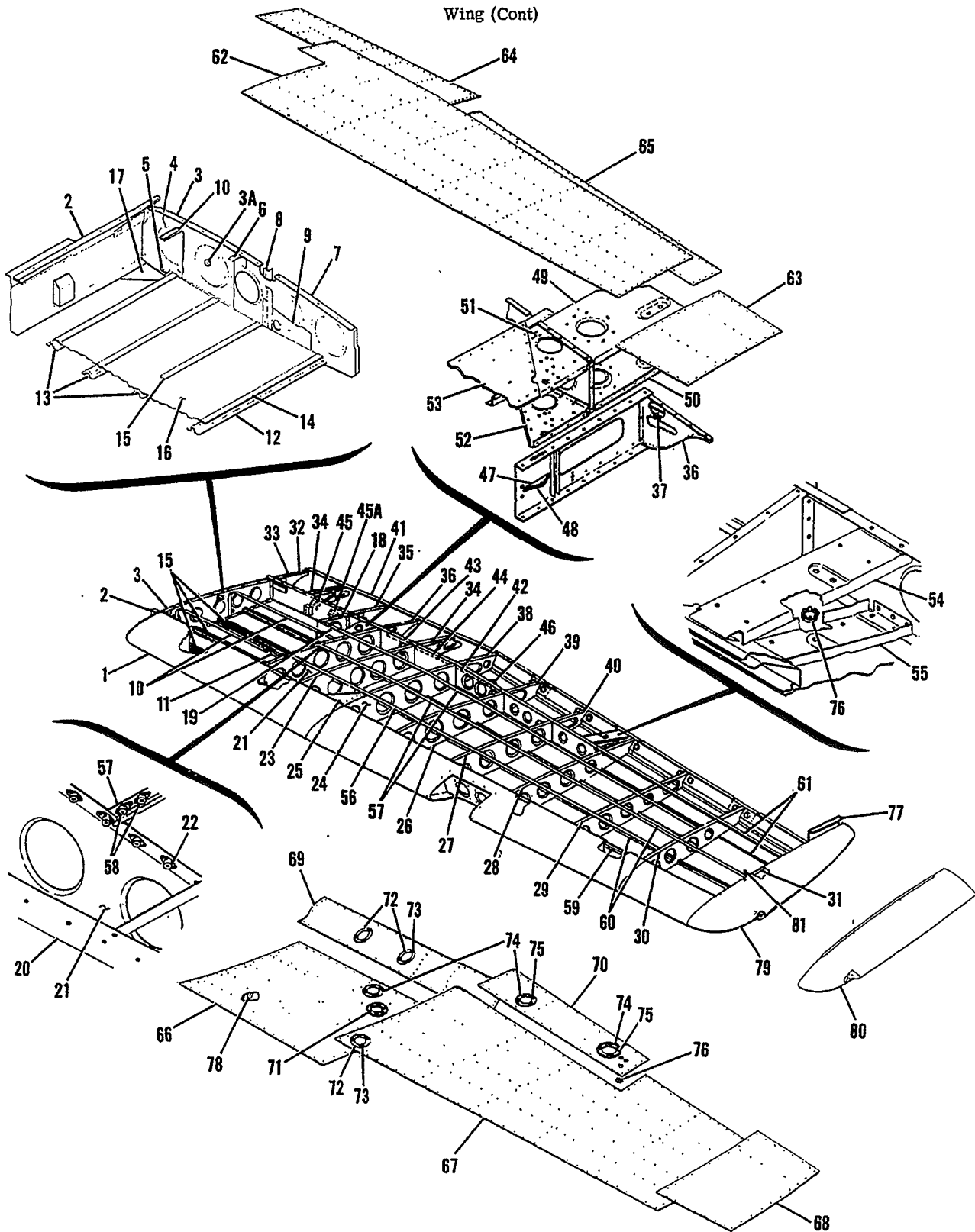
150 & A150 Parts Catalog



150 & A150 Parts Catalog

FIGURE AND INDEX NO.	PART NUMBER	DESCRIPTION	UNITS PER ASSY	USABLE ON CODE	
					1 2 3 4 5 6 7
6 -70 -71 -72	0423008-3-791	TIP-WING STANDARD -----	2	B	
	0523565-201-791	TIP-WING LH CONICAL CAMBER -----	1	C	
	0523565-200-791	TIP-WING RH CONICAL CAMBER -----	1	C	
	0523565-29-791	TIP ASSEMBLY-WING LH CONICAL CAMBER -----	1	D	
	0523565-30-791	TIP ASSEMBLY-WING RH CONICAL CAMBER -----	1	D	
		ATTACHING PARTS			
		SCREW -----	12		
	S102178-8	STIFFENER USE ON UPPER SIDE LH TIP & LOWER SIDE RH TIP -----	1	B	
	0423008-4	USED WITH STANDARD WING TIP			
	0423008-5	STIFFENER USE ON UPPER SIDE RH TIP & LOWER SIDE LH TIP -----	1	B	
		USED WITH STANDARD WING TIP			
	0523565-21	STIFFENER USE ON UPPER SIDE LH TIP & LOWER SIDE RH TIP -----	1		
		USED WITH CONICAL CAMBER WING TIP			
	0523565-22	STIFFENER USE ON UPPER SIDE RH TIP & LOWER SIDE LH TIP -----	1		
		USED WITH CONICAL CAMBER WING TIP			
	-----*-----				
	NAS1329A06K120	NUT -----	5	D	
		A---150 SERIAL 15071129 THRU 15072629 F150 SERIAL F15000530 THRU F15000738			
		B---150 SERIAL 15071129 THRU 15077005			
		C---150 SERIAL 15071129 THRU 15072003 F150 SERIAL F15000530 THRU F15000658			
		D---150 SERIAL 15072004 & ON F150 SERIAL F15000659 & ON			
		E---150 SERIAL 15071129 THRU 15072514 F150 SERIAL F15000530 THRU F15000738			
		F---150 SERIAL 15072515 & ON F150 SERIAL F15000739 & ON			
		G---150 SERIAL 15071129 THRU 15072491 F150 SERIAL F15000530 THRU F15000738			
		H---150 SERIAL 15072492 THRU 15073351 F150 SERIAL F15000739 THRU F15000818			
		J---150 SERIAL 15071129 THRU 15072602 F150 SERIAL F15000530 THRU F15000778			
		K---150 SERIAL 15072603 & ON F150 SERIAL F15000779 & ON			
		L---150 SERIAL 15072630 & ON F150 SERIAL F15000739 & ON			
		M---150 SERIAL 15073352 & ON F150 SERIAL F15000819 & ON			
		N---150 SERIAL 15072004 THRU 15074399 F150 SERIAL F15000659 THRU F15000943			
		P---150 SERIAL 15072630 THRU 15074399 F150 SERIAL F15000739 THRU F15000943			
		Q---150 SERIAL 15071129 THRU 15074399 F150 SERIAL F15000530 THRU F15000943			
		R---150 SERIAL 15074400 & ON F150 SERIAL F15000944 & ON			

150 & A150 Parts Catalog



A150 SERIAL A1500001 & ON
FA150 SERIAL FA1500001 & ON

Figure 7. Wing Structure Assembly - Aerobat Extended Range

150 & A150 Parts Catalog

FIGURE AND INDEX NO.	PART NUMBER	DESCRIPTION							UNITS PER ASSY	USABLE ON CODE
		1	2	3	4	5	6	7		
7 -	0422401-3	STRUCTURE ASSEMBLY-WING LH	EXTENDED RANGE	AEROBAT	----			1	C	
	0422401-217	WEU 0422401-217								
	0422401-23	STRUCTURE ASSEMBLY-WING LH	EXTENDED RANGE	AEROBAT	----			1	C	
		STRUCTURE ASSEMBLY-WING LH	EXTENDED RANGE	AEROBAT	----			1	K	
	0422401-29	WEU 0422401-29								
	0422402-4	STRUCTURE ASSEMBLY-WING LH	EXTENDED RANGE	AEROBAT	----			1	N	
		STRUCTURE ASSEMBLY-WING RH	EXTENDED RANGE	AEROBAT	----			1	A	
	0422402-16	WEU 0422402-16								
		STRUCTURE ASSEMBLY-WING RH	EXTENDED RANGE	AEROBAT	----			1	L	
	0422402-20	WEU 0422402-20								
		STRUCTURE ASSEMBLY-WING RH	EXTENDED RANGE	AEROBAT	----			1	N	
- 1	SEE FIG 9	LEADING EDGE ASSEMBLY-WING	----					1		
- 2	SEE FIG 11	SPAR ASSEMBLY-WING FRONT	----					1		
- 3	0426507-15	RIB ASSEMBLY-WING ROOT STA 22.12 LH	----					1		
	0426507-14	RIB ASSEMBLY-WING ROOT STA 22.12 RH	----					1		
- 3A	MS35489-9	GROMMET	----					1		
- 4	NAS680A08K	NUTPLATE	----					10		
- 5	S1860-2A	NUTPLATE	----					4		
- 6	1516006-1	STRAP-FUEL TRANSMITTER GROUND	----					1		
- 7	0422417-1	STIFFENER	----					1		
- 8	0422417-2	STIFFENER	----					1		
- 9	0426522-1	STIFFENER ASSEMBLY-LH	----					1		
	0426522-2	STIFFENER ASSEMBLY-RH	----					1		
	S1860-2A	NUTPLATE	----					2		
-10	0426512-6	STRAP ASSEMBLY-FUEL TANK	----					2		
-11	0523522-1	STRAP ASSEMBLY-FUEL TANK	----					2		
-12	0426506-2	HAT SECTION-FUEL TANK LOWER LH	----					1		
	0426506	HAT SECTION-FUEL TANK LOWER RH	----					1		
-13	0426506-3	HAT SECTION-FUEL TANK LOWER LH	----					3		
	0426506-1	HAT SECTION-FUEL TANK LOWER RH	----					3		
-14	S2127-21.69	PAD-HAT SECTION	----					1		
-15	S2127-35.56	PAD-HAT SECTION	----					3		
-16	0422418-1	REINFORCEMENT-LOWER FUEL BAY	----					1		
-17	0422416-1	GUSSET	----					1		
-18	0721111-29	RIB ASSEMBLY-STUB STA 44.12 LH	----					1	M	
	0721111-37	RIB ASSEMBLY-STUB STA 44.12 LH	----					1	N	
	0721111-30	RIB ASSEMBLY-STUB STA 44.12 RH	----					1	M	
	0721111-38	RIB ASSEMBLY-STUB STA 44.12 RH	----					1	N	
	NAS680A08	NUTPLATE	----					2		
-19	0523505-5	BULKHEAD ASSEMBLY-TANK WELL LH	----					1		
	0523505-6	BULKHEAD ASSEMBLY-TANK WELL RH	----					1		
	NAS680A08	NUTPLATE	----					4		
-20	0523003-48	DOUBLER	----					1		
-21	0523508-21	RIB ASSEMBLY-LEFT FUEL CELL STA 58	WEU 0523508-29	----				1	G	
	0523508-29	RIB ASSEMBLY-LEFT FUEL CELL STA 58	----					1	H	
	0523508-20	RIB ASSEMBLY-RIGHT FUEL CELL STA 58	----					1	A	
	0523508-28	RIB ASSEMBLY-RIGHT FUEL CELL STA 58	----					1	J	
-22	NAS680A08	NUTPLATE	----					9		
	0523561-1	DOUBLER-RH WING STA 58	----					1	J	
-23	0523509-13	RIB-WING CENTER SECTION STA 69.62	----					1		
-24	0523510-19	RIB-WING CENTER SECTION STA 84 LH	----					1		
	0523510-20	RIB-WING CENTER SECTION STA 84 RH	----					1		
-25	0422410-1	GUSSET-WING STA 84 LH	----					1		
	0422410-2	GUSSET-WING STA 84 RH	----					1		
-26	0523511-14	RIB-WING CENTER SECTION STA 102	----					1		
-27	0523512-19	RIB-WING CENTER SECTION STA 120	----					1		
-28	0523513-13	RIB-WING CENTER SECTION STA 138 LH	----					1		
	0523513-14	RIB-WING CENTER SECTION STA 138 RH	----					1		
-29	0523514-7	RIB-WING CENTER SECTION STA 156	----					1		
-30	0523515-7	RIB-WING CENTER SECTION STA 174	----					1		
-31	0720608-7	RIB ASSEMBLY-WING CENTER SECTION STA 192	----					1		
	S1863-3A	NUTPLATE	----					10		
-32	0523232-6	RIB-WING ROOT TRAILING EDGE STA 22.12	----					1		
-33	NAS395-14-3	NUT	----					4		
-34	0523231-13	RIB ASSEMBLY-FLAP TRACK STA 31.75 & 69.37	----					2	M	
	0523231-21	RIB ASSEMBLY-FLAP TRACK STA 31.75 & 69.37	----					2	N	
	0523231-5	BRACKET	----					2		
-35	0523233-12	RIB ASSEMBLY-WING TRAILING EDGE STA 44.12	----					1	M	
	0523233-24	RIB ASSEMBLY-WING TRAILING EDGE STA 44.12	----					1	N	
	0523233-8	RUB STRIP	----					1		

CONTINUED ON NEXT PAGE

150 & A150 Parts Catalog

FIGURE AND INDEX NO.	PART NUMBER	DESCRIPTION							UNITS PER ASSY	USABLE ON CODE
		1	2	3	4	5	6	7		
7 -36	0523233-13	RIB ASSEMBLY-WING TRAILING EDGE STA 56.87							1	M M M M
-37	0523233-5	RUB STRIP							1	
-38	0523230-9	RIB ASSEMBLY-WING TRAILING EDGE STA 84 LH							1	
	0423230-8	RIB ASSEMBLY-WING TRAILING EDGE STA 84 RH							1	
	0523230-4	ANGLE LH							1	
	0523230-5	ANGLE RH							1	
-39	0523511-15	RIB-WING TRAILING EDGE STA 102							1	
-40	0523512-22	RIB-WING TRAILING EDGE STA 120							1	
-41	0720005-2	STIFFENER-TRAILING EDGE							1	
-42	0422419-1	STIFFENER-WING SPAR LH							1	
	0422419-2	STIFFENER-WING SPAR RH							1	
-43	0422419-3	STIFFENER-WING SPAR LH							1	
	0422419-4	STIFFENER-WING SPAR RH							1	
-44	0422419-5	STIFFENER-WING SPAR LH							1	
	0422419-6	STIFFENER-WING SPAR RH							1	
-45	0422293-1	BRACKET-LOWER LH							1	
	0422293-2	BRACKET-LOWER RH							1	
	0422293-3	BRACKET-UPPER LH							1	
	0422293-4	BRACKET-UPPER RH							1	
	0460204-1	BRACKET-FLAP PULLEY INBOARD UPPER							1	
	0460204-2	BRACKET-FLAP PULLEY INBOARD LOWER							1	
-45A	0460205-1	BRACKET-FLAP PULLEY OUTBOARD UPPER							1	
	0460205-2	BRACKET-FLAP PULLEY OUTBOARD LOWER							1	
-46	0523408	BRACKET-AILERON PULLEY							1	
-47	0523407	BRACKET-FLAP PULLEY							1	
-48	0523407-1	BRACKET-FLAP PULLEY							1	
-49	0420015-1	BRACKET-FLAP ACTUATOR MOUNT UPPER RH ONLY							1	
-50	0420015-2	BRACKET-FLAP ACTUATOR MOUNT LOWER RH ONLY							1	
-51	0523539-7	BRACKET-FLAP BELLCRANK SUPPORT UPPER LH							1	
	0523539-8	BRACKET-FLAP BELLCRANK SUPPORT UPPER RH							1	
-52	0523539-9	BRACKET-FLAP BELLCRANK SUPPORT LOWER LH							1	
	0523539-10	BRACKET-FLAP BELLCRANK SUPPORT LOWER RH							1	
-53	0422408-2	PLATE-REINFORCEMENT							1	
-54	0523219-2	CHANNEL-AILERON BELLCRANK SUPPORT UPPER LH							1	
	0523219-3	CHANNEL-AILERON BELLCRANK SUPPORT UPPER RH							1	
-55	0523219-4	CHANNEL-AILERON BELLCRANK SUPPORT LOWER LH							1	
	0523219-5	CHANNEL-AILERON BELLCRANK SUPPORT LOWER RH							1	
-56	0422413-9	STRINGER-WING LH UPPER FORWARD							1	
	0422413-10	STRINGER-WING RH UPPER FORWARD							1	
-57	0422413-11	STRINGER-WING LH UPPER CENTER & UPPER AFT							2	
	0422413-12	STRINGER-WING RH UPPER CENTER & UPPER AFT							2	
-58	NAS680A08	NUTPLATE							2	
-59	0422413-13	STRINGER-WING LH LOWER FORWARD							1	
	0422413-14	STRINGER-WING RH LOWER FORWARD							1	
-60	0422413-15	STRINGER-WING LH LOWER CENTER & LOWER AFT							2	
	0422413-16	STRINGER-WING RH LOWER CENTER & LOWER AFT							2	
-61	0523003-40	STRINGER-AFT OUTBOARD							2	
-62	0422401-21	SKIN-UPPER CENTER SECTION STA 44.12 TO 174 LH							1	
	0422402-12	SKIN-UPPER CENTER SECTION STA 44.12 TO 174 RH							1	
-63	0422401-7	SKIN-UPPER CENTER SECTION STA 174 TO 192							1	
-64	0422401-17	SKIN-UPPER TRAILING EDGE STA 22.12 TO 84							1	
-65	0422401-9	SKIN-UPPER TRAILING EDGE STA 84 TO 174							1	
-66	0422401-16	SKIN-LOWER CENTER SECTION STA 22.12 TO 69.62 LH							1	
	0422402-9	SKIN-LOWER CENTER SECTION STA 22.12 TO 69.62 RH							1	
-67	0422401-11	SKIN-LOWER CENTER SECTION STA 69.62 TO 174							1	
-68	0422401-12	SKIN-LOWER CENTER SECTION STA 174 TO 192							1	
-69	0422401-18	SKIN-LOWER TRAILING EDGE STA 22.12 TO 84 LH							1	
	0422402-10	SKIN-LOWER TRAILING EDGE STA 22.12 TO 84 RH							1	
-70	0422401-14	SKIN-LOWER TRAILING EDGE STA 84 TO 138							1	
-71	S1209-1	DOUBLER-INSPECTION OPENING RH WING							1	
	NAS680A08K	NUT							6	
-72	S237-2	DOUBLER-INSPECTION OPENING							3	
-73	NAS395-14-3	NUT							3	
-74	S330-2	DOUBLER-INSPECTION OPENING							3	
-75	NAS395-14-3	NUT							4	
-76	CM2692-28-1B	PLUG BUTTON							1	
-77	0721107-1	FAIRING LH							1	
	0721107-2	FAIRING RH							1	
-78	0426209-2	CATCH ASSY-CABIN DOOR WEU 0426209-4							1	
	0426209-4	CATCH ASSY-CABIN DOOR							1	
	AN515-6R6	ATTACHING PARTS							1	
	NAS680A06	SCREW							1	
		NUTPLATE							1	
		*---							1	

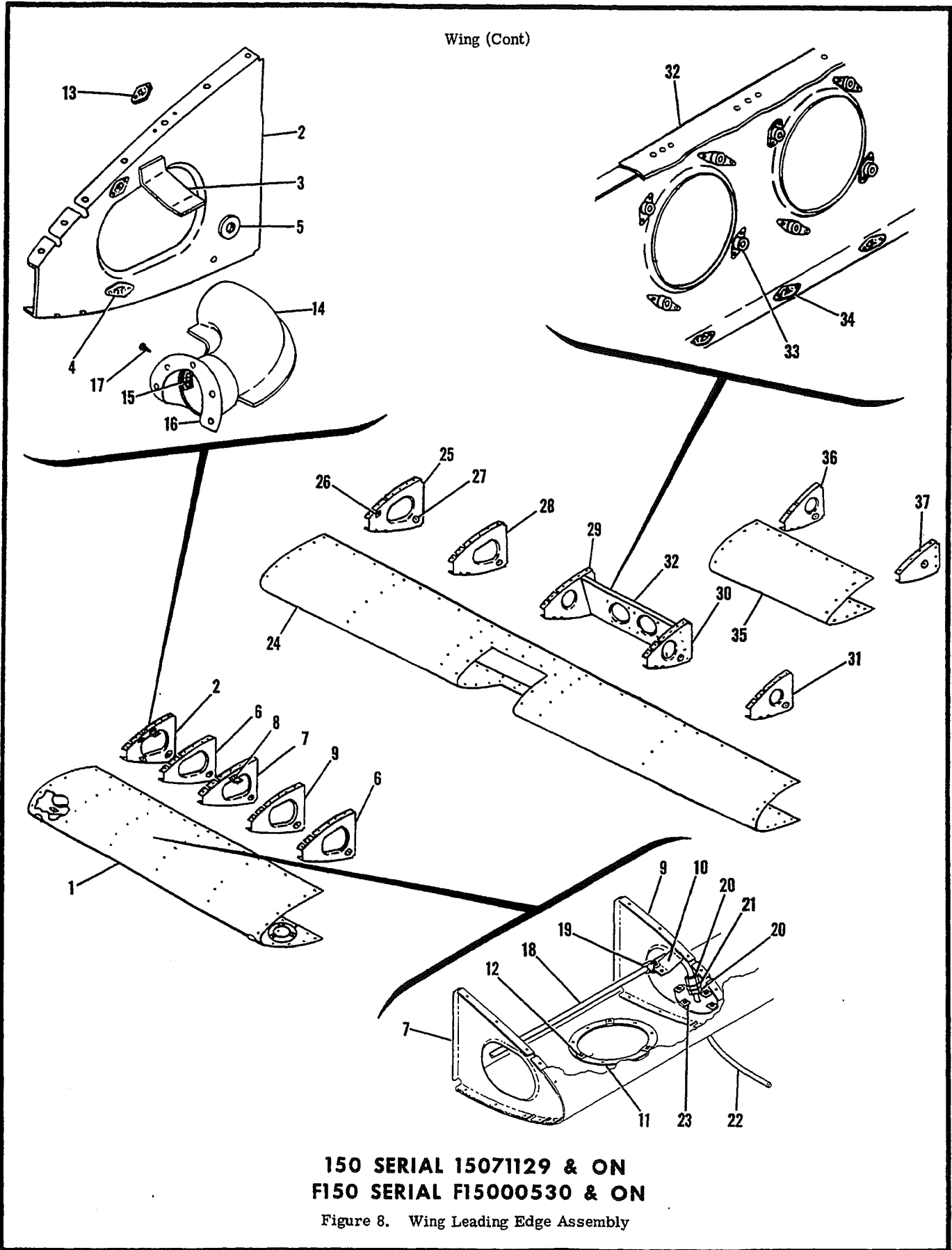
CONTINUED ON NEXT PAGE

150 & A150 Parts Catalog

FIGURE AND INDEX NO.	PART NUMBER	DESCRIPTION	UNITS PER ASSY	USABLE ON CODE		
			1	2	3	4
7 -79 -80	0423008-3-791	TIP-WING STANDARD -----	2	B		
	0523565-201-791	TIP-WING LH CONICAL CAMBER -----	1	C		
	0523565-200-791	TIP-WING RH CONICAL CAMBER -----	1	C		
	0523565-29-791	TIP ASSEMBLY-WING LH CONICAL CAMBER -----	1	D		
	0523565-30-791	TIP ASSEMBLY-WING RH CONICAL CAMBER -----	1	D		
-81	S102178-8	ATTACHING PARTS	12			
	0423008-4	SCREW -----	1	B		
	0423008-5	STIFFENER USE ON UPPER SIDE LH TIP & LOWER SIDE RH TIP USED WITH STANDARD WING TIP -----	1	B		
	0523565-21	STIFFENER USE ON UPPER SIDE RH TIP & LOWER SIDE LH TIP USED WITH STANDARD WING TIP -----	1			
	0523565-22	STIFFENER USE ON UPPER SIDE LH TIP & LOWER SIDE RH TIP USED WITH CONICAL CAMBER WING TIP -----	1			
		STIFFENER USE ON UPPER SIDE RH TIP & LOWER SIDE LH TIP USED WITH CONICAL CAMBER WING TIP -----	1			
	NAS1329A06K120	---*--- NUT -----	5	D		
		A---A150 SERIAL A1500001 THRU A1500277 FA150 SERIAL FA1500001 THRU FA1500132				
		B---A150 SERIAL A1500001 & ON				
		C---A150 SERIAL A1500001 THRU A1500226 FA150 SERIAL FA1500001 THRU FA1500081				
		D---A150 SERIAL A1500227 & ON FA150 SERIAL FA1500082 & ON				
		E---A150 SERIAL A1500001 THRU A1500262 FA150 SERIAL FA1500001 THRU FA1500161				
		F---A150 SERIAL A1500263 & ON FA150 SERIAL FA1500162 & ON				
		G---A150 SERIAL A1500001 THRU A1500271 FA150 SERIAL FA1500001 THRU FA1500161				
		H---A150 SERIAL A1500272 & ON FA150 SERIAL FA1500162 & ON				
		J---A150 SERIAL A1500278 & ON FA150 SERIAL FA1500133 & ON				
		K---A150 SERIAL A1500227 THRU A1500387 FA150 SERIAL FA1500082 THRU FA1500211				
		L---A150 SERIAL A1500278 THRU A1500387 FA150 SERIAL FA1500133 THRU FA1500211				
		M---A150 SERIAL A1500001 THRU A1500387 FA150 SERIAL FA1500001 THRU FA1500211				
		N---A150 SERIAL A1500388 & ON FA150 SERIAL FA1500212 & ON				

150 & A150 Parts Catalog

Wing (Cont)



**150 SERIAL 15071129 & ON
F150 SERIAL F15000530 & ON**

Figure 8. Wing Leading Edge Assembly

150 & A150 Parts Catalog

FIGURE AND INDEX NO.	PART NUMBER	DESCRIPTION							UNITS PER ASSY	USABLE ON CODE
		1	2	3	4	5	6	7		
8 -		LEADING EDGE ASSEMBLY-WING -----							NP	A
	0426005-211	LEADING EDGE ASSEMBLY-INBD LH STA. 22.125 TO 84 -----							1	B
	0426005-221	LEADING EDGE ASSEMBLY-INBD LH STA. 22.125 TO 84 -----							1	C
	0426005-61	LEADING EDGE ASSEMBLY-INBD RH STA. 22.125 TO 84 -----							1	
- 1	0426005-37	SKIN-LEADING EDGE STA. 22.125 TO 84 LH -----							1	B
	0426005-93	SKIN-LEADING EDGE STA. 22.125 TO 84 LH -----							1	C
	0523007-11	SKIN-LEADING EDGE STA. 22.125 TO 84 RH -----							1	
- 2	0523107-2	RIB ASSEMBLY-NOSE STA. 22.125 LH -----							1	
	0523107	RIB ASSEMBLY-NOSE STA. 22.125 RH -----							1	
- 3	0422291	BRACKET LH ONLY -----							1	
- 4	S1863-3A	NUTPLATE -----							2	
- 5	MS20230-A2	GROMMET -----							1	
- 6	0523108	RIB ASSEMBLY-NOSE STA. 33.125 & 69.625 -----							2	
	MS20230-A2	GROMMET -----							1	
- 7	0523108-3	RIB ASSEMBLY-NOSE STA. 44.125 LH -----							1	
	0523108	RIB ASSEMBLY-NOSE STA. 44.125 RH -----							1	
- 8	0422292	BRACKET LH ONLY -----							1	
	MS20230-A2	GROMMET -----							1	
- 9	0523108-4	RIB ASSEMBLY-NOSE STA. 56.875 LH -----							1	
	0523108	RIB ASSEMBLY-NOSE STA. 56.875 RH -----							1	
-10	0422291	BRACKET LH ONLY -----							1	
	MS20230-A2	GROMMET -----							1	
-11	S237-2	DOUBLER ASSEMBLY-INSPECTION OPENING -----							2	
-12	NAS395-4-3	NUTPLATE -----							3	
-13	S1863-3A	NUTPLATE LH ONLY -----							2	
-14	0422014-4	ELBOW-CABIN AIR VENT -----							2	
-15	NAS446-4-3	NUTPLATE -----							2	
-16	0413157	SCOOP-CABIN AIR VENT -----							2	
		ATTACHING PARTS -----								
-17	S1021Z8-8	SCREW -----							1	
		*-----								
-18	S1071-1	TUBE-POLYETHELENE-PITOT 80.0 IN LG BULK ITEM -----							1	
		REF S1071-1-80.0 -----								
		ATTACHING PARTS -----								
-19	AN742D4	CLAMP -----							2	
	S1021Z8-8	SCREW -----							2	
	NAS395-12-13	NUT -----							2	
		*-----								
-20	S1130-1	NUT -----							3	
	S1131-1	INSERT -----							2	
	S1132-1	UNION -----							1	
-21	0521103-2	PITOT TUBE ASSEMBLY LH ONLY WEU 0521103-4 -----							1	D
-22	0521103-4	PITOT TUBE ASSEMBLY LH ONLY -----							1	E
		ATTACHING PARTS -----								
	S1021Z8-8	SCREW -----							4	
		*-----								
-23	NAS395-14-3	NUT -----							4	
	0523005-56	LEADING EDGE ASSEMBLY-CENTER LH STA. 84 TO 174 -----							1	B
	0523005-229	LEADING EDGE ASSEMBLY-CENTER LH STA. 84 TO 174 RH -----							1	C
	0523005-57	LEADING EDGE ASSEMBLY-CENTER RH STA. 84 TO 174 -----							1	
-24	0523003-10	SKIN-LEADING EDGE STA. 84 TO 174 LH -----							1	B
	0523003-63	SKIN-LEADING EDGE STA. 84 TO 174 LH -----							1	C
	0523003-11	SKIN-LEADING EDGE STA. 84 TO 174 RH -----							1	
-25	0523109	RIB ASSEMBLY-NOSE STA. 84 LH -----							1	
	0523109-1	RIB ASSEMBLY-NOSE STA. 84 RH -----							1	
-26	S1863-2	NUTPLATE -----							1	
-27	MS20230-A2	GROMMET -----							1	
-28	0523511-5	RIB ASSEMBLY-NOSE STA. 102 -----							1	
	MS20230-A2	GROMMET -----							1	
-29	0523512-5	RIB ASSEMBLY-NOSE STA. 120 -----							1	
	MS20230-A2	GROMMET -----							1	
-30	0523513-4	RIB ASSEMBLY-NOSE STA. 138 -----							1	
	MS20230-A2	GROMMET -----							1	
-31	0523514-4	RIB ASSEMBLY-NOSE STA. 156 -----							1	
	MS20230-A2	GROMMET -----							1	
-32	0523106	BRACKET ASSEMBLY-LANDING LIGHT LH ONLY -----							1	B
-33	NAS680A08	NUTPLATE -----							8	B
-34	S1863-3A	NUTPLATE TIN LH ONLY -----							18	B

CONTINUED ON NEXT PAGE

150 & A150 Parts Catalog

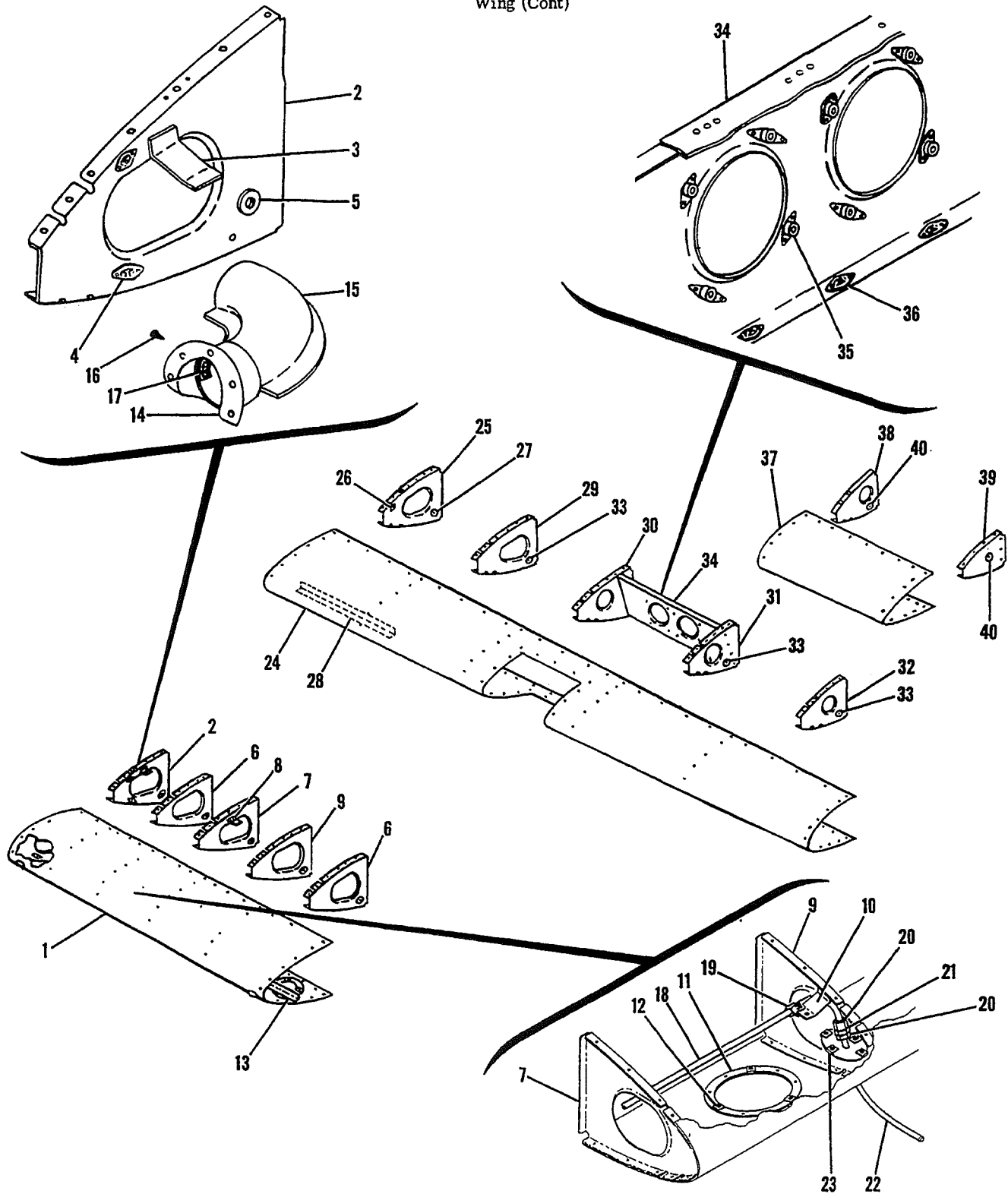
FIGURE AND INDEX NO.	PART NUMBER	DESCRIPTION	UNITS PER ASSY	USABLE ON CODE
		1 2 3 4 5 6 7		
8 -	0426005-219	LEADING EDGE ASSEMBLY-OUTBOARD LH STA. 174 TO 192 -----	1	
	0426005-218	LEADING EDGE ASSEMBLY-OUTBOARD RH STA. 174 TO 192 -----	1	
-35	0523003-56	SKIN-LEADING EDGE STA. 174 TO 192 LH -----	1	
	0523003-57	SKIN-LEADING EDGE STA 174 TO 192 RH -----	1	
-36	0523515-4	RIB ASSEMBLY-NOSE STA. 174 -----	1	
	MS20230-A2	GROMMET -----	1	
-37	0720608-26	RIB ASSEMBLY-NOSE STA. 192 -----	1	
	MS20230-A2	GROMMET -----	1	
<p>A---150 SERIAL 15071129 & ON F150 SERIAL F15000530 & ON</p> <p>B---150 SERIAL 15071129 THRU 15072003 F150 SERIAL F15000530 THRU F15000658</p> <p>C---150 SERIAL 15072004 & ON F150 SERIAL F15000659 & ON</p> <p>D---150 SERIAL 15071129 THRU 15072585 F150 SERIAL F15000530 THRU F15000738</p> <p>E---150 SERIAL 15072586 & ON F150 SERIAL F15000739 & ON</p>				

150 & A150 Parts Catalog

FIGURE AND INDEX NO.	PART NUMBER	DESCRIPTION							UNITS PER ASSY	USABLE ON CODE
		1	2	3	4	5	6	7		
9 -	0422401-205	LEADING EDGE ASSEMBLIES-WING AEROBAT -----							NP	A
	0422401-213	LEADING EDGE ASSEMBLY-INBD LH STA 22.12 TO 84.00 -----							1	B
	0422402-204	LEADING EDGE ASSEMBLY-INBD LH STA 22.12 TO 84.00 -----							1	C
- 1	0422401-4	LEADING EDGE ASSEMBLY-INBD RH STA 22.12 TO 84.00 -----							1	
	0422401-25	SKIN-LEADING EDGE LH STA 22.12 TO 84.00 -----							1	B
	0422402-3	SKIN-LEADING EDGE LH STA 22.12 TO 84.00 -----							1	C
- 2	0523107-5	SKIN-LEADING EDGE RH STA 22.12 TO 84.00 -----							1	
	0523107-6	RIB ASSEMBLY-NOSE LH STA 22.12 -----							1	
- 3	0422291	RIB ASSEMBLY-NOSE RH STA 22.12 -----							1	
- 4	S1863-3A	BRACKET LH ONLY -----							1	
- 5	MS20230A2	NUTPLATE LH ONLY -----							2	
- 6	0523111-5	GROMMET -----							1	
	MS20230A2	RIB ASSEMBLY-NOSE STA 33.12 & 69.62 -----							2	
- 7	0523111-6	GROMMET -----							1	
	0523111-5	RIB ASSEMBLY-NOSE LH STA 44.12 -----							1	
- 8	0422292	RIB ASSEMBLY-NOSE RH STA 44.12 -----							1	
	MS20230A2	BRACKET LH ONLY -----							1	
- 9	0523111-7	GROMMET -----							1	
	0523111-5	RIB ASSEMBLY-NOSE LH STA 56.87 -----							1	
-10	0422291	RIB ASSEMBLY-NOSE RH STA 56.87 -----							1	
	MS20230A2	BRACKET LH ONLY -----							1	
-11	S237-2	GROMMET -----							1	
-12	NAS395-4-3	DOUBLER ASSEMBLY -----							2	
-13	0422409-1	NUTPLATE -----							3	
	0422409-2	STIFFENER-LH -----							1	
-14	0413157	STIFFENER-RH -----							1	
		SCOOP-CABIN AIR VENT -----							1	
CONTINUED ON NEXT PAGE										

150 & A150 Parts Catalog

Wing (Cont)



A150 SERIAL A1500001 & ON
FA150 SERIAL FA1500001 & ON

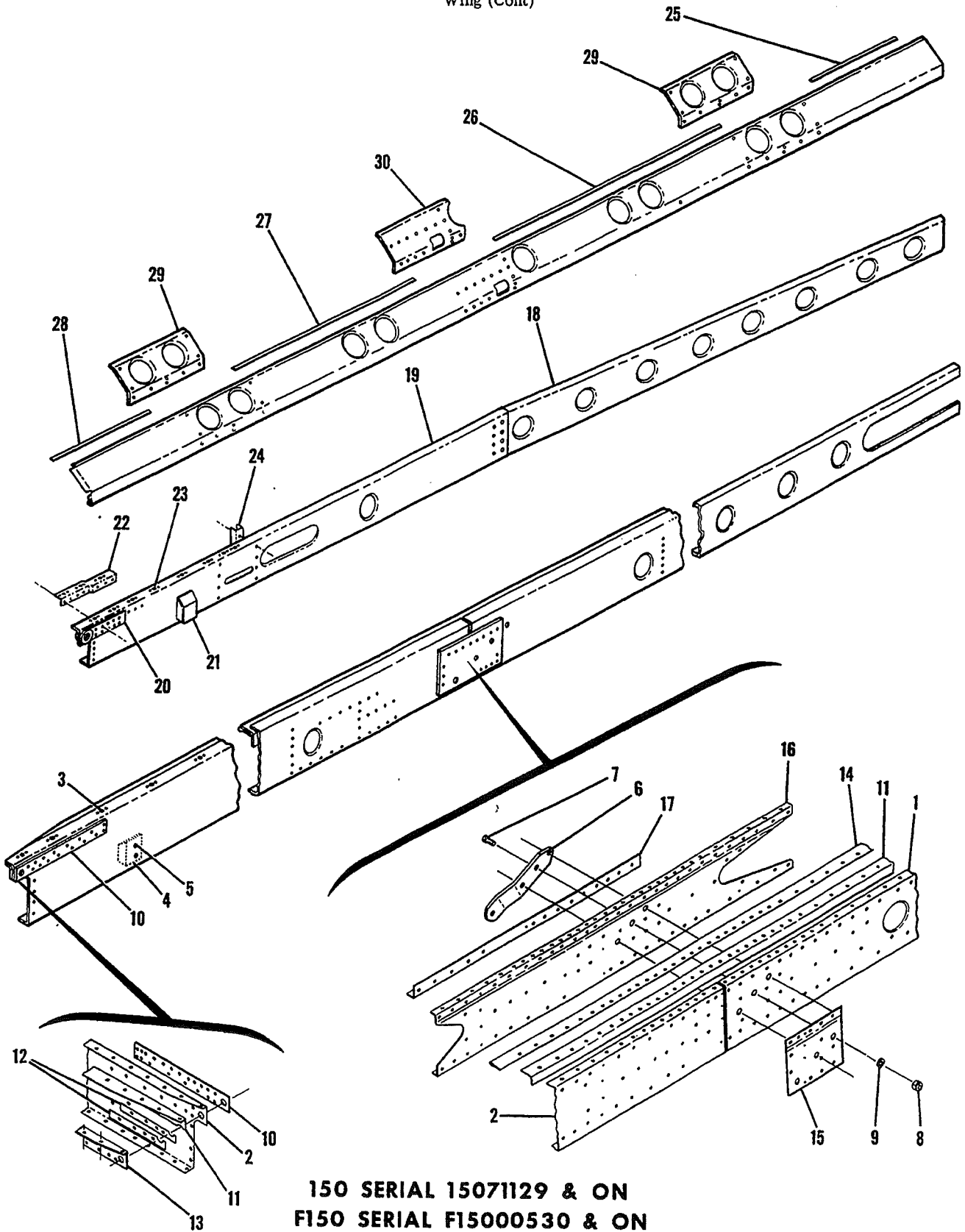
Figure 9. Wing Leading Edge Assembly

150 & A150 Parts Catalog

FIGURE AND INDEX NO.	PART NUMBER	DESCRIPTION							UNITS PER ASSY	USABLE ON CODE
		1	2	3	4	5	6	7		
9 -15	0422014-4	ELBOW-CABIN AIR VENT -----							2	
-16	S1021Z8-8	ATTACHING PARTS -----							1	
-17	NAS446-43	SCREW -----							1	
		NUT -----							1	
		*-----								
-18	S1071-1	TUBE-POLYETHELENE-PITOT 80.0 IN LG BULK ITEM -----							1	
		REF S1071-1-80.0 LH ONLY -----								
		ATTACHING PARTS -----								
-19	AN742D4	CLAMP -----							2	
	S1021Z8-8	SCREW -----							2	
	NAS395-12-3	NUT -----							2	
		*-----								
-20	S1130-1	NUT -----							3	
	S1131-1	INSERT -----							2	
-21	S1132-1	UNION -----							1	
-22	0521103-2	PITOT TUBE ASSEMBLY LH ONLY WEU 0521103-4 -----							1	D
	0521103-4	PITOT TUBE ASSEMBLY LH ONLY -----							1	E
		ATTACHING PARTS -----								
	S1021Z8-8	SCREW -----							4	
		*-----								
-23	NAS395-14-3	NUT -----							4	
	0422401-207	LEADING EDGE ASSEMBLY-CENTER LH STA 84.00 TO 174.00 -----							1	B
	0422401-211	LEADING EDGE ASSEMBLY-CENTER LH STA 84.00 TO 174.00 -----							1	C
	0422402-206	LEADING EDGE ASSEMBLY-CENTER RH STA 84.00 TO 174.00 -----							1	C
-24	0422401-5	SKIN-LEADING EDGE LH STA 84.00 TO 174.00 -----							1	B
	0422401-24	SKIN-LEADING EDGE LH STA 84.00 TO 174.00 -----							1	C
	0422402-5	SKIN-LEADING EDGE RH STA 84.00 TO 174.00 -----							1	
-25	0523110-11	RIB ASSEMBLY-NOSE LH STA 84.00 -----							1	
	0523110-10	RIB ASSEMBLY-NOSE RH STA 84.00 -----							1	
-26	S1863-2	NUTPLATE LH ONLY -----							1	
-27	MS20230A2	GROMMET -----							1	
-28	0422409-3	STIFFENER-LH -----							1	
	0422409-4	STIFFENER-RH -----							1	
-29	0523542-4	RIB ASSEMBLY-NOSE STA 102.00 -----							1	
-30	0523512-21	RIB ASSEMBLY-NOSE STA 120.00 -----							1	
-31	0523513-12	RIB ASSEMBLY-NOSE STA 138.00 -----							1	
-32	0523514-6	RIB ASSEMBLY-NOSE STA 156.00 -----							1	
-33	MS20230A2	GROMMET -----							1	
-34	0523106	BRACKET ASSEMBLY-LANDING LIGHT LH ONLY -----							1	B
-35	NAS680A08	NUTPLATE -----							8	B
-36	S1863-3A	NUTPLATE LH ONLY -----							18	B
	0422401-209	LEADING EDGE ASSEMBLY-OUTBOARD LH STA 174.00 TO 192.00 -----							1	
	0422402-208	LEADING EDGE ASSEMBLY-OUTBOARD RH STA 174.00 TO 192.00 -----							1	
-37	0422401-6	SKIN-LEADING EDGE LH STA 174.00 TO 192.00 -----							1	
	0422402-6	SKIN-LEADING EDGE RH STA 174.00 TO 192.00 -----							1	
-38	0523515-6	RIB ASSEMBLY-NOSE STA 174.00 -----							1	
-39	0720608-26	RIB ASSEMBLY-NOSE STA 192.00 -----							1	
-40	MS20230A2	GROMMET -----							1	
<p>A---A150 SERIAL A1500001 & ON FA150 SERIAL FA1500001 & ON</p> <p>B---A150 SERIAL A1500001 THRU A1500226 FA150 SERIAL FA1500001 THRU FA1500081</p> <p>C---A150 SERIAL A1500227 & ON FA150 SERIAL FA1500082 & ON</p> <p>D---A150 SERIAL A1500001 THRU A1500269 FA150 SERIAL FA1500001 THRU FA1500121</p> <p>E---A150 SERIAL A1500270 & ON FA150 SERIAL FA1500122 & ON</p>										

150 & A150 Parts Catalog

Wing (Cont)



150 SERIAL 15071129 & ON
F150 SERIAL F15000530 & ON

Figure 10. Wing Spar Assemblies

150 & A150 Parts Catalog

FIGURE AND INDEX NO.	PART NUMBER	DESCRIPTION							UNITS PER ASSY	USABLE ON CODE
		1	2	3	4	5	6	7		
10 -	0426300	SPARS ASSEMBLIES-WING -----							NP	A
	0426300-7	SPAR ASSEMBLY-WING FRONT LH STANDARD RANGE -----							1	
	0426300-1	SPAR ASSEMBLY-WING FRONT LH EXTENDED RANGE -----							1	
	0426300-6	SPAR ASSEMBLY-WING FRONT RH STANDARD RANGE -----							1	
- 1	0523317	SPAR ASSEMBLY-WING FRONT-RH EXTENDED RANGE -----							1	
	0523317-1	CHANNEL ASSEMBLY-SPAR OUTBOARD LH -----							1	
- 2	0426300-2	CHANNEL ASSEMBLY-SPAR OUTBOARD RH -----							1	
	0426300-3	CHANNEL ASSEMBLY-SPAR INBOARD LH -----							1	
- 3	NAS680A08	CHANNEL ASSEMBLY-SPAR INBOARD RH -----							1	
	NAS680A08	NUTPLATE -----							10	
- 4	0523524	NUTPLATE EXTENDED RANGE -----							15	
	0523524	SPACER-FUEL TANK -----							1	
	0523524	SPACER-FUEL TANK EXTENDED RANGE -----							2	
- 5	S1021A10-10	ATTACHING PARTS -----							2	
		SCREW -----							2	
- 6	0523306	-----*								
		FITTING-STRUT ATTACHMENT -----							1	
		ATTACHING PARTS -----								
- 7	AN5-7A	BOLT -----							3	
- 8	MS21042L5	NUT -----							3	
- 9	AN960-516	WASHER -----							3	
		-----*								
-10	0523308	PLATE -----							1	
	0722707-1	PLATE-REINFORCEMENT -----							1	
-11	0426307	ANGLE-CAP LH -----							1	
	0426307-1	ANGLE-CAP RH -----							1	
-12	0523311	SPACER -----							2	
-13	0523309	ANGLE-LH -----							1	
	0523309-1	ANGLE-RH -----							1	
-14	0426306	CAP PLATE-LH -----							1	
	0426306-1	CAP PLATE-RH -----							1	
-15	0523319-1	SPLICE-PLATE -----							1	
-16	0523318	CHANNEL-SPLICE LH -----							1	
	0523318-1	CHANNEL-SPLICE RH -----							1	
-17	0523316	ANGLE-LH -----							1	
	0523316-1	ANGLE-RH -----							1	
	0426400-8	* SPAR ASSEMBLY-WING REAR LH STANDARD RANGE -----							1	
	0426400-35	* SPAR ASSEMBLY-WING REAR LH STANDARD RANGE -----							1	
	0426400-15	* SPAR ASSEMBLY-WING REAR LH EXTENDED RANGE -----							1	
	0426400-37	* SPAR ASSEMBLY-WING REAR LH EXTENDED RANGE -----							1	
	0426400-9	* SPAR ASSEMBLY-WING REAR RH STANDARD RANGE -----							1	
	0426400-28	* SPAR ASSEMBLY-WING REAR RH STANDARD RANGE -----							1	
	0426400-36	* SPAR ASSEMBLY-WING REAR RH STANDARD RANGE -----							1	
	0426400-16	* SPAR ASSEMBLY-WING REAR RH STANDARD RANGE -----							1	
	0426400-27	* SPAR ASSEMBLY-WING REAR RH EXTENDED RANGE -----							1	
	0426400-38	* SPAR ASSEMBLY-WING REAR RH EXTENDED RANGE -----							1	
-18	0523406-3	CHANNEL-SPAR OUTBD LH -----							1	
	0523406-2	CHANNEL-SPAR OUTBD RH -----							1	
-19	0426400-18	* CHANNEL ASSEMBLY-SPAR INBOARD LH -----							1	
	0426400-31	* CHANNEL-SPAR INBOARD LH -----							1	
	0426400-17	* CHANNEL ASSEMBLY-SPAR INBOARD RH -----							1	
	0426400-25	* CHANNEL-SPAR INBOARD RH -----							1	
	0426400-32	* CHANNEL-SPAR INBOARD RH -----							1	
-20	0422229-11	FITTING-WING SPAR REINFORCEMENT -----							2	
-21	0523524	SPACER-FUEL TANK -----							1	
	0426400-14	SPACER-PHENOLIC EXTENDED RANGE -----							1	
		ATTACHING PARTS -----								
	S1021A10-10	SCREW -----							2	
		-----*								
-22	0426400-12	ANGLE-SPAR REINFORCEMENT LH -----							1	
	0426400-13	ANGLE-SPAR REINFORCEMENT RH -----							1	
-23	NAS680A08	NUTPLATE -----							8	
-24	0523409	CHANNEL-REINFORCEMENT -----							1	

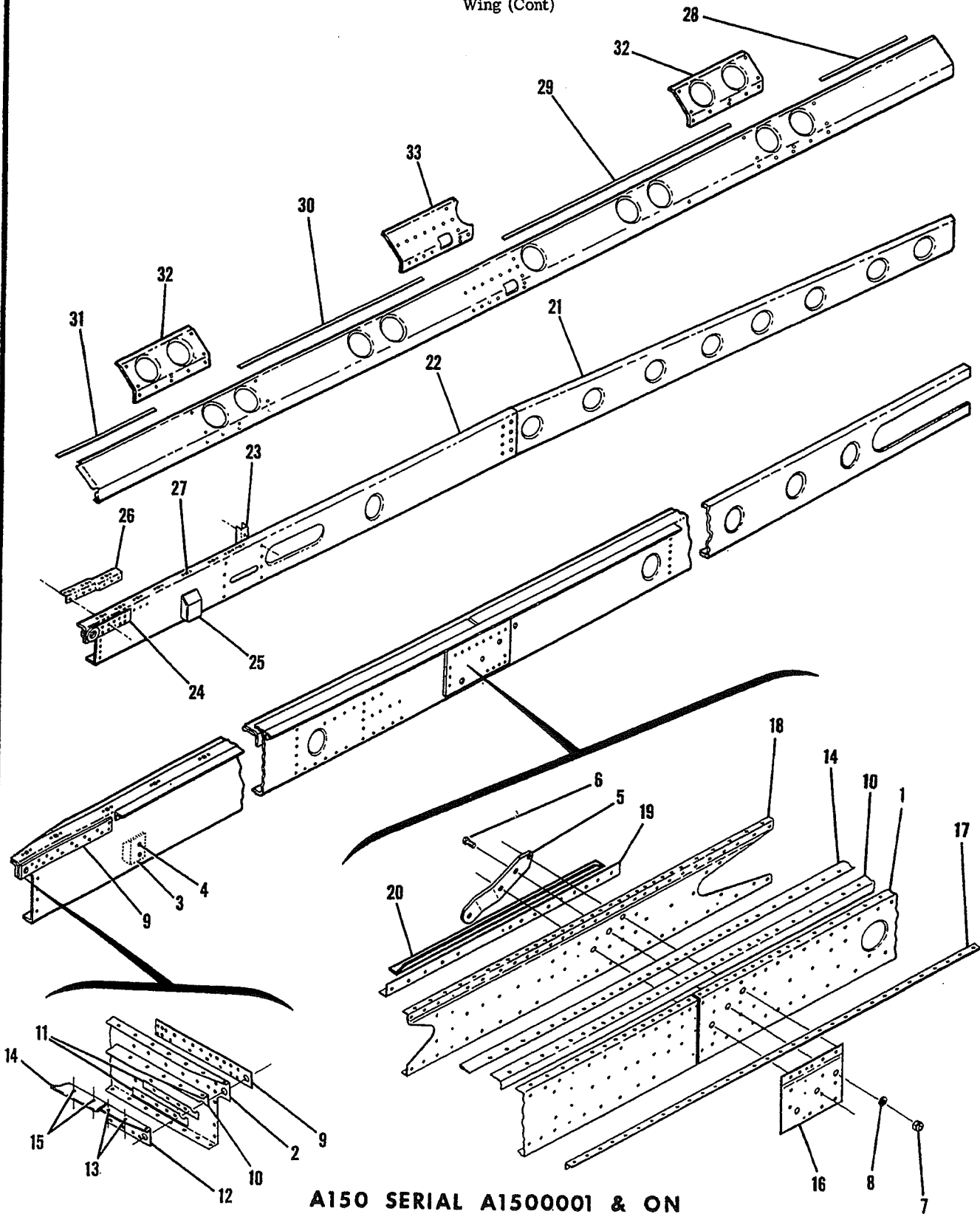
CONTINUED ON NEXT PAGE

150 & A150 Parts Catalog

FIGURE AND INDEX NO.	PART NUMBER	DESCRIPTION							UNITS PER ASSY	USABLE ON CODE
		1	2	3	4	5	6	7		
10 - -25 -26 -27 -28 -29 -30	0523005-50 0523005-51 0523813-3 0523813-2 0523813-4 0523813-5 0523216 0523215 0523215-1	SPAR ASSEMBLY-OUTBOARD AUXILIARY LH ----- SPAR ASSEMBLY-OUTBOARD AUXILIARY RH ----- FILLER-TRAILING EDGE ----- FILLER-TRAILING EDGE ----- FILLER-TRAILING EDGE ----- FILLER-TRAILING EDGE ----- REINFORCEMENT ----- REINFORCEMENT LH ----- REINFORCEMENT RH -----							1 1 1 1 1 1 2 1 1	
<p>NOTE. *THESE PARTS ARE NOT USED ON AIRCRAFT THAT HAVE BEEN EQUIPPED WITH 0426005-225 OR 0426005-223 WING STRUCTURES. FOR REPLACEMENT PARTS ORDER FROM ITEMS CODED E.</p> <p>A---150 SERIAL 15071129 & ON F150 SERIAL F15000530 & ON B---150 SERIAL 15071129 THRU 15072629 C---150 SERIAL 15072630 THRU 15074399 F150 SERIAL F15000739 THRU F15000943 D---150 SERIAL 15071129 THRU 15074399 F150 SERIAL F15000530 THRU F15000943 E---150 SERIAL 15074400 & ON F150 SERIAL F15000944 & ON F---150 SERIAL 15071129 THRU 15076786 F150 SERIAL F15000530 THRU F15001278 G---150 SERIAL 15076787 & ON F150 SERIAL F15001279 & ON</p>										

150 & A150 Parts Catalog

Wing (Cont)



**A150 SERIAL A1500001 & ON
FA150 SERIAL FA1500001 & ON**

Figure 11. Wing Spar Assemblies

150 & A150 Parts Catalog

FIGURE AND INDEX NO.	PART NUMBER	DESCRIPTION							UNITS PER ASSY	USABLE ON CODE
		1	2	3	4	5	6	7		
11 -		SPAR ASSEMBLIES-WING AEROBAT -----							NP	A
	0422405-1	SPAR ASSEMBLY-WING FRONT LH STANDARD RANGE -----							1	
	0422405-3	SPAR ASSEMBLY-WING FRONT LH EXTENDED RANGE -----							1	
	0422405-2	SPAR ASSEMBLY-WING FRONT RH STANDARD RANGE -----							1	
	0422405-4	SPAR ASSEMBLY-WING FRONT RH EXTENDED RANGE -----							1	
- 1	0422405-9	CHANNEL ASSEMBLY-SPAR OUTBOARD LH -----							1	
	0422405-10	CHANNEL ASSEMBLY-SPAR OUTBOARD RH -----							1	
- 2	0422405-5	CHANNEL ASSEMBLY-SPAR INBOARD LH -----							1	
	0422405-7	CHANNEL ASSEMBLY-SPAR INBOARD LH EXTENDED RANGE -----							1	
	0422405-6	CHANNEL ASSEMBLY-SPAR INBOARD RH -----							1	
	0422405-8	CHANNEL ASSEMBLY-SPAR INBOARD RH EXTENDED RANGE -----							1	
- 3	0523524	SPACER-FUEL TANK -----							1	
	0523524	SPACER-FUEL TANK EXTENDED RANGE -----							2	
- 4	S1021A10-10	ATTACHING PARTS								
		SCREW -----							2	
- 5	0523306	FITTING-STRUT ATTACHMENT -----							1	
		ATTACHING PARTS								
- 6	AN5-7A	BOLT -----							3	
- 7	MS21042L5	NUT -----							3	
- 8	AN960-516	WASHER -----							3	
- 9	0523308-1	PLATE -----							1	
	0722707-1	PLATE-REINFORCEMENT -----							1	
-10	0422415-1	STIFFENER LH -----							1	
	0422415-3	STIFFENER LH EXTENDED RANGE -----							1	
	0422415-2	STIFFENER RH -----							1	
	0422415	STIFFENER RH EXTENDED RANGE -----							1	
-11	0523311-1	SPACER -----							1	
-12	0523309-5	ANGLE ASSEMBLY-LH -----							1	
	0523309-4	ANGLE ASSEMBLY-RH -----							1	
-13	NAS680A08	NUTPLATES -----							2	
-14	0422407-5	PLATE ASSEMBLY-FORWARD SPAR LH -----							1	
	0422407-7	PLATE ASSEMBLY-FORWARD SPAR LH EXTENDED RANGE -----							1	
	0422407-6	PLATE ASSEMBLY-FORWARD SPAR RH -----							1	
	0422407-8	PLATE ASSEMBLY-FORWARD SPAR RH EXTENDED RANGE -----							1	
-15	NAS680A08	NUTPLATE -----							8	
	NAS680A08	NUTPLATE EXTENDED RANGE -----							13	
-16	0422412-1	PLATE-FORWARD SPAR SPLICE LH -----							1	
	0422412-2	PLATE-FORWARD SPAR SPLICE RH -----							1	
-17	0422406-3	STIFFENER-LH -----							1	
	0422406-4	STIFFENER-RH -----							1	
-18	0422414-1	CHANNEL-SPLICE LH -----							1	
	0422414-2	CHANNEL-SPLICE RH -----							1	
-19	0422411-1	SPLICE-LH -----							1	
	0422411-2	SPLICE-RH -----							1	
-20	0422406-1	STIFFENER-LH -----							1	
	0422406-2	STIFFENER-RH -----							1	
	0426400-21	* SPAR ASSEMBLY-WING REAR LH STANDARD RANGE -----							1	
	0426400-39	* SPAR ASSEMBLY-WING REAR LH STANDARD RANGE -----							1	
	0426400-23	* SPAR ASSEMBLY-WING REAR LH EXTENDED RANGE -----							1	
	0426400-41	* SPAR ASSEMBLY-WING REAR LH EXTENDED RANGE -----							1	
	0426400-22	* SPAR ASSEMBLY-WING REAR RH STANDARD RANGE -----							1	
	0426400-30	* SPAR ASSEMBLY-WING REAR RH STANDARD RANGE -----							1	
	0426400-40	* SPAR ASSEMBLY-WING REAR RH STANDARD RANGE -----							1	
	0426400-24	* SPAR ASSEMBLY-WING REAR RH EXTENDED RANGE -----							1	
	0426400-29	* SPAR ASSEMBLY-WING REAR RH EXTENDED RANGE -----							1	
	0426400-42	* SPAR ASSEMBLY-WING REAR RH EXTENDED RANGE -----							1	
-21	0523406-5	CHANNEL-SPAR OUTBOARD LH -----							1	
	0523406-4	CHANNEL-SPAR OUTBOARD RH -----							1	
-22	0426400-19	* CHANNEL-SPAR INBOARD LH -----							1	
	0426400-33	* CHANNEL-SPAR INBOARD LH -----							1	
	0426400-20	* CHANNEL-SPAR INBOARD RH -----							1	
	0426400-26	* CHANNEL-SPAR INBOARD RH -----							1	
	0426400-34	* CHANNEL-SPAR INBOARD RH -----							1	
-23	0523409	CHANNEL -----							1	
-24	0422229-11	FITTING-WING SPAR REINFORCEMENT LH -----							2	
-25	0523524	SPACER-FUEL TANK -----							1	
	0422400-14	SPACER-PHENOLIC EXTENDED RANGE -----							1	
		ATTACHING PARTS								
	S1021A10-10	SCREWS -----							2	
-26	0426400-12	ANGLE-SPAR REINFORCEMENT LH -----							1	
	0426400-13	ANGLE-SPAR REINFORCEMENT RH -----							1	
-27	NAS680A08	NUTPLATE -----							8	

CONTINUED ON NEXT PAGE

150 & A150 Parts Catalog

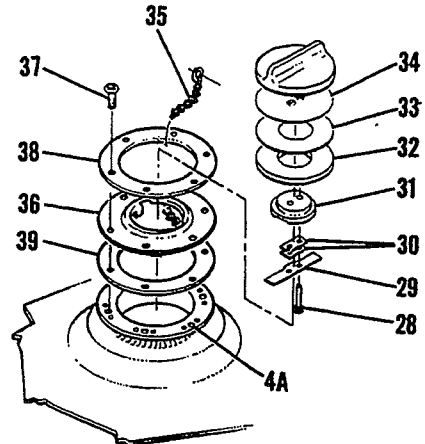
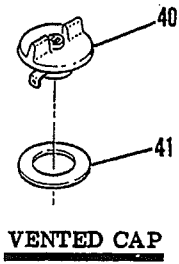
FIGURE AND INDEX NO.	PART NUMBER	DESCRIPTION	UNITS PER ASSY	USABLE ON CODE
		1 2 3 4 5 6 7		
11 -	0523005-50	SPAR ASSEMBLY-OUTBOARD AUXILIARY LH -----	1	
	0523005-51	SPAR ASSEMBLY-OUTBOARD AUXILIARY RH -----	1	
-28	0523813-3	FILLER-TRAILING EDGE -----	1	
-29	0523813-2	FILLER-TRAILING EDGE -----	1	
-30	0523813-4	FILLER-TRAILING EDGE -----	1	
-31	0523813-5	FILLER-TRAILING EDGE -----	1	
-32	0523216	REINFORCEMENT -----	2	
-33	0523215	REINFORCEMENT LH -----	1	
	0523215-1	REINFORCEMENT RH -----	1	
<p>NOTE. *THESE PARTS ARE NOT USED ON AIRCRAFT THAT HAVE BEEN EQUIPPED WITH 0422401-215 OR 0422401-217 WING STRUCTURES, FOR REPLACEMENT PARTS ORDER FROM ITEMS CODED E.</p> <p>A---A150 SERIAL A1500001 & ON FA150 SERIAL FA1500001 & ON</p> <p>B---A150 SERIAL A1500001 THRU A1500277 FA150 SERIAL FA1500001 THRU FA1500161</p> <p>C---A150 SERIAL A1500278 THRU A1500387 FA150 SERIAL FA1500162 THRU FA1500211</p> <p>D---A150 SERIAL A1500001 THRU A1500387 FA150 SERIAL FA1500001 THRU FA1500211</p> <p>E---A150 SERIAL A1500388 & ON FA150 SERIAL FA1500212 & ON</p> <p>F---A150 SERIAL A1500001 THRU A1500601 FA150 SERIAL FA1500001 THRU FA1500286</p> <p>G---A150 SERIAL A1500602 & ON FA150 SERIAL FA1500287 & ON</p>				

150 & A150 Parts Catalog

FIGURE AND INDEX NO.	PART NUMBER	DESCRIPTION							UNITS PER ASSY	USABLE ON CODE
		1	2	3	4	5	6	7		
12 -		TANK INSTALLATION-FUEL LH STANDARD RANGE -----							NP	
- 1	0426508-203	TANK INSTALLATION-FUEL RH STANDARD RANGE -----							NP	
	0426508-204	TANK ASSEMBLY-FUEL LH -----							1	C
	0426508-21	TANK ASSEMBLY-FUEL RH -----							1	C
	0426508-22	TANK ASSEMBLY-FUEL LH -----							1	D
		TANK ASSEMBLY-FUEL RH -----							1	D
		ATTACHING PARTS								
- 2	AN520-10R36	SCREW -----							2	
- 3	MS21044N3	NUT -----							2	
		*-----								
- 4	Q311240-17	FILLER NECK-FUEL TANK -----							1	C
- 4A	NAS680A3	NUTPLATE -----							6	C
- 5	0426512	STRAP ASSEMBLY-FUEL TANK -----							2	D
	0523522-11	STRAP ASSEMBLY-FUEL TANK -----							2	E
- 5A	0426512-5	PAD-NEOPRENE -----							1	F
	0523522-13	PAD-NEOPRENE -----							1	F
- 6	0426512	STRAP ASSEMBLY-FUEL TANK -----							1	F
	0523522-1	STRAP ASSEMBLY-FUEL TANK -----							2	F
- 6A	0426512-5	PAD-NEOPRENE -----							1	F
	0523522-7	PAD-NEOPRENE -----							1	F
- 7	0523520-9	PLUG-DRAIN OUTLET -----							1	G
	SEE FIG 14	VALVE-FUEL DRAIN USED WITH SAMPLER CUP -----							1	
- 8	MS28778-4	GASKET-DRAIN PLUG -----							1	
- 9	0523532	GASKET-FUEL TANK ADAPTER -----							2	C
- 10	0523529-1	ADAPTER ASSEMBLY-FUEL TANK -----							1	C
		ATTACHING PARTS								
- 11	AN520-10R10	SCREW -----							6	C
- 12	NAS488-7-3	NUT -----							8	C
- 13	0523531	SEAL-ADAPTER -----							1	C
- 14	S1021Z8-10	SCREW -----							8	C
CONTINUED ON NEXT PAGE										

150 & A150 Parts Catalog

Wing (Cont)



15072629 & ON
 F15000739 & ON
 A1500277 & ON
 FA1500167 & ON

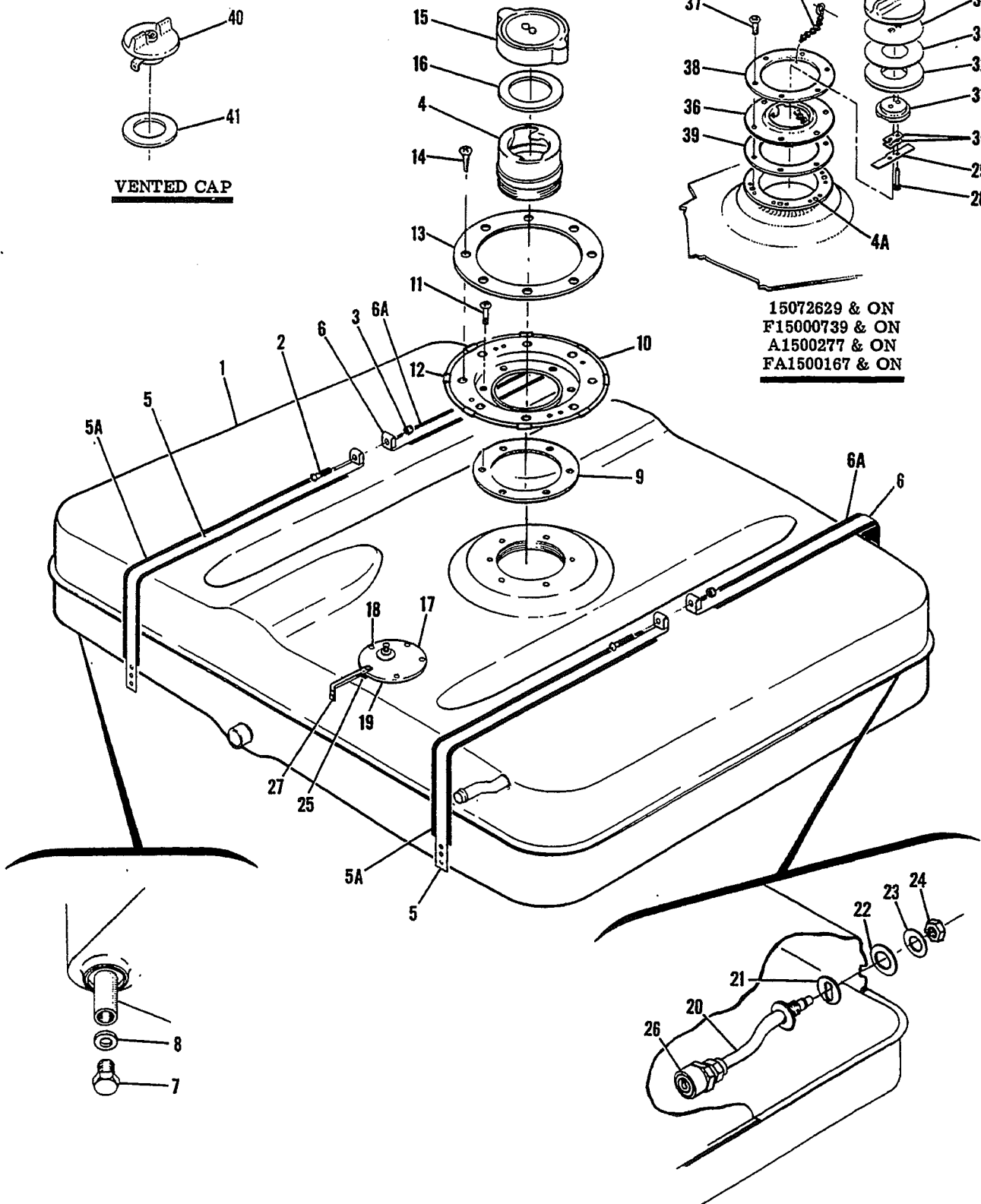


Figure 12. Fuel Tank Installation

150 & A150 Parts Catalog

FIGURE AND INDEX NO.	PART NUMBER	DESCRIPTION							UNITS PER ASSY	USABLE ON CODE
		1	2	3	4	5	6	7		
12 -15	0311360-4	CAP ASSEMBLY-FUEL TANK WEU C156003-0101 -----							1	C
-16	0311360-5	REFER TO INDEX 40 -----							1	C
-17	0426517-1	GASKET-CAP -----							1	
		TRANSMITTER-FUEL GAGE -----							1	
		ATTACHING PARTS -----								
-18	AN520-10R8	SCREW -----							5	
	S350	WASHER -----							5	
	AN960D10L	WASHER -----							5	
		-----*								
-19	S1588-1	GASKET-TRANSMITTER -----							1	
-20	0523552-2	WELD ASSEMBLY-FUEL CELL VENT LH TANK ONLY -----							1	
		ATTACHING PARTS -----								
-21	0523554-1	GASKET LH TANK ONLY -----							1	
-22	0523554-2	GASKET LH TANK ONLY -----							1	
-23	0523556-1	WASHER LH TANK ONLY -----							1	
-24	AN924-6D	NUT LH TANK ONLY -----							1	
		-----*								
-25	0413247	GROUND STRAP -----							1	
-26	0716124-6	VALVE ASSEMBLY-FUEL VENT LH TANK ONLY WEU S2359-1 -----							1	A
	S2359-1	VALVE ASSEMBLY-FUEL VENT LH TANK ONLY -----							1	B
-27	0516006-1	STRAP-FUEL TRANSMITTER GROUND -----							1	
	0426015-1	CAP ASSEMBLY-FUEL TANK LH WEU C156004-0101 -----							1	D
-28	AN530-10R12	SCREW -----							2	D
-29	0426015-9	LEAF SPRING -----							1	D
-30	0426015-8	SHIM -----							1	D
-31	0426015-6	SPACER -----							1	D
-32	0426015-5	GASKET -----							1	D
-33	0426015-4	WASHER -----							1	D
-34	0426015-10	PLATE -----							1	D
-35	C156001-0104	CHAIN -----							1	D
-36	0426011-4	FUEL FILLER NECK-CAP ADAPTOR -----							1	D
-37	AN520-10R8	SCREW -----							6	D
-38	0426013-2	GASKET-FUEL FILLER NECK -----							1	D
-39	0426013-1	GASKET-FUEL FILLER NECK -----							1	D
-40	C156003-0101	CAP ASSY-VENTED FUEL USED ON LH & RH TANKS -----							1	C
		CAP ASSY-NON-VENTED FUEL RH FSO C156003-0101 -----							NP	H
		CAP ASSY-VENTED FUEL USED ON RH TANK ONLY -----							1	J
-41	C156003-0101	GASKET-FUEL CAP 2.44 OD WISO -----							1	
	4969	GASKET-FUEL CAP 2.62 OD SADA -----							1	
	487-4								1	
<p>A---150 SERIAL 15071129 THRU 15071913 F150 SERIAL F15000530 THRU F15000658 A150 SERIAL A1500001 THRU A1500201 FA150 SERIAL FA1500001 THRU FA1500081</p> <p>B---150 SERIAL 15071914 & ON F150 SERIAL F15000659 & ON A150 SERIAL A1500202 & ON FA150 SERIAL FA1500082 & ON</p> <p>C---150 SERIAL 15071129 THRU 15072628 F150 SERIAL F15000530 THRU F15000738 A150 SERIAL A1500001 THRU A1500276 FA150 SERIAL FA1500001 THRU FA1500166</p> <p>D---150 SERIAL 15072629 & ON F150 SERIAL F15000739 & ON A150 SERIAL A1500277 & ON FA150 SERIAL FA1500167 & ON</p> <p>E---150 SERIAL 15071129 THRU 15073244 F150 SERIAL F15000530 THRU F15000833 A150 SERIAL A1500001 THRU A1500322 FA150 SERIAL FA1500001 THRU FA1500166</p> <p>F---150 SERIAL 15073245 & ON F150 SERIAL F15000834 & ON A150 SERIAL A1500323 & ON FA150 SERIAL FA1500167 & ON</p> <p>G---150 SERIAL 15071129 THRU 15075781 F150 SERIAL F15000530 THRU F15001143 A150 SERIAL A1500001 THRU A1500523 FA150 SERIAL FA1500001 THRU FA1500261</p> <p>H---150 SERIAL 15072629 THRU 15077313 F150 SERIAL F15000739 THRU F15077313 A150 SERIAL A1500277 THRU A15000637 FA150 SERIAL FA1500167 THRU FA1500281</p> <p>J---150 SERIAL 15077314 & ON F150 SERIAL F15001249 & ON A150 SERIAL A15000638 & ON FA150 SERIAL FA1500282 & ON</p>										

150 & A150 Parts Catalog

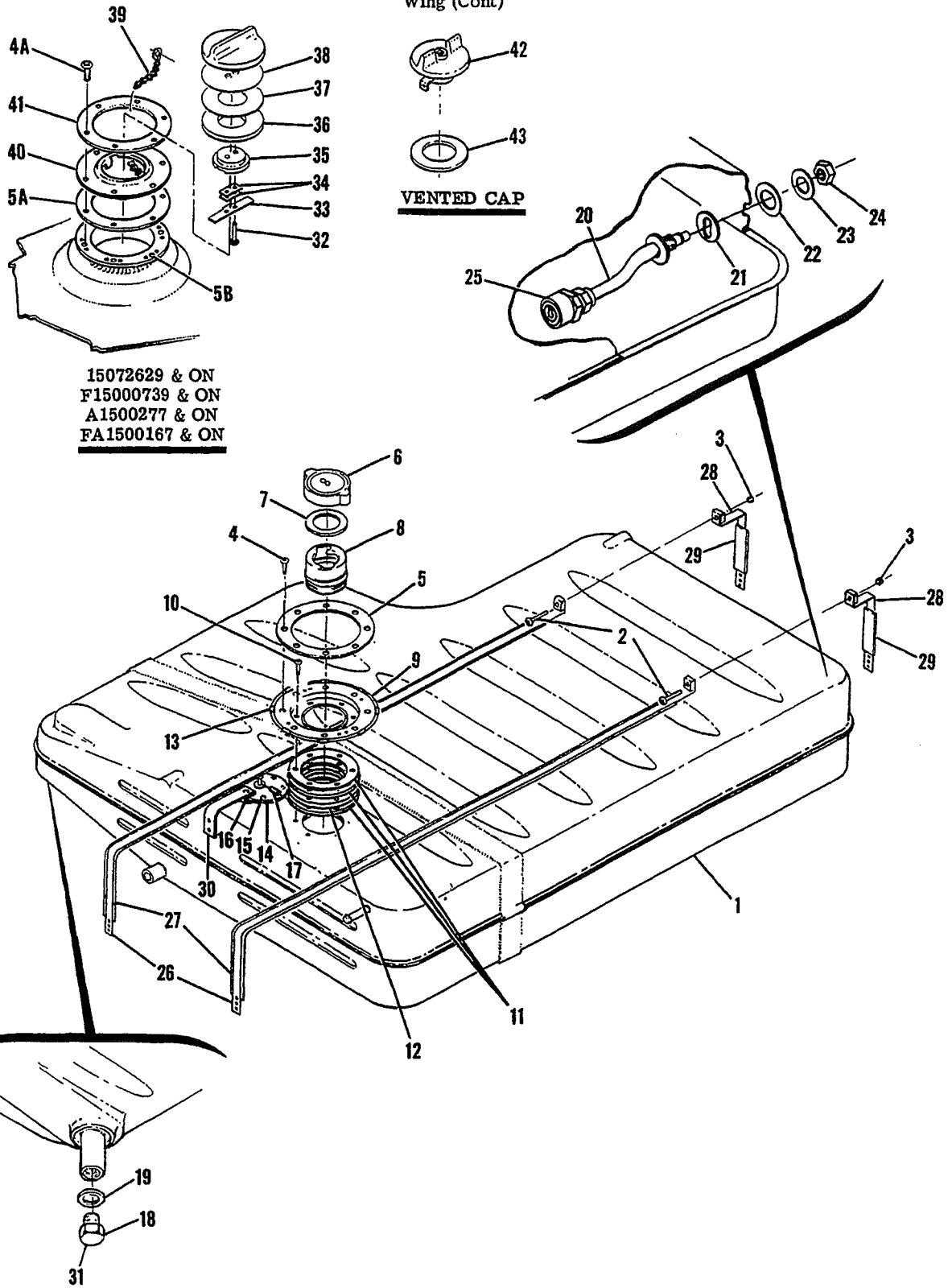


Figure 13. Extended Range Fuel Tank Installation

150 & A150 Parts Catalog

FIGURE AND INDEX NO.	PART NUMBER	DESCRIPTION							UNITS PER ASSY	USABLE ON CODE
		1	2	3	4	5	6	7		
13 -		FUEL TANK INSTALLATION-WING LH EXTENDED RANGE -----							NP	
- 1	0426519-1	FUEL TANK INSTALLATION-WING RH EXTENDED RANGE -----							NP	
	0426519-2	TANK ASSEMBLY-FUEL LH -----							1	C
	0426519-19	TANK ASSEMBLY-FUEL RH -----							1	C
	0426519-20	TANK ASSEMBLY-FUEL LH -----							1	D
		TANK ASSEMBLY-FUEL RH -----							1	D
		ATTACHING PARTS								
- 2	AN520-10R6	SCREW -----							2	
- 3	MS21044N3	NUT -----							2	
- 4	S102178-10	SCREW -----							8	C
- 4A	AN520-10R8	SCREW -----							6	D
- 5	0523531	SEAL -----							1	C
- 5A	0426013-1	GASKET -----							1	D
		*-----								
- 5B	NAS680A3	NUTPLATE -----							6	D
- 6	0311360-4	CAP ASSEMBLY-FUEL TANK WEU C156003-0101 -----							1	C
		REFER TO INDEX 42 -----								
- 7	0311360-5	GASKET-CAP -----							1	C
- 8	0311240-17	FILLER NECK-FUEL TANK -----							1	C
- 9	0523529-1	ADAPTER ASSEMBLY-FUEL TANK -----							1	C
		ATTACHING PARTS								
-10	AN520-10R14	SCREW -----							6	C
-11	0523532	GASKET-FUEL TANK ADAPTER -----							4	C
-12	0426208-1	SPACER -----							1	C
		*-----								
-13	C9876-8-1	NUT TIN -----							8	C
-14	0426517-2	TRANSMITTER-FUEL GAGE -----							1	
		ATTACHING PARTS								
-15	AN520-10R10	SCREW -----							5	
	S350	WASHER -----							5	
	S1588-1	GASKET -----							1	
-16	0413427	STRAP GROUND -----							1	
		*-----								
-17	20 OHM, 5W	RESISTOR-FUEL TRANSMITTER OM -----							1	
-18	0523520-9	PLUG-DRAIN -----							1	E
	SEE FIG 14	VALVE-FUEL DRAIN -----							1	F
-19	MS28778-4	GASKET-DRAIN -----							1	
-20	0523552-2	WELD ASSEMBLY-FUEL CELL VENT LH TANK ONLY -----							1	
		ATTACHING PARTS								
-21	0523554-1	GASKET LH TANK ONLY -----							1	
-22	0523554-2	GASKET LH TANK ONLY -----							1	
-23	0523556-1	WASHER LH TANK ONLY -----							1	
-24	AN924-6D	NUT LH TANK ONLY -----							1	
		*-----								
-25	0716124-6	VALVE ASSEMBLY-FUEL VENT LH TANK ONLY -----							1	A
		WEU S2359-1 -----								
	S2359-1	VALVE ASSEMBLY-FUEL VENT LH TANK ONLY -----							1	B
-26	0426512-6	STRAP ASSEMBLY-FUEL TANK INBOARD -----							2	
-27	0426512-8	PAD-NEOPRENE -----							1	
-28	0523522-1	STRAP ASSEMBLY-FUEL TANK OUTBOARD -----							2	
-29	0523522-7	PAD-NEOPRENE -----							1	
-30	0516006-1	STRAP FUEL TRANSMITTER GROUND -----							1	
-31	SEE FIG 14	VALVE-FUEL DRAIN USED WITH SAMPLER CUP -----							1	
	0426015-1	CAP ASSEMBLY-FUEL TANK LH WEU C156004-0101 -----							1	D
-32	AN530-10R12	SCREW -----							2	D
-33	0426015-9	LEAF SPRING -----							1	D
-34	0426015-8	SHIM -----							1	D
-35	0426015-6	SPACER -----							1	D
-36	0426015-5	GASKET -----							1	D
-37	0426015-4	WASHER -----							1	D
-38	0426015-10	PLATE -----							1	D
-39	C156001-0104	CHAIN ASSEMBLY -----							1	D

CONTINUED ON NEXT PAGE

150 & A150 Parts Catalog

FIGURE AND INDEX NO.	PART NUMBER	DESCRIPTION	UNITS PER ASSY	USABLE ON CODE
		1 2 3 4 5 6 7		
13 -40	0426011-4	FUEL FILLER NECK -----	1	D C G H
-41	0426013-2	GASKET -----	1	
-42	C156003-0101	CAP ASSY-VENTED FUEL USED ON LH & RH TANKS -----	1	
	C156003-0101	CAP ASSY-NON-VENTED FUEL RH FSO C156003-0101 -----	NP 1	
-43	4969	CAP ASSY-VENTED FUEL RH TANK ONLY -----	1	
	487-4	GASKET-FUEL CAP 2.44 OD WISO -----	1	
		GASKET-FUEL CAP 2.62 OD SADA -----	1	
		A---150 SERIAL 15071129 THRU 15071913 F150 SERIAL F15000530 THRU F15000658 A150 SERIAL A1500001 THRU A1500201 FA150 SERIAL FA1500001 THRU FA1500081		
		B---150 SERIAL 15071914 & ON F150 SERIAL F15000659 & ON A150 SERIAL A1500202 & ON FA150 SERIAL FA1500082 & ON		
		C---150 SERIAL 15071129 THRU 15072628 F150 SERIAL F15000530 THRU F15000738 A150 SERIAL A1500001 THRU A1500276 FA150 SERIAL FA1500001 THRU FA1500166		
		D---150 SERIAL 15072629 & ON F150 SERIAL F15000739 & ON A150 SERIAL A1500277 & ON FA150 SERIAL FA1500167 & ON		
		E---150 SERIAL 15071129 THRU 15075781 F150 SERIAL F15000530 THRU F15001143 A150 SERIAL A1500001 THRU A1500523 FA150 SERIAL FA1500001 THRU FA1500261		
		F---150 SERIAL 15075782 & ON F150 SERIAL F15001144 & ON A150 SERIAL A1500524 & ON FA150 SERIAL FA1500262 & ON		
		G---150 SERIAL 15072629 THRU 15077313 F150 SERIAL F15000739 THRU F15001248 A150 SERIAL A1500277 THRU A15000637 FA150 SERIAL FA1500167 THRU FA1500281		
		H---150 SERIAL 15077314 & ON F150 SERIAL F15001249 & ON A150 SERIAL A15000638 & ON FA150 SERIAL FA1500282 & ON		

150 & A150 Parts Catalog

Wing (Cont)

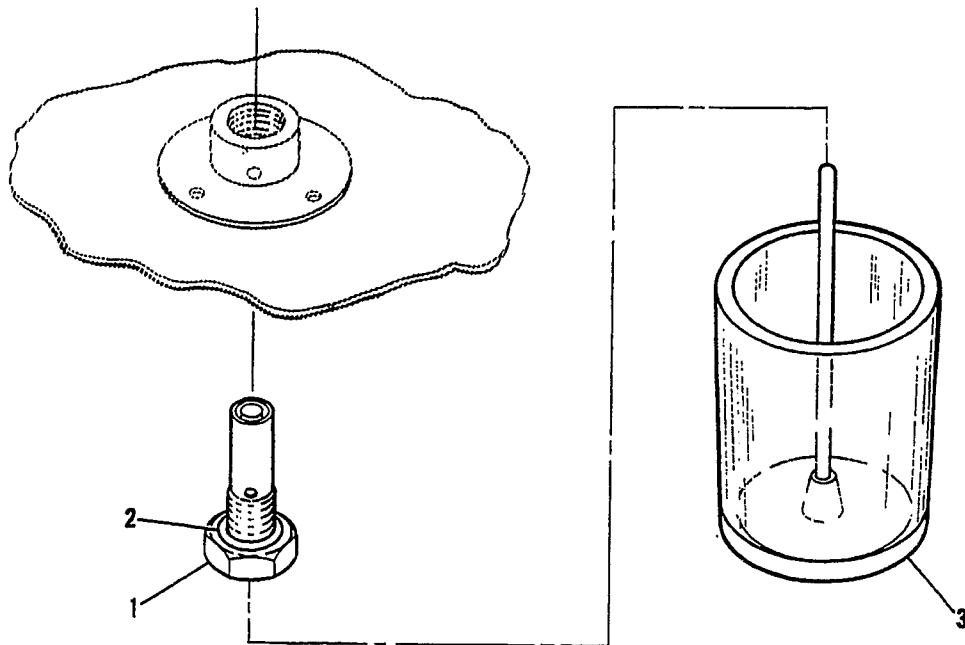


Figure 14. Fuel Tank Drain Valve Installation

FIGURE AND INDEX NO.	PART NUMBER	DESCRIPTION	1 2 3 4 5 6 7							UNITS PER ASSY	USABLE ON CODE	
14 -		FUEL TANK DRAIN VALVE INSTALLATION -----									1	
- 1	S2106-2 *	VALVE-FUEL TANK DRAIN -----									2	
- 2	NAS1593-012	O RING -----									1	
- 3	S2107-1 *	CUP-FUEL SAMPLER -----									1	
<p>NOTE. *THESE PARTS & INSTALLATION INSTRUCTIONS ARE AVAILABLE AS A KIT & MAY BE ORDERED UNDER P/N AK150-82</p>												

150 & A150 Parts Catalog

Wing (Cont)

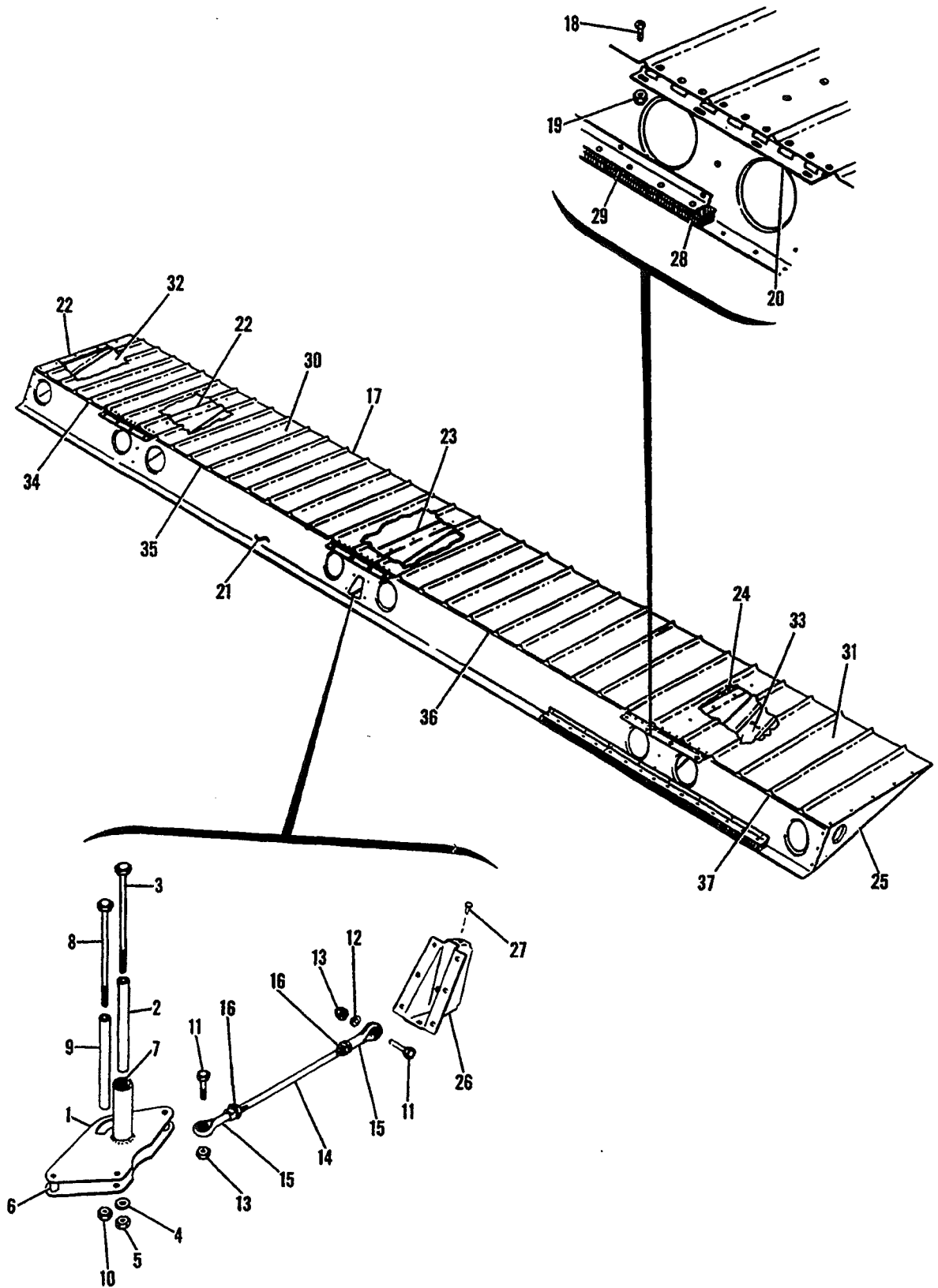


Figure 15. Aileron Installation

150 & A150 Parts Catalog

FIGURE AND INDEX NO.	PART NUMBER	DESCRIPTION							UNITS PER ASSY	USABLE ON CODE
		1	2	3	4	5	6	7		
15 -		AILERON INSTALLATION -----							NP	
- 1	0523223	BELLCRANK ASSEMBLY-AILERON LH -----							1	
	0523223-1	BELLCRANK ASSEMBLY-AILERON RH -----							1	
		ATTACHING PARTS -----								
- 2	0523221	BUSHING -----							1	
- 3	AN4-42A	BOLT -----							1	
- 4	S1450-20B12-032	WASHER -----							1	
- 5	MS21042L4	NUT -----							1	
		*-----								
- 6	0422280	BUSHING -----							2	
- 7	B610	BEARING TOR -----							2	
- 8	AN4-42A	BOLT -----							1	
- 9	0523222	BUSHING-BELLCRANK STOP -----							1	
-10	MS21042L4	NUT -----							1	
	0523218	ROD ASSEMBLY-AILERON PUSH PULL -----							2	
		ATTACHING PARTS -----								
-11	AN3-7A	BOLT -----							2	
-12	AN960-10	WASHER -----							1	
-13	MS21044N3	NUT -----							2	
		*-----								
-14	0523218-2	ROD-AILERON PUSH PULL -----							1	
-15	S1819-3	END-ROD -----							2	
-16	AN316-4R	NUT-CHECK -----							2	
-17	0523800	AILERON ASSEMBLY-LH -----							1	
	0523800-1	AILERON ASSEMBLY-RH -----							1	
		ATTACHING PARTS -----								
-18	NAS221-8	BOLT -----							12	
-19	MS21044N3	NUT -----							12	
		*-----								
-20	0523807	HINGE ASSEMBLY-AILERON -----							3	
-21	0523806	SPAR-AILERON LH -----							1	
	0523806-1	SPAR-AILERON RH -----							1	
-22	0523808	RIB-NO. 1-AILERON LH -----							2	
	0523808-2	RIB NO. 1-AILERON RH -----							2	
-23	0523809	RIB NO. 2-AILERON LH -----							1	
	0523809-1	RIB NO. 2-AILERON RH -----							1	
-24	0523810	RIB NO. 3-AILERON -----							1	
-25	0523811	RIB NO. 4-AILERON LH -----							1	
	0523811-1	RIB NO. 4-AILERON RH -----							1	
-26	0760011-2	BRACKET-CONTROL -----							1	
		ATTACHING PARTS -----								
-27	CR163-4-8	RIVET CY -----							1	
		*-----								
-28	0724115-2	WEIGHT-AILERON BALANCE -----							3	
		ATTACHING PARTS -----								
-29	0523814-3	BRACKET -----							1	
		*-----								
-30	0523800-6	SKIN-UPPER INBOARD LH -----							1	
	0523800-7	SKIN-UPPER INBOARD RH -----							1	
-31	0523800-8	SKIN-UPPER OUTBOARD LH -----							1	
	0523800-9	SKIN-UPPER OUTBOARD RH -----							1	
-32	0523800-10	SKIN-LOWER INBOARD LH -----							1	
	0523800-11	SKIN-LOWER INBOARD RH -----							1	
-33	0523800-12	SKIN-LOWER OUTBOARD LH -----							1	
	0523800-13	SKIN-LOWER OUTBOARD RH -----							1	
-34	0523813-1	SPACER -----							1	
-35	0523813-8	SPACER -----							1	
-36	0523813-6	SPACER -----							1	
-37	0523813-7	SPACER -----							1	

150 & A150 Parts Catalog

Wing (Cont)

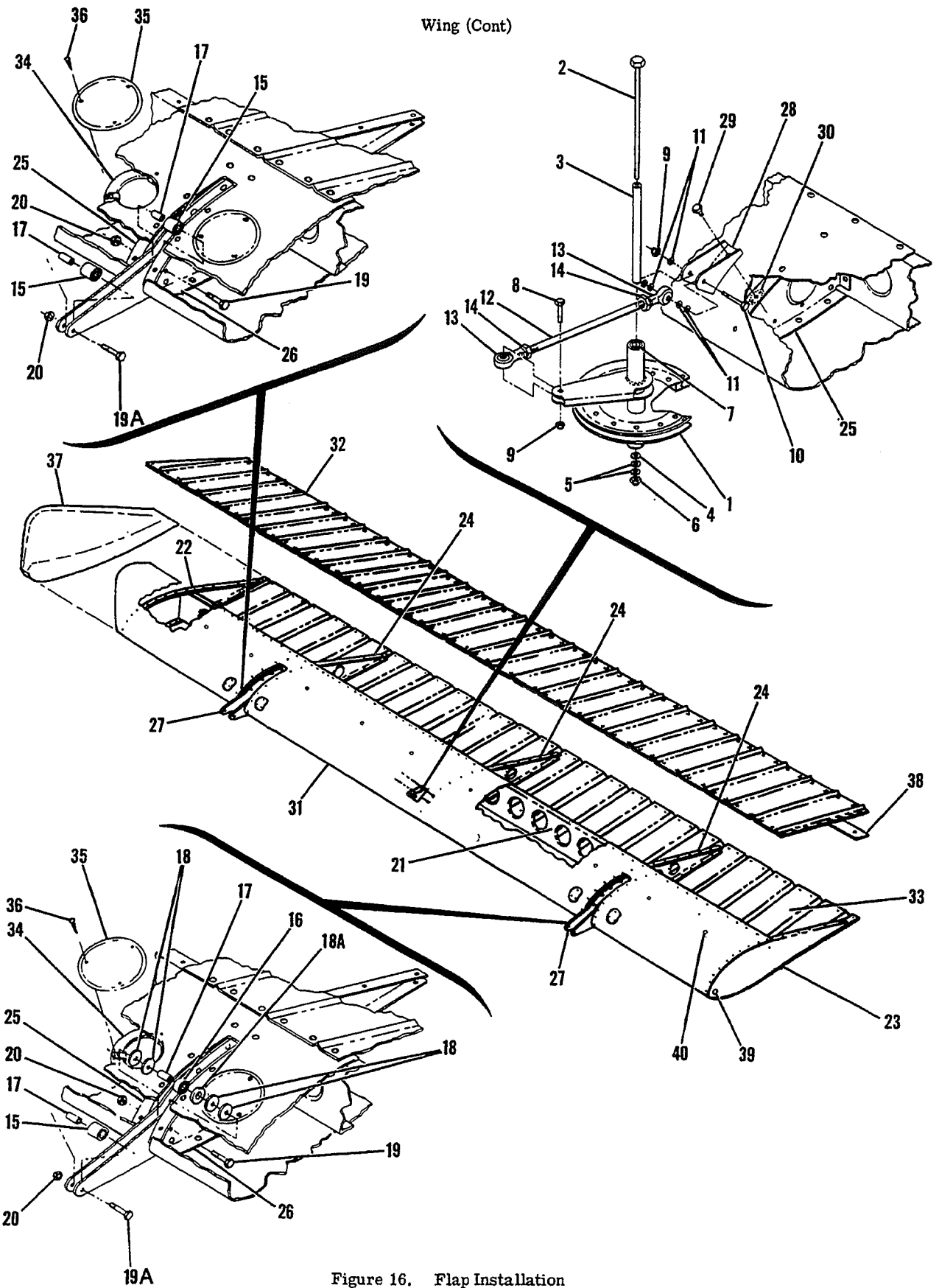


Figure 16. Flap Installation

150 & A150 Parts Catalog

FIGURE AND INDEX NO.	PART NUMBER	DESCRIPTION							UNITS PER ASSY	USABLE ON CODE
		1	2	3	4	5	6	7		
16 -		FLAP INSTALLATION -----							NP	
- 1	0760612-7	DRIVE PULLEY-LEFT FLAP -----							1	
	0760612-1	DRIVE PULLEY-RIGHT FLAP -----							1	
		ATTACHING PARTS -----								
- 2	AN4-60A	BOLT -----							1	
- 3	0523536	BUSHING -----							1	
- 4	S1450-20B12-032	WASHER -----							1	
- 5	AN960D416	WASHER -----							2	
- 6	MS21042L4	NUT -----							1	
		*-----								
- 7	B610	BEARING TOR -----							2	
	0523537	ROD ASSEMBLY-FLAP PUSH PULL -----							2	
		ATTACHING PARTS -----								
- 8	AN3-7A	BOLT -----							1	
- 9	MS21044N3	NUT -----							2	
-10	AN3-11A	BOLT -----							1	
-11	AN960-10	WASHER -----							5	
		*-----								
-12	0523537-2	ROD-FLAP PUSH PULL -----							1	
-13	S1819-3	END-ROD -----							2	
-14	AN316-4R	NUT-CHECK -----							2	
	0426901-15	* FLAP ASSEMBLY-LEFT WING -----							1	
	0426901-16	* FLAP ASSEMBLY-RIGHT WING -----							1	
		ATTACHING PARTS -----								
-15	0523921	ROLLER ASSEMBLY -----							3	
-16	0523920	ROLLER ASSEMBLY -----							1	
-17	0523919	BUSHING-ROLLER -----							4	
-18	S1450-5N12-050	SPACER-ROLLER OUTBOARD ONLY -----							AR	
-18A	I220114-2	SPACER-ROLLER OUTBOARD ONLY -----							1	
-19	AN3-11A	BOLT -----							2	
-19A	AN3-10A	BOLT -----							2	
-20	MS21044N3	NUT -----							4	
		*-----								
-21	0426908	SPAR-FLAP LH ONLY -----							1	
	0426908-1	SPAR-FLAP RH ONLY -----							1	
-22	0523912	RIB-FLAP INBOARD -----							1	
-23	0523912-1	RIB-FLAP OUTBOARD -----							1	
-24	0523923	RIB-FLAP TRAILING EDGE -----							3	
-25	0523914	RIB-FLAP SUPPORT ARM RIGHT -----							1	
-26	0523901-13	RIB ASSEMBLY-FLAP SUPPORT ARM LEFT -----							2	
-27	0523901-14	RIB ASSEMBLY-FLAP SUPPORT ARM RIGHT -----							2	
-28	0523918	BRACKET-FLAP CONTROL -----							1	
		ATTACHING PARTS -----								
-29	AN3-3A	BOLT -----							2	
-30	MS680A3	NUTPLATE -----							2	
		*-----								
-31	0426901-13	SKIN-FLAP LEADING EDGE LH ONLY -----							1	
	0426901-12	SKIN-FLAP LEADING EDGE RH ONLY -----							1	
-32	0426901-11	SKIN-FLAP UPPER LH ONLY -----							1	
	0426901-10	SKIN-FLAP UPPER RH ONLY -----							1	
-33	0426901-6	SKIN-FLAP LOWER LH ONLY -----							1	
	0426901-7	SKIN-FLAP LOWER RH ONLY -----							1	
-34	S237-4	DOUBLER-ACCESS HOLE -----							4	
-35	S225-3	COVER-ACCESS HOLE -----							4	
-36	S102178-8	SCREW -----							3	
-37	0425142-1	EXTENSION-FLAP LH -----							1	
	0425142-2	EXTENSION-FLAP RH -----							1	
-38	0426901-14	REINFORCEMENT WEU 0426901-17 -----							1	
	0426901-17	REINFORCEMENT -----							1	
-39	CM2692-20-1S	PLUG BUTTON -----							1	
-40	S1093-1	** PLUG BUTTON -----							12	
NOTE. *WHEN ORDERING THESE PARTS ALSO ORDER PARTS MARKED **.										
<p>A---150 SERIAL 15071129 THRU 15075080 F150 SERIAL F15000530 THRU F15001073 A150 SERIAL A1500001 THRU A1500441 FA150 SERIAL FA1500001 THRU FA1500236</p> <p>B---150 SERIAL 15075081 & ON F150 SERIAL F15001074 & ON A150 SERIAL A1500442 & ON FA150 SERIAL FA1500237 & ON</p>										

A
B

150 & A150 Parts Catalog

Strut

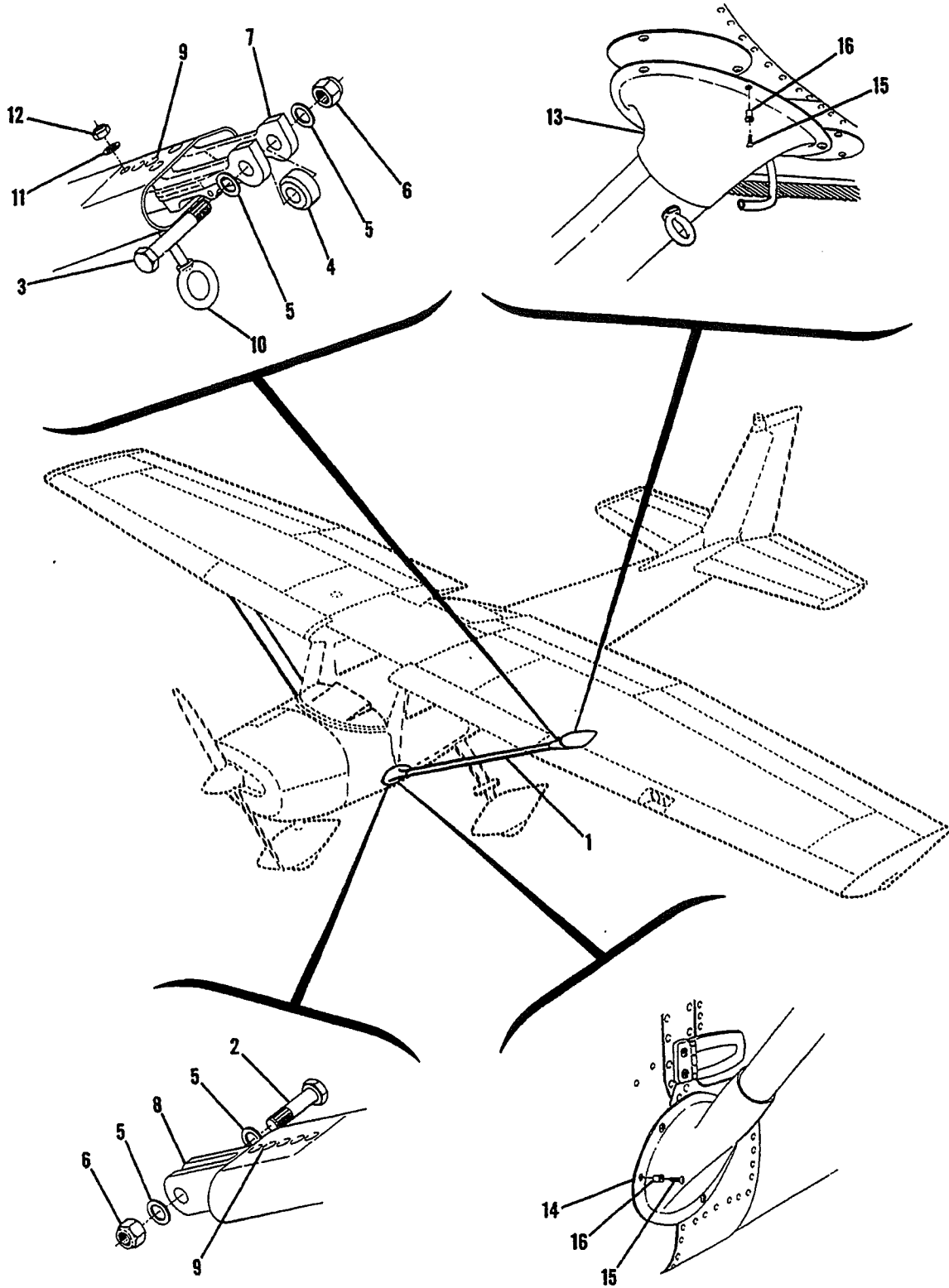


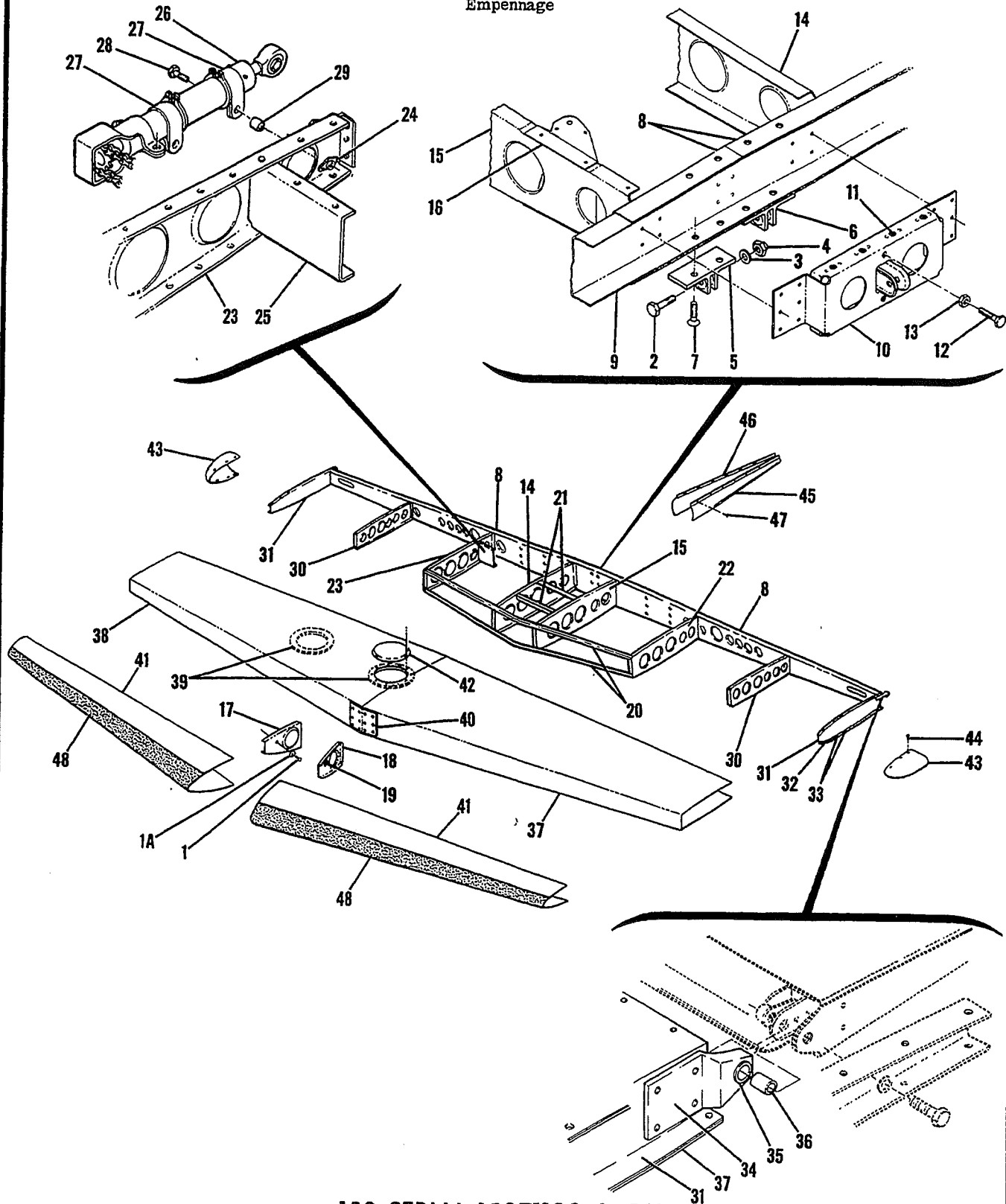
Figure 17. Wing Strut Installation

150 & A150 Parts Catalog

FIGURE AND INDEX NO.	PART NUMBER	DESCRIPTION							UNITS PER ASSY	USABLE ON CODE
		1	2	3	4	5	6	7		
17 -		WING STRUT INSTALLATION -----							NP	
- 1	0421000-1	STRUT ASSEMBLY-WING LH -----							1	A
	0421000-7	STRUT ASSEMBLY-WING LH -----							1	B
	0421000-2	STRUT ASSEMBLY-WING RH -----							1	A
	0421000-8	STRUT ASSEMBLY-WING RH -----							1	B
		ATTACHING PARTS								
- 2	AN8-17A	BOLT -----							1	
- 3	AN8-25A	BOLT -----							1	
- 4	0523307	SPACER -----							1	A
	0523307-1	SPACER -----							1	B
- 5	AN960-816	WASHER -----							4	
- 6	MS20365-820C	NUT -----							2	
		-----*								
- 7	0523614-1	FITTING-STRUT UPPER -----							1	
- 8	0421001-1	FITTING-STRUT LOWER LH & RH -----							1	A
	0421001-3	FITTING-STRUT LOWER LH -----							1	B
	0421001-2	FITTING-STRUT LOWER RH -----							1	B
		ATTACHING PARTS								
- 9	MS20470AD10-31	RIVET -----							5	
		-----*								
-10	0523613-1	EYEBOLT-MOORING -----							1	
-11	AN960-516	WASHER -----							1	
-12	MS21042L5	NUT -----							1	
-13	0522150-3-791	FAIRING-STRUT UPPER LH -----							1	A
	0522150-7-791	FAIRING-STRUT UPPER LH -----							1	B
	0522150-4-791	FAIRING-STRUT UPPER RH -----							1	A
	0522150-6-791	FAIRING-STRUT UPPER RH -----							1	B
-14	0421002-1-791	FAIRING-STRUT LOWER LH -----							1	A
	0421002-3-791	FAIRING-STRUT LOWER LH -----							1	B
	0421002-2-791	FAIRING-STRUT LOWER RH -----							1	A
	0421002-4-791	FAIRING-STRUT LOWER RH -----							1	B
		ATTACHING PARTS								
-15	AN515-8R8	SCREW -----							3	
-16	NAS1329A08-75	RIVNUT -----							3	
		-----*								
		A---150 SERIAL 15071129 & ON F150 SERIAL F15000530 & ON B---A150 SERIAL A1500001 & ON FA150 SERIAL FA1500001 & ON								

150 & A150 Parts Catalog

Empennage



**150 SERIAL 15071129 & ON
F150 SERIAL F15000530 & ON**

Figure 18. Stabilizer Installation

150 & A150 Parts Catalog

FIGURE AND INDEX NO.	PART NUMBER	DESCRIPTION							UNITS PER ASSY	USABLE ON CODE
		1	2	3	4	5	6	7		
18 -	0432001-59	STABILIZER INSTALLATION -----							NP	A
		STABILIZER ASSEMBLY -----							1	
		ATTACHING PARTS -----								
- 1	AN4-5A	BOLT -----							2	
- 1A	S1450-4A10-071	WASHER -----							2	
- 2	AN4-7A	BOLT -----							2	
- 3	AN960-416L	WASHER -----							2	
- 4	MS21042L4	NUT -----							2	
		*-----								
- 5	0432005-1	FITTING-LH -----							1	
- 6	0432005-2	FITTING-RH -----							1	
		ATTACHING PARTS -----								
- 7	AN509-416R12	SCREW -----							2	
		*-----								
- 8	0432001-56	SPAR-STABILIZER -----							2	
- 9	0432001-15	REINFORCEMENT -----							1	
-10	0432004-1	BRACKET ASSEMBLY -----							1	
	0432004-9	BRACKET ASSEMBLY -----							1	
-11	NAS1068A4	NUTPLATE -----							8	
-12	NAS428H3-7	BOLT-ELEVATOR STOP -----							2	
-13	AN315-3R	NUT-ELEVATOR STOP -----							2	
-14	0432001-8	RIB-RH -----							1	
-15	0432001-9	RIB-LH -----							1	
-16	0432001-19	BRACKET-UPPER HALF -----							1	
	0432001-20	BRACKET-LOWER HALF -----							1	
-17	0432001-6	RIB ASSEMBLY-LEADING EDGE RH -----							1	
-18	0432001-46	RIB ASSEMBLY-LEADING EDGE LH -----							1	
-19	NAS686A4	NUTPLATE -----							1	
-20	0432001-37	ANGLE -----							2	
-21	0432001-41	STIFFENER -----							2	
-22	0432001-11	RIB-LH -----							1	
-23	0432001-10	RIB ASSEMBLY-RH -----							1	
-24	NAS680A3K	NUTPLATE RH ONLY -----							2	
-25	0432001-43	RIB RH ONLY -----							1	
-26	SEE FIG 19A	ACTUATOR ASSEMBLY-ELEVATOR TAB -----							1	
		ATTACHING PARTS -----								
-27	AN742D13	CLAMP -----							2	
-28	AN520-10R12	SCREW -----							2	
-29	S355	SPACER -----							AR	
		*-----								
-30	0432001-12	RIB -----							2	
-31	0432001-53	RIB -----							2	
-32	S1863-3A	NUTPLATE -----							4	
-33	S1862-2A	NUTPLATE -----							8	
-34	0432165-1	HINGE ASSEMBLY -----							2	
-35	S1003-65A	BEARING -----							1	
-36	0432003-1	BUSHING -----							1	
-37	0432001-55	SKIN-STABILIZER LH -----							1	
-38	0432001-54	SKIN-STABILIZER RH -----							1	
-39	S237-2	DOUBLER RH ONLY -----							2	
-40	0432001-44	PLATE-REINFORCEMENT -----							1	
-41	0432001-16	SKIN-LEADING EDGE -----							2	
-42	S225-1	PLATE-INSPECTION -----							2	
		ATTACHING PARTS -----								
	S1021Z8-8	SCREW -----							3	
		*-----								
-43	0430004-11-791	TIP-STABILIZER -----							2	
		ATTACHING PARTS -----								
-44	S1021Z8-6	SCREW -----							6	
		*-----								

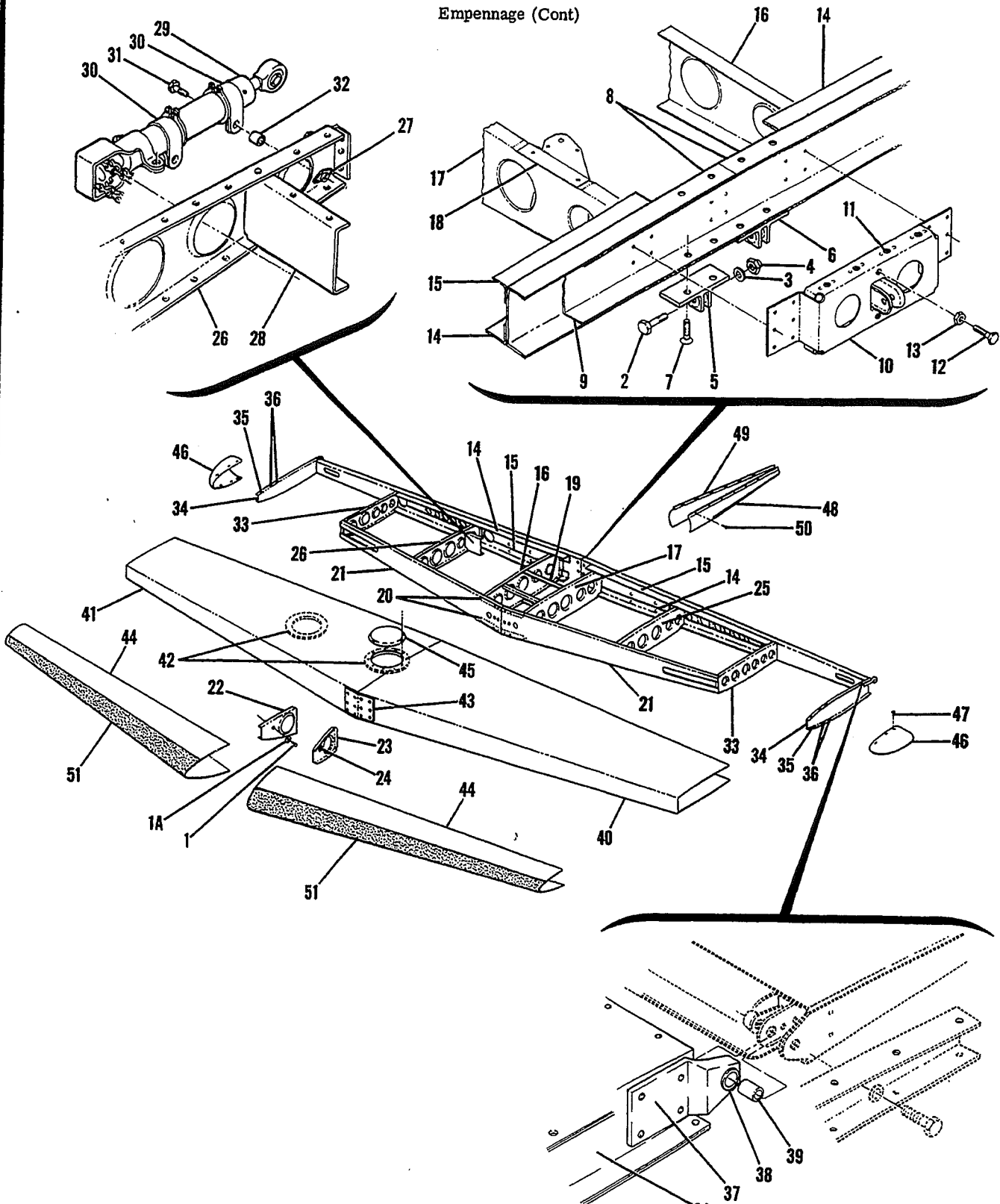
CONTINUED ON NEXT PAGE

150 & A150 Parts Catalog

FIGURE AND INDEX NO.	PART NUMBER	DESCRIPTION	UNITS PER ASSY	USABLE ON CODE
		1 2 3 4 5 6 7		
18 -45	0431015-5	FAIRING ASSEMBLY-LH -----	1	B C
	0431015-7	FAIRING ASSEMBLY-LH -----	1	
-46	0431015-6	FAIRING ASSEMBLY-RH -----	1	B C
	0431015-8	FAIRING ASSEMBLY-RH -----	1	
		ATTACHING PARTS		
-47	S1021Z6-6	SCREW -----	11	
		*-----		
	S1863-2A	NUTPLATE -----	2	
-48	S1938-3-68.00	BOOT-ABRASION -----	2	C
		A---150 SERIAL 15071129 & ON F150 SERIAL F15000530 & ON		
		B---150 SERIAL 15071129 THRU 15072003 F150 SERIAL F15000530 THRU F15000658		
		C---150 SERIAL 15072004 & ON F150 SERIAL F15000659 & ON		
		D---150 SERIAL 15071129 THRU 15075504 F150 SERIAL F15000530 THRU F15001133		
		E---150 SERIAL 15075505 & ON F150 SERIAL F15001134 & ON		

150 & A150 Parts Catalog

Empennage (Cont)



**A150 SERIAL A1500001 & ON
FA150 SERIAL FA1500001 & ON**

Figure 19. Stabilizer Installation-Aerobat

150 & A150 Parts Catalog

FIGURE AND INDEX NO.	PART NUMBER	DESCRIPTION							UNITS PER ASSY	USABLE ON CODE
		1	2	3	4	5	6	7		
19 -	0432001-61	STABILIZER INSTALLATION-AEROBAT -----							NP	A
		STABILIZER ASSEMBLY -----							1	
		ATTACHING PARTS -----								
- 1	AN4-5A	BOLT -----							2	
- 1A	S1450-4A10-071	WASHER -----							2	
- 2	AN4-7A	BOLT -----							2	
- 3	AN960-416L	WASHER -----							2	
- 4	NS21042L4	NUT -----							2	
		-----*								
- 5	0432005-1	FITTING-LH -----							1	
- 6	0432005-2	FITTING-RH -----							1	
		ATTACHING PARTS -----								
- 7	AN509-416R12	SCREW -----							2	
		-----*								
- 8	0432001-56	SPAR-STABILIZER -----							2	
- 9	0432001-15	REINFORCEMENT -----							1	
-10	0432004-1	BRACKET ASSEMBLY -----							1	
	0432004-9	BRACKET ASSEMBLY -----							1	
-11	NAS1068A4	NUTPLATE -----							8	
-12	NAS428H3-7	BOLT-ELEVATOR STOP -----							2	
-13	AN315-3R	NUT-ELEVATOR STOP -----							2	
-14	0432007-1	REINFORCEMENT-STABILIZER			UPPER RH & LOWER LH -----				2	
-15	0432007-2	REINFORCEMENT-STABILIZER			UPPER LH & LOWER RH -----				2	
-16	0432001-66	RIB-RH -----							1	
-17	0432001-67	RIB-LH -----							1	
-18	0432001-19	BRACKET-UPPER HALF -----							1	
	0432001-20	BRACKET-LOWER HALF -----							1	
-19	0432001-41	STIFFENER -----							4	
-20	0432007-3	REINFORCEMENT -----							2	
-21	0432006-1	SPAR DOUBLER-STABILIZER -----							2	
-22	0432001-6	RIB ASSEMBLY-LEADING EDGE RH -----							1	
-23	0432001-46	RIB ASSEMBLY-LEADING EDGE LH -----							1	
-24	NAS686A4	NUTPLATE -----							1	
-25	0432001-68	RIB-LH -----							1	
-26	0432001-69	RIB ASSEMBLY-RH -----							1	
-27	NAS680A3K	NUTPLATE RH ONLY -----							2	
-28	0432001-43	RIB RH ONLY -----							1	
-29	SEE FIG 19A	ACTUATOR ASSEMBLY-ELEVATOR TAB -----							1	
		ATTACHING PARTS -----								
-30	AN742D13	CLAMP -----							2	
-31	AN520-10R12	SCREW -----							2	
-32	S355	SPACER -----							AR	
		-----*								
-33	0432001-70	RIB -----							2	
-34	0432001-53	RIB -----							2	
-35	S1893-3A	NUTPLATE -----							4	
-36	S1892-2A	NUTPLATE -----							8	
-37	0432165-1	HINGE ASSEMBLY -----							2	
-38	S1003-65A	BEARING -----							2	
-39	0432003-1	BUSHING -----							1	
-40	0432001-65	SKIN-STABILIZER LH -----							1	
-41	0432001-64	SKIN-STABILIZER RH -----							1	
-42	S237-2	DOUBLER RH ONLY -----							2	
-43	0432001-63	PLATE-REINFORCEMENT -----							1	
-44	0432001-62	SKIN-LEADING EDGE -----							2	
-45	S225-1	PLATE-INSPECTION -----							2	
		ATTACHING PARTS -----								
	S102128-8	SCREW -----							3	
		-----*								
-46	0430004-11-791	TIP-STABILIZER -----							2	
		ATTACHING PARTS -----								
-47	S102128-6	SCREW -----							6	
		-----*								

CONTINUED ON NEXT PAGE

150 & A150 Parts Catalog

FIGURE AND INDEX NO.	PART NUMBER	DESCRIPTION	UNITS PER ASSY	USABLE ON CODE
		1 2 3 4 5 6 7		
19 -48	0431015-5	FAIRING ASSEMBLY-LH -----	1	B
	0431015-7	FAIRING ASSEMBLY-LH -----	1	C
-49	0431015-6	FAIRING ASSEMBLY-RH -----	1	B
	0431015-8	FAIRING ASSEMBLY-RH -----	1	C
		ATTACHING PARTS		
-50	S102176-6	SCREW -----	11	
		*-----		
	S1893-2A	NUTPLATE -----	2	
-51	S1938-3-68.00	BOOT-ABRASION -----	2	C
		A---A150 SERIAL A1500001 & ON FA150 SERIAL FA1500001 & ON		
		B---A150 SERIAL A1500001 THRU A1500226 FA150 SERIAL FA1500001 THRU FA1500081		
		C---A150 SERIAL A1500227 & ON FA150 SERIAL FA1500082 & ON		
		D---A150 SERIAL A1500001 THRU A1500478 FA150 SERIAL FA1500001 THRU FA1500261		
		E---A150 SERIAL A1500479 & ON FA150 SERIAL FA1500262 & ON		

150 & A150 Parts Catalog

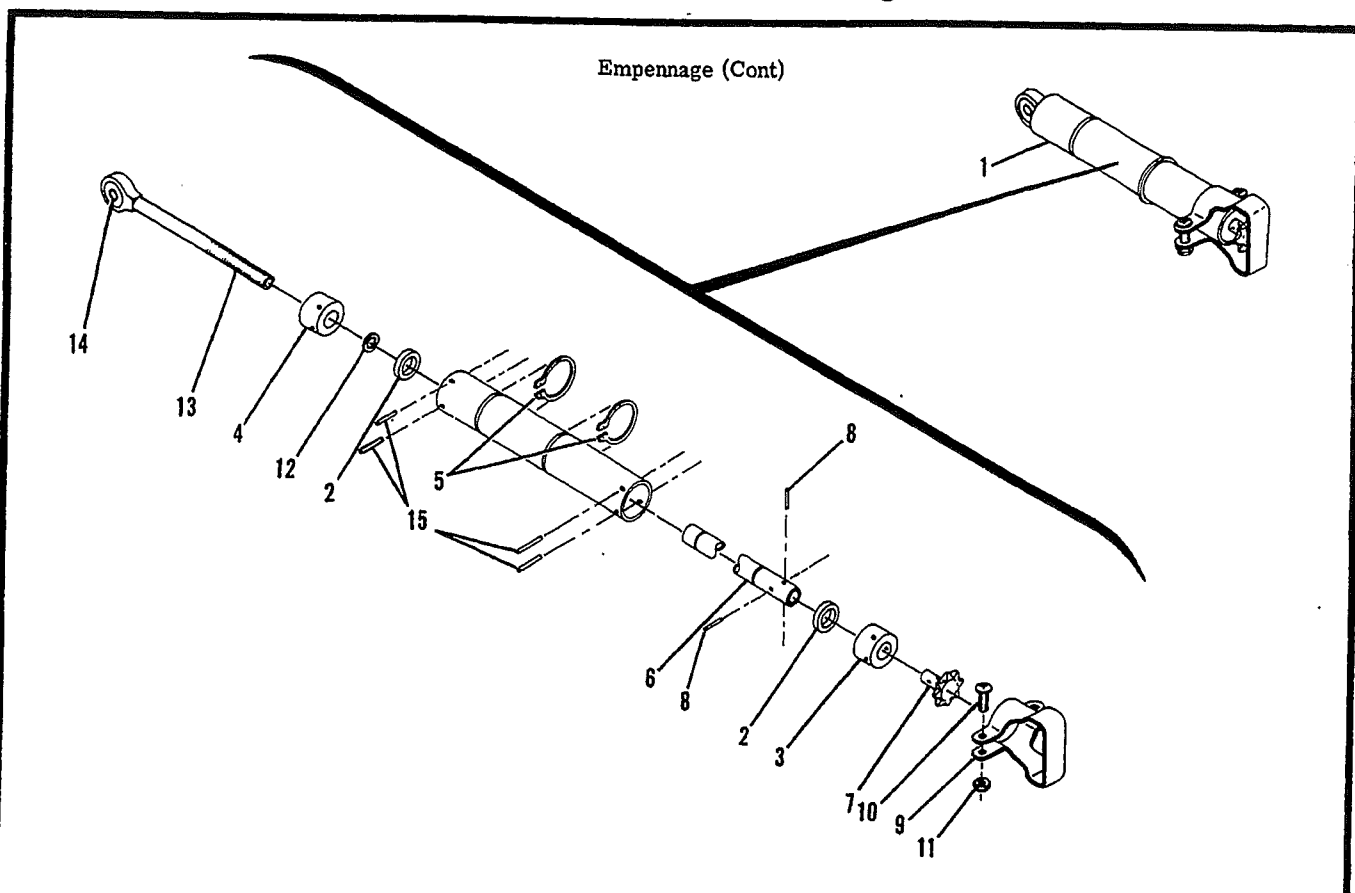


Figure 19A. Elevator Trim Tab Actuator Assembly

FIGURE AND INDEX NO.	PART NUMBER	DESCRIPTION							UNITS PER ASSY	USABLE ON CODE
		1	2	3	4	5	6	7		
19A- 1	1260074-1	ELEVATOR TRIM TAB ACTUATOR ASSEMBLY -----							1	
- 2	0310295	COLLAR-ACTUATOR -----							2	
- 3	0310297-1	BEARING-ACTUATOR -----							1	
- 4	0310298-1	BEARING-ACTUATOR -----							1	
- 5	MS16624-1081	RING-RETAINER OUTSIDE -----							2	
- 6	1260049-1	SCREW INTERNAL THREADS -----							1	
- 7	0310332	SPROCKET-ROLL CHAIN -----							1	
- 8	3/32X.375TYPE3	ATTACHING PARTS -----								
		GROOV-PIN -----							2	
- 9	0310422-1	*-----								
		GUARD-ROLL CHAIN -----							1	
		ATTACHING PARTS -----								
-10	AN515-8R8	SCREW -----							2	
-11	MS21044N08	NUT -----							2	
		*-----								
-12	AN6227B5	PACKING ACTUATOR -----							1	
-13	0310362-5	SCREW ASSEMBLY-ACTUATOR -----							1	
-14	PN3A	BEARING TOR -----							1	
-15	1/16X.625TYPE3	GROOV-PIN -----							4	

150 & A150 Parts Catalog

Empennage (Cont)

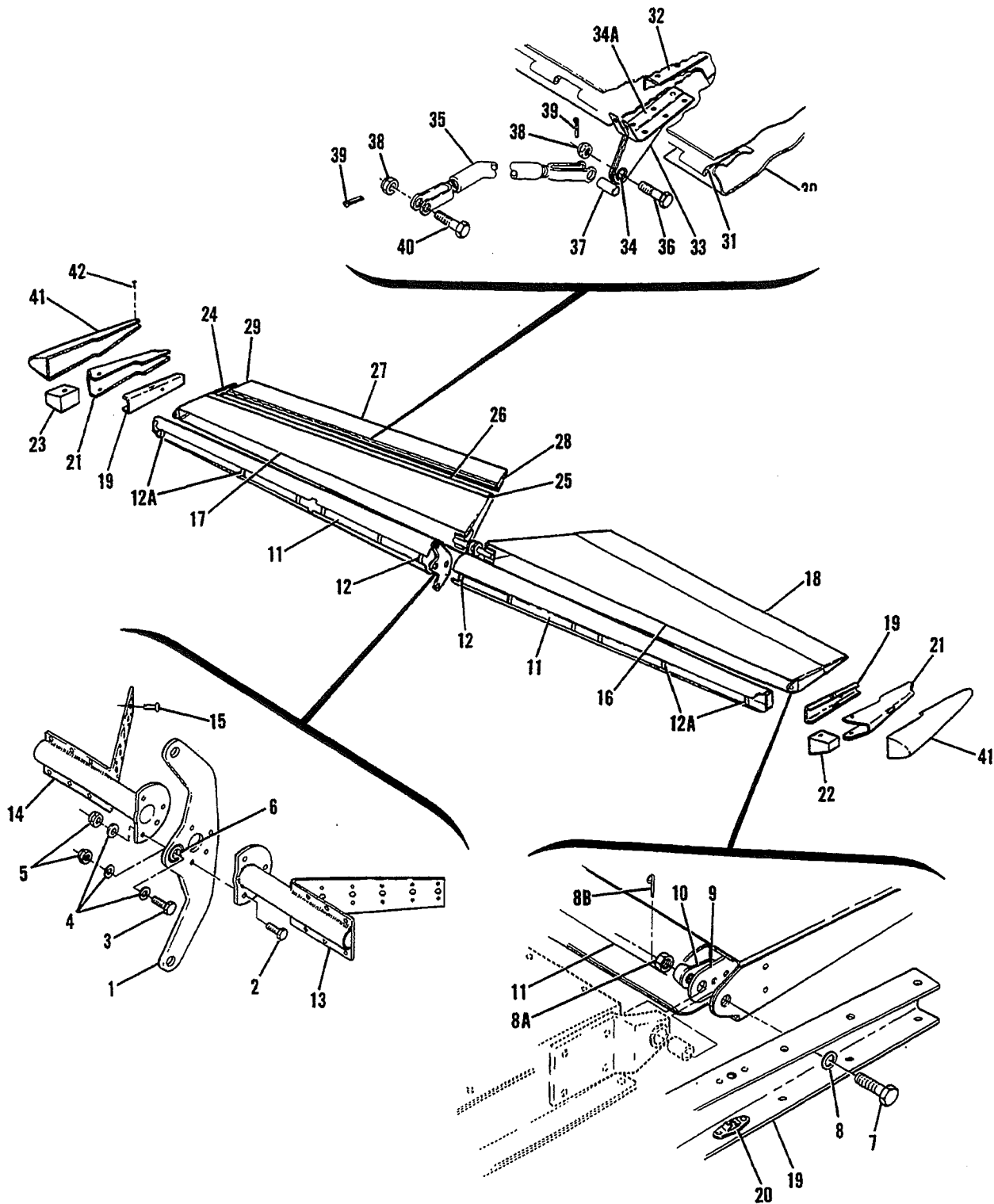


Figure 20. Elevator Installation

150 & A150 Parts Catalog

FIGURE AND INDEX NO.	PART NUMBER	DESCRIPTION	UNITS PER ASSY	USABLE ON CODE		
					1	2
20 -		ELEVATOR INSTALLATION -----	NP			
- 1	0432166-3	BELLCRANK ASSEMBLY-ELEVATOR WEU 0432166-5 -----	1	E		
	0432166-5	BELLCRANK ASSEMBLY-ELEVATOR -----	1	F		
		ATTACHING PARTS -----				
- 2	AN3-5A	BOLT -----	4			
- 3	AN3-6A	BOLT -----	1			
- 4	AN960-10	WASHER -----	1			
- 5	MS21044N3	NUT -----	6			
		-----*	5			
- 6	S1866-3	BEARING -----	1			
	0432001-51	ELEVATOR ASSEMBLY-LH -----	1			
	0432001-52	ELEVATOR ASSEMBLY-RH -----	1			
		ATTACHING PARTS -----				
- 7	AN3-7	BOLT -----	1			
- 8	AN960-10	WASHER -----	1			
- 8A	AN310-3	NUT -----	1	B		
- 8B	MS24665-132	PIN-COTTER -----	1	B		
		-----*				
- 9	0432001-24	HINGE ASSEMBLY-HALF WEU 0432001-71 -----	1	A		
	0432001-71	HINGE-HALF -----	1	A		
-10	NAS682A3	NUTPLATE -----	1	A		
-11	0432001-21	SPAR-ELEVATOR -----	1			
-12	0534126-1	CLIP -----	1			
-12A	0534126-4	CLIP -----	1			
-13	0434155-1	TUBE ASSEMBLY-TORQUE LH -----	5			
-14	0434155-2	TUBE ASSEMBLY-TORQUE RH -----	1			
		ATTACHING PARTS -----				
-15	AN520-10R7	SCREW -----	5			
		-----*				
-16	0432001-23	SKIN-ELEVATOR LH -----	1			
-17	0432001-22	SKIN-ELEVATOR RH -----	1			
	NAS680A3K	NUTPLATE -----	5			
	0432001-42	DOUBLER RH ONLY -----	1			
-18	0432001-34	SKIN-LH ELEVATOR TRAILING EDGE -----	1			
-19	0431001-31	RIB -----	1			
-20	S1863-3A	NUTPLATE -----	2			
-21	0431001-30	CHANNEL -----	1			
-22	0433134-3	WEIGHT-ELEVATOR BALANCE LH -----	1			
-23	0433134-6	WEIGHT-ELEVATOR BALANCE RH -----	1			
		ATTACHING PARTS -----				
	AN525-8R8	SCREW -----	2			
		-----*				
-24	0432001-57	RIB ASSEMBLY-RH ONLY -----	1			
	S1863-3A	NUTPLATE -----	2			
-25	0432001-33	STRIP-TAB HINGE REINFORCEMENT RH ONLY -----	1			
-26	0432001-28	HINGE HALF-TAB RH ONLY -----	1			
		ATTACHING PARTS -----				
	MS20253-2-44.13	PIN -----	1			
		-----*				
-27	0432001-5	TAB ASSEMBLY-ELEVATOR RH ONLY -----	1			
-28	0432001-35	RIB-TAB -----	1			
-29	0432001-36	RIB-TAB -----	1			
-30	0432001-26	SKIN-TAB -----	1			
-31	0432001-27	HINGE HALF -----	1			
-32	0432001-30	RIB-HORN REINFORCEMENT -----	1			
-33	0432168-5	HORN ASSEMBLY-TAB WEU 0412527-1 -----	1	C		
	0412527-1	HORN ASSEMBLY-TAB -----	1	D		
-34	S1004-15B	BEARING -----	1			
-34A	0412527-2	PLATE-TRIM TAB HORN -----	1			
-35	0432163-3	TUBE ASSEMBLY-TAB ACTUATOR -----	1			
		ATTACHING PARTS -----				
-36	AN3-5	BOLT -----	1			
-37	NAS74A3-004	BUSHING -----	1			
-38	AN320-3	NUT -----	2			
-39	MS24665-132	PIN-COTTER -----	2			
-40	AN3-6	BOLT -----	1			
		-----*				

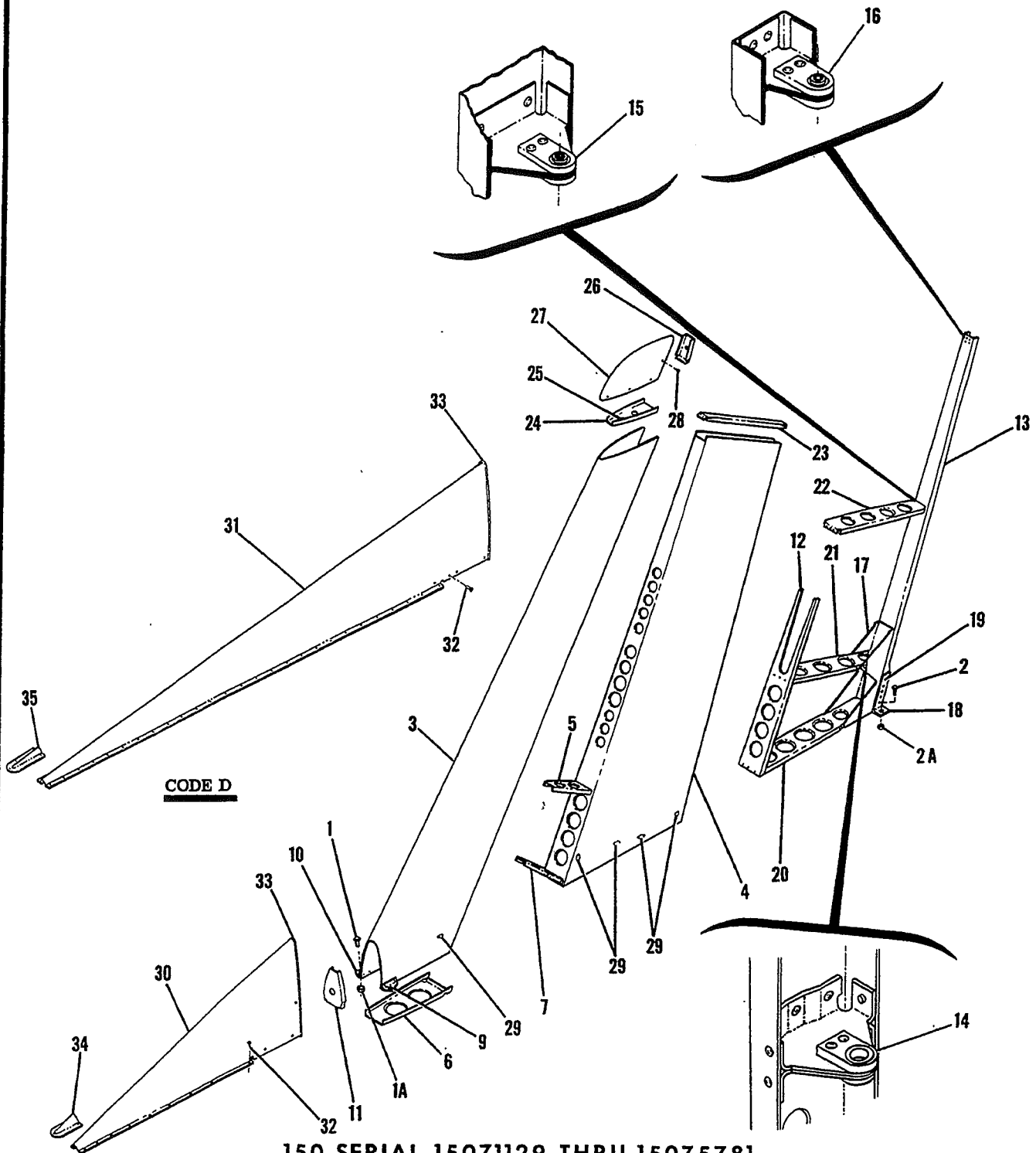
CONTINUED ON NEXT PAGE

150 & A150 Parts Catalog

FIGURE AND INDEX NO.	PART NUMBER	1	2	3	4	5	6	7	DESCRIPTION	UNITS PER ASSY	USABLE ON CODE
20 -41	0430004-10-791								TIP-ELEVATOR ----- ATTACHING PARTS	2	
-42	S1021Z8-6								SCREW ----- -----*	8	
<p>NOTE. *WHEN ORDERING THIS PART FOR AIRCRAFT PRIOR TO SERIALS 15072436, F15000779, A1500227 & FA1500162 ALSO ORDER ONE 0412527-2 PLATE & ONE NAS74A3-004 BUSHING.</p> <p>A---150 SERIAL 15071129 THRU 15071621 F150 SERIAL F15000530 THRU F15000699 A150 SERIAL A1500001 THRU A1500129 FA150 SERIAL FA1500001 THRU FA1500039</p> <p>B---150 SERIAL 15071622 & ON F150 SERIAL F15000700 & ON A150 SERIAL A1500130 & ON FA150 SERIAL FA1500040 & ON</p> <p>C---150 SERIAL 15071129 THRU 15072435 F150 SERIAL F15000530 THRU F15000778 A150 SERIAL A1500001 THRU A1500256 FA150 SERIAL FA1500001 THRU FA1500161</p> <p>D---150 SERIAL 15072436 & ON F150 SERIAL F15000779 & ON A150 SERIAL A1500257 & ON FA150 SERIAL FA1500162 & ON</p> <p>E---150 SERIAL 15071129 THRU 15074661 A150 SERIAL A1500001 THRU A1500415 A150 SERIAL A1500001 THRU A1500415 FA150 SERIAL FA1500001 THRU FA1500211</p> <p>F---150 SERIAL 15074662 & ON A150 SERIAL A1500416 & ON A150 SERIAL A1500416 & ON FA150 SERIAL FA1500212 & ON</p>											

150 & A150 Parts Catalog

Empennage



150 SERIAL 15071129 THRU 15075781
F150 SERIAL F15000530 THRU F15001143
A150 SERIAL A1500001 THRU A1500523
FA150 SERIAL FA1500001 THRU FA1500261

Figure 21. Fin Installation

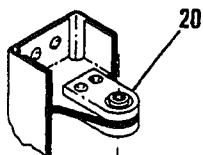
150 & A150 Parts Catalog

FIGURE AND INDEX NO.	PART NUMBER	DESCRIPTION	UNITS PER ASSY	USABLE ON CODE		
					1	2
21 -	0431004-2 0431004-39	FIN INSTALLATION ----- FIN ASSEMBLY ----- FIN ASSEMBLY AEROBAT -----	NP 1 1	E A B		
- 1	AN4-4A	ATTACHING PARTS ----- BOLT -----	2			
- 1A	MS21042L4	NUT -----	2			
- 2	AN4-6A	BOLT -----	4			
- 2A	MS21042L4 AN960-416L	NUT ----- WASHER -----	4 8	F F		
- 3	0431004-4	*----- SKIN -----	1			
- 4	0431004-38 0431004-5	SKIN ----- SKIN AEROBAT -----	1 1	A B		
- 5	0431004-11	RIB -----	1			
- 6	0431004-10	RIB -----	1			
- 7	0431022-2	RIB -----	1	B		
- 8		DELETED, NEVER USED -----				
- 9	0431008-1	FITTING-LH -----	1			
-10	0431008-2	FITTING-RH -----	1			
-11	0431004-9	RIB -----	1			
-12	0431004-18	REINFORCEMENT-VERTICAL FIN -----	1			
-13	0431004-19	SPAR ASSEMBLY-VERTICAL FIN -----	1			
-14	0431010-1	HINGE HALF ASSEMBLY-LOWER -----	1			
-15	0431010-7	HINGE HALF ASSEMBLY-MIDDLE -----	1			
-16	0431010-2	HINGE HALF ASSEMBLY-UPPER -----	1			
-17	0431004-20	CHANNEL -----	1			
-18	0431009-2 0431009-3	FITTING WEU 0431009-3 ----- FITTING -----	2 2			
-19	NAS220-11 AN960-8 MS21044N08	ATTACHING PARTS ----- SCREW ----- WASHER ----- NUT -----	10 10 10	B B B		
-20	0431004-12	*----- RIB -----	1			
-21	0431004-13	RIB -----	1			
-22	0431004-14	RIB -----	1			
-23	0431004-15	RIB -----	1			
-24	0431004-16	RIB ASSEMBLY -----	1			
-25	NAS680A06	NUTPLATE -----	1			
-26	0431004-35	RIB -----	1			
-27	0431013-3-791	TIP-VERTICAL FIN ----- ATTACHING PARTS -----	1			
-28	S1021Z6-4 S1862-1	SCREW ----- NUTPLATE -----	6 6			
-29	S1863-2	*----- NUTPLATE -----	10			
-30	0431014-1	DORSAL ASSEMBLY -----	1	C		
-31	0431023-1	DORSAL ASSEMBLY ----- ATTACHING PARTS -----	1	D		
-32	S1021Z6-6	SCREW -----	8			
-33	S1611-1	*----- SEAL-20.00 IN LG BULK ITEM REF S1611-1-20.0 -----	1			
-34	0731605-2	FAIRING-DORSAL FIN TIP -----	1	C		
-35	0431024-1	FAIRING-DORSAL FIN TIP -----	1	D		

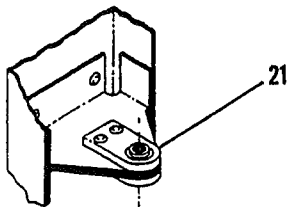
A---150 SERIAL 15071129 THRU 15075781
 F150 SERIAL F15000530 THRU F15001143
 B---A150 SERIAL A1500001 THRU A1500523
 FA150 SERIAL FA1500001 THRU FA1500261
 C---150 SERIAL 15071129 THRU 15072003
 F150 SERIAL F15000530 THRU F15000658
 A150 SERIAL A1500001 THRU A1500226
 FA150 SERIAL FA1500001 THRU FA1500081
 D---150 SERIAL 15072004 THRU 15075781
 F150 SERIAL F15000659 THRU F15001143
 A150 SERIAL A1500227 THRU A1500523
 FA150 SERIAL FA1500082 THRU FA1500261
 E---150 SERIAL 15071129 THRU 15075781
 F150 SERIAL F15000530 THRU F15001143
 A150 SERIAL A1500001 THRU A1500523
 FA150 SERIAL FA1500001 THRU FA1500261
 F---150 SERIAL 15075505 THRU 15075579
 F150 SERIAL F15001134 THRU F15001143
 A150 SERIAL A1500479 THRU A1500480

150 & A150 Parts Catalog

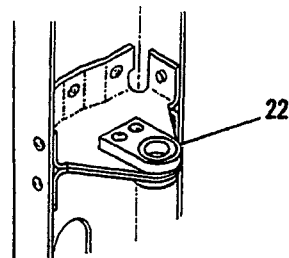
Empennage (Cont)



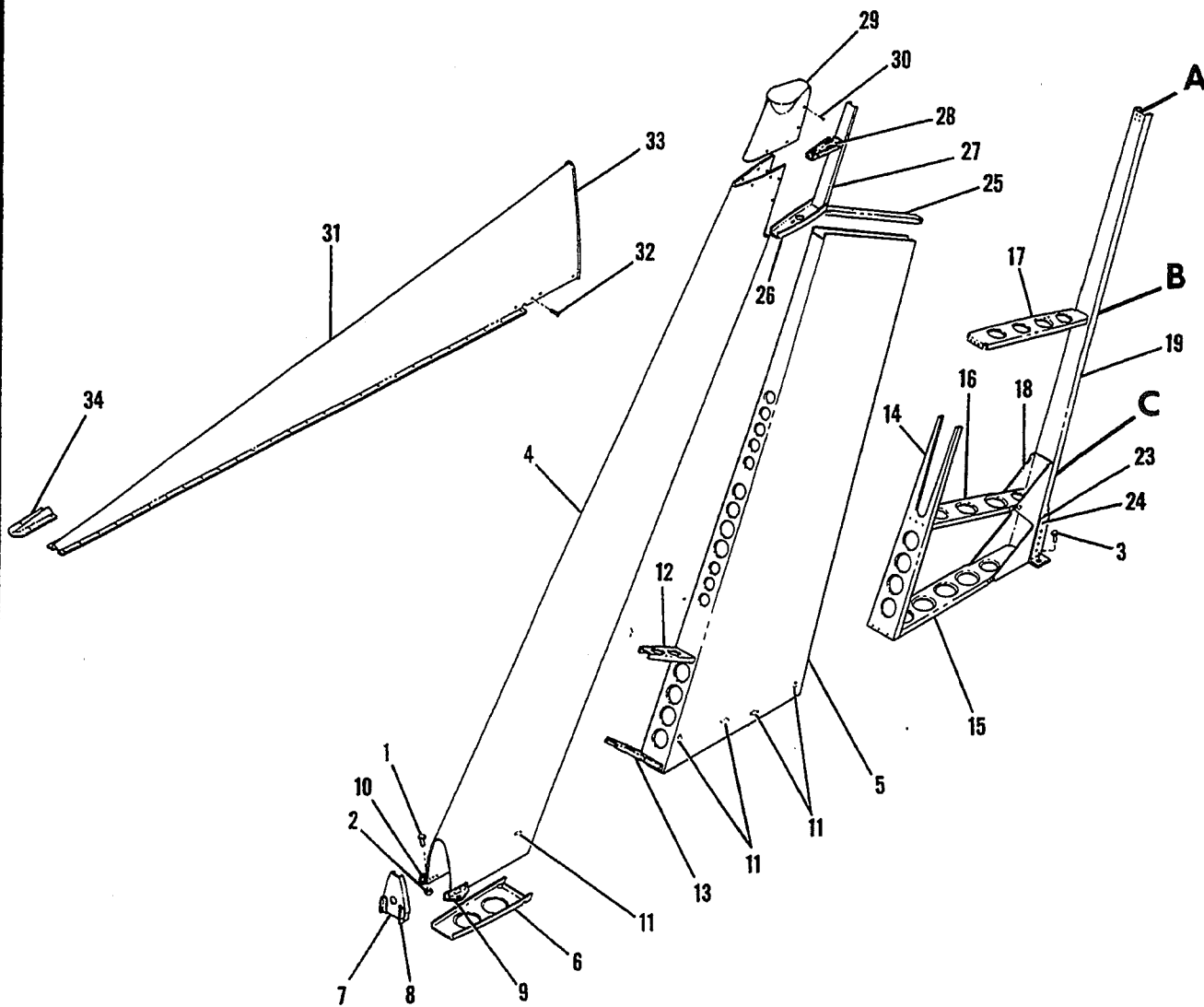
Detail A



Detail B



Detail C



150 SERIAL 15075782 & ON
 F150 SERIAL F15001144 & ON
 A150 SERIAL A1500524 & ON
 FA150 SERIAL FA1500262 & ON

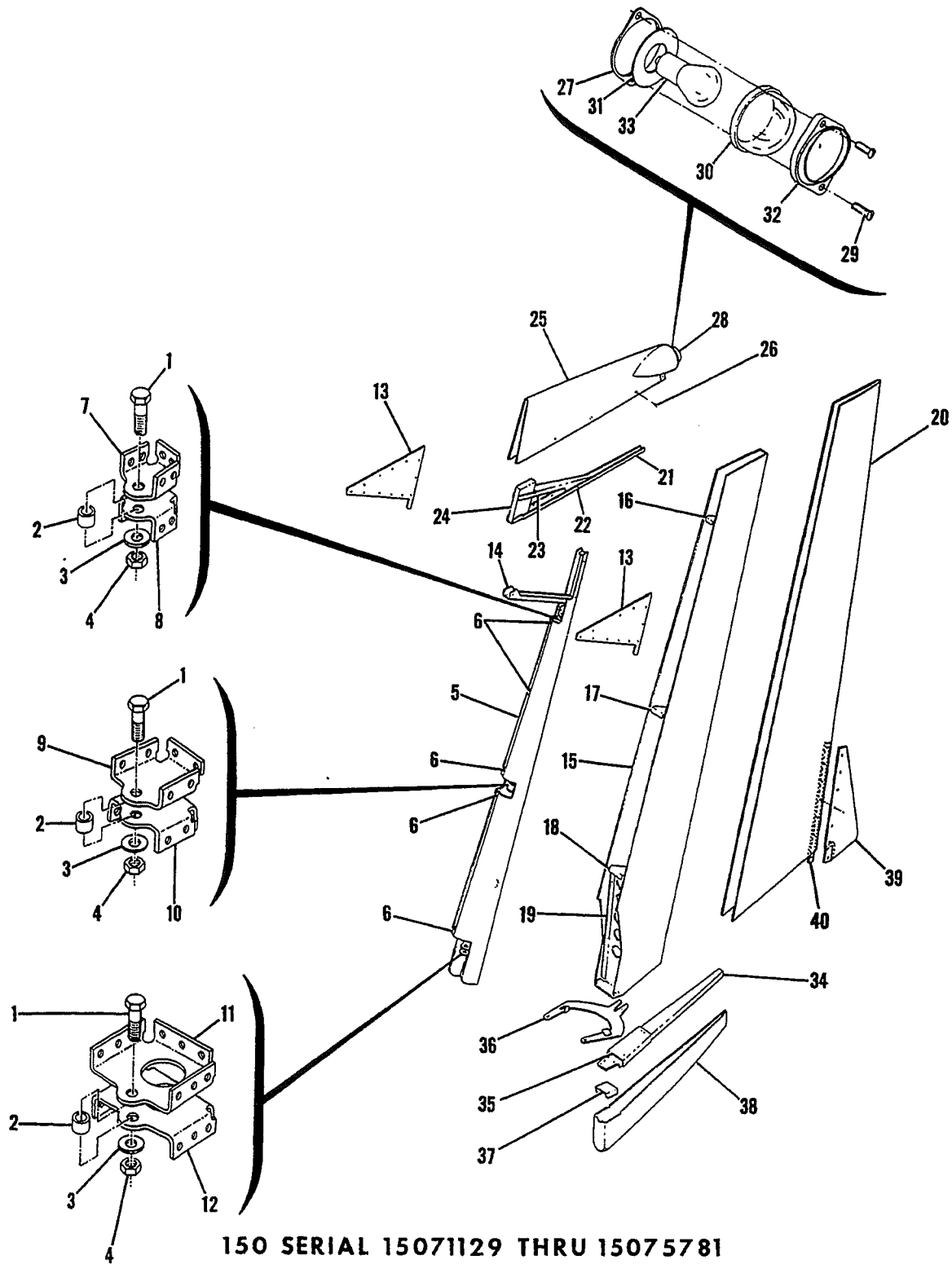
Figure 21A. Fin Installation

150 & A150 Parts Catalog

FIGURE AND INDEX NO.	PART NUMBER	DESCRIPTION							UNITS PER ASSY	USABLE ON CODE
		1	2	3	4	5	6	7		
21A-	0431032-1	FIN INSTALLATION -----							NP	A
	0431032-2	FIN ASSEMBLY -----							1	B
		FIN ASSEMBLY AEROBAT -----							1	C
		ATTACHING PARTS -----								
- 1	AN4-4A	BOLT -----							2	
- 2	MS21042L4	NUT -----							2	
- 3	AN4-6A	BOLT -----							4	
	AN960-416L	WASHER -----							8	
	MS21042L4	NUT -----							4	D
		*-----								
- 4	0431032-3	SKIN -----							1	B
	0431032-4	SKIN AEROBAT -----							1	C
- 5	0431032-5	SKIN -----							1	
- 6	0431004-10	RIB -----							1	
- 7	0431032-13	RIB ASSY -----							1	
- 8	0431032-15	BRACKET-LH -----							1	
	0431032-16	BRACKET-RH -----							1	
- 9	0431034-1	FITTING LH-FIN ATTACH FWD -----							1	
-10	0431034-2	FITTING RH-FIN ATTACH FWD -----							1	
-11	S1863-2A	NUTPLATE -----							10	
-12	0431004-11	RIB -----							1	
-13	0431022-2	RIB -----							1	C
-14	0431004-18	SPAR-REINFORCEMENT -----							1	
-15	0431004-12	RIB -----							1	
-16	0431004-13	RIB -----							1	
-17	0431004-14	RIB -----							1	
-18	0431004-48	CHANNEL -----							1	
-19	0431032-17	SPAR ASSY -----							1	
-20	0431033-1	HINGE HALF ASSY UPPER -----							1	
-21	0431010-7	HINGE HALF ASSY MIDDLE -----							1	
-22	0431010-1	HINGE HALF ASSY LOWER -----							1	
-23	0431009-3	FITTING -----							2	
		ATTACHING PARTS -----								
-24	NAS220-11	SCREW -----							10	E
	AN960-8	WASHER -----							10	F
	MS21044N08	NUT -----							10	F
	NAS464P3A7	BOLT -----							10	F
	AN960-10	WASHER -----							10	F
	MS21043-3	NUT -----							10	F
		*-----								
-25	0431032-9	RIB -----							1	
-26	0431032-8	RIB -----							1	
-27	0431032-6	SPAR ASSY -----							1	
	S1862-1A	NUTPLATE -----							4	
-28	0431032-10	RIB ASSY -----							1	
	S1862-1A	NUTPLATE -----							4	
	NAS697A06L	NUTPLATE -----							1	
-29	0430011-1	CAP-FIN -----							1	
		ATTACHING PARTS -----								
-30	S1021Z6-4	SCREW -----							8	
		*-----								
-31	0431023-1	DORSAL ASSEMBLY -----							1	
		ATTACHING PARTS -----								
-32	S1021Z6-6	SCREW -----							8	
		*-----								
-33	S1611-1	SEAL-20.00 IN LG BKI REF S1611-1-20.0 -----							1	
-34	0431024-1	FAIRING-DORSAL FIN TIP -----							1	
		<p>A---150 SERIAL 15075782 & ON F150 SERIAL F15001144 & ON A150 SERIAL A1500524 & ON FA150 SERIAL FA1500262 & ON</p> <p>B---150 SERIAL 15075782 & ON F150 SERIAL F15001144 & ON</p> <p>C---A150 SERIAL A1500524 & ON FA150 SERIAL FA1500262 & ON</p> <p>D---F150 SERIAL F15001144 THRU F15001203 FA150 SERIAL FA1500262 THRU FA1500291</p> <p>E---150 SERIAL 15075782 THRU 15079213 F150 SERIAL F15001144 THRU F15001375 A150 SERIAL A1500524 THRU A1500723 FA150 SERIAL FA1500262 THRU FA1500317</p> <p>F---150 SERIAL 15079214 & ON F150 SERIAL F15001376 & ON A150 SERIAL A1500724 & ON FA150 SERIAL FA1500318 & ON</p>								

150 & A150 Parts Catalog

Empennage (Cont)



150 SERIAL 15071129 THRU 15075781
F150 SERIAL F15000530 THRU F15001143
A150 SERIAL A1500001 THRU A1500523
FA150 SERIAL FA1500001 THRU FA1500261

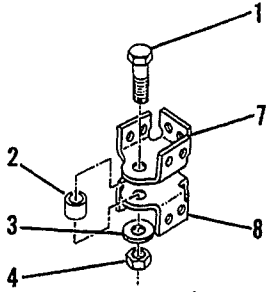
Figure 22. Rudder Assembly

150 & A150 Parts Catalog

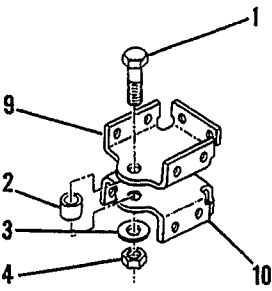
FIGURE AND INDEX NO.	PART NUMBER	DESCRIPTION							UNITS PER ASSY	USABLE ON CODE
		1	2	3	4	5	6	7		
22 -	0431004-41	RUDDER ASSEMBLY -----							1	A
		ATTACHING PARTS -----								
- 1	AN4-10A	BOLT -----							3	
- 2	0532104	BUSHING -----							3	
- 3	AN960-416L	WASHER -----							3	
- 4	MS21042L4	NUT -----							3	
		*-----								
- 5	0431004-6	SKIN -----							1	
- 6	0534126-6	CLIP -----							5	
- 7	0431028-6	BRACKET-UPPER -----							1	
- 8	0431028-5	BRACKET-UPPER -----							1	
- 9	0431028-4	BRACKET-CENTER -----							1	
-10	0431028-3	BRACKET-CENTER -----							1	
-11	0431028-2	BRACKET-LOWER -----							1	
-12	0431028-1	BRACKET-LOWER -----							1	
-13	0431004-17	SKIN -----							2	
-14	0431004-36	RIB -----							1	
-15	0431004-7	SKIN -----							1	
-16	0431004-26	RIB -----							1	
-17	0431004-37	RIB -----							1	
-18	0431004-25	RIB -----							1	
-19	0431004-24	RIB -----							1	
-20	0431004-43	SKIN -----							1	
-21	0431004-27	RIB ASSEMBLY -----							1	
-22	NAS680A06	NUTPLATE -----							1	
-23	0431004-34	RIB -----							1	
-24	0433135-1	WEIGHT ASSY-RUDDER BALANCE -----							1	
-25	0431013-1-791	TIP -----							1	
		ATTACHING PARTS -----								
-26	S1021Z6-4	SCREW -----							8	
	S1862-1	NUTPLATE -----							8	
		*-----								
-27	0433007	MOUNT -----							1	
	AN960PD2	WASHER -----							4	
-28	C622001-0102	LIGHT ASSEMBLY-TAIL -----							1	
		ATTACHING PARTS -----								
-29	AN515-4R6	SCREW -----							2	
		*-----								
-30	A4513-1	LENS-TAIL LIGHT CLEAR GMC -----							1	
-31	A2109-3	GASKET GMC -----							1	
-32	C622001-0104	RETAINER-LENS GMC -----							1	
-33	1777	LAMP-TAIL -----							1	
-34	0431004-23	RIB -----							1	
-35	0431004-22	CHANNEL -----							1	
-36	0431007-4	HORN ASSEMBLY -----							1	
	S1004-15B	BEARING -----							2	
-37	0431004-21	CHANNEL -----							1	
-38	0431005-1	BUTT-RUDDER -----							1	
-39	0433137-1	TAB-RUDDER TRIM -----							1	
-40	0433137-2	SPACER -----							1	
		A---150 SERIAL 15071129 THRU 15075781 F150 SERIAL F15000530 THRU F15001143 A150 SERIAL A1500001 THRU A1500523 FA150 SERIAL FA1500001 THRU FA1500261								

150 & A150 Parts Catalog

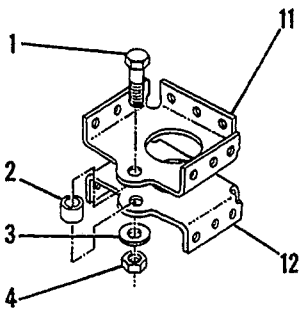
Empennage (Cont)



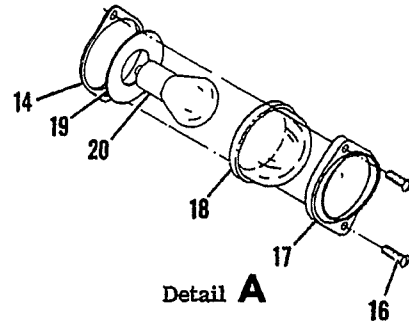
Detail B



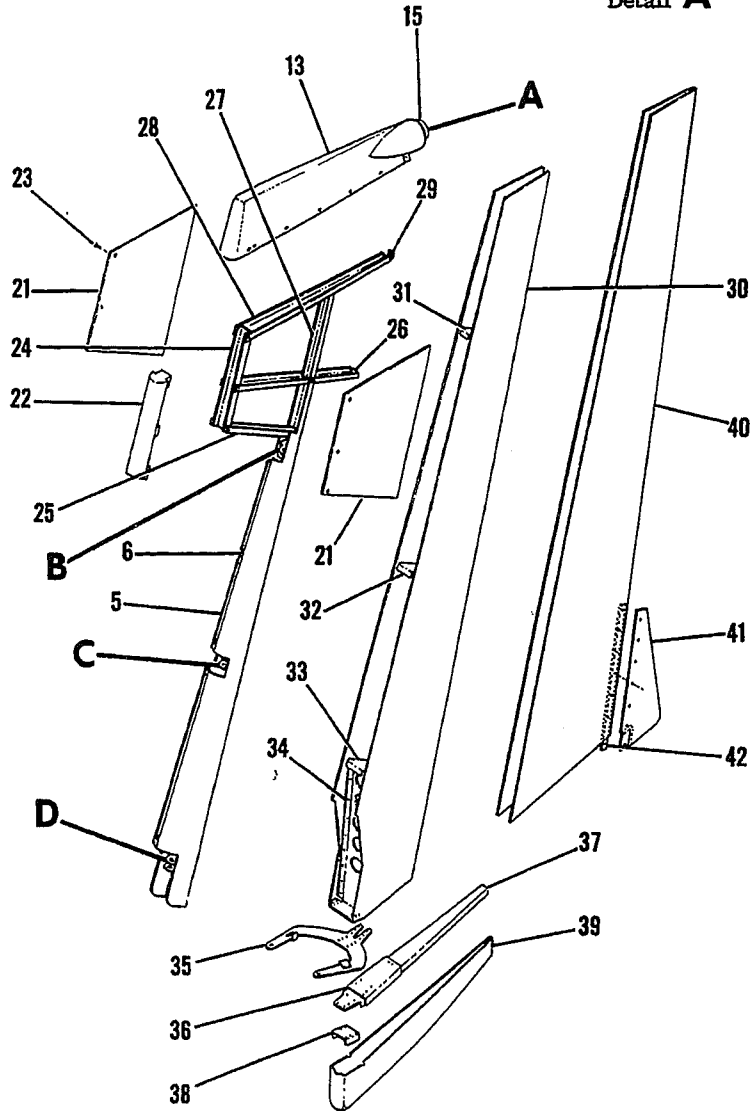
Detail C



Detail D



Detail A



150 SERIAL 15075782 & ON
 F150 SERIAL F15001144 & ON
 A150 SERIAL A1500524 & ON
 FA150 SERIAL FA1500262 & ON

Figure 22A. Rudder Assembly

150 & A150 Parts Catalog

FIGURE AND INDEX NO.	PART NUMBER	DESCRIPTION							UNITS PER ASSY	USABLE ON CODE
		1	2	3	4	5	6	7		
22A-	0433010-1	RUDDER ASSY -----							1	A
		ATTACHING PARTS -----								
- 1	AN4-10A	BOLT -----							3	
- 2	0532104	BUSHING -----							3	
- 3	AN960-416L	WASHER -----							3	
- 4	MS21042L4	NUT -----							3	
		*-----								
- 5	0433010-6	SKIN -----							1	
- 6	0534126-6	CLIP -----							5	
- 7	0431028-6	BRACKET-UPPER -----							1	
- 8	0431028-5	BRACKET-UPPER -----							1	
- 9	0431028-4	BRACKET-MIDDLE -----							1	
-10	0431028-3	BRACKET-MIDDLE -----							1	
-11	0431028-2	BRACKET-LOWER -----							1	
-12	0431028-1	BRACKET-LOWER -----							1	
-13	0430011-2	CAP ASSY-RUDDER -----							1	
		ATTACHING PARTS -----								
	CR763-4	RIVET CY -----							10	
		*-----								
-14	0433007	MOUNT -----							1	
	AN960PD2	WASHER -----							5	
-15	C622001-0102	LIGHT ASSY-TAIL -----							1	
		ATTACHING PARTS -----								
-16	AN515-4R6	SCREW -----							2	
	AN515-8R6	SCREW GROUND WIRE -----							1	
		*-----								
-17	C622001-0104	RETAINER-LENS -----							1	
-18	A4513-1	LENS-TAIL LIGHT CLEAR GMC -----							1	
-19	A2109-3	GASKET GMC -----							1	
-20	1777	LAMP-TAIL -----							1	
-21	0433010-5	SKIN -----							2	
-22	0433139-1	WEIGHT ASSY-RUDDER BALANCE -----							1	
-23	AN525-8R8	SCREW -----							6	
-24	0433010-4	RIB -----							1	
-25	0433010-2	RIB -----							1	
-26	0433010-10	RIB -----							1	
-27	0433010-9	SPAR-STUB -----							1	
-28	0433010-3	RIB ASSY -----							1	
-29	0433010-12	BRACKET -----							1	
	NAS1067A08	NUTPLATE -----							1	
-30	0433010-7	SKIN -----							1	
-31	0431004-26	RIB -----							1	
-32	0431004-37	RIB -----							1	
-33	0431004-25	RIB -----							1	
-34	0431004-24	RIB -----							1	
-35	0431007-4	HORN ASSY -----							1	
	S1004-15B	BEARING -----							2	
-36	0431004-22	CHANNEL -----							1	
-37	0431004-23	RIB -----							1	
-38	0431004-21	CHANNEL -----							1	
-39	0431005-1	BUTT-RUDDER -----							1	
-40	0433010-8	SKIN -----							1	
-41	0433137-1	TAB-RUDDER TRIM -----							1	
-42	0433137-2	SPACER -----							1	
		A---150 SERIAL 15075782 & ON F150 SERIAL F15001144 & ON A150 SERIAL A1500524 & ON FA150 SERIAL FA1500262 & ON								

150 & A150 Parts Catalog

Fuselage

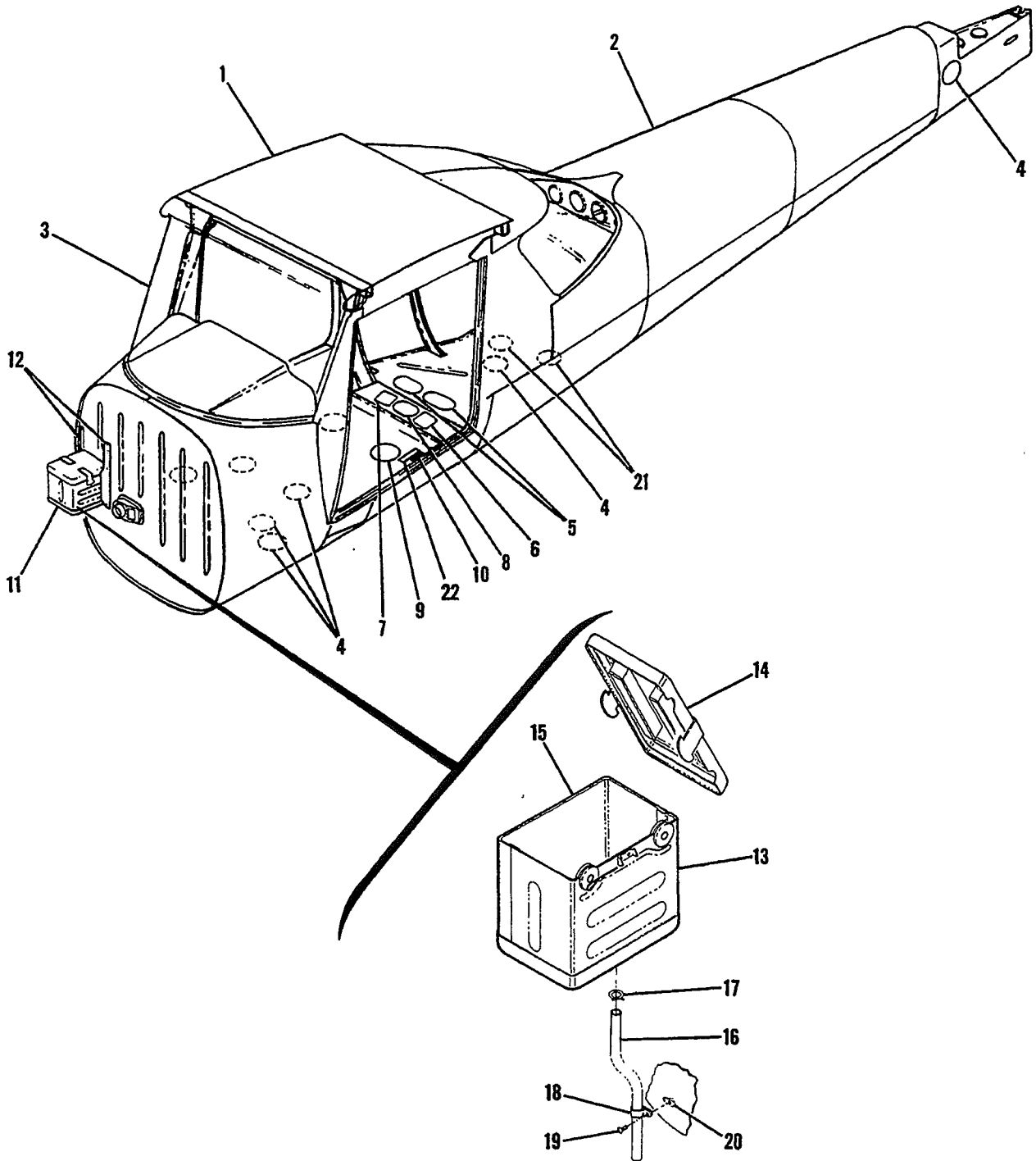


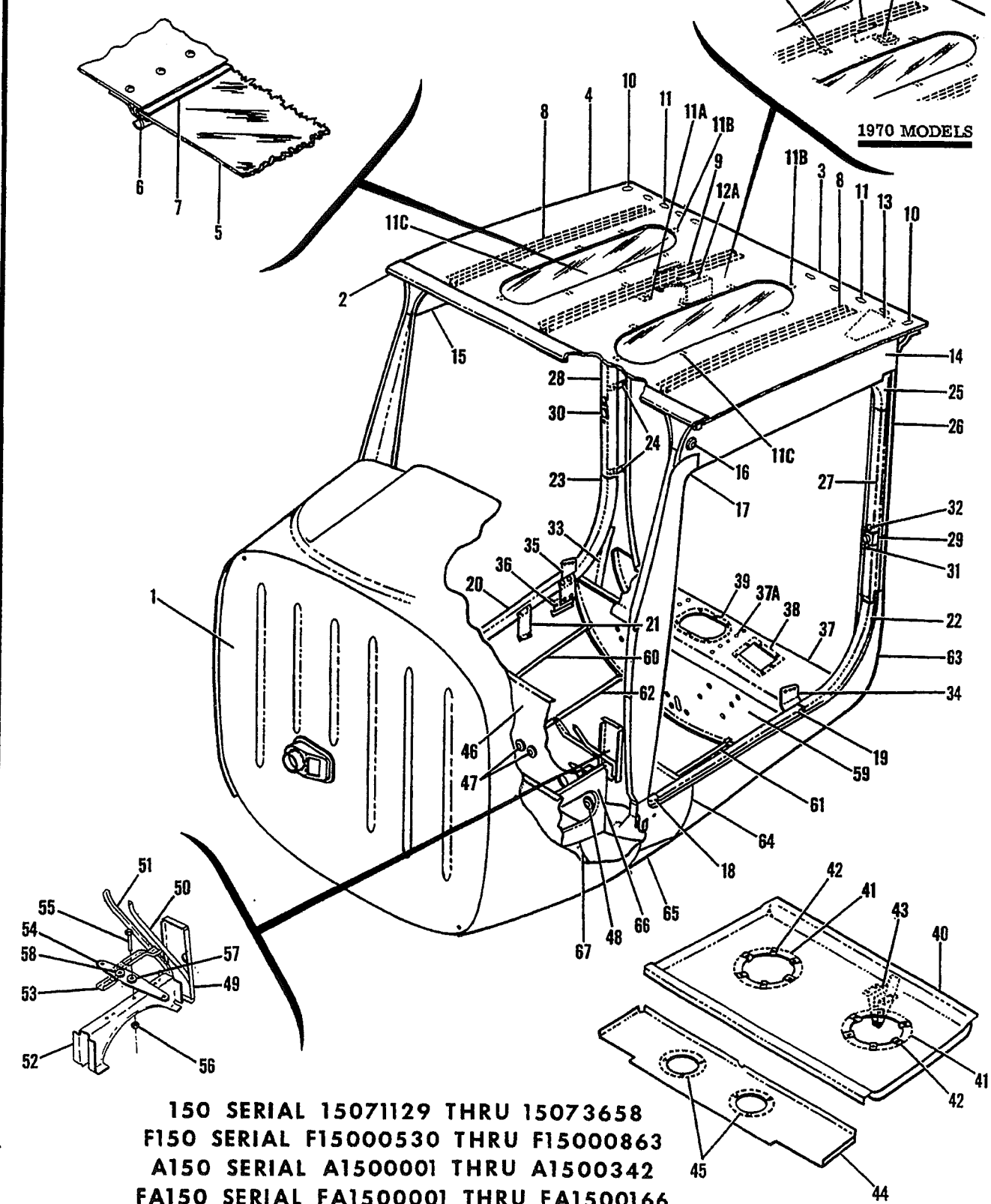
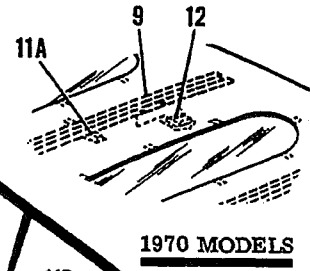
Figure 23. Fuselage Assembly

150 & A150 Parts Catalog

FIGURE AND INDEX NO.	PART NUMBER	DESCRIPTION							UNITS PER ASSY	USABLE ON CODE
		1	2	3	4	5	6	7		
23 -		FUSELAGE ASSEMBLY -----							NP	
- 1	SEE FIG 24	FRONT & CENTER SECTION-FUSELAGE -----							1	
- 2	SEE FIG 29	TAILCONE ASSEMBLY-FUSELAGE -----							1	
- 3	SEE FIG 31	WINDSHIELD INSTALLATION -----							1	
- 4	S225-1	PLATE-INSPECTION -----							8	
		ATTACHING PARTS -----								
	S1021Z8-8	SCREW -----							3	
		*-----								
- 5	0412061-1	PLATE-INSPECTION -----							2	
		ATTACHING PARTS -----								
	S1021Z8-8	SCREW -----							6	
		*-----								
- 6	0713173-5	PLATE-ACCESS LH -----							1	
- 7	0713173-6	PLATE-ACCESS RH -----							1	
		ATTACHING PARTS -----								
	S1021Z8-8	SCREW -----							6	
		*-----								
- 8	0410229-1	PLATE-INSPECTION -----							1	
		ATTACHING PARTS -----								
	S1021Z8-8	SCREW -----							6	
		*-----								
- 9	0411371	COVER-SEAT PAN INSPECTION -----							2	
		ATTACHING PARTS -----								
	S1021Z8-8	SCREW -----							6	
		*-----								
-10	0713047	PLATE-FINISH & TRIM -----							1	
		ATTACHING PARTS -----								
	AN535-2-3	SCREW -----							2	
		*-----								
-11		BATTERY BOX INSTALLATION -----							NP	
-12	0413401-1	BRACKET -----							2	
		ATTACHING PARTS -----								
	AN520-10R7	SCREW -----							1	
	MS21044N3	NUT -----							1	
		*-----								
	0413402-1	BOX ASSEMBLY-BATTERY -----							1	
-13	0413402-6	BOTTOM ASSEMBLY-BATTERY BOX -----							1	
-14	0413402-2	LID ASSEMBLY-BATTERY BOX -----							1	
		ATTACHING PARTS -----								
-15	AN415-2	PIN -----							2	
		*-----								
	1205024-1	PLACARD -----							1	
-16	S1071-4	DRAIN TUBE-12.0 IN LG BULK ITEM REF S1071-4-12.0 --							1	
		ATTACHING PARTS -----								
-17	S1494-8	CLAMP -----							1	
-18	MS21919D68	CLAMP -----							1	
-19	S1021Z8-6	SCREW -----							1	
-20	S1863-3A	NUTPLATE -----							1	
		*-----								
-21	S225-9	PLATE-INSPECTION -----							2	
		ATTACHING PARTS -----								
	S1021Z8-8	SCREW -----							3	
		*-----								
-22		NAMEPLATE-AIRCRAFT IDENTIFICATION -----							NP	

150 & A150 Parts Catalog

Fuselage (Cont)



150 SERIAL 15071129 THRU 15073658
 F150 SERIAL F15000530 THRU F15000863
 A150 SERIAL A1500001 THRU A1500342
 FA150 SERIAL FA1500001 THRU FA1500166

Figure 24. Fuselage Front & Center Section Assembly

150 & A150 Parts Catalog

FIGURE AND INDEX NO.	PART NUMBER	DESCRIPTION							UNITS PER ASSY	USABLE ON CODE
		1	2	3	4	5	6	7		
24 -		FRONT & CENTER SECTION ASSEMBLY-FUSELAGE -----							NP	H
- 1	SEE FIG 26	FRONT SECTION ASSEMBLY-FUSELAGE -----							1	
- 2	0413488-1	RETAINER -----							1	
- 3	0413492-200	CABIN TOP ASSEMBLY-SKYLIGHT -----							1	F
		CABIN TOP ASSEMBLY-SKYLIGHT -----							1	B
	0413492-201	CABIN TOP ASSEMBLY -----							NP	G
- 4	0413492-3	SKIN-CABIN TOP SKYLIGHT -----							1	B
	0413492-4	SKIN-CABIN TOP -----							1	A
- 5	0411144	WINDOW-SKYLIGHT GREEN -----							1	F
	0411144-1	WINDOW-SKYLIGHT BRONZE -----							2	B
- 6	0411174	FRAME -----							2	F
- 7	S1055-1	CHANNEL-53.25 IN LG BULK ITEM REF S1055-1-53.25 ---							2	A
- 8	0411175	STIFFENER -----							2	
- 9	0411175-8	STIFFENER -----							2	
- 10	S1863-3	NUTPLATE -----							1	
- 11	S1862-2	NUTPLATE -----							8	
- 11A	0511484-2	BRACKET-INSTRUMENT LIGHT CONSOLE -----							1	
- 11B	0414014-1	BRACKET-SKYLIGHT -----							4	A
- 11C	0414014-2	BRACKET-SKYLIGHT -----							12	A
- 12	0413495-1	BRACKET ASSEMBLY-INSTRUMENT LIGHT -----							1	D
- 12A	0513426-2	SUPPORT-SPEAKER & INSTRUMENT PANEL LIGHTS -----							2	E
- 13	1210032-5	DAMPENER ASSEMBLY-ANTENNA VIBRATION LH -----							1	
	1210032-6	DAMPENER ASSEMBLY-ANTENNA VIBRATION RH -----							1	
- 14	0413327-12	RIB-FUSELAGE CENTER SECTION-LH -----							1	B
	0413327-17	RIB ASSEMBLY-FUSELAGE CENTER SECTION LH -----							1	C
	MS35489-11	GROMMET -----							1	C
- 15	0413327-9	RIB-FUSELAGE CENTER SECTION RH -----							1	B
	0413327-16	RIB ASSEMBLY-FUSELAGE CENTER SECTION RH -----							1	C
	MS35489-11	GROMMET -----							1	C
- 16	MS35489-11	GROMMET -----							1	C
- 17	0410204-1	FILLET-DOOR JAMB UPPER FORWARD -----							2	
- 18	0410126-1	FILLET-DOOR JAMB LOWER FORWARD -----							2	
	0410120-2	FILLER-DOOR JAMB LOWER FORWARD -----							2	
- 19	0410132-1	SILL-DOOR LOWER LH -----							1	
- 20	0410132-2	SILL-DOOR LOWER RH -----							1	
- 21	0410128-2	SUPPORT-DOOR SILL LOWER RH -----							1	
	0410128-1	SUPPORT-DOOR SILL LOWER LH -----							1	
- 22	0410135-1	FILLET-DOOR SILL LOWER REAR LH -----							1	
- 23	0410135-2	FILLET-DOOR SILL LOWER REAR RH -----							1	
- 24	0410133-2	STRAP-REAR DOOR JAMB STABILIZER -----							6	
- 25	0410131-1	GUSSET-DOOR SILL UPPER REAR -----							2	
	0410205-1	FILLER-DOOR SILL UPPER REAR -----							2	
- 26	SEE FIG 29	REAR DOORPOST ASSEMBLY -----							1	
- 27	0410137-1	JAMB-DOOR REAR LH -----							1	
- 28	0410137-2	JAMB-DOOR REAR RH -----							1	
- 29	0412066-1	CLUTCH ASSEMBLY-ROTARY DOOR LATCH LH -----							1	
- 30	0412066-2	CLUTCH ASSEMBLY-ROTARY DOOR LATCH RH -----							1	
		ATTACHING PARTS -----								
- 31	AN525-10R6	SCREW -----							2	
		*-----								
- 32	S1438-12	GUIDE-DOOR LATCH -----							2	
		ATTACHING PARTS -----								
	NAS43DD3-9	SPACER -----							1	
	AN525-10R9	SCREW -----							1	
		*-----								
- 33	0410127-2	STIFFENER-BULKHEAD RH -----							1	
	0410127-1	STIFFENER-BULKHEAD LH -----							1	
- 34	0410130-1	BRACKET-SEAT BACK LH -----							1	
- 35	0410130-2	BRACKET-SEAT BACK RH -----							1	
		ATTACHING PARTS -----								
	AN520-10R6	SCREW -----							4	
	NAS1068A3	NUTPLATE -----							2	
	MS21044N3	NUT -----							2	
		*-----								
- 36	0410129-4	BRACKET ASSEMBLY-SEAT BELT RH WEU 0410129-8 -----							1	D
	0410129-8	BRACKET ASSEMBLY-SEAT BELT RH -----							1	E
	0410129-3	BRACKET ASSEMBLY-SEAT BELT LH WEU 0410129-7 -----							1	E
	0410129-7	BRACKET ASSEMBLY-SEAT BELT LH -----							1	E
	NAS1068A4	NUTPLATE -----							1	E
	NAS696A4	NUTPLATE -----							1	E

CONTINUED ON NEXT PAGE

150 & A150 Parts Catalog

FIGURE AND INDEX NO.	PART NUMBER	DESCRIPTION	1 2 3 4 5 6 7							UNITS PER ASSY	USABLE ON CODE
			1	2	3	4	5	6	7		
24 -37	0411955-7 0411955-9	FLOORBOARD ASSEMBLY-LANDING GEAR ----- FLOORBOARD ASSEMBLY-LANDING GEAR -----								1 1	D E
-37A	NAS220-10 AN960-8 MS21044N08	ATTACHING PARTS SCREW ----- WASHER ----- NUT -----								12 12 12	E E E
-38	0713173-1 0713173-2	*----- DOUBLER ASSEMBLY-LH ----- DOUBLER ASSEMBLY-RH -----								1 1	
-39	0410229-2 NAS395-14-3 NAS395-14-3	DOUBLER ----- NUT ----- NUT -----								1 1 6	D E F
	0410134-1 0410134-3 0410134-2 0410134-4	PAN ASSEMBLY-SEAT ----- PAN ASSEMBLY-SEAT ----- PAN-SEAT ----- PAN-SEAT -----								1 1 1 1	F F F G
-40	0411370	DOUBLER -----								1	G
-41	NAS395-17-3	NUT -----								12	
-42	0411939-1	BRACKET-TAB CONTROL PULLEY -----								1	
-43	0413410-1	FLOORBOARD ASSEMBLY-CENTER -----								1	B
-44	0413410-3	FLOORBOARD ASSEMBLY-CENTER -----								1	C
-45	S237-2P NAS395-14-3	DOUBLER ASSEMBLY ----- NUT -----								1 2 3	B C
-46	0410203-2 0410203-3	BULKHEAD-CANTED STA 27.92 ----- BULKHEAD-CANTED STA. 27.92 -----								1 1	B C
-47	MS35489-7	GROMMET -----								1	
-48	MS35489-20	GROMMET -----								1	
	0411958-4 0411958-5	SUPPORT & BELLCRANK ASSEMBLY ----- SUPPORT & BELLCRANK ASSEMBLY -----								1 1	F G
-49	0410202-1	SUPPORT -----								1	
-50	0411569 0410231-1	ANGLE-LH ----- BRACE-LH -----								1 1	F G
-51	0411569-1 0410231-2	ANGLE-RH ----- BRACE-RH -----								1 1	F G
	0411288	BELLCRANK & BRACKET ASSEMBLY-ELEVATOR -----								1	
-52	0411289	BRACKET WEU 0411289-1 -----								1	
-53	0411290	BRACKET -----								1	
-54	0411258-1	BELLCRANK ASSEMBLY ----- ATTACHING PARTS								1	
-55	AN4-10A	BOLT -----								1	
-56	MS21042L4	NUT -----								1	
		*----- BEARING ----- BEARING -----								1 1	
-57	4NCC910P	BEARING -----								1	
-58	MS27261KSP4	BEARING -----								1	
-59	SEE FIG 25 SEE FIG 25A	BULKHEAD ASSEMBLY-MAIN GEAR ----- BULKHEAD ASSEMBLY-MAIN GEAR -----								1 1	D E
-60	0411953-3 0411953-4	STIFFENER-BELLY SKIN OUTBD RH ----- STIFFENER-BELLY SKIN OUTBD LH -----								1 1	
-61	0411953-6	STIFFENER-BELLY SKIN INBD LH -----								1	
-62	0411953-5	STIFFENER-BELLY SKIN INBD RH -----								1	
-63	0411126-4 0411126-5	SKIN-FUSELAGE STA 27.92 TO 56.69 ----- SKIN-FUSELAGE STA 27.92 TO 56.69 -----								1 1	D E
	NAS220-10 AN960-8 MS21044N08	ATTACHING PARTS SCREW ----- WASHER ----- NUT -----								10 10 10	E E E
		*----- SKIN-FUSELAGE LH ----- SKIN-FUSELAGE RH -----								1 1	
-64	0411959-5 0411959-6	SKIN-FUSELAGE ----- SKIN-FUSELAGE -----								1 1	
-65	0411127-4 0411127-5	SKIN-FUSELAGE ----- SKIN-FUSELAGE -----								1 1	B C

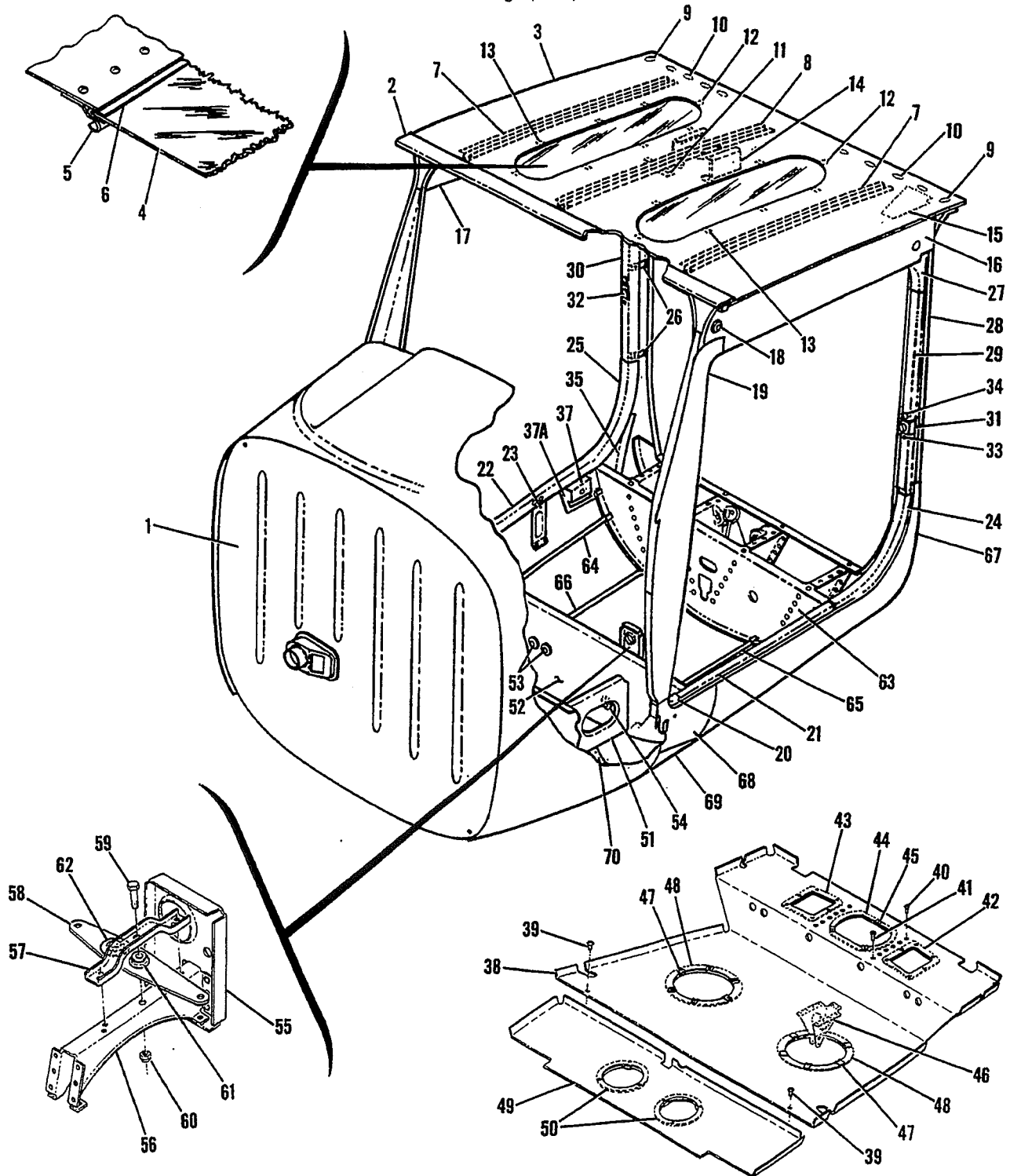
CONTINUED ON NEXT PAGE

150 & A150 Parts Catalog

FIGURE AND INDEX NO.	PART NUMBER	DESCRIPTION	UNITS PER ASSY	USABLE ON CODE
		1 2 3 4 5 6 7		
24 -66 -67	0413497-1	BULKHEAD-BELLY LH -----	1	C C C C
	0413497-2	BULKHEAD-BELLY RH -----	1	
	0413499-1	GUSSET-BELLY SKIN LH STA 20.50 -----	1	
	0413499-2	GUSSET-BELLY SKIN RH STA. 20.50 -----	1	
	SEE FIG 44	SEAT RAILS -----	AR	
		A---150 SERIAL 15071129 THRU 15073658 F150 SERIAL F15000659 THRU F15000863 A150 SERIAL A1500001 THRU A1500342 FA150 SERIAL FA1500001 THRU FA1500166		
		B---150 SERIAL 15071129 THRU 15073658 F150 SERIAL F15000530 THRU F15000863		
		C---A150 SERIAL A1500001 THRU A1500342 FA150 SERIAL FA1500001 THRU FA1500166		
		D---150 SERIAL 15071129 THRU 15072003 F150 SERIAL F15000530 THRU F15000658 A150 SERIAL A1500001 THRU A1500226 FA150 SERIAL FA1500001 THRU FA1500081		
		E---150 SERIAL 15072004 THRU 15073658 F150 SERIAL F15000659 THRU F15000863 A150 SERIAL A1500227 THRU A1500342 FA150 SERIAL FA1500082 THRU FA1500166		
		F---150 SERIAL 15071129 THRU 15072628 F150 SERIAL F15000530 THRU F15000738 A150 SERIAL A1500001 THRU A1500276 FA150 SERIAL FA1500001 THRU FA1500166		
		G---150 SERIAL 15072629 THRU 15073658 F150 SERIAL F15000739 THRU F15000863 A150 SERIAL A1500277 THRU A1500342		
		H---150 SERIAL 15071129 THRU 15073658 F150 SERIAL F15000530 THRU F15000863 A150 SERIAL A1500001 THRU A1500342 FA150 SERIAL FA1500001 THRU FA1500166		

150 & A150 Parts Catalog

Fuselage (Cont)



150 SERIAL 15073659 & ON
F150 SERIAL F15000864 & ON
A150 SERIAL A1500343 & ON
FA150 SERIAL FA1500167 & ON

Figure 24A. Fuselage Front & Center Section Assembly

150 & A150 Parts Catalog

FIGURE AND INDEX NO.	PART NUMBER	DESCRIPTION	1 2 3 4 5 6 7							UNITS PER ASSY	USABLE ON CODE
			1	2	3	4	5	6	7		
24A-		FRONT & CENTER SECTION ASSY-FUSELAGE -----								NP	A
- 1	SEE FIG 26 & 26A	FRONT SECTION ASSY-FUSELAGE -----								1	
- 2	0413488-1	RETAINER -----								1	
		CABIN TOP ASSY-SKYLIGHT -----								NP	B
- 3	0413492-201	CABIN TOP ASSY -----								1	
	0413492-3	SKIN-CABIN TOP SKYLIGHT -----								1	B
	0413492-4	SKIN-CABIN TOP -----								1	
- 4	0411144-1	WINDOW-SKYLIGHT BRONZE -----								1	
- 5	0411174	FRAME -----								2	
- 6	S1055-1	CHANNEL-53.25 IN LG BKI REF S1051-1-53.25 -----								2	
- 7	0411175	STIFFENER -----								2	
- 8	0411175-8	STIFFENER -----								1	
- 9	S1863-3	NUTPLATE -----								2	
-10	S1862-2	NUTPLATE -----								8	
-11	0511484-2	BRACKET-INSTRUMENT LIGHT CONSOLE -----								1	
-12	0414014-1	BRACKET-SKYLIGHT -----								4	
-13	0414014-2	BRACKET-SKYLIGHT -----								12	
-14	0513426-2	SUPPORT-SPEAKER & INSTRUMENT PANEL LIGHTS -----								2	L
	0513426-4	SUPPORT ASSY-SPEAKER & INSTRUMENT PANEL LIGHTS -----								2	M
	NAS696A3	NUTPLATE -----								2	M
-15	1210032-5	DAMPENER ASSY-ANTENNA VIBRATION LH -----								1	
	1210032-6	DAMPENER ASSY-ANTENNA VIBRATION RH -----								1	
-16	0413327-12	RIB-FUSELAGE CENTER SECTION LH -----								1	F
	0413327-23	RIB ASSY-FUSELAGE CENTER SECTION LH WEU 0413327-31 -----								1	G
	0413327-31	RIB ASSY-FUSELAGE CENTER SECTION LH -----								1	H
	0413327-17	RIB ASSY-FUSELAGE CENTER SECTION LH AEROBAT -----								1	J
	0413327-25	RIB ASSY-FUSELAGE CENTER SECTION LH AEROBAT -----								1	J
	0413327-33	RIB ASSY-FUSELAGE CENTER SECTION LH WEU 0413327-33 -----								1	
-17	0413327-9	RIB-FUSELAGE CENTER SECTION LH AEROBAT -----								1	J
	0413327-22	RIB-FUSELAGE CENTER SECTION RH -----								1	F
	0413327-30	RIB ASSY-FUSELAGE CENTER SECTION RH WEU 0413327-30 -----								1	G
	0413327-16	RIB ASSY-FUSELAGE CENTER SECTION RH -----								1	H
	0413327-24	RIB ASSY-FUSELAGE CENTER SECTION RH AEROBAT -----								1	J
	0413327-32	RIB ASSY-FUSELAGE CENTER SECTION RH WEU 0413327-32 -----								1	
-18	MS35489-11	RIB ASSY-FUSELAGE CENTER SECTION RH AEROBAT -----								1	J
-19	0410204-1	GROMMET -----								1	
-20	0410126-1	FILLET-DOOR JAMB UPPER FORWARD -----								2	
	0410126-2	FILLET-DOOR JAMB LOWER FORWARD -----								2	
-21	0410120-2	FILLER-DOOR JAMB LOWER FORWARD -----								2	
	0410132-1	SILL-DOOR LOWER LH -----								1	D
	0410132-3	SILL-DOOR LOWER LH -----								1	E
-22	0410132-2	SILL-DOOR LOWER RH -----								1	E
	0410132-4	SILL-DOOR LOWER RH -----								1	E
-23	0410239-2	SUPPORT-DOOR SILL LOWER RH -----								1	
	0410239-1	SUPPORT-DOOR SILL LOWER LH -----								1	
-24	0410135-1	FILLET-DOOR SILL LOWER REAR LH -----								1	D
	0410135-3	FILLET-DOOR SILL LOWER REAR LH -----								1	E
-25	0410135-2	FILLET-DOOR SILL LOWER REAR RH -----								1	E
	0410135-4	FILLET-DOOR SILL LOWER REAR RH -----								1	F
-26	0410133-2	STRAP-REAR DOOR JAMB -----								6	
	NAS42DD4-5	SPACER BETWEEN STRAP & DOOR JAMB -----								6	K
-27	0410131-1	GUSSET-DOOR SILL UPPER REAR -----								2	
	0410205-1	FILLER-DOOR SILL UPPER REAR -----								2	
-28	SEE FIG 29	REAR DOORPOST ASSY -----								1	
-29	0410137-1	JAMB-DOOR REAR LH -----								1	
-30	0410137-2	JAMB-DOOR REAR RH -----								1	
-31	0412066-1	CLUTCH ASSY-ROTARY DOOR LATCH LH -----								1	
-32	0412066-2	CLUTCH ASSY-ROTARY DOOR LATCH RH -----								1	
-33	AN525-10R6	ATTACHING PARTS -----								2	
-34	S1438-12	SCREW -----								2	
	NAS43DD3-9	GUIDE-DOOR LATCH -----								2	
	AN525-10R9	ATTACHING PARTS -----								1	
		SPACER -----								1	
		SCREW -----								1	
-35	0410127-2	STIFFENER-BULKHEAD RH -----								1	
-36	0410127-1	STIFFENER-BULKHEAD LH -----								1	
		DELETED, NEVER USED -----									

CONTINUED ON NEXT PAGE

150 & A150 Parts Catalog

FIGURE AND INDEX NO.	PART NUMBER	DESCRIPTION							UNITS PER ASSY	USABLE ON CODE
		1	2	3	4	5	6	7		
24A-37	0410129-8	BRACKET ASSY-SEAT BELT RH -----							1	D E E E E E E E E E E E E
	0410247-2	BRACKET ASSY-SEAT BELT RH -----							1	
	0410129-7	BRACKET ASSY-SEAT BELT LH -----							1	
	0410247-1	BRACKET ASSY-SEAT BELT LH -----							1	
		ATTACHING PARTS								
	NAS220-6	SCREW -----							2	
	AN960-8	WASHER -----							2	
	MS21044N08	NUT -----							2	
		*-----								
	NAS696A4	NUTPLATE -----							1	
	NAS680A4	NUTPLATE -----							1	
	NAS463WDD416	SHIM -----							1	
-37A	0410246-2	DOUBLER-SEAT BELT BRACKET RH -----							1	
	0410246-1	DOUBLER-SEAT BELT BRACKET LH -----							1	
-38	0410238-1	FLOORBOARD ASSY-STA 27.92 TO 56.69 -----							1	
		ATTACHING PARTS								
-39	NAS221-7	SCREW -----							2	
-40	NAS220-9	SCREW -----							10	
-41	NAS220-11	SCREW -----							2	
	AN960-8	WASHER -----							12	
	MS21044N08	NUT -----							12	
		*-----								
-42	0713173-1	DOUBLER ASSY-LH -----							1	
-43	0713173-2	DOUBLER ASSY-RH -----							1	
-44	0410229-2	DOUBLER -----							1	
-45	NAS395-14-3	NUT -----							3	
-46	0410234-1	BRACKET-TAB CONTROL PULLEY -----							1	
-47	NAS395-17-3	NUT -----							12	
-48	0411370	DOUBLER -----							2	
-49	0413410-5	FLOORBOARD ASSY-CENTER -----							1	
	0413410-7	FLOORBOARD ASSY-CENTER -----							1	
-50	S237-2P	DOUBLER ASSY -----							2	
	NAS395-14-3	NUT -----							3	
-51	0413497-1	BULKHEAD-BELLY LH -----							1	
	0413497-2	BULKHEAD-BELLY RH -----							1	
-52	0410237-1	BULKHEAD ASSY-CANTED STA 27.92 -----							1	
-53	MS35489-7	GROMMET -----							2	
-54	MS35489-20	GROMMET -----							1	
	0411958-6	SUPPORT & BELLCRANK ASSY -----							1	
-55	0410233-1	SUPPORT -----							1	
	0411288	BELLCRANK & BRACKET ASSY-ELEVATOR -----							1	
-56	0411289-1	BRACKET -----							1	
-57	0411290	BRACKET -----							1	
-58	0411258-1	BELLCRANK ASSY -----							1	
		ATTACHING PARTS								
-59	AN4-10A	BOLT -----							1	
-60	MS21042L4	NUT -----							1	
		*-----								
-61	4NCC910P	BEARING -----							1	
-62	MS27261KSP4	BEARING -----							1	
-63	SEE FIG 25A	BULKHEAD ASSY-MAIN GEAR -----							1	
-64	0411953-3	STIFFENER-BELLY SKIN OUTBD RH -----							1	
	0411953-4	STIFFENER-BELLY SKIN OUTBD LH -----							1	
-65	0411953-6	STIFFENER-BELLY SKIN INBD LH -----							1	
-66	0411953-5	STIFFENER-BELLY SKIN INBD RH -----							1	
-67	0411126-5	SKIN-FUSELAGE STA 27.92 TO 56.69 -----							1	
		ATTACHING PARTS								
	AN515-8R8	SCREW -----							1	
	NAS220-10	SCREW -----							10	
	AN960-8	WASHER -----							11	
	MS21044N08	NUT -----							11	
		*-----								
-68	0411959-5	SKIN-FUSELAGE LH -----							1	
	0411959-6	SKIN-FUSELAGE RH -----							1	
-69	0411127-4	SKIN-FUSELAGE -----							1	
	0411127-5	SKIN-FUSELAGE -----							1	

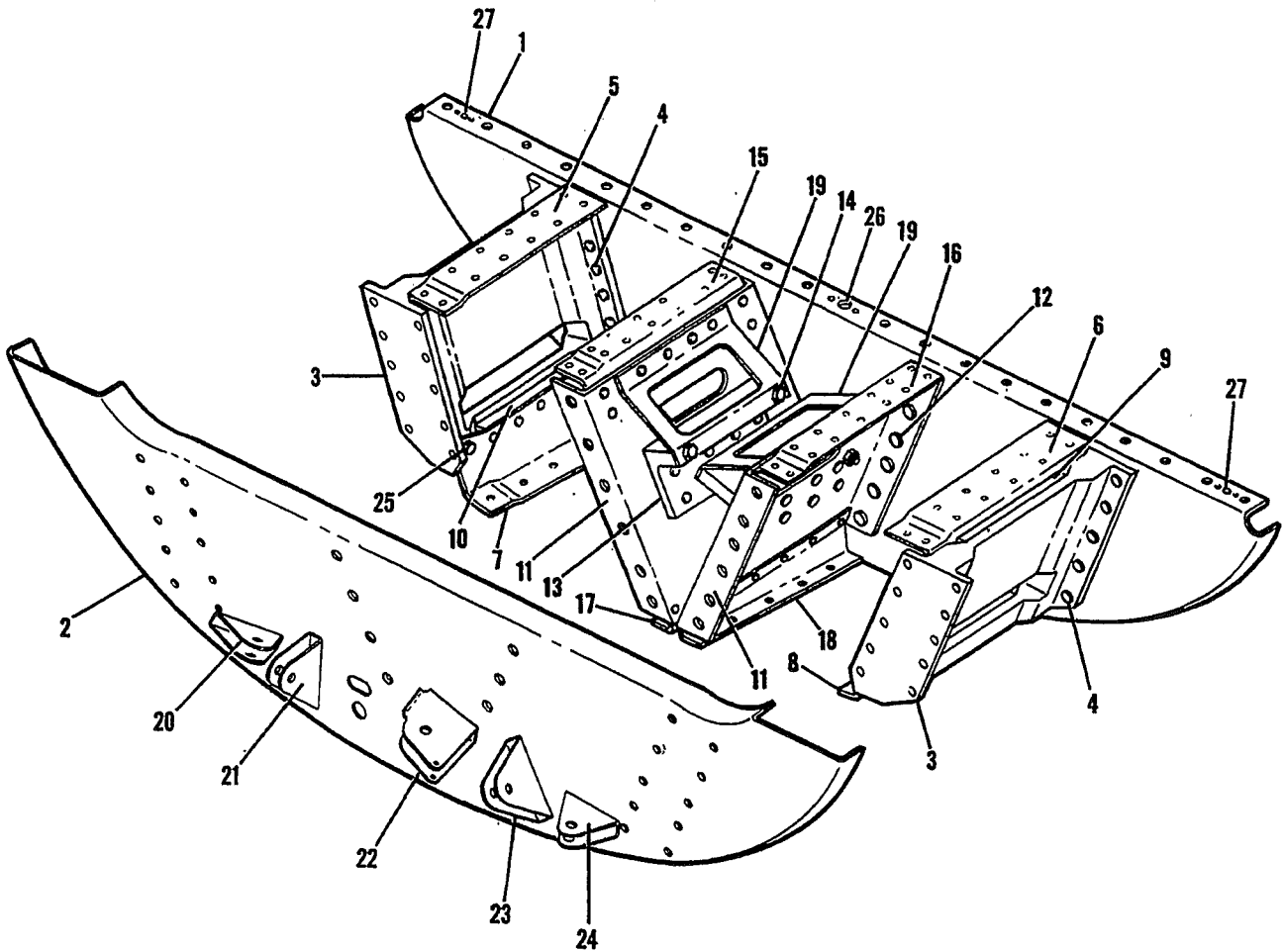
CONTINUED ON NEXT PAGE

150 & A150 Parts Catalog

FIGURE AND INDEX NO.	PART NUMBER	DESCRIPTION	UNITS PER ASSY	USABLE ON CODE
		1 2 3 4 5 6 7		
24A-70	0413499-1	GUSSET-BELLY SKIN LH STA 20.50 -----	1	C
	0413499-2	GUSSET-BELLY SKIN RH STA 20.50 -----	1	C
		A---150 SERIAL 15073659 & ON F150 SERIAL F15000864 & ON A150 SERIAL A1500343 & ON FA150 SERIAL FA1500167 & ON B---150 SERIAL 15073659 & ON F150 SERIAL F15000864 & ON C---A150 SERIAL A1500343 & ON FA150 SERIAL FA1500167 & ON D---150 SERIAL 15073659 THRU 15075781 F150 SERIAL F15000864 THRU F15001143 A150 SERIAL A1500343 THRU A1500523 FA150 SERIAL FA1500167 THRU FA1500261 E---150 SERIAL 15075782 & ON F150 SERIAL F15001144 & ON A150 SERIAL A1500524 & ON FA150 SERIAL FA1500262 & ON F---150 SERIAL 15073659 THRU 15077005 F150 SERIAL F15000864 THRU F15001248 G---150 SERIAL 15077006 & ON F150 SERIAL F15001249 & ON H---A150 SERIAL A1500343 THRU A1500609 FA150 SERIAL FA1500167 THRU FA1500281 J---A150 SERIAL A1500610 & ON FA150 SERIAL FA1500282 & ON K---150 SERIAL 15077006 & ON F150 SERIAL F15001249 & ON A150 SERIAL A1500610 & ON FA150 SERIAL FA1500282 & ON L---150 SERIAL 15071129 THRU 15078505 F150 SERIAL F15000530 THRU F15001338 A150 SERIAL A1500001 THRU A1500684 FA150 SERIAL FA1500001 THRU FA1500311 M---150 SERIAL 15078506 & ON F150 SERIAL F15001339 & ON A150 SERIAL A1500685 & ON FA150 SERIAL FA1500312 & ON		

150 & A150 Parts Catalog

Fuselage (Cont)



150 SERIAL 15071129 THRU 15072003
F150 SERIAL F15000530 THRU F15000658
A150 SERIAL A1500001 THRU A1500226
FA150 SERIAL FA1500001 THRU FA1500081

Figure 25. Main Landing Gear Bulkhead Assembly

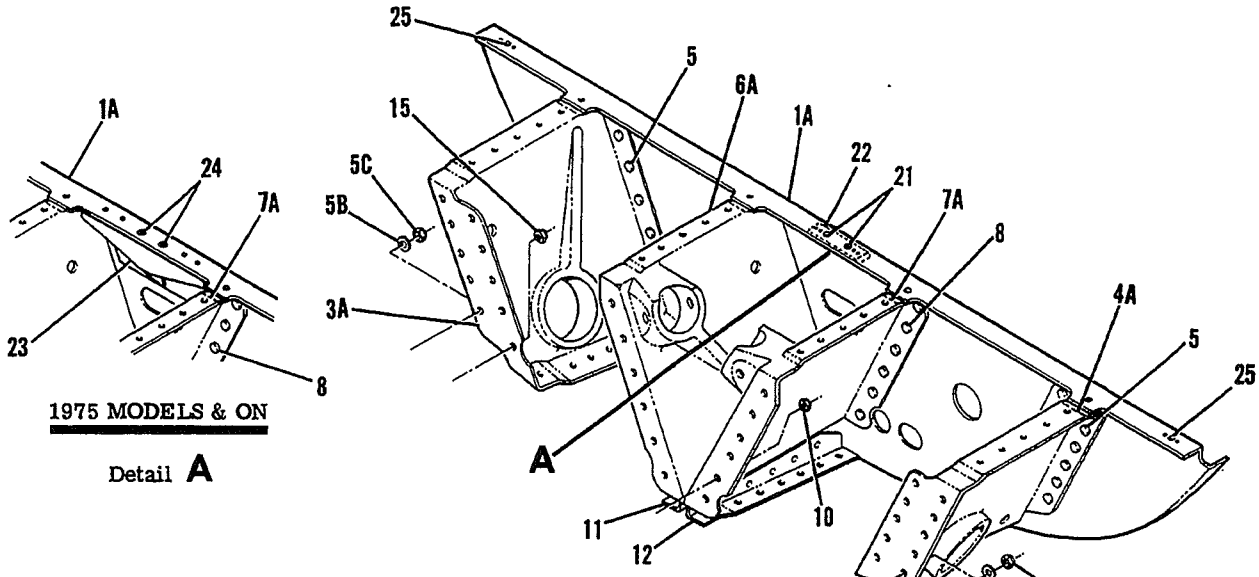
150 & A150 Parts Catalog

FIGURE AND INDEX NO.	PART NUMBER	DESCRIPTION	UNITS PER ASSY	USABLE ON CODE		
					1	2
25 -	0411951-7	BULKHEAD ASSEMBLY-MAIN LANDING GEAR -----	1	A		
- 1	0411951-5	BULKHEAD-STA 49.69 -----	1			
- 2	0411951-6	BULKHEAD-LOWER STA 56.69 -----	2			
- 3	0411899-1	STIFFENER ASSEMBLY-LANDING GEAR BULKHEAD -----	2			
		ATTACHING PARTS -----				
- 4	NAS178-6-6	PIN-HI SHEAR -----	19			
	NAS179-6	COLLAR -----	19			
		-----*				
- 5	0411900-1	ANGLE-UPPER OUTBOARD LH -----	1			
- 6	0411900-2	ANGLE-UPPER OUTBOARD RH -----	1			
- 7	0411903-1	ANGLE-LOWER OUTBOARD LH -----	1			
- 8	0411903-2	ANGLE-LOWER OUTBOARD RH -----	1			
- 9	0411304-1	SPACER-UPPER ANGLE -----	2			
-10	0411305-1	SPACER-LOWER ANGLE -----	2			
-11	0441172-1	BULKHEAD ASSEMBLY-LANDING GEAR INBOARD -----	2			
		ATTACHING PARTS -----				
-12	NAS178-8-4	PIN-HI SHEAR AFT SIDE RH -----	11			
	NAS178-8-4	PIN-HI SHEAR AFT SIDE LH -----	12			
	NAS178-8-4	PIN-HI SHEAR FORWARD SIDE -----	12			
	NAS179-8	COLLAR-AFT SIDE RH -----	11			
	NAS179-8	COLLAR-AFT SIDE LH -----	12			
	NAS179-8	COLLAR-FORWARD SIDE -----	12			
	AN509-416R13	SCREW -----	1			
	AN960-416	WASHER -----	1			
	MS21042L4	NUT -----	1			
		-----*				
-13	0441171-1	ANGLE -----	1			
		ATTACHING PARTS -----				
-14	AN4-21A	BOLT -----	2			
	AN960-416	WASHER -----	2			
	MS21042L4	NUT -----	2			
		-----*				
-15	0441170-1	BULKHEAD-LANDING GEAR INBOARD -----	1			
-16	0411905-1	ANGLE-UPPER INNER LH -----	1			
-17	0411905-2	ANGLE-LOWER INNER RH -----	1			
-18	0411904-1	ANGLE-LOWER INNER LH -----	1			
-19	0411904-2	ANGLE-LOWER INNER RH -----	1			
-20	0441155-1	BRACKET-INBOARD BULKHEAD -----	2			
	0411452	BRACKET -----	1			
		ATTACHING PARTS -----				
	NAS1303-5	BOLT -----	1			
	MS21044N3	NUT -----	1			
		-----*				
-21	0411449	BRACKET -----	1			
		ATTACHING PARTS -----				
	AN520-10R7	SCREW -----	1			
	MS21044N3	NUT -----	1			
		-----*				
-22	0412048-1	BRACKET -----	1			
		ATTACHING PARTS -----				
	AN520-10R12	SCREW -----	1			
	MS21044N3	NUT -----	1			
		-----*				
-23	0411671	BRACKET -----	1			
		ATTACHING PARTS -----				
	AN520-10R7	SCREW -----	2			
	MS21044N3	NUT -----	2			
		-----*				
-24	0411451	BRACKET -----	1			
		ATTACHING PARTS -----				
	AN520-10R7	SCREW -----	1			
	MS21044N3	NUT -----	1			
		-----*				
-25	AN3-10A	BOLT -----	2			
	AN960-10	WASHER -----	2			
	MS21044N3	NUT -----	2			
-26	NAS698A4	NUTPLATE -----	1			
-27	NAS697A3	NUTPLATE -----	2			

A---150 SERIAL 15071129 THRU 15072003
 F150 SERIAL F15000530 THRU F15000658
 A150 SERIAL A1500001 THRU A1500226
 FA150 SERIAL FA1500001 THRU FA1500081

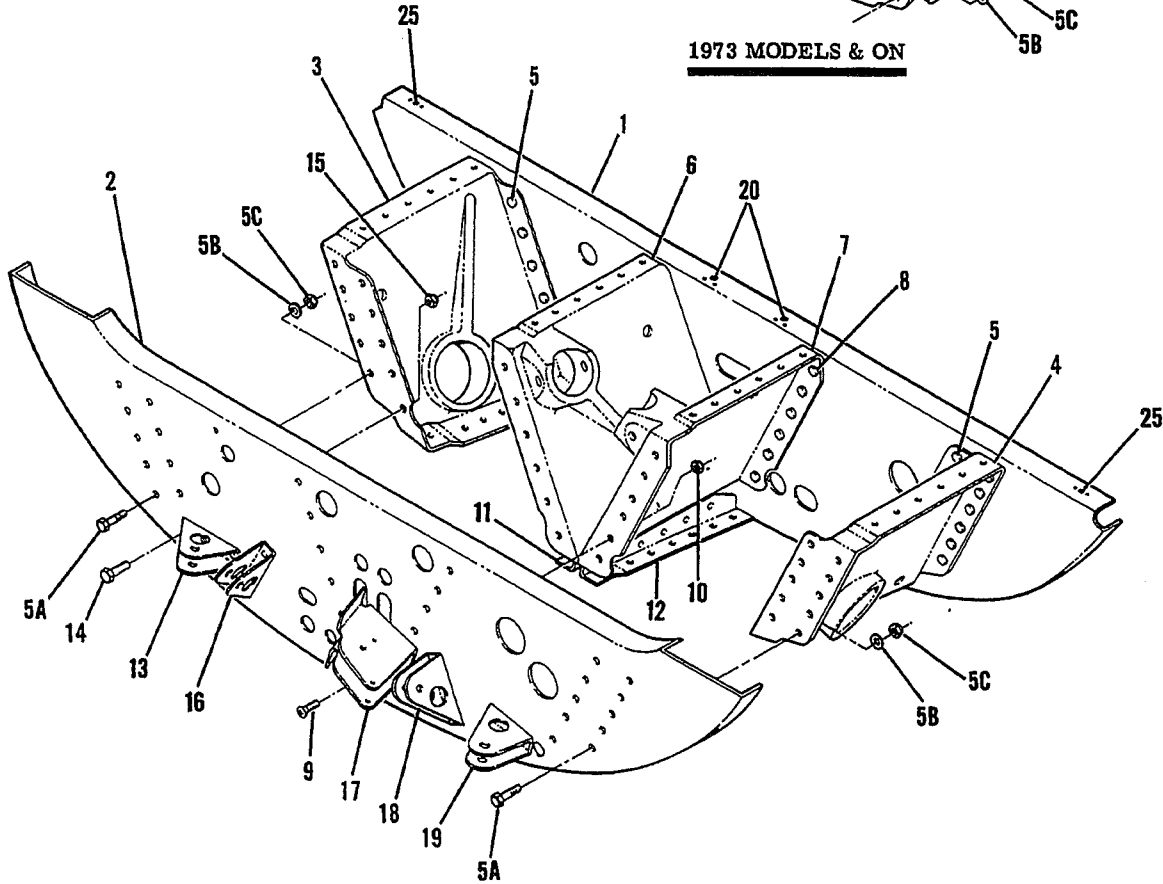
150 & A150 Parts Catalog

Fuselage (Cont)



1975 MODELS & ON

Detail A



1973 MODELS & ON

**150 SERIAL 15072004 & ON
 F150 SERIAL F15000659 & ON
 A150 SERIAL A1500227 & ON
 FA150 SERIAL FA1500082 & ON**

Figure 25A. Main Landing Gear Bulkhead Assembly

150 & A150 Parts Catalog

FIGURE AND INDEX NO.	PART NUMBER	DESCRIPTION	1 2 3 4 5 6 7							UNITS PER ASSY	USABLE ON CODE
			1	2	3	4	5	6	7		
25A-	0412074-1	BULKHEAD ASSEMBLY-MAIN LANDING GEAR								1	A
	0412074-2	BULKHEAD ASSEMBLY-MAIN LANDING GEAR								1	C
	0412074-3	BULKHEAD ASSEMBLY-MAIN LANDING GEAR								1	D
- 1	0411951-9	BULKHEAD-STA 49.69								1	A
- 1A	0411951-10	BULKHEAD-STA 49.69								1	B
- 2	0411951-8	BULKHEAD-LOWER STA 56.69								1	A
- 3	0441211-1	SUPPORT-MAIN LANDING GEAR								1	E
- 3A	0441211-5	SUPPORT-MAIN LANDING GEAR								1	F
	0441209-1	SUPPORT-MAIN LANDING GEAR								1	A
- 4	0441211-2	SUPPORT-MAIN LANDING GEAR								1	E
- 4A	0441211-6	SUPPORT-MAIN LANDING GEAR								1	F
	0441209-2	SUPPORT-MAIN LANDING GEAR								1	A
		ATTACHING PARTS									
- 5	NAS178-6-6	PIN-HI SHEAR								20	
	NAS1426-3	PIN-HI SHEAR ALTERNATE								20	
	NAS179-6	COLLAR								20	
	NAS1080C6	COLLAR ALTERNATE								20	
- 5A	NAS464P3-7	BOLT								1	
- 5B	AN960-10L	WASHER								1	
- 5C	MS21044N3	NUT								1	
		*---									
- 6	0441204-3	SUPPORT-MAIN LANDING GEAR								1	A
- 6A	0441204-11	SUPPORT-MAIN LANDING GEAR								1	B
	0441204-15	SUPPORT-MAIN LANDING GEAR								1	B
- 7	0441204-4	SUPPORT-MAIN LANDING GEAR								1	A
- 7A	0441204-12	SUPPORT-MAIN LANDING GEAR								1	B
	0441204-16	SUPPORT-MAIN LANDING GEAR								1	B
		ATTACHING PARTS									
- 8	NAS178-8-5	PIN-HI SHEAR								5	
	NAS1428-4	PIN-HI SHEAR								5	
	NAS178-8-5	PIN-HI SHEAR								6	
	NAS1428-4	PIN-HI SHEAR								6	
	NAS178-8-5	PIN-HI SHEAR								6	
	NAS178-8-5	PIN-HI SHEAR								6	
	NAS179-8	COLLAR-AFT SIDE RH								5	
	NAS1080C8	COLLAR-AFT SIDE RH								5	
	NAS179-8	COLLAR-AFT SIDE LH								6	
	NAS1080C8	COLLAR-AFT SIDE LH								6	
	NAS179-8	COLLAR-FORWARD SIDE								6	
	NAS1080C8	COLLAR-FORWARD SIDE								6	
- 9	AN509-416R13	SCREW								1	
- 10	MS21042L4	NUT								1	
		*---									
- 11	0441204-7	BRACKET-LH								1	
- 12	0441204-8	BRACKET-RH								1	
- 13	0411452	BRACKET								1	
		ATTACHING PARTS									
- 14	NAS1303-5	BOLT								1	
	NAS464P3A5	BOLT ALTERNATE								1	
- 15	MS21044N3	NUT								1	
		*---									
- 16	0411449	BRACKET								1	
		ATTACHING PARTS									
	AN520-10R7	SCREW								1	
	MS21044N3	NUT								1	
		*---									
- 17	0412048-1	BRACKET								1	
		ATTACHING PARTS									
	AN520-10R12	SCREW								1	
	MS21044N3	NUT								1	
		*---									
- 18	0411671	BRACKET								1	
		ATTACHING PARTS									
	AN520-10R7	SCREW								2	
	MS21044N3	NUT								2	
		*---									
- 19	0411451	BRACKET								1	
		ATTACHING PARTS									
	AN520-10R7	SCREW								1	
	MS21044N3	NUT								1	
		*---									

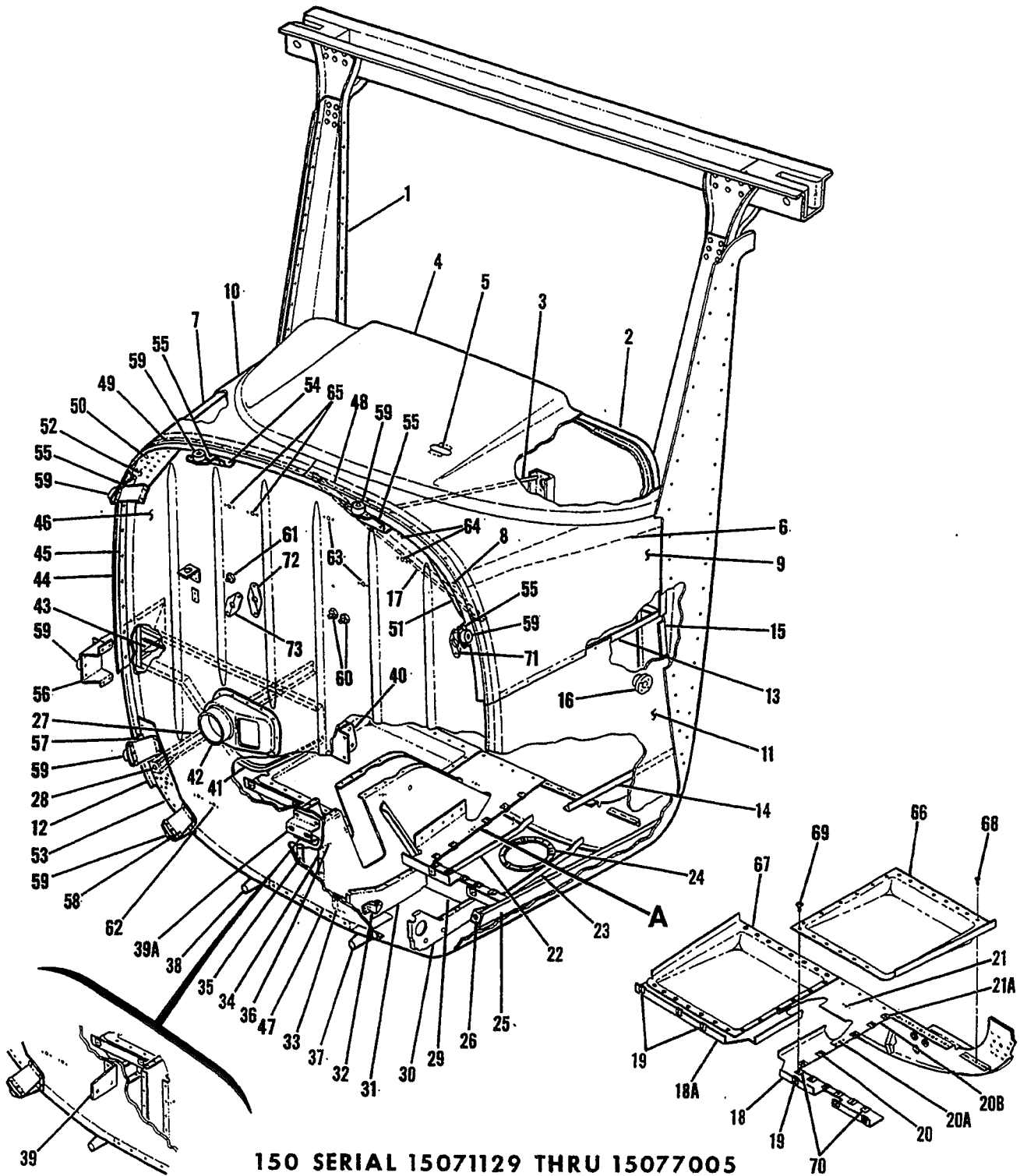
CONTINUED ON NEXT PAGE

150 & A150 Parts Catalog

FIGURE AND INDEX NO.	PART NUMBER	DESCRIPTION	UNITS PER ASSY	USABLE ON CODE
		1 2 3 4 5 6 7		
25A-20	0412076-1	DOUBLER ASSEMBLY-SEAT BELT ATTACH -----	1	A A C C D D
	NAS696A4	NUTPLATE -----	2	
-21	NAS696A4	NUTPLATE -----	2	
-22	0412528-1	SPACER -----	1	
-23	0414046-1	SUPPORT ASSY-SEAT BELT ATTACH -----	1	
-24	NAS696A4	NUTPLATE -----	2	
-25	NAS697A3	NUTPLATE -----	2	
		A---150 SERIAL 15072004 THRU 15073658 F150 SERIAL F15000659 THRU F15000863 A150 SERIAL A1500227 THRU A1500342 FA150 SERIAL FA1500082 THRU FA1500166		
		B---150 SERIAL 15073659 & ON F150 SERIAL F15000864 & ON A150 SERIAL A1500343 & ON FA150 SERIAL FA1500167 & ON		
		C---150 SERIAL 15073659 THRU 15075781 F150 SERIAL F15000864 THRU F15001143 A150 SERIAL A1500343 THRU A1500523 FA150 SERIAL FA1500167 THRU FA1500261		
		D---150 SERIAL 15075782 & ON F150 SERIAL F15001144 & ON A150 SERIAL A1500524 & ON FA150 SERIAL FA1500262 & ON		
		E---150 SERIAL 15073659 THRU 15076682 F150 SERIAL F15000864 THRU F15001248 A150 SERIAL A1500343 THRU A1500591 FA150 SERIAL FA1500167 THRU FA1500281		
		F---150 SERIAL 15076683 & ON F150 SERIAL F15001249 & ON A150 SERIAL A1500592 & ON FA150 SERIAL FA1500282 & ON		

150 & A150 Parts Catalog

Fuselage (Cont)



CODE J

150 SERIAL 15071129 THRU 15077005
F150 SERIAL F15000530 THRU F15001248
A150 SERIAL A1500001 THRU A1500609
FA150 SERIAL FA1500001 THRU FA1500281

Detail **A**

Figure 26. Fuselage Front Section Assembly

150 & A150 Parts Catalog

FIGURE AND INDEX NO.	PART NUMBER	DESCRIPTION							UNITS PER ASSY	USABLE ON CODE
		1	2	3	4	5	6	7		
26 -	0413004-14	FRONT SECTION ASSEMBLY-FUSELAGE	----	----	----	----	----	----	1	A
	0413004-18	FRONT SECTION ASSEMBLY-FUSELAGE	----	----	----	----	----	----	1	C
	0413004-20	FRONT SECTION ASSEMBLY-FUSELAGE	----	----	----	----	----	----	1	K
	0413004-21	FRONT SECTION ASSEMBLY-FUSELAGE	----	----	----	----	----	----	1	R
	0413004-23	FRONT SECTION ASSEMBLY-FUSELAGE	----	----	----	----	----	----	1	V
	0413004-25	FRONT SECTION ASSEMBLY-FUSELAGE	----	----	----	----	----	----	1	X
	0413004-7	FRONT SECTION ASSEMBLY-FUSELAGE	----	----	----	----	AEROBAT	----	1	B
	0413004-17	FRONT SECTION ASSEMBLY-FUSELAGE	----	----	----	----	AEROBAT	----	1	D
	0413004-19	FRONT SECTION ASSEMBLY-FUSELAGE	----	----	----	----	AEROBAT	----	1	L
	0413004-22	FRONT SECTION ASSEMBLY-FUSELAGE	----	----	----	----	AEROBAT	----	1	S
	0413004-24	FRONT SECTION ASSEMBLY-FUSELAGE	----	----	----	----	AEROBAT	----	1	W
	0413004-26	FRONT SECTION ASSEMBLY-FUSELAGE	----	----	----	----	AEROBAT	----	1	Y
- 1	SEE FIG 27	BULKHEAD ASSEMBLY-FRONT DOORPOST	----	----	----	----	----	----	1	A
	SEE FIG 28	BULKHEAD ASSEMBLY-FRONT DOORPOST	----	----	----	----	AEROBAT	----	1	B
- 2	SEE FIG 47	STATIONARY INSTRUMENT PANEL ASSEMBLY	----	----	----	----	----	----	1	P
	SEE FIG 47A	STATIONARY INSTRUMENT PANEL ASSEMBLY	----	----	----	----	----	----	1	O
- 3	0413346-1	STIFFENER-STATIONARY INSTRUMENT PANEL	----	----	----	----	----	----	1	M
	0413346-2	STIFFENER-STATIONARY INSTRUMENT PANEL	----	----	----	----	----	----	1	N
- 4	0413004-6	SKIN-DECK	----	----	----	----	----	----	1	Z
	0413004-27	SKIN-DECK	----	----	----	----	----	----	1	A
- 5	0413452-1	NOZZLE ASSEMBLY-DEFROSTER	----	----	----	----	----	----	1	
- 6	0413423-1	STRINGER ASSEMBLY-ENGINE MOUNT LH	----	----	----	----	----	----	1	Z
	0413423-5	STRINGER ASSEMBLY-ENGINE MOUNT LH	----	----	----	----	----	----	1	A
- 7	0413423-2	STRINGER ASSEMBLY-ENGINE MOUNT RH	----	----	----	----	----	----	1	A
	0413423-6	STRINGER ASSEMBLY-ENGINE MOUNT RH	----	----	----	----	----	----	1	Z
- 8	0411281-4	BRACKET-ENGINE MOUNT LH	----	----	----	----	----	----	1	A
	0411281-7	BRACKET-ENGINE MOUNT LH	----	----	----	----	----	----	1	Z
	0411281-5	BRACKET-ENGINE MOUNT RH	----	----	----	----	----	----	1	A
	0411281-8	BRACKET-ENGINE MOUNT RH	----	----	----	----	----	----	1	Z
- 9	0413004-13	SKIN-UPPER LH	----	----	----	----	----	----	1	A
-10	0413004-4	SKIN-UPPER RH	----	----	----	----	----	----	1	Z
-11	0413004-11	SKIN-LOWER LH	----	----	----	----	----	----	1	Z
-12	0413004-2	SKIN-LOWER RH	----	----	----	----	----	----	1	E
	0413004-16	SKIN-LOWER RH	----	----	----	----	----	----	1	F
-13	0413305-1	STIFFENER-FRONT SECTION LH	----	----	----	----	----	----	1	
	0413305-2	STIFFENER-FRONT SECTION RH	----	----	----	----	----	----	1	
-14	0413305-3	STIFFENER-FRONT SECTION LH	----	----	----	----	----	----	1	
	0413305-4	STIFFENER-FRONT SECTION RH	----	----	----	----	----	----	1	
-15	0413425-1	STIFFENER-FORWARD DOOR POST LH	----	----	----	----	----	----	1	
	0413425-2	STIFFENER-FORWARD DOOR POST RH	----	----	----	----	----	----	1	
-16	S1776-1	BUTTON-PITOT STATIC LINE	----	----	----	----	----	----	1	
-17	0413471-2	STIFFENER-LOWER INSTRUMENT PANEL	----	----	----	----	----	----	1	
	0413430-1	FLOORBOARD ASSY-FRONT	WEU 0413430-5, -6 & -8	----	----	----	----	----	1	
-18	0413430-5	FLOORBOARD ASSY-FRONT LH	----	----	----	----	----	----	1	
-18A	0413430-6	FLOORBOARD ASSY-FRONT RH	----	----	----	----	----	----	1	
-19	A1793-6Z3	NUT	TIN	----	----	----	----	----	3	
-20	NAS395-12-3	NUT	----	----	----	----	----	----	2	
-20A	S1863-3	NUTPLATE	----	----	----	----	----	----	1	
-20B	0413430-4	FLOORBOARD ASSY-FRONT CENTER	----	----	----	----	----	----	1	
-21	S1863-3	NUTPLATE	----	----	----	----	----	----	1	
-21A	NAS395-12-3	NUT	----	----	----	----	----	----	6	
-22	0413391-1	STIFFENER-FUSELAGE INBD. STA 8.37 TO 20.5	----	----	----	----	----	----	2	
-23	0413391-2	STIFFENER-FUSELAGE OUTBD STA. 8.37 TO 20.5	----	----	----	----	----	----	2	
-24	S237-2	DOUBLER ASSEMBLY	----	----	----	----	----	----	1	
	NAS395-14-3	NUT	----	----	----	----	----	----	3	
-25	0411283	BRACKET ASSEMBLY-ENGINE MOUNT LOWER LH	----	----	----	----	----	----	1	
-26	0411281-5	BRACKET-ENGINE MOUNT LH	----	----	----	----	----	----	1	
-27	0411283-1	BRACKET ASSEMBLY-ENGINE MOUNT LOWER RH	----	----	----	----	----	----	1	
-28	0411281-4	BRACKET-ENGINE MOUNT RH	----	----	----	----	----	----	1	
-29	0413397-3	BULKHEAD ASSEMBLY-FLOORBOARD STA 8.37 LH	----	----	----	----	----	----	1	
	0413397-2	BULKHEAD-FLOORBOARD STA. 8.37 RH	----	----	----	----	----	----	1	
-30	0413396-1	BULKHEAD-FRONT FLOORBOARD OUTBD LH	----	----	----	----	----	----	1	
	0413396-2	BULKHEAD-FRONT FLOORBOARD OUTBD RH	----	----	----	----	----	----	1	
-31	0413395-1	BULKHEAD ASSEMBLY-FRONT FLOORBOARD INBD LH	----	----	----	----	----	----	1	
	0413395-2	BULKHEAD-FRONT FLOORBOARD INBD RH	----	----	----	----	----	----	1	
-32	0713624-2	ANCHOR-BRAKE CYLINDER	LH ONLY	----	----	----	----	----	1	
-33	0460126-4	BRACKET-TRIM CONTROL	----	----	----	----	----	----	1	
	AN520-10R6	ATTACHING PARTS	----	----	----	----	----	----	1	
	MS20365-1032	SCREW	----	----	----	----	----	----	1	
		NUT	----	----	----	----	----	----	1	
		----	----	----	----	----	----	----	1	
		----	----	----	----	----	----	----	1	
-34	0413394-1	BULKHEAD ASSEMBLY-CONTROL TEE LH	----	----	----	----	----	----	1	

CONTINUED ON NEXT PAGE

150 & A150 Parts Catalog

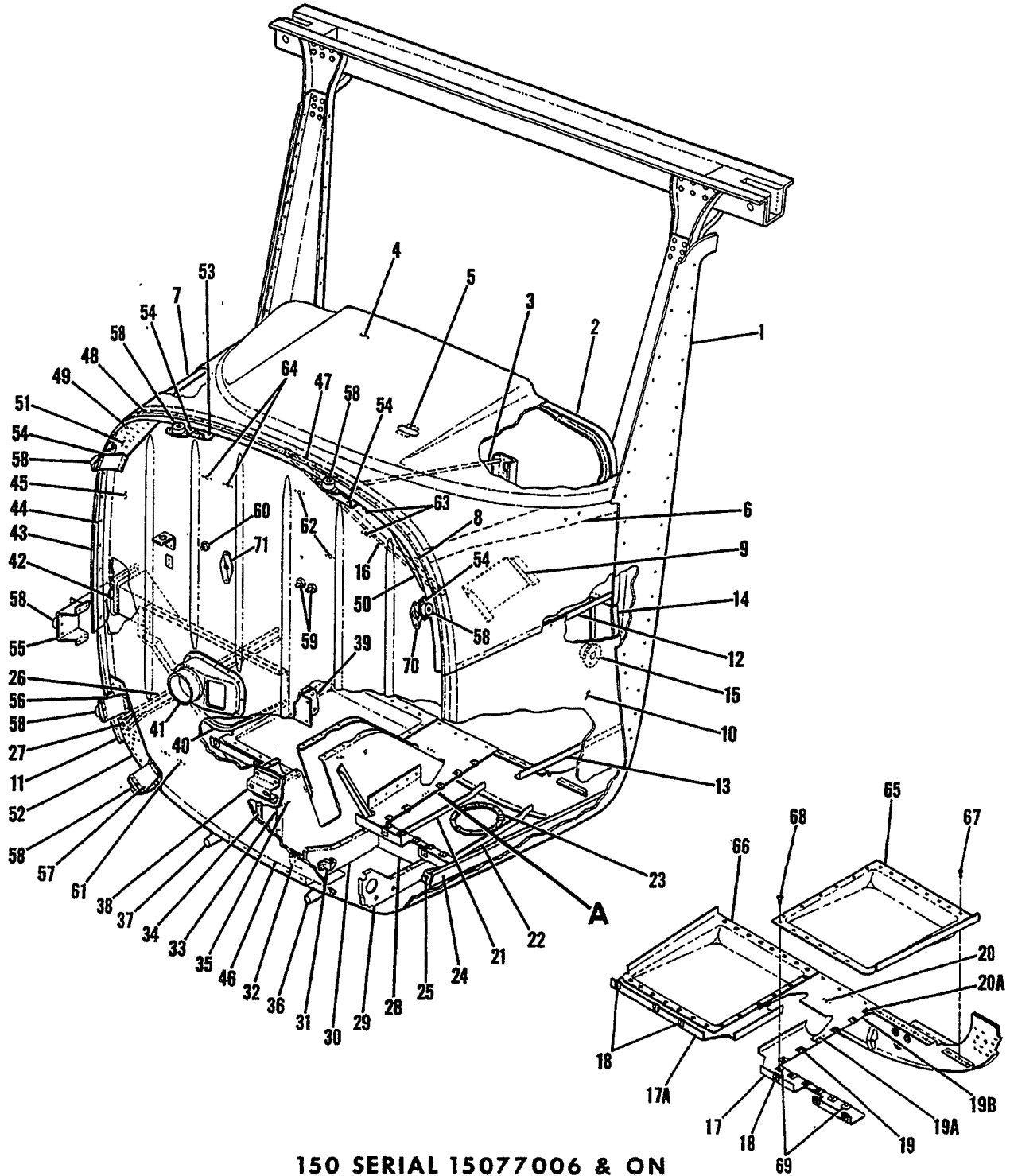
FIGURE AND INDEX NO.	PART NUMBER	DESCRIPTION	1 2 3 4 5 6 7							UNITS PER ASSY	USABLE ON CODE
			26 -35	0413394-2	BULKHEAD ASSEMBLY-CONTROL TEE RH -----						
-36	NAS680A3	NUTPLATE LH BULKHEAD ONLY -----								5	
	NAS680A3	NUTPLATE RH BULKHEAD ONLY -----								6	
-37	0413304-1	SEAL ASSEMBLY-STEERING LINK LH -----								1	
-38	0413304-2	SEAL ASSEMBLY-STEERING LINK RH -----								1	
-39	0753020-1	ANGLE-FUEL STRAINER -----								1	
-39A	0460199-1	BRACKET-FUEL STRAINER -----								1	J
	0413511-1	BRACKET-FUEL STRAINER -----								1	G
-40	0460126-1	BRACKET ASSEMBLY-TRIM CONTROL -----								1	H
-41	SEE FIG 60	HEATER ASSEMBLY-OUTSIDE AIR -----								1	E
	SEE FIG 60A	DISTRIBUTOR ASSEMBLY-CABIN AIR -----								1	E
-42	SEE FIG 60	VALVE ASSEMBLY-CABIN HEATER -----								1	E
	SEE FIG 60A	VALVE ASSEMBLY-CABIN HEATER -----								1	E
-43	SEE FIG 60	DOOR ASSEMBLY-OUTSIDE AIR -----								1	E
	SEE FIG 60A	INLET ASSEMBLY-OUTSIDE AIR -----								1	E
	SEE FIG 60A	SCREEN, HOSE & DUCT ASSEMBLY-OUTSIDE AIR -----								1	E
-44	0413469-1	GUARD-DECK SKIN -----								1	E
-45	0413468-1	STIFFENER-DECK SKIN GUARD -----								4	E
	0453001-4	FIREWALL ASSEMBLY WEU 0453001-5 -----								1	E
	0453001-5	FIREWALL ASSEMBLY WEU 0453001-6 -----								1	E
-46	0453114-3	SHEET-FIREWALL WEU 0453114-4 -----								1	E
	0453114-4	SHEET-FIREWALL WEU 0453114-5 -----								1	E
-47	0453115-1	ANGLE -----								1	
-48	0453107-3	ANGLE-LH -----								1	
-49	0453107-2	ANGLE-RH -----								1	
-50	0453110	PLATE-FIREWALL LOCATED ON AFT SIDE OF FIREWALL -----								4	
-51	0453116-5	DOUBLER-UPPER ENGINE MOUNT LH -----								1	
-52	0453116-6	DOUBLER-UPPER ENGINE MOUNT RH -----								1	
-53	0453116-9	DOUBLER-LOWER MOUNT RH -----								1	
	0453116-8	DOUBLER-LOWER MOUNT LH -----								1	
-54	0453116-7	DOUBLER-SHOCK MOUNT -----								3	
-55	0453003-8	SHOCK MOUNT ASSY-COWL -----								4	
-56	0453003-4	SHOCK MOUNT ASSY-COWL -----								1	
-57	0453003-1	SHOCK MOUNT ASSY-COWL -----								3	
-58	0453003-6	SHOCK MOUNT ASSY-COWL -----								2	
-59	S1115-29	SHOCK MOUNT -----								1	
-60	AN832-2D	UNION -----								2	
	AN924-2D	NUT -----								2	
-61	AN833-2D	ELBOW -----								1	E
	1450024-3	UNION WEU S2289-2 -----								1	E
	AN924-2D	NUT -----								1	E
	AN924-3D	NUT -----								1	E
	AN960-516	WASHER -----								2	E
	AN960-616	WASHER -----								2	E
-62	S1863-3A	NUTPLATE -----								11	E
-63	NAS697A4K	NUTPLATE -----								2	
-64	NAS697A08K	NUTPLATE -----								2	
-65	NAS680A3K	NUTPLATE -----								2	
	SEE FIG 23	BATTERY BOX INSTALLATION -----								1	
-66	0413429-1	FEET PAN-FRONT FLOORBOARD LH -----								1	
-67	0413429-2	FEET PAN-FRONT FLOORBOARD RH -----								1	
		ATTACHING PARTS -----									
-68	AN515-8R8	SCREW -----								8	
-69	S1021Z8-8	SCREW -----								11	
-70	NAS395-17-3	NUTPLATE -----								6	
		*-----									
-71	NAS557-10A	GROMMET-SPLIT PLASTIC -----								1	
	S1095-5	SHIELD HALF-WIRING HARNESS -----								2	
		ATTACHING PARTS -----									
	S1021Z8-6	SCREW -----								2	
	NAS446-4-3	NUT -----								2	
		*-----									
-72	NAS557-6A	GROMMET-SPLIT PLASTIC -----								1	
	S1095-3	SHIELD HALF-TACHOMETER SHAFT -----								2	
		ATTACHING PARTS -----									
	S1021Z8-6	SCREW -----								2	
	NAS446-4-3	NUT -----								2	
	S1860-2A	NUTPLATE -----								2	T
		*-----									U
-73	NAS557-3A	GROMMET-SPLIT PLASTIC -----								1	
	S1095-1	SHIELD HALF-OIL TEMP LINE -----								2	
		ATTACHING PARTS -----									
	S1021Z8-6	SCREW -----								2	
	NAS446-4-3	NUT -----								2	
		*-----									
		CONTINUED ON NEXT PAGE									

150 & A150 Parts Catalog

FIGURE AND INDEX NO.	PART NUMBER	DESCRIPTION							UNITS PER ASSY	USABLE ON CODE
		1	2	3	4	5	6	7		
26 -		A---150 SERIAL 15071129 THRU 15072003 F150 SERIAL F15000530 THRU F15000658 B---A150 SERIAL A1500001 THRU A1500226 FA150 SERIAL FA1500001 THRU FA1500081 C---150 SERIAL 15072004 THRU 15072628 F150 SERIAL F15000659 THRU F15000738 D---A150 SERIAL A1500227 THRU A1500276 FA150 SERIAL FA1500082 THRU FA1500166 E---150 SERIAL 15071129 THRU 15072003 F150 SERIAL F15000530 THRU F15000658 A150 SERIAL A1500001 THRU A1500226 FA150 SERIAL FA1500001 THRU FA1500081 F---150 SERIAL 15072004 THRU 15077005 F150 SERIAL F15000659 THRU F15001248 A150 SERIAL A1500227 THRU A1500609 FA150 SERIAL FA1500082 THRU FA1500281 G---150 SERIAL 15071129 THRU 15071842 F150 SERIAL F15000620 THRU F15000658 F150 SERIAL F15000530THRU F15000658 FLOATPLANE A150 SERIAL A1500001 THRU A1500176 FA150 SERIAL FA1500001 THRU FA1500080 H---150 SERIAL 15071843 THRU 15077005 F150 SERIAL F15000659 THRU F15001248 A150 SERIAL A1500177 THRU A1500609 FA150 SERIAL FA1500081 THRU FA1500281 J---150 SERIAL F15000530 THRU F15000619 EXCEPT FLOATPLANE K---150 SERIAL 15072629 THRU 15073658 F150 SERIAL F15000739 THRU F15000863 L---A150 SERIAL A15000277 THRU A1500342 M---150 SERIAL 15071129 THRU 15072628 F150 SERIAL F15000530 THRU F15000738 A150 SERIAL A1500001 THRU A1500276 FA150 SERIAL FA1500001 THRU FA1500166 N---150 SERIAL 15072629 THRU 15077005 F150 SERIAL F15000739 THRU F15001248 A150 SERIAL A1500277 THRU A1500609 FA150 SERIAL FA1500167 THRU FA1500281 P---150 SERIAL 15071129 THRU 15073658 F150 SERIAL F15000530 THRU F15000863 A150 SERIAL A1500001 THRU A1500342 FA150 SERIAL FA1500001 THRU FA1500166 Q---150 SERIAL 15073659 THRU 15077005 F150 SERIAL F15000864 THRU F15001248 A150 SERIAL A1500343 THRU A1500609 FA150 SERIAL FA1500167 THRU FA1500281 R---150 SERIAL 15073659 THRU 15074850 F150 SERIAL F15000864 THRU F15001013 S---A150 SERIAL A1500343 THRU A1500429 FA150 SERIAL FA1500167 THRU FA1500211 T---150 SERIAL 15071129 THRU 15072503 F150 SERIAL F15000530 THRU F15000738 A150 SERIAL A1500001 THRU A1500262 FA150 SERIAL FA1500001 THRU FA1500121 U---150 SERIAL 15072504 THRU 15077005 F150 SERIAL F1500739 THRU F15001248 A150 SERIAL A1500263 THRU A1500609 FA150 SERIAL FA1500122 THRU FA1500281 V---150 SERIAL 15074851 THRU 15075781 F150 SERIAL F15001014 THRU F15001143 W---A150 SERIAL A1500430 THRU A1500523 FA150 SERIAL FA1500212 THRU FA1500261 X---150 SERIAL 15075782 THRU 15077005 F150 SERIAL F15001144 THRU F15001248 Y---A150 SERIAL A1500524 THRU A1500609 FA150 SERIAL FA1500262 THRU FA1500281 Z---150 SERIAL 15071129 THRU 15076456 F150 SERIAL F15000530 THRU F15001248 A150 SERIAL A1500001 THRU A1500579 FA150 SERIAL FA1500001 THRU FA1500281 AA---150 SERIAL 15076457 THRU 15077005 A150 SERIAL A1500580 THRU A1500609								

150 & A150 Parts Catalog

Fuselage (Cont)



150 SERIAL 15077006 & ON
F150 SERIAL F15001249 & ON
A150 SERIAL A1500610 & ON
FA150 SERIAL FA1500282 & ON

Figure 26A. Fuselage Front Section Assembly

150 & A150 Parts Catalog

FIGURE AND INDEX NO.	PART NUMBER	DESCRIPTION							UNITS PER ASSY	USABLE ON CODE
		1	2	3	4	5	6	7		
26A-	0413004-28	FRONT SECTION ASSEMBLY-FUSELAGE -----							1	E G F H A B
	0413004-30	FRONT SECTION ASSEMBLY-FUSELAGE -----							1	
	0413004-29	FRONT SECTION ASSEMBLY-FUSELAGE -----							1	
	0413004-31	FRONT SECTION ASSEMBLY-FUSELAGE -----							1	
- 1	SEE FIG 27	BULKHEAD ASSY-FRONT DOORPOST -----							1	
	SEE FIG 28	BULKHEAD ASSY-FRONT DOORPOST -----							1	
- 2	SEE FIG 47B & 47C	BULKHEAD ASSY-FRONT DOORPOST -----							1	
	0413346-2	STATIONARY INSTRUMENT PANEL ASSY -----							1	
- 3	0413004-27	STIFFENER-STATIONARY INSTRUMENT PANEL -----							1	
- 4	0413452-1	SKIN-DECK -----							1	
- 5	0413423-5	NOZZLE ASSY-DEFROSTER -----							1	
- 6	0413423-6	STRINGER ASSY-ENGINE MOUNT LH -----							1	
- 7	0411281-7	STRINGER ASSY-ENGINE MOUNT RH -----							1	
- 8	0411281-8	BRACKET-ENGINE MOUNT LH -----							1	
	0411281-8	BRACKET-ENGINE MOUNT RH -----							1	
- 9	1213675-1	SUPPORT ASSY-HEAT SINK -----							1	
	NAS682A3	NUTPLATE -----							4	
-10	0413004-11	SKIN-LOWER LH -----							1	
-11	0413004-16	SKIN-LOWER RH -----							1	
-12	0413305-1	STIFFENER-FRONT SECTION LH -----							1	
	0413305-2	STIFFENER-FRONT SECTION RH -----							1	
-13	0413305-3	STIFFENER-FRONT SECTION LH -----							1	
	0413305-4	STIFFENER-FRONT SECTION RH -----							1	
-14	0413425-3	STIFFENER-FORWARD DOOR POST LH -----							1	
	0413425-5	STIFFENER-FORWARD DOOR POST LH -----							1	
	0413425-4	STIFFENER-FORWARD DOOR POST RH -----							1	
	0413425-6	STIFFENER-FORWARD DOOR POST RH -----							1	
-15	S1776-1	BUTTON-PITOT STATIC LINE -----							1	
-16	0413548-1	STIFFENER-LOWER INSTRUMENT PANEL -----							1	
	0413430-1	FLOORBOARD ASSY-FRONT -----							1	
-17	0413430-5	FLOORBOARD ASSY-FRONT LH -----							1	
-17A	0413430-6	FLOORBOARD ASSY-FRONT RH -----							1	
-18	A1793-6Z3	NUT -----							3	
-19	NAS395-12-3	NUT -----							2	
-19A	S1863-3	NUTPLATE -----							1	
-19B	0413430-8	FLOORBOARD ASSY-FRONT CENTER -----							1	
-20	S1863-3	NUTPLATE -----							1	
-20A	NAS395-12-3	NUT -----							6	
-21	0413391-1	STIFFENER-FUSELAGE INBOARD -----							2	
-22	0413391-2	STIFFENER-FUSELAGE OUTBOARD -----							2	
-23	S237-2	DOUBLER ASSY -----							1	
	NAS395-14-3	NUT -----							3	
-24	0411283	BRACKET ASSY-ENGINE MOUNT LOWER LH -----							1	
-25	0411281-5	BRACKET-ENGINE MOUNT LH -----							1	
-26	0411283-1	BRACKET ASSY-ENGINE MOUNT LOWER RH -----							1	
-27	0411281-4	BRACKET-ENGINE MOUNT RH -----							1	
-28	0413397-3	BULKHEAD ASSY-FLOORBOARD STA 8.37 LH -----							1	
	0413397-2	BULKHEAD-FLOORBOARD STA 8.37 RH -----							1	
-29	0413396-1	BULKHEAD-FRONT FLOORBOARD OUTBD LH -----							1	
	0413396-2	BULKHEAD-FRONT FLOORBOARD OUTBD RH -----							1	
-30	0413395-1	BULKHEAD ASSY-FRONT FLOORBOARD INBD LH -----							1	
	0413395-2	BULKHEAD ASSY-FRONT FLOORBOARD INBD RH -----							1	
-31	0713624-2	ANCHOR-BRAKE CYLINDER -----							1	
-32	0460126-4	BRACKET-TRIM CONTROL -----							1	
	ANS20-10R6	ATTACHING PARTS -----							1	
	MS20365-1032	SCREW -----							1	
		NUT -----							1	
		*-----								
-33	0413394-1	BULKHEAD ASSY-CONTROL TEE LH -----							1	
-34	0413394-2	BULKHEAD ASSY-CONTROL TEE RH -----							1	
-35	NAS680A3	NUTPLATE LH BULKHEAD ONLY -----							5	
	NAS680A3	NUTPLATE RH BULKHEAD ONLY -----							6	
-36	0413304-1	SEAL ASSY-STEERING LINK LH -----							1	
-37	0413304-2	SEAL ASSY-STEERING LINK RH -----							1	
-38	0413511-1	BRACKET-FUEL STRAINER -----							1	
-39	0460126-1	BRACKET ASSY-TRIM CONTROL -----							1	
-40	SEE FIG 60A	DISTRIBUTOR ASSY-CABIN AIR -----							1	
-41	SEE FIG 60A	VALVE ASSY-CABIN HEATER -----							1	
-42	SEE FIG 60A	INLET & DUCT ASSY-OUTSIDE AIR -----							1	
-43	0413469-1	GUARD-DECK SKIN -----							1	
-44	0413468-1	STIFFENER-DECK SKIN GUARD -----							4	

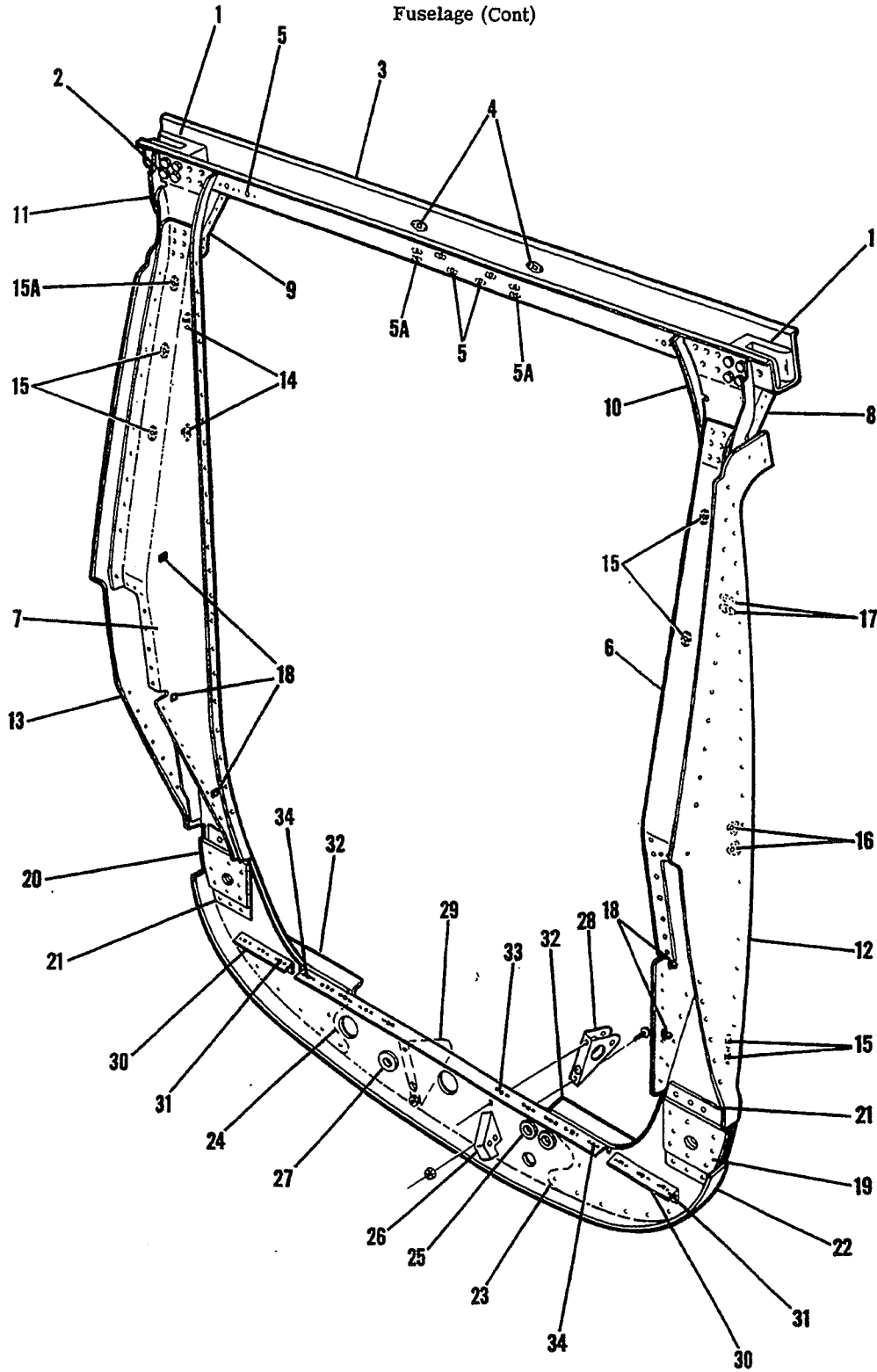
CONTINUED ON NEXT PAGE

150 & A150 Parts Catalog

FIGURE AND INDEX NO.	PART NUMBER	DESCRIPTION	UNITS PER ASSY							USABLE ON CODE
			1	2	3	4	5	6	7	
26A-	0453001-6	FIREWALL ASSY -----	1							
-45	0453114-5	SHEET-FIREWALL -----	1							
-46	0453115-1	ANGLE -----	1							
-47	0453107-3	ANGLE-LH -----	1							
-48	0453107-2	ANGLE-RH -----	1							
-49	0453110	PLATE-FIREWALL LOCATED ON AFT SIDE OF FIREWALL -----	4							
-50	0453116-5	DOUBLER-UPPER ENGINE MOUNT LH -----	1							
-51	0453116-6	DOUBLER-UPPER ENGINE MOUNT RH -----	1							
-52	0453116-9	DOUBLER-LOWER MOUNT RH -----	1							
	0453116-8	DOUBLER-LOWER MOUNT LH -----	1							
-53	0453116-7	DOUBLER-SHOCK MOUNT -----	3							
-54	0453003-8	SHOCK MOUNT ASSY-COWL -----	4							
-55	0453003-4	SHOCK MOUNT ASSY-COWL -----	4							
-56	0453003-1	SHOCK MOUNT ASSY-COWL -----	3							
-57	0453003-6	SHOCK MOUNT ASSY-COWL -----	2							
-58	S1115-29	SHOCK MOUNT -----	1							
-59	AN832-2D	UNION -----	2							
	AN924-2D	NUT -----	2							
-60	1450024-3	UNION WEU S2289-2 -----	1							J
	S2289-2	UNION -----	1							K
	AN924-3D	NUT -----	1							
	AN960-616	WASHER -----	2							
-61	S1863-3A	NUTPLATE -----	1							
-62	NAS697A4K	NUTPLATE -----	2							
-63	NAS697A08K	NUTPLATE -----	2							
-64	NAS680A3K	NUTPLATE -----	2							
	SEE FIG 23	BATTERY BOX INSTL -----	1							
-65	0413429-1	FEET PAN-FRONT FLOORBOARD LH -----	1							C
	0413429-3	FEET PAN ASSY-FRONT FLOORBOARD LH -----	1							D
	S1863-1	NUTPLATE -----	4							D
-66	0413429-2	FEET PAN-FRONT FLOORBOARD RH -----	1							D
	0413429-4	FEET PAN-ASSY-FRONT FLOORBOARD RH -----	1							D
	S1863-1	NUTPLATE -----	4							D
		ATTACHING PARTS								
-67	AN515-8R8	SCREW -----	8							
-68	S102178-8	SCREW -----	1							
-69	NAS395-17-3	NUTPLATE -----	6							
		-----*								
-70	NAS557-10A	GROMMET-SPLIT PLASTIC -----	1							
	S1095-5	SHIELD HALF-WIRING HARNESS -----	2							
		ATTACHING PARTS								
	S102178-6	SCREW -----	2							
	NAS446-4-3	NUT -----	2							
		-----*								
-71	NAS557-6A	GROMMET-SPLIT PLASTIC -----	1							
	S1095-3	SHIELD HALF-TACHOMETER SHAFT -----	2							
		ATTACHING PARTS								
	S102178-6	SCREW -----	2							
	S1860-2A	NUTPLATE -----	2							
		-----*								
		A---150 SERIAL 15077006 & ON F150 SERIAL F15001249 & ON								
		B---A150 SERIAL A1500610 & ON FA150 SERIAL FA1500282 & ON								
		C---FA150 SERIAL FA1500282 THRU FA1500311								
		D---150 SERIAL 15077006 & ON F150 SERIAL F15001249 & ON A150 SERIAL A1500610 & ON FA150 SERIAL FA1500312 & ON								
		E---150 SERIAL 15077006 THRU 15078505 F150 SERIAL F15001249 THRU F15001338								
		F---A150 SERIAL A1500610 THRU A1500684 FA150 SERIAL FA1500282 THRU FA1500311								
		G---150 SERIAL 15078506 & ON F150 SERIAL F15001339 & ON								
		H---A150 SERIAL A1500685 & ON FA150 SERIAL FA1500312 & ON								
		J---150 SERIAL 15077006 THRU 15078040 F150 SERIAL F15001249 THRU F15001338 A150 SERIAL A1500610 THRU A1500658 FA150 SERIAL FA1500282 THRU FA1500311								
		K---150 SERIAL 15078041 & ON F150 SERIAL F15001339 & ON A150 SERIAL A1500659 & ON FA150 SERIAL FA1500312 & ON								

150 & A150 Parts Catalog

Fuselage (Cont)



150 SERIAL 15071129 & ON
F150 SERIAL F15000530 & ON

Figure 27. Front Doorpost Bulkhead Assembly

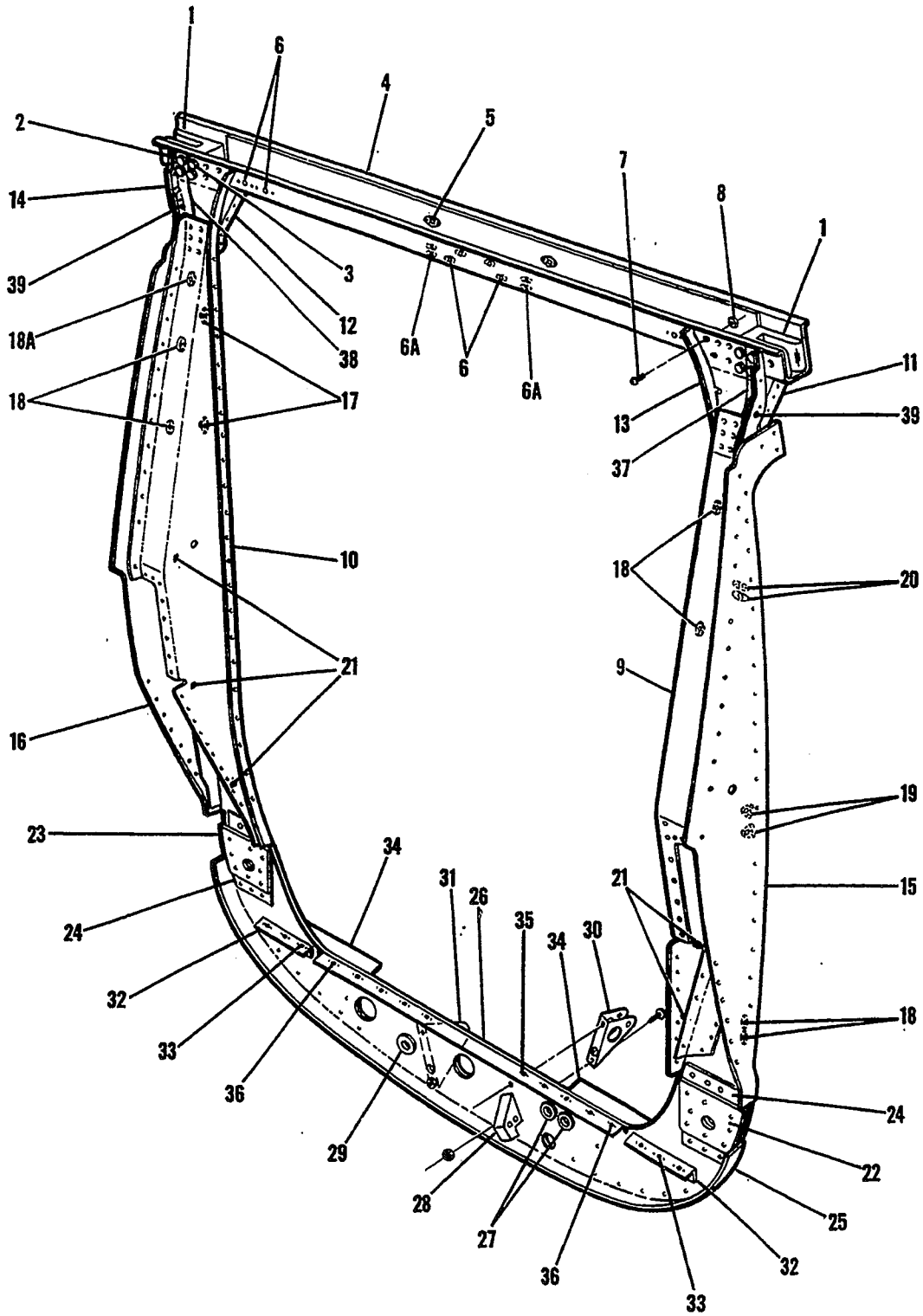
150 & A150 Parts Catalog

FIGURE AND INDEX NO.	PART NUMBER	DESCRIPTION							UNITS PER ASSY	USABLE ON CODE
		1	2	3	4	5	6	7		
27 -	0413424-5	BULKHEAD ASSEMBLY-FRONT DOORPOST STA 20.5 -----							1	A
- 1	0411129	BLOCK-BEARING -----							2	
		ATTACHING PARTS -----								
- 2	AN3-21A	BOLT -----							4	
	AN960-10L	WASHER -----							4	
	MS21044N3	NUT -----							4	
		*-----								
- 3	0411131-6	SPAR ASSY-FRONT DOORPOST -----							1	
- 4	S1863-3A	NUTPLATE -----							2	
- 5	NAS680A3	NUTPLATE -----							6	
	NAS697A06L	NUTPLATE -----							4	
- 6	0413424-203	DOORPOST ASSEMBLY-FRONT LH -----							1	
- 7	0413424-202	DOORPOST ASSEMBLY-FRONT RH -----							1	
- 8	0411132	BRACE LH -----							1	
- 9	0411132-1	BRACE RH -----							1	
-10	0413325-11	CHANNEL-UPPER SIDE LH -----							1	
-11	0413325-12	CHANNEL-UPPER SIDE RH -----							1	
-12	0411868-5	SKIN-CABIN LH -----							1	
-13	0411868-4	SKIN-CABIN RH -----							1	
-14	NAS682A06	NUTPLATE -----							2	
-15	NAS680A3	NUTPLATE -----							4	
-15A	NAS680A3	NUTPLATE -----							1	
-16	NAS698A3	NUTPLATE -----							2	
-17	NAS680A06	NUTPLATE -----							2	
-18	S1992-1	INSERT -----							14	
-19	0411276	PLATE-LH -----							1	
-20	0411276-1	PLATE-RH -----							1	
-21	0411141	DOUBLER -----							2	
-22	0413386-1	BULKHEAD ASSEMBLY-LOWER SECTION CANTED STA 20.5 -----							1	
-23	0413412-1	DOUBLER-LH -----							1	
-24	0413412-2	DOUBLER-RH -----							1	
-25	MS35489-7	GROMMET -----							2	
-26	0412467	BRACKET-ELEVATOR TAB CONTROL PULLEY -----							1	
-27	MS35489-14	GROMMET -----							1	
-28	0411907	BRACKET-PULLEY LH -----							1	
-29	0411907-1	BRACKET-PULLEY RH -----							1	
		ATTACHING PARTS -----								
	AN520-10R8	SCREW -----							1	
	MS21044N3	NUT -----							1	
		*-----								
-30	0413411-3	ANGLE-FLOORBOARD SUPPORT -----							2	
-31	NAS697A08	NUTPLATE -----							3	
-32	0413411-1	ANGLE-FLOORBOARD SUPPORT -----							2	
-33	NAS697A08	NUTPLATE -----							8	
-34	NAS696A08	NUTPLATE -----							2	

A---150 SERIAL 15071129 & ON
F150 SERIAL F15000530 & ON

150 & A150 Parts Catalog

Fuselage (Cont)



A150 SERIAL A1500001 & ON
FA150 SERIAL FA1500001 & ON

Figure 28. Front Doorpost Bulkhead Assembly - Aerobat

150 & A150 Parts Catalog

FIGURE AND INDEX NO.	PART NUMBER	DESCRIPTION							UNITS PER ASSY	USABLE ON CODE
		1	2	3	4	5	6	7		
28 - 1	0413424-4	BULKHEAD ASSEMBLY-FRONT DOORPOST STA 20.5 AEROBAT -----							1	A
- 1	0411129	BLOCK-BEARING -----							2	
		ATTACHING PARTS -----								
- 2	AN3-22A	BOLT -----							2	
- 3	AN3-21A	BOLT -----							2	
	AN960-10L	WASHER -----							4	
	MS21044N3	NUT -----							4	
		-----*								
- 4	0411131-8	SPAR ASSY-FRONT DOORPOST -----							1	
- 5	S1863-3A	NUTPLATE -----							2	
- 6	NAS680A3	NUTPLATE -----							10	
	NAS697A06L	NUTPLATE -----							4	
- 7	NAS221-8	SCREW -----							4	
- 8	22NM02	NUT EN -----							4	
- 9	0413424-205	DOORPOST ASSEMBLY-FRONT LH -----							1	
-10	0413424-204	DOORPOST ASSEMBLY-FRONT RH -----							1	
-11	0411132	BRACE-LH -----							1	
-12	0411132-1	BRACE-RH -----							1	
-13	0413325-9	CHANNEL-UPPER SIDE LH -----							1	
-14	0413325-8	CHANNEL-UPPER SIDE RH -----							1	
-15	0411868-7	SKIN-CABIN LH -----							1	
-16	0411868-6	SKIN-CABIN RH -----							1	
-17	NAS682A06	NUTPLATE -----							2	
-18	NAS680A3	NUTPLATE -----							4	
-18A	NAS680A3	NUTPLATE RH ONLY -----							1	
-19	NAS698A3	NUTPLATE -----							2	
-20	NAS680A06	NUTPLATE -----							2	
-21	S1992-1	INSERT -----							14	
-22	0411276	PLATE-LH -----							1	
-23	0411276-1	PLATE-RH -----							1	
-24	0411141	DOUBLER -----							2	
-25	0413386-3	BULKHEAD ASSEMBLY-LOWER SECTION CANTED STA 20.5 -----							1	
-26	0413498-1	SUPPORT -----							1	
-27	MS35489-65	GROMMET -----							2	
-28	0412467	BRACKET-ELEVATOR TAB CONTROL PULLEY -----							1	
-29	MS35489-72	GROMMET -----							1	
-30	0411907	BRACKET-PULLEY LH -----							1	
-31	0411907-1	BRACKET-PULLEY RH -----							1	
		ATTACHING PARTS -----								
	AN520-10R10	SCREW -----							1	
	MS21044N3	NUT -----							1	
		-----*								
-32	0413411-5	ANGLE-FLOORBOARD SUPPORT -----							2	
-33	MS21044N08	NUTPLATE -----							3	
-34	0413411-6	ANGLE-FLOORBOARD SUPPORT -----							2	
-35	NAS697A08	NUTPLATE -----							8	
-36	NAS696A08	NUTPLATE -----							2	
-37	0413508-1	REINFORCEMENT-FRONT DOOR POST LH -----							1	
-38	0413508-2	REINFORCEMENT-FRONT DOOR POST RH -----							1	
		ATTACHING PARTS -----								
-39	AN525-832-8	SCREW -----							1	
	MS21044N08	NUT -----							1	
	AN960-8L	WASHER -----							1	
		-----*								

A---A150 SERIAL A1500001 & ON
FA150 SERIAL FA1500001 & ON

150 & A150 Parts Catalog

Fuselage (Cont)

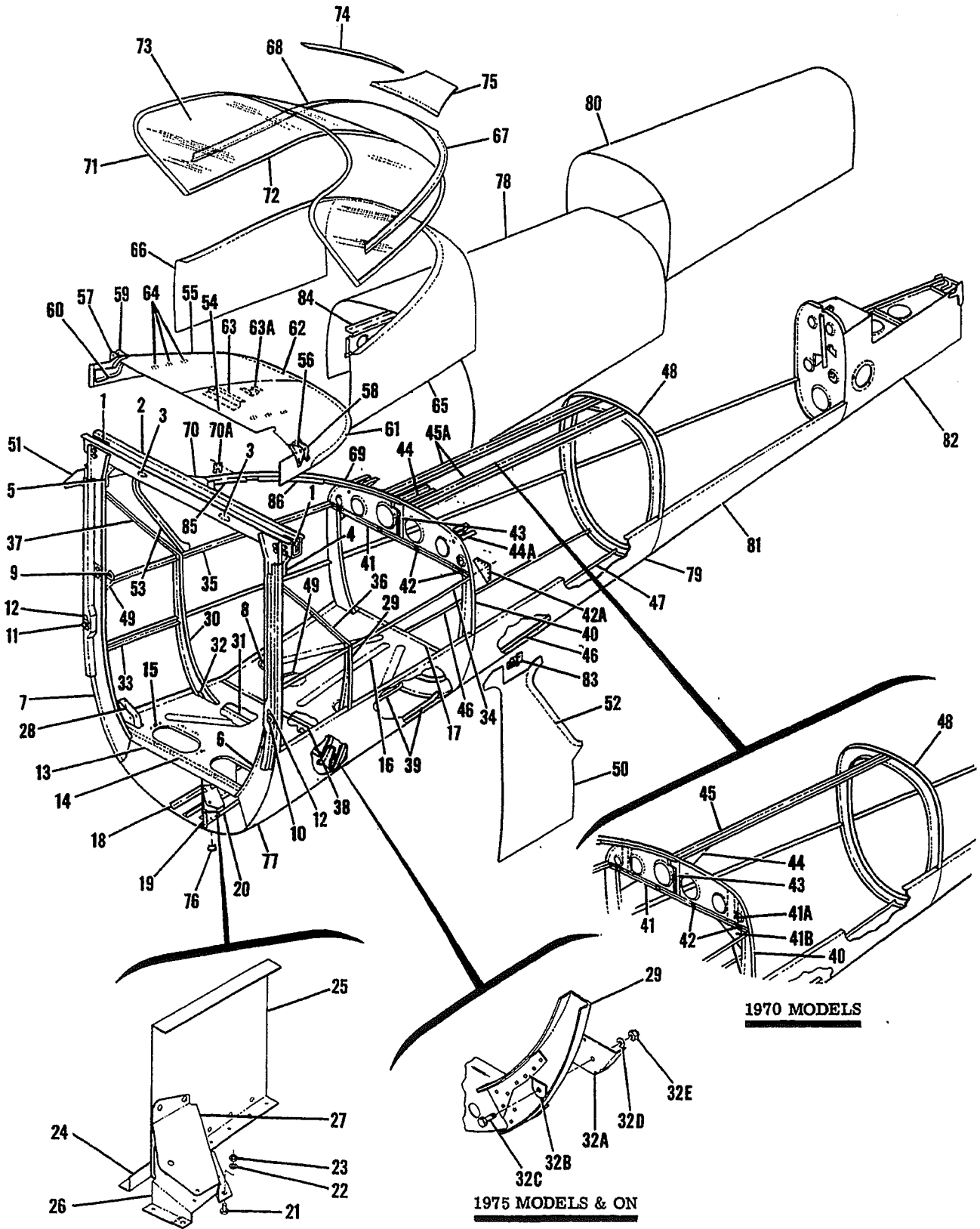


Figure 29. Fuselage Tailcone Assembly

150 & A150 Parts Catalog

FIGURE AND INDEX NO.	PART NUMBER	DESCRIPTION	UNITS PER ASSY							USABLE ON CODE
			1	2	3	4	5	6	7	
29 -	0412020-24	TAILCONE ASSEMBLY-FUSELAGE	1							C O V W Z A K C O R E F Y A A L E F X K D A H A J
	0412020-27	TAILCONE ASSEMBLY-FUSELAGE	1							
	0412020-30	TAILCONE ASSEMBLY-FUSELAGE	1							
	0412020-34	TAILCONE ASSEMBLY-FUSELAGE	1							
	0412020-38	TAILCONE ASSEMBLY-FUSELAGE	1							
	0412020-213	TAILCONE ASSEMBLY-FUSELAGE	1							
	0412020-204	TAILCONE ASSEMBLY-FUSELAGE	1							
	0412020-206	TAILCONE ASSEMBLY-FUSELAGE WITH TINTED WINDOW	1							
		TAILCONE ASSEMBLY-FUSELAGE WITH TINTED WINDOW	1							
		TAILCONE ASSEMBLY-FUSELAGE WITH TINTED WINDOW	NP							
	0412020-22	TAILCONE ASSEMBLY-FUSELAGE AEROBAT	1							
	0412020-25	TAILCONE ASSEMBLY-FUSELAGE AEROBAT	1							
	0412020-35	TAILCONE ASSEMBLY-FUSELAGE AEROBAT	1							
	0412020-39	TAILCONE ASSEMBLY-FUSELAGE AEROBAT	1							
	0412020-41	TAILCONE ASSEMBLY-FUSELAGE AEROBAT	1							
	0412020-201	TAILCONE ASSEMBLY-FUSELAGE WITH TINTED WINDOW AEROBAT	1							
	0412020-205	TAILCONE ASSEMBLY-FUSELAGE WITH TINTED WINDOW AEROBAT	1							
		TAILCONE ASSEMBLY-FUSELAGE WITH TINTED WINDOW AEROBAT	NP							
	0411956-7	DOORPOST BULKHEAD ASSY-REAR	1							
	0411956-10	DOORPOST BULKHEAD ASSY-REAR	1							
	0412533-1	DOORPOST BULKHEAD ASSY-REAR	1							
	0412533-2	DOORPOST BULKHEAD ASSY-REAR AEROBAT	1							
	- 1	0512122	BLOCK-FUSELAGE SPAR	2						
			ATTACHING PARTS							
		AN3-20A	BOLT	4						
	AN960-10L	WASHER	4							
	MS21044N3	NUT	4							

- 2	0411108-4	SPAR-REAR DOORPOST	1							
	0412534-3	SPAR-REAR DOORPOST AEROBAT	1							
	0411108-6	SPAR ASSEMBLY-REAR DOORPOST	1							
	0412534-1	SPAR ASSEMBLY-REAR DOORPOST	1							
- 3	NAS680A4	NUTPLATE NOT INCLUDED WITH 0411108-4 & 0412534-3	2							
- 4	0411525-1	BRACE-LH	1							
- 5	0411525-2	BRACE-RH	1							
- 6	0411956-9	CHANNEL-BULKHEAD LH	1							
	0412533-3	CHANNEL-BULKHEAD LH	1							
- 7	0411956-8	CHANNEL-BULKHEAD RH	1							
	0412533-4	CHANNEL-BULKHEAD RH	1							
- 8	0411934-1	BRACKET ASSEMBLY-SEAT BACK LH	1							
- 9	0411934-2	BRACKET ASSEMBLY-SEAT BACK RH	1							
		ATTACHING PARTS								
	AN520-10R8	BOLT	4							
	MS21044N3	NUT	4							

-10	0412066-1	CLUTCH ASSEMBLY-ROTARY DOOR LATCH LH	1							
-11	0412066-2	CLUTCH ASSEMBLY-ROTARY DOOR LATCH RH	1							
		ATTACHING PARTS								
	AN525-10R6	SCREW	2							

-12	S1438-12	GUIDE-DOOR LATCH	2							
		ATTACHING PARTS								
	NAS43DD3-9	SPACER	1							
	AN525-10R9	SCREW	1							

-13	0412030-3	FLOORBOARD ASSEMBLY-STA 56.69 TO 76.44	1							
	0412030-5	FLOORBOARD ASSEMBLY-STA 56.69 TO 76.44	1							
-14	0412060-1	ANGLE	12							
-15	S1863-3	NUTPLATE	1							
-16	0412067-2	FLOORBOARD-STA 76.44 TO 95.0	1							
-17	0412067-3	ANGLE	1							
	0412067-4	RETAINER-FAIRLEAD ELEVATOR CABLE	1							
-18	0412171-1	ANGLE	1							
-19	0412054-1	CLIP-TAILCONE SKIN STIFFENER	1							
-20	0412055-1	STIFFENER-TAILCONE SKIN	1							
	0412047-2	BRACKET ASSEMBLY-PULLEY WEU 0412047-3	1							
	0412047-3	BRACKET ASSEMBLY-PULLEY	1							
		ATTACHING PARTS								
-21	AN515-8R8	SCREW	2							
-22	AN960-8	WASHER	2							
-23	MS21044N08	NUT	2							

-24	0412171-1	ANGLE	1							
-25	0412049-1	BULKHEAD	1							

CONTINUED ON NEXT PAGE

150 & A150 Parts Catalog

FIGURE AND INDEX NO.	PART NUMBER	DESCRIPTION	UNITS PER ASSY	USABLE ON CODE
		1 2 3 4 5 6 7		
29 -26	0412050-1	BRACKET-AILERON CONTROL LOWER WEU 0412050-3 -----	1	L M
	0412050-3	BRACKET-AILERON CONTROL LOWER -----	1	
-27	0412050-2	BRACKET-AILERON CONTROL UPPER -----	1	N
-28	0412043-4	BRACKET ASSEMBLY-PULLEY RH -----	1	
	0412043-3	BRACKET ASSEMBLY-PULLEY LH -----	1	AB
	0412024-2	BULKHEAD ASSEMBLY-STA 70.69 WEU 0412024-3 -----	1	
	0412024-3	BULKHEAD ASSEMBLY-STA 70.69 -----	1	AD
	0412024-4	BULKHEAD ASSY-STA 70.69 -----	1	
-29	0412027-3	BULKHEAD ASSEMBLY-UPPER LH -----	1	N P
	0412027-7	BULKHEAD ASSEMBLY-UPPER LH -----	1	
-30	0412027-4	BULKHEAD ASSEMBLY-UPPER LH -----	1	N P
	0412027-8	BULKHEAD ASSEMBLY-UPPER RH -----	1	
	NAS680A3K	BULKHEAD ASSEMBLY-UPPER RH -----	1	N P
	NAS697A3	NUTPLATE -----	2	
	NUTPLATE	NUTPLATE -----	1	AC
-31	0411209	BULKHEAD-LOWER -----	1	
	0412467	BRACKET-ELEVATOR TAB CONTROL PULLEY -----	1	AC
	MS35489-14	GROMMET -----	1	
-32	0413202-30	LUG-SEAT BELT -----	2	AC
	AN3-3A	ATTACHING PARTS -----	2	
	MS21044N3	BOLT -----	2	AC
		NUT -----	2	
		*-----		AD
-32A	0412531-1	BRACKET-LH -----	1	
	0412531-2	BRACKET-RH -----	1	AD
-32B	0412530-1	LUG-SEAT BELT -----	2	
		ATTACHING PARTS -----	2	AD
-32C	AN4-4A	BOLT -----	1	
-32D	AN960-416	WASHER -----	1	AD
-32E	MS21042L4	NUT -----	1	
		*-----		AD
-33	0412033-6	ANGLE-RH -----	1	
	0412033-5	ANGLE-LH -----	1	AD
-34	0412033-3	ANGLE-LH -----	1	
-35	0412033-4	ANGLE-RH -----	1	AD
	1089	STUD DIGR -----	2	
-36	0412028-3	BULKHEAD ASSEMBLY-CANTED STA 70.69 -----	1	AD
-37	0412028-4	BULKHEAD ASSEMBLY-CANTED STA 70.69 -----	1	
	NAS680A3K	NUTPLATE -----	1	AD
-38	0411210-3	BULKHEAD-STA 76.44 -----	1	
-39	0412033-1	STRINGER-FWD -----	3	C
-40	0412025-4	BULKHEAD ASSEMBLY-STA 95.00 -----	1	
	0412025-5	BULKHEAD ASSEMBLY-STA 95.00 AEROBAT -----	1	AF
	0412025-8	BULKHEAD ASSEMBLY-STA 95.00 -----	1	
	0412025-10	BULKHEAD ASSEMBLY-STA 95.00 -----	1	AG
-41	0412025-3	ANGLE -----	1	
	0412025-7	ANGLE AEROBAT -----	1	J
-41A	0414021-1	STIFFENER-LH AEROBAT -----	1	
	0414021-2	STIFFENER-RH AEROBAT -----	1	E
-41B	0414020-1	BRACKET-LH AEROBAT -----	1	
	0414020-2	BRACKET-RH AEROBAT -----	1	E
-42	0412078-2	CLIP -----	4	
	0412469	STRIP-RUB -----	1	AE
-42A	0412532-1	STIFFENER-LH -----	1	
	0412532-2	STIFFENER-RH -----	1	AG
-43	0412058-1	STIFFENER-BULKHEAD -----	1	
-44	0412057-1	GUSSET-TAILCONE -----	1	S
-44A	0412526-1	BRACKET ASSEMBLY-SHOULDER HARNESS ATTACH LH -----	1	
	0412526-2	BRACKET ASSEMBLY-SHOULDER HARNESS ATTACH RH -----	1	S
-45	0412023-1	STRINGER-TOP CENTER LINE STA 95.00 TO 133.31 -----	1	
-45A	0412023-1	STRINGER-TOP STA 95.00 TO 133.31 -----	2	H
-46	0412065-3	STRINGER-AFT -----	2	
	0412033-9	STRINGER-AFT AEROBAT -----	2	A
-47	0412033-9	STRINGER-AFT -----	2	
-48	0412026-1	BULKHEAD ASSEMBLY-STA 133.31 -----	1	G
	0412026-3	BULKHEAD ASSEMBLY-STA 133.31 WEU 0412026-5 -----	1	
	0412026-5	BULKHEAD ASSEMBLY-STA 133.31 -----	1	H
	0412468	STRIP-RUB -----	1	
-49	0412064-1	BRACKET-BULKHEAD -----	2	H
-50	0412020-19	SKIN-FORWARD WINDOW LH -----	1	
-51	0412020-18	SKIN-FORWARD WINDOW RH -----	1	H
-52	0412039-3	RETAINER-REAR WINDOW LH -----	1	
-53	0412039-4	RETAINER-REAR WINDOW RH -----	1	

CONTINUED ON NEXT PAGE

150 & A150 Parts Catalog

FIGURE AND INDEX NO.	PART NUMBER	DESCRIPTION							UNITS PER ASSY	USABLE ON CODE
		1	2	3	4	5	6	7		
29 -54	0412020-2	SKIN-CABIN TOP LH -----							1	AM
	0412020-42	SKIN-CABIN TOP LH -----							1	
-55	0412020-11	SKIN-CABIN TOP RH -----							1	AM
	0412020-43	SKIN-CABIN TOP RH -----							1	
-56	0412044-1	BRACKET-PULLEY FWD LH -----							1	AM
-57	0412044-2	BRACKET-PULLEY FWD RH -----							1	
-58	0412044-3	BRACKET-PULLEY REAR LH -----							1	AM
-59	0412044-4	BRACKET-PULLEY REAR RH -----							1	
-60	0412052-2	STIFFENER-PULLEY RH -----							1	AM
	0412052-1	STIFFENER-PULLEY LH -----							1	
-61	0412039-2	RETAINER-WINDOW UPPER INNER LH -----							1	AM
-62	0412039-5	RETAINER-WINDOW UPPER INNER RH -----							1	
-63	0460215-1	GUIDE-FLAP INDICATOR -----							1	AM
-63A	0460214-4	BRACKET ASSY-FLAP INDICATOR -----							1	
	NAS680A3	NUTPLATE -----							1	AM
-64	S1863-3	NUTPLATE -----							6	
-65	0412020-5	SKIN-LOWER WINDOW LH -----							1	AM
-66	0412020-6	SKIN-LOWER WINDOW RH -----							1	
-67	0412039-1	RETAINER-WINDOW LOWER OUTER LH -----							1	AM
-68	0412039-6	RETAINER-WINDOW LOWER OUTER RH -----							1	
-69	0412040-2	CHANNEL-REAR WINDOW -----							1	AM
-70	0412037-1	CLIP -----							1	
	0412097-1	SUPPORT-FAIRLEAD AILERON CARRY THRU -----							1	AM
-70A	0412535-1	BRACKET-FAP INDICATOR -----							1	
-71	S1389-5	55.50 IN LG	BULK ITEM	REF S1389-5-55.50				1	AM	
-72	S1389-2	61.50 IN LG	BULK ITEM	REF S1389-2-61.50				1		
-73	0412020-10	WINDOW-REAR CLEAR -----							1	AM
	0412020-21	WINDOW-REAR TINTED -----							1	
		ATTACHING PARTS								
-74	0412042-1	RETAINER-REAR WINDOW -----							1	AM
	S1389-1	19.50 IN LG	BULK ITEM	REF S1389-1-19.50				2		
	AN525-10R10	SCREW TWO CENTER SCREWS -----						2	AM	
	AN525-10R12	SCREW TWO END SCREWS -----						2		
	AN960-10L	WASHER -----							4	AM
	MS21044N3	NUT -----							4	
		*-----								
-75	0412041-1	DOUBLER -----							1	GH
	0412073-1	DOUBLER -----							1	
-76	CM2692-32-15	PLUG BUTTON UC -----							1	GH
-77	0412020-7	SKIN-LOWER REAR SPAR BULKHEAD TO STA 95.00 -----							1	
-78	0412020-8	SKIN-UPPER STA 95.00 TO 133.31 -----							1	G
	0412020-26	SKIN-UPPER STA 95.00 TO 133.31 AEROBAT -----							1	
	0412020-29	SKIN-UPPER STA 95.00 TO 133.31 -----							1	S
-79	0412020-36	SKIN-LOWER STA 95.00 TO 133.31 -----							1	
	0412020-37	SKIN-LOWER STA 95.00 TO 133.31 AEROBAT -----							1	
-80	0412020-9	SKIN-UPPER STA 133.31 TO 173.41 -----							1	GH
	0412020-28	SKIN-UPPER STA 133.31 TO 173.41 -----							1	
-81	0412121-3	SKIN-LOWER STA 133.31 TO 173.41 -----							1	S
-82	SEE FIG 30	TAILCONE ASSEMBLY-AFT -----							1	
-83	0400209-2	CLIP ASSEMBLY-COAT HANGER -----							2	S
-84	1270623-1	BRACKET-EMERGENCY LOCATOR TRANS MOUNTING -----							1	
-85	S202VW	7.00 IN LG	BULK ITEM	REF S202V0700W				2	S	
-86	S202VW	7.62 IN LG	BULK ITEM	REF S202V0726W				2		

A---150 SERIAL 15071129 & ON
 F150 SERIAL F15000530 & ON
 B---A150 SERIAL A1500001 & ON
 FA150 SERIAL FA1500001 & ON
 C---150 SERIAL 15071129 THRU 15072003
 F150 SERIAL F15000530 THRU F15000658
 D---150 SERIAL 15072004 THRU 15077005
 F150 SERIAL F15000659 THRU F15001248
 E---A150 SERIAL A1500001 THRU A1500226
 FA150 SERIAL FA1500001 THRU FA1500081
 F---A150 SERIAL A1500227 THRU A1500342
 FA150 SERIAL FA1500082 THRU FA1500166
 G---150 SERIAL 15071129 THRU 15072003
 F150 SERIAL F15000530 THRU F15000658
 A150 SERIAL A1500001 THRU A1500226
 FA150 SERIAL FA1500001 THRU FA1500081

CONTINUED ON NEXT PAGE

150 & A150 Parts Catalog

FIGURE AND INDEX NO.	PART NUMBER	DESCRIPTION	UNITS PER ASSY	USABLE ON CODE
		1 2 3 4 5 6 7		
29 -		H---150 SERIAL 15072004 & ON F150 SERIAL F15000659 & ON A150 SERIAL A1500227 & ON FA150 SERIAL FA1500082 & ON J---150 SERIAL 15071129 & ON F150 SERIAL F15000530 & ON A150 SERIAL A1500227 & ON FA150 SERIAL FA1500082 & ON K---150 SERIAL 15071129 THRU 15072003 F150 SERIAL F15000530 THRU F15000658 A150 SERIAL A1500001 THRU A1500609 FA150 SERIAL FA1500001 THRU FA1500281 L---150 SERIAL 15071129 THRU 15072600 F150 SERIAL F15000530 THRU F15000758 A150 SERIAL A1500001 THRU A1500271 FA150 SERIAL FA1500001 THRU FA1500161 M---150 SERIAL 15072601 & ON F150 SERIAL F15000759 & ON A150 SERIAL A1500272 & ON FA150 SERIAL FA1500162 & ON N---150 SERIAL 15072004 THRU 15072628 F150 SERIAL F15000659 THRU F15000738 A150 SERIAL A1500227 THRU A1500276 FA150 SERIAL FA1500082 THRU FA1500121 P---150 SERIAL 15072629 & ON F150 SERIAL F15000739 & ON A150 SERIAL A1500277 & ON FA150 SERIAL FA1500122 & ON Q---150 SERIAL 15072004 THRU 15072628 F150 SERIAL F15000659 THRU F15000738 R---150 SERIAL 15072629 THRU 15078505 F150 SERIAL F15000739 THRU F15001338 S---150 SERIAL 15072629 & ON F150 SERIAL F15000739 & ON A150 SERIAL A1500227 & ON FA150 SERIAL FA1500082 & ON T---150 SERIAL 15071129 THRU 15073658 F150 SERIAL F15000530 THRU F15000863 A150 SERIAL A1500001 THRU A1500342 FA150 SERIAL FA1500001 THRU FA1500166 U---150 SERIAL 15073659 & ON F150 SERIAL F15000864 & ON A150 SERIAL A1500343 & ON FA150 SERIAL FA1500167 & ON V---150 SERIAL 15072629 THRU 15073658 F150 SERIAL F15000739 THRU F15000863 W---150 SERIAL 15073659 THRU 15075781 F150 SERIAL F15000864 THRU F15001143 X---A150 SERIAL A1500343 & ON FA150 SERIAL FA1500167 & ON Y---A150 SERIAL A1500343 THRU A1500523 FA150 SERIAL FA1500161 THRU FA1500261 Z---150 SERIAL 15075782 THRU 15078505 F150 SERIAL F15001144 THRU F15001338 AA---A150 SERIAL A1500524 THRU A1500684 FA150 SERIAL FA1500262 THRU FA1500311 AB---150 SERIAL 15072629 THRU 15075781 F150 SERIAL F15000739 THRU F15001143 A150 SERIAL A1500277 THRU A1500523 FA150 SERIAL FA1500122 THRU FA1500261 AC---150 SERIAL 15071129 THRU 15075781 F150 SERIAL F15000530 THRU F15001143 A150 SERIAL A1500001 THRU A1500523 FA150 SERIAL FA1500001 THRU FA1500261		
		CONTINUED ON NEXT PAGE		

150 & A150 Parts Catalog

FIGURE AND INDEX NO.	PART NUMBER	DESCRIPTION							UNITS PER ASSY	USABLE ON CODE
		1	2	3	4	5	6	7		
29 -		AD---150 SERIAL 15075782 & ON F150 SERIAL F15001144 & ON A150 SERIAL A1500524 & ON FA150 SERIAL FA1500262 & ON AE---150 SERIAL 15071129 THRU 15077005 F150 SERIAL F15000530 THRU F15001248 A150 SERIAL A1500001 THRU A1500609 FA150 SERIAL FA1500001 THRU FA1500281 AF---150 SERIAL 15072004 THRU 15077005 F150 SERIAL F15000659 THRU F15001248 A150 SERIAL A1500227 THRU A1500609 FA150 SERIAL FA150082 THRU FA1500281 AG---150 SERIAL 15077006 & ON F150 SERIAL F15001249 & ON A150 SERIAL A1500610 & ON FA150 SERIAL FA1500282 & ON AH---150 SERIAL 15077006 & ON F150 SERIAL F15001249 & ON AJ---A150 SERIAL A1500610 & ON FA150 SERIAL FA1500282 & ON AK---150 SERIAL 15078506 & ON F150 SERIAL F15001339 & ON AL---A150 SERIAL A1500685 & ON FA150 SERIAL FA1500312 & ON AM---150 SERIAL 15071129 THRU 15078505 F150 SERIAL F1500530 THRU F15001338 A150 SERIAL A1500001 THRU A1500684 FA150 SERIAL FA1500001 THRU FA1500311 AN---150 SERIAL 15078506 & ON F150 SERIAL F15001339 & ON A150 SERIAL A1500685 & ON FA150 SERIAL FA1500312 & ON								

150 & A150 Parts Catalog

Fuselage (Cont)

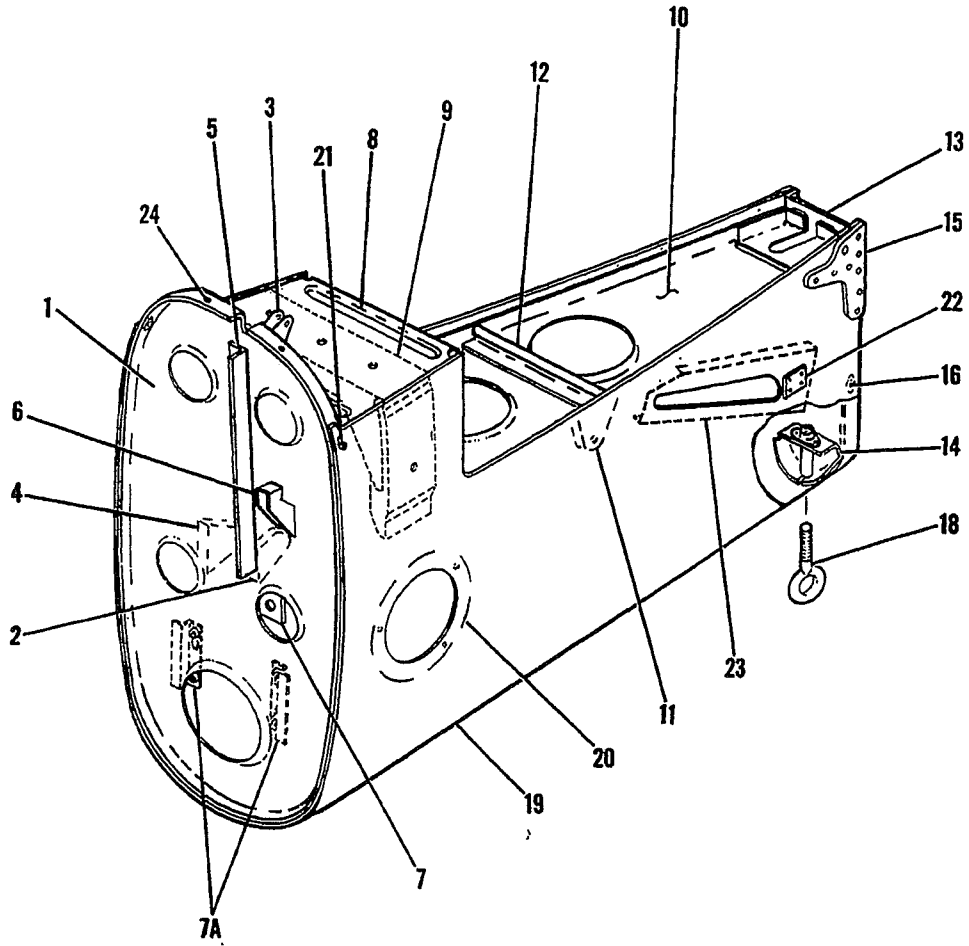


Figure 30. Aft Tailcone Assembly

150 & A150 Parts Catalog

FIGURE AND INDEX NO.	PART NUMBER	DESCRIPTION							UNITS PER ASSY	USABLE ON CODE
		1	2	3	4	5	6	7		
30 -	0412020-202	TAILCONE ASSEMBLY-AFT	WEU	0412020-207	-----				1	E
	0412020-207	TAILCONE ASSEMBLY-AFT	-----						1	F
	0412020-203	TAILCONE ASSEMBLY-AFT	AEROBAT	WEU	0412020-208	-----			1	G
	0412020-208	TAILCONE ASSEMBLY-AFT	AEROBAT	-----					1	H
- 1	0412173-2	BULKHEAD ASSEMBLY-STA 173.41	-----						1	C
	0412173-3	BULKHEAD ASSEMBLY-STA 173.41	-----						1	D
	0412173-4	BULKHEAD ASSEMBLY-STA 173.41	-----						1	J
- 2	0411458	BRACKET-ELEVATOR PULLEY LOWER LH	-----						1	
- 3	0411458-1	BRACKET-ELEVATOR PULLEY UPPER RH	-----						1	
- 4	0411447	BRACKET-RUDDER PULLEY	-----						1	
	AN520-10R7	ATTACHING PARTS								
	MS21044N3	SCREW	-----						1	
		NUT	-----						1	
		-----*								
- 5	0412132	ANGLE	-----						1	
- 6	0412467	BRACKET-ELEVATOR TAB CONTROL	-----						1	
- 7	0433133-1	FAIRLEAD	-----						1	
- 7A	0412529-1	BRACKET ASSEMBLY-FLASHER	-----						2	J
	NAS682A08K	NUTPLATE	-----						2	
- 8	0412177-2	BULKHEAD-STABILIZER ATTACHMENT	-----						1	
- 9	0432169-1	STIFFENER ASSEMBLY	-----						1	
	S1863-2A	NUTPLATE	-----						2	
-10	0412174-2	BULKHEAD ASSEMBLY-HORIZONTAL	-----						1	
-11	0411447	BRACKET-RUDDER PULLEY	-----						2	
	AN520-10R7	ATTACHING PARTS								
	MS21044N3	SCREW	-----						1	
		NUT	-----						1	
		-----*								
-12	S202RB	CHANNEL-6.00 IN LG BULK ITEM REF S202R600B	-----						1	
-13	0412008-1	BULKHEAD ASSEMBLY STA 200.375	-----						1	
-14	0412184-1	BRACKET ASSEMBLY-MOORING RING	-----						1	
	NAS680A5	NUTPLATE	-----						1	
-15	0412010-1	PLATE	-----						2	
-16	NAS428H3-7	SCREW	-----						2	
	NAS697A3K	NUTPLATE	-----						2	
-17		DELETED, NEVER USED	-----							
-18	0523613-4	EYEBOLT-MOORING	-----						1	
-19	0412176-2	SKIN	-----						1	B
	0412176-3	SKIN AEROBAT	-----						1	A
-20	S237-2	DOUBLER ASSEMBLY	-----						2	
	NAS395-14-3	NUTPLATE	-----						3	
-21	S1862-1	NUTPLATE	-----						2	
-22	0412020-17	STRIP-RUB	-----						2	
-23	0412515-1	STIFFENER-RUDDER CABLE CUTOUT LH	-----						1	A
	0412515-2	STIFFENER-RUDDER CABLE CUTOUT RH	-----						1	A
-24	S1863-2	NUTPLATE	-----						2	

NOTE. *WHEN INITIALLY ORDERING THIS PART FOR AIRCRAFT PRIOR TO SERIALS 15072100, A1500239, F15000699 & FA1500122 ALSO ORDER ONE 0412177-2 BULKHEAD.

- A---A150 SERIAL A1500001 & ON
FA150 SERIAL FA1500001 & ON
- B---150 SERIAL 15071129 & ON
F150 SERIAL F15000530 & ON
- C---150 SERIAL 15071129 THRU 15072003
F150 SERIAL F15000530 THRU F15000658
A150 SERIAL A1500001 THRU A1500226
FA150 SERIAL FA1500001 THRU FA1500081
- D---150 SERIAL 15072004 THRU 15073658
F150 SERIAL F15000659 THRU F15000863
A150 SERIAL A1500227 THRU A1500342
FA150 SERIAL FA1500082 THRU FA1500166
- E---150 SERIAL 15071129 THRU 15072003
F150 SERIAL F15000530 THRU F15000658
- F---A150 SERIAL A1500001 THRU A1500226
FA150 SERIAL FA1500001 THRU FA1500081
- G---150 SERIAL 15072004 & ON
F150 SERIAL F15000659 & ON
- H---A150 SERIAL A1500227 & ON
FA150 SERIAL FA1500082 & ON
- J---150 SERIAL 15073659 & ON
F150 SERIAL F15000864 & ON
A150 SERIAL A1500343 & ON
FA150 SERIAL FA1500167 & ON

150 & A150 Parts Catalog

Fuselage (Cont)

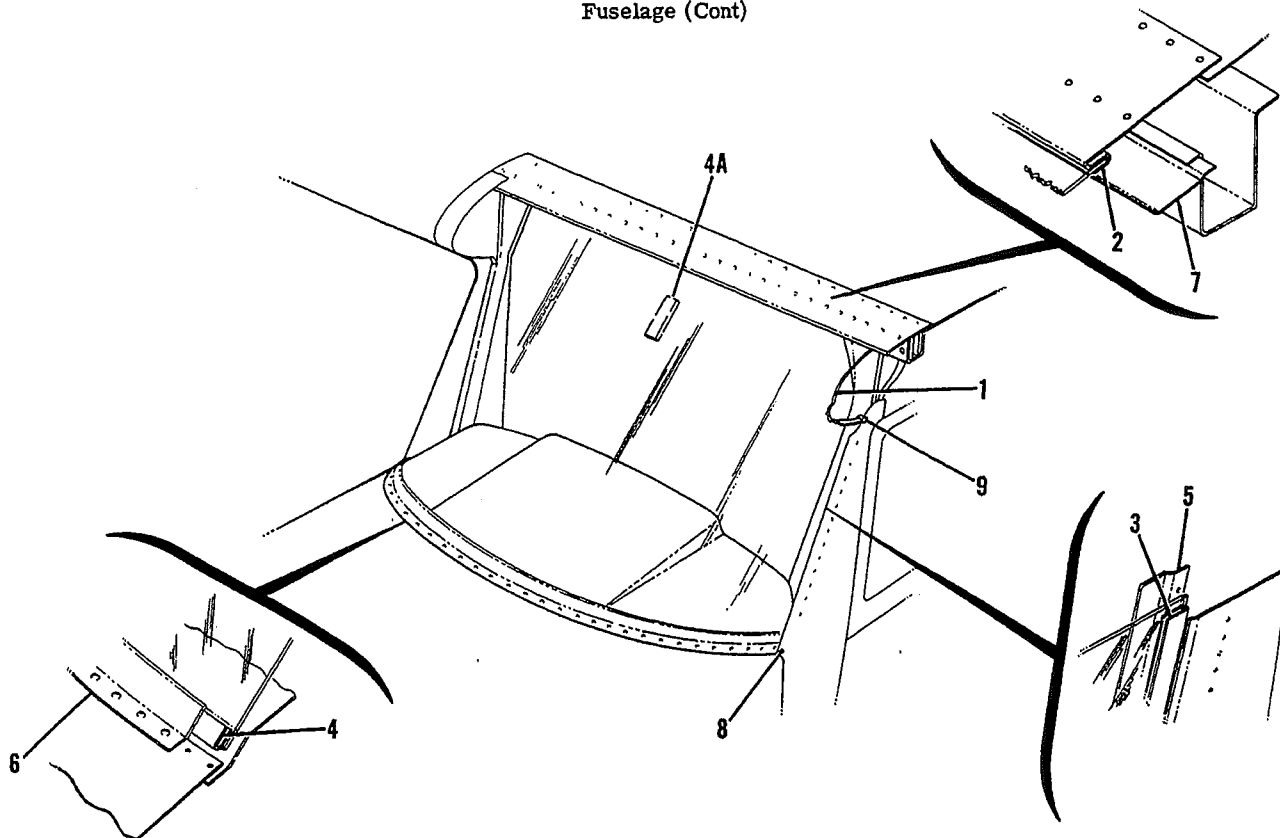


Figure 31. Windshield Installation

FIGURE AND INDEX NO.	PART NUMBER	DESCRIPTION							UNITS PER ASSY	USABLE ON CODE
		1	2	3	4	5	6	7		
31 -		WINDSHIELD INSTALLATION -----							NP	
- 1	0413419-203	WINDSHIELD ASSEMBLY-CLEAR -----							1	B
	0413419-201	WINDSHIELD ASSEMBLY-CLEAR -----							1	C
	0413419-200	WINDSHIELD ASSEMBLY-TINTED -----							1	B
	0413419-202	WINDSHIELD ASSEMBLY-TINTED -----							1	C
- 2	S1389-5	PAD-FELT	44.0 IN LG	BKI	REF S1389-5-44.0	-----		1		
- 3	S1389-5	PAD-FELT	18.00 IN LG	BKI	REF S1389-5-18.0	-----		2		
- 4	S1389-5	PAD-FELT	78.0 IN LG	BKI	REF S1389-5-78.0	-----		1		
- 4A	0413437-1	BASE PLATE ASSY-COMPASS MOUNT -----							1	C
- 5	0411870	<	STRIP-WINDSHIELD SIDE -----						2	
- 6	0411479-50	<	STRIP-WINDSHIELD LOWER OUTER -----						1	
- 7	0411481	<	STRIP-WINDSHIELD ATTACHMENT -----						1	
- 8	AN525-832R8	SCREW -----							2	
	AN960-8L	WASHER -----							4	
	NS21044N08	NUT -----							2	
- 9	0413530-1	COVER -----							2	A
<p>NOTE. < THIS PART NUMBER MUST HAVE A SECOND DASH NUMBER ADDED TO DENOTE COLOR. REFER TO HOW TO ORDER INTERIOR PARTS-PAGE VII.</p> <p>A---150 SERIAL 15073143 & ON F150 SERIAL F15000819 & ON A150 SERIAL A1500318 & ON FA150 SERIAL FA1500162 & ON</p> <p>B---150 SERIAL 15071129 THRU 15073658 F150 SERIAL F15000530 THRU F15000863 A150 SERIAL A1500001 THRU A1500342 FA150 SERIAL FA1500001 THRU FA1500166</p> <p>C---150 SERIAL 15073659 & ON F150 SERIAL F15000864 & ON A150 SERIAL A1500343 & ON FA150 SERIAL FA1500167 & ON</p>										

150 & A150 Parts Catalog

FIGURE AND INDEX NO.	PART NUMBER	DESCRIPTION	1 2 3 4 5 6 7							UNITS PER ASSY	USABLE ON CODE
			1	2	3	4	5	6	7		
32 -		NOSE GEAR INSTALLATION -----								NP	
- 1	SEE FIG 33	STRUT ASSEMBLY-NOSE -----								1	
		ATTACHING PARTS -----									
- 2	NAS561P12-48	ROLL PIN -----								1	
- 3	AN5-24A	BOLT -----								1	
- 4	MS21042L5	NUT -----								1	
	AN960-516	WASHER -----								2	
		-----*									
- 5	0543022-3	TUBE ASSEMBLY-NOSE GEAR STEERING LH -----								1	
	0543022-4	TUBE ASSEMBLY-NOSE GEAR STEERING RH -----								1	
		ATTACHING PARTS -----									
- 6	AN3-10A	BOLT -----								1	
	MS21044N3	NUT -----								1	
- 7	MS20364-624C	NUT -----								1	
	NAS43HT6-29	BUSHING -----								1	
		-----*									
- 8	MS20435M4-14	RIVET -----								1	
- 9	0543023	CLEVIS -----								1	
-10	AN316-6R	NUT -----								1	
-11	C109	BALL JOINT TOK -----								1	
-12	NAS397-16	CLAMP -----								2	
-13	S1823-3	BEARING-ROD END -----								2	
-14	AN316-6R	NUT -----								2	
-15	SEE FIG 34	WHEEL ASSEMBLY-NOSE -----								1	
	SEE FIG 34A	WHEEL ASSEMBLY-NOSE -----								1	B
		ATTACHING PARTS -----									
-16	0442142-1	TUBE-AXLE -----								1	
-17	0442143-1	FERRULE -----								2	D
	0442143-2	FERRULE -----								2	D
-18	AN5-74	BOLT -----								1	D
	AN7-74	BOLT -----								1	D
-19	AN960C516	WASHER -----								2	D
	AN960C716	WASHER -----								2	D
-20	AN310-5	NUT -----								1	D
	AN320-7	NUT -----								1	D
-21	MS24665-134	PIN-COTTER -----								1	D
	MS24665-285	PIN-COTTER -----								1	D
		-----*									
-22	0743625-14	SPEED FAIRING ASSEMBLY-NOSE GEAR -----								1	A
-22A	0543065-1	SPEED FAIRING ASSEMBLY-NOSE GEAR -----								1	A
	0543065-10	SPEED FAIRING ASSEMBLY-NOSE GEAR -----								1	C
	0543079-1	SPEED FAIRING ASSEMBLY-NOSE GEAR -----								1	J
		ATTACHING PARTS -----									
-23	0742410-27	STUD -----								1	D
	0742410-28	STUD -----								1	D
-24	AN960D516	WASHER -----								6	A
-24A	S1450-5-12-035	WASHER -----								2	A
	AN960-716L	WASHER -----								2	C
-24B	AN970-5	WASHER -----								4	C
	AN970-7	WASHER -----								2	E
-25	AN310-5	NUT -----								2	E
	AN320-7	NUT -----								2	E
-26	MS24665-136	COTTER PIN -----								2	D
	MS24665-285	COTTER PIN -----								2	E
-27	AN5-37A	BOLT -----								1	E
-28	S1450-5-12-035	WASHER -----								AR	A
-28A	AN960-516L	WASHER -----								AR	B
-29	MS21042L5	NUT -----								1	
		-----*									
-30	0743625-9	DOUBLER -----								2	A
-31	0541207-2	DOUBLER -----								2	C
	0541207-4	DOUBLER -----								2	J
-31A	0541223-13	DOOR ASSY-WHEEL FAIRING -----								1	L
-31B	KM610-64	LATCH-WHEEL FAIRING DOOR -----								1	L

CONTINUED ON NEXT PAGE

150 & A150 Parts Catalog

Alighting Gear

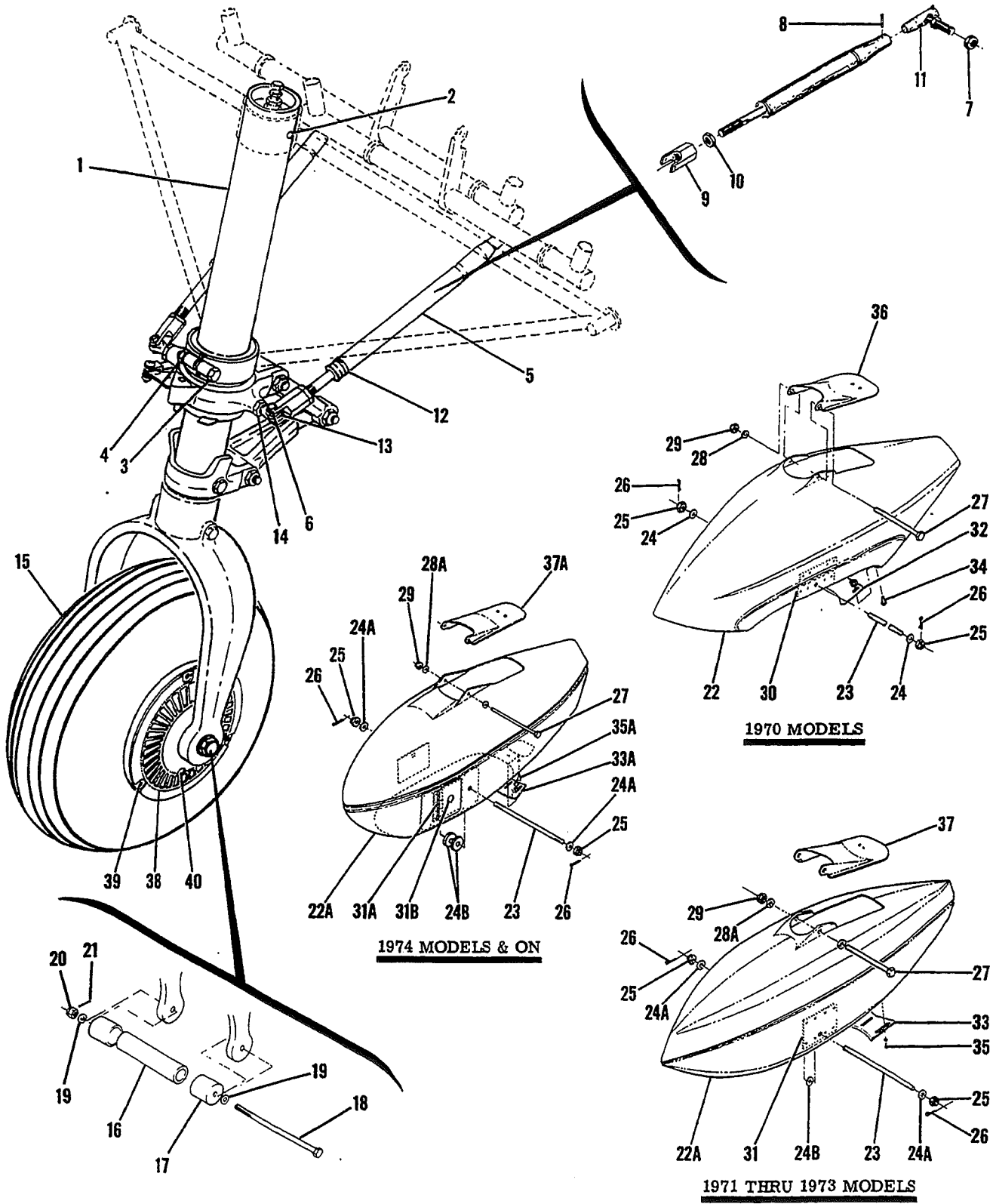


Figure 32. Nose Gear Installation

150 & A150 Parts Catalog

FIGURE AND INDEX NO.	PART NUMBER	DESCRIPTION							UNITS PER ASSY	USABLE ON CODE
		1	2	3	4	5	6	7		
32 -32	0743625-11	SCRAPER	-----	-----	-----	-----	-----	-----	1	AHL
-33	0541205-2	SCRAPER	-----	-----	-----	-----	-----	-----	1	
-33A	0541221-2	SCRAPER	-----	-----	-----	-----	-----	-----	1	
		ATTACHING PARTS								
-34	AN520-10R10	SCREW	-----	-----	-----	-----	-----	-----	3	AHLKL
-35	AN520-10R6	SCREW	-----	-----	-----	-----	-----	-----	3	
-35A	AN520-10R12	SCREW	-----	-----	-----	-----	-----	-----	3	
	AN960-10	WASHER	-----	-----	-----	-----	-----	-----	3	
	AN960-10	WASHER	-----	-----	-----	-----	-----	-----	3	
	MS21044N3	NUT	-----	-----	-----	-----	-----	-----	3	
		*-----								
-36	0743625-7	COVER PLATE ASSEMBLY	-----	-----	-----	-----	-----	-----	1	AHLFFGG
-37	0743625-15	COVER PLATE ASSEMBLY	-----	-----	-----	-----	-----	-----	1	
-37A	0743625-17	COVER PLATE ASSEMBLY	-----	-----	-----	-----	-----	-----	1	
-38	0743627-3	CAP-NOSE WHEEL HUB	-----	-----	-----	-----	-----	-----	1	
	0743627-4	CAP-NOSE WHEEL HUB	-----	-----	-----	-----	-----	-----	1	
	0743627-5	CAP-NOSE WHEEL HUB	-----	-----	-----	-----	-----	-----	1	
	0743627-6	CAP-NOSE WHEEL HUB	-----	-----	-----	-----	-----	-----	1	
		ATTACHING PARTS								
-39	AN515-8R4	SCREW	-----	-----	-----	-----	-----	-----	3	FFG
	S2191-8-4	SCREW	-----	-----	-----	-----	-----	-----	3	
	AN936A8	WASHER	-----	-----	-----	-----	-----	-----	3	
		*-----								
-40	6241M	EXTENSION-VALVE	.75 IN LONG	DL	-----	-----	-----	-----	1	FFG
	3680C	EXTENSION-VALVE	.75 IN LONG	SV	ALT	-----	-----	-----	1	
	6241B	EXTENSION-VALVE	.50 IN LONG	DL	-----	-----	-----	-----	1	
NOTE. *THIS WHEEL IS AN ALTERNATE CODE B & ON										
<p>A---150 SERIAL 15071129 THRU 15072003 F150 SERIAL F15000530 THRU F15000658 A150 SERIAL A1500001 THRU A1500226 FA150 SERIAL FA1500001 THRU FA1500081</p> <p>B---150 SERIAL 15072004 & ON F150 SERIAL F15000659 & ON A150 SERIAL A1500227 & ON FA150 SERIAL FA1500082 & ON</p> <p>C---150 SERIAL 15072004 THRU 15072839 F150 SERIAL F15000659 THRU F15000778 A150 SERIAL A1500227 THRU A1500292 FA150 SERIAL FA1500082 THRU FA1500161</p> <p>D---150 SERIAL 15071129 THRU 15072839 F150 SERIAL F15000530 THRU F15000778 A150 SERIAL A1500001 THRU A1500292 FA150 SERIAL FA1500001 THRU FA1500161</p> <p>E---150 SERIAL 15072840 & ON F150 SERIAL F15000779 & ON A150 SERIAL A1500293 & ON FA150 SERIAL FA1500162 & ON</p> <p>F---150 SERIAL 15071129 THRU 15072983 F150 SERIAL F15000530 THRU F15000818 A150 SERIAL A1500001 THRU A1500304 FA150 SERIAL FA1500001 THRU FA1500161</p> <p>G---150 SERIAL 15072984 & ON F150 SERIAL F15000819 & ON A150 SERIAL A1500305 & ON FA150 SERIAL FA1500162 & ON</p> <p>H---150 SERIAL 15072004 THRU 15074850 F150 SERIAL F15000659 THRU F15001013 A150 SERIAL A1500227 THRU A1500429 FA150 SERIAL FA1500082 THRU FA1500211</p> <p>J---150 SERIAL 15072840 THRU 15074850 F150 SERIAL F15000779 THRU F15001013 A150 SERIAL A1500293 THRU A1500429 FA150 SERIAL FA1500162 THRU FA1500211</p> <p>K---150 SERIAL 15071129 THRU 15074850 F150 SERIAL F15000530 THRU F15001013 A150 SERIAL A1500001 THRU A1500429 FA150 SERIAL FA1500001 THRU FA1500211</p> <p>L---150 SERIAL 15074851 & ON F150 SERIAL F15001014 & ON A150 SERIAL A1500430 & ON FA150 SERIAL FA1500212 & ON</p>										

150 & A150 Parts Catalog

Alighting Gear (Cont)

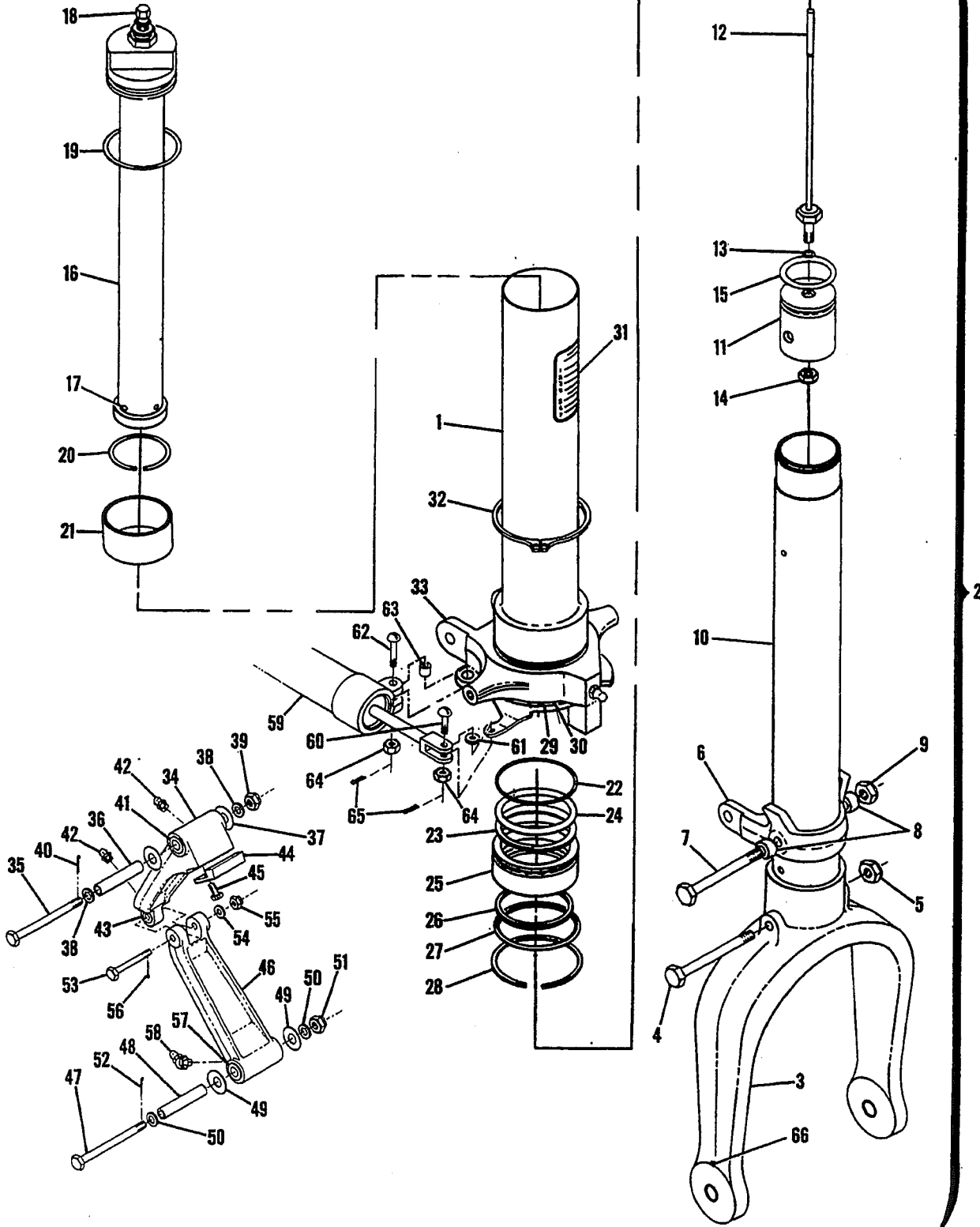


Figure 33. Nose Gear Strut Assembly

150 & A150 Parts Catalog

FIGURE AND INDEX NO.	PART NUMBER	DESCRIPTION							UNITS PER ASSY	USABLE ON CODE
		1	2	3	4	5	6	7		
33 -	0442504-10	*	STRUT ASSEMBLY-NOSE GEAR	WEU 0442504-13	-----				1	A
- 1	0442504-13		STRUT ASSEMBLY-NOSE GEAR	-----					1	B
- 2	0543008-6		TUBE-SHOCK STRUT	-----					1	
- 2	0442504-200	*	SHOCK STRUT ASSEMBLY-LOWER	WEU 0442504-201	-----				1	A
- 3	0442504-201		SHOCK STRUT ASSEMBLY-LOWER	-----					1	B
- 3	SK150-11		FORK-NOSE GEAR REPLACEMENT	-----					1	A
			FORK-NOSE GEAR	-----					NP	B
			ATTACHING PARTS	-----						
- 4	AN5-33A		BOLT	-----					1	
- 5	MS21042L5		NUT	-----					1	
			-----*	-----						
- 6	0543007-2		FITTING	-----					1	
			ATTACHING PARTS	-----						
- 7	AN5-43A		BOLT	-----					1	
- 8	0743009-1		SPACER	-----					2	
- 9	MS21042L5		NUT	-----					1	
			-----*	-----						
-10			TUBE-INNER	-----					NP	
-11	0743612-1		PLUG-PIN BASE	-----					1	
-12	0442017-1		PIN-METERING	-----					1	
			ATTACHING PARTS	-----						
-13	AN6227B5		O RING	-----					1	
-14	MS21042L4		NUT	-----					1	
			-----*	-----						
-15	AN6227B26		O RING	-----					1	
-16	0543000-27		ORIFICE-PISTON SUPPORT ASSEMBLY	-----					1	
-17	AN500A6-8		SCREW	-----					4	
-18	0543036-1		VALVE ASSEMBLY	-----					1	
	AN901-5A		GASKET	-----					1	
-19	AN6230B3		O RING	-----					1	
-20	0841200-19		LOCK RING	-----					1	
-21	1243021-1		BEARING	-----					1	
-22	AN6230B6		O RING	-----					1	
-23	S1628-329		RING-BACK UP	-----					2	
-24	AN6227B32		O RING	-----					1	
-25	1243626-1		RING-PACK SUPPORT	-----					1	
-26	S11065-21		SCRAPER SHWS	-----					1	
-27	0841200-15		RING-PACK RETAINER	-----					1	
-28	0841200-25		LOCK RING	-----					1	
-29	0543029		WASHER	-----					1	
-30	1243030-5		SHIM .006 THICK	-----					AR	
	1243030-6		SHIM .012 THICK	-----					AR	
	1243030-7		SHIM .020 THICK	-----					AR	
-31	0442145-1		PLACARD-NOSE GEAR SHOCK STRUT	-----					1	
-32	MS16624-1275		RING-RETAINER	-----					1	
-33	0743011-6		ARM ASSEMBLY-STEERING	-----					1	
	B4416D		BEARING TOR	-----					1	
	AN944-101A		FITTING-LUBRICATION	-----					1	
-34	0442506-1		LINK ASSEMBLY-TORQUE UPPER	-----					1	
			ATTACHING PARTS	-----						
-35	AN4-31		BOLT	-----					1	
-36	0543047-1		SPACER	-----					1	
-37	S1450-6B14-010		WASHER	-----					AR	
-38	AN960-416L		WASHER	-----					2	
-39	AN310-4		NUT	-----					1	
-40	MS24665-134		PIN-COTTER	-----					1	
			-----*	-----						
-41	NAS77-6-88		BUSHING	-----					2	
-42	AN944-101A		FITTING-LUBRICATOR	-----					2	
-43	NAS77-3-23		BUSHING	-----					2	
-44	0442506-8		STOP LUG	-----					1	
			ATTACHING PARTS	-----						
-45	AN3-3A		BOLT	-----					2	
	0442506-9		LUG-SAFETY	-----					1	
			-----*	-----						

CONTINUED ON NEXT PAGE

150 & A150 Parts Catalog

FIGURE AND INDEX NO.	PART NUMBER	DESCRIPTION	UNITS PER ASSY	USABLE ON CODE		
			1	2	3	4
33 -46	0442506-2	LINK ASSEMBLY-TORQUE LOWER ----- ATTACHING PARTS -----	1			
-47	AN4-31	BOLT -----	1			
-48	0543047-1	SPACER -----	1			
-49	S1450-6814-010	WASHER -----	AR			
-50	AN960-416L	WASHER -----	AR			
-51	AN310-4	NUT -----	1			
-52	MS24665-134	PIN-COTTER -----	1			
-53	NAS464-3-22	BOLT -----	1			
-54	AN960-10L	WASHER -----	1			
-55	AN310-3	NUT -----	1			
-56	MS24665-132	PIN-COTTER -----	1			
		*-----				
-57	NAS77-6-88	BUSHING -----	2			
-58	MS15002-3	FITTING-LUBRICATOR -----	1			
-59	SEE FIG 35	DAMPENER ASSEMBLY ----- ATTACHING PARTS -----	1			
-60	AN23-11	BOLT -----	1			
-61	AN960-10L	WASHER -----	AR			
-62	AN23-17	BOLT -----	1			
-63	NAS75-3-009	SPACER -----	1			
-64	AN320-3	NUT -----	2			
-65	MS24665-132	PIN-COTTER -----	2			
		*-----				
-66	NAS561P4-10	PIN-ROLL -----	2			
<p style="margin: 0;">NOTE. *WHEN INITIALLY ORDERING THIS PART FOR AIRCRAFT PRIOR TO SERIALS 15072840, F15000779, A1500293 & FA1500162 ALSO ORDER ONE AN7-74 BOLT, TWO AN960C716 WASHERS, ONE AN320-7 NUT, ONE MS24665-285 COTTER PIN & TWO 0442143-2 FERRULES.</p> <p style="margin: 0;">A---150 SERIAL 15071129 THRU 15072839 F150 SERIAL F15000530 THRU F15000778 A150 SERIAL A1500001 THRU A1500292 FA150 SERIAL FA1500001 THRU FA1500161</p> <p style="margin: 0;">B---150 SERIAL 15072840 & ON F150 SERIAL F15000779 & ON A150 SERIAL A1500293 & ON FA150 SERIAL FA1500162 & ON</p>						

150 & A150 Parts Catalog

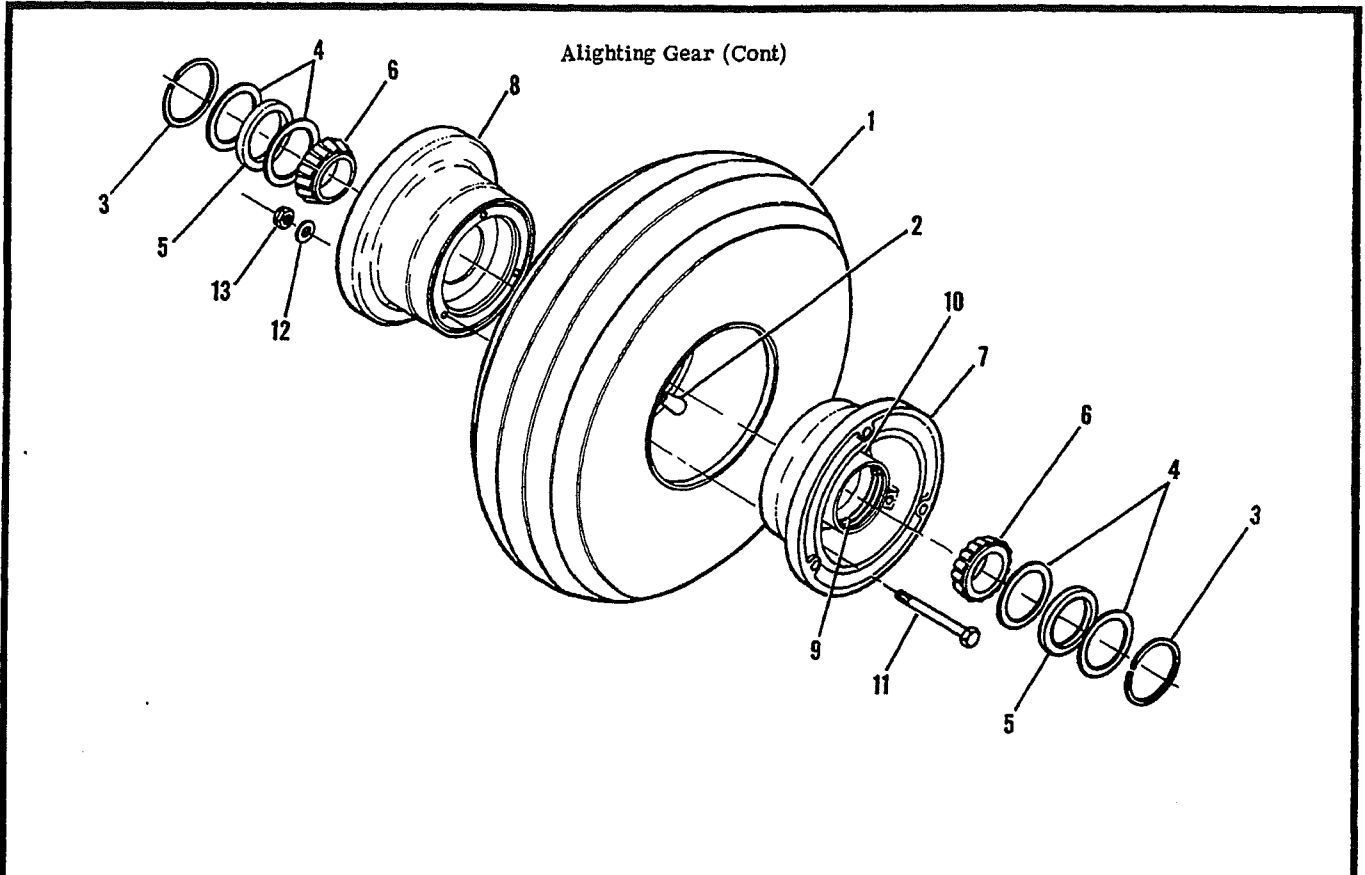
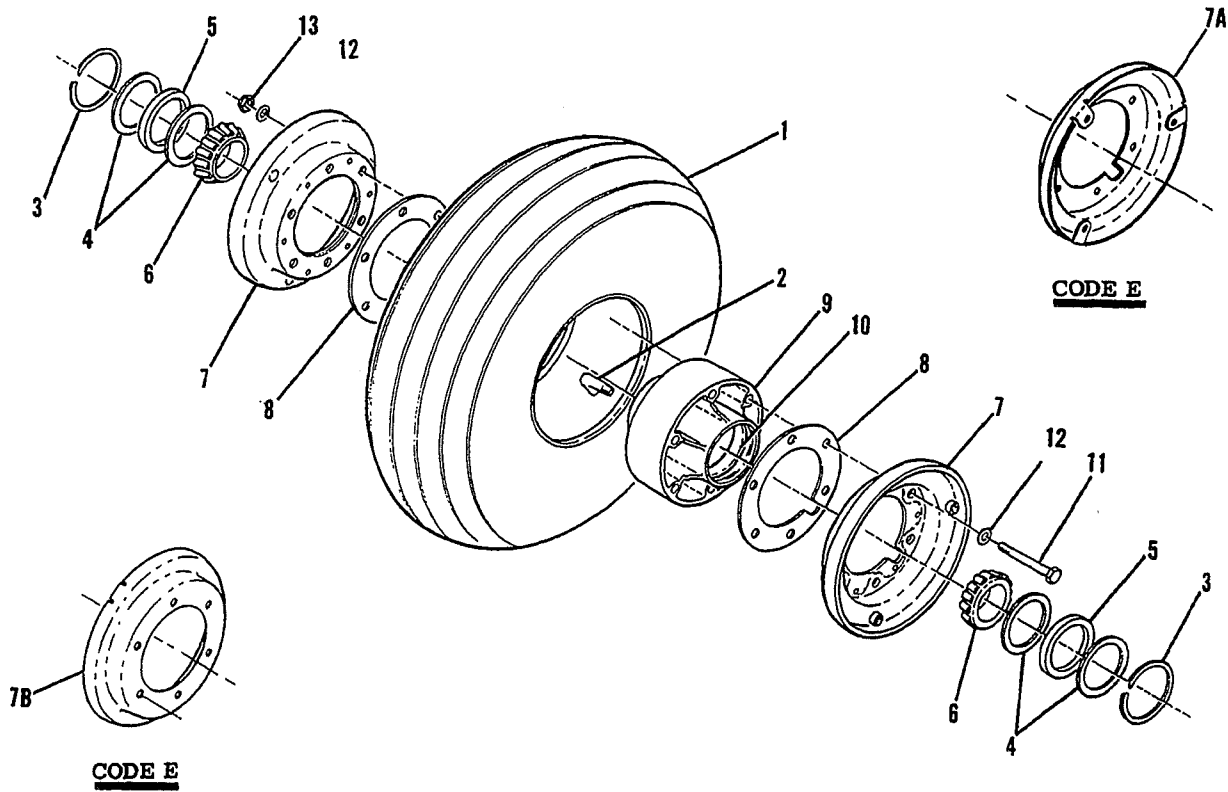


Figure 34. Nose Gear Wheel Assembly

FIGURE AND INDEX NO.	PART NUMBER	DESCRIPTION	UNITS PER ASSY	USABLE ON CODE
34 -		1 2 3 4 5 6 7		
- 1	C262003-0102	WHEEL ASSEMBLY-NOSE GEAR -----	NP	A B
	C262001-0102	TIRE-BLACKWALL 5.00X5 4 PLY RATED -----	1	
	C262001-0202	TIRE-WHITEWALL 5.00X5 4 PLY RATED WEU C262001-0202 -----	1	
	C262004-0101	TIRE-WHITEWALL 5.00X5 6 PLY RATED -----	1	
- 2	C262023-0101	TIRE-WHITEWALL 5.00X5 4 PLY RATED -----	1	
	1241156-12 *	TUBE-5.00X5 -----	1	
- 3	155-00200	WHEEL ASSEMBLY CFP 40-77 -----	1	
- 4	153-00800	RING CFP -----	2	
- 5	154-00600	RING-GREASE SEAL CFP -----	4	
- 6	214-00400	GREASE SEAL-FELT CFP -----	2	
- 7	161-03100	CONE-BEARING CFP -----	2	
- 8	162-02800	WHEEL HALF-MALE CFP -----	1	
- 9	214-00300	WHEEL HALF-FEMALE CFP -----	1	
-10	217-00100	CUP-BEARING CFP -----	1	
-11	AN4-22A	GROMMET CFP -----	1	
-12	AN960-416	BOLT -----	3	
-13	AN365-428	WASHER -----	3	
		NUT -----	3	
<p>NOTE. *SERIALS 15072004 & ON, F15000659 & ON, A1500227 & ON, FA1500082 & ON THIS WHEEL IS AN ALTERNATE FOR C163002-0201, C163003-0201, C163003-0401 & C163005-0201 WHEELS.</p> <p>A---150 SERIAL 15071129 THRU 15073658 F150 SERIAL F15000530 THRU F15000862 A150 SERIAL A1500001 THRU A1500342 FA150 SERIAL FA1500001 THRU FA1500166</p> <p>B---150 SERIAL 15073659 & ON F150 SERIAL F15000863 & ON A150 SERIAL A1500343 & ON FA150 SERIAL FA1500167 & ON</p>				

150 & A150 Parts Catalog

Alighting Gear (Cont)



150 SERIAL 15072004 THRU 15077813
F150 SERIAL F15000659 THRU F15001300, F15001307,
F15001310, F15001315 & F15001320
A150 SERIAL A1500227 THRU A1500653
FA150 SERIAL FA1500082 THRU FA1500300

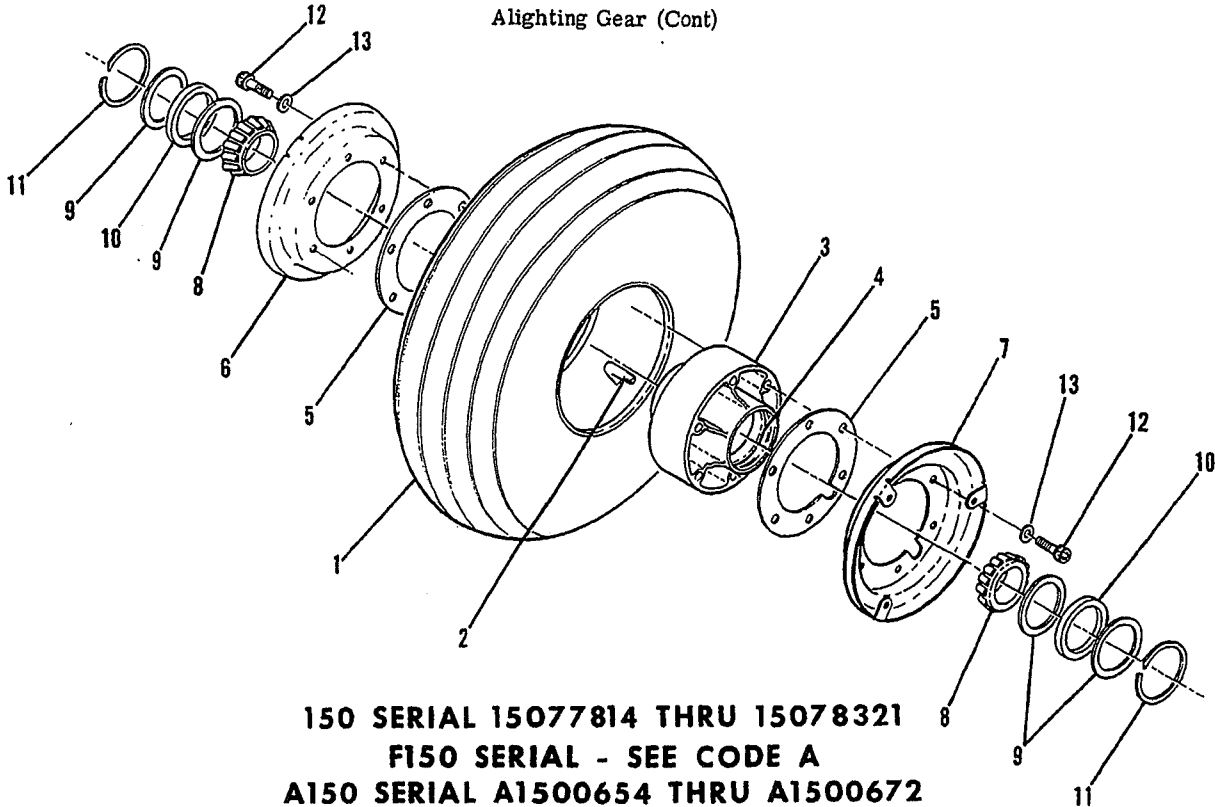
Figure 34A. Nose Gear Wheel Assembly

150 & A150 Parts Catalog

FIGURE AND INDEX NO.	PART NUMBER	DESCRIPTION							UNITS PER ASSY	USABLE ON CODE
		1	2	3	4	5	6	7		
34A-		WHEEL ASSEMBLY-NOSE GEAR -----							NP	A
- 1	C262003-0102	TIRE-BLACKWALL 5.00X5 4 PLY RATED -----							1	
	C262001-0102	TIRE-WHITWALL 5.00X5 4 PLY RATED -----							1	B
	C262001-0202	WEU C262001-0202 -----								
	C262004-0101	TIRE-WHITWALL 5.00X5 6 PLY RATED -----							1	B
- 2	C262023-0101	TIRE-WHITWALL 5.00X5 4 PLY RATED -----							1	C
	C163002-0201	TUBE 5.00X5 -----							1	
	C163003-0201	WHEEL ASSEMBLY -----							NP	D
		WHEEL ASSEMBLY -----							NP	E
- 3	A1636-23	RING-RETAINING MCL -----							2	
- 4	A30048	RING-GREASE SEAL MCL -----							4	
- 5	A30047	GREASE SEAL-FELT MCL -----							2	
- 6	A30078-2	BEARING MCL -----							2	
- 7	D30058	FLANGE-WHEEL USE WITH C163002-0201 MCL -----							2	D
- 7A	C30172-1	FLANGE-WHEEL USE WITH C263003-0201 MCL -----							1	E
- 7B	C30172	FLANGE-WHEEL USE WITH C263003-0201 MCL -----							1	E
- 8	B30077	SPACER MCL -----							2	
- 9	C30057	HUB ASSEMBLY MCL -----							1	
- 10	A30078-1	CUP-BEARING MCL -----							2	
- 11	AN4-24A	BOLT USE WITH C163002-0201 -----							6	D
	A2513-66	BOLT USE WITH C163003-0201 MCL -----							6	E
- 12	AN960-416L	WASHER USE WITH C163002-0201 -----							12	D
	A1638-29	WASHER USE WITH C163003-0201 MCL -----							12	E
- 13	MS21042L4	NUT USE WITH C163002-0201 -----							6	D
	MS20365-428A	NUT USE WITH C163003-0201 MCL -----							6	E
NOTE. *WHEN ORDERING COMPLETE WHEEL ASSY ORDER C163005-0201, SEE FIG 34C.										
<p>A---150 SERIAL 15072004 THRU 15077813 F150 SERIAL F15000659 THRU F15001300, F15001307, F15001310, F15001315 & F15001320 A150 SERIAL A1500227 THRU A1500653 FA150 SERIAL FA1500082 THRU FA1500300</p> <p>B---150 SERIAL 15072004 THRU 15073658 F150 SERIAL F15000659 THRU F15000863 A150 SERIAL A1500227 THRU A1500342 FA150 SERIAL FA1500082 THRU FA1500166</p> <p>C---150 SERIAL 15073659 THRU 15077813 F150 SERIAL F15000864 THRU F15001300, F15001307, F15001310, F15001315 & F15001320 A150 SERIAL A1500343 THRU A1500653 FA150 SERIAL FA1500167 THRU FA1500300</p> <p>D---150 SERIAL 15072004 THRU 15074403 F150 SERIAL F15000659 THRU F15001073 A150 SERIAL A1500227 THRU A1500389 FA150 SERIAL FA1500082 THRU FA1500236</p> <p>E---150 SERIAL 15074404 THRU 15077813 F150 SERIAL F15001074 THRU F15001300, F15001307, F15001310, F15001315 & F15001320 A150 SERIAL A1500390 THRU A1500653 FA150 SERIAL FA1500237 THRU FA1500300</p>										

150 & A150 Parts Catalog

Alighting Gear (Cont)

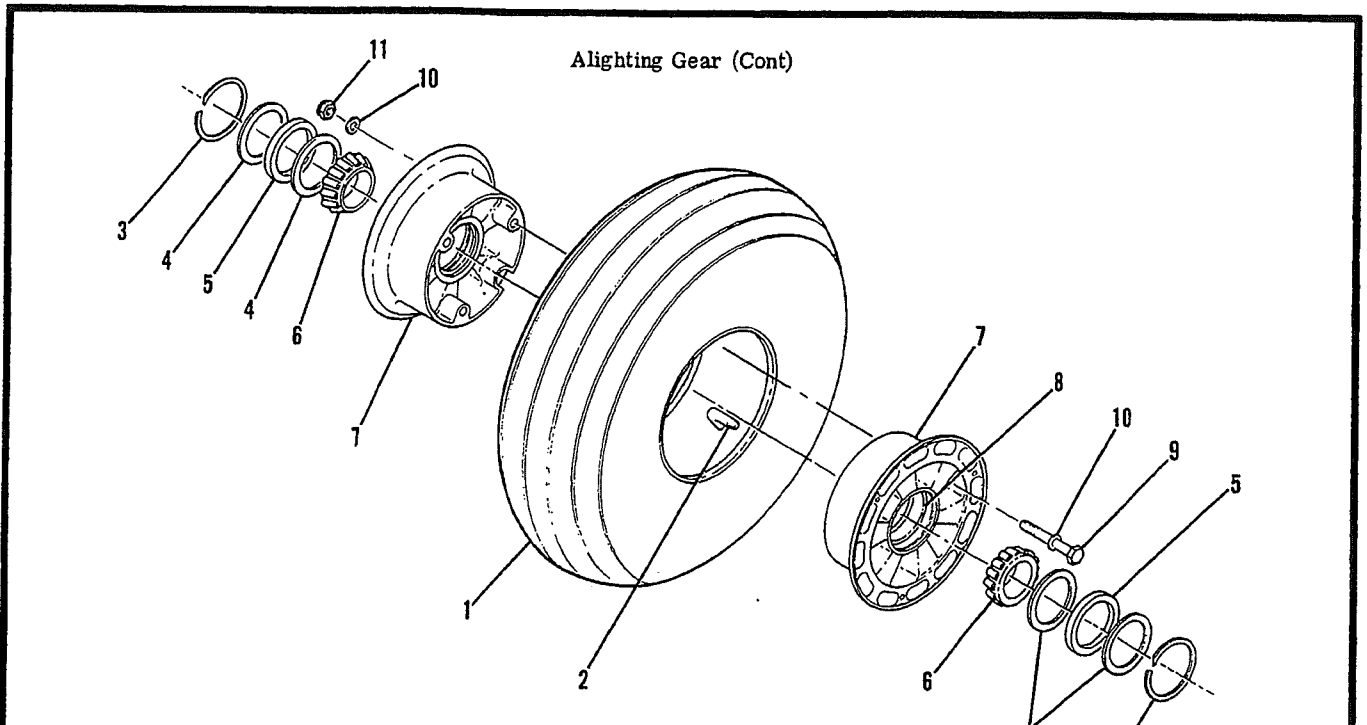


150 SERIAL 15077814 THRU 15078321
 F150 SERIAL - SEE CODE A
 A150 SERIAL A1500654 THRU A1500672
 FA150 SERIAL FA1500301 THRU FA1500317

Figure 34B. Nose Gear Wheel & Tire Assembly

FIGURE AND INDEX NO.	PART NUMBER	DESCRIPTION	UNITS PER ASSY							USABLE ON CODE	
			1	2	3	4	5	6	7		
34B-		NOSE GEAR WHEEL & TIRE ASSY								NP	A
- 1	C262003-0102	TIRE-BLACKWALL 5.00X5 4 PLY RATED								1	
- 2	C262023-0101	TUBE 5.00X5								1	
	C163003-0401	WHEEL ASSY								NP	
- 3	C30481	HUB ASSY								1	
- 4	A30078-1	CUP-BEARING MCL								2	
- 5	B30077	SPACER MCL								2	
- 6	C30484	FLANGE-WHEEL MCL								1	
- 7	C30484-1	FLANGE-WHEEL MCL								1	
- 8	A30078-2	CONE-BEARING MCL								2	
- 9	A30048	RETAINER-GREASE SEAL MCL								4	
-10	A30047	GREASE SEAL-FELT MCL								2	
-11	A1636-23	RING-RETAINER								2	
-12	A1635-73	SCREW MCL								12	
-13	AN960-516	WASHER								12	
NOTE. *WHEN ORDERING COMPLETE WHEEL ASSY ORDER C163005-0201 SEE FIG 34C.											
A---150 SERIAL 15077814 THRU 15078321 F150 SERIAL F15001301 THRU F15001306, F15001308, F15001309, F15001311 THRU F15001314, F15001316 THRU F15001319, F15001321 THRU F15001378 A150 SERIAL A1500654 THRU A1500672 FA150 SERIAL FA1500301 THRU FA1500317											

150 & A150 Parts Catalog



150 SERIAL 15078322 & ON
 F150 SERIAL F15001379 & ON
 A150 SERIAL A1500673 & ON
 FA150 SERIAL FA1500318 & ON

Figure 34C. Nose Gear Wheel & Tire Assembly

FIGURE AND INDEX NO.	PART NUMBER	DESCRIPTION							UNITS PER ASSY	USABLE ON CODE
		1	2	3	4	5	6	7		
34C-		NOSE GEAR WHEEL & TIRE ASSY -----							NP	A
- 1	C262003-0102	TIRE-BLACKWALL 5.00X5 4 PLY RATED -----							1	
- 2	C262023-0101	TUBE 5.00X5 -----							1	
	C163005-0201	WHEEL ASSY -----							1	
- 3	A1636-23	RING-RETAINING MCL -----							2	
- 4	A30048	RING-GREASE SEAL MCL -----							4	
- 5	A30047	GREASE SEAL-FELT MCL -----							2	
- 6	A30078-2	BEARING MCL -----							2	
- 7	C30598	WHEEL HALF ASSY MCL -----							2	
- 8	A30078-1	CUP-BEARING MCL -----							1	
- 9	AN5-22A	BOLT -----							3	
-10	AN960-516	WASHER -----							6	
-11	AN365-524A	NUT -----							3	
		A---150 SERIAL 15078322 & ON F150 SERIAL F15001379 & ON A150 SERIAL A1500673 & ON FA150 SERIAL FA1500318 & ON								

150 & A150 Parts Catalog

Alighting Gear (Cont)

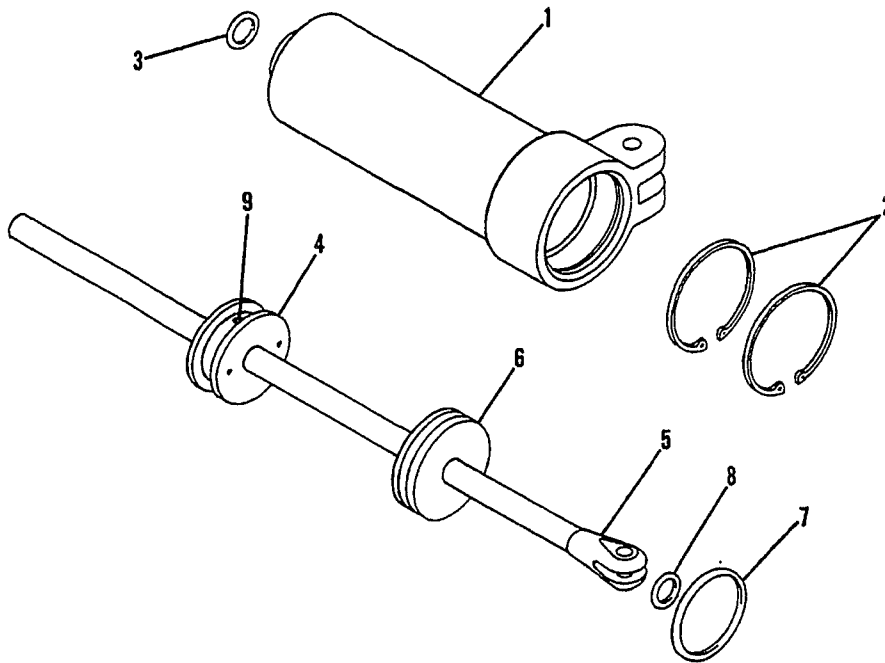
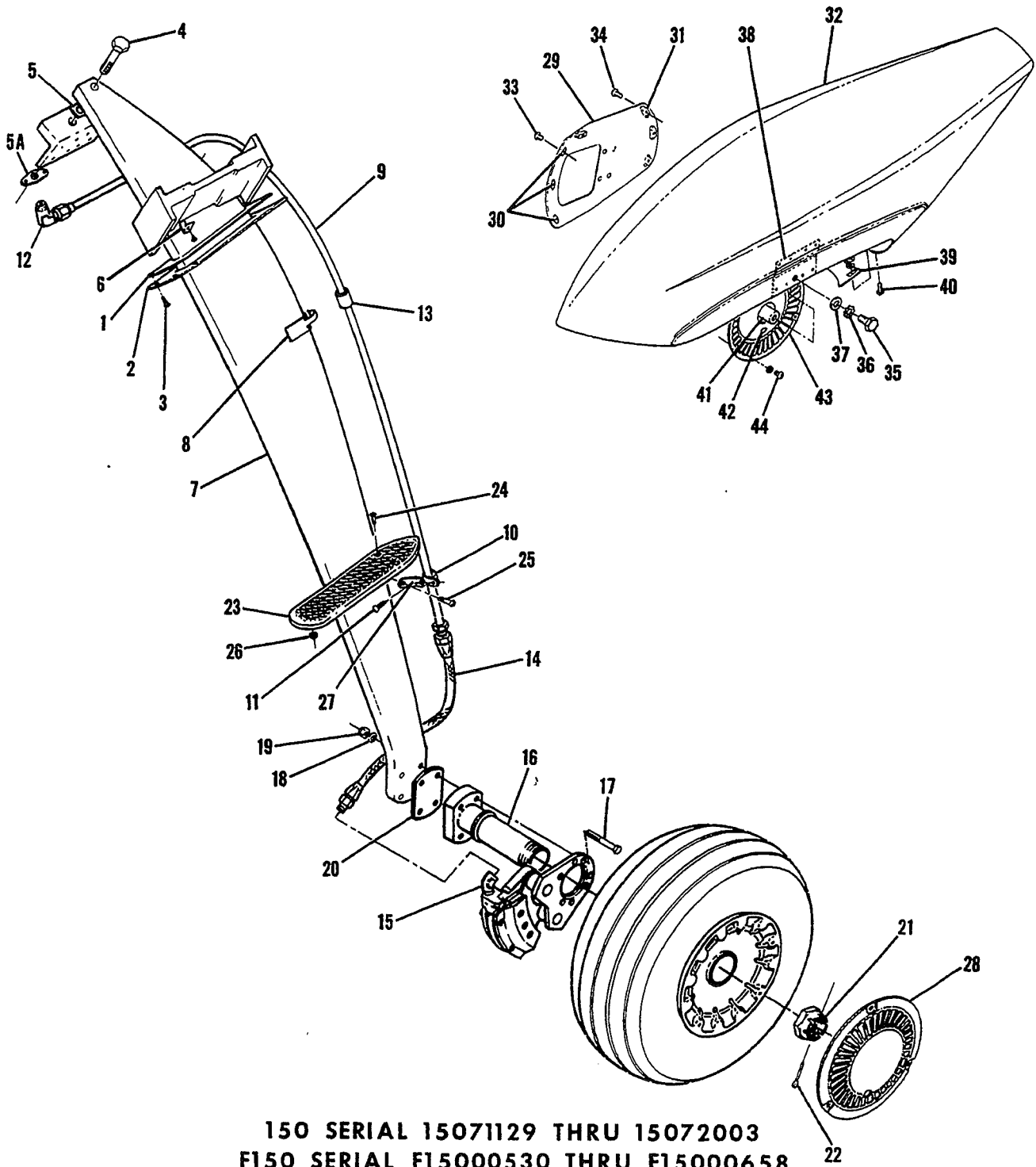


Figure 35. Shimmy Dampener Assembly

FIGURE AND INDEX NO.	PART NUMBER	DESCRIPTION							UNITS PER ASSY	USABLE ON CODE
		1	2	3	4	5	6	7		
35 -	0442512-1	DAMPENER ASSEMBLY-SHIMMY	----	----	----	----	----	----	1	
- 1	0542100-6	BARREL-SHIMMY DAMPENER	----	----	----	----	----	----	1	
- 2	MS16625-1118	RING-RETAINING	----	----	----	----	----	----	2	
- 3	AN6227B6	O RING	----	----	----	----	----	----	1	
- 4	0842400-22	PISTON ASSY-SHIMMY DAMPENER	----	----	----	----	----	----	1	
- 5	0542101-1	SHAFT ASSEMBLY	----	----	----	----	----	----	1	
- 6	0542102-3	HEAD BEARING	----	----	----	----	----	----	1	
- 7	AN6227B18	O RING	----	----	----	----	----	----	1	
- 8	AN6227B6	O RING	----	----	----	----	----	----	1	
- 9	NAS561P4-14	ROLL PIN	----	----	----	----	----	----	1	

150 & A150 Parts Catalog

Alighting Gear (Cont)



150 SERIAL 15071129 THRU 15072003
F150 SERIAL F15000530 THRU F15000658
A150 SERIAL A1500001 THRU A1500226
FA150 SERIAL FA1500001 THRU FA1500081

Figure 36. Main Landing Gear Installation

150 & A150 Parts Catalog

FIGURE AND INDEX NO.	PART NUMBER	DESCRIPTION							UNITS PER ASSY	USABLE ON CODE
		1	2	3	4	5	6	7		
36 -		MAIN LANDING GEAR INSTALLATION -----							NP	A
- 1	0441025-1	SEAL -----							2	
- 2	0441024-1	PLATE-LANDING GEAR FILLET LH -----							1	
	0441024-2	PLATE-LANDING GEAR FILLET RH -----							1	
		ATTACHING PARTS -----								
- 3	S1021Z8-8	SCREW -----							6	
		*-----								
		MAIN LANDING GEAR ASSEMBLY-LH -----							NP	
		MAIN LANDING GEAR ASSEMBLY-RH -----							NP	
		ATTACHING PARTS -----								
- 4	AN6-16A	BOLT -----							1	
- 5	0541105	SHIM -----							AR	
- 5A	NAS680A6	NUTPLATE -----							1	
- 6	0441023-2	WEDGE .100 -----							2	
	0741022-1	SHIM -----							AR	
	NAS564-45	BOLT -----							2	
		*-----								
- 7	0441186-1	SPRING ASSEMBLY-LANDING GEAR LH -----							1	
	0441186-2	SPRING ASSEMBLY-LANDING GEAR RH -----							1	
	0441169-1	STEP BRACKET LH -----								
	0441169-2	STEP BRACKET RH -----							1	
- 8	1441001-3	CLIP-BRAKE LINE -----							1	
- 9	0400311-99	LINE-BRAKE LH & RH -----							1	
		ATTACHING PARTS -----								
-10	MS21919DG3	CLAMP -----							1	
-11	NAS220-6	SCREW -----							1	
	MS21044N08	NUT -----							1	
-12	AN833-3D	ELBOW -----							1	
-13	0441119	HOSE -----							1	
		*-----								
-14	S1810-1075	HOSE ASSEMBLY -----							1	
-15	AN914-1D	ELBOW -----							1	
-16	0541124	AXLE-MAIN LANDING GEAR -----							1	
		ATTACHING PARTS -----								
-17	AN5-21A	BOLT -----							2	
	AN5-22A	BOLT ALTERNATE -----							2	
	AN6-22A	BOLT -----							2	
	AN6-23A	BOLT ALTERNATE -----							2	
-18	AN960-516L	WASHER -----							AR	
	AN960-616L	WASHER -----							AR	
-19	MS21042L5	NUT -----							2	
	MS21042L6	NUT -----							2	
-20	0441139-5	SHIM-1 DEGREE CORRECTION -----							AR	
	0441139-6	SHIM-2 DEGREE CORRECTION -----							AR	
	0541111-2	SHIM -----							AR	
	0541157-1	SHIM -----							AR	
	0541157-2	SHIM -----							AR	
	0541157-3	SHIM -----							AR	
	1241061-1	SHIM -----							AR	
		*-----								
-21	S1117-24	NUT -----							1	
-22	MS24665-351	PIN-COTTER -----							1	
-23	0541154-1	STEP-CABIN ENTRANCE -----							1	
		ATTACHING PARTS -----								
-24	AN507-1032R10	SCREW -----							1	
-25	NAS221-9	SCREW -----							2	
-26	MS21044N3	NUT -----							3	
		*-----								
-27	0541156-1	STRAP-BRAKE LINE LH -----							1	
	0541156-2	STRAP-BRAKE LINE RH -----							1	
-28	0741048-8	CAP-MAIN GEAR HUB -----							1	
		ATTACHING PARTS -----								
	AN515-8R4	SCREW -----							3	
	AN936A8	WASHER -----							3	
		*-----								
	6241M	EXTENSION-VALVE DL -----							1	
	3680C	EXTENSION-VALVE ALTERNATE SV -----							1	
	SEE FIG 37	WHEEL & BRAKE ASSEMBLY-MAIN GEAR -----							1	

CONTINUED ON NEXT PAGE

150 & A150 Parts Catalog

FIGURE AND INDEX NO.	PART NUMBER	DESCRIPTION	UNITS PER ASSY	USABLE ON CODE
		1 2 3 4 5 6 7		
36 -		SPEED FAIRING INSTALLATION -----	NP	
-29	0441201-1	PLATE ASSEMBLY-LH -----	1	
	0441201-2	PLATE ASSEMBLY-RH -----	1	
-30	NAS680A3K	NUTPLATE -----	3	
-31	NAS686A3	NUTPLATE -----	4	
-32	0741046-203	FAIRING ASSEMBLY-LH -----	1	
	0741046-202	FAIRING ASSEMBLY-RH -----	1	
		ATTACHING PARTS		
-33	AN520-10R5	SCREW -----	3	
-34	AN520-10R8	SCREW -----	4	
-35	AN6-6A	BOLT -----	1	
-36	AN936B616	WASHER -----	1	
-37	AN960-616L	WASHER -----	1	
		-----*		
-38	0741046-11	DOUBLER -----	1	
-39	0741046-14	SCRAPER-FAIRING -----	1	
		ATTACHING PARTS		
-40	AN520-10R10	SCREW -----	3	
	AN960-10	WASHER -----	3	
	MS21044N3	NUT -----	3	
		-----*		
-41	0741047-1	NUT -----	1	
	MS24665-362	PIN-COTTER -----	1	
-42	6241M	EXTENSION-VALVE DL -----	1	
	3680C	EXTENSION-VALVE ALTERNATE SV -----	1	
-43	0741048-7	CAP-WHEEL -----	1	
		ATTACHING PARTS		
-44	AN515-8R4	SCREW -----	3	
	AN936A8	WASHER -----	3	
		-----*		
		A---150 SERIAL 15071129 THRU 15072003		
		F150 SERIAL F15000530 THRU F15000658		
		A150 SERIAL A1500001 THRU A1500226		
		FA150 SERIAL FA1500001 THRU FA1500081		

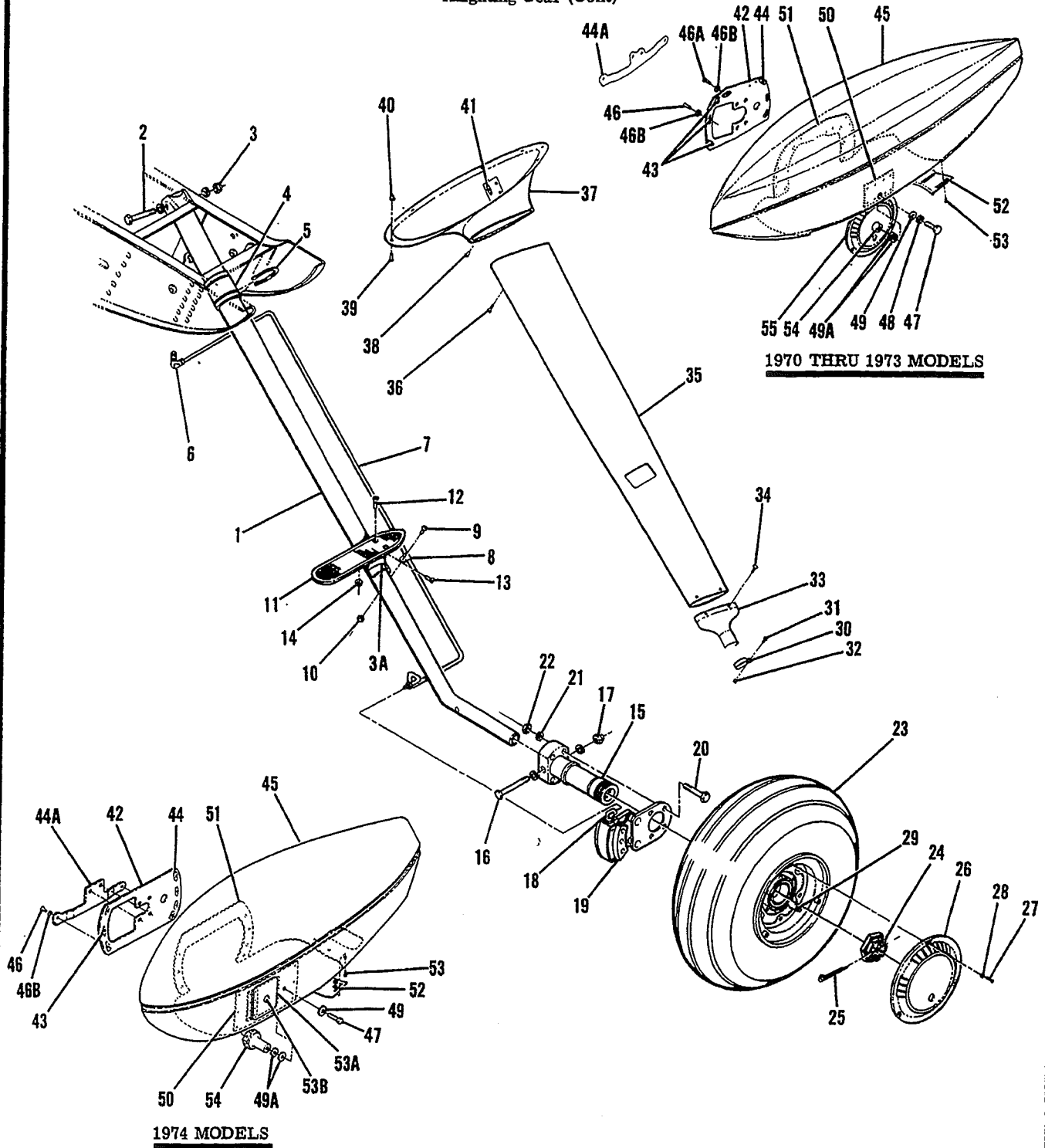
150 & A150 Parts Catalog

FIGURE AND INDEX NO.	PART NUMBER	DESCRIPTION						UNITS PER ASSY	USABLE ON CODE
		1	2	3	4	5	6		
36A-		MAIN LANDING GEAR INSTALLATION -----						NP	A
- 1	0441212-1	SPRING ASSEMBLY-LANDING GEAR LH WEU 0441212-5 -----						1	L
	0441212-2	SPRING ASSEMBLY-LANDING GEAR RH WEU 0441212-6 -----						1	M
	0441212-5	SPRING ASSEMBLY-LANDING GEAR LH -----						1	M
	0441212-6	SPRING ASSEMBLY-LANDING GEAR RH -----						1	M
		ATTACHING PARTS -----							
- 2	0441221-1	BOLT -----						1	
	AN960-516L	WASHER -----						2	
- 3	MS20365-524	NUT -----						1	
		-----*							
- 3A	0441214-7	BRACKET ASSY-STEP LH				INCLUDES JACK POINT -----		1	
	0441214-8	BRACKET ASSY-STEP RH				INCLUDES JACK POINT -----		1	
- 4	0441224-1	BUSHING -----						2	
- 5	MS16624-1206	SNAP RING -----						4	
- 6	AN833-3D	ELBOW -----						2	
- 7	0400311-107	LINE ASSEMBLY-BRAKE LH		INSTALLED AFT OF GEAR -----				1	D
		WEU 0400311-109 -----							
	0400311-109	LINE ASSEMBLY-BRAKE LH		INSTALLED FWD OF GEAR -----				1	E
	0400311-106	LINE ASSEMBLY-BRAKE RH		INSTALLED AFT OF GEAR -----				1	D
		WEU 0400311-108 -----							
	0400311-108	LINE ASSEMBLY-BRAKE RH		INSTALLED FWD OF GEAR -----				1	E
		ATTACHING PARTS -----							
- 8	MS21919DG3	CLAMP				USED WITH 0430011-106 & -107 LINES -----		1	D
	AN735D24	CLAMP				USED WITH 0400311-108 & -109 LINES -----		1	E
	S1071-3	TUBE-1.0 IN LG				BKI REF S1071-3-1.0 -----		1	D
- 9	NAS220-6	SCREW -----						1	E
	NAS221-6	SCREW -----						1	D
-10	MS21044N08	NUT -----						1	E
	MS21044N3	NUT -----						1	D
		-----*							
-11	0541154-1	STEP-CABIN ENTRANCE				WEU 0541211-1 -----		2	B
	0541154-2	STEP-CABIN ENTRANCE				WEU 0541211-1 -----		2	C
	0541211-1	STEP-CABIN ENTRANCE				-----		2	K
		ATTACHING PARTS -----							
-12	AN507-1032R10	SCREW -----						1	
-13	NAS221-9	SCREW -----						2	
-14	MS21044N3	NUT -----						3	
		-----*							
-15	0441203-1	AXLE-MAIN LANDING GEAR -----						2	
		ATTACHING PARTS -----							
-16	0441221-1	BOLT -----						1	
	AN960-516L	WASHER -----						2	
-17	MS20365-524	NUT -----						1	
		-----*							
-18	MS20822-3D	ELBOW -----						2	
-19	SEE FIG 37A&37B	BRAKE ASSEMBLY -----						2	
	SEE FIG 37C	BRAKE ASSEMBLY				ALTERNATE -----		2	
		ATTACHING PARTS -----							
-20	AN5-12A	BOLT		UPPER -----				2	
	AN6-13A	BOLT		LOWER -----				2	
-21	AN960-516L	WASHER		UPPER -----				2	
	AN960-616L	WASHER		LOWER -----				2	
-22	MS21042L5	NUT		UPPER -----				2	
	MS21042L6	NUT		LOWER -----				2	
		-----*							
-23	SEE FIG 37A&37B	WHEEL & TIRE ASSEMBLY -----						NP	
	SEE FIG 37C	WHEEL & TIRE ASSEMBLY				ALTERNATE -----		NP	
-24	S1117-24	NUT -----						2	
-25	MS24665-351	PIN-COTTER -----						2	
-26	0741048-8	CAP-MAIN GEAR HUB -----						2	
		ATTACHING PARTS -----							
-27	AN515-8R4	SCREW				USE WITH C163001-0103, C163002-0101 & -----		3	
		C163001-0104 WHEEL ASSEMBLIES -----							
-28	S2191-8-4	SCREW				USE WITH C163003-0101 WHEEL ASSY -----		3	
	AN936A8	WASHER -----						3	
		-----*							
-29	6241M	EXTENSION-VALVE				DL -----		2	
	3680C	EXTENSION-VALVE				ALTERNATE SV -----		2	
-30	AN735D18	CLAMP -----						2	
		ATTACHING PARTS -----							
-31	NAS221-6	SCREW -----						1	
-32	MS21044N3	NUT -----						1	
		-----*							

CONTINUED ON NEXT PAGE

150 & A150 Parts Catalog

Alighting Gear (Cont)



1970 THRU 1973 MODELS

1974 MODELS

150 SERIAL 15072004 THRU 15075781
 F150 SERIAL F15000659 THRU F15001143
 A150 SERIAL A1500227 THRU A1500523
 FA150 SERIAL FA1500082 THRU FA1500261

Figure 36A. Main Landing Gear Installation

150 & A150 Parts Catalog

FIGURE AND INDEX NO.	PART NUMBER	DESCRIPTION	UNITS PER ASSY	USABLE ON CODE		
					1	2
36A-33	0441218-1	COVER PLATE-MAIN GEAR SPRING FAIRING LH -----	1			
	0441218-2	COVER PLATE-MAIN GEAR SPRING FAIRING RH -----	1			
-34	AN515-6R6	ATTACHING PARTS SCREW -----	2			
-35	0441216-1	FAIRING ASSEMBLY-MAIN GEAR SPRING LH WEU 0441216-5 -----	1	H		
	0441216-5	FAIRING ASSEMBLY-MAIN GEAR SPRING LH -----	1	J		
	0441216-2	FAIRING ASSEMBLY-MAIN GEAR SPRING RH WEU 0441216-6 -----	1	H		
	0441216-6	FAIRING ASSEMBLY-MAIN GEAR SPRING RH -----	1	J		
-36	S1021Z8-6	ATTACHING PARTS SCREW -----	9	H		
	AN515-8R6	SCREW -----	9	J		
-37	NAS395-14-3	NUT -----	9	H		
	NAS680A08	NUTPLATE -----	9	J		
	NAS696A06L	NUTPLATE -----	2	H		
	0441217-3	FAIRING ASSEMBLY-MAIN GEAR LH WEU 0441217-11 -----	1	H		
	0441217-11	FAIRING ASSEMBLY-MAIN GEAR LH WEU 0441217-215 -----	1	N		
	0441217-215	FAIRING ASSEMBLY-MAIN GEAR LH VESTAL WHITE ONLY -----	1	P		
	0441217-19	FAIRING ASSEMBLY-MAIN GEAR LH USED ON AIRCRAFT -----	1	S		
	0441217-4	REQUIRING PAINTED COLOR OTHER THAN VESTAL WHITE FAIRING ASSEMBLY-MAIN GEAR RH WEU 0441217-12 -----	1	H		
	0441217-12	FAIRING ASSEMBLY-MAIN GEAR RH WEU 0441217-214 -----	1	N		
	0441217-214	FAIRING ASSEMBLY-MAIN GEAR RH VESTAL WHITE ONLY -----	1	P		
0441217-18	FAIRING ASSEMBLY-MAIN GEAR RH USED ON AIRCRAFT -----	1	S			
-38	S1021Z6-4	ATTACHING PARTS SCREW -----	2	H		
	AN515-6R4	SCREW -----	7	J		
-39	AN515-8R12	SCREW -----	7			
-40	S1613-08-75	RIVNUT -----	7			
-41	S1863-2A	NUTPLATE -----	2	H		
-42	NAS680A06	NUTPLATE -----	2	J		
	0441201-5	PLATE ASSEMBLY-MAIN GEAR WHEEL FAIRING LH -----	1	J		
	0441225-1	PLATE ASSEMBLY-MAIN GEAR WHEEL FAIRING LH -----	1	O		
	0441201-6	PLATE ASSEMBLY-MAIN GEAR WHEEL FAIRING RH -----	1	R		
	0441225-2	PLATE ASSEMBLY-MAIN GEAR WHEEL FAIRING RH -----	1	R		
-43	NAS680A3K	NUTPLATE -----	3	O		
-44	NAS686A3	NUTPLATE -----	4	R		
-44A	0441220-1	STIFFENER-WHEEL FAIRING LH -----	1	O		
	0441226-1	STIFFENER-WHEEL FAIRING LH -----	1	R		
	0441220-2	STIFFENER-WHEEL FAIRING RH -----	1	R		
	0441226-2	STIFFENER-WHEEL FAIRING RH -----	1	R		
-45	0541203-1	FAIRING ASSEMBLY-MAIN GEAR WHEEL LH -----	1	O		
	0541223-1	FAIRING ASSEMBLY-MAIN GEAR WHEEL LH -----	1	R		
	0541203-2	FAIRING ASSEMBLY-MAIN GEAR WHEEL RH -----	1	R		
	0541223-2	FAIRING ASSEMBLY-MAIN GEAR WHEEL RH -----	1	R		
-46	AN525-10R10	ATTACHING PARTS SCREW -----	3	O		
	AN525-10R10	SCREW -----	7	R		
-46A	AN525-10R12	SCREW -----	4	O		
-46B	S1450-3D9-032	WASHER -----	7	R		
-47	AN6-6A	BOLT -----	1	F		
-48	AN936B616	WASHER -----	1			
-49	AN960-616L	WASHER -----	1			
-49A	AN960-616	WASHER -----	2			
-50	0541207-1	DOUBLER -----	1	O		
	0541222-1	DOUBLER -----	1	R		
-51	0541206-1	DOUBLER -----	1	O		
	0541219-1	DOUBLER-LH -----	1	R		
	0541219-2	DOUBLER-RH -----	1	R		
-52	0541205-1	SCRAPER -----	1	O		
	0541221-1	SCRAPER -----	1	R		
-53	AN520-10R16	ATTACHING PARTS SCREW -----	3	O		
	AN520-10R12	SCREW -----	3	R		
	AN960-10	WASHER -----	6			
	MS21044N3	NUT -----	3			
-53A	0541223-13	DOOR ASSEMBLY-WHEEL FAIRING ACCESS -----	1	R		
-53B	KM610-64	LATCH-WHEEL FAIRING DOOR -----	1	R		

CONTINUED ON NEXT PAGE

150 & A150 Parts Catalog

FIGURE AND INDEX NO.	PART NUMBER	DESCRIPTION	UNITS PER ASSY	USABLE ON CODE
		1 2 3 4 5 6 7		
36A-54 -55	0741047-1 0741047-2 MS24665-362 0741048-7	NUT WEU 0741047-2 ----- NUT ----- PIN-COTTER ----- CAP-WHEEL ----- ATTACHING PARTS SCREW ----- WASHER ----- -----*	2 2 2 2 3 3	F G Q Q Q
	AN515-8R4 AN936A8	<p>A---150 SERIAL 15072004 THRU 15075781 F150 SERIAL F15000659 THRU F15001143 A150 SERIAL A1500227 THRU A1500523 FA150 SERIAL FA1500082 THRU FA1500261</p> <p>B---150 SERIAL 15072004 THRU 15072434 F150 SERIAL F15000659 THRU F15000738 A150 SERIAL A1500227 THRU A1500257 FA150 SERIAL FA1500082 THRU FA1500161</p> <p>C---150 SERIAL 15072435 THRU 15073181 F150 SERIAL F15000739 THRU F15000818 A150 SERIAL A15000258 THRU A1500320</p> <p>D---150 SERIAL 15072004 THRU 15072546 F150 SERIAL F15000659 THRU F15000738 A150 SERIAL A1500227 THRU A1500265 FA150 SERIAL FA1500082 THRU FA1500161</p> <p>E---150 SERIAL 15072547 THRU 15075781 F150 SERIAL F15000739 THRU F1500143 A150 SERIAL A1500266 THRU A1500523 FA150 SERIAL FA1500162 THRU FA1500261</p> <p>F---150 SERIAL 15072004 THRU 15073146 F150 SERIAL F15000659 THRU F15000863 A150 SERIAL A1500227 THRU A1500318 FA150 SERIAL FA1500082 THRU FA1500166</p> <p>G---150 SERIAL 15073147 THRU 15075781 F150 SERIAL F15000864 THRU F15001143 A150 SERIAL A1500319 THRU A1500523 FA150 SERIAL FA1500167 THRU FA1500261</p> <p>H---150 SERIAL 15072004 THRU 15073084 F150 SERIAL F15000659 THRU F15000818 A150 SERIAL A1500227 THRU A1500312 FA150 SERIAL FA1500082 THRU FA1500161</p> <p>J---150 SERIAL 15073085 THRU 15075781 F150 SERIAL F15000819 THRU F15001143 A150 SERIAL A1500313 THRU A1500523 FA150 SERIAL FA1500162 THRU FA1500261</p> <p>K---150 SERIAL 15073182 THRU 15075781 F150 SERIAL F15000819 THRU F15001143 A150 SERIAL A1500321 THRU A1500523 FA150 SERIAL FA1500162 THRU FA1500261</p> <p>L---150 SERIAL 15072004 THRU 15073284 F150 SERIAL F15000659 THRU F15000833 A150 SERIAL A1500227 THRU A1500334 FA150 SERIAL FA1500082 THRU FA1500166</p> <p>M---150 SERIAL 15073285 THRU 15075781 F150 SERIAL F15000834 THRU F15001143 A150 SERIAL A1500325 THRU A1500523 FA150 SERIAL FA1500167 THRU FA1500261</p> <p>N---150 SERIAL 15073085 THRU 15074816 F150 SERIAL F15000819 THRU F1501073 A150 SERIAL A1500313 THRU A1500430 FA150 SERIAL FA1500162 THRU FA1500236</p> <p>P---150 SERIAL 15074817 THRU 15075781 F150 SERIAL F1501074 THRU F15001143 A150 SERIAL A1500431 THRU A1500523 FA150 SERIAL FA1500236 THRU FA1500261</p> <p>Q---150 SERIAL 15072004 THRU 15074850 F150 SERIAL F15000659 THRU F15001013 A150 SERIAL A1500227 THRU A1500429 FA150 SERIAL FA1500082 THRU FA1500211</p> <p>R---150 SERIAL 15074851 THRU 15075781 F150 SERIAL F15001014 THRU F15001143 A150 SERIAL A1500430 THRU A1500523 FA150 SERIAL FA1500212 THRU FA1500261</p> <p>S---150 SERIAL 15073659 THRU 15075781</p>		

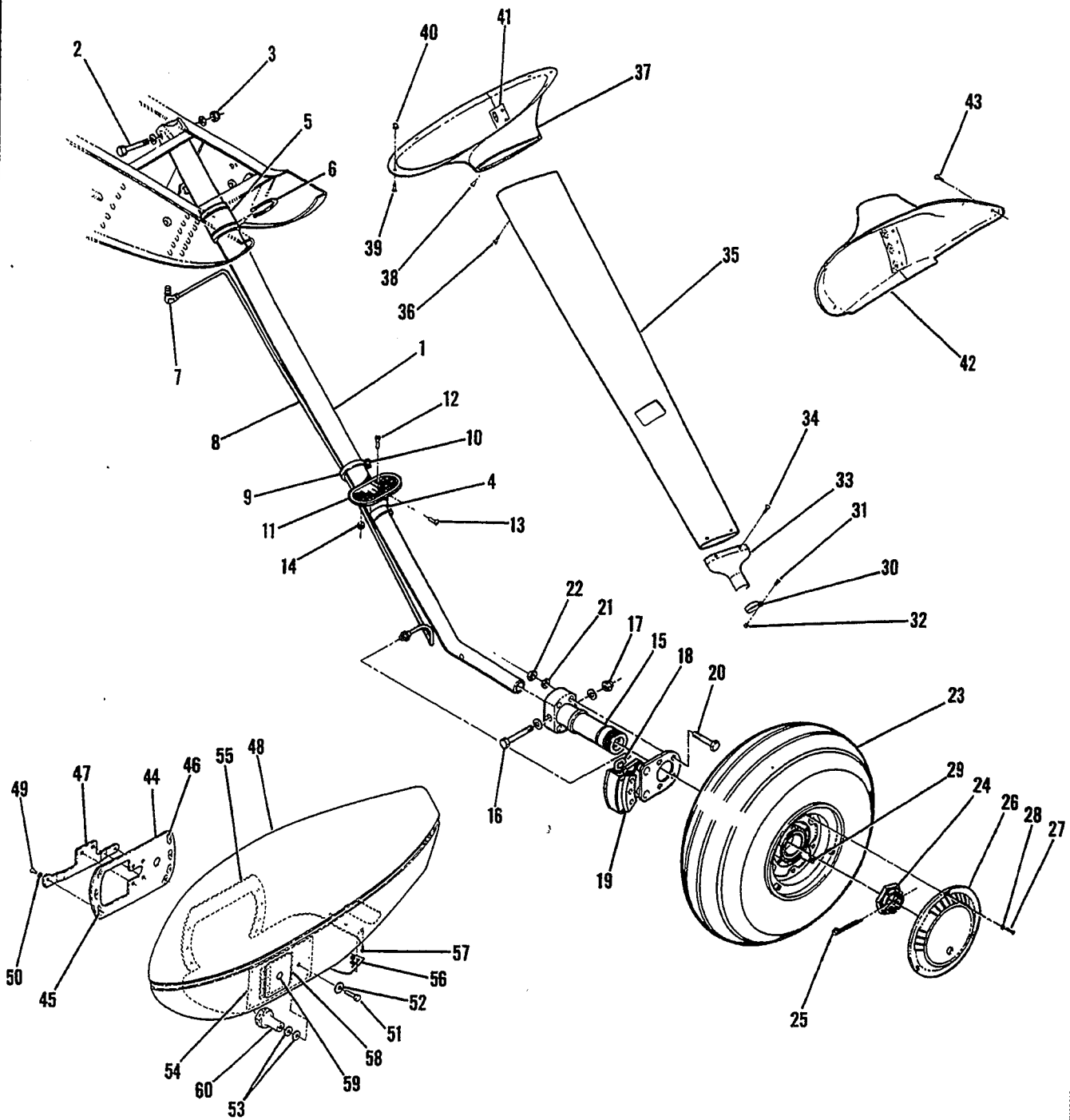
150 & A150 Parts Catalog

FIGURE AND INDEX NO.	PART NUMBER	DESCRIPTION							UNITS PER ASSY	USABLE ON CODE
		1	2	3	4	5	6	7		
36B-		MAIN LANDING GEAR INSTALLATION -----							NP	A
- 1	0441212-5	SPRING ASSY-LANDING GEAR LH -----							1	
	0441212-6	SPRING ASSY-LANDING GEAR RH -----							1	
		ATTACHING PARTS -----								
- 2	0441221-1	BOLT -----							1	
	AN960-516L	WASHER -----							2	
- 3	MS21042L5	NUT -----							1	
		*-----								
- 4	0441214-7	BRACKET ASSY-STEP LH -----							1	
	0441214-8	BRACKET ASSY-STEP RH -----							1	
- 5	0441224-1	BUSHING -----							2	
- 6	MS16624-1206	SNAP RING -----							4	
- 7	AN833-3D	ELBOW -----							2	
- 8	0400311-109	LINE ASSY-BRAKE LH -----							1	
	0400311-108	LINE ASSY-BRAKE RH -----							1	
		ATTACHING PARTS -----								
- 9	AN735D24	CLAMP -----							1	
	S1071-3	TUBE-1.0 IN LG BKI -----							1	
-10	NAS221-6	SCREW -----							1	
	MS21044N3	NUT -----							1	
		*-----								
-11	0541211-1	STEP-CABIN ENTRANCE -----							2	
		ATTACHING PARTS -----								
-12	AN507-1032R10	SCREW -----							1	
-13	NAS221-9	SCREW -----							2	
-14	MS21044N3	NUT -----							3	
		*-----								
-15	0441203-1	AXLE-MAIN LANDING GEAR -----							2	
		ATTACHING PARTS -----								
-16	0441221-1	BOLT -----							1	
	AN960-516L	WASHER -----							2	
-17	MS20365-524	NUT -----							1	
		*-----								
-18	MS20822-3D	ELBOW -----							2	
-19	SEE FIG 37A&37B	BRAKE ASSY -----							2	
	SEE FIG 37C	BRAKE ASSY ALTERNATE -----							2	
		ATTACHING PARTS -----								
-20	AN5-12A	BOLT UPPER -----							2	
	AN6-13A	BOLT LOWER -----							2	
-21	AN960-516L	WASHER UPPER -----							2	
	AN960-616L	WASHER LOWER -----							2	
-22	MS21042L5	NUT UPPER -----							2	
	MS21042L6	NUT LOWER -----							2	
		*-----								
-23	SEE FIG 37A&37B	WHEEL & TIRE ASSY -----							NP	
	SEE FIG 37C	WHEEL & TIRE ASSY ALTERNATE -----							NP	
-24	S1117-24	NUT -----							2	
-25	MS24665-351	PIN-COTTER -----							2	
-26	0741048-8	CAP-MAIN GEAR HUB -----							2	
		ATTACHING PARTS -----								
-27	S2191-8-4	SCREW USE WITH C163003-0101 WHEEL ASSY -----							3	
	AN515-8R4	SCREW USE WITH C163001-0104 WHEEL ASSY -----							3	
-28	AN936A8	WASHER -----							3	
		*-----								
-29	624M	EXTENSION-VALVE DL -----							2	
	3680C	EXTENSION-VALVE ALTERNATE SV -----							2	
-30	AN735D18	CLAMP -----							2	
		ATTACHING PARTS -----								
-31	NAS221-6	SCREW -----							1	
-32	MS21044N3	NUT -----							1	
		*-----								

CONTINUED ON NEXT PAGE

150 & A150 Parts Catalog

Alighting Gear (Cont)



150 SERIAL 15075782 & ON
F150 SERIAL F15001144 & ON
A150 SERIAL A1500524 & ON
FA150 SERIAL FA1500262 & ON

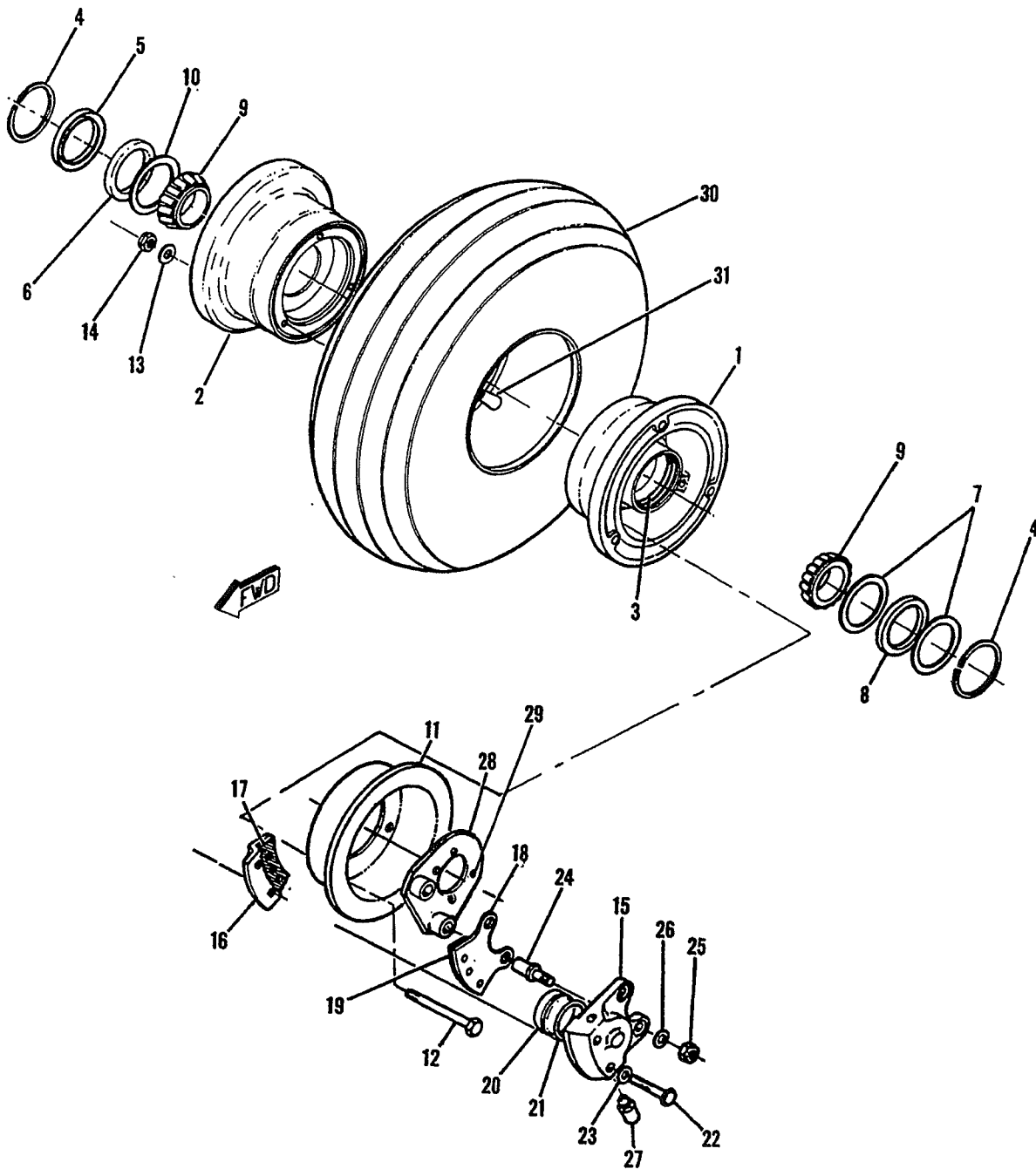
Figure 36B. Main Landing Gear Installation

150 & A150 Parts Catalog

FIGURE AND INDEX NO.	PART NUMBER	DESCRIPTION							UNITS PER ASSY	USABLE ON CODE
		1	2	3	4	5	6	7		
36B-33	0441218-1	COVER PLATE-MAIN GEAR SPRING FAIRING LH -----							1	
	0441218-2	COVER PLATE-MAIN GEAR SPRING FAIRING RH -----							1	
-34	AN515-6R6	ATTACHING PARTS SCREW -----							2	
		*-----								
-35	0441216-5	FAIRING ASSY-MAIN GEAR SPRING LH -----							1	
	0441216-6	FAIRING ASSY-MAIN GEAR SPRING RH -----							1	
		ATTACHING PARTS								
-36	AN515-8R6	SCREW -----							9	
		*-----								
	NAS680A08	NUTPLATE -----							9	
	NAS696A06L	NUTPLATE -----							2	
-37	0441217-215	FAIRING ASSY-MAIN GEAR LH VESTAL WHITE ONLY -----							1	
	0441217-19	FAIRING ASSY-MAIN GEAR LH USED ON AIRCRAFT REQUIRING PAINTED COLOR OTHER THAN VESTAL WHITE -----							1	B
	0441217-214	FAIRING ASSY-MAIN GEAR RH VESTAL WHITE ONLY -----							1	
	0441217-18	FAIRING ASSY-MAIN GEAR RH USED ON AIRCRAFT REQUIRING PAINTED COLOR OTHER THAN VESTAL WHITE -----							1	B
		ATTACHING PARTS								
-38	AN515-6R4	SCREW -----							2	
-39	AN515-8R12	SCREW -----							7	
-40	S1613-08-75	RIVNUT -----							7	
		*-----								
-41	NAS680A06	NUTPLATE -----							2	
-42	0441227-1	FAIRING ASSY-BRAKE LH -----							1	
	0441227-2	FAIRING ASSY-BRAKE RH -----							1	
		ATTACHING PARTS								
-43	AN525-832R10	SCREW -----							6	
	S1021Z6-6	SCREW -----							3	
		*-----								
-44	0441225-1	PLATE ASSY-MAIN GEAR WHEEL FAIRING LH -----							1	
	0441225-2	PLATE ASSY-MAIN GEAR WHEEL FAIRING RH -----							1	
-45	NAS680A3K	NUTPLATE -----							3	
-46	NAS686A3	NUTPLATE -----							4	
-47	0441226-1	STIFFENER-WHEEL FAIRING LH -----							1	
	0441226-2	STIFFENER-WHEEL FAIRING RH -----							1	
-48	0541223-17	FAIRING ASSY-MAIN GEAR WHEEL LH -----							1	
	0541223-16	FAIRING ASSY-MAIN GEAR WHEEL RH -----							1	
		ATTACHING PARTS								
-49	AN525-10R10	SCREW -----							7	
-50	S1450-309-032	WASHER -----							7	
-51	AN6-6A	BOLT -----							1	
-52	AN960-616L	WASHER -----							1	
-53	AN960-616	WASHER -----							2	
		*-----								
-54	0541222-1	DOUBLER -----							1	
-55	0541219-1	DOUBLER-LH -----							1	
	0541219-2	DOUBLER-RH -----							1	
-56	0541221-1	SCRAPER -----							1	
		ATTACHING PARTS								
-57	AN520-10R12	SCREW -----							3	
	AN960-10	WASHER -----							6	
	MS21044N3	NUT -----							3	
		*-----								
-58	0541223-13	DOOR ASSY-WHEEL FAIRING ACCESS -----							1	
-59	KM610-64	LATCH-WHEEL FAIRING DOOR -----							1	
	NAS680A08	NUTPLATE ATTACH BRAKE FAIRING -----							6	
-60	0741047-2	NUT -----							2	
	MS24665-362	PIN-COTTER -----							2	
		A---150 SERIAL 15075782 & ON F150 SERIAL F1500144 & ON A150 SERIAL A1500524 & ON FA150 SERIAL FA1500262 & ON B---150 SERIAL 15075782 & ON								

150 & A150 Parts Catalog

Alighting Gear (Cont)



150 SERIAL 15071129 THRU 15072003
F150 SERIAL F15000530 THRU F15000658
A150 SERIAL A1500001 THRU A1500226
FA150 SERIAL FA1500001 THRU FA1500081

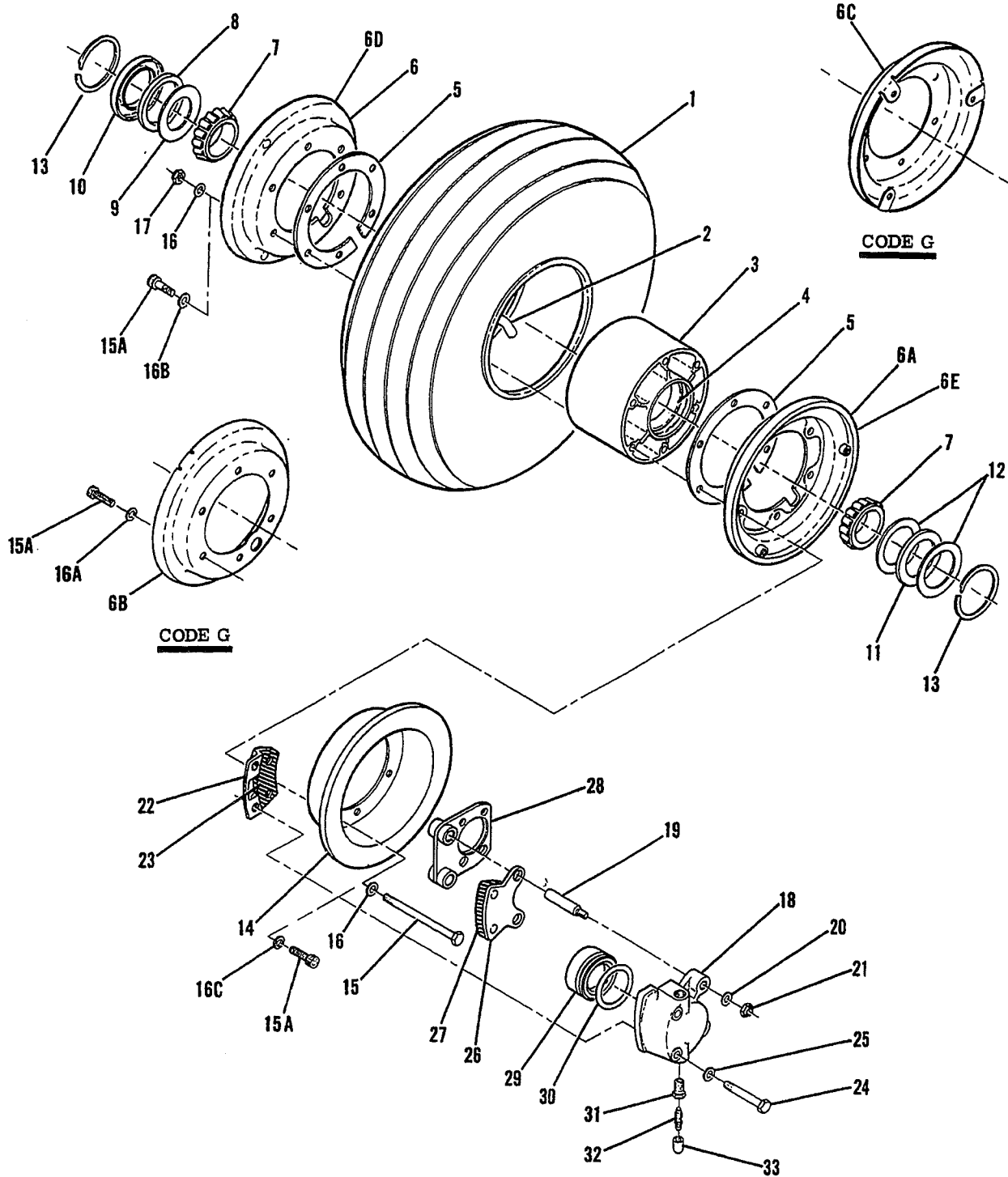
Figure 37. Main Gear Wheel & Brake Assembly

150 & A150 Parts Catalog

FIGURE AND INDEX NO.	PART NUMBER	DESCRIPTION						UNITS PER ASSY	USABLE ON CODE
		1	2	3	4	5	6		
37 -	C163001-0103	WHEEL & BRAKE ASSEMBLY-MAIN LANDING GEAR -----						NP	A
- 1	161-03000	WHEEL ASSEMBLY-MAIN GEAR CFP 40-97A -----						1	
- 2	162-02700	WHEEL HALF ASSEMBLY-MALE CFP -----						1	
- 3	214-00100	WHEEL HALF ASSEMBLY-FEMALE CFP -----						1	
- 4	155-00100	CUP-BEARING CFP -----						1	
- 5	153-01500	SNAP RING CFP -----						1	
- 6	154-01300	RING-GREASE SEAL CFP -----						1	
- 7	153-00400	FELT-GREASE SEAL CFP -----						1	
- 8	154-00300	RING-GREASE SEAL CFP -----						2	
- 9	214-00200	FELT-GREASE SEAL CFP -----						1	
-10	153-00300	CONE-BEARING CFP -----						2	
-11	164-02601	RING-GREASE SEAL CFP -----						1	
-12	AN5-35A	DISC ASSEMBLY-BRAKE CFP -----						1	
-13	AN960-516	BOLT -----						3	
-14	AN365-524	WASHER -----						3	
	C163030-0107 *	NUT -----						3	
	091-02200	BRAKE ASSY-MAIN GEAR CFP 30-63 -----						1	
-15	061-01900	CYLINDER ASSY-BRAKE CFP -----						1	
-16	074-01000	CYLINDER CFP -----						1	
-17	066-03000	BACK PLATE ASSEMBLY CFP -----						1	
	105-00200	LINING-BRAKE CFP -----						1	
-18	073-01100	RIVET CFP -----						2	
-19	066-03000	PRESSURE PLATE ASSEMBLY CFP -----						1	
	105-00200	LINING-BRAKE CFP -----						1	
-20	092-01700	RIVET CFP -----						2	
-21	AN6230B2	PISTON ASSEMBLY CFP -----						1	
-22	103-11600	O RING -----						1	
-23	AN960-416L	BOLT CFP -----						2	
-24	069-00400	WASHER -----						2	
-25	AN365-428	BOLT-ANCHOR CFP -----						2	
-26	AN960-416L	NUT -----						2	
-27	079-00300	WASHER -----						2	
	183-00100	SCREW-BLEEDER CFP -----						1	
	081-00100	CAP-BLEEDER SCREW CFP -----						1	
-28	075-03700	SEAT-BLEEDER SCREW CFP -----						1	
-29	145-01000	TORQUE PLATE ASSEMBLY CFP -----						1	
-30	C262003-0101	BUSHING-TORQUE PLATE CFP -----						2	
	C262001-0101	TIRE-BLACKWALL 6.00X6 4 PLY RATED -----						1	
	C262001-0201	TIRE-WHITWALL 6.00X6 4 PLY RATED WEU C262001-0201 -----						1	
-31	C262023-0102	TIRE-WHITWALL 6.00X6 6 PLY RATED -----						1	
	R561	TUBE-6.00X6 -----						1	
		RIVET SET KIT -----						1	
<p>NOTE. *BRAKE ASSEMBLY DESCRIBED IS NORMALLY LH REVERSE FITTINGS AND TORQUE PLATE BUSHING FOR RH INSTALLATION.</p> <p>A---150 SERIAL 15071129 THRU 15072003 F150 SERIAL F15000530 THRU F15000658 A150 SERIAL A1500001 THRU A1500226 FA150 SERIAL FA1500001 THRU FA1500081</p>									

150 & A150 Parts Catalog

Aligning Gear (Cont)



150 SERIAL 15072004 THRU 15079113
F150 SERIAL F15000659 THRU F15001418
A150 SERIAL A1500227 THRU A1500717
FA150 SERIAL FA1500082 & ON

Figure 37A. Main Gear Wheel & Brake Assembly

150 & A150 Parts Catalog

FIGURE AND INDEX NO.	PART NUMBER	DESCRIPTION							UNITS PER ASSY	USABLE ON CODE
		1	2	3	4	5	6	7		
37A-		WHEEL & BRAKE ASSEMBLY-MAIN LANDING GEAR -----							NP	A
- 1	C262003-0101								1	
	C262001-0101								1	B
	C262001-0201								1	B
	C262004-0102								1	C
- 2	C262023-0102								1	C
	C163002-0101	*							1	D
	C163003-0101	*					WEU C163003-0101		1	F
	C163003-0102	*					WEU C163003-0102		1	H
	C163004-0102	*					WEU C163004-0104		1	H
	C163004-0104	*					WEU C163004-0104		1	J
- 3	D30065						HUB ASSEMBLY USE WITH C163002-0101	MCL	1	J
	D30256						HUB ASSEMBLY MCL		1	E
- 4	A30079-1						CUP-BEARING MCL		2	
- 5	B30076						SPACER MCL		2	
- 6	D30062-1						FLANGE-WHEEL USE WITH C163002-0101	MCL	1	D
6A	D30129						FLANGE-WHEEL USE WITH C163002-0101	MCL	1	D
6B	C30163-1						FLANGE-WHEEL USE WITH C163003-0101	MCL	1	F
	C30163-6						FLANGE-WHEEL USE WITH C163003-0102	MCL	1	F
- 6C	C30163						FLANGE-WHEEL USE WITH C163003-0101	MCL	1	F
	C30163-4						FLANGE-WHEEL USE WITH C163003-0102	MCL	1	F
- 6D	D30222-6						FLANGE-WHEEL USE WITH C163004-0104	MCL	1	J
- 6E	D30210						FLANGE-WHEEL USE WITH C163004-0104	MCL	1	J
- 7	A30079-2						CONE-BEARING MCL		2	
- 8	A30010						GREASE SEAL-FELT MCL		1	
- 9	A30015						RETAINER-GREASE SEAL MCL		1	
-10	A30014						RETAINER-GREASE SEAL MCL		1	
-11	A30011						GREASE SEAL-FELT MCL		1	
-12	A30013						RETAINER-GREASE SEAL MCL		2	
-13	A1636-24						RING-RETAINER MCL		2	
-14	B30007						DISC ASSEMBLY USE WITH C163002-0101	MCL	1	D
	B30195						DISC ASSY USE WITH C163003-0101 & C163003-0102	MCL	1	G
	B30440						DISC ASSY USE WITH C163004-0104	MCL	1	G
-15	AN4-41A						BOLT USE WITH C163002-0101		6	J
-15A	A1635-73						SCREW USE WITH C163003-0101 & C163003-0102	MCL	12	J
	A1635-79						SCREW USE WITH C163004-0104	MCL	12	J
-16	AN960-416L						WASHER USE WITH C163002-0101		12	J
-16A	A1638-30						WASHER USE WITH C163003-0101 & C163003-0102	MCL	6	J
-16B	A1638-1						WASHER USE WITH C163004-0104	MCL	6	J
-16C	A1638-1						WASHER USE WITH C163004-0104	MCL	6	J
-17	MS21042L4						NUT USE WITH C163002-0101		6	J
	C163032-0103	**					BRAKE ASSY-MAIN GEAR WEU C163032-0107		1	K
	C163032-0107	**					BRAKE ASSY-MAIN GEAR		1	L
-18	C30019						CYLINDER ASSY-BRAKE MCL		1	
-19	A30023						PIN-GUIDE MCL		2	
-20	AN960-416L						WASHER		2	
-21	MS20364-428A						NUT		2	
-22	B30027						BACK PLATE ASSEMBLY MCL		1	
-23	B30026						LINING-BRAKE MCL		1	
	A30087						RIVET MCL		2	
-24	AN4H21A						BOLT		2	
-25	AN960-416L						WASHER		2	
-26	B30024						PRESSURE PLATE ASSEMBLY MCL		1	
-27	B30026						LINING-BRAKE MCL		1	
	A30087						RIVET MCL		2	
-28	B30031						TORQUE PLATE ASSEMBLY MCL WEU B30594		1	K
	B30594						TORQUE PLATE ASSEMBLY MCL		1	L
-29	B30022						PISTON MCL		1	
-30	AN6230B2						O RING		1	
-31	A30030						FITTING-BLEEDER MCL		1	
-32	A30085						FITTING-BLEEDER MCL		1	
-33	A30040						CAP-DUST MCL		1	
	R561						RIVET SET KIT		1	

NOTE. * THIS WHEEL ASSEMBLY MUST BE USED ONLY ON AIRCRAFT EQUIPPED WITH C163002-0101, C163003-0102 OR C163004-0104 MAIN GEAR WHEELS. SEE FIG 37C FOR ALTERNATE.

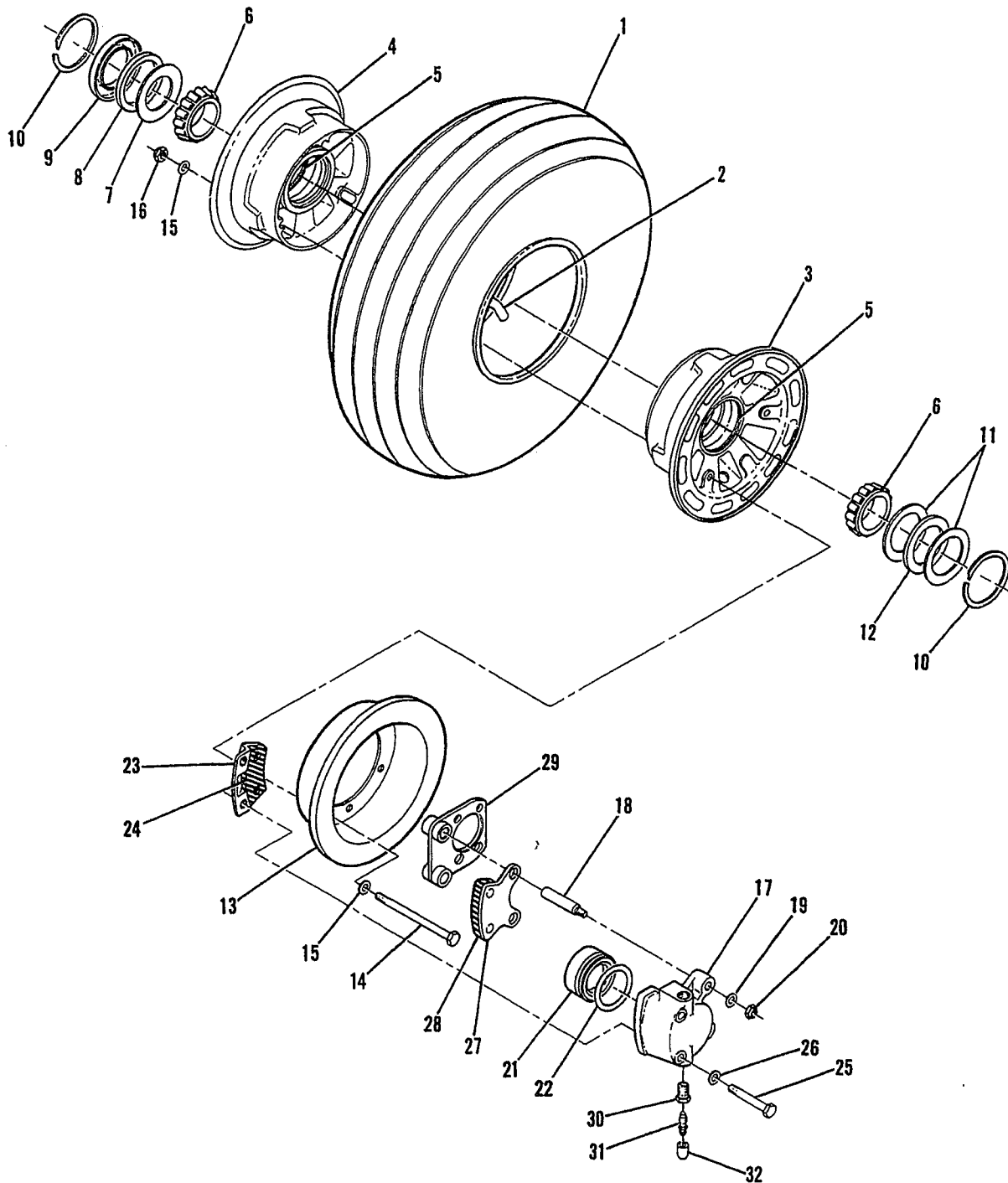
CONTINUED ON NEXT PAGE

150 & A150 Parts Catalog

FIGURE AND INDEX NO.	PART NUMBER	DESCRIPTION	UNITS PER ASSY	USABLE ON CODE
		1 2 3 4 5 6 7		
37A-		<p style="text-align: center;">NOTE. ** THIS BRAKE ASSEMBLY MUST BE USED WITH C163002-0101, C163003-0101, C163003-0102 OR C163004-0101 WHEEL ASSY ONLY. SEE FIG 37B FOR ALTERNATE.</p> <p>A---150 SERIAL 15072004 THRU 15079113 F150 SERIAL F15000659 THRU F15001418 A150 SERIAL A1500227 THRU A1500717 FA150 SERIAL FA1500082 & ON</p> <p>B---150 SERIAL 15072004 THRU 15073658 F150 SERIAL F15000659 THRU F15000863 A150 SERIAL A1500227 THRU A1500342 FA150 SERIAL FA1500082 THRU FA1500166</p> <p>C---150 SERIAL 15073659 THRU 15077005 F150 SERIAL F15000864 THRU F15001248 A150 SERIAL A1500343 THRU A1500609 FA150 SERIAL FA1500167 THRU FA1500281</p> <p>D---150 SERIAL 15072004 THRU 15074891 F150 SERIAL F15000659 THRU F15001073 A150 SERIAL A1500227 THRU A1500430 FA150 SERIAL FA1500082 THRU FA1500236</p> <p>E---150 SERIAL 15074892 THRU 15079113 F150 SERIAL F15001074 THRU F15001418 A150 SERIAL A1500431 THRU A1500717 FA150 SERIAL FA1500237 & ON</p> <p>F---150 SERIAL 15074892 THRU 15077085 F150 SERIAL F15001074 THRU F15001311 A150 SERIAL A1500431 THRU A1500620 FA150 SERIAL FA1500237 THRU FA1500299</p> <p>G---150 SERIAL 15074892 THRU 15077379, 15077381 THRU 15077401, 15077403 F150 SERIAL F15001074 THRU F15001332 A150 SERIAL A1500431 THRU A1500641 FA150 SERIAL FA1500237 THRU FA1500311</p> <p>H---150 SERIAL 15077086 THRU 15077379, 15077381 THRU 15077401, 15077403 F150 SERIAL F15001312 THRU F15001332 A150 SERIAL A1500621 THRU A1500641 FA150 SERIAL FA1500300 THRU FA1500311</p> <p>J---150 SERIAL 15077380, 15077402, 15077404 THRU 15079113 F150 SERIAL F15001333 THRU F15001418 A150 SERIAL A1500642 THRU A1500717 FA150 SERIAL FA1500312 & ON</p> <p>K---150 SERIAL 15072004 THRU 15077649 F150 SERIAL F15000659 THRU F15001323 A150 SERIAL A1500227 THRU A1500650 FA150 SERIAL FA1500082 THRU FA1500301</p> <p>L---150 SERIAL 15077650 THRU 15079113 F150 SERIAL F15001324 THRU F15001418 A150 SERIAL A1500651 THRU A1500717 FA150 SERIAL FA1500302 & ON</p>		

150 & A150 Parts Catalog

Aligning Gear (Cont)



150 SERIAL 15079114 & ON
F150 SERIAL F15001419 & ON
A150 SERIAL A1500718 & ON

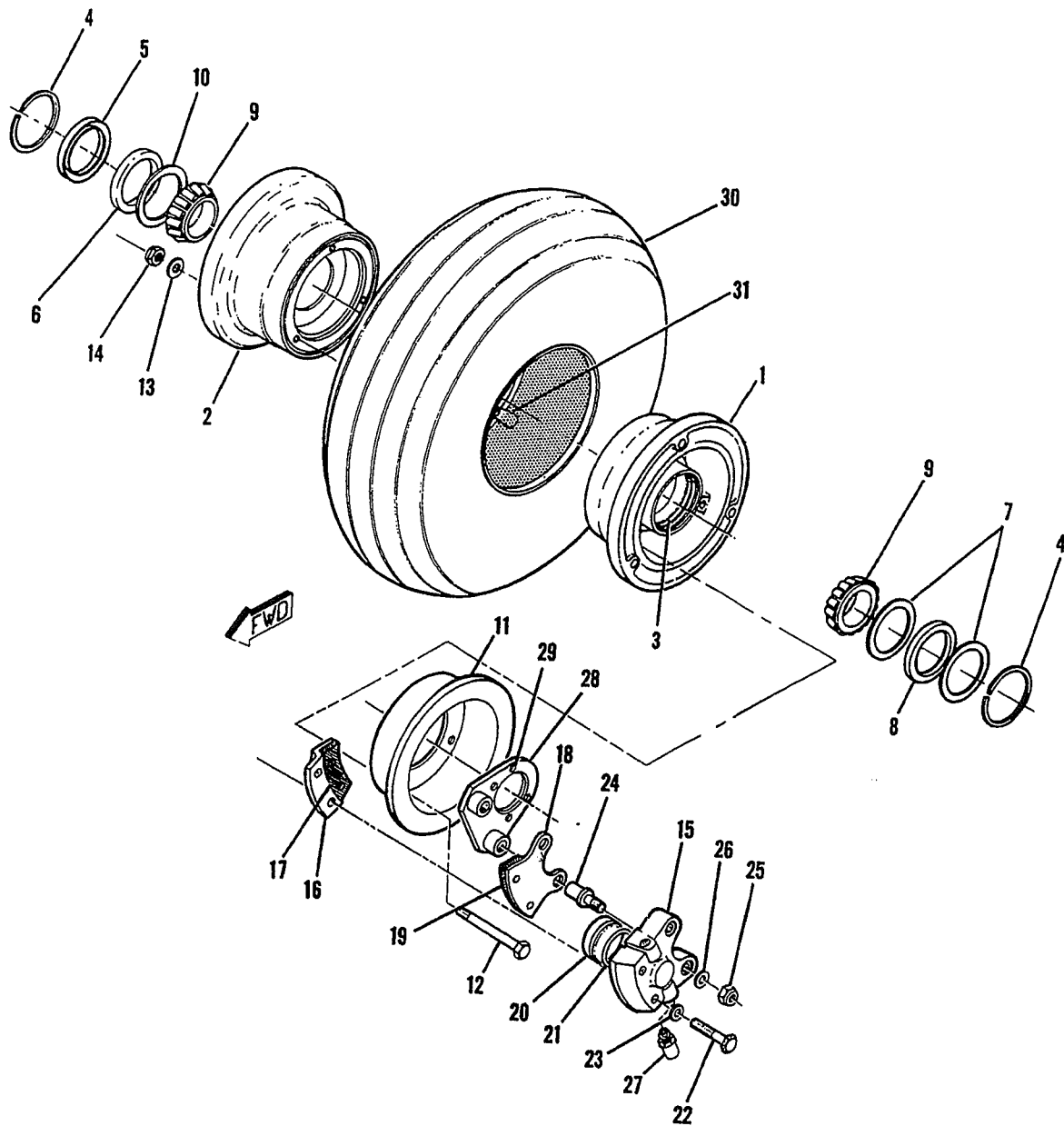
Figure 37B. Main Gear Wheel & Brake Assembly

150 & A150 Parts Catalog

FIGURE AND INDEX NO.	PART NUMBER	DESCRIPTION							UNITS PER ASSY	USABLE ON CODE
		1	2	3	4	5	6	7		
37B-		WHEEL & BRAKE ASSEMBLY-MAIN GEAR -----							NP	A
- 1	C262003-0101	TIRE-BLACKWALL	6.00X6	4	PLY	RATED	-----	1		
	C262003-0103	TIRE-BLACKWALL	6.00X6	4	PLY	RATED	-----	1		
- 2	C262023-0102	TUBE	6.00X6	-----	-----	-----	-----	1		
	C163005-0101	WHEEL ASSY-MAIN GEAR	WEU	C163006-0101	-----	-----	-----	1		
	C163006-0101	WHEEL ASSY-MAIN GEAR	-----	-----	-----	-----	-----	1		
- 3	C30612	WHEEL HALF ASSY-INBD	USE WITH	C163005-0101	MCL	-----	-----	1		
	D30662	WHEEL HALF ASSY-INBD	USE WITH	C163006-0101	MCL	-----	-----	1		
- 4	C30605	WHEEL HALF ASSY-OUTBD	USE WITH	C163005-0101	MCL	-----	-----	1		
	D30657	WHEEL HALF ASSY-OUTBD	USE WITH	C163006-0101	MCL	-----	-----	1		
- 5	A30079-1	CUP-BEARING	MCL	-----	-----	-----	-----	1		
- 6	A30079-2	CONE-BEARING	MCL	-----	-----	-----	-----	2		
- 7	A30015	RETAINER-GREASE SEAL	MCL	-----	-----	-----	-----	1		
- 8	A30010	GREASE SEAL-FELT	MCL	-----	-----	-----	-----	1		
- 9	A30014	RETAINER-GREASE SEAL	MCL	-----	-----	-----	-----	1		
-10	A1636-24	RING-RETAINER	MCL	-----	-----	-----	-----	2		
-11	A30013	RETAINER-GREASE SEAL	MCL	-----	-----	-----	-----	1		
-12	A30011	GREASE SEAL-FELT	MCL	-----	-----	-----	-----	1		
-13	C30615-1	DISC ASSY-BRAKE	USED WITH	C163005-0101	-----	-----	-----	1		
	C30615-4	DISC ASSY-BRAKE	USED WITH	C163006-0101	-----	-----	-----	1		
-14	AN5-37A	BOLT	-----	-----	-----	-----	-----	3		
-15	AN960-516	WASHER	USED WITH	C163005-0101	-----	-----	-----	6		
	AN960-516L	WASHER	USED WITH	C163006-0101	-----	-----	-----	6		
-16	MS20365-524A	NUT	-----	-----	-----	-----	-----	3		
	C163032-0110	BRAKE ASSY-MAIN GEAR	-----	-----	-----	-----	-----	1	**	
-17	C30019	CYLINDER ASSY-BRAKE	MCL	-----	-----	-----	-----	1		
-18	A30023	PIN-GUIDE	MCL	-----	-----	-----	-----	2		
-19	AN960-416L	WASHER	-----	-----	-----	-----	-----	2		
-20	MS20364-428A	NUT	-----	-----	-----	-----	-----	2		
-21	B30022	PISTON	MCL	-----	-----	-----	-----	2		
-22	AN6230B2	O RING	-----	-----	-----	-----	-----	1		
-23	B30027	BACK PLATE ASSY-BRAKE	MCL	-----	-----	-----	-----	1		
-24	B30026	LINING-BRAKE	MCL	-----	-----	-----	-----	1		
	A30087	RIVET	MCL	-----	-----	-----	-----	2		
-25	AN4H21A	BOLT	-----	-----	-----	-----	-----	2		
-26	AN960-416L	WASHER	-----	-----	-----	-----	-----	2		
-27	B30024	PRESSURE PLATE ASSY	MCL	-----	-----	-----	-----	1		
-28	B30026	LINING-BRAKE	MCL	-----	-----	-----	-----	1		
	A30087	RIVET	MCL	-----	-----	-----	-----	2		
-29	B30649	TORQUE PLATE ASSY	MCL	-----	-----	-----	-----	1		
-30	A30030	FITTING-BLEEDER	MCL	-----	-----	-----	-----	1		
-31	A30085	FITTING-BLEEDER	MCL	-----	-----	-----	-----	1		
-32	A30040	CAP-DUST	MCL	-----	-----	-----	-----	1		
	R561	RIVET SET KIT	-----	-----	-----	-----	-----	AR		
		<p>NOTE. *THIS WHEEL ASSEMBLY MUST BE USED ONLY ON AIRCRAFT EQUIPPED WITH C163005-0101 OR C163006-0101 MAIN GEAR WHEELS. SEE FIGURE 37C FOR ALTERNATE.</p> <p>NOTE. **THIS BRAKE ASSEMBLY MUST BE USED WITH C163005-0101 & C163006-0101 WHEEL ASSEMBLIES ONLY. SEE FIGURE 37C FOR ALTERNATE.</p> <p>A---150 SERIAL 15079114 & ON F150 SERIAL F15001419 & ON A150 SERIAL A1500718 & ON</p>								

150 & A150 Parts Catalog

Aligning Gear (Cont)



ALTERNATE
150 SERIAL 15072004 & ON
F150 SERIAL F15000659 & ON
A150 SERIAL A1500227 & ON
FA150 SERIAL FA1500082 & ON

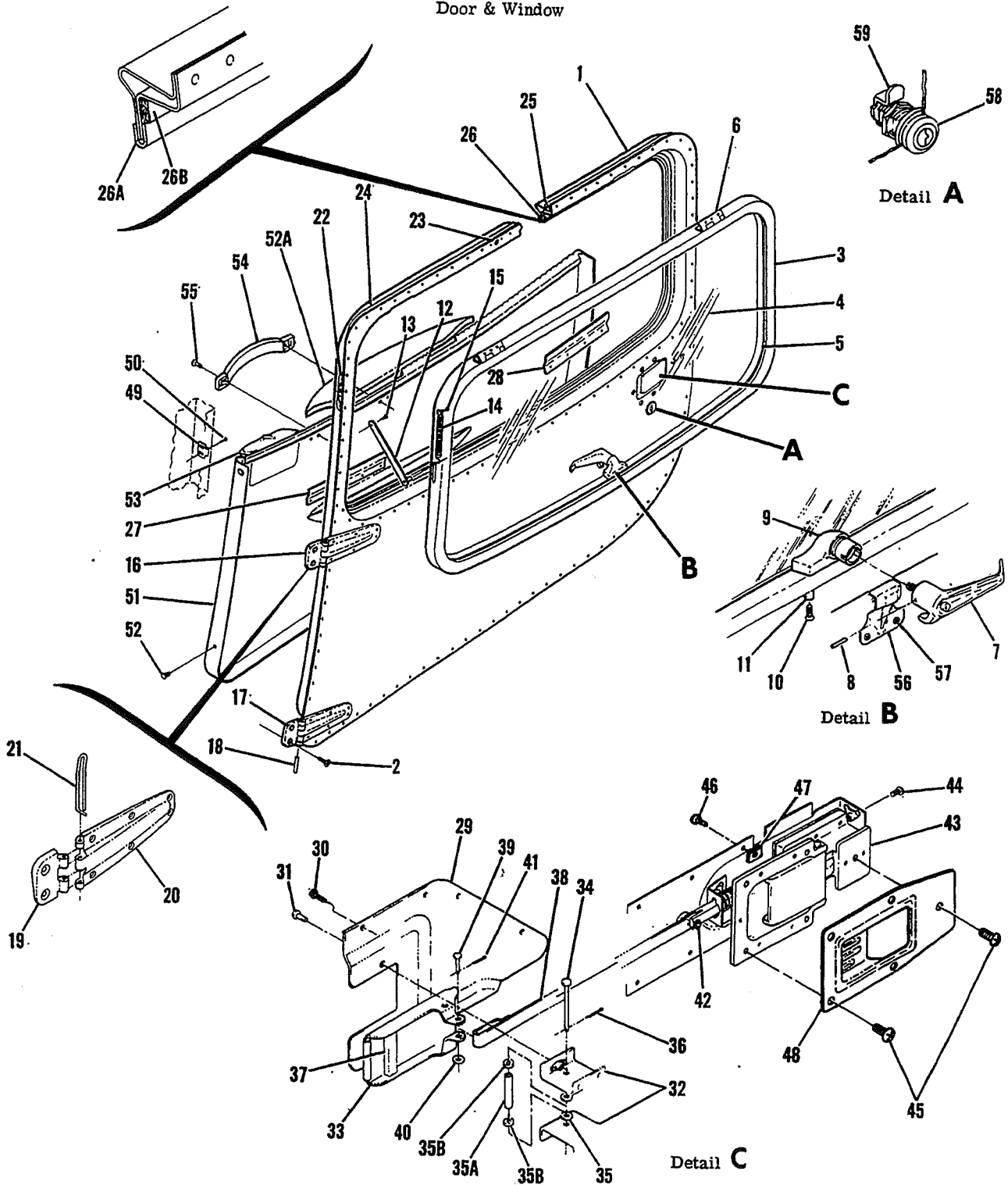
Figure 37C. Main Gear Wheel & Brake Assembly

150 & A150 Parts Catalog

FIGURE AND INDEX NO.	PART NUMBER	DESCRIPTION							UNITS PER ASSY	USABLE ON CODE
		1	2	3	4	5	6	7		
37C-	C163001-0104 *	WHEEL & BRAKE ASSEMBLY-MAIN LANDING GEAR -----							NP	A
- 1	161-04900	WHEEL ASSEMBLY-MAIN GEAR CFP 40-113 -----							1	
- 2	162-04700	WHEEL HALF ASSEMBLY-MALE CFP -----							1	
- 3	214-00100	WHEEL HALF ASSEMBLY-FEMALE CFP -----							1	
- 4	155-00100	CUP-BEARING CFP -----							1	
- 5	153-01500	SNAP RING CFP -----							1	
- 6	154-01300	RING-GREASE SEAL CFP -----							1	
- 7	153-00400	FELT-GREASE SEAL CFP -----							1	
- 8	154-00300	RING-GREASE SEAL CFP -----							2	
- 9	214-00200	FELT-GREASE SEAL CFP -----							1	
-10	153-00300	CONE-BEARING CFP -----							2	
-11	164-04000	RING-GREASE SEAL CFP -----							1	
-12	AN4-36A	DISC ASSEMBLY-BRAKE CFP -----							1	
-13	AN960-416	BOLT -----							3	
-14	AN365-428	WASHER -----							3	
	C163030-0113 %**	BRAKE ASSY-MAIN GEAR CFP 30-75 -----							1	
	091-04400	CYLINDER ASSY-BRAKE CFP -----							1	
-15	061-03700	CYLINDER CFP -----							1	
-16	074-01000	BACK PLATE ASSEMBLY CFP -----							1	
-17	066-03000	LINING-BRAKE CFP -----							1	
-18	073-01100	PRESSURE PLATE ASSEMBLY CFP -----							1	
-19	066-03000	LINING-BRAKE CFP -----							1	
-20	092-01700	PISTON ASSEMBLY CFP -----							1	
-21	AN6230B2	O RING -----							1	
-22	103-11700	BOLT CFP -----							2	
-23	AN960-416L	WASHER -----							2	
	AN960-416	WASHER -----							2	
-24	069-00400	BOLT-ANCHOR CFP -----							2	
-25	AN365-428	NUT -----							2	
-26	AN960-416L	WASHER -----							2	
-27	079-00300	SCREW-BLEEDER CFP -----							1	
	183-00100	CAP-BLEEDER SCREW CFP -----							1	
	081-00100	SEAT-BLEEDER SCREW CFP -----							1	
-28	075-03700	TORQUE PLATE ASSEMBLY CFP -----							1	
-29	145-01000	BUSHING-TORQUE PLATE CFP -----							2	
-30	C262003-0101	TIRE-BLACKWALL 6.00X6 4 PLY RATED -----							1	
	C262001-0101	TIRE-WHITWALL 6.00X6 6 PLY RATED WEU C262001-0201 -----							1	
	C262001-0201	TIRE-WHITWALL 6.00X6 6 PLY RATED -----							1	
	C262004-0102	TIRE-WHITWALL 6.00X6 4 PLY RATED -----							1	
-31	C262023-0102	TUBE-6.00X6 -----							1	B B C
<p>NOTE. *THIS WHEEL ASSEMBLY MUST BE USED ONLY ON AIRCRAFT EQUIPPED WITH C163001-0104 MAIN GEAR WHEEL.</p> <p>NOTE. **BRAKE ASSEMBLIES DESCRIBED ARE NORMALLY LH, REVERSE FITTINGS & TORQUE PLATE BUSHINGS FOR RH, INSTALLATION.</p> <p>NOTE. %THIS BRAKE ASSEMBLY MUST BE USED WITH C163001-0104 WHEEL ASSEMBLY ONLY.</p> <p>A---150 SERIAL 15072004 & ON ALTERNATE F150 SERIAL F15000659 & ON ALTERNATE A150 SERIAL A1500227 & ON ALTERNATE FA150 SERIAL FA1500082 & ON ALTERNATE</p> <p>B---150 SERIAL 15072004 THRU 15073658 F150 SERIAL F15000659 THRU F15000863 A150 SERIAL A1500227 THRU A1500342 FA150 SERIAL FA1500082 THRU FA1500166</p> <p>C---150 SERIAL 15073659 THRU 15077005 F150 SERIAL F15000864 THRU F15001248 A150 SERIAL A1500343 THRU A1500609 FA150 SERIAL FA1500167 THRU FA1500281</p>										

150 & A150 Parts Catalog

Door & Window



150 SERIAL 15071129 THRU 15077005
 F150 SERIAL F15000530 THRU F15001248
 A150 SERIAL A1500001 THRU A1500609
 FA150 SERIAL FA1500001 THRU FA1500281

Figure 38. Cabin Door Installation

150 & A150 Parts Catalog

FIGURE AND INDEX NO.	PART NUMBER		DESCRIPTION							UNITS PER ASSY	USABLE ON CODE
			1	2	3	4	5	6	7		
38 -			CABIN DOOR INSTALLATION -----							NP	U
- 1	0413033-25	<	DOOR ASSEMBLY-CABIN LH WITH CLEAR WINDOW -----							1	A
			WEU 0417008-21 SEE FIG 38A FOR BREAKDOWN -----								
	0413033-207	<	DOOR ASSEMBLY-CABIN LH WITH TINTED WINDOW -----							1	A
			WEU 0417008-207 SEE FIG 38A FOR BREAKDOWN -----								
	0413033-31	<	DOOR ASSEMBLY-CABIN LH WITH CLEAR WINDOW AEROBAT -----							1	B
			WEU 0417008-23 SEE FIG 38A FOR BREAKDOWN -----								
	0413033-209	<	DOOR ASSEMBLY-CABIN LH WITH TINTED WINDOW AEROBAT -----							1	B
			WEU 0417008-209 SEE FIG 38A FOR BREAKDOWN -----								
	0413033-26	<	DOOR ASSEMBLY-CABIN RH WITH CLEAR WINDOW -----							1	A
			WEU 0417008-22 SEE FIG 38A FOR BREAKDOWN -----								
	0413033-206	<	DOOR ASSEMBLY-CABIN RH WITH TINTED WINDOW -----							1	A
			WEU 0417008-206 SEE FIG 38A FOR BREAKDOWN -----								
	0413033-32	<	DOOR ASSEMBLY-CABIN RH WITH CLEAR WINDOW AEROBAT -----							1	B
			WEU 0417008-24 SEE FIG 38A FOR BREAKDOWN -----								
	0413033-208	<	DOOR ASSEMBLY-CABIN RH WITH TINTED WINDOW AEROBAT -----							1	B
			WEU 0417008-208 SEE FIG 38A FOR BREAKDOWN -----								
- 2	AN507-1032R10		ATTACHING PARTS							4	
			SCREW -----								
- 3	0417008-13		WINDOW ASSEMBLY-CABIN DOOR LH CLEAR -----							1	
	0417008-201		WINDOW ASSEMBLY-CABIN DOOR LH TINTED -----							1	
	0417008-14		WINDOW ASSEMBLY-CABIN DOOR RH CLEAR -----							1	
	0417008-200		WINDOW ASSEMBLY-CABIN DOOR RH TINTED -----							1	
- 4	0417008-15		GLASS-WINDOW LH CLEAR -----							1	
	0417008-17		GLASS-WINDOW LH TINTED -----							1	
	0417008-16		GLASS-WINDOW RH CLEAR -----							1	
	0417008-18		GLASS-WINDOW RH TINTED -----							1	
- 5	S1356-1		SEAL-78.90 IN LG BKI REF S1356-1-78.90 -----							1	
- 6	0411185-7		HINGE ASSY-WINDOW -----							2	
- 7	S1483-2		HANDLE ASSEMBLY-WINDOW LATCH LH -----							1	
	S1483-1		HANDLE ASSEMBLY-WINDOW LATCH RH -----							1	
- 8	NAS561P3-8		ATTACHING PARTS							1	
			PIN-ROLL -----								
- 9	1411202-201		BRACKET ASSEMBLY-WINDOW LATCH -----							1	
			ATTACHING PARTS								
-10	AN509-10R15		SCREW -----							2	
-11	NAS43HT3-39		SPACER -----							2	
-12	0413390-23		ARM ASSEMBLY -----							1	
			ATTACHING PARTS								
-13	MS20392-1C7		PIN -----							1	
	AN960-4L		WASHER -----							1	
	MS24665-132		COTTER PIN -----							1	
-14	0711021-9		SPRING -----							1	
			ATTACHING PARTS								
-15	MS20392-1C23		PIN -----							1	
	AN960C4		WASHER -----							1	
	MS24665-132		COTTER PIN -----							1	
-16	0413426-3		HINGE ASSEMBLY-LH UPPER -----							1	
	0413426-4		HINGE ASSEMBLY-RH UPPER -----							1	
-17	0413426-4		HINGE ASSEMBLY-LH LOWER -----							1	
	0413426-17		HINGE ASSEMBLY-LH LOWER -----							1	
	0413426-3		HINGE ASSEMBLY-RH LOWER -----							1	
	0413426-18		HINGE ASSEMBLY-RH LOWER -----							1	
-18	0711038-1		PIN-DOOR HINGE -----							1	
-19	0413426-6		HINGE HALF-LH UPPER FWD & RH LOWER FWD -----							2	
	0413426-5		HINGE HALF-LH LOWER FWD & RH UPPER FWD -----							2	
-20	0413426-9		HINGE HALF-LH UPPER AFT -----							1	
	0413426-10		HINGE HALF-RH UPPER AFT -----							1	
	0413426-10		HINGE HALF-LH LOWER AFT -----							1	
	0413426-16		HINGE HALF-LH LOWER AFT -----							1	
	0413426-9		HINGE HALF-RH LOWER AFT -----							1	
	0413426-15		HINGE HALF-RH LOWER AFT -----							1	
-21	0511771-7		PIN-HINGE UPPER & LOWER LH DOOR ONLY -----							2	
	0511771-8		PIN-HINGE UPPER & LOWER RH DOOR ONLY -----							2	
-22	0710638-1		WEDGE-CABIN DOOR -----							1	
-23	A1663-022-1		NUTPLATE TIN -----							1	
-24	0417007-1		RETAINER-CABIN DOOR SEAL -----							1	
-25	S1833-1		SEAL-120.00 IN LG BKI REF S1833-1-120.00 -----							1	
-26	S1378-2		SEAL-78.90 IN LG BKI REF S1378-2-78.90 -----							1	
-26A	S2195-2		SEAL-78.90 IN LG BKI REF S2195-2-78.90 -----							1	L M

CONTINUED ON NEXT PAGE

150 & A150 Parts Catalog

FIGURE AND INDEX NO.	PART NUMBER		1	2	3	4	5	6	7	DESCRIPTION	UNITS PER ASSY	USABLE ON CODE
38 -26B	S2108-1									SEAL-78.90 IN LG BKI REF S2108-1-78.90	1	M
-27	0413390-32									RETAINER-UPHOLSTERY	1	
-28	0413390-34									RETAINER-UPHOLSTERY	1	
-29	0413388-3									HANDLE PLATE-LH	1	
	0413388-4									HANDLE PLATE-RH	1	
										ATTACHING PARTS		
-30	AN515-6R6									SCREW	4	
	NAS682A06K									NUTPLATE	2	
	NAS680A06K									NUTPLATE	2	
-31	AN507-832R8									SCREW	2	

-32	0413406-6									BRACKET ASSEMBLY	2	
	NAS681A08K									NUTPLATE	1	
-33	0413389-4									HANDLE ASSEMBLY-CABIN DOOR	1	
										ATTACHING PARTS		
-34	MS20392-2C53									PIN	1	
-35	AN960-10L									WASHER	2	
-35A	NAS43HT3-82									SPACER	1	G
-35B	AN960-10L									WASHER	2	G
-36	MS24665-132									COTTER PIN	1	

-37	S1441-2									SEAL-1.37 IN LG BULK ITEM REF S1441-2-1.37	1	
-38	0413406-8									DRAWBAR ASSEMBLY	1	
										ATTACHING PARTS		
-39	MS20392-1C17									PIN	1	
-40	AN960-4L									WASHER	1	
-41	MS24665-132									COTTER PIN	1	
-42	MS20392-1C13									PIN	1	
	AN960-4									WASHER	1	
	MS24665-132									COTTER PIN	1	

-43	SEE FIG 39									LATCH ASSEMBLY	1	
										ATTACHING PARTS		
-44	AN525-832R6									SCREW	4	
-45	S1021A6-6									SCREW	5	
-46	S1021Z6-6									SCREW	9	
-47	NAS395-5-3									NUT	7	
	A6195-6Z1									NUTPLATE	2	

-48	0413450-1-294									COVER-DOOR LATCH HOUSING	1	
-49	0413428-1									WEDGE-DOOR	2	
	0413428-2									SHIM-DOOR WEDGE	AR.	
										ATTACHING PARTS		
-50	AN515-6R6									SCREW	2	

-51	0414001-3	<								PANEL ASSEMBLY-DOOR UPHOLSTERY LH	1	C
	0414026-1	<								PANEL-DOOR UPHOLSTERY LH NOT USED ON AEROBAT	1	E
										WEU 0414026-7		
	0414026-5	<								PANEL-DOOR UPHOLSTERY LH NOT USED ON AEROBAT	1	F
										WEU 0414026-7		
	0414026-7	<								PANEL ASSY-DOOR UPHOLSTERY LH NOT USED ON AEROBAT	1	H
	0414026-15	<								PANEL ASSY-DOOR UPHOLSTERY LH	1	J
	0414026-19	#								PANEL ASSY-DOOR UPHOLSTERY LH	1	S
	0414026-27	#								PANEL ASSY-DOOR UPHOLSTERY LH	1	T
	0414001-4	<								PANEL ASSEMBLY-DOOR UPHOLSTERY RH	1	C
	0414026-2	<								PANEL-DOOR UPHOLSTERY RH NOT USED ON AEROBAT	1	E
										WEU 0414026-8		
	0414026-6	<								PANEL-DOOR UPHOLSTERY RH NOT USED ON AEROBAT	1	F
										WEU 0414026-8		
	0414026-8	<								PANEL ASSY-DOOR UPHOLSTERY RH NOT USED ON AEROBAT	1	H
	0414026-16	<								PANEL ASSY-DOOR UPHOLSTERY RH	1	J
	0414026-20	#								PANEL ASSY-DOOR UPHOLSTERY RH	1	S
	0414026-28	#								PANEL ASSY-DOOR UPHOLSTERY RH	1	T
										ATTACHING PARTS		
-52	XH99608F1099									STUD UC	8	

-52A	0415004-1	#								ARMREST-LH	1	D
	0415004-3	#								ARMREST-LH	1	K
	0415004-2	#								ARMREST-RH	1	D
	0415004-4	#								ARMREST-RH	1	K
-53	S1957-2									ASH RECEIVER	2	
-54	S1685-3									HANDLE ASSEMBLY-ASSIST	2	
										ATTACHING PARTS		
-55	AN515-6R8									SCREW	2	
	NAS682A06K									NUTPLATE	2	

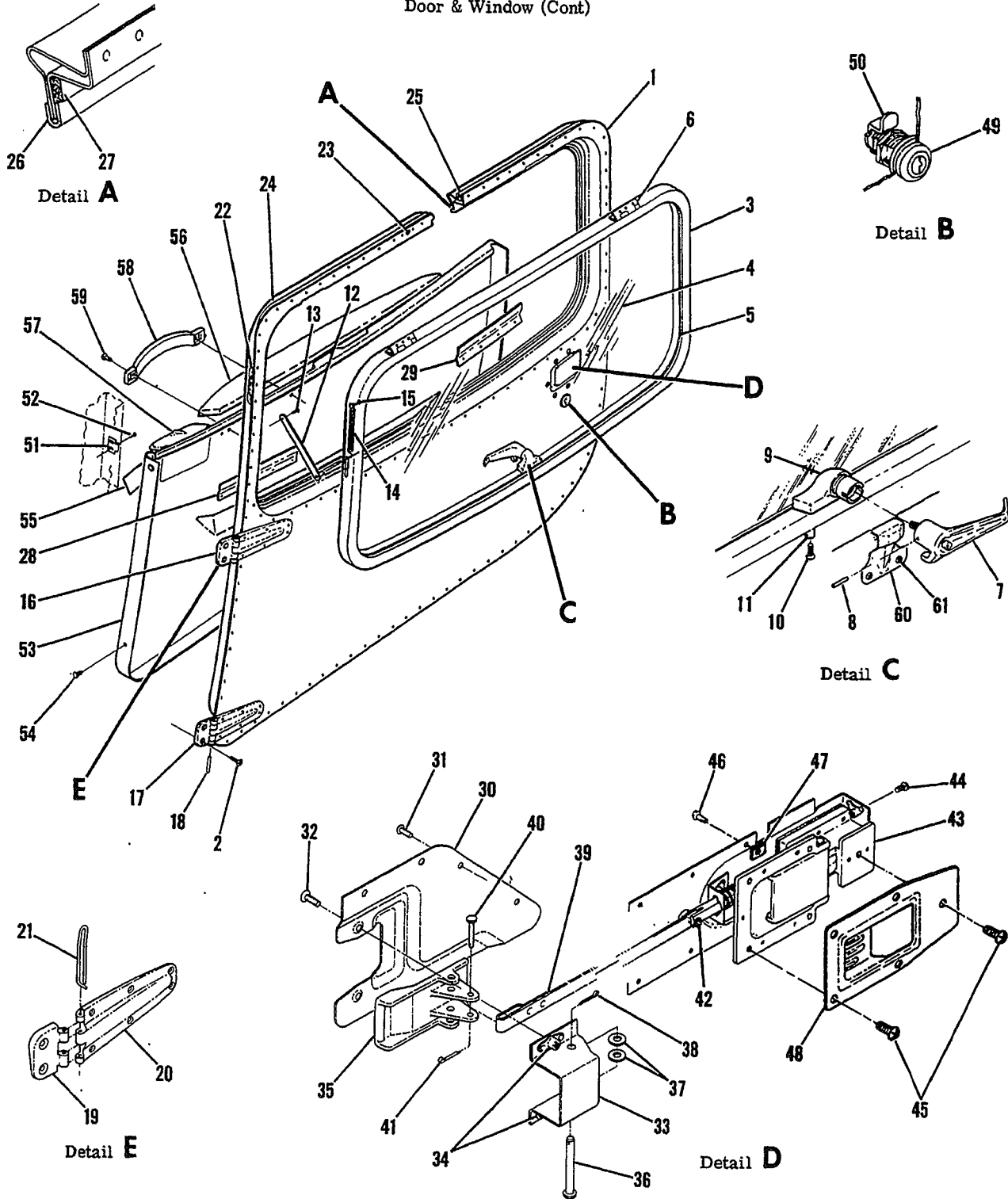
CONTINUED ON NEXT PAGE

150 & A150 Parts Catalog

FIGURE AND INDEX NO.	PART NUMBER	DESCRIPTION 1 2 3 4 5 6 7	UNITS PER ASSY	USABLE ON CODE
38 -56	0517002-1	PLATE-STRIKER ----- ATTACHING PARTS	2	
-57	S1021Z8-8 C663-832-1	SCREW ----- NUTPLATE-TWIN TIN ----- *-----	2 1	
-58	C253001-0101	LOCK ASSY-CABIN DOOR LH DOOR ONLY -----	1	
-59	0511263-1	CAM-DOOR LOCK LH DOOR ONLY -----	1	
<p>NOTE. <THIS PART NUMBER MUST HAVE A SECOND DASH NUMBER ADDED TO DENOTE COLOR. REFER TO HOW TO ORDER INTERIOR PARTS-PAGE VII.</p> <p>NOTE. #THIS PART NUMBER MUST HAVE A SECOND DASH NUMBER ADDED TO DENOTE COLOR. REFER TO HOW TO ORDER UPHOLSTERED PARTS-PAGE VI.</p>				
<p>A---150 SERIAL 15071129 THRU 15077005 F150 SERIAL F15000530 THRU F15001248</p> <p>B---A150 SERIAL A1500001 THRU A1500609 FA150 SERIAL FA1500001 THRU FA1500281</p> <p>C---150 SERIAL 15071129 THRU 15072003 F150 SERIAL F15000530 THRU F15000658 A150 SERIAL A1500001 THRU A1500342 FA150 SERIAL FA1500001 THRU FA1500166</p> <p>D---150 SERIAL 15072004 THRU 15074850 F150 SERIAL F15000659 THRU F15001013 A150 SERIAL A1500343 THRU A1500429 FA150 SERIAL F1500167 THRU FA1500211</p> <p>E---150 SERIAL 15072004 THRU 15072524 F150 SERIAL F15000659 THRU F15000758</p> <p>F---150 SERIAL 15072525 THRU 15073132 F150 SERIAL F15000759 THRU F15000818</p> <p>G---150 SERIAL 15073049 THRU 15077005 F150 SERIAL F15000819 THRU F15001248 A150 SERIAL A1500309 THRU A1500609 FA150 SERIAL FA1500162 THRU FA1500281</p> <p>H---150 SERIAL 15073133 THRU 15073658 F150 SERIAL F15000819 THRU F15000863</p> <p>J---150 SERIAL 15073659 THRU 15074850 F150 SERIAL F15000864 THRU F15001013 A150 SERIAL A1500343 THRU A1500429 FA150 SERIAL FA1500167 THRU FA1500211</p> <p>K---150 SERIAL 15074851 THRU 15077005 F150 SERIAL F15001014 THRU F15001248 A150 SERIAL A1500430 THRU A1500609 FA150 SERIAL FA1500212 THRU FA1500281</p> <p>L---150 SERIAL 15071129 THRU 15074710 F150 SERIAL F15000530 THRU F15001013 A150 SERIAL A1500001 THRU A1500420 FA150 SERIAL FA1500001 THRU FA1500211</p> <p>M---150 SERIAL 15074711 THRU 15077005 F150 SERIAL F15001014 THRU F15001248 A150 SERIAL A1500421 THRU A1500609 FA150 SERIAL FA1500212 THRU FA1500281</p> <p>N---150 SERIAL 15071129 THRU 15074143 F150 SERIAL F15000530 THRU F15001023</p> <p>P---150 SERIAL 15074144 THRU 15077005 F150 SERIAL F15001024 THRU F15001248</p> <p>Q---A150 SERIAL A1500001 THRU A1500397 FA150 SERIAL FA1500001 THRU FA1500211</p> <p>R---A150 SERIAL A1500398 THRU A1500609 FA150 SERIAL FA1500212 THRU FA1500281</p> <p>S---150 SERIAL 15074851 THRU 15075781 F150 SERIAL F15001014 THRU F15001143 A150 SERIAL A1500430 THRU A1500523 FA150 SERIAL FA1500212 THRU FA1500261</p> <p>T---150 SERIAL 15075782 THRU 15077005 F150 SERIAL F15001144 THRU F15001248 A150 SERIAL A1500524 THRU A1500609 FA150 SERIAL FA1500262 THRU FA1500281</p> <p>U---150 SERIAL 15071129 THRU 15077005 F150 SERIAL F15000530 THRU F15001248 A150 SERIAL A1500001 THRU A1500609 FA150 SERIAL FA1500001 THRU FA1500281</p>				

150 & A150 Parts Catalog

Door & Window (Cont)



150 SERIAL 15077006 & ON
 F150 SERIAL F15001249 & ON
 A150 SERIAL A1500610 & ON
 FA150 SERIAL FA1500282 & ON

Figure 38A. Cabin Door Installation

150 & A150 Parts Catalog

FIGURE AND INDEX NO.	PART NUMBER	DESCRIPTION							UNITS PER ASSY	USABLE ON CODE
		1	2	3	4	5	6	7		
38A-		CABIN DOOR INSTALLATION -----							NP	A
- 1	0417008-21	DOOR ASSY-CABIN LH	WITH CLEAR WINDOW					1	B	
	0417008-207	DOOR ASSY-CABIN LH	WITH TINTED WINDOW					1	B	
	0417008-23	DOOR ASSY-CABIN LH	WITH CLEAR WINDOW				AEROBAT	1	C	
	0417008-209	DOOR ASSY-CABIN LH	WITH TINTED WINDOW				AEROBAT	1	C	
	0417008-22	DOOR ASSY-CABIN RH	WITH CLEAR WINDOW					1	B	
	0417008-206	DOOR ASSY-CABIN RH	WITH TINTED WINDOW					1	B	
	0417008-24	DOOR ASSY-CABIN RH	WITH CLEAR WINDOW				AEROBAT	1	C	
	0417008-208	DOOR ASSY-CABIN RH	WITH TINTED WINDOW				AEROBAT	1	C	
		ATTACHING PARTS -----								
- 2	AN507-1032R10	SCREW						4		
- 3	0417008-13	WINDOW ASSY-CABIN DOOR LH	CLEAR					1		
	0417008-201	WINDOW ASSY-CABIN DOOR LH	TINTED					1		
	0417008-14	WINDOW ASSY-CABIN DOOR RH	CLEAR					1		
	0417008-200	WINDOW ASSY-CABIN DOOR RH	TINTED					1		
- 4	0417008-15	GLASS-WINDOW LH	CLEAR					1		
	0417008-17	GLASS-WINDOW LH	TINTED					1		
	0417008-16	GLASS-WINDOW RH	CLEAR					1		
	0417008-18	GLASS-WINDOW RH	TINTED					1		
- 5	S1356-1	SEAL-78.90 IN LG	BKI	REF S1356-1-78.00				1		
- 6	0411185-7	HINGE ASSY-WINDOW						2		
- 7	S1483-2	HANDLE ASSY-WINDOW LATCH LH						1		
	S1483-1	HANDLE ASSY-WINDOW LATCH RH						1		
		ATTACHING PARTS -----								
- 8	NAS561P3-8	ROLL PIN						1		
- 9	1411202-201	BRACKET ASSY-WINDOW LATCH						1		
		ATTACHING PARTS -----								
-10	AN509-10R15	SCREW						2		
-11	NAS43HT3-39	SPACER						2		
-12	0413390-23	ARM ASSY						1		
		ATTACHING PARTS -----								
-13	MS20392-1C7	PIN						1		
	AN960-4L	WASHER						1		
	MS24665-132	COTTER PIN						1		
-14	0711021-9	SPRING						1		
		ATTACHING PARTS -----								
-15	MS20392-1C23	PIN						1		
	AN960C4	WASHER						1		
	MS24665-132	COTTER PIN						1		
-16	0413426-3	HINGE ASSY-LH UPPER						1	B	
	0413426-4	HINGE ASSY-RH UPPER						1	B	
-17	0413426-17	HINGE ASSY-LH LOWER						1	B	
	0413426-18	HINGE ASSY-RH LOWER						1	B	
-18	0711038-1	PIN-DOOR HINGE						1	B	
-19	0413426-6	HINGE HALF-LH UPPER FWD & RH LOWER FWD						2	B	
	0413426-5	HINGE HALF-LH LOWER FWD & RH UPPER FWD						2	B	
-20	0413426-9	HINGE HALF-LH UPPER AFT						1	C	
	0413426-10	HINGE HALF-RH UPPER AFT						1	C	
	0413426-16	HINGE HALF-LH LOWER AFT						1	C	
	0413426-15	HINGE HALF-RH LOWER AFT						1	C	
-21	0511771-7	PIN-HINGE UPPER & LOWER LH DOOR ONLY						2	C	
	0511771-8	PIN-HINGE UPPER & LOWER RH DOOR ONLY						2	C	
-22	0710638-1	WEDGE-CABIN DOOR						1	C	
-23	A1663-022-1	NUTPLATE TIN						1	C	
-24	0417007-1	RETAINER-CABIN DOOR SEAL						1	C	
-25	S2287-1	SEAL-120.00 IN LG BKI REF S2287-1-120.00						1	C	
-26	S2195-2	SEAL-78.90 IN LG BKI REF S2195-2-78.90						1	C	
-27	S2108-1	SEAL-78.90 IN LG BKI REF S2108-1-78.90						1	C	
-28	0413390-32	RETAINER-UPHOLSTERY						1	C	
-29	0413390-34	RETAINER-UPHOLSTERY						1	C	
-30	0413388-5	HANDLE PLATE-LH						1	C	
	0413388-6	HANDLE PLATE-RH						1	C	
		ATTACHING PARTS -----								
-31	AN515-6R6	SCREW						3		
	NAS682A06K	NUTPLATE						1		
	NAS680A06K	NUTPLATE						2		
-32	AN507-832R8	SCREW						2		
		ATTACHING PARTS -----								

CONTINUED ON NEXT PAGE

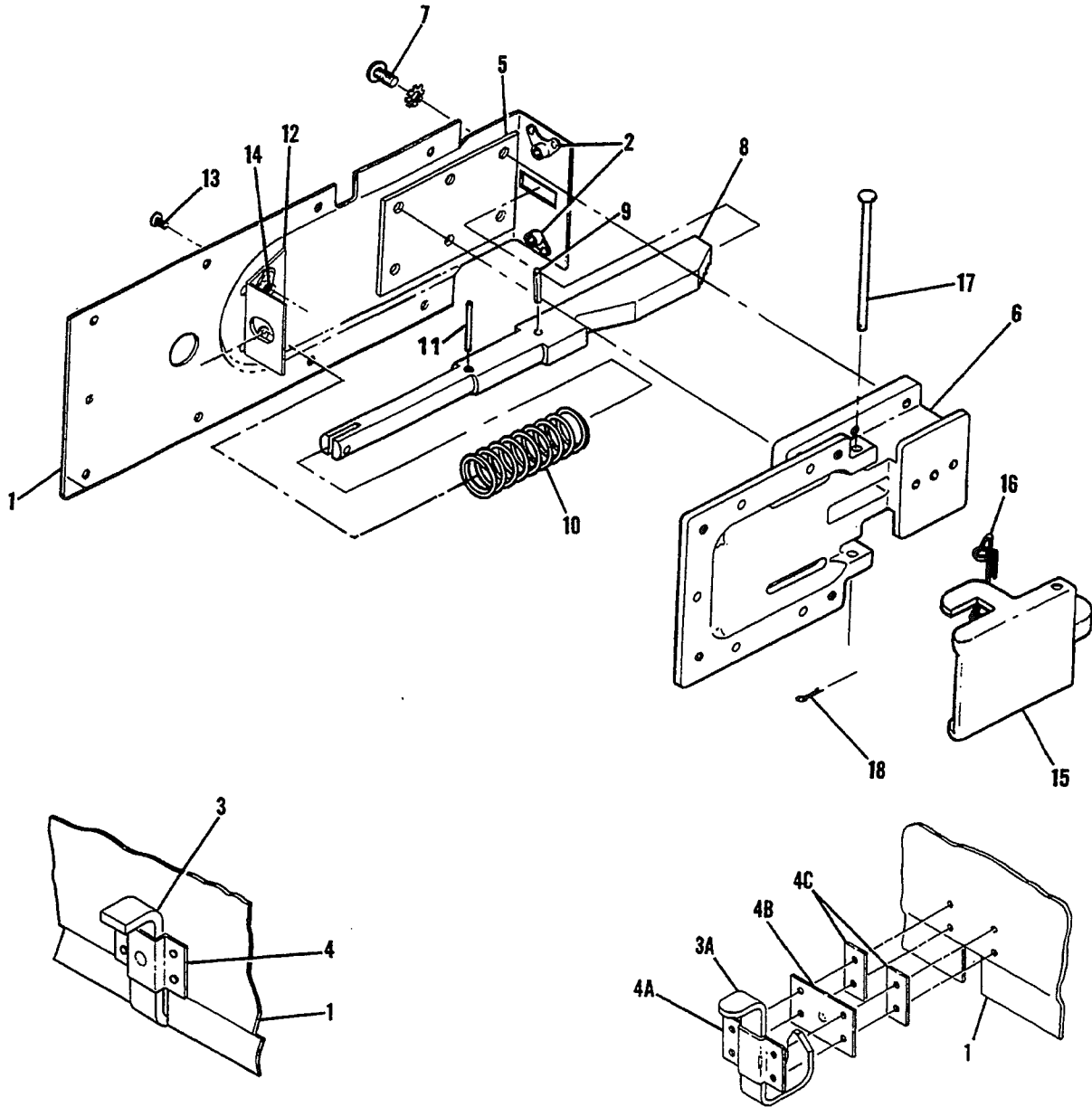
150 & A150 Parts Catalog

FIGURE AND INDEX NO.	PART NUMBER	DESCRIPTION	UNITS PER ASSY							USABLE ON CODE
			1	2	3	4	5	6	7	
38A-33	0417011-2	BRACKET-DOOR LATCH -----							1	D E D E D E D E
-34	NAS681A08K	NUTPLATE -----							2	
-35	0415018-2	HANDLE-CABIN DOOR -----							1	
		ATTACHING PARTS -----								
-36	MS20392-2C51	PIN -----							1	
-37	AN960-10L	WASHER -----							2	
-38	MS24665-132	COTTER PIN -----							1	
		*-----								
-39	0413406-8	DRAWBAR ASSEMBLY -----							1	
		ATTACHING PARTS -----								
-40	MS20392-1C23	PIN -----							1	
-41	MS24665-132	COTTER PIN -----							1	
-42	MS20392-1C13	PIN -----							1	
	AN960-4	WASHER -----							1	
	MS24665-132	COTTER PIN -----							1	
		*-----								
-43	SEE FIG 39	LATCH ASSY -----							1	
		ATTACHING PARTS -----								
-44	AN525-832R6	SCREW -----							4	
-45	S1021A6-6	SCREW -----							5	
-46	S1021Z6-6	SCREW -----							9	
	AN936B6	WASHER -----							9	
-47	NAS395-5-3	NUT -----							7	
	S1863PA2	NUTPLATE -----							2	
		*-----								
-48	0413450-1-294	COVER-DOOR LATCH HOUSING -----							1	
-49	C253001-0101	LOCK ASSY-CABIN DOOR LH DOOR ONLY -----							1	
-50	0511263-1	CAM-DOOR LOCK LH DOOR ONLY -----							1	
-51	0413428-1	WEDGE-DOOR -----							2	
	0413428-2	SHIM-DOOR WEDGE -----							AR	
		ATTACHING PARTS -----								
-52	AN515-6R6	SCREW -----							2	
		*-----								
-53	0415017-1	PANEL ASSY-DOOR UPHOLSTERY LH -----							1	
	0414026-27	PANEL ASSY-DOOR UPHOLSTERY LH FA150 ONLY -----							1	
	0415017-2	PANEL ASSY-DOOR UPHOLSTERY RH -----							1	
	0414026-28	PANEL ASSY-DOOR UPHOLSTERY RH FA150 ONLY -----							1	
		ATTACHING PARTS -----								
-54	XH99608F1099	STUD UC -----							8	
		*-----								
-55	0415024-4	INSERT-ASHTRAY LH WOODGRAIN -----							1	
	0415024-5	INSERT-ASHTRAY RH WOODGRAIN -----							1	
	0415024-3	INSERT-DOOR WOODGRAIN -----							2	
-56	0415022-1	ARMREST-LH -----							1	
	0415004-3	ARMREST-LH FA150 ONLY -----							1	
	0415022-2	ARMREST-RH -----							1	
	0415004-4	ARMREST-RH FA150 ONLY -----							1	
-57	S1957-2	ASH RECEIVER -----							2	
-58	S1685-3	HANDLE ASSY-ASSIST -----							2	
		ATTACHING PARTS -----								
-59	AN515-6R8	SCREW -----							2	
	NAS682A06K	NUTPLATE -----							2	
		*-----								
-60	0517002-1	PLATE-STRIKER -----							2	
		ATTACHING PARTS -----								
-61	S1021Z8-8	SCREW -----							2	
	C663-832-1	NUTPLATE-TWIN TIN -----							1	
		*-----								

NOTE. #THIS PART NUMBER MUST HAVE A SECOND DASH NUMBER ADDED TO DENOTE COLOR. REFER TO HOW TO ORDER UPHOLSTERED PARTS-PAGE VI.

- A---150 SERIAL 15077006 & ON
F150 SERIAL F15001249 & ON
A150 SERIAL A1500610 & ON
FA150 SERIAL FA1500282 & ON
- B---150 SERIAL 15077006 & ON
F150 SERIAL F15001249 & ON
- C---A150 SERIAL A1500610 & ON
FA150 SERIAL FA1500282 & ON
- D---150 SERIAL 15077006 & ON
F150 SERIAL F15001249 & ON
A150 SERIAL A1500610 & ON
FA150 SERIAL FA1500312 & ON
- E---FA150 SERIAL FA1500282 THRU FA1500311

Door & Window (Cont)



RH LATCH ONLY

15071129 THRU 15074079
 F15000530 THRU F15000903
 A1500001 THRU A1500365
FA1500001 THRU FA1500191

RH LATCH ONLY

15074080 & ON
 F15000904 & ON
 A1500366 & ON
FA1500192 & ON

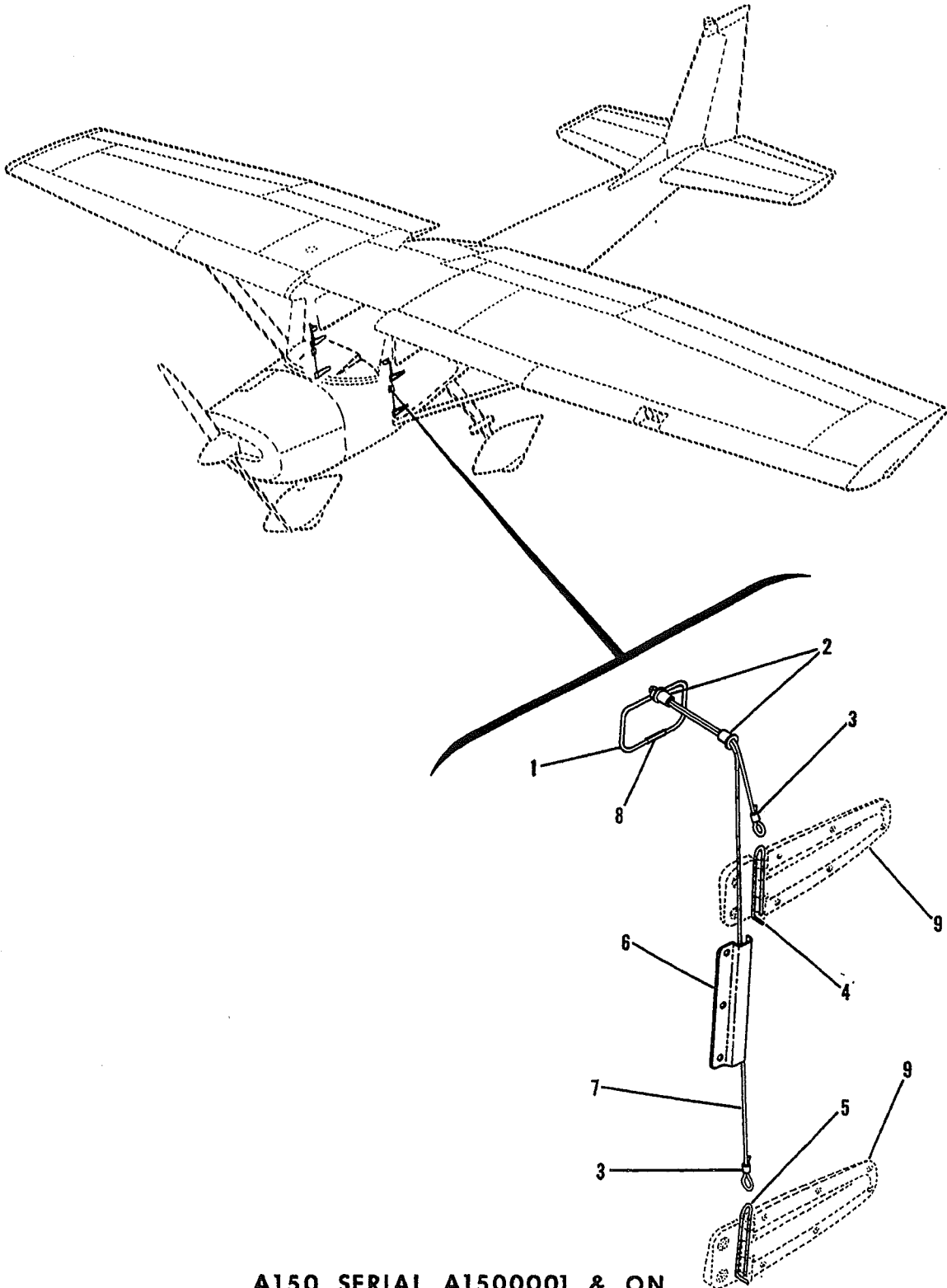
Figure 39. Cabin Door Latch Assembly

150 & A150 Parts Catalog

FIGURE AND INDEX NO.	PART NUMBER	DESCRIPTION	UNITS PER ASSY	USABLE
				ON CODE
		1 2 3 4 5 6 7		
39 -	0413387-3	CABIN DOOR LATCH ASSEMBLY LH -----	1	
	0413387-4	CABIN DOOR LATCH ASSEMBLY RH WEU 0413387-6 -----	1	
	0413387-6	CABIN DOOR LATCH ASSEMBLY RH -----	1	A
- 1	0413388-1	MOUNTING PLATE ASSEMBLY -----	1	B
- 2	NAS698A08	NUTPLATE -----	1	
- 3	0413414-2	LOCK BRACKET RH ONLY -----	2	
- 3A	0417006-3	LATCH-DOOR LOCK RH ONLY -----	1	A
- 4	0413414-1	GUIDE-LOCK RH ONLY -----	1	B
- 4A	0417006-1	GUIDE-LATCH RH ONLY -----	1	A
- 4B	0417006-2	DETENT-DOOR LOCK RH ONLY -----	1	B
- 4C	0417006-4	SPACER RH ONLY -----	1	B
- 5	0511264-1	SPACER -----	2	B
- 6	0511258-2	HOUSING -----	1	
		ATTACHING PARTS -----		
- 7	AN515-832R6	SCREW -----	4	
	AN936B8	WASHER -----	4	
		-----*		
- 8	0511260-1	BOLT-LH -----	1	
	0511260-2	BOLT-RH -----	1	
- 9	NAS561-3-8	ROLL PIN -----	1	
-10	0511261-3	SPRING -----	1	
-11	NAS561-3-14	ROLL PIN -----	1	
-12	0511266-1	SUPPORT ASSEMBLY-BOLT -----	1	
		ATTACHING PARTS -----		
-13	AN525-832R7	SCREW -----	2	
		-----*		
-14	NAS698A08	NUTPLATE -----	2	
-15	0417010-4	HANDLE-DOOR LATCH -----	1	
		ATTACHING PARTS -----		
-16	0511261-4	SPRING -----	1	
	0511261-5	SPRING -----	1	
-17	MS20392-1C67	PIN -----	1	
-18	MS24665-132	COTTER PIN -----	1	
		-----*		
<p>A---150 SERIAL 15071129 THRU 15074079 F150 SERIAL F15000530 THRU F15000903 A150 SERIAL A1500001 THRU A1500365 FA150 SERIAL FA1500001 THRU FA1500191</p> <p>B---150 SERIAL 15074080 & ON F150 SERIAL F15000904 & ON A150 SERIAL A1500366 & ON FA150 SERIAL FA1500192 & ON</p>				

150 & A150 Parts Catalog

Door & Window (Cont)



**A150 SERIAL A1500001 & ON
FA150 SERIAL FA1500001 & ON**

Figure 40. Emergency Door Release Installation

150 & A150 Parts Catalog

FIGURE AND INDEX NO.	PART NUMBER	DESCRIPTION	UNITS PER ASSY	USABLE ON CODE
		1 2 3 4 5 6 7		
40 -		EMERGENCY DOOR RELEASE INSTALLATION -----	NP	A
- 1	0513246-4	HANDLE ASSEMBLY-EMERGENCY RELEASE -----	2	
- 2	S1291-3	GROMMET -----	4	
- 3	S1958-1	SLEEVE -----	6	
- 4	0511771-7	PIN-HINGE LH DOOR ONLY -----	1	
	0511771-8	PIN-HINGE RH DOOR ONLY -----	1	
- 5	0511771-7	PIN-HINGE LH DOOR ONLY -----	1	
	0511771-8	PIN-HINGE RH DOOR ONLY -----	1	
- 6	0513245-2	GUARD-CABLE -----	2	
- 7	0417005-3	CABLE-EMERGENCY DOOR RELEASE -----	2	
- 8	0417012-1	RETAINER-HANDLE ASSEMBLY -----	1	
	S1022A4-6	ATTACHING PARTS		
		SCREW -----	1	
		---*---		
- 9	SEE FIG 38 & 38A	HINGE ASSEMBLY -----	4	
		A---A150 SERIAL A1500001 & ON FA150 SERIAL FA1500001 & ON		

150 & A150 Parts Catalog

Upholstery

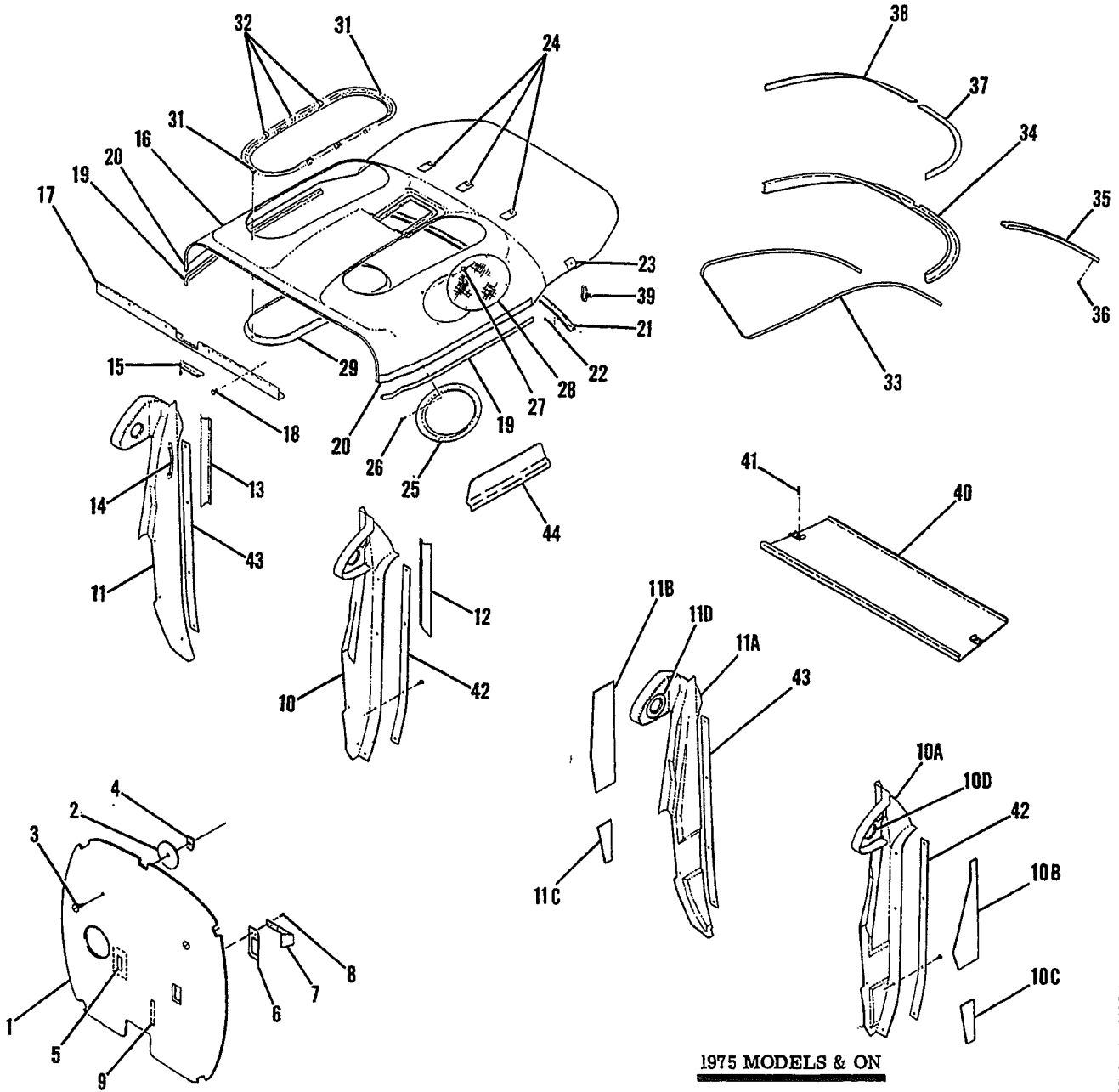


Figure 41. Cabin Top and Firewall Upholstery Installation

150 & A150 Parts Catalog

FIGURE AND INDEX NO.	PART NUMBER		DESCRIPTION	UNITS PER ASSY	USABLE ON CODE	
						1
41 -			UPHOLSTERY INSTALLATION-CABIN TOP & FIREWALL -----	NP		
- 1	0400118-3	#	PANEL ASSEMBLY-FIREWALL -----	1	A	
	0415021-17	#	PANEL-FIREWALL -----	1	B	
- 2	0400123-1		DISC -----	2		
			ATTACHING PARTS -----			
- 3	S1021Z10-10		SCREW -----	1		
- 4	NAS446-5-3		NUT -----	1		
			*-----			
- 5	0400207-2		RETAINER-FIREWALL UPHOLSTERY -----	1		
	S1021A6-6C		ATTACHING PARTS -----			
			SCREW -----	4		
			*-----			
- 6	0400207-1		RETAINER-FIREWALL UPHOLSTERY -----	1		
- 7	0400329-1		DEFLECTOR-CABIN HEATER -----	1		
			ATTACHING PARTS -----			
- 8	S1021A6-6C		SCREW -----	3		
			*-----			
- 9	0400141-1		RETAINER-FIREWALL UPHOLSTERY -----	1		
	S1021Z8-8		ATTACHING PARTS -----			
	NAS446-4-3		SCREW -----	2		
			NUT -----	2		
			*-----			
-10	0413484-7	<	SHIELD ASSEMBLY-LH -----	1	H	
	0413516-1		PAD-FORWARD DOORPOST LH -----	1	J	
-10A	0413484-17		SHIELD ASSY-LH -----	1	L	
	0413484-21		SHIELD ASSY-LH -----	1	P	
	0413484-26		SHIELD ASSY-LH -----	1	R	
-10B	0413516-3		PAD-FWD DOORPOST UPPER LH -----	1	K	
-10C	0413516-5		PAD-FWD DOORPOST LOWER LH -----	1	K	
-10D	0415023-3		ESCUTCHEON ASSY-LH -----	1	M	
-11	0413489-4	<	SHIELD-RH -----	1	H	
	0413516-2		PAD-FORWARD DOORPOST RH -----	1	J	
-11A	0415013-2		SHIELD-RH -----	1	L	
	0415013-4		SHIELD-RH -----	1	L	
-11B	0413516-4		PAD-FWD DOORPOST UPPER RH -----	1	M	
-11C	0413516-6		PAD-FWD DOORPOST LOWER RH -----	1	K	
-11D	0415023-1		ESCUTCHEON ASSY-RH -----	1	K	
-12	0413449-1		TRIM-DOORPOST LH -----	1	M	
-13	0411893-1		TRIM-DOORPOST RH -----	1	A	
	S1021Z6-4		ATTACHING PARTS -----		A	
			SCREW -----	2		
			*-----			
-14	S1685-3		HANDLE ASSEMBLY-ASSIST -----	2	C	
	AN515-6R12		ATTACHING PARTS -----			
			SCREW -----	2	C	
			*-----			
-15	0413504-1		COVER-SUNVISOR SUPPORT -----	1		
	AN525-10R16		ATTACHING PARTS -----			
			SCREW -----	2		
			*-----			
-16	0414010-1		HEADLINER -----	1	A	
	0414010-5		HEADLINER -----	1	Q	
	0414010-7		HEADLINER -----	1	R	
-17	0414018-1	<	RETAINER-HEADLINER -----	1	D	
	0414018-4	<	RETAINER-HEADLINER -----	1	E	
			ATTACHING PARTS -----			
-18	S1898-2		FASTENER -----	4		
			*-----			
-19	0414018-2	<	RETAINER-HEADLINER -----	2		
-20	0413507-1		STIFFENER -----	2		
-21	0414016-1		TRIM-HEADLINER -----	1	A	
	0414016-2		TRIM-HEADLINER -----	1	B	
			ATTACHING PARTS -----			
-22	S1021Z10-8C		SCREW -----	2		
-23	0413506-1		BRACKET -----	4		
-24	0414017-1		BRACKET -----	3		
	S1950-2E		SCREW -----	3		
			*-----			
-25	0414012-1	<	RETAINER-SPEAKER GRILL -----	1	A	
			ATTACHING PARTS -----			
-26	S1021Z8-12		SCREW -----	4	A	
-27	NAS488-7-3		NUT -----	4	A	
			*-----			

CONTINUED ON NEXT PAGE

150 & A150 Parts Catalog

FIGURE AND INDEX NO.	PART NUMBER	DESCRIPTION							UNITS PER ASSY	USABLE ON CODE	
		1	2	3	4	5	6	7			
41 -28	0414012-2	GRILL-SPEAKER -----							1	A	
-29	0414015-1	TRIM-WINDOW -----							2		
-30		DELETED -----									
-31	0414014-1	BRACKET-WINDOW TRIM -----							4		
-32	0414014-2	BRACKET-WINDOW TRIM -----							12		
-33	S1948-2	SEAL-67.0 IN LG BULK ITEM REF S1948-67.0 -----							2		
-34	0414030-1	<	TRIM COVER-REAR WINDOW WEU 0414030-2 -----							1	N
	0414030-2		TRIM COVER-REAR WINDOW -----							1	
	S1021Z4-4	ATTACHING PARTS									
		SCREW -----							8		
		*-----									
-35	0415021-16	COVER-CENTER STRIP -----							1		
		ATTACHING PARTS									
-36	S1021Z4-6	SCREW -----							1		
	S1021Z4-4	SCREW -----							4		
		*-----									
-37	0412509-1	RETAINER ASSEMBLY-HEADLINER LH -----							1		
-38	0412509-2	RETAINER ASSEMBLY-HEADLINER RH -----							1		
-39	S1430-4	HOOK-COAT HANGER -----							2	F	
	0715038-1	COAT HANGER -----							2		
	AN520-10R10	ATTACHING PARTS									
		SCREW -----							1	G	
		*-----									
-40	0412070-5	<	SHELF ASSEMBLY-UTILITY -----							1	
			ATTACHING PARTS								
-41	1089	STUD DIGR -----							2		
		*-----									
-42	0414019-1	RETAINER-DOORPOST SHIELD LH -----							1		
-43	0414019-2	RETAINER-DOORPOST SHIELD RH -----							1		
-44	0515010-10	TRAY-SHOULDER HARNESS STORAGE -----							2	G	
		ATTACHING PARTS									
	S1021A4-6	SCREW -----							4	G	
		*-----									
<p>NOTE. #THIS PART NUMBER MUST HAVE A SECOND DASH NUMBER ADDED TO DENOTE COLOR. REFER TO HOW TO ORDER UPHOLSTERED PARTS-PAGE VI.</p> <p>NOTE. <THIS PART NUMBER MUST HAVE A SECOND DASH NUMBER ADDED TO DENOTE COLOR. REFER TO HOW TO ORDER INTERIOR PARTS-PAGE VII.</p> <p>A---150 SERIAL 15071129 THRU 15072003 F150 SERIAL F15000530 THRU F15000658 A150 SERIAL A1500001 THRU A1500226 FA150 SERIAL FA1500001 THRU FA1500081</p> <p>B---150 SERIAL 15072004 & ON F150 SERIAL F15000659 & ON A150 SERIAL A1500227 & ON FA150 SERIAL FA1500082 & ON</p> <p>C---150 SERIAL 15071129 THRU 15072628 F150 SERIAL F15000530 THRU F15000738 A150 SERIAL A1500001 THRU A1500276 FA150 SERIAL FA1500001 THRU FA1500166</p> <p>D---150 SERIAL 15071129 THRU 15073658 F150 SERIAL F15000530 THRU F15000863 A150 SERIAL A1500001 THRU A1500342 FA150 SERIAL FA1500001 THRU FA1500166</p> <p>E---150 SERIAL 15073659 & ON F150 SERIAL F15000864 & ON A150 SERIAL A1500343 & ON FA150 SERIAL FA1500167 & ON</p> <p>F---150 SERIAL 15071129 THRU 15074850 F150 SERIAL F15000530 THRU F15001013 A150 SERIAL A1500001 & ON FA150 SERIAL FA1500001 & ON</p>											
CONTINUED ON NEXT PAGE											

150 & A150 Parts Catalog

FIGURE AND INDEX NO.	PART NUMBER	DESCRIPTION	UNITS PER ASSY	USABLE ON CODE
		1 2 3 4 5 6 7		
41 -		G---150 SERIAL 15074851 & ON F150 SERIAL F15001014 & ON H---150 SERIAL 15071129 THRU 15075781 F150 SERIAL F15000530 THRU F15001143 A150 SERIAL A1500001 THRU A1500523 FA150 SERIAL FA1500001 THRU FA1500261 J---150 SERIAL 15072004 THRU 15075781 F150 SERIAL F15000659 THRU F15001143 A150 SERIAL A1500227 THRU A1500523 FA150 SERIAL FA1500082 THRU FA1500261 K---150 SERIAL 15075782 & ON F150 SERIAL F15001144 & ON A150 SERIAL A1500524 & ON FA150 SERIAL FA1500262 & ON L---150 SERIAL 15071129 THRU 15077005 F150 SERIAL F15001144 THRU F15001248 A150 SERIAL A1500524 THRU A1500609 FA150 SERIAL FA1500262 THRU FA1500281 M---150 SERIAL 15077006 & ON F150 SERIAL F15001249 & ON A150 SERIAL A1500610 & ON FA150 SERIAL FA1500282 & ON N---150 SERIAL 15071129 THRU 15077005 F150 SERIAL F15000530 THRU F15001248 A150 SERIAL A1500001 THRU A1500609 FA150 SERIAL FA1500001 THRU FA1500281 P---150 SERIAL 15077006 THRU 15078505 F150 SERIAL F15001249 THRU F15001338 A150 SERIAL A1500610 THRU A1500684 FA150 SERIAL FA1500282 THRU FA1500311 Q---150 SERIAL 15072004 THRU 15078505 F150 SERIAL F15000659 THRU F15001338 A150 SERIAL A1500227 THRU A1500684 FA150 SERIAL FA1500082 THRU FA1500311 R---150 SERIAL 15078506 & ON F150 SERIAL F15001339 & ON A150 SERIAL A1500685 & ON FA150 SERIAL FA1500312 & ON		

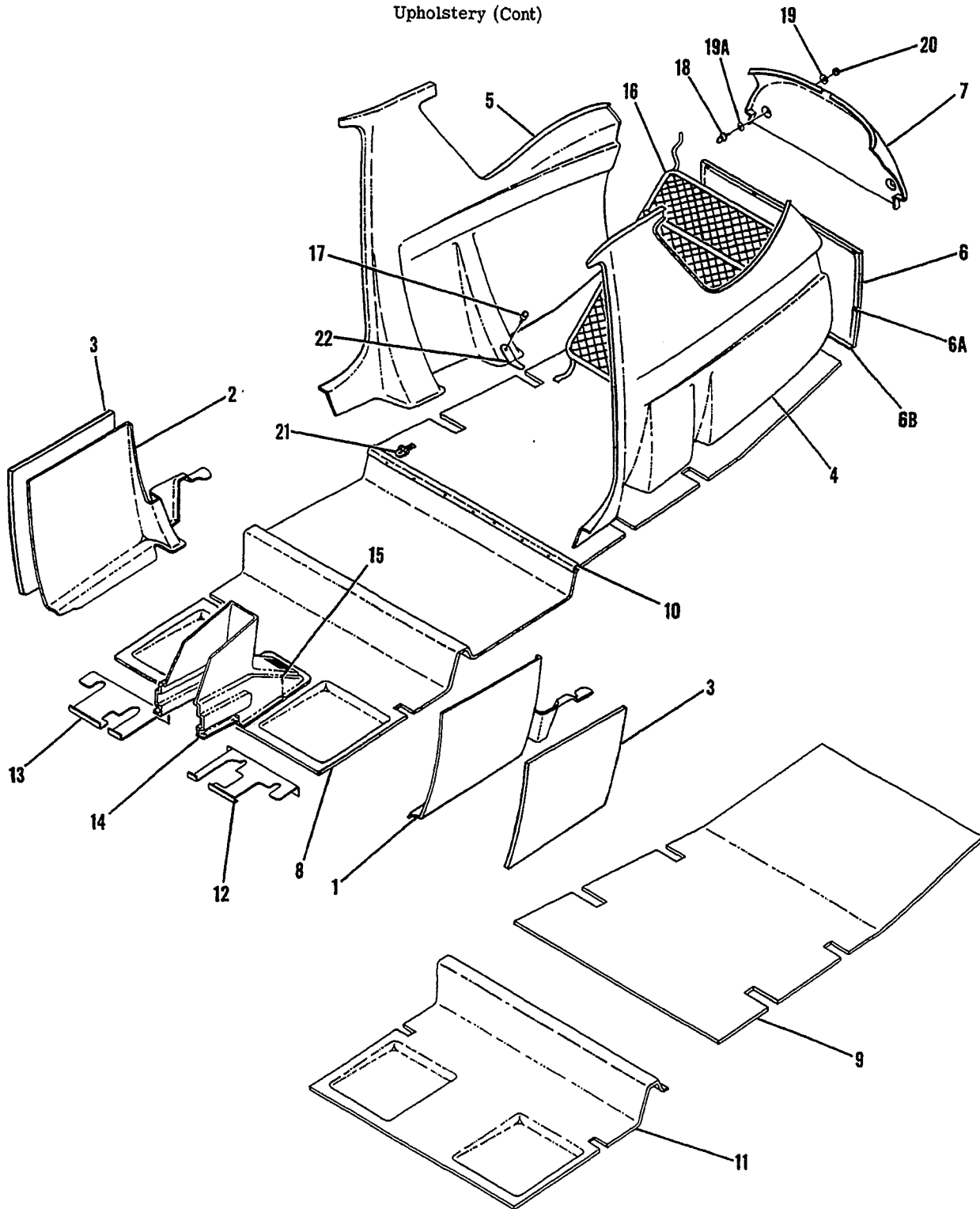
150 & A150 Parts Catalog

FIGURE AND INDEX NO.	PART NUMBER		DESCRIPTION	UNITS PER ASSY	USABLE ON CODE	
						1
42 -			UPHOLSTERY INSTALLATION-CABIN SIDE PANELS & FLOORBOARD -----	NP	T	
- 1	0400129-68	<	PANEL ASSEMBLY-COWL LH -----	1	D	
	0415021-9		PANEL ASSEMBLY-COWL LH -----	1	E	
	0400129-62	#	PANEL ASSEMBLY-COWL LH COMMUTER & AEROBAT ONLY -----	1	F	
	0415021-33	#	PANEL ASSEMBLY-COWL LH COMMUTER & AEROBAT ONLY -----	1	B	
- 2	0400129-72	<	PANEL-COWL RH -----	1	F	
	0415021-18		PANEL-COWL RH -----	1	D	
	0400129-60	#	PANEL ASSEMBLY-COWL RH COMMUTER & AEROBAT ONLY -----	1	E	
	0415021-34	#	PANEL ASSEMBLY-COWL RH COMMUTER & AEROBAT ONLY -----	1	F	
- 3	0400118-11		SOUNDPROOFING-COWL PANELS -----	2	G	
	0415000-19		SOUNDPROOFING-COWL PANELS -----	2	H	
- 4	0414002-1	<	PANEL-CABIN SIDE LH -----	1	J	
	0414026-3	<	PANEL-CABIN SIDE LH -----	1	M	
	0414026-21	#	PANEL-CABIN SIDE LH -----	1	N	
- 5	0414002-2	<	PANEL-CABIN SIDE RH -----	1	J	
	0414026-4	<	PANEL-CABIN SIDE RH -----	1	M	
	0414026-22	#	PANEL-CABIN SIDE RH -----	1	N	
- 6	0415021-12		PANEL-BAGGAGE COMPARTMENT LOWER AFT -----	1	M	
- 6A	H323-3-1-1		PLUNGER HWL -----	6	S	
	H559-3-1		GROMMET HWL -----	6	S	
- 6B	S2092-3		FASTENER-24.0 IN LG BKT -----	1	S	
- 7	0400129-58	<	PANEL ASSEMBLY-BAGGAGE COMPARTMENT UPPER AFT -----	1	N	
	0415021-13		PANEL ASSEMBLY-BAGGAGE COMPARTMENT UPPER AFT -----	1	G	
- 8	0400129-56	#	CARPET ASSEMBLY-FULL LENGTH COMMUTER & AEROBAT ONLY -----	1	H	
- 9	0400129-16	#	FLOOR COVERING-BAGGAGE STANDARD, TRAINER & F150 ONLY -----	1	B	
	0415021-3	#	CARPET ASSY-AFT -----	1	D	
-10	0400129-20		RETAINER-FLOOR COVERING -----	1	H	
	0414028-1		RETAINER-FLOOR COVERING STANDARD & F150 ONLY -----	1	G	
	S1021Z6-6		ATTACHING PARTS SCREW -----	5		
-11	0400129-65	#	CARPET ASSEMBLY-FORWARD STANDARD, TRAINER & F150 ONLY -----	1	D	
	0415021-2	#	CARPET ASSEMBLY-FORWARD -----	1	H	
-12	0411599-5	<	SHIELD-RUDDER BAR LH -----	1		
-13	0411971-1	<	SHIELD-RUDDER BAR RH -----	1		
	0411836-3		SHIELD-RUDDER BAR USE WITH RH CONTROLS ONLY -----	1		
	S1021Z8-6		ATTACHING PARTS SCREW -----	9		
-14	0413463-2	<	COVER ASSEMBLY-CONTROL WEU 0413463-1 -----	1	K	
	0413463-1	<	COVER-CONTROL -----	1	L	
-15	S1021Z8-6		ATTACHING PARTS SCREW -----	7		
-16	2015009-2		NET-BAGGAGE ----- ATTACHING PARTS	1		
-17	1211203-1		EYEBOLT -----	2	A	
-18	1211203-1		EYEBOLT -----	2	C	
	0511165		EYEBOLT -----	2	P	
-19	AN970-3		WASHER -----	2	O	
	AN960-10		WASHER -----	2	C	
	AN960-416		WASHER -----	2	C	

CONTINUED ON NEXT PAGE

150 & A150 Parts Catalog

Upholstery (Cont)



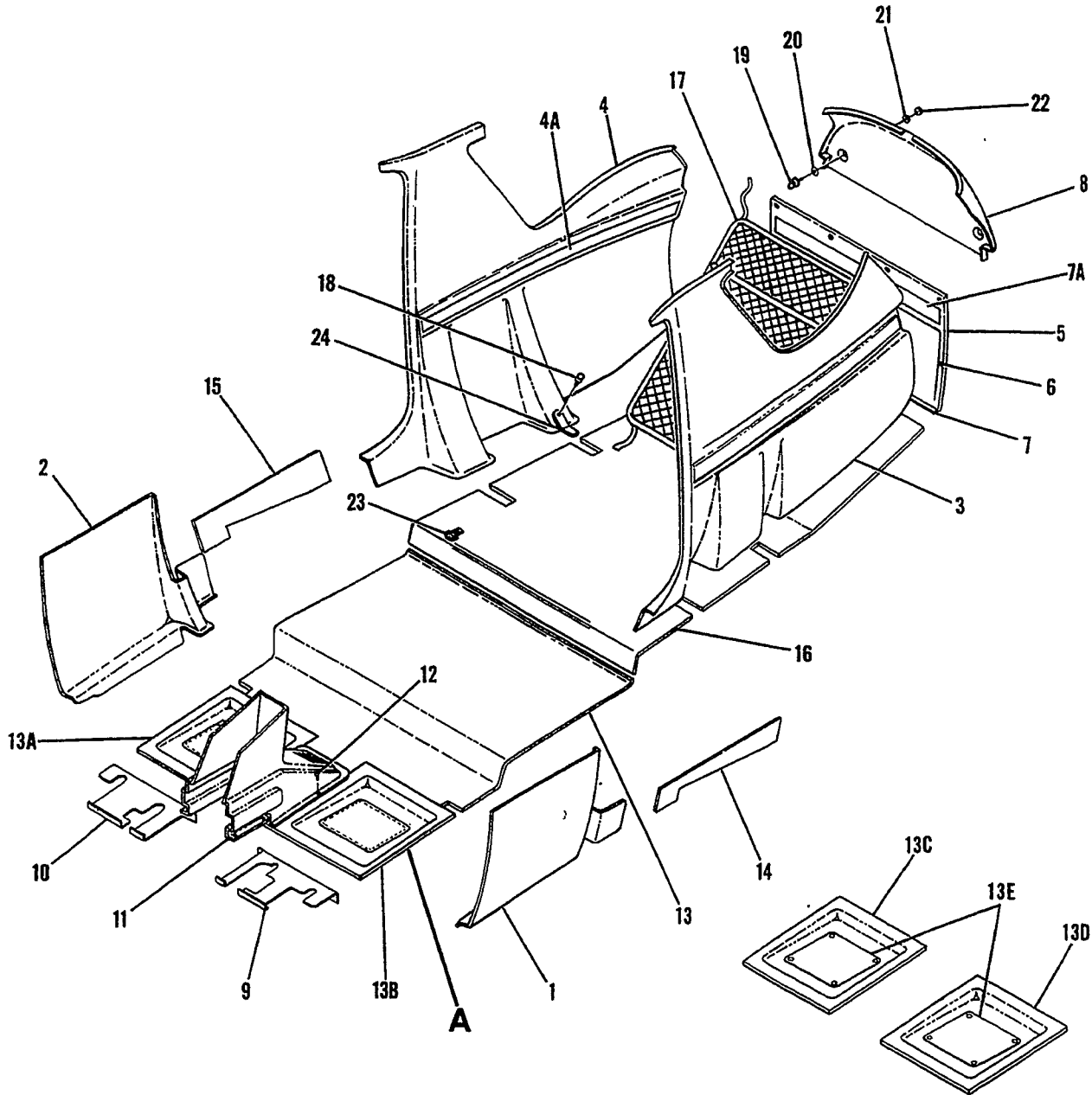
150 SERIAL 15071129 THRU 15075781
F150 SERIAL F15000530 THRU F15001143
A150 SERIAL A1500001 THRU A1500523
FA150 SERIAL FA1500001 THRU FA1500261
Figure 42. Cabin Side Panels & Floorboard Upholstery Installation

150 & A150 Parts Catalog

FIGURE AND INDEX NO.	PART NUMBER	DESCRIPTION							UNITS PER ASSY	USABLE ON CODE
		1	2	3	4	5	6	7		
42 -19A	AN970-3	WASHER -----							2	O
	AN970-4	WASHER -----								
-20	MS21044N3	NUT -----							2	R
	MS21042L4	NUT -----							2	A
-21	0711083-1	LATCH ASSEMBLY-CARGO TIE DOWN -----							2	C
	NAS221-10	SCREW -----							2	
	AN960-10	WASHER -----							2	
		*-----								
-22	0414022-1	RETAINER -----							2	C
<p>NOTE. #THIS PART NUMBER MUST HAVE A SECOND DASH NUMBER ADDED TO DENOTE COLOR. REFER TO HOW TO ORDER UPHOLSTERED PARTS-PAGE VI.</p> <p>NOTE. <THIS PART NUMBER MUST HAVE A SECOND DASH NUMBER ADDED TO DENOTE COLOR. REFER TO HOW TO ORDER INTERIOR PARTS-PAGE VII.</p>										
<p>A---150 SERIAL 15071129 THRU 15075781 F150 SERIAL F15000530 THRU F15001143</p> <p>B---150 SERIAL 15071129 THRU 15072003 A150 SERIAL A1500001 THRU A1500226 FA150 SERIAL FA1500001 THRU FA1500081</p> <p>C---A150 SERIAL A1500001 THRU A1500523 FA150 SERIAL FA1500001 THRU FA1500261</p> <p>D---150 SERIAL 15071129 THRU 15072003 F150 SERIAL F15000530 THRU F15000658</p> <p>E---150 SERIAL 15072004 THRU 15075781 F150 SERIAL F15000659 THRU F15001143</p> <p>F---150 SERIAL 15072004 THRU 15075781 A150 SERIAL A1500227 THRU A1500523 FA150 SERIAL FA1500082 THRU FA1500261</p> <p>G---150 SERIAL 15071129 THRU 15072003 F150 SERIAL F15000530 THRU F15000658 A150 SERIAL A1500001 THRU A1500226 FA150 SERIAL FA1500001 THRU FA1500081</p> <p>H---150 SERIAL 15072004 THRU 15075781 F150 SERIAL F15000659 THRU F15001143 A150 SERIAL A1500227 THRU A1500523 FA150 SERIAL FA1500082 THRU FA1500261</p> <p>J---150 SERIAL 15071129 THRU 15072003 F150 SERIAL F15000530 THRU F15000658 A150 SERIAL A1500001 THRU A1500342 FA150 SERIAL FA1500001 THRU FA1500166</p> <p>K---150 SERIAL 15071129 THRU 15073152 F150 SERIAL F15000530 THRU F15000833 A150 SERIAL A1500001 THRU A1500318 FA150 SERIAL FA1500001 THRU FA1500166</p> <p>L---150 SERIAL 15073153 THRU 15075781 F150 SERIAL F15000834 THRU F15001143 A150 SERIAL A1500319 THRU A1500523 FA150 SERIAL FA1500167 THRU FA1500261</p> <p>M---150 SERIAL 15072004 THRU 15074850 F150 SERIAL F15000659 THRU F15001013 A150 SERIAL A1500343 THRU A1500429 FA150 SERIAL FA1500167 THRU FA1500211</p> <p>N---150 SERIAL 15074851 THRU 15075781 F150 SERIAL F15001014 THRU F15001143 A150 SERIAL A1500430 THRU A1500523 FA150 SERIAL FA1500212 THRU FA1500261</p> <p>P---150 SERIAL 15071129 THRU 15074850 F150 SERIAL F15000530 THRU F15001013</p> <p>Q---150 SERIAL 15074851 THRU 15075781 F150 SERIAL F15001014 THRU F15001143</p> <p>R---A150 SERIAL A1500430 THRU A1500523 FA150 SERIAL FA1500212 THRU FA1500261</p> <p>S---150 SERIAL 15072004 THRU 15075781 F150 SERIAL F1500659 THRU F15001143 A150 SERIAL A1500343 THRU A1500523 FA150 SERIAL FA1500167 THRU FA1500261</p> <p>T---150 SERIAL 15071129 THRU 15075781 F150 SERIAL F15000530 THRU F15001143 A150 SERIAL A1500001 THRU A1500523 FA150 SERIAL FA1500001 THRU FA1500261</p>										

150 & A150 Parts Catalog

Upholstery (Cont)



150 SERIAL 15075782 & ON
F150 SERIAL F15001144 & ON
A150 SERIAL A1500524 & ON
FA150 SERIAL FA1500262 & ON

Figure 42A. Cabin Side Panels & Floorboard Upholstery Installation

150 & A150 Parts Catalog

FIGURE AND INDEX NO.	PART NUMBER		DESCRIPTION	UNITS PER ASSY							USABLE ON CODE
				1	2	3	4	5	6	7	
42A-			UPHOLSTERY INSTALLATION-CABIN SIDE PANELS & FLOORBOARD -----	NP							A
- 1	0415021-9		PANEL ASSY-COWL LH STD 150 ONLY -----	1							B
	0415021-5	#	PANEL ASSY-COWL LH CARPETED -----	1							
- 2	0415021-18		PANEL-COWL RH STD 150 ONLY -----	1							B
	0415021-34	#	PANEL ASSY-COWL RH CARPETED -----	1							
- 3	0414026-29		PANEL-CABIN SIDE LH -----	1							F
	0415017-3		PANEL-CABIN SIDE LH -----	1							F
- 4	0414026-30		PANEL-CABIN SIDE RH -----	1							F
	0415017-4		PANEL-CABIN SIDE RH -----	1							F
- 4A	0415024-2		INSERT-SIDE PANEL WOODGRAIN -----	2							F
- 5	0415021-15		PANEL ASSY-BAGGAGE COMPARTMENT LWR AFT -----	1							F
	0415017-12		PANEL ASSY-BAGGAGE COMPARTMENT LWR AFT -----	1							F
- 6	H323-3-1-1		PLUNGER HWL -----	6							
	H559-3-1		GROMMET HWL -----	6							
- 7	S2092-3		FASTENER-24.0 IN LG BKI -----	1							
- 7A	0415024-1		INSERT-AFT PANEL WOODGRAIN -----	1							F
- 8	0415021-13		PANEL ASSY-BAGGAGE COMPARTMENT UPPER AFT -----	1							
- 9	0411599-5	<	SHIELD-RUDDER BAR LH -----	1							
-10	0411971-1	<	SHIELD-RUDDER BAR RH -----	1							
	0411836-3		SHIELD-RUDDER BAR RH USE WITH RH CONTROLS ONLY -----	1							
	S1021Z8-6		ATTACHING PARTS SCREW -----	9							
-11	0413463-1	<	COVER-CONTROL -----	1							
	S1021Z8-6		ATTACHING PARTS SCREW -----	7							
-13	0415021-2	#	CARPET ASSY-CENTER -----	1							F
-13A	0415021-24	#	CARPET ASSY-FWD RH -----	1							F
-13B	0415021-25	#	CARPET ASSY-FWD LH -----	1							F
-13C	0415021-28	#	CARPET-FWD RH -----	1							F
-13D	0415021-29	#	CARPET-FWD LH -----	1							F
-13E	0415026		SCUFF PLATE -----	2							F
	S1021Z4-8		ATTACHING PARTS SCREW -----	4							F
-14	0415021-23	#	CARPET-SCUFF LH -----	1							
-15	0415021-22	#	CARPET-SCUFF RH -----	1							
-16	0415021-3	#	CARPET ASSY-AFT -----	1							
-17	2015009-2		NET-BAGGAGE -----	1							
-18	1211203-1		ATTACHING PARTS EYEBOLT -----	2							C
-19	1211203-1		EYEBOLT -----	2							C
	0511165		EYEBOLT AEROBAT -----	2							C
-20	AN970-3		WASHER -----	2							C
	AN970-4		WASHER AEROBAT -----	2							C
-21	AN960-10		WASHER -----	2							C
	AN960-416		WASHER AEROBAT -----	2							C
-22	MS21044N3		NUT -----	2							C
	MS21042L4		NUT AEROBAT -----	2							C
-23	0711083-1		LATCH ASSY-CARGO TIE DOWN -----	2							C
	NAS221-10		SCREW -----	2							
	AN960-10		WASHER -----	2							
-24	0414022-1		ATTACHING PARTS RETAINER AEROBAT -----	2							D

NOTE. #THIS PART NUMBER MUST HAVE A SECOND DASH NUMBER ADDED TO DENOTE COLOR. REFER TO HOW TO ORDER UPHOLSTERED PARTS-PAGE VI.

NOTE. <THIS PART NUMBER MUST HAVE A SECOND DASH NUMBER ADDED TO DENOTE COLOR. REFER TO HOW TO ORDER INTERIOR PARTS-PAGE VII.

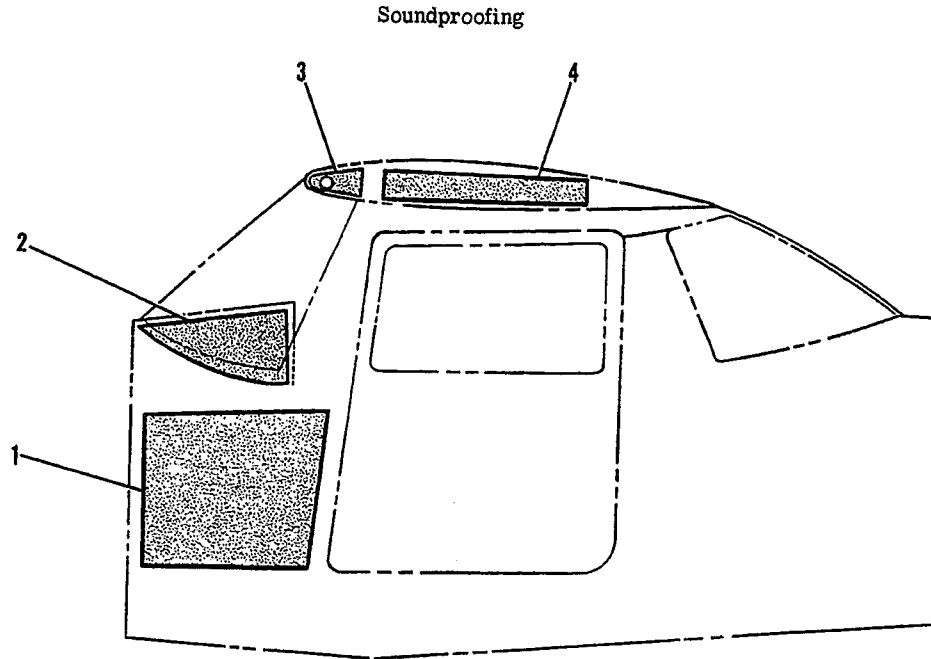
A---150 SERIAL 15075782 & ON
 F150 SERIAL F15001144 & ON
 A150 SERIAL A1500524 & ON
 FA150 SERIAL FA1500262 & ON
 B---150 SERIAL 15075782 THRU 15077005

CONTINUED ON NEXT PAGE

150 & A150 Parts Catalog

FIGURE AND INDEX NO.	PART NUMBER	DESCRIPTION	UNITS PER ASSY	USABLE ON CODE
		1 2 3 4 5 6 7		
42A-		C---150 SERIAL 15075782 & ON F150 SERIAL F15001144 & ON D---A150 SERIAL A1500524 & ON FA150 SERIAL FA1500262 & ON E---150 SERIAL 15075782 THRU 15077005 F150 SERIAL F15001144 THRU F15001248 A150 SERIAL A1500524 THRU A1500609 FA150 SERIAL FA1500262 THRU FA1500311 F---150 SERIAL 15077006 & ON F150 SERIAL F15001249 & ON A150 SERIAL A1500610 & ON FA150 SERIAL FA1500312 & ON		

150 & A150 Parts Catalog



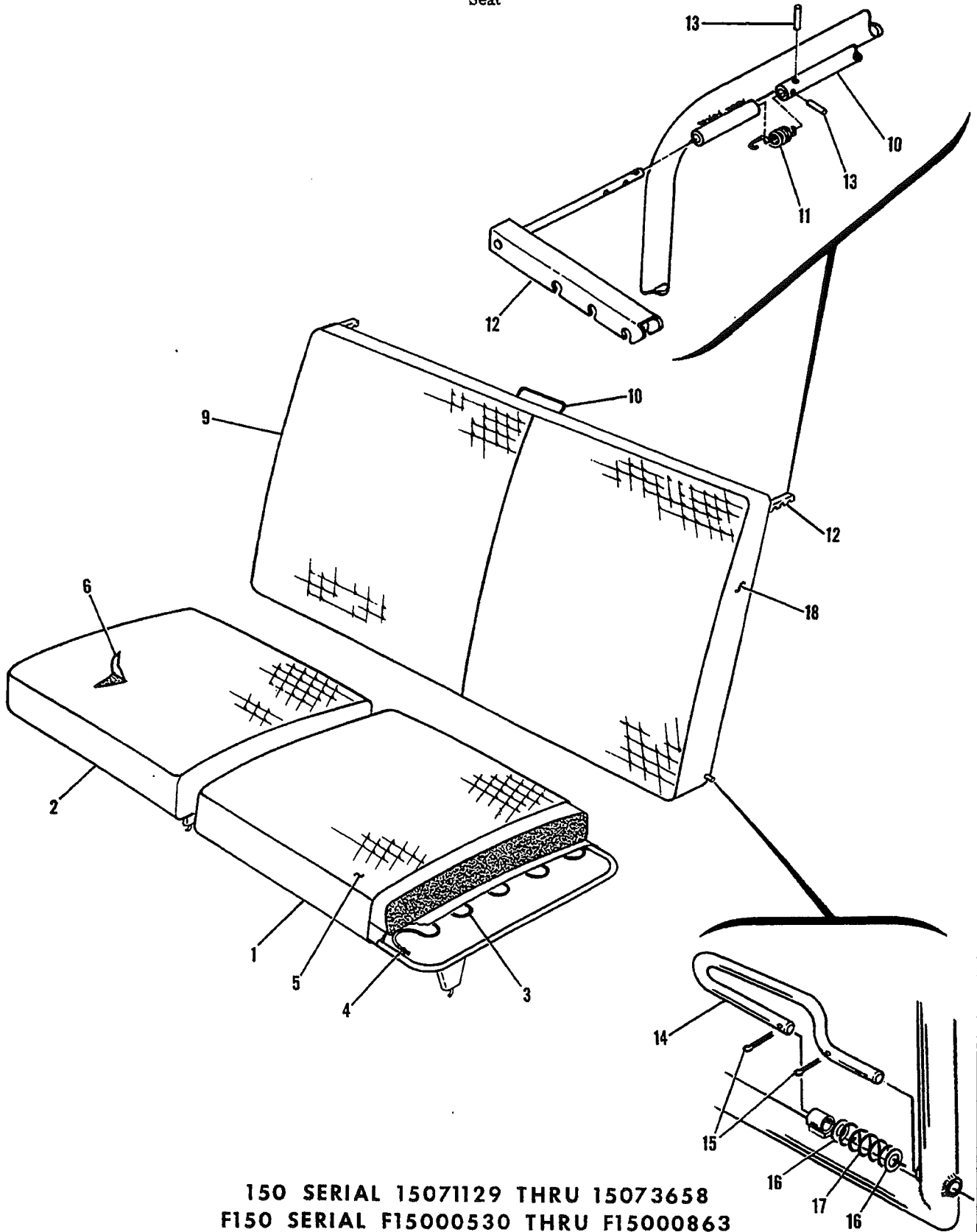
150 SERIAL 15075782 & ON
F150 SERIAL F15001144 & ON
A150 SERIAL A1500524 & ON
FA150 SERIAL FA1500282 & ON

Figure 42B. Soundproofing Installation

FIGURE AND INDEX NO.	PART NUMBER	DESCRIPTION							UNITS PER ASSY	USABLE ON CODE
		1	2	3	4	5	6	7		
42B-		SOUNDPROOFING INSTALLATION -----							NP 2 1 6 6	A
- 1	0415016-2	SOUNDPROOFING-COWL -----								
- 2	0415016-3	SOUNDPROOFING-DECK -----								
- 3	0415016-4	SOUNDPROOFING-WINGROOT LEADING EDGE -----								
- 4	0415016-5	SOUNDPROOFING-WING ROOT -----								
		A---150 SERIAL 15075782 & ON F150 SERIAL F15001144 & ON A150 SERIAL A1500524 & ON FA150 SERIAL FA1500262 & ON								

150 & A150 Parts Catalog

Seat



150 SERIAL 15071129 THRU 15073658
F150 SERIAL F15000530 THRU F15000863

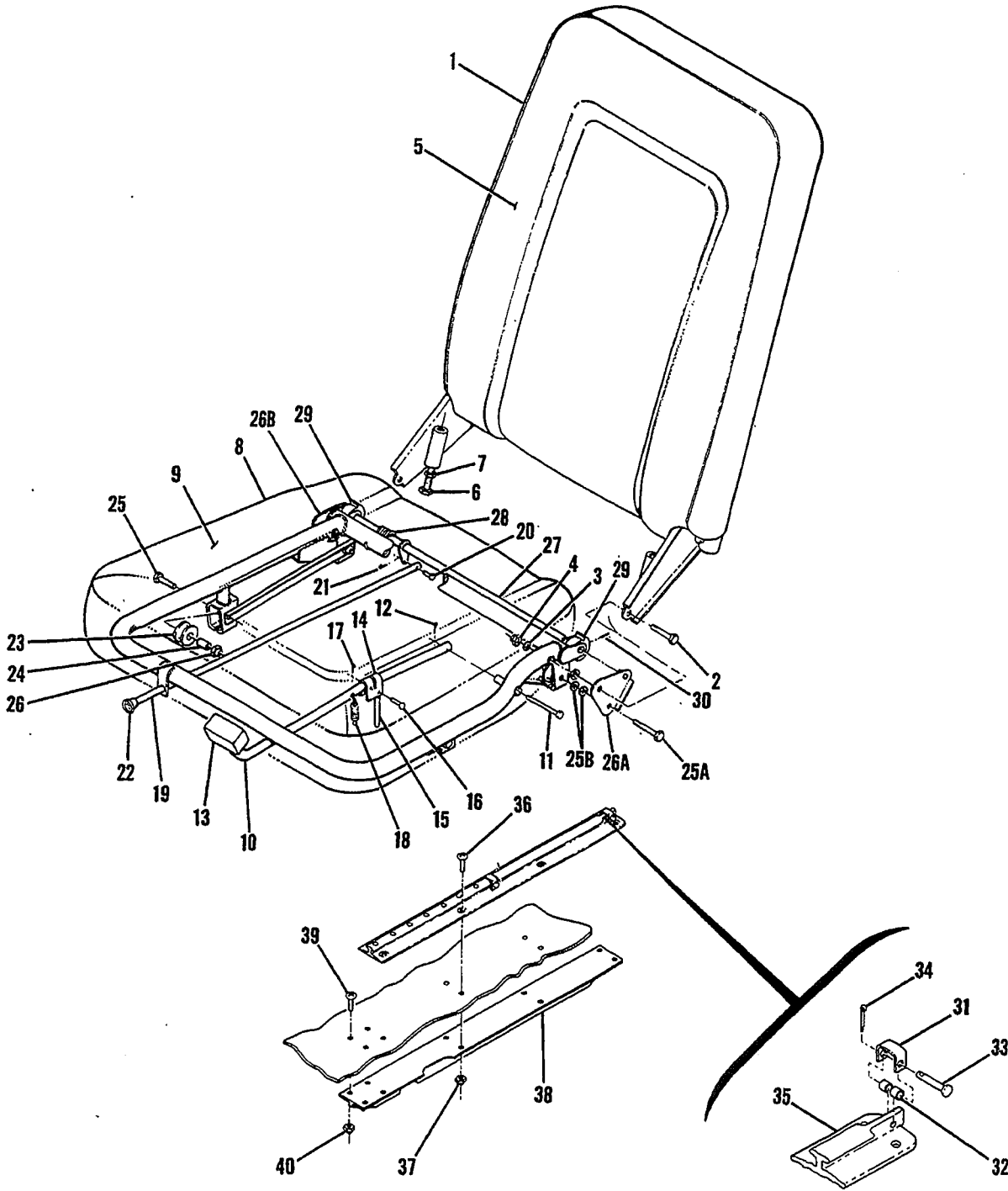
Figure 43. Seat Installation

150 & A150 Parts Catalog

FIGURE AND INDEX NO.	PART NUMBER		DESCRIPTION							UNITS PER ASSY	USABLE ON CODE
			1	2	3	4	5	6	7		
43 -			SEAT INSTALLATION -----							NP	A
- 1	0411205-1	#	CUSHION ASSEMBLY-SEAT BOTTOM LH -----							1	
- 2	0411205-2	#	CUSHION ASSEMBLY-SEAT BOTTOM RH -----							1	
- 3	0411794-7		SPRING -----							3	
- 4	S1146-1		CLIP -----							6	
- 5	0411205-201	#	COVER ASSEMBLY-SEAT BOTTOM LH -----							1	
- 6	0411205-200	#	COVER ASSEMBLY-SEAT BOTTOM RH -----							1	
- 7			DELETED -----								
- 8			DELETED -----								
- 9	0400119-1	#	CUSHION ASSEMBLY-SEAT BACK -----							1	
-10	0411623		LATCH -----							1	
-11	0511049		SPRING-LATCH LH -----							1	
	0511049-1		SPRING-LATCH RH -----							1	
-12	0411935-1		LATCH ASSY-SEAT BACK LH -----							1	
	0411935-2		LATCH ASSY-SEAT BACK RH -----							1	
			ATTACHING PARTS								
-13	NAS561P3-7		ROLL PIN EN -----							2	
			*-----								
-14	0411938-1		PIN -----							1	
			ATTACHING PARTS								
-15	MS24665-132		COTTER PIN -----							2	
-16	AN960-416L		WASHER -----							2	
-17	0411818		SPRING -----							1	
			*-----								
-18	0400119-2	#	COVER ASSEMBLY-SEAT BACK UPHOLSTERY -----							1	
<p>NOTE. #THIS PART NUMBER MUST HAVE A SECOND DASH NUMBER ADDED TO DENOTE COLOR. REFER TO HOW TO ORDER UPHOLSTERED PARTS-PAGE VI.</p> <p>A---150 SERIAL 15071129 THRU 15073658 F150 SERIAL F15000530 THRU F15000863</p>											

150 & A150 Parts Catalog

Seat (Cont)



150 SERIAL 15071129 THRU 15072628
F150 SERIAL F15000530 THRU F15000738

Figure 44. Reclining Seat Installation

150 & A150 Parts Catalog

FIGURE AND INDEX NO.	PART NUMBER	DESCRIPTION							UNITS PER ASSY	USABLE ON CODE
		1	2	3	4	5	6	7		
44 -		RECLINING SEAT INSTALLATION -----							NP	A
	0414007-1	#							1	B
	0414007-2	#							1	B
	0414007-21	#							1	C
	0414007-22	#							1	C
- 1									NP	
									NP	
- 2	AN3-13A								2	B
	AN4-14A								2	C
- 3	AN960-10								2	B
	AN960-416								2	C
- 4	MS21044N3								2	B
	MS21042L4								2	C
- 5	0414007-17	#							1	B
	0414007-18	#							1	B
	0414007-27	#							1	C
	0414007-28	#							1	C
- 6	NAS428H4-12								1	
- 7	AN315-4R								2	
- 8									2	
- 9	0414007-15	#							NP	B
	0414007-20	#							NP	C
	0414007-29	#							1	
	0414007-30	#							1	
-10	0414229-5								1	
-11	MS20392-2C59								1	
-12	MS24665-132								1	
-13	0700106-2								1	
	S1022Z6-8								1	
-14	0311644								1	
	MS24665-283								1	
-15	0411262-1								1	
-16	MS20392-1C15								1	
-17	MS24665-132								1	
-18	0411265-1								1	
-19	0411268-3								1	
-20	MS20392-1C11								1	
-21	MS24665-132								1	
-22	0713303-19								1	
	NAS561CF2-6								1	
-23	0311310								4	
-24	0311586								1	
-25	AN3-11A								1	B
	AN3-11A								1	C
-25A	AN3-13A								1	C
-25B	AN960-10								1	C
-26	MS21044N3								1	C
-26A	0414031-1								1	C
-26B	0414031-2								1	C
-27	0411105-1								1	

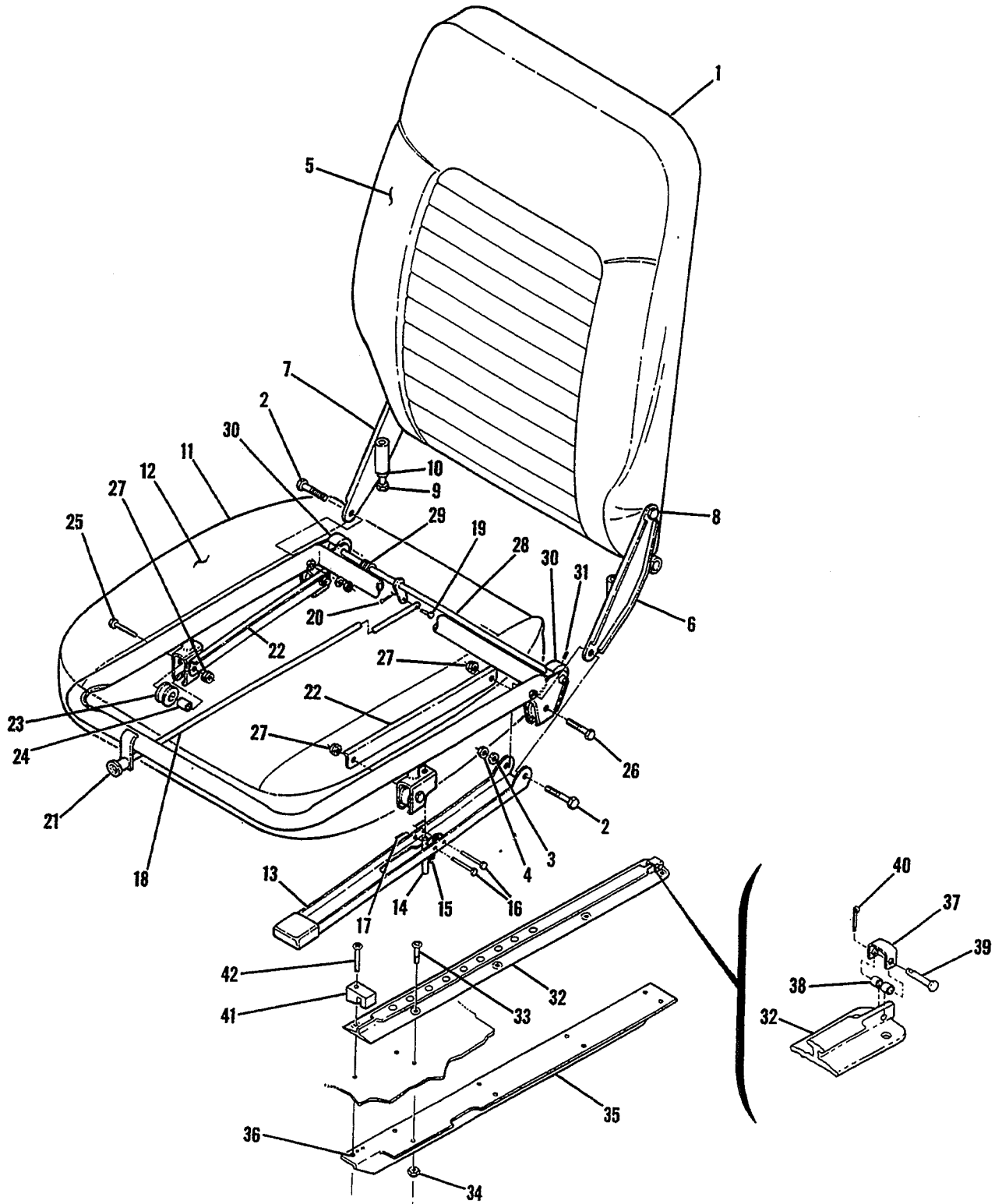
CONTINUED ON NEXT PAGE

150 & A150 Parts Catalog

FIGURE AND INDEX NO.	PART NUMBER	DESCRIPTION	UNITS PER ASSY	USABLE ON CODE
		1 2 3 4 5 6 7		
44 -28	0411266-1	SPRING-RECLINING SEAT -----	1	
-29	0411267-1	CAM-RECLINING SEAT -----	2	
		ATTACHING PARTS -----		
-30	NAS561CF3-14	ROLL PIN -----	1	
		*-----		
-31	0713074-1	STOP-SEAT -----	6	
		ATTACHING PARTS -----		
-32	NAS43DD1-9	SPACER -----	2	
-33	MS20392-1C21	PIN -----	1	
-34	MS24665-132	COTTER PIN -----	1	
		*-----		
-35	0410219-1	SEAT RAIL-OUTBOARD -----	2	
	0410219-2	SEAT RAIL-INBOARD -----	2	
		ATTACHING PARTS -----		
-36	NAS221-8	SCREW -----	8	
-37	MS21044N3	NUT -----	8	
		*-----		
-38	0411546-1	STIFFENER -----	3	
		ATTACHING PARTS -----		
-39	NAS221-8	SCREW -----	2	
-40	MS21044N3	NUT -----	2	
		*-----		
<p>NOTE. #THIS PART NUMBER MUST HAVE A SECOND DASH NUMBER ADDED TO DENOTE COLOR. REFER TO HOW TO ORDER UPHOLSTERED PARTS-PAGE VI.</p> <p>A---150 SERIAL 15071129 THRU 15072628 F150 SERIAL F15000530 THRU F15000738 B---150 SERIAL 15071129 THRU 15072003 F150 SERIAL F15000530 THRU F15000658 C---150 SERIAL 15072004 THRU 15072628 F150 SERIAL F15000659 THRU F15000738</p>				

150 & A150 Parts Catalog

Seat (Cont)



150 SERIAL 15072629 THRU 15073658
F150 SERIAL F15000739 THRU F15000863

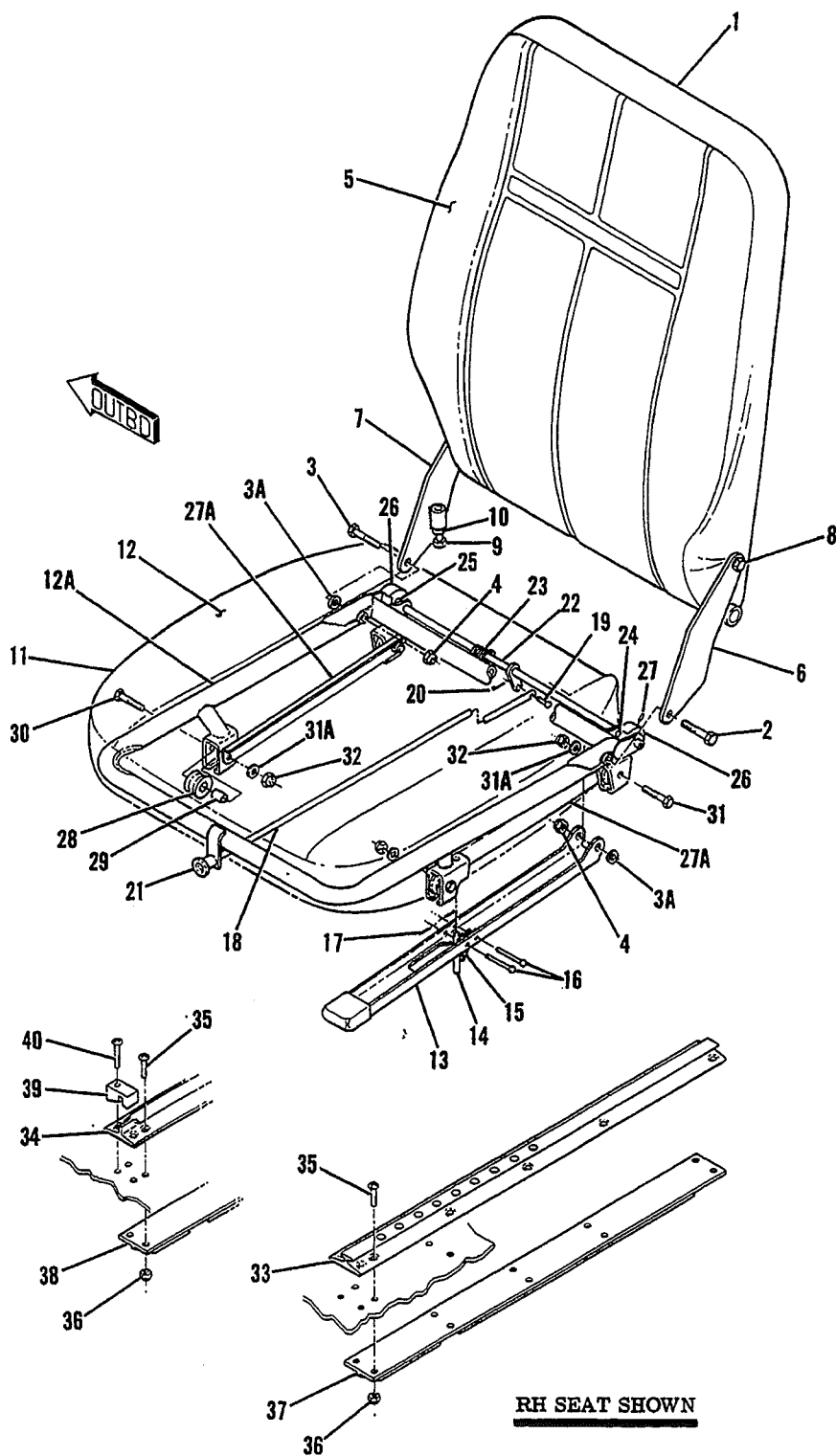
Figure 44A. Reclining Seat Installation

150 & A150 Parts Catalog

FIGURE AND INDEX NO.	PART NUMBER		DESCRIPTION							UNITS PER ASSY	USABLE ON CODE
			1	2	3	4	5	6	7		
44A-			RECLINING SEAT INSTALLATION -----							NP	A
- 1	0414033-1	#	SEAT ASSEMBLY-RECLINING -----							2	
			SEAT BACK ASSEMBLY-UPHOLSTERED -----							NP	
			ATTACHING PARTS -----								
- 2	AN4-14A		BOLT -----							2	
- 3	AN960-416L		WASHER -----							1	
- 4	MS21042L4		NUT -----							2	B
			*-----								
- 5	0414033-7	#	COVER ASSEMBLY-SEAT BACK -----							1	
- 6	0414038-1		HINGE ASSEMBLY-LH -----							1	
- 7	0414038-2		HINGE ASSEMBLY-RH -----							1	
			ATTACHING PARTS -----								
- 8	AN4-14A		BOLT -----							1	
	AN960-416		WASHER -----							1	
	MS21042L4		NUT -----							1	
			*-----								
- 9	NAS428-4-6		BOLT-SEAT STOP -----							2	
-10	AN315-4R		NUT-SEAT STOP -----							2	
-11			SEAT BOTTOM ASSEMBLY-UPHOLSTERED -----							NP	
-12	0414033-3	#	COVER ASSEMBLY-SEAT BOTTOM -----							1	
-13	0414035-10		LEVER ASSEMBLY-SEAT LATCH -----							1	
-14	0414035-6		PIN-SEAT LATCH -----							1	
-15	0411265-2		SPRING-SEAT LATCH -----							1	
-16	MS20392-1C39		PIN -----							2	
-17	MS24665-132		COTTER PIN -----							2	
-18	0411268-3		HANDLE ASSEMBLY-RECLINING SEAT -----							1	
			ATTACHING PARTS -----								
-19	MS20392-1C11		PIN -----							1	
-20	MS24665-132		COTTER PIN -----							1	
			*-----								
-21	0713303-19		KNOB-RECLINING SEAT -----							1	
			ATTACHING PARTS -----								
	NAS561CF2-6		ROLL PIN -----							1	
			*-----								
-22	0414025-1		BRACE -----							2	
-23	0311310		ROLLER -----							4	
			ATTACHING PARTS -----								
-24	0311586		BUSHING -----							1	
-25	AN3-11A		BOLT FWD ROLLERS ONLY -----							1	
-26	AN3-13A		BOLT AFT ROLLERS ONLY -----							1	
-27	MS21044N3		NUT -----							1	
			*-----								
-28	0414035-15		SHAFT ASSEMBLY-RECLINING SEAT -----							1	
-29	0411266-1		SPRING-RECLINING SEAT -----							1	
-30	0411267-1		CAM-RECLINING SEAT -----							2	
			ATTACHING PARTS -----								
-31	NAS561CF3-14		ROLL PIN -----							1	
			*-----								
-32	0410230-3		SEAT RAIL-LH OUTBOARD & RH INBOARD -----							2	
	0410230-2		SEAT RAIL-RH OUTBOARD & LH INBOARD -----							2	
			ATTACHING PARTS -----								
-33	NAS221-8		SCREW -----							9	
-34	MS21044N3		NUT -----							9	
			*-----								
-35	0410230-4		STIFFENER ASSEMBLY -----							3	
-36	NAS682A3		NUTPLATE -----							1	
-37	0713074-1		SEAT STOP -----							4	
			ATTACHING PARTS -----								
-38	NAS43DD1-9		SPACER -----							2	
-39	MS20392-1C21		PIN -----							1	
-40	MS24665-132		COTTER PIN -----							1	
			*-----								
-41	0410232-1		SEAT STOP -----							2	
			ATTACHING PARTS -----								
-42	NAS221-17		SCREW -----							1	
			*-----								
<p>NOTE. #THIS PART NUMBER MUST HAVE A SECOND DASH NUMBER ADDED TO DENOTE COLOR. REFER TO HOW TO ORDER UPHOLSTERED PARTS-PAGE VI.</p> <p>A---150 SERIAL 15072629 THRU 15073658 F150 SERIAL F15000739 THRU F15000863 B---150 SERIAL 15072629 THRU 15072889 F150 SERIAL F15000739 THRU F15000863</p>											

150 & A150 Parts Catalog

Seat (Cont)



150 SERIAL 15073659 THRU 15075781
F150 SERIAL F15000864 THRU F15001143

Figure 44B. Reclining Seat Installation

150 & A150 Parts Catalog

FIGURE AND INDEX NO.	PART NUMBER	DESCRIPTION							UNITS PER ASSY	USABLE ON CODE
		1	2	3	4	5	6	7		
44B-		RECLINING SEAT INSTALLATION -----							NP	A
	0414041-1	#	SEAT ASSEMBLY-RECLINING LH					WITH CLOUD GRAY INSERTS	1	B
	0414041-2	#	SEAT ASSEMBLY-RECLINING RH					WITH CLOUD GRAY INSERTS	1	C
	0414041-11	#	SEAT ASSEMBLY-RECLINING LH					SOLID COLOR OVERALL	1	D
	0414041-12	#	SEAT ASSEMBLY-RECLINING RH					SOLID COLOR OVERALL	1	E
	0415007-1	#	SEAT ASSEMBLY-RECLINING LH					WITH CLOUD GRAY INSERTS	1	
	0415007-2	#	SEAT ASSEMBLY-RECLINING RH					WITH CLOUD GRAY INSERTS	1	
	0415009-1	#	SEAT ASSEMBLY-RECLINING LH					SOLID COLOR OVERALL	1	
	0415009-2	#	SEAT ASSEMBLY-RECLINING RH					SOLID COLOR OVERALL	1	
- 1			SEAT BACK ASSEMBLY-UPHOLSTERED						NP	
			ATTACHING PARTS							
- 2	AN4-15A		BOLT INBD						1	
- 3	AN4-14A		BOLT OUTBD						1	
- 3A	AN960-416L		WASHER						2	
- 4	MS21042L4		NUT						2	
			*-----							
- 5	0414041-7	#	COVER ASSEMBLY-SEAT BACK					WITH CLOUD GRAY INSERT	1	B
	0414041-15	#	COVER ASSEMBLY-SEAT BACK					SOLID COLOR OVERALL	1	C
	0415007-12	#	COVER ASSEMBLY-SEAT BACK					WITH CLOUD GRAY INSERT	1	D
	0415009-5	#	COVER ASSEMBLY-SEAT BACK					SOLID COLOR OVERALL	1	E
			ATTACHING PARTS							
	S1021A4-6		SCREW						4	
	AN960-4L		WASHER						4	
			*-----							
- 6	0414039-1		HINGE ASSEMBLY-LH						1	
- 7	0414039-2		HINGE ASSEMBLY-RH						1	
			ATTACHING PARTS							
- 8	AN4-14A		BOLT						1	
	AN960-416		WASHER						1	
	MS21042L4		NUT						1	
			*-----							
- 9	NAS428-4-6		BOLT-SEAT STOP						2	
-10	AN315-4R		NUT-SEAT STOP						2	
			SEAT BOTTOM ASSEMBLY-UPHOLSTERED							
-11			COVER ASSEMBLY-SEAT BOTTOM					WITH CLOUD GRAY INSERT	NP	
-12	0414041-3	#	COVER ASSEMBLY-SEAT BOTTOM					SOLID COLOR OVERALL	1	B
	0414041-9	#	COVER ASSEMBLY-SEAT BOTTOM					WITH CLOUD GRAY INSERT	1	C
	0415007-13	#	COVER ASSEMBLY-SEAT BOTTOM					SOLID COLOR OVERALL	1	D
	0415009-6	#	COVER ASSEMBLY-SEAT BOTTOM					WITH CLOUD GRAY INSERT	1	E
-12A	0414040-6		FRAME ASSY-WELDED SEAT BOTTOM RH						1	
	0414040-5		FRAME ASSY-WELDED SEAT BOTTOM LH						1	
	0414041-4		DIAPHRAGM-SEAT BOTTOM						1	
-13	0414040-11		LEVER ASSEMBLY-SEAT LATCH						1	
-14	0414035-6		PIN-SEAT LATCH						1	
-15	0411265-2		SPRING-SEAT LATCH						1	
-16	MS20392-1C35		PIN						2	
-17	MS24665-132		COTTER PIN						2	
-18	0411268-3		HANDLE ASSEMBLY-RECLINING SEAT						1	
			ATTACHING PARTS							
-19	MS20392-1C11		PIN						1	
-20	MS24665-132		COTTER PIN						1	
			*-----							
-21	0713303-19		KNOB-RECLINING SEAT						1	
			ATTACHING PARTS							
	NAS561CF2-6		ROLL PIN						1	
			*-----							
-22	0414040-15		SHAFT ASSEMBLY-RECLINING SEAT						1	
-23	0411266-1		SPRING						1	
-24	NAS43HT5-14		SPACER INBD						1	
-25	NAS43HT5-24		SPACER OUTBD						1	
-26	0411267-1		CAM-RECLINING SEAT						2	
			ATTACHING PARTS							
-27	NAS561C3-14		ROLL PIN						1	
			*-----							
-27A	0414066-1		BRACE						2	
-28	0311310		ROLLER						4	
			ATTACHING PARTS							
-29	0311586		BUSHING						1	
-30	AN3-11A		BOLT FWD ROLLERS					USED WITHOUT 0414066-1 BRACE	1	
	AN3-12A		BOLT FWD ROLLERS					USED WITH 0414066-1 BRACE	1	
-31	AN3-12A		BOLT AFT ROLLERS					USED WITHOUT 0414066-1 BRACE	1	
	AN3-13A		BOLT AFT ROLLERS					USED WITH 0414066-1 BRACE	1	
-31A	AN960-10		WASHER					USED WITH 0414066-1 BRACE	1	
-32	MS21044N3		NUT						1	
			*-----							

CONTINUED ON NEXT PAGE

150 & A150 Parts Catalog

FIGURE AND INDEX NO.	PART NUMBER	DESCRIPTION	UNITS PER ASSY	USABLE ON CODE
		1 2 3 4 5 6 7		
44B-33	0410235-3	SEAT RAIL-INBD WEU 0410235-6 -----	2	
	0410235-6	SEAT RAIL-INBD -----	2	
-34	0410235-2	SEAT RAIL-RH OUTBD -----	1	
	0410235-1	SEAT RAIL-LH OUTBD -----	1	
		ATTACHING PARTS		
-35	NAS221-8	SCREW -----	10	
-36	MS21044N3	NUT -----	10	
		---*---		
-37	0410236-2	STIFFENER RH INBD ONLY -----	1	
-38	0410236-1	STIFFENER OUTBD -----	2	
-39	0410232-1	SEAT STOP OUTBD RAIL ONLY -----	2	
		ATTACHING PARTS		
-40	NAS221-17	SCREW -----	1	
		---*---		
<p>NOTE. #THIS PART NUMBER MUST HAVE A SECOND DASH NUMBER ADDED TO DENOTE COLOR. REFER TO HOW TO ORDER UPHOLSTERED PARTS-PAGE VI.</p> <p>A---150 SERIAL 15073659 THRU 15075781 F150 SERIAL F15000864 THRU F15001143 B---150 SERIAL 15073659 THRU 15074850 F150 SERIAL F15000864 THRU F15001013 C---150 SERIAL 15073659 THRU 15074850 D---150 SERIAL 15074851 THRU 15075781 F150 SERIAL F15001014 THRU F15001143 E---150 SERIAL 15074851 THRU 15075781</p>				

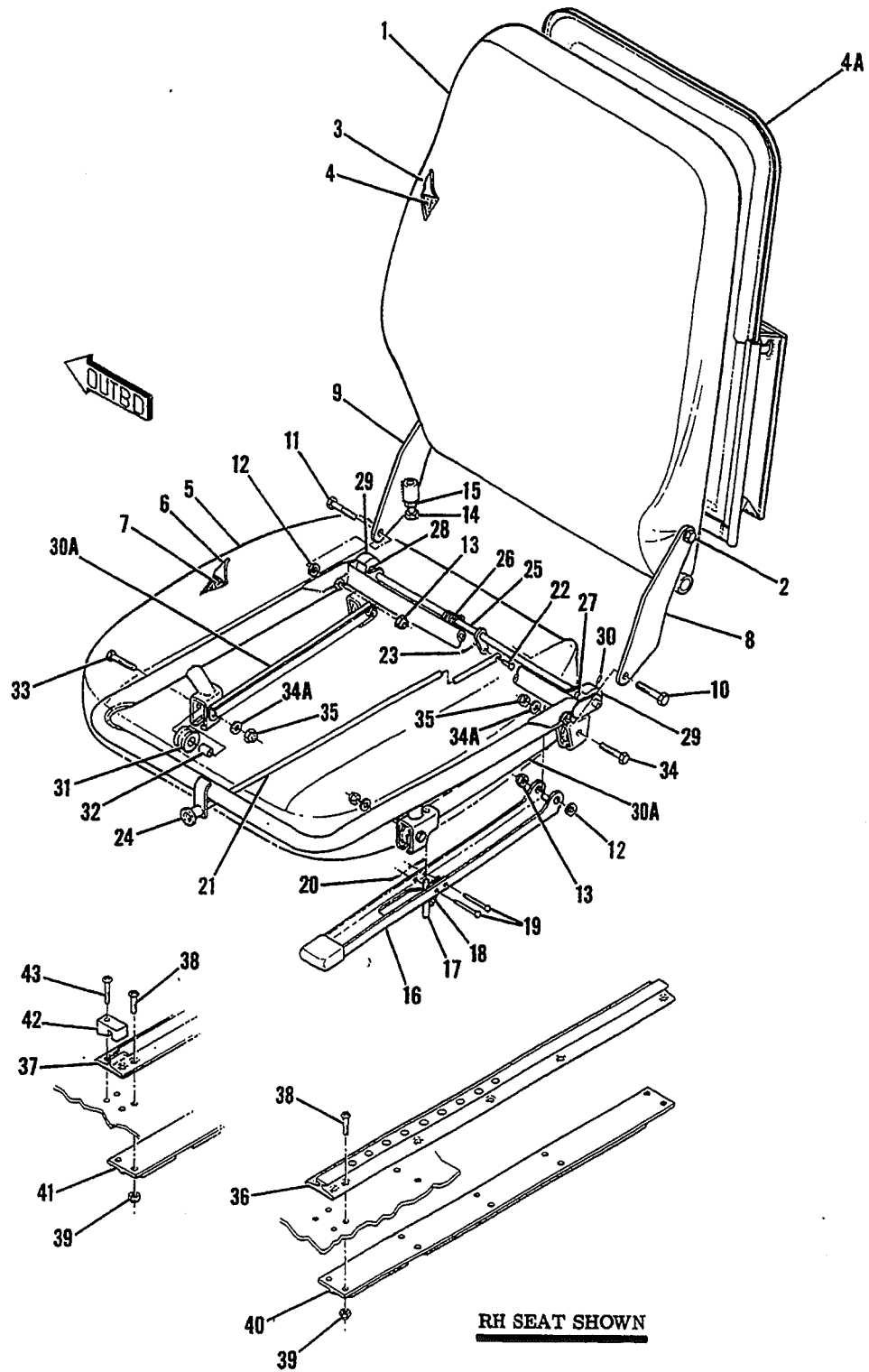
150 & A150 Parts Catalog

FIGURE AND INDEX NO.	PART NUMBER		DESCRIPTION							UNITS PER ASSY	USABLE ON CODE
			1	2	3	4	5	6	7		
44C-			RECLINING SEAT INSTALLATION -----							NP	A
	0414048-2	#	SEAT ASSY-RECLINING RH WITH EMBOSSED VINYL INSERT -----							1	C
	0414048-1	#	SEAT ASSY-RECLINING LH WITH EMBOSSED VINYL INSERT -----							1	C
	0414060-2	#	SEAT ASSY-RECLINING RH WITH EMBOSSED VINYL INSERT -----							1	D
	0414060-1	#	SEAT ASSY-RECLINING LH WITH EMBOSSED VINYL INSERT -----							1	D
	0414050-2	#	SEAT ASSY-RECLINING RH PLAIN PERFORATED VINYL OVERALL ---							1	B
	0414050-1	#	SEAT ASSY-RECLINING LH PLAIN PERFORATED VINYL OVERALL ---							1	B
- 1	0414048-3	#	SEAT BACK ASSY WITH EMBOSSED VINYL INSERT -----							1	C
	0414060-5	#	SEAT BACK ASSY WITH EMBOSSED VINYL INSERT -----							1	D
	0414050-5	#	SEAT BACK ASSY PLAIN PERFORATED VINYL OVERALL -----							1	B
			ATTACHING PARTS								
- 2	AN4-14A		BOLT -----							2	
	AN960-416		WASHER UNDER BOLT HEAD -----							2	
	MS21042L4		NUT -----							2	
			-----*								
- 3	0414048-11	#	COVER ASSY-SEAT BACK WITH EMBOSSED VINYL INSERT -----							1	C
	0414060-6	#	COVER ASSY-SEAT BACK WITH EMBOSSED VINYL INSERT -----							1	D
	0415009-5	#	COVER ASSY-SEAT BACK PLAIN PERFORATED VINYL OVERALL -							1	B
			ATTACHING PARTS								
	S1021A4-6		SCREW -----							4	
	AN960-4L		WASHER -----							4	
			-----*								
- 4	0414048-8		CUSHION ASSY USED WITH 0414048-11 COVER -----							1	C
	0414060-9		CUSHION ASSY -----							1	D
	0415007-17		CUSHION ASSY USED WITH 0415009-5 COVER -----							1	B
- 4A	0414063-1	#	TRIM ASSY-SEAT BACK -----							1	D
			ATTACHING PARTS								
	S1021A4-6		SCREW -----							6	D
	S1023A6-6		SCREW -----							4	D
	S2255-1		WASHER -----							4	D
			-----*								
- 5	0414048-6	#	SEAT BOTTOM ASSY-RH WITH EMBOSSED VINYL INSERT -----							1	C
	0414048-7	#	SEAT BOTTOM ASSY-LH WITH EMBOSSED VINYL INSERT -----							1	C
	0414060-4	#	SEAT BOTTOM ASSY-RH WITH EMBOSSED VINYL INSERT -----							1	D
	0414060-3	#	SEAT BOTTOM ASSY-LH WITH EMBOSSED VINYL INSERT -----							1	D
	0414050-4	#	SEAT BOTTOM ASSY-RH PLAIN PERFORATED VINYL OVERALL -----							1	B
	0414050-3	#	SEAT BOTTOM ASSY-LH PLAIN PERFORATED VINYL OVERALL -----							1	B
- 6	0414048-13	#	COVER ASSY-SEAT BOTTOM WITH EMBOSSED VINYL INSERT ---							1	C
	0414060-7	#	COVER ASSY-SEAT BOTTOM WITH EMBOSSED VINYL INSERT ---							1	D
	0415009-6	#	COVER ASSY-SEAT BOTTOM PLAIN PERFORATED VINYL OVERALL -							1	B
- 7	0414048-4		CUSHION ASSY USED WITH 0414048-13 & 0414060-7 COVERS							1	
	0415007-18		CUSHION ASSY USED WITH 0415009-6 COVER -----							1	B
- 8	0414039-1		HINGE ASSY-LH -----							1	
- 9	0414039-2		HINGE ASSY-RH -----							1	
			ATTACHING PARTS								
-10	AN4-15A		BOLT INBD -----							1	
-11	AN4-14A		BOLT OUTBD -----							1	
-12	AN960-416L		WASHER -----							1	
-13	MS21042L4		NUT -----							1	
			-----*								

CONTINUED ON NEXT PAGE

150 & A150 Parts Catalog

Seat (Cont)



150 SERIAL 15075782 & ON
F150 SERIAL F15001144 & ON

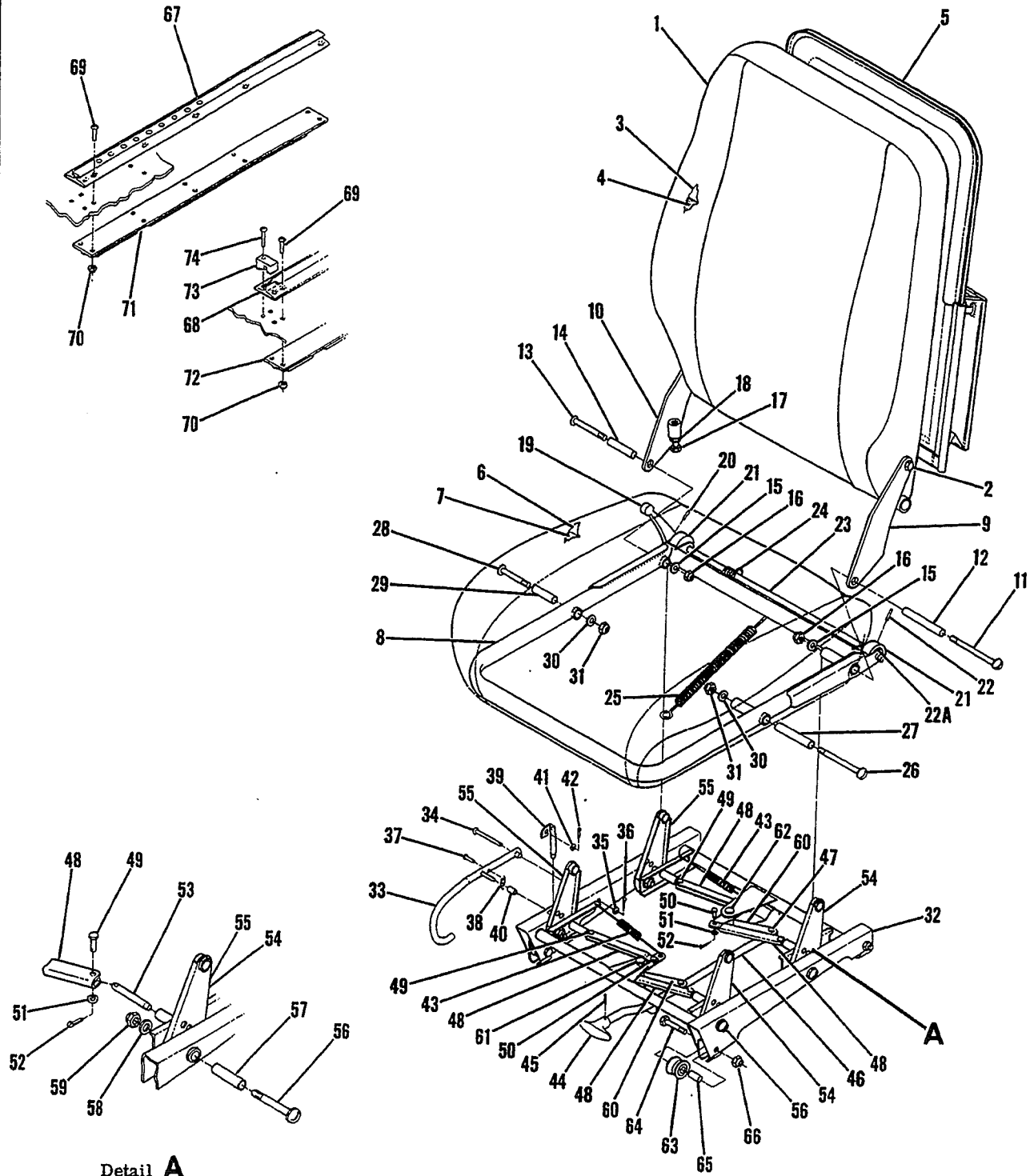
Figure 44C. Reclining Seat Installation

150 & A150 Parts Catalog

FIGURE AND INDEX NO.	PART NUMBER	DESCRIPTION							UNITS PER ASSY	USABLE ON CODE
		1	2	3	4	5	6	7		
44C-14	NAS428-4-6	BOLT	SEAT STOP	-----	-----	-----	-----	-----	2	F I F
-15	AN315-4R	NUT	SEAT STOP	-----	-----	-----	-----	-----	2	
-16	0414040-11	LEVER ASSY-SEAT LATCH	-----	-----	-----	-----	-----	-----	1	
-17	0414035-6	PIN-SEAT LATCH	-----	-----	-----	-----	-----	-----	1	
-18	0411265-2	SPRING-SEAT LATCH	-----	-----	-----	-----	-----	-----	1	
-19	MS20392-1C35	PIN	-----	-----	-----	-----	-----	-----	2	
-20	MS24665-132	COTTER PIN	-----	-----	-----	-----	-----	-----	2	
-21	0411268-3	HANDLE ASSY-RECLINING SEAT	-----	-----	-----	-----	-----	-----	1	
		ATTACHING PARTS	-----	-----	-----	-----	-----	-----		
-22	MS20392-1C11	PIN	-----	-----	-----	-----	-----	-----	1	
-23	MS24665-132	COTTER PIN	-----	-----	-----	-----	-----	-----	1	
		*-----	-----	-----	-----	-----	-----	-----		
-24	0713303-19	KNOB-HANDLE	-----	-----	-----	-----	-----	-----	1	
		ATTACHING PARTS	-----	-----	-----	-----	-----	-----		
	NAS561CF2-6	ROLL PIN	-----	-----	-----	-----	-----	-----	1	
		*-----	-----	-----	-----	-----	-----	-----		
-25	0414040-15	SHAFT ASSY-RECLINING SEAT	-----	-----	-----	-----	-----	-----	1	
-26	0411266-1	SPRING	-----	-----	-----	-----	-----	-----	1	
-27	NAS43HT5-14	SPACER INBD	-----	-----	-----	-----	-----	-----	1	
-28	NAS43HT5-24	SPACER OUTBD	-----	-----	-----	-----	-----	-----	1	
-29	0411267-1	CAM-RECLINING SEAT	-----	-----	-----	-----	-----	-----	2	
		ATTACHING PARTS	-----	-----	-----	-----	-----	-----		
-30	NAS561C3-14	ROLL PIN	-----	-----	-----	-----	-----	-----	1	
		*-----	-----	-----	-----	-----	-----	-----		
-30A	0414066-1	BRACE	-----	-----	-----	-----	-----	-----	2	
-31	0311310	ROLLER	-----	-----	-----	-----	-----	-----	4	
		ATTACHING PARTS	-----	-----	-----	-----	-----	-----		
-32	0311586	BUSHING	-----	-----	-----	-----	-----	-----	1	
-33	AN3-11A	BOLT FWD ROLLERS	USED WITHOUT 0414066-1 BRACE	-----	-----	-----	-----	-----	1	
	AN3-12A	BOLT FWD ROLLERS	USED WITH 0414066-1 BRACE	-----	-----	-----	-----	-----	1	
-34	AN3-12A	BOLT AFT ROLLERS	USED WITHOUT 0414066-1 BRACE	-----	-----	-----	-----	-----	1	
	AN3-13A	BOLT AFT ROLLERS	USED WITH 0414066-1 BRACE	-----	-----	-----	-----	-----	1	
-34A	AN960-10	WASHER	USED WITH 0414066-1 BRACE	-----	-----	-----	-----	-----	1	
-35	MS21044N3	NUT	-----	-----	-----	-----	-----	-----	1	
		*-----	-----	-----	-----	-----	-----	-----		
-36	0410235-3	SEAT RAIL-INBD	WEU 0410235-6	-----	-----	-----	-----	-----	2	
	0410235-6	SEAT RAIL-INBD	-----	-----	-----	-----	-----	-----	2	
-37	0410235-2	SEAT RAIL-RH OUTBD	-----	-----	-----	-----	-----	-----	1	
	0410235-1	SEAT RAIL-LH OUTBD	-----	-----	-----	-----	-----	-----	1	
		ATTACHING PARTS	-----	-----	-----	-----	-----	-----		
-38	NAS221-8	SCREW	-----	-----	-----	-----	-----	-----	10	
-39	MS21044N3	NUT	-----	-----	-----	-----	-----	-----	10	
		*-----	-----	-----	-----	-----	-----	-----		
-40	0410236-2	STIFFENER RH INBD ONLY	-----	-----	-----	-----	-----	-----	1	
-41	0410236-1	STIFFENER OUTBD	-----	-----	-----	-----	-----	-----	2	
-42	0410232-1	SEAT STOP OUTBD RAIL ONLY	-----	-----	-----	-----	-----	-----	2	
		ATTACHING PARTS	-----	-----	-----	-----	-----	-----		
-43	NAS221-17	SCREW	-----	-----	-----	-----	-----	-----	1	
		*-----	-----	-----	-----	-----	-----	-----		
<p>NOTE. #THIS PART NUMBER MUST HAVE A SECOND DASH NUMBER ADDED TO DENOTE COLOR. REFER TO HOW TO ORDER UPHOLSTERED PARTS-PAGE VI.</p> <p>A---150 SERIAL 15075782 & ON F150 SERIAL F15001144 & ON B---150 SERIAL 15075782 THRU 15077005 C---150 SERIAL 15075782 THRU 15077005 F150 SERIAL F15001144 THRU F15001248 D---150 SERIAL 15077006 & ON F150 SERIAL F15001249 & ON E---150 SERIAL 15075782 THRU 15077641 F150 SERIAL F15001144 THRU F15001323 F---150 SERIAL 15077642 & ON F150 SERIAL F15001324 & ON</p>										

150 & A150 Parts Catalog

Seat (Cont)



150 SERIAL 15077006 & ON
F150 SERIAL F15001249 & ON
Figure 44D. Vertical Adjustable Seat Installation

150 & A150 Parts Catalog

FIGURE AND INDEX NO.	PART NUMBER	DESCRIPTION							UNITS PER ASSY	USABLE ON CODE
		1	2	3	4	5	6	7		
44D-		VERTICAL ADJUSTABLE SEAT INSTALLATION -----							NP	A
	0414056-1 #	SEAT ASSY-VERTICAL ADJUSTABLE LH -----							1	
	0414056-2 #	SEAT ASSY-VERTICAL ADJUSTABLE RH -----							1	
- 1	0414060-5 #	SEAT BACK ASSY-UPHOLSTERED -----							1	
		ATTACHING PARTS -----								
- 2	AN4-14A	BOLT -----							2	
	AN960-416	WASHER UNDER BOLT HEAD -----							2	
	MS21042L4	NUT -----							2	
		*-----								
- 3	0414060-6 #	COVER ASSY-SEAT BACK -----							1	
- 4	0414060-9 #	CUSHION ASSY-SEAT BACK -----							1	
- 5	0414063-1 #	TRIM ASSY-SEAT BACK -----							1	
		ATTACHING PARTS -----								
	S1021A4-6	SCREW -----							6	
	S1021A6-6	SCREW -----							4	
	S2255-1	WASHER -----							4	
		*-----								
	0414056-3 #	SEAT BOTTOM ASSY-UPHOLSTERED LH -----							1	
	0414056-4 #	SEAT BOTTOM ASSY-UPHOLSTERED RH -----							1	
- 6	0414060-7 #	COVER ASSY-SEAT BOTTOM -----							1	
- 7	0414048-4	CUSHION ASSY-SEAT BOTTOM -----							1	
	0414041-4	DIAPHRAGM-SEAT BOTTOM -----							1	
	0414065-1	SCUFF PLATE-DIAPHRAGM -----							2	
- 8	0414053-1	FRAME ASSY-LH -----							1	
	0414053-2	FRAME ASSY-RH -----							1	
- 9	0414039-5	HINGE ASSY-LH -----							1	
-10	0414039-6	HINGE ASSY-RH -----							1	
		ATTACHING PARTS -----								
-11	AN24-48A	BOLT OUTBD -----							1	
-12	0414054-22	SPACER OUTBD -----							1	
-13	AN24-32A	BOLT INBD -----							1	
-14	0414054-20	SPACER INBD -----							1	
-15	AN960-416	WASHER -----							1	
-16	MS21044N4	NUT -----							1	
		*-----								
-17	NAS428-4-6	BOLT-SEAT STOP -----							2	
-18	AN315-4R	NUT-SEAT STOP -----							2	
-19	0710312-3	HANDLE-RECLINING SEAT -----							1	
		ATTACHING PARTS -----								
-20	NAS561C3-10	ROLL PIN -----							1	
		*-----								
-21	0411267-1	CAM-RECLINING SEAT -----							2	
		ATTACHING PARTS -----								
-22	NAS561C3-14	ROLL PIN -----							1	
		*-----								
-22A	AN960-516	WASHER -----							4	
-23	0414054-24	SHAFT-RECLINING SEAT-LH -----							1	
	0414054-35	SHAFT-RECLINING SEAT-RH -----							1	
-24	0411266-1	SPRING-RECLINING SEAT -----							1	
-25	0414061-1	SPRING-VERTICAL SEAT ADJUST -----							1	
-26	AN24-44A	BOLT OUTBD -----							1	
-27	0414054-21	SPACER OUTBD -----							1	
-28	AN24-27A	BOLT INBD -----							1	
-29	0414054-18	SPACER INBD -----							1	
-30	AN960-416	WASHER -----							1	
-31	MS21044N4	NUT -----							2	
-32	0414053-3	PEDESTAL ASSY-WELDED LH -----							1	
	0414053-4	PEDESTAL ASSY-WELDED RH -----							1	
-33	0414054-41	HANDLE ASSY-LH -----							1	
	0414054-40	HANDLE ASSY-RH -----							1	
		ATTACHING PARTS -----								
-34	MS20392-1C47	PIN -----							1	
-35	AN960-4L	WASHER -----							1	
-36	MS24665-172	COTTER PIN -----							1	
		*-----								
-37	MS20392-1C11	PIN -----							1	
-38	0411265-2	SPRING -----							1	
-39	0414054-37	PIN ASSY-LOCKING LH -----							1	
	0414054-38	PIN ASSY-LOCKING RH -----							1	
		ATTACHING PARTS -----								
-40	NAS43HT1-27	SPACER -----							1	
-41	AN960-4L	WASHER -----							1	
-42	MS24665-172	COTTER PIN -----							1	
		*-----								
-43	1414116-3	SPRING -----							2	

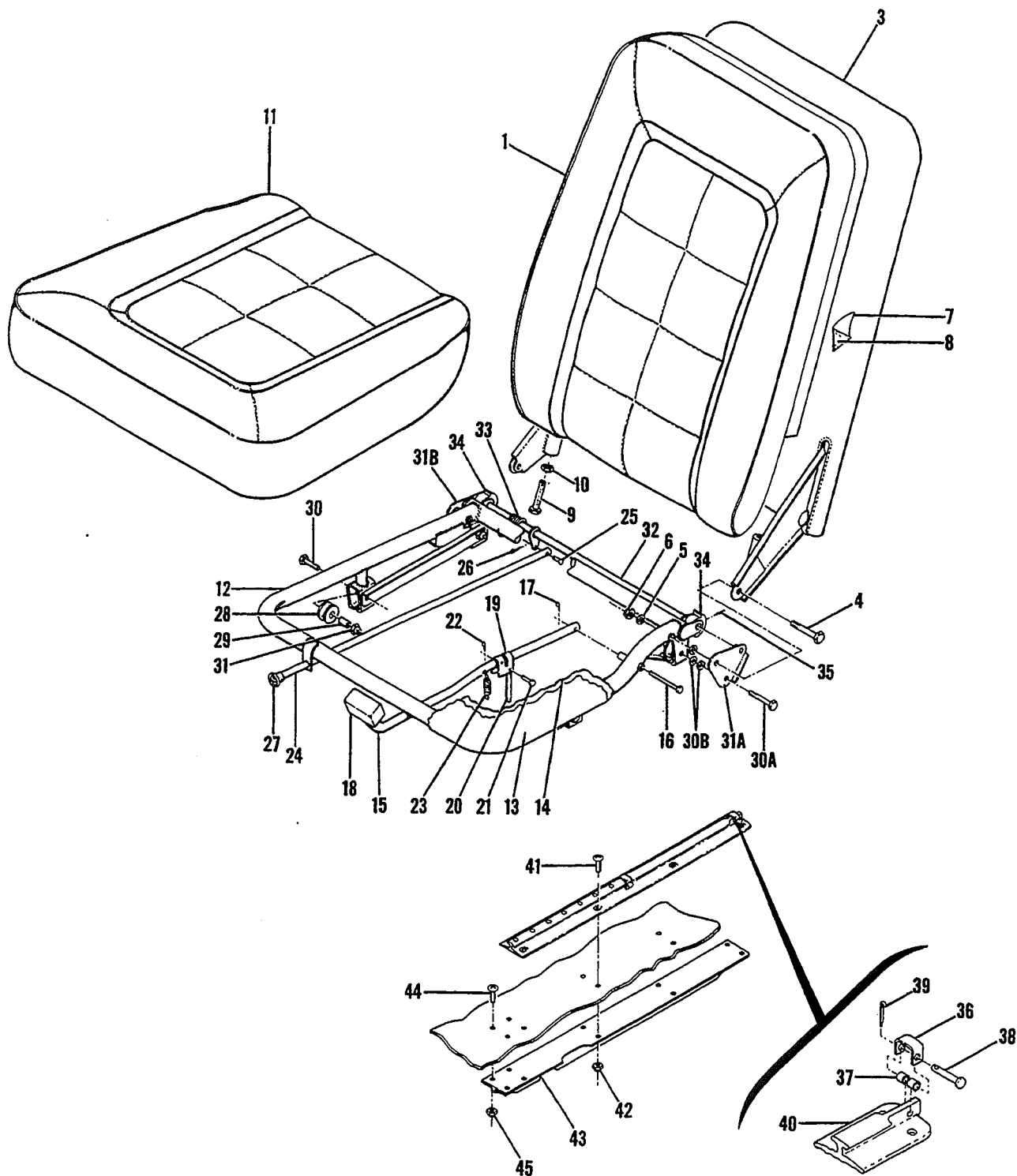
CONTINUED ON NEXT PAGE

150 & A150 Parts Catalog

FIGURE AND INDEX NO.	PART NUMBER	DESCRIPTION	UNITS PER ASSY	USABLE ON CODE
		1 2 3 4 5 6 7		
44D-44	0414057-1	HANDLE-SEAT RELEASE ----- ATTACHING PARTS -----	1	
-45	NAS561-3-8	ROLL PIN ----- *-----	1	
-46	0414054-11	SHAFT-SEAT RELEASE ----- ATTACHING PARTS -----	1	
-47	MS20392-2C15 AN960-10L MS24665-132	PIN ----- WASHER ----- COTTER PIN ----- *-----	2 2 2	
-48	0414054-5	LINKAGE ----- ATTACHING PARTS -----	4	
-49	MS20392-1C11	PIN -----	1	
-50	MS20392-1C7	PIN -----	1	
-51	AN960-4L	WASHER -----	2	
-52	MS24665-170	COTTER PIN ----- *-----	2	
-53	0414054-10	PIN-SEAT RELEASE -----	4	
-54	0414054-8	BELLCRANK ASSY-LH -----	2	
-55	0414054-7	BELLCRANK ASSY-RH ----- ATTACHING PARTS -----	2	
-56	AN24-30A	BOLT -----	1	
-57	0414054-19	SPACER -----	1	
-58	AN960-416	WASHER -----	1	
-59	MS21044N4	NUT ----- *-----	1	
-60	0414054-31	BELLCRANK ASSY ----- ATTACHING PARTS -----	2	
-61	MS20392-3C39	PIN FWD -----	1	
-62	MS20392-3C33 AN960-416L MS24665-134	PIN AFT ----- WASHER ----- COTTER PIN ----- *-----	1 1 1	
-63	0311310	ROLLER ----- ATTACHING PARTS -----	4	
-64	AN3-12A	BOLT -----	1	
-65	0311586	BUSHING -----	1	
-66	MS21044N3	NUT ----- *-----	1	
-67	0410235-3 0410235-6	SEAT RAIL-INBD WEU 0410235-6 ----- SEAT RAIL INBD -----	2 2	B C
-68	0410235-1 0410235-2	SEAT RAIL-LH OUTBD ----- SEAT RAIL-RH OUTBD ----- ATTACHING PARTS -----	1 1	
-69	NAS221-8	SCREW -----	10	
-70	MS21044N3	NUT ----- *-----	10	
-71	0410236-2	STIFFENER RH INBD ONLY -----	1	
-72	0410236-1	STIFFENER OUTBD -----	2	
-73	0410232-1	SEAT STOP OUTBD RAILS ONLY ----- ATTACHING PARTS -----	2	
-74	NAS221-17	SCREW ----- *-----	1	
<p>NOTE. #THIS PART NUMBER MUST HAVE A SECOND DASH NUMBER ADDED TO DENOTE COLOR. REFER TO HOW TO ORDER UPHOLSTERED PARTS--PAGE VI.</p> <p>A---150 SERIAL 15077006 & ON F150 SERIAL F15001249 & ON</p> <p>B---150 SERIAL 15077006 THRU 15077641 F150 SERIAL F15001249 THRU F15001323</p> <p>C---150 SERIAL 15077642 & ON F150 SERIAL F15001324 & ON</p>				

150 & A150 Parts Catalog

Seat (Cont)



**A150 SERIAL A1500001 THRU A1500276
FA150 SERIAL FA1500001 THRU FA1500166**

Figure 45. Reclining Seat Installation - Aerobat

150 & A150 Parts Catalog

FIGURE AND INDEX NO.	PART NUMBER	DESCRIPTION							UNITS PER ASSY	USABLE ON CODE
		1	2	3	4	5	6	7		
45 -		RECLINING SEAT INSTALLATION AEROBAT -----							NP	A
	0414009-15 #	SEAT ASSEMBLY-RECLINING LH -----							1	
	0414009-16 #	SEAT ASSEMBLY-RECLINING RH -----							1	
- 1	0414009-5 #	CUSHION ASSEMBLY-SEAT BACK LH -----							1	
	0414009-6 #	CUSHION ASSEMBLY-SEAT BACK RH -----							1	
- 2		DELETED, NEVER USED -----								
- 3	0414009-205 **	SEAT BACK ASSEMBLY-LH -----							1	
	0414009-204 **	SEAT BACK ASSEMBLY-RH -----							1	
		ATTACHING PARTS -----								
- 4	AN3-13A	BOLT -----							2	B C C B C
	AN4-14A	BOLT -----							2	
- 5	AN960-10	WASHER -----							2	
	AN960-416	WASHER -----							2	
- 6	MS21044N3	NUT -----							AR 2	
	MS21042L4	NUT -----							2	
		*-----								
- 7	0414009-12 #	COVER ASSEMBLY-SEAT BACK LH -----							1	
	0414009-14 #	COVER ASSEMBLY-SEAT BACK RH -----							1	
- 8	0414009-13	DIAPHRAGM-SEAT BACK -----							1	
- 9	NAS428H4-12	BOLT-SEAT STOP -----							2	
-10	AN315-4R	NUT-SEAT STOP -----							2	
-11	0414009-3 #	CUSHION ASSEMBLY-SEAT BOTTOM LH -----							1	
	0414009-4 #	CUSHION ASSEMBLY-SEAT BOTTOM RH -----							1	
-12	0414009-207 %	SEAT BOTTOM ASSEMBLY-LH -----							1	
	0414009-206 %	SEAT BOTTOM ASSEMBLY-RH -----							1	
-13	0414009-11 #	COVER ASSEMBLY-SEAT BOTTOM FRAME LH -----							1	
	0414009-13 #	COVER ASSEMBLY-SEAT BOTTOM FRAME RH -----							1	
-14	0414007-14	DIAPHRAGM -----							1	
-15	0414229-5	HANDLE ASSEMBLY-SEAT LATCH -----							1	
		ATTACHING PARTS -----								
-16	MS20392-2C59	PIN -----							1	
-17	MS24665-132	COTTER PIN -----							1	
		*-----								
-18	0700106-2	KNOB-HANDLE -----							1	
	S1022Z6-8	ATTACHING PARTS -----								
		SCREW -----							1	
		*-----								
-19	0311644	CLEVIS-SEAT LATCH -----							1	
	MS24665-283	ATTACHING PARTS -----								
		COTTER PIN -----							1	
		*-----								
-20	0411262-1	PIN-SEAT LATCH -----							1	
		ATTACHING PARTS -----								
-21	MS20392-1C15	PIN -----							1	
-22	MS24665-132	COTTER PIN -----							1	
		*-----								
-23	0411265-1	SPRING-SEAT LATCH -----							1	
-24	0411268-3	HANDLE ASSEMBLY-RECLINING SEAT -----							1	
		ATTACHING PARTS -----								
-25	MS20392-1C11	PIN -----							1	
-26	MS24665-132	COTTER PIN -----							1	
		*-----								
-27	0713303-19	KNOB-RECLINING SEAT -----							1	
	NAS561CF2-6	ATTACHING PARTS -----								
		ROLL PIN -----							1	
		*-----								
-28	0311310	ROLLER -----							4	
		ATTACHING PARTS -----								
-29	0311586	BUSHING -----							1	
-30	AN3-11A	BOLT -----							1	
	AN3-11A	BOLT FORWARD ROLLERS ONLY -----							1	
-30A	AN3-13A	BOLT -----							1	
-30B	AN960-10	WASHER AFT ROLLERS ONLY -----							1	
-31	MS21044N3	NUT -----							AR 1	
		*-----								

CONTINUED ON NEXT PAGE

150 & A150 Parts Catalog

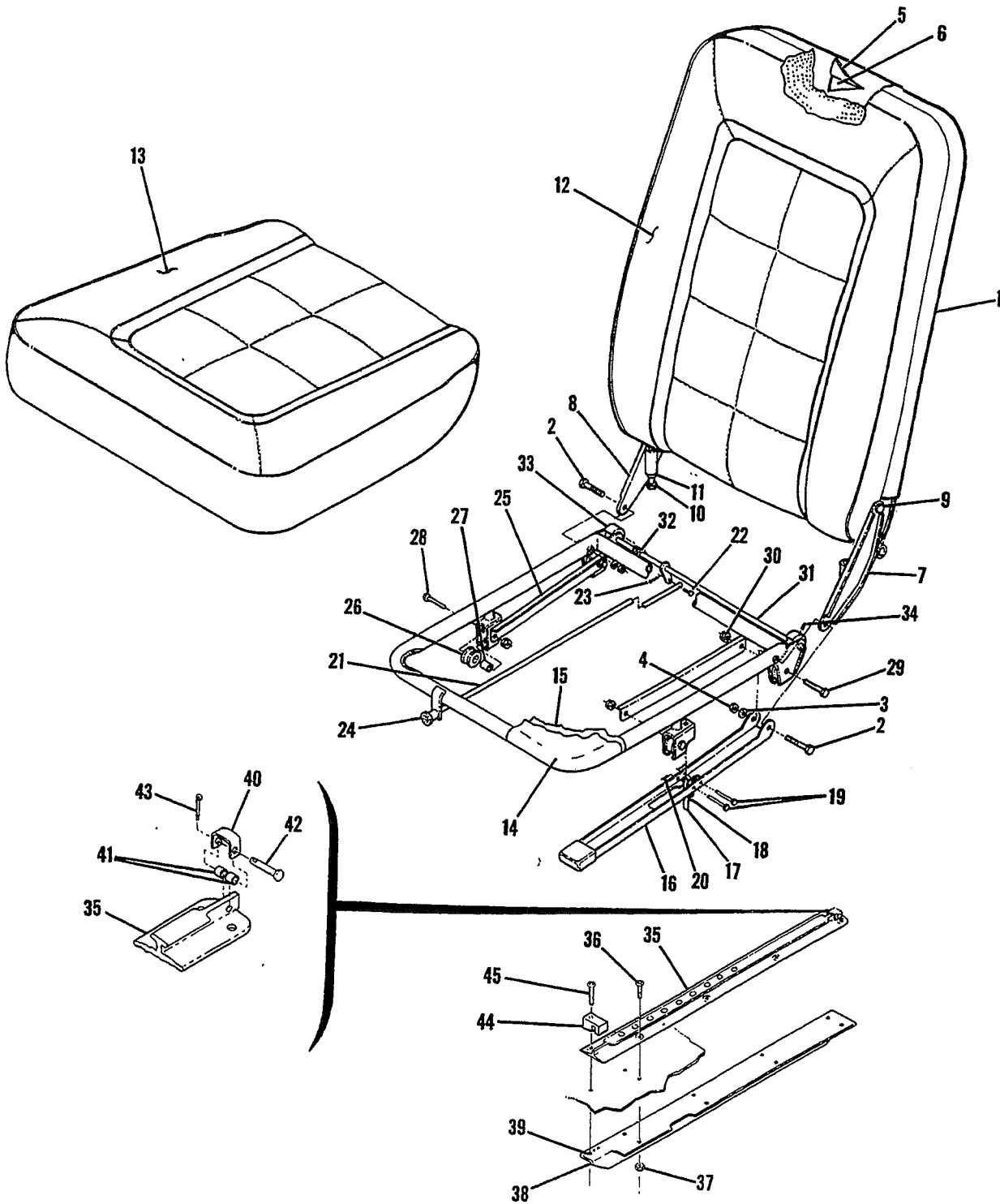
FIGURE AND INDEX NO.	PART NUMBER	DESCRIPTION	UNITS PER ASSY	USABLE ON CODE
		1 2 3 4 5 6 7		
45 -31A	0414031-1	PLATE ASSEMBLY OUTBD LH SEAT & INBD RH SEAT -----	1	C C
-31B	0414031-2	PLATE ASSEMBLY INBD LH SEAT & OUTBD RH SEAT -----	1	
-32	0411105-1	SHAFT ASSEMBLY-RECLINING SEAT -----	1	
-33	0411266-1	SPRING-RECLINING SEAT -----	1	
-34	0411267-1	CAM-RECLINING SEAT -----	2	
		ATTACHING PARTS -----		
-35	NAS561CF3-14	ROLL PIN -----	1	
		---*---		
-36	0713074-1	STOP-SEAT -----	6	
		ATTACHING PARTS -----		
-37	NAS43DD1-9	SPACER -----	2	
-38	MS20392-1C21	PIN -----	1	
-39	MS24665-132	COTTER PIN -----	1	
		---*---		
-40	0410219-1	SEAT RAIL-OUTBOARD -----	2	
	0410219-2	SEAT RAIL-INBOARD -----	2	
		ATTACHING PARTS -----		
-41	NAS221-8	SCREW -----	8	
-42	MS21044N3	NUT -----	8	
		---*---		
-43	0411546-1	STIFFENER -----	3	
		ATTACHING PARTS -----		
-44	NAS221-8	SCREW -----	2	
-45	MS21044N3	NUT -----	2	
		---*---		
<p>NOTE. #THIS PART NUMBER MUST HAVE A SECOND DASH NUMBER ADDED TO DENOTE COLOR. REFER TO HOW TO ORDER UPHOLSTERED PARTS-PAGE VI.</p> <p>NOTE. *THESE PARTS ARE NOT INTERCHANGEABLE WITH EXISTING SEAT BACK ASSY & SEAT BOTTOM ASSY FOR AIRCRAFT SERIALS A1500001 THRU A1500176 & FA1500001 THRU FA1500080. WHEN INITIALLY REPLACING THESE PARTS FOR THIS SERIAL BLOCK OF AIRCRAFT ALSO ORDER CORRESPONDING SEAT BOTTOM ASSY PART NO. 0414009-207 LH OR 0414009-206 RH & TWO AN4-14A BOLTS, SIX AN960-416 WASHERS, TWO NAS679A4 NUTS.</p> <p>NOTE. %THESE PARTS ARE NOT INTERCHANGEABLE WITH EXISTING SEAT BOTTOM ASSY & SEAT BACK ASSY FOR AIRCRAFT SERIALS A1500001 THRU A1500176 & FA1500001 THRU FA1500080. WHEN INITIALLY REPLACING THESE PARTS FOR THIS SERIAL BLOCK OF AIRCRAFT ALSO ORDER CORRESPONDING SEAT BACK ASSY PART NO. 0414009-205 LH OR 0414009-204 RH & TWO AN4-14A BOLTS, SIX AN960-416 WASHERS, TWO NAS679A4 NUTS.</p> <p>A---A150 SERIAL A1500001 THRU A1500276 FA150 SERIAL FA1500001 THRU FA1500166 B---A150 SERIAL A1500001 THRU A1500176 FA150 SERIAL FA1500001 THRU FA1500080 C---A150 SERIAL A1500177 THRU A1500276 FA150 SERIAL FA1500081 THRU FA1500166</p>				

150 & A150 Parts Catalog

FIGURE AND INDEX NO.	PART NUMBER		DESCRIPTION							UNITS PER ASSY	USABLE ON CODE	
			1	2	3	4	5	6	7			
45A- - 1 - 2 - 3 - 4 - 5 - 6 - 7 - 8 - 9	0414034-1 0414034-2	# #	RECLINING SEAT INSTALLATION-AEROBAT ----- SEAT ASSEMBLY-RECLINING LH ----- SEAT ASSEMBLY-RECLINING RH ----- SEAT BACK ASSEMBLY ----- ATTACHING PARTS ----- BOLT ----- WASHER ----- NUT ----- ----*----							NP 1 1 NP	A	
	AN4-14A AN960-416L MS21042L4			COVER ASSEMBLY-SEAT BACK FRAME ----- DIAPHRAGM-SEAT BACK ----- ATTACHING PARTS ----- SCREW ----- WASHER ----- ----*----							2 1 2	B
	S1021A4-6 AN960-4L	0414034-12 0414033-8	# #	HINGE ASSEMBLY-LH ----- HINGE ASSEMBLY-RH ----- ATTACHING PARTS ----- BOLT ----- WASHER ----- NUT ----- ----*----							1 1 5 5	
	AN4-14A AN960-416 MS21042L4			CONTINUED ON NEXT PAGE							1 1 1	

150 & A150 Parts Catalog

Seat (Cont)



A150 SERIAL A1500277 THRU A1500342

Figure 45A. Reclining Seat Installation-Aerobat

150 & A150 Parts Catalog

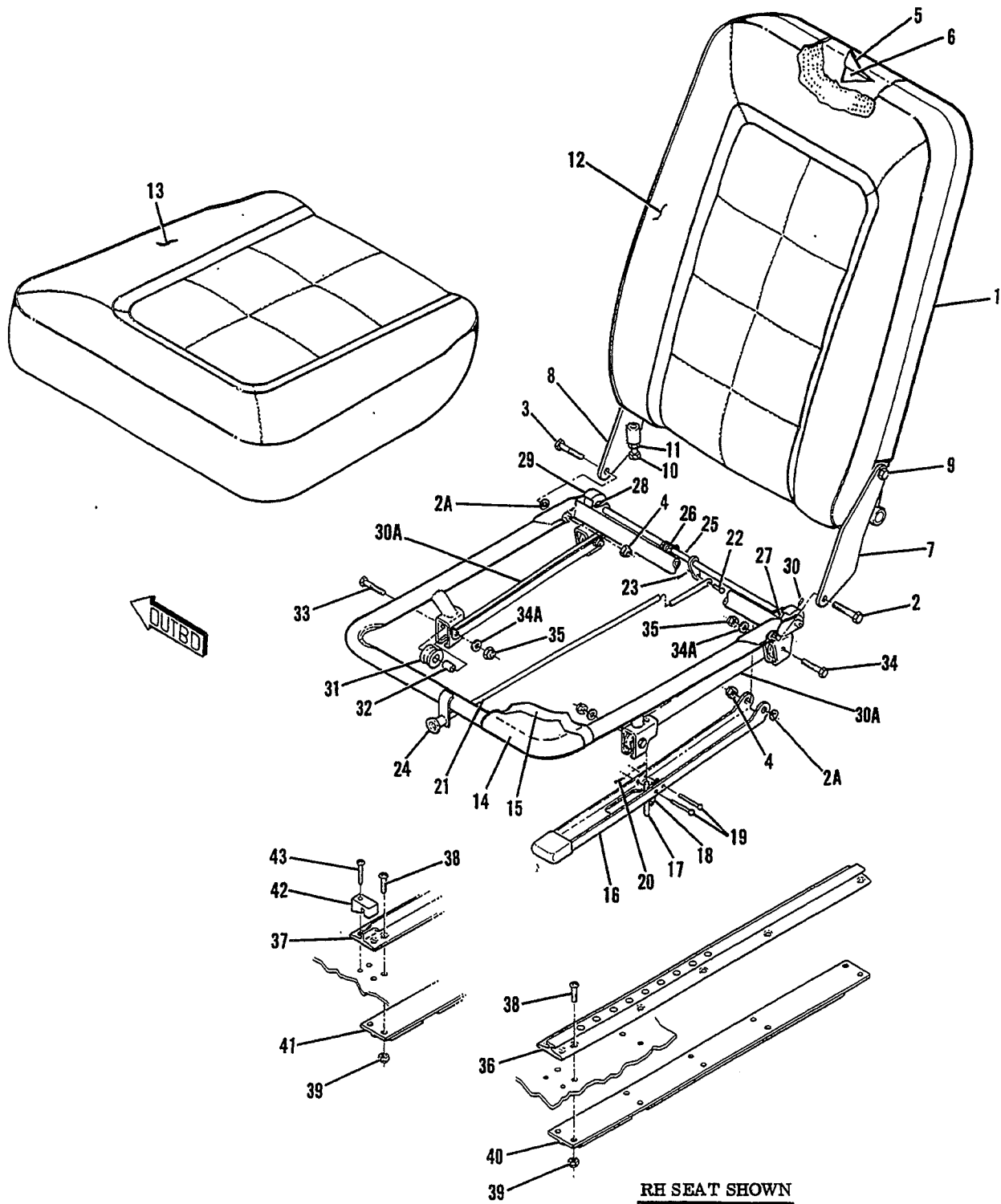
FIGURE AND INDEX NO.	PART NUMBER	DESCRIPTION							UNITS PER ASSY	USABLE ON CODE	
		1	2	3	4	5	6	7			
45A-10	NAS428-4-6									2	
-11	AN315-4R									2	
-12	0414034-7	#								1	
	0414034-8	#								1	
-13	0414034-3	#								1	
	0414034-4	#								1	
-14	0414034-13	#								NP	
-15	0414033-4									1	
-16	0414035-10									1	
-17	0414035-6									1	
-18	0411265-2									1	
-19	MS20392-1C39									2	
-20	MS24665-132									2	
-21	0411268-3									1	
-22	MS20392-1C11									1	
-23	MS24665-132									1	
-24	0713303-19									1	
	NAS561CF2-6									1	
-25	0414025-1									2	
-26	0311310									4	
-27	0311586									1	
-28	AN3-11A									1	
-29	AN3-13A									1	
-30	MS21044N3									1	
-31	0414035-15									1	
-32	0411266-1									1	
-33	0411267-1									2	
-34	NAS561CF3-14									1	
-35	0410230-3									2	
	0410230-2									2	
-36	NAS221-8									9	
-37	MS21044N3									9	
-38	0410230-4									3	
-39	NAS682A3									1	
-40	0713074-1									4	
-41	NAS430D1-9									2	
-42	MS20392-1C21									1	
-43	MS24665-132									1	
-44	0410232-1									2	
-45	NAS221-17									1	

NOTE. #THIS PART NUMBER MUST HAVE A SECOND DASH NUMBER ADDED TO DENOTE COLOR. REFER TO HOW TO ORDER UPHOLSTERED PARTS-PAGE VI.

A---A150 SERIAL A1500277 THRU A1500342
 B---A150 SERIAL A1500227 THRU A1500298

150 & A150 Parts Catalog

Seat (Cont)



A150 SERIAL A1500343 THRU A1500523
FA150 SERIAL FA1500167 THRU FA1500261

Figure 45B. Reclining Seat Installation - Aerobat

150 & A150 Parts Catalog

FIGURE AND INDEX NO.	PART NUMBER	DESCRIPTION						UNITS PER ASSY	USABLE ON CODE
		1	2	3	4	5	6		
45B-		RECLINING SEAT INSTALLATION-AEROBAT -----						NP	A
	0414042-1 #	SEAT ASSEMBLY-RECLINING LH -----						1	B
	0414042-2 #	SEAT ASSEMBLY-RECLINING RH -----						1	B
	0415008-1 #	SEAT ASSEMBLY-RECLINING LH -----						1	C
	0415008-2 #	SEAT ASSEMBLY-RECLINING RH -----						1	C
- 1		SEAT BACK ASSEMBLY -----						NP	
		ATTACHING PARTS -----							
- 2	AN4-15A	BOLT INBD -----						1	
- 2A	AN960-416L	WASHER -----						2	
- 3	AN4-14A	BOLT OUTBD -----						1	
- 4	MS21042L4	NUT -----						2	
		-----*							
- 5	0414034-12 #	COVER ASSEMBLY-SEAT BACK FRAME -----						1	B
	0415008-23 #	COVER ASSEMBLY-SEAT BACK FRAME -----						1	C
- 6	0414033-8	DIAPHRAGM-SEAT BACK -----						1	
		ATTACHING PARTS -----							
	S1021A4-6	SCREW -----						5	
	AN960-4L	WASHER -----						5	
		-----*							
- 7	0414039-1	HINGE ASSEMBLY-LH -----						1	
- 8	0414039-2	HINGE ASSEMBLY-RH -----						1	
		ATTACHING PARTS -----							
- 9	AN4-14A	BOLT -----						1	
	AN960-416	WASHER -----						1	
	MS21042L4	NUT -----						1	
		-----*							
-10	NAS428-4-6	BOLT-SEAT STOP -----						2	
-11	AN315-4R	NUT-SEAT STOP -----						2	
-12	0414034-8 #	CUSHION ASSEMBLY-SEAT BACK RH -----						1	B
	0414034-7 ##	CUSHION ASSEMBLY-SEAT BACK LH -----						1	C
	0415008-6 ##	CUSHION ASSEMBLY-SEAT BACK RH -----						1	C
	0415008-5 ##	CUSHION ASSEMBLY-SEAT BACK LH -----						1	C
-13	0414042-4 #	CUSHION ASSEMBLY-SEAT BOTTOM RH -----						1	B
	0414042-3 ##	CUSHION ASSEMBLY-SEAT BOTTOM LH -----						1	B
	0415008-4 ##	CUSHION ASSEMBLY-SEAT BOTTOM RH -----						1	C
	0415008-3 #	CUSHION ASSEMBLY-SEAT BOTTOM LH -----						1	C
		SEAT BOTTOM ASSEMBLY -----						NP	
-14	0414042-8 #	COVER ASSEMBLY-SEAT BOTTOM FRAME -----						1	B
	0415008-24 #	COVER ASSEMBLY-SEAT BOTTOM FRAME -----						1	C
-15	0414041-4	DIAPHRAGM-SEAT BOTTOM -----						1	
-16	0414040-11	LEVER ASSEMBLY-SEAT LATCH -----						1	
-17	0414035-6	PIN-SEAT LATCH -----						1	
-18	0411265-2	SPRING-SEAT LATCH -----						1	
-19	MS20392-1C35	PIN -----						2	
-20	MS24665-132	COTTER PIN -----						2	
-21	0411268-3	HANDLE ASSEMBLY-RECLINING SEAT -----						1	
		ATTACHING PARTS -----							
-22	MS20392-1C11	PIN -----						1	
-23	MS24665-132	COTTER PIN -----						1	
		-----*							
-24	0713303-19	KNOB-RECLINING SEAT -----						1	
	NAS561CF2-6	ATTACHING PARTS -----							
		ROLL PIN -----						1	
		-----*							
-25	0414040-15	SHAFT ASSEMBLY-RECLINING SEAT -----						1	
-26	0411266-1	SPRING -----						1	
-27	NAS43HT5-14	SPACER INBD -----						1	
-28	NAS43HT5-24	SPACER OUTBD -----						1	
-29	0411267-1	CAM-RECLINING SEAT -----						2	
		ATTACHING PARTS -----							
-30	NAS561C3-14	ROLL PIN -----						1	
		-----*							
-30A	0414066-1	BRACE -----						2	
-31	0311310	ROLLER -----						4	
		ATTACHING PARTS -----							
-32	0311586	BUSHING -----						1	
-33	AN3-11A	BOLT FWD ROLLERS USED WITHOUT 0414066-1 BRACE -----						1	
	AN3-12A	BOLT FWD ROLLERS USED WITH 0414066-1 BRACE -----						1	
-34	AN3-12A	BOLT AFT ROLLERS USED WITHOUT 0414066-1 BRACE -----						1	
	AN3-13A	BOLT AFT ROLLERS USED WITH 0414066-1 BRACE -----						1	
-34A	AN960-10	WASHER USED WITH 0414066-1 BRACE -----						1	
-35	MS21044N3	NUT -----						1	
		-----*							

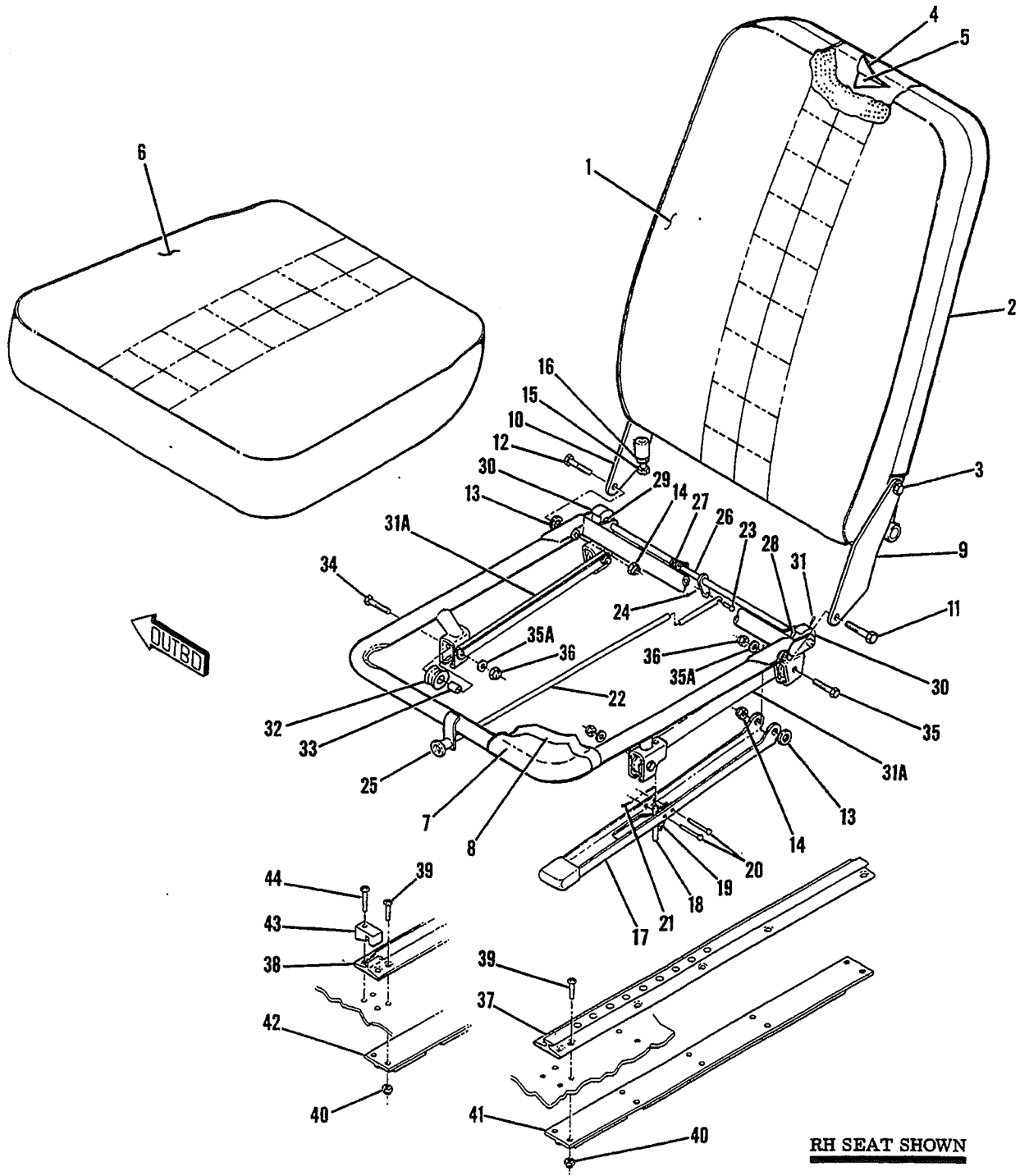
CONTINUED ON NEXT PAGE

150 & A150 Parts Catalog

FIGURE AND INDEX NO.	PART NUMBER	DESCRIPTION	UNITS PER ASSY	USABLE ON CODE
		1 2 3 4 5 6 7		
45B-36	0410235-3	SEAT RAIL-INBD WEU 0410235-6 -----	2	
	0410235-6	SEAT RAIL-INBD -----	2	
-37	0410235-1	SEAT RAIL-LH OUTBD -----	1	
	0410235-2	SEAT RAIL-RH OUTBD -----	1	
		ATTACHING PARTS		
-38	NAS221-8	SCREW -----	10	
-39	MS21044N3	NUT -----	10	
		---*---		
-40	0410236-2	STIFFENER RH INBD ONLY -----	1	
-41	0410236-1	STIFFENER OUTBD -----	2	
-42	0410232-1	SEAT STOP OUTBD RAIL ONLY -----	2	
		ATTACHING PARTS		
-43	NAS221-17	SCREW -----	1	
		---*---		
<p>NOTE. #THIS PART NUMBER MUST HAVE A SECOND DASH NUMBER ADDED TO DENOTE COLOR. REFER TO HOW TO ORDER UPHOLSTERED PARTS-PAGE VI.</p> <p>A---A150 SERIAL A1500343 THRU A1500523 FA150 SERIAL FA1500167 THRU FA1500261</p> <p>B---A150 SERIAL A1500343 THRU A1500429 FA150 SERIAL FA1500167 THRU FA1500211</p> <p>C---A150 SERIAL A1500430 THRU A1500523 FA150 SERIAL FA1500212 THRU FA1500261</p>				

150 & A150 Parts Catalog

Seat (Cont)



A150 SERIAL A1500524 & ON
FA150 SERIAL FA1500262 & ON

Figure 45C. Reclining Seat Installation - Aerobat

150 & A150 Parts Catalog

FIGURE AND INDEX NO.	PART NUMBER		DESCRIPTION							UNITS PER ASSY	USABLE ON CODE
			1	2	3	4	5	6	7		
45C-			RECLINING SEAT INSTALLATION-AEROBAT -----							NP	A
	0414049-2	#	SEAT ASSY-RECLINING RH -----							1	
	0414049-1	#	SEAT ASSY-RECLINING LH -----							1	
- 1	0414049-4	#	UPHOLSTERED CUSHION ASSY-SEAT BACK -----							1	
- 2	0414049-9	#	SEAT BACK ASSY -----							1	
			ATTACHING PARTS								
- 3	AN4-14A		BOLT -----							2	
	AN960-416		WASHER UNDER BOLT HEAD -----							2	
	MS21042L4		NUT -----							2	
			*-----								
- 4	0415008-23	#	COVER ASSY-SEAT BACK FRAME -----							1	
- 5	0414033-8		DIAPHRAGM-SEAT BACK -----							1	
			ATTACHING PARTS								
	S1021A4-6		SCREW -----							4	
	AN960-4L		WASHER -----							4	
			*-----								
- 6	0414049-3	#	UPHOLSTERED CUSHION ASSY-SEAT BOTTOM -----							1	
	0414049-6	#	SEAT BOTTOM ASSY-RH -----							1	
	0414049-5	#	SEAT BOTTOM ASSY-LH -----							1	
- 7	0415008-24	#	COVER ASSY-SEAT BOTTOM FRAME -----							1	
- 8	0414041-4		DIAPHRAGM-SEAT BOTTOM -----							1	
- 9	0414039-1		HINGE ASSY-LH -----							1	
-10	0414039-2		HINGE ASSY-RH -----							1	
			ATTACHING PARTS								
-11	AN4-15A		BOLT INBD -----							1	
-12	AN4-14A		BOLT OUTBD -----							1	
-13	AN960-416L		WASHER -----							1	
-14	MS21042L4		NUT -----							1	
			*-----								
-15	NAS428-4-6		BOLT-SEAT STOP -----							2	
-16	AN315-4R		NUT-SEAT STOP -----							2	
-17	0414040-11		LEVER ASSY-SEAT LATCH -----							1	
-18	0414035-6		PIN-SEAT LATCH -----							1	
-19	0411265-2		SPRING-SEAT LATCH -----							1	
-20	MS20392-1C35		PIN -----							2	
-21	MS24665-132		COTTER PIN -----							2	
-22	0411268-3		HANDLE ASSY-RECLINING SEAT -----							1	
			ATTACHING PARTS								
-23	MS20392-1C11		PIN -----							1	
-24	MS24665-132		COTTER PIN -----							1	
			*-----								
-25	0713303-19		KNOB-RECLINING SEAT -----							1	
			ATTACHING PARTS								
	NAS561CF2-6		ROLL PIN -----							1	
			*-----								
-26	0414040-15		SHAFT ASSY-RECLINING SEAT -----							1	
-27	0411266-1		SPRING -----							1	
-28	NAS43HT5-14		SPACER INBD -----							1	
-29	NAS43HT5-24		SPACER OUTBD -----							1	
-30	0411267-1		CAM-RECLINING SEAT -----							2	
			ATTACHING PARTS								
-31	NAS561C3-14		ROLL PIN -----							1	
			*-----								
-31A	0414066-1		BRACE -----							2	
-32	0311310		ROLLER -----							4	
			ATTACHING PARTS								
-33	0311586		BUSHING -----							1	
-34	AN3-11A		BOLT FWD ROLLERS USED WITHOUT 0414066-1 BRACE -----							1	
	AN3-12A		BOLT FWD ROLLERS USED WITH 0414066-1 BRACE -----							1	
-35	AN3-12A		BOLT AFT ROLLERS USED WITHOUT 0414066-1 BRACE -----							1	
	AN3-13A		BOLT AFT ROLLERS USED WITH 0414066-1 BRACE -----							1	
-35A	AN960-10		WASHER USED WITH 0414066-1 BRACE -----							1	
-36	MS21044N3		NUT -----							1	
			*-----								

CONTINUED ON NEXT PAGE

150 & A150 Parts Catalog

FIGURE AND INDEX NO.	PART NUMBER	DESCRIPTION	UNITS PER ASSY	USABLE ON CODE
		1 2 3 4 5 6 7		
45C-37	0410235-3	SEAT RAIL-INBD WEU 0410235-6 -----	2	B C
	0410235-6	SEAT RAIL-INBD -----	2	
-38	0410235-1	SEAT RAIL-LH OUTBD -----	1	
	0410235-2	SEAT RAIL-RH OUTBD -----	1	
		ATTACHING PARTS		
-39	NAS221-8	SCREW -----	10	
-40	MS21044N3	NUT -----	10	
		*-----		
-41	0410236-2	STIFFENER RH INBD ONLY -----	1	
-42	0410236-1	STIFFENER OUTBD -----	2	
-43	0410232-1	SEAT STOP OUTBD RAIL ONLY -----	2	
		ATTACHING PARTS		
-44	NAS221-17	SCREW -----	1	
		*-----		
<p>NOTE. #THIS PART NUMBER MUST HAVE A SECOND DASH NUMBER ADDED TO DENOTE COLOR. REFER TO HOW TO ORDER UPHOLSTERED PARTS-PAGE VI.</p> <p>A---A150 SERIAL A1500524 & ON FA150 SERIAL FA1500262 & ON</p> <p>B---A150 SERIAL A1500524 THRU A1500647 FA150 SERIAL FA1500262 THRU FA1500301</p> <p>C---A150 SERIAL A1500648 & ON FA150 SERIAL FA1500302 & ON</p>				

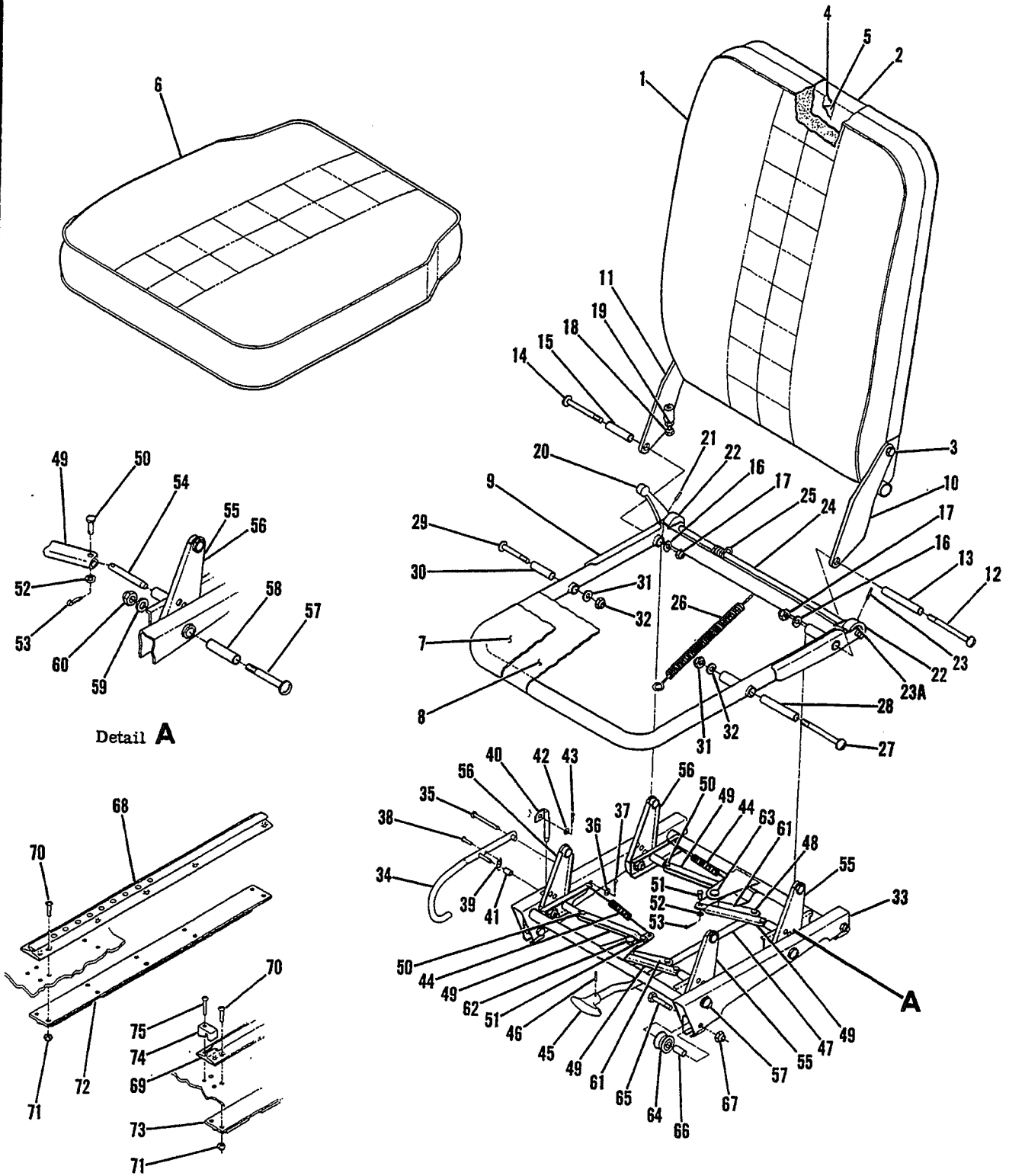
150 & A150 Parts Catalog

FIGURE AND INDEX NO.	PART NUMBER	DESCRIPTION							UNITS PER ASSY	USABLE ON CODE	
		1	2	3	4	5	6	7			
45D-		VERTICAL ADJUSTABLE SEAT INSTALLATION-AEROBAT -----							N	A	
	0414058-1	#	SEAT ASSY-VERTICAL ADJUSTABLE LH -----							1	
	0414058-2	#	SEAT ASSY-VERTICAL ADJUSTABLE RH -----							1	
- 1	0414049-4	#	UPHOLSTERED CUSHION ASSY-SEAT BACK -----							1	
- 2	0414049-9	#	SEAT BACK ASSY -----							1	
			ATTACHING PARTS -----								
- 3	AN4-14A		BOLT -----							2	
	AN960-416		WASHER UNDER BOLT HEAD -----							2	
	MS21042L4		NUT -----							2	
			*-----								
- 4	0415008-23	#	COVER ASSY-SEAT BACK FRAME -----							1	
- 5	0414033-8		DIAPHRAGM-SEAT BACK -----							1	
			ATTACHING PARTS -----								
	S1021A4-6		SCREW -----							4	
	AN960-4L		WASHER -----							4	
			*-----								
- 6	0414049-3	#	UPHOLSTERED CUSHION ASSY-SEAT BOTTOM -----							1	
	0414058-3	#	SEAT BOTTOM ASSY-LH -----							1	
	0414058-4	#	SEAT BOTTOM ASSY-RH -----							1	
- 7	0415008-24	#	COVER ASSY-SEAT BOTTOM FRAME -----							1	
- 8	0414041-4		DIAPHRAGM-SEAT BOTTOM -----							1	
	0414065-1		SCUFF PLATE-DIAPHRAGM -----							2	
- 9	0414053-1		FRAME ASSY-LH -----							1	
	0414053-2		FRAME ASSY-RH -----							1	
-10	0414039-5		HINGE ASSY-LH -----							1	
-11	0414039-6		HINGE ASSY-RH -----							1	
			ATTACHING PARTS -----								
-12	AN24-48A		BOLT OUTBD -----							1	
-13	0414054-22		SPACER OUTBD -----							1	
-14	AN24-32A		BOLT INBD -----							1	
-15	0414054-20		SPACER INBD -----							1	
-16	AN960-416		WASHER -----							1	
-17	MS21044N4		NUT -----							1	
			*-----								
-18	NAS428-4-6		BOLT-SEAT STOP -----							2	
-19	AN315-4R		NUT-SEAT STOP -----							2	
-20	0710312-3		HANDLE-RECLINING SEAT -----							1	
			ATTACHING PARTS -----								
-21	NAS561C3-10		ROLL PIN -----							1	
			*-----								
-22	0411267-1		CAM-RECLINING SEAT -----							2	
			ATTACHING PARTS -----								
-23	NAS561C3-14		ROLL PIN -----							1	
			*-----								
-23A	AN960-516		WASHER -----							4	
-24	0414054-24		SHAFT-RECLINING SEAT-LH -----							1	
	0414054-35		SHAFT-RECLINING SEAT RH -----							1	
-25	0411266-1		SPRING-RECLINING SEAT -----							1	
-26	0414061-1		SPRING-VERTICAL SEAT ADJUST -----							1	
-27	AN24-44A		BOLT OUTBD -----							1	
-28	0414054-21		SPACER OUTBD -----							1	
-29	AN24-27A		BOLT INBD -----							1	
-30	0414054-18		SPACER INBD -----							1	
-31	AN960-416		WASHER -----							2	
-32	MS21044N3		NUT -----							2	
-33	0414053-3		PEDESTAL ASSY-WELDED LH -----							1	
	0414053-4		PEDESTAL ASSY-WELDED RH -----							1	
-34	0414054-41		HANDLE ASSY-LH -----							1	
	0414054-40		HANDLE ASSY-RH -----							1	
			ATTACHING PARTS -----								
-35	MS20392-1C47		PIN -----							1	
-36	AN960-4L		WASHER -----							1	
-37	MS24665-172		COTTER PIN -----							1	
			*-----								
-38	MS20392-1C11		PIN -----							1	
-39	0411265-2		SPRING -----							1	
-40	0414054-37		PIN ASSY-LOCKING LH -----							1	
	0414054-38		PIN ASSY-LOCKING RH -----							1	
			ATTACHING PARTS -----								
-41	NASHT1-27		SPACER -----							1	
-42	AN960-4L		WASHER -----							1	
-43	MS24665-172		COTTER PIN -----							1	
			*-----								
-44	1414116-3		SPRING -----							2	

CONTINUED ON NEXT PAGE

150 & A150 Parts Catalog

Seat (Cont)



A150 SERIAL A1500610 & ON
FA150 SERIAL FA1500282 & ON

Figure 45D. Vertical Adjustable Seat Installation - Aerobat

150 & A150 Parts Catalog

FIGURE AND INDEX NO.	PART NUMBER	DESCRIPTION							UNITS PER ASSY	USABLE ON CODE
		1	2	3	4	5	6	7		
45D-45	0414057-1	HANDLE-SEAT RELEASE -----							1	
-46	NAS561-3-8	ATTACHING PARTS -----							1	
-47	0414054-11	ROLL PIN -----							1	
-48	MS20392-2C15	*-----								
	AN960-10L	SHAFT-SEAT RELEASE -----							1	
	MS24665-132	ATTACHING PARTS -----							2	
-49	0414054-5	PIN -----							2	
-50	MS20392-1C11	WASHER -----							2	
-51	MS20392-1C7	COTTER PIN -----							2	
-52	AN960-4L	*-----								
-53	MS24665-170	LINKAGE -----							4	
-54	0414054-10	ATTACHING PARTS -----							1	
-55	0414054-8	PIN -----							1	
-56	0414054-7	PIN -----							1	
-57	AN24-30A	WASHER -----							2	
-58	0414054-19	COTTER PIN -----							2	
-59	AN960-416	*-----								
-60	MS21044N4	PIN-SEAT RELEASE -----							4	
-61	0414054-31	BELLCRANK ASSY-LH -----							2	
-62	MS20392-3C39	BELLCRANK ASSY-RH -----							2	
-63	MS20392-3C33	ATTACHING PARTS -----							1	
	AN960-416L	BOLT -----							1	
	MS24665-134	SPACER -----							1	
-64	0311310	WASHER -----							1	
-65	AN3-12A	NUT -----							1	
-66	0311586	*-----								
-67	MS21044N3	BELLCRANK ASSY -----							2	
-68	0410235-3	ATTACHING PARTS -----							1	
-69	0410235-6	PIN FWD -----							1	
	0410235-1	PIN AFT -----							1	
	0410235-2	WASHER -----							1	
-70	NAS221-8	COTTER PIN -----							1	
-71	MS21044N3	*-----								
-72	0410236-2	ROLLER -----							4	
-73	0410236-1	ATTACHING PARTS -----							1	
-74	0410232-1	BOLT -----							1	
-75	NAS221-17	BUSHING -----							1	
		NUT -----							1	
		*-----								
		SEAT RAIL-INBD WEU 0410235-6 -----							2	B C
		SEAT RAIL-INBD -----							2	
		SEAT RAIL-LH OUTBD -----							1	
		SEAT RAIL-RH OUTBD -----							1	
		ATTACHING PARTS -----							1	
		SCREW -----							10	
		NUT -----							10	
		*-----								
		STIFFENER RH INBD ONLY -----							1	
		STIFFENER OUTBD -----							2	
		SEAT STOP OUTBD RAILS ONLY -----							2	
		ATTACHING PARTS -----							1	
		SCREW -----							1	
		*-----								

NOTE. #THIS PART NUMBER MUST HAVE A SECOND DASH NUMBER ADDED TO DENOTE COLOR. REFER TO HOW TO ORDER UPHOLSTERED PARTS-PAGE VI.

- A---A150 SERIAL A1500610 & ON
FA150 SERIAL FA1500282 & ON
- B---A150 SERIAL A1500610 THRU A1500647
FA150 SERIAL FA1500282 THRU FA1500301
- C---A150 SERIAL A1500648 & ON
FA150 SERIAL FA1500302 & ON

150 & A150 Parts Catalog

Seat (Cont)

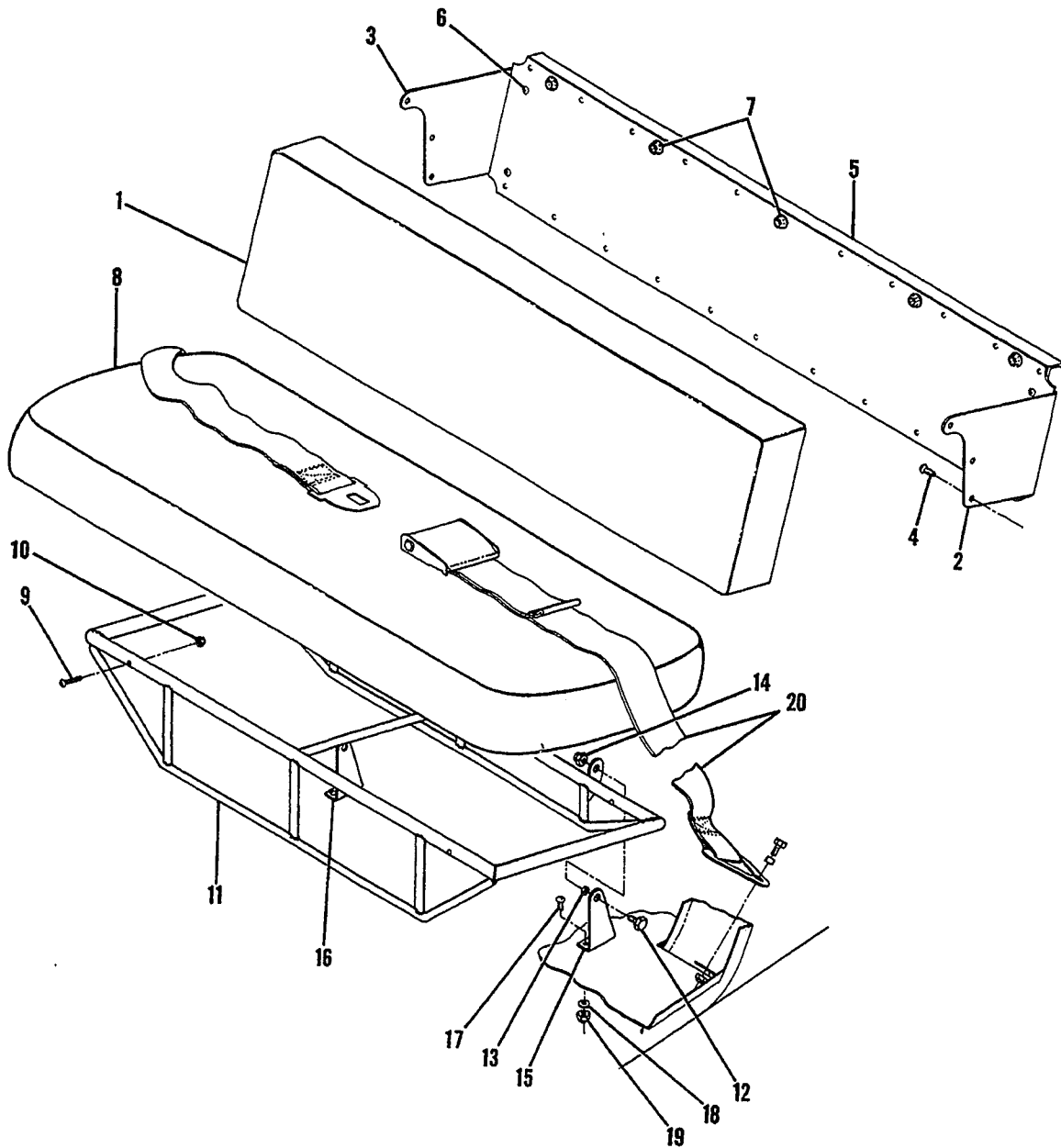


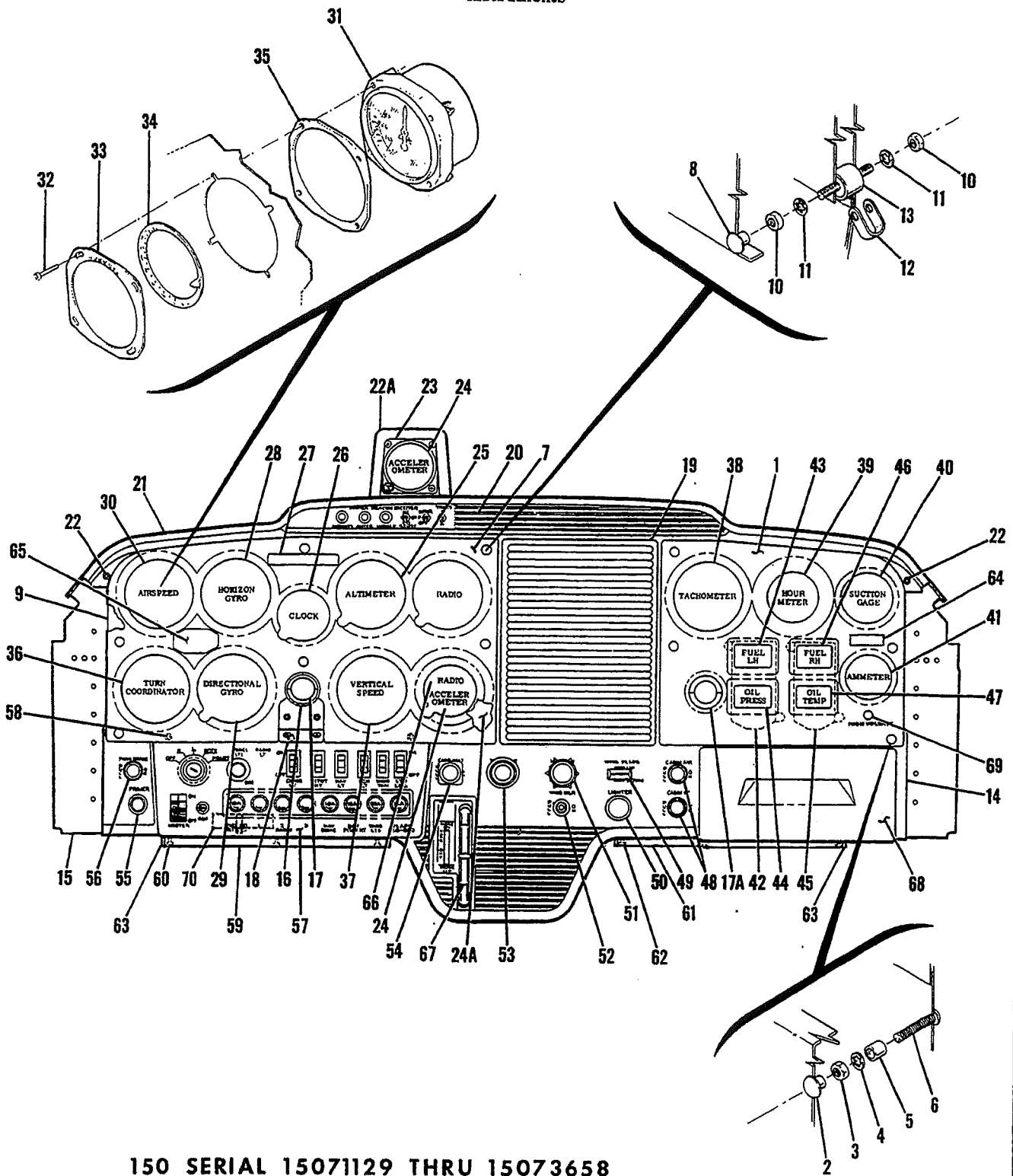
Figure 46. Auxiliary Seat Installation

150 & A150 Parts Catalog

FIGURE AND INDEX NO.	PART NUMBER		DESCRIPTION							UNITS PER ASSY	USABLE ON CODE
			1	2	3	4	5	6	7		
46 -			AUXILIARY SEAT INSTALLATION -----							NP	
- 1	0711080-1	#	BACKREST ASSEMBLY -----							1	
	AN227-7		SOCKET -----							5	
	AN227-6		BUTTON -----							5	
- 2	0400138-1	<	SUPPORT ASSEMBLY-BACKREST LH -----							1	
- 3	0400138-2	<	SUPPORT ASSEMBLY-BACKREST RH -----							1	
			ATTACHING PARTS -----								
- 4	NAS221-6		SCREW -----							3	
			-----*								
	NAS682A3K		NUTPLATE -----							2	
- 5	0400131-1		SEAT BACK SUPPORT ASSEMBLY -----							1	
			ATTACHING PARTS -----								
- 6	AN520-10R5		SCREW -----							4	
			-----*								
- 7	AN227-8		STUD -----							5	
	AN227-9		STUD -----							5	
- 8	0400136-6	#	SEAT BOTTOM ASSEMBLY -----							1	
	0400136-9	#	SEAT BOTTOM ASSEMBLY -----							1	
			ATTACHING PARTS -----								
- 9	AN315-8R14		SCREW -----							4	
-10	MS21044N08		NUT -----							4	
			-----*								
-11	0400134-5	<	FRAME ASSEMBLY -----							1	
			ATTACHING PARTS -----								
-12	AN3-4A		BOLT -----							2	
-13	NAS43HT3-6		SPACER -----							2	
-14	MS21044N3		NUT -----							2	
			-----*								
-15	0711098-7		HINGE-FLOOR FITTING LH -----							1	
-16	0711098-8		HINGE-FLOOR FITTING RH -----							1	
			ATTACHING PARTS -----								
-17	AN515-8R8		SCREW -----							2	
-18	AN960-8		WASHER -----							2	
-19	MS21044N08		NUT -----							2	
			-----*								
-20	SEE FIG 50A		SEAT BELT INSTL -----							1	
<p>NOTE. #THIS PART NUMBER MUST HAVE A SECOND DASH NUMBER ADDED TO DENOTE COLOR. REFER TO HOW TO ORDER UPHOLSTERED PARTS-PAGE VI.</p> <p>NOTE. <THIS PART NUMBER MUST HAVE A SECOND DASH NUMBER ADDED TO DENOTE COLOR. REFER TO HOW TO ORDER INTERIOR PARTS-PAGE VII.</p> <p>A---150 SERIAL 15071129 THRU 15073658 F150 SERIAL F15000530 THRU F15000863 A150 SERIAL A1500001 THRU A1500342 FA150 SERIAL FA150001 THRU FA1500166</p> <p>B---150 SERIAL 15073659 & ON F150 SERIAL F15000864 & ON A150 SERIAL A1500343 & ON FA150 SERIAL FA1500167 & ON</p>											

150 & A150 Parts Catalog

Instruments



150 SERIAL 15071129 THRU 15073658
 F150 SERIAL F15000530 THRU F15000863
 A150 SERIAL A1500001 THRU A1500342
 FA150 SERIAL FA1500001 THRU FA1500166

15071129 THRU 15072628
 F15000530 THRU F15000738
 A1500001 THRU A1500276
 FA1500001 THRU FA1500166

Figure 47. Instrument Panel Equipment Installation

150 & A150 Parts Catalog

FIGURE AND INDEX NO.	PART NUMBER		DESCRIPTION	UNITS PER ASSY	USABLE ON CODE
47 -			INSTRUMENT PANEL & EQUIPMENT INSTALLATION -----	NP	AP
- 1	0413461-2	<	COVER-ENGINE INSTRUMENT -----	1	AA
	0413461-12	<	COVER ASSEMBLY-ENGINE INSTRUMENT -----	1	AB
			ATTACHING PARTS		
- 2	C513351-1		SCREW POST -----	4	AA
- 3	AN340B8		NUT -----	4	AA
- 4	AN936A8		WASHER -----	4	AA
- 5	NAS43DD3-25		SPACER -----	4	AA
- 6	AN515-8R14		SCREW -----	4	AA
			*-----		
- 7	0413461-6	<	COVER-SHOCK PANEL USED WITH S1314N1 & C661012-0101 -----	1	AJ
	0413461-7	<	COVER-SHOCK PANEL USED WITH C661011-0105, C661011-0106 -- C661071-0101 & C661071-0102 -----	1	AA
	0413461-13	<	COVER ASSEMBLY-SHOCK PANEL USED WITH C661012-0101 -----	1	AG
	0413461-14	<	COVER ASSEMBLY-SHOCK PANEL USED WITH C661071-0101 & ----- C661071-0102 -----	1	AB
			ATTACHING PARTS		
- 8	0513351-1		SCREW POST -----	6	AA
			*-----		
- 9	0413459-1		PANEL-SHOCK MOUNTED INSTRUMENT WEU 0413459-3 -----	1	AK
	0413459-3		PANEL-SHOCK MOUNTED INSTRUMENT -----	1	AL
	0413459-2		PANEL ASSEMBLY-SHOCK MOUNTED INSTRUMENT WEU 0413459-4 -----	1	AM
	0413459-4		PANEL ASSEMBLY-SHOCK MOUNTED INSTRUMENT -----	1	AN
			ATTACHING PARTS		
-10	AN340B8		NUT -----	12	
-11	AN936A8		WASHER -----	12	
-12	0413247		STRAP-GROUND -----	2	
-13	0411059-3		SHOCKMOUNT -----	6	AA
	0413523-1		SHOCKMOUNT WEU 0413523-4 -----	6	AB
			*-----		
-14	0413467-5	<	COVER-STATIONARY PANEL -----	1	S
	0413467-8	<	COVER-STATIONARY PANEL -----	1	T
-15	0413457-8		PANEL ASSEMBLY-STATIONARY -----	1	AA
	0413457-10		PANEL ASSEMBLY-STATIONARY -----	1	AB
	S1863-2		NUTPLATE-DOUBLE LUG ATTACH SWITCH PANEL ASSEMBLY -----	3	
	S1862-1		NUTPLATE-SINGLE LUG ATTACH SWITCH PANEL ASSEMBLY -----	3	
	NAS684A06		NUTPLATE ATTACH GLOVE BOX DOOR -----	4	
	0413487-1		BRACKET-INSTRUMENT PANEL -----	1	
	0413522-1		BRACKET-INSTRUMENT PANEL COVER ATTACH -----	6	AB
-16	0413454-1	<	COLLAR ASSEMBLY-CONTROL LOCK -----	1	AA
	0760131-7		SUPPORT & COLLAR-CONTROL LOCK -----	1	AB
			ATTACHING PARTS		
	AN515-6R10		SCREW -----	4	
	AN960-6L		WASHER -----	4	
	MS21044N06		NUT -----	4	
	0413454-3		PLATE -----	1	AA
			*-----		
-17	0513056-3		GROMMET HALF-INSTRUMENT PANEL -----	2	AA
-17A	0513056-4		GROMMET HALF-INSTRUMENT PANEL -----	2	
-18	0413461-3	<	PLATE-SPLICE -----	1	AA
	0413461-15	<	PLATE ASSEMBLY-SPLICE -----	1	AB
			ATTACHING PARTS		
	S1021Z6-8B		SCREW -----	4	
	NAS395-4-3		NUT -----	4	
			*-----		
-19	0413467-3	<	COVER-RADIO CUTOUT -----	1	AC
	0413527-1	<	COVER-RADIO CUTOUT -----	1	AD
	0413532-1	<	TRIM-RADIO COVER -----	AR	AD
-20	0413467-4	<	INSERT-EYEBROW 150 & F150 ONLY -----	1	U
	0413512-1	<	INSERT-EYEBROW 150 & F150 ONLY -----	1	V
	0413467-6	<	INSERT-EYEBROW USED WHEN NARCO MARK 12B IS INSTALLED -----	1	W
			WITH VOA-50M INDICATOR 150 ONLY		
	0413512-2	<	INSERT-EYEBROW USED WHEN NARCO MARK 12B IS INSTALLED -----	1	X
			WITH VOA-50M INDICATOR 150 ONLY		
	0405004-1		PLACARD-INSTRUMENT PANEL A150 ONLY -----	1	E
	0405009-1		PLACARD-INSTRUMENT PANEL A150 ONLY -----	1	Y
	0405004-2		PLACARD-INSTRUMENT PANEL FA150 ONLY -----	1	F
	0405009-2		PLACARD-INSTRUMENT PANEL FA150 ONLY -----	1	Z
	0405004-3		PLACARD-INSTRUMENT PANEL USED WHEN NARCO MARK 12B IS -----	1	E
			INSTALLED WITH VOA-50M INDICATOR A150 ONLY		
	0405009-3		PLACARD-INSTRUMENT PANEL USED WHEN NARCO MARK 12B IS -----	1	Y
			INSTALLED WITH VOA-50M INDICATOR A150 ONLY		

CONTINUED ON NEXT PAGE

150 & A150 Parts Catalog

FIGURE AND INDEX NO.	PART NUMBER		DESCRIPTION							UNITS PER ASSY	USABLE ON CODE		
			1	2	3	4	5	6	7				
47 -21	0413467-2	<	EYEBROW-INSTRUMENT PANEL -----							1	S		
	0415003-2		EYEBROW ASSEMBLY-INSTRUMENT PANEL -----							1			
-22	0413032-2		ATTACHING PARTS -----							1 9 9 2	S		
	S1023A6-12B		RETAINER-EYEBROW -----										
	S1067B1		SCREW -----										
	NAS446-2-3		WASHER -----										
-22A	0413470-1	<	COVER-ACCELEROMETER -----							1	C		
	S1021Z4-6		ATTACHING PARTS -----							4 4			
	NAS446-1-1		SCREW -----										
-23	0413491-1		BRACKET-ACCELEROMETER -----							1	C		
	AN515B8R6		ATTACHING PARTS -----							3 3			
	MS21044N08		SCREW -----										
-24	C661015-0101		ACCELEROMETER WEU C661015-0102 -----							1	AE AF		
	C661015-0102		ACCELEROMETER -----							1			
	AN515B8R10		ATTACHING PARTS -----							3 3			
	AN340B8		SCREW -----										
-24A	0413509-1		ADAPTER-ACCELEROMETER -----							1	C		
	AN515B8R10		ATTACHING PARTS -----							3 3			
	AN936A8		SCREW -----										
	AN340B8		WASHER -----										
-25	C661012-0101		ALTIMETER-18,000 FT FOR VFR APPLICATIONS ONLY -----							1	D		
	C661011-0105		WEU C661071-0101 -----							1			
	C661071-0101		ALTIMETER-20,000 FT SENSITIVE WEU C661071-0101 -----							1			
	C661011-0106		ALTIMETER-20,000 FT SENSITIVE -----							1			
	C661071-0102		ALTIMETER-20,000 FT FEET/MILIBARS WEU C661071-0102 -----							1			
	AN515B6R10		ALTIMETER-20,000 FT FEET/MILIBARS -----							1			
				ATTACHING PARTS -----								3	
-26	S1317N2		CLOCK-ELECTRIC WEU C664508-0101 -----							1	AC AD		
	C664508-0101		CLOCK-ELECTRIC -----							1			
	AN515B6R12		ATTACHING PARTS -----							2			
-27 -28	0400211-6		PLACARD-AIRPLANE IDENTIFICATION -----							1	Q R AC AD AC AD AC AD AQ AQ		
	C661001-0501	*	INDICATOR-GYRO HORIZON WEU C661001-0505 -----							1			
	C661001-0505	*	INDICATOR-GYRO HORIZON WEU C661076-0101, -0102 OR -0103 -----							1			
	C661001-0503	*	INDICATOR-GYRO HORIZON WEU C661076-0102 -----							1			
	C661076-0102	*	INDICATOR-GYRO HORIZON -----							1			
	C661001-0502	*	INDICATOR-GYRO HORIZON WEU C661076-0101 -----							1			
	C661076-0101	*	INDICATOR-GYRO HORIZON -----							1			
	C661001-0504	*	INDICATOR-GYRO HORIZON WEU C661076-0103 -----							1			
	C661076-0103	*	INDICATOR-GYRO HORIZON -----							1			
	C661076-0105	*	INDICATOR-GYRO HORIZON -----							1			
	C661076-0107	*	INDICATOR-GYRO HORIZON -----							1			
				ATTACHING PARTS -----								4	
		AN515B6R6		SCREW -----								4	
	-29	C661002-0501	%	INDICATOR-DIRECTIONAL GYRO WEU C661002-0505 -----								1	Q R AD Q R AD AC AD AC AD AQ AN AQ
		C661002-0505	%	INDICATOR-DIRECTIONAL GYRO WEU C661075-0104 -----								1	
C661002-0503		%	INDICATOR-DIRECTIONAL GYRO WEU C661002-0506 -----							1			
C661002-0506		%	INDICATOR-DIRECTIONAL GYRO WEU C661075-0103 -----							1			
C661075-0103		%	INDICATOR-DIRECTIONAL GYRO -----							1			
C661002-0301		%	INDICATOR-DIRECTIONAL GYRO WEU C661075-0104 -----							1			
C661075-0104		%	INDICATOR-DIRECTIONAL GYRO -----							1			
C661002-0504		%	INDICATOR-DIRECTIONAL GYRO WEU C661075-0101 -----							1			
C661075-0101		%	INDICATOR-DIRECTIONAL GYRO -----							1			
C661075-0106		%	INDICATOR-DIRECTIONAL GYRO -----							1			
C661075-0105		%	INDICATOR-DIRECTIONAL GYRO WITH HEADING REF BUG -----							1			
C661075-0108		%	INDICATOR-DIRECTIONAL GYRO -----							1			
			ATTACHING PARTS -----							4			
	AN515B6R8		SCREW -----							4			

CONTINUED ON NEXT PAGE

150 & A150 Parts Catalog

FIGURE AND INDEX NO.	PART NUMBER	DESCRIPTION							UNITS PER ASSY	USABLE ON CODE
		1	2	3	4	5	6	7		
47 -30	S1470N10	INDICATOR-AIR SPEED	WEU C661060-0101	-----					1	B
	S1323N4	INDICATOR-AIR SPEED	ALTERNATE WEU C661060-0101	-----					1	B
	C661060-0101	INDICATOR-AIR SPEED	-----						1	AG
	C661010-1004	INDICATOR-AIR SPEED	A150 & FA150 ONLY WEU C661061-0102	-----					1	AE
	C661060-0102	INDICATOR-AIR SPEED	A150 & FA150 ONLY	-----					1	AF
	AN515B6R10	ATTACHING PARTS	-----						4	
		SCREW	-----						4	
		-----*	-----							
		TRUE AIRSPEED INSTALLATION	-----							
-31	C661010-0101	INDICATOR-TRUE AIRSPEED	WEU C661061-0101	-----					1	B
	C661061-0101	INDICATOR-TRUE AIRSPEED	-----						1	AG
	C661010-0105	INDICATOR-TRUE AIRSPEED	WEU C661061-0102	-----					1	AE
	C661061-0102	INDICATOR-TRUE AIRSPEED	-----						1	AF
		ATTACHING PARTS	-----							
-32	AN515B6R16	SCREW	-----						4	
-33	0700162-1	RETAINER ASSEMBLY	-----						1	
-34	0700189-4	RING ASSEMBLY	WHEN EXHAUSTED USE 0700189-6	-----					1	G
	0700189-6	RING ASSEMBLY	WEU 0700189-10	-----					1	H
	0700189-10	RING ASSEMBLY	-----						1	AD
	0700162-7	SPACER	-----						2	
		-----*	-----							
-36	C661003-0501	INDICATOR-TURN COORDINATOR	WEU C661003-0504	-----					1	AC
	C661003-0504	INDICATOR-TURN COORDINATOR	-----						1	AD
	C661003-0506	INDICATOR-TURN COORDINATOR	ALTERNATE	-----					1	
	2904-1	INDICATOR-TURN COORDINATOR	BTID USED WITH	-----					1	AC
	C661003-0601	INDICATOR-TURN COORDINATOR	WING LEVELER INSTALLATION ONLY WEU C661003-0601	-----					1	AD
		INDICATOR-TURN COORDINATOR	USED WITH	-----					1	AD
	S1302-1	INDICATOR-TURN & BANK	WEU S1413-2	-----					1	AC
	S1413-1	INDICATOR-TURN & BANK	ALT FOR S1302-1 WEU S1413-2	-----					1	AC
	S1413-2	INDICATOR-TURN & BANK	-----						1	AD
		ATTACHING PARTS	-----							
	AN515B6R16	SCREW	-----						4	
	AN936A6B	WASHER	-----						4	
	AN340B6	NUT	-----						4	AC
		-----*	-----							
-37	S1392N2	INDICATOR-VERTICAL SPEED	WEU C661080-0101	-----					1	AC
	C661080-0101	INDICATOR-VERTICAL SPEED	-----						1	AD
		ATTACHING PARTS	-----							
		AN507B632R12	SCREW	-----					3	
	S1066B1	WASHER	-----					3		
		-----*	-----							
-38	S1305N7	TACHOMETER	WEU C668020-0101	-----					1	AC
	C668020-0101	TACHOMETER	-----						1	AD
		ATTACHING PARTS	-----							
		AN515B8R10	SCREW	-----					4	
	NAS43DD3-24	SPACER	-----					4		
	AN936A8	WASHER	-----					4		
	AN340B8	NUT	-----					4		
		-----*	-----							
-39	S1605-3	SHAFT-TACHOMETER	-----						1	
	C664501-0101	HOURLY METER	WEU C664501-0103	-----					1	AC
	C664501-0103	HOURLY METER	-----						1	AD
		ATTACHING PARTS	-----							
	AN515-6R6	SCREW	-----					4		
	NAS43DD1-6	SPACER	-----					4		
	AN936A6	WASHER	-----					4		
	AN340B6	NUT	-----					4		
		-----*	-----							
	0411757-1	COVER-HOURLY METER	-----						1	
		ATTACHING PARTS	-----							
	AN515B6R6	SCREW	-----						4	
	AN936A6	WASHER	-----						4	
	AN340B6	NUT	-----						4	
		-----*	-----							
-40	S1414N1	GAGE-SUCTION	WEU C668540-0101	-----					1	AC
	S1414-1	GAGE-SUCTION	ALT WEU C668540-0101	-----					1	AC
	C668540-0101	GAGE-SUCTION	-----						1	AD
		ATTACHING PARTS	-----							
	AN515B6R12	SCREW	-----						4	
	AN936A6	WASHER	USED WITH S1414-1	-----					4	AC
	AN340B6	NUT	USED WITH S1414-1	-----					4	AC
		-----*	-----							

CONTINUED ON NEXT PAGE

150 & A150 Parts Catalog

FIGURE AND INDEX NO.	PART NUMBER	DESCRIPTION	1 2 3 4 5 6 7							UNITS PER ASSY	USABLE ON CODE
			1	2	3	4	5	6	7		
47 -41.	S1320-1 S1320-3 S1320-5	AMMETER-60 AMP WEU S1320-3 ----- AMMETER-60 AMP WEU S1320-5 ----- AMMETER-60 AMP -----								1 1 1	A J K
-42	0413427-3 C669504-0102 C669504-0104	SPACER-AMMETER ----- INSTRUMENT CLUSTER-LH WEU C669504-0104 ----- INSTRUMENT CLUSTER-LH ----- ATTACHING PARTS								1 1 1	L M
	AN515-6R14 NAS43DD1-47 AN936A6 AN340B6	SCREW ----- SPACER ----- WASHER ----- NUT -----								2 2 2 2	
-43	441364	*----- GAGE-FUEL SW -----								1	
-44	444652 444679	GAGE-OIL PRESSURE SW ----- GAGE-OIL PRESSURE SW -----								1 1	L M
-45	C669505-0102 C669505-0103	INSTRUMENT CLUSTER-RH ----- INSTRUMENT CLUSTER-RH ----- ATTACHING PARTS								1 1 1	S T
	AN515-6R14 NAS43DD1-47 AN936A6 AN340B6	SCREW ----- SPACER ----- WASHER ----- NUT -----								2 2 2 2	
-46	441365	*----- GAGE-FUEL SW -----								1	
-47	442820 442876-38	GAGE-OIL TEMP SW ----- GAGE-OIL TEMP SW -----								1 1	S T
-48	S1239-46	CONTROL-CABIN HEAT, CABIN AIR -----								2	
-49	S1661-2	SWITCH-FLAP ----- ATTACHING PARTS								1	
	S1216-4	NUT -----								1	
	S1771-1	*----- KNOB-FLAP SWITCH -----								1	
-50	0513039-7 0513039-1 S1982-1 60232-1 CM2692-28-2H	CIGAR LIGHTER ----- PLUG-HEATER ----- KNOB-CIGAR LIGHTER ----- CIRCUIT BREAKER-CIGAR LIGHTER CUE ----- PLUG BUTTON INSTALLED WHEN LIGHTER IS NOT USED -----								1 1 1 1 1	
-51	S1777-1	CONTROL-MIXTURE -----								1	
-52	S1791-1	VALVE-WING LEVELER ----- ATTACHING PARTS								1	
	AN960-616 0713026-6	WASHER ----- NUT -----								1 1	
	S1981-1	*----- KNOB-WING LEVELER VALVE -----								1	
-53	S1222-17 C299505-0202S S1748-1	CONTROL-THROTTLE WEU C299505-0202S ----- CONTROL-THROTTLE ----- KNOB-THROTTLE -----								1 1 1	N P
	1213646-2 S1230-19	WASHER BETWEEN PANEL COVER & CONTROL ----- CONTROL-CARBURETOR HEAT -----								1 1	
-54	C291502-0106	PRIMER ASSEMBLY-FUEL -----								1	
-55	S1974-1 NAS1593-012	KNOB-PRIMER ----- O RING -----								1 2	
-56	S1239-49	CONTROL-PARKING BRAKE -----								1	
-57	SEE FIG 48	PANEL ASSEMBLY-SWITCH ----- ATTACHING PARTS								1	
-58	S1021Z6-8	SCREW -----								3	
	0413514-1 0414037-1	*----- PAD-PROTECTION ----- PAD-PROTECTION -----								1 1	AH AB
-60	S1021Z6-14 S1021Z6-8	ATTACHING PARTS SCREW ----- SCREW -----								3 3	AH AB
	0413514-9 0414037-2	*----- PAD-PROTECTION ----- PAD-PROTECTION -----								1 1	AH AB
-62	S1021Z6-7 S1021Z6-8	ATTACHING PARTS SCREW ----- SCREW -----								3 3	AH AB
-63	1514014-1	*----- CAP -----								4	AH
-64	SEE FIG 2	PLACARD-MASTER SWITCH -----								1	

CONTINUED ON NEXT PAGE

150 & A150 Parts Catalog

FIGURE AND INDEX NO.	PART NUMBER	DESCRIPTION 1 2 3 4 5 6 7	UNITS PER ASSY	USABLE ON CODE
47 -65	SEE FIG 2	PLACARD-SPIN -----	1	C
-66		RADIO INSTALLATION SEE CESSNA ELECTRONICS MANUAL -----	1	
-67	SEE FIG 72	ELEVATOR TRIM CONTROL INSTALLATION -----	1	
-68	SEE FIG 49	GLOVE BOX & DOOR INSTALLATION -----	1	
-69	S2135-1	LIGHT ASSEMBLY-OVERVOLTAGE -----	1	AB
-70	C593001-0101	SENSOR-OVERVOLTAGE -----	1	
	S2209-2	ATTACHING PARTS		
		TIE STRAP -----	1	
		-----*		
		NOTE. <THIS PART NUMBER MUST HAVE A SECOND DASH NUMBER ADDED TO DENOTE COLOR. REFER TO HOW TO ORDER INTERIOR PARTS-PAGE VII.		
		NOTE. *THESE GYROS ARE PHYSICALLY & FUNCTIONALLY INTERCHANGEABLE.		
		NOTE. %THESE GYROS ARE PHYSICALLY & FUNCTIONALLY INTERCHANGEABLE.		
		A---150 SERIAL 15071129 THRU 15072628 A150 SERIAL A1500001 THRU A1500276		
		B---150 SERIAL 15071129 THRU 15072628 F150 SERIAL F15000530 THRU F15000863		
		C---A150 SERIAL A1500001 THRU A1500342 FA150 SERIAL FA1500001 THRU FA1500166		
		D---150 SERIAL 15071129 THRU 15073658		
		E---A150 SERIAL A1500001 THRU A1500226		
		F---FA150 SERIAL FA1500001 THRU FA1500081		
		G---150 SERIAL 15071129 THRU 15071794 F150 SERIAL F15000530 THRU F15000679 A150 SERIAL A1500001 THRU A1500160 FA150 SERIAL FA1500001 THRU FA1500059		
		H---150 SERIAL 15071795 THRU 15072628 F150 SERIAL F15000680 THRU F15000863 A150 SERIAL A1500161 THRU A1500276 FA150 SERIAL FA1500060 THRU FA1500166		
		J---150 SERIAL 15072629 THRU 15073391 F150 SERIAL F15000530 THRU F15000863 A150 SERIAL A1500277 THRU A1500332 FA150 SERIAL FA1500001 THRU FA1500166		
		K---150 SERIAL 15073392 THRU 15073658 A150 SERIAL A1500333 THRU A1500342		
		L---150 SERIAL 15071129 THRU 15072182 F150 SERIAL F15000530 THRU F15000658 A150 SERIAL A1500001 THRU A1500246 FA150 SERIAL FA1500001 THRU FA1500081		
		M---150 SERIAL 15072183 THRU 15073658 F150 SERIAL F15000659 THRU F15000863 A150 SERIAL A1500247 THRU A1500342 FA150 SERIAL FA1500082 THRU FA1500166		
		N---150 SERIAL 15071129 THRU 15071874 F150 SERIAL F15000530 THRU F15000658 A150 SERIAL A1500001 THRU A1500182 FA150 SERIAL FA1500001 THRU FA1500081		
		P---150 SERIAL 15071875 THRU 15073658 F150 SERIAL F15000659 THRU F15000863 A150 SERIAL A1500183 THRU A1500342 FA150 SERIAL FA1500082 THRU FA1500166		
		Q---150 SERIAL 15071129 THRU 15071784 F150 SERIAL F15000530 THRU F15000658 A150 SERIAL A1500001 THRU A1500164 FA150 SERIAL FA1500001 THRU FA1500081		
		R---150 SERIAL 15071785 THRU 15072628 F150 SERIAL F15000659 THRU F15000863 A150 SERIAL A1500165 THRU A1500276 FA150 SERIAL FA1500082 THRU FA1500166		
		CONTINUED ON NEXT PAGE		

150 & A150 Parts Catalog

FIGURE AND INDEX NO.	PART NUMBER	DESCRIPTION	UNITS PER ASSY	USABLE ON CODE
		1 2 3 4 5 6 7		
47 -		S---150 SERIAL 15071129 THRU 15072003 F150 SERIAL F15000530 THRU F15000658 A150 SERIAL A1500001 THRU A1500226 FA150 SERIAL FA1500001 THRU FA1500081 T---150 SERIAL 15072004 THRU 15073658 F150 SERIAL F15000659 THRU F15000863 A150 SERIAL A1500227 THRU A1500342 FA150 SERIAL FA1500082 THRU FA1500167 U---150 SERIAL 15071129 THRU 15072003 F150 SERIAL F15000530 THRU F15000658 V---150 SERIAL 15072004 THRU 15073658 F150 SERIAL F15000659 THRU F15000863 W---150 SERIAL 15071129 THRU 15072003 X---150 SERIAL 15072004 THRU 15073658 Y---A150 SERIAL A1500227 THRU A1500342 Z---FA150 SERIAL FA1500082 THRU FA1500166 AA---150 SERIAL 15071129 THRU 15072628 F150 SERIAL F1500530 THRU F15000738 A150 SERIAL A1500001 THRU A1500276 FA150 SERIAL FA1500001 THRU FA1500166 AB---150 SERIAL 15072629 THRU 15073658 F150 SERIAL F15000739 THRU F15000863 A150 SERIAL A1500277 THRU A1500342 AC---150 SERIAL 15071129 THRU 15072628 F150 SERIAL F15000530 THRU F15000863 A150 SERIAL A1500001 THRU A1500276 FA150 SERIAL FA1500001 THRU FA1500166 AD---150 SERIAL 15072629 THRU 15073658 A150 SERIAL A1500277 THRU A1500342 AE---A150 SERIAL A1500001 THRU A1500276 FA150 SERIAL FA1500001 THRU FA1500166 AF---A150 SERIAL A1500277 THRU A1500342 AG---150 SERIAL 15072629 THRU 15073658 AH---150 SERIAL 15072004 THRU 15072628 F150 SERIAL F15000659 THRU F15000738 A150 SERIAL A1500227 THRU A1500276 FA150 SERIAL FA1500082 THRU FA1500166 AJ---150 SERIAL 15071129 THRU 15072628 AK---150 SERIAL 15071129 THRU 15072628 F150 SERIAL F15000530 THRU F15000738 A150 SERIAL A1500001 THRU A1500276 FA150 SERIAL FA1500001 THRU FA1500161 AL---FA150 SERIAL FA1500162 THRU FA1500166 AM---150 SERIAL 15072629 THRU 15073449 F150 SERIAL F15000739 THRU F15000818 A150 SERIAL A1500277 THRU A1500333 AN---150 SERIAL 15073450 THRU 15073658 F150 SERIAL F15000819 THRU F15000863 A150 SERIAL A1500334 THRU A1500342 AP---150 SERIAL 15071129 THRU 15073658 F150 SERIAL F15000530 THRU F15000863 A150 SERIAL A1500001 THRU A1500342 FA150 SERIAL FA1500001 THRU FA1500166 AQ---150 SERIAL 15071129 THRU 15073658 A150 SERIAL A1500001 THRU A1500342		

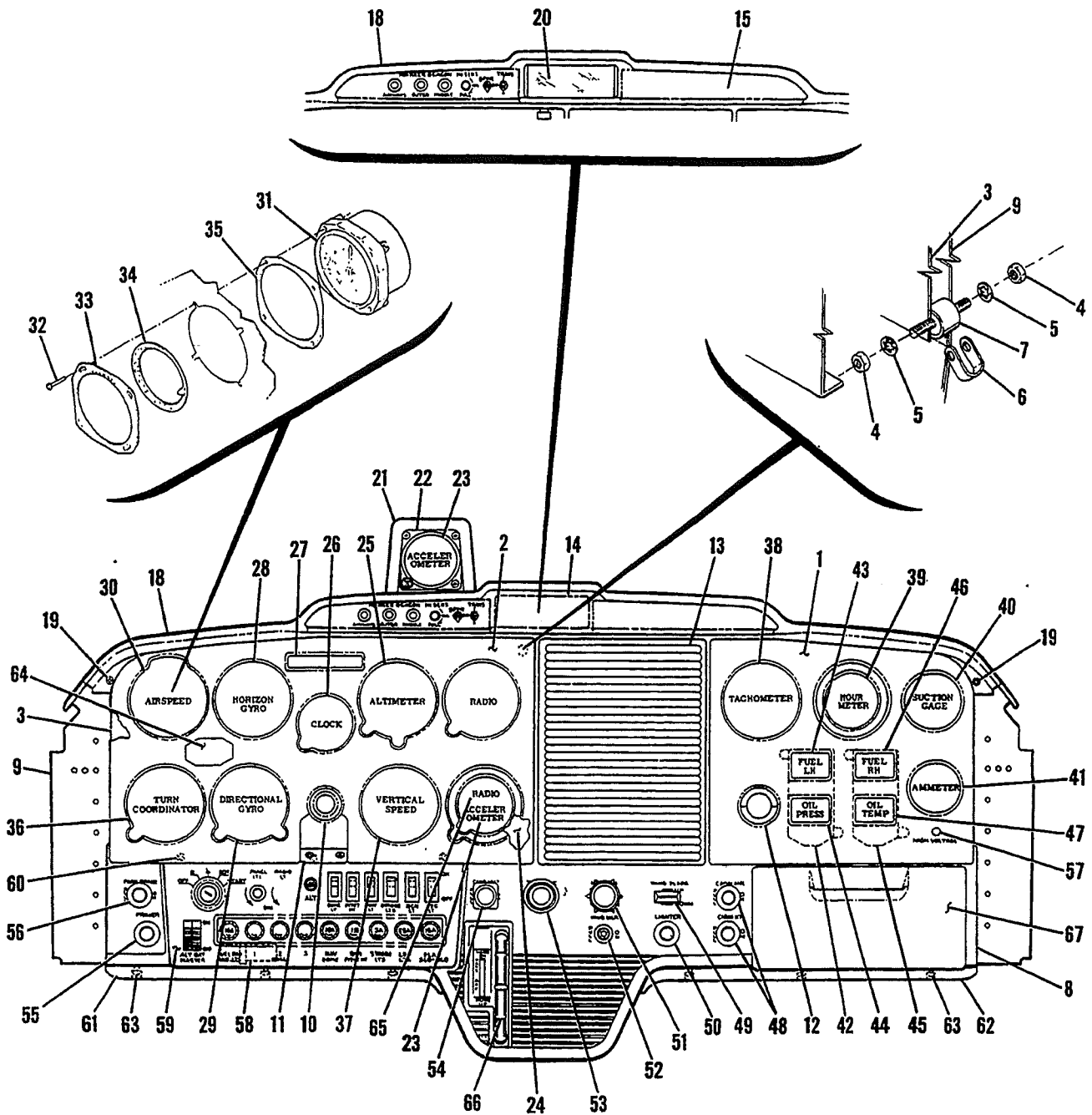
150 & A150 Parts Catalog

FIGURE AND INDEX NO.	PART NUMBER		DESCRIPTION	UNITS PER ASSY	USABLE ON CODE	
						1
47A-			INSTRUMENT PANEL & EQUIPMENT INSTALLATION -----	NP	A	
- 1	0413529-1	<	COVER ASSY-ENGINE INSTRUMENT -----	1	T	
	0413529-8	<	COVER ASSY-ENGINE INSTRUMENT -----	1	Z	
	0413529-12	<	COVER ASSY-ENGINE INSTRUMENT -----	1	A	
	1513839-6		GUIDE-COVER ALIGNING -----	1	C	
- 2	0413529-3	<	COVER ASSY-SHOCK PANEL USED WITH C661012-0101 -----	3	U	
	0413529-10	<	COVER ASSY-SHOCK PANEL USED WITH C661012-0101 -----	1	L	
	0413529-4	<	COVER ASSY-SHOCK PANEL USED WITH C661071-0101 & -----	1	M	
	0413529-11	<	COVER ASSY-SHOCK PANEL USED WITH C661071-0101 & -----	1	T	
	1513839-3		GUIDE-COVER ALIGNING -----	2	U	
	1513839-3		GUIDE-COVER ALIGNING -----	5	T	
- 3	0413459-4	<	PANEL ASSY-SHOCK MOUNTED INSTRUMENT -----	1	T	
	0413459-5	<	PANEL ASSY-SHOCK MOUNTED INSTRUMENT -----	1	U	
			ATTACHING PARTS -----			
- 4	MS25082B2		NUT -----	12		
- 5	AN936A8		WASHER -----	12		
- 6	0413247		STRAP-GROUND -----	2		
- 7	0413523-4		SHOCKMOUNT -----	6		
			*-----			
- 8	MS35489-33		GROMMET-PANEL GUIDE -----	5	U	
	0413467-8	<	COVER-STATIONARY PANEL -----	1	T	
	0413467-9	<	COVER-STATIONARY PANEL -----	1	Z	
	0413467-10	<	COVER-STATIONARY PANEL -----	1	A	
- 9	0413457-12	<	PANEL ASSY-STATIONARY -----	1	C	
	0413457-14	<	PANEL ASSY-STATIONARY -----	1	T	
	0413457-15	<	PANEL ASSY-STATIONARY -----	1	Z	
	S1863-2		NUTPLATE-DOUBLE LUG ATTACH SWITCH PANEL -----	3	A	
	S1862-1		NUTPLATE-SINGLE LUG ATTACH SWITCH PANEL -----	3		
	NAS684A06		NUTPLATE ATTACH GLOVE BOX DOOR -----	4		
	0413487-1		BRACKET-INSTRUMENT PANEL -----	1		
	0413522-3		BRACKET-INSTRUMENT PANEL COVER ATTACH -----	6	T	
	0413522-3		BRACKET-INSTRUMENT PANEL COVER ATTACH -----	2	U	
	0413534-1		BRACKET-MARKER BEACON -----	1	U	
	MS35489-4		GROMMET -----	3	U	
-10	0760131-7	<	SUPPORT & COLLAR-CONTROL LOCK -----	1	J	
	0760131-6	<	SUPPORT & COLLAR-CONTROL LOCK -----	1	K	
			ATTACHING PARTS -----			
	AN515-6R10		SCREW -----	4		
	AN960-6L		WASHER -----	4		
	MS21044N06		NUT -----	4		
			*-----			
-11	0413529-7	<	PLATE ASSY-SPLICE -----	1		
			ATTACHING PARTS -----			
	S102176-8B		SCREW -----	2		
	NAS395-4-3		NUT -----	2		
			*-----			
-12	0513056-3	<	GROMMET HALF -----	2	T	
	0760131-5	<	SUPPORT-CONTROL TUBE -----	1	U	
			ATTACHING PARTS -----			
	AN515-6R10		SCREW -----	4	U	
	AN960-6L		WASHER -----	4	U	
	MS21044N06		NUT -----	4	U	
			*-----			
-13	0413531-1	<	COVER-RADIO CUTOUT -----	1	T	
	0413531-28	<	COVER ASSY-RADIO CUTOUT -----	1	U	
	0413532-1	<	TRIM-RADIO COVER -----	AR		
-14	0415005-1	<	INSERT-EYEBROW 150 WITHOUT MIRROR INSTL -----	1	L	
	0415005-3	<	INSERT-EYEBROW A150 WITHOUT MIRROR INSTL -----	1	D	
	0415005-5	<	INSERT-EYEBROW 150 & A150 WITHOUT MIRROR INSTL -----	1	N	
	0415005-9	<	INSERT-EYEBROW 150 & A150 WITHOUT MIRROR INSTL -----	1	E	
	0415005-7	<	INSERT-EYEBROW 150 & A150 WITHOUT MIRROR INSTL USED -----	1	N	
	0415005-11	<	INSERT-EYEBROW WITH MARKER BCN INSTL 150 & A150 WITHOUT MIRROR INSTL USED -----	1	E	
-15	0415005-2	<	INSERT-EYEBROW 150 & F150 WITH MIRROR INSTL -----	1	P	
	0415005-4	<	INSERT-EYEBROW A150 & FA150 WITH MIRROR INSTL -----	1	R	
	0415005-6	<	INSERT-EYEBROW USED WITH MIRROR INSTL -----	1	Z	
	0415005-10	<	INSERT-EYEBROW USED WITH MIRROR INSTL -----	1	A	
	0415005-8	<	INSERT-EYEBROW USED WITH MIRROR & MARKER BCN INSTL -----	1	C	
	0415005-12	<	INSERT-EYEBROW USED WITH MIRROR & MARKER BCN INSTL -----	1	Z	
-16			DELETED, NOT USED -----		A	
-17			DELETED, NOT USED -----			

CONTINUED ON NEXT PAGE

150 & A150 Parts Catalog

Instruments (Cont)



150 SERIAL 15073659 THRU 15077005
F150 SERIAL F15000864 THRU F15001248
A150 SERIAL A1500343 THRU A1500609
FA150 SERIAL FA1500167 THRU FA1500281

Figure 47A. Instrument Panel Equipment Installation

150 & A150 Parts Catalog

FIGURE AND INDEX NO.	PART NUMBER	DESCRIPTION	1 2 3 4 5 6 7							UNITS PER ASSY	USABLE ON CODE
			1	2	3	4	5	6	7		
47A-18	0415003-4 0415003-6	EYEBROW ASSY-INSTRUMENT PANEL ----- EYEBROW ASSY-INSTRUMENT PANEL ----- ATTACHING PARTS								1 1	T U
-19	S1023A6-12B S1067B1 NAS446-2-3	SCREW ----- WASHER ----- NUT ----- *-----								9 9 2	
-20	0400339-1 MS21042L4 AN960-416	MIRROR ASSY-REAR VIEW ----- ATTACHING PARTS NUT ----- WASHER ----- *-----								1 1 2	
-21	0413470-1 < S1021Z4-6 NAS446-1-1	COVER-ACCELEROMETER ----- ATTACHING PARTS SCREW ----- NUT ----- *-----								1 4 4	F
-22	0413491-1 AN515B8R6 MS21044N08	BRACKET-ACCELEROMETER ----- ATTACHING PARTS SCREW ----- NUT ----- *-----								1 3 3	F
-23	C661015-0102 AN515B8R10 AN936A8 AN340B8	ACCELEROMETER ----- ATTACHING PARTS SCREW ----- WASHER ----- NUT ----- *-----								1 3 3 3	F
-24	0413509-1 AN515B8R10 AN936A8 AN340B8	ADAPTER-ACCELEROMETER ----- ATTACHING PARTS SCREW ----- WASHER ----- NUT ----- *-----								1 3 3 3	F
-25	C661012-0101 C661071-0101 C661071-0102 C661025-0102 SEE FIG 73A	ALTIMETER-18,000 FT FOR VFR APPLICATIONS ONLY ----- WEU C661071-0101 ALTIMETER-20,000 FT SENSITIVE ----- ALTIMETER-20,000 FT FEET/MILIBARS ----- ALTIMETER-35,000 FT FEET/MILIBARS ----- ENCODING & DUAL ALTIMETER INSTL ----- ATTACHING PARTS								1 1 1 1 AR	B W X
	AN515B6R10	SCREW ----- *-----								3	
-26	S1317N2 C664508-0101 AN515B6R12	CLOCK-ELECTRIC WEU C664508-0101 ----- CLOCK-ELECTRIC ----- ATTACHING PARTS SCREW ----- *-----								1 1 2	G H
-27	0400211-6	PLACARD-AIRPLANE IDENTIFICATION -----								1	
-28	C661076-0102 * C661076-0101 * C661076-0103 * C661076-0105 * C661076-0107 *	INDICATOR-GYRO HORIZON ----- INDICATOR-GYRO HORIZON ----- INDICATOR-GYRO HORIZON ----- INDICATOR-GYRO HORIZON ----- INDICATOR-GYRO HORIZON ----- ATTACHING PARTS								1 1 1 1 1	W
	AN515B6R6	SCREW ----- *-----								4	
-29	C661075-0103 % C661075-0104 % C661075-0101 % C661075-0106 % C661075-0105 % C661075-0108 %	INDICATOR-DIRECTIONAL GYRO ----- INDICATOR-DIRECTIONAL GYRO ----- INDICATOR-DIRECTIONAL GYRO ----- INDICATOR-DIRECTIONAL GYRO ----- INDICATOR-DIRECTIONAL GYRO WITH HEADING REFERENCE BUG ----- INDICATOR-DIRECTIONAL GYRO ----- ATTACHING PARTS								1 1 1 1 1 1	W
	AN515B6R8	SCREW ----- *-----								4	
-30	C661060-0101 C661060-0102 AN515B6R10	INDICATOR-AIRSPD ----- INDICATOR-AIRSPD A150 & FA150 ONLY ----- ATTACHING PARTS SCREW ----- *-----								1 1 4	C F

CONTINUED ON NEXT PAGE

150 & A150 Parts Catalog

FIGURE AND INDEX NO.	PART NUMBER	DESCRIPTION							UNITS PER ASSY	USABLE ON CODE
		1	2	3	4	5	6	7		
47A- -31	C661061-0101	TRUE AIRSPEED INSTALLATION -----							NP	C F
	C661061-0102	INDICATOR-TRUE AIRSPEED ----- INDICATOR-TRUE AIRSPEED A150 & FA150 ONLY ----- ATTACHING PARTS -----							1 1	
-32	AN515B6R16	SCREW -----							4	
-33	0700162-1	RETAINER ASSY -----							1	
-34	0700189-10	RING ASSY -----							1	
-35	0700162-7	SPACER -----							2	
		*-----								
-36	C661003-0501	INDICATOR-TURN COORDINATOR WEU C661003-0504 -----							1	G H T
	C661003-0504	INDICATOR-TURN COORDINATOR -----							1	
	C661003-0506	INDICATOR-TURN COORDINATOR ALTERNATE -----							1	
	C661003-0601	INDICATOR-TURN COORDINATOR USED WITH ----- WING LEVELER INSTALLATION ONLY -----							1	
	S1413-2	INDICATOR-TURN & BANK ----- ATTACHING PARTS -----							1	
	AN515B6R16	SCREW -----							4	
	AN936A6B	WASHER -----							4	
		*-----								
-37	C661080-0101	INDICATOR-VERTICAL SPEED ----- ATTACHING PARTS -----							1	
	AN507B632R12	SCREW -----							3	
	S1066B1	WASHER -----							3	
		*-----								
-38	S1305N7	TACHOMETER WEU C668020-0101 -----							1	G V AA
	C668020-0101	TACHOMETER -----							1	
	C668020-0113	TACHOMETER -----							1	
		ATTACHING PARTS -----								
	AN515B8R10	SCREW -----							4	
	NAS43DD3-22	SPACER -----							4	
	AN936A8	WASHER -----							4	
	AN340B8	NUT -----							4	
		*-----								
-39	S1605-3	SHAFT-TACHOMETER -----							1	G H
	C664501-0101	HOURMETER WEU C664501-0103 -----							1	
	C664501-0103	HOURMETER -----							1	
		ATTACHING PARTS -----								
	AN515-6R6	SCREW -----							4	
	NAS43DD1-6	SPACER -----							4	
	AN936A6	WASHER -----							4	
	AN340B6	NUT -----							4	
		*-----								
-40	S1414N1	GAGE-SUCTION WEU C668540-0101 -----							1	G H
	C668540-0101	GAGE-SUCTION -----							1	
		ATTACHING PARTS -----								
	AN515B6R12	SCREW -----							4	
		*-----								
-41	S1320-5	AMMETER-60 AMP -----							1	
	0413427-3	SPACER-AMMETER -----							1	
-42	C669504-0104	INSTRUMENT CLUSTER-LH -----							1	
		ATTACHING PARTS -----								
	AN515-6R14	SCREW -----							2	
	NAS43DD1-32	SPACER -----							2	
	AN936A6	WASHER -----							2	
	AN340B6	NUT -----							2	
		*-----								
-43	441364	GAGE-FUEL SW -----							1	
-44	444679	GAGE-OIL PRESSURE SW -----							1	
-45	C669505-0103	INSTRUMENT CLUSTER-RH -----							1	
		ATTACHING PARTS -----								
	AN515-6R14	SCREW -----							2	
	NAS43DD1-32	SPACER -----							2	
	AN936A6	WASHER -----							2	
	AN340B6	NUT -----							2	
		*-----								
-46	441365	GAGE-FUEL SW -----							1	
-47	442876-38	GAGE-OIL TEMP SW -----							1	
-48	S1239-46	CONTROL-CABIN HEAT, CABIN AIR -----							2	
-49	S1661-2	SWITCH-FLAP -----							1	
		ATTACHING PARTS -----								
	S1216-4	NUT -----							1	
		*-----								
	S1771-1	KNOB-FLAP SWITCH -----							1	

CONTINUED ON NEXT PAGE

150 & A150 Parts Catalog

FIGURE AND INDEX NO.	PART NUMBER	DESCRIPTION							UNITS PER ASSY	USABLE ON CODE	
		1	2	3	4	5	6	7			
47A-50	0513039-7	CIGAR LIGHTER -----							1		
	0513039-1	PLUG-HEATER -----							1		
	S1982-1	KNOB-CIGAR LIGHTER -----							1		
	60232-1	CIRCUIT BREAKER-CIGAR LIGHTER CUE -----							1	O	
	155109A	FUSEHOLDER-CIGAR LIGHTER -----							1	Y	
	SFE-9	FUSE-CIGAR LIGHTER -----							1		
	CM2692-28-2H	PLUG BUTTON INSTALLED WHEN LIGHTER IS NOT USED -----							1		
-51	S1777-1	CONTROL-MIXTURE -----							1	AB	
	S1234-11	CONTROL-MIXTURE -----							1	AC	
	DEV041811-1	SPACER-MIXTURE CONTROL .120 THICK -----							AR	AC	
	DEV041811-2	SPACER-MIXTURE CONTROL .060 THICK -----							AR	AC	
-52	S1791-1	VALVE-WING LEVELER -----							1	T	
		ATTACHING PARTS -----									
	AN960-616	WASHER -----							1	T	
	0713026-6	NUT -----							1	T	
		---*---									
	S1981-1	KNOB-WING LEVELER VALVE -----							1	T	
-53	C299505-0202S	CONTROL-THROTTLE -----							1		
	S1748-1	KNOB-THROTTLE -----							1		
	1213646-2	WASHER BETWEEN PANEL COVER & CONTROL -----							1		
-54	S1230-19	CONTROL-CARBURETOR HEAT -----							1		
-55	C291502-0106	PRIMER ASSY-FUEL -----							1		
	S1974-1	KNOB-PRIMER -----							1		
	NAS1593-012	O RING -----							2		
-56	S1239-49	CONTROL-PARKING BRAKE -----							1		
-57	S2135-1	LIGHT ASSY-OVERVOLTAGE -----							1		
-58	C593001-0101	SENSOR-OVERVOLTAGE -----							1		
		ATTACHING PARTS -----									
	S2209-2	TIE STRAP -----							1		
		---*---									
-59	SEE FIG 48 & 48A	PANEL ASSY-SWITCH -----							1		
		ATTACHING PARTS -----									
-60	S1021Z6-8	SCREW -----							3		
		---*---									
-61	0414037-1	PAD-PROTECTION LH WEU 0414037-3 -----							1	T	
	0414037-3	PAD-PROTECTION LH -----							1	U	
-62	0414037-2	PAD-PROTECTION RH -----							1		
		ATTACHING PARTS -----									
-63	S1021Z6-8	SCREW -----							3		
		---*---									
-64	SEE FIG 2A	PLACARD-SPIN -----							1		
-65		RADIO INSTALLATION SEE CESSNA ELECTRONICS MANUAL -----							AR		
-66	SEE FIG 72	ELEVATOR TRIM CONTROL INSTALLATION -----							1		
-67	SEE FIG 49	GLOVE BOX & DOOR INSTALLATION -----							1		
		NOTE. <THIS PART NUMBER MUST HAVE A SECOND DASH NUMBER ADDED TO DENOTE COLOR. REFER TO HOW TO ORDER INTERIOR PARTS-PAGE VII.									
		NOTE. *THESE GYROS ARE PHYSICALLY & FUNCTIONALLY INTERCHANGABLE.									
		NOTE. %THESE GYROS ARE PHYSICALLY & FUNCTIONALLY INTERCHANGABLE.									
		A---150 SERIAL 15073659 THRU 15077005 F150 SERIAL F15000864 THRU F15001248 A150 SERIAL A1500343 THRU A1500609 FA150 SERIAL FA1500167 THRU FA1500281									
		B---150 SERIAL 15073659 THRU 15077005									
		C---150 SERIAL 15073659 THRU 15077005 F150 SERIAL F15000864 THRU F15001248									
		D---A150 SERIAL A1500343 THRU A1500429									
		E---150 SERIAL 15075782 THRU 15077005 A150 SERIAL A1500524 THRU A1500609									
		F---A150 SERIAL A1500343 THRU A1500609 FA150 SERIAL FA1500167 THRU FA1500281									
		G---F150 SERIAL F15000864 THRU F15001013 FA150 SERIAL FA1500167 THRU FA1500211									
		CONTINUED ON NEXT PAGE									

150 & A150 Parts Catalog

FIGURE AND INDEX NO.	PART NUMBER	DESCRIPTION							UNITS PER ASSY	USABLE ON CODE
		1	2	3	4	5	6	7		
47A-		H---	150	SERIAL	15073659	THRU	15077005			
			F150	SERIAL	F15001014	THRU	F15001248			
			A150	SERIAL	A1500343	THRU	A1500609			
			FA150	SERIAL	FA1500212	THRU	FA1500281			
		J---	150	SERIAL	15073659	THRU	15074384			
			F150	SERIAL	F15000864	THRU	F1500943			
			A150	SERIAL	A1500343	THRU	A1500389			
			FA150	SERIAL	FA1500167	THRU	FA1500211			
		K---	150	SERIAL	15074385	THRU	15077005			
			F150	SERIAL	F15000944	THRU	F15001248			
			A150	SERIAL	A1500390	THRU	A1500609			
			FA150	SERIAL	FA1500212	THRU	FA1500281			
		L---	150	SERIAL	15073659	THRU	15074850			
		M---	150	SERIAL	15074851	THRU	15077005			
		N---	150	SERIAL	15074851	THRU	15075781			
			A150	SERIAL	A1500430	THRU	A1500523			
		P---	150	SERIAL	15073659	THRU	15074850			
			F150	SERIAL	F15000864	THRU	F15001013			
		Q---	150	SERIAL	15073659	THRU	15075564			
			F150	SERIAL	F15000864	THRU	F15001143			
			A150	SERIAL	A1500343	THRU	A1500480			
			FA150	SERIAL	FA1500167	THRU	FA1500261			
		R---	A150	SERIAL	A1500343	THRU	A1500249			
			FA150	SERIAL	FA1500167	THRU	FA1500211			
		S---	A150	SERIAL	A1500430	THRU	A1500609			
			FA150	SERIAL	FA1500212	THRU	FA1500281			
		T---	150	SERIAL	15073659	THRU	15074850			
			F150	SERIAL	F15000864	THRU	F15001013			
			A150	SERIAL	A1500343	THRU	A1500429			
			FA150	SERIAL	FA1500167	THRU	FA1500211			
		U---	150	SERIAL	15074851	THRU	15077005			
			F150	SERIAL	F15001014	THRU	F15001248			
			A150	SERIAL	A1500430	THRU	A1500609			
			FA150	SERIAL	FA1500212	THRU	FA1500281			
		V---	150	SERIAL	15073659	THRU	15075781			
			F150	SERIAL	F15001014	THRU	F15001143			
			A150	SERIAL	A1500343	THRU	A1500429			
		W---	150	SERIAL	15073659	THRU	15077005			
			A150	SERIAL	A1500343	THRU	A1500609			
		X---	150	SERIAL	15074564	THRU	15077005			
			F150	SERIAL	F15000944	THRU	F15001248			
			A150	SERIAL	A1500408	THRU	A1500609			
			FA150	SERIAL	FA1500212	THRU	FA1500281			
		Y---	150	SERIAL	15075565	THRU	15077005			
			F150	SERIAL	F15000144	THRU	F15001248			
			A150	SERIAL	A1500481	THRU	A1500609			
			FA150	SERIAL	FA1500262	THRU	FA1500281			
		Z---	150	SERIAL	15074851	THRU	15075781			
			F150	SERIAL	F15001014	THRU	F15001143			
			A150	SERIAL	A1500430	THRU	A1500523			
			FA150	SERIAL	FA1500212	THRU	FA1500261			
		AA---	150	SERIAL	15075781	THRU	15077005			
			F150	SERIAL	F15001143	THRU	F15001248			
			A150	SERIAL	A1500430	THRU	A1500609			
		AB---	150	SERIAL	15073659	THRU	15075781			
			F150	SERIAL	F15000864	THRU	F15001143			
			A150	SERIAL	A1500343	THRU	A1500523			
			FA150	SERIAL	FA1500167	THRU	FA1500261			
		AC---	150	SERIAL	15075782	THRU	15077005			
			F150	SERIAL	F15001144	THRU	F15001248			
			A150	SERIAL	A1500524	THRU	A1500609			
			FA150	SERIAL	FA1500262	THRU	FA1500281			

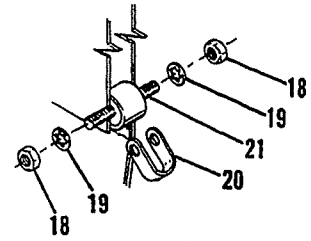
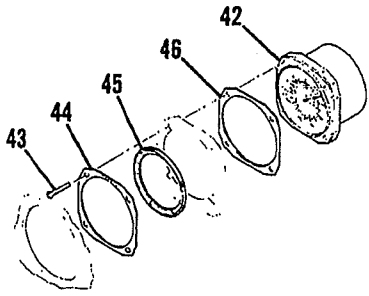
150 & A150 Parts Catalog

FIGURE AND INDEX NO.	PART NUMBER	DESCRIPTION	1 2 3 4 5 6 7							UNITS PER ASSY	USABLE ON CODE
			1	2	3	4	5	6	7		
47B-		INSTRUMENT PANEL & EQUIPMENT INSTALLATION -----								NP	A
- 1	0413540-1	PANEL ASSY-STATIONARY INSTRUMENT -----								1	
- 2	0413534-1	BRACKET-MARKER BEACON -----								1	
- 3	S2092-3	FASTENER-HOOK BKI -----								AR	
- 4	MS35489-4	GROMMET -----								3	
- 5	0413542-1	STIFFENER -----								1	
- 6	0413522-3	BRACKET-INSTRUMENT PANEL ATTACH -----								2	
	S2093-3	FASTENER-HOOK BKI -----								AR	
- 7	AN515B8R6	SCREW -----								1	
	AN936A6	WASHER -----								1	
	AN340B6	NUT -----								1	
- 8	0413557-1	BRACKET ASSY -----								2	
- 8A	0413538-1	STIFFENER -----								1	
- 9	S1863-2	NUTPLATE -----								11	
-10	0413543-2	STRAP -----								1	
-11	0413550-1	STIFFENER -----								1	
-12	0413541-2	PANEL ASSY-LOWER -----								1	
-13	AN507-632R24	SCREW -----								4	
-14	AN936A6	WASHER -----								4	
-15	AN340B6	NUT -----								4	
-16	0413544-5	COVER ASSY-SHOCK PANEL -----								4	
	1513839-3	GUIDE-COVER ALIGNING -----								1	
	S2092-4	FASTENER-PILE BKI -----								AR	
-17	0413459-7	PANEL ASSY-SHOCK MOUNTED INSTRUMENT -----								1	
		ATTACHING PARTS -----									
-18	MS25082B2	NUT -----								14	
-19	AN936A8	WASHER -----								14	
-20	0413247	STRAP-GROUND -----								2	
-21	0413523-4	SHOCKMOUNT -----								7	
		*-----									
	MS35489-33	GROMMET-PANEL GUIDE -----								4	
	S2092-3	FASTENER-HOOK BKI -----								AR	
-22	0413544-2	COVER ASSY-STATIONARY INSTRUMENT RH -----								1	
	1513839-6	GUIDE-COVER ALIGNING -----								3	
	S2092-4	FASTENER-PILE BKI -----								AR	
-23	0413545-2	COVER ASSY-LOWER INSTRUMENT PANEL -----								1	
		ATTACHING PARTS -----									
	S1021Z6-8	SCREW -----								12	
		*-----									
-24	0413554-1	COVER ASSY-RADIO CUTOUT RH -----								1	
	S2092-3	FASTENER-HOOK BKI -----								AR	
-25	0413553-1	COVER ASSY-RADIO CUTOUT 9.24 IN LG -----								AR	
	0413553-2	COVER ASSY-RADIO CUTOUT 6.24 IN LG -----								AR	
	0413553-3	COVER ASSY-RADIO CUTOUT 3.24 IN LG -----								AR	
-26	0415025-1	INSERT-EYEBROW WITHOUT MIRROR INSTL -----								1	
	0415025-2	INSERT-EYEBROW USED WITH MIRROR INSTL -----								1	
-27	0415003-8	EYEBROW ASSY-INSTRUMENT PANEL WEU 0415003-9 -----								1	
	0415003-9	EYEBROW ASSY-INSTRUMENT PANEL -----								1	
		ATTACHING PARTS -----									
	S1023A6-12B	SCREW -----								7	
	S1067B1	WASHER -----								7	
		*-----									
-28	0400339-1	MIRROR ASSY-REAR VIEW -----								1	
		ATTACHING PARTS -----									
	MS21042L4	NUT -----								1	
	AN960-416	WASHER -----								2	
		*-----									
-29	0413470-1	COVER-ACCELEROMETER -----								1	B
		ATTACHING PARTS -----									
	S1021Z4-6	SCREW -----								4	
	NAS446-1-1	NUT -----								4	
		*-----									
-30	0413491-1	BRACKET-ACCELEROMETER -----								1	B
		ATTACHING PARTS -----									
	AN515B8R6	SCREW -----								3	
	MS21044N08	NUT -----								3	
		*-----									
-31	C661015-0102	ACCELEROMETER -----								1	B
		ATTACHING PARTS -----									
	AN515B8R10	SCREW -----								3	
	AN936A8	WASHER -----								3	
	AN340B8	NUT -----								3	
		*-----									

CONTINUED ON NEXT PAGE

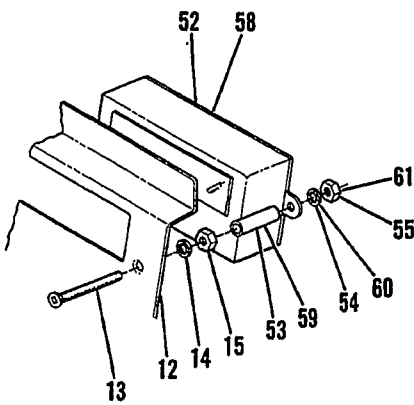
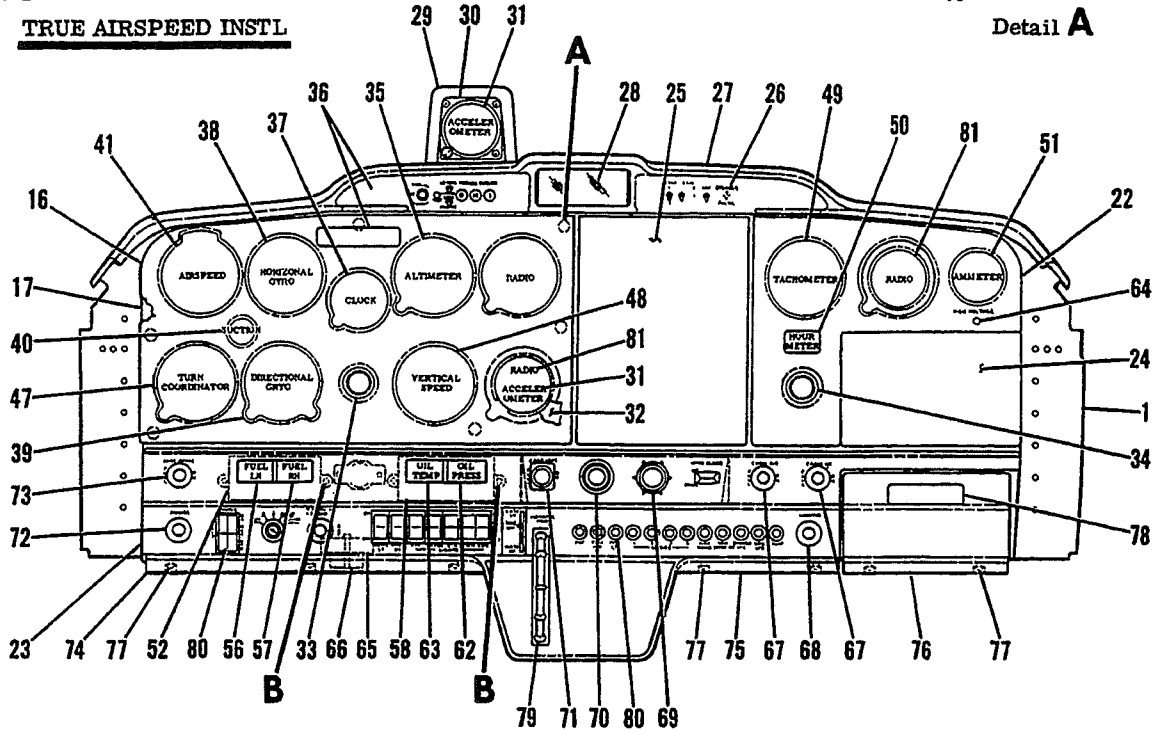
150 & A150 Parts Catalog

Instruments (Cont)

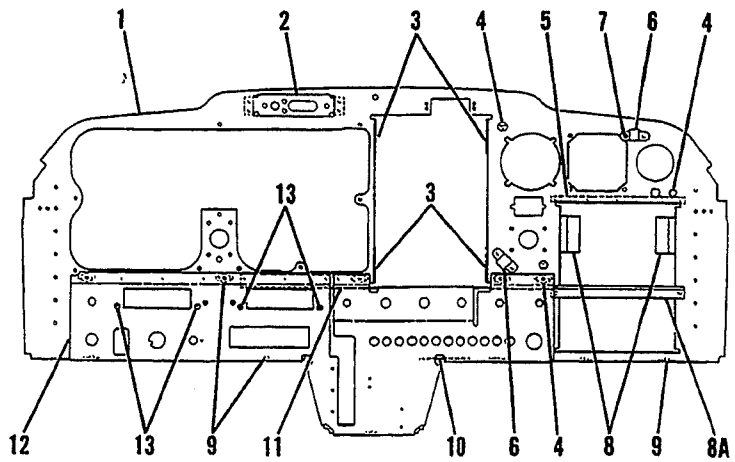


TRUE AIRSPEED INSTL

Detail A



Detail B



150 SERIAL 15077006 THRU 15078505
 F150 SERIAL F15001249 THRU F15001338
 A150 SERIAL A1500610 THRU A1500684
 FA150 SERIAL FA1500282 THRU FA1500311

Figure 47B. Instrument Panel Equipment Installation

150 & A150 Parts Catalog

FIGURE AND INDEX NO.	PART NUMBER	DESCRIPTION							UNITS PER ASSY	USABLE ON CODE
		1	2	3	4	5	6	7		
47B-32	0413509-1	ADAPTER-ACCELEROMETER -----							1	B
	AN515B8R10	ATTACHING PARTS -----								
	AN936A8	SCREW -----							3	
	AN340B8	WASHER -----							3	
		NUT -----							3	
-33	0760131-6	SUPPORT & COLLAR-CONTROL LOCK LH -----							1	
-34	0760131-5	SUPPORT & COLLAR-CONTROL LOCK RH -----							1	
	AN515-6R10	ATTACHING PARTS -----								
	AN960-6L	SCREW -----							4	
	MS21044N06	WASHER -----							4	
		NUT -----							4	
-35	C661071-0101	ALTIMETER-20,000 FT SENSITIVE -----							1	C
	C661071-0102	ALTIMETER-20,000 FT FEET/MILLIBARS -----							1	
	C661025-0102	ALTIMETER-35,000 FT FEET/MILLIBARS -----							1	
	SEE FIG 73A	ENCODING & DUAL ALTIMETER INSTL -----							AR	
	AN515B6R10	ATTACHING PARTS -----								
		SCREW -----							3	
-36	SEE FIG 2C	PLACARDS -----							AR	
-37	C664508-0101	CLOCK-ELECTRIC -----							1	
	AN515B6R12	ATTACHING PARTS -----								
		SCREW -----							2	
-38	C661076-0102	*	GYRO-HORIZON -----						1	
	C661076-0101	*	GYRO-HORIZON -----						1	
	C661076-0103	*	GYRO-HORIZON -----						1	
	C661076-0105	*	GYRO-HORIZON -----						1	C
	C661076-0107	*	GYRO-HORIZON -----						1	
	AN515B6R6	ATTACHING PARTS -----								
		SCREW -----							4	
-39	C661075-0103	%%	GYRO-DIRECTIONAL -----						1	
	C661075-0104	%%	GYRO-DIRECTIONAL -----						1	
	C661075-0101	%%	GYRO-DIRECTIONAL -----						1	
	C661075-0106	%%	GYRO-DIRECTIONAL -----						1	C
	C661075-0105	%%	GYRO-DIRECTIONAL WITH HEADING REFERENCE BUG -----						1	
	C661075-0108	%%	GYRO-DIRECTIONAL -----						1	
	AN515B6R8	ATTACHING PARTS -----								
		SCREW -----							4	
-40	C668509-0101	GAGE-SUCTION -----							1	
-41	C661064-0101	INDICATOR-AIRSPEED 150 & F150 ONLY -----							1	D
	C661064-0201	INDICATOR-AIRSPEED A150 & FA150 ONLY -----							1	B
	AN515B6R10	ATTACHING PARTS -----								
		SCREW -----							4	
-42	C661065-0101	TRUE AIRSPEED INSTL -----							NP	
	C661065-0102	INDICATOR-TRUE AIRSPEED 150 & F150 ONLY -----							1	D
		INDICATOR-TRUE AIRSPEED A150 & FA150 ONLY -----							1	B
	AN515B6R16	ATTACHING PARTS -----								
-43	0700162-1	SCREW -----							4	
-44	S2234-1	RETAINER ASSY -----							1	
-45	S2234-2	RING ASSY 150 & F150 ONLY -----							1	D
	0700162-3	RING ASSY A150 & FA150 ONLY -----							1	
-46	0700162-4	SPACER .050 THICK -----							AR	
	0700162-6	SPACER .060 THICK -----							AR	
	0700162-7	SPACER .071 THICK -----							AR	
		SPACER .040 THICK -----							AR	
-47	C661003-0504	INDICATOR-TURN COORDINATOR -----							1	
	C661003-0506	INDICATOR-TURN COORDINATOR ALTERNATE -----							1	
	S1413-2	INDICATOR-TURN & BANK -----							1	
	AN515B6R16	ATTACHING PARTS -----								
	AN936A6B	SCREW -----							4	
		WASHER -----							4	
-48	C661080-0101	INDICATOR-VERTICAL SPEED -----							1	
	AN507B632R12	ATTACHING PARTS -----								
	S1066B1	SCREW -----							3	
		WASHER -----							3	

CONTINUED ON NEXT PAGE

150 & A150 Parts Catalog

FIGURE AND INDEX NO.	PART NUMBER	DESCRIPTION							UNITS PER ASSY	USABLE ON CODE
		1	2	3	4	5	6	7		
47B-49	C668020-0113	TACHOMETER -----							1	E
		ATTACHING PARTS -----								
	AN515B8R10	SCREW -----							4	
	NAS43DD3-22	SPACER -----							4	
	AN936A8	WASHER -----							4	
	AN340B8	NUT -----							4	
		*-----								
-50	S1605-3	SHAFT-TACHOMETER -----							1	
	C664502-0101	HOURMETER -----							1	
		ATTACHING PARTS -----								
	AN515B6R12	SCREW -----							4	
	NAS43DD1-26	SPACER -----							4	
	AN936A6	WASHER -----							4	
	AN340B6	NUT -----							4	
		*-----								
-51	S1320-5	AMMETER-60 AMP -----							1	
	0413427-3	SPACER-AMMETER -----							1	
-52	C669511-0101	INSTRUMENT CLUSTER -----							1	
		ATTACHING PARTS -----								
-53	NAS43DD1-56	SPACER -----							2	
-54	AN936A6	WASHER -----							2	
-55	AN340B6	NUT -----							2	
		*-----								
-56	441413	GAGE-FUEL LH SW -----							1	
-57	441412	GAGE-FUEL RH SW -----							1	
-58	C669512-0103 **	INSTRUMENT CLUSTER -----							1	
		ATTACHING PARTS -----								
-59	NAS43DD1-56	SPACER -----							2	
-60	AN936A6	WASHER -----							2	
-61	AN340B6	NUT -----							2	
		*-----								
-62	444697	GAGE-OIL PRESSURE SW -----							1	
-63	442907-B **	GAGE-OIL TEMP SW -----							1	
-64	S2135-1	LIGHT ASSY-OVERVOLTAGE -----							1	
-65	C593001-0101	SENSOR-OVERVOLTAGE -----							1	
-66	TVA-1315	CAPACITOR -----							1	
		ATTACHING PARTS -----								
	S2209-2	TIE STRAP -----							1	
		*-----								
-67	S1239-46	CONTROL-CABIN HEAT, CABIN AIR -----							2	
-68	0513039-7	CIGAR LIGHTER -----							1	
	0513039-1	PLUG-HEATER -----							1	
	S1982-1	KNOB-CIGAR LIGHTER -----							1	
	155109A	FUSEHOLDER-CIGAR LIGHTER -----							1	
	SFE-9	FUSE-CIGAR LIGHTER -----							1	
-69	S1234-11	CONTROL-MIXTURE -----							1	
-70	C299505-0202S	CONTROL-THROTTLE -----							1	
	S1748-1	KNOB-THROTTLE -----							1	
	1213646-2	WASHER BETWEEN PANEL COVER & CONTROL -----							1	
-71	S1230-19	CONTROL-CARBURETOR HEAT -----							1	
-72	C291502-0106	PRIMER ASSY-FUEL -----							1	
	S1974-1	KNOB-PRIMER -----							1	
	NAS1593-012	O RING -----							2	
-73	S1239-49	CONTROL-PARKING BRAKE -----							1	
-74	0413551-1	PAD-PROTECTION LH -----							1	
-75	0413551-2	PAD-PROTECTION CENTER -----							1	
-76	0413551-3	PAD-PROTECTION RH -----							1	
		ATTACHING PARTS -----								
-77	S1021Z6-8	SCREW -----							3	
		*-----								
-78	SEE FIG 49A	MAP CASE INSTL -----							1	
-79	SEE FIG 72	ELEVATOR TRIM CONTROL INSTL -----							1	

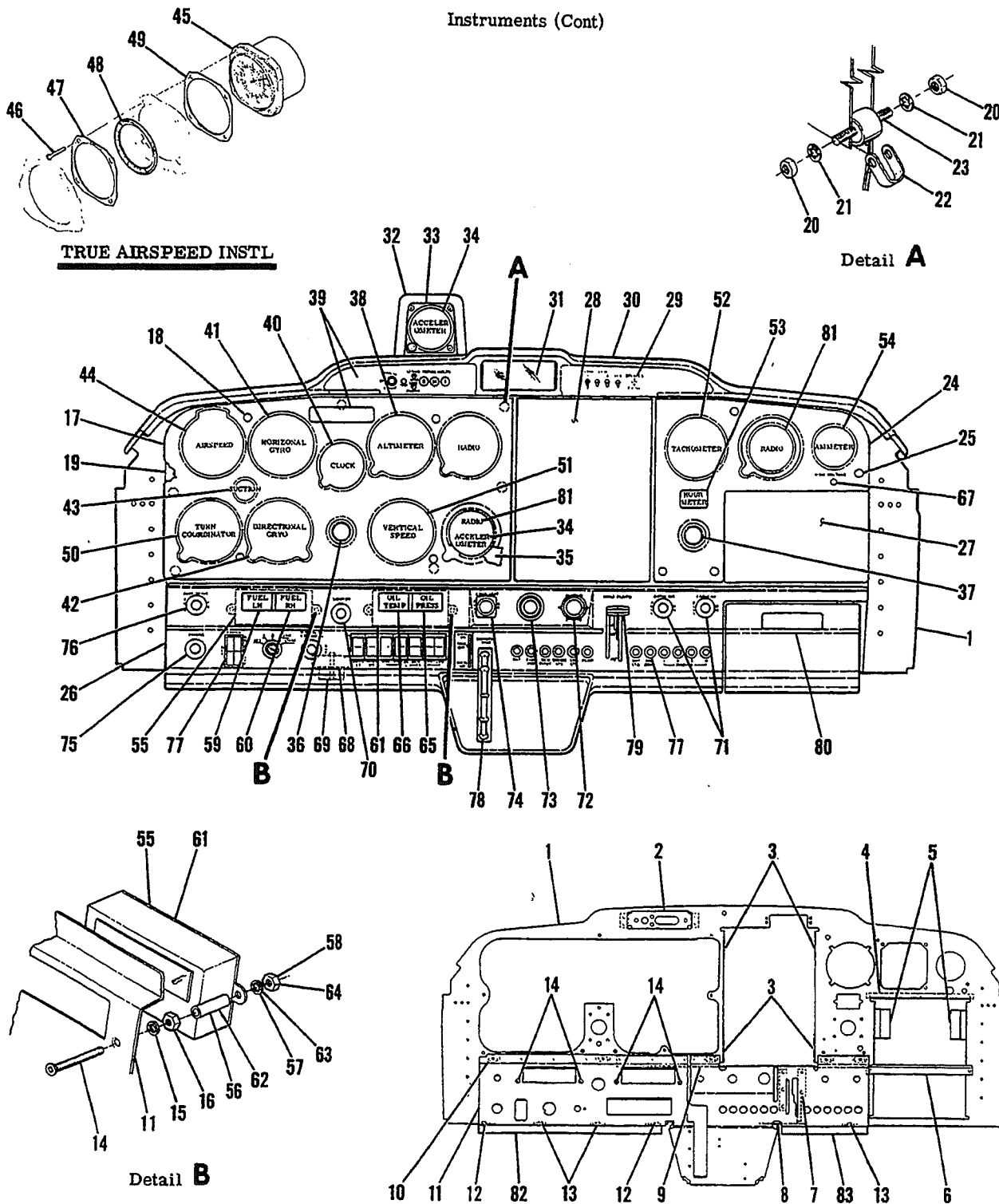
CONTINUED ON NEXT PAGE

150 & A150 Parts Catalog

FIGURE AND INDEX NO.	PART NUMBER	DESCRIPTION	UNITS PER ASSY	USABLE ON CODE
		1 2 3 4 5 6 7		
47B-80 -81	SEE FIG 49B	SWITCH & CIRCUIT BREAKER INSTL ----- RADIO INSTL SEE CESSNA ELECTRONICS MANUAL ----- NOTE. <THIS PART NUMBER MUST HAVE A SECOND DASH NUMBER ADDED TO DENOTE COLOR. REFER TO HOW TO ORDER INTERIOR PARTS-PAGE VII. NOTE. *THESE GYROS ARE PHYSICALLY & FUNCTIONALLY INTERCHANGABLE. NOTE. %THESE GYROS ARE PHYSICALLY & FUNCTIONALLY INTERCHANGABLE. NOTE. **WHEN INITIALLY ORDERING THIS PART FOR AIRCRAFT PRIOR TO SERIALS 15077216 & A1500631 A NEW SENDING UNIT, PART NUMBER S1630-4, MUST BE INSTALLED. A---150 SERIAL 15077006 THRU 15078505 F150 SERIAL F15001249 THRU F15001338 A150 SERIAL A1500610 THRU A1500684 FA150 SERIAL FA1500282 THRU FA1500311 B---A150 SERIAL A1500610 THRU A1500684 FA150 SERIAL FA1500282 THRU FA1500311 C---150 SERIAL 15077006 THRU 15078505 A150 SERIAL A1500610 THRU A1500684 D---150 SERIAL 15077006 THRU 15078505 F150 SERIAL F15001249 THRU F15001338 E---150 SERIAL 15077006 THRU 15078505 F150 SERIAL F15001249 THRU F15001338 A150 SERIAL A1500610 THRU A1500684	1 AR	

150 & A150 Parts Catalog

Instruments (Cont)



150 SERIAL 15078506 & ON
 F150 SERIAL F15001339 & ON
 A150 SERIAL A1500685 & ON
 FA150 SERIAL FA1500312 & ON

Figure 47C. Instrument Panel Equipment Installation

150 & A150 Parts Catalog

FIGURE AND INDEX NO.	PART NUMBER	DESCRIPTION							UNITS PER ASSY	USABLE ON CODE
		1	2	3	4	5	6	7		
47C-		INSTRUMENT PANEL & EQUIPMENT INSTALLATION -----							NP	A
- 1	0413540-3	PANEL ASSY-STATIONARY INSTRUMENT -----							1	
- 2	0413534-1	BRACKET-MARKER BEACON -----							1	
- 3	S2092-3	FASTENER-HOOK BKI -----							AR	
- 4	0413542-1	STIFFENER -----							1	
- 5	0413557-1	BRACKET ASSY -----							2	
- 6	0413538-1	STIFFENER -----							1	
- 7	0460208-1	BRACKET-FLAP INDICATOR -----							1	
- 8	0413543-2	STRAP -----							1	
- 9	0413550-1	STIFFENER -----							1	
-10	S1863-2	NUTPLATE -----							1	
-11	0413558-1	PANEL ASSY-LOWER -----							5	
-12	S1862-1A	NUTPLATE -----							2	
-13	S1863-2A	NUTPLATE -----							3	
-14	AN507-632R24	SCREW -----							4	
-15	AN936A6	WASHER -----							4	
-16	AN340B6	NUT -----							4	
-17	0413544-9	<	COVER ASSY-SHOCK PANEL -----					1		
			ATTACHING PARTS -----							
-18	1513174-3		NUT -----					4		
			*-----							
-19	0413459-10		PANEL ASSY-SHOCK MOUNTED INSTRUMENT -----					1		
			ATTACHING PARTS -----							
-20	MS25082B2		NUT -----					14		
-21	AN936A8		WASHER -----					14		
-22	0413247		STRAP-GROUND -----					2		
-23	0413523-4		SHOCKMOUNT -----					7		
			*-----							
-24	0413544-11	<	COVER-STATIONARY INSTRUMENT RH -----					1		
			ATTACHING PARTS -----							
-25	1513174-3		NUT -----					4		
			*-----							
-26	0413559-1	<	COVER-LOWER INSTRUMENT PANEL -----					1		
			ATTACHING PARTS -----							
	S102126-8		SCREW -----					6		
			*-----							
-27	0413554-1	<	COVER ASSY-RADIO CUTOUT RH -----					1		
	S2092-3		FASTENER-HOOK BKI -----					AR		
-28	0413553-1	<	COVER ASSY-RADIO CUTOUT 9.24 IN LG -----					AR		
	0413553-2	<	COVER ASSY-RADIO CUTOUT 6.24 IN LG -----					AR		
	0413553-3	<	COVER ASSY-RADIO CUTOUT 3.24 IN LG -----					AR		
-29	0415025-1	<	INSERT-EYEBROW WITHOUT MIRROR INSTL -----					1		
	0415025-2	<	INSERT-EYEBROW USED WITH MIRROR INSTL -----					1		
-30	0415003-8		EYEBROW ASSY-INSTRUMENT PANEL WEU 0415003-9 -----					1		
	0415003-9		EYEBROW ASSY-INSTRUMENT PANEL -----					1		
			ATTACHING PARTS -----							
	S1023A6-12B		SCREW -----					7		
	S1067B1		WASHER -----					7		
			*-----							
-31	0400339-1		MIRROR ASSY-REAR VIEW -----					1		
			ATTACHING PARTS -----							
	MS21042L4		NUT -----					1		
	AN960-416		WASHER -----					1		
			*-----							
-32	0413470-1	<	COVER-ACCELEROMETER -----					1	B	
			ATTACHING PARTS -----							
	S102124-6		SCREW -----					4		
	NAS446-1-1		NUT -----					4		
			*-----							
-33	0413491-1		BRACKET-ACCELEROMETER -----					1	B	
			ATTACHING PARTS -----							
	AN515B8R6		SCREW -----					3		
	MS21044N08		NUT -----					3		
			*-----							
-34	C661015-0102		ACCELEROMETER -----					1	B	
			ATTACHING PARTS -----							
	AN515B8R10		SCREW -----					3		
	AN936A8		WASHER -----					3		
	AN340B8		NUT -----					3		
			*-----							

CONTINUED ON NEXT PAGE

150 & A150 Parts Catalog

FIGURE AND INDEX NO.	PART NUMBER	DESCRIPTION							UNITS PER ASSY	USABLE ON CODE
		1	2	3	4	5	6	7		
47C-35	0413509-1	ADAPTER-ACCELEROMETER -----							1	B
	AN515B8R10	ATTACHING PARTS -----							3	
	AN936A8 AN340B8	SCREW ----- WASHER ----- NUT -----							3 3 3	
-36	0760131-6	SUPPORT & COLLAR-CONTROL LOCK LH -----							1	C
-37	0760131-5	SUPPORT & COLLAR-CONTROL LOCK RH -----							1	
	AN515-6R10	ATTACHING PARTS -----							4	
	AN960-6L NAS679A06	SCREW ----- WASHER ----- NUT -----							4 4 4	
-38	C661071-0101	ALTIMETER-20,000 FT SENSITIVE -----							1	
	C661071-0102	ALTIMETER-20,000 FT FEET/MILLIBARS -----							1	
	6661025-0102	ALTIMETER-35,000 FT FEET/MILLIBARS -----							1	
	SEE FIG 73A	ENCODING & DUAL ALTIMETER INSTL -----							AR	
	AN5156R10	ATTACHING PARTS -----							3	
-39	SEE FIG 2D	SCREW -----							AR	
-40	C664508-0101	PLACARDS -----							1	
	AN515B6R12	CLOCK-ELECTRIC -----							2	
		ATTACHING PARTS -----							1	
-41	C661076-0102	*	GYRO-HORIZON -----						1	
	C661076-0101	*	GYRO-HORIZON -----						1	
	C661076-0103	*	GYRO-HORIZON -----						1	
	C661076-0105	*	GYRO-HORIZON -----						1	
	C661076-0107	*	GYRO-HORIZON -----						1	
	AN515B6R6	ATTACHING PARTS -----							4	
-42	C661075-0103	%	SCREW -----						1	
	C661075-0104	%	GYRO-DIRECTIONAL -----						1	
	C661075-0101	%	GYRO-DIRECTIONAL -----						1	
	C661075-0106	%	GYRO-DIRECTIONAL -----						1	
	C661075-0105	%	GYRO-DIRECTIONAL WITH HEADING REFERENCE BUG -----						1	
	C661075-0108	%	GYRO-DIRECTIONAL -----						1	
	AN515B6R8	ATTACHING PARTS -----							4	
-43	C668509-0101	SCREW -----							1	
-44	C661064-0101	GAGE-SUCTION -----							1	
	C661064-0201	INDICATOR-AIRSPEED 150 & F150 ONLY -----							1	
		INDICATOR-AIRSPEED A150 & FA150 ONLY -----							1	
	AN515B6R10	ATTACHING PARTS -----							4	
-45	C661065-0101	SCREW -----							NP	
	C661065-0201	TRUE AIRSPEED INSTL -----							1	
		INDICATOR-TRUE AIRSPEED 150 & F150 ONLY -----							1	
		INDICATOR-TRUE AIRSPEED A150 & FA150 ONLY -----							1	
-46	AN515B6R16	ATTACHING PARTS -----							4	
-47	0700162-1	SCREW -----							1	
-48	S2234-1	RETAINER ASSY -----							1	
	S2234-2	RING ASSY 150 & F150 ONLY -----							1	
-49	0700162-3	RING ASSY A150 & FA150 ONLY -----							1	
	0700162-4	SPACER .050 THICK -----							AR	
	0700162-6	SPACER .060 THICK -----							AR	
	0700162-7	SPACER .071 THICK -----							AR	
		SPACER .040 THICK -----							AR	
-50	C661003-0504	ATTACHING PARTS -----							1	
	C661003-0506	INDICATOR-TURN COORDINATOR -----							1	
	S1413-2	INDICATOR-TURN COORDINATOR ALTERNATE -----							1	
	AN515B6R16	INDICATOR-TURN & BANK -----							4	
	AN936A6B	SCREW -----							4	
		WASHER -----							4	

CONTINUED ON NEXT PAGE

150 & A150 Parts Catalog

FIGURE AND INDEX NO.	PART NUMBER	DESCRIPTION	1 2 3 4 5 6 7							UNITS PER ASSY	USABLE ON CODE
47C-51	C661080-0101	INDICATOR-VERTICAL SPEED ----- ATTACHING PARTS -----								1	
	AN507B632R12	SCREW -----								3	
	S1066B1	WASHER -----								3	
		*-----									
-52	C668020-0113	TACHOMETER ----- ATTACHING PARTS -----								1	E
	AN515B8R10	SCREW -----								4	
	NAS43DD3-22	SPACER -----								4	
	AN936A8	WASHER -----								4	
	AN340B8	NUT -----								4	
		*-----									
	S1605-3	SHAFT-TACHOMETER -----								1	
-53	C664502-0101	HOURMETER ----- ATTACHING PARTS -----								1	
	AN515B6R12	SCREW -----								4	
	NAS43DD1-26	SPACER -----								4	
	AN936A6	WASHER -----								4	
	AN340B6	NUT -----								4	
		*-----									
-54	S1320-5	AMMETER-60 AMP -----								1	
	0413427-3	SPACER-AMMETER -----								1	
-55	C669511-0101	INSTRUMENT CLUSTER ----- ATTACHING PARTS -----								1	
	NAS43DD1-56	SPACER -----								2	
-57	AN936A6	WASHER -----								2	
-58	AN340B6	NUT -----								2	
		*-----									
-59	441413	GAGE-FUEL LH SW -----								1	
-60	441412	GAGE-FUEL RH SW -----								1	
-61	C669512-0103	INSTRUMENT CLUSTER ----- ATTACHING PARTS -----								1	
-62	NAS43DD1-56	SPACER -----								2	
-63	AN936A6	WASHER -----								2	
-64	AN340B6	NUT -----								2	
		*-----									
-65	444697	GAGE-OIL PRESSURE SW -----								1	
-66	442907-B	GAGE-OIL TEMP SW -----								1	
-67	S2135-1	LIGHT ASSY-OVERVOLTAGE -----								1	
-68	C593001-0101	SENSOR-OVERVOLTAGE -----								1	
-69	TVA-1315	CAPACITOR -----								1	
		ATTACHING PARTS -----									
	S2209-2	TIE STRAP -----								1	
		*-----									
-70	0513039-7	CIGAR LIGHTER -----								1	
	0513039-1	PLUG-HEATER -----								1	
	S1982-1	KNOB-CIGAR LIGHTER -----								1	
	155109A	FUSEHOLDER-CIGAR LIGHTER -----								1	
	SFE-9	FUSE-CIGAR LIGHTER -----								1	
	60232-1	CIRCUIT BREAKER ON BACK OF CIGAR LIGHTER -----								1	
	AN936A8	WASHER ON BACK OF CIGAR LIGHTER -----								1	
-71	S1239-46	CONTROL-CABIN HEAT, CABIN AIR -----								2	
-72	9862010-3	CONTROL-MIXTURE -----								1	
-73	9863053-7	CONTROL-THROTTLE -----								1	
	1213646-2	WASHER BETWEEN PANEL COVER & CONTROL -----								1	
-74	S1230-19	CONTROL-CARBURETOR HEAT -----								1	
-75	C291502-0106	PRIMER ASSY-FUEL -----								1	
	S1974-1	KNOB-PRIMER -----								1	
	NAS1593-012	O RING -----								2	
-76	S1239-49	CONTROL-PARKING BRAKE -----								1	
-77	SEE FIG 48C	SWITCH & CIRCUIT BREAKER INSTL -----								1	
-78	SEE FIG 72	ELEVATOR TRIM CONTROL INSTL -----								1	
-79	SEE FIG 70A	FLAP POSITION INDICATOR INSTL -----								1	
-80	SEE FIG 49A	MAP CASE INSTL -----								1	
-81		RADIO INSTL SEE CESSNA ELECTRONICS MANUAL -----								AR	

CONTINUED ON NEXT PAGE

F F G G

150 & A150 Parts Catalog

FIGURE AND INDEX NO.	PART NUMBER	DESCRIPTION	UNITS PER ASSY	USABLE ON CODE
		1 2 3 4 5 6 7		
47C-82	0513292-1	PROTECTOR ASSY-LH ----- ATTACHING PARTS	1	
	S1021Z6-6	SCREW ----- *-----	4	
-83	0513292-2	PROTECTOR ASSY-RH ----- ATTACHING PARTS	1	
	S1021Z6-6	SCREW ----- *-----	2	
<p>NOTE. <THIS PART NUMBER MUST HAVE A SECOND DASH NUMBER ADDED TO DENOTE COLOR. REFER TO HOW TO ORDER INTERIOR PARTS-PAGE VII.</p> <p>NOTE. *THESE GYROS ARE PHYSICALLY & FUNCTIONALLY INTERCHANGABLE.</p> <p>NOTE. %THESE GYROS ARE PHYSICALLY & FUNCTIONALLY INTERCHANGABLE.</p> <p>A---150 SERIAL 15078506 & ON F150 SERIAL F15001339 & ON A150 SERIAL A1500685 & ON FA150 SERIAL FA1500312 & ON</p> <p>B---A150 SERIAL A1500685 & ON FA150 SERIAL FA1500312 & ON</p> <p>C---150 SERIAL 15078506 & ON A150 SERIAL A1500685 & ON</p> <p>D---150 SERIAL 15078506 & ON F150 SERIAL F15001339 & ON</p> <p>E---150 SERIAL 15078506 & ON F150 SERIAL F15001339 & ON A150 SERIAL A1500685 & ON</p> <p>F---F150 SERIAL F15001339 THRU F15001378 FA150 SERIAL FA1500312 THRU FA1500321</p> <p>G---150 SERIAL 15078506 & ON F150 SERIAL F15001379 & ON A150 SERIAL A1500685 & ON FA150 SERIAL FA1500322 & ON</p>				

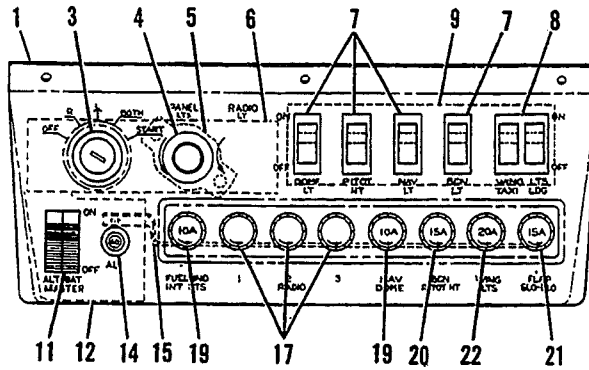
150 & A150 Parts Catalog

FIGURE AND INDEX NO.	PART NUMBER	DESCRIPTION							UNITS PER ASSY	USABLE ON CODE
		1	2	3	4	5	6	7		
48 -		SWITCH PANEL ASSEMBLY -----							NP	G A C D E F
- 1	0413462-203	<	PANEL-SWITCH -----						1	
- 2	0413462-205	<<	PANEL-SWITCH -----						1	
	0413462-207	%<	PANEL-SWITCH -----						1	
- 3	C292501-0102	*<	KIT-IGNITION SWITCH WEU C292501-0104 -----						1	
	C292501-0104	*	KIT-IGNITION SWITCH -----						1	
	0413463-3		SHIELD-IGNITION SWITCH -----						1	
- 4	S1880-2		RHEOSTAT-INSTRUMENT LIGHT -----						1	
	S1981-3		KNOB ASSEMBLY-RHEOSTAT -----						1	
	AN565B8H3		ATTACHING PARTS -----							
			SCREW-SET -----						1	
- 5	CA-2		CIRCUIT BREAKER SPTD -----						1	
			ATTACHING PARTS -----							
	AN507-1032-26		SCREW -----						2	
	NAS43DD3-71		SPACER -----						2	
	MS25082-12		NUT -----						2	
- 6	0413480-2		BRACKET-IGNITION SWITCH -----						1	
- 7	S2160-1		SWITCH -----						4	
	S2160-1		SWITCH -----						6	
	S2161-1		SWITCH-DUMMY -----						AR	
- 8	S2160-4		SWITCH-DOUBLE -----						1	
	S2161-2		SWITCH-DUMMY -----						1	
- 9	0413462-208		SPACER-SWITCH -----						1	
- 10	0413462-209		SPACER-SWITCH -----						1	
- 11	S1690-1-1		SWITCH-MASTER -----						1	
	S1994-1-1	%	SWITCH-MASTER -----						1	
	AN507-632R5		ATTACHING PARTS -----							
			SCREW -----						2	
			DIODE ASSY-MASTER SWITCH ON BACK OF MASTER SWITCH -----						1	
- 11A	S1843-1	%	BEZEL-MASTER SWITCH MOUNTING -----						1	
- 12	0413479-1		BRACKET-MASTER SWITCH -----						1	
- 13	0413479-2		BRACKET-MASTER SWITCH -----						1	
	0413462-12		SPACER-MASTER SWITCH -----						1	
	AN507-632R6		ATTACHING PARTS -----							
	MS21044N06		SCREW -----						1	
			NUT -----						1	
- 14	S1596-60L		CIRCUIT BREAKER 60 AMP -----						1	
	S2122-2		NUT-CIRCUIT BREAKER BRIGHT -----						AR	
	S2122-1		NUT-CIRCUIT BREAKER BLACK -----						AR	
- 15	0470008-1		BAR-BUS -----						1	
- 16	0470007-1		BAR-BUS -----						1	
- 17	S1090-1		FUSEHOLDER-RADIO -----						3	
	S1090-10		CAP -----						1	
- 18	S1090-3		FUSEHOLDER-10 AMP -----						1	
	S1090-12		CAP -----						1	
	S1091-10		FUSE-10 AMP -----						1	
- 19	S1090-3		FUSEHOLDER-10 AMP -----						1	
	S1090-12		CAP -----						2	
	S1091-10		FUSE-10 AMP -----						2	

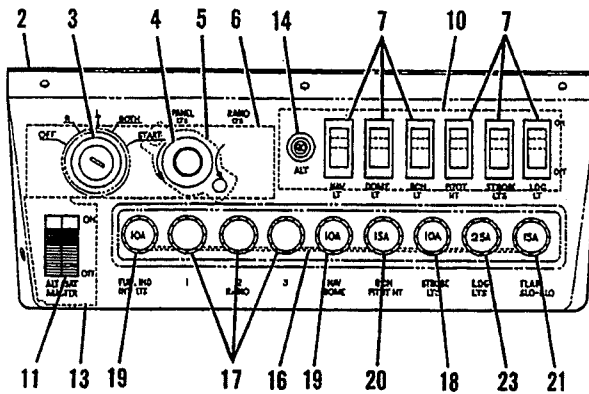
CONTINUED ON NEXT PAGE

150 & A150 Parts Catalog

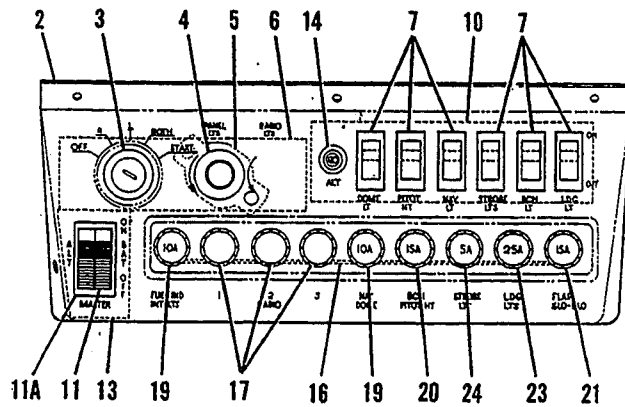
Instruments (Cont)



1970 MODELS



1971 & 1972 MODELS



1973 MODELS

150 SERIAL 15071129 THRU 15074850
 F150 SERIAL F15000530 THRU F15001013
 A150 SERIAL A1500001 THRU A1500429
 FA150 SERIAL FA1500001 THRU FA1500211

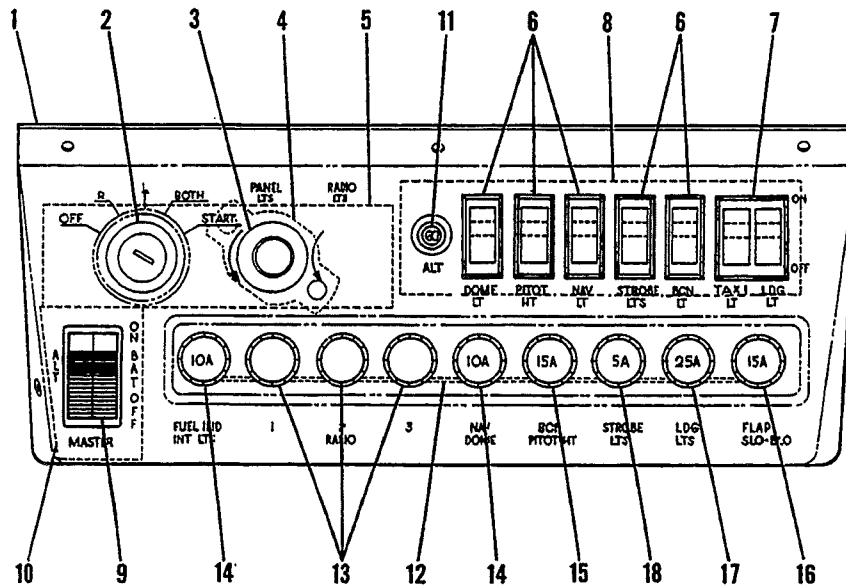
Figure 48. Switch Panel Assembly

150 & A150 Parts Catalog

FIGURE AND INDEX NO.	PART NUMBER	DESCRIPTION							UNITS PER ASSY	USABLE ON CODE	
		1	2	3	4	5	6	7			
48 -20	S1090-4	FUSEHOLDER-15 AMP -----							1 1 1 1 1 1 1 1 1 1 1 1 1 1 1	A A A B B B D D D D D D D D D	
	S1090-13	CAP -----									
	S1091-15	FUSE-15 AMP BOTH FLASHING BEACON & HEATED PITOT INSTL ----									
	S1091-10	FUSE-10 AMP FLASHING BEACON ONLY -----									
	-21	S1090-4	FUSEHOLDER-15 AMP -----								
		S1090-13	CAP -----								
	-22	S1627-15	FUSE-15 AMP SLO-BLO -----								
		S1090-5	FUSEHOLDER-20 AMP -----								
	-23	S1090-14	CAP -----								
		S1091-20	FUSE-20 AMP -----								
	-24	S1090-6	FUSEHOLDER-25 AMP -----								
		S1090-15	CAP -----								
	-24	S1091-25	FUSE-25 AMP -----								
		S1090-2	FUSEHOLDER-5 AMP -----								
		S1090-11	CAP -----								
	S1091-5	FUSE-5 AMP -----									
<p>NOTE. <THIS PART NUMBER MUST HAVE A SECOND DASH NUMBER ADDED TO DENOTE COLOR. REFER TO HOW TO ORDER INTERIOR PARTS-PAGE VII.</p> <p>NOTE. *THIS KIT ALSO INCLUDES DOORLOCK & KEYS</p> <p>NOTE. %S1994-1-1 MASTER SWITCH & S1843-1 BEZEL MUST BE USED WITH 0413462-207 SWITCH PANEL.</p> <p>A---150 SERIAL 15071129 THRU 15072003 F150 SERIAL F15000530 THRU F15000658 A150 SERIAL A1500001 THRU A1500226 FA150 SERIAL FA1500001 THRU FA1500081</p> <p>B---150 SERIAL 15072004 THRU 15074850 F150 SERIAL F15000659 THRU F15001013 A150 SERIAL A1500227 THRU A1500429 FA150 SERIAL FA1500082 THRU FA1500211</p> <p>C---150 SERIAL 15072004 THRU 15073658 F150 SERIAL F15000659 THRU F15000863 A150 SERIAL A1500227 THRU A1500342 FA150 SERIAL FA1500082 THRU FA1500166</p> <p>D---150 SERIAL 15073659 THRU 15074850 F150 SERIAL F15000864 THRU F15001013 A150 SERIAL A1500343 THRU A1500429 FA150 SERIAL FA1500167 THRU FA1500211</p> <p>E---150 SERIAL 15071129 THRU 15074427 F150 SERIAL F15000530 THRU F15001013 A150 SERIAL A1500001 THRU A1500389 FA150 SERIAL FA1500001 THRU FA1500211</p> <p>F---150 SERIAL 15074428 THRU 15074850 A150 SERIAL A1500390 THRU A1500429</p> <p>G---150 SERIAL 15071129 THRU 15074850 F150 SERIAL F15000530 THRU F15001013 A150 SERIAL A1500001 THRU A1500429 FA150 SERIAL FA1500001 THRU FA1500211</p> <p>H---150 SERIAL 15071129 THRU 15073961 F150 SERIAL F15000530 THRU F15000893, F15000896, F15000898, F15000899, F15000900 & F15000903 A150 SERIAL A1500001 THRU A1500361 FA150 SERIAL FA1500001 THRU FA1500191</p> <p>J---150 SERIAL 15072004 THRU 15073961 F150 SERIAL F15000659 THRU F15000893, F15000896, F15000898, F15000899, F15000900 & F15000903 A150 SERIAL A1500227 THRU A1500361 FA150 SERIAL FA1500082 THRU FA1500191</p> <p>K---150 SERIAL 15073962 THRU 15074850 F150 SERIAL F15000894, F15000895, F15000897 F15000901, F15000902 & F15000904 THRU F15001013 A150 SERIAL A1500362 THRU A1500429 FA150 SERIAL FA1500192 THRU FA1500211</p>											

150 & A150 Parts Catalog

Instruments (Cont)



150 SERIAL 15074851 THRU 15077005
 F150 SERIAL F15001014 THRU F15001248
 A150 SERIAL A1500430 THRU A1500609
 FA150 SERIAL FA1500212 THRU FA1500281

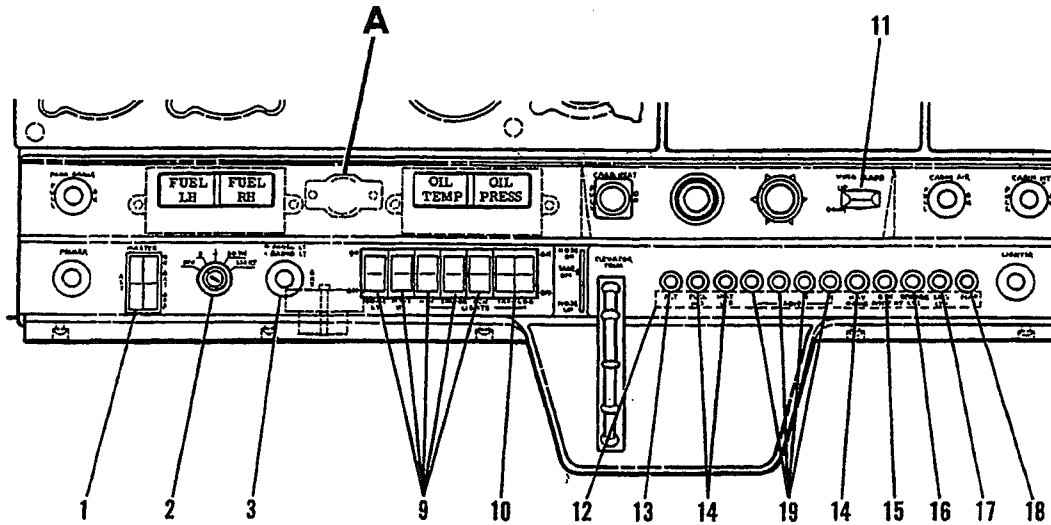
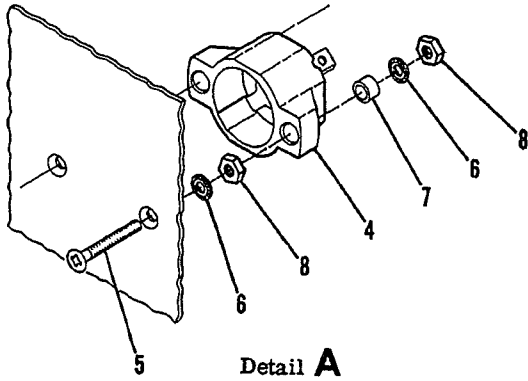
Figure 48A. Switch Panel Assembly

150 & A150 Parts Catalog

FIGURE AND INDEX NO.	PART NUMBER		DESCRIPTION							UNITS PER ASSY	USABLE ON CODE
			1	2	3	4	5	6	7		
48A-			SWITCH PANEL ASSEMBLY -----							NP	A
- 1	0413462-19	<<	PANEL-SWITCH -----							1	B
	0413462-22	<<	PANEL-SWITCH -----							1	C
- 2	C292501-0104	*	KIT-IGNITION SWITCH -----							1	
	0413462-3		SHIELD-IGNITION SWITCH -----							1	
- 3	S1880-2		RHEOSTAT-INSTRUMENT LIGHT -----							1	
	S1981-3		KNOB ASSEMBLY-RHEOSTAT -----							1	
	AN565B8H3		ATTACHING PARTS -----								
			SCREW-SET -----							1	
			*-----								
- 4	CA-2		CIRCUIT BREAKER SPTD -----							1	
			ATTACHING PARTS -----								
	AN507-1032-26		SCREW -----							2	
	NAS43DD3-71		SPACER -----							2	
	MS25082-12		NUT -----							2	
			*-----								
- 5	0413480-2		BRACKET-IGNITION SWITCH -----							1	
- 6	S2160-1		SWITCH -----							5	
	S2161-1		SWITCH-DUMMY -----							AR	
- 7	S2160-5		SWITCH LANDING LIGHT INSTALLATION ONLY -----							1	
	S2160-4		SWITCH LANDING LIGHT & TAXI LIGHT INSTALLATION -----							1	
	S2161-2		SWITCH-DUMMY LANDING & TAXI LIGHT LOCATION -----							AR	
- 8	0413462-20		SPACER-SWITCH -----							1	
- 9	S1994-1-1		SWITCH-MASTER -----							1	
	S1843-1		BEZEL-MASTER SWITCH -----							1	
	0770719-2		DIODE ASSY-MASTER SWITCH ON BACK OF MASTER SWITCH -----							1	
-10	0413462-12		SPACER-MASTER SWITCH -----							1	
-11	S1596-60L		CIRCUIT BREAKER -----							1	
	S2122-2		NUT-CIRCUIT BREAKER BRIGHT -----							1	
	S2122-1		NUT-CIRCUIT BREAKER BLACK -----							1	
-12	0470007-1		BAR-BUS -----							1	
-13	S1090-1		FUSEHOLDER-RADIO -----							3	
	S1090-10		CAP -----							1	
-14	S1090-3		FUSEHOLDER-10 AMP -----							2	
	S1090-12		CAP -----							1	
	S1091-10		FUSE -----							2	
-15	S1090-4		FUSEHOLDER-15 AMP -----							1	
	S1090-13		CAP -----							1	
	S1091-15		FUSE-15 AMP USED WITH BOTH FLASHING BEACON & PITOT INSTL OR PITOT INSTL ONLY -----							1	
	S1091-10		FUSE-10 AMP USED WITH FLASHING BEACON ONLY -----							1	
-16	S1090-4		FUSEHOLDER-15 AMP -----							1	
	S1090-13		CAP -----							1	
	S1627-15		FUSE-15 AMP SLO BLO -----							1	
-17	S1090-6		FUSEHOLDER-25 AMP -----							1	
	S1090-15		CAP -----							1	
	S1091-25		FUSE-25 AMP -----							1	
-18	S1090-2		FUSEHOLDER-5 AMP -----							1	
	S1090-11		CAP -----							1	
	S1091-5		FUSE-5 AMP -----							1	
<p>NOTE. <THIS PART NUMBER MUST HAVE A SECOND DASH NUMBER ADDED TO DENOTE COLOR. REFER TO HOW TO ORDER INTERIOR PARTS-PAGE VII.</p> <p>NOTE. *THIS KIT ALSO INCLUDES DOORLOCK & KEYS.</p> <p>A---150 SERIAL 15074851 THRU 15077005 F150 SERIAL F15001014 THRU F15001248 A150 SERIAL A1500430 THRU A1500609 FA150 SERIAL FA1500212 THRU FA1500281</p> <p>B---150 SERIAL 15074851 THRU 15075781 F150 SERIAL F15001014 THRU F15001143 A150 SERIAL A1500340 THRU A1500523 FA150 SERIAL FA1500212 THRU FA1500261</p> <p>C---150 SERIAL 15075782 THRU 15077005 F150 SERIAL F15001144 THRU F15001248 A150 SERIAL A1500524 THRU A1500609 FA150 SERIAL FA1500262 THRU FA1500281</p>											

150 & A150 Parts Catalog

Instruments (Cont)



150 SERIAL 15077006 THRU 15078505
F150 SERIAL F15001249 THRU F15001338
A150 SERIAL A1500610 THRU A1500684
FA150 SERIAL FA1500282 THRU FA1500311

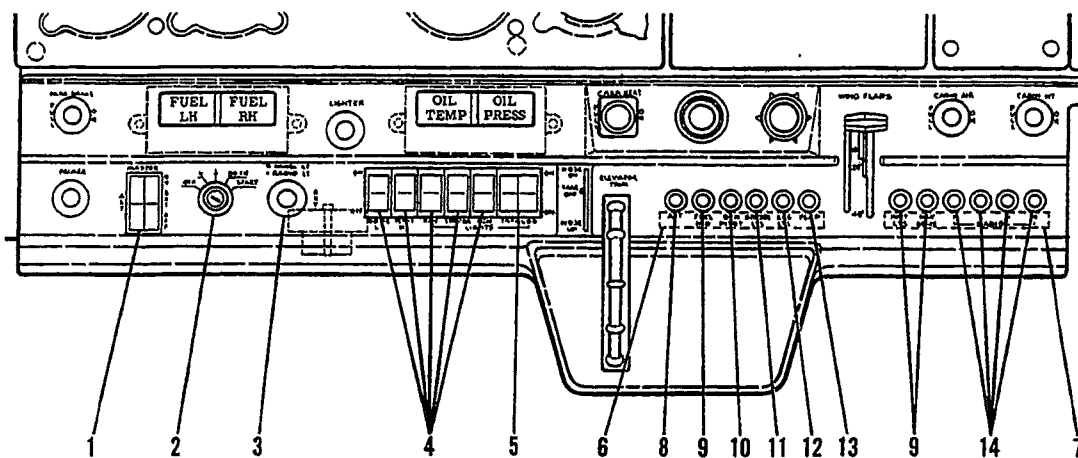
Figure 48B. Switch & Circuit Breaker Installation

150 & A150 Parts Catalog

FIGURE AND INDEX NO.	PART NUMBER	DESCRIPTION	UNITS PER ASSY	USABLE ON CODE
			1 2 3 4 5 6 7	
48B-		SWITCH & CIRCUIT BREAKER INSTALLATION -----	NP	A
- 1	S1994-1-1	SWITCH-MASTER -----	1	
	S1843-1	BEZEL-MASTER SWITCH -----	1	
- 2	C292501-0104 *	KIT-IGNITION SWITCH -----	1	
	0713221-1	COVER-IGNITION SWITCH -----	1	
- 3	S1995-4	KNOB ASSY-VARIABLE RESISTOR -----	1	
	AN565B2H3	ATTACHING PARTS -----		
		SCREW-SET -----	1	
	S2091-5	RESISTOR ASSY-TANDEM VARIABLE -----	1	
	S2000B270J	RESISTOR -----	2	
- 4	CA-2	CIRCUIT BREAKER SPTD -----	1	
		ATTACHING PARTS -----		
- 5	AN505-6R16	SCREW -----	2	
- 6	AN936B6	WASHER -----	4	
- 7	NAS43DD3-10	SPACER -----	2	
- 8	AN315-640	NUT -----	4	
		-----*		
- 9	S2160-1	SWITCH -----	5	
	S2161-1	COVER-SWITCH CUTOUT -----	AR	
-10	S2160-5	SWITCH LANDING LIGHT INSTALLATION ONLY -----	1	
	S2160-4	SWITCH LANDING & TAXI LIGHT INSTALLATION -----	1	
	S2161-2	COVER-SWITCH CUTOUT -----	AR	
-11	S1661-2	SWITCH-FLAP -----	1	
		ATTACHING PARTS -----		
	S1216-4	NUT -----	1	
		-----*		
	S1771-1	KNOB-FLAP SWITCH -----	1	
-12	I270704-4	BUS BAR -----	1	
	0713821-3	INSULATION STRIP -----	1	
-13	S1596-60L	CIRCUIT BREAKER-60 AMP -----	1	
-14	S1360-10L	CIRCUIT BREAKER-10 AMP -----	3	
-15	S1360-15L	CIRCUIT BREAKER-15 AMP -----	1	
		HEATED PITOT INSTL OR HEATED PITOT INSTL ONLY -----		
	S1360-10L	CIRCUIT BREAKER-10 AMP -----	1	
-16	S1360-5L	CIRCUIT BREAKER-5 AMP -----	1	
-17	S1360-25L	CIRCUIT BREAKER-25 AMP -----	1	
-18	S1360-15L	CIRCUIT BREAKER-15 AMP -----	1	
	S2122-1	NUT CIRCUIT BREAKER ATTACH -----	AR	
-19		RADIO INSTL SEE CESSNA ELECTRONICS MANUAL -----	1	
NOTE. *THIS KIT ALSO INCLUDES DOORLOCK & KEYS.				
A---150 SERIAL 15077006 THRU 15078505 F150 SERIAL F15001249 THRU F15001338 A150 SERIAL A1500610 THRU A1500684 FA150 SERIAL FA1500282 THRU FA1500311				

150 & A150 Parts Catalog

Instruments (Cont)



**150 SERIAL 15078506 & ON
F150 SERIAL F15001339 & ON
A150 SERIAL A1500685 & ON
FA150 SERIAL FA1500312 & ON**

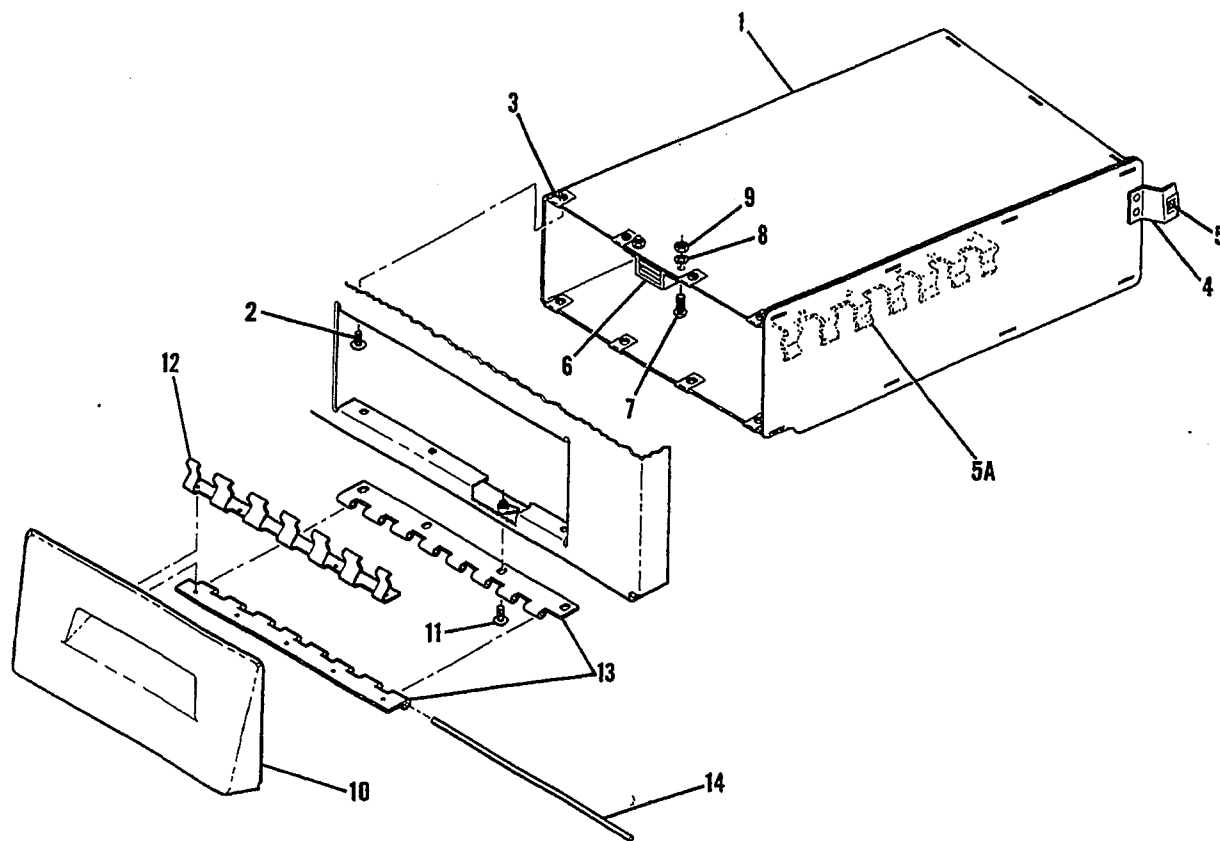
Figure 48C. Switch & Circuit Breaker Installation

150 & A150 Parts Catalog

FIGURE AND INDEX NO.	PART NUMBER	DESCRIPTION						UNITS PER ASSY	USABLE ON CODE
		1	2	3	4	5	6		
48C-		SWITCH & CIRCUIT BREAKER INSTALLATION -----						NP	A
- 1	S1994-1-1	SWITCH-MASTER -----						1	
	S1843-1	BEZEL-MASTER SWITCH -----						1	
- 2	C292501-0104 *	KIT-IGNITION SWITCH -----						1	
	0713221-1	COVER-IGNITION SWITCH -----						1	
- 3	S1995-4	KNOB ASSY-VARIABLE RESISTOR -----						1	
	AN565B2H3	ATTACHING PARTS -----							
		SCREW-SET -----						1	
	S2091-5	RESISTOR ASSY-TANDEM VARIABLE -----						1	
	S2000B270J	RESISTOR -----						2	
- 4	S2160-1	SWITCH -----						5	
	S2161-1	COVER-SWITCH CUTOUT -----						AR	
- 5	S2160-4	SWITCH LANDING & TAXI LIGHT INSTL -----						1	
	S2160-5	SWITCH LANDING LIGHT INSTL ONLY -----						1	
	S2161-2	COVER-SWITCH CUTOUT -----						AR	
- 6	1270704-5	BUS BAR -----						1	
	0713821-4	INSULATION STRIP -----						1	
- 7	1270704-6	BUS BAR USED WITHOUT RADIO INSTL -----						1	
	1270704-1	BUS BAR USED WITH RADIO INSTL -----						1	
	0713821-4	INSULATION STRIP -----						1	
- 8	S1596-60L	CIRCUIT BREAKER-60 AMP -----						1	
- 9	S1360-10L	CIRCUIT BREAKER-10 AMP -----						3	
-10	S1360-20L	CIRCUIT BREAKER-20 AMP -----						1	
		USED WITH BOTH FLASHING BEACON & HEATED PITOT OR HEATED PITOT ONLY -----							
	S1360-15L	CIRCUIT BREAKER-15 AMP -----						1	
-11	S1360-5L	CIRCUIT BREAKER-5 AMP -----						1	
-12	S1360-25L	CIRCUIT BREAKER-25 AMP -----						1	
-13	S1360-15L	CIRCUIT BREAKER-15 AMP -----						1	
	S2122-1	NUT CIRCUIT BREAKER ATTACH -----						1	
-14		RADIO INSTL SEE CESSNA ELECTRONICS MANUAL -----						AR	
		NOTE. *THIS KIT ALSO INCLUDES DOORLOCK & KEYS.							
		A---150 SERIAL 15078506 & ON F150 SERIAL F15001339 & ON A150 SERIAL A1500685 & ON FA150 SERIAL FA1500312 & ON							

150 & A150 Parts Catalog

Map Compartment



150 SERIAL 15071129 THRU 15077005
F150 SERIAL F15000530 THRU F15001248
A150 SERIAL A1500001 THRU A1500609
FA150 SERIAL FA1500001 THRU FA1500281

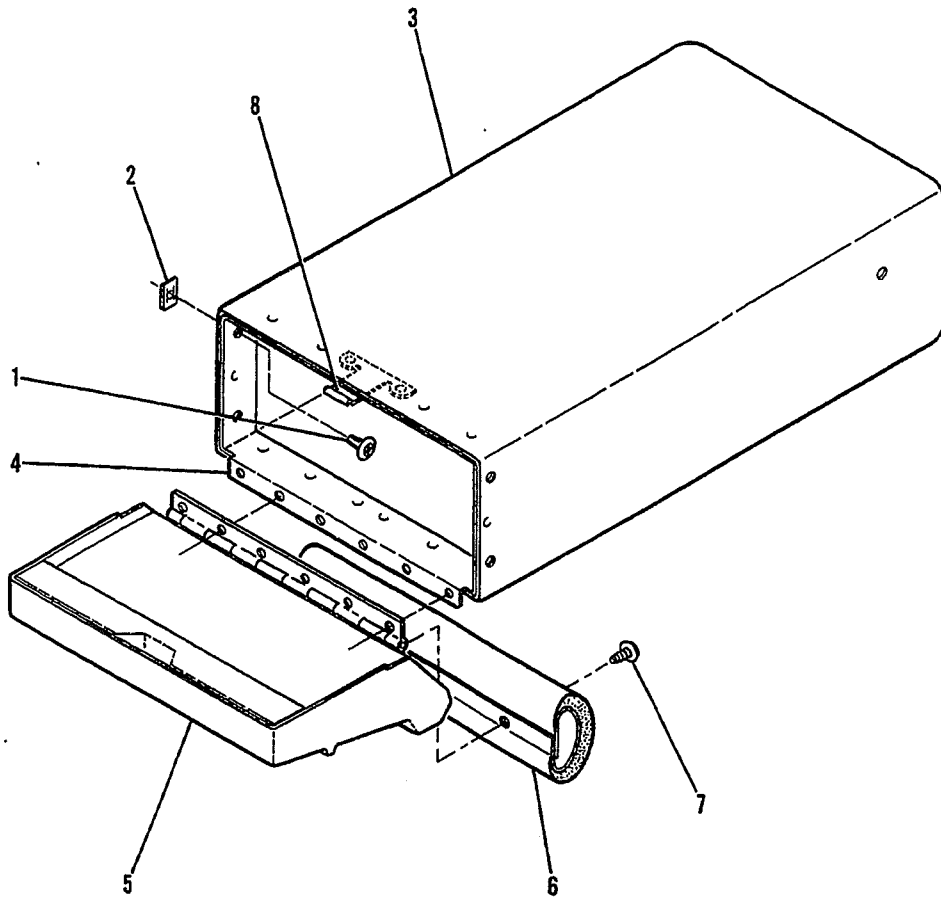
Figure 49. Glove Box Installation

150 & A150 Parts Catalog

FIGURE AND INDEX NO.	PART NUMBER	DESCRIPTION							UNITS PER ASSY	USABLE ON CODE
		1	2	3	4	5	6	7		
49 -		GLOVE BOX INSTALLATION -----							NP	
- 1	0413481-1								1	C
	0413481-6								1	
- 2	S102126-6								8	B
- 3	NAS395-6-3								8	B
- 4	0413482-1								1	
- 5	NAS395-3-3								1	
- 5A	0413521-1								1	
- 6	S1895-1								1	
- 7	AN515-6R8								2	
- 8	AN936B6								2	
- 9	AN340-6								2	
-10	0413458-1	<							1	A B D
	0413525-1	<							1	
	0413525-10	<							1	
-11	AN515-6R6								4	A D A E
-12	0413458-4								1	
	0413526-1								1	
-13	0413458-5								1	
	0413525-1								1	
-14	0413375-9								1	
<p>NOTE. <THIS PART NUMBER MUST HAVE A SECOND DASH NUMBER ADDED TO DENOTE COLOR. REFER TO HOW TO ORDER INTERIOR PARTS-PAGE VII.</p> <p>A---150 SERIAL 15071129 THRU 15072628 F150 SERIAL F15000530 THRU F15000738 A150 SERIAL A1500001 THRU A1500276 FA150 SERIAL FA1500001 THRU FA1500161</p> <p>B---150 SERIAL 15072629 THRU 15072814 F150 SERIAL F15000739 THRU F15000818 A150 SERIAL A1500277 THRU A1500290</p> <p>C---150 SERIAL 15071129 THRU 15072628, 15072815 THRU 15077005 F150 SERIAL F15000530 THRU F15000738, F15000819 THRU 15001248 A150 SERIAL A1500001 THRU A1500276, A1500291 THRU A1500610 FA150 SERIAL FA1500001 THRU FA1500281</p> <p>D---150 SERIAL 15072815 THRU 15077005 F150 SERIAL F15000819 THRU F15001248 A150 SERIAL A1500291 THRU A1500609 FA150 SERIAL 1500162 THRU FA1500281</p> <p>E---150 SERIAL 15072629 THRU 15077005 F150 SERIAL F15000739 THRU F15001248 A150 SERIAL A1500277 THRU A1500609 FA150 SERIAL FA1500162 THRU FA1500281</p>										

150 & A150 Parts Catalog

Map Compartment (Cont)



150 SERIAL 15077006 & ON
F150 SERIAL F15001249 & ON
A150 SERIAL A1500610 & ON
FA150 SERIAL FA1500282 & ON

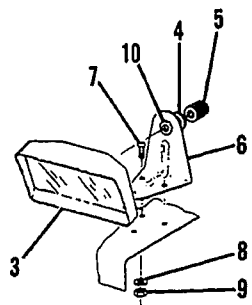
Figure 49A. Map Case Installation

150 & A150 Parts Catalog

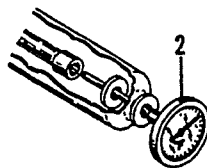
FIGURE AND INDEX NO.	PART NUMBER		DESCRIPTION							UNITS PER ASSY	USABLE ON CODE	
			1	2	3	4	5	6	7			
49A-	0413546-1	<	MAP CASE INSTALLATION -----							NP	A	
	0413546-13	<	MAP CASE ASSY-REMOVABLE -----							1	B	
			MAP CASE ASSY-REMOVABLE -----							1	C	
			ATTACHING PARTS									
	- 1	S1021Z6-6		SCREW -----							4	
	- 2	NAS446-2-3		NUT -----							4	
				----*----								
	- 3	0513085-3		CASE-MAP CASE -----							1	
	- 4	0413546-9		STIFFENER-MAP CASE -----							1	
	- 5	0413546-2	<	DOOR ASSY-MAP CASE -----							1	B
	0413546-14	<	DOOR ASSY-MAP CASE -----							1	C	
- 6	0513292-3	<	PROTECTOR ASSY -----							1	C	
			ATTACHING PARTS									
- 7	S1021Z6-6		SCREW -----							2	C	
			----*----									
- 8	0413546-10		LATCH-MAP CASE -----							1		
<p>NOTE. <THIS PART NUMBER MUST HAVE A SECOND DASH NUMBER ADDED TO DENOTE COLOR. REFER TO HOW TO ORDER INTERIOR PARTS-PAGE VII.</p> <p>A---150 SERIAL 15077006 & ON F150 SERIAL F15001249 & ON A150 SERIAL A1500610 & ON FA150 SERIAL FA1500282 & ON</p> <p>B---150 SERIAL 15077006 THRU 15078505 F150 SERIAL F15001249 THRU F15001338 A150 SERIAL A1500610 THRU A1500684 FA150 SERIAL FA1500282 THRU FA1500311</p> <p>C---150 SERIAL 15078506 & ON F150 SERIAL F15001339 & ON A150 SERIAL A1500685 & ON FA150 SERIAL FA1500312 & ON</p>												

150 & A150 Parts Catalog

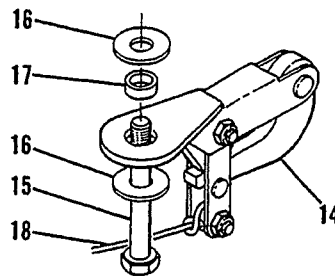
Fuselage Equipment



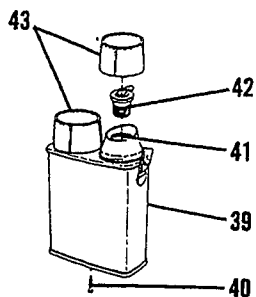
CODE D
MIRROR INSTALLATION



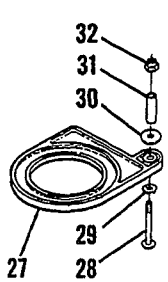
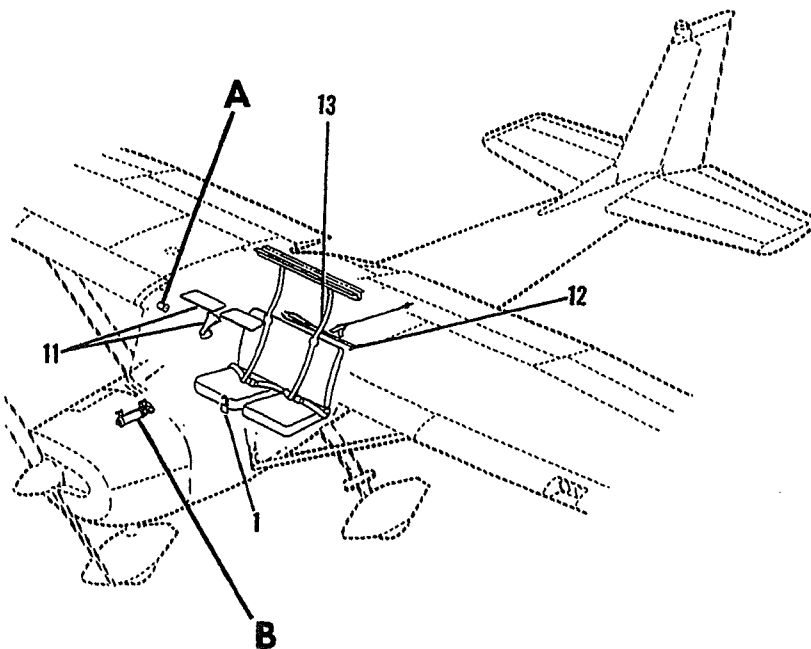
Detail A



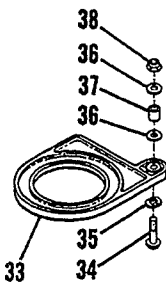
TOW HOOK INSTALLATION



TWIN PACK ASSEMBLY

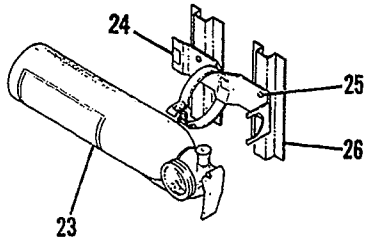


CODE N

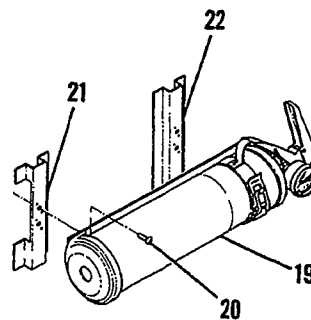


CODE P

CUP HOLDER



CODE J



CODE H

Detail B

Figure 50. Fuselage Equipment Installation

150 & A150 Parts Catalog

FIGURE AND INDEX NO.	PART NUMBER	DESCRIPTION	UNITS PER ASSY							USABLE ON CODE	
			1	2	3	4	5	6	7		
50 -		FUSELAGE EQUIPMENT INSTALLATION -----								NP	
- 1	0460134-1	LOCK ASSY-CONTROL -----								1	A
	0460134-3	LOCK ASSY-CONTROL -----								1	B
	0460137-1	LOCK ASSY-CONTROL -----								1	C
- 2	C668507-0101	GAGE-OUTSIDE AIR TEMP -----								1	
	C668507-0102	GAGE-OUTSIDE AIR TEMP ALTERNATE -----								1	
	SEE FIG 47A	MIRROR INSTL-REAR VIEW -----								NP	D
- 3	0500312-2	MIRROR INSTL-REAR VIEW -----								NP	D
		MIRROR ASSY -----								1	E
		ATTACHING PARTS -----									D
- 4	S1450-4A11-063	WASHER -----								1	D
- 5	0500313-1	NUT -----								1	D
		*-----									D
- 6	0500310-1	BRACKET ASSY -----								1	D
		ATTACHING PARTS -----									D
- 7	AN507B832R8	SCREW -----								3	D
- 8	S1450-3A14-050	WASHER -----								4	D
- 9	MS20365B832C	NUT -----								3	D
		*-----									D
-10	MS35489-6	GROMMET -----								1	D
-11	SEE FIG 51	COMPASS & SUN VISOR INSTL -----								1	D
	SEE FIG 51A	COMPASS & SUN VISOR INSTL -----								1	E
-12	0700315-2	TOW BAR-NOSE WHEEL WEU 0501019-1 -----								1	F
	0700315-4	TOW BAR-NOSE WHEEL ALTERNATE WEU 0501019-1 -----								1	F
	0501019-1	TOW BAR-NOSE WHEEL -----								1	F
-13	SEE FIG 50A&50B	TOW BAR-NOSE WHEEL -----								1	G
		SHOULDER HARNESS & SEAT BELT INSTL -----								1	
-14	0500228-2	TOW HOOK INSTL -----								NP	
-15	AN5-23A	TOW HOOK -----								1	
-16	S1450-5-14-063	BOLT -----								1	
-17	0500228-5	WASHER -----								2	
-18	0500228-3	BUSHING -----								1	
-19	0800111-2	CORD-TOW HOOK -----								1	
	CP23/4	FIRE EXTINGUISHER & BRACKET -----								1	H
		FIRE EXTINGUISHER & BRACKET GFET ALTERNATE -----								1	H
-20	AN515-8R8	ATTACHING PARTS -----									
		SCREW -----								4	H
		*-----									
-21	0400028-7	BRACKET ASSY-FIRE EXTINGUISHER FWD -----								1	H
-22	0400028-4	BRACKET ASSY-FIRE EXTINGUISHER AFT -----								1	H
	NAS680A08	NUTPLATE -----								2	H
-23	C421001-0101	FIRE EXTINGUISHER -----								1	J
-24	C421001-0102	BRACKET-FIRE EXTINGUISHER -----								1	J
		ATTACHING PARTS -----									
-25	AN520-10R7	SCREW -----								1	J
		*-----									
-26	0413510-1	BRACKET ASSY-FIRE EXTINGUISHER -----								2	J
	NAS680A3	NUTPLATE -----								2	J
-27	0501022-1	CUP HOLDER -----								2	N
		ATTACHING PARTS -----									
-28	AN525-10R22	SCREW -----								1	N
-29	S1357-3	WASHER -----								1	N
-30	AN960PD10L	WASHER USED ON LH INSTL -----								2	N
	AN960-10L	WASHER USED ON RH INSTL -----								2	N
-31	NAS43DD3-30	SPACER USED ON LH INSTL -----								1	N
	NAS43DD3-32	SPACER USED ON RH INSTL -----								1	N
-32	MS21044N3	NUT -----								1	N
		*-----									
-33	0501022-1	CUP HOLDER -----								2	P
		ATTACHING PARTS -----									
-34	AN525-10R16	SCREW -----								1	P
-35	S1357-3	WASHER -----								1	P
-36	AN960PD10L	WASHER -----								2	P
-37	NAS43DD3-24	SPACER -----								1	P
-38	MS21044N3	NUT -----								1	P
		*-----									

CONTINUED ON NEXT PAGE

150 & A150 Parts Catalog

FIGURE AND INDEX NO.	PART NUMBER	DESCRIPTION							UNITS PER ASSY	USABLE ON CODE
		1	2	3	4	5	6	7		
50 -39 -40 -41 -42 -43	C733001-0101 S1021A10-16 01 C733001-0103 1195-0061 10004-98 0441215-1 SEE FIG 14	TWIN PACK ASSY-BEVERAGE ----- SCREW ----- FILLER LFC ----- STOPPER ----- CAP LFC ----- JACK POINT NOT ILLUSTRATED ----- JACK PAD ASSY NOT ILLUSTRATED ----- CUP-FUEL SAMPLER ----- NOTE. <THIS PART NUMBER MUST HAVE A SECOND DASH NUMBER ADDED TO DENOTE COLOR. REFER TO HOW TO ORDER INTERIOR PARTS - PAGE VII. A---150 SERIAL 15071129 THRU 15072628 F150 SERIAL F15000530 THRU F15000738 A150 SERIAL A1500001 THRU A1500276 FA150 SERIAL FA1500001 THRU FA1500166 B---150 SERIAL 15072629 THRU 15074384 F150 SERIAL F15000739 THRU 15000943 A150 SERIAL A1500277 THRU A1500389 FA150 SERIAL FA1500167 THRU FA1500211 C---150 SERIAL 15074385 & ON F150 SERIAL F15000944 & ON A150 SERIAL A1500390 & ON FA150 SERIAL FA1500212 & ON D---150 SERIAL 15071129 THRU 15073658 F150 SERIAL F15000530 THRU F15000863 A150 SERIAL A1500001 THRU A1500342 FA150 SERIAL FA1500001 THRU FA1500166 E---150 SERIAL 15073659 & ON F150 SERIAL F15000864 & ON A150 SERIAL A1500343 & ON FA150 SERIAL FA1500167 & ON F---150 SERIAL 15071129 THRU 15072519 F150 SERIAL F15000530 THRU F15000738 A150 SERIAL A1500001 THRU A1500263 FA150 SERIAL FA1500001 THRU FA1500161 G---150 SERIAL 15072520 & ON F150 SERIAL F15000739 & ON A150 SERIAL A1500264 & ON FA150 SERIAL FA1500162 & ON H---150 SERIAL 15071129 THRU 15071649 F150 SERIAL F15000530 THRU F15000658 A150 SERIAL A1500001 THRU A1500135 FA150 SERIAL FA1500001 THRU FA1500081 J---150 SERIAL 15071650 & ON F150 SERIAL F15000659 & ON A150 SERIAL A1500136 & ON FA150 SERIAL FA1500082 & ON K---150 SERIAL 15071129 & ON A150 SERIAL A1500001 & ON L---150 SERIAL 15071129 THRU 15072003 F150 SERIAL F15000530 THRU F15000658 A150 SERIAL A1500001 THRU A1500226 FA150 SERIAL FA1500001 THRU FA1500081 M---150 SERIAL 15072004 THRU 15073284 F150 SERIAL F15000659 THRU F15000833 A150 SERIAL A1500227 THRU A1500324 FA150 SERIAL FA1500082 THRU FA1500166 N---150 SERIAL 15072629 THRU 15077005 F150 SERIAL F15000739 THRU F15001248 A150 SERIAL A1500277 THRU A1500609 FA150 SERIAL FA1500122 THRU FA1500281 P---150 SERIAL 15077006 THRU 15078505 F150 SERIAL F15001249 THRU F15001338 A150 SERIAL A1500610 THRU A1500684 FA150 SERIAL FA1500282 THRU FA1500311							1 2 2 2 1 1 1	K K K K L M

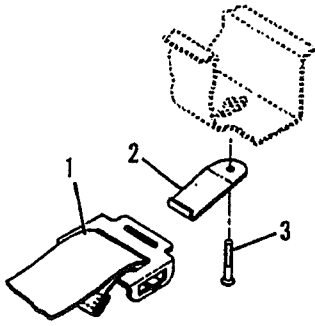
150 & A150 Parts Catalog

FIGURE AND INDEX NO.	PART NUMBER	DESCRIPTION							UNITS PER ASSY	USABLE ON CODE	
		1	2	3	4	5	6	7			
50A-		SEAT BELT & SHOULDER HARNESS INSTALLATION -----							NP	AK	
- 1	S2029-1	SHOULDER HARNESS ASSY -----							2	A	
- 2	0411936-2	HOOK-SHOULDER HARNESS -----							2	A	
- 3	AN4-4A	BOLT -----							2	B	
- 4	S2275F202	*	SHOULDER HARNESS ASSY FIESTA RED -----						2	B	
	S2275H202	*	SHOULDER HARNESS ASSY HOLIDAY BLUE -----						2	C	
	S2275G202	*	SHOULDER HARNESS ASSY PICNIC GREEN -----						2	C	
	S2275W202	*	SHOULDER HARNESS ASSY CLOVE BROWN -----						2	D	
	S2275A202	*	SHOULDER HARNESS ASSY TAHITIAN RED -----						2	D	
	S2275L202	*	SHOULDER HARNESS ASSY BOGOTA BLUE -----						2	E	
	S2275C202	*	SHOULDER HARNESS ASSY CYPRUS GREEN -----						2	E	
	S2275R202	*	SHOULDER HARNESS ASSY DRAGON RED -----						2	F	
	S2275P202	*	SHOULDER HARNESS ASSY ROYAL BLUE -----						2	F	
	S2275D202	*	SHOULDER HARNESS ASSY TAN -----						2	G	
	S2275S202	*	SHOULDER HARNESS ASSY VELDT GOLD -----						2	G	
	S2275W202	*	SHOULDER HARNESS ASSY JAVA GOLD -----						2	H	
	S2275U202	*	SHOULDER HARNESS ASSY PEACOCK BLUE -----						2	H	
	S2275Z202	*	SHOULDER HARNESS ASSY POPPEY RED -----						2	H	
	S2275AA202	*	SHOULDER HARNESS ASSY GOLDEN OLIVE -----						2	I	
	S2275AA202	*	SHOULDER HARNESS ASSY OLIVE GREEN -----						2	I	
	S2275BB202	*	SHOULDER HARNESS ASSY COPEN BLUE -----						2	J	
	S2275CC202	*	SHOULDER HARNESS ASSY CHESTNUT BROWN -----						2	J	
	S2275DD202	*	SHOULDER HARNESS ASSY OLD GOLD -----						2	J	
	S2275T202	*	SHOULDER HARNESS ASSY SUNSET RED -----						2	J	
			ATTACHING PARTS								
- 5	NAS464P4A8	BOLT -----							1	L	
- 6	S2074-1	SPACER -----							2	M	
- 7	S2074-1	SPACER -----							3	N	
- 8	NAS43HT4-22	SPACER -----							1	P	
- 9	AN960-616	WASHER -----							2	M	
- 10	S2076-1	COVER -----							2	N	
- 11	0415010-1	COVER -----							1	P	
			-----*								Q

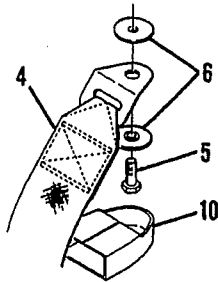
CONTINUED ON NEXT PAGE

150 & A150 Parts Catalog

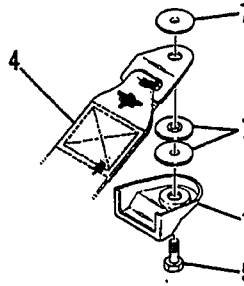
Fuselage Equipment (Cont)



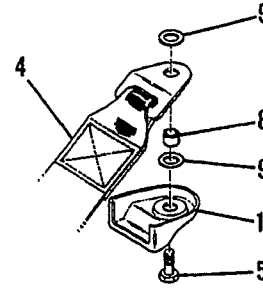
CODE A



CODE P

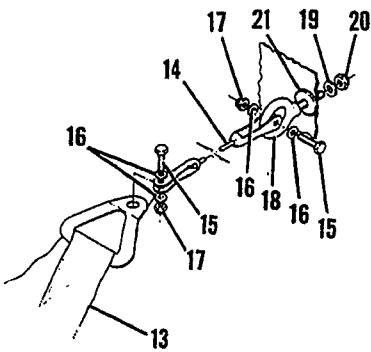


CODE M



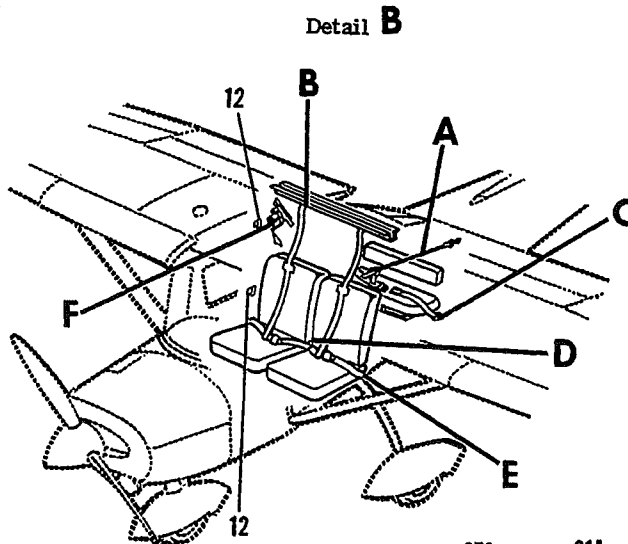
CODE N

150 & F150

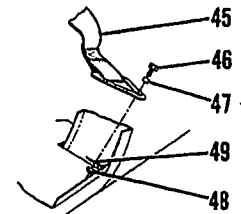


A150 & FA150

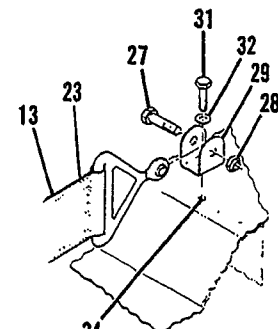
Detail A



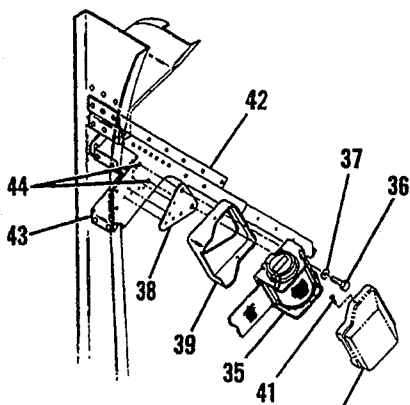
Detail B



Detail C

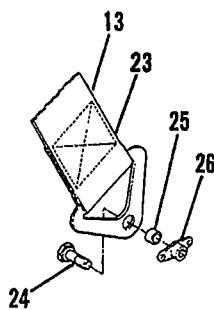


1970 MODELS
A150 & FA150

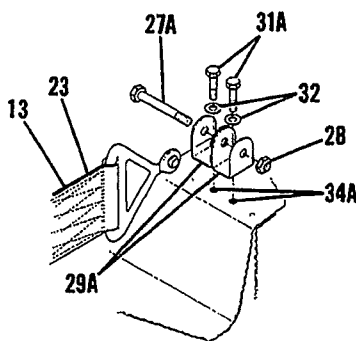


1975 MODELS
150 & F150

Detail F

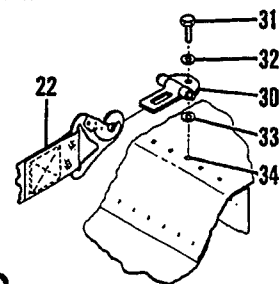


Detail E



1971 THRU 1975 MODELS
150, F150, A150 & FA150

Detail D



1970 MODELS
150 & F150

150 SERIAL 15071129 THRU 15077005
F150 SERIAL F15000530 THRU F15001248
A150 SERIAL A1500001 THRU A1500609
FA150 SERIAL FA1500001 THRU FA1500281

Figure 50A. Seat Belt & Shoulder Harness Installation

150 & A150 Parts Catalog

FIGURE AND INDEX NO.	PART NUMBER	DESCRIPTION	UNITS PER ASSY							USABLE ON CODE
			1	2	3	4	5	6	7	
50A-12	S2081-1	CLIP SHOULDER HARNESS STORAGE -----							4	R
	S2081-2	ATTACHING PARTS -----								
	0414032-1	COVER -----							1	R
	S1023A6-8C	DOUBLER -----							1	R
		SCREW -----							1	R
		*-----								
-13	S1996-1	SHOULDER HARNESS & SEAT BELT ASSY AEROBAT -----							2	S
	S1996-7	SHOULDER HARNESS & SEAT BELT ASSY AEROBAT -----							2	T
-14	0414024-1	CABLE ASSY -----							2	U
	0414024-4	CABLE ASSY -----							2	V
-15	AN3-6A	BOLT -----							4	V
	AN5-7A	BOLT -----							4	V
-16	AN960-10	WASHER -----							8	U
	AN960-516L	WASHER -----							8	V
-17	MS21044N3	NUT -----							4	V
	MS21042L5	NUT -----							4	V
-18	0511165	EYEBOLT -----							2	W
-19	AN960-416	WASHER -----							2	W
-20	MS21042L4	NUT -----							2	W
-21	AN970-4	WASHER -----							2	W
-22	S1622B6	WASHER -----							2	W
	S1746B15	BELT ASSY-SEAT BLACK 150 ONLY -----							2	X
	S2275F104	BELT ASSY-SEAT BLACK F150 ONLY -----							2	Y
-23	S2275H104	BELT ASSY-SEAT FIESTA RED -----							2	Z
	S2275G104	BELT ASSY-SEAT HOLIDAY BLUE -----							2	B
	S2275I104	BELT ASSY-SEAT PICNIC GREEN -----							2	B
	S2275J104	BELT ASSY-SEAT CLOVE BROWN -----							2	C
	S2275K104	BELT ASSY-SEAT TAHITIAN RED -----							2	D
	S2275L104	BELT ASSY-SEAT BOGOTA BLUE -----							2	E
	S2275M104	BELT ASSY-SEAT BOGOTA BLUE -----							2	F
	S2275N104	BELT ASSY-SEAT CYPRUS BLUE -----							2	F
	S2275P104	BELT ASSY-SEAT DRAGON RED -----							2	G
	S2275Q104	BELT ASSY-SEAT ROYAL BLUE -----							2	G
	S2275R104	BELT ASSY-SEAT ROYAL BLUE -----							2	G
	S2275S104	BELT ASSY-SEAT TAN -----							2	G
	S2275T104	BELT ASSY-SEAT VELDT GOLD -----							2	G
	S2275U104	BELT ASSY-SEAT JAVA GOLD -----							2	H
	S2275V104	BELT ASSY-SEAT PEACOCK BLUE -----							2	H
	S2275W104	BELT ASSY-SEAT PEACOCK BLUE -----							2	H
	S2275X104	BELT ASSY-SEAT POPPY RED -----							2	H
	S2275Y104	BELT ASSY-SEAT GOLDEN OLIVE -----							2	H
	S2275Z104	BELT ASSY-SEAT OLIVE GREEN -----							2	H
	S2275AA104	BELT ASSY-SEAT OLIVE GREEN -----							2	J
	S2275AB104	BELT ASSY-SEAT OLIVE GREEN -----							2	J
	S2275AC104	BELT ASSY-SEAT COPEN BLUE -----							2	J
	S2275AD104	BELT ASSY-SEAT CHESTNUT BROWN -----							2	J
	S2275AE104	BELT ASSY-SEAT CHESTNUT BROWN -----							2	J
	S2275AF104	BELT ASSY-SEAT OLD GOLD -----							2	J
	S2275AG104	BELT ASSY-SEAT SUNSET RED -----							2	J
-24	AN525-416R9	BOLT-SEAT BELT -----							2	AF
	AN4-5A	BOLT-SEAT BELT -----							2	AG
	NAS464-4-5	BOLT-SEAT BELT -----							2	AJ
-25	NAS43HT4-12	BOLT-SEAT BELT -----							2	AJ
	0413496-2	SPACER-SEAT BELT -----							2	AA
-26	NAS1068A4	BUSHING-SEAT BELT -----							2	W
	NAS696A4	NUTPLATE-SEAT BELT -----							2	AB
	NAS680A4	NUTPLATE-SEAT BELT -----							2	AH
-27	AN5-11A	NUTPLATE-SEAT BELT -----							2	AJ
-27A	AN5-21A	BOLT-SEAT BELT -----							1	U
-28	MS21042L5	BOLT-SEAT BELT -----							1	AC
-29	0413496-1	NUT-SEAT BELT -----							1	AD
-29A	0413496-1	BRACKET-SEAT BELT ATTACH -----							1	U
	0414045-1	BRACKET-SEAT BELT ATTACH -----							2	AH
-30	0711083-1	BRACKET ASSY-SEAT BELT ATTACH -----							1	AJ
		LATCH ASSY-SEAT BELT -----							1	A
		ATTACHING PARTS -----								
-31	AN4-10A	BOLT -----							1	AB
-31A	AN4-7A	BOLT -----							1	AC
-32	AN960-416L	WASHER -----							1	AC
-33	AN960-4	WASHER -----							1	AB
-34	NAS698A4	NUTPLATE -----							1	AB
-34A	NAS696A4	NUTPLATE -----							1	AC
		*-----								

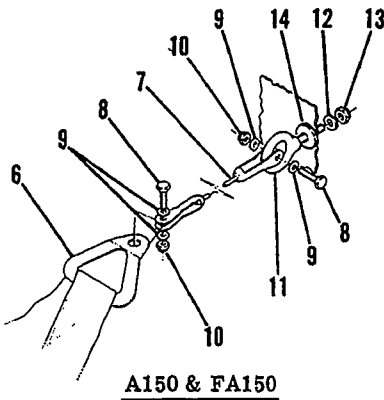
CONTINUED ON NEXT PAGE

150 & A150 Parts Catalog

FIGURE AND INDEX NO.	PART NUMBER	DESCRIPTION							UNITS PER ASSY	USABLE ON CODE	
		1	2	3	4	5	6	7			
50A-		H---	150	SERIAL	15073967	THRU	15074850				
		J---	150	SERIAL	15074851	THRU	15077005				
		K---	150	SERIAL	15075782	THRU	15077005				
		L---	150	SERIAL	15072004	THRU	15077005				
		M---	150	SERIAL	15075480	THRU	15075747				
		N---	150	SERIAL	15075748	THRU	15077005				
		P---	150	SERIAL	15072004	THRU	15075479				
		Q---	150	SERIAL	15075480	THRU	15077005				
		R---	150	SERIAL	15072004	THRU	15074850				
		S---	A150	SERIAL	A1500001	THRU	A1500342				
		T---	A150	SERIAL	A1500343	THRU	A1500609				
		U---	A150	SERIAL	A1500001	THRU	A1500226				
		V---	A150	SERIAL	A1500227	THRU	A1500609				
		W---	A150	SERIAL	A1500001	THRU	A1500609				
		X---	A150	SERIAL	A1500430	THRU	A1500609				
		Y---	150	SERIAL	15071129	THRU	15072003				
		Z---	150	SERIAL	15071129	THRU	15072003				
		AA---	150	SERIAL	15071129	THRU	15077005				
		AB---	150	SERIAL	15071129	THRU	15072003				
		AC---	150	SERIAL	15072004	THRU	15077005				
		AD---	150	SERIAL	15072004	THRU	15077005				
		AE---	150	SERIAL	15075782	THRU	15077005				
		AF---	150	SERIAL	15071129	THRU	15075781				
		AG---	A150	SERIAL	A1500277	THRU	A1500523				
		AH---	150	SERIAL	15072004	THRU	15075781				
		AJ---	150	SERIAL	15075782	THRU	15077005				
		AK---	150	SERIAL	15071129	THRU	15077005				

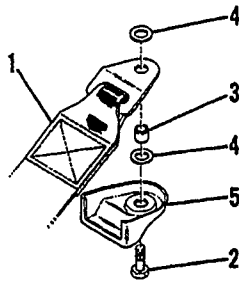
150 & A150 Parts Catalog

Fuselage Equipment (Cont)



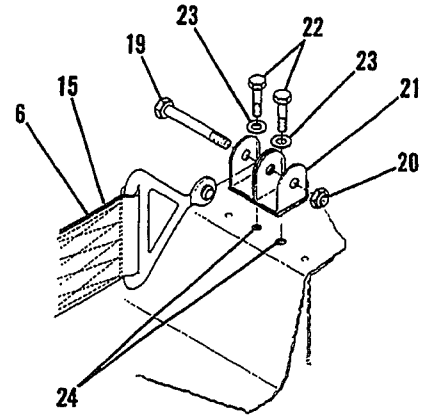
A150 & FA150

Detail A

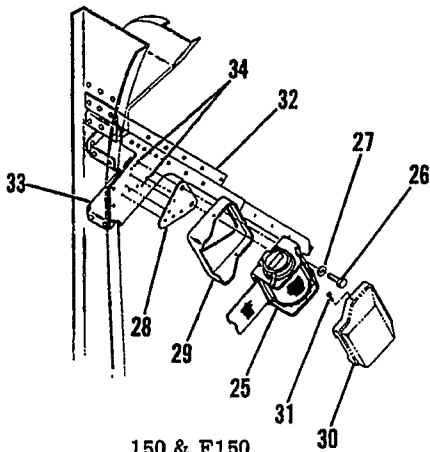
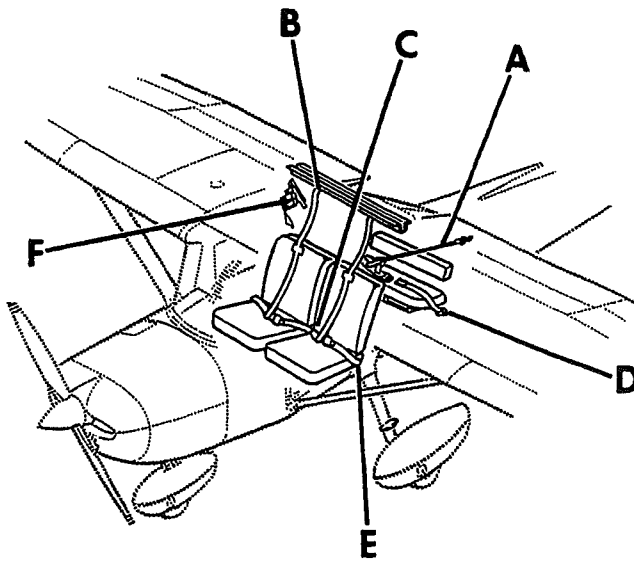


150 & F150

Detail B

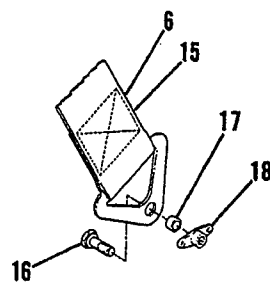


Detail C

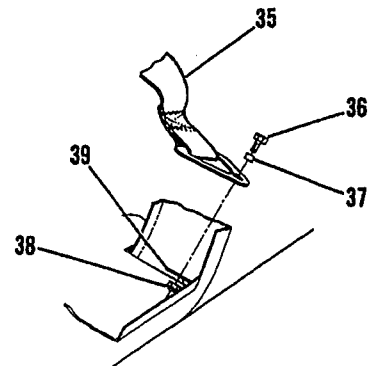


150 & F150

Detail F



Detail E



Detail D

**150 SERIAL 15077006 & ON
 F150 SERIAL F15001249 & ON
 A150 SERIAL A1500610 & ON
 FA150 SERIAL FA1500282 & ON**

Figure 50B. Seat Belt & Shoulder Harness Installation

150 & A150 Parts Catalog

FIGURE AND INDEX NO.	PART NUMBER		DESCRIPTION							UNITS PER ASSY	USABLE ON CODE
			1	2	3	4	5	6	7		
50B-			SEAT BELT & SHOULDER HARNESS INSTALLATION -----							NP	A
- 1	S2275GG202	*	SHOULDER HARNESS ASSY ORO GREEN -----							2	B
	S2275FF202	*	SHOULDER HARNESS ASSY SAPPHIRE BLUE -----							2	B
	S2275CC202	*	SHOULDER HARNESS ASSY CHESTNUT BROWN -----							2	B
	S2275HH202	*	SHOULDER HARNESS ASSY TOPAZ GOLD -----							2	B
	S2275EE202	*	SHOULDER HARNESS ASSY RUBY RED -----							2	B
			ATTACHING PARTS -----								
- 2	NAS464P4A8		BOLT -----							1	B
- 3	NAS43HT4-22		SPACER -----							1	B
- 4	AN960-616		WASHER -----							2	B
- 5	0415010-1		COVER -----							1	B
			-----*								
- 6	S1996-7		SHOULDER HARNESS & SEAT BELT ASSY AEROBAT -----							2	C
- 7	0414024-4		CABLE ASSY -----							2	C
- 8	AN5-7A		BOLT -----							4	C
- 9	AN960-516L		WASHER -----							8	C
-10	MS21042L5		NUT -----							4	C
-11	0511165		EYEBOLT -----							2	C
-12	AN960-416		WASHER -----							2	C
-13	MS21042L4		NUT -----							2	C
-14	AN970-4		WASHER -----							2	C
-15	S2275GG104	*	BELT ASSY-SEAT ORO GREEN -----							2	B
	S2275FF104	*	BELT ASSY-SEAT SAPPHIRE BLUE -----							2	B
	S2275CC104	*	BELT ASSY-SEAT CHESTNUT BROWN -----							2	B
	S2275HH104	*	BELT ASSY-SEAT TOPAZ GOLD -----							2	B
	S2275EE104	*	BELT ASSY-SEAT RUBY RED -----							2	B
-16	NAS464-4-5		BOLT-SEAT BELT -----							2	B
-17	NAS43HT4-12		SPACER-SEAT BELT -----							2	B
	0413496-2		BUSHING-SEAT BELT -----							2	C
-18	NAS680A4		NUTPLATE-SEAT BELT -----							2	B
-19	AN5-21A		BOLT-SEAT BELT -----							1	C
-20	MS21042L5		NUT-SEAT BELT -----							1	
-21	0414045-1		BRACKET ASSY-SEAT BELT ATTACH -----							1	C
			ATTACHING PARTS -----								
-22	AN4-10A		BOLT -----							2	
-23	AN960-416L		WASHER -----							2	
-24	NAS696A4		NUTPLATE -----							2	
			-----*								
-25	S2199-6		INERTIA REEL SEAT BELT & SHOULDER HARNESS INSTALLATION -----							NP	B
	S2199-5		BELT ASSY-INERTIA REEL RH SEAT BLACK ONLY -----							1	
			BELT ASSY-INERTIA REEL LH SEAT BLACK ONLY -----							1	
			ATTACHING PARTS -----								
-26	NAS464P4A6		BOLT -----							2	
-27	AN960-416L		WASHER -----							2	
-28	0415015-1		SPACER -----							1	
-29	0415014-1		COVER-BOTTOM -----							1	
			-----*								
-30	0415014-2		COVER-TOP -----							1	
			ATTACHING PARTS -----								
-31	S1021Z4-6		SCREW -----							2	
			-----*								
-32	0412018-2		REINFORCEMENT-RH -----							1	
	0412018-1		REINFORCEMENT-LH -----							1	
-33	0412017-2		BRACKET ASSY-RH -----							1	
	0412017-1		BRACKET ASSY-LH -----							1	
-34	NAS696A4		NUTPLATE -----							2	
-35	S1746B2		BELT ASSY-AUXILIARY SEAT BLACK -----							1	B
	S1746GG2		BELT ASSY-AUXILIARY SEAT ORO GREEN -----							1	B
	S1746FF2		BELT ASSY-AUXILIARY SEAT SAPPHIRE BLUE -----							1	B
	S1746CC2		BELT ASSY-AUXILIARY SEAT CHESTNUT BROWN -----							1	B
	S1746HH2		BELT ASSY-AUXILIARY SEAT TOPAZ GOLD -----							1	B
	S1746EE2		BELT ASSY-AUXILIARY SEAT RUBY RED -----							1	B
			ATTACHING PARTS -----								
-36	AN4-6A		BOLT -----							2	
-37	NAS43HT4-20		SPACER -----							2	
-38	MS21042L4		NUT -----							2	
			-----*								

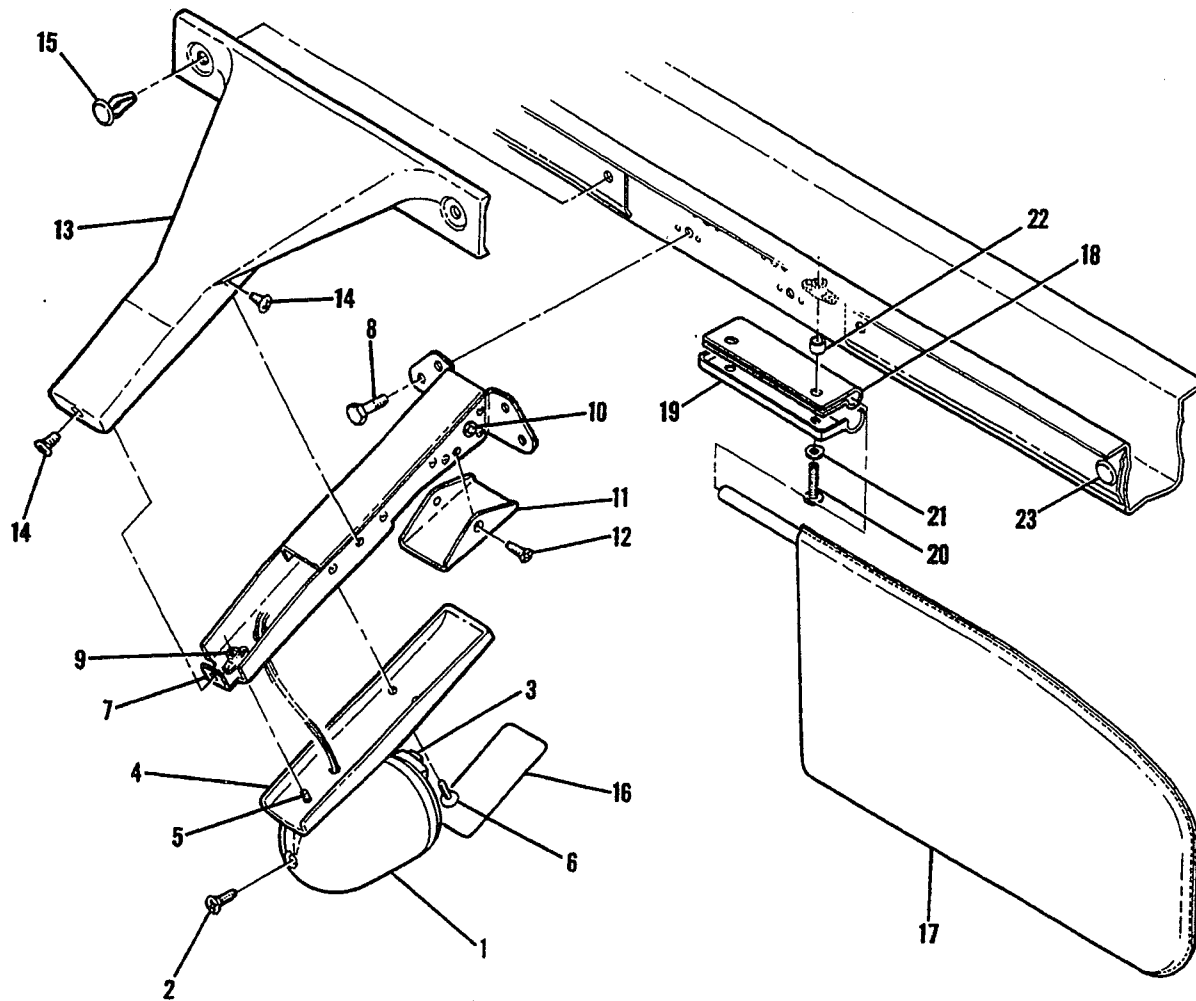
CONTINUED ON NEXT PAGE

150 & A150 Parts Catalog

FIGURE AND INDEX NO.	PART NUMBER	DESCRIPTION	UNITS PER ASSY	USABLE ON CODE
		1 2 3 4 5 6 7		
50B-39	SEE FIG. 29	<p>LUG-SEAT BELT ATTACH -----</p> <p>NOTE. *WHEN INITIALLY ORDERING THIS PART FOR AIRCRAFT PRIOR TO SERIALS 15077380 & F15001287 BOTH SEAT BELT & SHOULDER HARNESS MUST BE ORDERED.</p> <p>A---150 SERIAL 15077006 & ON F150 SERIAL F15001249 & ON A150 SERIAL A1500610 & ON FA150 SERIAL FA1500282 & ON</p> <p>B---150 SERIAL 15077006 & ON F150 SERIAL F15001249 & ON</p> <p>C---A150 SERIAL A1500610 & ON FA150 SERIAL FA1500282 & ON</p>	2	

150 & A150 Parts Catalog

Fuselage Equipment (Cont)



150 SERIAL 15071129 THRU 15073658
F150 SERIAL F15000530 THRU F15000863
A150 SERIAL A1500001 THRU A1500342
FA150 SERIAL FA1500001 THRU FA1500166

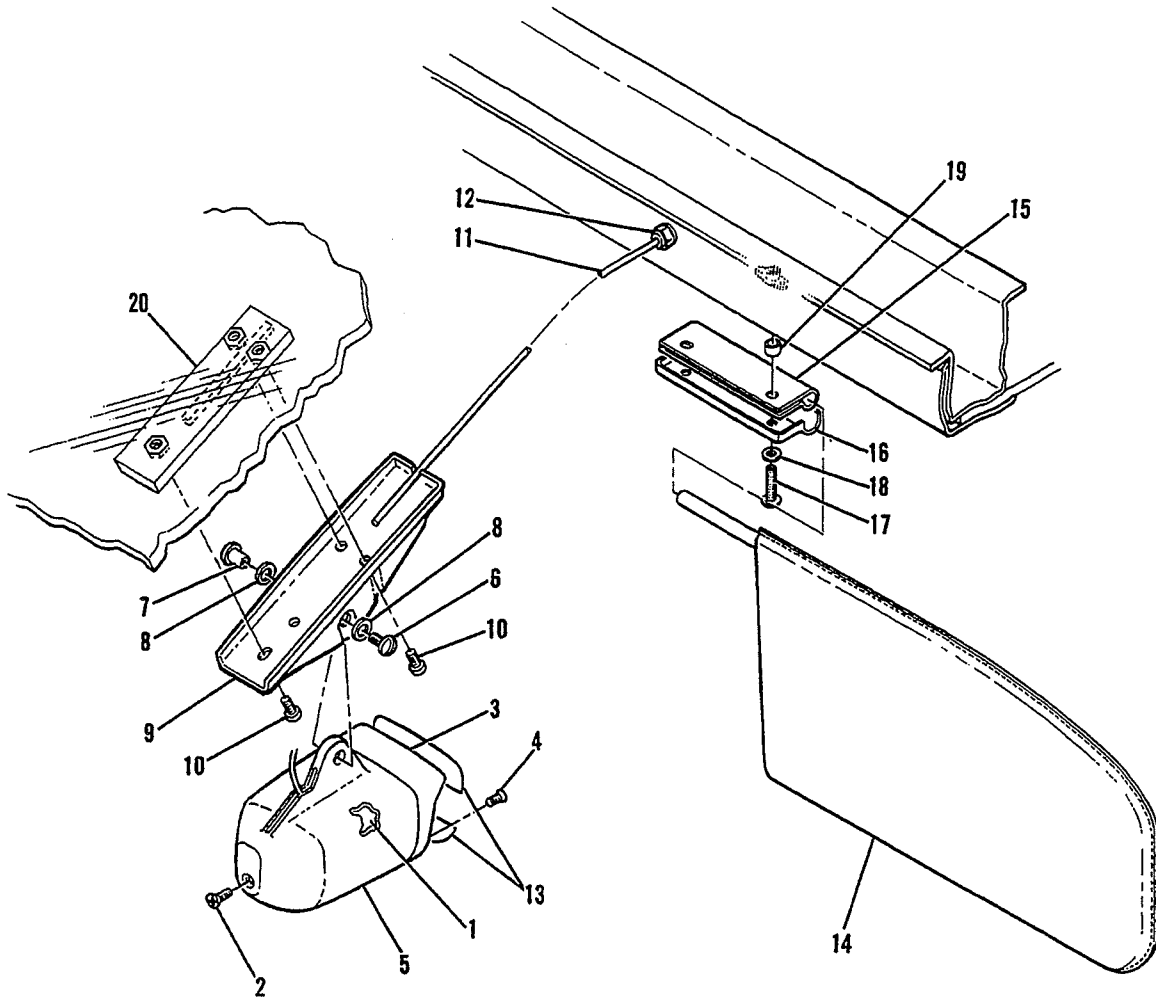
Figure 51. Compass & Sun Visor Installation

150 & A150 Parts Catalog

FIGURE AND INDEX NO.	PART NUMBER	DESCRIPTION							UNITS PER ASSY	USABLE ON CODE
		1	2	3	4	5	6	7		
51 -		COMPASS & SUN VISOR INSTALLATION -----							NP	C
- 1	C660501-0101	COMPASS -----							1	
		ATTACHING PARTS -----								
- 2	S1571-8-10	SCREW -----							1	
		*-----								
- 3	MS25237-330	BULB-COMPASS -----							1	
- 4	0713813-1	MOUNT-COMPASS -----							1	
		ATTACHING PARTS -----								
- 5	AN51588R12	SCREW -----							1	
	AN960D8	WASHER -----							1	
- 6	AN507B832R6	SCREW -----							2	
		*-----								
- 7	0413474-1	SUPPORT ASSEMBLY-COMPASS MOUNT -----							1	
		ATTACHING PARTS -----								
- 8	AN3-3A	BOLT -----							4	
		*-----								
- 9	NAS697A08	NUTPLATE -----							3	
-10	S1291-2	GROMMET -----							1	
-11	0413478-1	<	COVER-COMPASS MOUNT SUPPORT LOWER -----					1		
			ATTACHING PARTS -----							
-12	S1022Z6-6		SCREW -----					2		
			*-----							
-13	0413475-1	<	COVER-COMPASS MOUNT SUPPORT -----					1	A	
	0413475-2	<	COVER-COMPASS MOUNT SUPPORT -----					1	B	
			ATTACHING PARTS -----							
-14	S1021Z6-6		SCREW -----					3		
-15	S2090-1		PLUG BUTTON UC -----					2	A	
	AN515B6R10		SCREW -----					4	B	
	0413475		SPACER -----					2	B	
			*-----							
-16	0713819-1		CARD-COMPASS CORRECTION -----					1		
-17	1414087-13	#	SUN VISOR ASSEMBLY -----					2		
-18	1414087-15		CLAMP -----					1		
-19	0413504-1		COVER-SUN VISOR SUPPORT -----					1		
			ATTACHING PARTS -----							
-20	AN525-10R14		SCREW -----					2		
-21	AN960-10L		WASHER -----					2		
-22	NAS43HT3-20		SPACER -----					2		
			*-----							
-23	S1898-4		PLUG BUTTON UC -----					2		
<p>NOTE. #THIS PART NUMBER MUST HAVE A SECOND DASH NUMBER ADDED TO DENOTE COLOR. REFER TO HOW TO ORDER UPHOLSTERED PARTS-PAGE VI.</p> <p>NOTE. <THIS PART NUMBER MUST HAVE A SECOND DASH NUMBER ADDED TO DENOTE COLOR. REFER TO HOW TO ORDER INTERIOR PARTS-PAGE VII.</p> <p>A---150 SERIAL 15071129 THRU 15072628 F150 SERIAL F15000530 THRU F15000738 A150 SERIAL A1500001 THRU A1500276 FA150 SERIAL FA1500001 THRU FA1500121</p> <p>B---150 SERIAL 15072629 THRU 15073658 F150 SERIAL F15000739 THRU F15000863 A150 SERIAL A1500277 THRU A1500342 FA150 SERIAL FA1500122 THRU FA1500166</p> <p>C---150 SERIAL 15071129 THRU 15073658 F150 SERIAL F15000530 THRU F15000863 A150 SERIAL A1500001 THRU A1500342 FA150 SERIAL FA1500001 THRU FA1500166</p>										

150 & A150 Parts Catalog

Fuselage Equipment (Cont)



150 SERIAL 15073659 & ON
F150 SERIAL F15000864 & ON
A150 SERIAL A1500343 & ON
FA150 SERIAL FA1500167 & ON

Figure 51A. Compass & Sun Visor Installation

150 & A150 Parts Catalog

FIGURE AND INDEX NO.	PART NUMBER	DESCRIPTION							UNITS PER ASSY	USABLE ON CODE
		1	2	3	4	5	6	7		
51A-		COMPASS & SUN VISOR INSTALLATION -----							NP	A
- 1	C660501-0101	COMPASS -----							1	
		ATTACHING PARTS -----								
- 2	AN507B832R14	SCREW -----							1	
		*-----								
	MS25237-330	BULB-COMPASS -----							1	
- 3	0413517-15	BEZEL-COMPASS -----							1	
		ATTACHING PARTS -----								
- 4	AN510B4R8	SCREW -----							2	
		*-----								
- 5	0413517-5	CUP-COMPASS -----							1	
		ATTACHING PARTS -----								
- 6	D366	SCREW -----							1	
- 7	D4023X.375	POST-SCREW -----							1	
- 8	AN960D10	WASHER -----							2	
		*-----								
- 9	0413517-3	BASE-COMPASS -----							1	
		ATTACHING PARTS -----								
-10	AN500B8-6	SCREW -----							3	
		*-----								
-11	0413441-1	TUBE ASSY -----							1	
		ATTACHING PARTS -----								
-12	S1216-3	NUT -----							1	
	AN936A416	WASHER -----							1	
	NAS620A416L	WASHER -----							1	
		*-----								
-13	0400213-6	PLACARD SET-COMPASS CORRECTION -----							1	
-14	1414087-13	#	SUN VISOR ASSEMBLY -----					2		
-15	1414087-15		CLAMP -----					1		
-16	0413504-1		COVER-SUN VISOR -----					1		
			ATTACHING PARTS -----							
-17	AN525-10R14		SCREW -----					2		
-18	AN960-10L		WASHER -----					2		
-19	NAS43HT3-20		SPACER -----					2		
			*-----							
-20	0413437-1		BASE PLATE ASSY-COMPASS MOUNT -----					1		
<p>NOTE. #THIS PART NUMBER MUST HAVE A SECOND DASH NUMBER ADDED TO DENOTE COLOR. REFER TO HOW TO ORDER UPHOLSTERED PARTS-PAGE VI.</p> <p>A---150 SERIAL 15073659 & ON F150 SERIAL F15000864 & ON A150 SERIAL A1500343 & ON FA150 SERIAL FA1500167 & ON</p>										

150 & A150 Parts Catalog

Fuselage Equipment (Cont)

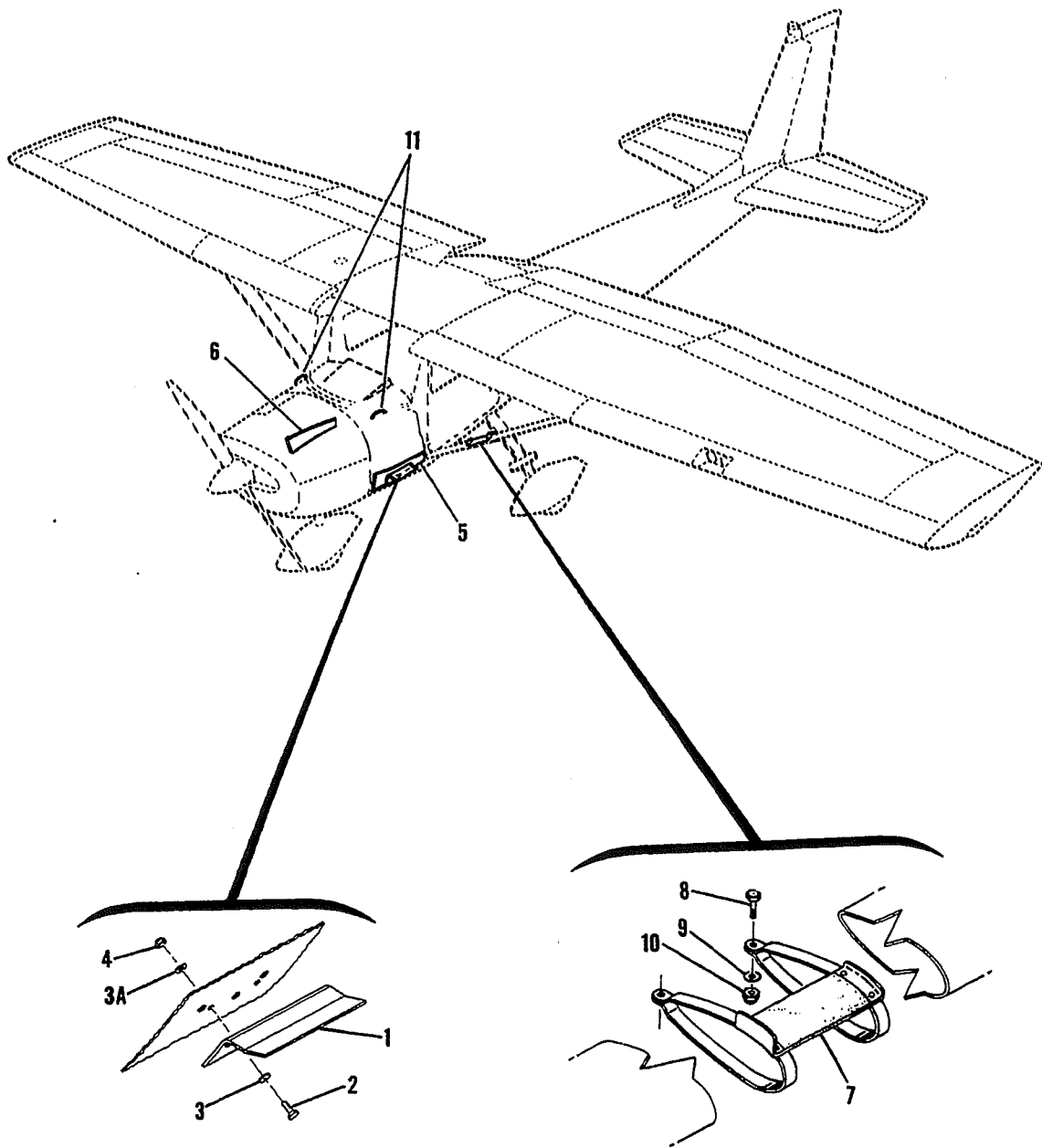


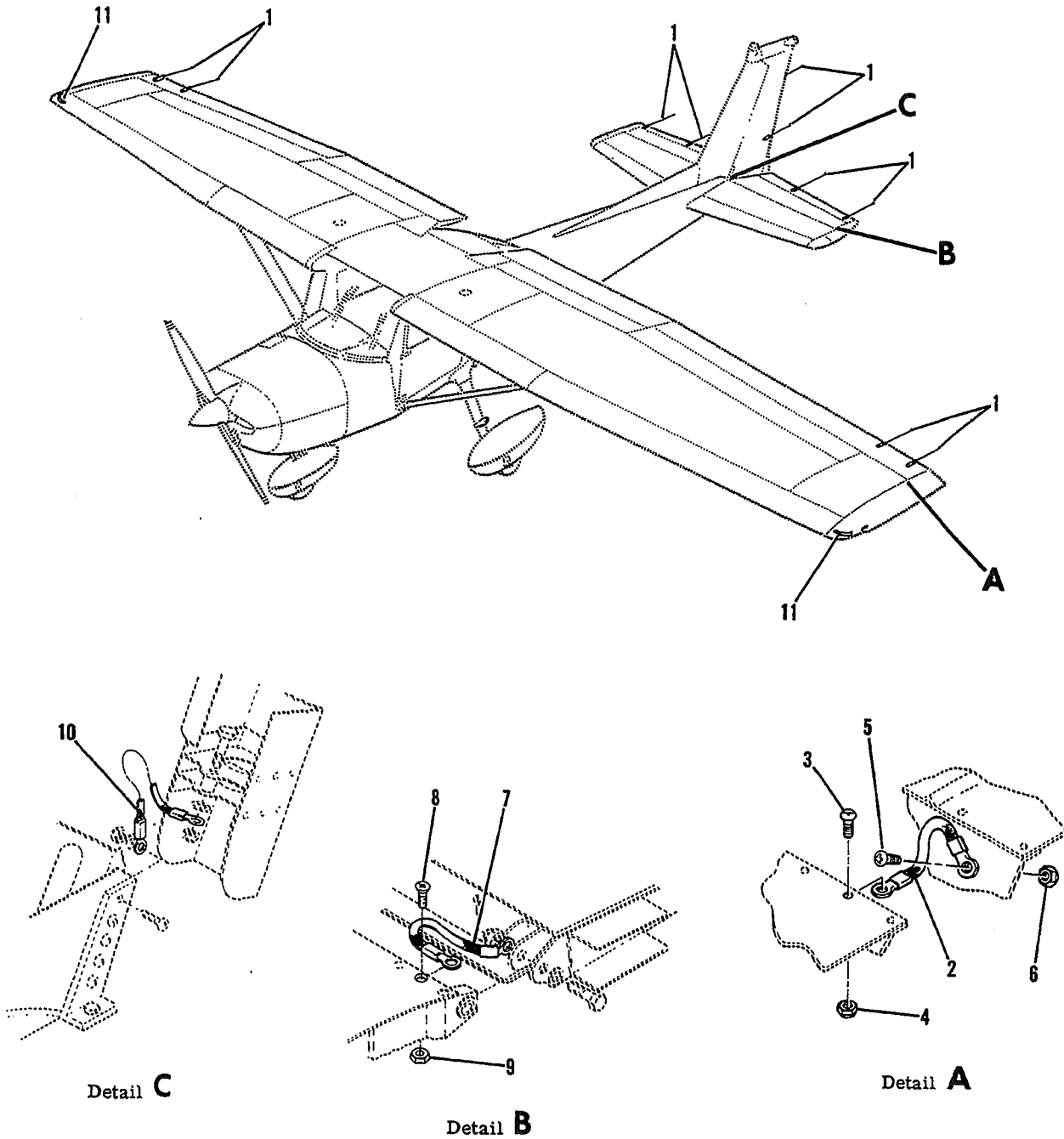
Figure 52. Refueling Step and Handle Installation

150 & A150 Parts Catalog

FIGURE AND INDEX NO.	PART NUMBER	DESCRIPTION							UNITS PER ASSY	USABLE ON CODE
		1	2	3	4	5	6	7		
52 -		REFUELING STEP & HANDLE INSTALLATION -----							NP	
- 1	0413399-1	STEP-LH -----							1	
	0413399-2	STEP-RH -----							1	
		ATTACHING PARTS								
- 2	AN3-5A	BOLT -----							2	
- 3	AN960D10L	WASHER -----							2	
- 3A	AN970-3	WASHER -----							2	
- 4	MS21044N3	NUT -----							2	
		*-----								
- 5	0413351-1	DOUBLER-LH -----							1	
- 6	0413351-2	DOUBLER-RH -----							1	
- 7	0500276-1	STEP ASSEMBLY-STRUT LH -----							1	A A B B
	0500276-2	STEP ASSEMBLY-STRUT RH -----							1	
	0500276-5	STEP ASSEMBLY-STRUT LH -----							1	
	0500276-6	STEP ASSEMBLY-STRUT RH -----							1	
		ATTACHING PARTS								
- 8	AN3-3A	BOLT -----							2	
- 9	AN960D10L	WASHER -----							2	
- 10	MS21044N3	NUT -----							2	
		*-----								
- 11	1613224-2	HANDLE-REFUELING -----							2	
		ATTACHING PARTS								
	S1450-4H12-050	WASHER UPPER -----							1	
	AN960-416L	WASHER LOWER -----							1	
	MS21042L4	NUT -----							1	
		*-----								
		A---150 SERIAL 15071129 & ON F150 SERIAL F15000530 & ON								
		B---A150 SERIAL A1500001 & ON FA150 SERIAL FA1500001 & ON								

150 & A150 Parts Catalog

Fuselage Equipment (Cont)



150 SERIAL 15077006 & ON
F150 SERIAL F15001249 & ON
A150 SERIAL A1500610 & ON
FA150 SERIAL FA1500282 & ON

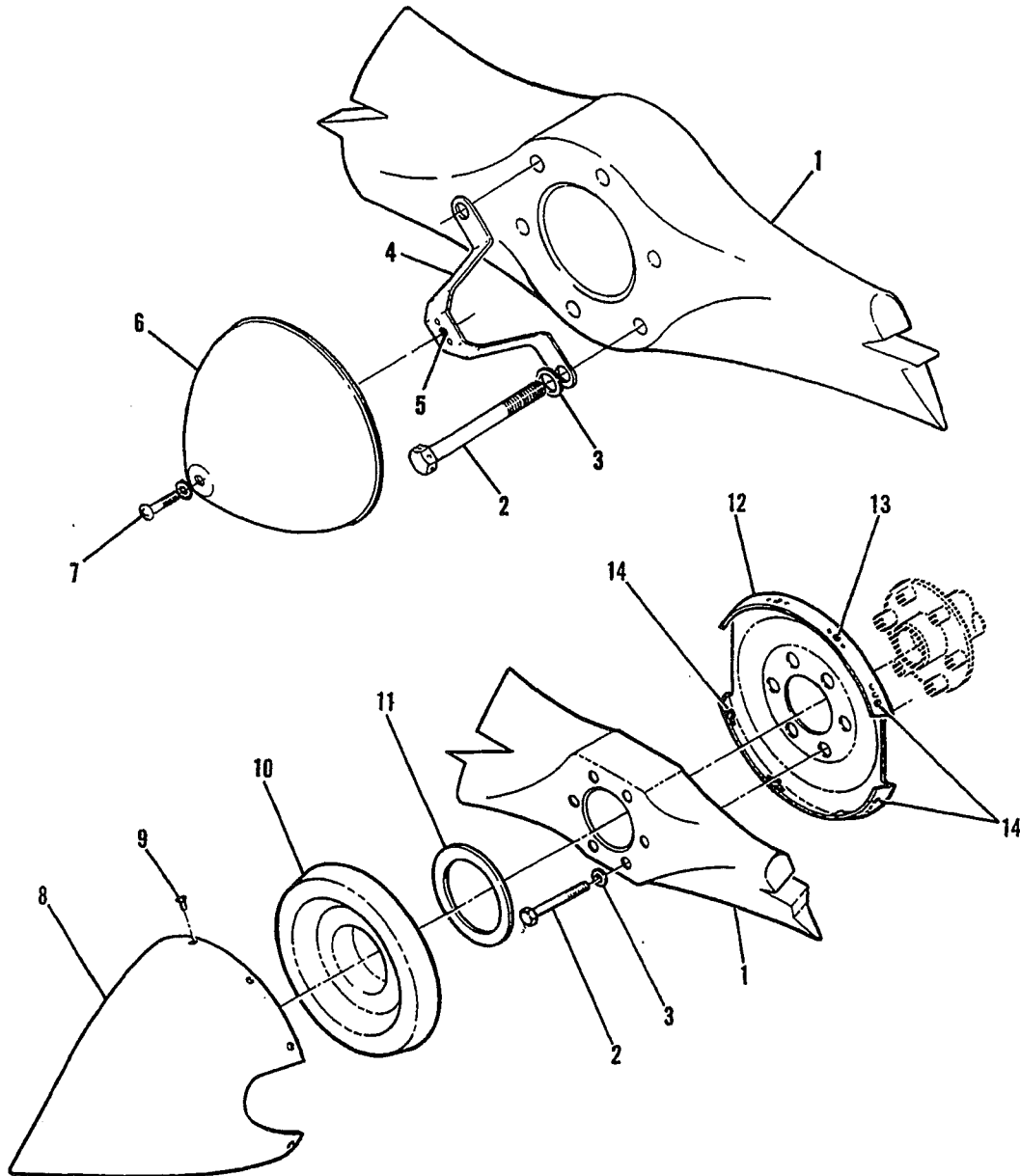
Figure 52A. Static Discharger Installation

150 & A150 Parts Catalog

FIGURE AND INDEX NO.	PART NUMBER	DESCRIPTION							UNITS PER ASSY	USABLE ON CODE
		1	2	3	4	5	6	7		
52A-		STATIC DISCHARGER INSTALLATION -----							NP	A
- 1	C592001-0201	WICK-STATIC DISCHARGE -----							10	
		ATTACHING PARTS -----								
	S2230-1	RIVET-BLIND -----							2	
		*-----								
- 2	1570102-19	STRAP ASSEMBLY-BONDED -----							2	
		ATTACHING PARTS -----								
- 3	AN515-8R6	SCREW -----							1	
- 4	MS21044N08	NUT -----							1	
- 5	AN525-10R6	SCREW -----							1	
- 6	MS21044N3	NUT -----							1	
		*-----								
- 7	1570102-20	STRAP ASSEMBLY-BONDED -----							2	
		ATTACHING PARTS -----								
- 8	AN515-8R6	SCREW -----							1	
- 9	MS21044N08	NUT -----							1	
		*-----								
-10	1570102-18	STRAP ASSEMBLY-BONDED -----							1	
-11	1570102-10	STRAP ASSEMBLY-BONDED -----							2	
		A---150 SERIAL 15077006 & ON F150 SERIAL F15001249 & ON A150 SERIAL A1500610 & ON FA150 SERIAL FA1500282 & ON								

150 & A150 Parts Catalog

Propeller



150 SERIAL 15071129 THRU 15072003
F150 SERIAL F15000530 THRU F15000658
A150 SERIAL A1500001 THRU A1500226
FA150 SERIAL FA1500001 THRU FA1500081

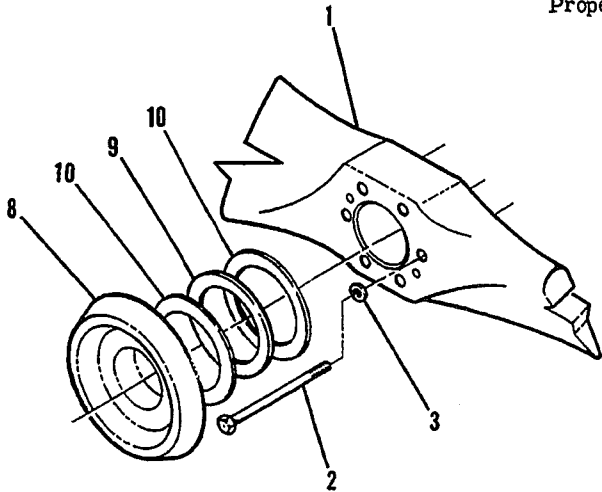
Figure 53. Propeller and Spinner Installation

150 & A150 Parts Catalog

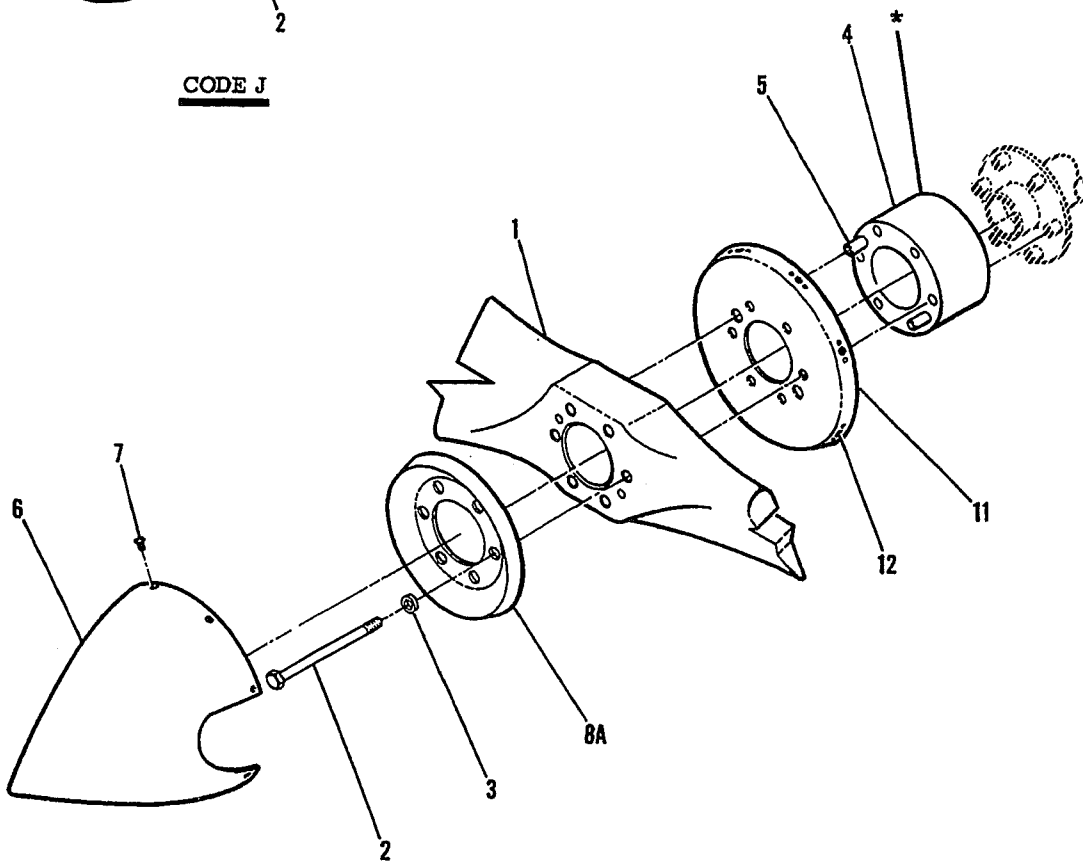
FIGURE AND INDEX NO.	PART NUMBER	DESCRIPTION							UNITS PER ASSY	USABLE ON CODE
		1	2	3	4	5	6	7		
53 -		PROPELLER & SPINNER INSTALLATION -----							NP	B
- 1	0450515-2 C161001-0203	PROPELLER-METAL 1A101/DCM6948 MCCAULEY -----							1	
		PROPELLER-FLOATPLANE 1A90/CF7535 MCCAULEY -----							1	
		ATTACHING PARTS -----								
- 2	A2513-8	BOLT MCL -----							6	
- 3	A1638-13	WASHER MCL -----							6	
		-----*								
	S1433-2	DECAL-CESSNA -----							1	
- 4	0450260	BRACKET ASSEMBLY-SPINNER -----							1	A
- 5	NAS680A08	NUTPLATE -----							1	A
- 6	0450516-1	SPINNER-PROPELLER -----							1	A
		ATTACHING PARTS -----								
- 7	AN515-8R14 AN960D8	SCREW -----							1	A
		WASHER -----							1	A
		-----*								
		SPINNER INSTALLATION-LARGE -----							NP	
- 8	0450027-12 *	SPINNER-PROPELLER -----							1	
		ATTACHING PARTS -----								
- 9	AN525-832R7	SCREW -----							8	
		-----*								
-10	0450039-1 *	BULKHEAD-SPINNER FORWARD -----							1	
-11	0450039-2	SPACER -----							AR	
-12	0450040-1 *	BULKHEAD ASSEMBLY-SPINNER AFT -----							1	
-13	NAS680A08	NUTPLATE -----							4	
-14	NAS682A08	NUTPLATE -----							4	
<p>NOTE. *WHEN INITIALLY ORDERING THESE PARTS FOR AIRCRAFT SERIALS 15071129 THRU 15071725, F15000530 THRU F15000595, A1500001 THRU A1500153, & FA1500001 THRU FA1500026 REFER TO CESSNA SERVICE LETTER SE70-1.</p> <p>A---150 SERIAL 15071129 THRU 15072003 B---150 SERIAL 15071129 THRU 15072003 F150 SERIAL F15000530 THRU F15000658 A150 SERIAL A1500001 THRU A1500226 FA150 SERIAL FA1500001 THRU FA1500081</p>										

150 & A150 Parts Catalog

Propeller (Cont)



CODE J



150 SERIAL 15072004 & ON
F150 SERIAL F15000659 & ON
A150 SERIAL A1500227 & ON
FA150 SERIAL FA1500082 THRU FA1500121

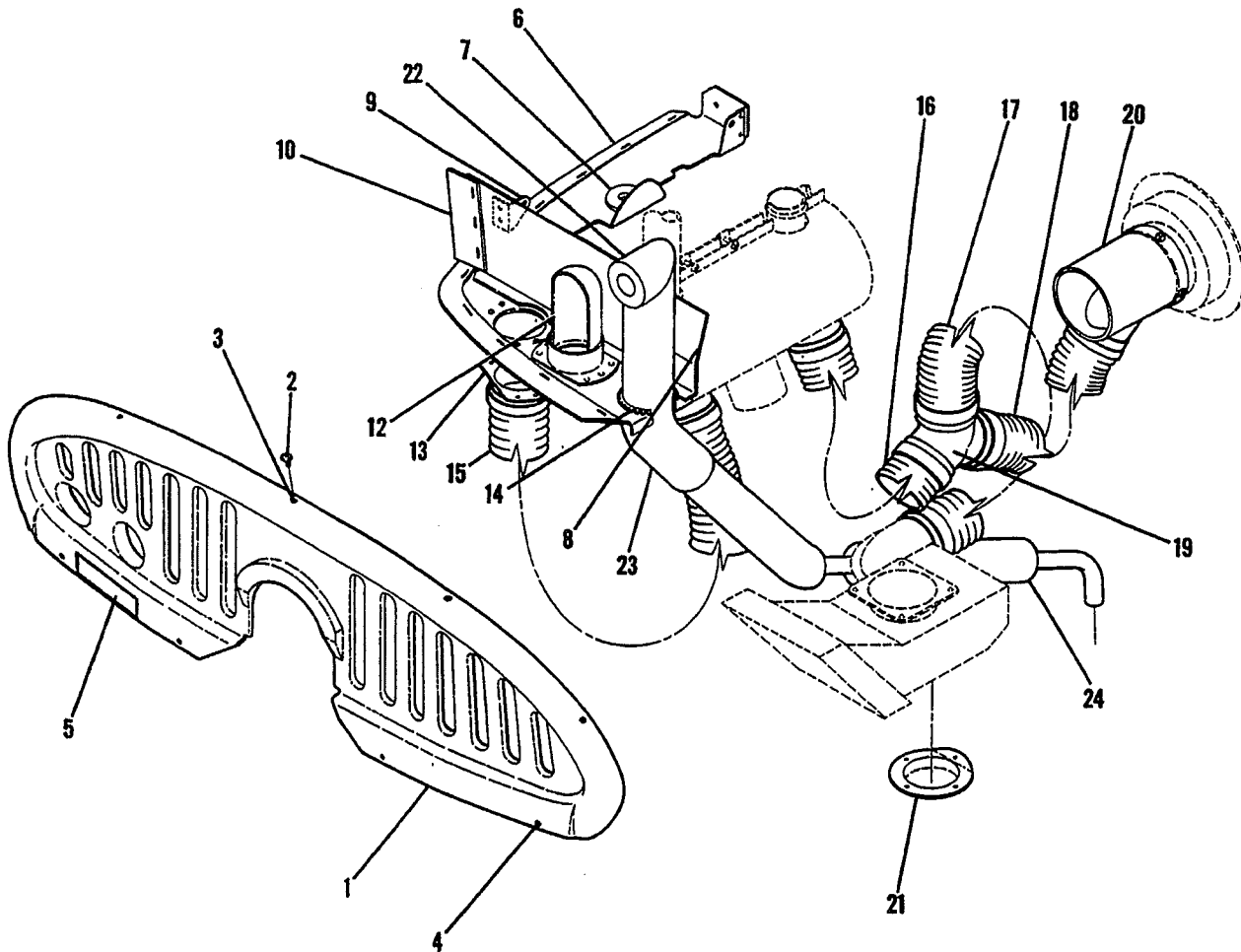
Figure 53A. Propeller and Spinner Installation

150 & A150 Parts Catalog

FIGURE AND INDEX NO.	PART NUMBER	DESCRIPTION							UNITS PER ASSY	USABLE ON CODE
		1	2	3	4	5	6	7		
53A-		PROPELLER & SPINNER INSTALLATION -----							NP	A
- 1	C161001-0401 *	PROPELLER ASSEMBLY		1A101/GCM6948	MCCAULEY -----			1	B	
		WEU C161001-0402 -----								
	C161001-0402	PROPELLER ASSEMBLY		1A101/HCM6948	MCCAULEY -----			1	E	
	C161001-0403	PROPELLER ASSEMBLY		1A102/OCM6948	MCCAULEY -----			1	G	
	C161001-0404	PROPELLER ASSEMBLY		1A101/PCM6948	MCCAULEY -----			1	F	
	C161001-0405	PROPELLER ASSEMBLY		1A101/HCM6948	MCCAULEY -----			1	F	
		ALTERNATE FOR C161001-0404 -----								
		ATTACHING PARTS -----								
- 2	A2513-51	BOLT	MCL	USE WITH C161001-0401 ONLY -----				6	B	
	A2513-52	BOLT	MCL	-----				6	C	
- 3	A1638-14	WASHER	MCL	USE WITH C161001-0401 ONLY -----				6	B	
	AN960-616L	WASHER	MCL	-----				6	C	
		-----*								
- 4		DELETED -----								
- 5	A2973-2	PIN-DOWEL	MCL	-----				2		
- 6	0450042-2	SPINNER-PROPELLER		-----			1			
		ATTACHING PARTS -----								
- 7	AN525-832R7	SCREW -----							8	
		-----*								
- 8		BULKHEAD-SPINNER FWD		FSO 0450050-3	SEE NOTE % -----			NP	J	
- 8A	0450050-3 %	BULKHEAD-SPINNER FWD		-----			1	K		
- 9	0450039-2	SPACER		NOT USED WITH 0450050-3 -----			AR	J		
- 10	0450039-5	SPACER		NOT USED WITH 0450050-3 -----			2	J		
- 11	0450046-1	BULKHEAD ASSEMBLY-SPINNER AFT		WEU 0450046-5 -----			1	D		
- 11	0450046-5	BULKHEAD ASSEMBLY-SPINNER AFT		-----			1	H		
- 12	NAS680A08	NUTPLATE -----							8	
		NOTE. *USE ONLY THE SPACER RPOVIDED WITH PROPELLER ASSEMBLY.								
		NOTE. %WHEN INITIALLY ORDERING THESE PARTS FOR AIRCRAFT SERIALS 15072004 THRU 15072472, F15000659 THRU F15000738, A1500227 THRU A1500258 & FA1500082 THRU FA1500121 ALSO ORDER (6) A2513-52 BOLTS & (6) AN960-616L WASHERS.								
		A---150 SERIAL 15072004 & ON F150 SERIAL F15000659 & ON A150 SERIAL A1500227 & ON FA150 SERIAL FA1500082 THRU FA1500121								
		B---150 SERIAL 15072004 THRU 15072472 F150 SERIAL F15000659 THRU F15000738 A150 SERIAL A1500227 THRU A1500258 FA150 SERIAL FA1500082 THRU FA1500121								
		C---150 SERIAL 15072473 & ON F150 SERIAL F15000739 & ON A150 SERIAL A1500259 & ON								
		D---150 SERIAL 15072004 THRU 15074850 F150 SERIAL F15000659 THRU F15001013 A150 SERIAL A1500227 THRU A1500429 FA150 SERIAL FA1500082 THRU FA1500121								
		E---150 SERIAL 15072473 THRU 15074850 F150 SERIAL F15000739 THRU F15001013 A150 SERIAL A1500259 THRU A1500429								
		F---150 SERIAL 15074851 THRU 15075781 F150 SERIAL F15001014 THRU F15001143								
		G---150 SERIAL 15075782 & ON F150 SERIAL F15001144 & ON A150 SERIAL A1500430 & ON								
		H---150 SERIAL 15074851 & ON F150 SERIAL F15001014 & ON A150 SERIAL A1500430 & ON								
		J---150 SERIAL 15072004 THRU 15075781 F150 SERIAL F15000659 THRU F15001143 A150 SERIAL A1500227 THRU A1500523 FA150 SERIAL FA1500082 THRU FA1500121								
		K---150 SERIAL 15075782 & ON F150 SERIAL F15001144 & ON A150 SERIAL A1500524 & ON								

150 & A150 Parts Catalog

Winterization



150 SERIAL 15071129 THRU 15072003
F150 SERIAL F15000530 THRU F15000658
A150 SERIAL A1500001 THRU A1500226
FA150 SERIAL FA1500001 THRU FA1500081

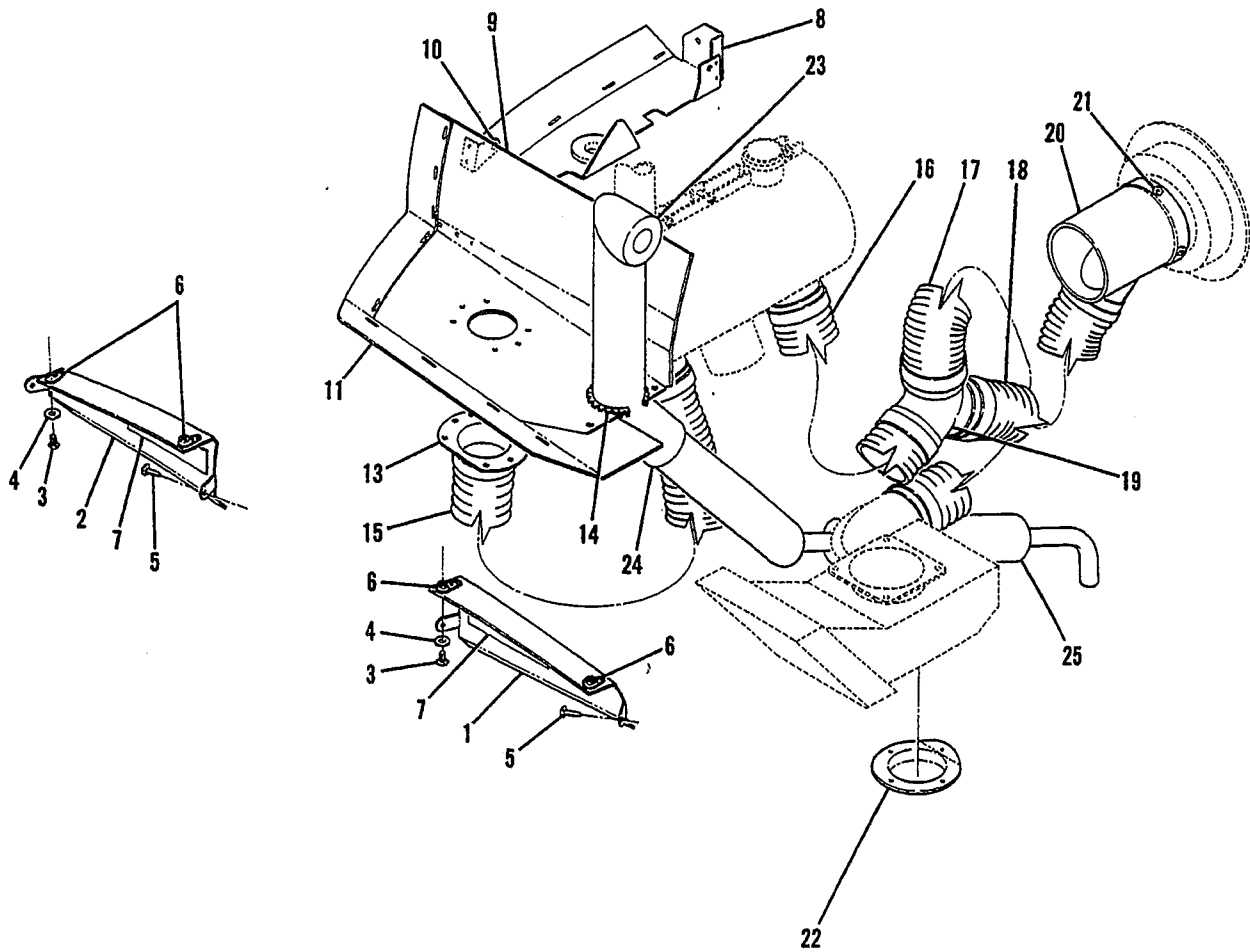
Figure 54. Winterization Equipment Installation

150 & A150 Parts Catalog

FIGURE AND INDEX NO.	PART NUMBER	DESCRIPTION						UNITS PER ASSY	USABLE ON CODE
		1	2	3	4	5	6		
54 -		WINTERIZATION EQUIPMENT INSTALLATION -----						NP	A
- 1	0452007-2-791	COVER-COWL OPENING -----						1	
		ATTACHING PARTS -----							
- 2	S1021Z8-6	SCREW -----						9	
- 3	S1863-3	NUTPLATE -----						5	
- 4	S1862-2	NUTPLATE -----						4	
		*-----							
- 5	0552110-1	PLACARD-WINTERIZATION -----						1	
	0450502-39	BAFFLE ASSEMBLY-ENGINE -----						1	
- 6	0450502-13	SEAL -----						1	
- 7	MS35489-15	GROMMET -----						1	
- 8	0450302-1	BAFFLE ASSEMBLY-VERTICAL -----						1	
- 9	0450302-3	BRACKET -----						1	
-10	0450302-4	SEAL -----						1	
-11		DELETED -----							
-12	0450266-1	SCOOP ASSEMBLY -----						1	
-13	0450262	UNION -----						2	
-14	S1050-1	GROMMET-* IN LG BULK ITEM REF S1050-1-* -----						1	
-15	S1053K16T	HOSE-18.25 IN LG BULK ITEM REF S1053E16T-18.25 -----						1	
-16	S1053K16T	HOSE-10.00 IN LG BULK ITEM REF S1053K16T-10.00 -----						1	
-17	S1053K16T	HOSE-7.50 IN LG BULK ITEM REF S1053K16T-7.50 -----						1	
-18	S1053K16T	HOSE-11.50 IN LG BULK ITEM REF S1053K16T-11.50 -----						1	
		ATTACHING PARTS -----							
	NAS397-32	CLAMP -----						2	
		*-----							
-19	0450408-1	TUBE ASSEMBLY-DUAL HEATER -----						1	
-20	0453117-1	TEE ASSEMBLY-CABIN HEATER -----						1	
		ATTACHING PARTS -----							
	S1021Z8-6	SCREW -----						4	
		*-----							
-21	0452006-1	CAP-AIRBOX -----						1	
-22	0456004-1	VENT TUBE ASSY-WINTERIZATION -----						1	
-23	0456004-200	TUBE ASSEMBLY-INSULATING -----						1	
-24	0456004-6	TUBE-INSULATING -----						1	
<p>NOTE. *LENGTH TO BE DETERMINED LATER</p> <p>A---150 SERIAL 15071129 THRU 15072003 F150 SERIAL F15000530 THRU F15000658 A150 SERIAL A1500001 THRU A1500226 FA150 SERIAL FA1500001 THRU FA1500081</p>									

150 & A150 Parts Catalog

Winterization (Cont)



150 SERIAL 15072004 & ON
F150 SERIAL F15000659 & ON
A150 SERIAL A1500227 & ON
FA150 SERIAL FA1500082 & ON

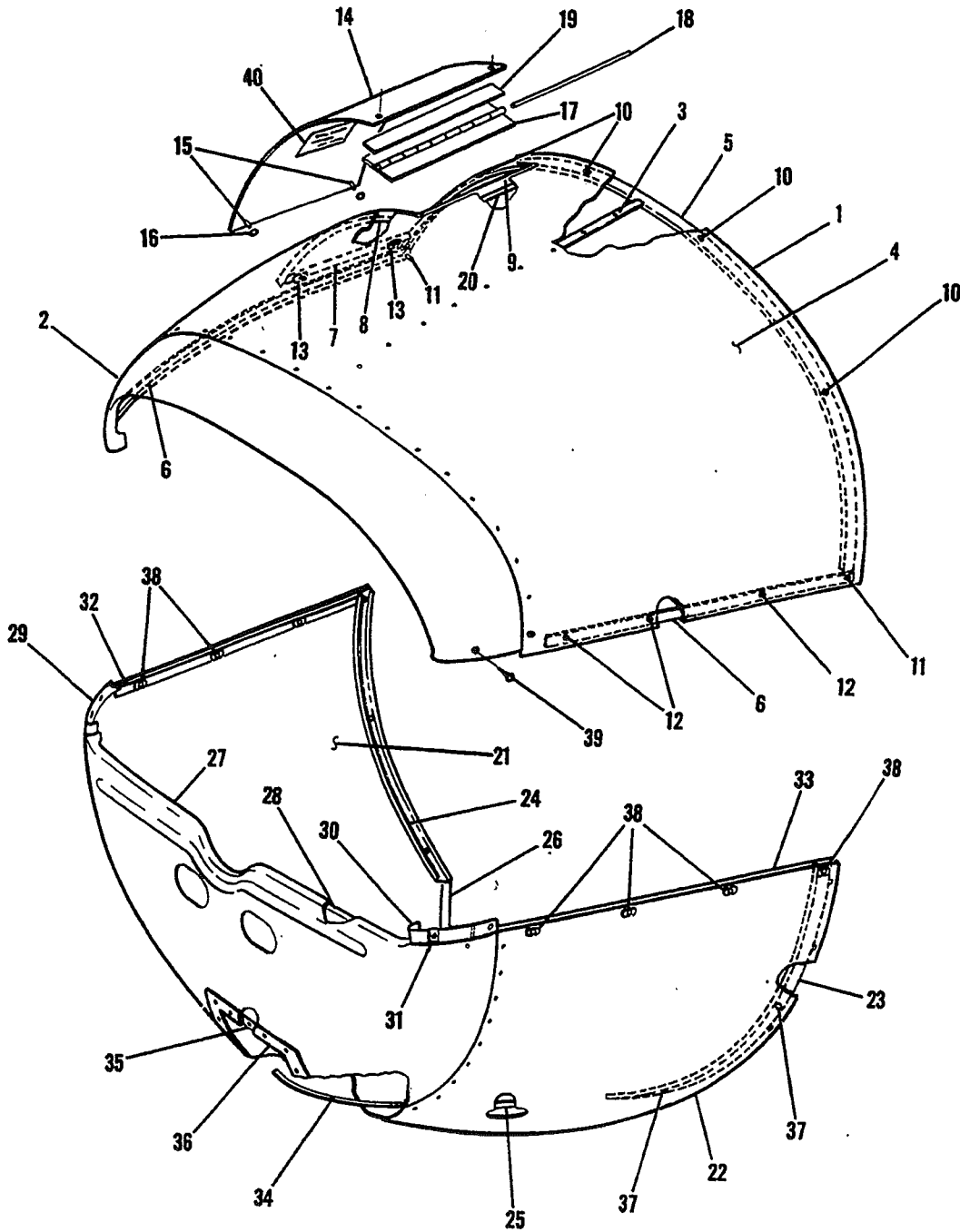
Figure 54A. Winterization Equipment Installation

150 & A150 Parts Catalog

FIGURE AND INDEX NO.	PART NUMBER	DESCRIPTION							UNITS PER ASSY	USABLE ON CODE
		1	2	3	4	5	6	7		
54A-		WINTERIZATION EQUIPMENT INSTALLATION -----							NP	A
- 1	0450409-1	COVER ASSEMBLY-NOSE CAP LH -----							1	
- 2	0450409-2	COVER ASSEMBLY-NOSE CAP RH -----							1	
		ATTACHING PARTS -----								
- 3	AN520-10R6	SCREW -----							2	
- 4	AN960D10L	WASHER -----							2	
- 5	S1021Z8-8	SCREW -----							2	
		-----*								
- 6	NAS682A3K	NUTPLATE -----							2	
- 7	0552110-1	PLACARD WEU 0552110-3 -----							1	B C
	0552110-3	PLACARD -----							1	
- 8	SEE FIG 59A	BAFFLE ASSEMBLY-HORIZONTAL RH -----							1	
- 9	0455001-14	BAFFLE ASSEMBLY-VERTICAL RH -----							1	
-10	0450302-3	BRACKET -----							1	
-11	0455001-10	SEAL -----							1	
-12		DELETED, NEVER USED -----								
-13	0450262	UNION -----							1	
-14	S1050-1	GROMMET-* IN LG BULK ITEM REF S1050-1-* -----							1	
-15	S1053K16T	HOSE-18.25 IN LG BULK ITEM REF S1053K16T-18.25 -----							1	
-16	S1053K16T	HOSE-10.00 IN LG BULK ITEM REF S1053K16T-10.00 -----							1	
-17	S1053K16T	HOSE-7.50 IN LG BULK ITEM REF S1053K16T-7.50 -----							1	
-18	S1053K16T	HOSE-11.50 IN LG BULK ITEM REF S1053K16T-11.50 -----							1	
	NAS397-22	ATTACHING PARTS -----								
		CLAMP -----							2	
		-----*								
-19	0450408-1	TUBE ASSEMBLY-DUAL HEATER -----							1	
-20	0453117-1	TEE ASSEMBLY-CABIN HEATER -----							1	
		ATTACHING PARTS -----								
-21	S1021Z8-6	SCREW -----							4	
		-----*								
-22	0452006-1	CAP-AIRBOX -----							1	
-23	0456004-1	VENT TUBE ASSY-WINTERIZATION -----							1	
-24	0456004-200	TUBE ASSEMBLY-INSULATING -----							1	
-25	0456004-6	TUBE-INSULATING -----							1	
<p>NOTE. *LENGTH TO BE ADDED LATER</p> <p>A---150 SERIAL 15072004 & ON F150 SERIAL F15000659 & ON A150 SERIAL A1500227 & ON FA150 SERIAL FA1500082 & ON</p> <p>B---150 SERIAL 15072004 THRU 15074850 FA150 SERIAL FA1500082 & ON A150 SERIAL A1500227 THRU A1500429 FA150 SERIAL FA1500082 THRU FA1500211</p> <p>C---150 SERIAL 15074851 & ON F150 SERIAL F15001014 & ON A150 SERIAL A1500430 & ON FA150 SERIAL FA1500212 & ON</p>										

150 & A150 Parts Catalog

Cowling



150 SERIAL 15071129 THRU 15072003
F150 SERIAL F15000530 THRU F15000658
A150 SERIAL A1500001 THRU A1500226
FA150 SERIAL FA1500001 THRU FA1500081

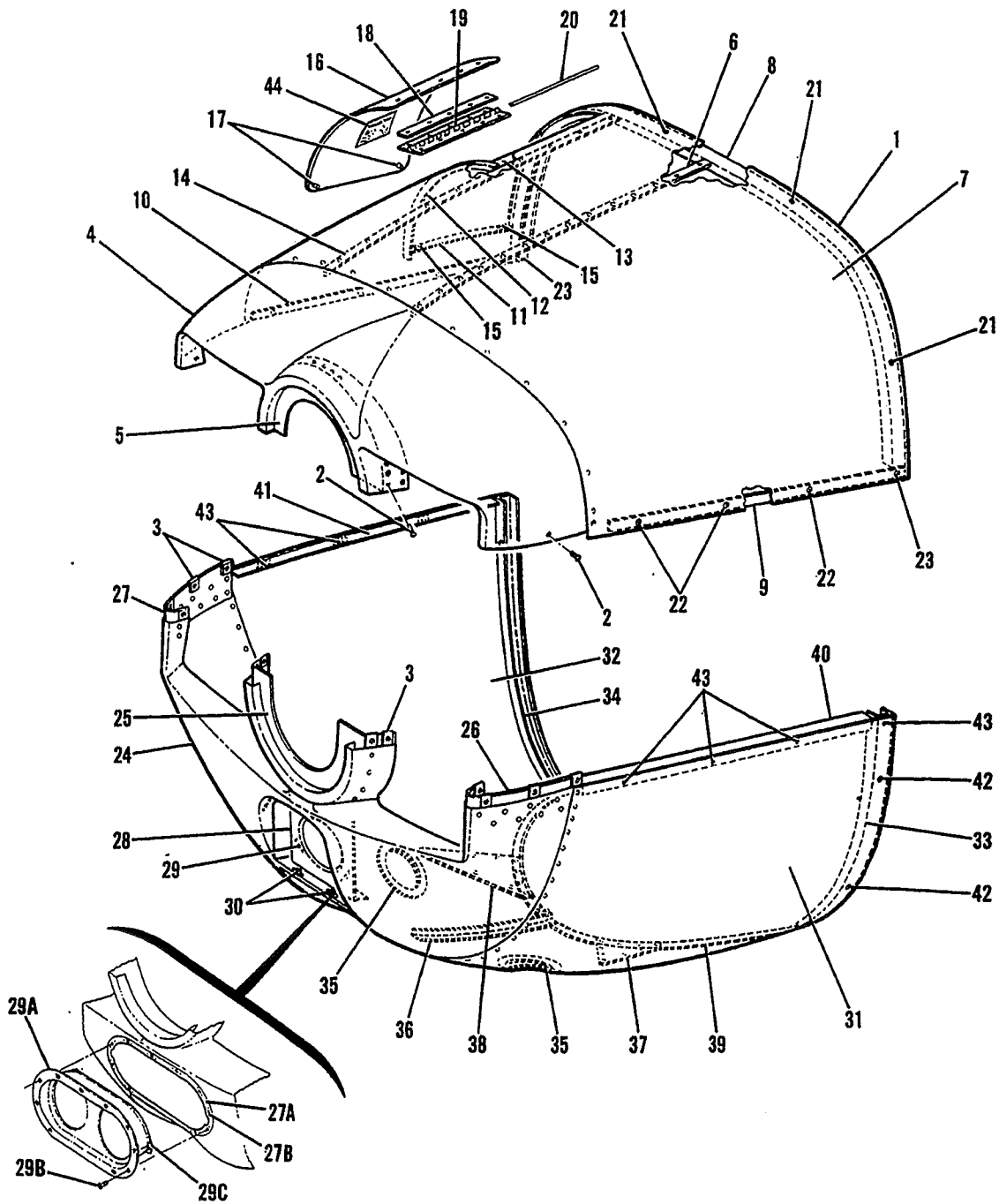
Figure 55. Engine Cowl Assembly

150 & A150 Parts Catalog

FIGURE AND INDEX NO.	PART NUMBER	DESCRIPTION							UNITS PER ASSY	USABLE ON CODE
		1	2	3	4	5	6	7		
55 -		ENGINE COWL ASSEMBLY -----							NP	A
- 1	0452003-2	COWL ASSEMBLY-UPPER -----							1	
- 2	0452002-6	NOSECAP-UPPER COWL -----							1	
- 3	0452003-14	ANGLE-UPPER COWL TOP -----							1	
- 4	0452003-4	SKIN ASSEMBLY-UPPER COWL -----							1	
- 5	0452003-11	CHANNEL-UPPER COWL -----							1	
- 6	0452003-17	DOUBLER-UPPER COWL LH -----							1	
	0452003-16	DOUBLER-UPPER COWL RH -----							1	
- 7	0452004-1	DOUBLER-DOOR LOWER -----							1	
- 8	0452003-28	DOUBLER-UPPER COWL -----							1	
- 9	0452003-25	DOUBLER-UPPER COWL DOOR OPENING -----							1	
-10	S1115-32	STUD PHILLIPS HEAD -----							4	
-11	S1115-35	STUD PHILLIPS HEAD -----							2	
-12	S1115-33	STUD PHILLIPS HEAD -----							6	
	S1115-9	RING ATTACH STUD -----							12	
-13	S1115-19	RECEPTACLE -----							2	
-14	0452003-20	DOOR ASSEMBLY-COWL ACCESS -----							1	
-15	S1115-21	STUD -----							2	
-16	S1115-9	RING ATTACH STUD -----							2	
-17	0452003-22	HINGE ASSEMBLY -----							1	
-18	MS20253-2-7.00	PIN-HINGE -----							1	
-19	0452003-27	SPACER BETWEEN HINGE & DOOR -----							1	
-20	0452003-15	ANGLE -----							1	
	0452003-3	COWL ASSEMBLY-LOWER -----							1	
-21	0452003-6	SKIN ASSEMBLY-LOWER COWL RH -----							1	
-22	0452003-7	SKIN ASSEMBLY-LOWER COWL LH -----							1	
-23	0452003-13	CHANNEL-LOWER COWL LH -----							1	
-24	0452003-12	CHANNEL-LOWER COWL RH -----							1	
-25	0452002-29	DOUBLER-EXHAUST OPENING -----							1	
-26	0452003-26	DOUBLER-AFT LOWER -----							1	
-27	0452002-45	NOSECAP ASSEMBLY-LOWER COWL -----							1	
-28	0452002-43	DOUBLER-NOSECAP -----							1	
-29	0452002-16	DOUBLER-NOSECAP RH -----							1	
-30	0452002-17	DOUBLER-NOSECAP LH -----							1	
-31	NAS395-18-3	NUT -----							6	
-32	0452003-18	ANGLE-SIDE RH -----							1	
-33	0452003-19	ANGLE-SIDE LH -----							1	
-34	0452002-42	ANGLE-LOWER -----							1	
-35	0452002-30	DOUBLER-AIRSCOOP -----							1	
-36	0452200-1	FAIRING-AIR SCOOP -----							1	
-37	S1115-32	STUD PHILLIPS HEAD -----							6	
	S1115-9	RING ATTACH STUD -----							6	
-38	S1115-19	RECEPTACLE -----							8	
-39	S1021Z8-8	SCREW ATTACH UPPER TO LOWER NOSECAP -----							6	
-40	S1397-5	PLACARD-ENGINE OIL CHANGE -----							1	
		A---150 SERIAL 15071129 THRU 15072003 F150 SERIAL F15000530 THRU F15000658 A150 SERIAL A1500001 THRU A1500226 FA150 SERIAL FA1500001 THRU FA1500081								

150 & A150 Parts Catalog

Cowling (Cont)



DUAL LANDING LIGHT

150 SERIAL 15072004 & ON
F150 SERIAL F15000659 & ON
A150 SERIAL A1500227 & ON
FA150 SERIAL FA1500082 & ON

Figure 55A. Engine Cowl Assembly

150 & A150 Parts Catalog

FIGURE AND INDEX NO.	PART NUMBER	DESCRIPTION	1 2 3 4 5 6 7							UNITS PER ASSY	USABLE ON CODE
			1	2	3	4	5	6	7		
55A-		ENGINE COWL ASSEMBLY -----								NP	A
- 1	0452010-3	COWL ASSEMBLY-UPPER -----								1	
		ATTACHING PARTS -----									
- 2	S1021Z8-8	SCREW -----								12	
- 3	NAS395-17-3	NUT -----								12	
		-----*									
- 4	0452011-2	NOSECAP ASSEMBLY-UPPER COWL -----								1	
- 5	0452012-1	STIFFENER-NOSECAP UPPER -----								1	
- 6	0452010-4	STIFFENER-UPPER COWL TOP -----								1	
- 7	0452003-4	SKIN ASSEMBLY-UPPER COWL -----								1	
- 8	0452003-11	CHANNEL-UPPER COWL -----								1	
- 9	0452003-17	DOUBLER-UPPER COWL LH -----								1	
-10	0452003-16	DOUBLER-UPPER COWL RH -----								1	
-11	0452004-1	DOUBLER-DOOR LOWER -----								1	
-12	0452003-28	DOUBLER-DOOR -----								1	
-13	0452003-25	DOUBLER-DOOR UPPER -----								1	
-14	0452010-9	STIFFENER -----								1	
-15	S1115-19	RECEPTACLE -----								2	
-16	0452003-20	DOOR ASSEMBLY-COWL ACCESS -----								1	
-17	S1115-21	STUD -----								2	
	S1115-9	RING -----								2	
-18	0452003-27	SPACER -----								1	
-19	0452003-22	HINGE ASSEMBLY -----								1	
-20	MS20253-2-7.00	PIN-HINGE -----								1	
-21	S1115-32	STUD -----								4	
-22	S1115-33	STUD -----								6	
-23	S1115-35	STUD -----								2	
	S1115-9	RING ATTACH STUD -----								12	
	0452010-2	COWL ASSEMBLY-LOWER WITHOUT LANDING LIGHT PROVISIONS -----								1	
	0452010-200	COWL ASSEMBLY-LOWER WITH SINGLE LANDING LIGHT PROVISIONS -----								1	B
	0452010-201	COWL ASSEMBLY-LOWER WITH SINGLE LANDING LIGHT PROVISIONS -----								1	C
	0452010-18	COWL ASSEMBLY-LOWER WITH DUAL LANDING LIGHT PROVISIONS -----								1	D
-24	0452011-1	NOSECAP ASSEMBLY-LOWER WITHOUT LANDING LIGHT PROVISION -----								1	
	0452011-200	NOSECAP ASSY-LOWER WITH SINGLE LANDING LIGHT PROVISIONS -----								1	B
	0452011-201	NOSECAP ASSY-LOWER WITH SINGLE LANDING LIGHT PROVISIONS -----								1	C
	0452011-6	NOSECAP ASSY-LOWER WITH DUAL LANDING LIGHT PROVISIONS -----								1	D
-25	0452012-2	STIFFENER-NOSECAP LOWER -----								1	
-26	0452012-5	DOUBLER ASSEMBLY-LH -----								1	
-27	0452012-6	DOUBLER ASSEMBLY-RH -----								1	
	S1863-2	NUTPLATE -----								1	
-27A	0452009-9	DOUBLER ASSY USED WITH DUAL LANDING LIGHT PROVISIONS -----								1	D
-27B	NAS697A08	NUTPLATE -----								13	D
-28	0452014-1	BRACKET ASSEMBLY-SINGLE LANDING LIGHT SUPPORT -----								1	B
	0452018-5	BRACKET ASSEMBLY-SINGLE LANDING LIGHT SUPPORT -----								1	C
-29	NAS680A08	NUTPLATE -----								3	
-29A	0452009-11	SUPPORT ASSY USED WITH DUAL LANDING LIGHT PROVISIONS -----								1	D
		ATTACHING PARTS -----									
-29B	AN515-8R6	SCREW -----								13	D
		-----*									
-29C	NAS697A08	NUTPLATE -----								6	D
-30	NAS680A08	NUTPLATE USED WITH SINGLE LANDING LIGHT PROVISIONS -----								6	
-31	0452010-5	SKIN ASSEMBLY-LOWER COWL LH -----								1	
-32	0452010-6	SKIN ASSEMBLY-LOWER COWL RH -----								1	
-33	0452003-13	CHANNEL-LOWER COWL LH -----								1	
-34	0452003-12	CHANNEL-LOWER COWL RH -----								1	
-35	0452002-29	DOUBLER-EXHAUST OPENING -----								1	
-36	0452010-10	STIFFENER-LOWER -----								1	
-37	0452008-1	REINFORCEMENT-LH -----								1	
-38	0452008-2	REINFORCEMENT-RH -----								1	
-39	0452003-26	DOUBLER-AFT LOWER -----								1	
-40	0452010-11	STIFFENER-SIDE LH -----								1	
-41	0452010-12	STIFFENER-SIDE RH -----								1	
-42	S1115-32	STUD -----								6	
	S1115-9	RING ATTACH STUD -----								6	
-43	S1115-19	RECEPTACLE -----								8	

CONTINUED ON NEXT PAGE

150 & A150 Parts Catalog

FIGURE AND INDEX NO.	PART NUMBER	DESCRIPTION	UNITS PER ASSY	USABLE ON CODE
		1 2 3 4 5 6 7		
55A-44	S1397-5	PLACARD-ENGINE OIL CHANGE ----- A---150 SERIAL 15072004 & ON F150 SERIAL F15000659 & ON A150 SERIAL A1500227 & ON FA150 SERIAL FA1500082 & ON B---150 SERIAL 15072004 THRU 15072628 F150 SERIAL F15000659 THRU F15000738 A150 SERIAL A1500227 THRU A1500276 FA150 SERIAL FA1500082 THRU FA1500166 C---150 SERIAL 15072629 & ON F150 SERIAL F15000739 & ON A150 SERIAL A1500277 & ON FA150 SERIAL FA1500167 & ON D---150 SERIAL 15074851 & ON F150 SERIAL F15001014 & ON A150 SERIAL A1500430 & ON FA150 SERIAL FA1500212 & ON	1	

150 & A150 Parts Catalog

Engine

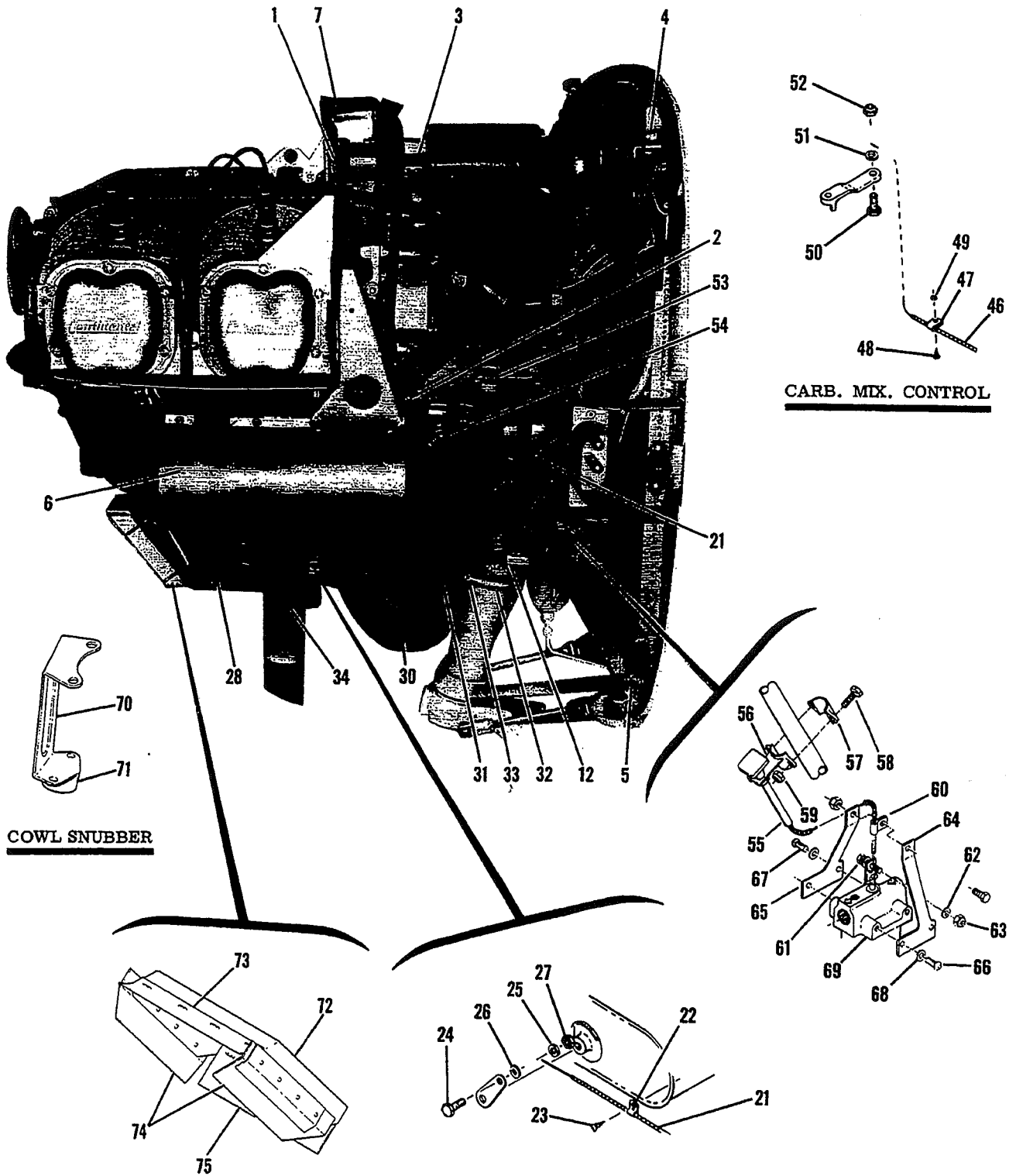


Figure 56. (Sheet 1 of 2) Engine Installation

150 & A150 Parts Catalog

Engine (Cont)

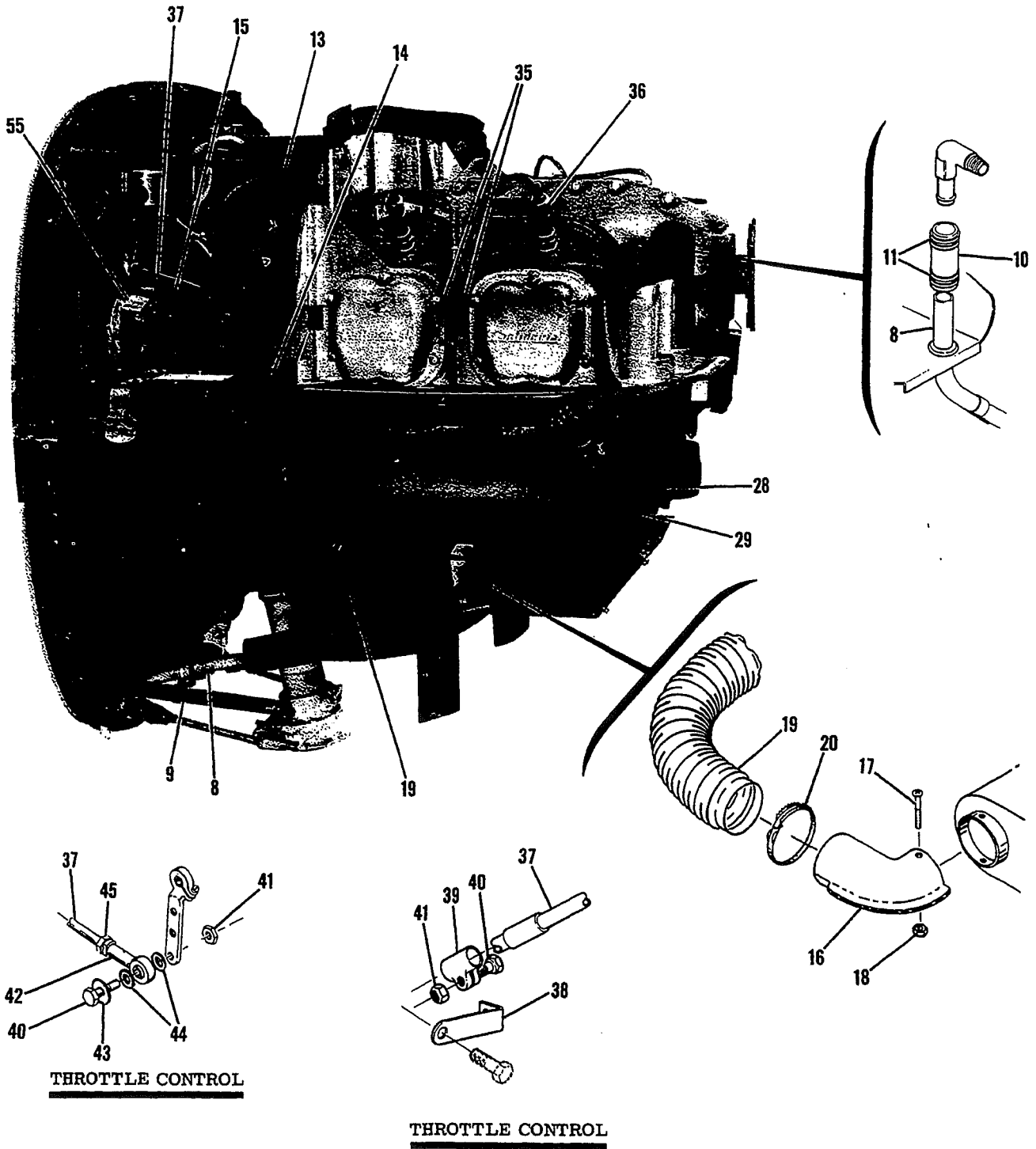


Figure 56. (Sheet 2 of 2) Engine Installation

150 & A150 Parts Catalog

FIGURE AND INDEX NO.	PART NUMBER	DESCRIPTION							UNITS PER ASSY	USABLE ON CODE
		1	2	3	4	5	6	7		
56 -	0-200A	ENGINE INSTALLATION -----							NP	
		ENGINE SPEC 48 CM -----							1	
		ATTACHING PARTS -----								
- 1	AN6-54A	BOLT UPPER FWD MOUNTS ONLY -----							2	G H
	AN6-43A	BOLT UPPER FWD MOUNTS ONLY -----							2	
- 2	AN6-43A	BOLT LWR FWD LH MOUNT ONLY -----							1	
	AN6-44A	BOLT LWR FWD RH MOUNT ONLY -----							1	
	0551012-2	STRAP-GROUND LWR FWD MOUNTS ONLY -----							1	
	AN960-616	WASHER -----							3	
	MS21042L6	NUT -----							4	
- 3	0451120-1	MOUNT ASSEMBLY-ENGINE -----							1	
- 4	AN5-22A	BOLT UPPER AFT MOUNTS ONLY -----							2	
- 5	AN5-20A	BOLT LOWER AFT MOUNTS ONLY -----							2	
	AN960-516	WASHER -----							4	
	S1450-5-18-063	WASHER -----							4	
	MS20365-524C	NUT -----							4	
	SEE FIG 57	ENGINE COMPONENTS & ACCESSORIES -----							1	
- 6	SEE FIG 58	ENGINE EXHAUST STACK ASSEMBLY -----							1	
- 7	SEE FIG 59	ENGINE BAFFLES INSTALLATION -----							1	E F
- 8	SEE FIG 59A	ENGINE BAFFLES INSTALLATION -----							1	
- 8	0456004-2	LINE-VENT -----							1	
		ATTACHING PARTS -----								
- 9	S1485D10U	CLAMP -----							1	
	S1021Z8-10	SCREW -----							1	
		*-----								
-10	S51-10	HOSE 4.75 IN LG BULK ITEM REF S51-10-19 -----							1	
		ATTACHING PARTS -----								
-11	NAS397-16	CLAMP -----							2	
		*-----								
-12	S1167-6-0230	HOSE ASSEMBLY-FUEL CARB TO STRAINER -----							1	E F
	S1167-6-0194	HOSE ASSEMBLY-FUEL CARB TO STRAINER -----							1	
		ATTACHING PARTS -----								
	AN816-6D	NIPPLE -----							1	A B F F
	MS20822-6-6D	ELBOW -----							1	
	AN816-6-6D	NIPPLE -----							1	
	AN912-2D	BUSHING -----							1	
	MS20823-6D	ELBOW -----							1	
		*-----								
-13	S1053E8T	HOSE-BLAST 19.75 IN LG BULK ITEM REF S1053E8T19.75 -----							1	
		ATTACHING PARTS -----								
	NAS397-16	CLAMP -----							1	
	NAS397-18	CLAMP -----							1	
		*-----								
-14	0750139	ADAPTER-OIL TEMPERATURE -----							1	L M M
	S1630-4	SENDING UNIT-OIL TEMPERATURE -----							1	
	MS35769-11	GASKET -----							1	
-15	SEE FIG 78	HOSE ASSEMBLY-OIL PRESSURE -----							1	
-16	0450314	FITTING ASSEMBLY-CARBURETOR HEAT -----							1	
		ATTACHING PARTS -----								
-17	AN515-8R40	SCREW -----							1	
-18	MS21045L08	NUT -----							1	
		*-----								
-19	S1053K16T	HOSE-CARB AIR BOX TO RH SHROUD 17.0 IN LG BULK ITEM REF S1053K16T17.0 -----							1	
		ATTACHING PARTS -----								
-20	NAS397-34	CLAMP -----							2	
		*-----								
-21	S1230-19	CONTROL-CARBURETOR HEAT -----							1	
		ATTACHING PARTS -----								
-22	S1485D3U	CLAMP -----							2	
-23	S1021Z6-8	SCREW -----							1	
-24	0450311	CLAMP -----							1	
-25	AN960-10	WASHER -----							1	
-26	AN960-10L	WASHER -----							1	
-27	MS21045L3	NUT -----							1	
	AN742D2	CLAMP FASTEN CARB HEAT CONTROL TO MOUNT -----							1	
	S1485D8U	CLAMP FASTEN CARB HEAT CONTROL TO MOUNT -----							1	
	S1021Z8-8	SCREW FASTEN CARB HEAT CONTROL TO MOUNT -----							1	
		*-----								
CONTINUED ON NEXT PAGE										

150 & A150 Parts Catalog

FIGURE AND INDEX NO.	PART NUMBER	DESCRIPTION							UNITS PER ASSY	USABLE ON CODE
		1	2	3	4	5	6	7		
56 -28	S1053E16T	HOSE-AIR INTAKE LH	27.0	IN	LG	BULK ITEM	-----	1	E	
		REF S1053E16T27.0								
	S1053E16T	HOSE-AIR INTAKE LH	20.0	IN	LG	BULK ITEM	-----	1	F	
		REF S1053E16T20.0								
		ATTACHING PARTS								
	0550100-11	BRACKET				ATTACH HOSE AT CARBURETOR	-----	1		
	AN742D34	CLAMP				ATTACH HOSE AT CARBURETOR	-----	1		
	AN520-18R8	SCREW				ATTACH HOSE AT CARBURETOR	-----	1		
	MS21045L3	NUT				ATTACH HOSE AT CARBURETOR	-----	1		
	-----*									
-29	S1053E16T 144.00	HOSE-AIR INTAKE RH	19.0	IN	LG	BULK ITEM	-----	1	E	
		REF S1053E16T19.0								
	S1053E16T 144.00	HOSE-AIR INTAKE LH	20.0	IN	LG	BULK ITEM	-----	1	F	
		REF S1053E16T20.0								
		ATTACHING PARTS								
	NAS397-34	CLAMP					-----	2		
	-----*									
-30	F222008 BY FT.	HOSE-CABIN HEATER VALVE TO LH SHROUD				30.0	IN LG	-----	1	
		BULK ITEM REF S1053K24T30.0								
		ATTACHING PARTS								
	NAS398-50	CLAMP					-----	2		
-31	MS21919D648	CLAMP					-----	1		
-32	MS21919D636	CLAMP					-----	1		
-33	AN520-10R10	SCREW					-----	1		
	AN960-10L	WASHER					-----	1		
	MS21045L3	NUT					-----	1		
	-----*									
-34	0450340-1	BRACE ASSEMBLY-EXHAUST STACK					-----	1		
		ATTACHING PARTS								
	AN741-16P	CLAMP					-----	2		
	AN4C6A	BOLT					-----	2		
	MS21042L4	NUT					-----	2		
	-----*									
-35	0750178-2	CLAMP				LWR SPARK PLUG LEAD TO REAR CYLINDER	-----	2		
-36	SEE FIG 57	SPARK PLUG					-----	8		
-37	S1222-17	CONTROL ASSEMBLY-THROTTLE				WEU C299505-0202S	-----	1		
	C299505-0202S	CONTROL ASSEMBLY-THROTTLE					-----	1		
	9863053-7	CONTROL ASSEMBLY-THROTTLE					-----	1		
		ATTACHING PARTS								
-38	0450343-1	BRACKET					-----	1		
-39	0450191-1	CLAMP					-----	1		
-40	AN3-5A	BOLT					-----	2		
-41	MS21045L3	NUT					-----	2		
-42	S1104-3	ROD END					-----	1		
-43	AN970-3	WASHER					-----	1		
-44	AN960D10	WASHER					-----	2		
-45	AN356-1032	LOCKNUT					-----	1		
	S1399-1	SLEEVE	1.5	IN	LG	BULK ITEM REF S1399-1-1.50	-----	1		
	-----*									
-46	S1777-1	CONTROL-CARBURETOR MIXTURE					-----	1		
	S1234-11	CONTROL-CARBURETOR MIXTURE					-----	1		
	9862010-3	CONTROL-CARBURETOR MIXTURE					-----	1		
		ATTACHING PARTS								
-47	AN742D3	CLAMP					-----	1		
	S2226-2	CLAMP					-----	1		
-48	AN3-3A	BOLT					-----	1		
-49	MS21045L3	NUT					-----	1		
-50	0450311-6	CLAMP					-----	1		
	0450311-12	CLAMP					-----	1		
-51	AN960-416L	WASHER					-----	1		
-52	MS21042L4	NUT					-----	1		
	AN735D24	CLAMP				FASTEN MIXTURE CONTROL TO OIL FILLER TUBE	-----	1		
	S1485D10U	CLAMP				FASTEN MIXTURE CONTROL TO OIL FILLER TUBE	-----	1		
	S1021Z8-8	SCREW				FASTEN MIXTURE CONTROL TO OIL FILLER TUBE	-----	1		
	S2226-2	CLAMP				FASTEN MIXTURE CONTROL TO OIL FILLER TUBE	-----	1		
	AN3-3A	BOLT				FASTEN MIXTURE CONTROL TO OIL FILLER TUBE	-----	1		
	MS21045L3	NUT				FASTEN MIXTURE CONTROL TO OIL FILLER TUBE	-----	1		
	-----*									

CONTINUED ON NEXT PAGE

150 & A150 Parts Catalog

FIGURE AND INDEX NO.	PART NUMBER	DESCRIPTION							UNITS PER ASSY	USABLE ON CODE
		1	2	3	4	5	6	7		
56 -53	0400311-103	LINE ASSEMBLY-PRIMER -----							1	
		ATTACHING PARTS -----								
-54	AN742D2	CLAMP TIN -----							1	
	S1485D8U	CLAMP -----							1	
	S1021Z8-8	SCREW -----							1	
	NAS446-4-3	NUT -----							1	
		*-----								
-55	S1517-11	CONTROL ASSEMBLY-STRAINER DRAIN -----							1	
		ATTACHING PARTS -----								
-56	0456002-1	BRACKET ASSEMBLY -----							1	
-57	AN741T6P	CLAMP -----							1	
-58	AN4-6A	BOLT -----							2	
-59	MS21042L4	NUT -----							2	
-60	AN742D3	CLAMP -----							1	
	AN515-10R10	SCREW -----							1	
	MS21045L3	NUT -----							1	
-61	0450311-3	CLAMP -----							1	
-62	AN960-416	WASHER -----							AR	
-63	MS21042L4	NUT -----							1	
-64	0500315-1	BRACKET-STRAINER DRAIN CONTROL -----							1	
-65	0500315-2	BRACKET-STRAINER DRAIN CONTROL -----							1	
-66	MS20074-03-04	BOLT COMMON TO STRAINER ATTACH -----							2	
-67	AN515-10R10	SCREW -----							2	
-68	AN936A10	WASHER TWO ARE COMMON TO STRAINER ATTACH -----							4	
		*-----								
-69	SEE FIG 77	FUEL STRAINER ASSEMBLY -----							1	
-70	0452019-1	BRACKET ASSEMBLY-COWL SNUBBER -----							1	
-71	S1115-29	SHOCKMOUNT -----							1	F
-72	0452017-15	SEAL ASSEMBLY-CARBURETOR AIR FILTER -----							1	F
-73	0452017-5	SEAL-UPPER -----							1	F
-74	0452017-6	SEAL-SIDE -----							1	F
-75	0452017-7	SEAL-LOWER -----							2	F
		-----							1	F
<p>NOTE. *WHEN INITIALLY REPLACING THIS PART ON AIRCRAFT PRIOR TO SERIALS 15077216 & A1500631 A NEW OIL TEMP GAGE, PART NUMBER 442907-1, MUST BE INSTALLED.</p> <p>A---150 SERIAL F15000530 THRU F15000619 B---150 SERIAL 15071129 THRU 15072003 F150 SERIAL F15000620 THRU F15000658 A150 SERIAL A1500001 THRU A1500226 FA150 SERIAL FA1500001 THRU FA1500081 C---150 SERIAL 15071129 THRU 15071874 F150 SERIAL F15000530 THRU F15000658 A150 SERIAL A1500001 THRU A1500182 FA150 SERIAL FA1500001 THRU FA1500081 D---150 SERIAL 15071875 THRU 15078505 F150 SERIAL F15000659 THRU F15001338 A150 SERIAL A1500183 THRU A1500684 FA150 SERIAL FA1500082 THRU FA1500311 E---150 SERIAL 15071129 THRU 15072003 F150 SERIAL F15000530 THRU F15000658 A150 SERIAL A1500001 THRU A1500226 FA150 SERIAL FA1500001 THRU FA1500081 F---150 SERIAL 15072004 & ON F150 SERIAL F15000659 & ON A150 SERIAL A1500227 & ON FA150 SERIAL FA1500082 & ON G---150 SERIAL 15071129 THRU 15072537 F150 SERIAL F15000530 THRU F15000738 A150 SERIAL A1500001 THRU A1500264 FA150 SERIAL FA1500001 THRU FA1500121 H---150 SERIAL 15072538 & ON F150 SERIAL F15000739 & ON A150 SERIAL A1500265 & ON J---150 SERIAL 15071129 THRU 15075781 F150 SERIAL F15000530 THRU F15001143 A150 SERIAL A1500001 THRU A1500523 FA150 SERIAL FA1500001 THRU FA1500261</p>										
CONTINUED ON NEXT PAGE										

150 & A150 Parts Catalog

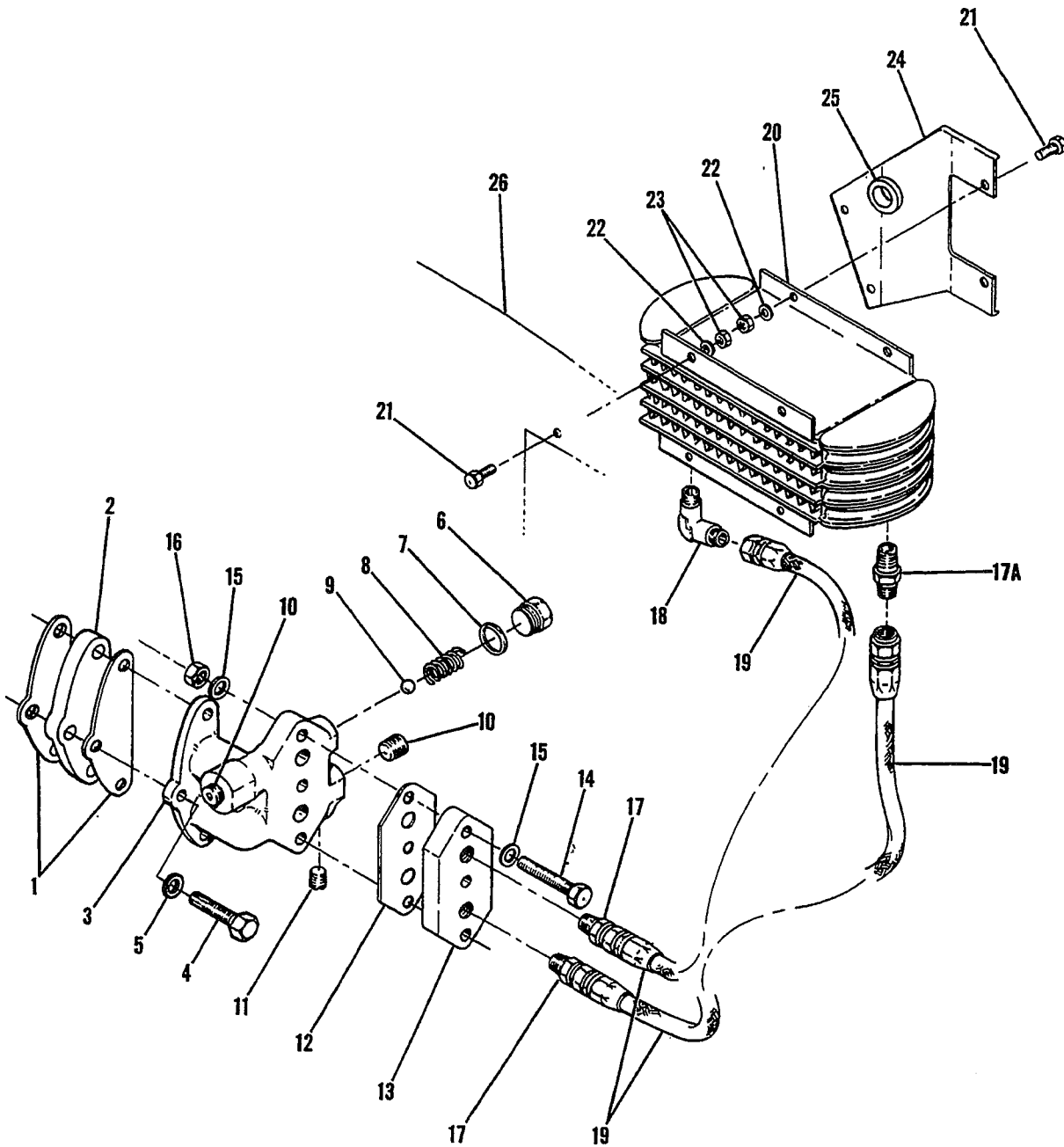
FIGURE AND INDEX NO.	PART NUMBER	DESCRIPTION	UNITS PER ASSY	USABLE ON CODE
		1 2 3 4 5 6 7		
56 -		K---150 SERIAL 15075782 & ON F150 SERIAL F15001144 & ON A150 SERIAL A1500524 & ON FA150 SERIAL FA1500262 & ON L---150 SERIAL 15071129 THRU 15077005 F150 SERIAL F15000530 THRU F15001248 A150 SERIAL A1500001 THRU A1500609 FA150 SERIAL FA1500001 THRU FA1500281 M---150 SERIAL 15077006 & ON F150 SERIAL F15001249 & ON A150 SERIAL A1500610 & ON FA150 SERIAL FA1500282 & ON N---150 SERIAL 15075782 THRU 15078505 F150 SERIAL F15001144 THRU F15001338 A150 SERIAL A1500524 THRU A1500684 FA150 SERIAL FA1500262 THRU FA1500311 P---150 SERIAL 15071129 THRU 15078505 F150 SERIAL F15000530 THRU F15001338 A150 SERIAL A1500001 THRU A1500684 FA150 SERIAL FA1500001 THRU FA1500311 Q---150 SERIAL 15078506 & ON F150 SERIAL F15001339 & ON A150 SERIAL A1500685 & ON FA150 SERIAL FA1500312 & ON		

150 & A150 Parts Catalog

FIGURE AND INDEX NO.	PART NUMBER	*	DESCRIPTION							UNITS PER ASSY	USABLE ON CODE
			1	2	3	4	5	6	7		
57 -		*	ENGINE COMPONENTS & ASSOCIATED ACCESSORIES -----							NP	
- 1	628122		CARBURETOR AIR INTAKE HOUSING ASSEMBLY CM -----							1	
- 2	21323		GASKET-CARBURETOR AIR INTAKE TO CARBURETOR CM -----							1	
- 3	C294510-0201		FILTER-CARBURETOR AIR -----							1	
- 4	35923		GASKET-CARBURETOR AIR FILTER CM -----							1	
- 5	633028		CARBURETOR ASSEMBLY MARVEL 10-4894 CM -----							1	
- 6	21051		GASKET CARBURETOR TO ENGINE CM -----							1	
- 7	634464		STARTER WITHOUT CLUTCH CM -----							1	
- 8	641500RR		CLUTCH-STARTER CM -----							1	
- 9	352179		GASKET-STARTER TO ENGINE CM -----							1	
-10	C611501-0204		ALTERNATOR-60 AMP WITHOUT DRIVE -----							1	
	E05820		DRIVE ASSEMBLY-ALTERNATOR CM -----							1	
-11	35019		GASKET-ALTERNATOR TO ENGINE CM -----							1	
-12	C611001-0102		VOLTAGE REGULATOR 60 AMP -----							1	
	C611001-0201		VOLTAGE REGULATOR 60 AMP -----							1	
-13	633401		MAGNETO SLICK 4001 CM -----							2	
-14	36066		GEAR-MAGNETO DRIVE CM USED WITH 633401 ABOVE -----							2	
-15	633914		IGNITION HARNESS-RIGHT MAGNETO CM -----							1	
-16	633915		IGNITION HARNESS-LEFT MAGNETO CM -----							1	
-17	REM40E		SPARK PLUG-18MM CHAMPION -----							1	
	SR88		SPARK PLUG-18MM AC -----							AR	
<p>NOTE. *THIS FIGURE IS NOT ILLUSTRATED</p> <p>NOTE. *FOR ENGINE COMPONENTS NOT LISTED ON THIS FIGURE REFER TO CONTINENTAL PARTS CATALOG.</p> <p>NOTE. *THIS LISTING IS COMPILED TO PROVIDE PART NUMBERS OF COMMONLY USED ENGINE COMPONENTS AND ASSOCIATED ACCESSORIES. RELATIONSHIP OF THESE PARTS TO ENGINE OR AIRCRAFT ASSEMBLIES IS NOT INDICATED BY INDENTION. INDEX NUMBERS ARE PROVIDED FOR LOCATION OF LINE ON WHICH THE PART NUMBER APPEARS.</p> <p>A---150 SERIAL 15071129 THRU 15077005 F150 SERIAL F15000530 THRU F15001248 A150 SERIAL A1500001 THRU A1500609 FA150 SERIAL FA1500001 THRU FA1500281</p> <p>B---150 SERIAL 15077006 & ON F150 SERIAL F15001249 & ON A150 SERIAL A1500610 & ON FA150 SERIAL FA1500282 & ON</p>											

150 & A150 Parts Catalog

Engine (Cont)



150 SERIAL 15078807 & ON
F150 SERIAL F15001339 & ON
A150 SERIAL A1500703 & ON

Figure 57A. Oil Cooler Installation

150 & A150 Parts Catalog

FIGURE AND INDEX NO.	PART NUMBER	DESCRIPTION							UNITS PER ASSY	USABLE ON CODE
		1	2	3	4	5	6	7		
57A-		OIL COOLER INSTALLATION -----							NP	A
- 1	530642	GASKET CM -----							2	
- 2	0456003-5	SPACER -----							1	
- 3	4763	ADAPTOR-OIL COOLER CM -----							1	
		ATTACHING PARTS -----								
- 4	MS20074-05-12	BOLT -----							3	
- 5	AN960PD516L	WASHER -----							3	
		*-----								
- 6	532432	PLUG CM -----							1	
- 7	AN900-10	GASKET -----							1	
- 8	2848	SPRING CM -----							1	
- 9	2849	BALL CM -----							1	
-10	401753	PLUG CM -----							2	
-11	2024	PLUG CM -----							1	
-12	0456003-3	GASKET -----							1	
-13	0450035-1	ADAPTOR-OIL COOLER -----							1	
		ATTACHING PARTS -----								
-14	AN6-16	BOLT -----							3	
-15	AN960PD616L	WASHER -----							6	
-16	MS21042L6	WASHER -----							3	
		*-----								
-17	AN816-6-6	NIPPLE -----							2	
-17A	AN816-6	NIPPLE -----							1	
-18	MS20822-6	ELBOW -----							1	
-19	S1236-6-0094	HOSE ASSY -----							2	
-20	10578B	OIL COOLER SW -----							1	
		ATTACHING PARTS -----								
-21	AN3-4A	BOLT -----							6	
-22	AN960PD10L	WASHER -----							6	
-23	MS21045L3	NUT -----							6	
		*-----								
-24	0456005-1	BRACKET-OIL COOLER -----							1	
-25	MS35489-20	GROMMET -----							1	
-26	SEE FIG 59A	BAFFLE ASSY-OIL COOLER -----							1	
		A---150 SERIAL 15078807 & ON F150 SERIAL F15001339 & ON A150 SERIAL A1500703 & ON								

150 & A150 Parts Catalog

Engine (Cont)

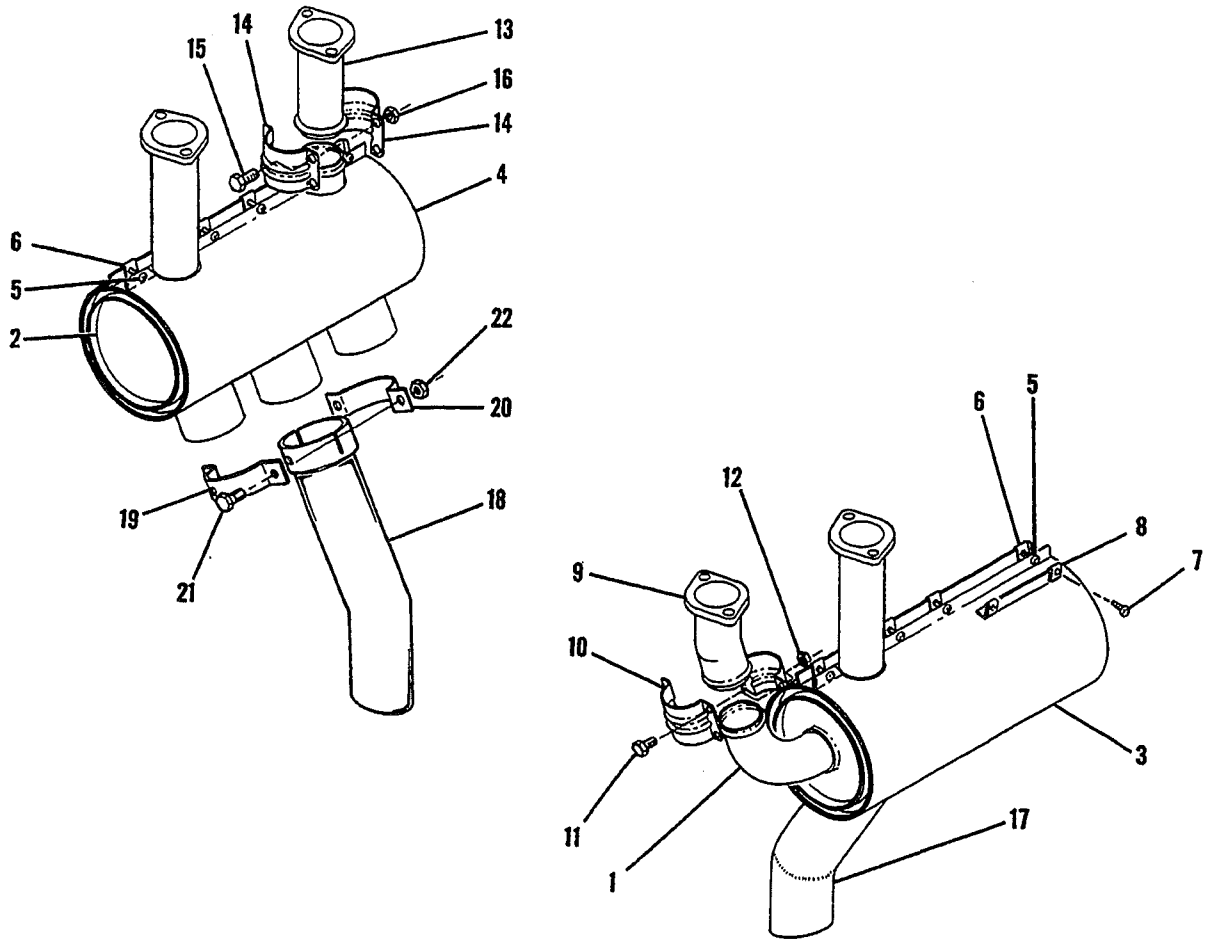


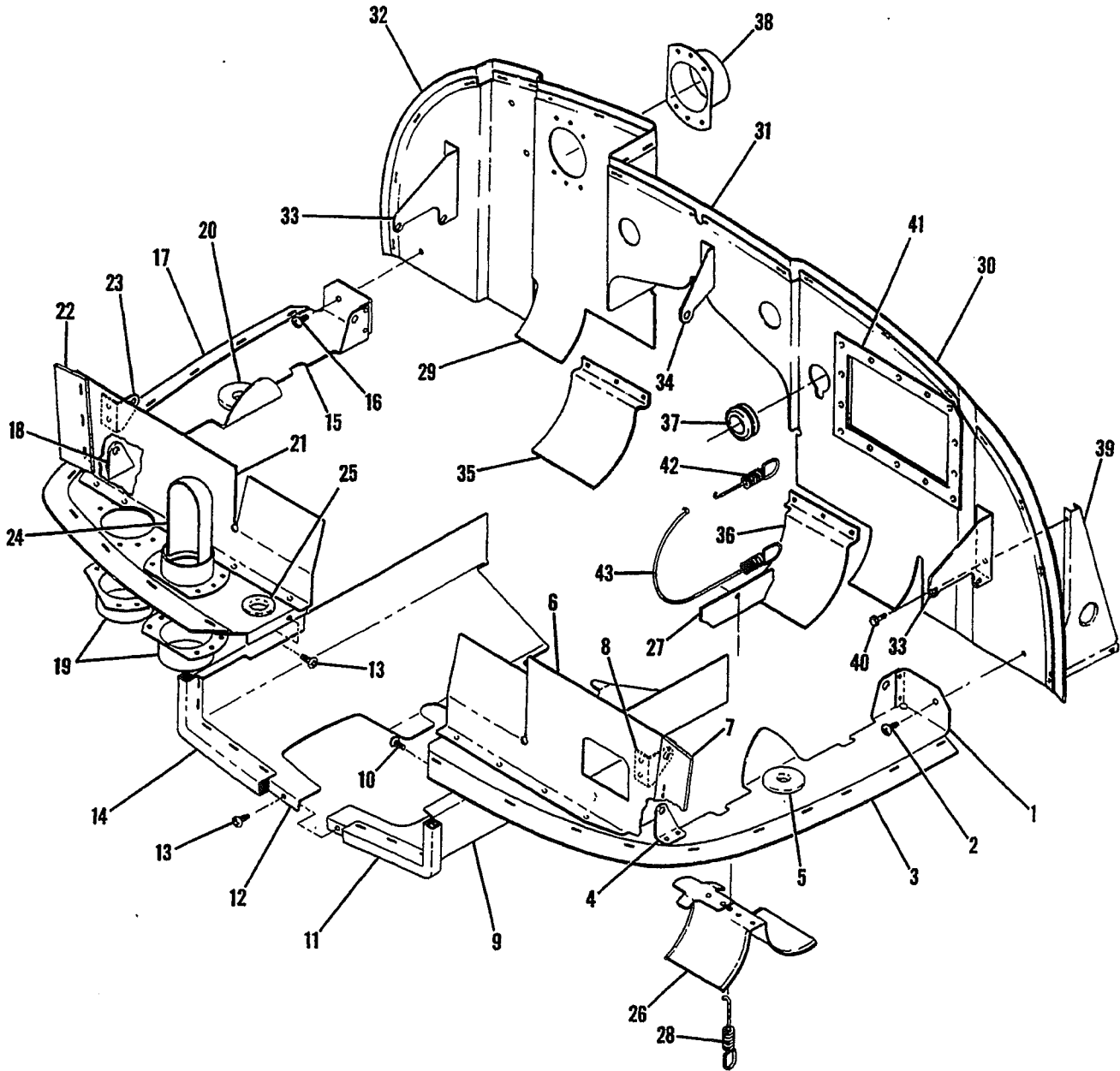
Figure 58. Exhaust Stack Assemblies

150 & A150 Parts Catalog

FIGURE AND INDEX NO.	PART NUMBER	DESCRIPTION							UNITS PER ASSY	USABLE ON CODE
		1	2	3	4	5	6	7		
58 -	0450400-21	EXHAUST STACK ASSEMBLY-LH -----							1	
- 1	0450400-25	EXHAUST STACK ASSEMBLY-RH -----							1	
- 2	0450400-3	MUFFLER WELD ASSEMBLY-LH -----							1	
- 3	0450400-26	MUFFLER WELD ASSEMBLY-RH -----							1	
- 4	0450400-201	SHROUD ASSY-EXHAUST STACK LH -----							1	
- 4	0450400-6	SHROUD ASSY-EXHAUST STACK RH -----							1	
		ATTACHING PARTS								
- 5	S102178-20	SCREW -----							4	
- 6	NAS395-14-3	NUT -----							4	
- 7	S102178-6	SCREW LH SHROUD ONLY -----							2	
- 8	NAS395-14-3	NUT LH SHROUD ONLY -----							2	
		*-----								
- 9	0450338-69	RISER ASSEMBLY-LH WEU 0450338-76 -----							1	C D
	0450338-76	RISER ASSEMBLY-LH -----							1	
		ATTACHING PARTS								
-10	0550176-50	CLAMP ASSEMBLY INCLUDES BOTH HALVES -----							1	
-11	AN3-4A	BOLT -----							2	
-12	MS21045L3	NUT -----							2	
		*-----								
-13	0450338-70	STACK ASSEMBLY-RH WEU 0450338-74 -----							1	A B
	0450338-74	STACK ASSEMBLY-RH -----							1	
		ATTACHING PARTS								
-14	0550176-50	CLAMP ASSEMBLY INCLUDES BOTH HALVES -----							1	
-15	AN3-4A	BOLT -----							1	
-16	MS21045L3	NUT -----							1	
		*-----								
-17	0450338-67	TAILPIPE ASSEMBLY-LH -----							1	
-18	0450338-66	TAILPIPE ASSEMBLY-RH -----							1	
		ATTACHING PARTS								
-19	0450338-9	CLAMP HALF ASSEMBLY -----							1	
-20	0450338-10	CLAMP HALF -----							1	
-21	AN4-3A	BOLT -----							2	
-22	MS21042L4	NUT -----							2	
		*-----								
		A---150 SERIAL 15071129 THRU 15073487 F150 SERIAL F15000530 THRU F15000833 A150 SERIAL A1500001 THRU A1500334 FA150 SERIAL FA1500001 THRU FA1500166 B---150 SERIAL 15073488 & ON F150 SERIAL F15000834 & ON A150 SERIAL A1500335 & ON FA150 SERIAL FA1500167 & ON C---150 SERIAL 15071129 THRU 15074879 F150 SERIAL F15000530 & ON A150 SERIAL A1500001 THRU A1500419 FA150 SERIAL FA1500001 & ON D---150 SERIAL 15074880 & ON A150 SERIAL A1500420 & ON								

150 & A150 Parts Catalog

Engine (Cont)



150 SERIAL 15071129 THRU 15072003
F150 SERIAL F15000530 THRU F15000658
A150 SERIAL A1500001 THRU A1500226
FA150 SERIAL FA1500001 THRU FA1500081

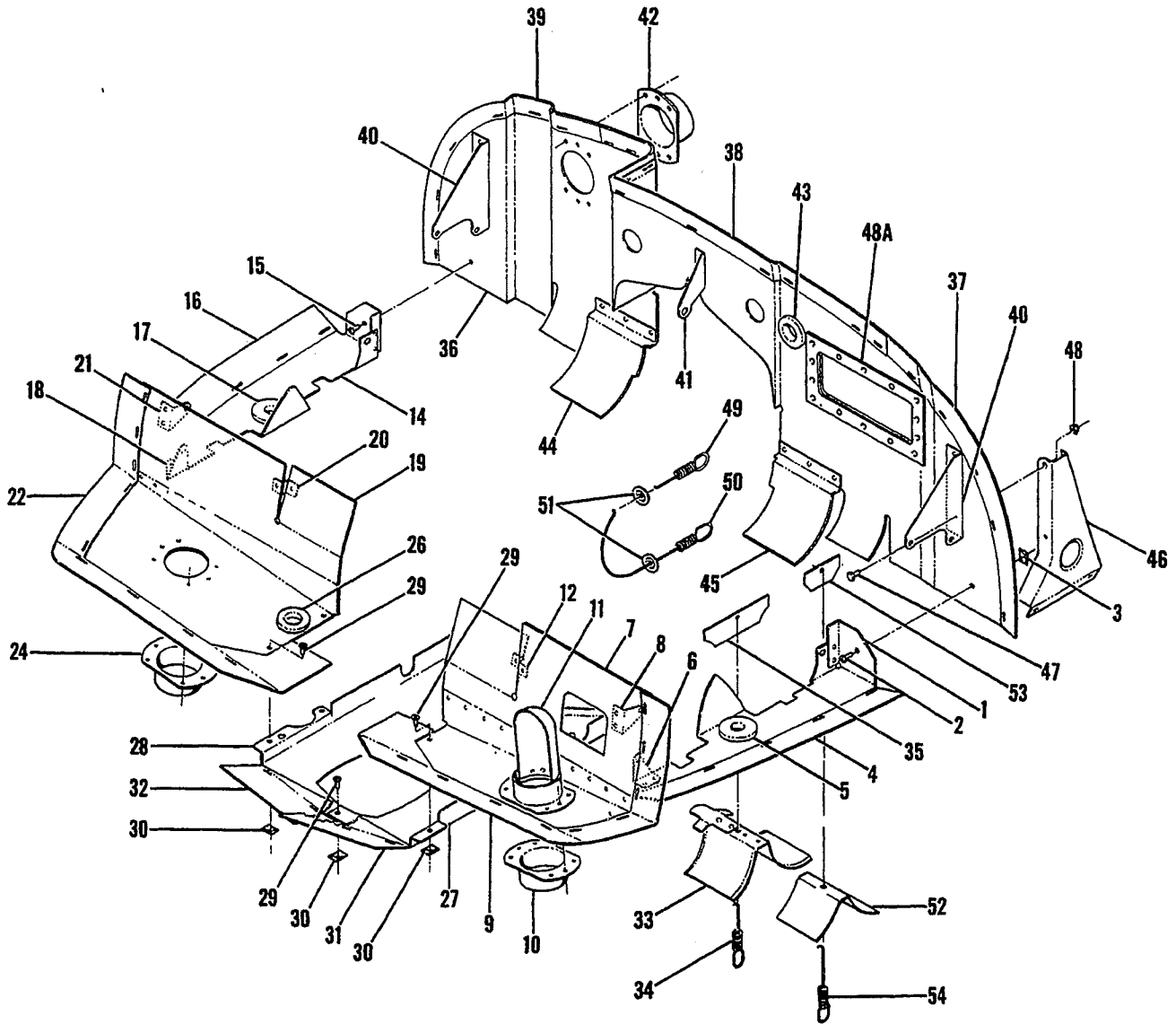
Figure 59. Engine Baffles Installation

150 & A150 Parts Catalog

FIGURE AND INDEX NO.	PART NUMBER	DESCRIPTION							UNITS PER ASSY	USABLE ON CODE
		1	2	3	4	5	6	7		
59 -		BAFFLES INSTALLATION-ENGINE -----							NP	A
- 1	0450502-31	BAFFLE ASSEMBLY-LEFT CYLINDER -----							1	
		ATTACHING PARTS -----								
- 2	S1021Z8-6	SCREW -----							1	
	NAS446-4-3	NUT -----							1	
		*-----								
- 3	0450502-12	SEAL-LEFT CYLINDER BAFFLE -----							1	
- 4	0450507-1	BRACKET-LEFT CYLINDER BAFFLE -----							1	
- 5	MS35489-15	GROMMET -----							1	
- 6	0450303-1	BAFFLE ASSEMBLY-LEFT CYLINDER VERTICAL -----							1	
- 7	0450303-3	SEAL-VERTICAL BAFFLE -----							1	
- 8	0450302-3	BRACKET -----							1	
- 9	0450502-23	BAFFLE ASSEMBLY-LOWER CASE LH -----							1	
		ATTACHING PARTS -----								
-10	S1021Z8-6	SCREW -----							1	
	NAS446-4-3	NUT -----							1	
		*-----								
-11	0450234-29	RUB STRIP-LEFT LOWER BAFFLE -----							1	
-12	0450502-22	BAFFLE ASSEMBLY-LOWER CASE RH -----							1	
		ATTACHING PARTS -----								
-13	S1021Z8-6	SCREW -----							2	
	NAS446-4-3	NUT -----							2	
		*-----								
-14	0450234-29	RUB STRIP-RIGHT LOWER BAFFLE -----							1	
-15	0450502-32	BAFFLE ASSEMBLY-RIGHT CYLINDER -----							1	
	SEE FIG 54	BAFFLE ASSEMBLY-RIGHT CYLINDER USED WITH -----							1	
		WINTERIZATION INSTALLATION ONLY -----								
		ATTACHING PARTS -----								
-16	S1021Z8-6	SCREW -----							1	
	NAS446-4-3	NUT -----							1	
		*-----								
-17	0450502-13	SEAL-RIGHT CYLINDER BAFFLE -----							1	
-18	0450163-1	BRACKET-RIGHT CYLINDER BAFFLE -----							1	
-19	0450262	UNION-RIGHT CYLINDER BAFFLE -----							2	
-20	MS35489-15	GROMMET -----							1	
-21	0450302-1	BAFFLE ASSEMBLY-RIGHT CYLINDER VERTICAL -----							1	
-22	0450302-4	SEAL-VERTICAL BAFFLE -----							1	
-23	0450302-3	BRACKET -----							1	
-24	0450266-1	SCOOP ASSEMBLY-CABIN HEAT -----							1	
-25	MS35489-17	GROMMET -----							1	
-26	0450322	BAFFLE-INTER CYLINDER LH -----							1	
	0450322-1	BAFFLE-INTER CYLINDER RH -----							1	
-27	0450210	SUPPORT-INTER CYLINDER BAFFLE -----							2	
-28	0450211-1	FASTENER-INTER CYLINDER BAFFLE -----							2	
-29	0450502-36	BAFFLE ASSEMBLY-VERTICAL REAR -----							1	
	0450502-38	BAFFLE ASSEMBLY-VERTICAL REAR FLOATPLANE ONLY -----							1	
-30	0450502-28	SEAL-REAR BAFFLE LH -----							1	
-31	0450502-29	SEAL-REAR BAFFLE CENTER -----							1	
-32	0450502-30	SEAL-REAR BAFFLE RH -----							1	
-33	0450215-1	BRACKET-REAR BAFFLE -----							2	
-34	0450506-1	BRACKET-REAR BAFFLE -----							1	
-35	0450502-24	DEFLECTOR-RH -----							1	
-36	0450502-25	DEFLECTOR-LH -----							1	
-37	MS35489-20	GROMMET-REAR BAFFLE -----							2	
-38	0450262	UNION-ALTERNATOR BLAST TUBE -----							1	
-39	0450345-1	BRACE-REAR BAFFLE -----							1	
		ATTACHING PARTS -----								
-40	AN4-4A	BOLT -----							1	
	MS21042L4	NUT -----							1	
		*-----								
-41	0450034-1	DOUBLER-REAR BAFFLE FLOATPLANE ONLY -----							1	
-42	0450277-5	FASTENER-REAR BAFFLE -----							2	
-43	0450277-8	FASTENER-REAR BAFFLE -----							2	
	S290-832	WASHER -----							4	
		A---150 SERIAL 15071129 THRU 15072003 F150 SERIAL F15000530 THRU F15000658 A150 SERIAL A1500001 THRU A1500226 FA150 SERIAL FA1500001 THRU FA1500081								

150 & A150 Parts Catalog

Engine (Cont)



**150 SERIAL 15072004 & ON
F150 SERIAL F15000659 & ON
A150 SERIAL A1500227 & ON
FA150 SERIAL FA1500082 & ON**

Figure 59A. Engine Baffles Installation

150 & A150 Parts Catalog

FIGURE AND INDEX NO.	PART NUMBER	DESCRIPTION							UNITS PER ASSY	USABLE ON CODE
		1	2	3	4	5	6	7		
59A-		ENGINE BAFFLES INSTALLATION -----							NP	A
- 1	0455001-3	BAFFLE ASSEMBLY-HORIZONTAL LH -----							1	
		ATTACHING PARTS -----								
- 2	S1021Z8-6	SCREW -----							1	
- 3	NAS446-4-3	NUT -----							1	
		*-----								
- 4	0455001-7	SEAL -----							1	
- 5	MS35489-15	GROMMET -----							1	
- 6	0450507-1	BRACKET -----							1	
- 7	0455000-5	BAFFLE ASSEMBLY-VERTICAL LH -----							1	
- 8	0450302-3	BRACKET -----							1	
- 9	0455000-7	SEAL-ENGINE BAFFLE -----							1	
-10	0450262	UNION -----							1	
-11	0450266-1	SCOOP ASSEMBLY -----							1	
-12	0450303-4	BRACKET -----							1	
-13		DELETED, NEVER USED -----								
-14	0455001-2	BAFFLE ASSEMBLY-HORIZONTAL RH -----							1	
		ATTACHING PARTS -----								
-15	S1021Z8-6	SCREW -----							1	
	NAS446-4-3	NUT -----							1	
		*-----								
-16	0455001-8	SEAL -----							1	
-17	MS35489-15	GROMMET -----							1	
-18	0450163-1	BRACKET -----							1	
-19	0455001-4	BAFFLE ASSEMBLY-VERTICAL RH -----							1	
	SEE FIG 54A	BAFFLE ASSEMBLY-VERTICAL RH USED WITH -----							1	
		WINTERIZATION INSTALLATION ONLY -----								
-20	0450303-5	BRACKET -----							1	
-21	0450302-3	BRACKET -----							1	
-22	0455001-10	SEAL -----							1	
-23		DELETED, NEVER USED -----								
-24	0450262	UNION -----							1	
-25		DELETED, NEVER USED -----								
-26	MS35489-17	GROMMET -----							1	
-27	0455000-11	BAFFLE ASSEMBLY-LOWER LH -----							1	
-28	0455000-4	BAFFLE ASSEMBLY-LOWER RH -----							1	
		ATTACHING PARTS -----								
-29	S1021Z8-8	SCREW -----							3	
-30	NAS446-4-3	NUT -----							3	
		*-----								
-31	0455000-13	SEAL-LH -----							1	
-32	0455000-6	SEAL-RH -----							1	
-33	0450322	BAFFLE-INTER CYLINDER LH -----							1	
	0450322-1	BAFFLE-INTER CYLINDER RH -----							1	
-34	0450211-1	FASTENER-INTER CYLINDER BAFFLE -----							2	
-35	0450210	SUPPORT-INTER CYLINDER BAFFLE -----							2	
-36	0450502-42	BAFFLE ASSEMBLY-VERTICAL REAR -----							1	
	0450502-44	BAFFLE ASSEMBLY-VERTICAL REAR USED WITH OIL COOLER -----							1	B
-37	0450502-28	SEAL-REAR BAFFLE LH -----							1	
-38	0450502-29	SEAL-REAR BAFFLE CENTER -----							1	
-39	0450502-30	SEAL-REAR BAFFLE RH -----							1	
-40	0450215-1	BRACKET-REAR BAFFLE -----							2	
-41	0450506-1	BRACKET-REAR BAFFLE -----							1	
-42	0450262	UNION-BLAST TUBE -----							1	
-43	MS35489-20	GROMMET -----							1	
-44	0450502-24	DEFLECTOR-RH -----							2	
-45	0450502-25	DEFLECTOR-LH -----							1	
-46	0450345-1	BRACE-REAR BAFFLE -----							1	
		ATTACHING PARTS -----								
-47	AN4-4A	BOLT -----							1	
-48	MS21042L4	NUT -----							1	
		*-----								
-48A	0456006-1	DOUBLER-REAR BAFFLE USED WITH OIL COOLER -----							1	B
-49	0450277-5	FASTENER-REAR BAFFLE -----							2	
-50	0450277-8	FASTENER-REAR BAFFLE -----							2	
-51	S290-832	WASHER -----							4	
-52	0450171	BAFFLE-INTER HEAD -----							2	
-53	0450209	SUPPORT-INTER HEAD BAFFLE -----							2	
-54	0450211-2	FASTENER-INTER HEAD BAFFLE -----							2	
		A---150 SERIAL 15072004 & ON F150 SERIAL F15000659 & ON A150 SERIAL A1500227 & ON FA150 SERIAL FA1500082 & ON B---150 SERIAL 15078807 & ON F150 SERIAL F15001339 & ON A150 SERIAL A1500703 & ON								

150 & A150 Parts Catalog

Heating & Ventilation

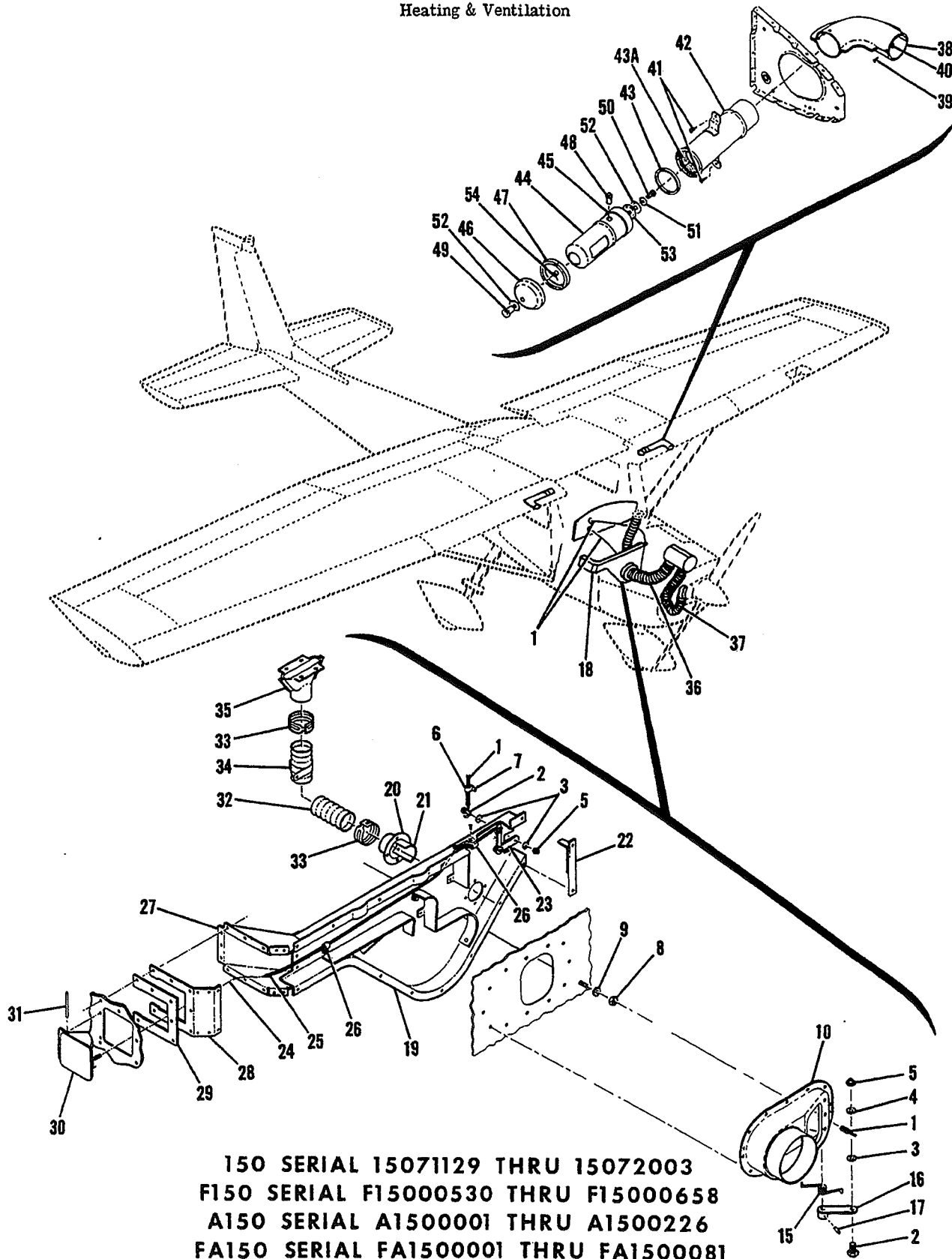


Figure 60. Cabin Heating & Ventilating System Installation

150 & A150 Parts Catalog

FIGURE AND INDEX NO.	PART NUMBER	DESCRIPTION						UNITS PER ASSY	USABLE ON CODE
		1	2	3	4	5	6		
60 -		CABIN HEATING & VENTILATING SYSTEM INSTALLATION -----						NP	A
- 1	S1239-46	CONTROL ASSEMBLY-CABIN HEAT & CABIN AIR -----						2	
		ATTACHING PARTS -----							
- 2	0450311	CLAMP -----						1	
- 3	AN960-10	WASHER -----						2	
- 4	AN960-10L	WASHER -----						1	
- 5	MS20365-1032C	NUT -----						1	
		*-----							
- 6	S1485D3U	CLAMP -----						1	
		ATTACHING PARTS -----							
- 7	S1021Z8-12	SCREW -----						1	
	NAS43DD3-22	SPACER -----						1	
		*-----							
- 8	S1283-1	NUT -----						2	
- 9	AN960-10L	WASHER -----						1	
-10	0453006-3	VALVE ASSEMBLY-CABIN HEATER -----						1	
-11		DELETED, NOT AVAILABLE -----							
-12		DELETED, NOT AVAILABLE -----							
-13		DELETED, NOT AVAILABLE -----							
-14		DELETED, NOT AVAILABLE -----							
-15	1253041-1	SPRING -----						1	
-16	1253037-1	ARM ASSEMBLY -----						1	
-17	NAS561C2-8	ROLL PIN -----						1	
-18	0453002-26	HEATER ASSEMBLY-CABIN -----						NP	
-19	0453002-25	DISTRIBUTOR ASSEMBLY -----						1	
-20	0453002-16	SPOUT-DEFROSTER -----						1	
-21	0453010-1	INSERT-HEATER SPOUT -----						1	
-22	0453002-4	DEFLECTOR-CABIN HEATER -----						1	
-23	0453002-24	BELLCRANK -----						1	
-24	S1398-1	WIRE-21.10 IN LG BULK ITEM REF S1398-1-21.10 -----						1	
-25	S1398-2	CASING-15.60 IN LG BULK ITEM REF S1398-2-15.60 -----						1	
		ATTACHING PARTS -----							
-26	S1485D3U	CLAMP -----						2	
	S1021Z8-8	SCREW -----						2	
		*-----							
-27	0453002-5	SCOOP -----						1	
-28	0453002-6	DOUBLER -----						1	
-29	0453002-10	SEAL -----						1	
-30	0453002-7	DOOR ASSEMBLY-CABIN AIR -----						1	
-31	MS20253P1-164	PIN-HINGE -----						1	
-32	S1053E10T	HOSE-28.00 IN LG BKI REF S1053E10T-28.00 -----						1	
		ATTACHING PARTS -----							
-33	NAS397-22	CLAMP -----						2	
-34	S1485D20U	CLAMP -----						1	
		*-----							
-35	0413452-1	NOZZLE ASSEMBLY-DEFROSTER -----						1	
-36	S1053K24T	HOSE-HEATER VALVE TO LH SHROUD 30.00 IN LG -----						1	
		BULK ITEM REF S1053K24T30.00 -----							
		ATTACHING PARTS -----							
	NAS398-50	CLAMP -----						2	
	MS21919DG48	CLAMP ATTACH HOSE TO NOSE GEAR -----						1	
	MS21919DG36	CLAMP ATTACH HOSE TO NOSE GEAR -----						1	
	AN520-10R10	SCREW ATTACH HOSE TO NOSE GEAR -----						1	
	AN960-10L	WASHER ATTACH HOSE TO NOSE GEAR -----						1	
	MS21044N3	NUT ATTACH HOSE TO NOSE GEAR -----						1	
		*-----							
-37	S1053E16T	HOSE-LH SHROUD TO RH BAFFLE 27.00 IN LG -----						1	
		BULK ITEM REF S1053E16T27.0 -----							
		ATTACHING PARTS -----							
	NAS397-34	CLAMP -----						2	
	O550100-11	BRACKET ATTACH HOSE AT CARBURETOR -----						1	
	AN742D34	CLAMP ATTACH HOSE AT CARBURETOR -----						1	
	AN520-10R8	SCREW ATTACH HOSE AT CARBURETOR -----						1	
	MS21044N3	NUT ATTACH HOSE AT CARBURETOR -----						1	
		*-----							
-38	0422014-4	ELBOW ASSEMBLY-CABIN AIR VENT -----						2	
		ATTACHING PARTS -----							
-39	S1021Z8-6	SCREW -----						1	
-40	NAS446-4-3	NUT -----						1	
		*-----							

CONTINUED ON NEXT PAGE

150 & A150 Parts Catalog

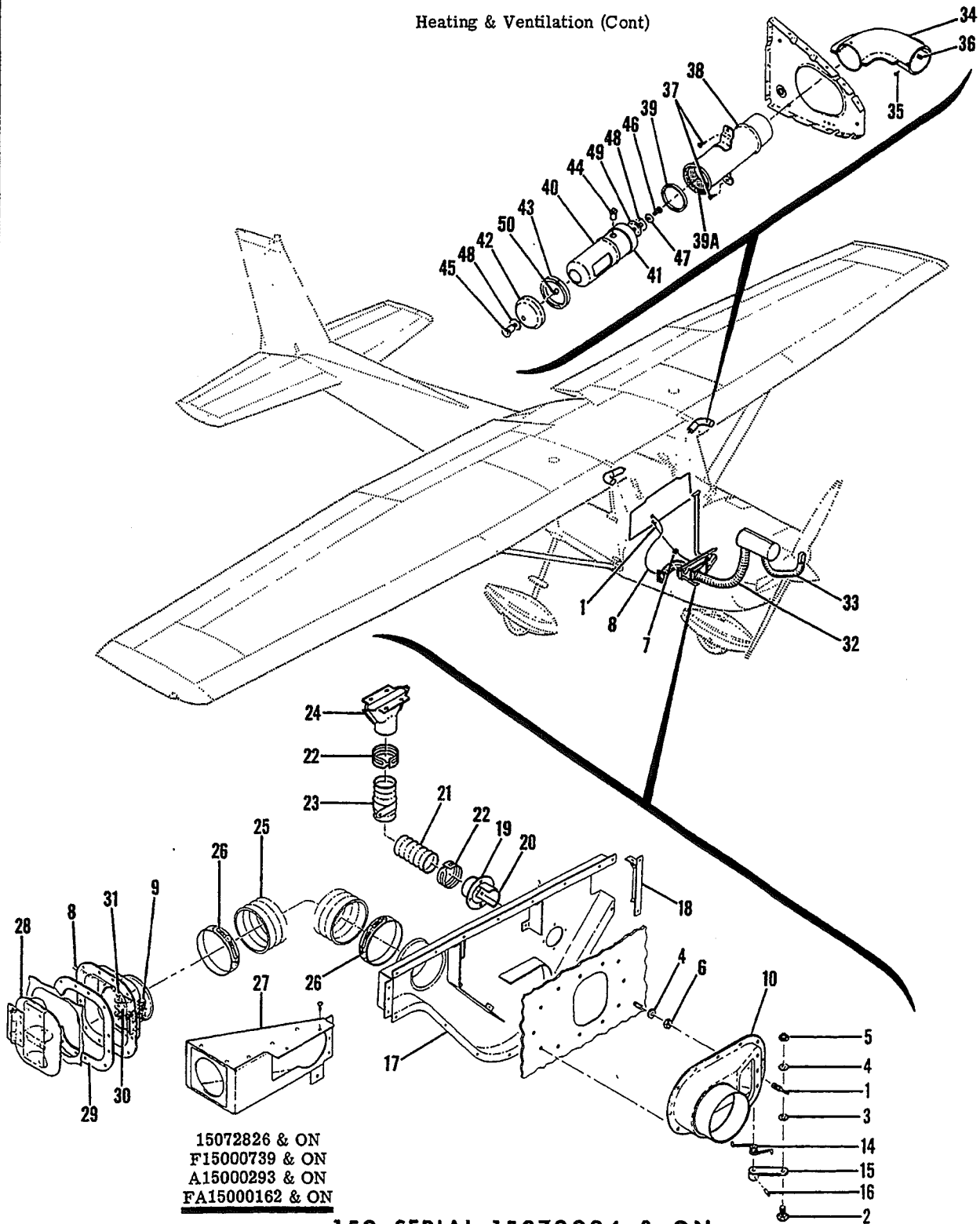
FIGURE AND INDEX NO.	PART NUMBER	DESCRIPTION	UNITS PER ASSY	USABLE ON CODE
		1 2 3 4 5 6 7		
60 -	0413163-23	OUTLET ASSEMBLY-CABIN AIR LH -----	1	
	0413163-24	OUTLET ASSEMBLY-CABIN AIR RH -----	1	
		ATTACHING PARTS		
-41	S102128-6	SCREW -----	2	
		-----*		
-42	0413163-8	TUBE ASSEMBLY-LH -----	1	
	0413163-9	TUBE ASSEMBLY-RH -----	1	
-43	0413163-7	SEAL-FELT -----	1	
-43A	0413163-47	SEAL -----	1	
-44	0413163-18	OUTLET ASSEMBLY -----	1	
-45	0413163-43	SEAL -----	1	
	0413163-11	CAP ASSEMBLY-AIR OUTLET -----	1	
-46	0413257	CAP -----	1	
-47	S1441-2	SEAL-6.56 IN LG BULK ITEM REF S1441-2-6.56 -----	1	
-48	0413203	CATCH-BULLET WHEN EXHAUSTED USE S2024-1 -----	2	
	S2024-1	CATCH -----	2	
-49	0713303-2	KNOB-CAP -----	1	
		ATTACHING PARTS		
-50	AN515-8R8	SCREW -----	1	
-51	AN936A8	WASHER -----	1	
-52	0413228	WASHER -----	2	
-53	0413347-1	WASHER -----	1	
-54	NAS430D3-5	SPACER -----	1	
		-----*		
		A---150 SERIAL 15071129 THRU 15072003 F150 SERIAL F15000530 THRU F15000658 A150 SERIAL A1500001 THRU A1500226 FA150 SERIAL FA1500001 THRU FA1500081		

150 & A150 Parts Catalog

FIGURE AND INDEX NO.	PART NUMBER	DESCRIPTION						UNITS PER ASSY	USABLE ON CODE
		1	2	3	4	5	6		
60A-		CABIN HEATING & VENTILATING SYSTEM INSTALLATION -----						NP	A
- 1	S1239-46	CONTROL ASSEMBLY-CABIN HEAT -----						1	
		ATTACHING PARTS							
- 2	0450311	CLAMP -----						1	
- 3	AN960-10	WASHER -----						1	
- 4	AN960-10L	WASHER -----						2	
- 5	MS20365-1032C	NUT -----						1	
- 6	S1283-1	NUT -----						2	
- 7	S148503U	CLAMP -----						1	
	S102178-10	SCREW -----						1	
		-----*							
- 8	S1239-46	CONTROL ASSEMBLY-CABIN AIR -----						1	
		ATTACHING PARTS							
- 9	0450311-5	CLAMP -----						1	
	AN960-10	WASHER -----						1	
	MS21044N3	NUT -----						1	
		-----*							
-10	0453006-3	VALVE ASSEMBLY-CABIN HEATER -----						1	
-11		DELETED, NOT AVAILABLE -----							
-12		DELETED, NOT AVAILABLE -----							
-13		DELETED, NOT AVAILABLE -----							
-14	1253041-1	SPRING -----						1	
-15	1253037-1	ARM ASSEMBLY -----						1	
-16	NAS561C2-8	ROLL PIN -----						1	
-17	0453002-27	DISTRIBUTOR ASSEMBLY-CABIN HEATER -----						1	
	0453002-31	DISTRIBUTOR ASSEMBLY-CABIN HEATER -----						1	B
-18	0453002-4	DEFLECTOR-CABIN HEATER -----						1	C
-19	0453002-16	SPOUT-DEFROSTER -----						1	
-20	0453010-1	INSERT-SPOUT -----						1	
-21	S1053E10T	HOSE-28.00 IN LG BKI REF S1053E10T-28.00 -----						1	
		ATTACHING PARTS							
-22	NAS397-22	CLAMP -----						2	
-23	S1485020U	CLAMP -----						1	
		-----*							
-24	0413452-1	NOZZLE ASSEMBLY-DEFROSTER -----						1	
-25	S1053E20T	HOSE-11.0 IN LG BKI REF S1053E20T-11.0 -----						1	B
		ATTACHING PARTS							
-26	NAS398-42	CLAMP -----						2	B
		-----*							
-27	0413518-1	DUCT ASSEMBLY-AIR VALVE -----						1	C
	AN515-8R6	ATTACHING PARTS							
		SCREW -----						4	C
		-----*							
CONTINUED ON NEXT PAGE									

150 & A150 Parts Catalog

Heating & Ventilation (Cont)



15072826 & ON
 F15000739 & ON
 A15000293 & ON
 FA15000162 & ON

150 SERIAL 15072004 & ON
 F150 SERIAL F15000659 & ON
 A150 SERIAL A1500227 & ON
 FA150 SERIAL FA1500082 & ON

Figure 60A. Cabin Heating & Ventilating System Installation

150 & A150 Parts Catalog

FIGURE AND INDEX NO.	PART NUMBER	DESCRIPTION							UNITS PER ASSY	USABLE ON CODE
		1	2	3	4	5	6	7		
60A-	1213475-2	INLET ASSEMBLY-COLD AIR -----							1	
-28	1213478-1	DOOR ASSY-COLD AIR INLET -----							1	
-29	1213483-1	SEAL -----							1	
-30	1213482-1	LEVER -----							1	
-31	MS20392-1-7	ATTACHING PARTS -----								
	AN960-6L	PIN -----							2	
	AN960-4L	WASHER -----							1	
	MS24665-132	WASHER -----							AR	
		PIN-COTTER -----							2	
		*-----								
-32	S1053K24T	HOSE-HEATER VALVE TO LH SHROUD 30.00 IN LG -----							1	
		BULK ITEM REF S1053K24T30.00 -----								
		ATTACHING PARTS -----								
	NAS398-50	CLAMP -----							2	
	MS21919DG48	CLAMP ATTACH HOSE TO NOSE GEAR -----							1	
	MS21919DG36	CLAMP ATTACH HOSE TO NOSE GEAR -----							1	
	AN520-10R10	SCREW ATTACH HOSE TO NOSE GEAR -----							1	
	AN960-10L	WASHER ATTACH HOSE TO NOSE GEAR -----							1	
	MS21044N3	NUT ATTACH HOSE TO NOSE GEAR -----							1	
		*-----								
-33	S1053E16T	HOSE-LH SHROUD TO LH BAFFLE 20.00 IN LG -----							1	
		BULK ITEM REF S1053E16T20.00 -----								
		ATTACHING PARTS -----								
	NAS397-34	CLAMP -----							2	
		*-----								
-34	0422014-4	ELBOW ASSEMBLY-CABIN AIR VENT -----							2	
		ATTACHING PARTS -----								
-35	S1021Z8-6	SCREW -----							1	
-36	NAS446-4-3	NUT -----							1	
		*-----								
	0413163-23	OUTLET ASSEMBLY-CABIN AIR LH -----							1	
	0413163-24	OUTLET ASSEMBLY-CABIN AIR RH -----							1	
		ATTACHING PARTS -----								
-37	S1021Z8-6	SCREW -----							2	
		*-----								
-38	0413163-8	TUBE ASSEMBLY-LH -----							1	
	0413163-9	TUBE ASSEMBLY-RH -----							1	
-39	0413163-7	SEAL-FELT -----							1	
-39A	0413163-47	SEAL -----							1	
-40	0413163-18	OUTLET ASSEMBLY -----							1	
-41	0413163-43	SEAL -----							1	
	0413163-11	CAP ASSEMBLY-AIR OUTLET -----							1	
-42	0413257	CAP -----							1	
-43	S1441-2	SEAL-6.56 IN LG BULK ITEM REF S1441-2-6.56 -----							1	
-44	S2024-1	CATCH -----							2	
-45	0713303-2	KNOB-CAP -----							1	
		ATTACHING PARTS -----								
-46	AN515-8R8	SCREW -----							1	
-47	AN936A8	WASHER -----							1	
-48	0413228	WASHER -----							2	
-49	0413347-1	WASHER -----							1	
-50	NAS43DD3-5	SPACER -----							1	
		*-----								
		A---150 SERIAL 15072004 & ON F150 SERIAL F15000659 & ON A150 SERIAL A1500227 & ON FA150 SERIAL FA1500082 & ON B---150 SERIAL 15072004 THRU 15072825 F150 SERIAL F15000659 THRU F15000738 A150 SERIAL A1500227 THRU A1500292 FA150 SERIAL FA1500082 THRU FA1500161 C---150 SERIAL 15072826 & ON F150 SERIAL F15000739 & ON A150 SERIAL A1500293 & ON FA150 SERIAL FA1500162 & ON								

150 & A150 Parts Catalog

Control Pedals

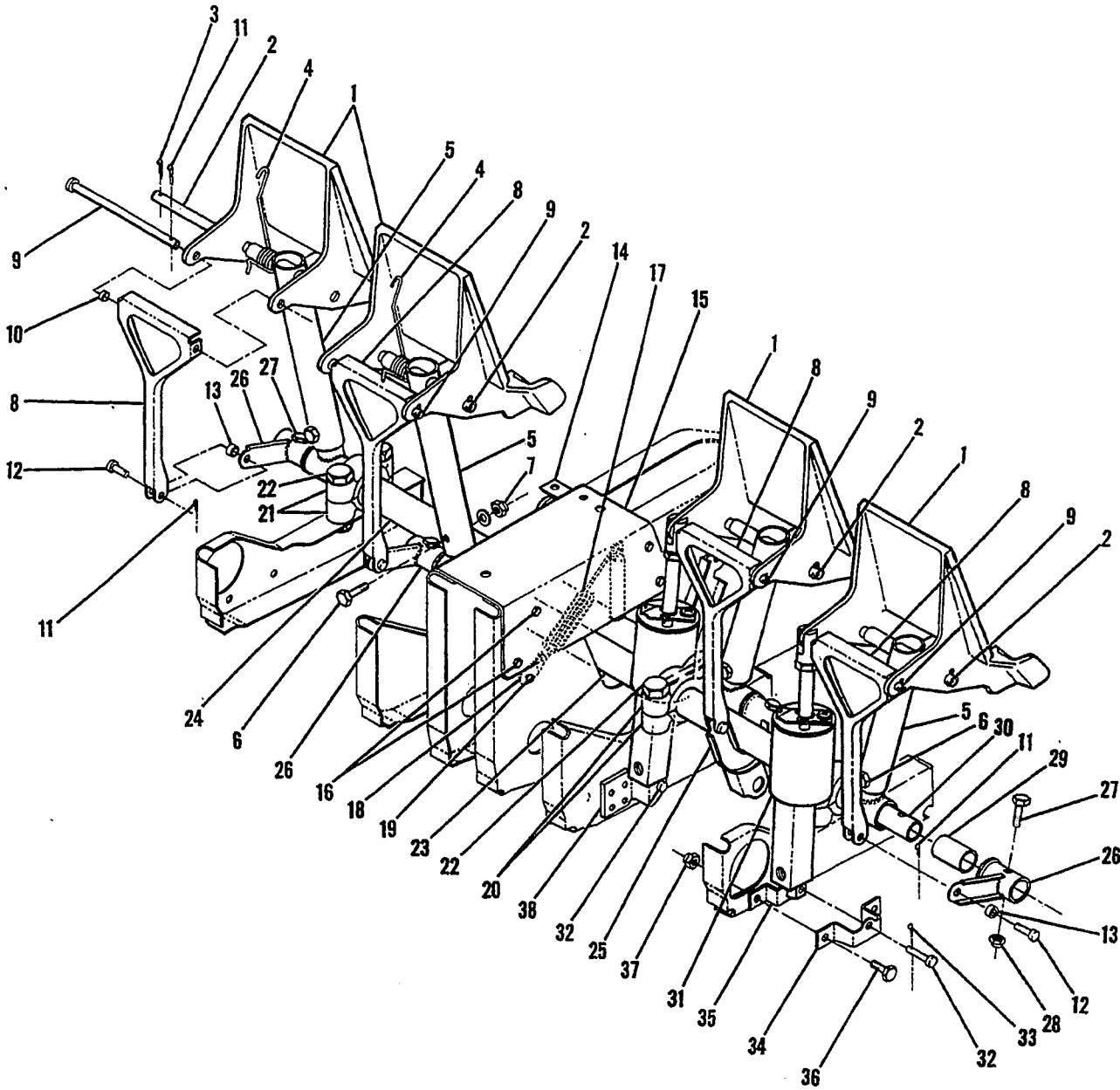


Figure 61. Rudder & Brake Pedal Installation

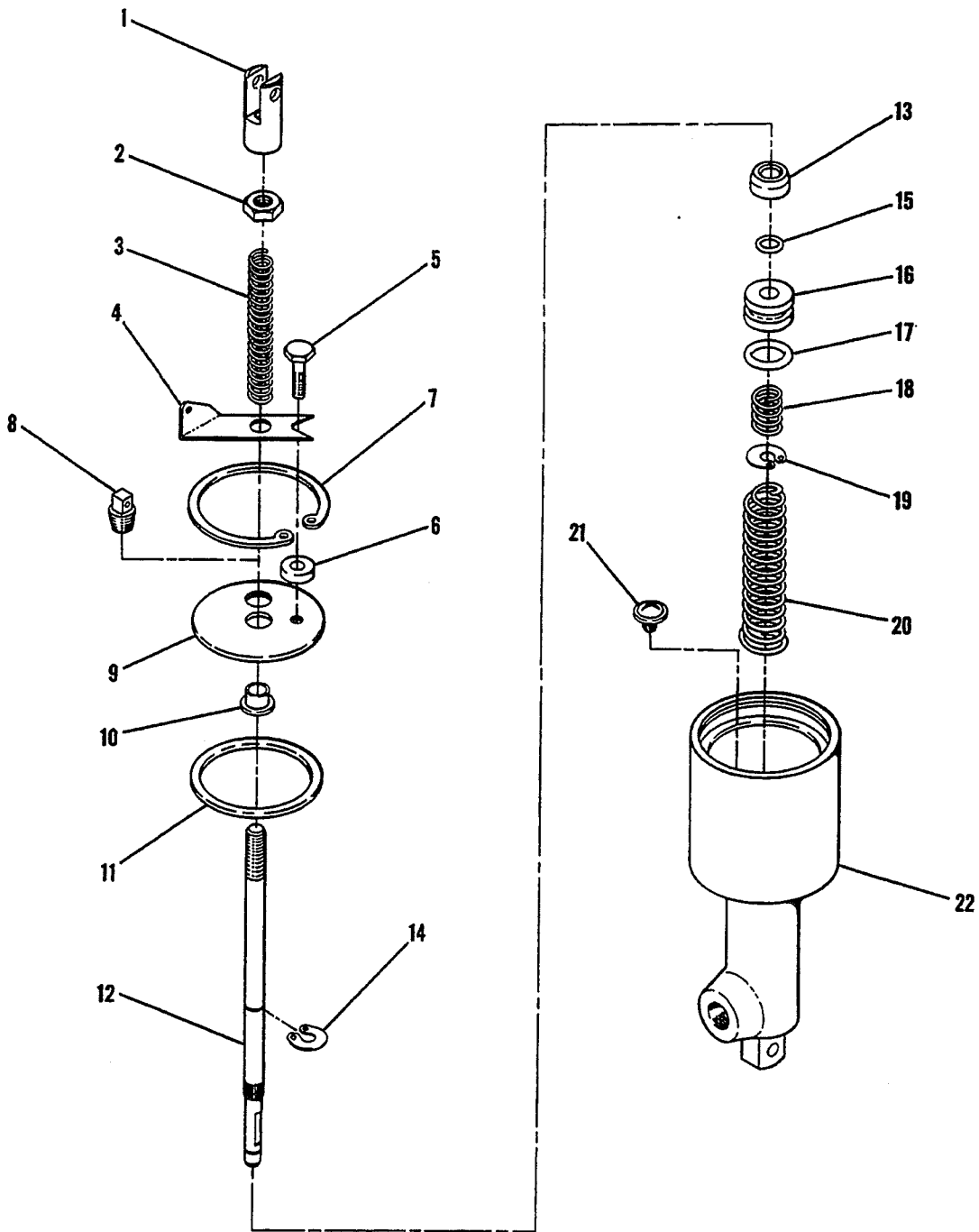
150 & A150 Parts Catalog

FIGURE AND INDEX NO.	PART NUMBER	DESCRIPTION	UNITS PER ASSY	USABLE ON CODE
61 -		PEDAL INSTALLATION-RUDDER & BRAKE -----	NP	
- 1	1460320-1	PEDAL-BRAKE & RUDDER -----	4	
		ATTACHING PARTS -----		
- 2	1460501-21	SHAFT -----	1	
- 3	MS24665-281	PIN-COTTER -----	2	
		-----*		
- 4	1460505-1	SPRING RH PEDALS ONLY -----	2	
- 5	0411307	ARM ASSEMBLY-RUDDER PEDAL -----	4	
		ATTACHING PARTS -----		
- 6	AN3-12A	BOLT -----	1	
	AN960-10	WASHER -----	1	
- 7	MS21044N3	NUT -----	1	
		-----*		
- 8	0411564	LINK-DUAL BRAKES -----	4	
		ATTACHING PARTS -----		
- 9	0411778-2	SHAFT -----	1	
-10	NAS42HT6-8	SPACER RH PEDALS ONLY -----	1	
-11	MS24665-132	PIN-COTTER -----	2	
-12	MS20392-2C13	PIN -----	1	
-13	NAS43HT3-12	SPACER -----	1	
		-----*		
-14	0400312-1	ANGLE -----	1	
		ATTACHING PARTS -----		
	AN3-4A	BOLT -----	1	
		-----*		
-15	0411286	STIFFENER-CONTROL Y BULKHEAD -----	1	
		ATTACHING PARTS -----		
-16	AN3-3A	BOLT -----	9	
		-----*		
-17	0310196-13	SPRING-BRAKE & RUDDER RETURN -----	2	
-18	0441132	CLIP -----	2	
		ATTACHING PARTS -----		
-19	AN520-10R7	SCREW -----	1	
	MS20365-1032C	NUT -----	1	
		-----*		
-20	S1675-1	BEARING HALF-INBOARD -----	4	
-21	S1674-1	BEARING HALF-OUTBOARD -----	4	
		ATTACHING PARTS -----		
-22	AN3-16A	BOLT -----	2	
	MS21044N3	NUT -----	2	
		-----*		
-23	0411526-1	WELD ASSEMBLY-RUDDER BAR -----	1	
-24	0411526-2	WELD ASSEMBLY-RUDDER BAR -----	1	
-25	0411573-1	BELLCRANK ASSEMBLY -----	1	
-26	0411563	BELLCRANK ASSEMBLY -----	3	
		ATTACHING PARTS -----		
-27	AN3-10A	BOLT -----	1	
-28	MS21044N3	NUT -----	1	
		-----*		
-29	S1003-43A	BEARING -----	4	
-30	0411565	TUBE-DUAL BRAKE TORQUE -----	2	
-31	SEE FIG 62	CYLINDER ASSEMBLY-BRAKE -----	2	
	SEE FIG 63	CYLINDER ASSEMBLY-BRAKE -----	2	
		ATTACHING PARTS -----		
-32	MS20392-2C15	PIN -----	1	
-33	MS24665-132	PIN-COTTER -----	1	
		-----*		
-34	0411550	BRACKET-BRAKE CYLINDER OUTSIDE -----	1	
-35	0411549	BRACKET-BRAKE CYLINDER INSIDE -----	1	
		ATTACHING PARTS -----		
-36	AN3-3A	BOLT -----	2	
-37	MS20365-1032C	NUT -----	2	
		-----*		
-38	0713624-2	ANCHOR-INBOARD CYLINDER ATTACH -----	1	
		 A---150 SERIAL 15071129 & ON A150 SERIAL A1500001 & ON B---F150 SERIAL F15000530 & ON FA150 SERIAL FA1500001 & ON		

A
B

150 & A150 Parts Catalog

Brake Cylinder



150 SERIAL 15071129 THRU 15071813
A150 SERIAL A1500001 THRU A1500170

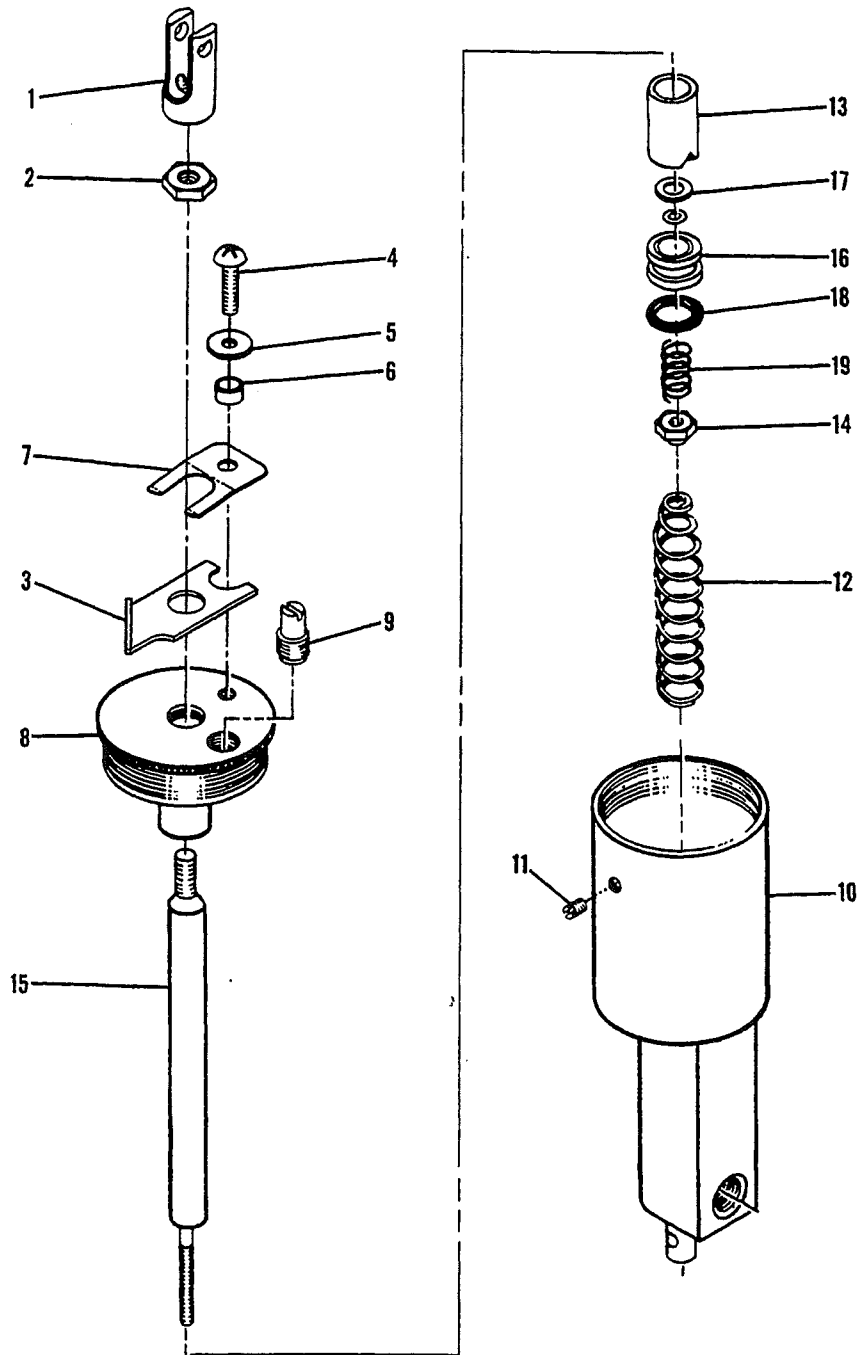
Figure 62. Master Brake Cylinder Assembly

150 & A150 Parts Catalog

FIGURE AND INDEX NO.	PART NUMBER	DESCRIPTION							UNITS PER ASSY	USABLE ON CODE
		1	2	3	4	5	6	7		
62 -	C163020-0101	CYLINDER ASSEMBLY-MASTER BRAKE WEU 0541138-19 SEE NOTE * ---							2	A
- 1	A279A	CLEVIS GRDS -----							1	
- 2	AN316-4	NUT-LOCK -----							1	
- 3	A088A	SPRING GRDS -----							1	
- 4	A147A	LEVER-PARKING BRAKE GRDS -----							1	
- 5	AN3-5A	BOLT -----							1	
- 6	A126A	SPACER-RUBBER GRDS -----							1	
- 7	N5000-175	SNAP RING WKI -----							1	
- 8	A148A	PLUG-FILLER GRDS -----							1	
- 9	A064A	PLATE ASSEMBLY-COVER GRDS -----							1	
-10		BUSHING -----							NP	
-11	TS33-30	RUBBER RING SQ. CUT -----							1	
-12	A085A	SHAFT ASSEMBLY GRDS -----							1	
-13		COLLAR-THRUST GRDS -----							NP	
-14	X5133-21	SNAP RING WKI -----							1	
-15	AN6227B4	O RING -----							1	
-16	A223A	PISTON GRDS -----							1	
-17	AN6227B9	O RING -----							1	
-18	A113A	SPRING GRDS -----							1	
-19	X5133-21	SNAP RING WKI -----							1	
-20	A089A	SPRING GRDS -----							1	
-21	A087A	BOLT & LOCKWASHER ASSEMBLY GRDS -----							1	
-22	A061A	HOUSING-BRAKE CYLINDER GRDS -----							1	
		<p>NOTE. *WHEN INITIALLY ORDERING 0541138-19 FOR SPARES ALSO ORDER ONE S1743-2 CONNECTOR & ONE MS28778-4 PACKING PER CYLINDER</p> <p>A---150 SERIAL 15071129 THRU 15071813 A150 SERIAL A1500001 THRU A1500170</p>								

150 & A150 Parts Catalog

Brake Cylinder (Cont)



150 SERIAL 15071814 & ON
F150 SERIAL F15000530 & ON
A150 SERIAL A1500171 & ON
FA150 SERIAL FA1500001 & ON

Figure 63. Master Brake Cylinder Assembly

150 & A150 Parts Catalog

FIGURE AND INDEX NO.	PART NUMBER	DESCRIPTION							UNITS PER ASSY	USABLE ON CODE
		1	2	3	4	5	6	7		
63 -	0541138-19	CYLINDER ASSEMBLY-MASTER BRAKE -----							2	A
- 1	0541140	CLEVIS-ROD END -----							1	
- 2	AN316-4R	NUT-CHECK -----							1	
- 3	0541165-1	PLATE-LOCK -----							1	
		ATTACHING PARTS								
- 4	AN515-10R8	SCREW-MACHINE -----							1	
- 5	AN960-10	WASHER -----							1	
- 6	0541146-1	SPACER -----							1	
		*-----								
- 7	0541167-1	SPRING-PARKING BRAKE -----							1	
- 8	0541151	COVER-MASTER CYLINDER -----							1	
- 9	0541139	PLUG-FILLER -----							1	
-10	0541184-1	BODY-MASTER CYLINDER -----							1	
-11	AN565UGH3	SCREW -----							1	
-12	0541148	SPRING-PISTON RETURN -----							1	
-13	0541149	SLEEVE-PISTON ROD -----							1	
	0541138-5	PISTON ASSEMBLY-MASTER CYLINDER -----							1	
-14	22FH632	NUT SPS -----							1	
-15	0541144	ROD -----							1	
-16	0541143	PISTON -----							1	
-17	800-001-6	LOCK-O-SEAL PKSC -----							1	
-18	MS28775-110	O RING -----							1	
-19	0541148-1	SPRING -----							1	
		A---150 SERIAL 15071814 & ON F150 SERIAL F15000530 & ON A150 SERIAL A1500171 & ON FA150 SERIAL FA1500001 & ON								

150 & A150 Parts Catalog

Flight Controls

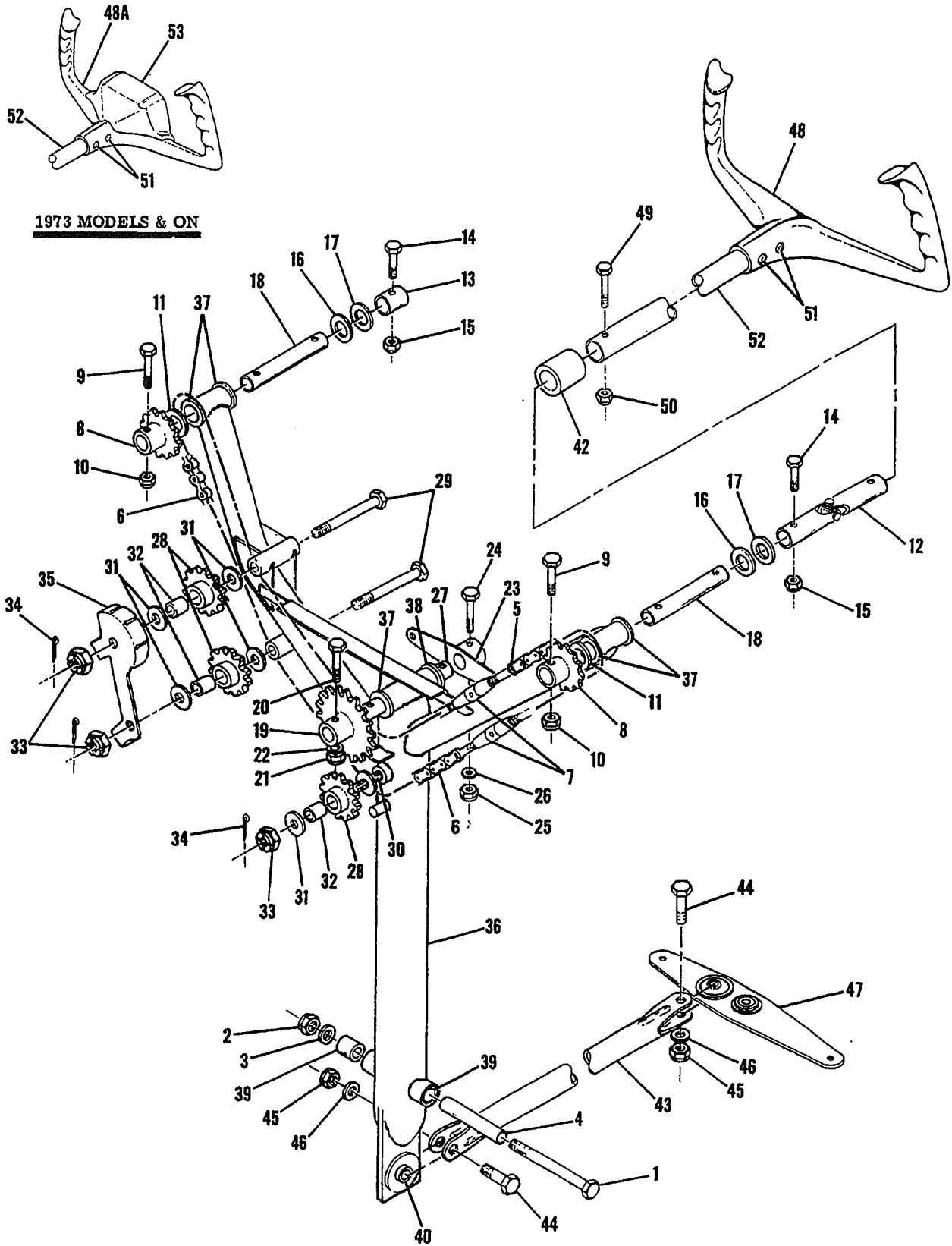


Figure 64. Control Y Installation

150 & A150 Parts Catalog

FIGURE AND INDEX NO.	PART NUMBER	DESCRIPTION	1 2 3 4 5 6 7							UNITS PER ASSY	USABLE ON CODE
64 -	0460128-1	CONTROL Y INSTALLATION -----								NP	
		CONTROL Y ASSEMBLY -----								1	
		ATTACHING PARTS -----									
- 1	AN4-31A	BOLT -----								1	
- 2	MS21042L4	NUT -----								1	
- 3	AN960-416L	WASHER -----								1	
- 4	S18-30	BUSHING -----								1	
		-----*									
- 5	0413372-1	CHAIN ASSEMBLY-CONTROL Y -----								1	
- 6	0413372-8	CHAIN ASSEMBLY-CONTROL Y -----								1	
- 7	AN155-32S	BARREL -----								2	
- 8	0411047	SPROCKET -----								2	
		ATTACHING PARTS -----									
- 9	AN3-11A	BOLT -----								1	
-10	MS21044N3	NUT -----								1	
-11	AN960-816	WASHER -----								2	
		-----*									
-12	0411257	UNIVERSAL JOINT LH ONLY -----								1	
-13	0460101	SPACER RH ONLY -----								1	
	0411257	UNIVERSAL JOINT RH DUAL CONTROLS -----								2	
		ATTACHING PARTS -----									
-14	AN3-10A	BOLT -----								1	
-15	MS21044N3	NUT -----								1	
-16	AN960-816	WASHER -----								1	
-17	S1450-18B14-005	WASHER -----								AR	
		-----*									
-18	0411255	SHAFT -----								2	
-19	0413374-1	SPROCKET -----								1	
		ATTACHING PARTS -----									
-20	AN3-11A	BOLT -----								1	
-21	MS21044N3	NUT -----								1	
-22	AN960-10	WASHER -----								1	
		-----*									
-23	0413370-1	ARM -----								1	
		ATTACHING PARTS -----									
-24	AN3-11A	BOLT -----								1	
-25	MS21044N3	NUT -----								1	
-26	AN960-10	WASHER -----								1	
		-----*									
-27	0413379	SHAFT -----								1	
-28	0413373-1	SPROCKET -----								3	
		ATTACHING PARTS -----									
-29	AN4-25	BOLT -----								1	
-30	AN4-30	BOLT -----								1	
-31	NAS70-261-750	WASHER -----								2	
-32	0413380-1	BUSHING -----								1	
-33	AN310-4	NUT -----								1	
-34	MS24665-132	COTTER PIN -----								1	
		-----*									
-35	0460129-1	GUARD -----								1	
-36	0460128-200	CONTROL Y ASSEMBLY -----								1	
-37	S1004-28A	BEARING -----								5	
-38	S1004-29A	BEARING -----								1	
-39	S1997-6-10	BEARING -----								2	
-40	MS27261KSP4	BEARING -----								1	
-41		DELETED, NOT AVAILABLE -----									
-42	S1495-10	HOSE-1.12 IN LG BULK ITEM REF S1495-10-1.12 -----								2	
-43	0460116-3	LINK-ELEVATOR CONTROL -----								1	
		ATTACHING PARTS -----									
-44	AN4-11A	BOLT -----								2	
-45	MS21042L4	NUT -----								2	
-46	AN960-416	WASHER -----								2	
		-----*									
-47	0411258-1	BELLCRANK-ELEVATOR CONTROL -----								1	

CONTINUED ON NEXT PAGE

150 & A150 Parts Catalog

FIGURE AND INDEX NO.	PART NUMBER	DESCRIPTION							UNITS PER ASSY	USABLE ON CODE
		1	2	3	4	5	6	7		
64 -48	0513240-16	CONTROL WHEEL ASSEMBLY-PILOT & COPILOT WEU 0513261-7 ----							2	A
	0513240-18	CONTROL WHEEL ASSEMBLY-PILOT & COPILOT NOT DRILLED ----							2	B
	0513261-7	FOR MIKE SWITCH WEU 0513261-7 CONTROL WHEEL ASSEMBLY-PILOT & COPILOT NOT DRILLED ----							2	C
	0513240-20	CONTROL WHEEL ASSEMBLY-PILOT ONLY DRILLED FOR MIKE SWITCH WEU 0513261-8							1	B
	0513261-8	CONTROL WHEEL ASSEMBLY-PILOT ONLY DRILLED FOR MIKE SWITCH							1	C
-48A	0513261-10	CONTROL WHEEL ASSEMBLY-PILOT & COPILOT NOT DRILLED ----							2	J
	0513261-16	FOR MIKE SWITCH CONTROL WHEEL ASSEMBLY-PILOT & COPILOT NOT DRILLED ----							2	K
	0513261-11	CONTROL WHEEL ASSEMBLY-PILOT ONLY DRILLED FOR MIKE SWITCH							1	J
	0513261-17	CONTROL WHEEL ASSEMBLY-PILOT ONLY DRILLED FOR MIKE SWITCH -							1	K
-49	AN3-10A	ATTACHING PARTS							1	
-50	MS21044N3	BOLT -----							1	
		NUT -----							1	
		*-----								
	0513239-9	WHEEL-CONTROL PILOT & COPILOT WEU 0513260-13 ----							1	A
	0513239-13	WHEEL-CONTROL PILOT & COPILOT NOT DRILLED ----							1	B
		FOR MIKE SWITCH WEU 0513260-13								
	0513239-18	WHEEL-CONTROL PILOT & COPILOT FSO 0513261-7 ----							NP	D
	0513260-13	WHEEL-CONTROL PILOT & COPILOT NOT DRILLED ----							1	E
		FOR MIKE SWITCH								
	0513260-4	WHEEL-CONTROL PILOT & COPILOT NOT DRILLED ----							1	H
		FOR MIKE SWITCH								
	0513239-15	WHEEL-CONTROL PILOT ONLY DRILLED FOR MIKE SWITCH --							1	B
	0513260-19	WHEEL-CONTROL PILOT ONLY DRILLED FOR MIKE SWITCH --							NP	D
		FSO 0513261-8								
	0513260-14	WHEEL-CONTROL PILOT ONLY DRILLED FOR MIKE SWITCH --							1	E
	0513260-5	WHEEL-CONTROL PILOT ONLY DRILLED FOR MIKE SWITCH --							1	H
-51	0413216-6	RIVET -----							2	F
	0413216-6	RIVET AFT HOLE -----							1	D
	0413216-9	RIVET FWD HOLE -----							1	D
-52	0413213-16	TUBE WEU 0413213-19 -----							1	D
	0413213-19	TUBE -----							1	A
	0413213-21	TUBE -----							1	G
	0413213-26	TUBE USED WITH 0513239-18 & 0513260-19 ONLY -----							1	D
-53	0514088-1	PAD-CONTROL WHEEL -----							2	K
	0414044-1	PAD-CONTROL WHEEL -----							2	L
	0514097-1	PAD-CONTROL WHEEL -----							2	M
	SEE FIG 2 & 2A	PLACARD-CONTROL WHEEL INSIGNIA -----							2	N
		AR								
		<p>A---150 SERIAL 15071129 THRU 15072003 F150 SERIAL F15000530 THRU F15000658 A150 SERIAL A1500001 THRU A1500226 FA150 SERIAL FA1500001 THRU FA1500081</p> <p>B---150 SERIAL 15072004 THRU 15072725, 15072744, 15072750 & 15072751 F150 SERIAL F15000659 THRU F15000863 A150 SERIAL A1500227 THRU A1500279 FA150 SERIAL FA1500082 THRU FA1500166</p> <p>C---150 SERIAL 15072726 THRU 15072743, 15072745 THRU 15072749, 15072752 THRU 15073658 A150 SERIAL A1500280 THRU A1500342</p> <p>D---150 SERIAL 15072726 THRU 15072743, 15072745 THRU 15072749, 15072752 THRU 15073391 A150 SERIAL A1500280 THRU A1500330</p> <p>E---150 SERIAL 15073392 THRU 15073658 F150 SERIAL F15000834 THRU F15000863 A150 SERIAL A1500331 THRU A1500342</p> <p>F---150 SERIAL 15071129 THRU 15072725, 15072744, 15072750, 15072751, 15073392 & ON F150 SERIAL F15000530 & ON A150 SERIAL A1500001 THRU A1500279, A1500331 & ON FA150 SERIAL FA1500001 & ON</p>								
		CONTINUED ON NEXT PAGE								

150 & A150 Parts Catalog

FIGURE AND INDEX NO.	PART NUMBER	DESCRIPTION							UNITS PER ASSY	USABLE ON CODE
		1	2	3	4	5	6	7		
64 -		<p>G---150 SERIAL 15072004 THRU 15072725, 15072744, 15072750, 15072751, 15073392 THRU 15074384 F150 SERIAL F15000659 THRU F15000943 A150 SERIAL A1500227 THRU A1500279, A1500331 THRU A1500389 FA150 SERIAL FA1500082 THRU FA1500211</p> <p>H---150 SERIAL 15073659 & ON F150 SERIAL F15000864 & ON A150 SERIAL A1500343 & ON FA150 SERIAL FA1500167 & ON</p> <p>J---150 SERIAL 15073659 THRU 15074384 F150 SERIAL F15000864 THRU F15000943 A150 SERIAL A1500343 THRU A1500389 FA150 SERIAL FA1500167 THRU FA1500211</p> <p>K---150 SERIAL 15074385 & ON F150 SERIAL F15000944 & ON A150 SERIAL A1500390 & ON FA150 SERIAL FA1500212 & ON</p> <p>L---150 SERIAL 15073659 THRU 15074850 F150 SERIAL F15000864 THRU F15001013 A150 SERIAL A1500343 THRU A1500429 FA150 SERIAL FA1500167 THRU FA1500211</p> <p>M---150 SERIAL 15074851 THRU 15075781 F150 SERIAL F15001014 THRU F15001143 A150 SERIAL A1500430 THRU A1500523 FA150 SERIAL FA1500212 THRU FA1500261</p> <p>N---150 SERIAL 15075782 & ON F150 SERIAL F15001144 & ON A150 SERIAL A1500524 & ON FA150 SERIAL FA1500262 & ON</p>								

150 & A150 Parts Catalog

Flight Controls (Cont)

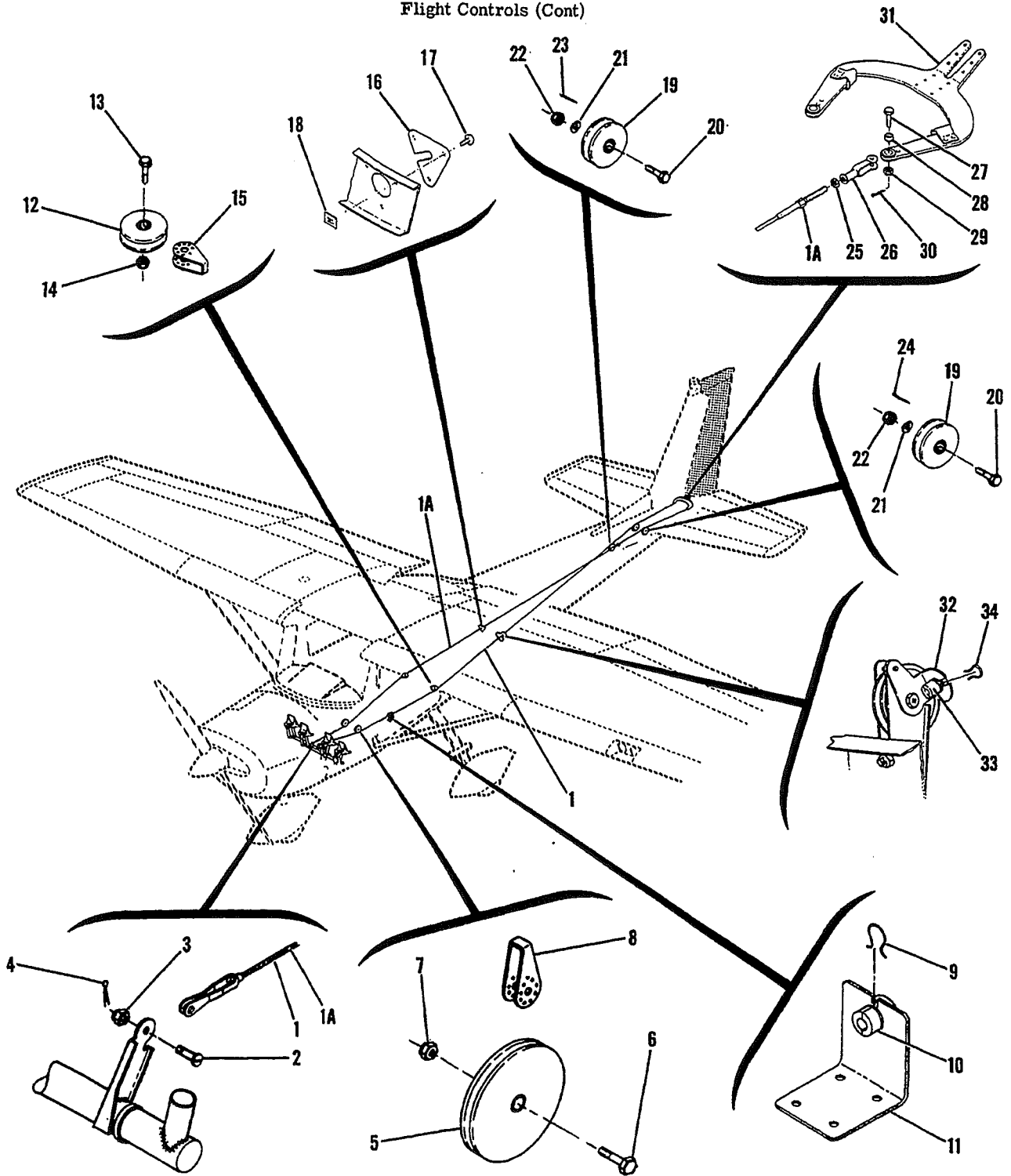


Figure 65. Rudder Control System Installation

150 & A150 Parts Catalog

FIGURE AND INDEX NO.	PART NUMBER	DESCRIPTION							UNITS PER ASSY	USABLE ON CODE
		1	2	3	4	5	6	7		
65 -		RUDDER CONTROL SYSTEM INSTALLATION -----							NP	
- 1	0400107-49	CABLE ASSEMBLY-RUDDER CONTROL LH -----							1	
	0400107-149	CABLE ASSEMBLY-RUDDER CONTROL LH STAINLESS STEEL -----							1	
- 1A	0400107-50	CABLE ASSEMBLY-RUDDER CONTROL RH -----							1	
	0400107-150	CABLE ASSEMBLY-RUDDER CONTROL RH STAINLESS STEEL -----							1	
		ATTACHING PARTS								
- 2	AN23-10	BOLT -----							1	
- 3	AN310-3	NUT -----							1	
- 4	MS24665-132	PIN-COTTER -----							1	
		*-----								
- 5	S378-4	PULLEY -----							2	
		ATTACHING PARTS								
- 6	AN4-10A	BOLT -----							1	
- 7	MS21042L4	NUT -----							1	
- 8	0411421-6	GUARD -----							1	
		*-----								
- 9	S339-1	CLIP -----							1	
-10	S338-1	FAIRLEAD-HALF -----							2	
-11	0460200-1	RETAINER-FAIRLEAD -----							1	
-12	S378-3	PULLEY -----							2	
		ATTACHING PARTS								
-13	AN4-10A	BOLT -----							1	
-14	MS21042L4	NUT -----							1	
-15	0411421-2	GUARD -----							1	
		*-----								
-16	0412168-1	FAIRLEAD -----							1	
		ATTACHING PARTS								
-17	S1021Z8-6	SCREW -----							3	
-18	NAS446-4-3	NUT -----							3	
		*-----								
-19	S378-3	PULLEY -----							3	
		ATTACHING PARTS								
-20	AN4-10A	BOLT -----							1	
-21	AN960-416	WASHER -----							1	
-22	MS21042L4	NUT -----							1	
		*-----								
-23	MS24665-283	PIN-COTTER CABLE GUARD -----							1	
-24	MS24665-134	PIN-COTTER CABLE GUARD -----							2	
-25	AN315-4R	NUT -----							2	
-26	MS27975-3	CLEVIS -----							2	
		ATTACHING PARTS								
-27	AN3-7A	BOLT -----							1	B
	AN3-6	BOLT -----							1	C
-28	NAS74A3-004	BUSHING -----							1	
	NAS74A3-004P	BUSHING ALTERNATE -----							1	
-29	MS21044N3	NUT -----							1	B
	AN310-3	NUT -----							1	C
-30	MS24665-134	PIN-COTTER -----							1	C
		*-----								
-31	SEE FIG 22 & 22A	HORN ASSY-RUDDER -----							1	
-32	0460151-1	SUPPORT-FAIRLEAD -----							1	A
-33	S338-1	FAIRLEAD HALF -----							2	A
-34	S339-1	CLIP -----							1	A
<p>A---150 SERIAL 15074662 & ON F150 SERIAL F15001063 & ON A150 SERIAL A1500416 & ON FA150 SERIAL FA1500236 & ON</p> <p>B---150 SERIAL 15071129 THRU 15075943 F150 SERIAL F15000530 THRU F15001143 A150 SERIAL A1500001 THRU A1500541 FA150 SERIAL FA1500001 THRU FA1500261</p> <p>C---150 SERIAL 15075944 & ON F150 SERIAL F15001144 & ON A150 SERIAL A1500542 & ON FA150 SERIAL FA1500262 & ON</p>										

150 & A150 Parts Catalog

Flight Control (Cont)

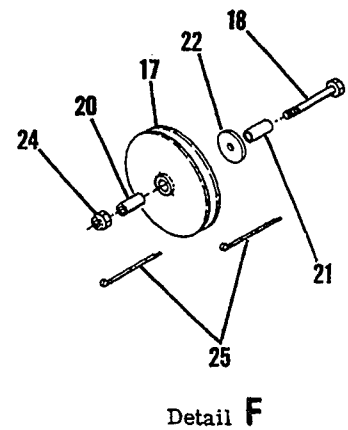
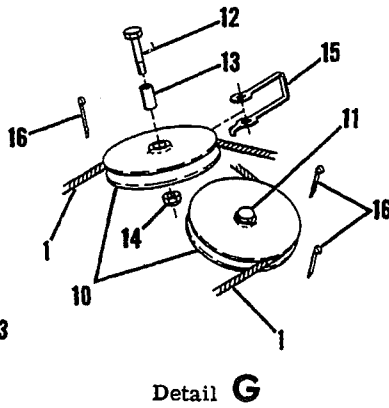
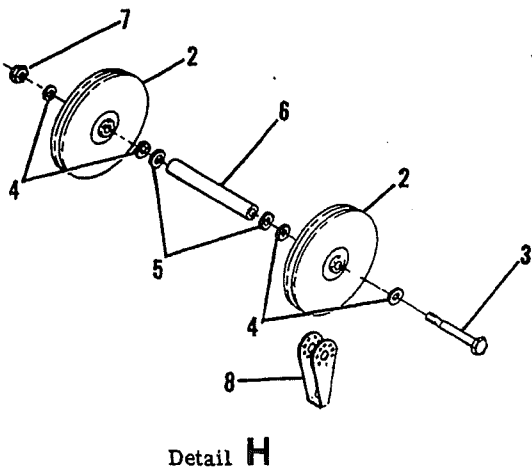
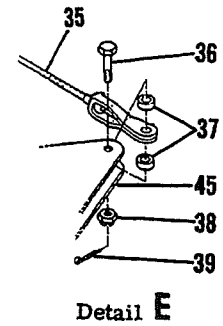
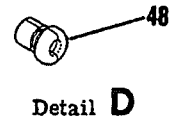
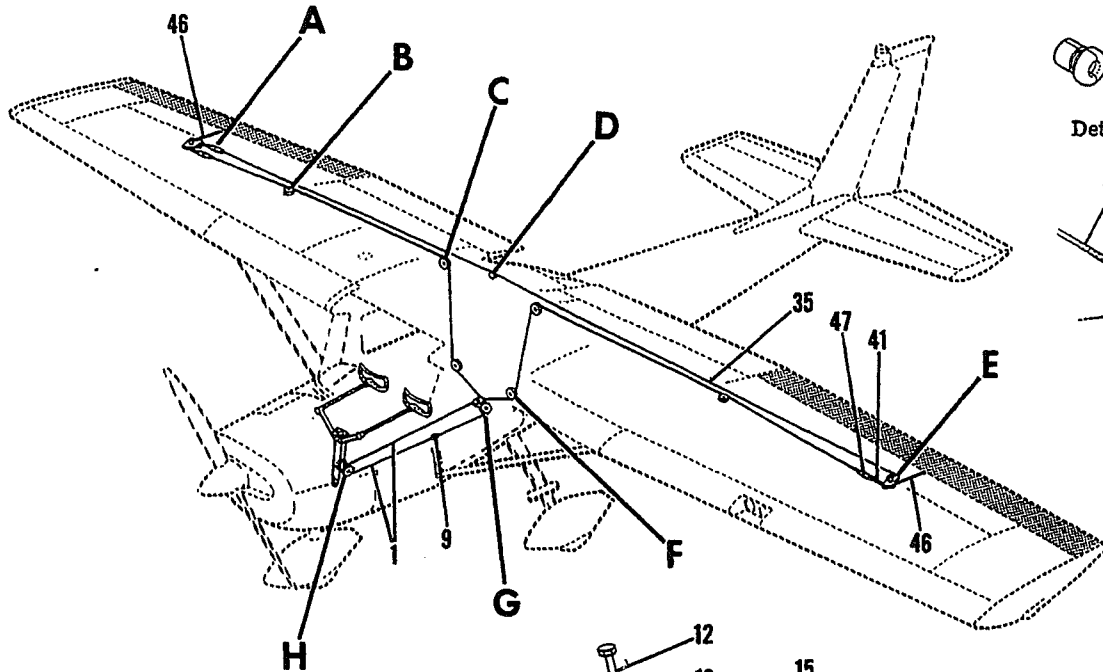
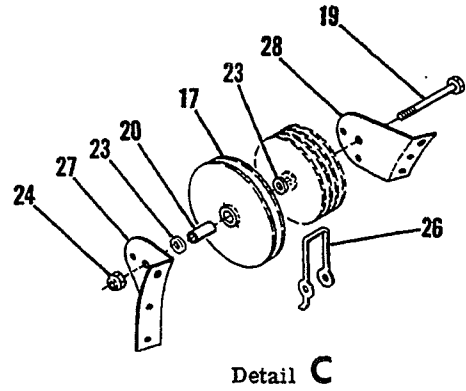
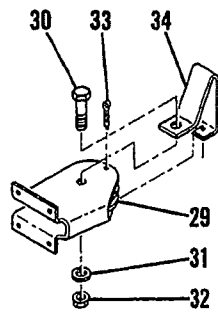
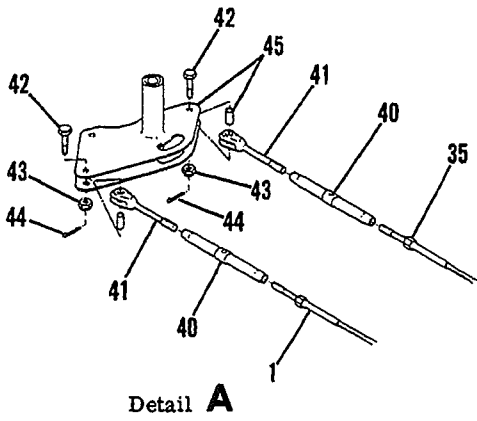


Figure 66. Aileron Control System Installation

150 & A150 Parts Catalog

FIGURE AND INDEX NO.	PART NUMBER	DESCRIPTION	UNITS PER ASSY							USABLE ON CODE	
			1	2	3	4	5	6	7		
66 -		AILERON CONTROL SYSTEM INSTALLATION -----								NP	
- 1	0400107-41	CABLE ASSEMBLY-AILERON CONTROL -----								2	
	0400107-141	CABLE ASSEMBLY-STAINLESS STEEL AILERON CONTROL -----								2	
		ATTACHING PARTS -----									
	AN23-10	BOLT-CLEVIS ATTACH TO CONTROL Y -----								1	
	AN310-3	NUT ATTACH TO CONTROL Y -----								1	
	MS24665-132	PIN-COTTER ATTACH TO CONTROL Y -----								1	
		-----*									
- 2	S378-4	PULLEY -----								2	
		ATTACHING PARTS -----									
- 3	AN4-43A	BOLT -----								1	
- 4	AN960-416L	WASHER -----								4	
- 5	AN960-416	WASHER -----								2	
- 6	NAS43DD4-152	SPACER -----								1	
- 7	MS21042L4	NUT -----								1	
		-----*									
- 8	0411421-6	GUARD -----								2	
- 9	S338-1	FAIRLEAD HALF -----								2	
		ATTACHING PARTS -----									
	S339-1	CLIP -----								1	
		-----*									
-10	MS20220-2	PULLEY -----								2	
		ATTACHING PARTS -----									
-11	AN3-10A	BOLT -----								1	
-12	AN3-11A	BOLT -----								1	
-13	0460109-1	BUSHING -----								1	
-14	MS21044N3	NUT -----								1	
		-----*									
-15	0460108-1	GUARD -----								1	
-16	MS24665-136	PIN-COTTER -----								3	
-17	MS20220-2	PULLEY -----								4	
		ATTACHING PARTS -----									
-18	AN3-16A	BOLT -----								1	
-19	AN3-17A	BOLT -----								1	
-20	0460109-1	BUSHING -----								1	
-21	NAS43HT3-44	SPACER -----								1	
-22	AN970-3	WASHER -----								1	
-23	AN960-10	WASHER -----								2	
-24	MS21044N3	NUT -----								1	
		-----*									
-25	MS24665-143	PIN-COTTER -----								4	
-26	0460108-1	GUARD -----								4	
-27	0412044-2	BRACKET-PULLEY RH FWD -----								1	
	0412044-1	BRACKET-PULLEY LH FWD -----								1	
-28	0412044-4	BRACKET-PULLEY RH AFT -----								1	
	0412044-3	BRACKET-PULLEY LH AFT -----								1	
-29	S378-3	PULLEY -----								2	
		ATTACHING PARTS -----									
-30	AN4-10A	BOLT -----								1	
-31	AN960-10L	WASHER -----								1	
-32	MS21042L4	NUT -----								1	
		-----*									
-33	MS24665-132	PIN-COTTER -----								2	
-34	0423016-1	GUARD-PULLEY -----								1	
-35	0400107-21	CABLE-AILERON CONTROL -----								1	
	0400107-121	CABLE-STAINLESS STEEL AILERON CONTROL -----								1	
		ATTACHING PARTS -----									
-36	AN3-7A	BOLT -----								1	A
	AN3-7	BOLT -----								1	B
-37	NAS43HT4-9	SPACER -----								2	
-38	MS21044N3	NUT -----								1	
	AN310-3	NUT -----								1	
-39	MS24665-134	PIN-COTTER -----								1	A
		-----*									B
-40	AN155-32L	BARREL-TURNBUCKLE -----								2	

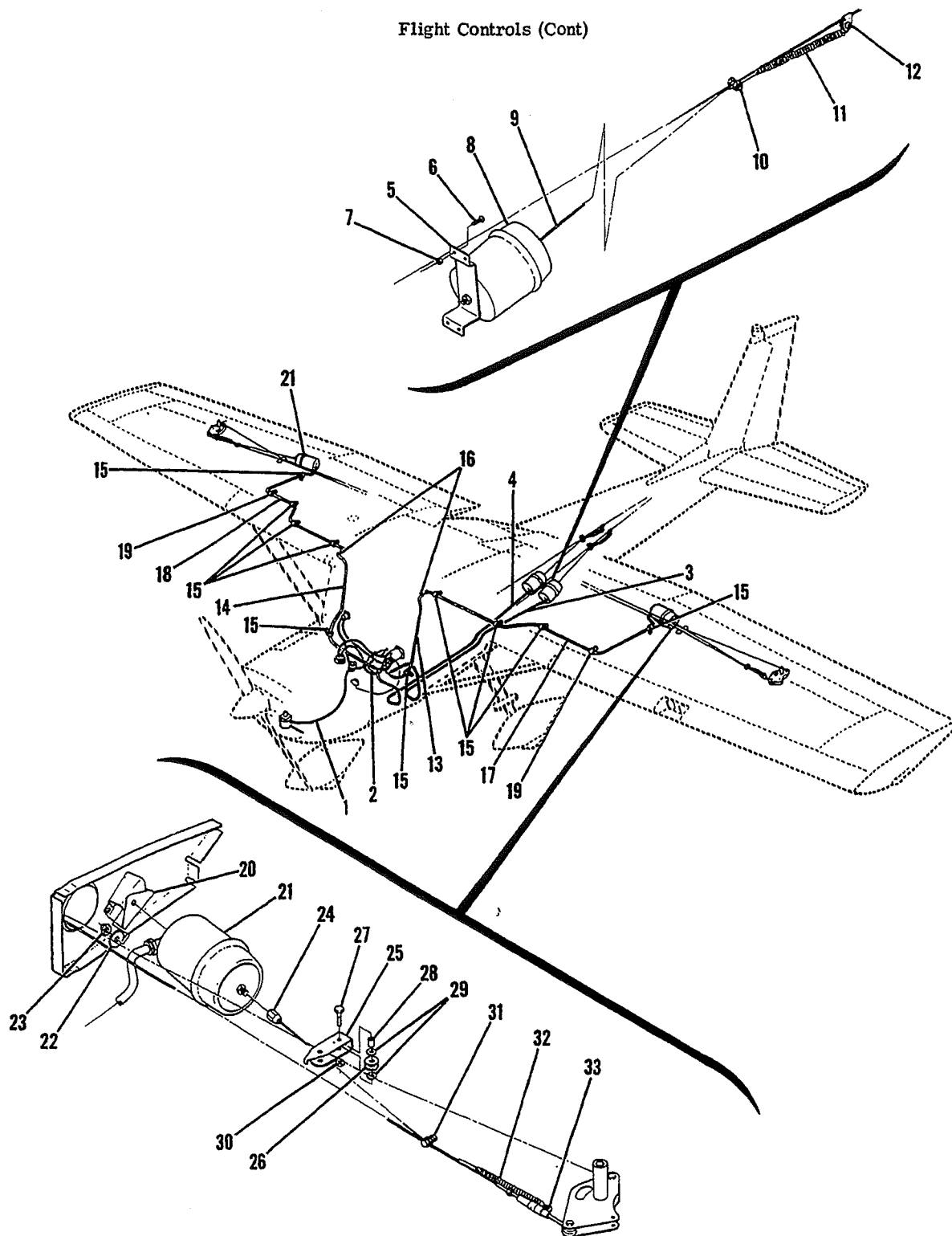
CONTINUED ON NEXT PAGE

150 & A150 Parts Catalog

FIGURE AND INDEX NO.	PART NUMBER	DESCRIPTION	UNITS PER ASSY	USABLE ON CODE
		1 2 3 4 5 6 7		
66 -41	AN161-32LL	FORK -----	3	
		ATTACHING PARTS -----		
-42	AN3-7A	BOLT -----	1	A B A B B B
	AN3-7	BOLT -----	1	
-43	MS21044N3	NUT -----	1	
	AN310-3	NUT -----	1	
-44	MS24665-134	PIN-COTTER -----	1	
		-----*		
-45	SEE FIG 15	BELLCRANK ASSY-AILERON -----	2	
-46	SEE FIG 15	ROD ASSY-AILERON -----	2	
-47	AN155-32S	BARREL-TURNBUCKLE -----	1	
-48	S338-1	FAIRLEAD HALF -----	2	
		ATTACHING PARTS -----		
	S339-1	CLIP -----	1	
		-----*		
		A---150 SERIAL 15071129 THRU 15075943		
		F150 SERIAL F15000530 THRU F15001143		
		A150 SERIAL A1500001 THRU A1500541		
		FA150 SERIAL FA1500001 THRU FA1500261		
		B---150 SERIAL 15075944 & ON		
		F150 SERIAL F15001144 & ON		
		A150 SERIAL A1500542 & ON		
		FA150 SERIAL FA1500262 & ON		

150 & A150 Parts Catalog

Flight Controls (Cont)



150 SERIAL 15071129 THRU 15074850
F150 SERIAL F15000530 THRU F15001013
A150 SERIAL A1500001 THRU A1500429
FA150 SERIAL FA1500001 THRU FA1500211

Figure 67. Wing Leveler Installation

150 & A150 Parts Catalog

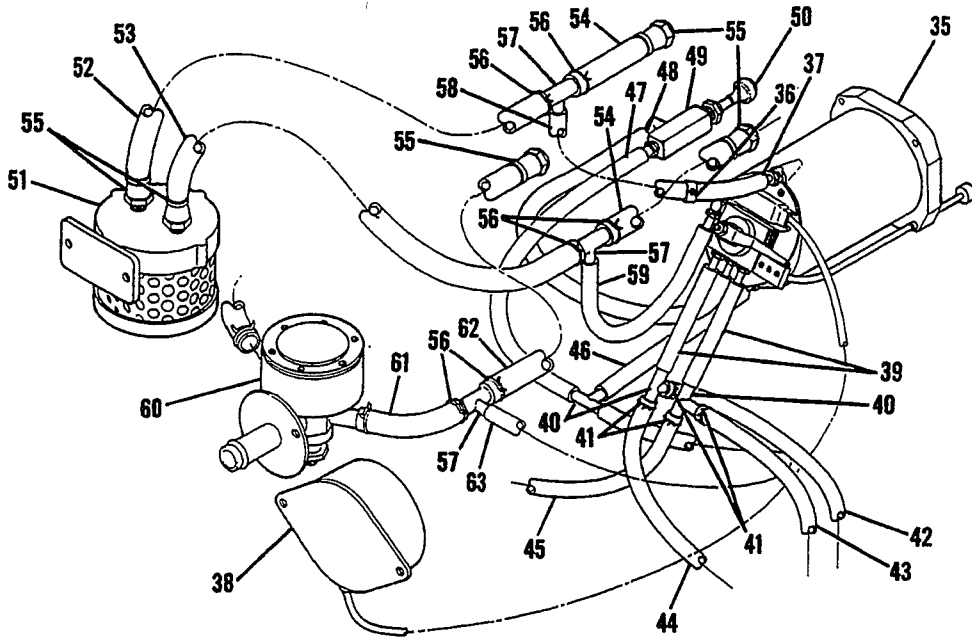
FIGURE AND INDEX NO.	PART NUMBER	DESCRIPTION							UNITS PER ASSY	USABLE ON CODE
		1	2	3	4	5	6	7		
67 -		WING LEVELER INSTALLATION -----							NP	A
- 1	SEE FIG 79	VACUUM SYSTEM -----							1	
- 2	SEE FIG 68	WING LEVELER COMPONENTS -----							1	
- 3	S1071R3	TUBE-RED	* IN LG	BULK ITEM	REF S1071R3-*	-----		1		
- 4	S1071G3	TUBE-GREEN	* IN LG	BULK ITEM	REF S1071R3-*	-----		1		
- 5	0412071-2	BRACKET-RH	-----					1		
	0412071-1	BRACKET-LH	-----					1		
		ATTACHING PARTS -----								
- 6	AN515-8R8	SCREW	-----					4		
- 7	MS21044N08	NUT	-----					4		
		*-----								
- 8	1005-0-1	SERVO ASSEMBLY-RUDDER	BTID	-----				2		
		ATTACHING PARTS -----								
	AN970-5	WASHER	-----					1		
	MS21042L5	NUT	-----					1		
		*-----								
- 9	0422358-1	CABLE ASSEMBLY-RUDDER SERVO	-----				2			
-10	S8S	CONNECTOR	PEUN	-----			2			
	SEL8S	CONNECTOR	PEUN	ALTERNATE	-----			2		
-11	0413416-4	SPRING	-----				2			
-12	AN742D2	CLAMP	-----				2			
		ATTACHING PARTS -----								
	AN525-10R6	SCREW	-----					1		
	MS21044N3	NUT	-----					1		
		*-----								
-13	S1071R3	TUBE-RED	* IN LG	BULK ITEM	REF S1071R3-*	-----		1		
-14	S1071G3	TUBE-GREEN	* IN LG	BULK ITEM	REF S1071G3-*	-----		1		
-15	S1592-2A	CLAMP	-----				10			
		ATTACHING PARTS -----								
	S1021Z6-8	SCREW	-----					1		
		*-----								
-16	S1794-1	FITTING	-----				2			
	S1494-6	CLAMP	-----				4			
-17	S1071R3	TUBE-RED	* IN LG	BULK ITEM	REF S1071R3-*	-----		1		
-18	S1071G3	TUBE-GREEN	* IN LG	BULK ITEM	REF S1071G3-*	-----		1		
-19	49165-22	HARNES BAND	UC	-----			2			
		ATTACHING PARTS -----								
	S1021Z6-8	SCREW	-----					1		
		*-----								
-20	0422356-1	MOUNTING BRACKET ASSEMBLY-SERVO LH	-----				1			
	0422356-2	MOUNTING BRACKET ASSEMBLY-SERVO RH	-----				1			
		ATTACHING PARTS -----								
	AN515-8R8	SCREW	-----					3		
		*-----								
-21	NAS69808	NUTPLATE	-----				3			
	1005-1-0	SERVO ASSEMBLY-AILERON	BTID	-----			2			
		ATTACHING PARTS -----								
-22	AN970-5	WASHER	-----					1		
-23	MS21042L5	NUT	-----					1		
		*-----								
-24	0422358-1	CABLE ASSEMBLY-AILERON SERVO	-----				2			
-25	0422357-1	BRACKET-PULLEY	-----				2			
-26	S1710-1	PULLEY	-----				2			
		ATTACHING PARTS -----								
-27	AN3-10A	BOLT	-----				1			
-28	0411783-1	BUSHING	-----				1			
-29	AN960-10	WASHER	-----				2			
-30	MS21044N3	NUT	-----				1			
		*-----								
-31	S8S	CONNECTOR	PEUN	-----			2			
	SEL8S	CONNECTOR	PEUN	ALTERNATE	-----			2		
-32	0413416-4	SPRING	-----				2			
-33	AN742D6	CLAMP	-----				2			
		ATTACHING PARTS -----								
	AN515-8R6	SCREW	-----					1		
	MS21044N08	NUT	-----					1		
		*-----								

NOTE. *LENGTH TO BE DETERMINED LATER

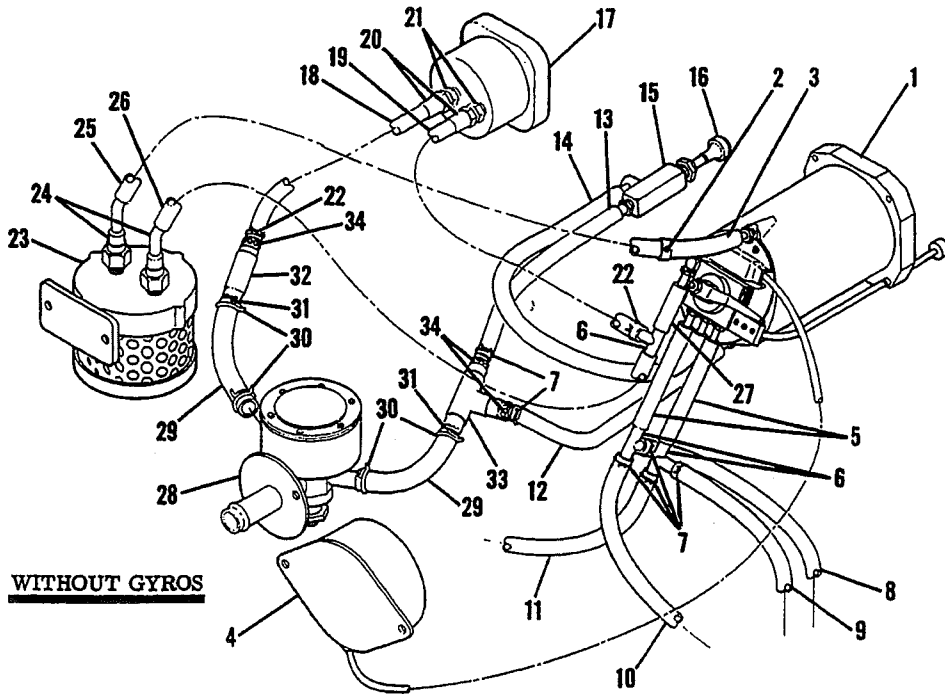
A---150 SERIAL 15071129 THRU 15074850
 F150 SERIAL F15000530 THRU F15001013
 A150 SERIAL A1500001 THRU A1500429
 FA150 SERIAL FA1500001 THRU FA1500211

150 & A150 Parts Catalog

Flight Controls (Cont)



USED WITH GYROS



WITHOUT GYROS

150 SERIAL 15071129 THRU 15074850
 F150 SERIAL F15000530 THRU F15001013
 A150 SERIAL A1500001 THRU A1500429
 FA150 SERIAL FA1500001 THRU FA1500211

Figure 68. Wing Leveler Components

150 & A150 Parts Catalog

FIGURE AND INDEX NO.	PART NUMBER	DESCRIPTION						UNITS PER ASSY	USABLE ON CODE	
		1	2	3	4	5	6			7
68 -		WING LEVELER COMPONENTS USED WITHOUT GYROS						NP	C A B	
- 1	2904-1 C661003-0601	INDICATOR-TURN COORDINATOR BTID WEU C661003-0601						1		
		INDICATOR-TURN COORDINATOR						1		
		ATTACHING PARTS								
	AN515B6R12	SCREW						3		
	AN936A6B	WASHER						3		
	AN340B6	NUT						3		
- 2		*-----								
- 3	S1800-1	%	VALVE-RESTRICTOR				NP			
- 4		%	TUBE-* IN LG BULK ITEM REF S1800-1-*				1			
			INVERTER				NP			
			ATTACHING PARTS							
	AN515-8R8	SCREW						2		
	MS21044N08	NUT						2		
			*-----							
- 5	S1800-1		TUBE-3.00 IN LG BULK ITEM REF S1800-1-3.00				2			
- 6	S1793-1		TEE						3	
- 7	S1494-6		CLAMP						6	
- 8	S1071R3		TUBE-RED * IN LG BULK ITEM REF S1071R3-*				1			
- 9	S1071G3		TUBE-GREEN * IN LG BULK ITEM REF S1071G3-*				1			
- 10	S1071R3		TUBE-RED * IN LG BULK ITEM REF S1071R3-*				1			
- 11	S1071G3		TUBE-GREEN * IN LG BULK ITEM REF S1071G3-*				1			
- 12	S1800-1		TUBE-* IN LG BULK ITEM REF S1800-1-*				1			
- 13	S1800-1		TUBE-* IN LG BULK ITEM REF S1800-1-*				1			
- 14	S1800-1		TUBE-* IN LG BULK ITEM REF S1800-1-*				1			
- 15	S1791-1		VALVE-WING LEVELER						1	
			ATTACHING PARTS							
	AN960-616	WASHER						1		
	0713026-6	NUT						1		
			*-----							
- 16	S1981-1		KNOB						1	
- 17	SEE FIG 47		GAGE-SUCTION						1	
- 18	S1495-4		HOSE-* IN LG BULK ITEM REF S1499-4J-*				1			
- 19	S1495-4		HOSE-* IN LG BULK ITEM REF S1499-4J-*				1			
- 20	S1497-4		FITTING-SOCKETLESS						2	
- 21	AN816-4D		NIPPLE						2	
- 22	S1494-7		CLAMP						2	
- 23	SEE FIG 79		FILTER ASSEMBLY-AIR						1	
- 24	1713039-1		FITTING						2	
- 25	S1800-1		TUBE-* IN LG BULK ITEM REF S1800-1-*				1			
- 26	S1800-1		TUBE-* IN LG BULK ITEM REF S1800-1-*				1			
- 27	S1800-1		TUBE-* IN LG BULK ITEM REF S1800-1-*				1			
- 28	C482001-0301		VALVE-RELIEF						1	
- 29	S1495-6		HOSE-4.00 IN LG BULK ITEM REF S1495-6-4.00				2			
- 30	S1494-9		CLAMP						4	
- 31	S1828-4		ADAPTER						2	
- 32	S1803-2		COUPLING						1	
- 33	S1826-2		TEE						1	
- 34	S1805-1		REDUCER						3	
	S1828-3		ADAPTER						3	
- 35	2904-1 C661003-0601		WING LEVELER COMPONENTS USED WITH GYROS						NP	A B
			INDICATOR-TURN COORDINATOR BTID WEU C661003-0601						1	
			INDICATOR-TURN COORDINATOR						1	
			ATTACHING PARTS							
	AN515B6R12	SCREW						3		
	AN936A6B	WASHER						3		
	AN340B6	NUT						3		
			*-----							
- 36		%	VALVE-RESTRICTOR				NP			
- 37	S1800-1		TUBE-* IN LG BULK ITEM REF S1800-1-*				1			
- 38		%	INVERTER				NP			
			ATTACHING PARTS							
	AN515-8R8	SCREW						2		
	MS21044N08	NUT						2		
			*-----							
- 39	S1800-1		TUBE-3.00 IN LG BULK ITEM REF S1800-1-3.00				2			
- 40	S1793-1		TEE						3	
- 41	S1494-6		CLAMP						4	

CONTINUED ON NEXT PAGE

150 & A150 Parts Catalog

FIGURE AND INDEX NO.	PART NUMBER	DESCRIPTION	UNITS PER ASSY	USABLE ON CODE
		1 2 3 4 5 6 7		
68 -42	S1071R3	TUBE-RED * IN LG BULK ITEM REF S1071R3-* -----	1	
-43	S1071G3	TUBE-GREEN * IN LG BULK ITEM REF S1071G3-* -----	1	
-44	S1071R3	TUBE-RED * IN LG BULK ITEM REF S1071R3-* -----	1	
-45	S1071G3	TUBE-GREEN * IN LG BULK ITEM REF S1071G3-* -----	1	
-46	S1800-1	TUBE-* IN LG BULK ITEM REF S1800-1-* -----	1	
-47	S1800-1	TUBE-* IN LG BULK ITEM REF S1800-1-* -----	1	
-48	S1800-1	TUBE-* IN LG BULK ITEM REF S1800-1-* -----	1	
-49	S1791-1	VALVE-WING LEVELER -----	1	
		ATTACHING PARTS -----		
	AN960-616	WASHER -----	1	
	0713026-6	NUT -----	1	
		---*---		
-50	S1981-1	KNOB -----	1	
-51	SEE FIG 79	FILTER ASSEMBLY-AIR -----	1	
-52	S1495-6	HOSE-* IN LG BULK ITEM REF 0413453-2 -----	1	
		AIR FILTER TO HORIZON GYRO -----		
-53	S1495-6	HOSE-* IN LG BULK ITEM REF 0413453-3 -----	1	
		AIR FILTER TO DIRECTIONAL GYRO -----		
-54	S1495-6	HOSE-3.25 IN LG BULK ITEM REF S1499-6L-3.25 -----	2	
-55	S1497-6	FITTING-SOCKETLESS -----	5	
-56	S1494-9	CLAMP -----	7	
-57	S1793-2	TEE -----	3	
-58	S1800-1	TUBE-* IN LG BULK ITEM REF S1800-1-* -----	1	
-59	S1800-1	TUBE-* IN LG BULK ITEM REF S1800-1-* -----	1	
-60	SEE FIG 79	VALVE-RELIEF -----	1	
-61	S1495-6	HOSE-* IN LG BULK ITEM REF S1495-6-* -----	1	
-62	S1495-6	HOSE-* IN LG BULK ITEM REF 0413453-4 -----	1	
		RELIEF VALVE TO DIRECTIONAL GYRO -----		
-63	S1800-1	TUBE-* IN LG BULK ITEM REF S1800-1-* -----	1	
<p>NOTE. *LENGTH TO BE DETERMINED LATER</p> <p>NOTE. %INVERTER, RESTRICTOR VALVE & TURN COORDINATOR MUST BE ORDERED AS A MATCHED SET.</p> <p>A---150 SERIAL 15071129 THRU 15072628 F150 SERIAL F15000530 THRU F15000833 A150 SERIAL A1500001 THRU A1500276 FA150 SERIAL FA1500001 THRU FA1500166</p> <p>B---150 SERIAL 15072629 & ON F150 SERIAL F1500834 & ON A150 SERIAL A1500277 & ON FA150 SERIAL FA1500167 & ON</p> <p>C---150 SERIAL 15071129 THRU 15074850 F150 SERIAL F15000530 THRU F15001013 A150 SERIAL A1500001 THRU A1500429 F150 SERIAL FA1500001 THRU FA1500211</p>				

150 & A150 Parts Catalog

FIGURE AND INDEX NO.	PART NUMBER	DESCRIPTION							UNITS PER ASSY	USABLE ON CODE
		1	2	3	4	5	6	7		
69 -		FLAP SYSTEM INSTALLATION-ELECTRIC -----							NP	
- 1	0400107-45	CABLE-FLAP -----							2	
	0400107-145	CABLE-FLAP STAINLESS STEEL -----							2	
- 2	0400107-46	CABLE-FLAP -----							2	
	0400107-146	CABLE-FLAP STAINLESS STEEL -----							2	
		ATTACHING PARTS								
- 3	MS20392-1C9	PIN -----							2	
	MS24665-134	PIN-COTTER -----							2	
- 4	AN155-16S	BARREL -----							1	
		*-----								
- 5	S378-2	PULLEY -----							2	
		ATTACHING PARTS								
- 6	AN3-7A	BOLT -----							1	
- 7	MS21044N3	NUT -----							1	
- 8	AN960-10	WASHER -----							1	
		*-----								
- 9	MS24665-132	PIN-COTTER CABLE GUARD -----							2	
-10	S378-2	PULLEY -----							4	
		ATTACHING PARTS								
-11	AN3-17A	BOLT -----							1	
-12	MS21044N3	NUT -----							1	
-13	0760610-6	GUARD RH -----							1	
	0760610-5	GUARD LH -----							1	
-14	MS20220-2	PULLEY USED ON AILERON SYSTEM -----							1	
-15	0460108-1	GUARD USED ON AILERON PULLEY -----							2	
	0460109-1	BUSHING USED WITH AILERON PULLEY -----							1	
-16	AN960-10	WASHER -----							2	
		*-----								
-17	0412044-2	BRACKET-PULLEY RH FWD -----							1	
	0412044-1	BRACKET-PULLEY LH FWD -----							1	
-18	0412044-4	BRACKET-PULLEY RH AFT -----							1	
	0412044-3	BRACKET-PULLEY LH AFT -----							1	
-19	S378-3	PULLEY -----							2	C
		ATTACHING PARTS								
-20	AN4-10A	BOLT -----							1	C
-21	MS21042L4	NUT -----							1	C
		*-----								
-22	S378-2	PULLEY -----							2	C
-22A	S378-2	PULLEY -----							4	D
		ATTACHING PARTS								
-23	AN3-6A	BOLT -----							1	
-24	MS21044N3	NUT -----							1	
		*-----								
-25	MS24665-132	PIN-COTTER CABLE GUARD -----							4	
-26	0760612-1	DRIVE PULLEY ASSEMBLY-RH -----							1	
-27	0760612-7	DRIVE PULLEY ASSEMBLY-LH -----							1	
		ATTACHING PARTS								
-28	AN4-60A	BOLT -----							1	
	0523536	BUSHING -----							1	
	S1450-20B12-032	WASHER -----							2	
	AN960D416	WASHER -----							2	
-29	MS21042L4	NUT -----							1	
		*-----								
	B610	BEARING TOR -----							1	

CONTINUED ON NEXT PAGE

150 & A150 Parts Catalog

Flight Controls (Cont)

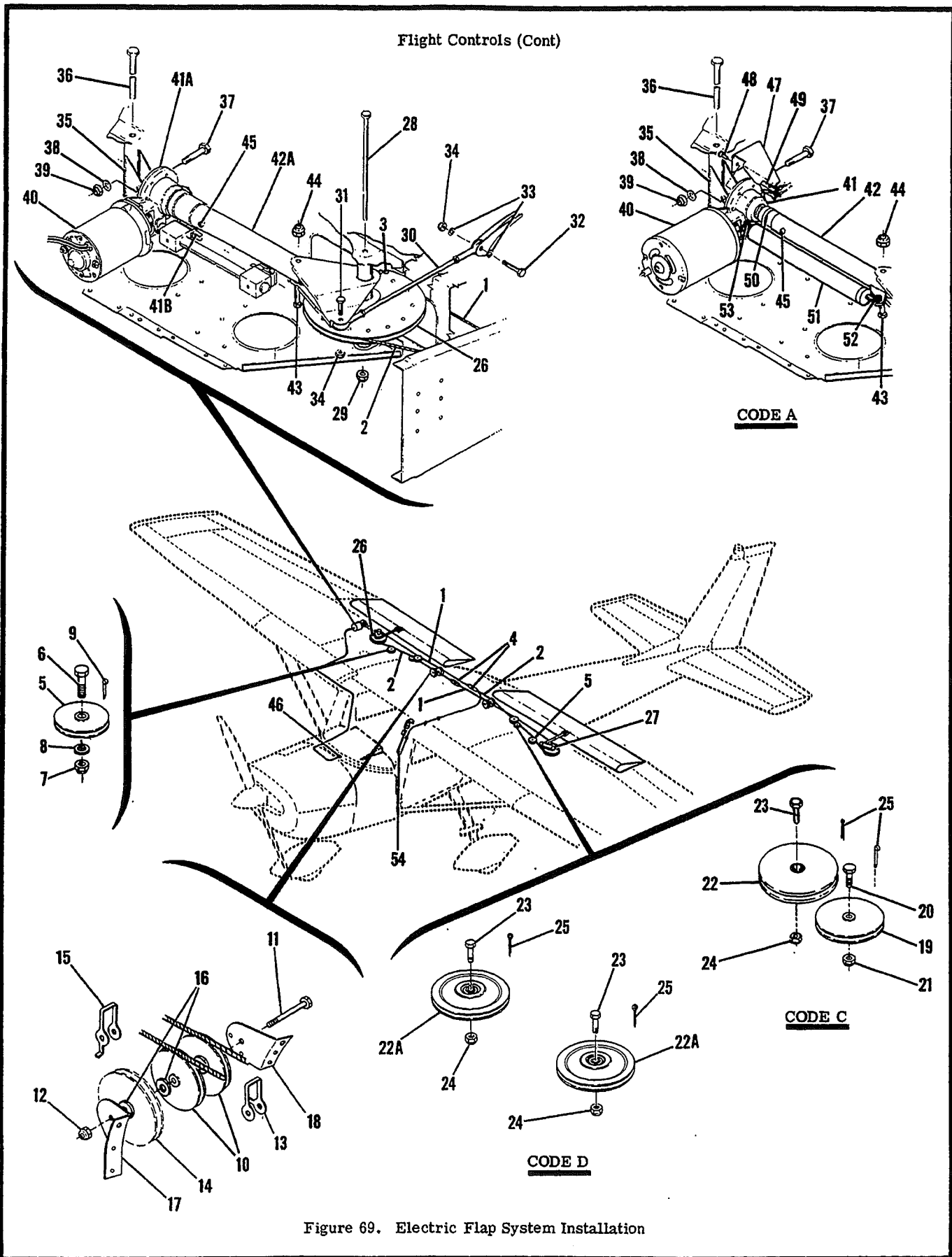


Figure 69. Electric Flap System Installation

150 & A150 Parts Catalog

FIGURE AND INDEX NO.	PART NUMBER	DESCRIPTION							UNITS PER ASSY	USABLE ON CODE
		1	2	3	4	5	6	7		
69 -30	0523537	ROD ASSEMBLY -----							2	
		ATTACHING PARTS -----								
-31	AN3-7A	BOLT ATTACH BELLCRANK END -----							1	
-32	AN3-11A	BOLT ATTACH TO FLAP END -----							1	
-33	AN960-10	WASHER ATTACH AT FLAP END -----							5	
-34	MS21044N3	NUT -----							1	
		*-----								
-35	0760619-1	HINGE ASSEMBLY-FLAP MOTOR -----							1	
		ATTACHING PARTS -----								
-36	AN4-56A	BOLT -----							1	
	0523536	BUSHING -----							1	
	MS21042L4	NUT -----							1	
		*-----								
	B610	BEARING TOR -----							1	
	C301002-0301	ACTUATOR & MOTOR ASSEMBLY FSO C301002-0301 & SK150-41 ---							1	A
		ACTUATOR & MOTOR ASSEMBLY -----							1	B
		ATTACHING PARTS -----								
-37	AN6-15A	BOLT -----							1	
-38	AN960-616	WASHER -----							1	
-39	MS21042L6	NUT -----							1	
		*-----								
-40	C301002-0103	MOTOR-FLAP ACTUATOR -----							1	
-41		ACTUATOR ASSEMBLY-FLAP FSO C301002-0301 & SK150-41 ---							1	
-41A	C301002-0308	ACTUATOR & SWITCH BAR ASSY -----							1	A
-41B	S1906-2	SWITCH-FLAP LIMIT -----							2	B
		ATTACHING PARTS -----								
	AN515-4-9	SCREW -----							2	B
	AN936A4	NUT -----							2	B
		*-----								
	C301001-0211	COUPLING -----							1	
-42	0409007-4	TUBE ASSEMBLY-FLAP -----							1	A
-42A	0760620-1	TUBE ASSEMBLY-FLAP FSO 0760620-9 ---							NP	E
	0760620-9	TUBE ASSEMBLY-FLAP -----							1	G
		ATTACHING PARTS -----								
-43	AN4-15A	BOLT -----							1	
	0760614-1	BUSHING -----							1	
-44	MS21042L5	NUT -----							1	
		*-----								
	S1003-66A	BEARING -----							1	
-45	AN56508H3	SET SCREW -----							1	F
	AN565B428H4	SET SCREW -----							1	G
-46	S1661-2	SWITCH-FLAP CONTROL -----							1	H
-47	0420019-1	SUPPORT-FLAP LIMIT SWITCH -----							1	A
		ATTACHING PARTS -----								
-48	AN507-1032R12	SCREW -----							2	A
	AN936B10	WASHER -----							2	A
		*-----								
-49	S1906-1	SWITCH-FLAP LIMIT CRYE -----							1	A
		ATTACHING PARTS -----								
	AN515-4R12	SCREW -----							2	A
	NAS620-4	WASHER -----							2	A
	AN340-4	NUT -----							2	A
		*-----								
-50	S1601-16	CLAMP -----							1	A
		ATTACHING PARTS -----								
	AN520-10R24	SCREW -----							1	A
	AN960-10	WASHER -----							1	A
	MS21044N3	NUT -----							1	A
		*-----								
-51	10650	CYLINDER -----							1	A
		ATTACHING PARTS -----								
-52	NAS221-10	SCREW -----							1	A
	AN960-10L	WASHER -----							1	A
	MS21044N3	NUT -----							1	A
-53	NAS221-14	SCREW -----							1	A
	AN960-10	WASHER -----							1	A
	MS21044N3	NUT -----							1	A
	NAS43HT3-4	SPACER BETWEEN CYLINDER & BRACKET ---							1	A
	0409007-2	BRACKET -----							1	A
		*-----								

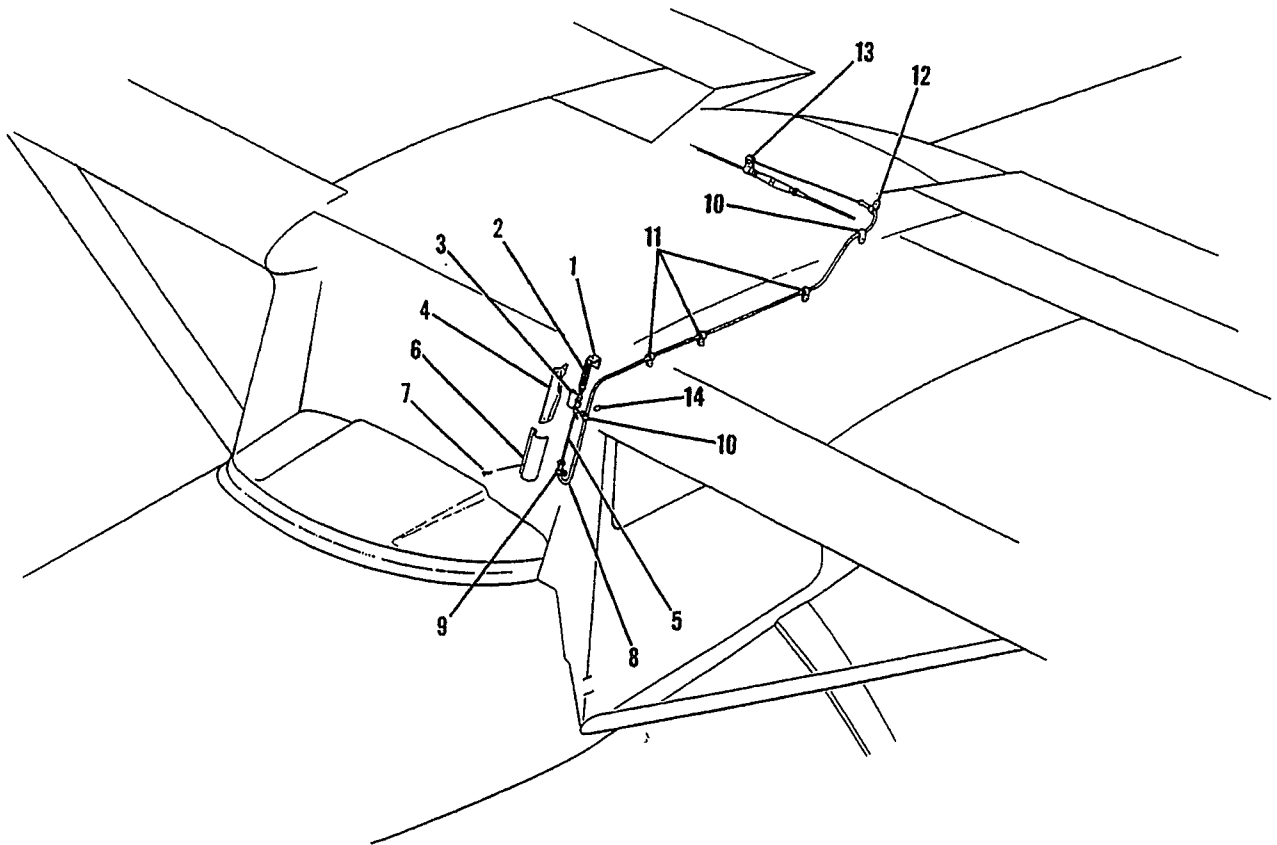
CONTINUED ON NEXT PAGE

150 & A150 Parts Catalog

FIGURE AND INDEX NO.	PART NUMBER	DESCRIPTION	UNITS PER ASSY	USABLE ON CODE
		1 2 3 4 5 6 7		
69 -54	SEE FIG 70 SEE FIG 70A	FLAP POSITION INDICATOR INSTALLATION ----- FLAP POSITION INDICATOR INSTALLATION ----- NOTE. *WHEN ORDERING THIS PART ALSO ORDER ONE AN565B428H4 SET SCREW. A---150 SERIAL 15071129 THRU 15072629 F150 SERIAL F15000530 THRU F15000738 A150 SERIAL A1500001 THRU A1500277 FA150 SERIAL FA1500001 THRU FA1500132 B---150 SERIAL 15072630 & ON F150 SERIAL F15000739 & ON A150 SERIAL A1500278 & ON FA150 SERIAL FA1500133 & ON C---150 SERIAL 15071129 THRU 15074399 F150 SERIAL F15000530 THRU F15000943 A150 SERIAL A1500001 THRU A1500387 FA150 SERIAL FA1500001 THRU FA1500211 D---150 SERIAL 15074400 & ON F150 SERIAL F15000944 & ON A150 SERIAL A1500388 & ON FA150 SERIAL FA1500212 & ON E---150 SERIAL 15072630 THRU 15075326 F150 SERIAL F15000739 THRU F15001073 A150 SERIAL A1500278 THRU A1500464 FA150 SERIAL FA1500133 THRU FA1500236 F---150 SERIAL 15071129 THRU 15075326 F150 SERIAL F15000530 THRU F15001073 A150 SERIAL A1500001 THRU A1500464 FA150 SERIAL FA1500001 THRU FA1500236 G---150 SERIAL 15075327 & ON F150 SERIAL F15001074 & ON A150 SERIAL A1500465 & ON FA150 SERIAL FA1500237 & ON H---150 SERIAL 15071129 THRU 15078505 F150 SERIAL F15000530 THRU F15001338 A150 SERIAL A1500001 THRU A1500684 FA150 SERIAL FA1500001 THRU FA1500311 J---150 SERIAL 15078506 & ON F150 SERIAL F15001339 & ON A150 SERIAL A1500685 & ON FA150 SERIAL FA1500312 & ON	1 1	H J

150 & A150 Parts Catalog

Flight Controls (Cont)



150 SERIAL 15071129 THRU 15078505
F150 SERIAL F15000530 THRU F15001338
A150 SERIAL A1500001 THRU A1500684
FA150 SERIAL FA1500001 THRU FA1500311

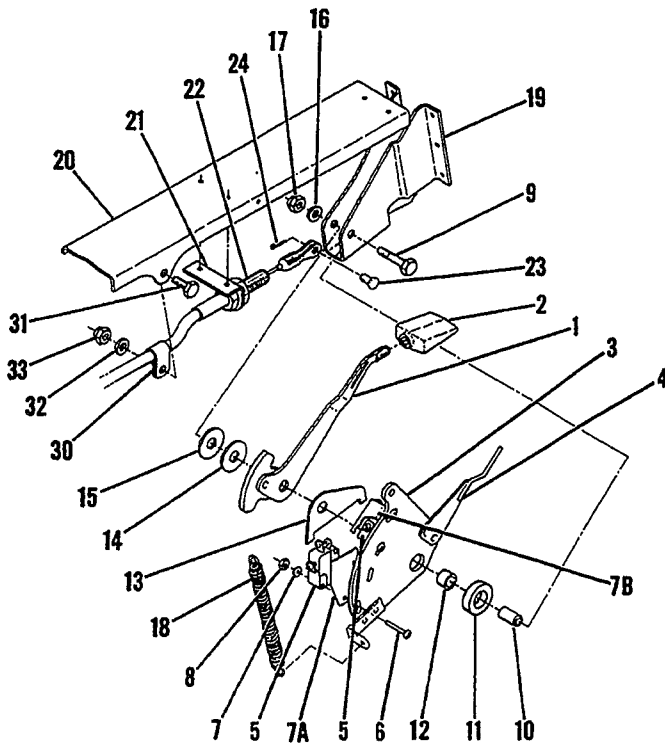
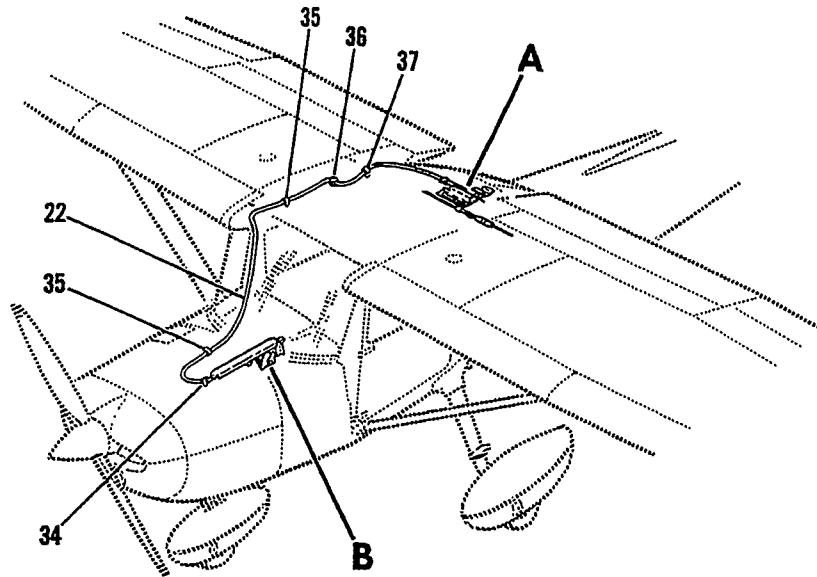
Figure 70. Flap Position Indicator Installation

150 & A150 Parts Catalog

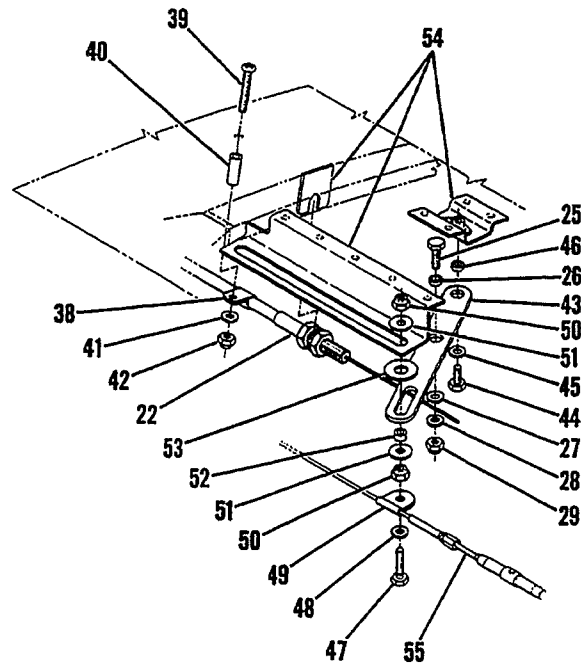
FIGURE AND INDEX NO.	PART NUMBER		DESCRIPTION							UNITS PER ASSY	USABLE ON CODE
			1	2	3	4	5	6	7		
70 -			FLAP POSITION INDICATOR INSTALLATION -----							NP	D
- 1	0413447-2		CLAMP SUPPORT -----							1	
	S1021Z6-6		ATTACHING PARTS -----								
			SCREW -----							1	
			-----*								
- 2	0413416-4		SPRING -----							1	
- 3	0413446-1	<	MARKER-FLAP POSITION -----							1	
- 4	0413445-1		SUPPORT-FLAP INDICATOR -----							1	
			ATTACHING PARTS -----								
	S1022Z6-8C		SCREW -----							2	
			-----*								
- 5	0413416-6		WIRE -----							1	
- 6	0413449-1		TRIM -----							1	
			ATTACHING PARTS -----								
- 7	S1021Z6-6		SCREW -----							2	
			-----*								
- 8	0413416-8		TUBE -----							1	
			ATTACHING PARTS -----								
- 9	AN742D3		CLAMP -----							1	
	NAS43DD1-10		SPACER -----							1	
	S1021Z6-10		SCREW -----							1	
-10	AN742D3		CLAMP -----							5	
	S1021Z6-6		SCREW -----							5	
-11	AN742D3		CLAMP -----							3	
	S1021Z6-6		SCREW -----							3	
	AN520-10R20		SCREW -----							3	
	NAS43HT3-44		SPACER -----							3	
	22NM-02		NUT EN -----							3	
-12	AN742D3		CLAMP -----							1	
	AN515-8R10		SCREW -----							1	
	NAS43DD3-16		SPACER -----							1	
	MS21044N08		NUT -----							1	
			-----*								
-13	AN742D3		CLAMP -----							1	
	AN515-8RB		SCREW -----							1	
	MS21044N08		NUT -----							1	
	SEE FIG 41		SHIELD ASSEMBLY-FLAP INDICATOR & DOORPOST -----							1	
-14	S1894-3		BULB-FLAP INDICATOR LIGHT -----							1	
	25-207		SOCKET-INDICATOR LIGHT -----							1	
			-----*								
<p>NOTE. <THIS PART NUMBER MUST HAVE A SECOND DASH NUMBER ADDED TO DENOTE COLOR. REFER TO HOW TO ORDER INTERIOR PARTS-PAGE VII.</p> <p>A---150 SERIAL 15071129 THRU 15078505 F150 SERIAL F15000530 THRU F15001338 B---A150 SERIAL A1500001 THRU A1500684 FA150 SERIAL FA1500001 THRU FA1500311 C---150 SERIAL 15072004 THRU 15078505 F150 SERIAL F15000659 THRU F15001338 A150 SERIAL A1500227 THRU A1500684 FA150 SERIAL FA1500082 THRU FA1500311 D---150 SERIAL 15071129 THRU 15078505 F150 SERIAL F15000530 THRU F15001338 A150 SERIAL A1500001 THRU A1500684 FA150 SERIAL FA1500001 THRU FA1500311</p>											

150 & A150 Parts Catalog

Flight Controls (Cont)



Detail B



Detail A

150 SERIAL 15078506 & ON
 F150 SERIAL F15001339 & ON
 A150 SERIAL A1500685 & ON
 FA150 SERIAL FA1500312 & ON

Figure 70A. Flap Position Indicator Installation

150 & A150 Parts Catalog

FIGURE AND INDEX NO.	PART NUMBER	DESCRIPTION							UNITS PER ASSY	USABLE ON CODE
		1	2	3	4	5	6	7		
70A-		FLAP POSITION INDICATOR INSTALLATION -----							NP	A
- 1	0460207-1	LEVER ASSY-FLAP -----							1	
- 2	S1771-3	KNOB-FLAP LEVER -----							1	
- 3	0460210-1	INDICATOR ASSY-FLAP -----							1	
- 4	0460210-3	INDICATOR-FLAP -----							1	
- 5	S1906-1	SWITCH-FLAP LIMIT -----							2	
		ATTACHING PARTS								
- 6	AN515-4R12	SCREW -----							2	
- 7	NAS620-4	WASHER -----							2	
- 7A	1670019-1	INSULATOR LOWER SWITCH ONLY -----							1	
- 7B	0470405-1	INSULATOR UPPER SWITCH ONLY -----							1	
- 8	AN340-4	NUT -----							2	
		*-----								
- 9	AN3-10A	BOLT -----							1	
-10	NAS75-3-018	BUSHING -----							1	
-11	S1438-9	WASHER -----							1	
-12	1512280-24	BUSHING -----							1	
-13	0460206-1	SPACER -----							1	
-14	S2202-4	WASHER -----							1	
-15	1452533-2	WASHER -----							1	
-16	AN960-10	WASHER -----							1	
-17	MS21044N3	NUT -----							1	
-18	0460216-2	SPRING-FLAP INDICATOR -----							1	
-19	0460208-1	BRACKET-FLAP INDICATOR -----							1	
-20	0460209-1	BRACKET ASSY-FLAP CONTROL -----							1	
-21	0460209-3	BRACKET-FLAP CONTROL -----							1	
-22	9864050-8	CABLE ASSY-FLAP CONTROL -----							1	
		ATTACHING PARTS								
-23	MS20392-2C7	PIN -----							1	
-24	MS24665-134	PIN-COTTER -----							1	
-25	0470311-7	CLAMP -----							1	
-26	NAS43HT3-6	SPACER -----							1	
-27	AN960-10L	WASHER -----							1	
-28	AN960-10	WASHER -----							1	
-29	MS21044N3	NUT -----							1	
		*-----								
-30	AN742D5	CLAMP -----							1	
		ATTACHING PARTS								
-31	AN3-4A	BOLT -----							1	
-32	AN960-10	WASHER -----							1	
-33	MS21044N3	NUT -----							1	
		*-----								
-34	AN742D5	CLAMP -----							1	
		ATTACHING PARTS								
	AN515-8R8	SCREW -----							1	
	AN960-8	WASHER -----							1	
	MS21044N08	NUT -----							1	
		*-----								
-35	AN742D5	CLAMP -----							2	
		ATTACHING PARTS								
	AN520-10R8	SCREW -----							1	
	AN960-10	WASHER -----							1	
	MS21044N3	NUT -----							1	
		*-----								
-36	MS35489-14	GROMMET -----							1	
-37	AN742D5	CLAMP -----							1	
		ATTACHING PARTS								
	AN520-8R8	SCREW -----							1	
	AN960-8	WASHER -----							1	
	MS21044N08	NUT -----							1	
		*-----								
-38	AN742D5	CLAMP -----							1	
		ATTACHING PARTS								
-39	AN520-10R20	SCREW -----							1	
-40	NAS43DD3-48	SPACER -----							1	
-41	AN960-10	WASHER -----							1	
-42	MS21044N3	NUT -----							1	
		*-----								

CONTINUED ON NEXT PAGE

150 & A150 Parts Catalog

FIGURE AND INDEX NO.	PART NUMBER	DESCRIPTION	UNITS PER ASSY	USABLE ON CODE
		1 2 3 4 5 6 7		
70A-43	0460217-1	BELLCRANK-FLAP INDICATOR -----	1	
		ATTACHING PARTS		
-44	AN3-3A	BOLT -----	1	
-45	AN960-10L	WASHER -----	1	
-46	NAS43HT3-6	SPACER -----	1	
-47	NAS428-3-7	BOLT -----	1	
-48	AN960-10L	WASHER -----	1	
-49	0460218-1	CLAMP-FLAP INDICATOR -----	1	
-50	MS21044N3	NUT -----	2	
-51	S1450-3-10-032	WASHER -----	2	
-52	NAS43HT3-12	SPACER -----	1	
-53	S2202-4	WASHER -----	1	
		-----*		
-54	SEE FIG 29	BRACKETS-FLAP INDICATOR -----	AR	
-55	SEE FIG 69	CABLE-FLAP -----	AR	
		A---150 SERIAL 15078506 & ON F150 SERIAL F15001339 & ON A150 SERIAL A1500685 & ON FA150 SERIAL FA1500312 & ON		

150 & A150 Parts Catalog

Flight Controls (Cont)

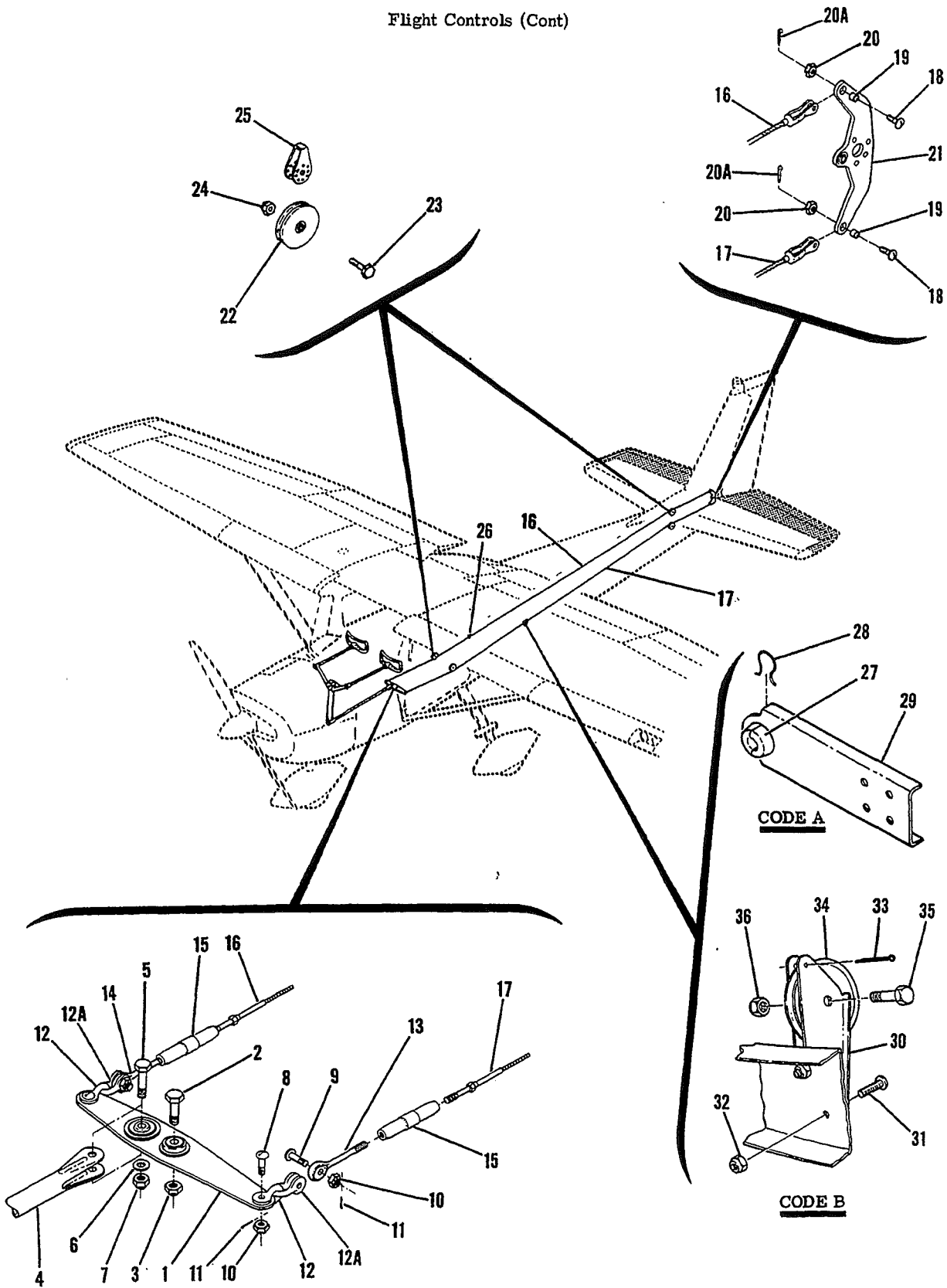


Figure 71. Elevator Control System Installation

150 & A150 Parts Catalog

FIGURE AND INDEX NO.	PART NUMBER	DESCRIPTION							UNITS PER ASSY	USABLE ON CODE
		1	2	3	4	5	6	7		
71 -		ELEVATOR CONTROL SYSTEM INSTALLATION -----							NP	
- 1	0411258-1	BELLCRANK-ELEVATOR FORWARD -----							1	
		ATTACHING PARTS -----								
- 2	AN4-10A	BOLT -----							1	
- 3	MS21042L4	NUT -----							1	
		*-----								
- 4	0460116-3	TUBE-BELLCRANK TO CONTROL Y -----							1	
		ATTACHING PARTS -----								
- 5	AN4-11A	BOLT -----							1	
- 6	AN960-416	WASHER -----							1	
- 7	MS21042L4	NUT -----							1	
		*-----								
- 8	AN23-10	BOLT -----							2	
- 9	AN23-11	BOLT -----							2	
-10	AN310-3	NUT -----							4	
-11	MS24665-132	PIN-COTTER -----							4	
-12	AN115-21	SHACKLE -----							2	
-12A	0533010-1	SHACKLE -----							2	
-13	AN165-22RL	EYE-TURNBUCKLE LH -----							1	
-14	AN165-22RS	EYE-TURNBUCKLE RH -----							1	
-15	AN155-32S	BARREL-TURNBUCKLE -----							2	
-16	0400107-5	CABLE-ELEVATOR CONTROL UP -----							1	
	0400107-105	CABLE-ELEVATOR CONTROL UP STAINLESS STEEL -----							1	
-17	0400107-9	CABLE-ELEVATOR CONTROL DOWN -----							1	
	0400107-109	CABLE-ELEVATOR CONTROL DOWN STAINLESS STEEL -----							1	
		ATTACHING PARTS -----								
-18	AN3-5A	BOLT -----							1	C
	AN23-11	BOLT -----							1	D
-19	NAS43HT3-13	SPACER -----							1	
-20	MS21044N3	NUT -----							1	C
	AN320-3	NUT -----							1	D
-20A	MS24665-134	PIN-COTTER -----							1	D
		*-----								
-21	SEE FIG 20	BELLCRANK ASSEMBLY-ELEVATOR REAR -----							1	
-22	S378-3	PULLEY -----							4	
		ATTACHING PARTS -----								
-23	AN4-10A	BOLT -----							1	
-24	MS21042L4	NUT -----							1	
		*-----								
-25	0411421-2	GUARD -----							4	
-26	S338-1	FAIRLEAD-HALF -----							2	
		ATTACHING PARTS -----								
	S339-1	CLIP -----							1	
		*-----								
-27	S338-1	FAIRLEAD-HALF -----							2	A
-28	S339-1	CLIP -----							1	A
-29	0460201-1	RETAINER-CABLE GUIDE -----							1	A
-30	0460150-1	BRACKET -----							1	B
		ATTACHING PARTS -----								
-31	AN520-10R6	SCREW -----							2	B
-32	MS21044N3	NUT -----							2	B
		*-----								
-33	MS24665-134	PIN-COTTER -----							1	B
-34	S378-3	PULLEY -----							1	B
		ATTACHING PARTS -----								
-35	AN4-10A	BOLT -----							1	B
-36	MS21042L4	NUT -----							1	B
		*-----								
<p>A---150 SERIAL 15071129 THRU 15074661 F150 SERIAL F15000539 THRU F15001062 A150 SERIAL A1500001 THRU A1500415 F150 SERIAL F1500001 THRU FA1500235</p> <p>B---150 SERIAL 15074662 & ON F150 SERIAL F15001063 & ON A150 SERIAL A1500416 & ON FA150 SERIAL FA1500236 & ON</p> <p>C---150 SERIAL 15071129 THRU 15075943 F150 SERIAL F15000530 THRU F15001143 A150 SERIAL A1500001 THRU A1500541 FA150 SERIAL FA1500001 THRU FA1500261</p> <p>D---150 SERIAL 15075944 & ON F150 SERIAL F1500144 & ON A150 SERIAL A1500542 & ON FA150 SERIAL FA1500262 & ON</p>										

150 & A150 Parts Catalog

Flight Controls (Cont)

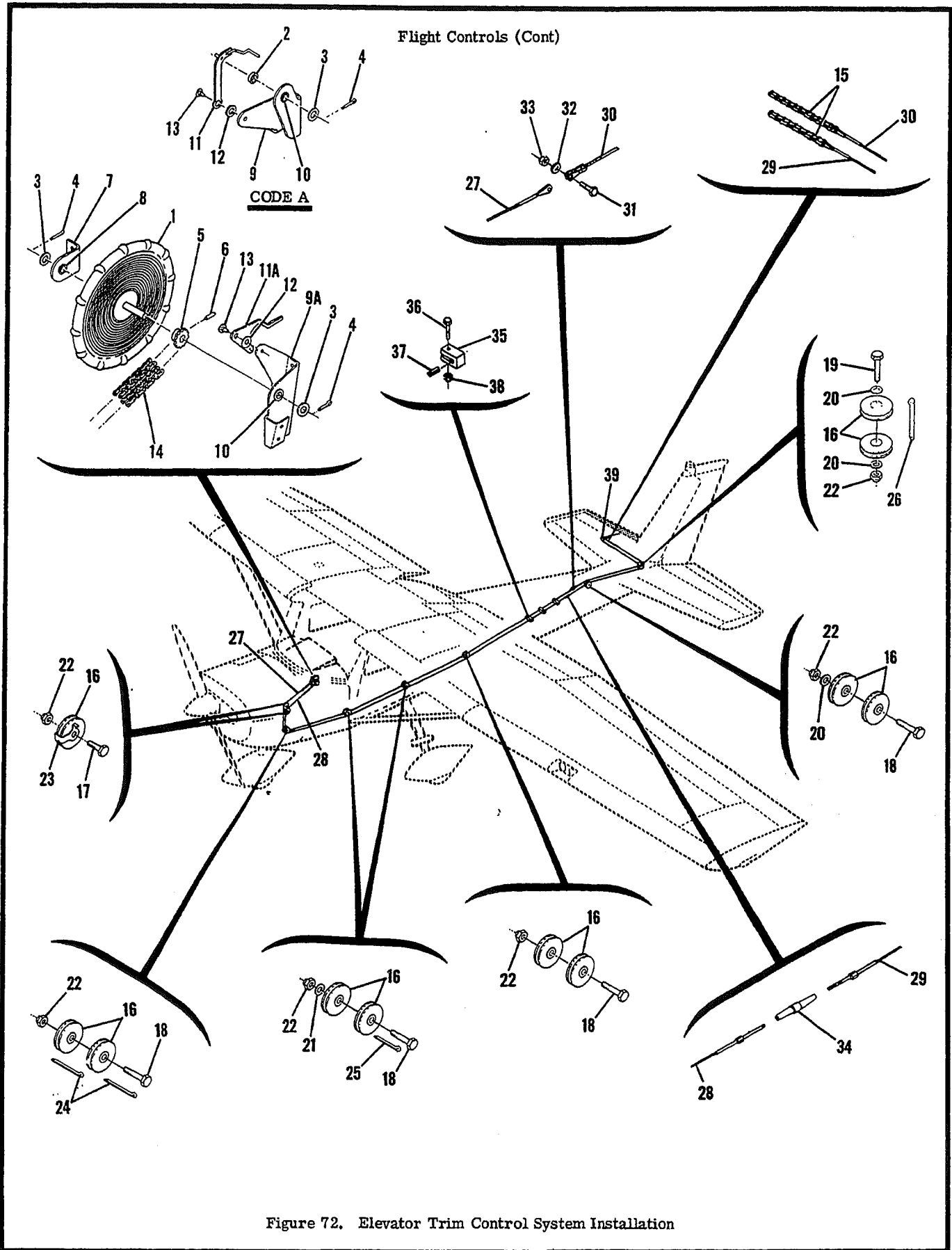


Figure 72. Elevator Trim Control System Installation

150 & A150 Parts Catalog

FIGURE AND INDEX NO.	PART NUMBER	DESCRIPTION							UNITS PER ASSY	USABLE ON CODE
		1	2	3	4	5	6	7		
72 -		ELEVATOR TRIM CONTROL SYSTEM INSTALLATION -----							NP	
- 1	0460127-2	WHEEL ASSEMBLY-TAB CONTROL -----							1	
		ATTACHING PARTS -----								
- 2	NAS43DD4-4	SPACER -----							2	A
- 3	AN960-416L	WASHER -----							2	
- 4	MS24665-5	PIN-COTTER -----							2	
		*-----								
- 5	0432134-1	SPROCKET -----							1	
		ATTACHING PARTS -----								
- 6	NAS561P3-8	ROLL PIN -----							1	
		*-----								
- 7	0460132-1	BRACKET ASSEMBLY -----							1	
- 8	S1896-4L1	BEARING -----							1	
- 9	0460133-3	SUPPORT ASSEMBLY -----							1	
- 9A	0460152-1	BRACKET ASSY -----							1	A
-10	S1896-4L1	BEARING -----							1	B
-11	0460131-1	INDICATOR ARM ASSEMBLY -----							1	
-11A	0460153-1	INDICATOR ARM ASSY -----							1	A
		ATTACHING PARTS -----								B
-12	AN960D10L	WASHER -----							1	
-13	1460315-10	PIN -----							1	
		*-----								
-14	0432138-1	CHAIN-ELEVATOR TRIM -----							1	
	C4189	MASTER LINK-CHAIN -----							AR	
-15	0432138-8	CHAIN-ELEVATOR TRIM -----							1	
	C4189	MASTER LINK-CHAIN -----							AR	
-16	S378-1L	PULLEY -----							14	
		ATTACHING PARTS -----								
-17	AN3-5A	BOLT -----							1	
-18	AN3-10A	BOLT -----							1	
-19	AN3-11A	BOLT -----							1	
-20	AN960-10	WASHER -----							2	
-21	AN960-10L	WASHER -----							1	
-22	MS21044N3	NUT -----							1	
		*-----								
-23	0460124-1	GUARD-CABLE -----							2	
-24	MS24665-138	PIN-COTTER CABLE GUARD -----							2	
-25	MS24665-285	PIN-COTTER CABLE GUARD -----							2	
-26	MS24665-355	PIN-COTTER CABLE GUARD -----							1	
-27	0400107-56	CABLE-TAB WHEEL TO DISCONNECT -----							1	
	0400107-156	CABLE-TAB WHEEL TO DISCONNECT STAINLESS STEEL -----							1	
-28	0400107-55	CABLE-TAB WHEEL TO TURNBUCKLE -----							1	
	0400107-155	CABLE-TAB WHEEL TO TURNBUCKLE STAINLESS STEEL -----							1	
-29	0400107-30	CABLE-TAB ACTUATOR TO TURNBUCKLE -----							1	
	0400107-130	CABLE-TAB ACTUATOR TO TURNBUCKLE STAINLESS STEEL -----							1	
-30	0400107-28	CABLE-TAB ACTUATOR TO DISCONNECT -----							1	
	0400107-57	CABLE-TAB ACTUATOR TO DISCONNECT -----							1	A
	0400107-128	CABLE-TAB ACTUATOR TO DISCONNECT STAINLESS STEEL -----							1	B
	0400107-157	CABLE-TAB ACTUATOR TO DISCONNECT STAINLESS STEEL -----							1	B
		ATTACHING PARTS -----								
-31	AN3-4A	BOLT -----							1	
-32	AN960-10	WASHER -----							1	
-33	MS21044N3	NUT -----							1	
		*-----								
-34	AN155-8L	BARREL-TURNBUCKLE -----							1	
-35	0411523	BLOCK-ELEVATOR TAB -----							3	
-36	AN3-6	BOLT -----							1	
-37	0411524	BUSHING -----							1	
-38	MS20365-1032C	NUT -----							1	
-39	SEE FIG 18	ACTUATOR ASSEMBLY-ELEVATOR TAB -----							1	
		A---150 SERIAL 15071129 THRU 15077005 F150 SERIAL F15000530 THRU F15001248 A150 SERIAL A1500001 THRU A1500609 FA150 SERIAL FA1500001 THRU FA1500281 B---150 SERIAL 15077006 & ON F150 SERIAL F15001249 & ON A150 SERIAL A1500610 & ON FA150 SERIAL FA1500282 & ON								

150 & A150 Parts Catalog

Pitot System

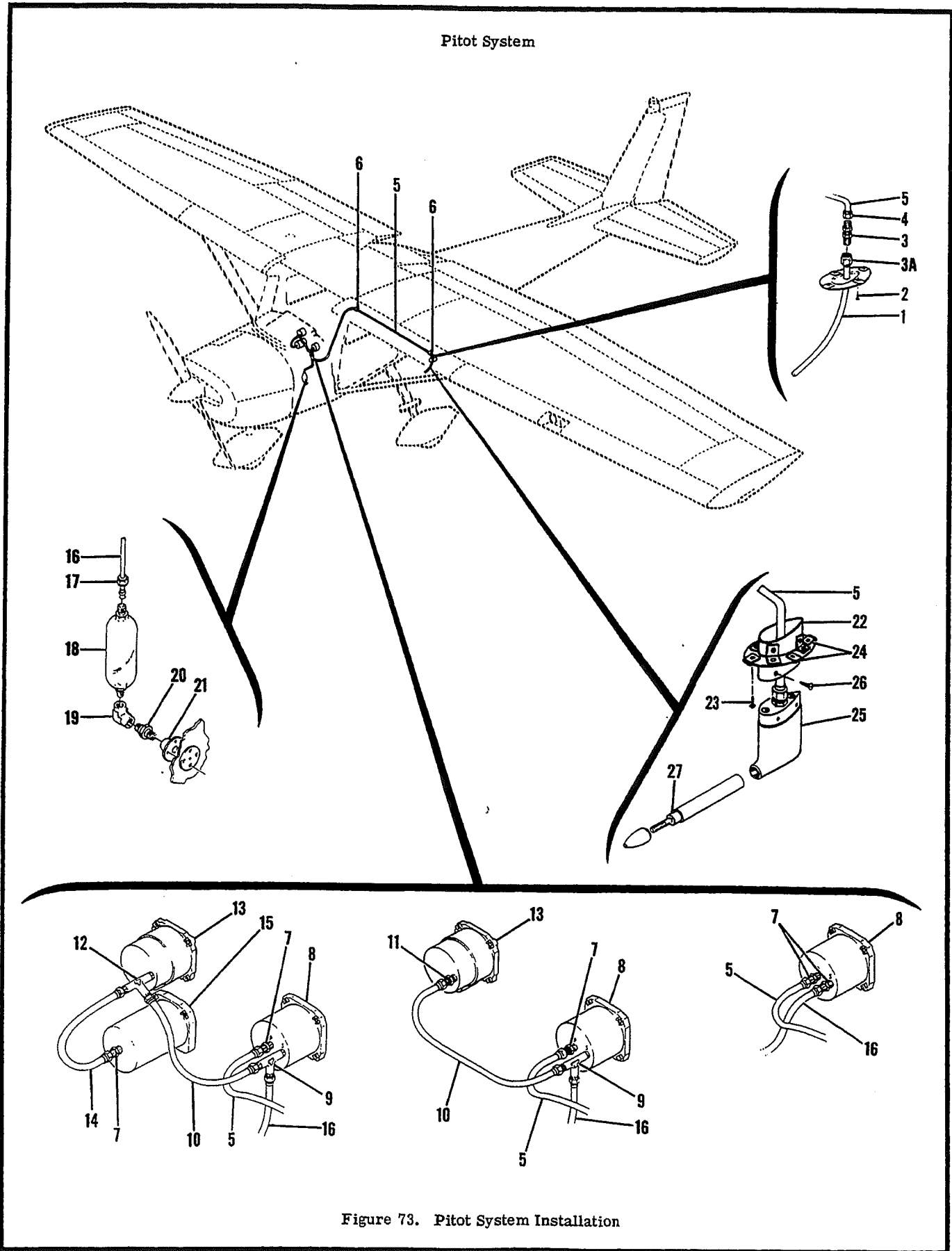


Figure 73. Pitot System Installation

150 & A150 Parts Catalog

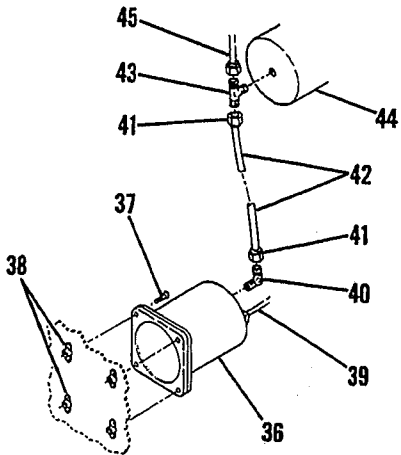
FIGURE AND INDEX NO.	PART NUMBER	DESCRIPTION	UNITS PER ASSY							USABLE ON CODE	
			1	2	3	4	5	6	7		
73 -		PITOT SYSTEM INSTALLATION -----								NP	
- 1	0521103-2 0521103-4	TUBE ASSEMBLY-PITOT WEU 0521103-4 ----- TUBE ASSEMBLY-PITOT -----								1 1	A B
- 2	S1021Z8-8	ATTACHING PARTS ----- SCREW -----								4	
- 3	S1132-1	*----- UNION-NYLON -----								1	
- 3A	S1130-1	NUT -----								1	B
- 4	S1130-1	NUT -----								1	
	S1131-1	INSERT -----								1	
- 5	S1071-1	TUBE-POLYETHYLENE-PITOT TUBE TO AIRSPEED INDICATOR ----- 80.0 IN LG BULK ITEM REF S1071-1-80.0 -----								1	
- 6	AN742D4 S1021Z8-8 NAS395-12-3	ATTACHING PARTS ----- CLAMP ----- SCREW ----- NUT -----								2 2 2	
- 7	S1133-1 S1130-1 S1131-1	*----- CONNECTOR-NYLON ----- NUT-NYLON ----- INSERT-NYLON -----								2 2 2	
- 8	S1139-1	INDICATOR-AIRSPEED SEE INSTRUMENT PANEL FIG -----								1	
- 9	S1130-1 S1131-1	TEE-NYLON ----- NUT-NYLON -----								1 2	
-10	S1071-1	INSERT-NYLON ----- TUBE-POLYETHYLENE-AIRSPEED TO ALTIMETER ----- * IN LG BULK ITEM REF S1071-1-* -----								2 1	
-11	S1133-1	CONNECTOR-NYLON USED WHEN VERT SPEED IS NOT INSTALLED -----								1	
-12	S1139-1 S1130-1 S1131-1	TEE-NYLON USED WHEN VERT SPEED IS INSTALLED ----- NUT-NYLON ----- INSERT-NYLON -----								1 2 2	
-13	SEE FIG 73A	ALTIMETER SEE INSTRUMENT PANEL FIG -----								1	
-14	S1071-1	ENCODING & DUAL ALTIMETER INSTL ----- TUBE-POLYETHYLENE-ALTIMETER TO VERTICAL SPEED ----- * IN LG BULK ITEM REF S1071-1-* -----								AR 1	
-15		INDICATOR-VERTICAL SPEED SEE INSTRUMENT PANEL FIG -----								1	
-16	S1071-1	TUBE-POLYETHYLENE-AIRSPEED TO SUMP ----- 18.0 IN LG BULK ITEM REF S1071-1-18.0 -----								1	
-17	S1130-1 S1131-1	NUT-NYLON ----- INSERT-NYLON -----								1 1	
-18	S1258-1	SUMP-STATIC SOURCE -----								1	
-19	AN916-1D	ELBOW -----								1	
-20	AN911-1D	NIPPLE -----								1	
-21	S1776-1	BUTTON-PITOT STATIC LINE ----- HEATED PITOT TUBE INSTALLATION -----								1 NP	
-22	0721101-8	CONNECTOR ASSEMBLY ----- ATTACHING PARTS -----								1	
-23	S1021Z8-8	SCREW -----								4	
-24	NAS395-14-3	*----- NUT -----								4	
-25	0721105-27	TUBE ASSEMBLY-HEATED PITOT -----								1	
-26	AN507-640R4	ATTACHING PARTS ----- SCREW -----								4	
-27	0721105-5	*----- HEATER ASSEMBLY-PITOT ----- SWITCH & FUSE-HEATED PITOT SEE SWITCH INSTL FIG -----								1 1	

NOTE. *LENGTH TO BE ADDED LATER.

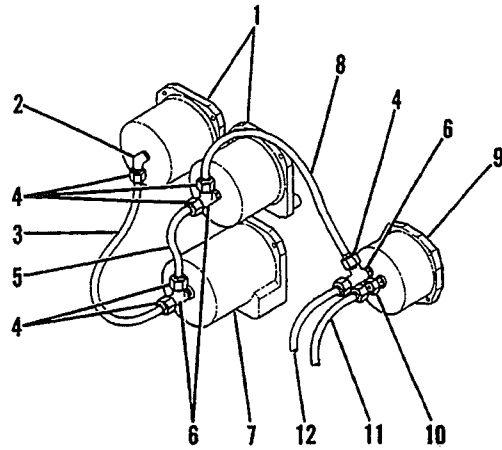
A---150 SERIAL 15072119 THRU 15072585
 F150 SERIAL F15000530 THRU F15000738
 A150 SERIAL A1500001 THRU A1500269
 FA150 SERIAL FA1500001 THRU FA1500121
 B---150 SERIAL 15072586 & ON
 F150 SERIAL F15000739 & ON
 A150 SERIAL A1500270 & ON
 FA150 SERIAL FA1500122 & ON

150 & A150 Parts Catalog

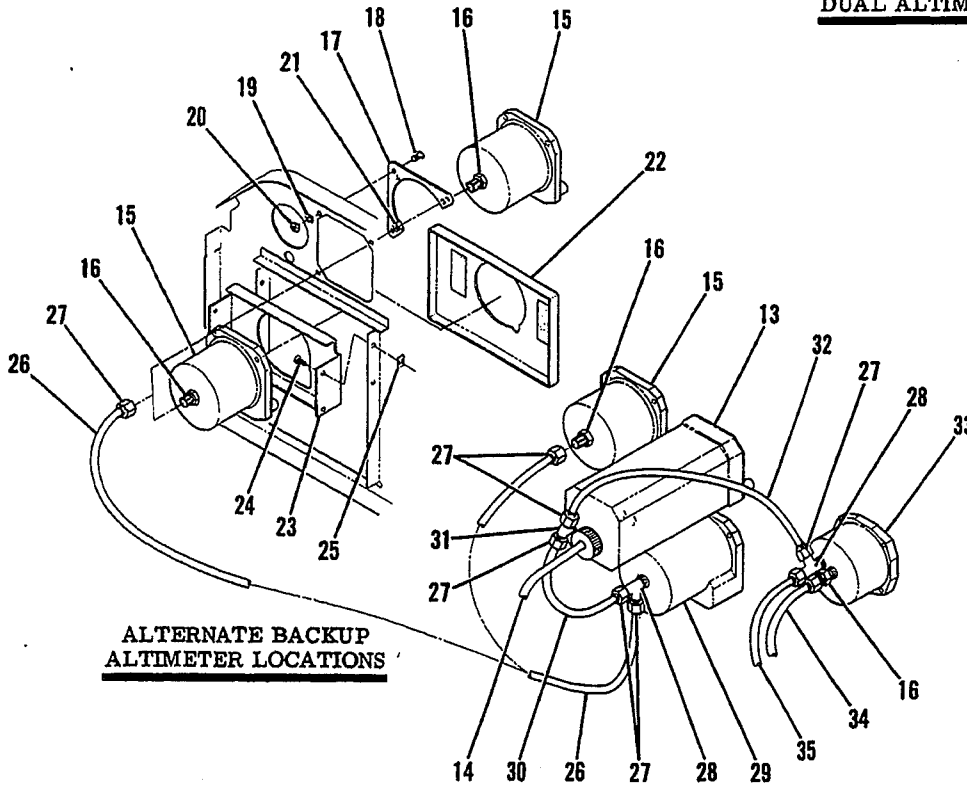
Pitot System (Cont)



BLIND ENCODER INSTL



DUAL ALTIMETER INSTL



ALTERNATE BACKUP ALTIMETER LOCATIONS

ENCODING ALTIMETER INSTL

150 SERIAL 15075782 & ON
 F150 SERIAL F15001014 & ON
 A150 SERIAL A1500524 & ON
 FA150 SERIAL FA1500212 & ON

Figure 73A. Encoding & Dual Altimeter Installations

150 & A150 Parts Catalog

FIGURE AND INDEX NO.	PART NUMBER	DESCRIPTION							UNITS PER ASSY	USABLE ON CODE
		1	2	3	4	5	6	7		
73A-		DUAL ALTIMETER INSTALLATION -----							NP	A
- 1	C661071-0102	ALTIMETER-50 FT INCREMENTS -----							2	
	C661025-0102	ALTIMETER-20 FT INCREMENTS -----							2	
	AN515B6R16	ATTACHING PARTS -----								
	AN936A6B	SCREW -----							3	
	AN340B6	WASHER -----							3	
		NUT -----							3	
		*-----								
- 2	S1135-1	ELBOW -----							1	
- 3	S1071-1	TUBE-ALTIMETER TO VERTICAL SPEED * IN LG BKI -----							1	
- 4	S1130-1	NUT -----							6	
	S1131-1	INSERT -----							6	
- 5	S1071-1	TUBE-ALTIMETER TO VERTICAL SPEED * IN LG BKI -----							1	
- 6	S1139-1	TEE -----							3	
- 7		INDICATOR-VERTICAL SPEED SEE INSTRUMENT PANEL FIG -----							1	
- 8	S1071-1	TUBE-ALTIMETER TO AIRSPEED * IN LG BKI -----							1	
- 9		INDICATOR-AIRSPEED SEE INSTRUMENT PANEL FIG -----							1	
-10	S1133-1	CONNECTOR -----							1	
-11	SEE FIG 73	TUBE ASSY-AIRSPEED TO PITOT TUBE -----							1	
-12	SEE FIG 73	TUBE ASSY-AIRSPEED TO SUMP -----							1	
		ENCODING ALTIMETER INSTALLATION -----							NP	
-13	42540-3114	ALTIMETER-ENCODING FEET/INCHES ARC -----							1	
	42540-3214	ALTIMETER-ENCODING FEET/MILIBARS ARC -----							1	
	AN515B6R7	ATTACHING PARTS -----								
		SCREW -----							3	
		*-----								
-14		CABLE ASSY SEE CESSNA ELECTRONICS MANUAL -----							1	
-15		ALTIMETER-BACKUP SEE INSTRUMENT PANEL FIG -----							1	
-16	S1133-1	CONNECTOR -----							2	
-17	0401013-5	ADAPTOR -----							1	
		ATTACHING PARTS -----								
-18	AN515B6R6	SCREW -----							3	
-19	AN936A6	WASHER -----							3	
-20	AN340B6	NUT -----							3	
		*-----								
-21	NAS488-1-1	NUT -----							3	
-22	0413554-4	COVER ASSY -----							1	
	S2092-3	FASTENER-HOOK BKI -----							AR	
-23	0413555-1	BRACKET ASSY -----							1	
		ATTACHING PARTS -----								
-24	S1021Z6-6	SCREW -----							4	
-25	NAS446-2-3	NUT -----							4	
		*-----								
-26	S1071-1	TUBE-ALTIMETER TO VERTICAL SPEED * IN LG BKI -----							1	
-27	S1130-1	NUT -----							6	
	S1131-1	INSERT -----							6	
-28	S1139-1	TEE -----							2	
-29		INDICATOR-VERTICAL SPEED SEE INSTRUMENT PANEL FIG -----							1	
-30	S1071-1	TUBE-VERTICAL SPEED TO ENCODING ALTIMETER * IN LG -----							1	
-31	S1138-1	TEE -----							1	
-32	S1071-1	TUBE-ENCODING ALTIMETER TO AIRSPEED * IN LG BKI -----							1	
-33		INDICATOR-AIRSPEED SEE INSTRUMENT PANEL FIG -----							1	
-34	SEE FIG 73	TUBE ASSY-AIRSPEED TO PITOT TUBE -----							1	
-35	SEE FIG 73	TUBE ASSY-AIRSPEED TO SUMP -----							1	

CONTINUED ON NEXT PAGE

150 & A150 Parts Catalog

FIGURE AND INDEX NO.	PART NUMBER	DESCRIPTION	UNITS PER ASSY	USABLE ON CODE
		1 2 3 4 5 6 7		
73A-		BLIND ENCODER INSTALLATION -----	1	E
-36	C744001-0101	BLIND ENCODER -----	1	
		ATTACHING PARTS -----		
-37	AN515-8R12	SCREW -----	4	
-38	NAS680A08K	NUTPLATE -----	4	
		-----*		
-39		CABLE ASSY SEE CESSNA ELECTRONICS MANUAL -----	1	
-40	S1135-1	ELBOW -----	1	
-41	S1130-1	NUT -----	2	
	S1131-1	INSERT -----	2	
-42	S1071-1	TUBE-ENCODER TO TEE * IN LG BKI -----	1	
-43	S1138-1	TEE -----	1	
-44		ALTIMETER OR VERTICAL SPEED SEE INSTRUMENT PANEL FIG -----	1	
-45	SEE FIG 73	TUBE ASSY -----	1	
<p>NOTE. *LENGTH TO BE DETERMINED LATER.</p> <p>NOTE. <THIS PART NUMBER MUST HAVE A SECOND DASH NUMBER ADDED TO DENOTE COLOR. REFER TO HOW TO ORDER INTERIOR PARTS-PAGE VII.</p> <p>A---F150 SERIAL F15001014 & ON FA150 SERIAL FA1500212 & ON</p> <p>B---150 SERIAL 15075782 & ON F150 SERIAL F15001249 & ON A150 SERIAL A1500524 & ON FA150 SERIAL FA1500282 & ON</p> <p>C---150 SERIAL 15075782 & ON A150 SERIAL A1500524 & ON</p> <p>D---150 SERIAL 15077006 & ON F150 SERIAL F15001249 & ON A150 SERIAL A1500610 & ON FA150 SERIAL FA1500282 & ON</p> <p>E---150 SERIAL 15078506 & ON F150 SERIAL F15001339 & ON A150 SERIAL A1500685 & ON FA150 SERIAL FA1500312 & ON</p>				

150 & A150 Parts Catalog

Stall Warning System

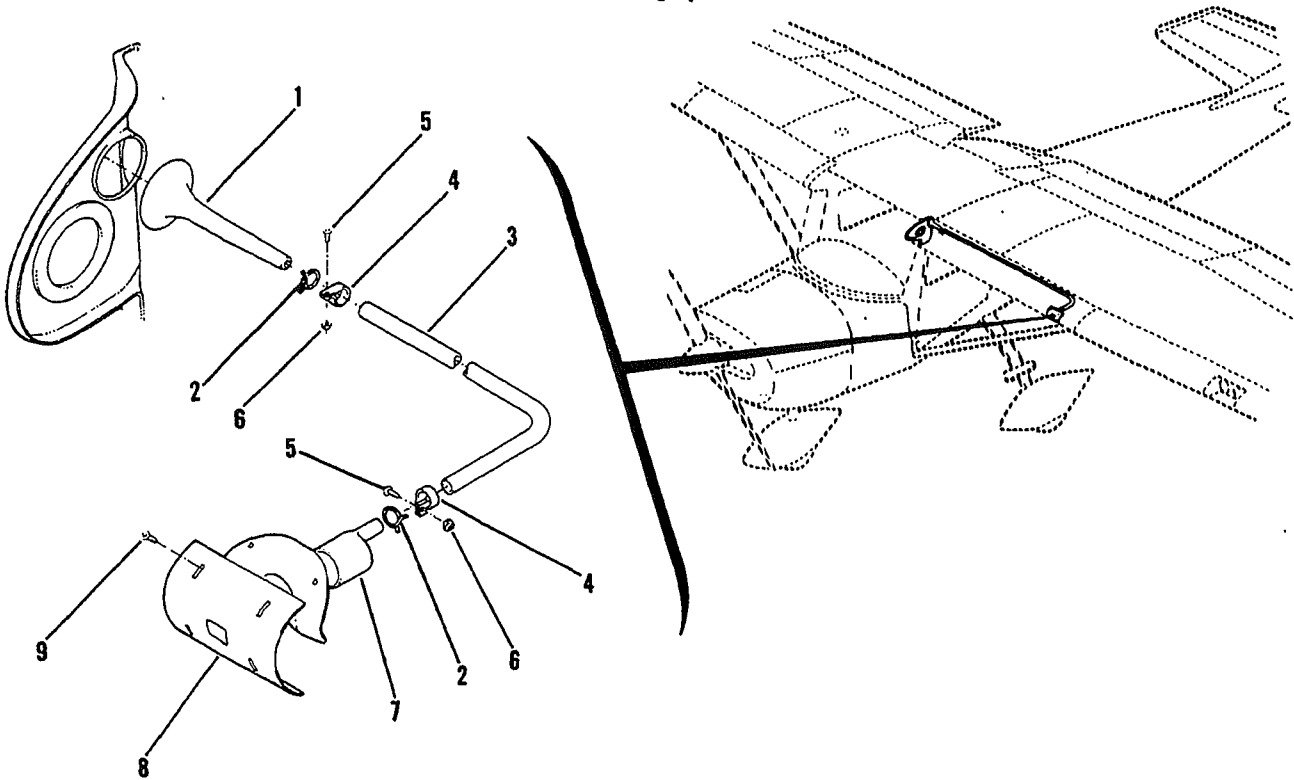


Figure 74. Stall Warning Horn Installation

FIGURE AND INDEX NO.	PART NUMBER								UNITS PER ASSY	USABLE ON CODE
		1	2	3	4	5	6	7		
74 -		STALL WARNING HORN INSTALLATION -----							NP	
- 1	0413483-1	HORN ASSEMBLY -----							1	
- 2	S1494-8	CLAMP -----							2	
- 3	S1071-4	TUBE-53.75 IN LG BULK ITEM REF S1071-4-53.75 -----							1	
		ATTACHING PARTS -----								
- 4	AN742D8	CLAMP -----							4	
- 5	S102176-6	SCREW -----							4	
- 6	NAS395-5-3	NUT -----							4	
		*-----								
- 7	0413485-1	SCOOP ASSY-STALL WARNING -----							1	
	0413485-2	SCREEN -----							1	
	0413028-5	SEAL-FELT -----							1	
- 8	0413028-4	PLATE-SCOOP -----							1	
	0413028-8	PLATE-SCOOP -----							1	A
		ATTACHING PARTS -----								B
- 9	S102178-8	SCREW -----							4	
	NAS395-18-1	NUT -----							4	
		*-----								
<p>A---150 SERIAL 15071129 THRU 15072003 F150 SERIAL F15000530 THRU F15000658 A150 SERIAL A1500001 THRU A1500226 FA150 SERIAL FA1500001 THRU FA1500081</p> <p>B---150 SERIAL 15072004 & ON F150 SERIAL F15000659 & ON A150 SERIAL A1500227 & ON FA150 SERIAL FA1500082 & ON</p>										

150 & A150 Parts Catalog

FIGURE AND INDEX NO.	PART NUMBER	DESCRIPTION							UNITS PER ASSY	USABLE ON CODE
		1	2	3	4	5	6	7		
75 -		BRAKE SYSTEM INSTALLATION -----							NP	A B B E G G F F G
- 1	SEE FIG 62	CYLINDER ASSEMBLY-BRAKE -----							2	
	SEE FIG 63	CYLINDER ASSEMBLY-BRAKE -----							2	
- 2	MS28778-4	PACKING -----							2	
- 3	S1743-2	CONNECTOR -----							2	
- 3A	1782001-1	NIPPLE WEU 9880504-1 -----							2	
	9880504-1	ADAPTOR -----							2	
- 4	AN914-1D	ELBOW -----							2	
- 4A	AN916-1D	ELBOW -----							2	
- 5	S1810-1075	HOSE ASSEMBLY-BRAKE LH & RH -----							2	
- 6	0413436-2	BRACKET -----							1	
		ATTACHING PARTS -----								
- 7	S1021710-6	SCREW -----							2	
- 8	NAS395-25-3	NUT -----							2	
		---*---								
CONTINUED ON NEXT PAGE										

150 & A150 Parts Catalog

Brake System

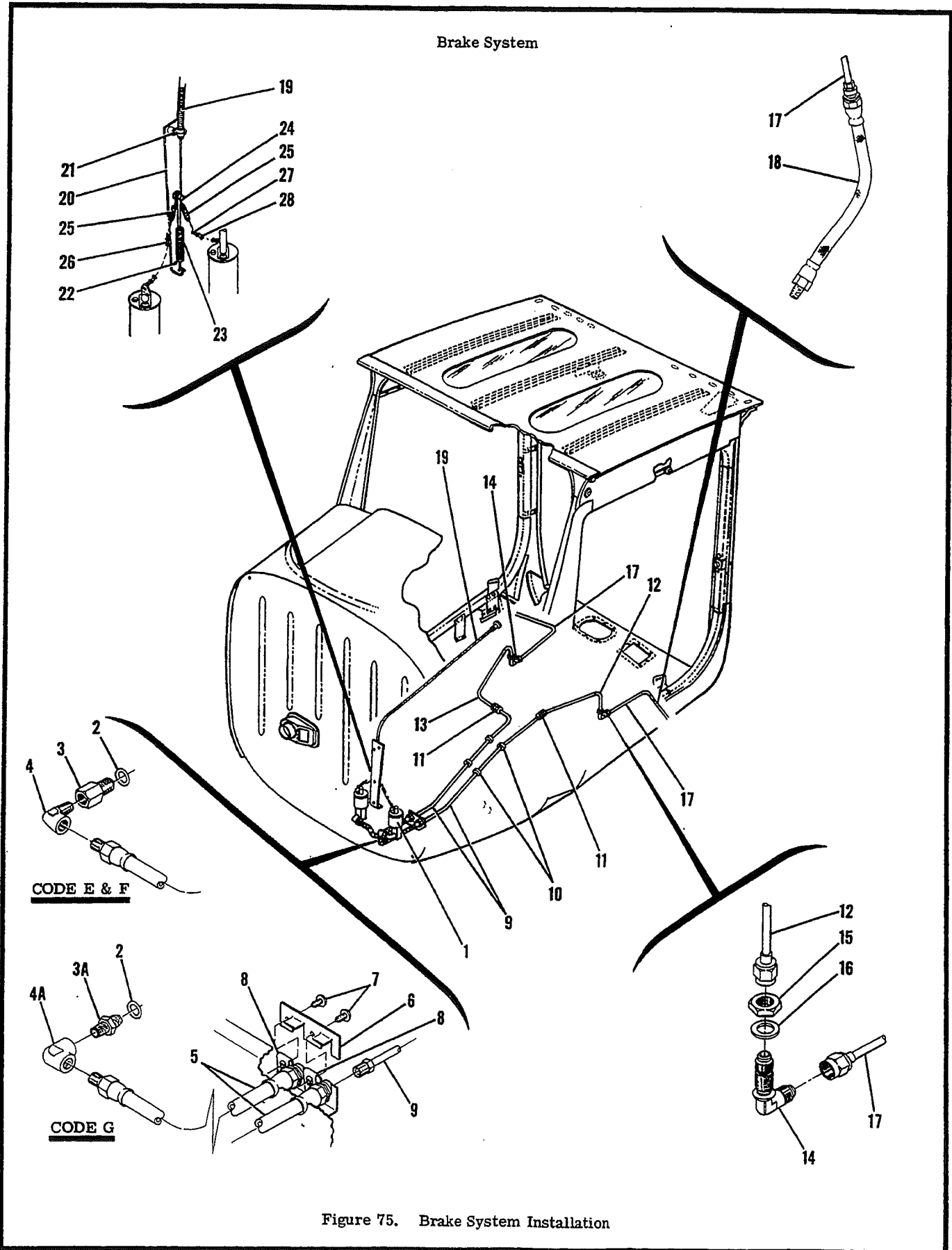


Figure 75. Brake System Installation

150 & A150 Parts Catalog

FIGURE AND INDEX NO.	PART NUMBER	DESCRIPTION						UNITS PER ASSY	USABLE ON CODE
		1	2	3	4	5	6		
75 - 9	0400311-98	LINE ASSEMBLY-BRAKE -----						2	
-10	MS35489-7	GROMMET -----						4	
-11	AN815-3D	UNION -----						2	
-12	0400311-97	LINE ASSEMBLY-BRAKE LH -----						1	
-13	0400311-96	LINE ASSEMBLY-BRAKE RH -----						1	
-14	AN833-3D	ELBOW -----						2	
-15	AN924-3D	NUT -----						2	
-16	AN960-716L	WASHER -----						2	
-17	0400311-99	LINE ASSEMBLY-BRAKE FUSELAGE TO HOSE -----						2	
	SEE FIG 36A&36B	BRAKE LINE INSTALLATION FUSELAGE TO BRAKE -----						1	C D
	MS21919D63	ATTACHING PARTS							
	NAS220-6	CLAMP CLAMP LINE AT STEP ON SPRING -----						1	C
	MS21044N08	SCREW -----						1	C
		NUT -----						1	C

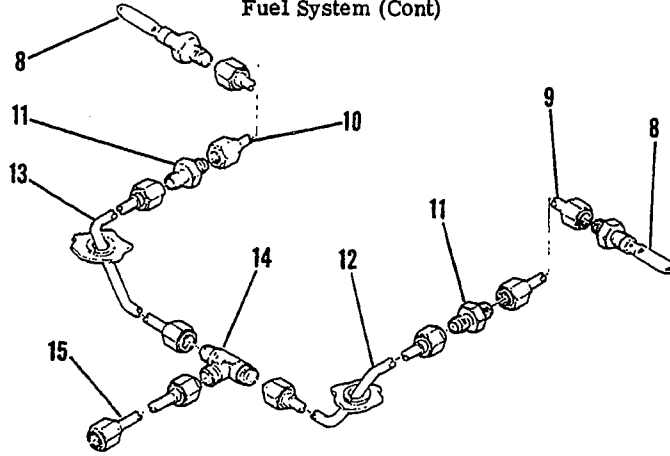
-18	S1810-1075	HOSE ASSEMBLY LINE ASSEMBLY TO BRAKE -----						1	C
-19	S1239-49	CONTROL-PARKING BRAKE -----						1	
-20	0541174-1	PLATE-PARKING BRAKE -----						1	
		ATTACHING PARTS							
-21	S102178-14	SCREW -----						2	
	NAS446-4-3	NUT -----						2	
	NAS43DD3-23	SPACER -----						2	
	AN742D3	CLAMP -----						2	
-22	S102178-8	SCREW -----						2	
	NAS446-4-3	NUT -----						2	

-23	0541172-1	SPRING-RETURN -----						1	
		ATTACHING PARTS							
-24	0450258	CLAMP -----						1	
	AN500A8-5	SCREW -----						1	

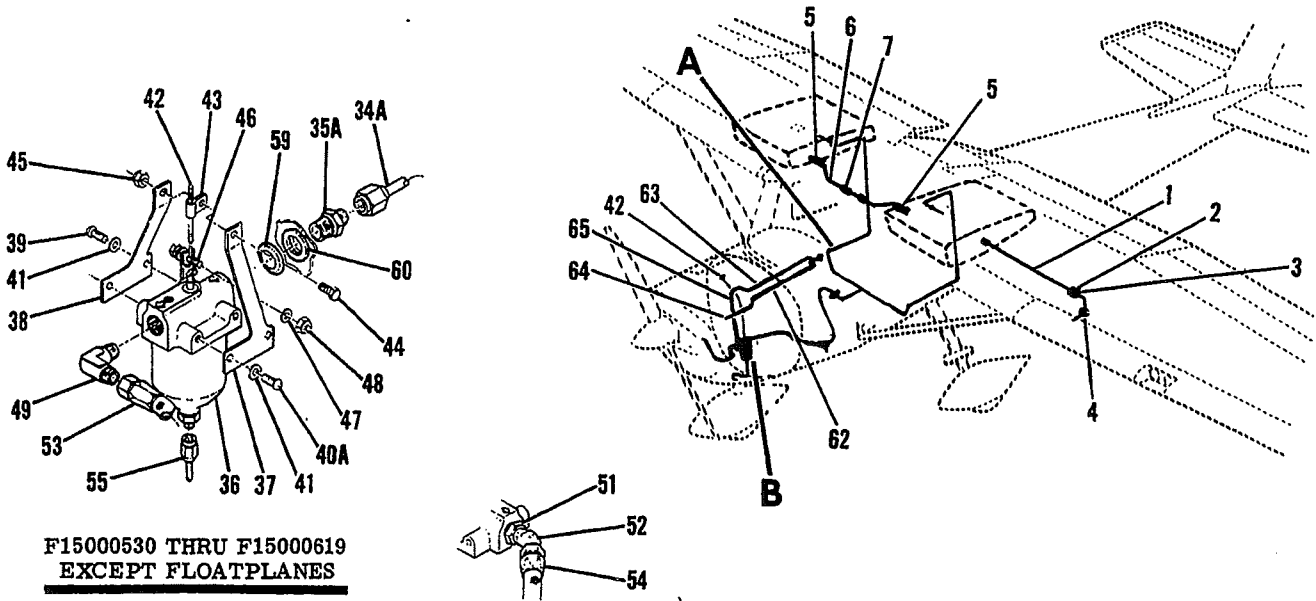
-25	0541173-1	SPRING -----						2	
-26	S1099-1-4.50	CHAIN-PARKING BRAKE LH -----						1	C
	S1099-1-5.00	CHAIN-PARKING BRAKE LH -----						1	C
-27	0541178-1	LINK -----						2	C
-28	S1099-1-3.60	CHAIN-PARKING BRAKE RH -----						1	C
	S1099-1-4.10	CHAIN-PARKING BRAKE RH -----						1	C
	0541178-1	LINK ATTACH CHAIN TO BRAKE CYLINDER -----						2	C
		A---150 SERIAL 15071129 THRU 15071813 A150 SERIAL A1500001 THRU A1500170							
		B---150 SERIAL 15071814 & ON F150 SERIAL F15000530 & ON A150 SERIAL A1500171 & ON FA150 SERIAL FA1500001 & ON							
		C---150 SERIAL 15071129 THRU 15072003 F150 SERIAL F15000530 THRU F15000658 A150 SERIAL A1500001 THRU A1500226 FA150 SERIAL FA1500001 THRU FA1500081							
		D---150 SERIAL 15072004 & ON F150 SERIAL F15000659 & ON A150 SERIAL A1500227 & ON FA150 SERIAL FA1500082 & ON							
		E---150 SERIAL 15071814 THRU 15073911 F150 SERIAL F15000530 THRU F15000839 A150 SERIAL A1500171 THRU A1500358 FA150 SERIAL FA150001 THRU FA1500166							
		F---150 SERIAL 15071129 THRU 15073911 F150 SERIAL F15000530 THRU F15000839 A150 SERIAL A1500001 THRU A1500358 FA150 SERIAL FA1500001 THRU FA1500166							
		G---150 SERIAL 15073912 & ON F150 SERIAL F15000840 & ON A150 SERIAL A1500359 & ON FA150 SERIAL FA1500167 & ON							

150 & A150 Parts Catalog

Fuel System (Cont)



Detail A

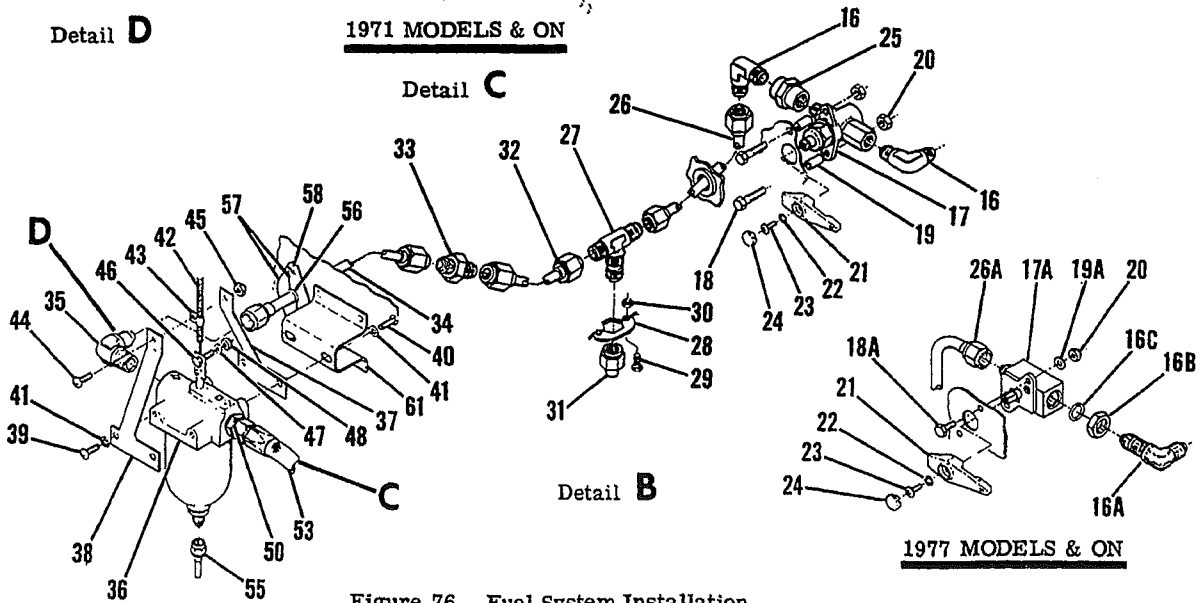


F15000530 THRU F15000619
EXCEPT FLOATPLANES

Detail D

1971 MODELS & ON

Detail C



1977 MODELS & ON

Figure 76. Fuel System Installation

150 & A150 Parts Catalog

FIGURE AND INDEX NO.	PART NUMBER	DESCRIPTION							UNITS PER ASSY	USABLE ON CODE
		1	2	3	4	5	6	7		
76 -		FUEL SYSTEM INSTALLATION -----							NP	
- 1	0400311-86	LINE ASSEMBLY-VENT -----							1	A
	0400311-104	LINE ASSEMBLY-VENT -----							1	B
	0400311-87	LINE ASSEMBLY-VENT AEROBAT -----							1	A
	0400311-105	LINE ASSEMBLY-VENT EXTENDED RANGE ONLY -----							1	B
		LINE ASSEMBLY-VENT EXTENDED RANGE ONLY AEROBAT -----							1	B
		ATTACHING PARTS -----								
- 2	0512006-1	ANGLE -----							1	
- 3	A3047A6-92	CLAMP TIN -----							1	
	S1021Z8-8	SCREW -----							1	
		-----*								
- 4	MS35489-11	GROMMET -----							1	
- 5	S1495-6	HOSE-3.0 IN LG BULK ITEM REF S1495-6-3.00 -----							2	
		ATTACHING PARTS -----								
	S1891-6	CLAMP -----							2	
	AN737TW24	CLAMP ALTERNATE -----							2	
		-----*								
- 6	0400311-100	LINE-VENT -----							1	
		ATTACHING PARTS -----								
- 7	MS21919DG6	CLAMP -----							2	
	S1021Z8-8	SCREW -----							2	
		-----*								
- 8	0422130	STRAINER ASSEMBLY -----							2	
- 9	0400311-64	LINE ASSEMBLY-FUEL LH -----							1	
-10	0400311-65	LINE ASSEMBLY-FUEL RH -----							1	
-11	AN815-6D	UNION -----							2	
-12	0400311-61	LINE ASSEMBLY-FUEL LH -----							1	
	0400311-113	LINE ASSEMBLY-FUEL LH -----							1	H
-13	0400311-62	LINE ASSEMBLY-FUEL RH -----							1	J
	0400311-112	LINE ASSEMBLY-FUEL RH -----							1	H
-14	AN824-6D	TEE -----							1	J
-15	0400311-59	LINE ASSEMBLY-FUEL -----							1	H
	0400311-110	LINE ASSEMBLY-FUEL -----							1	J
-16	MS20822-6D	ELBOW -----							2	N
-16A	AN833-6D	ELBOW -----							1	J
-16B	AN924-6D	NUT -----							1	N
-16C	NAS1596-6	O RING -----							1	P
-17	0411803-6	VALVE ASSEMBLY-FUEL SHUT OFF -----							1	P
	0411803-8	VALVE ASSEMBLY-FUEL SHUT OFF -----							1	H
-17A	SEE FIG 76A	VALVE ASSEMBLY-FUEL SHUT OFF -----							1	M
		ATTACHING PARTS -----								P
-18	AN3H10A	BOLT -----							2	N
-18A	AN3-4A	BOLT -----							2	P
-19	NAS43HT3-34	SPACER -----							2	N
-19A	AN960-10L	WASHER -----							2	P
-20	MS20364-1032C	NUT -----							2	N
		-----*								
-21	0716623-3	HANDLE -----							1	H
	0716623-5	HANDLE -----							1	J
-22	AN936A8	WASHER -----							1	
-23	AN525-8R6	SCREW -----							1	
-24	0716624-1	COVER -----							1	
-25	AN910-2D	COUPLING -----							1	N
-26	0400311-63	LINE ASSEMBLY-FUEL -----							1	H
	0400311-111	LINE ASSEMBLY-FUEL -----							1	M
-26A	0400311-118	LINE ASSEMBLY-FUEL -----							1	P
-27	AN834-6D	TEE -----							1	
-28	0413338	LOCK PLATE -----							1	
		ATTACHING PARTS -----								
-29	AN520-10R8	SCREW -----							2	
-30	NAS696A3K	NUTPLATE -----							2	
		-----*								
-31	AN929-6	CAP ASSEMBLY -----							1	
-32	0400311-58	LINE ASSEMBLY-FUEL -----							1	
-33	AN815-6D	UNION -----							1	
-34	0400311-79	LINE ASSEMBLY-FUEL -----							1	
-34A	0400311-57	LINE ASSEMBLY-FUEL -----							1	C
-35	MS20822-6-6D	ELBOW -----							1	D
	MS20822-6-8D	ELBOW -----							1	S
-35A	AN816-6-6D	NIPPLE -----							1	S
-36	SEE FIG 77	STRAINER ASSEMBLY-FUEL -----							1	D

CONTINUED ON NEXT PAGE

150 & A150 Parts Catalog

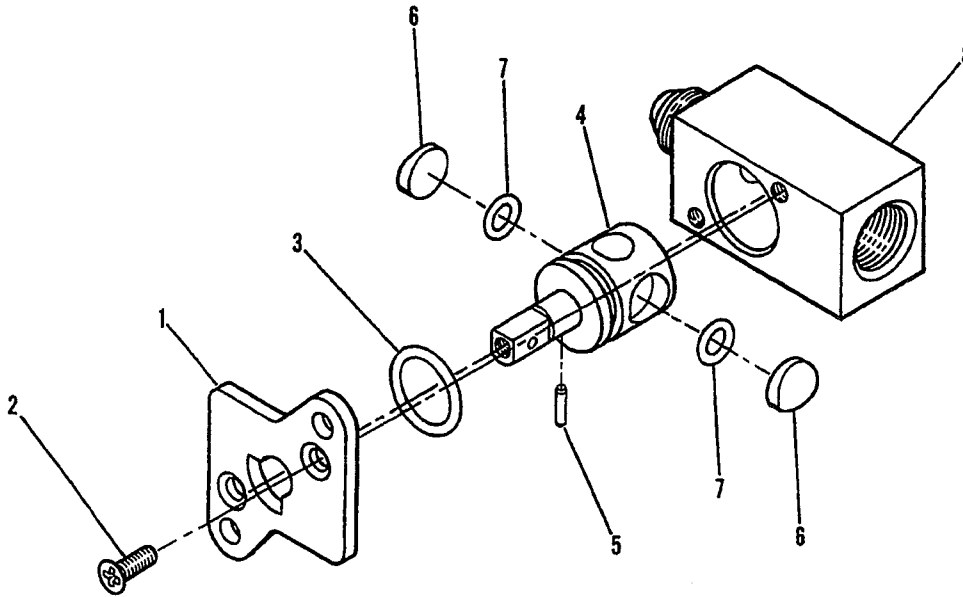
FIGURE AND INDEX NO.	PART NUMBER	DESCRIPTION							UNITS PER ASSY	USABLE ON CODE	
		1	2	3	4	5	6	7			
76 -37	0500315-1	BRACKET -----							1	C D	
-38	0500315-2	BRACKET -----							1		
		ATTACHING PARTS -----									
-39	AN515-10R10	SCREW -----							2		
-40	MS20074-03-04	BOLT -----							2		
-40A	AN515-10R10	SCREW -----							2		
-41	AN936A10	WASHER -----							2		
		*-----									
-42	SEE FIG 56	CONTROL ASSEMBLY -----							1		
		ATTACHING PARTS -----									
-43	AN742D3	CLAMP -----							1		
-44	AN515-10R8	SCREW -----							1		
-45	MS21044N3	NUT -----							1		
-46	0450311-3	CLAMP -----							1		
-47	AN960-416	WASHER -----							AR 1		
-48	MS21042L4	NUT -----							1		
		*-----									
-49	MS20822-6-6D	ELBOW -----							1		D E F G G F G
-50	AN816-6-6D	NIPPLE -----							1		
-51	AN912-2D	BUSHING -----							1		
	AN912-5D	BUSHING -----							1		
-52	MS20823-6D	ELBOW -----							1		
-53	S1167-6-0230	HOSE ASSEMBLY -----							1		
-54	S1167-6-0194	HOSE ASSEMBLY -----							1		
-55	0400311-95	LINE ASSEMBLY-STRAINER DRAIN -----							1		
-56	NAS557-6	GROMMET -----							1		
-57	S1095-3	SHIELD HALF -----							2		
		ATTACHING PARTS -----									
-58	S1021Z8-6	SCREW -----							2	C C C C D D K K L L	
		*-----									
-59	S2384-1	WASHER -----							1		
-60	S354-3	GROMMET -----							1		
-61	SEE FIG 26	BRACKET-FUEL STRAINER -----							1		
-62	0400311-102	LINE ASSEMBLY-PRIMER LH WEU 0400311-117 -----							1		
	0400311-117	LINE ASSEMBLY-PRIMER LH -----							1		
-63	0400311-101	LINE ASSEMBLY-PRIMER RH WEU 0400311-116 -----							1		
	0400311-116	LINE ASSEMBLY-PRIMER RH -----							1		
-64	0400311-103	LINE ASSEMBLY-PRIMER FIREWALL TO ENGINE -----							1		
-65	0400106-83	LINE ASSEMBLY-PRIMER FIREWALL TO STRAINER -----							1		
	AN816-2D	ATTACHING PARTS -----									
		NIPPLE-LINE ASSEMBLY TO FUEL STRAINER -----							1		
		*-----									
<p>NOTE. *THESE PARTS ARE NOT INCLUDED WITH FUEL VALVE ON 1977 MODELS & ON & MUST BE ORDERED SEPARATELY.</p> <p>A---150 SERIAL 15071129 & ON F150 SERIAL F15000530 & ON</p> <p>B---A150 SERIAL A1500001 & ON FA150 SERIAL FA1500001 & ON</p> <p>C---150 SERIAL 15071129 & ON F150 SERIAL F15000620 & ON F150 SERIAL F15000530 & ON FLOATPLANE A150 SERIAL A1500001 & ON FA150 SERIAL FA1500001 & ON</p> <p>D---F150 SERIAL F15000530 THRU F15000619 EXCEPT FLOATPLANE</p> <p>E---150 SERIAL 15071129 THRU 15072003 F150 SERIAL F15000620 THRU F15000658 A150 SERIAL A1500001 THRU A1500226 FA150 SERIAL FA1500001 THRU FA1500081</p> <p>F---150 SERIAL 15071129 THRU 15072003 F150 SERIAL F15000530 THRU F15000658 A150 SERIAL A1500001 THRU A1500226 FA150 SERIAL FA1500001 THRU FA1500081</p> <p>G---150 SERIAL 15072004 & ON F150 SERIAL F15000659 & ON A150 SERIAL A1500227 & ON FA150 SERIAL FA1500082 & ON</p>											
CONTINUED ON NEXT PAGE											

150 & A150 Parts Catalog

FIGURE AND INDEX NO.	PART NUMBER	DESCRIPTION							UNITS PER ASSY	USABLE ON CODE
		1	2	3	4	5	6	7		
76 -		<p>H---150 SERIAL 15071129 THRU 15073658 F150 SERIAL F15000530 THRU F15000863 A150 SERIAL A1500001 THRU A1500342 FA150 SERIAL FA1500001 THRU FA1500166</p> <p>J---150 SERIAL 15073659 & ON F150 SERIAL F15000864 & ON A150 SERIAL A1500343 & ON FA150 SERIAL FA1500167 & ON</p> <p>K---150 SERIAL 15071129 THRU 15077005 F150 SERIAL F15000530 THRU F15001248 A150 SERIAL A1500001 THRU A1500609 FA150 SERIAL FA1500001 THRU FA1500281</p> <p>L---150 SERIAL 15077006 & ON F150 SERIAL F15001249 & ON A150 SERIAL A1500610 & ON FA150 SERIAL FA1500282 & ON</p> <p>M---150 SERIAL 15073659 THRU 15078505 F150 SERIAL F15000864 THRU F15001338 A150 SERIAL A1500343 THRU A1500684 FA150 SERIAL FA1500167 THRU FA1500311</p> <p>N---150 SERIAL 15071129 THRU 15078505 F150 SERIAL F15000530 THRU F15001338 A150 SERIAL A1500001 THRU A1500684 FA150 SERIAL FA1500001 THRU FA1500311</p> <p>P---150 SERIAL 15078506 & ON F150 SERIAL F15001339 & ON A150 SERIAL A1500685 & ON FA150 SERIAL FA1500312 & ON</p> <p>Q---150 SERIAL 15071129 THRU 15077758, 15078878 & ON F150 SERIAL F15000620 & ON F150 SERIAL F15000530 & ON FLOATPLANE A150 SERIAL A1500001 THRU A1500653, A1500706 & ON FA150 SERIAL FA1500001 & ON</p> <p>R---150 SERIAL 15072004 THRU 15077758, 15078878 & ON F150 SERIAL F15000659 & ON A150 SERIAL A1500227 THRU A1500653, A1500706 & ON FA150 SERIAL FA1500082 & ON</p> <p>S---150 SERIAL 15077759 THRU 15078877 A150 SERIAL A1500654 THRU A1500705</p>								

150 & A150 Parts Catalog

Fuel System (Cont)



**150 SERIAL 15078506 & ON
 F150 SERIAL F15001339 & ON
 A150 SERIAL A1500685 & ON
 FA150 SERIAL FA1500312 & ON**

Figure 76A. Fuel Shut Off Valve Assembly

FIGURE AND INDEX NO.	PART NUMBER	DESCRIPTION							UNITS PER ASSY	USABLE ON CODE
		1	2	3	4	5	6	7		
76A-	9851070-2	FUEL SHUT OFF VALVE ASSEMBLY -----							1	A
- 1	9851074-1	COVER-FUEL SHUT OFF VALVE -----							1	
- 2	AN507-832R7	ATTACHING PARTS								
		SCREW -----							2	
		*-----								
- 3	NAS1593-016	O RING -----							1	
- 4	9851072-2	ROTOR-FUEL SHUT OFF VALVE -----							1	
- 5	NAS561P3-5	ROLL PIN -----							1	
- 6	9851073-2	SEAL-FUEL SHUT OFF VALVE -----							2	
- 7	9880705-5	SHIM BETWEEN SEAL & O RING OR O RING & ROTOR -----							AR	
- 7	NAS1593-011	O RING -----							2	
- 8	9851071-2	BODY-FUEL SHUT OFF VALVE -----							1	
		A---150 SERIAL 15078506 & ON F150 SERIAL F15001339 & ON A150 SERIAL A1500685 & ON FA150 SERIAL FA1500312 & ON								

150 & A150 Parts Catalog

Fuel System (Cont)

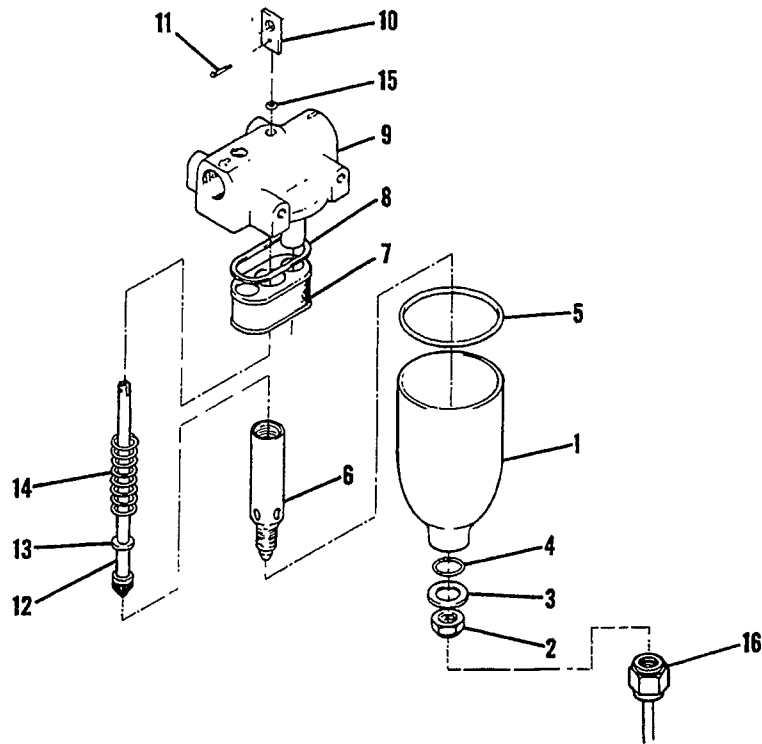


Figure 77. Fuel Strainer Assembly

FIGURE AND INDEX NO.	PART NUMBER		DESCRIPTION							UNITS PER ASSY	USABLE ON CODE
			1	2	3	4	5	6	7		
77 -	0756005-8	*	STRAINER ASSEMBLY-FUEL							1	
- 1	0756008-1		BOWL-FUEL STRAINER							1	
			ATTACHING PARTS								
- 2	S1573-3		NUT							1	
- 3	0756015-1		WASHER							1	
- 4	MS29513-111		O RING							1	
- 5	MS29513-138		O RING							1	

- 6	0756011-1		STANDPIPE							1	
- 7	0756009-1		FILTER-FUEL STRAINER							1	
- 8	0756009-8		GASKET							1	
- 9	0756005-2	*	TOP ASSEMBLY-FUEL STRAINER							1	
-10	0756014-1		PLATE							1	
			ATTACHING PARTS								
-11	MS24665-132		COTTER PIN							1	

-12	0756010-6		PLUNGER ASSEMBLY-DRAIN							1	
-13	S1450-27A7-032		WASHER							2	
-14	0756012-1		SPRING							1	
-15	MS29513-10		O RING							1	
-16	0400311-95		LINE ASSEMBLY-STRAINER DRAIN							1	
<p>NOTE. *WHEN INITIALLY ORDERING THIS PART FOR AIRCRAFT SERIALS 1507759 THRU 15078877, & A1500654 THRU A1500705 ALSO ORDER ONE AN912-2D BUSHING & ONE MS20822-6-6D ELBOW.</p>											

150 & A150 Parts Catalog

Oil System

HOURLMETER ONLY

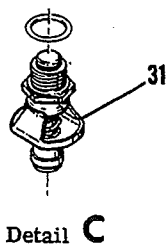
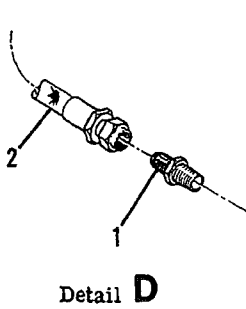
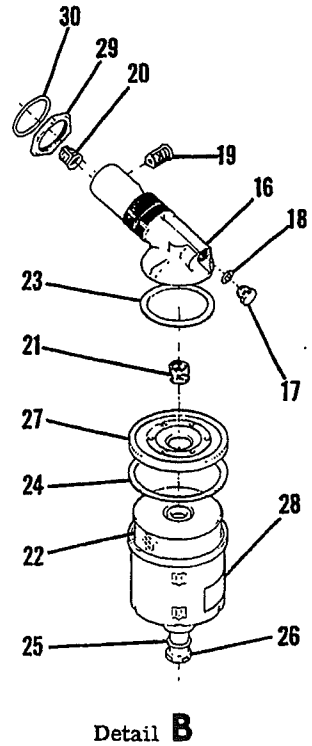
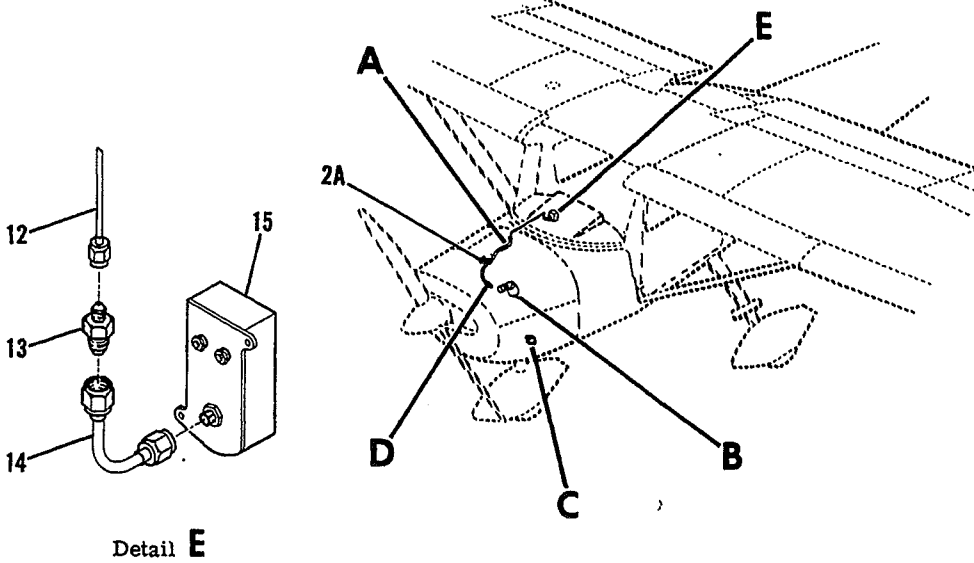
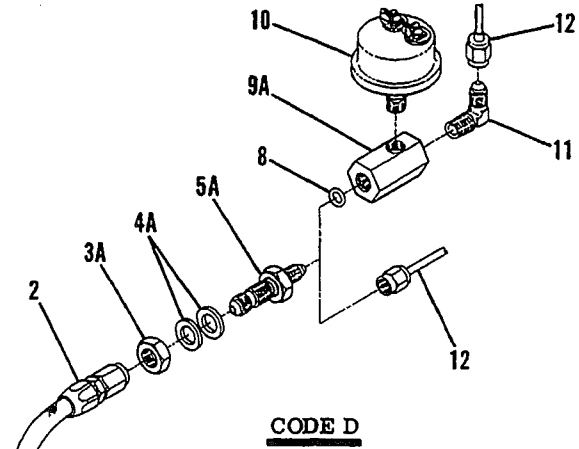
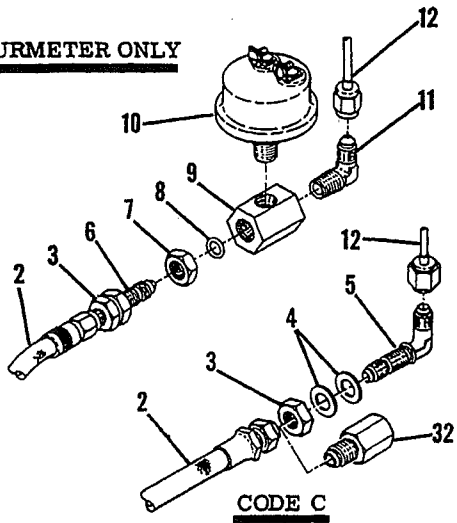


Figure 78. Oil System Installation

150 & A150 Parts Catalog

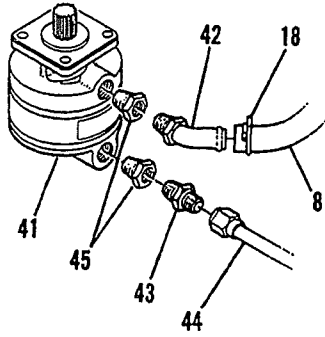
FIGURE AND INDEX NO.	PART NUMBER	DESCRIPTION							UNITS PER ASSY	USABLE ON CODE
		1	2	3	4	5	6	7		
78 -		OIL SYSTEM INSTALLATION -----							NP	
- 1	AN816-2B	NIPPLE USE AN816-3B WHEN MODIFIED BY SK150-52 -----							1	C
	0752037-3	ELBOW -----							1	D
- 2	S1168-2-15	HOSE ASSY USE S1236-3-0150 WHEN MODIFIED BY SK150-52 -----							1	C
	S1236-3-0150	HOSE ASSEMBLY-OIL PRESSURE -----							1	D
		ATTACHING PARTS								
- 2A	S1486DG8L	CLAMP -----							1	
	MS21919DG6	CLAMP -----							1	
	S102178-8	SCREW -----							1	
		*-----								
- 3	AN924-2D	NUT -----							1	C
- 3A	AN924-3D	NUT -----							1	D
- 4	AN960-516	WASHER -----							2	C
- 4A	AN960-616	WASHER -----							2	D
- 5	AN833-2D	ELBOW -----							1	C
- 5A	1450024-3	UNION WEU S2289-2 -----							1	H
	S2289-2	UNION -----							1	J
- 6	AN832-2D	UNION USED WITH HOURMETER -----							1	J
- 7	AN924-2D	NUT USED WITH HOURMETER -----							1	C
- 8	MS28778-2	O RING USED WITH HOURMETER -----							1	C
- 9	1213158-2	ADAPTER USED WITH HOURMETER -----							1	D
- 9A	1213158-3	ADAPTER USED WITH HOURMETER -----							1	D
-10	S1711-1	SWITCH USED WITH HOURMETER -----							1	E
-11	MS20822-2	ELBOW USED WITH HOURMETER -----							1	F
	MS20822-2D	ELBOW USED WITH HOURMETER -----							1	F
-12	0400311-78	LINE ASSEMBLY-OIL PRESSURE -----							1	F
	0400311-114	LINE ASSY-OIL PRESSURE -----							1	F
-13	AN919-1D	REDUCER -----							1	B
-14	1700121-66	LINE ASSEMBLY-OIL PRESSURE -----							1	B
-15		GAGE-OIL PRESSURE SEE INSTRUMENT PANEL FIG -----							1	
		INSTALLATION-FULL FLOW OIL FILTER -----							NP	
	0450404-200	ADAPTER ASSEMBLY-OIL FILTER WEU 0450404-201 -----							1	A
	0450404-201	ADAPTER ASSEMBLY-OIL FILTER -----							1	G
-16	0450403-2	ADAPTER WEU 0450403-3 -----							1	G
	0450403-3	ADAPTER -----							1	G
-17	0495601-1	PLUG -----							1	
-18	AN6227B9	O RING -----							1	
-19	0756022-1	VALVE ASSEMBLY-BY PASS -----							1	
-20	0756022-2	VALVE ASSEMBLY-OUTLET USED WITH 0450403-2 ONLY -----							1	A
-21	MS124663	INSERT -----							1	
-22	C294505-0101	FILTER ASSEMBLY-FULL FLOW OIL -----							1	
	C294505-0102	FILTER ELEMENT KIT-OIL REF AC 6435683 -----							1	
-23	6436635	GASKET AC -----							1	
-24	6436637	GASKET AC -----							1	
-25	5579654	WASHER AC -----							1	
-26	6436916	STUD AC -----							1	
-27	6436989	LID-OIL FILTER AC -----							1	
-28	1250410-3	PLACARD-OIL FILTER -----							1	
-29	1250405-1	NUT -----							1	
-30	AN123883	PACKING -----							1	
	SE709	WRENCH-FILTER ADAPTER -----							1	
-31	S1964-3	VALVE ASSEMBLY-QUICK DRAIN OIL -----							1	
	109-7186	O RING-OIL QUICK DRAIN VALVE UPPER -----							1	
	AN900-10	O RING-OIL QUICK DRAIN VALVE LOWER -----							1	
-32	0456007-1	BUSHING USED WHEN MODIFIED BY SK150-52 -----							1	
		<p>A---150 SERIAL 15071129 THRU 15078696 F150 SERIAL F15000530 THRU F15001288, F15001290, F15001291, F15001293 THRU F15001297, F15001299, THRU F15001303, F15001305, F15001307, F15001310, F15001311, F15001315 A150 SERIAL A1500001 THRU A1500694 FA150 SERIAL FA1500001 THRU FA1500298</p> <p>B---150 SERIAL 15071129 THRU 15072182 F150 SERIAL F15000530 THRU F15000658 A150 SERIAL A1500001 THRU A1500246 FA150 SERIAL FA1500001 THRU FA1500081</p> <p>C---150 SERIAL 15071129 THRU 15072003 F150 SERIAL F15000530 THRU F15000658 A150 SERIAL A1500001 THRU A1500226 FA150 SERIAL FA1500001 THRU FA1500081</p>								
		CONTINUED ON NEXT PAGE								

150 & A150 Parts Catalog

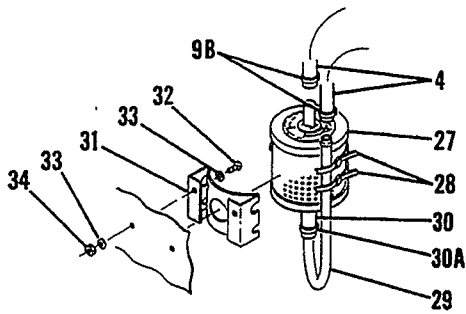
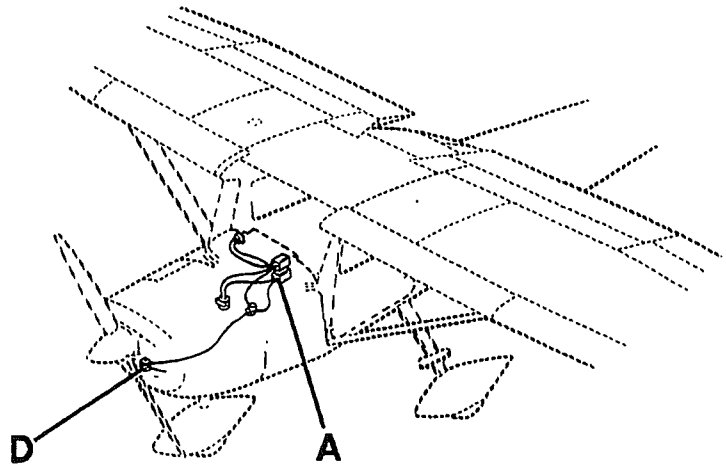
FIGURE AND INDEX NO.	PART NUMBER	DESCRIPTION	UNITS PER ASSY	USABLE ON CODE
		1 2 3 4 5 6 7		
78 -		D---150 SERIAL 15072004 & ON F150 SERIAL F15000659 & ON A150 SERIAL A1500227 & ON FA150 SERIAL FA1500082 & ON E---150 SERIAL 15071129 THRU 15077005 F150 SERIAL F15000530 THRU F15001248 A150 SERIAL A1500001 THRU A1500609 FA150 SERIAL FA1500001 THRU FA1500281 F---150 SERIAL 15077006 & ON F150 SERIAL F15001249 & ON A150 SERIAL A1500610 & ON FA150 SERIAL FA1500282 & ON G---150 SERIAL 15078697 & ON F150 SERIAL F15001289, F15001292, F15001298, F15001304, F15001306, F15001308, F15001309, F15001312 THRU F15001314, F15001316 & ON A150 SERIAL A1500695 & ON FA150 SERIAL FA1500299 & ON H---150 SERIAL 15072004 THRU 15078040 F150 SERIAL F15000659 THRU F15001338 A150 SERIAL A1500227 THRU A1500658 FA150 SERIAL FA1500082 THRU FA1500311 J---150 SERIAL 15078041 & ON F150 SERIAL F15001339 & ON A150 SERIAL A1500659 & ON FA150 SERIAL FA1500312 & ON		

150 & A150 Parts Catalog

Vacuum System

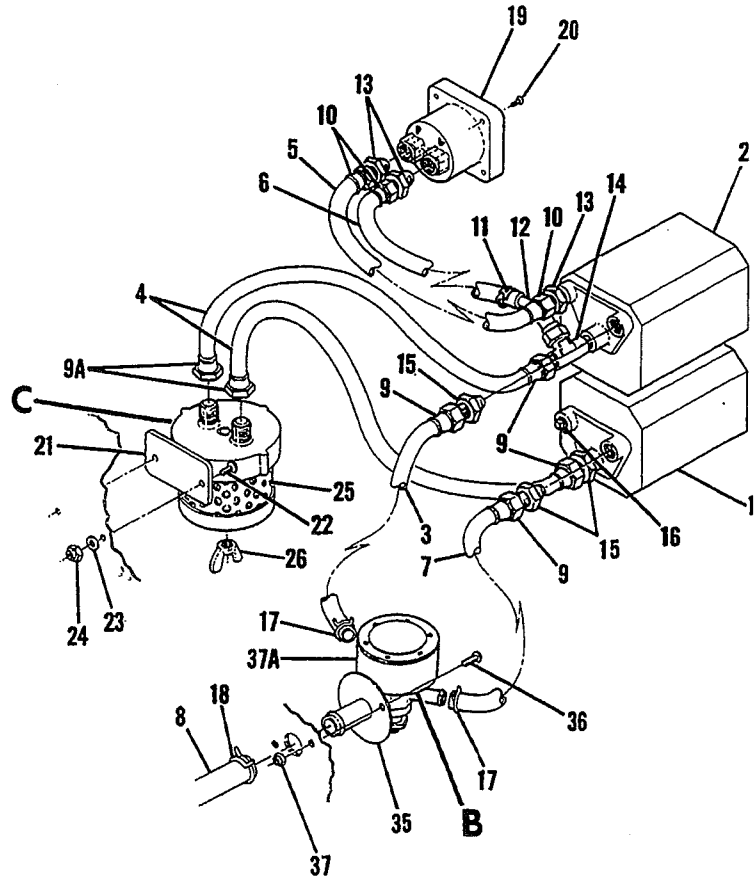


Detail **D**

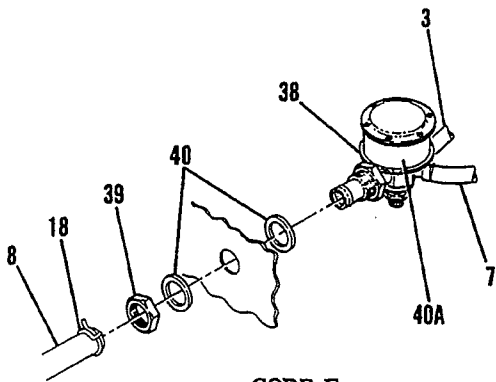


CODE L

Detail **C**



Detail **A**



CODE F

Detail **B**

150 SERIAL 15071129 THRU 15077005
 F150 SERIAL F15000530 THRU F15001248
 A150 SERIAL A1500001 THRU A1500609
 FA150 SERIAL FA1500001 THRU FA1500281

Figure 79. Vacuum System Installation

150 & A150 Parts Catalog

FIGURE AND INDEX NO.	PART NUMBER	DESCRIPTION							UNITS PER ASSY	USABLE ON CODE
		1	2	3	4	5	6	7		
79 -		VACUUM SYSTEM INSTALLATION -----							NP	M
- 1	C661002-0501 *	INDICATOR-DIRECTIONAL GYRO WEU C661002-0505 -----							1	A
	C661002-0505 **	INDICATOR-DIRECTIONAL GYRO WEU C661075-0104 -----							1	B
	C661002-0503 **	INDICATOR-DIRECTIONAL GYRO WEU C661002-0506 -----							1	B
	C661002-0506 **	INDICATOR-DIRECTIONAL GYRO WEU C661075-0103 -----							1	B
	C661075-0103 **	INDICATOR-DIRECTIONAL GYRO -----							1	H
	C661002-0301 **	INDICATOR-DIRECTIONAL GYRO WEU C661075-0104 -----							1	H
	C661075-0104 **	INDICATOR-DIRECTIONAL GYRO -----							1	H
	C661002-0504 **	INDICATOR-DIRECTIONAL GYRO WEU C661075-0101 -----							1	H
	C661075-0101 **	INDICATOR-DIRECTIONAL GYRO -----							1	H
	C661075-0106 **	INDICATOR-DIRECTIONAL GYRO -----							1	J
	C661075-0105 *	INDICATOR-DIRECTIONAL GYRO WITH HEADING REFERENCE BUG ---							1	C
	C661075-0108 *	INDICATOR-DIRECTIONAL GYRO -----							1	H
	AN515B6R8	ATTACHING PARTS								
		SCREW -----							4	
- 2	C661001-0501 %	INDICATOR-GYRO HORIZON WEU C661001-0505 -----							1	A
	C661001-0505 %	INDICATOR-GYRO HORIZON WEU C661076-0101,-0102 OR -0103 ---							1	B
	C661001-0503 %	INDICATOR-GYRO HORIZON WEU C661076-0102 -----							1	B
	C661076-0102 %	INDICATOR-GYRO HORIZON -----							1	G
	C661001-0502 %	INDICATOR-GYRO HORIZON WEU C661076-0101 -----							1	H
	C661076-0101 %	INDICATOR-GYRO HORIZON -----							1	H
	C661001-0504 %	INDICATOR-GYRO HORIZON WEU C661076-0103 -----							1	H
	C661076-0103 %	INDICATOR-GYRO HORIZON -----							1	H
	C661076-0105 %	INDICATOR-GYRO HORIZON -----							1	H
	C661076-0107 %	INDICATOR-GYRO HORIZON -----							1	H
	AN515B6R6	ATTACHING PARTS								
		SCREW -----							4	
- 3	S1495-6	HOSE-11.50 IN LG BULK ITEM REF S1499-6L-11.50 -----							1	
		HORIZON GYRO TO RELIEF VALVE								
- 4	S1495-6 #	HOSE-21.00 IN LG BULK ITEM REF S1499-6LL-21.00 -----							2	K
		GYROS TO AIR FILTER								
	S1495-6	HOSE-19.25 IN LG BKI REF S1499-6L-19.25 -----							1	L
		GYROS TO AIR FILTER								
- 5	S1495-4	HOSE-36.00 IN LG BULK ITEM REF S1499-4JJ-36.00 -----							1	
		HORIZON GYRO TO P SIDE OF SUCTION GAGE								
- 6	S1495-4	HOSE-32.00 IN LG BULK ITEM REF S1691-1-32.00 -----							1	
		HORIZON GYRO TO V SIDE OF SUCTION GAGE								
- 7	S1495-6 #	HOSE-11.50 IN LG BULK ITEM REF S1499-6L-11.50 -----							1	
		DIRECTIONAL GYRO TO RELIEF VALVE								
- 8	S1495-10	HOSE-33.75 IN LG BULK ITEM REF S1495-10-33.75 -----							1	
		RELIEF VALVE TO VACUUM PUMP								
- 9	S1497-6	FITTING-SOCKETLESS -----							4	
- 9A	S1497-6	FITTING-SOCKETLESS -----							2	K
- 9B	S2209-1	STA STRAP -----							2	L
- 10	S1497-4	FITTING-SOCKETLESS -----							3	
- 11	NAS397-8	CLAMP -----							1	
- 12	1713039-1	ELBOW ASSEMBLY -----							1	
- 13	AN816-4D	NIPPLE -----							1	
- 14	MS20826-6D	TEE -----							1	
- 15	AN816-6D	NIPPLE -----							1	
- 16	MS20913-1D	PLUG-PIPE -----							1	
	MS20913-2D	PLUG-PIPE USED WITH C661001-0502 -----							1	
- 17	S1494-10	CLAMP -----							2	
- 18	S1494-14	CLAMP -----							2	
- 19	S1414N1	GAGE-SUCTION WEU C668540-0101 -----							1	G
	S1414-1	GAGE-SUCTION ALTERNATE WEU C668540-0101 -----							1	H
	C668540-0101	GAGE-SUCTION -----							1	H
		ATTACHING PARTS								
- 20	AN515B6R12	SCREW -----							4	
	AN936A6	WASHER USED WITH S1414-1 -----							4	G
	AN340B6	NUT USED WITH S1414-1 -----							4	G
- 21	C294501-0101	AIR FILTER ASSEMBLY-VACUUM -----							1	K
		ATTACHING PARTS								
- 22	AN520-10R10	SCREW -----							2	K
- 23	AN960PD10	WASHER -----							2	K
- 24	MS21045L3	NUT -----							2	K
- 25	C294501-0103	FILTER ELEMENT-VACUUM AIR -----							1	K
- 26	P2274	NUT-WING DCI -----							1	K

CONTINUED ON NEXT PAGE

150 & A150 Parts Catalog

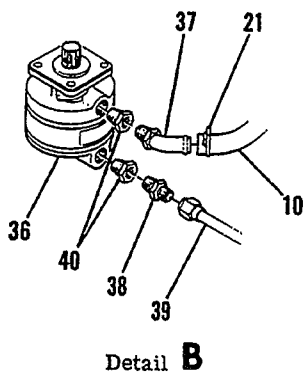
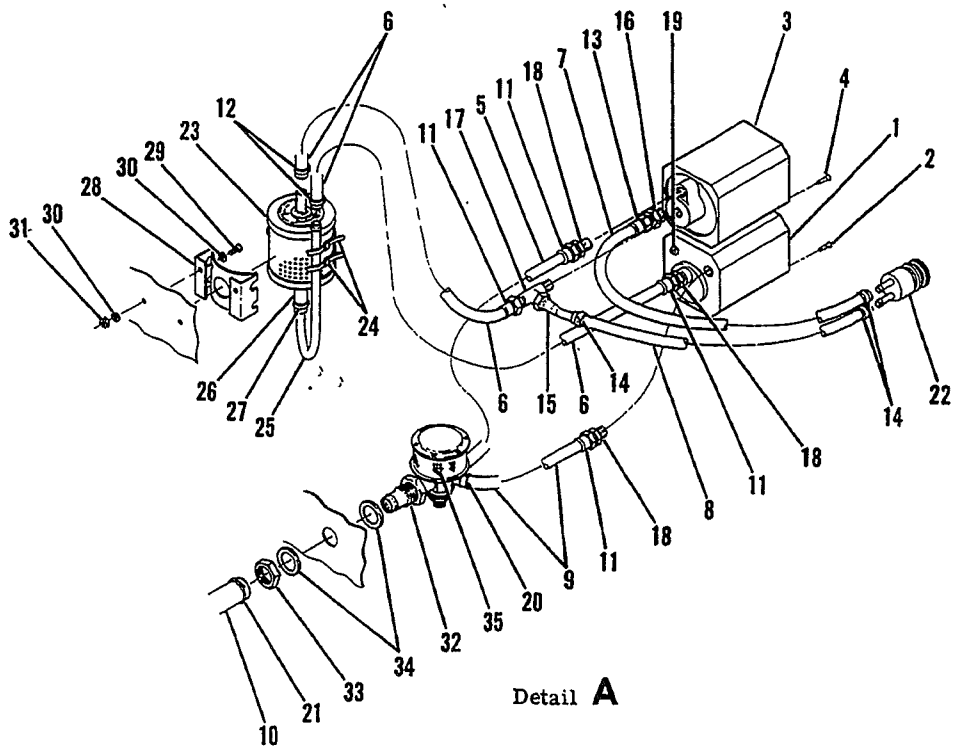
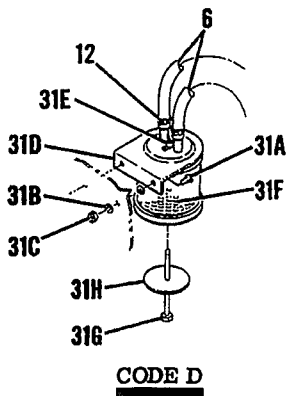
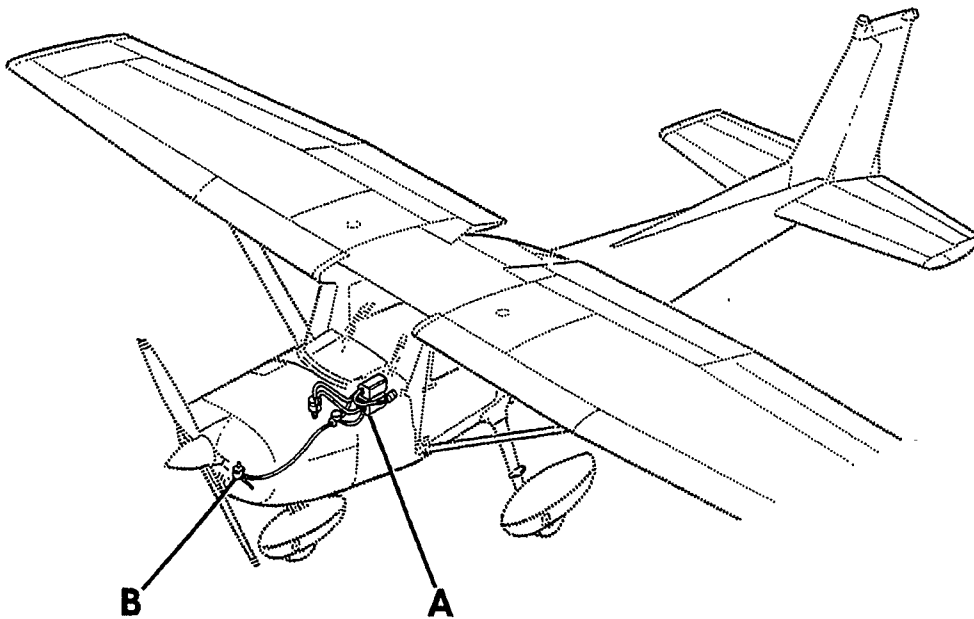
FIGURE AND INDEX NO.	PART NUMBER	DESCRIPTION							UNITS PER ASSY	USABLE ON CODE
		1	2	3	4	5	6	7		
79 -27		AIR FILTER ASSY FSO 1201075-2 SEE FIG 79A -----							1	L
-28	S2209-3	ATTACHING PARTS STA STRAP -----							2	L
-29	0713533-1	U TUBE-VACUUM FILTER -----							1	L
-30	S1495-6	HOSE-2.0 IN LG BKT -----							1	L
-30A	S2209-1	ATTACHING PARTS STA STRAP -----							2	L
-31	0513448-1	BRACKET-AIR FILTER -----							1	L
-32	AN520-10R10	ATTACHING PARTS SCREW -----							2	L
-33	AN960PD10L	WASHER -----							4	L
-34	MS21045L3	NUT -----							2	L
-35	C482001-0301	VALVE-VACUUM RELIEF WEU C482001-0401 -----							1	E
-36	AN515-8R8	ATTACHING PARTS SCREW -----							2	E
-37	MS21045L08	NUT -----							2	E
-37A	C482001-0202	FILTER ELEMENT -----							1	E
-38	C482001-0401 **	VALVE-VACUUM RELIEF -----							1	F
-39	AN924-10D	ATTACHING PARTS NUT -----							1	F
-40	S1450-14A20-016	WASHER -----							2	F
-40A	C482001-0202	FILTER ELEMENT -----							1	F
-41	C431003-0103	PUMP-VACUUM -----							1	F
	C431002-0102	PUMP-VACUUM -----							1	D
	C431003-0301 %	PUMP-VACUUM ALTERNATE WEU C431003-0302 -----							1	D
	C431003-0302	PUMP-VACUUM ALTERNATE -----							1	D
-42	S1861-6	ELBOW -----							1	D
-43	AN816-6-6D	NIPPLE -----							1	D
-44	0400311-88	TUBE -----							1	D
-45	AN912-4D	BUSHING USED WITH C431003-0301 PUMP ONLY -----							2	D
<p>NOTE. *THESE GYROS ARE PHYSICALLY & FUNCTIONALLY INTERCHANGEABLE.</p> <p>NOTE. %THESE GYROS ARE PHYSICALLY & FUNCTIONALLY INTERCHANGEABLE.</p> <p>NOTE. #WHEN ORDERING THIS PART FOR AIRCRAFT EQUIPPED WITH BRITTIAN WING LEVELER SEE FIG 68.</p> <p>NOTE. **WHEN ORDERING THIS PART FOR AIRCRAFT ORIGINALLY EQUIPPED WITH C482001-0301 VALVE ALSO ORDER ONE AN924-10D NUT & TWO S1450-14A20-016 WASHERS.</p> <p>NOTE. %%WHEN C431003-0301 PUMP IS SUPPLIED AS A SPARE FOR C431002-0102 OR C431003-0103 PUMP, TWO AN912-4D BUSHINGS & ONE 0452019-1 SNUBBER BKT MUST ALSO BE ORDERED. THIS PUMP IS NOT USED ON 1970 MODELS.</p> <p>A---150 SERIAL 15071129 THRU 15071784 F150 SERIAL F15000530 THRU F15000658 A150 SERIAL A1500001 THRU A1500164 FA150 SERIAL FA1500001 THRU FA1500081</p> <p>B---150 SERIAL 15071785 THRU 15072628 F150 SERIAL F15000659 THRU F15001013 A150 SERIAL A1500165 THRU A1500276 FA150 SERIAL FA1500082 THRU FA1500211</p> <p>C---150 SERIAL 15073450 THRU 15077005 F150 SERIAL F15000819 THRU F15001248 A150 SERIAL A1500334 THRU A1500609 FA150 SERIAL FA1500162 THRU FA1500281</p> <p>D---150 SERIAL 15072004 THRU 15077005 F150 SERIAL F15000659 THRU F15001248 A150 SERIAL A1500277 THRU A1500609 FA150 SERIAL FA1500082 THRU FA1500281</p>										
CONTINUED ON NEXT PAGE										

150 & A150 Parts Catalog

FIGURE AND INDEX NO.	PART NUMBER	DESCRIPTION	UNITS PER ASSY	USABLE ON CODE
		1 2 3 4 5 6 7		
79 -		E---150 SERIAL 15071129 THRU 15072489 F150 SERIAL F15000530 THRU F15000756 A150 SERIAL A1500001 THRU A1500260 FA150 SERIAL FA1500001 THRU FA1500121 F---150 SERIAL 15072490 THRU 15077005 F150 SERIAL F15000757 THRU F15001248 A150 SERIAL A1500261 THRU A1500609 FA150 SERIAL FA1500122 THRU FA1500281 G---150 SERIAL 15071129 THRU 15072628 F150 SERIAL F15000530 THRU F15001013 A150 SERIAL A1500001 THRU A1500276 FA150 SERIAL FA1500001 THRU FA1500211 H---150 SERIAL 15072629 THRU 15077005 F150 SERIAL F15001014 THRU F15001248 A150 SERIAL A1500277 THRU A1500609 FA150 SERIAL FA1500212 THRU FA1500281 J---150 SERIAL 15071129 THRU 15077005 A150 SERIAL A1500001 THRU A1500609 K---150 SERIAL 15071129 THRU 15075548 F150 SERIAL F15000530 THRU F15001189 A150 SERIAL A1500001 THRU A1500480 FA150 SERIAL FA1500001 THRU FA1500271 L---150 SERIAL 15075549 THRU 15077005 F150 SERIAL F15001190 THRU F15001248 A150 SERIAL A1500481 THRU A1500609 FA150 SERIAL FA1500272 THRU FA1500281 M---150 SERIAL 15071129 THRU 15077005 F150 SERIAL F15000530 THRU F15001248 A150 SERIAL A1500001 THRU A1500609 FA150 SERIAL FA1500001 THRU FA1500281		

150 & A150 Parts Catalog

Vacuum System (Cont)



**150 SERIAL 15077006 & ON
 F150 SERIAL F15001249 & ON
 A150 SERIAL A1500610 & ON
 FA150 SERIAL FA1500282 & ON**

Figure 79A. Vacuum System Installation

150 & A150 Parts Catalog

FIGURE AND INDEX NO.	PART NUMBER		DESCRIPTION							UNITS PER ASSY	USABLE ON CODE
			1	2	3	4	5	6	7		
79A-			VACUUM SYSTEM INSTALLATION -----							NP	A
- 1	C661075-0103	*	GYRO-DIRECTIONAL -----							1	
	C661075-0104	*	GYRO-DIRECTIONAL -----							1	
	C661075-0101	*	GYRO-DIRECTIONAL -----							1	
	C661075-0106	*	GYRO-DIRECTIONAL -----							1	
	C661075-0105	*	GYRO-DIRECTIONAL WITH HEADING REFERENCE BUG -----							1	B
	C661075-0108	*	GYRO-DIRECTIONAL -----							1	
- 2	AN515B6R8		ATTACHING PARTS -----								
			SCREW -----							4	
- 3	C661076-0102	%	GYRO-HORIZON -----							1	
	C661076-0101	%	GYRO-HORIZON -----							1	
	C661076-0103	%	GYRO-HORIZON -----							1	
	C661076-0105	%	GYRO-HORIZON -----							1	B
	C661076-0107	%	GYRO-HORIZON -----							1	
- 4	AN516B6R6		ATTACHING PARTS -----								
			SCREW -----							4	
- 5	S1495-6		HOSE-11.50 IN LG BKI REF S1499-6L-11.50 -----							1	
			HORIZON GYRO TO RELIEF VALVE -----								
- 6	S1495-6		HOSE-19.25 IN LG BKI REF S1499-6L-19.25 -----							2	
			GYROS TO AIR FILTER -----								
- 7	S1495-4		HOSE-** IN LG BKI REF S1499-4J-** -----							1	
			HORIZON GYRO TOP SIDE OF SUCTION GAGE -----								
- 8	S1495-4		HOSE-** IN LG BKI REF S1691-2-** -----							1	
			HORIZON GYRO TO V SIDE OF SUCTION GAGE -----								
- 9	S1495-6		HOSE-11.50 IN LG BKI REF S1499-6L-11.50 -----							1	
			DIRECTIONAL GYRO TO RELIEF VALVE -----								
-10	S1495-10		HOSE-33.75 IN LG BKI REF S1495-10-33.75 -----							1	
			RELIEF VALVE TO VACUUM PUMP -----								
-11	S1497-6		FITTING-SOCKETLESS -----							4	
-12	S2209-1		STA STRAP -----							2	
-13	S1497-4		FITTING-SOCKETLESS -----							1	
-14	NAS397-8		CLAMP -----							3	
-15	1713039-1		ELBOW-ASSEMBLY -----							1	
-16	AN816-4D		NIPPLE -----							1	
-17	MS20826-6D		TEE -----							1	
-18	AN8160-6D		NIPPLE -----							3	
-19	MS20913-1D		PLUG-PIPE -----							1	
-20	S1494-10		CLAMP -----							2	
-21	S1494-14		CLAMP -----							2	
-22	C668509-0101		GAGE-SUCTION -----							1	
-23			AIR FILTER ASSY-VACUUM FSO 1201075-2 -----							1	C
			ATTACHING PARTS -----								
-24	S2209-3		STA STRAP -----							2	C
-25	0713533-1		U TUBE-VACUUM FILTER -----							1	C
-26	S1495-6		HOSE-2.0 IN LG BKI -----							1	C
			ATTACHING PARTS -----								
-27	S2209-1		STA STRAP -----							2	C
-28	0513448-1		BRACKET-AIR FILTER -----							1	C
			ATTACHING PARTS -----								
-29	AN520-10R10		SCREW -----							2	C
-30	AN960PD10L		WASHER -----							4	C
-31	MS21045L3		NUT -----							2	C
			ATTACHING PARTS -----								
	1201075-2		FILTER ASSY-GYRO -----							1	D
			ATTACHING PARTS -----								
-31A	AN520-10R10		SCREW -----							2	D
-31B	AN960PD10L		WASHER -----							2	D
-31C	MS21045L3		NUT -----							2	D
			ATTACHING PARTS -----								
-31D	1201075-4		BRACKET ASSY-GYRO FILTER -----							1	D
-31E	NAS680A3		NUTPLATE -----							1	D
-31F	C294502-0201		FILTER ELEMENT -----							1	D
-31G	AN3-34A		BOLT -----							1	D
-31H	S1450-3A32-050		WASHER -----							1	D

CONTINUED ON NEXT PAGE

150 & A150 Parts Catalog

FIGURE AND INDEX NO.	PART NUMBER	DESCRIPTION	UNITS PER ASSY	USABLE ON CODE
		1 2 3 4 5 6 7		
79A-32	C482001-0401	VALVE-VACUUM RELIEF ----- ATTACHING PARTS -----	1	
-33	AN924-10D	NUT -----	1	
-34	S1450-14A20-016	WASHER -----	2	
-35	C482001-0202	*----- FILTER ELEMENT -----	1	
-36	C431003-0103	PUMP-VACUUM -----	1	
	C431002-0102	PUMP-VACUUM ALTERNATE -----	1	
	C431003-0301 %	PUMP-VACUUM ALTERNATE WEU C431003-0302 -----	1	
	C431003-0302	PUMP-VACUUM ALTERNATE -----	1	
-37	S2363-1	ELBOW -----	1	
-38	AN816-6-6D	NIPPLE -----	1	
-39	0400311-88	TUBE -----	1	
-40	AN912-4D	BUSHING USED WITH C431003-0301 PUMP ONLY -----	2	
		NOTE. *THESE GYROS ARE PHYSICALLY & FUNCTIONALLY INTERCHANGEABLE.		
		NOTE. %THESE GYROS ARE PHYSICALLY & FUNCTIONALLY INTERCHANGEABLE.		
		NOTE. **LENGTH TO BE DETERMINED LATER.		
		NOTE. %WHEN C431003-0301 PUMP IS SUPPLIED AS A SPARE FOR C431002-0102 OR C431003-103 PUMP, TWO AN912-4D BUSHINGS MUST ALSO BE ORDERED.		
		A---150 SERIAL 15077006 & ON F150 SERIAL F15001249 & ON A150 SERIAL A1500610 & ON FA150 SERIAL FA1500282 & ON		
		B---150 SERIAL 15077006 & ON A150 SERIAL A1500610 & ON		
		C---150 SERIAL 15077006 THRU 15078672 F150 SERIAL F15001249 & ON A150 SERIAL A1500610 THRU A1500694 FA150 SERIAL FA1500282 & ON		
		D---150 SERIAL 15078673 & ON A150 SERIAL A1500695 & ON		

150 & A150 Parts Catalog

FIGURE AND INDEX NO.	PART NUMBER	DESCRIPTION							UNITS PER ASSY	USABLE ON CODE
		1	2	3	4	5	6	7		
80 -		ELECTRICAL EQUIPMENT INSTALLATION -----							NP	K J K J K E E
- 1	0511319-1	BATTERY ASSY-12 VOLT -----							1	
- 2	0412007-9	STRAP-BATTERY GROUND -----							1	
	S292-16	SLEEVING-INSULATION 10.00 IN LG BKI -----							1	
- 3	0410011-PA8	CABLE-BATTERY TO BATTERY CONTACTOR -----							1	
	0470401-PA1	CABLE-BATTERY TO BATTERY CONTACTOR -----							1	
- 4	0410011-PA14	CABLE-BATTERY CONTACTOR TO STARTER CONTACTOR -----							1	
	0470401-PA5	CABLE-BATTERY CONTACTOR TO STARTER CONTACTOR -----							1	
- 5	S1579-1	CONTACTOR-BATTERY WEU S1579-2 -----							1	
	S1579-2	CONTACTOR-BATTERY -----							1	
		ATTACHING PARTS -----								
- 6	AN3-3A	BOLT -----							2	
- 7	AN960-10L	WASHER -----							2	
- 8	MS20365-1032C	NUT -----							2	
		*-----								
- 9	S1807-1	COVER -----							2	
-10	S2209-1	STA-STRAP -----							2	
-11	0770728-1	DIODE ASSEMBLY INCLUDES TERMINALS -----							1	
-12	S1090-22	FUSE HOLDER ASSEMBLY-ELECTRIC CLOCK & HOURMETER -----							1	
	S1090-23	CAP -----							1	
	S1091-1	FUSE-1 AMP ELECTRIC CLOCK & HOURMETER -----							1	
		GROUND SERVICE PLUG INSTALLATION -----							1	
-13	AN2552-3A	RECEPTACLE-GROUND SERVICE PLUG -----							1	
		ATTACHING PARTS -----								
-14	AN509-10R14	SCREW -----							2	
-15	MS21045L3	NUT -----							2	
		*-----								
-16	0553005-1	BRACKET-GROUND SERVICE PLUG -----							1	
-17	0453004-1	DOUBLER -----							1	
-18	0453005-1	STIFFENER -----							1	
-19	0312155-10	GROUND STRAP -----							1	
CONTINUED ON NEXT PAGE										

150 & A150 Parts Catalog

Electrical Equipment

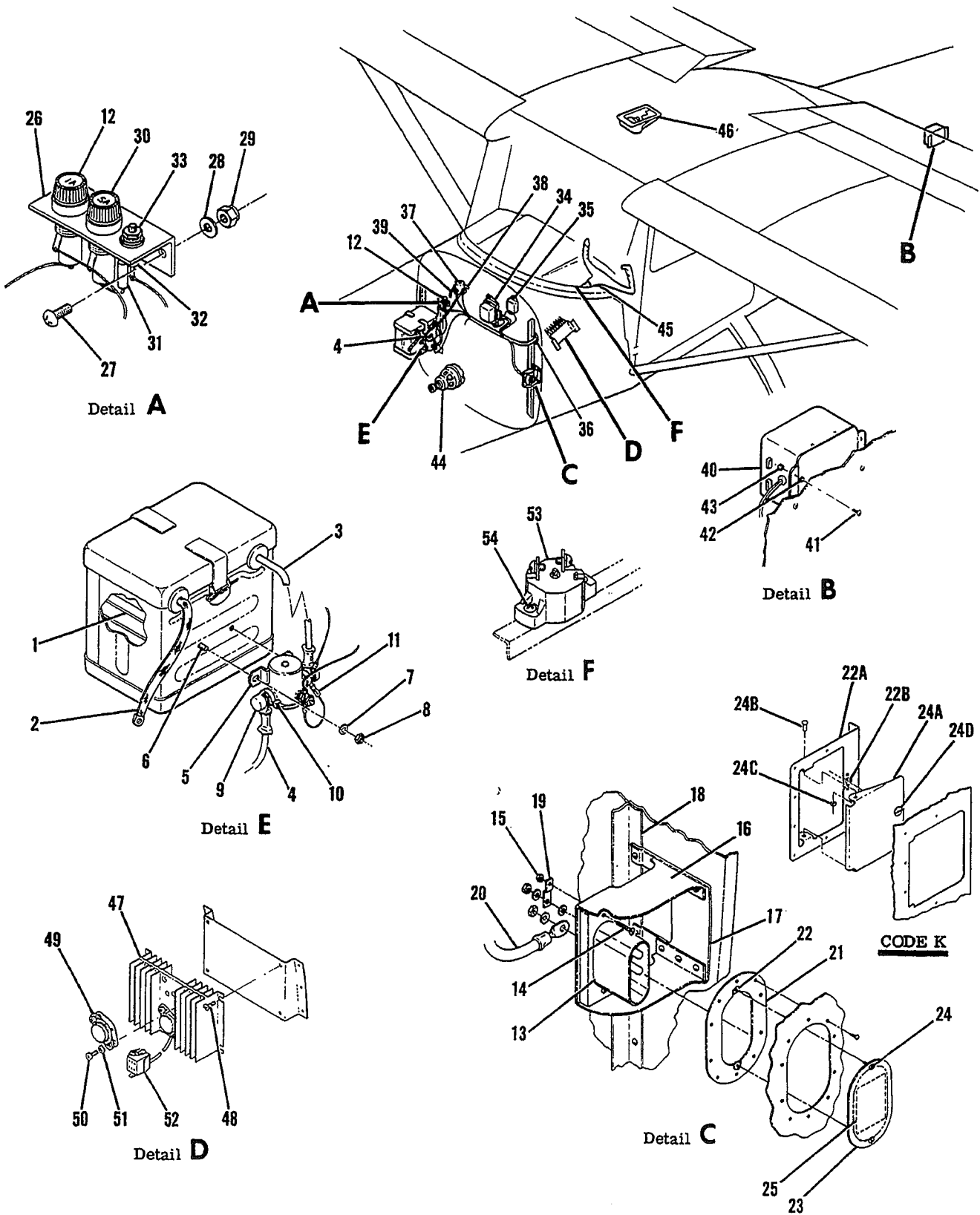


Figure 80. Electrical Equipment Installation

150 & A150 Parts Catalog

FIGURE AND INDEX NO.	PART NUMBER	DESCRIPTION							UNITS PER ASSY	USABLE ON CODE
		1	2	3	4	5	6	7		
80 -20	0410011-PC1	CABLE-GROUND SERVICE PLUG TO BATTERY CONTACTOR -----							1	J
	0470401-PC1	CABLE-GROUND SERVICE PLUG TO BATTERY CONTACTOR -----							1	K
-21	0752610-1	DOUBLER ASSEMBLY -----							1	J
-22	S1115-19	RECEPTACLE-STUD -----							2	J
-22A	0552161-2	DOUBLER ASSY -----							1	J
-22B	S1115-19	RECEPTACLE -----							1	K
-23	0752611-1	DOOR ASSY-GROUND SERVICE PLUG -----							1	J
-24	S1115-30	STUD -----							2	J
	S1115-9	RING -----							2	J
-24A	0552161-4	DOOR ASSY-GROUND SERVICE PLUG -----							1	K
		ATTACHING PARTS								
-24B	MS20450C8-5	RIVET-TUBLAR -----							2	K
-24C	AN960XCL4	WASHER -----							2	K
		*-----								
-24D	S1115-1	STUD -----							1	K
	S1115-9	RING -----							1	K
-25		PLACARD SEE PLACARD FIGURES -----							1	
-26	0712031-1	MOUNTING BRACKET-FUSE & DIODE-EXT POWER & CLOCK -----							1	
		ATTACHING PARTS								
-27	AN515-10R8	SCREW -----							2	
-28	AN960-10L	WASHER -----							2	
-29	MS21045L3	NUT -----							2	
		*-----								
-30	S1090-2	FUSE HOLDER-EXTERNAL POWER -----							1	
	S1090-11	CAP -----							1	
	S1091-5	FUSE-EXTERNAL POWER 5 AMP -----							1	
-31	X26263	RESISTOR-GROUND SERVICE PLUG .75 OHMS TRTA -----							1	
-32	20H3P	DIODE-EXTERNAL POWER SATA -----							1	
	6F20-D	DIODE-EXTERNAL POWER ALTERNATE AFE -----							1	
	43-1761	INSULATING HARDWARE SPD ORDER WITH 6F20-D -----							1	
	1N1344A	DIODE-EXTERNAL POWER SPD -----							1	
		ATTACHING PARTS								
-33	LN-1032-X	NUT WECK -----							1	
	S1038-2	WASHER -----							1	
		*-----								
-34	C611001-0101	VOLTAGE REGULATOR 60 AMP WEU C611001-0102 -----							1	G
	C611001-0102	VOLTAGE REGULATOR 60 AMP -----							1	H
	C611001-0201	VOLTAGE REGULATOR 60 AMP -----							1	K
		ATTACHING PARTS								
	AN520-416R8	SCREW -----							2	
		*-----								
-35	C6AB10A730A	HOUSING-REGULATOR PLUG -----							1	
	0770038-2	NOISE FILTER -----							1	
		ATTACHING PARTS								
	AN520-8R8	SCREW -----							2	
		*-----								
-36	S1095-5	SHIELD HALF -----							2	
		ATTACHING PARTS								
	S1021Z8-6	SCREW -----							2	
	NAS446-4-3	NUT -----							2	
		*-----								
-37	NAS557-10A	GROMMET -----							1	
	S1991-1	CONTACTOR-STARTER -----							1	
		ATTACHING PARTS								
	AN3-3A	BOLT -----							2	
		*-----								
-38	S1807-1	COVER -----							2	
	S2209-1	STA-STRAP -----							2	
-39	0410011-KA3	CABLE-STARTER CONTACTOR TO STARTER -----							1	J
	0470401-KA3	CABLE-STARTER CONTACTOR TO STARTER -----							1	K
-40	C622004-0103	POWER SUPPLY-STROBE LIGHT -----							1	C
	SEE FIG 3	POWER SUPPLY-STROBE LIGHT -----							1	D
		ATTACHING PARTS								
-41	AN520-10R8	SCREW -----							4	C
-42	AN960-10L	WASHER -----							4	C
-43	MS21044N3	NUT -----							4	C
		*-----								
-44	SEE FIG 82	ALTERNATOR INSTALLATION -----							1	
-45	SEE FIG 85	CONTROL WHEEL MAP LIGHT INSTALLATION -----							1	A
	SEE FIG 85A	CONTROL WHEEL MAP LIGHT & MIKE SWITCH INSTALLATION -----							1	B

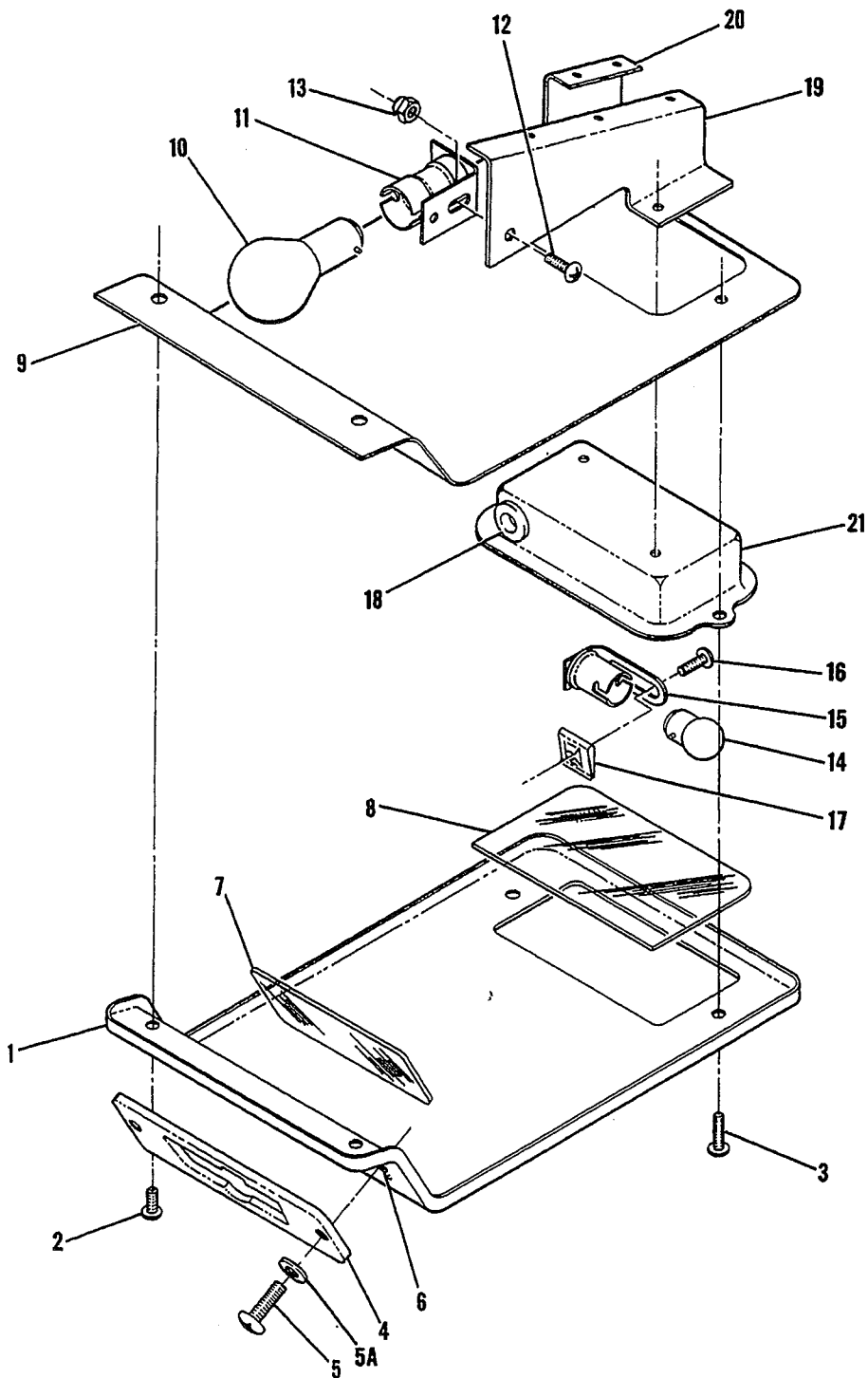
CONTINUED ON NEXT PAGE

150 & A150 Parts Catalog

FIGURE AND INDEX NO.	PART NUMBER	DESCRIPTION	UNITS PER ASSY	USABLE ON CODE
80 -46 -47 -48 -49 -50 -51 -52 -53 -54	SEE FIG 81	INSTRUMENT PANEL LIGHTS INSTALLATION -----	1	A
	SEE FIG 81A&81B	INSTRUMENT PANEL LIGHTS INSTALLATION -----	1	B
	SEE FIG 83	LANDING LIGHT INSTALLATION-WING -----	1	A
	SEE FIG 83A&83B	LANDING LIGHT INSTALLATION-COWL -----	1	B
	SEE FIG 84	FLASHING BEACON LIGHT INSTALLATION -----	1	
	SEE FIG 48 & 48A	INSTRUMENT PANEL ELECTRICAL COMPONENTS -----	1	
	1570166-1	DIMMING ASSY-TRANSISTORIZED LIGHT -----	1	K
		ATTACHING PARTS		
	AN520-10R6	SCREW -----	4	K
	AN960-10L	WASHER -----	4	K
		-----*		
	2N3055	TRANSISTOR RCA -----	2	K
		ATTACHING PARTS		
	S1021Z6-8	SCREW -----	2	K
	AN960-6L	WASHER -----	2	K
	-----*			
S1641-6	HOUSING-SOCKET -----	1	K	
CA-2	CIRCUIT BREAKER -----	1	L	
	ATTACHING PARTS			
AN515-6R8	SCREW -----	2	L	
MS21044N06	NUT -----	2	L	
	-----*			
<p>A---150 SERIAL 15071129 THRU 15072003 F150 SERIAL F15000530 THRU F15000658 A150 SERIAL A1500001 THRU A1500226 FA150 SERIAL FA1500001 THRU FA1500081</p> <p>B---150 SERIAL 15072004 & ON F150 SERIAL F15000659 & ON A150 SERIAL A1500227 & ON FA150 SERIAL FA1500082 & ON</p> <p>C---150 SERIAL 15072004 THRU 15073658 F150 SERIAL F15000659 THRU F15000863 A150 SERIAL A1500227 THRU A1500342 FA150 SERIAL FA1500082 THRU FA1500166</p> <p>D---150 SERIAL 15073659 & ON F150 SERIAL F15000864 & ON A150 SERIAL A1500343 & ON FA150 SERIAL FA1500167 & ON</p> <p>E---150 SERIAL 15071129 THRU 15073740 F150 SERIAL F15000530 THRU F15000903 A150 SERIAL A1500001 THRU A1500344 FA150 SERIAL FA1500001 THRU FA1500191</p> <p>F---150 SERIAL 15073741 & ON F150 SERIAL F15000904 & ON A150 SERIAL A1500345 & ON FA150 SERIAL FA1500192 & ON</p> <p>G---150 SERIAL 15071129 THRU 15075632 F150 SERIAL F15000530 THRU F15001133 A150 SERIAL A1500001 THRU A1500480 FA150 SERIAL FA1500001 THRU FA1500261</p> <p>H---150 SERIAL 15075633 THRU 15077005 F150 SERIAL F15001134 THRU F15001248 A150 SERIAL A1500481 THRU A1500609 FA150 SERIAL FA1500262 THRU FA1500281</p> <p>J---150 SERIAL 15071129 THRU 15077009 F150 SERIAL F15000530 THRU F15001248 A150 SERIAL A1500001 THRU A1500609 FA150 SERIAL FA1500001 THRU FA1500281</p> <p>K---150 SERIAL 15077006 & ON F150 SERIAL F15001249 & ON A150 SERIAL A1500610 & ON FA150 SERIAL FA1500282 & ON</p> <p>L---150 SERIAL 15078506 & ON F150 SERIAL F15001339 & ON A150 SERIAL A1500685 & ON FA150 SERIAL FA1500312 & ON</p>				

150 & A150 Parts Catalog

Electrical Equipment (Cont)



150 SERIAL 15071129 THRU 15072003
F150 SERIAL F15000530 THRU F15000658
A150 SERIAL A1500001 THRU A1500226
FA150 SERIAL FA1500001 THRU FA1500081

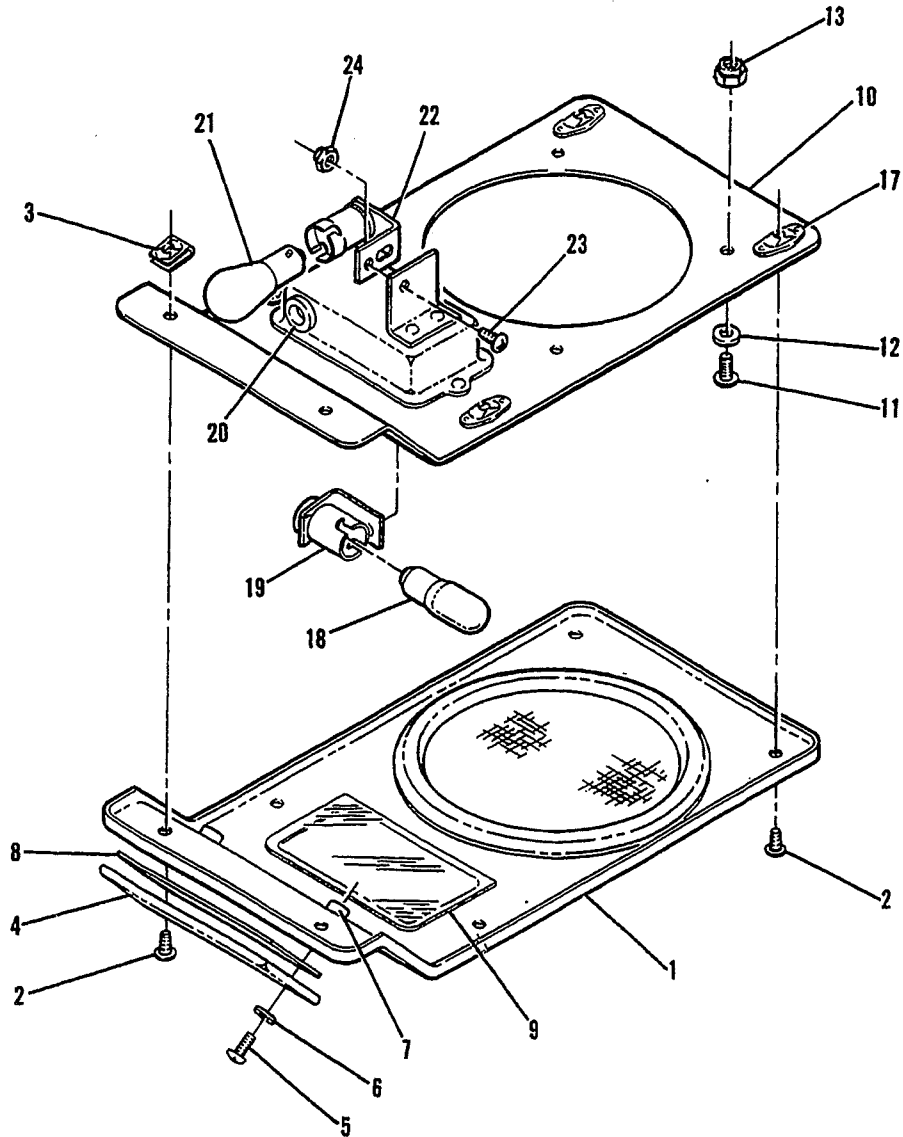
Figure 81. Instrument Panel Lights Installation

150 & A150 Parts Catalog

FIGURE AND INDEX NO.	PART NUMBER	DESCRIPTION							UNITS PER ASSY	USABLE ON CODE
		1	2	3	4	5	6	7		
81 -		INSTRUMENT PANEL LIGHT INSTALLATION -----							NP	A
- 1	0414013-1	COVER ASSEMBLY-OVERHEAD CONSOLE -----							1	
		ATTACHING PARTS -----								
- 2	S1021Z6-6	SCREW -----							2	
- 3	S1021Z4-8	SCREW -----							2	
		*-----								
- 4	0414013-3	SHIELD -----							1	
		ATTACHING PARTS -----								
- 5	AN515-6R10	SCREW -----							2	
- 5A	AN96008L	WASHER -----							2	
		*-----								
- 6	NAS680A06K	NUTPLATE -----							2	
- 7	0414013-4	LENS-INSTRUMENT LIGHT -----							1	
- 8	0413141-1	LENS-INSTRUMENT LIGHT -----							1	
- 9	0413503-1	SUPPORT-OVERHEAD CONSOLE -----							1	
-10	MS15584-2	BULB-INSTRUMENT LIGHT -----							1	
-11	0513208-1	SOCKET-INSTRUMENT LIGHT -----							1	
		ATTACHING PARTS -----								
-12	AN515-6-6	SCREW -----							1	
-13	MS21044N06	NUT -----							1	
		*-----								
-14	S1876-1	BULB-INSTRUMENT LIGHT -----							1	
-15	0413138	SOCKET-INSTRUMENT LIGHT -----							1	
		ATTACHING PARTS -----								
-16	S1021Z4-6	SCREW -----							1	
-17	NAS395-1-3	NUT -----							1	
		*-----								
-18	MS35489-4	GROMMET -----							1	
	0413495-1	BRACKET ASSEMBLY -----							1	
-19	0413495-2	BRACKET-LH -----							1	
-20	0413495-3	BRACKET-RH -----							1	
-21	0413140-5	REFLECTOR -----							1	
		A---150 SERIAL 15071129 THRU 15072003 F150 SERIAL F15000530 THRU F15000658 A150 SERIAL A1500001 THRU A1500226 FA150 SERIAL FA1500001 THRU FA1500081								

150 & A150 Parts Catalog

Electrical Equipment (Cont)



150 SERIAL 15072004 THRU 15078505
F150 SERIAL F15000659 THRU F15001338
A150 SERIAL A1500227 THRU A1500684
FA150 SERIAL FA1500082 THRU FA1500311

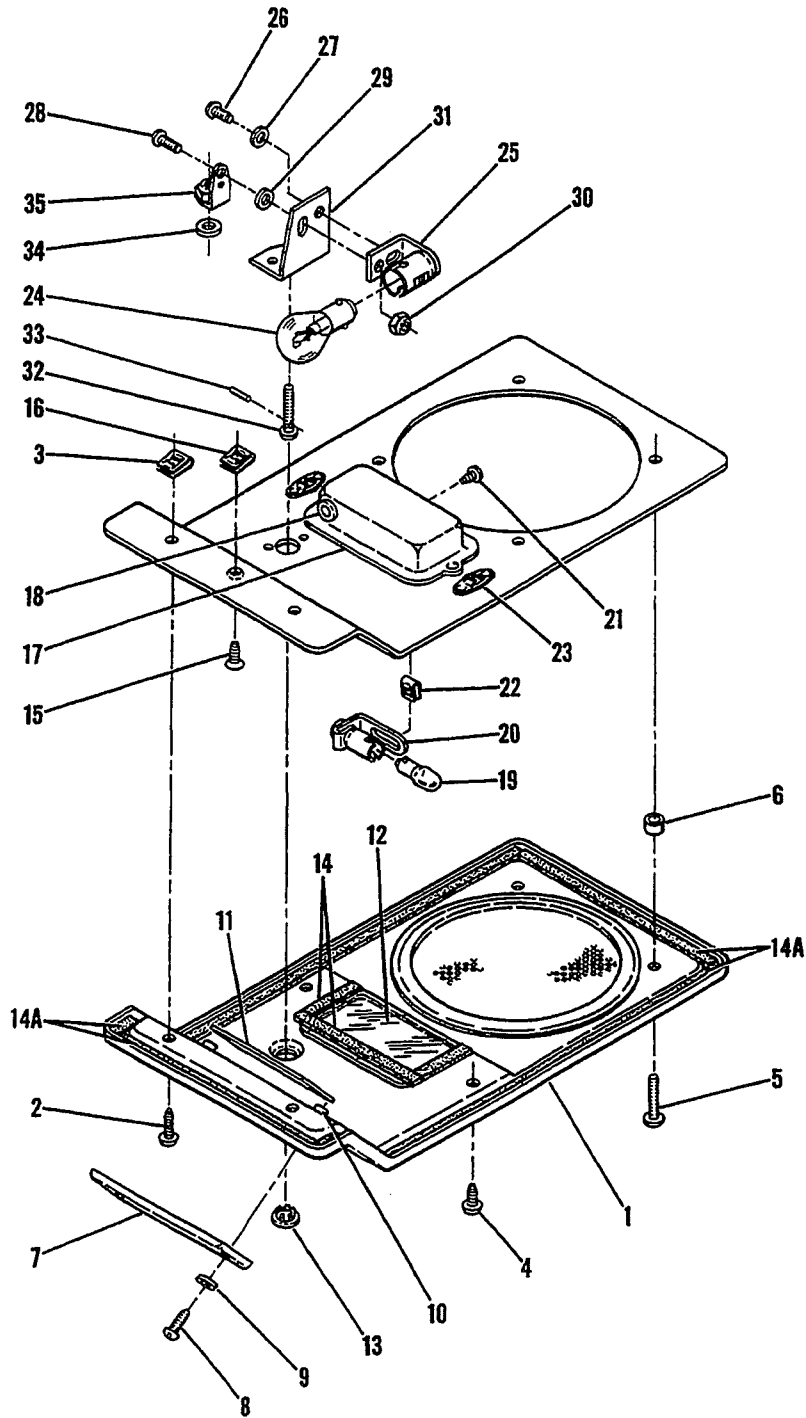
Figure 81A. Instrument Panel Lights Installation

150 & A150 Parts Catalog

FIGURE AND INDEX NO.	PART NUMBER	DESCRIPTION							UNITS PER ASSY	USABLE ON CODE
		1	2	3	4	5	6	7		
81A-		INSTRUMENT PANEL LIGHT INSTALLATION -----							NP	A
- 1	0470114-1	COVER ASSEMBLY-OVERHEAD CONSOLE -----							1	
		ATTACHING PARTS -----								
- 2	S1021Z6-10	SCREW -----							6	
- 3	NAS395-3-3	NUT -----							2	
		-----*								
- 4	0414013-3	SHIELD -----							1	
		ATTACHING PARTS -----								
- 5	AN515-6R10	SCREW -----							2	
- 6	S1554-3	WASHER -----							2	
		-----*								
- 7	NAS680A06K	NUTPLATE -----							2	
- 8	0414013-4	LENS-INSTRUMENT LIGHT -----							1	
- 9	0413141-1	LENS-INSTRUMENT LIGHT -----							1	
-10	0470112-1	SUPPORT ASSEMBLY-OVERHEAD CONSOLE -----							1	
		ATTACHING PARTS -----								
-11	AN515-8R8	SCREW -----							4	
-12	AN960-8L	WASHER -----							4	
-13	MS2104408	NUT -----							4	
		-----*								
-14		DELETED, NEVER USED -----								
-15		DELETED, NEVER USED -----								
-16		DELETED, NEVER USED -----								
-17	S1863-2A	NUTPLATE -----							4	
-18	S1876-1	BULB-INSTRUMENT LIGHT -----							1	
-19	0413138	SOCKET-INSTRUMENT LIGHT -----							1	
		ATTACHING PARTS -----								
	S1021Z6-4	SCREW -----							2	
	NAS395-1-3	NUT -----							2	
		-----*								
-20	MS35489-4	GROMMET -----							1	
-21	MS15584-2	BULB-INSTRUMENT LIGHT -----							1	
-22	0513208-1	SOCKET-INSTRUMENT LIGHT -----							1	
		ATTACHING PARTS -----								
-23	AN515-6-6	SCREW -----							1	
-24	MS21044N06	NUT -----							1	
		-----*								
		A---150 SERIAL 15072004 THRU 15078505 F150 SERIAL F15000659 THRU F15001338 A150 SERIAL A1500227 THRU A1500684 FA150 SERIAL FA1500082 THRU FA1500311								

150 & A150 Parts Catalog

Electrical Equipment (Cont)



150 SERIAL 15078506 & ON
F150 SERIAL F15001339 & ON
A150 SERIAL A1500685 & ON
FA150 SERIAL FA1500312 & ON

Figure 81B. Instrument Panel Light Installation

150 & A150 Parts Catalog

FIGURE AND INDEX NO.	PART NUMBER	DESCRIPTION							UNITS PER ASSY	USABLE ON CODE
		1	2	3	4	5	6	7		
81B-		INSTRUMENT PANEL LIGHT INSTALLATION -----							1	A
- 1	0414068-1	COVER ASSY-OVERHEAD CONSOLE -----							1	
		ATTACHING PARTS -----								
- 2	S1021Z6-10	SCREW -----							2	
- 3	NAS395-3-3	NUT -----							2	
- 4	S1021Z6-8	SCREW -----							2	
- 5	AN520-10R12	SCREW -----							2	
- 6	NAS43HT3-16	SPACER -----							2	
		*-----								
- 7	0414069-1	SHIELD-OVERHEAD CONSOLE -----							1	
		ATTACHING PARTS -----								
- 8	AN515-6R8	SCREW -----							2	
- 9	S1554-3	WASHER -----							2	
		*-----								
-10	NAS697A06L	NUTPLATE -----							2	
-11	0414013-4	LENS-INSTRUMENT LIGHT -----							1	
-12	0413141-1	LENS-OVERHEAD LIGHT -----							1	
-13	CM2692-12R3S	PLUG BUTTON -----							1	
-14	S2108-2	SEAL BKI -----							AR	
-14A	S2108-5	SEAL BKI -----							AR	
	0414067-1	SUPPORT ASSY-OVERHEAD CONSOLE -----							1	
		ATTACHING PARTS -----								
-15	S1022Z6-8	SCREW -----							1	
-16	NAS395-3-3	NUT -----							1	
		*-----								
-17	0470118-2	REFLECTOR-OVERHEAD CONSOLE LIGHT -----							1	
-18	MS35489-4	GROMMET -----							1	
-19	S1876-1	BULB-OVERHEAD LIGHT -----							1	
-20	0413138	SOCKET-OVERHEAD LIGHT -----							1	
		ATTACHING PARTS -----								
-21	S1021Z6-4	SCREW -----							2	
-22	NAS395-2-3	NUT -----							2	
		*-----								
-23	S1863-2A	NUTPLATE -----							2	
-24	MS15584-2	BULB-INSTRUMENT LIGHT -----							1	
-25	0513208-1	SOCKET-INSTRUMENT LIGHT -----							1	
		ATTACHING PARTS -----								
-26	AN520-8R6	SCREW -----							1	
-27	NAS620-8	WASHER -----							1	
-28	AN520-8R7	SCREW -----							1	
-29	NAS620-10	WASHER -----							1	
-30	MS21044N08	NUT -----							2	
		*-----								
-31	0511324-2	BRACKET-ADJUSTABLE INSTRUMENT LIGHT -----							1	
-32	0511324-4	SCREW-ADJUSTABLE INSTRUMENT LIGHT -----							1	
-33	MS16562-193	ROLL PIN -----							1	
-34	AN960-10	WASHER -----							1	
-35	0511324-3	NUT-ADJUSTABLE INSTRUMENT LIGHT -----							1	
		A---150 SERIAL 15078506 & ON F150 SERIAL F15001339 & ON A150 SERIAL A1500685 & ON FA150 SERIAL FA1500312 & ON								

150 & A150 Parts Catalog

Electrical Equipment (Cont)

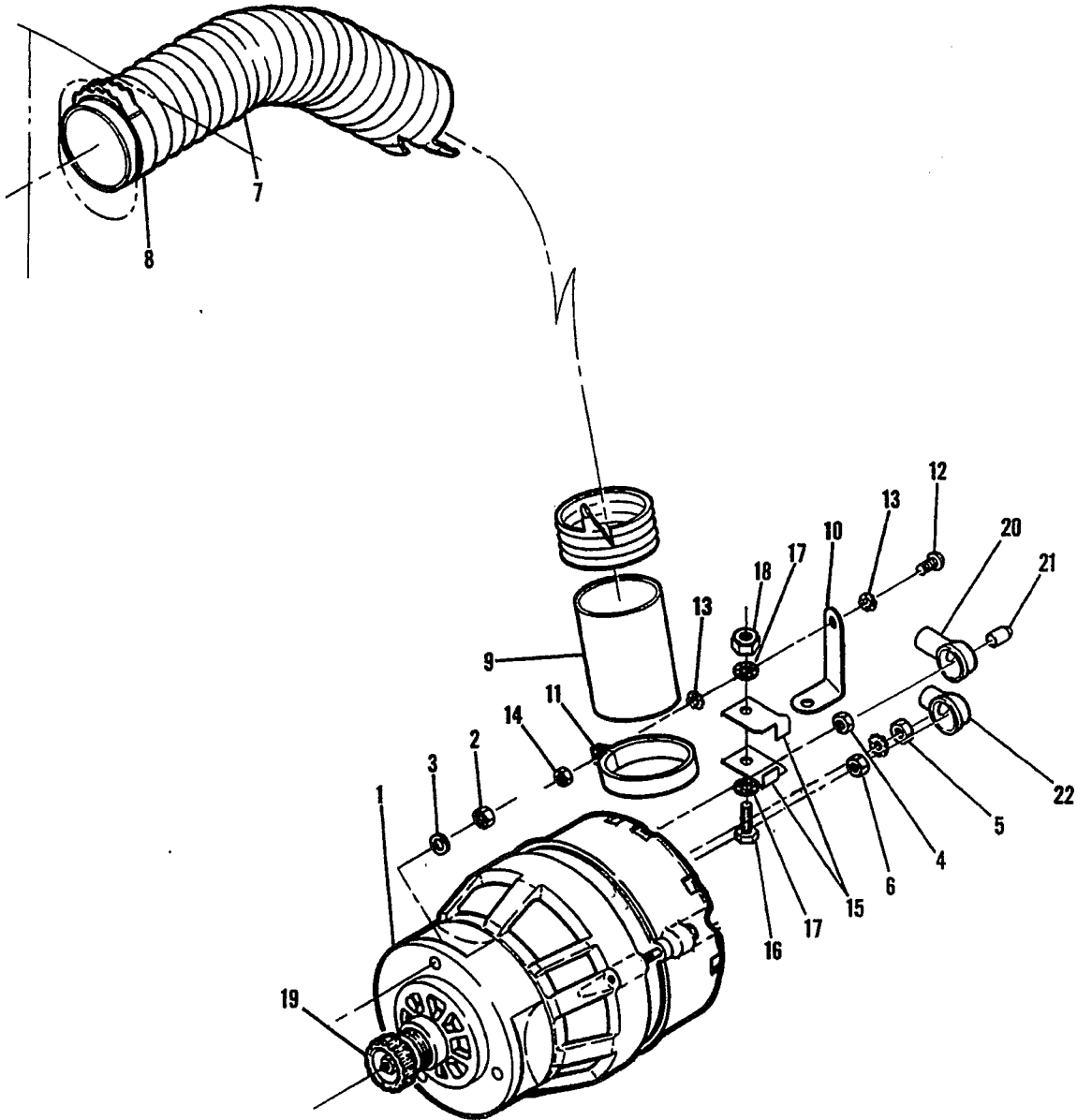


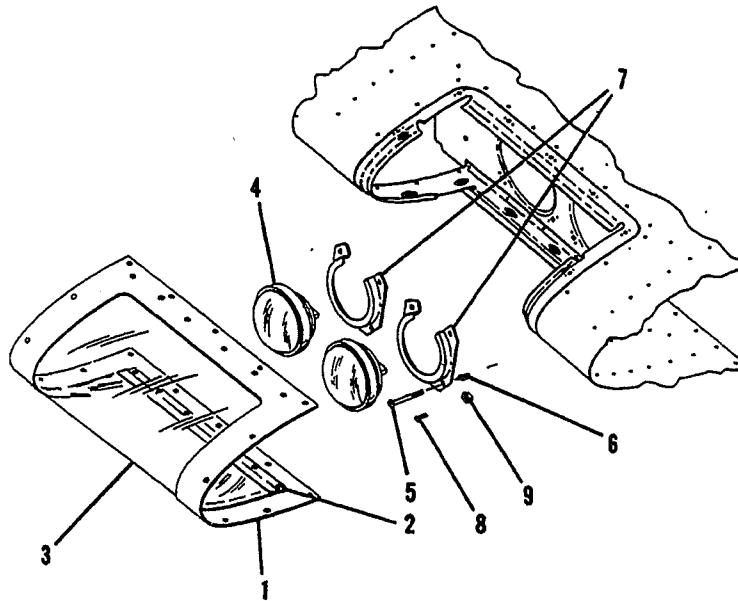
Figure 82. 60 Amp Alternator Installation

150 & A150 Parts Catalog

FIGURE AND INDEX NO.	PART NUMBER	DESCRIPTION	UNITS PER ASSY	USABLE ON CODE
82 -		ALTERNATOR INSTALLATION-60 AMP -----	NP	
- 1	C611501-0202	ALTERNATOR ASSEMBLY WEU C611501-0204 -----	1	A
	C611501-0204	ALTERNATOR ASSEMBLY -----	1	B
		ATTACHING PARTS -----		
- 2	MS21042L5	NUT -----	3	
- 3	AN960-516	WASHER -----	3	
		*-----		
- 4	MS21042L4	NUT ON BATTERY TERMINAL -----	1	A
	AN340-416	NUT ON BATTERY TERMINAL -----	1	B
- 5	MS21045L3	NUT ON FIELD TERMINAL -----	1	A
	AN340-10	NUT ON FIELD TERMINAL -----	1	B
	AN936A10	WASHER ON FIELD TERMINAL -----	1	
- 6	MS21045L3	NUT ON GROUND TERMINAL -----	1	A
	AN340-10	NUT ON GROUND TERMINAL -----	1	B
- 7	S1053E16T	HOSE-18 IN LG BULK ITEM REF S1053E16T18 -----	1	
- 8	NAS397-34	CLAMP -----	1	
- 9	0450032-1	SUPPORT-BLAST TUBE -----	1	
-10	0450037-1	STRAP-BLAST TUBE SUPPORT -----	1	
-11	AN735-32	CLAMP -----	1	
-12	AN520-10R12	SCREW -----	1	
-13	AN936A10	WASHER -----	3	
-14	MS21045L3	NUT -----	1	
-15	0450036-1	CLAMP-HALF -----	2	
-16	AN3-3	BOLT -----	1	
-17	AN936A10	WASHER -----	2	
-18	MS20364-1032C	NUT -----	1	
-19	EQ5820	DRIVE ASSEMBLY-ALTERNATOR -----	1	
-20	S2114-1	NIPPLE -----	1	C
-21	S2093-2	COVER -----	1	C
-22	S2114-2	NIPPLE -----	1	C
<p>A---150 SERIAL 15071129 THRU 15072143 F150 SERIAL F15000530 THRU F15000658 A150 SERIAL A1500001 THRU A1500241 FA150 SERIAL FA1500001 THRU FA1500081</p> <p>B---150 SERIAL 15072144 & ON F150 SERIAL F15000659 & ON A150 SERIAL A1500242 & ON FA150 SERIAL FA1500082 & ON</p> <p>C---150 SERIAL 15072629 & ON F150 SERIAL F15000739 & ON A150 SERIAL A1500277 & ON FA150 SERIAL FA1500122 & ON</p>				

150 & A150 Parts Catalog

Electrical Equipment (Cont)



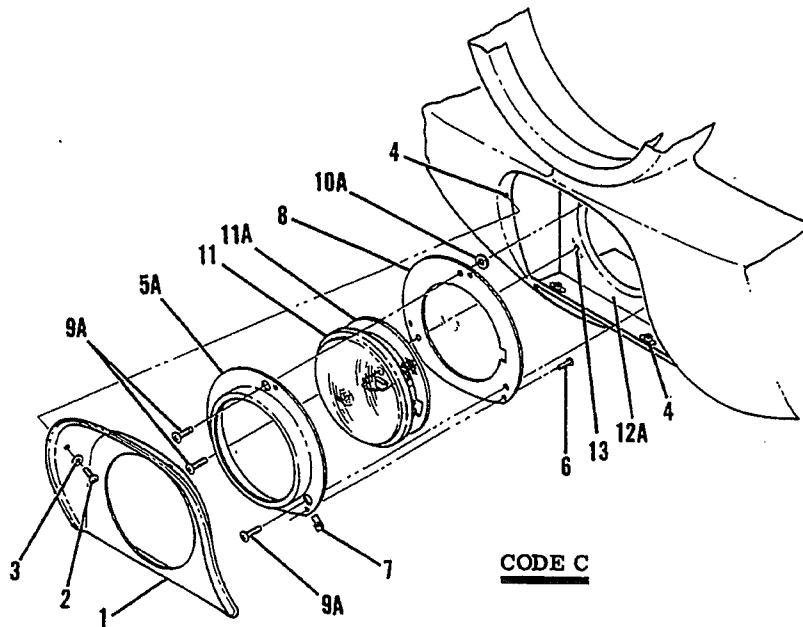
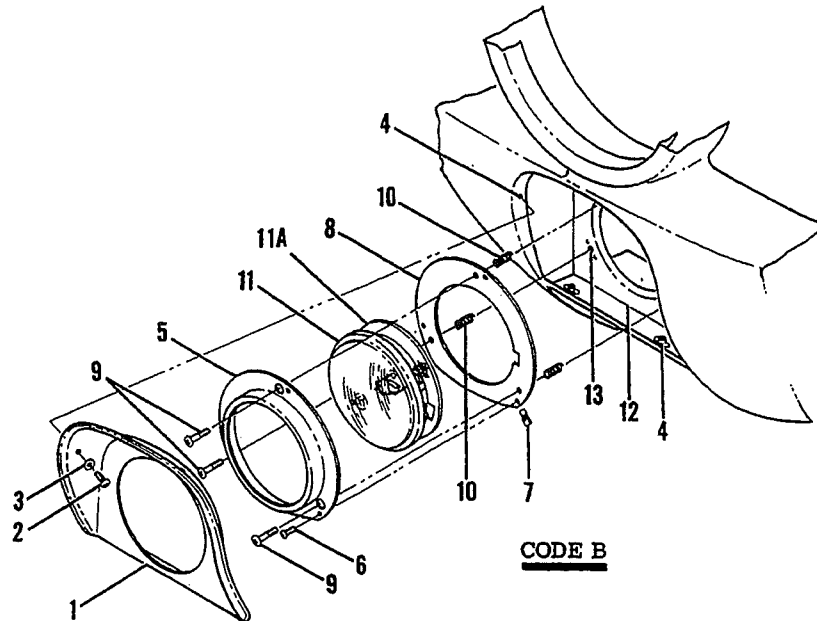
150 SERIAL 15071129 THRU 15072003
 F150 SERIAL F15000530 THRU F15000658
 A150 SERIAL A1500001 THRU A1500226
 FA150 SERIAL FA1500001 THRU FA1500081

Figure 83. Landing Light Installation

FIGURE AND INDEX NO.	PART NUMBER	DESCRIPTION							UNITS PER ASSY	USABLE ON CODE
		1	2	3	4	5	6	7		
83 -		LANDING LIGHT INSTALLATION-WING -----							NP	A
- 1	0523115	WINDOW ASSEMBLY-LANDING LIGHT -----							1	
- 2	0523115-3	RETAINER -----							2	
- 3	0523115-5	WINDOW-PLEXIGLASS -----							1	
- 4	0523118-1	LIGHT-LANDING -----							2	
		ATTACHING PARTS -----								
- 5	AN515-8R26	SCREW -----							3	
- 6	0713124-1	SPRING -----							3	
- 7	0423542-6	BRACKET ASSEMBLY -----							1	
		*-----								
- 8	AN515-8R7	SCREW -----							1	
- 9	MS21044N08	NUT -----							1	
		A---150 SERIAL 15071129 THRU 15072003 F150 SERIAL F15000530 THRU F15000658 A150 SERIAL A1500001 THRU A1500226 FA150 SERIAL FA1500001 THRU FA1500081								

150 & A150 Parts Catalog

Electrical Equipment (Cont)



150 SERIAL 15072004 & ON
F150 SERIAL F15000659 & ON
A150 SERIAL A1500227 & ON
FA150 SERIAL FA1500082 & ON

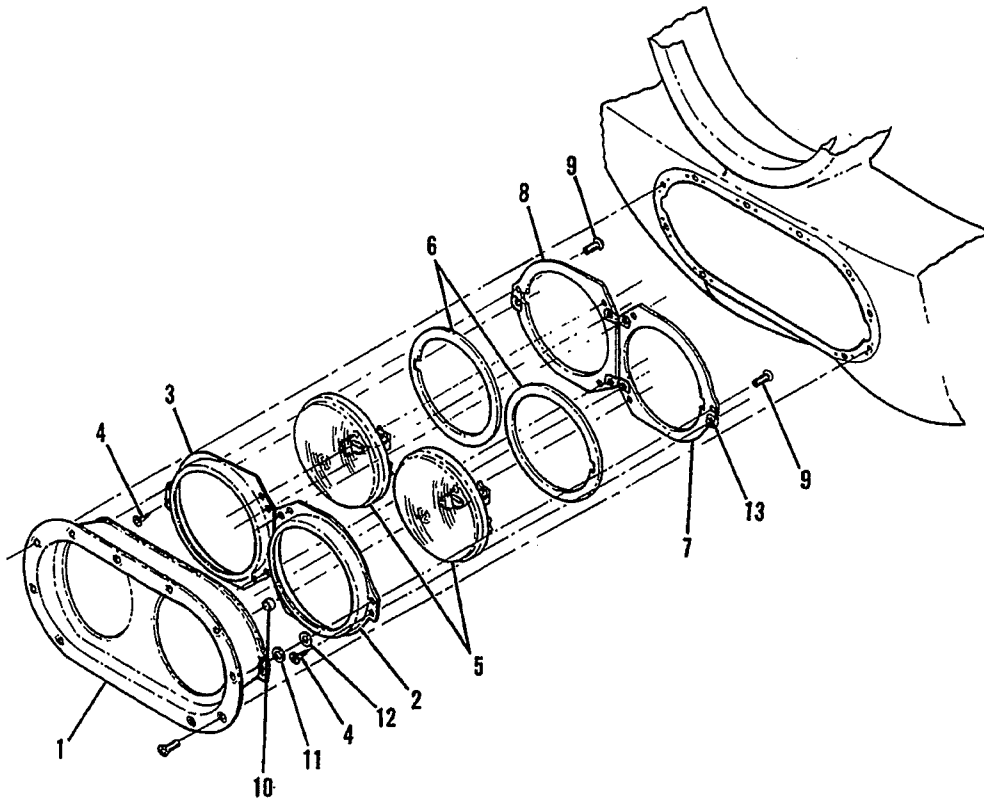
Figure 83A. Landing Light Installation - Cowl

150 & A150 Parts Catalog

FIGURE AND INDEX NO.	PART NUMBER	DESCRIPTION							UNITS PER ASSY	USABLE ON CODE
		1	2	3	4	5	6	7		
83A-		LANDING LIGHT INSTALLATION-COWL -----							NP	A
- 1	0452013-2	COVER-COWL LIGHT -----							1	
		ATTACHING PARTS -----								
- 2	AN515-8R6	SCREW -----							6	
- 3	AN960-8L	WASHER -----							6	
- 4	NAS680A08	NUTPLATE -----							6	
		*-----								
- 5	0452015-2	BRACKET -----							1	
- 5A	0452015-6	BRACKET -----							1	B C
		ATTACHING PARTS -----								
- 6	S1021Z6-8	SCREW -----							3	
- 7	NAS488-1-3	NUT -----							3	
		*-----								
- 8	0452015-7	PLATE -----							1	
		ATTACHING PARTS -----								
- 9	AN515-8R18	SCREW -----							3	
- 9A	AN515-8R8	SCREW -----							3	B C C C
-10	0450277-11	SPRING -----							3	
-10A	AN960-10	WASHER -----							AR	
	AN960-10L	WASHER -----							AR	
		*-----								
-11	4313	LIGHT GE -----							1	
-11A	0752646-1	GASKET -----							AR	
-12	0452014-1	BRACKET ASSEMBLY-LANDING LIGHT SUPPORT -----							1	B D E
-12A	0452018-1	BRACKET ASSEMBLY-LANDING LIGHT SUPPORT WEU 0452018-5 -----							1	
	0452018-5	BRACKET ASSEMBLY-LANDING LIGHT SUPPORT -----							1	
-13	NAS680A08	NUTPLATE -----							3	
		<p>A---150 SERIAL 15072004 & ON F150 SERIAL F15000659 & ON A150 SERIAL A1500227 & ON FA150 SERIAL FA1500082 & ON</p> <p>B---150 SERIAL 15072004 THRU 15072628 F150 SERIAL F15000659 THRU F15000738 A150 SERIAL A1500227 THRU A1500276 FA150 SERIAL FA1500082 THRU FA1500166</p> <p>C---150 SERIAL 15072629 & ON F150 SERIAL F15000739 & ON A150 SERIAL A1500277 & ON FA150 SERIAL FA1500167 & ON</p> <p>D---150 SERIAL 15072629 THRU 15074012 F150 SERIAL F15000739 THRU F15000903 A150 SERIAL A1500277 THRU A1500362 FA150 SERIAL FA1500167 THRU FA1500191</p> <p>E---150 SERIAL 15074013 & ON F150 SERIAL F15000904 & ON A150 SERIAL A1500363 & ON FA150 SERIAL FA1500192 & ON</p>								

150 & A150 Parts Catalog

Electrical Equipment (Cont)



150 SERIAL 15074851 & ON
F150 SERIAL F15001014 & ON
A150 SERIAL A1500430 & ON
FA150 SERIAL FA1500212 & ON

Figure 83B. Landing Light Installation - Cowl

150 & A150 Parts Catalog

FIGURE AND INDEX NO.	PART NUMBER	DESCRIPTION							UNITS PER ASSY	USABLE ON CODE
		1	2	3	4	5	6	7		
83B-		LANDING LIGHT INSTALLATION-COWL -----							NP	A
- 1	SEE FIG 55A	SUPPORT ASSEMBLY-LANDING LIGHT -----							1	
- 2	1752118-1	BRACKET-LH -----							1	
- 3	1752118-2	BRACKET-RH -----							1	
		ATTACHING PARTS								
- 4	S1021Z6-8	SCREW -----							3	
		*-----								
- 5	4509	BULB-LANDING LIGHT GE -----							2	
- 6	0752646-1	GASKET -----							AR	
- 7	1752118-3	PLATE ASSEMBLY-LH -----							1	
- 8	1752118-4	PLATE ASSEMBLY-RH -----							1	
		ATTACHING PARTS								
- 9	AN515-8R6	SCREW -----							3	
- 10	NAS43DD3-12	SPACER LH ONLY -----							1	
- 11	AN960-10	WASHER LH ONLY -----							AR	
- 12	AN960-10L	WASHER LH ONLY -----							AR	
		*-----								
- 13	NAS448-1-3	NUT -----							3	
		A---150 SERIAL 15074851 & ON F150 SERIAL F15001014 & ON A150 SERIAL A1500430 & ON FA150 SERIAL FA1500212 & ON								

150 & A150 Parts Catalog

Electrical Equipment (Cont)

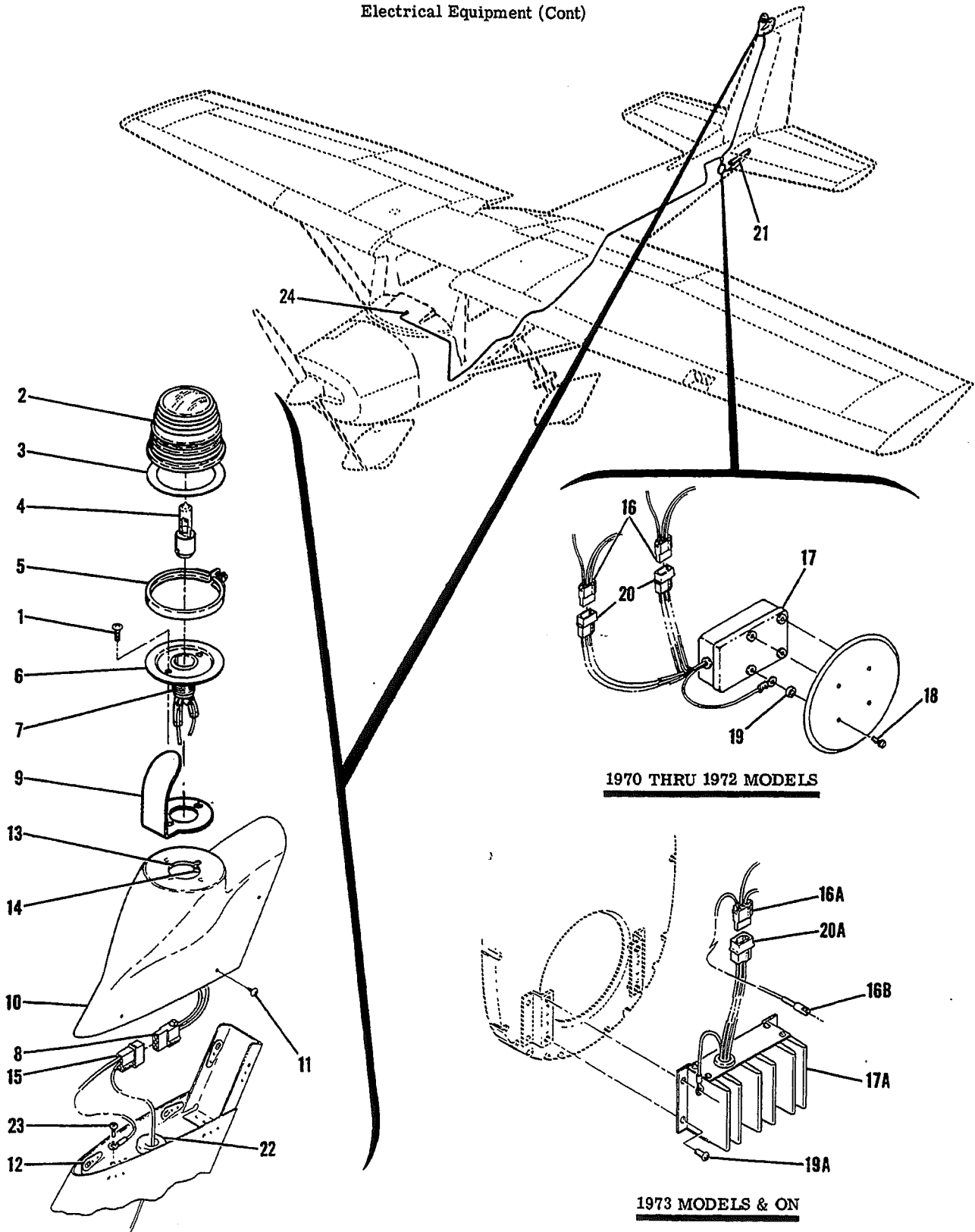


Figure 84. Flashing Beacon Light Installation

150 & A150 Parts Catalog

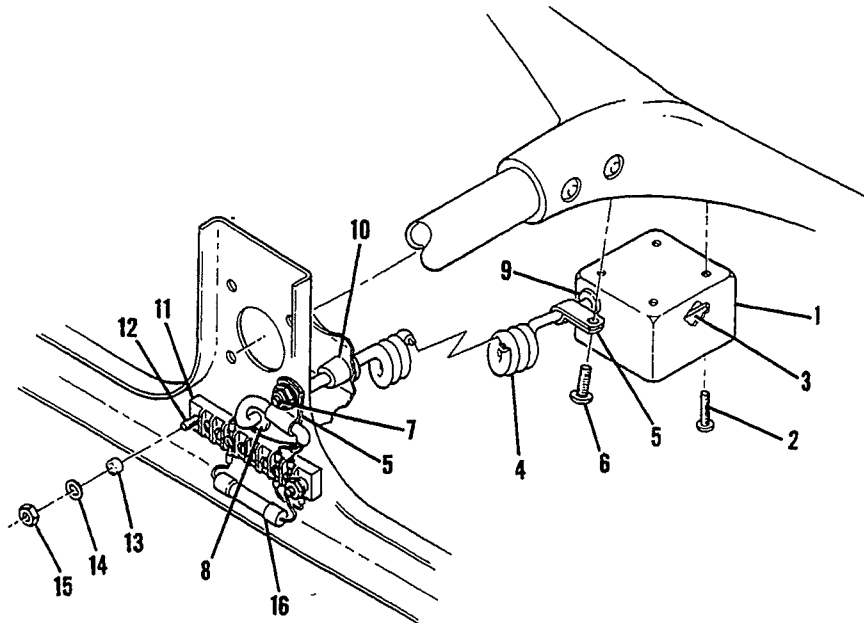
FIGURE AND INDEX NO.	PART NUMBER	DESCRIPTION							UNITS PER ASSY	USABLE ON CODE
		1	2	3	4	5	6	7		
84 -	C621001-0103 C621001-0106	FLASHING BEACON LIGHT INSTALLATION -----							NP	
		LIGHT ASSEMBLY-FLASHING BEACON WEU C621001-0106 -----							1	F
		LIGHT ASSEMBLY-FLASHING BEACON -----							1	G
		ATTACHING PARTS -----								
- 1	AN515-8R8	SCREW -----							2	
		-----*								
- 2	C17325	DOME AEFS -----							1	
- 3	C17330	GASKET AEFS -----							1	
- 4	C17312-3	BULB-FLASHING BEACON 125 WATT AEFS -----							1	
- 5	C17326	CLAMP ASSEMBLY AEFS -----							1	
- 6	C17331-3	PLATE-MOUNTING AEFS WEU C17331-6 -----							1	F
	C17331-6	PLATE-MOUNTING AEFS -----							1	G
	C17313	SOCKET ASSEMBLY AEFS -----							1	
- 7	S1638-1	HOUSING-PLUG -----							1	
- 8	S1638-1	HOUSING-PLUG -----							1	
- 9	O400215-1	SHIELD -----							1	
-10	O431017-1	TIP ASSEMBLY-FLASHING BEACON -----							1	H
	O430011-3	TIP ASSEMBLY-FLASHING BEACON -----							1	J
		ATTACHING PARTS -----								
-11	S1021Z6-4	SCREW -----							6	
-12	S1862-1	NUTPLATE -----							6	
		-----*								
-13	O431017-2	PLATE ASSEMBLY-MOUNTING -----							1	
-14	NAS680A08	NUTPLATE -----							2	
-15	S1638-2	HOUSING-CAP -----							1	
-16	S1638-1	HOUSING PLUG -----							1	A
	S1638-1	HOUSING PLUG -----							2	B
-16A	S1638-1	HOUSING PLUG -----							1	E
-16B	S1637-1	HOUSING CAP -----							1	E
-17	C594501-0201	FLASHER ASSEMBLY-BEACON LIGHT WEU C594501-0203 -----							1	A
	C594501-0203	FLASHER ASSEMBLY-BEACON LIGHT -----							1	B
-17A	C594502-0102	FLASHER ASSEMBLY-BEACON LIGHT -----							1	E
		ATTACHING PARTS -----								
-18	AN515-8R8	SCREW -----							4	B
-19	NAS43HT3-8	SPACER -----							4	B
-19A	AN515-8R6	SCREW -----							4	E
		-----*								
-20	S1638-2	HOUSING CAP -----							1	A
	S1638-2	HOUSING CAP -----							2	B
-20A	S1638-2	HOUSING CAP -----							1	E
-21	OR95-1.5	RESISTOR LTVE -----							1	C
		ATTACHING PARTS -----								
	AN515-8R9	SCREW -----							2	
	MS21044N08	NUT -----							2	
		-----*								
-22	MS35489-13	GROMMET -----							1	D
	MS35489-4	GROMMET -----							1	E
-23	AN515-8R6	SCREW -----							1	
-24	SEE FIG 48	SWITCH ASSEMBLY -----							1	
	SEE FIG 48	FUSE -----							1	
		<p>A---150 SERIAL 15071129 THRU 15071388 F150 SERIAL F15000530 THRU F15000679 A150 SERIAL A1500001 THRU A1500062 FA150 SERIAL FA1500001 THRU FA1500009</p> <p>B---150 SERIAL 15071389 THRU 15073658 F150 SERIAL F15000680 THRU F15000863 A150 SERIAL A1500063 THRU A1500342 FA150 SERIAL FA1500010 THRU FA1500166</p> <p>C---150 SERIAL 15071954 & ON F150 SERIAL F15000659 & ON A150 SERIAL A1500217 & ON FA150 SERIAL FA1500060 & ON</p> <p>D---150 SERIAL 15071129 THRU 15073658 F150 SERIAL F15000530 THRU F15000863 A150 SERIAL A1500001 THRU A1500342 FA150 SERIAL FA1500001 THRU FA1500166</p>								
CONTINUED ON NEXT PAGE										

150 & A150 Parts Catalog

FIGURE AND INDEX NO.	PART NUMBER	DESCRIPTION	UNITS PER ASSY	USABLE ON CODE
		1 2 3 4 5 6 7		
84 -		E---150 SERIAL 15073659 & ON F150 SERIAL F1500864 & ON A150 SERIAL A1500343 & ON FA150 SERIAL FA1500167 & ON F---150 SERIAL 15071129 THRU 15074396 F150 SERIAL F15000530 THRU F15001003 A150 SERIAL A1500001 THRU A1500385 FA150 SERIAL FA1500001 THRU FA1500209 G---150 SERIAL 15074397 & ON F150 SERIAL F15001004 & ON A150 SERIAL A1500386 & ON FA150 SERIAL FA1500210 & ON H---150 SERIAL 15071129 THRU 15075781 F150 SERIAL F15000530 THRU F15001143 A150 SERIAL A1500001 THRU A1500523 FA150 SERIAL FA1500001 THRU FA1500261 J---150 SERIAL 15075782 & ON F150 SERIAL F15001144 & ON A150 SERIAL A1500524 & ON FA150 SERIAL FA1500262 & ON		

150 & A150 Parts Catalog

Electrical Equipment (Cont)



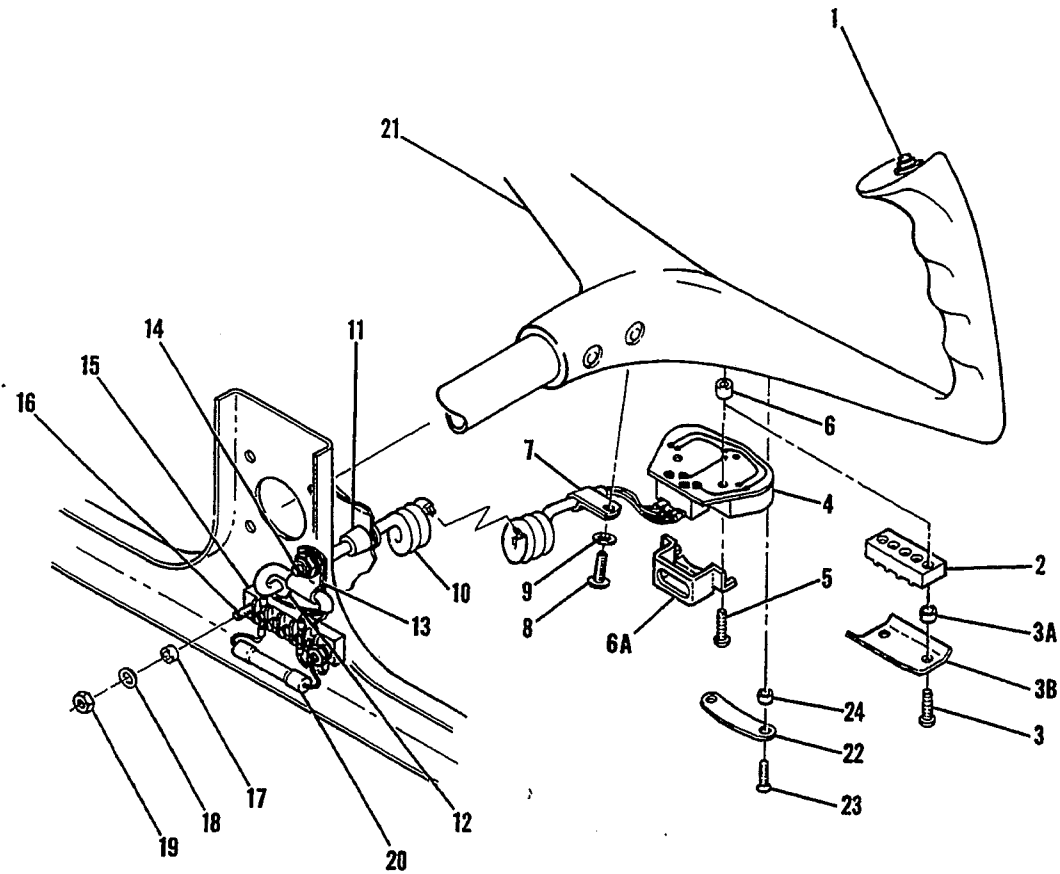
150 SERIAL 15071129 THRU 15072003
 F150 SERIAL F15000530 THRU F15000658
 A150 SERIAL A1500001 THRU A1500226
 FA150 SERIAL FA1500001 THRU FA1500081

Figure 85. Control Wheel Map Light Installation

FIGURE AND INDEX NO.	PART NUMBER	DESCRIPTION	UNITS PER ASSY							USABLE ON CODE	
			1	2	3	4	5	6	7		
85 -		CONTROL WHEEL MAP LIGHT INSTALLATION -----								NP	A
- 1	1770009-1	SHIELD -----								1	
		ATTACHING PARTS -----									
- 2	AN515-2R10	SCREW -----								4	
	S1959-1	INSERT -----								4	
		-----*									
- 3	1570142-3	CIRCUIT BOARD ASSEMBLY-MAP LIGHT -----								1	
- 4	8499	COILED CORD BDN -----								1	
		ATTACHING PARTS -----									
- 5	S1115-3	CLAMP -----								2	
- 6	AN515-8R5	SCREW -----								1	
	AN960-8L	WASHER -----								1	
	S1559-2	INSERT -----								1	
- 7	AN515-6R10	SCREW -----								1	
	AN960-6L	WASHER -----								1	
	MS21044N06	NUT -----								1	
		-----*									
- 8	MS5489-33	GROMMET -----								1	
- 9	MS35489-4	GROMMET -----								1	
-10	K-375-125	BUSHING-SNUB HEMA -----								1	
-11	8-171	TERMINAL BLOCK CIN -----								1	
		ATTACHING PARTS -----									
-12	AN507-440-7	SCREW -----								2	
-13	NAS43DD0-6	SPACER -----								2	
-14	AN936A4	WASHER -----								2	
-15	AN340-4	NUT -----								2	
		-----*									
-16	1570141-1	FUSE ASSEMBLY-MAP LIGHT -----								1	
		A---150 SERIAL 15071129 THRU 15072003 F150 SERIAL F15000530 THRU F15000658 A150 SERIAL A1500001 THRU A1500226 FA150 SERIAL FA1500001 THRU FA1500081									

150 & A150 Parts Catalog

Electrical Equipment (Cont)



150 SERIAL 15072004 & ON
F150 SERIAL F15000659 & ON
A150 SERIAL A1500227 & ON
FA150 SERIAL FA1500082 & ON

Figure 85A. Control Wheel Map Light & Mike Switch Installation

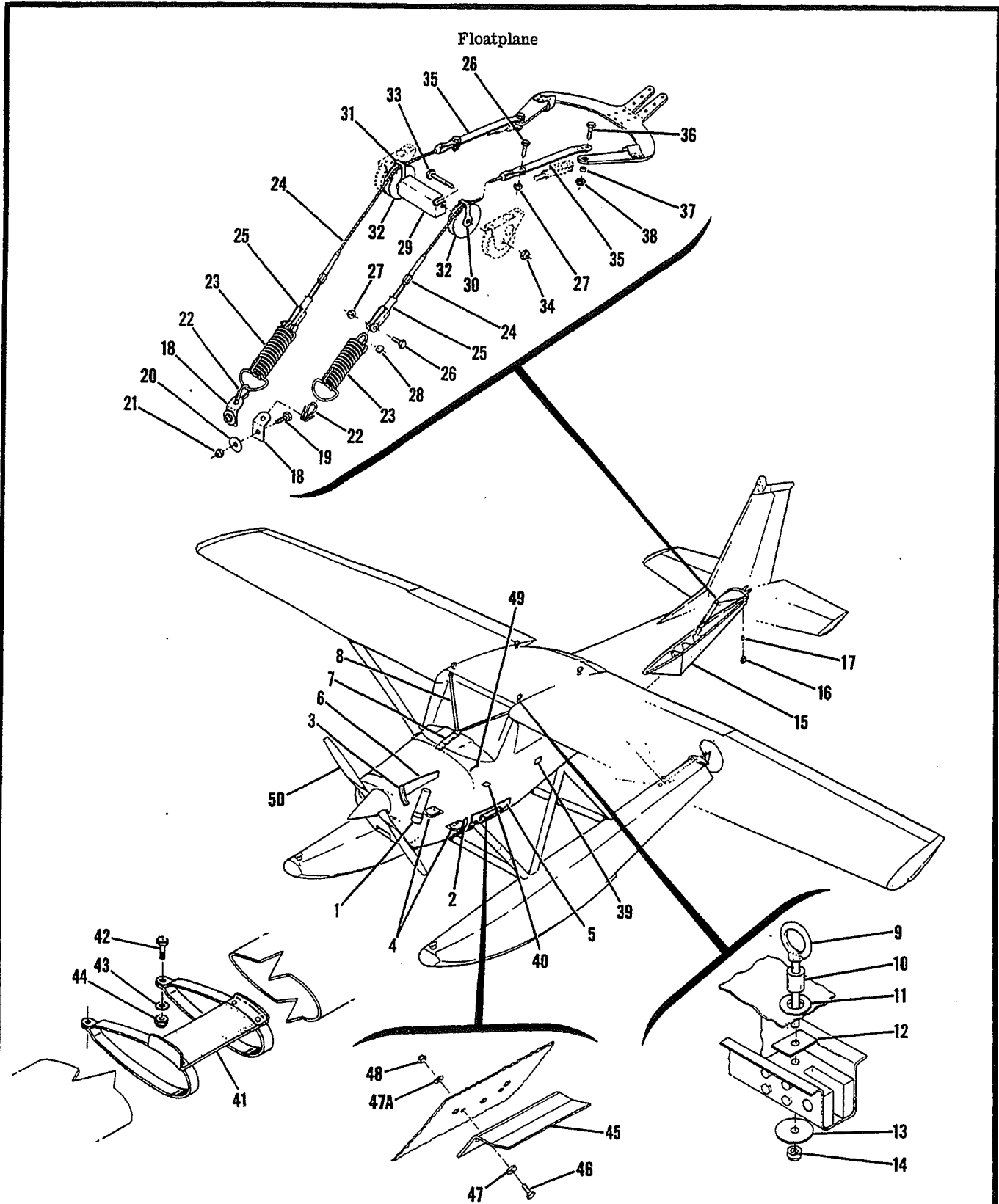
150 & A150 Parts Catalog

FIGURE AND INDEX NO.	PART NUMBER	DESCRIPTION	1 2 3 4 5 6 7							UNITS PER ASSY	USABLE ON CODE
			1	2	3	4	5	6	7		
85A-		CONTROL WHEEL MAP LIGHT & MIKE SWITCH INSTALLATION -----								NP	A
- 1	S1985-1	SWITCH-MIKE -----								1	
- 2	351-11-03-001	TERMINAL BLOCK-MIKE SWITCH CIN USED ----- WHEN MAPLIGHT IS NOT INSTALLED								1	
		ATTACHING PARTS									
- 3	AN515-2R6	SCREW -----								2	B
	AN515-2R10	SCREW -----								2	C
	S1959-1	INSERT -----								2	
- 3A	NAS43DD0-9	SPACER -----								2	C
- 3B	0570096-1	COVER-TERMINAL BLOCK ----- *-----								1	C
- 4	0570088-1	MAP LIGHT ASSY -----								1	D
	0570088-4	MAP LIGHT ASSY ----- ATTACHING PARTS								1	E
- 5	AN515-2R12	SCREW -----								AR	
	AN515-2R14	SCREW -----								AR	
	AN515-2R16	SCREW -----								AR	
- 6	NAS43DD0-14	SPACER -----								AR	
	NAS43DD0-15	SPACER -----								AR	
	NAS43DD0-16	SPACER -----								AR	
	NAS43DD0-17	SPACER -----								AR	
	NAS43DD0-18	SPACER -----								AR	
	NAS43DD0-19	SPACER -----								AR	
	S1959-1	INSERT -----								2	
- 6A	0570095-1	COVER-TERMINAL BLOCK ----- *-----								1	C
- 7	S1155-3	CLAMP ----- ATTACHING PARTS								1	
- 8	AN515-8R5	SCREW -----								1	
- 9	AN960-8L	WASHER -----								1	
	S1959-2	INSERT ----- *-----								1	
-10	8409	CABLE-RETRACTILE BDN -----								1	
-11	K375-125	BUSHING-SNUB HEMA -----								1	
-12	MS35489-33	GROMMET -----								1	
-13	S1155-3	CLAMP ----- ATTACHING PARTS								1	
-14	AN515-6R10	SCREW -----								1	
	AN960-6L	WASHER -----								1	
	MS21044N06	NUT ----- *-----								1	
-15	351-11-05-001	TERMINAL BLOCK CIN ----- ATTACHING PARTS								1	
-16	AN515-4R7	SCREW -----								2	
-17	NAS43DD0-6	SPACER -----								2	
-18	AN936A4	WASHER -----								2	
-19	AN340-4	NUT ----- *-----								2	
-20	1570141-1	FUSE ASSEMBLY-MAP LIGHT -----								1	
-21	SEE FIG 64	CONTROL WHEEL ASSEMBLY -----								1	
-22	0570094-1	SHIELD-MAP LIGHT ----- ATTACHING PARTS								1	D
-23	MS51959-5B	SCREW -----								2	D
-24	0570094-2	SPACER ----- *-----								2	D
<p>A---150 SERIAL 15072004 & ON F150 SERIAL F15000659 & ON A150 SERIAL A1500227 & ON FA150 SERIAL FA1500082 & ON</p> <p>B---150 SERIAL 15072004 THRU 15072618 F150 SERIAL F15000659 THRU F15000738 A150 SERIAL A1500227 THRU A1500276 FA150 SERIAL FA1500082 THRU FA1500121</p> <p>C---150 SERIAL 15072619 & ON F150 SERIAL F15000739 & ON A150 SERIAL A1500277 & ON FA150 SERIAL FA1500122 & ON</p> <p>D---150 SERIAL 15072004 THRU 15073658 F150 SERIAL F15000659 THRU F15000863 A150 SERIAL A1500227 THRU A1500342 FA150 SERIAL FA1500082 THRU FA1500166</p> <p>E---150 SERIAL 15073659 & ON F150 SERIAL F15000864 & ON A150 SERIAL A1500343 & ON FA150 SERIAL FA1500167 & ON</p>											

150 & A150 Parts Catalog

FIGURE AND INDEX NO.	PART NUMBER	DESCRIPTION							UNITS PER ASSY	USABLE ON CODE
		1	2	3	4	5	6	7		
86 -		FLOATPLANE FITTINGS INSTALLATION ED088A-1650 -----							NP	A
- 1	0451116-1	FILLER TUBE-ENGINE MOUNT -----							1	
	TY-42	PLUG-FILLER TUBE CLOV -----							1	
- 2	0452005-1	STIFFENER-COWL LH -----							1	
- 3	0452005-2	STIFFENER-COWL RH -----							1	
- 4	0413352-1	COVER-STEERING ARM -----							2	
		ATTACHING PARTS								
	S102178-8	SCREW -----							12	
	NAS446-4-3	NUT -----							12	
		-----*								
- 5	0413351-1	DOUBLER-FUSELAGE LH -----							1	
- 6	0413351-2	DOUBLER-FUSELAGE RH -----							1	
- 7	0413431-1	STIFFENER-COWL DECK -----							1	
- 8	0413432-12	BRACE ASSY-FLOATPLANE COWL DECK -----							1	
		ATTACHING PARTS								
	AN4-12A	BOLT -----							1	
	MS21042L4	NUT -----							1	
	AN3-31A	BOLT -----							4	
	AN960-10	WASHER -----							4	
	MS21044N3	NUT -----							4	
		-----*								
- 9	0541115-3	EYEBOLT-HOISTING -----							4	
-10	0541115-2	SPACER -----							4	
-11	MS35488-17	GROMMET -----							4	
-12	0541115-4	PLATE -----							4	
-13	AN970-5	WASHER -----							4	
-14	MS21042L5	NUT -----							4	
CONTINUED ON NEXT PAGE										

150 & A150 Parts Catalog



150 SERIAL 15071129 THRU 15072003
F150 SERIAL F15000530 THRU F15000658

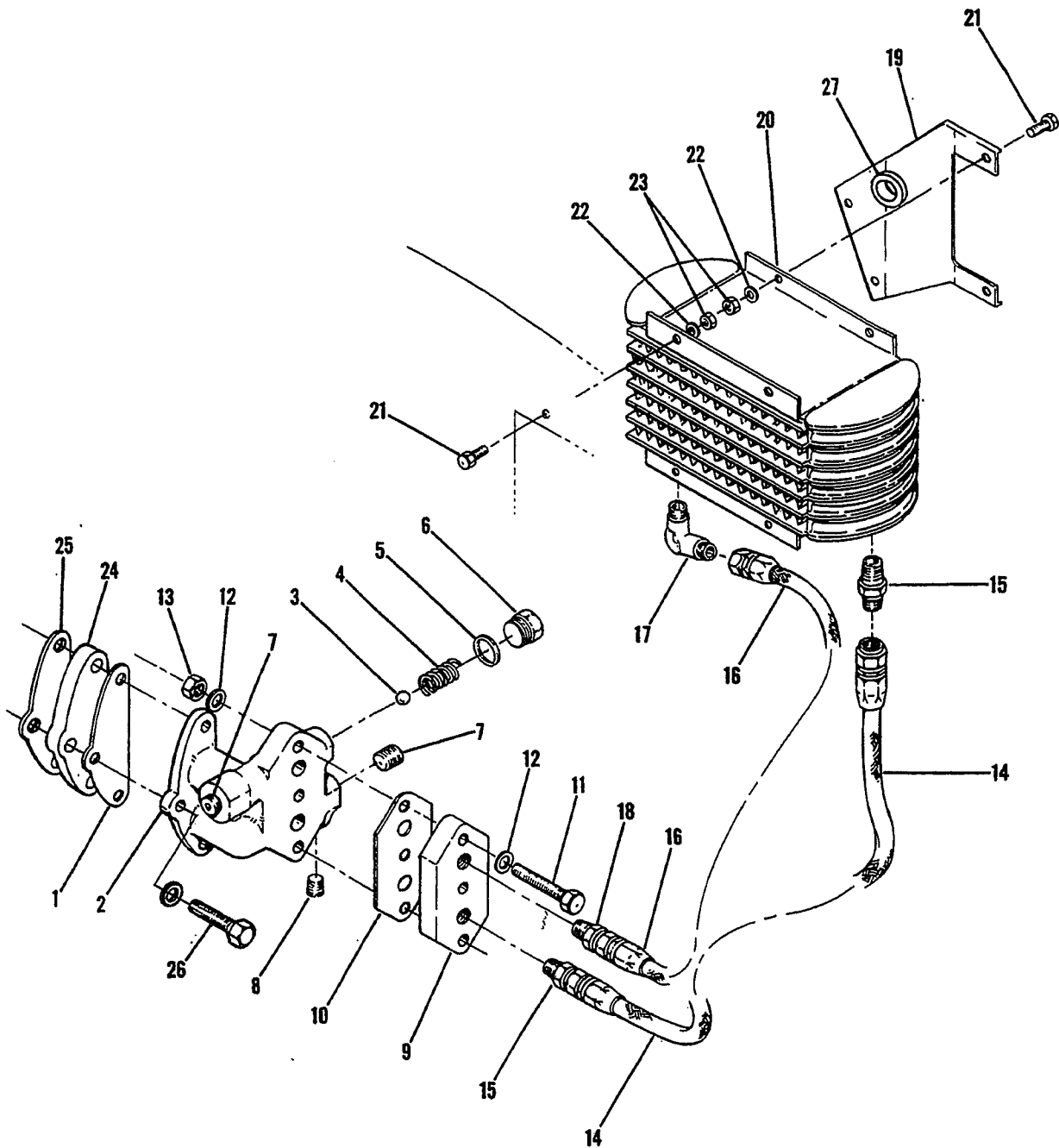
Figure 86. Floatplane Fittings Installation

150 & A150 Parts Catalog

FIGURE AND INDEX NO.	PART NUMBER	DESCRIPTION							UNITS PER ASSY	USABLE ON CODE
		1	2	3	4	5	6	7		
86 -15	0431020-2	FIN ASSEMBLY-VENTRAL -----							1	
		ATTACHING PARTS -----								
	AN525-832R10	SCREW -----							22	
	AN936A8	WASHER -----							22	
	S1613-08-75	RIVNUT -----							20	
	NAS698A08	NUTPLATE -----							2	
		---*---								
-16	0523613-2	EYEBOLT -----							1	
-17	NAS43HT5-40	SPACER -----							1	
-18	0460196-2	CLIP-RUDDER CENTRALIZER -----							2	
		ATTACHING PARTS -----								
-19	AN3-5A	BOLT -----							1	
-20	AN970-3	WASHER -----							1	
-21	MS21044N3	NUT -----							1	
		---*---								
-22	0742200-6	LINK-RUDDER CENTRALIZER -----							2	
-23	0460195-1	SPRING ASSEMBLY-RUDDER CENTRALIZER -----							2	
-24	0400107-151	CABLE ASSEMBLY-RUDDER CENTRALIZER -----							2	
		ATTACHING PARTS -----								
-25	AN486-4	CLEVIS -----							1	
-26	AN3-5A	BOLT -----							2	
-27	MS21044N3	NUT -----							2	
-28	NAS43HT3-9	SPACER -----							1	
		---*---								
-29	0460197-1	STIFFENER-RUDDER PULLEY BRACKET -----							1	
-30	0460198-1	GUARD-CABLE LH -----							1	
-31	0460198-2	GUARD-CABLE RH -----							1	
-32	S378-3	PULLEY -----							2	
		ATTACHING PARTS -----								
-33	AN4-14A	BOLT -----							1	
-34	MS21042L4	NUT -----							1	
		---*---								
-35	0460196-1	LINK-RUDDER CENTRALIZER -----							2	
		ATTACHING PARTS -----								
-36	AN3-7A	BOLT -----							1	
-37	NAS74A3-004	BUSHING -----							1	
	NAS74A3-004P	BUSHING -----							1	
-38	MS21044N3	NUT -----							1	
		---*---								
-39	1205001-11	PLACARD-OPERATIONAL LIMITATIONS				FLOATPLANE -----			1	
-40	0410218-6	PLATE ASSEMBLY-FUEL INDICATOR				STANDARD RANGE -----			1	
		WEU 0410218-11 -----								
	0410218-7	PLATE ASSEMBLY-FUEL INDICATOR				EXTENDED RANGE -----			1	
		WEU 0410218-13 -----								
-41	0500276-1	STEP ASSEMBLY-STRUT LH -----							1	
	0500276-2	STEP ASSEMBLY-STRUT RH -----							1	
		ATTACHING PARTS -----								
-42	AN3-3A	BOLT -----							2	
-43	AN960D10L	WASHER -----							2	
-44	MS21044N3	NUT -----							2	
		---*---								
-45	0413399-1	STEP-LH -----							1	
	0413399-2	STEP-RH -----							1	
		ATTACHING PARTS -----								
-46	AN3-5A	BOLT -----							2	
-47	AN960D10L	WASHER -----							2	
-47A	AN970-3	WASHER -----							2	
-48	MS21044N3	NUT -----							2	
		---*---								
-49	1613224-2	HANDLE -----							2	
		ATTACHING PARTS -----								
	S1450-4H12-050	WASHER -----							2	
	AN960-416L	WASHER -----							2	
	MS21042L4	NUT -----							2	
		---*---								
-50	SEE FIG 53	PROPELLER & SPINNER INSTALLATION -----							1	
	SEE FIG 59	BAFFLE ASSEMBLY-VERTICAL REAR -----							1	
	SEE FIG 87	OIL COOLER INSTALLATION -----							1	
		NOTE. STAINLESS STEEL CONTROL CABLES ARE REQUIRED ON FLOATPLANE								
		A---150 SERIAL 15071129 THRU 15072003 F150 SERIAL F15000530 THRU F15000658								

150 & A150 Parts Catalog

Floatplane (Cont)



150 SERIAL 15071129 THRU 15072003
F150 SERIAL F15000530 THRU F15000658

Figure 87. Oil Cooler Installation - Floatplane

150 & A150 Parts Catalog

FIGURE AND INDEX NO.	PART NUMBER	DESCRIPTION	UNITS PER ASSY	USABLE ON CODE
87 -		OIL COOLER INSTALLATION-FLOATPLANE -----	NP	A
- 1	22344	GASKET CM -----	1	
- 2	4763	ADAPTER-OIL COOLER CM -----	1	
- 3	2849	BALL-7/16 IN. STEEL CM -----	1	
- 4	2848	SPRING CM -----	1	
- 5	AN900-10	GASKET CM -----	1	
- 6	2265	PLUG CM -----	1	
- 7	20288	PLUG CM -----	2	
- 8	2024	PLUG CM -----	1	
- 9	0450035-1	ADAPTER-OIL COOLER ----- ATTACHING PARTS	1	
-10	0456003-3	GASKET -----	1	
-11	AN6-16A	BOLT -----	3	
-12	AN960PD616	WASHER -----	6	
-13	MS21042L6	NUT -----	3	
		---*---		
-14	S1236-6-0074	HOSE ASSEMBLY ----- ATTACHING PARTS	1	
-15	AN816-6-6D	NIPPLE -----	2	
		---*---		
-16	S1236-6-0094	HOSE ASSEMBLY ----- ATTACHING PARTS	1	
-17	MS20822-6-6D	ELBOW -----	1	
-18	AN816-6-6D	NIPPLE -----	1	
		---*---		
-19	0450034-2	BRACKET -----	1	
-20	8526250	OIL COOLER HR ----- ATTACHING PARTS	1	
-21	AN3-4A	BOLT -----	6	
-22	AN960PD10L	WASHER -----	6	
-23	MS21045L3	NUT -----	2	
		---*---		
-24	0456003-5	SPACER -----	1	
-25	22344	GASKET CM -----	1	
-26	MS20074-05-12	BOLT -----	3	
-27	MS35489-20	GROMMET -----	1	
A---150 SERIAL 15071129 THRU 15072003 F150 SERIAL F15000530 THRU F15000658				

150 & A150 Parts Catalog



150 & A150 Parts Catalog

PART NUMBER	FICHE AND FRAME	FIGURE AND INDEX NO.	PART NUMBER	FICHE AND FRAME	FIGURE AND INDEX NO.	PART NUMBER	FICHE AND FRAME	FIGURE AND INDEX NO.
AN115-21		71 -12	AN3-13A		44A-26	AN310-3		66 -38
AN123883		78 -30	AN3-13A		44B-31	AN310-3		66 -43
AN155-16S		69 - 4	AN3-13A		44C-34	AN310-3		71 -10
AN155-32L		66 -40	AN3-13A		45 - 4	AN310-4		33 -39
AN155-32S		64 - 7	AN3-13A		45 -30A	AN310-4		33 -51
AN155-32S		66 -47	AN3-13A		45A-29	AN310-4		64 -33
AN155-32S		71 -15	AN3-13A		45B-34	AN310-5		32 -20
AN155-8L		72 -34	AN3-13A		45C-35	AN310-5		32 -25
AN161-32LL		66 -41	AN3-16A		61 -22	AN315-3R		18 -13
AN165-22RL		71 -13	AN3-16A		66 -18	AN315-3R		19 -13
AN165-22RS		71 -14	AN3-17A		66 -19	AN315-4R		44 - 7
AN227-6		46 - 1	AN3-17A		69 -11	AN315-4R		44A-10
AN227-7		46 - 1	AN3-20A		29 - 1	AN315-4R		44B-10
AN227-8		46 - 7	AN3-21A		27 - 2	AN315-4R		44C-15
AN227-9		46 - 7	AN3-21A		28 - 3	AN315-4R		44D-18
AN23-10		65 - 2	AN3-22A		28 - 2	AN315-4R		45 -10
AN23-10		66 - 1	AN3-3		82 -16	AN315-4R		45A-11
AN23-10		71 - 8	AN3-3A		16 -29	AN315-4R		45B-11
AN23-11		33 -60	AN3-3A		29 -32	AN315-4R		45C-16
AN23-11		71 - 9	AN3-3A		33 -45	AN315-4R		45D-19
AN23-11		71 -18	AN3-3A		51 - 8	AN315-4R		65 -25
AN23-17		33 -62	AN3-3A		52 - 8	AN315-640		48B- 8
AN24-27A		44D-28	AN3-3A		56 -48	AN315-8R14		46 - 9
AN24-27A		45D-29	AN3-3A		56 -52	AN316-4		62 - 2
AN24-30A		44D-56	AN3-3A		61 -16	AN316-4R		15 -16
AN24-30A		45D-57	AN3-3A		61 -36	AN316-4R		16 -14
AN24-32A		44D-13	AN3-3A		70A-44	AN316-4R		63 - 2
AN24-32A		45D-14	AN3-3A		80 - 6	AN316-6R		32 -10
AN24-44A		44D-26	AN3-3A		80 -37	AN316-6R		32 -14
AN24-44A		45D-27	AN3-3A		86 -42	AN320-3		20 -38
AN24-48A		44D-11	AN3-31A		86 - 8	AN320-3		33 -64
AN24-48A		45D-12	AN3-34A		79A-31G	AN320-3		71 -20
AN2552-3A		80 -13	AN3-4A		46 -12	AN320-7		32 -20
AN3-10A		16 -19A	AN3-4A		57A-21	AN320-7		32 -25
AN3-10A		25 -25	AN3-4A		58 -11	AN340-10		82 - 5
AN3-10A		32 - 6	AN3-4A		58 -15	AN340-10		82 - 6
AN3-10A		61 -27	AN3-4A		61 -14	AN340-4		69 -49
AN3-10A		64 -14	AN3-4A		70A-31	AN340-4		70A- 8
AN3-10A		64 -49	AN3-4A		72 -31	AN340-4		85 -15
AN3-10A		66 -11	AN3-4A		76 -18A	AN340-4		85A-19
AN3-10A		67 -27	AN3-4A		87 -21	AN340-416		82 - 4
AN3-10A		70A- 9	AN3-5		20 -36	AN340-6		49 - 9
AN3-10A		72 -18	AN3-5A		20 - 2	AN340B6		47 -36
AN3-11A		16 -10	AN3-5A		52 - 2	AN340B6		47 -39
AN3-11A		16 -19	AN3-5A		56 -40	AN340B6		47 -39
AN3-11A		44 -25	AN3-5A		62 - 5	AN340B6		47 -40
AN3-11A		44 -25	AN3-5A		71 -18	AN340B6		47 -42
AN3-11A		44A-25	AN3-5A		72 -17	AN340B6		47 -45
AN3-11A		44B-30	AN3-5A		86 -19	AN340B6		47A-39
AN3-11A		44C-33	AN3-5A		86 -26	AN340B6		47A-42
AN3-11A		45 -30	AN3-5A		86 -46	AN340B6		47A-45
AN3-11A		45 -30	AN3-6		20 -40	AN340B6		47B- 7
AN3-11A		45A-28	AN3-6		65 -27	AN340B6		47B-15
AN3-11A		45B-33	AN3-6		72 -36	AN340B6		47B-50
AN3-11A		45C-34	AN3-6A		20 - 3	AN340B6		47B-55
AN3-11A		64 - 9	AN3-6A		50A-15	AN340B6		47B-61
AN3-11A		64 -20	AN3-6A		69 -23	AN340B6		47C-16
AN3-11A		64 -24	AN3-7		20 - 7	AN340B6		47C-53
AN3-11A		66 -12	AN3-7		66 -36	AN340B6		47C-58
AN3-11A		69 -32	AN3-7		66 -42	AN340B6		47C-64
AN3-11A		72 -19	AN3-7A		15 -11	AN340B6		68 - 1
AN3-12A		44B-30	AN3-7A		16 - 8	AN340B6		68 -35
AN3-12A		44B-31	AN3-7A		65 -27	AN340B6		73A- 1
AN3-12A		44C-33	AN3-7A		66 -36	AN340B6		73A-20
AN3-12A		44C-34	AN3-7A		66 -42	AN340B6		79 -20
AN3-12A		44D-64	AN3-7A		69 - 6	AN340B8		47 - 3
AN3-12A		45B-33	AN3-7A		69 -31	AN340B8		47 -10
AN3-12A		45B-34	AN3-7A		86 -36	AN340B8		47 -24
AN3-12A		45C-34	AN3H10A		76 -18	AN340B8		47 -24A
AN3-12A		45C-35	AN310-3		20 - 8A	AN340B8		47 -38
AN3-12A		45D-65	AN310-3		33 -55	AN340B8		47A-23
AN3-12A		61 - 6	AN310-3		65 - 3	AN340B8		47A-24
AN3-13A		44 - 2	AN310-3		65 -29	AN340B8		47A-38
AN3-13A		44 -25A	AN310-3		66 - 1	AN340B8		47B-31

150 & A150 Parts Catalog

PART NUMBER	FIGHE AND FRAME	FIGURE AND INDEX NO.	PART NUMBER	FIGHE AND FRAME	FIGURE AND INDEX NO.	PART NUMBER	FIGHE AND FRAME	FIGURE AND INDEX NO.
AN340B8		47B-32	AN4-56A		69 -36	AN509-416R12		19 - 7
AN340B8		47B-49	AN4-6A		21 - 2	AN509-416R13		25 -12
AN340B8		47C-34	AN4-6A		21A- 3	AN509-416R13		25A- 9
AN340B8		47C-35	AN4-6A		50A-46	AN510B4R8		51A- 4
AN340B8		47C-52	AN4-6A		50B-36	AN515-10R10		56 -60
AN356-1032		56 -45	AN4-6A		56 -58	AN515-10R10		56 -67
AN365-428		34 -13	AN4-60A		16 - 2	AN515-10R10		76 -39
AN365-428		37 -25	AN4-60A		69 -28	AN515-10R10		76 -40A
AN365-428		37C-14	AN4-7A		18 - 2	AN515-10R8		63 - 4
AN365-428		37C-25	AN4-7A		19 - 2	AN515-10R8		76 -44
AN365-524		37 -14	AN4-7A		50A-31A	AN515-10R8		80 -27
AN365-524A		34C-11	AN4C6A		56 -34	AN515-2R10		85 - 2
AN4-10A		22 - 1	AN4H21A		37A-24	AN515-2R10		85A- 3
AN4-10A		22A- 1	AN4H21A		37B-25	AN515-2R12		85A- 5
AN4-10A		24 -55	AN415-2		23 -15	AN515-2R14		85A- 5
AN4-10A		24A-59	AN486-4		86 -25	AN515-2R16		85A- 5
AN4-10A		50A-31	AN5-11A		50A-27	AN515-2R6		85A- 3
AN4-10A		50B-22	AN5-12A		36A-20	AN515-4-9		69 -41B
AN4-10A		65 - 6	AN5-12A		36B-20	AN515-4R12		69 -49
AN4-10A		65 -13	AN5-20A		56 - 5	AN515-4R12		70A- 6
AN4-10A		65 -20	AN5-21A		36 -17	AN515-4R6		22 -29
AN4-10A		66 -30	AN5-21A		50A-27A	AN515-4R6		22A-16
AN4-10A		69 -20	AN5-21A		50B-19	AN515-4R7		85A-16
AN4-10A		71 - 2	AN5-22A		34C- 9	AN515-6-6		81 -12
AN4-10A		71 -23	AN5-22A		36 -17	AN515-6-6		81A-23
AN4-10A		71 -35	AN5-22A		56 - 4	AN515-6R10		47 -16
AN4-11A		64 -44	AN5-23A		50 -15	AN515-6R10		47A-10
AN4-11A		71 - 5	AN5-24A		32 - 3	AN515-6R10		47A-12
AN4-12A		86 - 8	AN5-33A		33 - 4	AN515-6R10		47B-34
AN4-14A		44 - 2	AN5-35A		37 -12	AN515-6R10		47C-37
AN4-14A		44A- 2	AN5-37A		32 -27	AN515-6R10		81 - 5
AN4-14A		44A- 8	AN5-37A		37B-14	AN515-6R10		81A- 5
AN4-14A		44B- 3	AN5-43A		33 - 7	AN515-6R10		85 - 7
AN4-14A		44B- 8	AN5-7A		10 - 7	AN515-6R10		85A-14
AN4-14A		44C- 2	AN5-7A		11 - 6	AN515-6R12		41 -14
AN4-14A		44C-11	AN5-7A		50A-15	AN515-6R14		47 -42
AN4-14A		44D- 2	AN5-7A		50B- 8	AN515-6R14		47 -45
AN4-14A		45 - 4	AN5-74		32 -18	AN515-6R14		47A-42
AN4-14A		45A- 2	AN500A6-8		33 -17	AN515-6R14		47A-45
AN4-14A		45A- 9	AN500A8-5		75 -24	AN515-6R4		36A-38
AN4-14A		45B- 3	AN500B8-6		51A-10	AN515-6R4		36B-38
AN4-14A		45B- 9	AN505-6R16		48B- 5	AN515-6R6		4 -61
AN4-14A		45C- 3	AN507-1032-26		48 - 5	AN515-6R6		5 -74
AN4-14A		45C-12	AN507-1032-26		48A- 4	AN515-6R6		6 -69
AN4-14A		45D- 3	AN507-1032R10		36 -24	AN515-6R6		7 -78
AN4-14A		86 -33	AN507-1032R10		36A-12	AN515-6R6		36A-34
AN4-15A		44B- 2	AN507-1032R10		36B-12	AN515-6R6		36B-34
AN4-15A		44C-10	AN507-1032R10		38 - 2	AN515-6R6		38 -30
AN4-15A		45B- 2	AN507-1032R10		38A- 2	AN515-6R6		38 -50
AN4-15A		45C-11	AN507-1032R12		69 -48	AN515-6R6		38A-31
AN4-15A		69 -43	AN507-440-7		85 -12	AN515-6R6		38A-52
AN4-21A		25 -14	AN507-632R14		3 -38	AN515-6R6		47 -39
AN4-22A		34 -11	AN507-632R24		47B-13	AN515-6R6		47A-39
AN4-24A		34A-11	AN507-632R24		47C-14	AN515-6R6		49 -11
AN4-25		64 -29	AN507-632R5		48 -11	AN515-6R8		38 -55
AN4-3A		58 -21	AN507-632R6		48 -13	AN515-6R8		38A-59
AN4-30		64 -30	AN507-632R8		3 -32B	AN515-6R8		49 - 7
AN4-31		33 -35	AN507-632R8		3 -39	AN515-6R8		80 -54
AN4-31		33 -47	AN507-640R4		73 -26	AN515-6R8		81B- 8
AN4-31A		64 - 1	AN507-832R7		76A- 2	AN515-8R10		70 -12
AN4-36A		37C-12	AN507-832R8		3 -32	AN515-8R12		36A-39
AN4-4A		21 - 1	AN507-832R8		38 -31	AN515-8R12		36B-39
AN4-4A		21A- 1	AN507-832R8		38A-32	AN515-8R12		73A-37
AN4-4A		29 -32C	AN507B632R12		47 -37	AN515-8R14		47 - 6
AN4-4A		50A- 3	AN507B632R12		47A-37	AN515-8R14		53 - 7
AN4-4A		59 -40	AN507B632R12		47B-48	AN515-8R18		83A- 9
AN4-4A		59A-47	AN507B632R12		47C-51	AN515-8R26		83 - 5
AN4-41A		37A-15	AN507B832R14		51A- 2	AN515-8R4		32 -39
AN4-42A		15 - 3	AN507B832R6		51 - 6	AN515-8R4		36 -28
AN4-42A		15 - 8	AN507B832R8		50 - 7	AN515-8R4		36 -44
AN4-43A		66 - 3	AN509-10R14		80 -14	AN515-8R4		36A-27
AN4-5A		18 - 1	AN509-10R15		38 -10	AN515-8R4		36A-55
AN4-5A		19 - 1	AN509-10R15		38A-10	AN515-8R4		36B-27
AN4-5A		50A-24	AN509-416R12		18 - 7	AN515-8R40		56 -17

150 & A150 Parts Catalog

PART NUMBER	FICHE AND FRAME	FIGURE AND INDEX NO.	PART NUMBER	FICHE AND FRAME	FIGURE AND INDEX NO.	PART NUMBER	FICHE AND FRAME	FIGURE AND INDEX NO.
AN515-8R5		85 - 6	AN515B6R6		79 - 2	AN520-10R7		30 - 4
AN515-8R5		85A- 8	AN515B6R7		73A-13	AN520-10R7		30 -11
AN515-8R6		3 -28	AN515B6R8		47 -29	AN520-10R7		50 -25
AN515-8R6		22A-16	AN515B6R8		47A-29	AN520-10R7		61 -19
AN515-8R6		36A-36	AN515B6R8		47B-39	AN520-10R8		3 -20A
AN515-8R6		36B-36	AN515B6R8		47C-42	AN520-10R8		12 -18
AN515-8R6		52A- 3	AN515B6R8		79 - 1	AN520-10R8		12 -37
AN515-8R6		52A- 8	AN515B6R8		79A- 2	AN520-10R8		13 - 4A
AN515-8R6		55A-29B	AN515B8R10		47 -24	AN520-10R8		27 -29
AN515-8R6		60A-27	AN515B8R10		47 -24A	AN520-10R8		29 - 9
AN515-8R6		67 -33	AN515B8R10		47 -38	AN520-10R8		36 -34
AN515-8R6		83A- 2	AN515B8R10		47A-23	AN520-10R8		60 -37
AN515-8R6		83B- 9	AN515B8R10		47A-24	AN520-10R8		70A-35
AN515-8R6		84 -19A	AN515B8R10		47A-38	AN520-10R8		76 -29
AN515-8R6		84 -23	AN515B8R10		47B-31	AN520-10R8		80 -41
AN515-8R7		83 - 8	AN515B8R10		47B-32	AN520-18R8		56 -28
AN515-8R8		17 -15	AN515B8R10		47B-49	AN520-416R8		80 -34
AN515-8R8		19A-10	AN515B8R10		47C-34	AN520-8R6		81B-26
AN515-8R8		24A-67	AN515B8R10		47C-35	AN520-8R7		81B-28
AN515-8R8		26 -68	AN515B8R10		47C-52	AN520-8R8		70A-37
AN515-8R8		26A-67	AN515B8R12		51 - 5	AN520-8R8		80 -35
AN515-8R8		29 -21	AN515B8R6		47 -23	AN525-10R10		29 -74
AN515-8R8		46 -17	AN515B8R6		47A-22	AN525-10R10		36A-46
AN515-8R8		50 -20	AN515B8R6		47B-30	AN525-10R10		36A-46
AN515-8R8		60 -50	AN515B8R6		47C-33	AN525-10R10		36B-49
AN515-8R8		60A-46	AN5156R10		47C-38	AN525-10R12		29 -74
AN515-8R8		67 - 6	AN516B6R6		79A- 4	AN525-10R12		36A-46A
AN515-8R8		67 -20	AN520-10R10		12 -11	AN525-10R14		51 -20
AN515-8R8		68 - 4	AN520-10R10		13 -15	AN525-10R14		51A-17
AN515-8R8		68 -38	AN520-10R10		28 -31	AN525-10R16		41 -15
AN515-8R8		70 -13	AN520-10R10		32 -34	AN525-10R16		50 -34
AN515-8R8		70A-34	AN520-10R10		36 -40	AN525-10R22		50 -28
AN515-8R8		79 -36	AN520-10R10		41 -39	AN525-10R6		24 -31
AN515-8R8		81A-11	AN520-10R10		56 -33	AN525-10R6		24A-33
AN515-8R8		83A- 9A	AN520-10R10		60 -36	AN525-10R6		29 -11
AN515-8R8		84 - 1	AN520-10R10		60A-32	AN525-10R6		52A- 5
AN515-8R8		84 -18	AN520-10R10		79 -22	AN525-10R6		67 -12
AN515-8R9		84 -21	AN520-10R10		79 -32	AN525-10R9		24 -32
AN515-832R6		39 - 7	AN520-10R10		79A-29	AN525-10R9		24A-34
AN515B6R10		47 -25	AN520-10R10		79A-31A	AN525-10R9		29 -12
AN515B6R10		47 -30	AN520-10R12		18 -28	AN525-416R9		50A-24
AN515B6R10		47A-25	AN520-10R12		19 -31	AN525-8R6		76 -23
AN515B6R10		47A-30	AN520-10R12		25 -22	AN525-8R8		20 -23
AN515B6R10		47B-35	AN520-10R12		25A-17	AN525-8R8		22A-23
AN515B6R10		47B-41	AN520-10R12		32 -35A	AN525-832-8		28 -39
AN515B6R10		47C-44	AN520-10R12		36A-53	AN525-832R10		36B-43
AN515B6R10		51 -15	AN520-10R12		36B-57	AN525-832R10		86 -15
AN515B6R12		47 -26	AN520-10R12		81B- 5	AN525-832R6		38 -44
AN515B6R12		47 -40	AN520-10R12		82 -12	AN525-832R6		38A-44
AN515B6R12		47A-26	AN520-10R14		13 -10	AN525-832R7		39 -13
AN515B6R12		47A-40	AN520-10R16		36A-53	AN525-832R7		53 - 9
AN515B6R12		47B-37	AN520-10R20		70 -11	AN525-832R7		53A- 7
AN515B6R12		47B-50	AN520-10R20		70A-39	AN525-832R8		31 - 8
AN515B6R12		47C-40	AN520-10R24		69 -50	AN530-10R12		12 -28
AN515B6R12		47C-53	AN520-10R36		12 - 2	AN530-10R12		13 -32
AN515B6R12		68 - 1	AN520-10R5		36 -33	AN535-2-3		23 -10
AN515B6R12		68 -35	AN520-10R5		46 - 6	AN565B2H3		48B- 3
AN515B6R12		79 -20	AN520-10R6		13 - 2	AN565B2H3		48C- 3
AN515B6R16		47 -32	AN520-10R6		24 -35	AN565B428H4		69 -45
AN515B6R16		47 -36	AN520-10R6		26 -33	AN565B8H3		48 - 4
AN515B6R16		47A-32	AN520-10R6		26A-32	AN565B8H3		48A- 3
AN515B6R16		47A-36	AN520-10R6		32 -35	AN565D6H3		63 -11
AN515B6R16		47B-43	AN520-10R6		54A- 3	AN565D8H3		69 -45
AN515B6R16		47B-47	AN520-10R6		71 -31	AN6-13A		36A-20
AN515B6R16		47C-46	AN520-10R6		80 -48	AN6-13A		36B-20
AN515B6R16		47C-50	AN520-10R7		3 -47	AN6-15A		69 -37
AN515B6R16		73A- 1	AN520-10R7		20 -15	AN6-16		57A-14
AN515B6R6		47 -28	AN520-10R7		23 -12	AN6-16A		36 - 4
AN515B6R6		47 -39	AN520-10R7		25 -21	AN6-16A		87 -11
AN515B6R6		47A-28	AN520-10R7		25 -23	AN6-22A		36 -17
AN515B6R6		47B- 7	AN520-10R7		25 -24	AN6-23A		36 -17
AN515B6R6		47B-38	AN520-10R7		25A-16	AN6-43A		56 - 1
AN515B6R6		47C-41	AN520-10R7		25A-18	AN6-43A		56 - 2
AN515B6R6		73A-18	AN520-10R7		25A-19	AN6-44A		56 - 2

150 & A150 Parts Catalog

PART NUMBER	FICHE AND FRAME	FIGURE AND INDEX NO.	PART NUMBER	FICHE AND FRAME	FIGURE AND INDEX NO.	PART NUMBER	FICHE AND FRAME	FIGURE AND INDEX NO.
AN6-54A		56 - 1	AN816-6-6D		79A-38	AN936A6		47C-63
AN6-6A		36 -35	AN816-6-6D		87 -15	AN936A6		73A-19
AN6-6A		36A-47	AN816-6-6D		87 -18	AN936A6		79 -20
AN6-6A		36B-51	AN816-6D		56 -12	AN936A6B		47 -36
AN6227B18		35 - 7	AN816-6D		79 -15	AN936A6B		47A-36
AN6227B26		33 -15	AN816-6D		79A-18	AN936A6B		47B-47
AN6227B32		33 -24	AN824-6D		76 -14	AN936A6B		47C-50
AN6227B4		62 -15	AN832-2D		26 -60	AN936A6B		68 - 1
AN6227B5		19A-12	AN832-2D		26A-59	AN936A6B		68 -35
AN6227B5		33 -13	AN832-2D		78 - 6	AN936A6B		73A- 1
AN6227B6		35 - 3	AN833-2D		26 -61	AN936A8		32 -39
AN6227B6		35 - 8	AN833-2D		78 - 5	AN936A8		36 -28
AN6227B9		62 -17	AN833-3D		36 -12	AN936A8		36 -44
AN6227B9		78 -18	AN833-3D		36A- 6	AN936A8		36A-28
AN6230B2		37 -21	AN833-3D		36B- 7	AN936A8		36A-55
AN6230B2		37A-30	AN833-3D		75 -14	AN936A8		36B-28
AN6230B2		37B-22	AN833-6D		76 -16A	AN936A8		47 - 4
AN6230B2		37C-21	AN834-6D		76 -27	AN936A8		47 -11
AN6230B3		33 -19	AN900-10		57A- 7	AN936A8		47 -24
AN6230B6		33 -22	AN900-10		78 -31	AN936A8		47 -24A
AN7-24A		3 - 4	AN900-10		87 - 5	AN936A8		47 -38
AN7-74		32 -18	AN901-5A		33 -18	AN936A8		47A- 5
AN735-32		82 -11	AN910-2D		76 -25	AN936A8		47A-23
AN735D18		36A-30	AN911-1D		73 -20	AN936A8		47A-24
AN735D18		36B-30	AN912-2D		56 -12	AN936A8		47A-38
AN735D24		36A- 8	AN912-2D		76 -51	AN936A8		47B-19
AN735D24		36B- 9	AN912-4D		79 -45	AN936A8		47B-31
AN735D24		56 -52	AN912-4D		79A-40	AN936A8		47B-32
AN737TW24		76 - 5	AN912-5D		76 -51	AN936A8		47B-49
AN741-16P		56 -34	AN914-1D		36 -15	AN936A8		47C-21
AN741T6P		56 -57	AN914-1D		75 - 4	AN936A8		47C-34
AN742D13		18 -27	AN916-1D		73 -19	AN936A8		47C-35
AN742D13		19 -30	AN916-1D		75 - 4A	AN936A8		47C-52
AN742D2		56 -27	AN919-1D		78 -13	AN936A8		47C-70
AN742D2		56 -54	AN924-10D		79 -39	AN936A8		60 -51
AN742D2		67 -12	AN924-10D		79A-33	AN936A8		60A-47
AN742D3		56 -47	AN924-2D		26 -60	AN936A8		86 -15
AN742D3		56 -60	AN924-2D		26 -61	AN936A8		76 -22
AN742D3		70 - 9	AN924-2D		26A-59	AN936B10		69 -48
AN742D3		70 -10	AN924-2D		78 - 3	AN936B6		38A-46
AN742D3		70 -11	AN924-2D		78 - 7	AN936B6		48B- 6
AN742D3		70 -12	AN924-3D		26 -61	AN936B6		49 - 8
AN742D3		70 -13	AN924-3D		26A-60	AN936B616		36 -36
AN742D3		75 -21	AN924-3D		75 -15	AN936B616		36A-48
AN742D3		76 -43	AN924-3D		78 - 3A	AN936B8		39 - 7
AN742D34		56 -28	AN924-6D		12 -24	AN944-101A		33 -33
AN742D34		60 -37	AN924-6D		13 -24	AN944-101A		33 -42
AN742D4		8 -19	AN924-6D		76 -16B	AN960-10		15 -12
AN742D4		9 -19	AN929-6		76 -31	AN960-10		16 -11
AN742D4		73 - 6	AN936A10		56 -68	AN960-10		20 - 4
AN742D5		70A-30	AN936A10		76 -41	AN960-10		20 - 8
AN742D5		70A-34	AN936A10		82 - 5	AN960-10		21A-24
AN742D5		70A-35	AN936A10		82 -13	AN960-10		25 -25
AN742D5		70A-37	AN936A10		82 -17	AN960-10		32 -35A
AN742D5		70A-38	AN936A4		69 -41B	AN960-10		32 -35A
AN742D6		67 -33	AN936A4		85 -14	AN960-10		36 -40
AN742D8		74 - 4	AN936A4		85A-18	AN960-10		36A-53
AN8-17A		17 - 2	AN936A416		51A-12	AN960-10		36B-57
AN8-24A		3 - 1	AN936A6		47 -39	AN960-10		42 -19
AN8-25A		17 - 3	AN936A6		47 -39	AN960-10		42 -21
AN815-3D		75 -11	AN936A6		47 -40	AN960-10		42A-21
AN815-6D		76 -11	AN936A6		47 -42	AN960-10		42A-23
AN815-6D		76 -33	AN936A6		47 -45	AN960-10		44 - 3
AN816-2B		78 - 1	AN936A6		47A-39	AN960-10		44 -25B
AN816-2D		76 -65	AN936A6		47A-42	AN960-10		44B-31A
AN816-4D		68 -21	AN936A6		47A-45	AN960-10		44C-34A
AN816-4D		79 -13	AN936A6		47B- 7	AN960-10		45 - 5
AN816-4D		79A-16	AN936A6		47B-14	AN960-10		45 -30B
AN816-6		57A-17A	AN936A6		47B-50	AN960-10		45B-34A
AN816-6-6		57A-17	AN936A6		47B-54	AN960-10		45C-35A
AN816-6-6D		56 -12	AN936A6		47B-60	AN960-10		50A-16
AN816-6-6D		76 -35A	AN936A6		47C-15	AN960-10		56 -25
AN816-6-6D		76 -50	AN936A6		47C-53	AN960-10		60 - 3
AN816-6-6D		79 -43	AN936A6		47C-57	AN960-10		60A- 3

150 & A150 Parts Catalog

PART NUMBER	FICHE AND FRAME	FIGURE AND INDEX NO.	PART NUMBER	FICHE AND FRAME	FIGURE AND INDEX NO.	PART NUMBER	FICHE AND FRAME	FIGURE AND INDEX NO.
AN960-10		60A- 9	AN960-4L		45D-42	AN960-416L		86 -49
AN960-10		61 - 6	AN960-4L		45D-52	AN960-516		10 - 9
AN960-10		63 - 5	AN960-4L		60A-31	AN960-516		11 - 8
AN960-10		64 -22	AN960-416		25 -12	AN960-516		17 -11
AN960-10		64 -26	AN960-416		25 -14	AN960-516		26 -61
AN960-10		66 -23	AN960-416		29 -32D	AN960-516		32 - 4
AN960-10		67 -29	AN960-416		34 -12	AN960-516		34B-13
AN960-10		69 - 8	AN960-416		37C-13	AN960-516		34C-10
AN960-10		69 -16	AN960-416		37C-23	AN960-516		37 -13
AN960-10		69 -33	AN960-416		42 -19	AN960-516		37B-15
AN960-10		69 -50	AN960-416		42A-21	AN960-516		44D-22A
AN960-10		69 -53	AN960-416		44 - 3	AN960-516		45D-23A
AN960-10		70A-16	AN960-416		44A- 8	AN960-516		56 - 5
AN960-10		70A-28	AN960-416		44B- 8	AN960-516		78 - 4
AN960-10		70A-32	AN960-416		44C- 2	AN960-516		82 - 3
AN960-10		70A-35	AN960-416		44D- 2	AN960-516L		32 -28A
AN960-10		70A-41	AN960-416		44D-15	AN960-516L		36 -18
AN960-10		72 -20	AN960-416		44D-30	AN960-516L		36A- 2
AN960-10		72 -32	AN960-416		44D-58	AN960-516L		36A-16
AN960-10		81B-34	AN960-416		45 - 5	AN960-516L		36A-21
AN960-10		83A-10A	AN960-416		45A- 9	AN960-516L		36B- 2
AN960-10		83B-11	AN960-416		45B- 9	AN960-516L		36B-16
AN960-10		86 - 8	AN960-416		45C- 3	AN960-516L		36B-21
AN960-10L		25A- 5B	AN960-416		45D- 3	AN960-516L		36B-15
AN960-10L		27 - 2	AN960-416		45D-16	AN960-516L		50A-16
AN960-10L		28 - 3	AN960-416		45D-31	AN960-516L		50B- 9
AN960-10L		29 - 1	AN960-416		45D-59	AN960-6L		47 -16
AN960-10L		29 -74	AN960-416		47A-20	AN960-6L		47A-10
AN960-10L		33 -54	AN960-416		47B-28	AN960-6L		47A-12
AN960-10L		33 -61	AN960-416		47C-31	AN960-6L		47B-34
AN960-10L		38 -35	AN960-416		50A-19	AN960-6L		47C-37
AN960-10L		38 -35B	AN960-416		50B-12	AN960-6L		60A-31
AN960-10L		38A-37	AN960-416		56 -62	AN960-6L		80 -51
AN960-10L		44D-47	AN960-416		64 -46	AN960-6L		85 - 7
AN960-10L		45D-48	AN960-416		65 -21	AN960-6L		85A-14
AN960-10L		50 -30	AN960-416		66 - 5	AN960-616		26 -61
AN960-10L		51 -21	AN960-416		71 - 6	AN960-616		26A-60
AN960-10L		51A-18	AN960-416		76 -47	AN960-616		36A-49A
AN960-10L		56 -26	AN960-416L		18 - 3	AN960-616		36B-53
AN960-10L		56 -33	AN960-416L		19 - 3	AN960-616		47 -52
AN960-10L		60 - 4	AN960-416L		21 - 2A	AN960-616		47A-52
AN960-10L		60 - 9	AN960-416L		21A- 3	AN960-616		50A- 9
AN960-10L		60 -36	AN960-416L		22 - 3	AN960-616		50B- 4
AN960-10L		60A- 4	AN960-416L		22A- 3	AN960-616		56 - 2
AN960-10L		60A-32	AN960-416L		33 -38	AN960-616		68 -15
AN960-10L		66 -31	AN960-416L		33 -50	AN960-616		68 -49
AN960-10L		69 -52	AN960-416L		34A-12	AN960-616		69 -38
AN960-10L		70A-27	AN960-416L		37 -23	AN960-616		78 - 4A
AN960-10L		70A-45	AN960-416L		37 -26	AN960-616L		36 -18
AN960-10L		70A-48	AN960-416L		37A-16	AN960-616L		36 -37
AN960-10L		72 -21	AN960-416L		37A-20	AN960-616L		36A-21
AN960-10L		76 -19A	AN960-416L		37A-25	AN960-616L		36A-49
AN960-10L		80 - 7	AN960-416L		37B-19	AN960-616L		36B-21
AN960-10L		80 -28	AN960-416L		37B-26	AN960-616L		36B-52
AN960-10L		80 -42	AN960-416L		37C-23	AN960-616L		53A- 3
AN960-10L		80 -48	AN960-416L		37C-26	AN960-716		3 - 6
AN960-10L		83A-10A	AN960-416L		43 -16	AN960-716L		32 -24A
AN960-10L		83B-12	AN960-416L		44A- 3	AN960-716L		75 -16
AN960-4		38 -42	AN960-416L		44B- 3A	AN960-8		21 -19
AN960-4		38A-42	AN960-416L		44C-12	AN960-8		21A-24
AN960-4		50A-33	AN960-416L		44D-62	AN960-8		24 -37A
AN960-4L		38 -13	AN960-416L		45A- 3	AN960-8		24 -63
AN960-4L		38 -40	AN960-416L		45B- 2A	AN960-8		24A-37
AN960-4L		38A-13	AN960-416L		45C-13	AN960-8		24A-41
AN960-4L		44B- 5	AN960-416L		45D-63	AN960-8		24A-67
AN960-4L		44C- 3	AN960-416L		50A-32	AN960-8		29 -22
AN960-4L		44D-35	AN960-416L		50A-37	AN960-8		46 -18
AN960-4L		44D-41	AN960-416L		50B-23	AN960-8		70A-34
AN960-4L		44D-51	AN960-416L		50B-27	AN960-8		70A-37
AN960-4L		45A- 6	AN960-416L		52 -11	AN960-8L		28 -39
AN960-4L		45B- 6	AN960-416L		56 -51	AN960-8L		31 - 8
AN960-4L		45C- 5	AN960-416L		64 - 3	AN960-8L		81A-12
AN960-4L		45D- 5	AN960-416L		66 - 4	AN960-8L		83A- 3
AN960-4L		45D-36	AN960-416L		72 - 3	AN960-8L		85 - 6

150 & A150 Parts Catalog

PART NUMBER	FICHE AND FRAME	FIGURE AND INDEX NO.	PART NUMBER	FICHE AND FRAME	FIGURE AND INDEX NO.	PART NUMBER	FICHE AND FRAME	FIGURE AND INDEX NO.
AN960-8L		85A- 9	A1636-24		37A-13	B30027		37B-23
AN960-816		3 - 2	A1636-24		37B-10	B30031		37A-28
AN960-816		17 - 5	A1638-1		37A-16B	B30076		37A- 5
AN960-816		64 -11	A1638-1		37A-16C	B30077		34A- 8
AN960-816		64 -16	A1638-13		53 - 3	B30077		34B- 5
AN960C4		38 -15	A1638-14		53A- 3	B30195		37A-14
AN960C4		38A-15	A1638-29		34A-12	B30440		37A-14
AN960C516		32 -19	A1638-30		37A-16A	B30594		37A-28
AN960C716		32 -19	A1663-022-1		38 -23	B30649		37B-29
AN960D10		51A- 8	A1663-022-1		38A-23	B4416D		33 -33
AN960D10		56 -44	A1793-6Z3		26 -19	B610		15 - 7
AN960D10L		12 -18	A1793-6Z3		26A-18	B610		16 - 7
AN960D10L		52 - 3	A2109-3		22 -31	B610		69 -29
AN960D10L		52 - 9	A2109-3		22A-19	B610		69 -36
AN960D10L		54A- 4	A223A		62 -16	CA-2		48 - 5
AN960D10L		72 -12	A2513-51		53A- 2	CA-2		48A- 4
AN960D10L		86 -43	A2513-52		53A- 2	CA-2		48B- 4
AN960D10L		86 -47	A2513-66		34A-11	CA-2		80 -53
AN960D416		16 - 5	A2513-8		53 - 2	CM2692-12R3S		81B-13
AN960D416		69 -28	A279A		62 - 1	CM2692-20-1S		16 -39
AN960D516		32 -24	A2973-2		53A- 5	CM2692-28-1B		5 -72
AN960D8		51 - 5	A30010		37A- 8	CM2692-28-1B		7 -76
AN960D8		53 - 7	A30010		37B- 8	CM2692-28-1S		4 -58
AN960D8L		81 - 5A	A30011		37A-11	CM2692-28-1S		6 -67
AN960PD10		79 -23	A30011		37B-12	CM2692-28-2H		47 -50
AN960PD10L		50 -30	A30013		37A-12	CM2692-28-2H		47A-50
AN960PD10L		50 -36	A30013		37B-11	CM2692-32-1S		29 -76
AN960PD10L		57A-22	A30014		37A-10	CP23/4		50 -19
AN960PD10L		79 -33	A30014		37B- 9	CR163-4-8		15 -27
AN960PD10L		79A-30	A30015		37A- 9	CR763-4		22A-13
AN960PD10L		79A-31B	A30015		37B- 7	C1C2		1 - 1
AN960PD10L		87 -22	A30023		37A-19	C109		32 -11
AN960PD2		22 -27	A30023		37B-18	C156001-0104		3 -24A
AN960PD2		22A-14	A30030		37A-31	C156001-0104		12 -35
AN960PD516L		57A- 5	A30030		37B-30	C156001-0104		13 -39
AN960PD616		87 -12	A30040		37A-33	C156003-0101		12 -40
AN960PD616L		57A-15	A30040		37B-32	C156003-0101		12 -40
AN960XCL4		80 -24C	A30047		34A- 5	C156003-0101		13 -42
AN970-3		42 -19	A30047		34B-10	C156003-0101		13 -42
AN970-3		42 -19A	A30047		34C- 5	C161001-0203		53 - 1
AN970-3		42A-20	A30048		34A- 4	C161001-0401		53A- 1
AN970-3		52 - 3A	A30048		34B- 9	C161001-0402		53A- 1
AN970-3		56 -43	A30048		34C- 4	C161001-0403		53A- 1
AN970-3		66 -22	A30078-1		34A-10	C161001-0404		53A- 1
AN970-3		86 -20	A30078-1		34B- 4	C161001-0405		53A- 1
AN970-3		86 -47A	A30078-1		34C- 8	C163001-0103		37 -
AN970-4		42 -19A	A30078-2		34A- 6	C163001-0104		37C-
AN970-4		42A-20	A30078-2		34B- 8	C163002-0101		37A- 2
AN970-4		50A-21	A30078-2		34C- 6	C163002-0201		34A- 2
AN970-4		50B-14	A30079-1		37A- 4	C163003-0101		37A- 2
AN970-5		32 -24B	A30079-1		37B- 5	C163003-0102		37A- 2
AN970-5		67 - 8	A30079-2		37A- 7	C163003-0201		34A- 2
AN970-5		67 -22	A30079-2		37B- 6	C163003-0401		34B- 2
AN970-5		86 -13	A30085		37A-32	C163004-0104		37A- 2
AN970-7		32 -24B	A30085		37B-31	C163005-0101		37B- 2
A061A		62 -22	A30087		37A-23	C163005-0201		34C- 2
A064A		62 - 9	A30087		37A-27	C163006-0101		37B- 2
A085A		62 -12	A30087		37B-24	C163020-0101		62 -
A087A		62 -21	A30087		37B-28	C163030-0107		37 -14
A088A		62 - 3	A3047A6-92		76 - 3	C163030-0113		37C-14
A089A		62 -20	A4513-1		22 -30	C163032-0103		37A-17
A113A		62 -18	A4513-1		22A-18	C163032-0107		37A-17
A1257A		3 -33	A6195-6Z1		38 -47	C163032-0110		37B-16
A126A		62 - 6	A7512-12		3 -34	C17312-3		84 - 4
A1280-2		3 -35	B30007		37A-14	C17313		84 - 7
A1280-3		3 -35	B30022		37A-29	C17325		84 - 2
A147A		62 - 4	B30022		37B-21	C17326		84 - 5
A148A		62 - 8	B30024		37A-26	C17330		84 - 3
A1635-73		34B-12	B30024		37B-27	C17331-3		84 - 6
A1635-73		37A-15A	B30026		37A-23	C17331-6		84 - 6
A1635-79		37A-15A	B30026		37A-27	C253001-0101		38 -58
A1636-23		34A- 3	B30026		37B-24	C253001-0101		38A-49
A1636-23		34B-11	B30026		37B-28	C262001-0101		37 -30
A1636-23		34C- 3	B30027		37A-22	C262001-0101		37A- 1

150 & A150 Parts Catalog

PART NUMBER	FICHE AND FRAME	FIGURE AND INDEX NO.	PART NUMBER	FICHE AND FRAME	FIGURE AND INDEX NO.	PART NUMBER	FICHE AND FRAME	FIGURE AND INDEX NO.
C262001-0101		37C-30	C431002-0102		79A-36	C661002-0505		79 - 1
C262001-0102		34 - 1	C431003-0103		79 -41	C661002-0505		47 -29
C262001-0102		34A- 1	C431003-0103		79A-36	C661002-0506		79 - 1
C262001-0201		37 -30	C431003-0301		79 -41	C661002-0506		47 -29
C262001-0201		37A- 1	C431003-0301		79A-36	C661003-0501		47 -36
C262001-0201		37C-30	C431003-0302		79 -41	C661003-0501		47A-36
C262001-0202		34 - 1	C431003-0302		79A-36	C661003-0504		47 -36
C262001-0202		34A- 1	C482001-0202		79 -37A	C661003-0504		47A-36
C262003-0101		37 -30	C482001-0202		79 -40A	C661003-0504		47B-47
C262003-0101		37A- 1	C482001-0202		79A-35	C661003-0504		47C-50
C262003-0101		37B- 1	C482001-0301		68 -28	C661003-0506		47 -36
C262003-0101		37C-30	C482001-0301		79 -35	C661003-0506		47A-36
C262003-0102		34 - 1	C482001-0401		79A-32	C661003-0506		47B-47
C262003-0102		34A- 1	C482001-0401		79 -38	C661003-0506		47C-50
C262003-0102		34B- 1	C592001-0201		52A- 1	C661003-0601		47 -36
C262003-0102		34C- 1	C593001-0101		47 -70	C661003-0601		47A-36
C262003-0103		37B- 1	C593001-0101		47A-58	C661003-0601		68 - 1
C262004-0101		34 - 1	C593001-0101		47B-65	C661003-0601		68 -35
C262004-0101		34A- 1	C593001-0101		47C-68	C661010-0101		47 -31
C262004-0102		37A- 1	C594501-0201		84 -17	C661010-0105		47 -31
C262004-0102		37C-30	C594501-0203		84 -17	C661010-1004		47 -30
C262023-0101		34 - 2	C594502-0102		84 -17A	C661011-0105		47 -25
C262023-0101		34A- 2	C6AB10A730A		80 -34	C661011-0106		47 -25
C262023-0101		34B- 2	C611001-0101		80 -34	C661012-0101		47 -25
C262023-0101		34C- 2	C611001-0102		57 -12	C661012-0101		47A-25
C262023-0102		37 -31	C611001-0102		80 -34	C661015-0101		47 -24
C262023-0102		37A- 2	C611001-0201		57 -12	C661015-0102		47 -24
C262023-0102		37B- 2	C611001-0201		80 -34	C661015-0102		47A-23
C262023-0102		37C-31	C611501-0202		82 - 1	C661015-0102		47B-31
C291502-0106		47 -55	C611501-0204		57 -10	C661015-0102		47C-34
C291502-0106		47A-55	C611501-0204		82 - 1	C661025-0102		47A-25
C291502-0106		47B-72	C621001-0103		84 -	C661025-0102		47B-35
C291502-0106		47C-75	C621001-0106		84 -	C661025-0102		73A- 1
C292501-0102		48 - 3	C622001-0102		22 -28	C661060-0101		47 -30
C292501-0104		48 - 3	C622001-0102		22A-15	C661060-0101		47A-30
C292501-0104		48A- 2	C622001-0104		22 -32	C661060-0102		47 -30
C292501-0104		48B- 2	C622001-0104		22A-17	C661060-0102		47A-30
C292501-0104		48C- 2	C622001-0201		3 -32A	C661061-0101		47 -31
C294501-0101		79 -21	C622001-0202		3 -31	C661061-0101		47A-31
C294501-0103		79 -25	C622001-0202		3 -31	C661061-0102		47 -31
C294502-0201		79A-31F	C622003-0101		3 -41	C661061-0102		47A-31
C294505-0101		78 -21	C622003-0103		2 -40	C661064-0101		47B-41
C294505-0102		78 -22	C622003-0104		3 -40	C661064-0101		47C-44
C294510-0201		57 - 3	C622003-0105		2 -40	C661064-0201		47B-41
C299505-0202S		47 -53	C622003-0105		2A-28	C661064-0201		47C-44
C299505-0202S		47A-53	C622003-0105		2B-31	C661065-0101		47B-42
C299505-0202S		47B-70	C622003-0105		2C-31	C661065-0101		47C-45
C299505-0202S		56 -37	C622003-0105		2D-30	C661065-0102		47B-42
C30019		37A-18	C622004-0103		80 -40	C661065-0201		47C-45
C30019		37B-17	C622006-0103		3 -40	C661071-0101		47 -25
C30057		34A- 9	C622006-0105		3 -40A	C661071-0101		47A-25
C301001-0211		69 -41B	C622006-0106		3 -41	C661071-0101		47B-35
C301002-0103		69 -40	C622007-0101		3 -47	C661071-0101		47C-38
C301002-0301		69 -36	C622008-0101		3 -47	C661071-0102		47 -25
C301002-0308		69 -41A	C660501-0101		51 - 1	C661071-0102		47A-25
C30163		37A- 6C	C660501-0101		51A- 1	C661071-0102		47B-35
C30163-1		37A- 6B	C661001-0501		47 -28	C661071-0102		47C-38
C30163-4		37A- 6C	C661001-0501		79 - 2	C661071-0102		73A- 1
C30163-6		37A- 6B	C661001-0502		47 -28	C661075-0101		79 - 1
C30172		34A- 7B	C661001-0502		79 - 2	C661075-0101		79A- 1
C30172-1		34A- 7A	C661001-0503		47 -28	C661075-0101		47 -29
C30481		34B- 3	C661001-0503		79 - 2	C661075-0101		47A-29
C30484		34B- 6	C661001-0504		47 -28	C661075-0101		47B-39
C30484-1		34B- 7	C661001-0504		79 - 2	C661075-0101		47C-42
C30598		34C- 7	C661001-0505		47 -28	C661075-0103		79 - 1
C30605		37B- 4	C661001-0505		79 - 2	C661075-0103		79A- 1
C30612		37B- 3	C661002-0301		79 - 1	C661075-0103		47 -29
C30615-1		37B-13	C661002-0301		47 -29	C661075-0103		47A-29
C30615-4		37B-13	C661002-0501		79 - 1	C661075-0103		47B-39
C4189		72 -14	C661002-0501		47 -29	C661075-0103		47C-42
C4189		72 -15	C661002-0503		79 - 1	C661075-0104		79 - 1
C421001-0101		50 -23	C661002-0503		47 -29	C661075-0104		79A- 1
C421001-0102		50 -24	C661002-0504		79 - 1	C661075-0104		47 -29
C431002-0102		79 -41	C661002-0504		47 -29	C661075-0104		47A-29

150 & A150 Parts Catalog

PART NUMBER	FICHE AND FRAME	FIGURE AND INDEX NO.	PART NUMBER	FICHE AND FRAME	FIGURE AND INDEX NO.	PART NUMBER	FICHE AND FRAME	FIGURE AND INDEX NO.
C661075-0104		47B-39	C668509-0101		47C-43	MS20230-A2		8 -10
C661075-0104		47C-42	C668509-0101		79A-22	MS20230-A2		8 -27
C661075-0105		47 -29	C668540-0101		47 -40	MS20230-A2		8 -28
C661075-0105		47A-29	C668540-0101		47A-40	MS20230-A2		8 -29
C661075-0105		79 - 1	C668540-0101		79 -19	MS20230-A2		8 -30
C661075-0105		79A- 1	C669504-0102		47 -42	MS20230-A2		8 -31
C661075-0105		47B-39	C669504-0104		47 -42	MS20230-A2		8 -36
C661075-0105		47C-42	C669504-0104		47A-42	MS20230-A2		8 -37
C661075-0106		79 - 1	C669505-0102		47 -45	MS20230A2		9 - 5
C661075-0106		79A- 1	C669505-0103		47 -45	MS20230A2		9 - 6
C661075-0106		47 -29	C669505-0103		47A-45	MS20230A2		9 - 8
C661075-0106		47A-29	C669511-0101		47B-52	MS20230A2		9 -10
C661075-0106		47B-39	C669511-0101		47C-55	MS20230A2		9 -27
C661075-0106		47C-42	C669512-0103		47C-61	MS20230A2		9 -33
C661075-0108		79 - 1	C669512-0103		47B-58	MS20230A2		9 -40
C661075-0108		79A- 1	C733001-0101		50 -39	MS20253-2-44.13		20 -26
C661075-0108		47 -29	C733001-0103		50 -42	MS20253-2-7.00		55 -18
C661075-0108		47A-29	C744001-0101		73A-36	MS20253-2-7.00		55A-20
C661075-0108		47B-39	C9876-8-1		13 -13	MS20253P1-164		60 -31
C661075-0108		47C-42	DEV041811-1		47A-51	MS20364-1032C		76 -20
C661076-0101		47 -28	DEV041811-2		47A-51	MS20364-1032C		82 -18
C661076-0101		47A-28	D30058		34A- 7	MS20364-428A		37A-21
C661076-0101		47B-38	D30062-1		37A- 6	MS20364-428A		37B-20
C661076-0101		47C-41	D30065		37A- 3	MS20364-624C		32 - 7
C661076-0101		79 - 2	D30129		37A- 6A	MS20365-1032		26 -33
C661076-0101		79A- 3	D30210		37A- 6E	MS20365-1032		26A-32
C661076-0102		47 -28	D30222-6		37A- 6D	MS20365-1032C		60 - 5
C661076-0102		47A-28	D30256		37A- 3	MS20365-1032C		60A- 5
C661076-0102		47B-38	D30657		37B- 4	MS20365-1032C		61 -19
C661076-0102		47C-41	D30662		37B- 3	MS20365-1032C		61 -37
C661076-0102		79 - 2	D366		51A- 6	MS20365-1032C		72 -38
C661076-0102		79A- 3	D4023X.375		51A- 7	MS20365-1032C		80 - 8
C661076-0103		47 -28	EC1239AB		1 -10	MS20365-428A		34A-13
C661076-0103		47A-28	EC1675A-B		1 -14A	MS20365-524		36A- 3
C661076-0103		47B-38	EC22168/A		1 -14D	MS20365-524		36A-17
C661076-0103		47C-41	EC776		1 -12	MS20365-524		36B-17
C661076-0103		79 - 2	EC880		1 - 2	MS20365-524A		37B-16
C661076-0103		79A- 3	E05820		57 -10	MS20365-524C		56 - 5
C661076-0105		47 -28	E05820		82 -19	MS20365-720C		3 - 7
C661076-0105		47A-28	F222008 BY FT.		56 -30	MS20365-820C		3 - 3
C661076-0105		47B-38	H323-3-1-1		42 - 6A	MS20365-820C		17 - 6
C661076-0105		47C-41	H323-3-1-1		42A- 6	MS203658832C		50 - 9
C661076-0105		79 - 2	H559-3-1		42 - 6A	MS20392-1-7		60A-31
C661076-0105		79A- 3	H559-3-1		42A- 6	MS20392-1C11		44 -20
C661076-0107		47 -28	K-375-125		85 -10	MS20392-1C11		44A-19
C661076-0107		47A-28	KM610-64		32 -31B	MS20392-1C11		44B-19
C661076-0107		47B-38	KM610-64		36A-53B	MS20392-1C11		44C-22
C661076-0107		47C-41	KM610-64		36B-59	MS20392-1C11		44D-37
C661076-0107		79 - 2	K375-125		85A-11	MS20392-1C11		44D-49
C661076-0107		79A- 3	LN-1032-X		80 -33	MS20392-1C11		45 -25
C661080-0101		47 -37	LOCTITE 5381		1 -14C	MS20392-1C11		45A-22
C661080-0101		47A-37	LOCTITE 8721		1 -14E	MS20392-1C11		45B-22
C661080-0101		47B-48	MIL-P8585A		1 -14	MS20392-1C11		45C-23
C661080-0101		47C-51	MS124663		78 -21	MS20392-1C11		45D-38
C663-832-1		38 -57	MS15002-3		33 -58	MS20392-1C11		45D-50
C663-832-1		38A-61	MS15584-2		81 -10	MS20392-1C13		38 -42
C664501-0101		47 -39	MS15584-2		81A-21	MS20392-1C13		38A-42
C664501-0101		47A-39	MS15584-2		81B-24	MS20392-1C15		44 -16
C664501-0103		47 -39	MS16562-193		81B-33	MS20392-1C15		45 -21
C664501-0103		47A-39	MS16624-1081		19A- 5	MS20392-1C17		38 -39
C664502-0101		47B-50	MS16624-1206		36A- 5	MS20392-1C21		44 -33
C664502-0101		47C-53	MS16624-1206		36B- 6	MS20392-1C21		44A-39
C664508-0101		47 -26	MS16624-1275		33 -32	MS20392-1C21		45 -38
C664508-0101		47A-26	MS16625-1118		35 - 2	MS20392-1C21		45A-42
C664508-0101		47B-37	MS20074-03-04		56 -66	MS20392-1C23		38 -15
C664508-0101		47C-40	MS20074-03-04		76 -40	MS20392-1C23		38A-15
C668020-0101		47 -38	MS20074-05-12		57A- 4	MS20392-1C23		38A-40
C668020-0101		47A-38	MS20074-05-12		87 -26	MS20392-1C35		44B-16
C668020-0113		47A-38	MS20220-2		66 -10	MS20392-1C35		44C-19
C668020-0113		47B-49	MS20220-2		66 -17	MS20392-1C35		45B-19
C668020-0113		47C-52	MS20220-2		69 -14	MS20392-1C35		45C-20
C668507-0101		50 - 2	MS20230-A2		8 - 5	MS20392-1C39		44A-16
C668507-0102		50 - 2	MS20230-A2		8 - 6	MS20392-1C39		45A-19
C668509-0101		47B-40	MS20230-A2		8 - 8	MS20392-1C47		44D-34

150 & A150 Parts Catalog

PART NUMBER	FICHE AND FRAME	FIGURE AND INDEX NO.	PART NUMBER	FICHE AND FRAME	FIGURE AND INDEX NO.	PART NUMBER	FICHE AND FRAME	FIGURE AND INDEX NO.
MS20392-1C47		45D-35	MS21042L4		45B- 4	MS21044N06		81A-24
MS20392-1C67		39 -17	MS21042L4		45B- 9	MS21044N06		85 - 7
MS20392-1C7		38 -13	MS21042L4		45C- 3	MS21044N06		85A-14
MS20392-1C7		38A-13	MS21042L4		45C-14	MS21044N08		19A-11
MS20392-1C7		44D-50	MS21042L4		45D- 3	MS21044N08		21 -19
MS20392-1C7		45D-51	MS21042L4		47A-20	MS21044N08		21A-24
MS20392-1C9		69 - 3	MS21042L4		47B-28	MS21044N08		24 -37A
MS20392-2C13		61 -12	MS21042L4		47C-31	MS21044N08		24 -63
MS20392-2C15		44D-47	MS21042L4		50A-20	MS21044N08		24A-37
MS20392-2C15		45D-48	MS21042L4		50A-48	MS21044N08		24A-41
MS20392-2C15		61 -32	MS21042L4		50B-13	MS21044N08		24A-67
MS20392-2C51		38A-36	MS21042L4		50B-38	MS21044N08		28 -33
MS20392-2C53		38 -34	MS21042L4		52 -11	MS21044N08		28 -39
MS20392-2C59		44 -11	MS21042L4		56 -34	MS21044N08		29 -23
MS20392-2C59		45 -16	MS21042L4		56 -52	MS21044N08		31 - 8
MS20392-2C7		70A-23	MS21042L4		56 -59	MS21044N08		36 -11
MS20392-3C33		44D-62	MS21042L4		56 -63	MS21044N08		36A-10
MS20392-3C33		45D-63	MS21042L4		58 -22	MS21044N08		46 -10
MS20392-3C39		44D-61	MS21042L4		59 -40	MS21044N08		46 -19
MS20392-3C39		45D-62	MS21042L4		59A-48	MS21044N08		47 -23
MS20435M4-14		32 - 8	MS21042L4		64 - 2	MS21044N08		47A-22
MS20450C8-5		80 -24B	MS21042L4		64 -45	MS21044N08		47B-30
MS20470AD10-31		17 - 9	MS21042L4		65 - 7	MS21044N08		47C-33
MS20822-2		78 -11	MS21042L4		65 -14	MS21044N08		52A- 4
MS20822-2D		78 -11	MS21042L4		65 -22	MS21044N08		52A- 9
MS20822-3D		36A-18	MS21042L4		66 - 7	MS21044N08		67 - 7
MS20822-3D		36B-18	MS21042L4		66 -32	MS21044N08		67 -33
MS20822-6		57A-18	MS21042L4		69 -21	MS21044N08		68 - 4
MS20822-6-6D		56 -12	MS21042L4		69 -29	MS21044N08		68 -38
MS20822-6-6D		76 -35	MS21042L4		69 -36	MS21044N08		70 -12
MS20822-6-6D		76 -49	MS21042L4		71 - 3	MS21044N08		70 -13
MS20822-6-6D		87 -17	MS21042L4		71 - 7	MS21044N08		70A-34
MS20822-6-8D		76 -35	MS21042L4		71 -24	MS21044N08		70A-37
MS20822-6D		76 -16	MS21042L4		71 -36	MS21044N08		75 -17
MS20823-6D		56 -12	MS21042L4		76 -48	MS21044N08		81B-30
MS20823-6D		76 -52	MS21042L4		82 - 4	MS21044N08		83 - 9
MS20826-6D		79 -14	MS21042L4		86 - 8	MS21044N08		84 -21
MS20826-6D		79A-17	MS21042L4		86 -34	MS21044N3		12 - 3
MS20913-1D		79 -16	MS21042L4		86 -49	MS21044N3		13 - 3
MS20913-1D		79A-19	MS21042L5		10 - 8	MS21044N3		15 -13
MS20913-2D		79 -16	MS21042L5		11 - 7	MS21044N3		15 -19
MS21042L4		15 - 5	MS21042L5		17 -12	MS21044N3		16 - 9
MS21042L4		15 -10	MS21042L5		32 - 4	MS21044N3		16 -20
MS21042L4		16 - 6	MS21042L5		32 -29	MS21044N3		20 - 5
MS21042L4		18 - 4	MS21042L5		33 - 5	MS21044N3		23 -12
MS21042L4		19 - 4	MS21042L5		33 - 9	MS21044N3		24 -35
MS21042L4		21 - 1A	MS21042L5		36 -19	MS21044N3		25 -20
MS21042L4		21 - 2A	MS21042L5		36A-22	MS21044N3		25 -21
MS21042L4		21A- 2	MS21042L5		36B- 3	MS21044N3		25 -22
MS21042L4		21A- 3	MS21042L5		36B-22	MS21044N3		25 -23
MS21042L4		22 - 4	MS21042L5		50A-17	MS21044N3		25 -24
MS21042L4		22A- 4	MS21042L5		50A-28	MS21044N3		25 -25
MS21042L4		24 -56	MS21042L5		50B-10	MS21044N3		25A- 5C
MS21042L4		24A-60	MS21042L5		50B-20	MS21044N3		25A-15
MS21042L4		25 -12	MS21042L5		67 - 8	MS21044N3		25A-16
MS21042L4		25 -14	MS21042L5		67 -23	MS21044N3		25A-17
MS21042L4		25A-10	MS21042L5		69 -44	MS21044N3		25A-18
MS21042L4		29 -32E	MS21042L5		82 - 2	MS21044N3		25A-19
MS21042L4		33 -14	MS21042L5		86 -14	MS21044N3		27 - 2
MS21042L4		34A-13	MS21042L6		36 -19	MS21044N3		27 -29
MS21042L4		37A-17	MS21042L6		36A-22	MS21044N3		28 - 3
MS21042L4		42 -20	MS21042L6		36B-22	MS21044N3		28 -31
MS21042L4		42A-22	MS21042L6		56 - 2	MS21044N3		29 - 1
MS21042L4		44 - 4	MS21042L6		57A-16	MS21044N3		29 - 9
MS21042L4		44A- 4	MS21042L6		69 -39	MS21044N3		29 -32
MS21042L4		44A- 8	MS21042L6		87 -13	MS21044N3		29 -74
MS21042L4		44B- 4	MS21043-3		21A-24	MS21044N3		30 - 4
MS21042L4		44B- 8	MS21044N06		47 -16	MS21044N3		30 -11
MS21042L4		44C- 2	MS21044N06		47A-10	MS21044N3		32 - 6
MS21042L4		44C-13	MS21044N06		47A-12	MS21044N3		32 -35A
MS21042L4		44D- 2	MS21044N06		47B-34	MS21044N3		36 -26
MS21042L4		45 - 6	MS21044N06		48 -13	MS21044N3		36 -40
MS21042L4		45A- 4	MS21044N06		80 -54	MS21044N3		36A-10
MS21042L4		45A- 9	MS21044N06		81 -13	MS21044N3		36A-14

150 & A150 Parts Catalog

PART NUMBER	FICHE AND FRAME	FIGURE AND INDEX NO.	PART NUMBER	FICHE AND FRAME	FIGURE AND INDEX NO.	PART NUMBER	FICHE AND FRAME	FIGURE AND INDEX NO.
MS21044N3		36A-32	MS21044N3		72 -22	MS24665-132		44B-20
MS21044N3		36A-53	MS21044N3		72 -33	MS24665-132		44C-20
MS21044N3		36B-10	MS21044N3		76 -45	MS24665-132		44C-23
MS21044N3		36B-14	MS21044N3		80 -43	MS24665-132		44D-47
MS21044N3		36B-32	MS21044N3		86 - 8	MS24665-132		45 -17
MS21044N3		36B-57	MS21044N3		86 -21	MS24665-132		45 -22
MS21044N3		42 -20	MS21044N3		86 -27	MS24665-132		45 -26
MS21044N3		42A-22	MS21044N3		86 -38	MS24665-132		45 -39
MS21044N3		44 - 4	MS21044N3		86 -44	MS24665-132		45A-20
MS21044N3		44 -26	MS21044N3		86 -48	MS24665-132		45A-23
MS21044N3		44 -37	MS21044N4		44D-16	MS24665-132		45A-43
MS21044N3		44 -40	MS21044N4		44D-31	MS24665-132		45B-20
MS21044N3		44A-27	MS21044N4		44D-59	MS24665-132		45B-23
MS21044N3		44A-34	MS21044N4		45D-17	MS24665-132		45C-21
MS21044N3		44B-32	MS21044N4		45D-60	MS24665-132		45C-24
MS21044N3		44B-36	MS2104408		81A-13	MS24665-132		45D-48
MS21044N3		44C-35	MS21045L08		56 -18	MS24665-132		60A-31
MS21044N3		44C-39	MS21045L08		79 -37	MS24665-132		61 -11
MS21044N3		44D-66	MS21045L3		56 -27	MS24665-132		61 -33
MS21044N3		44D-70	MS21045L3		56 -28	MS24665-132		64 -34
MS21044N3		45 - 6	MS21045L3		56 -33	MS24665-132		65 - 4
MS21044N3		45 -31	MS21045L3		56 -41	MS24665-132		66 - 1
MS21044N3		45 -42	MS21045L3		56 -49	MS24665-132		66 -33
MS21044N3		45 -45	MS21045L3		56 -52	MS24665-132		69 - 9
MS21044N3		45A-30	MS21045L3		56 -60	MS24665-132		69 -25
MS21044N3		45A-37	MS21045L3		57A-23	MS24665-132		71 -11
MS21044N3		45B-35	MS21045L3		58 -12	MS24665-132		77 -11
MS21044N3		45B-39	MS21045L3		58 -16	MS24665-134		32 -21
MS21044N3		45C-36	MS21045L3		79 -24	MS24665-134		33 -40
MS21044N3		45C-40	MS21045L3		79 -34	MS24665-134		33 -52
MS21044N3		45D-32	MS21045L3		79A-31	MS24665-134		44D-62
MS21044N3		45D-67	MS21045L3		79A-31C	MS24665-134		45D-63
MS21044N3		45D-71	MS21045L3		80 -15	MS24665-134		65 -24
MS21044N3		46 -14	MS21045L3		80 -29	MS24665-134		65 -30
MS21044N3		50 -32	MS21045L3		82 - 5	MS24665-134		66 -39
MS21044N3		50 -38	MS21045L3		82 - 6	MS24665-134		66 -44
MS21044N3		50A-17	MS21045L3		82 -14	MS24665-134		69 - 3
MS21044N3		52 - 4	MS21045L3		87 -23	MS24665-134		70A-24
MS21044N3		52 -10	MS21919DG3		36 -10	MS24665-134		71 -20A
MS21044N3		52A- 6	MS21919DG3		36A- 8	MS24665-134		71 -33
MS21044N3		60 -36	MS21919DG3		75 -17	MS24665-136		32 -26
MS21044N3		60 -37	MS21919DG36		56 -32	MS24665-136		66 -16
MS21044N3		60A- 9	MS21919DG36		60 -36	MS24665-138		72 -24
MS21044N3		60A-32	MS21919DG36		60A-32	MS24665-143		66 -25
MS21044N3		61 - 7	MS21919DG48		56 -31	MS24665-170		44D-52
MS21044N3		61 -22	MS21919DG48		60 -36	MS24665-170		45D-53
MS21044N3		61 -28	MS21919DG48		60A-32	MS24665-172		44D-36
MS21044N3		64 -10	MS21919DG6		76 - 7	MS24665-172		44D-42
MS21044N3		64 -15	MS21919DG6		78 - 2A	MS24665-172		45D-37
MS21044N3		64 -21	MS21919DG8		23 -18	MS24665-172		45D-43
MS21044N3		64 -25	MS24665-132		20 - 8B	MS24665-281		61 - 3
MS21044N3		64 -50	MS24665-132		20 -39	MS24665-283		44 -14
MS21044N3		65 -29	MS24665-132		33 -56	MS24665-283		45 -19
MS21044N3		66 -14	MS24665-132		33 -65	MS24665-283		65 -23
MS21044N3		66 -24	MS24665-132		38 -13	MS24665-285		32 -21
MS21044N3		66 -38	MS24665-132		38 -15	MS24665-285		32 -26
MS21044N3		66 -43	MS24665-132		38 -36	MS24665-285		72 -25
MS21044N3		67 -12	MS24665-132		38 -41	MS24665-351		36 -22
MS21044N3		67 -30	MS24665-132		38 -42	MS24665-351		36A-25
MS21044N3		69 - 7	MS24665-132		38A-13	MS24665-351		36B-25
MS21044N3		69 -12	MS24665-132		38A-15	MS24665-355		72 -26
MS21044N3		69 -24	MS24665-132		38A-38	MS24665-362		36 -41
MS21044N3		69 -34	MS24665-132		38A-41	MS24665-362		36A-54
MS21044N3		69 -50	MS24665-132		38A-42	MS24665-362		36B-60
MS21044N3		69 -52	MS24665-132		39 -18	MS24665-5		72 - 4
MS21044N3		69 -53	MS24665-132		43 -15	MS25082-12		48 - 5
MS21044N3		70A-17	MS24665-132		44 -12	MS25082-12		48A- 4
MS21044N3		70A-29	MS24665-132		44 -17	MS25082B2		47A- 4
MS21044N3		70A-33	MS24665-132		44 -21	MS25082B2		47B-18
MS21044N3		70A-35	MS24665-132		44 -34	MS25082B2		47C-20
MS21044N3		70A-42	MS24665-132		44A-17	MS25237-330		51 - 3
MS21044N3		70A-50	MS24665-132		44A-20	MS25237-330		51A- 2
MS21044N3		71 -20	MS24665-132		44A-40	MS27261KSP4		24 -58
MS21044N3		71 -32	MS24665-132		44B-17	MS27261KSP4		24A-62

150 & A150 Parts Catalog

PART NUMBER	FICHE AND FRAME	FIGURE AND INDEX NO.	PART NUMBER	FICHE AND FRAME	FIGURE AND INDEX NO.	PART NUMBER	FICHE AND FRAME	FIGURE AND INDEX NO.
MS27261KSP4		64 -40	NAS1329A08K120		3 -32	NAS221-8		45 -44
MS27975-3		65 -26	NAS1426-3		25A- 5	NAS221-8		45A-36
MS28775-110		63 -18	NAS1428-4		25A- 8	NAS221-8		45B-38
MS28778-2		78 - 8	NAS1428-4		25A- 8	NAS221-8		45C-39
MS28778-4		12 - 8	NAS1593-011		76A- 7	NAS221-8		45D-70
MS28778-4		13 -19	NAS1593-012		14 - 2	NAS221-9		36 -25
MS28778-4		75 - 2	NAS1593-012		47 -55	NAS221-9		36A-13
MS29513-10		77 -15	NAS1593-012		47A-55	NAS221-9		36B-13
MS29513-111		77 - 4	NAS1593-012		47B-72	NAS395-1-3		81 -17
MS29513-138		77 - 5	NAS1593-012		47C-75	NAS395-1-3		81A-19
MS35488-17		86 -11	NAS1593-016		76A- 3	NAS395-12-13		8 -19
MS35489-11		24 -14	NAS1596-6		76 -16C	NAS395-12-3		9 -19
MS35489-11		24 -15	NAS178-6-6		25 - 4	NAS395-12-3		26 -20
MS35489-11		24 -16	NAS178-6-6		25A- 5	NAS395-12-3		26 -21A
MS35489-11		24A-18	NAS178-8-4		25 -12	NAS395-12-3		26A-19
MS35489-11		76 - 4	NAS178-8-4		25 -12	NAS395-12-3		26A-20A
MS35489-13		84 -22	NAS178-8-4		25 -12	NAS395-12-3		73 - 6
MS35489-14		27 -27	NAS178-8-5		25A- 8	NAS395-14-3		3 -24
MS35489-14		29 -31	NAS178-8-5		25A- 8	NAS395-14-3		4 -19
MS35489-14		70A-36	NAS178-8-5		25A- 8	NAS395-14-3		4 -55
MS35489-15		54 - 7	NAS178-8-5		25A- 8	NAS395-14-3		4 -57
MS35489-15		59 - 5	NAS179-6		25 - 4	NAS395-14-3		5 -29
MS35489-15		59 -20	NAS179-6		25A- 5	NAS395-14-3		5 -69
MS35489-15		59A- 5	NAS179-8		25 -12	NAS395-14-3		5 -71
MS35489-15		59A-17	NAS179-8		25 -12	NAS395-14-3		6 -27
MS35489-17		59 -25	NAS179-8		25 -12	NAS395-14-3		6 -62
MS35489-17		59A-26	NAS179-8		25A- 8	NAS395-14-3		6 -64
MS35489-20		24 -48	NAS179-8		25A- 8	NAS395-14-3		6 -65
MS35489-20		24A-54	NAS179-8		25A- 8	NAS395-14-3		7 -33
MS35489-20		57A-25	NAS220-10		24 -37A	NAS395-14-3		7 -73
MS35489-20		59 -37	NAS220-10		24 -63	NAS395-14-3		7 -75
MS35489-20		59A-43	NAS220-10		24A-67	NAS395-14-3		8 -23
MS35489-20		87 -27	NAS220-11		21 -19	NAS395-14-3		9 -23
MS35489-33		47A- 7	NAS220-11		21A-24	NAS395-14-3		24 -39
MS35489-33		47B-21	NAS220-11		24A-41	NAS395-14-3		24 -39
MS35489-33		85A-12	NAS220-12		3 -19	NAS395-14-3		24 -45
MS35489-4		47A- 9	NAS220-6		3 -16	NAS395-14-3		24A-45
MS35489-4		47B- 4	NAS220-6		3 -16	NAS395-14-3		24A-50
MS35489-4		81 -18	NAS220-6		24A-37	NAS395-14-3		26 -24
MS35489-4		81A-20	NAS220-6		36 -11	NAS395-14-3		26A-23
MS35489-4		81B-18	NAS220-6		36A- 9	NAS395-14-3		30 -20
MS35489-4		84 -22	NAS220-6		75 -17	NAS395-14-3		36A-36
MS35489-4		85 - 9	NAS220-8		3 -17	NAS395-14-3		58 - 6
MS35489-6		50 -10	NAS220-8		3 -20	NAS395-14-3		58 - 8
MS35489-65		28 -27	NAS220-8		3 -20	NAS395-14-3		73 -24
MS35489-7		24 -47	NAS220-9		3 -18	NAS395-17-3		24 -42
MS35489-7		24A-53	NAS220-9		24A-40	NAS395-17-3		24A-47
MS35489-7		27 -25	NAS221-10		42 -21	NAS395-17-3		26 -70
MS35489-7		75 -10	NAS221-10		42A-23	NAS395-17-3		26A-69
MS35489-72		28 -29	NAS221-10		69 -52	NAS395-17-3		55A- 3
MS35489-9		5 - 3A	NAS221-14		69 -53	NAS395-18-1		74 - 9
MS35489-9		7 - 3A	NAS221-17		44A-42	NAS395-18-3		55 -31
MS35769-11		56 -14	NAS221-17		44B-40	NAS395-2-3		81B-22
MS51959-5B		85A-23	NAS221-17		44C-43	NAS395-25-3		75 - 8
MS5489-33		85 - 8	NAS221-17		44D-74	NAS395-3-3		49 - 5
MS680A3		16 -30	NAS221-17		45A-45	NAS395-3-3		81A- 3
NASHT1-27		45D-41	NAS221-17		45B-43	NAS395-3-3		81B- 3
NAS1067A08		22A-29	NAS221-17		45C-44	NAS395-3-3		81B-16
NAS1068A3		24 -35	NAS221-17		45D-75	NAS395-4-3		8 -12
NAS1068A4		18 -11	NAS221-6		36A- 9	NAS395-4-3		9 -12
NAS1068A4		19 -11	NAS221-6		36A-31	NAS395-4-3		47 -18
NAS1068A4		24 -36	NAS221-6		36B-10	NAS395-4-3		47A-11
NAS1068A4		50A-26	NAS221-6		36B-31	NAS395-5-3		38 -47
NAS1080C6		25A- 5	NAS221-6		46 - 4	NAS395-5-3		38A-47
NAS1080C8		25A- 8	NAS221-7		24A-39	NAS395-5-3		74 - 6
NAS1080C8		25A- 8	NAS221-8		15 -18	NAS395-6-3		49 - 3
NAS1080C8		25A- 8	NAS221-8		28 - 7	NAS397-16		32 -12
NAS1303-5		25 -20	NAS221-8		44 -36	NAS397-16		56 -11
NAS1303-5		25A-14	NAS221-8		44 -39	NAS397-16		56 -13
NAS1329A06K120		4 -63	NAS221-8		44A-33	NAS397-18		56 -13
NAS1329A06K120		5 -76	NAS221-8		44B-35	NAS397-22		54A-18
NAS1329A06K120		6 -72	NAS221-8		44C-38	NAS397-22		60 -33
NAS1329A06K120		7 -81	NAS221-8		44D-69	NAS397-22		60A-22
NAS1329A08-75		17 -16	NAS221-8		45 -41	NAS397-32		54 -18

150 & A150 Parts Catalog

PART NUMBER	FICHE AND FRAME	FIGURE AND INDEX NO.	PART NUMBER	FICHE AND FRAME	FIGURE AND INDEX NO.	PART NUMBER	FICHE AND FRAME	FIGURE AND INDEX NO.
NAS397-34		56 -20	NAS43DD4-152		66 - 6	NAS464-4-5		50B-16
NAS397-34		56 -29	NAS43DD4-4		72 - 2	NAS464P3-7		25A- 5A
NAS397-34		60 -37	NAS43HT1-27		44D-40	NAS464P3A5		25A-14
NAS397-34		60A-33	NAS43HT3-12		61 -13	NAS464P3A7		21A-24
NAS397-34		82 - 8	NAS43HT3-12		70A-52	NAS464P4A6		50A-36
NAS397-8		79 -11	NAS43HT3-13		71 -19	NAS464P4A6		50B-26
NAS397-8		79A-14	NAS43HT3-16		81B- 6	NAS464P4A8		50A- 5
NAS398-42		60A-26	NAS43HT3-20		51 -22	NAS464P4A8		50B- 2
NAS398-50		56 -30	NAS43HT3-20		51A-19	NAS488-1-1		73A-21
NAS398-50		60 -36	NAS43HT3-34		76 -19	NAS488-1-3		83A- 7
NAS398-50		60A-32	NAS43HT3-39		38 -11	NAS488-7-3		12 -12
NAS42DD4-5		24A-26	NAS43HT3-39		38A-11	NAS488-7-3		41 -27
NAS42HT6-8		61 -10	NAS43HT3-4		69 -53	NAS557-10A		26 -71
NAS428-3-7		70A-47	NAS43HT3-44		66 -21	NAS557-10A		26A-70
NAS428-4-6		44A- 9	NAS43HT3-44		70 -11	NAS557-10A		80 -36
NAS428-4-6		44B- 9	NAS43HT3-6		46 -13	NAS557-3A		26 -73
NAS428-4-6		44C-14	NAS43HT3-6		70A-26	NAS557-6		76 -56
NAS428-4-6		44D-17	NAS43HT3-6		70A-46	NAS557-6A		26 -72
NAS428-4-6		45A-10	NAS43HT3-8		84 -19	NAS557-6A		26A-71
NAS428-4-6		45B-10	NAS43HT3-82		38 -35A	NAS561-3-14		39 -11
NAS428-4-6		45C-15	NAS43HT3-9		86 -28	NAS561-3-8		39 - 9
NAS428-4-6		45D-18	NAS43HT4-12		50A-25	NAS561-3-8		44D-45
NAS428H3-7		18 -12	NAS43HT4-12		50B-17	NAS561-3-8		45D-46
NAS428H3-7		19 -12	NAS43HT4-20		50A-47	NAS561CF2-6		44 -22
NAS428H3-7		30 -16	NAS43HT4-20		50B-37	NAS561CF2-6		44A-21
NAS428H4-12		44 - 6	NAS43HT4-22		50A- 8	NAS561CF2-6		44B-21
NAS428H4-12		45 - 9	NAS43HT4-22		50B- 3	NAS561CF2-6		44C-24
NAS43DD0-14		85A- 6	NAS43HT4-9		66 -37	NAS561CF2-6		45 -27
NAS43DD0-15		85A- 6	NAS43HT5-14		44B-24	NAS561CF2-6		45A-24
NAS43DD0-16		85A- 6	NAS43HT5-14		44C-27	NAS561CF2-6		45B-24
NAS43DD0-17		85A- 6	NAS43HT5-14		45B-27	NAS561CF2-6		45C-25
NAS43DD0-18		85A- 6	NAS43HT5-14		45C-28	NAS561CF3-14		44 -30
NAS43DD0-19		85A- 6	NAS43HT5-24		44B-25	NAS561CF3-14		44A-31
NAS43DD0-6		85 -13	NAS43HT5-24		44C-28	NAS561CF3-14		45 -35
NAS43DD0-6		85A-17	NAS43HT5-24		45B-28	NAS561CF3-14		45A-34
NAS43DD0-9		85A- 3A	NAS43HT5-24		45C-29	NAS561C2-8		60 -17
NAS43DD1-10		70 - 9	NAS43HT5-40		86 -17	NAS561C2-8		60A-16
NAS43DD1-26		47B-50	NAS43HT6-29		32 - 7	NAS561C3-10		44D-20
NAS43DD1-26		47C-53	NAS446-1-1		47 -22A	NAS561C3-10		45D-21
NAS43DD1-32		47A-42	NAS446-1-1		47A-21	NAS561C3-14		44B-27
NAS43DD1-32		47A-45	NAS446-1-1		47B-29	NAS561C3-14		44C-30
NAS43DD1-47		47 -42	NAS446-1-1		47C-32	NAS561C3-14		44D-22
NAS43DD1-47		47 -45	NAS446-2-3		47 -22	NAS561C3-14		45B-30
NAS43DD1-56		47B-53	NAS446-2-3		47A-19	NAS561C3-14		45C-31
NAS43DD1-56		47B-59	NAS446-2-3		49A- 2	NAS561C3-14		45D-23
NAS43DD1-56		47C-56	NAS446-2-3		73A-25	NAS561P12-48		32 - 2
NAS43DD1-56		47C-62	NAS446-4-3		3 -32	NAS561P3-5		76A- 5
NAS43DD1-6		47 -39	NAS446-4-3		8 -15	NAS561P3-7		43 -13
NAS43DD1-6		47A-39	NAS446-4-3		26 -71	NAS561P3-8		38 - 8
NAS43DD1-9		44 -32	NAS446-4-3		26 -72	NAS561P3-8		38A- 8
NAS43DD1-9		44A-38	NAS446-4-3		26 -73	NAS561P3-8		72 - 6
NAS43DD1-9		45 -37	NAS446-4-3		26A-70	NAS561P4-10		33 -66
NAS43DD1-9		45A-41	NAS446-4-3		41 - 9	NAS561P4-14		35 - 9
NAS43DD3-10		48B- 7	NAS446-4-3		56 -54	NAS564-45		36 - 6
NAS43DD3-12		83B-10	NAS446-4-3		59 - 2	NAS620-10		81B-29
NAS43DD3-16		70 -12	NAS446-4-3		59 -10	NAS620-4		69 -49
NAS43DD3-22		47A-38	NAS446-4-3		59 -13	NAS620-4		70A- 7
NAS43DD3-22		47B-49	NAS446-4-3		59 -16	NAS620-8		81B-27
NAS43DD3-22		47C-52	NAS446-4-3		59A- 3	NAS620A416L		51A-12
NAS43DD3-22		60 - 7	NAS446-4-3		59A-15	NAS679A06		47C-37
NAS43DD3-23		75 -21	NAS446-4-3		59A-30	NAS680A06		5 -74
NAS43DD3-24		47 -38	NAS446-4-3		60 -40	NAS680A06		6 -69
NAS43DD3-24		50 -37	NAS446-4-3		60A-36	NAS680A06		7 -78
NAS43DD3-25		47 - 5	NAS446-4-3		65 -18	NAS680A06		21 -25
NAS43DD3-30		50 -31	NAS446-4-3		75 -21	NAS680A06		22 -22
NAS43DD3-32		50 -31	NAS446-4-3		75 -22	NAS680A06		27 -17
NAS43DD3-48		70A-40	NAS446-4-3		80 -36	NAS680A06		28 -20
NAS43DD3-5		60 -54	NAS446-4-3		86 - 4	NAS680A06		36A-41
NAS43DD3-5		60A-50	NAS446-43		9 -17	NAS680A06		36B-41
NAS43DD3-71		48 - 5	NAS446-5-3		41 - 4	NAS680A06K		38 -30
NAS43DD3-71		48A- 4	NAS448-1-3		83B-13	NAS680A06K		38A-31
NAS43DD3-9		24 -32	NAS463WDD416		24A-37	NAS680A06K		81 - 6
NAS43DD3-9		24A-34	NAS464-3-22		33 -53	NAS680A06K		81A- 7
NAS43DD3-9		29 -12	NAS464-4-5		50A-24	NAS680A08		4 - 9

150 & A150 Parts Catalog

PART NUMBER	FICHE AND FRAME	FIGURE AND INDEX NO.	PART NUMBER	FICHE AND FRAME	FIGURE AND INDEX NO.	PART NUMBER	FICHE AND FRAME	FIGURE AND INDEX NO.
NAS680A08		4 -41	NAS682A06		27 -14	N5000-175		62 - 7
NAS680A08		5 -17	NAS682A06		28 -17	OR95-1.5		84 -21
NAS680A08		5 -54	NAS682A06K		38 -30	PN3A		19A-14
NAS680A08		6 - 4	NAS682A06K		38 -55	PRO890		1 -14B
NAS680A08		6 -13	NAS682A06K		38A-31	P2274		79 -26
NAS680A08		6 -14	NAS682A06K		38A-59	REM40E		57 -17
NAS680A08		6 -16	NAS682A08		53 -14	R561		37 -31
NAS680A08		6 -25	NAS682A08K		30 - 7A	R561		37A-33
NAS680A08		6 -48	NAS682A3		20 -10	R561		37B-32
NAS680A08		7 -18	NAS682A3		26A- 9	SEL8S		67 -10
NAS680A08		7 -19	NAS682A3		44A-36	SEL8S		67 -31
NAS680A08		7 -22	NAS682A3		45A-39	SE709		78 -30
NAS680A08		7 -58	NAS682A3K		46 - 4	SFE-9		47A-50
NAS680A08		8 -33	NAS682A3K		54A- 6	SFE-9		47B-68
NAS680A08		9 -35	NAS684A06		47 -15	SFE-9		47C-70
NAS680A08		10 - 3	NAS684A06		47A- 9	SK150-11		33 - 3
NAS680A08		10 - 3	NAS686A3		36 -31	SR88		57 -17
NAS680A08		10 -23	NAS686A3		36A-44	S1003-43A		61 -29
NAS680A08		11 -13	NAS686A3		36B-46	S1003-65A		18 -35
NAS680A08		11 -15	NAS686A4		18 -19	S1003-65A		19 -38
NAS680A08		11 -15	NAS686A4		19 -24	S1003-66A		69 -44
NAS680A08		11 -27	NAS696A06L		36A-36	S1004-15B		20 -34
NAS680A08		36A-36	NAS696A06L		36B-36	S1004-15B		22 -36
NAS680A08		36B-36	NAS696A08		27 -34	S1004-15B		22A-35
NAS680A08		36B-59	NAS696A08		28 -36	S1004-28A		64 -37
NAS680A08		50 -22	NAS696A3		24A-14	S1004-29A		64 -38
NAS680A08		53 - 5	NAS696A3K		76 -30	S1021A10-10		10 - 5
NAS680A08		53 -13	NAS696A4		24 -36	S1021A10-10		10 -21
NAS680A08		53A-12	NAS696A4		24A-37	S1021A10-10		11 - 4
NAS680A08		55A-29	NAS696A4		25A-20	S1021A10-10		11 -25
NAS680A08		55A-30	NAS696A4		25A-21	S1021A10-16		50 -40
NAS680A08		83A- 4	NAS696A4		25A-24	S1021A4-6		41 -44
NAS680A08		83A-13	NAS696A4		50A-26	S1021A4-6		44B- 5
NAS680A08		84 -14	NAS696A4		50A-34A	S1021A4-6		44C- 3
NAS680A08K		4 -60	NAS696A4		50A-44	S1021A4-6		44C- 4A
NAS680A08K		5 - 4	NAS696A4		50B-24	S1021A4-6		44D- 5
NAS680A08K		5 -67	NAS696A4		50B-34	S1021A4-6		45A- 6
NAS680A08K		6 -66	NAS697A06L		21A-28	S1021A4-6		45B- 6
NAS680A08K		7 - 4	NAS697A06L		27 - 5	S1021A4-6		45C- 5
NAS680A08K		7 -71	NAS697A06L		28 - 6	S1021A4-6		45D- 5
NAS680A08K		73A-38	NAS697A06L		81B-10	S1021A6-6		38 -45
NAS680A3		12 - 4A	NAS697A08		27 -31	S1021A6-6		38A-45
NAS680A3		13 - 5B	NAS697A08		27 -33	S1021A6-6		44D- 5
NAS680A3		26 -36	NAS697A08		28 -35	S1021A6-6C		41 - 5
NAS680A3		26 -36	NAS697A08		51 - 9	S1021A6-6C		41 - 8
NAS680A3		26A-35	NAS697A08		55A-27B	S1021Z10-10		41 - 3
NAS680A3		26A-35	NAS697A08		55A-29C	S1021Z10-6		75 - 7
NAS680A3		27 - 5	NAS697A08K		26 -64	S1021Z10-8C		41 -22
NAS680A3		27 -15	NAS697A08K		26A-63	S1021Z4-4		41 -34
NAS680A3		27 -15A	NAS697A3		25 -27	S1021Z4-4		41 -36
NAS680A3		28 - 6	NAS697A3		25A-25	S1021Z4-6		41 -36
NAS680A3		28 -18	NAS697A3		29 -30	S1021Z4-6		47 -22A
NAS680A3		28 -18A	NAS697A3K		30 -16	S1021Z4-6		47A-21
NAS680A3		29 -63A	NAS697A4K		26 -63	S1021Z4-6		47B-29
NAS680A3		50 -26	NAS697A4K		26A-62	S1021Z4-6		50A-41
NAS680A3		79A-31E	NAS698A08		39 - 2	S1021Z4-6		50B-31
NAS680A3K		18 -24	NAS698A08		39 -14	S1021Z4-6		81 -16
NAS680A3K		19 -27	NAS698A08		86 -15	S1021Z4-8		42A-13E
NAS680A3K		20 -17	NAS698A3		27 -16	S1021Z4-8		81 - 3
NAS680A3K		26 -65	NAS698A3		28 -19	S1021Z6-10		70 - 9
NAS680A3K		26A-64	NAS698A4		25 -26	S1021Z6-10		81A- 2
NAS680A3K		29 -30	NAS698A4		50A-34	S1021Z6-10		81B- 2
NAS680A3K		29 -37	NAS69808		67 -20	S1021Z6-14		47 -60
NAS680A3K		36 -30	NAS70-261-750		64 -31	S1021Z6-4		21 -28
NAS680A3K		36A-43	NAS74A3-004		20 -37	S1021Z6-4		21A-30
NAS680A3K		36B-45	NAS74A3-004		65 -28	S1021Z6-4		22 -26
NAS680A4		24A-37	NAS74A3-004		86 -37	S1021Z6-4		36A-38
NAS680A4		29 - 3	NAS74A3-004P		65 -28	S1021Z6-4		41 -13
NAS680A4		50A-26	NAS74A3-004P		86 -37	S1021Z6-4		81A-19
NAS680A4		50B-18	NAS75-3-009		33 -63	S1021Z6-4		81B-21
NAS680A5		30 -14	NAS75-3-018		70A-10	S1021Z6-4		84 -11
NAS680A6		36 - 5A	NAS77-3-23		33 -43	S1021Z6-6		18 -47
NAS681A08K		38 -32	NAS77-6-88		33 -41	S1021Z6-6		19 -50
NAS681A08K		38A-34	NAS77-6-88		33 -57	S1021Z6-6		21 -32

150 & A150 Parts Catalog

PART NUMBER	FICHE AND FRAME	FIGURE AND INDEX NO.	PART NUMBER	FICHE AND FRAME	FIGURE AND INDEX NO.	PART NUMBER	FICHE AND FRAME	FIGURE AND INDEX NO.
S102176-6		21A-32	S102178-6		65 -17	S1053E10T		60 -32
S102176-6		36B-43	S102178-6		76 -58	S1053E10T		60A-21
S102176-6		38 -46	S102178-6		80 -36	S1053E12T		1 -19
S102176-6		38A-46	S102178-8		3 -23	S1053E16T		56 -28
S102176-6		42 -10	S102178-8		3 -27	S1053E16T		56 -28
S102176-6		47C-82	S102178-8		3 -43	S1053E16T		60 -37
S102176-6		47C-83	S102178-8		3 -44	S1053E16T		60A-33
S102176-6		49 - 2	S102178-8		4 -63	S1053E16T		82 - 7
S102176-6		49A- 1	S102178-8		5 -76	S1053E16T	144.00	56 -29
S102176-6		49A- 7	S102178-8		6 -72	S1053E16T	144.00	56 -29
S102176-6		51 -14	S102178-8		7 -81	S1053E20T		1 -19
S102176-6		70 - 1	S102178-8		8 -17	S1053E20T		60A-25
S102176-6		70 - 7	S102178-8		8 -19	S1053E24T		1 -19
S102176-6		70 -10	S102178-8		8 -22	S1053E28T		1 -19
S102176-6		70 -11	S102178-8		9 -16	S1053E32T		1 -19
S102176-6		73A-24	S102178-8		9 -19	S1053E7T		1 -19
S102176-6		74 - 5	S102178-8		9 -22	S1053E8T		1 -19
S102176-6		81 - 2	S102178-8		16 -36	S1053E8T		56 -13
S102176-7		47 -62	S102178-8		18 -42	S1053K10T		1 -19
S102176-8		47 -58	S102178-8		19 -45	S1053K12T		1 -19
S102176-8		47 -60	S102178-8		23 - 4	S1053K16T		54 -15
S102176-8		47 -62	S102178-8		23 - 5	S1053K16T		54 -16
S102176-8		47A-60	S102178-8		23 - 7	S1053K16T		54 -17
S102176-8		47A-63	S102178-8		23 - 8	S1053K16T		54 -18
S102176-8		47B-23	S102178-8		23 - 9	S1053K16T		54A-15
S102176-8		47B-77	S102178-8		23 -21	S1053K16T		54A-16
S102176-8		47C-26	S102178-8		26 -69	S1053K16T		54A-17
S102176-8		56 -23	S102178-8		26A-68	S1053K16T		54A-18
S102176-8		67 -15	S102178-8		36 - 3	S1053K16T		56 -19
S102176-8		67 -19	S102178-8		38 -57	S1053K20T		1 -19
S102176-8		80 -50	S102178-8		38A-61	S1053K24T		1 -19
S102176-8		81B- 4	S102178-8		41 - 9	S1053K24T		60 -36
S102176-8		83A- 6	S102178-8		54A- 5	S1053K24T		60A-32
S102176-8		83B- 4	S102178-8		55 -39	S1053K24W		1 -19
S102176-8B		47 -18	S102178-8		55A- 2	S1053K28W		1 -19
S102176-8B		47A-11	S102178-8		56 -27	S1053K32T		1 -19
S102178-10		12 -14	S102178-8		56 -52	S1055-1		1 -21
S102178-10		13 - 4	S102178-8		56 -54	S1055-1		24 - 7
S102178-10		56 - 9	S102178-8		59A-29	S1055-1		24A- 6
S102178-10		60A- 7	S102178-8		60 -26	S1066B1		47 -37
S102178-12		41 -26	S102178-8		73 - 2	S1066B1		47A-37
S102178-12		60 - 7	S102178-8		73 - 6	S1066B1		47B-48
S102178-14		75 -21	S102178-8		73 -23	S1066B1		47C-51
S102178-20		58 - 5	S102178-8		74 - 9	S1067B1		47 -22
S102178-6		3 -29	S102178-8		75 -22	S1067B1		47A-19
S102178-6		3 -32	S102178-8		76 - 3	S1067B1		47B-27
S102178-6		18 -44	S102178-8		76 - 7	S1067B1		47C-30
S102178-6		19 -47	S102178-8		78 - 2A	S1071-1		1 -22
S102178-6		20 -42	S102178-8		86 - 4	S1071-1		8 -18
S102178-6		23 -19	S102178R6		3 -30	S1071-1		9 -18
S102178-6		26 -71	S102124-6		47C-32	S1071-1		73 - 5
S102178-6		26 -72	S1022A4-6		40 - 8	S1071-1		73 -10
S102178-6		26 -73	S1022Z6-6		51 -12	S1071-1		73 -14
S102178-6		26A-70	S1022Z6-8		44 -13	S1071-1		73 -16
S102178-6		26A-71	S1022Z6-8		45 -18	S1071-1		73A- 3
S102178-6		36A-36	S1022Z6-8		81B-15	S1071-1		73A- 5
S102178-6		42 -13	S1022Z6-8C		70 - 4	S1071-1		73A- 8
S102178-6		42 -15	S1022Z8-8		3 -43	S1071-1		73A-26
S102178-6		42A-10	S1023A6-12B		47 -22	S1071-1		73A-30
S102178-6		42A-12	S1023A6-12B		47A-19	S1071-1		73A-32
S102178-6		54 - 2	S1023A6-12B		47B-27	S1071-1		73A-42
S102178-6		54 -20	S1023A6-12B		47C-30	S1071-3		1 -22
S102178-6		54A-21	S1023A6-6		44C- 4A	S1071-3		36A- 8
S102178-6		58 - 7	S1023A6-8C		50A-12	S1071-3		36B- 9
S102178-6		59 - 2	S1026B6		1 -18	S1071-4		1 -22
S102178-6		59 -10	S1038-2		80 -33	S1071-4		23 -16
S102178-6		59 -13	S1047-1		1 -20	S1071-4		74 - 3
S102178-6		59 -16	S1047-2		1 -20	S1071-5		1 -22
S102178-6		59A- 2	S1050-1		1 -48	S1071G3		67 - 4
S102178-6		59A-15	S1050-1		54 -14	S1071G3		67 -14
S102178-6		60 -39	S1050-1		54A-14	S1071G3		67 -18
S102178-6		60 -41	S1050-2		1 -48	S1071G3		68 - 9
S102178-6		60A-35	S1050-3		1 -48	S1071G3		68 -11
S102178-6		60A-37	S1053E10T		1 -19	S1071G3		68 -43

150 & A150 Parts Catalog

PART NUMBER	FICHE AND FRAME	FIGURE AND INDEX NO.	PART NUMBER	FICHE AND FRAME	FIGURE AND INDEX NO.	PART NUMBER	FICHE AND FRAME	FIGURE AND INDEX NO.
S1071G3		68 -45	S1115-1		80 -24D	S1167-6-0194		76 -54
S1071R3		67 - 3	S1115-19		55 -13	S1167-6-0230		56 -12
S1071R3		67 -13	S1115-19		55 -38	S1167-6-0230		76 -53
S1071R3		67 -17	S1115-19		55A-15	S1168-2-15		78 - 2
S1071R3		68 - 8	S1115-19		55A-43	S1209-1		4 -60
S1071R3		68 -10	S1115-19		80 -22	S1209-1		5 -67
S1071R3		68 -42	S1115-19		80 -22B	S1209-1		6 -66
S1071R3		68 -44	S1115-21		55 -15	S1209-1		7 -71
S1078-1		1 - 7	S1115-21		55A-17	S1216-3		51A-12
S1078-1		3 -45	S1115-29		26 -59	S1216-4		47 -49
S1078-2		1 - 8	S1115-29		26A-58	S1216-4		47A-49
S1078-3		1 - 9	S1115-29		56 -71	S1216-4		48B-11
S1084-1		1 -23	S1115-3		85 - 5	S1222-17		47 -53
S1090-1		48 -17	S1115-30		80 -24	S1222-17		56 -37
S1090-1		48A-13	S1115-32		55 -10	S1230-19		47 -54
S1090-10		48 -17	S1115-32		55 -37	S1230-19		47A-54
S1090-10		48A-13	S1115-32		55A-21	S1230-19		47B-71
S1090-11		48 -24	S1115-32		55A-42	S1230-19		47C-74
S1090-11		48A-18	S1115-33		55 -12	S1230-19		56 -21
S1090-11		80 -30	S1115-33		55A-22	S1234-11		47A-51
S1090-12		48 -18	S1115-35		55 -11	S1234-11		47B-69
S1090-12		48 -19	S1115-35		55A-23	S1234-11		56 -46
S1090-12		48A-14	S1115-9		55 -12	S1236-3-0150		78 - 2
S1090-13		48 -20	S1115-9		55 -16	S1236-6-0074		87 -14
S1090-13		48 -21	S1115-9		55 -37	S1236-6-0094		57A-19
S1090-13		48A-15	S1115-9		55A-17	S1236-6-0094		87 -16
S1090-13		48A-16	S1115-9		55A-23	S1239-46		47 -48
S1090-14		48 -22	S1115-9		55A-42	S1239-46		47A-48
S1090-15		48 -23	S1115-9		80 -24	S1239-46		47B-67
S1090-15		48A-17	S1115-9		80 -24D	S1239-46		47C-71
S1090-2		48 -24	S1116		1 -43	S1239-46		60 - 1
S1090-2		48A-18	S1117-24		36 -21	S1239-46		60A- 1
S1090-2		80 -30	S1117-24		36A-24	S1239-46		60A- 8
S1090-22		80 -12	S1117-24		36B-24	S1239-49		47 -56
S1090-23		80 -12	S1130-1		8 -20	S1239-49		47A-56
S1090-3		48 -18	S1130-1		9 -20	S1239-49		47B-73
S1090-3		48 -19	S1130-1		73 - 3A	S1239-49		47C-76
S1090-3		48A-14	S1130-1		73 - 4	S1239-49		75 -19
S1090-4		48 -20	S1130-1		73 - 7	S1258-1		73 -18
S1090-4		48 -21	S1130-1		73 - 9	S1283-1		60 - 8
S1090-4		48A-15	S1130-1		73 -12	S1283-1		60A- 6
S1090-4		48A-16	S1130-1		73 -17	S1291-2		51 -10
S1090-5		48 -22	S1130-1		73A- 4	S1291-3		40 - 2
S1090-6		48 -23	S1130-1		73A-27	S1302-1		47 -36
S1090-6		48A-17	S1130-1		73A-41	S1305N7		47 -38
S1091-1		80 -12	S1131-1		8 -20	S1305N7		47A-38
S1091-10		48 -18	S1131-1		9 -20	S1317N2		47 -26
S1091-10		48 -19	S1131-1		73 - 4	S1317N2		47A-26
S1091-10		48 -20	S1131-1		73 - 7	S1320-1		47 -41
S1091-10		48A-14	S1131-1		73 - 9	S1320-3		47 -41
S1091-10		48A-15	S1131-1		73 -12	S1320-5		47 -41
S1091-15		48 -20	S1131-1		73 -17	S1320-5		47A-41
S1091-15		48A-15	S1131-1		73A- 4	S1320-5		47B-51
S1091-20		48 -22	S1131-1		73A-27	S1320-5		47C-54
S1091-25		48 -23	S1131-1		73A-41	S1323N4		47 -30
S1091-25		48A-17	S1132-1		8 -21	S1346-1		1 -25
S1091-5		48 -24	S1132-1		9 -21	S1356		1 -44
S1091-5		48A-18	S1132-1		73 - 3	S1356-1		38 - 5
S1091-5		80 -30	S1133-1		73 - 7	S1356-1		38A- 5
S1093-1		16 -40	S1133-1		73 -11	S1357-3		50 -29
S1095-1		26 -73	S1133-1		73A-10	S1357-3		50 -35
S1095-3		26 -72	S1133-1		73A-16	S1360-10L		48B-14
S1095-3		26A-71	S1135-1		73A- 2	S1360-10L		48B-15
S1095-3		76 -57	S1135-1		73A-40	S1360-10L		48C- 9
S1095-5		26 -71	S1138-1		73A-31	S1360-15L		48B-15
S1095-5		26A-70	S1138-1		73A-43	S1360-15L		48B-18
S1095-5		80 -36	S1139-1		73 - 9	S1360-15L		48C-10
S1099-1-3.60		75 -28	S1139-1		73 -12	S1360-15L		48C-13
S1099-1-4.10		75 -28	S1139-1		73A- 6	S1360-20L		48C-10
S1099-1-4.50		75 -26	S1139-1		73A-28	S1360-25L		48B-17
S1099-1-5.00		75 -26	S1146-1		43 - 4	S1360-25L		48C-12
S1104-3		56 -42	S1155-3		85A- 7	S1360-5L		48B-16
S11065-21		33 -26	S1155-3		85A-13	S1360-5L		48C-11
S1110ET		1 -24	S1167-6-0194		56 -12	S1366-1		1 -26

150 & A150 Parts Catalog

PART NUMBER	FICHE AND FRAME	FIGURE AND INDEX NO.	PART NUMBER	FICHE AND FRAME	FIGURE AND INDEX NO.	PART NUMBER	FICHE AND FRAME	FIGURE AND INDEX NO.
S1366-2		1 -26	S1450-5-18-063		56 - 5	S1554-3		81B- 9
S1366-3		1 -26	S1450-5N12-050		16 -18	S1559-2		85 - 6
S1378-1		1 -27	S1450-6B14-010		33 -37	S1571-8-10		51 - 2
S1378-2		1 -27	S1450-6B14-010		33 -49	S1573-3		77 - 2
S1389-1		38 -26	S1470N10		47 -30	S1579-1		80 - 5
S1389-1		1 -28	S1483-1		38 - 7	S1579-2		80 - 5
S1389-1		29 -74	S1483-1		38A- 7	S1588-1		12 -19
S1389-2		1 -28	S1483-2		38 - 7	S1588-1		13 -15
S1389-2		29 -72	S1483-2		38A- 7	S1592-2A		67 -15
S1389-3		1 -28	S1485D10U		56 - 9	S1596-60L		48 -14
S1389-4		1 -28	S1485D10U		56 -52	S1596-60L		48A-11
S1389-5		1 -28	S1485D20U		60 -34	S1596-60L		48B-13
S1389-5		29 -71	S1485D20U		60A-23	S1596-60L		48C- 8
S1389-5		31 - 2	S1485D3U		56 -22	S1600		2A-36
S1389-5		31 - 3	S1485D3U		60 - 6	S1600		2B-40
S1389-5		31 - 4	S1485D3U		60 -26	S1600		2C-40
S1389-6		1 -28	S1485D3U		60A- 7	S1600		2D-39
S1389-7		1 -28	S1485D8U		56 -27	S1601-16		69 -50
S1392N2		47 -37	S1485D8U		56 -54	S1605-3		47 -38
S1397-5		2 -34	S1486D68L		78 - 2A	S1605-3		47A-38
S1397-5		2A-31	S1494-10		79 -17	S1605-3		47B-49
S1397-5		2B-34	S1494-10		79A-20	S1605-3		47C-52
S1397-5		2C-34	S1494-14		79 -18	S1611-1		1 -34
S1397-5		2D-33	S1494-14		79A-21	S1611-1		21 -33
S1397-5		55 -40	S1494-6		67 -16	S1611-1		21A-33
S1397-5		55A-44	S1494-6		68 - 7	S1613-08-75		36A-40
S1398-1		1 -29	S1494-6		68 -41	S1613-08-75		36B-40
S1398-1		60 -24	S1494-7		68 -22	S1613-08-75		86 -15
S1398-2		1 -30	S1494-8		23 -17	S1614		1 -45
S1398-2		60 -25	S1494-8		74 - 2	S1618B3		50A-45
S1399-1		56 -45	S1494-9		68 -30	S1622B6		50A-22
S1413-1		47 -36	S1494-9		68 -56	S1627-15		48 -21
S1413-2		47 -36	S1495-10		1 -33	S1627-15		48A-16
S1413-2		47A-36	S1495-10		64 -42	S1628-329		33 -23
S1413-2		47B-47	S1495-10		79 - 8	S1630-4		56 -14
S1413-2		47C-50	S1495-10		79A-10	S1635-1		1 -35
S1414-1		47 -40	S1495-4		1 -33	S1635-2		1 -35
S1414-1		79 -19	S1495-4		68 -18	S1635-3		1 -35
S1414N1		47 -40	S1495-4		68 -19	S1636-1		1 -36
S1414N1		47A-40	S1495-4		79 - 5	S1636-2		1 -36
S1414N1		79 -19	S1495-4		79 - 6	S1636-3		1 -36
S1415-1		1 -31	S1495-4		79A- 7	S1637-1		1 -37
S1430-4		41 -39	S1495-4		79A- 8	S1637-1		84 -16B
S1433-2		53 - 3	S1495-6		1 -33	S1637-2		1 -38
S1438-12		24 -32	S1495-6		68 -29	S1638-1		1 -39
S1438-12		24A-34	S1495-6		68 -52	S1638-1		84 - 8
S1438-12		29 -12	S1495-6		68 -53	S1638-1		84 -16
S1438-9		70A-11	S1495-6		68 -54	S1638-1		84 -16
S1441-1		1 -32	S1495-6		68 -61	S1638-1		84 -16A
S1441-2		1 -32	S1495-6		68 -62	S1638-2		1 -40
S1441-2		38 -37	S1495-6		76 - 5	S1638-2		84 -15
S1441-2		60 -47	S1495-6		79 - 3	S1638-2		84 -20
S1441-2		60A-43	S1495-6		79 - 4	S1638-2		84 -20
S1441-3		1 -32	S1495-6		79 -30	S1638-2		84 -20A
S1450-14A20-016		79 -40	S1495-6		79A- 5	S1640-12		1 -41
S1450-14A20-016		79A-34	S1495-6		79A- 6	S1640-15		1 -41
S1450-18814-005		64 -17	S1495-6		79A- 9	S1640-6		1 -41
S1450-20B12-032		15 - 4	S1495-6		79A-26	S1640-9		1 -41
S1450-20B12-032		16 - 4	S1495-6		79 - 4	S1641-12		1 -42
S1450-20B12-032		69 -28	S1495-6		79 - 7	S1641-15		1 -42
S1450-27A7-032		77 -13	S1495-8		1 -33	S1641-6		1 -42
S1450-3-10-032		70A-51	S1497-4		68 -20	S1641-6		80 -52
S1450-3A14-050		50 - 8	S1497-4		79 -10	S1641-9		1 -42
S1450-3A32-050		79A-31H	S1497-4		79A-13	S1661-2		47 -49
S1450-3D9-032		36A-46B	S1497-6		68 -55	S1661-2		47A-49
S1450-3D9-032		36B-50	S1497-6		79 - 9	S1661-2		48B-11
S1450-4A10-071		18 - 1A	S1497-6		79 - 9A	S1661-2		69 -46
S1450-4A10-071		19 - 1A	S1497-6		79A-11	S1674-1		61 -21
S1450-4A11-063		50 - 4	S1500		2A-36	S1675-1		61 -20
S1450-4H12-050		52 -11	S1500		2B-40	S1685-3		38 -54
S1450-4H12-050		86 -49	S1500		2C-40	S1685-3		38A-58
S1450-5-12-035		32 -24A	S1500		2D-39	S1685-3		41 -14
S1450-5-12-035		32 -28	S1517-11		56 -55	S1690-1-1		48 -11
S1450-5-14-063		50 -16	S1554-3		81A- 6	S1710-1		67 -26

150 & A150 Parts Catalog

PART NUMBER	FICHE AND FRAME	FIGURE AND INDEX NO.	PART NUMBER	FICHE AND FRAME	FIGURE AND INDEX NO.	PART NUMBER	FICHE AND FRAME	FIGURE AND INDEX NO.
S1711-1		78 -10	S1800-1		68 -48	S1863-3A		8 - 4
S1713-1		2 - 8	S1800-1		68 -58	S1863-3A		8 -13
S1713-1		2A- 8	S1800-1		68 -59	S1863-3A		8 -34
S1713-1		2B-12	S1800-1		68 -63	S1863-3A		9 - 4
S1713-1		2C-11	S1803-2		68 -32	S1863-3A		9 -36
S1713-1		2D-10	S1805-1		68 -34	S1863-3A		18 -32
S1714-1		2 - 9	S1807-1		80 - 9	S1863-3A		20 -20
S1714-1		2A- 7	S1807-1		80 -38	S1863-3A		20 -24
S1714-1		2B-11	S1810-1075		36 -14	S1863-3A		23 -20
S1714-1		2C-10	S1810-1075		75 - 5	S1863-3A		26 -62
S1714-1		2D- 9	S1810-1075		75 -18	S1863-3A		26A-61
S1743-2		75 - 3	S1819-3		15 -15	S1863-3A		27 - 4
S1746AA2		50A-45	S1819-3		16 -13	S1863-3A		28 - 5
S1746AA2		50A-45	S1823-3		32 -13	S1863PA2		38A-47
S1746A2		50A-45	S1826-2		68 -33	S1866-3		20 - 6
S1746BB2		50A-45	S1828-3		68 -34	S1876-1		81 -14
S1746B15		50A-22	S1828-4		68 -31	S1876-1		81A-18
S1746B2		50A-45	S1833-1		38 -25	S1876-1		81B-19
S1746B2		50B-35	S1843-1		48A- 9	S1880-2		48 - 4
S1746CC2		50A-45	S1843-1		48B- 1	S1880-2		48A- 3
S1746CC2		50B-35	S1843-1		48C- 1	S1891-6		76 - 5
S1746C2		50A-45	S1843-1		48 -11A	S1892-2A		19 -36
S1746DD2		50A-45	S1860-2A		4 - 3	S1893-2A		19 -50
S1746D2		50A-45	S1860-2A		5 - 5	S1893-3A		19 -35
S1746EE2		50B-35	S1860-2A		5 - 9	S1894-3		70 -14
S1746FF2		50B-35	S1860-2A		6 - 5	S1895-1		49 - 6
S1746F2		50A-45	S1860-2A		7 - 5	S1896-4L1		72 - 8
S1746G2		50B-35	S1860-2A		7 - 9	S1896-4L1		72 -10
S1746G2		50A-45	S1860-2A		26 -72	S1898-2		41 -18
S1746HH2		50B-35	S1860-2A		26A-71	S1898-4		51 -23
S1746H2		50A-45	S1861-6		79 -42	S1906-1		69 -49
S1746L2		50A-45	S1862-1		21 -28	S1906-1		70A- 5
S1746P2		50A-45	S1862-1		22 -26	S1906-2		69 -41B
S1746R2		50A-45	S1862-1		30 -21	S1938-3-68.00		18 -48
S1746S2		50A-45	S1862-1		47 -15	S1938-3-68.00		19 -51
S1746T2		50A-45	S1862-1		47A- 9	S1948-2		41 -33
S1746U2		50A-45	S1862-1		84 -12	S1948-2-1		1 -51
S1746W2		50A-45	S1862-1A		21A-27	S1948-2-10		1 -51
S1746W2		50A-45	S1862-1A		21A-28	S1948-2-11		1 -51
S1746Z2		50A-45	S1862-1A		47C-12	S1948-2-12		1 -51
S1748-1		47 -53	S1862-2		24 -11	S1948-2-13		1 -51
S1748-1		47A-53	S1862-2		24A-10	S1948-2-14		1 -51
S1748-1		47B-70	S1862-2		54 - 4	S1948-2-15		1 -51
S1771-1		47 -49	S1862-2A		18 -33	S1948-2-16		1 -51
S1771-1		47A-49	S1863-1		26A-65	S1948-2-17		1 -51
S1771-1		48B-11	S1863-1		26A-66	S1948-2-18		1 -51
S1771-3		70A- 2	S1863-2		8 -26	S1948-2-19		1 -51
S1776-1		26 -16	S1863-2		9 -26	S1948-2-2		1 -51
S1776-1		26A-15	S1863-2		21 -29	S1948-2-20		1 -51
S1776-1		73 -21	S1863-2		30 -24	S1948-2-3		1 -51
S1777-1		47 -51	S1863-2		47 -15	S1948-2-4		1 -51
S1777-1		47A-51	S1863-2		47A- 9	S1948-2-5		1 -51
S1777-1		56 -46	S1863-2		47B- 9	S1948-2-6		1 -51
S1791-1		47 -52	S1863-2		47C-10	S1948-2-7		1 -51
S1791-1		47A-52	S1863-2		55A-27	S1948-2-8		1 -51
S1791-1		68 -15	S1863-2A		18 -47	S1948-2-9		1 -51
S1791-1		68 -49	S1863-2A		21A-11	S1950-2E		41 -24
S1793-1		68 - 6	S1863-2A		30 - 9	S1957-2		38 -53
S1793-1		68 -40	S1863-2A		36A-41	S1957-2		38A-57
S1793-2		68 -57	S1863-2A		47C-13	S1958-1		40 - 3
S1794-1		67 -16	S1863-2A		81A-17	S1959-1		85 - 2
S18-30		64 - 4	S1863-2A		81B-23	S1959-1		85A- 3
S1800-1		68 - 3	S1863-3		24 -10	S1959-1		85A- 6
S1800-1		68 - 5	S1863-3		24A- 9	S1959-2		85A- 9
S1800-1		68 -12	S1863-3		26 -20A	S1964-3		78 -31
S1800-1		68 -13	S1863-3		26 -21	S1974-1		47 -55
S1800-1		68 -14	S1863-3		26A-19A	S1974-1		47A-55
S1800-1		68 -25	S1863-3		26A-20	S1974-1		47B-72
S1800-1		68 -26	S1863-3		29 -15	S1974-1		47C-75
S1800-1		68 -27	S1863-3		29 -64	S1981-1		47 -52
S1800-1		68 -37	S1863-3		54 - 3	S1981-1		47A-52
S1800-1		68 -39	S1863-3A		4 -18	S1981-1		68 -16
S1800-1		68 -46	S1863-3A		5 -27	S1981-1		68 -50
S1800-1		68 -47	S1863-3A		7 -31	S1981-3		48 - 4

150 & A150 Parts Catalog

PART NUMBER	FICHE AND FRAME	FIGURE AND INDEX NO.	PART NUMBER	FICHE AND FRAME	FIGURE AND INDEX NO.	PART NUMBER	FICHE AND FRAME	FIGURE AND INDEX NO.
S1981-3		48A- 3	S2135-1		47B-64	S2275CC202		50B- 1
S1982-1		47 -50	S2135-1		47C-67	S2275C104		50A-23
S1982-1		47A-50	S2160-1		48 - 7	S2275C202		50A- 4
S1982-1		47B-68	S2160-1		48 - 7	S2275DD104		50A-23
S1982-1		47C-70	S2160-1		48A- 6	S2275DD202		50A- 4
S1985-1		85A- 1	S2160-1		48B- 9	S2275D104		50A-23
S1991-1		80 -37	S2160-1		48C- 4	S2275D202		50A- 4
S1992-1		27 -18	S2160-4		48 - 8	S2275EE104		50B-15
S1992-1		28 -21	S2160-4		48A- 7	S2275EE202		50B- 1
S1994-1-1		48A- 9	S2160-4		48B-10	S2275FF104		50B-15
S1994-1-1		48B- 1	S2160-4		48C- 5	S2275FF202		50B- 1
S1994-1-1		48C- 1	S2160-5		48A- 7	S2275F104		50A-23
S1994-1-1		48 -11	S2160-5		48B-10	S2275F202		50A- 4
S1995-4		48B- 3	S2160-5		48C- 5	S2275GG104		50B-15
S1995-4		48C- 3	S2161-1		48 - 7	S2275GG202		50B- 1
S1996-1		50A-13	S2161-1		48A- 6	S2275G104		50A-23
S1996-7		50A-13	S2161-1		48B- 9	S2275G202		50A- 4
S1996-7		50B- 6	S2161-1		48C- 4	S2275HH104		50B-15
S1997-6-10		64 -39	S2161-2		48 - 8	S2275HH202		50B- 1
S2000B270J		48B- 3	S2161-2		48A- 7	S2275H104		50A-23
S2000B270J		48C- 3	S2161-2		48B-10	S2275H202		50A- 4
S202RB		1 -16	S2161-2		48C- 5	S2275L104		50A-23
S202RB		30 -12	S2191-8-4		32 -39	S2275L202		50A- 4
S202VM		1 -16	S2191-8-4		36A-27	S2275P104		50A-23
S202VM		3 -46	S2191-8-4		36B-27	S2275P202		50A- 4
S202VM		29 -85	S2195-2		38 -26A	S2275R104		50A-23
S202VM		29 -86	S2195-2		38A-26	S2275R202		50A- 4
S2024-1		60 -48	S2199-5		50A-35	S2275S104		50A-23
S2024-1		60A-44	S2199-5		50B-25	S2275S202		50A- 4
S2029-1		50A- 1	S2199-6		50A-35	S2275T104		50A-23
S2074-1		50A- 6	S2199-6		50B-25	S2275T202		50A- 4
S2074-1		50A- 7	S2202-4		70A-14	S2275U104		50A-23
S2076-1		50A-10	S2202-4		70A-53	S2275U202		50A- 4
S2081-1		50A-12	S2209-1		79 - 9B	S2275M104		50A-23
S2081-2		50A-12	S2209-1		79 -30A	S2275M104		50A-23
S2090-1		51 -15	S2209-1		79A-12	S2275M202		50A- 4
S2091-5		48B- 3	S2209-1		79A-27	S2275M202		50A- 4
S2091-5		48C- 3	S2209-1		80 -10	S2275Z104		50A-23
S2092-3		1 -49	S2209-1		80 -38	S2275Z202		50A- 4
S2092-3		42 - 6B	S2209-2		47 -70	S2287-1		38A-25
S2092-3		42A- 7	S2209-2		47A-58	S2289-2		26A-60
S2092-3		47B- 3	S2209-2		47B-66	S2289-2		26A- 5A
S2092-3		47B-21	S2209-2		47C-69	S2359-1		12 -26
S2092-3		47B-24	S2209-3		79 -28	S2359-1		13 -25
S2092-3		47C- 3	S2209-3		79A-24	S2363-1		79A-37
S2092-3		47C-27	S2226-2		56 -47	S237-2		4 -54
S2092-3		73A-22	S2226-2		56 -52	S237-2		5 -68
S2092-4		1 -50	S2230-1		52A- 1	S237-2		6 -63
S2092-4		47B-16	S2234-1		47B-45	S237-2		6 -65
S2092-4		47B-22	S2234-1		47C-48	S237-2		7 -72
S2093-2		82 -21	S2234-2		47B-45	S237-2		8 -11
S2093-3		47B- 6	S2234-2		47C-48	S237-2		9 -11
S2106-2		14 - 1	S225-1		3 -25	S237-2		18 -39
S2107-1		14 - 3	S225-1		3 -26	S237-2		19 -42
S2108-1		38 -26B	S225-1		18 -42	S237-2		26 -24
S2108-1		38A-27	S225-1		19 -45	S237-2		26A-23
S2108-2		81B-14	S225-1		23 - 4	S237-2		30 -20
S2108-5		81B-14A	S225-2		3 -27	S237-2P		24 -45
S2114-1		82 -20	S225-3		16 -35	S237-2P		24A-50
S2114-2		82 -22	S225-7		3 -28	S237-4		16 -34
S2122-1		48 -14	S225-9		23 -21	S2384-1		76 -59
S2122-1		48A-11	S2255-1		44C- 4A	S290-832		59 -43
S2122-1		48B-18	S2255-1		44D- 5	S290-832		59A-51
S2122-1		48C-13	S2275AA104		50A-23	S290D832		3 -43
S2122-2		48 -14	S2275AA104		50A-23	S292-1		1 -17
S2122-2		48A-11	S2275AA202		50A- 4	S292-11		1 -17
S2127-21.69		4 - 6	S2275AA202		50A- 4	S292-12		1 -17
S2127-21.69		5 -12	S2275A104		50A-23	S292-14		1 -17
S2127-21.69		6 -12	S2275A202		50A- 4	S292-16		1 -17
S2127-21.69		7 -14	S2275BB104		50A-23	S292-16		80 - 2
S2127-35.56		6 -11	S2275BB202		50A- 4	S292-2		1 -17
S2127-35.56		7 -15	S2275CC104		50A-23	S292-28		1 -17
S2135-1		47 -69	S2275CC104		50B-15	S292-3		1 -17
S2135-1		47A-57	S2275CC202		50A- 4	S292-4		1 -17

150 & A150 Parts Catalog

PART NUMBER	FICHE AND FRAME	FIGURE AND INDEX NO.	PART NUMBER	FICHE AND FRAME	FIGURE AND INDEX NO.	PART NUMBER	FICHE AND FRAME	FIGURE AND INDEX NO.
S292-5		1 -17	0311310		45 -28	0400207-2		41 - 5
S292-6		1 -17	0311310		45A-26	0400209-2		29 -83
S292-8		1 -17	0311310		45B-31	0400211-6		47 -27
S329		3 -29	0311310		45C-32	0400211-6		47A-27
S330-2		4 -56	0311310		45D-64	0400213-6		2A-12
S330-2		5 -70	0311360-4		12 -15	0400213-6		2B-16
S330-2		6 -61	0311360-4		13 - 6	0400213-6		2C-16
S330-2		7 -74	0311360-5		12 -16	0400213-6		2D-15
S338-1		65 -10	0311360-5		13 - 7	0400213-6		51A-13
S338-1		65 -33	0311586		44 -24	0400215-1		84 - 9
S338-1		66 - 9	0311586		44A-24	0400311-100		76 - 6
S338-1		66 -48	0311586		44B-29	0400311-101		76 -63
S338-1		71 -26	0311586		44C-32	0400311-102		76 -62
S338-1		71 -27	0311586		44D-65	0400311-103		56 -53
S339-1		65 - 9	0311586		45 -29	0400311-103		76 -64
S339-1		65 -34	0311586		45A-27	0400311-104		76 - 1
S339-1		66 - 9	0311586		45B-32	0400311-105		76 - 1
S339-1		66 -48	0311586		45C-33	0400311-106		36A- 7
S339-1		71 -26	0311586		45D-66	0400311-107		36A- 7
S339-1		71 -28	0311644		44 -14	0400311-108		36A- 7
S350		12 -18	0311644		45 -19	0400311-108		36B- 8
S350		13 -15	0312155-10		80 -19	0400311-109		36A- 7
S354-3		76 -60	0400028-4		50 -22	0400311-109		36B- 8
S355		18 -29	0400028-7		50 -21	0400311-110		76 -15
S355		19 -32	0400106-83		76 -65	0400311-111		76 -26
S378-1L		72 -16	0400107-105		71 -16	0400311-112		76 -13
S378-2		69 - 5	0400107-109		71 -17	0400311-113		76 -12
S378-2		69 -10	0400107-121		66 -35	0400311-114		78 -12
S378-2		69 -22	0400107-128		72 -30	0400311-116		76 -63
S378-2		69 -22A	0400107-130		72 -29	0400311-117		76 -62
S378-3		65 -12	0400107-141		66 - 1	0400311-118		76 -26A
S378-3		65 -19	0400107-145		69 - 1	0400311-57		76 -34A
S378-3		66 -29	0400107-146		69 - 2	0400311-58		76 -32
S378-3		69 -19	0400107-149		65 - 1	0400311-59		76 -15
S378-3		71 -22	0400107-150		65 - 1A	0400311-61		76 -12
S378-3		71 -34	0400107-151		86 -24	0400311-62		76 -13
S378-3		86 -32	0400107-155		72 -28	0400311-63		76 -26
S378-4		65 - 5	0400107-156		72 -27	0400311-64		76 - 9
S378-4		66 - 2	0400107-157		72 -30	0400311-65		76 -10
S51-10		1 -15	0400107-21		66 -35	0400311-78		78 -12
S51-10		56 -10	0400107-28		72 -30	0400311-79		76 -34
S51-12		1 -15	0400107-30		72 -29	0400311-86		76 - 1
S51-16		1 -15	0400107-41		66 - 1	0400311-87		76 - 1
S51-32		1 -15	0400107-45		69 - 1	0400311-88		79 -44
S51-4		1 -15	0400107-46		69 - 2	0400311-88		79A-39
S51-6		1 -15	0400107-49		65 - 1	0400311-95		76 -55
S51-8		1 -15	0400107-5		71 -16	0400311-95		77 -16
S8S		67 -10	0400107-50		65 - 1A	0400311-96		75 -13
S8S		67 -31	0400107-55		72 -28	0400311-97		75 -12
TS33-30		62 -11	0400107-56		72 -27	0400311-98		75 - 9
TVA-1315		47B-66	0400107-57		72 -30	0400311-99		36 - 9
TVA-1315		47C-69	0400107-9		71 -17	0400311-99		75 -17
TY-42		86 - 1	0400118-11		42 - 3	0400312-1		61 -14
XH99608F1099		38 -52	0400118-3	#	41 - 1	0400329-1		41 - 7
XH99608F1099		38A-54	0400119-1	#	43 - 9	0400339-1		47A-20
X26263		80 -31	0400119-2	#	43 -18	0400339-1		47B-28
X5133-21		62 -14	0400123-1	#	41 - 2	0400339-1		47C-31
X5133-21		62 -19	0400129-16	#	42 - 9	0401013-5		73A-17
0-200A		56 -	0400129-20	#	42 -10	0404012-1		2 -43
01		50 -41	0400129-56	#	42 - 8	0404012-2		2 -44
0310196-13		61 -17	0400129-58	#	42 - 7	0404013-1		2 -47
0310295		19A- 2	0400129-60	#	42 - 2	0405003-2		2 -37
0310297-1		19A- 3	0400129-62	#	42 - 1	0405003-2		2A-16
0310298-1		19A- 4	0400129-65	#	42 -11	0405003-2		2B-19
0310332		19A- 7	0400129-68	#	42 - 1	0405003-2		2C-18
0310362-5		19A-13	0400129-72	#	42 - 2	0405003-2		2D-17
0310422-1		19A- 9	0400131-1	#	46 - 5	0405004-1		2 -18
0311240-17		12 - 4	0400134-5	#	46 -11	0405004-1		47 -20
0311240-17		13 - 8	0400136-6	#	46 - 8	0405004-2		2 -19
0311310		44 -23	0400136-9	#	46 - 8	0405004-2		47 -20
0311310		44A-23	0400138-1	#	46 - 2	0405004-3		2 -18
0311310		44B-28	0400138-2	#	46 - 3	0405004-3		47 -20
0311310		44C-31	0400141-1	#	41 - 9	0405007-1		2 -38
0311310		44D-63	0400207-1	#	41 - 6	0405007-1		2A-17

150 & A150 Parts Catalog

PART NUMBER	FICHE AND FRAME	FIGURE AND INDEX NO.	PART NUMBER	FICHE AND FRAME	FIGURE AND INDEX NO.	PART NUMBER	FICHE AND FRAME	FIGURE AND INDEX NO.
0405007-1		2B-20	0405034-10		2C-25	0405044-1		2D-40
0405007-2		2C-20	0405034-10		2D-24	0405045-1		2D-36
0405007-2		2D-19	0405034-11		2C-25	0405045-7		2D-37
0405008-1		2 -39	0405034-11		2D-24	0405046-1		2D- 2B
0405008-2		2 -39	0405034-12		2C-25	0409007-2		69 -53
0405008-2		2A-18	0405034-12		2D-24	0409007-4		69 -42
0405008-2		2B-21	0405034-13		2C-27	0410011-KA3		80 -39
0405008-2		2C-21	0405034-13		2D-26	0410011-PA14		80 - 4
0405008-2		2D-20	0405034-14		2C-27	0410011-PA8		80 - 3
0405009-1		2 -18	0405034-14		2D-26	0410011-PC1		80 -20
0405009-1		47 -20	0405034-15		2C-27	0410120-2		24 -18
0405009-2		2 -19	0405034-15		2D-26	0410120-2		24A-20
0405009-2		47 -20	0405034-16		2C-27	0410126-1		24 -18
0405009-3		2 -18	0405034-16		2D-26	0410126-1		24A-20
0405009-3		47 -20	0405034-17		2C-27	0410127-1		24 -33
0405009-5		2A-14	0405034-17		2D-26	0410127-1		24A-35
0405009-6		2A-15	0405034-18		2C-27	0410127-2		24 -33
0405009-6		2B-18	0405034-18		2D-26	0410127-2		24A-35
0405009-8		2A-15	0405034-3		2C-24	0410128-1		24 -21
0405009-8		2B-18	0405034-3		2D-23	0410128-2		24 -21
0405010-1		2 - 5A	0405034-4		2C-26	0410129-3		24 -36
0405011-1		2 -53	0405034-4		2D-25	0410129-4		24 -36
0405011-1		2A-34	0405034-5		2C-26	0410129-7		24 -36
0405011-2		2 -54	0405034-5		2D-25	0410129-7		24A-37
0405011-2		2A-35	0405034-6		2C-26	0410129-8		24 -36
0405011-6		2A-36	0405034-6		2D-25	0410129-8		24A-37
0405013-1		2 -48	0405034-7		2C-25	0410130-1		24 -34
0405013-2		2 -49	0405034-7		2D-24	0410130-2		24 -35
0405013-3		2 -50	0405034-8		2C-25	0410131-1		24 -25
0405013-4		2 -51	0405034-8		2D-24	0410131-1		24A-27
0405014-1		2 -45	0405034-9		2C-25	0410132-1		24 -19
0405015-1		2 -41	0405034-9		2D-24	0410132-1		24A-21
0405016-1		2 -46	0405035-5		2B-37	0410132-2		24 -20
0405016-2		2 -46	0405035-6		2B-38	0410132-2		24A-22
0405017-1		2 -13A	0405036-1		2B-10	0410132-3		24A-21
0405017-2		2 -14A	0405036-10		2B- 6	0410132-4		24A-22
0405017-3		2 -15A	0405036-2		2B- 9	0410133-2		24 -24
0405017-4		2 -16	0405036-3		2B- 8	0410133-2		24A-26
0405018-1		2A- 9	0405036-4		2B- 8	0410134-1		24 -39
0405018-2		2A-10	0405036-5		2B- 5	0410134-2		24 -40
0405020-1		2A- 1	0405036-6		2B- 5	0410134-3		24 -39
0405020-2		2A- 1	0405036-7		2B- 7	0410134-4		24 -40
0405021-1		2A- 6	0405036-8		2B- 7	0410135-1		24 -22
0405022-1		2A- 2	0405036-9		2B- 6	0410135-1		24A-24
0405022-2		2A- 2	0405037-1		2B- 1	0410135-2		24 -23
0405023-1		2A- 4	0405037-2		2B- 2	0410135-2		24A-25
0405024-1		2A- 3	0405037-3		2B- 3	0410135-3		24A-24
0405025-1		2A- 5	0405037-4		2B- 3	0410135-4		24A-25
0405026-1		2A-13	0405037-5		2B- 4	0410137-1		24 -27
0405026-1		2B-17	0405037-6		2B- 4	0410137-1		24A-29
0405026-4		2C-17	0405038-1		2D- 2A	0410137-2		24 -28
0405026-4		2D-16	0405038-3		2C- 3	0410137-2		24A-30
0405027-1		2A- 9A	0405039-1		2C- 1	0410202-1		24 -49
0405027-2		2A-10A	0405039-2		2C- 2	0410203-2		24 -46
0405028-1		2A- 1A	0405040-1		2C-37	0410203-3		24 -46
0405028-2		2A- 1B	0405040-2		2C-38	0410204-1		24 -17
0405029-1		2A- 2A	0405041-1		2C-39	0410204-1		24A-19
0405030-1		2A- 4A	0405041-1		2D-38	0410205-1		24 -25
0405030-2		2A- 3A	0405042-10		2C- 5	0410205-1		24A-27
0405030-3		2A- 5A	0405042-2		2C- 6	0410218-1		2 -33
0405030-4		2A- 6A	0405042-3		2C- 4	0410218-10		2A-33
0405030-5		2A- 5B	0405042-4		2C- 7	0410218-10		2B-36
0405031-1		2B-13	0405042-5		2C- 5	0410218-10		2C-36
0405031-1		2C-12	0405042-6		2C- 9	0410218-10		2D-35
0405031-1		2D-11	0405042-7		2C- 8	0410218-12		2A-33
0405031-2		2B-14	0405042-9		2C- 4	0410218-12		2B-36
0405031-2		2C-13	0405043-1		2D- 3	0410218-12		2C-36
0405031-2		2D-12	0405043-2		2D- 4	0410218-12		2D-35
0405031-9		2C-14	0405043-3		2D- 5	0410218-2		2 -33
0405031-9		2D-13	0405043-5		2D- 6	0410218-6		2 -33
0405032-1		2B-39	0405043-6		2D- 3	0410218-6		86 -40
0405033-1		2B-20A	0405043-7		2D- 4	0410218-7		2 -33
0405033-1		2C-19	0405043-8		2D- 8	0410218-7		86 -40
0405033-1		2D-18	0405043-9		2D- 7	0410219-1		44 -35

150 & A150 Parts Catalog

PART NUMBER	FICHE AND FRAME	FIGURE AND INDEX NO.	PART NUMBER	FICHE AND FRAME	FIGURE AND INDEX NO.	PART NUMBER	FICHE AND FRAME	FIGURE AND INDEX NO.
0410219-1		45 -40	0411126-4		24 -63	0411268-3		44A-18
0410219-2		44 -35	0411126-5		24 -63	0411268-3		44B-18
0410219-2		45 -40	0411126-5		24A-67	0411268-3		44C-21
0410229-1		23 - 8	0411127-4		24 -65	0411268-3		45 -24
0410229-2		24 -39	0411127-4		24A-69	0411268-3		45A-21
0410229-2		24A-44	0411127-5		24 -65	0411268-3		45B-21
0410230-2		44A-32	0411127-5		24A-69	0411268-3		45C-22
0410230-2		45A-35	0411129		27 - 1	0411276		27 -19
0410230-3		44A-32	0411129		28 - 1	0411276		28 -22
0410230-3		45A-35	0411131-6		27 - 3	0411276-1		27 -20
0410230-4		44A-35	0411131-8		28 - 4	0411276-1		28 -23
0410230-4		45A-38	0411132		27 - 8	0411281-4		26 - 8
0410231-1		24 -50	0411132		28 -11	0411281-4		26 -28
0410231-2		24 -51	0411132-1		27 - 9	0411281-4		26A-27
0410232-1		44A-41	0411132-1		28 -12	0411281-5		26 - 8
0410232-1		44B-39	0411141		27 -21	0411281-5		26 -26
0410232-1		44C-42	0411141		28 -24	0411281-5		26A-25
0410232-1		44D-73	0411144		24 - 5	0411281-7		26 - 8
0410232-1		45A-44	0411144-1		24 - 5	0411281-7		26A- 8
0410232-1		45B-42	0411144-1		24A- 4	0411281-8		26 - 8
0410232-1		45C-43	0411174		24 - 6	0411281-8		26A- 8
0410232-1		45D-74	0411174		24A- 5	0411283		26 -25
0410233-1		24A-55	0411175		24 - 8	0411283		26A-24
0410234-1		24A-46	0411175		24A- 7	0411283-1		26 -27
0410235-1		44B-34	0411175-8		24 - 9	0411283-1		26A-26
0410235-1		44C-37	0411175-8		24A- 8	0411286		61 -15
0410235-1		44D-68	0411185-7		38 - 6	0411288		24 -51
0410235-1		45B-37	0411185-7		38A- 6	0411288		24A-55
0410235-1		45C-38	0411205-1	#	43 - 1	0411289		24 -52
0410235-1		45D-69	0411205-2	##	43 - 2	0411289-1		24A-56
0410235-2		44B-34	0411205-200	##	43 - 6	0411290		24 -53
0410235-2		44C-37	0411205-201	#	43 - 5	0411290		24A-57
0410235-2		44D-68	0411209		29 -31	0411304-1		25 - 9
0410235-2		45B-37	0411210-3		29 -38	0411305-1		25 -10
0410235-2		45C-38	0411255		64 -18	0411307		61 - 5
0410235-2		45D-69	0411257		64 -12	0411370		24 -41
0410235-3		44B-33	0411257		64 -13	0411370		24A-48
0410235-3		44C-36	0411258-1		24 -54	0411371		23 - 9
0410235-3		44D-67	0411258-1		24A-58	0411421-2		65 -15
0410235-3		45B-36	0411258-1		64 -47	0411421-2		71 -25
0410235-3		45C-37	0411258-1		71 - 1	0411421-6		65 - 8
0410235-3		45D-68	0411262-1		44 -15	0411421-6		66 - 8
0410235-6		44B-33	0411262-1		45 -20	0411447		30 - 4
0410235-6		44C-36	0411265-1		44 -18	0411447		30 -11
0410235-6		44D-67	0411265-1		45 -23	0411449		25 -21
0410235-6		45B-36	0411265-2		44A-15	0411449		25A-16
0410235-6		45C-37	0411265-2		44B-15	0411451		25 -24
0410235-6		45D-68	0411265-2		44C-18	0411451		25A-19
0410236-1		44B-38	0411265-2		44D-38	0411452		25 -20
0410236-1		44C-41	0411265-2		45A-18	0411452		25A-13
0410236-1		44D-72	0411265-2		45B-18	0411458		30 - 2
0410236-1		45B-41	0411265-2		45C-19	0411458-1		30 - 3
0410236-1		45C-42	0411265-2		45D-39	0411479-50		31 - 6
0410236-1		45D-73	0411266-1		44 -28	0411481	<	31 - 7
0410236-2		44B-37	0411266-1		44A-29	0411523		72 -35
0410236-2		44C-40	0411266-1		44B-23	0411524		72 -37
0410236-2		44D-71	0411266-1		44C-26	0411525-1		29 - 4
0410236-2		45B-40	0411266-1		44D-24	0411525-2		29 - 5
0410236-2		45C-41	0411266-1		45 -33	0411526-1		61 -23
0410236-2		45D-72	0411266-1		45A-32	0411526-2		61 -24
0410237-1		24A-52	0411266-1		45B-26	0411546-1		44 -38
0410238-1		24A-38	0411266-1		45C-27	0411546-1		45 -43
0410239-1		24A-23	0411266-1		45D-25	0411549		61 -35
0410239-2		24A-23	0411267-1		44 -29	0411550		61 -34
0410246-1		24A-37A	0411267-1		44A-30	0411563		61 -26
0410246-2		24A-37A	0411267-1		44B-26	0411564		61 - 8
0410247-1		24A-37	0411267-1		44C-29	0411565		61 -30
0410247-2		24A-37	0411267-1		44D-21	0411569		24 -50
0411047		64 - 8	0411267-1		45 -34	0411569-1		24 -51
0411059-3		47 -13	0411267-1		45A-33	0411573-1		61 -25
0411105-1		44 -27	0411267-1		45B-29	0411599-5	<	42 -12
0411105-1		45 -32	0411267-1		45C-30	0411599-5	<	42A- 9
0411108-4		29 - 2	0411267-1		45D-22	0411623		43 -10
0411108-6		29 - 2	0411268-3		44 -19	0411671		25 -23

150 & A150 Parts Catalog

PART NUMBER	FICHE AND FRAME	FIGURE AND INDEX NO.	PART NUMBER	FICHE AND FRAME	FIGURE AND INDEX NO.	PART NUMBER	FICHE AND FRAME	FIGURE AND INDEX NO.
0411671		25A-18	0412018-2		50A-42	0412039-3		29 -52
0411757-1		47 -39	0412018-2		50B-32	0412039-4		29 -53
0411778-2		61 - 9	0412020-10		29 -73	0412039-5		29 -62
0411783-1		67 -28	0412020-11		29 -55	0412039-6		29 -68
0411794-7		43 - 3	0412020-17		30 -22	0412040-2		29 -69
0411803-6		76 -17	0412020-18		29 -51	0412041-1		29 -75
0411803-8		76 -17	0412020-19		29 -50	0412042-1		29 -74
0411818		43 -17	0412020-2		29 -54	0412043-3		29 -28
0411836-3		42 -13	0412020-201		29 -	0412043-4		29 -28
0411836-3		42A-10	0412020-202		30 -	0412044-1		29 -56
0411868-4		27 -13	0412020-203		30 -	0412044-1		66 -27
0411868-5		27 -12	0412020-204		29 -	0412044-1		69 -17
0411868-6		28 -16	0412020-205		29 -	0412044-2		29 -57
0411868-7		28 -15	0412020-206		29 -	0412044-2		66 -27
0411870	^	31 - 5	0412020-207		30 -	0412044-2		69 -17
0411893-1		41 -13	0412020-208		30 -	0412044-3		29 -58
0411899-1		25 - 3	0412020-21		29 -73	0412044-3		66 -28
0411900-1		25 - 5	0412020-213		29 -	0412044-3		69 -18
0411900-2		25 - 6	0412020-22		29 -	0412044-4		29 -59
0411903-1		25 - 7	0412020-24		29 -	0412044-4		66 -28
0411903-2		25 - 8	0412020-25		29 -	0412044-4		69 -18
0411904-1		25 -17	0412020-26		29 -78	0412047-2		29 -20
0411904-2		25 -18	0412020-27		29 -	0412047-3		29 -20
0411905-1		25 -15	0412020-28		29 -80	0412048-1		25 -22
0411905-2		25 -16	0412020-29		29 -78	0412048-1		25A-17
0411907		27 -28	0412020-30		29 -	0412049-1		29 -25
0411907		28 -30	0412020-34		29 -	0412050-1		29 -26
0411907-1		27 -29	0412020-35		29 -	0412050-2		29 -27
0411907-1		28 -31	0412020-36		29 -79	0412050-3		29 -26
0411934-1		29 - 8	0412020-37		29 -79	0412052-1		29 -60
0411934-2		29 - 9	0412020-38		29 -	0412052-2		29 -60
0411935-1		43 -12	0412020-39		29 -	0412054-1		29 -19
0411935-2		43 -12	0412020-41		29 -	0412055-1		29 -20
0411936-2		50A- 2	0412020-42		29 -54	0412057-1		29 -44
0411938-1		43 -14	0412020-43		29 -55	0412058-1		29 -43
0411939-1		24 -43	0412020-5		29 -65	0412060-1		29 -14
0411951-10		25A- 1A	0412020-6		29 -66	0412061-1		23 - 5
0411951-5		25 - 1	0412020-7		29 -77	0412064-1		29 -49
0411951-6		25 - 2	0412020-8		29 -78	0412065-3		29 -46
0411951-7		25 -	0412020-9		29 -80	0412066-1		24 -29
0411951-8		25A- 2	0412023-1		29 -45	0412066-1		24A-31
0411951-9		25A- 1	0412023-1		29 -45A	0412066-1		29 -10
0411953-3		24 -60	0412024-2		29 -28	0412066-2		24 -30
0411953-3		24A-64	0412024-3		29 -28	0412066-2		24A-32
0411953-4		24 -60	0412024-4		29 -28	0412066-2		29 -11
0411953-4		24A-64	0412025-10		29 -40	0412067-2		29 -16
0411953-5		24 -62	0412025-3		29 -41	0412067-3		29 -17
0411953-5		24A-66	0412025-4		29 -40	0412067-4		29 -17
0411953-6		24 -61	0412025-5		29 -40	0412070-5		41 -40
0411953-6		24A-65	0412025-7		29 -41	0412071-1	^	67 - 5
0411955-7		24 -37	0412025-8		29 -40	0412071-2		67 - 5
0411955-9		24 -37	0412026-1	^	29 -48	0412073-1		29 -75
0411956-10		29 -	0412026-3		29 -48	0412074-1		25A-
0411956-7		29 -	0412026-5		29 -48	0412074-2		25A-
0411956-8		29 - 7	0412027-3		29 -29	0412074-3		25A-
0411956-9		29 - 6	0412027-4		29 -30	0412076-1		25A-20
0411958-4		24 -48	0412027-7		29 -29	0412078-2		29 -42
0411958-5		24 -48	0412027-8		29 -30	0412097-1		29 -70
0411958-6		24A-54	0412028-3		29 -36	0412121-3		29 -81
0411959-5		24 -64	0412028-4		29 -37	0412132		30 - 5
0411959-5		24A-68	0412030-3		29 -13	0412168-1		65 -16
0411959-6		24 -64	0412030-5		29 -13	0412171-1		29 -18
0411959-6		24A-68	0412032-1		3 -44	0412171-1		29 -24
0411971-1	^ ^	42 -13	0412032-2		3 -44	0412173-2		30 - 1
0411971-1		42A-10	0412033-1		29 -39	0412173-3		30 - 1
0412007-9		80 - 2	0412033-3		29 -34	0412173-4		30 - 1
0412008-1		30 -13	0412033-4		29 -35	0412174-2		30 -10
0412010-1		30 -15	0412033-5		29 -33	0412176-2		30 -19
0412017-1		50A-43	0412033-6		29 -33	0412176-3		30 -19
0412017-1		50B-33	0412033-9		29 -46	0412177-2		30 - 8
0412017-2		50A-43	0412033-9		29 -47	0412184-1		30 -14
0412017-2		50B-33	0412037-1		29 -70	0412467		27 -26
0412018-1		50A-42	0412039-1		29 -67	0412467		28 -28
0412018-1		50B-32	0412039-2		29 -61	0412467		29 -31

150 & A150 Parts Catalog

PART NUMBER	FICHE AND FRAME	FIGURE AND INDEX NO.	PART NUMBER	FICHE AND FRAME	FIGURE AND INDEX NO.	PART NUMBER	FICHE AND FRAME	FIGURE AND INDEX NO.
0412467		30 - 6	0413163-18		60 -44	0413351-2		52 - 6
0412468		29 -48	0413163-18		60A-40	0413351-2		86 - 6
0412469		29 -42	0413163-23		60 -40	0413352-1		86 - 4
0412509-1		41 -37	0413163-23		60A-36	0413370-1		64 -23
0412509-2		41 -38	0413163-24		60 -40	0413372-1		64 - 5
0412515-1		30 -23	0413163-24		60A-36	0413372-8		64 - 6
0412515-2		30 -23	0413163-43		60 -45	0413373-1		64 -28
0412526-1		29 -44A	0413163-43		60A-41	0413374-1		64 -19
0412526-2		29 -44A	0413163-47		60 -43A	0413375-9		49 -14
0412527-1		20 -33	0413163-47		60A-39A	0413379		64 -27
0412527-2		20 -34A	0413163-7		60 -43	0413380-1		64 -32
0412528-1		25A-22	0413163-7		60A-39	0413386-1		27 -22
0412529-1		30 - 7A	0413163-8		60 -42	0413386-3		28 -25
0412530-1		29 -32B	0413163-8		60A-38	0413387-3		39 -
0412531-1		29 -32A	0413163-9		60 -42	0413387-4		39 -
0412531-2		29 -32A	0413163-9		60A-38	0413387-6		39 -
0412532-1		29 -42A	0413202-30		29 -32	0413388-1		39 - 1
0412532-2		29 -42A	0413203		60 -48	0413388-3		38 -29
0412533-1		29 -	0413213-16		64 -52	0413388-4		38 -29
0412533-2		29 -	0413213-19		64 -52	0413388-5		38A-30
0412533-3		29 - 6	0413213-21		64 -52	0413388-6		38A-30
0412533-4		29 - 7	0413213-26		64 -52	0413389-4		38 -33
0412534-1		29 - 2	0413216-6		64 -51	0413390-23		38 -12
0412534-3		29 - 2	0413216-6		64 -51	0413390-23		38A-12
0412535-1		29 -70A	0413216-9		64 -51	0413390-32		38 -27
0413004-11		26 -11	0413228		60 -52	0413390-32		38A-28
0413004-11		26A-10	0413228		60A-48	0413390-34		38 -28
0413004-13		26 - 9	0413247		12 -25	0413390-34		38A-29
0413004-14		26 -	0413247		47 -12	0413391-1		26 -22
0413004-16		26 -12	0413247		47A- 6	0413391-1		26A-21
0413004-16		26A-11	0413247		47B-20	0413391-2		26 -23
0413004-17		26 -	0413247		47C-22	0413391-2		26A-22
0413004-18		26 -	0413257		60 -46	0413394-1		26 -34
0413004-19		26 -	0413257		60A-42	0413394-1		26A-33
0413004-2		26 -12	0413304-1		26 -37	0413394-2		26 -35
0413004-20		26 -	0413304-1		26A-36	0413394-2		26A-34
0413004-21		26 -	0413304-2		26 -38	0413395-1		26 -31
0413004-22		26 -	0413304-2		26A-37	0413395-1		26A-30
0413004-23		26 -	0413305-1		26 -13	0413395-2		26 -31
0413004-24		26 -	0413305-1		26A-12	0413395-2		26A-30
0413004-25		26 -	0413305-2		26 -13	0413396-1		26 -30
0413004-26		26 -	0413305-2		26A-12	0413396-1		26A-29
0413004-27		26 - 4	0413305-3		26 -14	0413396-2		26 -30
0413004-27		26A- 4	0413305-3		26A-13	0413396-2		26A-29
0413004-28		26A-	0413305-4		26 -14	0413397-2		26 -29
0413004-29		26A-	0413305-4		26A-13	0413397-2		26A-28
0413004-30		26A-	0413325-11		27 -10	0413397-3		26 -29
0413004-31		26A-	0413325-12		27 -11	0413397-3		26A-28
0413004-4		26 -10	0413325-8		28 -14	0413399-1		52 - 1
0413004-6		26 - 4	0413325-9		28 -13	0413399-1		86 -45
0413004-7		26 -	0413327-12		24 -14	0413399-2		52 - 1
0413028-4		74 - 8	0413327-12		24A-16	0413399-2		86 -45
0413028-5		74 - 7	0413327-16		24 -15	0413401-1		23 -12
0413028-8		74 - 8	0413327-16		24A-17	0413402-1		23 -12
0413032-2		47 -21	0413327-17		24 -14	0413402-2		23 -14
0413033-206	<	38 - 1	0413327-17		24A-16	0413402-6		23 -13
0413033-207	<	38 - 1	0413327-22		24A-17	0413406-6		38 -32
0413033-208	<	38 - 1	0413327-23		24A-16	0413406-8		38 -38
0413033-209	<	38 - 1	0413327-24		24A-17	0413406-8		38A-39
0413033-25	<	38 - 1	0413327-25		24A-16	0413410-1		24 -44
0413033-26	<	38 - 1	0413327-30		24A-17	0413410-3		24 -44
0413033-31	<	38 - 1	0413327-31		24A-16	0413410-5		24A-49
0413033-32	<	38 - 1	0413327-32		24A-17	0413410-7		24A-49
0413138		81 -15	0413327-33		24A-16	0413411-1		27 -32
0413138		81A-19	0413327-9		24 -15	0413411-3		27 -30
0413138		81B-20	0413327-9		24A-17	0413411-5		28 -32
0413140-5		81 -21	0413338		76 -28	0413411-6		28 -34
0413141-1		81 - 8	0413346-1		26 - 3	0413412-1		27 -23
0413141-1		81A- 9	0413346-2		26 - 3	0413412-2		27 -24
0413141-1		81B-12	0413346-2		26A- 3	0413414-1		39 - 4
0413157		8 -16	0413347-1		60 -53	0413414-2		39 - 3
0413157		9 -14	0413347-1		60A-49	0413416-4		67 -11
0413163-11		60 -45	0413351-1		52 - 5	0413416-4		67 -32
0413163-11		60A-41	0413351-1		86 - 5	0413416-4		70 - 2

150 & A150 Parts Catalog

PART NUMBER	FICHE AND FRAME	FIGURE AND INDEX NO.	PART NUMBER	FICHE AND FRAME	FIGURE AND INDEX NO.	PART NUMBER	FICHE AND FRAME	FIGURE AND INDEX NO.
0413416-6		70 - 5	0413437-1		31 - 4A	0413475		51 - 15
0413416-8		70 - 8	0413437-1		51A-20	0413475-1	<<	51 - 13
0413419-200		31 - 1	0413441-1		51A-11	0413475-2	<<	51 - 13
0413419-201		31 - 1	0413445-1		70 - 4	0413478-1	<<	51 - 11
0413419-202		31 - 1	0413446-1	<	70 - 3	0413479-1		48 - 12
0413419-203		31 - 1	0413447-2		70 - 1	0413479-2		48 - 13
0413423-1		26 - 6	0413449-1		41 - 12	0413480-2		48 - 6
0413423-2		26 - 7	0413449-1		70 - 6	0413480-2		48A - 5
0413423-5		26 - 6	0413450-1-294		38 - 48	0413481-1		49 - 1
0413423-5		26A- 6	0413450-1-294		38A-48	0413481-6		49 - 1
0413423-6		26 - 7	0413452-1		26 - 5	0413482-1		49 - 4
0413423-6		26A- 7	0413452-1		26A- 5	0413483-1		74 - 1
0413424-202		27 - 7	0413452-1		60 - 35	0413484-17		41 - 10A
0413424-203		27 - 6	0413452-1		60A-24	0413484-21		41 - 10A
0413424-204		28 - 10	0413454-1	<	47 - 16	0413484-26		41 - 10A
0413424-205		28 - 9	0413454-3		47 - 16	0413484-7	<	41 - 10
0413424-4		28 -	0413457-10		47 - 15	0413485-1		74 - 7
0413424-5		27 -	0413457-12		47A- 9	0413485-2		74 - 7
0413425-1		26 - 15	0413457-14		47A- 9	0413487-1		47 - 15
0413425-2		26 - 15	0413457-15		47A- 9	0413487-1		47A- 9
0413425-3		26A-14	0413457-8		47 - 15	0413488-1		24 - 2
0413425-4		26A-14	0413458-1	<	49 - 10	0413488-1		24A- 2
0413425-5		26A-14	0413458-4		49 - 12	0413489-4	<	41 - 11
0413425-6		26A-14	0413458-5		49 - 13	0413491-1		47 - 23
0413426-10		38 - 20	0413459-1		47 - 9	0413491-1		47A-22
0413426-10		38 - 20	0413459-10		47C-19	0413491-1		47B-30
0413426-10		38A-20	0413459-2		47 - 9	0413491-1		47C-33
0413426-15		38 - 20	0413459-3		47 - 9	0413492-200		24 - 3
0413426-15		38A-20	0413459-4		47 - 9	0413492-201		24 - 3
0413426-16		38 - 20	0413459-4		47A- 3	0413492-201		24A- 2
0413426-16		38A-20	0413459-5		47A- 3	0413492-3		24 - 4
0413426-17		38 - 17	0413459-7		47B-17	0413492-3		24A- 3
0413426-17		38A-17	0413461-12	<<	47 - 1	0413492-4		24 - 4
0413426-18		38 - 17	0413461-13	<<	47 - 7	0413492-4		24A- 3
0413426-18		38A-17	0413461-14	<<	47 - 7	0413495-1		24 - 12
0413426-3		38 - 16	0413461-15	<<	47 - 18	0413495-1		81 - 18
0413426-3		38 - 17	0413461-2	<<	47 - 1	0413495-2		81 - 19
0413426-3		38A-16	0413461-3	<<	47 - 18	0413495-3		81 - 20
0413426-4		38 - 16	0413461-6	<<	47 - 7	0413496-1		50A-29
0413426-4		38 - 17	0413461-7	<<	47 - 7	0413496-1		50A-29A
0413426-4		38A-16	0413462-12		48 - 13	0413496-2		50A-25
0413426-5		38 - 19	0413462-12		48A-10	0413496-2		50B-17
0413426-5		38A-19	0413462-19	<	48A- 1	0413497-1		24 - 66
0413426-6		38 - 19	0413462-20		48A- 8	0413497-1		24A-51
0413426-6		38A-19	0413462-203	<	48 - 1	0413497-2		24 - 66
0413426-9		38 - 20	0413462-205	<	48 - 2	0413497-2		24A-51
0413426-9		38 - 20	0413462-207	<	48 - 2	0413498-1		28 - 26
0413426-9		38A-20	0413462-208		48 - 9	0413499-1		24 - 67
0413427		13 - 16	0413462-209		48 - 10	0413499-1		24A-70
0413427-3		47 - 41	0413462-22	<	48A- 1	0413499-2		24 - 67
0413427-3		47A-41	0413462-3		48A- 2	0413499-2		24A-70
0413427-3		47B-51	0413463-1	<	42 - 14	0413503-1		81 - 9
0413427-3		47C-54	0413463-1	<<	42A-11	0413504-1		41 - 15
0413428-1		38 - 49	0413463-2	<	42 - 14	0413504-1		51 - 19
0413428-1		38A-51	0413463-3		48 - 3	0413504-1		51A-16
0413428-2		38 - 49	0413467-10	<	47A- 8	0413506-1		41 - 23
0413428-2		38A-51	0413467-2	<<	47 - 21	0413507-1		41 - 20
0413429-1		26 - 66	0413467-3	<<	47 - 19	0413508-1		28 - 37
0413429-1		26A-65	0413467-4	<<	47 - 20	0413508-2		28 - 38
0413429-2		26 - 67	0413467-5	<<	47 - 14	0413509-1		47 - 24A
0413429-2		26A-66	0413467-6	<<	47 - 20	0413509-1		47A-24
0413429-3		26A-65	0413467-8	<<	47 - 14	0413509-1		47B-32
0413429-4		26A-66	0413467-8	<<	47A- 8	0413509-1		47C-35
0413430-1		26 - 17	0413467-9	<	47A- 8	0413510-1		50 - 26
0413430-1		26A-16	0413468-1		26 - 45	0413511-1		26 - 39A
0413430-4		26 - 20B	0413468-1		26A-44	0413511-1		26A-38
0413430-5		26 - 18	0413469-1		26 - 44	0413512-1	<	47 - 20
0413430-5		26A-17	0413469-1		26A-43	0413512-2	<	47 - 20
0413430-6		26 - 18A	0413470-1	<<	47 - 22A	0413514-1		47 - 59
0413430-6		26A-17A	0413470-1	<<	47A-21	0413514-9		47 - 61
0413430-8		26A-19B	0413470-1	<<	47B-29	0413516-1		41 - 10
0413431-1		86 - 7	0413470-1	<	47C-32	0413516-2		41 - 11
0413432-12		86 - 8	0413471-2		26 - 17	0413516-3		41 - 10B
0413436-2		75 - 6	0413474-1		51 - 7	0413516-4		41 - 11B

150 & A150 Parts Catalog

PART NUMBER	FICHE AND FRAME	FIGURE AND INDEX NO.	PART NUMBER	FICHE AND FRAME	FIGURE AND INDEX NO.	PART NUMBER	FICHE AND FRAME	FIGURE AND INDEX NO.
0413516-5		41 -10C	0413558-1		47C-11	0414026-19	#	38 -51
0413516-6		41 -11C	0413559-1	<	47C-26	0414026-2	<	38 -51
0413517-15		51A- 3	0414001-3	<	38 -51	0414026-20	#	38 -51
0413517-3		51A- 9	0414001-4	<	38 -51	0414026-21	#	42 - 4
0413517-5		51A- 5	0414002-1	<	42 - 4	0414026-22	#	42 - 5
0413518-1		60A-27	0414002-2	<	42 - 5	0414026-27		38 -51
0413521-1		49 - 5A	0414007-1	#	44 -	0414026-27		38A-53
0413522-1		47 -15	0414007-14		45 -14	0414026-28		38 -51
0413522-3		47A- 9	0414007-15	#	44 - 9	0414026-28		38A-53
0413522-3		47A- 9	0414007-17	#	44 - 5	0414026-29		42A- 3
0413522-3		47B- 6	0414007-18	#	44 - 5	0414026-3	<	42 - 4
0413523-1		47 -13	0414007-2	#	44 -	0414026-30		42A- 4
0413523-4		47A- 7	0414007-20	#	44 - 9	0414026-4	<	42 - 5
0413523-4		47B-21	0414007-21	#	44 -	0414026-5	<	38 -51
0413523-4		47C-23	0414007-22	#	44 -	0414026-6	<	38 -51
0413525-1		49 -13	0414007-27	#	44 - 5	0414026-7	<	38 -51
0413525-1	<	49 -10	0414007-28	#	44 - 5	0414026-8	<	38 -51
0413525-10	<	49 -10	0414007-29	#	44 - 9	0414028-1	<	42 -10
0413526-1		49 -12	0414007-30	#	44 - 9	0414030-1	<	41 -34
0413527-1	<	47 -19	0414009-11	#	45 -13	0414030-2		41 -34
0413529-1	<	47A- 1	0414009-12	#	45 - 7	0414031-1		44 -26A
0413529-10	<	47A- 2	0414009-13		45 - 8	0414031-1		45 -31A
0413529-11	<	47A- 2	0414009-13	#	45 -13	0414031-2		44 -26B
0413529-12	<	47A- 1	0414009-14	#	45 - 7	0414031-2		45 -31B
0413529-3	<	47A- 2	0414009-15	#	45 -	0414032-1		50A-12
0413529-4	<	47A- 2	0414009-16	#	45 -	0414033-1	#	44A-
0413529-7	<	47A-11	0414009-204	#	45 - 3	0414033-3	#	44A-12
0413529-8	<	47A- 1	0414009-205	#	45 - 3	0414033-4		45A-15
0413530-1	<	31 - 9	0414009-206	#	45 -12	0414033-7	#	44A- 5
0413531-1	<	47A-13	0414009-207	#	45 -12	0414033-8		45A- 6
0413531-28	<	47A-13	0414009-3	#	45 -11	0414033-8		45B- 6
0413532-1	<	47 -19	0414009-4	#	45 -11	0414033-8		45C- 5
0413532-1	<	47A-13	0414009-5	#	45 - 1	0414033-8		45D- 5
0413534-1		47A- 9	0414009-6	#	45 - 1	0414034-1	#	45A-
0413534-1		47B- 2	0414010-1		41 -16	0414034-12	#	45A- 5
0413534-1		47C- 2	0414010-5		41 -16	0414034-12	#	45B- 5
0413538-1		47B- 8A	0414010-7		41 -16	0414034-13	#	45A-14
0413538-1		47C- 6	0414012-1	<	41 -25	0414034-2	#	45A-
0413540-1		47B- 1	0414012-2		41 -28	0414034-3	#	45A-13
0413540-3		47C- 1	0414013-1		81 - 1	0414034-4	#	45A-13
0413541-2		47B-12	0414013-3		81 - 4	0414034-7	#	45A-12
0413542-1		47B- 5	0414013-3		81A- 4	0414034-7	#	45B-12
0413542-1		47C- 4	0414013-4		81 - 7	0414034-8	#	45A-12
0413543-2		47B-10	0414013-4		81A- 8	0414034-8	#	45B-12
0413543-2		47C- 8	0414013-4		81B-11	0414035-10		44A-13
0413544-11	<	47C-24	0414014-1		24 -11B	0414035-10		45A-16
0413544-2	<	47B-22	0414014-1		24A-12	0414035-15		44A-28
0413544-5	<	47B-16	0414014-1		41 -31	0414035-15		45A-31
0413544-9	<	47C-17	0414014-2		24 -11C	0414035-6		44A-14
0413545-2	<	47B-23	0414014-2		24A-13	0414035-6		44B-14
0413546-1	<	49A-	0414014-2		41 -32	0414035-6		44C-17
0413546-10		49A- 8	0414015-1		41 -29	0414035-6		45A-17
0413546-13	<	49A-	0414016-1		41 -21	0414035-6		45B-17
0413546-14	<	49A- 5	0414016-2		41 -21	0414035-6		45C-18
0413546-2	<	49A- 5	0414017-1		41 -24	0414037-1		47 -59
0413546-9	<	49A- 4	0414018-1	<	41 -17	0414037-1		47A-61
0413548-1		26A-16	0414018-2	<	41 -19	0414037-2		47 -61
0413550-1		47B-11	0414018-4	<	41 -17	0414037-2		47A-62
0413550-1		47C- 9	0414019-1		41 -42	0414037-3		47A-61
0413551-1		47B-74	0414019-2		41 -43	0414038-1		44A- 6
0413551-2		47B-75	0414020-1		29 -41B	0414038-1		45A- 7
0413551-3		47B-76	0414020-2		29 -41B	0414038-2		44A- 7
0413553-1		47B-25	0414021-1		29 -41A	0414038-2		45A- 8
0413553-1	<	47C-28	0414021-2		29 -41A	0414039-1		44B- 6
0413553-2		47B-25	0414022-1		42 -22	0414039-1		44C- 8
0413553-2	<	47C-28	0414022-1		42A-24	0414039-1		45B- 7
0413553-3	<	47B-25	0414024-1		50A-14	0414039-1		45C- 9
0413553-3	<	47C-28	0414024-4		50A-14	0414039-2		44B- 7
0413554-1	<	47B-24	0414024-4		50B- 7	0414039-2		44C- 9
0413554-1	<	47C-27	0414025-1		44A-22	0414039-2		45B- 8
0413554-4	<	73A-22	0414025-1		45A-25	0414039-2		45C-10
0413555-1		73A-23	0414026-1	<	38 -51	0414039-5		44D- 9
0413557-1		47B- 8	0414026-15	<	38 -51	0414039-5		45D-10
0413557-1		47C- 5	0414026-16	<	38 -51	0414039-6		44D-10

150 & A150 Parts Catalog

PART NUMBER	FICHE AND FRAME	FIGURE AND INDEX NO.	PART NUMBER	FICHE AND FRAME	FIGURE AND INDEX NO.	PART NUMBER	FICHE AND FRAME	FIGURE AND INDEX NO.
0414039-6		45D-11	0414054-20		44D-14	0415004-3	#	38A-56
0414040-11		44B-13	0414054-20		45D-15	0415004-4	#	38 -52A
0414040-11		44C-16	0414054-21		44D-27	0415004-4	#	38A-56
0414040-11		45B-16	0414054-21		45D-28	0415005-1	<	47A-14
0414040-11		45C-17	0414054-22		44D-12	0415005-10	<	47A-15
0414040-15		44B-22	0414054-22		45D-13	0415005-11	<	47A-14
0414040-15		44C-25	0414054-24		44D-23	0415005-12	<	47A-15
0414040-15		45B-25	0414054-24		45D-24	0415005-2	<	47A-15
0414040-15		45C-26	0414054-31		44D-60	0415005-3	<	47A-14
0414040-5		44B-12A	0414054-31		45D-61	0415005-4	<	47A-15
0414040-6		44B-12A	0414054-35		44D-23	0415005-5	<	47A-14
0414041-1	#	44B-	0414054-35		45D-24	0415005-6	<	47A-15
0414041-11	##	44B-	0414054-37		44D-39	0415005-7	<	47A-14
0414041-12	###	44B-	0414054-37		45D-40	0415005-8	<	47A-15
0414041-15	###	44B- 5	0414054-38		44D-39	0415005-9	<	47A-14
0414041-2	###	44B-	0414054-38		45D-40	0415007-1	#	44B-
0414041-3	###	44B-12	0414054-40		44D-33	0415007-12	#	44B- 5
0414041-4		44B-12A	0414054-40		45D-34	0415007-13	#	44B-12
0414041-4		44D- 7	0414054-41		44D-33	0415007-17		44C- 4
0414041-4		45B-15	0414054-41		45D-34	0415007-18		44C- 7
0414041-4		45C- 8	0414054-5		44D-48	0415007-2	#	44B-
0414041-4		45D- 8	0414054-5		45D-49	0415008-1	##	45B-
0414041-7	#	44B- 5	0414054-7		44D-55	0415008-2	##	45B-
0414041-9	##	44B-12	0414054-7		45D-56	0415008-23	##	45B- 5
0414042-1	##	45B-	0414054-8		44D-54	0415008-23	##	45C- 4
0414042-2	##	45B-	0414054-8		45D-55	0415008-23	##	45D- 4
0414042-3	##	45B-13	0414056-1	#	44D-	0415008-24	##	45B-14
0414042-4	##	45B-13	0414056-2	##	44D-	0415008-24	##	45C- 7
0414042-8	##	45B-14	0414056-3	##	44D- 5	0415008-24	##	45D- 7
0414044-1		64 -53	0414056-4	##	44D- 5	0415008-3	##	45B-13
0414045-1		50A-29A	0414057-1		44D-44	0415008-4	##	45B-13
0414045-1		50B-21	0414057-1		45D-45	0415008-5	##	45B-12
0414046-1		25A-23	0414058-1	#	45D-	0415008-6	##	45B-12
0414048-1	##	44C-	0414058-2	##	45D-	0415009-1	##	44B-
0414048-11	##	44C- 3	0414058-3	##	45D- 6	0415009-2	##	44B-
0414048-13	##	44C- 6	0414058-4	##	45D- 6	0415009-5	##	44B- 5
0414048-2	##	44C-	0414060-1	##	44C-	0415009-5	##	44C- 3
0414048-3	##	44C- 1	0414060-2	##	44C-	0415009-6	##	44B-12
0414048-4		44C- 7	0414060-3	##	44C- 5	0415009-6	##	44C- 6
0414048-4		44D- 7	0414060-4	##	44C- 5	0415010-1		50A-11
0414048-6	#	44C- 5	0414060-5	##	44C- 1	0415010-1		50B- 5
0414048-7	#	44C- 5	0414060-5	##	44D- 1	0415013-2		41 -11A
0414048-8		44C- 4	0414060-6	##	44C- 3	0415013-4		41 -11A
0414049-1	#	45C-	0414060-6	##	44D- 3	0415014-1		50A-39
0414049-2	##	45C-	0414060-7	##	44C- 6	0415014-1		50B-29
0414049-3	##	45C- 6	0414060-7	##	44D- 6	0415014-2		50A-40
0414049-3	##	45D- 6	0414060-9	##	44C- 4	0415014-2		50B-30
0414049-4	##	45C- 1	0414060-9	##	44D- 4	0415015-1		50A-38
0414049-4	##	45D- 1	0414061-1	##	44D-25	0415015-1		50B-28
0414049-5	##	45C- 6	0414061-1	##	45D-26	0415016-2		42B- 1
0414049-6	##	45C- 6	0414063-1	#	44C- 4A	0415016-3		42B- 2
0414049-9	##	45C- 2	0414063-1	#	44D- 5	0415016-4		42B- 3
0414049-9	##	45D- 2	0414065-1		44D- 7	0415016-5		42B- 4
0414050-1	##	44C-	0414065-1		45D- 8	0415017-1		38A-53
0414050-2	##	44C-	0414066-1		44B-27A	0415017-12		42A- 5
0414050-3	##	44C- 5	0414066-1		44C-30A	0415017-2		38A-53
0414050-4	##	44C- 5	0414066-1		45B-30A	0415017-3		42A- 3
0414050-5	##	44C- 1	0414066-1		45C-31A	0415017-4		42A- 4
0414053-1		44D- 8	0414067-1		81B-14A	0415018-2		38A-35
0414053-1		45D- 9	0414068-1		81B- 1	0415021-12		42 - 6
0414053-2		44D- 8	0414069-1		81B- 7	0415021-13		42 - 7
0414053-2		45D- 9	0414229-5		44 -10	0415021-13		42A- 8
0414053-3		44D-32	0414229-5		45 -15	0415021-15		42A- 5
0414053-3		45D-33	0415000-19		42 - 3	0415021-16		41 -35
0414053-4		44D-32	0415003-2		47 -21	0415021-17	#	41 - 1
0414053-4		45D-33	0415003-4		47A-18	0415021-18		42 - 2
0414054-10		44D-53	0415003-6		47A-18	0415021-18		42A- 2
0414054-10		45D-54	0415003-8		47B-27	0415021-2	#	42 -11
0414054-11		44D-46	0415003-8		47C-30	0415021-2	##	42A-13
0414054-11		45D-47	0415003-9		47B-27	0415021-22	##	42A-15
0414054-18		44D-29	0415003-9		47C-30	0415021-23	##	42A-14
0414054-18		45D-30	0415004-1	#	38 -52A	0415021-24	##	42A-13A
0414054-19		44D-57	0415004-2	##	38 -52A	0415021-25	##	42A-13B
0414054-19		45D-58	0415004-3	#	38 -52A	0415021-28	##	42A-13C

150 & A150 Parts Catalog

PART NUMBER	FICHE AND FRAME	FIGURE AND INDEX NO.	PART NUMBER	FICHE AND FRAME	FIGURE AND INDEX NO.	PART NUMBER	FICHE AND FRAME	FIGURE AND INDEX NO.
0415021-29	#	42A-13D	0420034-1		3 -47	0422401-29		7 -
0415021-3	#	42 - 9	0421000-1		17 - 1	0422401-3		7 -
0415021-3	#	42A-16	0421000-2		17 - 1	0422401-4		9 - 1
0415021-33	#	42 - 1	0421000-7		17 - 1	0422401-5		9 -24
0415021-34	#	42 - 2	0421000-8		17 - 1	0422401-6		9 -37
0415021-34	#	42A- 2	0421001-1		17 - 8	0422401-7		5 -59
0415021-5	#	42A- 1	0421001-2		17 - 8	0422401-7		7 -63
0415021-9		42 - 1	0421001-3		17 - 8	0422401-8		5 -60
0415021-9		42A- 1	0421002-1-791		17 -14	0422401-9		5 -61
0415022-1	#	38A-56	0421002-2-791		17 -14	0422401-9		7 -65
0415022-2	#	38A-56	0421002-3-791		17 -14	0422402-1		5 -62
0415023-1		41 -11D	0421002-4-791		17 -14	0422402-10		7 -69
0415023-3		41 -10D	0422014-4		8 -14	0422402-11		5 -58
0415024-1		42A- 7A	0422014-4		9 -15	0422402-12		7 -62
0415024-2		42A- 4A	0422014-4		60 -38	0422402-14		5 -
0415024-3		38A-55	0422014-4		60A-34	0422402-16		7 -
0415024-4		38A-55	0422130		76 - 8	0422402-18		5 -
0415024-5		38A-55	0422229-11		10 -20	0422402-2		5 -
0415025-1	<	47B-26	0422229-11		11 -24	0422402-20		7 -
0415025-1	<	47C-29	0422280		15 - 6	0422402-204		9 -
0415025-2	<	47B-26	0422291		8 - 3	0422402-206		9 -23
0415025-2	<	47C-29	0422291		8 -10	0422402-208		9 -36
0415026		42A-13E	0422291		9 - 3	0422402-3		9 - 1
0417005-3		40 - 7	0422291		9 -10	0422402-4		7 -
0417006-1		39 - 4A	0422292		8 - 8	0422402-5		9 -24
0417006-2		39 - 4B	0422292		9 - 8	0422402-6		9 -37
0417006-3		39 - 3A	0422293-1		4 -35	0422402-7		5 -65
0417006-4		39 - 4C	0422293-1		5 -41	0422402-9		7 -66
0417007-1		38 -24	0422293-1		6 -36	0422405-1		11 -
0417007-1		38A-24	0422293-1		7 -45	0422405-10		11 - 1
0417008-13		38 - 3	0422293-2		4 -35	0422405-2		11 -
0417008-13		38A- 3	0422293-2		5 -41	0422405-3		11 -
0417008-14		38 - 3	0422293-2		6 -36	0422405-4		11 -
0417008-14		38A- 3	0422293-2		7 -45	0422405-5		11 - 2
0417008-15		38 - 4	0422293-3		4 -35A	0422405-6		11 - 2
0417008-15		38A- 4	0422293-3		5 -41	0422405-7		11 - 2
0417008-16		38 - 4	0422293-3		6 -36A	0422405-8		11 - 2
0417008-16		38A- 4	0422293-3		7 -45	0422405-9		11 - 1
0417008-17		38 - 4	0422293-4		4 -35A	0422406-1		11 -20
0417008-17		38A- 4	0422293-4		5 -41	0422406-2		11 -20
0417008-18		38 - 4	0422293-4		6 -36A	0422406-3		11 -17
0417008-18		38A- 4	0422293-4		7 -45	0422406-4		11 -17
0417008-200		38 - 3	0422356-1		67 -20	0422407-5		11 -14
0417008-200		38A- 3	0422356-2		67 -20	0422407-6		11 -14
0417008-201		38 - 3	0422357-1		67 -25	0422407-7		11 -14
0417008-201		38A- 3	0422358-1		67 - 9	0422407-8		11 -14
0417008-206		38A- 1	0422358-1		67 -24	0422408-1		5 -49
0417008-207		38A- 1	0422400-14		11 -25	0422408-2		7 -53
0417008-208		38A- 1	0422401-1		5 -	0422409-1		9 -13
0417008-209		38A- 1	0422401-10		5 -62	0422409-2		9 -13
0417008-21		38A- 1	0422401-11		5 -63	0422409-3		9 -28
0417008-22		38A- 1	0422401-11		7 -67	0422409-4		9 -28
0417008-23		38A- 1	0422401-12		5 -64	0422410-1		5 -21
0417008-24		38A- 1	0422401-12		7 -68	0422410-1		7 -25
0417010-4		39 -15	0422401-13		5 -65	0422410-2		5 -21
0417011-2		38A-33	0422401-14		5 -66	0422410-2		7 -25
0417012-1		40 - 8	0422401-14		7 -70	0422411-1		11 -19
0420015-1		4 -33	0422401-16		7 -66	0422411-2		11 -19
0420015-1		5 -45	0422401-17		7 -64	0422412-1		11 -16
0420015-1		6 -40	0422401-18		7 -69	0422412-2		11 -16
0420015-1		7 -49	0422401-2		5 -58	0422413-1		5 -52
0420015-2		4 -34	0422401-205		9 -	0422413-10		7 -56
0420015-2		5 -46	0422401-207		9 -23	0422413-11		7 -57
0420015-2		6 -41	0422401-209		9 -36	0422413-12		7 -57
0420015-2		7 -50	0422401-21		7 -62	0422413-13		7 -59
0420019-1		69 -47	0422401-211		9 -23	0422413-14		7 -59
0420030-1		3 -14	0422401-213		9 -	0422413-15		7 -60
0420030-2		3 -14	0422401-215		5 -	0422413-16		7 -60
0420030-3		3 -15	0422401-217		7 -	0422413-2		5 -52
0420030-4		3 -15	0422401-22		5 -	0422413-3		5 -53
0420030-5		3 -14	0422401-23		7 -	0422413-4		5 -53
0420030-6		3 -14	0422401-24		9 -24	0422413-5		5 -55
0420030-7		3 -15	0422401-25		9 - 1	0422413-6		5 -55
0420030-8		3 -15	0422401-27		5 -	0422413-7		5 -56

150 & A150 Parts Catalog

PART NUMBER	FICHE AND FRAME	FIGURE AND INDEX NO.	PART NUMBER	FICHE AND FRAME	FIGURE AND INDEX NO.	PART NUMBER	FICHE AND FRAME	FIGURE AND INDEX NO.
0422413-8		5 -56	0426005-225		4 -	0426400-24		11 -20
0422413-9		7 -56	0426005-26		4 -45	0426400-25		10 -19
0422414-1		11 -18	0426005-27		4 -49	0426400-26		11 -22
0422414-2		11 -18	0426005-31		6 -52	0426400-27		10 -17
0422415		11 -10	0426005-32		6 -56	0426400-28		10 -17
0422415-1		11 -10	0426005-37		8 - 1	0426400-29		11 -20
0422415-2		11 -10	0426005-38		4 -	0426400-30		11 -20
0422415-3		11 -10	0426005-39		4 -	0426400-31		10 -19
0422416-1		5 -14	0426005-40		6 -	0426400-32		10 -19
0422416-1		7 -17	0426005-41		6 -	0426400-33		11 -22
0422417-1		5 - 7	0426005-61		8 -	0426400-34		11 -22
0422417-1		7 - 7	0426005-91		4 -	0426400-35		10 -17
0422417-2		5 - 8	0426005-92		6 -	0426400-36		10 -17
0422417-2		7 - 8	0426005-93		8 - 1	0426400-37		10 -17
0422418-1		5 -13	0426005-94		4 -	0426400-38		10 -17
0422418-1		7 -16	0426005-96		6 -	0426400-39		11 -20
0422419-1		5 -38	0426005-97		4 -	0426400-40		11 -20
0422419-1		7 -42	0426005-98		4 -	0426400-41		11 -20
0422419-2		5 -38	0426005-99		6 -	0426400-42		11 -20
0422419-2		7 -42	0426011-4		3 -24A	0426400-8		10 -17
0422419-3		5 -39	0426011-4		12 -36	0426400-9		10 -17
0422419-3		7 -43	0426011-4		13 -40	0426506		4 - 5
0422419-4		5 -39	0426013-1		12 -39	0426506		5 -11
0422419-4		7 -43	0426013-1		13 - 5A	0426506		6 -10
0422419-5		5 -40	0426013-2		3 -24A	0426506		7 -12
0422419-5		7 -44	0426013-2		12 -38	0426506-1		6 - 9
0422419-6		5 -40	0426013-2		13 -41	0426506-1		7 -13
0422419-6		7 -44	0426015-1		12 -27	0426506-2		5 -11
0423007-1		3 -36	0426015-1		13 -31	0426506-2		7 -12
0423008-3-791		4 -62	0426015-10		12 -34	0426506-3		7 -13
0423008-3-791		5 -75	0426015-10		13 -38	0426507-12		4 - 3
0423008-3-791		6 -70	0426015-4		12 -33	0426507-12		6 - 3
0423008-3-791		7 -79	0426015-4		13 -37	0426507-13		4 - 3
0423008-4		4 -63	0426015-5		12 -32	0426507-13		6 - 3
0423008-4		5 -76	0426015-5		13 -36	0426507-14		5 - 3
0423008-4		6 -72	0426015-6		12 -31	0426507-14		7 - 3
0423008-4		7 -81	0426015-6		13 -35	0426507-15		5 - 3
0423008-5		4 -63	0426015-8		12 -30	0426507-15		7 - 3
0423008-5		5 -76	0426015-8		13 -34	0426508-203		12 - 1
0423008-5		6 -72	0426015-9		12 -29	0426508-204		12 - 1
0423008-5		7 -81	0426015-9		13 -33	0426508-21		12 - 1
0423016-1		66 -34	0426208-1		13 -12	0426508-22		12 - 1
0423230-8		7 -38	0426209-2		4 -61	0426511-18		3 -14
0423541-10		4 -43	0426209-2		5 -74	0426511-19		3 -14
0423541-13		4 -39	0426209-2		6 -69	0426511-6		3 -14
0423541-14		4 -39	0426209-2		7 -78	0426511-7		3 -14
0423541-15		4 -40	0426209-4		4 -61	0426512		4 - 7
0423541-16		4 -40	0426209-4		5 -74	0426512		4 - 7A
0423541-19		6 -46	0426209-4		6 -69	0426512		5 -10
0423541-20		6 -46	0426209-4		7 -78	0426512		5 -10A
0423541-21		6 -47	0426300		10 -	0426512		12 - 5
0423541-22		6 -47	0426300-1		10 -	0426512		12 - 6
0423541-31		6 -49	0426300-2		10 - 2	0426512-5		12 - 5A
0423541-32		6 -49	0426300-3		10 - 2	0426512-5		12 - 6A
0423541-33		6 -50	0426300-6		10 -	0426512-6		6 - 7
0423541-34		6 -50	0426300-7		10 -	0426512-6		7 -10
0423541-7		4 -42	0426306		10 -14	0426512-6		13 -26
0423541-8		4 -42	0426306-1		10 -14	0426512-8		13 -27
0423541-9		4 -43	0426307		10 -11	0426515-2		4 -31
0423542-6		83 - 7	0426307-1		10 -11	0426515-2		5 -47
0423564-1		3 -36	0426400-12		10 -22	0426515-3		4 -31
0423564-2		3 -36	0426400-12		11 -26	0426515-3		5 -47
0425142-1		16 -37	0426400-13		10 -22	0426515-4		4 -32
0425142-2		16 -37	0426400-13		11 -26	0426515-4		5 -48
0426003-18		3 -43	0426400-14		10 -21	0426515-5		4 -32
0426003-19		3 -43	0426400-15		10 -17	0426515-5		5 -48
0426005-100		6 -	0426400-16		10 -17	0426516-1		3 -15
0426005-14		4 -49	0426400-17		10 -19	0426516-15		3 -15
0426005-14		6 -56	0426400-18		10 -19	0426516-16		3 -15
0426005-211		8 -	0426400-19		11 -22	0426516-2		3 -15
0426005-218		8 -34	0426400-20		11 -22	0426517-1		12 -17
0426005-219		8 -34	0426400-21		11 -20	0426517-2		13 -14
0426005-221		8 -	0426400-22		11 -20	0426519-1		13 - 1
0426005-223		6 -	0426400-23		11 -20	0426519-19		13 - 1

150 & A150 Parts Catalog

PART NUMBER	FICHE AND FRAME	FIGURE AND INDEX NO.	PART NUMBER	FICHE AND FRAME	FIGURE AND INDEX NO.	PART NUMBER	FICHE AND FRAME	FIGURE AND INDEX NO.
0426519-2		13 - 1	0431007-4		22 -36	0432001-26		20 -30
0426519-20		13 - 1	0431007-4		22A-35	0432001-27		20 -31
0426522-1		5 - 9	0431008-1		21 - 9	0432001-28		20 -26
0426522-1		7 - 9	0431008-2		21 -10	0432001-30		20 -32
0426522-2		5 - 9	0431009-2		21 -18	0432001-33		20 -25
0426522-2		7 - 9	0431009-3		21 -18	0432001-34		20 -18
0426901-10		16 -32	0431009-3		21A-23	0432001-35		20 -28
0426901-11		16 -32	0431010-1		21 -14	0432001-36		20 -29
0426901-12		16 -31	0431010-1		21A-22	0432001-37		18 -20
0426901-13		16 -31	0431010-2		21 -16	0432001-41		18 -21
0426901-14		16 -38	0431010-7		21 -15	0432001-41		19 -19
0426901-15		16 -14	0431010-7		21A-21	0432001-42		20 -17
0426901-16		16 -14	0431013-1-791		22 -25	0432001-43		18 -25
0426901-17		16 -38	0431013-3-791		21 -27	0432001-43		19 -28
0426901-6		16 -33	0431014-1		21 -30	0432001-44		18 -40
0426901-7		16 -33	0431015-5		18 -45	0432001-46		18 -18
0426908		16 -21	0431015-5		19 -48	0432001-46		19 -23
0426908-1		16 -21	0431015-6		18 -46	0432001-5		20 -27
0430004-10-791		20 -41	0431015-6		19 -49	0432001-51		20 - 6
0430004-11-791		18 -43	0431015-7		18 -45	0432001-52		20 - 6
0430004-11-791		19 -46	0431015-7		19 -48	0432001-53		18 -31
0430011-1		21A-29	0431015-8		18 -46	0432001-53		19 -34
0430011-2		22A-13	0431015-8		19 -49	0432001-54		18 -38
0430011-3		84 -10	0431017-1		84 -10	0432001-55		18 -37
0431001-30		20 -21	0431017-2		84 -13	0432001-56		18 - 8
0431001-31		20 -19	0431020-2		86 -15	0432001-56		19 - 8
0431004-10		21 - 6	0431022-2		21 - 7	0432001-57		20 -24
0431004-10		21A- 6	0431022-2		21A-13	0432001-59		18 -
0431004-11		21 - 5	0431023-1		21 -31	0432001-6		18 -17
0431004-11		21A-12	0431023-1		21A-31	0432001-6		19 -22
0431004-12		21 -20	0431024-1		21 -35	0432001-61		19 -
0431004-12		21A-15	0431024-1		21A-34	0432001-62		19 -44
0431004-13		21 -21	0431028-1		22 -12	0432001-63		19 -43
0431004-13		21A-16	0431028-1		22A-12	0432001-64		19 -41
0431004-14		21 -22	0431028-2		22 -11	0432001-65		19 -40
0431004-14		21A-17	0431028-2		22A-11	0432001-66		19 -16
0431004-15		21 -23	0431028-3		22 -10	0432001-67		19 -17
0431004-16		21 -24	0431028-3		22A-10	0432001-68		19 -25
0431004-17		22 -13	0431028-4		22 - 9	0432001-69		19 -26
0431004-18		21 -12	0431028-4		22A- 9	0432001-70		19 -33
0431004-18		21A-14	0431028-5		22 - 8	0432001-71		20 - 9
0431004-19		21 -13	0431028-5		22A- 8	0432001-8		18 -14
0431004-2		21 -	0431028-6		22 - 7	0432001-9		18 -15
0431004-20		21 -17	0431028-6		22A- 7	0432003-1		18 -36
0431004-21		22 -37	0431032-1		21A-	0432003-1		19 -39
0431004-21		22A-38	0431032-10		21A-28	0432004-1		18 -10
0431004-22		22 -35	0431032-13		21A- 7	0432004-1		19 -10
0431004-22		22A-36	0431032-15		21A- 8	0432004-9		18 -10
0431004-23		22 -34	0431032-16		21A- 8	0432004-9		19 -10
0431004-23		22A-37	0431032-17		21A-19	0432005-1		18 - 5
0431004-24		22 -19	0431032-2		21A-	0432005-1		19 - 5
0431004-24		22A-34	0431032-3		21A- 4	0432005-2		18 - 6
0431004-25		22 -18	0431032-4		21A- 4	0432005-2		19 - 6
0431004-25		22A-33	0431032-5		21A- 5	0432006-1		19 -21
0431004-26		22 -16	0431032-6		21A-27	0432007-1		19 -14
0431004-26		22A-31	0431032-8		21A-26	0432007-2		19 -15
0431004-27		22 -21	0431032-9		21A-25	0432007-3		19 -20
0431004-34		22 -23	0431033-1		21A-20	0432134-1		72 - 5
0431004-35		21 -26	0431034-1		21A- 9	0432138-1		72 -14
0431004-36		22 -14	0431034-2		21A-10	0432138-8		72 -15
0431004-37		22 -17	0432001-10		18 -23	0432163-3		20 -35
0431004-37		22A-32	0432001-11		18 -22	0432165-1		18 -34
0431004-38		21 - 4	0432001-12		18 -30	0432165-1		19 -37
0431004-39		21 -	0432001-15		18 - 9	0432166-3		20 - 1
0431004-4		21 - 3	0432001-15		19 - 9	0432166-5		20 - 1
0431004-41		22 -	0432001-16		18 -41	0432168-5		20 -33
0431004-43		22 -20	0432001-19		18 -16	0432169-1		30 - 9
0431004-48		21A-18	0432001-19		19 -18	0433007		22 -27
0431004-5		21 - 4	0432001-20		18 -16	0433007		22A-14
0431004-6		22 - 5	0432001-20		19 -18	0433010-1		22A-
0431004-7		22 -15	0432001-21		20 -11	0433010-10		22A-26
0431004-9		21 -11	0432001-22		20 -17	0433010-12		22A-29
0431005-1		22 -38	0432001-23		20 -16	0433010-2		22A-25
0431005-1		22A-39	0432001-24		20 - 9	0433010-3		22A-28

150 & A150 Parts Catalog

PART NUMBER	FICHE AND FRAME	FIGURE AND INDEX NO.	PART NUMBER	FICHE AND FRAME	FIGURE AND INDEX NO.	PART NUMBER	FICHE AND FRAME	FIGURE AND INDEX NO.
0433010-4		22A-24	0441217-19		36A-37	0450211-1		59A-34
0433010-5		22A-21	0441217-19		36B-37	0450211-2		59A-54
0433010-6		22A- 5	0441217-214		36A-37	0450215-1		59-33
0433010-7		22A-30	0441217-214		36B-37	0450215-1		59A-40
0433010-8		22A-40	0441217-215		36A-37	0450234-29		59-11
0433010-9		22A-27	0441217-215		36B-37	0450234-29		59-14
0433133-1		30 - 7	0441217-3		36A-37	0450258		75-24
0433134-3		20 -22	0441217-4		36A-37	0450260		53 - 4
0433134-6		20 -23	0441218-1		36A-33	0450262		54 -13
0433135-1		22 -24	0441218-1		36B-33	0450262		54A-13
0433137-1		22 -39	0441218-2		36A-33	0450262		59 -19
0433137-1		22A-41	0441218-2		36B-33	0450262		59 -38
0433137-2		22 -40	0441220-1		36A-44A	0450262		59A-10
0433137-2		22A-42	0441220-2		36A-44A	0450262		59A-24
0433139-1		22A-22	0441221-1		36A- 2	0450262		59A-42
0434155-1		20 -13	0441221-1		36A-16	0450266-1		54 -12
0434155-2		20 -14	0441221-1		36B- 2	0450266-1		59 -24
0441023-2		36 - 6	0441221-1		36B-16	0450266-1		59A-11
0441024-1		36 - 2	0441224-1		36A- 4	0450277-11		83A-10
0441024-2		36 - 2	0441224-1		36B- 5	0450277-5		59 -42
0441025-1		36 - 1	0441225-1		36A-42	0450277-5		59A-49
0441119		36 -13	0441225-1		36B-44	0450277-8		59 -43
0441132		61 -18	0441225-2		36A-42	0450277-8		59A-50
0441139-5		36 -20	0441225-2		36B-44	0450302-1		54 - 8
0441139-6		36 -20	0441226-1		36A-44A	0450302-1		59 -21
0441155-1		25 -19	0441226-1		36B-47	0450302-3		54 - 9
0441169-1		36 - 7	0441226-2		36A-44A	0450302-3		54A-10
0441169-2		36 - 7	0441226-2		36B-47	0450302-3		59 - 8
0441170-1		25 -14	0441227-1		36B-42	0450302-3		59 -23
0441171-1		25 -13	0441227-2		36B-42	0450302-3		59A- 8
0441172-1		25 -11	0442017-1		33 -12	0450302-3		59A-21
0441186-1		36 - 7	0442142-1		32 -16	0450302-4		54 -10
0441186-2		36 - 7	0442143-1		32 -17	0450302-4		59 -22
0441201-1		36 -29	0442143-2		32 -17	0450303-1		59 - 6
0441201-2		36 -29	0442145-1		2 -36	0450303-3		59 - 7
0441201-5		36A-42	0442145-1		2A-27	0450303-4		59A-12
0441201-6		36A-42	0442145-1		2B-30	0450303-5		59A-20
0441203-1		36A-15	0442145-1		2C-30	0450311		56 -24
0441203-1		36B-15	0442145-1		2D-29	0450311		60 - 2
0441204-11		25A- 6A	0442145-1		33 -31	0450311		60A- 2
0441204-12		25A- 7A	0442504-10		33 -	0450311-12		56 -50
0441204-15		25A- 6A	0442504-13		33 -	0450311-3		56 -61
0441204-16		25A- 7A	0442504-200		33 - 2	0450311-3		76 -46
0441204-3		25A- 6	0442504-201		33 - 2	0450311-5		60A- 9
0441204-4		25A- 7	0442506-1		33 -34	0450311-6		56 -50
0441204-7		25A-11	0442506-2		33 -46	0450314		56 -16
0441204-8		25A-12	0442506-8		33 -44	0450322		59 -26
0441209-1		25A- 3A	0442506-9		33 -45	0450322		59A-33
0441209-2		25A- 4A	0442512-1		35 -	0450322-1		59 -26
0441211-1		25A- 3	0450027-12		53 - 8	0450322-1		59A-33
0441211-2		25A- 4	0450032-1		82 - 9	0450338-10		58 -20
0441211-5		25A- 3A	0450034-1		59 -41	0450338-66		58 -18
0441211-6		25A- 4A	0450034-2		87 -19	0450338-67		58 -17
0441212-1		36A- 1	0450035-1		57A-13	0450338-69		58 - 9
0441212-2		36A- 1	0450035-1		87 - 9	0450338-70		58 -13
0441212-5		36A- 1	0450036-1		82 -15	0450338-74		58 -13
0441212-5		36B- 1	0450037-1		82 -10	0450338-76		58 - 9
0441212-6		36A- 1	0450039-1		53 -10	0450338-9		58 -19
0441212-6		36B- 1	0450039-2		53 -11	0450340-1		56 -34
0441214-7		36A- 3A	0450039-2		53A- 9	0450343-1		56 -38
0441214-7		36B- 4	0450039-5		53A-10	0450345-1		59 -39
0441214-8		36A- 3A	0450040-1		53 -12	0450345-1		59A-46
0441214-8		36B- 4	0450042-2		53A- 6	0450400-201		58 - 3
0441215-1		50 -43	0450046-1		53A-11	0450400-21		58 -
0441216-1		36A-35	0450046-5		53A-11	0450400-25		58 -
0441216-2		36A-35	0450050-3		53A- 8A	0450400-26		58 - 2
0441216-5		36A-35	0450163-1		59 -18	0450400-3		58 - 1
0441216-5		36B-35	0450163-1		59A-18	0450400-6		58 - 4
0441216-6		36A-35	0450171		59A-52	0450403-2		78 -16
0441216-6		36B-35	0450191-1		56 -39	0450403-3		78 -16
0441217-11		36A-37	0450209		59A-53	0450404-200		78 -15
0441217-12		36A-37	0450210		59 -27	0450404-201		78 -15
0441217-18		36A-37	0450210		59A-35	0450408-1		54 -19
0441217-18		36B-37	0450211-1		59 -28	0450408-1		54A-19

150 & A150 Parts Catalog

PART NUMBER	FICHE AND FRAME	FIGURE AND INDEX NO.	PART NUMBER	FICHE AND FRAME	FIGURE AND INDEX NO.	PART NUMBER	FICHE AND FRAME	FIGURE AND INDEX NO.
0450409-1		54A- 1	0452004-1		55A-11	0453010-1		60 -21
0450409-2		54A- 2	0452005-1		86 - 2	0453010-1		60A-20
0450502-12		59 - 3	0452005-2		86 - 3	0453107-2		26 -49
0450502-13		54 - 6	0452006-1		54 -21	0453107-2		26A-48
0450502-13		59 -17	0452006-1		54A-22	0453107-3		26 -48
0450502-22		59 -12	0452007-2-791		54 - 1	0453107-3		26A-47
0450502-23		59 - 9	0452008-1		55A-37	0453110		26 -50
0450502-24		59 -35	0452008-2		55A-38	0453110		26A-49
0450502-24		59A-44	0452009-11		55A-29A	0453114-3		26 -46
0450502-25		59 -36	0452009-9		55A-27A	0453114-4		26 -46
0450502-25		59A-45	0452010-10		55A-36	0453114-5		26A-45
0450502-28		59 -30	0452010-11		55A-40	0453115-1		26 -47
0450502-28		59A-37	0452010-12		55A-41	0453115-1		26A-46
0450502-29		59 -31	0452010-18		55A-23	0453116-5		26 -51
0450502-29		59A-38	0452010-2		55A-23	0453116-5		26A-50
0450502-30		59 -32	0452010-200		55A-23	0453116-6		26 -52
0450502-30		59A-39	0452010-201		55A-23	0453116-6		26A-51
0450502-31		59 - 1	0452010-3		55A- 1	0453116-7		26 -54
0450502-32		59 -15	0452010-4		55A- 6	0453116-7		26A-53
0450502-36		59 -29	0452010-5		55A-31	0453116-8		26 -53
0450502-38		59 -29	0452010-6		55A-32	0453116-8		26A-52
0450502-39		54 - 5	0452010-9		55A-14	0453116-9		26 -53
0450502-42		59A-36	0452011-1		55A-24	0453116-9		26A-52
0450502-44		59A-36	0452011-2		55A- 4	0453117-1		54 -20
0450506-1		59 -34	0452011-200		55A-24	0453117-1		54A-20
0450506-1		59A-41	0452011-201		55A-24	0455000-11		59A-27
0450507-1		59 - 4	0452011-6		55A-24	0455000-13		59A-31
0450507-1		59A- 6	0452012-1		55A- 5	0455000-4		59A-28
0450515-2		53 - 1	0452012-2		55A-25	0455000-5		59A- 7
0450516-1		53 - 6	0452012-5		55A-26	0455000-6		59A-32
0451116-1		86 - 1	0452012-6		55A-27	0455000-7		59A- 9
0451120-1		56 - 3	0452013-1		83A- 1	0455001-10		54A-11
0452002-16		55 -29	0452014-1		55A-28	0455001-10		59A-22
0452002-17		55 -30	0452014-1		83A-12	0455001-14		54A- 9
0452002-29		55 -25	0452015-2		83A- 5	0455001-2		59A-14
0452002-29		55A-35	0452015-6		83A- 5A	0455001-3		59A- 1
0452002-30		55 -35	0452015-7		83A- 8	0455001-4		59A-19
0452002-42		55 -34	0452017-15		56 -72	0455001-7		59A- 4
0452002-43		55 -28	0452017-5		56 -73	0455001-8		59A-16
0452002-45		55 -27	0452017-6		56 -74	0456002-1		56 -56
0452002-6		55 - 2	0452017-7		56 -75	0456003-3		57A-12
0452003-11		55 - 5	0452018-1		83A-12A	0456003-3		87 -10
0452003-11		55A- 8	0452018-5		55A-28	0456003-5		57A- 2
0452003-12		55 -24	0452018-5		83A-12A	0456003-5		87 -24
0452003-12		55A-34	0452019-1		56 -70	0456004-1		54 -22
0452003-13		55 -23	0452200-1		55 -36	0456004-1		54A-23
0452003-13		55A-33	0453001-4		26 -45	0456004-2		56 - 8
0452003-14		55 - 3	0453001-5		26 -45	0456004-200		54 -23
0452003-15		55 -20	0453001-6		26A-44	0456004-200		54A-24
0452003-16		55 - 6	0453002-10		60 -29	0456004-6		54 -24
0452003-16		55A-10	0453002-16		60 -20	0456004-6		54A-25
0452003-17		55 - 6	0453002-16		60A-19	0456005-1		57A-24
0452003-17		55A- 9	0453002-24		60 -23	0456006-1		59A-48A
0452003-18		55 -32	0453002-25		60 -19	0456007-1		78 -32
0452003-19		55 -33	0453002-26		60 -18	0460101		64 -13
0452003-2		55 - 1	0453002-27		60A-17	0460108-1		66 -15
0452003-20		55 -14	0453002-31		60A-17	0460108-1		66 -26
0452003-20		55A-16	0453002-4		60 -22	0460108-1		69 -15
0452003-22		55 -17	0453002-4		60A-18	0460109-1		66 -13
0452003-22		55A-19	0453002-5		60 -27	0460109-1		66 -20
0452003-25		55 - 9	0453002-6		60 -28	0460109-1		69 -15
0452003-25		55A-13	0453002-7		60 -30	0460116-3		64 -43
0452003-26		55 -26	0453003-1		26 -57	0460116-3		71 - 4
0452003-26		55A-39	0453003-1		26A-56	0460124-1		72 -23
0452003-27		55 -19	0453003-4		26 -56	0460126-1		26 -40
0452003-27		55A-18	0453003-4		26A-55	0460126-1		26A-39
0452003-28		55 - 8	0453003-6		26 -58	0460126-4		26 -33
0452003-28		55A-12	0453003-6		26A-57	0460126-4		26A-32
0452003-3		55 -20	0453003-8		26 -55	0460127-2		72 - 1
0452003-4		55 - 4	0453003-8		26A-54	0460128-1		64 -
0452003-4		55A- 7	0453004-1		80 -17	0460128-200		64 -36
0452003-6		55 -21	0453005-1		80 -18	0460129-1		64 -35
0452003-7		55 -22	0453006-3		60 -10	0460131-1		72 -11
0452004-1		55 - 7	0453006-3		60A-10	0460132-1		72 - 7

150 & A150 Parts Catalog

PART NUMBER	FICHE AND FRAME	FIGURE AND INDEX NO.	PART NUMBER	FICHE AND FRAME	FIGURE AND INDEX NO.	PART NUMBER	FICHE AND FRAME	FIGURE AND INDEX NO.
0460133-3		72 - 9	0500315-2		76 -38	0513039-7		47A-50
0460134-1		50 - 1	0501019-1		50 -12	0513039-7		47B-68
0460134-3		50 - 1	0501022-1		50 -27	0513039-7		47C-70
0460137-1		50 - 1	0501022-1		50 -33	0513056-3		47 -17
0460150-1		71 -30	0505007-1		2 -31	0513056-3		47A-12
0460151-1		65 -32	0505007-1		2A-30	0513056-4		47 -17A
0460152-1		72 - 9A	0505007-1		2B-33	0513085-3		49A- 3
0460153-1		72 -11A	0505007-1		2C-33	0513208-1		81 -11
0460195-1		86 -23	0505007-1		2D-32	0513208-1		81A-22
0460196-1		86 -35	0505009-2		2 -29	0513208-1		81B-25
0460196-2		86 -18	0505009-2		2A-20	0513239-13		64 -50
0460197-1		86 -29	0505009-3		2A-20	0513239-15		64 -50
0460198-1		86 -30	0505009-3		2B-23	0513239-18		64 -50
0460198-2		86 -31	0505009-3		2C-23	0513239-9		64 -50
0460199-1		26 -39A	0505009-3		2D-22	0513240-16		64 -48
0460200-1		65 -11	0505012-1		2 -10	0513240-18		64 -48
0460201-1		71 -29	0505012-2		2 -10	0513240-20		64 -48
0460204-1		4 -35B	0505015-1		2 -11	0513245-2		40 - 6
0460204-1		5 -41	0505015-2		2 -11	0513246-4		40 - 1
0460204-1		6 -36B	0505017-1		2 -12	0513260-13		64 -50
0460204-1		7 -45	0505020-2		2 -22	0513260-14		64 -50
0460204-2		4 -35C	0505021-10		2 -15	0513260-19		64 -50
0460204-2		5 -41	0505021-11		2 -17	0513260-4		64 -50
0460204-2		6 -36C	0505021-7		2 -13	0513260-5		64 -50
0460204-2		7 -45	0505021-8		2 -14	0513261-10		64 -48A
0460205-1		4 -35D	0505021-9		2 -16	0513261-11		64 -48A
0460205-1		5 -41A	0505024-1		2 - 2A	0513261-16		64 -48A
0460205-1		6 -36D	0505025-1		2 -13A	0513261-17		64 -48A
0460205-1		7 -45A	0505025-2		2 -14A	0513261-7		64 -48
0460205-2		4 -35E	0505025-3		2 -15A	0513261-8		64 -48
0460205-2		5 -41A	0505030-1		2 -42	0513292-1		47C-82
0460205-2		6 -36E	0505061-1		2D- 1	0513292-2		47C-83
0460205-2		7 -45A	0505061-3		2D- 1	0513292-3		49A- 6
0460206-1		70A-13	0505061-4		2D- 1	0513351-1		47 - 2
0460207-1		70A- 1	0505061-5		2D- 2	0513351-1		47 - 8
0460208-1		47C- 7	0505061-6		2D- 2	0513426-2		24 -12A
0460208-1		70A-19	0511049		43 -11	0513426-2		24A-14
0460209-1		70A-20	0511049-1		43 -11	0513426-4		24A-14
0460209-3		70A-21	0511165		42 -18	0513448-1		79 -31
0460210-1		70A- 3	0511165		42A-19	0513448-1		79A-28
0460210-3		70A- 4	0511165		50A-18	0514088-1		64 -53
0460214-4		29 -63A	0511165		50B-11	0514097-1		64 -53
0460215-1		29 -63	0511258-2		39 - 6	0515010-10		41 -44
0460216-2		70A-18	0511260-1		39 - 8	0516006-1		4 - 4
0460217-1		70A-43	0511260-2		39 - 8	0516006-1		5 - 6
0460218-1		70A-49	0511261-3		39 -10	0516006-1		6 - 6
0470007-1		48 -16	0511261-4		39 -16	0516006-1		12 -27
0470007-1		48A-12	0511261-5		39 -16	0516006-1		13 -30
0470008-1		48 -15	0511263-1		38 -59	0517002-1		38 -56
0470112-1		81A-10	0511263-1		38A-50	0517002-1		38A-60
0470114-1		81A- 1	0511264-1		39 - 5	0521103-2		8 -22
0470118-2		81B-17	0511266-1		39 -12	0521103-2		9 -22
0470311-7		70A-25	0511319-1		80 - 1	0521103-2		73 - 1
0470401-KA3		80 -39	0511324-2		81B-31	0521103-4		8 -22
0470401-PA1		80 - 3	0511324-3		81B-35	0521103-4		9 -22
0470401-PA5		80 - 4	0511324-4		81B-32	0521103-4		73 - 1
0470401-PC1		80 -20	0511484-2		24 -11A	0522150-3-791		17 -13
0470405-1		70A- 7B	0511484-2		24A-11	0522150-4-791		17 -13
0495601-1		78 -17	0511771-7		38 -21	0522150-6-791		17 -13
0500228-2		50 -14	0511771-7		38A-21	0522150-7-791		17 -13
0500228-3		50 -18	0511771-7		40 - 4	0523003-10		8 -24
0500228-5		50 -17	0511771-7		40 - 5	0523003-11		8 -24
0500276-1		52 - 7	0511771-8		38 -21	0523003-40		4 -44
0500276-1		86 -41	0511771-8		38A-21	0523003-40		5 -57
0500276-2		52 - 7	0511771-8		40 - 4	0523003-40		6 -51
0500276-2		86 -41	0511771-8		40 - 5	0523003-40		7 -61
0500276-5		52 - 7	0512006-1		76 - 2	0523003-48		5 -15
0500276-6		52 - 7	0512122		29 - 1	0523003-48		7 -20
0500310-1		50 - 6	0512123		3 - 5	0523003-56		8 -35
0500312-2		50 - 3	0513039-1		47 -50	0523003-57		8 -35
0500313-1		50 - 5	0513039-1		47A-50	0523003-62		4 -51
0500315-1		56 -64	0513039-1		47B-68	0523003-62		6 -60
0500315-1		76 -37	0513039-1		47C-70	0523003-63		8 -24
0500315-2		56 -65	0513039-7		47 -50	0523003-74		4 -52

150 & A150 Parts Catalog

PART NUMBER	FICHE AND FRAME	FIGURE AND INDEX NO.	PART NUMBER	FICHE AND FRAME	FIGURE AND INDEX NO.	PART NUMBER	FICHE AND FRAME	FIGURE AND INDEX NO.
0523003-74		6 -57	0523223		15 - 1	0523406-4		11 -21
0523003-80		4 -47	0523223-1		15 - 1	0523406-5		11 -21
0523003-80		6 -55	0523230		4 -25	0523407		4 -29
0523003-81		4 -48	0523230		6 -32	0523407		5 -43
0523003-81		6 -53	0523230-1		4 -25	0523407		6 -38
0523003-83		4 -53	0523230-1		6 -32	0523407		7 -47
0523003-83		6 -58	0523230-4		4 -25	0523407-1		4 -30
0523005-229		8 -23	0523230-4		5 -34	0523407-1		5 -44
0523005-50		10 -24	0523230-4		6 -32	0523407-1		6 -39
0523005-50		11 -27	0523230-4		7 -38	0523407-1		7 -48
0523005-51		10 -24	0523230-5		4 -25	0523408		4 -28
0523005-51		11 -27	0523230-5		5 -34	0523408		5 -42
0523005-56		8 -23	0523230-5		7 -38	0523408		6 -37
0523005-57		8 -23	0523230-8		5 -34	0523408		7 -46
0523007-11		8 - 1	0523230-9		5 -34	0523409		10 -24
0523007-14		4 -45	0523230-9		7 -38	0523409		11 -23
0523007-16		4 -46	0523231-13		4 -21	0523505-1		6 -14
0523007-16		6 -54	0523231-13		5 -30	0523505-2		6 -14
0523007-19		4 -50	0523231-13		6 -28	0523505-5		7 -19
0523007-19		6 -59	0523231-13		7 -34	0523505-6		7 -19
0523007-20		4 -50	0523231-21		4 -21	0523508-12		6 -15
0523007-20		6 -59	0523231-21		5 -30	0523508-13		6 -15
0523007-24		6 -52	0523231-21		6 -28	0523508-16		5 -16
0523106		8 -32	0523231-21		7 -34	0523508-20		7 -21
0523106		9 -34	0523231-24		5 -31	0523508-21		7 -21
0523107		8 - 2	0523231-5		4 -21	0523508-25		6 -15
0523107-2		8 - 2	0523231-5		5 -30	0523508-26		6 -15
0523107-5		9 - 2	0523231-5		6 -28	0523508-28		7 -21
0523107-6		9 - 2	0523231-5		7 -34	0523508-29		7 -21
0523108		8 - 6	0523232-2		4 -20	0523508-34		4 - 8
0523108		8 - 7	0523232-2		6 -26	0523508-35		4 - 8
0523108		8 - 9	0523232-6		5 -28	0523508-36		5 -16
0523108-3		8 - 7	0523232-6		7 -32	0523508-37		5 -16
0523108-4		8 - 9	0523233-12		5 -31	0523508-43		4 - 8
0523109		8 -25	0523233-12		7 -35	0523508-45		5 -16
0523109-1		8 -25	0523233-13		5 -32	0523508-5		4 - 8
0523110-10		9 -25	0523233-13		7 -36	0523508-8		4 - 8
0523110-11		9 -25	0523233-24		6 -29	0523509-1		4 -10
0523111-5		9 - 6	0523233-24		7 -35	0523509-1		4 -10
0523111-5		9 - 7	0523233-3		4 -24	0523509-12		5 -18
0523111-5		9 - 9	0523233-4		4 -23	0523509-12		5 -18
0523111-6		9 - 7	0523233-4		6 -30	0523509-13		5 -19
0523111-7		9 - 9	0523233-5		5 -33	0523509-13		7 -23
0523115		83 - 1	0523233-5		6 -31	0523509-14		4 -11
0523115-2		3 -30	0523233-5		7 -37	0523509-14		6 -18
0523115-3		83 - 2	0523233-8		4 -22	0523509-16		4 -10
0523115-5		83 - 3	0523233-8		5 -31	0523509-18		5 -18
0523118-1		83 - 4	0523233-8		6 -29	0523509-2		4 -11
0523215		10 -30	0523233-8		7 -35	0523509-2		6 -18
0523215		11 -33	0523233-9		4 -22	0523509-20		4 -10
0523215-1		10 -30	0523233-9		6 -29	0523509-4		4 -10
0523215-1		11 -33	0523234-24		4 -22	0523510-19		5 -20
0523216		10 -29	0523240-5		6 -32	0523510-19		7 -24
0523216		11 -32	0523306		10 - 6	0523510-20		5 -20
0523218		15 -10	0523306		11 - 5	0523510-20		7 -24
0523218-2		15 -14	0523307		17 - 4	0523510-6		4 -12
0523219-2		4 -37	0523307-1		17 - 4	0523510-6		6 -19
0523219-2		5 -50	0523308		10 -10	0523510-7		4 -12
0523219-2		6 -44	0523308-1		11 - 9	0523510-7		6 -19
0523219-2		7 -54	0523309		10 -13	0523511-14		5 -22
0523219-3		4 -37	0523309-1		10 -13	0523511-14		7 -26
0523219-3		5 -50	0523309-4		11 -12	0523511-15		5 -35
0523219-3		6 -44	0523309-5		11 -12	0523511-15		7 -39
0523219-3		7 -54	0523311		10 -12	0523511-3		4 -13
0523219-4		4 -38	0523311-1		11 -11	0523511-4		4 -26
0523219-4		5 -51	0523316		10 -17	0523511-4		6 -33
0523219-4		6 -45	0523316-1		10 -17	0523511-5		8 -28
0523219-4		7 -55	0523317		10 - 1	0523512-19		5 -23
0523219-5		4 -38	0523317-1		10 - 1	0523512-19		7 -27
0523219-5		5 -51	0523318		10 -16	0523512-21		9 -30
0523219-5		6 -45	0523318-1		10 -16	0523512-22		5 -36
0523219-5		7 -55	0523319-1		10 -15	0523512-22		7 -40
0523221		15 - 2	0523406-2		10 -18	0523512-3		4 -14
0523222		15 - 9	0523406-3		10 -18	0523512-3		6 -21

150 & A150 Parts Catalog

PART NUMBER	FICHE AND FRAME	FIGURE AND INDEX NO.	PART NUMBER	FICHE AND FRAME	FIGURE AND INDEX NO.	PART NUMBER	FICHE AND FRAME	FIGURE AND INDEX NO.
0523512-4		4 -27	0523556-1		12 -23	0523901-14		16 -27
0523512-4		6 -34	0523556-1		13 -23	0523912		16 -22
0523512-5		8 -29	0523558-1		3 -22	0523912-1		16 -23
0523513-10		4 -15	0523561-1		7 -22	0523914		16 -25
0523513-10		6 -22	0523564-1		6 -16	0523918		16 -28
0523513-12		9 -31	0523564-2		4 -10	0523919		16 -17
0523513-13		5 -24	0523564-2		5 -18	0523920		16 -16
0523513-13		7 -28	0523565-200-791		4 -63	0523921		16 -15
0523513-14		5 -24	0523565-200-791		5 -76	0523923		16 -24
0523513-14		7 -28	0523565-200-791		6 -71	0525511-3		6 -20
0523513-4		8 -30	0523565-200-791		7 -80	0532104		22 - 2
0523513-9		4 -15	0523565-201-791		4 -63	0532104		22A - 2
0523513-9		6 -22	0523565-201-791		5 -76	0533010-1		71 -12A
0523514-3		4 -16	0523565-201-791		6 -71	0534126-1		20 -12
0523514-3		6 -23	0523565-201-791		7 -80	0534126-4		20 -12A
0523514-4		8 -31	0523565-21		4 -63	0534126-6		22 - 6
0523514-6		9 -32	0523565-21		5 -76	0534126-6		22A - 6
0523514-7		5 -25	0523565-21		6 -72	0541105		36 - 5
0523514-7		7 -29	0523565-21		7 -81	0541111-2		36 -20
0523515-3		4 -17	0523565-22		4 -63	0541115-2		86 -10
0523515-3		6 -24	0523565-22		5 -76	0541115-3		86 - 9
0523515-4		8 -36	0523565-22		6 -72	0541115-4		86 -12
0523515-6		9 -38	0523565-22		7 -81	0541124		36 -16
0523515-7		5 -26	0523565-29-791		4 -63	0541138-19		63 -
0523515-7		7 -30	0523565-29-791		5 -76	0541138-5		63 -13
0523517-4		5 -18	0523565-29-791		6 -71	0541139		63 - 9
0523517-4		6 -17	0523565-29-791		7 -80	0541140		63 - 1
0523520-9		12 - 7	0523565-30-791		4 -63	0541143		63 -16
0523520-9		13 -18	0523565-30-791		5 -76	0541144		63 -15
0523522-1		4 - 7A	0523565-30-791		6 -71	0541146-1		63 - 6
0523522-1		5 -10A	0523565-30-791		7 -80	0541148		63 -12
0523522-1		6 - 8	0523566-1		3 -37	0541148-1		63 -19
0523522-1		7 -11	0523566-2		3 -37	0541149		63 -13
0523522-1		12 - 6	0523566-5		3 -37	0541151		63 - 8
0523522-1		13 -28	0523566-6		3 -37	0541154-1		36 -23
0523522-11		4 - 7	0523613-1		17 -10	0541154-1		36A-11
0523522-11		5 -10	0523613-2		86 -16	0541154-2		36A-11
0523522-11		12 - 5	0523613-4		30 -18	0541156-1		36 -27
0523522-13		12 - 5A	0523614-1		17 - 7	0541156-2		36 -27
0523522-7		12 - 6A	0523619-1		3 -21	0541157-1		36 -20
0523522-7		13 -29	0523800		15 -17	0541157-2		36 -20
0523524		10 - 4	0523800-1		15 -17	0541157-3		36 -20
0523524		10 - 4	0523800-10		15 -32	0541165-1		63 - 3
0523524		10 -21	0523800-11		15 -32	0541167-1		63 - 7
0523524		11 - 3	0523800-12		15 -33	0541172-1		75 -23
0523524		11 - 3	0523800-13		15 -33	0541173-1		75 -25
0523524		11 -25	0523800-6		15 -30	0541174-1		75 -20
0523529-1		12 -10	0523900-7		15 -30	0541178-1		75 -27
0523529-1		13 - 9	0523800-8		15 -31	0541178-1		75 -28
0523531		12 -13	0523800-9		15 -31	0541184-1		63 -10
0523531		13 - 5	0523806		15 -21	0541203-1		36A-45
0523532		12 - 9	0523806-1		15 -21	0541203-2		36A-45
0523532		13 -11	0523807		15 -20	0541205-1		36A-52
0523536		16 - 3	0523808		15 -22	0541205-2		32 -33
0523536		69 -28	0523808-2		15 -22	0541206-1		36A-51
0523536		69 -36	0523809		15 -23	0541207-1		36A-50
0523537		16 - 7	0523809-1		15 -23	0541207-2		32 -31
0523537		69 -30	0523810		15 -24	0541207-4		32 -31
0523537-2		16 -12	0523811		15 -25	0541211-1		36A-11
0523539-10		6 -43	0523811-1		15 -25	0541211-1		36B-11
0523539-10		7 -52	0523813-1		15 -34	0541219-1		36A-51
0523539-7		6 -42	0523813-2		10 -26	0541219-1		36B-55
0523539-7		7 -51	0523813-2		11 -29	0541219-2		36A-51
0523539-8		6 -42	0523813-3		10 -25	0541219-2		36B-55
0523539-8		7 -51	0523813-3		11 -28	0541221-1		36A-52
0523539-9		6 -43	0523813-4		10 -27	0541221-1		36B-56
0523539-9		7 -52	0523813-4		11 -30	0541221-2		32 -33A
0523542-4		9 -29	0523813-5		10 -28	0541222-1		36A-50
0523552-2		12 -20	0523813-5		11 -31	0541222-1		36B-54
0523552-2		13 -20	0523813-6		15 -36	0541223-1		36A-45
0523554-1		12 -21	0523813-7		15 -37	0541223-13		32 -31A
0523554-1		13 -21	0523813-8		15 -35	0541223-13		36A-53A
0523554-2		12 -22	0523814-3		15 -29	0541223-13		36B-58
0523554-2		13 -22	0523901-13		16 -26	0541223-16		36B-48

150 & A150 Parts Catalog

PART NUMBER	FICHE AND FRAME	FIGURE AND INDEX NO.	PART NUMBER	FICHE AND FRAME	FIGURE AND INDEX NO.	PART NUMBER	FICHE AND FRAME	FIGURE AND INDEX NO.
0541223-17		36B-48	0710638-1		38A-22	0721105-5		73 -27
0541223-2		36A-45	0711021-9		38 -14	0721107-1		4 -59
0542100-6		35 - 1	0711021-9		38A-14	0721107-1		5 -73
0542101-1		35 - 5	0711038-1		38 -18	0721107-1		6 -68
0542102-3		35 - 6	0711038-1		38A-18	0721107-1		7 -77
0543000-27		33 -16	0711080-1	#	46 - 1	0721107-2		4 -59
0543007-2		33 - 6	0711083-1		42 -21	0721107-2		5 -73
0543008-6		33 - 1	0711083-1		42A-23	0721107-2		6 -68
0543022-3		32 - 5	0711083-1		50A-30	0721107-2		7 -77
0543022-4		32 - 5	0711098-7		46 -15	0721111-10		6 -13
0543023		32 - 9	0711098-8		46 -16	0721111-29		7 -18
0543029		33 -29	0712031-1		80 -26	0721111-30		7 -18
0543036-1		33 -18	0713026-6		47 -52	0721111-37		6 -13
0543047-1		33 -36	0713026-6		47A-52	0721111-37		7 -18
0543047-1		33 -48	0713026-6		68 -15	0721111-38		6 -13
0543065-1		32 -22A	0713026-6		68 -49	0721111-38		7 -18
0543065-10		32 -22A	0713047		2 -30	0721111-9		6 -13
0543079-1		32 -22A	0713047		2A-26	0722201-2		4 -11
0550100-11		56 -28	0713047		2B-29	0722201-2		6 -18
0550100-11		60 -37	0713047		2C-29	0722707-1		10 -10
0550176-50		58 -10	0713047		2D-28	0722707-1		11 - 9
0550176-50		58 -14	0713047		23 -10	0724115-2		15 -28
0551012-2		56 - 2	0713074-1		44 -31	073-01100		37 -18
0552110-1		2 -28	0713074-1		44A-37	073-01100		37C-18
0552110-1		2A-19	0713074-1		45 -36	0731605-2		21 -34
0552110-1		54 - 5	0713074-1		45A-40	074-01000		37 -16
0552110-1		54A- 7	0713124-1		83 - 6	074-01000		37C-16
0552110-3		2A-19	0713173-1		24 -38	0741022-1		36 - 6
0552110-3		2B-22	0713173-1		24A-42	0741046-11		36 -38
0552110-3		2C-22	0713173-2		24 -38	0741046-14		36 -39
0552110-3		2D-21	0713173-2		24A-43	0741046-202		36 -32
0552110-3		54A- 7	0713173-5		23 - 6	0741046-203		36 -32
0552161-2		80 -22A	0713173-6		23 - 7	0741047-1		36 -41
0552161-4		80 -24A	0713221-1		48B- 2	0741047-1		36A-54
0553005-1		80 -16	0713221-1		48C- 2	0741047-2		36A-54
0570088-1		85A- 4	0713303-19		44 -22	0741047-2		36B-60
0570088-4		85A- 4	0713303-19		44A-21	0741048-7		36 -43
0570094-1		85A-22	0713303-19		44B-21	0741048-7		36A-55
0570094-2		85A-24	0713303-19		44C-24	0741048-8		36 -28
0570095-1		85A- 6A	0713303-19		45 -27	0741048-8		36A-26
0570096-1		85A- 3B	0713303-19		45A-24	0741048-8		36B-26
061-01900		37 -15	0713303-19		45B-24	0742200-6		86 -22
061-03700		37C-15	0713303-19		45C-25	0742410-27		32 -23
066-03000		37 -17	0713303-2		60 -49	0742410-28		32 -23
066-03000		37 -19	0713303-2		60A-45	0743009-1		33 - 8
066-03000		37C-17	0713533-1		79 -29	0743011-6		33 -33
066-03000		37C-19	0713533-1		79A-25	0743612-1		33 -11
069-00400		37 -24	0713624-2		26 -32	0743625-11		32 -32
069-00400		37C-24	0713624-2		26A-31	0743625-14		32 -22
0700106-2		44 -13	0713624-2		61 -38	0743625-15		32 -37
0700106-2		45 -18	0713813-1		51 - 4	0743625-17		32 -37A
0700162-1		47 -33	0713819-1		2 -20	0743625-7		32 -36
0700162-1		47A-33	0713819-1		51 -16	0743625-9		32 -30
0700162-1		47B-44	0713821-3		48B-12	0743627-3		32 -38
0700162-1		47C-47	0713821-4		48C- 6	0743627-4		32 -38
0700162-3		47B-46	0713821-4		48C- 7	0743627-5		32 -38
0700162-3		47C-49	0715038-1		41 -39	0743627-6		32 -38
0700162-4		47B-46	0716124-6		12 -26	075-03700		37 -28
0700162-4		47C-49	0716124-6		13 -25	075-03700		37C-28
0700162-6		47B-46	0716623-3		76 -21	0750139		56 -14
0700162-6		47C-49	0716623-5		76 -21	0750178-2		56 -35
0700162-7		47 -35	0716624-1		76 -24	0752037-3		78 - 1
0700162-7		47A-35	0720005-2		4 -36	0752610-1		80 -21
0700162-7		47B-46	0720005-2		5 -37	0752611-1		80 -23
0700162-7		47C-49	0720005-2		6 -35	0752646-1		83A-11A
0700189-10		47 -34	0720005-2		7 -41	0752646-1		83B- 6
0700189-10		47A-34	0720608-26		8 -37	0753020-1		26 -39
0700189-4		47 -34	0720608-26		9 -39	0756005-2		77 - 9
0700189-6		47 -34	0720608-7		4 -18	0756005-8		77 -
0700315-2		50 -12	0720608-7		5 -27	0756008-1		77 - 1
0700315-4		50 -12	0720608-7		6 -25	0756009-1		77 - 7
0710312-3		44D-19	0720608-7		7 -31	0756009-8		77 - 8
0710312-3		45D-20	0721101-8		73 -22	0756010-6		77 -12
0710638-1		38 -22	0721105-27		73 -25	0756011-1		77 - 6

150 & A150 Parts Catalog

PART NUMBER	FICHE AND FRAME	FIGURE AND INDEX NO.	PART NUMBER	FICHE AND FRAME	FIGURE AND INDEX NO.	PART NUMBER	FICHE AND FRAME	FIGURE AND INDEX NO.
0756012-1		77 -14	1205001-141		2B-24	1213158-2		78 - 9
0756014-1		77 -10	1205001-142		2A-23	1213158-3		78 - 9A
0756015-1		77 - 3	1205001-142		2B-26	1213475-2		60A-27
0756022-1		78 -19	1205001-143		2A-22	1213478-1		60A-28
0756022-2		78 -20	1205001-143		2B-25	1213482-1		60A-30
0760011-2		15 -26	1205001-144		2A-22	1213483-1		60A-29
0760131-5		47A-12	1205001-144		2B-25	1213646-2		47 -53
0760131-5		47B-34	1205001-145		2A-24	1213646-2		47A-53
0760131-5		47C-37	1205001-145		2B-27	1213646-2		47B-70
0760131-6		47A-10	1205001-146		2A-24	1213646-2		47C-73
0760131-6		47B-33	1205001-146		2B-27	1213675-1		26A- 9
0760131-6		47C-36	1205001-45		2 -23	1220114-2		16 -18A
0760131-7		47 -16	1205001-46		2 -24	1241061-1		36 -20
0760131-7		47A-10	1205001-65		2 -25	1241156-12		34 - 2
0760610-5		69 -13	1205001-65		2A-21	1243021-1		33 -21
0760610-6		69 -13	1205001-65		2B-24	1243030-5		33 -30
0760612-1		16 - 1	1205001-66		2 -25	1243030-6		33 -30
0760612-1		69 -26	1205001-66		2A-21	1243030-7		33 -30
0760612-7		16 - 1	1205001-66		2B-24	1243626-1		33 -25
0760612-7		69 -27	1205001-67		2 -26	1250405-1		78 -29
0760614-1		69 -43	1205001-67		2A-22	1250410-3		2 -35
0760619-1		69 -35	1205001-67		2B-25	1250410-3		2A-32
0760620-1		69 -42A	1205001-68		2 -26	1250410-3		2B-35
0760620-9		69 -42A	1205001-68		2A-22	1250410-3		2C-35
0770038-2		80 -35	1205001-68		2B-25	1250410-3		2D-34
0770719-1		48 -11	1205001-69		2 -23	1250410-3		78 -28
0770719-2		48A- 9	1205001-69		2A-23	1253037-1		60 -16
0770728-1		80 -11	1205001-69		2B-26	1253037-1		60A-15
079-00300		37 -27	1205001-70		2 -23	1253041-1		60 -15
079-00300		37C-27	1205001-70		2A-23	1253041-1		60A-14
0800111-2		50 -19	1205001-70		2B-26	1260049-1		19A- 6
081-00100		37 -27	1205001-71		2 -24	1260074-1		19A- 1
081-00100		37C-27	1205001-71		2A-24	1270623-1		29 -84
0841200-15		33 -27	1205001-71		2B-27	1270704-1		48C- 7
0841200-19		33 -20	1205001-72		2 -24	1270704-4		488-12
0841200-25		33 -28	1205001-72		2A-24	1270704-5		48C- 6
0842400-22		35 - 4	1205001-72		2B-27	1270704-6		48C- 7
0890018-2		2 -55	1205001-73		2 -24	1411202-201		38 - 9
0890018-2		2A-37	1205001-74		2 -24	1411202-201		38A- 9
0890018-2		2B-41	1205001- 8		2 -25	1414087-13	#	51 -17
0890018-2		2C-41	1205001- 9		2 -26	1414087-13	#	51A-14
0890018-2		2D-41	1205001-91		2 -26	1414087-15	#	51 -18
0890018-3		2 -56	1205001-91		2A-22	1414087-15	#	51A-15
0890018-3		2A-38	1205001-91		2B-25	1414116-3		44D-43
0890018-3		2B-42	1205001-92		2 -26	1414116-3		45D-44
0890018-3		2C-42	1205001-92		2A-22	1441001-3		36 - 8
0890018-3		2D-42	1205001-92		2B-25	145-01000		37 -29
091-02200		37 -14	1205001-93		2A-24	145-01000		37C-29
091-04400		37C-14	1205001-93		2B-27	1450024-3		26 -61
092-01700		37 -20	1205001-94		2A-24	1450024-3		26A-60
092-01700		37C-20	1205001-94		2B-27	1450024-3		78 -5A
1/16X.625TYPE3		19A-15	1205004- 1		2 -52	1452533-2		70A-15
1N1344A		80 -32	1205004- 1		2A-11	1460315-10		72 -13
10004-98		50 -43	1205004- 1		2B-15	1460320-1		61 - 1
1005-0-1		67 - 8	1205004- 1		2C-15	1460501-21		61 - 2
1005-1-0		67 -21	1205004- 1		2D-14	1460505-1		61 - 4
1007		1 - 4	1205024- 1		2 -32	1505014-1		2 - 1
1024A-B		1 - 3	1205024- 1		2A-29	1505015-1		2 - 3
103-11600		37 -22	1205024- 1		2B-32	1505015-10		2 - 2
103-11700		37C-22	1205024- 1		2C-32	1505015-2		2 - 4
105-00200		37 -17	1205024- 1		2D-31	1505015-22		2 - 7
105-00200		37 -19	1205024- 1		23 -15	1505015-3		2 - 5
105788		57A-20	1205085-2		2A-20A	1505015-4		2 - 6
10650		69 -51	1205085-2		2B-40	1505022-1		2 - 1A
1089		29 -35	1205085-2		2C-40	1512280-24		70A-12
1089		41 -41	1205085-2		2D-39	1513174-3		47C-18
109-7186		78 -31	1210032-5		24 -13	1513174-3		47C-25
110691		1 -47	1210032-5		24A-15	1513839-3		47A- 2
1195-0061		50 -43	1210032-6		24 -13	1513839-3		47A- 2
1201075-2		79A-31	1210032-6		24A-15	1513839-3		47B-16
1201075-4		79A-31D	1211203-1		42 -17	1513839-6		47A- 1
1205001-11		2 -27	1211203-1		42 -18	1513839-6		47B-22
1205001-11		86 -39	1211203-1		42A-18	1514014-1		47 -63
1205001-141		2A-21	1211203-1		42A-19	1516006-1		7 - 6

150 & A150 Parts Catalog

PART NUMBER	FICHE AND FRAME	FIGURE AND INDEX NO.	PART NUMBER	FICHE AND FRAME	FIGURE AND INDEX NO.	PART NUMBER	FICHE AND FRAME	FIGURE AND INDEX NO.
1520006-1		3 -42	2265		87 - 6	633028		57 - 5
153-00300		37 -10	25-207		70 -14	633401		57 -13
153-00300		37C-10	2848		57A- 8	633914		57 -15
153-00400		37 - 7	2848		87 - 4	633915		57 -16
153-00400		37C- 7	2849		57A- 9	634464		57 - 7
153-00800		34 - 4	2849		87 - 3	641500RR		57 - 8
153-01500		37 - 5	2904-1		47 -36	6436635		78 -23
153-01500		37C- 5	2904-1		68 - 1	6436637		78 -24
154-00300		37 - 8	2904-1		68 -35	6436916		78 -26
154-00300		37C- 8	3/32X.375TYPE3		19A- 8	6436989		78 -27
154-00600		34 - 5	35019		57 -11	6661025-0102		47C-38
154-01300		37 - 6	351-11-03-001		85A- 2	700		1 -11
154-01300		37C- 6	351-11-05-001		85A-15	8-171		85 -11
155-00100		37 - 4	352179		57 - 9	800-001-6		63 -17
155-00100		37C- 4	35923		57 - 4	8409		85A-10
155-00200		34 - 3	36066		57 -14	8499		85 - 4
155109A		47A-50	3680C		32 -40	8526250		87 -20
155109A		47B-68	3680C		36 -28	9851070-2		76A-
155109A		47C-70	3680C		36 -42	9851071-2		76A- 8
1570102-10		52A-11	3680C		36A-29	9851072-2		76A- 4
1570102-18		52A-10	3680C		36B-29	9851073-2		76A- 6
1570102-19		52A- 2	3690-1/2		1 -46	9851074-1		76A- 1
1570102-20		52A- 7	3690-1/4		1 -46	9862010-3		47C-72
1570141-1		85 -16	3690-1/8		1 -46	9862010-3		56 -46
1570141-1		85A-20	4NCC910P		24 -57	9863053-7		47C-73
1570142-3		85 - 3	4NCC910P		24A-61	9863053-7		56 -37
1570166-1		80 -47	401753		57A-10	9864050-8		70A-22
161-03000		37 - 1	42540-3114		73A-13	9880504-1		75 - 3A
161-03100		34 - 7	42540-3214		73A-13	9880705-5		76A- 6
161-04900		37C- 1	43-1761		80 -32			
1613224-2		52 -11	4313		83A-11			
1613224-2		86 -49	441364		47 -43			
162-02700		37 - 2	441364		47A-43			
162-02800		34 - 8	441365		47 -46			
162-04700		37C- 2	441365		47A-46			
164-02601		37 -11	441412		47B-57			
164-04000		37C-11	441412		47C-60			
1670019-1		70A- 7A	441413		47B-56			
1700121-66		78 -14	441413		47C-59			
1713039-1		68 -24	442820		47 -47			
1713039-1		79 -12	442876-38		47 -47			
1713039-1		79A-15	442876-38		47A-47			
1752118-1		83B- 2	442907-B		47C-66			
1752118-2		83B- 3	442907-B		47B-63			
1752118-3		83B- 7	444652		47 -44			
1752118-4		83B- 8	444679		47 -44			
1770009-1		85 - 1	444679		47A-44			
1777		22 -33	444697		47B-62			
1777		22A-20	444697		47C-65			
1782001-1		75 - 3A	4509		83B- 5			
183-00100		37 -27	4763		57A- 3			
183-00100		37C-27	4763		87 - 2			
2N3055		80 -49	487-4		12 -41			
20 OHM, 5W		13 -17	487-4		13 -43			
20H3P		80 -32	49165-22		67 -19			
2015009-2		42 -16	4969		12 -41			
2015009-2		42A-17	4969		13 -43			
2024		57A-11	530642		57A- 1			
2024		87 - 8	532432		57A- 6			
20288		87 - 7	550		1 -13			
21051		57 - 6	5579654		78 -25			
21323		57 - 2	576.1		1 - 5			
214-00100		37 - 3	579.6		1 - 6			
214-00100		37C- 3	6F20-D		80 -32			
214-00200		37 - 9	60232-1		47 -50			
214-00200		37C- 9	60232-1		47A-50			
214-00300		34 - 9	60232-1		47C-70			
214-00400		34 - 6	624M		36B-29			
217-00100		34 -10	6241B		32 -40			
22FH632		63 -14	6241M		32 -40			
22NM-02		70 -11	6241M		36 -28			
22NM02		28 - 8	6241M		36 -42			
22344		87 - 1	6241M		36A-29			
22344		87 -25	628122		57 - 1			