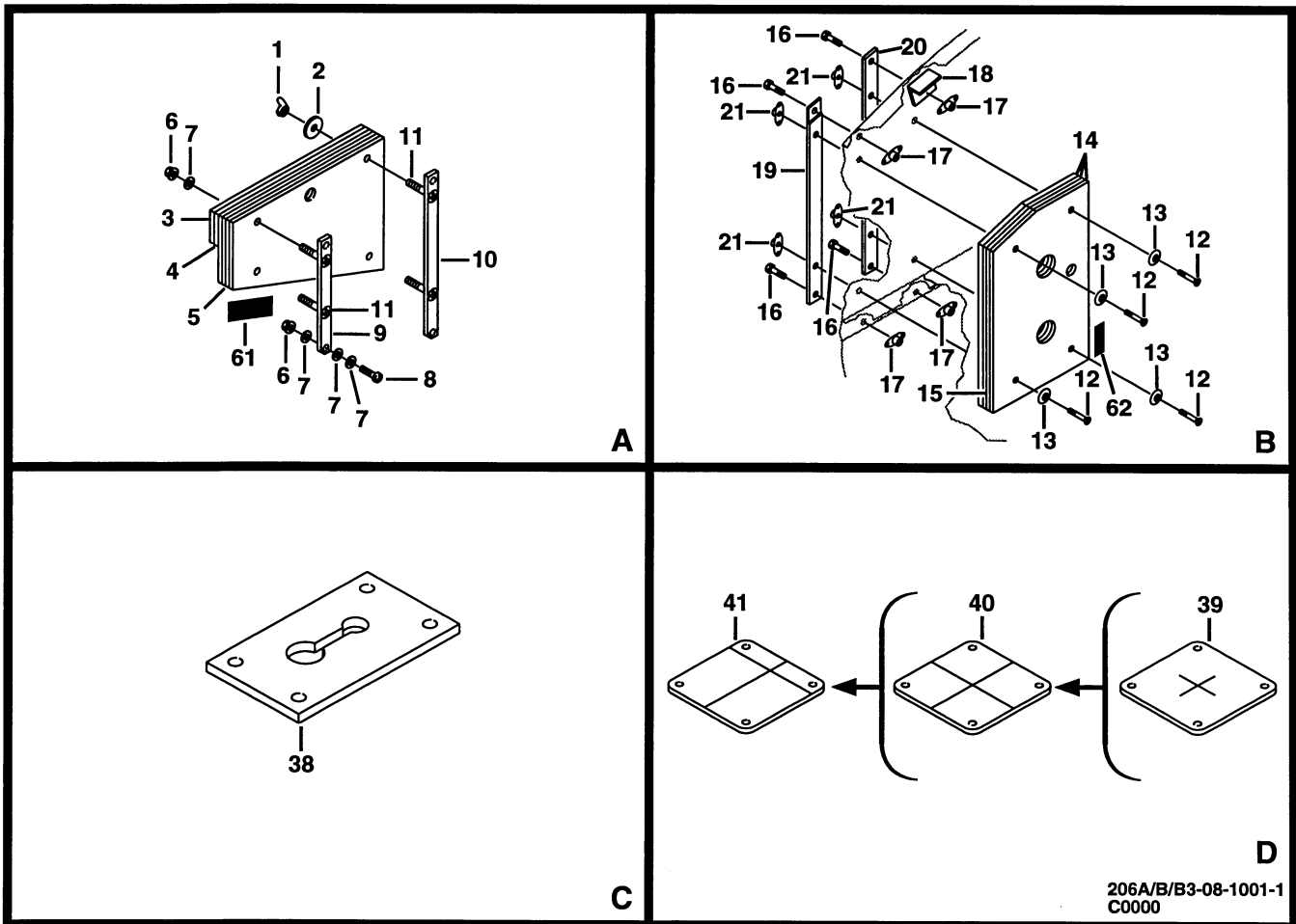
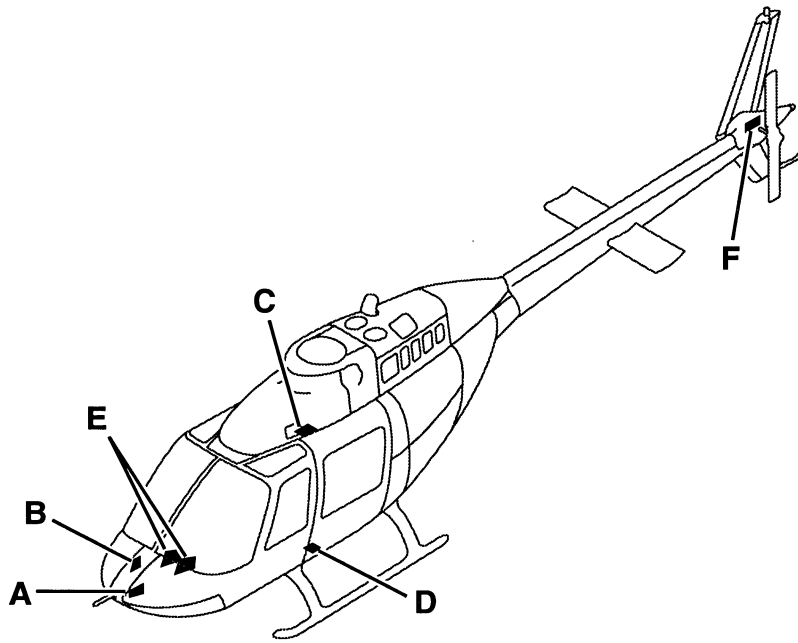


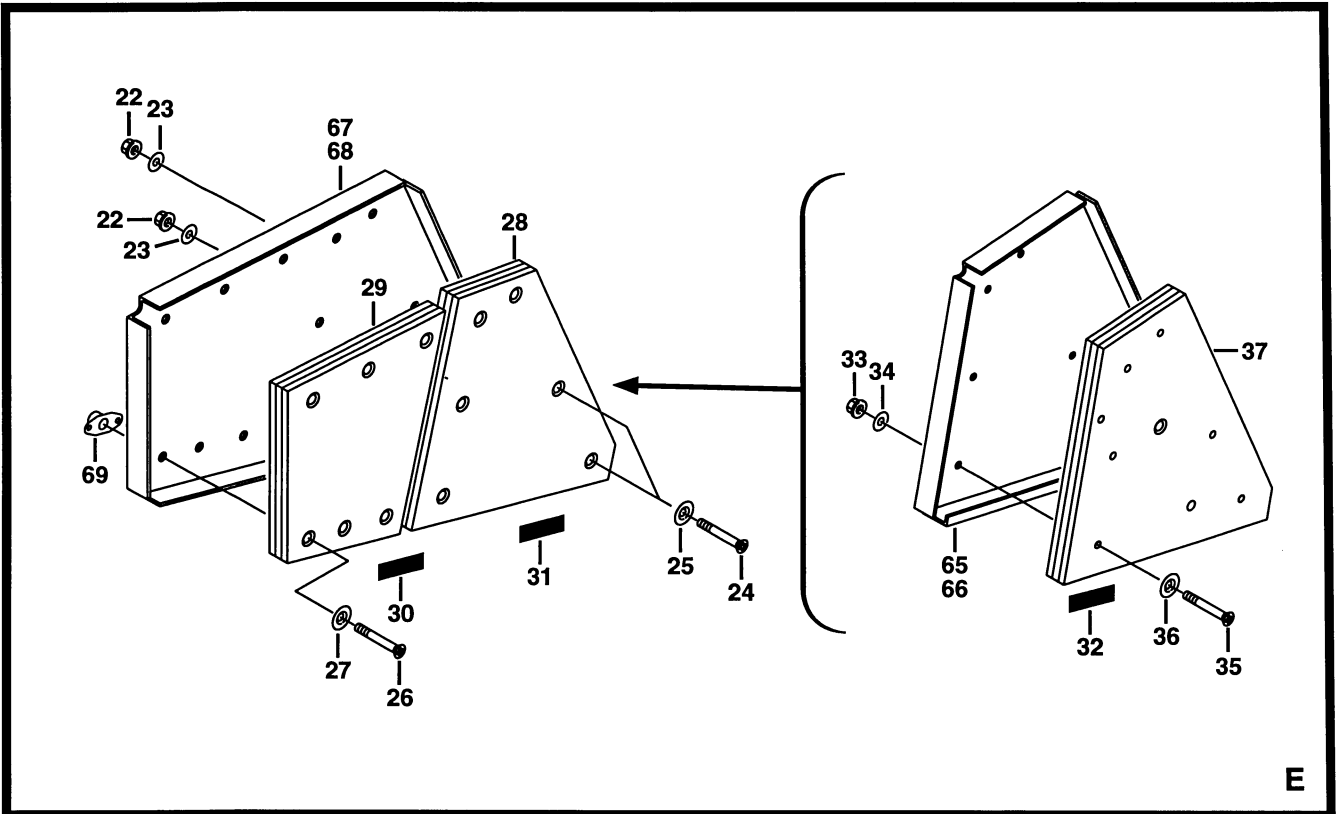
CONTENTS - IPB

<b>Figure Number</b>	<b>Figure Title</b>	<b>Chapter/Section Number</b>	<b>Page Number</b>
08-1	Ballast installation and plate installation, leveling ...	08-99-00	2

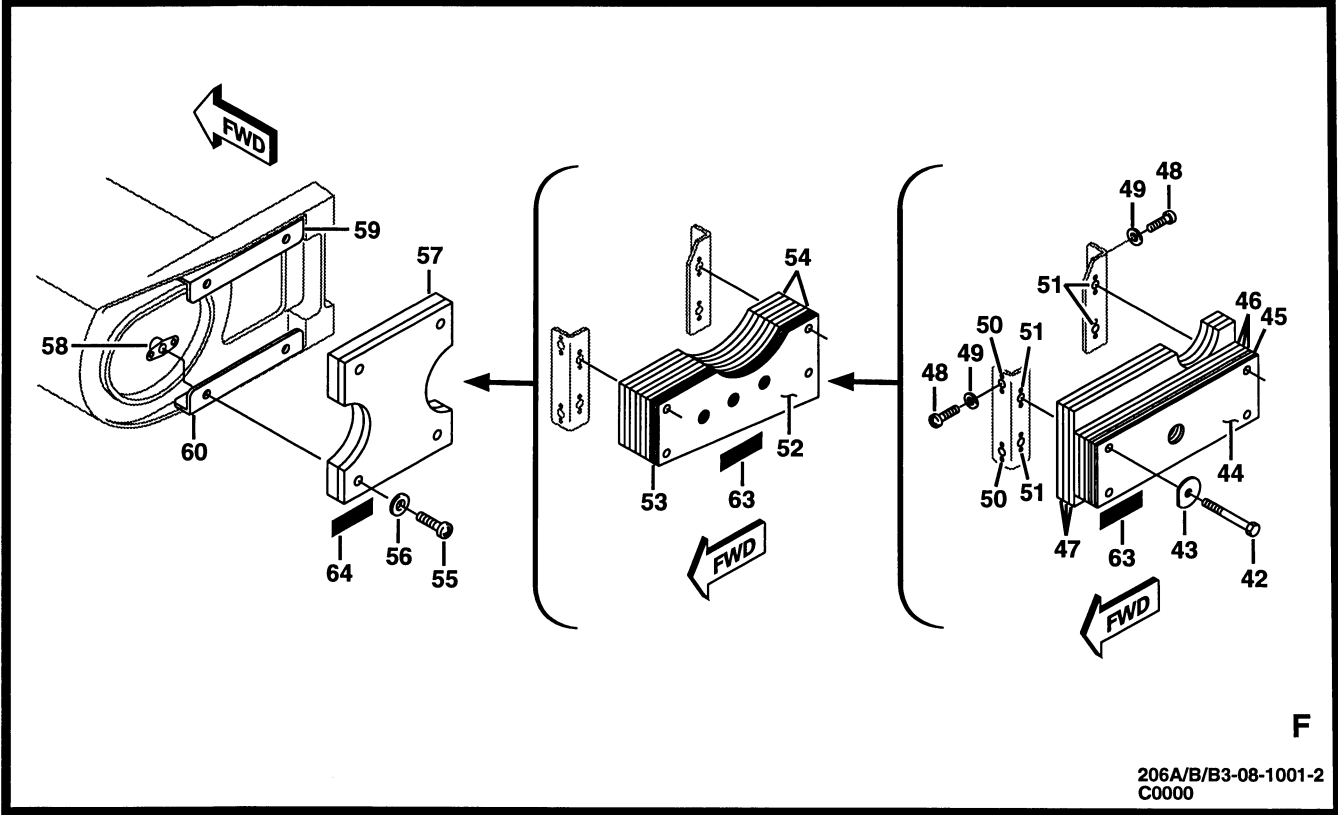


206A/B/B3-08-1001-1  
C0000

Figure 08-1. Ballast installation and plate installation, leveling (Sheet 1 of 2)



E



F

206A/B/B3-08-1001-2  
C0000

Figure 08-1. Ballast installation and plate installation, leveling (Sheet 2)

(1) INDEX NUMBER	(2) PART NUMBER	(3) ITEM NAME	(4) UNIT PER ASSY	(5) A V A I L	(6) U O C
		<b>FIGURE: 08-1. Ballast installation and plate installation, leveling</b>			
	206-031-205-001	BALLAST INSTL, FWD . . . . .	1		
1	MS35426-14	.WING NUT . . . . .	4	1	
2	AN970-4	.WASHER . . . . .	4	1	
3	206-031-205-011	.WEIGHT (WT 0.4 LBS) (NOTE 1) . . . . .	1	1	
4	206-031-205-009	.WEIGHT (WT 0.9 LBS) (NOTE 1) . . . . .	1	1	
5	206-031-205-007	.WEIGHT (WT 2.9 LBS) (NOTE 1) . . . . .	1	1	
6	MS21042L3	.NUT . . . . .	4	1	
7	AN960JD10L	.WASHER (REPLACED BY NAS1149D0332J) . . . . .	10		
7	NAS1149D0332J	.WASHER (REPLACES AN960JD10L) . . . . .	10		
8	MS27039-1-07	.SCREW . . . . .	4	1	
9	206-031-205-013	.SUPPORT ASSY . . . . .	1	1	
10	206-031-205-015	.SUPPORT ASSY . . . . .	1	1	
11	AN507-428R28	.SCREW . . . . .	2		
	206-031-237-001	BALLAST INSTL, FWD . . . . .	1		
12	MS24693-S279	.SCREW . . . . .	4		E
13	NAS1169-10	.WASHER . . . . .	4	1	E
14	206-031-237-013	.WEIGHT (WT 6.0 LBS) (NOTE 1) . . . . .	3	1	E
15	206-031-237-015	.WEIGHT (WT 3.0 LBS) (NOTE 1) . . . . .	1	1	E
16	AN3-4A	.BOLT . . . . .	4	1	E
17	NAS697A3K	.NUTPLATE (REPLACED BY MS21069L3K) . . . . .	4		E
17	MS21069L3K	.NUTPLATE (REPLACES NAS697A3K) . . . . .	4	1	E
18	206-031-237-011	.CLIP . . . . .	1		E
19	206-031-237-003	.SUPPORT ASSY . . . . .	1	1	E
20	206-031-237-005	.SUPPORT ASSY . . . . .	1		E
21	NAS697A3	.NUTPLATE (REPLACED BY MS21069L3) . . . . .	2		
21	MS21069L3	.NUTPLATE (REPLACES NAS697A3) . . . . .	2	1	
	206-031-237-119	BALLAST INSTL (TOTAL WT NOT TO EXCEED 50 LBS) . . . . .	1		
22	MS21042L3	.NUT . . . . .	4	1	I
23	AN960JD10L	.WASHER (REPLACED BY NAS1149D0332J) . . . . .	4		I
23	NAS1149D0332J	.WASHER (REPLACES AN960JD10L) . . . . .	4		I
24	MS24693-S277	.SCREW . . . . .	4	1	I
25	NAS1169-10	.WASHER . . . . .	4	1	I
26	MS24693-S277	.SCREW . . . . .	20	1	I
27	NAS1169-10	.WASHER . . . . .	20	1	I
28	206-031-237-109	.WEIGHT (WT 5.0 LBS) (NOTE 1) . . . . .	6	1	I
29	206-031-237-117	.WEIGHT (WT 3.5 LBS) (NOTE 1) . . . . .	6	1	I
30	31-043-103EJG	.DECAL (MAX ALLOWABLE BALLAST 20 LBS) . . . . .	2	1	I
31	31-043-102EJG	.DECAL (MAX ALLOWABLE BALLAST 30 LBS) . . . . .	2	1	I
32	206-031-278-101	.STENCIL (WHEN RADIOS/HEAVY BATTERY ARE . . . . . INSTALLED REMOVE EQUIVALENT WT FROM THIS BALLAST INSTL)	2		I
	206-031-237-107	BALLAST INSTL (TOTAL WT NOT TO EXCEED 30 LBS) . . . . .	1		
33	MS21042L3	.NUT . . . . .	12	1	F
34	AN970-3	.WASHER . . . . .	12	1	F
35	MS24693-S277	.SCREW . . . . .	12	1	F
36	NAS1169-10	.WASHER . . . . .	12	1	F
37	206-031-237-109	.WEIGHT (WT 5.0 LBS) (NOTE 1) . . . . .	6	1	F
	206-030-565-001	PLATE INSTL, LEVELING (REPLACED BY . . . . . 206-030-565-105)	1		

(1) INDEX NUMBER	(2) PART NUMBER	(3) ITEM NAME	(4) UNIT PER ASSY	(5) A V A I L	(6) U O C
		<b>FIGURE: 08-1. Ballast installation and plate installation, leveling (Cont'd)</b>			
	206-030-565-105	PLATE INSTL, LEVELING (REPLACES . . . . . 206-030-565-001)	1		
38	206-030-565-005	.PLATE, UPPER . . . . .	1	6	E
39	206-030-565-003	.PLATE, LOWER (USBL ON 206-030-565-001) . . . . .	1	1	E
40	206-033-160-103	.PLATE (USBL ON 206-030-565-105) (REPLACED BY . . . . 206-033-160-105)	1	0	E
41	206-033-160-105	.PLATE, LOWER (USBL ON 206-030-565-105) . . . . . (REPLACES 206-033-160-103)	1		E
	206-031-422-001	BALLAST INSTL, AFT . . . . .	1		
	206-031-422-019	BALLAST INSTL, AFT . . . . .	1		
	206-031-422-037	BALLAST INSTL, AFT . . . . .	1		
42	MS27039-1-()	.SCREW (NOTE 2) . . . . .	4		A
42	AN4-()	.BOLT (NOTE 2) . . . . .	4		BC
43	206-031-422-017	.WASHER . . . . .	4	6	A
43	206-031-422-035	.WASHER . . . . .	4	1	BC
44	206-031-422-007	.PLATE (WT 0.5 LBS) . . . . .	2		A
44	206-031-422-025	.PLATE (WT 0.5 LBS) . . . . .	2		B
45	206-031-422-009	.PLATE (WT 1.0 LBS) . . . . .	2		A
45	206-031-422-027	.PLATE (WT 1.0 LBS) . . . . .	2		B
46	206-031-422-011	.PLATE (WT 2.0 LBS) . . . . .	3		A
46	206-031-422-029	.PLATE (WT 2.0 LBS) . . . . .	3		B
47	206-031-422-015	.PLATE (WT 3.0 LBS) . . . . .	3		A
47	206-031-422-031	.PLATE (WT 3.0 LBS) . . . . .	3		B
48	MS27039-1-10	.SCREW . . . . .	4	1	
49	AN960JD10L	.WASHER (REPLACED BY NAS1149D0332J) . . . . .	4		
49	NAS1149D0332J	.WASHER (REPLACES AN960JD10L) . . . . .	4		
	206-031-422-003	.SUPPORT ASSY, AFT . . . . .	1		A
	206-031-422-021	.SUPPORT ASSY, AFT . . . . .	1		B
	206-031-422-039	.SUPPORT ASSY, AFT . . . . .	1	1	C
	206-031-422-004	.SUPPORT ASSY, FWD . . . . .	1		A
	206-031-422-022	.SUPPORT ASSY, FWD . . . . .	1		B
	206-031-422-041	.SUPPORT ASSY, FWD . . . . .	1	1	C
50	NAS697A3	..NUTPLATE (REPLACED BY MS21069L3) . . . . .	2		
50	MS21069L3	..NUTPLATE (REPLACES NAS697A3) . . . . .	2	1	
51	NAS1068A3	..NUTPLATE (USBL ON 206-031-422-003 AND -004) . . . . (REPLACED BY MS21075L3)	2	0	A
51	MS21075L3	..NUTPLATE (USBL ON 206-031-422-003 AND -004) . . . . (REPLACES NAS1068A3)	2		A
51	NAS1068A4	..NUTPLATE (USBL ON 206-031-422-021, -022, -039 . . AND -041) (REPLACED BY MS21075L4)	2	0	B
51	MS21075L4	..NUTPLATE (USBL ON 206-031-422-021, -022, -039 . . AND -041) (REPLACES NAS1068A4) (REPLACED BY MS21075L4N)	2		B
51	MS21075L4N	..NUTPLATE (USBL ON 206-031-422-021, -022, -039 . . AND -041) (REPLACES MS21075L4)	2	1	B
52	206-031-422-043	.PLATE (WT 0.6 LBS) (NOTE 1) . . . . .	2	1	C
53	206-031-422-045	.PLATE (WT 1.2 LBS) (NOTE 1) . . . . .	2	1	C
54	206-031-422-047	.PLATE (WT 2.4 LBS) (NOTE 1) . . . . .	6	1	C
	206-031-473-105	BALLAST INSTL, AFT . . . . .	1		

(1) INDEX NUMBER	(2) PART NUMBER	(3) ITEM NAME	(4) UNIT PER ASSY	(5) A V A I L	(6) U O C
		<b>FIGURE: 08-1. Ballast installation and plate installation, leveling (Cont'd)</b>			
55	MS27039-4-25	.SCREW (NOTE 2) . . . . . (ALTERNATE PARTS)	4	1	H
55	MS27039-4-13	.SCREW (NOTE 2) . . . . .	4	1	H
55	MS27039-4-17	.SCREW (NOTE 2) . . . . .	4	1	H
55	MS27039-4-21	.SCREW (NOTE 2) . . . . .	4		H
56	206-031-422-035	.WASHER . . . . .	4	1	H
57	206-031-473-121	.PLATE (NOTE 1) . . . . .	1	1	H
58	MS21059L4	.NUTPLATE . . . . .	4	1	H
59	206-031-473-116	.SUPPORT (REPLACED BY 206-031-473-115) . . . . .	1		G
59	206-031-473-115	.SUPPORT (REPLACES 206-031-473-116) . . . . .	1	1	H
60	206-031-473-115	.SUPPORT . . . . .	1	1	H
61	31-043-5EHP	DECAL (MAX ALLOWABLE BALLAST 28 LBS) . . . . .	1	1	
62	31-043-10EGP	DECAL (MAX ALLOWABLE BALLAST 22 LBS) . . . . .	1	1	E
63	31-043-6EHP	DECAL (MAX ALLOWABLE BALLAST 18 LBS) . . . . .	1	1	D
64	31-043-125EHP	DECAL (MAX ALLOWABLE BALLAST 9 LBS) . . . . .	1	1	H
65	206-031-210-677	SUPPORT, LH . . . . .	1	1	F
66	206-031-210-678	SUPPORT, RH . . . . .	1	1	F
67	206-031-478-125	SUPPORT ASSY, LH . . . . .	1		I
68	206-031-478-126	SUPPORT ASSY, RH . . . . .	1		I
69	MS21075L3	.NUTPLATE . . . . .	10		I
		NOTE 1: NUMBER OF WEIGHTS TO BE DETERMINED BY HELICOPTER CONFIGURATION. REFER TO BHT-206A/B SERIES-MM			
		NOTE 2: LENGTH OF SCREW OR BOLT TO BE DETERMINED ON INSTALLATION			
		USABLE ON CODES			
		CODE      MODEL                      SERIAL NUMBER			
		A      206A                              4-203			
		B      206A                              204-497			
		C      206A/B/BIII                      498-4004			
		D      206A/B/BIII                      4-3906			
		E      206A/B/BIII                      584-SUB			
		F      206BIII                              3567-4128			
		G      206BIII                              3907-4474			
		H      206BIII                              3907-SUB			
		I      206BIII                              4129-SUB			
		1) UNLESS A USABLE ON PART NUMBER IS LISTED IN THE ITEM NAME COLUMN; NO CODE INDICATES THE PART APPLIES TO ALL SERIAL NUMBERS.			
		2) IF THE SERIAL NUMBER IS BLANK THE PART APPLIES TO ALL SERIAL NUMBERS FOR THAT MODEL.			