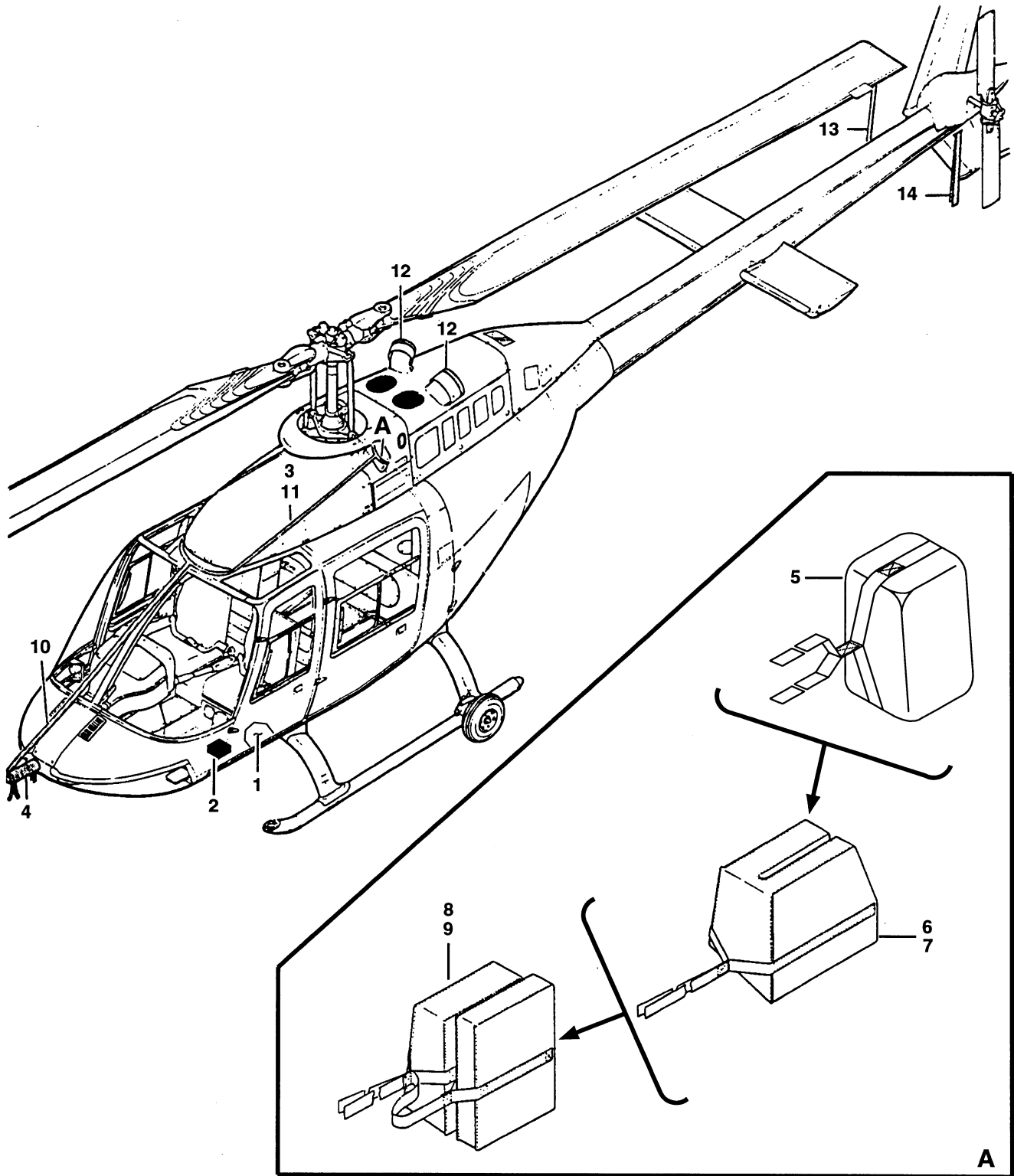


CONTENTS - IPB

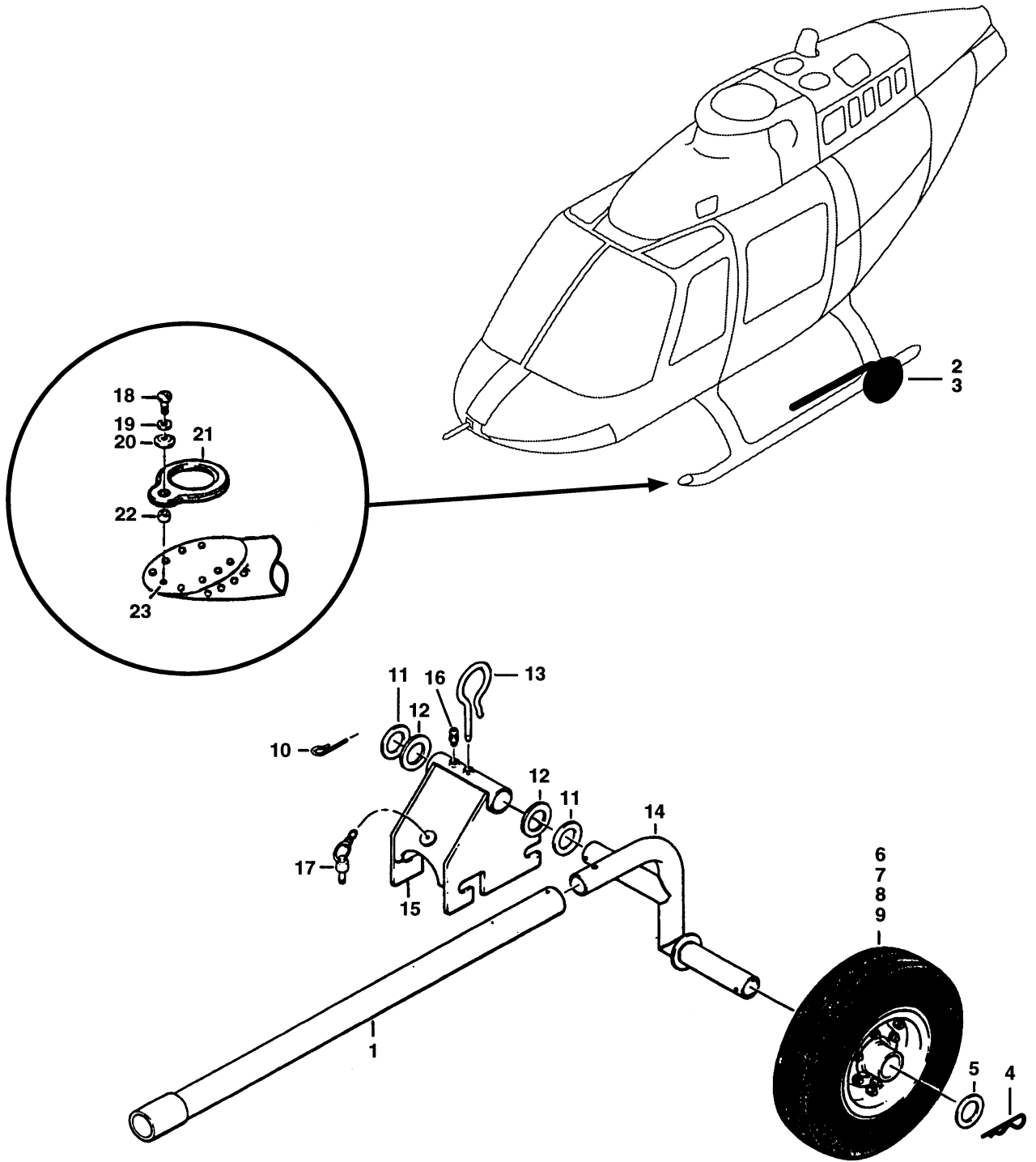
| Figure Number | Figure Title | Chapter/Section Number | Page Number |
|----------------------|--|-------------------------------|--------------------|
| 10-1 | Loose equipment installation..... | 10-99-00 | 2 |
| 10-2 | Loose equipment installation (wheel assembly, ground handling) | 10-99-00 | 4 |



206A/B/B3-10-1001
C0001

Figure 10-1. Loose equipment installation

| (1) INDEX NUMBER | (2) PART NUMBER | (3) ITEM NAME | (4) UNIT PER ASSY | (5) A V A I L | (6) U O C | | | | | | | | | | | | | | | |
|---|--------------------|--|----------------------------|------------------------------|--------------------|------|-------|---------------|---|------|-------|---|------|---------|---|-------------|---------|---|-----------|---------|
| | | FIGURE: 10-1. Loose equipment installation | | | | | | | | | | | | | | | | | | |
| | 206-070-012-001 | LOOSE EQUIPMENT INSTL (SEE FIG. 2 FOR BALANCE OF . . BREAKDOWN) | 1 | | | | | | | | | | | | | | | | | |
| | 206-070-012-003 | LOOSE EQUIPMENT INSTL (SEE FIG. 2 FOR BALANCE OF . . BREAKDOWN) | 1 | | | | | | | | | | | | | | | | | |
| | 206-070-012-011 | LOOSE EQUIPMENT INSTL (SEE FIG. 2 FOR BALANCE OF . . BREAKDOWN) | 1 | | | | | | | | | | | | | | | | | |
| | 206-070-012-017 | LOOSE EQUIPMENT INSTL (SEE FIG. 2 FOR BALANCE OF . . BREAKDOWN) | 1 | | | | | | | | | | | | | | | | | |
| | 206-070-012-027 | LOOSE EQUIPMENT INSTL (SEE FIG. 2 FOR BALANCE OF . . BREAKDOWN) | 1 | | | | | | | | | | | | | | | | | |
| 1 | 206-070-199-001 | .CHECK LIST CARD | 1 | | AB | | | | | | | | | | | | | | | |
| 2 | 70500 | .FIRST AID KIT (REPLACED BY 1431311-1) | 1 | | C | | | | | | | | | | | | | | | |
| 2 | 1431311-1 | .FIRST AID KIT (REPLACES 70500) | 1 | | C | | | | | | | | | | | | | | | |
| 3 | 206-070-472-001 | .COVER ASSY, ENGINE AND PITOT | 1 | | A | | | | | | | | | | | | | | | |
| 3 | 206-070-472-007 | .COVER ASSY, ENGINE AND PITOT | 1 | | B | | | | | | | | | | | | | | | |
| 3 | 206-070-472-009 | .COVER ASSY, ENGINE AND PITOT | 1 | | D | | | | | | | | | | | | | | | |
| 4 | 206-070-438-007 | ..COVER ASSY, PITOT | 1 | | | | | | | | | | | | | | | | | |
| 5 | 206-070-468-001 | ..SHIELD ASSY, ENGINE INLET | 2 | | A | | | | | | | | | | | | | | | |
| 6 | 206-070-995-001 | ..SHIELD ASSY, ENGINE INLET, LH | 1 | | B | | | | | | | | | | | | | | | |
| 7 | 206-070-995-002 | ..SHIELD ASSY, ENGINE INLET, RH | 1 | | B | | | | | | | | | | | | | | | |
| 8 | 206-070-955-001 | ..SHIELD ASSY, ENGINE INLET, LH | 1 | | D | | | | | | | | | | | | | | | |
| 9 | 206-070-955-002 | ..SHIELD ASSY, ENGINE INLET, RH | 1 | | D | | | | | | | | | | | | | | | |
| 10 | 206-070-472-005 | ..STRAP | 1 | | | | | | | | | | | | | | | | | |
| 11 | 206-070-472-003 | ..STRAP | 1 | | | | | | | | | | | | | | | | | |
| 12 | 206-070-467-001 | .COVER ASSY, ENGINE EXHAUST | 2 | | | | | | | | | | | | | | | | | |
| 13 | SW1958-1 | .TIEDOWN, MAIN ROTOR (REPLACED BY 130-013-3) | 1 | | | | | | | | | | | | | | | | | |
| 13 | 130-013-3 | .TIEDOWN, MAIN ROTOR (REPLACES SW1958-1) | 1 | | | | | | | | | | | | | | | | | |
| 14 | 206-070-469-001 | .STRAP ASSY, TAIL ROTOR | 1 | | | | | | | | | | | | | | | | | |
| <p>USABLE ON CODES</p> <table border="0"> <thead> <tr> <th>CODE</th> <th>MODEL</th> <th>SERIAL NUMBER</th> </tr> </thead> <tbody> <tr> <td>A</td> <td>206A</td> <td>4-583</td> </tr> <tr> <td>B</td> <td>206A</td> <td>584-715</td> </tr> <tr> <td>C</td> <td>206A/B/BIII</td> <td>414-SUB</td> </tr> <tr> <td>D</td> <td>206B/BIII</td> <td>716-SUB</td> </tr> </tbody> </table> | | | | | | CODE | MODEL | SERIAL NUMBER | A | 206A | 4-583 | B | 206A | 584-715 | C | 206A/B/BIII | 414-SUB | D | 206B/BIII | 716-SUB |
| CODE | MODEL | SERIAL NUMBER | | | | | | | | | | | | | | | | | | |
| A | 206A | 4-583 | | | | | | | | | | | | | | | | | | |
| B | 206A | 584-715 | | | | | | | | | | | | | | | | | | |
| C | 206A/B/BIII | 414-SUB | | | | | | | | | | | | | | | | | | |
| D | 206B/BIII | 716-SUB | | | | | | | | | | | | | | | | | | |
| <p>1) UNLESS A USABLE ON PART NUMBER IS LISTED IN THE ITEM NAME COLUMN; NO CODE INDICATES THE PART APPLIES TO ALL SERIAL NUMBERS.</p> <p>2) IF THE SERIAL NUMBER IS BLANK THE PART APPLIES TO ALL SERIAL NUMBERS FOR THAT MODEL.</p> | | | | | | | | | | | | | | | | | | | | |



206A-B-B3-10-1002
C0000

Figure 10-2. Loose equipment installation (wheel assembly, ground handling)

| (1) INDEX NUMBER | (2) PART NUMBER | (3) ITEM NAME | (4) UNIT PER ASSY | (5) A V A I L | (6) U O C |
|------------------------|--------------------|---|----------------------------|------------------------------|--------------------|
| | | FIGURE: 10-2. Loose equipment installation (wheel assembly, ground handling) | | | |
| | 206-070-012-001 | LOOSE EQUIPMENT INSTL (SEE FIG. 1 FOR BALANCE OF . . . BREAKDOWN) | REF | | |
| | 206-070-012-003 | LOOSE EQUIPMENT INSTL (SEE FIG. 1 FOR BALANCE OF . . . BREAKDOWN) | REF | | |
| | 206-070-012-011 | LOOSE EQUIPMENT INSTL (SEE FIG. 1 FOR BALANCE OF . . . BREAKDOWN) | REF | | |
| | 206-070-012-017 | LOOSE EQUIPMENT INSTL (SEE FIG. 1 FOR BALANCE OF . . . BREAKDOWN) | REF | | |
| | 206-070-012-027 | LOOSE EQUIPMENT INSTL (SEE FIG. 1 FOR BALANCE OF . . . BREAKDOWN) | REF | | |
| 1 | 47-500-005-14 | .LIFT TUBE ASSY | 1 | | |
| 2 | 206-050-127-001 | .WHEEL ASSY, GROUND HDLG, LH (REPLACED BY 206-050-127-009) | 1 | | A |
| 2 | 206-050-127-009 | .WHEEL ASSY, GROUND HDLG, LH (REPLACES 206-050-127-001) | 1 | 1 | |
| 3 | 206-050-127-002 | .WHEEL ASSY, GROUND HDLG, RH (REPLACED BY 206-050-127-010) | 1 | | A |
| 3 | 206-050-127-010 | .WHEEL ASSY, GROUND HDLG, RH (REPLACES 206-050-127-002) | 1 | 1 | |
| 4 | MS24665-374 | ..PIN, COTTER | 1 | | |
| 5 | AN960-1616 | ..WASHER (REPLACED BY NAS1149F1690P) | 1 | | |
| 5 | NAS1149F1690P | ..WASHER (REPLACES AN960-1616) | 1 | | |
| 6 | 206-050-127-007 | ..WHEEL AND TIRE ASSY (NOTE 1) | 1 | 0 | |
| 7 | 3.50X6-6 PLY | ...TIRE (REPLACED BY 3.50-6-6TT) | 1 | | |
| 7 | 3.50-6-6TT | ...TIRE (REPLACES 3.50X6-6 PLY) | 1 | | |
| 8 | 3.50X6 | ...TUBE (REPLACED BY 3.50X6TR87) | 1 | 1 | |
| 8 | 3.50X6TR87 | ...TUBE (REPLACES 3.50X6) | 1 | | |
| 9 | GPB220-3 | ...WHEEL (REPLACED BY 40-103) | 1 | | |
| 9 | 40-103 | ...WHEEL (REPLACES GPB220-3) (ALTERNATE PART) | 1 | 1 | |
| 9 | CTI-188 | ...WHEEL | 1 | | |
| 10 | AN415-1-2 | ..PIN, LOCK | 1 | 1 | |
| 11 | AN960-1616 | ..WASHER (REPLACED BY NAS1149F1690P) | 2 | | |
| 11 | NAS1149F1690P | ..WASHER (REPLACES AN960-1616) | 2 | | |
| 12 | AN960-1616L | ..WASHER (REPLACED BY NAS1149F1632P) | 4 | 1 | |
| 12 | NAS1149F1632P | ..WASHER (REPLACES AN960-1616L) | 4 | | |
| 13 | 206-050-011-001 | ..PIN (USBL ON 206-050-127-001 AND -002) | 1 | | A |
| 13 | 206-050-019-001 | ..PIN (USBL ON 206-050-127-009 AND -010) | 1 | 1 | |
| 14 | 206-050-125-002 | ..AXLE ASSY, LH | 1 | 1 | |
| 14 | 206-050-125-001 | ..AXLE ASSY, RH | 1 | 1 | |
| 15 | 206-050-126-001 | ..SUPPORT ASSY, LH | 1 | 1 | |
| 15 | 206-050-126-002 | ..SUPPORT ASSY, RH | 1 | 1 | |
| 16 | MS15002-1 | ...FITTING | 1 | 1 | |
| 17 | NAS1334C6C05D | ...PIN, QUICK RELEASE | 1 | 1 | |
| 18 | MS27039-4-11 | SCREW | 1 | 1 | |
| 19 | AN960PD416L | WASHER (REPLACED BY AN960JD416L) | 1 | | |
| 19 | AN960JD416L | WASHER (REPLACES AN960PD416L) (REPLACED BY NAS1149D0416J) | 1 | 1 | |
| 19 | NAS1149D0416J | WASHER (REPLACES AN960JD416L) | 1 | 1 | |

BHT-206A/B-SERIES-IPB

| (1) INDEX NUMBER | (2) PART NUMBER | (3) ITEM NAME | (4) UNIT PER ASSY | (5) A V A I L | (6) U O C |
|------------------------|--------------------|--|----------------------------|------------------------------|--------------------|
| | | FIGURE: 10-2. Loose equipment installation (wheel assembly, ground handling) (Cont'd) | | | |
| 20 | 500-25 | WASHER (REPLACED BY B0500-025) | 1 | | |
| 20 | B0500-025 | WASHER (REPLACES 500-25) | 1 | 1 | |
| 21 | 206-050-133-007 | RING | 1 | 1 | |
| 22 | NAS43DD4-11 | SPACER | 1 | 1 | |
| 23 | NAS697A4 | NUTPLATE (REPLACED BY MS21069L4) | 1 | | |
| 23 | MS21069L4 | NUTPLATE (REPLACES NAS697A4) | 1 | 1 | |
| | | NOTE 1: SUPPLIED AS AN ASSEMBLY MOUNTED AND INFLATED | | | |
| | | USABLE ON CODES | | | |
| | | CODE MODEL SERIAL NUMBER | | | |
| | | A 206A 4-413 | | | |
| | | B 206A/B/BIII 414-SUB | | | |
| | | 1) UNLESS A USABLE ON PART NUMBER IS LISTED IN THE ITEM NAME COLUMN; NO CODE INDICATES THE PART APPLIES TO ALL SERIAL NUMBERS. | | | |
| | | 2) IF THE SERIAL NUMBER IS BLANK THE PART APPLIES TO ALL SERIAL NUMBERS FOR THAT MODEL. | | | |