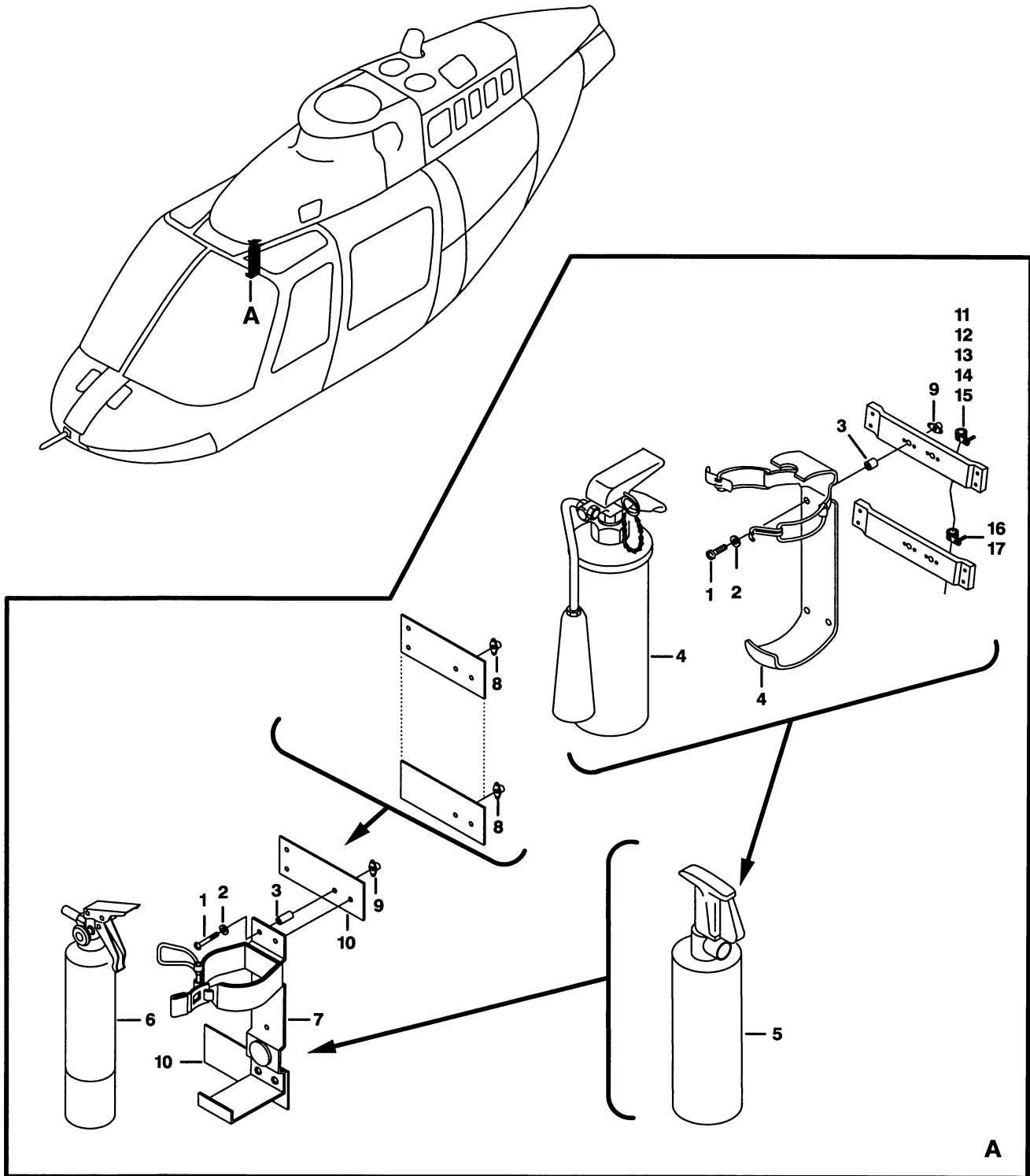


CONTENTS - IPB

Figure Number	Figure Title	Chapter/Section Number	Page Number
26-1	Fire extinguisher installation	26-99-00	2
26-2	Fire extinguisher installation (S/N 1904 thru 3216) ..	26-99-00	6
26-3	Detection system, fire, engine (S/N 1252 thru SUB)	26-99-00	8

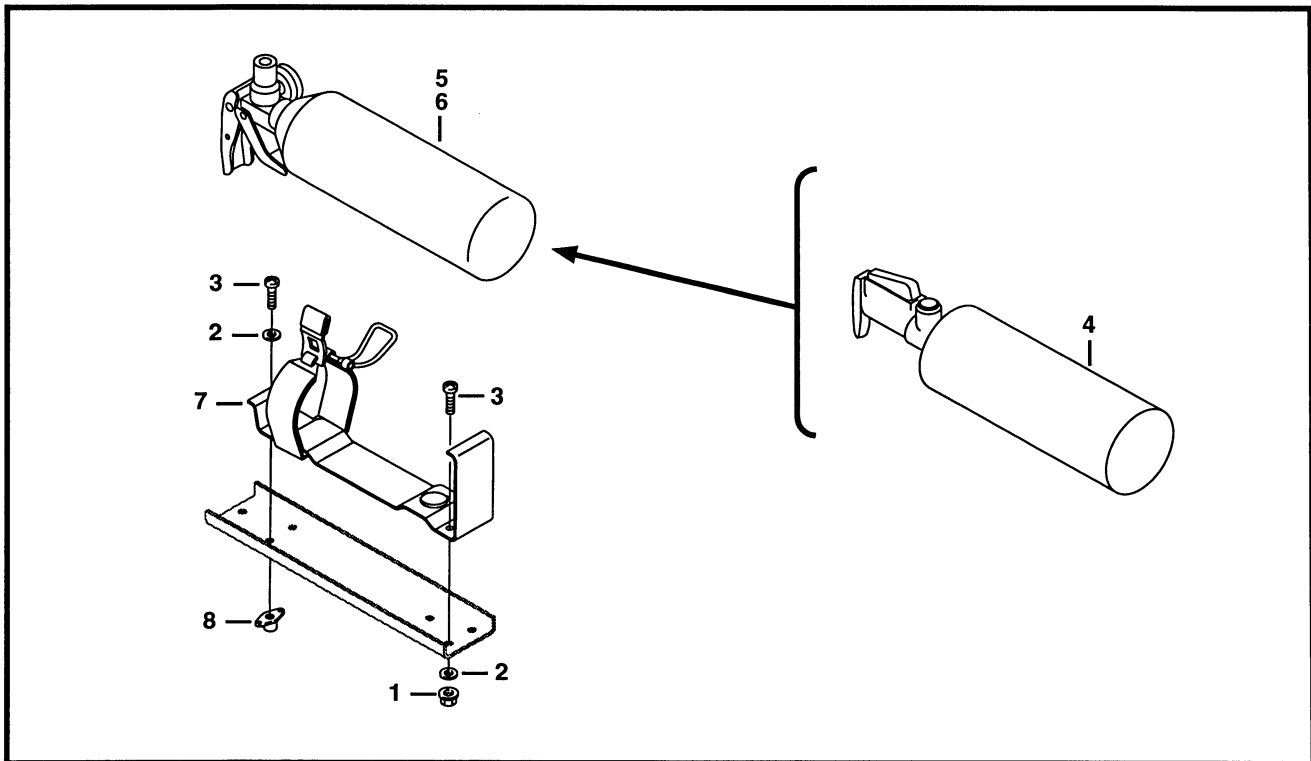
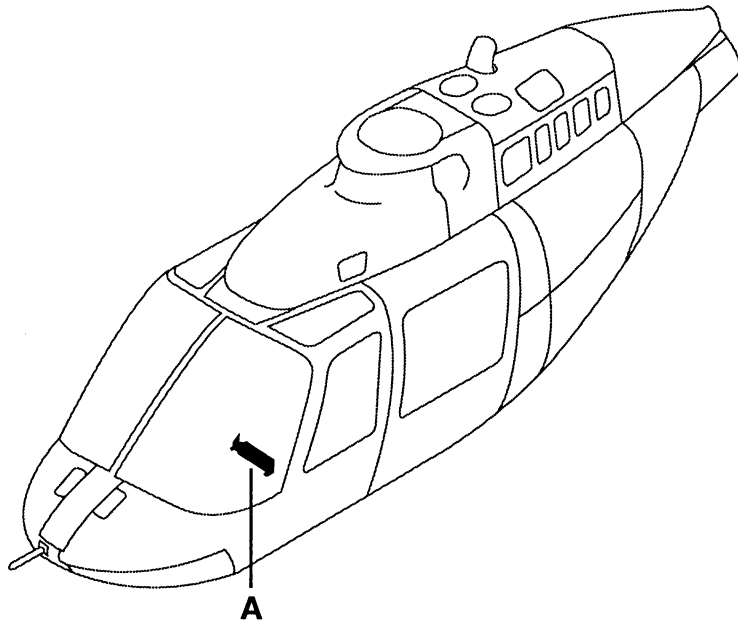


206A/B/B3-26-1001
C0000

Figure 26-1. Fire extinguisher installation

(1) INDEX NUMBER	(2) PART NUMBER	(3) ITEM NAME	(4) UNIT PER ASSY	(5) A V A I L	(6) U O C
		FIGURE: 26-1. Fire extinguisher installation			
	206-706-117-001	FIRE EXT KIT	1		
	206-706-348-101	FIRE EXT KIT	1		
	206-072-223-101	FIRE EXT INSTL	1		
1	MS27039-4-13	.SCREW (PRE S.I. 206-68)	4	1	A
1	MS27039-4-22	.SCREW (POST S.I. 206-68)	4	1	A
1	MS27039-1-16	.SCREW	4	1	B
1	MS27039-1-14	.SCREW	4	1	D
1	MS27039-1-09	.SCREW	4	1	F
2	AN960PD416L	.WASHER (REPLACED BY AN960JD416L)	4		A
2	AN960JD416L	.WASHER (REPLACES AN960PD416L) (REPLACED BY NAS1149D0416J)	4	1	A
2	NAS1149D0416J	.WASHER (REPLACES AN960JD416L)	4	1	A
2	AN960PD10L	.WASHER (REPLACED BY AN960JD10L)	4		BC
2	AN960JD10L	.WASHER (REPLACES AN960PD10L) (REPLACED BY NAS1149D0332J)	4		BC
2	NAS1149D0332J	.WASHER (REPLACES AN960JD10L)	4		BC
3	NAS43DD4-16	.SPACER (PRE S.I. 206-68)	4		A
3	NAS43DD4-46	.SPACER (POST S.I. 206-68)	4	1	A
3	NAS43DD3-38	.SPACER	4	6	B
4	FR2 1-2	.FIRE EXTINGUISHER (REPLACED BY 50-049-1)	1		A
4	50-049-1	.FIRE EXTINGUISHER (REPLACES FR2 1-2)	1		A
5	50-064-1	.FIRE EXTINGUISHER AND MOUNTING BRACKET ASSY (REPLACED BY 40000 AND 50-091-3)	1	0	C
6	40000	.FIRE EXTINGUISHER (REPLACES 50-064-1) (ALTERNATE PART)	1	1	E
6	600W	.FIRE EXTINGUISHER	1		E
7	50-091-3	.BRACKET ASSY, MOUNTING (REPLACES 50-064-1)	1	1	E
	206-961-390-101	.MOD-CENTER POST	1		B
8	MS21075L3	.NUTPLATE	4		B
9	NAS1068A4	.NUTPLATE (REPLACED BY MS21075L4)	4	0	A
9	MS21075L4	.NUTPLATE (REPLACES NAS1068A4) (REPLACED BY MS21075L4N)	4		A
9	MS21075L4N	.NUTPLATE (REPLACES MS21075L4)	4	1	A
10	206-070-276-001	.SUPPORT	2	1	A
11	MS21042L3	.NUT	1	1	A
12	AN960PD10L	.WASHER (REPLACED BY AN960JD10L)	1		A
12	AN960JD10L	.WASHER (REPLACES AN960PD10L) (REPLACED BY NAS1149D0332J)	1		A
12	NAS1149D0332J	.WASHER (REPLACES AN960JD10L)	1		A
13	AN520-10R14	.SCREW (REPLACED BY MS35207-266)	1		A
13	MS35207-266	.SCREW (REPLACES AN520-10R14)	1	1	A
14	NAS43DD3-28	.SPACER	1		A
15	MS25281-6	.CLAMP (REPLACED BY MS25281-R6)	1		A
15	MS25281-R6	.CLAMP (REPLACES MS25281-6)	1	1	A
16	AN520-10R14	.SCREW (REPLACED BY MS35207-266)	1		A
16	MS35207-266	.SCREW (REPLACES AN520-10R14)	1	1	A
17	NAS43DD3-32	.SPACER (REPLACED BY NAS43DD3-32N)	1		A
17	NAS43DD3-32N	.SPACER (REPLACES NAS43DD3-32)	1	1	A

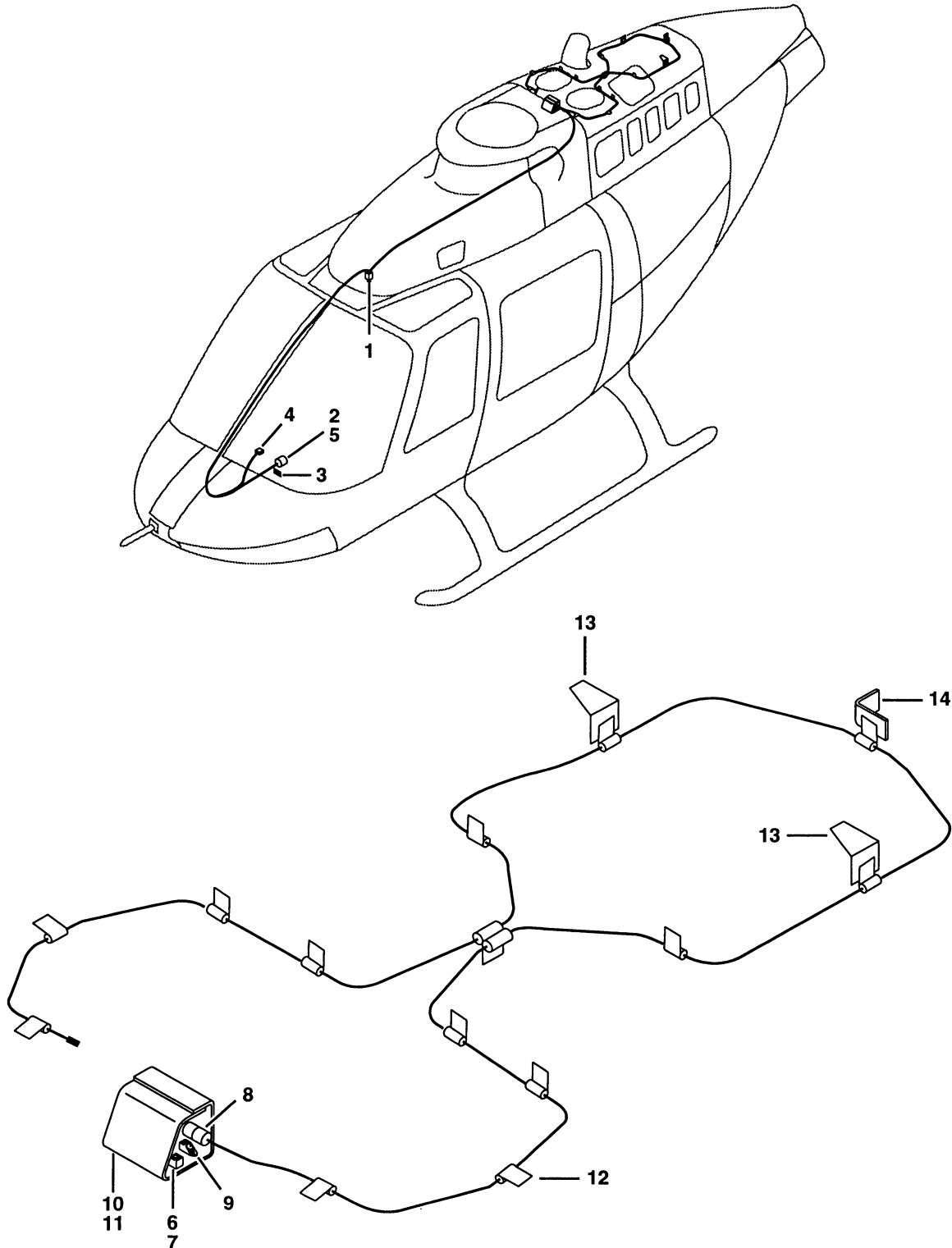
(1) INDEX NUMBER	(2) PART NUMBER	(3) ITEM NAME	(4) UNIT PER ASSY	(5) A V A I L	(6) U O C																					
		<p>FIGURE: 26-1. Fire extinguisher installation (Cont'd)</p> <p style="text-align: center;">USABLE ON CODES</p> <table border="0" style="margin-left: auto; margin-right: auto;"> <thead> <tr> <th style="text-align: left;">CODE</th> <th style="text-align: left;">MODEL</th> <th style="text-align: left;">SERIAL NUMBER</th> </tr> </thead> <tbody> <tr> <td>A</td> <td>206A/B</td> <td>584-1903</td> </tr> <tr> <td>B</td> <td>206BIII</td> <td>3217-3566</td> </tr> <tr> <td>C</td> <td>206BIII</td> <td>3567-4305</td> </tr> <tr> <td>D</td> <td>206BIII</td> <td>3567-4429</td> </tr> <tr> <td>E</td> <td>206BIII</td> <td>3567-SUB</td> </tr> <tr> <td>F</td> <td>206BIII</td> <td>4430-SUB</td> </tr> </tbody> </table> <p>1) UNLESS A USABLE ON PART NUMBER IS LISTED IN THE ITEM NAME COLUMN; NO CODE INDICATES THE PART APPLIES TO ALL SERIAL NUMBERS.</p> <p>2) IF THE SERIAL NUMBER IS BLANK THE PART APPLIES TO ALL SERIAL NUMBERS FOR THAT MODEL.</p>	CODE	MODEL	SERIAL NUMBER	A	206A/B	584-1903	B	206BIII	3217-3566	C	206BIII	3567-4305	D	206BIII	3567-4429	E	206BIII	3567-SUB	F	206BIII	4430-SUB			
CODE	MODEL	SERIAL NUMBER																								
A	206A/B	584-1903																								
B	206BIII	3217-3566																								
C	206BIII	3567-4305																								
D	206BIII	3567-4429																								
E	206BIII	3567-SUB																								
F	206BIII	4430-SUB																								



206A/B/B3-26-1002
C0000

Figure 26-2. Fire extinguisher installation (S/N 1904 thru 3216)

(1) INDEX NUMBER	(2) PART NUMBER	(3) ITEM NAME	(4) UNIT PER ASSY	(5) A V A I L	(6) U O C
		FIGURE: 26-2. Fire extinguisher installation (S/N 1904 thru 3216)			
	206-706-348-001	FIRE EXT INSTL	1		
1	MS21042L3	.NUT	2		
2	AN960PD10L	.WASHER (REPLACED BY AN960JD10L)	4		
2	AN960JD10L	.WASHER (REPLACES AN960PD10L)	4		
3	MS27039-1-07	.SCREW	4		
4	50-064-1	.FIRE EXTINGUISHER AND MOUNTING BRACKET ASSY (REPLACED BY 40000) (REPLACED BY 50-091-1)	1		
4	40000	.FIRE EXTINGUISHER AND MOUNTING BRACKET ASSY (REPLACES 50-064-1) (REPLACED BY 50-091-1)	1		
5	50-091-1	.FIRE EXTINGUISHER AND MOUNTING BRACKET ASSY (REPLACES 50-064-1)	1		
6	50-091-2	..FIRE EXTINGUISHER	1		
7	50-091-3	..BRACKET ASSY	1		
	206-961-390-001	.MOD-CONSOLE	1		
8	MS21075L3	..NUTPLATE	2		



206A/B/B3-26-1003
C0000

Figure 26-3. Detection system, fire, engine (S/N 1252 thru SUB)

(1) INDEX NUMBER	(2) PART NUMBER	(3) ITEM NAME	(4) UNIT PER ASSY	(5) A V A I L	(6) U O C
		FIGURE: 26-3. Detection system, fire, engine (S/N 1252 thru SUB)			
	206-899-945-105	DETECTION SYS, FIRE, ENGINE (POST TB 206-95-152) . .	1		
1	MS22073-2	.CIRCUIT BREAKER	1		
2	BW9021BB	.SWITCH	1		
3	206-899-640-019	.DECAL (ENG FIRE)	1		
4	25-0195-2395	.FILTER (ENG FIRE)	1		
5	TSE20-01	.SPLICE	2		
6	MS34561KT14S-5S	.CONNECTOR	1		
7	MS3416-14EN	.BACKSHELL (REPLACED BY M85049/31-14W)	1		
7	M85049/31-14W	.BACKSHELL (REPLACES MS3416-14EN)	1		
8	206-899-945-115	.SUPPORT	1		
9	MS21061L06K	.NUTPLATE	4		
10	3001-38-450/170C-3.6	.DETECTOR	1		
11	10-10107	.CLAMP	2		
12	B3159	.CLIP (REPLACED BY 3659)	15		
12	3659	.CLIP (REPLACES B3159)	15		
13	206-061-804-047	.CLIP	2		
14	206-061-804-041	.CLIP	1		

