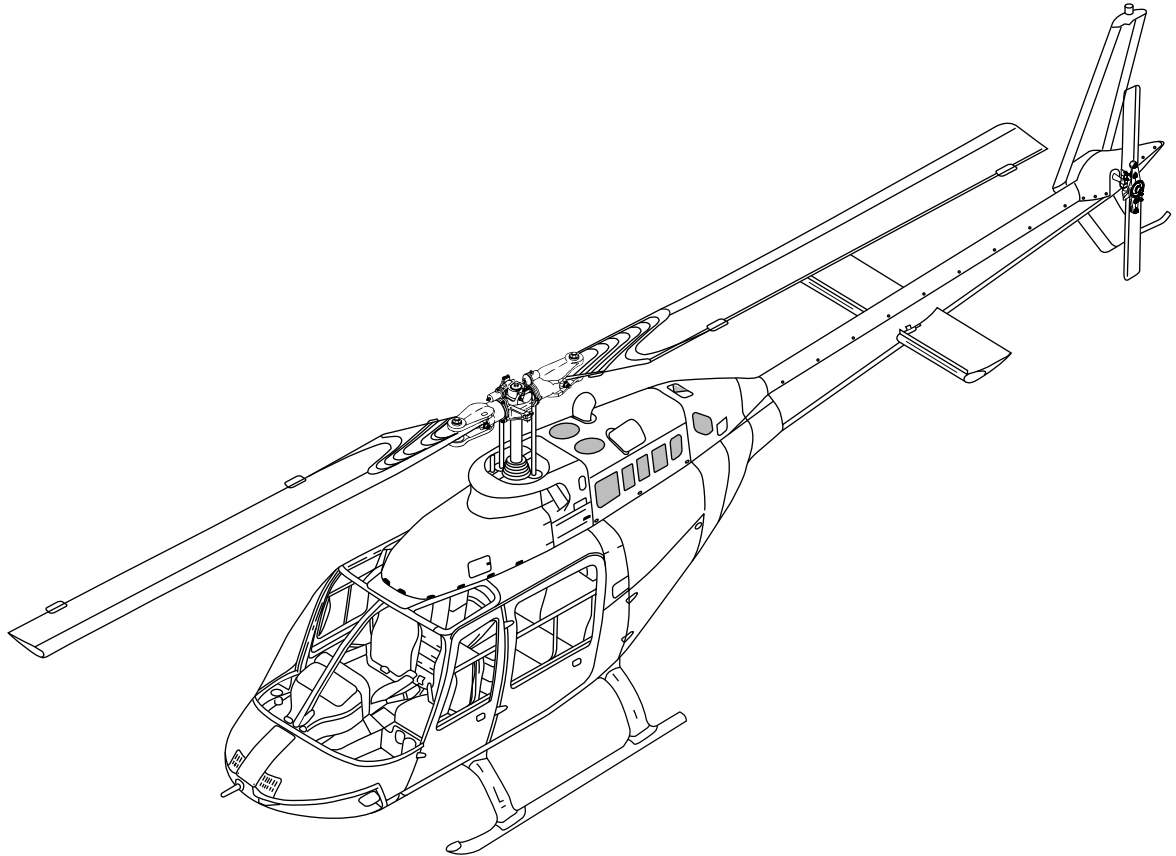


BHT-206A/B-SERIES-IPB

Bell
MODEL **206A/B** SERIES



**ILLUSTRATED PARTS
BREAKDOWN MANUAL**

NOTICE

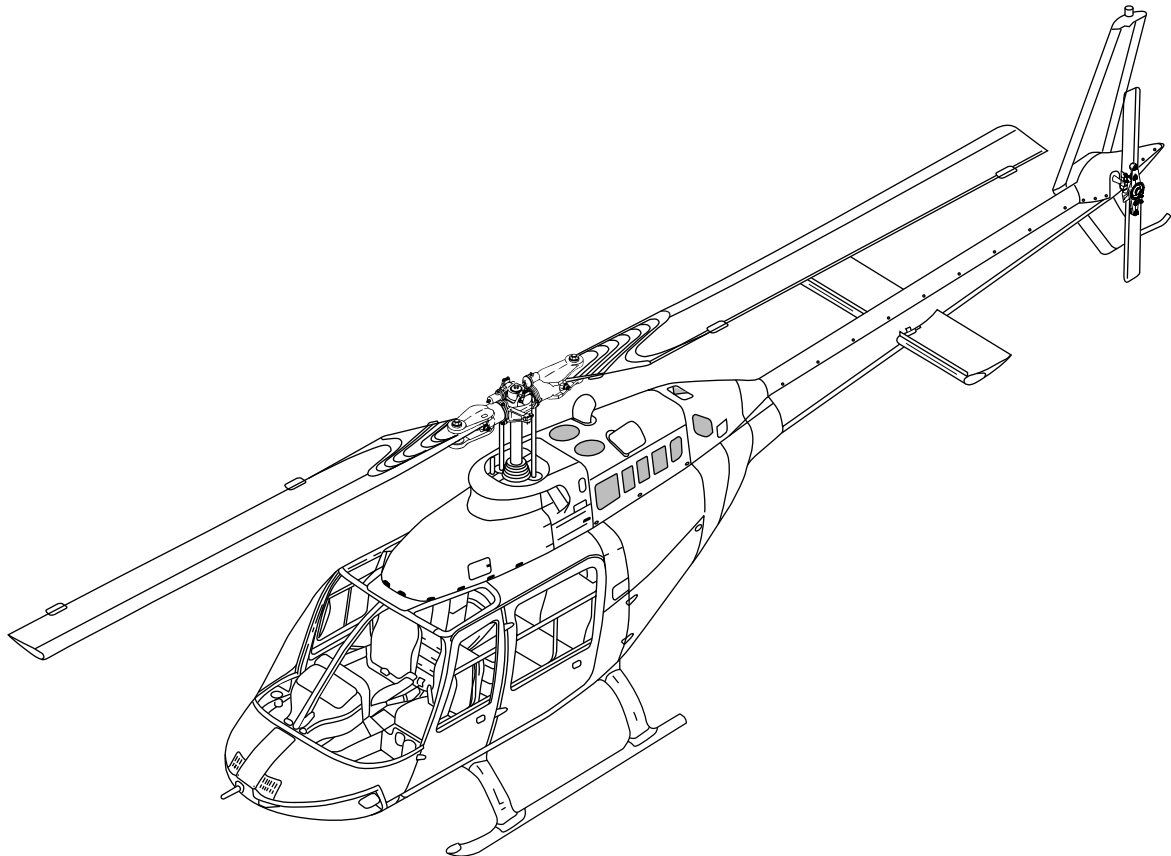
The instructions set forth in this manual, as supplemented or modified by Alert Service Bulletins (ASB) or other directions issued by Bell Helicopter Textron Inc. and Airworthiness Directives (AD) issued by the applicable regulatory agencies, shall be strictly followed.

Bell Helicopter

A Textron Company

POST OFFICE BOX 482 • FORT WORTH, TEXAS 76101

Bell
MODEL **206A/B** SERIES



ILLUSTRATED PARTS BREAKDOWN MANUAL

NOTICE

The instructions set forth in this manual, as supplemented or modified by Alert Service Bulletins (ASB) or other directions issued by Bell Helicopter Textron Inc. and Airworthiness Directives (AD) issued by the applicable regulatory agencies, shall be strictly followed.

COPYRIGHT NOTICE
COPYRIGHT 2006
BELL © HELICOPTER TEXTRON INC.
AND BELL HELICOPTER TEXTRON
CANADA LTD.
ALL RIGHTS RESERVED

Bell helicopter

A Textron Company

POST OFFICE BOX 482 • FORT WORTH, TEXAS 76101

1 MAY 1996
REVISION 6 — 15 MARCH 2006

PROPRIETARY RIGHTS NOTICE

These data are proprietary to Bell Helicopter Textron Inc. Disclosure, reproduction, or use of these data for any purpose other than helicopter operation or maintenance is forbidden without prior written authorization from Bell Helicopter Textron Inc.

Additional copies of this publication may be obtained by contacting:
Commercial Publication Distribution Center
Bell Helicopter Textron Inc.
P. O. Box 482
Fort Worth, Texas 76101-0482

WARNING

THIS MANUAL APPLIES ONLY TO HELICOPTERS AND COMPONENTS MAINTAINED IN ACCORDANCE WITH BELL HELICOPTER TEXTRON (BELL) APPROVED PROCEDURES USING BELL APPROVED PARTS.

ALL INSPECTION, REPAIR AND OVERHAUL PROCEDURES PUBLISHED BY BELL, INCLUDING PART RETIREMENT LIFE, ARE BASED SOLELY ON THE USE OF BELL PARTS THAT HAVE BEEN MAINTAINED USING BELL APPROVED DATA. THE DATA PUBLISHED HEREIN OR OTHERWISE SUPPLIED BY BELL IS NOT APPLICABLE TO NON-BELL PARTS OR PARTS THAT HAVE BEEN REPAIRED USING DATA AND/OR PROCESSES NOT APPROVED BY BELL.

BELL IS NOT RESPONSIBLE FOR ANY PART OTHER THAN THOSE THAT IT HAS APPROVED.

BEFORE PERFORMING ANY PROCEDURE CONTAINED IN THIS MANUAL YOU MUST INSPECT THE AFFECTED PARTS AND RECORDS FOR EVIDENCE OF ANY MANUFACTURE, REPAIR, REWORK OR USE OF A PROCESS NOT APPROVED BY BELL.

IF YOU IDENTIFY OR SUSPECT THE USE OF PARTS NOT AUTHORIZED BY BELL, EITHER REMOVE THE AFFECTED ITEM FROM THE AIRCRAFT OR OBTAIN INSTRUCTIONS FOR CONTINUED AIRWORTHINESS FROM THE MANUFACTURER OR THE ORGANIZATION THAT APPROVED THE REPAIR.

LOG OF REVISIONS

Insert latest revision pages and dispose of superseded ones.

On a revised page, the text and/or illustration affected by the latest revision is shown by a vertical line. A revised page with only a vertical line next to the page number indicates that text has shifted or that non-technical correction(s) were made on that page.

Original 0 1 MAY 96	Revision . . . 3 12 FEB 99	Revision . . . 6 15 MAR 06
Revision . . . 1 31 JAN 97	Revision . . . 4 8 MAR 99	
Revision . . . 2 1 AUG 98	Revision . . . 5 1 NOV 01	

LOG OF PAGES

Page No.	Rev No.	Page No.	Rev No.	Page No.	Rev No.
VOLUME 1					
Cover6	12 – 17	2	Chapter 26	
Title6	18 – 20	0	1	0
PN6	21/22	0	2	2
Warning6	Chapter 25		3/4	2
A – F6	1/2	0	5	2
Help6	3 – 8	0	6 – 8	0
Customer Feedback6	9/10	0	9/10	0
Helicopter Sale Notice6	11 – 18	0	Chapter 28	
Warranty6	19/20	0	1 – 2	0
Master Table of Contents6	21 – 22	0	3 – 4	1
Chapter 1		23/24	0	5 – 6	2
1/24	25 – 26	0	7	1
3 – 4	0	27/28	0	8 – 12	1
5 – 84	29 – 34	0	10 – 12	2
9 – 12	0	35/36	0	12A/12B	2
Chapter 8		37 – 56	0	13	2
1 – 3	0	57/58	0	14	0
4 – 62	59 – 68	0	15 – 16	2
Chapter 10		69/70	0	17/18	2
1 – 4	0	71 – 79	0	19 – 32	2
5 – 62	80 – 84	2	32A/32B	2
Chapter 11		85/86	2	33	2
1	0	87	2	34 – 36	0
2 – 42	88 – 90	0	37/38	0
5/62	91/92	0	Chapter 29	
Chapter 21		93 – 95	0	1 – 3	0
1 – 8	0	96	2	4	2
9/10	0	97/98	2	5/6	2
11	0	99	2	7 – 8	2
		100	0	9	0
		101/102	0	10 – 15	2
		103 – 112	0	16 – 28	0
		113/114	0	29/30	0
		115 – 124	0		

LOG OF PAGES (CONT)

Page No.	Rev No.	Page No.	Rev No.	Page No.	Rev No.
31 – 42	0	39	0	150	0
43/44	0	40 – 45	2	151 – 156	2
45 – 48	0	46	0	157	1
Chapter 32		47/48	2	158	0
1 – 16	6	49	2	159/160	0
17/18	6	50 – 53	0	161	0
19 – 30	6	54 – 56	2	162 – 165	2
31/32	6	56A/56B	2	166	0
33 – 46	6	56C – 56D	2	167	3
47/48	6	57	2	168	0
49 – 50	6	58	0	169/170	0
51/52	6	59/60	3	171	0
Chapter 52		61	3	172 – 175	2
1 – 2	0	62 – 66	2	176 – 177	0
3 – 4	2	67/68	2	178 – 180	2
5	0	69 – 72	2	181/182	2
6 – 16	2	73/74	2	Chapter 62	
17 – 26	0	75 – 79	2	1	0
27/28	0	80	0	2 – 8	2
29 – 32	0	81	2	9	0
33/34	0	82 – 83	0	10 – 14	2
35 – 36	0	84 – 86	2	14A/14B	2
37/38	2	86A/86B	2	15 – 34	2
39 – 43	0	87 – 90	2	34A/34B	2
44	2	91/92	2	35 – 44	2
45/46	0	93	2	Chapter 63	
47 – 52	0	94 – 99	0	1	0
Chapter 53		100 – 103	2	2 – 4	2
1/2	2	104 – 110	0	4A/4B	2
3 – 4	2	111/112	0	5	2
5	0	113	0	6	0
6 – 10	2	114 – 118	2	7 – 8	2
10A/10B	2	118A/118B	2	9/10	2
11	2	119	2	11 – 12	0
12 – 14	0	120 – 124	0	13 – 17	2
15/16	0	125	2	18	0
17	0	126 – 127	0	19 – 22	2
18 – 21	2	128	2	23/24	2
22	0	129 – 130 Deleted	2	25 – 32	2
23/24	0	131 – 132	2	33/34	2
25	0	132A/132B	2	35	2
26 – 29	2	133	2	36	0
30	0	134 – 137	0	37/38	1
31/32	0	138	3	39	2
33 – 36	0	139/140	3	40 – 42	0
37/38	0	141 – 142	3	43/44	0
		143/144	3	45	0
		145	3		
		146 – 149	2		

LOG OF PAGES (CONT)

Page No.	Rev No.	Page No.	Rev No.	Page No.	Rev No.
462	Chapter 71		13/14	0
470	1 – 3	0	15 – 18	0
48 – 552	4 – 9	2	19/20	0
56 – 580	10	0	21 – 24	0
59/600	11/12	0	25/26	0
Chapter 64		13 – 18	0	27	0
1 – 60	19/20	0	28 – 352
7 – 262	21 – 30	0	36	0
27/282	31/32	0	37/382
Chapter 65		33 – 40	0	392
10	41/42	0	40	0
2 – 82	43 – 45	0	41 – 542
8A/8B2	462	54A/54B2
92	46A/46B2	55 – 632
10 – 120	47 – 54B2	64	0
13 – 162	552	65/66	0
16A/16B2	56 – 57	0	Chapter 96	
172	58 – 64B2	1	0
180	65 – 722	22
19 – 232	72A/72B2	3	0
24 – 250	73 – 852	4 – 92
26 – 302	86	0	10 – 14	0
30A/30B2	87 – 882	15/16	0
31 – 442	Chapter 76		17 – 24	0
Chapter 67		1 – 2	0	25/26	0
1 – 20	3/4	0	27 – 34	0
3 – 61	5	0	35/36	0
6A/6B1	62	37	0
71	7/82	38 – 422
8 – 160	9 – 152	42A/42B2
17 – 202	16	0	43 – 442
20A/20B2	17 – 181	45	0
212	18A/18B1	46 – 502
22 – 260	191	50A/50B2
27/280	20 – 222	512
29 – 300	23/242	52 – 58	0
31 – 372	252	59/60	0
38 – 440	26 – 28	0	61 – 68	0
45 – 492	Chapter 79		69/70	0
50 – 540	1 – 2	0	71 – 84	0
55 – 562	3 – 82	85/86	0
57/582	9/102	87 – 98	0
592	Chapter 95		99/100	0
600	1 – 4	0	101	0
61 – 642	5/6	0	102 – 1082
65/662	7 – 12	0	109/110	0
				111 – 140	0
				141/142	0

LOG OF PAGES (CONT)

Page No.	Rev No.	Page No.	Rev No.	Page No.	Rev No.
143 – 144	0	37 – 38	0	197/198	0
145/146	0	39/40	0	199 – 200	0
147 – 152	0	41 – 50	0	201/202	0
153/154	0	51/52	0	203 – 204	0
Chapter 97		53 – 54	0	205/206	0
1 – 4	0	55/56	0	207 – 212	0
5/6	0	57 – 70	0	213/214	0
7 – 8	0	71/72	2	215 – 216	0
9/10	0	73	2	217/218	0
11 – 14	0	74 – 86	0	219	0
15/16	0	87/88	0	220	6
17 – 19	0	89 – 94	0	221/222	6
20 – 25	1	95/96	0	223 – 232	6
26	0	97 – 98	0	233/234	6
27/28	1	99/100	0	235 – 241F	6
29	1	101	0	242 – 243	0
30 – 40	0	102 – 103	2	244	6
41/42	0	104 – 106	0	245/246	6
43 – 46	0	107/108	0	247 — 247B	6
Chapter 99		109 – 124	0	248 – 250	6
1/2	1	125/126	0	251A/251B	6
3	6	127 – 128	0	251C	6
4	0	129/130	0	252 – 258	0
5/6	0	131 – 133	0	259/260	0
7	0	134 – 136	1	261 – 268	0
8 – 9	2	136A/136B	1	269/270	0
10 – 14	0	137 – 138	1	Index of Part Numbers	
15/16	0	138A/138B	1	1 – 272	3
17 – 20	0	139	1	Index of REF DES	
21/22	0	140 – 162	0	1 – 8	2
23 – 30	0	163/164	0	9/10	2
31/32	0	165 – 170	0	Addendum	
33 – 34	0	171/172	0	1 – 2 Deleted	6
35/36	0	173 – 190	0		
		191/192	0		
		193 – 196	0		

H ELP

E VALUATE

L OGISTICS

P UBLICATIONS

Have you found something wrong with this manual — an error, an inconsistency, unclear instructions, etc.? Although we strive for accuracy and clarity, we may make errors on occasion. If we do and you discover it, we would appreciate your telling us about it so that we can change whatever is incorrect or unclear. Please be as specific as possible.

Your complaint or suggestion will be acknowledged and we will tell you what we intend to do.

You may use the enclosed Customer Feedback form, as applicable, to inform us where we have erred.

Your assistance is sincerely appreciated.

CUSTOMER FEEDBACK

RETURN VIA FAX TO PRODUCT SUPPORT ENGINEERING (450) 433-0272

Manual Title: _____

Manual Number (if assigned): _____

Date of Issue: _____

Date of Last Revision: _____

Section, Chapter, Paragraph Affected: _____

Your Feedback: _____

Now Reads: _____

Should Read: _____

Your Name: _____

Address: _____

Position: _____ **Telephone No.:** _____

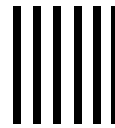
Company: _____ **Fax No.:** _____

Reference No. (your initials and date): _____

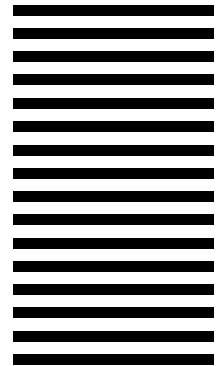
(If you choose to mail this form, fold in thirds with address exposed, tape and mail.)

TAPE HERE

From _____



POSTAGE
NECESSARY



PRODUCT SUPPORT ENGINEERING
12,800 rue de l'Avenir
Mirabel Québec, Canada, J7J 1R4

FOLD ON DOTTED LINES AND TAPE

TAPE HERE

IMPORTANT
HELICOPTER SALE NOTICE

Please complete this Form and return by Mail or FAX (817-280-3224, Attention: CPDC) to **Bell Helicopter Textron**. This will ensure that the New Owners receive updates to their ***Bell Helicopter Technical Manuals*** and ***Bulletins***.

Model of Helicopter Sold or Purchased _____

Bell Serial Number _____

Registration Number _____

Company or Individual who purchased Helicopter _____

Address _____

City _____

State _____

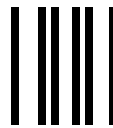
Zip Code _____

Country _____

FAX No. _____ Telephone No. _____

TAPE HERE

From _____

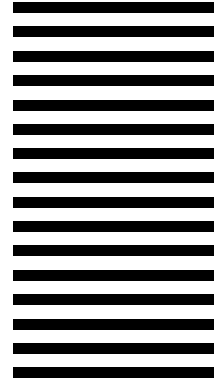


NO POSTAGE
NECESSARY
IF MAILED
IN THE
UNITED STATES

BUSINESS REPLY MAIL
FIRST CLASS PERMIT NO. 1744 FORT WORTH, TEXAS



**COMMERCIAL PUBLICATION DISTRIBUTION CENTER
P.O. BOX 482
FORT WORTH, TEXAS 76101-0482**



FOLD ON DOTTED LINES AND TAPE

TAPE HERE

WARRANTY

Spare Parts

WARRANTY AND REMEDY: Seller warrants each new helicopter part or helicopter part reconditioned by seller to be free from defect in material and workmanship under normal use and service. Seller's sole obligation under this warranty is limited to replacement or repair of parts which are determined to Seller's reasonable satisfaction to have been defective within 1,000 hours of operation or one (1) year after installation, whichever occurs first and reimbursement of reasonable freight charges. After 200 hours of use, there will be a prorated charge to the Purchaser for replacement parts (prorating the hours of total use against the then applicable part life or 2,000 hours, whichever is the lesser). Defective parts must be reported in writing to the Seller's Warranty Administration within 90 days of being found defective. Warranty adjustment is contingent upon the Purchaser complying with the Seller's Warranty Administration disposition instructions for defective parts. Failure to comply with all of the terms of this paragraph may, at Seller's sole option, void this warranty.

THIS WARRANTY IS GIVEN AND ACCEPTED IN PLACE OF (i) ALL OTHER WARRANTIES OR CONDITIONS, EXPRESS OR IMPLIED, INCLUDING BUT NOT LIMITED TO THE IMPLIED WARRANTIES OR CONDITIONS OF MERCHANTABILITY AND FITNESS FOR A PARTICULAR PURPOSE AND (ii) ANY OBLIGATION, LIABILITY, RIGHT, CLAIM OR REMEDY IN CONTRACT OR IN TORT (DELICT), INCLUDING PRODUCT LIABILITIES BASED UPON STRICT LIABILITY, NEGLIGENCE, OR IMPLIED WARRANTY IN LAW.

This warranty is the only warranty made by Seller. The Purchaser's sole remedy for a breach of this warranty or any defect in a part is the repair or replacement of helicopter parts and reimbursement of reasonable freight charges as provided herein. Seller excludes liability, whether as a result of a breach of contract or warranty, negligence or strict product liability, for incidental or consequential damages, including without limitation, damage to the helicopter or other property, costs and expenses resulting from required changes or modifications to helicopter components and assemblies, changes in retirement lives and overhaul periods, local customs fees and taxes, and costs or expenses for commercial losses or lost profits due to loss of use or grounding of helicopters or otherwise.

Seller makes no warranty and disclaims all liability in contract or in tort (delict), including, without limitation, negligence and strict tort (delictual) liability, with respect to work performed by third parties at Purchaser's request and with respect to engines, engine accessories, batteries, radios, and avionics, except Seller assigns each manufacturer's warranty to Purchaser to the extent such manufacturer's warranty exists and is assignable.

This warranty shall not apply to any helicopter part which has been repaired or altered outside Seller's factory in any way so as, in Seller's judgment, to affect its stability, safety or reliability, or which has been subject to misuse, negligence or accident, or which has been installed in any aircraft which has been destroyed unless that helicopter has been rebuilt by Bell. A list of destroyed aircraft is obtainable from Bell Product Support. Repairs and alterations which use or incorporate parts and components other than genuine Bell parts or parts approved by Bell for direct acquisition from sources other than Bell itself are not warranted by Bell, and this warranty shall be void to the extent that such repairs and alterations, in Seller's sole judgment, affect the stability, safety or reliability of the helicopter or any part thereof, or damage genuine Bell or Bell-approved parts. No person, corporation, or organization, including Bell Customer Service Facilities, is authorized by Seller to assume for it any other liability in connection with the sale of its helicopters and parts.

January 1, 1996

Bell Helicopter
A Textron Company

LIST OF CHAPTERS

Title	Chapter
General Information	1
Weight and Balance	8
Towing	9
Parking and Mooring	10
Placards and Markings	11
Heating, Air Conditioning and Ventilation	21
Equipment and Furnishings	25
Fire Protection/Loose Equipment	26
Fuel Supply Systems	28
Hydraulic System	29
Landing Gear	32
Doors and Windows	52
Fuselage	53
Main Rotor	62
Main Rotor Drive System	63
Tail Rotor	64
Tail Rotor Drive System	65
Flight Control System	67
Power Plant System	71
Engine Controls	76
Engine Oil System	79
Instruments	95
Electrical System	96
Avionics	97
Kits	99

