

ROBINSON HELICOPTER COMPANY

R66 ILLUSTRATED PARTS CATALOG

RTR 660 VOLUME II

Production Certificate Number 424WE

Type Certificate Number R00015LA



Robinson Helicopter Company
2901 Airport Drive
Torrance, California 90505-6115
United States of America

Phone: (310) 539-0508
Fax: (310) 539-5198
Web: www.robinsonheli.com

OFFICE HOURS

Monday through Friday, 7:30 a.m. to 4:30 p.m., Pacific Time.
Lunch hour is 11:30 a.m. to 12:30 p.m.

HOLIDAYS

Please visit www.robinsonheli.com for a complete list of holidays and company shutdowns.

CUSTOMER SUPPORT

Please visit www.robinsonheli.com for a complete support directory. Procure parts from any R66 Dealer or Service Center, or order directly from RHC Customer Support via email, fax, or phone.

PUBLICATIONS

Viewing RHC Maintenance Manuals (MMs) and Illustrated Parts Catalogs (IPCs) online at www.robinsonheli.com is recommended to ensure use of current data. Viewing MMs and IPCs offline via paper or digital download requires verification that the data is current. Refer to the online MM or IPC Revision Log for the list of current pages.

SUBSCRIPTION ORDER AND RENEWAL FORMS

Subscription order and renewal forms are located at www.robinsonheli.com.

WARRANTY INFORMATION

Helicopter and parts warranty information is located at www.robinsonheli.com.

CHAPTER LIST

	Introduction
Chapter 6	Dimensions and Descriptions
Chapter 8	Weight and Balance
Chapter 9	Ground Handling
Chapter 10	Parking and Storage
Chapter 11	Placards and Markings
Chapter 12	Servicing
Chapter 18	Track and Balance
Chapter 21	Environment Control
Chapter 22	Autopilot
Chapter 25	Furnishings
Chapter 28	Fuel System
Chapter 29	Hydraulics
Chapter 32	Landing Gear
Chapter 33	Lights
Chapter 52	Doors and Windows
Chapter 53	Fuselage
Chapter 62	Main Rotor
Chapter 63	Main Rotor Drive System
Chapter 64	Tail Rotor Assembly
Chapter 65	Tail Rotor Drive System
Chapter 67	Flight Controls
Chapter 71	Powerplant
Chapter 75	Engine Air Systems
Chapter 76	Engine Controls
Chapter 79	Engine Oil System
Chapter 90	Police Version
Chapter 92	E.N.G. Version
Chapter 95	Instrument System
Chapter 96	Electrical System
Chapter 97	Avionics
Chapter 99	Special Tools
Chapter 100	Revision Log
Appendix A	Alphabetical Index
Appendix B	Numerical Index

TECHNICAL PUBLICATIONS
RECOMMENDED CHANGE REPORT

Please direct recommended changes to RHC Technical Publications via the email address listed below, by phone, or by submitting a duplicate of this completed form by fax or mail. Please include or have available the information detailed by this form.

Recommended changes may include but are not limited to: general comments, corrections, omitted information, or clarification of instructions.

Please send recommendations to:

Email: techpubs@robinsonheli.com
Phone: (310) 539-0508
Fax: (310) 539-5198

Robinson Helicopter Company
Attention: Technical Publications
2901 Airport Drive
Torrance, CA 90505-6115
U.S.A.

Date:	_____	Publication:	_____
Name:	_____	Chapter:	_____
Company:	_____	Section:	_____
Helicopter Model:	_____	Page:	_____
Serial Number:	_____	Revision:	_____
Phone:	_____		
Email:	_____		

COMMENTS:

CATALOG FEATURES

INTRODUCTION

The Illustrated Parts Catalog (IPC) is used in conjunction with the R66 Maintenance Manual (MM) to provide instructions for continued airworthiness. The IPC identifies parts, components, and detail parts that make up, and are required to support, the R66 helicopter. RHC uses a modified Air Transport Association (ATA) chapter structure to organize the various systems of the R66 Helicopter.

The catalog features:

1. A chapter list
2. A table of contents located in the front of the catalog
3. A table of contents at the front of each chapter
4. Alphabetical and numerical indexes located in the appendices at the back of the catalog

PART DESIGNATION

Robinson parts are designated with a part number prefix "A", "B", "C", etc., followed by three digits and a dash number, such as A101-1. Robinson special tools are designated with a part number prefix "MT". For standard hardware items such as bolts, nuts, screws, etc., "AN", "MS", and "NAS" part numbers are used. When a rivet length is not specified, length must be determined by the installer. In some instances, vendor part numbers are also used.

PARTS AVAILABILITY

"X" indicates part is available as a separate spares item.

"O" indicates part is no longer available, or only available as part of a higher assembly.

CHANGE BARS

Change bars are located on the outside edge of the page, and indicate new or revised data. Change bars between lines indicate data was removed, and parts renumbered as required. Change bars on figure pages indicate changes to the figure somewhere across the page in the area of the change bar. A change bar encompassing the figure title and item 1 indicates the figure number changed. Change bars that are the full length of the page indicate all new data, usually a new figure and parts data.

ABBREVIATIONS

Assy – assembly	max – maximum	rev. – Revision
A/R – as required	min – minimum	RH – right hand
A.O.G. – Aircraft On Ground	MM – Maintenance Manual	RHC – Robinson Helicopter Company
Cont'd – continued	MR – main rotor	§ – Section
Incl – includes	OH/EXCH – Overhaul/Exchange	TR – Tail Rotor
LH – left hand	Ref – Part(s) "referenced" for clarity	TRDS – Tail Rotor Drive Shaft

ORDERING AND SHIPPING

All orders must include instructions for shipping. All parts or components shipped to RHC must include a signed Component Return/Authorization Form. Return shipments must be paid for by the dealer or distributor. NOTE: Handling fees will be applied to all orders received which are under \$1,000.00. Orders shipped on an A.O.G. basis (24 hours domestic, 48 hours foreign) will be assessed additional charges.

WARRANTY

RHC will apply the same 1-year or 1000-hour RHC limited warranty to all parts and components purchased from RHC.

RETURNS

No unused parts may be returned to RHC for credit if the parts show any indication whatsoever of use or damage, or if the cost of the individual part was less than \$25 (U.S.). Parts returned within 30 days of purchase will be assessed a 20% restocking fee. No parts may be returned after 30 days without prior RHC approval. Any parts approved for return after 30 days will be assessed a 50% restocking fee.

Continued

CATALOG FEATURES (Cont'd)**REVISIONS**

Before using this catalog, be sure it is current. A list of all pages is located in Chapter 100, Revision Log, at the back of this catalog. If a new parts catalog is purchased, be sure to complete and mail the Subscription Order and Renewal Form found on page ii of this catalog; this will ensure receipt of revisions for a two-year period. Revision status of Robinson Technical Publications is at www.robinsonheli.com.

RHC reserves the right to cancel, add, or change the parts and assemblies described in this catalog without notice.

HOW TO USE THE ILLUSTRATED PARTS CATALOG

Below are search protocols, based on the information known:

If searching by part number:

1. Digital Catalog:

The IPC is available online in digital PDF format.

- a. Open the chapter PDF or the full book PDF in the PDF reader of your choice.
- b. In your PDF reader open a "search" or "find" window and type in the p/n you are looking for.
- c. All instances of that p/n should be found, and you can move through the list until you find the information you are looking for.

2. Paper Catalog:

- a. Go to Appendix B, the Numerical Index, and locate the part number.
- b. You will find where that part number is called out in the Illustrated parts Catalog (IPC).
The Numerical Index is divided into six sections, RHC part numbers, RHC "KI" (kit) numbers, RHC "MT" (tool) numbers, RHC "R" numbers (specialty parts), vendor part numbers, and standard hardware part numbers.
Note: Vendor part numbers are sorted by column from left to right numerically then alphabetically, and all hyphens are ignored for sorting purposes. i.e.- "75-900-2026" comes before "760", and "760" comes before "A15A".
- c. Note the page(s) and item number(s) listed.

If searching by part name:

1. Digital Catalog:

The IPC is available online in digital PDF format.

- a. Open the chapter PDF or the full book PDF in the PDF reader of your choice.
- b. In your PDF reader open a "search" or "find" window and type the part name you are looking for.
- c. All instances of that part name should be found, and you can move through the list until you find the information you are looking for.

2. Paper Catalog:

- a. Go to Appendix A, the Alphabetical Index, and look for the name of the part, component, or system you are looking for.
- b. You may find listings under multiple names for some components. Only the most common parts, components, and systems are listed in the Alphabetical Index.
- c. Note the page(s) and item number(s) listed.

If searching by system:

1. Go to the Chapter List on page iii, and determine the appropriate chapter.
2. Go to the Table of Contents, or the Chapter Table of Contents, and further determine from the Figure titles the illustration where the part might logically appear.
3. Go to the Figure number and locate the part and its item number on the illustration.
4. Go to the item number noted in the parts list and verify it is the part you are looking for by reading the description. Be aware of any asterisks and the notes they reference, to verify the part is the current part for your aircraft. Find the part number in the illustration for location and associated hardware and/or components.

Intentionally Blank

PART INTERCHANGEABILITY

The following parts are interchangeable. Unless noted otherwise, whenever one part is referred to in this catalog, its substitute part is also permitted.

<u>PART:</u>	<u>INTERCHANGEABLE WITH:</u>
110-__ Telatemp	F110-__ Telatemp
22K1-048 Cap nut	B340-10 Cap nut
22K1-82 Cap nut	B340-4 Cap nut
354601 Fuse block	D262-1 Fuse block
354602 Fuse block	D262-2 Fuse block
4509 & Q4509 Lamp	B196-26 Lamp
4591 Lamp	B196-27 Lamp
511TS1-3 Switch	B300-4 Switch
94830A030 Nut	21FKF-518 Nut
AN_ and MS_ part	AS_ part or A880 part numbers.
AN340 Nut	MS35649 Nut per NASM35649 except AN340B8 Nut
AN340B8 Nut	B301-8 Nut
AN345 Nut	MS35650 Nut per NASM35650
AN364 Nut	MS21083 Nut per NASM21083
AN507 Screw	MS24693 Screw per NASM24693
AN509 Screw	MS24694 Screw per NASM24694
AN515 Screw	MS35206 Screw per NASM35206
AN515C Screw	MS51957 Screw
AN515UB6R6 Screw	B567-25 Screw
AN515UB6R10 Screw	B567-28 Screw
AN515UB8R10 Screw	B567-43 Screw
AN515UB8R12 Screw	B567-44 Screw
AN515UB8R20 Screw	MS35214-47 Screw per NASM35214
AN525 & AN526 Screw	MS27039C Screw per NASM27039, or B526-6 or -8 Screw and B527-08 Washer per R44 SL-51A. Except where noted.
AN814 & MS24391 Plug	AS5169 Plug
AN815 & MS24392 Union	AS5174 Union
AN818-__ D Nut	AN818-__ W Nut
AN819 & MS20819 Sleeve	AS5176 Sleeve
AN822 & MS20822 Elbow	AS5195 Elbow
AN823 & MS20823 Elbow	AS5196 Elbow
AN825 & MS20825 Tee	AS5197 Tee
AN826 & MS20826 Tee	AS5198 Tee
AN894 & MS24398 Bushing	AS5173 Bushing
AN900 Gasket	MS35769 Gasket per AS35769
AN924 & MS24400 Nut	AS5178 Nut
AN931 Grommet	MS35489 Grommet
AN935 Lockwasher	B332-__ Lockwasher, dash number per MS35338
AN936 Lockwasher	MS35335 Lockwasher
AN960-4L Washer	NAS1149FN416P Washer
AN960-4 Washer	NAS1149FN432P Washer
AN960-6L Washer	NAS1149FN616P Washer
AN960-6 Washer	NAS1149FN632P Washer
AN960-8L Washer	NAS1149FN816P Washer
AN960-8 Washer	NAS1149FN832P Washer
AN960-10L Washer	NAS1149F0332P Washer
AN960-10 Washer	NAS1149F0363P Washer

PART INTERCHANGEABILITY (Cont'd)

<u>PART:</u>	<u>INTERCHANGEABLE WITH:</u>
AN960-416L Washer	NAS1149F0432P Washer
AN960-416 Washer	NAS1149F0463P Washer
AN960-516L Washer	NAS1149F0532P Washer
AN960-516 Washer	NAS1149F0563P Washer
AN960-616L Washer	NAS1149F0632P Washer
AN960-616 Washer	NAS1149F0663P Washer
AN960-816L Washer	NAS1149F0832P Washer
AN960-816 Washer	NAS1149F0863P Washer
AN960-1016L Washer	NAS1149F1032P Washer
AN960-1016 Washer	NAS1149F1063P Washer
AN960PD8L Washer	NAS1149DN816J Washer
AN960PD416L Washer	NAS1149D0416J Washer
AN960PD516L Washer	NAS1149D0516J Washer
AN960PD616L Washer	NAS1149D0616J Washer
AVDEL 016 -__ Rivet	B204-__ Rivet
B270-6 Sealant	A701-11 Tape
CCR244SS-3-02 Rivet	B204-5 Rivet
MS26574-__ Circuit breaker	B297-__ Circuit breaker, except B297-25 and B297-120
MS3320-20 Circuit breaker	B297-120 Circuit breaker
LW-18959-150-25 Clamp	B444-1 Clamp
LW-18959-163-25 Clamp	B444-2 Clamp
LW-18959-175-25 Clamp	B444-3 Clamp
MS20604ML4W1 Rivet	MS20604M4W1 Rivet per NASM20604
MS21042L3 thru L6 Nut	D210-3 thru -6 Nut*
MS21209__ Insert	MS21209__ L or NAS1130__ Insert
MS21919__ Clamp	AS21919__ Clamp
MS24665 CAD plated steel cotter pin	MS24665 CRES cotter pin per NASM24665
MS27039C080__ Screw	B526-6 or -8 Screw and B527-08 Washer per R44 SL-51A. Except where noted.
MS27151-__ Palnut	B330-__ Palnut
NAS1067 Nutplate	MS21086 Nutplate per NASM21086
NAS1068A__ Nutplate	MS21075L__ E Nutplate per NASM21075
NAS1291-04 thru -08 Nut	MS21042 Nut per NASM21042
NAS1291-3 thru -10 Nut	D210-3 thru -10 Nut*
NAS1303 thru NAS1320 Bolt, except 1307 Bolt	NAS6603 thru NAS6620** Bolt, except 6607 Bolt
NAS1919B0__ SO__ Rivet	NAS9301B-__-0__ Rivet
NAS1921B0__ SO__ Rivet	NAS9302B-__-0__ Rivet
NAS428-__-__ Bolt	NAS428-__ A__ Bolt
NAS487 Instrument nut	MS33737 Instrument nut per NASM33737
NAS679A__ Nut	NAS1291-__ Nut
NAS679C__ M Nut	NAS1291C__ M Nut
NAS696 Nutplate	MS21071 Nutplate per NASM21071
NAS697 Nutplate	MS21069 & MS21070 Nutplate per NASM21069 & NASM21070
NAS698 Nutplate	MS21073 Nutplate per NASM21073

* One-way interchangeability, only D210 nut shall be used for listed sizes.

** The following bolts must be NAS1300 series only: NAS1304-17 and NAS1305-35.

Intentionally Blank

CONTENTS

INTRODUCTION

<u>Figure</u>	<u>Title</u>	<u>Page</u>
—	Cover Page	i
—	Subscription Order and Renewal Form	ii
—	Warranty Information	ii
—	Chapter List	iii
—	Recommended Change Report	iv
—	Catalog Features	v
—	Part Interchangeability	viii
—	Contents	xi

CHAPTER 6 – DIMENSIONS AND DESCRIPTIONS

<u>Figure</u>	<u>Title</u>	<u>Page</u>
6-1	Access Panels – Forward Cabin	6.0
6-3	Access Panels – Aft Cabin	6.2
6-5	Access Panels – Aft Fuselage (LH)	6.4
6-7	Access Panels – Aft Fuselage (RH)	6.6
6-9	Access Panels – Chin	6.8
6-11	Access Panels – Belly	6.10
6-13	Access Panels – Belly (Float Ship)	6.12
6-15	ADF/Marker Beacon Antennas	6.14
6-17	UHF and DME Antennas	6.16
6-19	Transponder Antenna Installation	6.18
6-21	Aft Belly Antennas	6.20
6-23	Aft Belly Antennas	6.22
6-25	Kannad ELT Antenna Installation	6.24
6-27	GPS Antenna Installation (Cowl Mount)	6.26
6-29	Tailcone Antenna Connectors	6.28
6-31	Forward Upper Tailcone Antennas	6.30
6-33	Aft Upper Tailcone Antennas	6.32
6-35	Lower Tailcone Antennas	6.34
6-37	NAV Antenna Installation	6.36
6-39	NAV Antenna Combiner / Diplexer Installation	6.38
6-41	Radar Altimeter Antennas	6.40
6-43	Glideslope Antenna Installation	6.42

CHAPTER 8 – WEIGHT AND BALANCE

<u>Figure</u>	<u>Title</u>	<u>Page</u>
8-1	Ballast Installation	8.0

CHAPTER 9 – GROUND HANDLING

<u>Figure</u>	<u>Title</u>	<u>Page</u>
9-1	Ground Handling Wheel (Cup and Cone Bearings)	9.0

CHAPTER 9 – GROUND HANDLING (Cont'd)

<u>Figure</u>	<u>Title</u>	<u>Page</u>
9-3B	Ground Handling Wheel (Sealed Bearings)	9.3A
9-5	Ground Handling Wheel Assembly – Pop-Out Floats (Cup and Cone Bearings)	9.4
9-7B	Ground Handling Wheel Assembly – Pop-Out Floats (Sealed Bearings)	9.7A
9-9	Ground Handling Ball Installation	9.8

CHAPTER 10 – PARKING AND STORAGE

<u>Figure</u>	<u>Title</u>	<u>Page</u>
10-1	Main Rotor Blade Tie-Downs	10.0
10-3	Helicopter Cabin Covers	10.2
10-5	Hardpoint Hinge and Tie-Down Ring Installations	10.4
10-7	Main Rotor Blade Support Installation	10.6
10-9	Cover Assembly – Exhaust	10.8

CHAPTER 11 – PLACARDS AND MARKINGS

<u>Figure</u>	<u>Title</u>	<u>Page</u>
11-1	Placards and Markings	11.0
11-5	Placards and Markings	11.4
11-9	Placards and Markings (Japanese)	11.8

CHAPTER 12 – SERVICING

<u>Figure</u>	<u>Title</u>	<u>Page</u>
—	Lubricants	12.1
—	Adhesives	12.3

CHAPTER 18 – TRACK AND BALANCE

<u>Figure</u>	<u>Title</u>	<u>Page</u>
18-1	TEC ACES Balancing System	18.0
18-3	TEC ACES Balancing System	18.2

CHAPTER 21 – ENVIRONMENT CONTROL

<u>Figure</u>	<u>Title</u>	<u>Page</u>
21-1	Cabin Air Vent – Control Installation	21.0
21-3	Air Conditioning – Compressor Assembly Installation	21.2
21-7	Air Conditioning – Condenser Installation	21.6
21-11	Air Conditioning – Evaporator Assembly Installation	21.10
21-13	Air Conditioning – Evaporator Drain Installation	21.12

CONTENTS

CHAPTER 21 – ENVIRONMENT CONTROL (Cont'd)

<i>Figure</i>	<i>Title</i>	<i>Page</i>
21-15	Air Conditioning – Evaporator Electrical Components	21.14
21-17	Air Conditioning – Hose Assemblies	21.16
21-19	Air Conditioning – Line Assemblies	21.18
21-21	Air Conditioning – Duct Assembly Installation	21.20
21-25	Air Conditioning – Furnishings	21.24
21-27	Air Conditioning – Electrical Components	21.26
21-31	Cabin Heater – Control Installation	21.30
21-33	Cabin Heater – Forward Components Installation	21.32
21-35	Cabin Heater – Muffler & Control Valve Installation	21.34
21-39	Cabin Heater – Aft Components Installation	21.38

CHAPTER 22 – AUTOPILOT

<i>Figure</i>	<i>Title</i>	<i>Page</i>
22-1	(Pitch) Servo Assembly Installation and Components	22.0
22-5	(Roll) Servo Assembly Installation	22.4
22-7	Flight Control Computer Installation	22.6

CHAPTER 25 – FURNISHINGS

<i>Figure</i>	<i>Title</i>	<i>Page</i>
25-1	Seat Installation	25.0
25-3	Forward Seat Belt Installation	25.2
25-5	Aft Seat Belt Installation	25.4
25-9	Five-Point Harness Installation	25.8
25-11	Five-Point Harness Inertia Reel Installation	25.10
25-13	Five-Point Harness Bumper Assembly Installation	25.12
25-15	Carpet Installation	25.14
25-17	Headliner and Insulation Installation	25.16
25-19	Document Holder Installations	25.18
25-21	Fire Extinguisher Installation	25.20
25-23	Kannad ELT Installation	25.22
25-25	Cargo Hook Installation	25.24
25-27	Cargo Hook – Installation	25.26
25-31	Cargo Hook – Details	25.30
25-35	Cargo Hook – Left Side Details	25.34
25-39	Cargo Hook – Right Side Details	25.38
25-43	Cargo Hook – Left Seat Flight Controls	25.42

CHAPTER 28 – FUEL SYSTEM

<i>Figure</i>	<i>Title</i>	<i>Page</i>
28-1	Fuel Bladder Assembly	28.0
28-5	Fuel Bladder Assembly – Aft Components	28.4
28-7	Low Fuel Switch and Drain Assembly Installation	28.6
28-9	Fuel Valve and Hoses Installation	28.8
28-13	Large Auxiliary Fuel Tank Installation	28.12
28-15	Large Auxiliary Fuel Tank Assembly	28.14
28-19	Large Auxiliary Fuel Tank – Components	28.18
28-21	Small Auxiliary Fuel Tank Installation	28.20
28-23	Small Auxiliary Fuel Tank Assembly	28.22
28-27	Small Auxiliary Fuel Tank – Components	28.26
28-29	Auxiliary Fuel Tank – Hose Installation	28.28
28-31	Auxiliary Fuel Tank – Electrical Components	28.30
28-35	Auxiliary Fuel Tank – Electrical Components	28.34

CHAPTER 29 – HYDRAULICS

<i>Figure</i>	<i>Title</i>	<i>Page</i>
29-1	Hydraulic Pump Installation	29.0
29-3	Hydraulic Reservoir Installation	29.2
29-7	Forward Servos Installation	29.6
29-9	Forward Servos Hose Installation	29.8
29-11	Aft Servo Installation	29.10

CHAPTER 32 – LANDING GEAR

<i>Figure</i>	<i>Title</i>	<i>Page</i>
32-1	Landing Gear Assembly	32.0
32-5	Strut Fairing Assembly	32.4
32-7	Pop-Out Floats – Cylinder Assy. Installation	32.6
32-9	Pop-Out Floats – Lever Assembly	32.8
32-11	Pop-Out Floats – Float Assembly Installation	32.10
32-15	Pop-Out Floats – Hose Assembly Installation	32.14
32-17	Pop-Out Floats – Float Assy. and Hose Assy.	32.16
32-19	Skid Step Installation	32.18

CHAPTER 33 – LIGHTS

<i>Figure</i>	<i>Title</i>	<i>Page</i>
33-1	Strobe Light Installation	33.0
33-3	Navigation Lights Installation	33.2
33-7	HID Landing Lights Installation	33.6
33-9	Cabin Interior Lighting Installation	33.8
33-13	Spotlight Installation	33.12
33-15	MRGB LED Light System	33.14

CONTENTS

CHAPTER 52 – DOORS AND WINDOWS

<i>Figure</i>	<i>Title</i>	<i>Page</i>
52-1	Forward Door Assembly	52.0
52-5	Forward Door Installation	52.4
52-7	Aft Door Assembly	52.6
52-11	Aft Door Installation	52.10
52-13	Baggage Door Installation	52.12
52-17	Windshield Installation – Standard (Acrylic)	52.16
52-21	Windshield Installation – Impact-resistant (Polycarbonate)	52.20
52-23	Windshield Installation – Impact-resistant (Polycarbonate)	52.22
52-25	Windshield Installation – Impact-resistant (Polycarbonate) with Wire Strike Provisions	52.24

CHAPTER 53 – FUSELAGE

<i>Figure</i>	<i>Title</i>	<i>Page</i>
53-1	Engine Cowling Installation	53.0
53-3	Mast Fairing Assembly	53.2
53-5	Tailcone Cowling Installation	53.4
53-7	Lower Frame Assemblies	53.6
53-11	Hydraulic Servo Support Frame Assembly . .	53.10
53-13A	Upper Frame Assembly	53.12
53-13B	Upper Frame Assembly	53.15
53-17	Tailcone Assembly	53.16
53-21	Tailcone Assembly	53.20
53-25	Empennage Assembly	53.24
53-29	Stabilizer Installation	53.28
53-31	Wind Deflector Installation	53.30

CHAPTER 62 – MAIN ROTOR

<i>Figure</i>	<i>Title</i>	<i>Page</i>
62-1	Main Rotor Blade Assembly	62.0
62-3	Main Rotor Hub	62.2

CHAPTER 63 – MAIN ROTOR DRIVE SYSTEM

<i>Figure</i>	<i>Title</i>	<i>Page</i>
63-1	Engine Shaft Weldment & Clutch Assembly	63.0
63-3	Main Rotor Gearbox & Mast Assembly	63.2
63-7	Main Rotor Gearbox & Mast Installation . . .	63.6
63-9	Rotor Brake Assembly	63.8
63-13	Main Rotor Gearbox – Oil System	63.12
63-15	Main Rotor Gearbox – Oil Cooler Installation	63.14

CHAPTER 64 – TAIL ROTOR

<i>Figure</i>	<i>Title</i>	<i>Page</i>
64-1	Tail Rotor Assembly	64.0

CHAPTER 65 – TAIL ROTOR DRIVE SYSTEM

<i>Figure</i>	<i>Title</i>	<i>Page</i>
65-1	Tail Rotor Drive Fan Shaft, Fanwheel, & Flex Plate Installation	65.0
65-3	Tail Rotor Drive Shaft Assembly & Flex Plate Installation	65.2
65-5	Hanger Bearing	65.4
65-7	Damper Assembly	65.6
65-9	Tail Rotor Gearbox Installation	65.8
65-13	Tail Rotor Gearbox Seals	65.12

CHAPTER 67 – FLIGHT CONTROLS

<i>Figure</i>	<i>Title</i>	<i>Page</i>
67-1	Cyclic Control System	67.0
67-5	Cyclic Pivot Assembly and Torque Tube . . .	67.4
67-9	Push-Pull Tube Assemblies (Lower)	67.8
67-11	Cyclic Grip Assembly	67.10
67-15	Cyclic Grip Assembly	67.14
67-19	Cyclic Friction Assembly	67.18
67-21	Collective Stick Assembly	67.20
67-25	Jackshaft Weldment Installation	67.24
67-27	Push-Pull Tube Assemblies (Upper)	67.26
67-29	Tail Rotor Controls – Adjustable Pedals . . .	67.28
67-31	Tail Rotor Controls – Pedal Cover Installation	67.30
67-33	F334 Support Assembly Installation	67.32
67-35	C317 Bellcrank Assembly	67.34
67-37	F316 Bellcrank Assembly	67.36
67-39	A331 Bellcrank Assembly	67.38
67-41	Swashplate Assembly	67.40
67-45	Swashplate Ball Installation	67.44

CHAPTER 71 – POWERPLANT

<i>Figure</i>	<i>Title</i>	<i>Page</i>
71-1	Engine Installation	71.0
71-3	Engine Components – Right Side	71.2
71-5	Engine Components – Right Side	71.4
71-7	Engine Components – Left Side	71.6
71-9	Engine Air Induction – Cage and Filter Assemblies	71.8
71-11	Engine Air Induction – Inlet Barrier Filter . .	71.10

CONTENTS

CHAPTER 71 – POWERPLANT (Cont'd)

<u>Figure</u>	<u>Title</u>	<u>Page</u>
71-15	Engine Air Induction – Inlet Barrier Filter (Earlier ships)	71.14
71-17	Bellmouth Installation	71.16
71-19	Exhaust Weldment and Strut Installation	71.18
71-21	Starter-Generator Installation	71.20
71-23	Generator Control Unit Installation	71.22
71-25	Engine Monitoring Unit Installation	71.24
71-27	G090 Fuel Flow Meter Installation	71.26

CHAPTER 75 – ENGINE AIR SYSTEMS

<u>Figure</u>	<u>Title</u>	<u>Page</u>
75-1	Inducer Bleed System – Vent Box Installation	75.0

CHAPTER 76 – ENGINE CONTROLS

<u>Figure</u>	<u>Title</u>	<u>Page</u>
76-1	Fuel Control Unit Controls Installation	76.0
76-5	Power Turbine Governor Control Installation	76.4
76-7	Actuator Assembly Installation	76.6

CHAPTER 79 – ENGINE OIL SYSTEM

<u>Figure</u>	<u>Title</u>	<u>Page</u>
79-1	Cooling Scroll Assembly	79.0
79-3	Cooling Duct Box Assemblies	79.2
79-5	Engine – Oil Tank Installation	79.4
79-7	Engine – Oil Cooler Installation	79.6
79-9	Engine – Oil Lines Installation	79.8

CHAPTER 90 – POLICE VERSION

<u>Figure</u>	<u>Title</u>	<u>Page</u>
–	R66 Police Equipment	90.iv
–	R66 Police Equipment	90.vi
90-1	C060-3 Interior Light Installation	90.0
90-3	C813-4 Transceiver Installation (G070 Console)	90.2
90-5B	C813-4 Transceiver Installation (G060 Console)	90.6
90-7	C813-2 Transceiver Installation	90.6
90-7B	G460-2 Audio Control Installation	90.7A
90-9	G460-1 Audio Control Installation	90.8
90-13	C823-16 Dual Audio Control Installation	90.12
90-15	C849-4 Blower Installation	90.14

CHAPTER 90 – POLICE VERSION (Cont'd)

<u>Figure</u>	<u>Title</u>	<u>Page</u>
90-17	F051-1 Camera System Installation – Gimbal Fairing and Cover	90.16
90-19	F051-1 Camera System Installation – Gimbal and Lower Support Assembly	90.18
90-21	F051-1 Camera System Installation – Upper Gimbal Support Assembly	90.20
90-23	F051-1 Camera System Installation – Electronics Control Unit & Controller Assy.	90.22
90-25	F060-2 Intercom System Installation – Audio Control	90.24
90-27	F060-2 Intercom System Installation – Floor Switches	90.26
90-29	F079-1 PA/Siren System – Speaker Installation	90.28
90-31	F079-1 PA/Siren System – Components Installation	90.30
90-33	F081 Searchlight Installation – Gimbal and Gearmotor Assemblies	90.32
90-37	F081 Searchlight Installation – SLASS ECU and Junction Box Assembly	90.36
90-39	F081 Searchlight Installation – Control Assembly	90.38
90-39B	F818 GTN 6XX-series GPS/NAV/COM Installation (G070 Console)	90.39A
90-41	G415-1 DVR Installation (Optional)	90.40
90-43	G416-5 Monitor Installation	90.42
90-45B	G416-4 Monitor Installation	90.45A
90-47	G416-1 Monitor Installation	90.46
90-51	Pilot’s Side Console – GDU 1060 TXi Display	90.50
90-53B	Pilot’s Side Console – GPS/NAV/COM Installation	90.53A
90-55	G423-1 Aux Electrical System – 28-to-14V Converter & CB Panel	90.54
90-57	G423-1 Aux Electrical System – Harness Assembly	90.56
90-59	G423-1 Aux Electrical System – Relay	90.58
90-61	G425-1 Wall Installation	90.60
90-63	G437-1 Lojack Installation – Display	90.62
90-65	G437-1 Lojack Installation – Receiver	90.64
90-67	G437-1 Lojack Installation – Antennas	90.66
90-69	G608 Mapping System – Computer Installation	90.68
90-71B	G608-7/-8 Mapping System – Computer Installation	90.71A
90-73	G608 Mapping System – Components Installation	90.72

CONTENTS

CHAPTER 90 – POLICE VERSION (Cont'd)

90-75	G608-1 Mapping System Installation	90.74
90-77	G685-1 Aux Strobe Installation	90.76
90-79	G749-1 Aft Console Installation	90.78

CHAPTER 92 – E.N.G. VERSION

<i>Figure</i>	<i>Title</i>	<i>Page</i>
–	Electronic News Gathering Equipment	92.iv
–	Electronic News Gathering Equipment	92.vi
92-1	A826 FM Transceiver Installation	92.0
92-5	Micro Camera Installation – Windshield	92.4
92-7	Micro Camera Installation – Cabin	92.6
92-9	Micro Camera Installation – Horizontal Stabilizer	92.8
92-11	Micro Camera Controller Installation	92.10
92-13	Remote Transmit Switch Installation	92.12
92-15	G425-1 Wall Assembly Installation	92.14
92-17	C445 Auxiliary Circuit Breaker Panel Installation	92.16
92-21	G448 Aft Monitors Installation	92.20
92-25	G449 Forward Monitors Installation	92.24
92-27	Camera and Gimbal Installation	92.26
92-29	Camera and Gimbal Fairing	92.28
92-31	Laptop and Cable Assembly Installation	92.30
92-33	E003 Auxiliary Box Installation	92.32
92-35	HD Microwave System – Controllers	92.34
92-37	HD Microwave System – Transmitter	92.36
92-39	HD Microwave System – Pod Antenna	92.38
92-41	Transponder Antenna Installation	92.40
92-43	TV and Scanner Antenna Installations	92.42
92-45	Aft Console Assembly	92.44
92-49	FM Transceivers Installation	92.48
92-51	Scanner Installation	92.50
92-53	Talent Lights Installation	92.52
92-57	TV Receiver Provision Installation	92.56
92-61	Geneva Audio – Forward Audio Panels	92.60
92-65	Geneva Audio – Aft Audio Panels	92.64
92-67	Geneva Audio – Digital Router	92.66
92-69	Video Components Installation	92.68
92-73	DVR/Monitor Installation	92.72
92-75	G459 Aux Electrical System – Harness Assy.	92.74
92-79	E.N.G. Wire Harness Installation	92.78

CHAPTER 95 – INSTRUMENT SYSTEM

95-1	Garmin G500H Console – Instruments	95.0
95-5	Garmin G500H Console – GDU 620 Display	95.4
95-7	Garmin G500H Console – GDU 700L TXi Display	95.6
95-9	Garmin G500H Console – GDU 1060 TXi Display	95.8
95-11	Garmin G500H Console – Pitot/Static Tubes	95.10
95-13	Garmin G500H Console – Components	95.12
95-17	Aspen PFD Installation	95.16
95-19	Aspen PFD Installation – Pitot/Static Tubes	95.18
95-21	Aspen PFD and MFD Installation	95.20
95-25	Aspen PFD and MFD Installation – Pitot/Static Tubes	95.24
95-27	Eight-Instrument Console – Upper Panel	95.26
95-31	Eight-Instrument Console – Lower Panel	95.30
95-33	Eight-Instrument Console – Components	95.32
95-35	Seven-Instrument Console – Upper Panel	95.34
95-39	Seven-Instrument Console – Lower Panel	95.38
95-43	Nine-Instrument Console Assembly	95.42
95-45	Compass Installation	95.44
95-47	Pitot/Static Tubes Installation	95.46
95-51	Heated Pitot Installation	95.50

CHAPTER 96 – ELECTRICAL SYSTEM

<i>Figure</i>	<i>Title</i>	<i>Page</i>
96-1	B237-7 (Standard) Battery Installation	96.0
96-3	B237-8 (Large) Battery Installation	96.2
96-5	Battery Relay Installation	96.4
96-9	Lithium-Ion Battery Installation	96.8
96-11	Lithium-Ion Battery Circuit Back-up Batteries	96.10
96-13	External Power Plug Installation	96.12
96-17	Starter-Generator and External Power Relay Installation	96.16
96-21	Circuit Breaker Panel	96.20
96-23	Hourmeter & Collective-Activated Switches Installation	96.22
96-27	Accessory Bars Installation	96.26
96-31	Starter Generator Relay and Battery Minder Installation	96.30
96-35	Lithium-Ion Battery Indicator Lights	96.34
96-37	Anti-ice Switch installation	96.36
96-39	G198-1 Annunciator and Related Sensors	96.38
96-41	Engine Fire, Cowl Door, and Low Voltage Sensors	96.40
96-43	Electrical Relay Installation	96.42

CONTENTS

CHAPTER 97 – AVIONICS

<i>Figure</i>	<i>Title</i>	<i>Page</i>
97-1	Garmin G500H EFIS – GTN 600/700-series GPS	97.0
97-5	Garmin G500H EFIS – GDC 74H Air Data Computer	97.4
97-9	Garmin G500H EFIS – GRS 77H AHRS	97.8
97-13	Garmin G500H EFIS – GMU 44 Magnetometer	97.12
97-15	Radar Altimeter Indicator – Eight-Instrument Console	97.14
97-17	Radar Altimeter Indicator – Seven/Nine-Instrument Console	97.16
97-19	Radar Altimeter – System Installation	97.18
97-21	Garmin GTX 33 Transponder Installation	97.20
97-23	Garmin GDL 69A XM Receiver Installation	97.22
97-25	Avionics Panel Switches and Garmin GTR 225B COM Radio Installation	97.24
97-29	Garmin GDL 88 Receiver (ADS-B) Installation	97.28
97-31	Garmin GTX 3XX Transponder and Blind Encoder Installation	97.30
97-33	Pilot’s Side Console – Garmin GTN 700-Series GPS	97.32
97-37	Pilot’s Side Console – Garmin GTN 600-Series GPS (Single)	97.36
97-39	Pilot’s Side Console – Garmin GTN 600-Series GPS (Dual)	97.38
97-41	Pilot’s Side Console – Garmin 500-Series GPS	97.40
97-45	Pilot’s Side Console – Garmin 400-Series GPS	97.44
97-49	Audio Control Installation	97.48
97-51	Dual Audio Control Installation	97.50
97-53	Audio and Intercom Switches Installation	97.52
97-57	Standard Headset Jacks Installation	97.56
97-59	Bose Headset Jacks Installation	97.58
97-61	Bose Headset Jacks Installation	97.60
97-63	Transponder and Blind Encoder Installation	97.62
97-65	ADF System Installation	97.64
97-67	VOR Indicator Installation	97.66
97-69	Spidertracks Provision Installation	97.68

CHAPTER 99 – SPECIAL TOOLS

<i>Figure</i>	<i>Title</i>	<i>Page</i>
99-1	Field Kits	99.1
99-3	Technical Publications	99.3
–	Special Tools	99.5
99-7	Shipping Crates	99.6
99-9	Shipping Crates	99.8

CHAPTER 100 – REVISION LOG

<i>Figure</i>	<i>Title</i>	<i>Page</i>
–	Revision Log	100.1

APPENDIX A – ALPHABETICAL INDEX

<i>Figure</i>	<i>Title</i>	<i>Page</i>
–	Alphabetical Index	A3

APPENDIX B – NUMERICAL INDEX

<i>Figure</i>	<i>Title</i>	<i>Page</i>
–	Numerical Index	B3

CHAPTER 6
DIMENSIONS AND DESCRIPTIONS

<u>Figure</u>	<u>Title</u>	<u>Page</u>
6-1	Access Panels – Forward Cabin	6.0
6-3	Access Panels – Aft Cabin	6.2
6-5	Access Panels – Aft Fuselage (LH)	6.4
6-7	Access Panels – Aft Fuselage (RH)	6.6
6-9	Access Panels – Chin	6.8
6-11	Access Panels – Belly	6.10
6-13	Access Panels – Belly (Float Ship)	6.12
6-15	ADF/Marker Beacon Antennas	6.14
6-17	UHF and DME Antennas	6.16
6-19	Transponder Antenna Installation	6.18
6-21	Aft Belly Antennas	6.20
6-23	Aft Belly Antennas	6.22
6-25	Kannad ELT Antenna Installation	6.24
6-27	GPS Antenna Installation (Cowl Mount)	6.26
6-29	Tailcone Antenna Connectors	6.28
6-31	Forward Upper Tailcone Antennas	6.30
6-33	Aft Upper Tailcone Antennas	6.32
6-35	Lower Tailcone Antennas	6.34
6-37	NAV Antenna Installation	6.36
6-39	NAV Antenna Combiner / Diplexer Installation	6.38
6-41	Radar Altimeter Antennas	6.40
6-43	Glideslope Antenna Installation	6.42

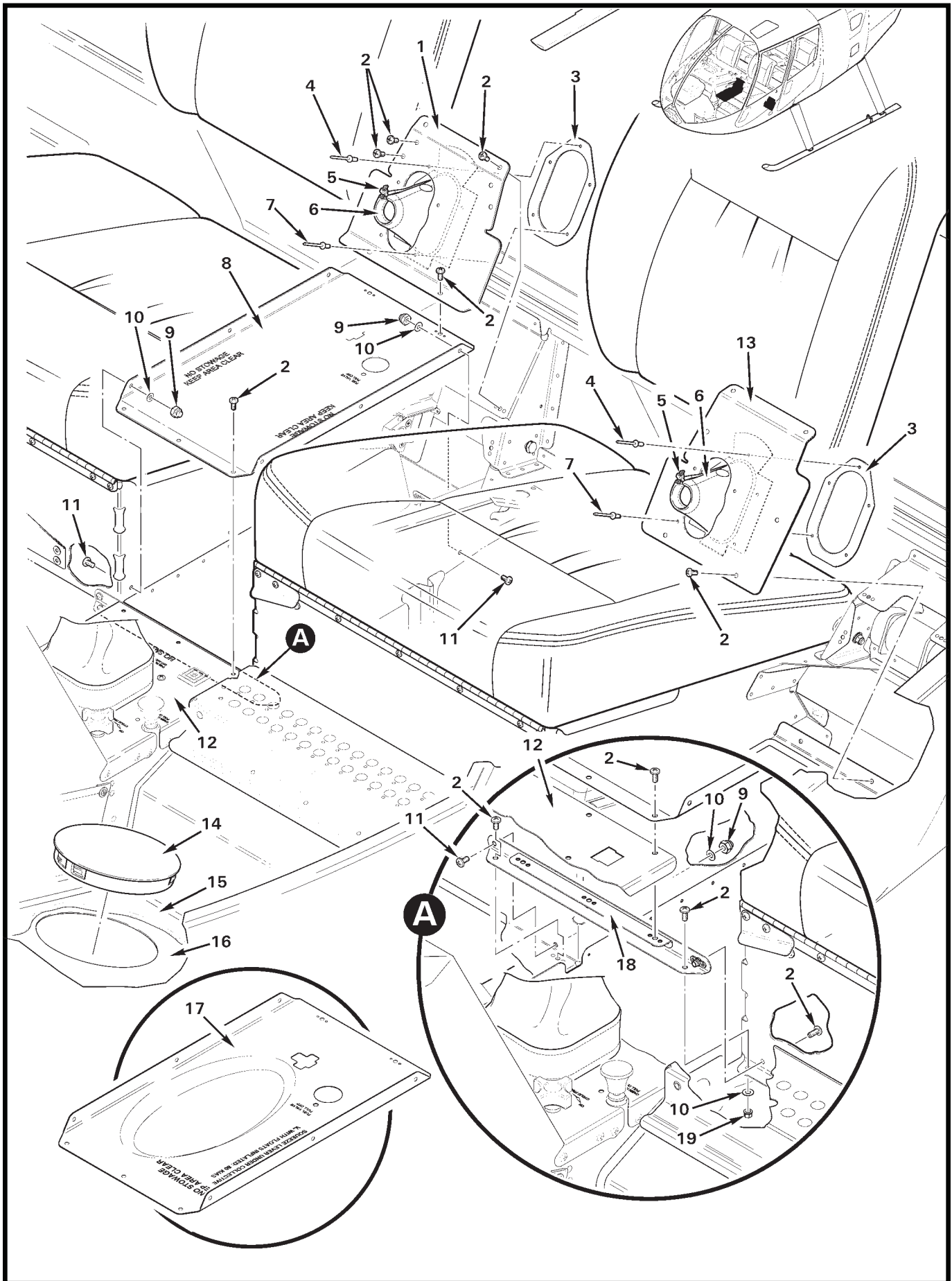


FIGURE AND INDEX NUMBER	PART NUMBER	DESCRIPTION	PARTS AVAIL	QTY PER ASSY
ACCESS PANELS – FORWARD CABIN				
6-1-1	F680-3	Cover Assembly (Incl items 3, 4, 6, and 7)	X	1
2	MS27039C0806	Screw	X	20
3	F680-5	Ring	X	1
4	B204-2	Rivet (upper)	X	1
5	MS3367-5-0	Ty-Rap	X	1
6	A678-3	Boot Assembly (Incl item 5)	X	1
7	B204-1	Rivet (lower)	X	4
8	F445-1	Cover Assembly	X	1
9	B340-4	Nut	X	7
10	NAS1149FN816P	Washer	X	8
11	MS27039C0805	Screw	X	7
12	F444	Cover – Cyclic Control Assembly (Ref)		
13	F680-1	Cover Assembly (Incl items 3, 4, 6, and 7)	X	1
14	2451	Plug	X	2
15	F469	Carpet Assembly (Ref)		
16	F232	Floor – Cabin (Ref)		
17	F445-3	Cover Assembly (float-equipped R66s)	X	1
18	F443-3	Angle Assembly	X	1
19	MS21042L08	Nut	X	1

NOTES

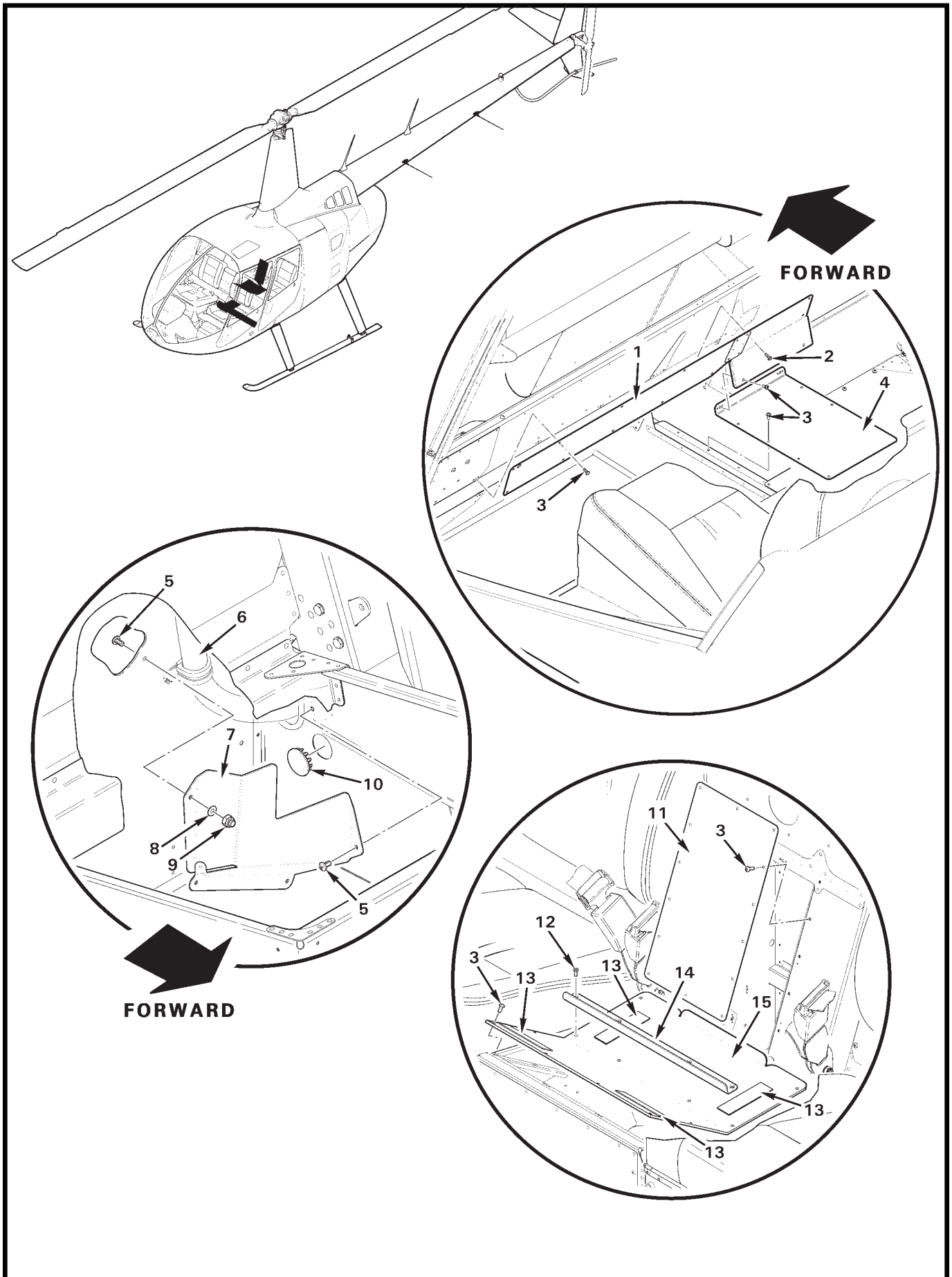


FIGURE AND INDEX NUMBER	PART NUMBER	DESCRIPTION	PARTS AVAIL	QTY PER ASSY
ACCESS PANELS – AFT CABIN				
6-3-1	F461-1	Cover Assembly	X	1
2	MS27039C0807	Screw	X	4
3	MS27039C0806	Screw	X	31
4	F463-1	Cover Assembly	X	1
5	MS27039C0805	Screw	X	4
6	F059-01	Harness Assembly (cabin; Ref)		
7	F467-1	Cover	X	1
	F467-3	Cover (pop-out floats; not shown)	X	1
8	NAS1149FN816P	Washer	X	3
9	B340-4	Nut	X	3
10	B209-8	Plug (flight controls access)	X	1
11	F474-2	Cover	X	1
12	MS24694-S4	Screw	X	4
13	B175-12	Loop Tape	X	A/R
14	F380-8	Angle	X	1
15	F474-1	Cover Assembly (See figure 25-1 for seat details)	X	1

NOTES

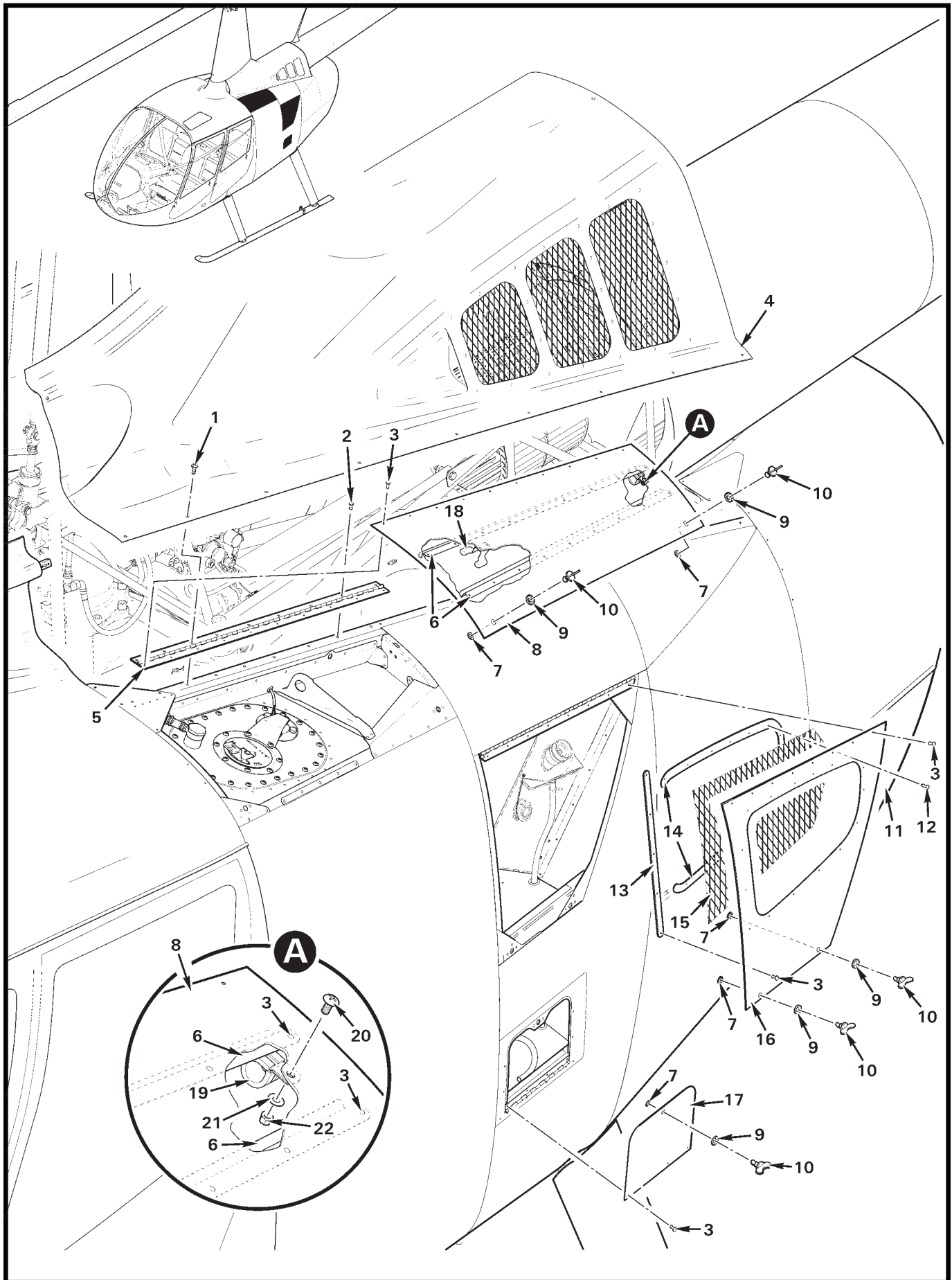


FIGURE AND INDEX NUMBER	PART NUMBER	DESCRIPTION	PARTS AVAIL	QTY PER ASSY
ACCESS PANELS – AFT FUSELAGE (LH)				
6-5-1	MS27039C0806	Screw	X	26
2	MS20426AD3	Rivet	X	39
3	MS20470AD3	Rivet	X	31
4	F706-1	Cowling	X	1
5	G925-1	Hinge	X	1
6	G926-5	Stiffener	X	2
7	85-34-201-20	Retaining Ring	X	5
8	G004-2	Door	X	1
9	85-46-101-39	Washer	X	5
10	85-12-140-16	Stud (or 85-12-160-16 as required)	X	5
11	G040-1	Cowling Assembly (Ref)		
	G040-7	Cowling Assembly (Ref; with A/C installed)		
12	NAS9301B-4-03	Rivet	X	14
13	G928-3	Stiffener	X	1
14	G911-5	Retainer	X	1
15	G911-1	Screen	X	1
16	G004-10	Door	X	1
17	G927-1	Door	X	1
18	G926-9	Bracket	X	1
19	MS21919WDG8	Clamp	X	1
20	AN526C832R6	Screw	X	1
21	NAS1149FN816P	Washer	X	1
22	MS21042L08	Nut	X	1

23	KI-230*	Fuel Sample Tube Installation Kit	X	A/R
24	KI-231*	MT106-2 Fuel Dipstick and Holder Installation Kit (Incl items 18 thru 22, and 25)	X	A/R
25	MT106-2	Fuel Dipstick (not shown)	X	A/R

NOTES * See www.robinsonheli.com for kit contents and instructions.

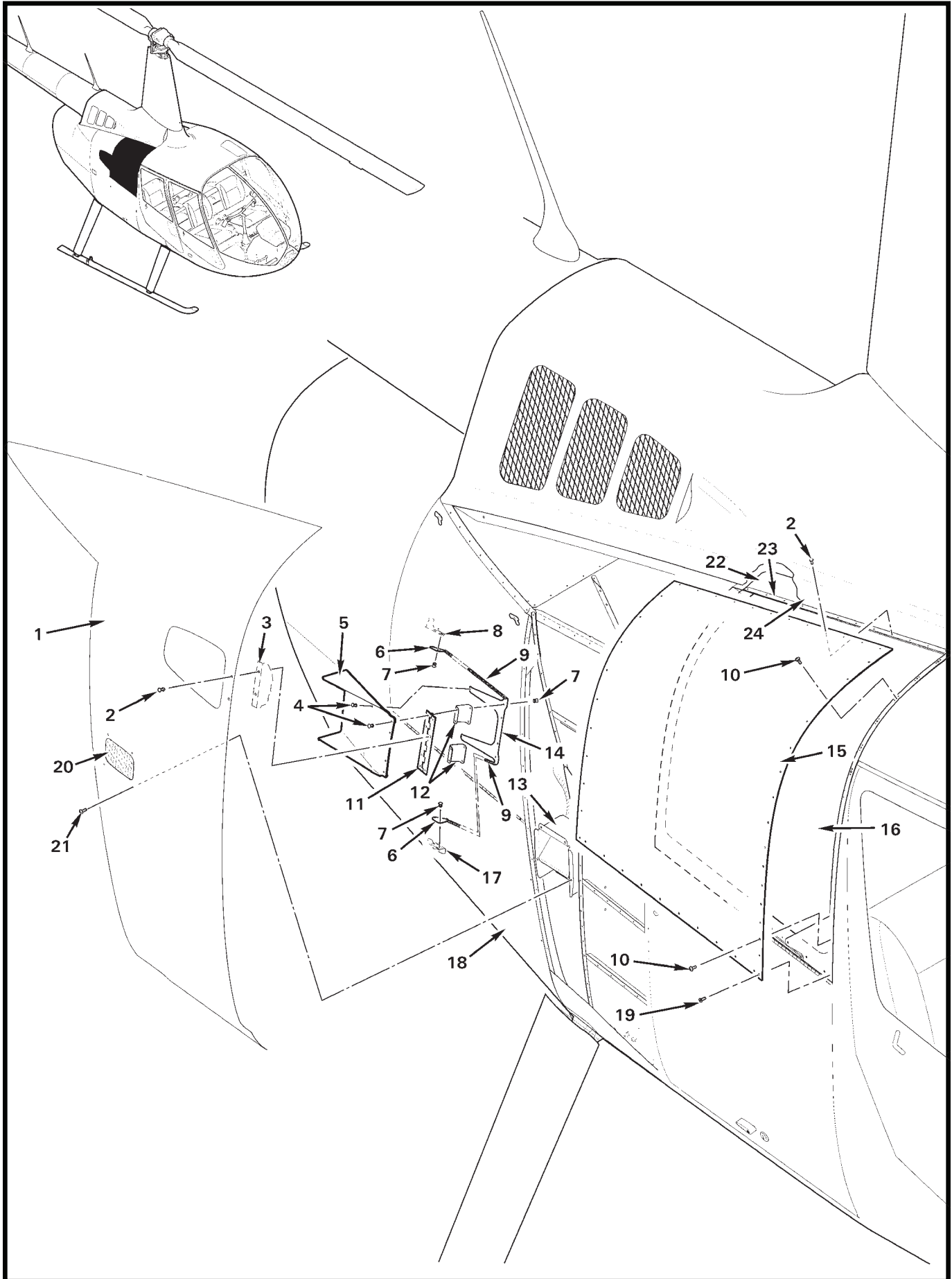


FIGURE AND INDEX NUMBER	PART NUMBER	DESCRIPTION	PARTS AVAIL	QTY PER ASSY
ACCESS PANELS – AFT FUSELAGE (RH)				
6-7-1	G004-8	Skin (Ref)		
2	MS20470AD4	Rivet	X	14
3	G236-1	Bulkhead (Ref)		
4	MS20426AD3	Rivet	X	6
5	G910-1	Scoop Assembly (Incl G910-2 and items 11, 12, 14)	X	1
	G910-2	Scoop	X	1
6	G926-6	Tab	X	2
7	MS20470AD3	Rivet	X	6
8	G926-1	Channel (Ref)		
9	B774-9	Spring	X	2
10	MS27039C0806	Screw	X	24
11	G925-6	Hinge	X	1
12	G910-3	Tab	X	2
13	G918-1	Box Assembly (Ref; see Figure 75-1)		
14	G910-4	Panel	X	1
15	G004-4	Skin	X	1
16	G028-1	Fuel Bladder Assembly (Ref)		
17	G912-4	Stiffener (Ref)		
18	G040	Cowling Assembly (Ref)		
19	MS24694-S4	Screw (bonded to item 1 with B270-1 sealant)	X	12
20	G918-5	Screen (Ref; see Figure 75-1)		
21	MS27039C0807	Screw	X	4
22	G928-1	Skin (Ref)		
23	G928-2	Spacer	X	1
24	F706-1	Cowling (Ref)		

NOTES

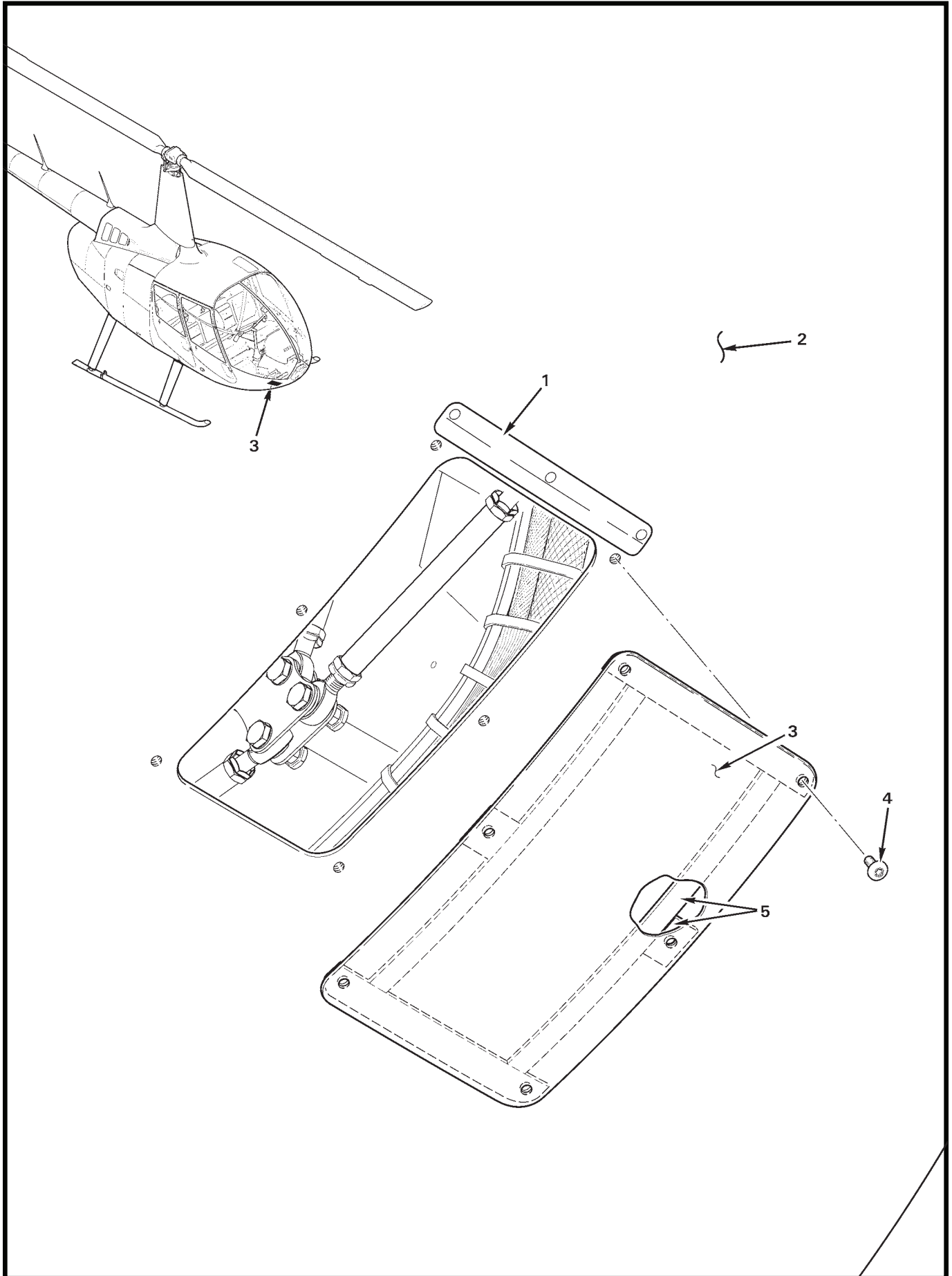


FIGURE AND INDEX NUMBER	PART NUMBER	DESCRIPTION	PARTS AVAIL	QTY PER ASSY
ACCESS PANELS – CHIN				
6-9-1	C795-2	Shingle (Ref)		
2	F272-1	Chin (Ref)		
3	C795-1	Cover (inspection)	X	1
4	B526-6	Screw (or MS27039C0806)	X	6
5	A226-16	Seal (pop-out floats)	X	A/R
NOTES				

FIGURE AND INDEX NUMBER	PART NUMBER	DESCRIPTION	PARTS AVAIL	QTY PER ASSY
ACCESS PANELS – BELLY				
6-11-1	F794-1	Panel	X	1
2	B526-6	Screw	X	64
3	B340-4	Nut	X	6
4	NAS1149FN816P	Washer	X	6
5	F475-6	Cover	X	2
6	NAS1149F0332P	Washer	X	8
7	NAS6603-4	Bolt	X	8
8	F388-3	Channel Assembly	X	2
9	F475-1	Cover Assembly (Incl item 10)	X	1
10	A701-5	Tape (eight-inch length)	X	1
11	MS20470AD3	Rivet	X	12
12	F794-2	Panel	X	1
13	G308-2	Cover	X	1
14	G311-10*	Scoop (Ref)		
15	G311-3*	Cover Assembly (LH)	X	1
	G311-4*	Cover Assembly (RH)	X	1

NOTES * For air-conditioned ships.

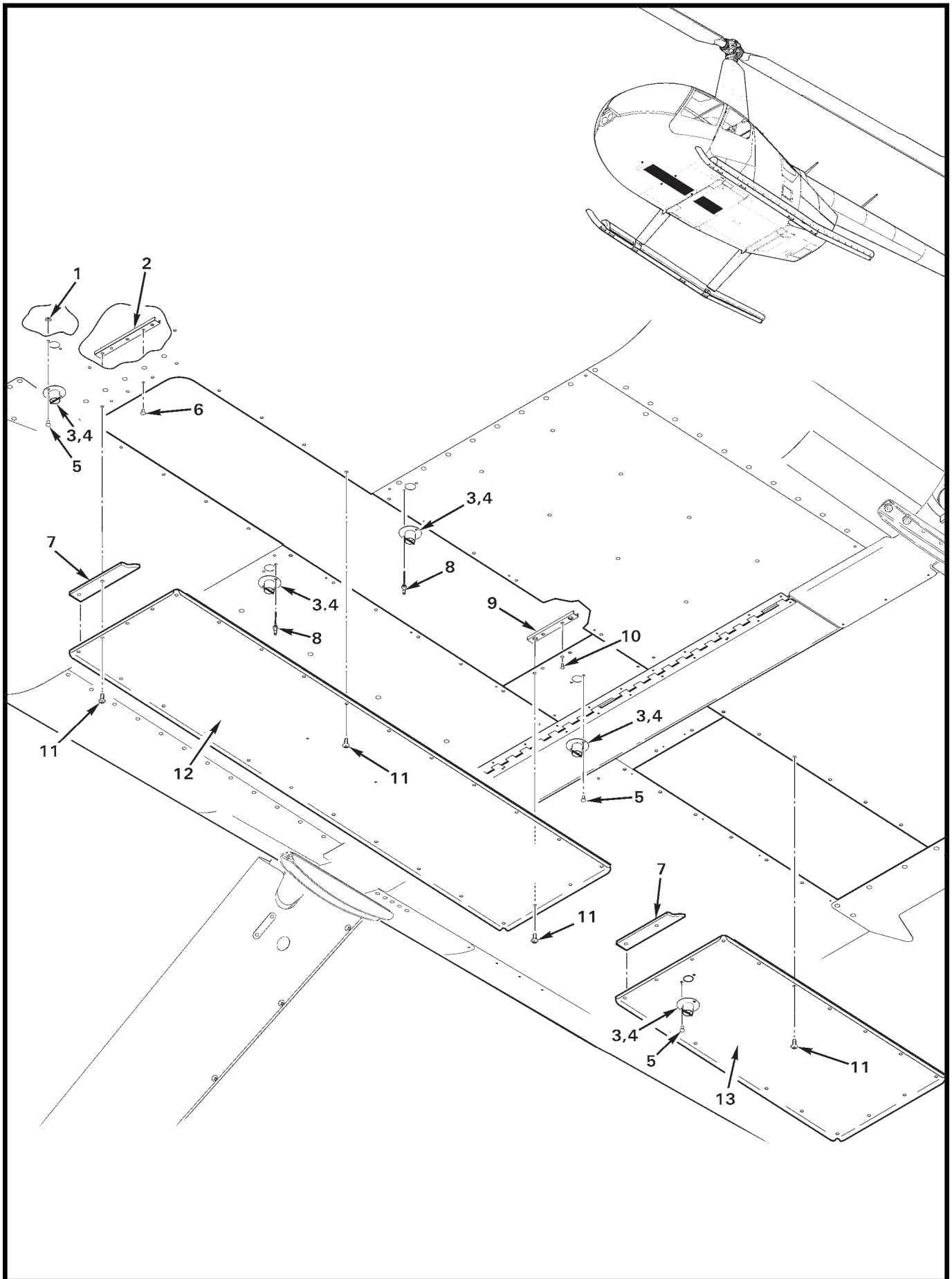


FIGURE AND INDEX NUMBER	PART NUMBER	DESCRIPTION	PARTS AVAIL	QTY PER ASSY
ACCESS PANELS – BELLY (FLOAT SHIP)				
6-13-1	NAS620-5	Washer	X	2
2	A738-46	Gang Channel	X	1
3	D371-4	Valve Assembly (install using item 4)	X	5
4	B270-1	Sealant	X	A/R
5	MS20470AD4	Rivet	X	4
6	MS20426AD3	Rivet	X	2
7	A701-13	Foam Tape	X	A/R
8	NAS9301B-4-01	Rivet	X	4
9	A738-8	Gang Channel	X	1
10	NAS1097AD3	Rivet	X	2
11	B526-6	Screw	X	45
12	F794-3	Panel Assembly – Forward (Incl item 7)	X	1
13	F794-4	Panel Assembly – Aft (Incl items 3 [1], 4, 5 [2], and 7)	X	1
NOTES				

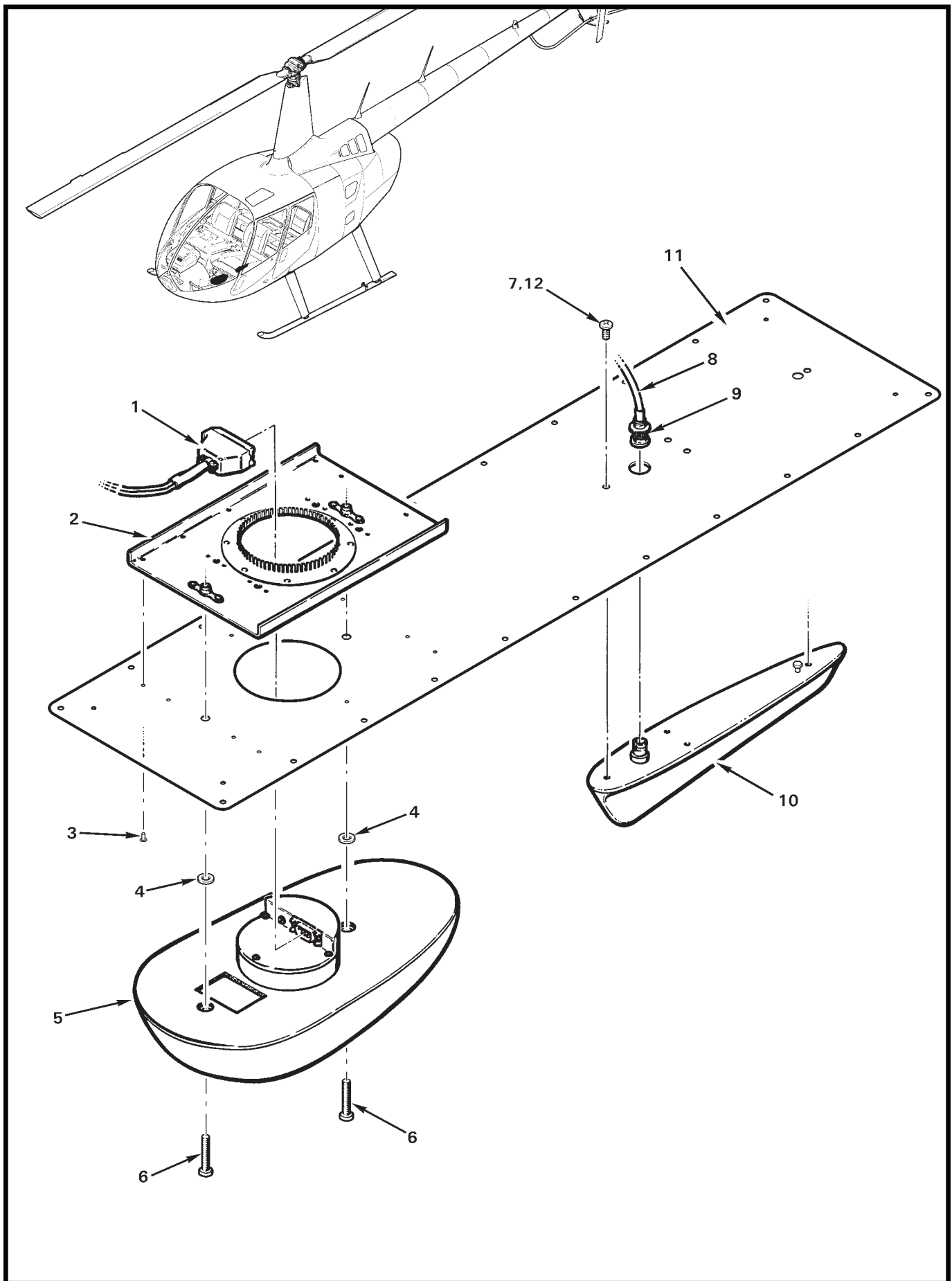


FIGURE AND INDEX NUMBER	PART NUMBER	DESCRIPTION	PARTS AVAIL	QTY PER ASSY
ADF/MARKER BEACON ANTENNAS				
6-15-1	200-02586-0000 *	Cable Assembly	O	1
2	047-04956-0003 *	Doubler Plate	O	1
3	MS20470AD3	Rivet	X	10
4	NAS1149F0463P	Washer	X	2
5	KA44B*	Antenna – ADF (Ref; includes items 1, 2, and 6)		
6	C89-05534-0020 *	Screw	O	2
7	MS27039C1-07	Screw (install using item 12 on threads)	X	4
8	F850-210	Cable (Ref)		
9	5225395-6	Plug	X	1
10	CI-102**	Antenna – Marker Beacon	X	1
11	F794	Panel (Ref)		
12	B270-11	Adhesive (1.69-oz bottle)	X	A/R

NOTES * Honeywell Bendix/King part no.
 ** Comant Industries part no.

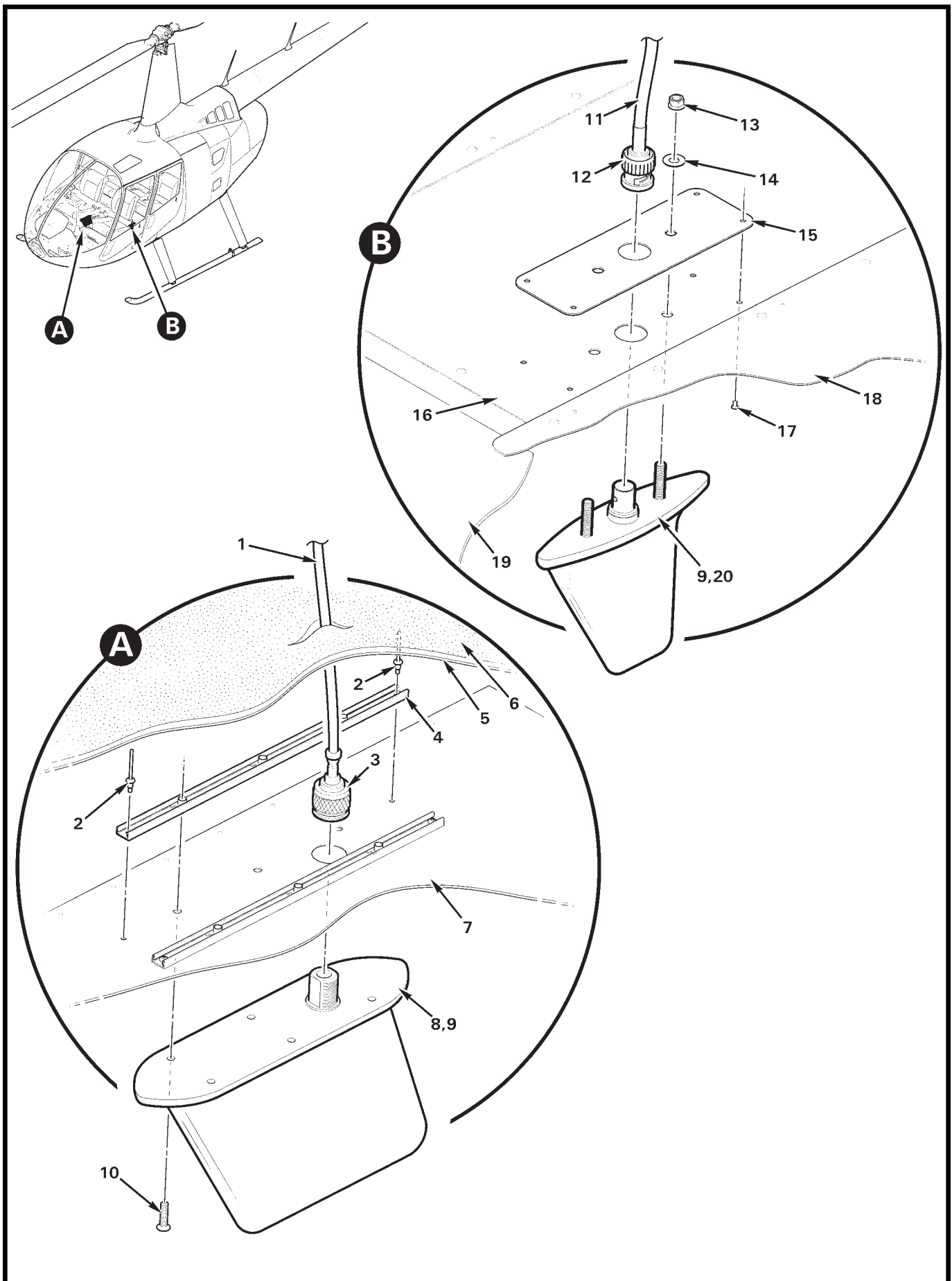


FIGURE AND INDEX NUMBER	PART NUMBER	DESCRIPTION	PARTS AVAIL	QTY PER ASSY
UHF AND DME ANTENNAS				
6-17-1	F850-1627	Cable (Ref)		
2	NAS9301B-4-01	Rivet	X	4
3	5225699-1	Plug	X	1
4	A738-34	Gang Channel	X	2
5	G232-2	Panel (Ref)		
6	F469-25	Liner (baggage floor; Ref)		
7	F388-1	Panel (Ref)		
8	CI-285	Antenna – UHF (400-960 MHz; install using item 9)	X	1
9	B270-1	Sealant	X	A/R
10	MS24694-C7	Screw	X	6
11	F850-452	Cable (Ref)		
12	5225395-6	Plug	X	1
13	MS21042L08	Nut	X	2
14	NAS1149FN816P	Washer	X	2
15	B322-12	Doubler	X	1
16	F794-2	Panel (Ref)		
17	MS20470AD3	Rivet	X	4
18	F387-1	Panel (Ref)		
19	F475-1	Cover Assembly (Ref)		
20	CI-105-16	Antenna – DME (960-1220 MHz; install using item 9)	X	1

NOTES

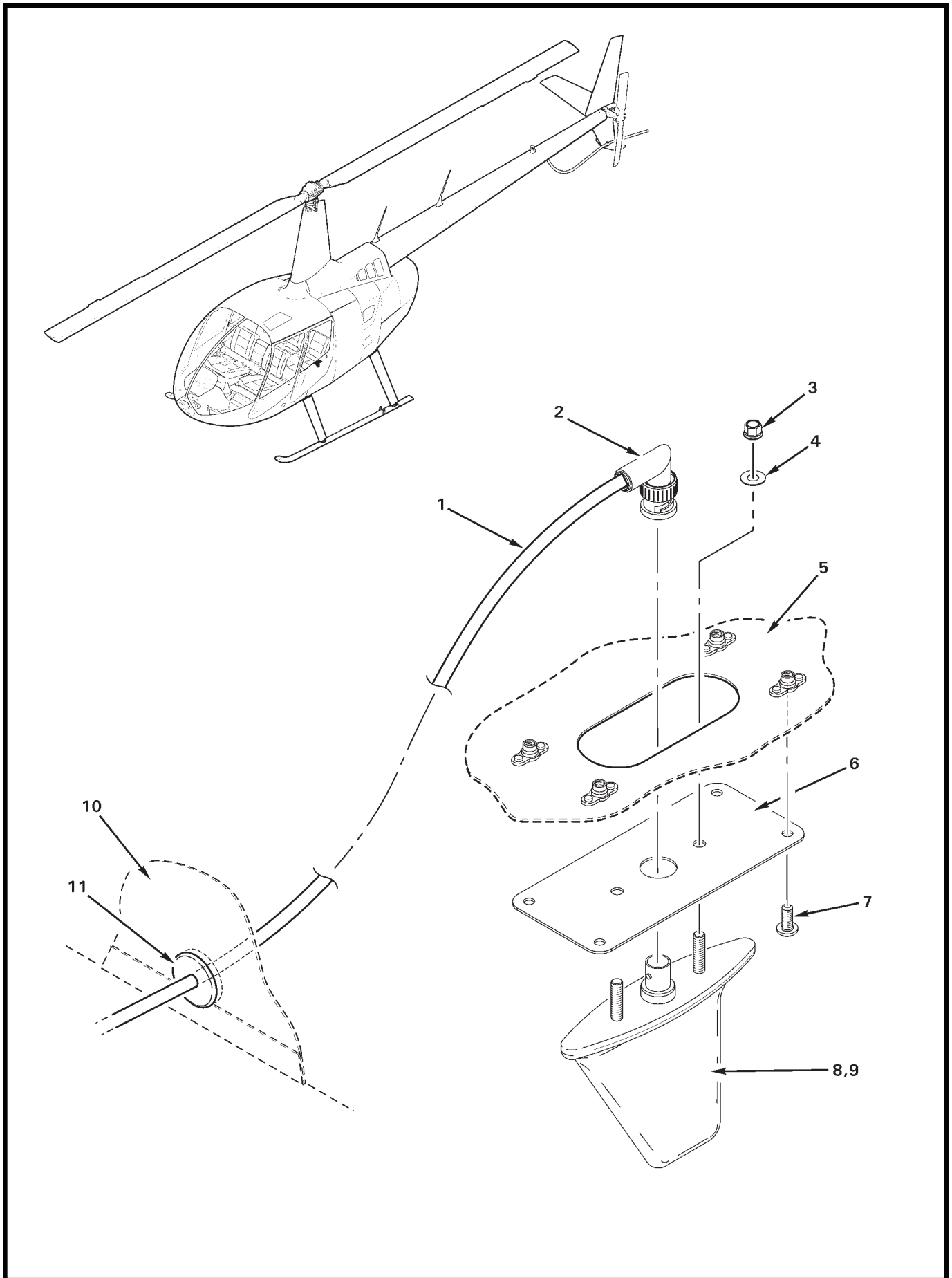


FIGURE AND INDEX NUMBER	PART NUMBER	DESCRIPTION	PARTS AVAIL	QTY PER ASSY
TRANSPONDER ANTENNA INSTALLATION				
6-19-1	F850-264	Cable (Ref)		
2	5225973-4	Plug	X	1
3	MS21042L08	Nut	X	2
4	NAS1149FN816P	Washer	X	2
5	—	Belly Panel (Ref)		
6	B322-11	Plate	X	1
7	MS27039C0806	Screw	X	4
8	CI-105-16*	Antenna – Transponder (alternate part no. KA0060**, install using item 9)	X	1
9	B270-1	Sealant	X	A/R
10	G259	Panel (bulkhead; Ref)		
11	MS35489-5	Grommet	X	1

NOTES * Comant Industries part no.
 ** Honeywell Bendix/King part no.

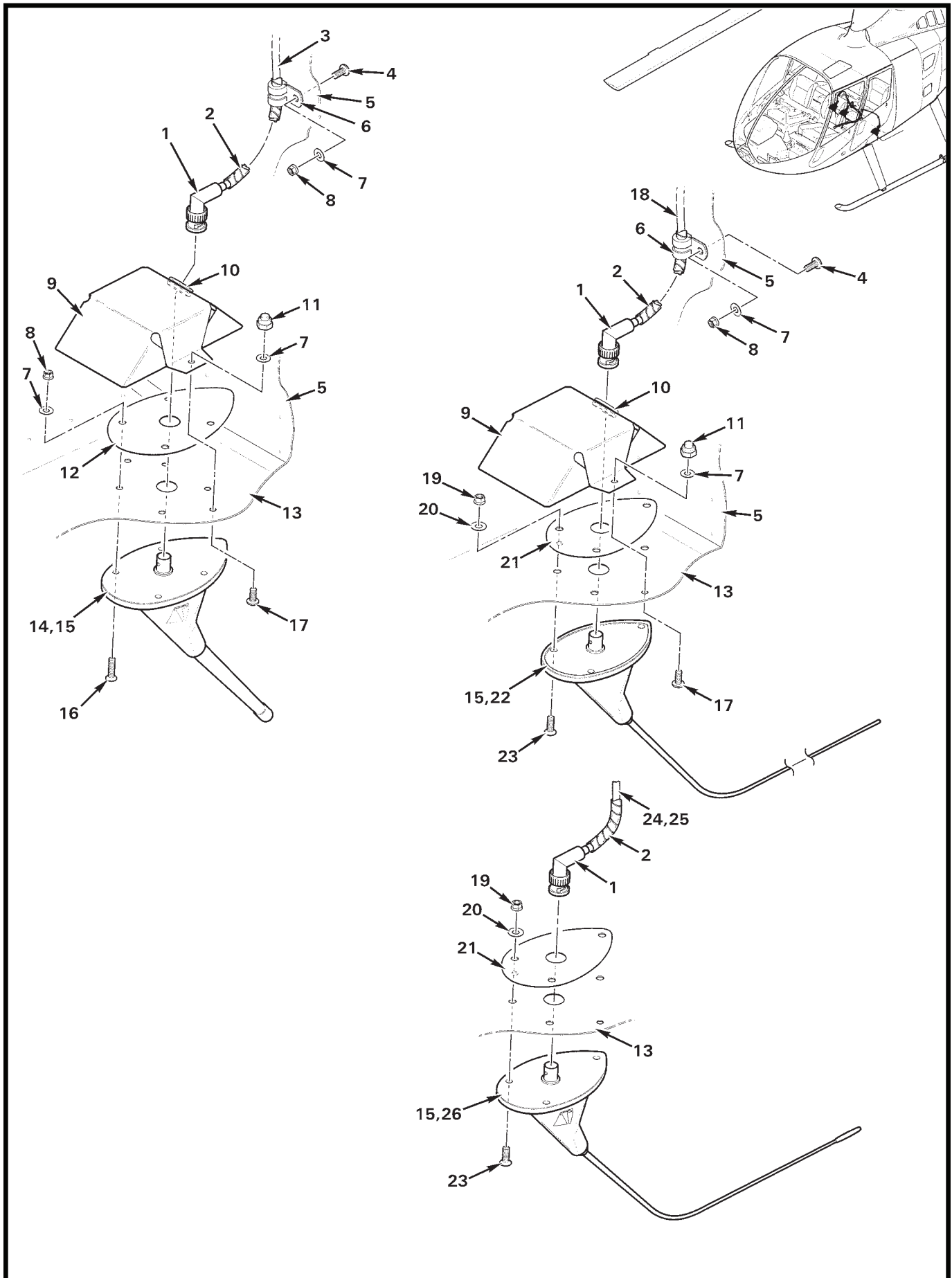


FIGURE AND INDEX NUMBER	PART NUMBER	DESCRIPTION	PARTS AVAIL	QTY PER ASSY
AFT BELLY ANTENNAS				
6-21-1	5225973-4	Plug	X	1
2	B161-4	Spirap	X	A/R
3	F850-942	Cable (Ref, RH antenna installation)		
4	MS27039C0806	Screw	X	2
5	G259-1	Panel (Bulkhead; Ref)		
6	MS21919WDG4	Clamp	X	2
7	NAS1149FN816P	Washer	X	9
8	MS21042L08	Nut	X	9
9	D384-2	Cover	X	2
10	NAS557-8A	Grommet	X	2
11	B340-4	Nut	X	2
12	B322-4	Cover	X	1
13	F387-1	Panel (Ref)		
14	CI-177-20	Antenna – FM (450-700 MHz, install using item 15)	X	1
15	B270-1	Sealant	X	A/R
16	MS24694-C7	Screw	X	4
17	MS27039C0805	Screw	X	2
18	F850-1415	Cable (Ref, LH antenna installation)		
19	D210-3	Nut	X	3
20	NAS1149F0332P	Washer	X	3
21	B322-6	Cover	X	1
22	D721-1	Antenna – FM (220-225 MHz, install using item 15)	X	1
23	MS24694-C51	Screw	X	3
24	F850-941	Cable (Ref, LH antenna installation)		
25	F850-942	Cable (Ref, RH antenna installation)		
26	CI-292-3	Antenna – FM (138-174 MHz, install using item 15)	X	1

NOTES

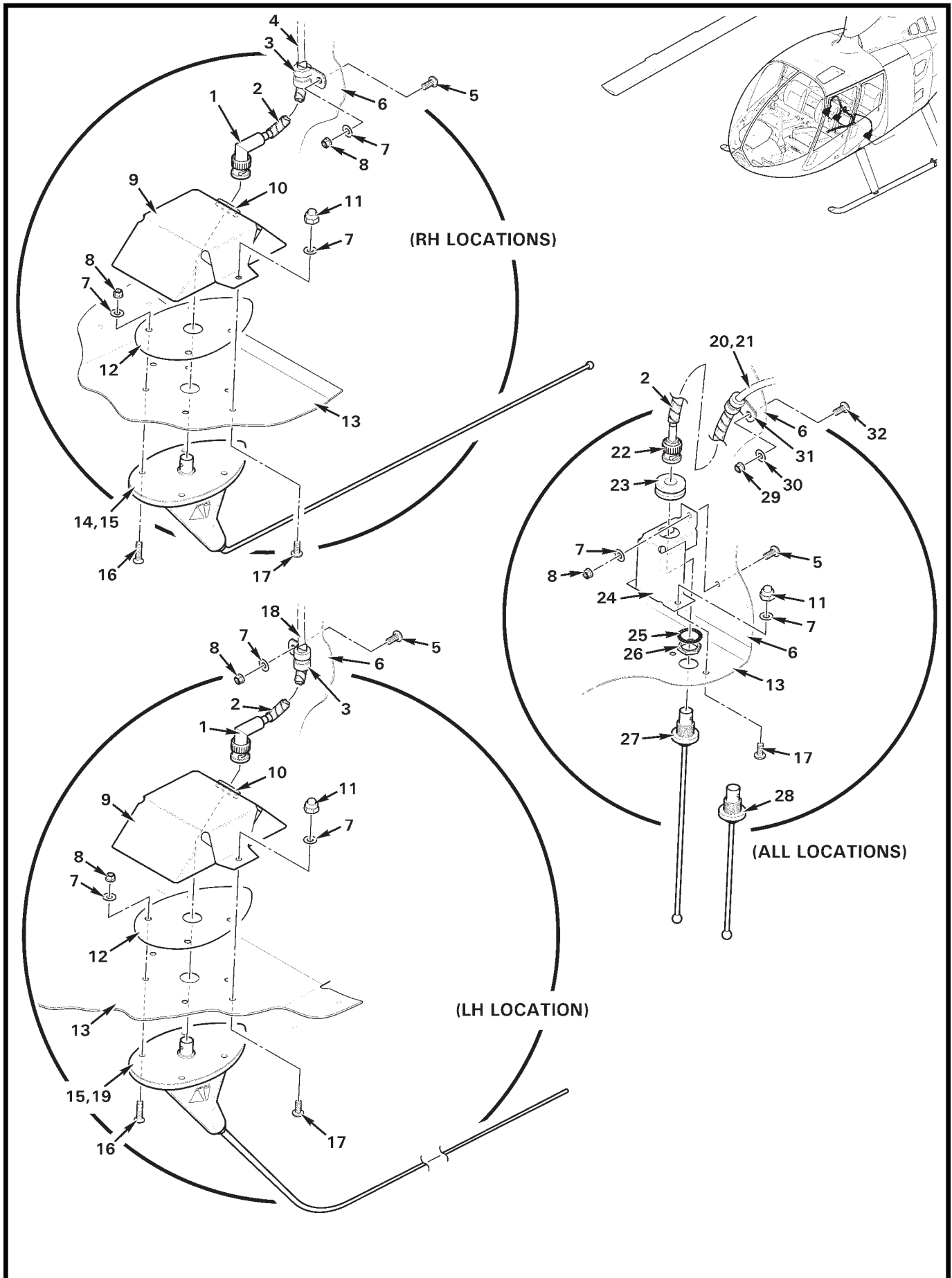


FIGURE AND INDEX NUMBER	PART NUMBER	DESCRIPTION	PARTS AVAIL	QTY PER ASSY
AFT BELLY ANTENNAS				
6-23-1	5225973-4	Plug	X	2
2	B161-4	Spirap	X	A/R
3	MS21919WDG4	Clamp	X	2
4	F850-1219	Cable (Ref, RH antenna installation)		
5	MS27039C0806	Screw	X	3
6	G259-1	Panel (Bulkhead; Ref)		
7	NAS1149FN816P	Washer	X	17
8	MS21042L08	Nut	X	11
9	D384-2	Cover	X	2
10	NAS557-8A	Grommet	X	2
11	B340-4	Nut	X	6
12	B322-4	Cover	X	2
13	F387-1	Panel (Ref)		
14	CI-222	Antenna – AM / FM (LH mount; 88-108 MHz, 550-1600 KHz, install using item 15)	X	1
15	B270-1	Sealant	X	A/R
16	MS24694-C7	Screw	X	8
17	MS27039C0805	Screw	X	6
18	F850-1214	Cable (Ref, LH antenna installation)		
19	CI-122	Antenna – Com (118-37 MHz, install using item 15)	X	1
20	F850-1012	Cable (Ref, LH antenna installation)		
21	F850-942	Cable (Ref, RH antenna installation)		
22	5225395-6	Plug	X	1
23	MS35489-5	Grommet	X	1
24	D563-1	Cover	X	1
25	—	Lockwasher	O	1
26	—	Nut	O	1
27	CI-273	Antenna – FM (403-512 MHz, includes items 25 and 26)	X	1
28	CI-271	Antenna – FM (403-512 MHz, includes items 25 and 26)	X	1
29	MS21042L08*	Nut	X	1
30	NAS1149FN816P*	Washer	X	1
31	MS21919WDG4	Clamp	X	1
32	MS27039C0806*	Screw	X	1

NOTES * On inboard RH location, replace existing screw, use existing nut and washer.

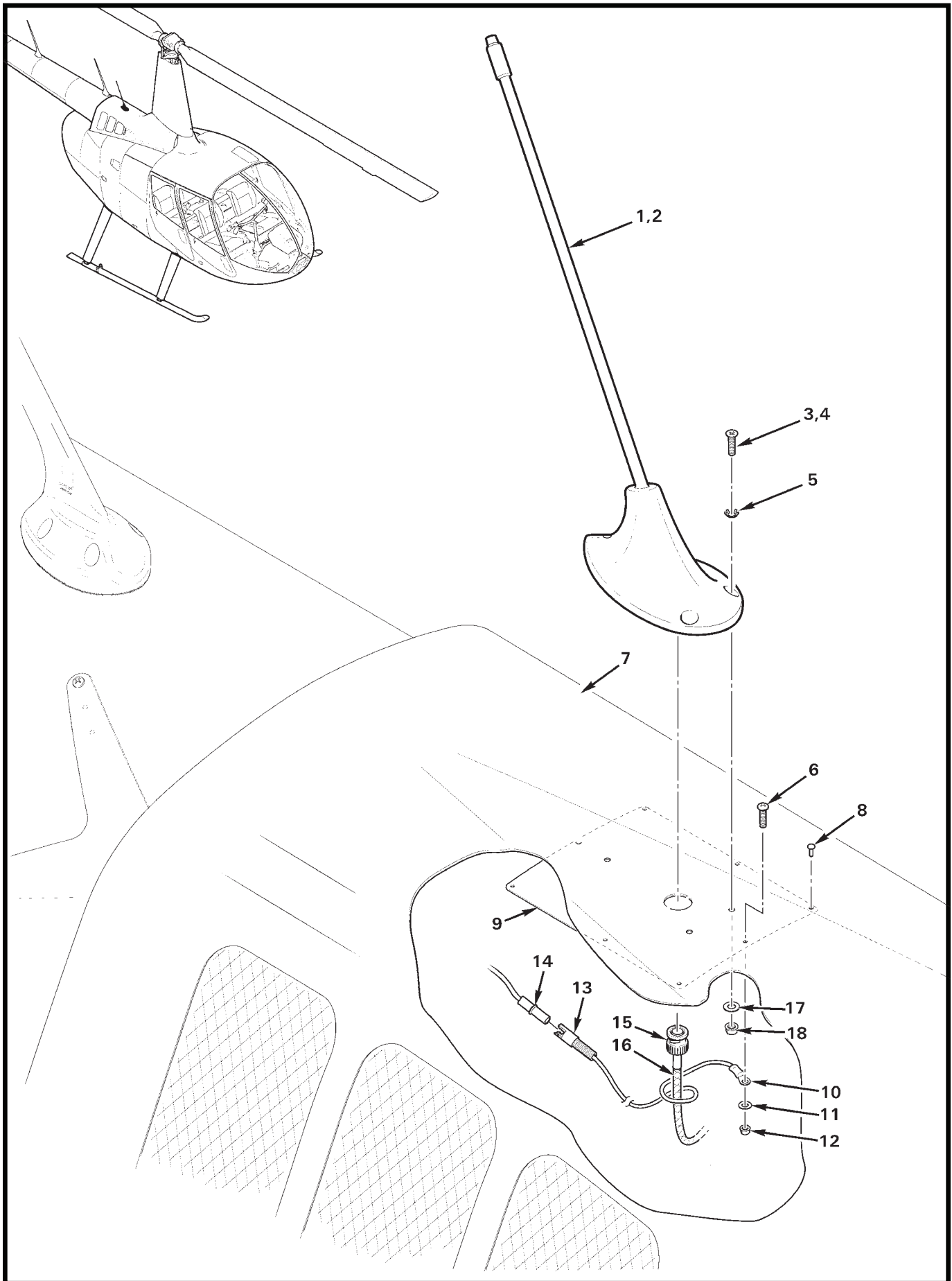


FIGURE AND INDEX NUMBER	PART NUMBER	DESCRIPTION	PARTS AVAIL	QTY PER ASSY
KANNAD ELT ANTENNA INSTALLATION				
6-25-1	AV-300	Antenna (install using item 2 around base)	X	1
2	B270-1	Sealant	X	A/R
3	24-84-5*	Screw (install using item 4)	O	3
4	B270-4	Sealant	X	A/R
5	11-33-2*	Lockwasher (countersunk, included with item 1)	O	3
6	MS27039C0806**	Screw	X	1
7	F706-1	Cowling Assembly (Ref)		
8	MS20470AD3	Rivet	X	7
9	F837-4	Doubler	X	1
10	B260-3**	Terminal	X	1
11	NAS1149FN816P**	Washer	X	1
12	MS21042L08**	Nut	X	1
13	C049-15**	Wire Harness Assembly	X	1
	B263-10	Housing	X	1
	B263-1	Socket	X	1
14	F059-2227**	Wire (Ref)		
	B263-11	Housing	X	1
	B263-2	Pin	X	1
15	5225395-6*	Plug	X	1
16	B274-518	Cable – Coaxial	X	A/R
17	NAS1149F0316P	Washer	X	3
18	D210-3	Nut	X	3

NOTES * Kannad part no.
 ** Earlier Ships.

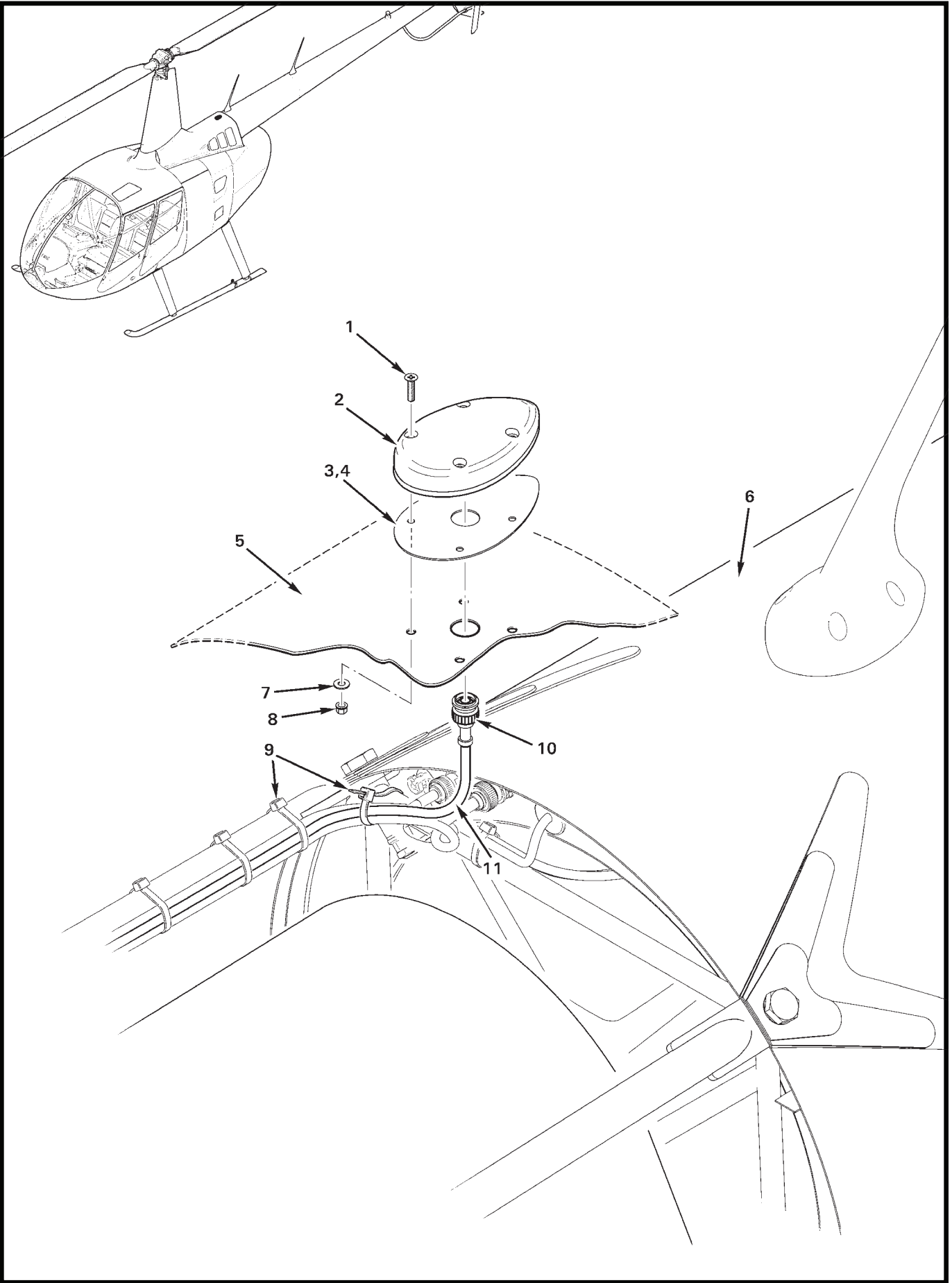


FIGURE AND INDEX NUMBER	PART NUMBER	DESCRIPTION	PARTS AVAIL	QTY PER ASSY
GPS ANTENNA INSTALLATION (COWL MOUNT)				
6-27-1	MS24694-C7	Screw	X	4
2	013-00235-00	Antenna – GPS (GA 35)	O	1
3	—	Gasket (rubber; install using item 4)	O	1
4	B270-1	Sealant	X	A/R
5	F706-1	Cowling – Tailcone (Ref)		
6	C023	Tailcone Assembly (Ref)		
7	NAS1149FN832P	Washer	X	4
8	MS21042L08	Nut	X	4
9	MS3367-4-9	Ty-Rap (or MS3367-5-9)	X	A/R
10	5225555-6	Plug	X	1
11	F850-468	Cable (Ref)		
NOTES				

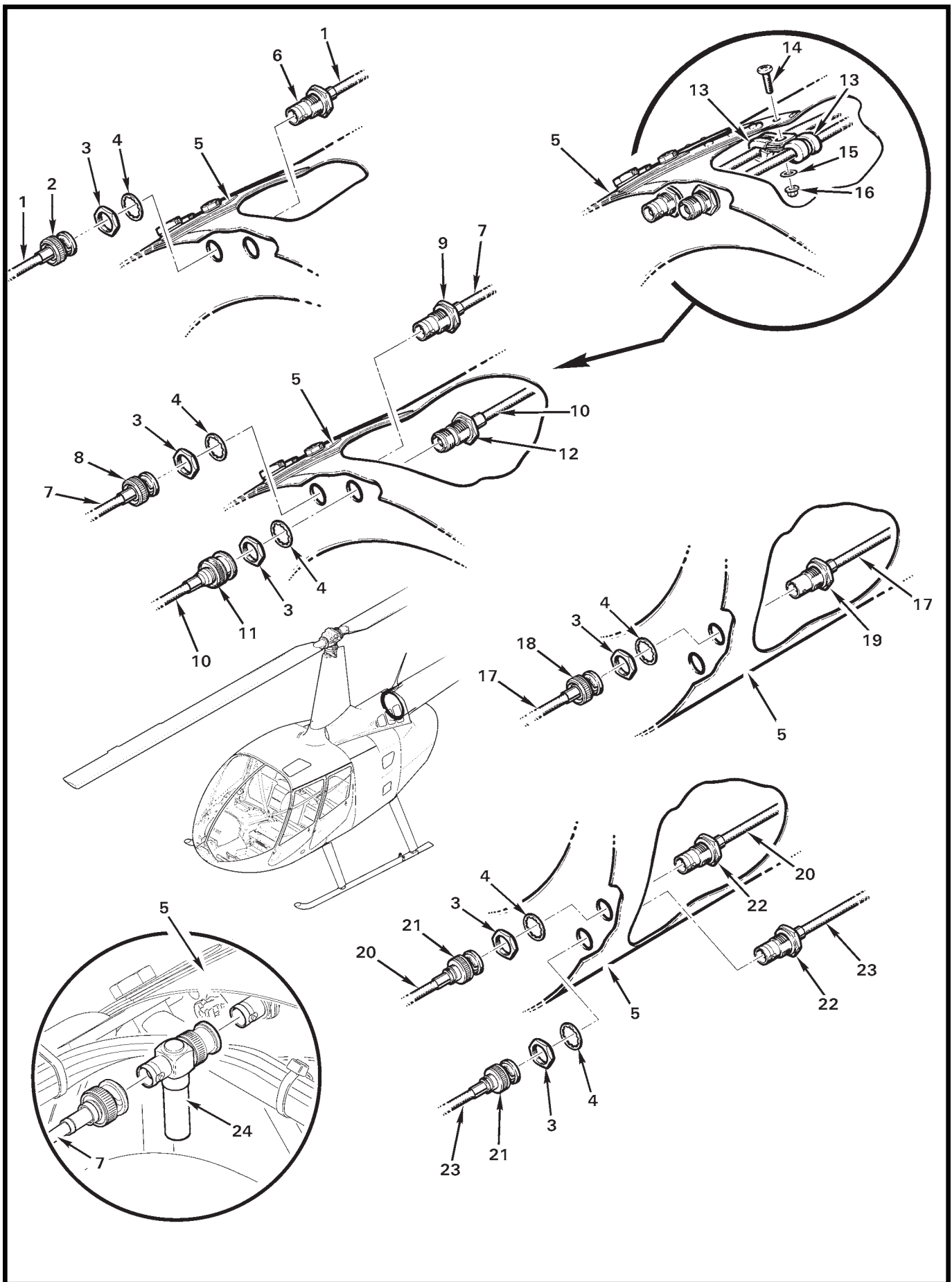


FIGURE AND INDEX NUMBER	PART NUMBER	DESCRIPTION	PARTS AVAIL	QTY PER ASSY
TAILCONE ANTENNA CONNECTORS				
6-29-1	F850-1317	Cable – Coaxial (FM)	X	A/R
2	5225395-6	Plug (FM or Com)	X	1
3	—	Nut	O	1
4	—	Washer	O	1
5	C023	Tailcone (Ref)		
6	5225398-6*	Bulkhead Jack (FM or Com)	X	1
7	F850-212	Cable – Coaxial (Com or GPS/Com)	X	A/R
8	5225395-6	Plug (Com)	X	1
9	5225398-6*	Bulkhead Jack (Com)	X	1
10	F850-468	Cable – Coaxial (GPS)	X	A/R
11	5225555-6	Plug (GPS)	X	1
12	5225557-6*	Bulkhead Jack (GPS)	X	1
13	MS21919WDG3	Clamp (for use when aft-mount antennas are installed)	X	A/R
14	MS27039C0808	Screw	X	1
15	NAS1149FN816P	Washer	X	1
16	MS21042L08	Nut	X	1
17	C023-1013	Cable – Coaxial (VHF)	X	A/R
18	5221185-2	Plug (VHF)	X	1
19	5221221-2*	Bulkhead Jack (VHF)	X	1
20	C023-822	Cable – Coaxial (FM, lower aft tailcone installation)	X	A/R
21	5225395-6	Plug (FM)	X	A/R
22	5225398-6*	Bulkhead Jack (FM)	X	A/R
23	C023-821	Cable – Coaxial (FM, lower forward tailcone installation)	X	A/R
24	330-00067-00	Filter (for use when Garmin 400 or 500 series GPS is installed; see Figure 6-31 for alternate installation location)	X	A/R

NOTES * Includes items 3 and 4 as shown.

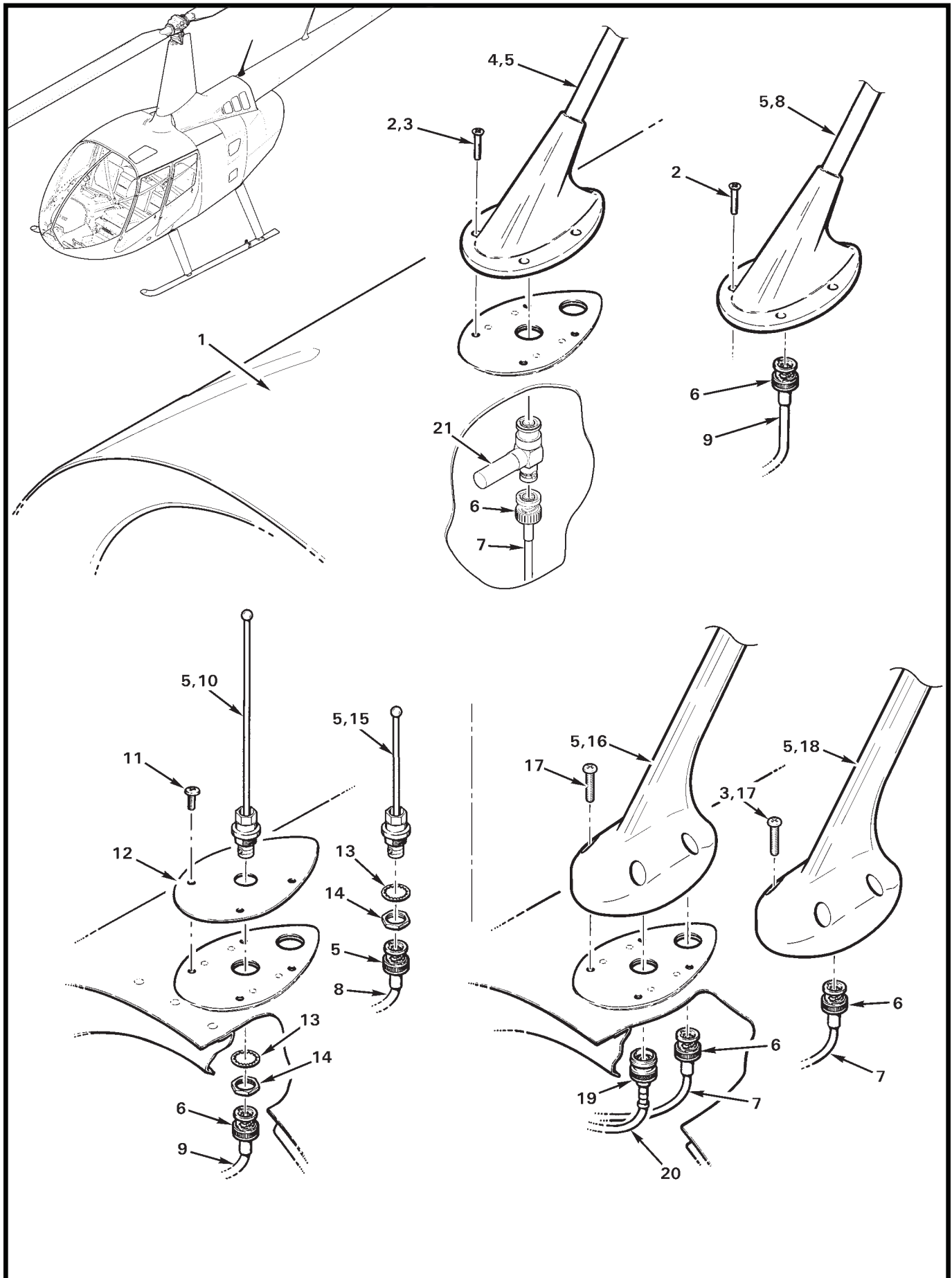


FIGURE AND INDEX NUMBER	PART NUMBER	DESCRIPTION	PARTS AVAIL	QTY PER ASSY
FORWARD UPPER TAILCONE ANTENNAS				
6-31-1	C023	Tailcone Assembly (Ref)		
2	MS24694-C7	Screw	X	4
3	B270-13	Sealant	X	A/R
4	CI-121*	Antenna – Com** (118-156 MHz)	X	1
5	B270-1	Sealant	X	A/R
6	5225395-6	Plug	X	1
7	F850-212	Cable (Ref)		
8	CI-177*	Antenna – FM (148-174 MHz)	X	1
	CI-177-1*	Antenna – FM (138-174 MHz)	X	1
	CI-177-20*	Antenna – FM (450-470 MHz)	X	1
9	F850-1213	Cable (Ref)		
10	CI-271*	Antenna – FM (400-430 MHz; includes items 13 and 14)	X	1
	CI-272-1*	Antenna – FM (336-390 MHz; includes items 13 and 14)	X	1
	CI-273*	Antenna – FM (403-512 MHz; includes items 13 and 14)	X	1
11	MS27039C0807	Screw	X	4
12	B322-4	Cover	X	1
13	—	Washer	O	1
14	—	Nut	O	1
15	CI-306*	Antenna – FM (800-870 MHz; includes items 13 and 14)	X	1
16	CI-2580-200*	Antenna – Com/GPS (Com 118-137 MHz, GPS 1575.42 ± 3 MHz. Do not use silicone based sealants with GPS antennas.)	X	1
17	MS27039C0815	Screw (for antennas with counter-bored holes)	X	4
	MS24694-C11	Screw (for antennas with counter-sunk holes)	X	4
18	CI-248-5*	Antenna – VHF** (118-137 MHz)	X	1
19	5225555-6	Plug	X	1
20	F850-468	Cable (Ref)		
21	330-00067-00	Filter (for use when Garmin 400 or 500 series GPS is installed; see Figure 6-29 for alternate installation location) . .	X	A/R

NOTES * Comant Industries part no. Seal antenna to tailcone using item 5.
 ** Seal around screw heads and fill fastener holes using item 3.

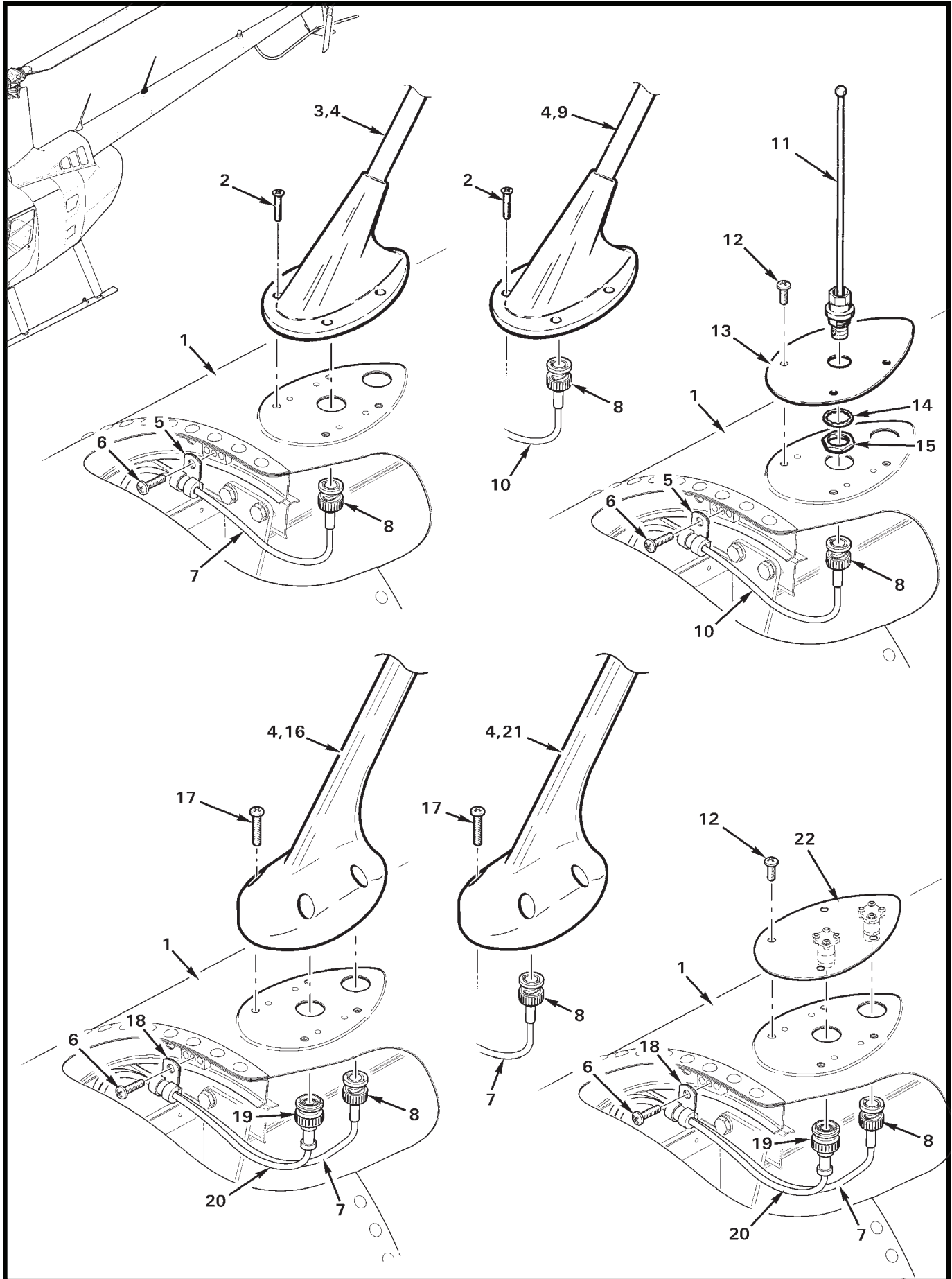


FIGURE AND INDEX NUMBER	PART NUMBER	DESCRIPTION	PARTS AVAIL	QTY PER ASSY
AFT UPPER TAILCONE ANTENNAS				
6-33-1	C023	Tailcone Assembly (Ref)		
2	MS24694-C7	Screw	X	4
3	CI-121*	Antenna – VHF (118-136 MHz)	X	1
4	B270-1	Sealant	X	A/R
5	MS21919WDG3	Clamp	X	1
6	MS27039C0810	Screw	X	1
7	F850-212	Cable (Ref)		
8	5225395-6	Plug (BNC)	X	1
9	CI-177*	Antenna – FM (148-174 MHz)	X	1
	CI-177-1*	Antenna – FM (138-174 MHz)	X	1
	CI-177-20*	Antenna – FM (450-470 MHz)	X	1
10	F850-1317	Cable (Ref)		
11	CI-271*	Antenna – FM (400-430 MHz; includes items 14 and 15)	X	1
	CI-272-1*	Antenna – FM (336-390 MHz; includes items 14 and 15)	X	1
	CI-273*	Antenna – FM (403-512 MHz; includes items 14 and 15)	X	1
12	MS27039C0807	Screw	X	4
13	B322-4	Cover Assembly	X	1
14	—	Washer	O	X
15	—	Nut	O	X
16	CI-2580-200*	Antenna – Com/GPS (Com 118-137 MHz, GPS 1575.42 ± 3 MHz. Do not use silicone based sealants with GPS antenna.)	X	1
17	MS27039C0815	Screw	X	1
18	MS21919WDG6	Clamp	X	1
19	5225555-6	Plug (TNC)	X	1
20	F850-468	Cable (Ref)		
21	CI-248-5*	Antenna – VHF (118-137 MHz; alternate to item 4)	X	1
22	B322-13	Cover Assembly (for COM/GPS antenna provisions)	X	1

NOTES * Comant Industries part no. Seal antenna to tailcone using item 4.

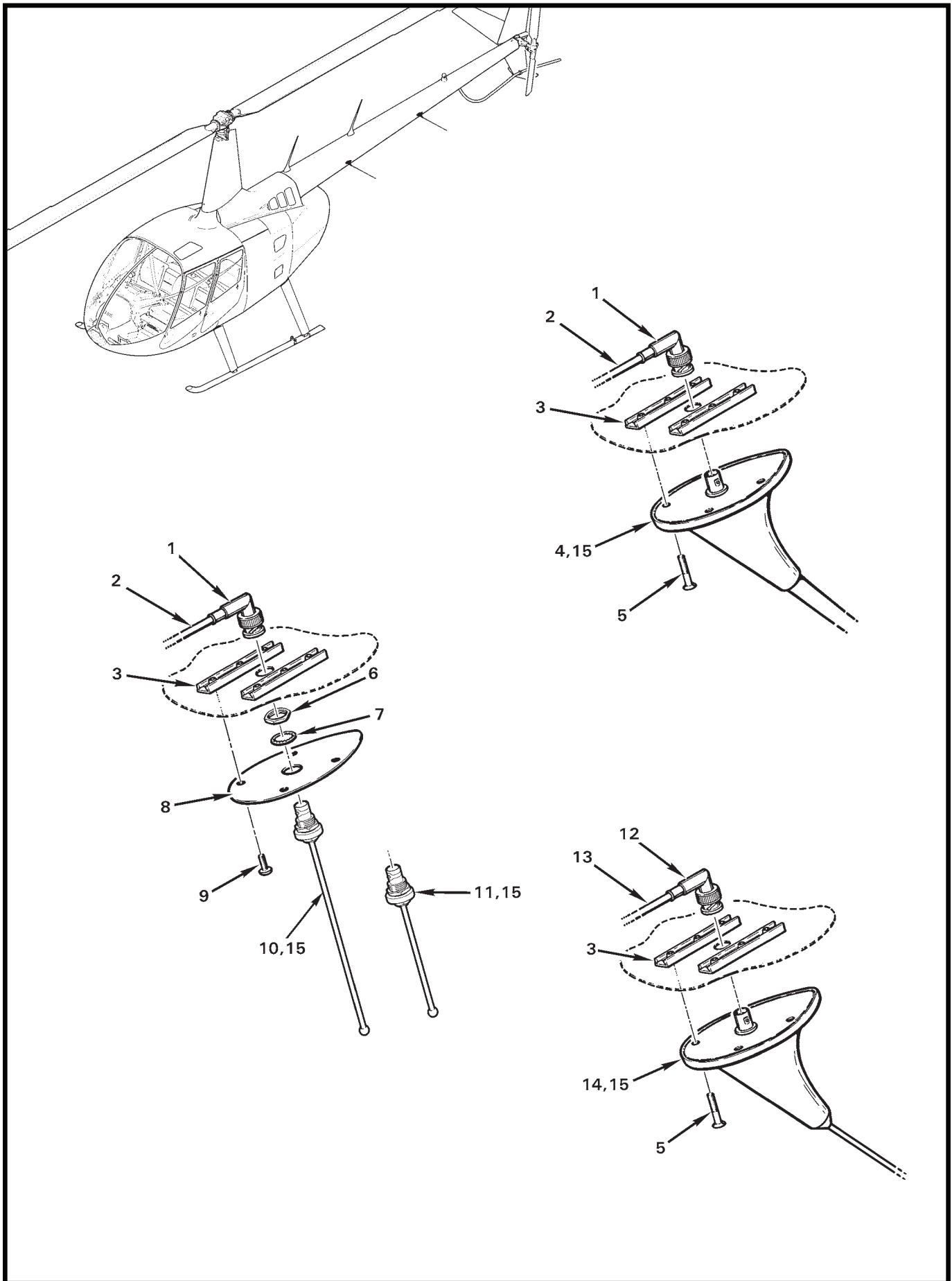


FIGURE AND INDEX NUMBER	PART NUMBER	DESCRIPTION	PARTS AVAIL	QTY PER ASSY
LOWER TAILCONE ANTENNAS				
6-35-1	5225973-4	Plug (90° BNC)	X	1
2	C023-821	Cable (Ref, forward mount)		
	C023-822	Cable (Ref, aft mount)		
3	A738-21	Gang Channel (Ref)		
4	CI-177*	Antenna – FM (148-174 MHz)	X	1
	CI-177-1*	Antenna – FM (138-174 MHz)	X	1
	CI-177-20*	Antenna – FM (450-470 MHz)	X	1
5	MS24694-C7	Screw	X	4
6	—	Nut	O	1
7	—	Washer	O	1
8	B322-4	Cover	X	1
9	MS27039C0807	Screw	X	4
10	CI-271*	Antenna – FM (400-430 MHz, includes items 6 and 7)	X	1
	CI-272-1	Antenna – FM (336-390 MHz, includes items 6 and 7)	X	1
	CI-273*	Antenna – FM (430-470 MHz, includes items 6 and 7)	X	1
11	CI-306*	Antenna – FM (800-870 MHz, includes items 6 and 7)	X	1
12	5221402-2	Plug	X	1
13	C023-1013	Cable (Ref)		
14	CI-122*	Antenna – VHF (118-136 MHz; aft tailcone location only) . . .	X	1
15	B270-1	Sealant	X	A/R

NOTES * Comant Industries part no. Seal antenna to tailcone using item 15.

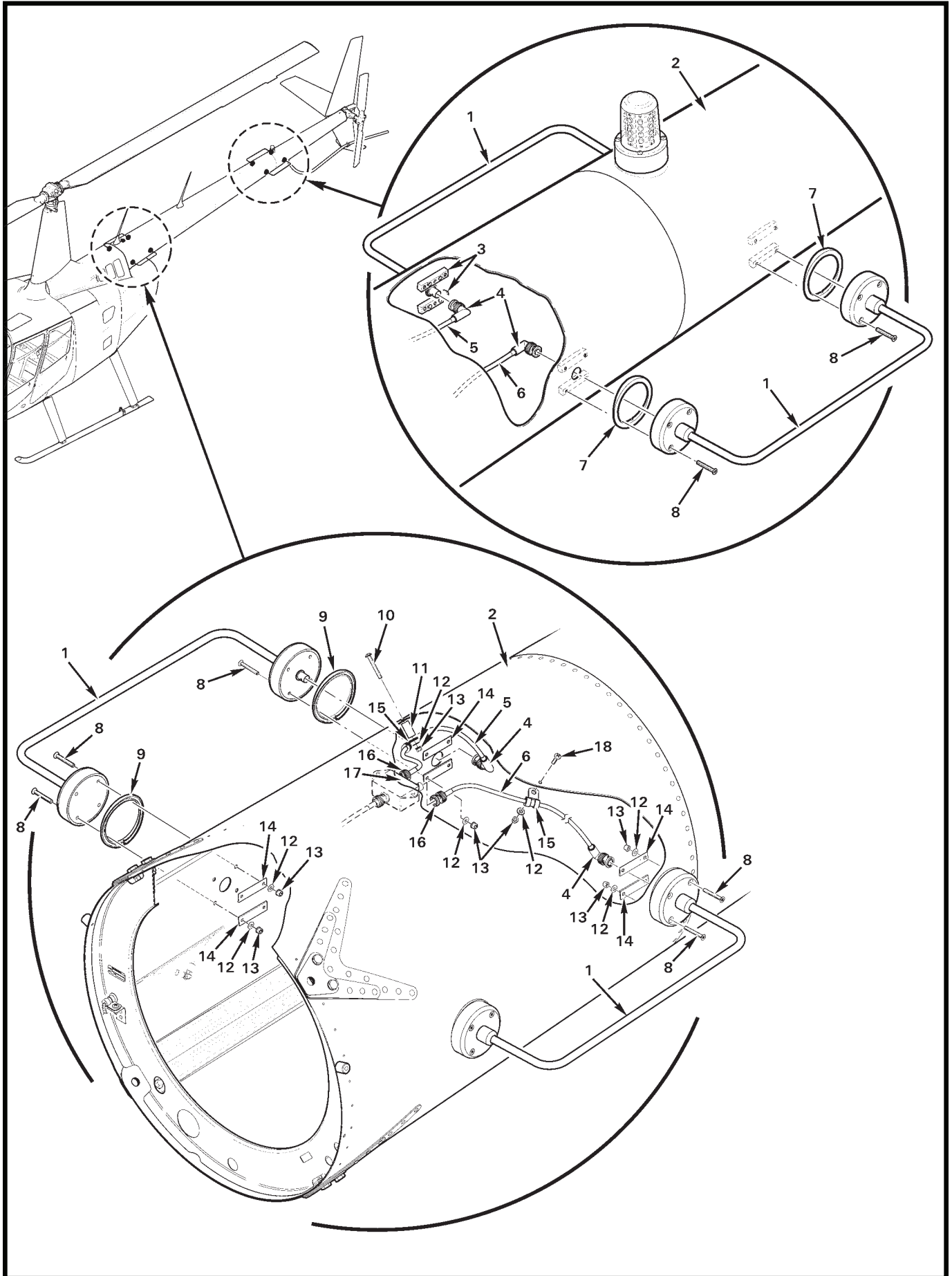


FIGURE AND INDEX NUMBER	PART NUMBER	DESCRIPTION	PARTS AVAIL	QTY PER ASSY
NAV ANTENNA INSTALLATION				
6-37-1	D20543	Antenna – Nav	X	2
2	C023-35	Tailcone Assembly (Ref)		
3	D322-1	Block Assembly (Ref)		
4	225973-4	Plug (90° BNC)	X	2
5	C023-1846	Cable (RH, Ref)		
6	C023-1845	Cable (LH, Ref)		
7	D322-3	Spacer (install with slots down)	X	4
8	MS24694-S16	Screw	X	16
9	D322-7	Spacer (install with slots down)	X	4
10	MS27039C0819	Screw	X	1
11	C130-56	Spacer	X	1
12	NAS1149FN816P	Washer	X	18
13	MS21042L08	Nut	X	18
14	B322-10	Spacer	X	8
15	MS21919WDG3	Clamp	X	2
16	225395-6	Plug	X	2
17	C20556-1	Combiner (Ref, see Figure 6-39)		
18	MS27039C0806	Screw	X	1

NOTES

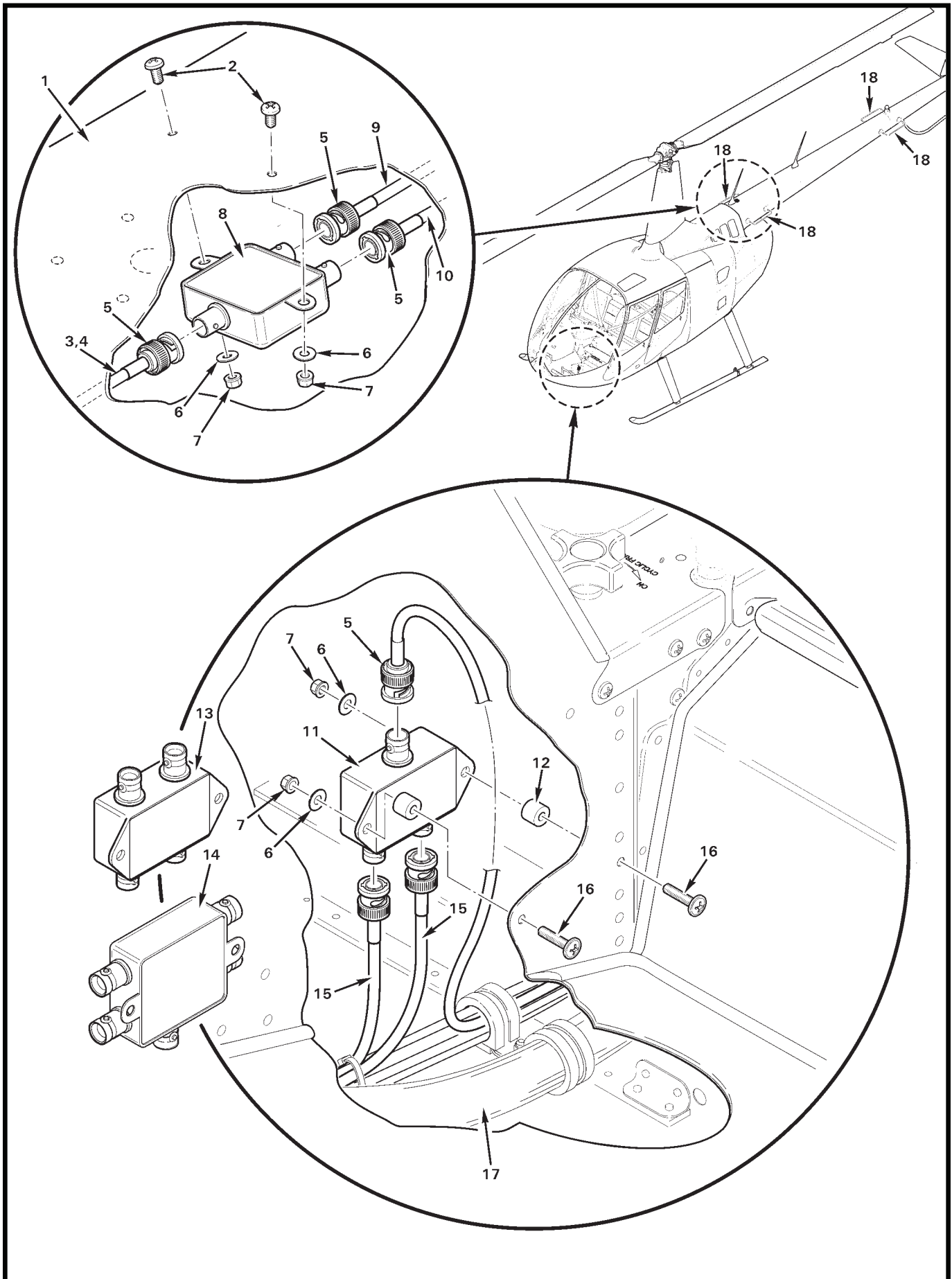


FIGURE AND INDEX NUMBER	PART NUMBER	DESCRIPTION	PARTS AVAIL	QTY PER ASSY
NAV ANTENNA COMBINER / DIPLEXER INSTALLATION				
6-39-1	C023-23	Tailcone Assembly (or C023-34, or -35; Ref)		
2	MS27039C0805	Screw	X	2
3	C850-1844	Cable (Ref; VOR and Localizer installed)		
4	C850-1847	Cable (Ref; VOR and Localizer, with diplexer [item 11] installed)		
5	225395-6	Plug (BNC)	X	A/R
6	NAS1149FN816P	Washer	X	A/R
7	MS21042L08	Nut	X	A/R
8	C20556-1	Combiner	X	1
9	C023-1846	Cable (RH, Ref)		
10	C023-1845	Cable (LH, Ref)		
11	CI-507	Diplexer (single VOR/single Glideslope installed)	X	1
12	A130-33	Spacer	X	2
13	CI-505	Diplexer (dual VOR/single Glideslope installed)	X	1
14	CI-1125	Diplexer (dual VOR/dual Glideslope installed)	X	1
15	—	Cable (to avionics, Ref)		
16	AN525-832R12	Screw	X	2
17	F859	Harness Assembly – Cabin (Ref)		
18	D20543	NAV Antenna (Ref, see Figure 6-37)		

NOTES

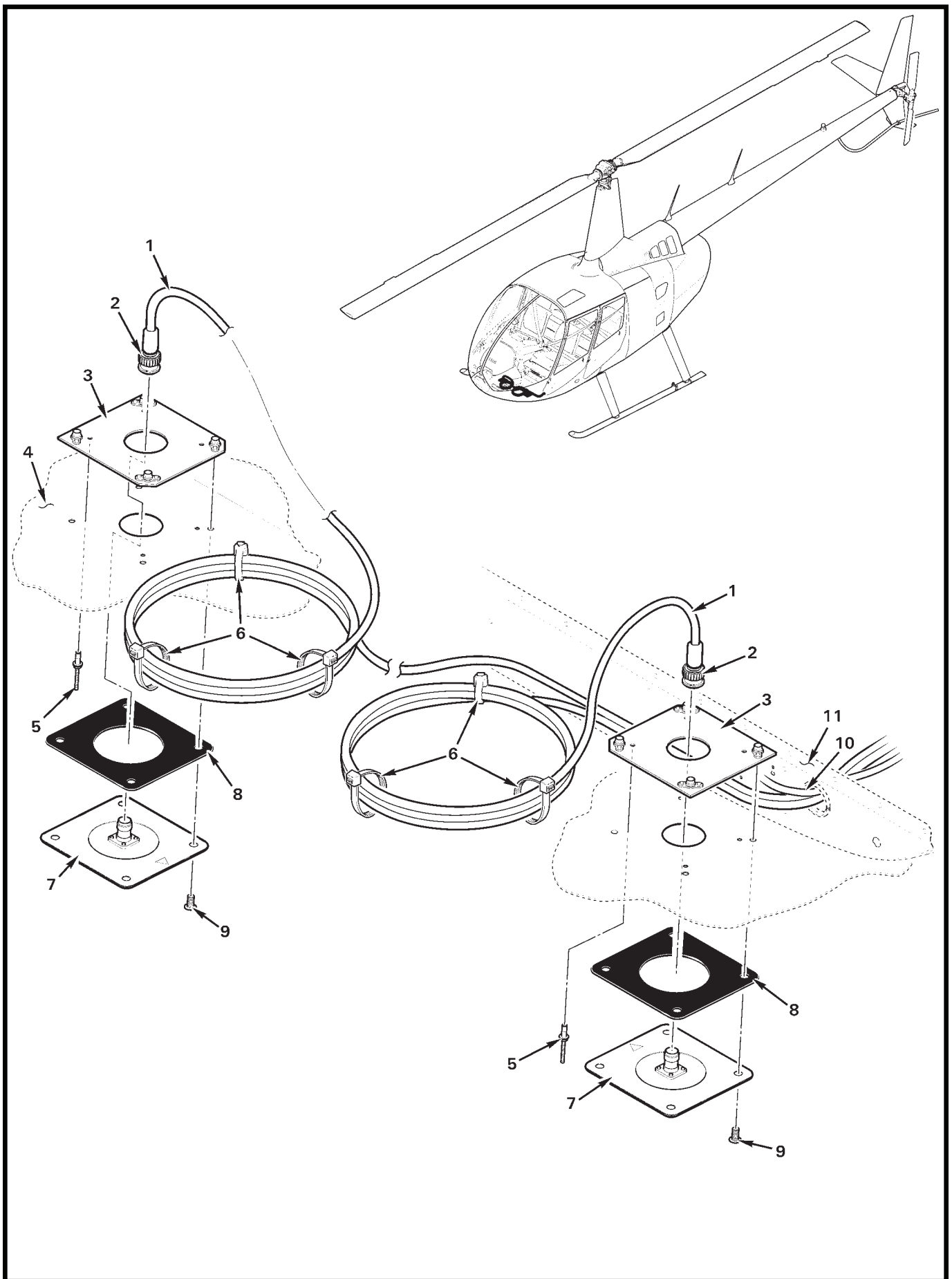


FIGURE AND INDEX NUMBER	PART NUMBER	DESCRIPTION	PARTS AVAIL	QTY PER ASSY
RADAR ALTIMETER ANTENNAS*				
6-41-1	—	Cable (to Radar Altimeter)	O	2
2	O129-0017-00	Connector (TNC)	O	2
3	B420-1	Plate Assembly	X	2
4	F272	Chin (Ref)		
5	NAS9302B-4-02	Rivet (or NAS1921B04S02)	X	8
6	MS3367-5-9	Ty-Rap	X	A/R
7	9-1203-115-00**	Antenna (Incl items 8 and 9)	O	2
8	—	Gasket	O	2
9	—	Screw	O	8
10	—	Cable (Ref; wire -2432 to indicator if installed, -2720 to ARINC display if installed, -2727 to C/B, and -2728 to ground)		
11	G230	Bulkhead (Ref)		

NOTES * See Figures 97-15, 97-17, and 97-19 for additional component installations.
 ** Free Flight Systems part no.

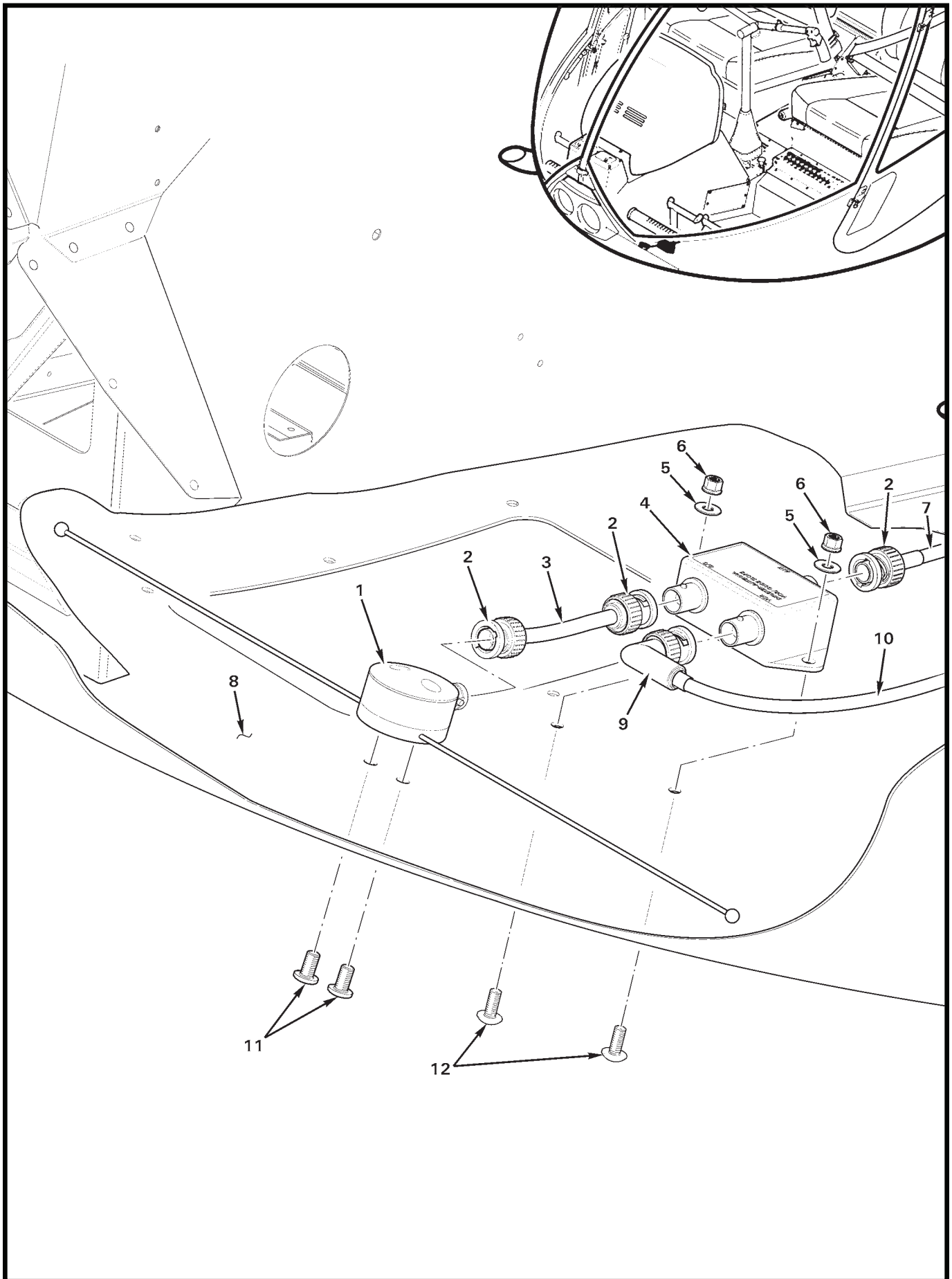


FIGURE AND INDEX NUMBER	PART NUMBER	DESCRIPTION	PARTS AVAIL	QTY PER ASSY
GLIDESLOPE ANTENNA INSTALLATION				
6-43-1	CI 193	Antenna (glideslope)	X	1
2	5225395-6	Plug (BNC)	X	3
3	F850-2730	Cable (Ref)		
4	CI 507	Diplexer	X	1
5	NAS1149FN816P	Washer	X	2
6	MS21042L08	Nut	X	2
7	F850-2731	Cable (Ref)		
8	F272-1	Chin (Ref)		
9	5225973-4	Plug (90° BNC)	X	1
10	F850-1847	Cable (Ref)		
11	A142-4	Screw	X	2
12	B526-6	Screw	X	2

NOTES

Intentionally Blank

CHAPTER 8
WEIGHT AND BALANCE

<i>Figure</i>	<i>Title</i>	<i>Page</i>
8-1	Ballast Installation	8.0

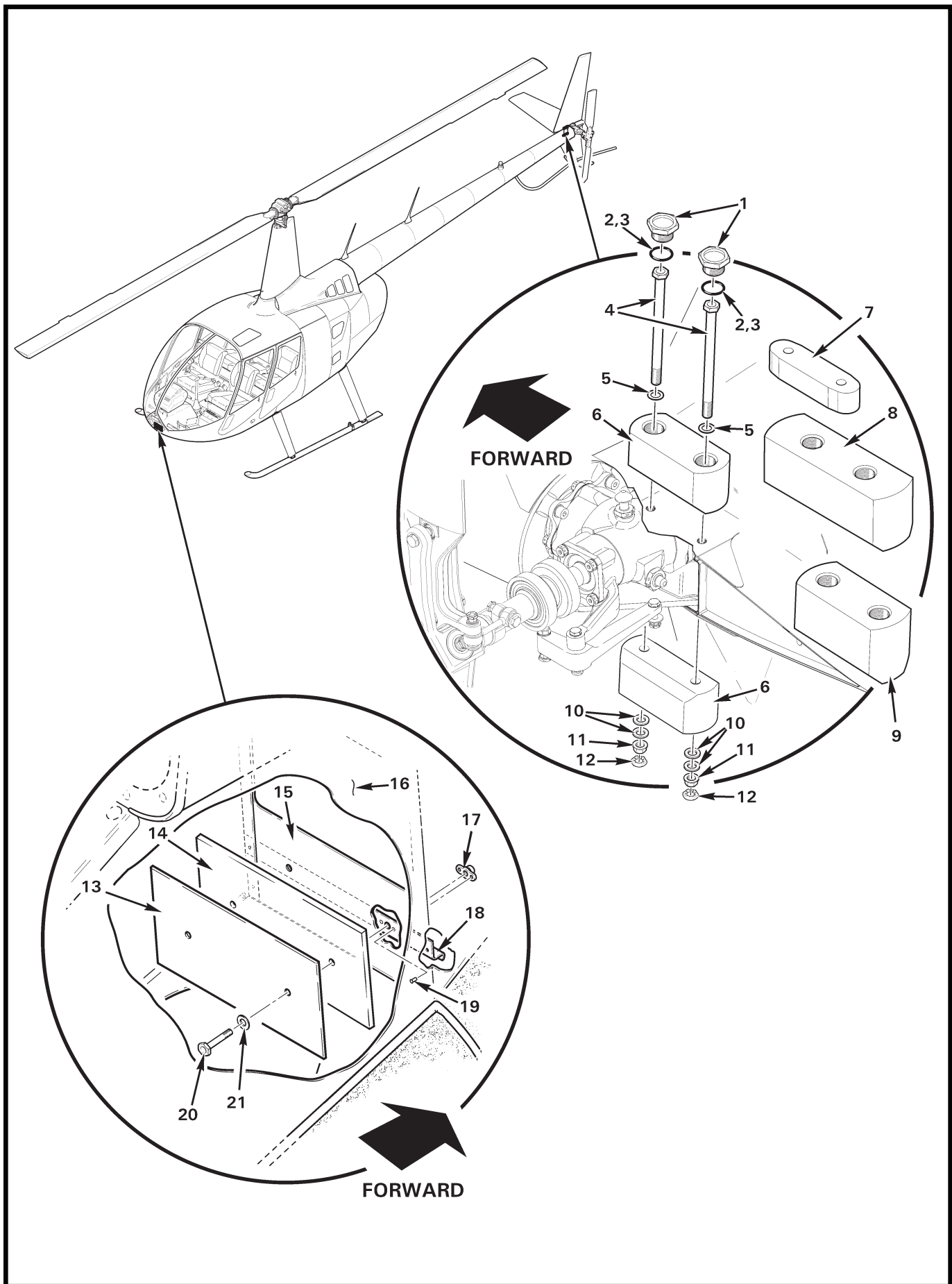


FIGURE AND INDEX NUMBER	PART NUMBER	DESCRIPTION	PARTS AVAIL	QTY PER ASSY
BALLAST INSTALLATION				
8-1-1	AN814-10D	Plug	X	2
2	A215-018	O-ring (install using item 3)	X	2
3	A257-18	Lube – O-ring	X	A/R
4	NAS6606-78	Bolt	X	2
5	NAS1149F0632P	Washer	X	2
6	D301-4*	Weight (4.5 lb)	X	A/R
7	D301-2*	Weight (1.5 lb; items 1, 2, and 3 not required when D301-2 is the upper weight)	X	A/R
8	D301-8*	Weight (10.5 lb)	X	A/R
9	D301-6*	Weight (7.5 lb)	X	A/R
10	NAS1149F0663P	Washer ([1] or [2] under each nut as required for 1 to 4 threads exposed)	X	A/R
11	D210-6	Nut	X	2
12	B330-19	Palnut	X	2
13	A941-5*	Ballast Plate (0.25 lb)	X	A/R
14	A941-6*	Ballast Plate (1.25 lb)	X	A/R
15	F361	Console Panel (Ref)		
16	F033	Console Assembly (Ref)		
17	MS21069L3	Nutplate	X	2
18	C360-2	Stiffener (Ref)		
19	NAS1097AD3	Rivet	X	4
20	NAS6603**	Bolt (alternate part no. NAS428-3A**)	X	2
21	NAS1149F0332P	Washer	X	2
* * *				
22	KI-174	Empennage 3.0 lb Ballast Installation Kit (Incl items 4, 5, 7, 10 [4] thru 12)	X	1

NOTES * One upper and one lower weight required; any combination or arrangement permissible. Refer to R66 Maintenance Manual (MM) Chapter 8 for ballast limitations.
 ** Select bolt length to meet torque requirements per R66 MM Section 20-30.

Intentionally Blank

CHAPTER 9
GROUND HANDLING

<i>Figure</i>	<i>Title</i>	<i>Page</i>
9-1	Ground Handling Wheel (Cup and Cone Bearings Rev. M and prior) . .	9.0
9-3B	Ground Handling Wheel (Sealed Bearings Rev. N and Subsequent) . .	9.3A
9-5	Ground Handling Wheel – Pop-Out Floats (Cup and Cone Bearings Rev. F and prior)	9.4
9-7B	Ground Handling Wheel – Pop-Out Floats (Sealed Bearings Rev. G and subsequent)	9.7A
9-9	Ground Handling Ball Installation	9.8

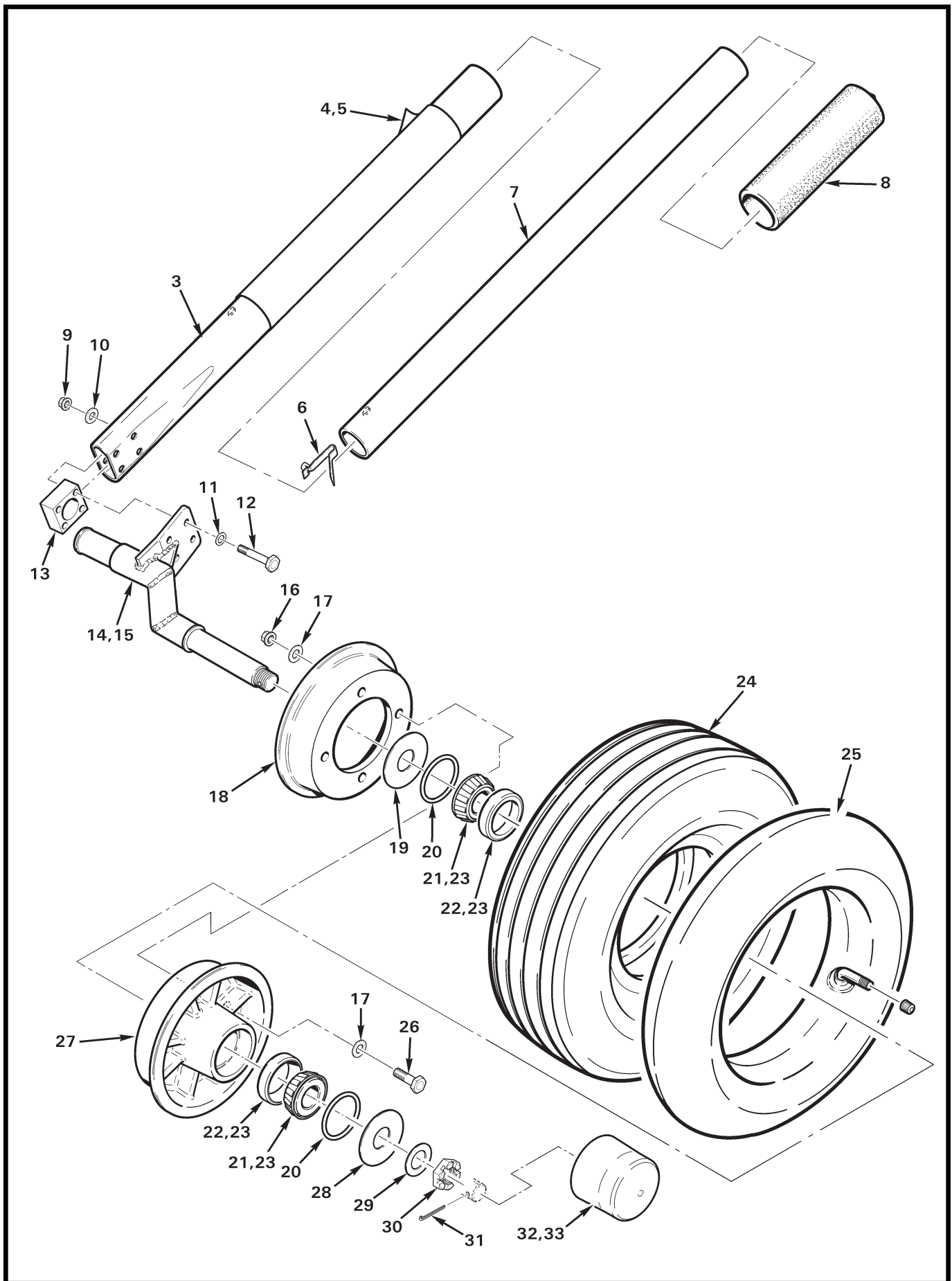


FIGURE AND INDEX NUMBER	PART NUMBER	DESCRIPTION	PARTS AVAIL	QTY PER ASSY
		GROUND HANDLING WHEEL (CUP AND CONE BEARINGS REV. M AND PRIOR)		
9-1-1	C063-6	Ground Handling Wheel Assembly – RH (Incl items 3, 4, 8, 9 thru 14, and 16 thru 33)	X	1
2	C063-5	Ground Handling Wheel Assembly – LH (Incl items 3, 4, 6, 8, 9 thru 13, and 15 thru 33; not shown)	X	1
3	C718-4	Lever	X	1
4	MT935-16	Decal – “RIGHT, INSTALL FROM INBOARD SIDE / WARNING: GRIP...” (install on C063-6 [RH] ground handling wheel assembly only)	X	1
5	MT935-15	Decal – “LEFT, INSTALL FROM INBOARD SIDE / WARNING: GRIP...” (install on C063-5 [LH] ground handling wheel assembly only)	X	1
6	A795-4	Pin	X	1
7	C718-1	Tube Assembly (Incl items 6 and 8)	X	1
8	A601-5	Grip	X	1
9	MS21042L3	Nut	X	4
10	NAS1149F0363P	Washer	X	4
11	NAS620-10L	Washer	X	4
12	NAS6603-12	Bolt	X	4
13	C915-1	Spacer	X	1
14	C717-14	Shaft Assembly (RH)	X	1
15	C717-13	Shaft Assembly (LH, not shown)	X	1
16	MS21042L4	Nut	X	4
17	NAS1149F0432P	Washer	X	8
18	MT947-2	Rim	X	1
19	MT141-3	Washer	X	1
20	A215-123	O-Ring	X	2
21	C646-9*	Cone (contact RHC Customer Service for replacement)	X	2
22	C646-10*	Cup (contact RHC Customer Service for replacement)	O	2
23	A257-5	Grease	X	A/R
24	MT936-5	Tire	X	1
25	MT936-6	Tube – Inner	X	1
26	NAS6604-6	Bolt	X	4
27	MT947-1	Rim	X	1
28	A214-12	Washer	X	1
29	NAS1149F0832P	Washer (for shimming)	X	A/R
30	AN320-8	Nut	X	1

NOTES * Install using item 23.

Continues

FIGURE AND INDEX NUMBER	PART NUMBER	DESCRIPTION	PARTS AVAIL	QTY PER ASSY
GROUND HANDLING WHEEL (CUP AND CONE BEARINGS REV. M AND PRIOR) (Cont'd)				
9-1-31	MS24665-285	Cotter Pin	X	1
32	A959-11	Cap (install using item 33)	X	1
33	B270-15	Adhesive	X	A/R
NOTES				

Intentionally Blank

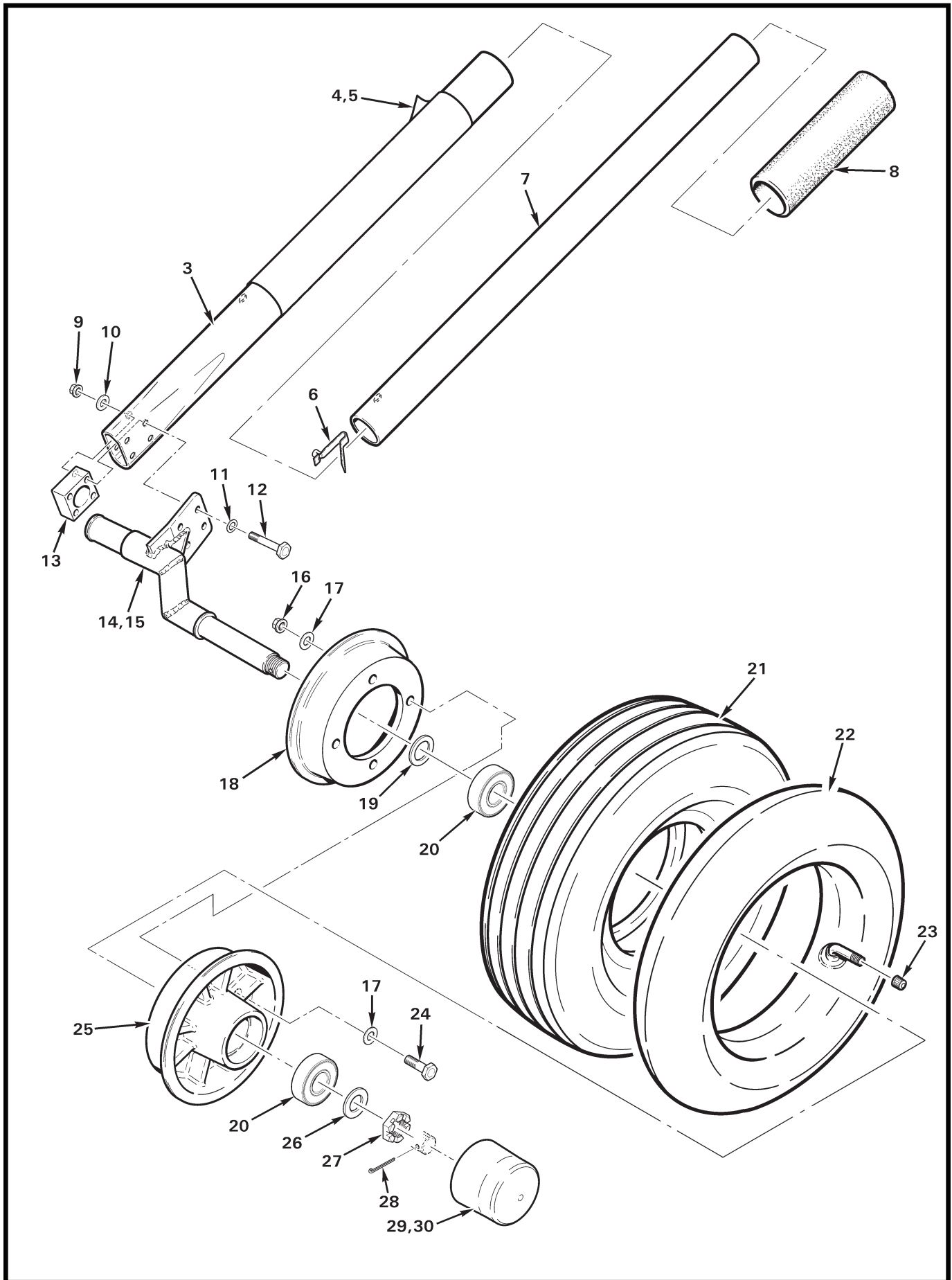


FIGURE 9-3B GROUND HANDLING WHEEL
(SEALED BEARINGS REV. N AND SUBSEQUENT)

FIGURE AND INDEX NUMBER	PART NUMBER	DESCRIPTION	PARTS AVAIL	QTY PER ASSY
		GROUND HANDLING WHEEL (SEALED BEARINGS REV. N AND SUBSEQUENT)		
9-3B-1	C063-6	Ground Handling Wheel Assembly – RH (Incl items 3, 4, 7, 9 thru 14, 16 thru 22, and 24 thru 30)	X	1
2	C063-5	Ground Handling Wheel Assembly – LH (Incl items 3, 5, 7, 9 thru 13, 15 thru 22, and 24 thru 30; not shown)	X	1
3	C718-4	Lever	X	1
4	MT935-16	Decal – “RIGHT, INSTALL FROM INBOARD SIDE / WARNING: GRIP...” (install on C063-6 [RH] ground handling wheel assembly only)	X	1
5	MT935-15	Decal – “LEFT, INSTALL FROM INBOARD SIDE / WARNING: GRIP...” (install on C063-5 [LH] ground handling wheel assembly only)	X	1
6	A795-4	Pin	X	1
7	C718-1	Tube Assembly (Incl items 6 and 8)	X	1
8	A601-5	Grip	X	1
9	D210-3	Nut	X	4
10	NAS1149F0363P	Washer	X	4
11	NAS620-10L	Washer	X	4
12	NAS6603-12	Bolt	X	4
13	C915-1	Spacer	X	1
14	C717-14	Shaft Assembly (RH)	X	1
15	C717-13	Shaft Assembly (LH, not shown)	X	1
16	D210-4	Nut	X	4
17	NAS1149F0432P	Washer	X	8
18	MT947-2	Rim	X	1
19	MT141-4	Washer (place chamfer against shaft shoulder)	X	1
20	6202-2RS	Bearing	X	2
21	MT936-5	Tire	X	1
22	MT936-6	Tube – Inner	X	1
23	—	Cap – Valve	O	1
24	NAS6604-6	Bolt	X	4
25	MT947-1	Rim	X	1
26	NAS1149F0863P	Washer (for shimming)	X	A/R
27	AN320-8	Nut	X	1
28	MS24665-285	Cotter Pin	X	1
29	A959-11	Cap (install using item 30)	X	1
30	B270-15	Adhesive	X	A/R

NOTES

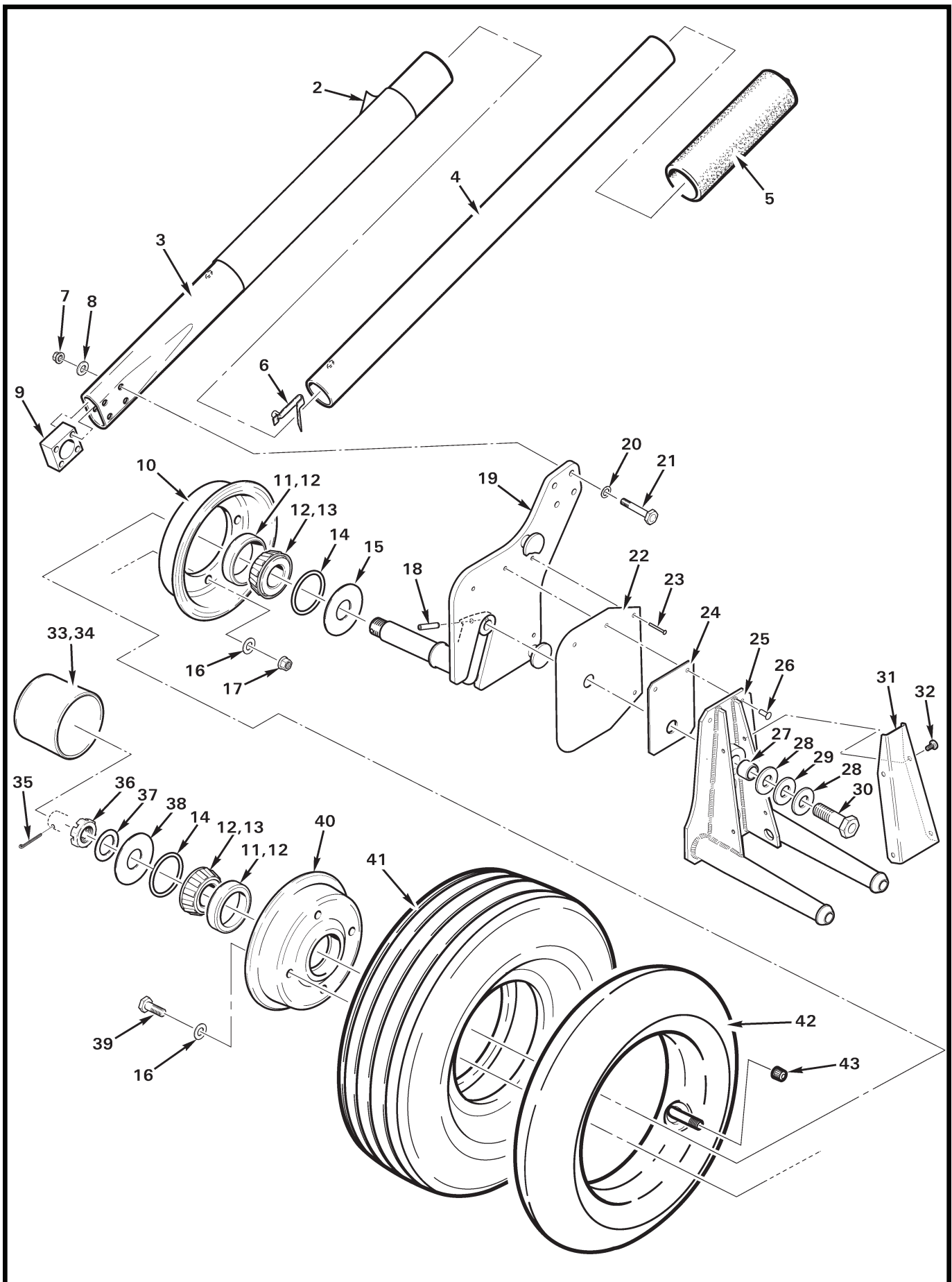


FIGURE AND INDEX NUMBER	PART NUMBER	DESCRIPTION	PARTS AVAIL	QTY PER ASSY
		GROUND HANDLING WHEEL – POP-OUT FLOATS (CUP AND CONE BEARINGS REV. F AND PRIOR)		
9-5-1	MT980-1	Ground Handling Wheel Assembly – LH (Incl items 2 thru 4, and 7 thru 42)	X	1
	MT980-2	Ground Handling Wheel Assembly – RH (Incl items 2 thru 4, and 7 thru 42)	X	1
2	MT935-15	Decal (wheel installation instructions, LH)	X	1
	MT935-16	Decal (wheel installation instructions, RH; not shown)	X	1
3	C718-4	Lever	X	1
4	C718-1	Tube Assembly (Incl items 5 and 6)	X	1
5	A601-5	Grip	X	1
6	A795-4	Pin	X	1
7	MS21042L3	Nut	X	4
8	NAS1149F0363P	Washer	X	4
9	C915-1	Spacer	X	1
10	MT947-2	Rim	X	1
11	C646-10*	Cup (contact Customer Service for replacement)	O	2
12	A257-5	Grease	X	A/R
13	C646-9*	Cone (contact Customer Service for replacement)	X	2
14	A215-123	O-Ring	X	2
15	MT141-3	Washer	X	1
16	NAS1149F0432P	Washer	X	8
17	MS21042L4	Nut	X	4
18	MS16562-35	Spring Pin	X	1
19	MT982-13	Shaft Weldment (LH, shown)	X	1
	MT982-14	Shaft Weldment (RH, not shown)	X	1
20	NAS1149F0332P	Washer	X	4
21	NAS6603-13	Bolt	X	4
22	MT982-7	Pad	X	1
23	MS20615-4M	Rivet	X	2
24	MT981-6	Pad	X	1
25	MT981-1	Support Weldment	X	1
26	MS20426AD4	Rivet	X	2
27	O6DU06	Bearing	X	1
28	MT141-1	Washer	X	2
29	MT141-2	Washer (teflon-coated, one side)	X	1
30	NAS6606-10	Bolt	X	1

NOTES * Install using item 12.

Continues

FIGURE AND INDEX NUMBER	PART NUMBER	DESCRIPTION	PARTS AVAIL	QTY PER ASSY
GROUND HANDLING WHEEL – POP-OUT FLOATS (CUP AND CONE BEARINGS REV. F AND PRIOR) (Cont'd)				
9-5-31	MT981-7	Cover	X	1
32	MS35206-226	Screw	X	4
33	A959-11	Cap (install using item 34)	X	1
34	B270-15	Adhesive	X	A/R
35	MS24665-285	Cotter Pin	X	1
36	AN320-8	Nut	X	1
37	NAS1149F0832P	Washer (for shimming)	X	A/R
38	A214-12	Washer	X	1
39	NAS6604-6	Bolt	X	4
40	MT947-1	Rim	X	1
41	MT936-5	Tire	X	1
42	MT936-6	Tube – Inner (Incl item 43)	X	1
43	–	Cap – Valve	O	1

NOTES

Intentionally Blank

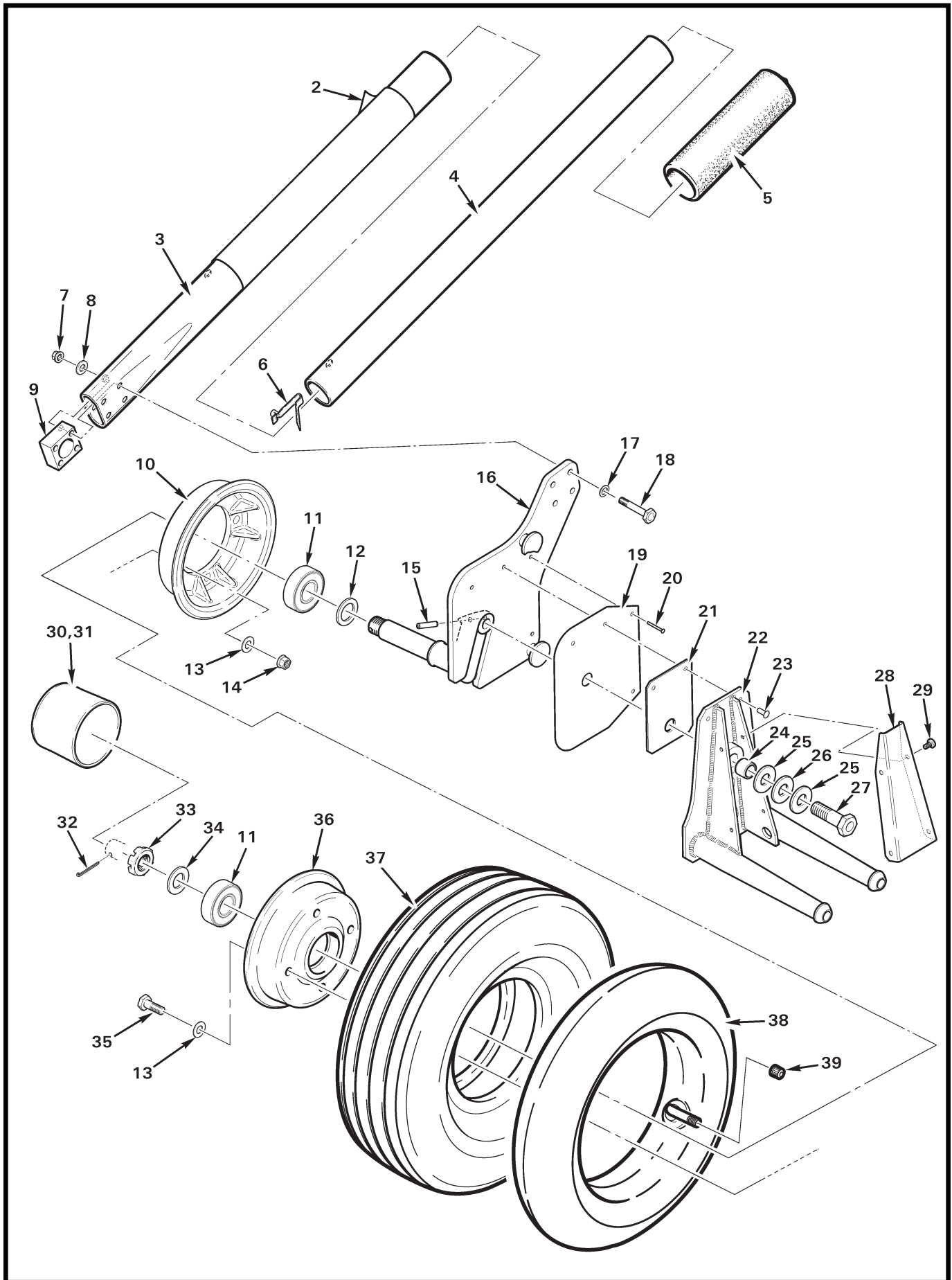


FIGURE AND INDEX NUMBER	PART NUMBER	DESCRIPTION	PARTS AVAIL	QTY PER ASSY
		GROUND HANDLING WHEEL – POP-OUT FLOATS (SEALED BEARINGS REV. G AND SUBSEQUENT)		
9-7B-1	MT980-1	Ground Handling Wheel Assembly – LH (Incl items 2 thru 4, and 7 thru 38)	X	1
	MT980-2	Ground Handling Wheel Assembly – RH (Incl items 2 thru 4, and 7 thru 38)	X	1
2	MT935-15	Decal (wheel installation instructions, LH)	X	1
	MT935-16	Decal (wheel installation instructions, RH; not shown)	X	1
3	C718-4	Lever	X	1
4	C718-1	Tube Assembly (Incl items 5 and 6)	X	1
5	A601-5	Grip	X	1
6	A795-4	Pin	X	1
7	D210-3	Nut	X	4
8	NAS1149F0363P	Washer	X	4
9	C915-1	Spacer	X	1
10	MT947-2	Rim	X	1
11	6202-2RS	Bearing	X	2
12	MT141-4	Washer	X	1
13	NAS1149F0432P	Washer	X	8
14	D210-4	Nut (or MS21042L4)	X	4
15	MS16562-35	Spring Pin	X	1
16	MT982-13	Shaft Weldment (LH, shown)	X	1
	MT982-14	Shaft Weldment (RH, not shown)	X	1
17	NAS1149F0332P	Washer	X	4
18	NAS6603-13	Bolt	X	4
19	MT982-7	Pad	X	1
20	MS20615-4M	Rivet	X	2
21	MT981-6	Pad	X	1
22	MT981-1	Support Weldment	X	1
23	MS20426AD4	Rivet	X	2
24	O6DU06	Bearing	X	1
25	MT141-1	Washer	X	2
26	MT141-2	Washer (teflon-coated, one side)	X	1
27	NAS6606-10	Bolt	X	1
28	MT981-7	Cover	X	1
29	MS35206-226	Screw	X	4
30	A959-11	Cap (install using item 31)	X	1

NOTES

Continues

FIGURE AND INDEX NUMBER	PART NUMBER	DESCRIPTION	PARTS AVAIL	QTY PER ASSY
GROUND HANDLING WHEEL – POP-OUT FLOATS (SEALED BEARINGS REV. G AND SUBSEQUENT) (Cont'd)				
9-7B-31	B270-15	Adhesive	X	A/R
32	MS24665-285	Cotter Pin	X	1
33	AN320-8	Nut	X	1
34	NAS1149F0863P	Washer	X	1
35	NAS6604-6	Bolt	X	4
36	MT947-1	Rim	X	1
37	MT936-5	Tire	X	1
38	MT936-6	Tube – Inner (Incl item 39)	X	1
39	–	Cap – Valve	O	1

NOTES

Intentionally Blank

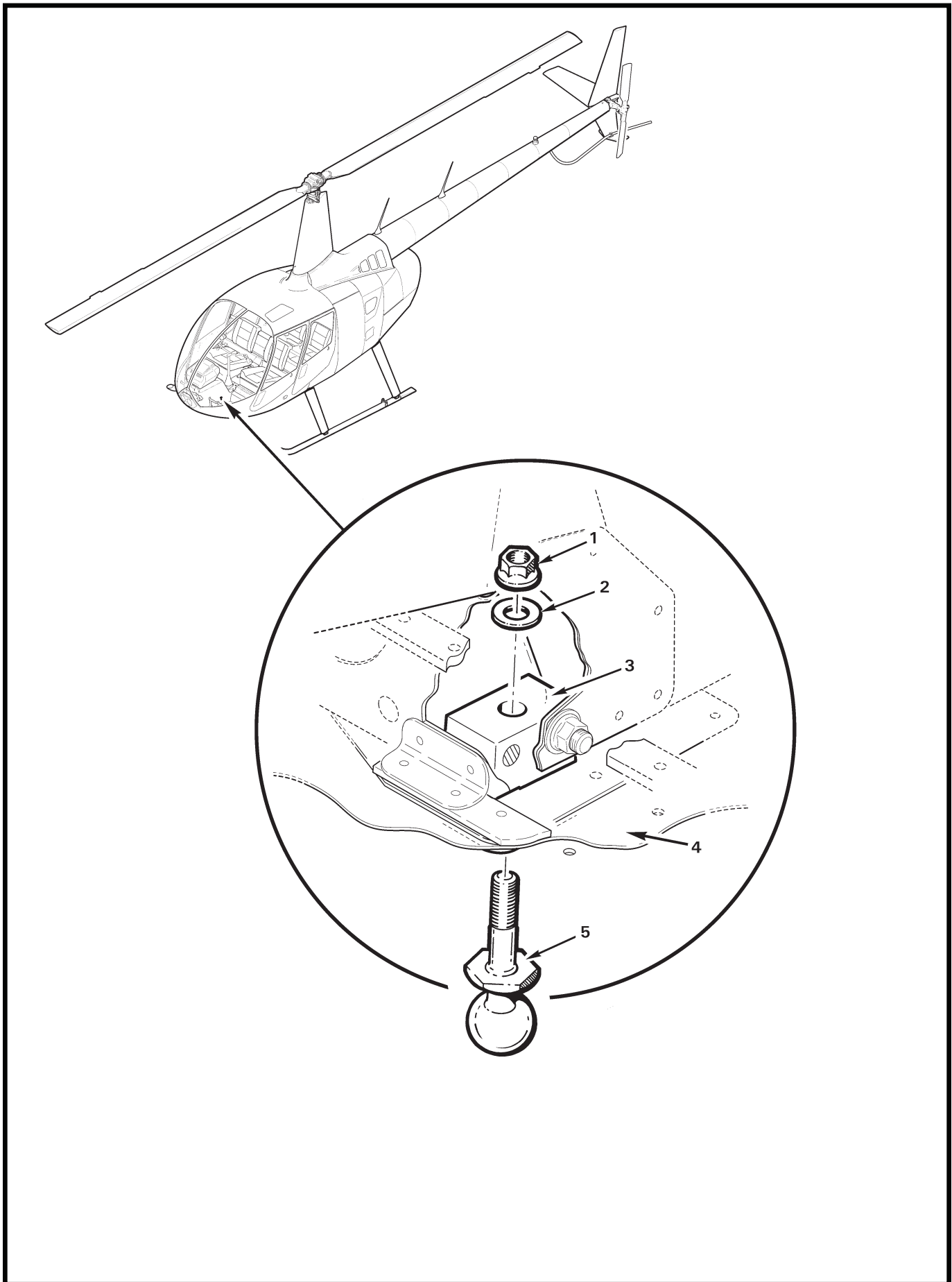


FIGURE AND INDEX NUMBER	PART NUMBER	DESCRIPTION	PARTS AVAIL	QTY PER ASSY
GROUND HANDLING BALL INSTALLATION				
9-9-1	D210-5	Nut	X	1
2	NAS1149F0532P	Washer	X	1
3	C700-1	Block (Ref)		
4	F272	Panel – Belly (Ref)		
5	C700-7	Ball	X	1
NOTES				

Intentionally Blank

CHAPTER 10
PARKING AND STORAGE

<i>Figure</i>	<i>Title</i>	<i>Page</i>
10-1	Main Rotor Blade Tie-Downs	10.0
10-3	Helicopter Cabin Covers	10.2
10-5	Hardpoint Hinge and Tie-Down Ring Installations	10.4
10-7	Main Rotor Blade Support Installation	10.6
10-9	Cover Assembly – Exhaust	10.8

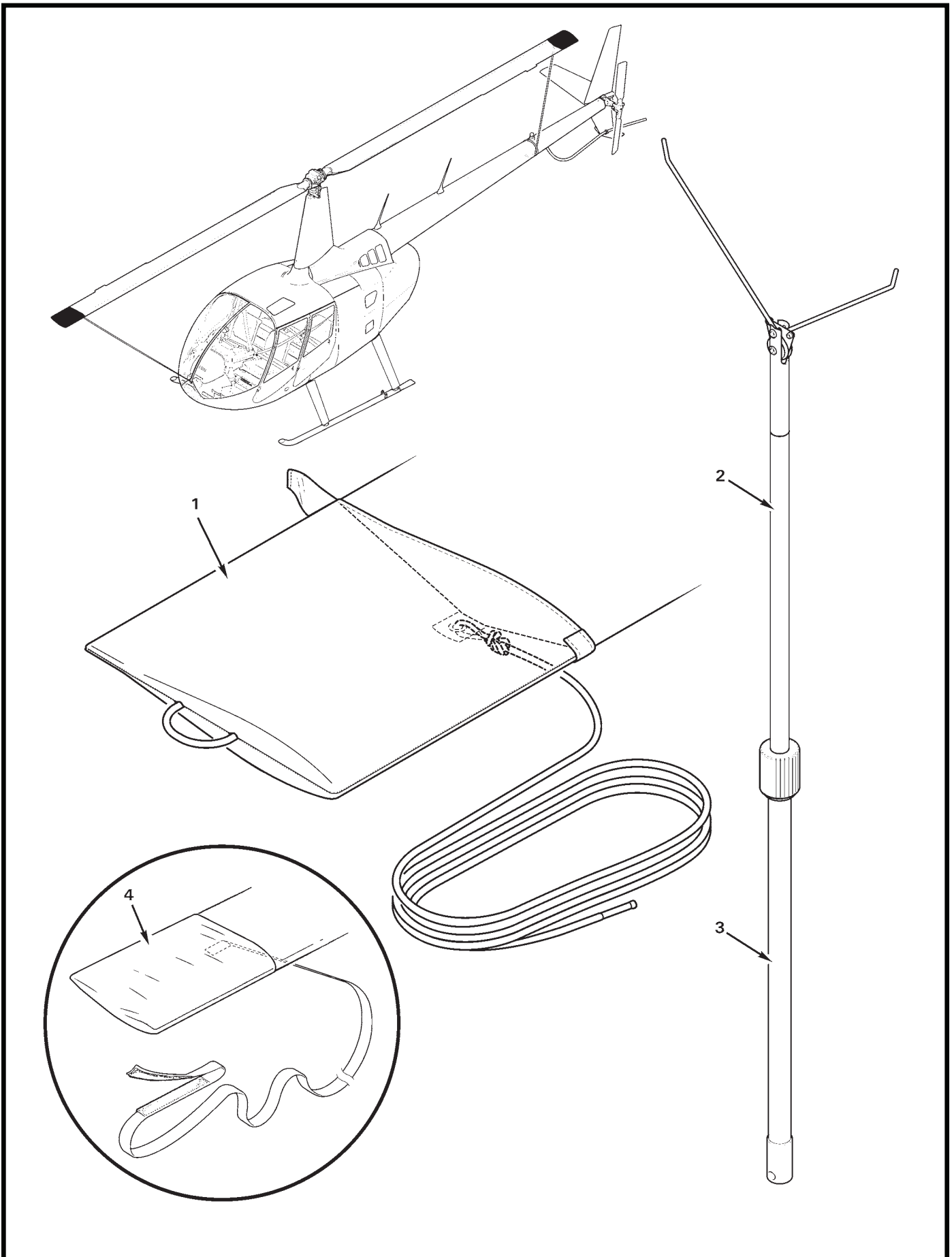


FIGURE AND INDEX NUMBER	PART NUMBER	DESCRIPTION	PARTS AVAIL	QTY PER ASSY
MAIN ROTOR BLADE TIE-DOWNS				
10-1-1	MT290-3	Main Rotor Blade Tie-Down (Revision "H" and subsequent, nylon rope. Set of two.)	X	1
	2 MT570-1	Main Rotor Blade Tie-Down Installation Tool (Incl item 3)	X	1
	3 7743T61	Extension (telescopic)	X	1
	4 MT290-3	Main Rotor Blade Tie-Down (Revision "G" and prior, nylon webbing with hook and loop tape; no longer available.)		
NOTES				

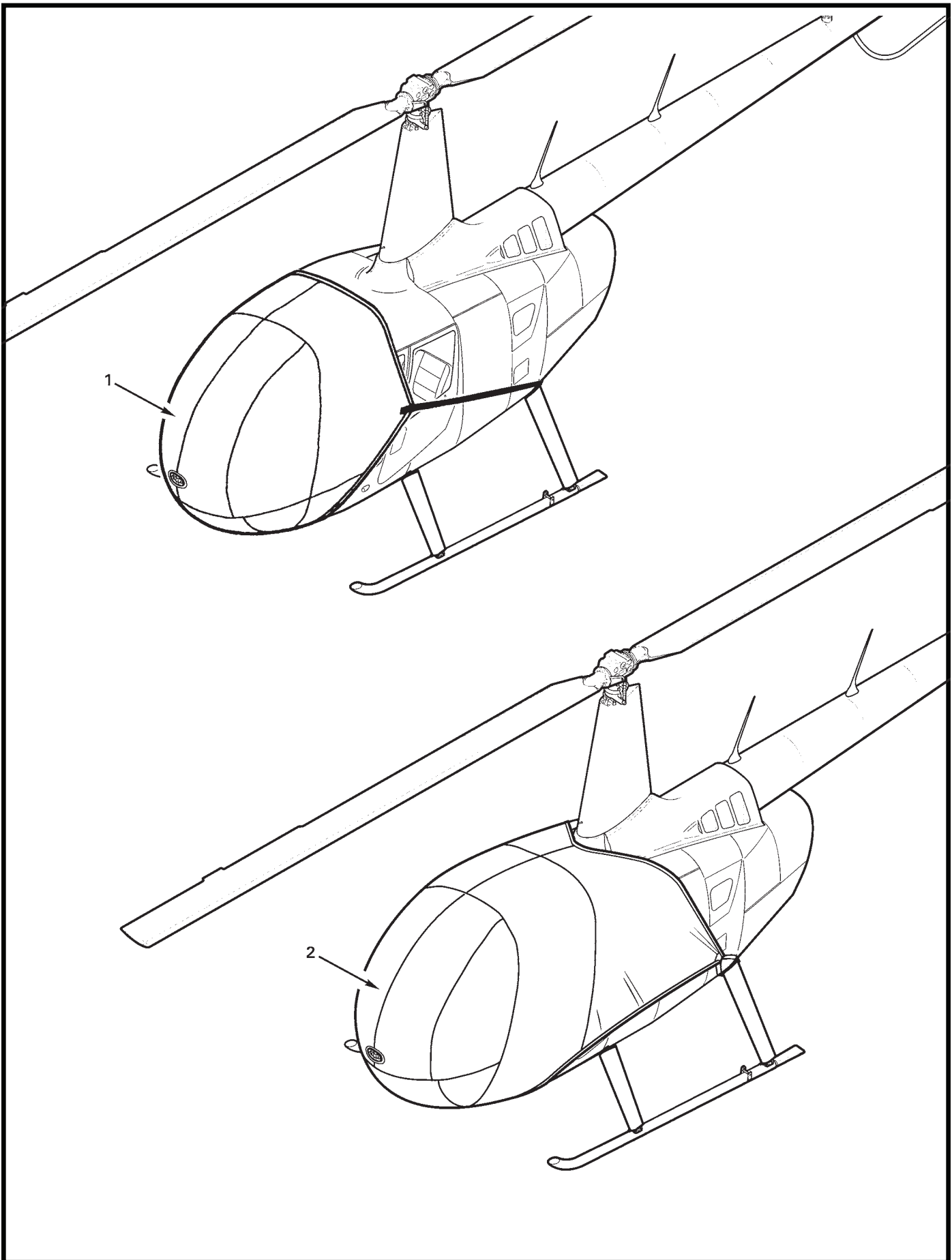


FIGURE AND INDEX NUMBER	PART NUMBER	DESCRIPTION	PARTS AVAIL	QTY PER ASSY
HELICOPTER CABIN COVERS				
10-3-1	R66-001	Bubble Cover	X	1
2	R66-000	Full Cover (optional)	X	1
NOTES				

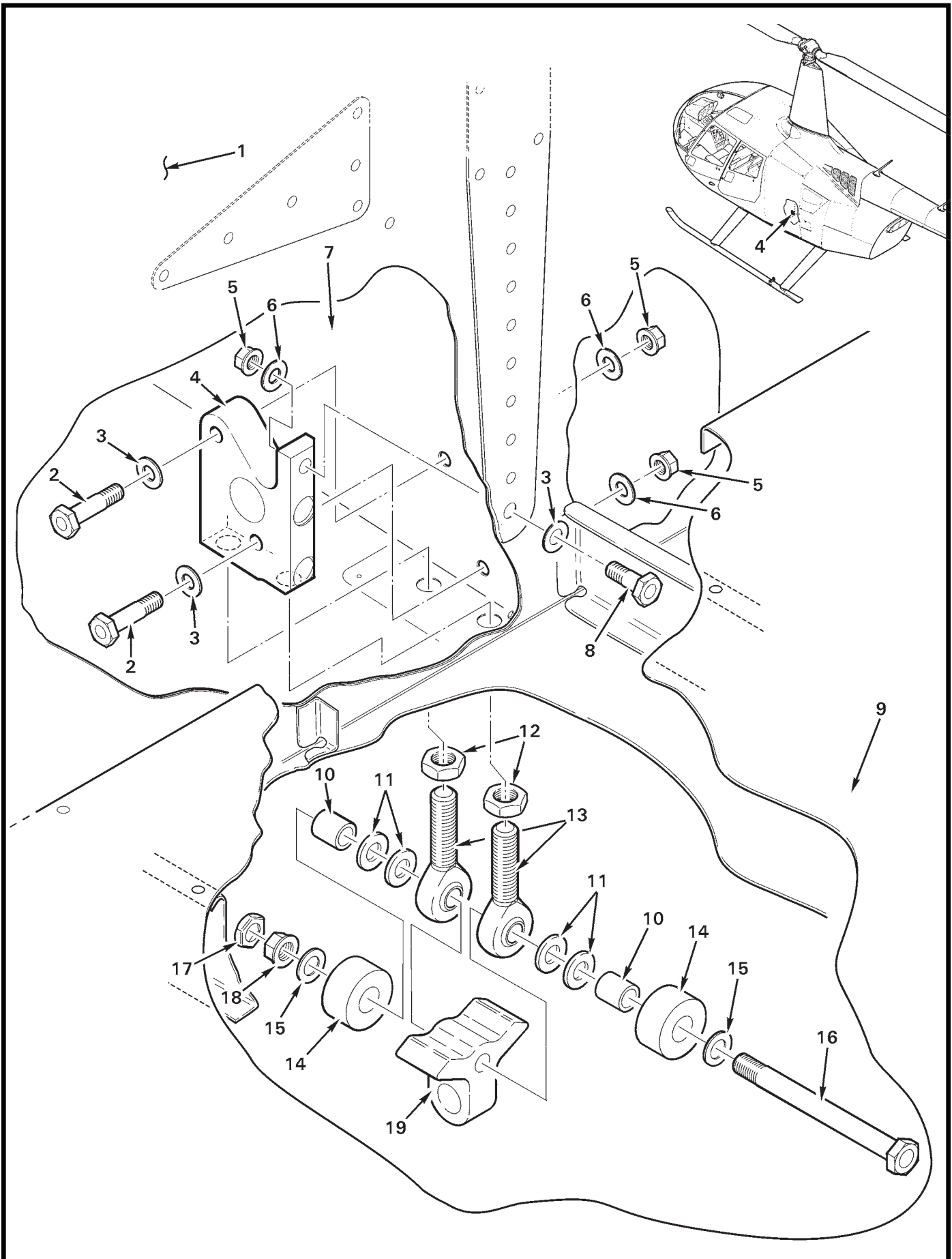


FIGURE AND INDEX NUMBER	PART NUMBER	DESCRIPTION	PARTS AVAIL	QTY PER ASSY
HARDPOINT HINGE AND TIE-DOWN RING INSTALLATIONS				
10-5-1	G259-1	Panel (Bulkhead; Ref)		
2	NAS6604-12	Bolt	X	2
3	NAS1149F0432P	Washer	X	3
4	G134-1	Block	X	1
5	MS21042L4	Nut	X	3
6	NAS1149F0463P	Washer	X	3
7	F292-1	Keel Panel (LH, Ref)		
8	NAS6604-6	Bolt	X	1
9	G241-1	Floor (Ref, baggage compartment)		
10	C130-49	Spacer	X	2
11	MS20002-5	Washer	X	4
12	AN316-6R	Nut	X	2
13	D173-2	Rod End	X	2
14	D136-3	Bumper	X	2
15	NAS1149F0532P	Washer	X	2
16	NAS6605-48	Bolt	X	1
17	B330-16	Palnut	X	1
18	MS21042L5	Nut	X	1
19	D136-2	Support	X	1

NOTES

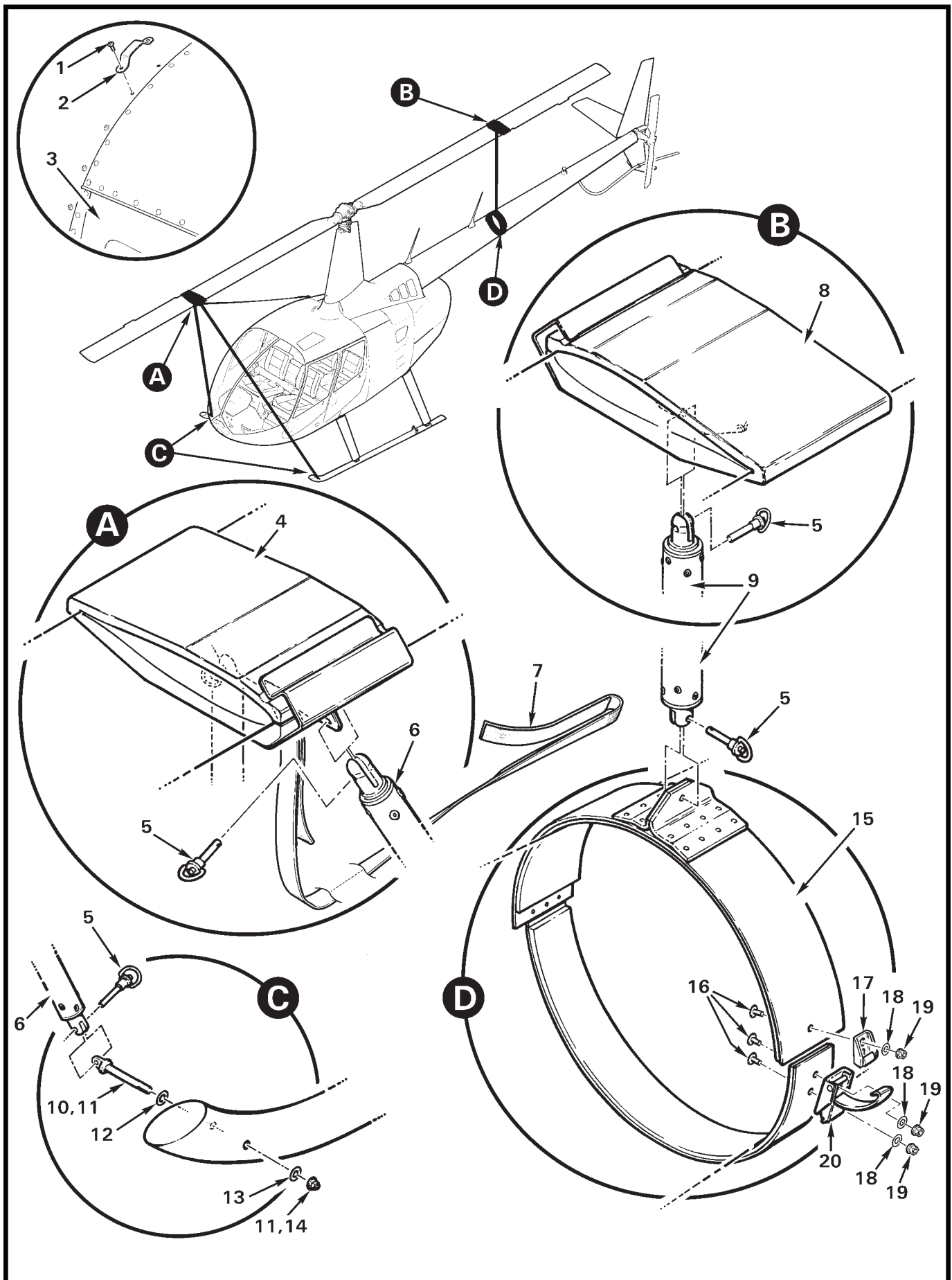


FIGURE AND INDEX NUMBER	PART NUMBER	DESCRIPTION	PARTS AVAIL	QTY PER ASSY
MAIN ROTOR BLADE SUPPORT INSTALLATION				
10-7-1	MS27039C0807	Screw	X	2
2	D127-3	Cleat	X	1
3	C026	Door (aft RH, Ref)		
4	MT564-1	Cradle Assembly (forward)	X	1
5	92384A034	Pin	X	6
6	MT347-8	Strut Assembly (forward)	X	2
7	MT568-3	Strap Assembly	X	1
8	MT564-2	Cradle Assembly (aft)	X	1
9	MT347-7	Strut Assembly (aft)	X	1
10	B218-2	Eye Bolt (install using item 11)	X	2
11	B270-1	Sealant	X	A/R
12	NAS1149F0532P	Washer (under head)	X	2
13	NAS1149F0563P	Washer (under nut)	X	2
14	B340-13	Nut (install using item 11)	X	2
15	MT348-7	Clamp Assembly (Incl items 16 thru 20)	X	1
16	AN525-832R6	Screw	X	3
17	—	Lug	O	1
18	NAS1149FN816P	Washer	X	3
19	MS21042L08	Nut	X	3
20	97-50-215-12	Latch (Incl item 17)	X	1

NOTES

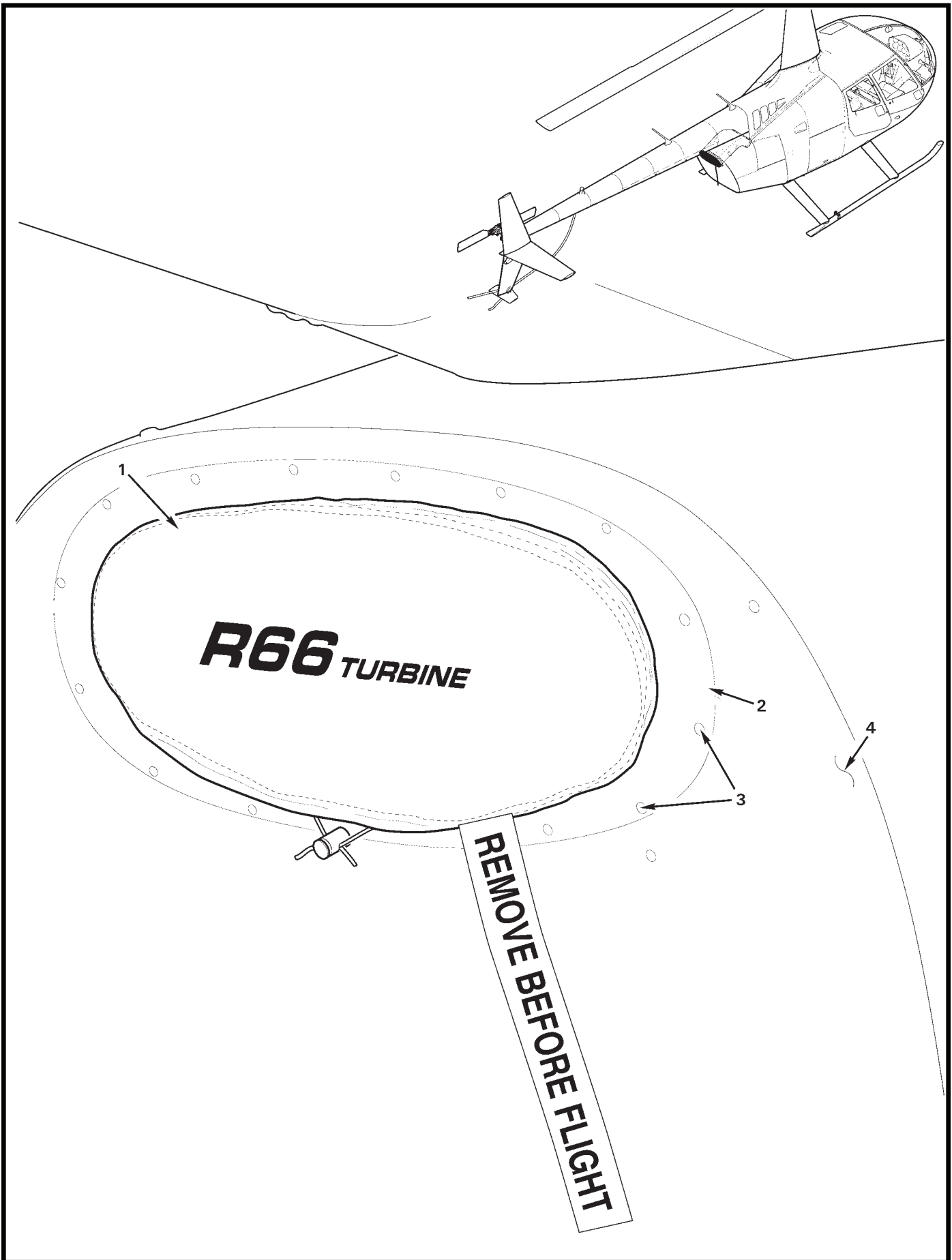


FIGURE AND INDEX NUMBER	PART NUMBER	DESCRIPTION	PARTS AVAIL	QTY PER ASSY
COVER ASSEMBLY – EXHAUST				
10-9-1	MT293-1	Cover Assembly	X	1
2	G039-1	Ring (Ref)		
3	MS20470AD3	Rivet (Ref)		
4	G040	Aft Engine Cowling (Ref)		
NOTES				

Intentionally Blank

CHAPTER 11

PLACARDS AND MARKINGS

<i>Figure</i>	<i>Title</i>	<i>Page</i>
11-1	Placards and Markings	11.0
11-5	Placards and Markings	11.4
11-9	Placards and Markings (Japanese)	11.8

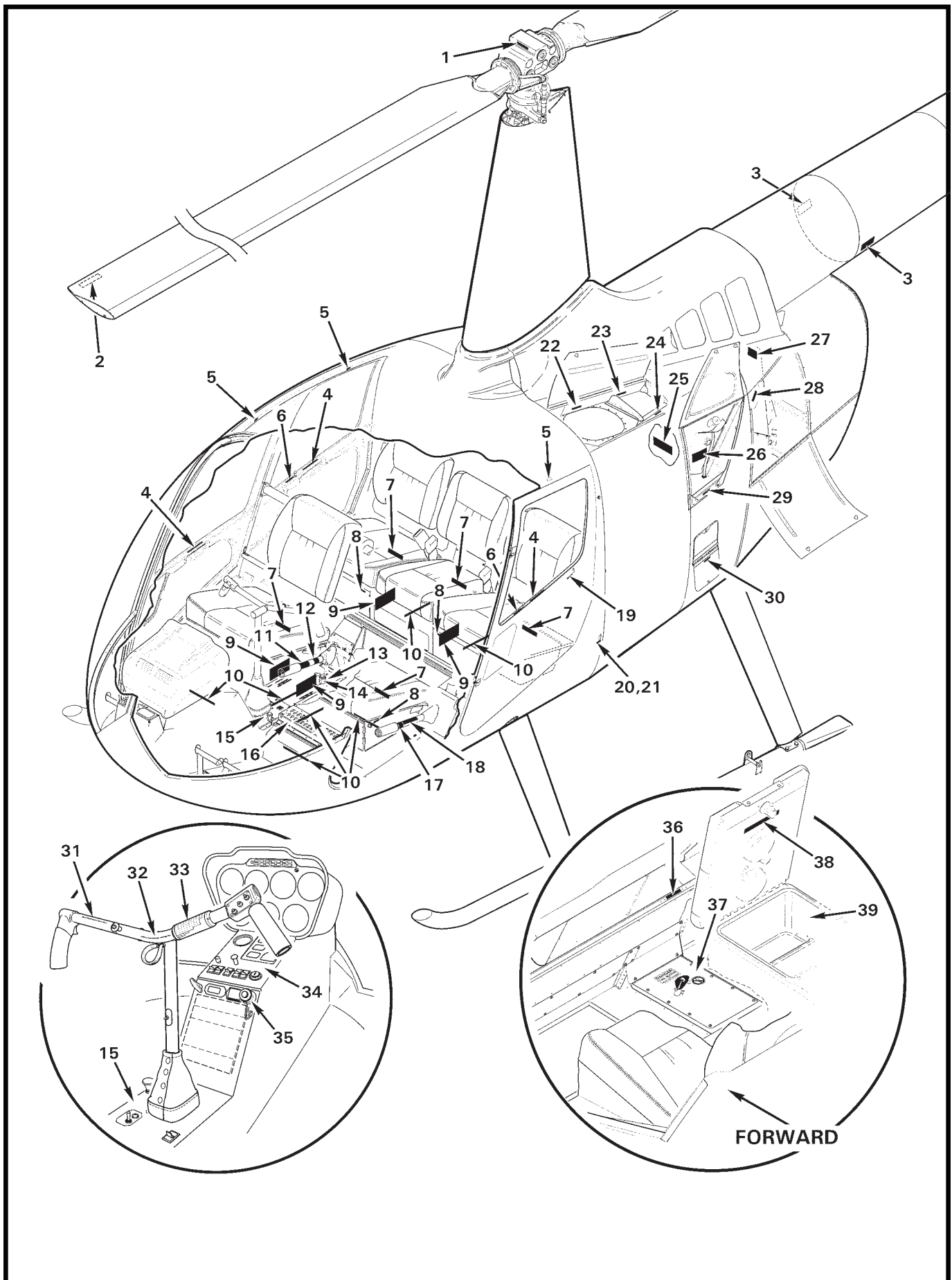


FIGURE AND INDEX NUMBER	PART NUMBER	DESCRIPTION	PARTS AVAIL	QTY PER ASSY
PLACARDS AND MARKINGS*				
11-1-1	A654-18	Decal – "LEVEL HERE"	X	1
	B841-19	Brazilian Decal	X	1
2	A654-25	Decal – "NEVER PULL DOWN / PUSH UP OPPOSITE BLADE"	X	2
	B841-23	Brazilian Decal	X	2
3	B842-18	Chinese Decal	X	2
	A654-94	Decal – "DANGER HOT EXHAUST"	X	2
	B841-30	Brazilian Decal	X	2
4	B842-20	Chinese Decal	X	2
	B830-97	Russian Decal	X	2
	F654-21	Decal – "TO CLOSE: SLIDE HANDLE AFT AND DOWN..."	X	4
	B841-62	Brazilian Decal	X	4
5	B842-32	Chinese Decal	X	4
	B830-86	Russian Decal	X	4
	F654-22	Decal – "EXIT" (above each cabin door)	X	4
	B841-63	Brazilian Decal	X	4
6	B842-33	Chinese Decal	X	4
	B830-96	Russian Decal	X	4
	F654-20	Decal – "PUSH TO LOCK / DO NOT LOCK IN FLIGHT"	X	2
	B841-61	Brazilian Decal	X	2
7	B842-31	Chinese Decal	X	2
	B830-87	Russian Decal	X	2
	F654-19	Decal – "ENERGY-ABSORBING SEAT / DO NOT MODIFY"	X	5
8	B830-88	Russian Decal	X	5
	C654-17	Decal – "INTERCOM"	X	3
9	F654-10	Decal – "CAUTION" (seat compartment loading)	X	4
	B841-56	Brazilian Decal	X	4
	B842-30	Chinese Decal	X	4
	B830-89	Russian Decal	X	4
10	F654-17	Decal – "MAX FILL LINE"	X	7
	B830-90	Russian Decal	X	4
11	F654-1	Decal – "THROTTLE OPEN"	X	1
12	A654-7	Decal – "FRICTION INCREASE" (collective stick)	X	1

NOTES * Decal and Marking text in quotes. Markings are silk screened on the component.

Continues

FIGURE AND INDEX NUMBER	PART NUMBER	DESCRIPTION	PARTS AVAIL	QTY PER ASSY
PLACARDS AND MARKINGS* (Cont'd)				
11-1-13	F445-1	Marking – “NO STOWAGE KEEP AREA CLEAR” (Cover Assembly, FWD Tunnel)	X	1
	F445-3	Marking – “NO STOWAGE KEEP AREA CLEAR” (Cover Assembly, FWD Tunnel; float ships; not shown)	X	1
	B841-33	Brazilian Decal (covers marking “NO STOWAGE...”)	X	1
	B842-23	Chinese Decal (covers marking “NO STOWAGE...”)	X	2
	B830-50	Russian Decal (covers marking “NO STOWAGE...”)	X	2
14	A654-45	Decal – “FUEL CONTROL ...” (A950-1 Guard Assy; fuel valve)	X	1
15	F444-1	Marking – “NO SMOKING” (Cover, cyclic box)	X	1
	B841-18	Brazilian Decal (covers marking “NO SMOKING”)	X	4
	B842-16	Chinese Decal (covers marking “NO SMOKING”)	X	2
	B830-55	Russian Decal (covers marking “NO SMOKING”)	X	2
16	F490-3	Panel Assembly – Circuit Breaker	X	1
	F490-1	Panel Assembly – Circuit Breaker (earlier ships)	X	1
17	A654-6	Decal – “THROTTLE OPEN” (collective stick)	X	1
18	A654-21	Decal – “NO STOWAGE / KEEP AREA CLEAR”	X	1
	B841-21	Brazilian Decal	X	2
	B842-17	Chinese Decal	X	2
19	A654-12	Decal – “OPEN” (LH door, outside; black lettering)	X	2
	B841-17	Brazilian Decal	X	A/R
	B842-15	Chinese Decal	X	A/R
	B830-25	Russian Decal (white lettering on red background)	X	2
	A654-10	Decal – “OPEN” (LH door, outside; white lettering)	X	2
	B841-15	Brazilian Decal	X	A/R
	B842-13	Chinese Decal	X	2
	B830-25	Russian Decal (white lettering on red background)	X	2
20	C654-7	Decal – “STATIC PORT” (black lettering)	X	2
21	C654-8	Decal – “STATIC PORT” (white lettering)	X	2
22	F654-5	Decal – “FUEL GRADE”	X	1
	B841-51	Brazilian Decal	X	1
	B842-25	Chinese Decal	X	1
	B830-91	Russian Decal (installed on G257-1 shield below F654-5 decal)	X	2
23	G682-32	Decal – “GROUND HERE BEFORE...”	X	1
	B841-67	Brazilian Decal	X	1
	B842-26	Chinese Decal	X	1

NOTES * Decal and Marking text in quotes. Markings are silk screened on the component.

Continues

FIGURE AND INDEX NUMBER	PART NUMBER	DESCRIPTION	PARTS AVAIL	QTY PER ASSY
PLACARDS AND MARKINGS* (Cont'd)				
11-1-24	F654-15	Decal – "STEP HERE/HAND HOLD"	X	1
25	F654-12	Decal – "HYDRAULIC FLUID AND GEARBOX OIL"	X	1
	B841-57	Brazilian Decal	X	1
26	F654-3	Decal – "ENGINE OIL"	X	1
27	23052363**	Decal – "WARNING: FAILURE TO PROPERLY INSTALL..." . . .	X	1
28	A654-38	Decal – "PUSH TO OPEN"	X	1
	B841-25	Brazilian Decal	X	1
29	F654-11	Decal – "STEP HERE"	X	1
30	F654-16	Decal – "STEP HERE LEFT FOOT"	X	1
31	A321-21	Marking – "SOLO FROM RIGHT SEAT ONLY" (Ref; Weldment, Pistol Grip; Left side, see Figure 67-11)		
	A321-19	Marking – "SOLO FROM RIGHT SEAT ONLY" (Ref; Weldment, Pistol Grip; Left side, earlier ships)		
32	A756-25	Marking – "LOW-G PUSHOVERS PROHIBITED" (Ref; Weldment, Pistol Grip; Right side, see Figure 67-11)		
	A756-24	Marking – "LOW-G PUSHOVERS PROHIBITED" (Ref; Weldment, Pistol Grip; Right side, earlier ships, see Figure 67-11)		
33	F654-4	Decal – "NEVER EXCEED SPEED"	X	1
	F654-28	Decal – "NEVER EXCEED SPEED" (float ships / police version; not shown)	X	1
34	B051-20	Face Assembly – R66 "R66 TURBINE" (Phaotron)	X	1
35	A654-45	Decal – "FUEL CONTROL GUARD INSTALL BEFORE TAKEOFF" (A950-3 guard assembly, fuel cutoff)	X	1
36	A654-17	Decal – "NO SMOKING"	X	1
	B841-18	Brazilian Decal	X	1
37	F463-1	Marking – "DANGER TAIL ROTOR AND HOT EXHAUST" (cover assembly, mid tunnel)	X	1
	B830-92	Russian Decal (covers existing marking)	X	1
38	F654-27	Decal – "MAXIMUM COMPARTMENT CAPACITY: 10 LB (4.5 KG)" (console compartment capacity)	X	1
	B841-65	Brazilian Decal	X	A/R
39	G749-2	Console Assembly (Ref; includes item 38)		

NOTES * Decal and Marking text in quotes. Markings are silk screened on the component.
 ** Rolls Royce part number.

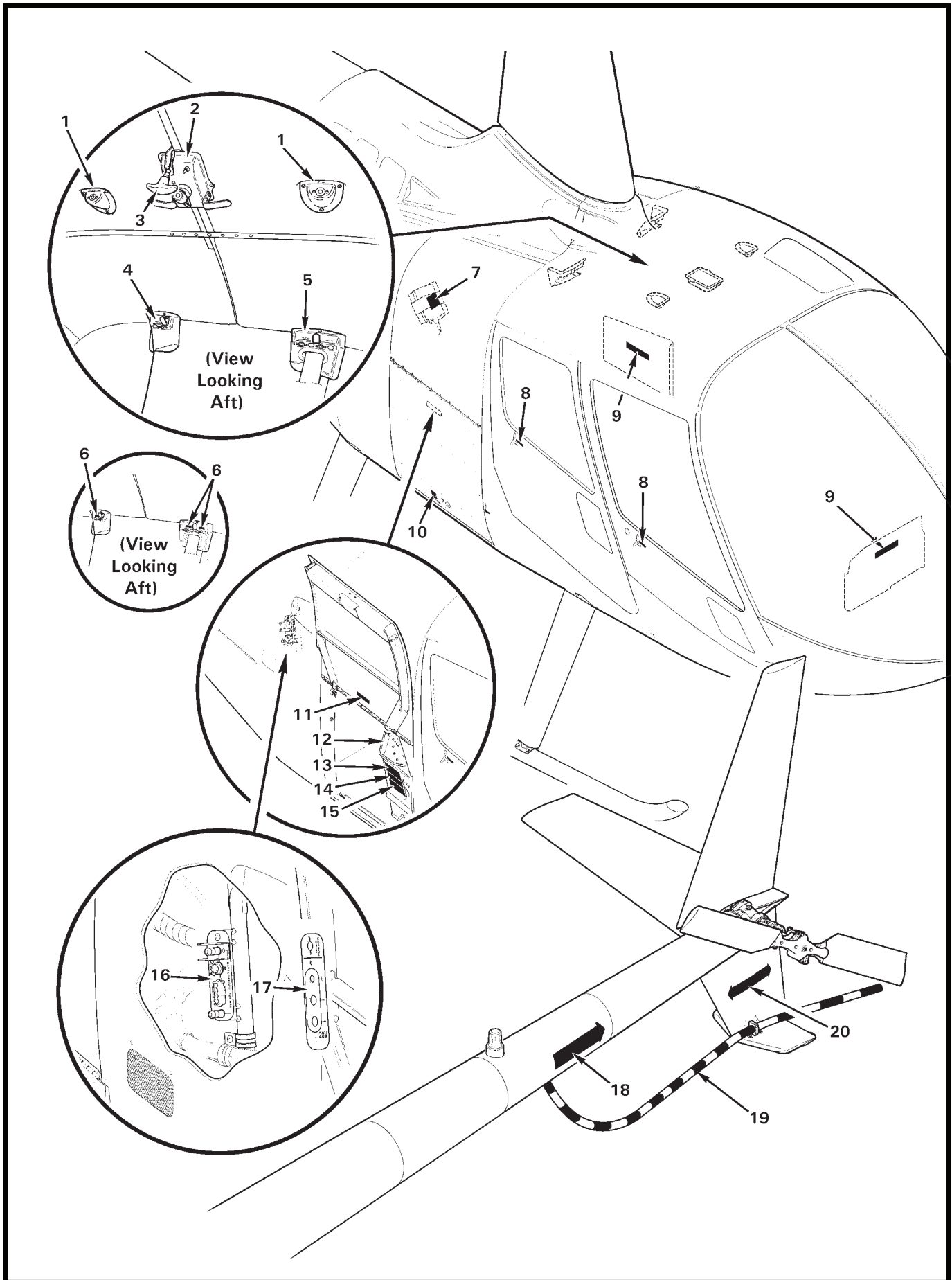


FIGURE AND INDEX NUMBER	PART NUMBER	DESCRIPTION	PARTS AVAIL	QTY PER ASSY
		PLACARDS AND MARKINGS*		
11-5-1	C710-1	Marking – “HEADSET” (cover)	X	2
2	C712-2	Marking – “MAP LIGHT HIGH/LOW/OFF, CABIN LIGHT ON/OFF” (cover, spotlight)	X	1
3	D119-1	Marking – “BRAKE” (handle; rotor brake)	X	1
4	F436-6	Marking – “HEADSET” (RH, cover assembly)	X	1
5	F436-5	Marking – “HEADSET HEADSET” (LH, cover assembly)	X	1
6	A654-16	Decal – “HEADSET” (early R66s)	X	3
7	F654-25	Decal (dongle programming instructions)	X	1
8	A654-11	Decal – “OPEN” (RH door, outside; black lettering)	X	2
	B841-16	Brazilian Decal	X	A/R
	B830-24	Russian Decal (white text on red background)	X	2
	A654-9	Decal – “OPEN” (RH door, outside; white lettering)	X	2
	B841-14	Brazilian Decal	X	A/R
	B830-24	Russian Decal (white text on red background)	X	2
9	F654-24	Decal – “BATTERY LOCATED BEHIND THIS PANEL”	X	1
10	F654-8	Decal – “LATCH” (black lettering)	X	1
	B841-54	Brazilian Decal	X	A/R
	B830-93	Russian Decal	X	2
	F654-9	Decal – “LATCH” (white lettering)	X	1
	B841-55	Brazilian Decal	X	A/R
	B830-94	Russian Decal	X	2
11	F654-7	Decal – “CAUTION...” (baggage compartment loading)	X	1
	G682-30	Decal – “CAUTION...” (baggage compartment loading, aux fuel tank installed)	X	1
	B841-53	Brazilian Decal	X	A/R
	B842-27	Chinese Decal	X	1
	B830-95	Russian Decal	X	2
	F654-26	Decal – “CAUTION...” (baggage compartment loading; police version)	X	1
	B841-64	Brazilian Decal	X	A/R
12	G010-2	AUX Tank Assembly (Ref)		
13	F654-5	Decal – “JET FUEL ONLY...” (Ref)		
14	G682-37	Decal – “Caution...” (weight limitations)	X	1
15	B830-91	Russian Decal (Russian version of item 14)	X	1
16	G598-5	Faceplate (Battery Minder charger 20A)	X	1
	G598-3	Faceplate (Battery Minder charger 10A; earlier ships)	X	1

NOTES * Decal and Marking text in quotes. Markings are silk screened on the component.

Continues

FIGURE AND INDEX NUMBER	PART NUMBER	DESCRIPTION	PARTS AVAIL	QTY PER ASSY
PLACARDS AND MARKINGS* (Cont'd)				
11-5-17	G598-2	Marking – “28V / BATT CHARGE” (faceplate, earlier ships; for spares)	X	A/R
	G598-1	Marking – “28V / BATT CHARGE” (faceplate, earlier ships) . .	O	1
18	A654-3	Decal – “DANGER” (arrow; tail rotor)	X	2
	B841-12	Brazilian Decal	X	2
	B830-99	Russian Decal (trim arrow head fwd end)	X	2
19	D079-1	Tail Rotor Guard (Ref, see Figure 53-25)		
20	C654-2	Decal – “DANGER” (arrow, tail rotor)	X	2
	B841-39	Brazilian Decal	X	2
	B830-23	Russian Decal	X	2

NOTES * Decal and Marking text in quotes. Markings are silk screened on the component.

Intentionally Blank

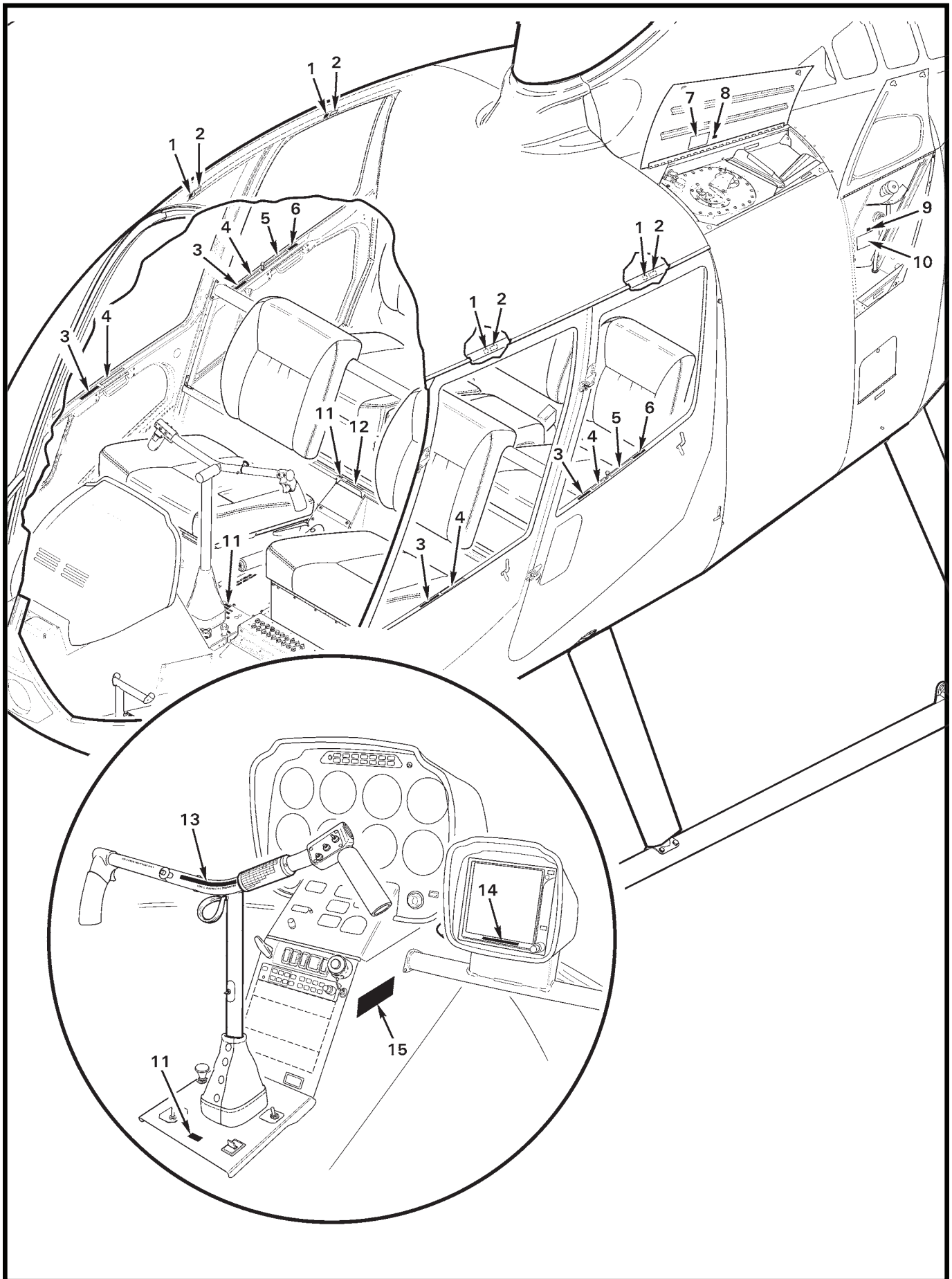


FIGURE AND INDEX NUMBER	PART NUMBER	DESCRIPTION	PARTS AVAIL	QTY PER ASSY
PLACARDS AND MARKINGS* (JAPANESE)				
11-9-1	B840-27	Japanese Decal (above each cabin door, Japanese version of item 2)	X	4
2	F654-22	Decal – "EXIT" (Ref)		
3	B840-25	Japanese Decal (Japanese version of item 4)	X	4
4	F654-21	Decal – "TO CLOSE SLIDE HANDLE..." (Ref)		
5	F654-20	Decal – "PUSH TO LOCK/DO NOT LOCK IN FLIGHT" (Ref)		
6	B840-26	Japanese Decal (Japanese version of item 5)	X	2
7	F654-5	Decal – "FUEL GRADE" (Ref)		
8	B840-24	Japanese Decal (Japanese version of item 7)	X	1
9	B840-21	Japanese Decal (Japanese version of item 10)	X	1
10	F654-3	Decal – "ENGINE OIL" (Ref)		
11	B840-16	Japanese Decal (Japanese version of item 12)	X	2
12	A654-17	Decal – "NO SMOKING" (Ref)		
13	B840-20	Japanese Decal (Low-G Pushovers Prohibited)	X	1
14	B840-23	Japanese Decal (This GPS is Approved for VFR Only)	X	1
15	B840-17	Japanese Decal (Flight Limitations)	X	1

NOTES * Decal and Marking text in quotes. Markings are silk screened on the component.

Intentionally Blank

CHAPTER 12

SERVICING

<i>Figure</i>	<i>Title</i>	<i>Page</i>	
—	Lubricants	12.1	
—	Adhesives	12.3	

Intentionally Blank

FIGURE AND INDEX NUMBER	PART NUMBER	DESCRIPTION	PARTS AVAIL	QTY PER ASSY
LUBRICANTS				
12-1-1	A257-1	Grease – Moly Grease 101	X	A/R
2	A257-2	Gear Oil – 201 (SAE 90; 1-gal container)	X	A/R
	A257-2LT	Gear Oil – 201 (SAE 90; 1-lt/qt container)	X	A/R
3	A257-3	Grease – Aeroshell 14 (MIL-G-25537; 14-oz container)	X	A/R
4	A257-4	Oil – Type “A” ATF (Dexron III)	X	A/R
5	A257-5	Grease – Sta-Lube 3120 (Water-Resistant)	X	A/R
		Grease – Lubrimatic 11402 (Water-Resistant)	X	A/R
6	A257-6	Grease – Fuelube (Fuel-Resistant)	X	A/R
		Grease – EZ Turn (Fuel-Resistant)	X	A/R
7	A257-7	Dry Film Lube – Lubri-Kote Type A 1040 CR	X	A/R
8	A257-8	Rubber Lube – International P-80	X	A/R
9	A257-9	Anti-Seize – Silver Grade	X	A/R
10	A257-10	Substitute Item 13		
11	A257-12	Grease – Mobilgrease 28 (MIL-G-81322; 12.5-oz container)	X	A/R
	A257-12.1oz	Grease – Mobilgrease 28 (MIL-G-81322; 1-oz container)	X	A/R
12	A257-15	Hydraulic Fluid (MIL-PRF-5606)	X	A/R
13	A257-16	Engine Oil – (SAE 20W-50, mineral oil for engine break-in)	X	A/R
14	A257-18	Lube – O-Ring (Dow Corning no. 55)	X	A/R
15	A257-19	Valve Lube and Sealant (Dow Corning no. 111)	X	A/R
16	A257-20	Oil – PAG (Apollo America Corp., Daphne Hermetic PR)	X	A/R
17	A257-21	Lube – Petrolatum (Panef Corp. no. P-16)	X	A/R
18	A257-22qt	Gear Oil – Synthetic (Mobil SHC 629)	X	A/R
19	A257-23	Turbine Oil – HTS (MIL-PRF-23699; 1 qt)	X	A/R

NOTES

Intentionally Blank

FIGURE AND INDEX NUMBER	PART NUMBER	DESCRIPTION	PARTS AVAIL	QTY PER ASSY
ADHESIVES				
12-3-1	B270-1	Sealant – Manganese-Cured (fuel resistant, 2-part; 2 oz.) . . .	X	A/R
	B270-1CN	Sealant – Manganese-Cured (fuel resistant, 2-part; Pint can) . .	X	A/R
2	B270-2	Substitute B270-1		
3	B270-4	Substitute B270-13		
4	B270-5	Sealant – Synthetic Rubber Putty (1-part, 7.5 oz. tube)	X	A/R
5	B270-6	Sealant & Lubricant – Thread (1-part, 16 oz. can)	X	A/R
6	B270-7	Substitute B270-14		
7	B270-8	Adhesive – Rubber, Nitrile/Acetone (1-part, 5 gal pail)	X	A/R
	B270-8.2CC	Adhesive – Rubber, Nitrile/Acetone (1-part, 2cc bottle)	X	A/R
	B270-8.2OZ	Adhesive – Rubber, Nitrile/Acetone (1-part, 2 oz. container) . .	X	A/R
	B270-8QT	Adhesive – Rubber, Nitrile/Acetone (1-part, 1 qt)	X	A/R
8	B270-9	Adhesive – Epoxy, structural, flexible (2-part, 2 oz. kit)	X	A/R
	B270-9PT	Adhesive – Epoxy, structural, flexible (2-part, pint kit)	X	A/R
9	B270-10	Adhesive/Sealant – Threadlocker, anaerobic, tight fits (1-part; 1.69 oz.)	X	A/R
	B270-10.5ML	Adhesive/Sealant – Threadlocker, anaerobic, tight fits (1-part; 0.5 mL)	X	A/R
10	B270-11	Adhesive/Sealant – Threadlocker, anaerobic, loose fits (1-part; 1.69 oz.)	X	A/R
	B270-11.10ML	Adhesive/Sealant – Threadlocker, anaerobic, loose fits (1-part; 10 mL)	X	A/R
	B270-11.5OZ	Adhesive/Sealant – Threadlocker, anaerobic, loose fits (1-part; 0.5 oz.)	X	A/R
11	B270-12.6OZ	Sealant – Electrical Potting (2-part; 6 oz. tube.)	X	A/R
12	B270-13	Sealant – Silicone Rubber, electronic use (1-part; 3 oz. tube)	X	A/R
	B270-13.10OZ	Sealant – Silicone Rubber, electronic use (1-part; 10.3 oz. cartridge)	X	A/R
13	B270-14	Substitute B270-8		
14	B270-15	Adhesive – Plastic, for vinyl (1-part; 1 qt)	X	A/R
15	B270-16	Substitute B270-14	X	A/R
16	B270-17	Adhesive – Cyanoacrylate, instant (1-part; 3 grams)	X	A/R
17	B270-18	Adhesive – Weatherstrip, black (5 oz. tube)	X	A/R
18	B270-19	Adhesive – Epoxy, structural, rigid (2-part, 3M 1838 B/A; source locally)	O	A/R

NOTES

Continues

FIGURE AND INDEX NUMBER	PART NUMBER	DESCRIPTION	PARTS AVAIL	QTY PER ASSY
ADHESIVES (Cont'd)				
12-3-19	B270-20	Adhesive/Sealant – Threadlocker, anaerobic, non-permanent (1-part; 50 mL)	X	A/R
20	B270-21	Protectant – Corrosion, nondrying (1-part; 11 oz. can)	X	A/R
	B270-21GAL	Protectant – Corrosion, nondrying (1-part; 1 gallon)	X	A/R
21	B270-22	Protectant – Corrosion, drying (1-part; 1 gallon)	X	A/R
22	B270-23	Sealant – Gasket (1-part)	X	A/R
23	B270-24	Activator/Primer – Anaerobic Adhesive (1-part)	X	A/R
24	B270-25	Clear Coat – Automotive Touch Up, brush in bottle (1-part; 1/2 oz. bottle)	X	A/R
25	B270-26	Sealant – Polysulfide, window glazing (2-part; AC Tech AC-251B-1, source locally)	O	A/R
26	B270-27	Adhesive – Epoxy, High Strength, Structural, Flexible (2-part; 2.5 oz. kit)	X	A/R
27	B270-28	Substitute B270-27		

NOTES

CHAPTER 18
TRACK AND BALANCE

<i>Figure</i>	<i>Title</i>	<i>Page</i>
18-1	TEC ACES Balancing System	18.0
18-3	TEC ACES Balancing System	18.2

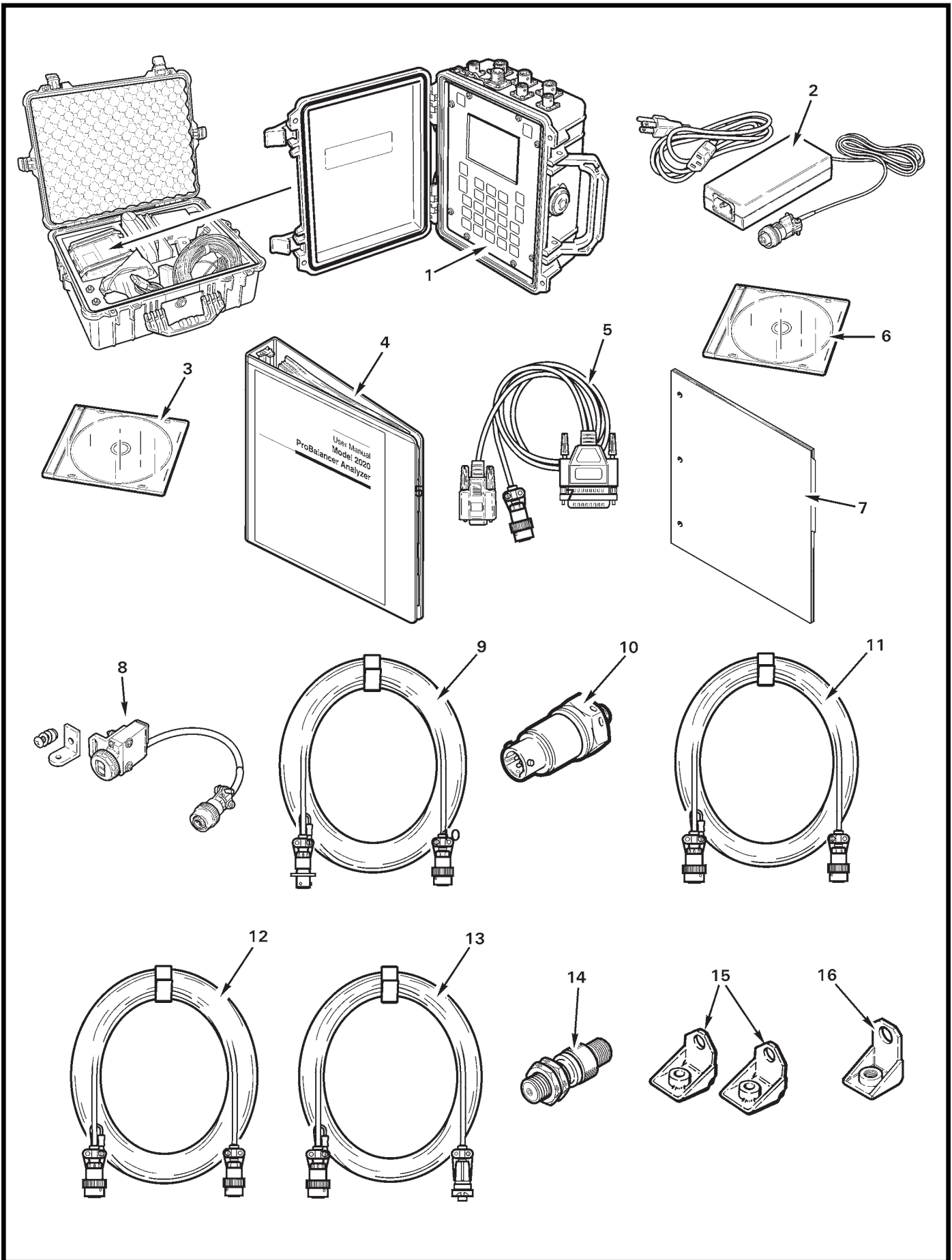


FIGURE AND INDEX NUMBER	PART NUMBER	DESCRIPTION	PARTS AVAIL	QTY PER ASSY
TEC ACES BALANCING SYSTEM				
18-1-1	10-100-2020HR	Tec Aces Analyzer and Turbo Probalancing System (Incl items 1 thru 16)	X	1
	Z2020-LGCASE KIT	Carry Case – “Aces 2020”	X	1
2	Z10-320-4043-110V	Charger – NiMH Battery (110V)	X	1
3	75-900-0193D	DVD – “Aces 2020”	X	1
4	75-900-2020	Manual – “Aces 2020” User’s Manual	X	1
5	10-320-0157	Cable – “Aces 2020” (6 ft)	X	1
6	10-700-0102	Software – “Avtrend Bronze”	X	1
7	75-900-2026	Manual – “Avtrend Bronze” User’s Manual	X	1
8	10-100-1773	Tachometer – Optical Photocell	X	1
9	10-320-0126	Cable – Tachometer (50 ft)	X	1
10	69-100-0075	Sensor – Vibration Transducer	X	2
11	10-320-0162	Cable – Sensor (25 ft)	X	1
12	10-320-0163	Cable – Sensor (50 ft)	X	1
13	10-320-0052	Cable – Magnetic pickup (25 ft)	X	1
14	75-900-0187	Sensor – Magnetic pickup	X	1
15	22-420-0035	Mount – 1/4 in. hole	X	2
16	22-430-0036	Mount – 5/16 in. hole	X	1
NOTES				

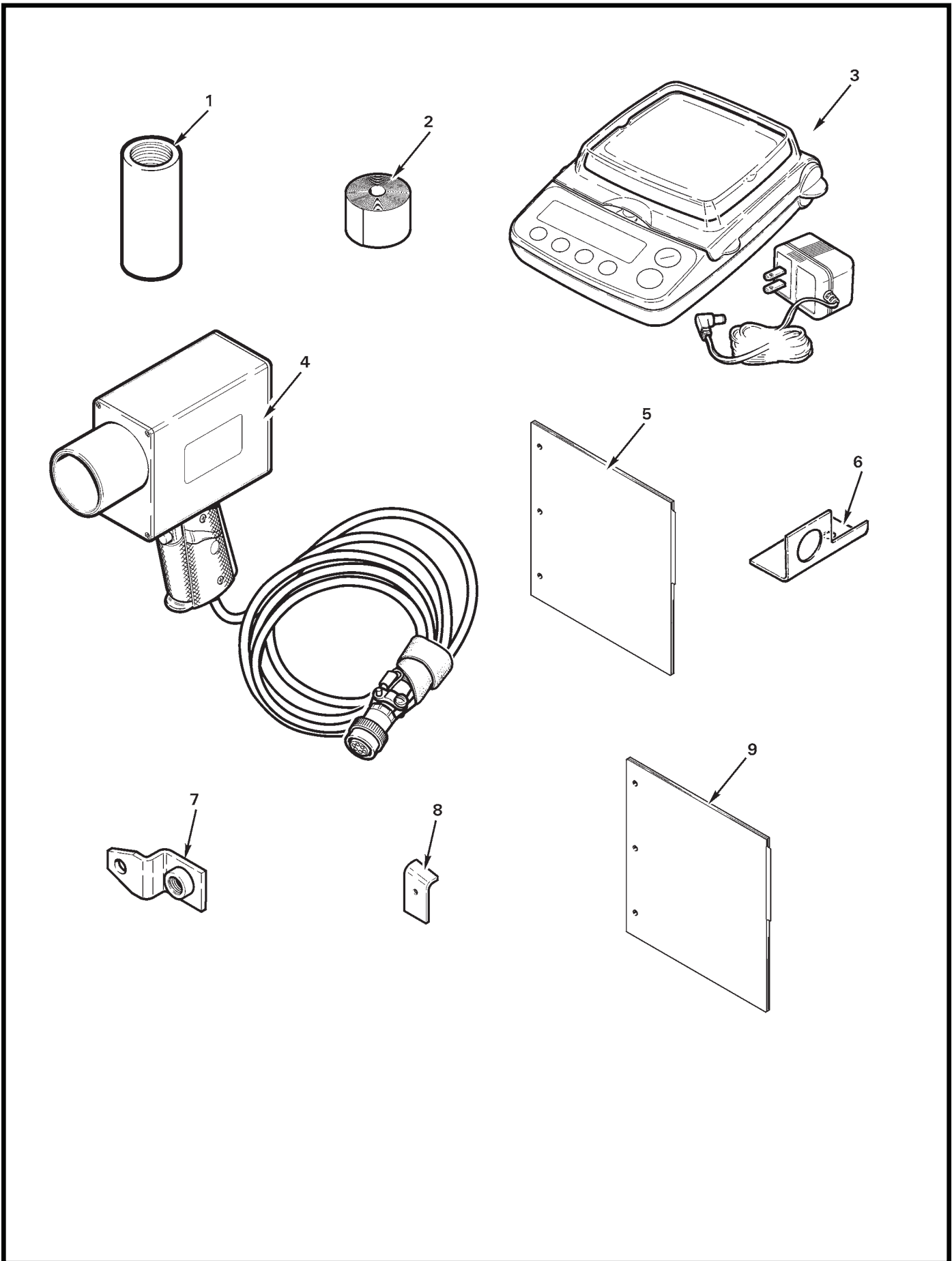


FIGURE AND INDEX NUMBER	PART NUMBER	DESCRIPTION	PARTS AVAIL	QTY PER ASSY
TEC ACES BALANCING SYSTEM				
18-3-1	22-430-0096	Sun Shield – Tachometer	X	1
2	10-400-0176	Reflective Tape (10 ft roll)	X	1
3	75-900-0507	Scale	X	1
4	75-900-0542	Tracker – Optical	X	1
5	—	Manual – Optical Tracker (Supplement)	X	1
6	22-430-0066	Mount – Multipurpose	X	1
7	22-430-0037	Mount – Sensor	X	1
8	22-430-0082	Interrupter	X	1
9	75-900-2022	Manual – EPS Supplement	X	1
NOTES				

Intentionally Blank

CHAPTER 21

ENVIRONMENT CONTROL

<i>Figure</i>	<i>Title</i>	<i>Page</i>
21-1	Cabin Air Vent – Control Installation	21.0
21-3	Air Conditioning – Compressor Assembly Installation	21.2
21-7	Air Conditioning – Condenser Installation	21.6
21-11	Air Conditioning – Evaporator Assembly Installation	21.10
21-13	Air Conditioning – Evaporator Drain Installation	21.12
21-15	Air Conditioning – Evaporator Electrical Components	21.14
21-17	Air Conditioning – Hose Assemblies	21.16
21-19	Air Conditioning – Line Assemblies	21.18
21-21	Air Conditioning – Duct Assembly Installation	21.20
21-25	Air Conditioning – Furnishings	21.24
21-27	Air Conditioning – Electrical Components	21.26
21-31	Cabin Heater – Control Installation	21.30
21-33	Cabin Heater – Forward Components Installation	21.32
21-35	Cabin Heater – Muffler & Control Valve Installation	21.34
21-39	Cabin Heater – Aft Components Installation	21.38

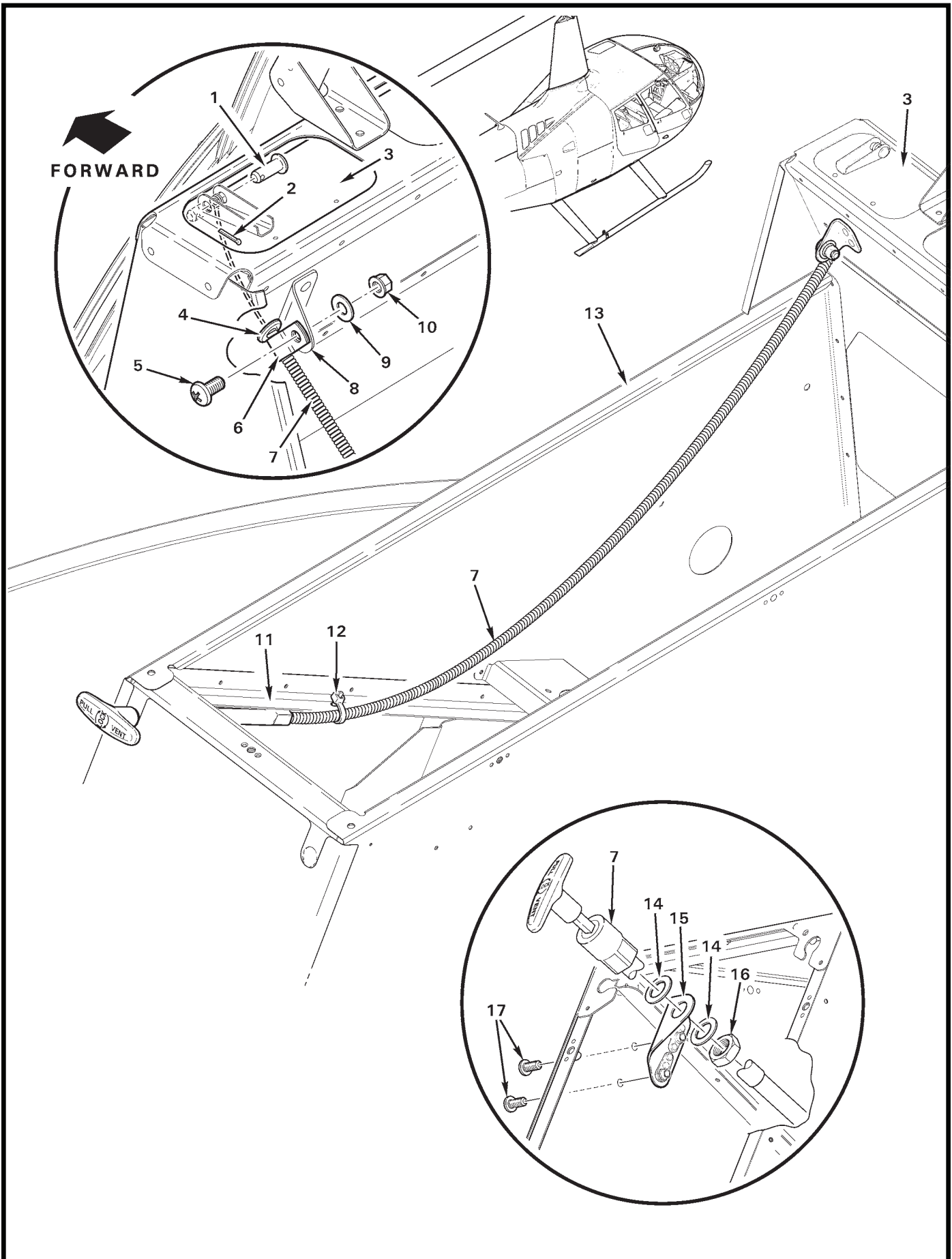


FIGURE AND INDEX NUMBER	PART NUMBER	DESCRIPTION	PARTS AVAIL	QTY PER ASSY
CABIN AIR VENT – CONTROL INSTALLATION				
21-1-1	MS20392-2C13	Pin	X	1
2	MS24665-73	Cotter Pin	X	1
3	C358-4	Flap (door; Ref)		
4	MS35489-4	Grommet	X	1
5	MS27039C1-06	Screw	X	1
6	AN742-3	Clamp	X	1
7	C522-5	Control Assembly – Cabin Air (Incl items 14 and 16)	X	1
8	A523-6	Angle (Ref)		
9	NAS1149F0332P	Washer	X	1
10	MS21042L3	Nut	X	1
11	F365-1	Angle (Ref)		
12	MS3367-5-9	Ty-Rap	X	1
13	F033	Console Assembly (Ref)		
14	—	Washer	O	2
15	C365-13	Mount Assembly	X	1
16	—	Nut	O	1
17	MS27039C0806	Screw	X	2

NOTES

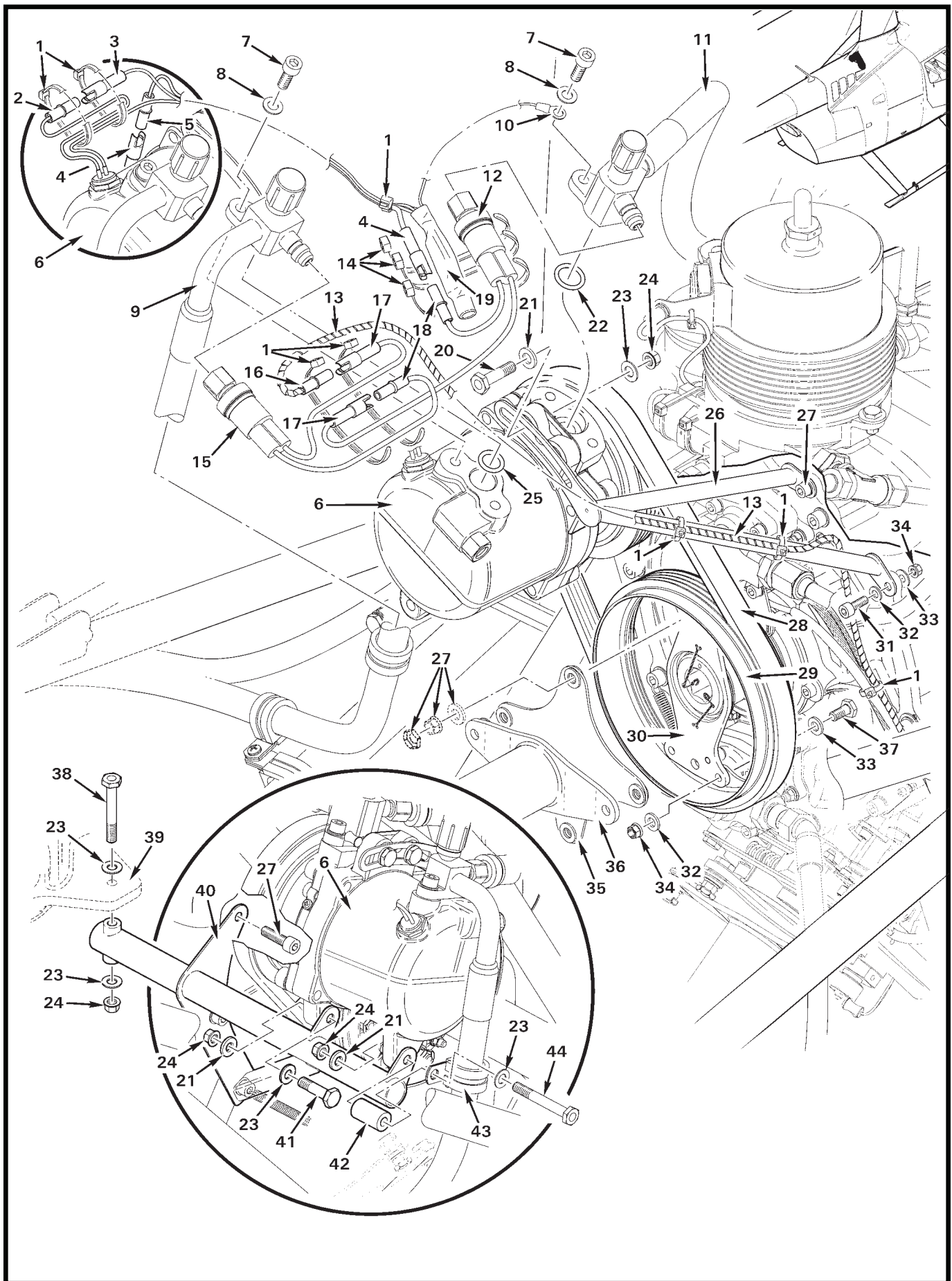


FIGURE AND INDEX NUMBER	PART NUMBER	DESCRIPTION	PARTS AVAIL	QTY PER ASSY
AIR CONDITIONING – COMPRESSOR ASSEMBLY INSTALLATION				
21-3-1	MS3367-4-9	Ty-Rap	X	A/R
2	B263-11	Housing	X	1
	B263-2	Socket	X	1
3	B263-10	Housing	X	2
	B263-3	Pin	X	2
4	B263-10	Housing	X	2
	B263-1	Pin ([one] for each item 4)	X	2
5	B263-11	Housing	X	1
	B263-4	Socket	X	1
6	G777-1	Compressor Assembly (Incl items 2 and 4)	X	1
7	91292A135	Screw	X	2
8	NAS620-416L	Washer	X	2
9	G794-2	Hose Assembly (Ref)		
10	B260-5	Terminal	X	1
11	G794-1	Hose Assembly (Ref)		
12	D799-3	Switch Assembly (low-pressure cutout; includes items 17 and 18)	X	1
13	B161-2*	Spirap	X	A/R
14	MS3367-5-9	Ty-Rap	X	3
15	D799-2	Switch Assembly (high-pressure cutout; includes items 17 and 18)	X	1
16	B263-11*	Housing	X	1
	B263-2*	Socket	X	1
17	B263-10	Housing	X	1
	B263-3	Pin	X	1
18	B263-11	Housing	X	1
	B263-4	Socket	X	1
19	G799-5	Snubber Assembly (Incl items 3, 5, and 10)	X	1
20	NAS6604-9	Bolt	X	2
21	NAS1149F0463P	Washer	X	4
22	F215-2	O-Ring	X	1
23	NAS1149F0432P	Washer	X	6
24	MS21042L4	Nut	X	5
25	F215-1	O-Ring	X	1
26	G781-1	Arm Weldment	X	1

NOTES * Included with F049-01 MRGB harness assembly.

Continues

FIGURE AND INDEX NUMBER	PART NUMBER	DESCRIPTION	PARTS AVAIL	QTY PER ASSY
AIR CONDITIONING – COMPRESSOR ASSEMBLY INSTALLATION (Cont'd)				
21-3-27	—	Existing MRGB Hardware (Ref; see Figure 63-3)		
28	B173-5	V-Belt	X	1
29	G779-1	Pulley	X	1
30	F908-1	Yoke Assembly (Ref; see Figure 63-3)		
31	NAS1351-3-10P	Screw	X	1
32	NAS620-10L	Washer	X	3
33	NAS1149F0332P	Washer	X	3
34	MS21042L3	Nut	X	2
35	C947-3	Plate Assembly (Ref; see figure 65-1)		
36	F196-1	Shaft Weldment (Ref; see figure 65-1)		
37	NAS6603-4	Bolt	X	2
38	NAS6604-22	Bolt	X	1
39	F006-1	Main Rotor Gearbox Assembly (Ref; see Figure 63-3)		
40	G782-1	Mount Weldment	X	1
41	NAS6604-10	Bolt	X	1
42	A130-43	Spacer	X	1
43	MS21333-105	Clamp	X	1
44	NAS6604-24	Bolt	X	1

NOTES

Intentionally Blank

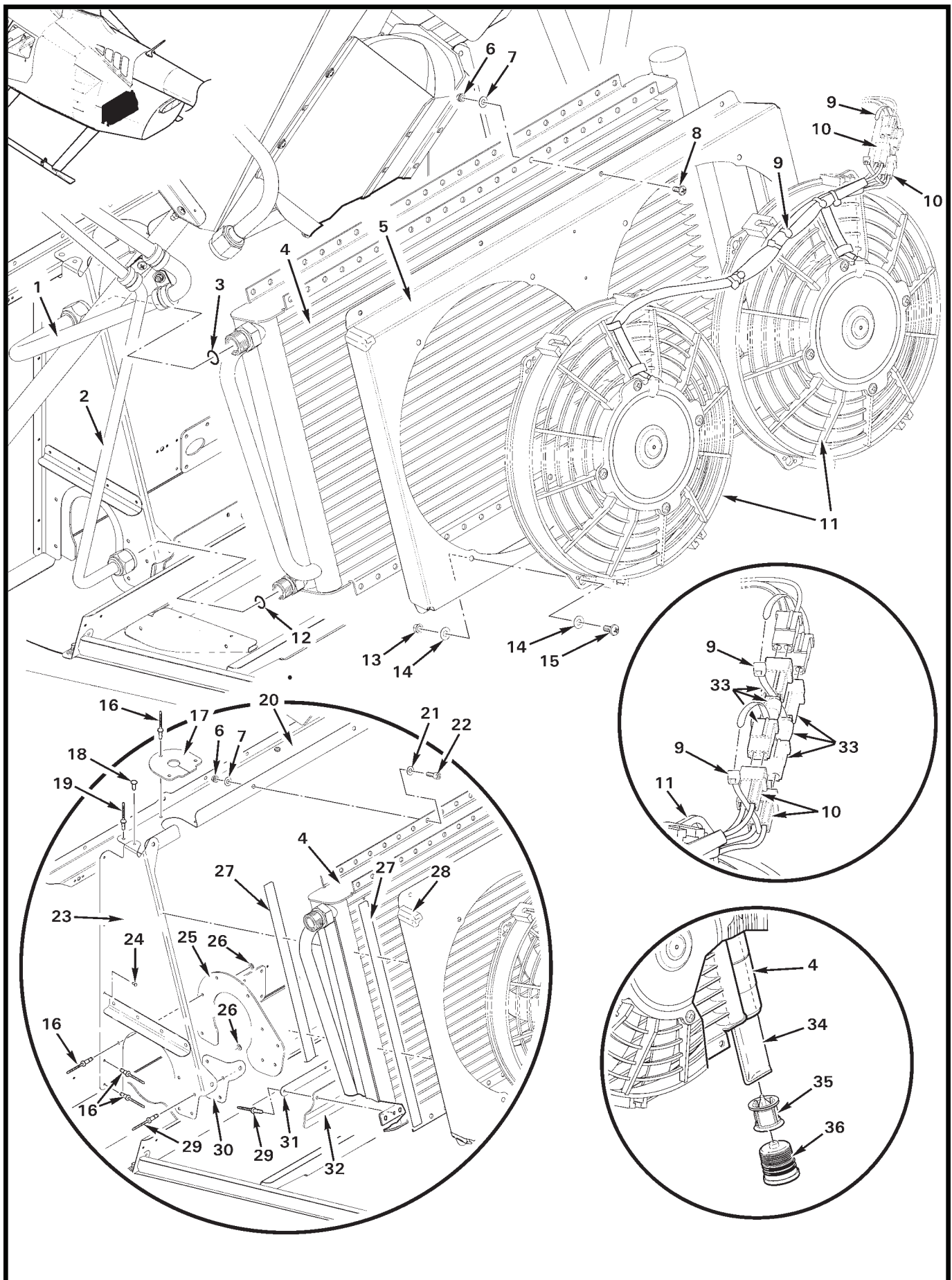


FIGURE AND INDEX NUMBER	PART NUMBER	DESCRIPTION	PARTS AVAIL	QTY PER ASSY
AIR CONDITIONING – CONDENSER INSTALLATION				
21-7-1	G810-1	Line Assembly (Ref)		
2	G811-1	Line Assembly (Ref)		
3	24608	O-Ring (Ref)		
4	G783-1	Condenser (Incl items 34 thru 36)	X	1
5	G786-1	Box Assembly (Incl item 28)	X	1
6	MS21042L08	Nut	X	14
7	NAS1149FN816P	Washer	X	14
8	MS27039C0806	Screw	X	8
9	MS3367-5-9	Ty-Rap	X	A/R
10	B263-12	Housing	X	1
	B263-1	Pin	X	2
11	G780-1	Fan Assembly (Incl item 10)	X	2
12	24606	O-Ring (Ref)		
13	MS21042L3	Nut	X	8
14	NAS1149F0316P	Washer	X	16
15	MS27039C1-07	Screw	X	8
16	NAS9301B-4-02	Rivet	X	15
17	G788-3	Seal	X	1
18	MS20470AD3	Rivet (or NAS9301B-4-02)	X	2
19	NAS9301B-4-01	Rivet	X	6
20	G785-1	Angle	X	1
21	NAS620-10	Washer	X	6
22	NAS1352-08-8P	Screw	X	6
23	G787-1	Support (LH; includes items 16, 25, 26, 29, and 30)	X	1
	G787-2	Support (RH; includes items 16, 25, 26, 29, and 30)	X	1
24	MS20615-3M	Rivet (upper)	X	6
25	G788-2	Seal	X	1
26	NAS620-5	Washer	X	8
27	93745K41	Seal (self-adhesive)	X	A/R
28	A701-1	Foil Tape	X	A/R
29	NAS9301B-4-03	Rivet ([4] required with item 23)	X	7
30	G787-3	Bracket (LH)	X	1
	G787-4	Bracket (RH)	X	1
31	G785-2	Retainer	X	1
32	G788-1	Seal	X	1

NOTES

Continues

FIGURE AND INDEX NUMBER	PART NUMBER	DESCRIPTION	PARTS AVAIL	QTY PER ASSY
AIR CONDITIONING – CONDENSER INSTALLATION (Cont’d)				
21-7-33	G804-1	EMI Filter Assembly (condenser fan; installed on one or the other or both as required to eliminate Electromagnetic Interference in the radios from the condenser fans)	X	A/R
34	G783-2	Desiccant Bag	X	1
35	—	Filter	O	1
36	—	Cap	O	1
NOTES				

Intentionally Blank

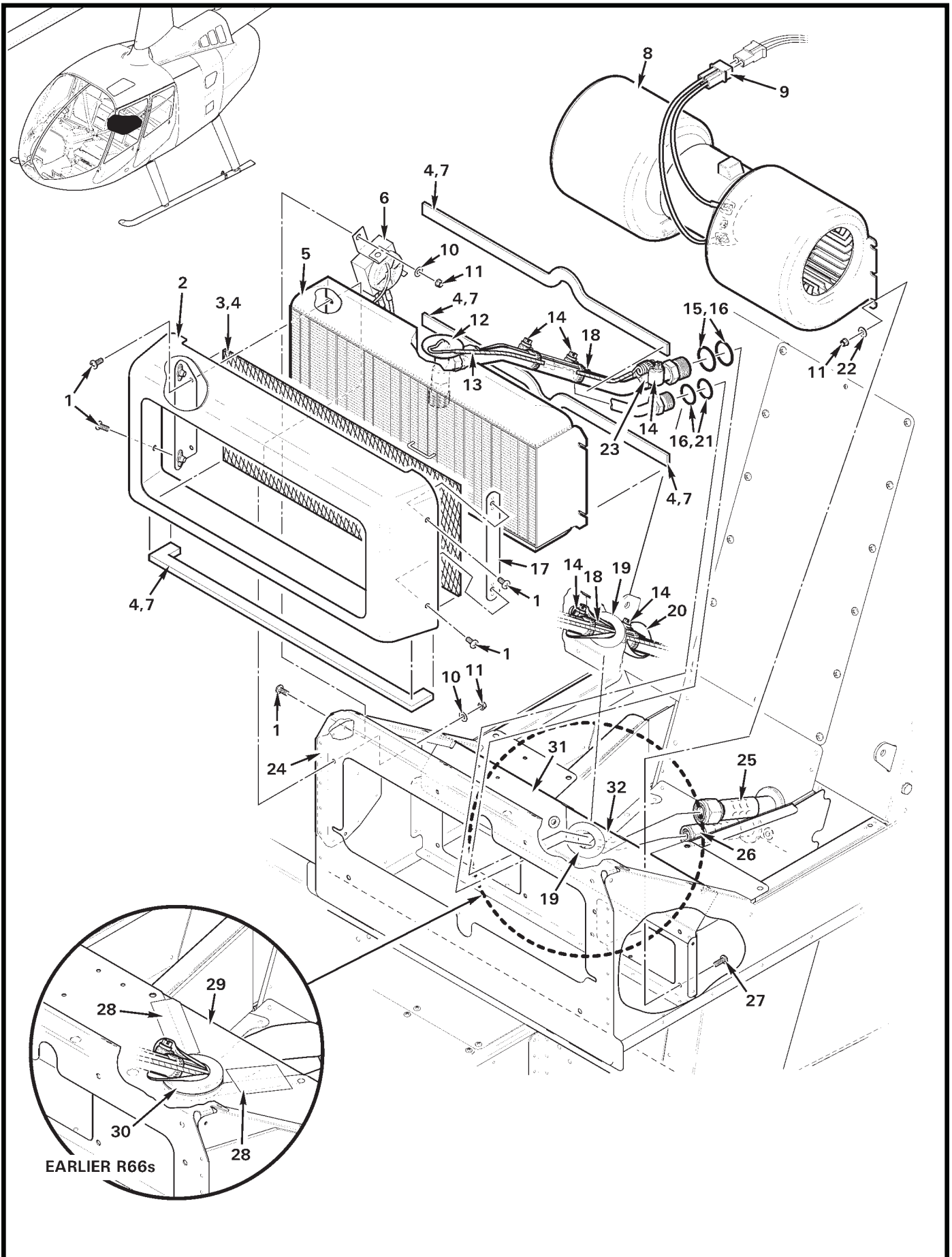


FIGURE AND INDEX NUMBER	PART NUMBER	DESCRIPTION	PARTS AVAIL	QTY PER ASSY
AIR CONDITIONING – EVAPORATOR ASSEMBLY INSTALLATION				
21-11-1	MS27039C0806	Screw	X	8
2	G798-1	Cover Assembly (Incl items 3 and 4)	X	1
3	F389-1	Screen (install using item 4)	X	1
4	B270-1	Sealant	X	A/R
5	G784-1	Evaporator Assembly	X	1
6	D799-7	Switch Assembly – Freeze (Ref, see Figure 21-15)		
7	93745K41	Seal (install using item 4)	X	A/R
8	G791-1	Blower Assembly (includes item 9)	X	1
9	G791-2	Harness Assembly (includes B263-12 housing, [2] B263-3 pins, -2295 & -2298 wires, and [2] B262-5 receptacle)	X	1
10	NAS1149FN816P	Washer	X	4
11	MS21042L08	Nut	X	13
12	G778-1	Thermal Expansion Valve (TXV)	X	1
13	B161-2	Spirap	X	A/R
14	B277-8	Clamp	X	3
15	24608	O-Ring (install using item 16)	X	2
16	A257-20	Oil – Pag	X	A/R
17	F385-8	Bracket Assembly	X	2
18	D785-7	Cradle	X	1
19	MS35489-20	Grommet	X	1
20	5541K11	Pipe Wrap (around inlet and outlet lines, nuts, cradle, and clamp)	X	A/R
21	24606	O-Ring (install using item 16)	X	2
22	NAS1149FN832P	Washer	X	8
23	D785-2	Cradle	X	1
24	F377-1	Support Assembly – Middle Seat (Ref)		
25	G794-1	Hose Assembly (Ref, see Figure 21-17)		
26	G794-3	Hose Assembly (Ref, see Figure 21-17)		
27	MS27039C0807	Screw	X	8
28	A701-1	Tape (optional)	X	A/R
29	F393-2	Cover (Ref)		
30	MS35489-23	Grommet	X	1
31	F393-1	Shield (Ref)		
32	F393-2	Cover	X	1

NOTES

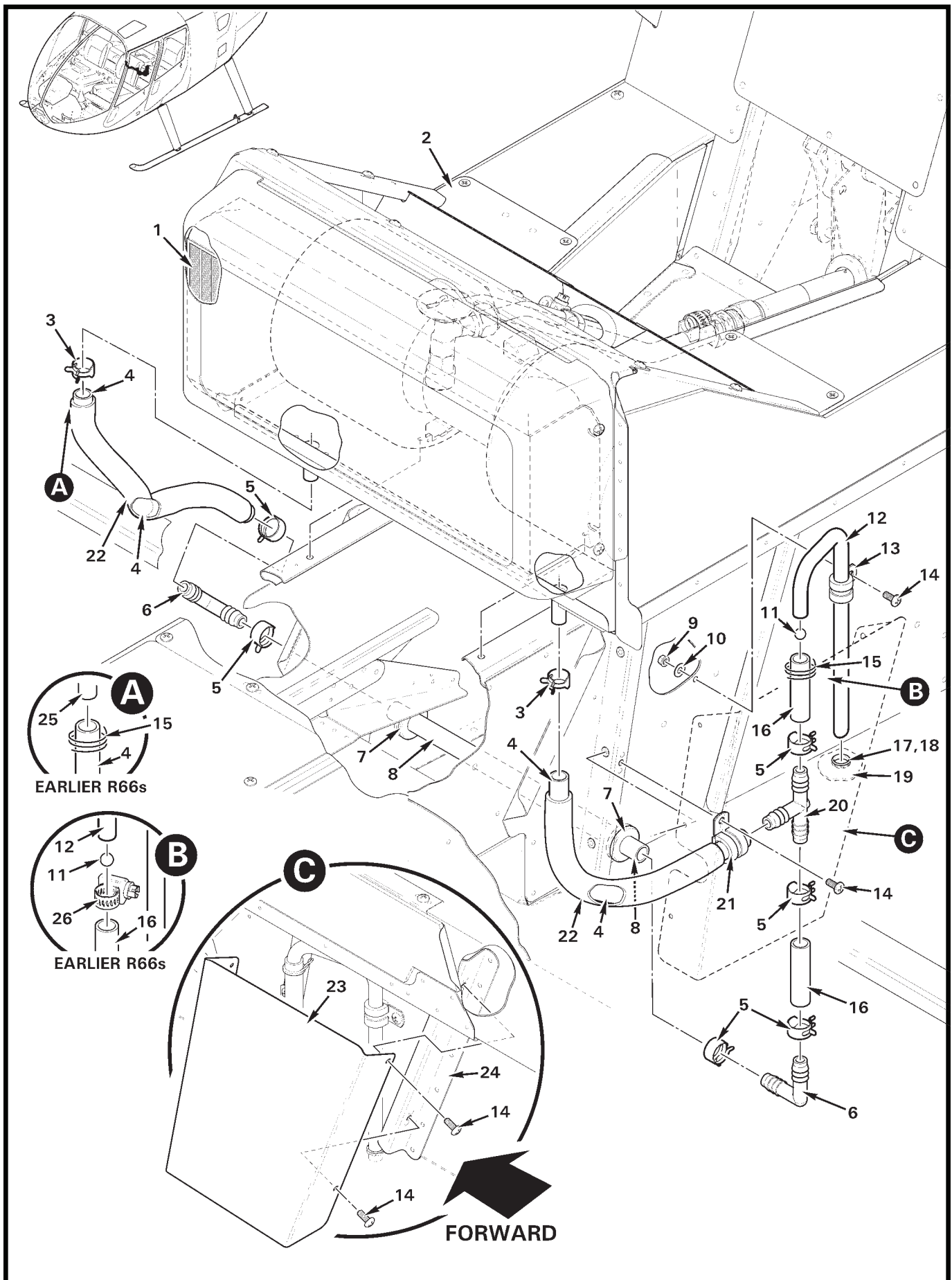


FIGURE AND INDEX NUMBER	PART NUMBER	DESCRIPTION	PARTS AVAIL	QTY PER ASSY
AIR CONDITIONING – EVAPORATOR DRAIN INSTALLATION				
21-13-1	G784-1	Evaporator Assembly (Ref, see Figure 21-11)		
2	F377-1	Seat Assembly – Middle, Aft (Ref)		
3	D277-8	Clamp	X	2
4	A729-59	Hose	X	2
5	D277-9	Clamp	X	6
6	A457-7	Elbow	X	2
7	MS35489-149	Grommet	X	2
8	A729-58	Hose	X	1
9	MS21042L08	Nut	X	1
10	NAS1149FN816P	Washer	X	1
11	B208-9	Ball	X	1
12	D789-10	Tube	X	1
13	MS21919WDG6	Clamp	X	1
14	MS27039C0806	Screw	X	4
15	MS20995C32	0.032 inch dia. Safety Wire	X	A/R
16	A729-57	Hose	X	2
17	NAS557-6A	Grommet (install using item 18; seal all around grommet and tube; both sides of belly panel)	X	1
18	B270-1	Sealant	X	A/R
19	F387-1	Belly Panel (Ref)		
20	A457-1	Tee	X	1
21	MS21919WDG8	Clamp	X	1
22	5541K11	Pipe Wrap	X	A/R
23	G789-1	Cover	X	1
24	F466-3	Stiffener (Ref)		
25	A456-1	Drain	X	A/R
26	B277-4	Clamp	X	1

NOTES

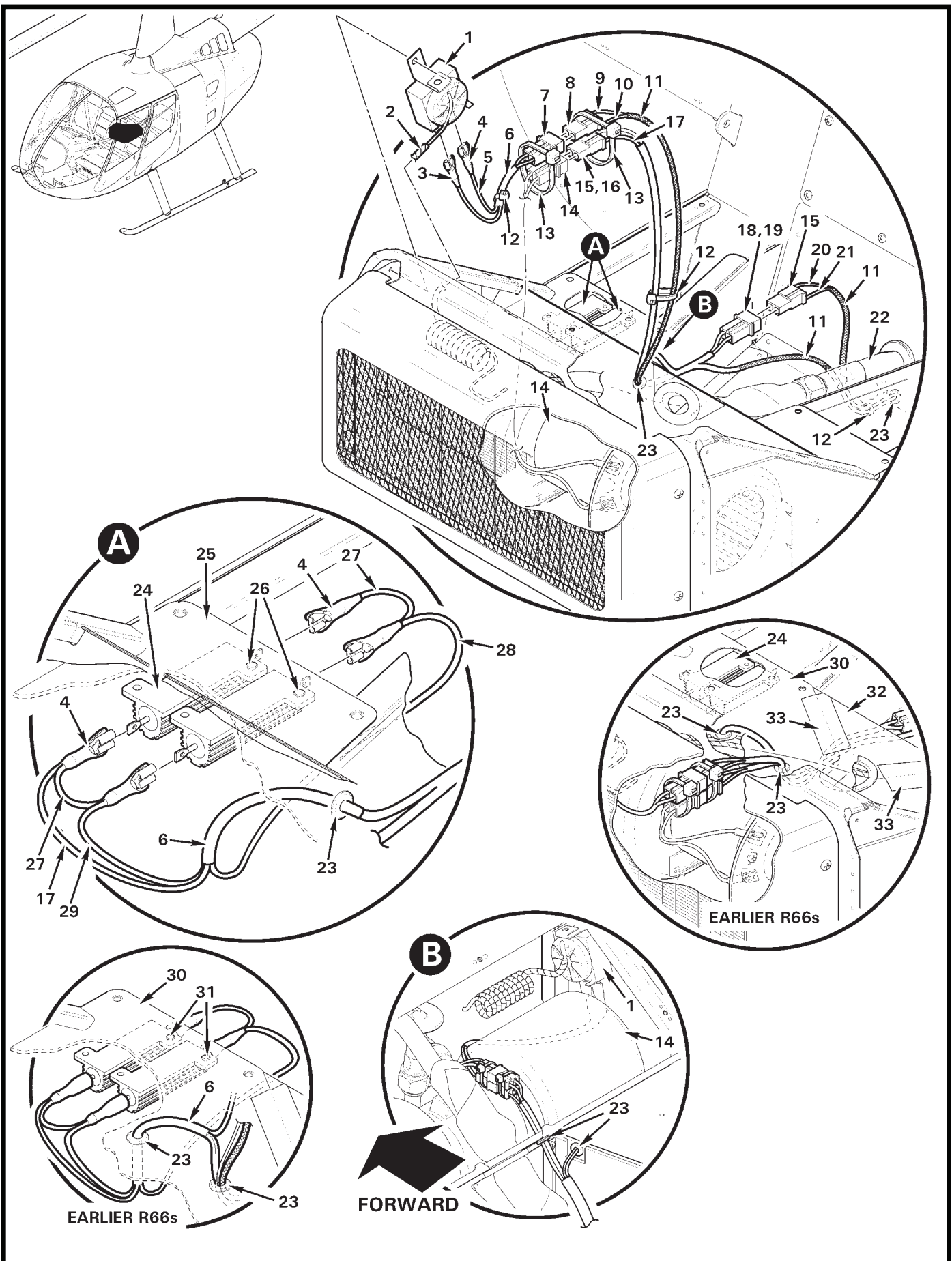


FIGURE AND INDEX NUMBER	PART NUMBER	DESCRIPTION	PARTS AVAIL	QTY PER ASSY
AIR CONDITIONING – EVAPORATOR ELECTRICAL COMPONENTS				
21-15-1	D799-7	Switch Assembly – Freeze (Incl items 3 thru 7)	X	1
2	B161-2	Spirap	X	A/R
3	-1804	Wire (Ref)		
4	B158-4	Heat Shrink	X	A/R
5	-1809	Wire (Ref)		
6	B158-3	Heat Shrink	X	A/R
7	B263-32	Housing	X	1
	B263-1	Pin	X	2
8	B263-33	Housing	X	1
	B263-2	Socket	X	2
9	-2299	Wire (Ref)		
10	-2294	Wire (Ref)		
11	B266-4	Sleeving	X	A/R
12	MS3367-4-9	Ty-Rap	X	A/R
13	MS3367-5-9	Ty-Rap	X	A/R
14	G791-1	Blower Assembly (Ref, see Figure 21-11)		
15	B263-13	Housing (Ref)		
16	B263-4	Socket	X	1
17	-2295	Wire (Ref)		
18	B263-12	Housing (Ref)		
19	B263-3	Pin	X	2
20	-2365	Wire (Ref)		
21	-2364	Wire (Ref)		
22	G794-1	Hose Assembly (Ref, see Figure 21-17)		
23	MS35489-4	Grommet	X	3
24	G799-2	Resistor Assembly (Incl items 4, 6, 16, 17, 19, and 27 thru 29)	X	1
25	F378-4	Panel (Ref)		
26	MS20604ML4W2	Rivet	X	4
27	B274-14	Wire	X	2
28	-2365	Wire (Ref)		
29	-2364	Wire (Ref)		
30	F380-6	Panel (Ref; earlier R66s)		
31	B204-1	Rivet (earlier R66s)	X	2
32	F380-7	Cover (Ref; earlier R66s)		
33	A701-1	Tape (Ref; optional, earlier R66s)		

NOTES

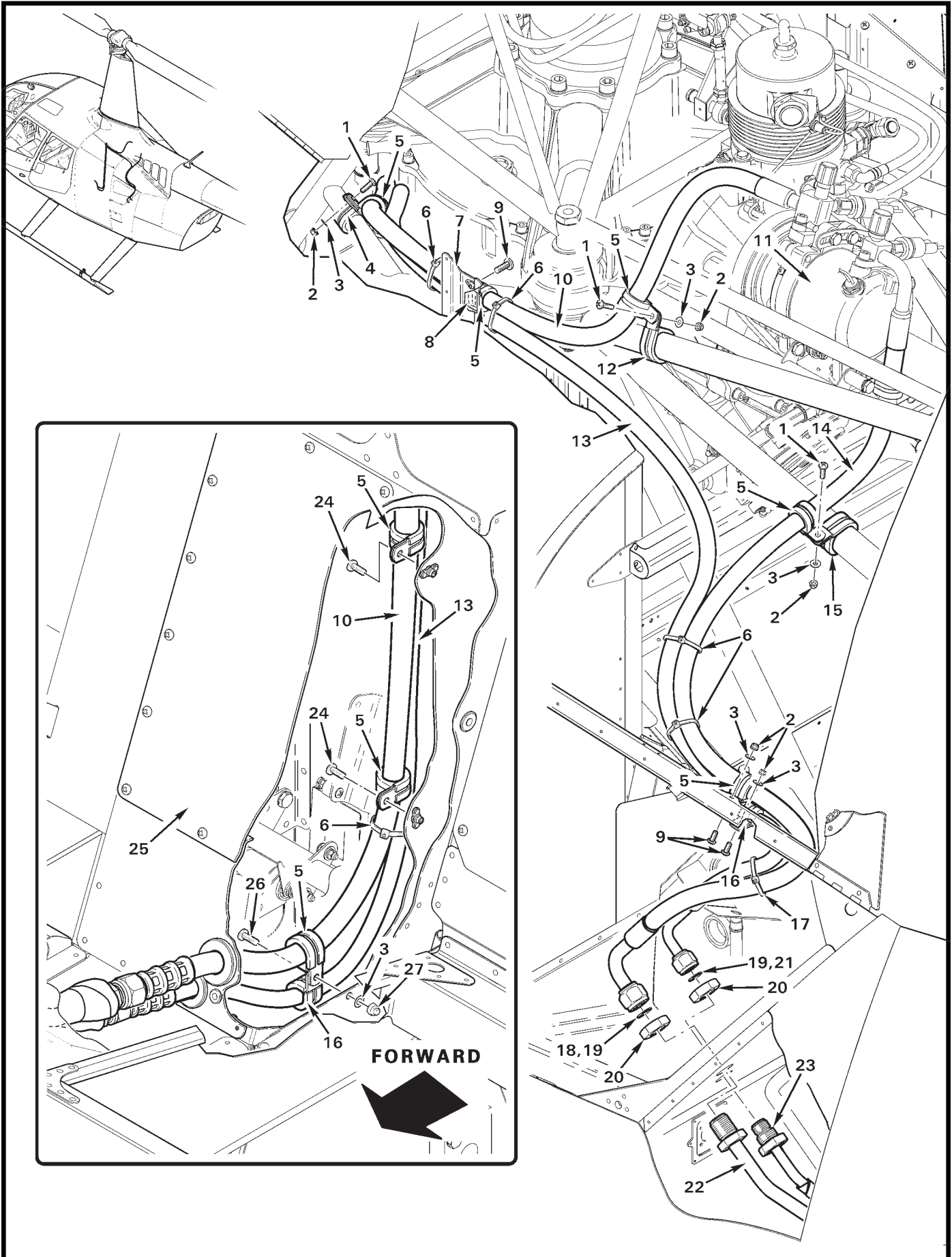


FIGURE AND INDEX NUMBER	PART NUMBER	DESCRIPTION	PARTS AVAIL	QTY PER ASSY
AIR CONDITIONING – HOSE ASSEMBLIES				
21-17-1	MS27039C0808	Screw	X	3
2	MS21042L08	Nut	X	5
3	NAS1149FN816P	Washer	X	6
4	MS21919WDG12	Clamp	X	1
5	MS21919WDG11	Clamp	X	8
6	MS3367-5-9	Ty-Rap	X	A/R
7	F231-3	Stiffener (Ref)		
8	A701-5	Tape (anti-chafe)	X	A/R
9	MS27039C0806	Screw	X	3
10	G794-1	Hose Assembly	X	1
11	G777-1	Compressor Assembly (Ref)		
12	MS21919WDG16	Clamp	X	1
13	G794-3	Hose Assembly	X	1
14	G794-2	Hose Assembly	X	1
15	MS21919WDG18	Clamp	X	1
16	MS21919WDG9	Clamp (around item 13)	X	2
17	MS3367-5-0	Ty-Rap	X	1
18	24608	O-Ring (install using item 19)	X	1
19	A257-20	Pag Oil	X	A/R
20	AN924-8D	Nut	X	2
21	24606	O-Ring (install using item 19)	X	1
22	G810-1	Line Assembly (Ref)		
23	G811-1	Line Assembly (Ref)		
24	MS27039C0807	Screw	X	2
25	F474-2	Cover Assembly (Ref; behind aft center back rest assembly)		
26	MS27039C0810	Screw	X	1
27	B340-4	Nut	X	1
NOTES				

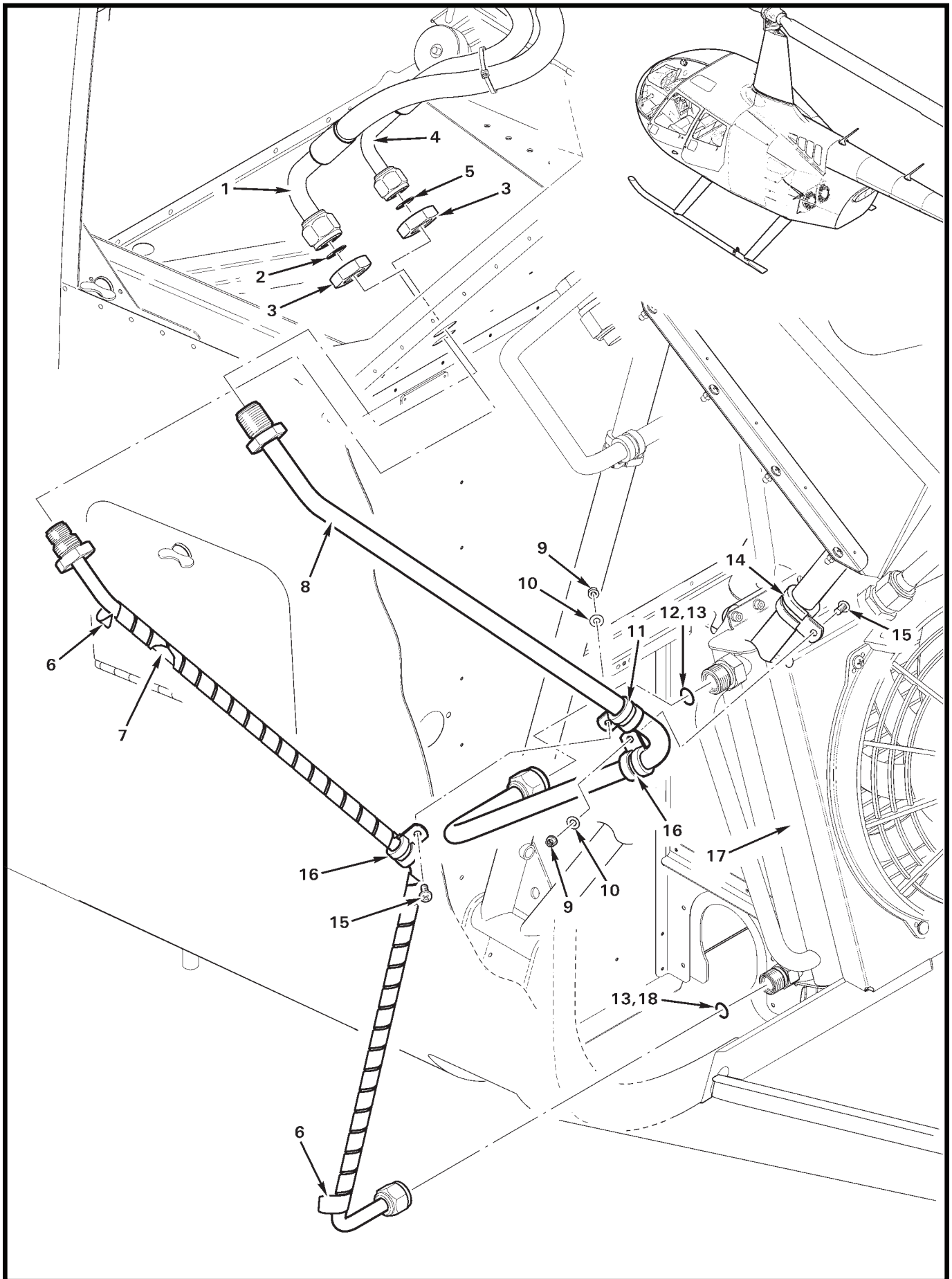


FIGURE AND INDEX NUMBER	PART NUMBER	DESCRIPTION	PARTS AVAIL	QTY PER ASSY
AIR CONDITIONING – LINE ASSEMBLIES				
21-19-1	G794-2	Hose Assembly (Ref)		
2	24608	O-Ring (Ref)		
3	AN924-8D	Nut	X	2
4	G794-3	Hose Assembly (Ref)		
5	24606	O-Ring (Ref)		
6	B161-108	Spirap (high temperature; Orange PTFE [Teflon])	X	A/R
7	G811-1	Line Assembly (high pressure)	X	1
8	G810-1	Line Assembly (low pressure)	X	1
9	MS21042L08	Nut	X	2
10	NAS1149FN816P	Washer	X	2
11	MS21919WCHG8	Clamp	X	1
12	24608	O-Ring (install using item 13)	X	1
13	A257-20	Pag Oil	X	A/R
14	MS21919WCHG12	Clamp (around frame tube)	X	1
15	MS27039C0806	Screw	X	2
16	MS21919WCHG6	Clamp	X	2
17	G783-1	Condenser Assembly (Ref, see Figure 21-7)		
18	24606	O-Ring (install using item 13)	X	1

NOTES

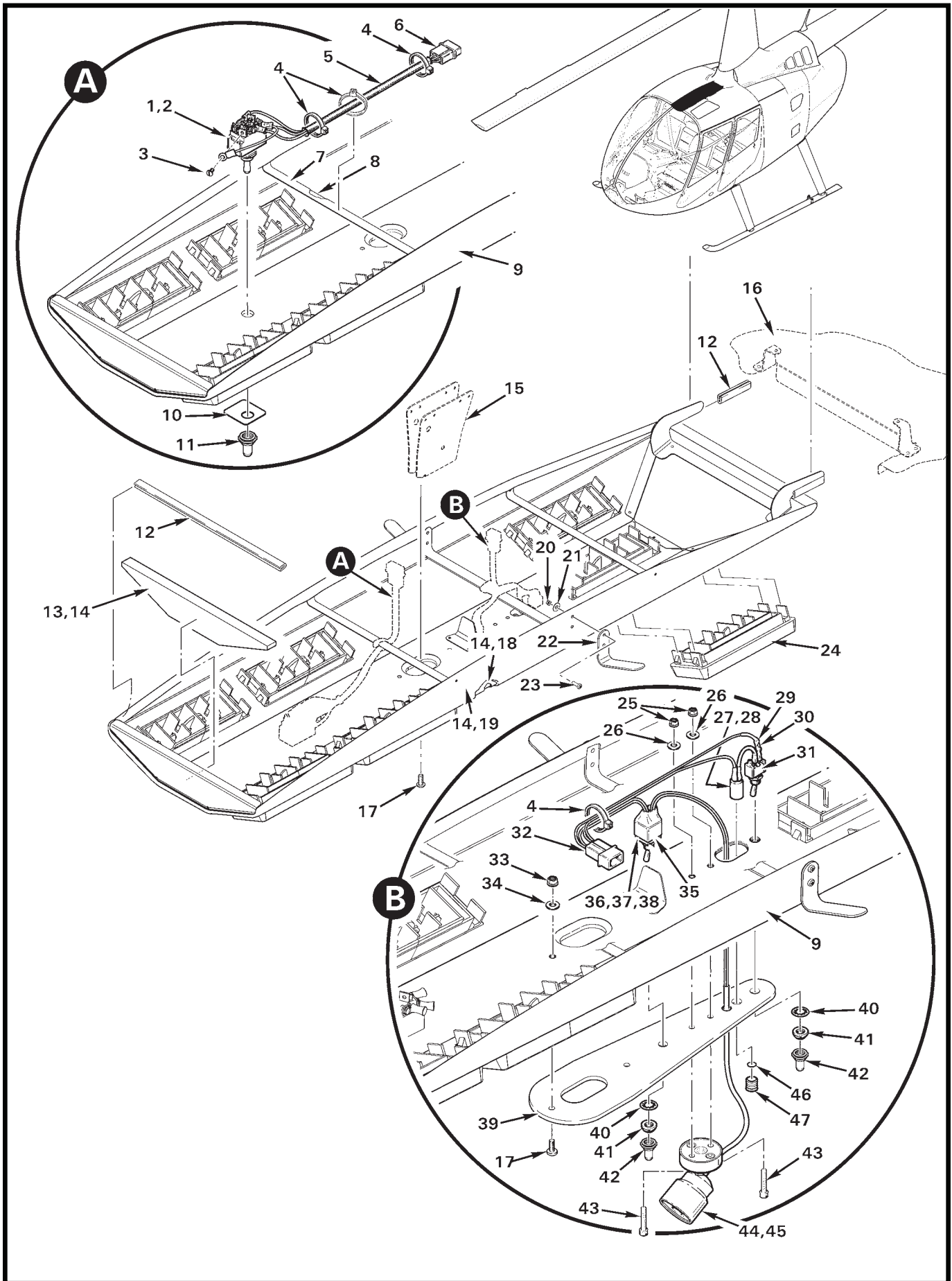


FIGURE AND INDEX NUMBER	PART NUMBER	DESCRIPTION	PARTS AVAIL	QTY PER ASSY
		AIR CONDITIONING – DUCT ASSEMBLY INSTALLATION		
21-21-1	G799-3	Switch Assembly (Incl items 2, 4 [2], 5, 6, and 11)	X	1
2	MS25201-4	Switch (includes lockwasher, nut, and item 3)	X	1
3	—	Screw (Ref)		
4	MS3367-4-9	Ty-Rap	X	4
5	B266-4	Sleeving	X	A/R
6	B263-14	Housing	X	1
	B263-1	Pin	X	3
7	B158-6	Heat Shrink	X	A/R
8	G797-5	Strip (Ref)		
9	G796-1*	Duct Assembly (Incl items 1, 4, 7, 8, 10, 12 thru 14, 17 thru 26, 33, 34, and 43)	X	1
10	D122-4	Plate	X	1
11	C1131/28	Boot	X	1
12	A226-15	Trim	X	A/R
13	D812-8	Insulation (install using item 14)	X	A/R
14	B270-8qt	Adhesive (or B270-14)	X	A/R
15	D122-8	Bracket Assembly (Ref, see Figure 21-25)		
16	G790-1	Duct Assembly (Ref)		
17	MS27039C0807	Screw	X	3
18	B298-102*	Foam (install using item 14)	X	A/R
19	B298-31*	Headliner	X	A/R
	B298-33*	Headliner	X	A/R
	B298-34*	Headliner	X	A/R
20	MS21042L04	Nut	X	2
21	NAS1149FN416P	Washer	X	2
22	A752-1	Angle	X	2
23	MS35206-215	Screw	X	4
24	10.124.63	Louver and Bezel Assembly	X	7
25	MS21042L06	Nut	X	2
26	NAS1149FN616P	Washer	X	2
27	CNX310000X4112	Connector	X	1
28	E1003	LED (not shown)	X	1
29	B158-2	Heat Shrink	X	A/R
30	B0207C1K210F5T	Resistor	X	1

NOTES * Please specify color (blue, grey, or tan).

Continues

FIGURE AND INDEX NUMBER	PART NUMBER	DESCRIPTION	PARTS AVAIL	QTY PER ASSY
AIR CONDITIONING – DUCT ASSEMBLY INSTALLATION (Cont'd)				
21-21-31	B300-1	Switch (Incl items 40 and 41)	X	1
	B158-2	Heat Shrink (around leads)	X	A/R
32	B263-12	Housing	X	1
	B263-1	Pin	X	2
33	MS21042L08	Nut	X	1
34	NAS1149FN816P	Washer	X	1
35	B158-12	Heat Shrink	X	A/R
36	B300-5	Switch Assembly (Incl items 40 and 41)	X	1
37	B0207C1K650F5T	Resistor (not shown)	X	1
38	B0207C3K400F5T	Resistor (not shown)	X	1
39	D122-6	Plate	X	1
40	B227-3	Lockwasher	X	1
41	B277-4	Dress Nut	X	1
42	N-5030S	Boot	X	1
43	NAS1352-06-10P	Screw	X	2
44	D606-1	Spotlight	X	1
45	D799-8	Light Assembly (Incl items 4, 27 thru 32, 35 thru 39, 42, 44, 46, and 47)	X	1
46	A215-008	O-Ring	X	1
47	CMC321-CTP	Lens	X	1

NOTES

Intentionally Blank

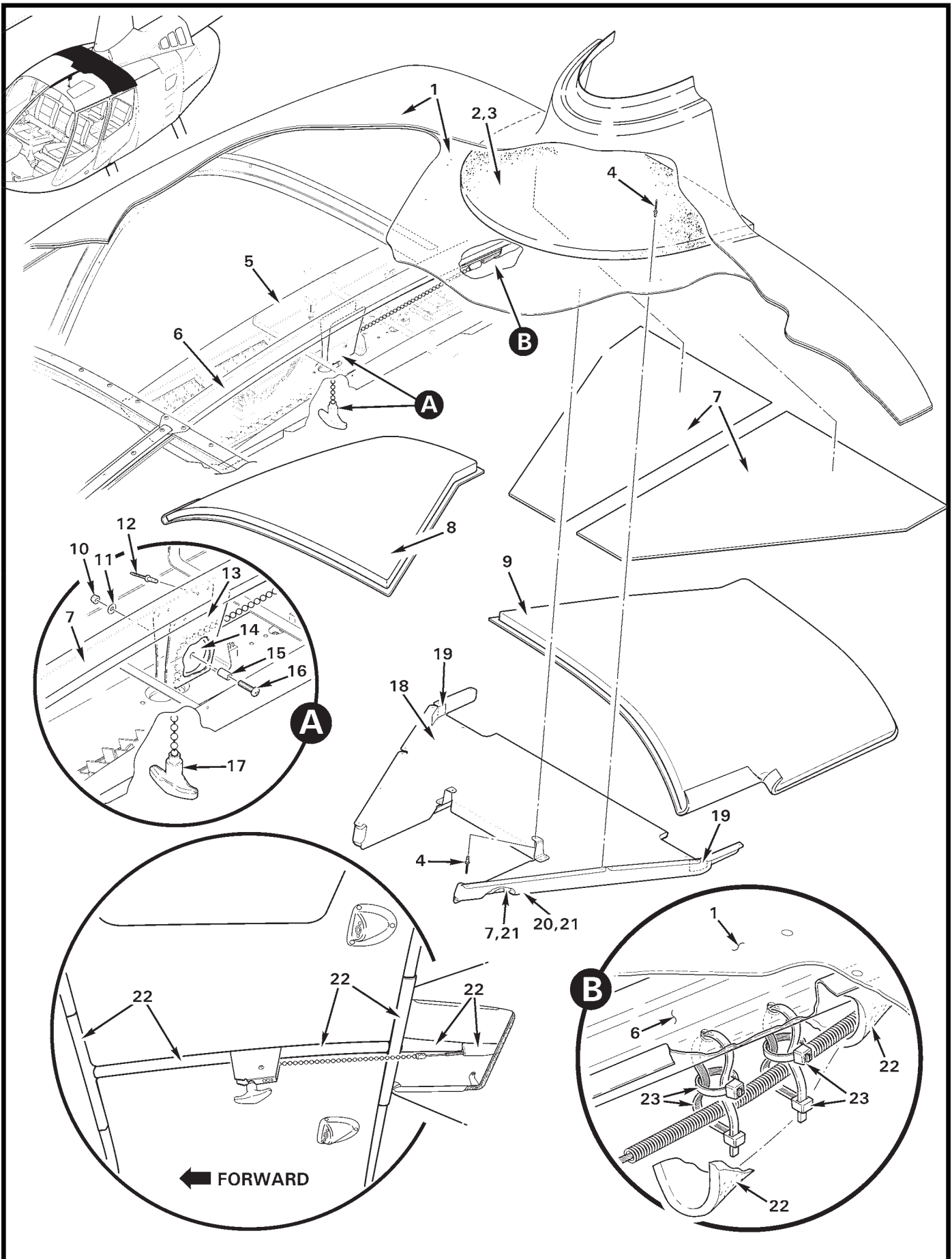


FIGURE AND INDEX NUMBER	PART NUMBER	DESCRIPTION	PARTS AVAIL	QTY PER ASSY
AIR CONDITIONING – FURNISHINGS				
21-25-1	F273-1	Roof (Ref)		
2	B298-104	Foam (install using item 3)	X	A/R
3	B270-8qt	Adhesive	X	A/R
4	NAS9301B-4-03	Rivet	X	16
5	G796-1	Duct Assembly (Ref)		
6	F087-3	Support (Ref)		
7	B298-102	Foam (install using item 21)	X	A/R
8	F003-18	Insulation (RH, install using item 3)	X	1
9	F003-17	Insulation (LH, install using item 3)	X	1
10	MS21042L08	Nut	X	1
11	NAS1149FN816P	Washer	X	1
12	NAS9301B-4-02	Rivet	X	8
13	D122-8	Bracket	X	1
14	BP4100	Pulley	X	1
15	A130-34	Spacer	X	1
16	MS27039C0812	Screw	X	1
17	B033-6	Knob Assembly (Ref)		
18	G790-1*	Duct Assembly (Incl items 7, 19, 20, and 21)	X	1
19	A701-1	Foil Tape (covers corner relief)	X	A/R
20	B298-31*	Headliner (blue)	X	A/R
	B298-33*	Headliner (grey)	X	A/R
	B298-34*	Headliner (tan)	X	A/R
21	B270-14	Adhesive	X	A/R
22	5541K11	Pipe Wrap (item 5 not shown for clarity)	X	A/R
23	MS3367-5-9	Ty-Rap	X	4

NOTES * Please specify color (blue, grey, or tan).

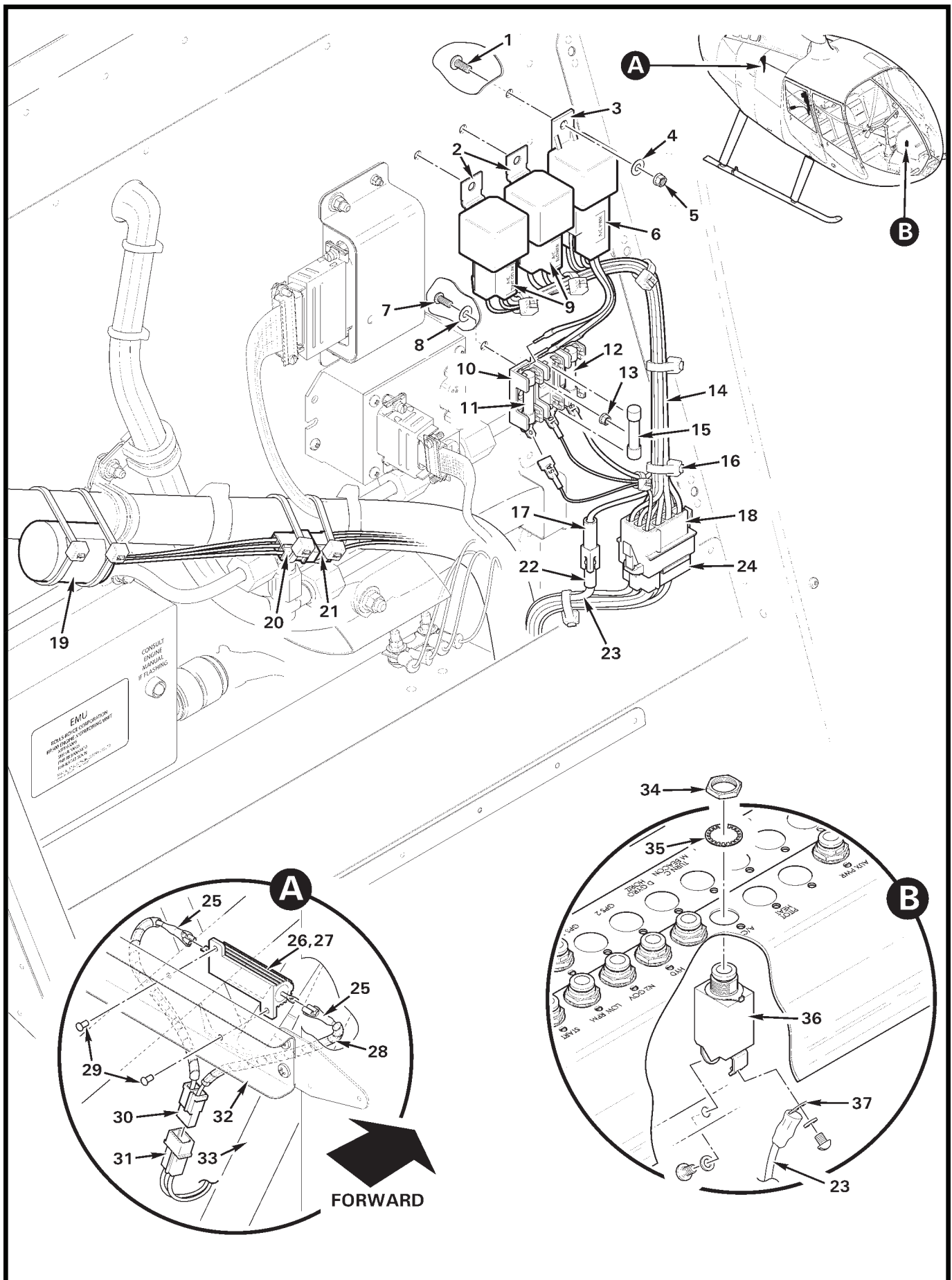


FIGURE AND INDEX NUMBER	PART NUMBER	DESCRIPTION	PARTS AVAIL	QTY PER ASSY
AIR CONDITIONING – ELECTRICAL COMPONENTS				
21-27-1	MS27039C0806	Screw	X	3
2	D260-4	Relay (40 amp, 24 volt)	X	2
3	D260-2	Relay (70 amp, 24 volt)	X	1
4	NAS1149FN816P	Washer	X	3
5	MS21042L08	Nut	X	3
6	D260-5	Connector	X	1
7	MS35206-227	Screw	X	1
8	NAS1149FN616P	Washer	X	1
9	D260-6	Connector	X	2
10	D262-3	Fuse Block	X	1
11	AGC-5	Fuse (5 amp)	X	1
12	AGC-15	Fuse (15 amp)	X	1
13	MS21042L06	Nut	X	1
14	G799-4	Relay Assembly (Incl items 2, 3, 6, 9 thru 12, and 15 thru 18)	X	1
15	AGC-10	Fuse (10 amp)	X	1
16	MS3367-4-9	Ty-Rap	X	A/R
17	B263-62	Housing	X	1
	B263-55	Pin	X	1
18	B263-22	Housing	X	1
	B263-1	Pin	X	9
	B263-3	Pin	X	2
19	G655-3	Time Delay Assembly (includes item 20 and wires)	X	1
20	B263-14	Housing	X	1
	B263-1	Pin	X	3
21	B263-15	Housing (Ref)		
22	B263-61	Housing (Ref)		
23	-2297	Wire (Ref)		
24	B263-23	Housing (Ref)		
25	B158-2	Heat Shrink	X	A/R
26	G799-1	Resistor Assembly (Incl items 25, 27, 28 and 30)	X	1
27	RH0506R000FE02	Resistor (6 Ω 50w)	X	1
28	B161-2	Spirap	X	A/R
29	MS20604ML4W2	Rivet	X	2
30	B263-12	Housing	X	1
	B263-1	Pin	X	2

NOTES

Continues

FIGURE AND INDEX NUMBER	PART NUMBER	DESCRIPTION	PARTS AVAIL	QTY PER ASSY
AIR CONDITIONING – ELECTRICAL COMPONENTS (Cont'd)				
21-27-31	B263-13	Housing (Ref)		
32	G258-4	Strap (Ref)		
33	F020-1	Upper Frame (Ref)		
34	—	Nut	O	1
35	—	Lockwasher	O	1
36	B297-25	Circuit Breaker (25 amp; includes items 34 and 35)	X	1
37	B260-3	Terminal (Ref)		

NOTES

Intentionally Blank

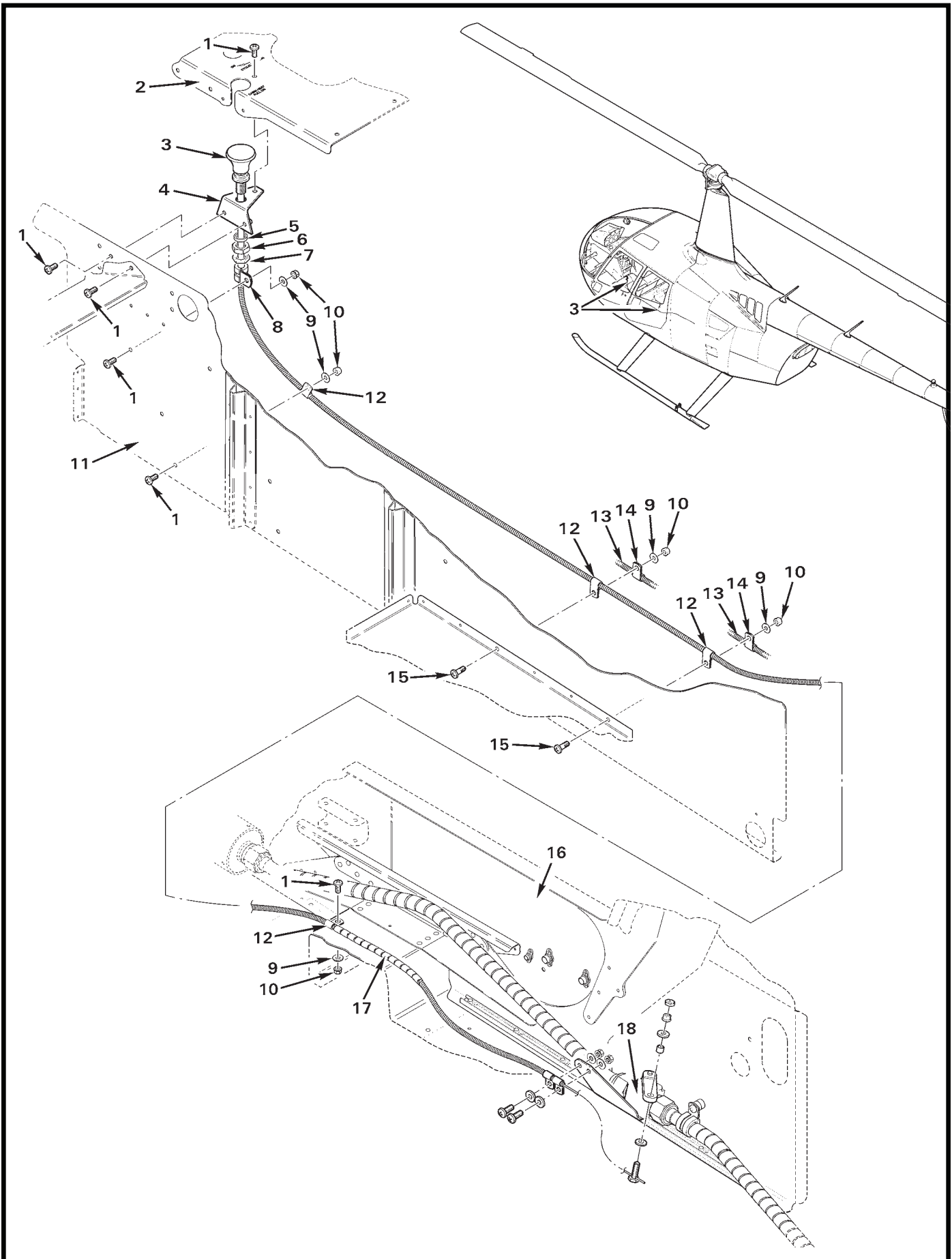


FIGURE AND INDEX NUMBER	PART NUMBER	DESCRIPTION	PARTS AVAIL	QTY PER ASSY
CABIN HEATER – CONTROL INSTALLATION				
21-31-1	MS27039C0806	Screw	X	6
2	F444-1	Cover – Cyclic (Ref)		
3	A522-14	Control – Heater (Incl item 6)	X	1
4	C518-1	Cover Assembly	X	1
5	A130-18	Spacer	X	1
6	—	Nut	O	1
7	B330-19	Palnut	X	1
8	MS21919WDG4	Clamp	X	1
9	NAS1149FN816P	Washer	X	5
10	MS21042L08	Nut	X	5
11	F293-1	Panel – Keel (forward, LH; Ref)		
12	AN742-3	Clamp	X	4
13	A522-11	Control (Ref; fuel cutoff)		
14	AN742-3	Clamp (Ref; used with item 13)		
15	MS27039C0808	Screw	X	2
16	F292-2	Panel – Keel (aft, RH; Ref)		
17	B161-4	Spirap	X	A/R
18	G019-1	Valve Assembly (Ref; see Figure 21-35)		
NOTES				

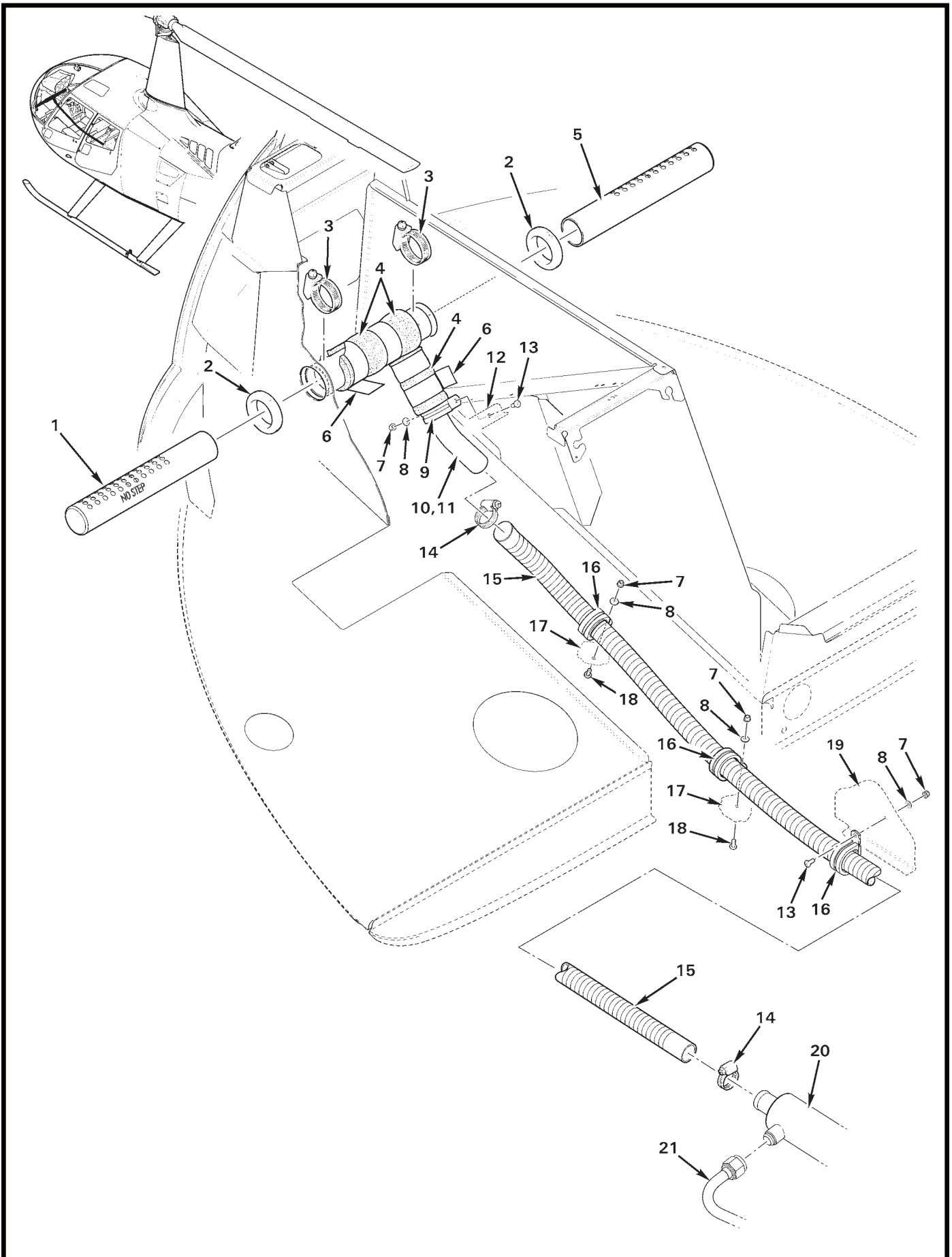


FIGURE AND INDEX NUMBER	PART NUMBER	DESCRIPTION	PARTS AVAIL	QTY PER ASSY
CABIN HEATER – FORWARD COMPONENTS INSTALLATION				
21-33-1	G400-7	Diffuser Assembly (LH)	X	1
2	B401-3	Grommet	X	2
3	B277-024	Clamp	X	2
4	G401-15	Insulation	X	A/R
5	G400-8	Diffuser Assembly (RH)	X	1
6	A701-1	Tape (aluminum foil)	X	A/R
7	MS21042L08	Nut	X	4
8	NAS1149FN816P	Washer	X	4
9	MS21919WCH16	Clamp	X	1
10	G400-3	Can Weldment	X	1
11	G400-1	Tee Assembly (Incl items 4, 6, and 10)	X	1
12	F365-9	Angle (Ref)		
13	MS27039C0806	Screw	X	2
14	B277-12	Clamp	X	2
15	A785-39	Hose	X	1
16	MS21919WCH18	Clamp	X	3
17	F272-1	Chin (Ref)		
18	AN526C832R6	Screw	X	2
19	F293-2	Panel – Keel (forward, RH; Ref)		
20	G400-2*	Muffler Assembly (Ref)		
21	G391-4*	Line Assembly (Ref)		

NOTES * See Figure 21-25.

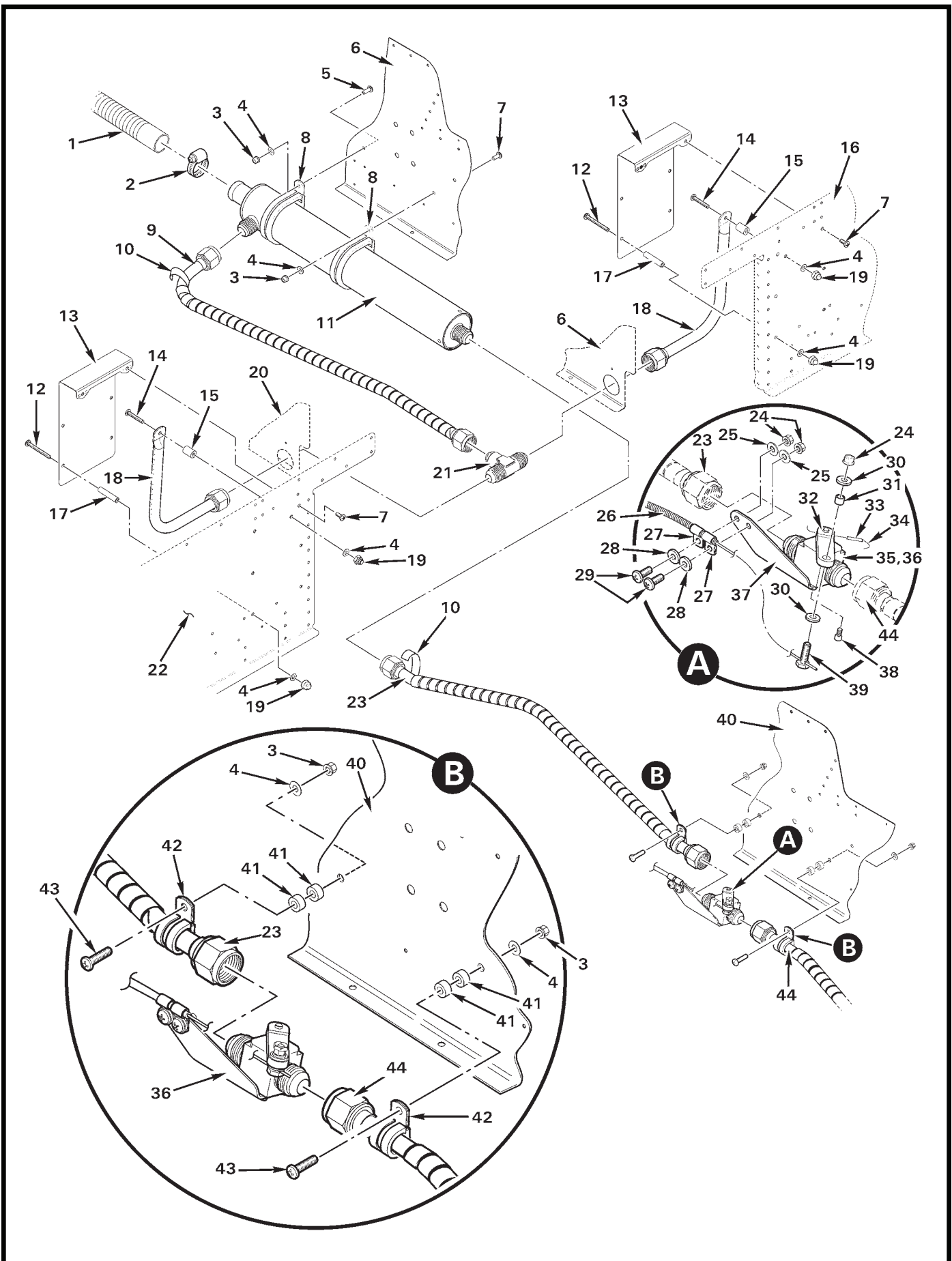


FIGURE AND INDEX NUMBER	PART NUMBER	DESCRIPTION	PARTS AVAIL	QTY PER ASSY
		CABIN HEATER – MUFFLER & CONTROL VALVE INSTALLATION		
21-35-1	A785-39	Hose (Ref, see Figure 21-33)		
2	B277-12	Clamp	X	1
3	MS21042L08	Nut	X	4
4	NAS1149FN816P	Washer	X	14
5	MS27039C0807	Screw	X	1
6	F293-2	Panel – Keel (forward, RH; Ref)		
7	MS27039C0806	Screw	X	3
8	MS21919WCH18	Clamp	X	2
9	G391-4	Line Assembly	X	1
10	B161-108	Spirap (high temperature; Orange PTFE [Teflon])	X	A/R
11	G400-2	Muffler Assembly	X	1
12	MS27039C0824	Screw	X	8
13	G394-1	Guard	X	2
14	MS27039C0816	Screw	X	2
15	A130-38	Spacer	X	2
16	F296-2	Bulkhead – RH (Ref)		
17	C130-19	Spacer	X	8
18	G392-3	Diffuser Assembly	X	2
19	B340-4	Nut	X	10
20	F293-1	Panel – LH (Ref)		
21	AN824-8D	Tee	X	1
22	F296-1	Bulkhead – LH (Ref)		
23	G391-2	Line Assembly	X	1
24	MS21042L3	Nut	X	3
25	NAS1149F0332P	Washer	X	2
26	A522-14	Control – Heater (Ref, see Figure 21-31)		
27	AN742-3	Clamp	X	2
28	NAS1149F0363P	Washer	X	2
29	MS27039C1-08	Screw	X	2
30	NAS1149E0363R	Washer	X	2
31	A130-48	Spacer	X	1
32	F621-1	Arm	X	1
33	MS16562-15	Spring Pin	X	1
34	MS20995C32	0.032 in. dia Safety Wire	X	A/R

NOTES

Continues

FIGURE AND INDEX NUMBER	PART NUMBER	DESCRIPTION	PARTS AVAIL	QTY PER ASSY
CABIN HEATER – MUFFLER & CONTROL VALVE INSTALLATION (Cont'd)				
21-35-35	G019-1	Valve Assembly – Cabin Heat (incl items 24, 25, 27 thru 34, and 36 thru 39)	X	1
36	F620-1	Valve	X	1
37	F621-2	Bracket	X	1
38	NAS1352-04-4P	Screw	X	4
39	A462-4	Fitting	X	1
40	F292-2	Panel – Keel (aft, RH; Ref)		
41	A130-21	Spacer	X	4
42	MS21919WCH8	Clamp	X	2
43	MS27039C0812	Screw	X	2
44	G391-5	Line Assembly (Ref, see Figure 21-39)		

NOTES

Intentionally Blank

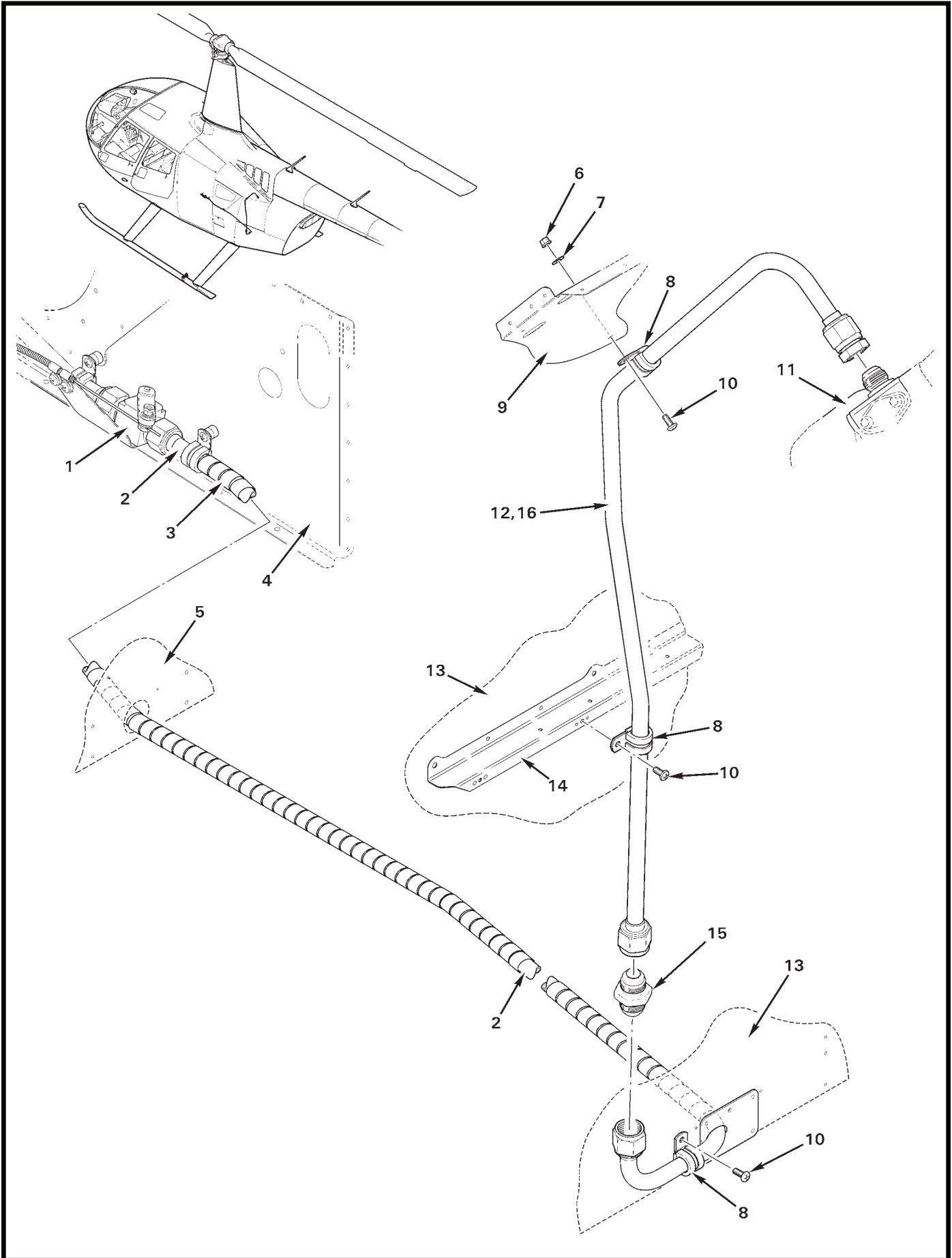


FIGURE AND INDEX NUMBER	PART NUMBER	DESCRIPTION	PARTS AVAIL	QTY PER ASSY
CABIN HEATER – AFT COMPONENTS INSTALLATION				
21-39-1	G019-1	Valve Assembly (Ref, see Figure 21-35)		
2	G391-5	Line Assembly	X	1
3	B161-108	Spirap (high temperature; Orange PTFE [Teflon])	X	A/R
4	F292-2	Panel – Keel (aft, RH; Ref)		
5	G259-1	Panel (Bulkhead; Ref)		
6	MS21042L08	Nut	X	1
7	NAS1149FN816P	Washer	X	1
8	MS21919WCH8	Clamp	X	3
9	F234-1	Firewall (Ref)		
10	MS27039C0806	Screw	X	3
11	F145-1	Engine (Ref)		
12	G391-1 *	Line Assembly	X	1
13	F233-1	Firewall (Ref)		
14	F384-2	Stiffener (Ref)		
15	G396-1	Union	X	1
16	A257-9	Anti-Seize	X	A/R

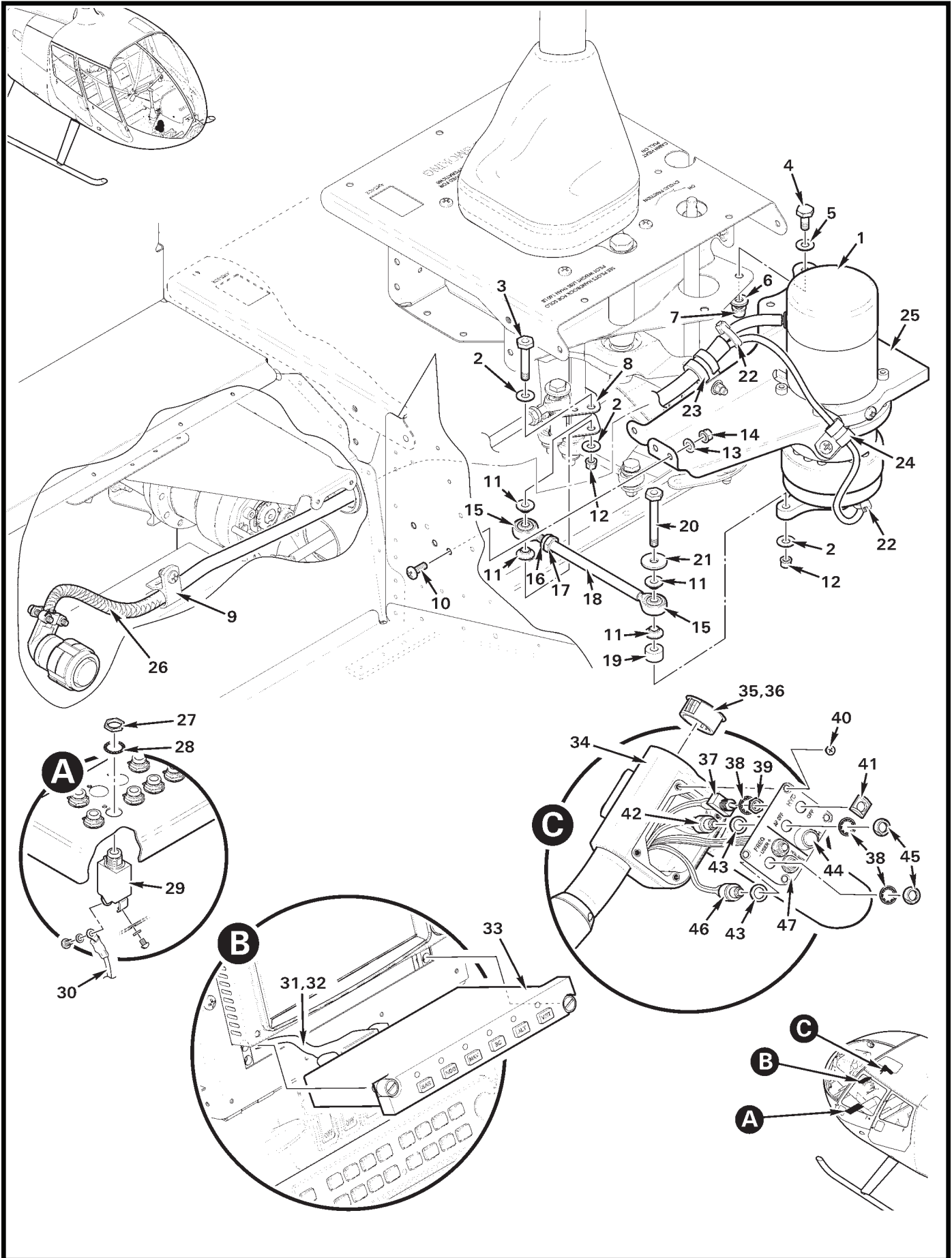
NOTES * Apply item 16 to upper nut threads only.

Intentionally Blank

CHAPTER 22

AUTOPILOT

<i>Figure</i>	<i>Title</i>	<i>Page</i>
22-1	(Pitch) Servo Assembly Installation and Components	22.0
22-5	(Roll) Servo Assembly Installation	22.4
22-7	Flight Control Computer Installation	22.6



Page 22.0 **FIGURE 22-1 (PITCH) SERVO ASSEMBLY INSTALLATION AND COMPONENTS** **MAY 2015**

FIGURE AND INDEX NUMBER	PART NUMBER	DESCRIPTION	PARTS AVAIL	QTY PER ASSY
(PITCH) SERVO ASSEMBLY INSTALLATION AND COMPONENTS				
22-1-1	D354-3	Servo Assembly (Pitch; includes item 22 thru 26)	X	1
2	NAS1149F0332P	Washer	X	2
3	NAS6603-11	Bolt	X	1
4	NAS6603-3	Bolt	X	2
5	NAS1149F0332P	Washer	X	4
6	NAS1149F0363P	Washer	X	2
7	D210-3	Nut	X	2
8	D320-8	Cyclic Stick Assembly	O	1
9	M23190/1-2	Clamp	X	1
10	MS27039C0806	Screw	X	3
11	A341-1	Spacer	X	4
12	D210-3	Nut	X	2
13	NAS1149FN832P	Washer	X	3
14	MS21042L08	Nut	X	3
15	A127-3	Rod End	X	2
16	B330-7	Palnut	X	2
17	AN315-3R	Nut	X	2
18	A336-8	Tube	X	1
19	C130-50	Spacer	X	1
20	NAS6603-18	Bolt	X	1
21	A141-17	Washer	X	1
22	MS3367-4-9	Ty-Rap	X	A/R
23	MS21919WDG6	Clamp	X	1
24	MS21919WDG3	Clamp	X	1
25	D353-4	Brace	O	1
26	B266-8	Sleeving	X	A/R
27	—	Nut	X	1
28	—	Lockwasher	X	1
29	B297-5	Circuit Breaker (5 amp; includes items 27 and 28)	X	1
30	-2103	Wire (Ref)		
31	D323-2	Harness Assembly (Incl item 32)	X	1
32	B269-8	Receptacle	X	1
	B269-22	Backshell	X	1
33	01309-01-01	Control Panel	X	1

NOTES

Continues

FIGURE AND INDEX NUMBER	PART NUMBER	DESCRIPTION	PARTS AVAIL	QTY PER ASSY
(PITCH) SERVO ASSEMBLY INSTALLATION AND COMPONENTS (Cont'd)				
22-1-34	C058-16	Grip Assembly (Incl items 35 thru 37, 40, 42, 44, 46, and 47)	X	1
35	2703	Hole Plug (install using item 36)	X	1
36	B270-15	Adhesive	X	A/R
37	B300-3	Switch Assembly – “HYD OFF” (Incl items 38 and 39)	X	1
38	B227-3	Lockwasher	X	1
39	—	Nut	O	1
40	MS24693-S1	Screw	X	4
41	D443-7	Guard	X	1
42	B227-7	Switch Assembly – “AP OFF” (Incl items 38, 43, and 45)	X	1
43	94773A770	Washer	X	1
44	B227-8	Switch – Trim	X	1
45	B227-4	Dress Nut	X	1
46	B227-2	Switch Assembly (Incl items 38, 43, and 45)	X	3
47	C214-27	Plate	X	1
NOTES				

Intentionally Blank

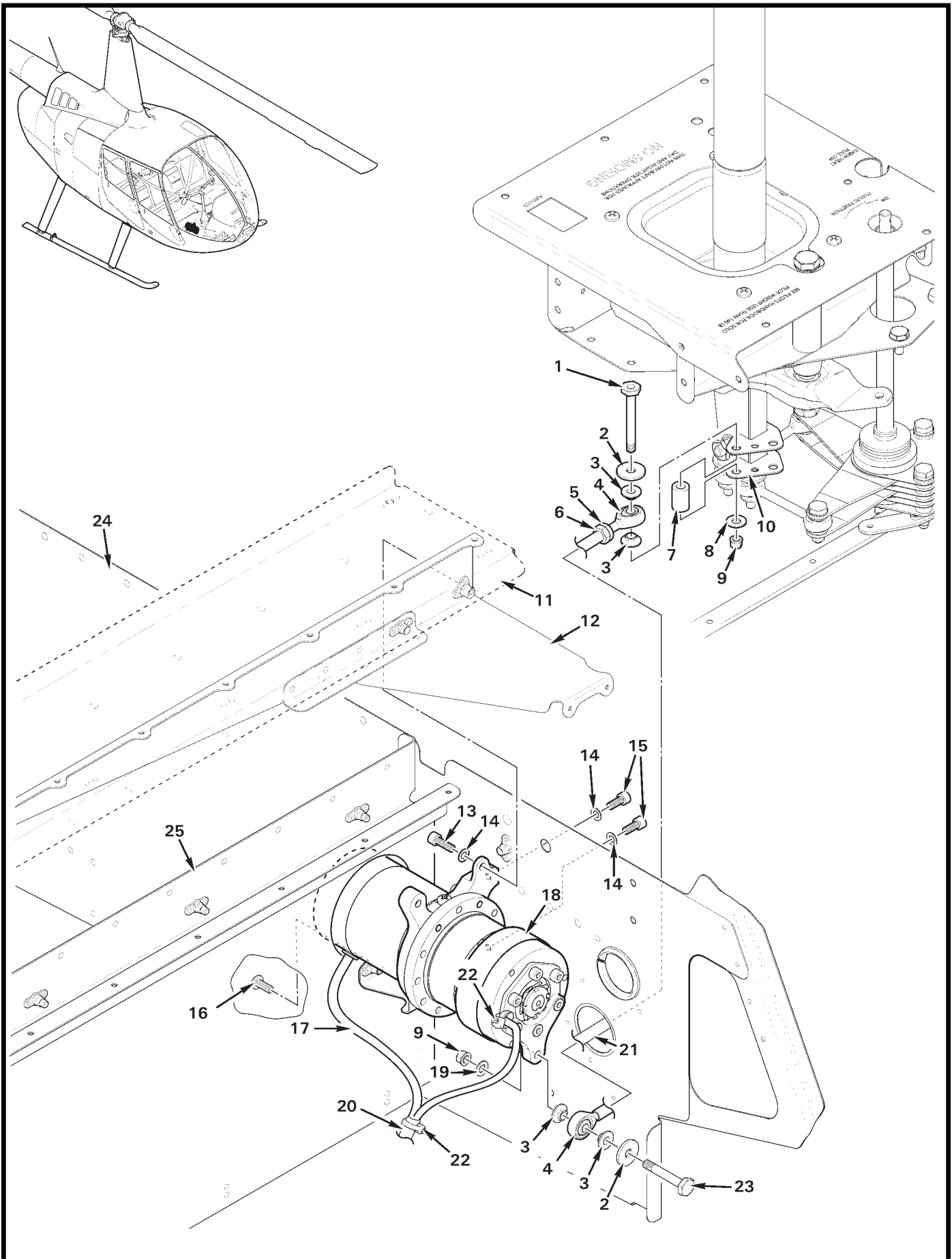


FIGURE AND INDEX NUMBER	PART NUMBER	DESCRIPTION	PARTS AVAIL	QTY PER ASSY
(ROLL) SERVO ASSEMBLY INSTALLATION				
22-5-1	NAS6603-21	Bolt	X	1
2	A141-17	Washer	X	2
3	A341-1	Spacer	X	4
4	A127-3	Rod End	X	2
5	B330-7	Palnut	X	2
6	AN315-3R	Nut	X	2
7	C130-51	Spacer	X	1
8	NAS1149F0332P	Washer	X	1
9	D210-3	Nut	X	3
10	D320-1	Stick Assembly – Cyclic (Ref)		
11	F391-1	Cover Assembly	X	1
12	D353-5	Brace Assembly	X	1
13	NAS1352-08-8P	Screw	X	2
14	NAS620-8L	Washer	X	4
15	NAS1352-08-6P	Screw	X	2
16	MS27039C0806	Screw	X	1
17	B274-610	Braid	X	A/R
	B158-6	Heat Shrink	X	A/R
18	D354-4	Servo Assembly (Roll; includes items 17, 20 and 22)	X	1
19	NAS620-10L	Washer	X	1
20	B266-8	Sleeving	X	A/R
21	A336-8	Tube	X	1
22	MS3367-4-9	Ty-Rap	X	A/R
23	NAS6603-14	Bolt	X	1
24	F293-2	Keel Panel – Forward (Ref, LH)		
25	G702-7	Cover Assembly (Ref)		

NOTES

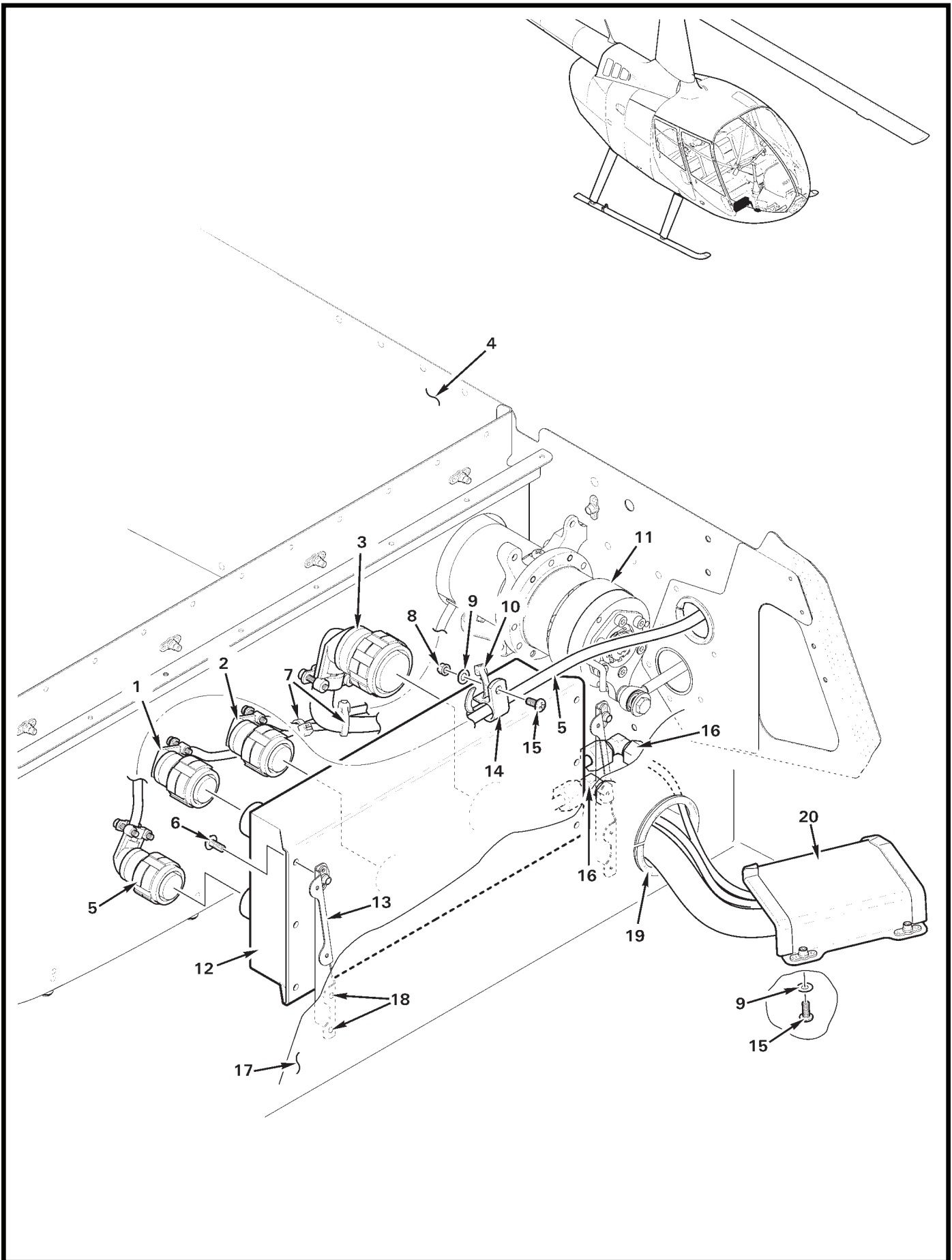


FIGURE AND INDEX NUMBER	PART NUMBER	DESCRIPTION	PARTS AVAIL	QTY PER ASSY
FLIGHT CONTROL COMPUTER INSTALLATION				
22-7-1	D354-4	Servo Wire Harness Assembly (Ref)		
2	D323-2	Harness Assembly (Ref, Autopilot)		
	D323-10	Harness Assembly (Ref; EFIS, G500H)		
3	D323-12	Harness Assembly (Ref; J4, G500H)		
4	F293-2	Keel Panel – FWD (Ref, LH)		
5	D354-3	Servo Wire Harness Assembly (Ref)		
6	MS27039C0807	Screw	X	4
7	MS3367-5-0	Ty-Rap	X	A/R
8	MS21042L08	Nut	X	1
9	NAS1149FN832P	Washer	X	1
10	MS3367-5-9	Ty-Rap	X	1
11	D354-4	Servo Assembly (Ref)		
12	01311-03-11	Flight Control Computer	X	1
13	D358-1	Support Assembly	X	2
	D358-5	Support Assembly (police and E.N.G. ships)	X	2
14	M23190/1-2	Clamp	X	1
15	MS27039C0806	Screw	X	1
16	50-4-N-0	Elbow	X	2
17	F352-2	Panel (Ref)		
18	MS20470AD3	Rivet	X	8
19	NAS557-28A	Grommet	X	1
20	D555-4	Shield Assembly	X	1

NOTES

Intentionally Blank

CHAPTER 25
FURNISHINGS

<i>Figure</i>	<i>Title</i>	<i>Page</i>
25-1	Seat Installation	25.0
25-3	Forward Seat Belt Installation	25.2
25-5	Aft Seat Belt Installation	25.4
25-9	Five-Point Harness Installation	25.8
25-11	Five-Point Harness Inertia Reel Installation	25.10
25-13	Five-Point Harness Bumper Assembly Installation	25.12
25-15	Carpet Installation	25.14
25-17	Headliner and Insulation Installation	25.16
25-19	Document Holder Installations	25.18
25-21	Fire Extinguisher Installation	25.20
25-23	Kannad ELT Installation	25.22
25-25	Cargo Hook Installation	25.24
25-27	Cargo Hook – Installation	25.26
25-31	Cargo Hook – Details	25.30
25-35	Cargo Hook – Left Side Details	25.34
25-39	Cargo Hook – Right Side Details	25.38
25-43	Cargo Hook – Left Seat Flight Controls	25.42

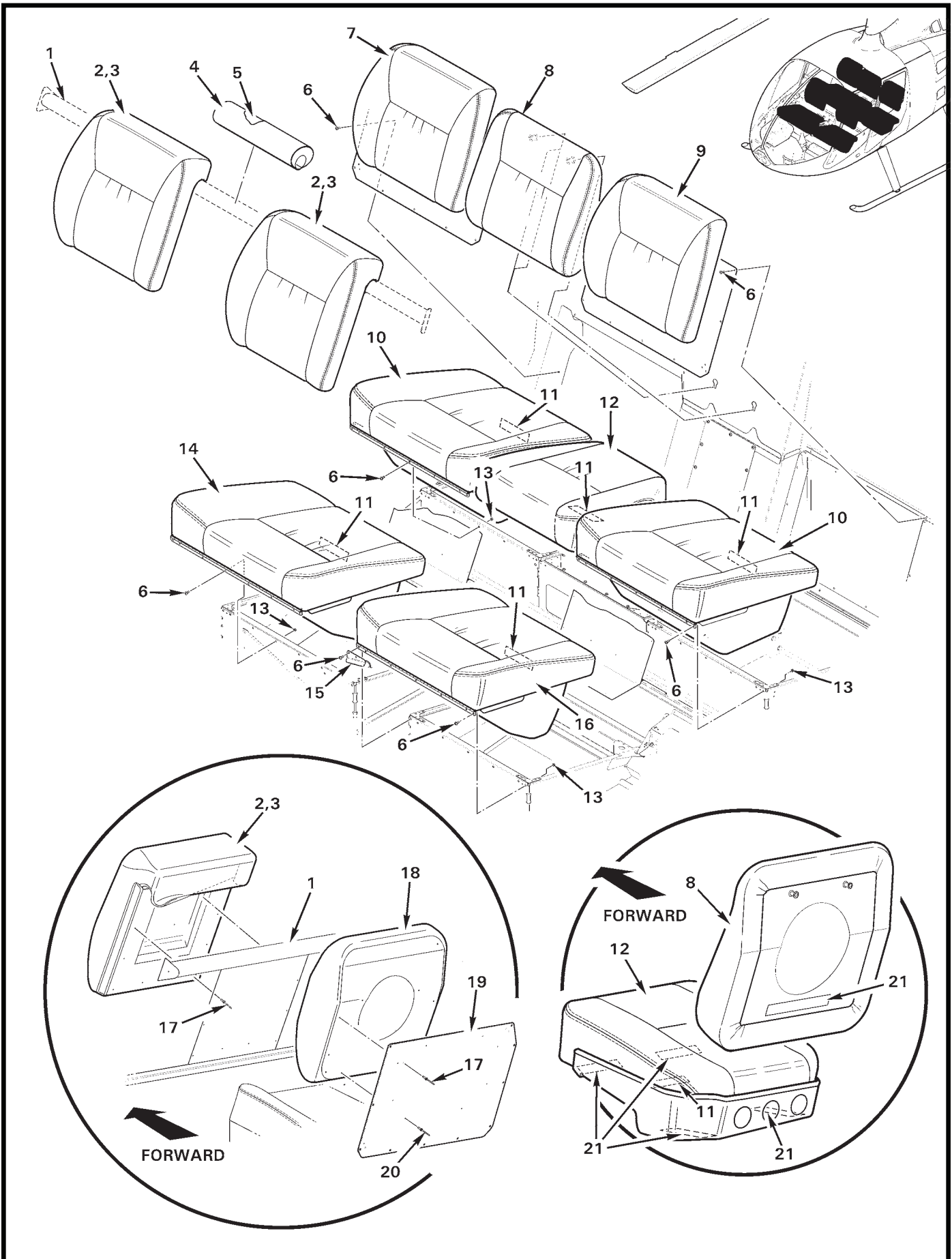


FIGURE AND INDEX NUMBER	PART NUMBER	DESCRIPTION	PARTS AVAIL	QTY PER ASSY
SEAT INSTALLATION				
25-1-1	F423-1	Weldment (seat support, Ref)		
2	F936-1*	Back Rest Assembly (install using item 3 and 17)	X	2
3	B270-18	Adhesive	X	A/R
4	C420-2*	Cover Assembly	X	1
5	C424-2	Padding	X	1
6	MS27039C0806	Screw	X	49
7	F003-4*	Seat Back Assembly (RH, includes items 17 thru 20)	X	1
8	F932-1*	Back Rest Assembly (Incl item 21; not installed in R66 Police, see Figure 90-79 for optional G749 console)	X	1
9	F003-3*	Seat Back Assembly (LH, includes items 17 thru 20)	X	1
10	F921-1*	Seat Assembly (RH and LH, includes item 11 and hinge)	X	2
11	F654-19	Decal – “Energy-Absorbing Seat...”	X	5
12	F931-1*	Seat Assembly (Incl items 11 and 21; not installed in R66 Police, see Figure 90-79)	X	1
13	MS21042L08	Nut	X	29
14	F928-1*	Seat Assembly (includes item 11 and hinge)	X	1
15	G196-3	Light Assembly (Ref)		
16	F930-1*	Seat Assembly (includes item 11 and hinge)	X	1
17	B204-2	Rivet	X	13
18	F936-2*	Back Rest Assembly (RH and LH)	X	2
19	F465-1	Panel Assembly (RH and LH)	X	2
20	B204-3	Rivet	X	2
21	B175-11	Hook Tape	X	A/R

NOTES * Please specify color (blue, grey, tan or charcoal leather).

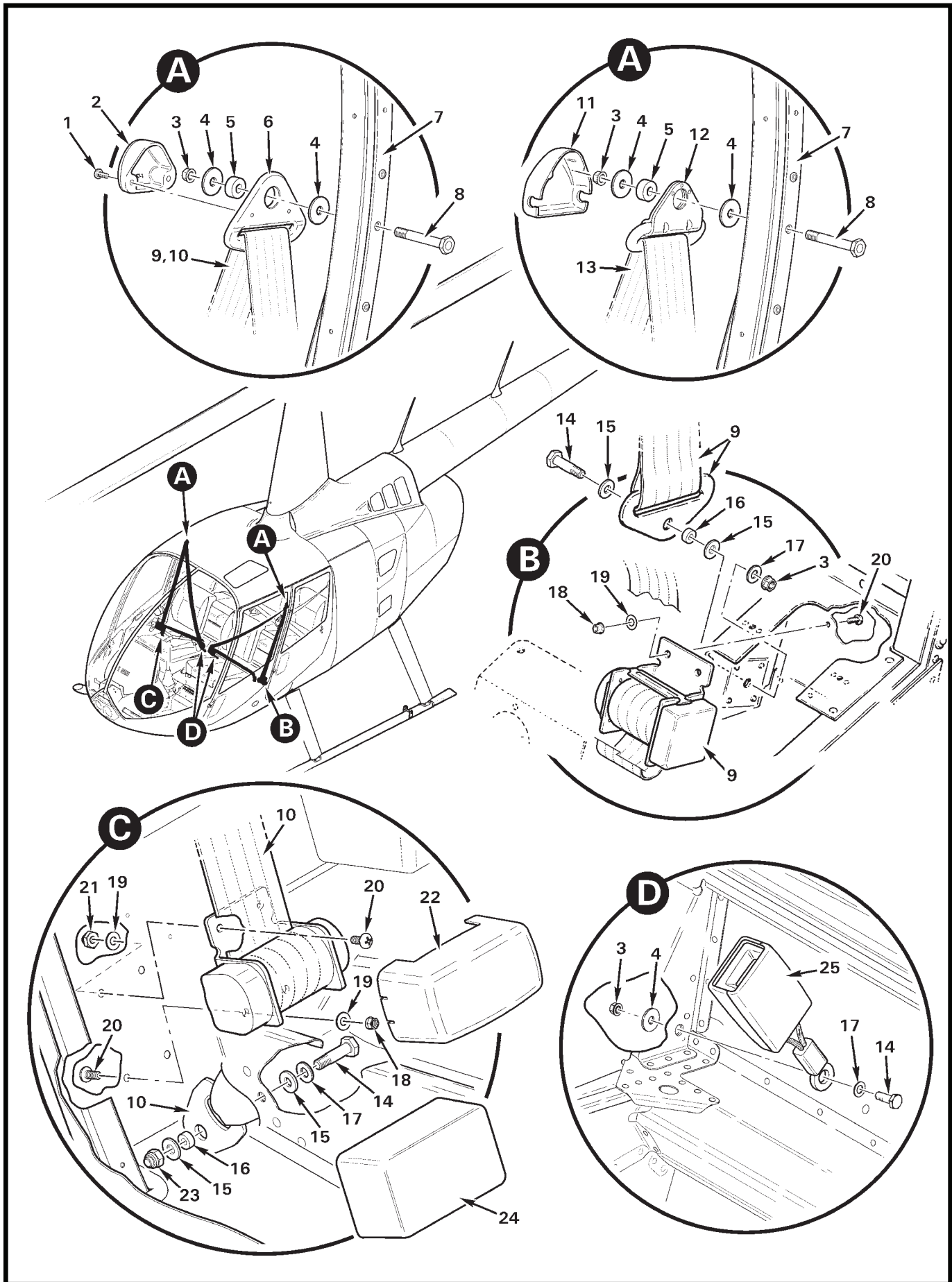


FIGURE AND INDEX NUMBER	PART NUMBER	DESCRIPTION	PARTS AVAIL	QTY PER ASSY
FORWARD SEAT BELT INSTALLATION				
25-3-1	505098-6046	Screw	X	1
2	506357-1	Cover	X	1
3	MS21042L4	Nut	X	4
4	A141-14	Washer	X	6
5	A130-44	Spacer	X	2
6	506356-1	Guide (Ref)		
7	F403	Post Assembly (Ref)		
8	NAS6604-22	Bolt	X	2
9	F628-1	Connector Assembly (LH, includes item 2 and 6)	X	1
10	F628-2	Connector Assembly (RH, includes item 2, 6, and 22)	X	1
11	505798-1	Cover	X	2
12	505561-1	Guide Assembly (Ref, earlier R66's)		
13	F628-1*	Connector Assembly (Ref; LH FWD, revision "F" and prior)		
	F628-2*	Connector Assembly (Ref; RH FWD, revision "F" and prior)		
14	NAS6604-5	Bolt	X	3
15	MS20002-4	Washer	X	4
16	A130-28	Spacer	X	2
17	NAS1149F0432P	Washer	X	4
18	MS21042L3	Nut	X	6
19	NAS1149F0332P	Washer	X	8
20	MS27039C1-07	Screw	X	8
21	B340-8	Nut	X	2
22	506354-3	Cover	X	1
23	B340-10	Nut	X	1
24	505663-3	Cover	X	1
25	F628-5	Buckle Assembly	X	2

NOTES * Earlier R66's.

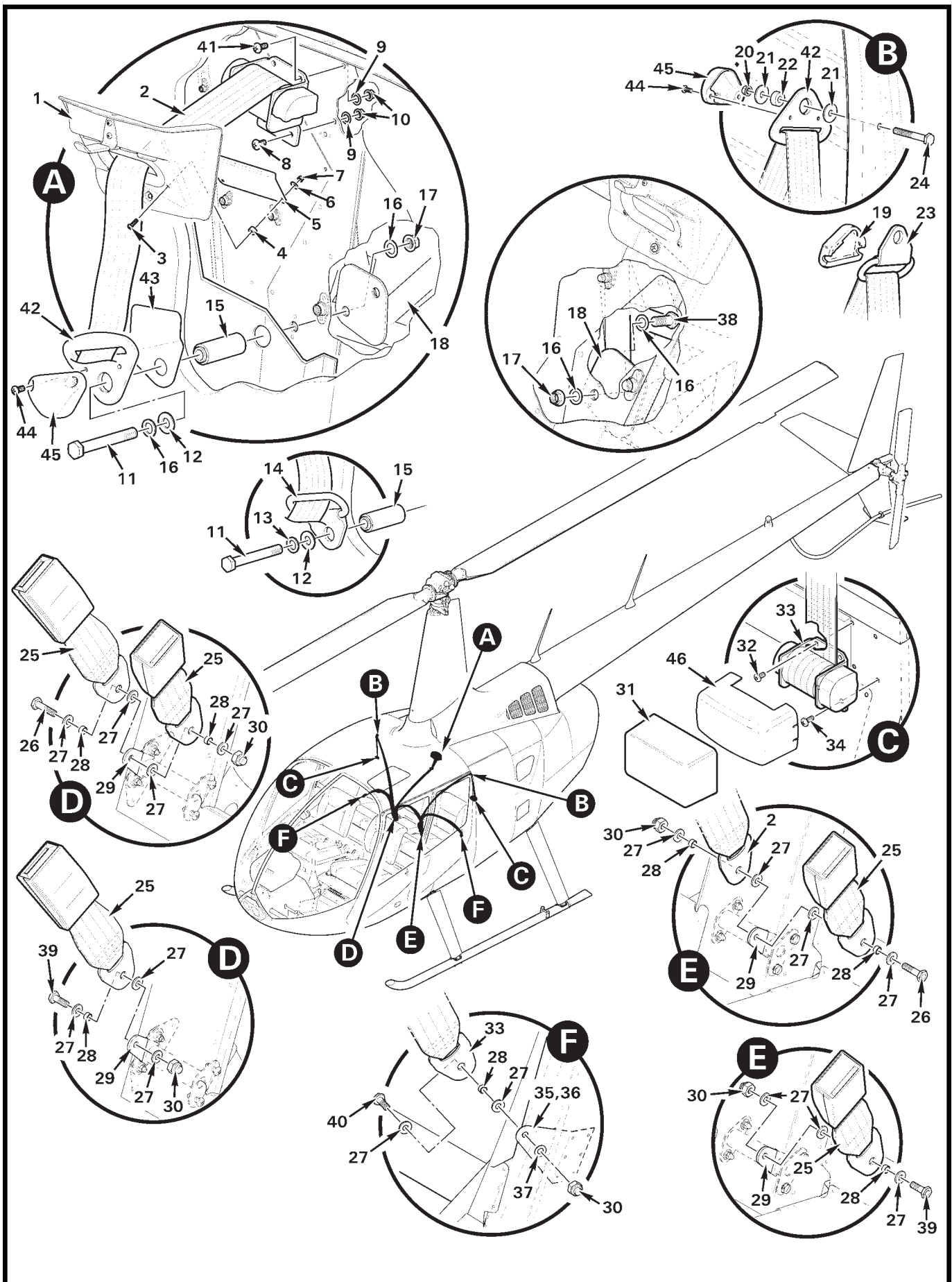


FIGURE AND INDEX NUMBER	PART NUMBER	DESCRIPTION	PARTS AVAIL	QTY PER ASSY
AFT SEAT BELT INSTALLATION				
25-5-1	F436-5	Cover Assembly (Ref; see figure 97-57)		
2	F628-4	Connector Assembly (center, includes items 42 and 45)	X	1
3	MS35206-215	Screw	X	2
4	A130-14	Spacer	X	2
5	F437-4	Shield	X	1
6	NAS1149FN416P	Washer	X	2
7	MS21042L04	Nut	X	2
8	MS27039C1-07	Screw	X	2
9	NAS1149F0332P	Washer	X	4
10	D210-3	Nut	X	4
11	NAS6606-36	Bolt	X	1
12	C141-16	Washer	X	1
13	NAS1149F0663P	Washer	X	1
14	505281-1	Guide (web, cover not shown; earlier ships)	O	1
15	F374-7	Spacer	X	1
16	NAS1149F0632P	Washer	X	1
17	D210-6	Nut	X	1
18	F020-1	Frame (Ref)		
19	505798-1	Cover (earlier ships)	X	2
20	D210-4	Nut	X	2
21	A141-14	Washer	X	4
22	A130-44	Spacer	X	2
23	505561-1	Guide (web; earlier ships)	O	2
24	NAS6604-18	Bolt	X	2
25	F628-6	Buckle Assembly	X	3
26	NAS6604-9	Bolt	X	2
27	MS20002-4	Washer	X	12
28	A130-28	Spacer	X	6
29	F371-1	Weldment (anchor, Ref)		
30	B340-10	Nut	X	4
31	505663-3	Cover (earlier ships)	X	2
32	A142-3	Screw	X	4
33	F628-3	Connector Assembly (LH and RH, includes items 42, 45 and 46)	X	2
34	MS27039C1-07	Screw	X	4

NOTES

Continues

FIGURE AND INDEX NUMBER	PART NUMBER	DESCRIPTION	PARTS AVAIL	QTY PER ASSY
AFT SEAT BELT INSTALLATION (Cont'd)				
25-5-35	F434-1	Anchor – Seat Belt (aft LH, Ref)		
36	F434-2	Anchor – Seat Belt (aft RH, Ref)		
37	NAS1149F0432P	Washer	X	2
38	NAS6606-3	Bolt	X	1
39	NAS6604-6	Bolt	X	2
40	NAS6604-4	Bolt	X	2
41	MS27039C1-08	Screw	X	2
42	506356-1	Guide	O	3
43	G127-1	Guard	X	1
44	505098-6049	Screw	X	2
45	506357-1	Cover	X	3
46	506354-3	Cover	X	2
NOTES				

Intentionally Blank

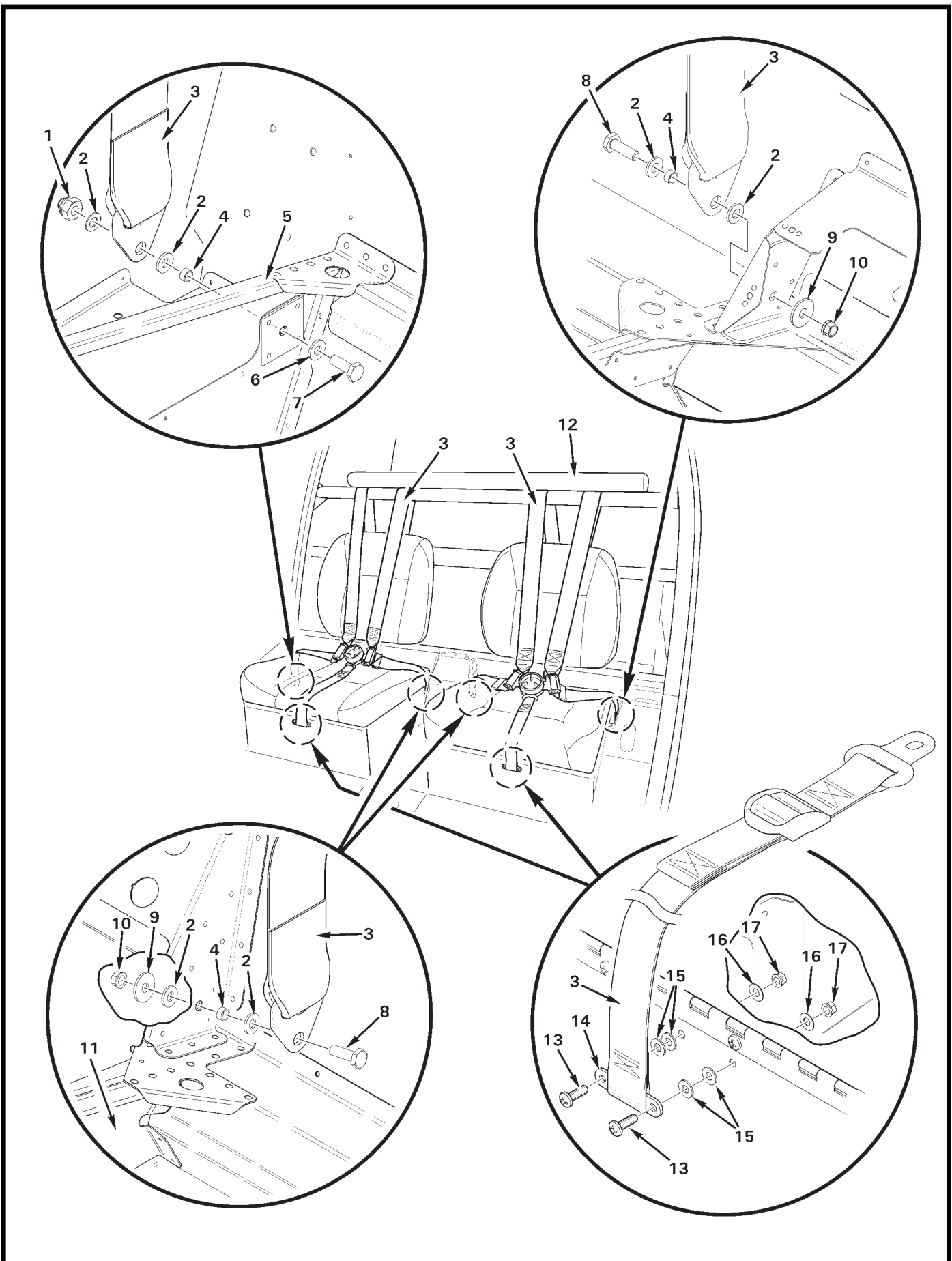


FIGURE AND INDEX NUMBER	PART NUMBER	DESCRIPTION	PARTS AVAIL	QTY PER ASSY
FIVE-POINT HARNESS INSTALLATION				
25-9-1	B340-10	Nut	X	1
2	MS20002-4	Washer	X	8
3	C627-6	Harness Assembly (see also figure 25-11)	X	2
4	A130-28	Spacer	X	4
5	F290-1	Seat Assembly (forward RH, Ref)		
6	NAS1149F0432P	Washer	X	1
7	NAS6604-5	Bolt	X	1
8	NAS6604-6	Bolt	X	3
9	A141-14	Washer (under nut)	X	3
10	MS21042L4	Nut	X	3
11	F297-1	Seat Assembly (Ref; forward LH)		
12	F424-1	Bumper Assembly (Ref, see Figure 25-13)		
13	MS27039C0806	Screw	X	4
14	F426-2	Anchor	X	2
15	NAS1149FN832P	Washer	X	8
16	NAS1149FN816P	Washer	X	4
17	MS21042L08	Nut	X	4

NOTES

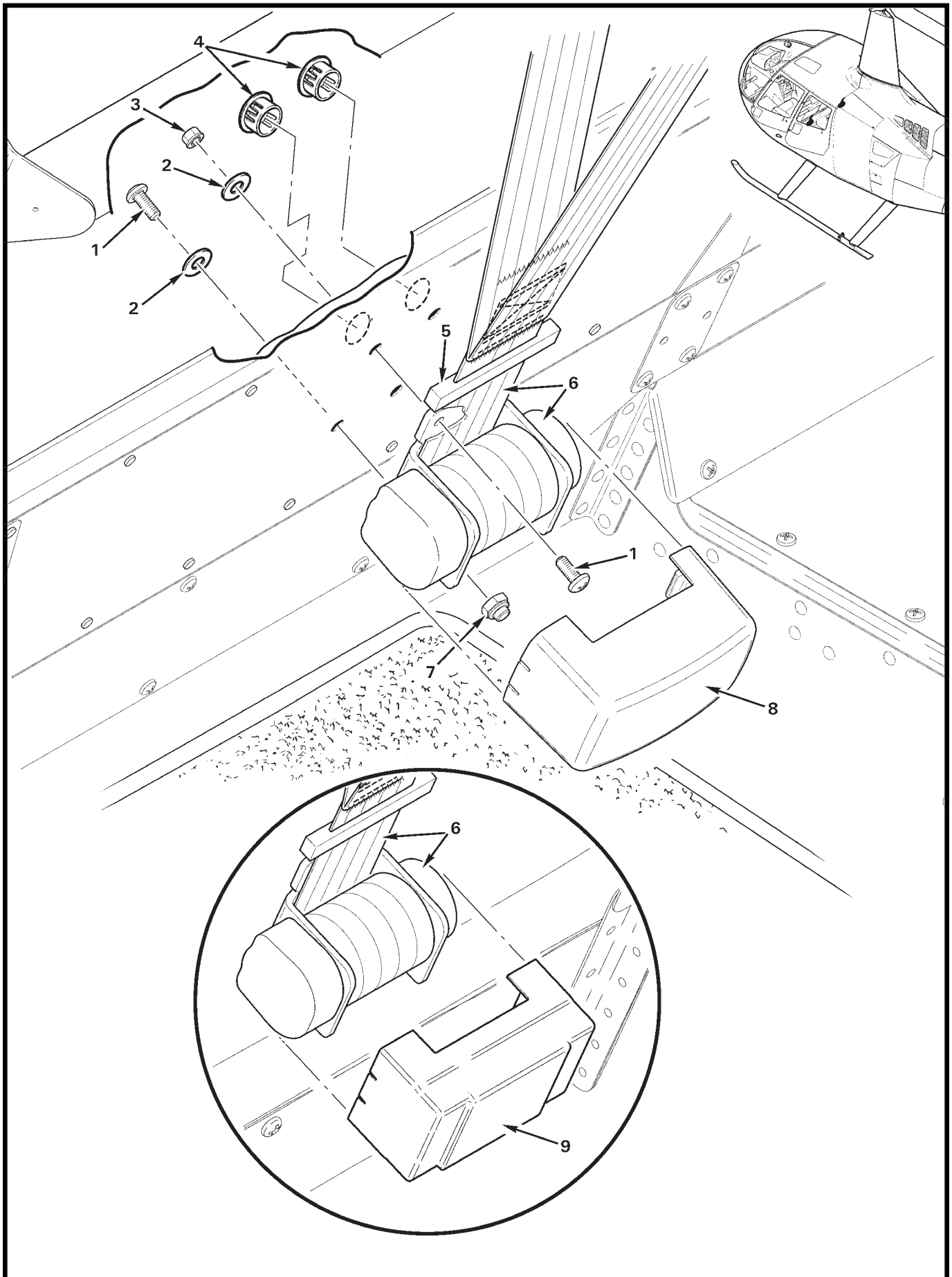


FIGURE AND INDEX NUMBER	PART NUMBER	DESCRIPTION	PARTS AVAIL	QTY PER ASSY
FIVE-POINT HARNESS INERTIA REEL INSTALLATION				
25-11-1	MS27039C1-07	Screw	X	4
2	A141-17	Washer	X	4
3	D210-3	Nut (upper screws)	X	2
4	2663	Hole Plug	X	2
5	C623-1	Spring (Ref)	O	1
	C623-2	Plate (Ref)	O	1
	C623-3	Block (Ref)	O	1
6	C627-6	Five-Point Harness Assembly (Ref; see Figure 25-9)		
7	B340-8	Nut (lower screws)	X	2
8	506354-3	Cover	X	1
9	505663-3	Cover (earlier ships)	X	1

NOTES

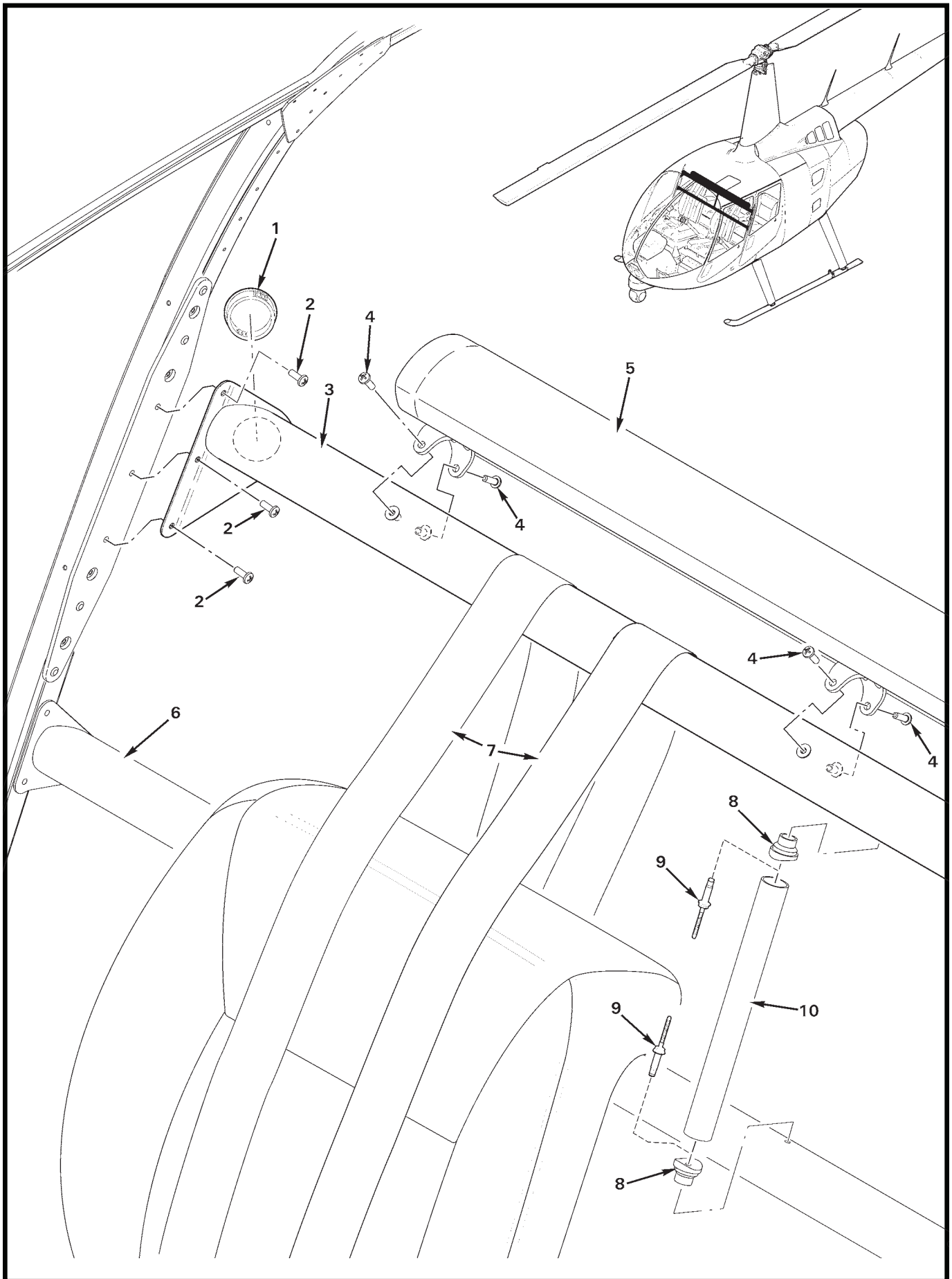


FIGURE AND INDEX NUMBER	PART NUMBER	DESCRIPTION	PARTS AVAIL	QTY PER ASSY
FIVE-POINT HARNESS BUMPER ASSEMBLY INSTALLATION				
25-13-1	2740	Hole Plug	X	2
2	MS27039C1-07	Screw	X	6
3	F423-4	Tube Assembly (Incl item 1)	X	1
4	MS27039C0808	Screw	X	8
5	F424-1	Bumper Assembly	X	1
6	F423-1	Tube Weldment (Ref)		
7	C627-6	Five-Point Harness Assembly (Ref)		
8	C421-7	Fitting	X	2
9	NAS9301B-5-06	Rivet	X	2
10	C421-6	Tube	X	1

NOTES

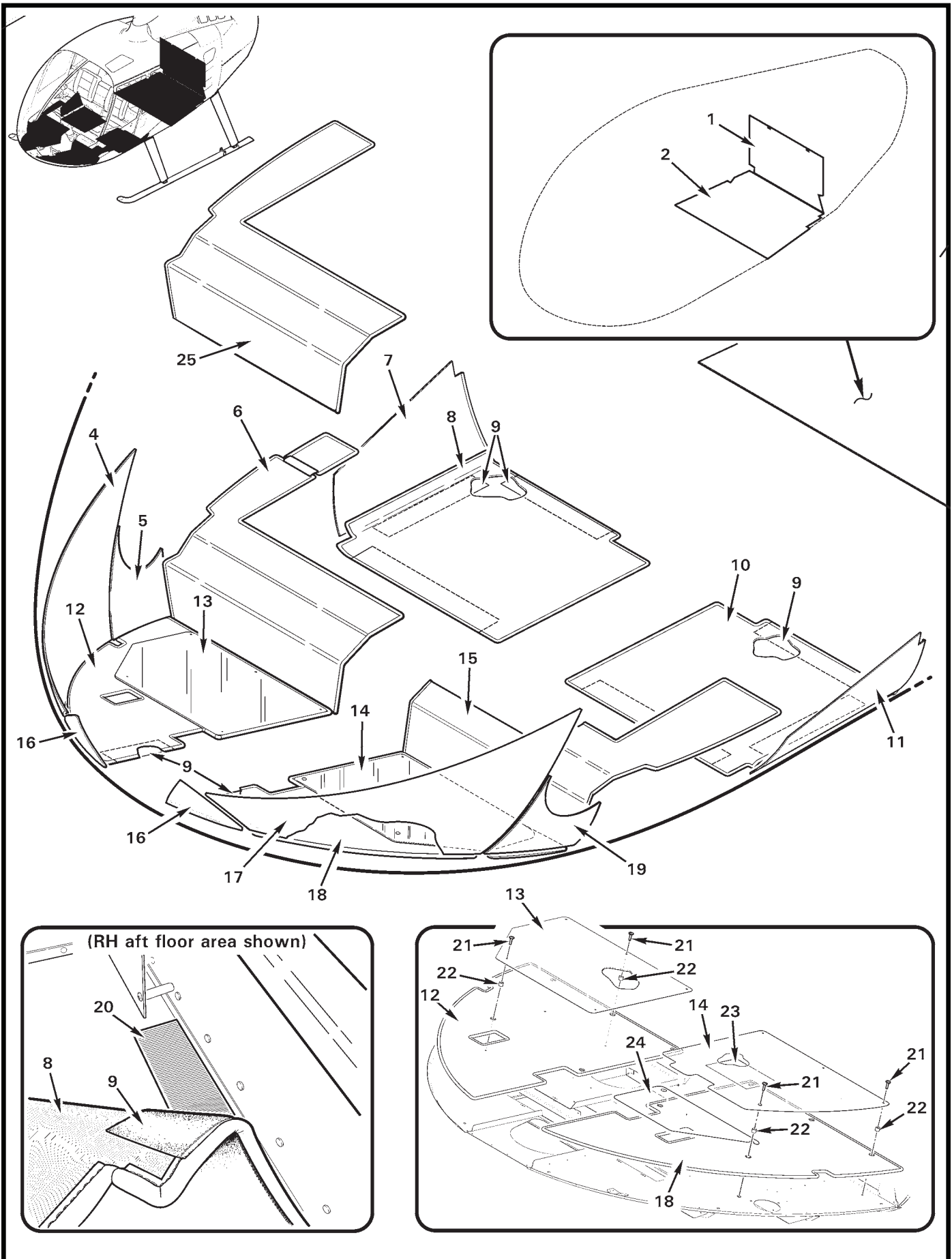


FIGURE AND INDEX NUMBER	PART NUMBER	DESCRIPTION	PARTS AVAIL	QTY PER ASSY
CARPET INSTALLATION				
25-15-1	F469-26*	Liner – Baggage Compartment	X	1
	F469-20***	Liner – Baggage Compartment* (earlier aircraft)	O	1
2	F469-25*	Liner – Baggage Compartment	X	1
	F469-21***	Liner – Baggage Compartment* (earlier aircraft)	X	1
3	B270-8qt	Adhesive	X	A/R
4	F469-12**	Carpet* (RH)	X	1
5	F469-10**	Carpet* (RH)	X	1
6	F469-24**	Carpet Assembly* (RH; flap over external power plug not bonded down, see figure 96-13)	X	1
7	F469-14**	Carpet Assembly* (RH)	X	1
8	F469-6**	Carpet Assembly (RH, includes item 9)	X	1
9	B175-4	Loop Tape (black)	X	A/R
	B175-34	Loop Tape (tan)	X	A/R
10	F469-5**	Carpet Assembly (LH, includes item 9)	X	1
11	F469-13**	Carpet Assembly* (LH)	X	1
12	F469-2**	Carpet Assembly (RH)	X	1
13	G469-2	Scuff Plate	X	1
14	G469-1	Scuff Plate Assembly (Incl item 22)	X	1
15	F469-7**	Carpet Assembly* (LH)	X	1
16	F469-15**	Carpet* (LH and RH)	X	2
17	F469-11**	Carpet* (LH)	X	1
18	F469-1**	Carpet Assembly (LH)	X	1
19	F469-9**	Carpet* (LH)	X	1
20	B175-13	Hook Tape (self-adhering, eight places)	X	A/R
21	AN525-832R10	Screw	X	10
22	A130-33	Spacer (between floor and scuff plate)	X	10
23	A654-85	Decal – “Danger”	X	1
24	B392-3	Cover (pedal openings)	X	1
25	F469-8***	Carpet Assembly (RH)	X	A/R

NOTES * Install using item 3.
 ** Please specify color (blue, grey, tan or charcoal).
 *** Earlier R66s.

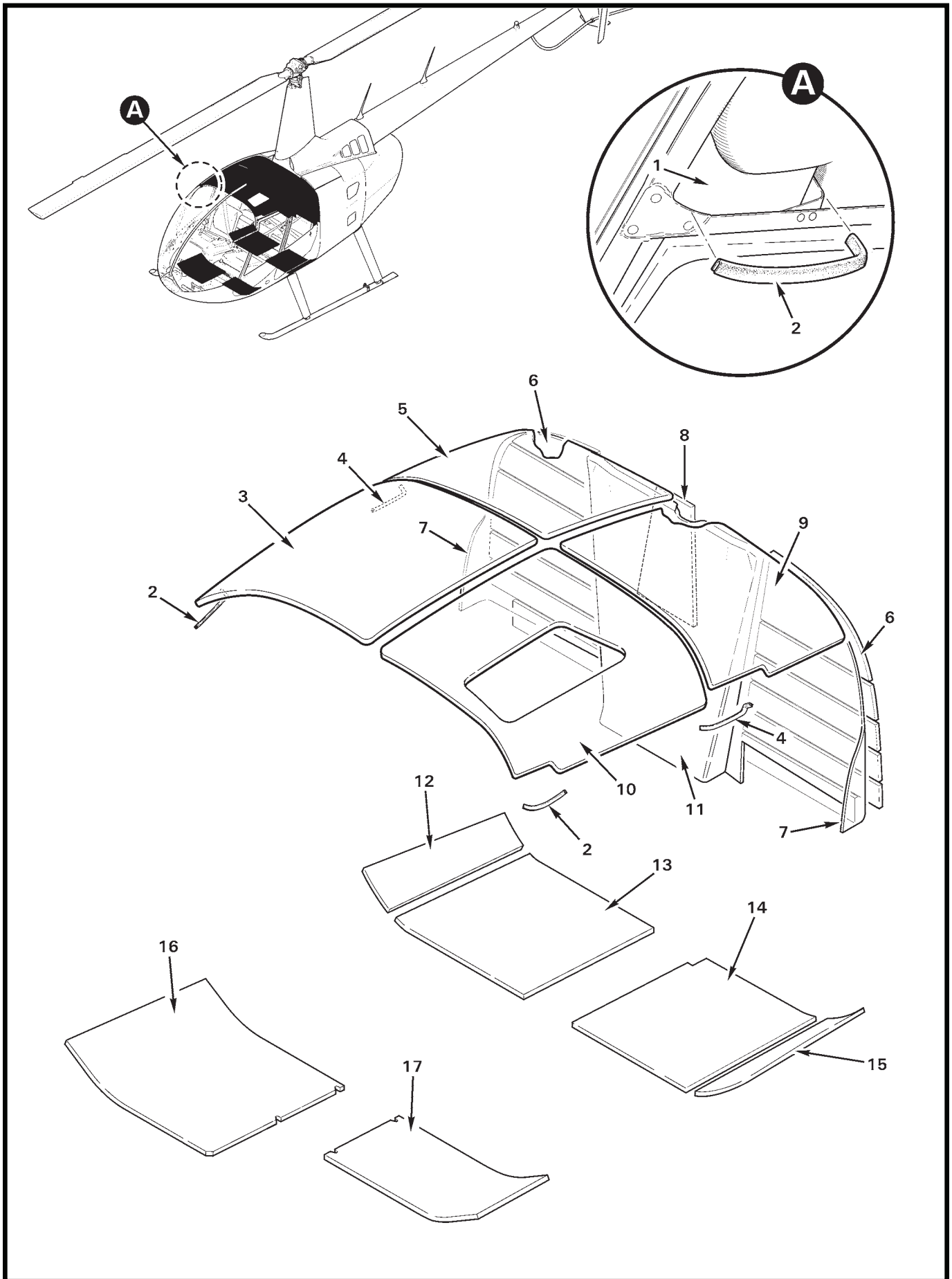


FIGURE AND INDEX NUMBER	PART NUMBER	DESCRIPTION	PARTS AVAIL	QTY PER ASSY
HEADLINER AND INSULATION INSTALLATION				
25-17-1	C212-3	Patch* (black vinyl, four places)	X	4
2	C212-1	Trim (forward, LH and RH)	X	2
3	F003-6**	Insulation* (RH, headliner)	X	1
4	C212-2	Trim (aft, LH and RH)	X	2
5	F003-15**	Insulation* (RH, aft headliner)	X	1
	F003-18**	Insulation* (RH; with A/C, not shown)	X	1
6	F003-10	Insulation* (RH and LH; cut into sections)	X	2
7	F003-25**	Insulation* (LH)	X	1
	F003-26**	Insulation* (RH)	X	1
	F003-8**	Insulation* (RH and LH; earlier ships)	O	2
8	F003-14	Insulation* (inside main rotor gearbox compartment)	X	1
9	F003-7**	Insulation* (LH)	X	1
	F003-17**	Insulation* (LH; with A/C, not shown)	X	1
10	F003-5**	Insulation* (LH, headliner)	X	1
11	F003-9**	Insulation* (LH, aft headliner)	X	1
12	F470-10	Liner (RH,aft)	X	1
13	F470-8	Liner (RH, under aft seat assemblies)	X	1
	F003-13	Liner (RH, under aft seat assemblies; earlier ships)	O	1
14	F470-7	Liner (LH, under aft seat assemblies)	X	1
	F003-13	Liner (RH, under aft seat assemblies; earlier ships)	O	1
15	F470-9	Liner (LH, aft)	X	1
16	F470-6	Insulation (RH, under forward seat)	X	1
	F003-12	Insulation (RH, under forward seat; earlier ships)	O	1
17	F470-5	Insulation (LH, under forward seat)	X	1
	F003-11	Insulation (LH, under forward seat; earlier ships)	O	1
18	B270-8qt	Adhesive	X	A/R

NOTES * Install using item 18.
 ** Please specify color (blue, grey, tan or charcoal).

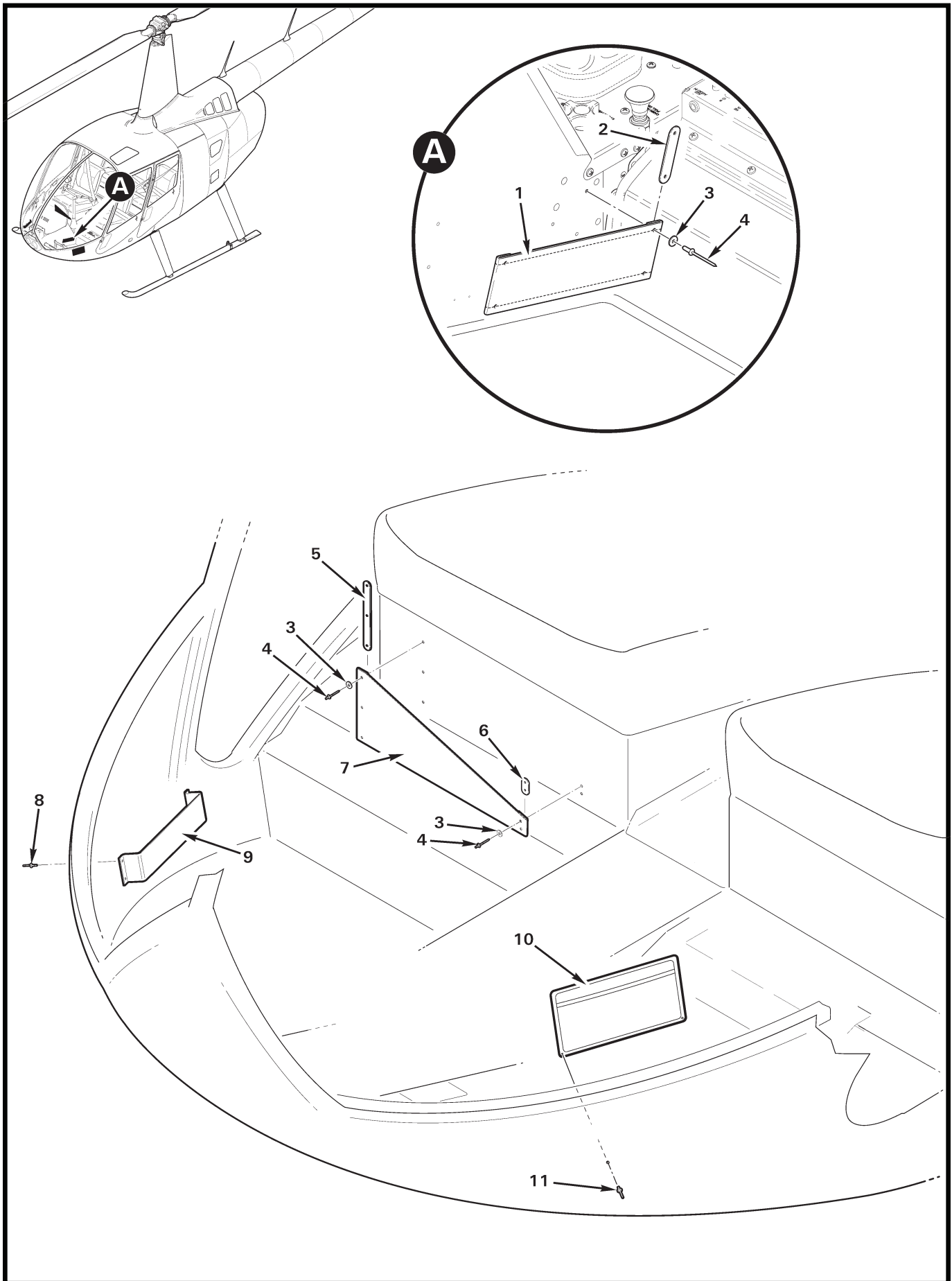


FIGURE AND INDEX NUMBER	PART NUMBER	DESCRIPTION	PARTS AVAIL	QTY PER ASSY
DOCUMENT HOLDER INSTALLATIONS				
25-19-1	A912-6	Pocket (console, LH and RH; 2.38" x 10.35")	X	2
	A912-5	Pocket (console, LH and RH; earlier ships, 4.13" x 10.35" not shown)	X	2
2	A913-5	Strip (short, console)	X	4
	A913-3	Strip (long, console; earlier aircraft, not shown)	X	4
3	NAS1149FN632P	Washer	X	16
4	B204-2	Rivet	X	16
5	A913-1	Strip (long, seat)	X	2
6	A913-2	Strip (short, seat)	X	2
7	A912-1	Pocket	X	1
8	NAS9301B-4-05	Rivet	X	4
9	A745-1	Strap	X	1
10	13-07900	License Holder	X	1
11	NAS9301B-4-04	Rivet (or NAS9301B-4-05)	X	4

NOTES

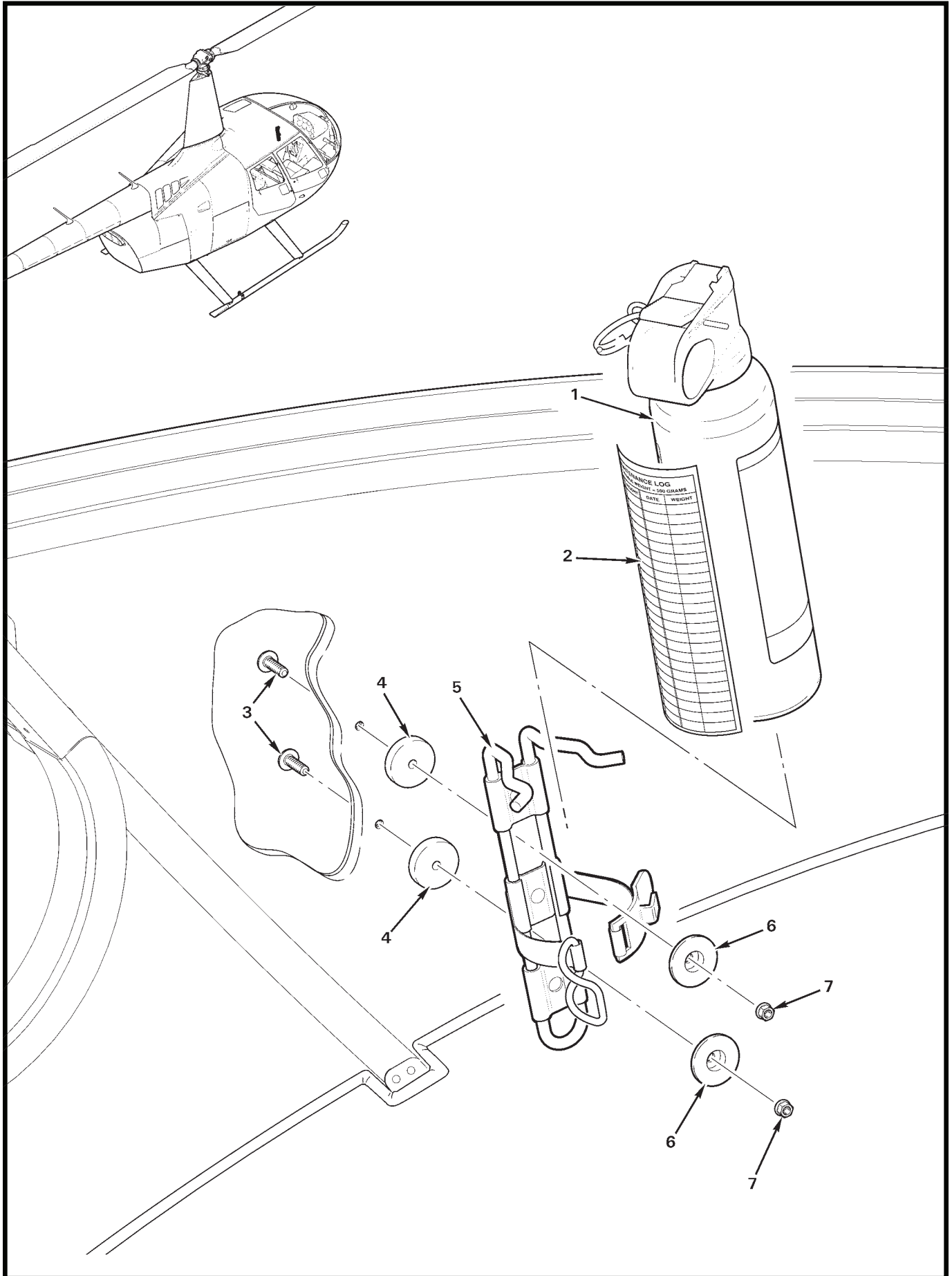


FIGURE AND INDEX NUMBER	PART NUMBER	DESCRIPTION	PARTS AVAIL	QTY PER ASSY
FIRE EXTINGUISHER INSTALLATION				
25-21-1	B381-1	Fire Extinguisher	X	1
2	G654-15	Decal – "MAINTENANCE LOG..." (see SL-23A or subsequent)	X	1
3	MS27039C08XX	Screw (select screw length to provide 0.00-0.06 in. exposed thread)	X	2
4	C130-54	Spacer	X	2
5	B381-3	Bracket	X	1
6	G220-1	Retainer	X	2
7	MS21042L08	Nut	X	2

NOTES

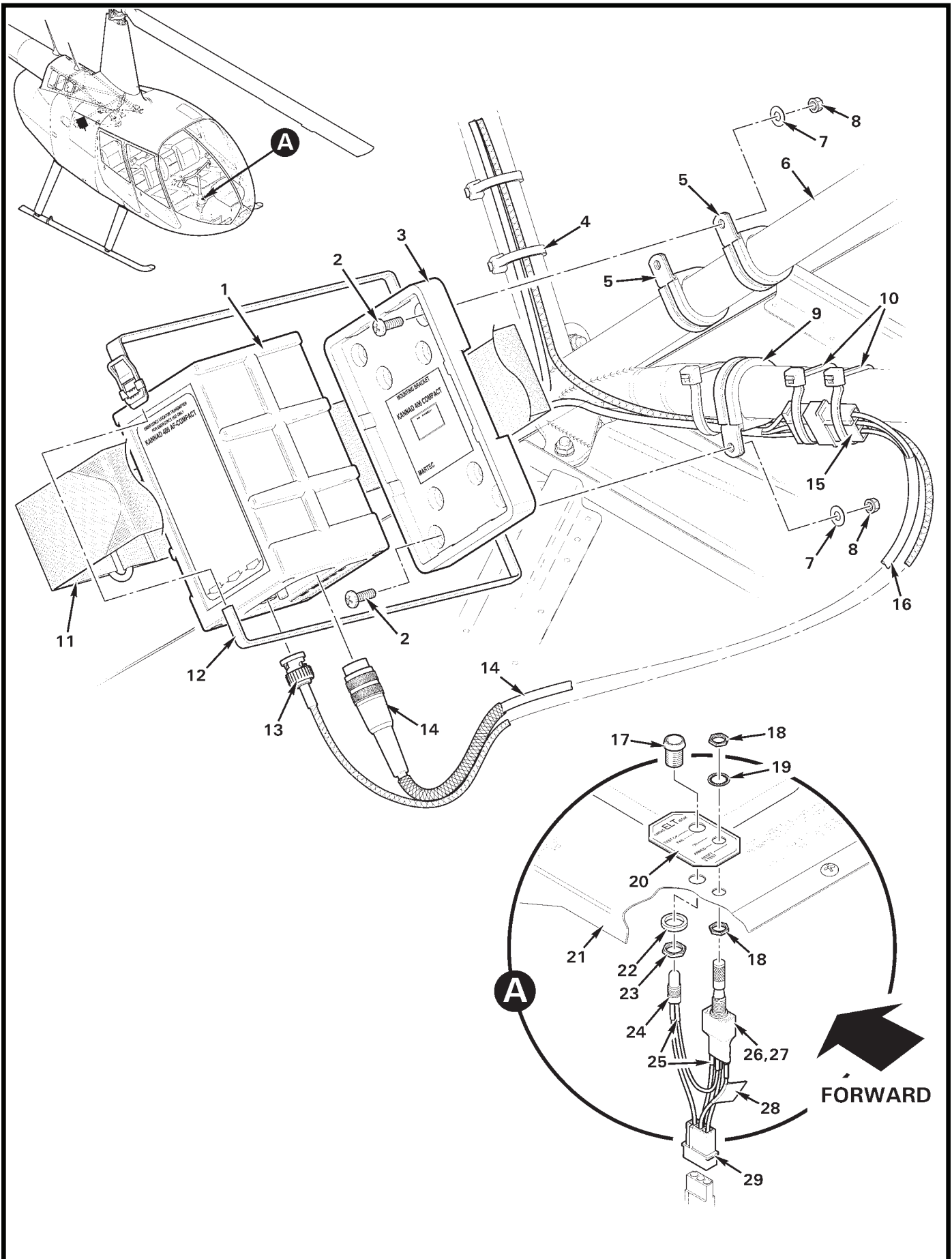


FIGURE AND INDEX NUMBER	PART NUMBER	DESCRIPTION	PARTS AVAIL	QTY PER ASSY
KANNAD ELT INSTALLATION				
25-23-1	S1851501-02*	ELT Transmitter (Integra AF)	X	1
	S1840501-01*	ELT Transmitter (406 AF-Compact; earlier aircraft)	O	1
2	MS27039C1-08	Screw (or MS27039C1-09 as required to achieve 2 to 4 threads exposed)	X	2
3	S1840502-01*	Bracket – Mounting (ELT)	X	1
4	MS3367-7-0	Ty-Rap	X	A/R
5	MS21919WDG16	Clamp	X	2
6	F020-1	Upper Frame (Ref)		
7	NAS1149F0316P	Washer	X	6
8	D210-3	Nut	X	3
9	MS21919WDG18	Clamp	X	1
10	MS3367-7-9	Ty-Rap	X	A/R
11	—	Strap (included with item 3)	O	1
12	D693-4	Strap Assembly	X	1
13	5225395-6	Plug	X	2
	B274-518	Cable	X	A/R
14	A837-10	Harness Assembly	X	1
15	B263-14	Housing	X	1
	B263-1	Pin	X	3
16	—	Wires (Ref; -1849, -1850, and 1851)		
17	—	Mount – LED	O	1
18	—	Nut	O	2
19	—	Lockwasher	O	1
20	—	Panel	O	1
21	F444-1	Cover – Cyclic Control Assembly (Ref)		
22	—	Ring	X	1
23	—	Nut	O	1
24	—	LED (bi-polar, red)	X	1
25	B158-1	Heat Shrink	X	A/R
26	—	Switch (remote control, 3-position, locking)	O	1
27	F837-3	Switch Assembly (Incl items 17 thru 20; 22 thru 26, 28, 29 and wires; assembled)	X	1
28	—	Production Stamp	O	1
29	B263-14	Housing	X	1
	B263-1	Pin	X	3

NOTES * Kannad part no.

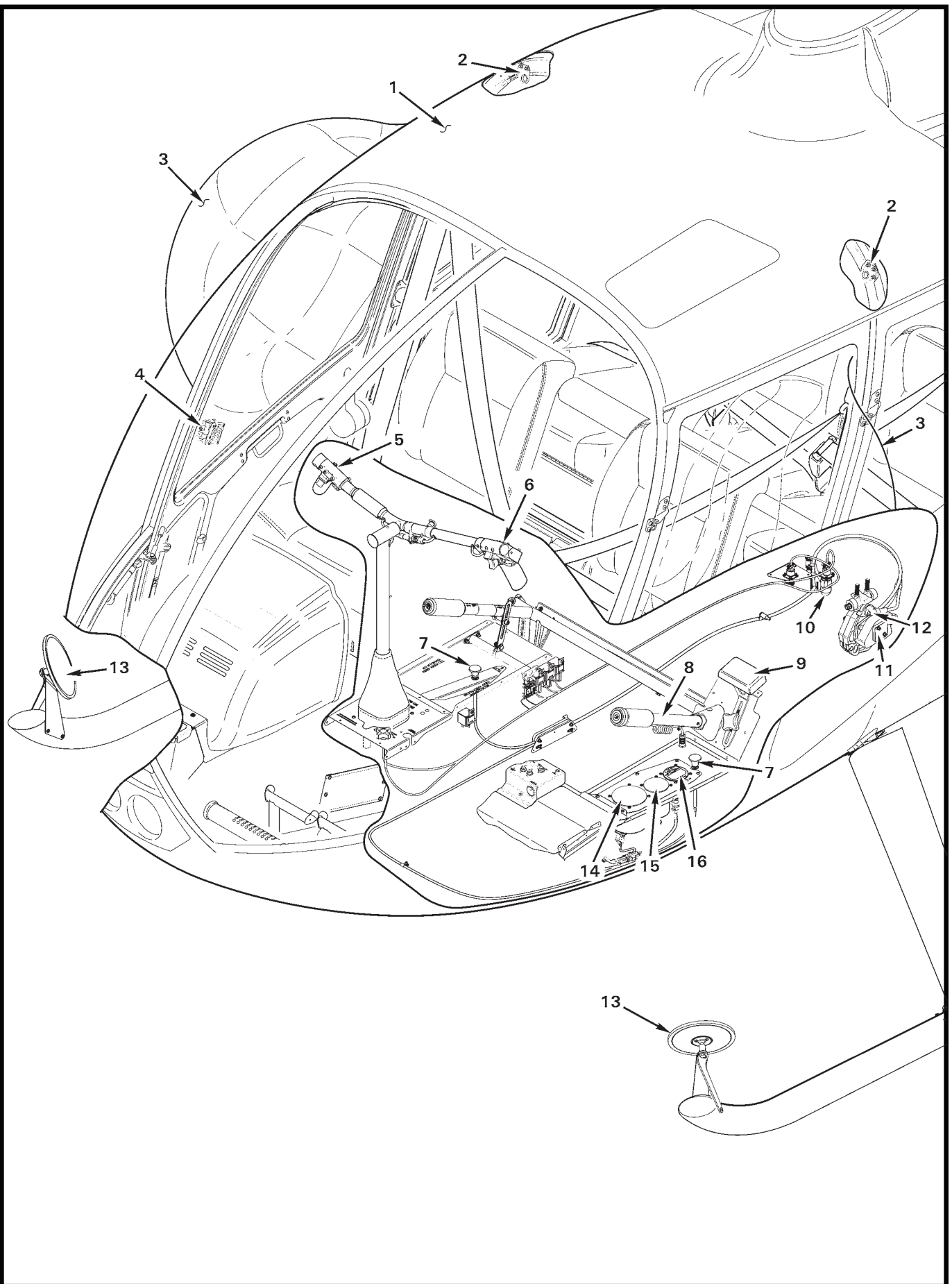


FIGURE AND INDEX NUMBER	PART NUMBER	DESCRIPTION	PARTS AVAIL	QTY PER ASSY
CARGO HOOK INSTALLATION				
25-25-1	G132-4	R66 Cargo Hook Installation – Advanced (Incl items 2 thru 16; equipment is standard unless otherwise noted.)		
2	G949-1	Hardpoint Installation – Cabin Interior (Ref, optional; see Figure 25-31)		
3	G142-1 & -2	Door Assembly Installation (Ref, optional; see Figure 25-31)		
4	D580-5 & -6	Fan Assembly (Ref, optional; see Figure 25-31)		
5	C058-12	Grip Assembly – Cyclic (Ref; see Figure 25-39)		
	C058-18	Grip Assembly – Cyclic (Ref, w/autopilot; see Figure 25-39)		
6	C058-13	Grip Assembly – Cyclic (Ref; see Figure 25-43)		
	C058-19	Grip Assembly – Cyclic (Ref, w/autopilot; see Figure 25-43)		
7	A522-15 & 16	Control – Cargo Hook Mechanical Release (Ref; see Figures 25-35 and 25-39)		
8	C758-4	Removable Collective (Ref, with start button; see Figure 25-43)		
9	G135-7	Support Assembly (Ref, see Figure 25-35)		
10	G140-3	Harness Assembly – External Load (Ref; see Figure 25-27)		
11	528-029-00*	Cargo Hook (Ref; see Figure 25-27)		
12	—	Load Cell (Ref; see Figure 25-27)		
13	G141-1 & -2	Skid Mirror Installation (Ref, optional; see Figure 25-31)		
14	—	Torque Meter (Ref, see Figure 25-35)		
15	—	MGT Meter (Ref, see Figure 25-35)		
16	—	Load Meter (Ref, see Figure 25-35)		
<p>NOTES * Onboard Systems part no,</p>				

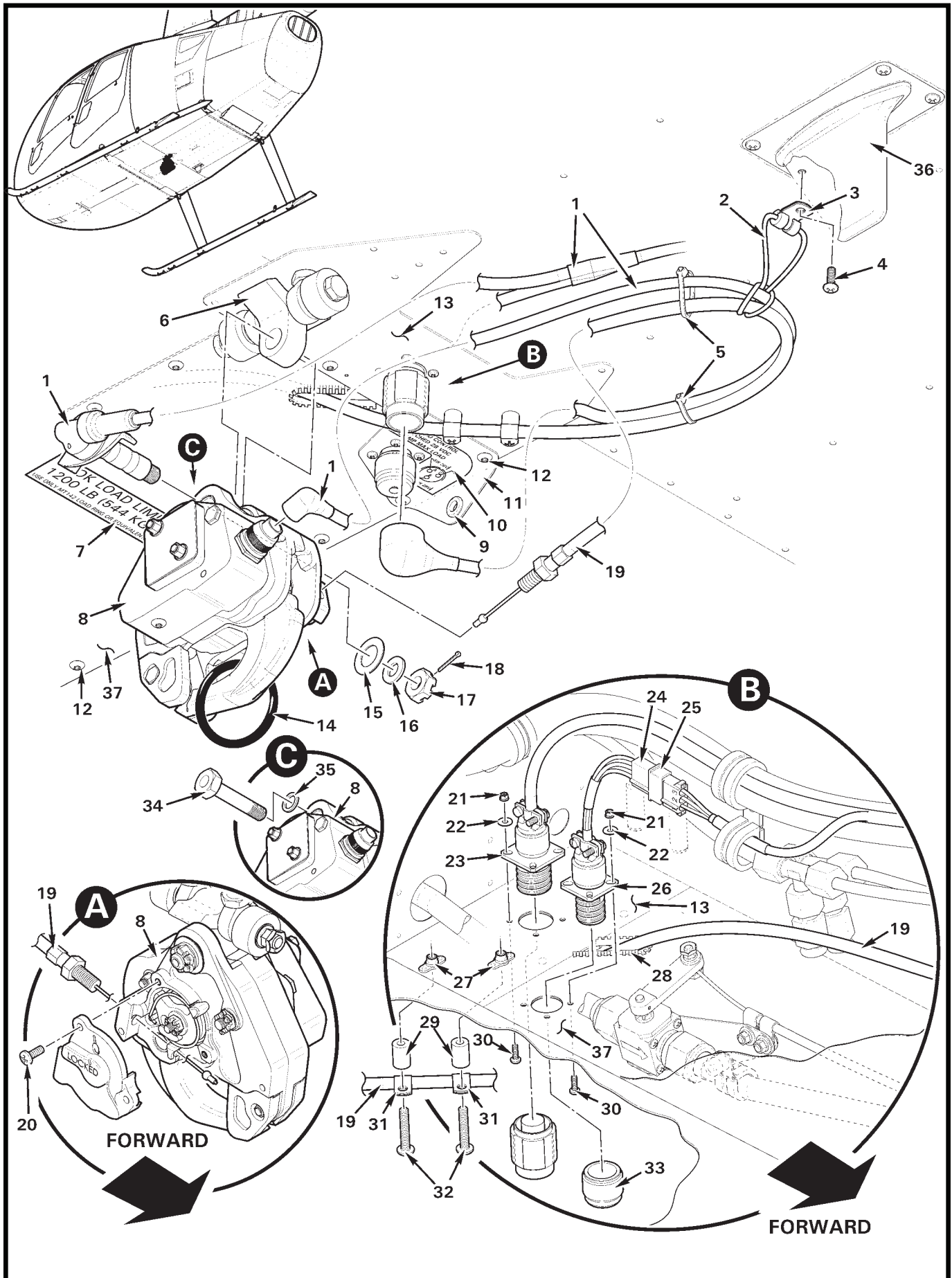


FIGURE AND INDEX NUMBER	PART NUMBER	DESCRIPTION	PARTS AVAIL	QTY PER ASSY
CARGO HOOK – INSTALLATION				
25-27-1	G140-6	Harness Assembly (electronic hook release, not shown)	X	1
	G140-7	Harness Assembly (electronic hook release, with load cell) . .	X	1
2	A215-149	O-ring	X	1
3	MS21919WDG2	Clamp	X	1
4	MS27039C0807	Screw (replaces existing screw)	X	1
5	MS3367-5-0	Ty-rap	X	2
6	G137-1	Hardpoint Hinge Assembly (Ref, see Figure 10-5)		
7	F654-44	Decal – “HOOK LOAD LIMIT 1200 LB (544 KG)...”	X	1
8	528-029-00*	Cargo Hook (Incl item 20; attach using items 15 thru 18, 34 and 35 if G140-1 installed)	X	1
9	NAS557-6A	Grommet	X	1
10	F654-47	Decal – “EXT LOAD CONTROL...”	X	2
11	G135-6	Angle	X	1
12	B526-6	Screw (Ref; existing hardware)		
13	F382-3	Plate (Ref)		
14	MT142-1	Primary Ring	O	1
15	510-183-00	Washer	X	1
16	510-174-00	Washer	X	1
17	510-170-00	Nut	X	1
18	510-178-00	Cotter Pin	X	1
19	D676-3	Cable Assembly	X	1
20	—	Screw	O	2
21	MS21042L04	Nut	X	8
22	NAS1149FN416P	Washer	X	8
23	G140-1	Harness Assembly (electronic hook release, basic installation)	X	1
	G140-2	Harness Assembly (electronic hook release, with load cell; advanced installation)	X	1
	G140-8	Harness Assembly (optional, electronic hook release, with load cell, basic installation)	X	1
24	B263-14	Housing	X	1
	B263-1	Pin	X	3
25	B263-15	Housing	X	1
	B263-2	Socket	X	3
26	G140-3	Harness Assembly	X	1
27	MS21069L08	Nutplate	X	2
28	A225-2	Grommet	X	A/R

NOTES * Onboard Systems part no.

Continues

FIGURE AND INDEX NUMBER	PART NUMBER	DESCRIPTION	PARTS AVAIL	QTY PER ASSY
CARGO HOOK – INSTALLATION (Cont’d)				
25-27-29	A130-38	Spacer	X	2
30	MS23506-215	Screw	X	8
31	AN742-4	Clamp	X	2
32	MS27039C0816	Screw	X	2
33	FTC-4	Cap (labeled “FC-4”)	X	1
34	290-332-00*	Bolt (used if load cell not installed, basic installation)	X	1
35	510-144-00*	Washer	X	1
36	CI-105-16	Antenna – Transponder (Ref; see Figure 6-19)		
37	F794-2	Panel (Ref)		

NOTES * Onboard Systems part no.

Intentionally Blank

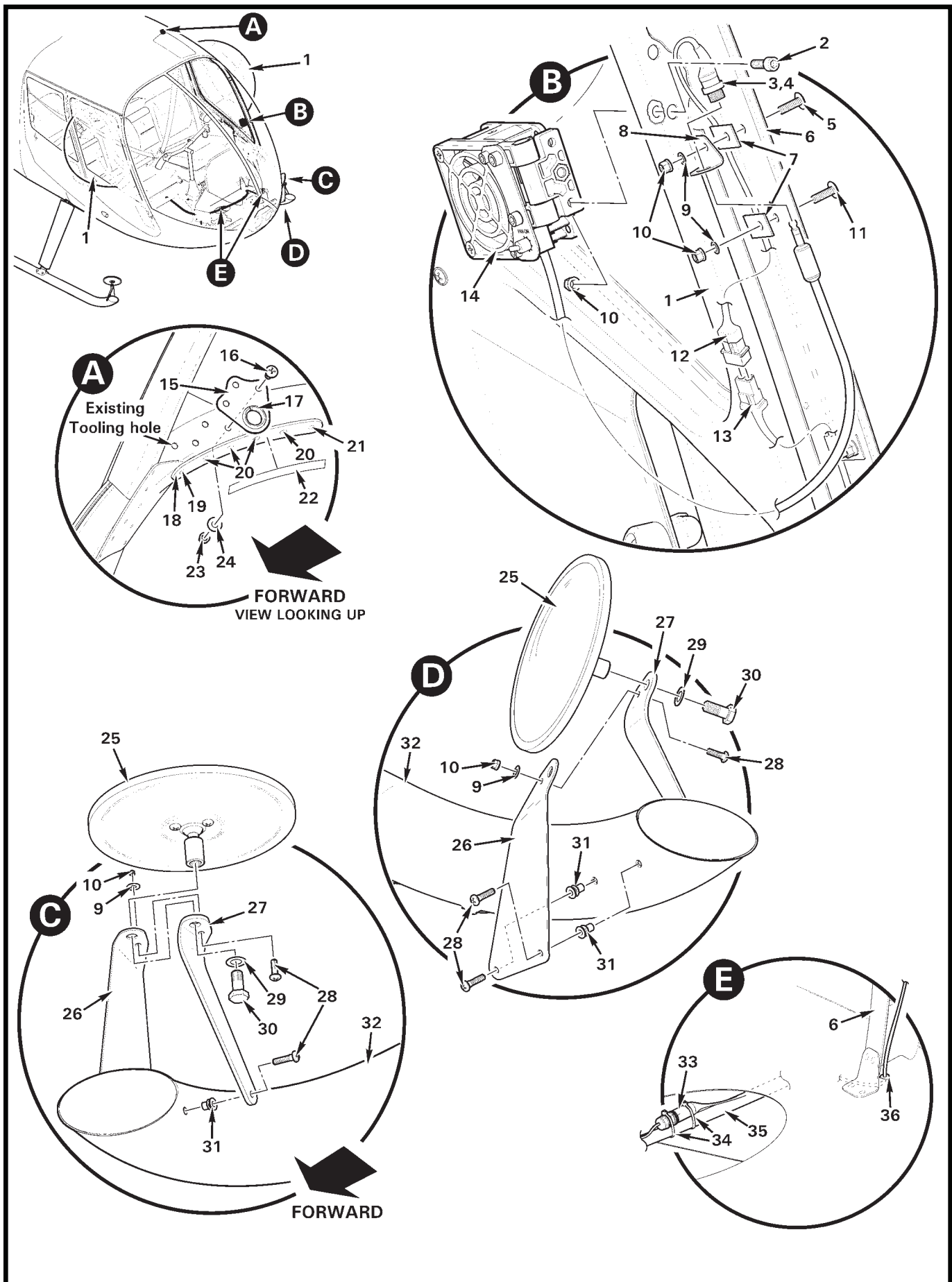


FIGURE AND INDEX NUMBER	PART NUMBER	DESCRIPTION	PARTS AVAIL	QTY PER ASSY
CARGO HOOK – DETAILS				
25-31-1	C026-005	Large Bubble Door Assembly – Forward LH (Ref; see Figure 52-1)		
	C026-006	Large Bubble Door Assembly – Forward RH (Ref; see Figure 52-1)		
2	NAS1352-08-8	Screw	X	2
3	G140-9	Harness Assembly (includes items 4, 12, B266-4 sleeving, and B158 heat shrink)	X	1
4	712A	Receptacle	X	1
5	AN526C832R9	Screw	X	1
6	C238	Jamb (Ref)		
7	D098-6	Tab	X	4
8	G145-3	Angle – LH	X	1
	G145-4	Angle – RH	X	1
9	NAS1149FN816P	Washer	X	5
10	MS21042L08	Nut	X	7
11	AN526C832R8	Screw	X	3
12	B263-32	Housing	X	1
	B263-1	Pin	X	2
13	B263-33	Housing (Ref)		
	B263-2	Socket (Ref)		
14	D580-5	Fan Assembly – LH	X	1
	D580-6	Fan Assembly – RH	X	1
15	G949-2	Ring		
16	MS27039C1-06	Screw	X	3
17	NAS557-8A	Grommet	X	1
18	G949-3	Doubler	X	1
19	NAS9301B-5-05	Rivet	X	1
20	MS20426AD4	Rivet	X	4
21	MS20470AD4	Rivet	X	1
22	G654-2	Decal – “Safety Harness Attach Point...”	X	1
23	D210-3	Nut	X	3
24	NAS1149F0332P	Washer	X	3
25	97819	Mirror (Incl items 28 and 29)	X	1
26	G138-5	Support – LH	X	1
	G138-6	Support – RH	X	1

NOTES

Continues

FIGURE AND INDEX NUMBER	PART NUMBER	DESCRIPTION	PARTS AVAIL	QTY PER ASSY
CARGO HOOK – DETAILS (Cont'd)				
25-31-27	G138-7	Strap – LH	X	1
	G138-8	Strap – RH	X	1
28	MS27039C0808	Screw	X	4
29	—	Lockwasher	O	1
30	—	Bolt	O	1
31	NAS1329H08K	Rivet Nut	X	3
32	F014	Landing Gear (Ref)		
33	D262-11	Fuse Holder	X	1
	AGC-1-R	Fuse	X	1
34	MS3367-5-9	Ty-rap	X	A/R
35	A780-70	Cable Assembly (Ref)		
36	MS35489-4	Grommet	X	1
NOTES				

Intentionally Blank

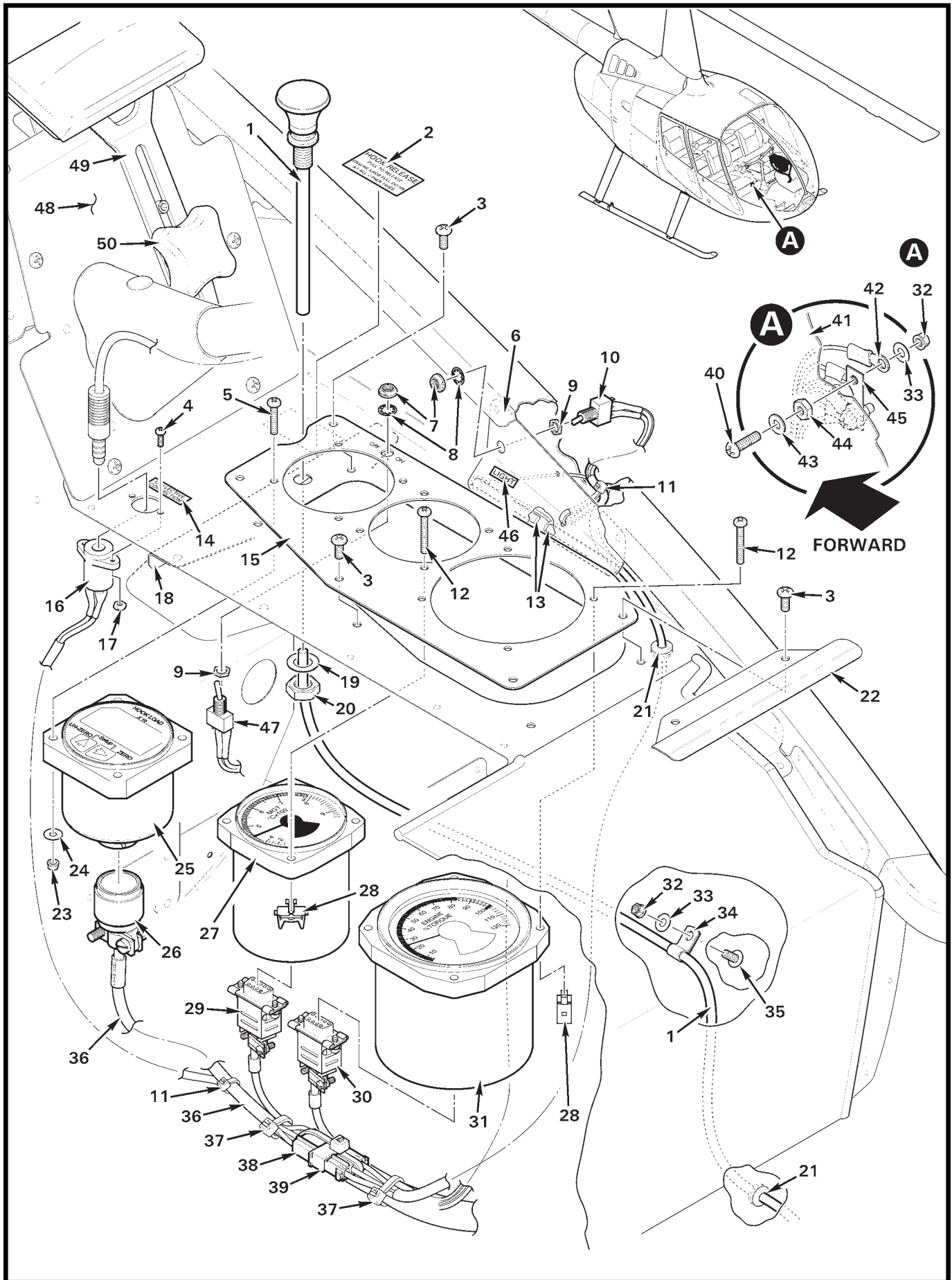


FIGURE AND INDEX NUMBER	PART NUMBER	DESCRIPTION	PARTS AVAIL	QTY PER ASSY
CARGO HOOK – LEFT SIDE DETAILS				
25-35-1	A522-16	Control (manual cargo hook release)	X	1
2	G654-13	Decal – “HOOK RELEASE...”	X	1
3	MS27039C0806	Screw	X	5
4	MS35206-215	Screw	X	2
5	MS35206-232	Screw	X	4
6	G196-4	Light Assembly (includes items 10, 11 [1], 13, sealant, heat shrink and wires)	X	1
7	B227-4	Dress Nut	X	2
8	B227-3	Lockwasher	X	2
9	—	Nut	O	1
10	B300-3	Switch Assembly (Incl items 7 thru 9)	X	2
11	MS3367-4-9	Ty-rap	X	A/R
	MS3367-5-9	Ty-rap	X	A/R
12	MS35206-234	Screw	X	8
13	G196-5	LED Strip	X	2
14	G654-4	Decal – “COLLECTIVE CONNECTION”	X	1
15	G138-4	Face	X	1
16	TJ-120	Jack	X	1
17	B330-2	Palnut	X	2
18	G138-2	Support Assembly	X	1
19	—	Washer	O	1
20	—	Nut	O	1
21	MS35489-4	Grommet	X	2
22	G135-5	Cover	X	1
23	MS21042L06	Nut	X	4
24	NAS1149FN616P	Washer	X	4
25	210-095-00*	Load Meter	X	1
26	MS3126F14-15S	Plug	X	1
27	T1221MK900C010	MGT Meter	X	1
28	MS33737-15C	Nut – Instrument	X	8
29	B269-4	Receptacle	X	1
	B269-21	Backshell	X	1
30	G140-4	Harness Assembly	X	1
31	F600-2	Torque Meter	X	1
32	MS21042L08	Nut	X	3

NOTES * Onboard Systems part no.

Continues

FIGURE AND INDEX NUMBER	PART NUMBER	DESCRIPTION	PARTS AVAIL	QTY PER ASSY
CARGO HOOK – LEFT SIDE DETAILS (Cont'd)				
25-35-33	NAS1149FN816P	Washer	X	3
34	AN742-3	Clamp	X	1
35	AN526C832R8	Screw	X	1
36	G140-2	Harness Assembly	X	1
37	MS3367-7-9	Ty-rap	X	A/R
38	B263-14	Housing	X	1
	B263-1	Pin	X	3
39	B263-15	Housing	X	1
	B263-2	Socket	X	3
40	B567-43	Screw	X	2
41	F293-1	Panel – LH (Ref)		
42	B260-3	Terminal	X	A/R
43	NAS1149DN832H	Washer	X	2
44	B301-8	Nut	X	2
45	A448-3	Bus Bar	X	1
46	F654-48	Decal – "LIGHT"	X	1
47	B049-9	Switch Assembly (load cell meter)	X	1
48	G135-8	Cover Assembly	X	1
49	G135-7	Support Assembly	X	1
50	2454K71	Knob	X	1

NOTES

Intentionally Blank

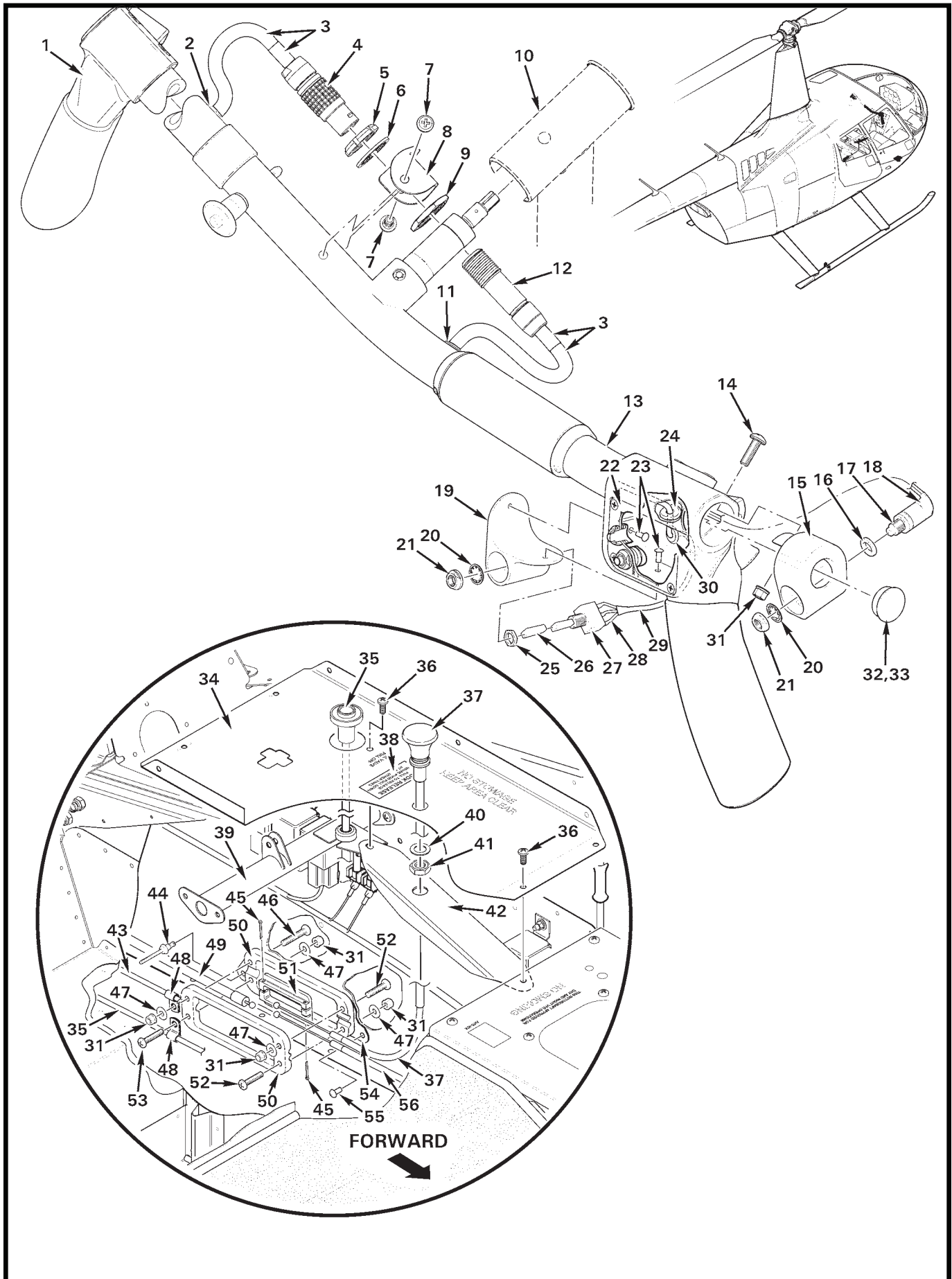


FIGURE AND INDEX NUMBER	PART NUMBER	DESCRIPTION	PARTS AVAIL	QTY PER ASSY
CARGO HOOK – RIGHT SIDE DETAILS				
25-39-1	C058-9	Grip Assembly – Cyclic (Ref, Co-pilot; see also Figure 67-11.)		
	C058-19	Grip Assembly – Cyclic (Ref, Co-pilot, with autopilot. See also Figure 67-11.)		
2	G1038	Grommet	X	1
3	B158-4	Heat Shrink	X	A/R
4	FGG2B314KLAD62	Plug	X	5
5	—	Nut	O	1
6	—	Washer	O	1
7	MS35206-242	Screw	X	2
8	G136-7	Housing	X	1
9	—	Nut	O	1
10	C069	Cyclic Control System (Ref)		
11	G1042	Grommet	X	1
12	PFG2B314KLLD62	Receptacle (Incl items 5, 6, and 9)	X	1
13	C058-12	Grip Assembly – Cyclic (Pilot/Co-Pilot, includes item 1 [C058-9]. Ref, see also Figure 67-11.)		
	C058-18	Grip Assembly – Cyclic (Pilot/Co-Pilot, with autopilot. Includes item 1 [C058-19]. Ref, see also Figure 67-11.)		
14	MS27039C0808	Screw	X	1
15	G136-1	Housing	X	1
16	94773A770	Washer	X	1
17	B227-2	Switch Assembly (Incl items 16, 20, and 21)	X	1
18	B158-6	Heat Shrink	X	A/R
19	G136-3	Housing	X	2
20	B227-3	Lockwasher	X	1
21	B227-4	Dress Nut	X	1
22	C214-24	Plate	X	1
	C214-27	Plate (w/autopilot)	X	1
23	MS20470AD3	Rivet	X	2
24	NAS557-6A	Grommet	X	1
25	—	Nut (5/16 inch)	O	1
26	D443-6	Boot	X	1
27	B300-7	Switch Assembly (Incl item 20, 21, and 25)	X	1
28	B158-2	Heat Shrink	X	A/R
29	B158-3	Heat Shrink	X	A/R
30	MS35489-1	Grommet	X	1

NOTES

Continues

FIGURE AND INDEX NUMBER	PART NUMBER	DESCRIPTION	PARTS AVAIL	QTY PER ASSY
CARGO HOOK – RIGHT SIDE DETAILS (Cont'd)				
25-39-31	MS21042L08	Nut	X	5
32	1690	Plug (install using item 31)	X	1
33	B270-15	Adhesive	X	A/R
34	F445	Cover Assembly (Ref)		
35	A522-11	Control – Fuel Shutoff Valve (Ref)		
36	MS27039C0806	Screw	X	3
37	A522-15	Control (hook release; includes items 38 and 39)	X	1
38	G654-13	Decal	X	1
39	F348-1	Anchor Assembly (Ref)		
40	—	Washer	O	1
41	—	Nut	O	1
42	G138-1	Support	X	1
43	A522-14	Control (Ref, cabin heat)		
44	NAS9301B-4-01	Rivet	X	1
45	MS24665-134	Cotter Pin	X	2
46	MS27039C0815	Screw	X	1
47	NAS1149FN816P	Washer	X	2
48	AN742-3	Clamp (Ref)		
49	D676-3	Cable Assembly (Ref, see Figure 25-27)		
50	G135-2	Clamp	X	2
51	G135-1	Splitter	X	1
52	MS27039C0813	Screw	X	2
53	MS27039C0814	Screw	X	1
54	G135-3	Plate Assembly	X	1
55	MS20470AD4	Rivet	X	1
56	A522-16	Control (Ref; hook release, left seat, see Figure 25-35)		

NOTES * Onboard Systems part no.

Intentionally Blank

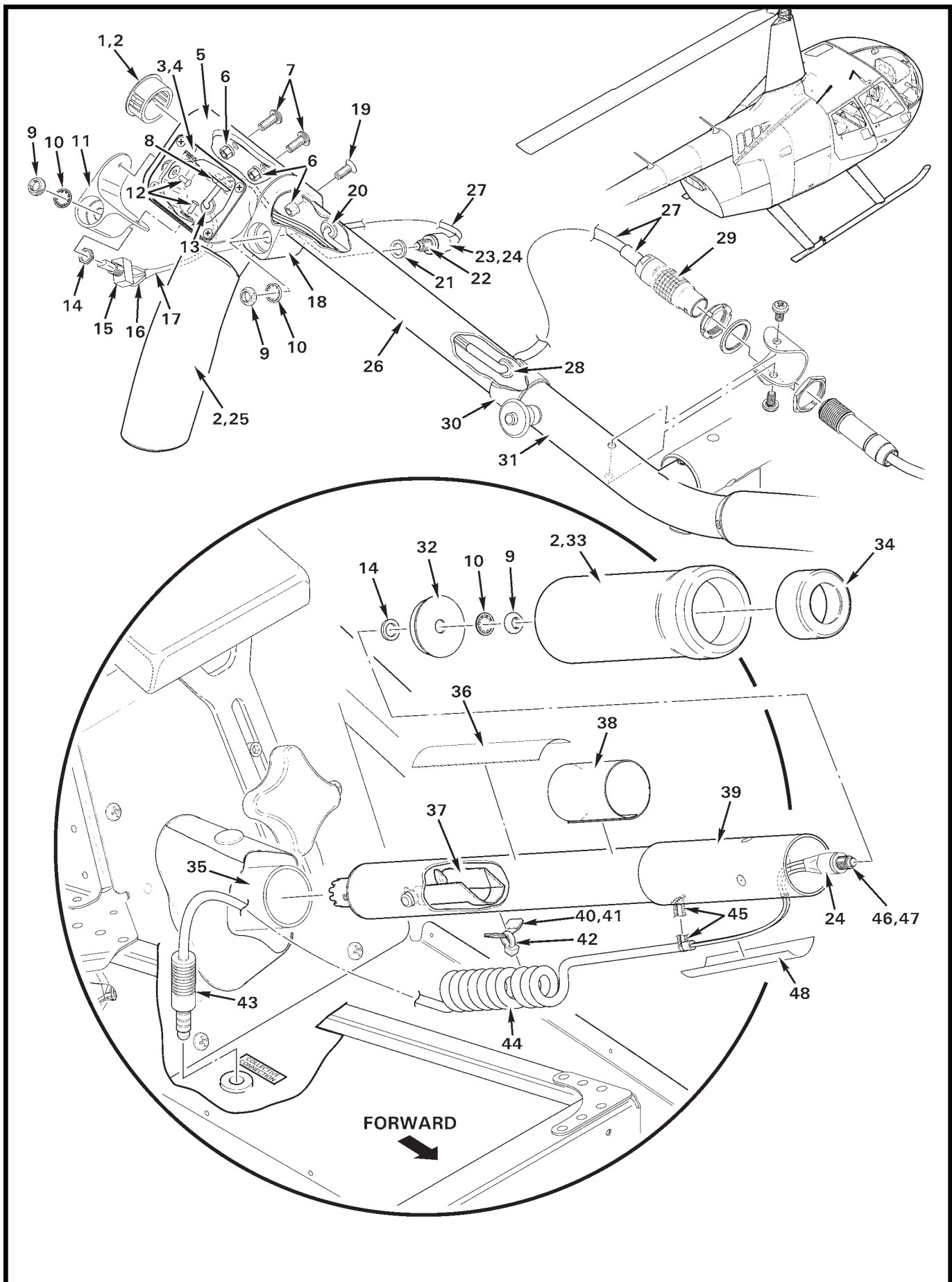


FIGURE AND INDEX NUMBER	PART NUMBER	DESCRIPTION	PARTS AVAIL	QTY PER ASSY
CARGO HOOK – LEFT SEAT FLIGHT CONTROLS				
25-43-1	2703	Plug (install using item 2)	X	1
2	B270-15	Adhesive	X	A/R
3	C214-24	Plate	X	1
4	C214-27	Plate (w/autopilot)	X	1
5	D379-1	Grip	X	1
6	MS21042L08	Nut	X	3
7	MS27039C0806	Screw	X	2
8	NAS557-6A	Grommet	X	1
9	B227-4	Dress Nut	X	1
10	B227-3	Lockwasher	X	1
11	G136-3	Housing	X	1
12	MS20470AD3	Rivet	X	2
13	MS35489-1	Grommet	X	1
14	—	Nut (5/16 inch)	O	1
15	B300-7	Switch (Incl items 9, 10, and 14)	X	1
16	B158-2	Heat Shrink (covers wires)	X	A/R
17	B158-3	Heat Shrink (around covered wires)	X	A/R
18	G136-2	Housing	X	1
19	MS24694-S3	Screw	X	A/R
20	MS35489-33	Grommet	X	1
21	94773A770	Washer	X	1
22	B227-2	Switch (Incl items 9, 10, and 21)	X	1
23	B158-2	Heat Shrink (around wires, not shown)	X	A/R
24	B158-6	Heat Shrink (around covered wires)	X	A/R
25	D379-2	Cover (install item 2)	X	1
26	C058-13	Grip Assembly – Cyclic (Incl items 1 thru 3, 5 thru 8, 13, 15 thru 20, 22 thru 25, and 27 thru 30)	X	1
	C058-19	Grip Assembly – Cyclic (w/autopilot; includes items 1, 2, 4 thru 8, 13, 15 thru 20, 22 thru 25, and 27 thru 30)	X	1
27	B158-4	Heat Shrink	X	A/R
28	G1038	Grommet	X	1
29	FGG2B314KLAD62	Plug	X	1
30	A321-22	Collar	X	1
31	C058	Grip Assembly – Cyclic (Ref, RH pilot; see Figure 25-39)		
32	B252-9	Mount	X	1

NOTES

Continues

FIGURE AND INDEX NUMBER	PART NUMBER	DESCRIPTION	PARTS AVAIL	QTY PER ASSY
CARGO HOOK – LEFT SEAT FLIGHT CONTROLS (Cont'd)				
25-43-33	A601-1	Grip (install using item 2)	X	1
34	A959-2	Cap (install using item 2)	X	1
35	C758-1	Stick Assembly (Ref; pilot)		
36	A654-21	Decal	X	1
37	A795-7	Pin	X	1
38	G654-3	Decal	X	1
39	C758-4	Stick Assembly – Collective (co-pilot; includes items 2, 32 thru 34, 36 thru 38, 40, 42 thru 46, and 48)	X	1
40	B252-10	Anchor Assembly (Incl item 41)	X	1
41	A701-7	Tape (black foam; self adhesive)		
42	MS3367-4-0	Ty-rap	X	1
43	TP-120	Plug	X	1
44	WMEC222-CL	Cable	X	1
45	B268-3	Lacing Tape	X	A/R
46	B280-5	Switch Assembly (Incl items 24 and 47)	X	1
47	B227-2	Switch (Incl items 9, 10, and 14)	X	1
48	A701-1	Tape	X	A/R
NOTES				

CHAPTER 28
FUEL SYSTEM

<i>Figure</i>	<i>Title</i>	<i>Page</i>
28-1	Fuel Bladder Assembly	28.0
28-5	Fuel Bladder Assembly – Aft Components	28.4
28-7	Low Fuel Switch and Drain Assembly Installation	28.6
28-9	Fuel Valve and Hoses Installation	28.8
28-13	Large Auxiliary Fuel Tank Installation	28.12
28-15	Large Auxiliary Fuel Tank Assembly	28.14
28-19	Large Auxiliary Fuel Tank – Components	28.18
28-21	Small Auxiliary Fuel Tank Installation	28.20
28-23	Small Auxiliary Fuel Tank Assembly	28.22
28-27	Small Auxiliary Fuel Tank – Components	28.26
28-29	Auxiliary Fuel Tank – Hose Installation	28.28
28-31	Auxiliary Fuel Tank – Electrical Components	28.30
28-35	Auxiliary Fuel Tank – Electrical Components	28.34

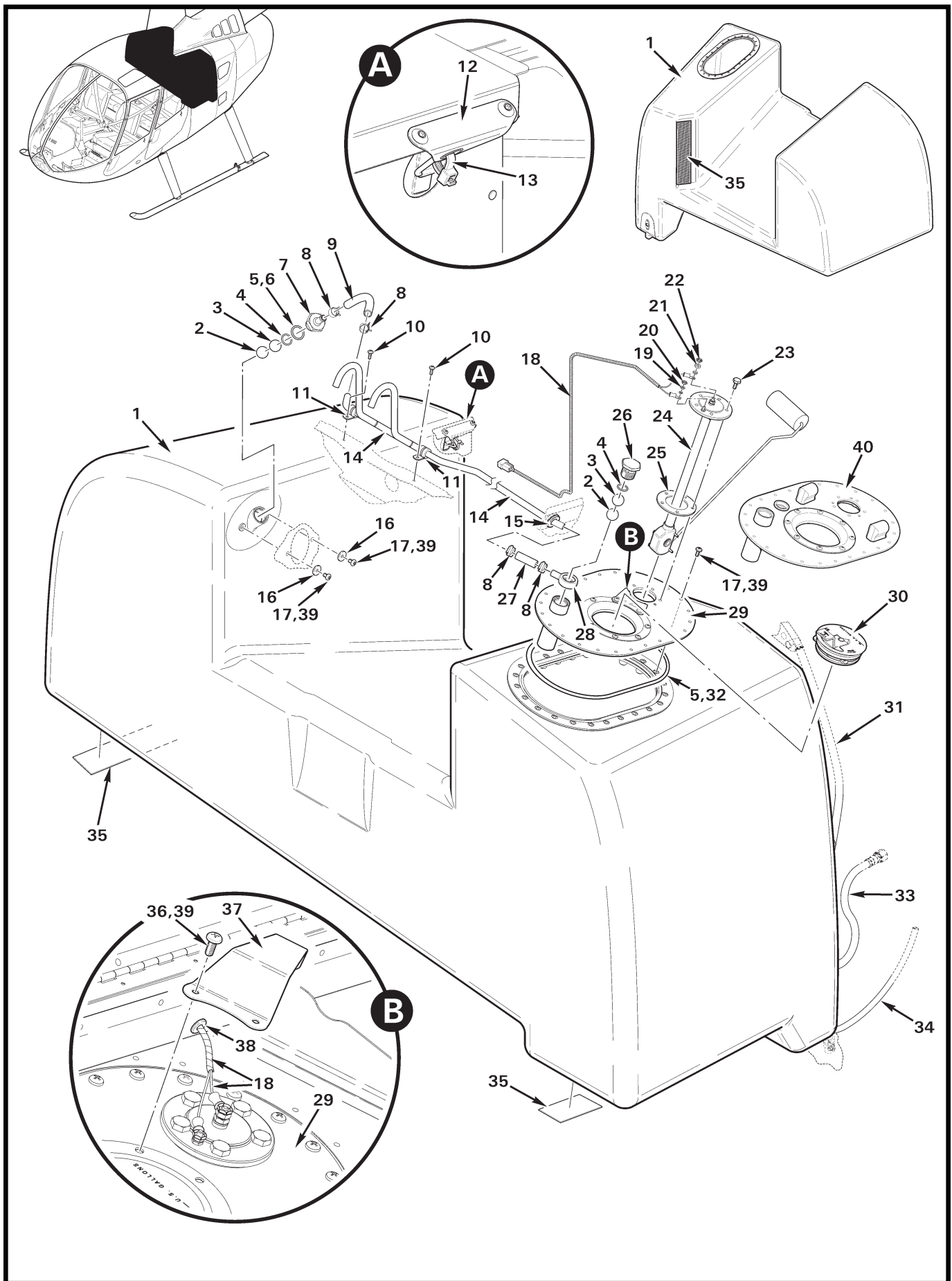


FIGURE AND INDEX NUMBER	PART NUMBER	DESCRIPTION	PARTS AVAIL	QTY PER ASSY
FUEL BLADDER ASSEMBLY				
28-1-1	G028-1	Bladder Assembly (Incl item 35)	X	1
2	B208-6	Ball (red anodized)	X	2
3	B208-5	Ball (gold alodine; earlier balls were blue)	X	2
4	A215-015	O-Ring	X	2
5	A257-6	Grease	X	A/R
6	MS29512-10	Packing (o-ring; install using item 5)	X	2
7	G254-2	Fitting	X	2
8	D277-8	Clamp	X	4
9	A729-39	Tube	X	1
10	MS27039C0807	Screw	X	2
11	MS21919WDG6	Clamp	X	2
12	G915-5	Tab (Ref)		
13	MS3367-7-9	Ty-Rap	X	1
14	F731-4	Vent Weldment	X	1
15	MS35489-11	Grommet	X	1
16	A141-17	Washer	X	2
17	MS27039C1-06	Screw (install using item 39)	X	26
18	F049-04	Harness Assembly (fuel sender)	X	1
19	44-121 *	Nut (small; supplied with sender)	O	2
20	B330-5	Palnut (small)	X	1
21	0044-00408 *	Nut (large)	O	2
22	B330-6	Palnut (large)	X	1
23	B289-4	Bolt (includes O-ring)	X	5
	5-108 N674-70**	O-ring	O	A/R
24	F550-1	Fuel Quantity Sender (Incl items 19, 21, and 25)	X	1
25	0015-00423	Gasket (supplied with sender; spares available)	X	1
26	G254-6	Retainer	X	1
27	A729-65	Tube	X	1
28	G254-7	Fitting	X	1
29	F250-1	Cover Assembly	X	1
30	F689-1	Cap (fuel)	X	1
31	A729-44	Tube (Ref, see Figure 28-5)		
32	MS29513-270	Packing (o-ring, install using item 5)	X	1
33	D205-21	Hose Assembly (Ref, see Figure 28-9)		
34	A729-43	Tube (drain; Ref, see Figure 28-5)		

NOTES * Rochester Gauges, Inc. part no.
 ** Parker O-ring part number.

Continues

FIGURE AND INDEX NUMBER	PART NUMBER	DESCRIPTION	PARTS AVAIL	QTY PER ASSY
FUEL BLADDER ASSEMBLY (Cont'd)				
28-1-35	B175-3	Hook Tape	X	A/R
36	MS27039C1-07	Screw (install using item 39)	X	2
37	G271-1	Guard	X	1
38	MS35489-4	Grommet	X	1
39	A257-9	Anti-seize	X	A/R
40	F250-10	Cover Assembly (for R66s with large or small aux fuel tank installed)	X	1
NOTES				

Intentionally Blank

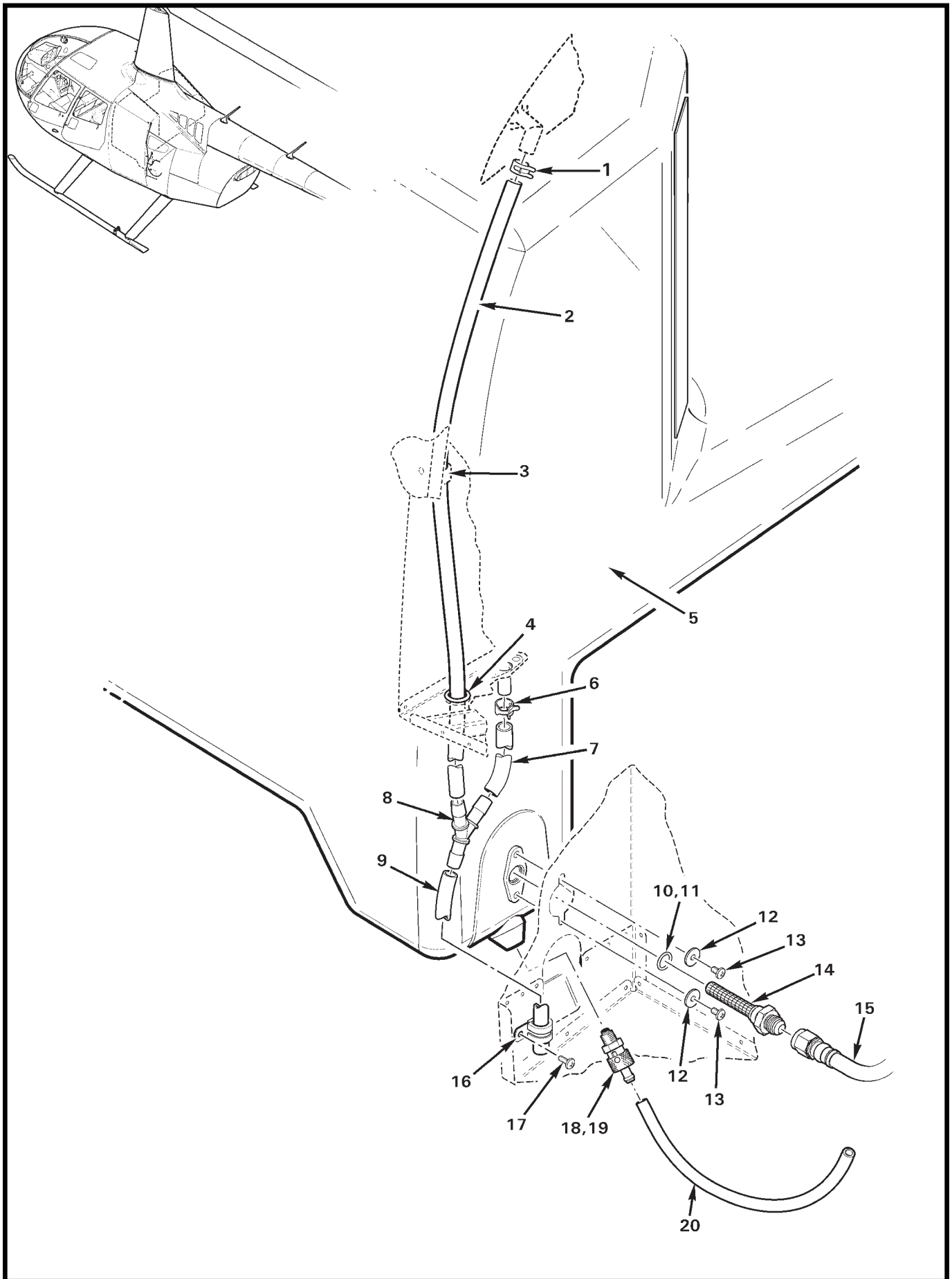


FIGURE AND INDEX NUMBER	PART NUMBER	DESCRIPTION	PARTS AVAIL	QTY PER ASSY
FUEL BLADDER ASSEMBLY – AFT COMPONENTS				
28-5-1	D277-9	Clamp	X	1
2	A729-44	Tube	X	1
3	G258-5	Clip (Ref)		
4	NAS557-8A	Grommet	X	1
5	G028-1	Bladder	X	1
6	D277-8	Clamp	X	1
7	A729-66	Tube	X	1
8	A457-2	Wye	X	1
9	A729-39	Tube	X	1
10	MS29512-06	Packing (o-ring; install using item 11)	X	1
11	A257-6	Grease	X	A/R
12	A141-17	Washer	X	2
13	MS27039C1-06	Screw	X	2
14	B254-3	Strainer – Fuel	X	1
15	D205-21	Hose (Ref, see Figure 28-9)		
16	MS21919WDG8	Clamp	X	1
17	MS27039C0806	Screw	X	1
18	A761-2	Valve – Drain (install using item 19 on threads)	X	1
19	B270-6	Sealant	X	A/R
20	A729-43	Tube	X	1

NOTES

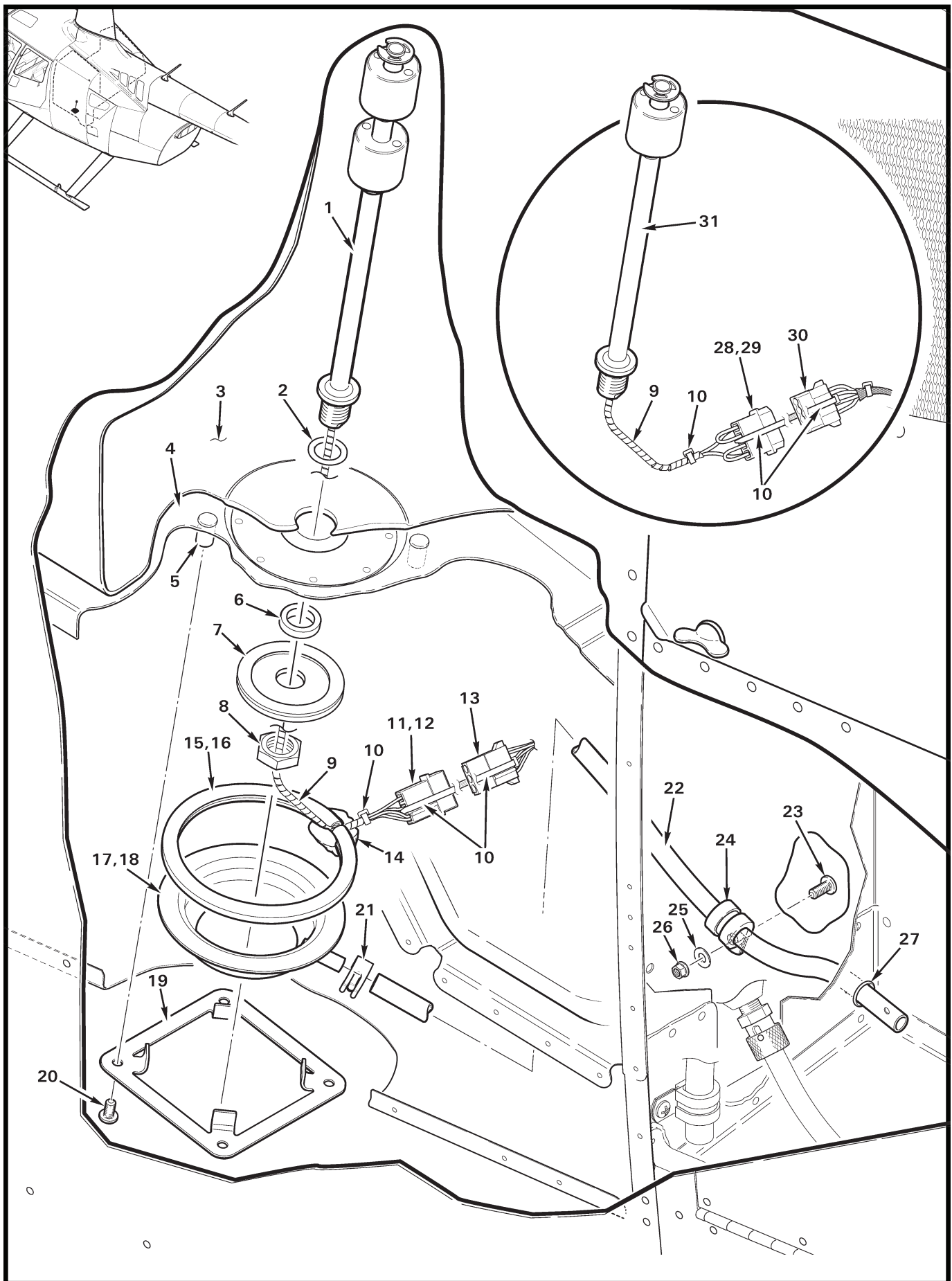


FIGURE AND INDEX NUMBER	PART NUMBER	DESCRIPTION	PARTS AVAIL	QTY PER ASSY
		LOW FUEL SWITCH AND DRAIN ASSEMBLY INSTALLATION		
28-7-1	A521-4	Switch Assembly – Low Fuel (dual; includes items 9,11, and 12)	X	1
2	MS29512-05	Packing (o-ring, lubricate with A257-6 grease)	X	1
3	G028-1	Bladder – Fuel Tank (Ref)		
4	G250-1	Tray (fuel tank sump, Ref)		
5	B318-1	Stand off (Ref)		
6	G915-8	Spacer	X	1
7	G915-9	Washer Assembly	X	1
8	A880-1005	Nut (or AN924-5D)	X	1
9	B161-2	Spirap	X	A/R
10	MS3367-4-9	Ty-Rap	X	2
11	B263-14	Housing	X	1
12	B263-1	Pin (pin no. 1 two wires, pin no.2 black heat shrink, pin no. 3 blue heat shrink).	X	3
13	F049-015	Harness Assembly (Ref)		
14	B270-5	Sealant (seals gap where wires pass through item 15)	X	A/R
15	A226-10	Seal (install using item 16)	X	A/R
16	B270-18	Adhesive	X	A/R
17	G930-1	Drain Assembly (Incl items 15, 16, and 18)	X	1
18	G930-2	Housing (Ref)		
19	G930-4	Retainer	X	1
20	MS27039C0805	Screw	X	4
21	D277-6	Clamp	X	A/R
22	A729-55	Tube	X	1
23	MS27039C0806	Screw	X	1
24	MS21919WDG6	Clamp	X	1
25	NAS1149FN816P	Washer	X	1
26	MS21042L08	Nut	X	1
27	NAS557-6A	Grommet	X	1
28	B263-16*	Housing	X	1
29	B263-1*	Pin (Pin 1 -58 & -196 wires, Pin 2 -196 wire, Pin 3 -61 & -197 wires, Pin 4 -197 wire)	X	2
30	F049-013*	GCU Harness Assembly (Ref, see R66 MM Chapter 98 for schematics)		
31	A521-2*	Switch Assembly – Low Fuel (single; includes items 9, 28, and 29)	X	1

NOTES * Earlier ships.

FIGURE AND INDEX NUMBER	PART NUMBER	DESCRIPTION	PARTS AVAIL	QTY PER ASSY
FUEL VALVE AND HOSES INSTALLATION				
28-9-1	F445-1	Cover Assembly (Ref)		
2	MS27039C0806	Screw	X	5
3	A522-11	Control – Fuel Valve (Incl items 5 and 6)	X	1
4	F348-1	Anchor Assembly (Ref)		
5	—	Washer	O	1
6	—	Nut	O	1
7	F386-2	Cover (Ref)		
8	G252-1	Panel (cargo compartment ceiling, Ref)		
9	C522-11	Control (actuator, Ref)		
10	AN742-3	Clamp (Ref; secures item 9)		
11	NAS557-4B	Grommet	X	1
12	G255-3	Stiffener (Ref)		
13	MS21042L08	Nut	X	4
14	NAS1149FN816P	Washer	X	4
15	AN742-3	Clamp	X	8
16	MS27039C0808	Screw	X	2
17	A522-14	Control – Cabin Heat (Ref)		
18	B161-4	Spirap	X	A/R
19	F293-1	Panel – Keel (forward, LH; Ref)		
20	F351-1	Brace (aft seat back, LH; Ref)		
21	A130-50	Spacer	X	1
22	MS27039C0817	Screw	X	1
23	MS3367-7-9	Ty-Rap (secures items 3 and 9 together)	X	6
24	G239-1	Panel (Ref)		
25	G240-7	Channel (Ref)		
26	B158-4	Heat Shrink	X	A/R
27	A462-4	Fitting	X	1
28	NAS1149E0363R	Washer	X	2
29	A130-48	Spacer (install using item 30)	X	1
30	A257-1	Grease	X	A/R
31	D205-21	Hose Assembly	X	1
32	D210-3	Nut	X	3
33	B330-7	Palnut	X	1
34	MS27039C1-07	Screw	X	2
35	NAS1149F0363P	Washer	X	2

NOTES

Continues

FIGURE AND INDEX NUMBER	PART NUMBER	DESCRIPTION	PARTS AVAIL	QTY PER ASSY
FUEL VALVE AND HOSES INSTALLATION (Cont'd)				
28-9-36	NAS1149F0332P	Washer	X	2
37	F670-1	Valve – Fuel Shutoff	X	1
38	F233-1	Firewall (Ref)		
39	NAS1149FN432P	Washer	X	4
40	NAS1352-04-4	Screw	X	4
41	B283-12	Hose Assembly	X	1
42	G923-1	Stiffener (Ref)		
43	MS3367-5-9	Ty-Rap	X	1
44	MS21919WDG3	Clamp	X	1
45	—	Fuel Inlet (engine; Ref)		
46	NAS557-3A	Grommet	X	1
47	G915-3	Bracket (Ref)		
48	MS27039C0809	Screw	X	1

NOTES

Intentionally Blank

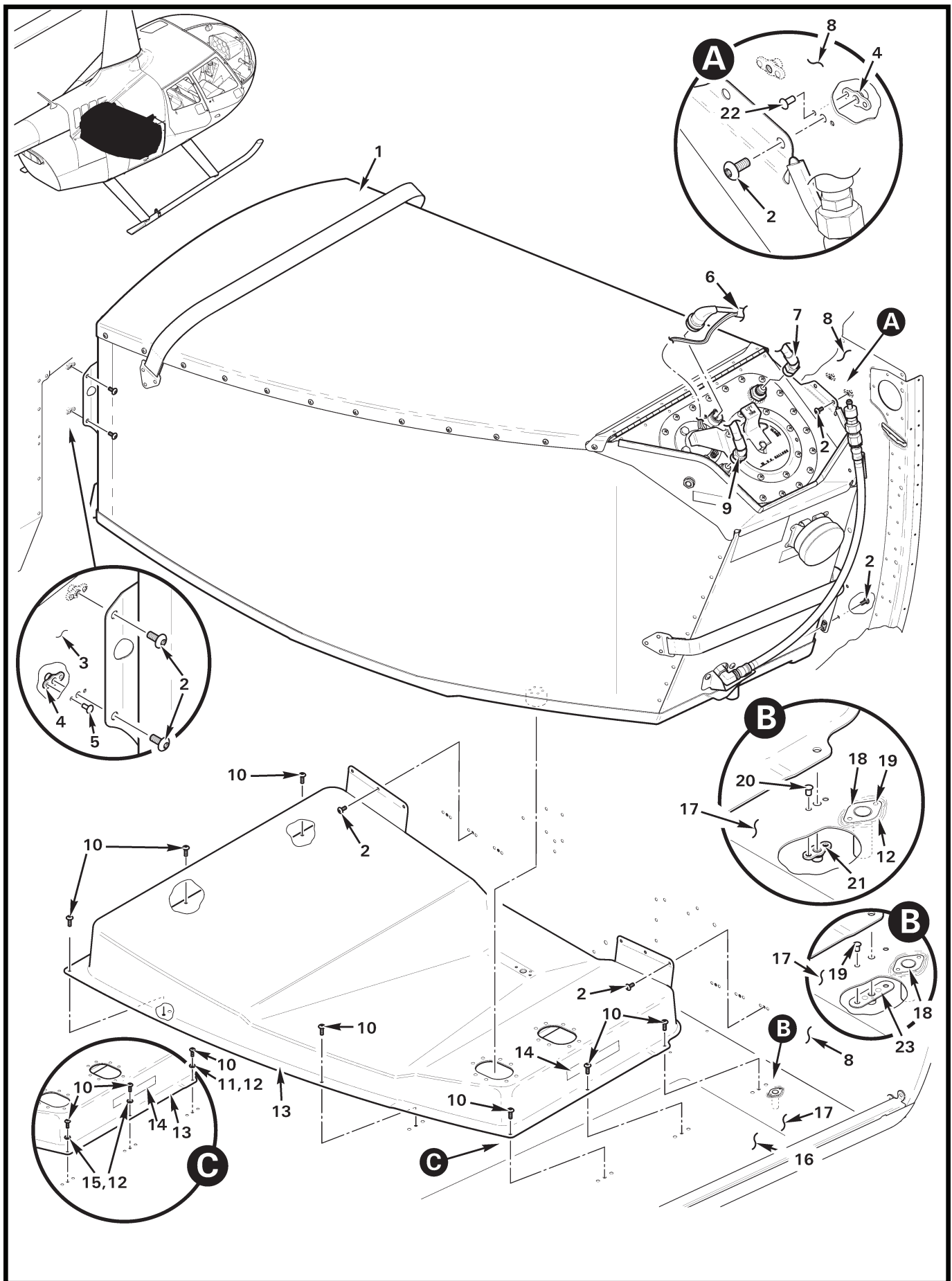


FIGURE AND INDEX NUMBER	PART NUMBER	DESCRIPTION	PARTS AVAIL	QTY PER ASSY
LARGE AUXILIARY FUEL TANK INSTALLATION				
28-13-1	G010-2	Aux Fuel Tank Assembly – Large (Ref, see Figure 28-15)		
2	B526-6	Screw	X	12
3	G251-1	Panel (Ref)		
4	MS21075L08E	Nutplate	X	4
5	B204-5	Rivet (or NAS1097AD3)	X	4
6	G768-10	Harness Assembly	X	1
7	D205-36	Hose Assembly – Vent/Return (Ref; see Figure 28-21)		
8	G259-1	Panel – Bulkhead (Ref)		
9	D205-36	Hose Assembly – Pump Line (Ref; see Figure 28-21)		
10	B526-8	Screw	X	7
11	NAS1149F0332P	Washer (install using item 12; earlier ships)	X	5
12	B270-1	Sealant	X	A/R
13	G755-1*	Support Assembly (Incl item 14; revision H and subsequent compatible with G010-4, see Figure 28-21)	X	1
14	G682-29	Decal – “INSTALL FUEL TANK SUPPORT...”	X	1
15	NAS1149F0363P	Washer (install using item 12; earlier ships)	X	2
16	G242-5	Panel (Ref)		
17	G024-1	Floor Assembly (Ref)		
18	G762-15	Drain Weldment (install using item 12)	X	2
19	NAS9301B-4-02	Rivet	X	4
20	MS20426AD3	Rivet	X	16
21	MS21069L08K	Nutplate	X	8
22	NAS1097AD3	Rivet	X	A/R
23	G762-13	Plate Assembly (earlier ships, ships with KI-239-2, -3 or -5 installed, used to repair if item 21 is damaged**)	X	A/R

NOTES * Revision G and prior may require modification per KI-239-5.
 ** Contact technical support for repair instructions.

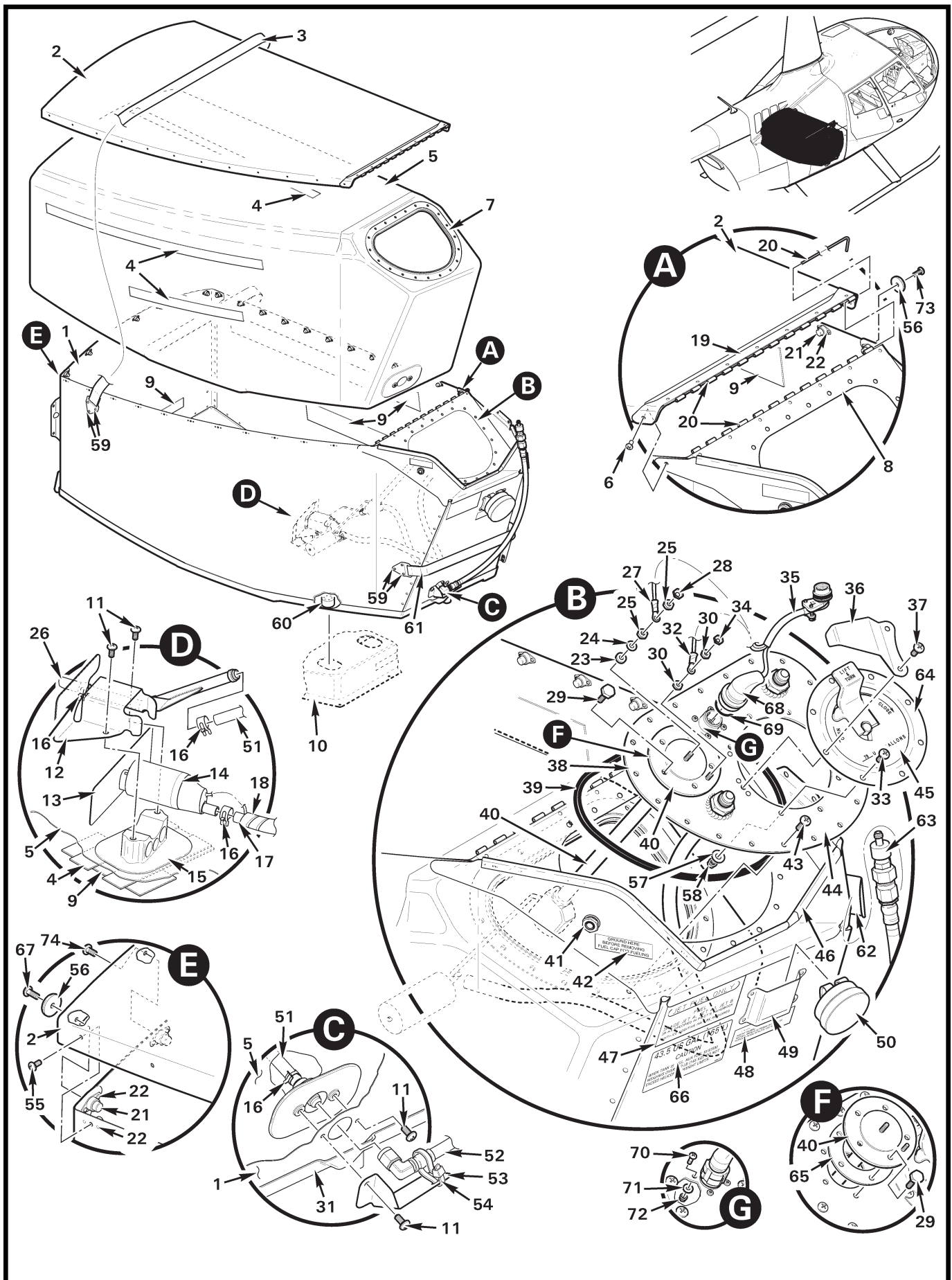


FIGURE AND INDEX NUMBER	PART NUMBER	DESCRIPTION	PARTS AVAIL	QTY PER ASSY
		LARGE AUXILIARY FUEL TANK ASSEMBLY		
28-15-1	G010-2	Aux Fuel Tank Assembly – Large (Incl items 5, 8, 11 thru 18, 35 thru 42, 50 thru 54, 62, and 63)	X	1
2	G758-1	Cover	X	1
3	G762-9	Strap Assembly	X	1
4	B175-1	Hook Tape	X	A/R
5	G756-1	Bladder (Incl item 7)	X	1
6	MS27039C0807	Screw	X	3
7	G759-6	Ring	O	1
8	G754-1	Enclosure Assembly (Incl items 2, 3, 9, 19 thru 22, 49, 55, 56, 59 thru 61, and 68)	X	1
9	B175-4	Loop Tape	X	A/R
10	G755-1	Support Assembly (Ref; see Figure 28-13)		
11	MS27039C1-06	Screw	X	4
12	G764-1	Drain Weldment	X	1
13	FS22	Strainer	O	1
14	G765-1	Pump Assembly (Incl item 13)	X	1
15	G760-1	Mount Assembly	O	1
16	D277-8	Clamp	X	5
17	A729-74	Tube	X	1
18	B161-108	Spirap	X	A/R
19	G762-18	Strap	X	1
20	G762-12	Hinge	X	1
21	NAS1474A08	Nutplate	X	31
22	NAS1097AD3	Rivet	X	62
23	—	Spacer (Ref)		
24	0028-00431	Washer	O	1
25	0044-00408	Nut	O	2
26	A729-72	Tube	X	1
27	B260-3	Terminal (G768-2712W wire)	X	1
28	B330-6	Palnut	X	1
29	B289-4	Bolt	X	5
30	44-121	Nut	O	2
31	G757-1	Tray	O	1
32	B260-2	Terminal (G768-2712B wire)	X	1
33	MS27039C1-08	Screw	X	6

NOTES

Continues

FIGURE AND INDEX NUMBER	PART NUMBER	DESCRIPTION	PARTS AVAIL	QTY PER ASSY
LARGE AUXILIARY FUEL TANK ASSEMBLY (Cont'd)				
28-15-34	B330-5	Palnut	X	1
35	G768-10	Harness Assembly (sender/pump)	X	1
36	G271-1	Guard	X	1
37	MS27039C1-07	Screw (apply A257-9 anti-seize to threads)	X	2
38	G759-1	Cover Assembly (Incl items 33, 44, 57, and 58)	X	1
39	MS29513-263	Packing	X	1
40	F550-2	Fuel Sender (Incl items 23 thru 26, 30, 31, and 65)	X	1
41	RB9526	Jack (grounding point)	X	1
42	G682-32	Decal – "GROUND HERE BEFORE REMOVING FUEL CAP..."	X	1
43	MS27039C1-09	Screw (apply A257-9 anti-seize to threads)	X	20
44	G759-2	Cover	O	1
45	F689-1	Cap	X	1
46	A226-15	Trim	X	A/R
47	F654-5	Decal – "JET FUEL ONLY..."	X	1
48	G682-28	Decal – "FUEL TANK INSTALLATION..."	X	1
49	G769-4	Mount (Ref)		
50	MT183-1	Kit (Ref; see Figure 28-19)		
51	A729-73	Tube	X	1
52	D205-35	Hose Assembly	X	1
53	G762-11	Scupper	X	1
54	MS3367-7-9	Ty-Rap	X	1
55	MS27039C0806	Screw	X	26
56	G762-5	Bumper	X	4
57	NAS1149F0332P	Washer	X	6
58	D210-3	Nut	X	6
59	MS20470AD4	Rivet	X	12
60	G761-7	Pin	X	1
61	G762-8	Strap Assembly	X	1
62	G762-7	Angle	X	1
63	A761-2	Valve (install using B270-6 sealant on threads)	X	1
64	416-3B-1	Adapter	X	1
65	0015-00423	Gasket	X	1
66	G682-37	Decal – "43.5 US GAL (165 L) CAUTION – WHEN TANK..."	X	1
67	MS24694-S5	Screw	X	4

NOTES

Continues

FIGURE AND INDEX NUMBER	PART NUMBER	DESCRIPTION	PARTS AVAIL	QTY PER ASSY
LARGE AUXILIARY FUEL TANK ASSEMBLY (Cont'd)				
28-15-68	MS3106F12S-3S	Receptacle	O	1
	222A121-25/225	Boot	O	1
69	A215-019	O-ring (install using A257-6 grease)	X	1
70	90825A146	Screw	X	4
71	NAS620-4L	Washer	X	4
72	MS21042L04	Nut	X	4
73	MS24694-S6	Screw	X	1
74	MS24694-S3	Screw	X	5

NOTES

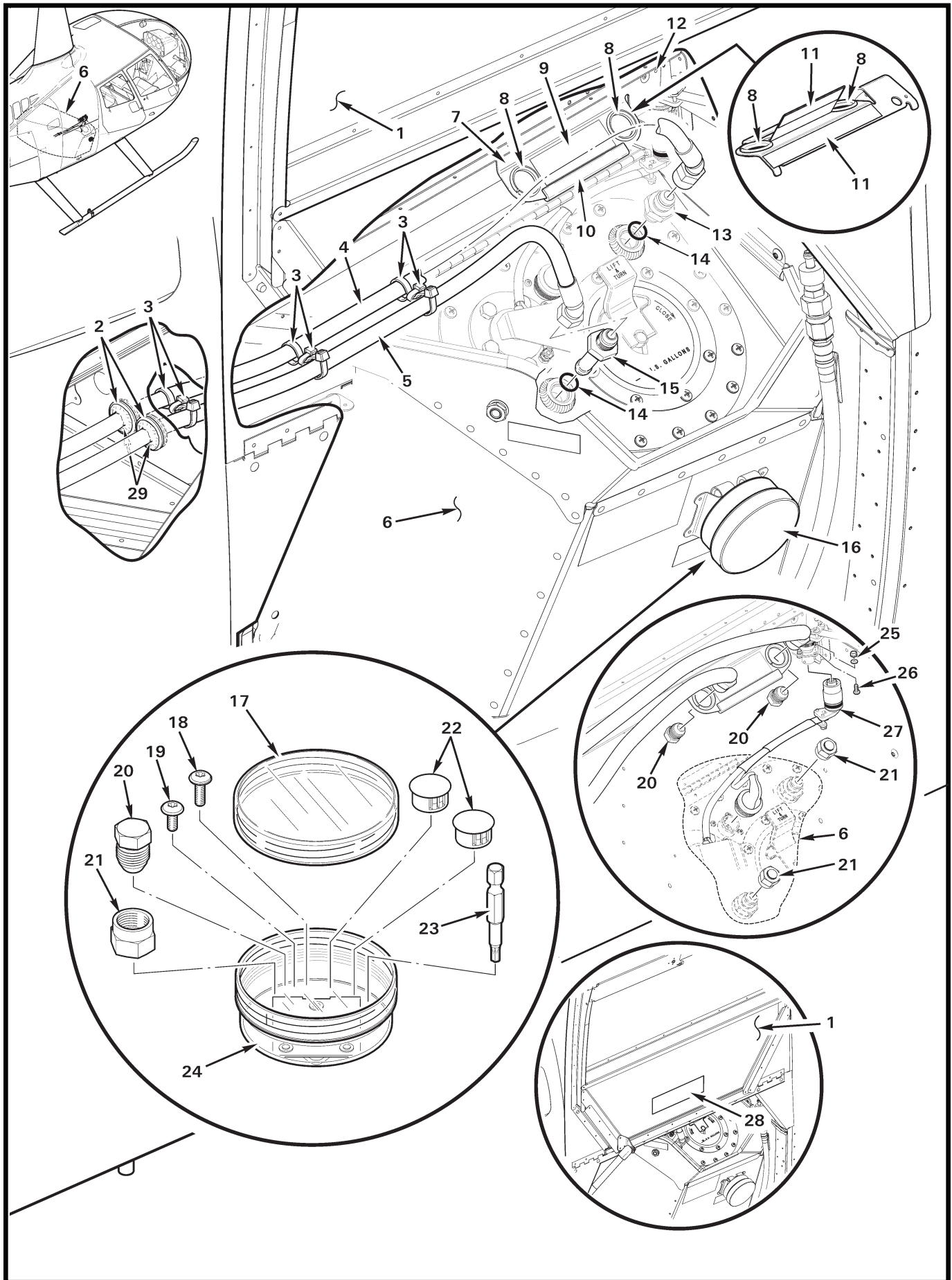


FIGURE AND INDEX NUMBER	PART NUMBER	DESCRIPTION	PARTS AVAIL	QTY PER ASSY
		LARGE AUXILIARY FUEL TANK – COMPONENTS		
28-19-1	G900-1	Door Assembly – Baggage (Ref)		
2	MS35489-16	Grommet	X	5
3	MS3367-7-9	Ty-Rap ([2] each location, [1] used as standoff)	X	6
4	D205-36	Hose Assembly – Vent/Return (Ref; see Figure 28-21)		
5	D205-36	Hose Assembly – Pump Line (Ref; see Figure 28-21)		
6	G010-2	Aux Fuel Tank Assembly – Large (Ref)		
7	G769-1	Bracket Assembly (Incl items 8 thru 11)	X	1
8	NAS557-12A	Grommet	X	2
9	G682-31	Decal (hose stowage/plugs installation instructions)	X	1
10	A226-11	Trim (3.3 inch length; sold by the foot)	X	A/R
11	A701-7	Tape (double sided)	X	A/R
12	NAS9301B-4-02	Rivet	X	1
13	A880-906	Fitting (or AN815-6D)	X	1
14	MS29512-06	Packing (o-ring)	X	2
15	G764-5	Fitting	X	1
16	MT183-1	Kit (loose parts for when aux tank removed; includes items 18 thru 24)	X	1
17	—	Lid	X	1
18	B526-8	Screw	X	7
19	B526-6	Screw	X	14
20	AN806-6D	Plug	X	2
21	AN820-6	Cap (or AN929-6)	X	2
22	2663	Hole Plug (DP-625)	X	2
23	7396A23*	Torx Bit	X	1
24	MT183-2	Jar Assembly (includes clip and item 17)	X	1
25	MS21042L04	Nut	X	1
26	MS35206-214	Screw	X	2
27	G768-10	Harness Assembly (Ref, see Figure 28-13)		
28	G682-40	Decal – “CAUTION...” (baggage compartment loading)	X	1
	G682-44	Decal – “CAUTION...” (baggage compartment loading, police)	X	1
29	B270-1	Sealant	X	A/R

NOTES * McMaster-Carr part number.

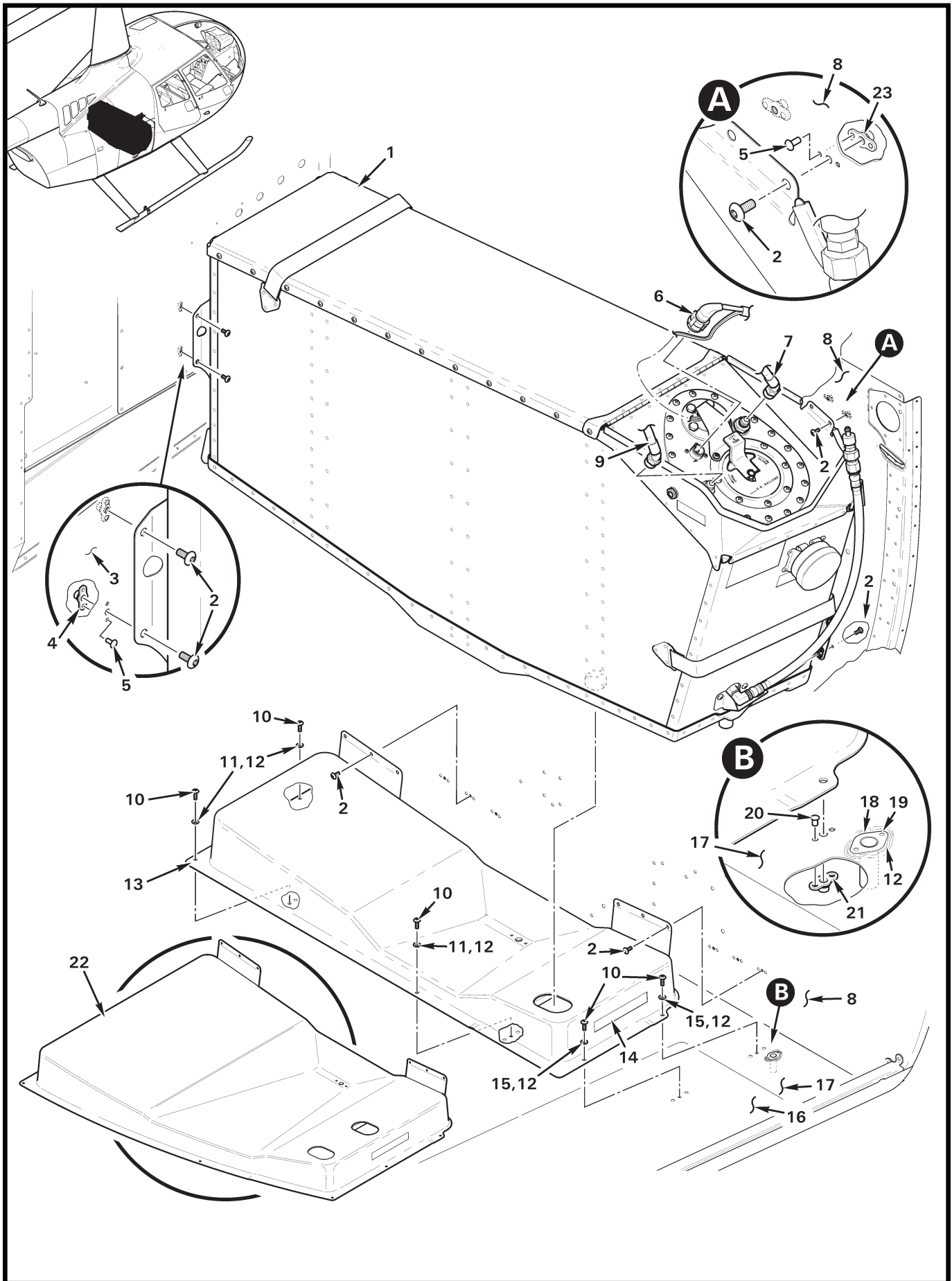


FIGURE AND INDEX NUMBER	PART NUMBER	DESCRIPTION	PARTS AVAIL	QTY PER ASSY
SMALL AUXILIARY FUEL TANK INSTALLATION				
28-21-1	G010-4	Aux Fuel Tank Assembly – Small (Ref, see Figure 28-23)		
2	B526-6	Screw	X	12
3	G248-8	Panel (Ref)		
4	NAS1474A08	Nutplate	X	2
5	NAS1097AD3	Rivet (or B204-5 in item 3)	X	18
6	G768-10	Harness Assembly	X	1
7	D205-36	Hose Assembly – Vent/Return (Ref; see Figure 28-21)		
8	G259-1	Panel – Bulkhead (Ref)		
9	D205-36	Hose Assembly – Pump Line (Ref; see Figure 28-21)		
10	B526-8	Screw	X	5
11	NAS1149F0332P	Washer (install using item 12; earlier aircraft, no longer required)	X	3
12	B270-1	Sealant	X	A/R
13	G755-3	Support Assembly (Incl item 14)	X	1
14	G682-29	Decal – “INSTALL FUEL TANK SUPPORT...”	X	1
15	NAS1149F0363P	Washer (install using item 12; earlier aircraft, no longer required)	X	2
16	G242-5	Panel (Ref)		
17	G024-1	Floor Assembly (Ref)		
18	G762-15	Drain Weldment (install using item 12)	X	2
19	NAS9301B-4-02	Rivet	X	4
20	MS20426AD3	Rivet	X	16
21	MS21069L08K	Nutplate	X	8
22	G755-1	Support Assembly (Incl item 14; see Figure 28-13. When installed, item 1 is interchangeable with G010-2 large aux tank; see Figure 28-13. See R66 MM section 28-51 for weight and balance information.)	X	1
23	MS21075L08E	Nutplate	X	2

NOTES

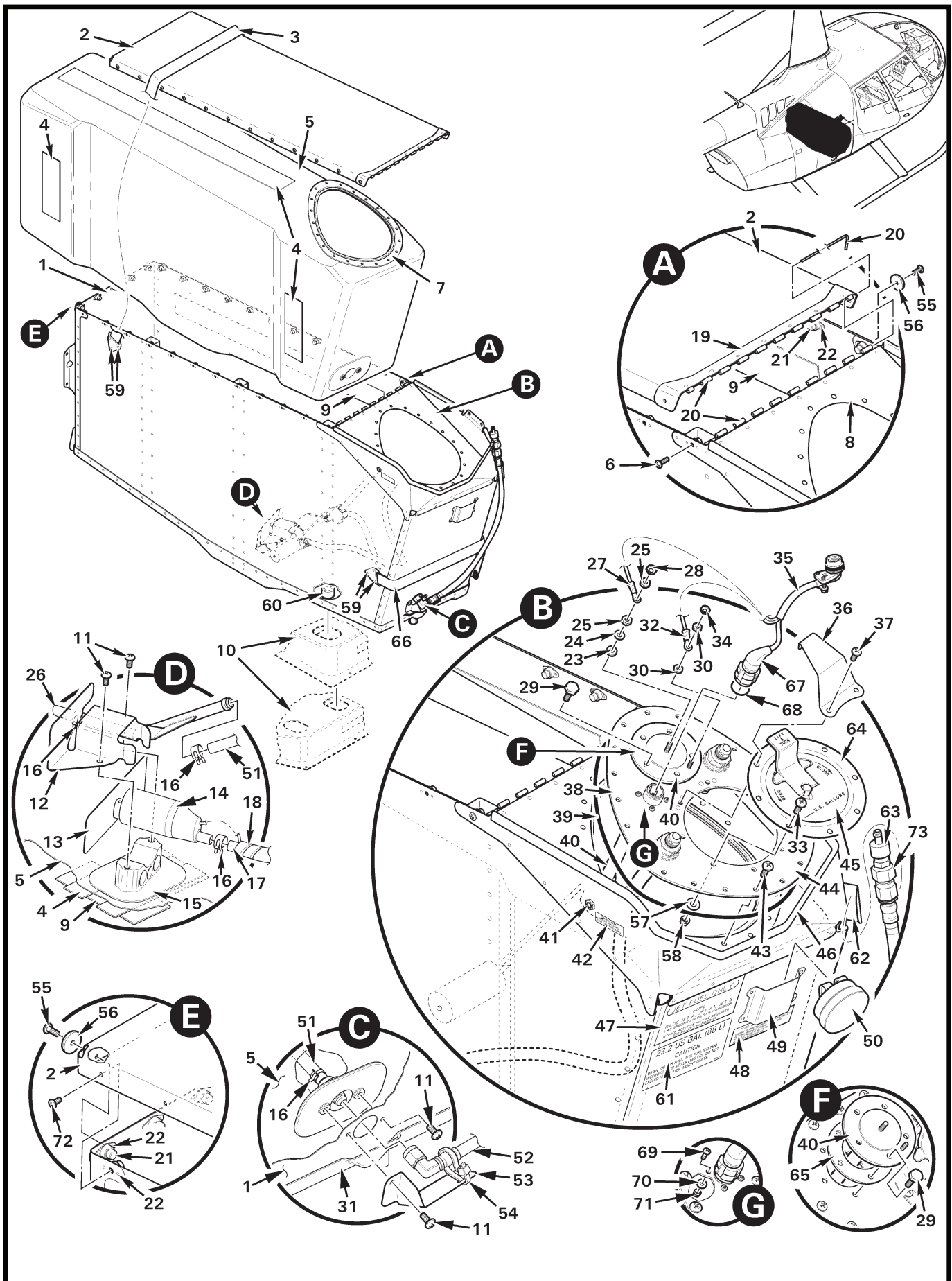


FIGURE AND INDEX NUMBER	PART NUMBER	DESCRIPTION	PARTS AVAIL	QTY PER ASSY
SMALL AUXILIARY FUEL TANK ASSEMBLY				
28-23-1	G010-4	Aux Fuel Tank Assembly – Small (Incl items 5, 8, 11 thru 18, 34, 36 thru 43, 45 thru 48, 50 thru 54, 61 thru 64)	X	1
2	G767-7	Cover	X	1
3	G762-19	Strap Assembly	O	1
4	B175-1	Hook Tape	X	A/R
5	G756-2	Bladder (Incl item 7 and 15)	X	1
6	MS27039C0807	Screw	X	1
7	G759-11	Ring	O	1
8	G754-2	Enclosure Assembly (Incl items 2, 3, 9, 19 thru 22, 55, 56, 59, 60 and 66)	X	1
9	B175-4	Loop Tape	X	A/R
10	G755-1	Support Assembly – Large (Ref; see Figure 28-13 and 28-21)		
	G755-3	Support Assembly – Small (Ref; see Figure 28-21)		
11	MS27039C1-06	Screw	X	4
12	G764-1	Drain Weldment	X	1
13	FS22	Strainer	O	1
14	G765-1	Pump Assembly (Incl item 13)	X	1
15	G760-1	Mount Assembly	O	1
16	D277-8	Clamp	X	5
17	A729-74	Tube	X	1
18	B161-108	Spirap	X	A/R
19	G753-4	Strap	X	1
20	G753-6	Hinge	X	1
21	NAS1474A08	Nutplate	X	29
22	NAS1097AD3	Rivet	X	58
23	—	Spacer (Ref)		
24	0028-00431	Washer	O	1
25	0044-00408	Nut	O	2
26	A729-72	Tube	X	1
27	B260-3	Terminal (G768-2712W wire)	X	1
28	B330-6	Palnut	X	1
29	B289-4	Bolt	X	5
30	44-121	Nut	O	2
31	G757-2	Tray	O	1
32	B260-2	Terminal (G768-2712B wire)	X	1

NOTES

Continues

FIGURE AND INDEX NUMBER	PART NUMBER	DESCRIPTION	PARTS AVAIL	QTY PER ASSY
SMALL AUXILIARY FUEL TANK ASSEMBLY (cont'd)				
28-23-33	MS27039C1-08	Screw	X	6
34	B330-5	Palnut	X	1
35	G768-10	Harness Assembly (sender/pump, Incl items 27 & 32)	X	1
36	G271-1	Guard	X	1
37	MS27039C1-07	Screw (apply A257-9 anti-seize to threads)	X	2
38	G759-7	Cover Assembly (Incl items 33, 44, 57, and 58)	X	1
39	MS29513-262	Packing	X	1
40	F550-3	Fuel Sender (Incl items 23 thru 26, 30, 31, and 65)	X	1
41	RB9526	Jack (grounding point)	X	1
	A130-6	Spacer (under nut)	X	1
	—	Washer (supplied with jack, one each side of panel)	O	2
42	G682-32	Decal – “GROUND HERE BEFORE REMOVING FUEL CAP...”	X	1
43	MS27039C1-09	Screw (apply A257-9 anti-seize to threads)	X	20
44	G759-8	Cover (small)	O	1
45	F689-1	Cap	X	1
46	A226-15	Trim	X	A/R
47	F654-5	Decal – “JET FUEL ONLY...”	X	1
48	G682-28	Decal – “FUEL TANK INSTALLATION...”	X	1
49	G769-4	Mount (Ref)		
50	MT183-1	Kit (Ref; see Figure 28-19)		
51	A729-73	Tube	X	1
52	D205-37	Hose Assembly	X	1
53	G762-11	Scupper	X	1
54	MS3367-7-9	Ty-Rap	X	1
55	MS24694-S6	Screw (front bumper)	X	1
	MS24694-S5	Screw (back and rear bumpers)	X	3
56	G762-5	Bumper	X	4
57	NAS1149F0332P	Washer	X	6
58	D210-3	Nut	X	6
59	MS20470AD4	Rivet	X	12
60	G761-7	Pin	X	1
61	G682-41	Decal – “23.2 US GAL (88)L CAUTION – WHEN TANK IS...”	X	1
62	G762-7	Angle	X	1
63	A761-2	Valve (install using B270-6 sealant on threads)	X	1

NOTES

FIGURE AND INDEX NUMBER	PART NUMBER	DESCRIPTION	PARTS AVAIL	QTY PER ASSY
SMALL AUXILIARY FUEL TANK ASSEMBLY (cont'd)				
28-23-64	416-3B-1	Adapter	X	1
65	0015-00423	Gasket	X	1
66	G762-8	Strap Assembly	O	1
67	MS3106F12S-3S	Receptacle	O	1
	222A121-25/225	Boot	O	1
68	A215-019	O-ring	X	1
69	90825A146	Screw	X	4
70	NAS620-4L	Washer	X	4
71	MS21042L04	Nut	X	4
72	MS27039C0806	Screw	X	24
73	G764-6	Adapter	X	1
NOTES				

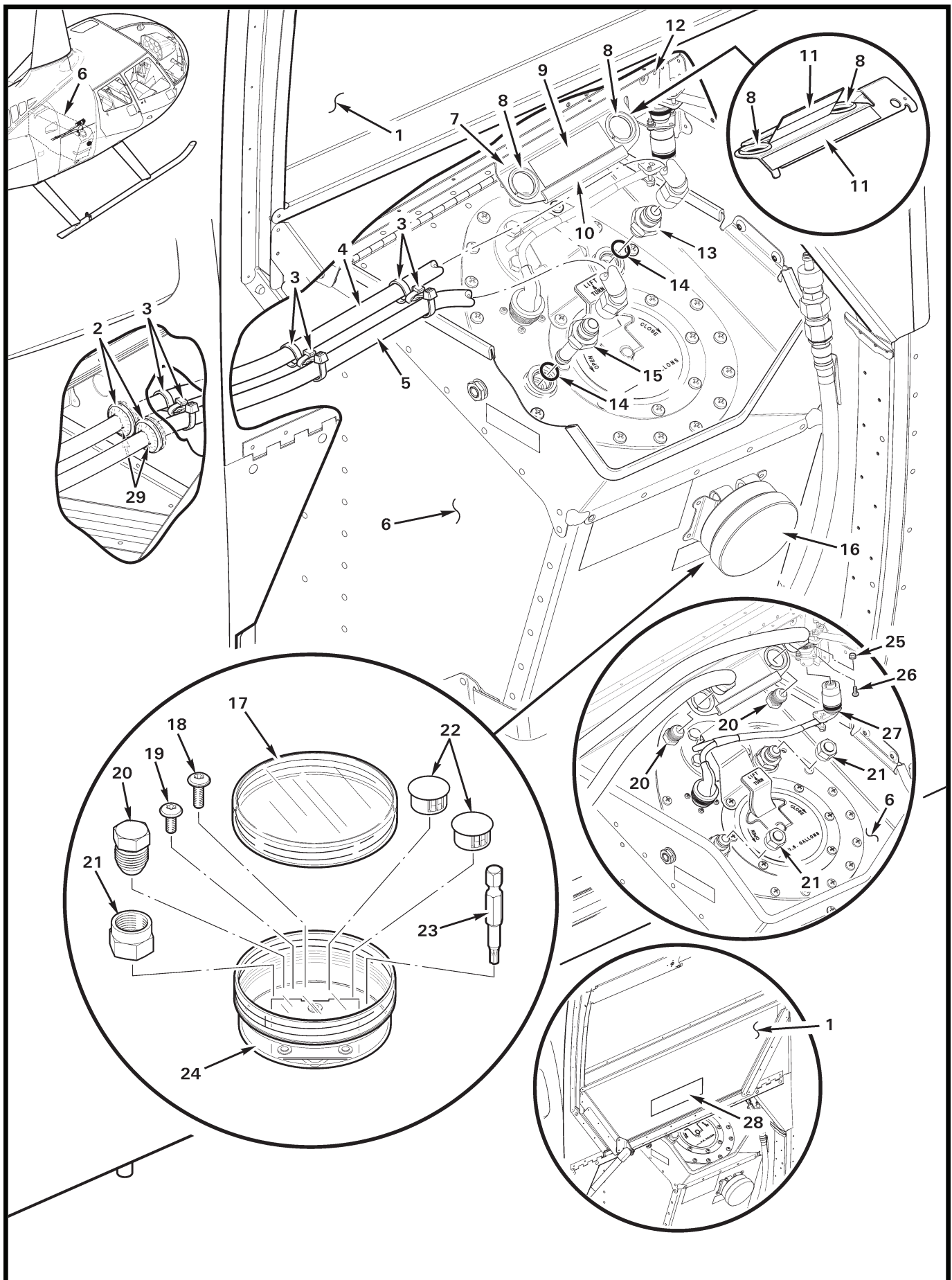


FIGURE AND INDEX NUMBER	PART NUMBER	DESCRIPTION	PARTS AVAIL	QTY PER ASSY
		SMALL AUXILIARY FUEL TANK – COMPONENTS		
28-27-1	G900-1	Door Assembly – Baggage (Ref)		
2	MS35489-16	Grommet	X	5
3	MS3367-7-9	Ty-Rap ([2] each location, [1] used as standoff)	X	6
4	D205-36	Hose Assembly – Vent/Return (Ref; see Figure 28-21)		
5	D205-36	Hose Assembly – Pump Line (Ref; see Figure 28-21)		
6	G010-4	Tank Assembly – Small aux (Ref)		
7	G769-1	Bracket Assembly (Incl items 8 thru 11)	X	1
8	NAS557-12A	Grommet	X	2
9	G682-31	Decal (hose stowage/plugs installation instructions)	X	1
10	A226-11	Trim (3.3 inch length; sold by the foot)	X	A/R
11	A701-7	Tape (double sided)	X	A/R
12	NAS9301B-4-02	Rivet	X	1
13	A880-906	Fitting (or AN815-6D)	X	1
14	MS29512-06	Packing (o-ring)	X	2
15	G764-5	Fitting	X	1
16	MT183-1	Kit (loose parts for when aux tank removed; includes items 18 thru 24)	X	1
17	—	Lid	X	1
18	B526-8	Screw	X	7
19	B526-6	Screw	X	14
20	AN806-6D	Plug	X	2
21	AN820-6	Cap (or AN929-6)	X	2
22	2663	Hole Plug (DP-625)	X	2
23	7396A23*	Torx Bit	X	1
24	MT183-2	Jar Assembly (includes clip and item 17)	X	1
25	MS21042L04	Nut	X	2
26	MS35206-214	Screw	X	2
27	G768-10	Harness Assembly (Ref, see Figure 28-13)		
28	G682-40	Decal – “CAUTION...” (baggage compartment loading)	X	1
29	B270-1	Sealant	X	A/R

NOTES * McMaster-Carr part number.

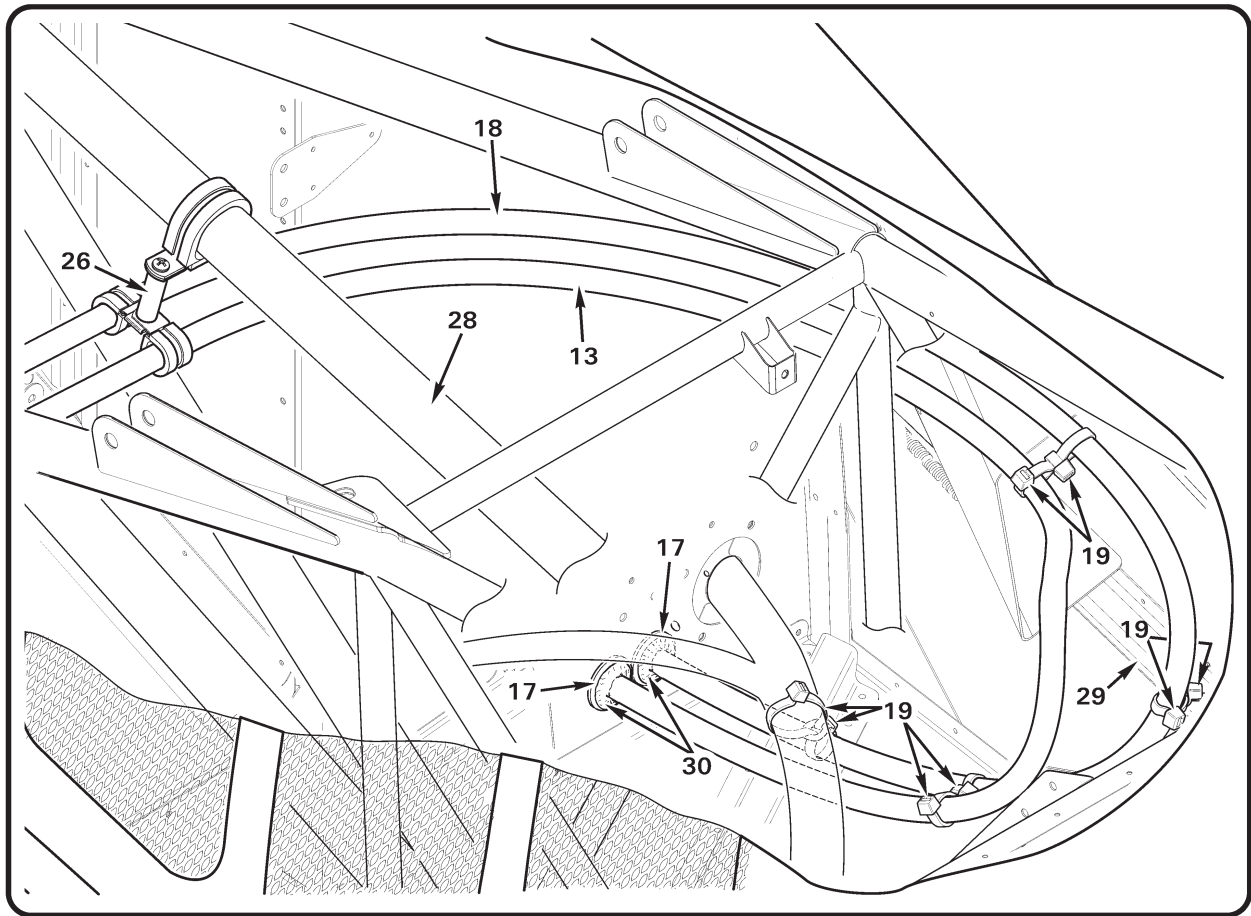
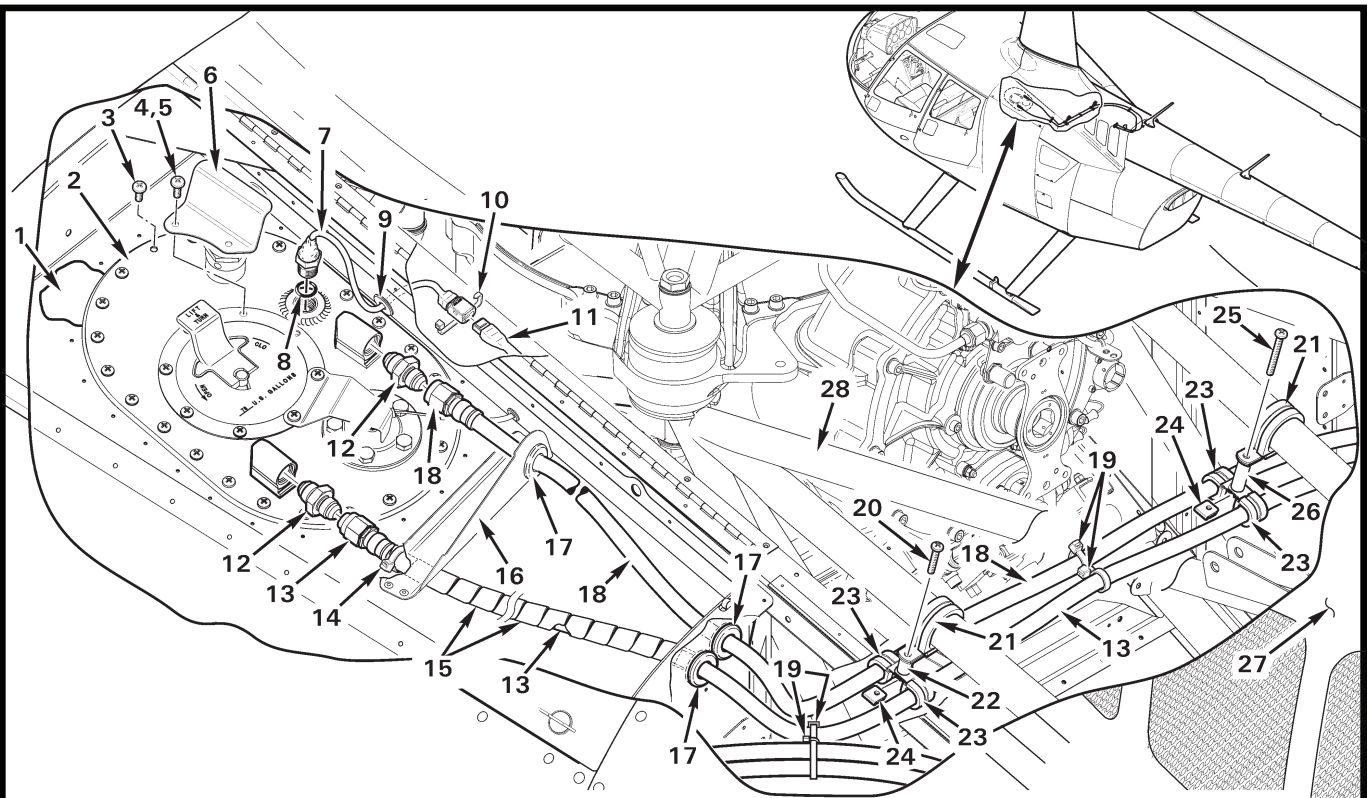


FIGURE AND INDEX NUMBER	PART NUMBER	DESCRIPTION	PARTS AVAIL	QTY PER ASSY
AUXILIARY FUEL TANK – HOSE INSTALLATION				
28-29-1	G028-1	Bladder Assembly (Ref; main)		
2	F250-10	Cover Assembly	X	1
3	MS27039C1-06	Screw (install using item 5)	X	24
4	MS27039C1-07	Screw (install using item 5)	X	2
5	A257-9	Anti-Seize	X	A/R
6	G764-7	Shield	X	1
7	G768-11	Sensor Assembly (install using item 8; finger tighten only) . . .	X	1
8	MS29512-05	Packing	X	1
9	MS35489-2	Grommet	X	1
10	MS3367-4-9	Ty-Rap	X	A/R
11	D269-2	Receptacle (Ref)		
	F859-2703	Wire (Ref)		
	F859-2706	Wire (Ref)		
	F859-2707	Wire (Ref)		
12	A880-906	Fitting (or AN815-6D)	X	2
13	D205-36	Hose Assembly – Vent/Return	X	1
14	MS3367-7-9	Ty-Rap	X	A/R
15	B161-108	Spirap	X	A/R
16	G913-4	Strut (Ref)		
17	MS35489-16	Grommet	X	5
18	D205-36	Hose Assembly – Pump Line	X	1
19	MS3367-7-9	Ty-Rap ([2] each location, [1] used as standoff)	X	8
20	MS27039C0818	Screw	X	1
21	MS21919WDG18	Clamp	X	2
22	A130-38	Spacer	X	1
23	MS21919WDG9	Clamp	X	4
24	B162-2	Clipnut	X	2
25	MS27039C0828	Screw	X	1
26	C130-61	Spacer	X	1
27	F706-1	Cowling (Ref)		
28	F020-1	Upper Frame Assembly (Ref)		
29	G912-4	Stiffener (Ref)		
30	B270-1	Sealant (Ref; see Figures 28-19, and 28-27)		

NOTES

FIGURE AND INDEX NUMBER	PART NUMBER	DESCRIPTION	PARTS AVAIL	QTY PER ASSY
		AUXILIARY FUEL TANK – ELECTRICAL COMPONENTS		
28-31-1	G768-1	Control Panel Harness Assembly (Incl items 2, 3, 5 thru 13, 15, 17, 19, and 20)	X	1
2	B227-9	Switch Assembly (includes washer, lockwasher, and cap as shown)	X	1
3	G768-13	Panel (vertical orientation; large and small tank)	X	1
4	G065	Face Assembly (Ref; G060 console)		
5	B196-21	Lamp	X	1
6	B198-1	Light – Warning (amber; includes items 7 and 8)	X	1
7	—	Nut	O	1
8	—	Washer	O	1
9	MS3367-4-9	Ty-Rap	X	7
10	B300-4	Switch Assembly (Incl items 11 and 12)	X	1
	AT406B	Cap	X	1
11	—	Washer	O	1
12	—	Nut	O	1
13	MS3367-5-0	Ty-Rap	X	A/R
14	D269-1	Plug (G716 or G717 wire harness)	X	1
	-2033	Wire (Ref)		
	-2034	Wire (Ref)		
15	D269-1	Plug	X	1
	G768-2713	Wire (Ref)		
16	D269-2	Receptacle (G716 or G717 wire harness)	X	1
	-2033	Wire (Ref)		
	-2034	Wire (Ref)		
17	D269-2	Receptacle	X	1
	-2714	Wire (Ref)		
18	G716/G717	Harness Assembly (Ref)		
19	D275-101	Diode (1N4005G)	X	1
	B267-5	Solder Splice	X	1
	B158-2	Heat Shrink	X	A/R
20	D269-5	Plug	X	1
	D269-22	Backshell	X	1
	B158-2	Heat Shrink	X	A/R
21	D269-6	Receptacle	X	1
	F859	Wire Harness (Ref)		
22	G768-12	Panel (horizontal orientation; large and small tank)	X	1

NOTES

Continues

FIGURE AND INDEX NUMBER	PART NUMBER	DESCRIPTION	PARTS AVAIL	QTY PER ASSY
AUXILIARY FUEL TANK – ELECTRICAL COMPONENTS (Cont'd)				
28-31-23	G054-4	Face Assembly (Ref; G050 console, "high")		
24	G054-8	Face Assembly (Ref; G050 console, "low")		
25	G065-35	Face Assembly (Ref; G060 console with radar altimeter installed)		
26	MS21042L08	Nut	X	1
27	NAS1149FN816P	Washer	X	1
28	B260-3	Terminal (Ref)		
29	F859-2786	Wire (Ref; test switch ground)		
30	B301-8	Nut	X	1
31	A448-10	Bus Bar	X	1
32	MS35206-228	Screw	X	2
33	C448-2	Block Assembly (Incl items 30, 31, and 36)	X	1
34	C448-5	Block	X	1
35	F365-1	Angle (Ref)		
36	B567-43	Screw	X	4
37	F359-2	Panel (Ref; RH)		
38	MS21042L06	Nut	X	1
39	NAS1149FN616P	Washer	X	2
40	—	Nut	O	1
41	—	Washer	O	1
42	—	Washer	O	2
43	—	Screw	O	2
44	B297-5	Circuit Breaker (5 amp)	X	1
45	A448	Bus Bar	X	1
46	B260-2	Terminal	X	1
47	-2699	Wire (Ref; earlier aircraft with G655-3 time delay installed)		
	-2700	Wire (Ref; aux fuel tank)		

NOTES

Intentionally Blank

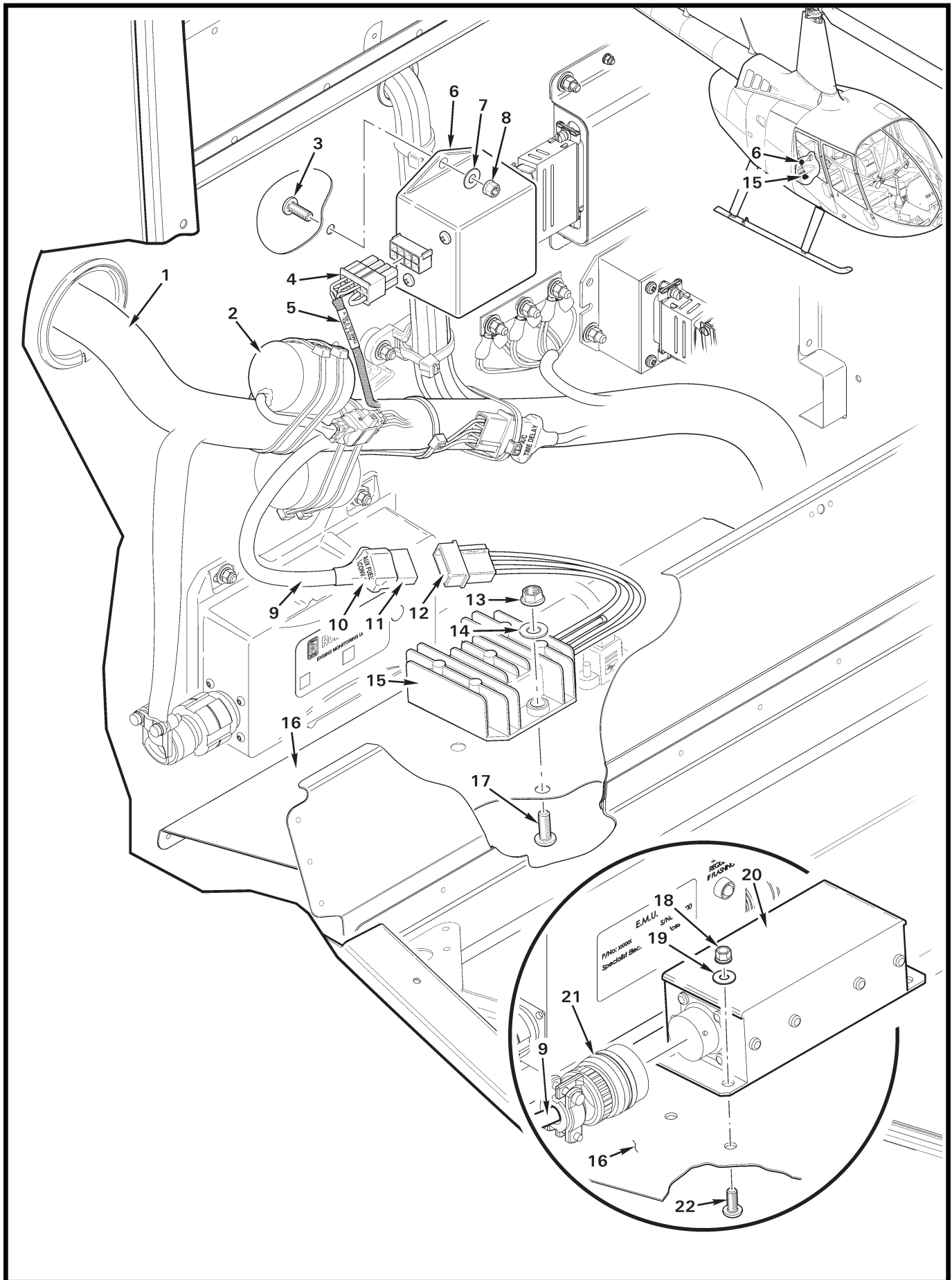


FIGURE AND INDEX NUMBER	PART NUMBER	DESCRIPTION	PARTS AVAIL	QTY PER ASSY
		AUXILIARY FUEL TANK – ELECTRICAL COMPONENTS		
28-35-1	F859	Wire Harness Assembly (Ref; includes items 4 and 5)		
2	G656-1	Module Assembly (Ref)		
3	MS27039C0807	Screw	X	2
4	39-01-2085	Housing	X	1
	39-00-0039	Socket	X	7
	RNC55H1403FS	Resistor (not shown)	X	1
	B158-2	Heat Shrink (cover resistor)	X	A/R
5	B158-6	Heat Shrink (labeled "AUX FUEL TIME DLY RLY")	X	A/R
6	XESR10-S01-FP-0787	Time Delay Relay	X	1
7	NAS1149FN816P	Washer	X	2
8	MS21042L08	Nut		
9	F859-2697	Wire (Ref)		
	F859-2698	Wire (Ref)		
	F859-2702	Wire (Ref)		
	F859-2715	Wire (Ref)		
10	B158-10	Heat Shrink (labeled "AUX FUEL CONV")	X	1
11	B263-35	Housing	X	1
	B263-2	Socket	X	3
12	B263-34	Housing	X	1
	B263-3	Pin	X	3
13	D210-3	Nut	X	2
14	NAS1149F0332P	Washer	X	2
15	G768-7	Converter – Power (28-to-14-volt, includes item 12)	X	1
16	F679-2	Cover (Ref, RH)		
17	MS27039C1-08	Screw	X	4
18	MS21042L08*	Nut	X	4
19	NAS1149FN816P*	Washer	X	4
20	LT-46D*	Converter – Power (28-to-14-volt)	X	1
21	MS3116F14-5S*	Plug	X	1
22	MS27039C0805*	Screw	X	4

NOTES * Earlier R66's.

Intentionally Blank

CHAPTER 29

HYDRAULICS

<i>Figure</i>	<i>Title</i>	<i>Page</i>
29-1	Hydraulic Pump Installation	29.0
29-3	Hydraulic Reservoir Installation	29.2
29-7	Forward Servos Installation	29.6
29-9	Forward Servos Hose Installation	29.8
29-11	Aft Servo Installation	29.10

FIGURE AND INDEX NUMBER	PART NUMBER	DESCRIPTION	PARTS AVAIL	QTY PER ASSY
HYDRAULIC PUMP INSTALLATION				
29-1-1	F006-1	Main Rotor Gearbox Assembly (Ref, see Figure 63-3)		
2	F902-1	Line Assembly (Ref)		
3	AN815-4D	Union	X	1
4	MS28778-4	Packing (o-ring)	X	1
5	D500-2	Pump Assembly (Incl item 11)	X	1
6	MS21042L3	Nut	X	4
7	NAS620-10L	Washer	X	4
8	—	Stud (Ref)		
9	F110-4	Telatemp (temperature recorder, 220° to 270°F)	X	1
10	A215-128	Packing (o-ring)	X	1
11	D114-2	Bracket	X	1
12	MS28778-6	Packing (o-ring)	X	1
13	AN815-6D	Union	X	2
14	F902-2	Line Assembly (Ref)		
15	103SR13A-3	Sender (Ref)		

NOTES

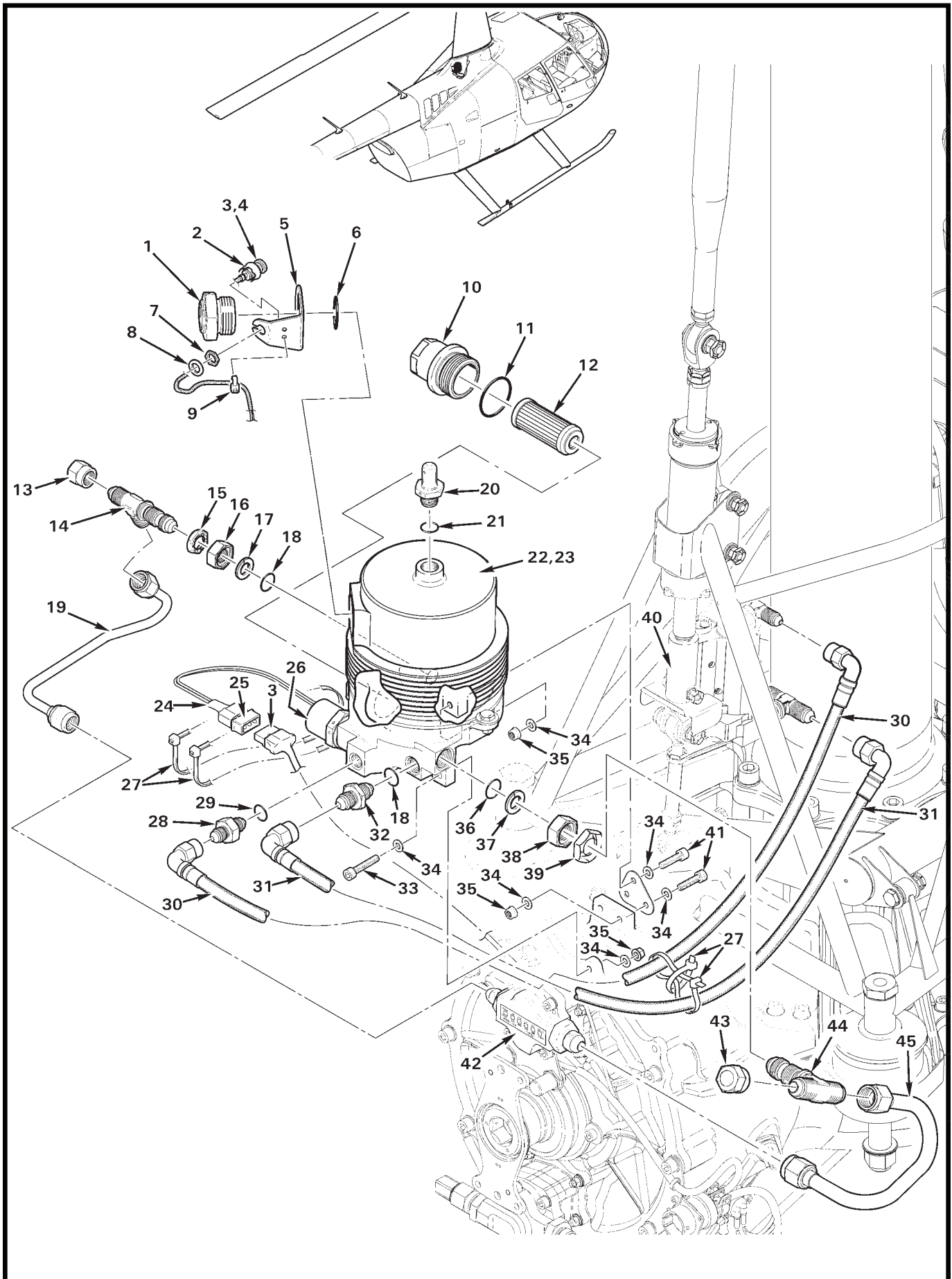


FIGURE AND INDEX NUMBER	PART NUMBER	DESCRIPTION	PARTS AVAIL	QTY PER ASSY
HYDRAULIC RESERVOIR INSTALLATION				
29-3-1	B563-2	Sight Gage	X	1
2	B158-6	Heat Shrink	X	A/R
3	252-247	Light Assembly (LED; includes items 7 and 8)	O	1
4	F049-01	Harness Assembly (Ref; includes items 2 and 3)		
5	D494-2	Holder	X	1
6	MS28775-020	Packing (o-ring)	X	1
7	—	Nut	O	1
8	—	Washer	O	1
9	MS3367-4-9	Ty-Rap	X	1
10	D516-1	Cap	X	1
11	MS28778-14	Packing (o-ring)	X	1
12	AN6235-1A	Filter	X	1
13	AN820-4	Cap	X	1
14	AN804D4	Tee	X	1
15	B330-21	Palnut	X	1
16	D452-4	Nut	X	1
17	D454-4	Retainer	X	1
18	MS28778-4	Packing (o-ring)	X	2
19	F902-1	Line Assembly	X	1
20	D487-3	Vent Assembly	X	1
21	MS28778-5	Packing (o-ring)	X	1
22	D211-3	Reservoir Assembly (Incl items 1, 5, 6, 10 thru 12, 20, 21, and 24 thru 26)	X	1
23	A257-15	Hydraulic Fluid	X	A/R
24	B158-408	Heat Shrink	X	A/R
25	B263-14	Housing	X	1
	B263-1	Pin	X	2
26	D507-2	Solenoid Assembly (Ref)		
27	MS3367-5-9	Ty-Rap	X	2
28	AN815-3D	Union	X	1
29	MS28775-011	Packing (o-ring)	X	1
30	D205-17	Hose Assembly	X	1
31	D205-18	Hose Assembly	X	1
32	AN815-4D	Union	X	1
33	NAS1351-3-16P	Screw	X	2

NOTES

Continues

FIGURE AND INDEX NUMBER	PART NUMBER	DESCRIPTION	PARTS AVAIL	QTY PER ASSY
HYDRAULIC RESERVOIR INSTALLATION (Cont'd)				
29-3-34	NAS620-10L	Washer	X	10
35	MS21042L3	Nut	X	5
36	MS28778-6	Packing (o-ring)	X	1
37	D454-6	Retainer	X	1
38	D452-6	Nut	X	1
39	B330-25	Palnut	X	1
40	D212-6	Servo Assembly (Ref)		
41	NAS1351-3-12P	Screw	X	3
42	D500-2	Pump (Ref, see Figure 29-1)		
43	AN820-6	Cap	X	1
44	AN834-6D	Tee	X	1
45	F902-2	Line Assembly	X	1

NOTES

Intentionally Blank

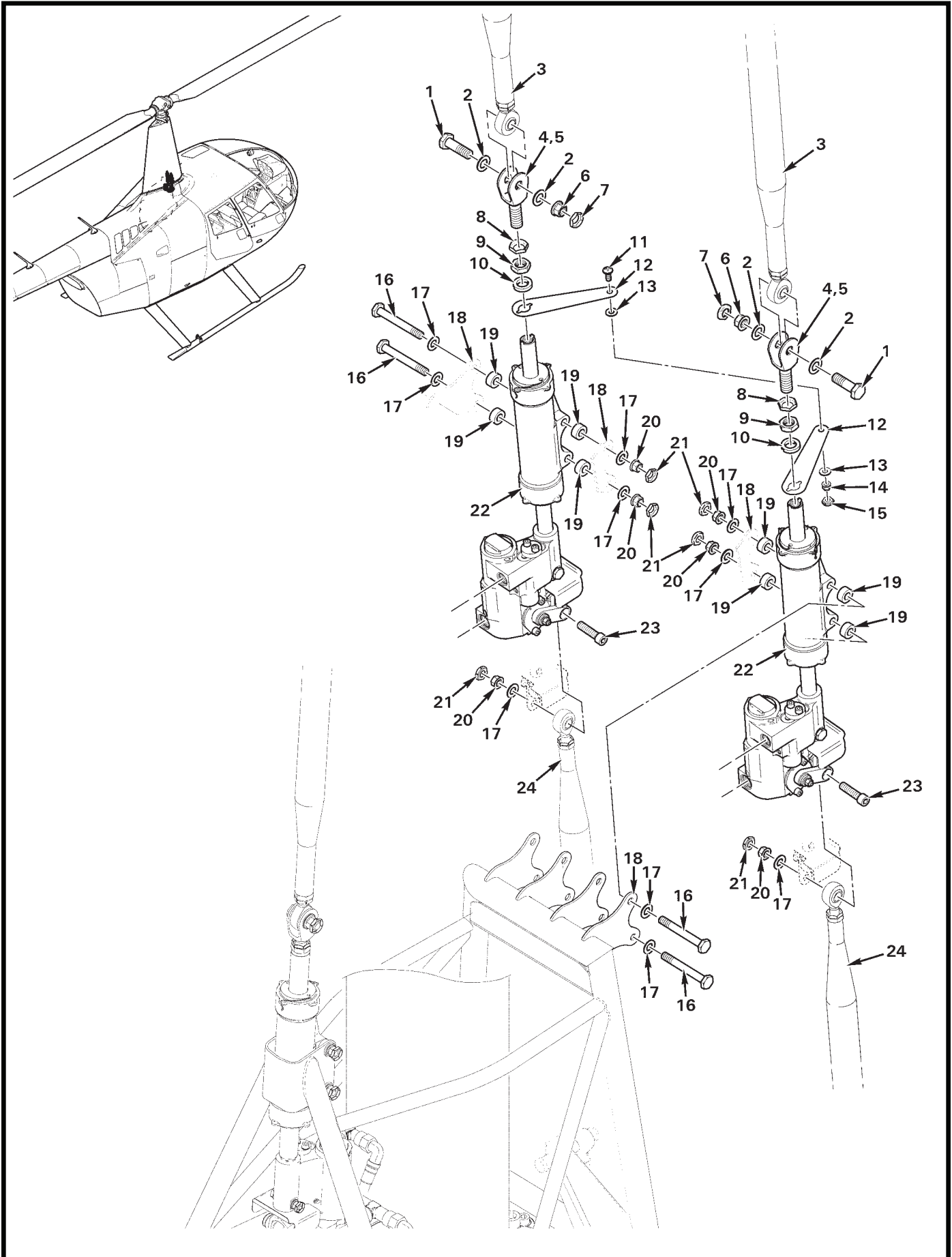


FIGURE AND INDEX NUMBER	PART NUMBER	DESCRIPTION	PARTS AVAIL	QTY PER ASSY
FORWARD SERVOS INSTALLATION				
29-7-1	NAS6605-9	Bolt	X	2
2	NAS1149F0532P	Washer	X	4
3	F121-3	Push-Pull Tube Assembly (Ref, see Figure 67-27)		
4	D200-1	Clevis (install using item 5)	X	2
5	B270-21	Protectant	X	A/R
6	D210-5	Nut	X	2
7	B330-16	Palnut	X	2
8	B330-19	Palnut	X	2
9	AN316-6R	Nut	X	2
10	D200-3	Washer	X	2
11	MS27039C0806	Screw	X	1
12	D200-2	Scissor	X	2
13	NAS1149FN832P	Washer	X	2
14	D210-08	Nut	X	1
15	B330-6	Palnut	X	1
16	NAS6604-25	Bolt	X	4
17	NAS1149F0432P	Washer	X	10
18	G201-1	Frame Assembly – Hydraulic Servo Support (Ref)		
19	C130-15	Spacer	X	8
20	D210-4	Nut	X	6
21	B330-13	Palnut	X	6
22	D212-5	Servo Assembly	X	2
23	NAS1351-4-16P	Screw	X	2
24	F121-5	Push-Pull Tube Assembly (Ref, see Figures 67-5 and 67-9)		

NOTES

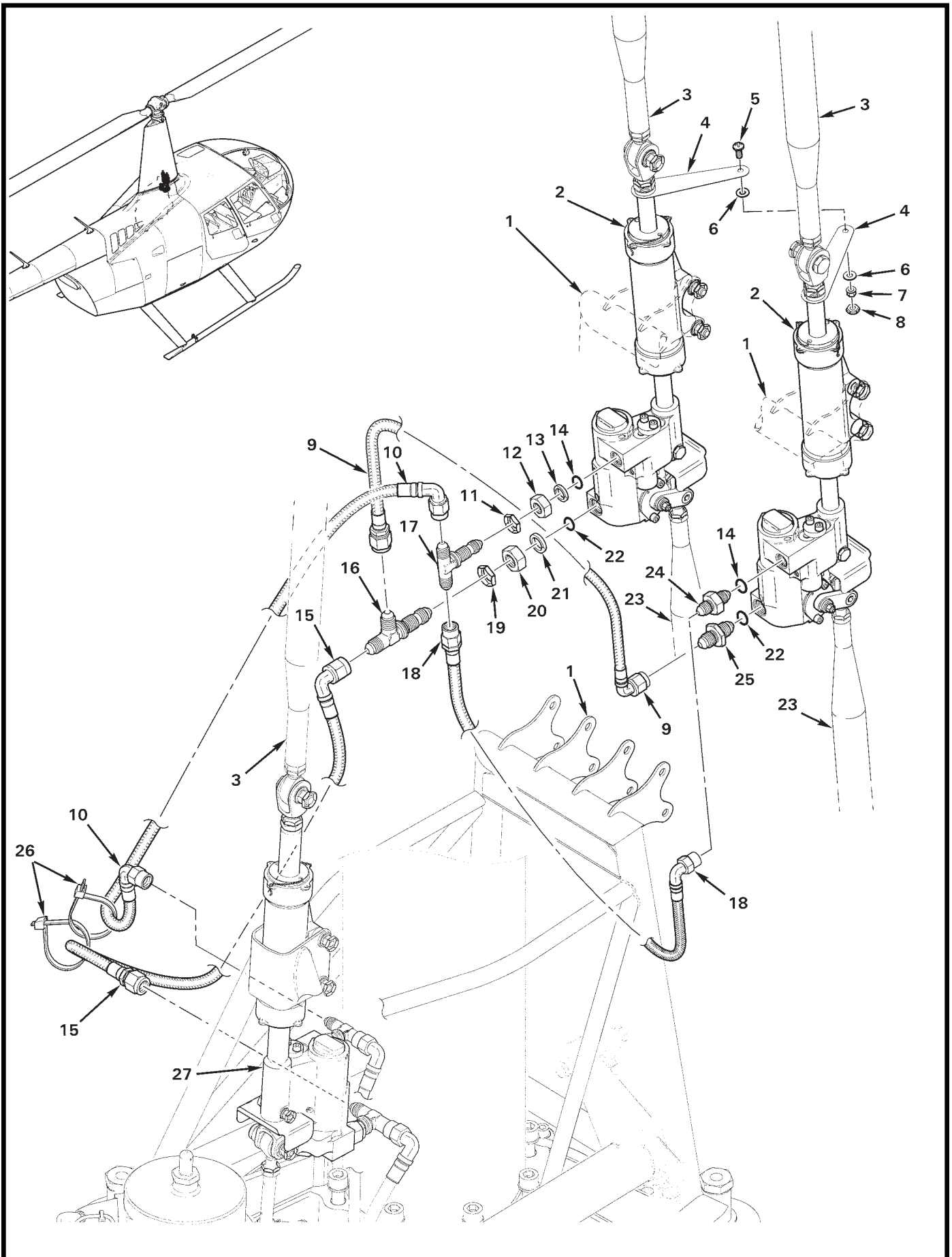


FIGURE AND INDEX NUMBER	PART NUMBER	DESCRIPTION	PARTS AVAIL	QTY PER ASSY
FORWARD SERVOS HOSE INSTALLATION				
29-9-1	G201-1	Frame Assembly – Hydraulic Servo Support (Ref)		
2	D212-5	Forward Servo Assembly (Ref; see Figure 29-7)		
3	F121-3	Push-Pull Tube Assembly (Ref; see Figure 67-27)		
4	D200-2	Scissor	X	2
5	MS27039C0806	Screw	X	1
6	NAS1149FN832P	Washer	X	2
7	D210-08	Nut	X	1
8	B330-6	Palnut	X	1
9	D205-24	Hose Assembly	X	1
10	D205-22	Hose Assembly	X	1
11	B330-19	Palnut	X	1
12	D452-3	Nut	X	1
13	D454-3	Retainer	X	1
14	MS28775-011	Packing (o-ring)	X	2
15	D205-23	Hose Assembly	X	1
16	AN804D4	Tee	X	1
17	AN834-3D	Tee	X	1
18	D205-14	Hose Assembly	X	1
19	B330-21	Palnut	X	1
20	D452-4	Nut	X	1
21	D454-4	Retainer	X	1
22	MS28778-4	Packing (o-ring)	X	2
23	F121-5	Push-Pull Tube Assembly (Ref; see Figures 67-5 and 67-9)		
24	AN815-3D	Union	X	1
25	AN815-4D	Union	X	1
26	MS3367-5-9	Ty-Rap (interlocked)	X	2
27	D212-6	Aft Servo Assembly (Ref; see Figure 29-11)		

NOTES

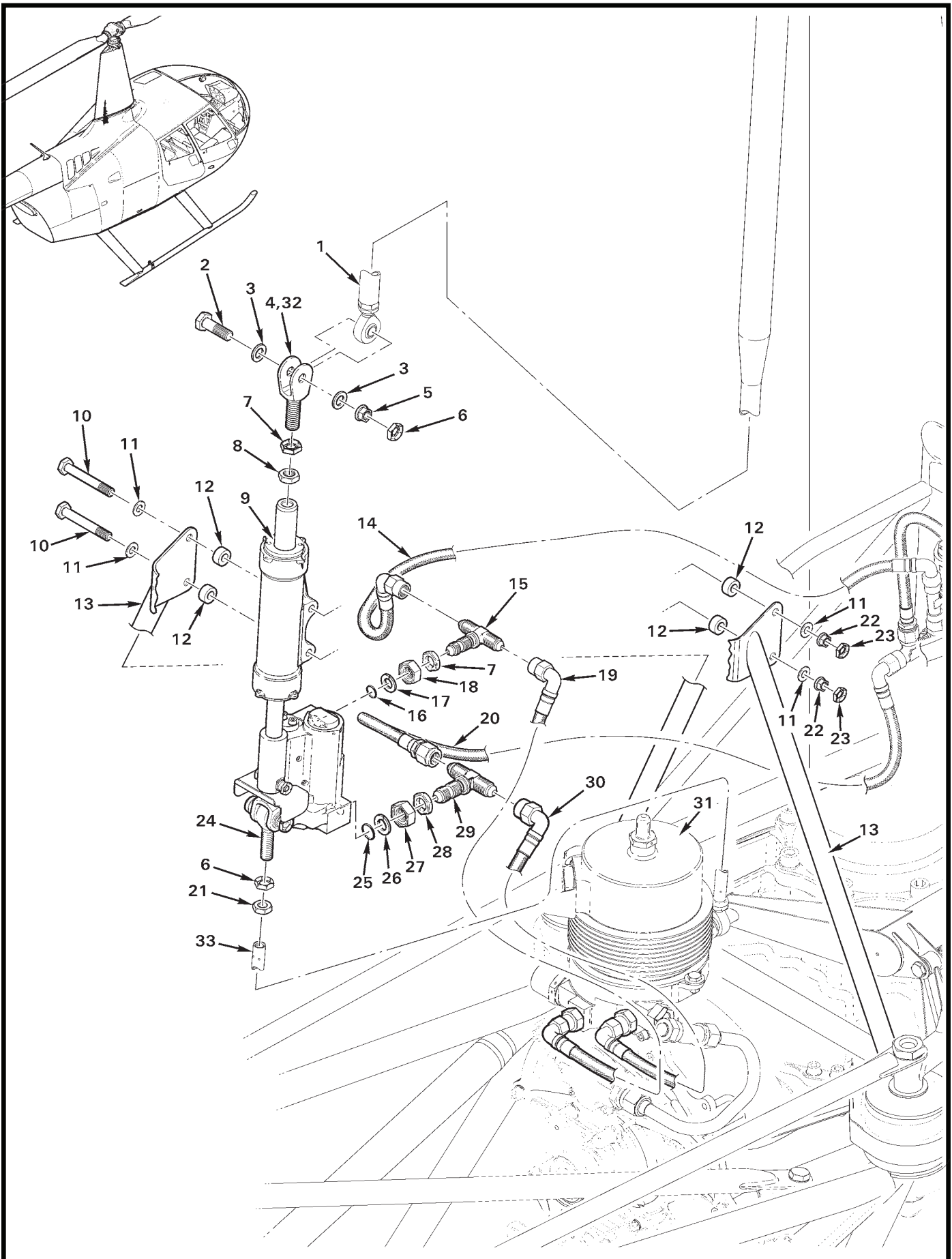


FIGURE AND INDEX NUMBER	PART NUMBER	DESCRIPTION	PARTS AVAIL	QTY PER ASSY
AFT SERVO INSTALLATION				
29-11-1	F121-3	Push-Pull Tube Assembly (Ref, see Figure 67-27)		
2	NAS6605-9	Bolt	X	1
3	NAS1149F0532P	Washer	X	2
4	D200-1	Clevis (install using item 32)	X	1
5	D210-5	Nut	X	1
6	B330-16	Palnut	X	2
7	B330-19	Palnut	X	2
8	AN316-6R	Nut	X	1
9	D212-6	Servo Assembly (Incl items 6 [1], 21, 24, and 32)	X	1
10	NAS6604-25	Bolt	X	2
11	NAS1149F0432P	Washer	X	4
12	C130-15	Spacer	X	4
13	G201-1	Frame Assembly – Hydraulic Servo Support (Ref)		
14	D205-22	Hose Assembly (Ref)		
15	AN834-3D	Tee (aft servo)	X	1
16	MS28775-011	Packing (o-ring)	X	1
17	D454-3	Retainer	X	1
18	D452-3	Nut	X	1
19	D205-17	Hose Assembly	X	1
20	D205-23	Hose Assembly (Ref)		
21	AN316-5R	Nut	X	1
22	D210-4	Nut	X	2
23	B330-13	Palnut	X	2
24	B163-2	Rod End	O	1
25	MS28778-4	Packing (o-ring)	X	1
26	D454-4	Retainer	X	1
27	D452-4	Nut	X	1
28	B330-21	Palnut	X	1
29	AN834-4D	Tee	X	1
30	D205-18	Hose Assembly	X	1
31	D211-3	Reservoir Assembly (Ref)		
32	B270-21	Protectant	X	A/R
33	C343-8	Tube (Ref, see Figure 67-25)		

NOTES

Intentionally Blank

CHAPTER 32
LANDING GEAR

<u>Figure</u>	<u>Title</u>	<u>Page</u>
32-1	Landing Gear Assembly	32.0
32-5	Strut Fairing Assembly	32.4
32-7	Pop-Out Floats – Cylinder Assembly Installation	32.6
32-9	Pop-Out Floats – Lever Assembly	32.8
32-11	Pop-Out Floats – Float Assembly Installation	32.10
32-15	Pop-Out Floats – Hose Assembly Installation	32.14
32-17	Pop-Out Floats – Float Assembly and Hose Assembly	32.16
32-19	Skid Step Installation	32.18

FIGURE AND INDEX NUMBER	PART NUMBER	DESCRIPTION	PARTS AVAIL	QTY PER ASSY
LANDING GEAR ASSEMBLY				
32-1-1	F014-2	Landing Gear Assembly (Incl items 3, 10 thru 12, 16, 18, 20, and 30 thru 51)	X	1
	F014-5	Landing Gear Assembly – Extended Gear (Incl items 3, 10 thru 12, 16, 20, and 31 thru 53. Optional; STD on Police and ENG ship.)	X	1
2	C247-3	Cap (clear, bond in place with window up, painted side against cross tube, using item 3)	X	2
3	B270-1	Sealant	X	A/R
4	NAS6607-20	Bolt	X	4
5	C141-4	Washer	X	4
6	F046-2	Lower Frame (RH, Ref; see Figure 53-7)		
7	NAS1149F0432P*	Washer (Ref)		
8	MS21042L4*	Nut (Ref)		
9	A936-3*	Wire Assembly	X	1
10	NAS620-10L	Washer	X	4
11	NAS1351-3LE8P	Screw	X	4
12	F239-2	Strut Assembly (RH, aft)	X	1
13	F247-1	Spacer	X	2
14	NAS1149F0732P	Washer	X	6
15	D210-7	Nut	X	4
16	F241-3	Cross Tube (aft)	X	1
17	F411-9	Cap (clear, bond in place with window up, painted side against cross tube, using item 3)	X	2
18	F239-4	Strut Assembly (RH, fwd)	X	1
19	F247-2	Spacer	X	2
20	F241-4	Cross Tube (forward)	X	1
21	F046-1	Lower Frame (LH, Ref)		
22	NAS6607-44	Bolt	X	2
23	C141-6	Washer	X	2
24	C141-5	Washer	X	4
25	A214-10	Washer	X	4
26	C276-3	Shackle Assembly	X	2
27	LJS-1016	Bearing	X	4
28	C105-1	Journal	X	2
29	2740	Hole Plug	X	1
30	F239-3	Strut Assembly (LH, fwd)	X	1

NOTES * Earlier aircraft.

Continues

FIGURE AND INDEX NUMBER	PART NUMBER	DESCRIPTION	PARTS AVAIL	QTY PER ASSY
LANDING GEAR ASSEMBLY (Cont'd)				
32-1-31	F239-1	Strut Assembly (LH, aft)	X	1
32	C247-1	Rain Cap (install using item 3)	X	2
33	NAS1330H3K116L	Rivnut	X	30
34	A667-8	Skid Shoe (curved)	X	2
35	A142-1	Screw	X	44
36	A667-7	Skid Shoe (straight)	X	8
37	A142-3	Screw	X	8
38	C246-5	Liner Assembly (LH, includes nutplates)	X	1
	C246-6	Liner Assembly (RH, includes nutplates)	X	1
39	NAS1149F0663P	Washer	X	16
40	NAS6606-4	Bolt	X	16
41	C242-7	Skid Tube Assembly (LH, includes C242-5 skid tube, and items 3, 32, 33, 37, 38)	O	1
	C242-9*	Skid Tube Assembly (LH, includes C242-7 and is painted)	X	1
42	C242-8	Skid Tube Assembly (RH, includes C242-6 skid tube, and items 3, 32, 33, 37, 38; not shown)	O	1
	C242-10*	Skid Tube Assembly (RH, includes C242-8 and is painted)	X	1
43	C719-1	Support Weldment	X	2
44	NAS6604-46**	Bolt	X	4
45	NAS1149F0432P**	Washer	X	4
46	B340-10**	Nut	X	4
47	A751-4	Strip (not installed on ships with skid steps; see Figure 32-19)	X	2
48	A751-5	Strip	X	2
	A751-9	Strip (install on ships with skid steps)	X	2
49	A751-6	Strip (installed on item 50 [LH] only; earlier ships without item 55)	X	1
50	C937-1	Skid Extension (LH, fill gap with item 3)	X	1
51	C937-2	Skid Extension (RH, fill gap with item 3, not shown)	X	1
52	F239-6	Strut Assembly – Extended Gear (RH; not shown)	X	1
53	F239-5	Strut Assembly – Extended Gear (LH; not shown)	X	1
54	C719-1	Support Weldment (Police and ENG ships)	X	2
55	F780-1	Step Assembly (see Figure 32-19)	X	1
56	A751-7	Strip	X	1

NOTES * Spares; revision P and subsequent have provisions for Skid Steps.
 ** Quantity is [8] each when item 54 is installed

Intentionally Blank

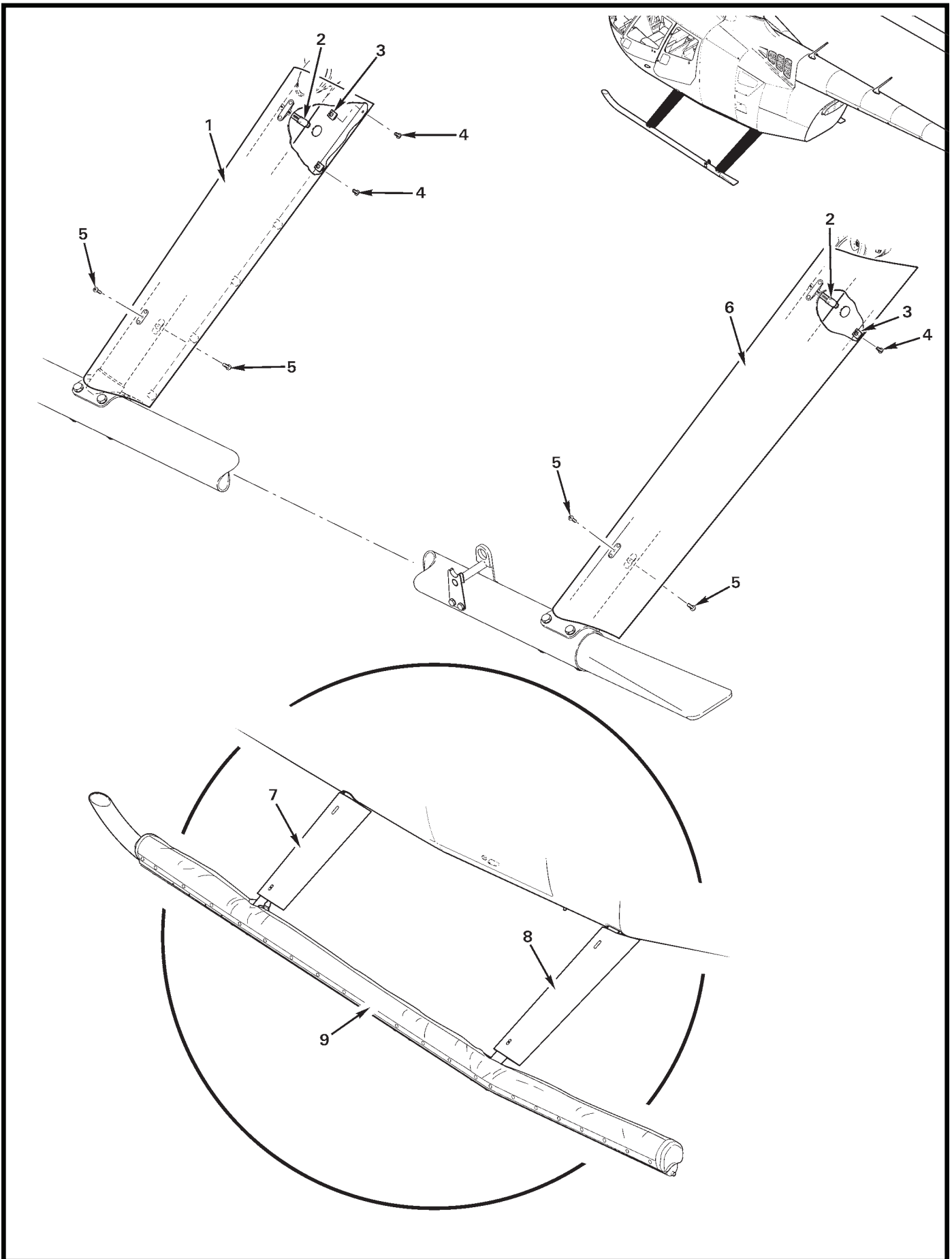


FIGURE AND INDEX NUMBER	PART NUMBER	DESCRIPTION	PARTS AVAIL	QTY PER ASSY	
STRUT FAIRING ASSEMBLY					
32-5-1	F082-3	Fairing Assembly – Forward (LH)	X	1	
	F082-2	Fairing Assembly – Forward (RH, not shown)	X	1	
	F082-23	Fairing Assembly – Forward (LH, not shown; Extended Gear) . .	X	1	
	F082-22	Fairing Assembly – Forward (RH, not shown; Extended Gear)	X	1	
	2	B277-28	Clamp	X	4
	3	B162-3	Clipnut	X	26
	4	B526-6	Screw (rev. E and subsequent fairing assemblies)	X	26
		MS27039C0805	Screw (rev. D or earlier fairing assemblies)	X	26
	5	MS27039C0810	Screw	X	8
		F082-5	Fairing Assembly – Aft (LH)	X	1
	6	F082-4	Fairing Assembly – Aft (RH, not shown)	X	1
		F082-13*	Fairing Assembly – Forward (LH)	X	1
	7	F082-12*	Fairing Assembly – Forward (RH, not shown)	X	1
		F082-15*	Fairing Assembly – Aft (LH)	X	1
	8	F082-14*	Fairing Assembly – Aft (RH, not shown)	X	1
		F082-14*	Fairing Assembly – Aft (RH, not shown)	X	1
	9	C950	Float Tube (Ref)		

NOTES * Pop-out Float equipped R66s.

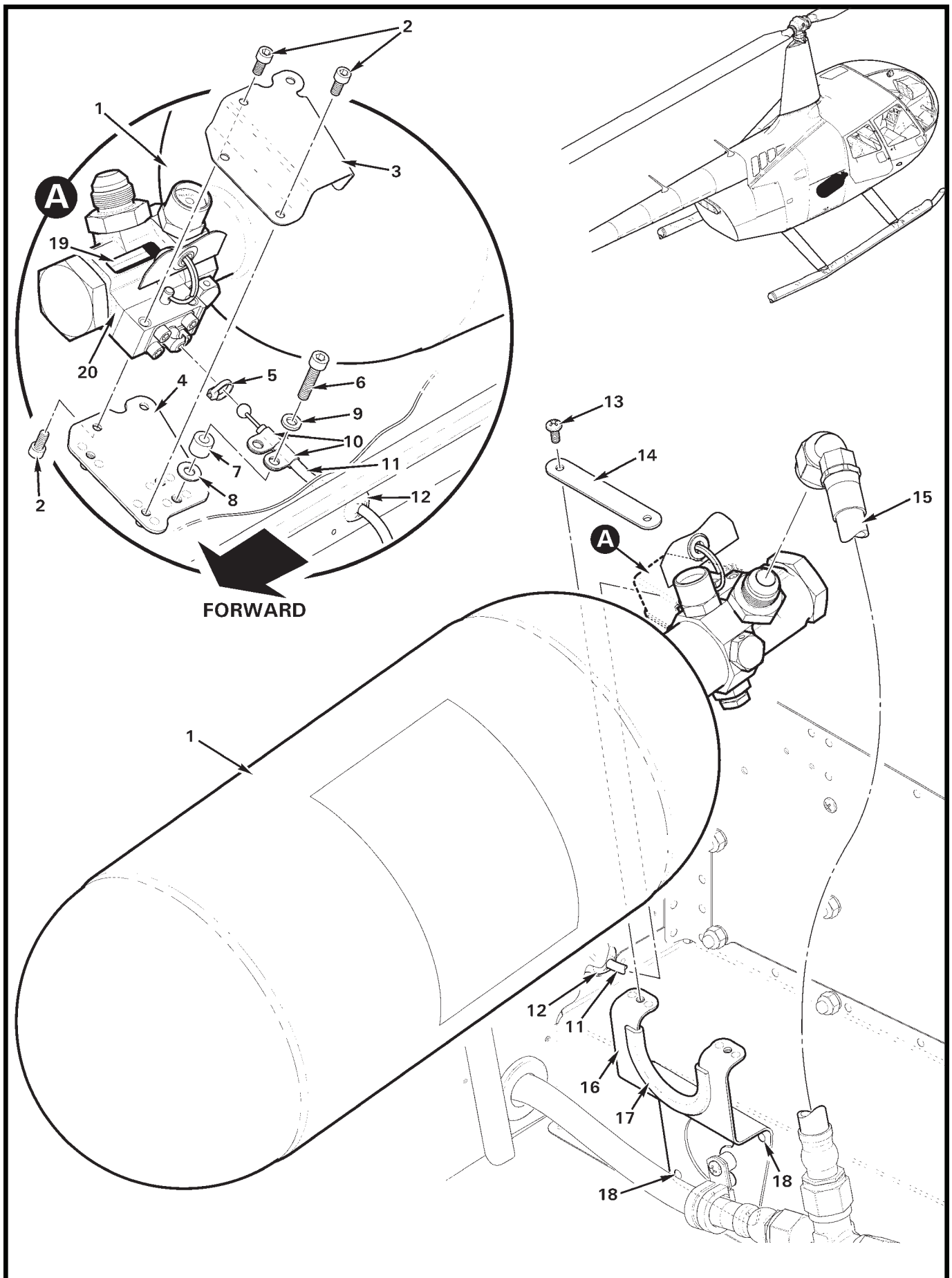


FIGURE AND INDEX NUMBER	PART NUMBER	DESCRIPTION	PARTS AVAIL	QTY PER ASSY
POP-OUT FLOATS – CYLINDER ASSEMBLY INSTALLATION				
32-7-1	D679-3	Cylinder Assembly	X	1
2	NAS1352-08-6P	Screw	X	6
3	D761-2	Cover	X	1
4	D761-1	Support Assembly	X	1
5	MS3367-4-9	Ty-rap	X	1
6	NAS1351-3-14P	Screw	X	2
7	C130-26	Spacer	X	2
8	NAS1149F0332P	Washer	X	2
9	NAS620-10	Washer	X	2
10	AN735-3	Clamp	X	2
11	D676-2	Cable Assembly (Use item 5 to retain ball in bottle trigger. Ref, see Figure 32-9.)		
12	B270-1	Sealant	X	A/R
13	MS27039C0806	Screw	X	2
14	D669-3	Strap	X	1
15	D674-9	Hose Assembly	X	1
16	D669-6	Cradle Assembly (Incl item 17)	X	1
17	A226-11	Trim	X	A/R
18	MS20470AD4	Rivet	X	6
19	—	Data Plate (Ref; B900-8 modification, D758-2 with D758-4 attributes)		
20	D758-4	Housing (Ref)		
	D758-2	Housing with B900-8 Modification (Ref; D758-2 with D758-4 attributes, includes item 19)		

NOTES

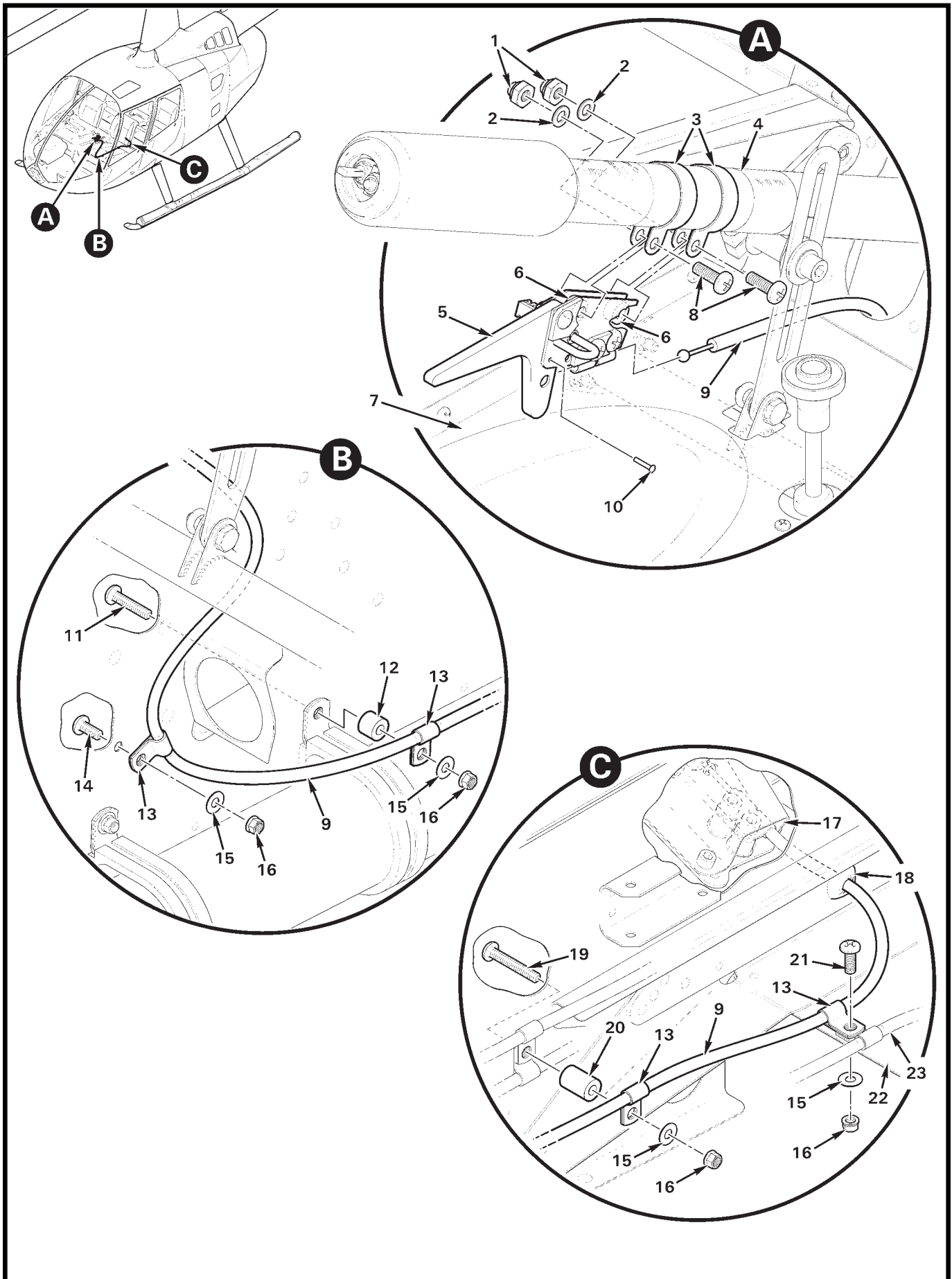


FIGURE AND INDEX NUMBER	PART NUMBER	DESCRIPTION	PARTS AVAIL	QTY PER ASSY
POP-OUT FLOATS – LEVER ASSEMBLY				
32-9-1	B340-8	Nut	X	2
2	NAS620-10L	Washer	X	2
3	D675-4	Clamp	X	2
4	F758-1	Collective Stick Assembly – Pilot (RH, Ref; see Figure 67-15 for complete assembly)		
5	D680-1	Lever Assembly (Incl items 1 thru 3, 6, 8, and 10)	X	1
6	A130-21	Spacer	X	2
7	F445-3	Cover Assembly (Ref, see Figure 6-1)	X	2
8	MS27039C1-09	Screw	X	2
9	D676-2	Cable Assembly	X	1
10	MS20470A2-6-5	Rivet	X	1
11	MS27039C0812	Screw	X	1
12	A130-33	Spacer	X	1
13	AN742-3	Clamp	X	4
14	MS27039C0806	Screw	X	1
15	NAS1149FN816P	Washer	X	4
16	MS21042L08	Nut	X	4
17	D761-1	Support Assembly – Valve, Float Ships (Ref, see Figure 32-7)		
18	B270-1	Sealant	X	A/R
19	MS27039C0816	Screw	X	1
20	A130-38	Spacer	X	1
21	MS27039C0808	Screw	X	1
22	F375-1	Cover (Ref)		
23	A522-14	Control (Ref)		

NOTES

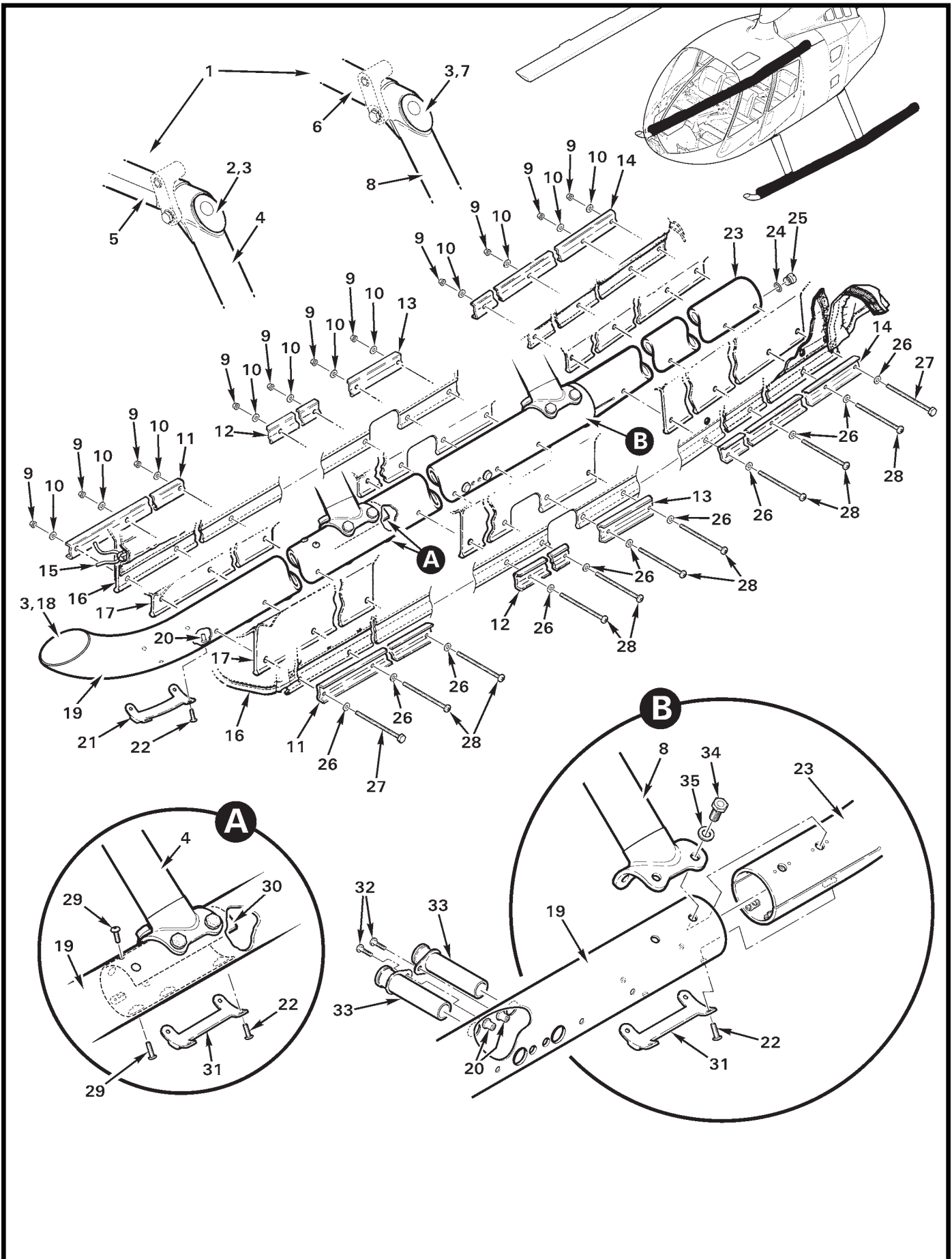


FIGURE AND INDEX NUMBER	PART NUMBER	DESCRIPTION	PARTS AVAIL	QTY PER ASSY
		POP-OUT FLOATS – FLOAT ASSEMBLY INSTALLATION		
32-11-1	F014-4	Landing Gear Assembly – Pop-Out Floats (Incl items 2 thru 8, 19, 23, 34, and 35)	X	1
2	F411-9	Rain Cap – Forward (Ref, install using item 3)		
3	B270-1*	Sealant (2 oz. tube)	X	A/R
4	F239-3	Strut Assembly – Forward (LH)	X	1
	F239-4	Strut Assembly – Forward (RH)	X	1
5	F241-4*	Cross Tube – Forward (Ref)		
6	F241-3*	Cross Tube – Aft (Ref)		
7	C247-3	Rain Cap – Aft (Ref, install using item 3)		
8	F239-1	Strut Assembly – Aft (LH)	X	1
	F239-2	Strut Assembly – Aft (RH)	X	1
9	MS21042L3	Nut	X	62
10	NAS1149F0332P**	Washer (or NAS1149F0363P as required for proper nut engagement)	X	A/R
11	C944-1	Strip	X	4
12	C944-4	Strip	X	4
13	C944-5	Strip	X	4
14	C944-3	Strip	X	4
15	M11029	Cord	X	1
16	C950-17	Cover (LH; SMR Float. Includes item 15.)	X	1
	C950-25	Cover (LH; ACC Float. Includes item 15.)	X	1
	C950-18	Cover (RH, SMR Float, not shown. Includes item 15.)	X	1
	C950-26	Cover (RH; ACC Float, not shown. Includes item 15.)	X	1
17	C950-19 or -23	Float Assembly – LH (Ref, see Figure 32-17)		
	C950-20 or -24	Float Assembly – RH (Ref, see Figure 32-17; not shown)		
18	C247-1	Rain Cap (bond in place using item 3)	X	2
19	C943-7	Skid Tube (LH; does not include item 23)	X	1
	C943-8	Skid Tube (RH; does not include item 23)	X	1
20	NAS1330H3K116L	Rivnut	X	24
21	A667-8	Skid Shoe (curved, install using item 22)	X	2
22	A142-1	Screw	X	40
23	C945-1	Skid Extension (LH)	X	1
	C945-2	Skid Extension (RH, not shown)	X	1
24	A215-013	O-Ring	X	1
25	B202-1	Drain Plug Assembly (Incl item 24)	X	2

NOTES * See also Figure 32-1.
 ** See R66 Maintenance Manual for location and usage.

Continues

FIGURE AND INDEX NUMBER	PART NUMBER	DESCRIPTION	PARTS AVAIL	QTY PER ASSY
POP-OUT FLOATS – FLOAT ASSEMBLY INSTALLATION (Cont'd)				
32-11-26	NAS1149F0332P*	Washer (or NAS1149F0363P as required)	X	A/R
27	AN3-32A*	Bolt (or MS27039DD1-47 or -51 screw as required for proper nut engagement)	X	4
28	MS27039DD1-51*	Screw (or MS27039DD1-47 or AN3-32A Bolt [item 27] as required for proper nut engagement)	X	58
29	A142-3	Screw	X	8
30	C246-5	Liner Assembly (left skid)	X	1
	C246-6	Liner Assembly (right skid)	X	1
31	A667-7	Skid Shoe (straight)	X	8
32	MS27039C1-09	Screw	X	4
33	D724-1	Sleeve Weldment (2 per skid)	X	4
34	NAS6606-4	Bolt	X	16
35	NAS1149F0663P	Washer	X	16

NOTES * See R66 Maintenance Manual for location and usage.

Intentionally Blank

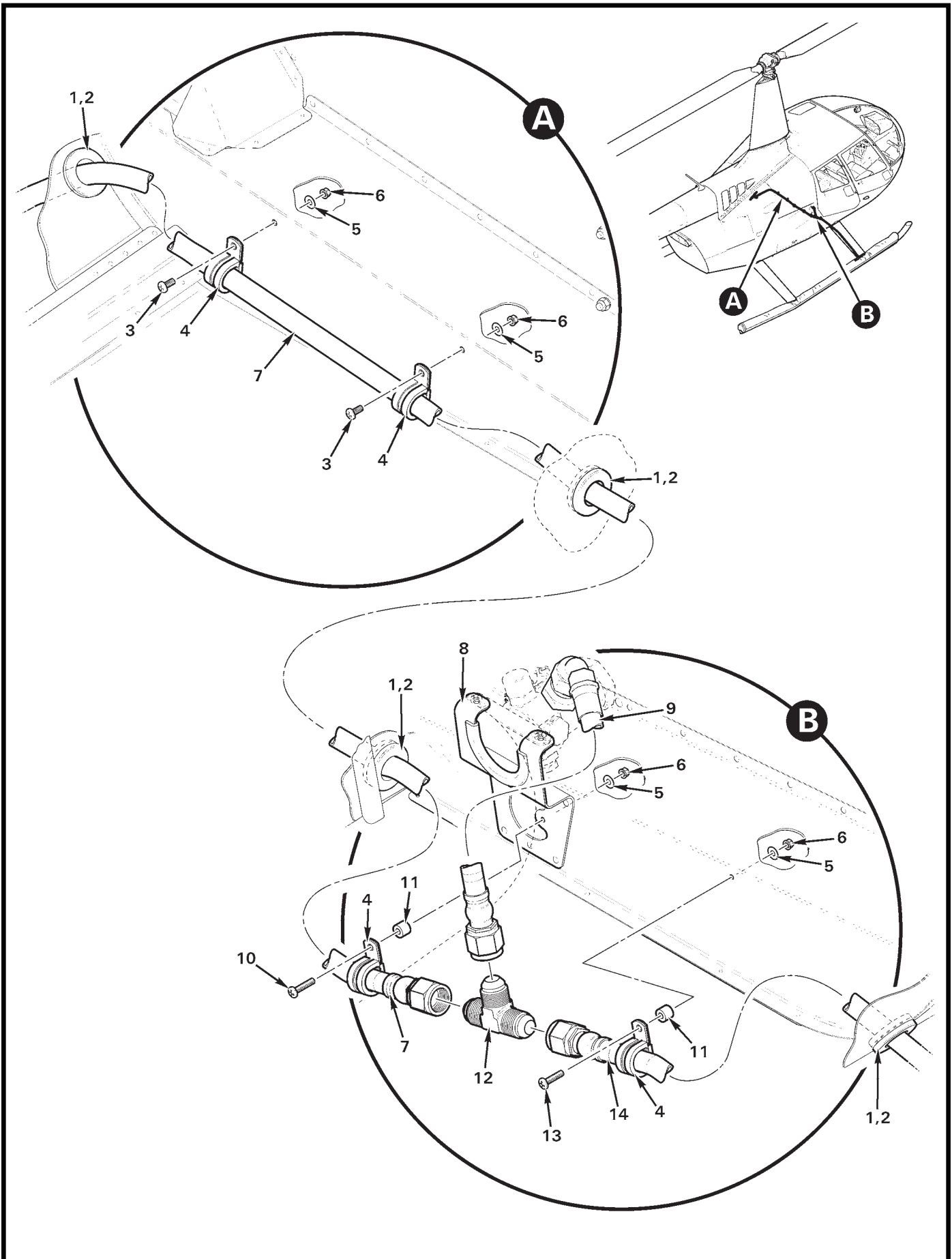


FIGURE AND INDEX NUMBER	PART NUMBER	DESCRIPTION	PARTS AVAIL	QTY PER ASSY
POP-OUT FLOATS – HOSE ASSEMBLY INSTALLATION				
32-15-1	MS35489-20	Grommet (Seal around both sides of grommet and item 7 with item 2, inside baggage compartment.)	X	4
2	B270-1	Sealant	X	A/R
3	MS27039C0806	Screw	X	2
4	MS21919WDG10	Clamp	X	4
5	NAS1149FN816P	Washer	X	4
6	MS21042L08	Nut	X	4
7	D674-13	Hose Assembly (Ref, see Figure 32-17)		
8	D669-6	Cradle Assembly	X	1
9	D674-9	Hose Assembly	X	1
10	MS27039C0812	Screw	X	1
11	A130-33	Spacer	X	2
12	AN824-8D	Tee	X	1
13	MS27039C0811	Screw	X	1
14	D674-12	Hose Assembly (Ref, see Figure 32-17)		
NOTES				

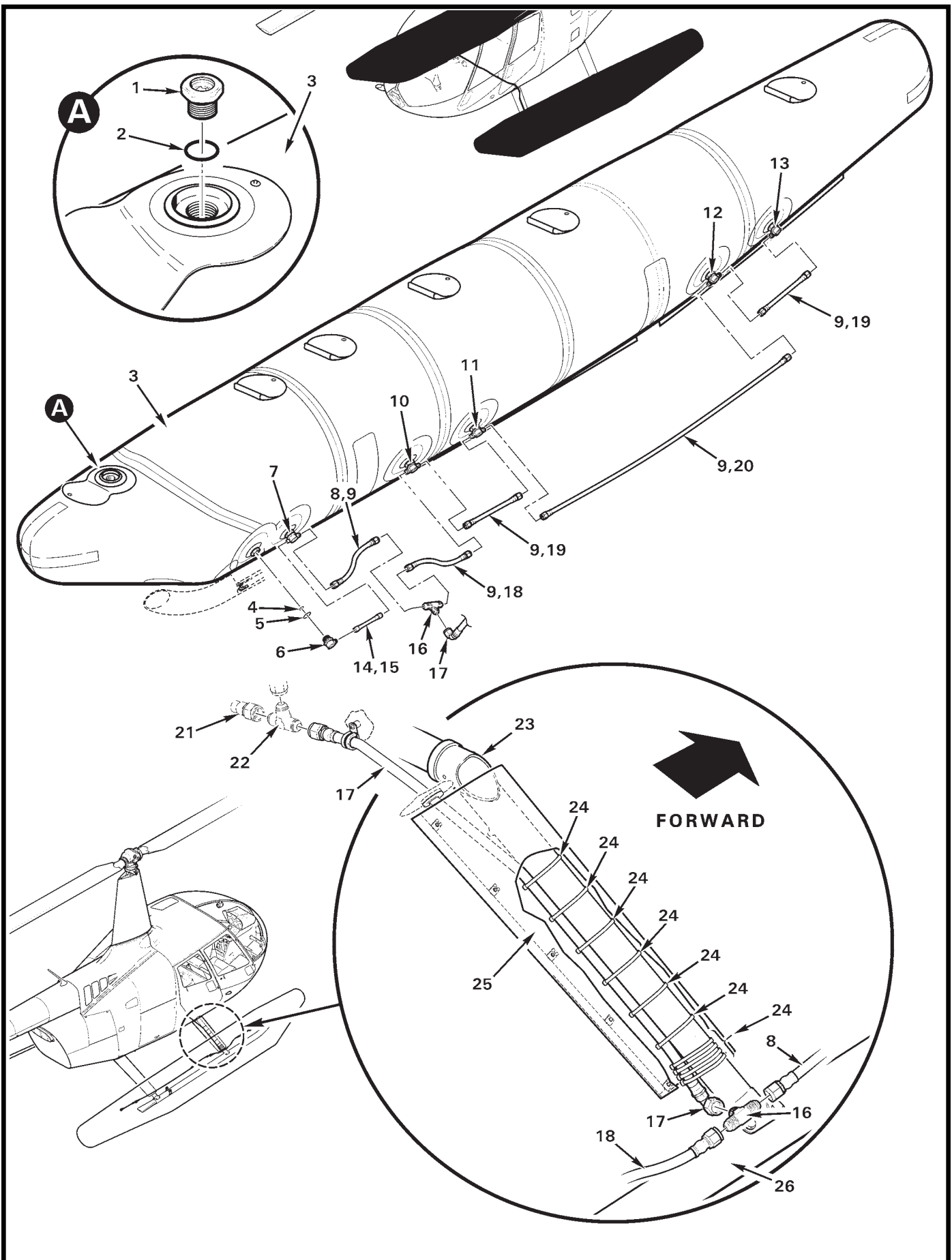


FIGURE AND INDEX NUMBER	PART NUMBER	DESCRIPTION	PARTS AVAIL	QTY PER ASSY
		POP-OUT FLOATS – FLOAT ASSEMBLY AND HOSE ASSEMBLY		
32-17-1	A-53001	Valve – Pressure Topping and Relief (Incl item 2)	X	6
2	A215-212	O-Ring	X	1
3	C950-24*	Float Tube Assembly – RH (Six chamber, includes item 1) . . .	X	1
	C950-20**	Float Tube Assembly – RH (Six chamber, includes item 1) . . .	X	1
	C950-23*	Float Tube Assembly – LH (Six chamber, includes item 1) . . .	X	1
	C950-19**	Float Tube Assembly – LH (Six chamber, includes item 1) . . .	X	1
4	A215-110	O-Ring	X	1
5	A215-212	O-Ring	X	1
6	D770-1	Valve Assembly (Incl items 4 and 5)	X	1
7	D770-2	Valve Assembly (Incl items 4 and 5)	X	1
8	D674-11	Hose Assembly (Incl item 9)	X	1
9	B158-116	Heat Shrink	X	A/R
10	D770-3	Valve Assembly (Incl items 4 and 5)	X	1
11	D770-4	Valve Assembly (Incl items 4 and 5)	X	1
12	D770-5	Valve Assembly (Incl items 4 and 5)	X	1
13	D770-6	Valve Assembly (Incl items 4 and 5)	X	1
14	D674-7	Hose Assembly (Incl item 15)	X	1
15	B158-12	Heat Shrink	X	A/R
16	AN824-8D	Tee (install using item 27)	X	2
17	D674-12	Hose Assembly (Incl item 9)	X	2
18	D674-10	Hose Assembly (Incl item 9)	X	2
19	D674-6	Hose Assembly (Incl item 9)	X	3
20	D674-2	Hose Assembly (Incl item 9)	X	2
21	D674-13	Hose Assembly (Ref, see Figure 32-15)		
22	AN824-8D	Tee (Ref, see Figure 32-15)		
23	F239-4	Strut Assembly – Forward, RH (Ref; see Figure 32-1)		
24	MS3367-7-9	Ty-Rap ([10] per forward strut assembly)	X	20
25	F082-12	Fairing Assembly – Forward, RH (Ref; see Figure 32-5)		
26	C943-8	Skid Tube – RH (Ref)		
27	B270-22	Protectant	X	A/R

NOTES * Manufactured by Air Crusiers.
 ** Manufactured by SMR Technologies, Inc.

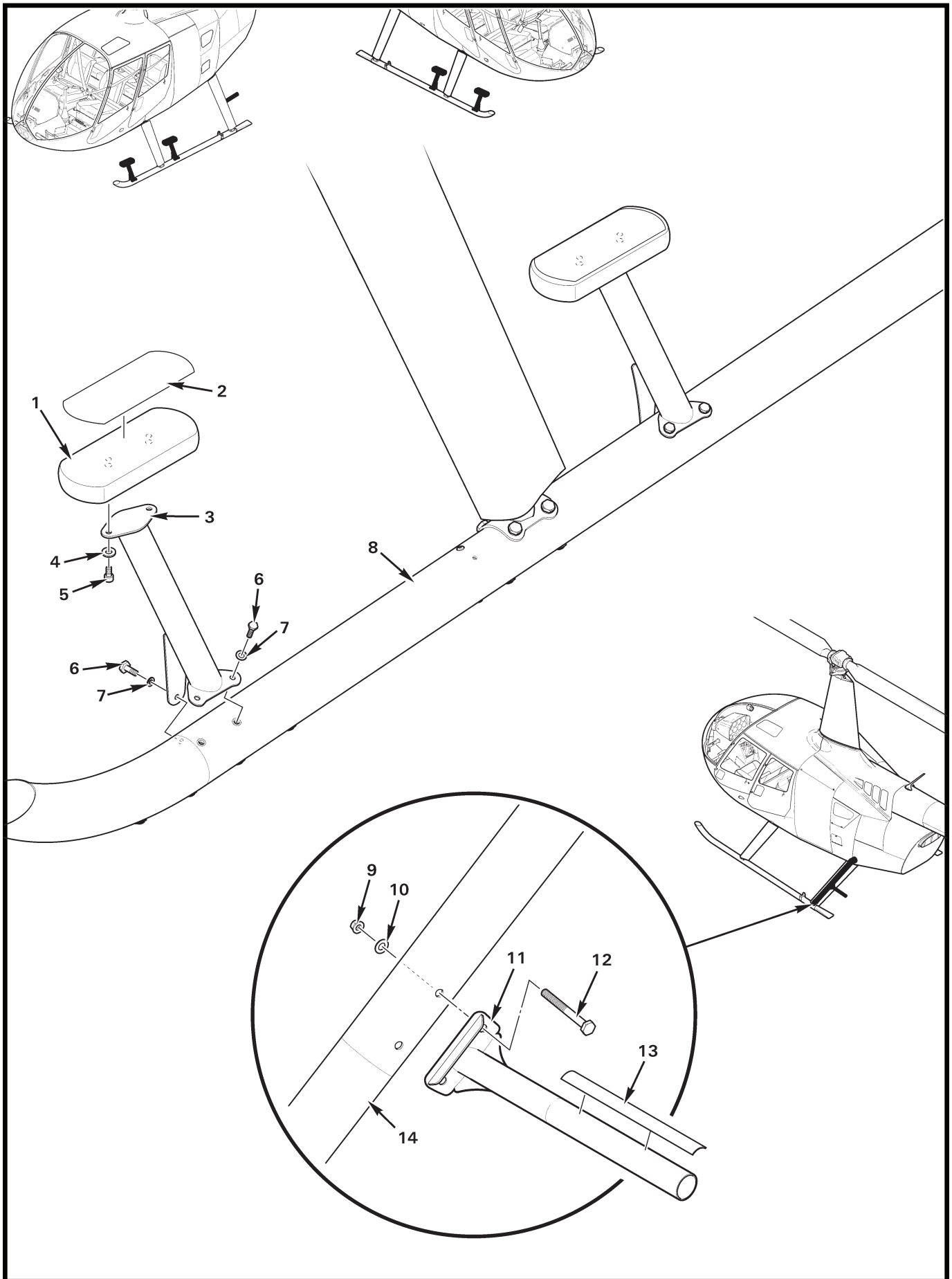


FIGURE AND INDEX NUMBER	PART NUMBER	DESCRIPTION	PARTS AVAIL	QTY PER ASSY
SKID STEP INSTALLATION*				
32-19-1	F781-1	Step Assembly (Incl item 2)	X	4
2	A751-8	Strip	X	4
3	F780-2	Support Weldment (RH and LH, FWD and AFT)	X	4
4	NAS1149F0363P	Washer	X	8
5	NAS1351-3-8P	Screw	X	8
6	NAS6603-3	Bolt	X	12
7	NAS1149F0332P	Washer	X	12
8	C242-7	Skid Tube Assembly (LH)	O	1
	C242-9**	Skid Tube Assembly (LH, includes C242-7 and is painted) . . .	X	1
	C242-8	Skid Tube Assembly (RH)	O	1
	C242-10**	Skid Tube Assembly (RH, includes C242-8 and is painted) . . .	X	1
9	D210-4	Nut	X	2
10	NAS1149F0432P	Washer	X	2
11	F780-1	Step Assembly (left aft strut only)	X	1
12	NAS6604-32	Bolt	X	2
13	A751-7	Strip	X	1
14	F239-1	Strut Assembly (Ref; revision J and subsequent have provisions for step assembly)		

NOTES * Optional equipment. Flight with one or more step assemblies and mounting hardware removed is permissible. See Figure 32-1.

 ** Revision P and subsequent have provisions for Skid Steps.

Intentionally Blank

CHAPTER 33

LIGHTS

<i>Figure</i>	<i>Title</i>	<i>Page</i>
33-1	Strobe Light Installation	33.0
33-3	Navigation Lights Installation	33.2
33-7	HID Landing Lights Installation	33.6
33-9	Cabin Interior Lighting Installation	33.8
33-13	Spotlight Installation	33.12
33-15	MRGB LED Light System	33.14

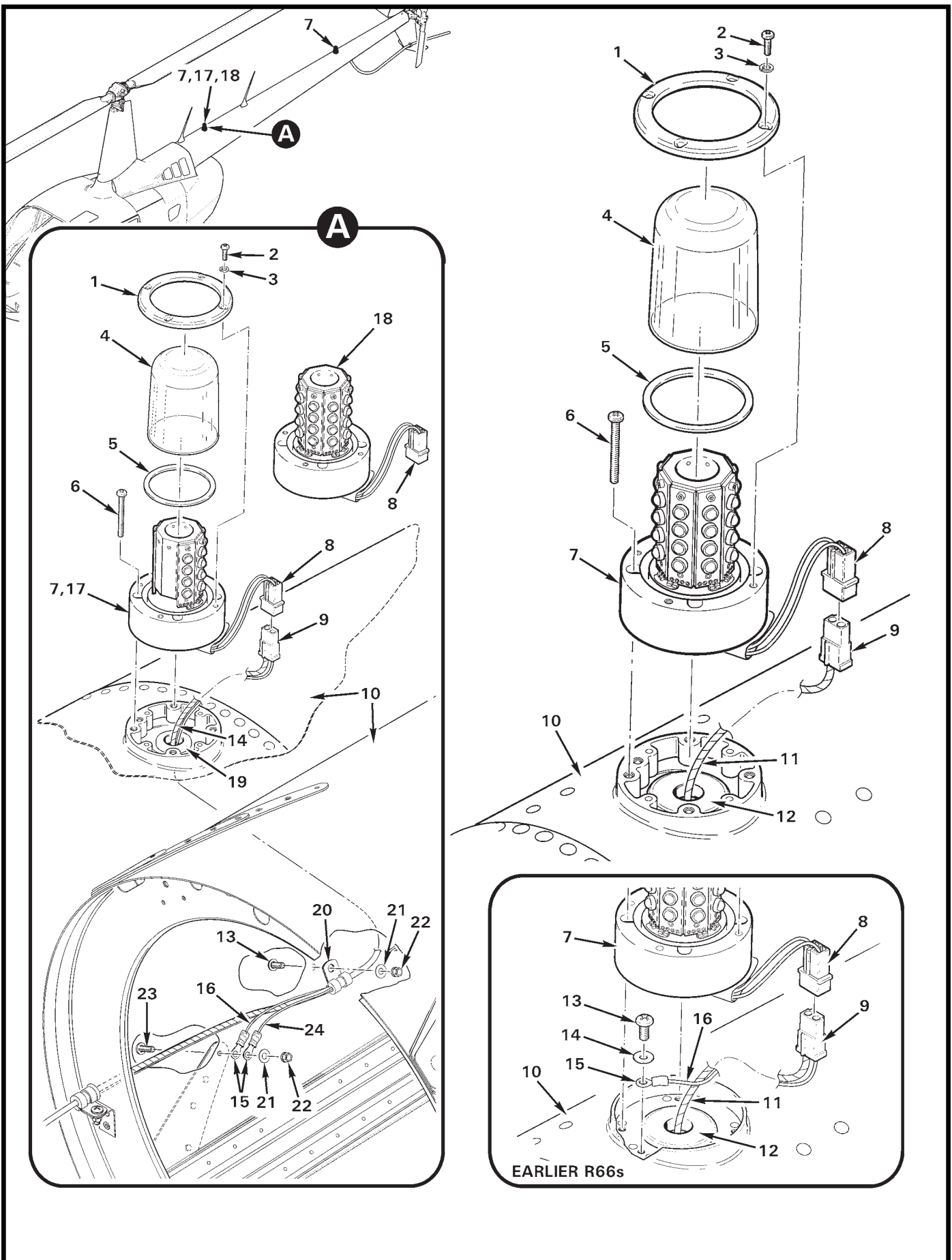


FIGURE AND INDEX NUMBER	PART NUMBER	DESCRIPTION	PARTS AVAIL	QTY PER ASSY
STROBE LIGHT INSTALLATION				
33-1-1	19-171047-100*	Retainer	O	1
2	14-0050505-14*	Screw	O	4
3	16-0050506135*	Lockwasher (MS35338-135)	O	4
4	68-4971082A30*	Lens	O	1
5	38-0250885-00*	Gasket	O	1
6	MS35206-234	Screw	X	4
7	A708-13**	Strobe Light – Red LED (Incl items 1 thru 5, and 8)	X	1
8	02-0230007-00*	Housing	O	1
	—	Pin	O	2
9	B263-13	Housing	X	1
	B263-2	Socket	X	2
10	C023	Tailcone Assembly (Ref)		
11	B161-2	Spirap	X	A/R
12	MS35489-15	Grommet	X	1
13	MS27039C0806	Screw	X	2
14	NAS1149FN832P	Washer	X	1
15	B260-3	Terminal	X	A/R
16	-2039	Wire (Ref; ground, aft strobe light, earlier R66s)		
17	A708-16**	Strobe Light – White LED (Incl items 1 thru 5, and 8. Orient with blank strips facing forward.)	X	1
18	A708-15**	Strobe Light – Blue LED (R66 Police only. Includes items 1 thru 5, and 8.)	X	1
19	MS35489-11	Grommet	X	1
20	MS21919WDG2	Clamp	X	1
21	NAS1149FN816P	Washer	X	2
22	MS21042L08	Nut	X	2
23	MS27039C0808	Screw	X	1
24	-2734	Wire (Ref; ground, forward strobe light)		

NOTES * Whelen part no.
 ** Forward strobe light installation is optional equipment.

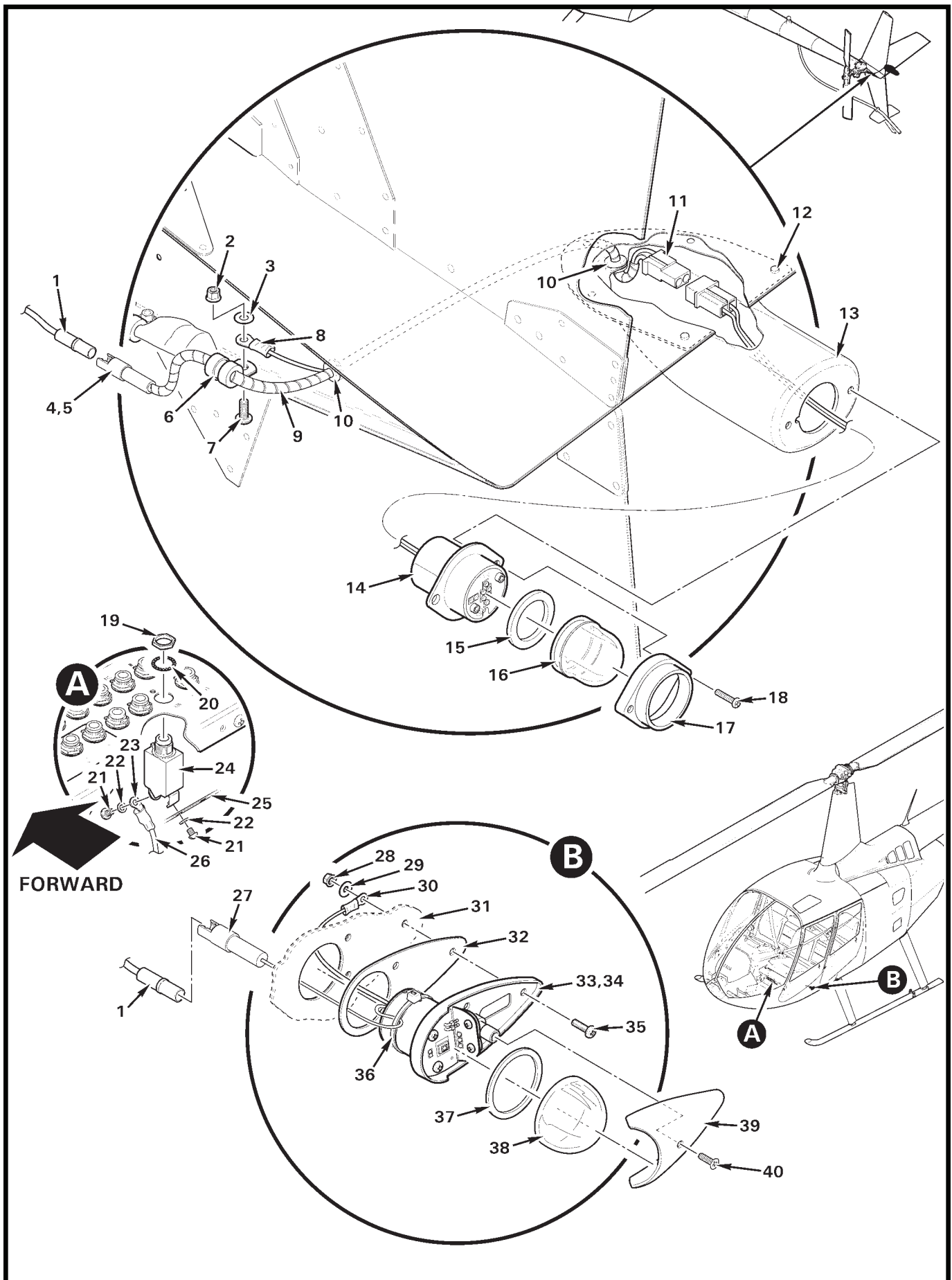


FIGURE AND INDEX NUMBER	PART NUMBER	DESCRIPTION	PARTS AVAIL	QTY PER ASSY
NAVIGATION LIGHTS INSTALLATION				
33-3-1	B263-11	Housing (Ref)		
	B263-2	Socket (Ref)		
2	MS21042L08	Nut	X	1
3	NAS1149FN816P	Washer	X	1
4	D049-3	Wire Harness – Tail Light (Incl items 5, and 8 thru 11)	X	1
5	B263-11	Housing	X	1
	B263-2	Socket	X	1
6	MS21919WDG6-4	Clamp	X	1
7	MS27039C0806	Screw	X	1
8	B260-3	Terminal	X	1
9	B161-2	Spirap	X	A/R
10	MS35489-4	Grommet	X	2
11	B263-13	Housing	X	1
	B263-2	Socket	X	2
12	NAS1919B04S02	Rivet	X	1
13	C529-1	Mount Assembly	X	1
14	01-0771554-01*	Tail Light Assembly (LED; includes items 12, and 15 thru 18)	X	1
15	38-0231061-00*	Gasket	O	1
16	68-3970991-30*	Lens	O	1
17	19-0150350-03*	Lens Retainer	O	1
18	14-0050505-18*	Screw	O	1
19	—	Nut	O	1
20	—	Lockwasher	O	1
21	—	Screw	O	2
22	—	Washer	O	2
23	B260-2	Terminal (Ref)		
24	B297-5	Circuit Breaker (5 amp; includes items 19 thru 22)	X	1
25	A448	Bus Bar (Ref)		
26	-104	Wire (Ref)		
27	B263-10	Housing	X	1
	B263-1	Pin	X	1
28	MS21042L06	Nut	X	3
29	NAS1149FN616P	Washer	X	3
30	B260-2	Terminal	X	1
31	F272	Chin Assembly (Ref)		

NOTES * Whelen part no.

Continues

FIGURE AND INDEX NUMBER	PART NUMBER	DESCRIPTION	PARTS AVAIL	QTY PER ASSY
NAVIGATION LIGHTS INSTALLATION (Cont'd)				
33-3-32	A779-1	Gasket	X	1
33	A039-20	Position Light Assembly – RH (LED; includes items 27, 30, and 36 thru 40)	X	1
	01-0771105-03*	Position Light (green LEDs)	X	1
34	A039-19	Position Light Assembly – LH (LED; includes items 27, 30, and 36 thru 40)	X	1
	01-0771105-04*	Position Light (red LEDs)	X	1
35	MS35206-230	Screw	X	3
36	MS3367-5-9	Ty-Rap	X	1
37	38-0230021-00*	Gasket	O	1
38	68-3950902A30*	Lens (clear)	O	1
39	19-150002-010*	Retainer	O	1
40	14-0050508-27*	Screw	O	1

NOTES * Whelen part no.

Intentionally Blank

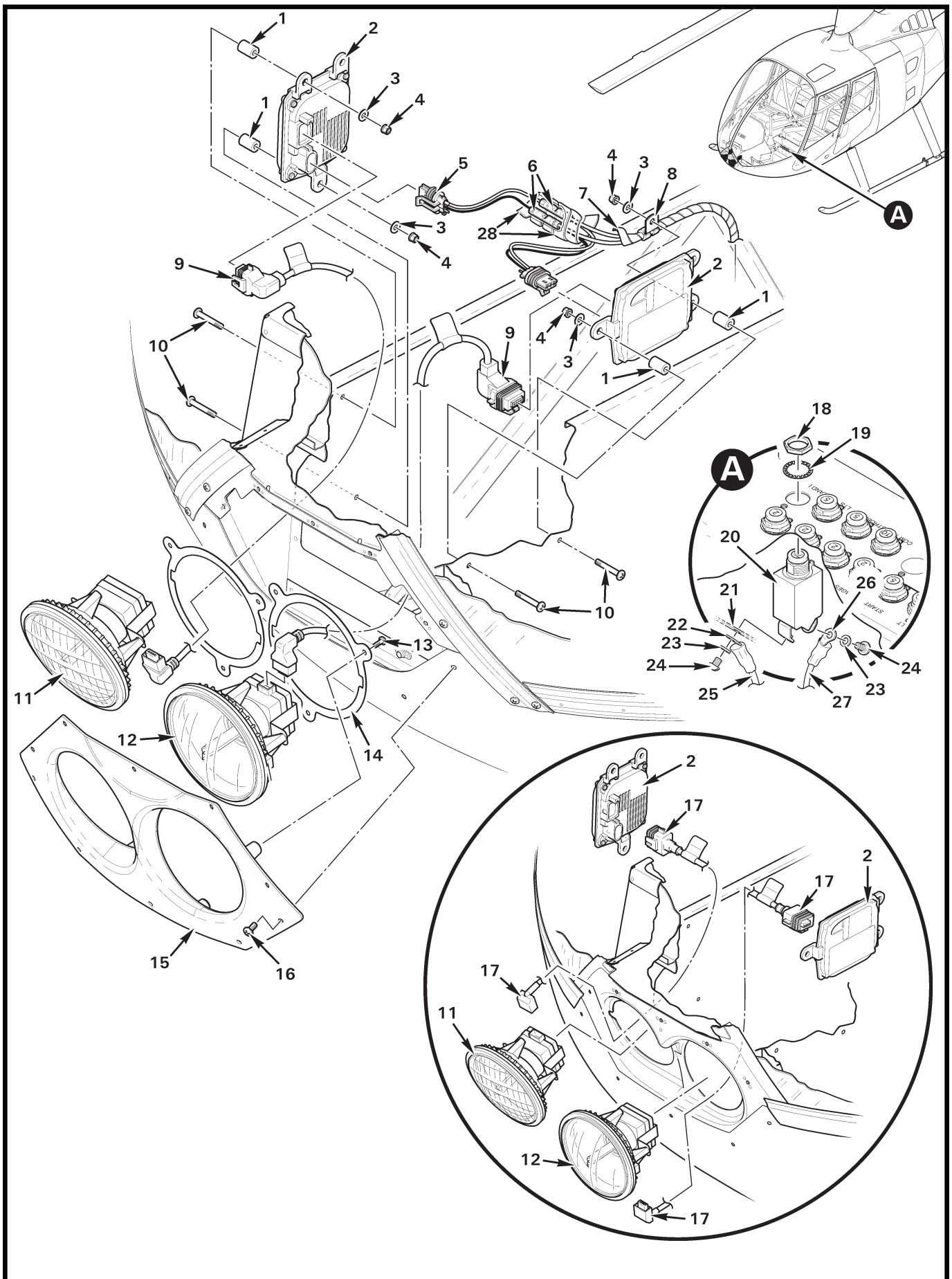


FIGURE AND INDEX NUMBER	PART NUMBER	DESCRIPTION	PARTS AVAIL	QTY PER ASSY
HID LANDING LIGHTS INSTALLATION				
33-7-1	A130-38	Spacer	X	4
2	B557-3	Ballast (28-volt; includes item 5)	X	2
3	NAS1149FN832P	Washer	X	4
4	MS21042L08	Nut	X	4
5	B557-7	Power Cord (connector and wires)	O	2
6	B261-3	Splice	X	2
7	B161-2	Spirap	X	A/R
8	MS21919WDG4	Clamp	X	1
9	B557-8	Cable (90° X 90°)	X	2
10	MS27039C0816	Screw	X	4
11	B557-2	Lamp – RH (HID, taxi)	X	1
12	B557-1	Lamp – LH (HID, landing)	X	1
13	MS35206-228	Screw	X	6
14	C526-3	Retainer	X	2
15	C526-2	Bezel	X	1
	B270-13	Sealant (along three top edges only)	X	A/R
	C526-1	Retainer (earlier aircraft, not shown)	X	1
16	AN526C832R8	Screw (Ref)		
17	B557-4	Cable (90° X Straight, earlier ships)	X	2
18	—	Nut	O	1
19	—	Washer	O	1
20	B297-7	Circuit Breaker (7.5 amp; includes items 18, 19, 23, and 24)	X	1
21	A448-4	Bus Bar (Ref)		
22	B260-11	Terminal (Ref)		
23	—	Washer	O	2
24	—	Screw	O	2
25	-102	Wire (Ref)		
26	B260-2	Terminal	X	1
27	-103	Wire (Ref; landing light relay)		
28	B161-4	Spirap	X	A/R

NOTES

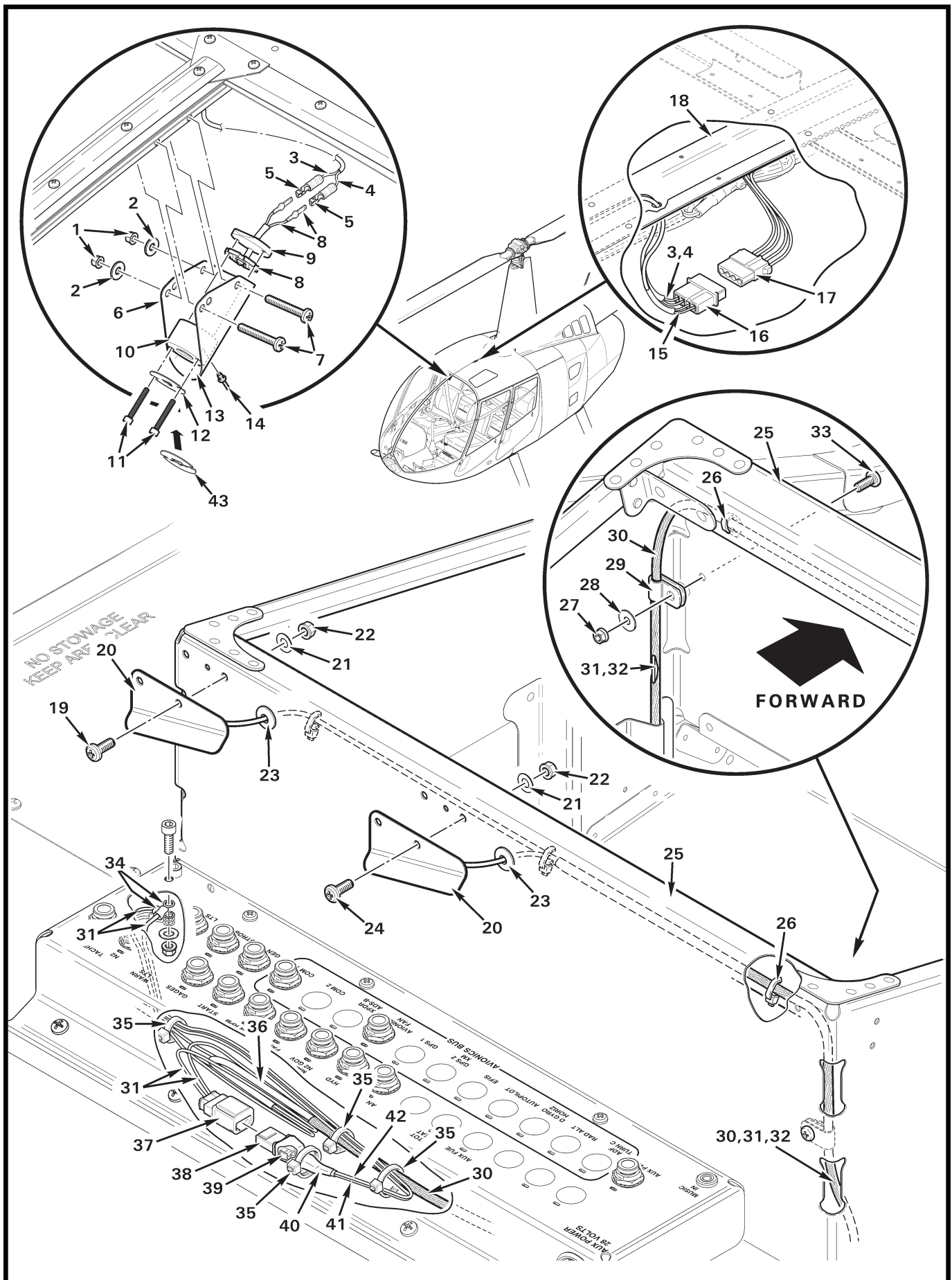


FIGURE AND INDEX NUMBER	PART NUMBER	DESCRIPTION	PARTS AVAIL	QTY PER ASSY
CABIN INTERIOR LIGHTING INSTALLATION				
33-9-1	NAS1291C08M	Nut	X	2
2	NAS1149DN816J	Washer	X	2
3	F090-2289	Wire (Ref)		
4	F090-2290	Wire (Ref)		
5	B262-1	Terminal	X	2
6	G196-8	Light Assembly – Console (Includes items 8 thru 14. For ENG ships also order item 43 when replacing.)	X	1
7	MS35214-47	Screw	X	2
8	G196-2	LED Assembly	X	1
9	G197-5	Cover	X	1
10	G197-10	Housing	X	1
11	91251A113	Screw	X	2
12	G197-9	Window	X	1
13	G197-11	Bracket	X	1
14	NAS9301B-4-02	Rivet	X	1
15	F090-125	Wire (Ref, compass light)		
	F090-126	Wire (Ref, compass light)		
16	B263-16	Housing	X	1
	B263-1	Pin	X	4
17	B263-17	Housing	X	1
	B263-2	Socket	X	4
18	F087-3	Support – Roof (Ref)		
19	MS27039C0806	Screw	X	2
20	G196-7	Light Assembly – Circuit Breaker Panel (Incl items 23, 31,32, and 34)	X	2
21	NAS1149FN816P	Washer	X	4
22	MS21042L08	Nut	X	4
23	MS35489-4	Grommet	X	2
24	MS27039C0805	Screw	X	2
25	F297-1	Support – Seat (Ref; forward, LH)		
26	MS3367-4-0	Ty-Rap	X	4
27	MS21042L06	Nut	X	1
28	NAS1149FN616P	Washer	X	1
29	N-3-BK	Clamp	X	1
30	B266-4	Sleeving	X	A/R

NOTES

Continues

FIGURE AND INDEX NUMBER	PART NUMBER	DESCRIPTION	PARTS AVAIL	QTY PER ASSY
CABIN INTERIOR LIGHTING INSTALLATION (Cont'd)				
33-9-31	G196-2291	Wire (Ref; ground)		
32	G196-127	Wire (Ref; power)		
33	MS35206-228	Screw	X	1
34	B260-3	Terminal	X	1
35	MS3367-4-9	Ty-Rap	X	A/R
36	B158-2	Heat Shrink	X	A/R
37	D269-1	Plug	X	1
38	D269-2	Receptacle	X	1
39	D269-21	Backshell	X	1
40	B158-6	Heat Shrink	X	A/R
41	F859-127	Wire (Ref; power)		
42	F859-2328	Wire (Ref; power)		
43	G197-13	Window (ENG ships)	X	1

NOTES

Intentionally Blank

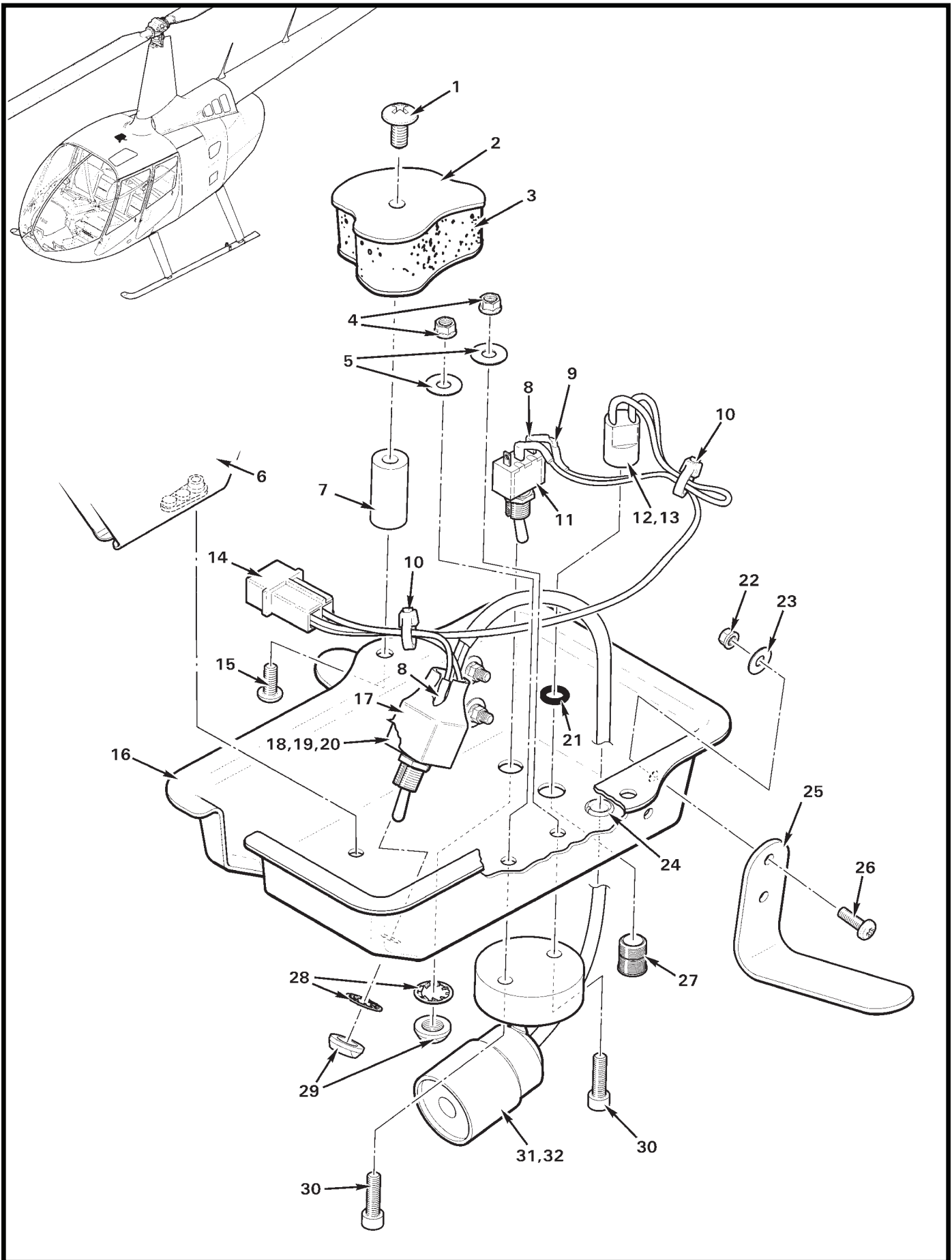


FIGURE AND INDEX NUMBER	PART NUMBER	DESCRIPTION	PARTS AVAIL	QTY PER ASSY
		SPOTLIGHT INSTALLATION*		
33-13-1	AN526C832R6	Screw	X	2
2	F273-1	Roof (Ref)		
3	F003	Insulation – Fwd (RH, Ref)		
4	MS21042L06	Nut	X	2
5	NAS1149FN616P	Washer	X	2
6	D118-1 *	Bracket Assembly (Ref)		
7	C710-3	Spacer	X	2
8	B158-2	Heat Shrink (around leads)	X	A/R
9	B0207C1K210F5T	Resistor	X	1
10	MS3367-4-9	Ty-Rap	X	2
11	B300-1	Switch Assembly (Incl items 28 and 29)	X	1
12	CNX310000X4112	Connector	X	1
13	E1003	LED (not shown)	X	1
14	B263-12	Housing	X	1
	B263-1	Pin	X	2
15	MS27039C0806	Screw	X	2
16	C712-2	Cover	X	1
17	B158-12	Heat Shrink	X	A/R
18	B0207C1K650F5T	Resistor (not shown)	X	1
19	B0207C3K400F5T	Resistor (not shown)	X	1
20	B300-5	Switch Assembly (Incl items 28 and 29)	X	1
21	A215-008	O-Ring	X	1
22	MS21042L04	Nut	X	4
23	NAS1149FN416P	Washer	X	4
24	NAS557-3A	Grommet	X	1
25	A752-1	Angle	X	2
26	MS35206-215	Screw	X	4
27	CMC321-CTP	Lens	X	1
28	B227-3	Lockwasher	X	2
29	B227-4	Dress Nut	X	2
30	NAS1352-06-8	Screw	X	2
31	D606-1	Spotlight	X	1
32	C039-3**	Cover Assembly – Spotlight	X	1

NOTES * For non-air conditioned ships. For air-conditioned ships, see Figure 21-21.
 ** Assembly includes items 4, 5, 8 thru 14, and 16 thru 31.

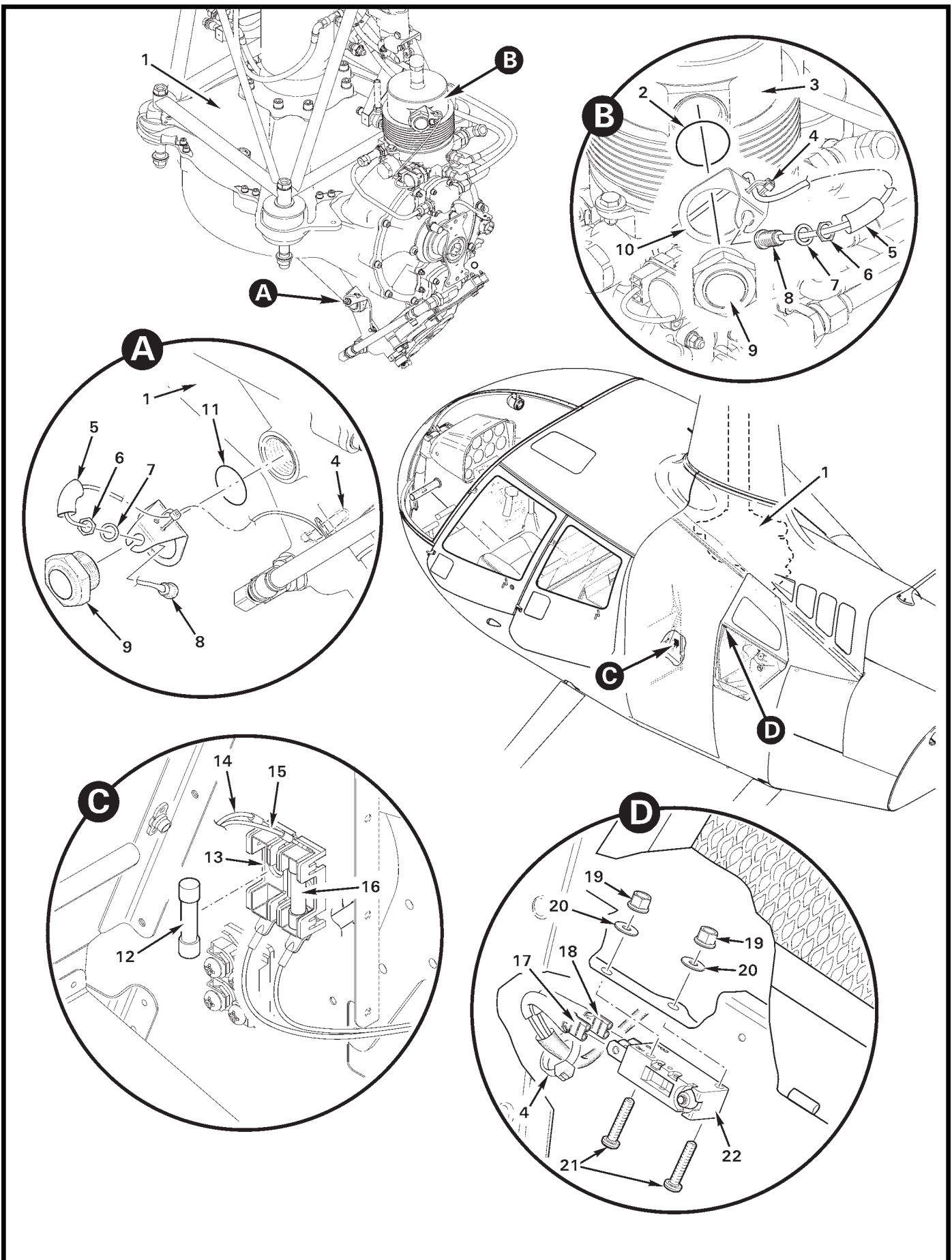


FIGURE AND INDEX NUMBER	PART NUMBER	DESCRIPTION	PARTS AVAIL	QTY PER ASSY
MRGB LED LIGHT SYSTEM				
33-15-1	F006-1	Main Rotor Gearbox Assembly (Ref; see Figure 63-3)		
2	MS28775-020	Packing (o-ring)	X	1
3	D211-3	Hydraulic System Reservoir Assembly (Ref)		
4	MS3367-4-9	Ty-Rap	X	A/R
5	B158-6	Heat Shrink	X	A/R
6	—	Nut (Ref)		
7	—	Washer (Ref)		
8	F049-01	Harness Assembly (Ref; includes items 5 thru 7)		
9	B563-2	Sight Gage	X	2
10	D494-2	Holder	X	1
11	A215-020	O-ring	X	1
12	AGC-1-R	Fuse (1 amp)	X	1
13	B304-12	Diode Assembly (includes items 12 and 16; see also Figure 96-5)	X	1
14	-2322	Wire (Ref)		
15	-66	Wire (Ref)		
16	AGC-3-R	Fuse (Ref; 3 amp)		
17	-2220	Wire (Ref; NC)		
18	-2322	Wire (Ref; Com)		
19	MS21042L04	Nut	X	2
20	NAS1149FN416P	Washer	X	2
21	MS35206-218	Screw	X	2
22	D2VW-5L3-1HS	Switch	X	1

NOTES

Intentionally Blank

CHAPTER 52

DOORS AND WINDOWS

<i>Figure</i>	<i>Title</i>	<i>Page</i>
52-1	Forward Door Assembly	52.0
52-5	Forward Door Installation	52.4
52-7	Aft Door Assembly	52.6
52-11	Aft Door Installation	52.10
52-13	Baggage Door Installation	52.12
52-17	Windshield Installation – Standard (Acrylic)	52.16
52-21	Windshield Installation – Impact-Resistant (Polycarbonate)	52.20
52-23	Windshield Installation – Impact-Resistant (Polycarbonate)	52.22
52-25	Windshield Installation – Impact-Resistant (Polycarbonate) with Wire Strike Provisions	52.24

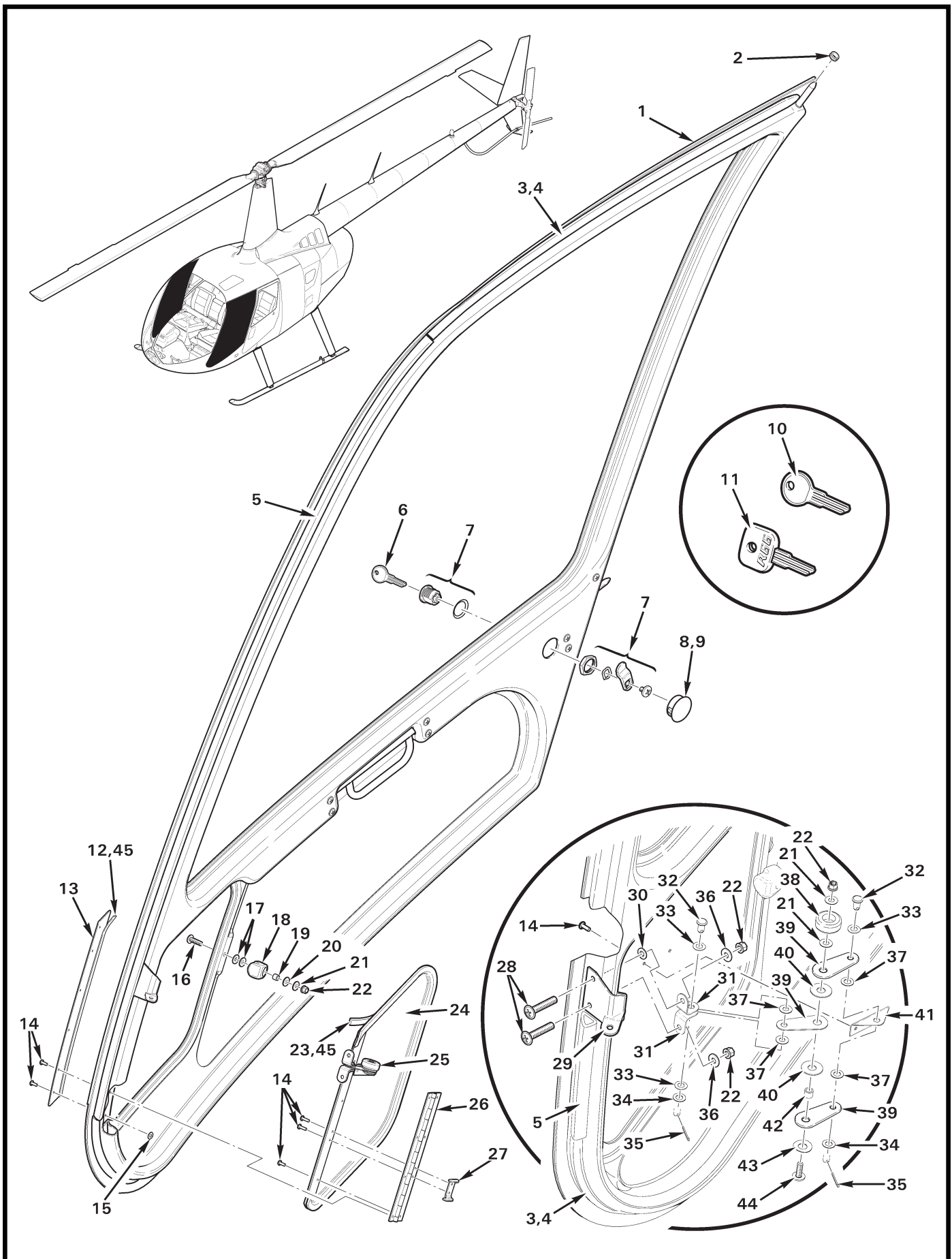


FIGURE AND INDEX NUMBER	PART NUMBER	DESCRIPTION	PARTS AVAIL	QTY PER ASSY
FORWARD DOOR ASSEMBLY				
52-1-1	C026-016	Door Assembly (RH, clear; Incl items 2 thru 30, and 36)	X	1
	C026-015	Door Assembly (LH, clear [not shown]; Incl items 2 thru 28, 34, and 43)	X	1
	C026-026	Door Assembly (RH, tinted; Incl items 2 thru 28, 34, and 43)	X	1
	C026-025	Door Assembly (LH, tinted [not shown]; Incl items 2 thru 28, 34, and 43)	X	1
	C026-036	Door Assembly (RH, bubble, clear; Incl items 2 thru 28, 34, and 43)	X	1
	C026-035	Door Assembly (LH, bubble, clear [not shown]; Incl items 2 thru 28, 34, and 43)	X	1
	C026-046	Door Assembly (RH, bubble, tinted; Incl items 2 thru 28, 34, and 43)	X	1
	C026-045	Door Assembly (LH, bubble, tinted [not shown]; Incl items 2 thru 28, 34, and 43)	X	1
	C026-006	Door Assembly (RH, large bubble, clear; Incl items 2 thru 30, and 36)	X	1
	C026-005	Door Assembly (LH, large bubble, clear [not shown]; Incl items 2 thru 28, 34, and 43)	X	1
2	NAS557-4B	Grommet	X	1
3	A226-2	Seal (install using item 4)	X	A/R
4	B270-18	Adhesive	X	A/R
5	A226-6	Seal (forward door edge, self adhesive)	X	A/R
6	D768-8	Key (metal)	X	1
7	A556-3	Lock (RH or LH)	X	1
	D768-7	Lock Set (Ref; [3] A556-3 locks, [2] D768-8 keys, and [1] F661-2 switch)		
8	2713	Hole Plug	X	1
9	B270-9	Adhesive	X	A/R
10	R8096	Key – Duplicate (specify ship S/N and “PK” numbers when ordering)	X	1
11	R8428	Key – Blank (black plastic-coated “R66” logo)	X	1
12	A226-3	Seal (install using item 45)	X	A/R
13	C682-3	Barrier	X	1
14	MS20470AD3	Rivet	X	13
15	NAS1149FN232P	Washer	X	2
16	AN525-832R10	Screw	X	1
17	NAS1149FN816P	Washer (or NAS1149FN832P as required for shimming this location)	X	A/R

NOTES

Continues

FIGURE AND INDEX NUMBER	PART NUMBER	DESCRIPTION	PARTS AVAIL	QTY PER ASSY
FORWARD DOOR ASSEMBLY (Cont'd)				
52-1-18	C285-1	Knob	X	1
19	C130-5	Spacer	X	1
20	U216-0100-S	Spring Washer	X	1
21	NAS1149FN816P	Washer	X	3
22	MS21042L08	Nut	X	4
23	A226-7	Seal (install using item 45)	X	A/R
24	C425-10	Door – Vent (RH)	X	1
	C425-9	Door – Vent (LH, not shown)	X	1
25	A425-17	Arm Assembly (Incl items 21, 22, 31 thru 35, and 37 thru 44)	X	1
26	C425-5	Hinge	X	1
27	B242-2	Stop	X	1
28	AN525-832R16	Screw	X	2
29	D574-12	Bracket Weldment (RH)	X	1
	D574-11	Bracket Weldment (LH, not shown)	X	1
30	A141-19	Washer	X	1
31	A425-19	Clip	X	2
32	MS20392-2C7	Pin	X	2
33	U190-0090S	Spring Washer	X	3
34	NAS1149F0332P	Washer	X	2
35	MS24665-132	Cotter Pin	X	2
36	NAS1149FN832P	Washer	X	2
37	A141-8	Washer	X	4
38	A431-1	Knob	X	1
39	A425-7	Arm	X	3
40	A141-7	Washer	X	2
41	A425-13	Angle	X	1
42	A105-7	Journal	X	1
43	U250-0185	Spring Washer	X	1
44	AN525-832R8	Screw	X	1
45	B270-8qt	Adhesive	X	A/R

NOTES

Intentionally Blank

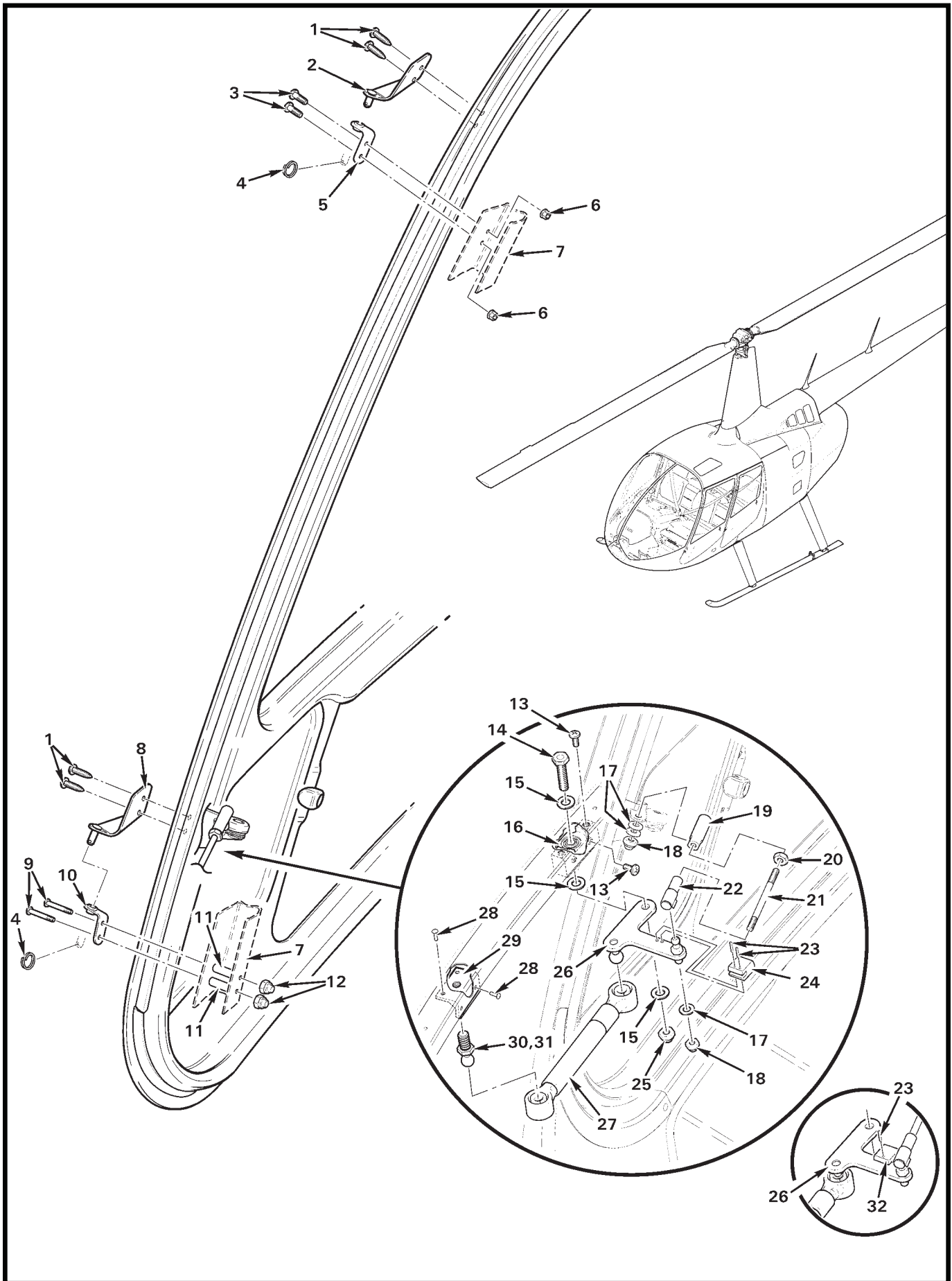


FIGURE AND INDEX NUMBER	PART NUMBER	DESCRIPTION	PARTS AVAIL	QTY PER ASSY
FORWARD DOOR INSTALLATION				
52-5-1	MS51861-37C	Screw	X	4
2	F227-4	Hinge Assembly (RH)	X	1
	F227-3	Hinge Assembly (LH, not shown)	X	1
3	MS27039C0807	Screw	X	4
4	B427-1	Ring	X	2
5	C228-4	Hinge Assembly	X	1
6	MS21042L08	Nut	X	4
7	C238	Jamb (Ref)		
8	F227-2	Hinge Assembly (RH)	X	1
	F227-1	Hinge Assembly (LH, not shown)	X	1
9	MS27039C0824	Screw	X	4
10	C228-2	Hinge Assembly	X	2
11	C130-37	Spacer	X	4
12	B340-4	Nut	X	4
13	MS27039C0806	Screw	X	8
14	NAS6604-12	Bolt	X	1
15	NAS1149F0432P	Washer	X	3
16	D573-1	Block Assembly	X	1
17	NAS1149F0363P	Washer	X	3
18	B340-8	Nut	X	2
19	D575-3	Ball Joint	X	1
20	AN315-3R	Nut	X	1
21	D573-4	Rod	X	1
22	D575-2	Ball Joint	X	1
23	MS16562-4	Spring Pin (one pin on item 32)	X	2
24	D573-7	Bumper	X	1
25	B340-10	Nut	X	1
26	D574-10*	Arm Assembly (RH, includes items 23 and 24)	X	1
	D574-9*	Arm Assembly (LH, not shown; includes items 23 and 24)	X	1
27	D575-1	Gas Spring	X	1
28	MS20470AD4	Rivet	X	4
29	D573-3	Block	X	1
30	C394-2	Ball Stud (install using item 31)	X	1
31	B270-10	Adhesive	X	A/R
32	D573-6	Bumper (earlier ships)	X	1

NOTES * Revision F and prior have one bumper hole, Revision G and subsequent have two bumper holes.

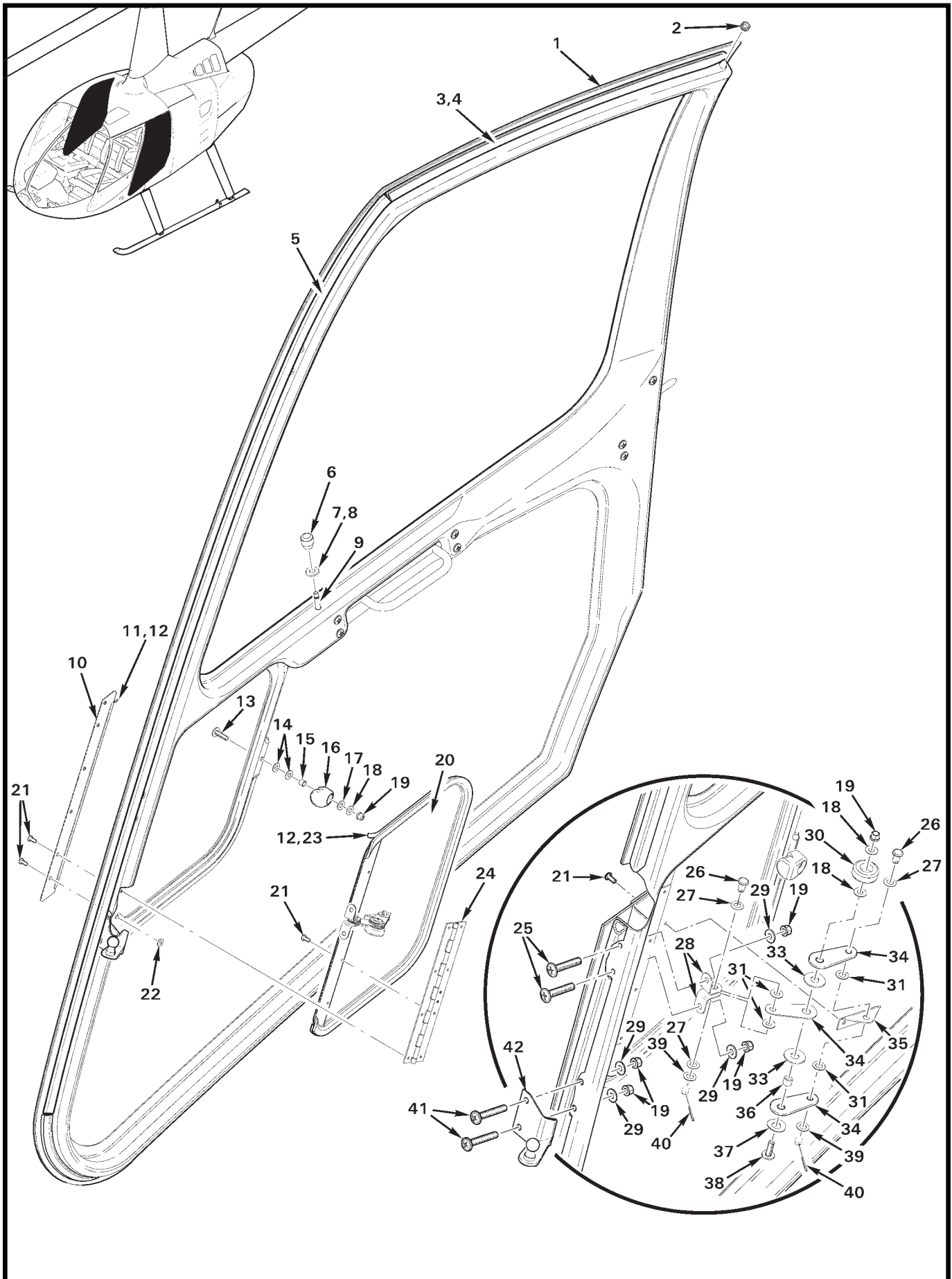


FIGURE AND INDEX NUMBER	PART NUMBER	DESCRIPTION	PARTS AVAIL	QTY PER ASSY
AFT DOOR ASSEMBLY				
52-7-1	C026-018	Door Assembly (RH, clear; Incl items 2 thru 25, 29, 32, 41, and 42)	X	1
	C026-017	Door Assembly (LH, clear [not shown]; Incl items 2 thru 25, 29, 32, 41, and 42)	X	1
	C026-028	Door Assembly (RH, tinted; Incl items 2 thru 25, 29, 32, 41, and 42)	X	1
	C026-027	Door Assembly (LH, tinted [not shown]; Incl items 2 thru 25, 29, 32, 41, and 42)	X	1
	C026-038	Door Assembly (RH, bubble, clear; Incl items 2 thru 25, 29, 32, 41, and 42)	X	1
	C026-037	Door Assembly (LH, bubble, clear [not shown]; Incl items 2 thru 25, 29, 32, 41, and 42)	X	1
	C026-048	Door Assembly (RH, bubble, tinted; Incl items 2 thru 25, 29, 32, 41, and 42)	X	1
	C026-047	Door Assembly (LH, bubble, tinted [not shown]; Incl items 2 thru 25, 29, 32, 41, and 42)	X	1
2	NAS557-4B	Grommet	X	1
3	A226-2	Seal (install using item 4)	X	A/R
4	B270-18	Adhesive	X	A/R
5	A226-6	Seal (forward door edge, self adhesive)	X	A/R
6	A431-2	Knob	X	1
7	C26005	Washer (install using item 8)	X	1
8	B270-9	Adhesive	X	A/R
9	C544-1	Pin (Ref)		
10	C682-2	Barrier	X	1
11	A226-3	Seal (install using item 12)	X	A/R
12	B270-8qt	Adhesive	X	A/R
13	AN525-832R10	Screw	X	1
14	NAS1149FN816P	Washer (or NAS1149FN832P for shimming)	X	A/R
15	C130-5	Spacer	X	1
16	C285-1	Knob	X	1
17	U216-0100-S	Spring Washer	X	1
18	NAS1149FN816P	Washer	X	3
19	MS21042L08	Nut	X	3
20	C425-12	Door – Vent (RH)	X	1
	C425-11	Door – Vent (LH, not shown)	X	1
21	MS20470AD3	Rivet	X	12

NOTES

Continues

FIGURE AND INDEX NUMBER	PART NUMBER	DESCRIPTION	PARTS AVAIL	QTY PER ASSY
AFT DOOR ASSEMBLY (Cont'd)				
52-7-22	NAS1149FN232P	Washer	X	2
23	A226-7	Seal (install using item 12)	X	A/R
24	C425-5	Hinge	X	1
25	MS24694-S11	Screw	X	2
26	MS20392-2C7	Pin	X	2
27	U190-0090S	Spring Washer	X	3
28	A425-19	Clip	X	2
29	NAS1149FN832P	Washer	X	4
30	A431-1	Knob	X	1
31	A141-8	Washer	X	4
32	A425-17	Arm Assembly (Incl items 18, 19, 26 thru 28, 30, 31, and 33 thru 40)	X	1
33	A141-7	Washer	X	2
34	A425-7	Arm	X	3
35	A425-13	Angle	X	1
36	A105-7	Journal	X	1
37	U250-0185	Spring Washer	X	1
38	AN525-832R8	Screw	X	1
39	NAS1149F0332P	Washer	X	2
40	MS24665-132	Cotter Pin	X	2
41	AN525-832R16	Screw	X	2
42	C393-2	Bracket (RH door)	X	1
	C393-1	Bracket (LH door; not shown)	X	1
NOTES				

Intentionally Blank

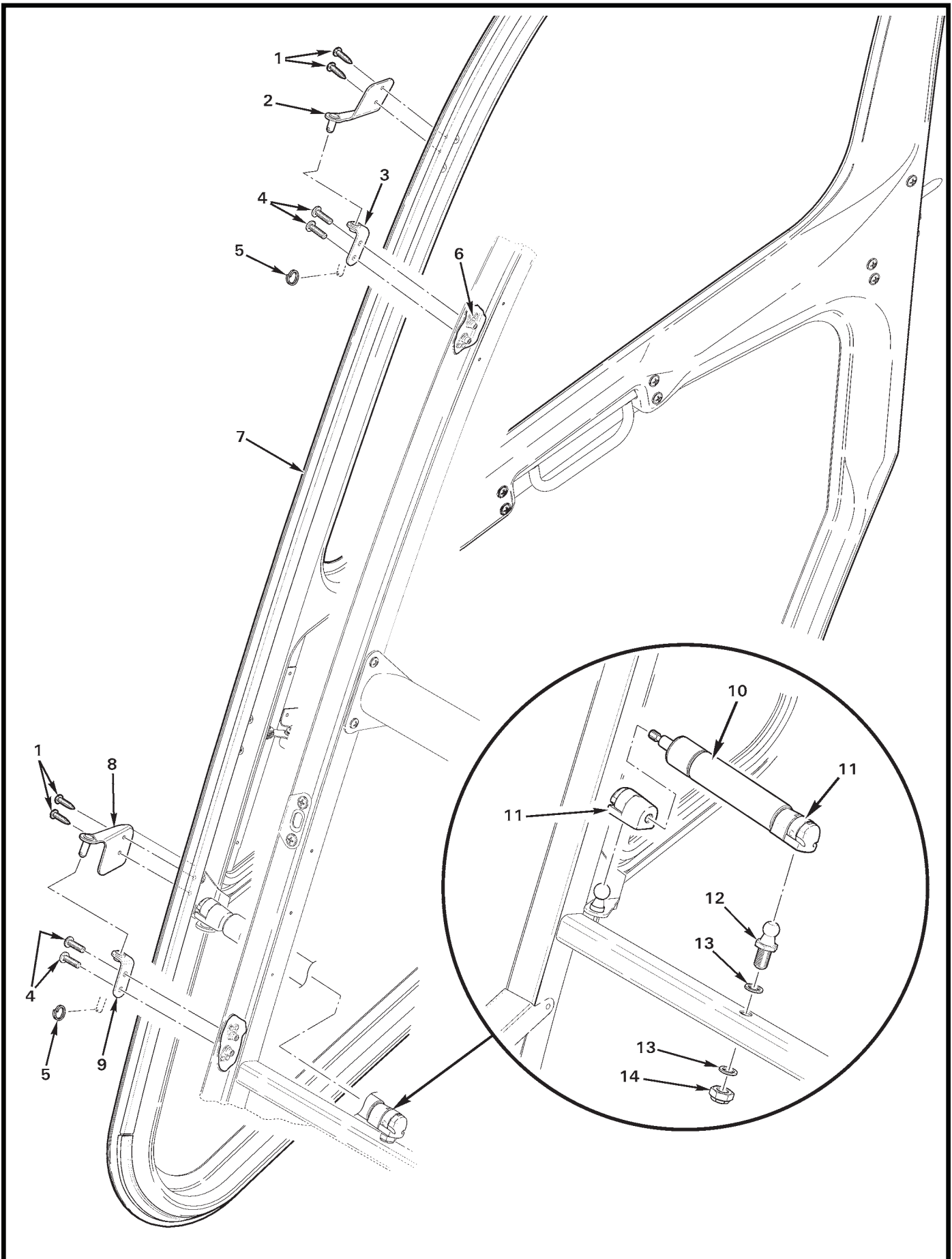


FIGURE AND INDEX NUMBER	PART NUMBER	DESCRIPTION	PARTS AVAIL	QTY PER ASSY
AFT DOOR INSTALLATION				
52-11-1	MS51861-37C	Screw	X	4
2	C389-4	Hinge Assembly (RH, upper)	X	1
	C389-3	Hinge Assembly (LH, upper; not shown)	X	1
3	A228-1	Hinge (upper)	X	1
4	MS27039C0809	Screw	X	4
5	B427-1	Ring	X	2
6	MS21086L08	Nutplate (Ref)		
7	C026	Aft Door Assembly (Ref)		
8	C389-10	Hinge Assembly (RH, lower)	X	1
	C389-9	Hinge Assembly (LH, lower; not shown)	X	1
9	A228-2	Hinge (lower)	X	1
10	C394-1	Gas Spring (Incl item 11)	X	1
11	PC1249-2	End Connector	X	2
12	C394-2	Ball Stud	X	1
13	C141-15	Washer	X	2
14	94830A030	Nut	X	1
NOTES				

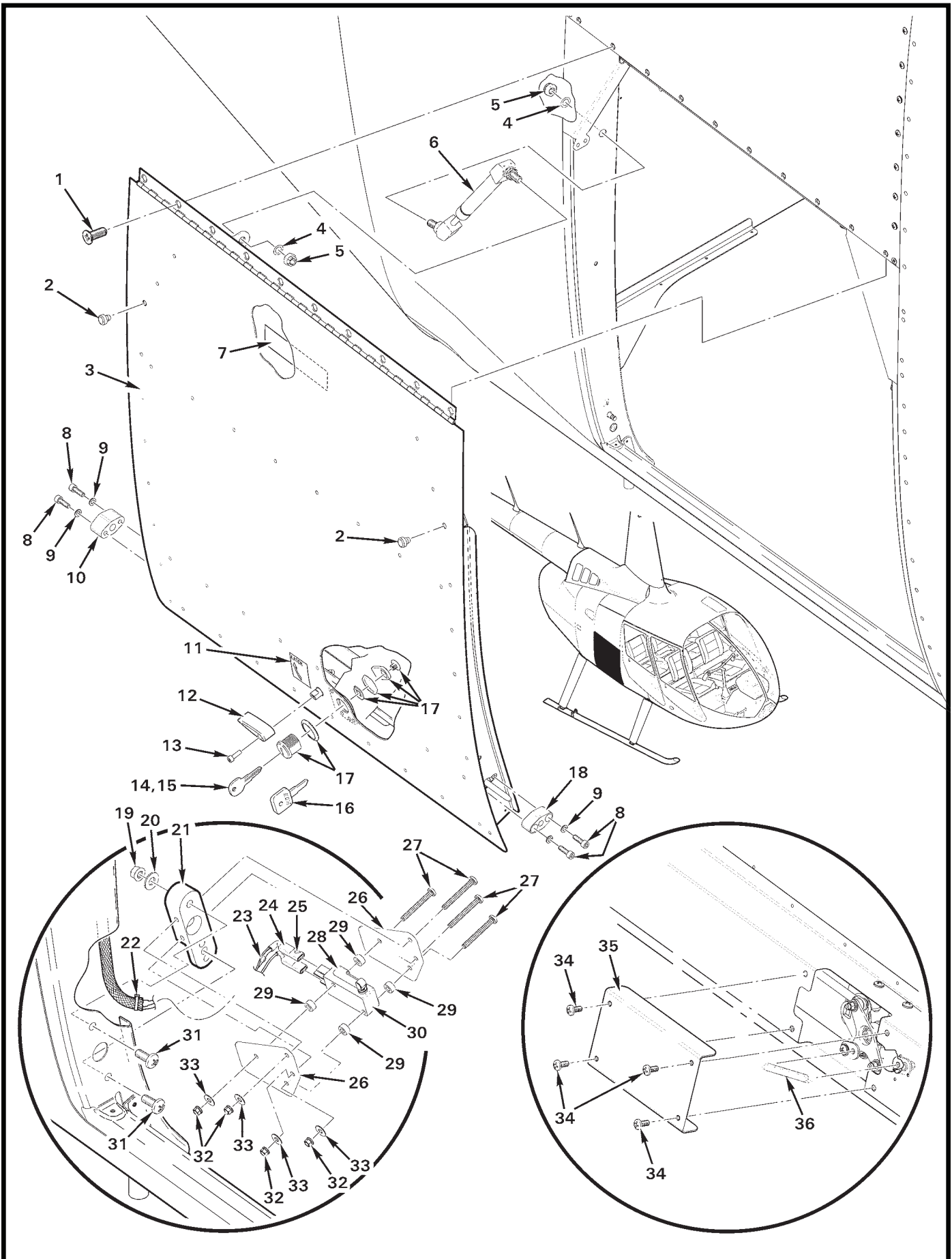


FIGURE AND INDEX NUMBER	PART NUMBER	DESCRIPTION	PARTS AVAIL	QTY PER ASSY
BAGGAGE DOOR INSTALLATION				
52-13-1	MS24694-S4	Screw	X	12
2	G405-1	Bumper (black rubber)	X	2
3	G900-1	Door Assembly – Baggage (Incl items 8 thru 9, 12, 13, 17, 18, and 34 thru 36)	X	1
4	NAS1149F0532P	Washer	X	2
5	94830A030	Nut	X	2
6	G904-1	Spring Assembly	X	1
7	F654-7	Decal (baggage load limits)	X	1
8	NAS1351-3-10P	Screw	X	4
9	NAS620-10L	Washer	X	4
10	G903-3	Block	X	1
11	F654-8	Decal – “LATCH” (light color ships)	X	1
	F654-9	Decal – “LATCH” (dark color ships)	X	1
12	G902-5	Knob	X	1
13	NAS1352-08-8P	Screw	X	1
14	—	Key (metal)	O	1
15	R8096	Key – Duplicate (metal; specify ship S/N and “PK” numbers when ordering)	X	1
16	D768-4	Key (blank; black plastic-coated “R66” logo)	X	1
17	A556-1	Lock Set (set of two; includes item 14[4])	X	1
18	G903-4	Block	X	1
19	MS21042L3	Nut	X	1
20	NAS1149F0332P	Washer	X	1
21	G903-1	Block Assembly	X	1
22	MS3367-5-9	Ty-Rap	X	1
23	1N4005G	Diode	X	1
	B261-2	Splice (not shown)	X	1
	B158-103	Heat Shrink	X	A/R
24	B158-3	Heat Shrink	X	A/R
25	B262-2	Receptacle	X	2
26	G903-7	Bracket	X	2
27	MS35206-227	Screw	X	4
28	JV-5	Actuator	X	1
29	A130-14	Spacer	X	4
30	D2VW-5L3-1HS	Switch	X	1

NOTES

Continues

FIGURE AND INDEX NUMBER	PART NUMBER	DESCRIPTION	PARTS AVAIL	QTY PER ASSY
BAGGAGE DOOR INSTALLATION (Cont'd)				
52-13-31	MS27039C1-07	Screw	X	2
32	MS21042L04	Nut	X	4
33	NAS1149FN416P	Washer	X	4
34	MS27039C0806	Screw	X	4
35	G906-2	Cover	X	1
36	B774-5	Spring	X	1
* * *				
37	KI-207	R66 Baggage Door Seals Kit (see R66 SL-02)	X	A/R

NOTES

Intentionally Blank

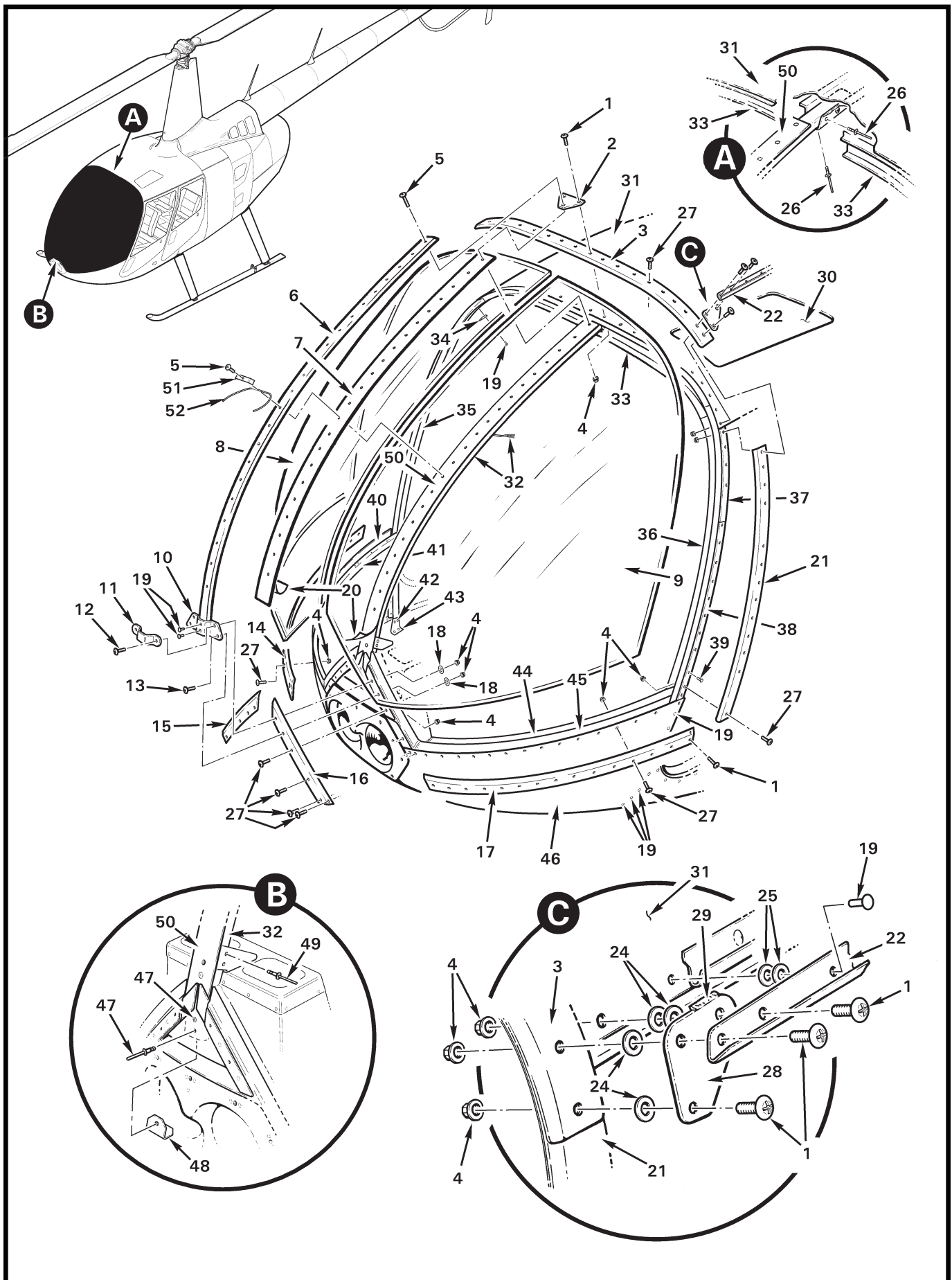


FIGURE AND INDEX NUMBER	PART NUMBER	DESCRIPTION	PARTS AVAIL	QTY PER ASSY
		WINDSHIELD INSTALLATION – STANDARD (ACRYLIC)		
52-17-1	AN526C832R9	Screw (do not substitute MS27039 screws)	X	8
2	B409-5	Gusset	X	1
3	F238-4	Retainer (apply item 29 to edges)	X	1
4	MS21042L08	Nut	X	94
5	AN526C832R12	Screw (do not substitute MS27039 screws)	X	22
6	F367-12	Stiffener	X	1
7	F367-10	Retainer	X	1
8	F274-2*	Windshield** (Acrylic; RH, clear)	X	1
	F274-4*	Windshield** (Acrylic; RH, tinted)	X	1
9	F274-1*	Windshield** (Acrylic; LH, clear)	X	1
	F274-3*	Windshield** (Acrylic; LH, tinted)	X	1
10	C366-8	Retainer	X	1
11	C366-5	Bracket	X	1
12	MS27039C0810	Screw	X	2
13	MS27039C0808	Screw	X	2
14	F367-6*	Retainer (RH)	X	1
15	F367-8*	Retainer (RH)	X	1
16	F367-7*	Retainer (LH)	X	1
17	F367-5*	Retainer (LH)	X	1
18	NAS1149FN832P	Washer	X	4
19	MS20470AD4	Rivet	X	26
20	C367-11	Tape	X	A/R
21	C238-27*	Retainer (LH)	X	1
	C238-28*	Retainer (RH; not shown)	X	1
22	F230-8	Rain Gutter (RH; apply item 29 to edges)	X	1
	F230-7	Rain Gutter (LH; apply item 29 to edges)	X	1
23	B270-13.100Z	Sealant (10.3 oz. cartridge)	X	A/R
24	NAS1149FN832P	Washer	X	A/R
25	NAS620-5	Washer	X	A/R
26	NAS9301B-4-02	Rivet (blind)	X	5
27	AN526C832R8	Screw	X	82
28	D805-2	Restraint (LH and RH. Use item 29 to fill gap between items 22, 28, and 31.)	X	2
29	B270-1	Sealant (2-oz tube)	X	A/R
30	C273-3	Window (clear acrylic)	X	1

NOTES * Install using item 23.
 ** See Figure 99-11 for shipping box.

Continues

FIGURE AND INDEX NUMBER	PART NUMBER	DESCRIPTION	PARTS AVAIL	QTY PER ASSY
		WINDSHIELD INSTALLATION – STANDARD (ACRYLIC) (Cont'd)		
52-17-31	F273-1	Roof (Incl item 30)	X	1
32	F090-5	Bow Assembly (includes wires)	X	1
33	F087-2	Frame (forward; roof)	X	1
34	C211-3	Gusset (LH and RH)	X	2
35	C238-4	Door Jamb – RH (attach to cabin using items 19, 39, 42, and 43)	X	1
36	C238-3	Door Jamb – LH (attach to cabin using items 19, 39, 42, and 43)	X	1
37	C238-34	Spacer (LH and RH, 0.125 in. thick polycarbonate. Attach to items 35 and 36 using item 39.)	X	2
38	D661-1	Spacer (LH and RH, 0.125 in. thick polycarbonate. Attach to items 35 and 36 using item 39.)	X	2
39	MS20426AD3	Rivet (flush)	X	56
40	F367-2	Retainer (RH)	X	1
41	F090-2	Frame (RH; attach with item 40 to chin [item 46] using item 39)	X	1
42	MS20470AD3	Rivet (flush)	X	8
43	A414-1	Angle (LH)	X	1
	A414-2	Angle (RH; not shown)	X	1
44	F090-1	Frame (LH; attach with item 40 to chin [item 46] using item 39)	X	1
45	F367-1	Retainer (LH)	X	1
46	F272-1	Chin	X	1
47	NAS9301B-4-03	Rivet (blind)	X	2
48	C366-6	Cap	X	1
49	NAS9301B-4-02	Rivet (blind; or NAS9301B-4-03 as required)	X	4
50	F367-9	Retainer	X	1
51	B295-1	Clip	X	1
52	—	Yaw/Trim String (Ref; yarn, white acrylic, 0.10-inch dia., 3-inch length each side of clip. Source locally.)		

NOTES

Intentionally Blank

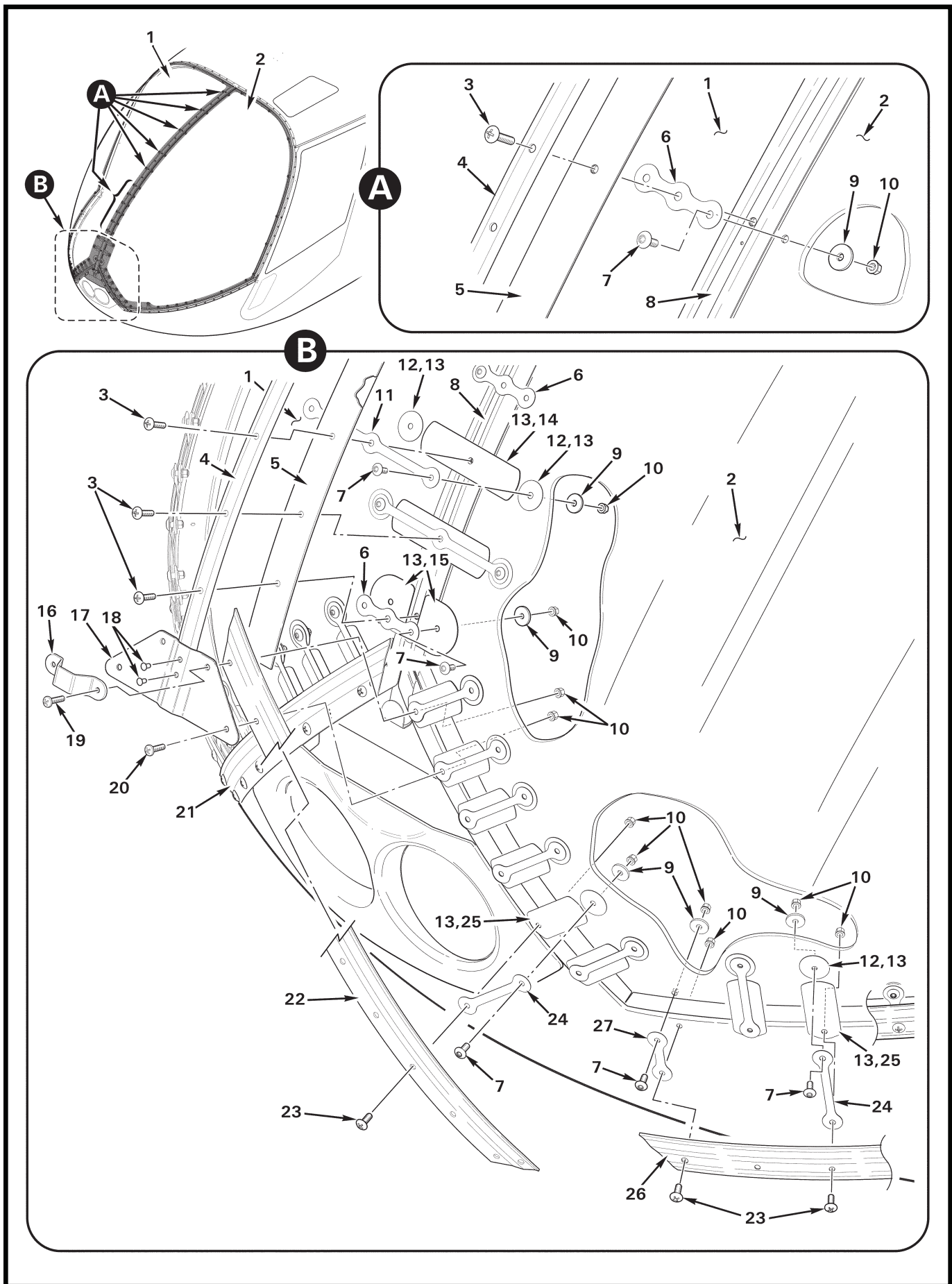


FIGURE AND INDEX NUMBER	PART NUMBER	DESCRIPTION	PARTS AVAIL	QTY PER ASSY
		WINDSHIELD INSTALLATION – IMPACT-RESISTANT (POLYCARBONATE)		
52-21-1	F274-6*	Windshield** (Polycarbonate; RH, clear)	X	1
	F274-8*	Windshield** (Polycarbonate; RH, tinted)	X	1
2	F274-5*	Windshield** (Polycarbonate; LH, clear)	X	1
	F274-7*	Windshield** (Polycarbonate; LH, tinted)	X	1
3	AN526C832R12	Screw (do not substitute MS27039 screws)	X	22
4	F367-12	Stiffener (Ref, see Figure 52-17)		
5	F367-10	Retainer (Ref), see Figure 52-17		
6	G367-2	Tie	X	12
7	B526-6	Screw (do not substitute MS27039 screws)	X	74
8	F367-9	Retainer (Ref, see Figure 52-17)		
9	C141-25	Washer	X	74
10	MS21042L08	Nut	X	74
11	G367-11	Tie	X	2
12	G367-15*	Pad	X	20
13	B270-26	Sealant	X	A/R
14	G367-13*	Tab	X	2
15	G367-14*	Pad	X	2
16	C366-5	Bracket (Ref, see Figure 52-17)		
17	C366-8	Retainer (Ref, see Figure 52-17)		
18	MS20470AD4	Rivet (Ref, see Figure 52-17)		
19	MS27039C0810	Screw (Ref, see Figure 52-17)		
20	MS27039C0809	Screw	X	2
21	F367-8	Retainer (RH, Ref, see Figure 52-17)		
22	F367-7	Retainer (LH, Ref, see Figure 52-17)		
23	AN526C832R8	Screw (Ref)		
24	G367-10	Strap	X	16
25	G367-12*	Tab	X	16
26	F367-5	Retainer (LH, Ref), see Figure 52-17		
	F367-6	Retainer (RH, Ref, see Figure 52-17)		
27	G367-1	Strap	X	30

NOTES * Install using item 13.
 ** See Figure 99-11 for shipping box.

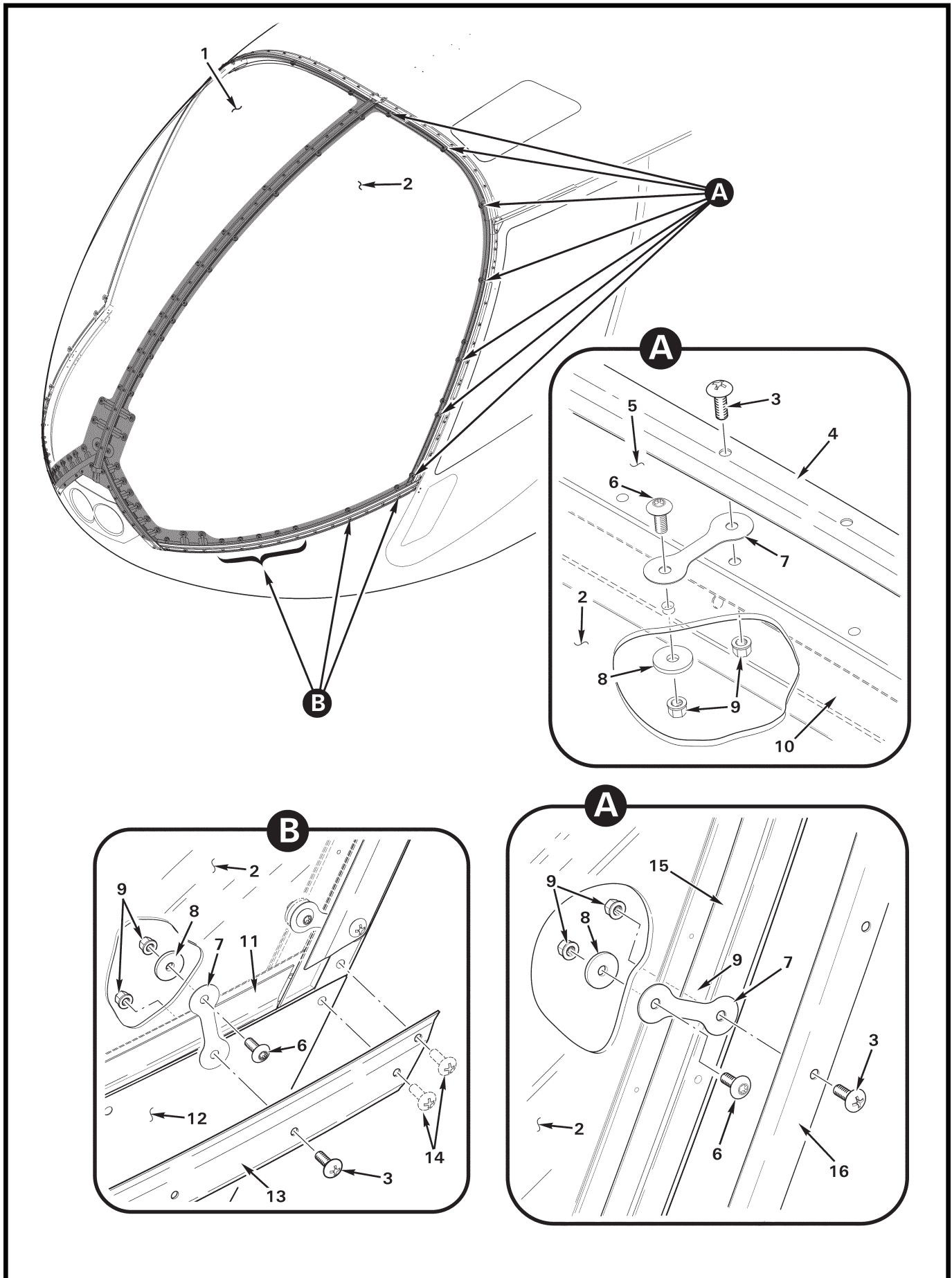


FIGURE AND INDEX NUMBER	PART NUMBER	DESCRIPTION	PARTS AVAIL	QTY PER ASSY
		WINDSHIELD INSTALLATION – IMPACT-RESISTANT (POLYCARBONATE)		
52-23-1	F274-6	Windshield (Ref*; Polycarbonate; RH, clear)		
	F274-8	Windshield (Ref*; Polycarbonate; RH, tinted)		
2	F274-5	Windshield (Ref*; Polycarbonate; LH, clear)		
	F274-7	Windshield (Ref*; Polycarbonate; LH, tinted)		
3	AN526C832R8	Screw (do not substitute MS27039 screws)	X	60
4	F238-4	Retainer (Ref**)		
5	F273-1	Roof (Ref**)		
6	B526-6	Screw (do not substitute MS27039 screws)	X	30
7	G367-1	Strap	X	30
8	C141-25	Washer	X	30
9	MS21042L08	Nut	X	60
10	F087-2	Frame (forward, roof; Ref**)		
11	F367-1	Retainer (LH, Ref**)		
	F367-2	Retainer (RH, not shown; Ref**)		
12	F272-1	Chin (Ref**)		
13	F367-5	Retainer (LH, Ref**)		
	F367-6	Retainer (LH, not shown; Ref**)		
14	AN526832R9	Screw (Ref**)		
15	C238-3	Door Jamb (LH, Ref**)		
16	C238-27	Retainer (LH, Ref**)		
	C238-28	Retainer (RH, not shown; Ref**)		

NOTES * See Figure 52-21.
 ** See Figure 52-17.

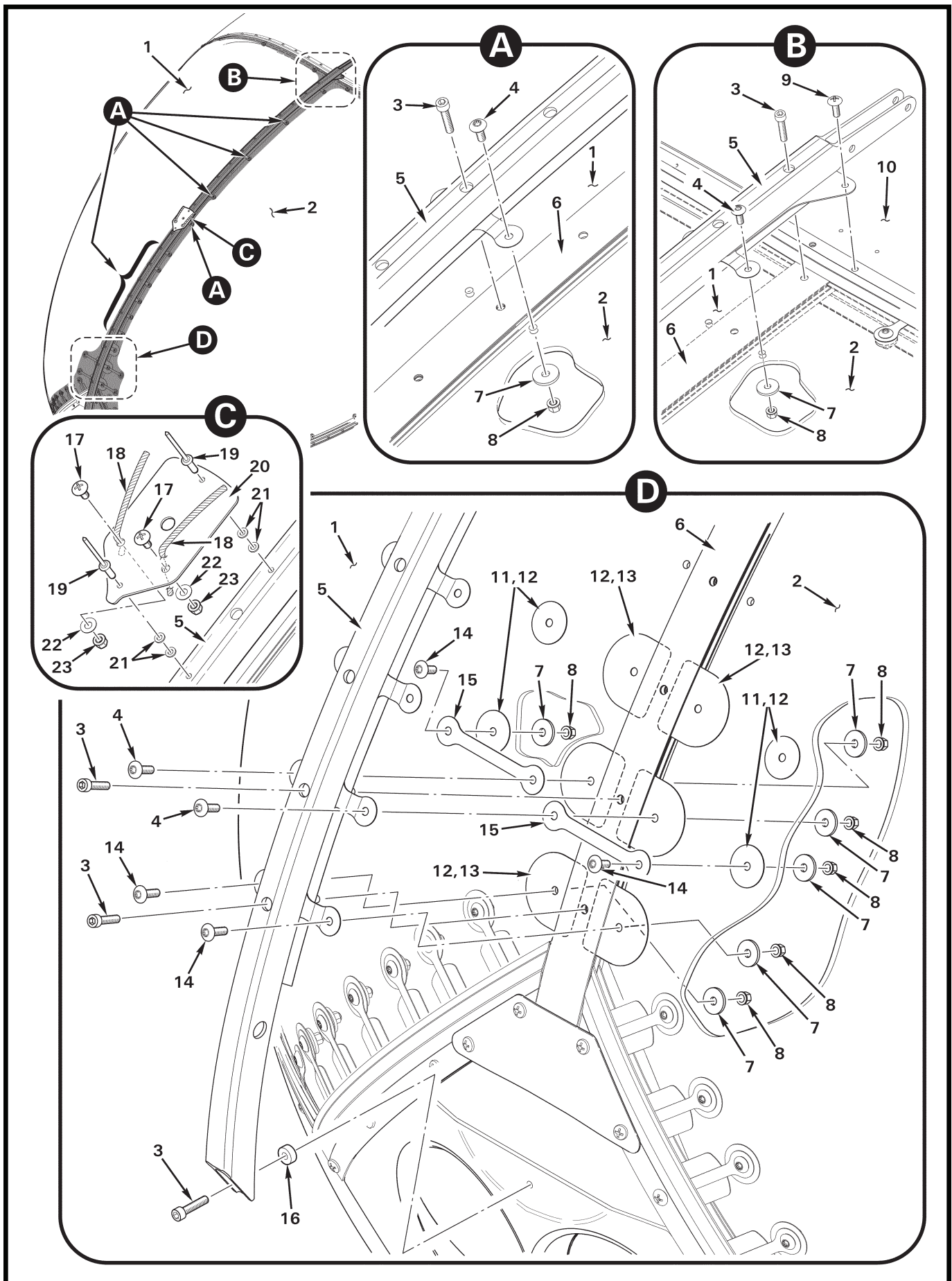


FIGURE AND INDEX NUMBER	PART NUMBER	DESCRIPTION	PARTS AVAIL	QTY PER ASSY
		WINDSHIELD INSTALLATION – IMPACT-RESISTANT (POLYCARBONATE) WITH WIRE STRIKE PROVISIONS		
52-25-1	F274-6	Windshield (Ref*; Polycarbonate; RH, clear)		
	F274-8	Windshield (Ref*; Polycarbonate; RH, tinted)		
2	F274-5	Windshield (Ref*; Polycarbonate; LH, clear)		
	F274-7	Windshield (Ref*; Polycarbonate; LH, tinted)		
3	NAS1352-08-12P	Screw	X	24
4	B526-8	Screw (do not substitute MS27039 screws)	X	4
5	G933-2	Bow Assembly	X	1
6	G935-2	Retainer (replaces F367-10 retainer)	X	1
7	C141-25	Washer	X	78
8	MS21042L08	Nut	X	78
9	AN526C832R9	Screw (Ref**)		
10	F273-1	Roof (Ref**)		
11	G367-15	Pad (install using item 12)	X	4
12	B270-26	Adhesive	X	A/R
13	G367-14	Pad (install using item 12)	X	6
14	B526-6	Screw (do not substitute MS27039 screws)	X	74
15	G367-10	Strap	X	20
16	A130-37	Spacer	X	1
17	AN526C832R6	Screw	X	2
18	–	Yaw/Trim String (Ref; yarn, white acrylic, 0.10-inch dia., 1.9-inch length from screw, trim yarn 0.06-inch max beyond washer. Source locally.)		
19	B204-2	Rivet (blind)	X	2
20	G935-7	Plate	X	1
21	NAS620-5	Washer ([2] with each item 18 between item 17 and item 5)	X	4
22	NAS1149FN816P	Washer	X	2
23	MS21042L08	Nut	X	2

NOTES * See Figure 52-21.
 ** See Figure 52-17.

Intentionally Blank

CHAPTER 53

FUSELAGE

<i>Figure</i>	<i>Title</i>	<i>Page</i>
53-1	Engine Cowling Installation	53.0
53-3	Mast Fairing Assembly	53.2
53-5	Tailcone Cowling Installation	53.4
53-7	Lower Frame Assemblies	53.6
53-11	Hydraulic Servo Support Frame Assembly	53.10
53-13A	Upper Frame Assembly	53.12
53-13B	Upper Frame Assembly	53.15
53-17	Tailcone Assembly	53.16
53-21	Tailcone Assembly	53.20
53-25	Empennage Assembly	53.24
53-29	Stabilizer Installation	53.28
53-31	Wind Deflector Installation	53.30

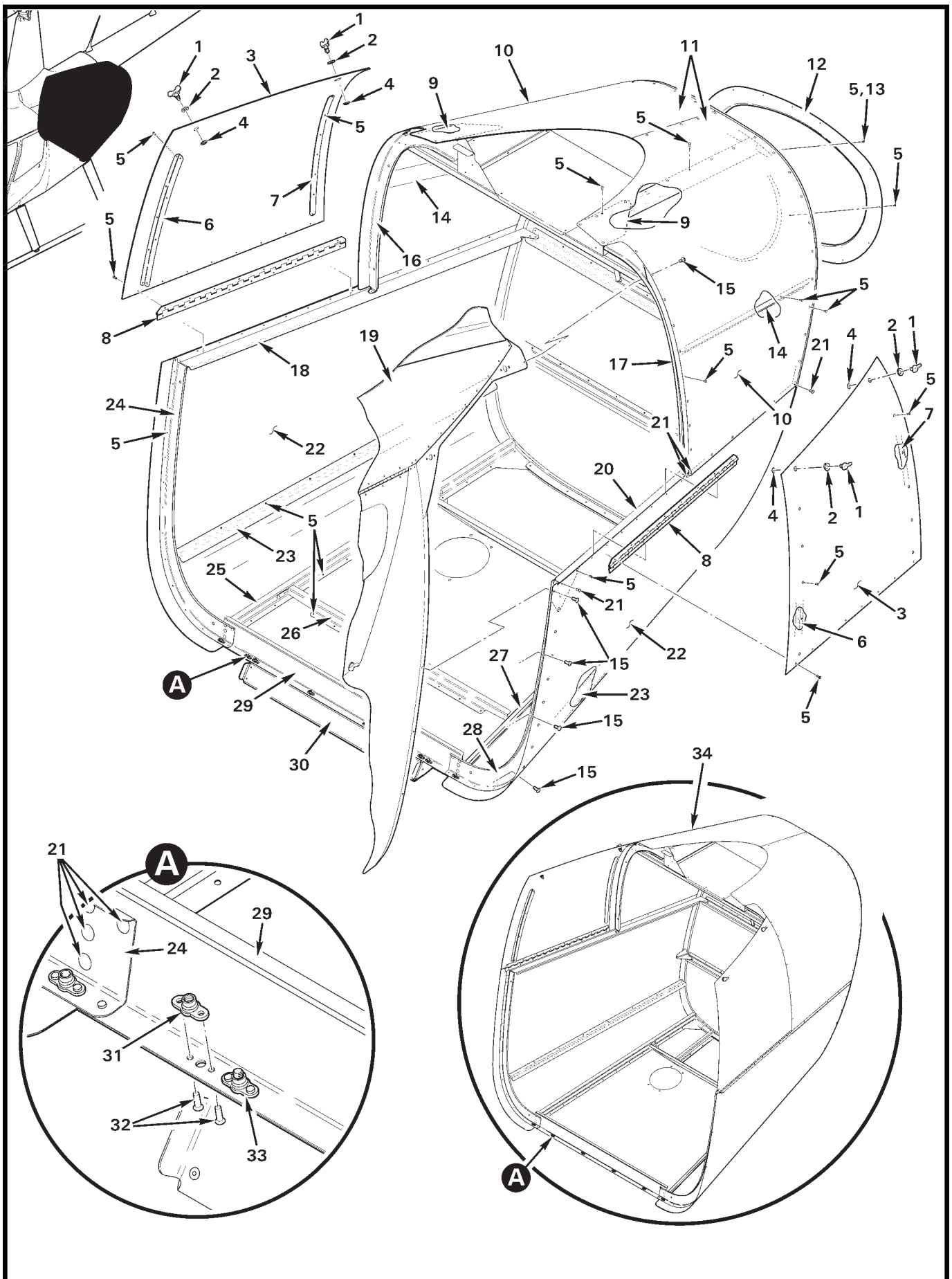


FIGURE AND INDEX NUMBER	PART NUMBER	DESCRIPTION	PARTS AVAIL	QTY PER ASSY
ENGINE COWLING INSTALLATION				
53-1-1	85-12-140-16	Stud	X	4
2	85-46-101-39	Washer	X	4
3	G040-5	Door (RH and LH)	X	2
4	85-34-201-20	Retaining Ring	X	4
5	MS20470AD3	Rivet	X	A/R
6	G304-1	Stiffener (RH and LH door)	X	2
7	G928-3	Stiffener (RH and LH door)	X	2
8	G925-4	Hinge	X	2
9	G309-7	Doubler (RH and LH)	X	2
10	G040-7	Engine Cowling Assembly – Aft (w/AC; includes items 5 thru 9, 11, 14, 16 thru 18, 20 thru 29, and 30 thru 33)	X	1
11	G040-4	Skin (RH and LH)	X	2
12	G039-2	Ring (blank; drill-to-fit after exhaust pipe replacement)	X	1
13	MS20604R3W1	Rivet (may be used instead of item 5 for [4] upper rivets)	X	4
14	G307-9	Stiffener (RH and LH)	X	2
15	MS27039C0806	Screw	X	10
16	G306-2	Stiffener (RH)	X	1
17	G306-1	Stiffener (LH)	X	1
18	G307-4	Stiffener (RH)	X	1
19	G004	Fuselage Assembly – Aft (Ref)		
20	G307-3	Stiffener (LH)	X	1
21	MS20470AD4	Rivet	X	38
22	G040-3	Skin (RH and LH)	X	2
23	G307-10	Stiffener (RH and LH)	X	2
24	G305-2	Stiffener (RH)	X	1
25	G307-4	Stiffener (RH)	X	1
26	G312-1	Stiffener	X	1
27	G307-3	Stiffener (LH)	X	1
28	G305-1	Stiffener (LH)	X	1
29	G308-1	Stiffener	X	1
30	G311-10	Scoop (Ref)		
31	MS21069L08	Nutplate	X	6
32	NAS1097AD3	Rivet	X	A/R
33	MS21069L08	Nutplate (Ref, installed on item 10 only)	X	2
34	G040-1	Engine Cowling Assembly – Aft (w/o AC; includes items 5 thru 9, 11, 14, 16 thru 18, 20 thru 29, 31, and 32)	X	1
NOTES				

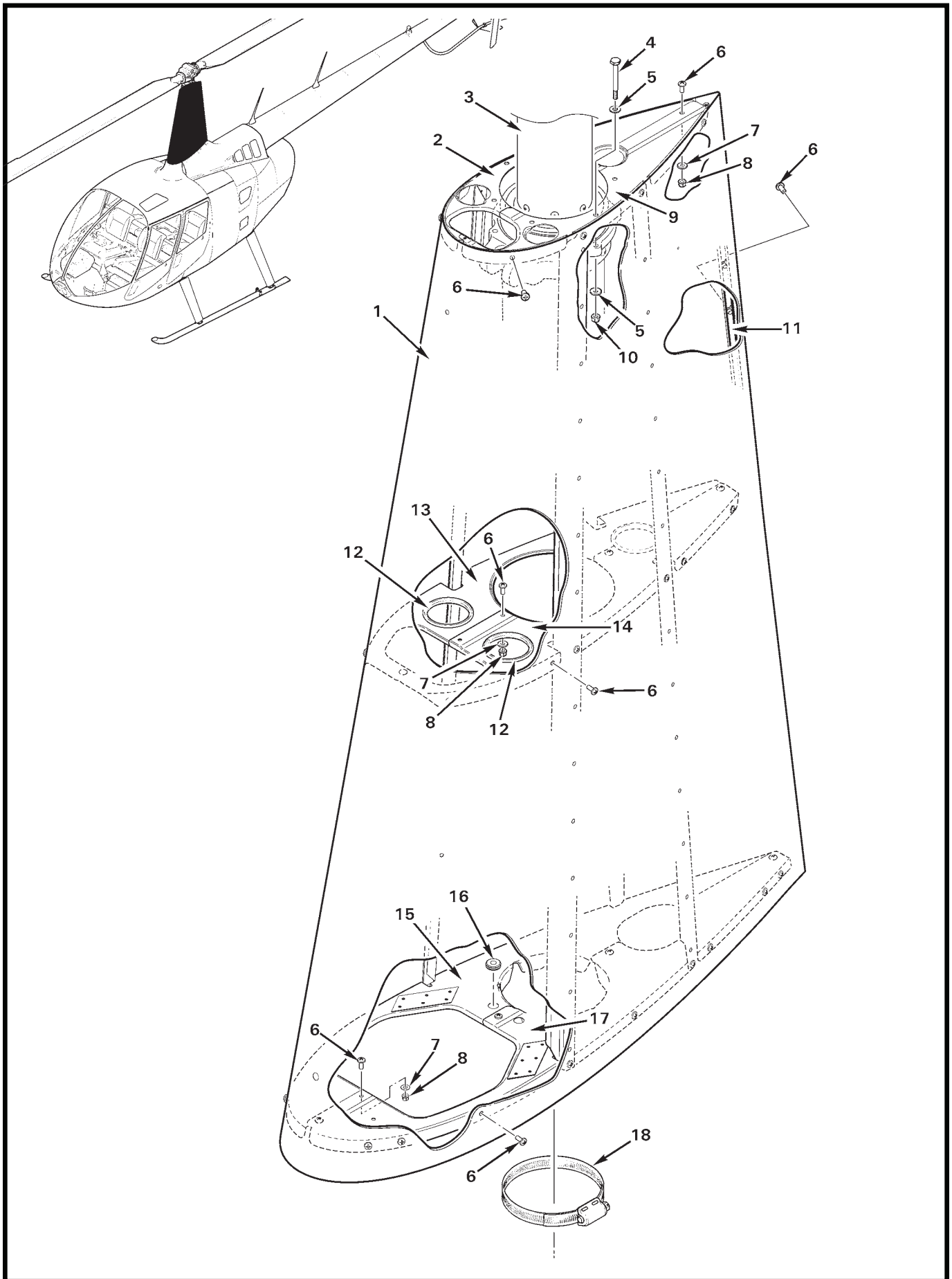


FIGURE AND INDEX NUMBER	PART NUMBER	DESCRIPTION	PARTS AVAIL	QTY PER ASSY
MAST FAIRING ASSEMBLY				
53-3-1	F261-1	Mast Fairing Assembly (Incl items 2, 6 thru 9, and 11 thru 18)	X	1
2	F261-18	Rib-Upper (RH)	X	1
	C261-6	Rib-Upper (RH; earlier aircraft)	O	1
3	F006	Main Rotor Gearbox Assembly (Ref)		
4	NAS6603	Bolt (Ref, see Figure 63-7)		
5	NAS1149F0332P	Washer	X	12
6	MS27039C0806	Screw	X	60
7	NAS1149FN816P	Washer	X	12
8	MS21042L08	Nut	X	12
9	F261-17	Rib – Upper (LH)	X	1
	C261-5	Rib – Upper (LH; earlier aircraft)	O	1
10	MS21042L3	Nut	X	6
11	A738-39	Gang Channel	X	1
12	NAS557-28A	Grommet	X	3
13	F261-16	Rib – Middle (RH)	X	1
14	F261-15	Rib – Middle (LH)	X	1
15	F261-14	Rib – Lower (RH)	X	1
16	MS35489-6	Grommet	X	1
17	F261-13	Rib – Lower (LH)	X	1
18	B277-064	Clamp (around mast tube)	X	1

NOTES

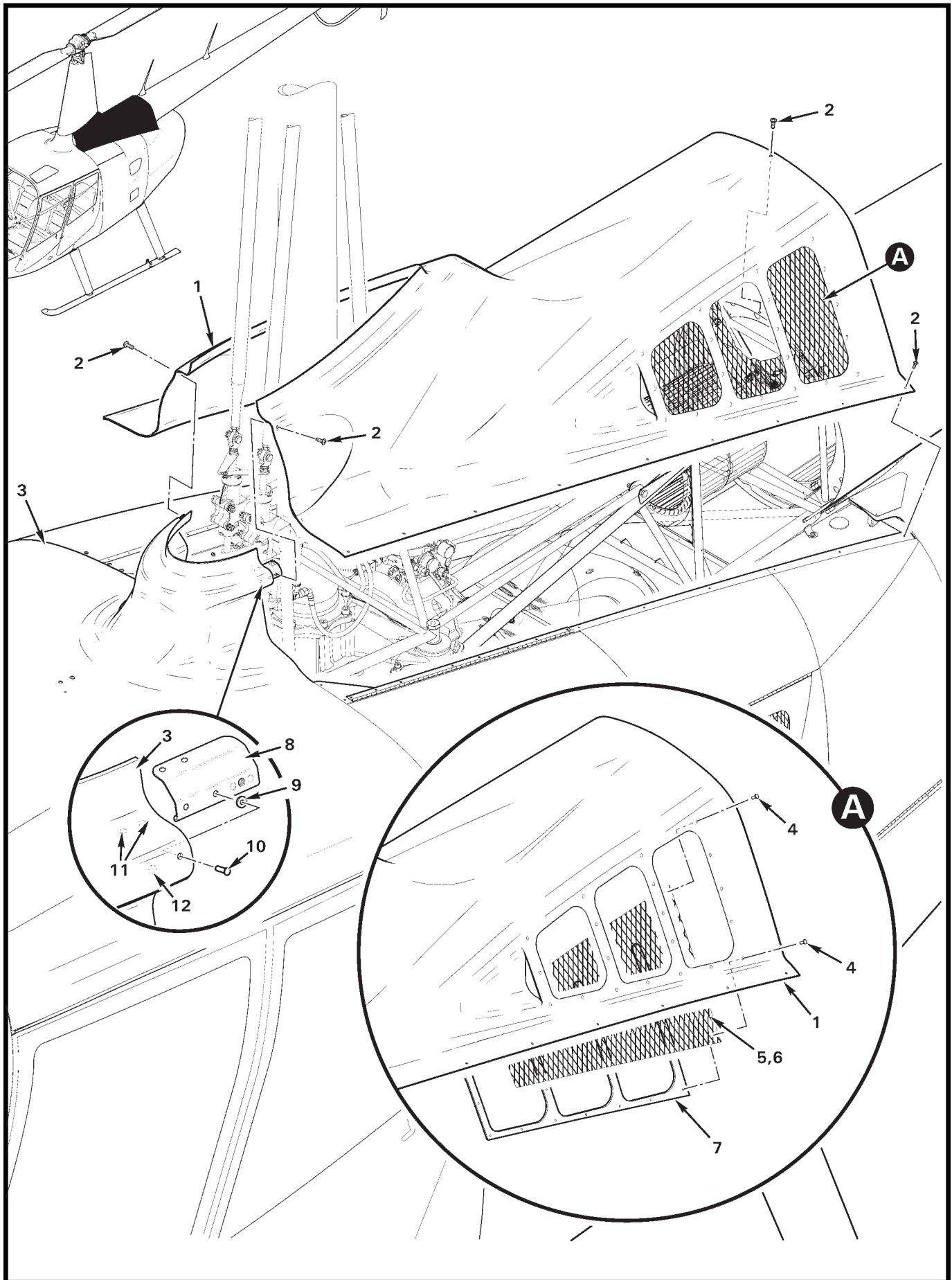


FIGURE AND INDEX NUMBER	PART NUMBER	DESCRIPTION	PARTS AVAIL	QTY PER ASSY
TAILCONE COWLING INSTALLATION				
53-5-1	F706-1	Cowling	X	1
2	MS27039C0806	Screw	X	22
3	F015	Cabin Assembly (Ref)		
4	NAS9301B-4-04	Rivet	X	40
5	G911-3	Screen (LH)	X	1
6	G911-4	Screen (RH, not shown)	X	1
7	G911-2	Retainer	X	2
8	G921-9	Bracket Assembly (Ref; LH)		
	G921-10	Bracket Assembly (Ref; RH)		
9	NAS620-5	Washer	X	2
10	MS20426AD4	Rivet (aft location)	X	2
11	MS20470AD4	Rivet (Ref)		
12	MS20426AD4	Rivet (Ref; forward location)		

NOTES

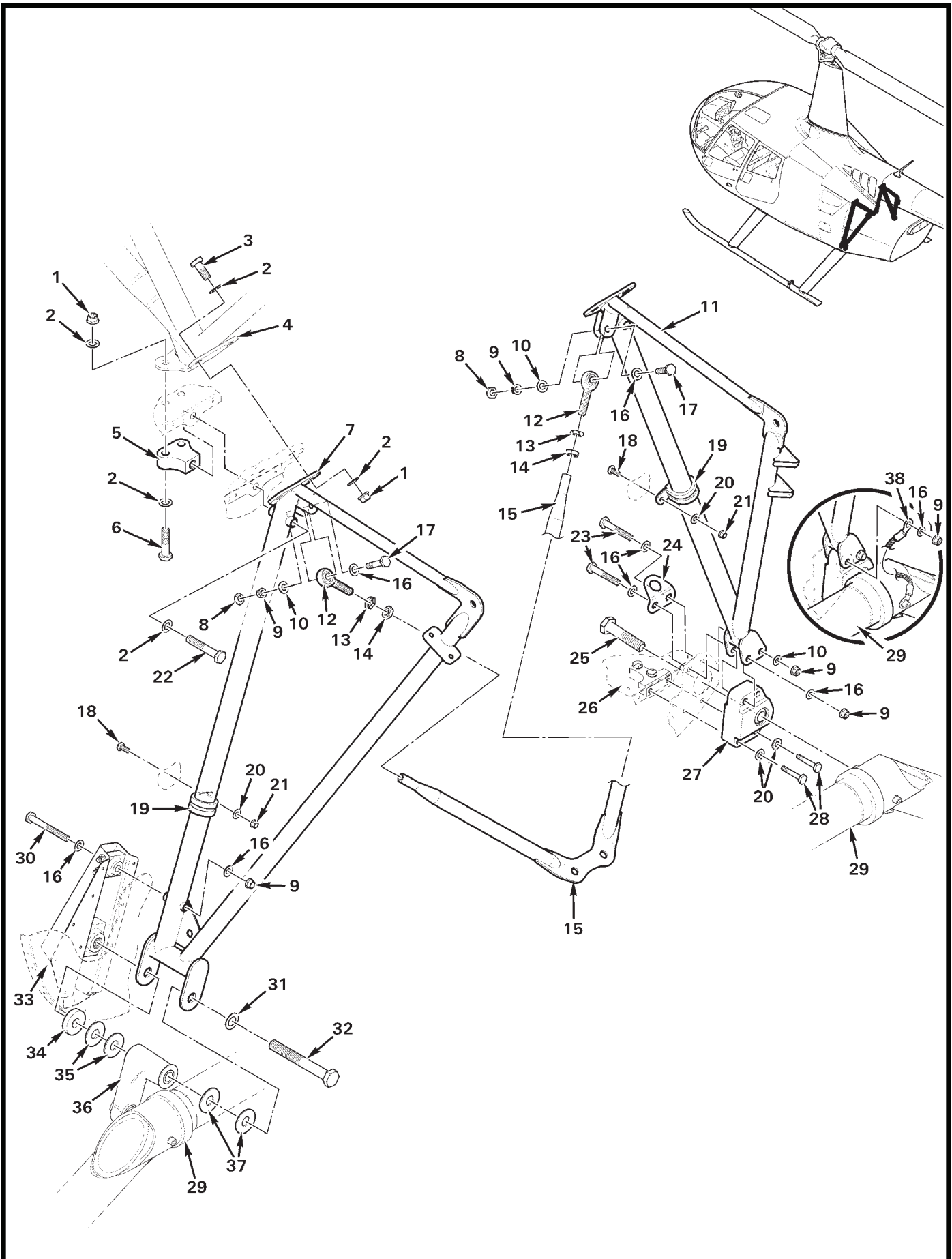


FIGURE AND INDEX NUMBER	PART NUMBER	DESCRIPTION	PARTS AVAIL	QTY PER ASSY
LOWER FRAME ASSEMBLIES				
53-7-1	D210-5	Nut	X	4
2	NAS1149F0532P	Washer	X	18
3	NAS6605-5	Bolt	X	2
4	F020-1	Frame Weldment (upper frame assy.; Ref, see Figure 53-13)		
5	F574-10	Block Assembly	X	2
6	NAS6605-14	Bolt	X	2
7	F046-1	Frame Weldment (LH, lower frame assembly)	X	1
8	B330-13	Palnut	X	2
9	D210-4	Nut	X	4
10	NAS1149F0463P	Washer	X	2
11	F046-2	Frame Weldment (RH, lower frame assembly)	X	1
12	F101-4	Rod End (elastomeric)	X	2
	A101-4	Rod End (obsolete, see R66 SB-23)	O	2
13	B330-16	Palnut	X	2
14	AN316-5R	Nut	X	2
15	F174-1	Support Weldment	X	1
16	NAS1149F0432P	Washer	X	4
17	NAS6604-10	Bolt	X	2
18	MS27039C1-07	Screw	X	2
19	MS21919WDG14	Clamp	X	2
20	NAS1149F0332P	Washer	X	4
21	D210-3	Nut	X	2
22	NAS6605-22	Bolt	X	2
23	NAS6604-18	Bolt	X	1
24	G914-5	Tab	X	1
25	NAS6607P20	Bolt (Ref, see Figure 32-1)		
26	G024-1	Floor Assembly (Ref)		
27	F574-1	Support Assembly	X	1
28	NAS6603-13	Bolt	X	2
29	F014-2	Landing Gear Assembly (Ref, see Figure 32-1)		
30	NAS6604-28	Bolt	X	1
31	NAS1149F0732P	Washer	X	1
32	NAS6607P44	Bolt	X	1
33	G004-1	Fuselage Assembly (Ref)		
34	C141-6	Washer	X	1

NOTES

Continues

FIGURE AND INDEX NUMBER	PART NUMBER	DESCRIPTION	PARTS AVAIL	QTY PER ASSY
LOWER FRAME ASSEMBLIES (Cont'd)				
53-7-35	C141-5	Washer	X	2
36	C276-3	Shackle Assembly (Ref, see Figure 32-1)		
37	A214-10	Washer	X	2
38	A936-3	Wire Assembly (Ref; see Figure 32-1. Earlier R66s.)		
NOTES				

Intentionally Blank

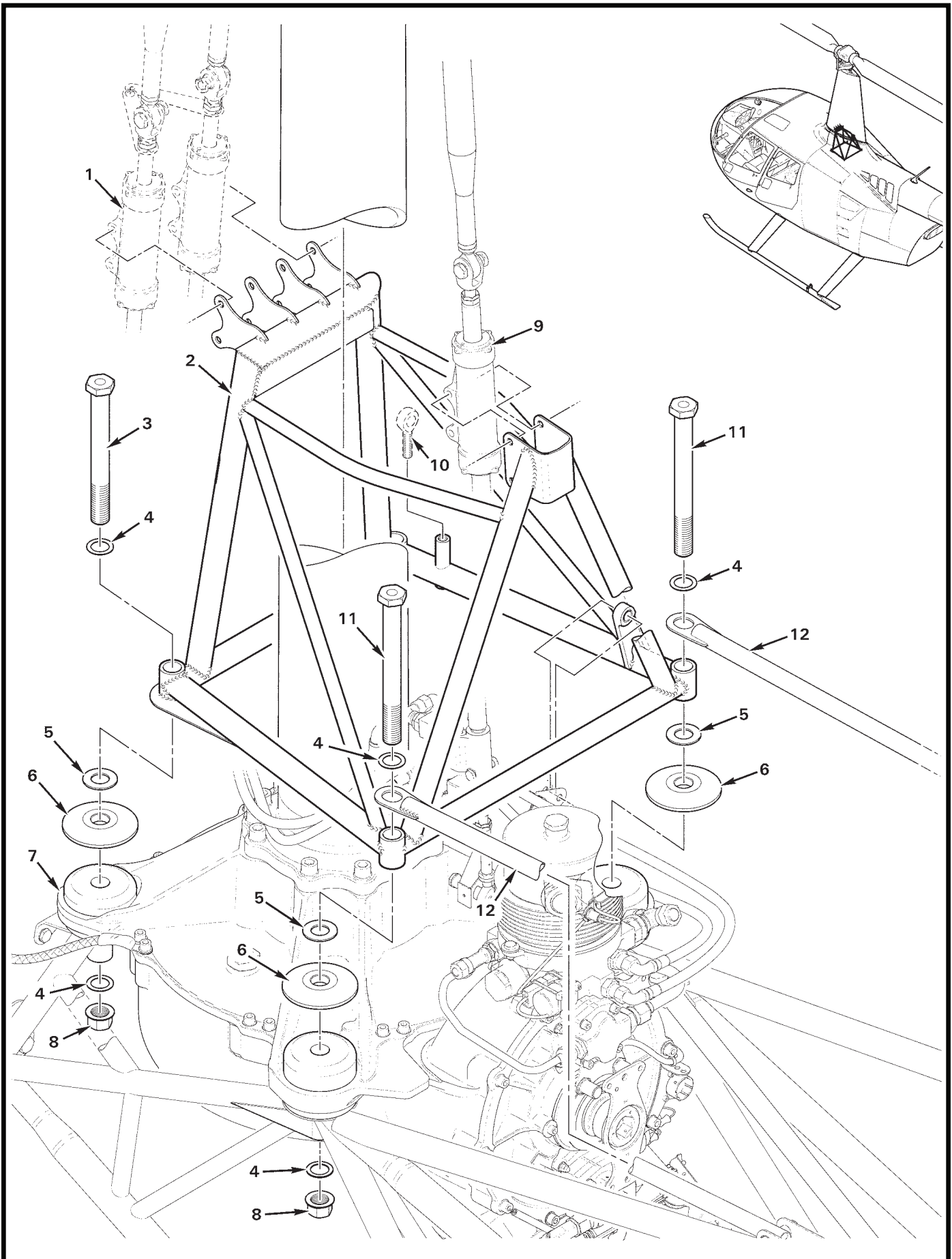


FIGURE AND INDEX NUMBER	PART NUMBER	DESCRIPTION	PARTS AVAIL	QTY PER ASSY
HYDRAULIC SERVO SUPPORT FRAME ASSEMBLY				
53-11-1	D212-5	Forward Servo (Ref; see Figure 29-7)		
2	G201-1	Frame Weldment	X	1
3	F650-1	Bolt	X	2
4	A141-21	Washer	X	8
5	NAS1149F1063P	Washer	X	4
6	A267-1	Washer	X	4
7	F006-1	Main Rotor Gearbox Assembly (Ref, see Figure 63-3)		
8	D210-10	Nut (Install with A257-9 on bolt threads.)	X	4
9	D212-6	Aft Servo (Ref, see Figure 29-11, and 67-25)		
10	B163-2	Rod End (Ref, see Figure 67-25)		
11	F650-2	Bolt	X	2
12	F235-13	Strut Assembly (Ref, see Figure 53-13A)		
NOTES				

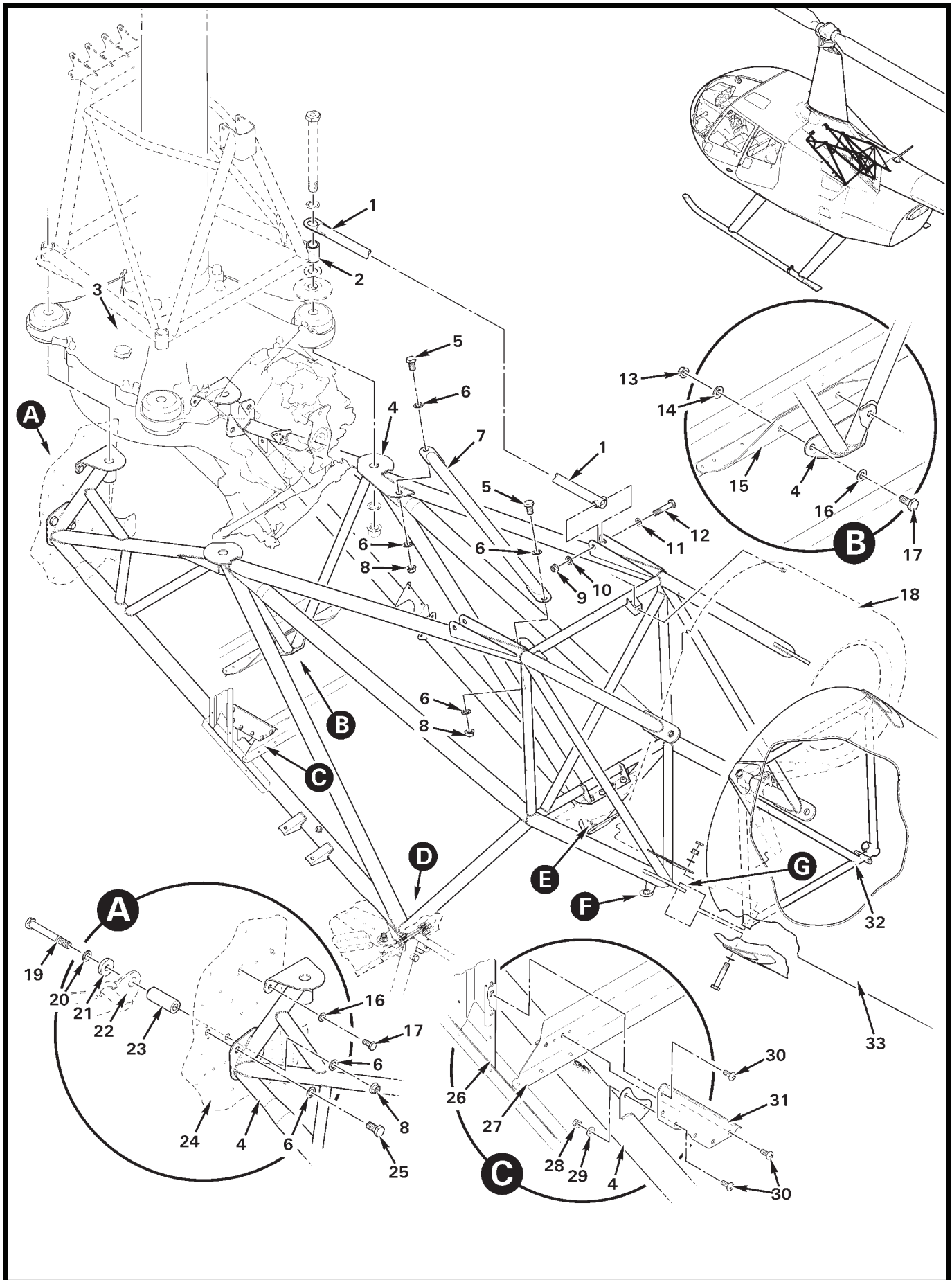


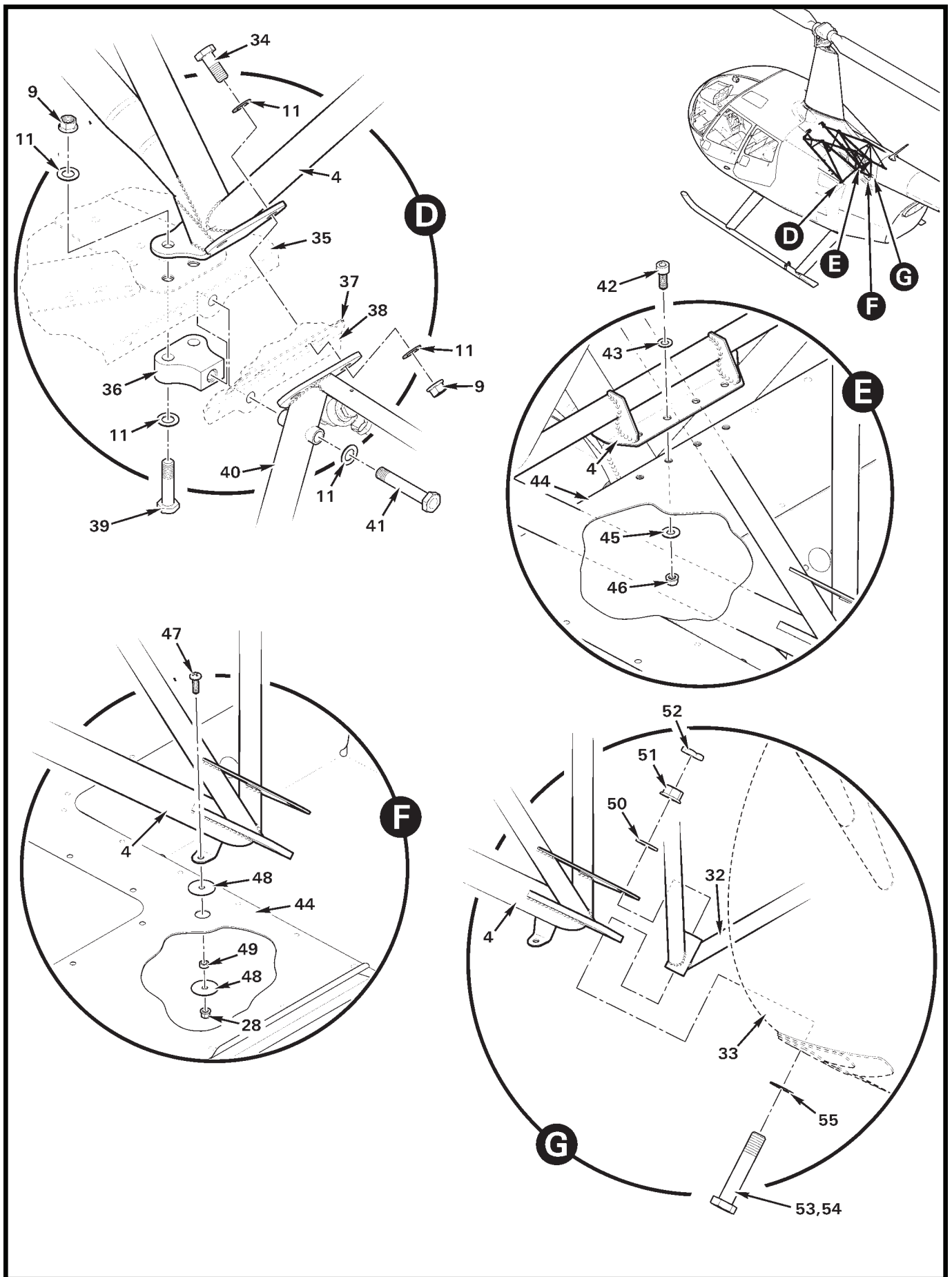
FIGURE AND INDEX NUMBER	PART NUMBER	DESCRIPTION	PARTS AVAIL	QTY PER ASSY
UPPER FRAME ASSEMBLY				
53-13-1	F235-13	Strut Assembly	X	2
2	G201-1	Frame Weldment (hydraulic support; Ref)		
3	F006-1	Main Rotor Gearbox Assembly (Ref; see Figure 63-3)		
4	F020-1	Frame Weldment (upper frame assembly)	X	1
5	NAS6606-1	Bolt	X	2
6	NAS1149F0632P	Washer	X	8
7	F252-1	Strut	X	1
8	MS21042L6	Nut	X	3
9	MS21042L5	Nut	X	2
10	NAS1149F0563P	Washer	X	10
11	NAS1149F0532P	Washer	X	22
12	NAS6605-17	Bolt	X	2
13	MS21042L4	Nut	X	2
14	NAS1149F0463P	Washer	X	2
15	G258-2	Bracket	X	1
16	NAS1149F0432P	Washer	X	6
17	NAS6604-3	Bolt	X	6
18	F236-1	Scroll Assembly (Ref)		
19	NAS6606-36	Bolt	X	1
20	NAS1149F0663P	Washer	X	1
21	C141-16	Washer	X	1
22	505281-1	Guide (seat belt, Ref)		
23	F374-7	Spacer	X	1
24	F560-1	Cabin Bulkhead Assembly (LH, Ref)		
25	NAS6606-3	Bolt	X	3
26	F231-1	Stiffener (Ref)		
27	F231-7	Stiffener (Ref)		
28	MS21042L08	Nut	X	6
29	NAS1149FN816P	Washer	X	4
30	MS27039C0806	Screw	X	12
31	F231-8	Brace	X	2
32	F237-1	Frame Weldment (see Figure 53-13B)	X	1
33	C023-21	Tailcone Assembly (Ref)		
34	NAS6605-5	Bolt	X	4
35	G023-1	Ceiling Assembly – Baggage Compartment (Ref)		

NOTES

Continues

FIGURE AND INDEX NUMBER	PART NUMBER	DESCRIPTION	PARTS AVAIL	QTY PER ASSY
UPPER FRAME ASSEMBLY (Cont'd)				
53-13-36	F574-10	Block Assembly	X	2
37	F384-1	Doubler (Ref)		
38	F234-1	Firewall (Ref)		
39	NAS6605-14	Bolt	X	4
40	F046-1	Frame Weldment – Lower Frame (LH, Ref)		
41	NAS6605-22	Bolt	X	2
42	NAS1351-3-8P	Screw	X	4
43	NAS620-10L	Washer	X	4
44	G234-1	Firewall (Ref)		
45	NAS1149F0332P	Washer	X	4
46	MS21042L3	Nut	X	4
47	MS27039C0808	Screw	X	2
48	C141-22	Washer	X	4
49	C130-33	Spacer	X	2
50	C141-4	Washer	X	4
51	D210-7	Nut	X	4
52	B330-21	Palnut	X	4
53	NAS6607-25	Bolt (this location only)	X	1
54	NAS6607-24	Bolt	X	3
55	NAS1149F0732P	Washer	X	4

NOTES



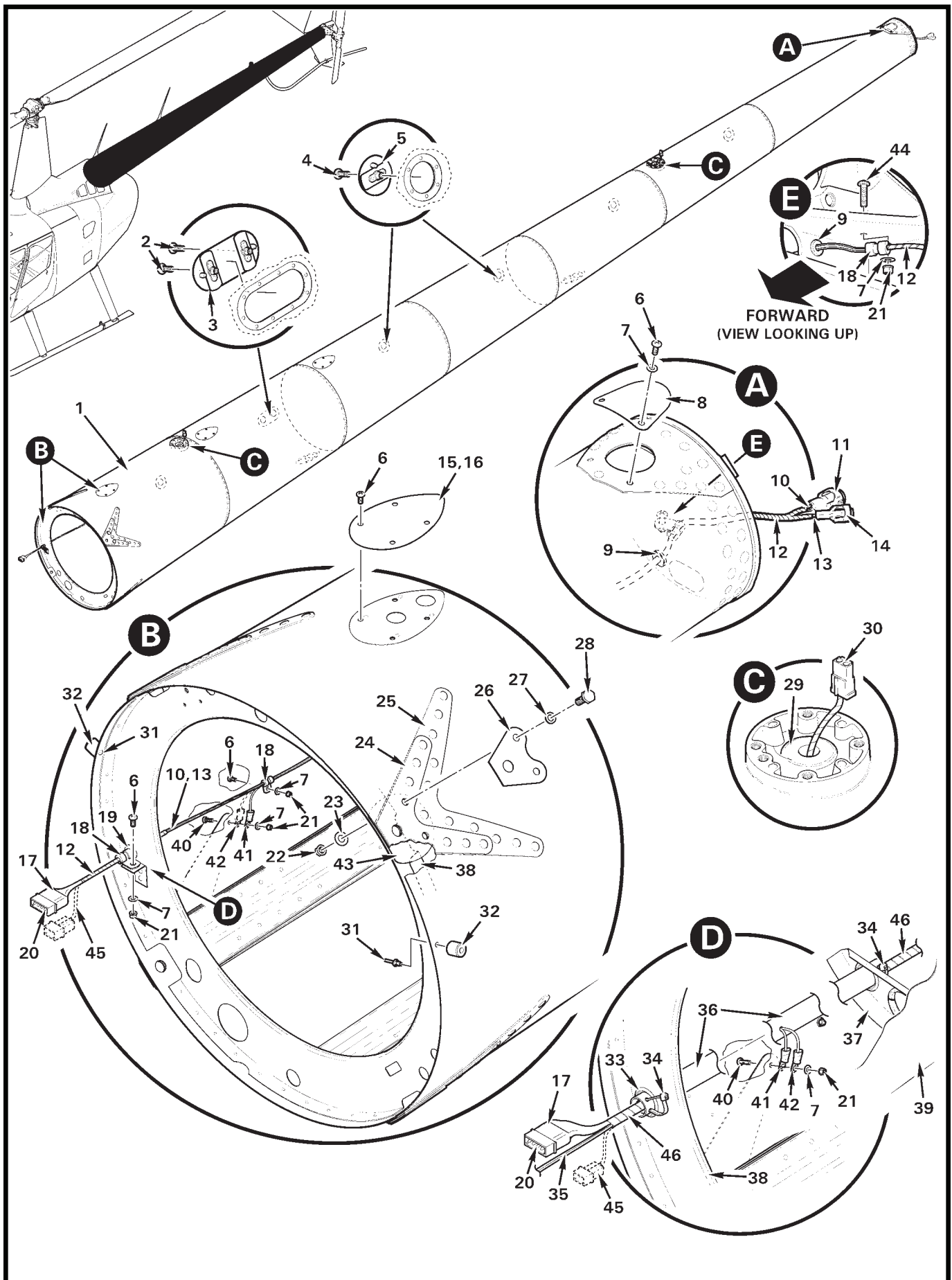


FIGURE AND INDEX NUMBER	PART NUMBER	DESCRIPTION	PARTS AVAIL	QTY PER ASSY
TAILCONE ASSEMBLY				
53-17-1	C023-21	Tailcone Assembly – Three Antenna (Incl items 3, 5 thru 14, 17 thru 32, 43 and 44)	X	1
	C023-24	Tailcone Assembly – E.N.G (includes items 3, 5 thru 14, 17 thru 36, 43, 44 and 46; see Figure 92-9)	X	1
	C023-34	Tailcone Assembly – Five Antenna (Not all provisions shown. Includes items 3, 5 thru 14, and 17 thru 32.)	X	1
	C023-35	Tailcone Assembly – Three Antenna and Nav Antenna (Not all provisions shown. Includes items 3, 5 thru 14, and 17 thru 32.)	X	1
2	MS27039C0807	Screw	X	2
3	A231-10	Plug Assembly (Incl item 2)	X	5
4	MS27039C0807	Screw	X	1
5	A231-1	Plug Assembly (Incl item 4)	X	1
6	MS27039C0806	Screw	X	9
7	NAS1149FN816P	Washer	X	7
8	A558-2	Cover – Inspection (transparent)	X	1
9	MS35489-33	Grommet	X	1
10	-5	Wire (Ref)		
	-503	Wire (Ref)		
11	B264-13	Plug (wires to tail rotor gearbox chip detector)	X	1
	B263-2	Socket	X	2
12	B161-2	Spirap	X	A/R
13	-109	Wire (Ref, power)		
14	B264-11	Plug (wires to tail light)	X	1
	B264-1	Socket	X	1
15	B322-2	Cover (for use when antenna not installed; install using item 16)	X	1
16	B270-13	Sealant	X	A/R
17	B158-8	Heat Shrink (around housing and wires)	X	A/R
18	MS21919WDG2	Clamp	X	3
19	B401-4	Grommet	X	1
20	B263-16	Housing (wires to tail light and tail rotor chip detector)	X	1
	B263-1	Pin	X	6
21	MS21042L08	Nut	X	A/R
22	D210-4	Nut	X	8
23	A141-11	Washer	X	8

NOTES

Continues

FIGURE AND INDEX NUMBER	PART NUMBER	DESCRIPTION	PARTS AVAIL	QTY PER ASSY
TAILCONE ASSEMBLY (Cont'd)				
53-17-24	D078-2	Doubler (Ref)		
25	D078-3	Doubler (Ref)		
26	D078-1	Doubler	X	4
27	NAS1149F0432P	Washer	X	8
28	NAS6604-4	Bolt	X	8
29	MS35489-15	Grommet	X	1
30	B263-13	Housing	X	1
	B263-2	Socket	X	2
31	NAS9301B-4-02	Rivet	X	2
32	F288-2	Bumper	X	2
33	NAS557-10A	Grommet (for tailcone camera installation only)	X	8
34	MS3367-5-9	Ty-Rap	X	2
35	C023-757	Cable (Ref)		
	C023-2815	Wire (Ref)		
36	D686-1	Conduit	X	1
37	D080-1	Bulkhead Assembly (Ref)		
38	D070-1	Bulkhead Assembly (Ref)		
39	C023-12	Skin (Ref)		
40	MS27039C0807	Screw	X	1
41	B260-3	Terminal (Ref)		
42	B260-9	Terminal (Ref)		
43	F288-3	Doubler	X	1
44	MS27039C0808	Screw	X	1
45	-2854	Wire – Fwd Strobe Option (Ref)		
46	B161-4	Spirap (E.N.G.)		

NOTES

Intentionally Blank

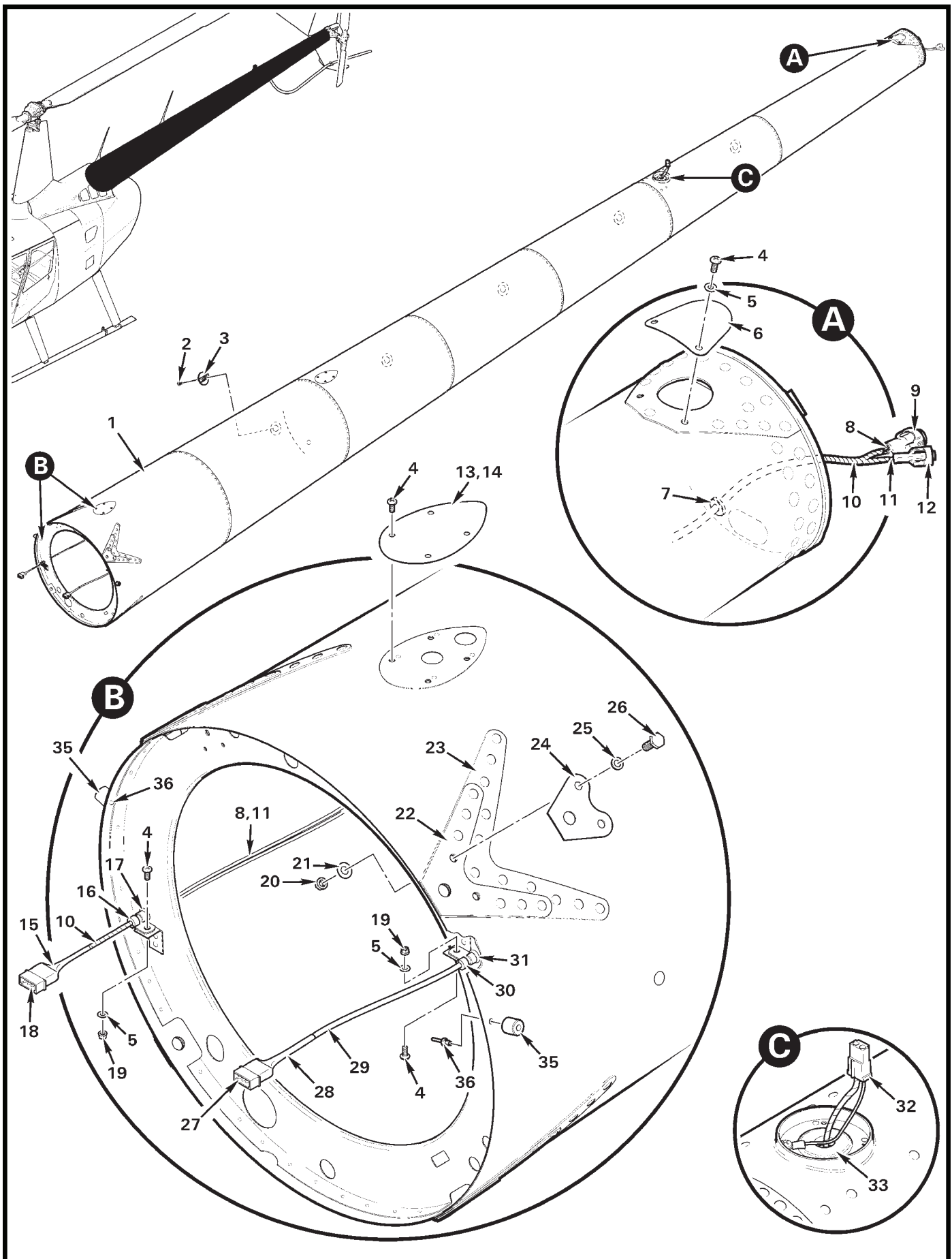


FIGURE AND INDEX NUMBER	PART NUMBER	DESCRIPTION	PARTS AVAIL	QTY PER ASSY
TAILCONE ASSEMBLY*				
53-21-1	C023-21	Tailcone Assembly (Provision for two antennas as shown. Includes items 3 thru 12, and 15 thru 36.)	X	1
2	MS27039C0807	Screw	X	1
3	A231-1	Plug Assembly (Incl item 2)	X	5
4	MS27039C0806	Screw	X	8
5	NAS1149FN816P	Washer	X	4
6	A558-2	Cover – Inspection (transparent)	X	1
7	MS35489-33	Grommet	X	1
8	-5	Wire (Ref)		
	-503	Wire (Ref)		
9	B264-13	Plug (wires to tail rotor gearbox chip detector)	X	1
	B263-2	Socket	X	2
10	B161-2	Spirap	X	A/R
11	-109	Wire (Ref)		
12	B264-11	Plug (wire to tail light)	X	1
	B264-1	Socket	X	1
13	B322-2	Cover (for use when antenna not installed; install using item 14)	X	1
14	B270-13	Sealant	X	A/R
15	B158-8	Heat Shrink (around housing and wires)	X	A/R
16	MS21919WDG2	Clamp	X	1
17	MS35489-4	Grommet	X	1
18	B263-14	Housing (wires to tail light and tail rotor chip detector)	X	1
	B263-1	Pin	X	2
	B263-3	Pin	X	1
19	MS21042L08	Nut	X	A/R
20	MS21042L4	Nut	X	8
21	A141-11	Washer	X	8
22	D078-2	Doubler (Ref)		
23	D078-3	Doubler (Ref)		
24	D078-1	Doubler	X	4
25	NAS1149F0432P	Washer	X	8
26	NAS6604-4	Bolt	X	8
27	B263-14	Housing (wires to strobe light)	X	1
	B263-3	Pin	X	3

NOTES * Earlier aircraft.

Continues

FIGURE AND INDEX NUMBER	PART NUMBER	DESCRIPTION	PARTS AVAIL	QTY PER ASSY
TAILCONE ASSEMBLY (Cont'd)				
53-21-28	B158-6	Heat Shrink (around wires)	X	A/R
	B158-8	Heat Shrink (around housing and cable)	X	A/R
29	B274-450	Cable (wire no. 1454 [red], 1455 [black], 1456 [clear])	X	A/R
30	MS21919WDG4	Clamp	X	1
31	MS35489-1	Grommet (install using item 34)	X	1
32	B263-13	Housing	X	1
	B263-2	Socket	X	2
33	MS35489-15	Grommet	X	1
34	B270-8qt	Adhesive	X	A/R
35	F288-2	Bumper	X	2
36	NAS9301B-4-02	Rivet	X	2

NOTES

Intentionally Blank

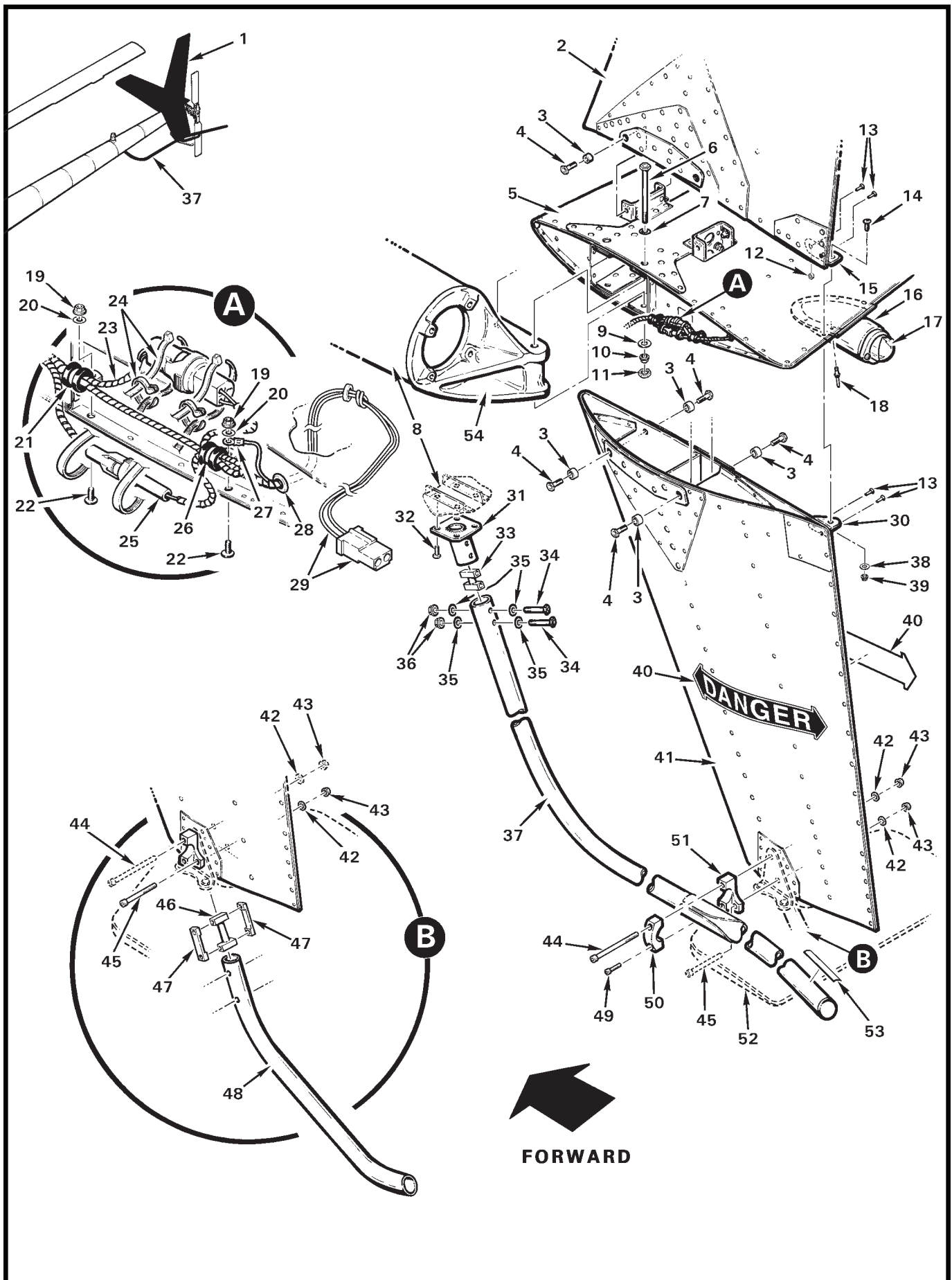


FIGURE AND INDEX NUMBER	PART NUMBER	DESCRIPTION	PARTS AVAIL	QTY PER ASSY
EMPENNAGE ASSEMBLY				
53-25-1	C004-2	Empennage Assembly (Incl items 2 thru 5, 12, 14, 15, 30, 38, 39, and 41)	X	1
2	C042-1	Stabilizer – Upper Vertical (does not include item 15)	X	1
3	C130-9	Spacer	X	8
4	NAS6604-6	Bolt	X	8
5	C044-1	Stabilizer – Horizontal (Incl items 19, 20, 22, and 29)	X	1
	C044-2	Stabilizer – Horizontal (float ship; includes items 19, 20, 22, and 29. See Figure 53-29)	X	1
6	NAS6606-47	Bolt	X	2
7	NAS1149F0632P	Washer	X	2
8	C023	Tailcone Assembly (Ref)		
9	NAS1149F0663P	Washer	X	A/R
10	D210-6	Nut	X	2
11	B330-19	Palnut	X	2
12	A130-14	Spacer	X	1
13	MS20470AD4	Rivet	X	4
14	MS35206-228	Screw	X	1
15	C554-2	Clip – Upper Vertical Stabilizer	X	1
16	C529-1	Mount Assembly – Tail Light	X	1
17	01-0771554-01*	Light Assembly – Tail Light (Ref; see Figure 33-3)		
18	NAS9301B-4-02	Rivet (or NAS1919B04S02)	X	5
19	MS21042L08	Nut	X	2
20	NAS1149FN816P	Washer	X	2
21	MS21919WDG3	Clamp	X	1
22	MS27039C0806	Screw	X	2
23	B161-2	Spirap	X	A/R
24	MS3367-5-9	Ty-Rap	X	4
25	B263-10	Housing	X	1
	B264-1	Pin	X	1
26	MS21919WDG4	Clamp	X	1
27	B260-3	Terminal	X	1
28	MS35489-4	Grommet	X	1
29	D049-3	Wire Harness Assembly – Tail Light (Includes item 27, B264-1 pin, [2] B263-2 sockets, B263-13 housing, plastic washer, and wires; assembled.)	X	1
30	C554-1	Clip – Lower Vertical Stabilizer	X	1

NOTES * Whelen part no.

Continues

FIGURE AND INDEX NUMBER	PART NUMBER	DESCRIPTION	PARTS AVAIL	QTY PER ASSY
EMPENNAGE ASSEMBLY (Cont'd)				
53-25-31	D082-1	Tube – Tail Rotor Guard Mount	X	1
32	MS27039C1-07	Screw	X	4
33	D081-1	Spacer	X	1
34	NAS6603-16	Bolt	X	2
35	NAS1149F0332P	Washer	X	4
36	MS21042L3	Nut	X	2
37	D079-1	Tail Rotor Guard (Revision V and subsequent only. Includes item 53.)	X	1
38	NAS1149FN616P	Washer	X	1
39	MS21042L06	Nut	X	1
40	C654-2	Decal – “Danger”	X	2
41	C043-1	Stabilizer – Lower Vertical (does not include item 37)	X	1
42	NAS1149F0432P	Washer	X	2
43	MS21042L4	Nut	X	2
44	NAS1351-4-53P	Screw	X	1
45	NAS1351-4-38P	Screw	X	1
46	C470-3	Spacer	X	1
47	C470-2	Block	X	2
48	C470-1	Tail Skid	X	1
49	NAS1352-3-14P	Screw	X	1
50	D081-2	Block – Cap	X	1
51	D081-4	Block Assembly	X	1
52	C050-2	Stabilizer Assembly (Ref, see Figure 53-29)		
53	C654-18	Decal – “No Hand Hold”	X	1
54	C148-5	Bulkhead (Ref)		

NOTES

Intentionally Blank

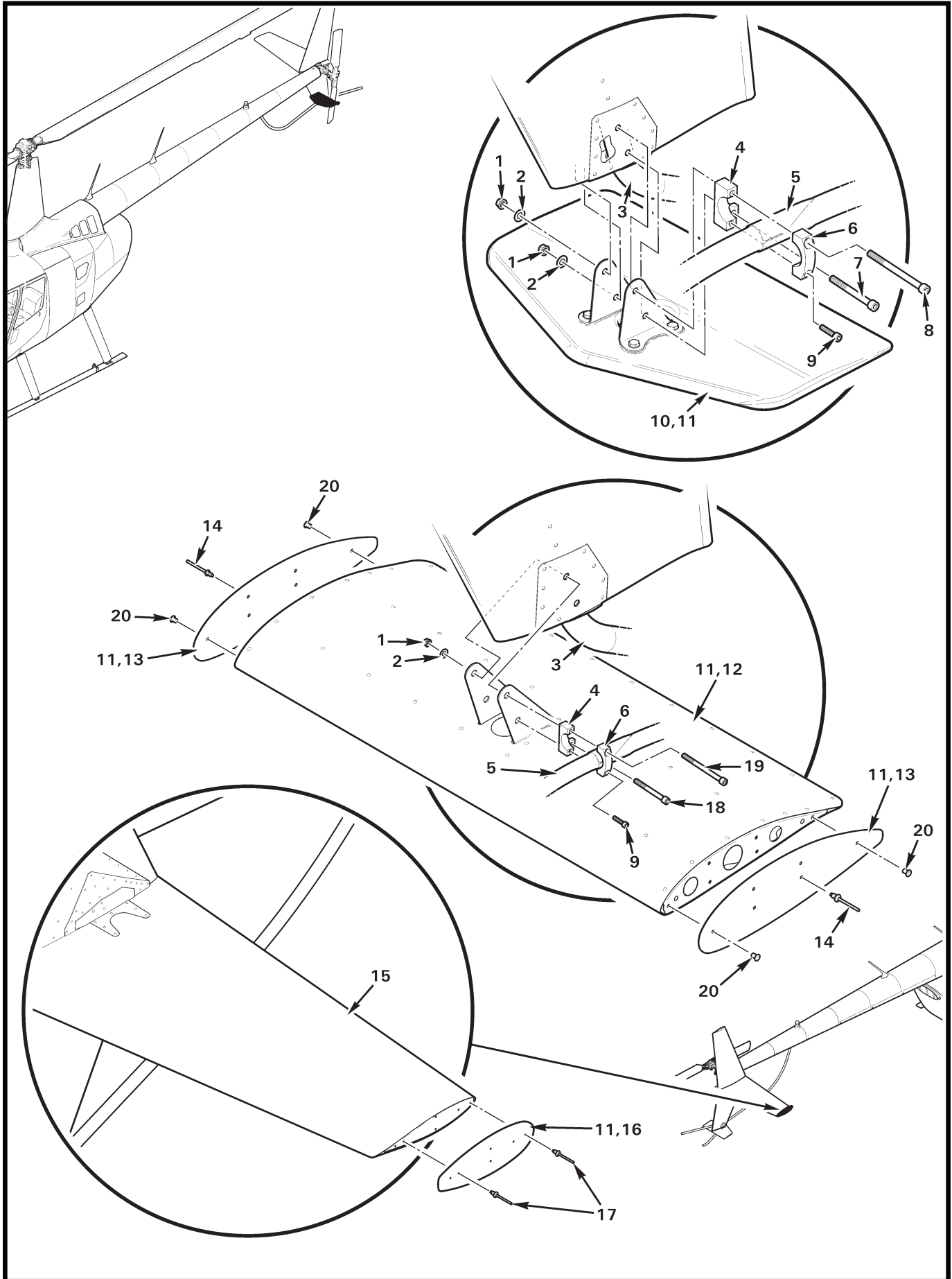


FIGURE AND INDEX NUMBER	PART NUMBER	DESCRIPTION	PARTS AVAIL	QTY PER ASSY
STABILIZER INSTALLATION				
53-29-1	D210-4	Nut	X	2
2	NAS1149F0432P	Washer	X	2
3	C470-1	Tail Skid (Ref, see Figure 53-25)		
4	D081-4	Block Assembly	X	1
5	D079-1	Tail Rotor Guard (Ref)		
6	D081-2	Block – Cap	X	1
7	NAS1351-4-38P	Screw	X	1
8	NAS1351-4-53P	Screw	X	1
9	NAS1352-3-14P	Screw	X	1
10	C050-2	Stabilizer Assembly	X	1
11	B270-1	Sealant (applied around stabilizer bracket edges, between brackets and C716 doubler; 2-oz tube)	X	A/R
12	G950-2	Stabilizer Assembly – Pop-out Floats (includes items 11, 13 and 14)	X	1
	G950-1	Stabilizer Assembly – Pop-out Floats (earlier ships, includes items 11, 13 and 14)	O	1
13	G952-3	Plate	X	2
14	NAS9302B-4-02	Rivet	X	8
15	C044-2	Horizontal Stabilizer – Pop-out Floats (Incl items 11, 16, and 17; see Figure 53-25 for installation)	X	1
16	D298-1	Plate	X	1
17	NAS9302B-4-02	Rivet	X	6
18	NAS1351-4-56P	Screw	X	1
19	NAS1351-4-40P	Screw	X	1
20	MS20426AD4	Rivet	X	4

NOTES

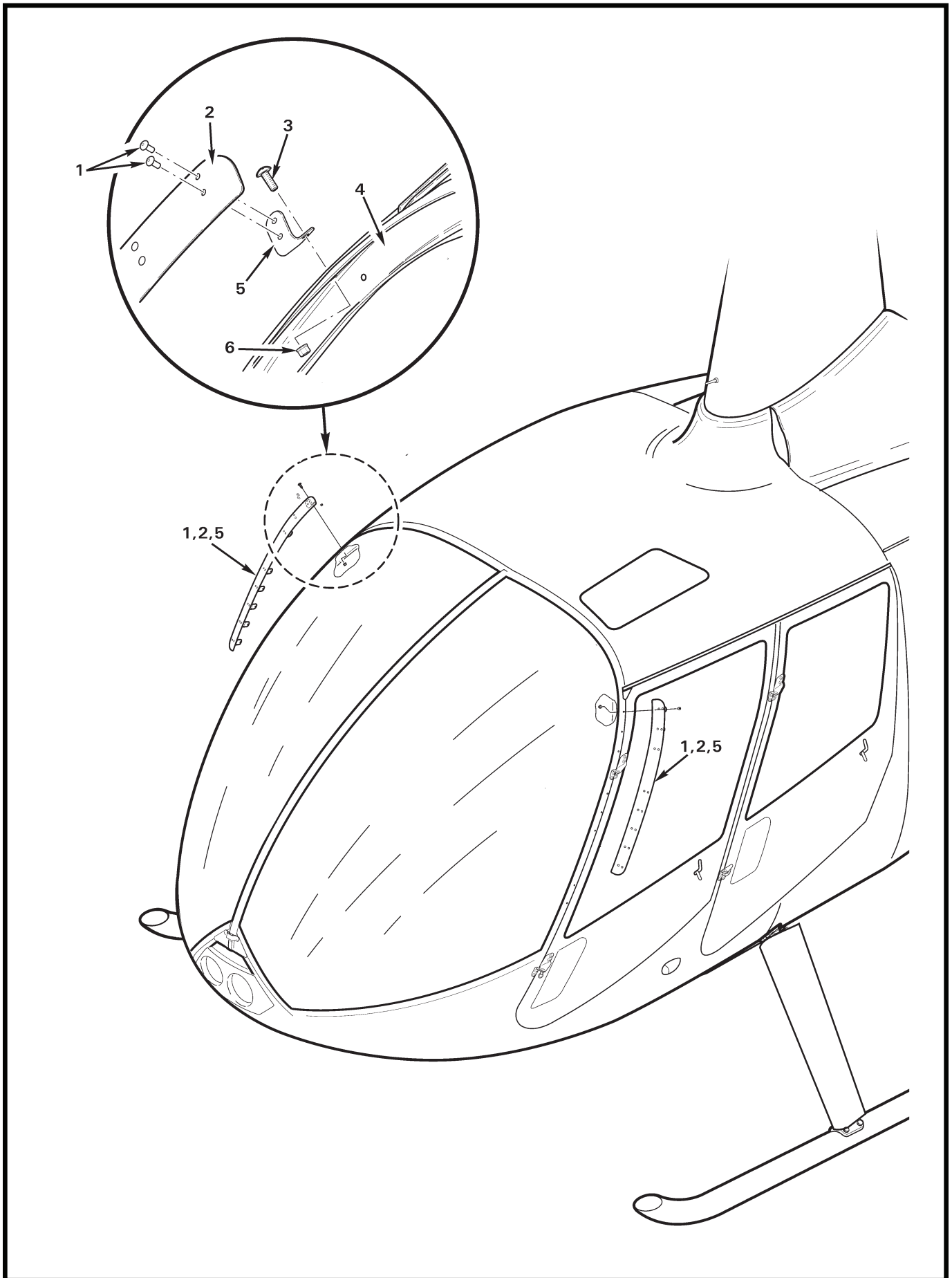


FIGURE AND INDEX NUMBER	PART NUMBER	DESCRIPTION	PARTS AVAIL	QTY PER ASSY
WIND DEFLECTOR INSTALLATION				
53-31-1	MS20470AD4	Rivet	X	32
2	B228-1	Deflector (LH or RH)	X	2
3	AN526C832R8	Screw	X	16
4	—	Door Jamb (Ref)		
5	B228-2	Angle	X	16
6	MS21042L08	Nut	X	16

NOTES

Intentionally Blank

CHAPTER 62

MAIN ROTOR

<i>Figure</i>	<i>Title</i>	<i>Page</i>
62-1	Main Rotor Blade Assembly	62.0
62-3	Main Rotor Hub	62.2

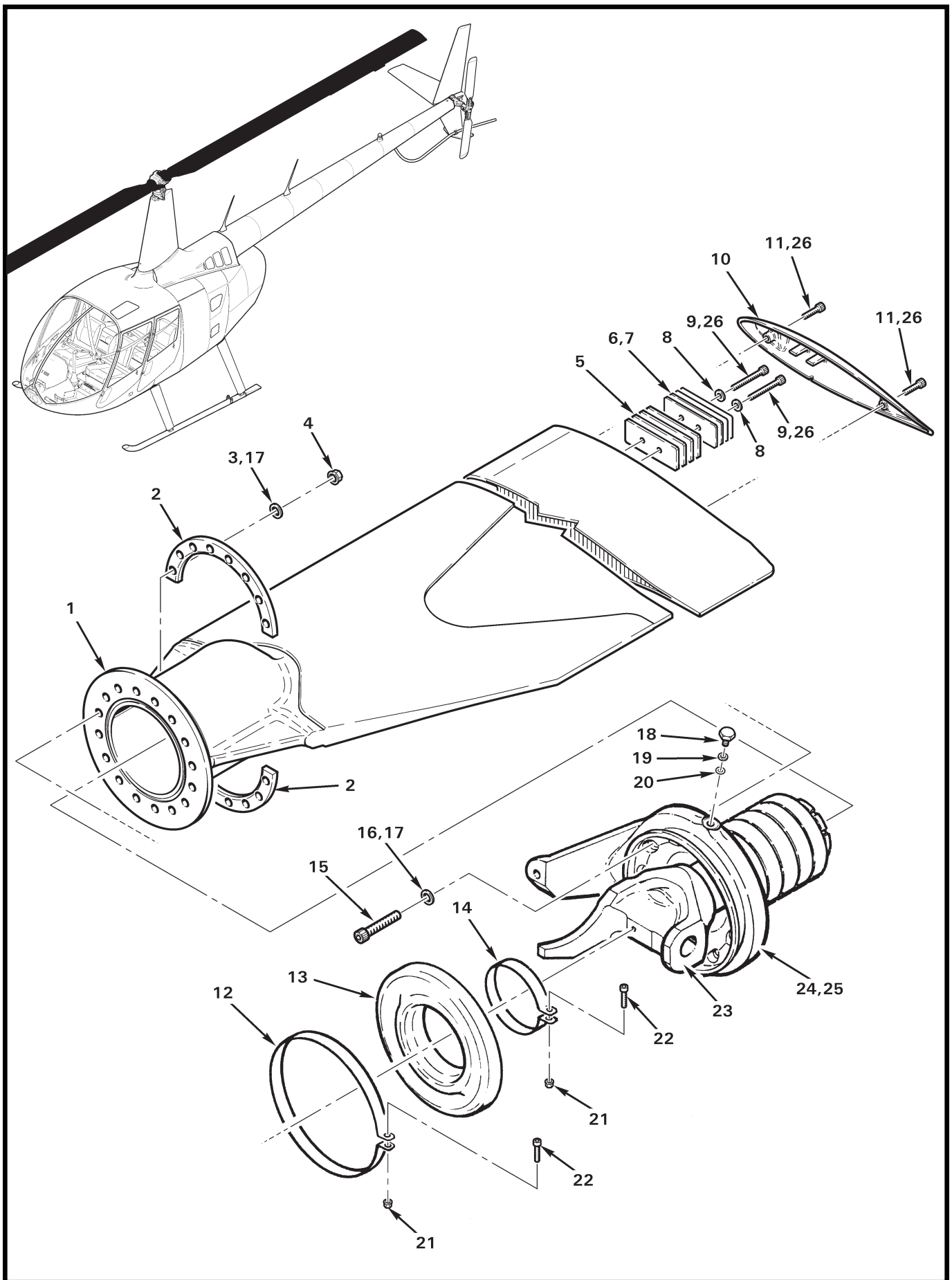


FIGURE AND INDEX NUMBER	PART NUMBER	DESCRIPTION	PARTS AVAIL	QTY PER ASSY
MAIN ROTOR BLADE ASSEMBLY*				
62-1-1	C005-13	Main Rotor Blade and Spindle Assembly – Extended Tab (Incl items 2 thru 4, 15 thru 18, 24, and 25)	X	2
	C005-13R	Main Rotor Blade and Spindle Assembly (Two blade set, overhaul exchange; R9648 core deposit req'd. Includes shipping crate.)	X	1
	F016-2**	Blade Assembly	O	1
2	C253-2	Spacer	O	2
3	NAS1149F0563P	Washer	X	16
4	D210-5	Nut	X	16
5	C298-4	Balance Strip (0.125 in. thick steel)	X	A/R
6	C298-2	Balance Strip (0.040 in. thick steel)	X	A/R
7	C298-3	Balance Strip (0.032 in. thick steel)	X	A/R
8	NAS1149F0332P	Washer (or NAS1149F0363P A/R for balance)	X	A/R
9	A722-4	Screw (installed wet using item 26; see MM for special torque)	X	2
10	F300-1	Tip Cover (round)	X	1
11	NAS1351N3-12P	Screw (installed wet using item 26; see MM for special torque)	X	2
12	C165-2	Clamp Assembly (Incl items 21 and 22)	X	1
13	C156-1	Boot (standard, black)	X	1
	C156-2	Boot (optional for sub-freezing operations, gray)	X	1
14	C165-1	Clamp Assembly (Incl items 21 and 22)	X	1
15	C722-1	Screw	O	16
16	NAS1149F0563P	Washer	X	16
17	B270-1	Sealant (2-oz. tube)	X	A/R
18	B289-2	Bolt (Incl items 19 and 20)	X	2
19	—	Washer	O	1
20	A215-902	O-Ring	X	1
21	MS21042L08	Nut	X	2
22	NAS1352-08-12P	Screw	X	2
23	C158-1	Spindle (Ref)		
24	C005-14	Spindle Assembly (Incl items 12 thru 14, and 23)	O	1
25	A257-4	Oil (to fill blade housing)	X	A/R
26	A257-9	Anti-seize	X	A/R

NOTES * See Figure 99-21 for shipping crate.
 ** Critical part; see R66 MM § 1-60.

FIGURE AND INDEX NUMBER	PART NUMBER	DESCRIPTION	PARTS AVAIL	QTY PER ASSY
MAIN ROTOR HUB				
62-3-1	NAS634-105	Bolt (install using item 26 on threads)	X	3
2	C152-1	Thrust Washer	X	6
3	C106-5	Journal-Bearing (length = 1.775 in.)	X	2
4	C106-7	Journal-Bearing (length = 1.284 in.)	X	4
5	C117-8	Shim-Washer (thickness = 0.012 in.)	X	A/R
6	C117-9	Shim-Washer (thickness = 0.015 in.)	X	A/R
7	C117-10	Shim-Washer (thickness = 0.020 in.)	X	A/R
8	C117-11	Shim-Washer (thickness = 0.025 in.)	X	A/R
9	C189-14	Nut	X	3
10	MS24665-441	Cotter Pin	X	3
11	C005-4	Hub Assembly (Incl items 12 thru 15)	X	1
12	C154-1	Hub (Ref, does not include C648 bearings)		
13	A654-18	Decal "LEVEL HERE"	X	1
14	C648-3*	Bearing (teeter)	X	2
15	C648-1*	Bearing (coning)	X	4
16	C251-3	Shaft – Main Rotor (Ref; see Figure 63-3)		
17	C252-1	Spacer – Main Rotor Hub (Ref)		
18	NAS6608-60	Bolt	X	1
19	NAS1149F0832P	Washer	X	2
20	C150-1	Droop Stop	X	2
21	D151-2	Stop (Replaces D151-1. Use only with D226-2 bracket.)	X	2
22	D226-2	Bracket (Replaces D226-1. Use only with D151-2 stop.)	X	2
23	D210-8	Nut (install using item 26 on threads)	X	1
24	B330-24	Palnut	X	1
25	C005-13	Blade and Spindle Assembly (Ref, see Figure 62-1)		
26	A257-9	Anti-seize	X	A/R

NOTES * Requires MT329-6 and MT643-1 tools for bearing replacement.

|

Intentionally Blank

CHAPTER 63

MAIN ROTOR DRIVE SYSTEM

<i>Figure</i>	<i>Title</i>	<i>Page</i>
63-1	Engine Shaft Weldment & Clutch Assembly	63.0
63-3	Main Rotor Gearbox & Mast Assembly	63.2
63-7	Main Rotor Gearbox & Mast Installation	63.6
63-9	Rotor Brake Assembly	63.8
63-13	Main Rotor Gearbox – Oil System	63.12
63-15	Main Rotor Gearbox – Oil Cooler Installation	63.14

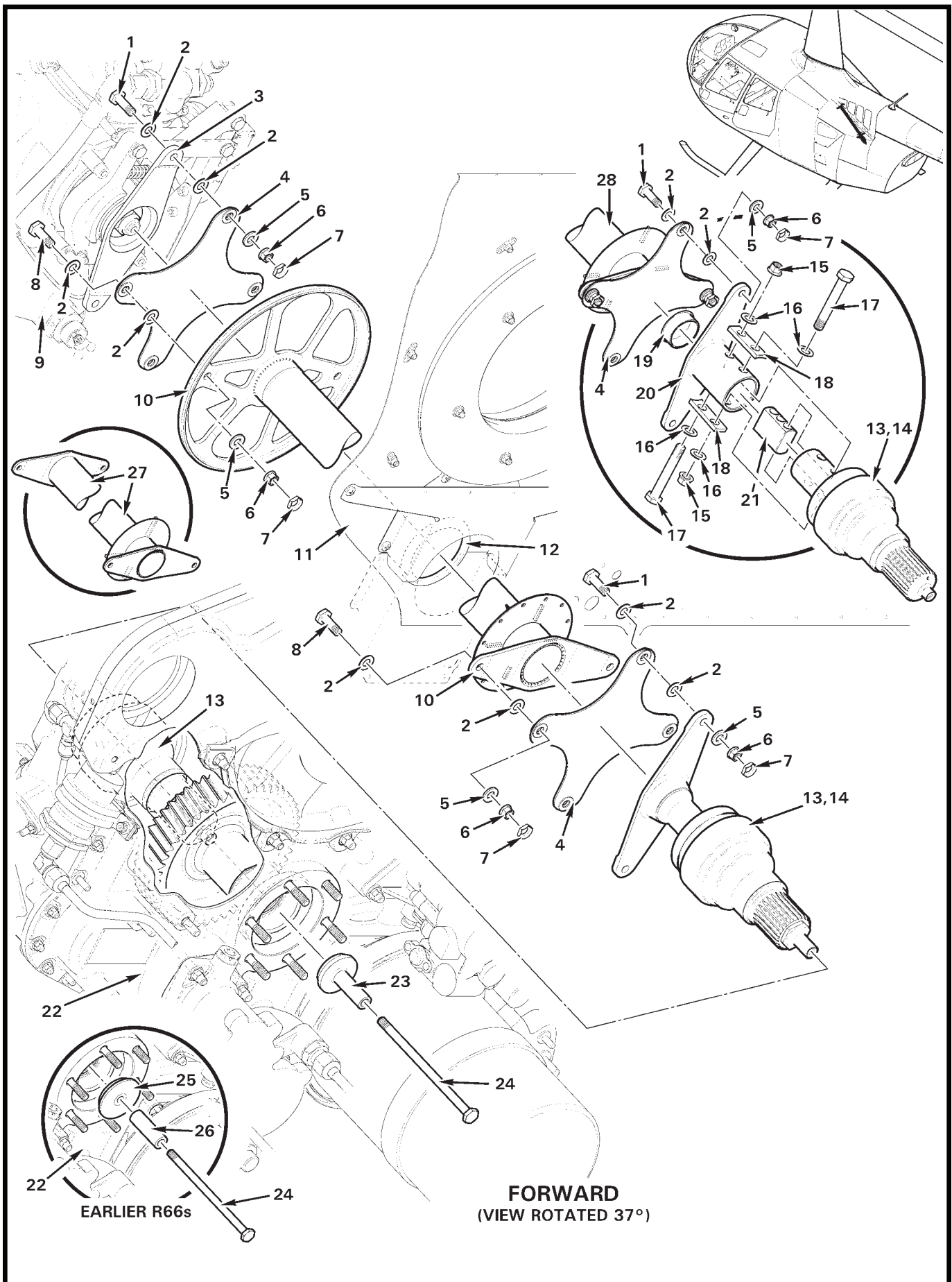


FIGURE AND INDEX NUMBER	PART NUMBER	DESCRIPTION	PARTS AVAIL	QTY PER ASSY
ENGINE SHAFT WELDMENT & CLUTCH ASSEMBLY				
63-1-1	NAS6604-6	Bolt	X	4
2	NAS1149F0432P	Washer (or NAS1149F0463P washer; see R66 Maintenance Manual for shimming requirements)	X	16
3	F910-1	Yoke (Ref, see Figure 63-3)		
4	A947-2	Flex Plate Assembly (revision H or subsequent)	X	2
5	NAS1149F0463P	Washer (or NAS1149F0432P washer; see R66 Maintenance Manual for shimming requirements)	X	8
6	D210-4	Nut	X	8
7	B330-13	Palnut	X	8
8	NAS6604-5	Bolt	X	4
9	F006-1	Main Rotor Gearbox Assembly (Ref; see Figure 63-3)		
10	F642-7	Shaft Assembly (rev. H and subsequent)	X	1
11	F234-1	Firewall (Ref)		
12	NAS557-32A	Grommet	X	1
13	F018-1	Clutch Assembly (coat splines and clamping face with item 14 at installation)	X	1
	F018-1	Clutch Assembly (rev. C and prior include items 15 thru 21; coat splines and clamping face with item 14 at installation) . .	X	1
14	A257-1	Lubricant (also A257-9 or A257-12)	X	A/R
15	MS21042L5	Nut	X	2
16	NAS1149F0532P	Washer	X	4
17	NAS6605-26	Bolt	X	2
18	A191-1	Block	X	2
19	B278-2	Plug	X	1
20	F906-1	Yoke (install using wet primer)	X	1
21	A553-1	Block	X	1
22	F145-1	Engine (Ref)		
23	G732-3	Cap	X	1
24	NAS6604-67	Bolt	X	1
25	G732-2	Cap	O	1
26	C130-62	Spacer	O	1
27	F642-1	Shaft Weldment (Ref; rev. A thru D, no longer available)		
28	F642-6	Shaft Weldment (rev. E thru G, no longer available)	O	1

NOTES

FIGURE AND INDEX NUMBER	PART NUMBER	DESCRIPTION	PARTS AVAIL	QTY PER ASSY
MAIN ROTOR GEARBOX & MAST ASSEMBLY				
63-3-1	C251-3	Shaft – Main Rotor Drive	O	1
2	C284-1	Tube Assembly	X	1
3	NAS1352-4-14	Screw	X	4
4	NAS620-416L	Washer	X	9
5	A936-2	Wire Assembly	X	1
6	A653-2*	Mount (fwd)	X	2
7	C653-3*	Mount (aft)	X	2
8	AN814-8D	Plug	X	1
9	A215-017	O-Ring	X	1
10	F006-1**	Main Rotor Gearbox Assembly (Incl items 1 thru 9, 11, 12, 14 thru 18, 21, 22, 25, 28, 29, 31 thru 38, 40, 44, 45, 49 thru 56, 58 thru 61, 63 thru 68, 70 thru 76, 79, 80, 82, and 86 thru 90. Includes rotor brake, yoke, slider tube, and hydraulic pump. See item 95.)	X	1
	F006-6**	Main Rotor Gearbox Assembly (Incl items 1, 3 thru 9, 21, 28, 29, 31 thru 37, 45, 49, 51 thru 56, 59 thru 61, 73 thru 76, 80, 82, and 86 thru 90. <u>Does not</u> include rotor brake, yoke, slider tube, or hydraulic pump.)	X	1
11	F049-01	Harness Assembly (Incl items 13, 19, 26, 27, 43, 46 thru 48, and 77 thru 81)	X	1
12	MS21042L04	Nut	X	4
13	MS3120F14-19P	Receptacle (orient large notch at top)	X	1
14	MS3367-4-9	Ty-Rap	X	A/R
15	NAS620-4	Washer	X	6
16	D114-4	Bracket	X	1
17	NAS1352-04-6P	Screw	X	2
18	G033-1	Rotor Brake Assembly (see Figure 63-9)	X	1
19	D2VW-5-1MS	Switch (rotor brake light)	X	1
20	MS35206-219	Screw	X	2
21	A215-128	O-Ring	X	2
22	D500-2	Pump Assembly (hydraulic)	X	1
23	F902-1	Line Assembly (Ref, see Figure 29-3)		
24	F902-2	Line Assembly (Ref, see Figure 29-3)		
25	F110-4	Telatemp (temperature recorder, 220° – 270° F)	X	1
26	—	Nut	O	4
27	103SR13A-3	Sender	X	2
28	NAS620-10L	Washer	X	8
29	D210-3	Nut	X	8
30	C947-3	Flex Plate Assembly (Ref)		
31	A215-149	O-Ring	X	1
32	C966-8	Seal	X	1

NOTES * Press in using water or A257-8 lube.
 ** Overhaul/exchange components are available, add "R" to the end of the part number.

Continues

FIGURE AND INDEX NUMBER	PART NUMBER	DESCRIPTION	PARTS AVAIL	QTY PER ASSY
MAIN ROTOR GEARBOX & MAST ASSEMBLY (Cont'd)				
63-3-33	F254-1	Cover	X	1
34	A141-17	Washer	X	2
35	NAS1352-3-8	Screw	X	2
36	A215-027	O-Ring	X	1
37	F266-1	Spacer	X	1
38	F908-1	Yoke Assembly (Incl item 42)	X	1
39	MS20995C20	0.020 in. dia Safety Wire	X	2
40	F904-1	Plug (secured in two places with item 39)	X	1
41	F196-1	Shaft Weldment (Ref)		
42	B570-1	Magnet	X	2
43	B158-6	Heat Shrink	X	A/R
44	D494-2	Holder	X	1
45	B563-2	Sight Gage	X	1
46	—	Nut	O	1
47	—	Washer	O	1
48	252-247	Light Assembly (LED; includes items 46 and 47)	O	1
49	A215-020	O-Ring	X	1
50	D205-25	Hose Assembly	X	1
51	B254-3	Strainer	X	1
52	MS28778-6	Packing (o-ring)	X	2
53	A215-152	O-Ring	X	1
54	F255-3	Cover Assembly	X	1
55	D114-5	Bracket	X	2
56	NAS1352-4H14	Screw	X	1
57	B774-3	Spring (Rev I and prior)	X	1
58	C130-3	Spacer	X	2
59	A215-025	O-Ring	X	1
60	F266-2	Spacer	X	1
61	B566-1	Chip Detector (Incl items 62 and 85)	X	1
62	—	Nut	O	1
63	C130-53	Spacer	X	1
64	NAS1352-4-24	Screw	X	1
65	F256-1	Shield	X	1
66	A130-41	Spacer	X	2
67	NAS1352-4-32	Screw	X	2
68	D500-3	Pump Assembly (Oil)	X	1

NOTES

Continues

FIGURE AND INDEX NUMBER	PART NUMBER	DESCRIPTION	PARTS AVAIL	QTY PER ASSY
MAIN ROTOR GEARBOX & MAST ASSEMBLY (Cont'd)				
63-3-69	D205-19	Hose Assembly (Ref, see Figure 63-13)		
70	F910-1	Yoke	X	1
71	A141-10	Washer	X	1
72	MS21245L8	Nut	X	1
73	NAS1352-08-6P	Screw	X	3
74	NAS620-8	Washer	X	3
75	A215-009	O-Ring	X	4
76	F267-2	Nozzle Assembly	X	1
77	A688-1	Switch (MRGB temperature)	X	1
78	—	Screw (supplied with item 79)	O	3
79	B426-3	Switch (MRGB oil pressure)	X	1
80	F267-1	Nozzle Assembly (Incl items 81 thru 83)	X	1
81	FSJA5000080A	Screen	X	1
82	MS28778-8	Packing (o-ring)	X	1
83	D319-2	Fitting	X	1
84	D205-20	Hose Assembly (Ref, see Figure 63-13)		
85	O12C	O-Ring	X	2
86	C966-10	Seal	X	1
87	NAS1352-06-6P	Screw	X	2
88	NAS1149F0463P	Washer	X	1
89	A257-9	Anti-seize	X	A/R
90	NAS620-6	Washer	X	2
91	F146-1	Pinion Gear (power to TRGB; life limited component)	O	1
92	F143-1	Pinion Gear (power input from engine; life limited component)	O	1
93	F263-1	Housing – Main Rotor Gearbox (life limited component)	O	1
94	F270-1	Cartridge – Main Rotor Gearbox (life limited component)	O	1
95	—*	Identification Plate – F006-1 Assy (P/N, rev. letter, S/N)	O	1
	—	Identification Plate – F143-1 Pinion (P/N, rev. letter, S/N)	O	1
	—	Identification Plate – F146-1 Pinion (P/N, rev. letter, S/N)	O	1
	—	Identification Plate – F263-1 Housing (P/N, rev. letter, S/N)	O	1
	—	Identification Plate – C647-1 Bearing (P/N, rev. letter, S/N)	O	1
96	-1897	Wire (Ref; MRGB oil pressure switch ground)		
	-1901	Wire (Ref; MRGB Temperature Switch ground)		
97	-1897	Wire (Ref; MRGB oil pressure switch ground)		
	-630	Wire (Ref; hydraulic solenoid ground)		

NOTES * If modified per SL-11, rev. block will be "MOD -12".

FIGURE AND INDEX NUMBER	PART NUMBER	DESCRIPTION	PARTS AVAIL	QTY PER ASSY
MAIN ROTOR GEARBOX & MAST INSTALLATION				
63-7-1	NAS6603-40	Bolt	X	2
2	F261	Rib – Mast Fairing (Ref; see Fig. 53-3)		
3	NAS1149F0332P	Washer	X	14
4	F261	Rib – Mast Fairing (Ref; see Fig. 53-3)		
5	F650-1	Bolt (fwd mount)	X	2
6	F650-2	Bolt (aft mount)	X	2
7	A141-21	Washer	X	8
8	D210-3	Nut	X	7
9	NAS6603-24	Bolt	X	4
10	C284-1	Tube Assembly	X	1
11	C283-5	Mast Assembly	O	1
12	G201-1	Frame Weldment (Ref)		
13	MS27039C1-06	Screw	X	1
14	A936-2	Wire Assembly	X	1
15	NAS1149F1063P	Washer	X	4
16	A267-1	Washer	X	4
17	F006-1	Main Rotor Gearbox Assembly (Ref; see Figure 63-3)		
18	A257-9	Anti-seize	X	A/R
19	F235-13	Strut Assembly (Ref, see Figure 53-13A)		
20	F020-1	Upper Frame Assembly (Ref, see Figure 53-13A)		
21	D210-10	Nut (install using item 26 on threads)	X	4
22	F560-1	Cabin Bulkhead Assembly (Ref)		
23	G777-1	Compressor Assembly (Ref, see Figure 21-3)		
24	F196-1	Fan Shaft – Weldment (Ref, see Figure 65-1)		
25	F001-11	Main Rotor Gearbox Sub-Assembly (Includes items 2, 4, 17, B277-064, C017-5, D114-3, F022-1, MT608-1 plug assembly, and MT608-3 tag.)	X	1

NOTES

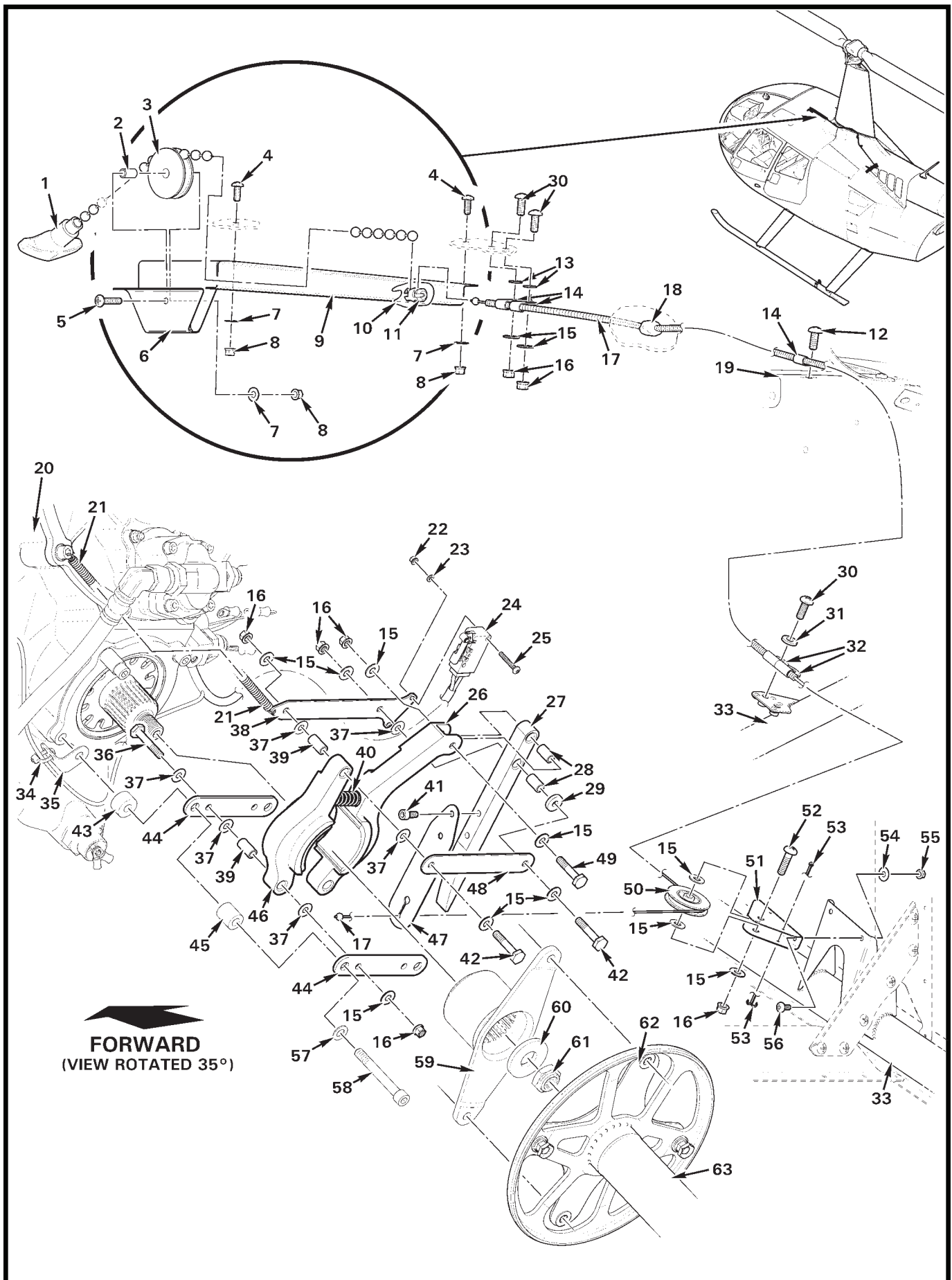


FIGURE AND INDEX NUMBER	PART NUMBER	DESCRIPTION	PARTS AVAIL	QTY PER ASSY
ROTOR BRAKE ASSEMBLY				
63-9-1	B033-6	Knob Assembly	X	1
2	A130-34	Spacer	X	1
3	BP4100	Pulley	X	1
4	AN526C832R6	Screw	X	2
5	MS27039C0812	Screw	X	1
6	D118-1	Bracket Assembly	X	1
7	NAS1149FN816P	Washer	X	3
8	MS21042L08	Nut	X	3
9	D117-2	Guard	X	1
10	B158-8	Heat Shrink	X	A/R
11	B125-2	Connector	X	1
12	MS27039C1-07	Screw	X	1
13	NAS620-10L	Washer	X	2
14	AN742-3	Clamp	X	3
15	NAS1149F0332P	Washer	X	13
16	D210-3	Nut	X	8
17	D126-2	Cable Assembly	X	1
18	B270-1	Sealant	X	A/R
19	F560-1	Cabin Bulkhead Assembly (Ref)		
20	F006-1	Main Rotor Gearbox (Ref; see Figure 63-3)		
21	B774-3	Spring (Ref; rev. I and prior)		
22	MS21042L04	Nut (Ref)		
23	NAS620-4	Washer (Ref)		
24	D2VW-5-1MS	Switch (Ref)		
25	MS35206-219	Screw (Ref)		
26	G110-1	Arm Assembly	X	1
27	B112-2	Lever	X	1
28	A130-40	Spacer	X	2
29	A141-27	Washer	X	1
30	MS27039C1-08	Screw	X	4
31	NAS1149F0363P	Washer	X	2
32	MS21333-2	Clamp	X	2
33	F020-1	Upper Frame (Ref)		
34	MS3367-4-9	Ty-Rap (Ref)		
35	D114-5	Bracket (Ref)		

NOTES

Continues

FIGURE AND INDEX NUMBER	PART NUMBER	DESCRIPTION	PARTS AVAIL	QTY PER ASSY
ROTOR BRAKE ASSEMBLY (Cont'd)				
63-9-36	NAS6603-12	Bolt	X	2
37	NAS1149D0316J	Washer	X	9
38	G113-2	Link	X	1
39	A130-39	Spacer	X	3
40	D774-4	Spring	X	1
41	NAS1352-08LE6P	Screw	X	2
42	NAS6603-11	Bolt	X	2
43	C130-3	Spacer (Ref)		
44	G111-1	Bar	X	2
45	A130-41	Spacer (Ref)		
46	G109-1	Arm Assembly	X	1
47	B112-3	Spring	X	1
48	G113-1	Link (rev. I and prior)	X	1
49	NAS6603-10	Bolt	X	1
50	MS24566-1B	Pulley	X	1
51	B157-1	Mount	X	1
52	MS27039C1-11	Screw	X	1
53	MS24665-134	Cotter Pin	X	2
54	NAS1149FN616P	Washer	X	2
55	MS21042L06	Nut	X	2
56	MS35206-227	Screw	X	2
57	NAS620-416L	Washer	X	2
58	NAS1352-4-32P	Screw	X	2
59	F910-1	Yoke (Ref, see Figure 63-3)		
60	A141-10	Washer (Ref)		
61	MS21245L8	Nut (Ref)		
62	A947-2	Flex Plate Assembly (Ref)		
63	F642-7	Shaft Weldment (Ref, see Figure 63-1)		

NOTES

Intentionally Blank

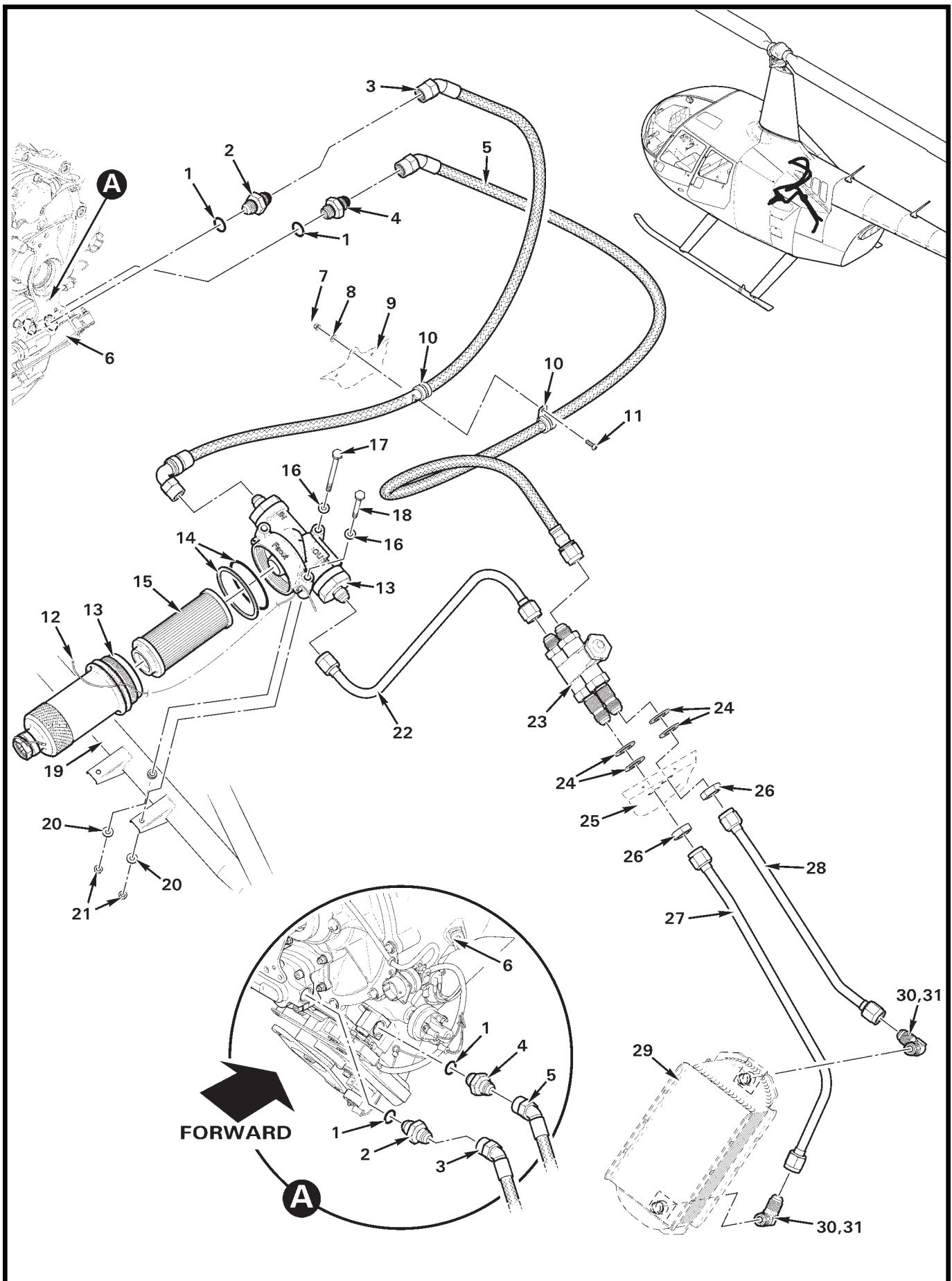


FIGURE AND INDEX NUMBER	PART NUMBER	DESCRIPTION	PARTS AVAIL	QTY PER ASSY
MAIN ROTOR GEARBOX – OIL SYSTEM				
63-13-1	MS28778-6	Packing (o-ring)	X	1
2	AN815-6D	Union	X	1
3	D205-19	Hose Assembly	X	1
4	D319-2	Fitting	X	1
5	D205-20	Hose Assembly	X	1
6	F006-1	Main Rotor Gearbox Assembly (Ref; see Figure 63-3)		
7	MS21042L08	Nut	X	1
8	NAS1149FN816P	Washer	X	1
9	G233-1	Panel (Ref)		
10	MS21919WDG6	Clamp	X	2
11	MS27039C0807	Screw	X	1
12	MS20995C32	0.032 in. dia Safety Wire	X	A/R
13	F651-1	Oil Filter (Incl head assembly, bowl assembly, and items 14, and 15)	X	1
	1742161-10*	Head Assembly	O	1
	1740839*	Bowl Assembly	O	1
14	F651-3	Seal Kit (includes o-ring and backup ring)	X	1
15	F651-2	Filter Element	X	1
16	NAS1149F0332P	Washer	X	3
17	AN3-32A	Bolt	X	1
18	NAS6603-25	Bolt	X	2
19	F020-1	Frame Weldment (Ref)		
20	NAS1149F0363P	Washer	X	3
21	MS21042L3	Nut	X	3
22	F724-1	Line Assembly	X	1
23	F823-1	Thermostat Assembly	X	1
24	MS20002-9	Washer ([4] max at each of [2] unions)	X	A/R
25	F234-1	Firewall (Ref)		
26	AN924-8D	Nut	X	2
27	F724-2	Line Assembly	X	1
28	F724-3	Line Assembly	X	1
29	C649-4	Oil Cooler (main rotor gearbox, Ref)		
30	MS20822-6D	Elbow (install using item 31)	X	2
31	B270-6	Sealant	X	A/R

NOTES * Purolator Facet Inc. part number.

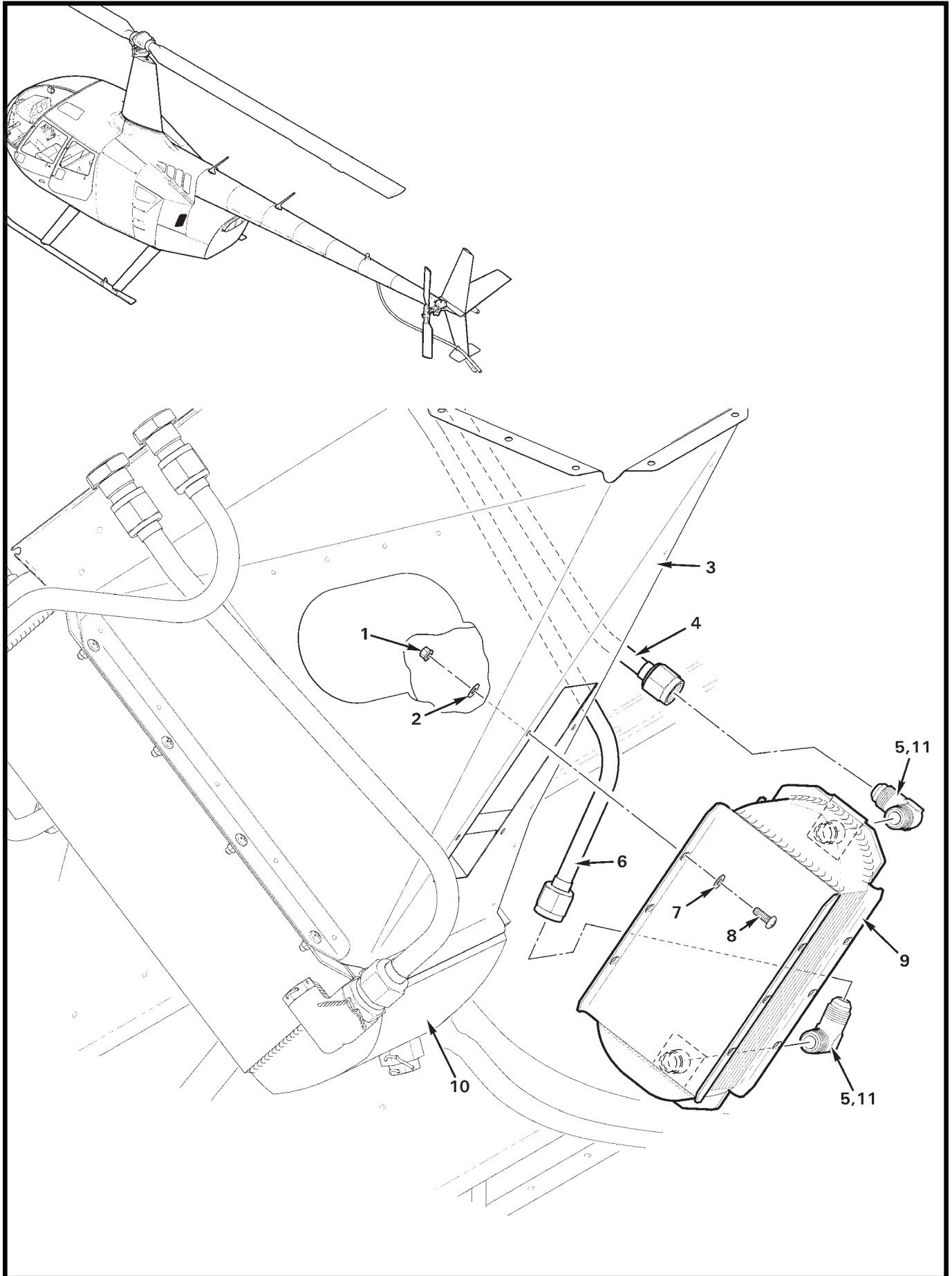


FIGURE AND INDEX NUMBER	PART NUMBER	DESCRIPTION	PARTS AVAIL	QTY PER ASSY
MAIN ROTOR GEARBOX – OIL COOLER INSTALLATION				
63-15-1	MS21042L08	Nut	X	4
2	NAS1149FN816P	Washer	X	4
3	F309-1	Box Assembly (Ref)		
4	F724-3	Line Assembly (Ref)		
5	AN822-6	Elbow (install using item 11)	X	2
6	F724-2	Line Assembly (Ref)		
7	NAS1149FN832P	Washer	X	4
8	MS27039C0807	Screw	X	4
9	C649-4	Oil Cooler (main rotor gearbox)	X	1
10	F649-1	Oil Cooler (Ref, engine)		
11	B270-6	Thread Sealant	X	A/R

NOTES

Intentionally Blank

CHAPTER 64

TAIL ROTOR

<i>Figure</i>	<i>Title</i>	<i>Page</i>
64-1	Tail Rotor Assembly	64.0

FIGURE AND INDEX NUMBER	PART NUMBER	DESCRIPTION	PARTS AVAIL	QTY PER ASSY
TAIL ROTOR ASSEMBLY				
64-1-1	C008-10	Tail Rotor Assembly (Incl items 2 or 31, 3 thru 10, and 12 thru 17)	X	1
2	F029-2	Blade Assembly (Critical part; see R66 MM § 1-60)	X	2
3	F137-1	Spacer	X	2
4	F137-2	Spacer	X	2
5	C137-1	Spacer	X	4
6	B330-19	Palnut	X	2
7	D210-6	Nut	X	3
8	NAS1149F0663P	Washer (or NAS1149F0632P, NAS1149D0632J, NAS1149D0663J, C141-23, or C141-24; any combination as required for balance; [4] required)	X	4
9	NAS1149F0632P	Washer	X	4
10	NAS6606-36	Bolt	X	2
11	C031-1	Pitch Control Assembly (Ref, see also Figure 65-9)		
12	B330-16	Palnut	X	2
13	D210-5	Nut	X	2
14	C138-2	Bushing	X	2
15	G062-1	Hub Assembly (Incl items 6 [1], 7, 9, 26, and 27)	X	1
	G062-2	Hub	O	1
16	NAS1149F0532P	Washer	X	2
17	NAS6605-34	Bolt	X	2
18	NAS6604-16	Bolt	X	2
19	A214-3	Washer (under head)	X	4
20	A115-1	Spacer	X	8
21	B345-4**	Link	X	2
22	NAS1149F0432P	Washer	X	4
23	D210-4	Nut	X	5
24	B330-13	Palnut	X	4
25	NAS6604-17 to -22	Bolt (increase length to add washer weights)	X	2
26	NAS6606-53	Bolt	X	1
27	B361-2*	Bearing	X	2
28	NAS1149F0463P	Washer (or NAS1149F0432P, A141-14, NAS1149D0463J, NAS1149D0432J, or A214-3 as required for balance [1] min)	X	A/R
29	C119-2	Bumper (black)	X	1
30	A141-14	Washer	X	1
31	F029-1	Blade Assembly (Critical part; see R66 MM § 1-60)	X	2
32	A215-012	O-ring (optional)	X	2

NOTES * MT556 tools required to install bearing. See MM Chapters 64 and 99.
 ** B345-4 tail rotor pitch link shaft can be different diameters (0.250 in. or 0.300 in.). Balance tail rotor per R66 MM if a different diameter pitch link is installed.

Intentionally Blank

CHAPTER 65

TAIL ROTOR DRIVE SYSTEM

<i>Figure</i>	<i>Title</i>	<i>Page</i>
65-1	Tail Rotor Drive Fan Shaft, Fanwheel, & Flex Plate Installation	65.0
65-3	Tail Rotor Drive Shaft Assembly & Flex Plate Installation	65.2
65-5	Hanger Bearing	65.4
65-7	Damper Assembly	65.6
65-9	Tail Rotor Gearbox Installation	65.8
65-13	Tail Rotor Gearbox Seals	65.12

FIGURE AND INDEX NUMBER	PART NUMBER	DESCRIPTION	PARTS AVAIL	QTY PER ASSY
TAIL ROTOR DRIVE FAN SHAFT, FANWHEEL, & FLEX PLATE INSTALLATION				
65-1-1	F196-1	Tail Rotor Drive Shaft Weldment – Fan	X	1
2	D210-3	Nut	X	4
3	NAS1149F0332P	Washer	X	8
4	G174-1	Fanwheel Assembly	X	1
5	NAS6603-3	Bolt	X	4
6	C947-3	Flex Plate Assembly	X	2
7	NAS6604-6	Bolt	X	4
8	NAS1149F0432P*	Washer	X	12
9	NAS1149F0463P*	Washer	X	6
10	D210-4	Nut	X	6
11	B330-13	Palnut	X	6
12	NAS6604-5	Bolt	X	2
13	D224-4	Shaft Assembly (Ref, see Figure 65-3)		
14	F908-1	Yoke (Ref, see Figure 63-3)		
15	FO06-1	Main Rotor Gearbox Assembly (Ref; see Figure 63-3)		

NOTES * See R66 MM Chapter 65 for shimming procedure.

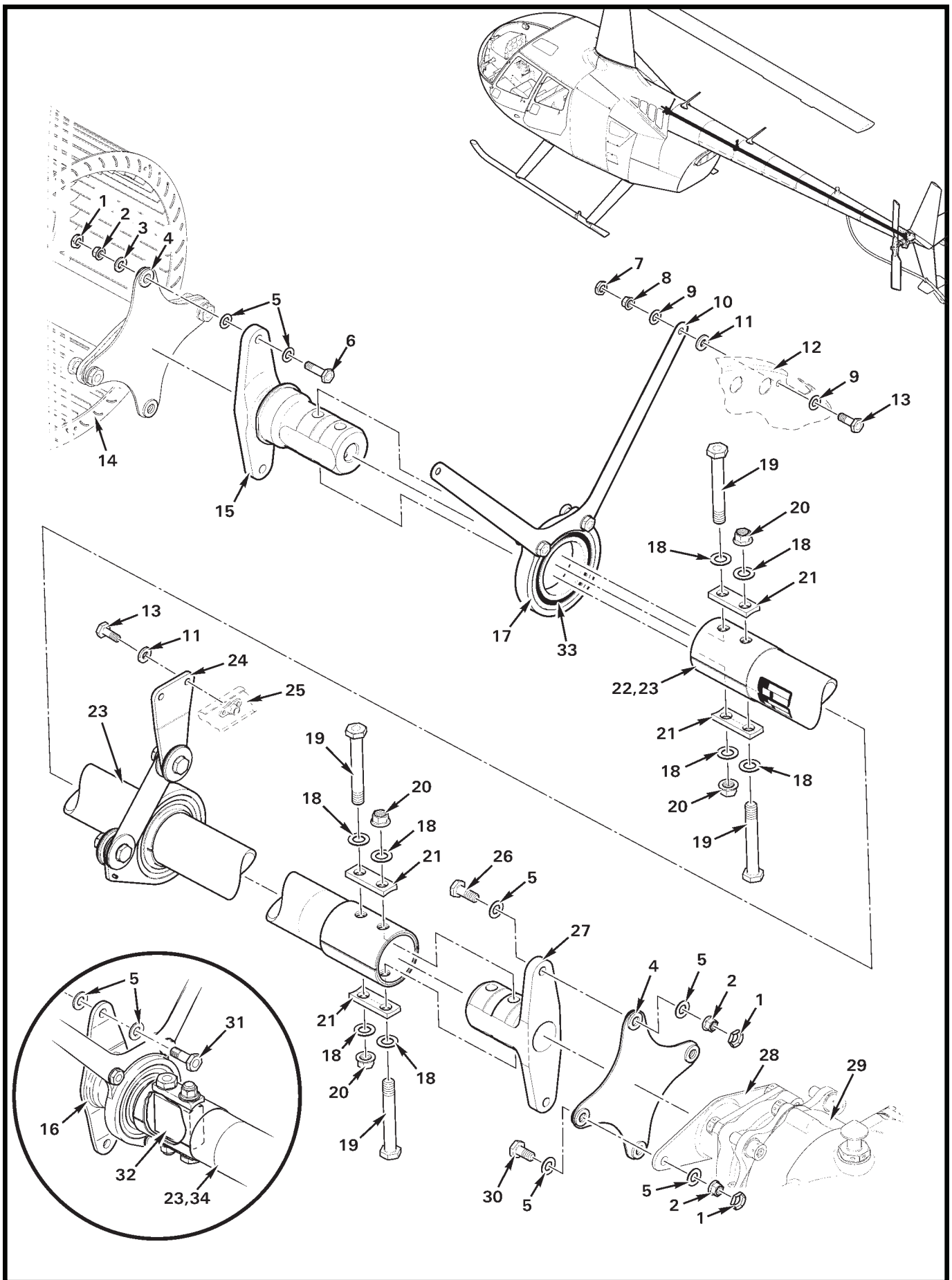


FIGURE AND INDEX NUMBER	PART NUMBER	DESCRIPTION	PARTS AVAIL	QTY PER ASSY
TAIL ROTOR DRIVE SHAFT ASSEMBLY & FLEX PLATE INSTALLATION				
65-3-1	B330-13	Palnut	X	6
2	D210-4	Nut	X	6
3	NAS1149F0463P	Washer	X	2
4	C947-3	Flex Plate Assembly	X	2
5	NAS1149F0432P	Washer	X	12
6	NAS6604-8	Bolt	X	2
7	B330-7	Palnut	X	2
8	D210-3	Nut	X	2
9	NAS1149F0332P	Washer	X	4
10	F193-2	Hanger	X	1
11	NAS1149F0363P	Washer	X	4
12	D070-1	Bulkhead Assembly – Tailcone (Ref)		
13	NAS6603-3	Bolt	X	4
14	G174-1	Fanwheel Assembly (Ref, see Figure 65-1)		
15	D195-3	Yoke	X	1
16	F195-1*	Yoke	X	1
17	F172-3	Housing – Bearing (Ref; see Figure 65-7)		
18	NAS1149F0532P	Washer	X	8
19	NAS6605-28	Bolt	X	4
20	D210-5	Nut	X	4
21	C191-7	Block	X	4
22	D224-4	Shaft Assembly (Incl items 15, 17 thru 21, 23, 24, 27, 33) . .	X	1
23	D196-1	Shaft Assembly	X	1
24	C041-12	Damper Assembly (Ref; see Figure 65-7)		
25	D072-1	Bulkhead Assembly – Tailcone (Ref)		
26	NAS6604-7	Bolt	X	2
27	D195-2	Yoke	X	1
28	C116-1	Yoke (Ref, see Figure 65-13)		
29	C021-1	Tail Rotor Gearbox Assembly (Ref, see Figure 65-9)		
30	NAS6604-4	Bolt	X	2
31	NAS6604-5	Bolt	X	2
32	A553-3*	Block	X	1
33	C647-8	Bearing (Ref; see Figure 65-5)		
34	D224-3*	Shaft Assembly (Ref; includes items 16, 23, 31, F193-1* hanger, and F172-1* bearing assembly)		

NOTES * Earlier R66s, no longer available.

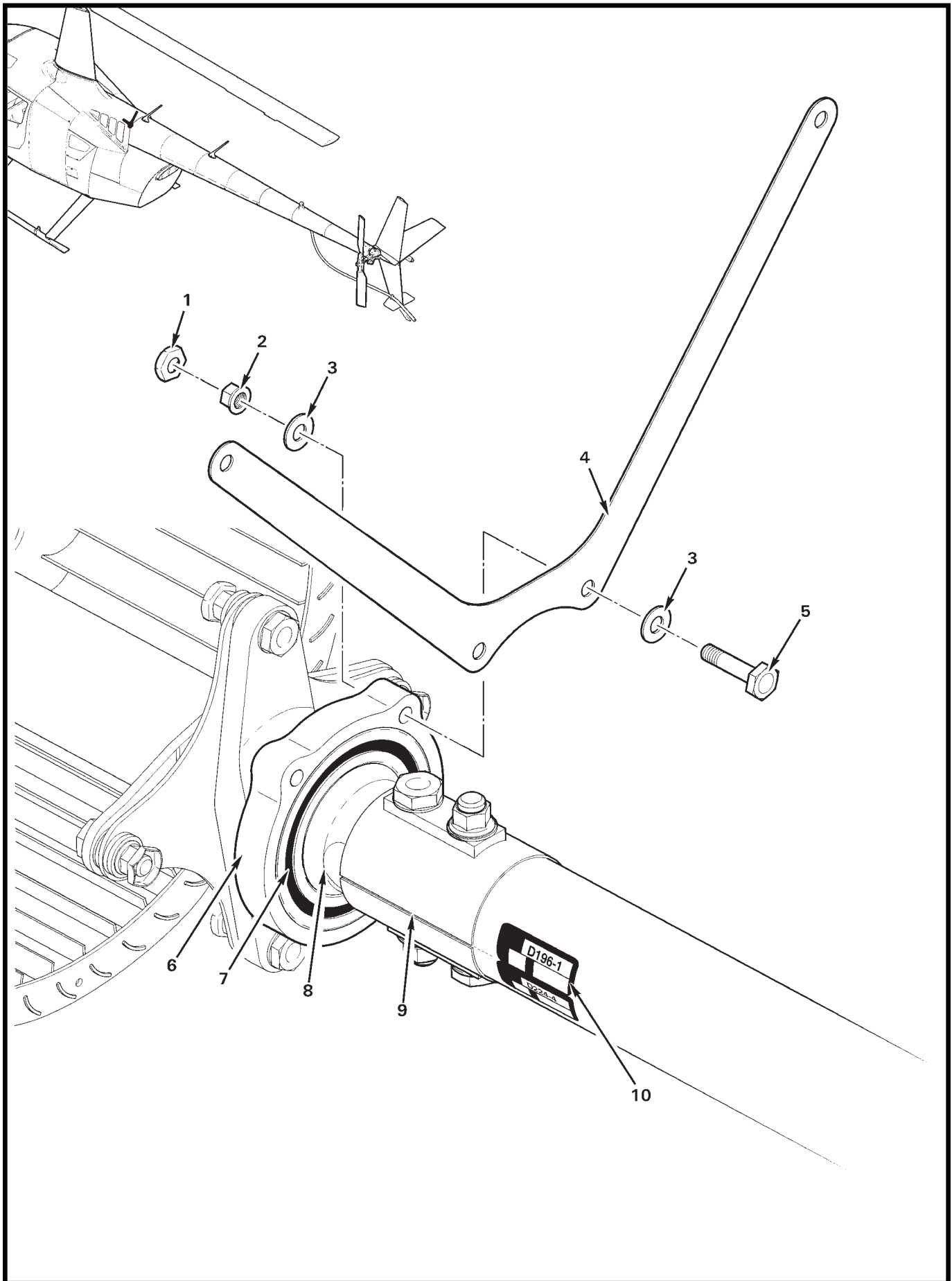


FIGURE AND INDEX NUMBER	PART NUMBER	DESCRIPTION	PARTS AVAIL	QTY PER ASSY
HANGER BEARING				
65-5-1	B330-7	Palnut	X	2
2	D210-3	Nut	X	2
3	NAS1149F0332P	Washer	X	4
4	F193-2	Hanger	X	1
5	NAS6603-8	Bolt	X	2
6	F172-3*	Housing – Bearing	X	1
7	C647-8*	Bearing	X	1
8	D195-3	Yoke (Ref)		
9	D224-4	Tail Rotor Drive Shaft Assembly (Ref; see Figure 65-3)		
10	—	Data Plate (D196-1 tail rotor drive shaft, D224-4 tail rotor drive shaft assembly; P/N, revision number, serial number) . .	O	2

NOTES * See latest version of R66 SB-20

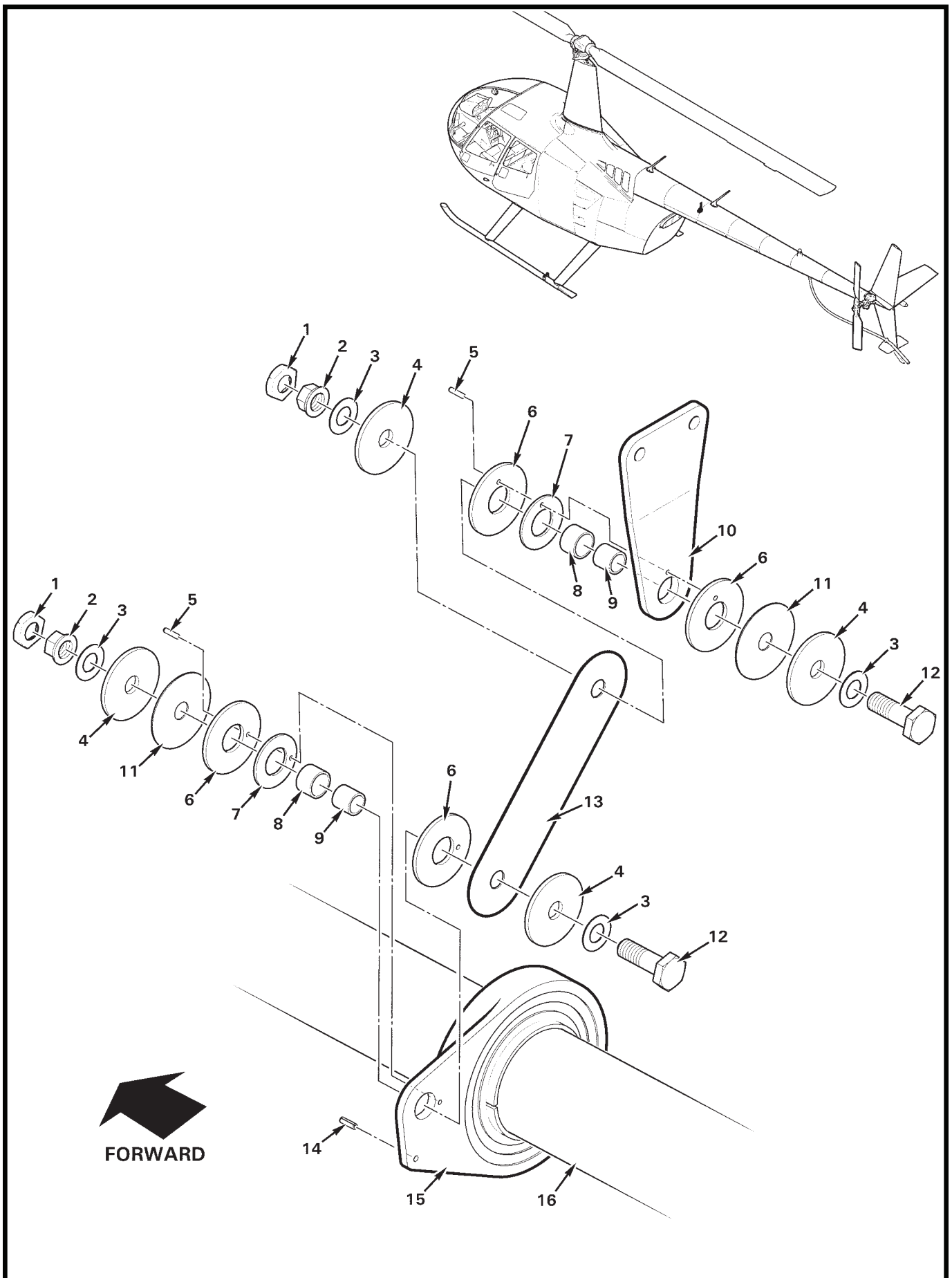


FIGURE AND INDEX NUMBER	PART NUMBER	DESCRIPTION	PARTS AVAIL	QTY PER ASSY
DAMPER ASSEMBLY				
65-7-1	B330-13	Palnut	X	2
2	D210-4	Nut	X	2
3	NAS1149D0416J	Washer	X	4
4	A141-37	Washer	X	4
5	A041-10	Dowel Pin	X	2
6	C041-5	Washer	X	4
7	C041-6	Spring Washer	X	2
8	05DU04	Bushing	X	2
9	A105-12	Journal	X	2
10	C041-13	Arm	X	1
11	A141-36	Washer	X	2
12	NAS6604-6	Bolt	X	2
13	C041-3	Link	X	1
14	MS16562-11	Pin	X	1
15	C041-11*	Bearing Assembly	X	1
16	D224-3	Tail Rotor Drive Shaft Assembly (Ref)		

NOTES * See latest version of R66 SB-20

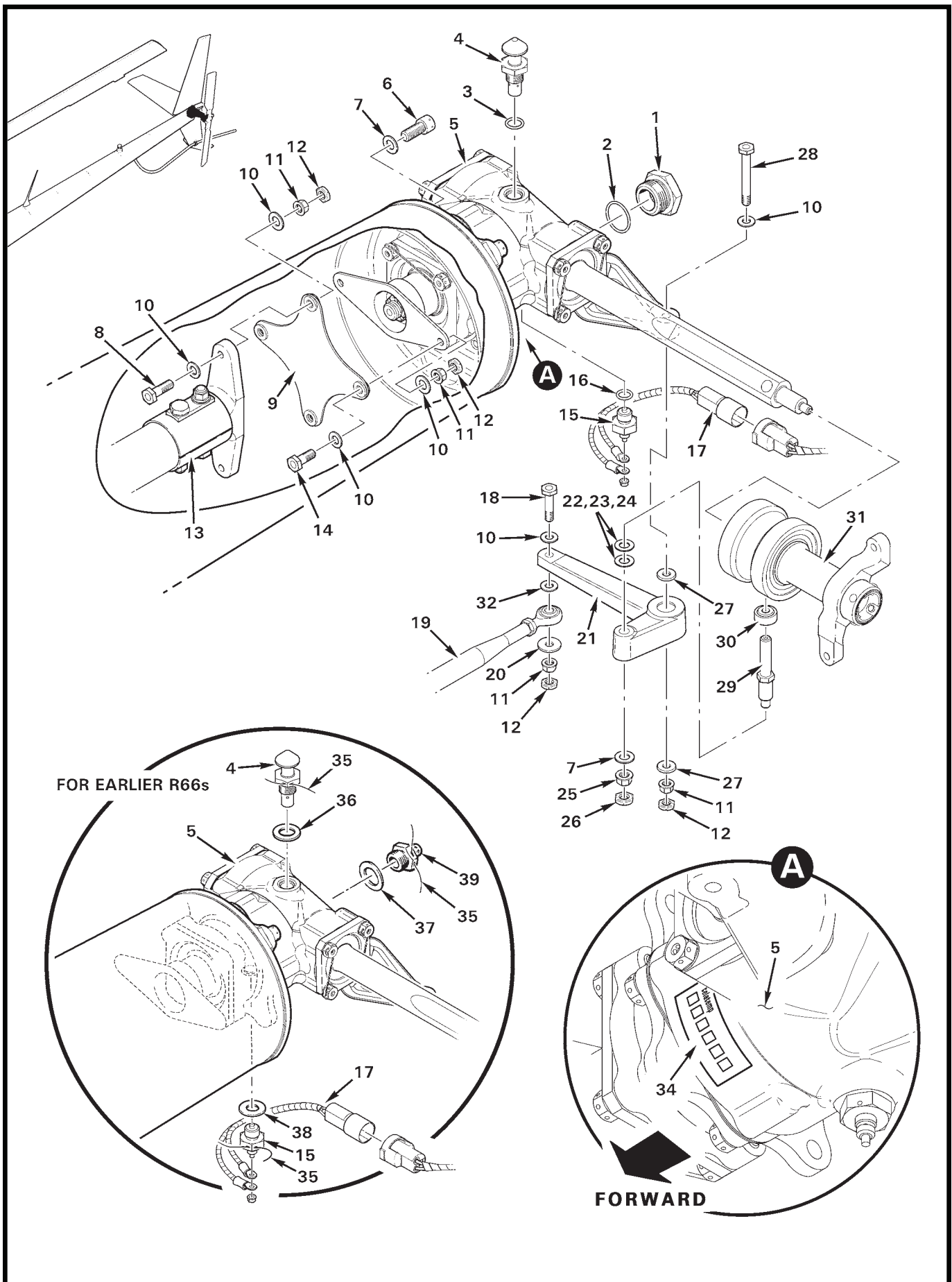


FIGURE AND INDEX NUMBER	PART NUMBER	DESCRIPTION	PARTS AVAIL	QTY PER ASSY
TAIL ROTOR GEARBOX INSTALLATION				
65-9-1	B563-4	Sight Gage (with UV filter)	X	1
	B563-2	Sight Gage (Ref, earlier helicopters)		
2	A215-020	O-Ring	X	1
3	MS28778-5	Packing (o-ring)	X	1
4	A610-1	Filler-Vent Plug	X	1
5	C021-1	Tail Rotor Gearbox Assembly (Includes items 1 thru 4, 15 thru 17, 33, and 34. See also Figure 65-13.)	X	1
	C021-1R	C021-1 Gearbox Assembly – Tail Rotor (overhaul exchange) . .	X	1
6	NAS1352-5-12P	Screw	X	4
7	NAS1149F0532P	Washer	X	5
8	NAS6604-7	Bolt	X	2
9	C947-3	Flex Plate Assembly (Ref, see Figure 65-3)		
10	NAS1149F0432P	Washer	X	6
11	D210-4	Nut	X	6
12	B330-13	Palnut	X	6
13	D224-3	Tail Rotor Drive Shaft Assembly (Ref, see Figure 65-3)		
14	NAS6604-4	Bolt	X	2
15	B566-2	Chip Detector (includes nut)	X	1
16	MS28778-4	Packing (o-ring)	X	1
17	C049-1	Harness Assembly (chip detector)	X	1
18	NAS6604-10	Bolt (or NAS6604-11)	X	1
19	C121-17	Push-Pull Tube Assembly (Ref, see Figure 67-39)		
20	A214-3	Washer	X	1
21	A120-5	Bellcrank Assembly	X	1
22	C117-34	Shim – Washer (thickness = 0.016 inch)	X	A/R
23	C117-35	Shim – Washer (thickness = 0.020 inch)	X	A/R
24	C117-36	Shim – Washer (thickness = 0.026 inch)	X	A/R
25	D210-5	Nut	X	1
26	B330-16	Palnut	X	1
27	MS20002-4	Washer	X	2
28	NAS6604-25	Bolt	X	1
29	C125-1	Stud	X	1
30	A104-4	Bearing	X	1
31	C031-1	Pitch Control Assembly (Incl items 28 and 29)	X	1
32	NAS1149F0432P	Washer (or NAS1149F0463P to maintain clearance)	X	A/R

NOTES

Continues

FIGURE AND INDEX NUMBER	PART NUMBER	DESCRIPTION	PARTS AVAIL	QTY PER ASSY
TAIL ROTOR GEARBOX INSTALLATION (Cont'd)				
65-9-33	C545-1	Gear Set (Ref, earlier ships, includes -2 and -3; not shown)		
	C545-2	Pinion (Ref, not shown)		
	C545-3	Gear (Ref, not shown)		
34	F110-2	Teletemp (Temperature Recorder, 140°–190° F)	X	1
		* * *		
35	MS20995C32*	0.032 in. dia. Safety Wire	X	A/R
36	MS35769-9*	Gasket	X	1
37	MS35769-11*	Gasket	X	1
38	MS35769-8*	Gasket	X	1
39	B563-1*	Sight Gage	X	1

NOTES * Earlier R66s.

Intentionally Blank

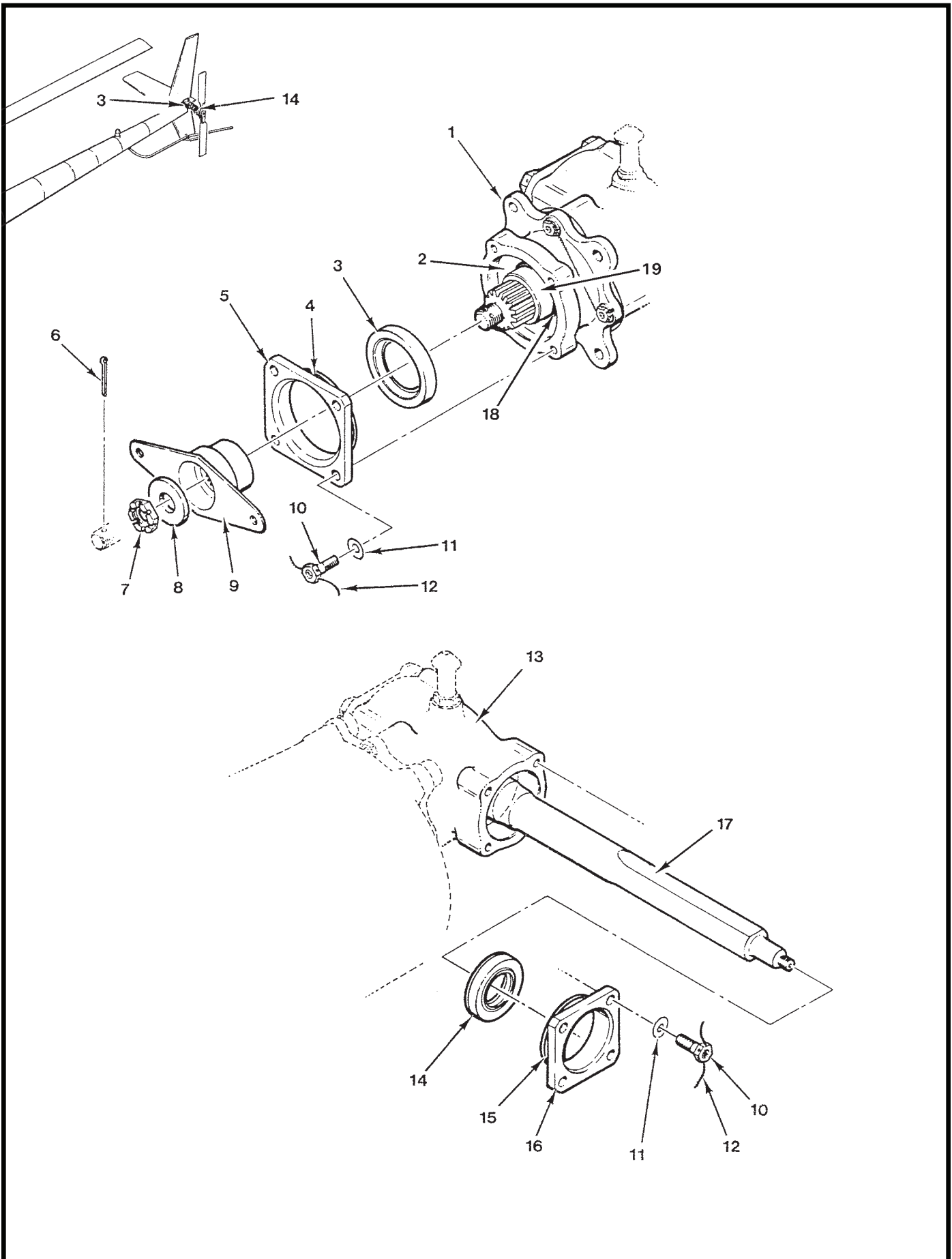


FIGURE AND INDEX NUMBER	PART NUMBER	DESCRIPTION	PARTS AVAIL	QTY PER ASSY
TAIL ROTOR GEARBOX SEALS				
65-13-1	C110-1	Input Cartridge (Ref)		
2	C141-2	Washer (Ref, between cap and input cartridge)		
3	A966-3	Seal	X	1
4	A215-140	O-Ring	X	1
5	C112-1	Cap	X	1
6	MS24665-210	Cotter Pin	X	1
7	AN320-8	Nut	X	1
8	A141-10	Washer	X	1
9	C116-1	Yoke	X	1
10	MS20074-04-06	Bolt	X	8
11	NAS1149F0432P	Washer	X	8
12	MS20995C32	0.032 in. dia Safety Wire	X	A/R
13	C109-1	Housing (Ref)		
14	C966-2	Seal	X	1
15	A215-133	O-Ring	X	1
16	C112-2	Cap	X	1
17	C107-1	Shaft – Output (Ref)		
18	A215-024	O-Ring	X	1
19	C266-2	Spacer	X	1

NOTES

Intentionally Blank

CHAPTER 67
FLIGHT CONTROLS

<i>Figure</i>	<i>Title</i>	<i>Page</i>
67-1	Cyclic Control System	67.0
67-5	Cyclic Pivot Assembly and Torque Tube	67.4
67-9	Push-Pull Tube Assemblies (Lower)	67.8
67-11	Cyclic Grip Assembly	67.10
67-15	Cyclic Grip Assembly	67.14
67-19	Cyclic Friction Assembly	67.18
67-21	Collective Stick Assembly	67.20
67-25	Jackshaft Weldment Installation	67.24
67-27	Push-Pull Tube Assemblies (Upper)	67.26
67-29	Tail Rotor Controls – Adjustable Pedals	67.28
67-31	Tail Rotor Controls – Pedal Cover Installation	67.30
67-33	F334 Support Assembly Installation	67.32
67-35	C317 Bellcrank Assembly	67.34
67-37	F316 Bellcrank Assembly	67.36
67-39	A331 Bellcrank Assembly	67.38
67-41	Swashplate Assembly	67.40
67-45	Swashplate Ball Installation	67.44

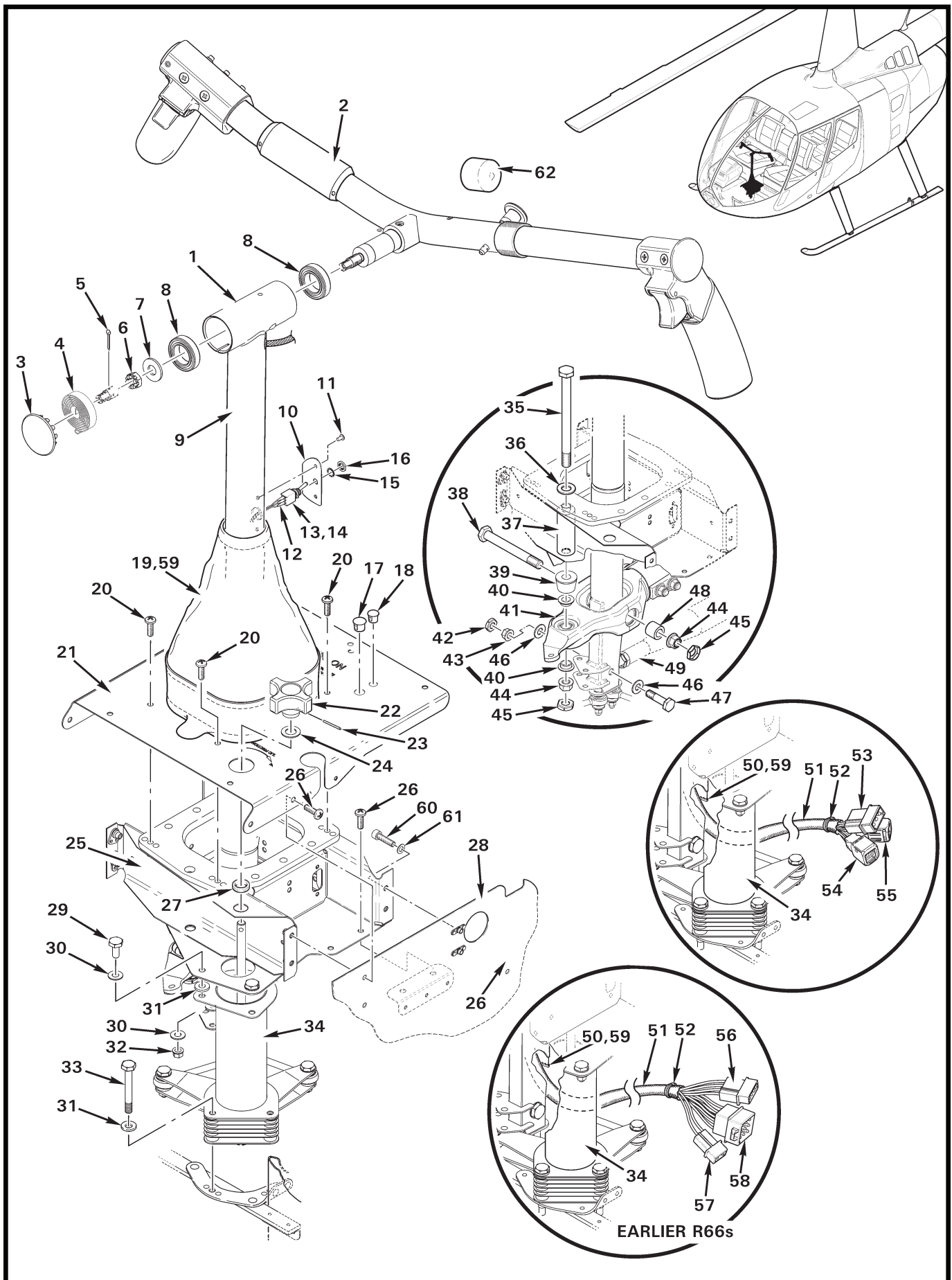


FIGURE AND INDEX NUMBER	PART NUMBER	DESCRIPTION	PARTS AVAIL	QTY PER ASSY
CYCLIC CONTROL SYSTEM				
67-1-1	C069-14	Cyclic Control Assembly (Incl items 2 thru 9, 11, 13, 19, 21, 25, 37, 39 thru 45, 48, and 51 thru 55)	X	1
	C069-8	Cyclic Control Assembly (Ref, no longer available)		
2	C058-10	Grip Assembly – Cyclic (see Figure 67-11)	X	1
3	B209-4	Plug	X	1
4	D684-1	Spring	X	1
5	MS24665-69	Cotter Pin	X	1
6	MS17825-5	Nut	X	1
7	A141-40	Washer	X	1
8	A647-2	Bearing	X	2
9	D320-8	Stick Assembly (Ref)		
10	B306-4	Mount	X	1
11	SR-3035B	Rivet	X	2
12	B158-1	Heat Shrink (around terminals)	X	A/R
13	C049-9	Switch Assembly – Landing Light (Incl items 10, 12, 14, and wires)	X	1
14	B300-1	Switch (Incl items 15 and 16)	X	1
15	B227-3	Lockwasher	X	1
16	B227-14	Dress Nut	X	1
17	2613	Hole Plug	X	1
18	2303	Hole Plug	X	1
19	A677-4	Boot (install using item 59)	X	1
20	MS27039C0808	Screw	X	4
21	F444-1	Cover Assembly – Cyclic	X	1
22	A499-2	Knob	X	1
23	MS16562-35	Spring Pin	X	1
24	NAS1149F0432P	Washer (or NAS1149F0463P)	X	A/R
25	F338-1	Cyclic Box Assembly	O	1
26	MS27039C0806	Screw	X	14
27	NAS557-6A	Grommet	X	1
28	—	Keel Panel (Ref)		
29	NAS6603-2	Bolt	X	2
30	NAS1149F0332P	Washer	X	4
31	NAS1149F0363P	Washer	X	4
32	MS21042L3	Nut	X	5

NOTES

Continues

FIGURE AND INDEX NUMBER	PART NUMBER	DESCRIPTION	PARTS AVAIL	QTY PER ASSY
CYCLIC CONTROL SYSTEM (Cont'd)				
67-1-33	NAS6603-20	Bolt	X	2
34	C048-1	Cyclic Friction Assembly (Ref; see also Figure 67-19)		
35	NAS6605-56	Bolt	X	1
36	NAS1149F0532P	Washer	X	1
37	A130-6	Spacer	X	1
38	NAS1305-35	Bolt	X	5
39	A339-1	Spacer	X	1
40	A340-1	Spacer	X	2
41	C177-5	Pivot Assembly	X	1
42	B330-13	Palnut	X	1
43	D210-4	Nut	X	1
44	D210-5	Nut	X	2
45	B330-16	Palnut	X	2
46	NAS1149F0432P	Washer	X	1
47	NAS6604-9	Bolt	X	1
48	C105-3	Journal	X	1
49	C121-1	Push-Pull Tube (Ref, see Figure 67-5)		
50	MS21266-1N	Grommet (install using item 59)	X	A/R
51	B266-8	Sleeving	X	A/R
52	B268-3	Lacing Tape (at both ends of sleeve)	X	A/R
53	B263-14	Housing	X	1
	B263-1	Pin	X	3
54	D269-11	Receptacle (pins)	X	1
55	D269-9	Receptacle (sockets)	X	1
56	B263-36	Housing	X	1
	B263-1	Pin	X	4
57	B263-12	Housing	X	1
	B263-1	Pin	X	2
58	B263-20	Housing	X	1
	B263-1	Pin	X	9
59	B270-14.5oz	Adhesive	X	A/R
60	NAS1352-08-6P	Screw	X	4
61	NAS620-8L	Washer	X	4
62	A959-5	Cap	X	1

NOTES

Intentionally Blank

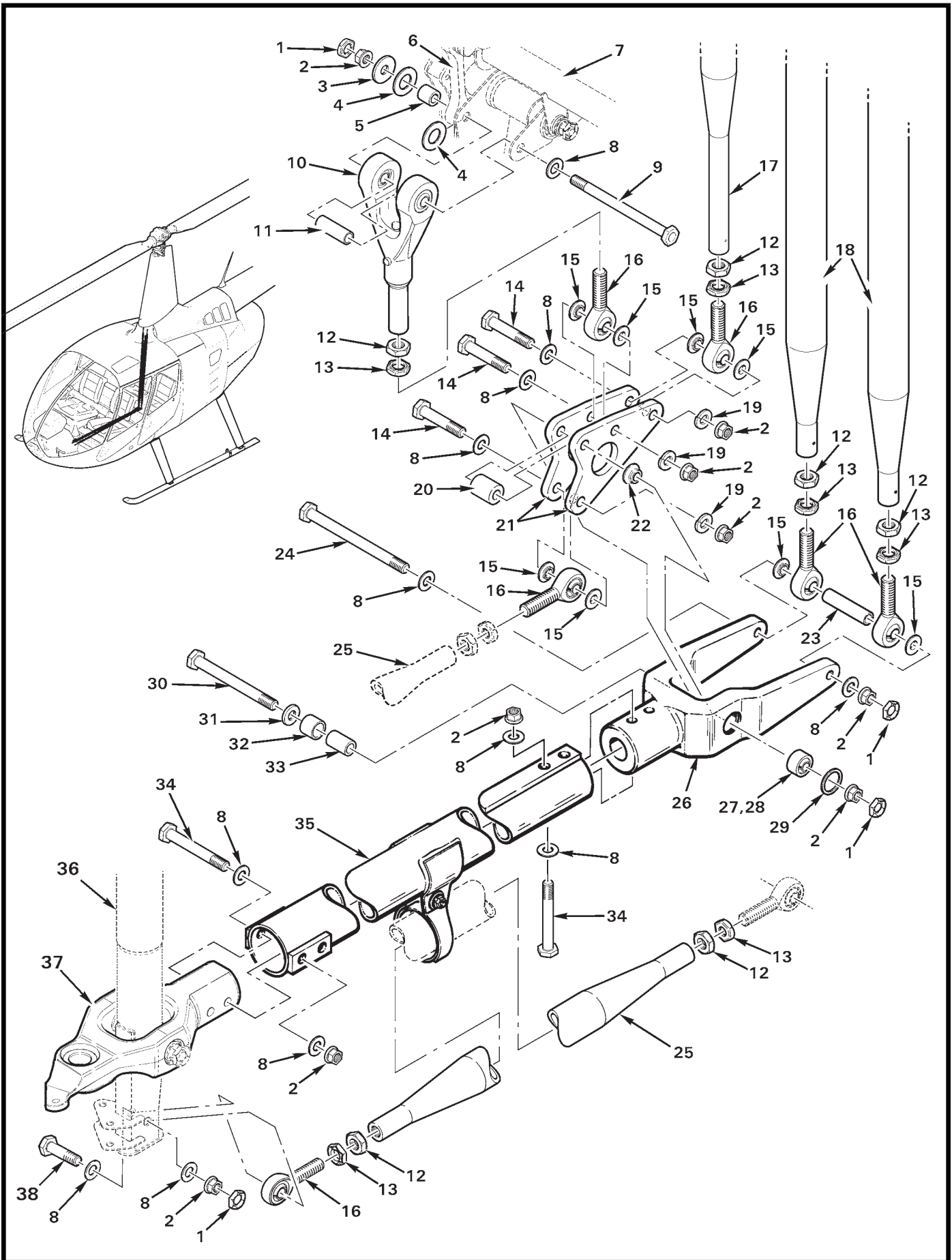


FIGURE AND INDEX NUMBER	PART NUMBER	DESCRIPTION	PARTS AVAIL	QTY PER ASSY
CYCLIC PIVOT ASSEMBLY AND TORQUE TUBE				
67-5-1	B330-13	Palnut	X	4
2	D210-4	Nut	X	11
3	A214-3	Washer	X	1
4	A214-11	Washer	X	2
5	A105-14	Journal	X	1
6	C327-1	Link Assembly (Ref, see Figure 67-33)		
7	F334	Aft Support Assembly (Ref, see Figure 67-33)		
8	NAS1149F0432P	Washer	X	16
9	NAS6604-37	Bolt	X	1
10	G205-1	Fork Assembly	X	1
11	C130-12	Spacer	X	1
12	AN316-5R	Nut	X	6
13	B330-16	Palnut	X	6
14	NAS6604-15	Bolt	X	3
15	A115-1	Spacer	X	8
16	B163-2*	Rod End	X	6
17	F121-7	Push-Pull Tube (Incl items 12, 13 and 16, [1] each)	X	1
18	F121-5	Push-Pull Tube (Incl items 12, 13 and 16, [1] each)	X	2
19	B332-441	Lockwasher	X	3
20	A130-8	Spacer	X	1
21	C958-6	Bellcrank	X	2
22	A137-1	Spacer	X	1
23	C130-47	Spacer	X	1
24	NAS6604-47	Bolt	X	1
25	C121-1	Push-Pull Tube Assembly (Incl item 12, 13, and 16)	X	1
26	D696-6	Yoke Assembly (Incl items 27 thru 29, and 32)	X	1
27	A103-4	Bearing (install using item 28)	X	1
28	B270-11	Adhesive	X	A/R
29	WH-62-S02	Ring	X	1
30	NAS6604-36	Bolt	X	1
31	NAS1149F0463P	Washer	X	1
32	O6DU06	Bearing	X	1
33	A105-6	Journal	X	1
34	NAS6604-25	Bolt	X	4
35	C319-5	Torque Tube Assembly	X	1

NOTES * Coat all threads with A257-2 or A257-22 oil before assembly.

Continues

FIGURE AND INDEX NUMBER	PART NUMBER	DESCRIPTION	PARTS AVAIL	QTY PER ASSY
CYCLIC PIVOT ASSEMBLY AND TORQUE TUBE (Cont'd)				
67-5-36	C069	Cyclic Control Assembly (Ref, see Figure 67-1)		
37	C177-5	Pivot Assembly (Ref, see Figure 67-1)		
38	NAS6604-9	Bolt (Ref, see Figure 67-1)		
39	C175-5	Pivot Assembly – Cyclic (Incl items 1 thru 5, 8 thru 16, 19 thru 26, 30, 31, and 33 thru 35)	0	1
NOTES				

Intentionally Blank

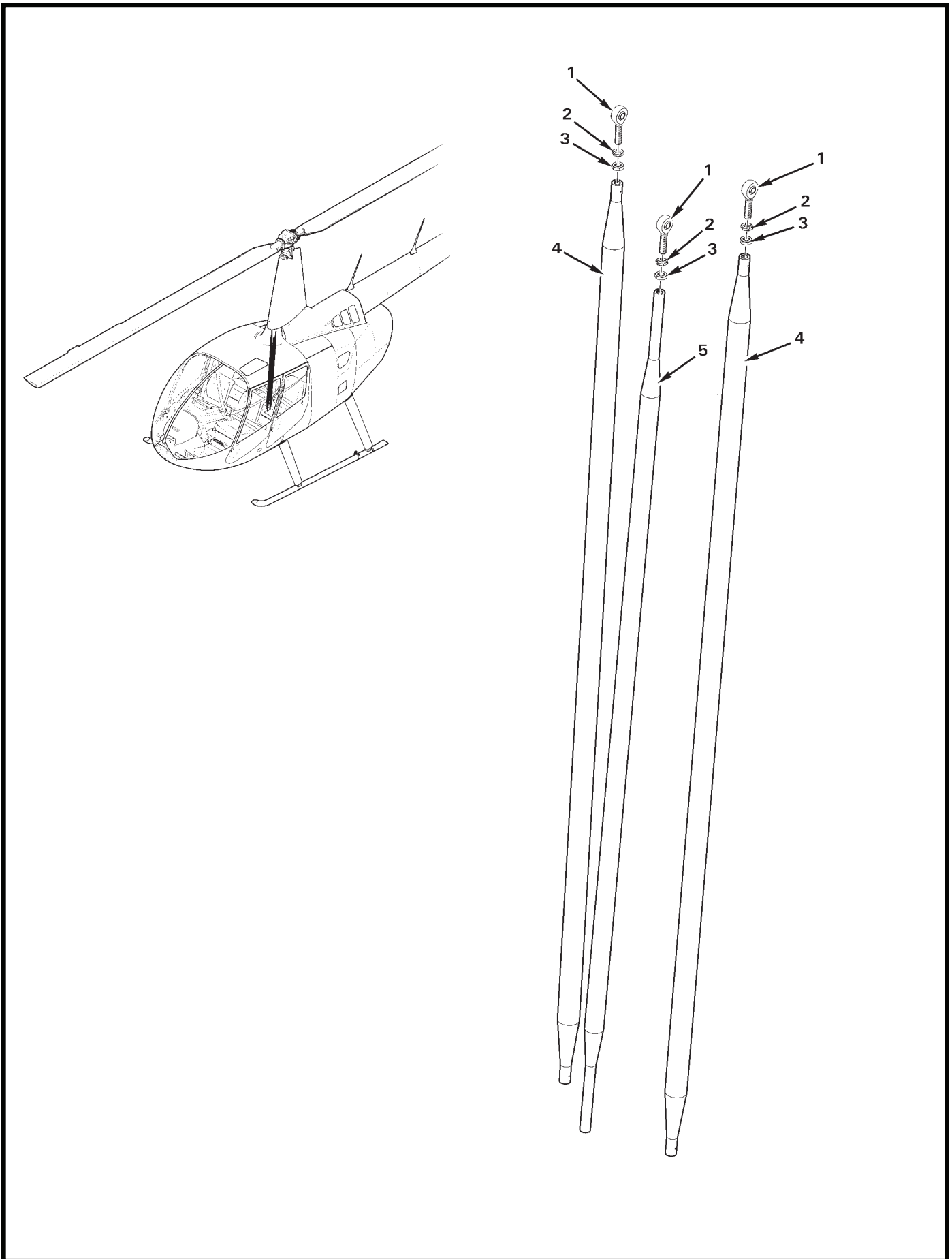


FIGURE AND INDEX NUMBER	PART NUMBER	DESCRIPTION	PARTS AVAIL	QTY PER ASSY
PUSH-PULL TUBE ASSEMBLIES (LOWER)				
67-9-1	B163-2*	Rod End	X	1
	B330-16	Palnut	X	1
	AN316-5R	Nut	X	1
	F121-5	Push-Pull Tube Assembly (Incl items 1 thru 3, [1] each)	X	2
	F121-7	Push-Pull Tube Assembly (Incl items 1 thru 3, [1] each)	X	1

NOTES * Coat all threads with A257-2 or A257-22 oil before assembly.

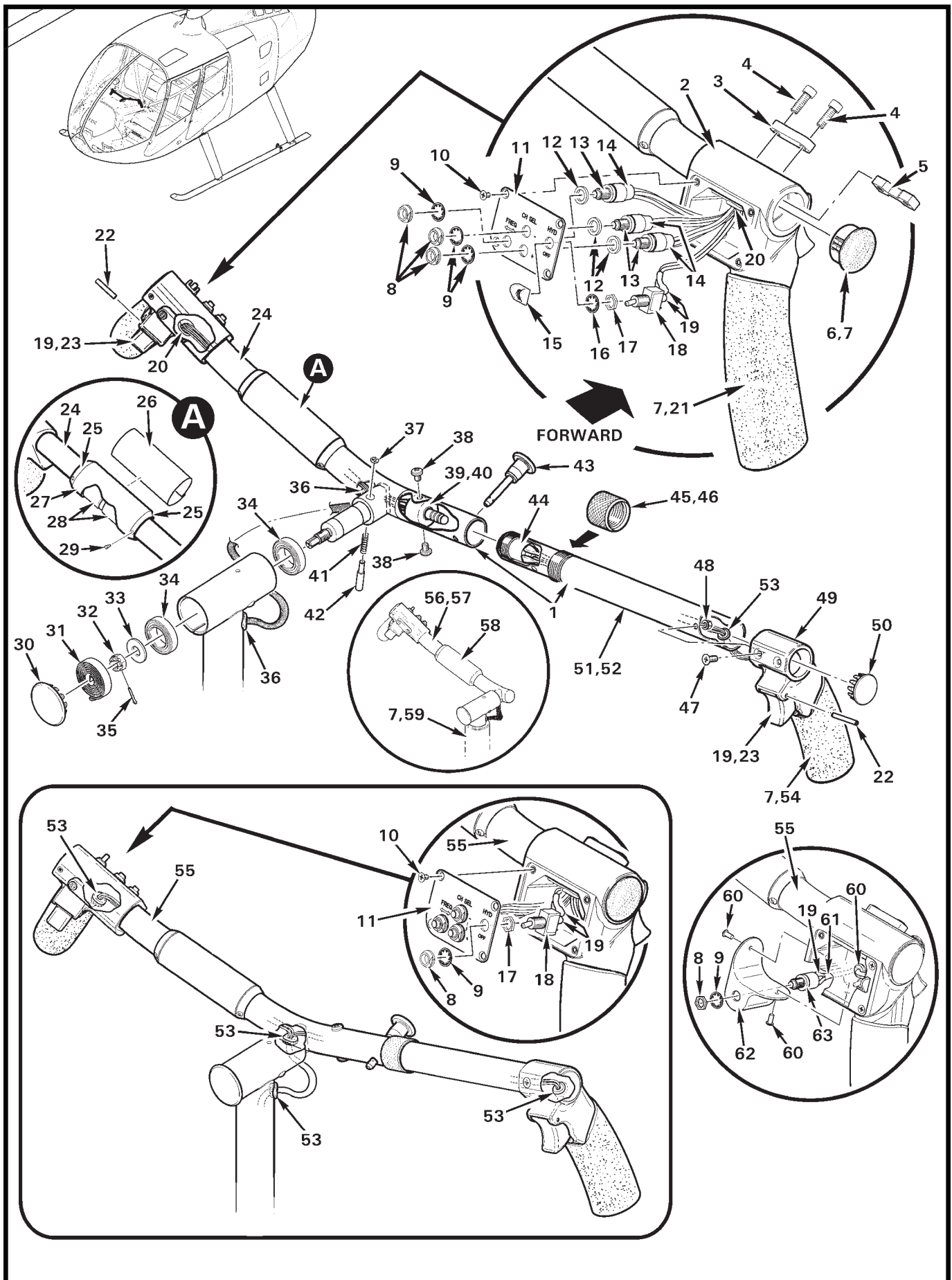


FIGURE AND INDEX NUMBER	PART NUMBER	DESCRIPTION	PARTS AVAIL	QTY PER ASSY
CYCLIC GRIP ASSEMBLY				
67-11-1	C058-10	Grip Assembly – Cyclic (Incl items 2 thru 7, 10, 11, 13 thru 15, 18 thru 29, 36 thru 50, and 52 thru 54)	X	1
2	D379-1	Grip	X	1
3	D443-5	Bar	X	1
4	91251A194	Screw	X	2
5	D443-3	Block Assembly	X	1
6	2703	Hole Plug (install using item 7)	X	1
7	B270-15	Adhesive	X	A/R
8	B227-4	Dress Nut	X	1
9	B227-3	Lockwasher	X	1
10	MS24693-S1	Screw	X	4
11	C214-24	Plate	X	1
12	94773A770	Washer	X	3
13	B227-2	Switch Assembly (“FREQ” and “CH SEL” [2]; includes items 8, 9, and 12)	X	3
14	B158-6	Heat Shrink	X	A/R
15	D443-7	Guard	X	1
16	—	Lockwasher	O	1
17	—	Hex Nut (5/16”)	O	1
18	B300-3	Switch Assembly – “HYD OFF” (includes items 16 and 17) . .	X	1
19	B158-2	Heat Shrink	X	A/R
20	NAS557-6A	Grommet	X	A/R
21	D379-2	Cover (install using item 7)	X	2
22	NAS1407N9L14	Pin	X	2
23	U2-279	Trigger Switch	X	2
24	A756-24	Grip Weldment (Revision A1 and subsequent)	O	1
25	G725-3	Collar	X	2
26	F654-4	Decal (flight limitations)	X	1
	F654-28	Decal (flight limitations, Police ships)	X	1
	G682-14	Decal (flight limitations, E.N.G. ships)	X	1
27	G725-2	Tube	X	1
28	B175-12	Loop Tape	X	A/R
29	SR-2032B	Rivet	X	4
30	B209-4	Plug	X	1
31	D684-1	Spring	X	1

NOTES

Continues

FIGURE AND INDEX NUMBER	PART NUMBER	DESCRIPTION	PARTS AVAIL	QTY PER ASSY
CYCLIC GRIP ASSEMBLY (Cont'd)				
67-11-32	MS17825-5	Nut	X	1
33	A141-40	Washer	X	1
34	A647-2	Bearing	X	2
35	MS24665-69	Cotter Pin	X	1
36	G1042	Grommet	X	2
37	MS16633-2012	Retaining Ring	X	1
38	MS35206-241	Screw	X	2
39	A776-1	Mount	X	1
40	A781-1	Plug	X	1
41	D774-6	Spring	X	1
42	A321-16	Pin	X	1
43	B232-1	Pin	X	1
44	TJT-120	Jack	X	1
45	A321-22	Collar	X	1
46	A257-7	Dry Film Lube	X	A/R
47	MS24694-S3	Screw	X	2
48	MS21042L08	Nut	X	2
49	D690-1	Grip	X	1
50	B209-3	Plug	X	1
51	C058-9	Grip Assembly – Co-Pilot (Incl items 7, 19, 22, 23, 43 thru 50, and 52 thru 54; for spares)	X	1
52	A321-21	Tube	X	1
53	MS35489-4	Grommet	X	A/R
54	D690-2	Cover (install using item 7)	X	1
55	A756-24	Grip Weldment (Ref; revision AH)		
56	C058-11*	Grip Assembly – Cyclic (includes items 2 thru 7, 13 thru 15, 25, 27 thru 29, 36, 37, 41, 42, 57, and 58)	X	1
57	A756-20*	Grip Weldment (Ref)		
58	F654-28*	Decal (flight limitations, Police ships)	X	1
59	A601-3*	Grip (install using item 7)	X	1
60	MS20470AD3**	Rivet	X	2
61	B158-6**	Heat Shrink	X	A/R
62	G136-8**	Housing	X	1
63	B227-2**	Switch Assembly (Audio Panel transmit key [pilot]; includes items 8 and 9)	X	1
	C058-2329**	Wire (Ref)		
	C058-2441**	Wire (Ref)		

NOTES * Earlier R66 police ships.
 ** Geneva Audio push to talk button for E.N.G. ships.

Intentionally Blank

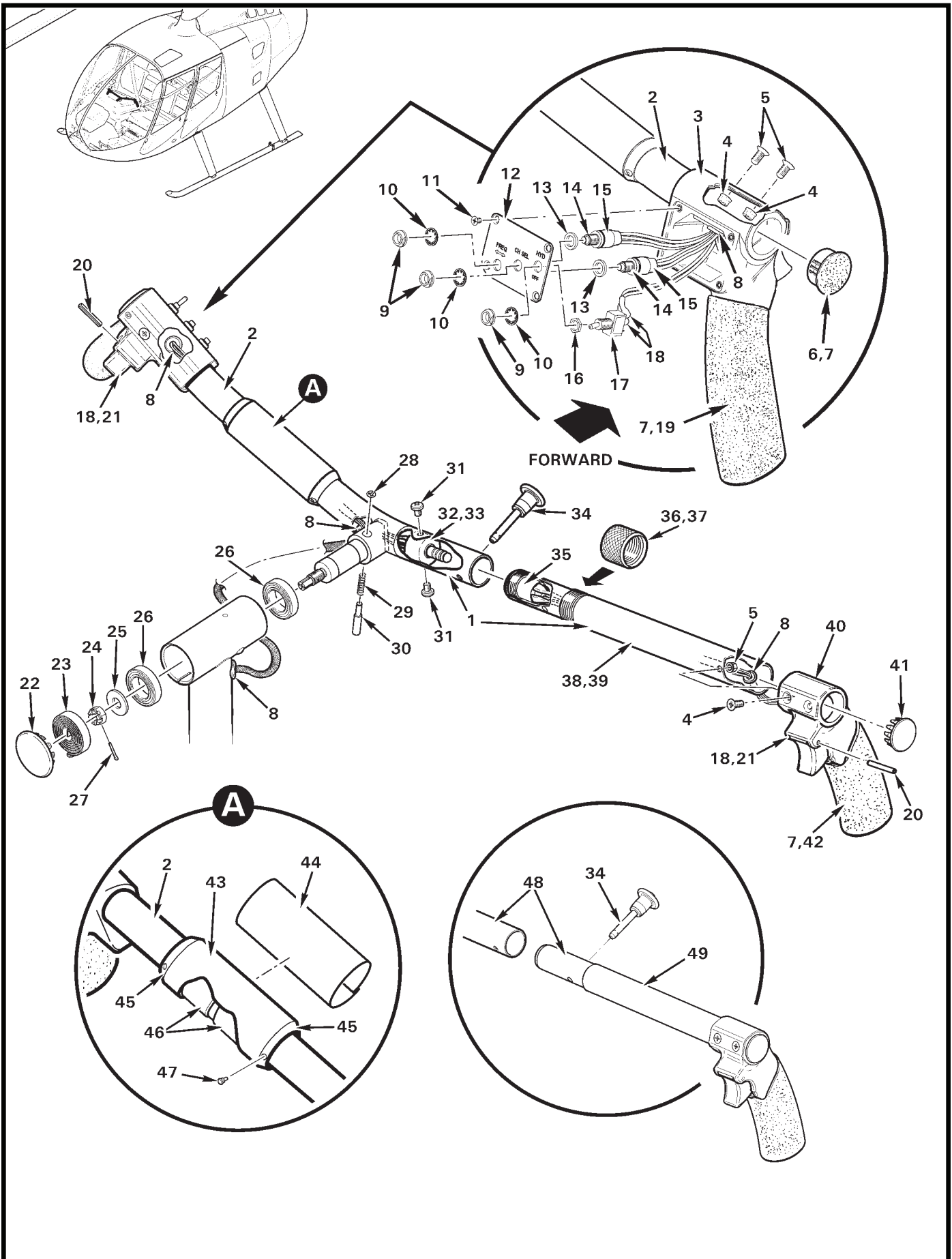


FIGURE AND INDEX NUMBER	PART NUMBER	DESCRIPTION	PARTS AVAIL	QTY PER ASSY
CYCLIC GRIP ASSEMBLY				
67-15-1	C058-10*	Grip Assembly – Pilot/Co-Pilot (Ref; revision AL)		
2	A756	Grip Weldment (Ref; non-adjusting grip [item 3])		
3	D379-1	Grip	X	1
4	MS21042L08	Nut	X	4
5	MS24694-S3	Screw	X	4
	MS24694-S4	Screw (used with item 48)	X	4
6	2703	Hole Plug (install using item 7)	X	1
7	B270-15	Adhesive	X	A/R
8	MS35489-4	Grommet	X	4
9	B227-4	Dress Nut	X	1
10	B227-3	Lock Washer	X	1
11	MS24693-S1	Screw	X	4
	MS24693-S2	Screw (used with item 48)	X	4
12	C214-10	Plate	X	1
13	94773A770	Washer	X	1
14	B227-2	Switch (“FREQ” and “CH SEL”, includes items 9, 10, and 13)	X	2
15	B158-6	Heat Shrink	X	A/R
16	—	Hex Nut (5/16 in.)	O	1
17	B300-3	Switch (“HYD OFF”, includes item 16 and lockwasher [not shown])	X	1
18	B158-2	Heat Shrink	X	A/R
19	D379-2	Cover (install using item 7)	X	1
20	NAS1407N9L14	Pin	X	2
21	U2-279	Trigger Switch	X	2
22	B209-4	Plug	X	1
23	D684-1	Spring	X	1
24	MS17825-5	Nut	X	1
25	A141-40	Washer	X	1
26	A647-2	Bearing	X	2
27	MS24665-69	Cotter Pin	X	1
28	MS16633-2012	Retaining Ring	X	1
29	D774-6	Spring	X	1
30	A321-16	Pin	X	1
31	MS35206-241	Screw	X	2
32	A776-1	Mount	X	1

NOTES * Some parts/assemblies no longer available. To replace refer to Figure 67-11.

Continues

FIGURE AND INDEX NUMBER	PART NUMBER	DESCRIPTION	PARTS AVAIL	QTY PER ASSY
CYCLIC GRIP ASSEMBLY (Cont'd)				
67-15-33	A781-1	Plug	X	1
34	B232-1	Pin	X	1
35	TJT-120	Jack	X	1
36	A321-22	Collar	X	1
37	A257-7	Dry Film Lubricant	X	A/R
38	C058-9*	Grip Assembly – Co-Pilot (Adjustable, revision AL. Includes items 4, 5, 7, 8, 20, 21, 34, 35, 40 thru 42.)	X	1
39	A321-19	Tube (Ref)		
40	D690-1	Grip	X	1
41	B209-3	Plug	X	1
42	D690-2	Cover (install using item 7)	X	1
43	G725-2	Tube	X	1
44	F654-4	Decal (flight limitations)	X	1
45	G725-3	Collar	X	2
46	B175-12	Loop Tape	X	A/R
47	SR-2032B	Rivet	X	4

48	C058-10*	Grip Assembly – Pilot/Co-Pilot (Ref; revision AK and prior)		
49	C058-9	Grip Assembly – Co-Pilot (Ref; revision AK and prior, non-adjusting. To replace, order item 38.)		

NOTES * Some parts/assemblies no longer available. Refer to Figure 67-11 for replacement.

Intentionally Blank

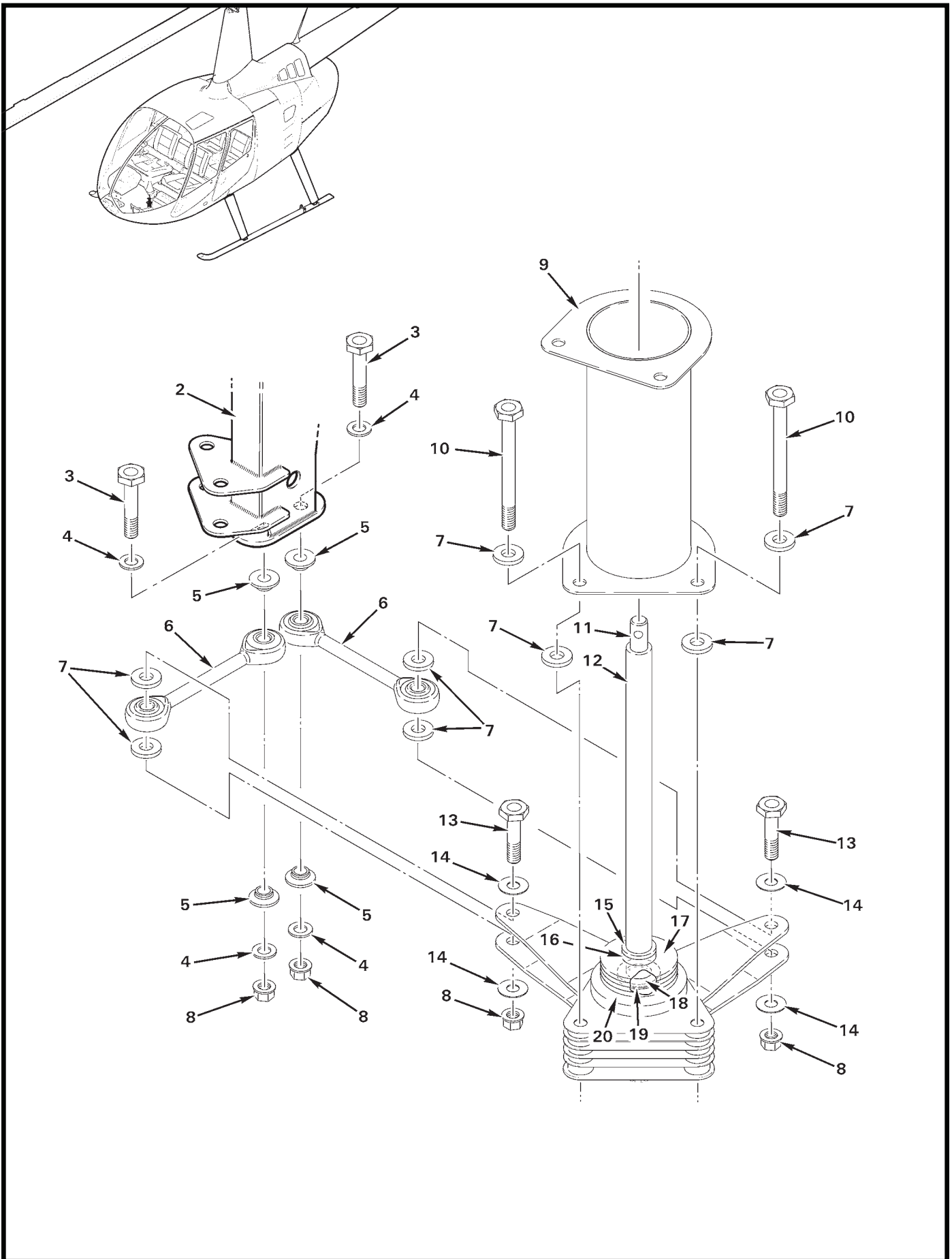


FIGURE AND INDEX NUMBER	PART NUMBER	DESCRIPTION	PARTS AVAIL	QTY PER ASSY
CYCLIC FRICTION ASSEMBLY				
67-19-1	C048-1	Cyclic Friction Assembly (Incl items 6 thru 20)	X	1
2	C069	Cyclic Control Assembly (Ref, see Figure 67-1)		
3	NAS6603-11	Bolt	X	2
4	NAS620-10L	Washer	X	4
5	A341-1	Spacer	X	4
6	B564-1	Link	X	2
7	NAS1149F0363P	Washer	X	8
8	D210-3	Nut	X	4
9	D337-1	Torque Tube Weldment	X	1
10	NAS6603-27	Bolt	X	2
11	C494-1	Shaft (Ref)		
12	C130-2	Spacer	X	1
13	NAS6603-8	Bolt	X	2
14	NAS1149D0316J	Washer	X	4
15	NAS1149F0463P	Washer	X	1
16	A130-18	Spacer	X	1
17	A478-1	Spring Washer	X	4
18	NAS1149F0632P	Washer	X	1
19	NAS1149D0616J	Washer (installed between items 18 and 20)	X	A/R
20	A497-1	Washer (Ref)		

NOTES

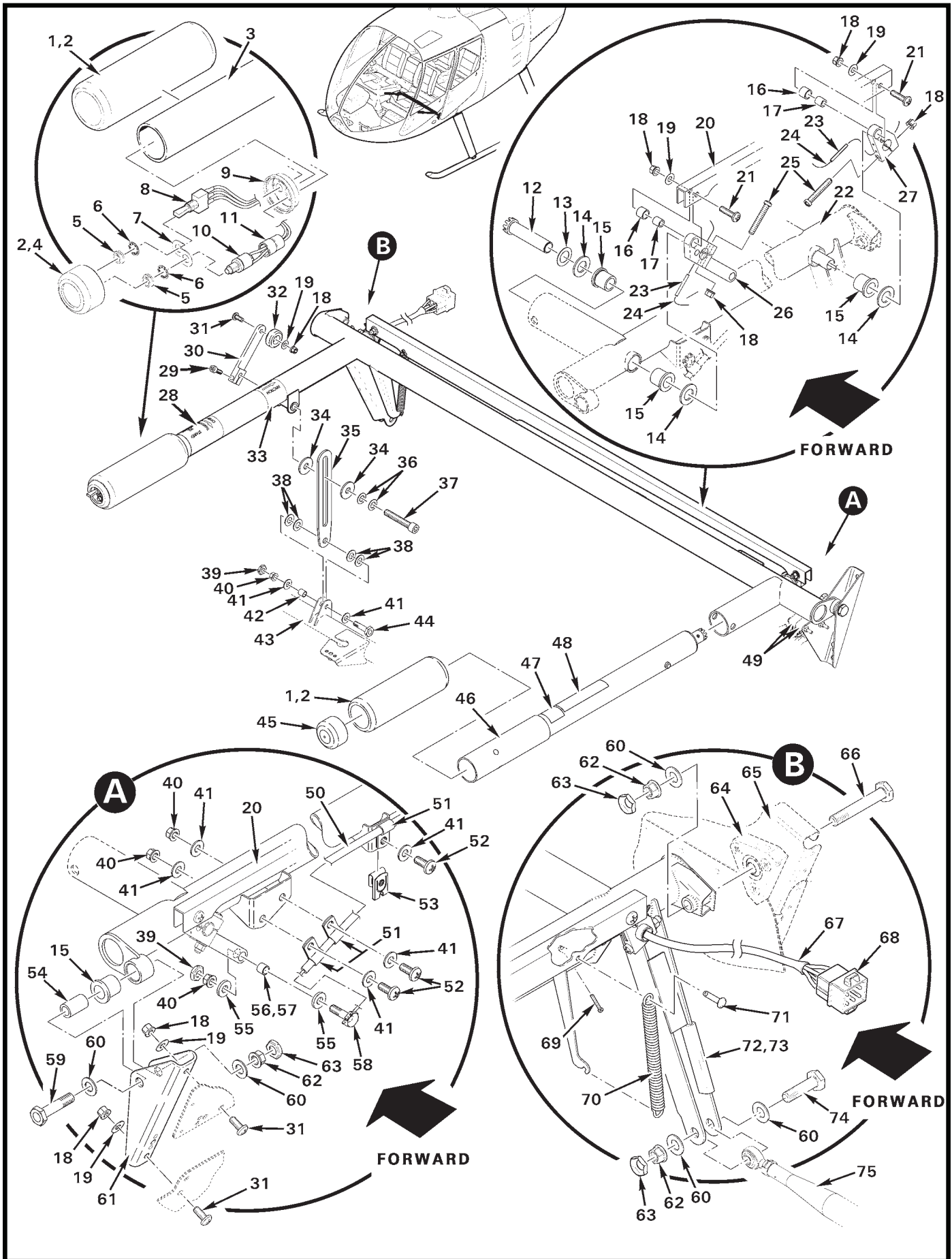


FIGURE AND INDEX NUMBER	PART NUMBER	DESCRIPTION	PARTS AVAIL	QTY PER ASSY
COLLECTIVE STICK ASSEMBLY				
67-21-1	A601-1	Grip (install using item 2)	X	1
2	B270-15	Adhesive	X	A/R
3	F758-1	Stick Assembly – Collective (RH [pilot]; includes items 1, 2, 4, 8 thru 10, 12 thru 37, 39 thru 42, 51 thru 63, & 67 thru 74) . .	X	1
4	A959-2	Cap (install using item 2)	X	1
5	B227-4	Dress Nut	X	1
6	B227-3	Lockwasher	X	1
7	B252-7	Bracket	X	1
8	B280-6	Switch Assembly (Incl items 5 and 6)	X	1
9	B252-8	Mount	X	1
10	B280-5	Switch Assembly (Incl items 5, 6, and 11)	X	1
11	B158-6	Heat Shrink	X	A/R
12	A765-2	Coupling	O	1
13	NAS1149D0616J	Washer (as required for shimming)	X	A/R
14	A141-16	Washer ([2] each, co-pilot and pilot stick)	X	4
15	A139-1	Bearing	X	5
16	04DU04	Bushing	X	1
17	A105-5	Journal	X	2
18	MS21042L08	Nut	X	7
19	NAS1149FN816P	Washer	X	5
20	F328-1	Connecting Rod	X	1
21	MS27039C0810	Screw	X	2
22	F764	Stick Weldment (Ref)		
23	MS16562-18	Spring Pin	X	2
24	MS20995C32	0.032 in. dia Safety Wire	X	A/R
25	A486-2	Screw	X	2
26	A325-3	Arm	X	1
27	A325-1	Arm	X	1
28	F654-1	Decal – “THROTTLE OPEN”	X	1
29	NAS1352-08LE8P	Screw	X	1
30	A332-2	Lever	X	1
31	MS27039C0806	Screw	X	3
32	A431-1	Knob	X	1
33	A654-7	Decal – “FRICTION INCREASE”	X	1
34	A141-20	Washer	X	2

NOTES

Continues

FIGURE AND INDEX NUMBER	PART NUMBER	DESCRIPTION	PARTS AVAIL	QTY PER ASSY
COLLECTIVE STICK ASSEMBLY (Cont'd)				
67-21-35	A333-1	Stop	X	1
36	B0500-022-S	Belleville Washer	X	2
37	NAS1352-4-24P	Screw	X	1
38	NAS1149F0432P	Washer (or NAS1149F0463P to adjust axial play)	X	4
39	B330-7	Palnut	X	2
40	D210-3	Nut	X	4
41	NAS1149F0332P	Washer	X	7
42	A130-4	Spacer	X	1
43	F348-1	Anchor (Ref)		
44	NAS6603-5	Bolt	X	1
45	A959-1	Cap (install using item 2)	X	1
46	C758-2	Stick Assembly – Collective (LH [Co-pilot]; includes items 45, 47, and 48)	X	1
47	A654-6	Decal – “THROTTLE OPEN”	X	1
48	A654-21	Decal – “NO STOWAGE / KEEP AREA CLEAR”	X	1
49	V3-1	Switch (Hourmeter and Low RPM Warning, Ref; see Figure 96-23)		
50	C522-10	Control Cable (Ref, see Figure 76-1)		
51	AN742-3	Clamp	X	3
52	MS27039C1-07	Screw	X	3
53	B162-4	Clipnut	X	1
54	A105-6	Journal	X	1
55	NAS1149E0363R	Washer	X	1
56	A130-48	Spacer (install using item 57)	X	1
57	A257-1	Grease	X	A/R
58	A462-4	Fitting	X	1
59	NAS6604-11	Bolt	X	1
60	NAS1149F0432P	Washer	X	5
61	F303-1	Support Assembly	X	1
62	D210-4	Nut	X	3
63	B330-13	Palnut	X	3
64	C329-3	Bearing Block Assembly (Ref)		
65	F290-1	Seat Support Assembly (RH, forward; Ref)		
66	NAS6604-17	Bolt	X	1
67	B158-3	Heat Shrink	X	A/R

NOTES

Continues

FIGURE AND INDEX NUMBER	PART NUMBER	DESCRIPTION	PARTS AVAIL	QTY PER ASSY
COLLECTIVE STICK ASSEMBLY (Cont'd)				
67-21-68	B263-18	Housing	X	1
	B263-1	Pin	X	5
69	MS24665-132	Cotter Pin	X	2
70	B774-4	Spring	X	2
71	MS20392-1C13	Pin	X	2
72	MS21266-1N	Grommet (install using item 73)	X	A/R
73	B270-8qt	Adhesive	X	A/R
74	NAS6604-9	Bolt	X	1
75	F121-1	Push-Pull Tube Assembly (Ref)		
NOTES				

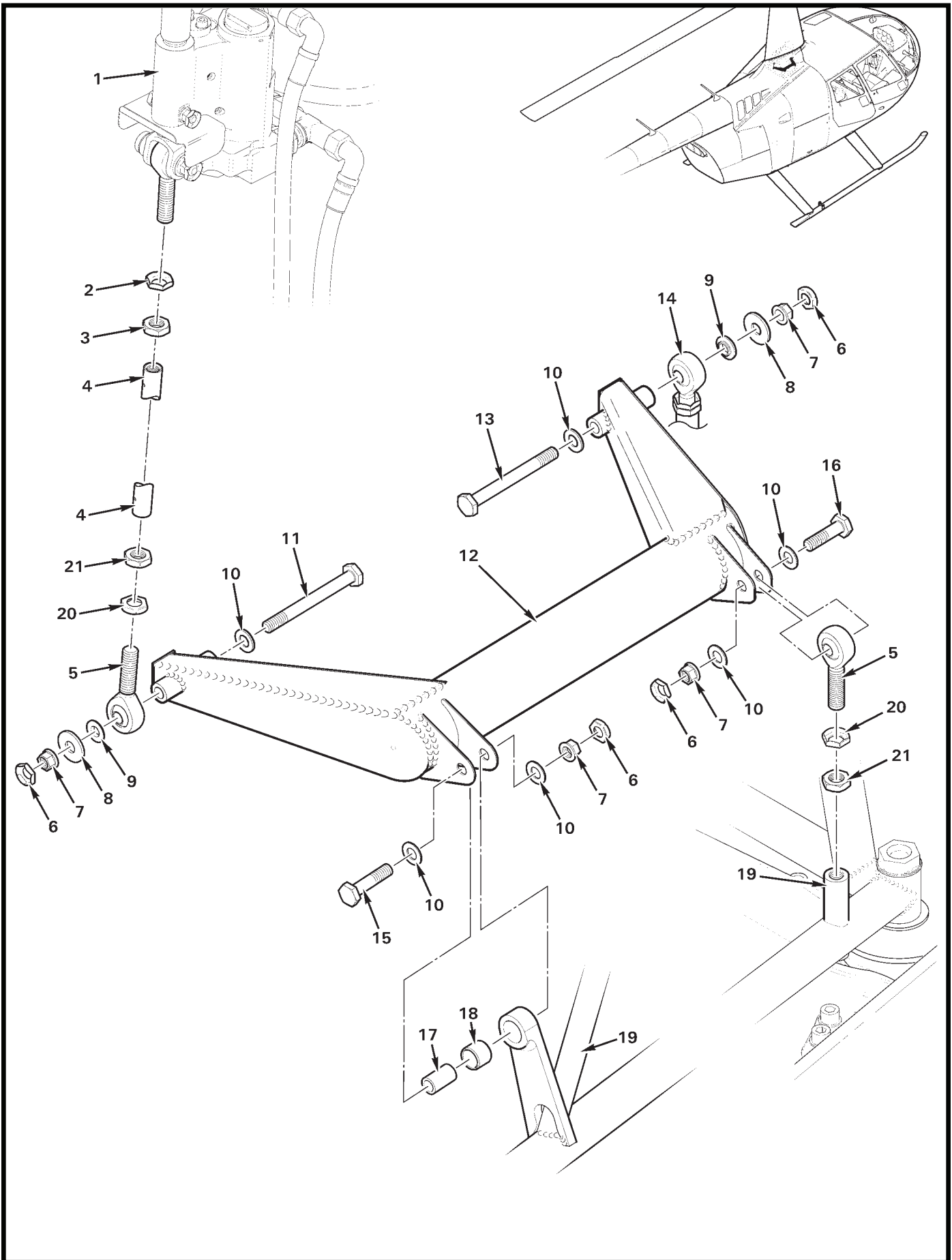


FIGURE AND INDEX NUMBER	PART NUMBER	DESCRIPTION	PARTS AVAIL	QTY PER ASSY
JACKSHAFT WELDMENT INSTALLATION				
67-25-1	D212-6	Servo Assembly (aft, Ref; see Figure 29-11)		
2	B330-16	Palnut (Ref)		
3	AN316-5R	Nut (Ref)		
4	C343-8*	Tube	X	1
5	B163-2	Rod End	X	2
6	B330-13	Palnut	X	4
7	D210-4	Nut	X	4
8	A214-3	Washer	X	2
9	A115-1	Spacer	X	2
10	NAS1149F0432P	Washer	X	6
11	NAS6604-29	Bolt	X	1
12	F339-1	Jackshaft Weldment Assembly	X	1
13	NAS6604-33	Bolt	X	1
14	F121-7	Push-Pull Tube Assembly (Ref, see Figure 67-5)		
15	NAS6604-11	Bolt	X	1
16	NAS6604-8	Bolt	X	1
17	A105-6	Journal	X	1
18	O6DU06	Bearing (install bearing using wet primer)	X	1
19	G201-1	Frame Assembly – Hydraulic Servo Support (Ref)		
20	B330-16	Palnut	X	2
21	AN316-5R	Nut	X	2

NOTES * Apply B270-21 protectant to threads.

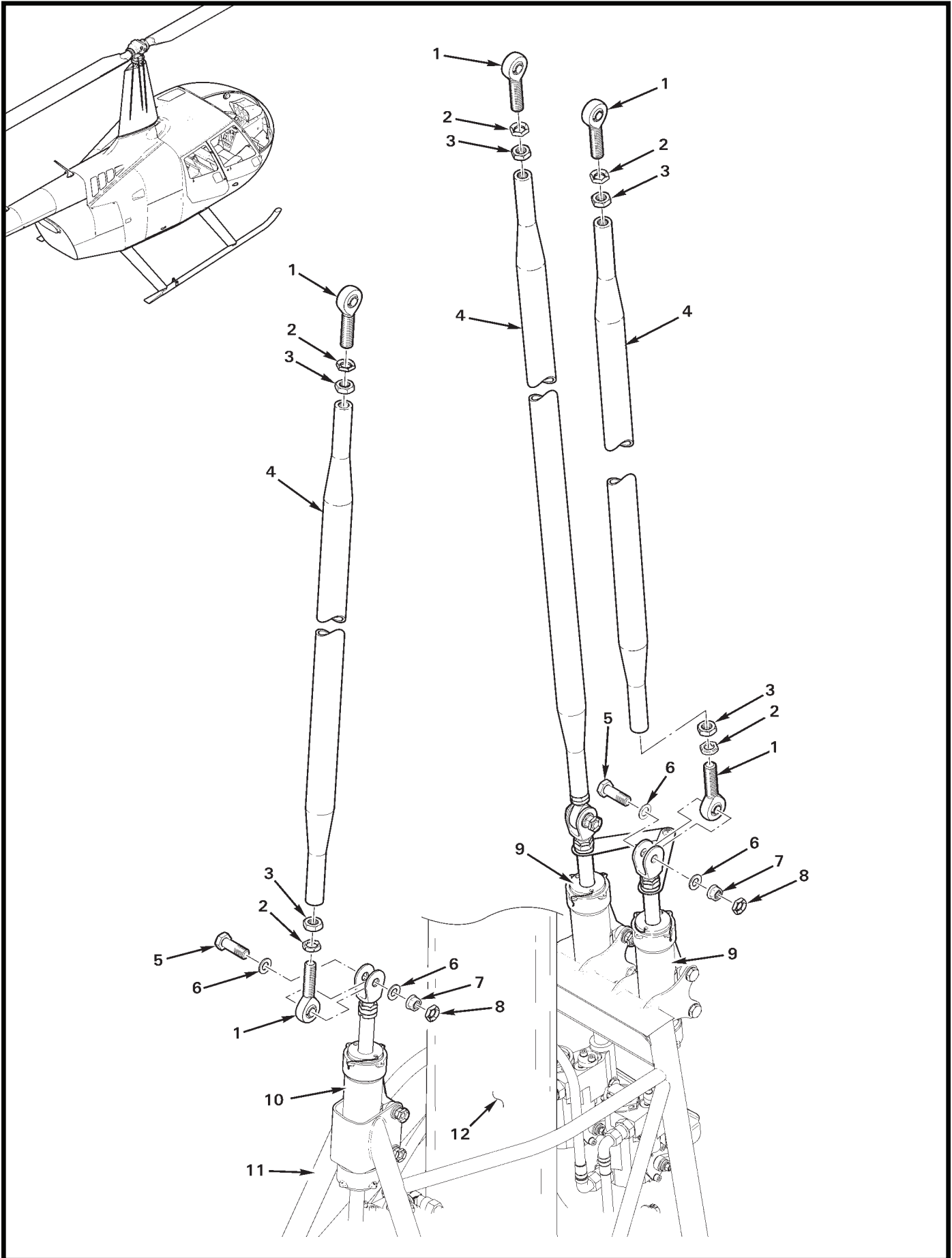


FIGURE AND INDEX NUMBER	PART NUMBER	DESCRIPTION	PARTS AVAIL	QTY PER ASSY
PUSH-PULL TUBE ASSEMBLIES (UPPER)				
67-27-1	D173-2*	Rod End	X	2
2	B330-19	Palnut	X	2
3	AN316-6R	Nut	X	2
4	F121-3	Push-Pull Tube Assembly (Incl items 1 thru 3)	X	3
5	NAS6605-9	Bolt	X	3
6	NAS1149F0532P	Washer	X	6
7	D210-5	Nut	X	3
8	B330-16	Palnut	X	3
9	D212-5	Servo Assembly (Ref, forward)		
10	D212-6	Servo Assembly (Ref, aft)		
11	G201-1	Frame Assembly – Hydraulic Servo Support (Ref)		
12	F006	Main Rotor Gearbox Assembly (Ref)		

NOTES * Apply B270-21 protectant to threads.

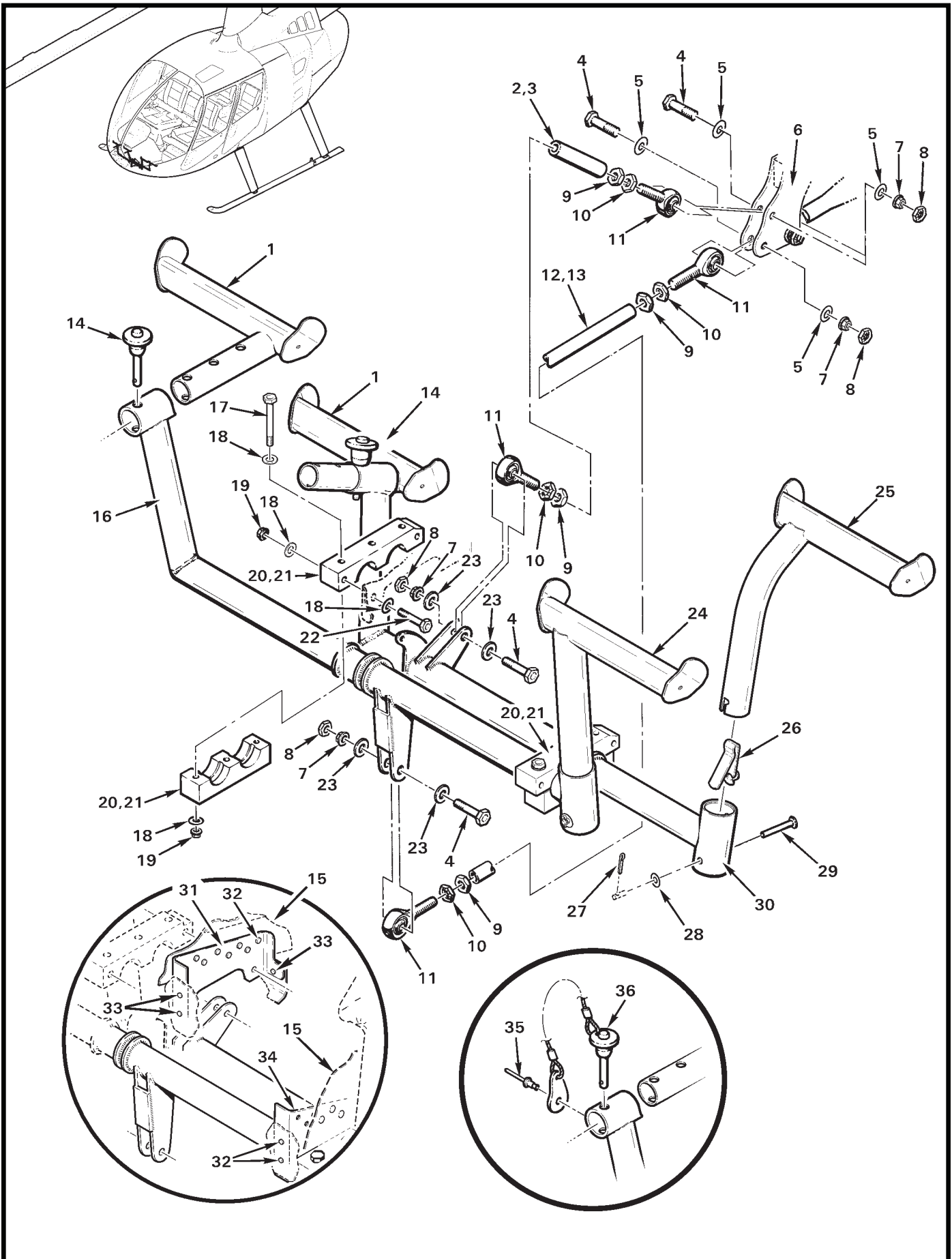


FIGURE AND INDEX NUMBER	PART NUMBER	DESCRIPTION	PARTS AVAIL	QTY PER ASSY
TAIL ROTOR CONTROLS – ADJUSTABLE PEDALS				
67-29-1	F755-1	Pedal – Pilot Side (left and right foot)	X	2
2	C343-13*	Tube Assembly (Incl items 3, and 9 thru 11)	X	1
3	C343-14	Tube (Ref)		
4	NAS6604-9	Bolt	X	4
5	NAS1149FN432P	Washer	X	4
6	C317-9	Bellcrank Assembly (Ref; see Figure 67-35)	X	1
7	D210-4	Nut	X	4
8	B330-13	Palnut	X	4
9	AN316-5R	Nut	X	2
10	B330-16	Palnut	X	2
11	A101-4	Rod End	X	2
12	C343-11**	Tube Assembly (Incl items 9 thru 11, and 13)	X	1
13	C343-12	Tube (Ref)		
14	B232-1	Pin (locking; button handle)	X	2
15	F033	Lower Console Assembly (Ref)		
16	D755-4	Pedal Assembly (right foot, includes items 14, and 27 thru 29)	X	1
17	NAS6603-20	Bolt	X	6
18	NAS1149F0332P	Washer	X	20
19	D210-3	Nut	X	14
20	A318-1-2	Bearing Block Set (install using item 21)	X	1
21	A257-1	Grease (for bearing block grooves)	X	A/R
22	NAS6603-13	Bolt	X	4
23	NAS1149F0463P	Washer	X	4
24	F755-3	Pedal Assembly – Co-Pilot (right foot, includes item 26)	X	1
25	F755-2	Pedal Assembly – Co-Pilot (left foot, includes item 26)	X	1
26	A795-4	Pin	X	2
27	MS24665-132	Cotter Pin	X	2
28	NAS1149D0316J	Washer (or AN960PD10L)	X	2
29	MS20392-2C33	Flathead Pin	X	2
30	D755-1	Pedal Assembly (left foot, includes items 14, and 27 thru 29)	X	1
31	A359-2	Support – RH	X	1
32	MS20470AD4	Rivet	X	20
33	MS20470AD3	Rivet	X	4
34	A359-1	Support – LH	X	1
35	NAS9301B-4-02	Rivet	X	2
36	B232-3	Pin (locking; button handle with lanyard and tab)	O	2

NOTES * 5.30 in. nominal center to center. Apply B270-21 protectant to threads.
 ** 5.82 in. nominal center to center. Apply B270-21 protectant to threads.

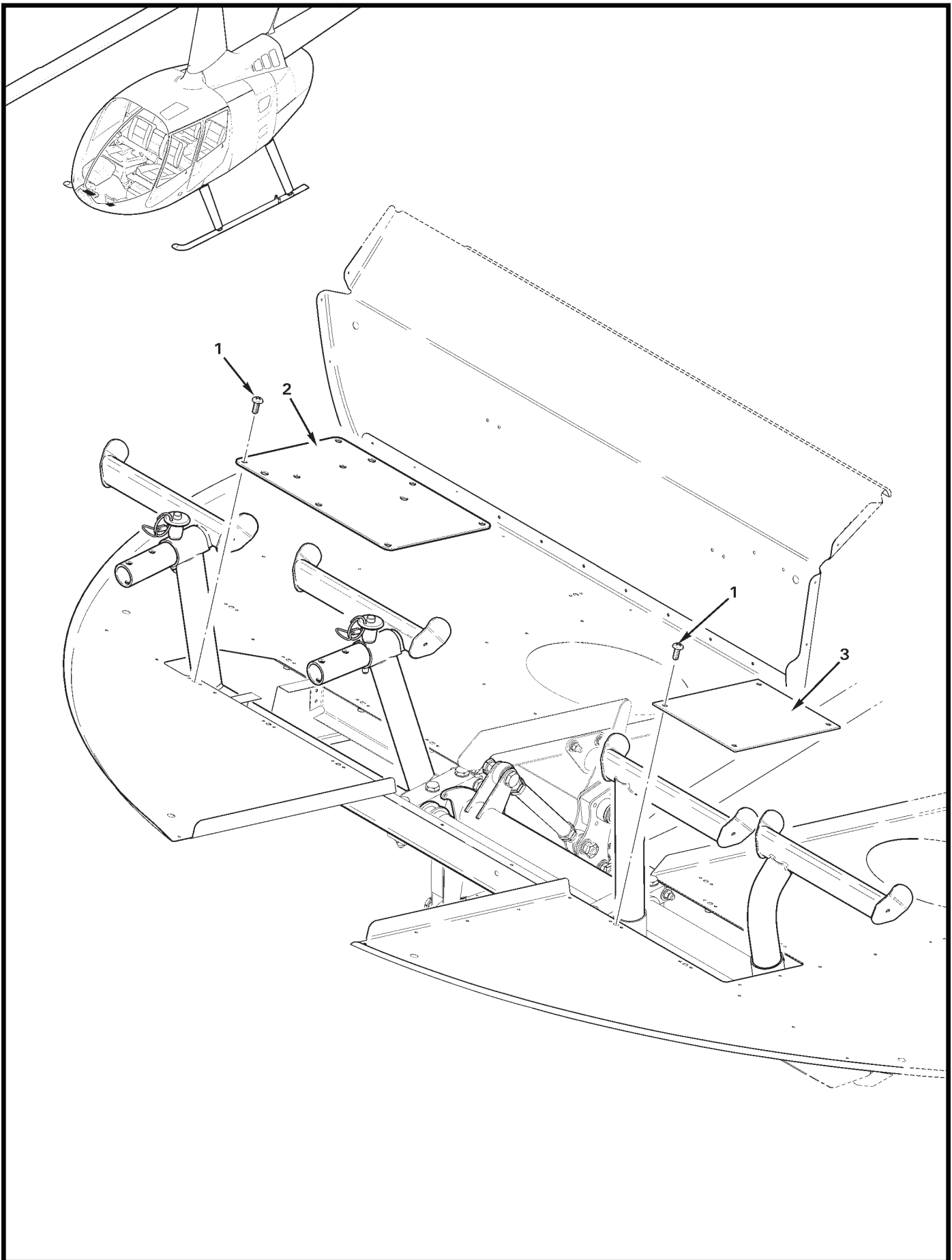


FIGURE AND INDEX NUMBER	PART NUMBER	DESCRIPTION	PARTS AVAIL	QTY PER ASSY
TAIL ROTOR CONTROLS – PEDAL COVER INSTALLATION				
67-31-1	MS27039C0806	Screw	X	12
2	A412-3	Cover (RH)	X	1
3	A412-1	Cover (LH)	X	1
NOTES				

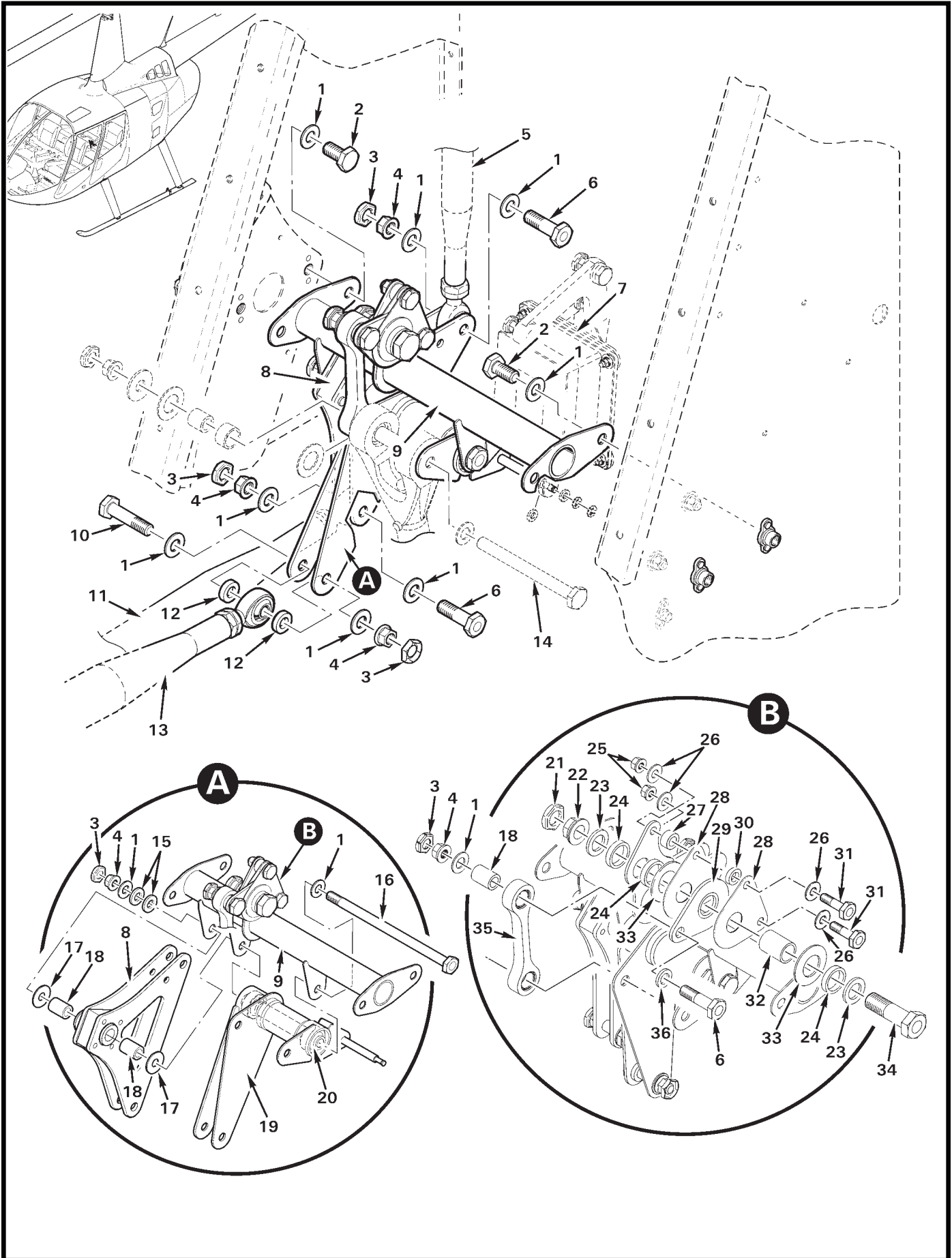


FIGURE AND INDEX NUMBER	PART NUMBER	DESCRIPTION	PARTS AVAIL	QTY PER ASSY
F334 SUPPORT ASSEMBLY INSTALLATION				
67-33-1	NAS1149F0432P	Washer	X	13
2	NAS6604-2	Bolt	X	4
3	B330-13	Palnut	X	4
4	D210-4	Nut	X	3
5	F121-11	Push-Pull Tube Assembly (Ref)		
6	NAS6604-9	Bolt	X	3
7	F334-2	Actuator Assembly (Ref, see Figure 76-7)		
8	C317-7*	Bellcrank (revision "H" and subsequent)	X	1
9	F334-1	Aft Support Assy. (Incl items 1, 3, 4, 6, 8, 10, 12, & 15 – 36)	X	1
10	NAS6604-11	Bolt	X	1
11	F121-9	Push-Pull Tube Assembly (Ref)		
12	A130-47	Spacer	X	2
13	F121-1	Push-Pull Tube Assembly	X	1
14	NAS6604-36	Bolt (Ref, see Figure 67-5)		
15	NAS1149F0463P	Washer	X	2
16	NAS6604-67	Bolt	X	1
17	A141-3	Washer	X	2
18	A105-3	Journal	X	3
19	F326-1	Bellcrank Weldment (Ref)		
20	B303-1	Bearing (Ref)		
21	B330-19	Palnut	X	1
22	D210-6	Nut	X	1
23	NAS1149F0663P	Washer	X	2
24	C130-25	Spacer	X	3
25	D210-3	Nut	X	2
26	NAS1149F0332P	Washer	X	4
27	A130-21	Spacer	X	2
28	D336-1	Plate	X	2
29	B249-6	Arm Assembly	X	1
30	C130-24	Spacer	X	2
31	NAS6603-6	Bolt	X	2
32	B250-13	Spacer	X	1
33	B1000-043-S	Spring Washer	X	2
34	NAS6606-11	Bolt	X	1
35	C327-1	Link Assembly	X	1
36	A141-11	Washer	X	1

NOTES * Revision "G" and prior no longer available.

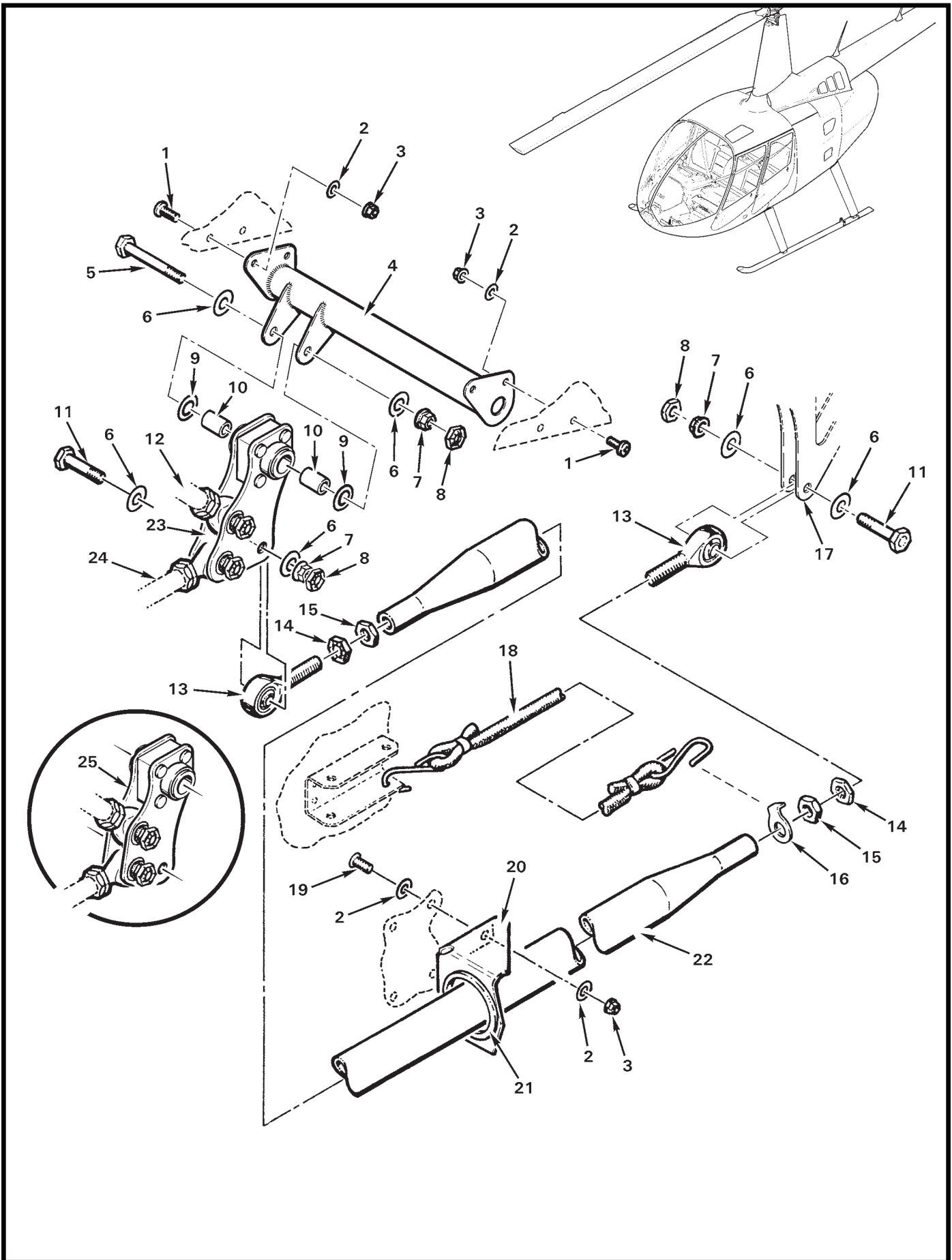


FIGURE AND INDEX NUMBER	PART NUMBER	DESCRIPTION	PARTS AVAIL	QTY PER ASSY
C317 BELLCRANK ASSEMBLY				
67-35-1	MS27039C0807	Screw	X	4
2	NAS1149FN832P	Washer	X	12
3	MS21042L08	Nut	X	8
4	F349-1	Support Assembly	X	1
5	NAS6604-19	Bolt	X	1
6	NAS1149F0432P	Washer	X	8
7	D210-4	Nut	X	4
8	B330-13	Palnut	X	4
9	A141-3	Washer	X	2
10	A105-3	Journal	X	2
11	NAS6604-9	Bolt	X	3
12	C343-13	Push-Pull Tube Assembly (Ref, see Figure 67-29)		
13	A101-4	Rod End	X	2
14	B330-16	Palnut	X	2
15	AN316-5R	Nut	X	2
16	A697-6	Tab	X	1
17	C317-7	Bellcrank Assembly (Ref, revision H and subsequent. See also Figure 67-33.)		
18	A918-1	Elastic Cord Assembly (6 lb)	X	1
	A918-2	Elastic Cord Assembly (8 lb)	X	1
	A918-3	Elastic Cord Assembly (10 lb)	X	1
	A918-4	Elastic Cord Assembly (12 lb)	X	1
	A918-5	Elastic Cord Assembly (14 lb)	X	1
	A918-6	Elastic Cord Assembly (16 lb)	X	1
	A918-7	Elastic Cord Assembly (18 lb)	X	1
	A918-8	Elastic Cord Assembly (20 lb)	X	1
19	MS27039C0806	Screw	X	4
20	C346-1	Restraint	X	1
21	NAS557-22A	Grommet	X	1
22	F121-9	Push-Pull Tube Assembly (Incl items 13 thru 16)	X	1
23	C317-9	Bellcrank Assembly (Must be used only with item 17, revision "H" and subsequent, and item 25 from Figure 67-37.)	X	1
24	C343-11	Push-Pull Tube Assembly (Ref, see Figure 67-29)		
25	C317-5	Bellcrank Assembly (For earlier R66's. Superseded by item 23.)	X	1

NOTES

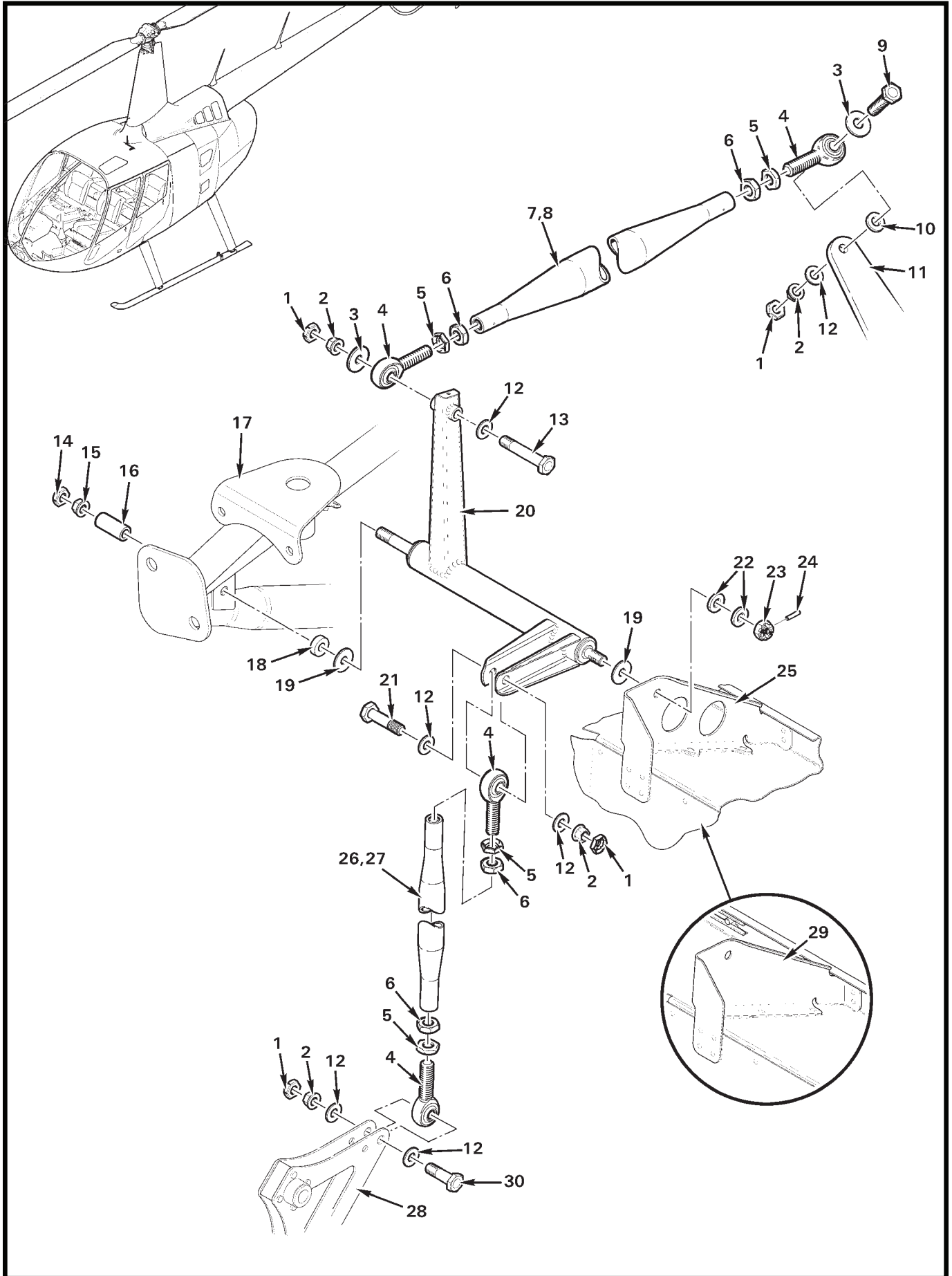


FIGURE AND INDEX NUMBER	PART NUMBER	DESCRIPTION	PARTS AVAIL	QTY PER ASSY
F316 BELLCRANK ASSEMBLY				
67-37-1	B330-13	Palnut	X	4
2	D210-4	Nut	X	4
3	A214-3	Washer	X	2
4	A101-4	Rod End	X	2
5	B330-16	Palnut	X	2
6	AN316-5R	Nut	X	2
7	F121-13	Push-Pull Tube Assembly (Incl items 3 thru 6)	X	1
8	F121-14	Tube (Ref)		
9	NAS6604-11	Bolt	X	1
10	MS20002-4	Washer	X	1
11	A331-4	Bellcrank Assembly (Ref, see Figure 67-39)		
12	NAS1149F0432P	Washer	X	6
13	NAS6604-21	Bolt	X	1
14	B330-13	Palnut	X	1
15	D210-4	Nut	X	1
16	C130-34	Spacer	X	1
17	F020	Frame Assembly (Ref)		
18	A130-42	Spacer	X	1
19	A141-3	Washer	X	2
20	F316-1	Bellcrank Assembly (Incl items 14 thru 16, 18, 19, and 22 thru 24)	X	1
21	NAS6604-8	Bolt	X	1
22	NAS1149F0463P	Washer	X	2
23	MS17825-4	Nut	X	1
24	MS16562-14	Spring Pin	X	1
25	G247-1	Support Assembly (revision "C" and subsequent)	O	1
26	F121-11	Push-Pull Tube Assembly (Incl items 4 thru 6, and 26)	X	1
27	F121-12	Tube (Ref)		
28	C317-7	Bellcrank Assembly (Ref, see Figure 67-33)		
29	G247-1	Support Assembly (Ref, revision "B" and prior, earlier R66s. Superseded by item 25.)		
30	NAS6604-9	Bolt	X	1

NOTES

FIGURE AND INDEX NUMBER	PART NUMBER	DESCRIPTION	PARTS AVAIL	QTY PER ASSY
A331 BELLCRANK ASSEMBLY				
67-39-1	NAS6604-11	Bolt	X	1
2	A214-3	Washer	X	3
3	MS20002-4	Washer	X	1
4	NAS1149F0432P	Washer	X	6
5	D210-4	Nut	X	4
6	A120-5	Bellcrank (Ref)		
7	A331-4	Bellcrank Assembly	X	1
8	NAS6604-35	Bolt	X	1
9	A141-3	Washer	X	2
10	A105-3	Journal	X	2
11	NAS6604-9	Bolt	X	1
12	A127-4	Rod End	X	2
13	B330-13	Palnut	X	6
14	AN316-4R	Nut	X	2
15	C121-17	Push-Pull Tube Assembly (Incl items 12 thru 14, and 16)	X	1
16	C121-18	Tube (Ref)		
17	NAS6604-10	Bolt	X	1
18	NAS1149F0432P	Washer (or NAS1149F0462P as required for minimum clearance)	X	A/R

NOTES

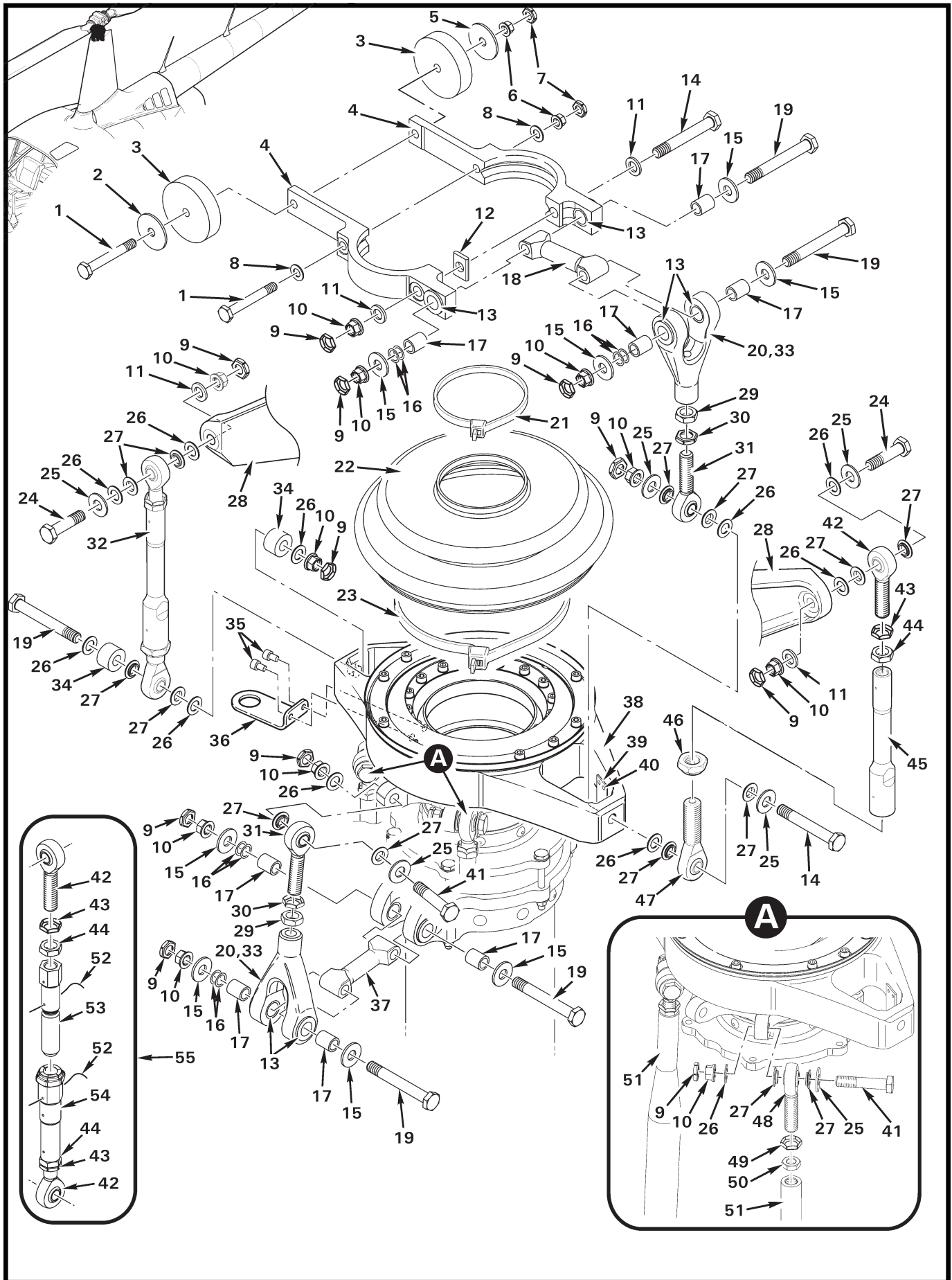


FIGURE AND INDEX NUMBER	PART NUMBER	DESCRIPTION	PARTS AVAIL	QTY PER ASSY
SWASHPLATE ASSEMBLY				
67-41-1	NAS6604-24*	Bolt	X	2
2	AN970-4	Washer (A/R for balance)	X	A/R
3	A255-1 or A255-2	Counter Weight (1.10 in O.D.) Counter Weight (1.90 in O.D.)	X X	A/R A/R
4	C203-5	Yoke Assembly (Incl item 13)	X	2
5	NAS1149F0432P	Washer (or NAS1149F0463P as required for correct nut engagement)	X	A/R
6	D210-4	Nut	X	2
7	B330-13	Palnut	X	2
8	NAS1149F0432P	Washer	X	2
9	B330-16	Palnut	X	11
10	D210-5	Nut	X	13
11	NAS1149F0563P	Washer	X	2
12	A210-1	Key	X	1
13	C648-2	Bearing – Journal (install wet; see R66 MM § 20-60 for approved primer)	X	8
14	NAS6605-28	Bolt	X	2
15	C141-19	Washer	X	8
16	C117-67 C117-68 C117-69	Shim (thickness = 0.016 in.) Shim (thickness = 0.020 in.) Shim (thickness = 0.025 in.)	X X X	A/R A/R A/R
17	C105-6	Journal (length = 0.526 in.)	X	8
18	C204-3	Arm (upper)	X	1
19	NAS6605-31	Bolt	X	5
20	A205-7	Fork Assembly (Incl item 13)	X	2
21	MS3367-7-9	Ty-rap	X	1
22	C480-1	Boot	X	1
23	MS3367-6-0	Ty-rap	X	1
24	NAS6605-18	Bolt	X	2
25	C141-1	Washer	X	6
26	NAS1149F0532P	Washer	X	9
27	C115-1	Spacer	X	14
28	C005-13	Blade and Spindle Assembly – Main Rotor (Ref)		
29	AN316-6R	Nut	X	2
30	B330-19	Palnut	X	2

NOTES * Select bolt length which, after correct torque is applied, exposes 2 to 4 threads beyond nut.

Continues

FIGURE AND INDEX NUMBER	PART NUMBER	DESCRIPTION	PARTS AVAIL	QTY PER ASSY
SWASHPLATE ASSEMBLY (Cont'd)				
67-41-31	D173-3	Rod End	X	2
32	C258-5	Pitch Link Assembly (Incl items 42 thru 47)	X	2
33	B270-13	Sealant (to fill cavity in item 20)	X	A/R
34	A255-3	Counter Weight	X	2
35	NAS1352N08-4	Screw	X	2
36	B769-2	Bracket	X	1
37	C204-2	Arm (lower)	X	1
38	C017-6	Swashplate Assembly (Incl items 35, 36, 39, and 40)	X	1
39	C769-2	Interrupter	X	1
40	MS20470AD3	Rivet	X	2
41	NAS6605-17	Bolt	X	4
42	D173-3	Rod End	X	1
43	B330-19	Palnut	X	1
44	AN316-6R	Nut	X	1
45	C258-6*	Barrel Assembly	X	2
46	21FKF-813	Nut	X	1
47	D173-4	Rod End	X	1
48	D173-2	Rod End (Ref)		
49	B330-19	Palnut (Ref)		
50	AN316-6R	Nut (Ref)		
51	F121-3	Push-Pull Tube Assembly (Ref, includes items 48 thru 50. See also Figure 67-27.)		
52	MS20995C32	0.032 in. dia Safety Wire	X	A/R
53	C258-2	Fitting	O	1
54	C258-4*	Link Assembly (Incl items 42 thru 44)	O	1
55	C258-1	Pitch Link Assembly (Incl items 42 thru 44, 53, and 54)	O	2

NOTES * Apply A257-2 or A257-22 oil on threads.

Intentionally Blank

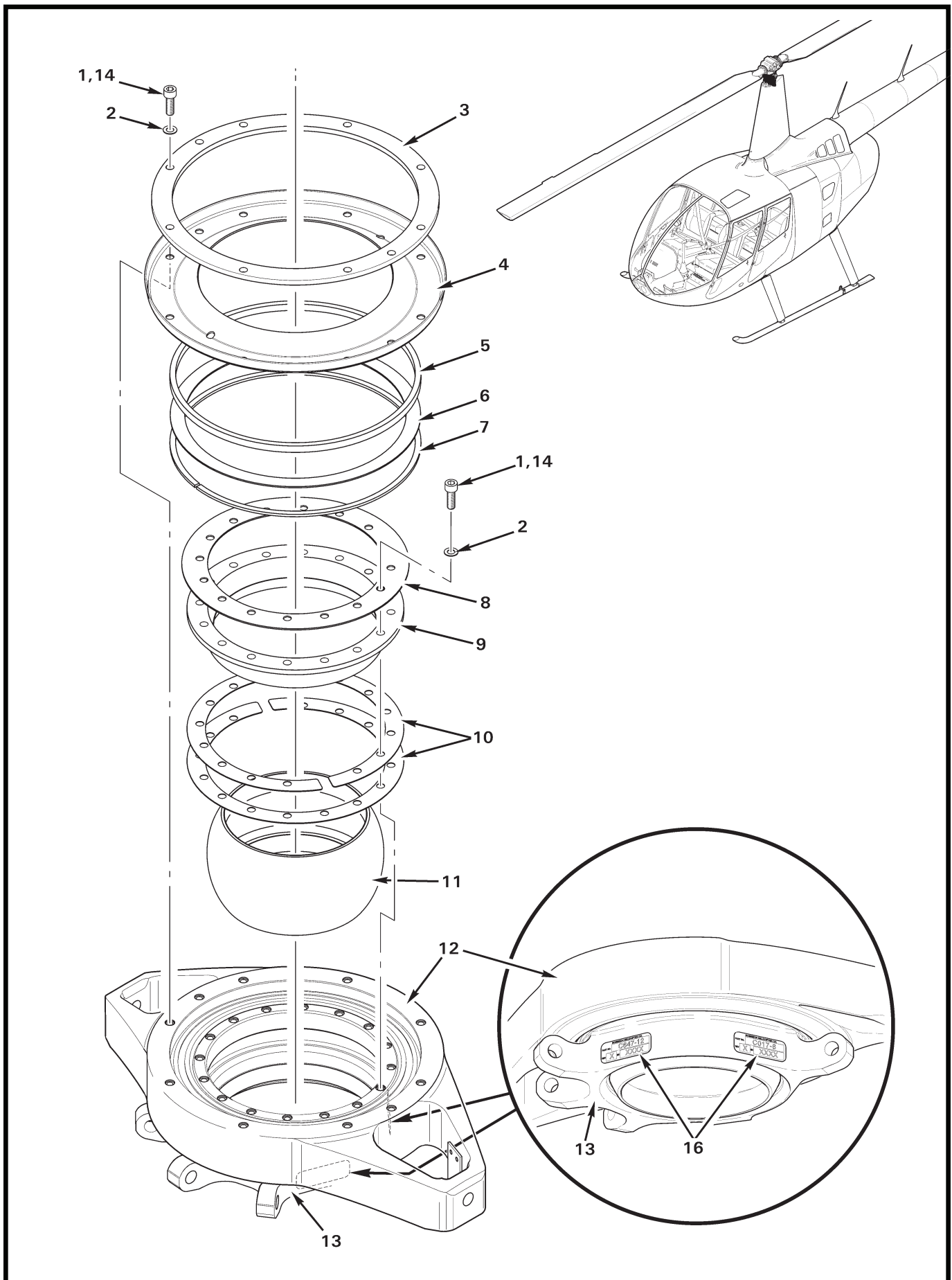


FIGURE AND INDEX NUMBER	PART NUMBER	DESCRIPTION	PARTS AVAIL	QTY PER ASSY
SWASHPLATE BALL INSTALLATION				
67-45-1	NAS1352N08-8	Screw (install using item 14 on threads)	X	26
2	NAS620-8L	Washer	X	26
3	C200-1	Retainer	X	1
4	C206-1	Retainer	X	1
5	C219-2	Spacer	X	1
6	C218-2	Shield	X	1
7	C219-1	Spacer	X	1
8	C218-1	Shield	X	1
9	C205-1	Sleeve Assembly	X	1
10	C197-1	Spacer (thickness = 0.016 in.)	X	A/R
	C197-2	Spacer (thickness = 0.020 in.)	X	A/R
	C197-3	Spacer (thickness = 0.025 in.)	X	A/R
	C197-4	Spacer (thickness = 0.032 in.)	X	A/R
	C197-5	Spacer (thickness = 0.040 in.)	X	A/R
	C197-6	Spacer (thickness = 0.050 in.)	X	A/R
11	C201-1	Ball Assembly	X	1
12	C199-2	Swashplate Assembly – Upper (Ref)		
13	F198-1	Swashplate Assembly – Lower (Ref)		
14	A257-9	Anti-Seize (Loctite 76732)	X	A/R
15	C647-12	Bearing Set – Swashplate (Ref; connects items 12 and 13; not shown)		
16	—	Identification Plate* (C017-6 Assembly, and C647-12 bearing set; part number, revision letter and serial number) . .	O	2

NOTES * See R66 MM section 20-93 if replacement is required.

Intentionally Blank

CHAPTER 71
POWERPLANT

<i>Figure</i>	<i>Title</i>	<i>Page</i>
71-1	Engine Installation	71.0
71-3	Engine Components – Right Side	71.2
71-5	Engine Components – Right Side	71.4
71-7	Engine Components – Left Side	71.6
71-9	Engine Air Induction – Cage and Filter Assemblies	71.8
71-11	Engine Air Induction – Inlet Barrier Filter	71.10
71-15	Engine Air Induction – Inlet Barrier Filter (Earlier Ships)	71.14
71-17	Bellmouth Installation	71.16
71-19	Exhaust Weldment and Strut Installation	71.18
71-21	Starter-Generator Installation	71.20
71-23	Generator Control Unit Installation	71.22
71-25	Engine Monitoring Unit Installation	71.24
71-27	G090 Fuel Flow Meter Installation	71.26

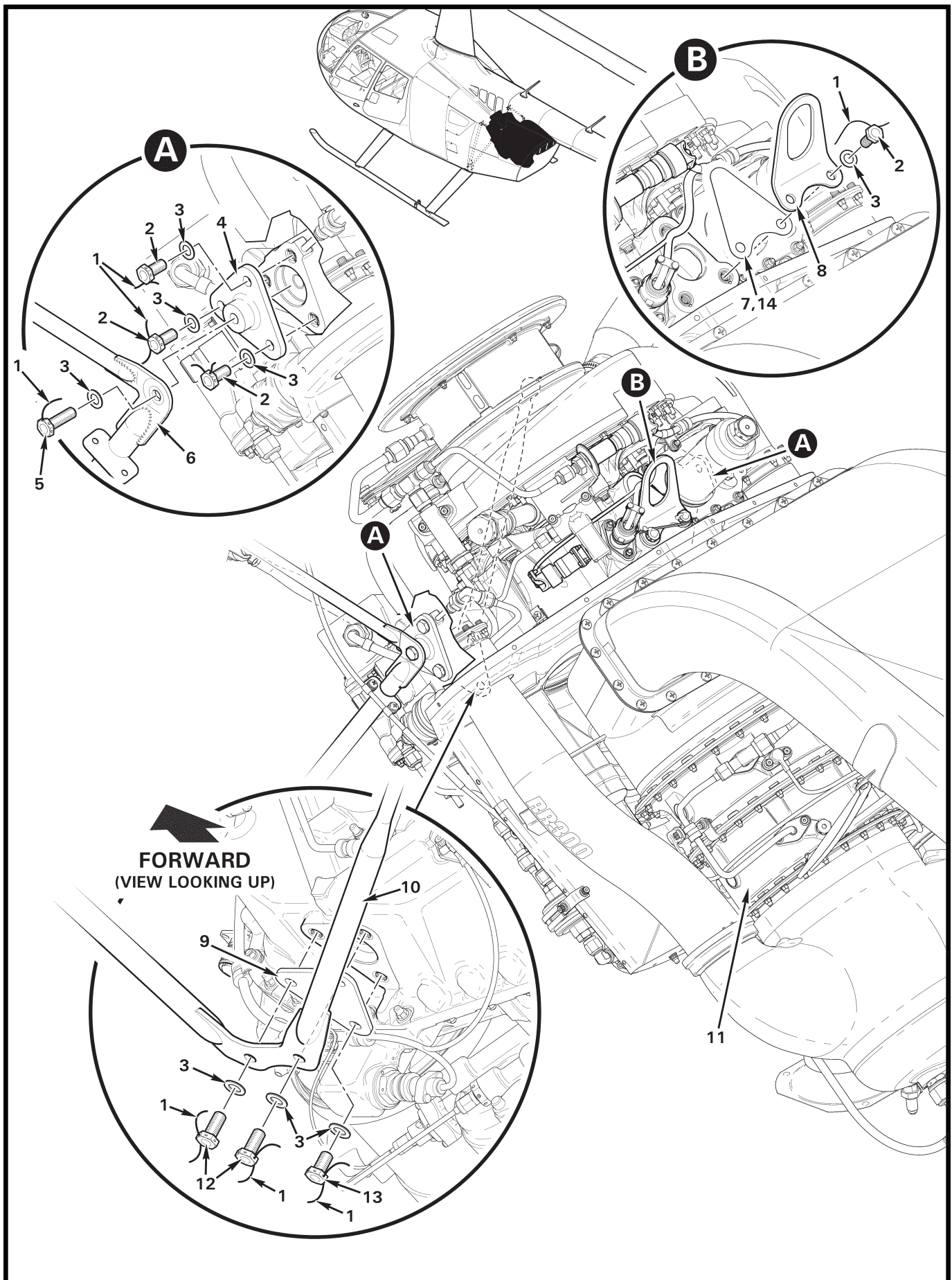


FIGURE AND INDEX NUMBER	PART NUMBER	DESCRIPTION	PARTS AVAIL	QTY PER ASSY
ENGINE INSTALLATION				
71-1-1	MS20995C32	0.032 in. dia Safety Wire	X	A/R
2	NAS6605H3	Bolt	X	8
3	NAS1149F0532P	Washer	X	13
4	F593-1	Support Assembly	X	2
5	NAS6605H9	Bolt	X	2
6	F046-1	Frame Weldment (Ref, see Figure 53-7)		
7	G200-2	Cover (install using item 14; earlier aircraft)	X	1
8	G200-1	Lug (optional)	X	1
9	F593-3	Plate	X	1
10	F174-1	Support Weldment (Ref, see Figure 53-7)		
11	F145-1	Engine (Ref, Rolls-Royce Model 250-C300/A1)		
12	NAS6605H4	Bolt	X	2
13	NAS6605H2	Bolt	X	1
14	B270-1	Sealant	X	A/R

NOTES

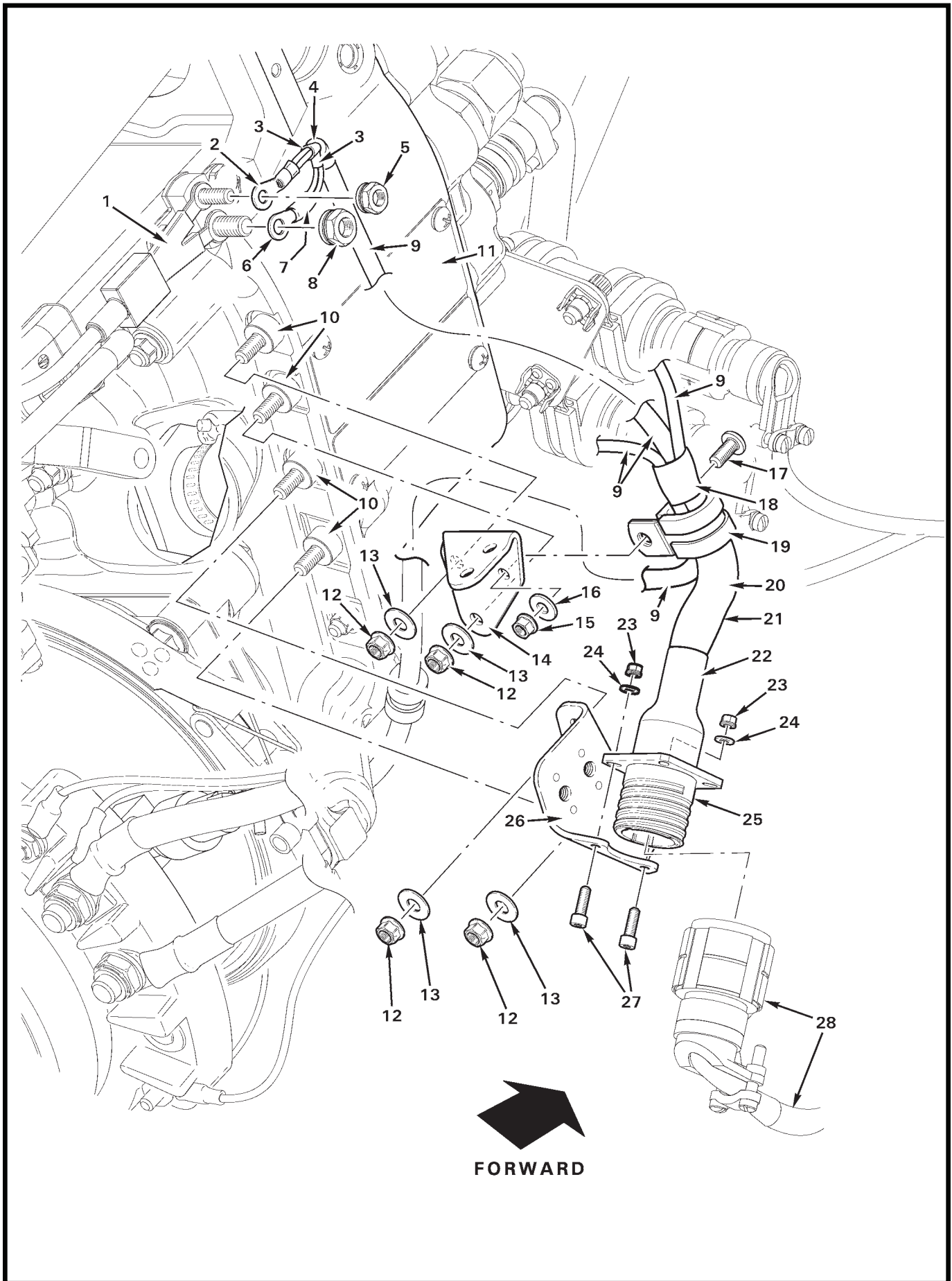


FIGURE AND INDEX NUMBER	PART NUMBER	DESCRIPTION	PARTS AVAIL	QTY PER ASSY
		ENGINE COMPONENTS – RIGHT SIDE		
71-3-1	—	Harness* – MGT (Ref)		
2	B260-33	Terminal (Ref; small)	X	1
3	B158-2	Heat Shrink (small)	X	A/R
4	B158-6	Heat Shrink (large)	X	A/R
5	—	Nut* (small)	O	1
6	B260-34	Terminal (Ref; large)	X	1
7	B158-604	Heat Shrink	X	A/R
8	—	Nut* (large)	O	1
9	B266-104	Sleeving	X	A/R
10	—	Spacer*	O	4
11	—	Engine (Ref)		
12	—	Nut* (Ref)		
13	NAS1149F0332P	Washer	X	4
14	F577-3	Bracket	X	1
15	MS21042L08	Nut	X	1
16	NAS1149FN832P	Washer	X	1
17	MS27039C0806	Screw	X	1
18	7861K46	Heat Shrink (adhesive-lined)	X	A/R
19	MS21919WCH8	Clamp	X	1
20	B266-108	Sleeving	X	A/R
21	F049-012	Harness Assembly – Engine (Incl items 2 thru 4, 6, 7, 9, 18, 20, 22, and 25)	X	1
	F049-09	Harness Assembly – Engine (Incl items 2 thru 4, 6, 7, 9, 18, 20, 22, and 25; earlier aircraft)	O	1
22	H129-4-J-WM250	Shrink Boot	X	1
23	MS21042L04	Nut	X	2
24	NAS620-4	Washer	X	2
25	D38999/20FC35PN	Receptacle (Ref)		
26	F577-1	Bracket Assembly	X	1
27	NAS1352-04-6P	Screw	X	2
28	F059	Harness Assembly – Electrical (Ref; cabin)		

NOTES * Supplied with engine.

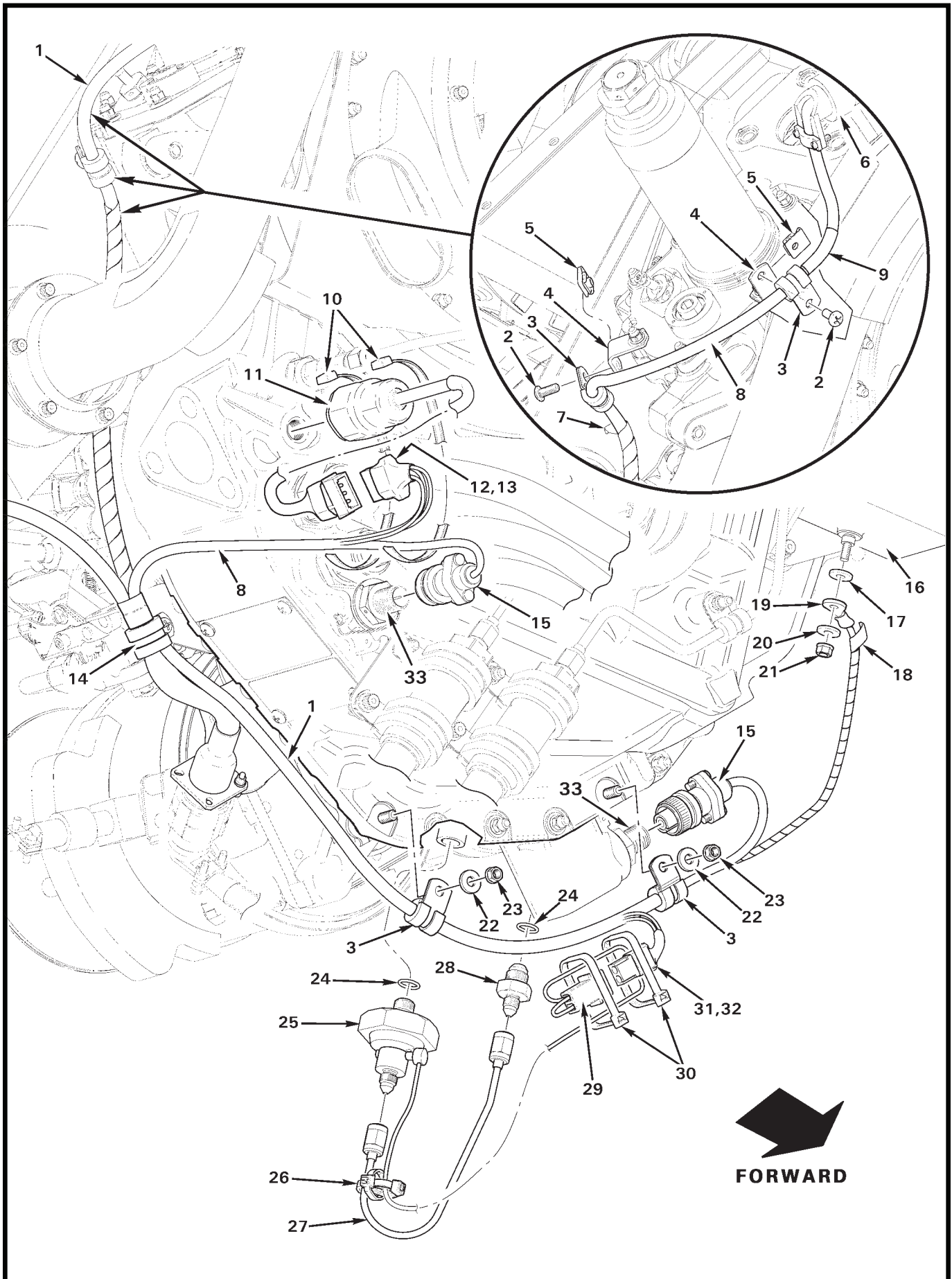


FIGURE AND INDEX NUMBER	PART NUMBER	DESCRIPTION	PARTS AVAIL	QTY PER ASSY
		ENGINE COMPONENTS – RIGHT SIDE		
71-5-1	F049-012	Wire Harness Assembly – Engine (Incl items 6 thru 9, 12, 13, 15, 30, and 31)	X	1
	F049-09	Wire Harness Assembly – Engine (Ref; earlier ships)		
2	MS27039C0806	Screw	X	2
3	MS21919WCH4	Clamp	X	4
4	MS9592-050*	Bracket	O	2
5	B162-2	Clipnut	X	2
6	MS3456W10SL-3S	Plug (Ref)		
7	B161-104	Spirap	X	A/R
8	B266-104	Sleeving	X	A/R
9	7861K46	Heat Shrink	X	A/R
10	MS3367-7-9	Ty-Rap	X	2
11	D745-3**	Switch Assembly (oil pressure; Incl [1] NAS617-3 packing) . .	X	1
12	B263-15	Housing	X	1
	B263-2	Socket	X	3
13	B158-8	Heat Shrink	X	A/R
14	MS21919WCH8	Clamp (Ref, see Figure 71-3)		
15	MS3106R8S-1S	Plug	X	2
16	—	Ignition Exciter Box (Ref)		
17	NAS1149E0363R	Washer	X	1
18	B161-102	Spirap	X	A/R
19	B260-4	Terminal	X	1
20	—	Washer*	O	1
21	—	Nut*	O	1
22	NAS1149C0363R*	Washer	O	2
23	—	Nut*	O	2
24	MS29512-03	Packing (o-ring)	X	2
25	G426-1	Switch Assembly (differential pressure, Incl items 24 and 29)	X	1
26	MS3367-4-9	Ty-Rap	X	2
27	F741-1	Line Assembly	X	1
28	AN919-OD	Reducer	X	1
29	B263-12	Housing	X	1
	B263-1	Pin	X	1
	B263-3	Pin	X	1
30	MS3367-5-9	Ty-Rap	X	2
31	B263-13	Housing	X	1
	B263-2	Socket	X	2
32	B158-6	Heat Shrink	X	A/R
33	6871534***	Oil Plug/Chip Detector	X	2

NOTES * Supplied with engine.
 ** Switch is NO (normally open), and closes if oil pressure is 45 (±3) psig or below.
 *** Rolls Royce part no., see RR300 Line Illustrated Parts Catalog.

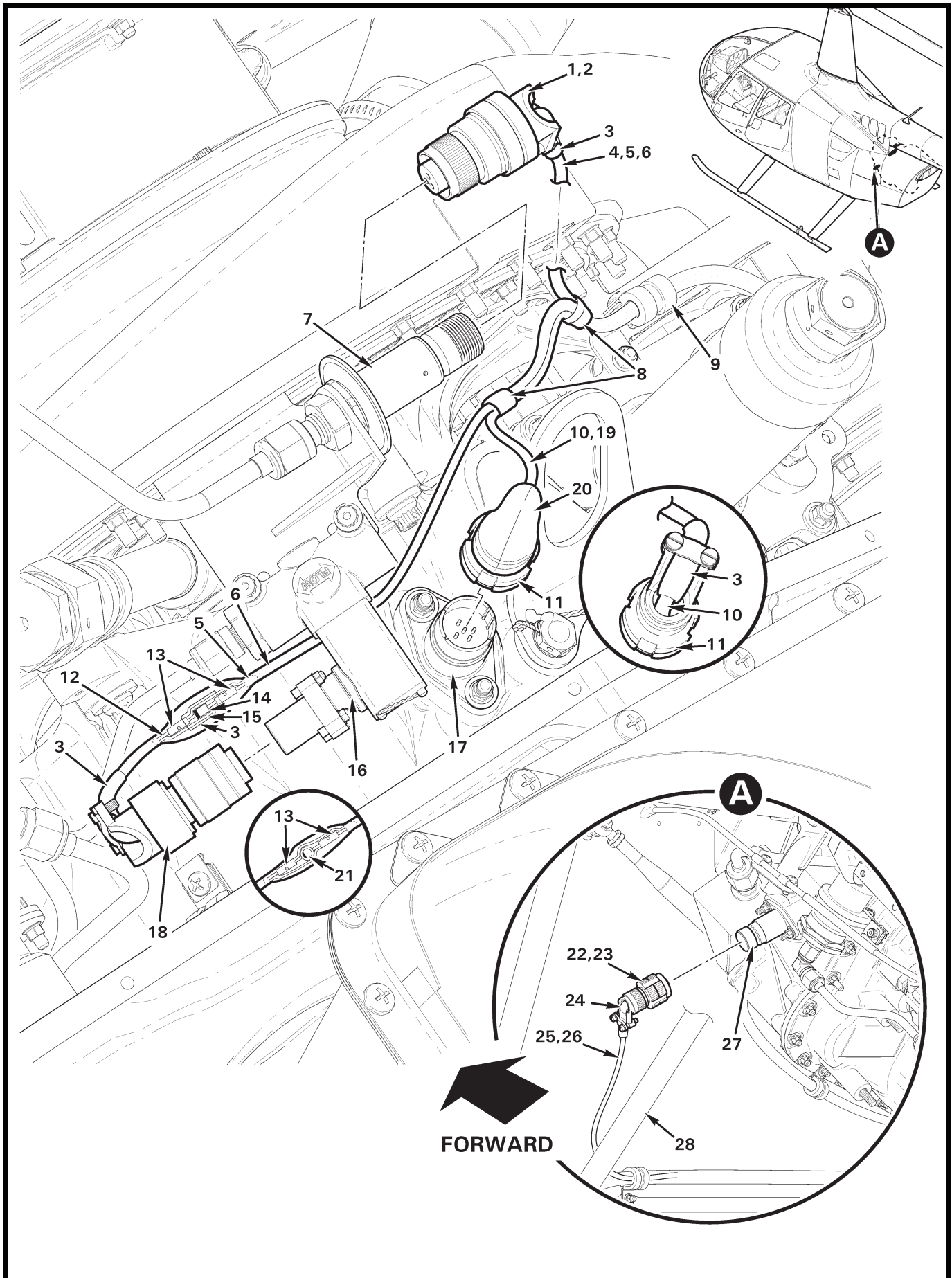


FIGURE AND INDEX NUMBER	PART NUMBER	DESCRIPTION	PARTS AVAIL	QTY PER ASSY
ENGINE COMPONENTS – LEFT SIDE				
71-7-1	F049-012	Harness Assembly (Incl items 2 thru 6, 8, 10 thru 15 and 18 thru 20)	X	1
	F049-09*	Harness Assembly (Ref; earlier ships)		
	F049-02*	Harness Assembly (Ref; earlier ships)		
2	MS3456W10SL	Plug	X	1
3	B158-6	Heat Shrink	X	A/R
4	-1944,-1945	Wires (Ref)		
5	B158-2	Heat Shrink	X	A/R
6	B266-104	Sleeving	X	A/R
7	RR30000270**	Anti-Ice Pressure Switch (Ref)		
8	B158-808	Heat Shrink	X	A/R
	7861K46	Heat Shrink (earlier ships)	O	A/R
9	MS21919WCH4	Clamp (Ref, see Figure 71-5)		
10	-1938,-1939,-1940,-1941	Wires (Ref)		
11	D38999 / 26FB98SA	Plug	X	1
	MS27488-20-2	Sealing Plug (pin E and F)	X	2
	B158-2	Heat Shrink	X	A/R
12	-2037	Wire	X	1
13	B261-2	Splice	X	2
14	D275-102	Diode (3 amp)	X	1
15	-2054	Wire (Ref)		
16	23007827**	Anti-Ice Valve (Ref)		
17	RR30000206**	N1 Speed Sensor (Ref)		
18	M83723 / 75R08036	Plug	X	1
19	B158-808	Heat Shrink	X	A/R
20	222A121-25/225	Boot	X	1
21	A15A	Diode (15 amp; earlier ships)	X	1
22	F859-01	Harness Assembly (Incl items 23 thru 24)	X	1
23	D38999 / 26FB98SN	Plug	X	1
24	B158-6	Heat Shrink	X	A/R
25	B266-104	Sleeving	X	A/R
26	-1934 thru -1937	Wires (Ref)		
27	23054163**	N2 Sensor (Ref)		
28	F046-1	Frame Weldment (Ref)		

NOTES * See KI-223 Electrical Harness Kit to replace -02, and -09, with -012.
 ** Rolls-Royce part number. See Rolls Royce RR300 Line Illustrated Parts Catalog.

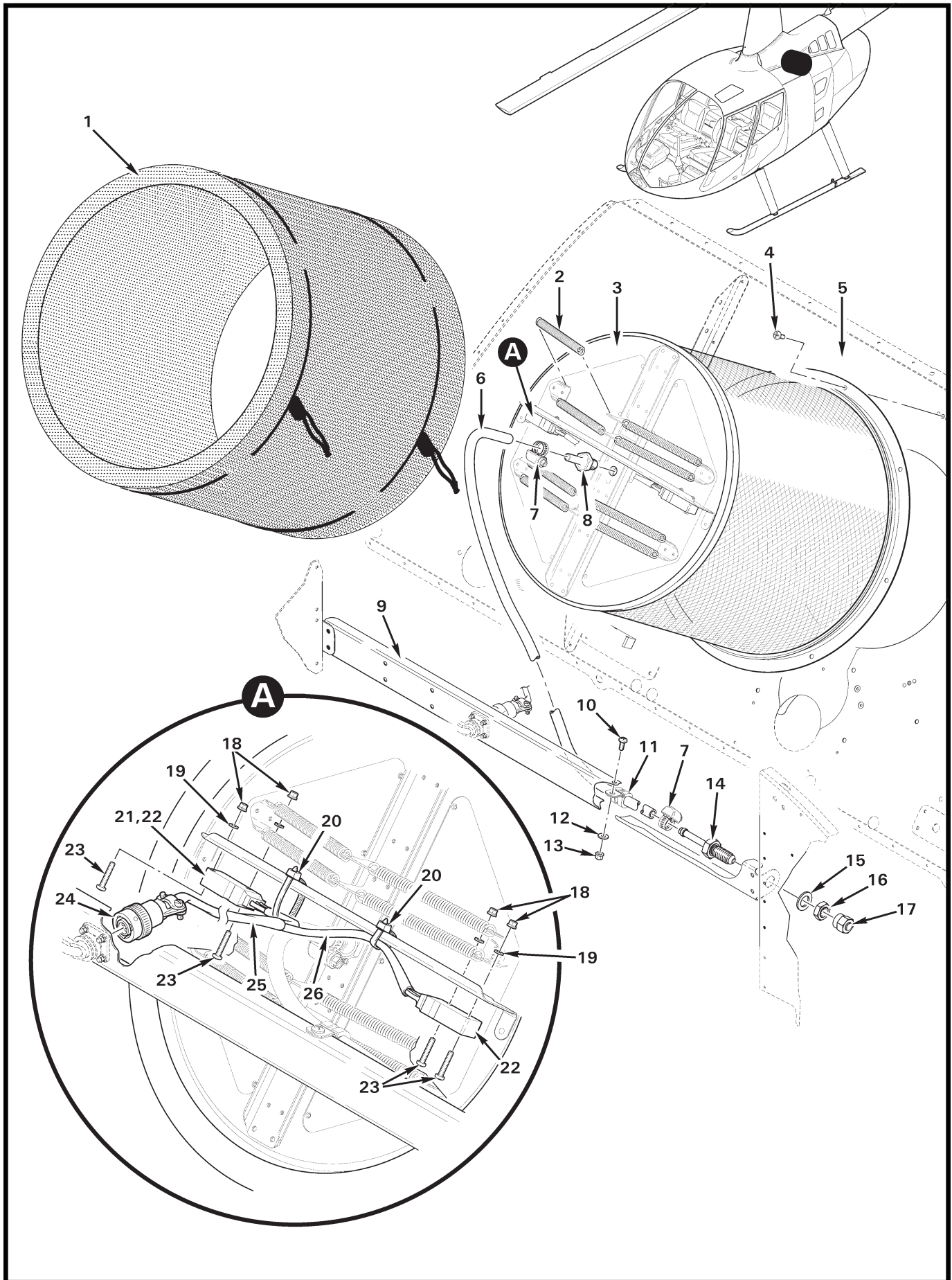


FIGURE AND INDEX NUMBER	PART NUMBER	DESCRIPTION	PARTS AVAIL	QTY PER ASSY
ENGINE AIR INDUCTION – CAGE AND FILTER ASSEMBLIES				
71-9-1	F771-1	Air Filter Assembly	X	1
2	B774-8	Spring	X	8
3	G057-1	Cage Assembly (Incl items 2, 18 thru 21, and 23)	X	1
4	MS27039C0806	Screw	X	7
5	F234-1	Firewall (Ref)		
6	A729-42	Tube	X	1
7	B277-4	Clamp	X	2
8	G738-1	Nozzle	X	1
9	G258-4	Strap (Ref)		
10	MS27039C0807	Screw	X	1
11	MS21919WDG6	Clamp	X	1
12	NAS1149FN816P	Washer	X	1
13	MS21042L08	Nut	X	1
14	AS5180D04	Fitting	X	1
15	NAS1149F0763P	Washer	X	1
16	AN316-7R	Nut	X	1
17	AN929-4	Cap	X	1
18	MS21042L04	Nut	X	4
19	NAS620-4	Washer	X	4
20	MS3367-4-9	Ty-Rap	X	2
21	F049-08	Harness Assembly – Air Filter Switch (Incl items 22, and 24 thru 26)	X	1
22	D2VW-5-1MS	Switch	X	2
23	MS35206-219	Screw	X	4
24	MS3116E8-4P	Plug	X	1
	B158-2	Heat Shrink (around wires; not shown)	X	A/R
25	B158-4	Heat Shrink	X	A/R
26	B158-3	Heat Shrink	X	A/R

NOTES

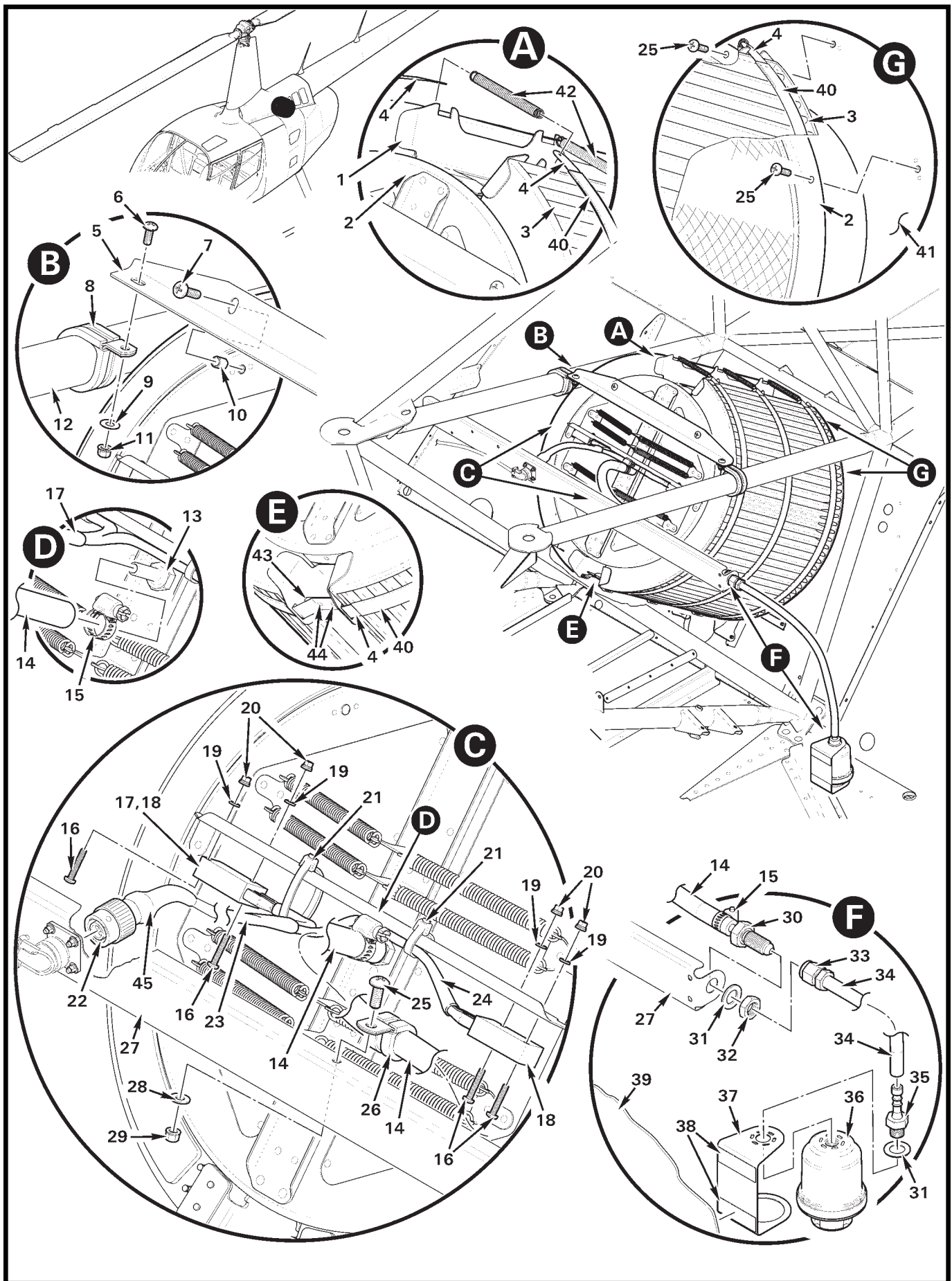


FIGURE AND INDEX NUMBER	PART NUMBER	DESCRIPTION	PARTS AVAIL	QTY PER ASSY
ENGINE AIR INDUCTION – INLET BARRIER FILTER				
71-11-1	G058-2	Cage Assembly (Incl items 2 thru 9, and 10 [2])	X	1
2	G057-1	Cage Assembly (includes items 17, 19 thru 21, 40, 43, and 44; see also Figure 71-9)	X	1
3	146150-101	Filter Assembly	X	2
4	146160-101	Strap Assembly	X	2
5	G735-7	Angle	X	1
6	MS27039C1-07	Screw	X	2
7	MS27039C1-10	Screw	X	2
8	MS21919WDG18	Clamp	X	2
9	NAS1149F0316P	Washer	X	4
10	C130-26	Spacer	X	8
11	D210-3	Nut	X	2
12	F020-1	Upper Frame Assembly (Ref)		
13	G738-1	Nozzle	X	1
14	A729-42	Tube	X	1
15	B277-4	Clamp	X	2
16	MS35206-219	Screw	X	4
17	F049-08	Harness Assembly – Air Filter Switch (Incl items 18, 22 thru 25, and 45)	X	1
18	D2VW-5-1MS	Switch	X	2
19	NAS620-4	Washer	X	4
20	MS21042L04	Nut	X	4
21	MS3367-4-9	Ty-Rap	X	2
22	MS3116E8-4P	Plug	X	1
23	B158-4	Heat Shrink	X	A/R
24	B158-3	Heat Shrink	X	A/R
25	MS27039C0806	Screw	X	2
26	MS21919WDG8	Clamp	X	1
27	G258-4	Strap (Ref)		
28	NAS1149FN816P	Washer	X	1
29	MS21042L08	Nut	X	1
30	AS5180D04	Fitting	X	1
31	NAS1149F0763P	Washer	X	2
32	AN316-7R	Nut	X	1
33	A457-17	Fitting	X	1

NOTES

Continues

FIGURE AND INDEX NUMBER	PART NUMBER	DESCRIPTION	PARTS AVAIL	QTY PER ASSY
ENGINE AIR INDUCTION – INLET BARRIER FILTER (Cont'd)				
71-11-34	A729-78	Tube	X	1
35	A457-16	Fitting	X	1
36	100460-201	Gage	X	1
37	G735-1	Bracket Assembly (Incl Item 38)	X	1
38	A701-7	Tape	X	2
39	G235-1	Bulkhead (Ref)		
40	B158-6	Heat Shrink	X	6
41	F234-1	Firewall (Ref)		
42	B774-10	Spring	X	3
43	G735-9	Stop	X	3
44	MS20470AD3	Rivet (3 locations)	X	6
45	B158-2	Heat Shrink	X	A/R
NOTES				

Intentionally Blank

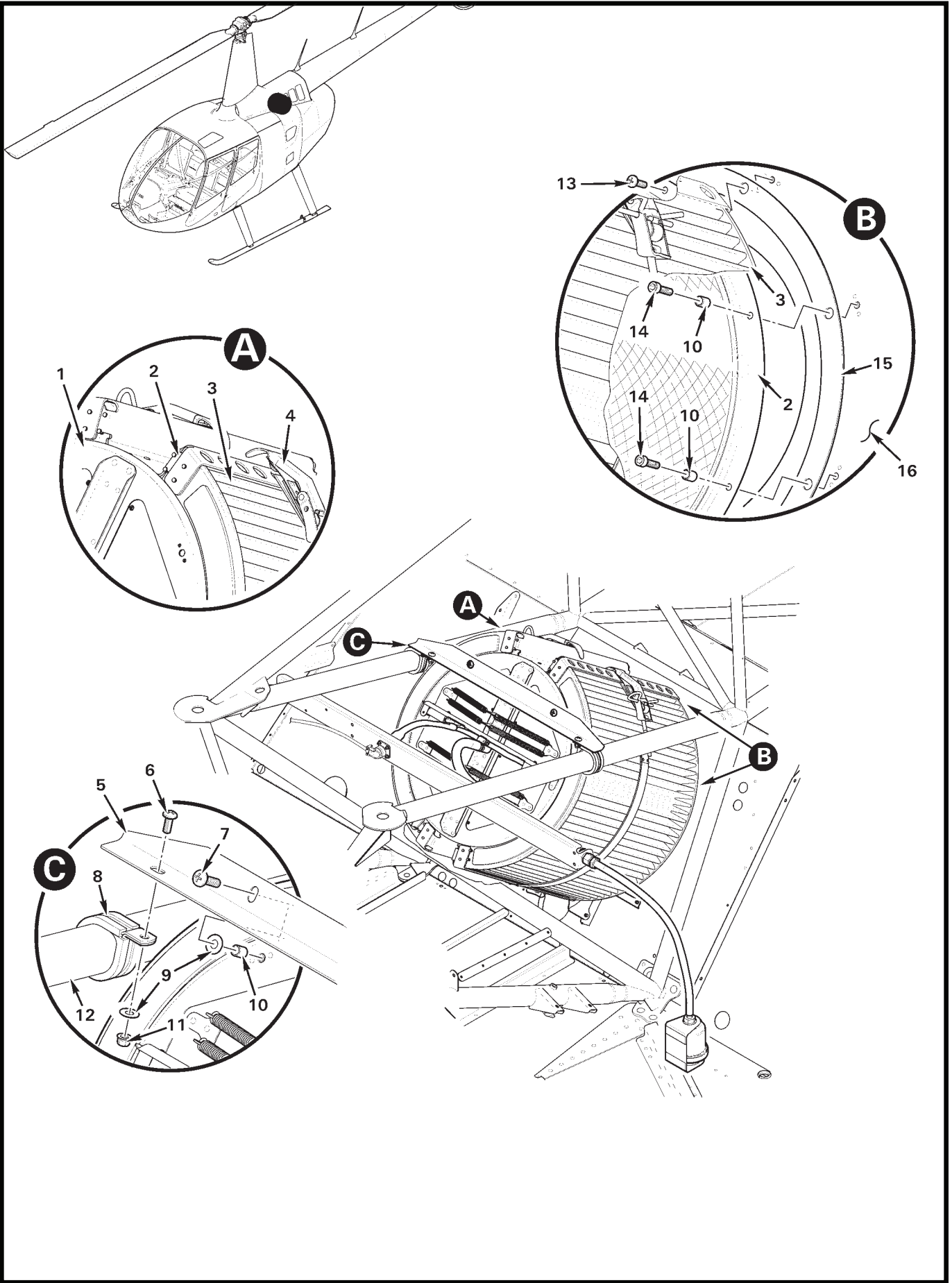


FIGURE AND INDEX NUMBER	PART NUMBER	DESCRIPTION	PARTS AVAIL	QTY PER ASSY
ENGINE AIR INDUCTION – INLET BARRIER FILTER (EARLIER SHIPS)				
71-15-1	G058-1	Cage Assembly (Incl items 2 thru 9, and 10 [2])	X	1
2	G057-1	Cage Assembly (includes items 17, and 19 thru 21; see also Figures 71-9, and 71-11)	X	1
3	146150-101	Filter Assembly	X	2
4	146160-101	Strap Assembly	X	2
5	146171-201	Stiffener	X	1
6	MS27039C1-07	Screw	X	2
7	MS27039C1-10	Screw	X	2
8	MS21919WDG18	Clamp	X	2
9	NAS1149F0316P	Washer	X	4
10	146121-201	Spacer	X	8
11	D210-3	Nut	X	2
12	F020-1	Upper Frame Assembly (Ref)		
13	MS27039C0806	Screw	X	1
14	NAS1352-08-12P	Screw	X	6
15	165201-201	Seal	X	1
16	F234-1	Firewall (Ref)		
NOTES				

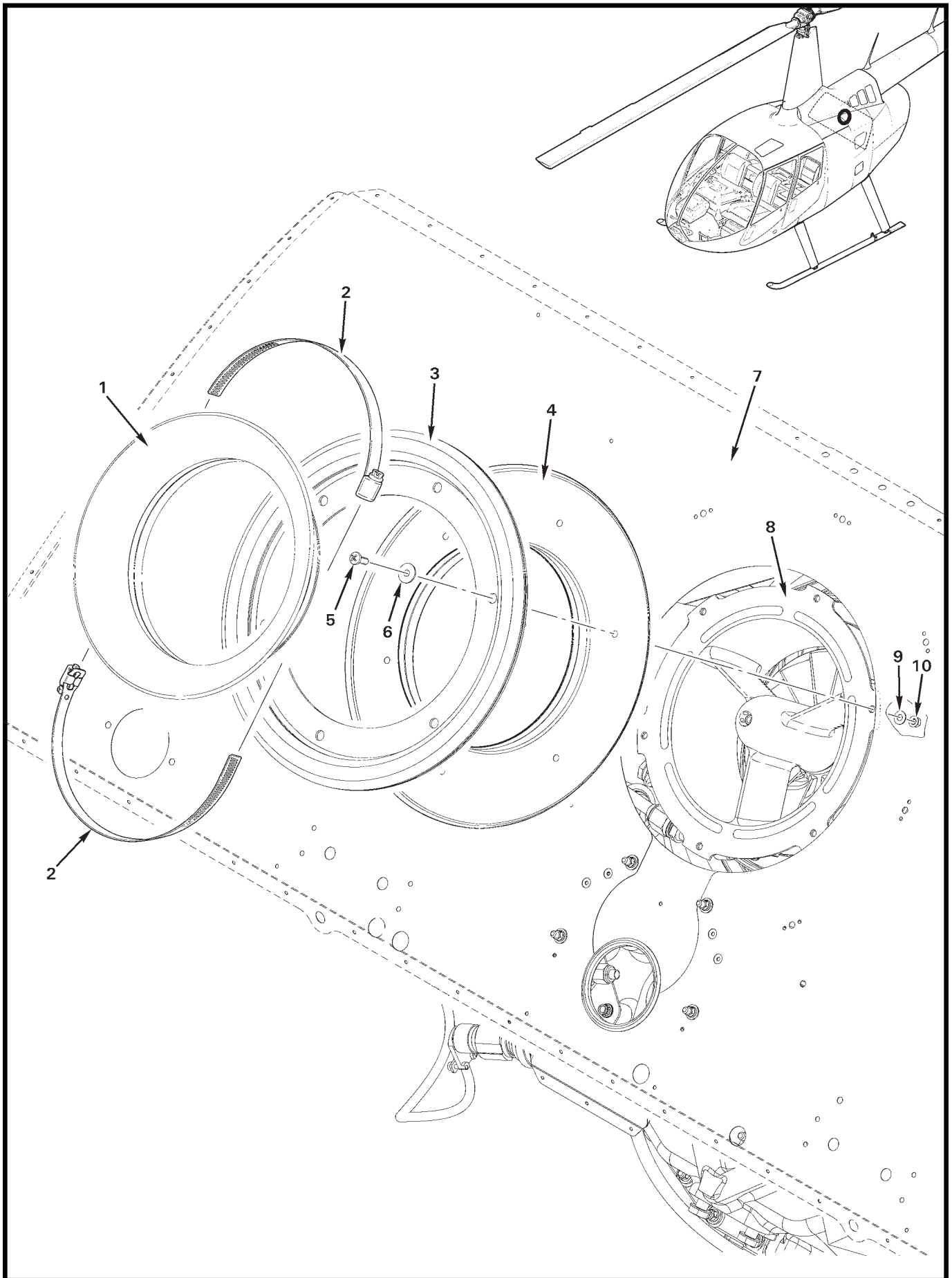


FIGURE AND INDEX NUMBER	PART NUMBER	DESCRIPTION	PARTS AVAIL	QTY PER ASSY
BELLMOUTH INSTALLATION				
71-17-1	F579-1	Bellmouth	X	1
2	B277-36	Clamp	X	2
3	F597-1	Seal	X	1
4	F580-1	Inlet	X	1
5	MS27039C0807	Screw	X	6
6	F453-5	Retainer	X	6
7	F234-1	Firewall (Ref)		
8	—	Engine Front Support (Ref)		
9	NAS1149FN832P	Washer	X	6
10	MS21042L08	Nut	X	6

NOTES

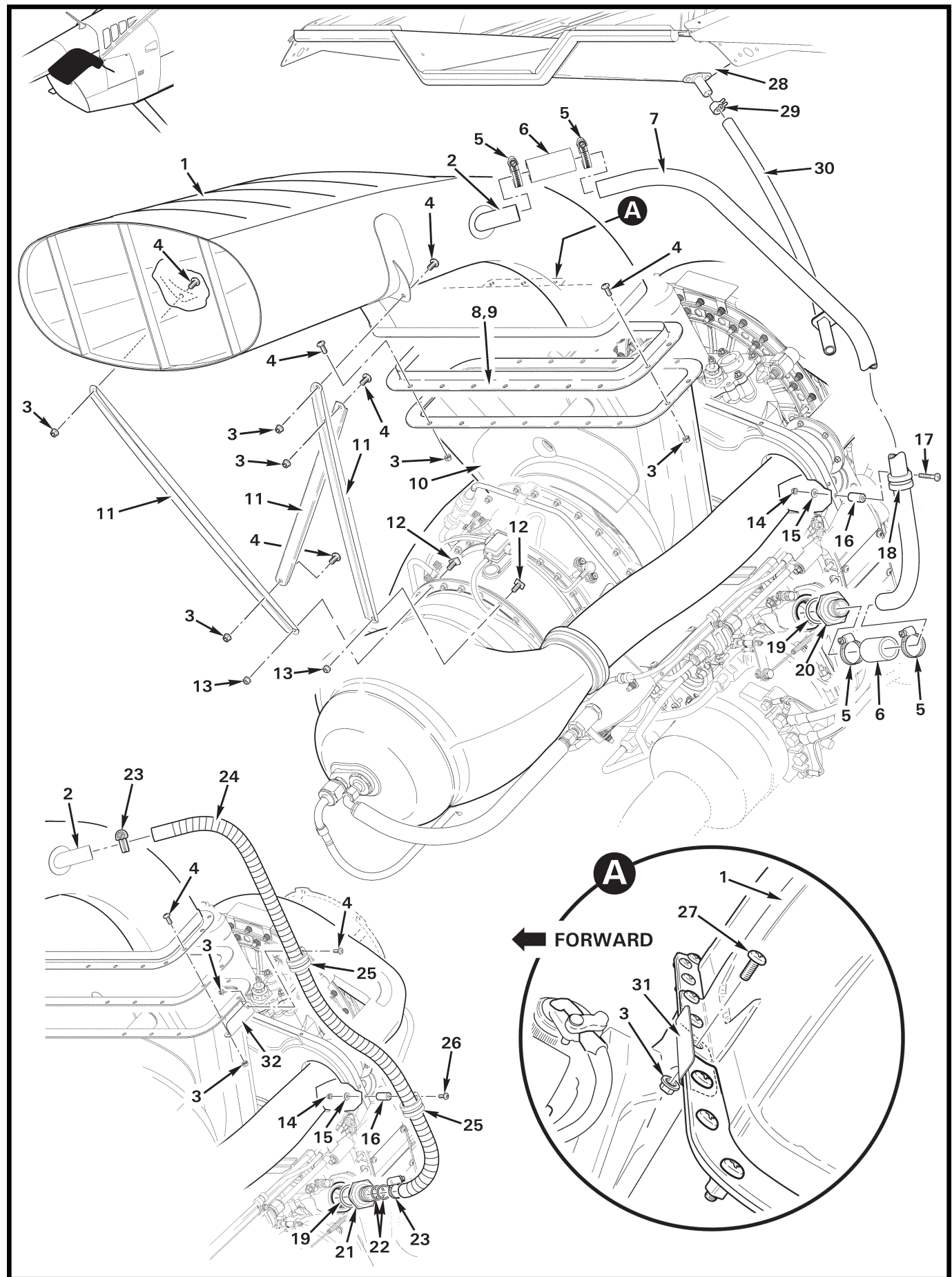


FIGURE AND INDEX NUMBER	PART NUMBER	DESCRIPTION	PARTS AVAIL	QTY PER ASSY
		EXHAUST WELDMENT AND STRUT INSTALLATION		
71-19-1	F169-1	Exhaust Weldment (includes item 2)	X	1
2	F169-9	Vent (Ref)		
3	D210-3	Nut	X	24
4	MS27039C1-06	Screw	X	24
5	B277-12	Clamp (install with screw on top within 30 degrees).	X	4
6	A729-68	Tube	X	2
7	G727-3	Tube (required if item 30 is installed; refer to KI-258)	X	1
	G727-1*	Tube (no provision for firewall drain tube)	X	1
8	F169-2	Base (install using item 9)	X	1
9	7020-3	Putty	X	A/R
10	—	Engine Exhaust Collector (Ref)		
11	F173-1	Strut	X	3
12	—	Tee Bolt (Ref, supplied with engine)		
13	—	Nut (Ref, supplied with engine)		
14	MS21042L08	Nut	X	1
15	NAS1149FN832P	Washer	X	1
16	C130-51	Spacer	X	1
17	MS27039C0816	Screw	X	1
18	MS21919WCH12	Clamp	X	2
19	NAS617-12	Packing (o-ring)	X	1
20	F170-2	Fitting	X	1
21	F170-1	Fitting (Ref, superseded by item 20)	O	1
22	A215-016	O-Ring	X	2
23	B277-8*	Clamp (install with screw on top within 30 degrees).	X	2
24	A785-36*	Hose (superseded by item 7)	O	1
25	MS21919WCH14*	Clamp	X	2
26	MS27039C0816*	Screw (alternate part no. AN525-10R16)	X	1
27	MS27039C1-07	Screw	X	3
28	G929-1	Cover (Ref)		
29	D277-8	Clamp	X	1
30	A729-80	Tube	X	1
31	F173-2	Shield	X	1
32	F577-5*	Bracket	X	1
		* * *		
33	KI-258	R66-series Firewall Drain Installation Kit (Incl items 29 and 30)	X	A/R

NOTES * Earlier R66s.

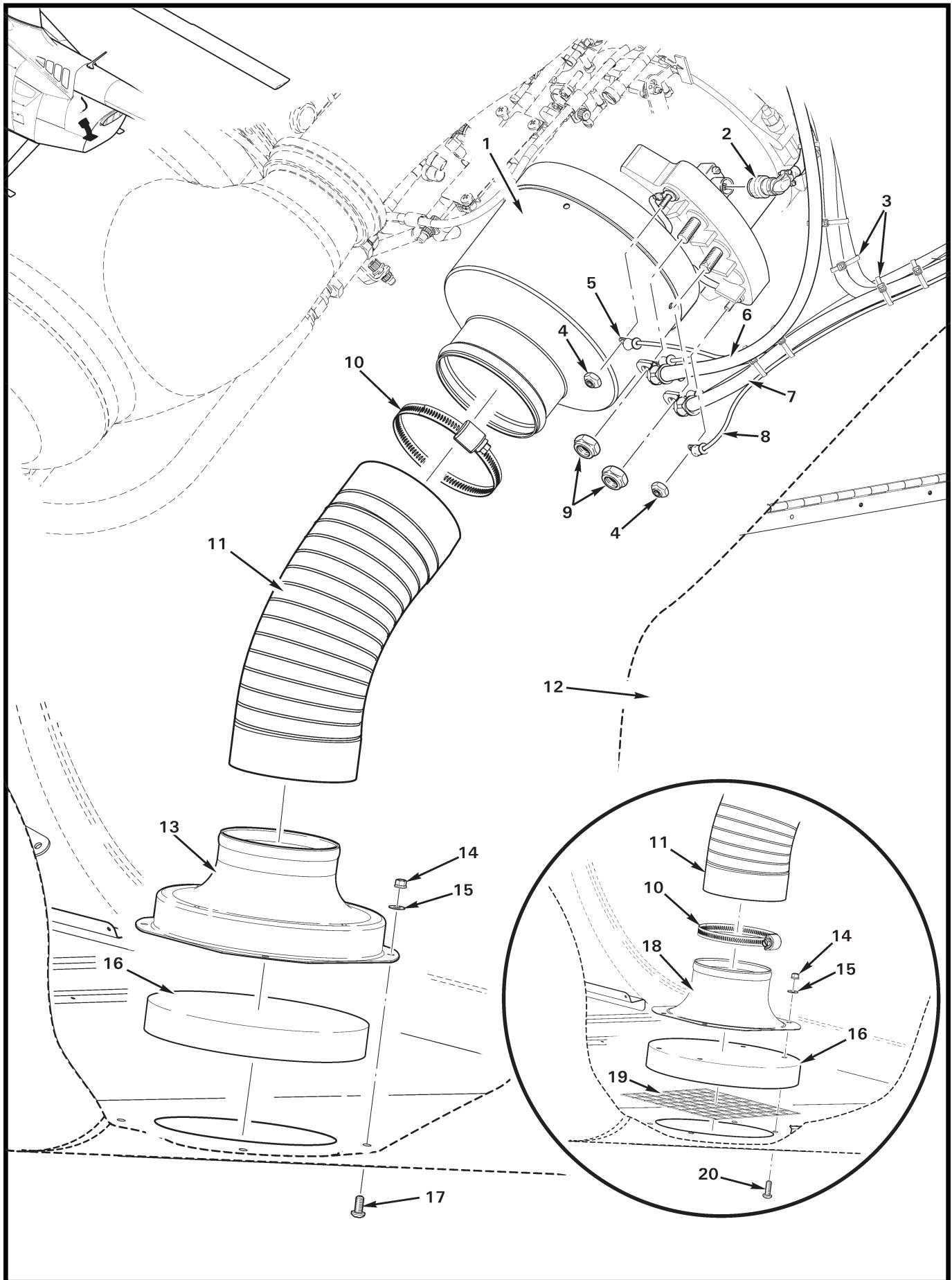


FIGURE AND INDEX NUMBER	PART NUMBER	DESCRIPTION	PARTS AVAIL	QTY PER ASSY
STARTER-GENERATOR INSTALLATION				
71-21-1	—	Starter-Generator (Ref; supplied with engine)		
2	MS3116J8-3S*	Plug (wire no. F049-1989 and -1990)	X	1
3	MS3367-5-9	Ty-Rap	X	A/R
4	—	Nut (small, supplied with item 1)	O	2
5	F049-1985	Wire (Ref)		
6	A780-51	Cable Assembly (wire no. 1969)	X	1
7	A780-50	Cable Assembly (wire no. 1982)	X	1
8	F049-1988	Wire (Ref)		
9	—	Nut (large, supplied with item 1)	O	2
10	B277-48	Clamp	X	1
11	A785-38	Hose	X	1
12	G040-1	Cowling Assembly (Ref; aft)		
13	C579-4	Inlet (2.5 in. tall)	X	1
14	MS21042L08	Nut	X	4
15	NAS1149FN816P	Washer	X	4
16	F771-4	Foam	X	1
17	MS27039C0806	Screw	X	4
18	C579-2**	Inlet (2 in. tall, installed using item 10)	X	1
19	A640-2**	Screen	X	1
20	MS27039C0808**	Screw	X	4

NOTES * Included with F049-013 harness assembly.
 ** Earlier R66s.

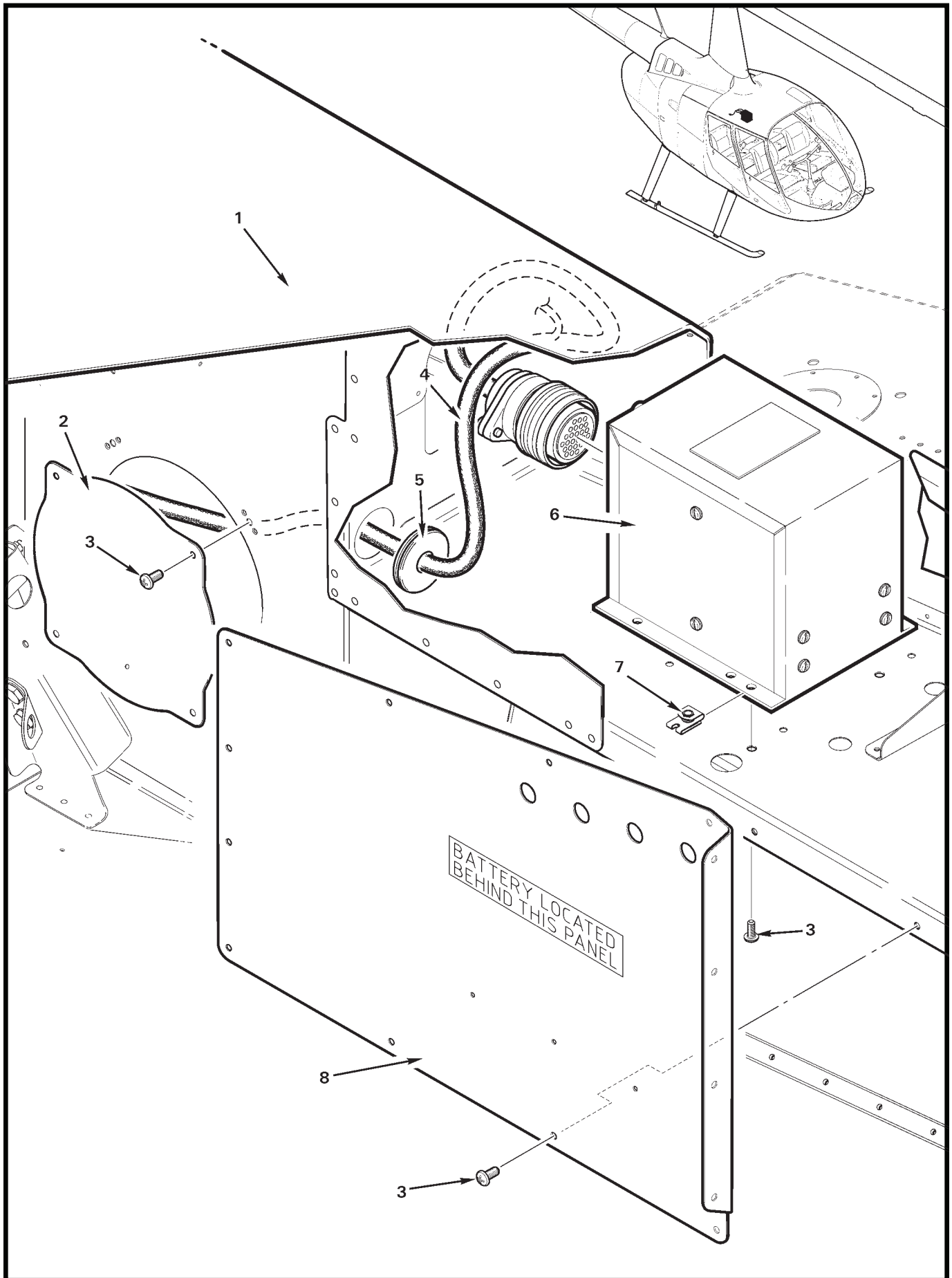


FIGURE AND INDEX NUMBER	PART NUMBER	DESCRIPTION	PARTS AVAIL	QTY PER ASSY
GENERATOR CONTROL UNIT INSTALLATION				
71-23-1	G252-1	Panel (Ref; baggage compartment)		
2	G248-2	Cover (access)	X	1
3	MS27039C0806	Screw	X	22
4	F049-013	Wire Harness Assembly (Incl item 5)	X	1
	F049-010	Wire Harness Assembly (Incl item 5; earlier aircraft)	O	1
	F049-03	Wire Harness Assembly (Incl item 5; earlier aircraft)	O	1
5	MS35489-15	Grommet	X	1
6	RR30000466	Generator Control Unit (supplied with engine)	O	1
7	B162-3	Clipnut	X	4
8	G248-1	Cover Assembly (access)	X	1

NOTES

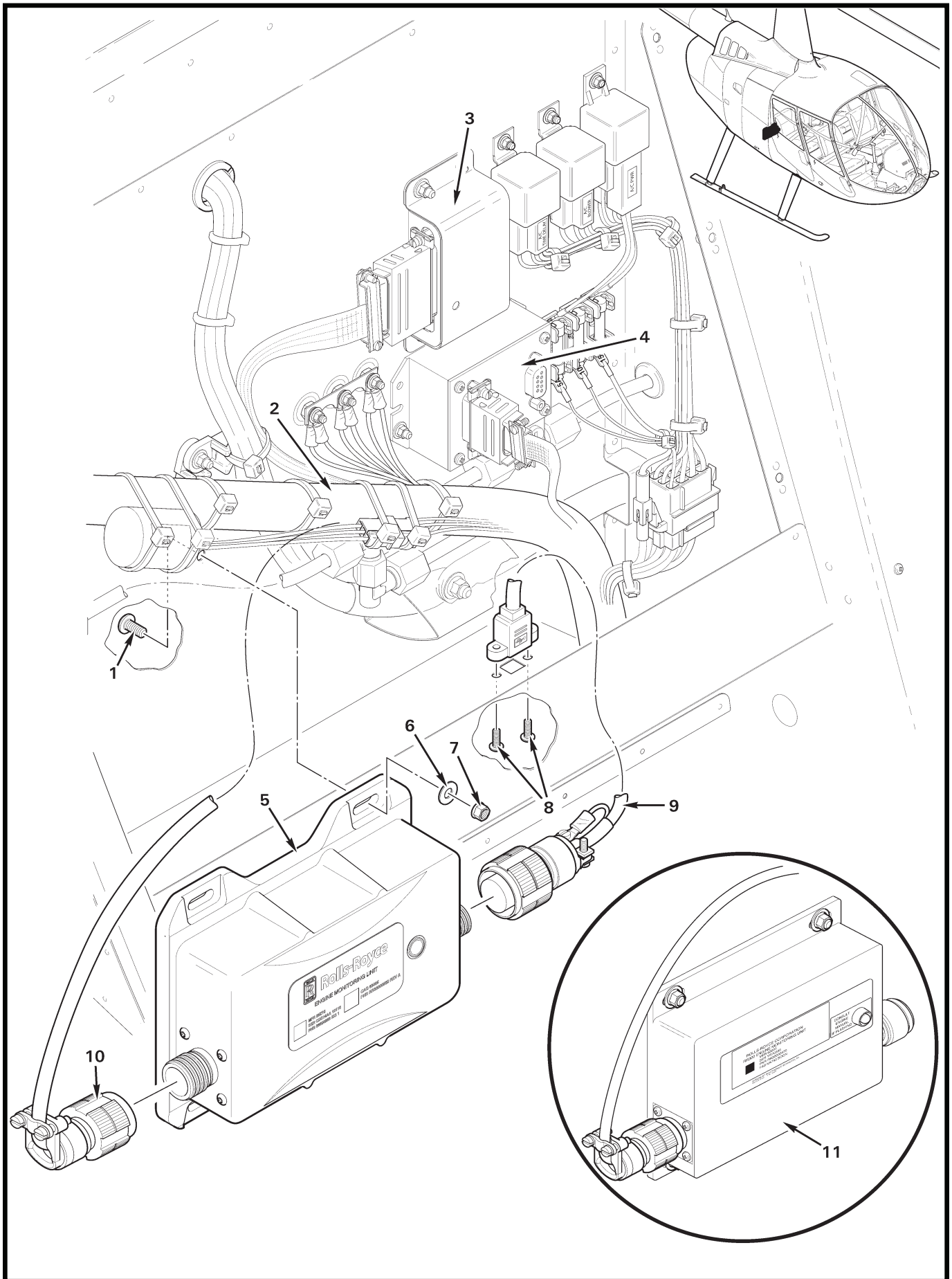


FIGURE AND INDEX NUMBER	PART NUMBER	DESCRIPTION	PARTS AVAIL	QTY PER ASSY
ENGINE MONITORING UNIT INSTALLATION				
71-25-1	MS27039C1-07	Screw	X	4
2	F859-01	Wire Harness Assembly (Ref; cabin)		
3	F695-4	Tester Assembly (Ref)		
4	B240-3	Blind Encoder (Ref)		
5	RR30000470*	Engine Monitoring Unit (supplied with engine)	O	1
6	NAS1149F0332P	Washer	X	4
7	MS21042L3	Nut	X	4
8	—	Screw	O	2
9	F049-07**	Harness Assembly (USB B-female; includes item 8)	X	1
10	—	Connector (Ref; "EMU" plug)		
11	EX183707*	Engine Monitoring Unit (supplied with engine; earlier ships) . .	O	1

NOTES * Rolls-Royce part number. See RR300 Line Illustrated Parts Catalog for latest EMU information.

** USB 2.0 cable, A-male to B-male, required to access EMU.

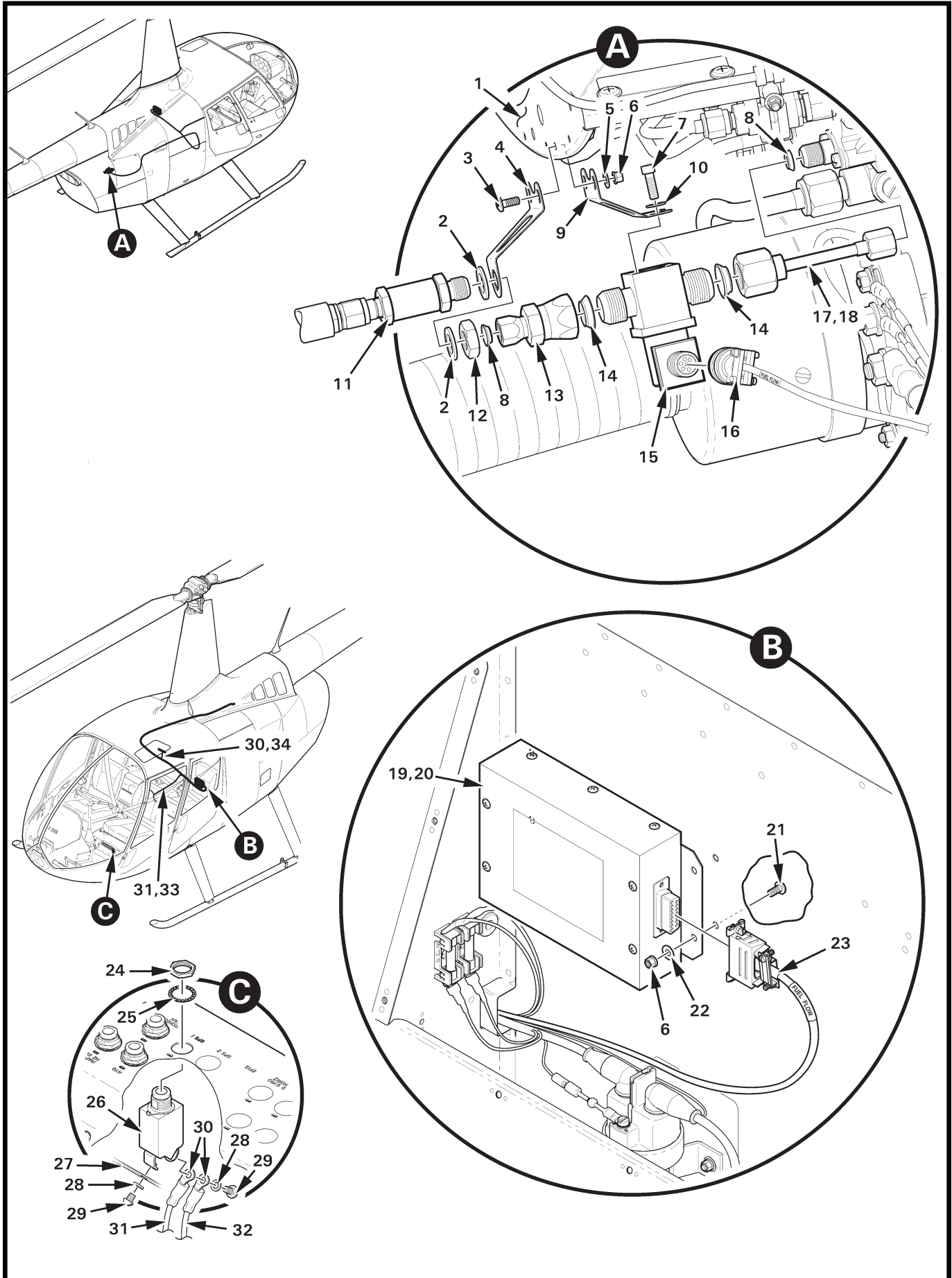


FIGURE AND INDEX NUMBER	PART NUMBER	DESCRIPTION	PARTS AVAIL	QTY PER ASSY
		G090 FUEL FLOW METER INSTALLATION*		
71-27-1	F145-1	Engine (Ref, Rolls Royce Model 250-C300/A1)		
2	—	Washer – Existing (locate as required for best fit)	O	2
3	MS27039C0806	Screw	X	2
4	G155-1	Bracket (aft)	X	1
5	NAS1149FN832P	Washer	X	2
6	MS21042L08	Nut	X	6
7	NAS1351-3LE6P	Screw	X	2
8	AS4824N04	Seal (one time use, discard previous)	O	2
9	G155-2	Bracket (forward)	X	1
10	NAS1149F0332P	Washer	X	2
11	—	Fuel Check Valve (Ref)		
12	—	Nut – Existing	O	1
13	SS6565-8-4	Reducer Fitting	X	1
14	AS4824N08	Seal	X	2
15	660534HR-01	Transducer Assembly	X	1
16	MS27467T9B35S	Plug	X	1
	M85049/49-2S8W	Backshell	X	1
	-3046	Wire (Ref)		
	B158-704	Heat Shrink	X	A/R
17	564601	Tube Assembly	X	1
18	—	Tube Assembly – Original Equipment (see RR300 LIPC; see R66 MM for installation.)	O	1
19	833811-01**	AIS-380 Adapter (Incl item 20)	X	1
20	CK833811-01	Configuration Kit (Ref, supplied with helicopter. Includes software and cable.)	O	1
21	MS27039C0805	Screw	X	4
22	NAS1149FN816P	Washer	X	4
23	B269-82	Receptacle	X	1
	B269-23	Backshell	X	1
	B269-31	Screw – Locking	X	2
	B158-4	Heat Shrink	X	A/R
	B267-5	Splice	X	1
	B267-2	Terminator	X	1
	B267-3	Terminator	X	1
	—	Wires (Ref; -3043, -3044, -3045, -3046, & -3047)		

NOTES * Fuel flow meter installation requires a compatible GPS device with display; verify GPS compatibility during maintenance.

** Configure fuel flow adapter per R66 MM Chapter 28.

Continues

FIGURE AND INDEX NUMBER	PART NUMBER	DESCRIPTION	PARTS AVAIL	QTY PER ASSY
G090 FUEL FLOW METER INSTALLATION (Cont'd)				
71-27-24	—	Nut	O	1
25	—	Washer	O	1
26	B297-5	Circuit Breaker (5 amp; includes items 24, 25, 28, and 29) . .	O	1
27	A448	Bus Bar (Ref)		
28	—	Washer	O	2
29	—	Screw	O	2
30	B260-2	Terminal	X	1
31	-3043	Wire (Ref; power)		
32	-466	Wire (Ref, GPS)		
33	-3045	Wire (Ref; to GTN or IFD)		
34	-3044	Wire (Ref; ground)		
	-3047	Wire (Ref; chassis ground)		
NOTES				

CHAPTER 75
ENGINE AIR SYSTEMS

<u>Figure</u>	<u>Title</u>	<u>Page</u>
75-1	Inducer Bleed System – Vent Box Installation	75.0

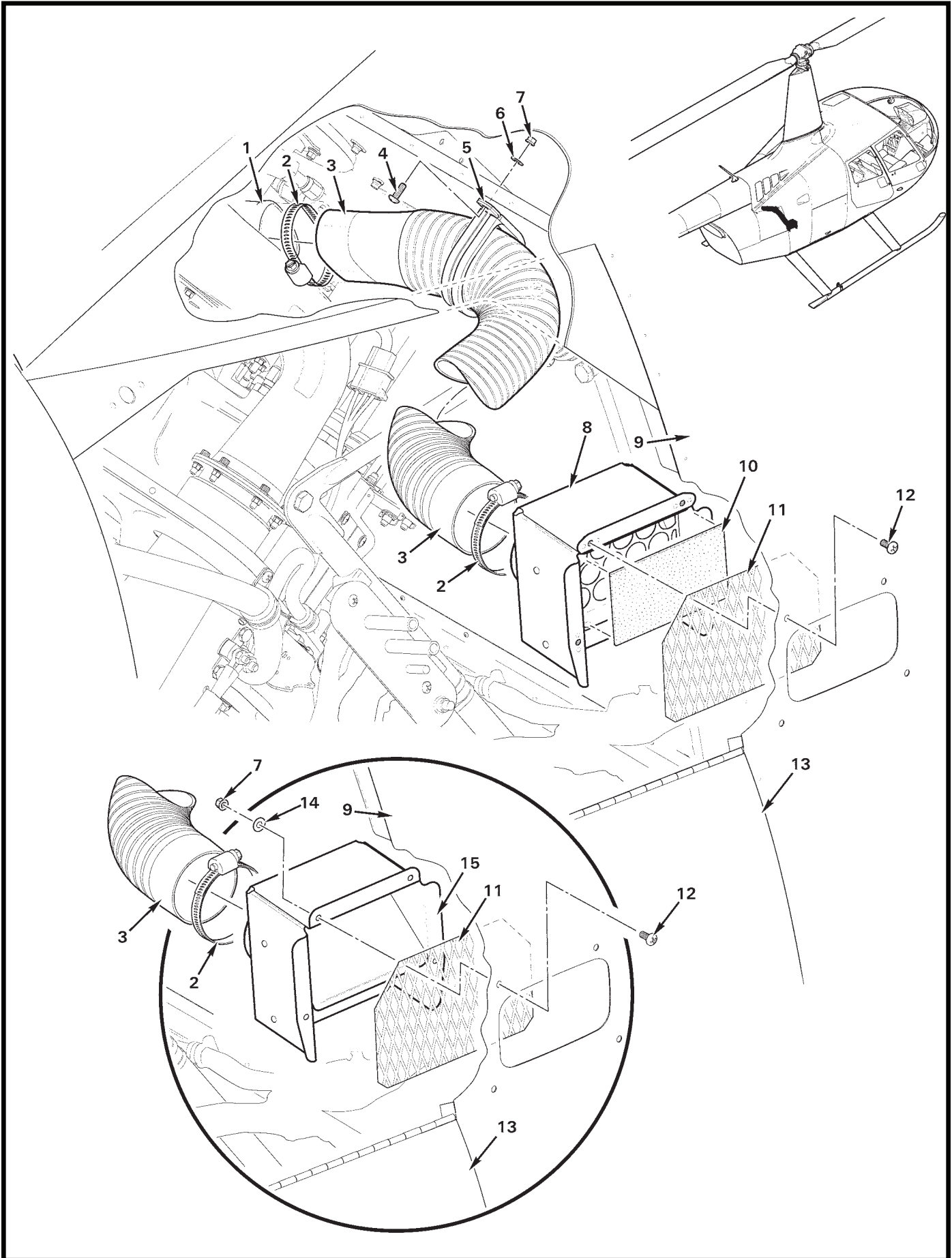


FIGURE AND INDEX NUMBER	PART NUMBER	DESCRIPTION	PARTS AVAIL	QTY PER ASSY
INDUCER BLEED SYSTEM – VENT BOX INSTALLATION				
75-1-1	F009-1	Engine (Ref)		
2	B277-32	Clamp	X	2
3	A785-37	Hose	X	1
4	MS27039C0806	Screw	X	1
5	MS21919WCH38	Clamp	X	1
6	NAS1149FN832P	Washer	X	1
7	MS21042L08	Nut (G918-1 Rev "D" and higher [1]; G918-1 Rev "C" and prior [5])	X	5
8	G918-1	Box Assembly (Rev "D" and higher. Includes nutplates and retainer.)	X	1
9	G004-8	Panel (Ref)		
10	F771-7	Filter (Not used with G918-1 Rev "C" and prior.)	X	1
11	G918-5	Screen	X	1
12	MS27039C0807	Screw	X	4
13	G040-5	Door (Ref)		
14	NAS1149FN816P	Washer	X	4
15	G918-1	Box Assembly (Rev "C" and prior. Does not include nutplates or retainer.)	X	1

NOTES

Intentionally Blank

CHAPTER 76
ENGINE CONTROLS

<i>Figure</i>	<i>Title</i>	<i>Page</i>
76-1	Fuel Control Unit Controls Installation	76.0
76-5	Power Turbine Governor Control Installation	76.4
76-7	Actuator Assembly Installation	76.6

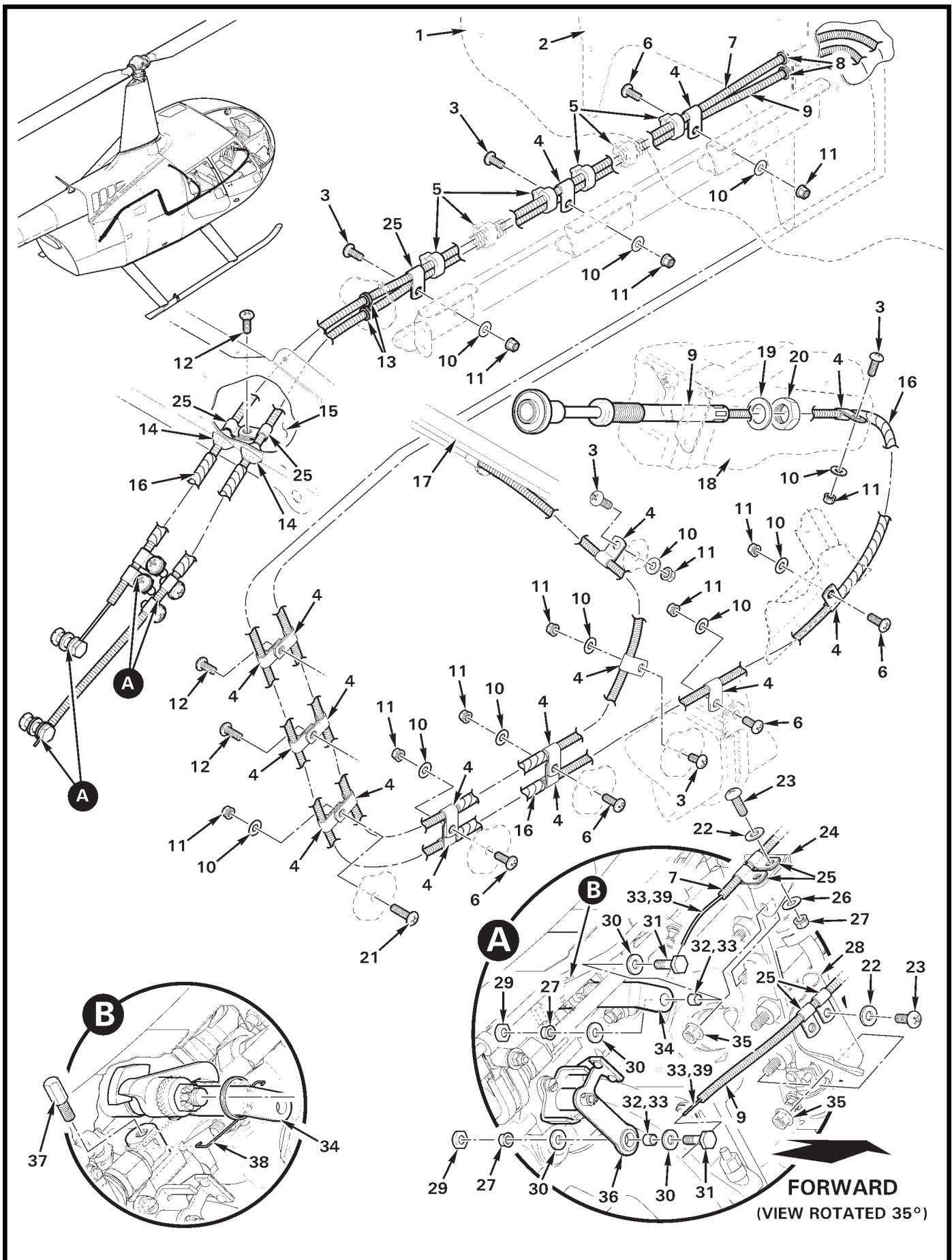


FIGURE AND INDEX NUMBER	PART NUMBER	DESCRIPTION	PARTS AVAIL	QTY PER ASSY
FUEL CONTROL UNIT CONTROLS INSTALLATION				
76-1-1	G259-1	Panel (Bulkhead; Ref)		
2	F386-2	Panel (Ref)		
3	MS27039C0806	Screw	X	5
4	AN742-3	Clamp	X	17
5	MS3367-7-9	Ty-rap	X	6
6	MS27039C0807	Screw	X	6
7	C522-10	Control – Throttle	X	1
8	NAS557-4B	Grommet	X	2
9	A522-10	Control – Fuel Cutoff (Incl items 19, 20, 33, and 39)	X	1
10	NAS1149FN816P	Washer	X	11
11	MS21042L08	Nut	X	11
12	MS27039C0808	Screw	X	3
13	NAS557-4A	Grommet (install using item 14)	X	2
14	B270-5	Sealant	X	A/R
15	G023-1	Ceiling Assembly – Baggage Compartment (Ref)		
16	B161-4	Spirap	X	A/R
17	F758-1	Collective Stick Assembly (Ref, see Figure 67-21)		
18	F359-2	Panel (Ref)		
19	—	Washer	O	1
20	—	Nut	O	1
21	MS27039C0809	Screw	X	1
22	NAS1149F0363P	Washer	X	4
23	MS27039C1-08	Screw	X	4
24	F577-3	Bracket	X	1
25	AN742-4	Clamp	X	7
26	NAS1149F0332P	Washer	X	2
27	MS21042L3	Nut	X	3
28	F577-1	Bracket	X	1
29	B330-7	Palnut	X	2
30	NAS1149E0363R	Washer	X	2
31	A462-4	Fitting	X	2
32	A130-48	Spacer (install using item 33)	X	2
33	A257-1	Grease	X	A/R
34	—	Throttle (Ref)		
35	—	Nut (Ref)		

NOTES

Continues

FIGURE AND INDEX NUMBER	PART NUMBER	DESCRIPTION	PARTS AVAIL	QTY PER ASSY
FUEL CONTROL UNIT CONTROLS INSTALLATION (Cont'd)				
76-1-36	—	Fuel Cutoff Arm (Ref)		
37	F147-1	Screw (replaces existing screw)	X	1
38	D930-2	Spring	X	1
39	SSW-050-C522-10	Inner Wire	X	1
NOTES				

Intentionally Blank

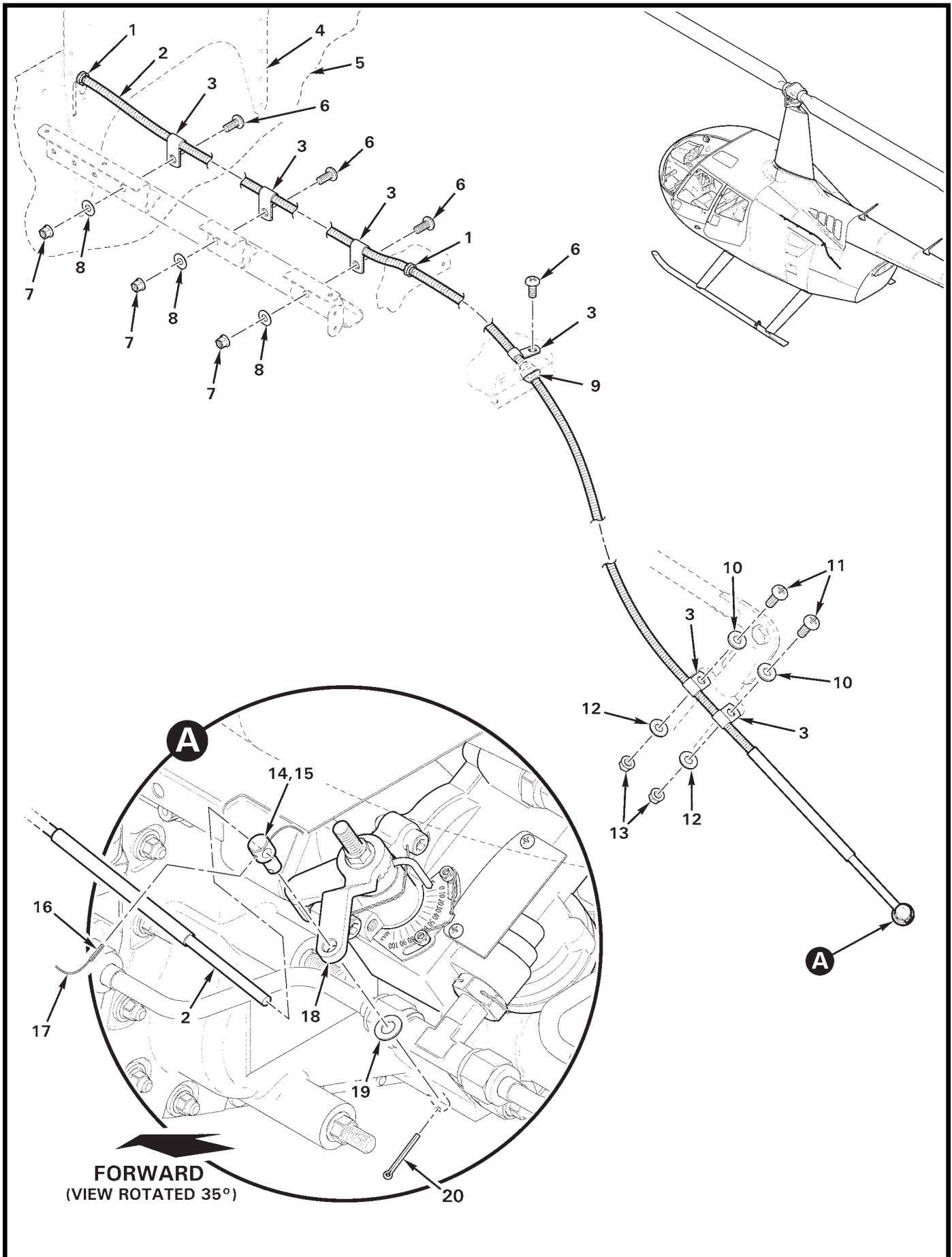


FIGURE AND INDEX NUMBER	PART NUMBER	DESCRIPTION	PARTS AVAIL	QTY PER ASSY
POWER TURBINE GOVERNOR CONTROL INSTALLATION				
76-5-1	NAS557-4A	Grommet	X	1
2	C522-11	Control (Power Turbine Governor)	X	1
3	AN742-3	Clamp	X	6
4	F386-2	Cover (Ref)		
5	G259-1	Panel (Bulkhead; Ref)		
6	MS27039C0806	Screw	X	4
7	MS21042L08	Nut	X	3
8	NAS1149FN816P	Washer	X	3
9	B270-5	Sealant	X	A/R
10	NAS1149F0363P	Washer	X	2
11	MS27039C1-08	Screw	X	2
12	NAS1149F0332P	Washer	X	2
13	MS21042L3	Nut	X	2
14	D333-13	Fitting (install using item 15)	X	1
15	A257-1	Grease	X	A/R
16	MS16562-4	Spring Pin	X	1
17	MS20995C20	0.020 in. dia Safety Wire	X	A/R
18	—	Power Turbine Governor Input Lever (Ref)		
19	NAS1149F0432P	Washer	X	1
20	MS24665-210	Cotter Pin	X	1

NOTES

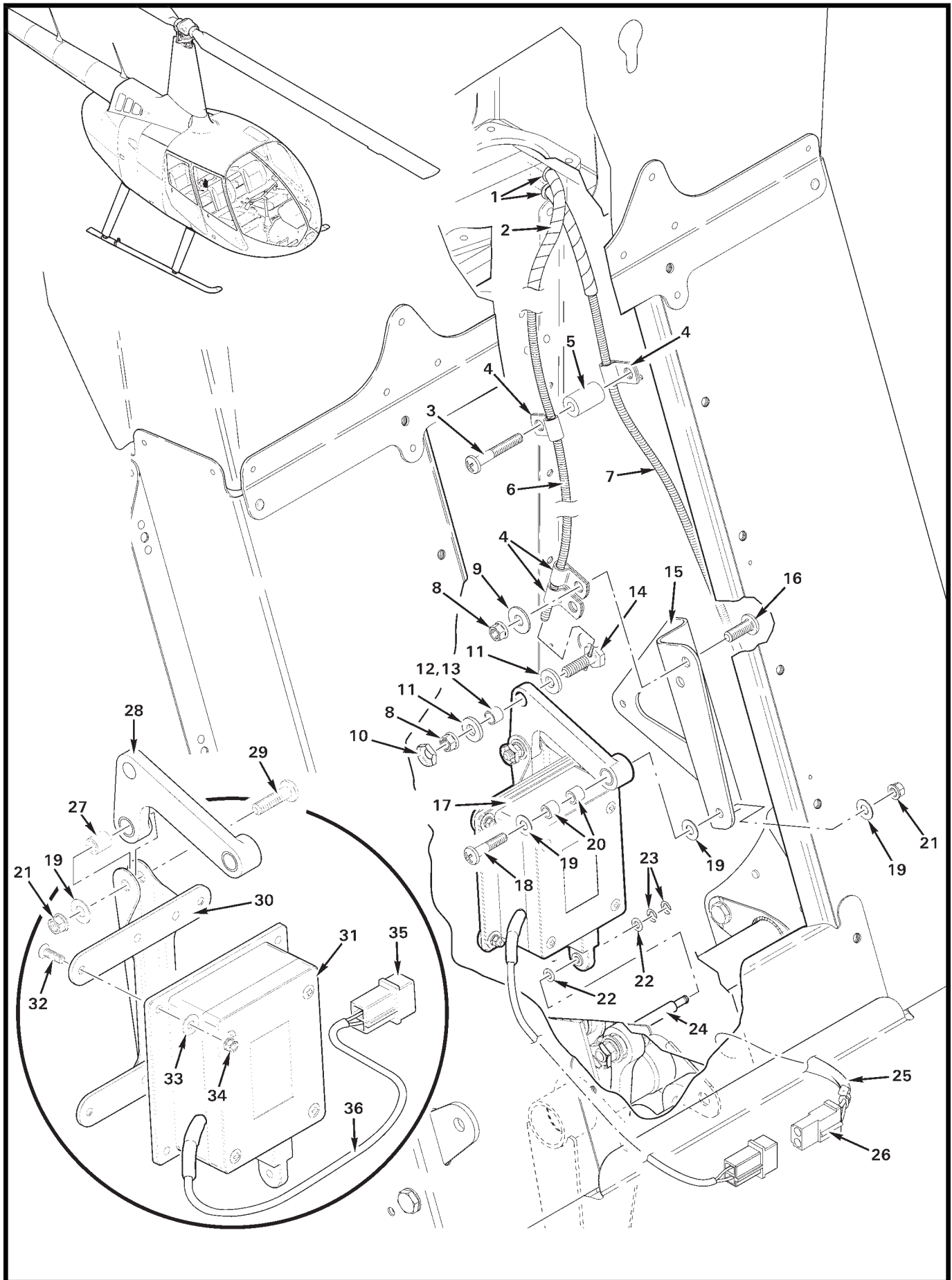


FIGURE AND INDEX NUMBER	PART NUMBER	DESCRIPTION	PARTS AVAIL	QTY PER ASSY
ACTUATOR ASSEMBLY INSTALLATION				
76-7-1	NAS557-4A	Grommet	X	2
2	B161-4	Spirap	X	A/R
3	MS27039C0817	Screw	X	1
4	AN742-3	Clamp	X	4
5	A130-50	Spacer	X	1
6	C522-11	Control (actuator)	X	1
7	A522-11	Control (fuel shutoff; Ref)		
8	MS21042L3	Nut	X	3
9	NAS1149F0332P	Washer	X	2
10	B330-7	Palnut	X	1
11	NAS1149E0363R	Washer	X	2
12	A130-48	Spacer (install using item 13)	X	1
13	A257-1	Grease	X	A/R
14	A462-4	Fitting	X	1
15	F381-6	Bracket (Ref)		
16	MS27039C1-08	Screw	X	2
17	F334-2	Actuator Assembly (Incl items 8, 10 thru 14, 18, 20 thru 23, and 27 thru 34)	X	1
18	MS27039C0812	Screw	X	1
19	NAS1149FN816P	Washer	X	3
20	A105-7	Journal	X	2
21	MS21042L08	Nut	X	1
22	NAS620-5	Washer	X	2
23	MS16633-2012	Retainer Ring	X	2
24	F334-1	Support Assembly (Ref)		
25	F059	Wire Harness (cabin electrical; Ref)		
26	B263-13	Housing	X	1
	B263-2	Socket	X	2
27	A105-5	Journal	X	1
28	F822-1	Bellcrank Assembly	X	1
29	MS27039C0810	Screw	X	1
30	F821-1	Arm Assembly	X	1
31	F820-1	Actuator Assembly (Incl items 35 and 36)	X	1
32	MS24693-S4	Screw	X	4
33	NAS1149FN416P	Washer	X	4

NOTES

Continues

FIGURE AND INDEX NUMBER	PART NUMBER	DESCRIPTION	PARTS AVAIL	QTY PER ASSY
ACTUATOR ASSEMBLY INSTALLATION (Cont'd)				
76-7-34	MS21042L04	Nut	X	1
35	B263-12	Housing	X	1
	B263-1	Pin	X	2
36	B158-2	Heat Shrink	X	A/R

NOTES

CHAPTER 79
ENGINE OIL SYSTEM

<i>Figure</i>	<i>Title</i>	<i>Page</i>
79-1	Cooling Scroll Assembly	79.0
79-3	Cooling Duct Box Assemblies	79.2
79-5	Engine – Oil Tank Installation	79.4
79-7	Engine – Oil Cooler Installation	79.6
79-9	Engine – Oil Lines Installation	79.8

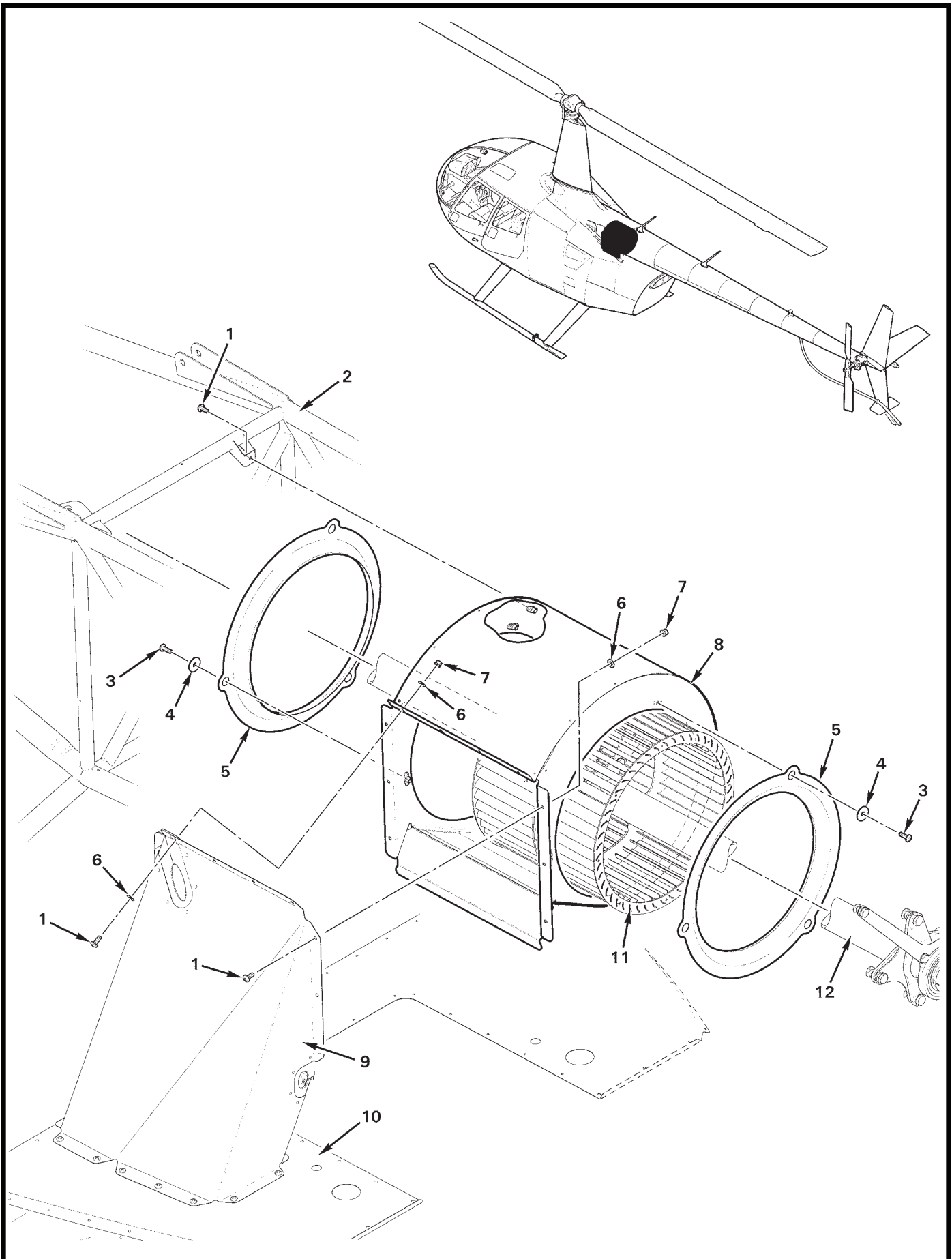


FIGURE AND INDEX NUMBER	PART NUMBER	DESCRIPTION	PARTS AVAIL	QTY PER ASSY
COOLING SCROLL ASSEMBLY				
79-1-1	MS27039C0806	Screw	X	11
2	F020-1	Upper Frame (Ref)		
3	MS27039C0807	Screw	X	6
4	A141-18	Washer	X	6
5	F305-5	Inlet	X	2
6	NAS1149FN816P	Washer	X	12
7	MS21042L08	Nut	X	10
8	F236-1	Scroll Assembly (install using item 13)	X	1
9	F306-1	Box Assembly (Ref)		
10	G234-1	Firewall (Ref)		
11	G174-1	Fanwheel Assembly (Ref; see Figure 65-1)		
12	F196-1	Tail Rotor Drive Shaft Weldment – Fan (Ref; see Figure 65-1) . .	X	1
13	A701-1	Tape – Aluminum Foil (to cover all interior gaps)	X	A/R

NOTES

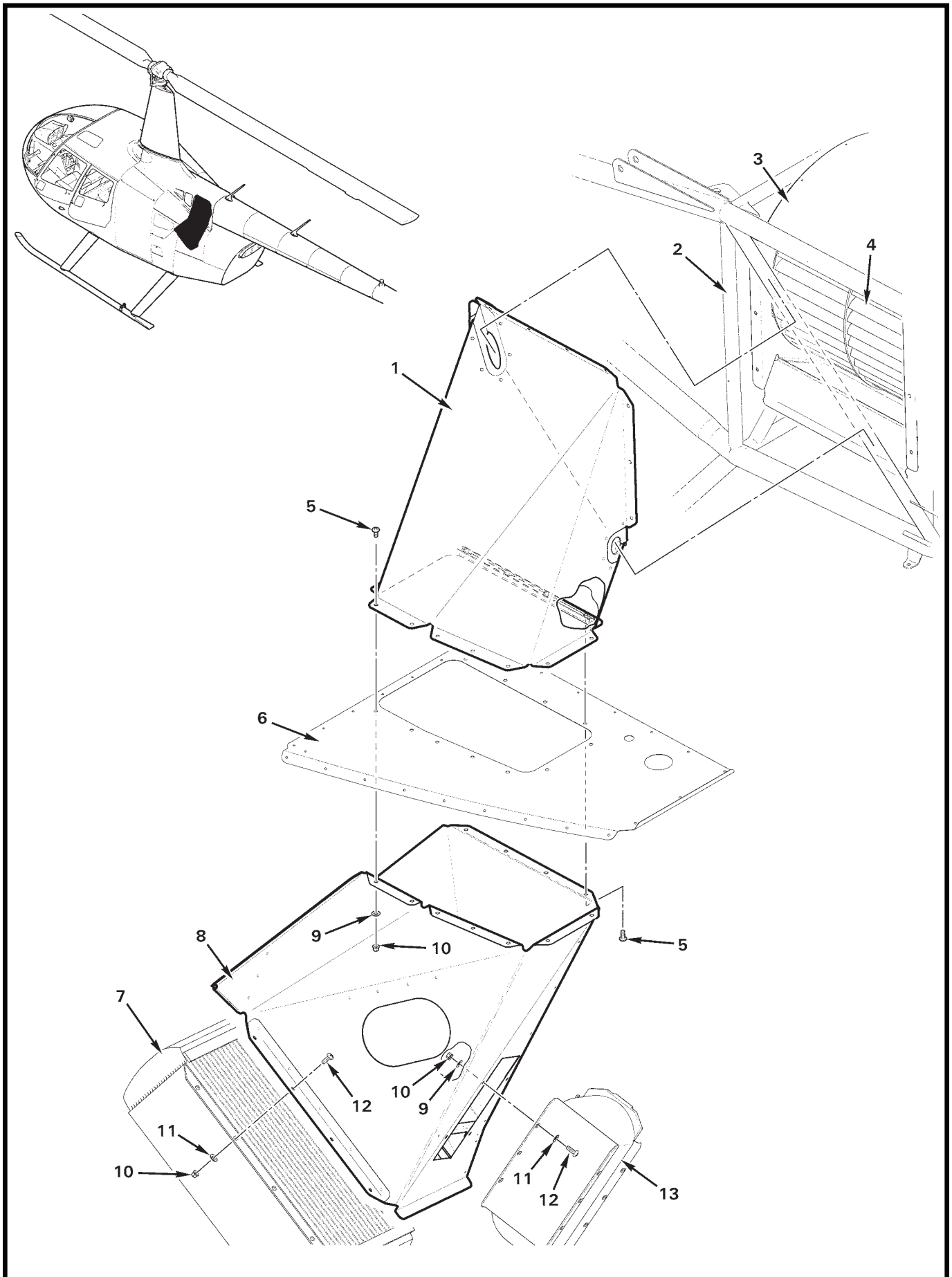


FIGURE AND INDEX NUMBER	PART NUMBER	DESCRIPTION	PARTS AVAIL	QTY PER ASSY
COOLING DUCT BOX ASSEMBLIES				
79-3-1	F306-1	Box Assembly (install using item 14)	X	1
2	F020-1	Upper Frame (Ref)		
3	F236-1	Scroll Assembly (Ref)		
4	G174-1	Fanwheel Assembly (Ref; see Figure 65-1)		
5	MS27039C0805	Screw	X	11
6	G234-1	Firewall (Ref)		
7	F649-1	Oil Cooler (engine, Ref)		
8	F309-1	Box Assembly (install using item 14)	X	1
9	NAS1149FN816P	Washer	X	15
10	MS21042L08	Nut	X	19
11	NAS1149FN832P	Washer	X	12
12	MS27039C0807	Screw	X	12
13	C649-4	Oil Cooler (main rotor gearbox, Ref)		
14	A701-1	Tape – Aluminum Foil (to cover all interior gaps)	X	A/R

NOTES

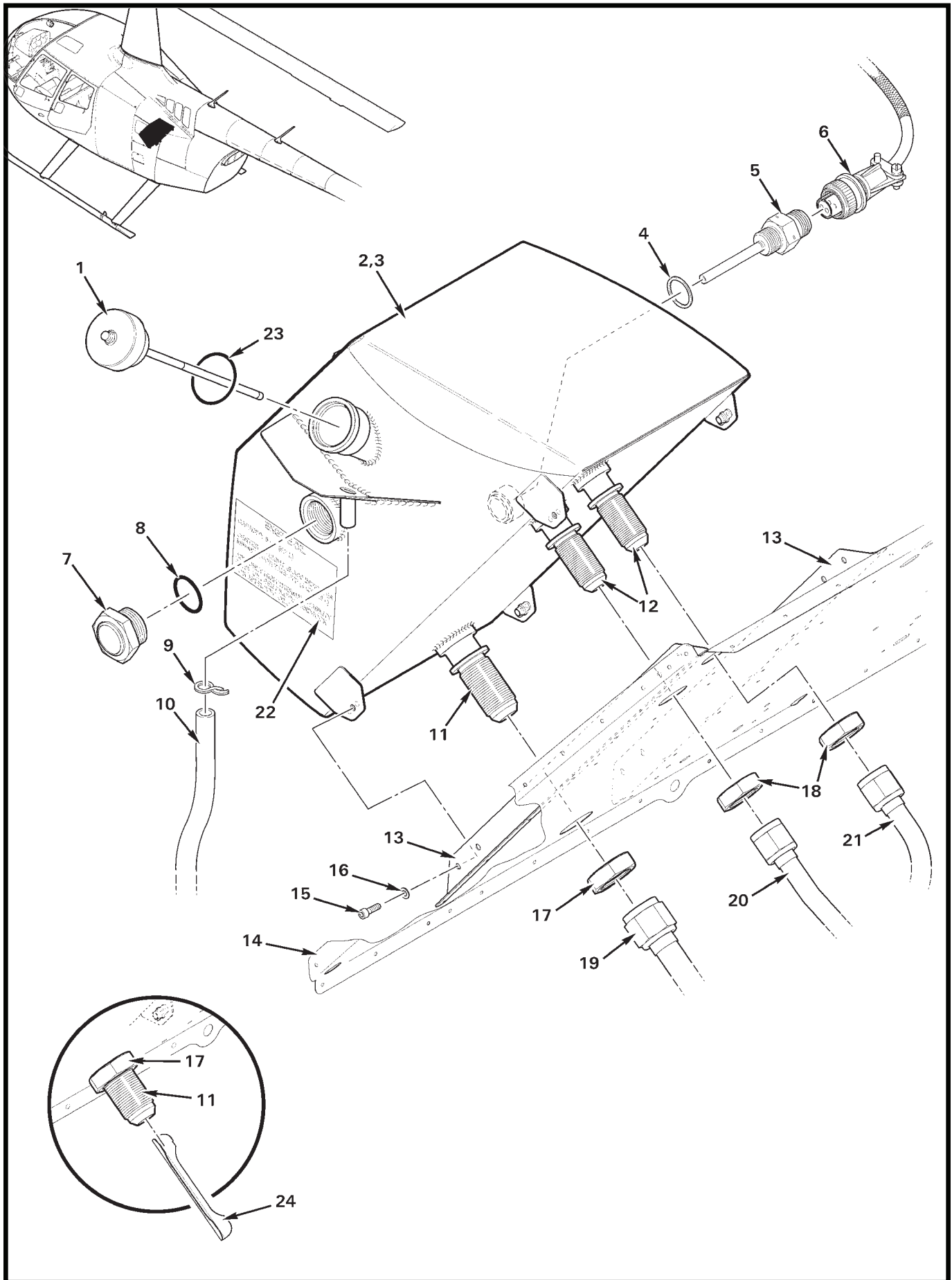


FIGURE AND INDEX NUMBER	PART NUMBER	DESCRIPTION	PARTS AVAIL	QTY PER ASSY
ENGINE – OIL TANK INSTALLATION				
79-5-1	G723-1	Dipstick (includes item 23)	X	1
2	G689-1	Oil Tank Assembly (Incl items 11 and 12)	X	1
3	A257-23	Oil	X	A/R
4	MS29561-015	Packing	X	1
5	MS28034-1	Oil Temp Sender (discard gasket)	X	1
6	F859-1	Harness Assembly (Ref)		
7	B563-2	Sight Gage	X	1
8	A215-020	O-Ring (install with A257-18 lube)	X	1
9	MS20995C32	0.032 in. dia Safety Wire (or D277-8 spring clamp)	X	A/R
10	A729-46	Tube (Ref)		
11	G689-14	Fitting (Ref)		
12	G689-13	Fitting (Ref)		
13	F384-3	Angle	X	2
14	F234-1	Firewall (Ref)		
15	NAS1352-08-8P	Screw	X	4
16	NAS1149FN816P	Washer	X	4
17	AN924-10D	Nut	X	1
18	AN924-8D	Nut	X	2
19	F723-1	Line Assembly (Ref)		
20	F723-4	Line Assembly (Ref)		
21	F723-3	Line Assembly (Ref)		
22	F654-3	Decal	X	1
23	74068*	O-ring	X	1
24	G805-1	Angle (Installed in G689-1 oil tanks rev. J and prior. See R66 SB-21 for additional information.)	X	1

NOTES * Lycoming part number.

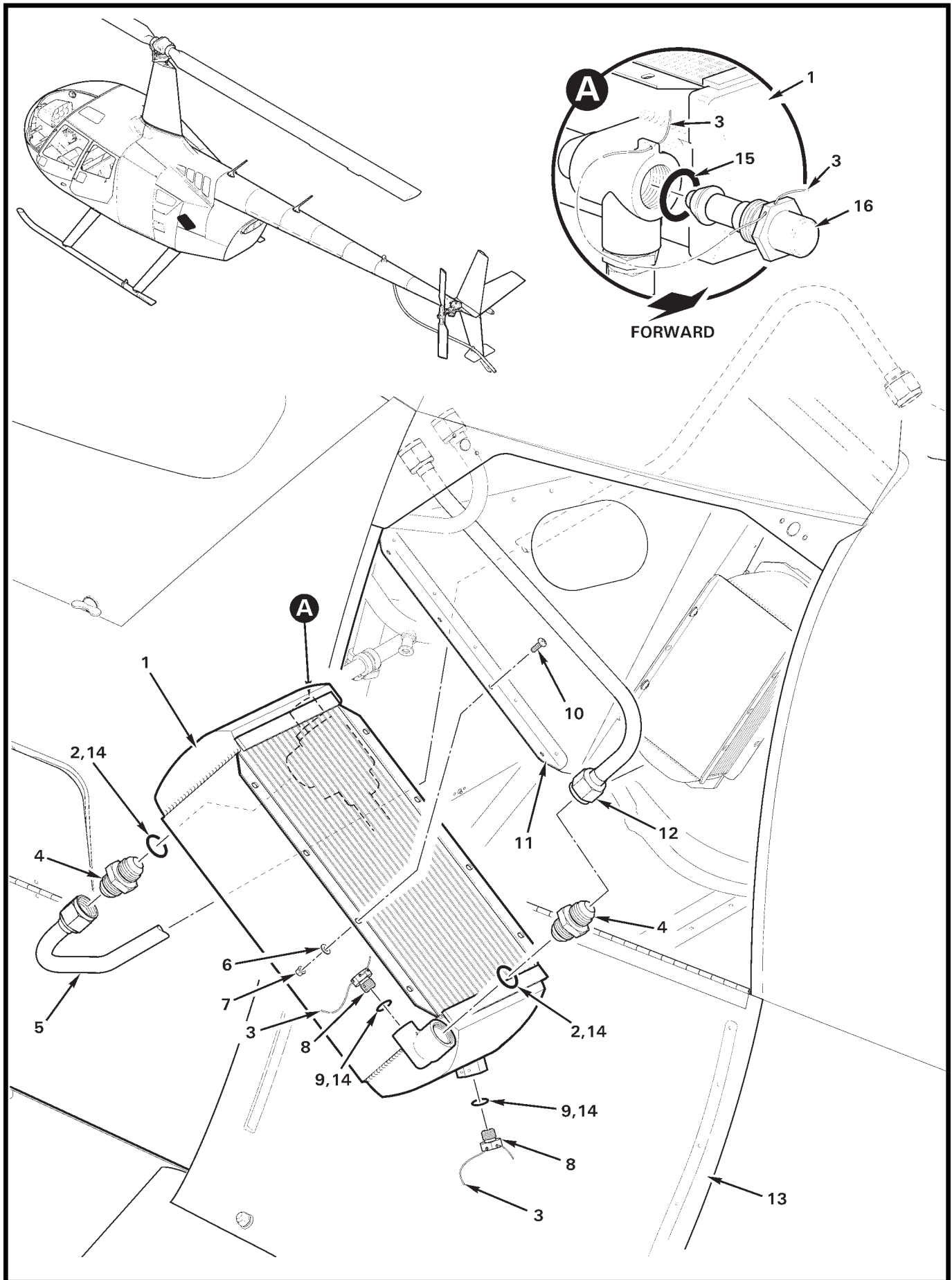


FIGURE AND INDEX NUMBER	PART NUMBER	DESCRIPTION	PARTS AVAIL	QTY PER ASSY
ENGINE – OIL COOLER INSTALLATION				
79-7-1	F649-1	Oil Cooler Assembly (incl items 15 and 16)	X	1
2	MS28778-8	Packing (o-ring; install using item 14)	X	2
3	MS20995C32	0.032 in. dia Safety Wire (optional)	X	A/R
4	AN815-8D	Union	X	2
5	F723-2	Line Assembly (Ref)		
6	NAS1149FN832P	Washer	X	8
7	MS21042L08	Nut	X	8
8	AS5169D04L	Fitting	X	2
9	MS28778-4	Packing (o-ring; install using item 14)	X	2
10	MS27039C0807	Screw	X	8
11	F309-1	Box Assembly (Ref)		
12	F723-4	Line Assembly (Ref)		
13	G040-5	Door (Ref)		
14	A257-18	Lubricant	X	A/R
15	MS29512-12	Packing (o-ring; or MS28778-12)	X	1
16	724155	Thermostat	X	1
NOTES				

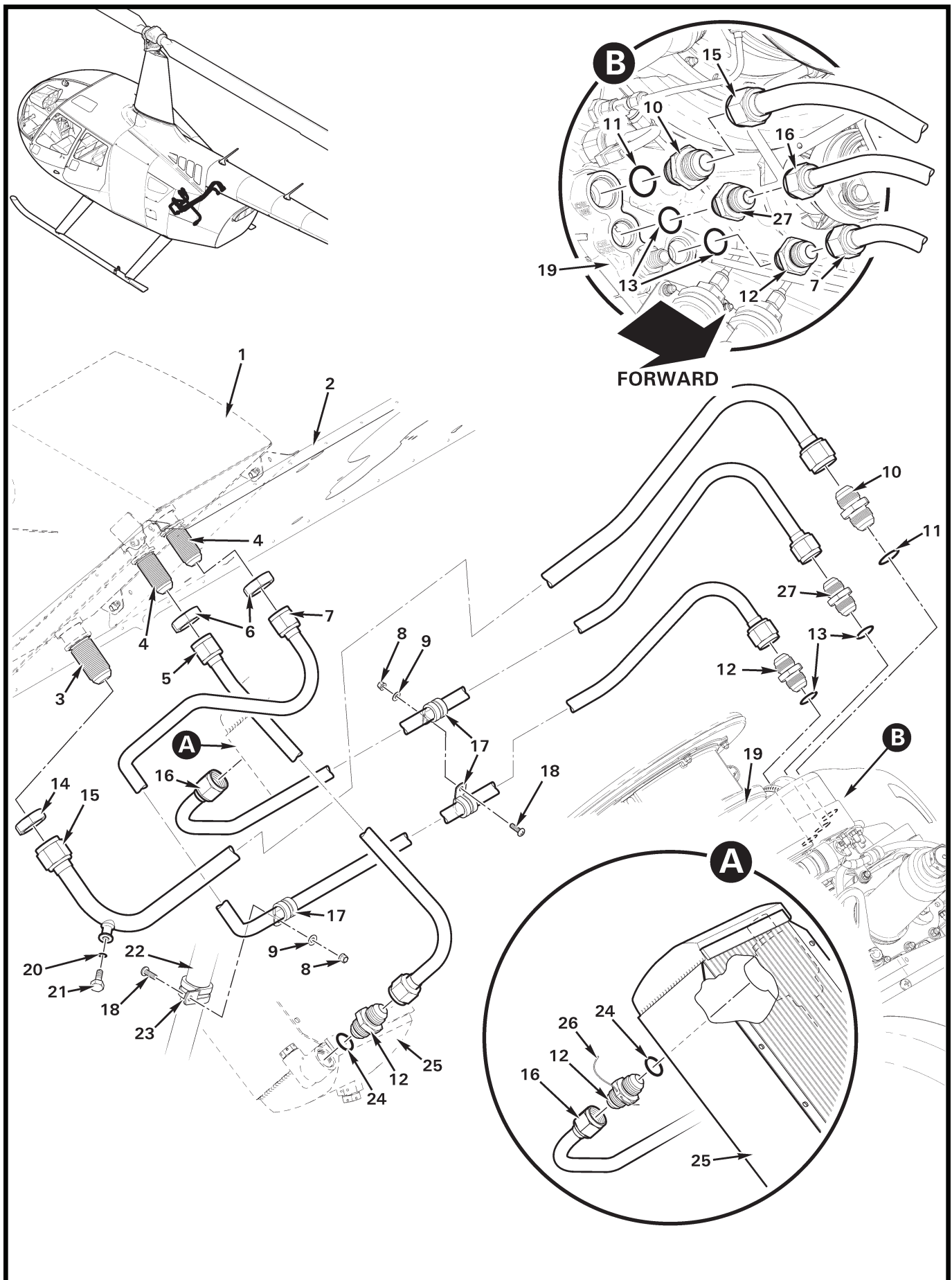


FIGURE AND INDEX NUMBER	PART NUMBER	DESCRIPTION	PARTS AVAIL	QTY PER ASSY
ENGINE – OIL LINES INSTALLATION				
79-9-1	G689-1	Oil Tank Assembly (Ref; see Figure 79-5)		
2	F234-1	Firewall (Ref)		
3	G689-14	Fitting (Ref)		
4	G689-13	Fitting (Ref)		
5	F723-4	Line Assembly	X	1
6	AN924-8D	Nut	X	2
7	F723-3	Line Assembly	X	1
8	MS21042L08	Nut	X	2
9	NAS1149FN816P	Washer	X	2
10	A880-910	Union (or AN815-10D)	X	1
11	NAS617-10	Packing (o-ring)	X	2
12	A880-908	Union (or AN815-8D)	X	3
13	NAS617-8	Packing (o-ring)	X	1
14	AN924-10D	Nut	X	1
15	F723-1*	Line Assembly	X	1
16	F723-2	Line Assembly	X	1
17	MS21919WCH8	Clamp	X	3
18	MS27039C0807	Screw	X	2
19	F145-1	Engine (Ref)		
20	A215-902	O-Ring (replaceable)	X	1
21	B289-2	Bolt (includes item 20 and PTFE washer [not shown])	X	1
22	F046-1	Frame Weldment (Ref)		
23	MS21919WCH14	Clamp	X	1
24	MS28778-8	Packing (o-ring)	X	2
25	F649-1	Oil Cooler (Ref)		
26	MS20995C32	0.032 in. dia Safety Wire (earlier ships)	X	A/R
27	A880-908	Union (or AN815-8D)	X	1
	CV26-77	Check Valve (earlier R66s; replace with A880-908 union) . . .	O	1

NOTES * Optional: Install AS4824N10 gaskets at flares as required for sealing.

Intentionally Blank

CHAPTER 90
POLICE VERSION

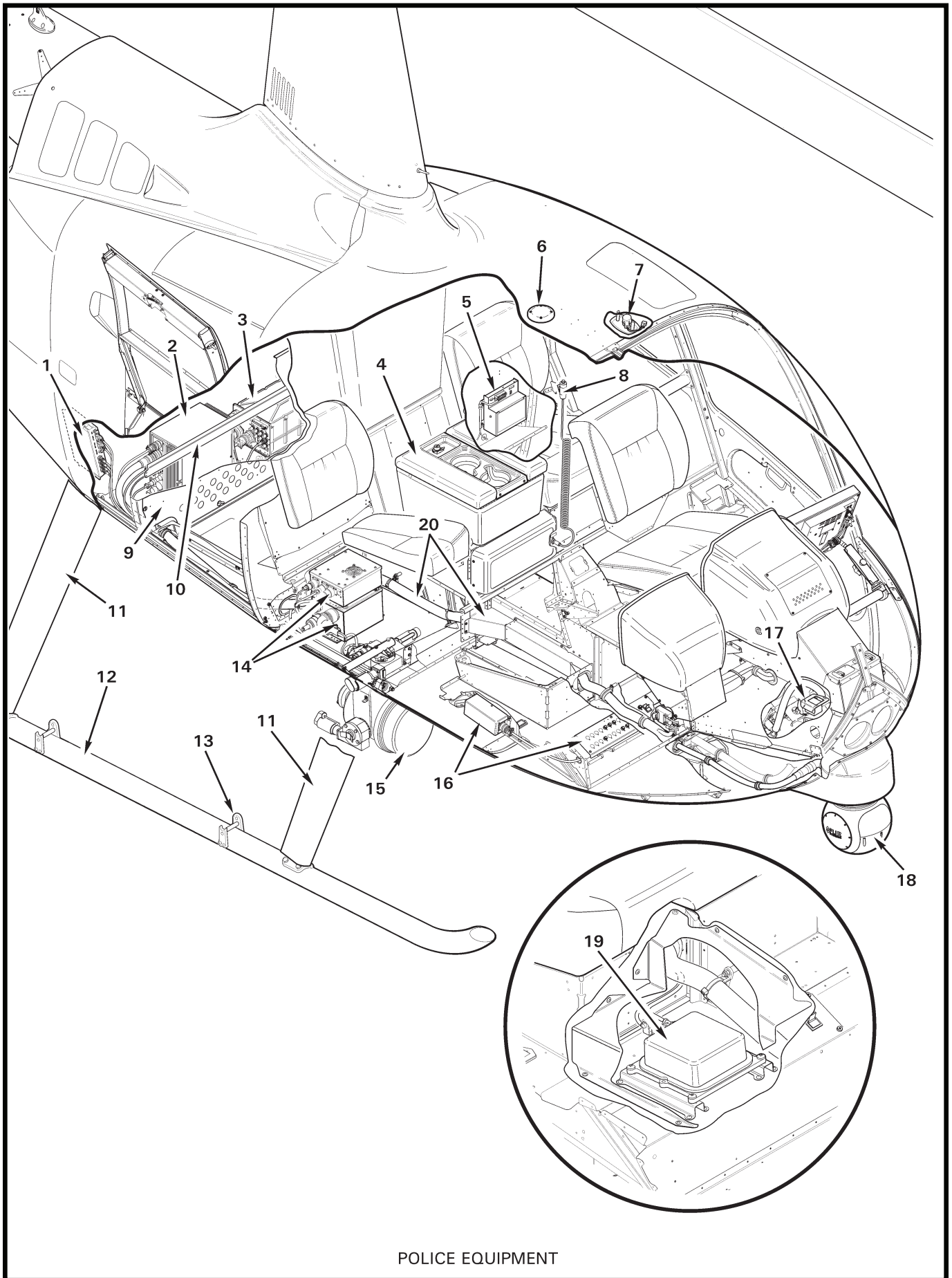
<i>Figure</i>	<i>Title</i>	<i>Page</i>
–	R66 Police Equipment	90.iv
–	R66 Police Equipment	90.vi
90-1	C060-3 Interior Light Installation	90.0
90-3	C813-5 Transceiver Installation (G070 Console)	90.2
90-5B	C813-4 Transceiver Installation (G060 Console)	90.5A
90-7	C813-2 Transceiver Installation	90.6
90-7B	G460-2 Audio Control Installation	90.7A
90-9	G460-1 Audio Control Installation	90.8
90-13	C823-16 Dual Audio Control Installation	90.12
90-15	C849-4 Blower Installation	90.14
90-17	F051-1 Camera System Installation – Gimbal Fairing and Cover	90.16
90-19	F051-1 Camera System Installation – Gimbal and Lower Support Assembly	90.18
90-21	F051-1 Camera System Installation – Upper Gimbal Support Assembly	90.20
90-23	F051-1 Camera System Installation – Electronics Control Unit & Controller Assembly	90.22
90-25	F060-2 Intercom System Installation – Audio Control	90.24
90-27	F060-2 Intercom System Installation – Floor Switches	90.26
90-29	F079-1 PA/Siren System – Speaker Installation	90.28
90-31	F079-1 PA/Siren System – Components Installation	90.30
90-33	F081 Searchlight Installation – Gimbal and Gearmotor Assemblies	90.32
90-37	F081 Searchlight Installation – Slass ECU and Junction Box Assembly	90.36
90-39	F081 Searchlight Installation – Control Assembly	90.38
90-39B	F818 GTN 6XX-series GPS/NAV/COM Installation (G070 Console)	90.39A
90-41	G415-1 DVR Installation (Optional)	90.40
90-43	G416-5 Monitor Installation	90.42
90-45B	G416-4 Monitor Installation	90.45A
90-47	G416-1 Monitor Installation	90.46
90-51	Pilot’s Side Console – GDU 1060 TXi Display	90.50
90-53B	Pilot’s Side Console – GPS/NAV/COM Installation	90.53A

CHAPTER 90

POLICE VERSION (Cont'd)

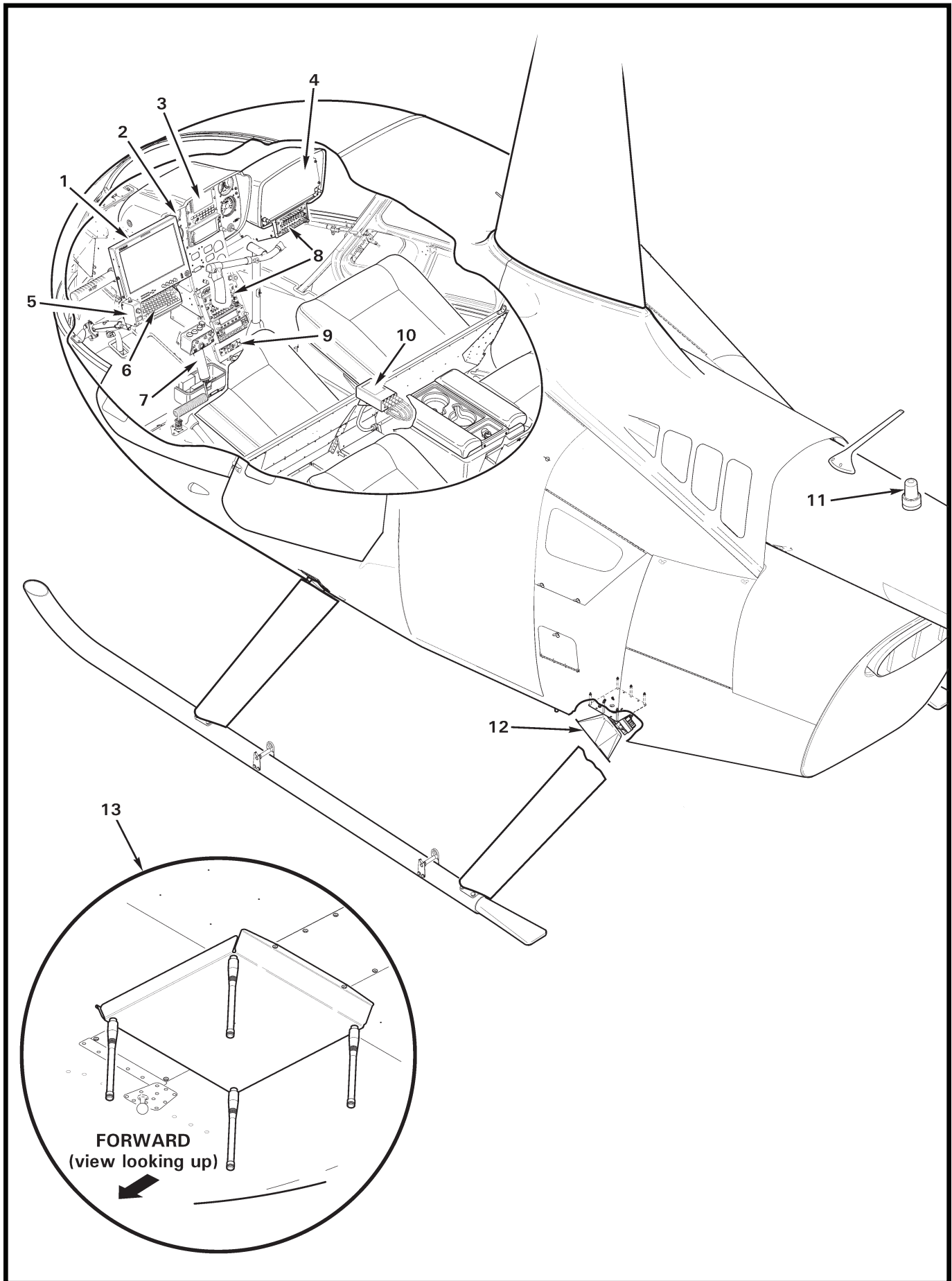
<i>Figure</i>	<i>Title</i>	<i>Page</i>
90-55	G423-1 Aux Electrical System – 28-to-14V Converter & CB Panel . .	90.54
90-57	G423-1 Aux Electrical System – Harness Assembly	90.56
90-59	G423-1 Aux Electrical System – Relay	90.58
90-61	G425-1 Wall Installation	90.60
90-63	G437-1 Lojack Installation – Display	90.62
90-65	G437-1 Lojack Installation – Receiver	90.64
90-67	G437-1 Lojack Installation – Antennas	90.66
90-69	G608 Mapping System – Computer Installation	90.68
I 90.71B	G608-7/-8 Mapping System – Computer Installation	90.71A
90-73	G608 Mapping System – Components Installation	90.72
90-75	G608-1 Mapping System Installation	90.74
90-77	G685-1 Aux Strobe Installation	90.76
90-79	G749-1 Aft Console Installation	90.78

Intentionally Blank



POLICE EQUIPMENT

ITEM NUMBER	DESCRIPTION	FIGURE
R66 POLICE EQUIPMENT		
-	Robinson R66 Police Helicopter Equipment Installation (Incl items 1 thru 19, and items 1 thru 13 on page 90.vii.)	-
1	Lojack Receiver	90-65
2	Camera Control Unit	90-23
3	Mapping System Computer	90-69
		90-75
4	Aft Console	90-79
5	PA/Siren Amplifier	90-31
6	Mapping System Antenna	90-73
7	Interior Light	90-1
8	Remote Transmit Switch	97-53
9	Wall Installation	90-61
10	Beam Installation	90-61
11	Landing Gear Fairing	32-5
12	Extended Landing Gear	32-1
13	C719-1 Ground Handling Wheel Support	32-1
14	Searchlight ECU and Junction Box	90-37
15	Searchlight	90-33
16	Power Converter and Aux Circuit Breaker Panel	90-55
17	Avionics Blower	90-15
18	FLIR Gimbal Camera	90-17
		90-19
		90-21
19	Mapping System IMU Sensor	90-73
20	G423 Aux Electrical System – Harness Assembly	90-56
NOTES		



ITEM NUMBER	DESCRIPTION	FIGURE
R66 POLICE EQUIPMENT		
1	Co-Pilot Monitor	90-43 90-45B 90-47
2	Airspeed Indicator	95-1 95-27
3	Transceiver Installation	90-3 90-5B 90-7 90-39B
4	Pilot Side Console – EFIS Monitor Pilot Side Console – GPS/NAV/COM	90-51 90-53B
5	Searchlight	90-33 90-37 90-39
6	Mapping System Keyboard	90-69 90-75
7	Camera Controller	90-23
8	Audio Control Installation	90-7B 90-9 90-13 90-25
9	PA/Siren Control	90-31
10	DVR Installation	90-41
11	Aux Strobe Light	90-77
12	PA/Siren System Speaker	90-29
13	Lojack Antennas	90-67
NOTES		

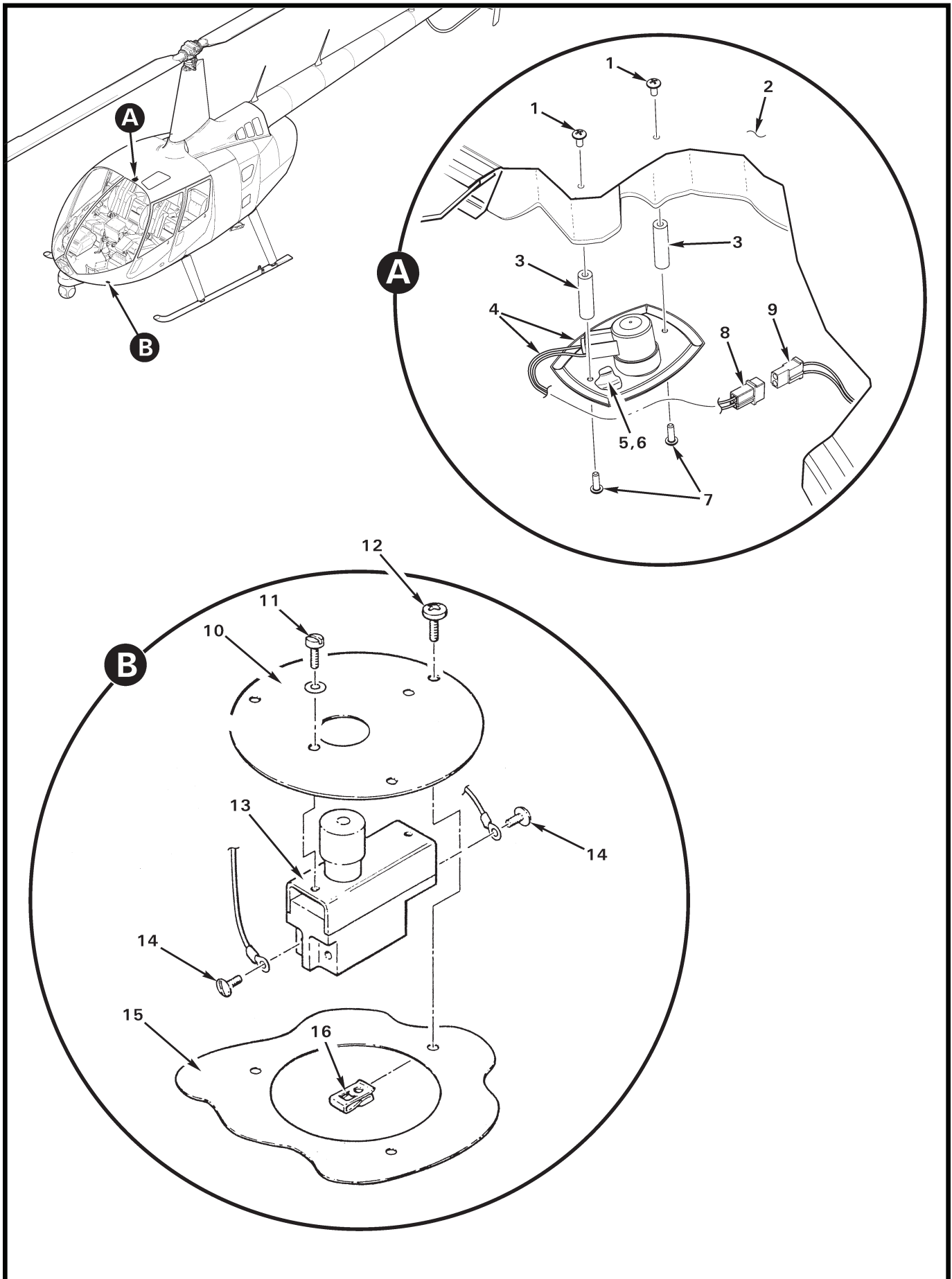


FIGURE AND INDEX NUMBER	PART NUMBER	DESCRIPTION	PARTS AVAIL	QTY PER ASSY
C060-3 INTERIOR LIGHT INSTALLATION				
90-1-1	AN526C832R6	Screw	X	2
2	F273-1	Roof (Ref)		
3	D098-3	Spacer	X	2
4	D098-1	Light Assembly (Incl item 5 and 6)	X	1
5	A226-15	Trim (install using item 6 as required)	X	A/R
6	B270-17	Adhesive	X	A/R
7	MS27039C0805	Screw	X	2
8	B263-12	Housing	X	1
	B263-1	Pin	X	2
9	B263-13	Housing (Ref)		
	B263-2	Socket (Ref)		
10	A797-1	Cover	X	1
11	AN502-6-6	Screw (or NAS1351-06-6P)	X	2
12	MS27039C0806	Screw	X	3
13	B525-1	Switch (light; includes item 14)	X	1
14	—	Screw	O	2
15	F232-1	Panel – Floor (Ref, LH)		
16	B162-3	Clipnut	X	3

NOTES

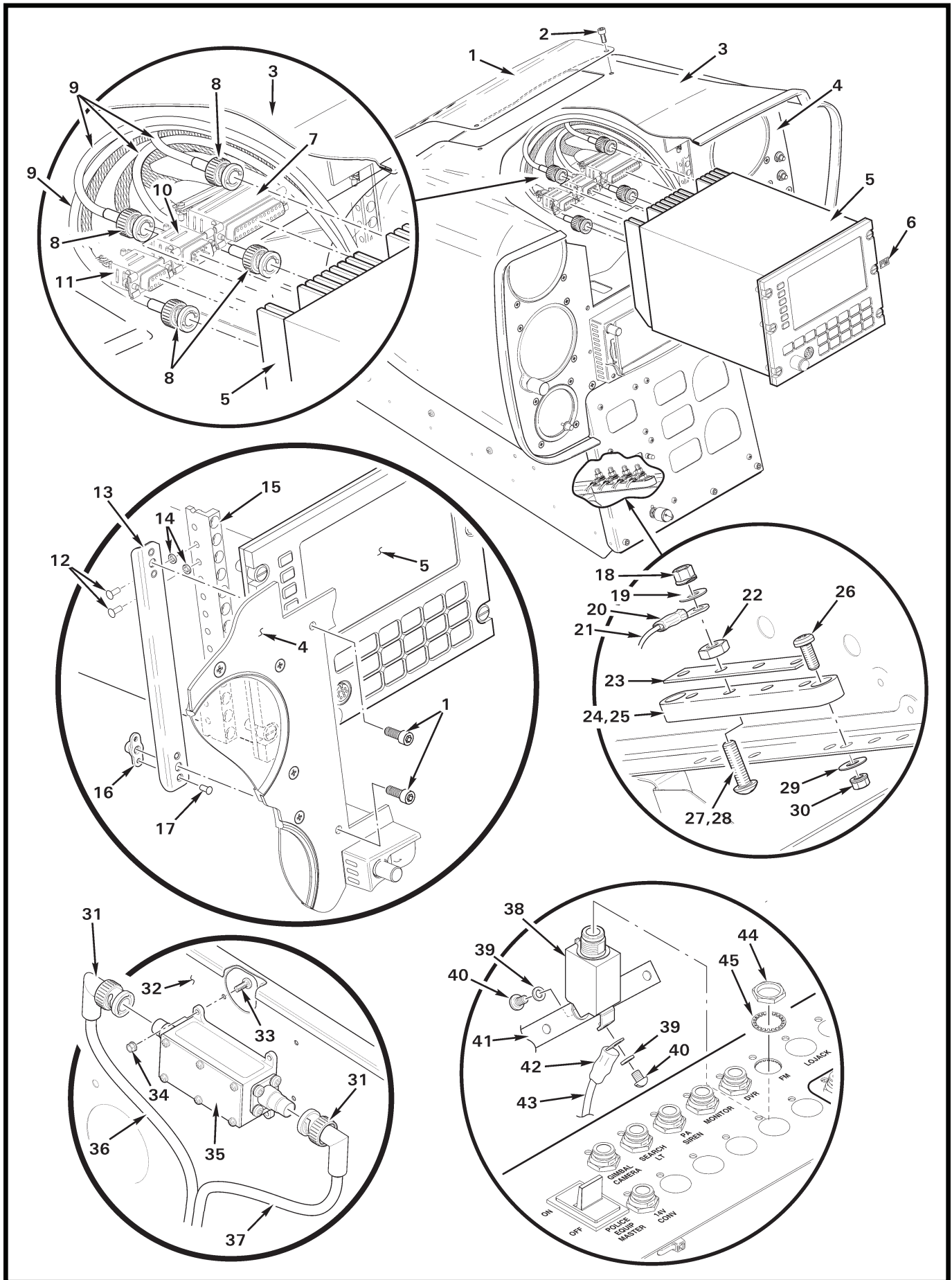


FIGURE AND INDEX NUMBER	PART NUMBER	DESCRIPTION	PARTS AVAIL	QTY PER ASSY
		C813-5 TRANSCEIVER INSTALLATION (G070 CONSOLE)		
90-3-1	G413-14	Cover	X	1
2	NAS1352-08-8	Screw	X	4
3	G070	Console Assembly (Ref)		
4	G075	Face (Ref)		
5	TDFM-9000	Transceiver (FM)	X	1
6	G682-24	Decal – “FM” (installed on item 4)	X	1
7	B269-12	Socket Receptacle (25-socket; reference wires -2778 [2], -2775 [2], -1908 [2, white and blue], -1911 [2, white and blue], and -1914 [2, white and blue])	X	1
	B269-23	Backshell	X	1
8	5225395-6	Plug (BNC)	X	A/R
9	—	Cable (Ref, to antenna)		
10	B269-77	Plug (15-pin; reference wires -1909 [2, white and blue], -1912 [2, white and blue], -1915 [2, white and blue], and -2394 [2, white and blue])	X	1
	B269-22	Backshell	X	1
11	B269-78	Socket Receptacle (15-socket; reference wire -2395[white] and -2395[blue])	X	1
	B269-22	Backshell	X	1
12	MS20470AD4	Rivet	X	8
13	G413-9	Angle Assembly (Incl items 16 and 17)	X	2
14	NAS620-5	Washer	X	A/R
15	A917-8	Strip	X	2
16	MS21069L08	Nutplate	X	2
17	NAS1097AD3	Rivet	X	4
18	MS21042L08	Nut	X	4
19	NAS1149FN816P	Washer	X	4
20	B260-3	Terminal	X	1
21	-2773	Wire (Ref; ground)		
22	B301-8	Nut	X	4
23	A448-10	Bus Bar (4 holes)	X	1
24	C448-2	Block Assembly (Incl items 22, 23, 25, 27, and 28)	X	1
25	C448-5	Block (Ref)		
26	MS35206-228	Screw	X	4
27	B567-43	Screw (install using item 28 under head)	X	4
28	B270-9	Adhesive	X	A/R

NOTES

Continues

FIGURE AND INDEX NUMBER	PART NUMBER	DESCRIPTION	PARTS AVAIL	QTY PER ASSY
C813-5 TRANSCEIVER INSTALLATION (G070 CONSOLE; Cont'd)				
90-3-29	NAS620-6	Washer	X	2
30	MS21042L06	Nut	X	2
31	5225973-4	Plug (90° BNC)	X	2
32	F033-1	Console Assembly – Lower (Ref)		
33	MS35206-214	Screw	X	2
34	MS21042L04	Nut	X	2
35	133956-1	Filter (required when VHF module is installed)	X	1
36	–	Cable (to item 5, Ref)		
37	–	Cable (to VHF antenna, Ref)		
38	B297-10	Circuit Breaker (10 amp; includes items 39, 40, 44, and 45) . .	X	1
39	–	Lockwasher	O	2
40	–	Screw	O	2
41	A448-12	Bus Bar (12 hole)	X	1
42	B260-2	Terminal	X	1
43	–2772	Wire (Ref; power)		
44	–	Nut	O	1
45	–	Lockwasher	O	1
NOTES				

Intentionally Blank

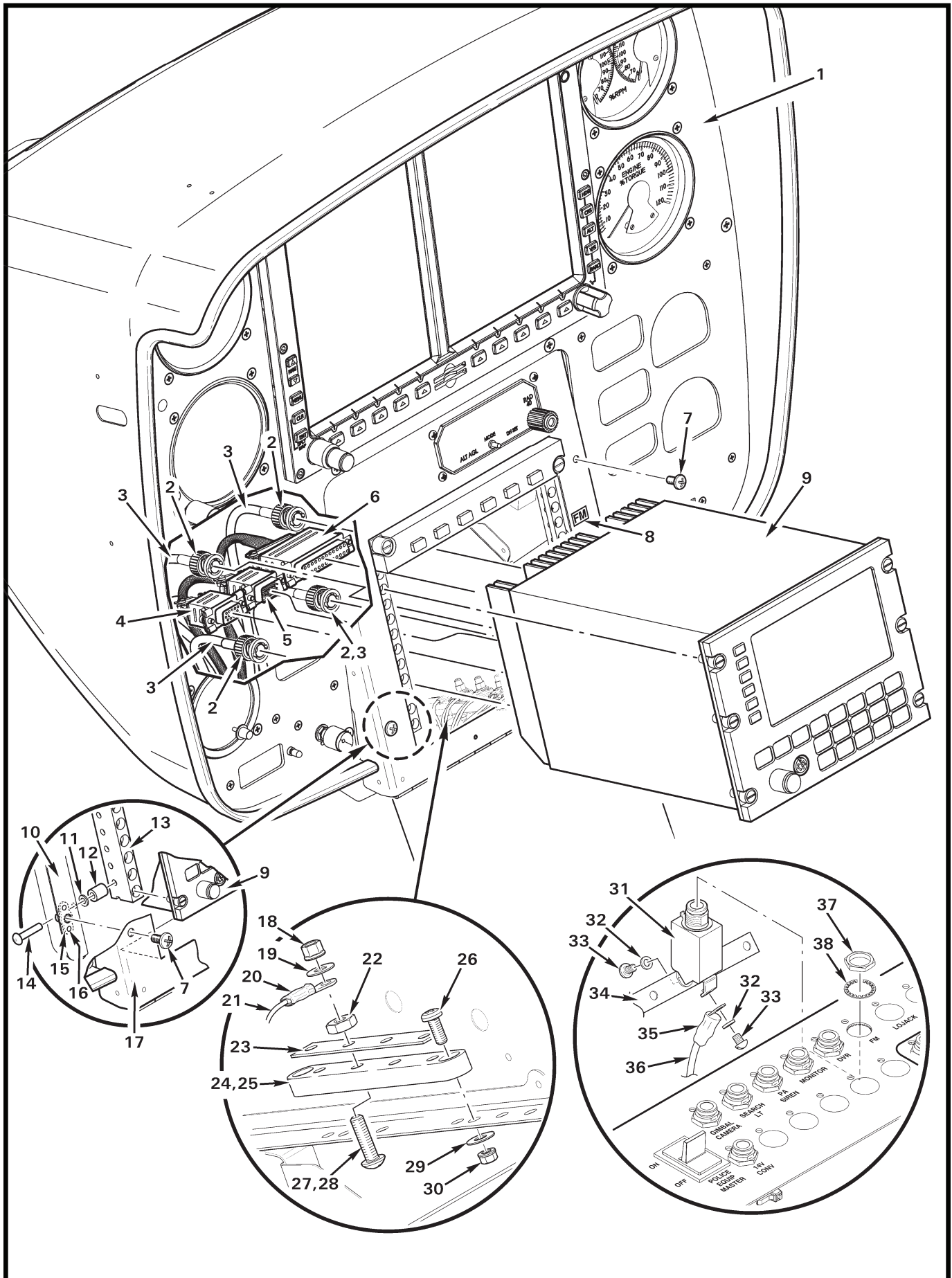


FIGURE AND INDEX NUMBER	PART NUMBER	DESCRIPTION	PARTS AVAIL	QTY PER ASSY
		C813-4 TRANSCEIVER INSTALLATION (G060 CONSOLE)		
90-5B-1	G060-4	Console Assembly (Ref)		
2	5225395-6	Plug	X	A/R
3	—	Cable (Ref; to antenna)		
4	B269-78	Socket Receptacle (15-socket; reference wire -2395[white] and -2395[blue])	X	1
5	B269-77	Plug (15-pin; reference wires -1909 [2, white and blue], -1912 [2, white and blue], -1915 [2, white and blue], and -2394 [2, white and blue])	X	1
6	B269-12	Socket Receptacle (25-socket; reference wires -2778 [2], -2775 [2], 1908 [2, white and blue], -1911 [2, white and blue], and -1914 [2, white and blue])	X	1
7	MS27039C0805	Screw	X	4
8	G682-24	Decal – “FM”	X	1
9	TDFM-9000	Transceiver (FM)	X	1
10	C905-6	Angle	X	2
11	NAS620-5	Washer	X	A/R
12	A130-55	Spacer	X	2
13	A917-8	Strip	X	2
14	MS20470AD3	Rivet	X	6
15	MS21069L08K	Nutplate	X	4
16	NAS1097AD3	Rivet	X	8
17	G064-7	Face (Ref)		
18	MS21042L08	Nut	X	4
19	NAS1149FN816P	Washer	X	4
20	B260-3	Terminal	X	1
21	-2773	Wire (Ref; ground)		
22	B301-8	Nut	X	4
23	A448-10	Bus Bar (4 holes)	X	1
24	C448-2	Block Assembly (Incl items 22, 23, 25, 27, and 28)	X	1
25	C448-5	Block (Ref)		
26	MS35206-228	Screw	X	4
27	B567-43	Screw (install using item 28 under head)	X	4
28	B270-9	Adhesive	X	A/R
29	NAS620-6	Washer	X	2
30	MS21042L06	Nut	X	2
31	B297-10	Circuit Breaker (10 amp; includes items 32, 33, 37, and 38) . .	X	1

NOTES

Continues

FIGURE AND INDEX NUMBER	PART NUMBER	DESCRIPTION	PARTS AVAIL	QTY PER ASSY
C813-4 TRANSCEIVER INSTALATION (G060 CONSOLE; Cont'd)				
90-5B-32	-	Lockwasher	O	2
33	-	Screw	O	2
34	A448-12	Bus Bar (12 hole)	X	1
35	B260-2	Terminal	X	1
36	-2772	Wire (Ref; power)		
37	-	Nut	O	1
38	-	Lockwasher	O	1
NOTES				

Intentionally Blank

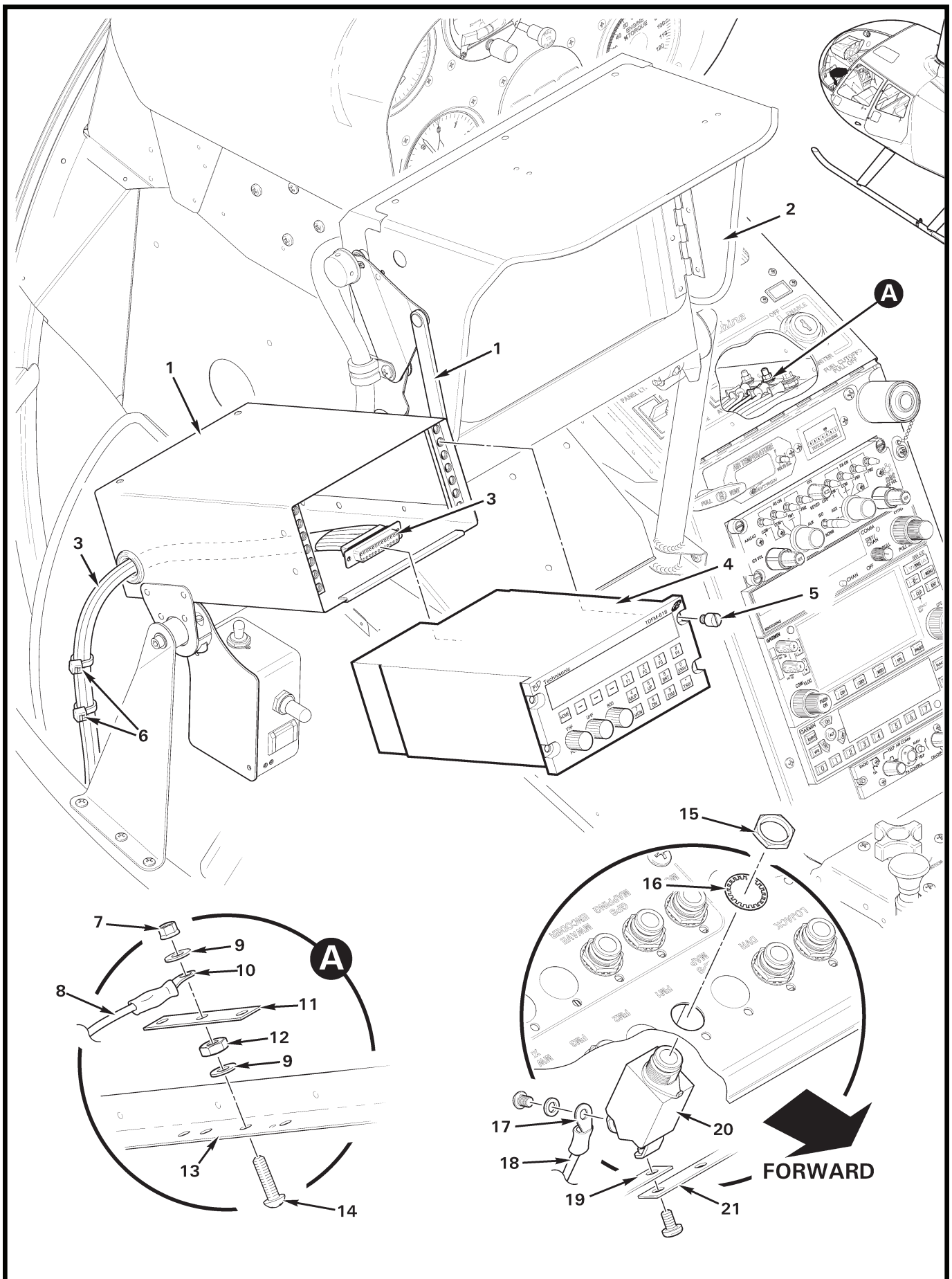


FIGURE AND INDEX NUMBER	PART NUMBER	DESCRIPTION	PARTS AVAIL	QTY PER ASSY
C813-2 TRANSCEIVER INSTALLATION				
90-7-1	G413-1	Box Assembly	X	1
2	D763-3	Visor Assembly (Ref, see Figure 90-47)		
3	D613-4	Harness Assembly	X	1
4	TDFM-600	Transceiver – Technisonic	X	1
5	—	Screw	O	4
6	MS3367-5-0	Ty-Rap	X	A/R
7	MS21042L08	Nut	X	1
8	-1898	Wire (Ref)		
9	NAS1149DN832H	Washer	X	2
10	B260-3	Terminal (Ref)		
11	A448-15	Bus Bar (Ref, 3-hole)		
12	B301-8	Nut	X	1
13	F365-1	Angle (Ref)		
14	B567-43	Screw	X	1
15	—	Nut	O	1
16	—	Washer	O	1
17	B260-2	Terminal (Ref)		
18	-1897	Wire (Ref)		
19	A448-13	Bus Bar (Ref)		
20	B297-7	Circuit Breaker (7 amp; includes items 14 and 15)	X	1
21	A448-12	Bus Bar (Ref, 9-hole)		

NOTES

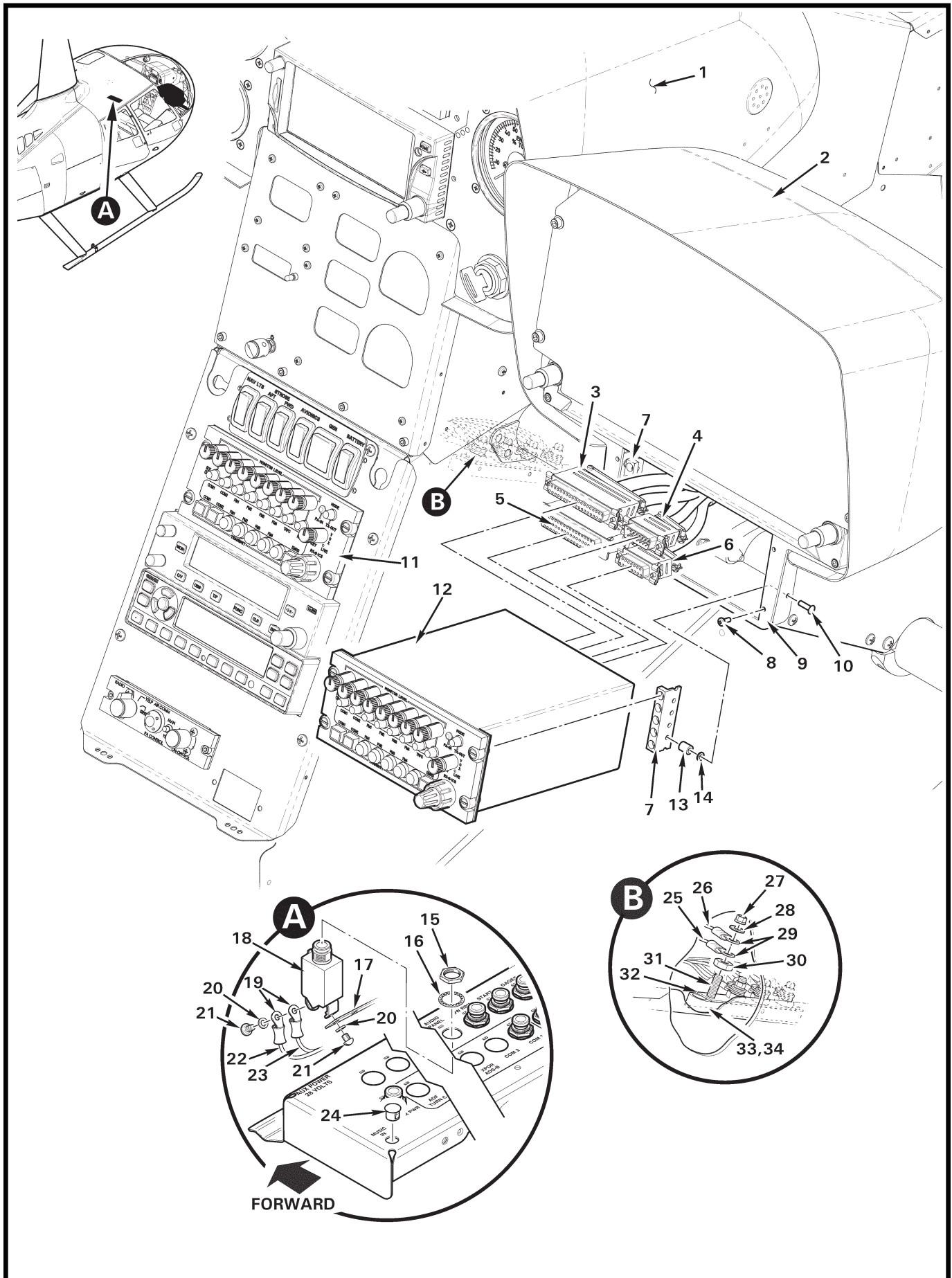


FIGURE AND INDEX NUMBER	PART NUMBER	DESCRIPTION	PARTS AVAIL	QTY PER ASSY
G460-2 AUDIO CONTROL INSTALLATION				
90-7B-1	G070	Console Assembly (Ref)		
2	G071	Pilot Avionics Console Assembly (Ref)		
3	SD37F00JVLX*	Receptacle (37-socket [at J201])	X	2
	B269-62	Socket	X	29
4	SD15M00JVL2*	Plug (15-pin [at J202])	X	2
	B269-61	Pin	X	A/R
5	SD50F00JVLX*	Receptacle (50-socket [at J101])	X	2
	B269-62	Socket	X	A/R
6	SD15F00WEZ*	Receptacle (50-socket [at J102])	X	2
	B269-62	Socket	X	5
7	A917-6	Strip	X	2
8	MS35206-214	Screw	X	4
9	G413-7	Face Assembly (Ref)		
10	MS20470AD4	Rivet	X	4
11	A711L**	Audio Control Panel (co-pilot module)	X	1
12	A711L**	Audio Control Panel (pilot module)	X	1
13	A130-55	Spacer	X	8
14	NAS620-5	Washer (as required for shimming)	X	A/R
15	—	Nut	O	1
16	—	Lockwasher	O	1
17	A448	Bus Bar (Ref)		
18	B297-3	Circuit Breaker (3-amp; includes items 15, 16, 20, and 21) . .	X	1
19	B260-2	Terminal	X	2
20	—	Lockwasher	O	2
21	—	Screw	O	2
22	-644	Wire (Ref; power, co-pilot module)		
23	-2745	Wire (Ref; power, pilot module)		
24	2613	Hole Plug (at "MUSIC IN" location)	X	1
25	-643	Wire (Ref; ground, co-pilot module)		
26	-2746	Wire (Ref; ground, pilot module)		
27	MS21042L08	Nut	X	1
28	NAS1149FN816	Washer	X	1
29	B260-3	Terminal	X	2
30	B301-8	Nut	X	4
31	B567-43	Screw	X	4

NOTES * Positronic Industries, Inc. part number.
 ** Technisonic part number.

Continues

FIGURE AND INDEX NUMBER	PART NUMBER	DESCRIPTION	PARTS AVAIL	QTY PER ASSY
G460-2 AUDIO CONTROL INSTALLATION (Cont'd)				
90-7B-32	A448-10	Bus Bar (4 hole)	X	1
33	C448-2	Block Assembly (Incl items 30 thru 32 and 34)	X	1
34	C448-5	Block (4 holes)	X	1
NOTES				

Intentionally Blank

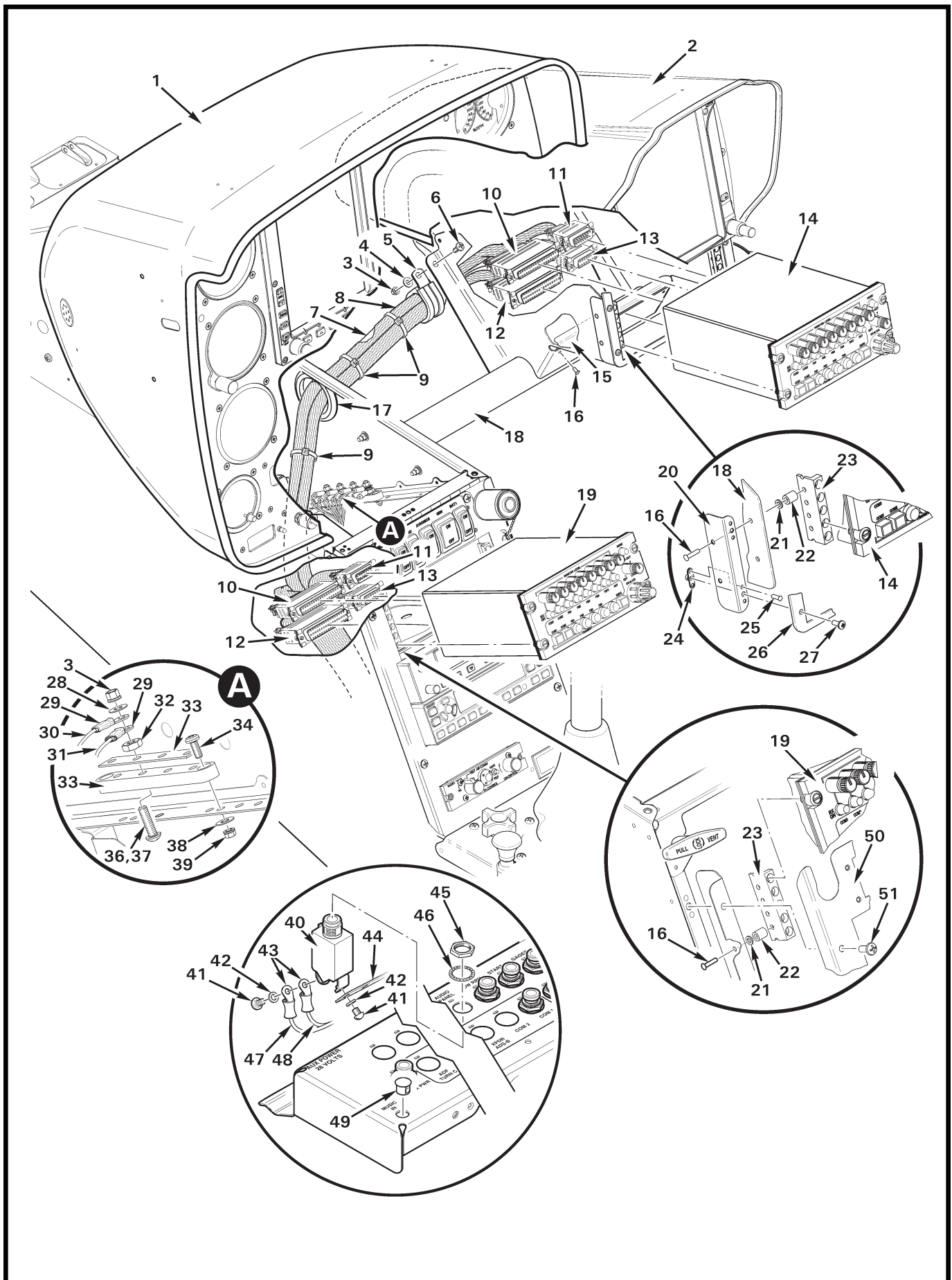


FIGURE AND INDEX NUMBER	PART NUMBER	DESCRIPTION	PARTS AVAIL	QTY PER ASSY
G460-1 AUDIO CONTROL INSTALLATION				
90-9-1	G060-4	Console Assembly (Ref)		
2	G704-2	Pilot Avionics Console Assembly (Ref)		
3	MS21042L08	Nut	X	2
4	NAS1149FN832P	Washer	X	1
5	MS21919WDG__	Clamp (size as required so that harness has no play in clamp) . .	X	1
6	MS27039C0806	Screw	X	1
7	—	Wires/Cable to GPS Transceiver (Ref)		
8	B266-8	Sleeving	X	A/R
9	MS3367-5-0	Ty-Rap (or MS3367-7-0)	X	A/R
10	SD37F00JVLX*	Receptacle (37-socket [at J201]; refer to R66 MM chapter 98 for wire assignments)	X	2
	B269-62	Socket	X	29
11	SD15M00JVL2*	Plug (15-pin [at J202]; refer to R66 MM chapter 98 for wire assignments)	X	2
	B269-61	Pin	X	A/R
12	SD50F00JVLX*	Receptacle (50-socket [at J101]; refer to R66 MM chapter 98 for wire assignments)	X	2
	B269-62	Socket	X	A/R
13	SD15F00WEZ*	Receptacle (50-socket [at J102]; refer to R66 MM chapter 98 for wire assignments)	X	2
	B269-62	Socket	X	5
14	A711L**	Audio Control Panel (pilot module)	X	1
15	G704-20	Support	X	1
16	MS20470AD3	Rivet	X	11
17	B401-3	Grommet	X	1
18	G703-13	Support Assembly	X	1
19	A711L**	Audio Control Panel (co-pilot module)	X	1
20	G704-21	Angle Assembly (Incl items 28 and 29)	X	2
21	NAS620-5	Washer (as required for shimming)	X	A/R
22	A130-55	Spacer	X	2
23	A917-6	Strip	X	2
24	MS21069L04	Nutplate	X	2
25	NAS1097AD3	Rivet (countersunk)	X	4
26	G704-18	Face (Ref; for use with Garmin GTN 650 installed)		
	G704-19	Face (Ref ;for use with Garmin GTN 750 installed)		
27	MS35206-214	Screw	X	4

NOTES * Positronic Industries, Inc. part number.
 ** Technisonic part number.

Continues

FIGURE AND INDEX NUMBER	PART NUMBER	DESCRIPTION	PARTS AVAIL	QTY PER ASSY
G460-1 AUDIO CONTROL INSTALLATION (Cont'd)				
90-9-28	NAS1149FN816	Washer	X	2
29	B260-3	Terminal	X	2
30	-643	Wire (Ref; ground, co-pilot module)		
31	-2746	Wire (Ref; ground, pilot module)		
32	B301-8	Nut	X	4
33	A448-10	Bus Bar (4 hole)	X	1
34	MS35206-228	Screw	X	2
35	C448-2	Block Assembly (Incl items 30,34, and 35)	X	1
36	B567-43	Screw (install using item 35)	X	4
37	B270-9	Adhesive	X	A/R
38	NAS1149FN616P	Washer	X	2
39	MS21042L06	Nut	X	2
40	B297-3	Circuit Breaker (3-amp; includes items 39, 40, 43, and 44) . .	X	1
41	—	Screw	O	2
42	—	Lockwasher	O	2
43	B260-2	Terminal	X	2
44	A448	Bus Bar (Ref)		
45	—	Nut	O	1
46	—	Lockwasher	O	1
47	-644	Wire (Ref; power, co-pilot module)		
48	-2745	Wire (Ref; power, pilot module)		
49	2613	Hole Plug	X	1
50	F640	Face Assembly (Ref; avionics)		
51	MS27039C0807	Screw (Ref)		

NOTES

Intentionally Blank

FIGURE AND INDEX NUMBER	PART NUMBER	DESCRIPTION	PARTS AVAIL	QTY PER ASSY
C823-16 DUAL AUDIO CONTROL INSTALLATION				
90-13-1	G225	Face Assembly (Ref)		
2	AMS42	Dual Audio Control (N.A.T.)	X	1
3	MS24693-S32	Screw	X	3
4	MS21042L08	Nut	X	1
5	NAS1149DN832H	Washer	X	2
6	-951	Wire (Ref)		
7	B260-3	Terminal (Ref)		
8	A448-15	Bus Bar (3-hole)	X	1
9	B301-8	Nut	X	1
10	F365-1	Angle (Ref)		
11	B567-43	Screw	X	1
12	—	Nut	O	1
13	—	Lockwasher	O	1
14	B297-2	Circuit Breaker (2 amp; includes items 12 and 13)	X	1
15	A448-1	Bus Bar (Ref)		
16	B260-3	Terminal (Ref)		
17	-950	Wire (Ref)		
NOTES				

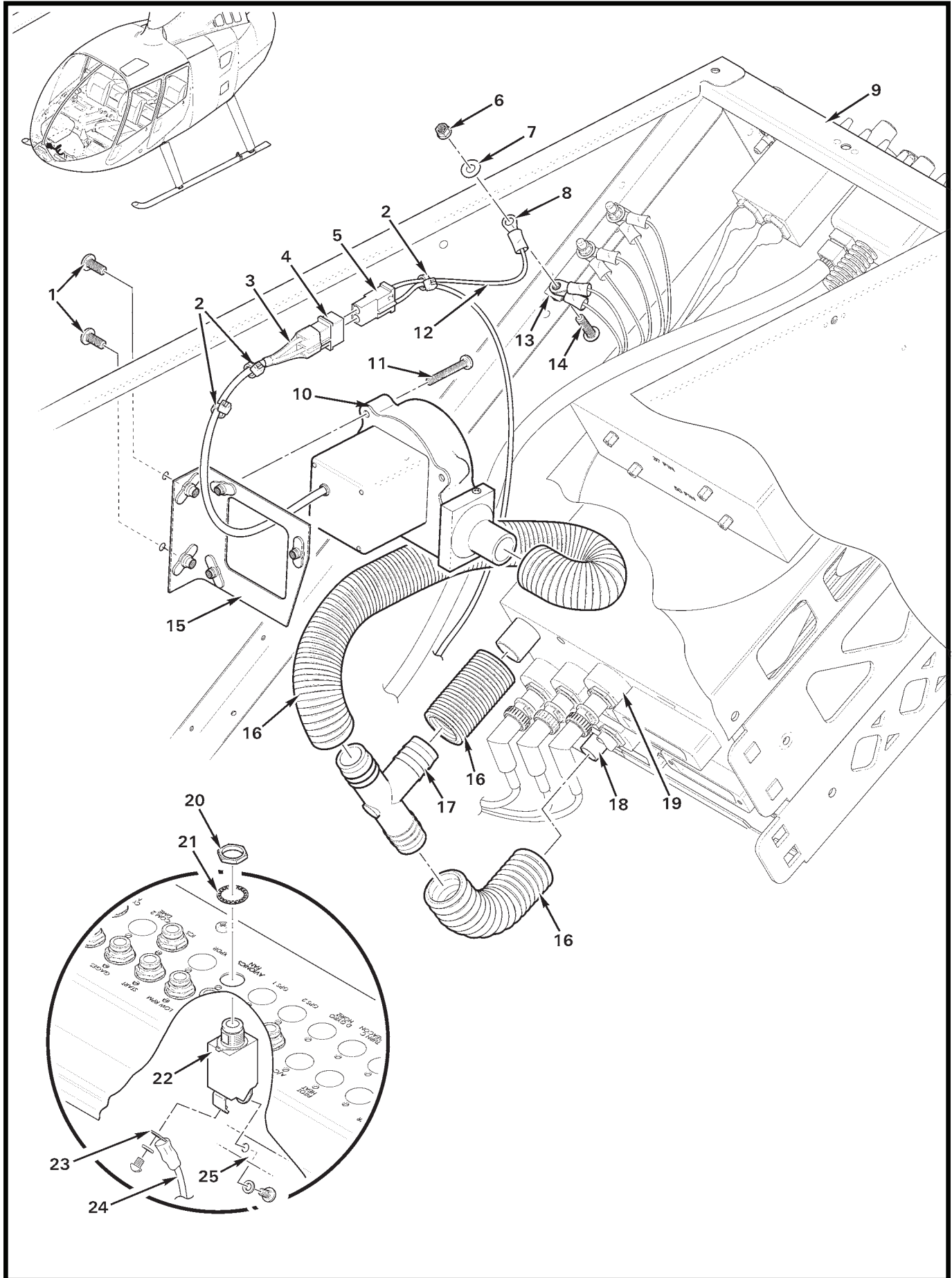


FIGURE AND INDEX NUMBER	PART NUMBER	DESCRIPTION	PARTS AVAIL	QTY PER ASSY
C849-4 BLOWER INSTALLATION				
90-15-1	MS270390806	Screw	X	2
2	MS3367-4-9	Ty-Rap	X	A/R
3	B158-408	Heat Shrink	X	A/R
4	B263-12	Housing	X	1
	B263-1	Pin	X	2
5	B263-13	Housing	X	1
	B263-2	Socket	X	2
6	MS21042L08	Nut (Ref)		
7	NAS1149FN816P	Washer (Ref)		
8	B260-3	Terminal	X	1
9	F033	Lower Console Assembly (Ref)		
10	TB1-1.5D	Blower	X	1
11	MS35206-233	Screw	X	3
12	-1147	Wire (Ref)		
13	A448-4	Bus Bar (Ref; 3-hole)		
14	B567-43	Screw (Ref)		
15	D651-1	Bracket	X	1
16	5399K17	Hose	X	A/R
17	A457-5	Tee	X	1
18	GTX 330	Transponder – Garmin (Ref)		
19	GNS 430W	Transceiver – Garmin (Ref)		
20	—	Nut	O	1
21	—	Washer	O	1
22	B294-2	Circuit Breaker (2 amp; includes items 20 and 21)	X	1
23	B260-2	Terminal (Ref)		
24	-1014	Wire (Ref)		
25	A448-1	Bus Bar (Ref)		
NOTES				

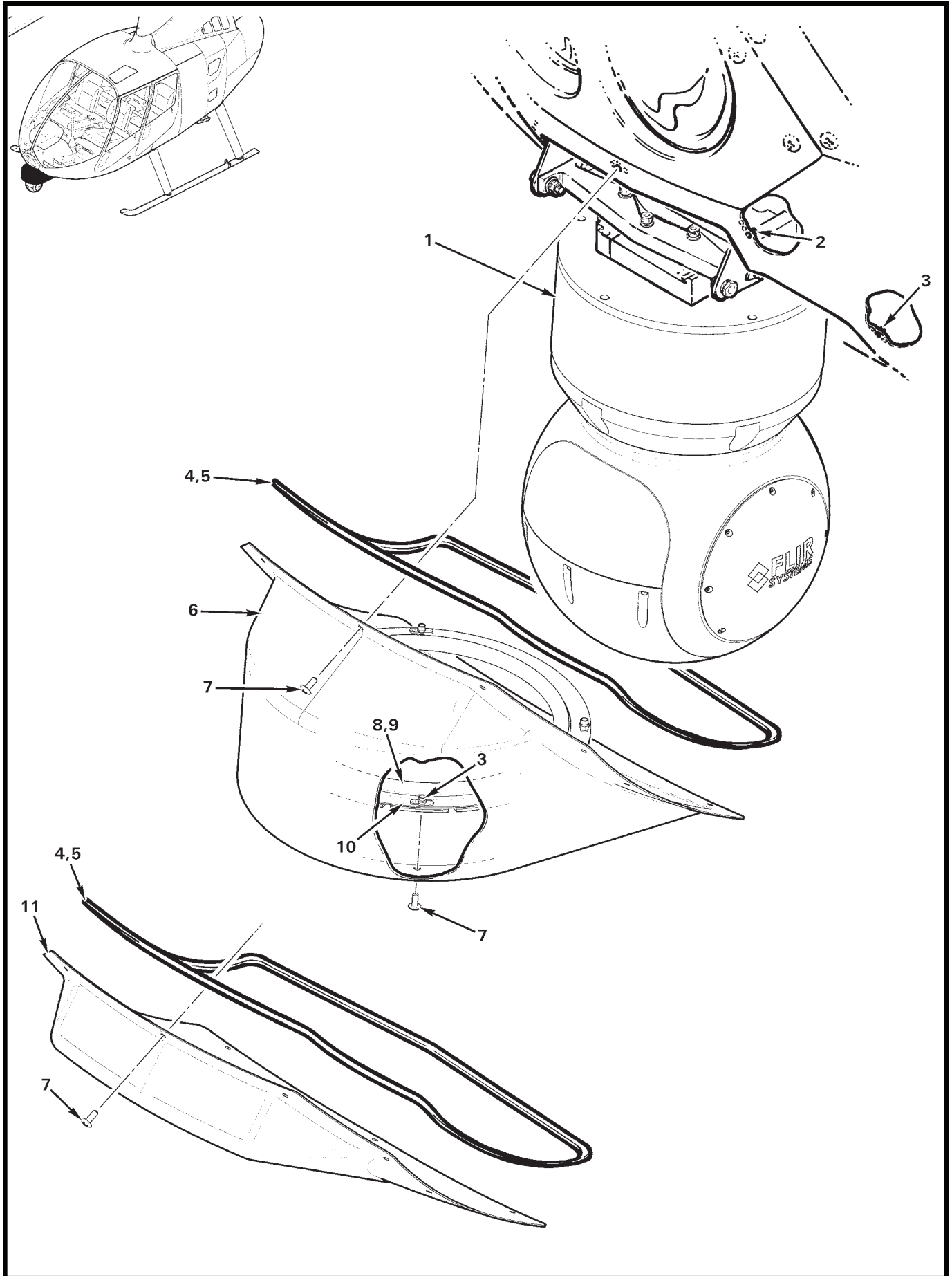


FIGURE AND INDEX NUMBER	PART NUMBER	DESCRIPTION	PARTS AVAIL	QTY PER ASSY	
90-17-1	19205-201	F051-1 CAMERA SYSTEM INSTALLATION – GIMBAL FAIRING AND COVER			
	2	MS21071L08	Gimbal Assembly (Ref; Model # Flir Systems, see Figure 90-19)		
	3	MS21069L08	Nutplate (Ref)	X	2
	4	MS21069L08	Nutplate ([10] on helicopter chin, [4] on item 11)	X	A/R
	5	A226-3	Seal (install using item 5)	X	A/R
	6	B270-8	Sealant (silicone)	X	A/R
	7	G412-1	Fairing	X	1
	8	B332-42	Screw	X	12
	9	05-00020	Seal (install using item 9)	X	A/R
	10	B270-18	Adhesive	X	A/R
	11	D350-6	Ring Assembly (includes item 3 [4])	X	1
	G548-1596	Cover (for use when item 1 is removed)	X	1	
NOTES					

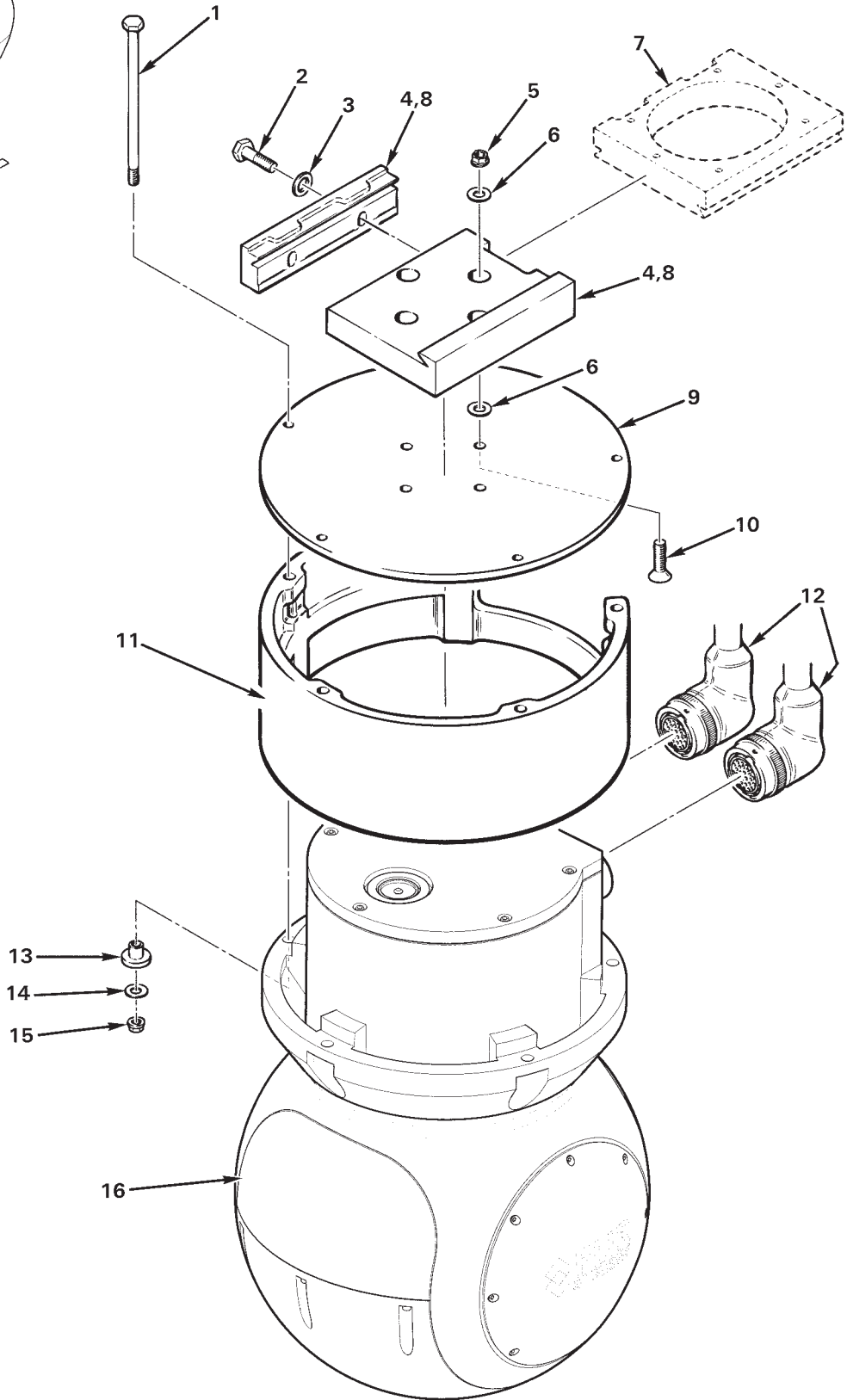
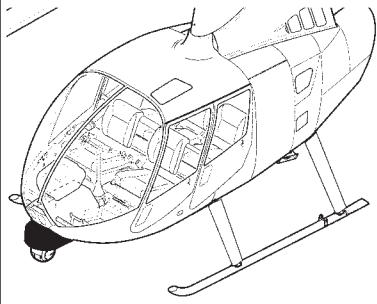


FIGURE AND INDEX NUMBER	PART NUMBER	DESCRIPTION	PARTS AVAIL	QTY PER ASSY
F051-1 CAMERA SYSTEM INSTALLATION – GIMBAL AND LOWER SUPPORT ASSEMBLY				
90-19-1	AN3-040A	Bolt	O	5
2	—	Bolt	O	2
3	—	Washer	O	2
4	IR-4100-1 *	Adapter Assembly	O	1
5	MS21042L4	Nut	X	4
6	NAS1149D0463P	Washer	O	8
7	D400-2	Block (Ref)		
8	IR-410*	Adapter Assembly – Gimbal Installation (Incl items 1 thru 6, 9 thru 11, and 13 thru 15)	X	1
9	IR-610-1 *	Mount Plate	O	1
10	MS24693S297	Screw	O	4
11	IR-630-1 *	Spacer	O	1
12	10349-104-1-C1**	Cable Pair (Ref)		
13	IR-620-1 *	Bushing	O	5
14	NAS1149D0363J	Washer	O	5
15	MS21042L3	Nut	X	5
16	19205-201	Gimbal (Model U8000/U8500; Flir Systems, N. Billerica, MA)	X	1
<p>NOTES * Paravion Tech, Inc. part no. ** Inframetrics part no.</p>				

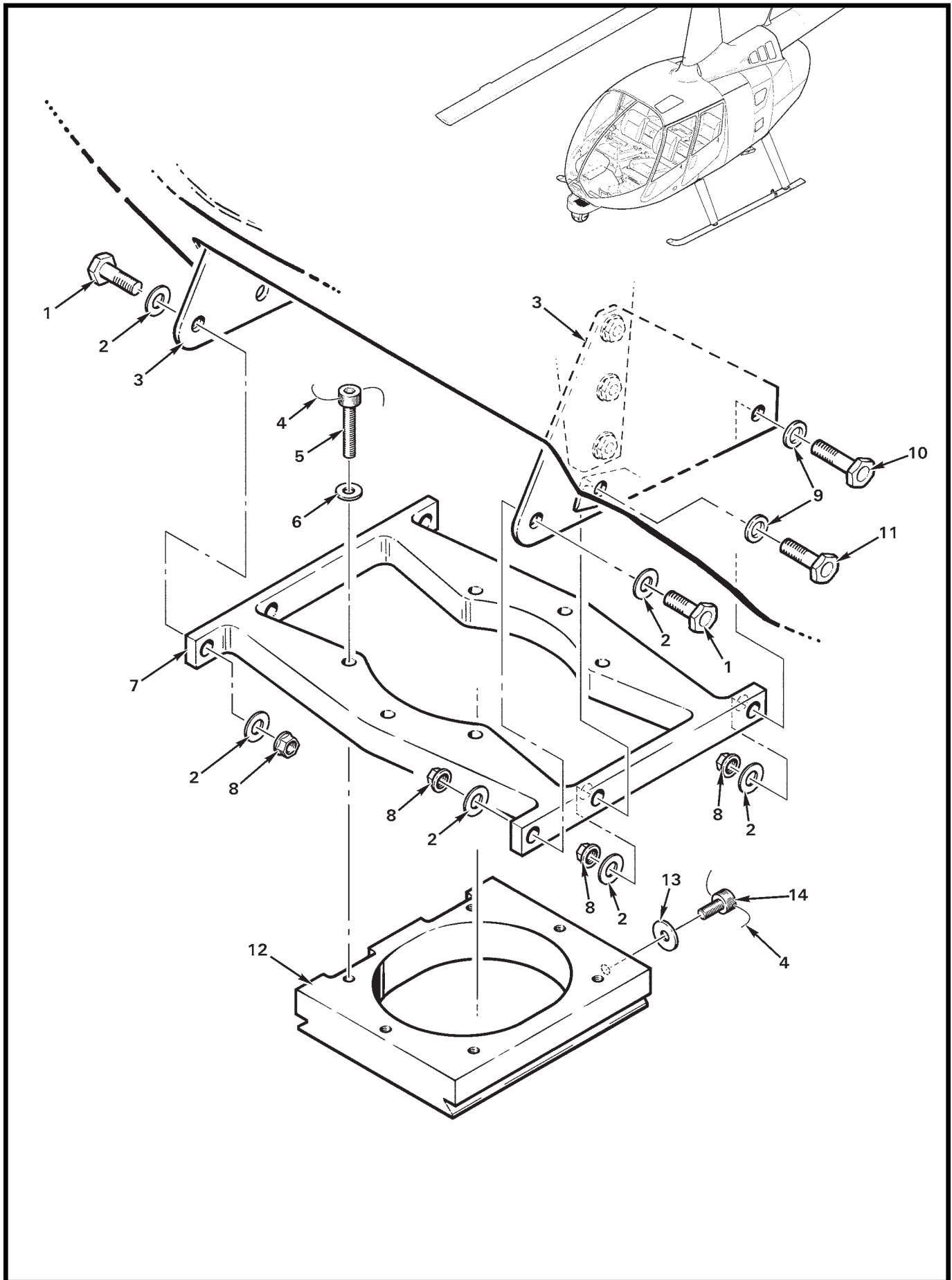


FIGURE AND INDEX NUMBER	PART NUMBER	DESCRIPTION	PARTS AVAIL	QTY PER ASSY
F051-1 CAMERA SYSTEM INSTALLATION – UPPER GIMBAL SUPPORT ASSEMBLY				
90-21-1	NAS6604-4	Bolt	X	2
2	NAS1149F0432P	Washer	X	8
3	D349-1	Support (Ref)		
4	MS20995C32	0.032 in. dia Safety Wire	X	A/R
5	NAS1352-3-16P	Screw	X	6
6	NAS1149F0332P	Washer	X	6
7	D349-3	Plate	X	1
8	MS21042L4	Nut	X	6
9	A141-11	Washer	X	4
10	NAS6604-7	Bolt	X	2
11	NAS6604-5	Bolt	X	2
12	D400-2	Block Assembly	X	1
13	A141-18	Washer	X	1
14	NAS1352-3-8P	Screw	X	1
NOTES				

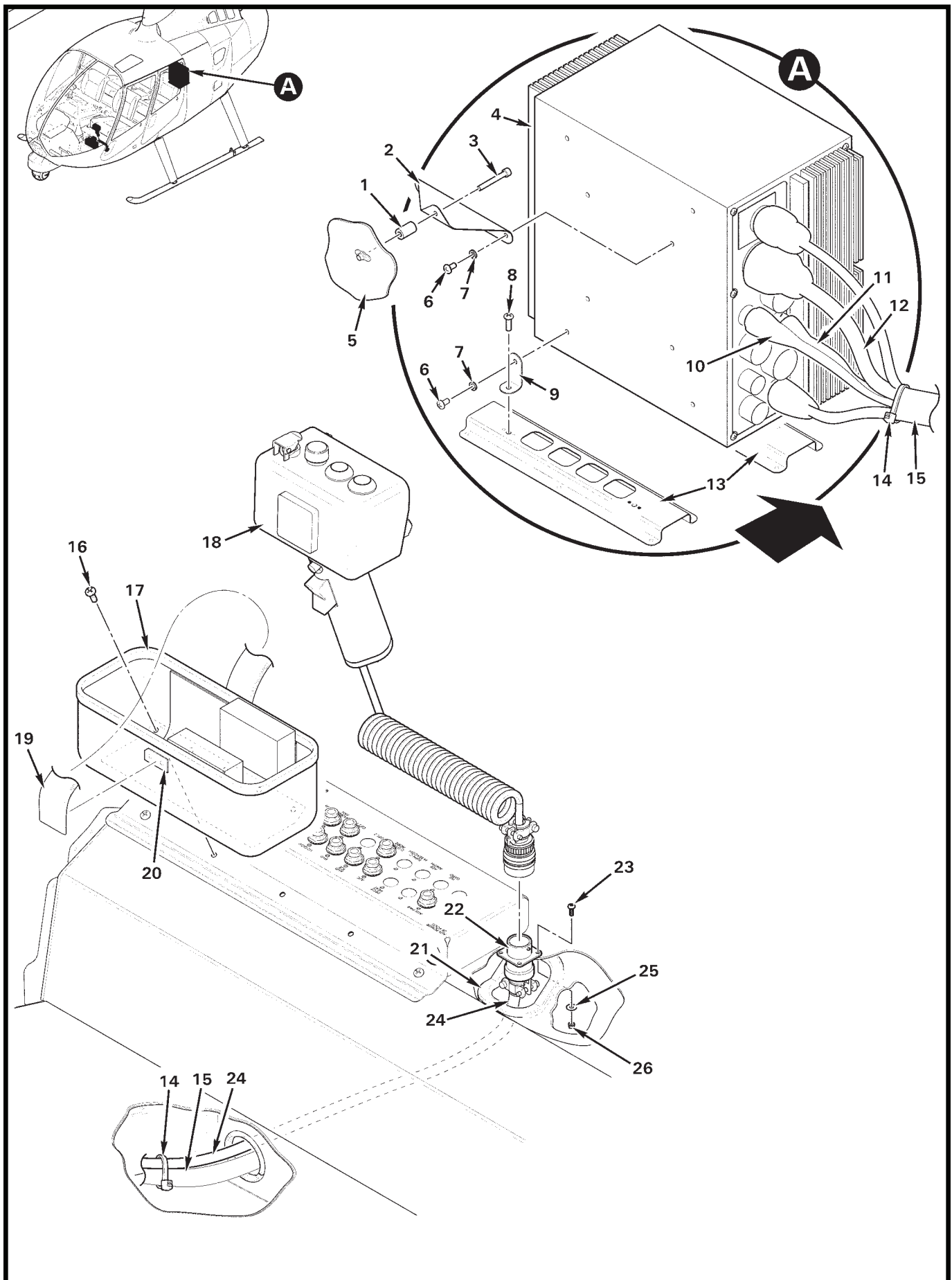


FIGURE AND INDEX NUMBER	PART NUMBER	DESCRIPTION	PARTS AVAIL	QTY PER ASSY
F051-1 CAMERA SYSTEM INSTALLATION – ELECTRONICS CONTROL UNIT & CONTROLLER ASSEMBLY				
90-23-1	A130-50	Spacer	O	1
2	G429-10	Support	X	1
3	NAS1352-08-16P	Screw	X	1
4	19206-2*	Flir Electronics Control Unit	O	1
5	F233-1	Firewall (Ref)		
6	MS27039C0805	Screw	X	4
7	B332-42	Lockwasher	X	4
8	MS27039C0806	Screw	X	2
9	D428-16	Bracket	X	2
10	G548-937	Cable (Ref)		
11	G548-1596	Cable (Ref)		
12	3202312KHA200	Cable (Ref)		
13	G429-1	Support Assembly	X	2
14	MS3367-5-0	Ty-Rap	X	A/R
15	G548-1	Wire Harness (Ref)		
16	MS27039C0807	Screw	X	3
17	D417-5	Box Installation	X	1
18	D616-1	Controller Assembly	X	1
19	B219-4	Strap Assembly (Ref)		
20	A913-2	Strip (Ref)		
21	A226-15	Trim	X	A/R
22	MS3120E12-105	Receptacle (Ref)		
23	MS35206-214	Screw	X	4
24	G548-8106	Cable (Ref)		
25	NAS1149FN416P	Washer	X	4
26	MS21042L04	Nut	X	4

NOTES * FLIR Part Number.

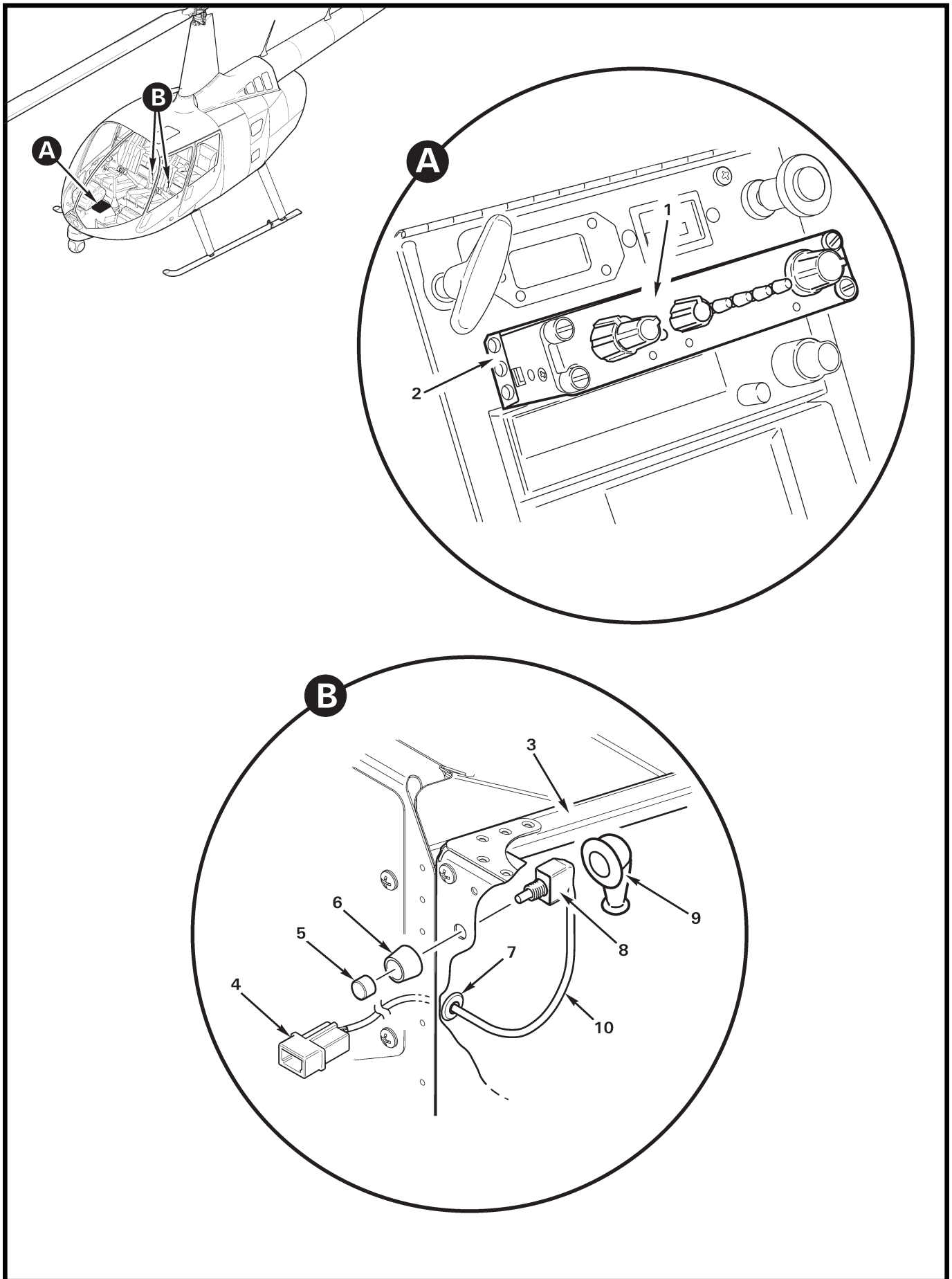


FIGURE AND INDEX NUMBER	PART NUMBER	DESCRIPTION	PARTS AVAIL	QTY PER ASSY
F060-2 INTERCOM SYSTEM INSTALLATION – AUDIO CONTROL				
90-25-1	AA12S-600	Audio Control	X	1
2	A917-2	Strip	X	2
3	F291-3	Support Assembly – Aft (Ref; LH)		
4	B263-12	Housing	X	1
	B263-1	Pin	X	1
5	—	Cap	O	1
6	—	Nut	O	1
7	MS35489-4	Grommet	X	1
8	C049-10	Harness Assembly – LH (Incl items 5 thru 8)	X	1
	C049-13	Harness Assembly – RH (Incl items 5 thru 8)	X	1
9	MS25171-1S	Nipple	X	1
10	B158-2	Heat Shrink	X	A/R
NOTES				

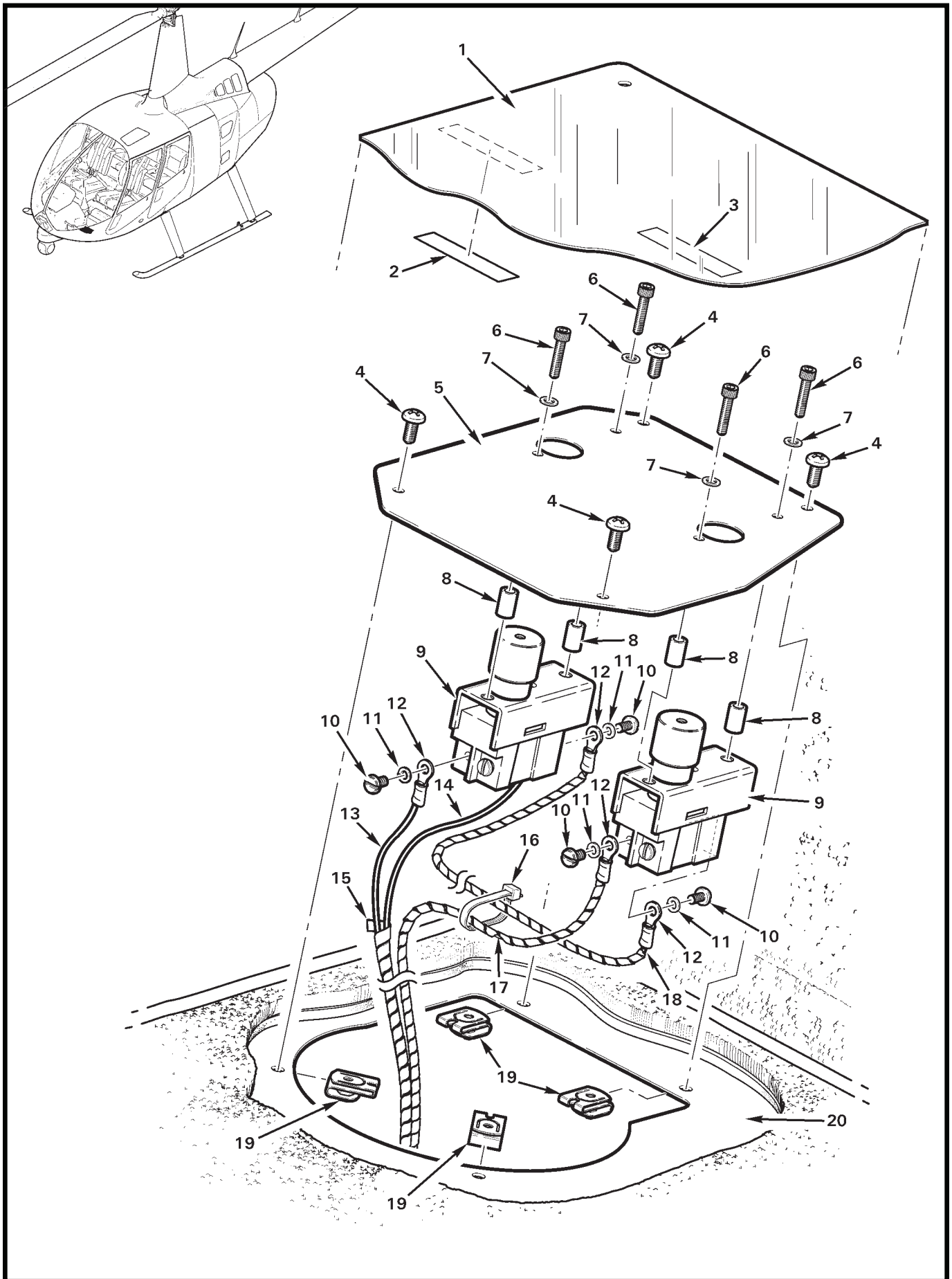


FIGURE AND INDEX NUMBER	PART NUMBER	DESCRIPTION	PARTS AVAIL	QTY PER ASSY
F060-2 INTERCOM SYSTEM INSTALLATION – FLOOR SWITCHES				
90-27-1	G469-1	Scuff Plate (Ref; LH)		
2	C654-30	Decal – “Intercom”	X	1
3	C654-31	Decal – “Transmit”	X	1
4	MS27039C0806	Screw	X	4
5	C797-1	Cover	X	1
6	NAS1351-06-12P	Screw	X	4
7	NAS620-6	Washer	X	4
8	A130-34	Spacer	X	4
9	A565-2	Switch – Foot (Incl items 10 and 11)	X	2
10	—	Screw	O	3
11	—	Lockwasher	O	3
12	B260-2	Terminal	X	5
13	F059-283	Wire (Ref)		
14	F059-284	Wire (Ref)		
15	B161-2	Spirap	X	A/R
16	MS3367-5-9	Ty-Rap	X	A/R
17	F060-686	Wire (Ref)		
18	F060-687	Wire (Ref)		
19	B162-3	Clipnut	X	4
20	F232-1	Panel – Floor (Ref; LH)		

NOTES

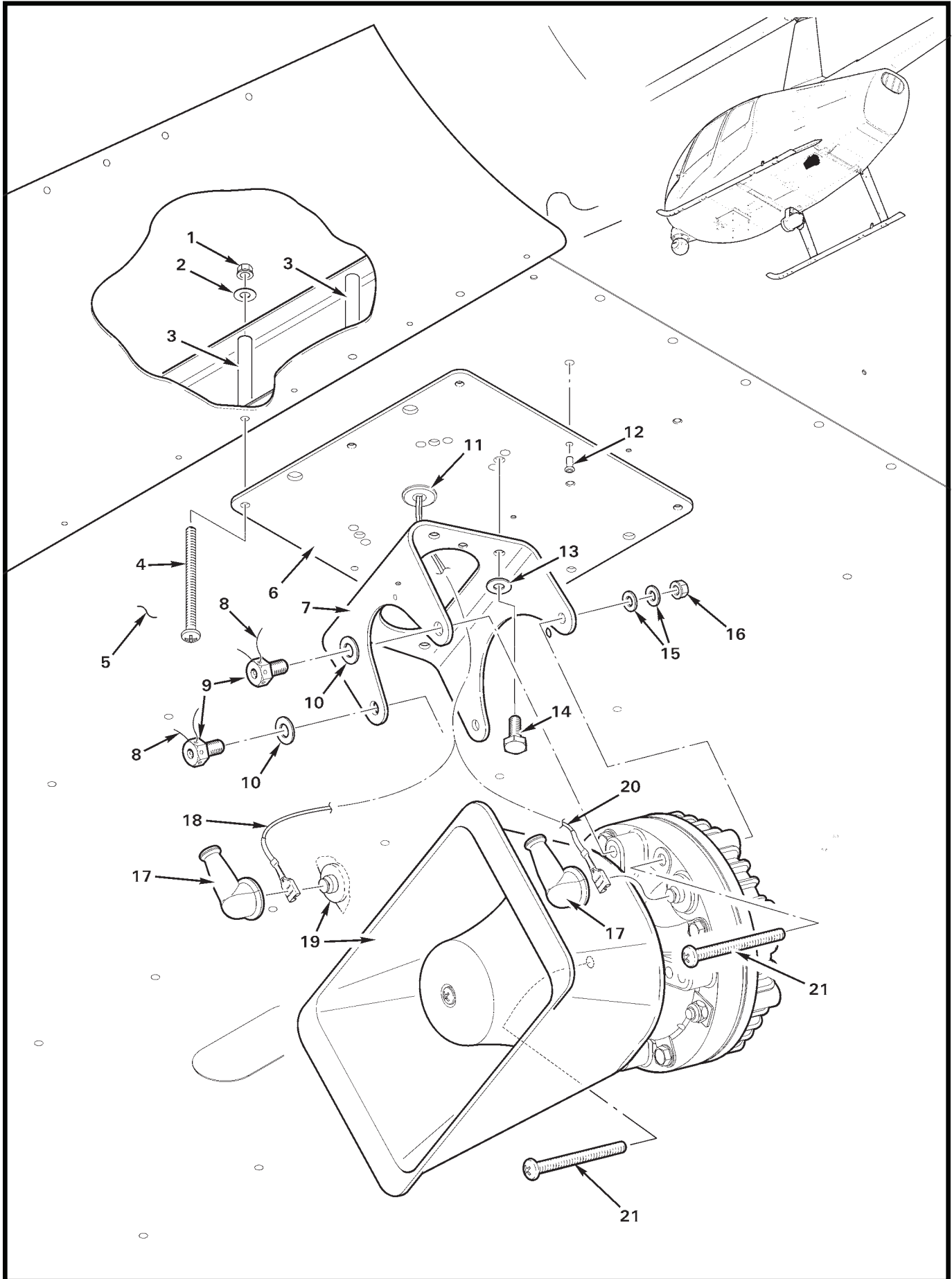


FIGURE AND INDEX NUMBER	PART NUMBER	DESCRIPTION	PARTS AVAIL	QTY PER ASSY
PA/SIREN SPEAKER INSTALLATION				
90-29-1	MS21042L08	Nut	X	6
2	NAS1149FN816P	Washer	X	6
3	C130-55	Spacer	X	6
4	MS27039C0835	Screw (outboard)	X	3
	MS27039C0834	Screw (inboard, not shown)	X	3
5	G917-1	Belly (Ref)		
6	F644-3	Plate Assembly	X	1
7	F644-1	Bracket	X	1
8	MS20995C32	0.032 in. dia Safety Wire	X	A/R
9	MS27004-04-03	Bolt	X	2
10	NAS1149F0432P	Washer	X	2
11	MS35489-35	Grommet	X	1
12	NAS9301B-4-02	Rivet	X	2
13	NAS1149F0332P	Washer	X	4
14	NAS6603-3	Bolt	X	4
15	NAS620-10L	Washer	X	4
16	MS21042L3	Nut	X	2
17	MS25171-1S	Nipple	X	2
18	—	Wire (white, no. 2344; Ref)		
19	SA340-TS	Speaker	X	1
20	—	Wire (black, no. 2345; Ref)		
21	NAS603-34P	Screw	X	2
NOTES				

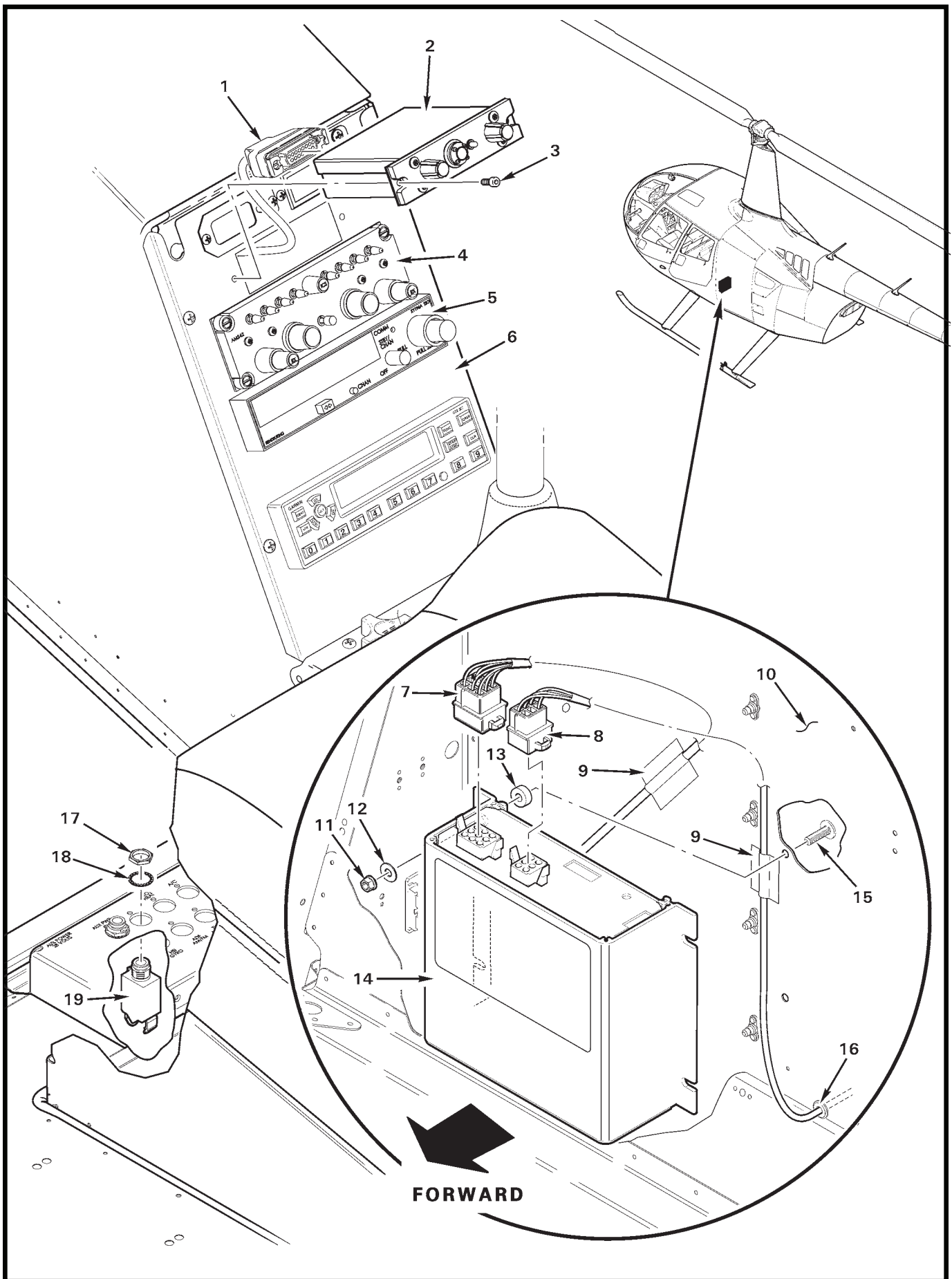


FIGURE AND INDEX NUMBER	PART NUMBER	DESCRIPTION	PARTS AVAIL	QTY PER ASSY
PA/SIREN SYSTEM COMPONENTS				
90-31-1	—	Connector (Ref)		
2	A687-2	PA/Siren Control	X	1
3	NAS1352-06-6	Screw	X	2
4	AMS42	Audio Control (dual; Ref)		
5	KY197	Com Transceiver (Bendix/King, Ref)		
6	G225	Face Assembly – Avionics (Ref)		
7	B263-20	Housing	X	1
	B263-1	Pin	X	6
8	B263-18	Housing	X	1
	B263-1	Pin	X	4
9	A701-1	Foil Tape	X	A/R
10	G259-1	Panel (Bulkhead; Ref)		
11	MS21042L08	Nut	X	3
12	NAS1149FN832P	Washer	X	3
13	A130-37	Spacer	X	3
14	BETA 124R	Amplifier	X	1
15	AN525-832R9	Screw	X	3
16	MS35489-5	Grommet	X	1
17	—	Nut	O	1
18	—	Lockwasher	O	1
19	B297-7	Circuit Breaker (7.5 amp; includes items 17 and 18)	X	1

NOTES

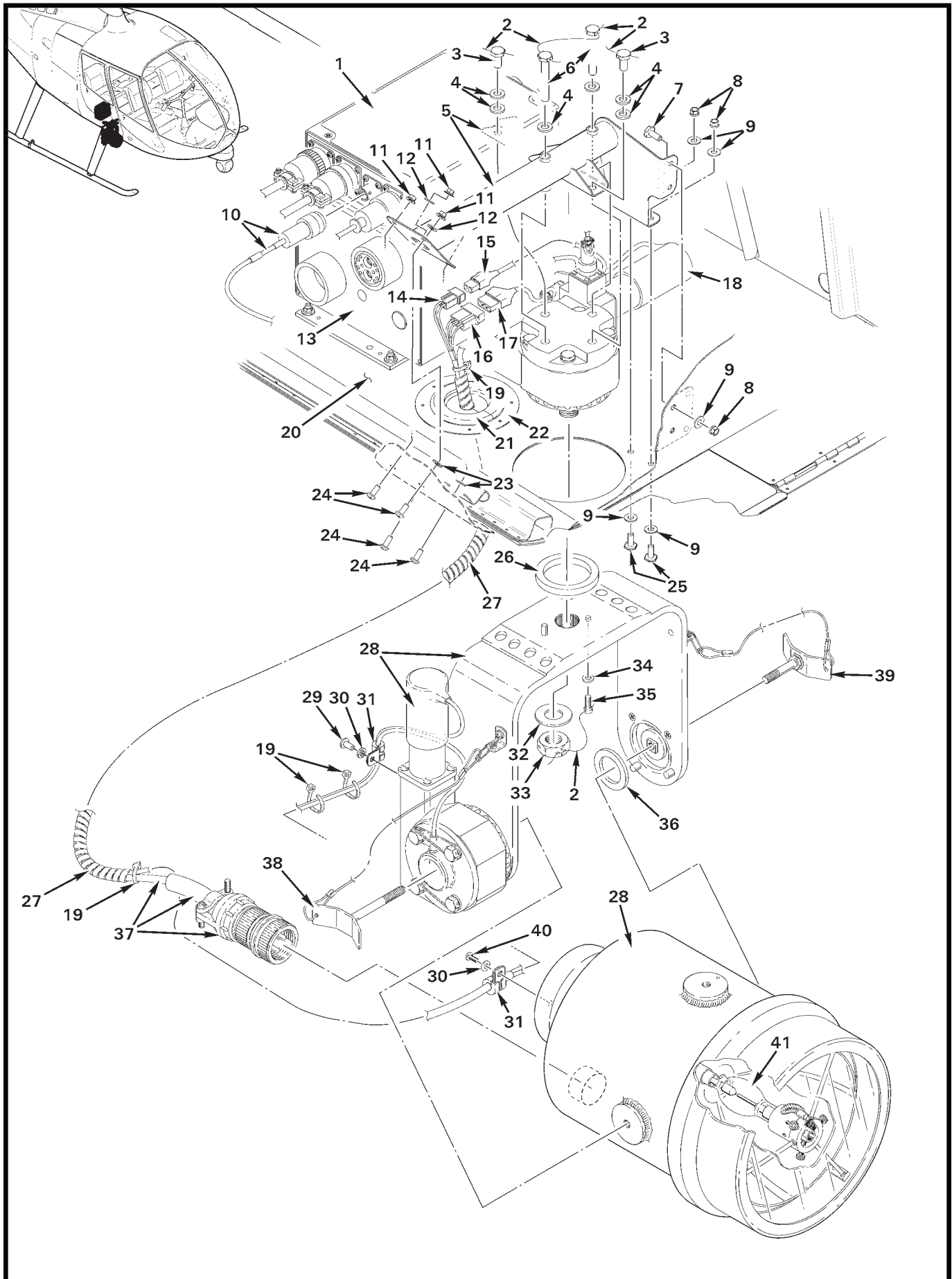


FIGURE AND INDEX NUMBER	PART NUMBER	DESCRIPTION	PARTS AVAIL	QTY PER ASSY
		F081 SEARCHLIGHT INSTALLATION – GIMBAL AND GEARMOTOR ASSEMBLIES		
90-33-1	U8-7102C	Slass ECU (Ref)		
2	MS20995C32	0.032 in. dia Safety Wire	X	A/R
3	NAS6604H2	Bolt	X	2
4	NAS1149F0463P	Washer	X	6
5	D401-7	Support Weldment	X	1
6	NAS6604H21	Bolt	X	2
7	NAS6603-2	Bolt	X	2
8	MS21042L3	Nut	X	4
9	NAS1149F0332P	Washer	X	6
10	D599-4	Harness Assembly (Ref)		
11	MS21042L08	Nut	X	4
12	NAS1149FN816P	Washer	X	2
13	032347	Junction Box (Ref)		
14	B263-32	Housing	X	1
	B263-1	Pin	X	2
15	B263-33	Housing	X	1
	B263-2	Socket	X	2
	B158-8	Heat Shrink	X	A/R
16	B263-34	Housing	X	1
	B263-1	Pin	X	3
17	B263-35	Housing	X	1
	B263-2	Socket	X	3
	B158-12	Heat Shrink	X	A/R
18	D432-2	Gearmotor (Incl items 15 and 17)	X	1
19	MS3367-4-9	Ty-Rap	X	4
20	D015-3	Skin (Ref)		
21	D402-1	Grommet	X	1
22	D564-1	Doubler (Ref)		
23	NAS1149FN832P	Washer (forward screws)	X	2
24	MS27039C0806	Screw	X	4
25	B238-1	Bolt	X	2
26	D405-4	Washer (0.25-inch felt, adhesive backed)	X	1
27	B161-8	Spirap	X	A/R
28	D432-1	Gimbal Assembly (slaved; includes items 14, 16, 19,26, 29 thru 31, 36, 40, and 41)	O	1

NOTES

Continues

FIGURE AND INDEX NUMBER	PART NUMBER	DESCRIPTION	PARTS AVAIL	QTY PER ASSY
F081 SEARCHLIGHT INSTALLATION – GIMBAL AND GEARMOTOR ASSEMBLIES (Cont'd)				
90-33-29	MS27039C1-06	Screw	X	1
30	B332-43	Lockwasher	X	1
31	MS21919WDG3	Clamp	X	2
32	MS15795-820	Washer	O	1
33	NAS509-10	Nut	O	1
34	—	Washer	O	1
35	MS51960-65	Screw	O	1
36	D405-6	Washer (0.12-inch felt, adhesive backed)	X	1
37	032435-210-36-14	Harness Assembly (Ref)		
38	017821-105	Wingbolt Assembly (long)	O	1
39	017821-101	Wingbolt Assembly (short)	O	1
40	MS35206-328	Screw	X	1
41	030060-1	Lamp (xenon, 500-watt)	X	1
NOTES				

Intentionally Blank

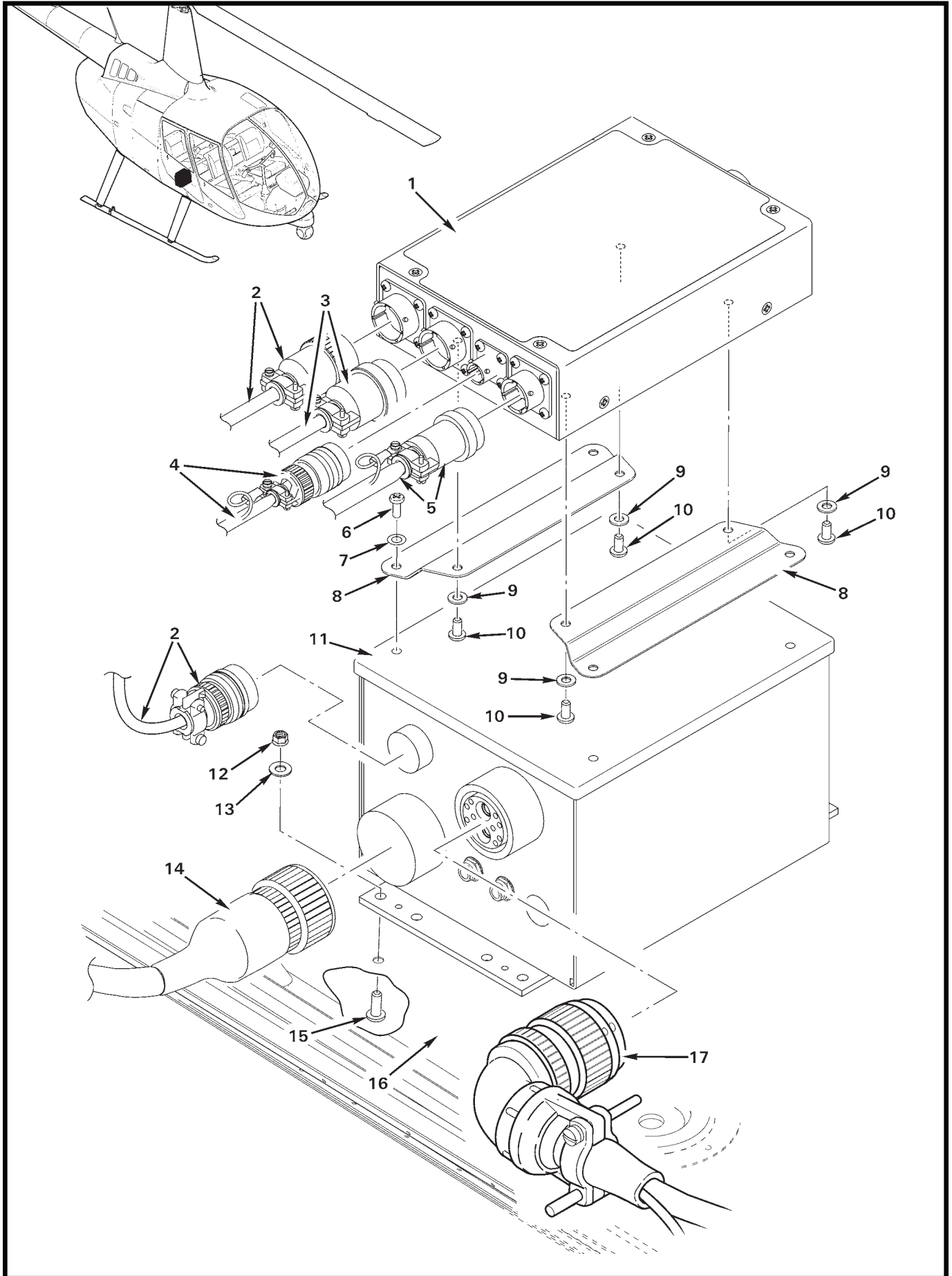


FIGURE AND INDEX NUMBER	PART NUMBER	DESCRIPTION	PARTS AVAIL	QTY PER ASSY
F081 SEARCHLIGHT INSTALLATION – SLASS ECU AND JUNCTION BOX ASSEMBLY				
90-37-1	U8-7102C	Slass ECU	X	1
2	D599-15	Harness Assembly (Ref, to item 11)	X	1
3	D599-13	Harness Assembly (Ref, to D426-3 Control)	X	1
4	D599-4	Harness Assembly (Ref, to AZ/ELEV Control)	X	1
5	D599-12	Harness Assembly (Ref, to FLIR)	X	1
6	—	Screw (included with item 11)	O	4
7	—	Washer (included with item 11)	O	4
8	G429-9	Support	X	2
9	NAS1149FN832P	Washer	X	4
10	MS27039C0805	Screw	X	4
11	032347	Junction Box Assembly (Ref)		
12	MS21042L3	Nut	X	4
13	NAS1149F0332P	Washer	X	4
14	—	Harness Assembly (Ref, to forward junction box assembly)		
15	MS27039C1-08	Screw	X	4
16	F015-3	Panel (Ref)		
17	032435-201-36-14	Harness Assembly (Ref, to searchlight gimbal)		

NOTES

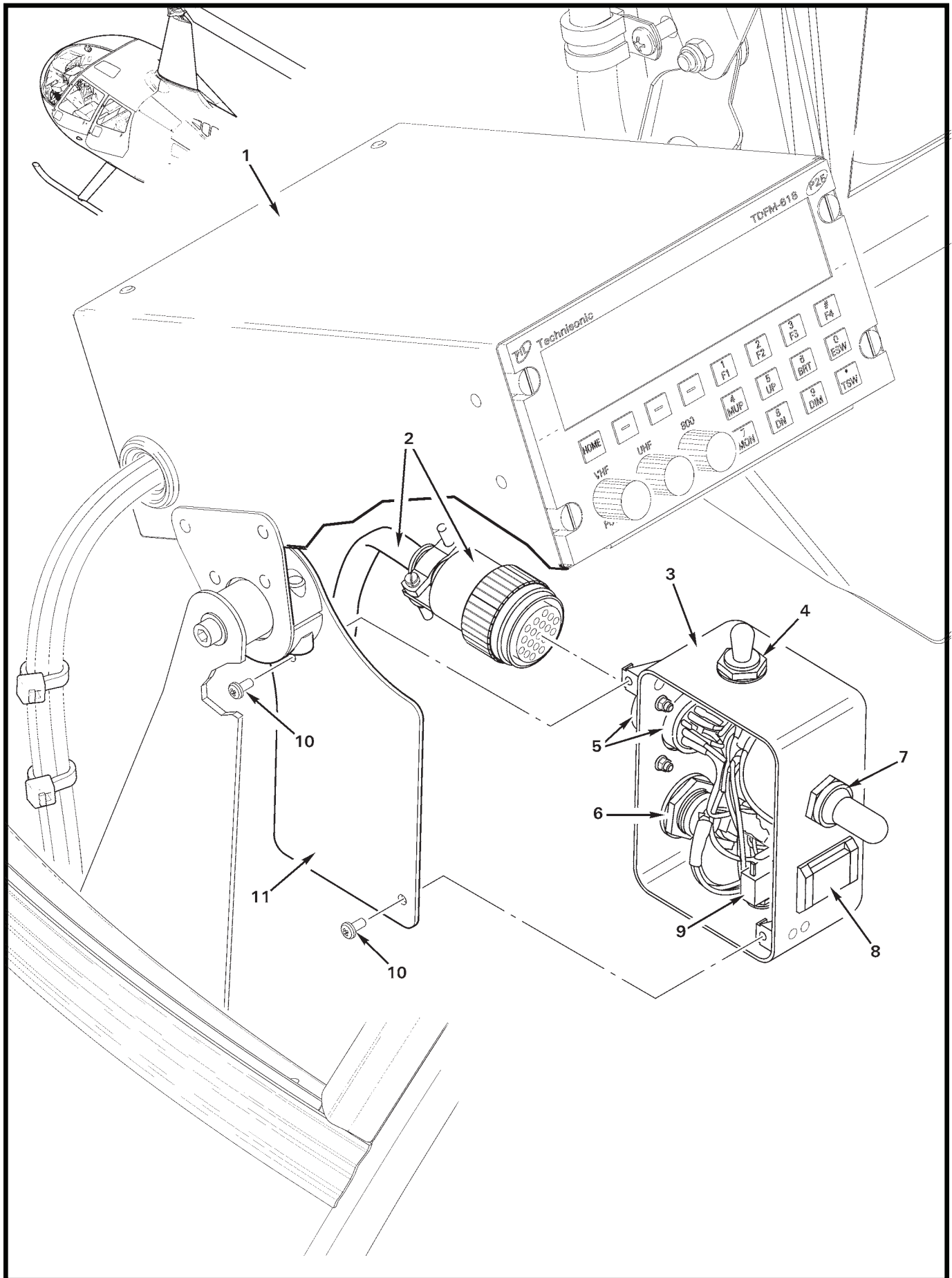


FIGURE AND INDEX NUMBER	PART NUMBER	DESCRIPTION	PARTS AVAIL	QTY PER ASSY
F081 SEARCHLIGHT INSTALLATION – CONTROL ASSEMBLY				
90-39-1	—	Transceiver (Ref)		
2	D599-13	Harness Assembly (Ref)		
3	D426-5	Control Assembly – Searchlight (Incl items 4 thru 9)	X	1
4	M-2027BB1W01-RA	Switch (on-off / start)	X	1
	B158-1	Heat Shrink	X	A/R
5	MS3112E14-9	Receptacle	X	1
	B158-1	Heat Shrink	X	A/R
6	PB-346112E	Switch (focus)	X	1
7	91MOT-B-E	Switch (joystick)	X	1
8	UB-15NBKW01E-JE	Switch (slave)	X	1
	B158-1	Heat Shrink	X	A/R
9	MB-2411S1W01-FB	Switch (calibrate)	X	1
	B158-1	Heat Shrink	X	A/R
	AT512CH	Conical Nut (not shown)	X	1
10	MS35206-227	Screw	X	2
11	D410-9	Support (Ref)		

NOTES

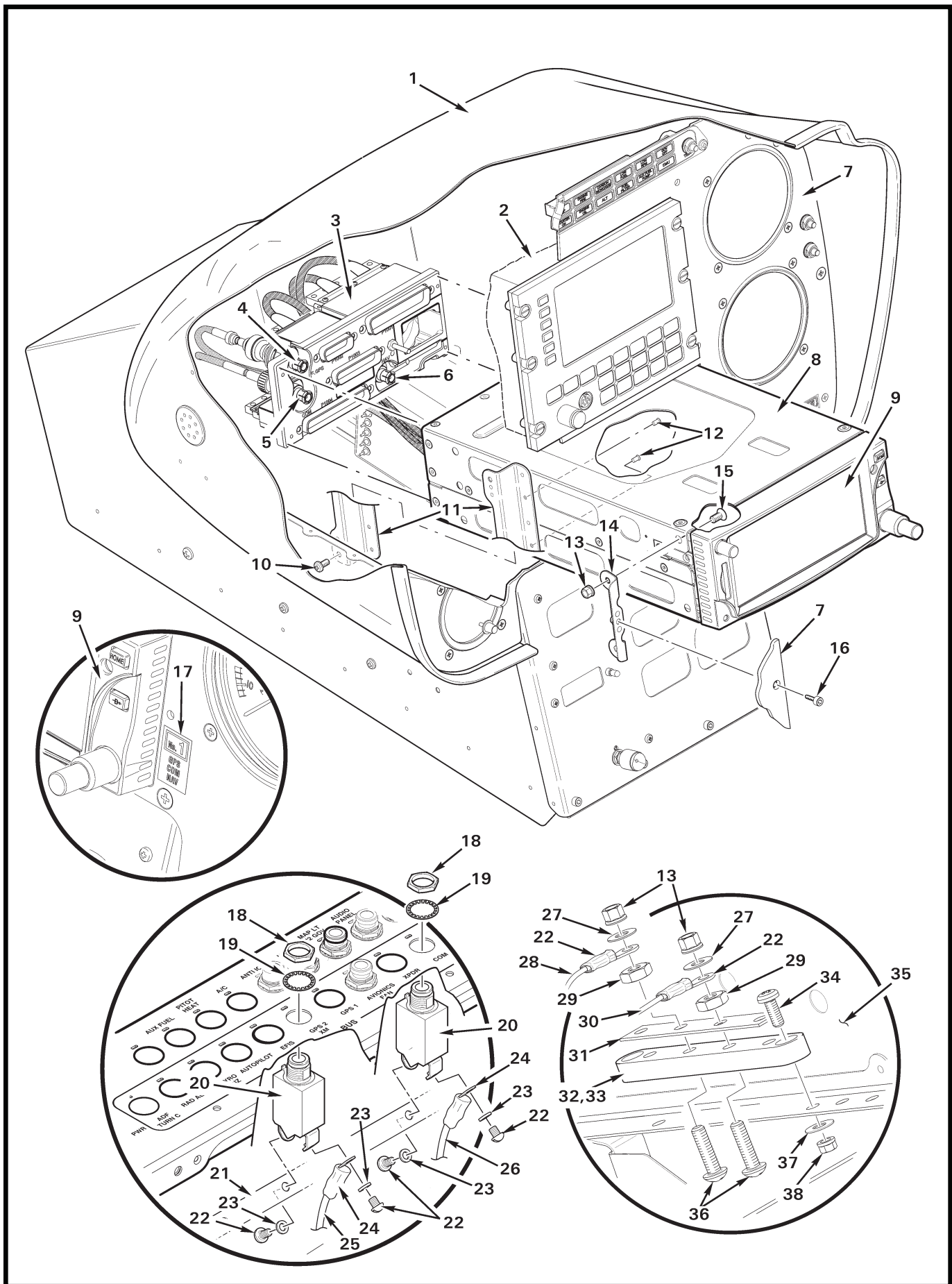


FIGURE AND INDEX NUMBER	PART NUMBER	DESCRIPTION	PARTS AVAIL	QTY PER ASSY
		F818 GTN 6XX-SERIES GPS/NAV/COM INSTALLATION (G070 CONSOLE)		
90-39B-1	G070	Console Assembly (Ref)		
2	TDFM-9000	Transceiver (FM, Ref)		
3	011-02325-0X*	Connector Kit (P1001 thru P1004, Ref)		
4	330-00053-02*	Connector (GPS, BNC/TNC; Ref)		
5	330-00053-01*	Connector (COM, BNC; Ref)		
6	330-00053-01*	Connector (NAV, BNC; Ref)		
7	G075	Face (Ref)		
8	115-01293-00*	Mounting Rack (Ref)		
9	GTN 650Xi*	Transceiver (GPS/COM/NAV)	X	1
10	MS35206-227	Screw	X	5
11	A356-10	Stiffener Assembly	X	2
12	NAS1097AD3	Rivet	X	4
13	MS21042L08	Nut	X	6
14	A356-9	Angle Assembly	X	2
15	MS24694-S2	Screw	X	4
16	NAS1352-06-6	Screw	X	2
17	F654-39	Decal – “No. 1/2/3, GPS COM NAV”	X	1
18	—	Nut	O	1
19	—	Lockwasher	O	1
20	B297-5	Circuit Breaker (5 amp; includes items 18, 19, 22, and 23) . .	X	2
21	A448	Bus Bar (Ref)		
22	—	Screw	O	1
23	—	Lockwasher	O	1
24	B260-3	Terminal	X	2
25	-466	Wire (Ref, GPS 1)		
	-1426	Wire (Ref, GPS 2)		
26	-200	Wire (Ref, COM 1)		
	-703	Wire (Ref, COM 2)		
27	NAS1149FN816P	Washer	X	2
28	-465	Wire (Ref, GPS 1)		
	-1427	Wire (Ref, GPS 2)		
29	B301-8	Nut	X	2
30	-201	Wire (Ref, COM 1)		
	-704	Wire (Ref, COM 2)		
31	A448-10	Bus Bar (4 holes)	X	1

NOTES * Garmin part no.

Continues

FIGURE AND INDEX NUMBER	PART NUMBER	DESCRIPTION	PARTS AVAIL	QTY PER ASSY
F818 GTN 6XX-SERIES GPS/NAV/COM INSTALLATION (G070 CONSOLE) (Cont'd)				
90-39B-32	C448-2	Terminal Block Assembly (Incl items 29, 31, 33, and 35)	X	1
33	C448-5	Block (4 holes)	X	1
34	MS35206-228	Screw	X	2
35	F033-1	Console Assembly – Lower (Ref)		
36	B567-43	Screw	X	2
37	NAS1149FN616P	Washer	X	2
38	MS21042L06	Nut	X	2
NOTES				

Intentionally Blank

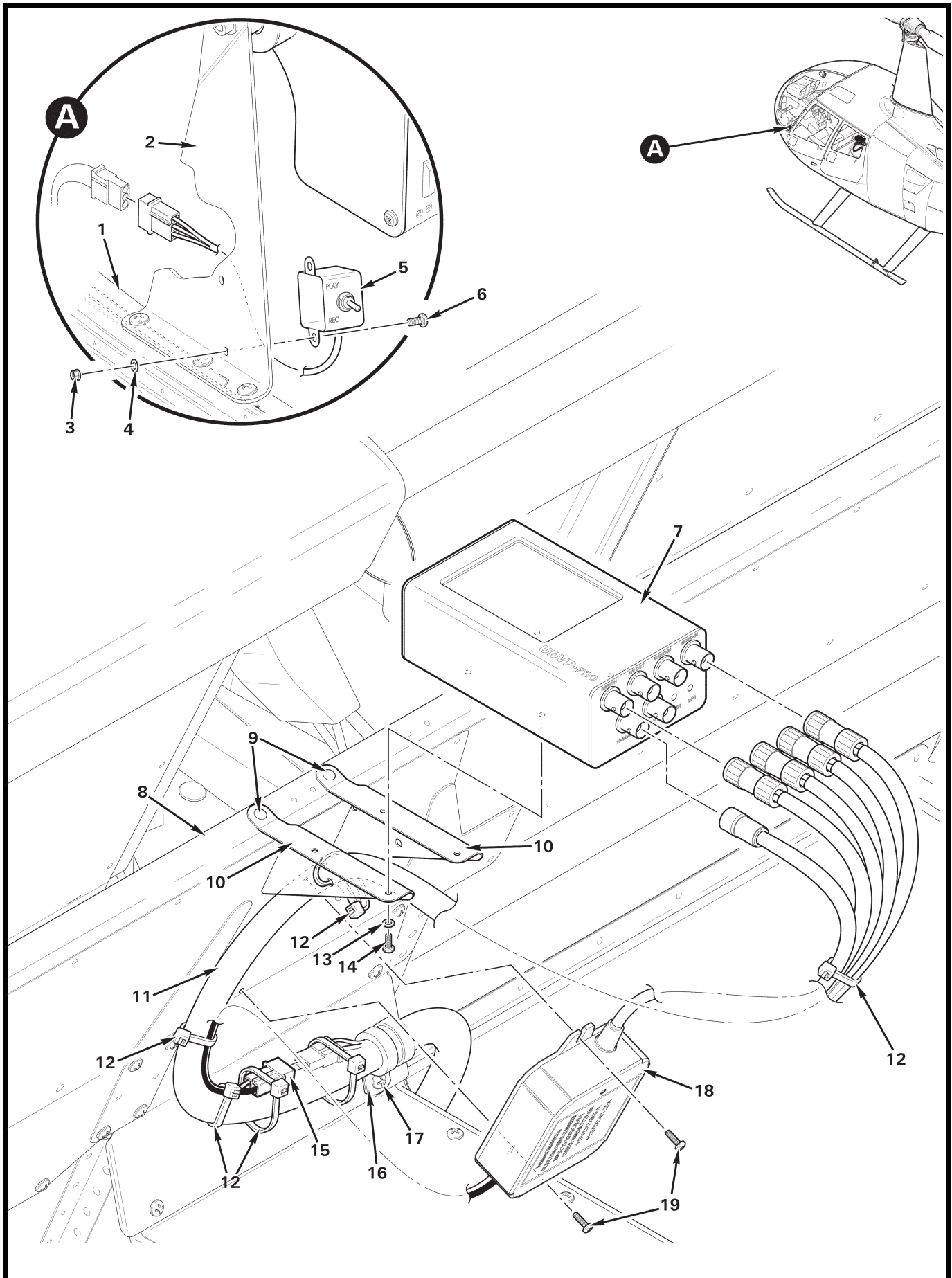


FIGURE AND INDEX NUMBER	PART NUMBER	DESCRIPTION	PARTS AVAIL	QTY PER ASSY
G415-1 DVR INSTALLATION (OPTIONAL)				
90-41-1	F090-1	Frame (Ref)		
2	D407-17	Brace (Ref)		
3	MS21042L06	Nut	X	2
4	NAS620-6L	Washer	X	2
5	D565-12	Switch Assembly	X	1
6	MS35206-227	Screw	X	2
7	UDVP-PRO	DVR (Datatoys)	X	1
8	F383-4	Channel (Ref)		
9	MS20470AD4	Rivet	X	4
10	D856-5	Bracket	X	2
11	G458-1	Harness Assembly (Ref)		
12	MS3367-5-0	Ty-rap	X	A/R
13	B332-40	Washer	X	4
14	MS35206-214	Screw	X	4
15	B263-32	Housing	X	1
	B263-1	Pin	X	2
16	MS21919WDG*	Clamp	X	1
17	MS27039C0807	Screw	X	1
18	XM-DVR-PRO	Converter	X	1
19	MS35206-215	Screw	X	2

NOTES

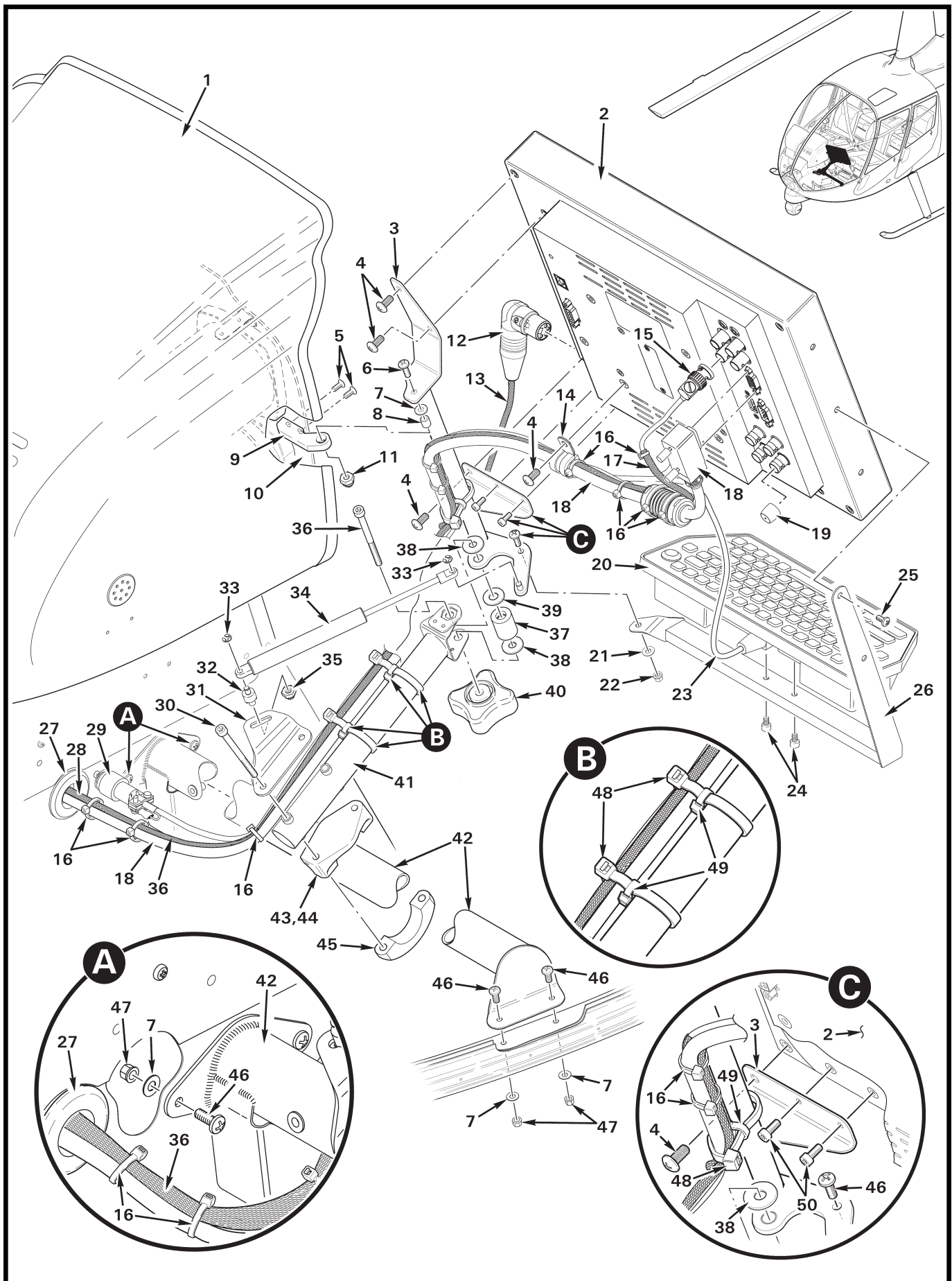


FIGURE AND INDEX NUMBER	PART NUMBER	DESCRIPTION	PARTS AVAIL	QTY PER ASSY
G416-5 MONITOR INSTALLATION				
90-43-1	G070	Console Assembly (Ref)		
2	BHB12HDR15*	Monitor	X	1
3	G417-5	Pivot Assembly	X	1
4	MS27039C1-06	Screw	X	4
5	MS35206-228	Screw	X	2
6	MS27039C0808	Screw	X	1
7	NAS1149FN816P	Washer	X	5
8	A105-5	Journal	X	1
9	G418-26	Block Assembly	X	1
10	G075	Face (Ref)		
11	B340-4	Nut	X	1
12	NC4FRX	Plug	X	1
13	B266-4	Sleeving	X	A/R
14	MS21919WDG6	Clamp	X	1
15	112588	Plug	X	1
	B158-3	Heat Shrink	X	A/R
	G458-937	Wire (video 1, Ref)		
16	MS3367-4-0	Ty-Rap	X	A/R
17	B226-8	Sleeving	X	A/R
18	P502-006-RA	Cable	X	1
19	—	Cap (Ref)		
20	D210-6	Keyboard Assembly	X	1
21	NAS1149FN816P	Washer	X	A/R
22	B340-4	Dress Nut	X	1
23	—	Cord (Ref)		
24	NAS1352-08-4P	Screw	X	2
25	MS27039C1-06	Screw	X	2
26	G417-7	Tray Weldment	X	2
27	MS35489-22	Grommet	X	1
28	B266-12	Sleeving	X	A/R
29	MS3116F8-4P	Plug (Ref)		
30	91251A355	Screw	X	2
31	G418-25	Support	X	1
32	G418-3	Stud	X	1
33	MS16633-2015	Ring	X	2

NOTES * Boland part number.

Continues

FIGURE AND INDEX NUMBER	PART NUMBER	DESCRIPTION	PARTS AVAIL	QTY PER ASSY
G416-5 MONITOR INSTALLATION (Cont'd)				
90-43-34	9417K4	Gas Spring (McMaster-Carr part number, 20 lb)	X	1
35	B340-8	Nut	X	1
36	MS20074-04-13	Bolt	X	1
37	G418-17	Tube	X	1
38	A141-7	Washer	X	2
39	A141-45	Washer	X	1
40	2454K28	Knob (hand tight)	X	1
41	G418-6	Support Assembly	X	1
42	G705-9	Support Assembly	X	1
43	B630-1	Clamp Assembly (Incl items 44 and 45)	X	1
44	B630-3	Clamp	X	1
45	B630-2	Clamp Assembly	X	1
46	MS27039C0806	Screw	X	4
47	MS21042L08	Nut	X	4
48	MS3367-7-0	Ty-Rap	X	2
49	MS3367-5-0	Ty-Rap	X	2
50	91290A111	Screw	X	2
NOTES				

Intentionally Blank

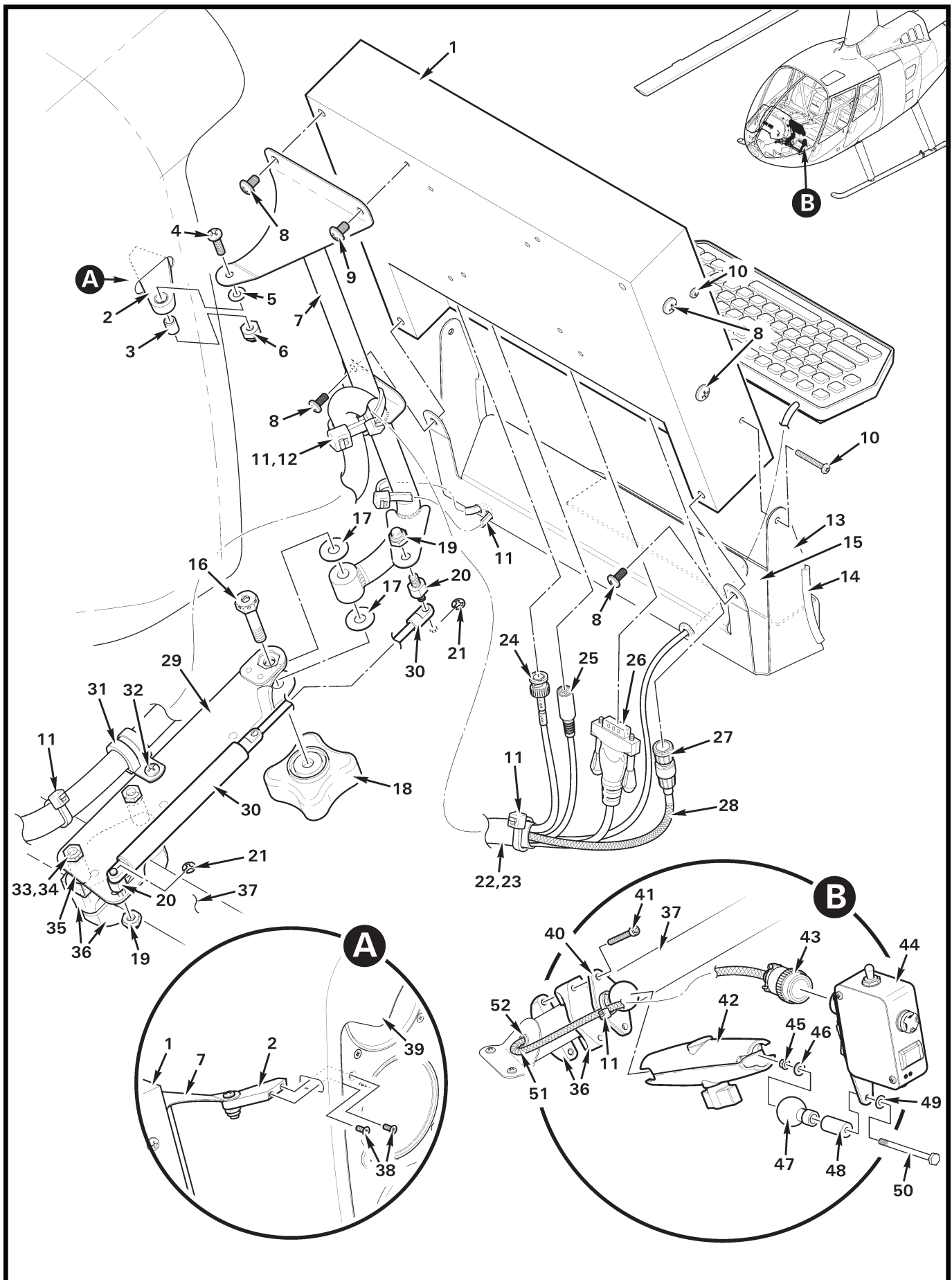


FIGURE AND INDEX NUMBER	PART NUMBER	DESCRIPTION	PARTS AVAIL	QTY PER ASSY
G416-4 MONITOR INSTALLATION				
90-45B-1	DVI 10LDB_RH*	Monitor	O	1
2	G417-3	Block Assembly	X	1
3	A105-5	Journal	X	1
4	MS27039C0808	Screw	X	1
5	NAS1149FN816P	Washer (between journal and weldment)	X	1
6	B340-4	Nut	X	1
7	G417-1	Pivot Assembly	X	1
8	MS27039C1-04	Screw	X	6
9	90116A205	Screw	X	1
10	MS35206-226	Screw	X	4
11	MS3367-5-0	Ty-Rap	X	A/R
12	MS3367-7-0	Ty-Rap	X	A/R
13	G417-4	Tray Assembly	X	1
14	A226-11	Trim	X	A/R
15	B175-11	Hook Tape	X	A/R
16	MS20074-04-10	Bolt	X	1
17	A141-7	Washer (each side of pivot assembly)	X	2
18	2454K28	Knob (hand tight)	X	1
19	B340-8	Nut	X	2
20	G418-3	Stud	X	2
21	MS16633-2015	Ring	X	2
22	G458	Harness Assembly (Ref; Police)		
23	B226-8	Sleeving	X	A/R
24	-937	Wire (Ref)		
	2065-11-9	BNC Plug	X	1
	B158-3	Heat Shrink	X	A/R
25	F8V308-12	S-VIDEO Cable	X	1
26	F2N028-02-GLD	Cable (receptacle end)	X	1
27	-882	Wire (Ref)		
	-936	Wire (Ref)		
	16282-2PG-311	Plug	X	1
	B158-01	Heat Shrink	X	A/R
28	B266-4	Sleeving	X	A/R
29	G417-2	Support Assembly	X	1
30	9417K421	Gas Spring	X	1

NOTES * Boland part number.

Continues

FIGURE AND INDEX NUMBER	PART NUMBER	DESCRIPTION	PARTS AVAIL	QTY PER ASSY
G416-4 MONITOR INSTALLATION (Cont'd)				
90-45B-31	MS21919WDG8	Clamp	X	1
32	MS27039C0806	Screw	X	1
33	NAS6603-25	Bolt	X	2
34	NAS1149F0316P	Washer	X	2
35	A130-59	Spacer	X	2
36	B630-1	Clamp Assembly	X	1
37	G703-8	Support (Ref)		
38	MS24693-26	Screw	X	2
39	G060-4	Console (Ref)		
40	RAM-B-238	Mount	X	1
41	NAS1351-3-24	Screw	X	2
42	RAM-B-201-C	Arm	X	1
43	MS3116F14-19S	Plug (D599-13 harness)	X	1
	MS3116F12-10S	Plug (D599-14 harness)	X	1
44	D426-9	Searchlight Control (slaved to camera)	X	1
	D426-10	Searchlight Control (manual)	X	1
45	D210-3	Nut	X	1
46	NAS1149F0363P	Washer (between mount and nut)	X	1
47	RAM-B-367	Mount	X	1
48	G429-17	Spacer	X	1
49	NAS1149F0316P	Washer (between bolt and plate)	X	1
50	NAS6603-36	Bolt	X	1
51	D599-13	Harness (slave, includes item 43)	X	1
	D599-14	Harness (manual, includes item 43)	X	1
52	MS35489-9	Grommet	X	1

NOTES

Intentionally Blank

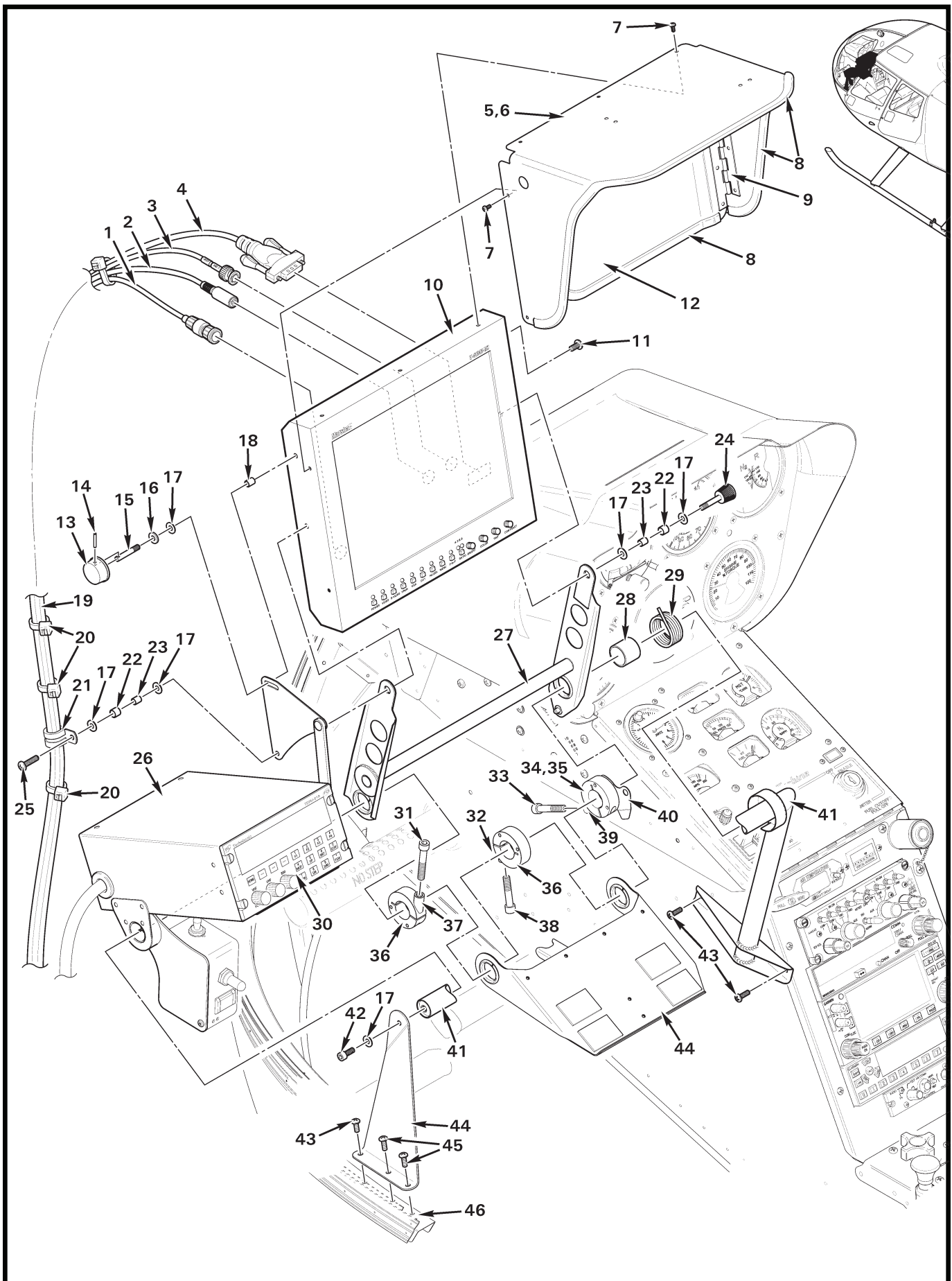


FIGURE AND INDEX NUMBER	PART NUMBER	DESCRIPTION	PARTS AVAIL	QTY PER ASSY
G416-1 MONITOR INSTALLATION				
90-47-1	16282-2PG	Plug (Ref)		
2	F8V308-1	S-Video Cable (Ref)		
3	2065-11-9	BNC Plug (Ref)		
4	F2N08-6-GLD	Cable (Ref)		
5	D763-3	Visor Assembly (Incl items 6, 8, 9, and 12)	X	1
6	D764-2	Visor	X	1
7	MS35206-225	Screw	X	7
8	A226-11	Trim	X	A/R
9	D694-4	Hinge	X	1
10	V-R1041-RH	Monitor (Ref; Marshall 10.4 inch)		
11	MS27039C1-06	Screw	X	1
12	D765-2	Screen	X	1
13	A483-1	Knob	X	1
14	MS16562-27	Spring Pin	X	1
15	D407-13	Shaft	X	1
16	NAS1149F0363P	Washer	X	1
17	NAS1149F0332P	Washer	X	6
18	A130-25	Spacer	X	1
19	G458-1	Harness Assembly (Ref)		
20	MS3367-5-0	Ty-Rap	X	A/R
21	MS21919WDG8	Clamp	X	1
22	04DU04	Bearing	X	2
23	A105-9	Journal	X	2
24	DK-225	Knob	X	1
25	MS27039C1-12	Screw	X	1
26	G413-1	Box Assembly (Ref, see Figure 90-7)		
27	D409-8	Pivot Assembly	X	1
28	D410-5	Tube	X	1
29	D410-6	Spring	X	1
30	TDFM-600	Transceiver (Ref; see Figure 90-7)		
31	NAS1351-4-24	Screw	X	1
32	C130-57	Spacer	X	1
33	NAS1351-4-24	Screw	X	1
34	D445-1	Collar Assembly (Incl items 33, 35, 39, and 40)	X	1
35	D410-3	Collar	X	1

NOTES

Continues

FIGURE AND INDEX NUMBER	PART NUMBER	DESCRIPTION	PARTS AVAIL	QTY PER ASSY
G416-1 MONITOR INSTALLATION (Cont'd)				
90-47-36	D410-3	Screw	X	1
37	C130-34	Spacer	X	1
38	NAS1351-4-20	Screw	X	1
39	C130-34	Spacer	X	2
40	D410-2	Arm	X	1
41	D406-9	Support Assembly	X	1
42	NAS1352-3-8	Screw	X	1
43	MS27039C0806	Screw	X	3
44	D609-4	Tray Assembly (Ref)		
45	MS27039C0807	Screw	X	2
46	F090-1	Frame (Ref)		

NOTES

Intentionally Blank

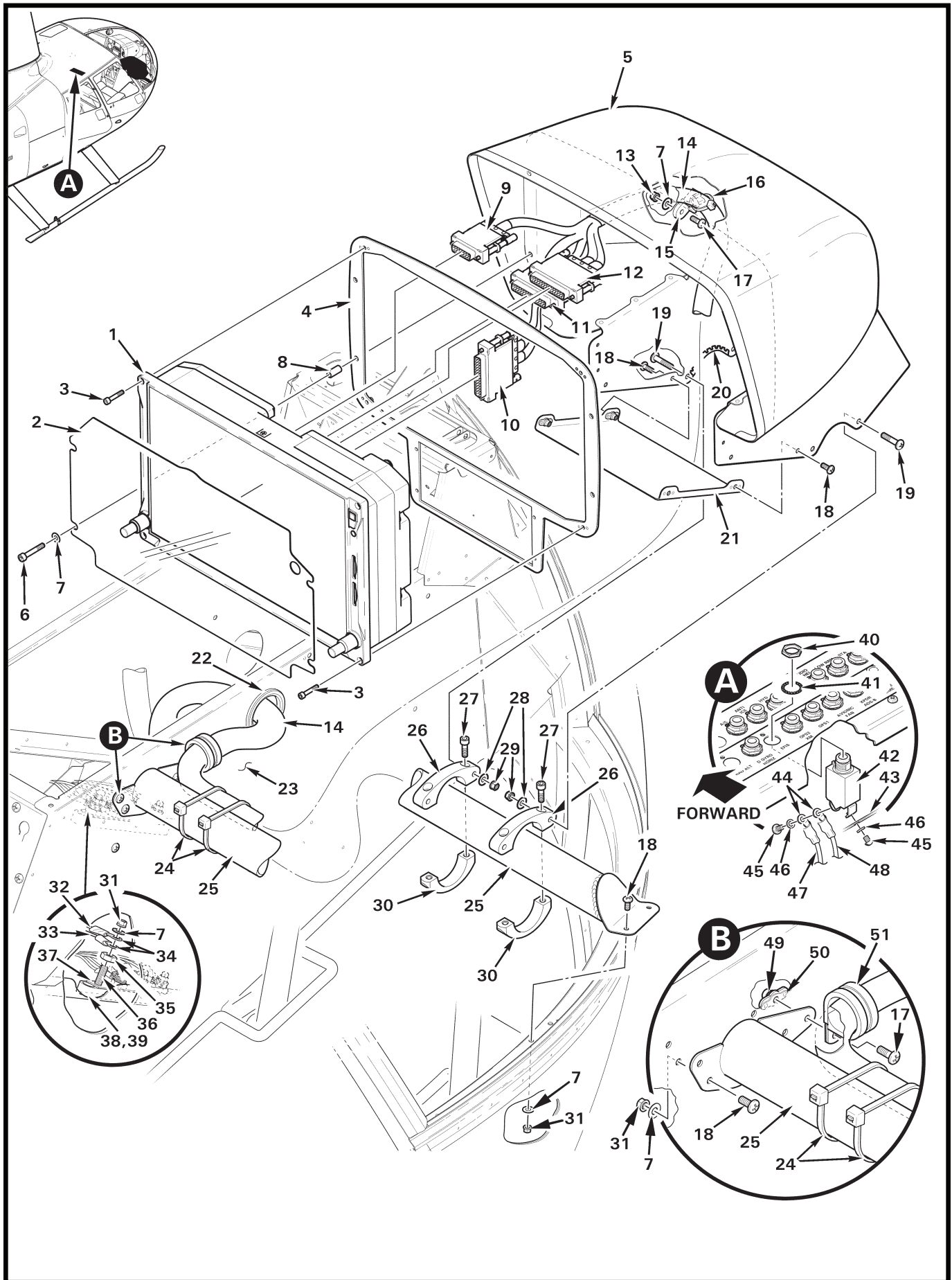


FIGURE AND INDEX NUMBER	PART NUMBER	DESCRIPTION	PARTS AVAIL	QTY PER ASSY
PILOT'S SIDE CONSOLE – GDU 1060 TXi DISPLAY				
90-51-1	GDU 1060 TXi*	Display (PFD and MFD; includes items 3, and 9 thru 12)	X	1
2	D327-5	Shield	X	1
3	211-64307-14*	Screw (or NAS1352-06-16)	O	4
4	G413-7	Face Assembly	X	1
5	G071-10	Console Assembly	X	1
6	NAS1352-08-16	Screw	X	4
7	NAS1149FN816P	Washer	X	1
8	C130-63	Spacer	X	4
9	—	Connector (Ref; "J1")		
10	—	Connector (Ref; "J3")		
11	—	Connector (Ref; "J4")		
12	—	Connector (Ref; "J2")		
13	MS21042L08	Nut	X	6
14	F816-3	Harness Assembly (Incl items 9 thru 12)	X	1
15	D268-1	Support	X	1
16	MS3367-5-0	Ty-Rap	X	A/R
17	MS27039C0807	Screw	X	2
18	MS27039C0806	Screw	X	9
19	MS27039C1-13	Screw	X	4
20	A225-1	Grommet	X	A/R
21	G413-11	Cover Assembly	X	1
22	B401-3	Grommet	X	1
23	F033-1	Console Assembly – Lower (Ref)		
24	MS3367-7-0	Ty-Rap	X	1
25	G703-19	Support Assembly	X	1
26	B630-16	Clamp	X	2
27	NAS1351-3-16	Screw	X	2
28	NAS1149F0316P	Washer	X	4
29	D210-3	Nut	X	4
30	B630-11	Clamp Assembly	X	2
31	MS21042L08	Nut	X	1
32	-2589	Wire (Ref; ground, GSU 75 ADAHRS)		
33	-2564	Wire (Ref; ground, GDU 1060 TXi display)		
34	B260-3	Terminal	X	1
35	B301-8	Nut	X	1

NOTES * Garmin part no.

Continues

FIGURE AND INDEX NUMBER	PART NUMBER	DESCRIPTION	PARTS AVAIL	QTY PER ASSY
PILOT'S SIDE CONSOLE – GDU 1060 TXi DISPLAY (Cont'd)				
90-51-36	B567-43	Screw	X	1
37	A448-10	Bus Bar (4 holes)	X	1
38	C448-2	Terminal Block (4 holes; includes items 35 thru 37 and 39) . .	X	1
39	C448-5	Block (4 holes)	X	1
40	—	Nut	O	1
41	—	Washer	O	2
42	B297-5	Circuit Breaker (5 amp; includes items 40, 41, 45, and 46) . .	X	1
43	—	Bus Bar (Ref)		
44	B260-2	Terminal	X	2
45	—	Screw	O	2
46	—	Washer	O	2
47	-2563	Wire (Ref; power, GDU 1060 TXi display)		
48	-2695	Wire (Ref; power, GSU 75 ADAHRS)		
49	MS21069L08K	Nutplate (install using item 50)	X	1
50	MS20426AD3	Rivet	X	2
51	MS21919WDG16	Clamp	X	1

NOTES

Intentionally Blank

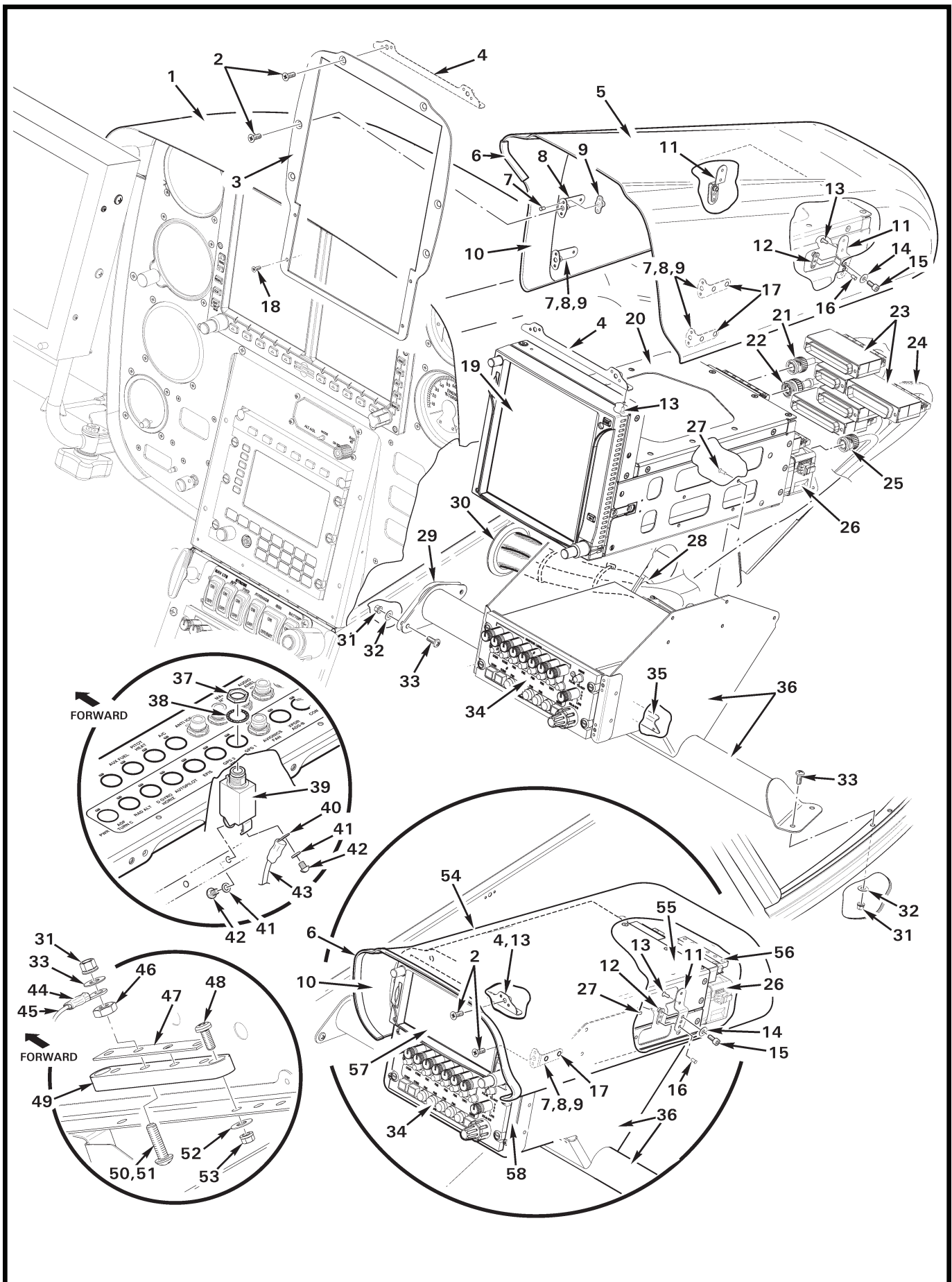


FIGURE AND INDEX NUMBER	PART NUMBER	DESCRIPTION	PARTS AVAIL	QTY PER ASSY
		PILOT'S SIDE CONSOLE – GPS/NAV/COM INSTALLATION		
90-53B-1	G060-4	Console Assembly (Ref)		
2	MS24694-S4	Screw	X	A/R
3	G704-19	Face	X	1
4	G704-7	Angle Assembly (includes nutplates)	X	1
5	G704-2	Shell Assembly (Incl item 6 thru 10)	X	1
6	A226-11	Trim (install with retaining rib on inside)	X	A/R
7	NAS1097AD3	Rivet	X	2
8	B181-6	Angle	X	A/R
9	NAS21069A08	Nutplate	X	4
10	B298-10	Vinyl	X	A/R
11	D704-10	Bracket Assembly (Incl items 12 and 16)	X	2
12	MS21071L06	Nutplate	X	1
13	MS20426AD3	Rivet	X	7
14	NAS1149FN616P	Washer	X	2
15	92196A145	Screw	X	2
16	MS20426AD3	Rivet	X	2
17	MS20470AD3	Rivet	X	4
18	MS35206-214	Screw	X	4
19	GTN 750*	Transceiver (GPS/NAV/COM; includes items 20, 23, and 26)	X	1
20	115-01294-__*	Mounting Rack	O	1
21	5225395-6	Plug (BNC; installed on GPS antenna cable)	X	1
22	5225555-6	Plug (TNC; installed on COM antenna cable)	X	A/R
23	011-02326-0X*	Connector Kit ([5] connectors [P1001 thru P1005], see R66 Maintenance Manual for wire assignments)	O	1
24	B266-8	Sleeving	X	A/R
25	5225395-6	Plug (BNC; installed on NAV antenna cable)	X	1
26	371-00014-01*	Fan	O	1
27	NAS1097AD4	Rivet	X	10
28	MS21919WDG__	Clamp (Ref, see Figure 97-33)		
29	G703-12	Shim	X	A/R
30	B401-3	Grommet	X	1
31	MS21042L08	Nut	X	5
32	NAS1149FN816P	Washer	X	4
33	MS27039C0806	Screw	X	4
34	A711L**	Audio Control Panel (Ref, see Figure 90-9)		

NOTES * Garmin part no.
 ** Technisonic part no.

Continues

FIGURE AND INDEX NUMBER	PART NUMBER	DESCRIPTION	PARTS AVAIL	QTY PER ASSY
		PILOT'S SIDE CONSOLE – GPS/NAV/COM INSTALLATION (Cont'd)		
90-53B-35	G704-20	Support (see Figure 90-9)	X	1
36	G705-10	Support Assembly	X	1
37	—	Nut	O	1
38	—	Washer	O	1
39	B297-5	Circuit Breaker (5 amp, includes items 37, 38, 40, and 42) . .	X	1
40	B260-2	Terminal	X	1
41	—	Lockwasher	O	2
42	—	Screw	O	2
43	-466	Wire (Ref; power [GPS 1])		
	-1426	Wire (Ref; power [GPS 2])		
44	B260-3	Terminal	X	1
45	-465	Wire (Ref; ground [GPS 1])		
	-1427	Wire (Ref; ground [GPS 2])		
46	B301-8	Nut	X	4
47	A448-10	Bus Bar (4-hole)	X	1
48	MS35206-228	Screw	X	2
49	C448-2	Block Assembly (Incl items 46, 47, 50, and 51)	X	1
50	B567-43	Screw (install using item 51)	X	4
51	B270-9	Adhesive	X	A/R
52	NAS1149FN616P	Washer	X	2
53	MS21042L06	Nut	X	2
54	G704-1	Shell Assembly (Incl items 6 thru 10)	X	1
55	115-01293-__ *	Mounting Rack	O	1
56	011-02325-0X	Connector Kit ([4] connectors [P1001 thru P1004], see R66 MM §98 for wire assignments)	O	1
57	GTN 650*	Transceiver (Incl items 25, 55, and 56)	X	1
	GTN 635*	Transceiver (Incl items 25, 55, and 56)	X	1
58	G704-18	Face	X	1

NOTES * Garmin Corp. part no.

Intentionally Blank

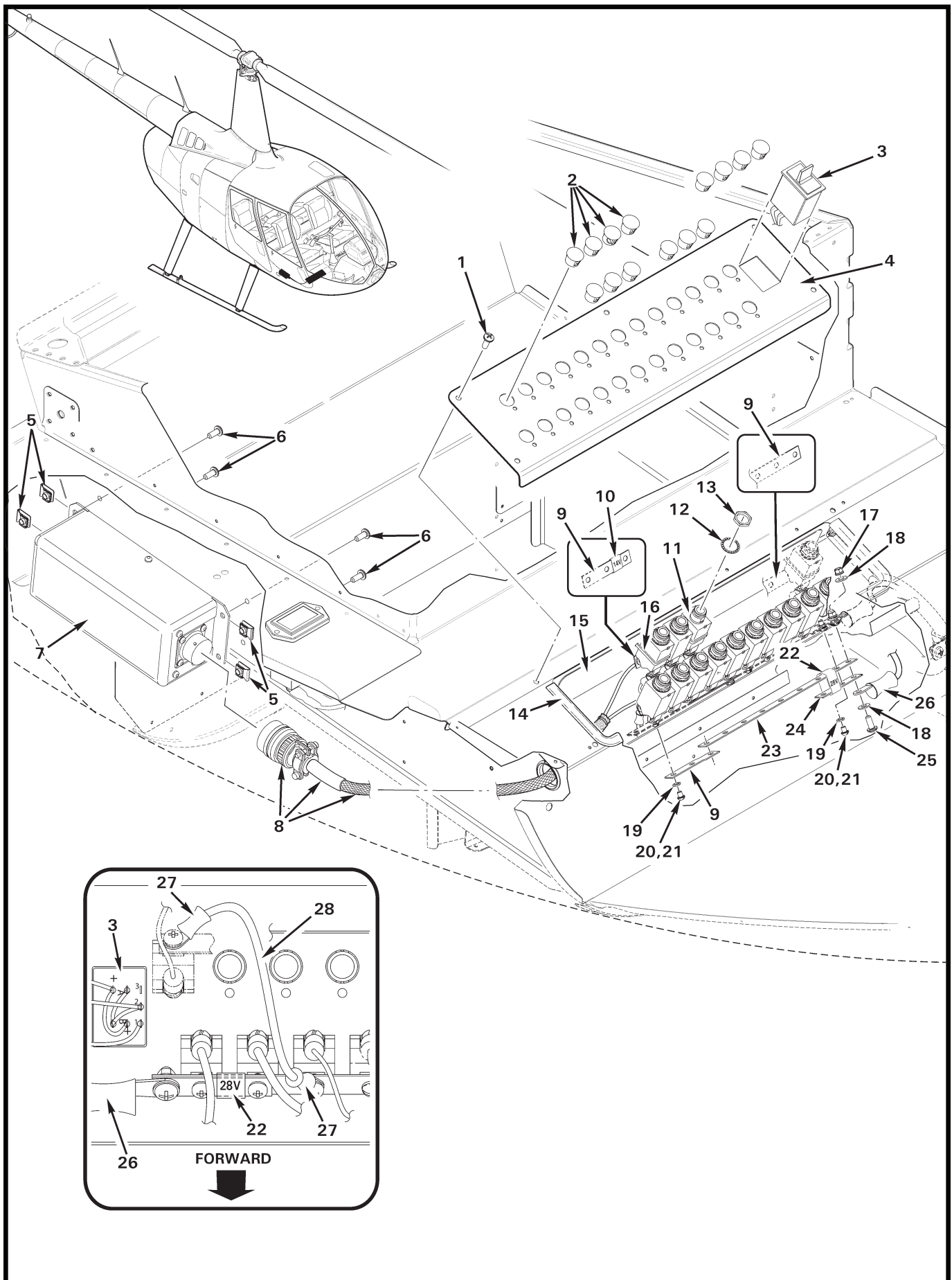


FIGURE AND INDEX NUMBER	PART NUMBER	DESCRIPTION	PARTS AVAIL	QTY PER ASSY
		G423-1 AUX ELECTRICAL SYSTEM – 28-TO-14 VOLT CONVERTER & CB PANEL		
90-55-1	90337A182	Screw (or MS27039C0807)	X	5
2	2633	Hole Plug	X	A/R
3	G049-1	Switch Assembly	X	1
4	G422-1	Panel (police)	X	1
5	B162-2*	Clipnut	X	4
6	MS27039C0806*	Screw	X	4
7	LT-71A*	Converter – Power (28-to-14 volt, 8-amp output)	X	1
8	D392-11*	Harness Assembly	X	1
9	A448-1	Bus Bar (6 breakers)	X	A/R
	A448-4	Bus Bar (3 breakers)	X	A/R
	A448-9	Bus Bar (9 breakers)	X	A/R
	A448-10	Bus Bar (4 breakers)	X	A/R
	A448-14	Bus Bar (8 breakers)	X	A/R
10	B158-6	Heat Shrink (labeled “14V”)	X	A/R
11	B297-2	Circuit Breaker (2-amp; includes items 12 and 13)	X	2
	B297-5*	Circuit Breaker (5-amp; includes items 12 and 13)	X	5
	B297-7	Circuit Breaker (7.5-amp; includes items 12 and 13)	X	A/R
	B297-15	Circuit Breaker (15-amp; includes items 12 and 13)	X	1
12	—	Washer (internal teeth)	O	1
13	—	Nut	O	1
14	A226-15	Trim	X	A/R
15	G596-3	Shield (clear polycarbonate)	X	1
16	MS3367-4-9	Ty-Rap (used with item 15)	X	A/R
17	MS21042L08	Nut	X	1
18	NAS1149DN832H	Washer	X	2
19	—	Washer (split)	O	1
20	—	Screw (or item 21)	O	1
21	MS35206-226	Screw	X	1
22	B158-406	Heat Shrink (labeled “28V”)	X	A/R
23	A448-12	Bus Bar (9 breakers, one hole “offset”)	X	1
24	A448-13	Bus Bar (3 breakers, one hole “offset”; used as a doubler)	X	1
25	MS27039C0806	Screw	X	1
26	-874	Wire (power “in” from relay; Ref)		
27	B260-11	Terminal	X	2
28	-1603	Wire (jumper, 28-volt; Ref)		

NOTES * Earlier R66 police ships.

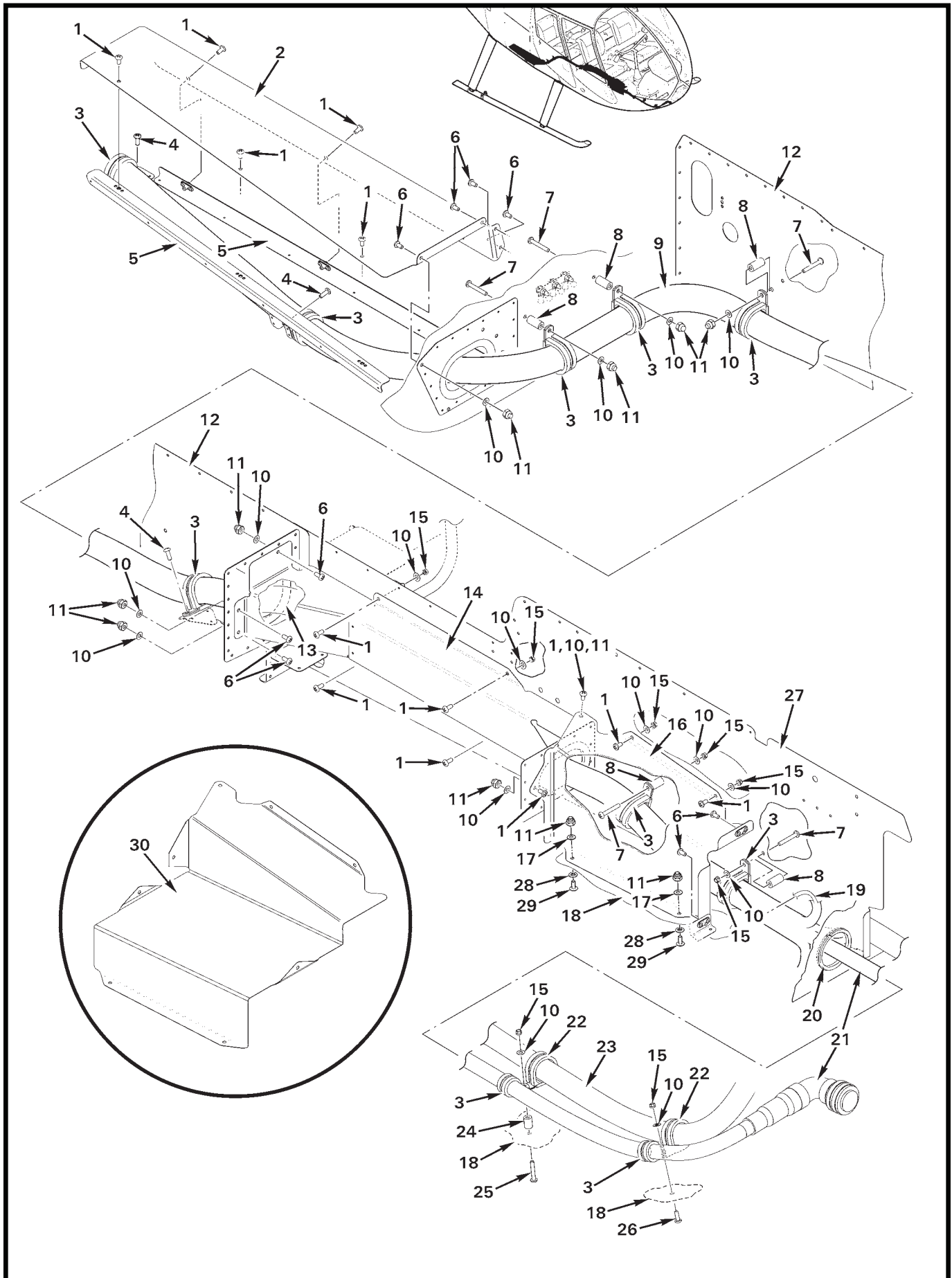


FIGURE AND INDEX NUMBER	PART NUMBER	DESCRIPTION	PARTS AVAIL	QTY PER ASSY
		G423-1 AUX ELECTRICAL SYSTEM – HARNES ASSEMBLY		
90-57-1	MS27039C0805	Screw	X	A/R
2	G701-1	Guard	X	1
3	MS21919WDG_	Clamp (DG4 thru 26 as required)	X	10
4	MS27039C0807	Screw	X	3
5	G701-3	Angle Assembly (Ref)		
6	MS27039C0806	Screw	X	13
7	MS27039C0818	Screw	X	5
8	C130-56	Spacer	X	5
9	G458-1	Harness Assembly (Ref)		
10	NAS1149FN816P	Washer	X	A/R
11	B340-4	Nut	X	A/R
12	F292-2	Keel Panel – RH (Ref)		
13	A226-15	Trim	X	A/R
14	G700-3	Cover Assembly	X	1
15	MS21042L08	Nut	X	8
16	G702-1	Cover Assembly (for ships without Inertial Monitoring Unit installed)	X	1
17	NAS1149FN832P	Washer	X	2
18	F272-1	Chin (Ref)		
19	D392-11 *	Harness Assembly (to 14-volt converter)		
20	NAS557-28A	Grommet	X	1
21	—	Camera Cable (Ref)		
22	MS21919WCH18	Clamp (Ref; heater hose)		
23	A785-39	Hose (Ref; heater installation)		
24	A130-38	Spacer	X	1
	A130-33*	Spacer	X	1
25	MS27039C0817	Screw	X	1
	MS27039C0813*	Screw	X	1
26	AN526C832R9	Screw	X	1
27	F293-2	Keel Panel – RH (Ref)		
28	B527-08	Washer (nylon)	X	2
29	B526-6	Screw	X	2
30	G702-11	Cover (for ships with Inertial Monitoring Unit installed)	X	1

NOTES * Earlier police ships.

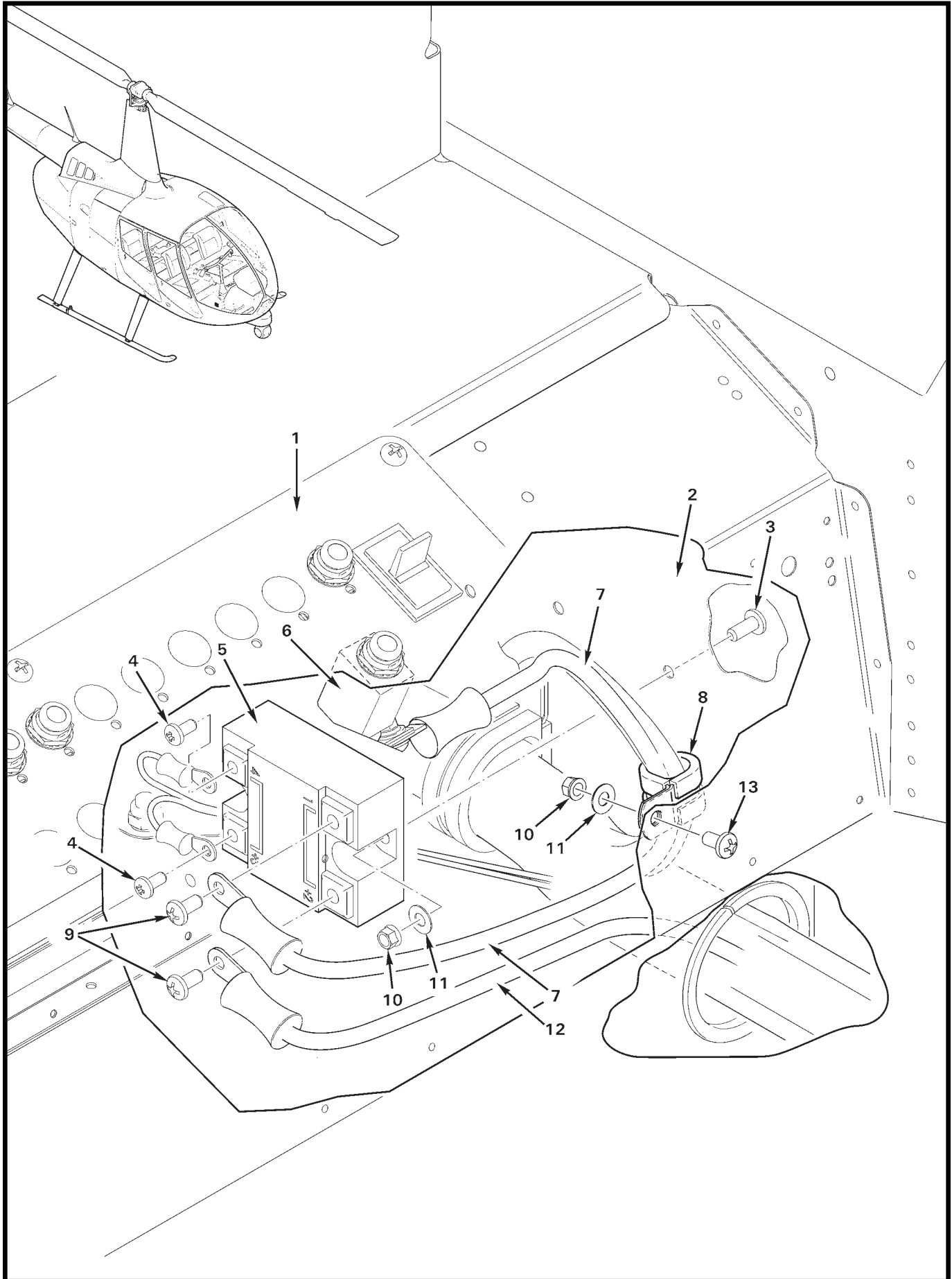


FIGURE AND INDEX NUMBER	PART NUMBER	DESCRIPTION	PARTS AVAIL	QTY PER ASSY
G423-1 AUX ELECTRICAL SYSTEM – RELAY				
90-59-1	G422	Panel – Aux Circuit Breaker (Ref)		
2	F293-2	Keel Panel – RH (Ref)		
3	MS27039C0806	Screw	X	2
4	—	Screw (small)	O	2
5	D06D100	Relay (Incl items 4 and 9)	X	1
6	B297-7	Circuit Breaker – “14V CONV” (Ref, see Figure 90-55)		
7	-874	Wire (Ref)		
8	MS21919WDG	Clamp (MS21919WDG4 thru 26 as required)	X	1
9	—	Screw (large)	O	2
10	MS21042L08	Nut	X	2
11	NAS1149FN816P	Washer	X	2
12	A780-63	Cable Assembly (wire #873; Ref)		
13	MS27039C0805	Screw	X	1

NOTES

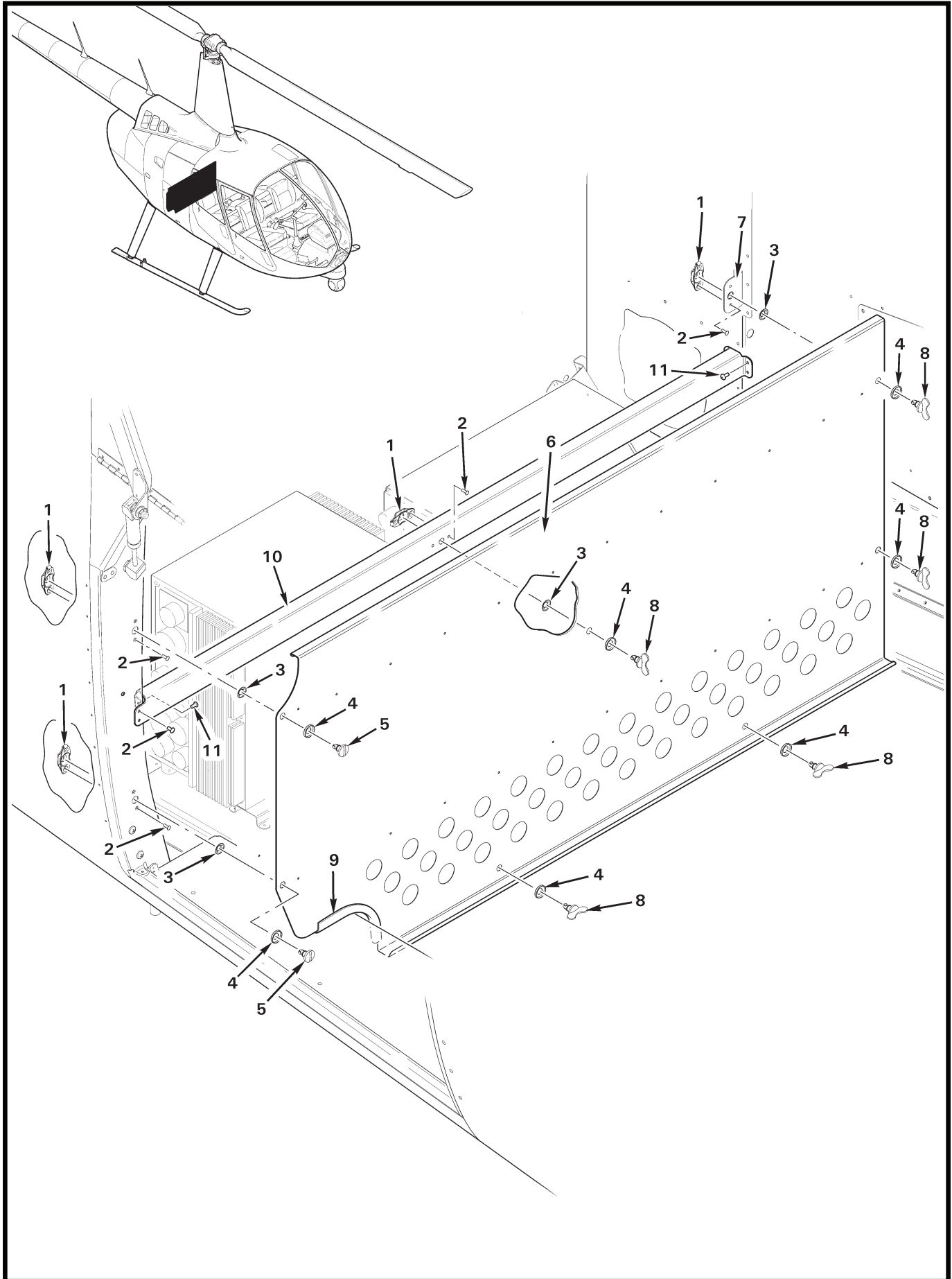


FIGURE AND INDEX NUMBER	PART NUMBER	DESCRIPTION	PARTS AVAIL	QTY PER ASSY
G425-1 WALL INSTALLATION				
90-61-1	85-35-295-15	Receptacle	X	A/R
2	MS20426AD4	Rivet	X	16
3	85-34-201-20	Retaining Ring	X	7
4	85-46-101-39	Washer	X	7
5	85-11-140-16	Stud	X	2
6	G428-1	Wall Assembly (Incl items 3 thru 5, and 8)	X	1
7	G428-2	Angle Assembly (Incl item 1; Ref)		
8	85-12-140-16	Stud	X	5
9	A226-15	Trim	X	A/R
10	G431-5	Beam Assembly (Incl items 1 and 2)	X	1
11	MS20470AD4	Rivet	X	6
NOTES				

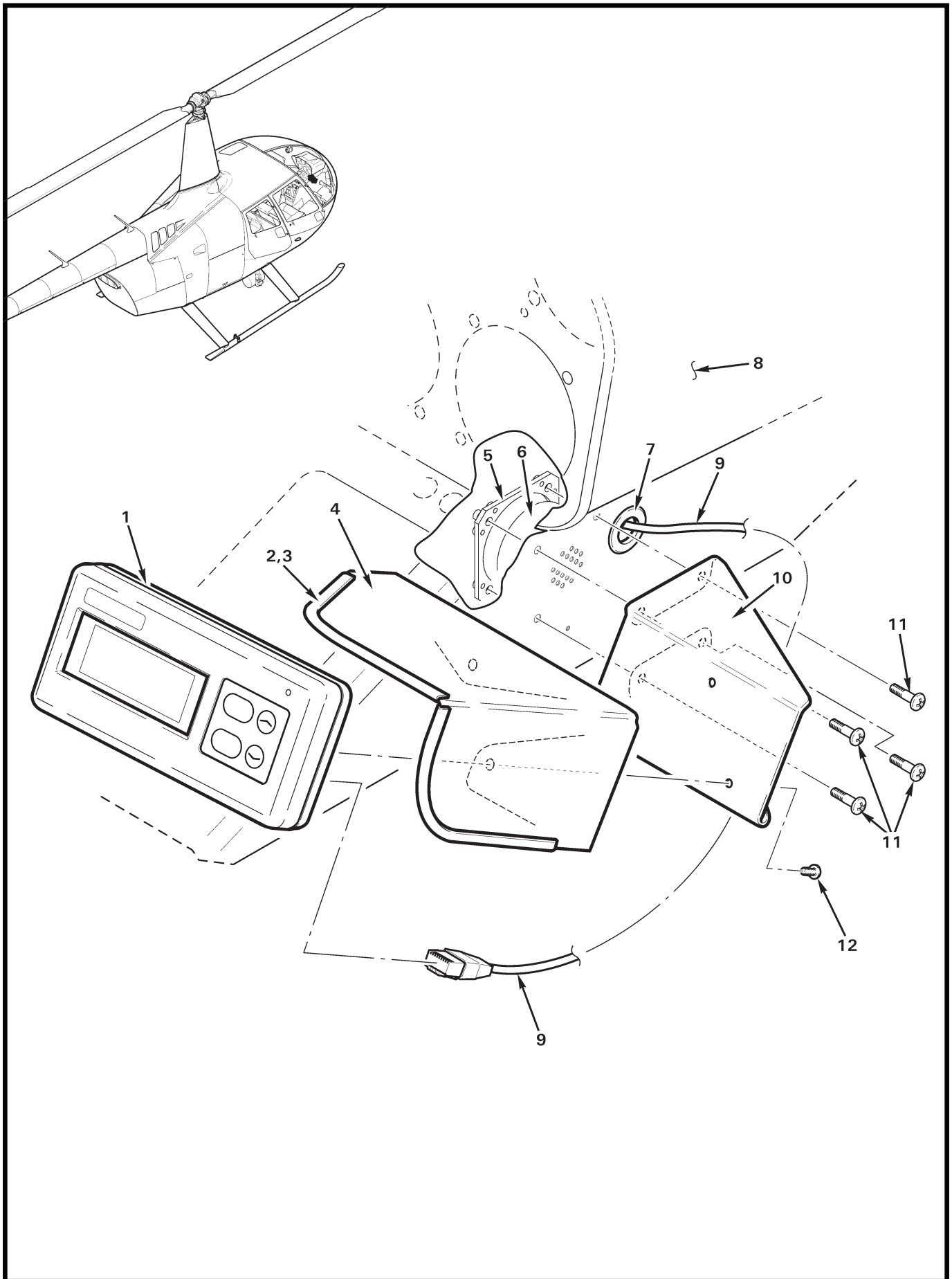


FIGURE AND INDEX NUMBER	PART NUMBER	DESCRIPTION	PARTS AVAIL	QTY PER ASSY
G437-1 LOJACK INSTALLATION – DISPLAY				
90-63-1	4106-0006-00	Display	O	1
2	A226-9	Molding	X	A/R
3	B270-8qt	Adhesive	X	A/R
4	D600-3	Visor Assembly (Incl items 2 and 3)	X	1
5	A479-2	Ring (Ref)		
6	B320-3	Horn Assembly (Ref)		
7	MS35489-149	Grommet	X	1
8	B050	Console Assembly (Ref)		
9	0001-0039-00	Cable (Ref)		
10	D436-6	Support	X	1
11	MS27039C0810	Screw	X	10
12	MS27039C1-04	Screw	X	2
NOTES				

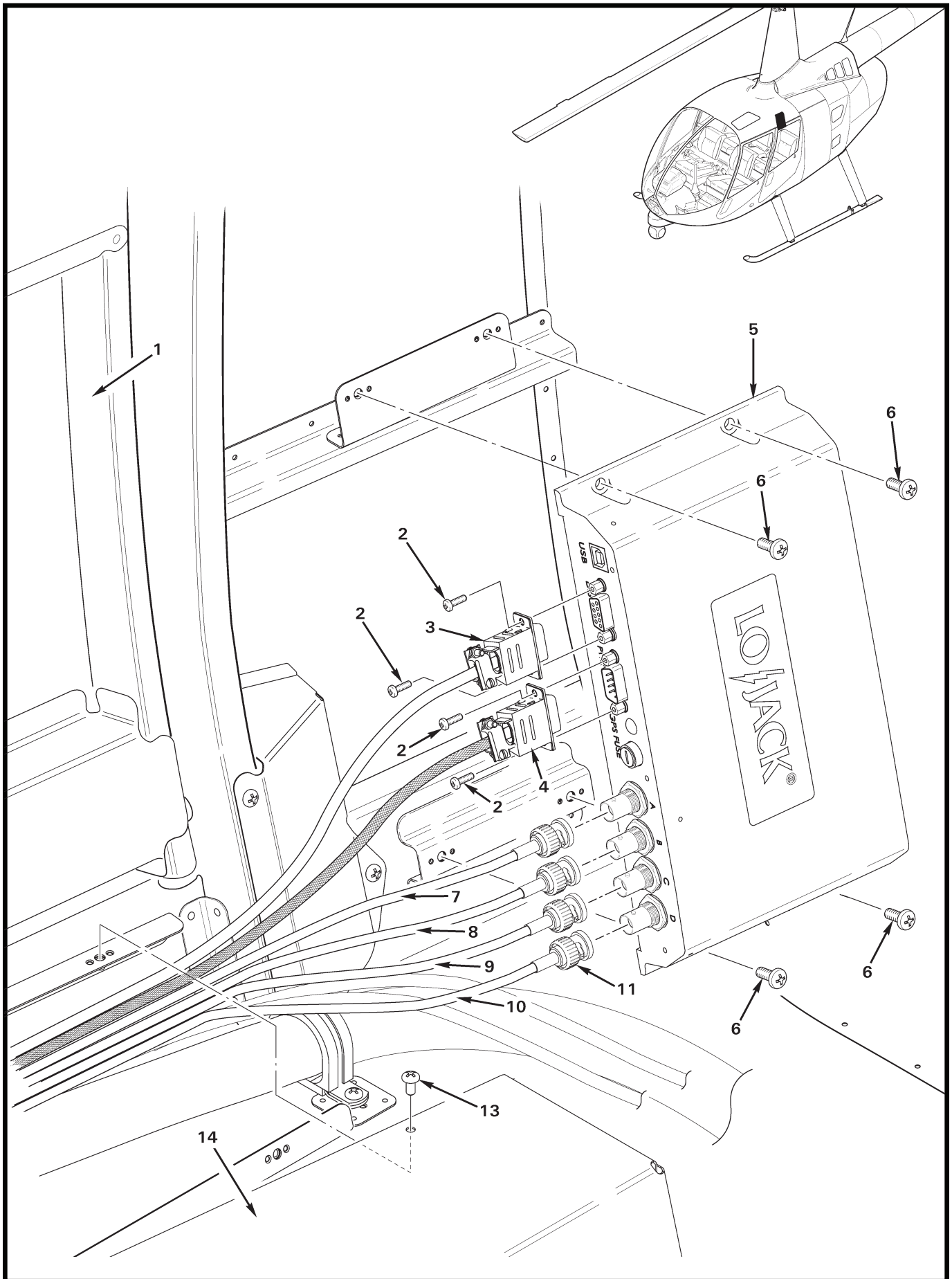


FIGURE AND INDEX NUMBER	PART NUMBER	DESCRIPTION	PARTS AVAIL	QTY PER ASSY
G437-1 LOJACK INSTALLATION – RECEIVER				
90-65-1	G900-1	Baggage Door Assembly (Ref)		
2	—	Screw	O	4
3	B269-3	Plug	X	1
	B269-21	Backshell	X	1
	B269-31	Screw Lock (male)	X	2
4	B269-4	Receptacle	X	1
	B269-2	Terminator	X	1
	B269-62	Socket	X	1
	B269-21	Backshell	X	1
	B269-31	Screw Lock (male)	X	2
	B260-3	Terminal (#1892 wire at ground)	X	1
5	4107-0003-10	Receiver (or PTC2A-E)	O	1
6	MS27039C1-08	Screw	X	4
7	D431-2402	Cable Assembly (Incl item 11)	X	1
8	D431-2403	Cable Assembly (Incl item 11)	X	1
9	D431-2404	Cable Assembly (Incl item 11)	X	1
10	D431-2405	Cable Assembly (Incl item 11)	X	1
11	225395-1	Plug (BNC)	X	1
12	G707-1	Cover (Ref)		
13	MS27039C0805	Screw (Ref)		
14	G701-1	Guard	X	1

NOTES

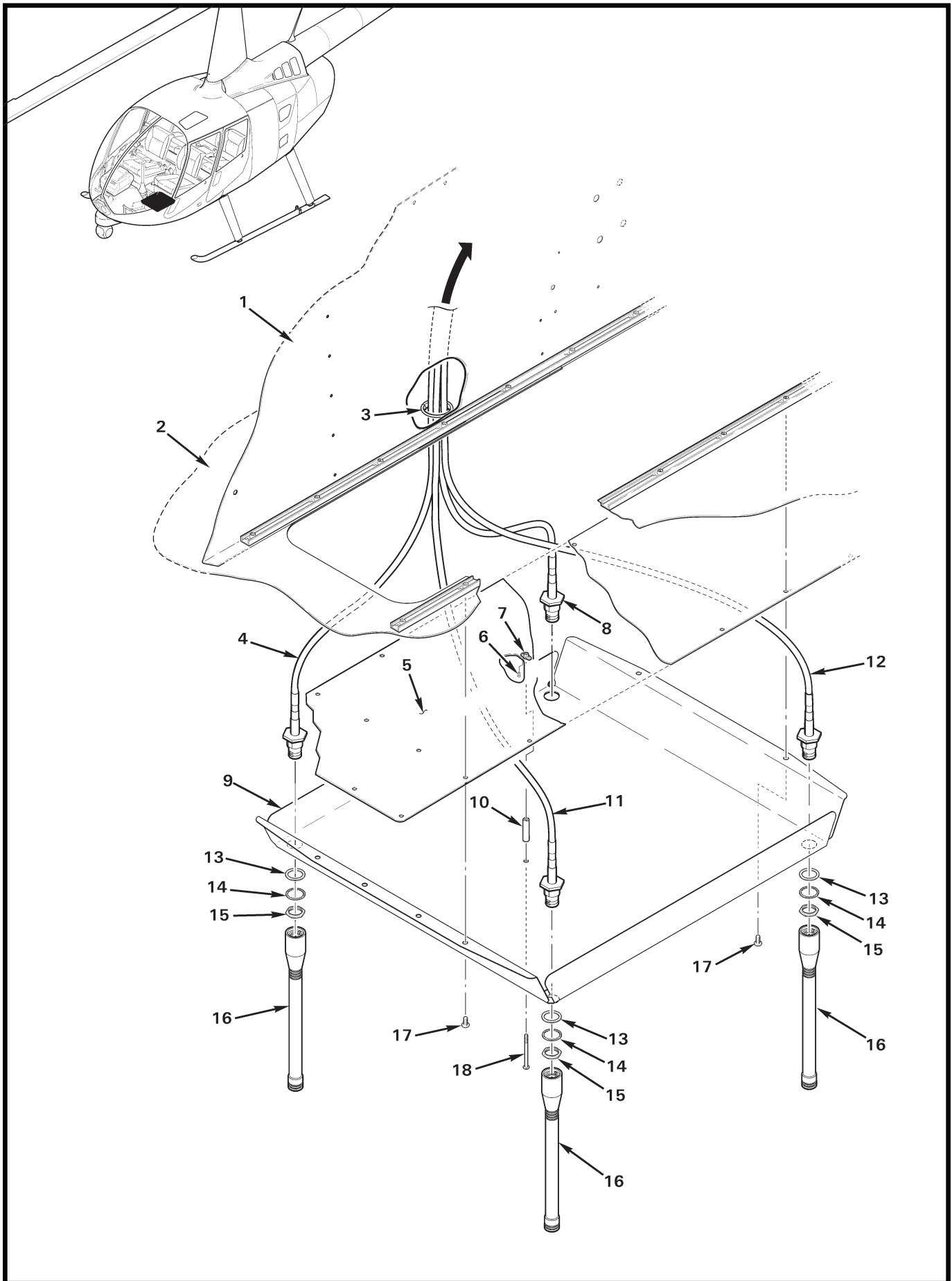


FIGURE AND INDEX NUMBER	PART NUMBER	DESCRIPTION	PARTS AVAIL	QTY PER ASSY
G437-1 LOJACK INSTALLATION – ANTENNAS				
90-67-1	F293-2	Keel Panel – RH (Ref)		
2	F272-1	Chin (belly; Ref)		
3	NAS557-14B	Grommet	X	1
4	D431-2403	Cable Assembly	O	1
5	F794-1	Panel (Ref)		
6	NAS1097AD3	Rivet	X	2
7	MS21069L3	Nutplate	X	1
8	D431-2404	Cable Assembly	O	1
9	D435-1	Mount	X	1
10	A130-16	Spacer	X	1
11	D431-2402	Cable Assembly	X	1
12	D431-2405	Cable Assembly		
13	—	Gasket	O	1
14	—	Washer (internal teeth)	O	1
15	—	Nut	O	1
16	EXB164BNX	Antenna (Incl items 13 thru 15)	X	4
17	MS27039C0806	Screw (existing; [6] thru item 9)	X	6
18	MS27039C1-30	Screw	X	1

NOTES

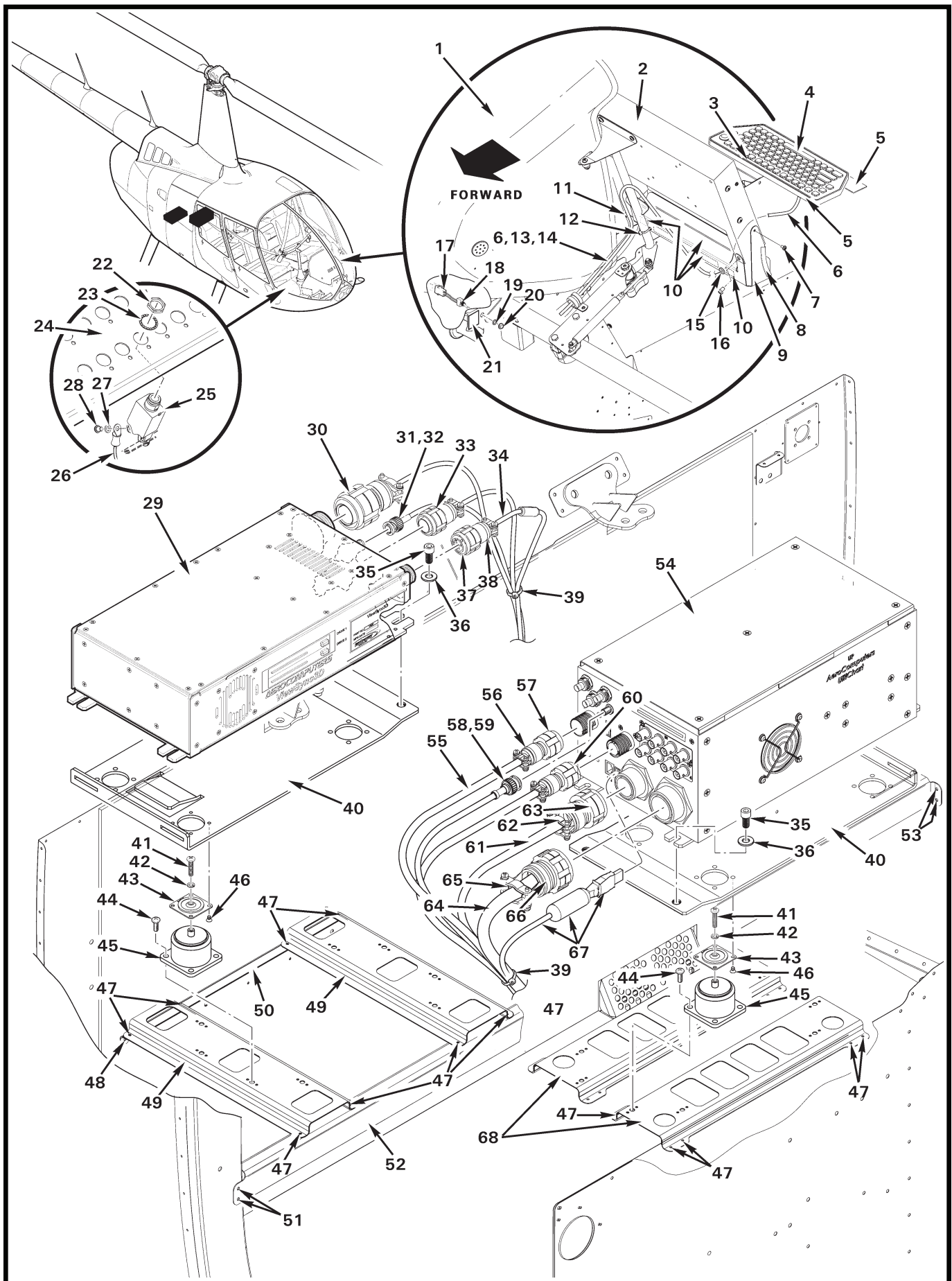


FIGURE AND INDEX NUMBER	PART NUMBER	DESCRIPTION	PARTS AVAIL	QTY PER ASSY
		G608 MAPPING SYSTEM – COMPUTER INSTALLATION		
90-69-1	G060	Console Assembly (Ref)		
2	DVI 10LDB	Monitor (Ref)		
3	D610-5	Decal	X	1
4	D610-6	Keyboard Assembly (Incl items 3, 5, 6, 13, and 14)	X	1
5	B175-12	Loop Tape (two places)	X	A/R
6	—	Cable (keyboard)	O	1
7	MS35206-226	Screw	X	2
8	A226-11	Trim (two places)	X	A/R
9	G417-4	Tray Assembly (Incl items 5, 8, and 10)	X	1
10	B175-11	Hook Tape	X	A/R
11	B458	Harness Assembly – Auxiliary (Ref)		
12	MS3367-5-0	Ty-Rap (secures item 9 to pivot assembly)	X	1
13	AE10091-ND	Plug Assembly (not shown)	X	1
14	AE10090-ND	Hood (not shown)	X	1
15	MS35489-4	Grommet	X	1
16	MS27039C1-04	Screw	X	1
17	B049-9	Switch Assembly (Incl item 18)	X	1
18	B300-1	Switch (Incl items 19 and 20)	X	1
19	B227-3	Lockwasher	X	1
20	B227-4	Dress Nut	X	1
21	G682-23	Decal	X	1
22	—	Nut	O	1
23	—	Lockwasher	O	1
24	G422-1	Panel – Circuit Breaker (Ref)		
25	B297-5	Circuit Breaker (5 amp; includes items 22, 23, 27 and 28)	X	1
26	-2247	Wire (power, Ref)		
27	—	Washer (split)	O	1
28	—	Screw	O	1
29	VIEWSYNCC3D	Computer	O	1
30	300817-W	Cable Assembly (supplied with item 29)	O	1
31	D431-2654	Cable Assembly (to FLIR ECU)	X	1
32	2065-11-9	Plug (BNC; shown)	X	1
33	300822-3	Cable	O	1
34	D725-8	Harness Assembly	X	1
35	—	Screw	O	4

NOTES

Continues

FIGURE AND INDEX NUMBER	PART NUMBER	DESCRIPTION	PARTS AVAIL	QTY PER ASSY
G608 MAPPING SYSTEM – COMPUTER INSTALLATION (Cont'd)				
90-69-36	—	Washer	O	4
37	D38999/26WB5SN	Plug	X	1
38	M80549/38-11W	Backshell	X	1
39	MS3367-4-0	Ty-Rap	X	A/R
40	C00008-D	Tray (Incl items 38 and 39)	O	2
41	MS51957-47	Screw (or MS27039C0810)	X	8
42	MS35338-137	Lockwasher (or B332-42)	X	8
43	100PL-6	Isolator (supplied with item 29)	O	8
44	MS27039C1-07	Screw	X	16
45	H44-AA-4	Mount	X	8
46	—	Screw (supplied with item 29)	O	32
47	NAS9301B-02	Rivet	X	24
48	MS20615-3M	Rivet	X	5
49	G431-1	Support Assembly	X	2
50	G431-4	Angle (Ref)		
51	MS20426AD4	Rivet	X	2
52	G431-5	Beam Assembly	X	1
53	MS20470AD4	Rivet	X	4
54	UC-5300	Computer	O	1
55	D725-5	Harness Assembly (“18-36VDC”; includes items 56 and 57)	X	1
56	M85049/38-11W	Backshell	X	1
57	D38999/26WB45N	Plug	X	1
58	D431-2265	Cable Assembly (“VIDEO IN”, includes item 59)	X	1
59	2065-11-9	Plug (BNC; shown)	X	1
60	300822-W	Cable (“VGAIN”)	O	1
61	D725-6	Harness Assembly (“VGA KBD”; includes items 62 and 63)	X	1
62	M85049/38-17W	Backshell	X	1
63	D38999/26WE35PN	Plug	X	1
64	D725-7	Harness Assembly (“AUX”; includes items 65 and 66)	X	1
65	M85049/38-21W	Backshell	X	1
66	D38999/26WG35PN	Plug	X	1
67	F3U130-16	Cable (to keyboard)	O	1
68	G429-2	Support Assembly	X	2

NOTES

Intentionally Blank

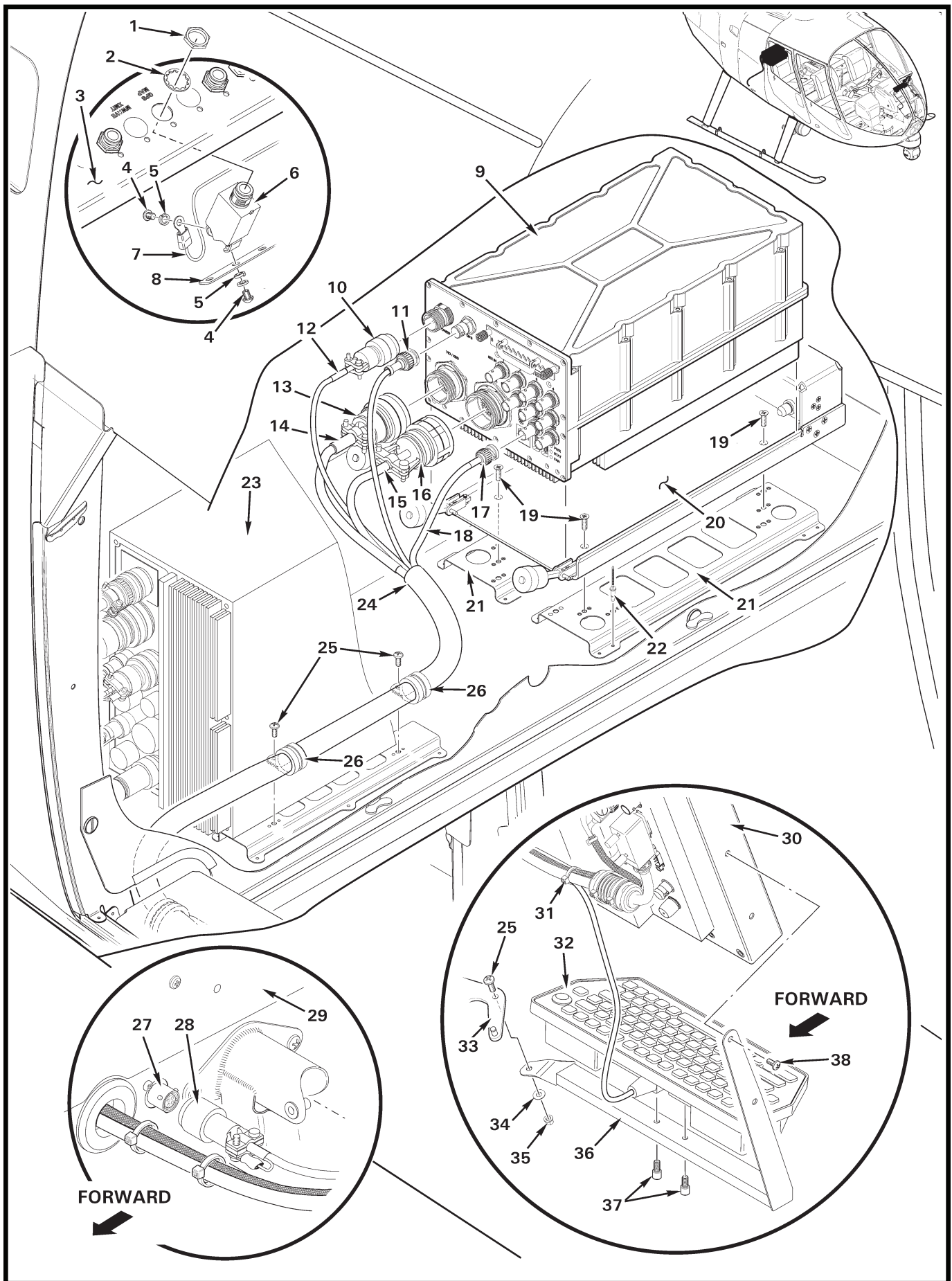


FIGURE AND INDEX NUMBER	PART NUMBER	DESCRIPTION	PARTS AVAIL	QTY PER ASSY
G608-7/-8 MAPPING SYSTEM – COMPUTER INSTALLATION				
90-71B-1	—	Nut	O	1
2	—	Lockwasher	O	1
3	G422-1	Panel – Circuit Breaker (Ref)		
4	—	Screw	O	1
5	—	Washer (split)	O	1
6	B297-5	Circuit Breaker (5 amp; includes items 1, 2, 4 and 5)	X	1
7	-2247	Wire (power, Ref)		
8	A448	Bus Bar (Ref)		
9	UC-6000*	Computer	O	1
10	D38999/26WB2SA	Plug (power)	X	1
	M85049/38-11W	Backshell	X	1
11	5225555-6	Plug (GPS antenna cable)	X	1
12	B158-3	Heat Shrink (labeled "POWER")	X	A/R
13	D38999/26WE35PN	Plug (VGA/Keyboard)	X	1
	M85049/38-17W	Backshell	X	1
14	B158-8	Heat Shrink (labeled "VGA/KBD")	X	A/R
15	B158-6	Heat Shrink (labeled "AUX")	X	A/R
16	D38999/26WG35PN	Plug (FLIR control, FLIR ECU, IMU)	X	1
	M85049/38-21W	Backshell	X	1
17	2065-11-9	Plug (BNC)	X	1
18	D431-2265	Cable Assembly (Incl item 17)	X	1
19	MS24694-C5	Screw	X	4
20	301320A	Tray (included with item 9)	O	1
21	G429-2	Support Assembly	X	2
22	NAS9301B-4-02	Rivet	X	16
23	—	FLIR Electronics Control Unit (Ref)		
24	MS3367-5-0	Ty-Rap	X	1
25	MS27039C0806	Screw	X	2
26	MS21919WDG__	Clamp (DG4 thru DG12 as required)	X	2
27	MS3110E8-4S	Receptacle (Ref)		
28	MS3116F8-4P	Socket	X	1
	B158-4	Heat Shrink	X	A/R
29	—	Console Assembly (Ref)		
30	G416-5	Monitor (Ref)		
31	MS3367-4-0	Ty-rap (Ref)		

NOTES * Aerocomputers part no.

Continues

FIGURE AND INDEX NUMBER	PART NUMBER	DESCRIPTION	PARTS AVAIL	QTY PER ASSY
G608-7/-8 MAPPING SYSTEM – COMPUTER INSTALLATION (Cont'd)				
90-71B-32	D610-6	Keyboard Assembly (Incl item 28)	X	1
33	G417-5	Pivot Assembly (Ref)		
34	NAS1149FN816P	Washer	X	1
35	B340-4	Nut	X	1
36	G417-7	Tray Weldment	X	1
37	NAS1352-08-4P	Screw	X	2
38	MS27039C1-06	Screw	X	2
NOTES				

Intentionally Blank

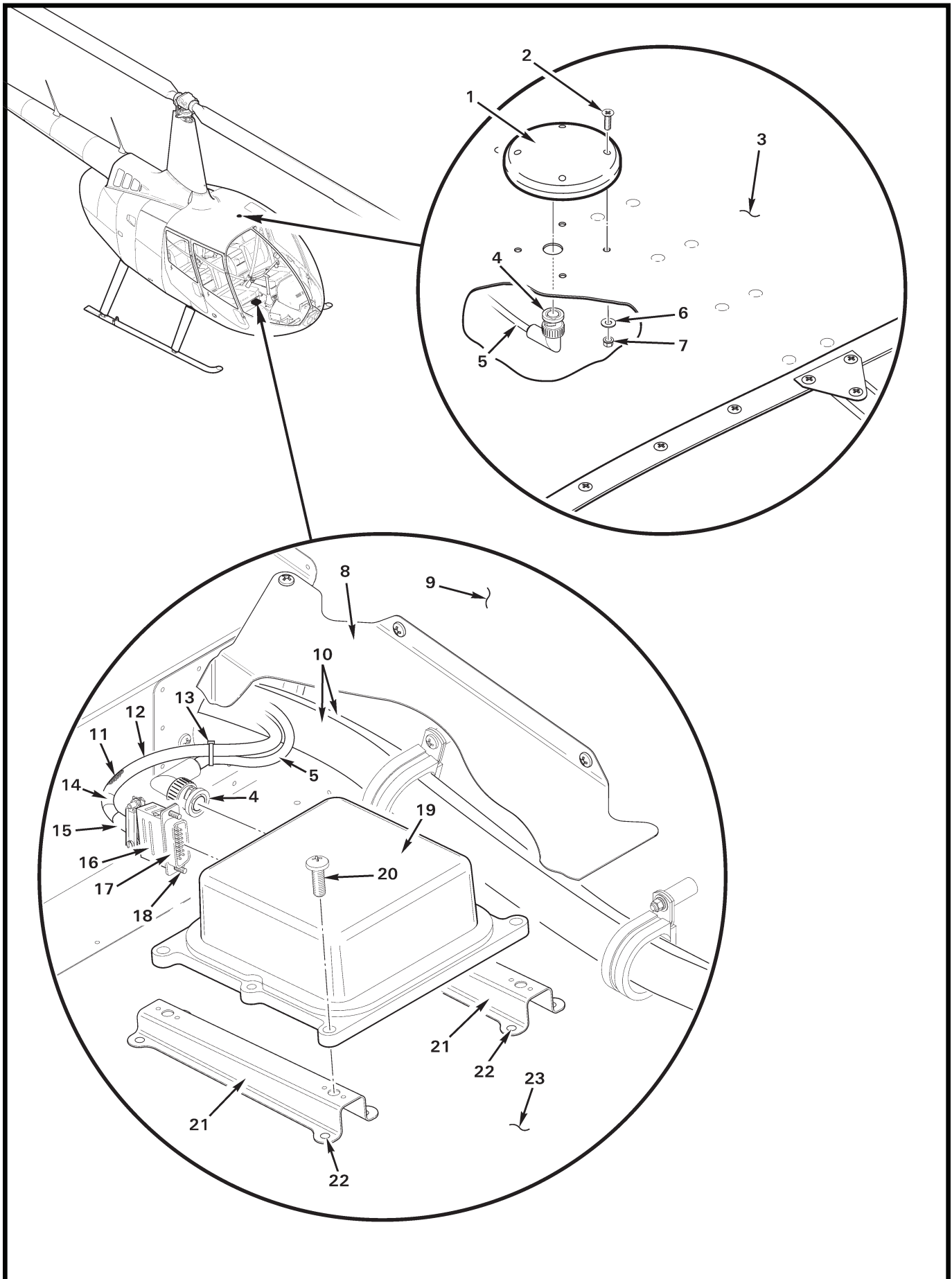


FIGURE AND INDEX NUMBER	PART NUMBER	DESCRIPTION	PARTS AVAIL	QTY PER ASSY
G608 MAPPING SYSTEM – COMPONENTS INSTALLATION				
90-73-1	L1/L2	Antenna (GPS)	X	1
2	MS24694-C51	Screw	X	4
3	F273-1	Roof (Ref)		
4	5225554-6	Plug (90°)	X	2
5	B274-518	Cable (antenna)	X	A/R
6	NAS1149F0332P	Washer	X	4
7	MS21042L3	Nut	X	4
8	F702-11	Cover (Ref)		
9	F293-2	Keel Panel (RH, Ref)		
10	G458-1	Harness Assembly – Auxiliary (Ref)		
11	B266-4	Sleeving	X	A/R
12	D725-7	Harness Assembly (Ref; includes items 11, 13, and 15 thru 18)		
13	MS3367-4-0	Ty-Rap	X	A/R
14	B158-6	Heat Shrink (label “IMU”)	X	A/R
15	B158-6	Heat Shrink	X	A/R
16	B269-21	Backshell	X	1
17	B269-77	Plug	X	1
18	B269-31	Screw Lock (male)	X	2
19	—	IMU (Inertial Monitoring Unit sensor; supplied with UC-5300, or UC-6000 computer. See Figure 90-69 and 90-71B.)	O	1
20	MS27039C4-11	Screw	X	4
21	G429-15	Support Assembly	X	2
22	MS20470AD4	Rivet	X	8
23	B272-1	Chin (Ref)		

NOTES

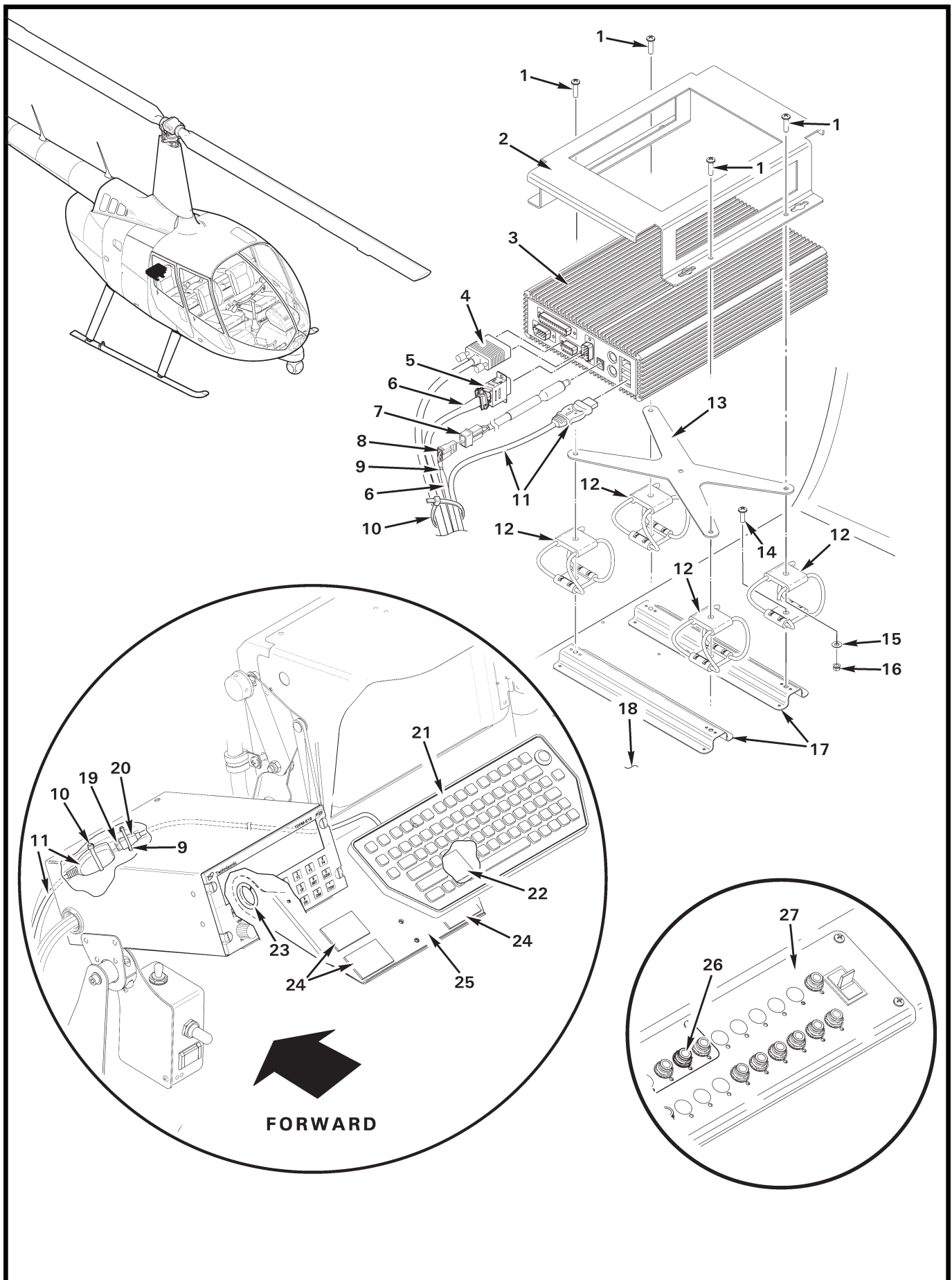


FIGURE AND INDEX NUMBER	PART NUMBER	DESCRIPTION	PARTS AVAIL	QTY PER ASSY
G608-1 MAPPING SYSTEM INSTALLATION				
90-75-1	MS27039C0810	Screw	X	4
2	D608-2	Bracket	X	1
3	LPS-460FS	Computer	X	1
4	JV-VGA-15	Cable	X	1
5	B269-4	Receptacle	X	1
	B269-21	Backshell	X	1
	B269-31	Screw Lock (male)	X	2
6	B266-4	Sleeving	X	A/R
7	B263-32	Housing	X	1
	B263-3	Pin	X	2
	B158-4	Heat Shrink	X	A/R
8	B263-33	Housing	X	1
	B263-2	Pin	X	2
	B158-2	Heat Shrink	X	A/R
9	MS3367-4-0	Ty-Rap	X	A/R
10	MS3367-5-0	Ty-Rap	X	A/R
11	F3U130-16	Cable (USB, to keyboard [item 21]; Ref)		
12	CR4-300-S	Isolator	X	4
13	D617-5	Plate	X	1
14	MS27039C0808	Screw	X	4
15	NAS1149FN816P	Washer	X	4
16	MS21042L08	Nut	X	4
17	G429-11	Support Assembly (Ref)		
18	G241-1	Floor (Ref)		
19	AE10090-ND	Hood	X	1
20	AE10091-ND	Plug Assembly	X	1
21	D610-6	Keyboard Assembly (includes items 19, 20, 22, and cable; assembled)	X	1
22	B175-12	Loop Tape	X	A/R
23	NAS557-12A	Grommet	X	2
24	B175-11	Hook Tape	X	A/R
25	D609-4	Tray Assembly (Incl items 23 and 24)	X	1
26	B297-5	Circuit Breaker (5-amp)	X	1
27	G442-1	Circuit Breaker Panel (auxiliary, Ref)		

NOTES

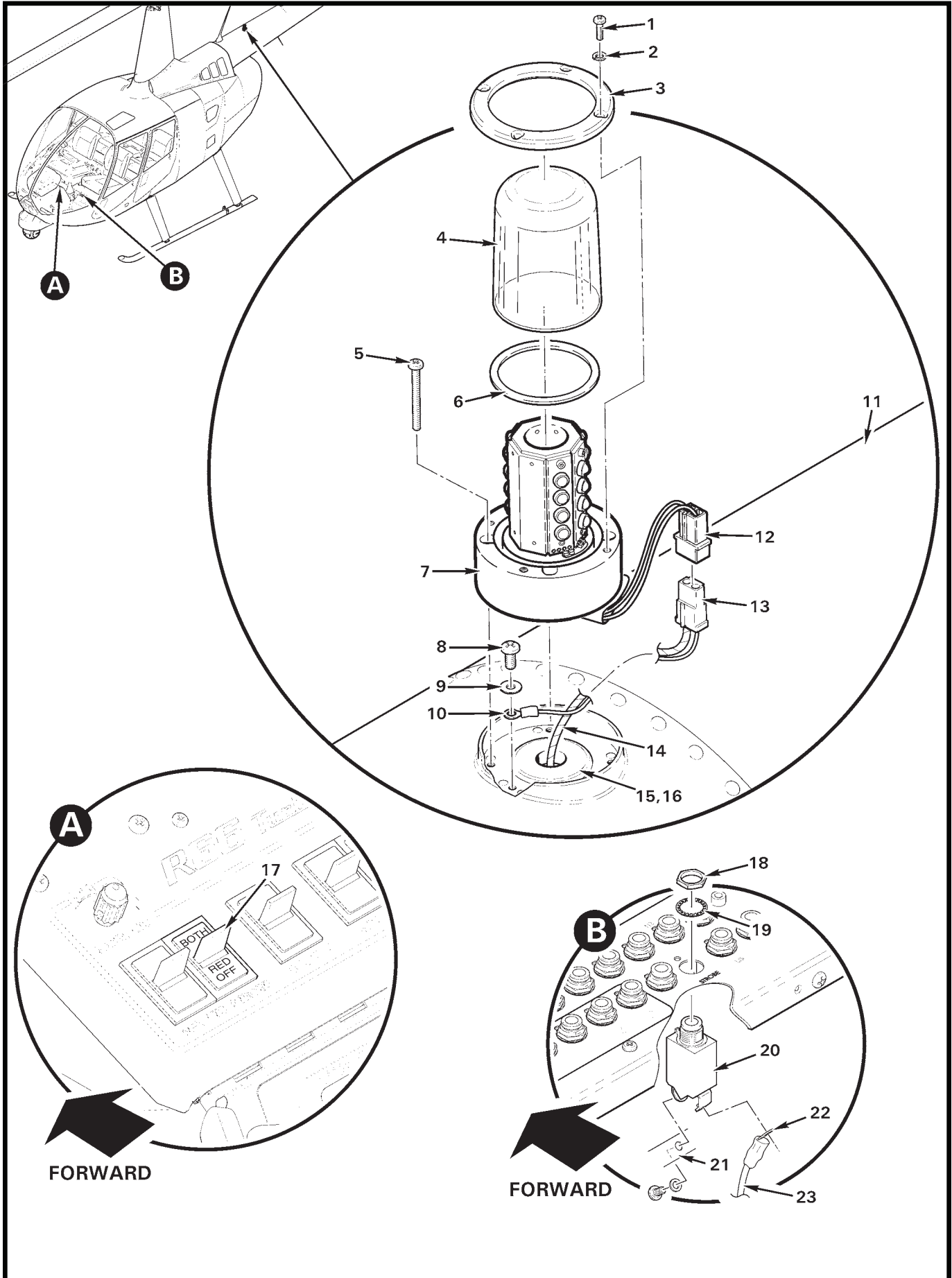


FIGURE AND INDEX NUMBER	PART NUMBER	DESCRIPTION	PARTS AVAIL	QTY PER ASSY
G685-1 AUX STROBE INSTALLATION				
90-77-1	14-0050505-14*	Screw	O	4
2	16-0050506135*	Lockwasher (MS35338-135)	O	4
3	19-171047-100*	Retainer	O	1
4	68-4971082A30*	Lens (clear)	O	1
5	MS35206-329	Screw	O	4
6	30-0250885-00*	Gasket	O	1
7	A708-13	Strobe Light Assembly (red; incl items 1 thru 4, 6, and 12) . .	X	1
	A708-15	Strobe Light Assembly (blue; incl items 1 thru 4, 6, and 12) . .	X	1
	A708-16	Strobe Light Assembly (white; incl items 1 thru 4, 6, and 12)	X	1
8	MS27039C0806	Screw	X	1
9	NAS1149FN832P	Washer	X	2
10	B260-3	Terminal	X	2
11	C023	Tailcone Assembly (Ref)		
12	02-0230007-00*	Housing	O	1
	—	Pin	X	2
13	B263-13	Housing	X	1
	—	Socket	X	2
14	B161-2	Spirap	X	A/R
15	MS35489-15	Grommet	X	1
16	B270-8qt	Adhesive	X	4
17	B184-14	Switch Assembly	X	1
18	—	Nut	O	1
19	—	Washer	O	1
20	B297-7	Circuit Breaker (7 1/2 amp; includes items 18 and 19)	X	1
21	A448-1	Bus Bar (Ref)		
22	B260-3	Terminal (Ref)		
23	-105	Wire (Ref)		

NOTES

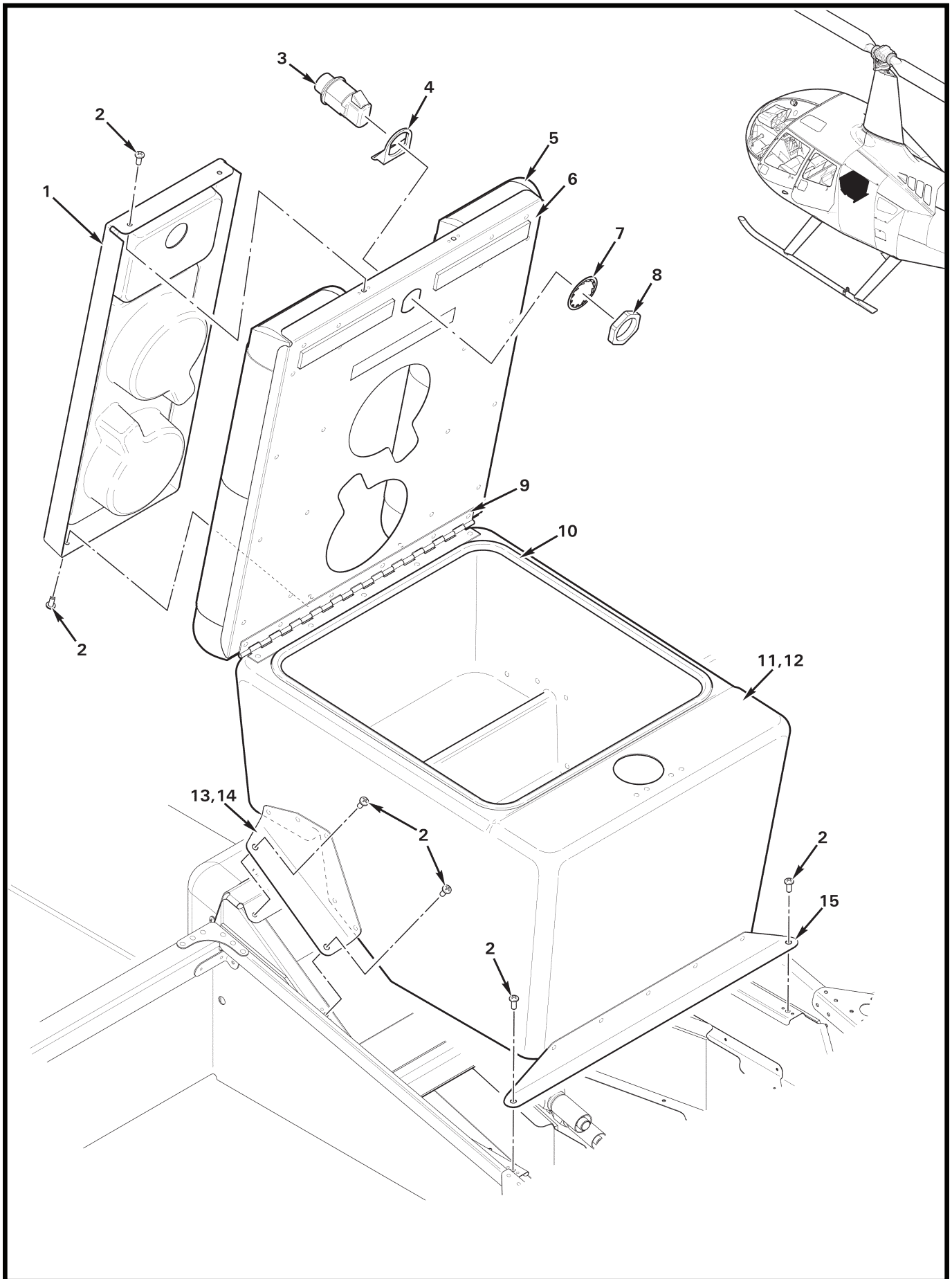


FIGURE AND INDEX NUMBER	PART NUMBER	DESCRIPTION	PARTS AVAIL	QTY PER ASSY
G749-1 AFT CONSOLE INSTALLATION*				
90-79-1	G751-1	Tray	X	1
2	MS27039C0806	Screw	X	10
3	93-303	Latch	X	1
4	—	Tab	O	1
5	G749-3	Cushion Assembly	X	2
6	G750-1	Tray Assembly	X	1
7	—	Lockwasher	O	1
8	—	Nut	O	1
9	G750-6	Hinge	X	1
10	A226-11	Trim	X	A/R
11	G749-2	Console Assembly (Incl items 1, 2 [4], 3 thru 10, and 12 thru 14)	X	1
12	G752-1	Box	X	1
13	G750-3	Bracket (LH)	X	1
14	G750-4	Bracket (RH, not shown)	X	1
15	G750-5	Angle	X	1

NOTES * Replaces F932-1 back rest assembly, and F931-1 seat assembly; see Figure 25-1.

Intentionally Blank

CHAPTER 92

E.N.G. VERSION

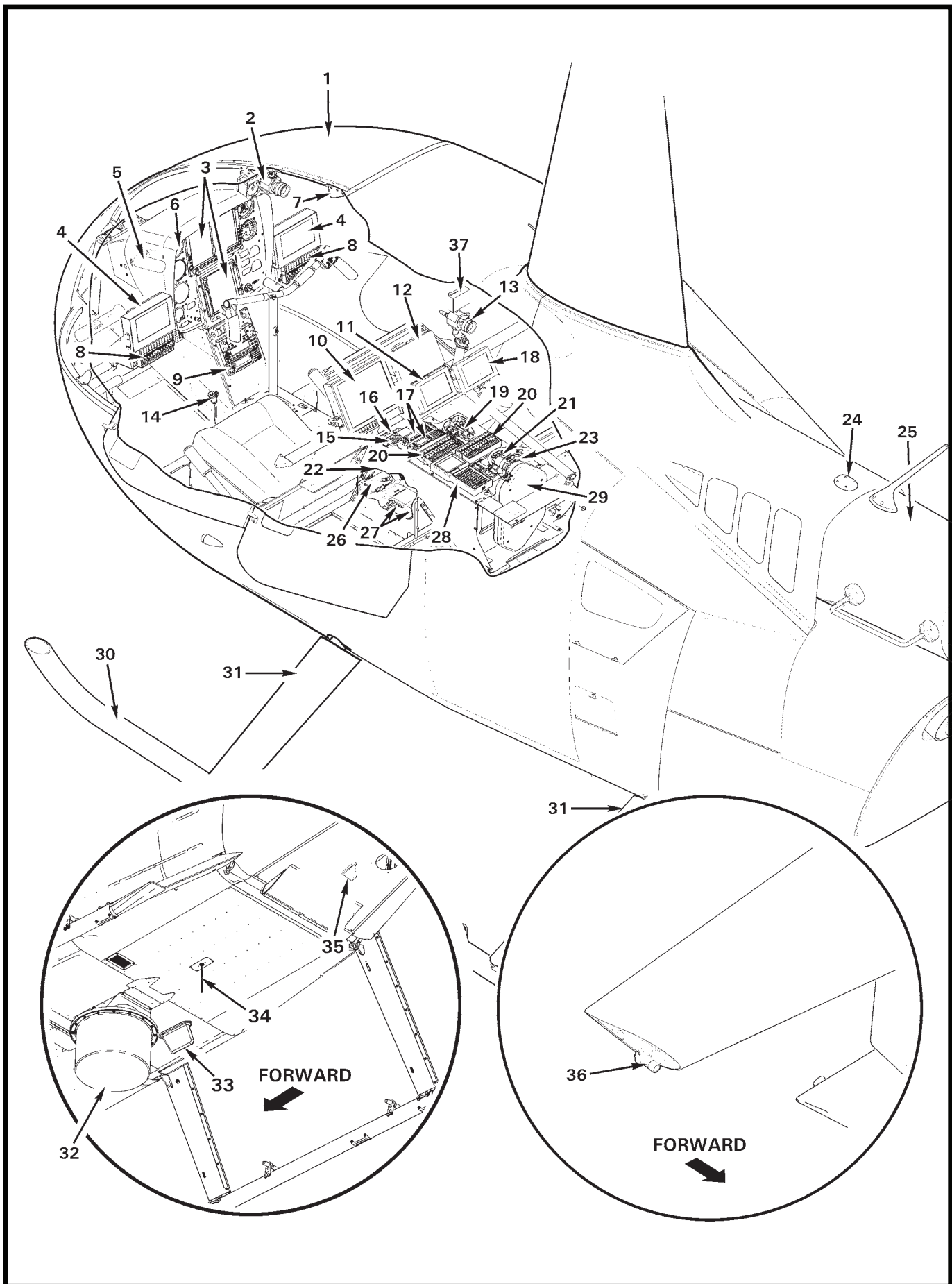
<i>Figure</i>	<i>Title</i>	<i>Page</i>
—	Electronic News Gathering Equipment	92.iv
—	Electronic News Gathering Equipment	92.vi
92-1	A826 FM Transceiver Installation	92.0
92-5	Micro Camera Installation – Windshield	92.4
92-7	Micro Camera Installation – Cabin	92.6
92-9	Micro Camera Installation – Horizontal Stabilizer	92.8
92-11	Micro Camera Controller Installation	92.10
92-13	Remote Transmit Switch Installation	92.12
92-15	G425-1 Wall Assembly Installation	92.14
92-17	C445 Auxiliary Circuit Breaker Panel Installation	92.16
92-21	G448 Aft Monitors Installation	92.20
92-25	G449 Forward Monitors Installation	92.24
92-27	Camera and Gimbal Installation	92.26
92-29	Camera and Gimbal Fairing	92.28
92-31	Laptop and Cable Assembly Installation	92.30
92-33	E003 Auxiliary Box Installation	92.32
92-35	HD Microwave System – Controllers	92.34
92-37	HD Microwave System – Transmitter	92.36
92-39	HD Microwave System – Pod Antenna	92.38
92-41	Transponder Antenna Installation	92.40
92-43	TV and Scanner Antenna Installations	92.42
92-45	Aft Console Assembly	92.44
92-49	FM Transceivers Installation	92.48
92-51	Scanner Installation	92.50
92-53	Talent Lights Installation	92.52
92-57	TV Receiver Provision Installation	92.56
92-61	Geneva Audio – Forward Audio Panels	92.60
92-65	Geneva Audio – Aft Audio Panels	92.64
92-67	Geneva Audio – Digital Router	92.66

CHAPTER 92

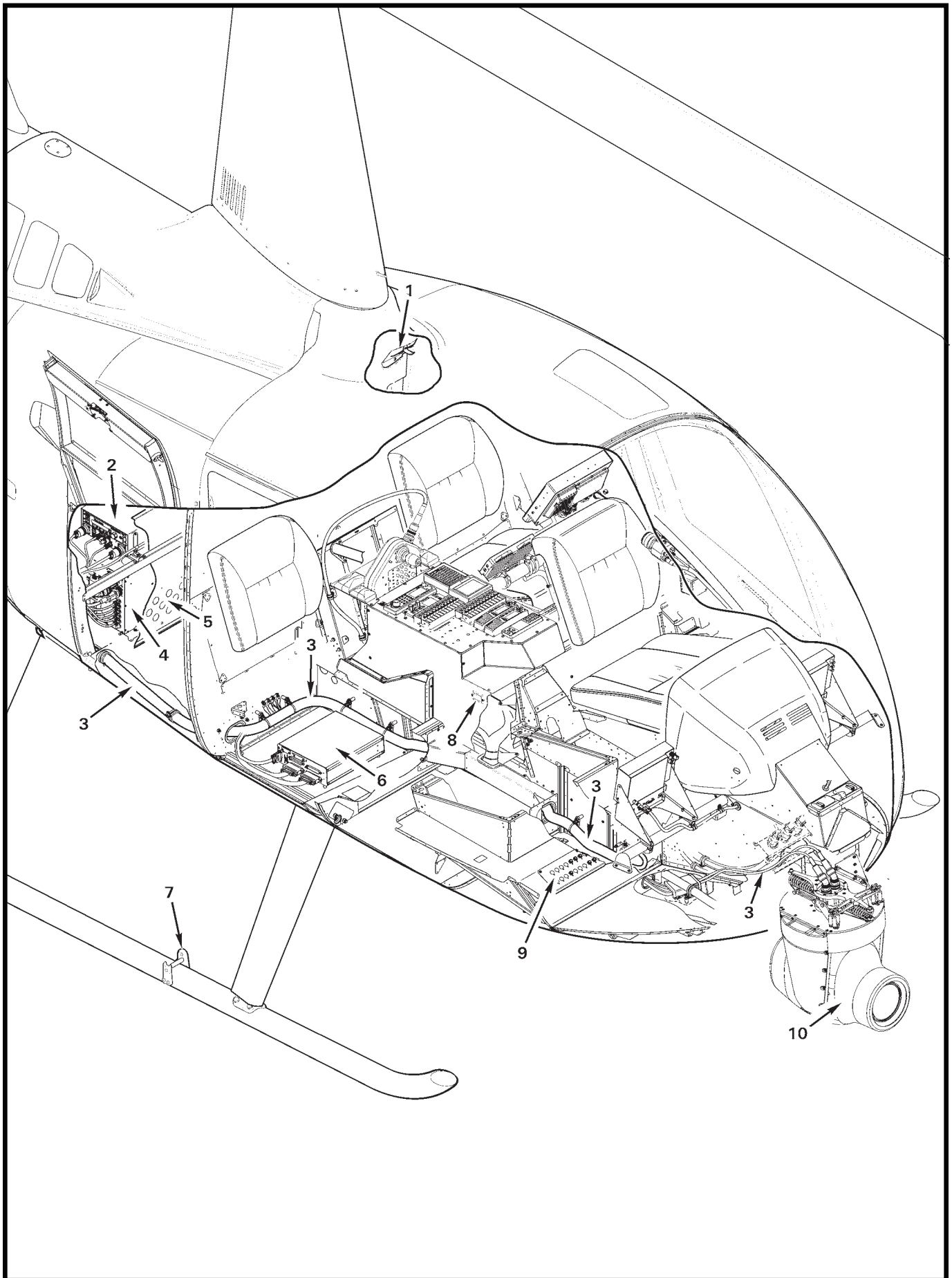
E.N.G. VERSION
(cont'd)

<i>Figure</i>	<i>Title</i>	<i>Page</i>
92-69	Video Components Installation	92.68
92-73	DVR/Monitor Installation	92.72
92-75	G459 Aux Electrical System – Harness Assembly	92.74
92-79	E.N.G. Wire Harness Installation	92.78

Intentionally Blank



ITEM NUMBER	FIGURE	DESCRIPTION
ELECTRONIC NEWS GATHERING (E.N.G.) EQUIPMENT		
1	—	Robinson R66 E.N.G. Helicopter
2	92-5	D097-36 HD Micro Camera (Windshield Bow)
3	97-1	Garmin G500H EFIS
4	92-25	Forward Monitors
5	92-53	Forward Talent Light
6	95-1, 95-23	Airspeed Indicator
7	33-9	G197-13 Window (Spotlight coverage limiter)
8	92-61	Geneva Forward Audio Panels
9	92-1	A826 FM Transceiver
10	92-21	Aft 10-inch Monitor
11	92-21	Aft 5-inch Left Hand Monitor
12	92-73	DVR/Monitor
13	92-7	D097-37 HD Micro Camera (Aft-center Cabin)
14	92-13	Remote Transmit Switches
15	92-69	Video Components
16	92-57	TV Receiver Distribution Amp
17	92-49	FM Transceivers
18	92-21	Aft 5-inch Right Hand Monitor
19	92-11	D097 HD Micro Camera Controllers
20	92-65	Geneva Aft Console Audio Panels
21	92-35	ARC-CM-TX-RX-CR-01 Microwave Controller
22	92-45	Aft Console
23	92-51	Scanner
24	92-39	GPS-1270FW Antenna
25	53-17	C023-24 Tailcone Assembly
26	92-57	F461-4 Cover (aft USB port)
27	92-57	Digital TV Receiver
28	92-35	D558-5 Microwave Controller Assembly
29	92-31	E002-2 Gimbal Camera Laptop Controller
30	32-1	Extended Landing Gear
31	32-5	Landing Gear Fairing
32	92-39	PA16-series Microwave Pod Antenna
33	92-43	Scanner Antenna
34	92-43	TV Tuner Antenna
35	92-41	Transponder Antenna
36	92-9	D097-38 HD Micro Camera (Tail)
37	92-53	Aft Talent Light



ITEM NUMBER	FIGURE	DESCRIPTION
ELECTRONIC NEWS GATHERING (E.N.G.) EQUIPMENT		
1	25-5	F436-1 Cover Assembly (Seat Removed)
2	92-37	CMTX7-LITE Microwave Transmitter
3	92-75	Aux Electrical System Installation
4	92-33	E003-7 Aux Box (video processing)
5	92-15	G425-1 Wall (baggage compartment electronics bay)
6	92-67	Geneva Audio Digital Router
7	32-1	C720-1 Ground Handling Wheel Support
8	92-45	E.N.G. Hourmeter (News Master Time)
9	92-17	G445-2 Aux Circuit Breaker Panel (E.N.G. Equipment)
10	92-27	Gimbal Camera

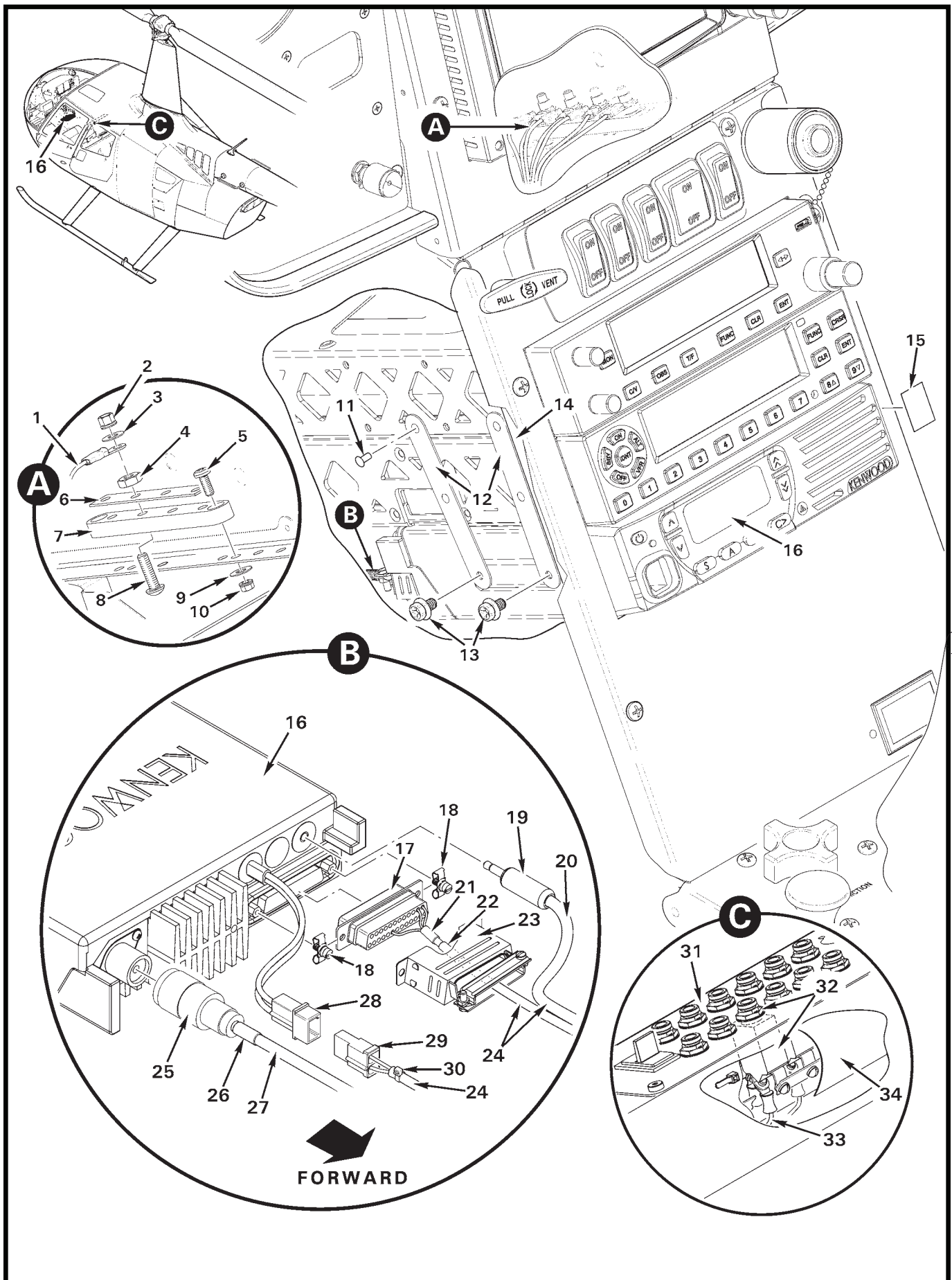


FIGURE AND INDEX NUMBER	PART NUMBER	DESCRIPTION	PARTS AVAIL	QTY PER ASSY
A826 FM TRANSCEIVER INSTALLATION				
92-1-1	G459-982*	Wire (ground, Ref)		
2	MS21042L08	Nut	X	4
3	NAS1149FN816P	Washer	X	4
4	B301-8	Nut	X	4
5	MS35206-228	Screw	X	2
6	A448-10	Bus Bar	X	1
7	C448-2	Block Assembly (Ref)		
8	B567-43	Screw	X	4
9	NAS620-6	Washer	X	2
10	MS21042L06	Nut	X	2
11	NAS1097AD3	Rivet	X	8
12	A684-4	Strap	X	4
13	—	Screw	O	4
14	C905-5	Angle (Ref)		
15	G654-11	Decal – “No. 1 FM”	X	1
16	A824-7	Transceiver Assembly (VHF, 136-174 MHz, 30 W; includes items 13 and 28)	X	1
	A824-8	Transceiver (UHF, 450-520 MHz or 400-470 MHz; includes items 13 and 28)	X	1
17	B269-11	Plug	X	1
	G459-984*	Wire (Ref)		
	G459-985*	Wire (white, Ref)		
	G459-985*	Wire (blue, Ref)		
18	B269-31	Screw Lock (male)	X	2
19	750	Plug	X	1
20	G459-987*	Wire (Ref)		
21	B158-4	Heat Shrink	X	A/R
22	B158-4	Heat Shrink (labeled “FM1 X’CVR”)	X	A/R
23	B269-23	Backshell	X	1
24	B266-4	Sleeving	X	A/R
25	83-1SP-1050	Plug	X	1
	83-185	Reducer	X	1
26	B158-4	Heat Shrink (labeled “-821”)	X	A/R
27	G459-821	Wire (F850-31 antenna cable; Ref)		
28	B263-12	Housing	X	1
	B263-1	Pin	X	2

NOTES * See R66 MM §92 wiring diagrams.

Continues

FIGURE AND INDEX NUMBER	PART NUMBER	DESCRIPTION	PARTS AVAIL	QTY PER ASSY
A826 FM TRANSCEIVER INSTALLATION (Cont'd)				
92-1-29	B263-13	Housing	X	1
	B263-2	Socket	X	2
	G459-907*	Wire (Ref)		
	G459-982*	Wire (Ref)		
30	MS3367-4-0	Ty-rap	X	1
31	G422-2	Panel – Circuit Breaker (aux, Ref; see Figure 92-17)		
32	B297-10	Circuit Breaker (10 amp)	X	1
33	G459-907*	Wire (Ref)		
34	G596-3	Shield (Ref; see Figure 92-17)		

NOTES * See R66 MM §92 wiring diagrams.

Intentionally Blank

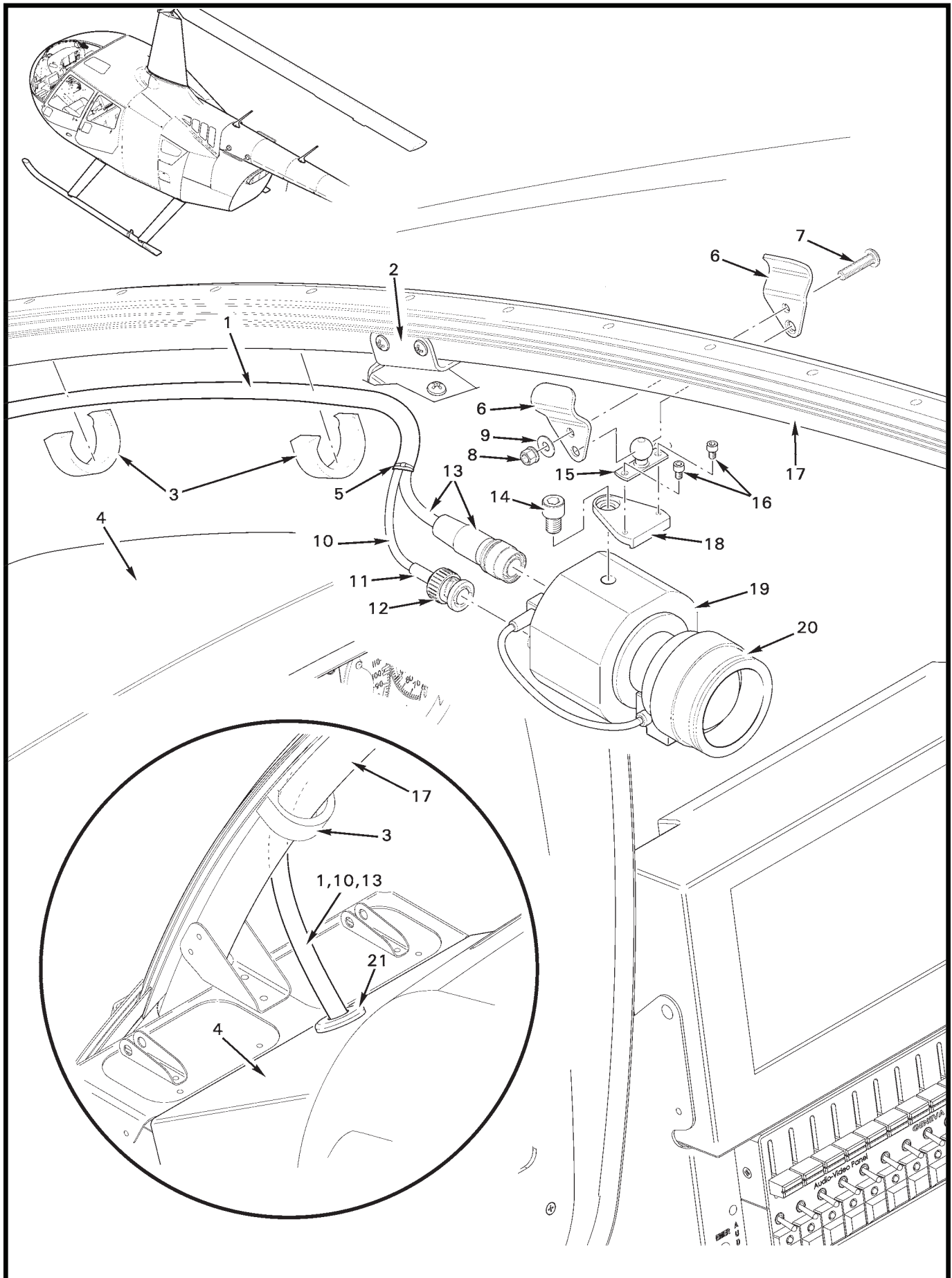


FIGURE AND INDEX NUMBER	PART NUMBER	DESCRIPTION	PARTS AVAIL	QTY PER ASSY
MICRO CAMERA INSTALLATION – WINDSHIELD				
92-5-1	B266-4	Sleeving	X	A/R
2	B339-2	Compass Mount (Ref; see Figure 95-45)		
3	D368-9	Clip (5 maximum)	X	A/R
4	—	Console Assembly (Ref, G060 shown)		
5	B268-3	Lacing Tape	X	A/R
6	D368-2	Clamp	X	2
7	MS27039C0811	Screw	X	1
8	MS21042L08	Nut	X	1
9	NAS1149FN816P	Washer	X	1
10	G459-2798	Wire (Ref; see R66 MM §92 wiring diagrams)		
11	B158-3	Heat Shrink	X	A/R
12	2065-11-9	Plug (BNC, or 2025-47-9)	X	1
13	CV505/34510FTCBLE	Cable Assembly	X	1
14	NAS1352-4-6	Screw	X	1
15	D368-8	Mount	X	1
16	NAS1352-04-3	Screw	X	2
17	F090-5	Bow Assembly (Ref)		
18	D368-10	Plate	X	1
19	CV345-CS	Camera (50 Hz)	X	1
	CV345-CSB	Camera (59.94 Hz)	X	1
20	VS-M226-A	Lens	X	1
21	MS35489-11	Grommet	X	1

NOTES

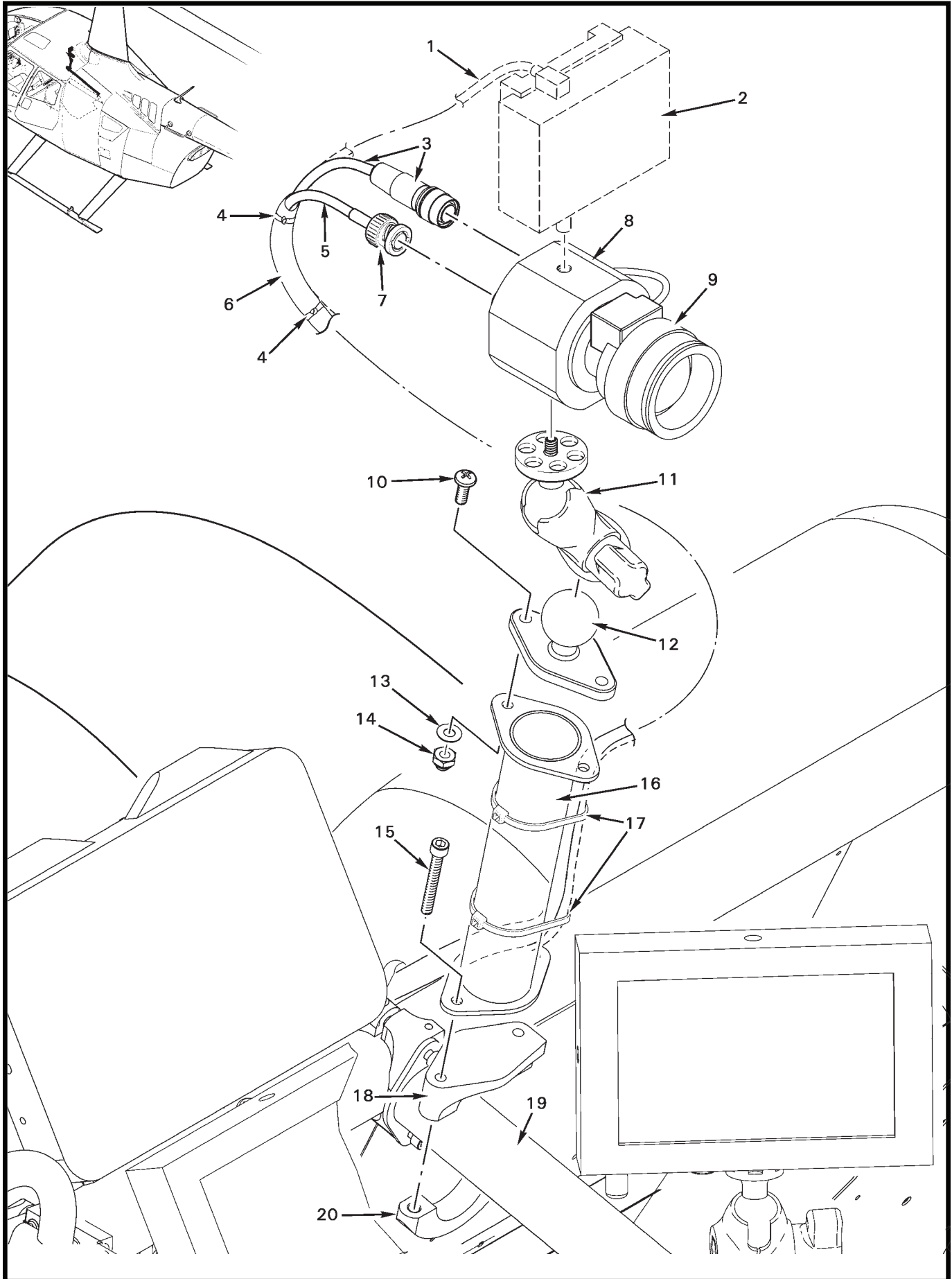


FIGURE AND INDEX NUMBER	PART NUMBER	DESCRIPTION	PARTS AVAIL	QTY PER ASSY
MICRO CAMERA INSTALLATION – CABIN				
92-7-1	—	Cable (USB, Ref; see Figure 92-53)		
2	ILED-MA	Light (Ref; see Figure 92-53)		
3	C505/345-10FT	Cable Assembly (trim to fit)	X	1
4	B268-3	Lacing Tape	X	A/R
5	G459-756	Wire (Ref; see R66 MM §92 wiring diagrams)		
6	B266-4	Sleeving	X	A/R
7	2065-11-9	Plug (BNC; or 2025-47-9)	X	1
8	CV345-CS	Camera (50 Hz)	X	1
	CV345-CSB	Camera (59.94 Hz)	X	1
9	VS-M226-A	Lens	X	1
10	MS27039C1-09	Screw	X	2
11	RAM-B-366-201U	Arm Assembly	X	1
12	RAM-B-238U	Mount	X	1
13	NAS1351-3-24	Screw	X	2
14	B340-8	Nut	X	2
15	NAS1351-3-24	Screw	X	2
16	G473-5	Weldment	X	1
17	MS3367-7-0	Ty-rap	X	A/R
18	B630-2	Clamp	X	1
19	G473-1	Support Weldment (Ref; see Figure 92-21)		
20	B630-2	Clamp	X	1

NOTES

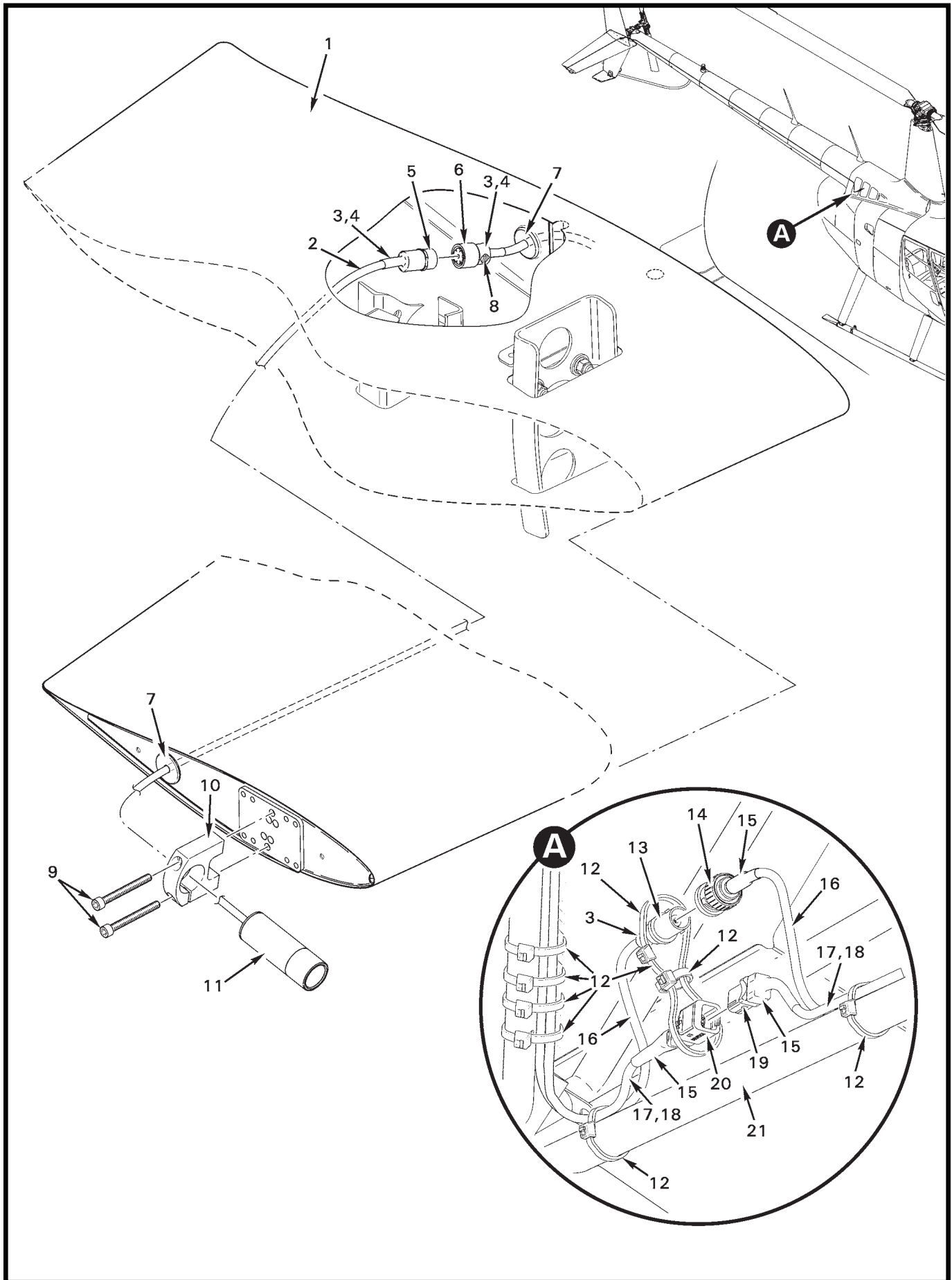


FIGURE AND INDEX NUMBER	PART NUMBER	DESCRIPTION	PARTS AVAIL	QTY PER ASSY
MICRO CAMERA INSTALLATION – HORIZONTAL STABILIZER				
92-9-1	C044-1	Horizontal Stabilizer (Ref; see Figure 53-25)		
2	CV200	Cable	O	1
3	B158-804	Heat Shrink (around items 5 and 6)	X	A/R
4	B158-808	Heat Shrink (around items 5, 6, and 3)	X	A/R
5	SJS861800P	Receptacle	X	1
6	SJS861700P	Plug	X	1
7	MS35489-134	Grommet	X	2
8	MS20995C20	0.020 in. dia Safety Wire	X	A/R
9	NAS1352-08-24	Screw	X	2
10	D368-11	Clamp	X	1
11	CV200M	Camera (50 Hz; includes item 2)	X	1
	CV200MB	Camera (59.94 Hz; includes item 2)	X	1
12	MS3367-5-0	Ty-rap	X	A/R
13	5413760-8	Jack (BNC)	X	1
14	2065-11-9	Plug (BNC; or 2025-47-9)	X	1
15	B158-6	Heat Shrink	X	A/R
16	C023-757*	Cable (Ref)		
17	C023-2815*	Wire (Ref)		
18	B266-4	Sleeving	X	A/R
19	D269-6	Receptacle	X	1
	B267-3	Terminator	X	1
20	D269-5	Plug	X	1
21	F020-1	Frame Assembly (Ref; see Figure 53-13A)		

NOTES * See R66 MM §92 wiring diagrams.

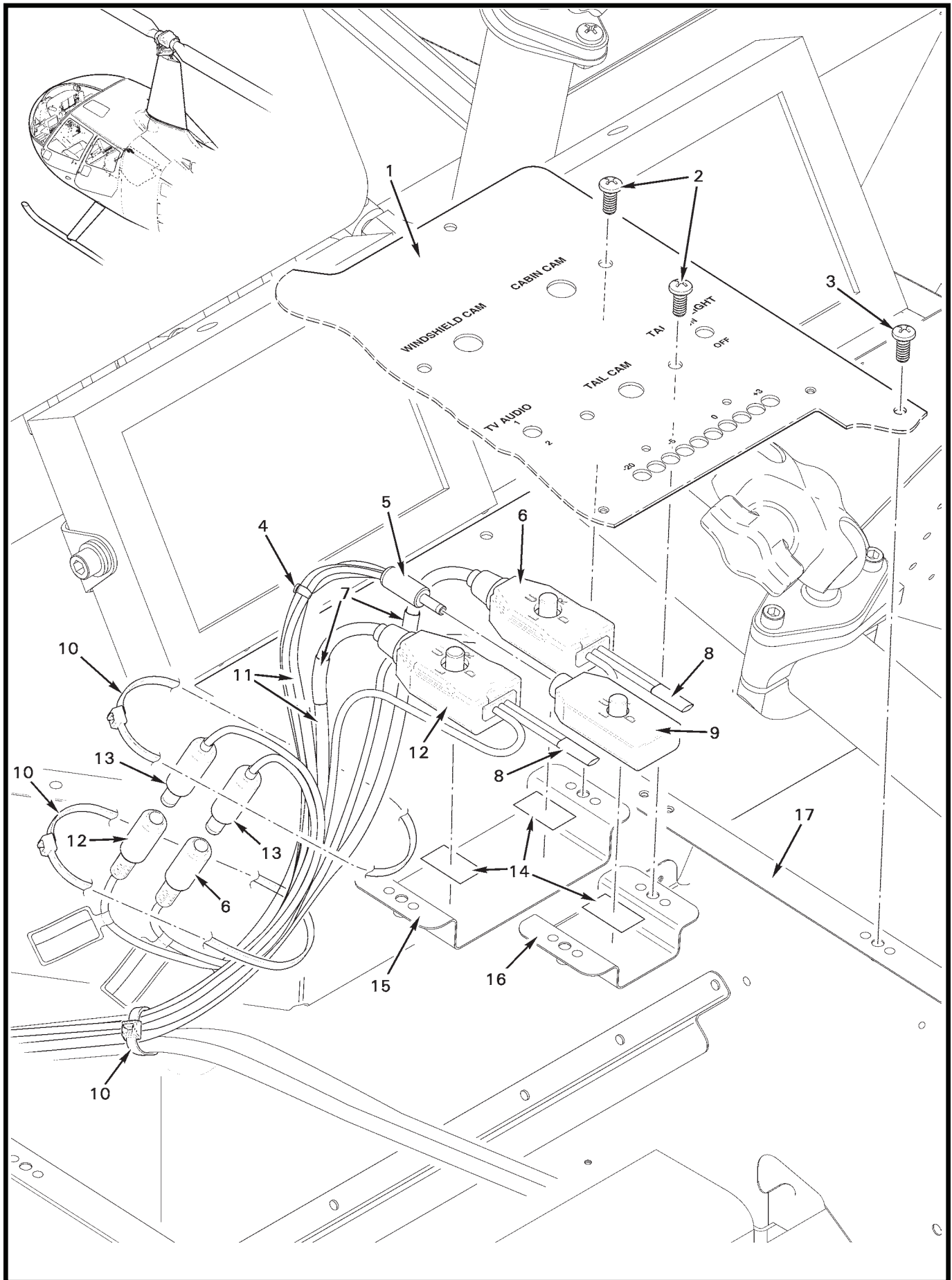


FIGURE AND INDEX NUMBER	PART NUMBER	DESCRIPTION	PARTS AVAIL	QTY PER ASSY
MICRO CAMERA CONTROLLER INSTALLATION				
92-11-1	G472	Face (Ref; see Figure 92-45)		
2	MS27039C0805	Screw	X	4
3	MS27039C0806	Screw (Ref; see Figure 92-45)		
4	B268-3	Lacing Tape	X	A/R
5	NES/J135	Plug	X	1
	B267-3	Terminator	X	1
	B267-5	Splice	X	1
	B267-6	Splice	X	1
	B158-1	Heat Shrink	X	A/R
	G459-973*	Wire (Ref)		
	G459-974*	Wire ([2], Ref)		
	G459-2815*	Wire (Ref)		
6	CV505/345-10FTCBLE	Controller/Cable Assembly ("CABIN CAM"; includes camera controller as shown, not detachable)	X	1
7	B158-6	Heat Shrink	X	A/R
8	B158-804	Heat Shrink	X	A/R
9	—	Camera Controller (Ref; supplied with CV200-M/-MB camera. See Figure 92-9.)		
10	MS3367-5-0	Ty-rap	X	A/R
11	B266-4	Sleeving	X	A/R
12	CV505/345-10FTCBLE	Controller/Cable Assembly ("WINDSHEILD CAM"; includes camera controller as shown, not detachable)	X	1
13	760	Plug	X	2
	B158-2	Heat Shrink	X	A/R
	G459-973*	Wire ([2], Ref)		
	G459-974*	Wire ([2], Ref)		
14	A701-7	Tape	X	A/R
15	D344-33	Support Assembly	X	1
16	D344-31	Support Assembly	X	1
17	G470-1	Console Assembly (Aft, Ref; see Figure 92-45)		

NOTES * see R66 MM §92 wiring diagrams.

FIGURE AND INDEX NUMBER	PART NUMBER	DESCRIPTION	PARTS AVAIL	QTY PER ASSY
REMOTE TRANSMIT SWITCH INSTALLATION				
92-13-1	B121-1	Transmit Switch Assembly	X	1
2	A912-6	Pocket Assembly (Ref; see Figure 25-19)		
3	MS35206-215	Screw	X	2
4	G474-13	Plate	X	1
5	—	Carpet (Ref; see Figure 25-15)		
6	F293-1	Keel Panel (LH forward, Ref)		
7	MS21266-1N	Grommet (Ref)		
8	B266-4	Sleeving	X	A/R
9	MS35489-4	Grommet	X	1
10	F492-1	Guard Assembly (Ref)		
11	TJ-120	Jack	X	1
12	B330-2	Palnut	X	2
13	B158-3	Heat Shrink	X	A/R
14	F060-162*	Wire (Ref)		
15	F060-163*	Wire (Ref)		
16	MS25171-2S	Nipple	X	1
17	B158-804	Heat Shrink	X	A/R
18	D269-2	Receptacle	X	1
19	D269-1	Plug	X	1
20	MS3367-4-0	Ty-rap	X	1

NOTES * See R66 MM §92 wiring diagrams

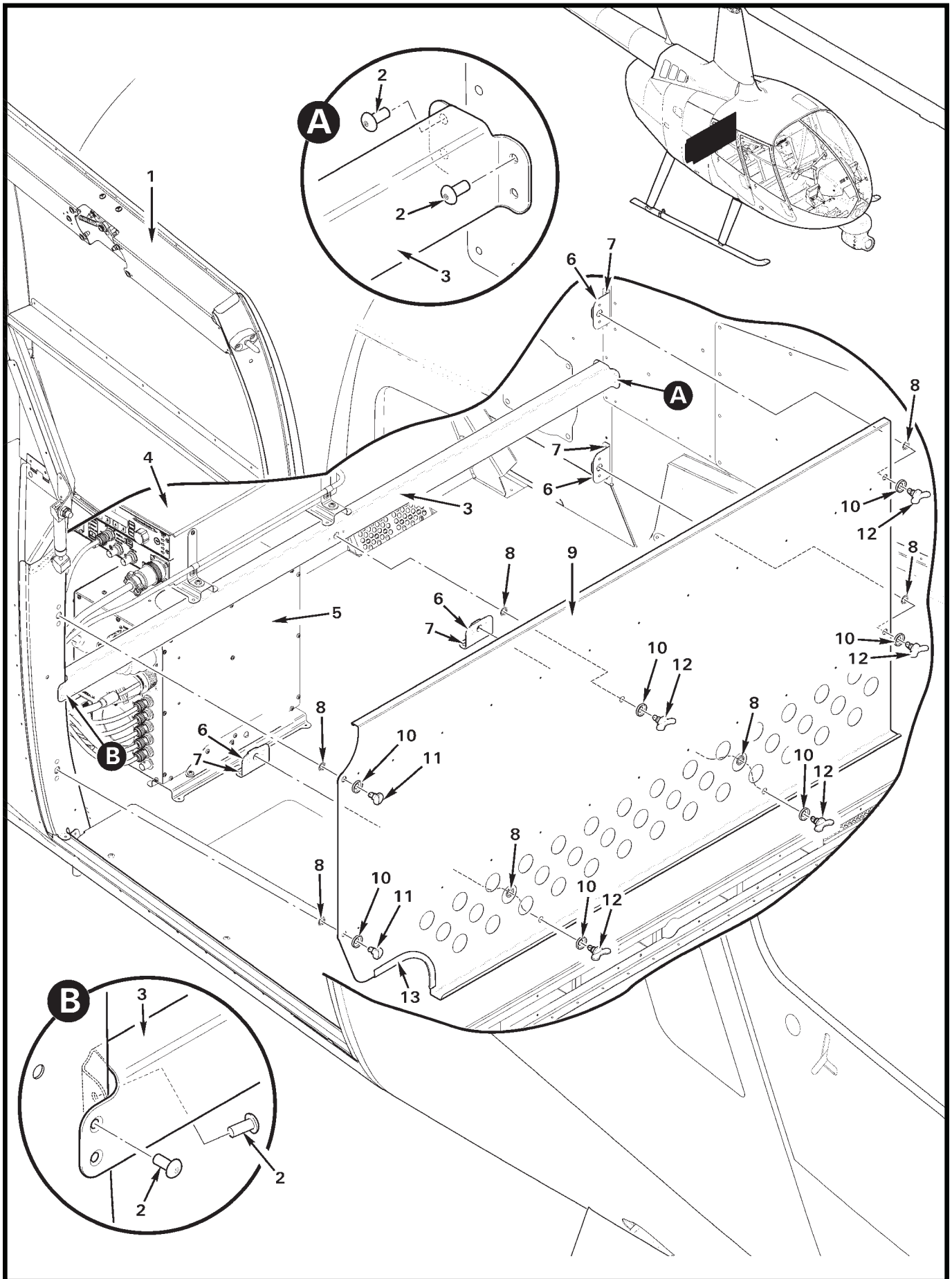


FIGURE AND INDEX NUMBER	PART NUMBER	DESCRIPTION	PARTS AVAIL	QTY PER ASSY
G425-1 WALL ASSEMBLY INSTALLATION				
92-15-1	G900-1	Door Assembly – Baggage (Ref; see Figure 52-13)		
2	MS20470AD4	Rivet	X	4
3	G431-5	Beam Assembly	X	1
4	CMTX7-LITE	Transmitter (microwave, Ref; see Figure 92-37)		
5	E003-7	Aux Box Assembly (camera, Ref; see Figure 92-33)		
6	G428-2	Angle Assembly	X	4
7	NAS9301-4-02	Rivet	X	8
8	85-34-201-20	Retaining Ring	X	7
9	G428-1	Wall Assembly – Baggage Compartment (Includes items 8 and 10 thru 13)	X	1
10	85-46-101-39	Washer	X	7
11	85-11-140-16	Stud	X	2
12	85-12-140-16	Stud	X	5
13	A226-15	Trim	X	A/R
NOTES				

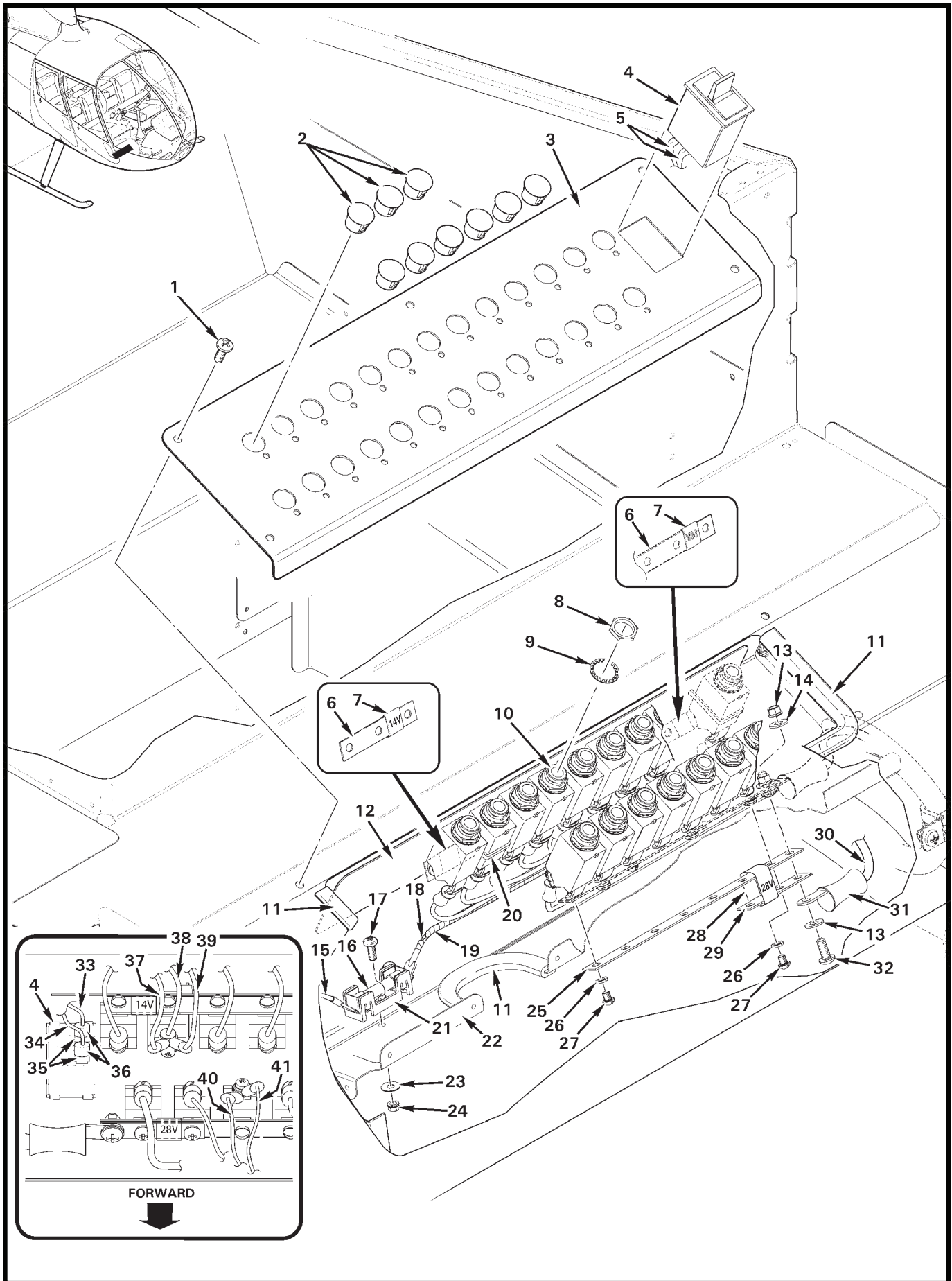


FIGURE AND INDEX NUMBER	PART NUMBER	DESCRIPTION	PARTS AVAIL	QTY PER ASSY
		C445 AUXILIARY CIRCUIT BREAKER PANEL INSTALLATION		
92-17-1	90337A184	Screw	X	5
2	2633	Hole Plug	X	A/R
3	G422-2	Panel	X	1
4	B184-21	Switch Assembly ("NEWS EQUIP MASTER")	X	1
5	G459-876*	Wire (Ref)		
	G459-877*	Wire (Ref)		
6	A448-1	Bus Bar (6 breakers)	X	A/R
	A448-4	Bus Bar (3 breakers)	X	A/R
	A448-9	Bus Bar (9 breakers)	X	A/R
	A448-10	Bus Bar (4 breakers)	X	A/R
	A448-14	Bus Bar (8 breakers)	X	A/R
7	B158-6	Heat Shrink (labeled "14V")	X	A/R
8	—	Nut	O	1
9	—	Washer	O	1
10	B297-2	Circuit Breaker (2-amp; includes items 8, 9, 23, and 24)	X	A/R
	B297-3	Circuit Breaker (3-amp; includes items 8, 9, 23, and 24)	X	A/R
	B297-5	Circuit Breaker (5-amp; includes items 8, 9, 23, and 24)	X	A/R
	B297-10	Circuit Breaker (10-amp; includes items 8, 9, 23, and 24)	X	A/R
	B297-25	Circuit Breaker (25-amp; includes items 8, 9, 23, and 24)	X	A/R
11	A226-15	Trim	X	A/R
12	G596-3	Shield (install using item 18)	X	1
13	MS21042L08	Nut	X	1
14	NAS1149DN832H	Washer	X	1
15	G459-2567	Wire (Ref; to D580-5 Fan Assembly)		
16	AGC-1-R	Fuse (1 amp)	X	1
17	MS35206-228	Screw	X	1
18	G459-1625*	Wire (Ref)		
19	B161-2	Spirap	X	A/R
20	MS3367-4-9	Ty-rap	X	A/R
21	D262-1	Fuse Block	X	1
	B158-2	Heat Shrink	X	A/R
	B158-3	Heat Shrink	X	A/R
22	F492-3	Guard Assembly (Ref)		
23	NAS1149FN616P	Washer	X	1
24	MS21042L06	Nut	X	1

NOTES * See R66 MM §92 wiring diagrams.

Continues

FIGURE AND INDEX NUMBER	PART NUMBER	DESCRIPTION	PARTS AVAIL	QTY PER ASSY
C445 AUXILIARY CIRCUIT BREAKER PANEL INSTALLATION				
92-17-25	A448-12	Bus Bar (7 breakers)	X	1
26	—	Washer (split)	O	2
27	—	Screw	O	2
28	B158-406	Heat Shrink	X	A/R
29	A448-13	Bus Bar (used as doubler)	X	1
30	G459-874*	Wire (Ref)		
31	B260-15	Terminal	X	1
32	MS27039C0806	Screw	X	1
33	G459-877*	Wire (Ref)		
34	G459-876*	Wire (Ref)		
35	B262-2	Receptacle	X	2
36	B158-3	Heat Shrink	X	A/R
37	G459-2370*	Wire (Ref)		
38	G459-2069*	Wire (Ref)		
39	G459-1875*	Wire (Ref)		
40	G459-2357*	Wire (Ref)		
41	G459-1869*	Wire (Ref)		

NOTES * See R66 MM §92 wiring diagrams.

Intentionally Blank

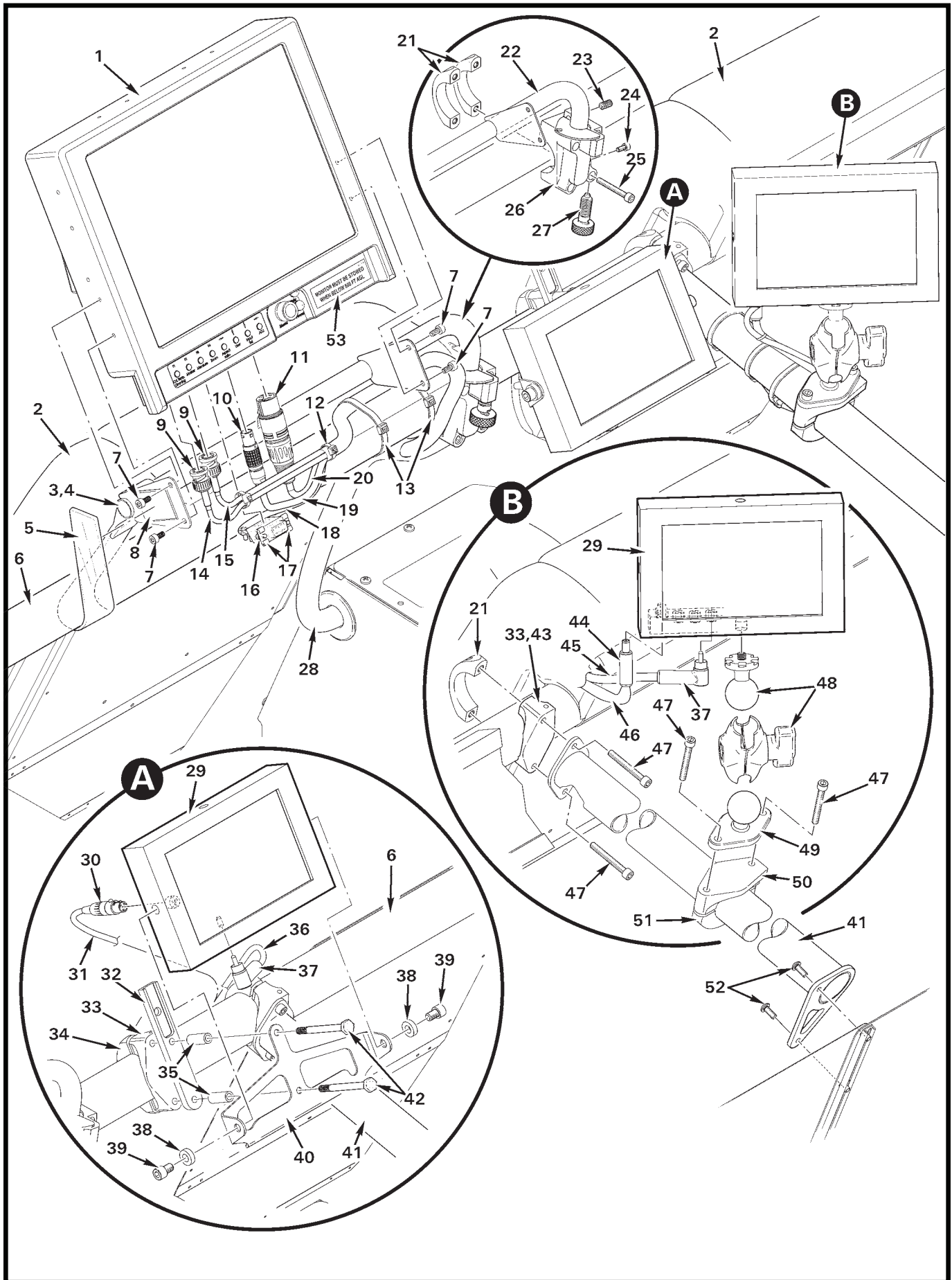


FIGURE AND INDEX NUMBER	PART NUMBER	DESCRIPTION	PARTS AVAIL	QTY PER ASSY
G448 AFT MONITORS INSTALLATION				
92-21-1	HD10CINEROB	Monitor	X	1
2	F936-1	Back Rest Assembly (Ref)		
3	2643	Hole Plug	X	1
4	B270-1	Adhesive (or B270-18)	X	A/R
5	G478-5	Strap	X	A/R
6	F423-1	Weldment (Ref)		
7	91290A140	Screw	X	4
8	B175-11	Hook Tape	X	A/R
9	2065-11-9	Plug (BNC; or 2025-47-9)	X	2
10	FGG1B308CLAD62	Plug	X	1
	B158-8	Heat Shrink	X	A/R
11	NC4FX	Plug	X	1
	B158-2	Heat Shrink	X	A/R
12	MS3367-4-0	Ty-rap	X	A/R
13	MS3367-7-0	Ty-rap	X	A/R
14	G459-765*	Wire (Ref)		
15	G459-760*	Wire (Ref)		
16	B269-4	Receptacle	X	1
	B269-21	Backshell	X	1
17	B269-31	Screw Lock (Male)	X	2
18	G495-2350*	Wire (Ref)		
19	G459-1622*	Wire (Ref)		
	G459-1623*	Wire (Ref)		
	G459-1624*	Wire (Ref)		
20	G459-897*	Wire (Ref)		
	G459-975*	Wire (Ref)		
21	B630-11	Clamp Assembly	X	2
22	G477-1	Arm Assembly (Incl items 3, 4, 8, 23, 24, 26, and 27)	X	1
23	94495A245	Set Screw	X	1
24	NAS1352-08-6P	Screw	X	1
25	NAS1351-3-26	Screw	X	4
26	G478-1	Block	X	1
27	84935A16	Plunger	X	1
28	G459-1	Harness Assembly (Ref)		
29	VFM-056W	Monitor	X	2

NOTES * See R66 MM §92 wiring diagrams.

Continues

FIGURE AND INDEX NUMBER	PART NUMBER	DESCRIPTION	PARTS AVAIL	QTY PER ASSY
G448 AFT MONITORS INSTALLATION (cont'd)				
92-21-30	TA4FX	Plug	X	2
31	G459-2800*	Wire (Ref)		
	G459-2802*	Wire (Ref)		
32	G474-3	Bar	X	1
33	B630-12	Clamp	X	1
34	B630-2	Clamp Assembly	X	1
35	C130-22	Spacer	X	2
36	G459-1836*	Wire (Ref)		
37	3502RABAU	Plug	X	2
	B158-804	Heat Shrink (or B158-808)	X	A/R
38	A130-42	Spacer	X	2
39	NAS1352-4-6	Screw	X	2
40	G474-5	Bracket	X	1
41	G473-1	Support Weldment	X	1
42	NAS6603-32	Bolt	X	2
43	B630-10	Clamp Assembly (Incl items 21, 33, and 47 [2])	X	1
44	760	Plug	X	1
45	G459-2799*	Wire (Ref)		
46	G459-1801*	Wire (Ref)		
	G459-1803*	Wire (Ref)		
	B158-2	Heat Shrink	X	A/R
47	NAS1351-3-24	Screw	X	4
48	B630-14	Mount Assembly	X	1
49	RAM-B-238U	Mount	X	1
50	B630-3	Clamp	X	1
51	B630-2	Clamp Assembly	X	1
52	MS27039C0808	Screw	X	2
53	G654-9	Decal – "MONITOR MUST BE STOWED WHEN BELOW..."	X	1

NOTES * See R66 MM §92 wiring diagrams.

Intentionally Blank

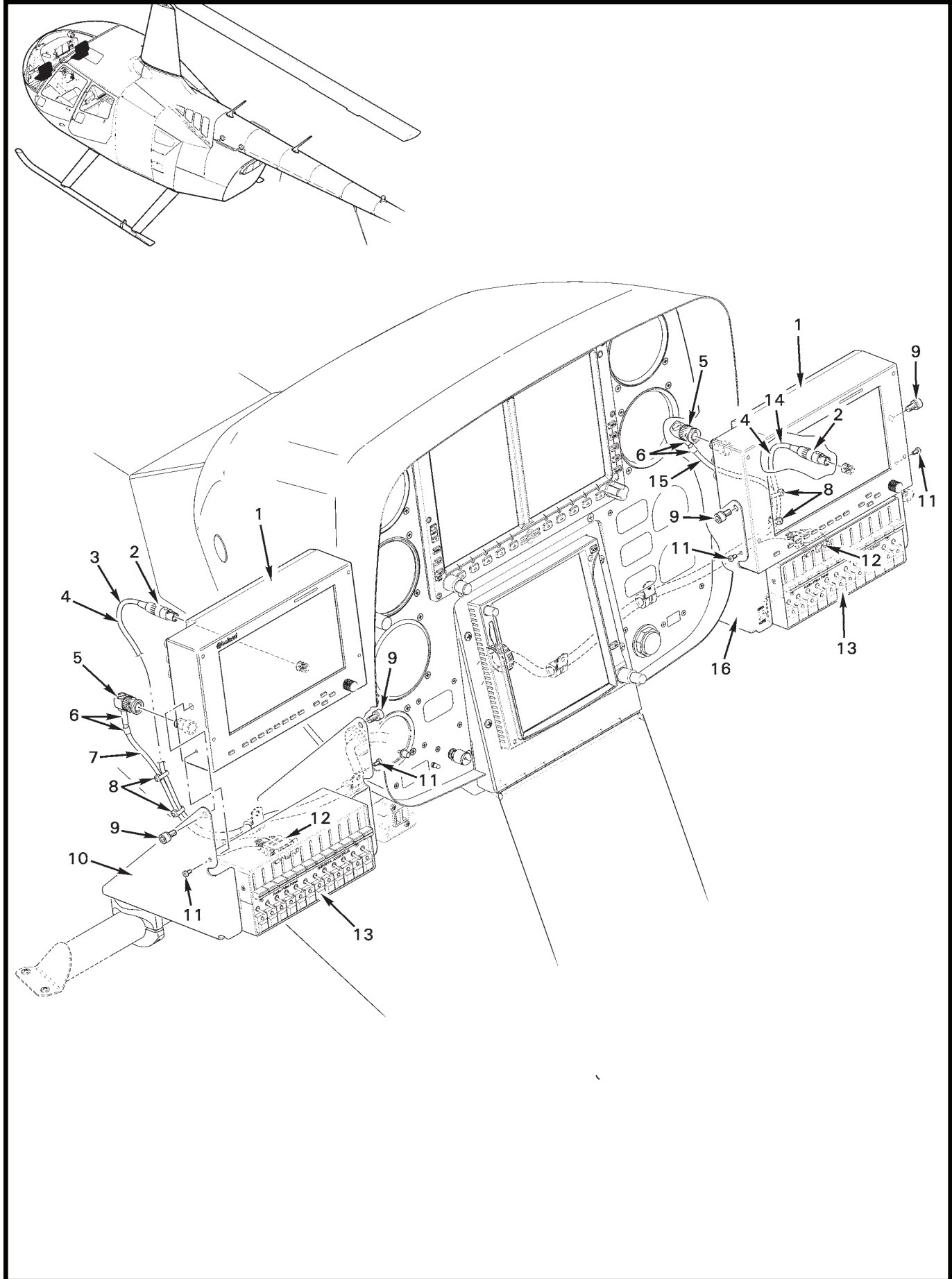


FIGURE AND INDEX NUMBER	PART NUMBER	DESCRIPTION	PARTS AVAIL	QTY PER ASSY
G449 FORWARD MONITORS INSTALLATION				
92-25-1	BVBO7	Monitor	X	2
2	TA4FX	Plug	X	1
	B158-01	Heat Shrink	X	A/R
3	G459-979*	Wire (Ref)		
	G459-981*	Wire (Ref)		
4	B266-4	Sleeving	X	A/R
5	112588	Plug	X	2
6	B158-6	Heat Shrink	X	A/R
7	G459-780*	Wire (Ref)		
8	MS3367-5-0	Ty-rap	X	A/R
9	91251A535	Screw	X	4
10	G474-14	Bracket Assembly (Co-Pilot, Ref; see Figure 92-61)		
11	93070A061	Screw	X	4
12	B269-21	Backshell (Ref; see Figure 92-61)		
13	G11431-00102-1	Audio Panel (Ref; see Figure 92-61)		
14	G459-978*	Wire (Ref)		
	G459-980*	Wire (Ref)		
15	G459-779*	Wire (Ref)		
16	G474-15	Bracket Assembly (Pilot, Ref; see Figure 92-61)		

NOTES * See R66 MM §92 wiring diagrams.

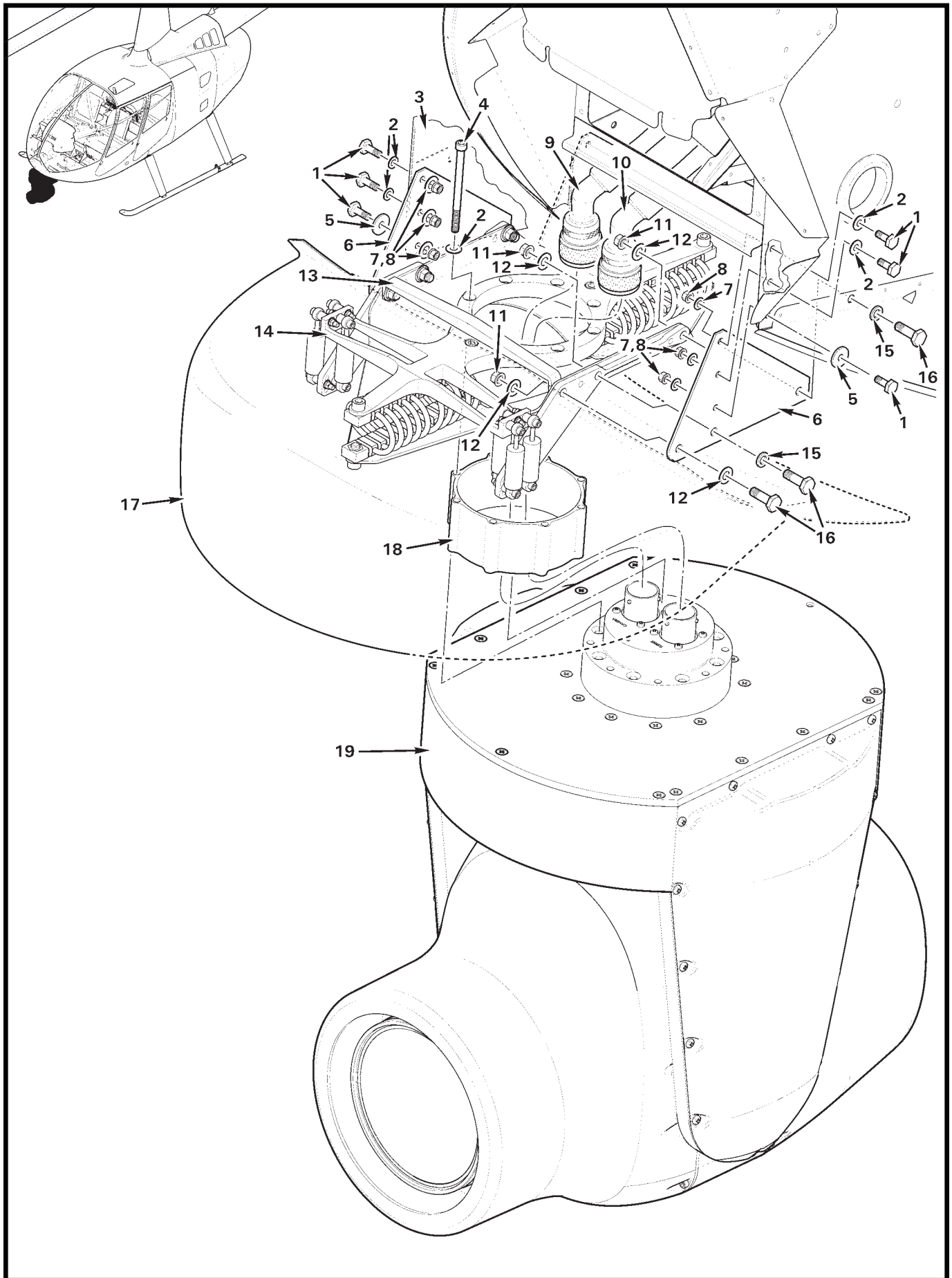


FIGURE AND INDEX NUMBER	PART NUMBER	DESCRIPTION	PARTS AVAIL	QTY PER ASSY
CAMERA AND GIMBAL INSTALLATION				
92-27-1	NAS6603-3	Bolt	X	6
2	NAS1149F0332P	Washer	X	2
3	F033	Console Assembly (Ref)		
4	90128A965	Screw	X	8
5	A141-17	Washer	X	2
6	D349-1	Support	X	2
7	NAS620-10L	Washer	X	6
8	D210-3	Nut	X	6
9	E204-6	Cable (camera)	X	1
10	E195-2	Cable (turret)	X	1
11	D210-4	Nut	X	6
12	NAS1149F0432	Washer	X	8
13	D374-6	Spreader	X	1
14	D385-4	Mount Assembly	X	1
15	A141-11	Washer	X	4
16	NAS6604-6	Bolt	X	6
17	G427-3	Fairing (Ref, see Figure 92-29)		
18	D374-3	Spacer	X	1
19	E801-1	Gimbal Assembly (Ref)		

NOTES

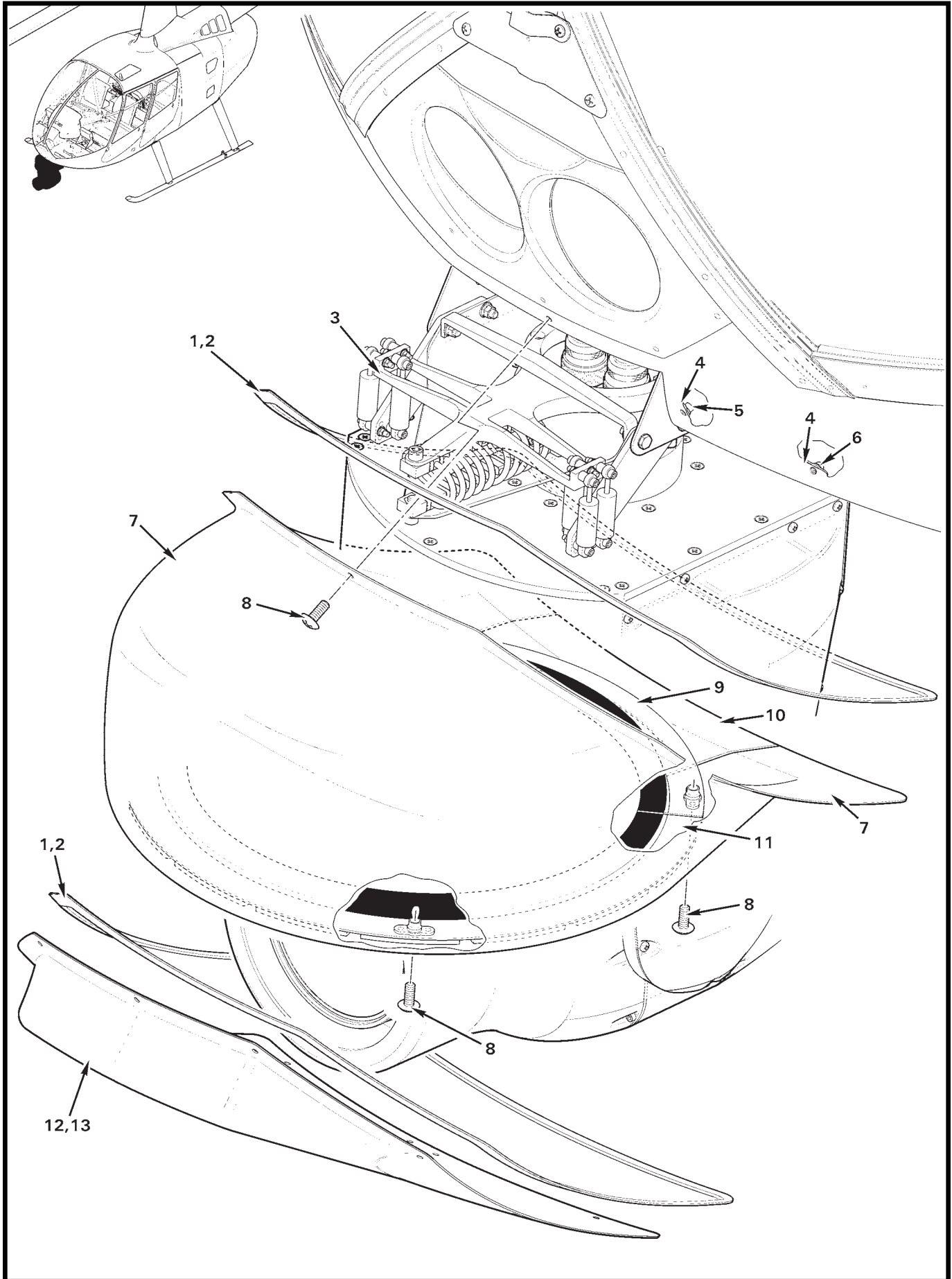


FIGURE AND INDEX NUMBER	PART NUMBER	DESCRIPTION	PARTS AVAIL	QTY PER ASSY
CAMERA AND GIMBAL FAIRING				
92-29-1	A226-3	Seal (install using item 2)	X	A/R
2	B270-4	Sealant (silicone)	X	A/R
3	—	Gimbal Assembly (Ref, see Figure 92-27)		
4	NAS1097AD3	Rivet	X	24
5	MS21071L08	Nutplate	X	2
6	MS21069L08	Nutplate	X	11
7	G427-3	Fairing	X	1
8	B526-6	Screw	X	20
9	D351-4	Seal Assembly	X	1
10	G427-4	Fairing	X	1
11	D351-5	Seal Assembly	X	1
12	G427-2	Cover	O	1
13	D050-13	Cover Assembly (for use when item 3 is removed; includes items 1, 2 and 12)	X	1
NOTES				

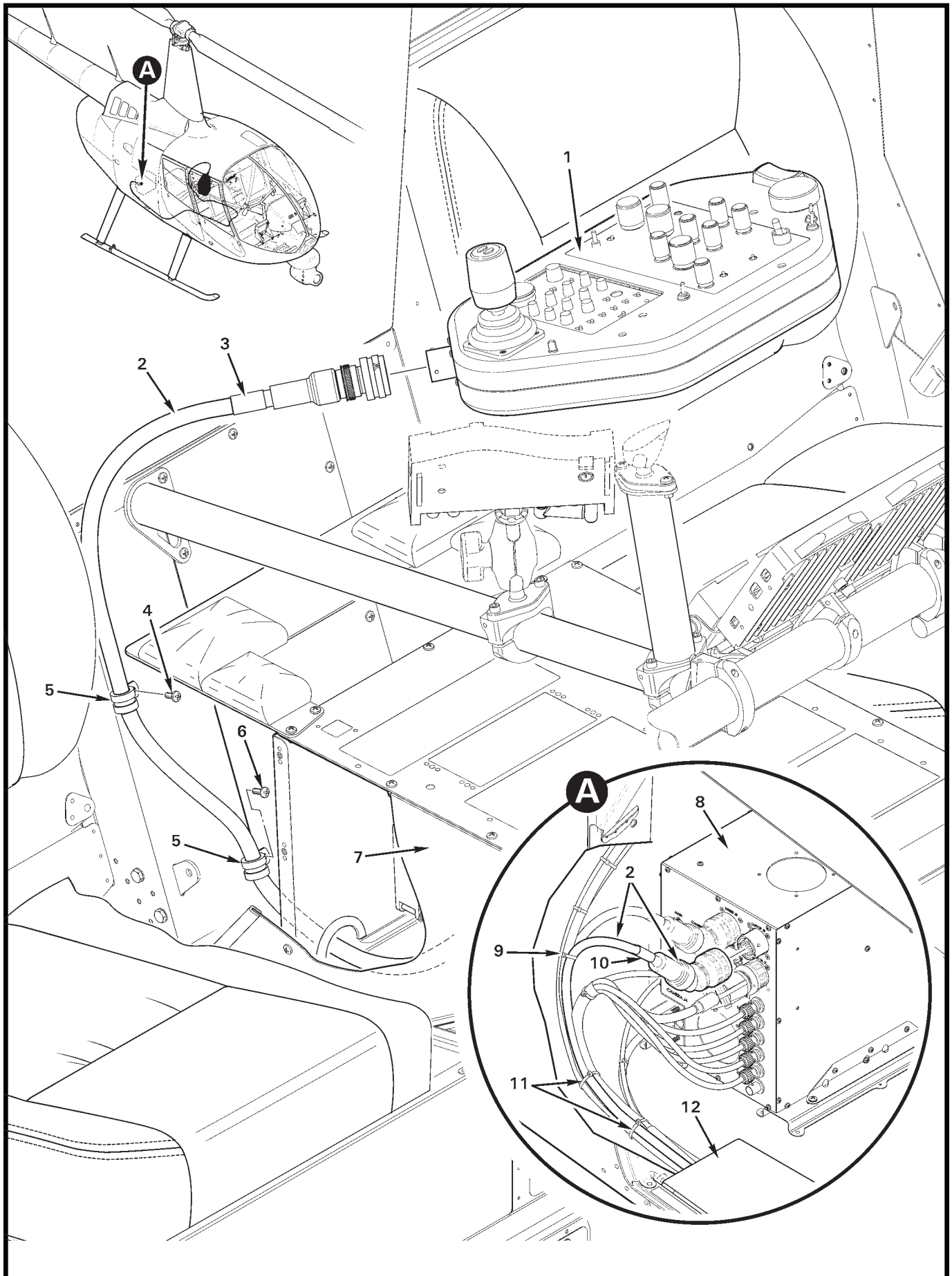


FIGURE AND INDEX NUMBER	PART NUMBER	DESCRIPTION	PARTS AVAIL	QTY PER ASSY
LAPTOP AND CABLE ASSEMBLY INSTALLATION				
92-31-1	E002-2	Laptop Assembly	X	1
2	E199-3	Cable Assembly (Laptop-to-Aux Box Assembly)	X	1
3	B158-8	Heat Shrink (labeled "LAPTOP J6")	X	A/R
4	MS27039C0806	Screw	X	1
5	MS21919WDG8	Clamp	X	2
6	MS27039C0807	Screw	X	1
7	G470	Console Assembly (aft, Reg)		
8	E003-7	Aux Box Assembly (Ref)		
9	MS3367-4-0	Ty-Rap	X	A/R
10	B158-8	Heat Shrink (labeled "AUX BOX J5")	X	A/R
11	MS3367-7-0	Ty-Rap	X	A/R
12	G701-1	Guard (Ref)		
NOTES				

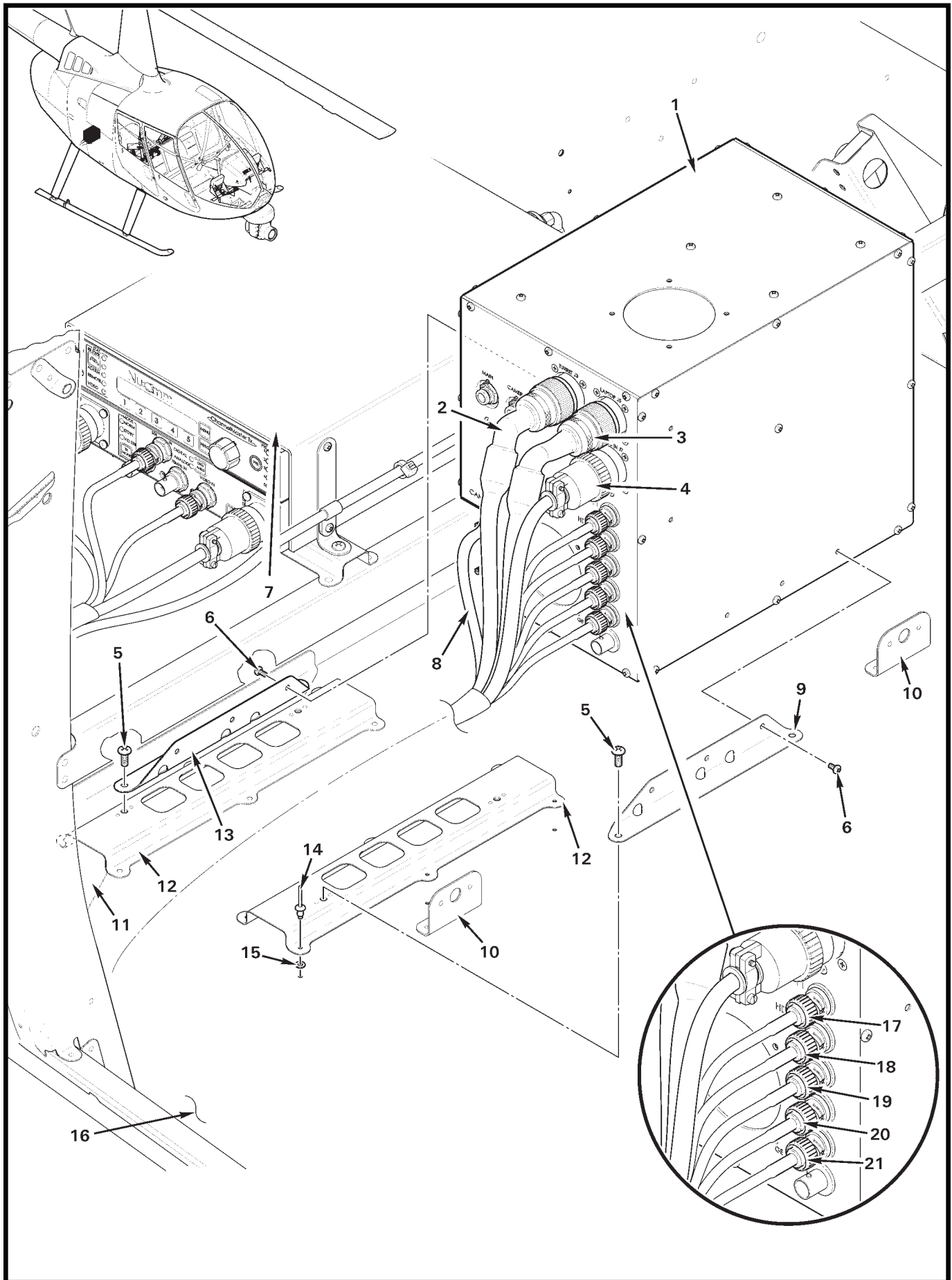


FIGURE AND INDEX NUMBER	PART NUMBER	DESCRIPTION	PARTS AVAIL	QTY PER ASSY
E003 AUXILIARY BOX INSTALLATION				
92-33-1	E003-7	Auxiliary Box Assembly	X	1
2	E195-2	Cable Assembly (to camera turret; see Figure 92-27)	X	1
3	E199-3	Cable Assembly (to laptop; see Figure 92-31)	X	1
4	E204-6	Cable Assembly (to camera; see Figure 92-27)	X	1
5	MS27039C0806	Screw	X	4
6	MS35206-213	Screw	X	6
7	CMTX7-LITE	Transmitter (Ref; see Figure 92-37)		
8	E204-6	Cable Assembly	X	1
9	D429-15	Bracket	X	1
10	—	Receptacle (Ref)		
11	G242-4	Doubler (Ref)		
12	G429-1	Support Assembly	X	2
13	D429-15	Bracket	X	1
14	NAS9301B-4-02	Rivet	X	12
15	NAS620-5	Washer	X	11
16	G241-1	Floor Assembly (Ref)		
17	-755	Wire (Ref; HD SDI Out 1 to NXT 430 Video Switcher 1 Video In)		
18	-765	Wire (Ref; HD SDI Out 2, to 10-inch Monitor 2 SDI Video in)		
19	-1622	Wire (Ref; Y, to 10-inch Monitor Y Video in)		
20	-1624	Wire (Ref; R-Y, to 10-inch Monitor Pr Video in)		
21	-1623	Wire (Ref; B-Y, to 10-inch Monitor Pb Video in)		
NOTES				

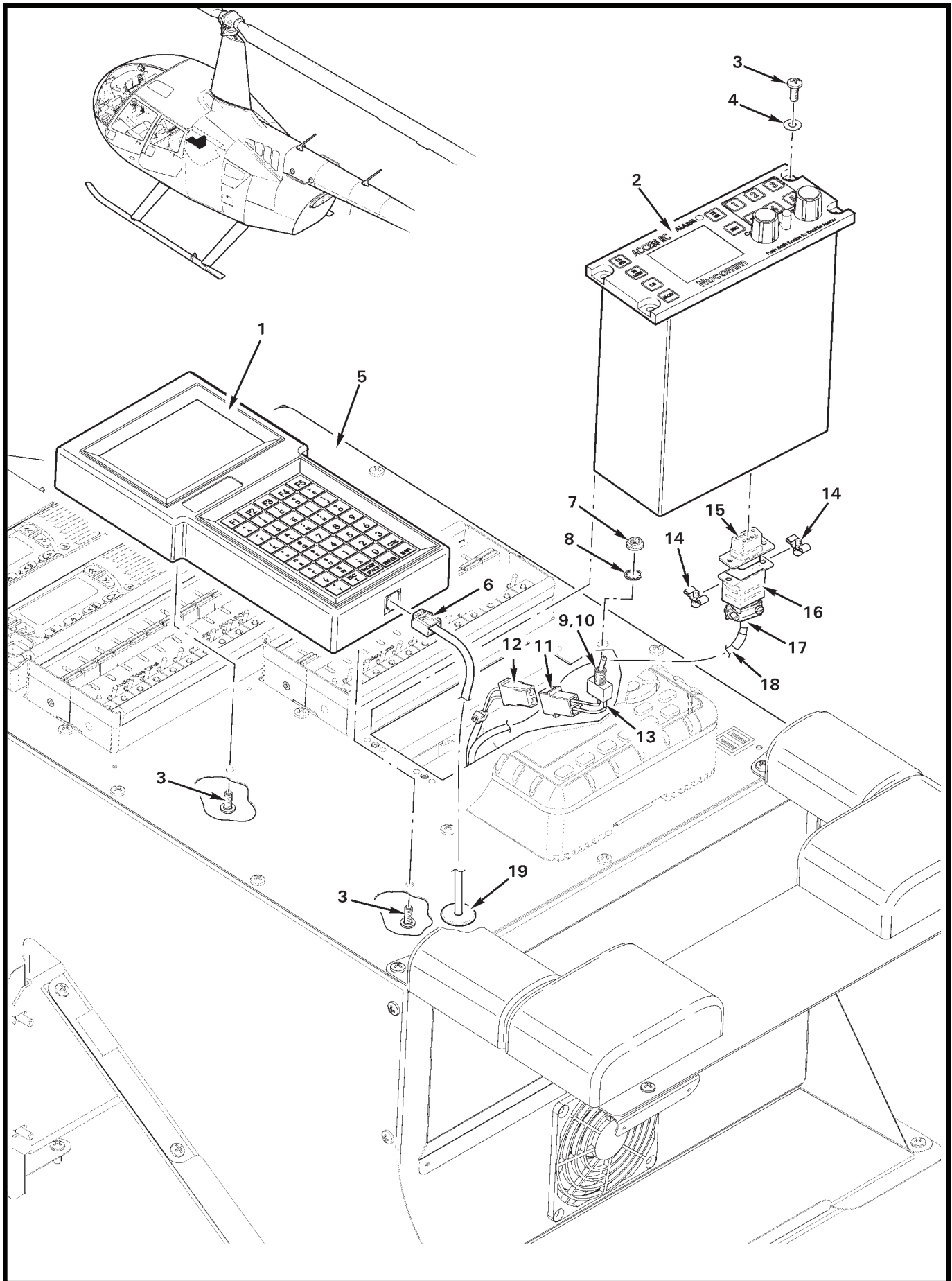


FIGURE AND INDEX NUMBER	PART NUMBER	DESCRIPTION	PARTS AVAIL	QTY PER ASSY
HD MICROWAVE SYSTEM – CONTROLLERS				
92-35-1	D588-5	Controller Assembly	X	1
2	ARC-CM-TX-RX-CR-01	Controller	X	1
3	MS27039C0806	Screw	X	6
4	NAS1149FN832P	Washer	X	4
5	G470-1	Console Assembly (aft; Ref)		
6	5-641337-3	Connector	X	1
7	B227-4	Dress Nut	X	1
8	B227-3	Lockwasher	X	1
9	B300-1	Switch Assembly (Incl items 7 and 8)	X	1
10	B049-9	Harness Assembly (Incl items 9, 11, 13, and wires, assembled)	X	1
11	B263-12	Housing	X	1
	B263-1	Pin	X	2
12	B263-13*	Housing	X	1
	B263-2	Socket	X	2
13	B158-1	Heat shrink	X	A/R
14	B269-31 *	Screw Lock (male)	X	2
15	B269-4	Receptacle	X	1
16	B269-21	Backshell	X	1
17	B158-4	Heat Shrink	X	A/R
	B158-2	Heat Shrink (around wires, not shown)	X	A/R
18	B266-4	Sleeving	X	A/R
19	MS35489-134	Grommet	X	1

NOTES * Ref, from G459-1 harness assembly.

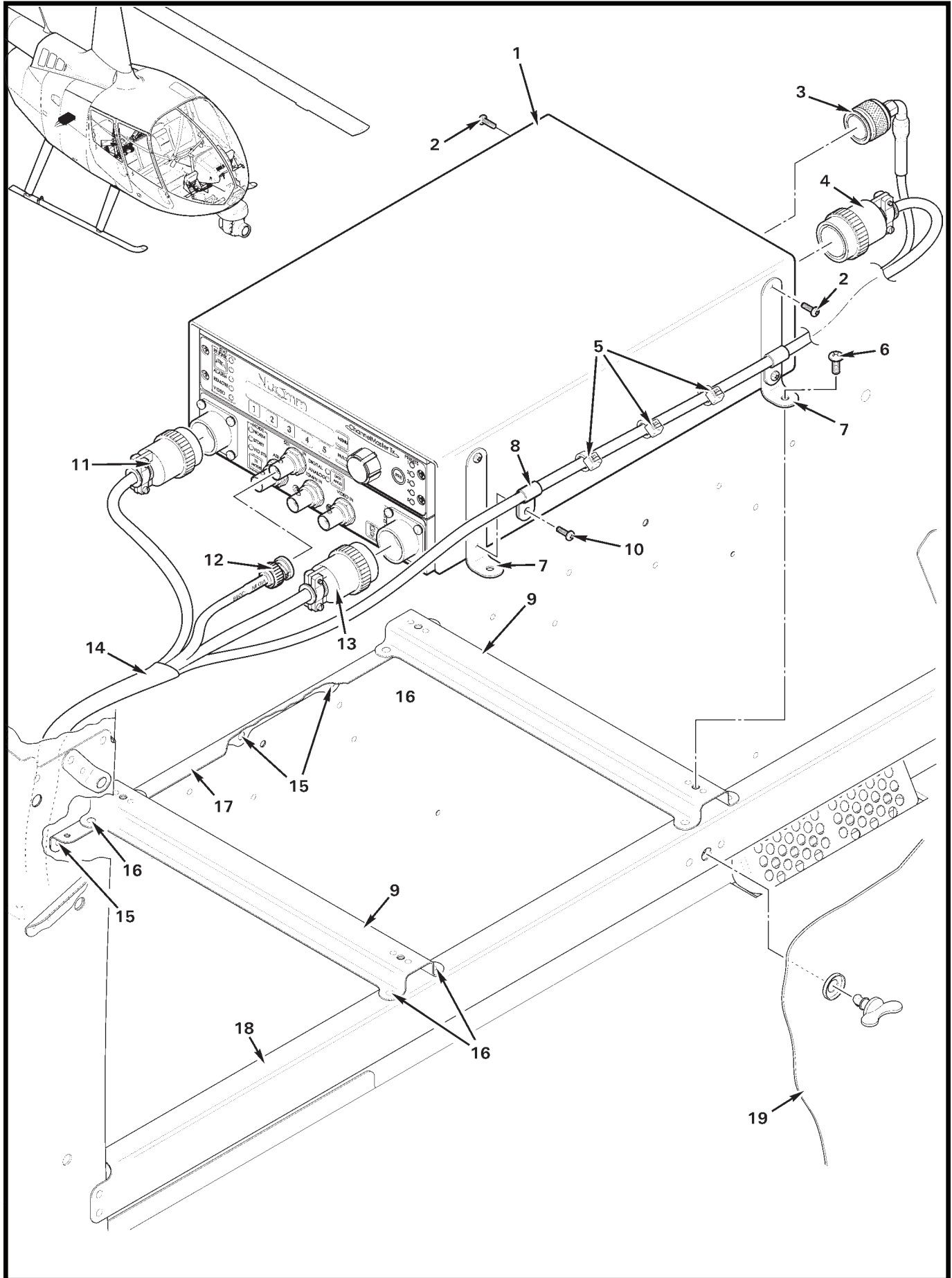


FIGURE AND INDEX NUMBER	PART NUMBER	DESCRIPTION	PARTS AVAIL	QTY PER ASSY
HD MICROWAVE SYSTEM – TRANSMITTER				
92-37-1	CMTX7-LITE	Transmitter	X	1
2	MS35206-215	Screw	X	6
3	D766-2813	Cable Assembly (Includes SMA straight plug, Type "N" 90° plug, heat shrink, and microflex 165 cable.)	X	1
4	MS3116F14-12S	Plug (Ref)		
5	MS3367-4-0	Ty-rap	X	3
6	MS27039C0806	Screw	X	4
7	D429-12	Angle	X	4
8	N-4-BK	Clamp	X	2
9	D429-16	Support Assembly	X	2
10	MS35206-217	Screw	X	2
11	MS3116F14-18S	Plug (Ref)		
12	2065-11-9	Plug (Ref)		
13	MS3116F14-15S	Plug (Ref)		
14	G459-1	Harness Assembly (Ref)		
15	MS20615-3M	Rivet	X	5
16	NAS9301B-4-02	Rivet	X	8
17	G431-4	Angle	X	1
18	G425-2	Beam (Ref)		
19	G425-1	Wall (Ref)		
NOTES				

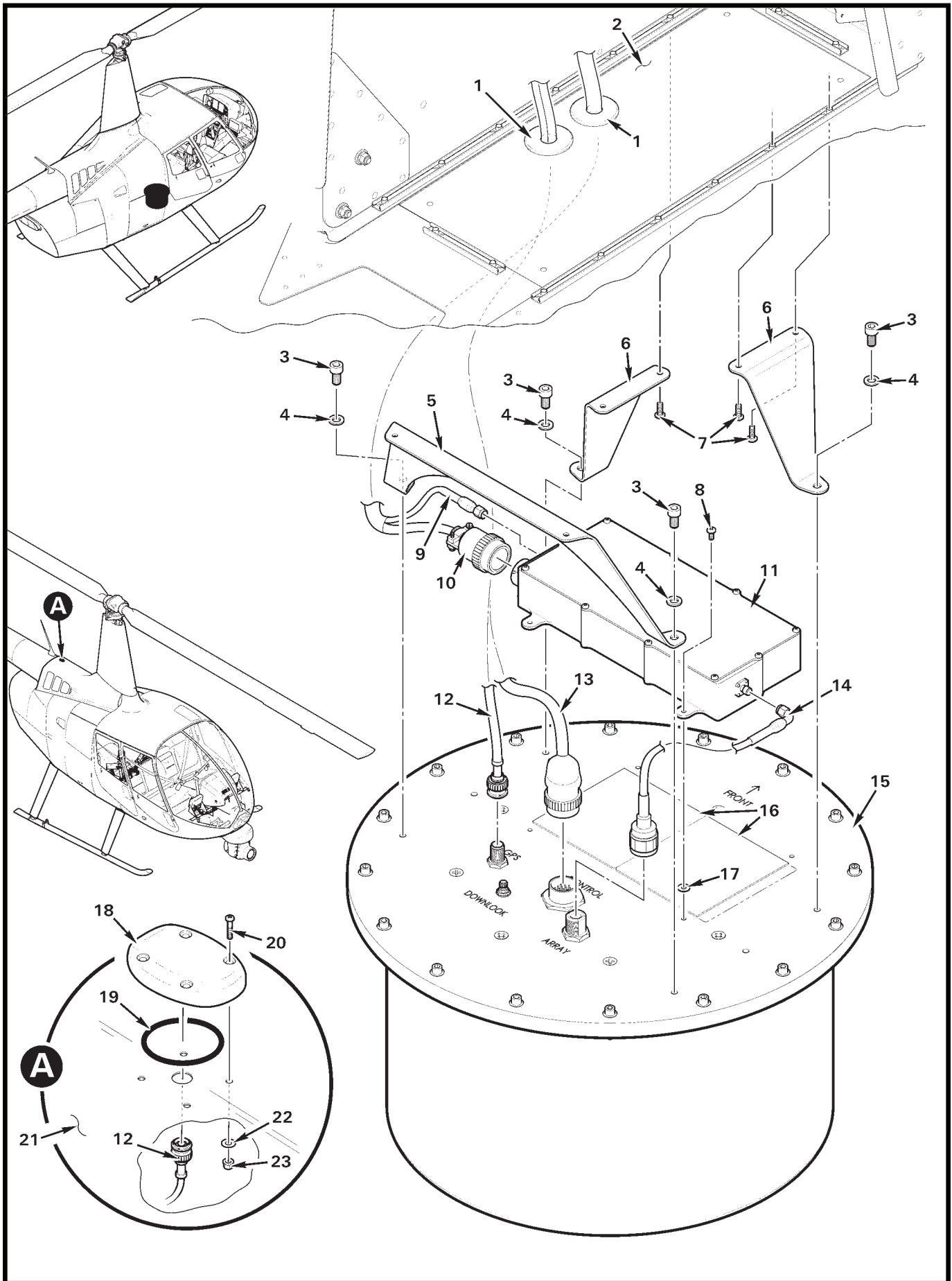


FIGURE AND INDEX NUMBER	PART NUMBER	DESCRIPTION	PARTS AVAIL	QTY PER ASSY
HD MICROWAVE SYSTEM – POD ANTENNA				
92-39-1	MS35489-18	Grommet	X	2
2	F794-2	Panel (Ref)		
3	—	Screw (supplied with item 16)	O	4
4	—	Washer (supplied with item 16)	O	4
5	D586-8	Bracket	X	1
6	D586-7	Bracket	X	2
7	B526-8	Screw	X	6
8	MS35206-227	Screw	X	4
9	D766-2813	Cable Assembly (Includes SMA straight plug, Type “N” 90° plug, heat shrink, and microflex 165 cable.)	X	1
10	MS3116F14-12S	Plug (Ref)		
11	D618-1	Amp Assembly (Ref, D056-1 Installation)		
12	D766-1621	Cable Assembly – GPS (Ref)		
13	D588-4	Cable Assembly (Ref)		
14	D766-2378	Cable Assembly (Includes SMA 90° plug, type “N” straight plug, and microflex 165 cable)	X	4
15	PA16-__	Pod Antenna	X	1
16	GP1500-0.040-02-0404	Thermal Pad	X	2
17	NAS1149FN632P	Washer	X	4
18	GPS-1270FW	GPS Antenna (includes item 19)	X	1
19	—	O-ring	O	1
20	MS35206-232	Screw	X	4
21	F706-1	Cowling (Ref)		
22	NAS1149FN616P	Washer	X	4
23	MS21042L06	Nut	X	4

NOTES

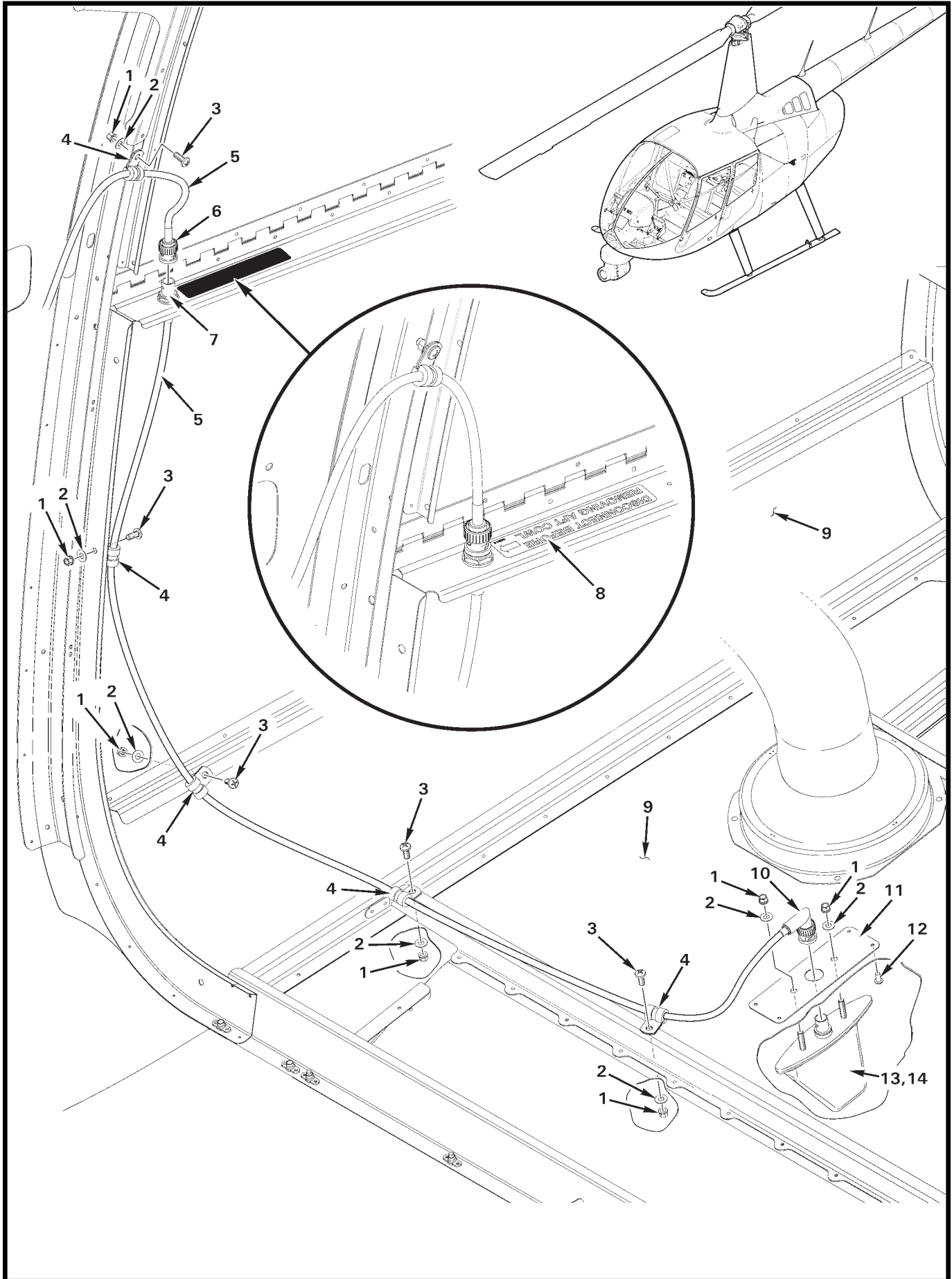


FIGURE AND INDEX NUMBER	PART NUMBER	DESCRIPTION	PARTS AVAIL	QTY PER ASSY
TRANSPONDER ANTENNA INSTALLATION				
92-41-1	MS21042L08	Nut	X	7
2	NAS1149FN816P	Washer	X	7
3	MS27039C0806	Screw	X	5
4	MS21919WDG3	Clamp	X	5
5	G457-2817	Cable	X	2
6	5225395-6	Plug	X	1
7	5225395-6	Bulkhead Jack	X	1
8	G654-8	Decal – “DISCONNECT BEFORE REMOVING AFT COWL” . . .	X	1
9	G040	Cowling Assembly – Aft (Ref)		
10	5225973-4	Right Angle Plug	X	1
11	B322-12	Doubler	X	1
12	MS20470AD4	Rivet	X	4
13	CI 105-16	Antenna – Transponder (install using item 14)	X	1
14	B270-1	Sealant	X	A/R
NOTES				

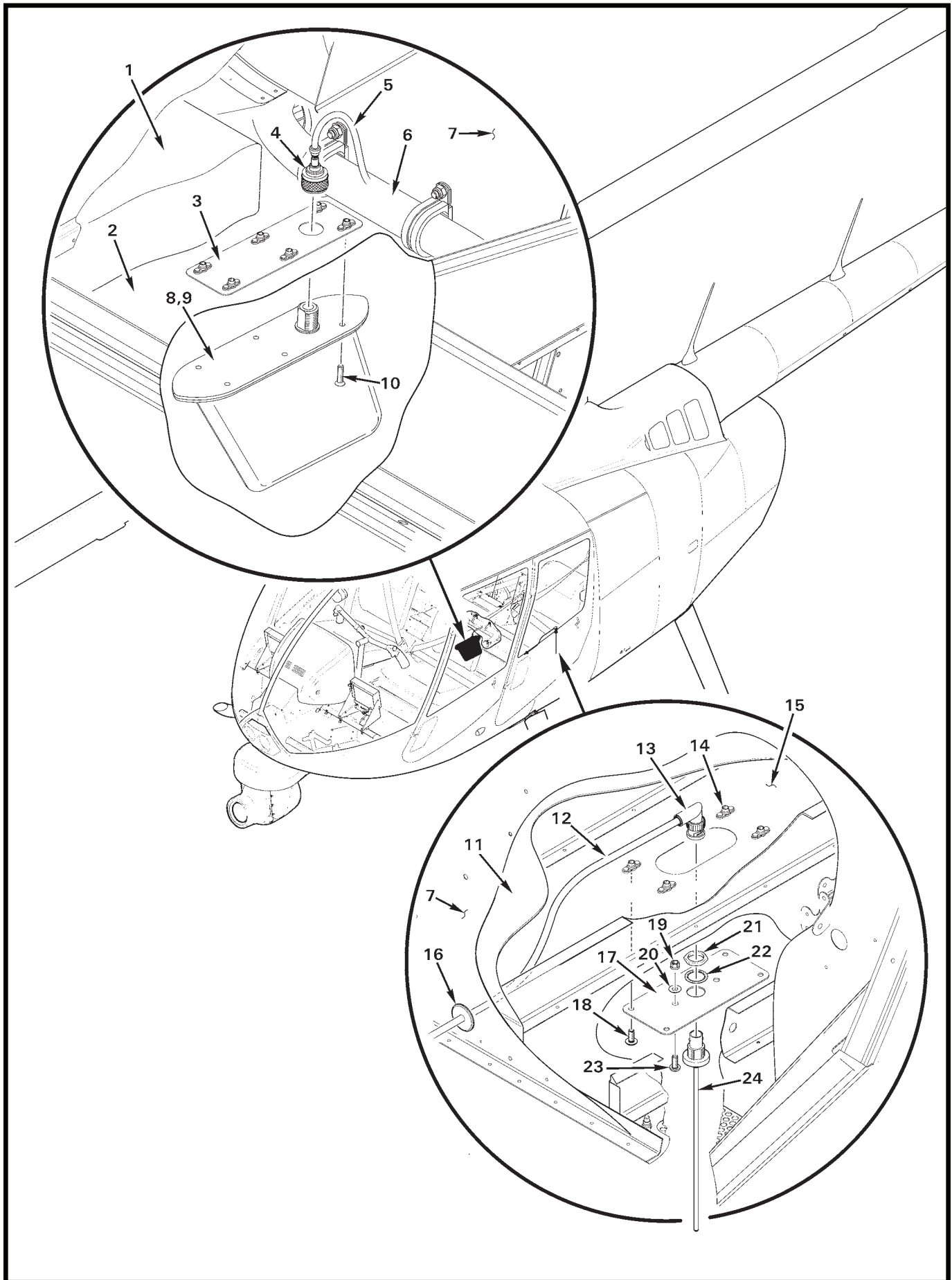


FIGURE AND INDEX NUMBER	PART NUMBER	DESCRIPTION	PARTS AVAIL	QTY PER ASSY
TV AND SCANNER ANTENNA INSTALLATIONS				
92-43-1	G13000	Router (audio, Ref)		
2	F387-1	Skin (belly, aft; Ref)		
3	B322-14	Plate Assembly	X	1
4	5225966-1	Plug	X	1
5	G459-1219	Cable (Ref)		
6	G459	Harness Assembly (Ref)		
7	G259-1	Bulkhead (lower, Ref)		
8	CI 285	Antenna – UHF (400-960 MHz; install using item 9)	X	1
9	B270-1	Sealant	X	1
10	MS24694-C7	Screw	X	6
11	G241-1	Floor (baggage compartment, Ref)		
12	G459-2811	Cable (Ref)		
13	5221402-2	Plug	X	1
14	MS21069L08K	Nutplate (Ref)		
15	G917-1	Skin (belly, Ref)		
16	MS35489-5	Grommet	X	1
17	B322-11	Plate (install using item 9)	X	1
18	B526-6	Screw	X	4
19	MS21042L08	Nut	X	2
20	NAS1149FN816P	Washer	X	2
21	—	Nut	O	1
22	—	Lockwasher	O	1
23	MS27039C0805	Screw	X	2
24	CI 273	Antenna – FM (403-512 MHz; includes items 21 and 22) . . .	X	1

NOTES

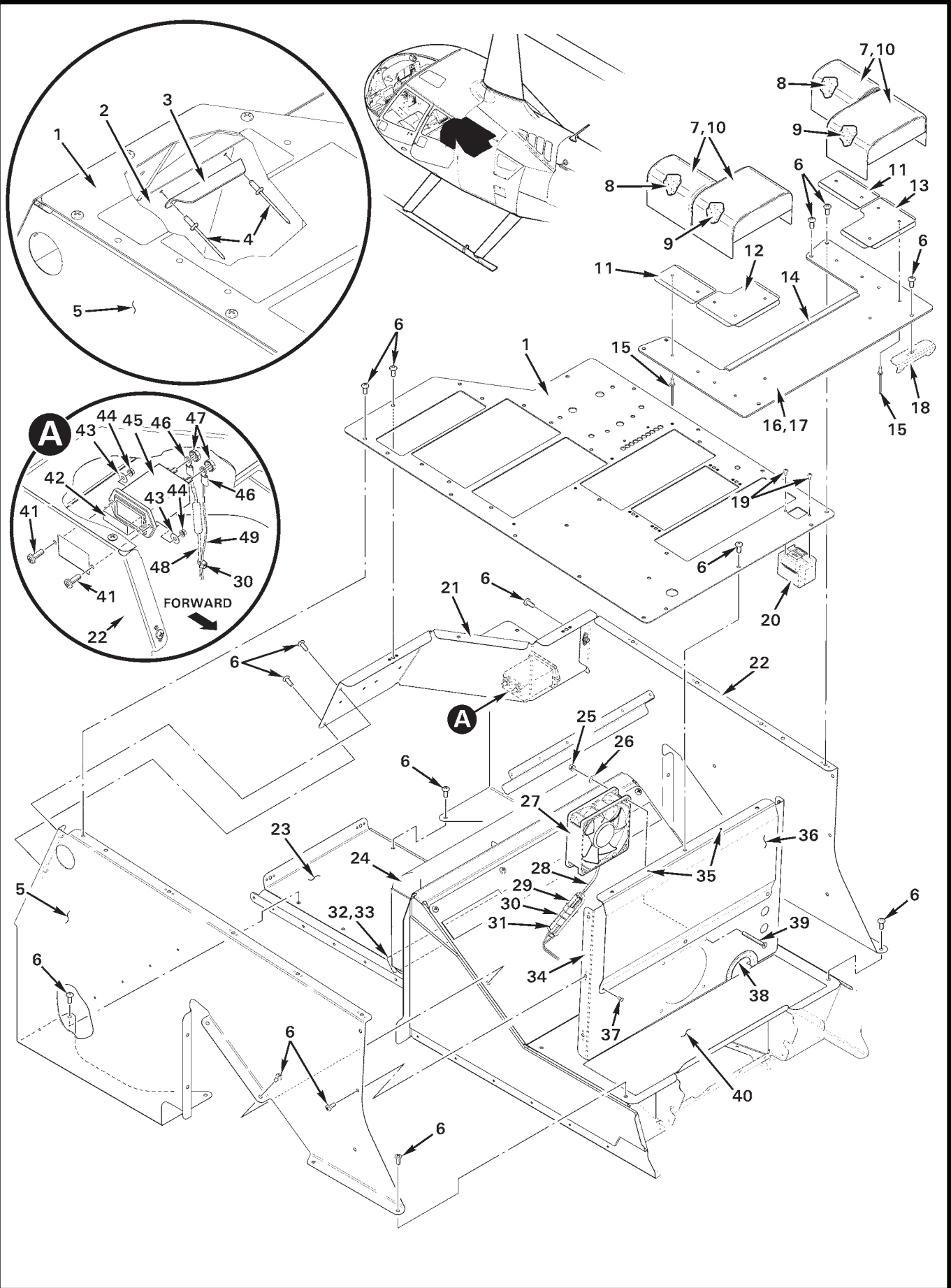


FIGURE AND INDEX NUMBER	PART NUMBER	DESCRIPTION	PARTS AVAIL	QTY PER ASSY
AFT CONSOLE ASSEMBLY				
92-45-1	G472-11	Face (standard)	X	1
	G472-12	Face (police scanner)	X	1
	G472-13	Face (AM/FM receiver)	X	1
2	F370-1	Panel (Ref)		
3	G472-14	Angle	X	1
4	B204-1	Rivet	X	2
5	G471-1	Panel Assembly (LH)	X	1
6	MS27039C0806	Screw	X	21
7	B298-__	Leather (-41 Indigo, -43 Silver, -44 Beige, -45 Charcoal) or Velour (-21 Blue, -23 Gray, -24 Tan, -25 Charcoal)	X	A/R
8	G472-16	Foam (small)	X	2
9	G472-17	Foam (large)	X	2
10	B270-8qt	Adhesive	X	A/R
11	G472-7	Support	X	2
12	G472-9	Support (LH)	X	1
13	G472-8	Support (RH)	X	1
14	A226-11	Trim	X	A/R
15	B204-1	Rivet	X	10
16	G472-6	Cover	X	1
17	G472-1	Cushion Assembly (Incl items 7 thru 16)	X	1
18	G472-2	Angle Assembly (Ref)		
19	MS35206-213	Screw	X	2
20	TA202	USB Port	X	1
21	G471-4	Panel Assembly	X	1
22	G471-2	Panel Assembly (RH)	X	1
23	F377-1	Support Assembly (Ref)		
24	G784-1	Evaporator Assembly (Ref)		
25	MS21042L08	Nut	X	4
26	NAS1149FN816P	Washer	X	4
27	D580-4	Fan Assembly(Incl items 28 and 29)	X	1
28	B158-402	Heat Shrink	X	A/R
29	B263-12	Housing	X	1
	B263-1	Pin	X	2
30	MS3367-4-9	Ty-rap	X	2
31	B263-13	Housing (Ref)		

NOTES

Continues

FIGURE AND INDEX NUMBER	PART NUMBER	DESCRIPTION	PARTS AVAIL	QTY PER ASSY
AFT CONSOLE ASSEMBLY (cont'd)				
92-45-32	G472-19	Plate (mounted onto item 24, install using item 33)	X	1
33	B270-1	Sealant	X	A/R
34	G471-3	Panel Assembly (Incl items 35 thru 38)	X	1
35	NAS1097AD3	Rivet	X	2
36	G471-8	Shield (clear polycarbonate)	X	1
37	MS20470AD3	Rivet	X	3
38	A226-15	Trim	X	A/R
39	MS24694-S19	Screw	X	4
40	G472-18	Pad (self-adhesive)	X	A/R
41	MS35206-229	Screw	X	2
42	D682-19	Decal	X	1
43	NAS1149FN616P	Washer	X	2
44	MS21042L06	Nut	X	2
45	D830-2	Hourmeter (Incl item 47)	X	1
46	B260-3	Terminal	X	2
47	—	Locknut	O	2
48	G459-1626	Wire (Ref)		
	D275-101	Diode	X	1
	B261-2	Splice	X	1
	B158-103	Heat Shrink	X	A/R
49	G459-2568	Wire (Ref)		

NOTES

Intentionally Blank

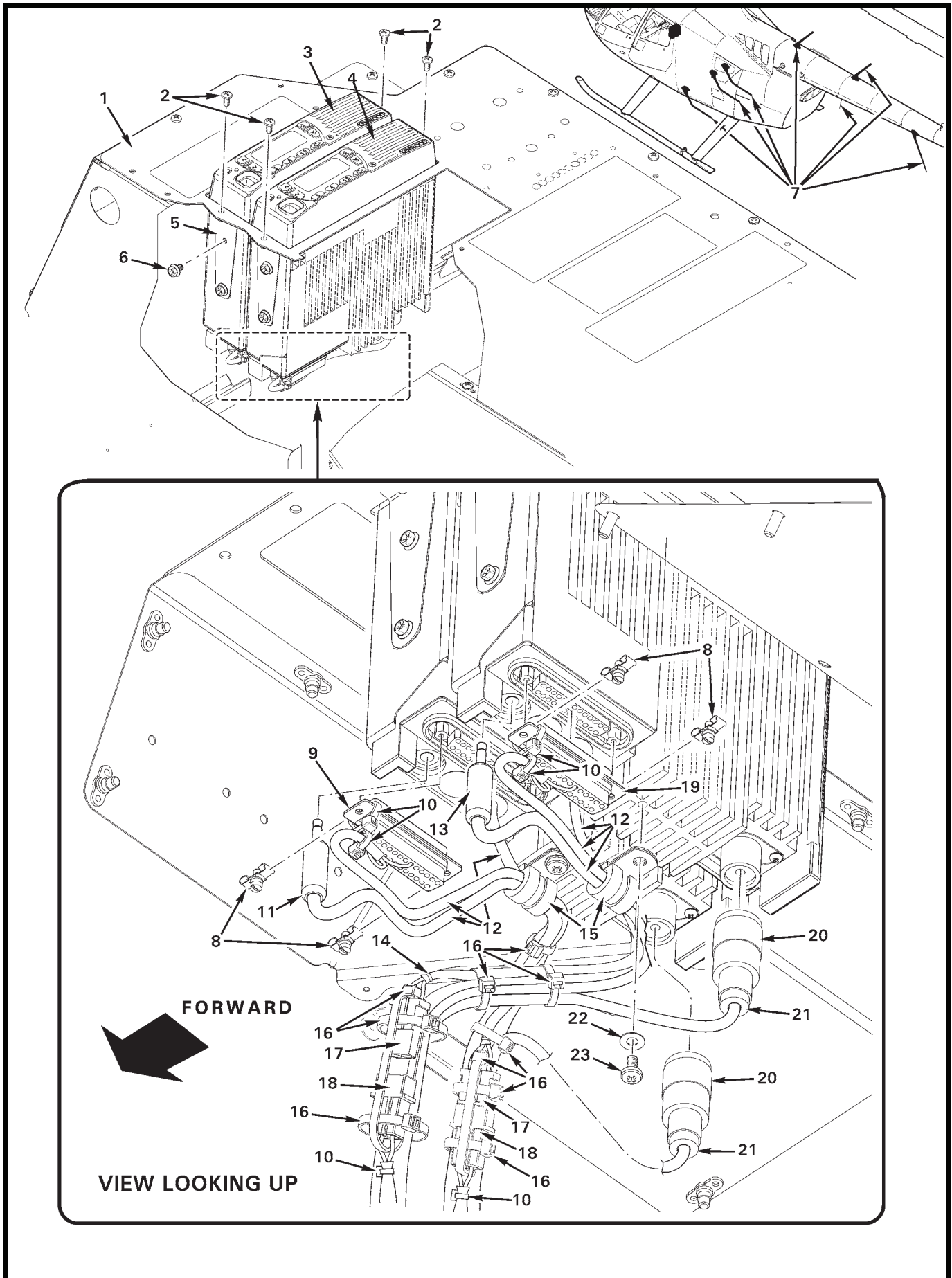


FIGURE AND INDEX NUMBER	PART NUMBER	DESCRIPTION	PARTS AVAIL	QTY PER ASSY
FM TRANSCEIVERS INSTALLATION				
92-49-1	G470	Console Assembly (aft, Ref)		
2	MS27039C0805	Screw	X	4
3	A824-8	FM Transceiver (UHF [FM2], includes item 6)	X	1
4	A824-7	FM Transceiver (VHF [FM3], includes item 6)	X	1
	A824-8	FM Transceiver (UHF [FM3], includes item 6)	X	1
5	B344-25	Angle	X	4
6	—	Screw	O	8
7	F850	Antenna Installation (Ref; specific antenna required per transceiver frequency range. One antenna required per transceiver installation. Refer to R66 IPC chapter 6 for antenna installations.)		
8	A269-31	Male Screw Lock	X	2
9	B269-11	Plug	X	2
10	MS3367-4-0	Ty-rap	X	A/R
11	750	Plug	X	1
	-1010*	Wire (Ref)		
12	B266-4	Sleeving	X	A/R
13	750	Plug	X	1
	-1017*	Wire (Ref)		
14	B268-3	Lacing Tape	X	A/R
15	MS21919WDG5	Clamp	X	2
16	MS3367-5-0	Ty-rap	X	A/R
17	B263-12	Housing	X	1
	B263-1	Pin	X	2
18	B263-13	Housing	X	1
	B263-2	Socket	X	2
19	B269-11	Plug	X	1
20	83-1SP-1050	Plug	X	1
21	83-185	Reducer	X	1
22	NAS1149FN816P	Washer	X	2
23	92000A218	Screw	X	2

NOTES * See R66 MM §92 wiring diagrams.

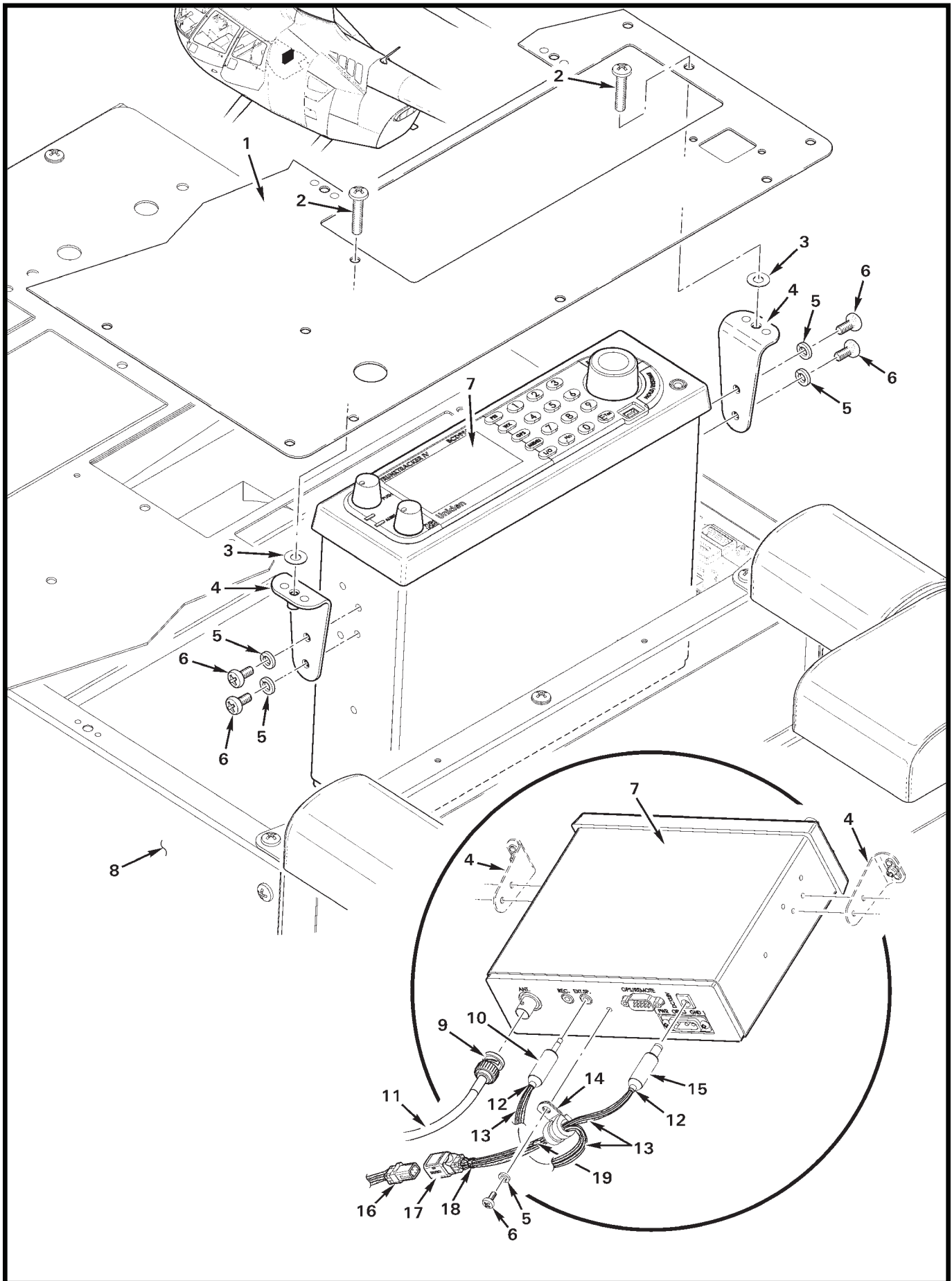


FIGURE AND INDEX NUMBER	PART NUMBER	DESCRIPTION	PARTS AVAIL	QTY PER ASSY
SCANNER INSTALLATION				
92-51-1	G472	Face (Ref)		
2	MS27039C0807	Screw	X	2
3	NAS1149FN816P	Washer	X	2
4	D344-19	Angle Assembly	X	2
5	B332-42	Lockwasher	X	4
6	92000A218	Screw	X	4
7	BCD996XT*	Scanner (TrunkTracker IV)	X	1
8	G471-1	Panel (LH, aft console; Ref)		
9	225395-6	Plug	X	1
10	750	Plug	X	1
	-1217**	Wire (blue, Ref)		
	-1217**	Wire (white, Ref)		
11	G459-1219	Cable (antenna, Ref)		
12	B158-2	Heat Shrink	X	A/R
13	B266-4	Sleeving	X	A/R
14	MS21919WDG3	Clamp	X	1
15	S760	Plug	X	1
	-1215**	Wire (power, Ref)		
	-1216**	Wire (ground, Ref)		
16	D269-6	Receptacle (G459 Harness Assembly, Ref)		
17	D269-5	Plug (wires from 10 and 15)	X	1
18	B268-3	Lacing	X	A/R
19	B267-3	Terminator	X	1

NOTES * Uniden America Corp. part no.
 ** See R66 MM §92 wiring diagrams.

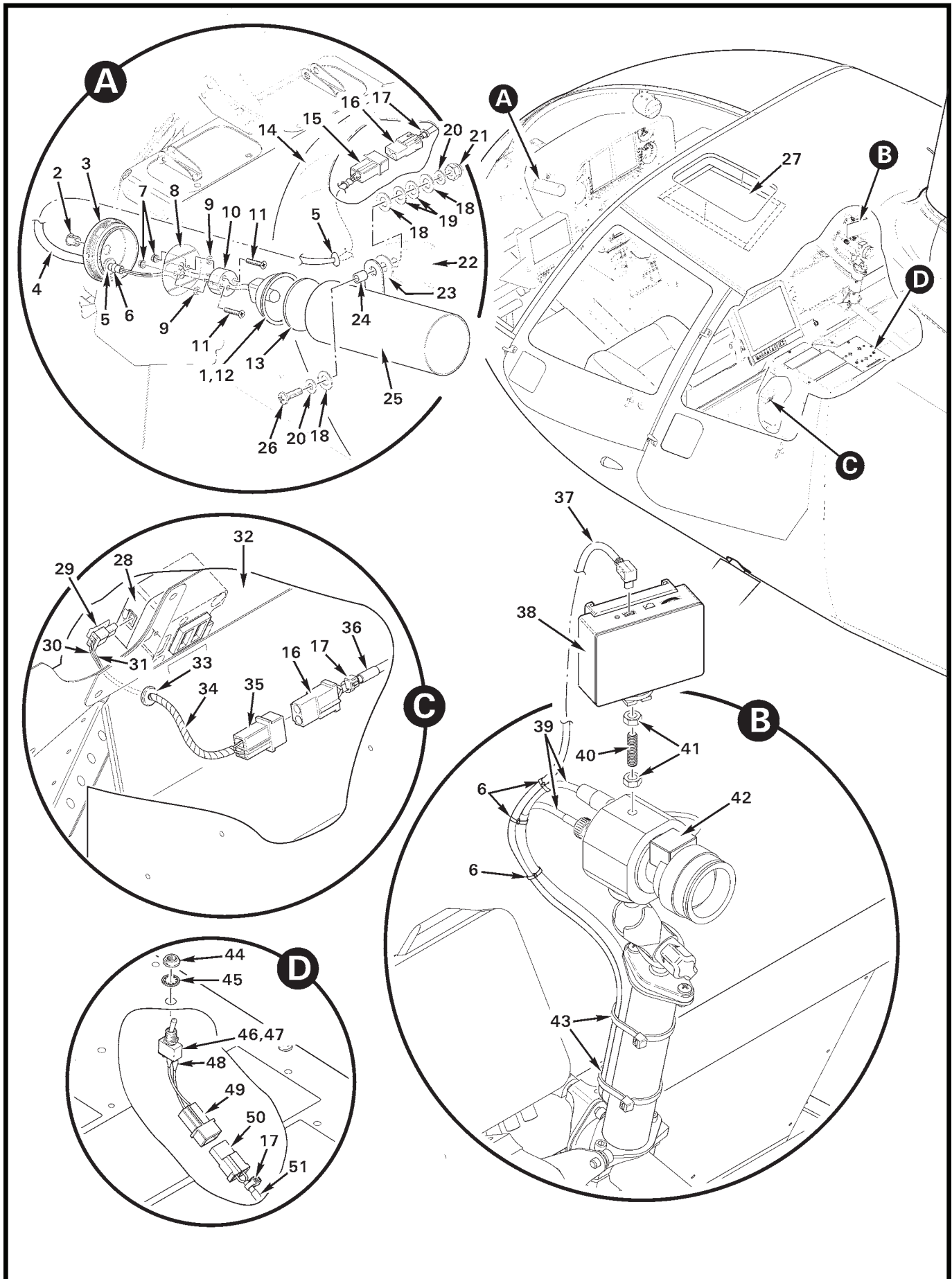


FIGURE AND INDEX NUMBER	PART NUMBER	DESCRIPTION	PARTS AVAIL	QTY PER ASSY
TALENT LIGHTS INSTALLATION				
92-53-1	D553-1	Light Assembly – Talent (Incl items 2 thru 13, and 25)	X	1
2	2603	Hole Plug	X	1
3	D566-9	Cap	X	1
4	B266-4	Sleeving	X	A/R
5	MS35489-4	Grommet	X	2
6	B268-3	Lacing Tape	X	A/R
7	MS21042L04	Nut	X	2
8	D566-4	Base	X	1
9	NAS620-4	Washer	X	2
10	H9941	Holder	X	1
11	MS24693-S7	Screw	X	2
12	L517A	Lamp (includes wires)	X	1
13	D566-5	Lens	X	1
14	—	Console Assembly (Ref)		
15	B263-32	Housing	X	1
	B263-1	Pin	X	2
16	B263-33	Housing	X	2
	B263-2	Socket	X	2
	G459-1141	Wire (Ref)		
	G459-1142	Wire (Ref)		
	B158-6	Heat Shrink (labeled "TALENT LT")	X	A/R
17	MS3367-4-0	Ty-rap	X	A/R
18	NAS1149F0432P	Washer	X	3
19	B0500-022-S	Belleville Washer	X	2
20	NAS1149FN832P	Washer	X	2
21	B340-4	Nut	X	1
22	D566-10	Bracket (Ref)		
23	A141-7	Washer	X	1
24	A105-5	Journal	X	1
25	D553-2	Housing Assembly	X	1
26	MS27039C0809	Screw	X	1
27	D576-1	Cover Assembly	X	1
28	6430202-2	USB Port (dual, type A and C)	X	1
29	43645-0200	Housing	X	1
	43030-0007	Socket	X	2

NOTES

Continues

FIGURE AND INDEX NUMBER	PART NUMBER	DESCRIPTION	PARTS AVAIL	QTY PER ASSY
TALENT LIGHTS INSTALLATION (Cont'd)				
92-53-30	G459-1377	Wire (Pin "A", Ref)		
31	G459-1376	Wire (Pin "B", Ref)		
32	F461-4	Cover Assembly (Ref)		
33	MS35489-1	Grommet	X	1
34	B161-4	Spirap	X	A/R
35	B263-12	Housing	X	1
	B263-1	Pin	X	2
36	B158-6	Heat Shrink (labeled "AFT LT PWR")	X	A/R
37	—	Cable (mini USB, charging)	O	1
38	ILED-MA	Light (Incl item 37)	X	1
39	—	Cable/Wire (Camera; Ref)		
40	90322A645	Stud	X	1
41	91819A110	Nut	X	2
42	CV345	Camera (Ref)		
43	MS3367-7-0	Ty-rap	X	2
44	B227-4	Dress Nut	X	1
45	B227-3	Lockwasher	X	1
46	B049-9	Switch Assembly (forward talent light; includes items 47, 49, and 51)	X	1
47	B300-1	Switch Assembly (Incl items 44 and 45)	X	1
48	B158-1	Heat Shrink	X	A/R
49	B263-12	Housing	X	1
	B263-1	Pin	X	2
50	B263-13	Housing	X	1
	B263-2	Socket	X	2
	G459-898	Wire (Ref)		
	G459-1141	Wire (Ref)		
	G459-1377	Wire (Ref)		
51	B158-6	Heat Shrink (labeled "FWD LT SW")	X	A/R

NOTES

Intentionally Blank

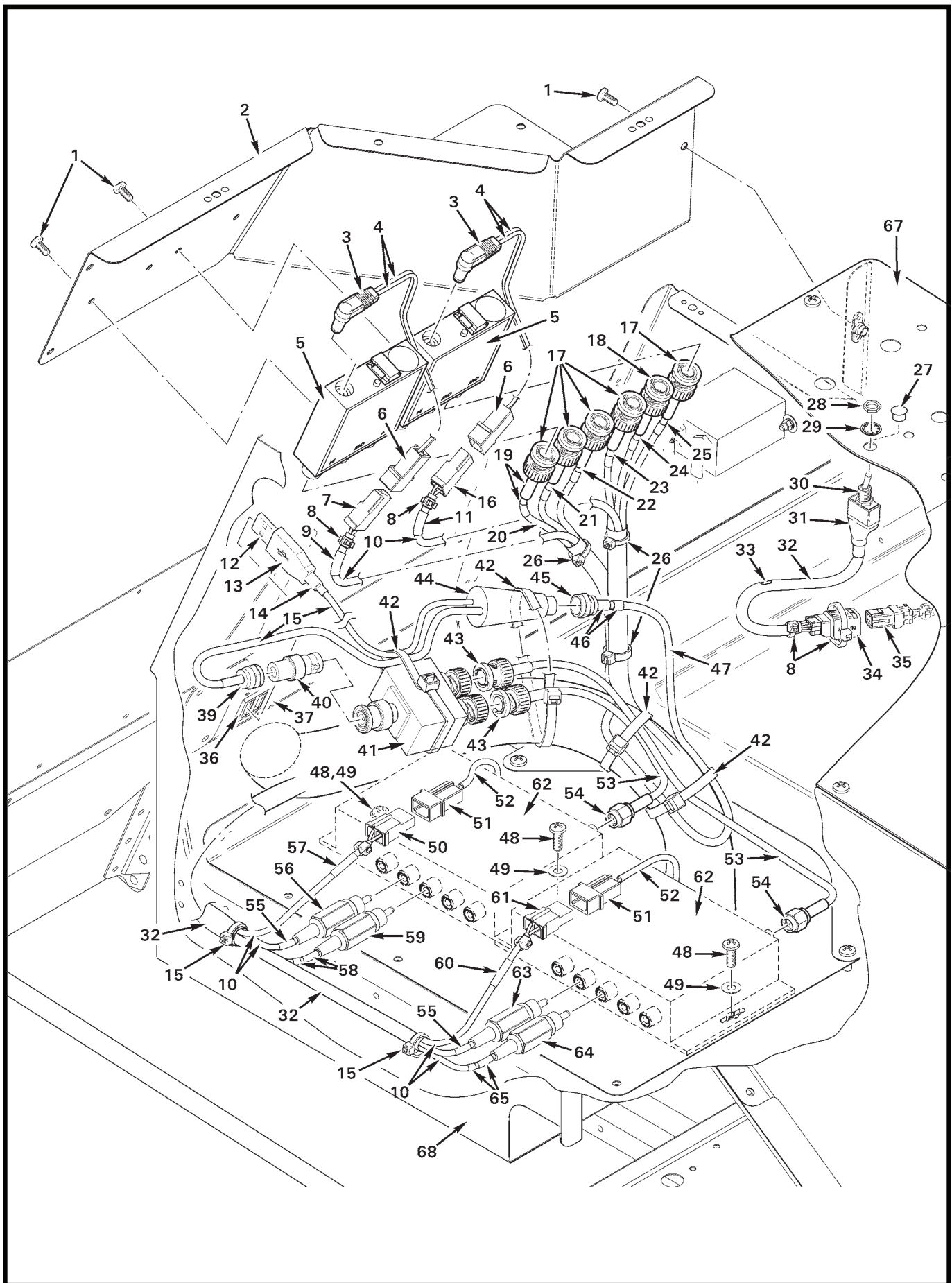


FIGURE AND INDEX NUMBER	PART NUMBER	DESCRIPTION	PARTS AVAIL	QTY PER ASSY
TV RECEIVER PROVISION INSTALLATION				
92-57-1	MS27039C0806	Screw (Ref)		
2	G471-4	Panel Assembly (Ref)		
3	—	Plug	O	1
4	—	Wire (white, power)	O	1
		Wire (black, ground)	O	1
5	11-911-102	Distribution Amp (Incl items 3 and 4)	X	2
6	B263-12	Housing	X	2
	B263-1	Pin	X	2
7	B263-33	Housing	X	1
	B263-2	Socket	X	2
	G459-1145*	Wire (Ref; power)		
	G459-1146*	Wire (Ref; ground)		
8	MS3367-4-0	Ty-Rap	X	A/R
9	B158-6	Heat Shrink (labeled "DIST AMP 1")	X	A/R
10	B266-4	Sleeving	X	A/R
11	B158-6	Heat Shrink (labeled "DIST AMP 2")	X	A/R
12	AE10091-ND	Plug Assembly (to 5V aux power jack)	X	1
	—	Wire (red pin #1, VBUS; Ref)		
	—	Wire (black pin #2, ground; Ref)		
	B158-804	Heat Shrink	X	A/R
13	AE10090-ND	Hood	X	1
14	B158-804	Heat Shrink	X	A/R
15	—	Wire	O	1
16	B263-33	Housing	X	1
	B263-2	Socket	X	2
	G459-2808*	Wire (Ref, power)		
	G459-2810*	Wire (Ref, ground)		
17	2065-11-9	Plug (or 2025-47-9; BNC)	X	5
18	10-03001-215	Plug (BNC)	X	1
19	B158-6	Heat Shrink	X	A/R
20	G459-761*	Wire (Ref; item 19 labeled "IN" and "761")		
21	G459-780*	Wire (Ref; item 19 labeled "OUT" and "780")		
22	G459-1836*	Wire (Ref; item 19 labeled "OUT" and "1836")		
23	G459-2807*	Wire (Ref; item 19 labeled "IN" and "2807")		
24	G459-2797*	Wire (Ref; item 19 labeled "OUT" and "2797")		

NOTES * See R66 MM §92 wiring diagrams.

Continues

FIGURE AND INDEX NUMBER	PART NUMBER	DESCRIPTION	PARTS AVAIL	QTY PER ASSY
TV RECEIVER PROVISION INSTALLATION (Cont'd)				
92-57-25	G459-2799*	Wire (Ref, item 19 labeled "OUT" and "2799")		
	G471-2	Panel Assembly (Ref)		
26	MS3367-5-0	Ty-rap	X	A/R
27	2603	Hole Plug (if item 30 is not installed)	X	1
28	B227-4	Dress Nut	X	1
29	B227-3	Lockwasher	X	1
30	B300-2	Switch Assembly (TV tuner audio; includes items 28 and 29)	X	1
	B158-2	Heat Shrink (around wires/terminals)	X	A/R
31	B158-8	Heat Shrink (around switch assembly)	X	A/R
32	B266-8	Sleeving	X	A/R
33	-1095*	Wire (blue, Ref)		
	-1095*	Wire (white, Ref)		
	-1096*	Wire (Ref)		
	-2806*	Wire (Ref)		
	—	Wire (shield, Ref)		
	—	Wire (shield, Ref)		
34	D269-5	Plug	X	1
35	D269-6	Receptacle	X	1
	B267-2	Terminator	X	2
	B158-2	Heat Shrink (around wires)	X	A/R
36	6430102-2	USB Port (Ref)		
37	F461-5	Cover (Ref)		
38	—	Wire	O	1
39	—	Plug	O	1
40	242161	Adapter	X	1
41	D590-1	Splitter Assembly	X	1
42	MS3367-7-0	Ty-rap	X	A/R
43	2065-11-9	Plug	X	2
44	MH-110600	Amplifier (Incl items 15 and 38)	X	1
45	5221185-2	Plug	X	1
46	B158-6	Heat Shrink (labeled "TUNER" and "-2811")	X	A/R
47	G459-2811*	Wire (Ref)		
48	MS27039C0807	Screw	X	3
49	NAS1149FN816P	Washer	X	3

NOTES * See R66 MM §92 wiring diagrams.

Continues

FIGURE AND INDEX NUMBER	PART NUMBER	DESCRIPTION	PARTS AVAIL	QTY PER ASSY
TV RECEIVER PROVISION INSTALLATION (Cont'd)				
92-57-50	B263-33	Housing	X	1
	B263-2	Socket	X	2
	G459-935*	Wire (Ref)		
	G459-2808*	Wire (Ref)		
	G459-2809*	Wire (Ref)		
51	B263-12	Housing	X	2
	B263-1	Pin	X	2
52	—	Power Cable	O	A/R
53	B274-525	Wire	X	A/R
54	132242	Plug (SMA)	X	2
	B158-804	Heat Shrink	X	A/R
55	B158-6	Heat Shrink (labeled "AUDIO")	X	A/R
56	174-4356	Plug	X	1
	B158-2	Heat Shrink	X	A/R
57	B158-6	Heat Shrink (labeled "TUNER 2 PWR")	X	A/R
58	B158-6	Heat Shrink (labeled "VID OUT" and "-2807")	X	A/R
59	174-4356	Plug	X	1
	G459-2807*	Wire (Ref; see R66 MM §92 wiring diagrams)		
60	B158-6	Heat Shrink (labeled "TUNER 1 PWR")	X	A/R
61	B263-33	Housing	X	1
	B263-2	Socket	X	2
	G459-935*	Wire (Ref)		
	G459-1006*	Wire (Ref)		
	G459-1145*	Wire (Ref)		
62	—	TV Receiver (Incl item 52)	O	2
63	174-4356	Plug	X	1
	G459-1096*	Wire (Ref)		
64	174-4356	Plug	X	1
	G459-761*	Wire (Ref)		
65	B158-6	Heat Shrink (labeled "VID OUT" and "-761")	X	A/R
66	F463-2	Cover (Ref)		
67	G472	Face (Ref)		
68	G471-1	Panel Assembly (LH, aft console; Ref)		

NOTES * See R66 MM §92 wiring diagrams.

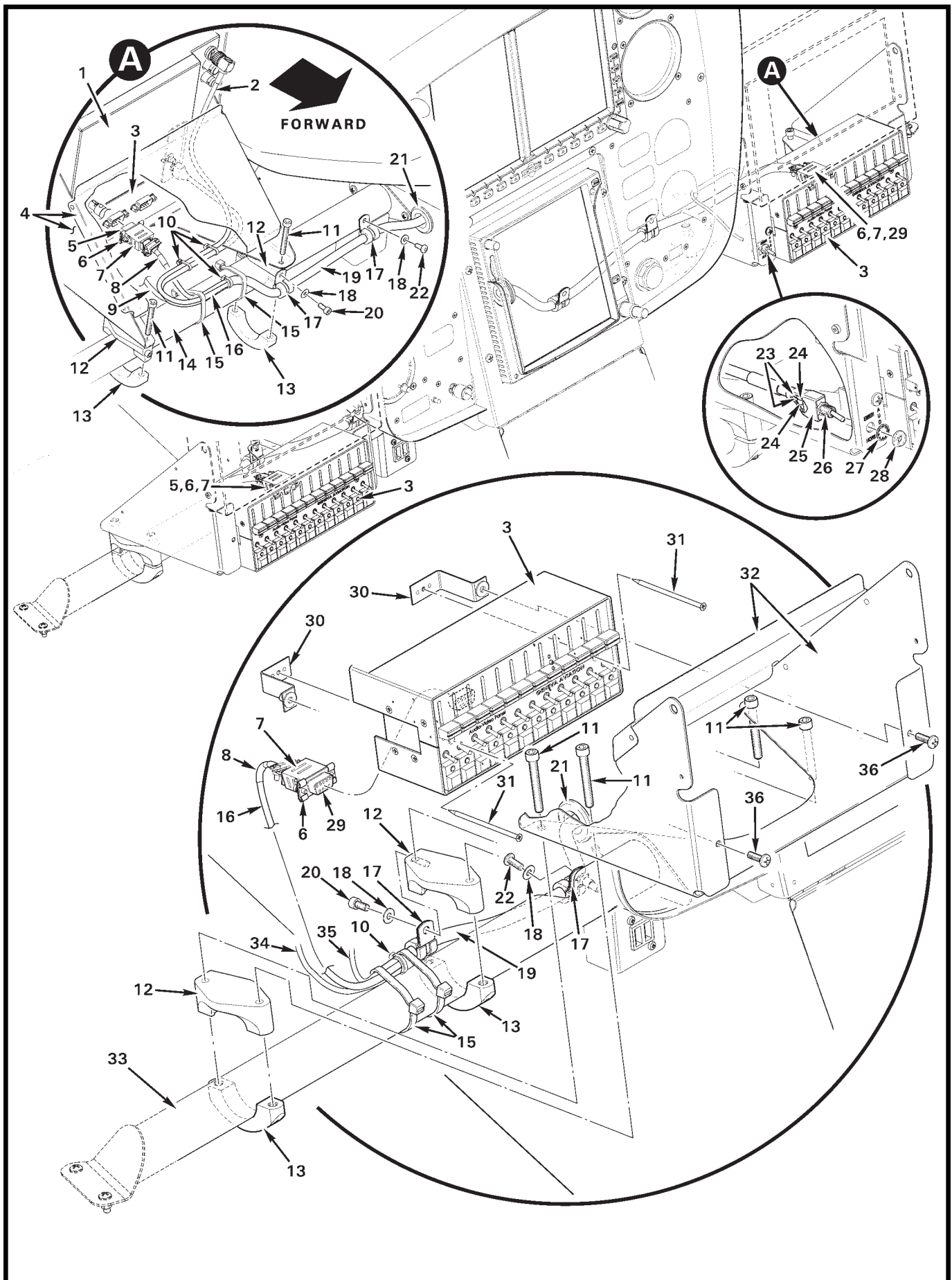


FIGURE AND INDEX NUMBER	PART NUMBER	DESCRIPTION	PARTS AVAIL	QTY PER ASSY
		GENEVA AUDIO – FORWARD AUDIO PANELS		
92-61-1	BVB07	Monitor (Ref)		
2	G459-779	Wire (pilot monitor, Ref)		
3	G11431-00102-1	Audio Panel (Incl item 30)	X	2
4	G474-15	Cover Assembly (RH)	X	1
5	B269-4	Receptacle	X	1
	B158-2	Heat Shrink	X	A/R
	B158-4	Heat Shrink	X	A/R
	G459-1026	Wire (Ref)		
	G459-1027	Wire (Ref)		
	G459-1028	Wire (Ref)		
	G459-1029	Wire (Ref)		
6	B269-31	Screw Lock (male)	X	2
7	B269-21	Backshell	X	2
8	B158-6	Heat Shrink	X	A/R
9	G459-980	Wire (pilot monitor, Ref)		
	G459-980	Wire (pilot monitor, Ref)		
10	MS3367-4-0	Ty-rap	X	A/R
11	NAS1351-3-24	Screw	X	8
12	B630-3	Clamp	X	2
13	B630-2	Clamp Assembly	X	2
14	G703-5	Support Assembly (RH, Ref)		
15	MS3367-7-0	Ty-rap	X	4
16	B266-4	Sleeving	X	A/R
17	MS21919WDG5	Clamp	X	4
18	NAS1149FN816P	Washer	X	2
19	B266-8	Sleeving	X	A/R
20	NAS1352-08-06	Screw	X	2
21	MS35489-17	Grommet	X	2
22	MS27039C0806	Screw	X	2
23	G459-1097	Wire (Ref)		
	G459-1098	Wire (Ref)		
24	B158-2	Heat Shrink (around item 23)	X	A/R
25	B158-808	Heat Shrink (around item 23)	X	A/R
26	B300-1	Switch Assembly (Incl items 27 and 28)	X	1
27	B227-3	Lockwasher	X	1

NOTES

Continues

FIGURE AND INDEX NUMBER	PART NUMBER	DESCRIPTION	PARTS AVAIL	QTY PER ASSY
GENEVA AUDIO – FORWARD AUDIO PANELS (Cont'd)				
92-61-28	B227-4	Dress Nut	X	1
29	B269-4	Receptacle	X	1
	B158-2	Heat Shrink	X	A/R
	B158-4	Heat Shrink	X	A/R
	G459-267*	Wire (Ref)		
	G459-1030*	Wire (Ref)		
	G459-31*	Wire (Ref)		
	G459-32*	Wire (Ref)		
	G459-33*	Wire (Ref)		
30	D344-4	Angle Assembly	X	4
31	—	Screw	O	2
32	G474-14	Cover Assembly (LH)	X	1
	G474-15	Cover Assembly (RH)	X	1
33	G705-8	Support Assembly (LH, Ref)		
34	G459-780*	Wire (Ref)		
35	G459-979*	Wire (Ref)		
	G459-981*	Wire (Ref)		
36	MS27039C0808	Screw	X	4

NOTES *

Intentionally Blank

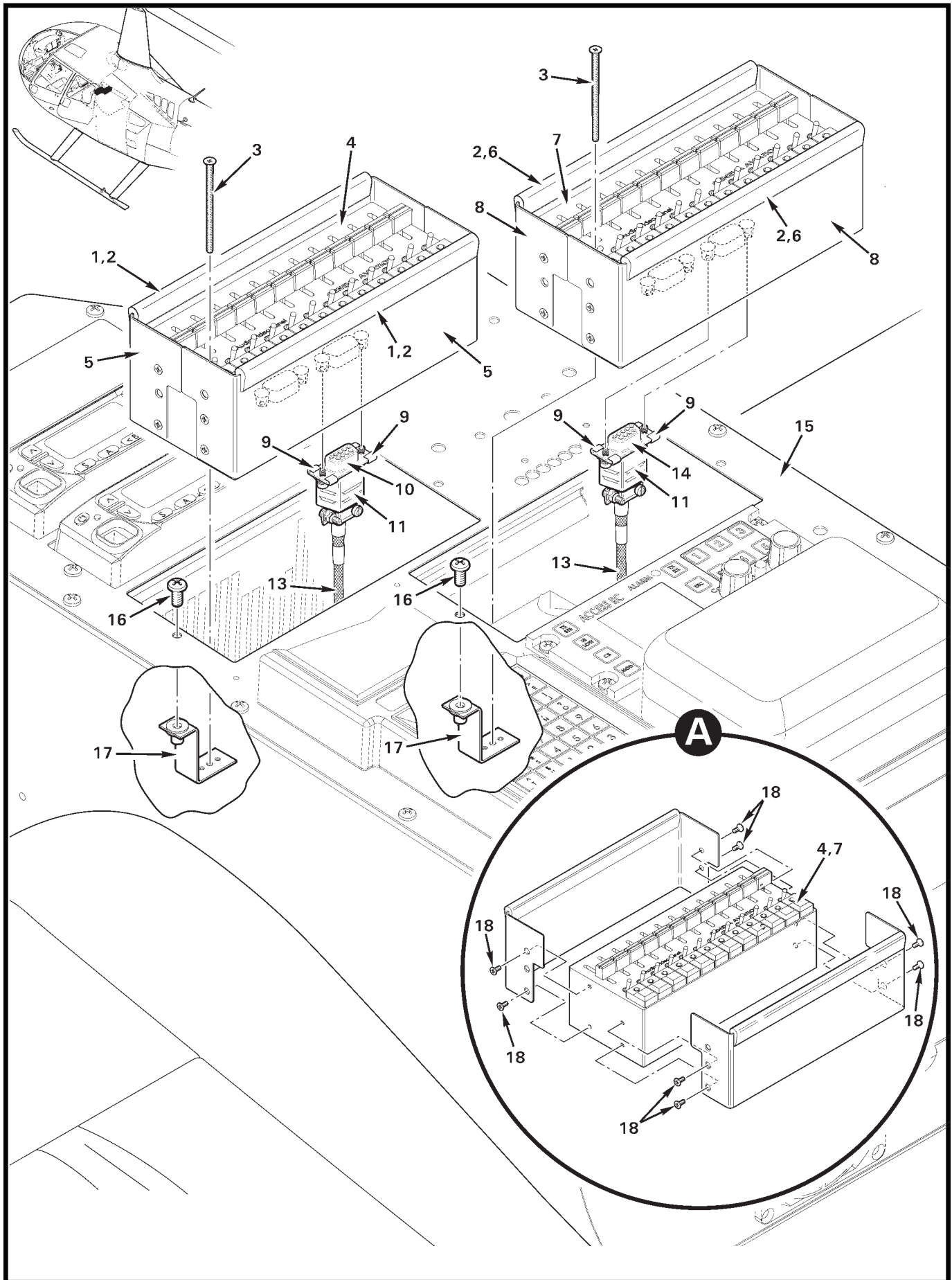


FIGURE AND INDEX NUMBER	PART NUMBER	DESCRIPTION	PARTS AVAIL	QTY PER ASSY
GENEVA AUDIO – AFT AUDIO PANELS				
92-65-1	4869A66	Trim (black, install using item 2)	X	2
2	B270-13	Adhesive	X	A/R
3	—	Screw	O	2
4	D579-7	Audio Panel (PAX-photo; includes items 3 and 18)	X	1
5	D557-5	Cover	X	2
6	4869A1	Trim (orange, install using item 2)	X	A/R
7	D579-9	Audio Panel (microwave; includes items 3 and 18)	X	1
8	D557-4	Cover Assembly (Incl items 2 and 6)	X	1
9	B269-31*	Screw Lock (male)	X	2
10	B269-4*	Receptacle	X	1
11	B269-21*	Backshell	X	1
12	B158-4	Heat Shrink	X	A/R
	B158-2	Heat Shrink (around wires)	X	A/R
13	B266-4*	Sleeving	X	A/R
14	B269-19*	Plug	X	1
15	G470	Console Assembly (aft, Ref)		
16	MS27039C0806	Screw	X	4
17	D344-4	Angle Assembly	X	2
18	—	Screw	O	8

NOTES * Ref, from G459-1 harness assembly.

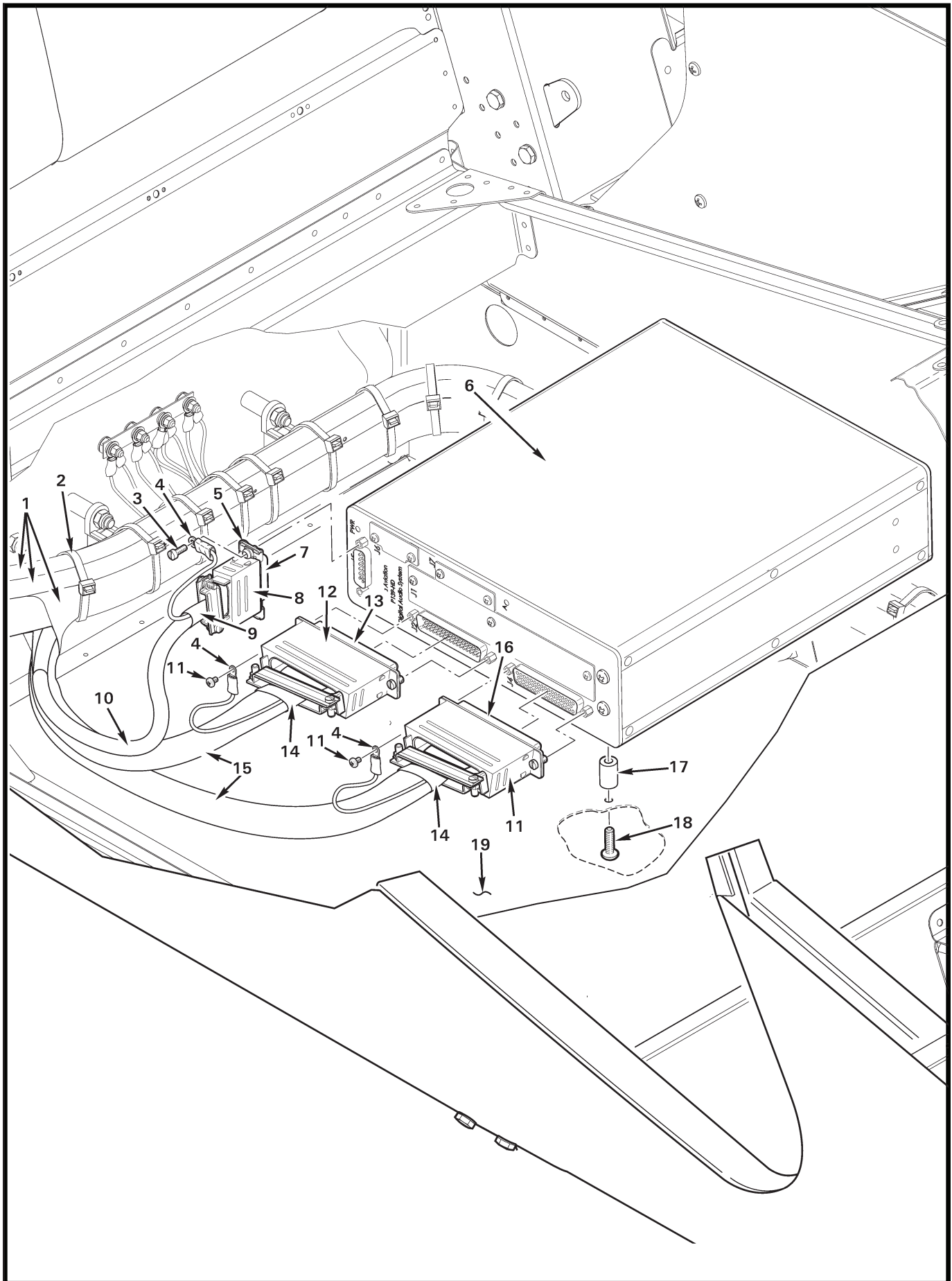


FIGURE AND INDEX NUMBER	PART NUMBER	DESCRIPTION	PARTS AVAIL	QTY PER ASSY
GENEVA AUDIO – DIGITAL ROUTER				
92-67-1	G459-1	Harness Assembly (Ref)		
2	MS3367-7-0	Ty-rap	X	A/R
3	—	Screw	X	1
4	B260-1	Terminal	X	3
5	B269-31	Male Screw Lock (Incl item 3)	X	2
6	G13000	Router (P139HD Digital)	X	1
7	B269-6	Receptacle	X	1
	B267-2*	Terminator	X	A/R
	B267-3*	Terminator	X	A/R
8	B269-22	Backshell	X	1
9	B158-6	Heat Shrink	X	A/R
10	B266-4	Sleeving	X	A/R
11	MS35206-212	Screw	X	2
12	B269-25	Backshell	X	2
13	B269-20	Receptacle (J2)	X	1
	B269-62*	Socket	X	3
	B267-2*	Terminator	X	A/R
	B267-3*	Terminator	X	A/R
	RNC55H4120FS*	Resistor	X	2
14	B158-12	Heat Shrink	X	A/R
15	B266-8	Sleeving	X	A/R
16	B269-19	Plug (J4)	X	1
	B261-61	Pin	X	10
	B267-2*	Terminator	X	A/R
	B267-3*	Terminator	X	A/R
	B267-4*	Terminator	X	A/R
17	C130-51	Spacer	X	4
18	MS27039C1-18	Screw	X	4
19	F387-1	Skin (Ref)		

NOTES * Ref, from G459-1 harness assembly.

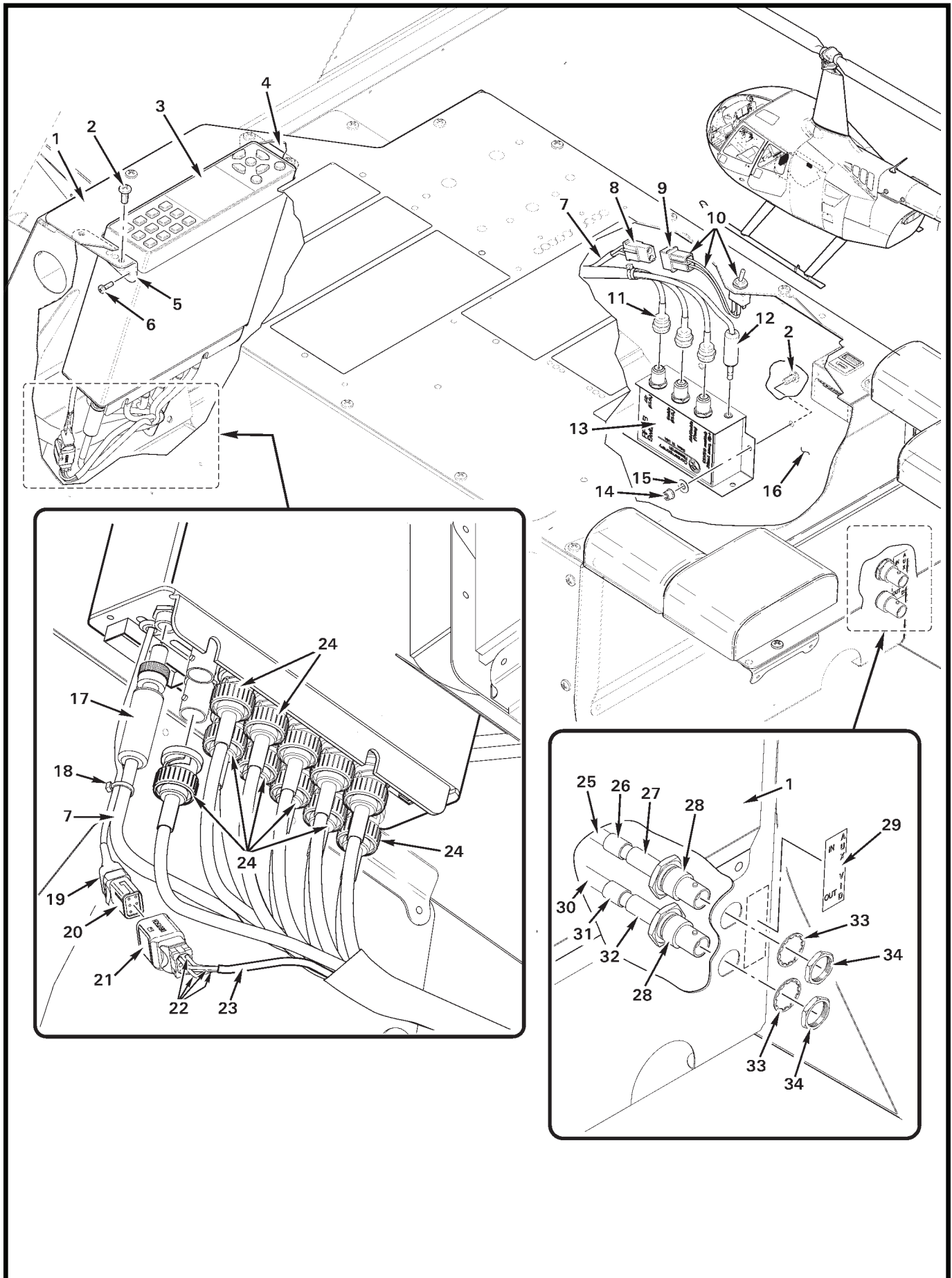


FIGURE AND INDEX NUMBER	PART NUMBER	DESCRIPTION	PARTS AVAIL	QTY PER ASSY
		VIDEO COMPONENTS INSTALLATION		
92-69-1	G470	Console Assembly (aft, Ref)		
2	MS27039C0806	Screw	X	6
3	BENXT430X	Video Router	X	1
4	D344-29	Angle Assembly (RH)	X	1
5	D344-27	Angle Assembly (LH)	X	1
6	MS35206-215	Screw	X	4
7	B161-4	Sleeving	X	A/R
8	B263-13	Housing	X	1
	B263-2	Socket	X	1
	B263-4	Socket	X	1
9	B263-12	Housing	X	1
	B263-1	Pin	X	2
10	B049-9	Switch Assembly (Includes item 9, wires, switch, heat shrink, assembled)	X	1
	B300-1	Switch Assembly	X	1
11	222126	Plug	O	3
12	171-2035	Plug	X	1
	B158-2	Heat Shrink	X	1
13	RH-AB	Switch – Video	X	1
14	MS21042L08	Nut	X	2
15	NAS1149FN816P	Washer	X	2
16	G471-6	Panel (RH, Ref)		
17	S761K	Plug	X	1
	B158-2	Heat Shrink	X	A/R
18	MS3367-4-0	Ty-rap (black)	X	A/R
19	B158-6	Heat Shrink (around item 20)	X	A/R
20	D269-6	Receptacle	X	1
21	D269-5	Receptacle	X	1
22	-2805*	Wires ([4] total, Ref)		
23	B158-2	Heat Shrink	X	A/R
24	2065-11-9	Plug (or 2025-47-9, BNC)	X	11
	B158-3	Heat Shrink	X	A/R
25	G459-2852*	Wire (Ref)		
26	B158-6	Heat Shrink (labeled "AUX VID IN")	X	A/R
27	B158-6	Heat Shrink (labeled "-2852")	X	1

NOTES * See R66 MM §92 wiring diagrams.

FIGURE AND INDEX NUMBER	PART NUMBER	DESCRIPTION	PARTS AVAIL	QTY PER ASSY
VIDEO COMPONENTS INSTALLATION (cont'd)				
92-69-28	112568	Jack (BNC, includes items 33 and 34)	X	2
29	G654-10	Decal – "AUX VID, IN, OUT"	X	1
30	G459-2853	Wire (Ref; see R66 MM §92 wiring diagrams)		
31	B158-6	Heat Shrink (labeled "-2853")	X	A/R
32	B158-6	Heat Shrink (labeled "AUX VID OUT")	X	A/R
33	—	Lockwasher	O	1
34	—	Nut	O	1
NOTES				

Intentionally Blank

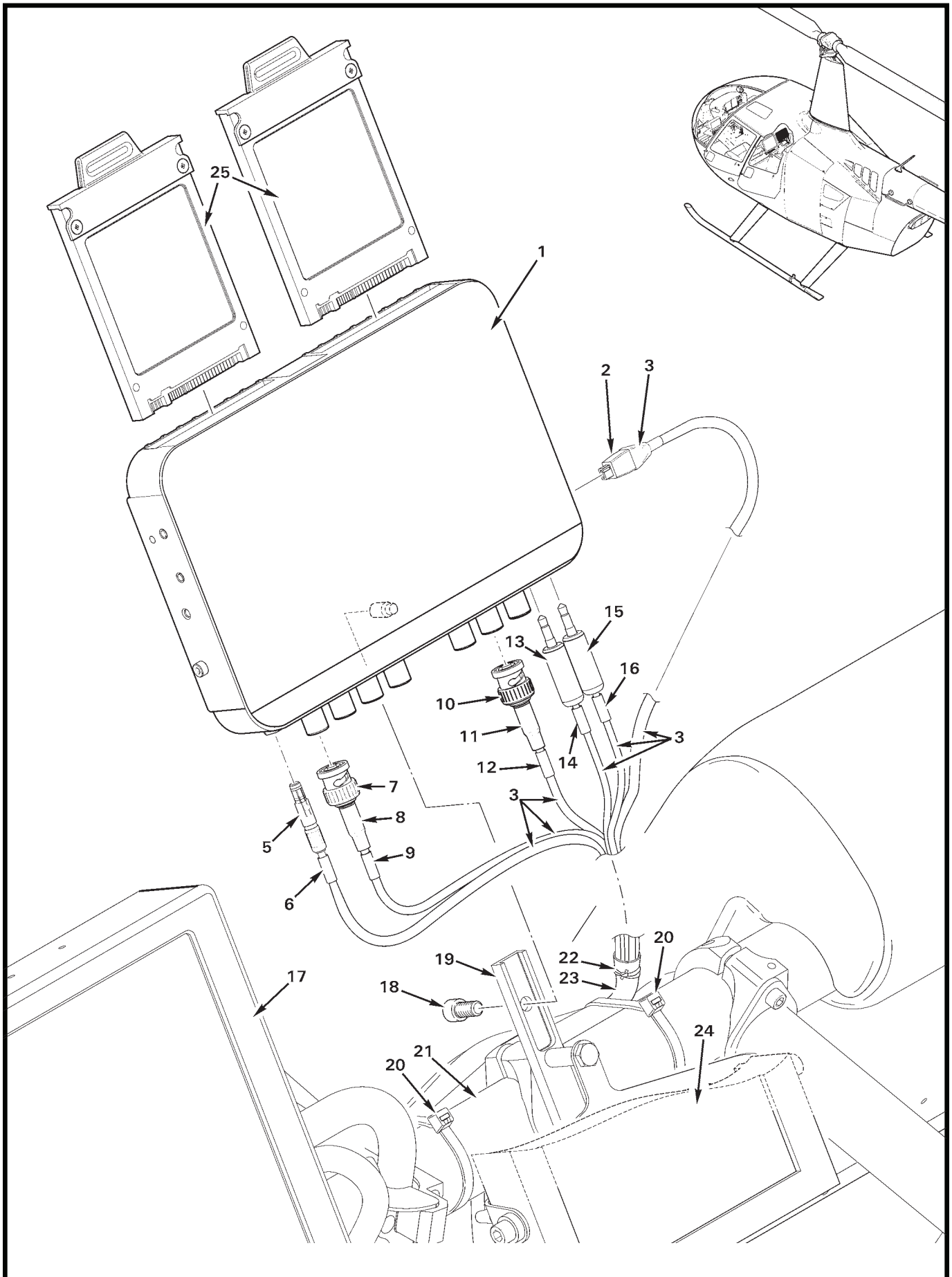


FIGURE AND INDEX NUMBER	PART NUMBER	DESCRIPTION	PARTS AVAIL	QTY PER ASSY
DVR/MONITOR INSTALLATION				
92-73-1	ODYSSEY7Q	DVR/Monitor (or ODYSSEY7QPLUS)	X	1
2	B158-804	Heat Shrink	X	A/R
3	B266-4	Sleeving	X	A/R
4	MQ172X-4SA-CV	Plug	X	1
	G459-2816*	Wire (Ref)		
5	NSC3F	Connector	X	1
	G459-904*	Wire (Ref)		
	G459-955*	Wire (Ref)		
6	B158-3	Heat Shrink (labeled "DVR PWR")	X	A/R
7	2065-11-9	Plug (BNC; or 2025-47-9)	X	1
	G459-758*	Wire (Ref; see R66 MM §92 wiring diagrams)		
8	B158-3	Heat Shrink (labeled "SDI A IN")	X	A/R
9	B158-3	Heat Shrink (labeled "-758")	X	A/R
10	2065-11-9	Plug (BNC; or 2025-47-9)	X	1
	G459-753*	Wire (Ref)		
11	B158-3	Heat Shrink (labeled "SDI A OUT")	X	A/R
12	B158-3	Heat Shrink (labeled "-753")	X	A/R
13	750	Plug	X	1
	G459-965*	Wire (Ref)		
14	B158-3	Heat Shrink (labeled "AUD IN")	X	A/R
15	750	Plug	X	1
	G459-968*	Wire (Ref)		
16	B158-3	Heat Shrink (labeled "AUD OUT")	X	A/R
17	HD10CINEROB	Monitor (Ref)		
18	NAS1352-4-8	Screw	X	1
19	G474-3	Bar (Ref)		
20	MS3367-7-0	Ty-rap	X	A/R
21	F423-1	Weldment (Ref)		
22	B268-3	Lacing Tape	X	A/R
23	B266-8	Sleeving	X	A/R
24	VFM-056W	Monitor (Ref)		
25	—	Solid State Drive (Ref; removable)		

NOTES * See R66 MM §92 wiring diagrams.

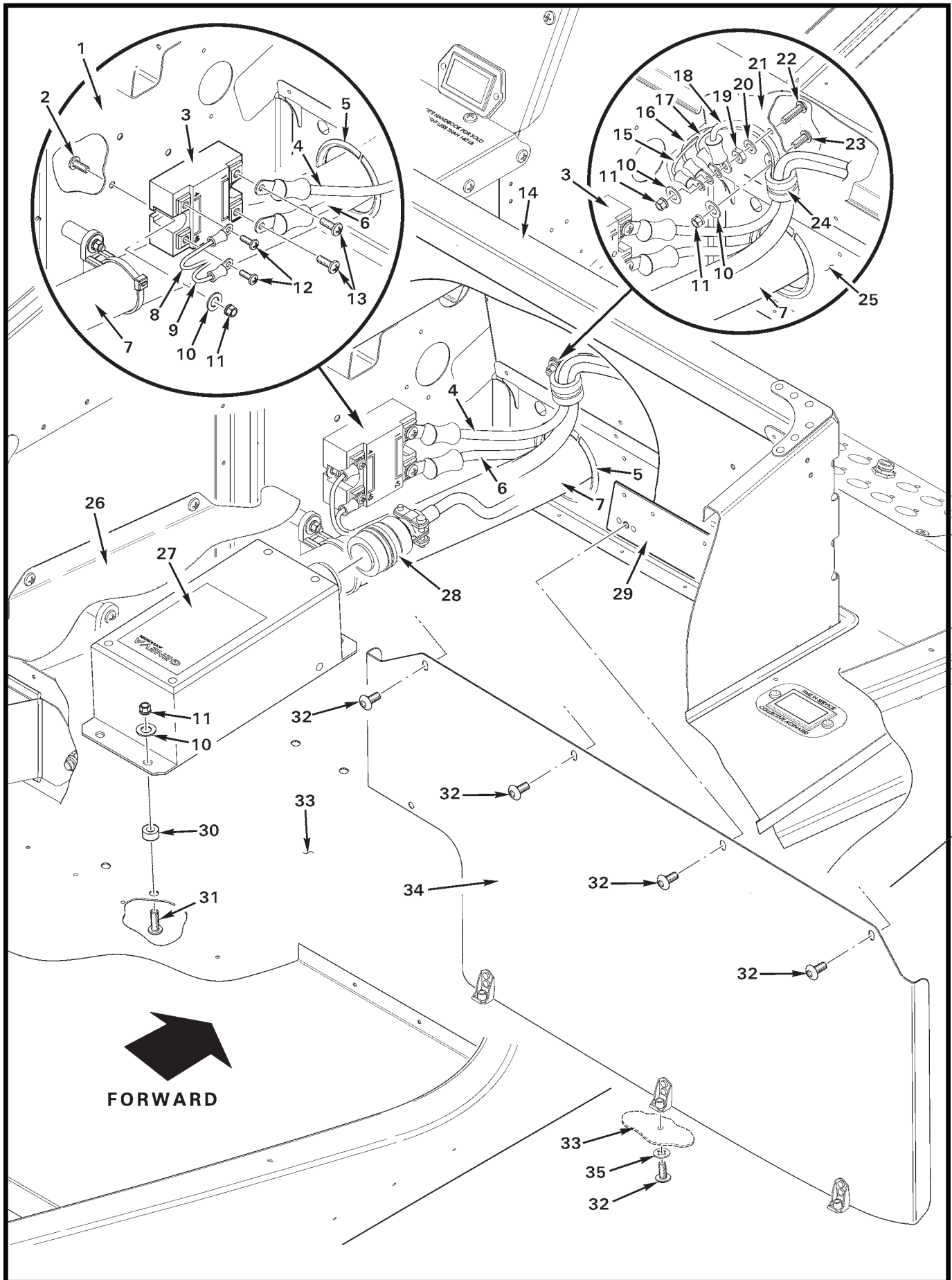


FIGURE AND INDEX NUMBER	PART NUMBER	DESCRIPTION	PARTS AVAIL	QTY PER ASSY
		G459 AUX ELECTRICAL SYSTEM – HARNESS ASSEMBLY		
92-75-1	F293-2	Keel Panel (RH, Ref)		
2	MS27039C0806	Screw	X	2
3	D06D100	Relay (Incl items 12 and 13)	X	1
4	G459-874*	Wire (Ref)		
5	NAS227-28	Grommet	X	1
6	A780-63	Cable Assembly (Ref)		
7	G459-1	Harness Assembly (Ref)		
8	G459-872*	Wire (Ref)		
9	G459-2406*	Wire (Ref)		
10	NAS1149FN816P	Washer	X	8
11	MS21042L08	Nut	X	8
12	—	Screw (small)	O	2
13	—	Screw (large)	O	2
14	F290-2	Support Assembly – Forward Seat (RH, Ref)		
15	G459-877*	Wire (Ref)		
16	G459-977*	Wire (Ref)		
17	G459-1142*	Wire (Ref)		
18	G459-2825*	Wire (Ref)		
19	B301-8	Nut	X	1
20	NAS1149DN832H	Washer	X	1
21	F352-2	Panel – Fwd (RH, Ref)		
22	B567-43	Screw	X	1
23	MS27039C0805	Screw	X	1
24	MS21919WDG__	Clamp (-4 thru -26 as required to prevent slack in harness) . .	X	1
25	G230-2	Bulkhead (RH, Ref)		
26	G702-11	Cover (Ref)		
27	G13053	Converter	X	1
28	D392-12	Harness Assembly	X	1
29	F362-5	Beam Assembly (Ref)		
30	A130-21	Spacer	X	4
31	MS27039C0809	Screw	X	4
32	B526-6	Screw	X	7
33	F272-1	Chin (Ref)		
34	G702-5	Cover Assembly (ENG)	X	1
	G702-9	Cover Assembly (SAS and ENG)	X	1

NOTES * See R66 MM §92 wiring diagrams.

Continues

FIGURE AND INDEX NUMBER	PART NUMBER	DESCRIPTION	PARTS AVAIL	QTY PER ASSY
92-75-35	B527-08	G459 AUX ELECTRICAL SYSTEM – HARNESS ASSEMBLY (Cont'd) Washer	X	3
NOTES				

Intentionally Blank

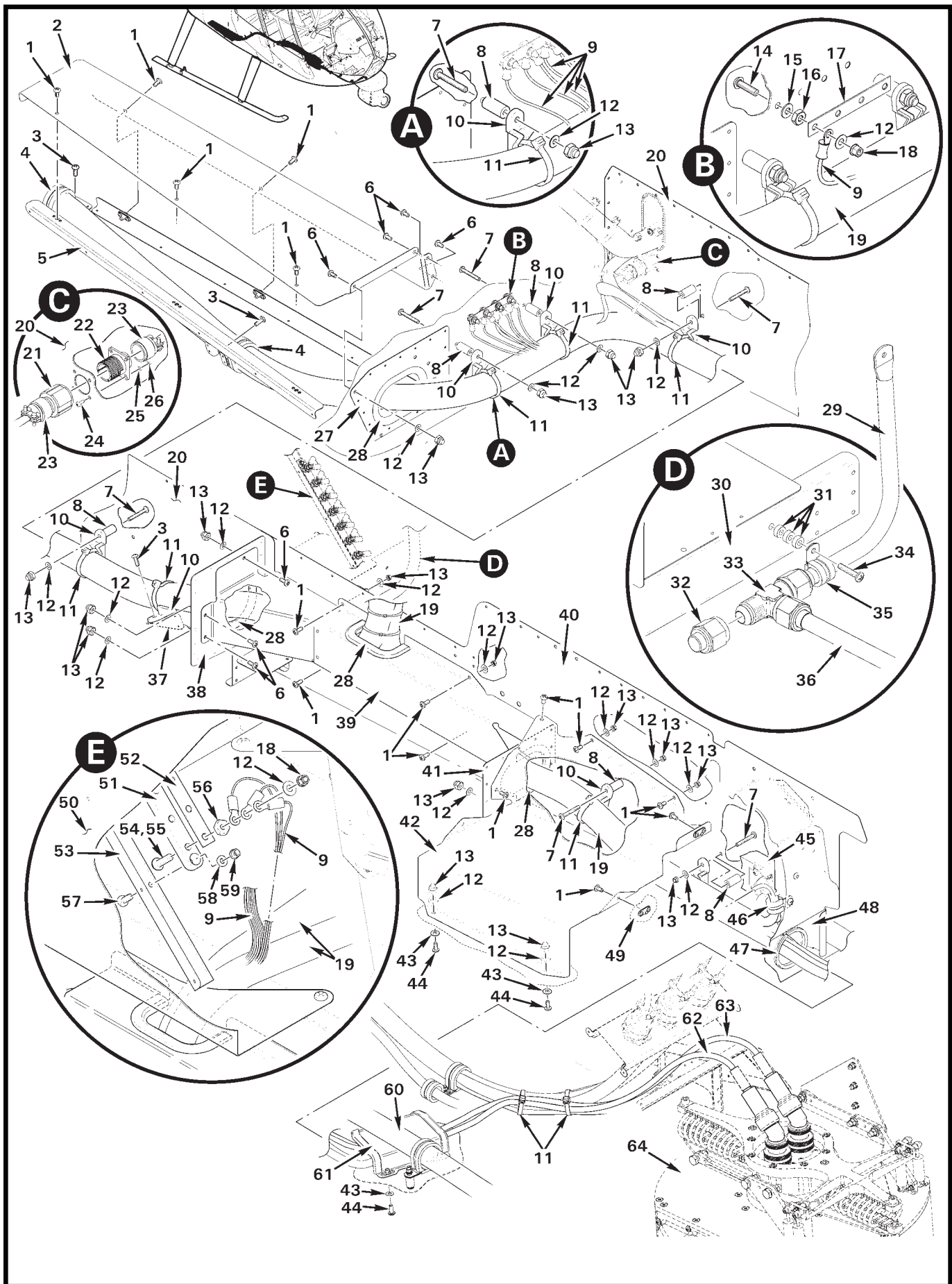


FIGURE AND INDEX NUMBER	PART NUMBER	DESCRIPTION	PARTS AVAIL	QTY PER ASSY
E.N.G. WIRE HARNESS INSTALLATION				
92-79-1	MS27039C0805	Screw	X	15
2	G701-1	Guard	X	1
3	MS27039C0807	Screw	X	3
4	MS21919WDG__	Clamp	X	2
5	G701-3	Angle Assembly (Ref)		
6	MS27039C0806	Screw	X	11
7	MS27039C819	Screw	X	5
8	C130-56	Spacer	X	5
9	G459*	Ground Wires (Ref)		
10	D268-2	Support	X	7
11	MS3367-7-0	Ty-rap	X	A/R
12	NAS1149FN816P	Washer	X	31
13	B340-4	Nut	X	15
14	B567-43	Screw	X	4
15	NAS1149DN832H	Washer	X	2
16	B301-8	Nut	X	4
17	A448-10	Bus Bar (4 holes)	X	1
18	MS21042L08	Nut	X	18
19	G459-1	Harness Assembly – Electrical (E.N.G.; Incl items 9, 21, and 23)	O	1
20	F292-2	Keel Panel (RH, aft; Ref)		
21	D38999/26FC	Plug	X	1
	B267-2	Terminator	X	A/R
	B158-8	Heat Shrink	X	A/R
	G459-1118*	Wire (Ref)		
	G459-1120*	Wire (Ref)		
	G459-1122*	Wire (Ref)		
	G459-1124*	Wire (Ref)		
	G459-1126*	Wire (Ref)		
	G459-1134*	Wire (Ref)		
	G459-1135*	Wire (Ref)		
	G459-1136*	Wire (Ref)		
	G459-1137*	Wire (Ref)		
	G459-1138*	Wire (Ref)		
	G459-1225*	Wire (Ref)		
	G459-1492*	Wire (Ref)		

NOTES * See R66 MM §92 wiring diagrams.

Continues

FIGURE AND INDEX NUMBER	PART NUMBER	DESCRIPTION	PARTS AVAIL	QTY PER ASSY
E.N.G. WIRE HARNESS INSTALLATION (cont'd)				
92-79-22	38999/20FC	Receptacle	X	1
23	MS5049/38-13W	Backshell	X	2
24	MS35206-214	Screw	X	4
25	NAS620-4L	Washer	X	4
26	MS21042L04	Nut	X	4
27	G701-2	Doubler (Ref)		
28	A226-15	Trim	X	A/R
29	G392-3	Diffuser Assembly (Ref; see Figure 21-35)		
30	F375-2	Channel (Ref)		
31	A130-37	Spacer	X	3
32	AN929-8D	Cap	X	1
33	AN824-8D	Tee (Ref, see Figure 21-35)		
34	MS27039C813	Screw	X	1
35	MS21919WCH8	Clamp	X	1
36	G391-4	Line Assembly (Ref; see Figure 21-35)		
37	G701-9	Mount Assembly (Ref)		
38	G700-1	Doubler (Ref)		
39	G700-3	Cover Assembly	X	1
40	F293-2	Keel Panel (RH, Ref)		
41	G700-2	Doubler (Ref)		
42	G702-11	Cover	X	1
43	B527-08	Washer	X	6
44	B526-6	Screw	X	6
45	D06D100	Relay (Ref, see Figure 92-75)		
46	MS21919WDG	Clamp (Ref, see Figure 92-75)		
47	NAS557-28	Grommet	X	1
48	G230-2	Bulkhead (RH, Ref)		
49	G702	Cover Assembly (Ref, see Figure 92-75)		
50	G471-2	Panel Assembly (RH, aft console; Ref)		
51	C448-3	Block Assembly (Incl items 52, and 54 thru 56)	X	1
52	A448-14	Bus Bar (eight holes)	X	1
53	G307-7	Stiffener (Ref)		
54	B567-43	Screw (install using item 55)	X	8
55	B270-9	Adhesive	X	A/R
56	B301-8	Nut	X	8

NOTES

Continues

FIGURE AND INDEX NUMBER	PART NUMBER	DESCRIPTION	PARTS AVAIL	QTY PER ASSY
E.N.G. WIRE HARNESS INSTALLATION (cont'd)				
92-79-57	MS35206-228	Screw	X	2
58	NAS620-6	Washer	X	2
59	MS21042L06	Nut	X	2
60	A785-39	Heater Hose (Ref; see Figure 21-33)		
61	G555-4	Shield Assembly	X	1
62	E204-6	Cable Assembly (Ref; see Figure 92-27)		
63	E195-2	Cable Assembly (Ref; see Figure 92-27)		
64	E801-1	Gimbal Assembly (Ref; see Figure 92-27)		

NOTES

Intentionally Blank

CHAPTER 95
INSTRUMENT SYSTEM

<i>Figure</i>	<i>Title</i>	<i>Page</i>
95-1	Garmin G500H Console – Instruments	95.0
95-5	Garmin G500H Console – GDU 620 Display	95.4
95-7	Garmin G500H Console – GDU 700L TXi Display	95.6
95-9	Garmin G500H Console – GDU 1060 TXi Display	95.8
95-11	Garmin G500H Console – Pitot/Static Tubes	95.10
95-13	Garmin G500H Console – Components	95.12
95-17	Aspen PFD Installation	95.16
95-19	Aspen PFD Installation – Pitot/Static Tubes	95.18
95-21	Aspen PFD and MFD Installation	95.20
95-25	Aspen PFD and MFD Installation – Pitot/Static Tubes	95.24
95-27	Eight-Instrument Console – Upper Panel	95.26
95-31	Eight-Instrument Console – Lower Panel	95.30
95-33	Eight-Instrument Console – Components	95.32
95-35	Seven-Instrument Console – Upper Panel	95.34
95-39	Seven-Instrument Console – Lower Panel	95.38
95-43	Nine-Instrument Console Assembly	95.42
95-45	Compass Installation	95.44
95-47	Pitot/Static Tubes Installation	95.46
95-51	Heated Pitot Installation	95.50

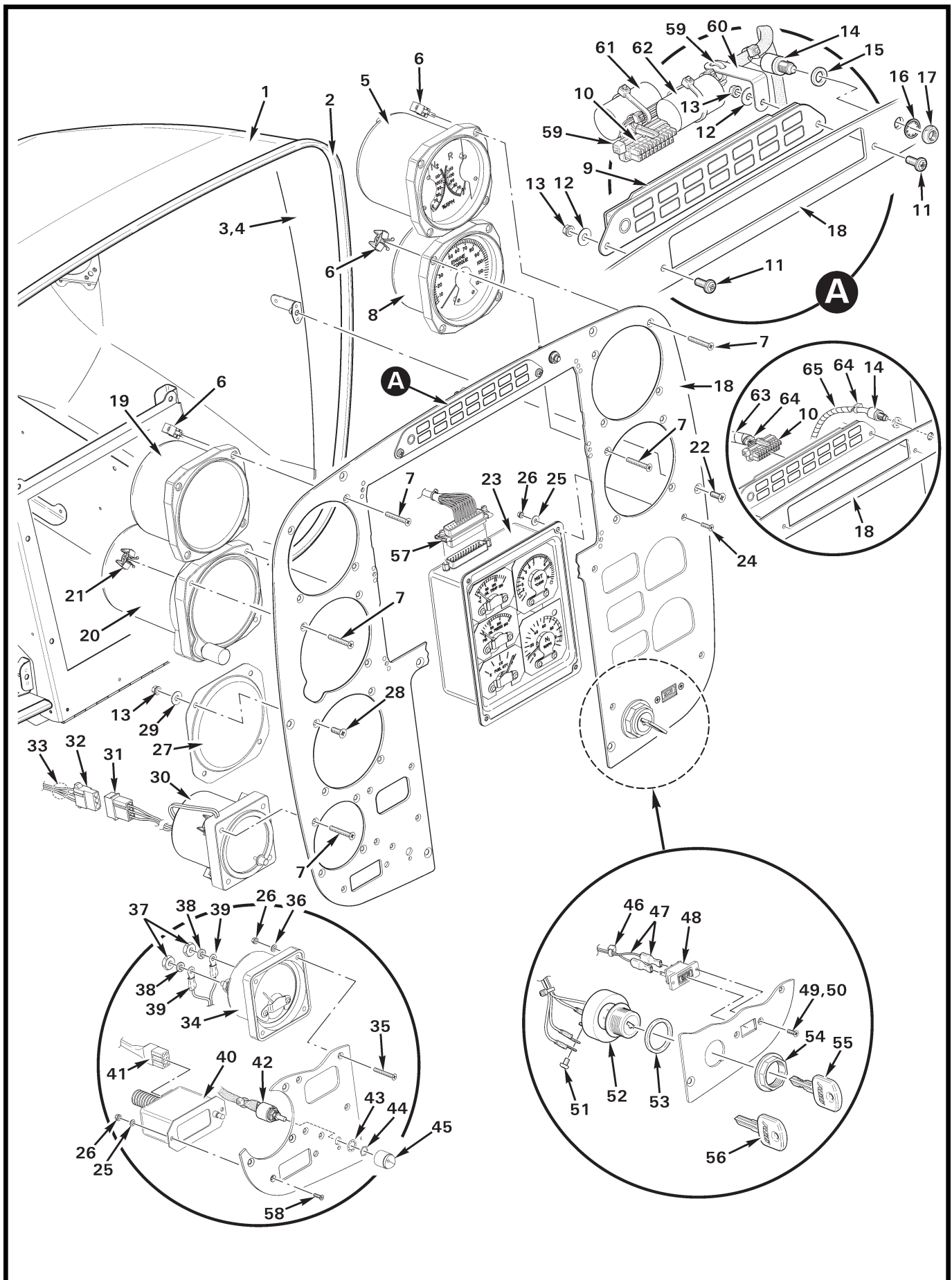


FIGURE AND INDEX NUMBER	PART NUMBER	DESCRIPTION	PARTS AVAIL	QTY PER ASSY
		GARMIN G500H CONSOLE – INSTRUMENTS		
95-1-1	G061	Shell Assembly (Ref)		
2	A226-11	Trim	X	A/R
3	G061-4	Liner (install using item 4)	X	1
4	B270-8qt	Adhesive	X	A/R
5	F792-1	Dual Tachometer	X	1
6	MS33737-15C	Nut	X	12
7	MS24693-S32	Screw	X	19
8	F600-2	Engine Torque Meter	X	1
9	G198-1	Panel – Annunciator	X	1
10	IPD1-10-D-P	Plug (Ref)		
11	MS35206-228	Screw	X	2
12	NAS1149FN616P	Washer	X	2
13	MS21042L06	Nut	X	A/R
14	B227-6	Switch Assembly (Incl items 15 thru 17)	X	1
15	94773A770	Washer	X	1
16	B227-3	Lockwasher	X	1
17	B227-4	Dress Nut	X	1
18	G065-1	Face Assembly (Ref)		
19	C599-2	Airspeed Indicator (140 knot V_{NE} , KM/H; rev. N or later)	X	1
	C599-2R	Airspeed Indicator (140 knot V_{NE} , KM/H; OH/EXCH)	X	A/R
	C599-1 *	Airspeed Indicator (130 knot V_{NE} , KM/H; rev. N or later)	X	1
	C599-1R*	Airspeed Indicator (130 knot V_{NE} , KM/H; OH/EXCH)	X	A/R
	C599-3	Airspeed Indicator (259 KM/H V_{NE} knots; optional, metric; rev. N or later)	X	1
	C599-3R	Airspeed Indicator (259 KM/H V_{NE} knots; optional, metric; OH/EXCH)	X	A/R
	C599-6	Airspeed Indicator (241 KM/H V_{NE} knots; optional, metric; rev. N or later)	X	1
	C599-6R	Airspeed Indicator (241 KM/H V_{NE} knots; optional, metric; OH/EXCH)	X	A/R
	C599-7**	Airspeed Indicator (120 knot V_{NE} , KM/H; rev. N or later)	X	1
	C599-7R**	Airspeed Indicator (120 knot V_{NE} , KM/H; OH/EXCH)	X	A/R
20	A613-1	Altimeter	X	1
21	MS33737-13C	Nut	X	3
22	MS24694-S4	Screw	X	8
23	G144-6	Instrument Cluster	X	1

NOTES * Police Helicopter; Float equipped helicopter.
 ** Electronic News Gathering (E.N.G.) Helicopter.

Continues

FIGURE AND INDEX NUMBER	PART NUMBER	DESCRIPTION	PARTS AVAIL	QTY PER ASSY
GARMIN G500H CONSOLE – INSTRUMENTS (Cont'd)				
95-1-24	MS24693-S5	Screw	X	4
25	NAS1149FN432P	Washer	X	6
26	MS21042L04	Nut	X	10
27	B190-6	Cover	X	A/R
28	MS24693-S27	Screw	X	A/R
29	NAS1149FN616P	Washer	X	A/R
30	A072-13	Clock Assembly	X	1
31	B263-14	Housing	X	1
	B263-1	Pin	X	3
32	B263-15	Housing	X	1
	B263-2	Socket	X	3
33	G717-133	Wire (Ref)		
	G717-134	Wire (Ref)		
	G717-137	Wire (Ref)		
34	G143-2	Ammeter (Incl item 37)	X	1
35	MS24693-S8	Screw	X	4
36	NAS620-4L	Washer	X	4
37	—	Nut	X	2
38	B332-42	Lockwasher	X	2
39	B260-3	Terminal	X	A/R
	G717-2312	Wire (Ref)		
	G717-2313	Wire (Ref)		
40	B341-1	Gage (OAT)	X	1
41	B341-4	Probe Assembly (OAT)	X	1
42	B398-1	Potentiometer (Ref)		
43	—	Lockwasher	O	1
44	—	Nut	O	1
45	MS91528-0C1B	Knob	X	1
46	MS3367-5-0	Ty-Rap	X	A/R
47	B262-1	Receptacle	X	2
	G717-2058	Wire (Ref)		
	G717-2275	Wire (Ref)		
48	G198-3	Indicator	X	1
49	MS24693-S4	Screw (install using item 50)	X	2
50	B270-20	Adhesive	X	A/R

NOTES

Continues

FIGURE AND INDEX NUMBER	PART NUMBER	DESCRIPTION	PARTS AVAIL	QTY PER ASSY
GARMIN G500H CONSOLE – INSTRUMENTS (Cont'd)				
95-1-51	—	Screw (#8)	O	3
52	F661-2	Switch (Incl item 51 and 54)	X	1
53	C130-60	Spacer	X	1
54	—	Nut	O	1
55	R8096	Key – Duplicate (Specify ship S/N and “PK” numbers when ordering.)	X	1
56	D768-8	Key (blank; black plastic-coated “R66” Logo)	X	1
57	B269-12	Receptacle	X	1
58	MS24693-S4	Screw	X	2
59	MS3367-4-9	Ty-Rap	X	2
60	B181-12	Support	X	1
61	G655-2	Time Delay – Fuel Filter	X	1
62	G655-1	Time Delay – Low Fuel	X	1
63	B161-4*	Spirap	X	A/R
64	MS3367-4-9*	Ty-Rap	X	4
65	B161-2*	Spirap	X	A/R

NOTES * See R66 SB-15 for earlier aircraft.

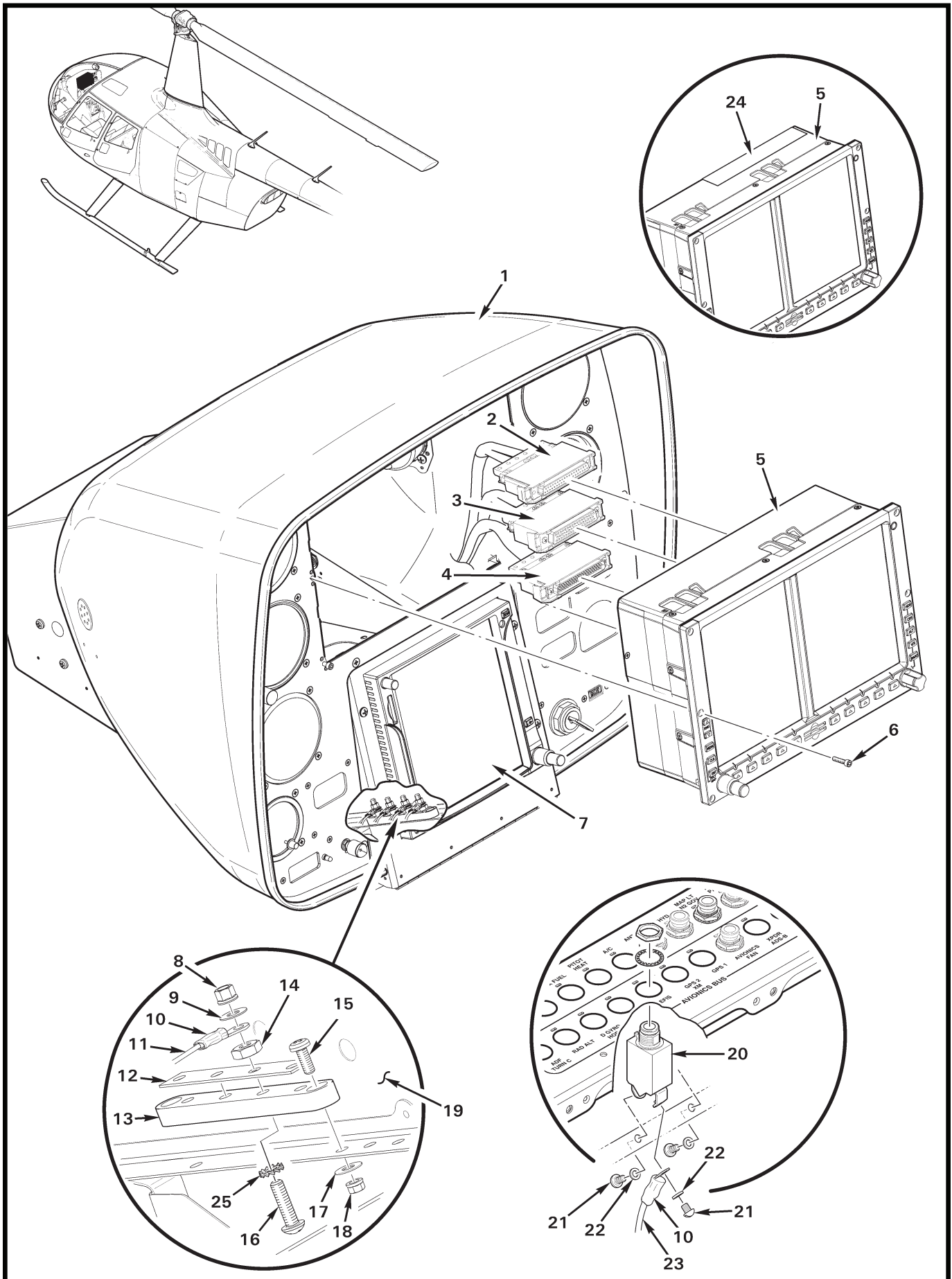


FIGURE AND INDEX NUMBER	PART NUMBER	DESCRIPTION	PARTS AVAIL	QTY PER ASSY
GARMIN G500H CONSOLE – GDU 620 DISPLAY				
95-5-1	G060	Console Assembly (Ref)		
2	—	Connector (Ref)		
3	—	Connector (Ref)		
4	—	Connector (Ref)		
5	GDU 620*	Display (PFD and MFD; includes items 2 thru 4, and 6)	X	1
6	211-64307-14*	Screw	O	6
7	GTN 700*	GPS Navigator Display (Ref, or GTN 600-series display [not shown]. See Figure 97-1 for installation.)		
8	MS21042L08	Nut	X	1
9	NAS1149FN816P	Washer	X	1
10	-2564	Wire (ground, Ref)		
11	B260-2	Terminal	X	1
12	A448-10	Bus Bar (4 holes)	X	1
13	C448-5	Block (4 holes)	X	1
14	B301-8	Nut	X	1
15	MS35206-228	Screw	X	2
16	B567-43	Screw	X	1
17	NAS1149FN616P	Washer	X	2
18	MS21042L06	Nut	X	2
19	F033	Lower Console Assembly (Ref)		
20	B297-5	Circuit Breaker (5 amp, includes items 21 and 22)	X	1
21	—	Screw	O	2
22	—	Washer	O	2
23	-2563	Wire (power, Ref)		
24	A701-5	Tape (earlier ships; see R66 SB-15)	X	A/R
25	91120A130	Washer	X	1

NOTES * Garmin part no.

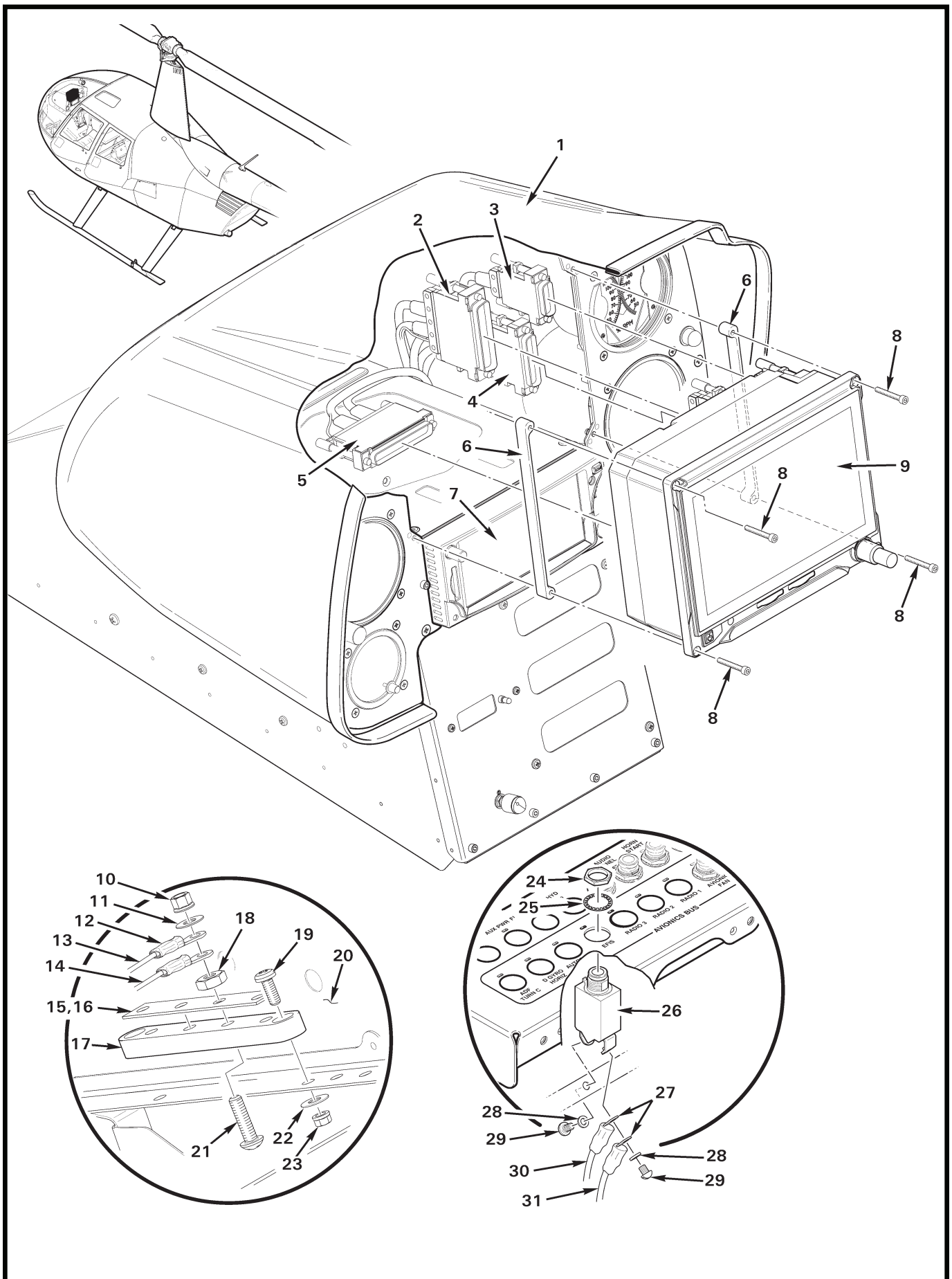


FIGURE AND INDEX NUMBER	PART NUMBER	DESCRIPTION	PARTS AVAIL	QTY PER ASSY
		GARMIN G500H CONSOLE – GDU 700L TXi DISPLAY		
95-7-1	G070	Console Assembly (Ref)		
2	—	Connector (Ref; “J4”)		
3	—	Connector (Ref; “J1”)		
4	—	Connector (Ref; “J2”)		
5	—	Connector (Ref; “J3”)		
6	A356-14	Spacer	X	2
7	GTN 625*	GPS (Ref; See Figure 97-1 for installation.)		
	GTN 635*	GPS/COM (Ref; See Figure 97-1 for installation.)		
	GTN 650*	GPS/NAV/COM (Ref; See Figure 97-1 for installation.)		
8	211-64307-14*	Screw (or NAS1352-06-16)	O	4
9	GDU 700L TXi*	Display (PFD and MFD; includes items 2 thru 6)	X	1
10	MS21042L08	Nut	X	1
11	NAS1149FN816P	Washer	X	1
12	B260-3	Terminal	X	1
13	-2564	Wire (Ref;ground, GDU 700L TXi display)		
14	-2589	Wire (Ref;ground, GSU 75 ADAHRS)		
15	C448-2	Terminal Block Assembly (Incl items 16 thru 18, and 21)	X	1
16	A448-10	Bus Bar (4 holes)	X	1
17	C448-5	Block (4 holes)	X	1
18	B301-8	Nut	X	1
19	MS35206-228	Screw	X	2
20	F033	Lower Console Assembly (Ref)		
21	B567-43	Screw (B270-9 adhesive under screw head)	X	1
22	NAS1149FN616P	Washer	X	2
23	MS21042L06	Nut	X	2
24	—	Nut	O	1
25	—	Washer	O	2
26	B297-5	Circuit Breaker (5 amp, includes items 24, 25,28 and 29)	X	1
27	B260-2	Terminal	X	2
28	—	Washer	O	2
29	—	Screw	O	2
30	-2563	Wire (Ref; power, GDU 700L TXi display)		
31	-2695	Wire (Ref; power, GSU 75 ADAHRS)		

NOTES * Garmin part no.

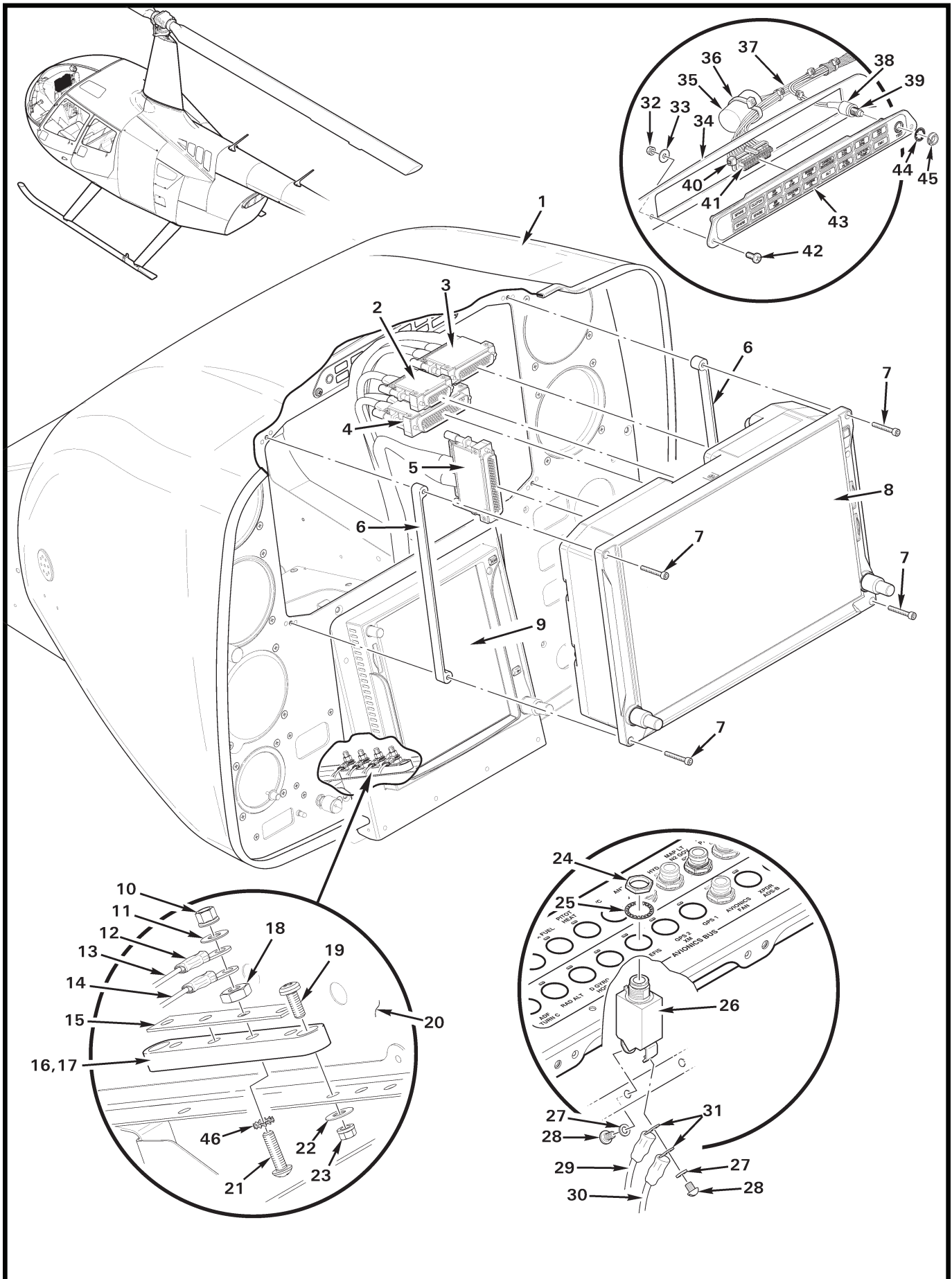


FIGURE AND INDEX NUMBER	PART NUMBER	DESCRIPTION	PARTS AVAIL	QTY PER ASSY
		GARMIN G500H CONSOLE – GDU 1060 TXi DISPLAY		
95-9-1	G060	Console Assembly (Ref)		
2	—	Connector (Ref; “J1”)		
3	—	Connector (Ref; “J2”)		
4	—	Connector (Ref; “J4”)		
5	—	Connector (Ref; “J3”)		
6	A356-15	Spacer	X	1
7	211-64307-14*	Screw (or NAS1352-06-16)	O	4
8	GDU 1060 TXi*	Display (PFD and MFD; includes items 2 thru 5, and 7)	X	1
9	GTN 750Xi*	GPS/NAV/COM (Ref; See Figure 97-1 for installation.)		
	GTN 725Xi*	GPS (Ref; See Figure 97-1 for installation. Not shown.)		
	GTN 650Xi*	GPS/NAV/COM – Single (Ref; See Figure 97-1 for installation. Not shown.)		
	GTN 635Xi*	GPS/COM – Single (Ref; See Figure 97-1 for installation. Not shown.)		
	GTN 625Xi*	GPS (Ref; See Figure 97-1 for installation. Not shown.)		
10	MS21042L08	Nut	X	1
11	NAS1149FN816P	Washer	X	1
12	B260-3	Terminal	X	1
13	-2564	Wire (Ref;ground, GDU 1060 TXi display)		
14	-2589	Wire (Ref;ground, GSU 75 ADAHRS)		
15	A448-10	Bus Bar (4 holes)	X	1
16	C448-2	Terminal Block (4 holes; incl items 15,17, 18, 21 and 46) . . .	X	1
17	C448-5	Block (4 holes)	X	1
18	B301-8	Nut	X	4
19	MS35206-228	Screw	X	2
20	F033	Lower Console Assembly (Ref)		
21	B567-43	Screw	X	4
22	NAS1149FN616P	Washer	X	2
23	MS21042L06	Nut	X	2
24	—	Nut	O	1
25	—	Washer	O	2
26	B297-5	Circuit Breaker (5 amp, includes items 24, 25, 27 and 28) . . .	X	1
27	—	Lockwasher	O	2
28	—	Screw (6-32 x 3/16 or 1/4 inch as required)	O	2
29	-2563	Wire (Ref; power, GDU 1060 TXi display)		

NOTES * Garmin part no.

Continues

FIGURE AND INDEX NUMBER	PART NUMBER	DESCRIPTION	PARTS AVAIL	QTY PER ASSY
		GARMIN G500H CONSOLE – GDU 1060 TXi DISPLAY (Cont'd)		
95-9-30	-2695	Wire (Ref; power, GSU 75 ADAHRS)		
31	B260-2	Terminal	X	2
32	MS21042L06	Nut	X	2
33	NAS1149FN616P	Washer	X	2
34	G065	Face Assembly (Ref)		
35	G655-2	Time Delay Assembly – Fuel Filter	X	1
36	MS3367-5-0	Ty-Rap	X	1
37	G717-04	Harness Assembly – Console (Ref)		
38	B158-6	Heat Shrink	X	A/R
39	B227-6	Switch Assembly (Incl items 44 and 45)	X	1
40	MS3367-4-9	Ty-Rap	X	2
41	IPD1-12-D-P	Plug	X	1
	CC79L-2024-01-F	Socket	X	20
42	MS35206-228	Screw	X	2
43	G198-6	Panel – Annunciator (standard)	X	1
	G198-7	Panel – Annunciator (lithium battery installed, not shown)	X	1
44	B227-3	Lockwasher	X	1
45	B227-4	Dress Nut	X	1
46	91120A130	Washer	X	4

NOTES

Intentionally Blank



FIGURE AND INDEX NUMBER	PART NUMBER	DESCRIPTION	PARTS AVAIL	QTY PER ASSY
GARMIN G500H CONSOLE – PITOT/STATIC TUBES				
95-11-1	G060	Console Assembly (Ref)		
2	C599	Airspeed Indicator (Ref)		
3	10-4-2-N-0	Fitting	X	2
4	A729-27	Tube	X	1
5	A729-23	Tube	X	2
6	50-4-N-0	Elbow	X	1
7	A613-1	Altimeter (Ref)		
8	A729-70	Tube	X	1
9	60-4-2-N-0	Tee	X	1
10	15-4-N-0	Union	X	2
11	A729-28	Tube	X	2

NOTES

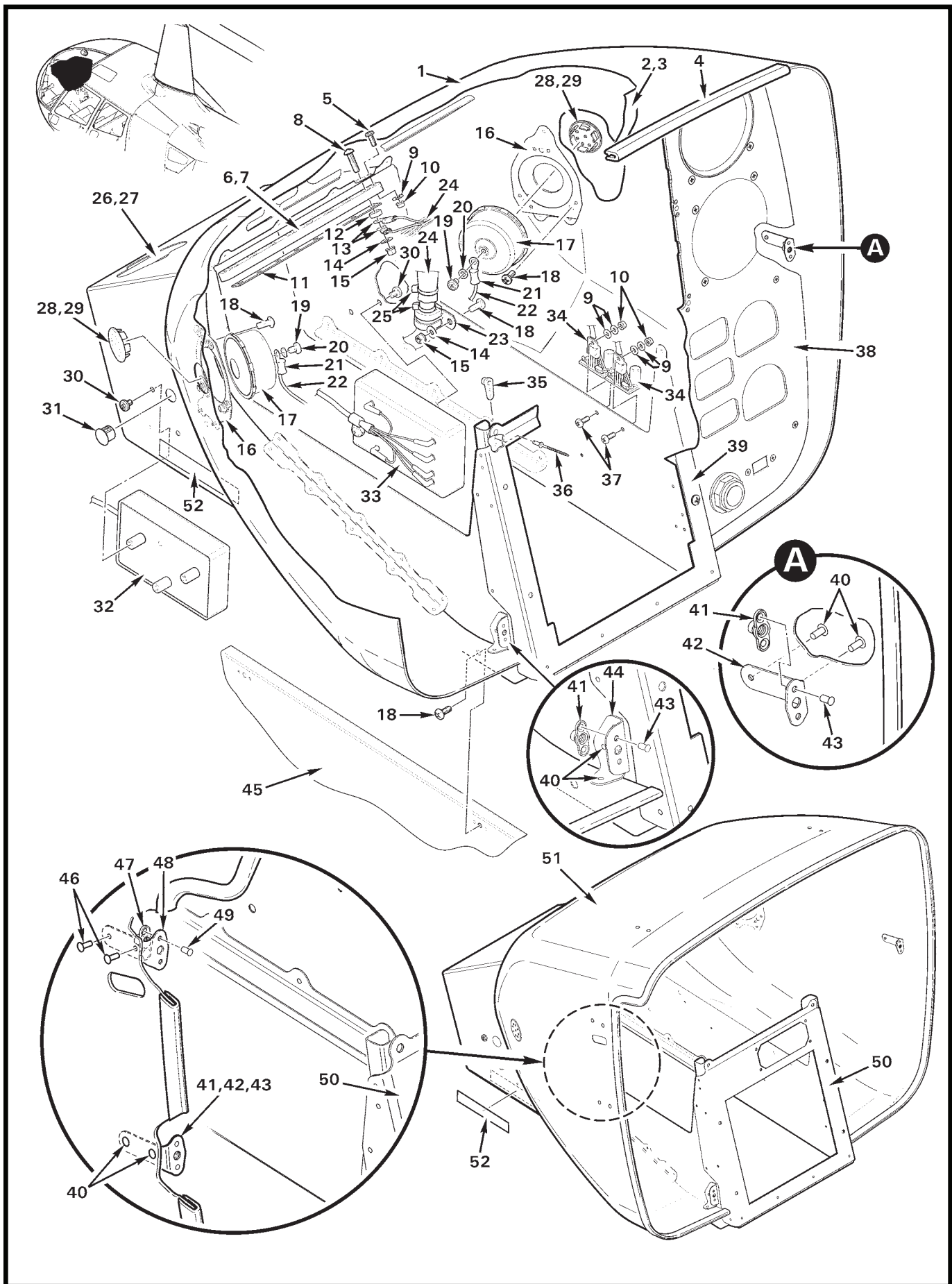


FIGURE AND INDEX NUMBER	PART NUMBER	DESCRIPTION	PARTS AVAIL	QTY PER ASSY
		GARMIN G500H CONSOLE – COMPONENTS		
95-13-1	G061-1	Shell Assembly (Garmin GTN 600-series GPS installed. Includes items 2 thru 4, 16, 28, 29, 35, 36, and 39 thru 44.)	X	1
	G061-2	Shell Assembly (Garmin GTN 600-series GPS installed. Includes items 2 thru 4, 16, 28, 29, 35, 36, and 39 thru 44.)	X	1
	G061-3	Shell Assembly (Garmin GTN 700-series GPS installed. Includes items 2 thru 4, 16, 28, 29, 35, 36, and 39 thru 44.)	X	1
2	G061-4	Liner (vinyl, install using item 3)	X	1
3	B270-8qt	Adhesive	X	A/R
4	A226-11	Trim	X	A/R
5	MS53206-228	Screw	X	2
6	C448-3	Block Assembly (Incl items 7, 8, 11, and 12)	X	1
7	C448-6	Block	X	1
8	B567-43	Screw (install using B270-9 adhesive)	X	8
9	NAS620-6	Washer	X	6
10	MS21042L06	Nut	X	4
11	A448-14	Bus Bar (8 holes)	X	1
12	B301-8	Nut	X	8
13	B260-2	Terminal	X	18
14	NAS1149FN816P	Washer	X	9
15	MS21042L08	Nut	X	9
16	C479-1	Mount Assembly (Ref)		
17	B320-3	Horn Assembly (includes items 19 thru 22, and 1-pin connector)	X	2
18	MS27039C0806	Screw	X	11
19	MS35206-241	Screw	X	1
20	B332-42	Lock Washer	X	1
21	B260-3	Terminal	X	2
22	B320-79	Wire (Ref)		
23	MS21919WDG_	Clamp (clamp size as required to prevent play in wire harness installation)	X	1
24	G717-01	Wire Harness Assembly (Ref; includes items 13, 25, and 34)		
25	MS3367-5-9	Ty-Rap	X	A/R
26	A226-3	Seal (install using item 27)	X	A/R
27	B270-13	Sealant	X	A/R
28	9688K643	Hole Plug (install using item 29)	X	2
29	B270-18	Adhesive	X	A/R

NOTES

Continues

FIGURE AND INDEX NUMBER	PART NUMBER	DESCRIPTION	PARTS AVAIL	QTY PER ASSY
GARMIN G500H CONSOLE – COMPONENTS (Cont'd)				
95-13-30	MS35206-241	Screw	X	6
31	2633	Hole Plug	X	1
32	A569-11	Low RPM Warning Unit (includes connector)	X	1
33	B395-1	Dimmer Assembly (includes connector)	X	1
34	D359-1	Regulator Assembly	X	2
35	MS21071L08	Nutplate	X	2
36	MS20605R3W2	Rivet (blind)	X	4
37	MS35206-228	Screw	X	2
38	G065	Face Assembly (Ref)		
39	G064	Face Assembly (Ref)		
40	MS20470AD3	Rivet	X	16
41	MS21069L08	Nutplate	X	6
42	B181-6	Angle	X	4
43	NAS1097AD3	Rivet	X	12
44	B181-11	Angle (RH, install using item 40 [4])	X	1
	B181-10	Angle (LH, install using item 40 [4], not shown)	X	1
45	F033	Lower Console Assembly (Ref)		
46	MS20470AD3	Rivet	X	2
47	MS21069L08	Nutplate	X	1
48	B181-6	Angle	X	1
49	NAS1097AD3	Rivet	X	2
50	G064-7	Face Assembly (Ref)		
51	G061-5	Shell Assembly (Police Helicopter. Technisonic TDFM-9000 transceiver installed. Includes items 2 thru 4, 16, 28, 29, 35, 36, 39 thru 44, and 46 thru 50.)	X	1
52	G682-25	Decal – “BEFORE LIFTING CONSOLE...”	X	1

NOTES

Intentionally Blank

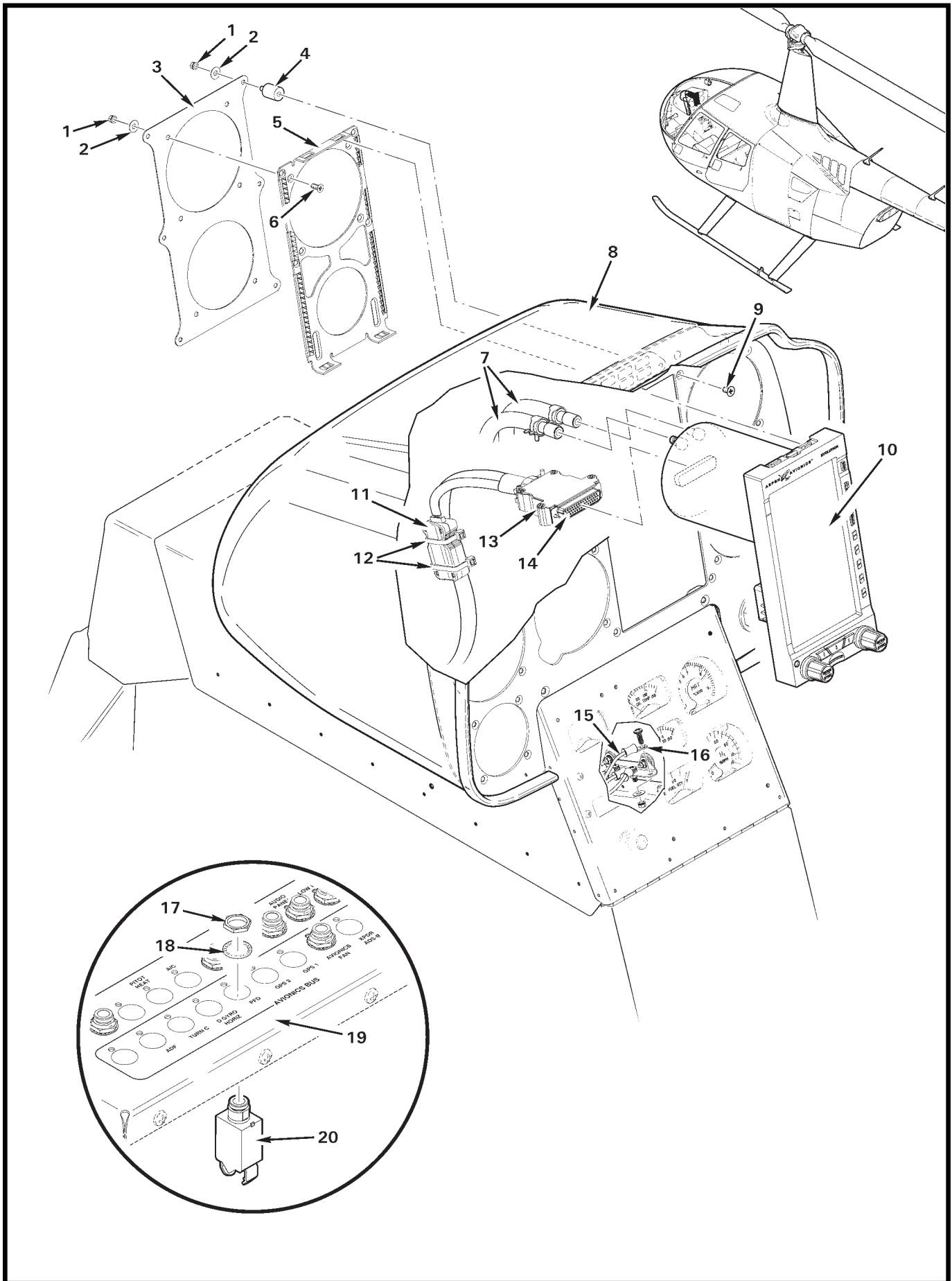


FIGURE AND INDEX NUMBER	PART NUMBER	DESCRIPTION	PARTS AVAIL	QTY PER ASSY
ASPEN PFD INSTALLATION				
95-17-1	MS21042L06	Nut	X	12
2	NAS1149FN616P	Washer	X	12
3	C801-1	Panel	X	1
4	248-00002-001	Isolator	O	6
5	403-00003-001	Bracket	O	1
6	MS24693-S26	Screw	X	6
7	A729-48	Tube (Ref, see Figure 95-19)		
8	G050-8	Console Assembly (Ref)		
9	MS24693-S24	Screw	X	6
10	910-00001-104	Module (PFD, Aspen)	O	1
11	920-00004-117	Module	O	1
12	MS3367-4-9	Ty-Rap	X	2
13	116-00026-006	Backshell	O	1
14	116-00022-002	Connector	O	1
15	-2557	Wire (Ref; ground)		
16	B260-3	Terminal	X	1
17	—	Nut	O	1
18	—	Lockwasher	O	1
19	F490	Circuit Breaker Panel (Ref)		
20	B297-7	Circuit Breaker (7.5 amp, includes items 17 and 18)	X	1

NOTES

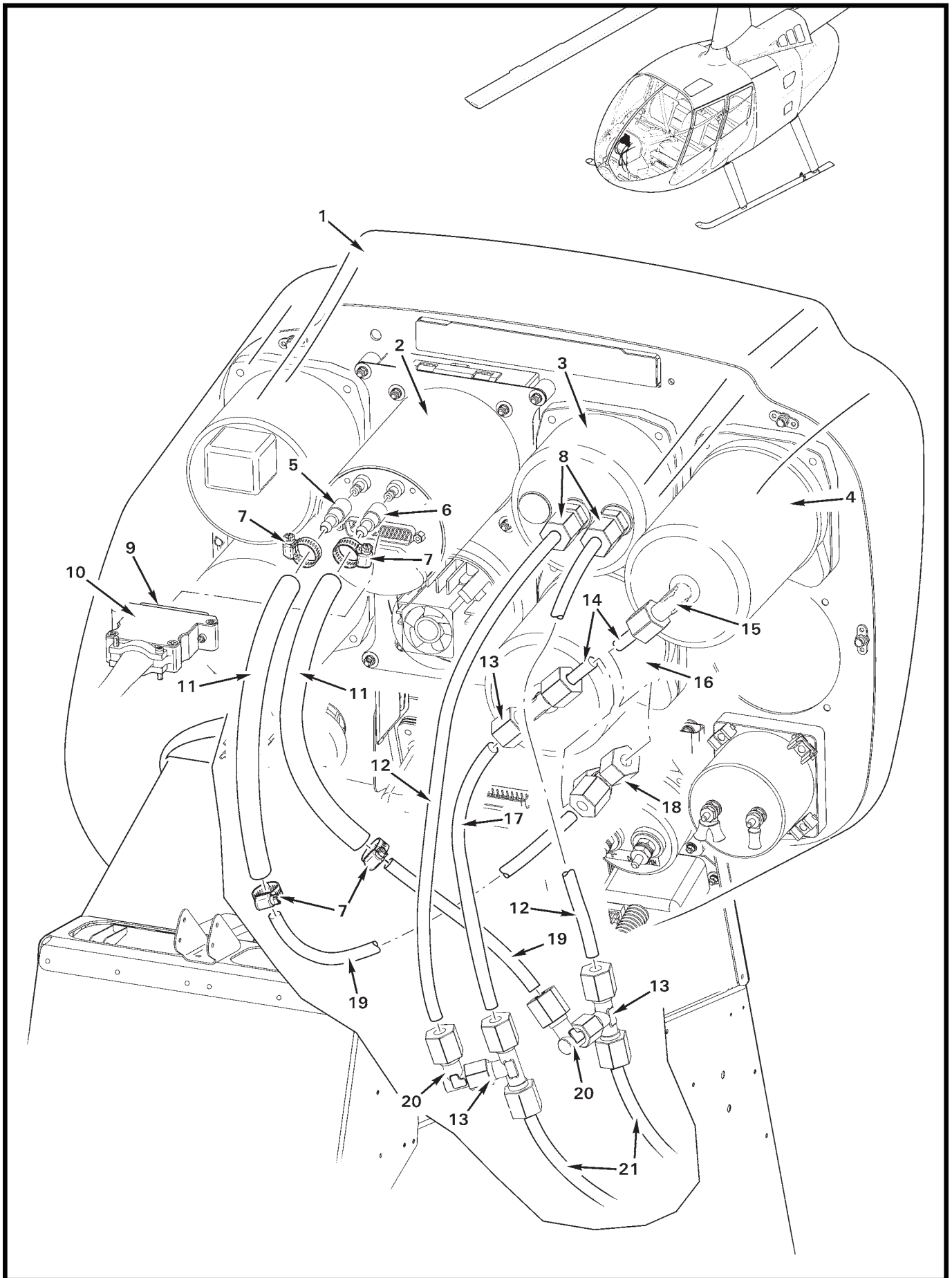


FIGURE AND INDEX NUMBER	PART NUMBER	DESCRIPTION	PARTS AVAIL	QTY PER ASSY
ASPEN PFD INSTALLATION – PITOT/STATIC TUBES				
95-19-1	G050-8	Console Assembly (Ref)		
2	910-00001-104	Module (PFD, Aspen)	O	1
3	C599	Airspeed Indicator (Ref)		
4	A602-1	Rate-of-Climb Indicator (Ref)		
5	275-00001-001	Coupler (static)	O	1
6	275-00001-002	Coupler (pitot)	O	1
7	271-00001-001	Clamp	O	4
8	10-4-2-N-0	Fitting	X	2
9	116-00022-002	Connector	O	1
10	116-00026-006	Backshell	O	1
11	A729-48	Tube	X	2
12	A729-23	Tube	X	2
13	60-4-2-N-0	Tee	X	3
14	A729-27	Tube	X	2
15	40-4-2-N-0	Elbow	X	1
16	A613	Altimeter (Ref, see Figure 95-1)		
17	A729-25	Tube	X	1
18	70-4-N-0	Tee	X	1
19	A729-52	Tube	X	1
20	45-4-2-N-0	Elbow	X	2
21	A729-28	Tube	X	2
NOTES				

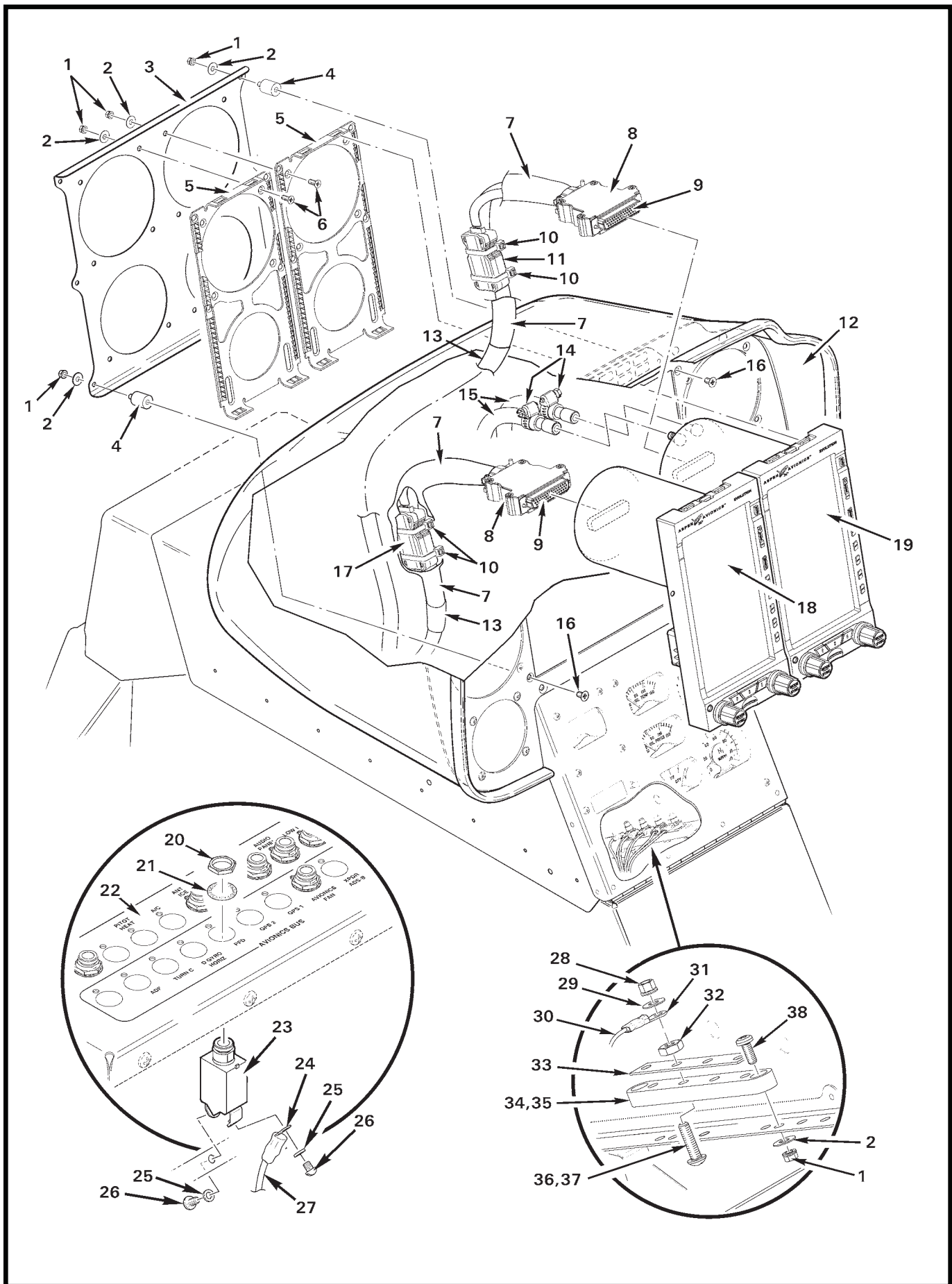


FIGURE AND INDEX NUMBER	PART NUMBER	DESCRIPTION	PARTS AVAIL	QTY PER ASSY
ASPEN PFD AND MFD INSTALLATION				
95-21-1	MS21042L06	Nut	X	18
2	NAS1149FN616P	Washer	X	18
3	C801-2	Plate	X	1
4	248-00002-001	Isolator	O	6
5	403-00003-001	Bracket	O	2
6	MS24693-S26	Screw	X	12
7	B274-607	Braid (tin-plated copper)	X	A/R
8	116-00026-006	Backshell	O	2
9	116-00022-002	Connector	O	2
10	MS3367-4-9	Ty-Rap	X	4
11	920-00004-117	Configuration Module	O	1
12	G050-8	Console Assembly (Ref)		
13	7861K46	Heat Shrink	O	2
14	271-00001-001	Clamp	O	4
15	A729-48	Tube (Ref, see Figure 95-25)		
16	MS24693-S24	Screw	X	6
17	920-00004-105	Configuration Module	O	1
18	910-00001-102	Module (MFD, Aspen)	O	1
19	910-00001-104	Module (PFD, Aspen)	O	1
20	—	Nut	O	1
21	—	Lockwasher	O	1
22	F490-1	Circuit Breaker Panel (Ref)		
23	B297-7	Circuit Breaker (7.5 amp, includes items 20, 21, 25, and 26) . .	X	1
24	B260-2	Terminal	X	1
25	—	Washer	O	2
26	—	Screw	O	2
27	-2555	Wire (Ref, power)		
28	MS21042L08	Nut	X	1
29	NAS1149FN816P	Washer	X	1
30	-2557	Wire (Ref; ground)		
31	B260-3	Terminal	X	1
32	B301-8	Nut	X	1
33	A448-10	Bus Bar (4 hole)	X	1
34	C448-2	Block Assembly (Incl items 32, 33, and 35 thru 37)	X	1
35	C448-5	Block	X	1

NOTES

Continues

FIGURE AND INDEX NUMBER	PART NUMBER	DESCRIPTION	PARTS AVAIL	QTY PER ASSY
ASPEN PFD/MFD INSTALLATION (Cont'd)				
95-21-36	B567-43	Screw (install using item 37)	X	1
37	B270-9	Adhesive	X	A/R
38	MS35206-228	Screw	X	2
NOTES				

Intentionally Blank

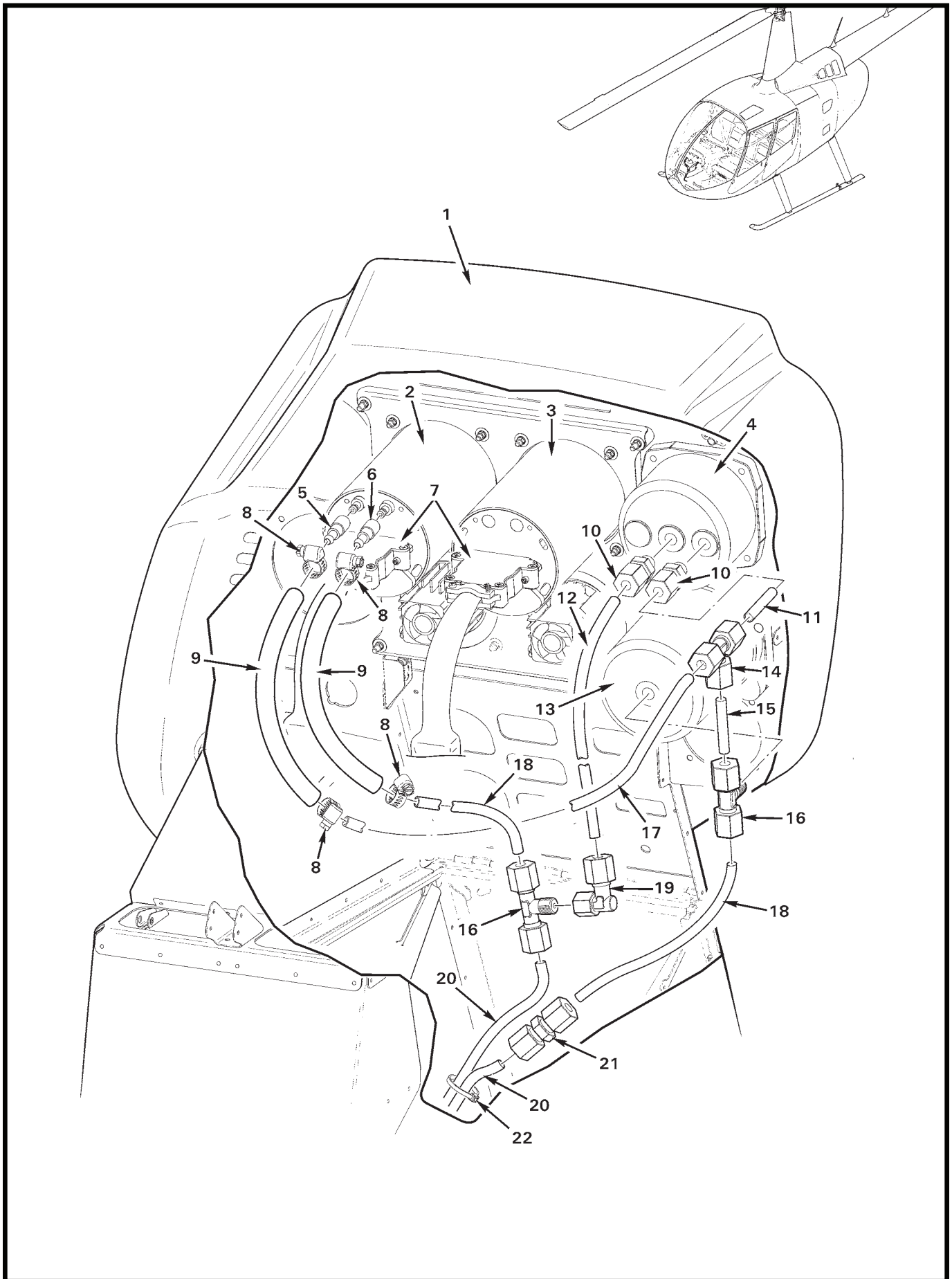


FIGURE AND INDEX NUMBER	PART NUMBER	DESCRIPTION	PARTS AVAIL	QTY PER ASSY
ASPEN PFD AND MFD INSTALLATION – PITOT/STATIC TUBES				
95-25-1	G050-8	Console Assembly (Ref)		
2	910-00001-104	Module (Ref; PFD, Aspen)		
3	910-00001-102	Module (Ref; MFD, Aspen)		
4	C599	Airspeed Indicator (Ref)		
5	275-00001-001	Coupler (static)	O	1
6	275-00001-002	Coupler (pitot)	O	1
7	116-00022-002	Connector (Ref)		
	116-00026-006	Backshell (Ref)		
8	271-00001-001	Clamp	O	4
9	A729-48	Tube	X	2
10	10-4-2-N-0	Fitting	X	2
11	A729-69	Tube	X	1
12	A729-23	Tube	X	1
13	A613-1	Altimeter (Ref, see Figure 95-27)		
14	70-4-N-0	Tee	X	1
15	A729-70	Tube	X	1
16	60-4-2-N-0	Tee	X	2
17	A729-25	Tube	X	1
18	A729-52	Tube	X	2
19	45-4-2-N-0	Elbow	X	1
20	A729-28	Tube (Ref)		
21	15-4-N-0	Union	X	1
22	MS3367-5-9	Ty-Rap	X	A/R

NOTES

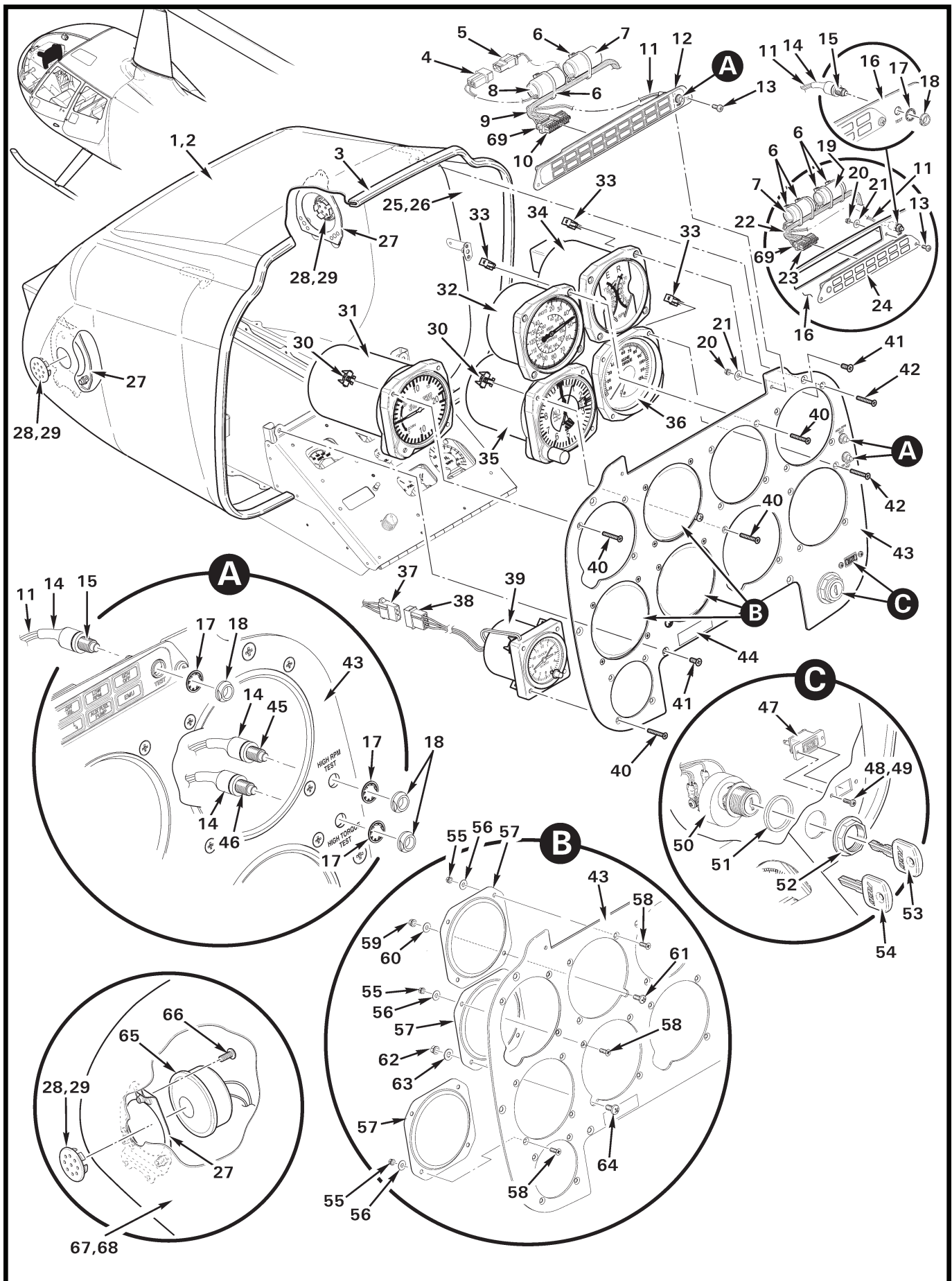


FIGURE AND INDEX NUMBER	PART NUMBER	DESCRIPTION	PARTS AVAIL	QTY PER ASSY
		EIGHT-INSTRUMENT CONSOLE – UPPER PANEL		
95-27-1	G050-22	Console Assembly – Low (Incl items 2, 9, 12, 13, 20, 21, 30 thru 36, 39 thru 44, 47, 48, 49, and 55 thru 64)	X	1
2	G051-23	Shell Assembly (Incl items 3, and 25 thru 29)	X	1
3	A226-11	Trim (retaining rib on inside)	X	A/R
4	B263-12	Housing	X	1
	B263-1	Pin	X	2
5	B263-13	Housing (Ref)		
	B263-2	Socket (Ref)		
6	MS3367-5-0	Ty-Rap	X	A/R
7	G655-2	Time Delay Assembly (fuel filter warning)	X	1
8	G655-4	Time Delay Assembly (12 gal. fuel warning; includes item 4)	X	1
9	G716-03	Harness Assembly – Console (Incl items 6, 7, 8, 11, 14, 15, 37, and 50)	X	1
10	IPD1-12-D-P	Plug	X	1
	CC79L-2024-01-F	Socket	X	20
11	G716-2005	Wire (Ref, to test switch)		
	G716-2029	Wire (Ref, to test switch)		
	G716-3066	Wire (Ref, to test switch)		
12	G198-6	Annunciator Panel	X	1
	G198-7	Annunciator Panel (lithium battery installed)	X	1
	G198-1*	Annunciator Panel (spares)	X	1
13	MS35206-228	Screw	X	2
14	B158-6	Heat Shrink	X	A/R
15	B227-6	Switch – Test (Incl items 17 and 18)	X	1
16	G055-6	Face	X	1
17	B227-3	Lockwasher	X	1
18	B227-4	Dress Nut	X	1
19	G655-1*	Time Delay Assembly (low fuel warning)	X	1
20	MS21042L06	Nut	X	2
21	NAS1149FN616P	Washer	X	2
22	G716-02*	Harness Assembly – Console (Ref)		
23	IPD1-10-D-P*	Plug	X	1
	CC79L-2024-01-F*	Socket	X	16
24	G198-1	Annunciator Panel	X	1
25	G051-10	Liner (install using item 26)	X	A/R
26	B270-8qt	Adhesive	X	A/R

NOTES * Earlier aircraft.

Continues

FIGURE AND INDEX NUMBER	PART NUMBER	DESCRIPTION	PARTS AVAIL	QTY PER ASSY
		EIGHT-INSTRUMENT CONSOLE – UPPER PANEL (Cont'd)		
95-27-27	C479-1	Mount Assembly (Ref)		
28	9688K643	Hole Plug (install using item 29 between plug and shell)	X	2
29	B270-18	Adhesive	X	A/R
30	MS33737-13C	Nut	X	6
31	A602-1	Rate-of-Climb Indicator	X	1
32	C599-2	Airspeed Indicator (140 knot V_{NE} , KM/H)	X	1
	C599-1	Airspeed Indicator (130 knot V_{NE} , KM/H; Police and ENG) . . .	X	1
	C599-3	Airspeed Indicator (259 KM/H V_{NE} knots; optional, metric) . .	X	1
	C599-6	Airspeed Indicator (241 KM/H V_{NE} knots; optional, metric) . .	X	1
33	MS33737-15C	Nut	X	12
34	F792-2	Dual Tachometer (with audio alert)	X	1
	F792-1*	Dual Tachometer (without audio alert; install using items 33 and 40)	X	1
35	A613-1	Altimeter	X	1
36	F600-3	Engine Torque Meter (with audio alert)	X	1
	F600-2*	Engine Torque Meter (without audio alert; install using items 33 and 40)	X	1
37	B263-15	Housing	X	1
	B263-2	Socket	X	3
38	B263-14	Housing	X	1
	B263-1	Pin	X	3
39	A072-13	Clock Assembly (Incl item 38)	X	1
40	MS24693-S32	Screw	X	22
41	MS24694-S4	Screw	X	6
42	MS24693-S29	Screw	X	8
43	G055-14	Face	X	1
44	A743-1	Call Letters Plate (specify call letters; install using A701-7) . .	X	A/R
45	B227-6	Switch Assembly – High RPM Test (Incl items 17 and 18) . . .	X	1
46	B227-6	Switch Assembly – High Torque Test (Incl items 17 and 18)	X	1
47	G198-3	Indicator (rotor brake)	X	1
48	MS24693-S4	Screw (install using item 49)	X	2
49	B270-20	Adhesive	X	A/R
50	F661-2	Switch – Ignition (Incl item 52)	X	1
51	C130-60	Spacer	X	1
52	—	Nut	O	1

NOTES * Earlier aircraft.

Continues

FIGURE AND INDEX NUMBER	PART NUMBER	DESCRIPTION	PARTS AVAIL	QTY PER ASSY
EIGHT-INSTRUMENT CONSOLE – UPPER PANEL (Cont'd)				
95-27-53	D768-8	Key (blank; black plastic-coated "R66" logo)	X	1
54	R8428	Key – Duplicate (specify ship S/N and "PK" numbers when ordering)	X	1
55	MS21042L06	Nut	X	A/R
56	NAS1149FN616P	Washer	X	A/R
57	B190-6	Cover	X	A/R
58	MS24693-S27	Screw	X	A/R
59	MS21042L08	Nut	X	A/R
60	NAS1149FN816P	Washer	X	A/R
61	MS27039C0806	Screw	X	A/R
62	D210-3	Nut	X	A/R
63	NAS1149F0332P	Washer	X	A/R
64	MS27039C1-06	Screw	X	A/R
65	B320-6*	Horn Assembly	X	2
	B320-3*	Horn Assembly	X	2
66	MS27039C0806	Screw	X	6
67	G050-8*	Console Assembly – Low (Ref)	X	1
68	G051-9*	Shell Assembly (Ref)	X	1
69	MS3367-4-9	Ty-Rap	X	2

NOTES * Earlier aircraft.

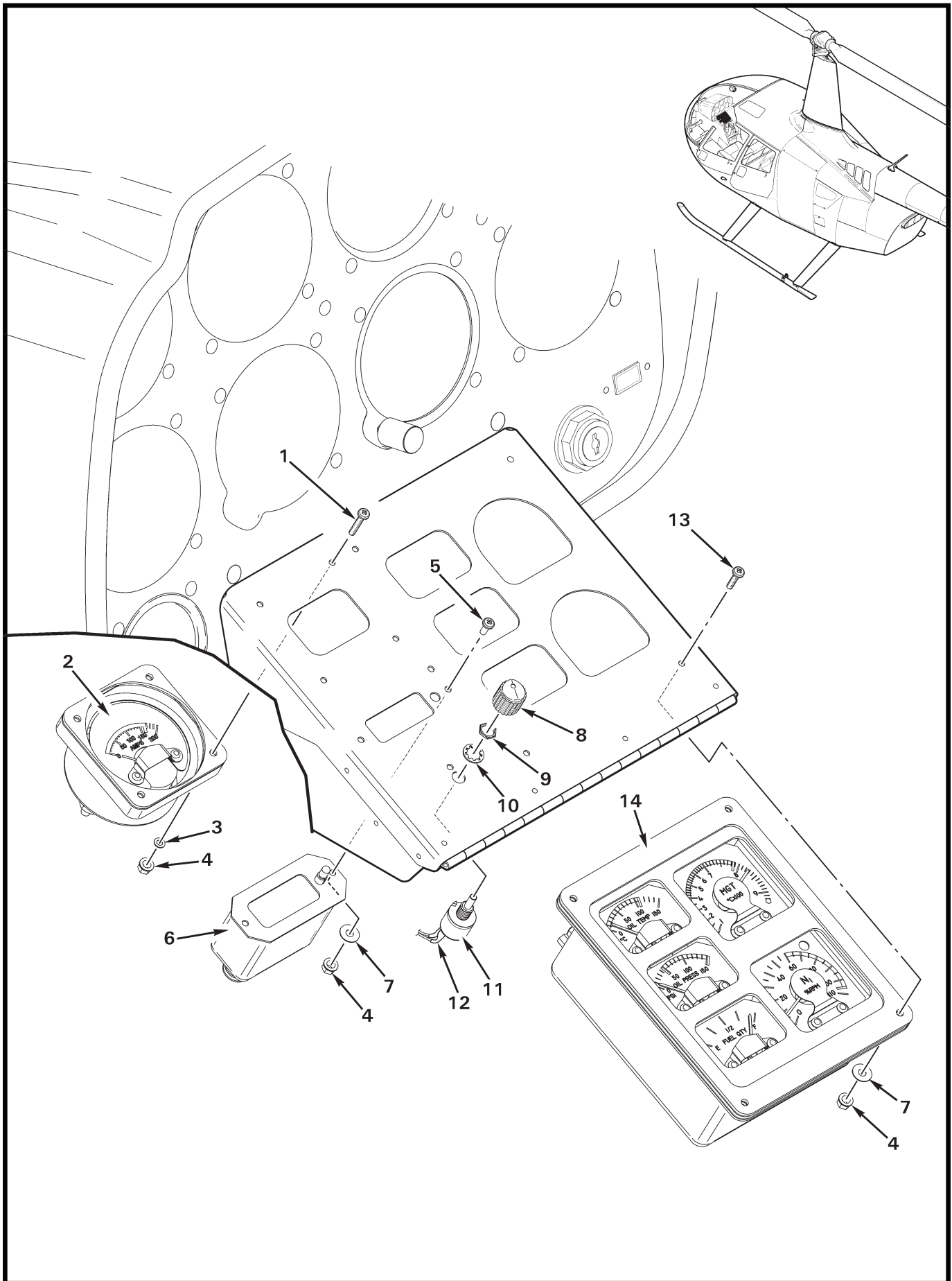


FIGURE AND INDEX NUMBER	PART NUMBER	DESCRIPTION	PARTS AVAIL	QTY PER ASSY
EIGHT-INSTRUMENT CONSOLE – LOWER PANEL				
95-31-1	MS35206-219	Screw	X	4
2	G143-2	Ammeter	X	1
3	NAS620-4L	Washer	X	4
4	MS21042L04	Nut	X	10
5	MS35206-214	Screw	X	2
6	B341-1	Gage – Outside Air Temperature	X	1
7	NAS1149FN432P	Washer	X	6
8	MS91528-0C1B	Knob	X	1
9	—	Nut	O	1
10	—	Lockwasher	O	1
11	B398-1	Potentiometer (Incl items 9 and 10)	X	1
12	B158-2	Heat Shrink	X	A/R
13	MS35206-217	Screw	X	4
14	G144-6	Instrument Cluster	X	1

NOTES

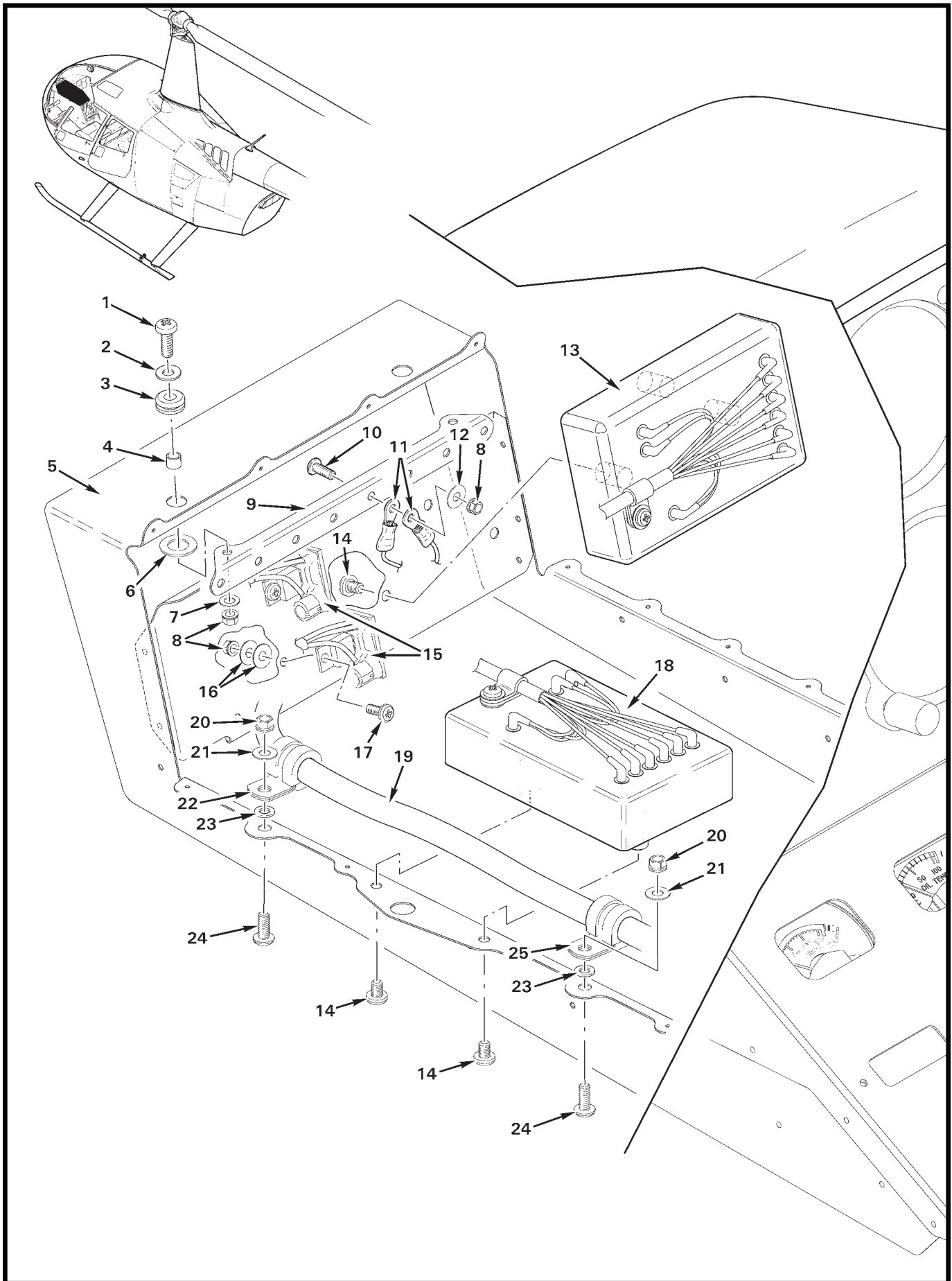


FIGURE AND INDEX NUMBER	PART NUMBER	DESCRIPTION	PARTS AVAIL	QTY PER ASSY
EIGHT-INSTRUMENT CONSOLE – COMPONENTS				
95-33-1	MS35206-230	Screw	X	2
2	NAS1149FN632P	Washer	X	2
3	MS35489-4	Grommet	X	2
4	C130-59	Spacer	X	2
5	G050-8	Console Assembly (Ref)		
6	NAS1149F0532P	Washer	X	2
7	NAS620-6L	Washer	X	2
8	MS21042L06	Nut	X	12
9	A448-18	Bus Bar (8-hole)	X	1
10	B567-25	Screw	X	8
11	B260-2	Terminal	X	20
12	NAS1149FN616P	Washer	X	8
13	B395-1	Dimmer Assembly (includes connector)	X	1
14	MS35206-241	Screw	X	8
15	D359-1	Voltage Regulator (Ref)	O	2
16	NAS620-6	Washer	X	4
17	MS35206-228	Screw	X	2
18	A569-11	Low RPM Warning Unit (includes connector)	X	1
19	G716-02	Console Harness Assembly (Ref; includes items 11 and 15)		
20	MS21042L08	Nut	X	2
21	NAS1149FN816P	Washer	X	2
22	MS21919WDG6	Clamp	X	1
23	NAS620-8	Washer	X	2
24	MS27039C0807	Screw	X	2
25	MS21919WDG7	Clamp	X	1

NOTES

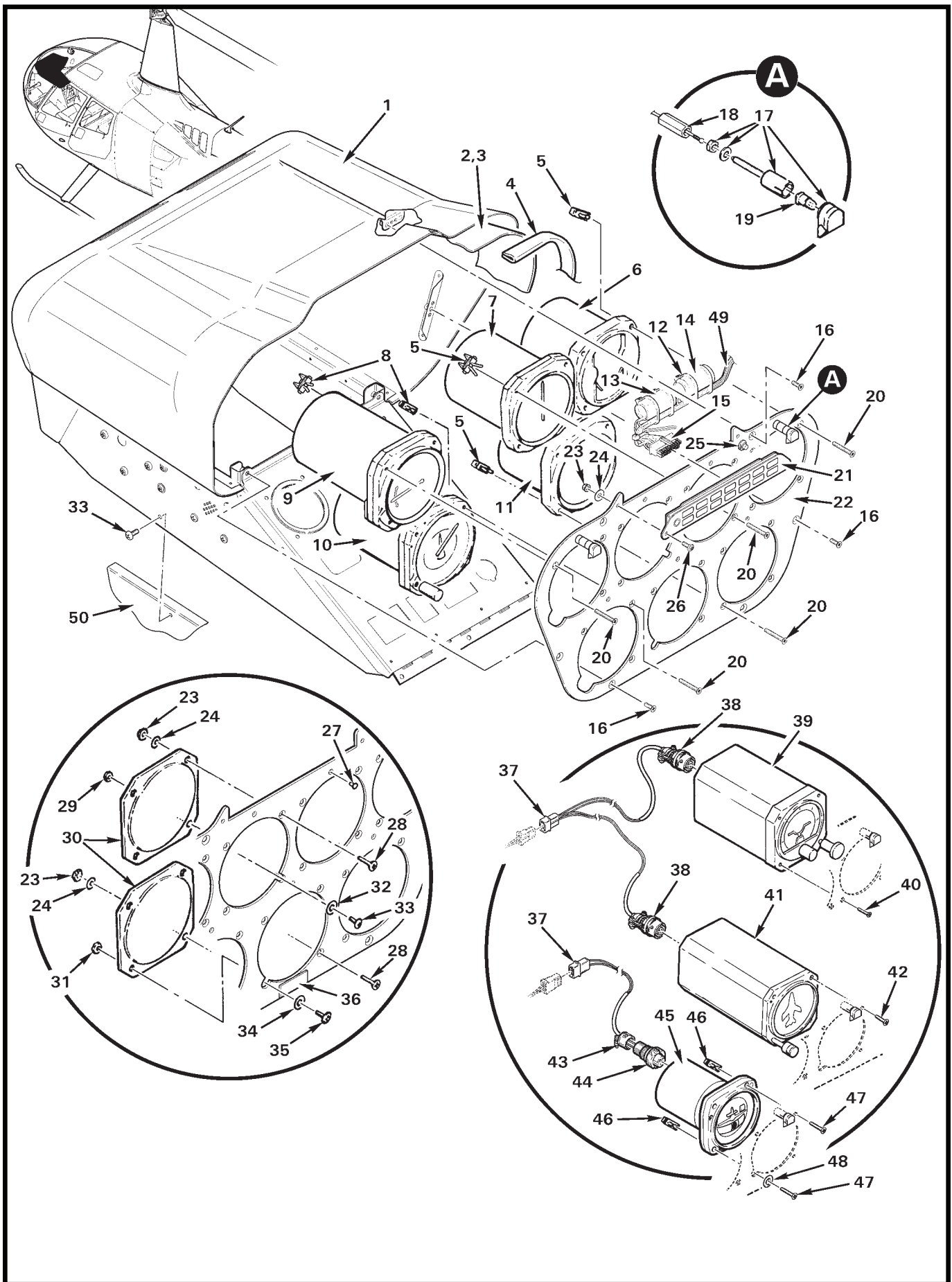


FIGURE AND INDEX NUMBER	PART NUMBER	DESCRIPTION	PARTS AVAIL	QTY PER ASSY
		SEVEN-INSTRUMENT CONSOLE – UPPER PANEL		
95-35-1	B051-18	Shell Assembly – Console (Incl items 2 thru 4)	X	1
2	B051-4	Visor Liner (install using item 3)	X	1
3	B270-8qt	Adhesive	X	A/R
4	A226-11	Trim	X	A/R
5	MS33737-15C	Nut	X	12
6	F792-1	Engine/Rotor Tachometer	X	1
7	C599-2	Airspeed Indicator (140 knot V_{NE} , KM/H)	X	1
	C599-1	Airspeed Indicator (130 knot V_{NE} , KM/H)	X	1
	C599-3	Airspeed Indicator (259 KM/H V_{NE} , knots; optional, metric) . .	X	1
	C599-6	Airspeed Indicator (241 KM/H V_{NE} , knots; optional, metric) . .	X	1
8	MS33737-13C	Nut	X	6
9	A602-1	Rate-of-Climb Indicator	X	1
10	A613-1	Altimeter (in.-Hg)	X	1
	A613-2	Altimeter (feet/Milibar, optional)	X	1
11	F600-2	Torque Meter	X	1
12	MS3367-4-9	Ty-Rap	X	A/R
13	G655-2	Time Delay Assembly (fuel filter warning)	X	1
14	G655-1	Time Delay Assembly (low fuel warning)	X	1
15	IPD1-10-D-P	Plug	X	1
	CC79L-2024-01-F	Socket	X	16
16	MS24694-S4	Screw	X	6
17	B195-11	Post Light (Incl item 19)	X	2
18	B195-9	Connector Nut	X	A/R
19	B196-21	Lamp (#327)	X	1
20	MS24693-S32	Screw	X	18
21	G198-1	Annunciator Panel	X	1
22	B197-6	Face	X	1
	B197-7	Face (with HSI, not shown)	X	1
23	MS21042L06	Nut	X	6
24	NAS1149FN616P	Washer	X	6
25	B227-6	Switch (test)	X	1
26	MS35206-228	Screw	X	2
27	2590	Hole Plug	X	5
28	MS24693-S27	Screw	X	6
29	MS21042L08	Nut	X	1

NOTES

Continues

FIGURE AND INDEX NUMBER	PART NUMBER	DESCRIPTION	PARTS AVAIL	QTY PER ASSY
		SEVEN-INSTRUMENT CONSOLE – UPPER PANEL (Cont'd)		
95-35-30	B190-5	Cover – “R66” Logo	X	A/R
	B190-6	Cover (no logo)	X	A/R
31	MS21042L3	Nut	X	1
32	NAS1149FN816P	Washer	X	3
33	MS27039C0806	Screw	X	1
34	NAS1149F0332P	Washer	X	1
35	MS27039C1-06	Screw	X	1
36	A743-1	Call Letters Plate (specify call letters)	X	A/R
37	B263-12	Housing	X	1
	B263-1	Pin	X	2
38	MS3116F8-4S	Plug	X	1
39	B823-10	Attitude Indicator	O	1
	B823-12	Attitude Indicator with Inclinator	X	1
40	MS24693-S30	Screw	X	3
41	B823-11	Directional Gyro	X	1
42	MS24693-S28	Screw	X	1
43	MS3057-4A	Strain Relief	X	1
44	MS3106A-10SL-3S	Plug	X	1
45	B329-1	Turn Coordinator	X	1
46	MS33737-12C	Nut	X	4
47	MS24693-S32	Screw	X	4
48	AS42193-2-017-24A	Washer (countersunk, required for enlarged hole)	X	1
49	G716-01	Harness Assembly (Ref; includes items 12, 13, 15, and 18. No longer available.)	O	1
50	F033	Lower Console Assembly (Ref)		

NOTES

Intentionally Blank

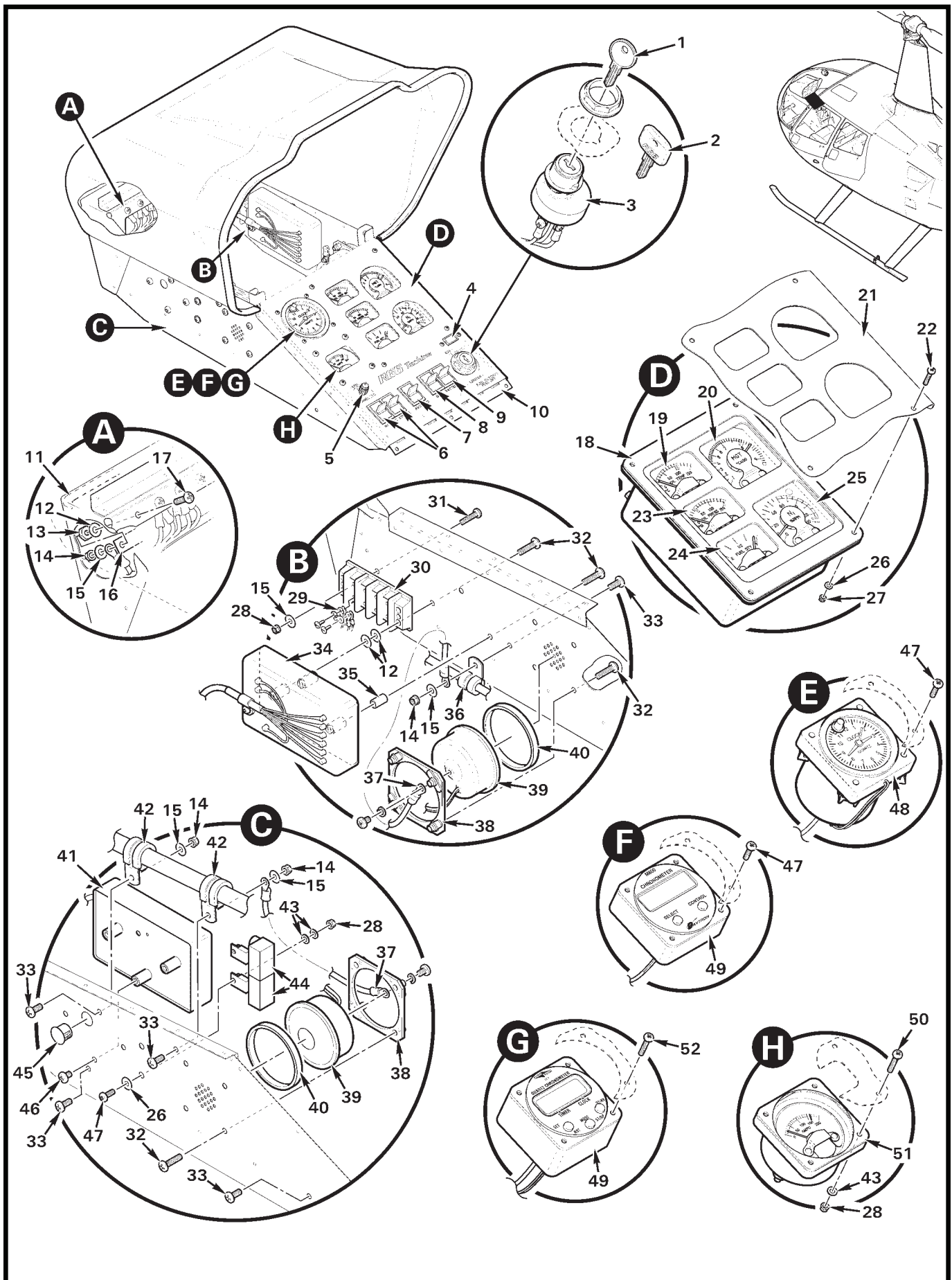


FIGURE AND INDEX NUMBER	PART NUMBER	DESCRIPTION	PARTS AVAIL	QTY PER ASSY
		SEVEN-INSTRUMENT CONSOLE – LOWER PANEL		
95-39-1	R8096	Key – Duplicate (specify ship S/N and “PK” numbers when ordering)	X	1
2	D768-8	Key (blank; black plastic-coated, “R66” logo)	X	1
3	F661-2	Switch	X	1
4	G198-2	Indicator – Rotor Brake	X	1
5	MS91528-0C1B	Knob (dimmer)	X	1
6	B184-1	Switch Assembly	X	2
7	B184-13	Switch Assembly	X	1
8	B184-11	Switch Assembly	X	1
9	B184-2	Switch Assembly	X	1
10	A356-2	Hinge	X	1
11	A226-3	Seal (install using B270-4 or -13 adhesive)	X	A/R
12	NAS1149DN832H	Washer	X	10
13	B301-8	Nut	X	8
14	MS21042L08	Nut	X	11
15	NAS1149FN816P	Washer	X	12
16	A448-14	Bus Bar	X	1
17	B567-43	Screw	X	8
18	G144-6	Instrument Cluster (Incl items 19, 20, and 23 thru 25)	X	1
19	—	Oil Temperature Gage	O	1
20	—	MGT Gage	O	1
21	B051-20	Face – Cluster Panel	X	1
22	MS35206-217	Screw	X	4
23	—	Oil Pressure Gage	O	1
24	—	Fuel Quantity Gage	O	1
25	—	N1 Meter	O	1
26	NAS1149FN616P	Washer	X	5
27	MS21042L04	Nut	X	1
28	MS21042L06	Nut	X	7
29	601985-2	Jumper Tab	X	3
30	601716-4	Terminal Block	X	1
31	MS35206-231	Screw	X	1
32	MS27039C0810	Screw	X	11
33	MS27039C0806	Screw	X	7
34	B395-1	Dimmer Assembly (includes connector)	X	1

NOTES

Continues

FIGURE AND INDEX NUMBER	PART NUMBER	DESCRIPTION	PARTS AVAIL	QTY PER ASSY
SEVEN-INSTRUMENT CONSOLE – LOWER PANEL (Cont'd)				
95-39-35	A130-34	Spacer	X	2
36	MS21919WDG4	Clamp	X	1
37	B320-79	Wire – Jumper (Ref)	O	2
38	A479-1	Plate	X	2
39	B320-3	Horn (Incl item 37)	X	2
40	A479-2	Ring	X	2
41	A569-11	Low RPM Warning Unit (includes connector)	X	1
42	MS21919WDG8	Clamp	X	2
43	NAS620-6	Washer	X	8
44	D359-1	Regulator – Voltage	X	2
45	2633	Hole Plug	X	2
46	MS35206-241	Screw	X	3
47	MS35206-228	Screw	X	6
48	A072-8	Clock Assembly	X	1
49	A064-4	Chronometer Assembly (Davtron 800)	X	1
		Chronometer Assembly (Astrotech AT420000)	X	1
50	MS35206-232	Screw	X	4
51	G143-1	Ammeter	X	1
52	—	Screw (supplied with item 49 [Astrotech])	X	4

NOTES

Intentionally Blank

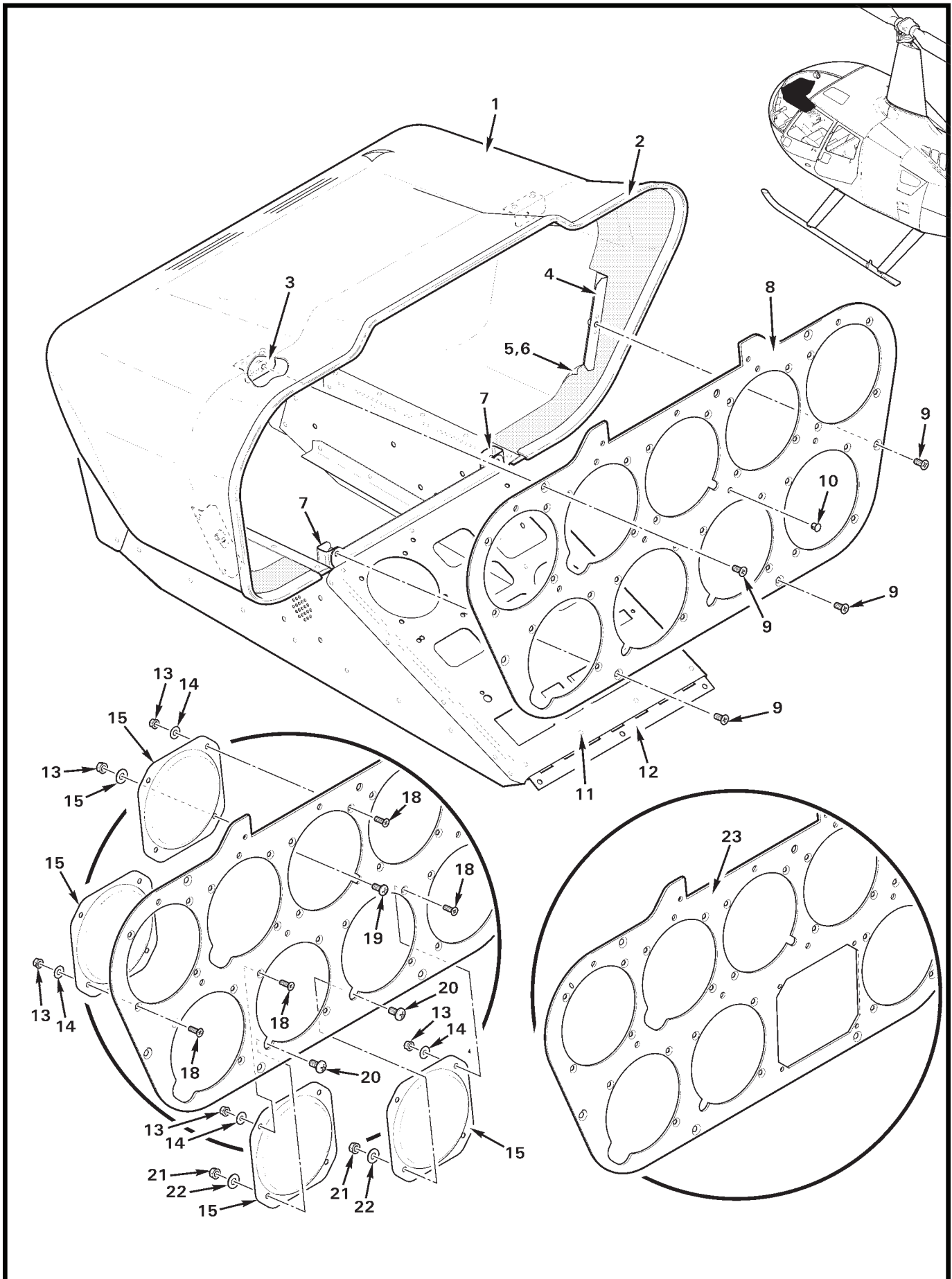


FIGURE AND INDEX NUMBER	PART NUMBER	DESCRIPTION	PARTS AVAIL	QTY PER ASSY
NINE-INSTRUMENT CONSOLE ASSEMBLY				
95-43-1	B051-19*	Console Assembly (Incl items 2 thru 7, 12, and lower panels)	X	1
2	A226-11	Trim	X	A/R
3	B181-2	Angle	X	2
4	B181-3	Angle	X	2
5	B051-8	Liner (vinyl; install using item 6)	X	1
6	B270-8qt	Adhesive	X	A/R
7	A365-11	Angle	X	2
8	B206-4	Face	X	1
9	MS24694-S4	Screw	X	6
10	2590	Hole Plug (if no post light installed)	X	A/R
11	MS20426AD3	Rivet	X	4
12	A356-2	Hinge (install using item 11)	X	1
13	MS21042L06	Nut	X	A/R
14	NAS1149FN616P	Washer	X	A/R
15	B190-6	Cover	X	A/R
16	MS21042L08	Nut	X	A/R
17	NAS1149FN816P	Washer	X	A/R
18	MS24693-S27	Screw	X	A/R
19	MS27039C0806	Screw	X	A/R
20	MS27039C1-06	Screw	X	A/R
21	MS21042L3	Nut	X	A/R
22	NAS1149F0332P	Washer	X	A/R
23	B206-5	Face (used when HSI is installed)	X	1

NOTES * For instrument and other component installation, see Figure 95-35 and Figure 95-39.

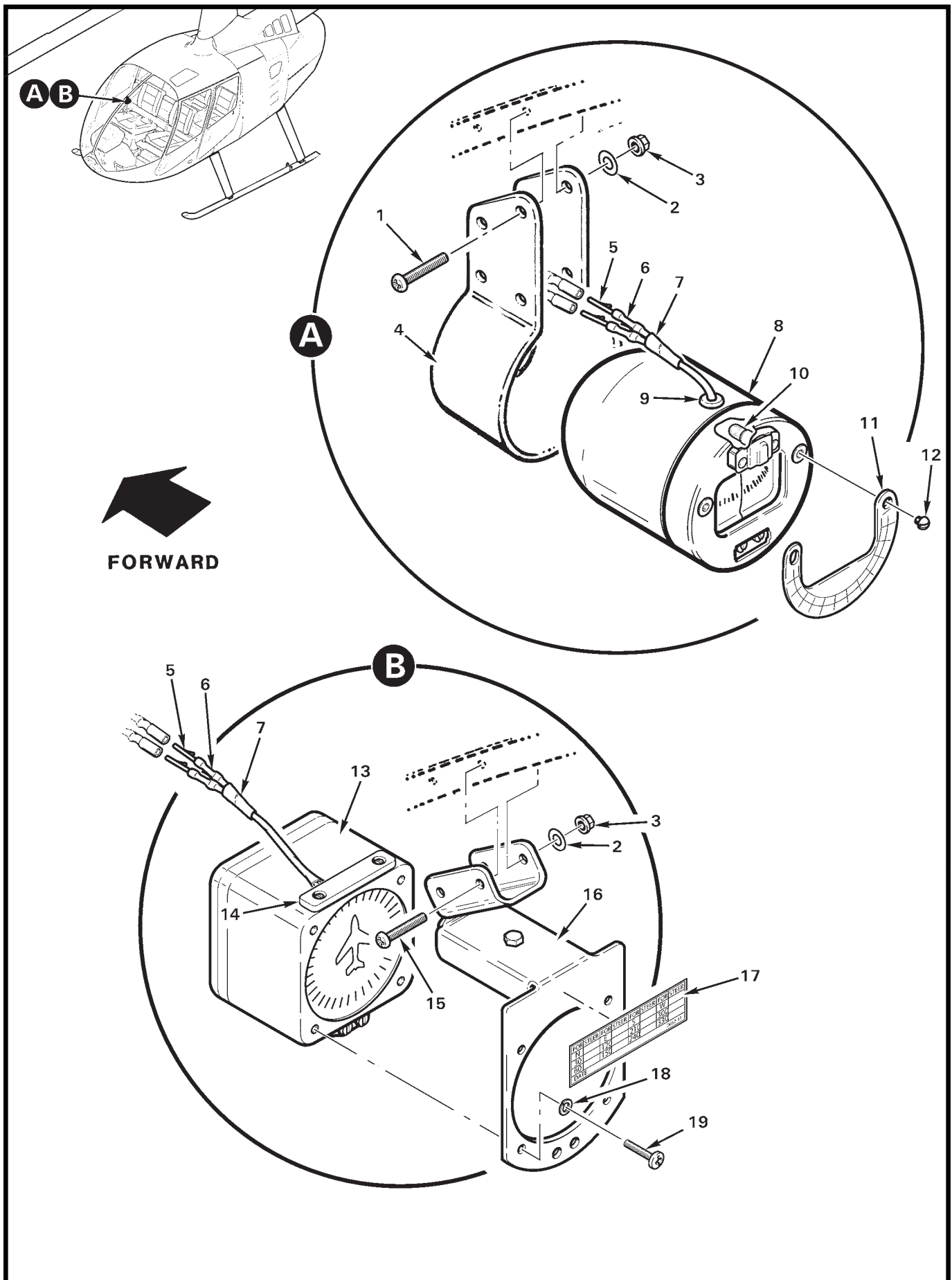


FIGURE AND INDEX NUMBER	PART NUMBER	DESCRIPTION	PARTS AVAIL	QTY PER ASSY
COMPASS INSTALLATION				
95-45-1	MS35214-47	Screw	X	4
2	NAS1149DN816J	Washer	X	A/R
3	NAS1291C08M	Nut	X	A/R
4	C685-1	Mount – Compass	X	1
5	B263-1	Pin	X	2
6	B158-2	Heat Shrink (0.125 in. dia, black)	X	A/R
7	B158-3	Heat Shrink (0.187 in. dia, black)	X	A/R
8	A022-4	Compass Assembly (Incl items 5 thru 7, 9, and 10 thru 12) . .	X	1
9	MS35489-4	Grommet	X	1
10	B196-21	Lamp	X	1
11	—	Deviation Plate (Ref)	O	1
12	—	Screw	O	2
13	B148-5	Compass Assembly – Vertical Card (Incl items 5 thru 7, 14, and 19)	X	1
14	PAI-28V	Light Bar (Ref)		
15	MS35214-47	Screw	X	2
16	B339-2	Mount – Vertical Card Compass	X	1
17	D682-43	Deviation Placard – Vertical Card Compass	X	1
18	MS35338-136B	Lockwasher	X	4
19	—	Screw	O	4

NOTES

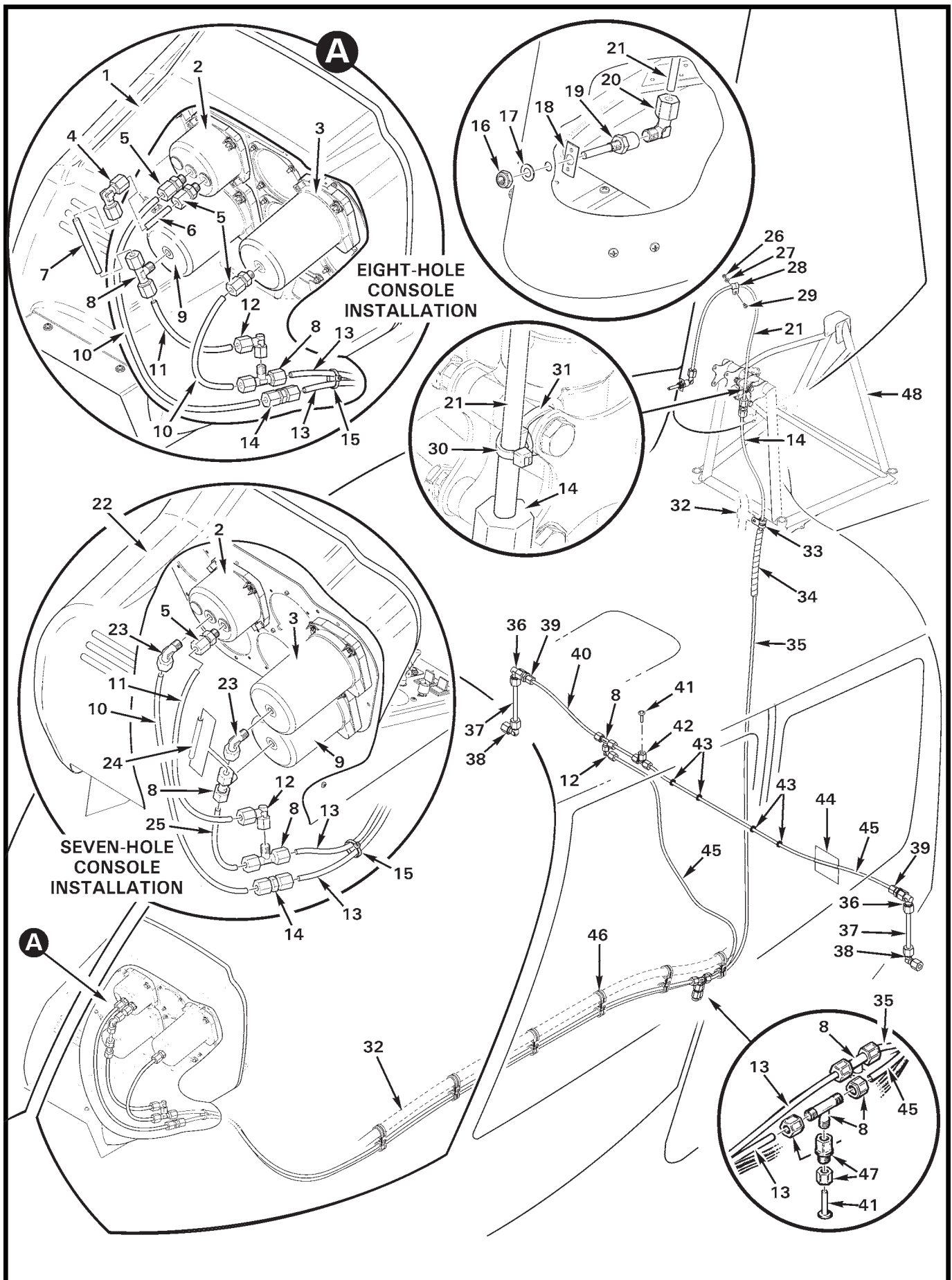


FIGURE AND INDEX NUMBER	PART NUMBER	DESCRIPTION	PARTS AVAIL	QTY PER ASSY
PITOT/STATIC TUBES INSTALLATION				
95-47-1	G050	Console Assembly (eight-instrument, Ref)		
2	C599	Airspeed Indicator (Ref, see Figure 95-27 or 95-35)		
3	A602-1	Rate-of-Climb Indicator (Ref)		
4	50-4-N-0	Elbow	X	1
5	10-4-2-N-0	Connector	X	1
6	A729-69	Tube	X	1
7	A729-70	Tube	X	1
8	60-4-2-N-0	Tee	X	5
9	A613	Altimeter (Ref)		
10	A729-23	Tube	X	1
11	A729-21	Tube	X	1
12	45-4-2-N-0	Elbow	X	1
13	A729-28	Tube	X	2
14	15-4-N-0	Union	X	1
15	MS3367-5-9	Ty-Rap	X	A/R
16	MS21083-N5	Nut	X	1
17	NAS1149D0516J	Washer	X	1
18	A246-3	Spacer	X	1
19	A262-1	Pitot Tube	X	1
20	A596-1	Elbow	X	1
21	A729-54	Tube	X	1
22	B050	Console Assembly (seven-instrument, Ref)		
23	40-4-2-N-0	Elbow	X	1
24	A729-26	Tube	X	1
25	A729-25	Tube	X	1
26	MS21042L08	Nut	X	1
27	NAS1149FN816P	Washer	X	1
28	MS21919WDG4	Clamp	X	1
29	MS27039C0806	Screw	X	1
30	MS3367-4-9	Ty-Rap (secures item 21 to item 31)	X	1
31	MS3367-5-9	Ty-Rap (secures item 30 to item 48)	X	1
32	F059	Main Electrical Harness Assembly (Ref)		
33	MS21919WDG4	Clamp (installed with item 32)	X	1
34	B161-8	Spirap	X	A/R
35	A729-6	Tube	X	1

NOTES

Continues

FIGURE AND INDEX NUMBER	PART NUMBER	DESCRIPTION	PARTS AVAIL	QTY PER ASSY
PITOT/STATIC TUBES INSTALLATION (Cont'd)				
95-47-36	45-6-6-N-0	Elbow	X	2
37	A729-32	Tube	X	2
38	50-6-N-0	Elbow	X	2
39	10-4-6-N-0	Fitting	X	2
40	A729-52	Tube	X	1
41	PI0808S	Plug	X	3
42	70-4-N-0	Tee	X	1
43	MS35489-6	Grommet	X	4
44	A701-2	Tape (6 inch wide, aluminum foil)	X	A/R
45	A729-24	Tube	X	1
46	MS21919WDG	Clamps (Ref; secures item 13 to item 32)		
47	25-4-2-N-0	Connector	X	1
48	G201-1	Frame (Ref)		

NOTES

Intentionally Blank

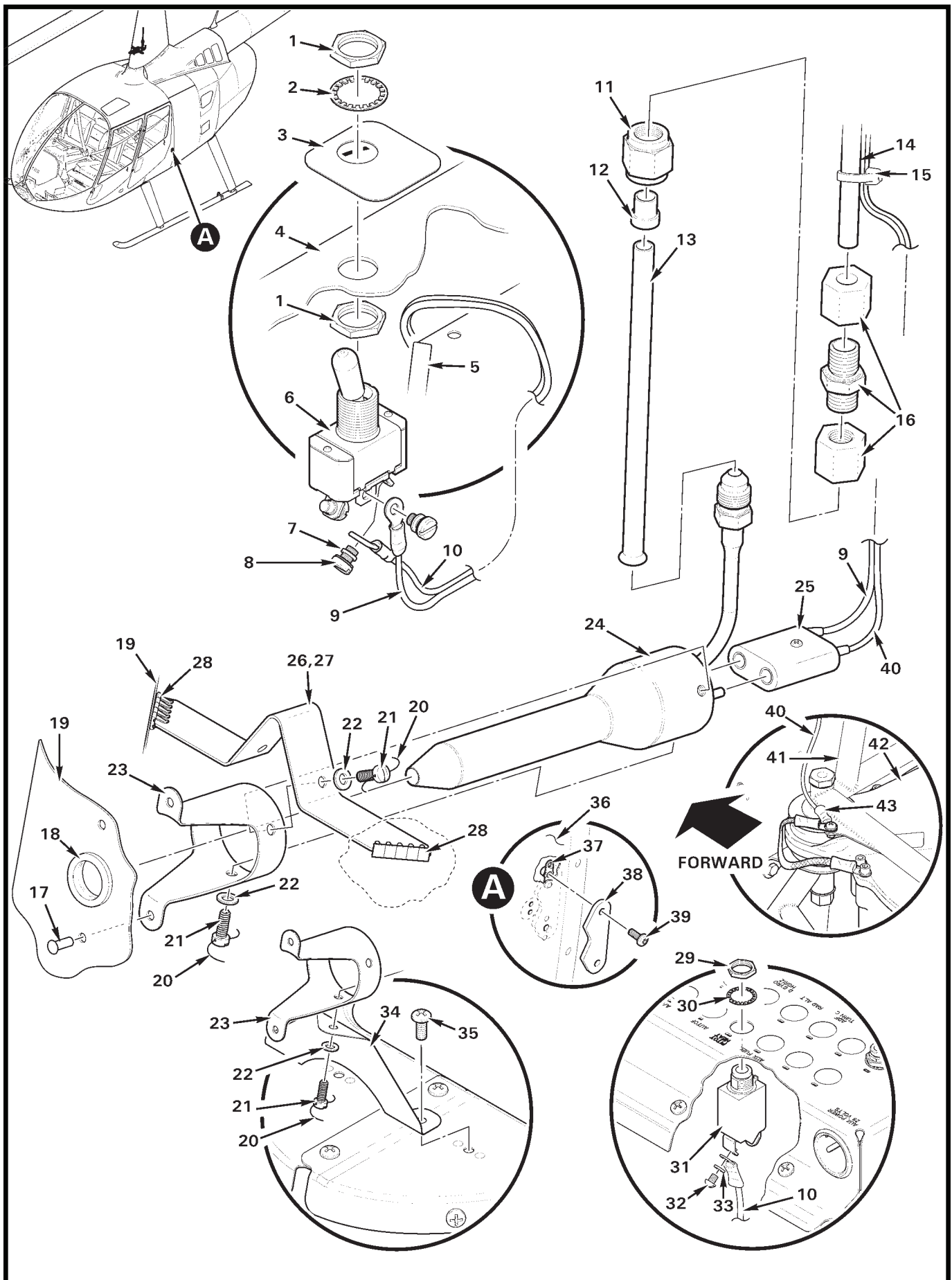


FIGURE AND INDEX NUMBER	PART NUMBER	DESCRIPTION	PARTS AVAIL	QTY PER ASSY
HEATED PITOT INSTALLATION				
95-51-1	—	Nut	O	2
2	—	Lockwasher	O	1
3	D339-3	Name plate	X	1
4	F444-1	Cover – Cyclic Box (Ref)		
5	A226-11	Trim	X	A/R
6	B300-4	Switch (Incl items 1, 2, 7, and 8)	X	1
7	—	Washer	O	2
8	—	Screw	O	2
9	-709	Wire (Ref)		
10	-710	Wire (Ref)		
11	AN818-4D	Nut	X	1
12	MS20819-4D	Sleeve	X	1
13	D339-4	Tube	X	1
14	A729-54	Tube (Ref; see also Figure 95-47)		
15	MS3367-4-9	Ty-Rap (or MS3367-6-0)	X	A/R
16	15-4-N-0	Union	X	1
17	MS20470AD4	Rivet	X	2
18	MS35489-17X	Grommet	X	1
19	F261-1	Mast Fairing (Ref)		
20	MS20995C20	0.020 in. dia Safety Wire	X	A/R
21	AN502-6-6	Screw	X	3
22	NAS620-6	Washer	X	3
23	D339-1	Mount	X	1
24	D340-2	Pitot Tube Assembly (Incl item 25)	X	1
25	—	Connector (with sockets)	O	1
26	D339-6	Bumper Assembly (incl items 27 and 28)	X	1
27	D339-7	Bumper	X	1
28	A225-1	Grommet	X	2
29	—	Nut	O	1
30	—	Lockwasher	O	1
31	B297-10	Circuit Breaker (10-amp; includes items 29,30, 32 and 33) . .	X	1
32	—	Screw	O	1
33	—	Washer	O	1
34	D339-2	Brace	X	1
35	MS27039C0806	Screw	X	2

NOTES

Continues

FIGURE AND INDEX NUMBER	PART NUMBER	DESCRIPTION	PARTS AVAIL	QTY PER ASSY
HEATED PITOT INSTALLATION (Cont'd)				
95-51-36	F015-3	Skin (Ref)		
37	MS21069L04	Nutplate	X	2
38	D372-4	Dam – Static Port (LH shown, RH opposite)	X	2
39	MS35206-214	Screw	X	4
40	D340-708	Wire (ground; see MM for schematic)	X	1
41	G201-1	Frame (Ref)		
42	F006	MRGB (Ref)		
43	B260-4	Terminal	X	1

NOTES

CHAPTER 96
ELECTRICAL SYSTEM

<i>Figure</i>	<i>Title</i>	<i>Page</i>
96-1	B237-7 (Standard) Battery Installation	96.0
96-3	B237-8 (Large) Battery Installation	96.2
96-5	Battery Relay Installation	96.4
96-9	Lithium-Ion Battery Installation	96.8
96-11	Lithium-Ion Battery Circuit Back-up Batteries	96.10
96-13	External Power Plug Installation	96.12
96-17	Starter-Generator and External Power Relay Installation	96.16
96-21	Circuit Breaker Panel	96.20
96-23	Hourmeter and Collective-Activated Switches Installation	96.22
96-27	Accessory Bars Installation	96.26
96-31	Starter Generator Relay and Battery Minder Installation	96.30
96-35	Lithium-Ion Battery Indicator Lights	96.34
96-37	Anti-Ice Switch Installation	96.36
96-39	G198-1 Annunciator and Related Sensors	96.38
96-41	Engine Fire, Cowl Door, and Low Voltage Sensors	96.40
96-43	Electrical Relay Installation	96.42

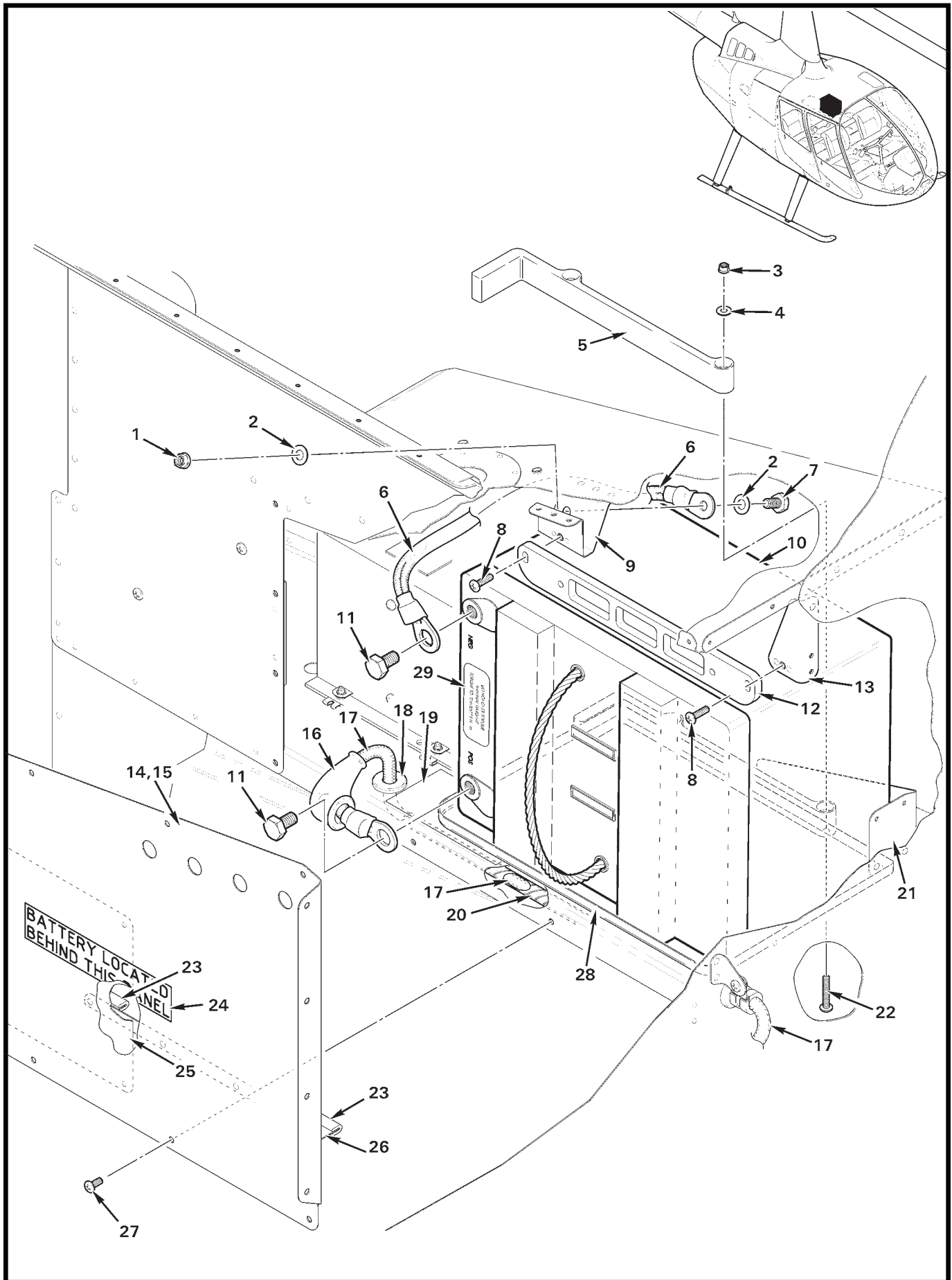


FIGURE AND INDEX NUMBER	PART NUMBER	DESCRIPTION	PARTS AVAIL	QTY PER ASSY
B237-7 (STANDARD) BATTERY INSTALLATION				
96-1-1	MS21042L4	Nut	X	1
2	NAS1149F0432P	Washer	X	2
3	MS21042L08	Nut	X	2
4	NAS1149FN832P	Washer	X	2
5	G131-1	Shim	X	1
6	A780-2	Cable Assembly (negative)	X	1
7	AN4-3A	Bolt	X	1
8	MS27039C0809	Screw	X	2
9	G130-5	Angle (Ref)		
10	B237-7	Battery (RG24-20*, includes items 11 and 29)	X	1
11	—	Bolt	O	2
12	G131-2	Plate	X	1
13	G130-4	Angle (Ref)		
14	G248-1	Cover Assembly (Incl items 15, 23, 25 and 26)	X	1
15	G248-4	Cover (Ref)		
16	MS25171-2S	Nipple	X	1
17	A780-57	Cable Assembly (positive)	X	1
18	MS35489-11	Grommet	X	1
19	A701-5	Tape	X	A/R
20	B161-8	Spirap	X	A/R
21	G130-6	Angle (Ref)		
22	MS27039C0815	Screw	X	2
23	A226-15	Trim	X	A/R
24	F654-24	Decal	X	1
25	G248-6	Guard	X	1
26	G248-5	Angle	X	2
27	MS27039C0806	Screw	X	14
28	G123-2	Battery Tray (optional)	X	1
29	9589*	Decal – “DO NOT OVER TORQUE...”	O	1

NOTES * Concorde part number.

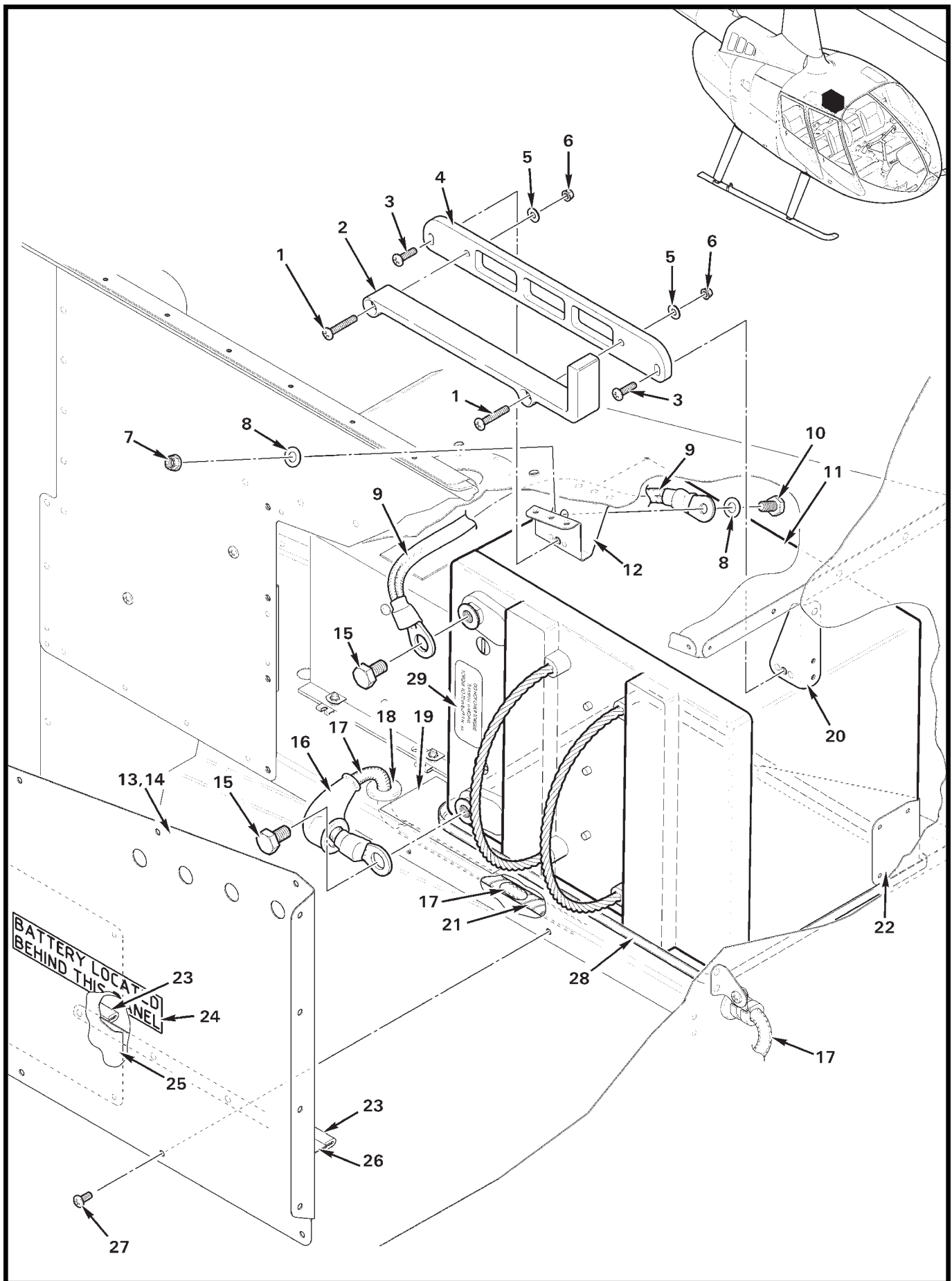


FIGURE AND INDEX NUMBER	PART NUMBER	DESCRIPTION	PARTS AVAIL	QTY PER ASSY
B237-8 (LARGE) BATTERY INSTALLATION				
96-3-1	MS27039C0815	Screw	X	2
2	G131-1	Shim	X	1
3	MS27039C0809	Screw	X	2
4	G131-2	Plate	X	1
5	NAS1149FN832P	Washer	X	2
6	MS21042L08	Nut	X	2
7	MS21042L4	Nut	X	1
8	NAS1149F0432P	Washer	X	2
9	A780-2	Cable Assembly (negative)	X	1
10	AN4-3A	Bolt	X	1
11	B237-8	Battery (RG-325*, includes items 15 and 29)	X	1
12	G130-5	Angle (Ref)		
13	G248-1	Cover Assembly (Incl items 14, 23, 25 and 26)	X	1
14	G248-4	Cover (Ref)		
15	—	Bolt	O	2
16	MS25171-2S	Nipple	X	1
17	A780-57	Cable Assembly (positive)	X	1
18	MS35489-11	Grommet	X	1
19	A701-5	Tape	X	A/R
20	G130-4	Angle (Ref)		
21	B161-8	Spirap	X	A/R
22	G130-6	Angle (Ref)		
23	A226-15	Trim	X	A/R
24	F654-24	Decal	X	1
25	G248-6	Guard	X	1
26	G248-5	Angle	X	1
27	MS27039C0806	Screw	X	14
28	G123-1	Battery Tray (optional)	X	1
29	9589*	Decal – “DO NOT OVER TORQUE...”	O	1

NOTES * Concorde part number.

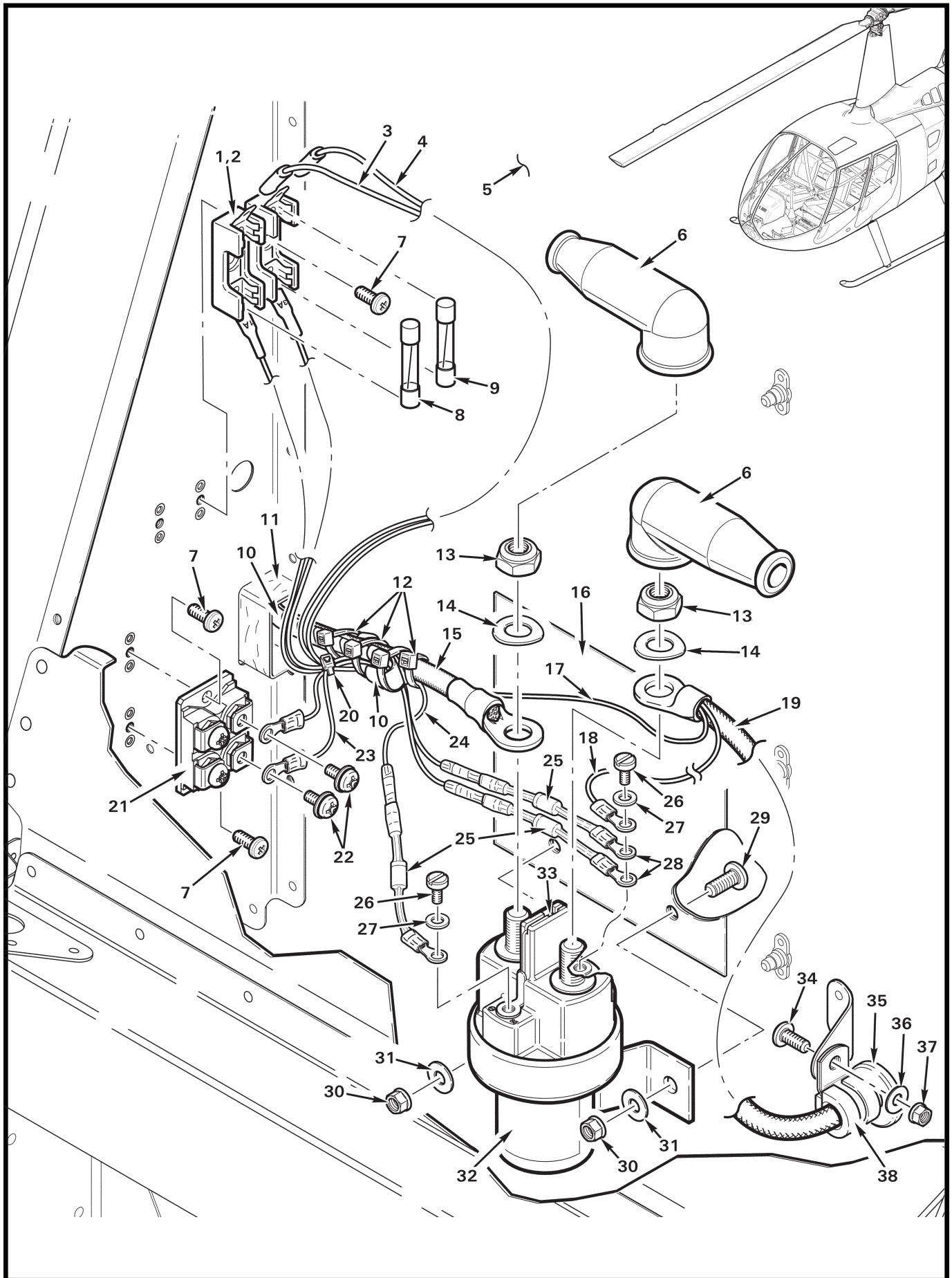


FIGURE AND INDEX NUMBER	PART NUMBER	DESCRIPTION	PARTS AVAIL	QTY PER ASSY
BATTERY RELAY INSTALLATION				
96-5-1	B304-12	Diode Assembly (Includes items 2, 8, 9, 25 [2], 28, wires, splices, and heat shrink as an assembly.)	X	1
2	D262-2	Fuse Block	X	1
3	F859-2991	Wire (Ref)		
	F059-2322	Wire (Ref; earlier ships with aft power receptacle)		
4	F859-66	Wire (Ref)		
	F059-66	Wire (Ref; earlier ships with aft power receptacle)		
5	G259	Bulkhead – Lower (Ref)		
6	MS25171-2S	Nipple	X	2
7	MS35206-228	Screw	X	3
8	D275-201	Fuse (1 amp)	X	1
9	D275-203	Fuse (3 amp)	X	1
10	B161-8	Spirap	X	A/R
11	A701-1	Tape (foil)	X	A/R
12	MS3367-5-9	Ty-Rap (large)	X	A/R
13	MS21044B5	Nut	O	2
14	O1000424	Washer	X	2
15	A780-58	Cable Assembly	X	1
16	C452-5	Guard (clear plastic)	X	1
17	A780-2242	Wire (Ref; earlier ships with aft power receptacle)		
18	A780-64	Wire (Ref)		
19	A780-57	Cable Assembly (Incl items 17 and 18, and terminals, assembled)	X	1
20	MS3367-3-9	Ty-Rap (small)	X	A/R
21	STPS80H100TV	Rectifier (Incl item 22; earlier ships with aft power receptacle)	X	1
22	—	Screw	O	4
23	F059-2324	Wire (Ref; earlier ships with aft power receptacle)		
24	F859-65	Wire (Ref)		
	F059-65	Wire (Ref; earlier ships with aft power receptacle)		
25	D275-102	Diode	X	3
26	O1003621	Screw	X	2
27	O1004635	Washer	X	2
28	B260-2	Terminal	X	2
29	MS27039C1-07	Screw	X	2
30	D210-3	Nut	X	2

NOTES

Continues

FIGURE AND INDEX NUMBER	PART NUMBER	DESCRIPTION	PARTS AVAIL	QTY PER ASSY
BATTERY RELAY INSTALLATION (Cont'd)				
96-5-31	NAS1149F0332P	Washer	X	2
32	B415-2	Relay (Incl items 13, 14, 26, 27, and 33)	X	1
33	01009214	Suppression Diode Assembly	X	1
34	MS27039C0806	Screw	X	1
35	MS35489-13	Grommet	X	1
36	NAS1149FN816P	Washer	X	1
37	MS21042L08	Nut	X	1
38	MS21919WDG6	Clamp	X	1

NOTES

Intentionally Blank

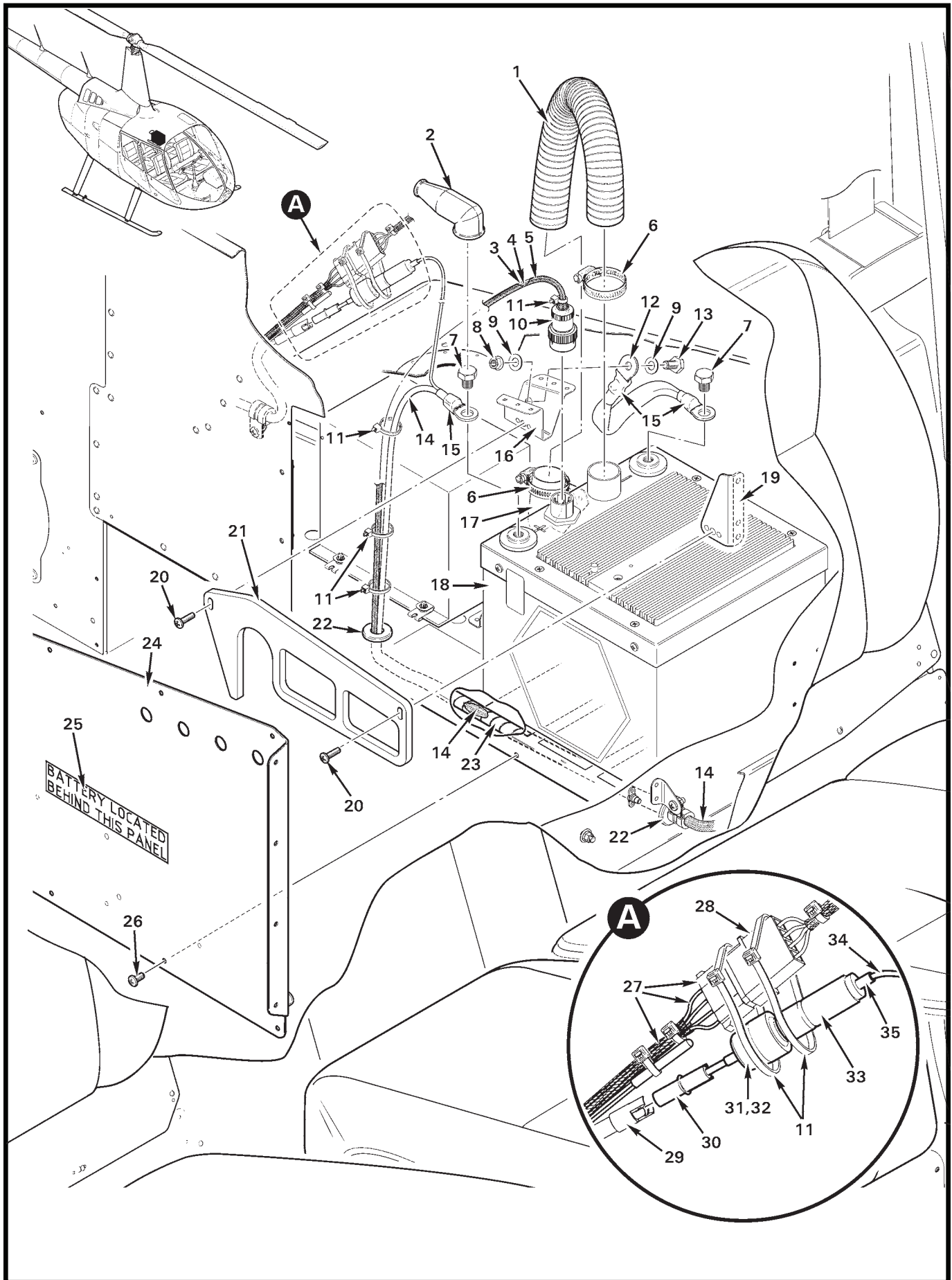


FIGURE AND INDEX NUMBER	PART NUMBER	DESCRIPTION	PARTS AVAIL	QTY PER ASSY
LITHIUM-ION BATTERY INSTALLATION				
96-9-1	A785-40	Hose	X	1
2	MS25171-2S	Nipple	X	1
3	-2819	Wire (Ref, white)		
4	-2819	Wire (Ref, blue)		
5	B266-4	Sleeving	X	A/R
6	B277-16	Clamp	X	2
7	—	Bolt (8mm)	O	2
8	D210-4	Nut	X	1
9	NAS1149F0432P	Washer	X	1
10	9018048*	Plug	O	1
11	MS3367-4-9	Ty-Rap	X	A/R
12	A780-2	Cable Assembly (Incl item 15)	X	1
13	AN4-3A	Bolt	X	1
14	A780-74	Cable Assembly (Incl items 15, and 30 thru 35)	X	1
15	B158-8	Heat Shrink	X	A/R
16	G130-5	Channel (Ref)		
17	A372-11	Weldment (Ref)		
18	D237-2	Battery (24 volt, lithium-ion; includes item 7)	X	1
19	G130-4	Angle (Ref)		
20	MS27039C0809	Screw	X	2
21	G131-3	Plate	X	1
22	MS35489-13	Grommet	X	2
23	B161-8	Spirap	X	A/R
24	G248-1	Cover Assembly	X	1
25	F654-24	Decal	X	1
26	MS27039C0806	Screw	X	14
27	F049-010	Harness Assembly (Ref; includes item 29)		
28	B263-16	Housing (Ref; low fuel switch)		
29	B263-10	Housing (Ref)		
30	B263-11	Housing	X	1
	B263-4	Socket	X	1
31	D262-10	Fuse Holder	X	1
32	AGC-15-R	Fuse	X	1
33	B158-408	Heat Shrink (labeled "CH GR" and "15 AMP"	X	A/R
34	-2324	Wire (Ref)		
35	B158-3	Heat Shrink	X	A/R

NOTES * Mid Continent part no.

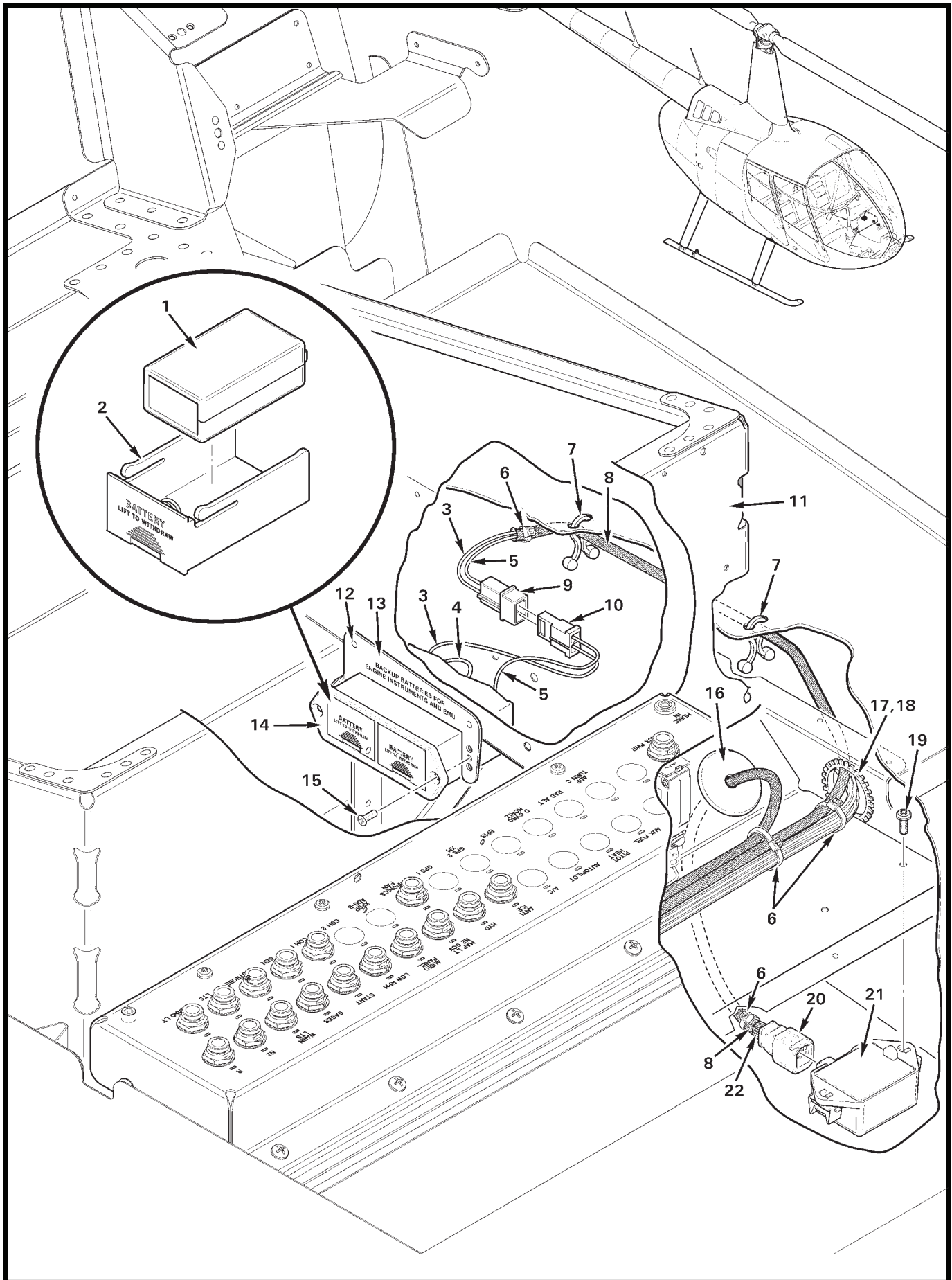


FIGURE AND INDEX NUMBER	PART NUMBER	DESCRIPTION	PARTS AVAIL	QTY PER ASSY
		LITHIUM-ION BATTERY CIRCUIT BACK-UP BATTERIES		
96-11-1	—	Battery* (9-volt, Alkaline)	O	2
2	—	Tray (9-volt battery)	O	2
3	-2830	Wire (Ref)		
4	—	Wire (Ref; jumper)		
5	-2831	Wire (Ref)		
6	MS3367-4-9	Ty-Rap	X	A/R
7	TL-350	Tie	X	2
8	B266-4	Sleeving	X	A/R
9	B263-32	Housing	X	1
	B263-1	Pin	X	2
10	B263-33	Housing	X	1
	B263-2	Pin	X	2
11	F297-1	Support Assembly – Seat (Ref, LH)		
12	MS20470AD4	Rivet	X	3
13	G468-1	Mount Assembly	X	1
14	F693-5	Case Assembly – Battery (Incl items 1 thru 5, and 10)	X	1
15	MS24693-S4	Screw	X	2
16	MS35489-8	Grommet	X	1
17	MS21266-1N	Grommet (install using item 18; or A225-2 without adhesive)	X	A/R
18	B270-8qt	Adhesive	X	A/R
19	MS35206-228	Screw	X	2
20	D269-11	Plug	X	1
21	F693-1	Module Assembly (senses need for and switches to backup battery)	X	1
22	F859-111	Wire (Ref)		
	F859-129	Wire (Ref)		
	F859-2001	Wire (Ref)		
	-2828	Wire (Ref)		
	-2829	Wire (Ref)		
	-2830	Wire (Ref)		
	-2832	Wire (Ref)		
	-2833	Wire (Ref)		
	-2834	Wire (Ref)		

NOTES * Sourced locally, any manufacturer.

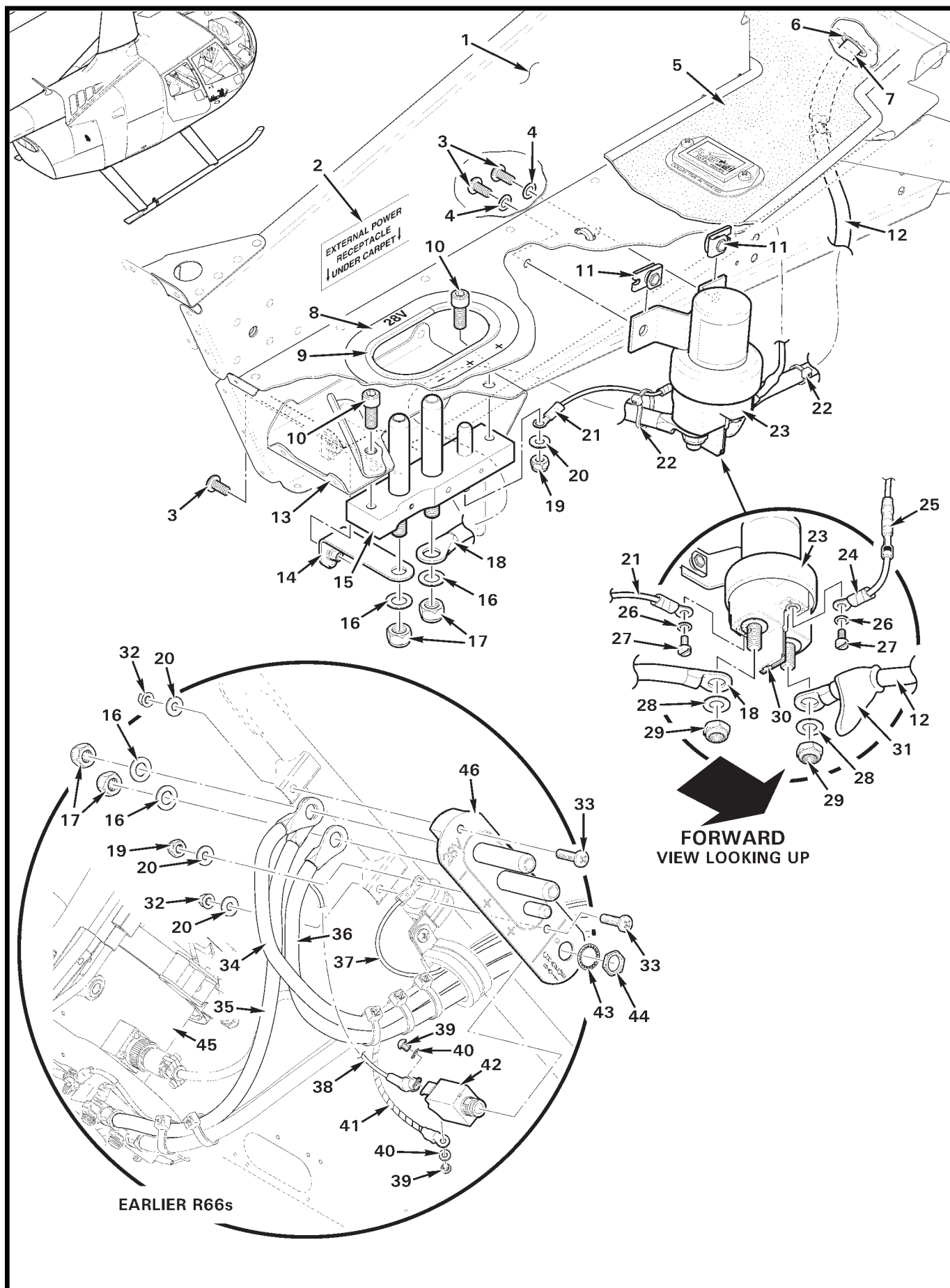


FIGURE AND INDEX NUMBER	PART NUMBER	DESCRIPTION	PARTS AVAIL	QTY PER ASSY
		EXTERNAL POWER PLUG INSTALLATION		
96-13-1	F290-1	Seat Support Assembly – RH FWD (Ref)		
2	G682-2	Decal	X	1
3	MS27039C1-06	Screw	X	3
4	NAS1149F0316P	Washer	X	2
5	F469-24	Carpet Assembly (Ref, see figure 25-15)		
6	NAS557-10A	Grommet	X	1
7	B158-8	Heat Shrink	X	A/R
8	G682-1	Decal	X	1
9	A226-15	Trim	X	A/R
10	NAS1352-4-10	Screw	X	2
11	B162-4	Clipnut	X	2
12	A780-70	Cable Assembly	X	1
13	G599-1	Support – Plug Assembly (Ref)		
14	A448-20	Bus Bar	X	1
15	G597-6	Receptacle Assembly – External Power (Incl items 16, 17, 19, and 20)	X	1
16	NAS1149F0532P	Washer	X	2
17	MS21044N5	Nut	X	2
18	A780-69	Cable Assembly	X	1
19	MS21044N3	Nut	X	1
20	NAS1149F0332P	Washer	X	2
21	F049-011	Harness Assembly	X	1
22	MS3367-5-0	Ty-Rap	X	A/R
23	B415-2	Relay Assembly (Incl items 26 thru 30)	X	1
24	F859-1964	Wire (Ref)		
25	B261-2	Splice (Ref)		
26	01004635	Washer	X	2
27	01003621	Screw	X	2
28	01000424	Washer	X	2
29	MS21044B5	Nut	X	2
30	01009214	Suppression Diode Assembly	X	1
31	MS25171-2S	Nipple	X	1
32	MS21042L3	Nut	X	2
33	MS27039C1-14	Screw	X	2
34	A780-53	Cable Assembly (wire no. 1991, Ref)		

NOTES

Continues

FIGURE AND INDEX NUMBER	PART NUMBER	DESCRIPTION	PARTS AVAIL	QTY PER ASSY
EXTERNAL POWER PLUG INSTALLATION (Cont'd)				
96-13-35	A780-51	Cable Assembly (wire no. 1969, Ref)		
36	A780-52	Cable Assembly (Ref; wire -1970, includes item 12)		
37	—	Wire Assembly (Ref; wire -2055)		
38	—	Wire (Ref; wire -2232)		
39	—	Screw	O	2
40	—	Lockwasher	O	2
41	—	Wire (Ref; wire -2232, to rectifier)		
42	B297-10	Circuit Breaker (10 amp, includes items 39, 40, 43 and 44) . . .	X	1
43	—	Washer	O	1
44	—	Nut	O	1
45	—	Starter/Generator (Ref)		
46	G597-1*	Plug Assembly – External Power (Incl items 16, 17, 19, and 20)	O	1

NOTES * Earlier R66s.

Intentionally Blank

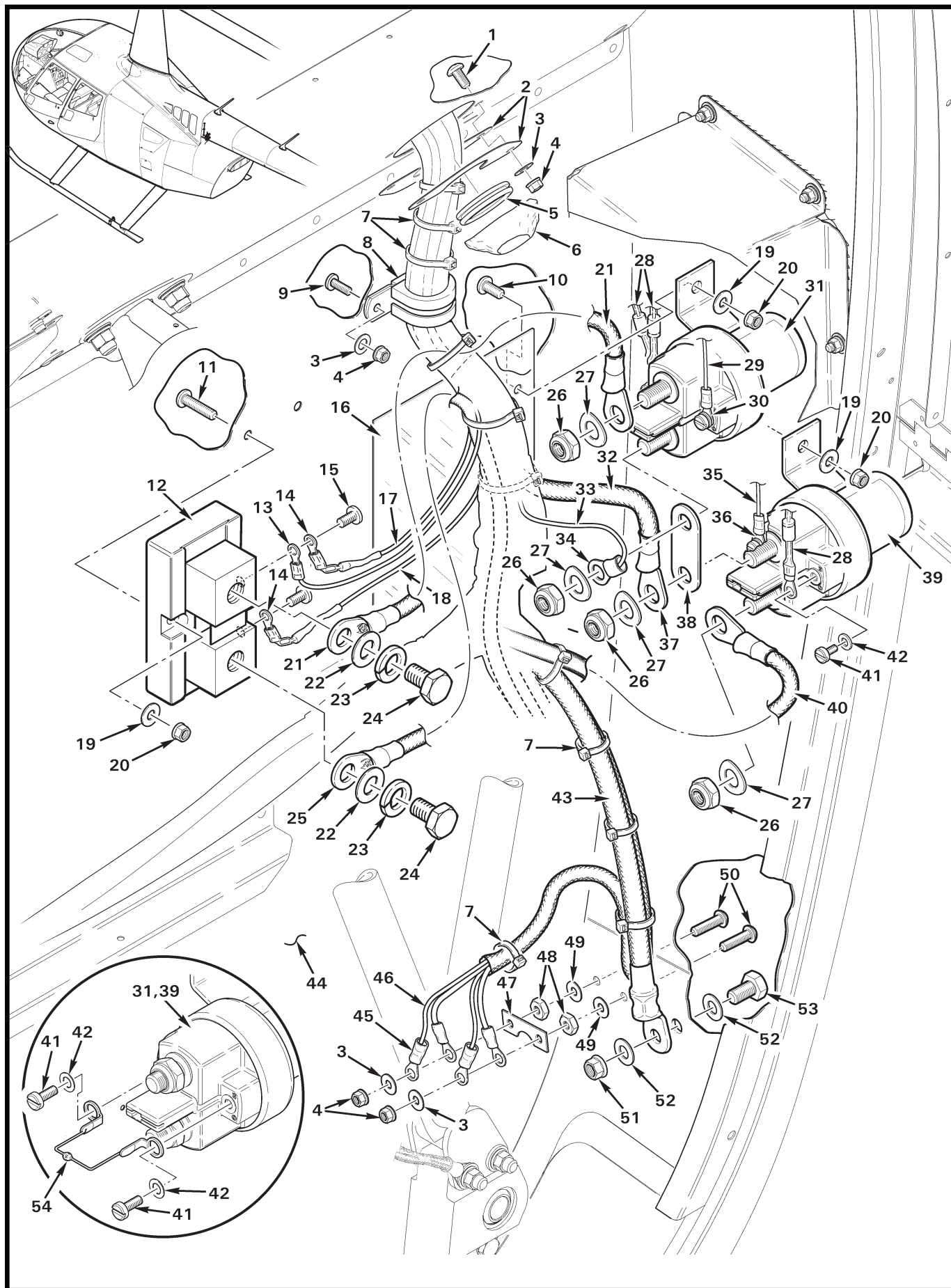


FIGURE AND INDEX NUMBER	PART NUMBER	DESCRIPTION	PARTS AVAIL	QTY PER ASSY
STARTER-GENERATOR AND EXTERNAL POWER RELAY INSTALLATION				
96-17-1	MS27039C0805	Screw	X	2
2	A453-7	Plate	X	2
3	NAS1149FN816P	Washer	X	5
4	MS21042L08	Nut	X	5
5	NAS557-14A	Grommet	X	1
6	B270-5	Sealant	X	A/R
7	MS3367-4-9	Ty-Rap	X	A/R
8	MS21919WCH__	Clamp (select clamp size as required to prevent slack around harness)	X	1
9	MS27039C0806	Screw	X	1
10	MS27039C1-07	Screw	X	2
11	MS27039C1-10	Screw	X	3
12	MLB-300-50	Shunt (Incl items 15, 23, and 24)	X	1
13	B260-3	Terminal (wire no. 1981)	X	1
14	B260-3	Terminal	X	2
	B261-2	Splice	X	2
	473003	Fuse	X	2
	B158-103	Heat Shrink	X	A/R
15	—	Screw	O	2
16	C452-4	Guard	X	1
17	F059-2313	Wire (Ref)		
18	F059-2312	Wire (Ref)		
19	NAS620-10L	Washer	X	5
20	MS21042L3	Nut	X	5
21	A780-56	Cable Assembly	X	1
22	NAS1149F0663P	Washer	X	2
23	—	Washer (split)	O	2
24	—	Bolt	O	2
25	A780-50	Cable Assembly (wire no. 1982)	X	1
26	MS21044B5	Nut	O	2
27	01000424	Washer	X	2
28	B260-2	Terminal	X	3
	B261-2	Splice	X	3
	D275-102	Diode	X	3
	B158-103	Heat Shrink	X	A/R

NOTES

Continues

FIGURE AND INDEX NUMBER	PART NUMBER	DESCRIPTION	PARTS AVAIL	QTY PER ASSY
STARTER-GENERATOR AND EXTERNAL POWER RELAY INSTALLATION (Cont'd)				
96-17-29	F059-1976	Wire (ground; Ref)		
30	B260-2	Terminal	X	3
31	B415-2	Relay – Starter/Generator (Incl items 26, 27, 41, 42, and 54)	X	1
32	F059-1386	Wire (Ref)		
33	F049-1979	Wire (Ref; included with F049-03 harness assembly)		
34	B260-6	Terminal	X	2
35	F059-2055	Wire (Ref)		
36	B260-4	Terminal	X	1
37	B260-23	Terminal	X	1
	B158-8	Heat Shrink	X	A/R
38	A448-17	Bus Bar	X	1
39	B415-2	Relay – External Power (Incl items 26, 27, 41, 42, and 54)	X	1
40	A780-52	Cable Assembly (wire no. 1970)	X	1
	B260-20	Terminal	X	2
	B158-408	Heat Shrink	X	A/R
	B260-2	Terminal (not shown; for wire no. 2232)	X	1
41	01003621	Screw	X	2
42	01004635	Washer	X	2
43	A780-53	Cable Assembly (wire no. 1991)	X	1
	B260-20	Terminal	X	1
	B260-22	Terminal (at plug assembly; not shown)	X	1
	B158-408	Heat Shrink	X	A/R
44	F233-1	Firewall – Vertical (Ref)		
45	B260-3	Terminal	X	4
46	F059-1944	Wire (ground, Ref)		
	F059-1976	Wire (ground, Ref)		
	F059-2292	Wire (ground, Ref)		
	F059-2306	Wire (ground, Ref)		
47	A448-3	Bus Bar	X	1
48	B301-8	Nut	X	2
49	NAS1149DN832H	Washer	X	2
50	B567-43	Screw	X	2
51	MS21042L4	Nut	X	1
52	NAS1149F0432P	Washer	X	2
53	AN4-4A	Bolt	X	1

NOTES

Continues

FIGURE AND INDEX NUMBER	PART NUMBER	DESCRIPTION	PARTS AVAIL	QTY PER ASSY
96-17-54	01009214	<p style="text-align: center;">STARTER-GENERATOR AND EXTERNAL POWER RELAY INSTALLATION (Cont'd)</p> <p>Suppression Diode Assembly</p>	X	1
NOTES				

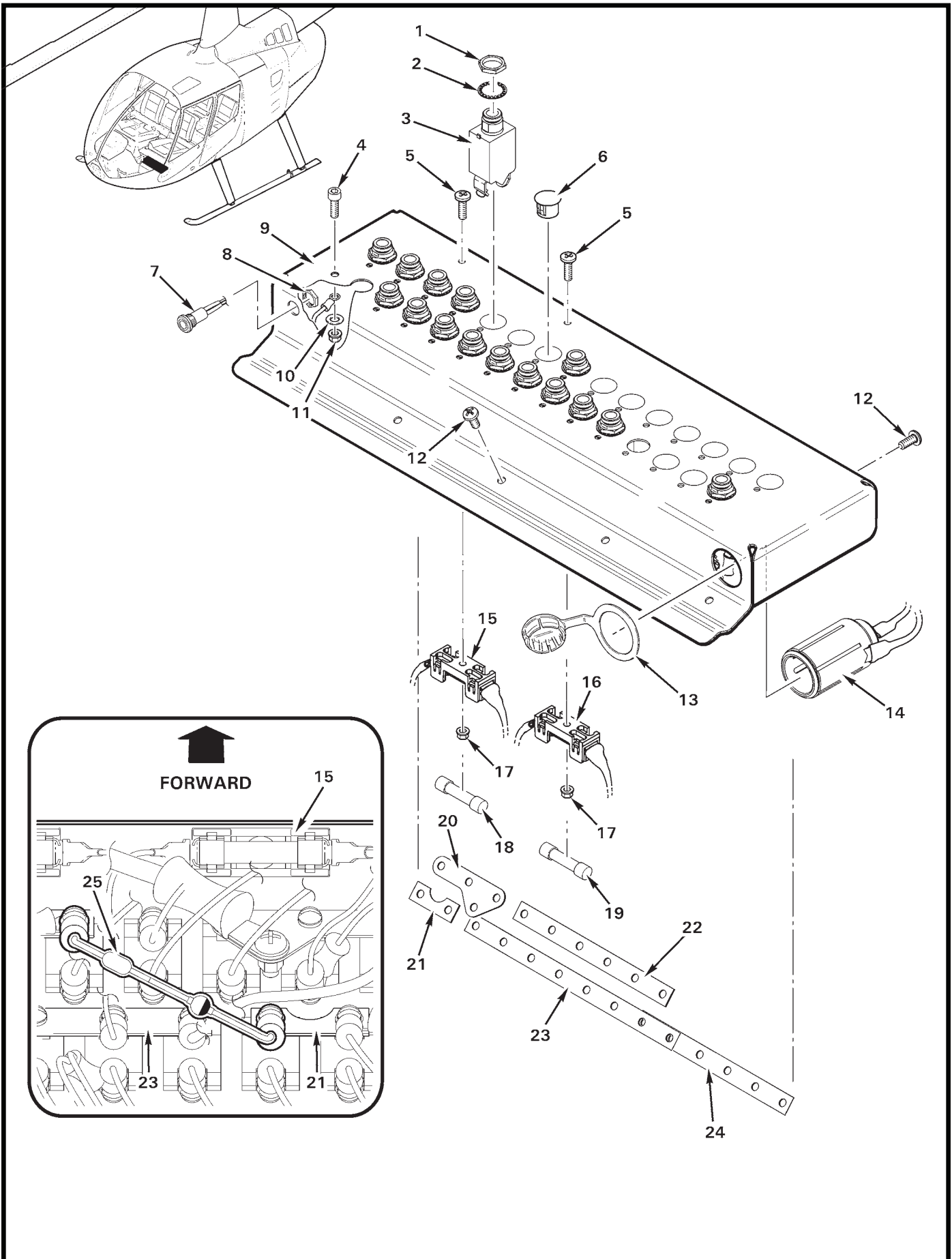


FIGURE AND INDEX NUMBER	PART NUMBER	DESCRIPTION	PARTS AVAIL	QTY PER ASSY
CIRCUIT BREAKER PANEL				
96-21-1	—	Nut	O	1
2	—	Washer	O	1
3	B297-10	Circuit Breaker (10 amp)	X	2
	B297-7	Circuit Breaker (7.5 amp)	X	1
	B297-5	Circuit Breaker (5 amp)	X	2
	B297-2	Circuit Breaker (2 amp)	X	12
4	NAS1352-08-10P	Screw	X	A/R
5	MS35206-227	Screw	X	2
6	2633	Hole Plug	X	A/R
7	C049-14	Harness Assembly (aux audio IN)	X	1
8	—	Nut (included with item 7)	O	1
9	F490-1	Panel Assembly (28-hole)	X	1
	F490-3	Panel Assembly (32-hole, not shown)	X	1
10	NAS1149DN832H	Washer	X	1
11	MS21042L08	Nut	X	1
12	MS27039C0806	Screw	X	10
13	D692-3	Cover	X	1
14	D692-4	Socket (28-volt)	X	1
15	D262-1	Fuseblock (hourmeters)	X	1
16	D262-1	Fuseblock (EMU)	X	1
17	MS21042L06	Nut	X	2
18	AGC-1	Fuse (1 amp, hourmeters)	X	1
19	AGC-3	Fuse (3 amp, EMU)	X	1
20	A448-16	Bus Bar (3 breakers)	X	1
21	A448-3	Bus Bar (2 breakers)	X	1
22	A448-1	Bus Bar (6 breakers; [two] max in place of -4, -9, -10, or -14)	X	A/R
	A448-4	Bus Bar (3 breakers)	X	A/R
	A448-9	Bus Bar (9 breakers)	X	A/R
	A448-10	Bus Bar (4 breakers)	X	A/R
	A448-14	Bus Bar (8 breakers)	X	A/R
23	A448-14	Bus Bar (8 breakers)	X	1
24	A448-1	Bus Bar (6 breakers)	X	1
25	A045-2	Diode Assembly	X	1

NOTES

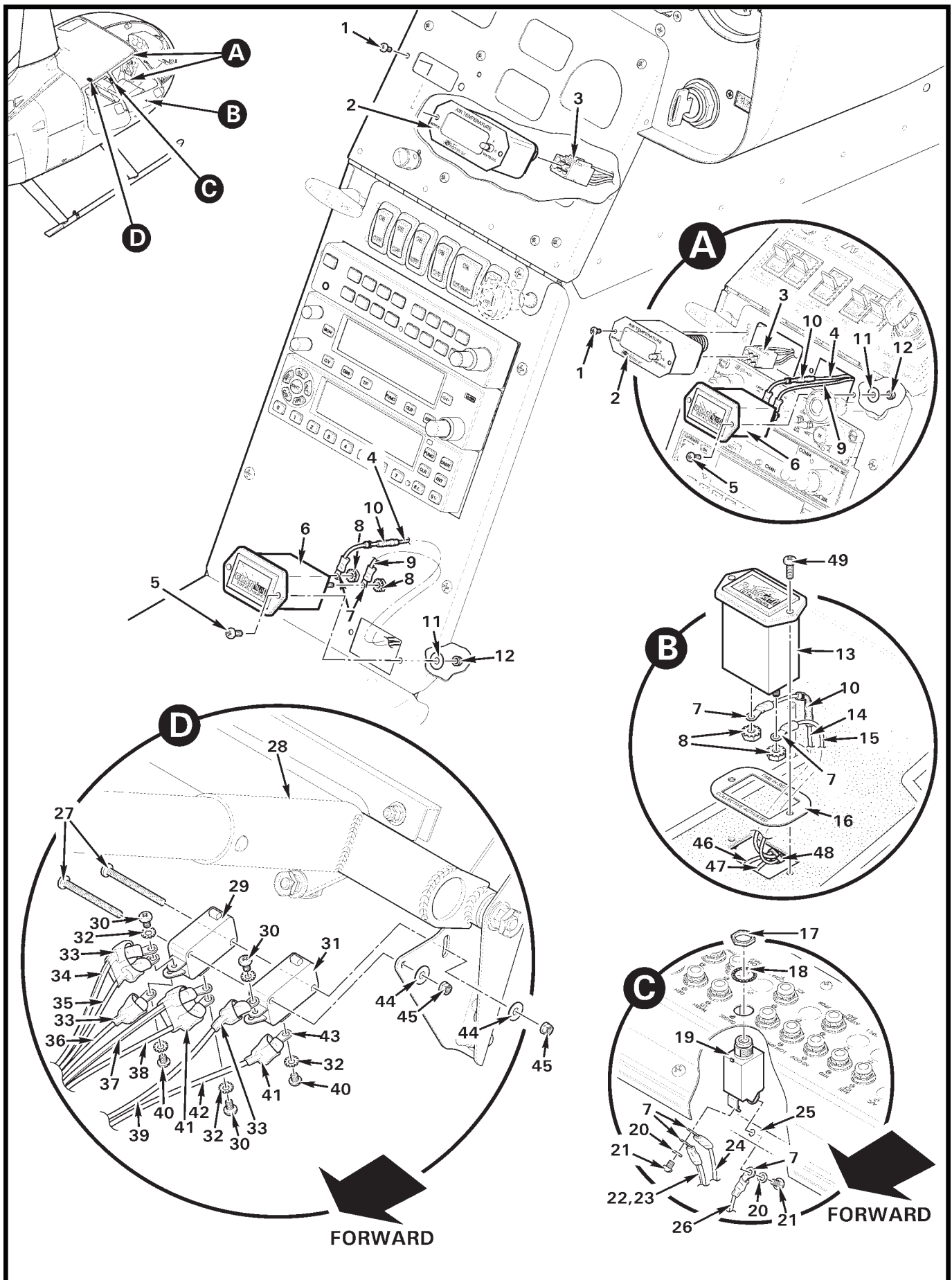


FIGURE AND INDEX NUMBER	PART NUMBER	DESCRIPTION	PARTS AVAIL	QTY PER ASSY
		HOURMETER AND COLLECTIVE-ACTIVATED SWITCHES INSTALLATION		
96-23-1	—	Screw (4-40)	O	2
2	B341-1	Gage – Outside Air Temp (Incl item 1)	X	1
3	B341-4	Probe Assembly	X	1
4	-2053	Wire (Ref)		
5	MS35206-228	Screw	X	4
6	D830-2	Hourmeter – Engine (Incl item 8)	X	1
7	B260-2	Terminal	X	7
8	—	Lock Nut	O	4
9	-2052	Wire (Ref)		
10	D275-101	Diode (1N4005)	X	2
11	NAS620-6L	Washer	X	2
12	MS21042L06	Nut	X	2
13	D830-2	Hourmeter – Collective Activated (Incl item 8)	X	1
14	-1604	Wire (Ref)		
15	-1605	Wire (Ref)		
16	B417-2	Faceplate	X	1
17	—	Nut	O	1
18	—	Lockwasher	O	1
19	B297-2	Circuit Breaker (2 amp, includes items 17 and 18)	X	1
20	—	Washer	O	2
21	—	Screw	O	2
22	-129	Wire (Ref)		
23	-1958	Wire (Ref)		
24	-4	Wire (Ref)		
25	A448-14	Bus Bar (8-hole, Ref)		
26	-661	Wire (Ref)		
27	MS35206-324	Screw	X	2
28	C758-2	Stick Assembly (Ref, see Figure 67-21)		
29	V3-1	Switch – Micro (hourmeter; includes items 30, 32 and 40) . .	X	1
30	MS35206-212	Screw (replaces screw supplied with switch)	X	3
31	V3-1	Switch – Micro (low RPM warning; incl items 30, 32 and 40)	X	1
32	—	Lockwasher	O	5
33	B158-6	Heat Shrink (earlier ships)	X	A/R

NOTES

Continues

FIGURE AND INDEX NUMBER	PART NUMBER	DESCRIPTION	PARTS AVAIL	QTY PER ASSY
HOURMETER AND COLLECTIVE-ACTIVATED SWITCHES INSTALLATION (Cont'd)				
96-23-34	-1556	Wire (Ref)		
	-1604	Wire (Ref)		
35	-2325	Wire (Ref)		
	-2600	Wire (Ref)		
36	-2344	Wire (Ref)		
	-2599	Wire (Ref)		
37	-1898	Wire (Ref)		
	-2031	Wire (Ref)		
38	-2052	Wire (Ref)		
39	-78	Wire (Ref)		
40	—	Screw	O	2
41	B158-4	Heat Shrink (earlier ships)	X	A/R
42	-2301	Wire (Ref)		
43	B260-1	Terminal	X	7
44	NAS1149FN416P	Washer	X	2
45	MS21042L04	Nut	X	2
46	-108	Wire (Ref)		
47	-1964	Wire (Ref)		
48	MS3367-4-9	Ty-rap	X	A/R
49	MS35206-232	Screw	X	2

NOTES

Intentionally Blank

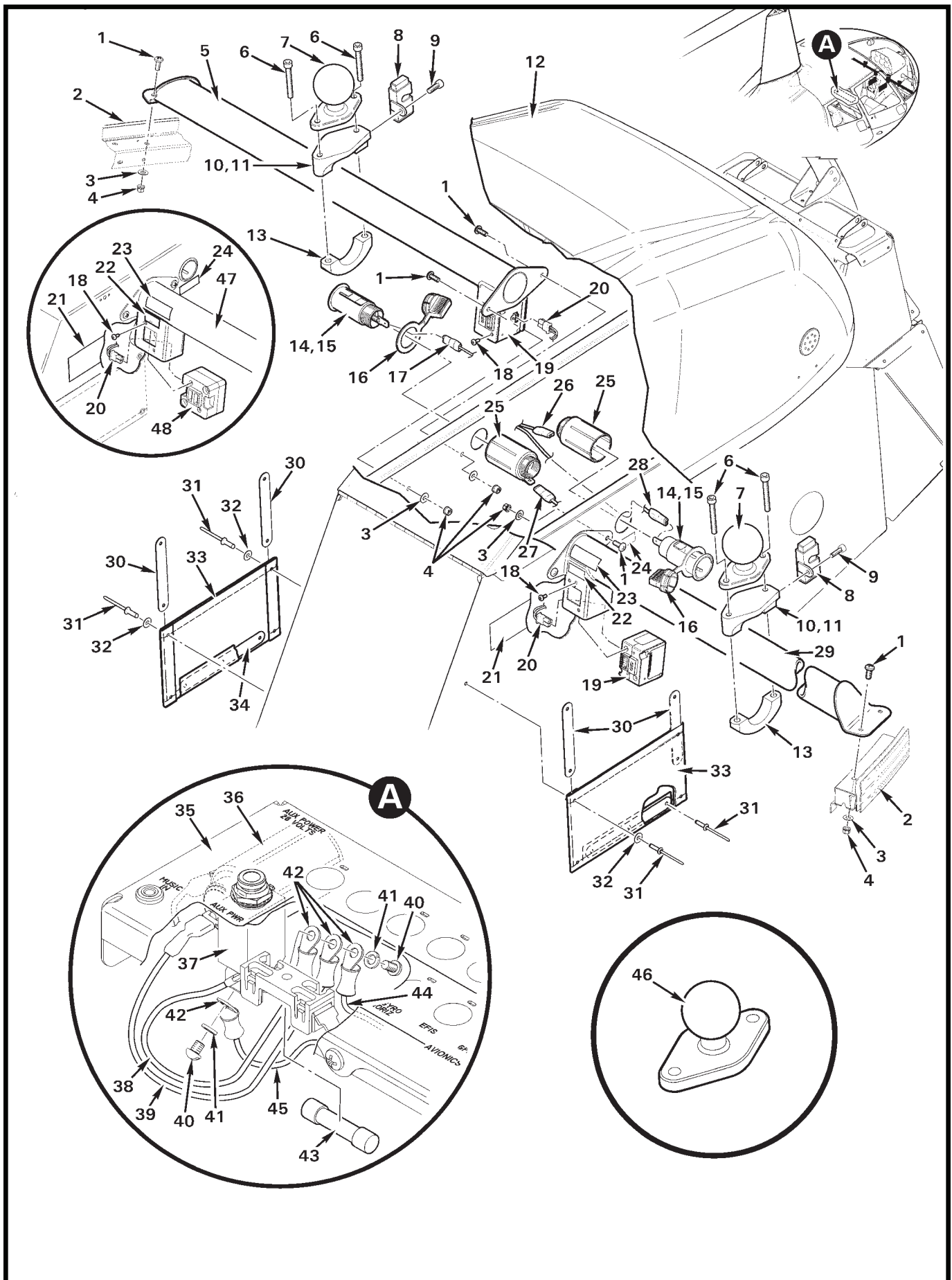


FIGURE AND INDEX NUMBER	PART NUMBER	DESCRIPTION	PARTS AVAIL	QTY PER ASSY
ACCESSORY BARS INSTALLATION				
96-27-1	MS27039C0806	Screw	X	8
2	F015	Cabin Assembly (Ref)		
3	NAS1149FN816P	Washer	X	8
4	MS21042L08	Nut	X	8
5	G703-15	Support Assembly (LH)	O	1
6	NAS1351-3-24	Screw	X	4
7	RAM-238U	Mount (1.5-inch diameter ball)	X	A/R
8	B631-1	Clamp Assembly	X	1
9	NAS1352-08-8	Screw	X	1
10	B630-1	Clamp Assembly (Incl items 11 and 13)	X	A/R
11	B630-3	Clamp	X	1
12	G050	Console Assembly (Ref)		
13	B630-2	Clamp Assembly	X	1
14	D692-4	Socket (Incl items 15 and 25)	X	2
15	205471	Switch Base (Ref)		
16	D692-3	Cover	X	1
17	B262-5	Receptacle	X	1
	F859-2690	Wire (power, Ref)		
	F859-2692	Wire (power, Ref)		
	B158-4	Heat Shrink	X	A/R
18	MS35206-213	Screw	X	4
19	6430202-2	USB Port (dual, type A and C)	O	2
20	1445022-2	Housing	O	2
	1-794610-1	Socket	O	2
	-2578	Wire (power, pin "A"; Ref)		
	-2579	Wire (ground, pin "B"; Ref)		
21	G682-15	Decal – "CAUTION ENSURE ACCESSORIES..."	X	1
22	F654-49	Decal – "AUX PWR 5V"	X	1
23	G682-14	Decal – "MAXIMUM LOAD: 10 LB (4.5 KG)"	X	1
24	G682-16	Decal – "28 VOLTS 2 AMPS MAX"	X	1
25	210664	Clamp Shell (Ref)		
26	B262-4	Receptacle	X	1
	-2693	Wire (ground; Ref)		

NOTES

Continues

FIGURE AND INDEX NUMBER	PART NUMBER	DESCRIPTION	PARTS AVAIL	QTY PER ASSY
ACCESSORY BARS INSTALLATION (Cont'd)				
96-27-27	B262-5	Receptacle	X	1
	-2691	Wire (ground, Ref)		
	-2693	Wire (ground, Ref)		
	B158-4	Heat Shrink	X	A/R
28	B262-4	Receptacle	X	1
	-2692	Wire (power, Ref)		
29	G703-16	Support Assembly (RH)	O	1
30	A913-6	Strip	X	2
31	B204-2	Rivet	X	7
32	NAS1149FN632P	Washer	X	4
33	A912-7	Pocket Assembly	X	1
34	A913-1	Strip	X	2
35	F490-3	Panel Assembly – Circuit Breaker (Ref)		
36	D692-4	Socket (Ref)		
37	B297-10	Circuit Breaker (10 amp, "AUX PWR"; includes items 40 and 41)	X	1
38	F859-626	Wire (to fuse, Ref)		
39	-626	Wire (to item 36, Ref)		
40	—	Screw	O	1
41	—	Washer	O	1
42	B260-2	Terminal	X	3
43	AGC-5-R	Fuse (5 amp)	X	1
44	F859-2690	Wire (Ref; to item 14, RH)		
45	F859-2570	Wire (Ref; to "AVIONICS FAN" circuit breaker)		
46	RAM-B-238U	Mount Assembly (1-inch diameter ball)	X	A/R
47	G705-6	Support Assembly (Ref; RH, earlier ships)		
	G705-9	Support Assembly (Ref; LH, earlier ships)		
48	6430102-2	USB Port (installed with item 47 only)	X	2

NOTES

Intentionally Blank

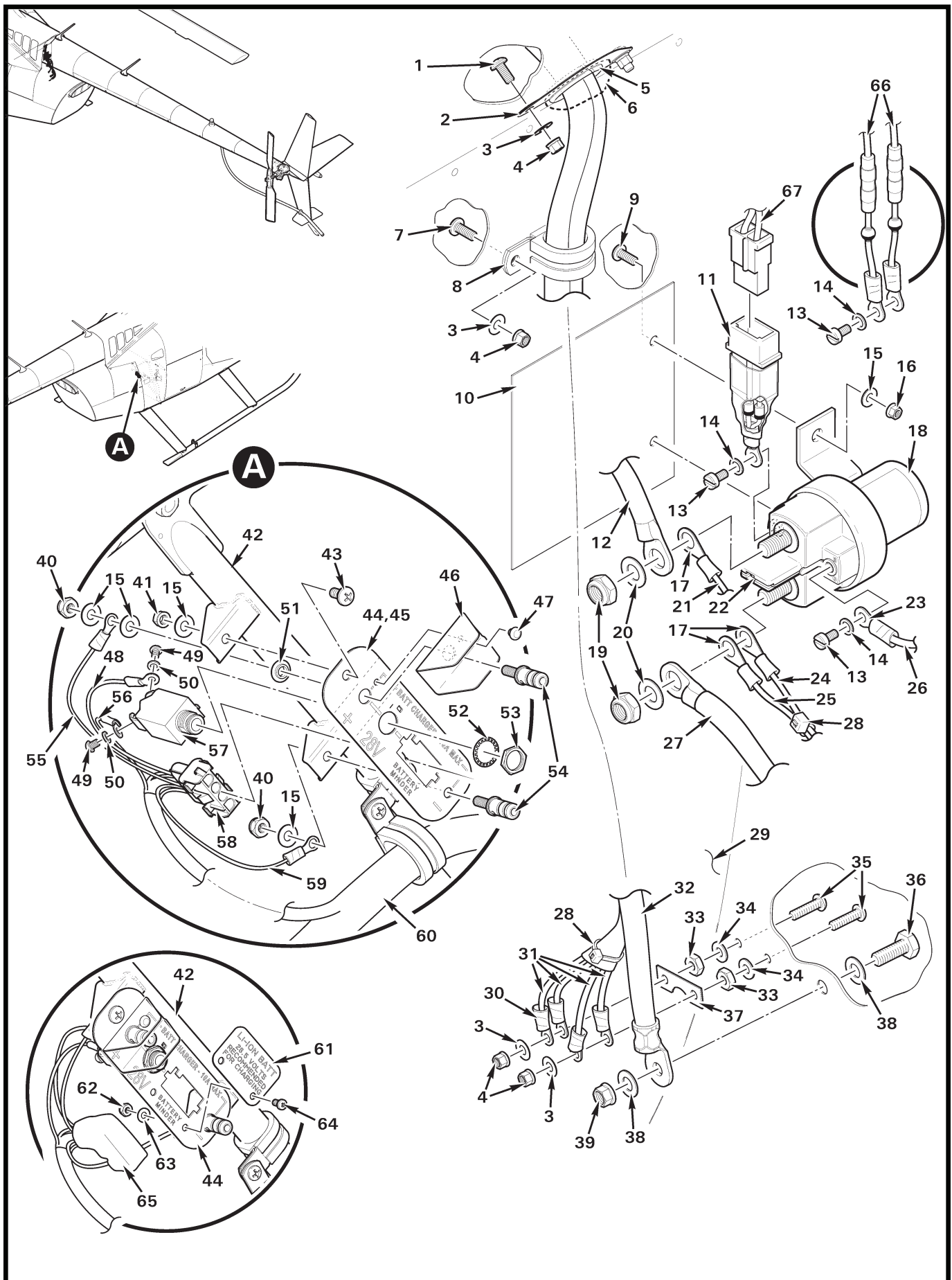


FIGURE AND INDEX NUMBER	PART NUMBER	DESCRIPTION	PARTS AVAIL	QTY PER ASSY
		STARTER GENERATOR RELAY AND BATTERY MINDER INSTALLATION		
96-31-1	MS27039C0805	Screw	X	2
2	A453-7	Plate	X	2
3	NAS1149FN816P	Washer	X	5
4	MS21042L08	Nut	X	5
5	NAS557-14A	Grommet	X	1
6	B270-5	Sealant	X	A/R
7	MS27039C0806	Screw	X	1
8	MS21919WCH__	Clamp (select clamp size as required to prevent slack around harness)	X	1
9	MS27039C1-07	Screw	X	2
10	C452-5	Guard	X	1
11	B304-17	Diode Assembly	X	1
12	F859-1386	Wire (Ref)		
13	01003621	Screw	X	2
14	01004635	Washer	X	2
15	NAS1149F0332P	Washer	X	6
16	MS21042L3	Nut	X	2
17	B260-6	Terminal	X	2
18	B415-2	Relay (starter/generator; includes items 26, 27, 41, 42, and 54)	X	1
19	MS21044B5	Nut	O	2
20	01000424	Washer	X	2
21	F049-1979	Wire (Ref)		
22	01009214	Suppression Diode Assembly	X	1
23	B260-2	Terminal	X	3
24	F049-1981	Wire (Ref)		
25	F859-2313	Wire (Ref)		
26	F859-1976	Wire (Ref; ground)		
27	A780-71	Cable Assembly		
28	MS3367-4-9	Ty-Rap	X	A/R
29	F233-1	Firewall – Vertical (Ref)		
30	B260-3	Terminal	X	4
31	F859-1944	Wire (ground, Ref)		
	F859-1976	Wire (ground, Ref)		
	F859-2292	Wire (ground, Ref)		
	F859-2574	Wire (ground, Ref)		

NOTES

Continues

FIGURE AND INDEX NUMBER	PART NUMBER	DESCRIPTION	PARTS AVAIL	QTY PER ASSY
		STARTER GENERATOR RELAY AND BATTERY MINDER INSTALLATION (Cont'd)		
96-31-32	A780-72	Cable Assembly		
33	B301-8	Nut	X	2
34	NAS1149DN832H	Washer	X	2
35	B567-43	Screw	X	2
36	AN4-4A	Bolt	X	1
37	A448-3	Bus Bar	X	1
38	NAS1149F0432P	Washer	X	2
39	MS21042L4	Nut	X	1
40	MS24044N3	Nut	X	2
41	D210-3	Nut	X	1
42	F046	Frame Weldment – RH (Ref)		
43	MS27039C1-07	Screw	X	1
44	G597-8	Post Assembly – Battery Minder (Incl items 15 [3], 40, 45 thru 47, 51, 54, 57, and 58)	X	1
45	G598-3	Faceplate	X	1
46	C452-7	Guard	O	1
47	SR-3035B	Rivet	X	1
48	F049-2572	Wire (Ref)		
49	—	Screw	O	2
50	—	Washer	O	2
51	C26005	Washer	X	1
52	—	Lockwasher	O	1
53	—	Nut	O	1
54	G597-7	Post	X	2
55	-2573	Wire (Ref)		
56	F049-2324	Wire (Ref)		
57	B297-10	Circuit Breaker (10 amp, includes items 49, 50, 52, and 53	X	1
58	B263-68	4-Contact Cap (Universal Mate-N-Lok)	X	1
	B263-51	Pin	X	1
	B263-55	Pin	X	3
59	F049-2575	Wire (Ref)		
60	F859	Wire Harness (Ref)		
61	G598-4	Cover (when Li-Ion battery is installed)	X	1
62	MS21042L04	Nut	X	2

NOTES

Continues

FIGURE AND INDEX NUMBER	PART NUMBER	DESCRIPTION	PARTS AVAIL	QTY PER ASSY
STARTER GENERATOR RELAY AND BATTERY MINDER INSTALLATION (Cont'd)				
96-31-63	NAS1149FN416P	Washer	X	2
64	MS35206-214	Screw	X	2
65	B158-16	Heat Shrink (when Li-Ion battery is installed)	X	A/R
66	B260-2	Terminal (earlier ships)	X	2
	B261-2	Splice (earlier ships)	X	2
	A15A	Diode (earlier ships)	X	2
	B158-103	Heat Shrink (earlier ships)	X	A/R
67	F859-1975	Wire (Ref)		
	F859-1980	Wire (Ref)		
NOTES				

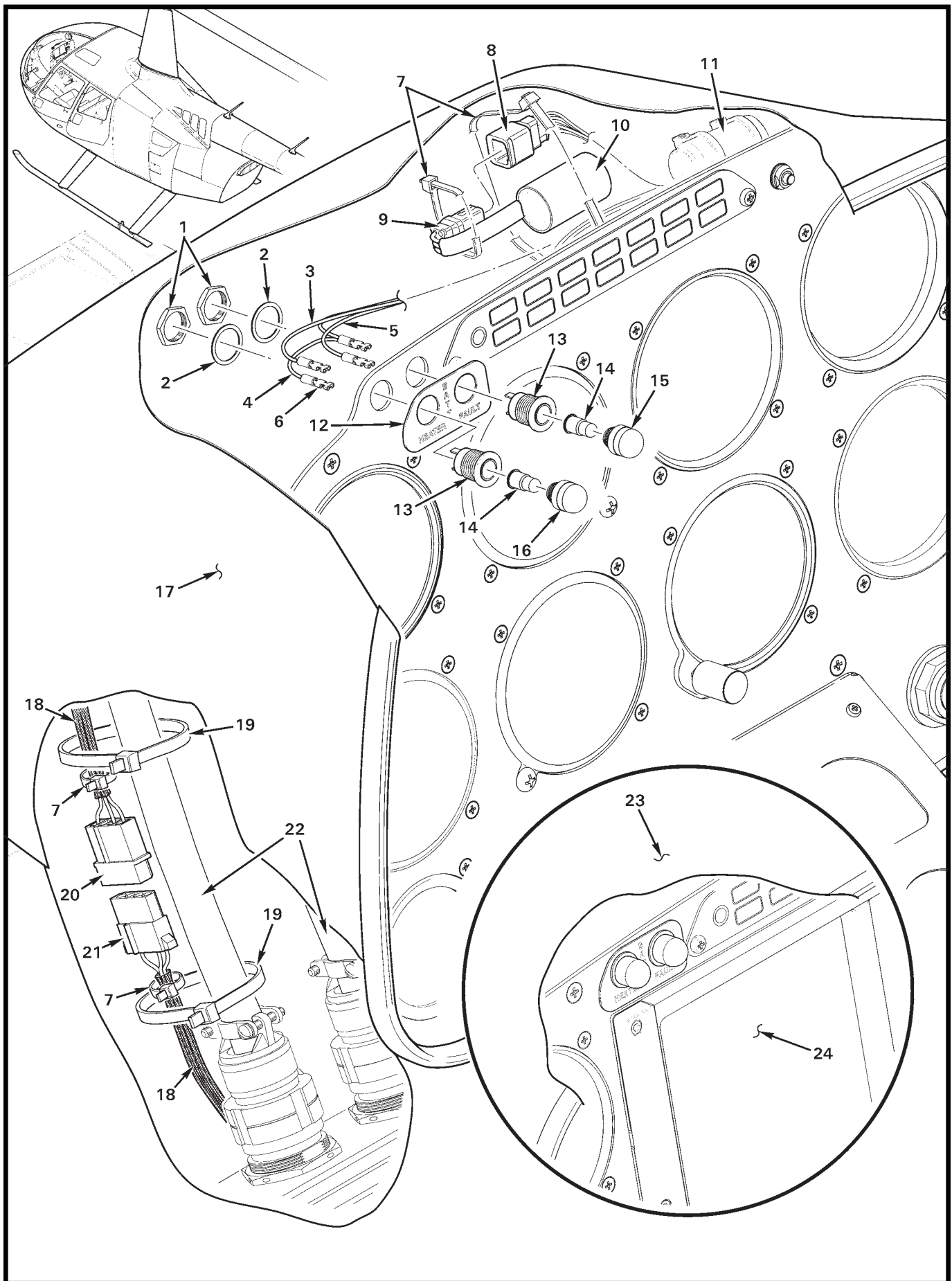


FIGURE AND INDEX NUMBER	PART NUMBER	DESCRIPTION	PARTS AVAIL	QTY PER ASSY
		LITHIUM-ION BATTERY INDICATOR LIGHTS		
96-35-1	—	Nut	O	1
2	—	Lock Washer (internal tooth)	O	1
3	-2841	Wire (Ref, to F493-4 relay assembly)		
4	-2839	Wire (Ref, jumper)		
5	-2840	Wire (Ref, to F493-4 relay assembly)		
6	B262-1	Receptacle	X	4
7	MS3367-4-9	Ty-Rap	X	A/R
	MS3367-5-9	Ty-Rap	X	A/R
8	D269-11	Plug (9-socket)	X	1
9	D269-12	Receptacle (9-pin)	X	1
10	F693-4	Relay Assembly (Incl item 9; Rev. B or subsequent, indicator lights)	X	1
11	G655-2	Time Delay Assembly (Ref; fuel filter warning)		
12	G468-3	Plate	X	1
13	B198-1	Lamp (socket)	X	2
14	B196-21	Light (bulb)	X	2
15	—	Lens (amber)	O	1
16	162-0937	Lens (white)	X	1
17	G050	Console (Ref, eight-hole)		
18	B266-4	Sleeving	X	A/R
19	MS3367-5-0	Ty-Rap	X	A/R
20	B263-36*	Housing (console side)	X	1
	B263-1*	Pin	X	4
	-2836*	Wire (Ref)		
	-2819*	Wire (Ref, white)		
	-2819*	Wire (Ref, blue)		
21	B263-37*	Housing (cabin side)	X	1
	B263-2*	Socket	X	4
	-2836*	Wire (Ref)		
	-2819*	Wire (Ref, white)		
	-2819*	Wire (Ref, blue)		
22	G716	Harness – Electrical (Ref, G050 console)		
	G717	Harness – Electrical (Ref, G060 console)		
23	G060	Console Assembly (Ref)		
24	GDU 620	Display (Ref)		

NOTES * Earlier aircraft. See R66 MM Chapter 90 for schematics. Wires moved to Item 22 at rev. D.

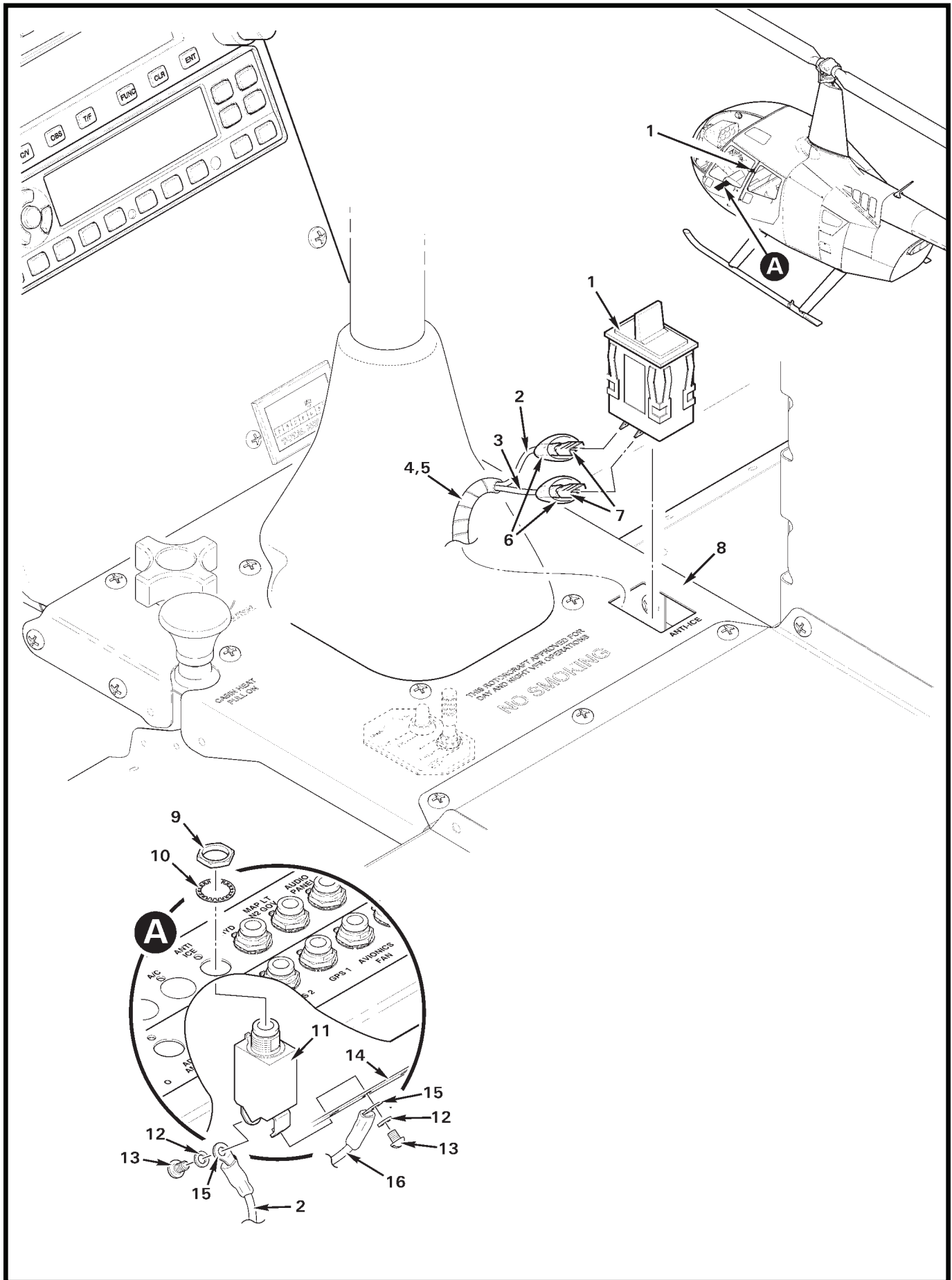


FIGURE AND INDEX NUMBER	PART NUMBER	DESCRIPTION	PARTS AVAIL	QTY PER ASSY
ANTI-ICE SWITCH INSTALLATION				
96-37-1	B184-13	Switch Assembly – Anti-ice	X	1
2	-1961	Wire (Ref; power)		
3	-2037	Wire (Ref; anti-ice valve)		
4	B161-2	Spirap (Ref)		
5	F859	Harness Assembly (Ref)		
6	B158-4	Heat Shrink	X	A/R
7	B262-2	Receptacle (Ref)		
8	F444-1	Cover – Cyclic (Ref)		
9	—	Nut	O	1
10	—	Lockwasher	O	1
11	B297-2	Circuit Breaker	X	1
12	—	Washer	O	2
13	—	Screw	O	2
14	A448-1	Bus Bar (Ref)		
15	B260-3	Terminal (Ref)		
16	-2001	Wire (Ref; power to EMU)		
NOTES				

FIGURE AND INDEX NUMBER	PART NUMBER	DESCRIPTION	PARTS AVAIL	QTY PER ASSY
G198-1 ANNUNCIATOR AND RELATED SENSORS				
96-39-1	—	Main Rotor Chip Light (Ref, wire G716-3)		
	B566-1	Chip Detector (Ref, see Figure 63-3)		
2	—	Tail Rotor Chip Light (Ref, wire G716-5)		
	B566-2	Chip Detector (Ref, see Figure 65-9)		
3	—	Engine Fire Light (Ref, wire G716-637)		
	A688-2	Switch (Ref; see Figure 96-41)		
4	—	Engine Anti-Ice Light (Ref, wire G716-1945)		
	RR30000270*	Anti-ice Pressure Switch (Ref, see Figure 71-7)		
5	—	Low Fuel Light (Ref, wire G655-2049)		
	A521-2, -4	Low Fuel Switch Assembly (Ref, see Figure 28-7)		
	G655-1	Low Fuel Time Delay Assembly (Ref, see Figures 95-1, 95-23, and 95-31; not shown)		
6	—	Low RPM Light (Ref, wire G716-2035)		
	103SR13A-3	Hall Effect Sensor (Ref, see Figure 63-3)		
	A569-11	Low RPM Warning Unit (Ref, see Figure 95-13, 95-33 or 95-39)		
7	—	Air Filter Light (Ref, wire G716-2272; for)		
	F049-08	Air Filter Harness Assembly (Ref, see Figure 71-9 or 71-11)		
8	—	Main Rotor Temperature and Pressure Light (Ref, wire G716-1899)		
	A688-1	Oil Temperature Switch (Ref, see Figure 63-3)		
	B426-3	Oil Pressure Switch (Ref, see Figure 63-3)		
9	—	Engine Chip Light (Ref, wire G716-1931)		
	6871534*	Oil Plug/Chip Detector (Ref, see Figure 71-5)		
10	—	Engine Oil Light (Ref, wire G716-6)		
	D745-3	Oil Pressure Switch (Ref; see Figure 71-5)		
11	—	Generator [low voltage] Light (Ref, wire G716-1978)		
	LM-1210-E-MABND	Low Voltage Sensor Module (Ref, see Figure 96-41)		
12	—	Fuel Filter Light (Ref, wire G655-2340)		
	G426-1	Fuel Differential Pressure Switch (Ref, see Figure 71-5)		
	G655-2	Fuel Filter Warning Time Delay Assy (Ref, see Figures 95-1, 95-27, and 95-35)		
13	—	Cowl Door Light (Ref, wire G716-1968)		
	D2VW-5L3-1HS	Switch (Ref, see Figures 52-13 and 96-41)		
14	—	EMU Light (Ref, wire G716-2062)		
	F695-4,-1	Warning Light Test Board (Ref, see Figure 97-63)		
	RR30000470*	Engine Monitoring Unit (Ref, see Figure 71-23)		

NOTES * Rolls Royce part number.

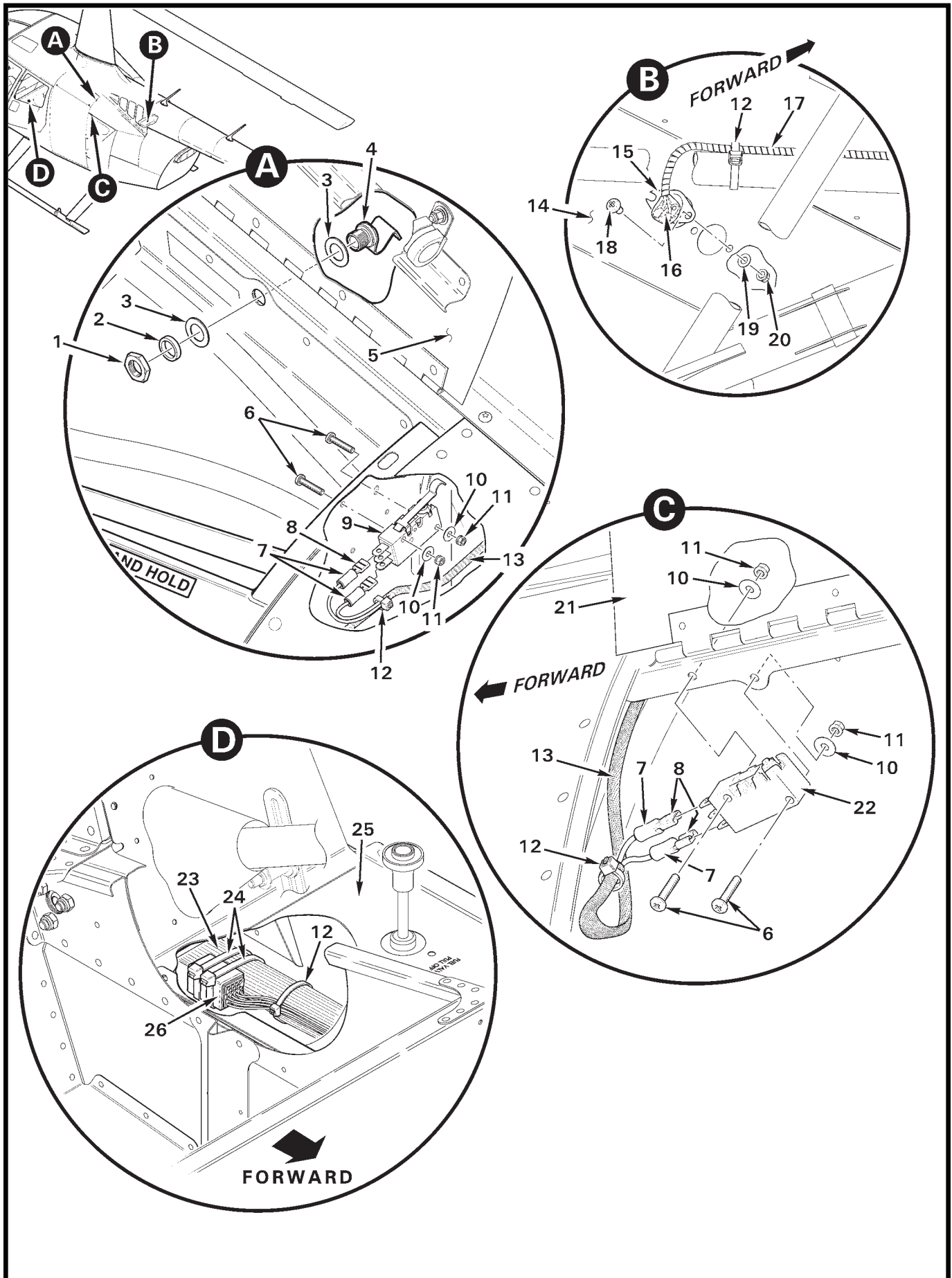


FIGURE AND INDEX NUMBER	PART NUMBER	DESCRIPTION	PARTS AVAIL	QTY PER ASSY
		ENGINE FIRE, COWL DOOR AND LOW VOLTAGE SENSORS		
96-41-1	—	Nut	O	1
2	A130-60	Spacer	X	1
3	—	Washer	O	2
4	RB9526	Jack (Incl items 1 and 3)	X	1
5	G004-2	Door (Ref; fuel door)		
6	MS35206-218	Screw	X	2
7	B158-3	Heat Shrink	X	A/R
8	B262-2	Receptacle	X	4
9	D267-1	Switch	X	1
10	NAS1149FN416P	Washer	X	4
11	MS21042L04	Nut	X	4
12	MS3367-4-9	Ty-Rap	X	A/R
13	B266-4	Sleeving	X	A/R
14	G929-1	Cover (Ref)		
15	A688-2	Switch (engine compartment fire)	X	1
16	B270-1	Sealant (covers terminals and top of switch)	X	A/R
17	B161-2	Spirap	X	A/R
18	MS35206-226	Screw	X	2
19	NAS620-6L	Washer	X	2
20	MS21042L06	Nut	X	2
21	G004-10	Door (Ref; gear box door)		
22	D2VW-5L3-1HS	Switch	X	1
23	F859	Harness Assembly – Electrical (Ref; cabin)		
24	MS3367-7-9	Ty-Rap	X	2
25	F445	Cover Assembly (Ref)		
26	LM-1210-E-MABND	Module (low-voltage sensor)	X	1

NOTES

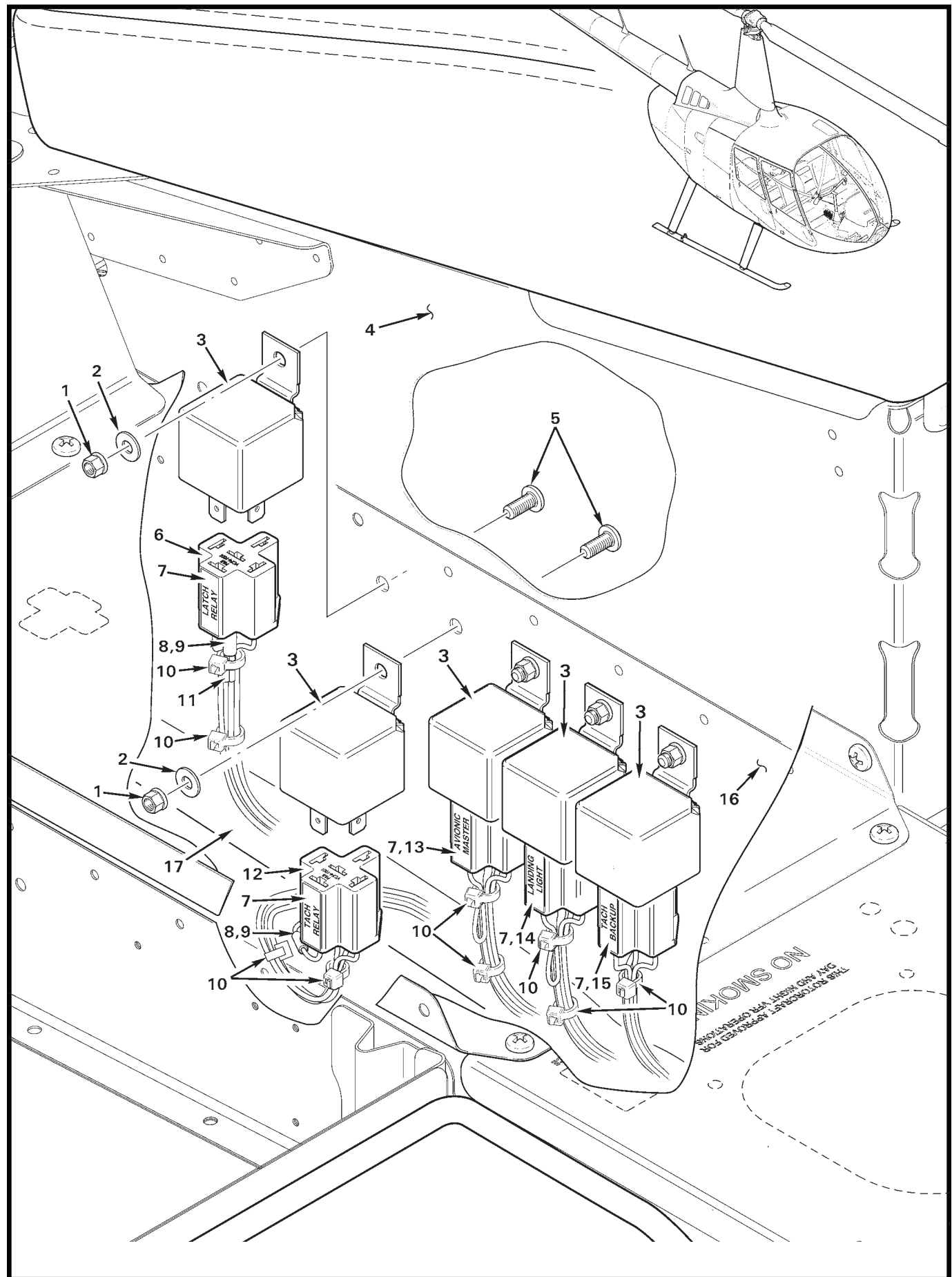


FIGURE AND INDEX NUMBER	PART NUMBER	DESCRIPTION	PARTS AVAIL	QTY PER ASSY
ELECTRICAL RELAY INSTALLATION				
96-43-1	MS21042L08	Nut	X	5
2	NAS1149FN816P	Washer	X	5
3	D260-4	Relay (40 amp, 24-volt)	X	5
4	F297-2	Support – Seat (Ref; LH, forward)		
5	MS27039C0806	Screw	X	5
6	D260-6	Connector (Incl item 7 label "LATCH RELAY")	X	1
	B262-6	Receptacle	X	3
	B262-9	Receptacle	X	1
7	B385-12	Label Tape	X	A/R
8	D275-101	Diode	X	2
9	B158-1	Heat Shrink	X	A/R
10	MS3367-4-9	Ty-Rap	X	A/R
11	B267-5	Solder Splice	X	1
12	D260-6	Connector (Incl item 7 label "TACH RELAY")	X	1
	B262-6	Receptacle	X	3
	B262-9	Receptacle	X	1
13	D260-6	Connector (Incl item 7 label "AVIONIC MASTER")	X	1
	B262-6	Receptacle	X	2
	B262-9	Receptacle	X	2
14	D260-6	Connector (Incl item 7 label "LANDING LIGHT")	X	1
	B262-6	Receptacle	X	3
	B262-9	Receptacle	X	1
15	D260-6	Connector (Incl item 7 label "TACH BACKUP")	X	1
	B262-6	Receptacle	X	4
16	F293-1	Panel – Keel (Ref; LH, forward)		
17	F859	Harness Assembly – Electrical (Ref; cabin)		

NOTES

Intentionally Blank

CHAPTER 97

AVIONICS

<u>Figure</u>	<u>Title</u>	<u>Page</u>
97-1	Garmin G500H EFIS – GTN 600/700-series GPS	97.0
97-5	Garmin G500H EFIS – GDC 74H Air Data Computer	97.4
97-9	Garmin G500H EFIS – GRS 77H AHRS	97.8
97-13	Garmin G500H EFIS – GMU 44 Magnetometer	97.12
97-15	Radar Altimeter Indicator – Eight-Instrument Console	97.14
97-17	Radar Altimeter Indicator – Seven/Nine-Instrument Console	97.16
97-19	Radar Altimeter – System Installation	97.18
97-21	Garmin GTX 33 Transponder Installation	97.20
97-23	Garmin GDL 69A XM Receiver Installation	97.22
97-25	Avionics Panel Switches and Garmin GTR 225B COM Radio Inst'l	97.24
97-29	Garmin GDL 88 Receiver (ADS-B) Installation	97.28
97-31	Garmin GTX 3XX Transponder and Blind Encoder Installation	97.30
97-33	Pilot's Side Console – Garmin GTN 700-Series GPS	97.32
97-37	Pilot's Side Console – Garmin GTN 600-Series GPS (Single)	97.36
97-39	Pilot's Side Console – Garmin GTN 600-Series GPS (Dual)	97.38
97-41	Pilot's Side Console – Garmin 500-Series GPS	97.40
97-45	Pilot's Side Console – Garmin 400-Series GPS	97.44
97-49	Audio Control Installation	97.48
97-51	Dual Audio Control Installation	97.50
97-53	Audio and Intercom Switches Installation	97.52
97-57	Standard Headset Jacks Installation	97.56
97-59	Bose Headset Jacks Installation	97.58

CHAPTER 97

AVIONICS (Continued)

<i>Figure</i>	<i>Title</i>	<i>Page</i>
97-61	Bose Headset Jacks Installation	97.60
97-63	Transponder and Blind Encoder Installation	97.62
97-65	ADF System Installation	97.64
97-67	VOR Indicator Installation	97.66
97-69	Spidertracks Provision Installation	97.68

Intentionally Blank

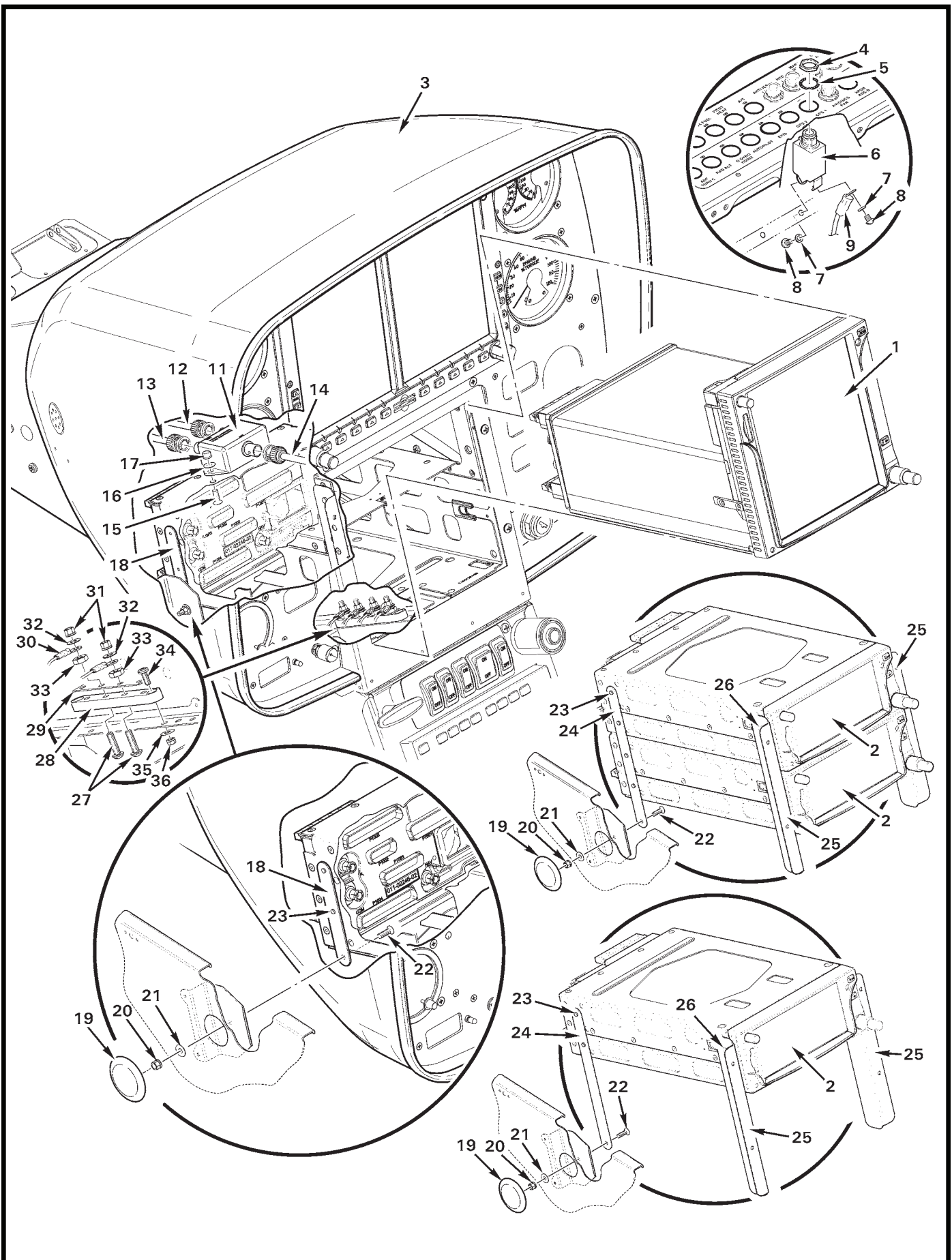


FIGURE AND INDEX NUMBER	PART NUMBER	DESCRIPTION	PARTS AVAIL	QTY PER ASSY
		GARMIN G500H EFIS – GTN 600/700-SERIES GPS		
97-1-1	GTN 750	Transceiver	X	1
	GTN 725	Transceiver	X	1
2	GTN 650	Transceiver	X	1
	GTN 635	Transceiver	X	1
	GTN 625	Transceiver	X	1
3	G060-3	Console Assembly	X	1
4	—	Nut	O	1
5	—	Lockwasher	O	1
6	B297-5	Circuit Breaker (Incl items 4, 5, 7, and 8)	X	A/R
7	—	Washer	O	1
8	—	Screw	O	1
9	B260-2	Terminal	X	A/R
	-466	Wire (Ref, GPS 1)		
	-1426	Wire (Ref, GPS 2)		
	-200	Wire (Ref, COM 1)		
	-704	Wire (Ref, COM 2)		
10	A448	Bus Bar (Ref)		
11	CI 507	Diplexer	X	1
12	-1847	Cable (Ref, from NAV antenna)		
13	-2730	Cable (Ref, from glideslope antenna)		
14	-2731	Cable (from diplexer to transceiver)	X	1
15	MS24694-3	Screw	X	2
16	NAS1149FN816P	Washer	X	2
17	MS21042L08	Nut	X	2
18	A684-4	Strap	X	2
19	S1413	Hole Plug	X	2
20	MS21042L06	Nut	X	2
21	NAS1149FN616P	Washer	X	2
22	—	Screw (6-32 CSK supplied with radio)	O	2
23	NAS1097AD3	Rivet	X	A/R
24	A684-3	Strap	X	2
25	C905-6	Angle	X	2
26	MS20426AD4	Rivet	X	6
27	B567-43	Screw (install using B270-9 adhesive under head)	X	4
28	C448-2	Terminal Block Assembly	X	1
	C448-4	Block (Ref)		

NOTES

Continues

FIGURE AND INDEX NUMBER	PART NUMBER	DESCRIPTION	PARTS AVAIL	QTY PER ASSY
		GARMIN G500H EFIS – GTN 600/700-SERIES GPS (Cont'd)		
97-1-29	A448-10	Bus Bar	X	1
30	B260-3	Terminal	X	A/R
	-465	Wire (Ref, GPS 1 ground)		
	-427	Wire (Ref, GPS 2 ground)		
	-2506	Wire (Ref, lighting ground)		
	-2537	Wire (Ref)		
	-201	Wire (Ref, COM 1 ground)		
	-704	Wire (Ref, COM 2 ground)		
	-2531	Wire (Ref, ground)		
31	MS21042L08	Nut	X	A/R
32	NAS1149FN816P	Washer	X	A/R
33	B301-8	Nut	X	4
34	MS35206-228	Screw	X	2
35	NAS1149FN616P	Washer	X	2
36	MS21042L06	Nut	X	2

NOTES

Intentionally Blank

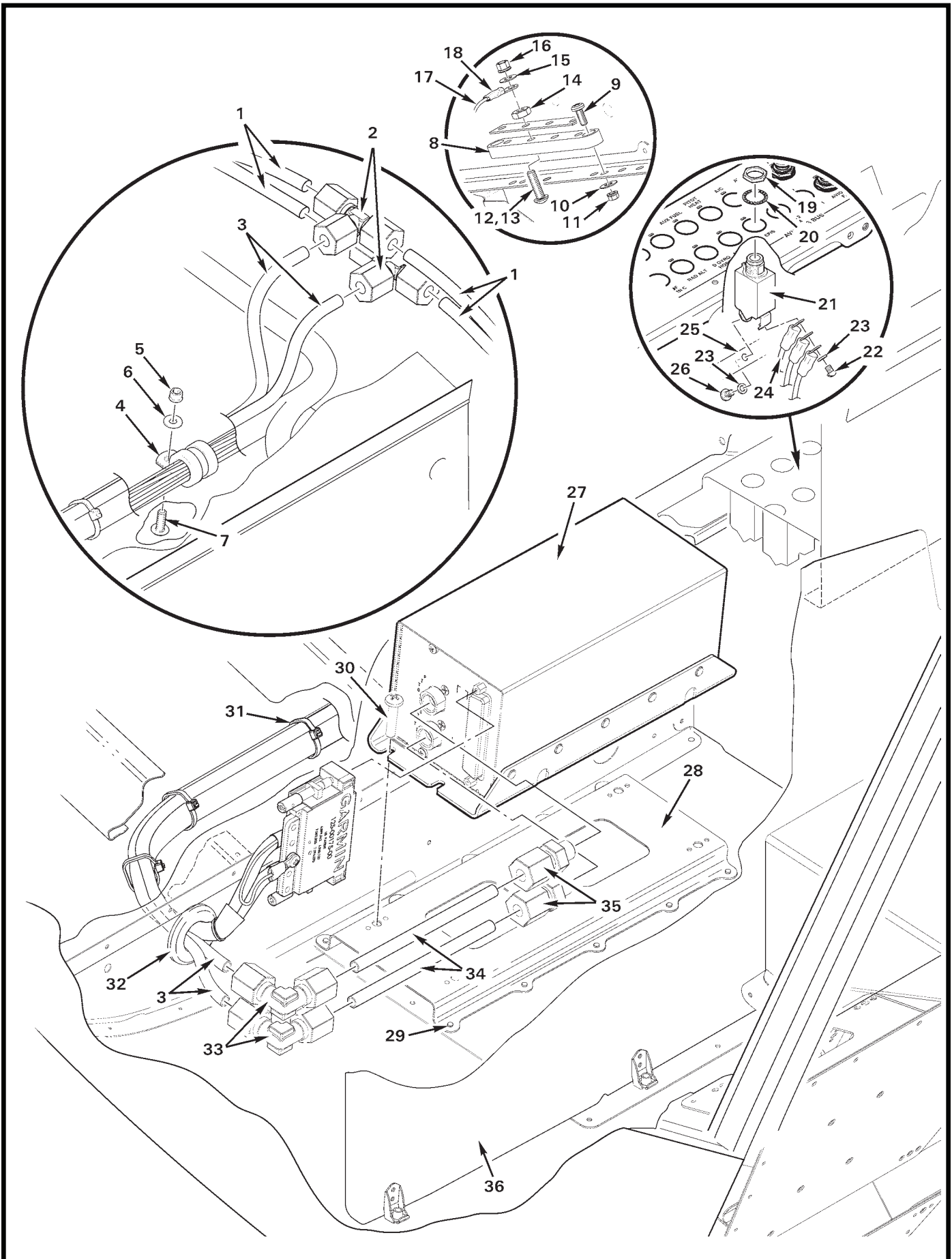


FIGURE AND INDEX NUMBER	PART NUMBER	DESCRIPTION	PARTS AVAIL	QTY PER ASSY
		GARMIN G500H EFIS – GDC 74H AIR DATA COMPUTER		
97-5-1	A729-28	Tube (Ref)		
2	60-4-2-N-0	Tee	X	2
3	A729-22	Tube	X	2
4	MS21919WDG8	Clamp	X	1
5	MS21042L08	Nut	X	1
6	NAS1149FN816P	Washer	X	1
7	AN526C832R8	Screw	X	1
8	C448-2	Block Assembly (Includes C448-5 block, A448-10 bus bar, and items 12 thru 14.)	X	1
	C448-5	Block (Ref)		
9	MS35206-228	Screw	X	2
10	NAS1149FN616P	Washer	X	2
11	MS21042L06	Nut	X	2
12	B567-43	Screw (install using item 13 under screw head)	X	4
13	B270-9	Adhesive	X	A/R
14	B301-8	Nut	X	4
15	NAS1149FN816P	Washer	X	A/R
16	MS21042L08	Nut	X	A/R
17	-2596	Wire (Ref, GDC 74H Computer ground)		
18	B260-3	Terminal	X	A/R
19	—	Nut	X	1
20	—	Lockwasher	X	1
21	B297-5	Circuit Breaker (Incl 19, 20, 22, and 23)	X	1
22	—	Screw (6-32 x 1/4)	X	1
23	—	Washer	X	2
24	-2563	Wire (Ref)		
	-2695	Wire (Ref)		
	-2595	Wire (Ref)		
25	A448	Bus Bar (Ref)		
26	—	Screw (Ref, 6-32 X 3/16)		
27	GDC 74H	Air Data Computer	X	1
28	F950-2	Support Assembly	X	1
29	MS20247AD4	Rivet	X	10
30	MS27039C1-07	Screw	X	4
31	MS3367-4-9	Ty-Rap	X	A/R
32	MS35489-19	Grommet	X	1

NOTES

Continues

FIGURE AND INDEX NUMBER	PART NUMBER	DESCRIPTION	PARTS AVAIL	QTY PER ASSY
		GARMIN G500H EFIS – GDC 74H AIR DATA COMPUTER (Cont'd)		
97-5-33	50-4-N-0	Elbow	X	2
34	A729-26	Tube	X	2
35	10-4-2-N-0	Fitting	X	2
36	F748-1	Cover (Ref)		

NOTES

Intentionally Blank

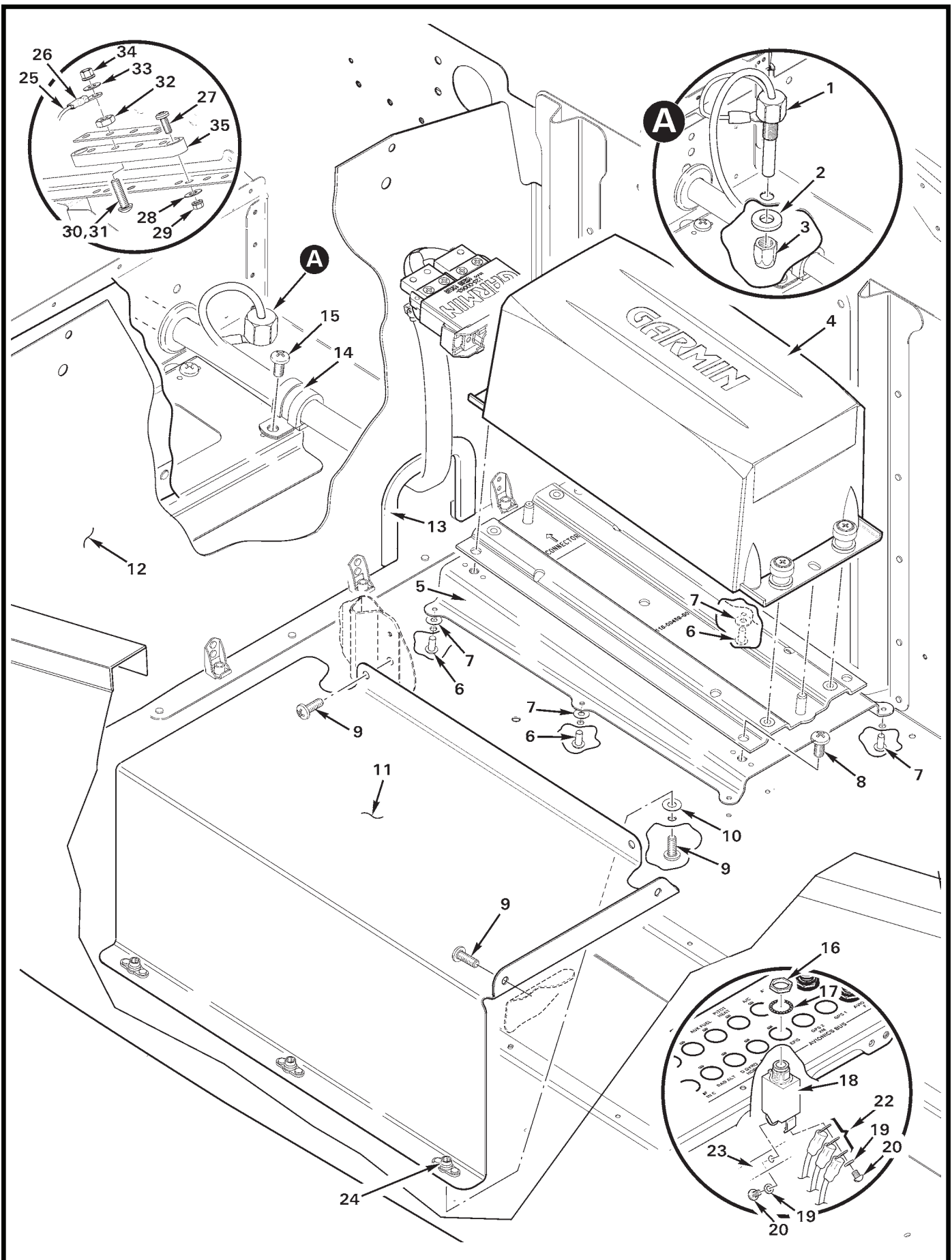


FIGURE AND INDEX NUMBER	PART NUMBER	DESCRIPTION	PARTS AVAIL	QTY PER ASSY
GARMIN G500H EFIS – GRS 77H AHRS				
97-9-1	GTP 59	Temperature Probe (Incl items 2 and 3)	O	1
2	—	Washer	O	1
3	—	Nut	O	1
4	GRS 77H	Altitude and Heading Reference System (AHRS)	X	1
5	F950-1	Support Assembly	X	1
6	MS20470AD4	Rivet	X	6
7	NAS1149FN416P	Washer (3 under each rivet)	X	18
8	MS27039C1-06	Screw	X	4
9	MS27039C0806	Screw	X	7
10	NAS1149FN816P	Washer (between floor and cover)	X	3
11	F950-3	Cover Assembly	X	1
12	F748-1	Cover Assembly (Ref)		
13	A226-15	Trim	X	A/R
14	MS21919WDG8	Clamp	X	1
15	MS27039C1-07	Screw	X	1
16	—	Nut	O	1
17	—	Washer	O	1
18	B297-5	Circuit Breaker (5 amp; includes 16, 17, 19, and 20)	X	1
19	—	Washer	O	1
20	—	Screw (6-32 x 1/4)	O	A/R
21	-2563	Wire (Ref)		
	-2695	Wire (Ref)		
	-2595	Wire (Ref)		
22	B260-2	Terminal	X	A/R
23	A448	Bus Bar (Ref)		
24	MS21069L08	Nutplate	X	1
	NAS1097AD	Rivet	X	2
25	-2589	Wire (Ref)		
26	B260-3	Terminal	X	A/R
27	MS35206-228	Screw	X	2
28	NAS1149FN616P	Washer	X	2
29	MS20142L06	Nut	X	2
30	B567-43	Screw (install using item 31 under screw head)	X	4
31	B270-9	Adhesive	X	A/R
32	B301-8	Nut	X	4
33	NAS1149FN616P	Washer	X	A/R

NOTES

Continues

FIGURE AND INDEX NUMBER	PART NUMBER	DESCRIPTION	PARTS AVAIL	QTY PER ASSY
GARMIN G500H EFIS – GRS 77H AHRS (Cont'd)				
97-9-34 35	MS21042L08 C448-2 C448-5	Nut Terminal Block Assembly (Incl items 27 thru 34) Block (Ref)	X X	A/R 1

NOTES

Intentionally Blank

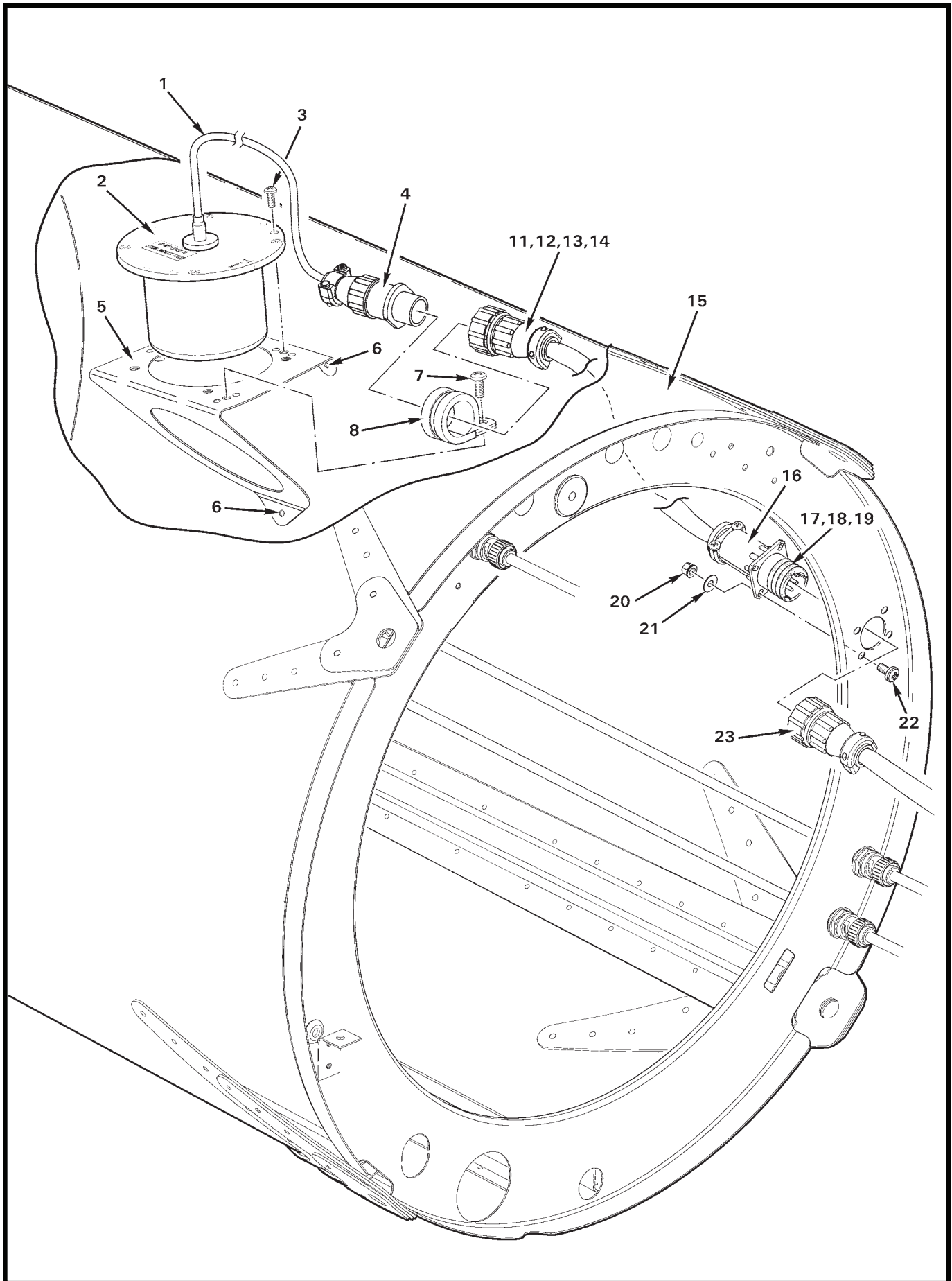


FIGURE AND INDEX NUMBER	PART NUMBER	DESCRIPTION	PARTS AVAIL	QTY PER ASSY
GARMIN G500H EFIS – GMU 44 MAGNETOMETER				
97-13-1	—	Cable (Ref)	O	1
2	GMU 44	Magnetometer (Incl items 1 and 4)	X	1
3	MS27039C0807	Screw	X	3
4	—	Connector (Ref)		
5	F950-4	Bracket Assembly (includes nutplates)	X	1
6	MS20470AD4	Rivet	X	3
7	MS27039C0806	Screw	X	1
8	MS21919WDG12	Clamp	X	1
9	F951-1	Harness Assembly (Incl items 10 thru 14, 16 thru 19, and wires, assembled)	X	1
10	206485-1	Plug	X	1
11	206358-5	Backshell	X	1
12	205090-1	Socket	X	7
13	B267-3	Terminator (not shown)	X	2
14	B158-6	Heat Shrink	X	A/R
15	C023	Tailcone Assembly (Ref)		
16	206358-5	Backshell	X	1
17	205089-1	Pin (not shown)	X	7
18	B267-3	Terminator (not shown)	X	2
19	B158-6	Heat Shrink (not shown)	X	A/R
20	—	Nut (Ref)		
21	—	Washer (Ref)		
22	—	Screw (Ref)		
23	—	Connector (Ref, backshell/socket)		

NOTES

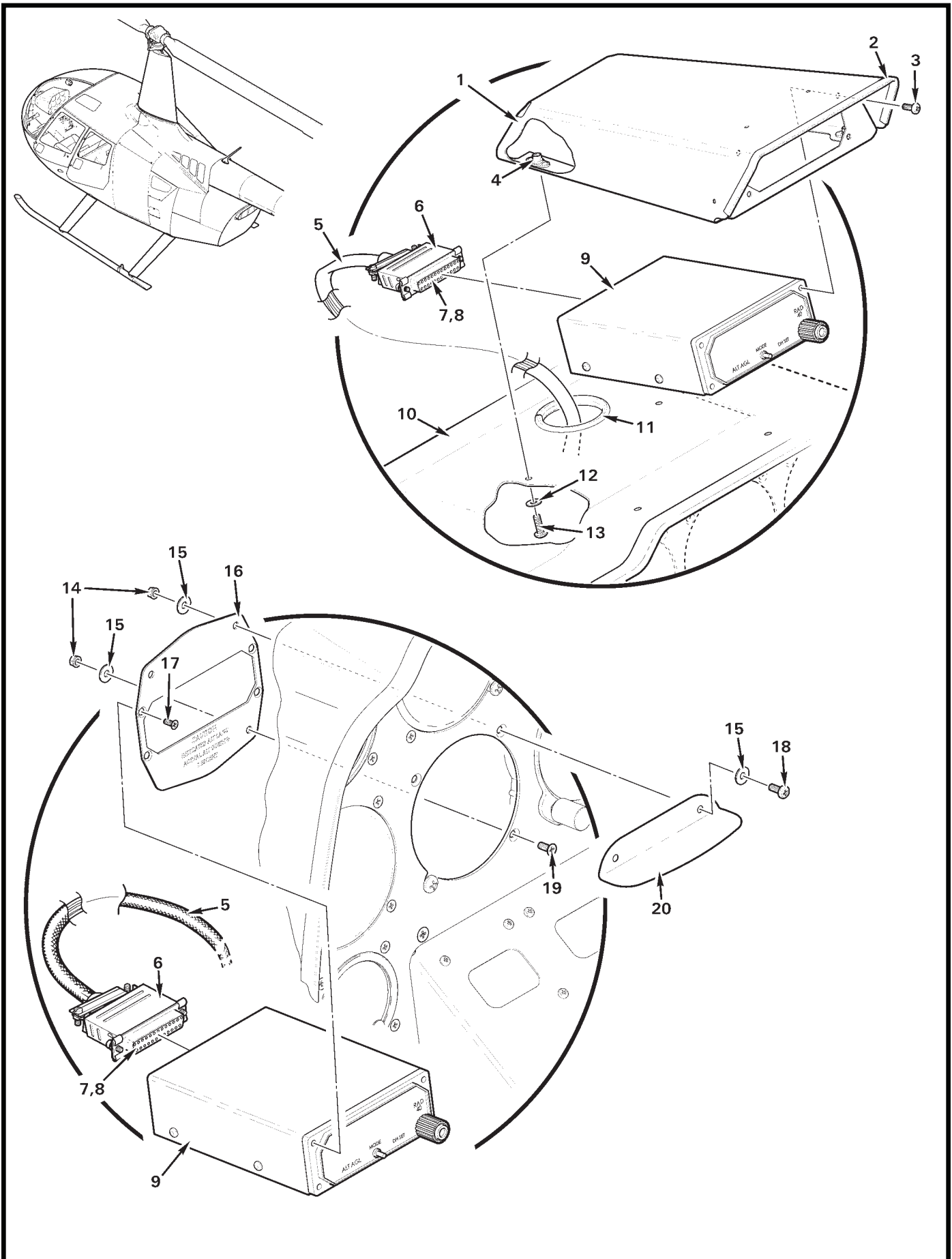


FIGURE AND INDEX NUMBER	PART NUMBER	DESCRIPTION	PARTS AVAIL	QTY PER ASSY
RADAR ALTIMETER INDICATOR – EIGHT-INSTRUMENT CONSOLE				
97-15-1	B560-4	Enclosure Assembly (Incl items 2 and 4)	X	1
2	A226-15	Trim	X	A/R
3	9-2804-068-10*	Screw	O	4
4	MS21069L08	Nutplate (Ref)		
5	B266-8	Sleeving	X	A/R
6	9-2190-188-20**	Hood	O	1
7	9-2190-188-10**	Connector	O	1
8	B158-2	Heat Shrink (around wires; not shown)	X	A/R
9	RAD-40	Indicator Assembly	X	1
10	G051	Console Assembly (Ref)		
11	NAS557-24A	Grommet	X	1
12	NAS1149FN832P	Washer	X	4
13	MS27039C0807	Screw	X	4
14	MS21042L06	Nut	X	2
15	NAS1149FN632P	Washer	X	5
16	A590-5	Plate	X	1
17	MS24693-S3	Screw	X	4
18	MS35206-229	Screw	X	2
19	MS24693-S26	Screw	X	1
20	B421-3	Visor	X	1

NOTES * Above-console location.
 ** Free-Flight Systems part no.

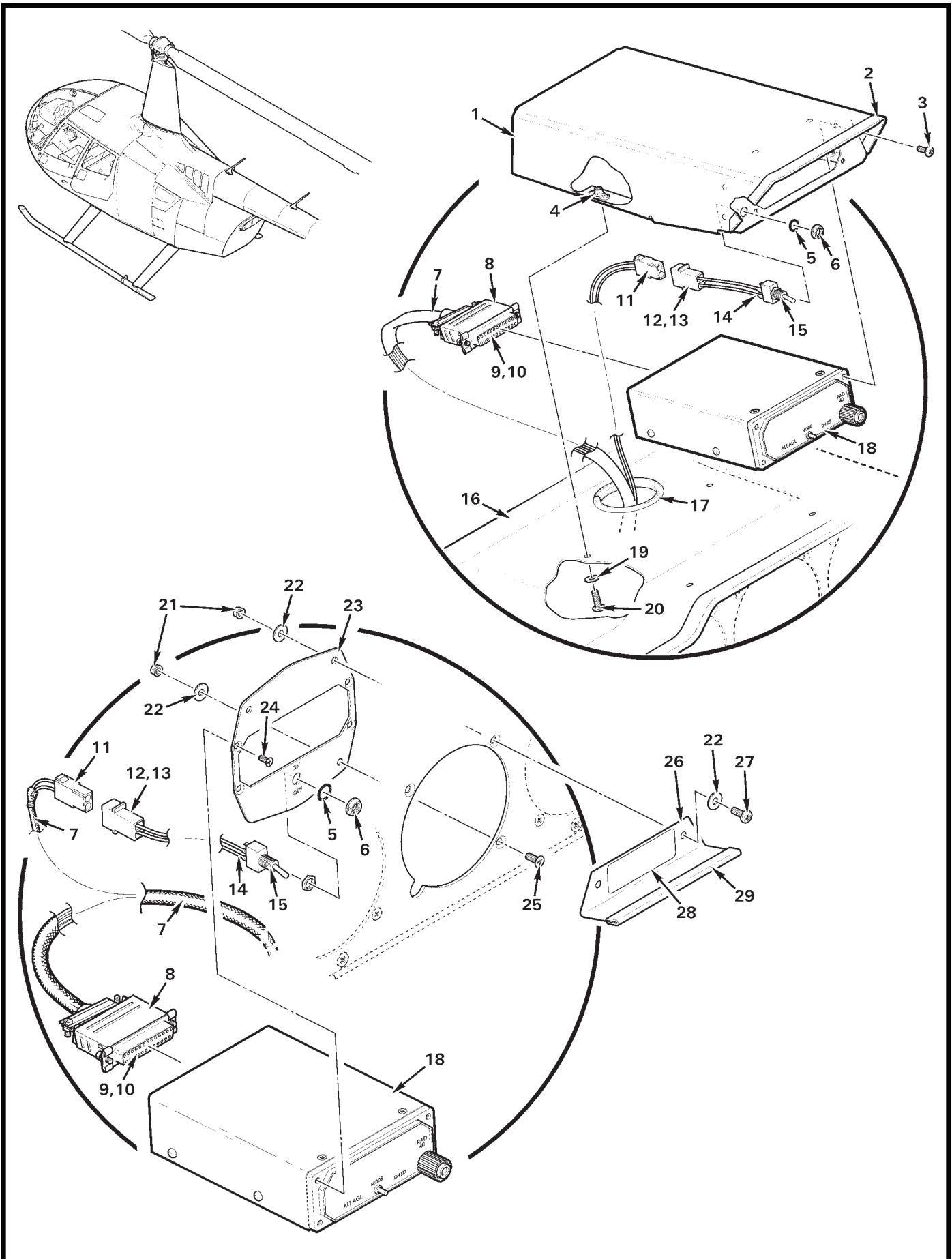


FIGURE AND INDEX NUMBER	PART NUMBER	DESCRIPTION	PARTS AVAIL	QTY PER ASSY
		RADAR ALTIMETER INDICATOR – SEVEN/NINE-INSTRUMENT CONSOLE		
97-17-1	B560-1	Enclosure Assembly (Incl items 2 and 4)	X	1
2	A226-15	Trim	X	A/R
3	9-2804-068-10*	Screw	O	4
4	MS21069L08	Nutplate (Ref)		
5	B227-3	Lockwasher	X	1
6	B227-4	Dress Nut	X	1
7	B266-8	Sleeving	X	A/R
8	9-2190-188-20**	Hood	O	1
9	9-2190-188-10**	Connector	O	1
10	B158-2	Heat Shrink (around wires; not shown)	X	A/R
11	B263-13	Housing	X	1
	B263-2	Socket	X	2
12	B049-9	Wire Harness Assembly (Incl items 13 thru 15)	X	1
13	B263-12	Housing	X	1
	B263-1	Pin	X	2
14	B158-1	Heat Shrink	X	A/R
15	B300-1	Switch Assembly (Incl items 5 and 6)	X	1
16	B051	Console Assembly (Ref)		
17	NAS557-24A	Grommet	X	1
18	RAD-40	Indicator Assembly	X	1
19	NAS1149FN832P	Washer	X	4
20	MS27039C0807	Screw	X	4
21	MS21042L06	Nut	X	2
22	NAS1149FN632P	Washer	X	5
23	A590-4	Plate	X	1
24	MS24693-S3	Screw	X	4
25	MS24693-S26	Screw	X	1
26	B421-1	Visor Assembly (Incl items 28 and 29)	X	1
27	MS35206-229	Screw	X	2
28	C654-46	Decal	X	1
29	A226-9	Trim	X	A/R

NOTES * Above-console location.
 ** Free-Flight Systems part no.

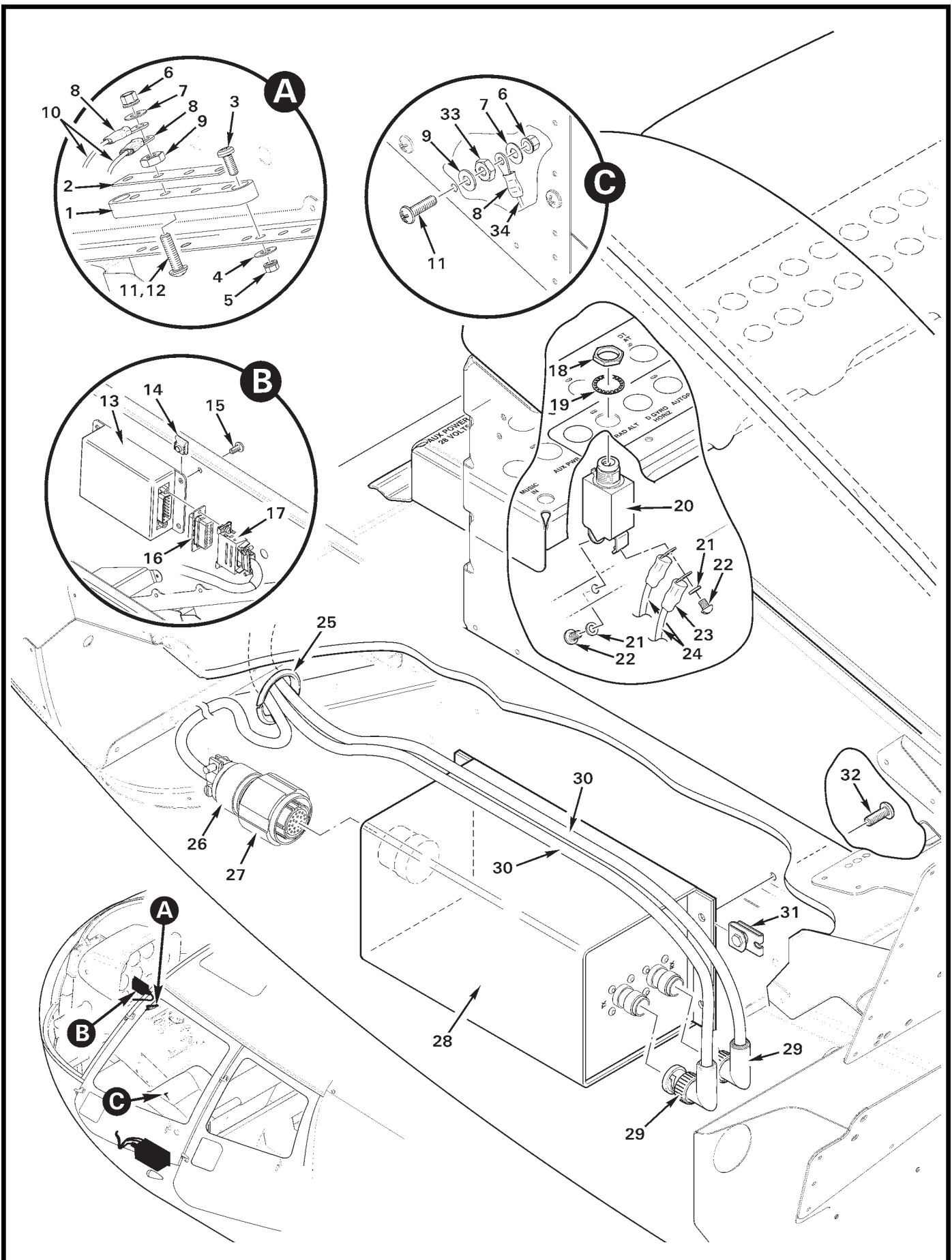


FIGURE AND INDEX NUMBER	PART NUMBER	DESCRIPTION	PARTS AVAIL	QTY PER ASSY
		RADAR ALTIMETER – SYSTEM INSTALLATION*		
97-19-1	C448-2	Terminal Block Assembly (includes C448-5 block, and items 2, 9, 11, and 12)	X	1
	C448-5	Block (Ref)		
2	A448-10	Bus Bar	X	1
3	MS35206-228	Screw	X	2
4	NAS1149FN616P	Washer	X	2
5	MS21042L06	Nut	X	2
6	MS21042L08	Nut	X	4
7	NAS1149FN816P	Washer	X	4
8	B260-3	Terminal	X	A/R
9	B301-8	Nut	X	4
10	-1331, -2438	Wire (Ref)		
11	B567-43	Screw (install using item 12 under head)	X	4
12	B270-9	Adhesive	X	A/R
13	85601-00	Tone Generator (ATG-410)	X	1
14	B162-2	Clipnut	X	4
15	MS27039C0805	Screw	X	4
16	B269-8	Receptacle	X	1
17	B269-22	Backshell	X	1
18	—	Nut	X	1
19	—	Lockwasher	X	1
20	B297-2	Circuit Breaker (2 amp; includes items 18, 19, 21, and 22)	X	1
21	—	Washer	X	1
22	—	Screw	X	2
23	B260-2	Terminal	X	2
24	-1558, -2727	Wire (Ref)		
25	NAS557-14A	Grommet	X	1
26	M85049/38-13N	Backshell	X	1
27	D38999/26FC35SN	Plug (TSV06RF-13-35S)	X	1
28	RA-4500	Radar Altimeter	X	1
29	5225554-6	Plug (90° TNC)	X	2
30	—	Antenna Cable (Ref)	O	2
31	B162-3	Clipnut	X	4
32	MS27039C0807	Screw	X	4
33	NAS1149DN832H	Washer	X	1
34	-2728	Wire (Ref, ground for item 28)		

NOTES * See Figure 6-39 for Radar Altimeter Antenna installation.

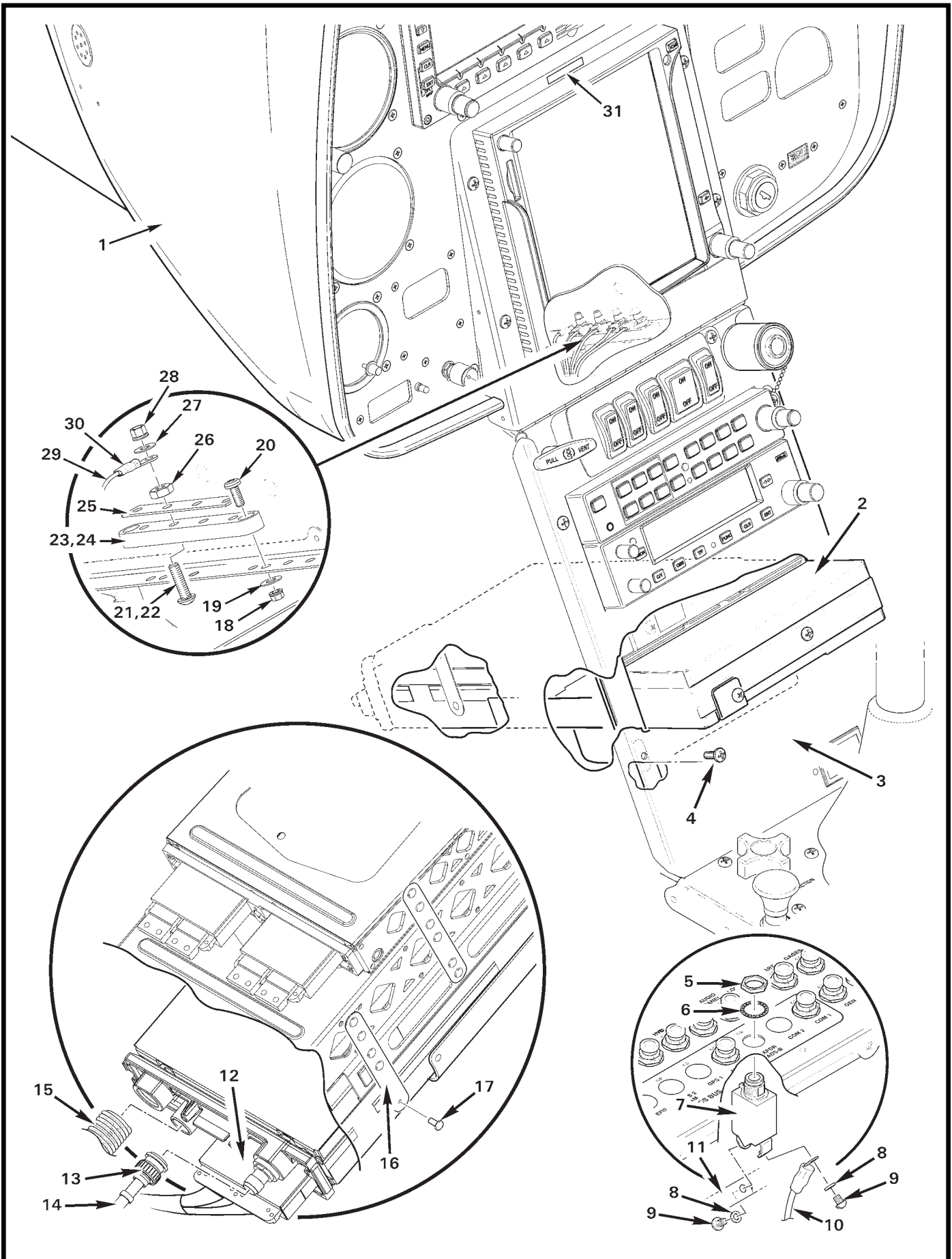


FIGURE AND INDEX NUMBER	PART NUMBER	DESCRIPTION	PARTS AVAIL	QTY PER ASSY
GARMIN GTX 33 TRANSPONDER INSTALLATION				
97-21-1	G060	Console Assembly (Ref)		
2	GTX 33*	Transponder (Incl item 12)	X	1
3	F640	Face Assembly (Ref)		
4	MS27039C0807	Screw	X	5
5	—	Nut	O	2
6	—	Lockwasher	O	2
7	B297-5	Circuit Breaker (5 amp; includes 5, 6, 8 and 9)	X	1
8	—	Washer	O	1
9	—	Screw	O	2
10	-263	Wire (Ref; power to transponder)		
11	A448	Bus Bar (Ref)		
12	011-00582-00	Installation Kit	O	1
13	225973	90° BNC (Ref)		
14	F850-452	Antenna Cable (Ref)		
15	5399K17	Hose (Ref)		
16	A684-1	Strap	X	2
17	NAS1097AD3	Rivet	X	8
18	MS21042L06	Nut	X	2
19	NAS620-6	Washer	X	2
20	MS35206-228	Screw	X	2
21	B567-43	Screw (install using item 22 under head)	X	4
22	B270-9	Adhesive	X	A/R
23	C448-2	Block Assembly (Incl items 21, 22, and 24 thru 26)	X	1
24	C448-5	Block (Ref)		
25	A448-10	Bus Bar	X	1
26	B301-8	Nut	X	4
27	NAS1149FN816P	Washer	X	4
28	MS21042L08	Nut	X	4
29	-260	Wire (Ref)		
30	B260-3	Terminal	X	A/R
31	F654-37	Decal – “ADS-B OUT INSTALLED” (installed below GTN unit)	X	1

NOTES * Garmin part no.

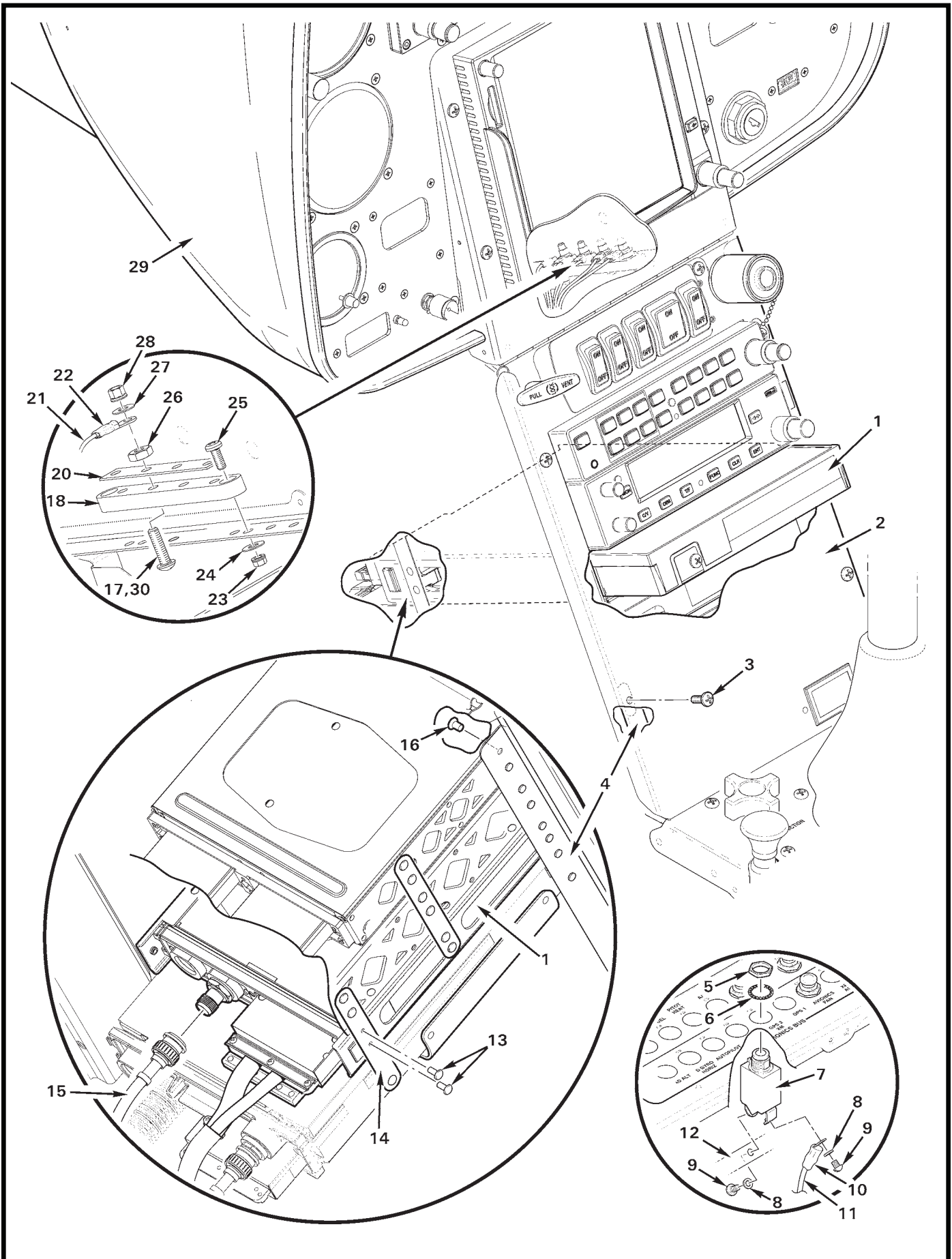


FIGURE AND INDEX NUMBER	PART NUMBER	DESCRIPTION	PARTS AVAIL	QTY PER ASSY
GARMIN GDL 69A XM RECEIVER INSTALLATION				
97-23-1	GDL 69A	XM Radio Receiver	X	1
2	F640	Face Assembly (Ref)		
3	MS27039C0807	Screw	X	5
4	C905	Angles (Ref)		
5	—	Nut	O	1
6	—	Lockwasher	O	1
7	B297-5	Circuit Breaker (5 amp; includes items 5, 6, 8, and 9)	X	1
8	—	Washer	O	1
9	—	Screw	O	1
10	B260-2	Terminal	X	1
11	-2586	Wire (Ref, XM Receiver)		
12	A448	Bus Bar (Ref)		
13	NAS1097AD3	Rivet	X	A/R
14	A648-1	Strap	X	2
15	F850	Antenna Cable (Ref)		
16	MS20426AD4	Rivet	X	4
17	B567-43	Screw (install using item 30 under head)	X	4
18	C448-2	Block Assembly	X	1
19	C448-5	Block (Ref)		
20	A448-10	Bus Bar	X	1
21	-2694	Wire (Ref, XM Receiver ground)		
22	B260-3	Terminal	X	A/R
23	MS21042L06	Nut	X	2
24	NAS620-6	Washer	X	2
25	MS35206-228	Screw	X	2
26	B301-8	Nut	X	4
27	NAS1149FN816P	Washer	X	4
28	MS21042L08	Nut	X	4
29	G060	Console Assembly (Ref)		
30	B270-9	Adhesive	X	A/R

NOTES

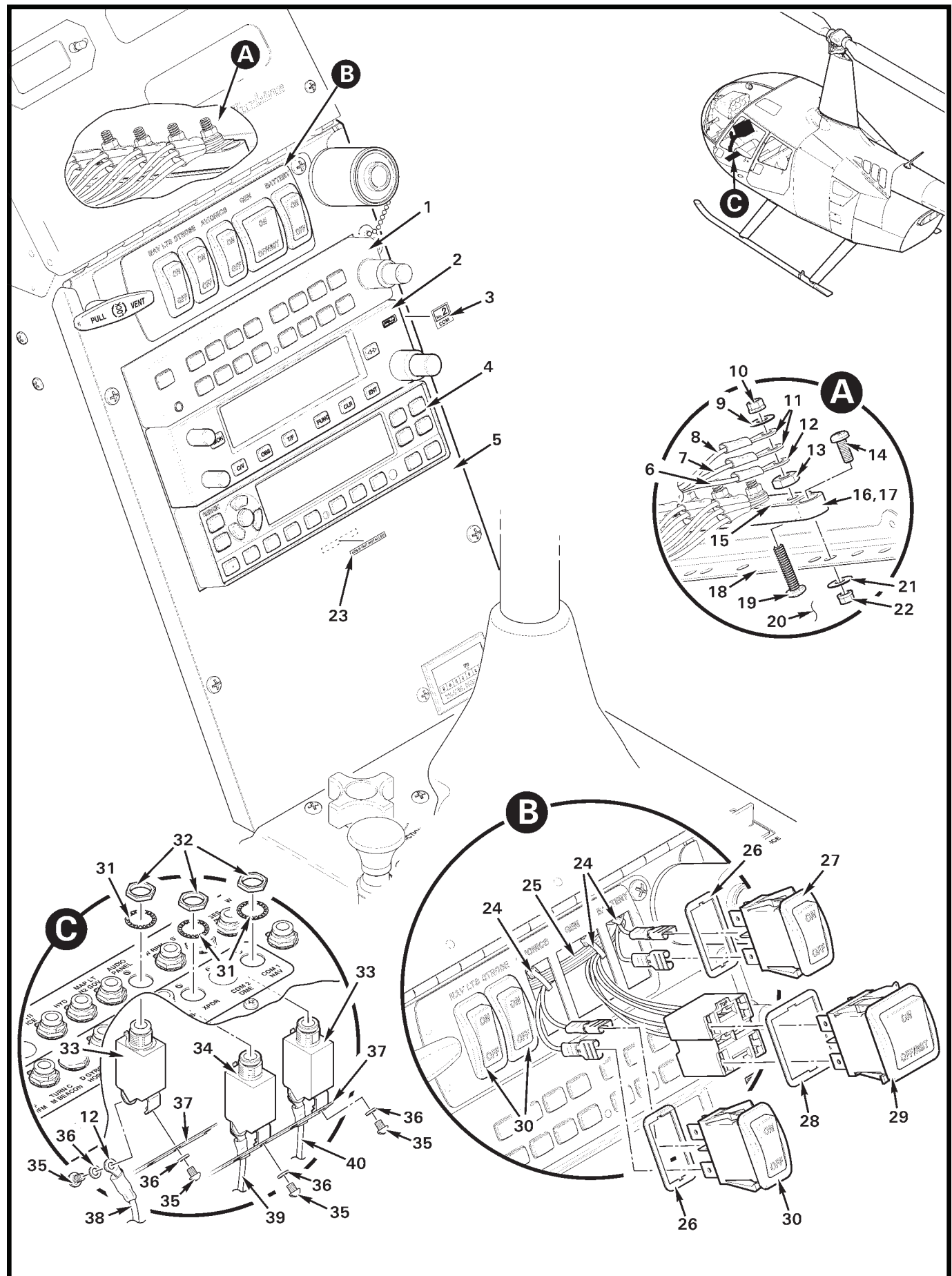


FIGURE AND INDEX NUMBER	PART NUMBER	DESCRIPTION	PARTS AVAIL	QTY PER ASSY
AVIONICS PANEL SWITCHES AND GARMIN GTR 225B COM RADIO INSTALLATION				
97-25-1	GMA 350Hc	Audio Control	X	1
2	GTR 225B*	Transceiver (VHF COM)	X	1
3	F654-38	Decal – “No. 1 COM, No. 2 COM, or No. 3 COM”	X	A/R
4	GTX 325	Transponder (Mode C; see also Figure 97-29, and 97-57)	X	1
	GTX 335	Transponder (Mode S and ASD-B Out; see also Figure 97-29, and 97-57)	X	1
	GTX 345	Transponder (Mode S and ASD-B In/Out; see also Figure 97-29, and 97-57)	X	1
5	G255	Panel – Avionics (Ref)		
6	F859-643	Wire (Ref; ground)		
7	C802-201	Wire (Ref; ground)		
8	-260	Wire (Ref; ground)		
9	NAS1149FN816P	Washer	X	4
10	MS21042L08	Nut	X	4
11	B260-3	Terminal	X	2
12	B260-9	Terminal	X	1
13	B301-8	Nut	X	1
14	MS35206-228	Screw	X	2
15	A448-10	Bus Bar (3 holes)	X	1
16	C448-5	Block	X	1
17	C448-2	Block Assembly (includes items 13, 15, 16, & 19)	X	1
18	F365-1	Angle (Ref)		
19	B567-43	Screw	X	4
20	F359-2	Panel (Ref)		
21	NAS1149FN616P	Washer	X	1
22	MS21042L06	Nut	X	1
23	F654-37	Decal – “ADS-B OUT INSTALLED” (Incl with GTX 335 or GTX 345)	X	1
24	MS3367-4-9	Ty-rap (Ref)		
25	D049-7	Harness Assembly (Ref)		
26	G184-5	Gasket	X	4
27	G184-2	Switch – Battery	X	1
28	G184-6	Gasket	X	1
29	G184-3	Switch	X	1
30	G184-1	Switch	X	3
31	—	Lockwasher	O	1

NOTES * Garmin part no.

FIGURE AND INDEX NUMBER	PART NUMBER	DESCRIPTION	PARTS AVAIL	QTY PER ASSY
GARMIN GTR 225B COM RADIO INSTALLATION				
97-25-32	—	Nut	O	1
33	B297-5	Circuit Breaker (5 amp, includes items 31, 32, 35 and 36) . . .	X	2
34	B297-3	Circuit Breaker (3 amp, includes items 31, 32, 35, & 36)	X	1
35	—	Screw	O	1
36	—	Washer	O	1
37	A448	Bus Bar (Ref)		
38	F859-644	Wire – Audio (Ref)		
39	F859-263	Wire – Transponder (Ref)		
40	F859-200	Wire – COM 1 (Ref)		

NOTES * Garmin part no.

Intentionally Blank

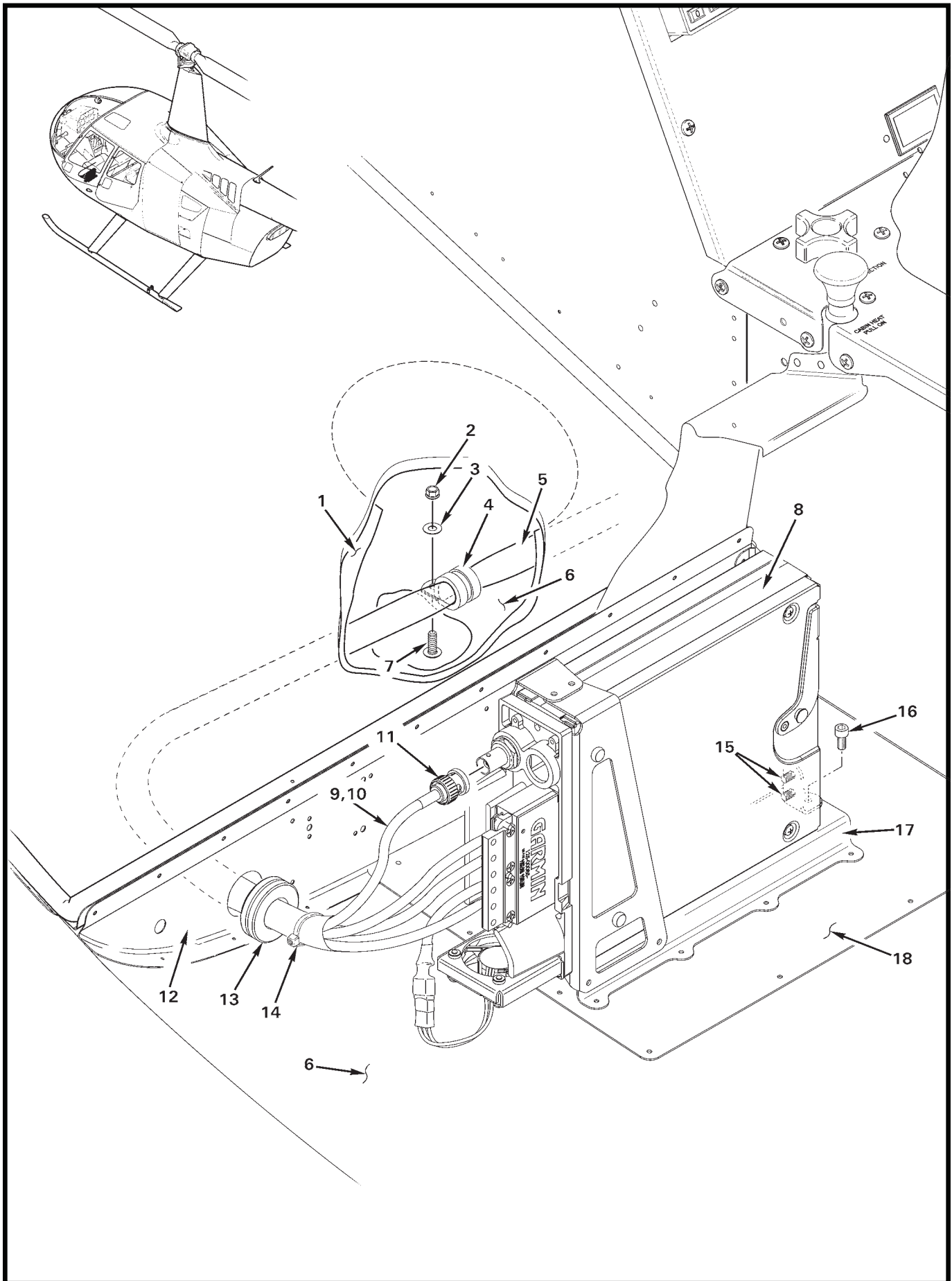


FIGURE AND INDEX NUMBER	PART NUMBER	DESCRIPTION	PARTS AVAIL	QTY PER ASSY
GARMIN GDL 88 RECEIVER (ADS-B) INSTALLATION				
97-29-1	F232-1	Panel (Ref, shown with carpet)		
2	MS21042L08	Nut	X	1
3	NAS1149FN816P	Washer	X	1
4	MS21919WDG8	Clamp	X	1
5	B161-8	Spirap	X	A/R
6	F272-1	Chin (Ref)		
7	AN526C832R8	Screw	X	1
8	GDL 88*	Receiver (ADS-B)	X	1
9	F850-452	Cable (Ref)		
10	B161-4	Spirap	X	A/R
11	225395-6	Plug (BNC)	X	2
12	G230-1	Bulkhead (Ref)		
13	MS35489-19	Grommet	X	1
14	MS3367-4-9	Ty-rap (or MS3367-5-9)	X	1
15	—	Screw (supplied with item 8)	O	2
16	NAS1352-08-6P	Screw	X	1
17	C904-1	Mount Assembly (Ref)		
18	G130-1	Doubler (Ref)		

NOTES * Garmin part no.

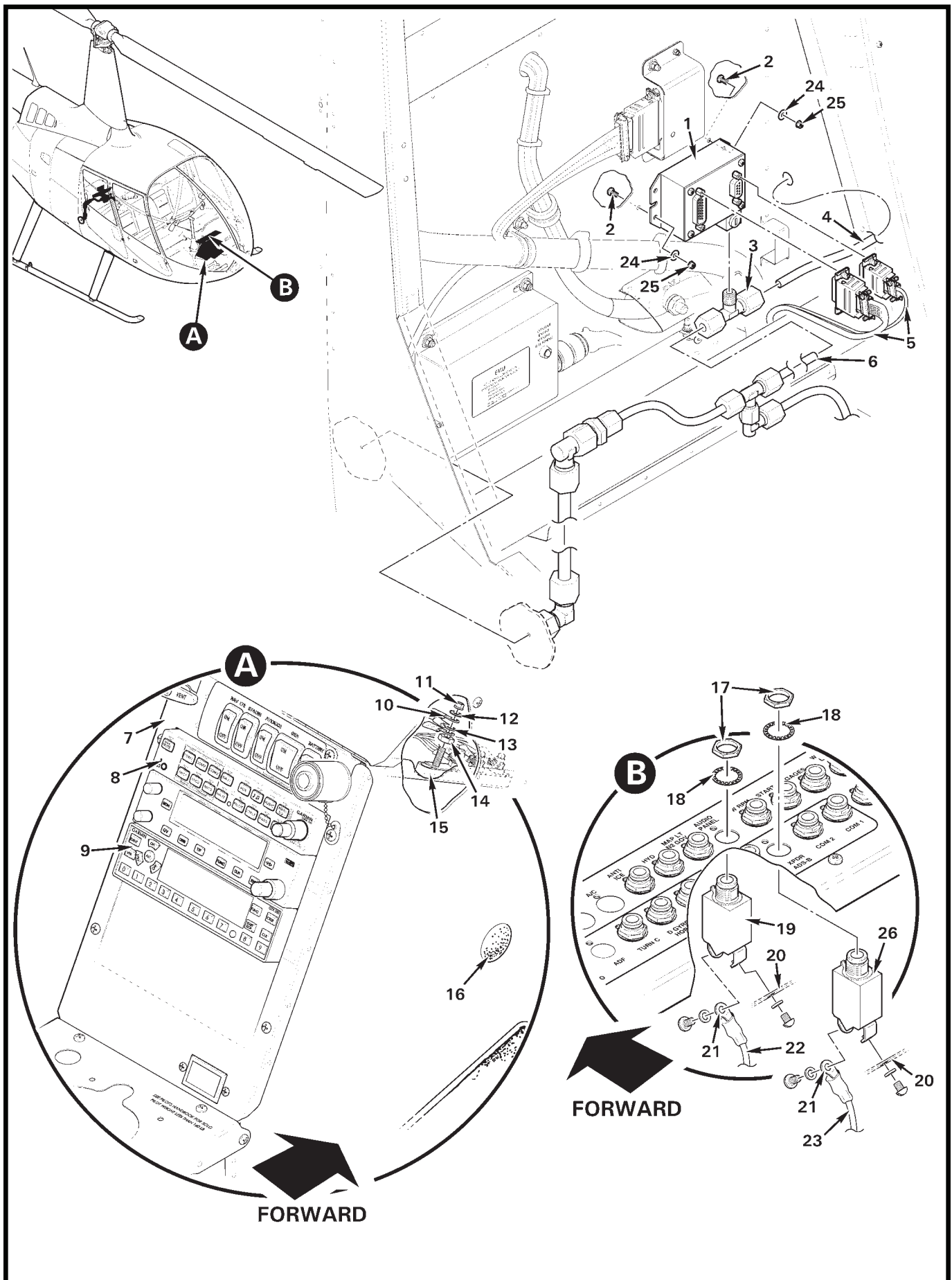


FIGURE AND INDEX NUMBER	PART NUMBER	DESCRIPTION	PARTS AVAIL	QTY PER ASSY
		GARMIN GTX 3XX TRANSPONDER AND BLIND ENCODER INSTALLATION		
97-31-1	B240-3	Blind Encoder	X	1
2	MS35206-227	Screw	X	2
3	70-4-N-0	Tee	X	1
4	A729-24	Tube (Ref)		
5	F859-01	Wire Harness (Ref, 8-hole console)		
	F059-01	Wire Harness (Ref, 7-, and 9-hole console; earlier ships)		
6	A729-53	Tube (Ref)		
7	F640	Panel – Avionics (Ref)		
8	GMA350HC*	Audio Control	X	1
9	GTX 325*	Transponder (Mode C)	X	1
	GTX 335*	Transponder (Mode S and ADS-B Out)	X	1
	GTX 345*	Transponder (Mode S and ADS-B In/Out)	X	1
	GTX 330*	Transponder (earlier ships; Mode S w/ADS-B Out & TIS-A) . .	O	1
10	-260	Wire (Ref; transponder ground)		
11	MS21042L08	Nut	X	A/R
12	NAS1149FN816P	Washer	X	A/R
13	F859-643	Wire (Ref; audio control ground)		
14	B301-8	Nut (Ref)		
15	C448-2	Block Assembly	X	1
16	SI413	Hole Plug	X	2
17	—	Nut	O	2
18	—	Lockwasher	O	2
19	B297-5	Circuit Breaker (5 amp; includes items 17 and 18)	X	2
20	A448	Bus Bar (Ref; -1, -4, -9, -10, -14, -22 as required)		
21	B260-2	Terminal (Ref)		
22	F859-644	Wire (Ref; audio panel power)		
23	F859-263	Wire (Ref; transponder power)		
24	NAS1149FN616P	Washer	X	2
25	MS21042L06	Nut	X	2
26	B297-3	Circuit Breaker (3 amp; includes items 17 and 18)	X	2

NOTES * Garmin part no.

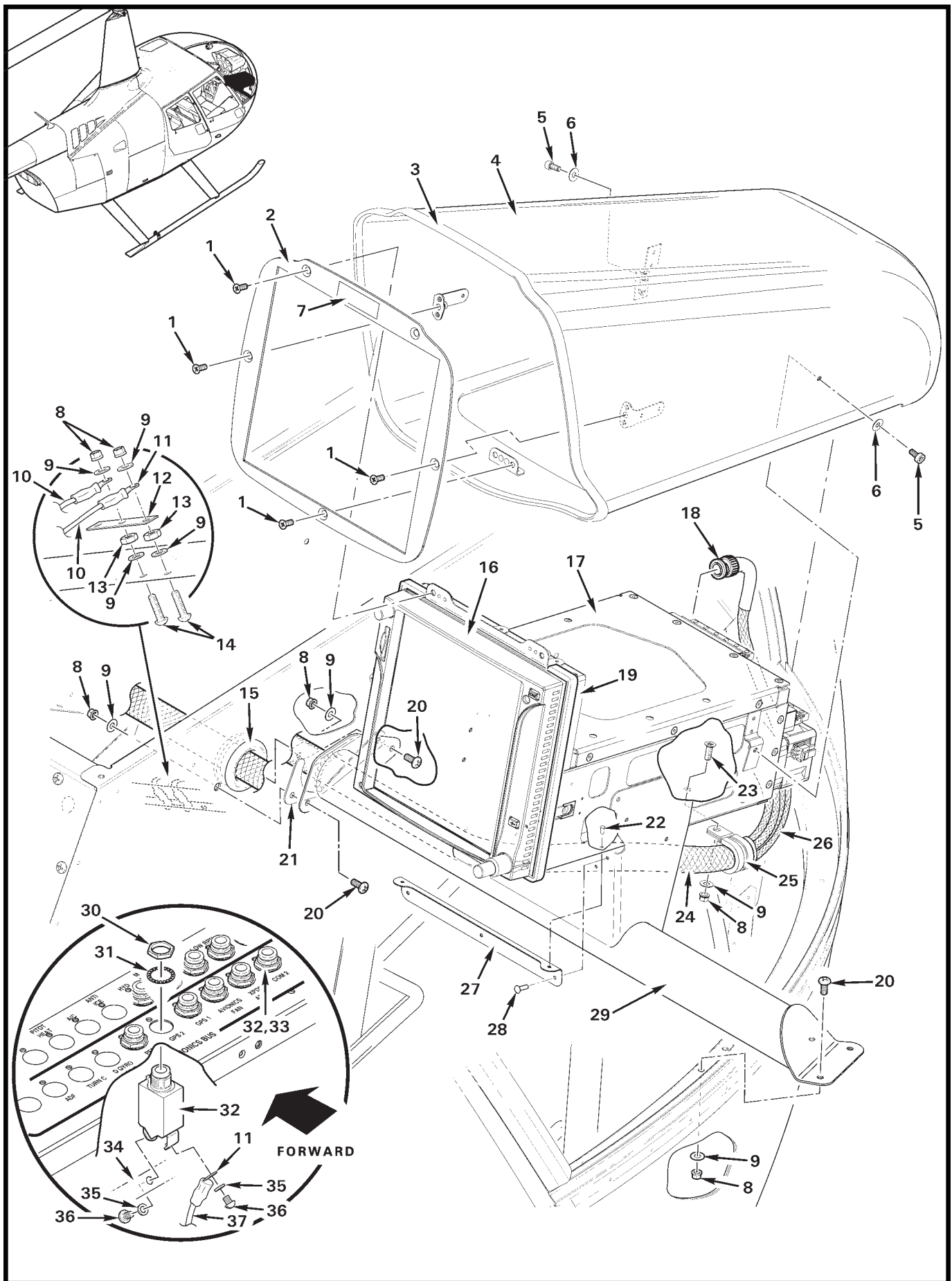


FIGURE AND INDEX NUMBER	PART NUMBER	DESCRIPTION	PARTS AVAIL	QTY PER ASSY
		PILOT'S SIDE CONSOLE – GARMIN GTN 700-SERIES GPS		
97-33-1	MS24694-S4	Screw	X	4
2	G704-6	Faceplate	X	1
3	A226-11	Trim (install with retaining rib on inside)	X	A/R
4	G704-2	Shell Assembly (Incl item 3)	O	1
5	92196A145	Screw	X	2
6	NAS1149FN616P	Washer	X	2
7	F654-40	Decal – “No. 1, No. 2, No. 3, GPS/NAV/COM”	X	A/R
8	MS21042L08	Nut	X	7
9	NAS1149FN816P	Washer	X	9
10	C831-201/-704	Wire – Ground (Ref; -201 [COM 1], -704 [COM 2])		
	C831-465/-1427	Wire – Ground (Ref; -465 [GPS 1], -1427 [GPS 2])		
11	B260-3	Terminal	X	A/R
12	A448-15	Bus Bar (3 holes)	X	1
13	B301-8	Nut	X	2
14	B567-43	Screw	X	2
15	NAS557-18A	Grommet	X	1
16	GTN 750*	Transceiver (GPS/NAV/COM)	X	1
	GTN 725*	Transceiver (GPS, not shown)	X	1
17	—	Rack (Ref)		
18	225395-6	Plug (antenna cable)	X	1
19	A226-7	Seal	X	A/R
20	MS27039C0806	Screw	X	4
21	D703-11	Shim	X	A/R
22	MS20426AD3	Rivet	X	2
23	MS24694-S4	Screw	X	1
24	B266-8	Sleeving	X	A/R
25	MS21919WDG16	Clamp	X	1
26	B266-4	Sleeving	X	A/R
27	G704-10	Support	X	1
28	MS20470AD3	Rivet	X	2
29	G703-4	Support Weldment	X	1
30	—	Nut	O	1
31	—	Lockwasher	O	1
32	B297-5	Circuit Breaker (5 amp, includes items 30, 31, 35, and 36) . .	X	A/R
33	F859-200 or -703	Wire (Ref; -200 [COM 1], -703 [COM 2])		

NOTES * Garmin part no.

Continues

FIGURE AND INDEX NUMBER	PART NUMBER	DESCRIPTION	PARTS AVAIL	QTY PER ASSY
		PILOT'S SIDE CONSOLE – GARMIN GTN 700-SERIES GPS (Cont'd)		
97-33-34	A448	Bus Bar (Ref)		
35	—	Washer	0	1
36	—	Screw	0	2
37	F859-466 or -1426	Wire (Ref; -466 [GPS 1], -1426 [GPS 2])		

NOTES

Intentionally Blank

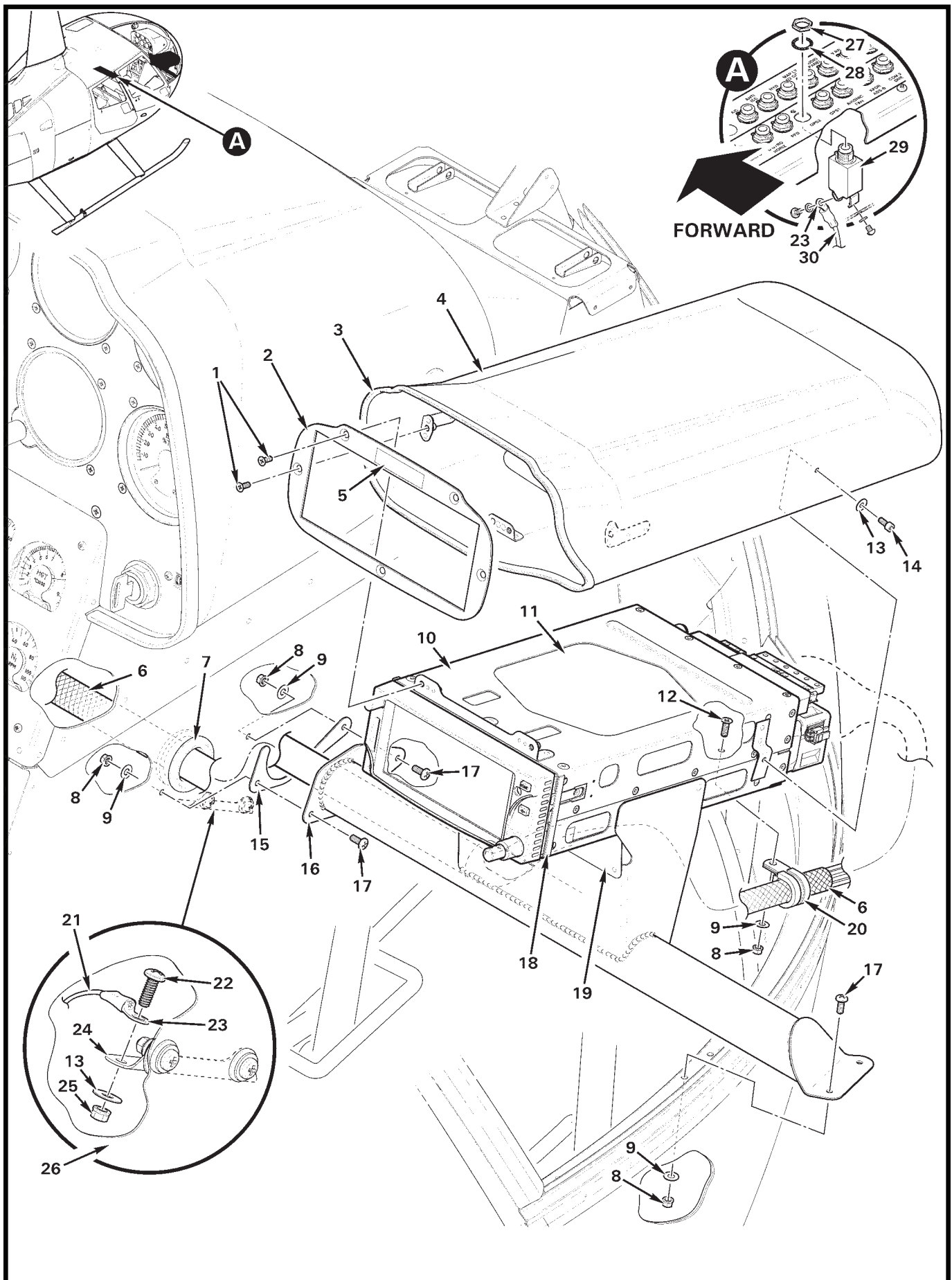


FIGURE AND INDEX NUMBER	PART NUMBER	DESCRIPTION	PARTS AVAIL	QTY PER ASSY
		PILOT'S SIDE CONSOLE – GARMIN GTN 600-SERIES GPS (SINGLE)		
97-37-1	MS24693-S4	Screw	X	5
2	G704-5	Faceplate	X	1
3	A226-11	Trim (install with retaining rib on inside)	X	A/R
4	G704-1	Shell Assembly (Incl item 3)	O	1
5	F654-40	Decal (trim as required)	X	1
6	B266-8	Sleeving	X	A/R
7	NAS557-18B	Grommet	X	1
8	MS21042L08	Nut	X	5
9	NAS1149FN816P	Washer	X	5
10	—	Radio Rack Assembly (Ref, supplied with receiver or transceiver)		
11	GTN 650*	Transceiver (GPS/COM/NAV)	X	1
	GTN 635*	Transceiver (GPS/COM, not shown)	X	1
	GTN 625*	Transceiver (GPS, not shown)	X	1
12	MS24694-S4	Screw	X	1
13	NAS1149FN616P	Washer	X	4
14	92196A145	Screw	X	2
15	D703-11	Shim (3 maximum)	X	A/R
16	G703-4	Support Weldment	X	1
17	MS27039C0806	Screw	X	4
18	A226-7	Seal	X	A/R
19	G704-9	Support	X	1
20	MS21919WDG16	Clamp	X	1
21	-1427	Wire (Ref)		
22	94070A146	Screw	X	1
23	B260-3	Terminal (Ref)		
24	A448-19	Bus Bar (Ref)		
25	MS21042L06	Nut	X	1
26	F359-2	Panel – Console (Ref)		
27	—	Nut	X	1
28	—	Lockwasher	X	1
29	B297-5	Circuit Breaker (5 amp; includes items 27 and 28)	X	1
30	-1426	Wire (Ref)		

NOTES * Garmin part no.

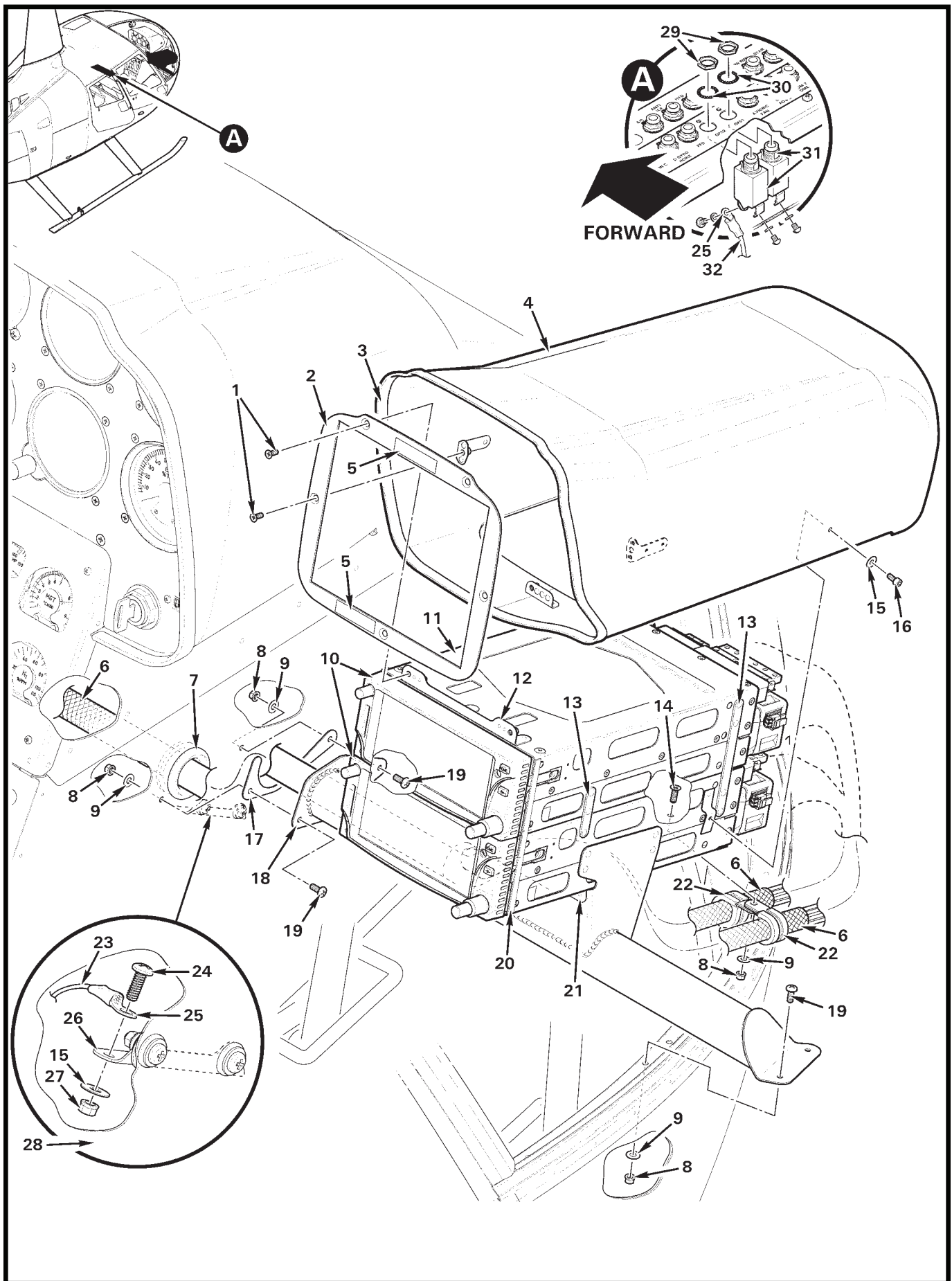


FIGURE AND INDEX NUMBER	PART NUMBER	DESCRIPTION	PARTS AVAIL	QTY PER ASSY
		PILOT'S SIDE CONSOLE – GARMIN GTN 600-SERIES GPS (DUAL)		
97-39-1	MS24694-S4	Screw	X	5
2	G704-13	Faceplate	X	1
3	A226-11	Trim (install with retaining rib on inside)	X	A/R
4	G704-11	Shell Assembly (Incl item 3)	O	1
5	F654-40	Decal (trim as required)	X	2
6	B266-8	Sleeving	X	A/R
7	NAS557-18B	Grommet	X	1
8	MS21042L08	Nut	X	5
9	NAS1149FN816P	Washer	X	4
10	GTN 625*	GPS Transceiver	X	A/R
	GTN 635*	GPS Transceiver	X	A/R
	GTN 650*	GPS Transceiver	X	A/R
11	—	Radio Rack Assembly (supplied with receiver or transceiver) . . .	O	2
12	G704-7	Angle Assembly (Ref)		
13	A684-1	Strap (Ref)		
14	MS24694-S5	Screw	X	1
15	NAS1149FN616P	Washer	X	3
16	92196A145	Screw	X	2
17	D703-11	Shim (3 maximum)	X	A/R
18	G703-4	Support Weldment	X	1
19	MS27039C0806	Screw	X	4
20	A226-7	Seal	X	A/R
21	G704-10	Support	X	1
22	MS21919WDG16	Clamp	X	2
23	-465	Wire (Ref; GPS 1)		
	-1427	Wire (Ref; GPS 2)		
24	94070A146	Screw	X	1
25	B260-3	Terminal (Ref)		
26	A448-19	Bus Bar (Ref)		
27	MS21042L06	Nut	X	1
28	F359-2	Panel – Console (Ref)		
29	—	Nut	O	2
30	—	Lockwasher	O	2
31	B297-5	Circuit Breaker (5 amp; includes items 29 and 30)	X	2
32	-466	Wire (Ref; GPS 1)		
	-1426	Wire (Ref; GPS 2)		

NOTES * Garmin part no.

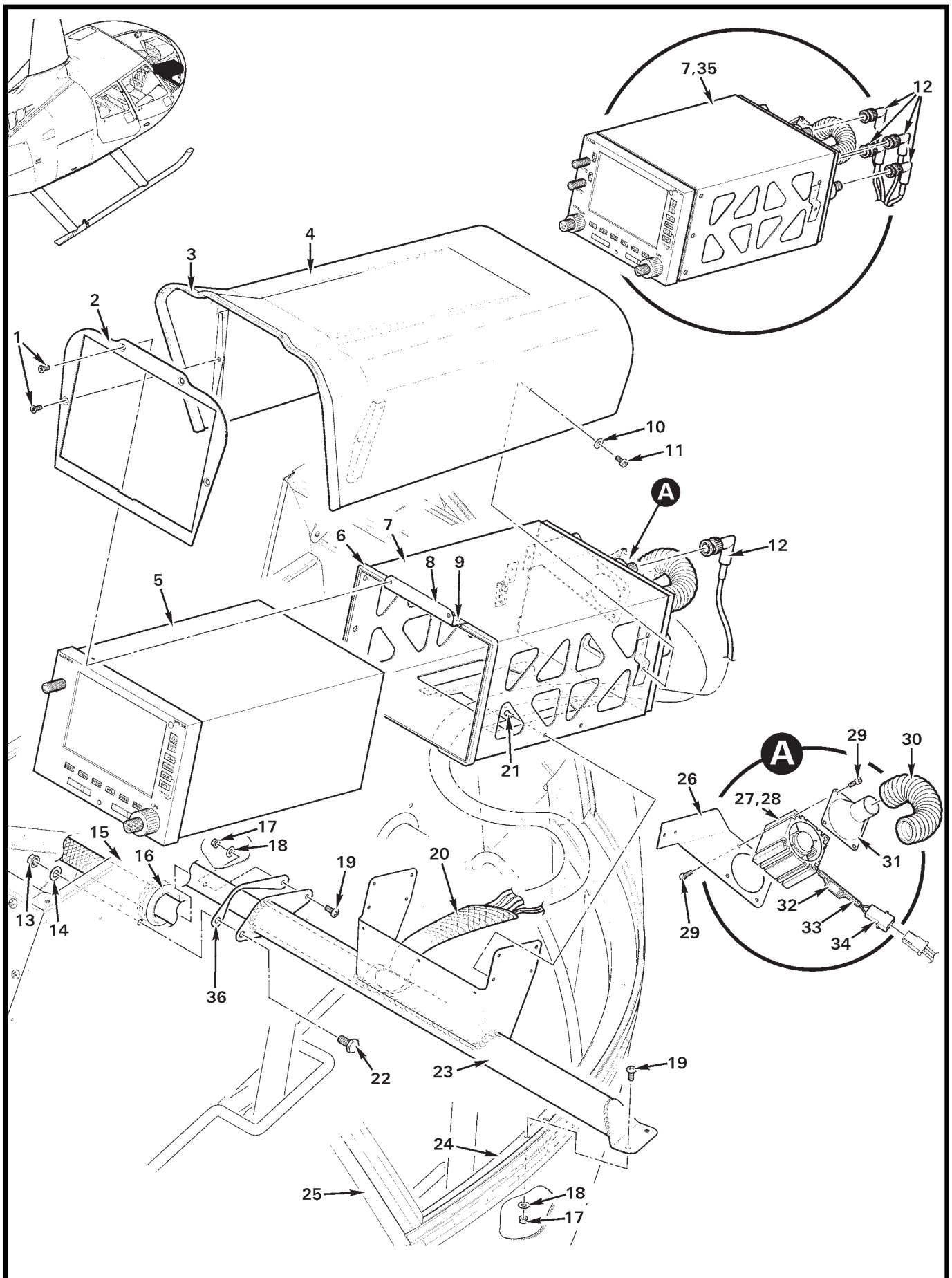


FIGURE AND INDEX NUMBER	PART NUMBER	DESCRIPTION	PARTS AVAIL	QTY PER ASSY
		PILOT'S SIDE CONSOLE – GARMIN 500-SERIES GPS*		
97-41-1	MS24693-S26	Screw	X	4
2	D704-1	Faceplate	X	1
3	A226-11	Trim (install with retaining rib on inside)	X	A/R
4	D184-1	Shell Assembly (Incl item 3)	O	1
5	GPS 500W**	GPS Receiver (Ref)		
6	A226-7	Seal	X	A/R
7	—	Radio Rack Assembly (Ref, supplied with receiver or transceiver)		
8	D704-9	Angle Assembly	X	1
9	MS20426AD3	Rivet	X	3
10	NAS1149FN616P	Washer	X	2
11	92196A145	Screw	X	2
12	225973-4	Plug (90° BNC; one plug for GPS wiring, additional plugs for Com and Nav wiring)	X	A/R
13	MS21042L4	Nut	X	1
14	NAS1149F0432P	Washer	X	1
15	F359-2	Panel – Console (Ref)		
16	NAS557-14B	Grommet	X	1
17	MS21042L08	Nut	X	3
18	NAS1149FN816P	Washer	X	3
19	MS27039C0806	Screw	X	3
20	B266-8	Sleeving	X	A/R
21	NAS1097AD4	Rivet	X	4
22	NAS6604-2	Bolt (longer dash no. bolt may be used when item 36 is used)	X	1
23	G703-1	Support Weldment Assembly	O	1
24	F238-1	Frame Assembly (Ref)		
25	F090-2	Windshield Frame – RH (Chin, Ref)		
26	D704-6	Bracket	X	1
27	D580-2	Fan Assembly (Incl items 28, and 32 thru 34)	X	1
28	D351M-024GK-2	Fan	X	1
29	92196A108	Screw	X	8
30	5399K17	Hose	X	1
31	D704-11	Nozzle	X	1
32	SPH-330	Resistor	X	1
33	B158-404	Heat Shrink	X	A/R

NOTES * Earlier R66s.
 ** Garmin part no.

Continues

FIGURE AND INDEX NUMBER	PART NUMBER	DESCRIPTION	PARTS AVAIL	QTY PER ASSY
		PILOT'S SIDE CONSOLE – GARMIN 500-SERIES GPS (Cont'd)		
97-41-34	B263-12	Housing	X	1
	B263-1	Pin	X	2
35	GNS 530AW*	GPS Transceiver (Ref)		
36	D703-8	Shim	X	A/R

NOTES * Garmin part no.

Intentionally Blank

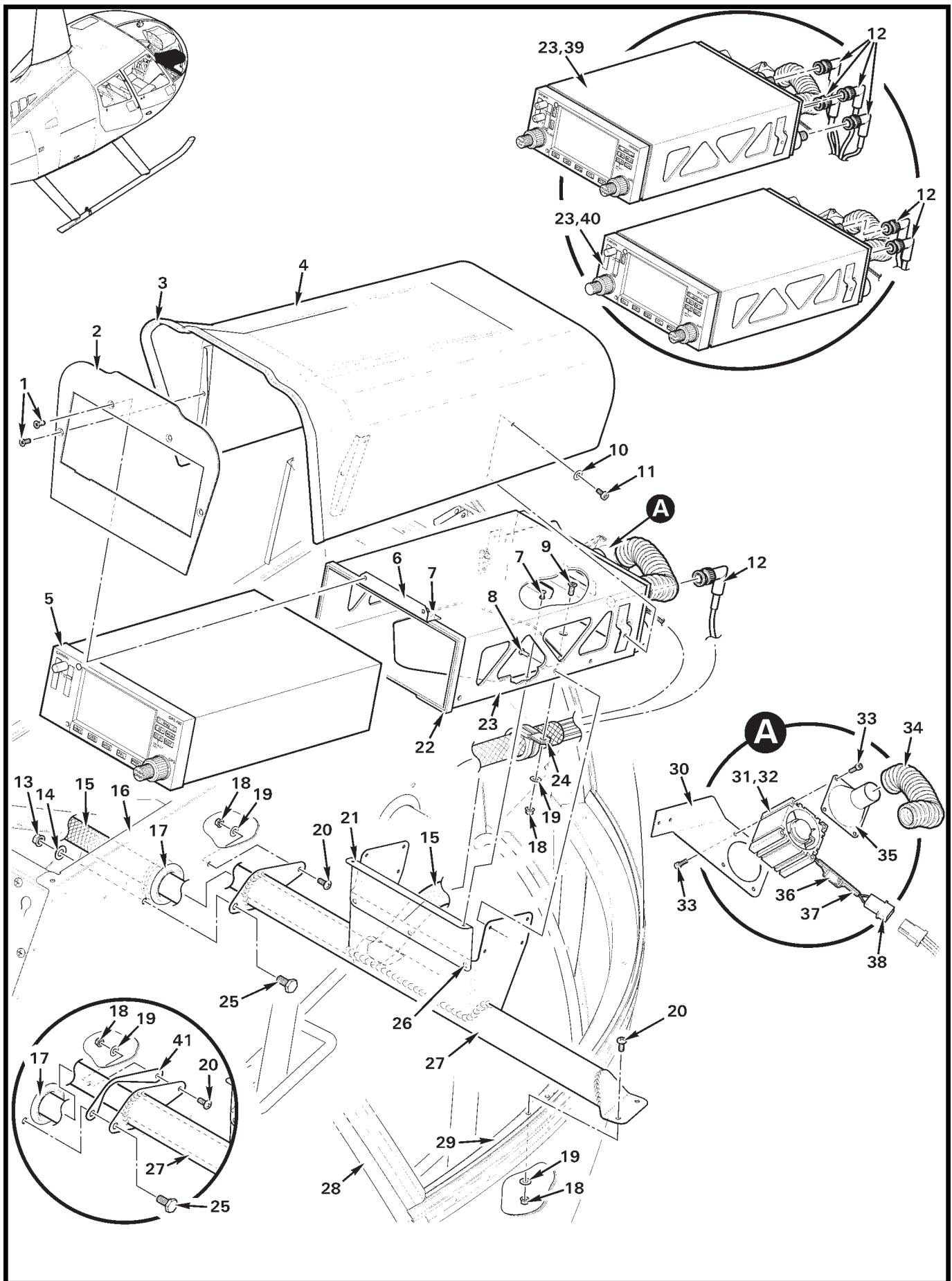


FIGURE AND INDEX NUMBER	PART NUMBER	DESCRIPTION	PARTS AVAIL	QTY PER ASSY
		PILOT'S SIDE CONSOLE – GARMIN 400-SERIES GPS		
97-45-1	MS24693-S4	Screw	X	5
2	G704-5	Faceplate	X	1
3	A226-11	Trim (install with retaining rib on inside)	X	A/R
4	G704-1	Shell Assembly (Incl item 3)	O	1
5	GPS 400W*	GPS Receiver (Ref)		
6	G704-7	Angle Assembly	X	1
7	MS20426AD3	Rivet	X	5
8	NAS1097AD4	Rivet	X	4
9	MS24694-S4	Screw	X	1
10	NAS1149FN616P	Washer	X	2
11	92196A145	Screw	X	2
12	225973-4	Plug (90° BNC; one plug for GPS wiring, additional plugs for COM and NAV wiring)	X	A/R
13	MS21042L4	Nut	X	1
14	NAS1149F0432P	Washer	X	1
15	B266-8	Sleeving	X	A/R
16	F359-2	Panel – Console (Ref)		
17	NAS557-18A	Grommet	X	1
18	MS21042L08	Nut	X	5
19	NAS1149FN816P	Washer	X	5
20	MS27039C0806	Screw	X	4
21	G704-9	Support	X	1
22	A226-7	Seal	X	A/R
23	—	Radio Rack Assembly (Ref, supplied with receiver or transceiver)		
24	MS21919WDG14	Clamp	X	1
25	NAS6604-2	Bolt	X	1
26	MS20470AD3	Rivet	X	3
27	G703-4	Support Weldment Assembly (Incl items 21 and 26)	X	1
28	F238-1	Frame Assembly (Ref)		
29	F090-2	Windshield Frame – RH (Chin, Ref)		
30	D704-6	Bracket	X	1
31	D580-2	Fan Assembly (Incl items 32, and 36 thru 38)	X	1
32	D351M-024GK-2	Fan	X	1
33	92196A108	Screw	X	8

NOTES * Garmin part no.

Continues

FIGURE AND INDEX NUMBER	PART NUMBER	DESCRIPTION	PARTS AVAIL	QTY PER ASSY
		PILOT'S SIDE CONSOLE – GARMIN 400-SERIES GPS (Cont'd)		
97-45-34	5399K17	Hose	X	1
35	D704-11	Nozzle	X	1
36	SPH-330	Resistor	X	1
37	B158-404	Heat Shrink	X	A/R
38	B263-12	Housing	X	1
	B263-1	Pin	X	2
39	GNS 430W*	GPS Transceiver (Ref)		
40	GNC 420W*	GPS Transceiver (Ref)		
41	D703-11	Shims	X	A/R

NOTES * Garmin part no.

Intentionally Blank

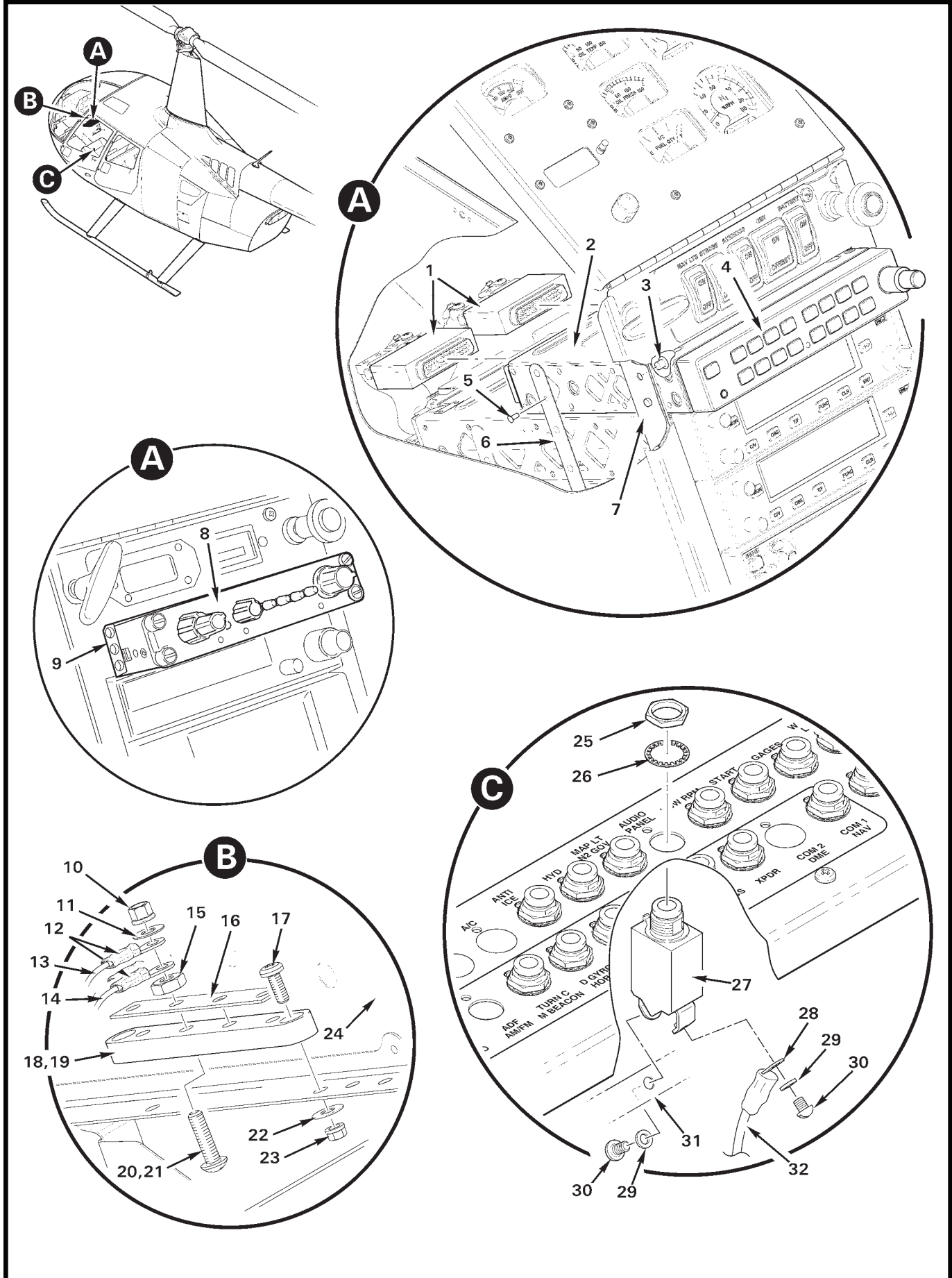


FIGURE AND INDEX NUMBER	PART NUMBER	DESCRIPTION	PARTS AVAIL	QTY PER ASSY
AUDIO CONTROL INSTALLATION				
97-49-1	011-02302-00*	Connector Kit (Ref)		
2	115-0145-2-00*	Install Rack (Ref)		
3	MS20426AD5	Rivet	X	4
4	GMA350HC	Audio Control (Incl items 1 and 2)	X	1
5	NAS1097AD3	Rivet	X	4
6	A684-1	Strap	X	2
7	C905-5	Angle	X	2
8	AA12S-600	Audio Control (earlier R66s)	X	1
9	A917-2	Strip	X	2
10	MS21042L08	Nut	X	2
11	NAS1149FN816P	Washer	X	1
12	B260-3	Terminal	X	2
13	F859-239	Wire (Ref; ground)		
14	F859-643	Wire (Ref; ground, audio control)		
15	B301-8	Nut	X	4
16	A448-10	Bus Bar	X	1
17	MS35206-228	Screw	X	2
18	C448-2	Terminal Block Assembly (Incl items 15, 16, and 19 thru 21) . .	X	1
19	C448-5	Block (Ref)		
20	B567-43	Screw (install using item 21)	X	4
21	B270-9	Adhesive	X	A/R
22	NAS1149FN616P	Washer	X	2
23	MS21042L06	Nut	X	2
24	F033-1	Lower Console Assembly (Ref)		
25	—	Nut	O	1
26	—	Lockwasher	O	1
27	B297-5	Circuit Breaker (5 amp; includes items 25, 26, 29, and 30) . .	X	1
28	B260-2	Terminal	X	1
29	—	Washer	O	1
30	—	Screw	O	1
31	A448-22	Bus Bar (Ref)		
32	F859-644	Wire (Ref; power)		

NOTES * Garmin part no.

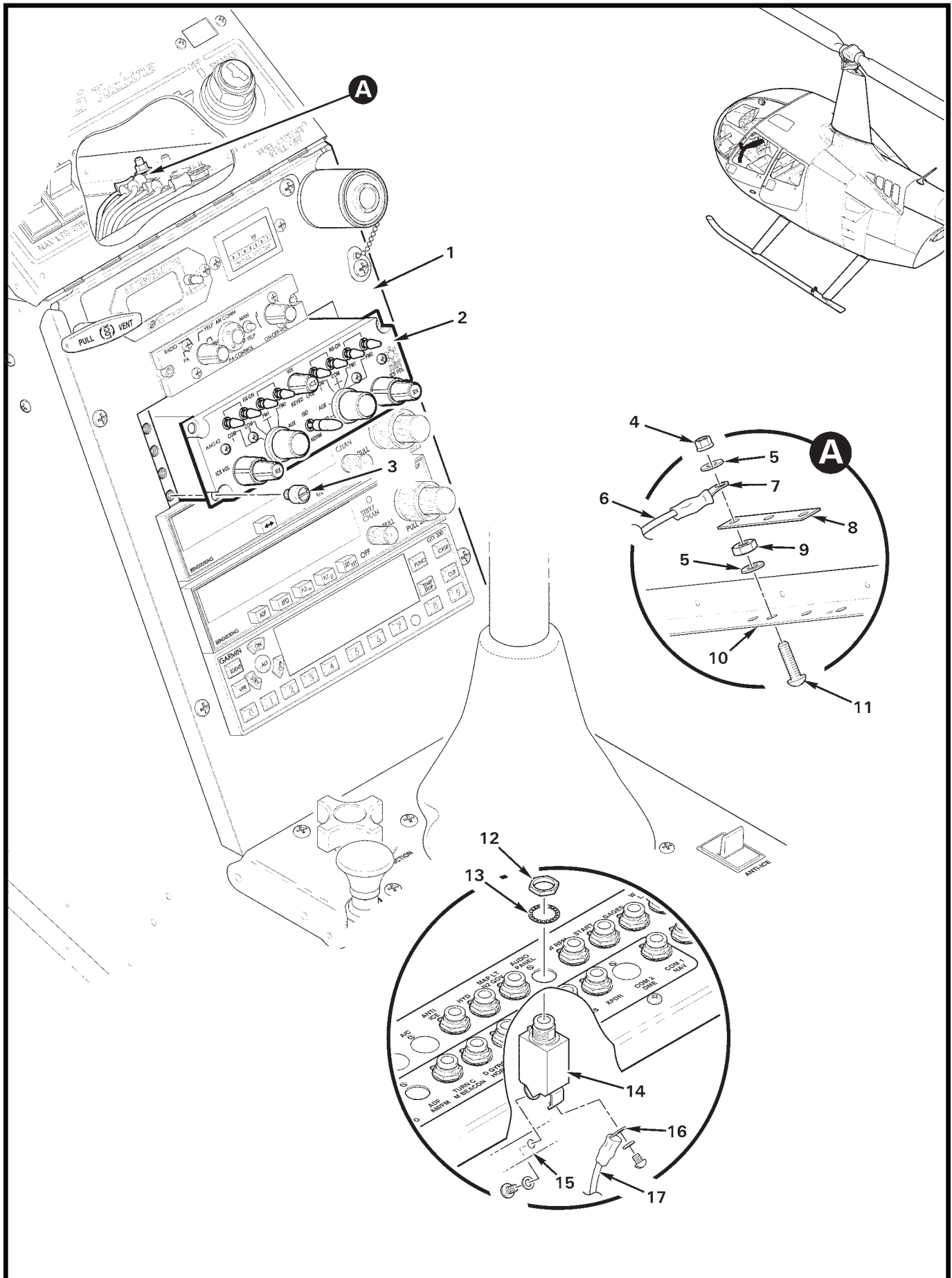


FIGURE AND INDEX NUMBER	PART NUMBER	DESCRIPTION	PARTS AVAIL	QTY PER ASSY
DUAL AUDIO CONTROL INSTALLATION				
97-51-1	G225	Face Assembly (Ref)		
2	AMS42	Dual Audio Control (N. A. T.)	X	1
3	MS24693-S32	Screw	X	3
4	MS21042L08	Nut	X	1
5	NAS1149DN832H	Washer	X	2
6	-951	Wire (Ref)		
7	B260-3	Terminal (Ref)		
8	A448-15	Bus Bar (3-hole)	X	1
9	B301-8	Nut	X	1
10	F365-1	Angle (Ref)		
11	B567-43	Screw	X	1
12	—	Nut	O	1
13	—	Lockwasher	O	1
14	B297-2	Circuit Breaker (2 amp; includes items 12 and 13)	X	1
15	A448-1	Bus Bar (Ref)		
16	B260-2	Terminal (Ref)		
17	-950	Wire (Ref)		

NOTES

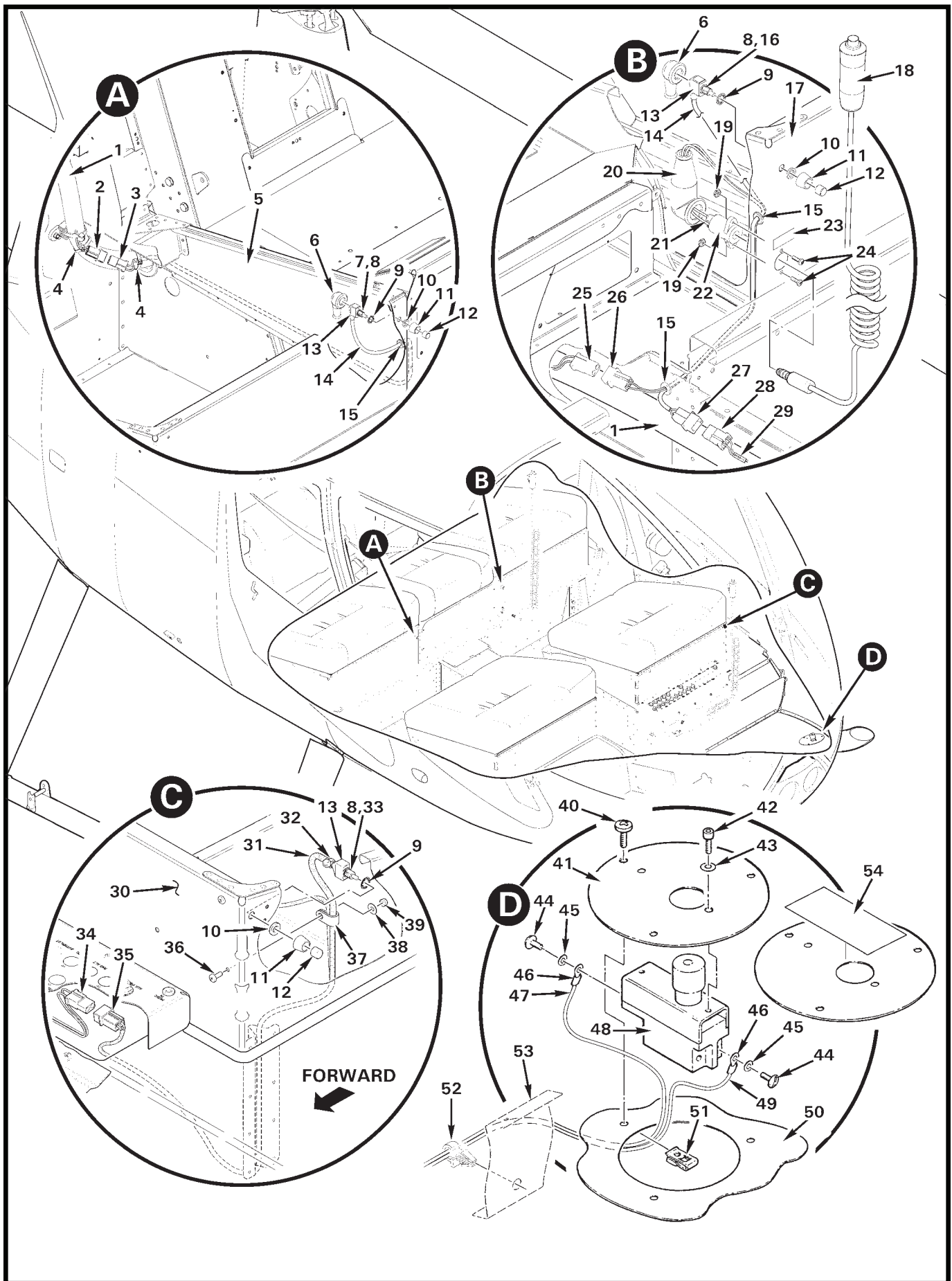


FIGURE AND INDEX NUMBER	PART NUMBER	DESCRIPTION	PARTS AVAIL	QTY PER ASSY
		AUDIO AND INTERCOM SWITCHES INSTALLATION		
97-53-1	F859	Harness Assembly (Ref; helicopter main)		
2	B263-13	Housing	X	1
	B263-2	Socket	X	2
	B859-595	Wire (Ref)		
	B859-640	Wire (Ref)		
3	B263-12	Housing	X	1
	B263-1	Pin	X	2
4	MS3367-5-9	Ty-Rap	X	A/R
5	F291-2	Seat Assembly (Ref; RH, aft)		
6	MS25171-1S	Nipple	X	1
7	C049-13	Harness Assembly (Aft outboard COM switch. Includes items 3, 6, 8, 14 and 15.)	X	1
8	B227-8	Switch Assembly (Incl items 9 thru 12)	X	1
9	B227-3	Lockwasher	X	1
10	94773A770	Washer	X	1
11	702501201	Dress Nut	X	1
12	801801000	Cap	X	1
13	B158-8	Heat Shrink (around item 8)	X	A/R
14	B158-2	Heat Shrink (around wires)	X	A/R
15	MS35489-4	Grommet	X	1
16	C049-10	Harness Assembly (LH aft outboard COM switch. Includes items 3, 6, 8, and 13 thru 15)	X	1
17	F291-1	Seat Assembly (Ref; LH, aft)		
18	B121-1	Transmit Switch Assembly (optional)	X	1
19	B330-2	Palnut	X	2
20	MS25171-2S	Nipple	X	1
21	B158-3	Heat Shrink (around jack terminals)	X	A/R
22	TJ-120	Jack	X	1
23	A654-86	Decal – "TRANSMIT"	X	1
24	MS35206-215	Screw	X	2
25	B263-13	Housing	X	1
	B263-2	Socket	X	2
	G458-2638	Wire (Ref)		
	G458-2639	Wire (Ref; ground)		

NOTES

Continued

FIGURE AND INDEX NUMBER	PART NUMBER	DESCRIPTION	PARTS AVAIL	QTY PER ASSY
AUDIO AND INTERCOM SWITCHES INSTALLATION (Cont'd)				
97-53-26	B263-32	Housing	X	1
	B263-1	Pin	X	2
27	B263-12	Housing	X	1
	B263-1	Pin	X	2
28	B263-13	Housing	X	1
	B263-2	Socket	X	2
	F859-594	Wire (Ref)		
	F859-640	Wire (Ref)		
	F859-646	Wire (Ref)		
29	B158-3	Heat Shrink (labeled "REAR-L")	X	A/R
30	F297-2	Seat Assembly (Ref; LH, forward)		
31	B266-4	Sleeving	X	A/R
32	MS3367-4-0	Ty-Rap	X	1
33	C049-18	Harness Assembly (Forward outboard COM switch. Includes items 8, 13, 31, 32, and 35.)	X	1
34	B263-13	Housing	X	1
	B263-2	Socket	X	2
	F859-283	Wire (Ref)		
	F859-284	Wire (Ref)		
35	B263-12	Housing	X	1
	B263-1	Pin	X	2
36	MS35206-228	Screw	X	1
37	N-4-BK	Clamp	X	1
38	NAS1149FN616P	Washer	X	1
39	MS21042L06	Nut	X	1
40	MS27039C0806	Screw	X	3
41	A797-1	Cover	X	1
42	NAS1351-06-6P	Screw	X	2
43	NAS620-6	Washer	X	2
44	—	Screw	O	2
45	—	Lockwasher	O	2
46	B260-2	Terminal	X	2
47	F859-283	Wire (Ref)		
48	B565-1*	Switch (Incl items 44 and 45)	X	1
49	F859-284	Wire (Ref)		

NOTES

Continued

FIGURE AND INDEX NUMBER	PART NUMBER	DESCRIPTION	PARTS AVAIL	QTY PER ASSY
AUDIO AND INTERCOM SWITCHES INSTALLATION (Cont'd)				
97-53-50	F232-1	Floor (Ref; LH)		
51	B162-3*	Clipnut	X	3
52	200-24200-09	Clip	X	2
53	F407-1	Beam (Ref; LH)		
54	A701-1	Tape (foil)	X	A/R
NOTES				

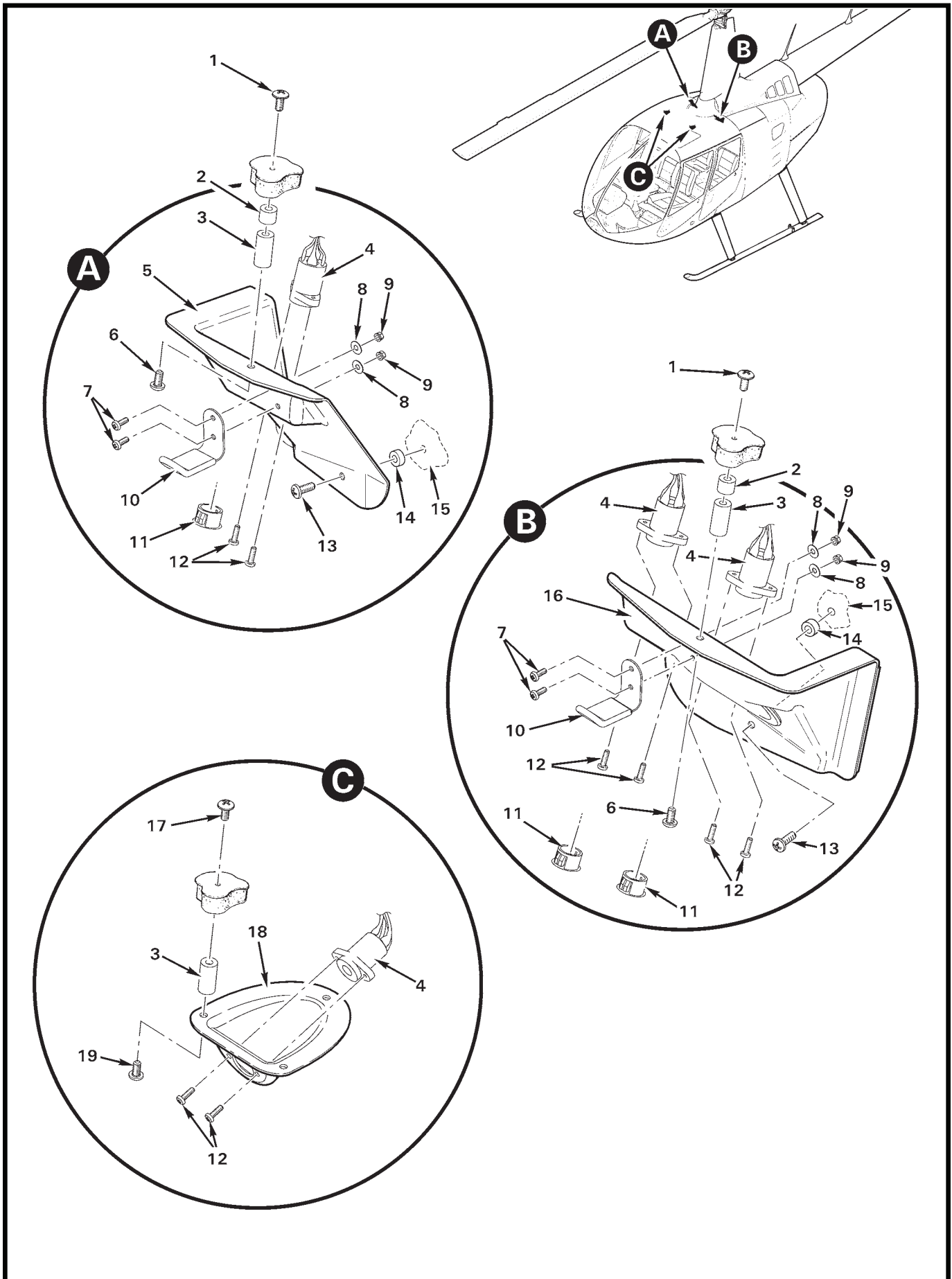


FIGURE AND INDEX NUMBER	PART NUMBER	DESCRIPTION	PARTS AVAIL	QTY PER ASSY
STANDARD HEADSET JACKS INSTALLATION				
97-57-1	MS27039C0811	Screw (thru roof)	X	2
2	A130-33	Spacer	X	2
3	C710-3	Spacer	X	6
4	TJ-120	Jack	X	4
5	F436-6	Cover Assembly (RH)	X	1
6	MS27039C0806	Screw	X	2
7	MS35206-214	Screw	X	4
8	NAS1149FN416P	Washer	X	4
9	MS21042L04	Nut	X	4
10	A752-3	Angle	X	2
11	2653	Hole Plug	X	3
12	MS35206-215	Screw	X	8
13	MS27039C0808	Screw	X	2
14	A130-37	Spacer	X	2
15	F439-1	Duct (Ref)		
16	F436-5	Cover Assembly (LH)	X	1
	F436-1	Cover Assembly (LH; earlier ships)	O	1
17	AN526C832R6	Screw	X	6
18	C710-1	Cover (RH and LH)	X	2
19	MS27039C0805	Screw	X	6

NOTES

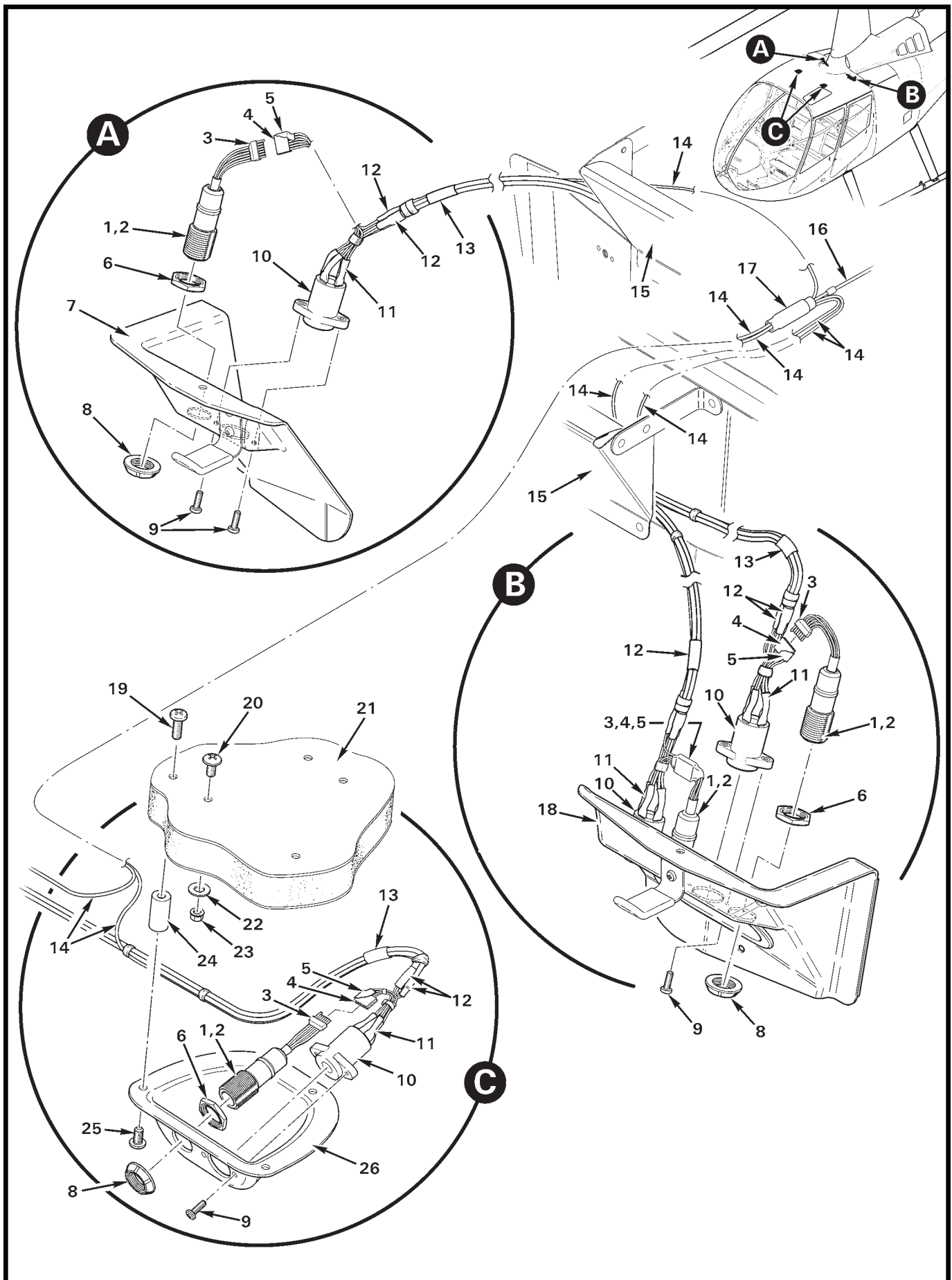


FIGURE AND INDEX NUMBER	PART NUMBER	DESCRIPTION	PARTS AVAIL	QTY PER ASSY
BOSE HEADSET JACKS INSTALLATION				
97-59-1	D746-3	Wire Harness Assembly (Incl items 2, and 3)	X	A/R
2	D746-2	Connector Kit (includes connector, and items 4 and 6)	O	1
3	837062907	Connector Assembly	X	1
4	837061905	Connector Assembly (Ref)		
5	B158-6	Heat Shrink	X	A/R
6	—	Nut (hex)	O	1
7	F436-2*	Cover (aft, RH; Ref)		
8	R5694	Nut (brass, black chromed)	X	1
9	MS35206-215*	Screw (Ref)		
10	TJT-120*	Jack (Ref)		
11	B158-3	Heat Shrink	X	A/R
12	B158-2	Heat Shrink	X	A/R
13	B158-4	Heat Shrink (labeled)	X	A/R
14	F859-2221	Wire (Ref)		
15	F437-1	Duct (Ref)		
16	F859-1492	Wire (Ref)		
17	B267-6	Solder Splice (Ref)		
18	F436-5*	Cover (aft, LH; Ref)		
19	MS27039C0811	Screw	X	8
20	AN526C832R6	Screw	X	1
21	F273-1	Roof (Ref)		
22	NAS1149FN816P	Washer	X	1
23	MS21042L08	Nut	X	1
24	C710-3	Spacer	X	8
25	MS27039C0806	Screw	X	8
26	C710-4	Cover (forward, RH and LH; LH shown)	X	2

NOTES * See Figure 97-57.

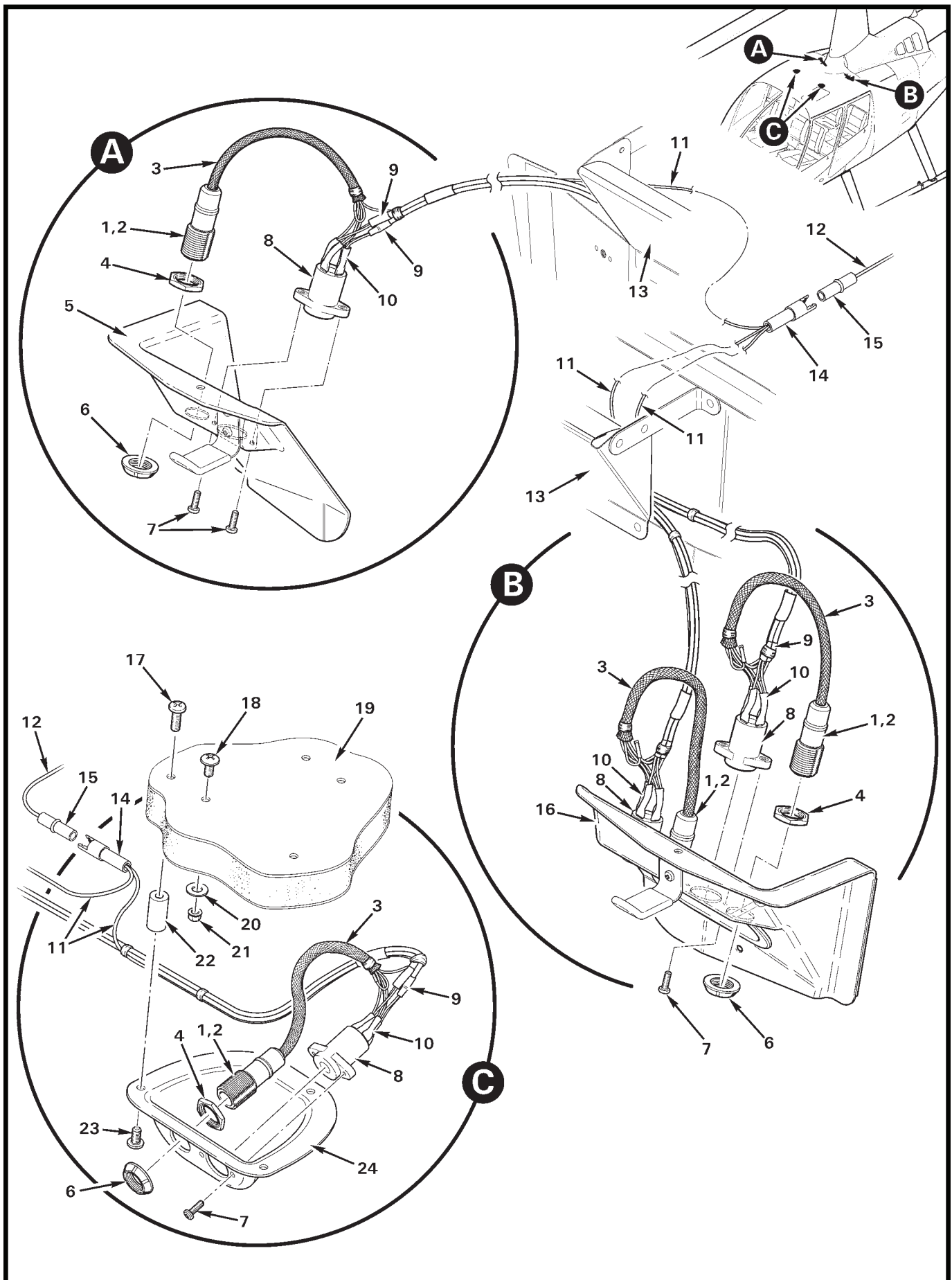


FIGURE AND INDEX NUMBER	PART NUMBER	DESCRIPTION	PARTS AVAIL	QTY PER ASSY
BOSE HEADSET JACKS INSTALLATION*				
97-61-1	D746-1	Wire Harness Assembly (Incl items 2, 3, and 11)	X	A/R
2	D746-2	Connector Kit (includes connector, and items 4 and 6)	O	1
3	B266-4	Sleeving	X	A/R
4	—	Nut (hex)	O	1
5	F436-2**	Cover (aft, RH; Ref)		
6	R5694	Nut (brass, black chromed)	X	1
7	MS35206-215**	Screw (Ref)		
8	TJT-120**	Jack (Ref)		
9	B158-1	Heat Shrink	X	A/R
10	B158-2	Heat Shrink	X	A/R
11	D746-2221	Wire (Ref)		
12	F059-1492	Wire (Ref)		
13	F437-1	Duct (Ref)		
14	B263-10	Housing	X	A/R
	B263-1	Pin	X	1
15	B263-11	Housing (Ref)		
16	F436-1**	Cover (aft, LH; Ref)		
17	MS27039C0811	Screw	X	8
18	AN526C832R6	Screw	X	1
19	F273-1	Roof (Ref)		
20	NAS1149FN816P	Washer	X	1
21	MS21042L08	Nut	X	1
22	C710-3	Spacer	X	8
23	MS27039C0806	Screw	X	8
24	C710-4	Cover (forward, RH and LH; LH shown)	X	2

NOTES * Earlier R66s.
 ** See Figure 97-57.

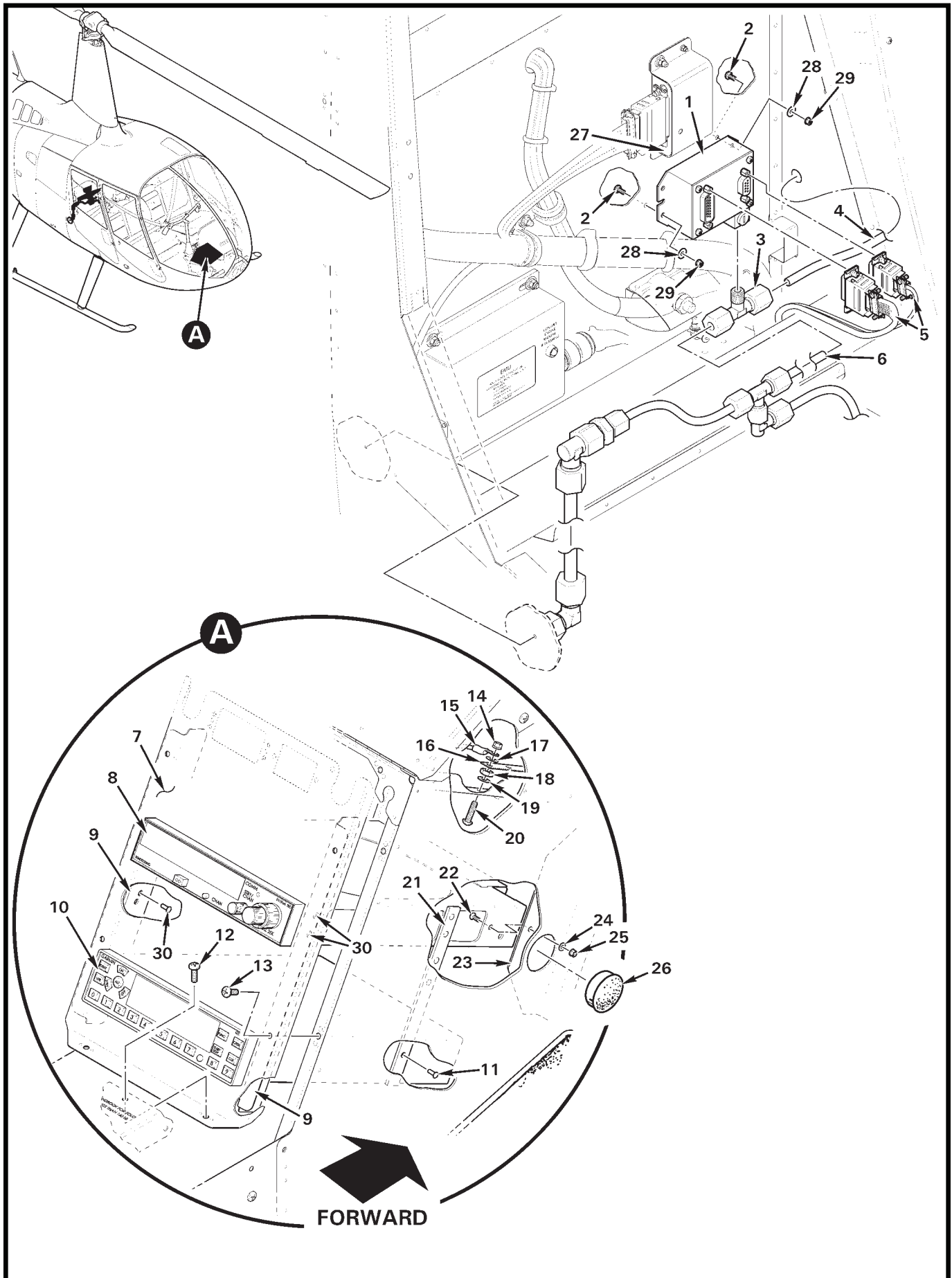


FIGURE AND INDEX NUMBER	PART NUMBER	DESCRIPTION	PARTS AVAIL	QTY PER ASSY
		TRANSPONDER AND BLIND ENCODER INSTALLATION		
97-63-1	B240-3	Blind Encoder	X	1
2	MS35206-227	Screw	X	2
3	70-4-N-0	Tee	X	1
4	A729-24	Tube (Ref)		
5	F859-01	Wire Harness (Ref, 8-hole console)		
	F059-01	Wire Harness (Ref, 7-, 9-hole console; earlier ships)		
6	A729-53	Tube (Ref)		
7	G225	Panel – Avionics (Ref)		
8	KY0196A-60*	Com Transceiver (Bendix/King, Ref)		
9	C905-5	Angle	X	2
10	GTX 327	Transponder (Mode C)	O	1
	GTX 328	Transponder (Mode S)	O	1
	GTX 330	Transponder (Mode S w/ADS-B Out & TIS-A)	O	1
	GTX 33	Transponder (Mode S w/ADS-B Out & TIS-A)	O	1
11	NAS1097AD	Rivet	X	8
12	MS27039C0806	Screw (Ref)		
13	MS27039C0807	Screw (Ref)		
14	MS21042L08	Nut	X	1
15	-260	Wire (Ref)		
16	A448-15	Bus Bar (3-hole)	X	1
17	NAS1149FN816P	Washer	X	1
18	B301-8	Nut	X	1
19	NAS1149DN832H	Washer	X	1
20	B567-43	Screw	X	1
21	A684-1	Strap	X	2
22	—	Screw (6-32 countersunk, supplied with radio)	X	2
23	A371-3	Stiffener	X	2
24	NAS1149FN616P	Washer	X	2
25	MS21042L06	Nut	X	2
26	SI413	Hole Plug	X	2
27	F695-4	Tester Assembly – Warning Lights (Ref)		
	F695-1	Tester Assembly – Warning Lights (Ref; earlier ships)		
28	NAS1149FN616P	Washer	X	2
29	MS21042L06	Nut	X	2
30	MS20426AD	Rivet	X	4

NOTES * Garmin 330-00067-00 Notch filter required if Garmin Series 400 or 500 GPS is installed. See figures 6-29 and 6-31 for installation options.

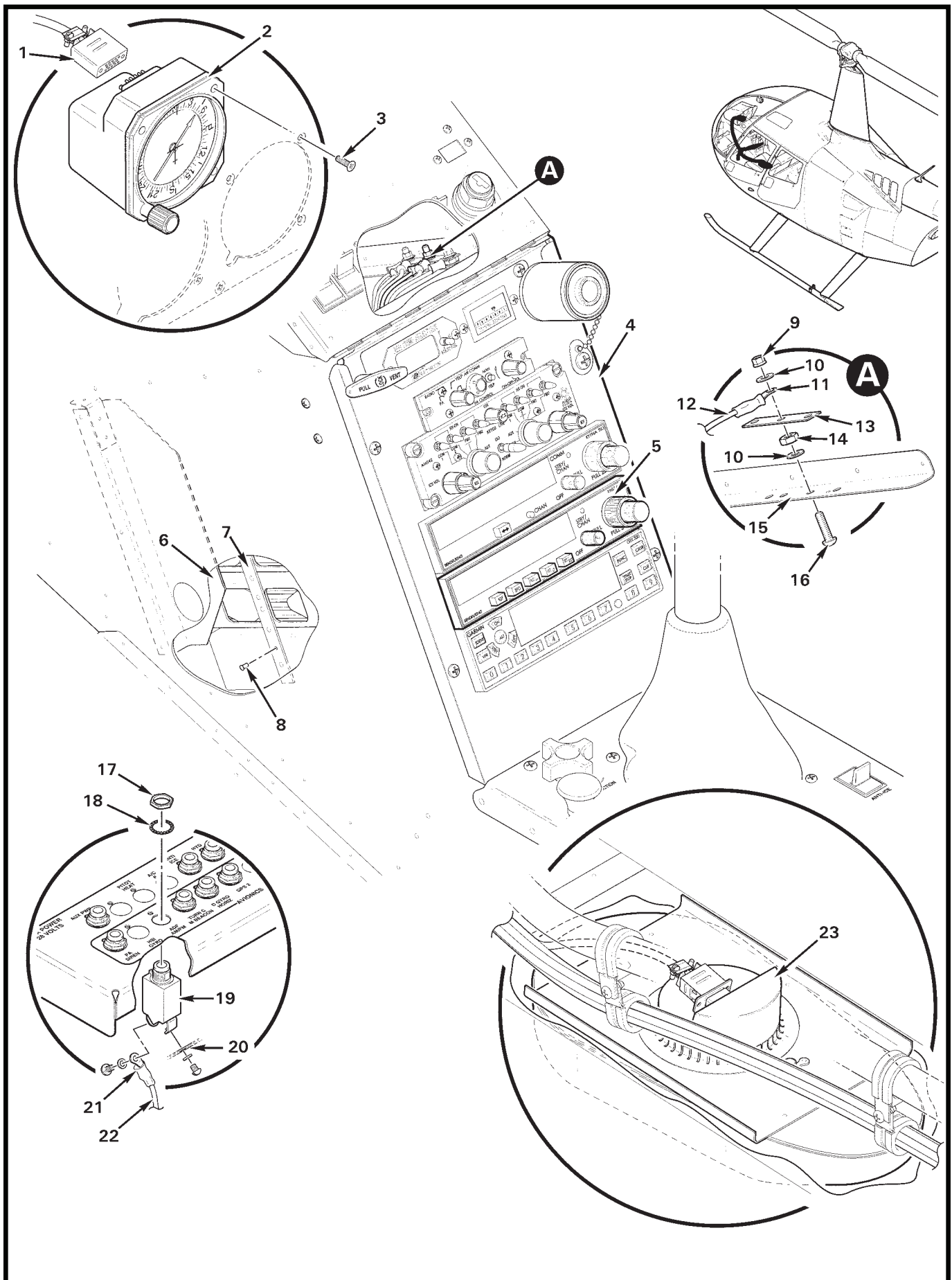


FIGURE AND INDEX NUMBER	PART NUMBER	DESCRIPTION	PARTS AVAIL	QTY PER ASSY
ADF SYSTEM INSTALLATION				
97-65-1	050-01808-0000	Installation Kit	O	1
2	066-03063-0000	ADF Indicator (Bendix/King, unslaved; includes item 1)	X	1
	KI-227-00R	ADF Indicator (overhaul; Bendix/King, unslaved)	X	1
	066-03063-0001	ADF Indicator (Bendix/King, slaved; includes item 1)	X	1
	KI-227-01R	ADF Indicator (overhaul; Bendix/King, slaved)	X	1
3	MS24693-S32	Screw	X	3
4	G225	Face Assembly (Ref)		
5	KR0087-00	ADF Receiver (Bendix/King)	X	1
6	A371-3	Stiffener (Ref)		
7	A684-1	Strap	X	2
8	MS20470AD3	Rivet	X	8
9	MS21042L08	Nut	X	1
10	NAS1149DN832H	Washer	X	2
11	B260-3	Terminal (Ref)		
12	-271	Wire (Ref)		
13	A448-15	Bus Bar (3-hole)	X	1
14	B301-8	Nut	X	1
15	F365-1	Angle (Ref)		
16	B567-43	Screw	X	1
17	—	Nut	O	1
18	—	Lockwasher	O	1
19	B297-2	Circuit Breaker (2 amp; includes items 17 and 18)	X	1
20	A448-1	Bus Bar (3-hole, Ref)		
21	B260-2	Terminal (Ref)		
22	-270	Wire (Ref)		
23	KA44B	ADF Antenna (Ref; see Figure 6-13)		

NOTES

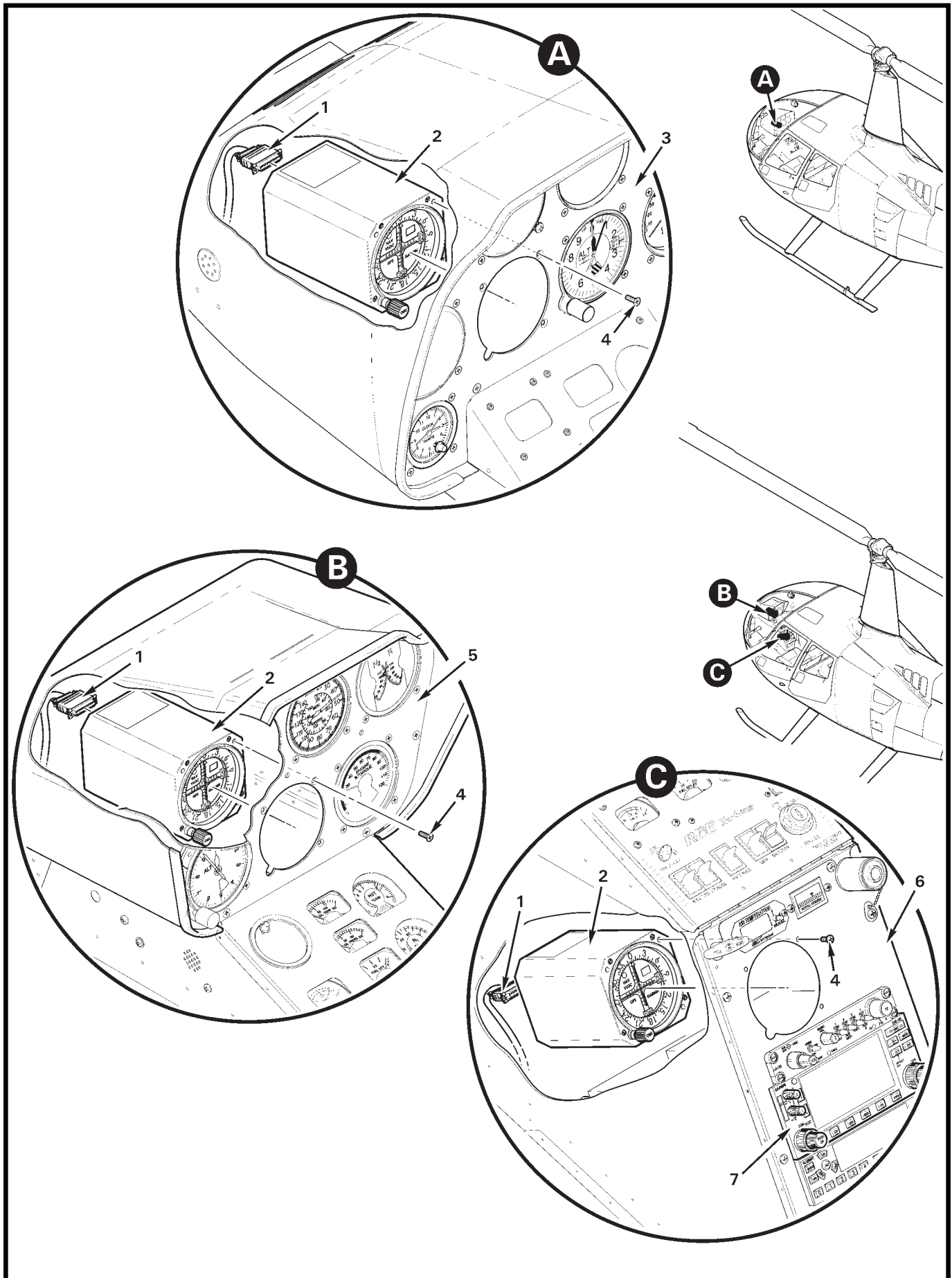


FIGURE AND INDEX NUMBER	PART NUMBER	DESCRIPTION	PARTS AVAIL	QTY PER ASSY
VOR INDICATOR INSTALLATION				
97-67-1	B269-12	Receptacle	X	1
2	GI-106B	VOR Indicator (Garmin; includes item 4)	O	1
3	G050	Console Assembly (Ref)		
4	—	Screw	O	3
5	B050	Console Assembly (Ref)		
6	G225-25	Face Assembly – Avionics Console (Ref, used with Garmin 400 series only)		
7	GNS 430W	GPS Transceiver (Garmin GPS, Ref)		
NOTES				

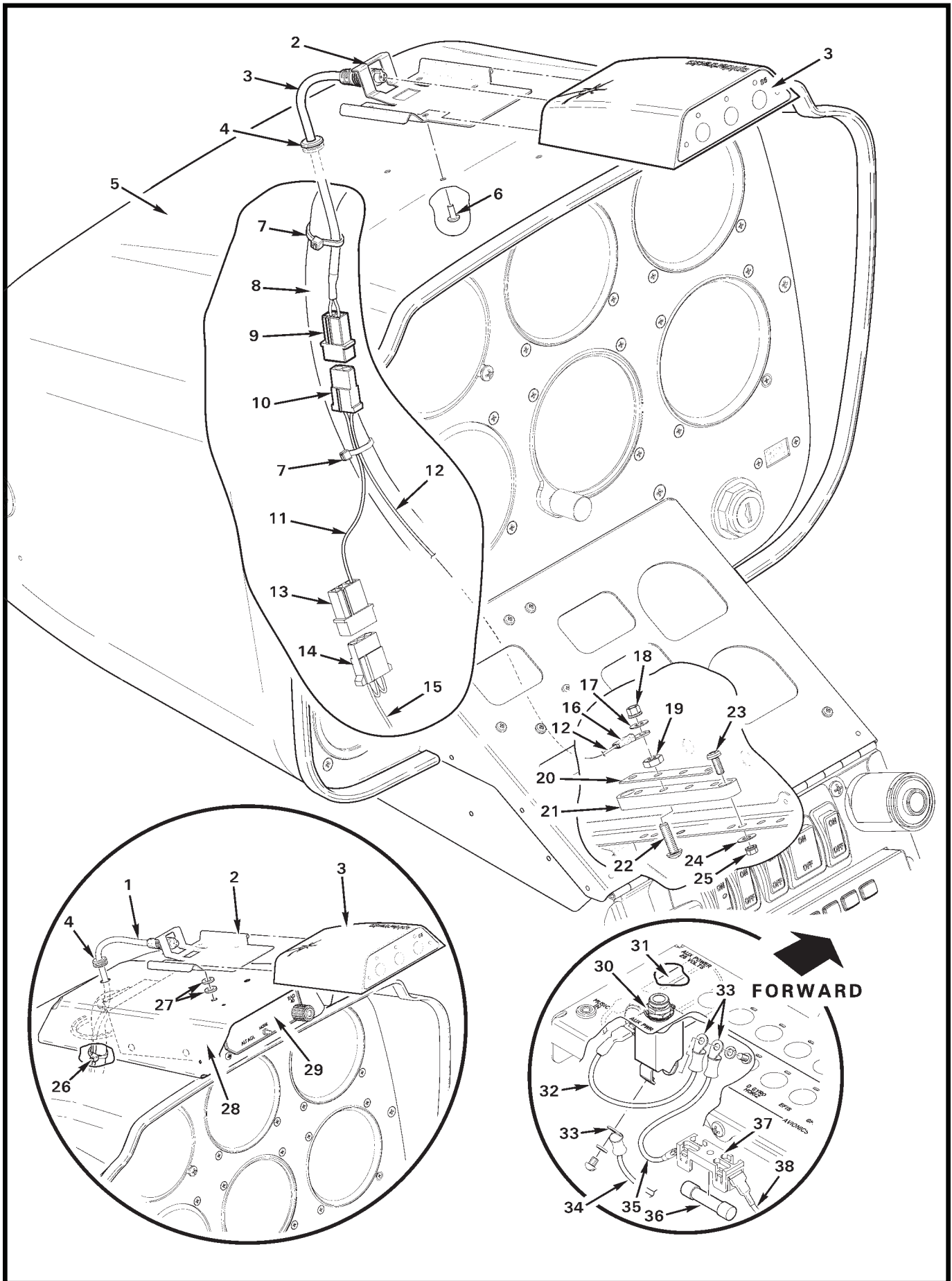


FIGURE AND INDEX NUMBER	PART NUMBER	DESCRIPTION	PARTS AVAIL	QTY PER ASSY
SPIDERTRACKS PROVISION INSTALLATION				
97-69-1	2000PWR200	Cable Assembly	O	1
2	3000BRK103-TL	Bracket	O	1
3	—	Spidertracks Reciever (Ref)		
4	MS35489-4	Grommet	X	1
5	—	Upper Console Assembly (Ref)		
6	MS20470AD4	Rivet	X	4
7	MS3367-4-9	Ty-Rap (or MS3367-5-9)	X	A/R
8	G716	Harness Assembly – Console (Ref)		
9	B263-32	Housing	X	1
	B263-1	Pin	X	2
	B158-2	Heat Shrink (around blue wire)	X	A/R
10	B263-33	Housing	X	1
	B263-2	Socket	X	2
11	-2630	Wire (power, Ref)		
12	-2631	Wire (ground, Ref)		
13	B263-34	Housing	X	1
	B263-1	Pin	X	1
14	B263-35	Housing	X	1
	B263-2	Socket	X	1
15	F859-2626	Wire (Ref)		
16	B260-2	Terminal	X	1
17	NAS1149FN816P	Washer (Ref)		
18	MS21042L08	Nut (Ref)		
19	B301-8	Nut (Ref)		
20	A448	Bus Bar (Ref)		
21	C448	Terminal Block Assembly (Ref)		
22	B567-43	Screw (Ref)		
23	MS35206-228	Screw (Ref)		
24	NAS1149FN616	Washer (Ref)		
25	MS21042L06	Nut (Ref)		
26	MS3367-4-9	Ty-Rap	X	1
27	NAS620-5	Washer (two at each rivet)	X	8
28	B560	Enclosure (Ref)		
29	—	Radar Altimeter Indicator (Ref)		
30	B297-10	Circuit Breaker (10-amp, "AUX POWER")	X	1

NOTES

Continues

FIGURE AND INDEX NUMBER	PART NUMBER	DESCRIPTION	PARTS AVAIL	QTY PER ASSY
SPIDERTRACKS PROVISION INSTALLATION (Cont'd)				
97-69-31	D692-4	Socket (Ref)		
32	-626	Wire (Ref, power to item 30)		
33	B260-2	Terminal (Ref)		
34	F859-2570	Wire (Ref)		
35	F859-626	Wire (Ref)		
36	AGC-5	Fuse (5 amp)	X	1
37	D262-1	Fuseblock (Ref)		
38	F859-2626	Wire (power, Ref)		
NOTES				

CHAPTER 99
SPECIAL TOOLS

<i>Figure</i>	<i>Title</i>	<i>Page</i>
99-1	Field Kits	99.1
99-3	R66 Technical Publications	99.3
—	Special Tools	99.5
99-7	Shipping Crates	99.7
99-9	Shipping Crates	99.9

Intentionally Blank

FIGURE AND INDEX NUMBER	PART NUMBER	DESCRIPTION	PARTS AVAIL	QTY PER ASSY
FIELD KITS				
99-1-1	KI-6601*	R66-series Minimum Spare Parts Kit		
	2 R8480*	2000-Hour Maintenance and Inspection Kit		
	3 KI-6603*	R66 Interior Furnishings Installation Field Kit		
	4 R7983*	R66 C017-5 Swashplate Installation Field Kit		
<p>NOTES * See www.robinsonheli.com for the latest kit contents.</p>				

Intentionally Blank

FIGURE AND INDEX NUMBER	PART NUMBER	DESCRIPTION	PARTS AVAIL	QTY PER ASSY
R66 TECHNICAL PUBLICATIONS				
99-3-1	R8345	R66 Maintenance Manual (Incl items 2 thru 4)	X	1
2	R8346	R66 Maintenance Manual – Binder	X	1
3	R8348	R66 Maintenance Manual – Tabs	X	1
4	R8347	R66 Maintenance Manual – Insert	O	1
5	R8349	R66 Illustrated Parts Catalog (Incl items 6 thru 8)	X	1
6	R8350	R66 Illustrated Parts Catalog – Binder	X	1
7	R8352	R66 Illustrated Parts Catalog – Tabs	X	1
8	R8351	R66 Illustrated Parts Catalog – Insert	O	1
9	R8656	Maintenance Record – Binder	X	1
10	R8650	Maintenance Record – Tabs	X	1
11	R8478	Maintenance Record – Insert (Incl item 12)	X	1
12	R8479	Maintenance Record – Component Cards (pack of 20)	X	1
13	R8344	R66 Pilots Operating Handbook (Incl items 14 thru 16)	X	1
14	R8342	R66 Pilots Operating Handbook – Binder	X	1
15	R7226	R66 Pilots Operating Handbook – Tabs	X	1
16	R8343	R66 Pilots Operating Handbook – Insert	O	1
NOTES				

Intentionally Blank

FIGURE AND INDEX NUMBER	PART NUMBER	DESCRIPTION	PARTS AVAIL	QTY PER ASSY
		<p style="text-align: center;">SPECIAL TOOLS</p> <p>Special tools have been moved to the R66 MM Chapter 99.</p>		
NOTES				

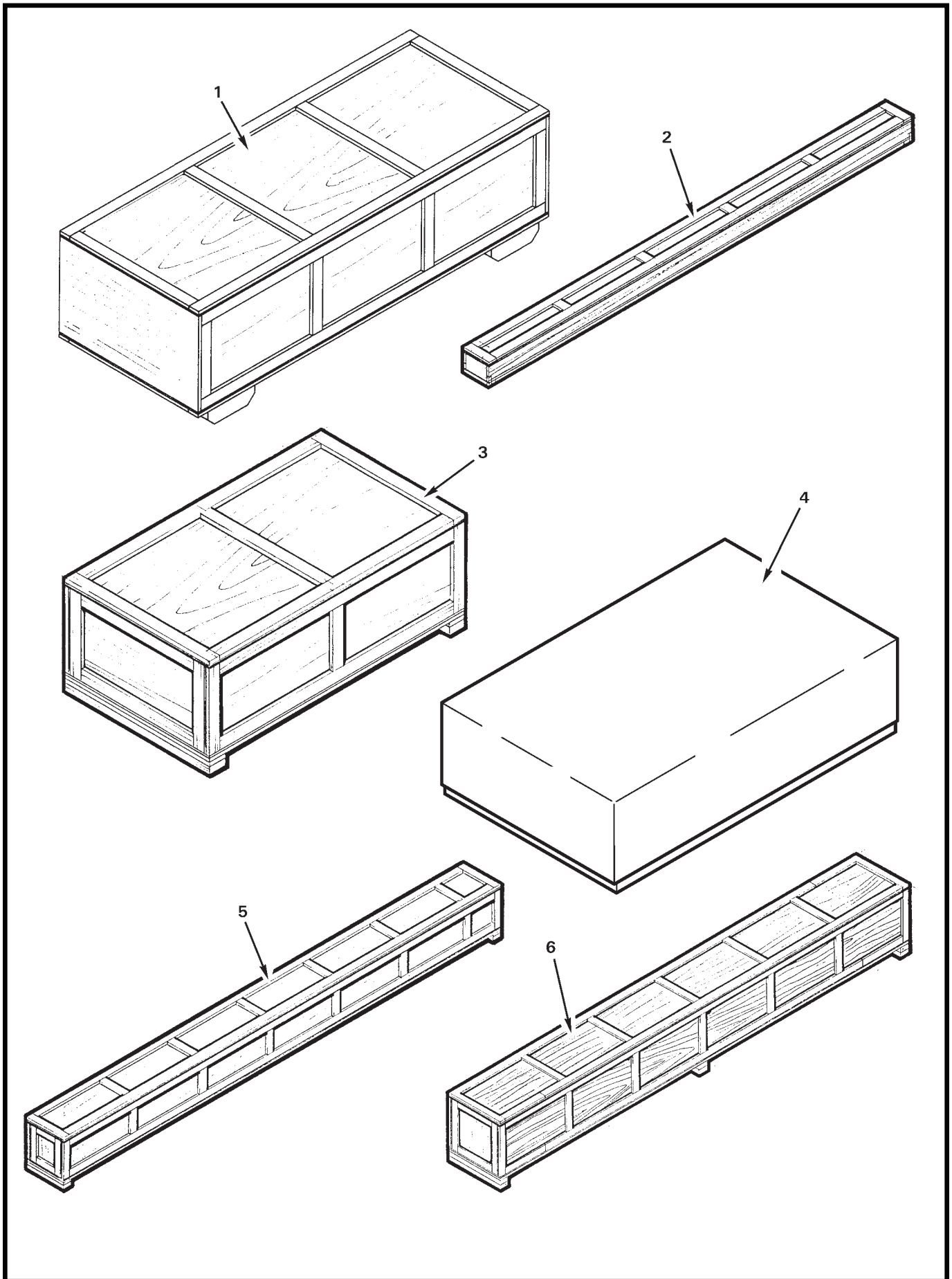


FIGURE AND INDEX NUMBER	PART NUMBER	DESCRIPTION	PARTS AVAIL	QTY PER ASSY
SHIPPING CRATES*				
99-7-1	R7982	Main Rotor Gearbox Crate (68 in. x 80 in. x 180 in.)	X	1
2	R5385	Push-Pull Tube/Tail Rotor Drive Shaft Crate	X	1
3	R5386	Cabin Door Crate (23 in. x 34 in. x 60 in.; holds [1] bubble or [2] regular doors)	X	1
4	R5170	Windshield Box (71 in. x 41 in. x 25 in.; cardboard. Holds up to four windshields.)	X	1
5	R5352	Main Rotor Blade Crate (21 in. x 17 in. x 206.50 in.)	X	1
6	R5388	Tailcone Crate (27 in. x 24 in. x 192 in.)	X	1

NOTES * Dimensions are approximate and expressed in inches. Dimensions given describe height, width, and length.

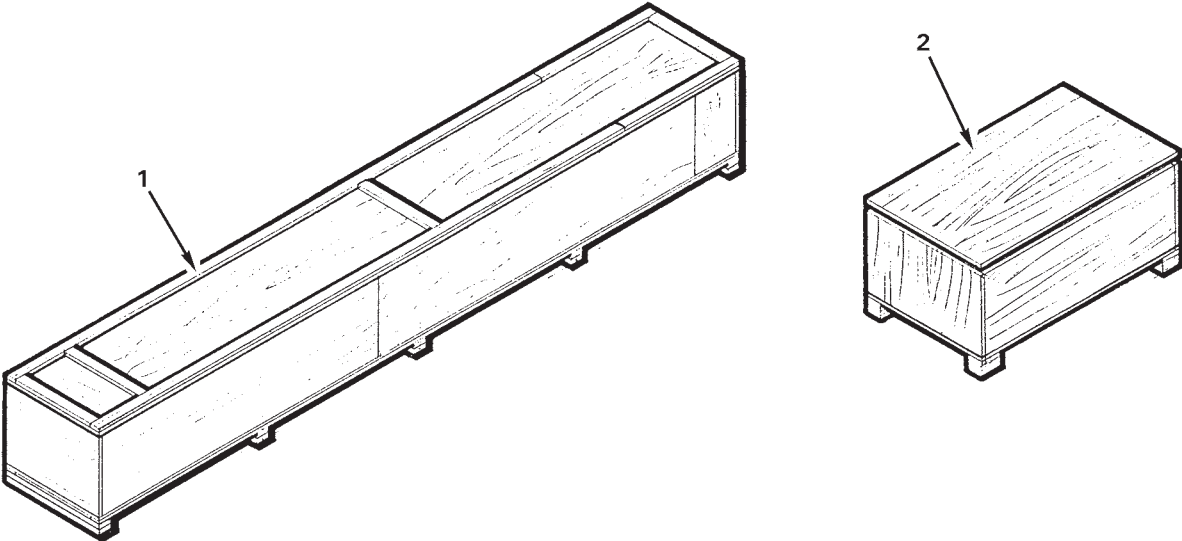


FIGURE AND INDEX NUMBER	PART NUMBER	DESCRIPTION	PARTS AVAIL	QTY PER ASSY
SHIPPING CRATES*				
99-9-1	R7418	Main Rotor Blade/Tailcone Crate (28 in. x 30 in. x 208 in.)	X	1
2	MT899-1	Tow Cart Crate (31 in. x 37 in. x 63.50 in.)	X	1

NOTES * Dimensions are approximate and expressed in inches.
 Dimensions given describe height, width, and length.

Intentionally Blank

CHAPTER 100

REVISION LOG

<i>Figure</i>	<i>Title</i>	<i>Page</i>
—	Revision Log	100.1

Intentionally Blank

REVISION LOG

SEP 2020

The R66 Illustrated Parts Catalog (IPC) list of effective pages and effective dates are given below. If a previously issued page is not listed below, it is no longer an effective page and must be discarded. The issue or revision date is in bold at the top of each revision log page.

Please visit www.robinsonheli.com, to verify the issue or revision date is current.

<i>Page</i>	<i>Date</i>	<i>Page</i>	<i>Date</i>	<i>Page</i>	<i>Date</i>
i	SEP 2020	6.15	SEP 2018	8.1	SEP 2020
ii	SEP 2020	6.16	SEP 2018	8.2	SEP 2020
iii	SEP 2018	6.17	SEP 2018		
iv	SEP 2018	6.18	SEP 2018	9.i	SEP 2020
v	SEP 2018	6.19	SEP 2018	9.0	SEP 2020
vi	SEP 2018	6.20	SEP 2018	9.1	SEP 2020
vii	SEP 2020	6.21	SEP 2018	9.2	SEP 2020
viii	SEP 2020	6.22	SEP 2018	9.3	SEP 2020
ix	SEP 2020	6.23	SEP 2018	9.3A	SEP 2020
x	SEP 2020	6.24	SEP 2018	9.3B	SEP 2020
xi	SEP 2020	6.25	SEP 2018	9.4	SEP 2020
xii	SEP 2020	6.26	SEP 2018	9.5	SEP 2020
xiii	SEP 2020	6.27	SEP 2018	9.6	SEP 2020
xiv	SEP 2020	6.28	SEP 2018	9.7	SEP 2020
xv	SEP 2020	6.29	SEP 2018	9.7A	SEP 2020
xvi	SEP 2020	6.30	SEP 2018	9.7B	SEP 2020
		6.31	SEP 2018	9.7C	SEP 2020
6.i	SEP 2018	6.32	SEP 2018	9.7D	SEP 2020
6.0	SEP 2018	6.33	SEP 2018	9.8	SEP 2020
6.1	SEP 2018	6.34	SEP 2018	9.9	SEP 2020
6.2	SEP 2018	6.35	SEP 2018	9.10	SEP 2020
6.3	SEP 2018	6.36	SEP 2018		
6.4	SEP 2018	6.37	SEP 2018	10.i	MAY 2015
6.5	SEP 2018	6.38	SEP 2018	10.0	MAY 2015
6.6	SEP 2018	6.39	SEP 2018	10.1	MAY 2015
6.7	SEP 2018	6.40	SEP 2018	10.2	MAY 2015
6.8	SEP 2018	6.41	SEP 2018	10.3	25 OCT 2010
6.9	SEP 2018	6.42	SEP 2018	10.4	25 OCT 2010
6.10	SEP 2018	6.43	SEP 2018	10.5	SEP 2018
6.11	SEP 2018	6.44	SEP 2018	10.6	SEP 2018
6.12	SEP 2018			10.7	MAY 2015
6.13	SEP 2018	8.i	SEP 2020	10.8	MAY 2015
6.14	SEP 2018	8.0	SEP 2020	10.9	MAY 2015

REVISION LOG

SEP 2020

<u>Page</u>	<u>Date</u>	<u>Page</u>	<u>Date</u>	<u>Page</u>	<u>Date</u>
10.10.....	MAY 2015	21.8.....	SEP 2018	22.3.....	MAY 2015
		21.9.....	MAY 2015	22.4.....	MAY 2015
11.i.....	SEP 2018	21.10.....	MAY 2015	22.5.....	MAY 2015
11.0.....	SEP 2018	21.11.....	SEP 2018	22.6.....	MAY 2015
11.1.....	SEP 2018	21.12.....	SEP 2018	22.7.....	SEP 2018
11.2.....	SEP 2018	21.13.....	SEP 2018	22.8.....	SEP 2018
11.3.....	SEP 2018	21.14.....	SEP 2018		
11.4.....	SEP 2018	21.15.....	MAY 2015	25.i.....	SEP 2018
11.5.....	SEP 2018	21.16.....	MAY 2015	25.0.....	SEP 2018
11.6.....	SEP 2018	21.17.....	SEP 2018	25.1.....	SEP 2018
11.7.....	SEP 2018	21.18.....	SEP 2018	25.2.....	SEP 2018
11.8.....	SEP 2018	21.19.....	SEP 2018	25.3.....	SEP 2018
11.9.....	SEP 2018	21.20.....	SEP 2018	25.4.....	SEP 2018
11.10.....	SEP 2018	21.21.....	SEP 2018	25.5.....	SEP 2018
		21.22.....	SEP 2018	25.6.....	SEP 2018
12.i.....	SEP 2018	21.23.....	SEP 2012	25.7.....	MAY 2015
12.0.....	SEP 2018	21.24.....	SEP 2012	25.8.....	MAY 2015
12.1.....	SEP 2018	21.25.....	SEP 2018	25.9.....	SEP 2018
12.2.....	SEP 2018	21.26.....	SEP 2018	25.10.....	SEP 2018
12.3.....	SEP 2018	21.27.....	MAY 2015	25.11.....	SEP 2018
12.4.....	SEP 2018	21.28.....	MAY 2015	25.12.....	SEP 2018
		21.29.....	SEP 2012	25.13.....	MAY 2015
18.i.....	25 OCT 2010	21.30.....	SEP 2012	25.14.....	MAY 2015
18.0.....	25 OCT 2010	21.31.....	SEP 2012	25.15.....	SEP 2018
18.1.....	25 OCT 2010	21.32.....	SEP 2012	25.16.....	SEP 2018
18.2.....	25 OCT 2010	21.33.....	SEP 2012	25.17.....	SEP 2020
18.3.....	25 OCT 2010	21.34.....	SEP 2012	25.18.....	SEP 2020
18.4.....	25 OCT 2010	21.35.....	SEP 2018	25.19.....	SEP 2018
		21.36.....	SEP 2018	25.20.....	SEP 2018
21.i.....	SEP 2012	21.37.....	MAY 2015	25.21.....	SEP 2018
21.0.....	SEP 2012	21.38.....	MAY 2015	25.22.....	SEP 2018
21.1.....	SEP 2018	21.39.....	SEP 2018	25.23.....	SEP 2018
21.2.....	SEP 2018	21.40.....	SEP 2018	25.24.....	SEP 2018
21.3.....	SEP 2018			25.25.....	SEP 2018
21.4.....	SEP 2018	22.i.....	MAY 2015	25.26.....	SEP 2018
21.5.....	SEP 2018	22.0.....	MAY 2015	25.27.....	SEP 2018
21.6.....	SEP 2018	22.1.....	SEP 2018	25.28.....	SEP 2018
21.7.....	SEP 2018	22.2.....	SEP 2018	25.29.....	SEP 2018

REVISION LOG

SEP 2020

<u>Page</u>	<u>Date</u>	<u>Page</u>	<u>Date</u>	<u>Page</u>	<u>Date</u>
25.30.....	SEP 2018	28.21.....	SEP 2020	32.5.....	SEP 2018
25.31.....	SEP 2018	28.22.....	SEP 2020	32.6.....	SEP 2018
25.32.....	SEP 2018	28.23.....	SEP 2020	32.7.....	SEP 2018
25.33.....	SEP 2018	28.24.....	SEP 2020	32.8.....	SEP 2018
25.34.....	SEP 2018	28.25.....	SEP 2020	32.9.....	MAY 2015
25.35.....	SEP 2018	28.26.....	SEP 2020	32.10.....	MAY 2015
25.36.....	SEP 2018	28.27.....	SEP 2020	32.11.....	SEP 2018
25.37.....	SEP 2018	28.28.....	SEP 2020	32.12.....	SEP 2018
25.38.....	SEP 2018	28.29.....	SEP 2020	32.13.....	MAY 2015
25.39.....	SEP 2018	28.30.....	SEP 2020	32.14.....	MAY 2015
25.40.....	SEP 2018	28.31.....	SEP 2020	32.15.....	MAY 2015
25.41.....	SEP 2018	28.32.....	SEP 2020	32.16.....	MAY 2015
25.42.....	SEP 2018	28.33.....	SEP 2020	32.17.....	SEP 2020
25.43.....	SEP 2018	28.34.....	SEP 2020	32.18.....	SEP 2020
25.44.....	SEP 2018	28.35.....	SEP 2020	32.19.....	SEP 2020
		28.36.....	SEP 2020	32.20.....	SEP 2020
28.i.....	SEP 2020				
28.0.....	SEP 2020	29.i.....	MAY 2015	33.i.....	MAY 2015
28.1.....	SEP 2020	29.0.....	MAY 2015	33.0.....	MAY 2015
28.2.....	SEP 2020	29.1.....	SEP 2018	33.1.....	SEP 2018
28.3.....	SEP 2018	29.2.....	SEP 2018	33.2.....	SEP 2018
28.4.....	SEP 2018	29.3.....	MAY 2015	33.3.....	SEP 2018
28.5.....	SEP 2020	29.4.....	MAY 2015	33.4.....	SEP 2018
28.6.....	SEP 2020	29.5.....	MAY 2015	33.5.....	SEP 2020
28.7.....	SEP 2020	29.6.....	MAY 2015	33.6.....	SEP 2020
28.8.....	SEP 2020	29.7.....	MAY 2015	33.7.....	SEP 2020
28.9.....	SEP 2020	29.8.....	MAY 2015	33.8.....	SEP 2020
28.10.....	SEP 2020	29.9.....	MAY 2015	33.9.....	SEP 2018
28.11.....	SEP 2020	29.10.....	MAY 2015	33.10.....	SEP 2018
28.12.....	SEP 2020	29.11.....	MAY 2015	33.11.....	MAY 2015
28.13.....	SEP 2020	29.12.....	MAY 2015	33.12.....	MAY 2015
28.14.....	SEP 2020			33.13.....	MAY 2015
28.15.....	SEP 2020	32.i.....	SEP 2020	33.14.....	MAY 2015
28.16.....	SEP 2020	32.0.....	SEP 2020	33.15.....	SEP 2018
28.17.....	SEP 2020	32.1.....	SEP 2020	33.16.....	SEP 2018
28.18.....	SEP 2020	32.2.....	SEP 2020		
28.19.....	SEP 2020	32.3.....	MAY 2015	52.i.....	SEP 2020
28.20.....	SEP 2020	32.4.....	MAY 2015	52.0.....	SEP 2020

REVISION LOG

SEP 2020

<u>Page</u>	<u>Date</u>	<u>Page</u>	<u>Date</u>	<u>Page</u>	<u>Date</u>
52.1	SEP 2018	53.10	SEP 2012	63.6	SEP 2018
52.2	SEP 2018	53.11	SEP 2018	63.7	SEP 2018
52.3	SEP 2018	53.12	SEP 2018	63.8	SEP 2018
52.4	SEP 2018	53.13	SEP 2018	63.9	SEP 2018
52.5	SEP 2018	53.14	SEP 2018	63.10	SEP 2018
52.6	SEP 2018	53.15	SEP 2018	63.11	SEP 2018
52.7	SEP 2012	53.16	SEP 2018	63.12	SEP 2018
52.8	SEP 2012	53.17	SEP 2018	63.13	SEP 2018
52.9	25 OCT 2010	53.18	SEP 2018	63.14	SEP 2018
52.10	25 OCT 2010	53.19	MAY 2015	63.15	SEP 2018
52.11	25 OCT 2010	53.20	MAY 2015	63.16	SEP 2018
52.12	25 OCT 2010	53.21	MAY 2015		
52.13	SEP 2020	53.22	MAY 2015	64.i	SEP 2020
52.14	SEP 2020	53.23	SEP 2018	64.0	SEP 2020
52.15	SEP 2020	53.24	SEP 2018	64.1	SEP 2020
52.16	SEP 2020	53.25	SEP 2020	64.2	SEP 2020
52.17	SEP 2020	53.26	SEP 2020		
52.18	SEP 2020	53.27	SEP 2020	65.i	SEP 2018
52.19	SEP 2020	53.28	SEP 2020	65.0	SEP 2018
52.20	SEP 2020	53.29	SEP 2020	65.1	SEP 2018
52.21	SEP 2020	53.30	SEP 2020	65.2	SEP 2018
52.22	SEP 2020	53.31	MAY 2015	65.3	SEP 2018
52.23	SEP 2020	53.32	MAY 2015	65.4	SEP 2018
52.24	SEP 2020			65.5	SEP 2018
52.25	SEP 2020	62.i	SEP 2020	65.6	SEP 2018
52.26	SEP 2020	62.0	SEP 2020	65.7	SEP 2018
		62.1	SEP 2018	65.8	SEP 2018
53.i	SEP 2018	62.2	SEP 2018	65.9	SEP 2020
53.0	SEP 2018	62.3	SEP 2020	65.10	SEP 2020
53.1	SEP 2018	62.4	SEP 2020	65.11	MAY 2015
53.2	SEP 2018			65.12	MAY 2015
53.3	SEP 2018	63.i	SEP 2018	65.13	SEP 2018
53.4	SEP 2018	63.0	SEP 2018	65.14	SEP 2018
53.5	MAY 2015	63.1	SEP 2018		
53.6	MAY 2015	63.2	SEP 2018	67.i	SEP 2020
53.7	SEP 2018	63.3	SEP 2018	67.0	SEP 2020
53.8	SEP 2018	63.4	SEP 2018	67.1	SEP 2018
53.9	SEP 2012	63.5	SEP 2018	67.2	SEP 2018

REVISION LOG

SEP 2020

<u>Page</u>	<u>Date</u>	<u>Page</u>	<u>Date</u>	<u>Page</u>	<u>Date</u>
67.3.....	MAY 2015	67.41.....	SEP 2020	75.i.....	SEP 2012
67.4.....	MAY 2015	67.42.....	SEP 2020	75.0.....	SEP 2012
67.5.....	MAY 2015	67.43.....	SEP 2020	75.1.....	SEP 2012
67.6.....	MAY 2015	67.44.....	SEP 2020	75.2.....	SEP 2012
67.7.....	MAY 2015	67.45.....	SEP 2020		
67.8.....	MAY 2015	67.46.....	SEP 2020	76.i.....	MAY 2015
67.9.....	SEP 2018			76.0.....	MAY 2015
67.10.....	SEP 2018	71.i.....	SEP 2020	76.1.....	SEP 2018
67.11.....	SEP 2018	71.0.....	SEP 2020	76.2.....	SEP 2018
67.12.....	SEP 2018	71.1.....	SEP 2018	76.3.....	SEP 2012
67.13.....	MAY 2015	71.2.....	SEP 2018	76.4.....	SEP 2012
67.14.....	MAY 2015	71.3.....	SEP 2018	76.5.....	SEP 2018
67.15.....	MAY 2015	71.4.....	SEP 2018	76.6.....	SEP 2018
67.16.....	MAY 2015	71.5.....	SEP 2020	76.7.....	SEP 2012
67.17.....	MAY 2015	71.6.....	SEP 2020	76.8.....	SEP 2012
67.18.....	MAY 2015	71.7.....	SEP 2020		
67.19.....	MAY 2015	71.8.....	SEP 2020	79.i.....	SEP 2012
67.20.....	MAY 2015	71.9.....	SEP 2018	79.0.....	SEP 2012
67.21.....	MAY 2015	71.10.....	SEP 2018	79.1.....	SEP 2018
67.22.....	MAY 2015	71.11.....	SEP 2018	79.2.....	SEP 2018
67.23.....	MAY 2015	71.12.....	SEP 2018	79.3.....	SEP 2018
67.24.....	MAY 2015	71.13.....	SEP 2018	79.4.....	SEP 2018
67.25.....	MAY 2015	71.14.....	SEP 2018	79.5.....	SEP 2018
67.26.....	MAY 2015	71.15.....	SEP 2018	79.6.....	SEP 2018
67.27.....	SEP 2018	71.16.....	SEP 2018	79.7.....	SEP 2020
67.28.....	SEP 2018	71.17.....	SEP 2020	79.8.....	SEP 2020
67.29.....	MAY 2015	71.18.....	SEP 2020	79.9.....	SEP 2020
67.30.....	MAY 2015	71.19.....	SEP 2020	79.10.....	SEP 2020
67.31.....	MAY 2015	71.20.....	SEP 2020		
67.32.....	MAY 2015	71.21.....	SEP 2018	90.i.....	SEP 2020
67.33.....	MAY 2015	71.22.....	SEP 2018	90.ii.....	SEP 2020
67.34.....	MAY 2015	71.23.....	SEP 2020	90.iii.....	SEP 2020
67.35.....	SEP 2018	71.24.....	SEP 2020	90.iv.....	SEP 2020
67.36.....	SEP 2018	71.25.....	SEP 2020	90.v.....	SEP 2020
67.37.....	MAY 2015	71.26.....	SEP 2020	90.vi.....	SEP 2020
67.38.....	MAY 2015	71.27.....	SEP 2020	90.vii.....	SEP 2020
67.39.....	SEP 2020	71.28.....	SEP 2020	90.0.....	SEP 2020
67.40.....	SEP 2020			90.1.....	SEP 2020

REVISION LOG

SEP 2020

<u>Page</u>	<u>Date</u>	<u>Page</u>	<u>Date</u>	<u>Page</u>	<u>Date</u>
90.2	SEP 2020	90.32	SEP 2018	90.58	SEP 2018
90.3	SEP 2020	90.33	SEP 2018	90.59	SEP 2020
90.4	SEP 2020	90.34	SEP 2018	90.60	SEP 2020
90.5	SEP 2020	90.35	SEP 2018	90.61	SEP 2020
90.5A	SEP 2020	90.36	SEP 2018	90.62	SEP 2020
90.5B	SEP 2020	90.37	SEP 2018	90.63	SEP 2020
90.5C	SEP 2020	90.38	SEP 2018	90.64	SEP 2020
90.5D	SEP 2020	90.39	SEP 2020	90.65	SEP 2020
90.6	SEP 2020	90.39A	SEP 2020	90.66	SEP 2020
90.7	SEP 2020	90.39B	SEP 2020	90.67	SEP 2020
90.7A	SEP 2020	90.39C	SEP 2020	90.68	SEP 2020
90.7B	SEP 2020	90.39D	SEP 2020	90.69	SEP 2018
90.7C	SEP 2020	90.40	SEP 2020	90.70	SEP 2018
90.7D	SEP 2020	90.41	SEP 2020	90.71	SEP 2020
90.8	SEP 2020	90.42	SEP 2020	90.71A	SEP 2020
90.9	SEP 2018	90.43	SEP 2020	90.71B	SEP 2020
90.10	SEP 2018	90.44	SEP 2020	90.71C	SEP 2020
90.11	SEP 2018	90.45	SEP 2020	90.71D	SEP 2020
90.12	SEP 2018	90.45A	SEP 2020	90.72	SEP 2020
90.13	SEP 2018	90.45B	SEP 2020	90.73	SEP 2020
90.14	SEP 2018	90.45C	SEP 2020	90.74	SEP 2020
90.15	SEP 2018	90.45D	SEP 2020	90.75	SEP 2018
90.16	SEP 2018	90.46	SEP 2020	90.76	SEP 2018
90.17	SEP 2018	90.47	SEP 2020	90.77	SEP 2020
90.18	SEP 2018	90.48	SEP 2020	90.78	SEP 2020
90.19	SEP 2018	90.49	SEP 2020	90.79	SEP 2020
90.20	SEP 2018	90.50	SEP 2020	90.80	SEP 2020
90.21	SEP 2018	90.51	SEP 2020		
90.22	SEP 2018	90.52	SEP 2020	92.i	SEP 2018
90.23	SEP 2020	90.53	SEP 2020	92.ii	SEP 2018
90.24	SEP 2020	90.53A	SEP 2020	92.iii	SEP 2018
90.25	SEP 2018	90.53B	SEP 2020	92.iv	SEP 2018
90.26	SEP 2018	90.53C	SEP 2020	92.v	SEP 2018
90.27	SEP 2018	90.53D	SEP 2020	92.vi	SEP 2018
90.28	SEP 2018	90.54	SEP 2020	92.vii	SEP 2018
90.29	SEP 2018	90.55	SEP 2018	92.0	SEP 2018
90.30	SEP 2018	90.56	SEP 2018	92.1	SEP 2018
90.31	SEP 2018	90.57	SEP 2018	92.2	SEP 2018

REVISION LOG

SEP 2020

<u>Page</u>	<u>Date</u>	<u>Page</u>	<u>Date</u>	<u>Page</u>	<u>Date</u>
92.3.....	SEP 2018	92.41.....	SEP 2018	92.79.....	SEP 2018
92.4.....	SEP 2018	92.42.....	SEP 2018	92.80.....	SEP 2018
92.5.....	SEP 2018	92.43.....	SEP 2018	92.81.....	SEP 2018
92.6.....	SEP 2018	92.44.....	SEP 2018	92.82.....	SEP 2018
92.7.....	SEP 2018	92.45.....	SEP 2018		
92.8.....	SEP 2018	92.46.....	SEP 2018	95.i.....	SEP 2020
92.9.....	SEP 2018	92.47.....	SEP 2018	95.0.....	SEP 2020
92.10.....	SEP 2018	92.48.....	SEP 2018	95.1.....	SEP 2020
92.11.....	SEP 2018	92.49.....	SEP 2018	95.2.....	SEP 2020
92.12.....	SEP 2018	92.50.....	SEP 2018	95.3.....	SEP 2020
92.13.....	SEP 2018	92.51.....	SEP 2018	95.4.....	SEP 2020
92.14.....	SEP 2018	92.52.....	SEP 2018	95.5.....	SEP 2020
92.15.....	SEP 2018	92.53.....	SEP 2020	95.6.....	SEP 2020
92.16.....	SEP 2018	92.54.....	SEP 2020	95.7.....	SEP 2020
92.17.....	SEP 2018	92.55.....	SEP 2018	95.8.....	SEP 2020
92.18.....	SEP 2018	92.56.....	SEP 2018	95.9.....	SEP 2020
92.19.....	SEP 2018	92.57.....	SEP 2018	95.9A.....	SEP 2020
92.20.....	SEP 2018	92.58.....	SEP 2018	95.9B.....	SEP 2020
92.21.....	SEP 2018	92.59.....	SEP 2018	95.10.....	SEP 2020
92.22.....	SEP 2018	92.60.....	SEP 2018	95.11.....	SEP 2018
92.23.....	SEP 2018	92.61.....	SEP 2020	95.12.....	SEP 2018
92.24.....	SEP 2018	92.62.....	SEP 2020	95.13.....	SEP 2018
92.25.....	SEP 2018	92.63.....	SEP 2018	95.14.....	SEP 2018
92.26.....	SEP 2018	92.64.....	SEP 2018	95.15.....	SEP 2018
92.27.....	SEP 2018	92.65.....	SEP 2020	95.16.....	SEP 2018
92.28.....	SEP 2018	92.66.....	SEP 2020	95.17.....	SEP 2018
92.29.....	SEP 2018	92.67.....	SEP 2018	95.18.....	SEP 2018
92.30.....	SEP 2018	92.68.....	SEP 2018	95.19.....	SEP 2018
92.31.....	SEP 2018	92.69.....	SEP 2018	95.20.....	SEP 2018
92.32.....	SEP 2018	92.70.....	SEP 2018	95.21.....	SEP 2018
92.33.....	SEP 2018	92.71.....	SEP 2018	95.22.....	SEP 2018
92.34.....	SEP 2018	92.72.....	SEP 2018	95.23.....	SEP 2018
92.35.....	SEP 2018	92.73.....	SEP 2018	95.24.....	SEP 2018
92.36.....	SEP 2018	92.74.....	SEP 2018	95.25.....	SEP 2020
92.37.....	SEP 2018	92.75.....	SEP 2018	95.26.....	SEP 2020
92.38.....	SEP 2018	92.76.....	SEP 2018	95.27.....	SEP 2020
92.39.....	SEP 2018	92.77.....	SEP 2018	95.28.....	SEP 2020
92.40.....	SEP 2018	92.78.....	SEP 2018	95.29.....	SEP 2020

REVISION LOG

SEP 2020

<u>Page</u>	<u>Date</u>	<u>Page</u>	<u>Date</u>	<u>Page</u>	<u>Date</u>
95.30.....	SEP 2020	96.13.....	SEP 2018	97.2.....	MAY 2015
95.31.....	SEP 2018	96.14.....	SEP 2018	97.3.....	MAY 2015
95.32.....	SEP 2018	96.15.....	SEP 2020	97.4.....	MAY 2015
95.33.....	SEP 2018	96.16.....	SEP 2020	97.5.....	MAY 2015
95.34.....	SEP 2018	96.17.....	SEP 2020	97.6.....	MAY 2015
95.35.....	SEP 2018	96.18.....	SEP 2020	97.7.....	MAY 2015
95.36.....	SEP 2018	96.19.....	MAY 2015	97.8.....	MAY 2015
95.37.....	SEP 2018	96.20.....	MAY 2015	97.9.....	MAY 2015
95.38.....	SEP 2018	96.21.....	SEP 2018	97.10.....	MAY 2015
95.39.....	SEP 2018	96.22.....	SEP 2018	97.11.....	SEP 2018
95.40.....	SEP 2018	96.23.....	SEP 2018	97.12.....	SEP 2018
95.41.....	SEP 2018	96.24.....	SEP 2018	97.13.....	MAY 2015
95.42.....	SEP 2018	96.25.....	SEP 2018	97.14.....	MAY 2015
95.43.....	SEP 2018	96.26.....	SEP 2018	97.15.....	MAY 2015
95.44.....	SEP 2018	96.27.....	SEP 2018	97.16.....	MAY 2015
95.45.....	SEP 2018	96.28.....	SEP 2018	97.17.....	MAY 2015
95.46.....	SEP 2018	96.29.....	SEP 2020	97.18.....	MAY 2015
95.47.....	SEP 2018	96.30.....	SEP 2020	97.19.....	MAY 2015
95.48.....	SEP 2018	96.31.....	SEP 2018	97.20.....	MAY 2015
95.49.....	SEP 2018	96.32.....	SEP 2018	97.21.....	MAY 2015
95.50.....	SEP 2018	96.33.....	SEP 2018	97.22.....	MAY 2015
95.51.....	SEP 2018	96.34.....	SEP 2018	97.23.....	SEP 2018
95.52.....	SEP 2018	96.35.....	SEP 2018	97.24.....	SEP 2018
		96.36.....	SEP 2018	97.25.....	SEP 2018
96.i.....	SEP 2018	96.37.....	SEP 2018	97.26.....	SEP 2018
96.0.....	SEP 2018	96.38.....	SEP 2018	97.27.....	SEP 2018
96.1.....	SEP 2018	96.39.....	SEP 2018	97.28.....	SEP 2018
96.2.....	SEP 2018	96.40.....	SEP 2018	97.29.....	SEP 2018
96.3.....	SEP 2020	96.41.....	SEP 2018	97.30.....	SEP 2018
96.4.....	SEP 2020	96.42.....	SEP 2018	97.31.....	SEP 2018
96.5.....	SEP 2020	96.43.....	SEP 2018	97.32.....	SEP 2018
96.6.....	SEP 2020	96.44.....	SEP 2018	97.33.....	SEP 2018
96.7.....	SEP 2018			97.34.....	SEP 2018
96.8.....	SEP 2018	97.i.....	SEP 2018	97.35.....	SEP 2018
96.9.....	SEP 2018	97.ii.....	SEP 2018	97.36.....	SEP 2018
96.10.....	SEP 2018	97.iii.....	MAY 2015	97.37.....	SEP 2018
96.11.....	SEP 2018	97.0.....	MAY 2015	97.38.....	SEP 2018
96.12.....	SEP 2018	97.1.....	MAY 2015	97.39.....	SEP 2018

REVISION LOG

SEP 2020

<u>Page</u>	<u>Date</u>	<u>Page</u>	<u>Date</u>	<u>Page</u>	<u>Date</u>
97.40.....	SEP 2018	99.5.....	SEP 2018	B10.....	SEP 2020
97.41.....	SEP 2018	99.6.....	SEP 2018	B11.....	SEP 2020
97.42.....	SEP 2018	99.7.....	SEP 2018	B12.....	SEP 2020
97.43.....	SEP 2018	99.8.....	SEP 2018	B13.....	SEP 2020
97.44.....	SEP 2018	99.9.....	SEP 2018	B14.....	SEP 2020
97.45.....	SEP 2018	99.10.....	SEP 2018	B15.....	SEP 2020
97.46.....	SEP 2018			B16.....	SEP 2020
97.47.....	SEP 2018	100.i.....	SEP 2020	B17.....	SEP 2020
97.48.....	SEP 2018	100.0.....	SEP 2020	B18.....	SEP 2020
97.49.....	SEP 2018	100.1.....	SEP 2020	B19.....	SEP 2020
97.50.....	SEP 2018	100.2.....	SEP 2020	B20.....	SEP 2020
97.51.....	SEP 2018	100.3.....	SEP 2020	B21.....	SEP 2020
97.52.....	SEP 2018	100.4.....	SEP 2020	B22.....	SEP 2020
97.53.....	SEP 2018	100.5.....	SEP 2020	B23.....	SEP 2020
97.54.....	SEP 2018	100.6.....	SEP 2020	B24.....	SEP 2020
97.55.....	SEP 2018	100.7.....	SEP 2020	B25.....	SEP 2020
97.56.....	SEP 2018	100.8.....	SEP 2020	B26.....	SEP 2020
97.57.....	SEP 2018	100.9.....	SEP 2020	B27.....	SEP 2020
97.58.....	SEP 2018	100.10.....	SEP 2020	B28.....	SEP 2020
97.59.....	SEP 2018			B29.....	SEP 2020
97.60.....	SEP 2018	A1.....	SEP 2020	B30.....	SEP 2020
97.61.....	SEP 2018	A2.....	SEP 2020	B31.....	SEP 2020
97.62.....	SEP 2018	A3.....	SEP 2020	B32.....	SEP 2020
97.63.....	SEP 2018	A4.....	SEP 2020	B33.....	SEP 2020
97.64.....	SEP 2018	A5.....	SEP 2020	B34.....	SEP 2020
97.65.....	SEP 2018	A6.....	SEP 2020	B35.....	SEP 2020
97.66.....	SEP 2018	A7.....	SEP 2020	B36.....	SEP 2020
97.67.....	SEP 2018	A8.....	SEP 2020	B37.....	SEP 2020
97.68.....	SEP 2018			B38.....	SEP 2020
97.69.....	SEP 2018	B1.....	SEP 2020	B39.....	SEP 2020
97.70.....	SEP 2018	B2.....	SEP 2020	B40.....	SEP 2020
		B3.....	SEP 2020	B41.....	SEP 2020
99.i.....	SEP 2018	B4.....	SEP 2020	B42.....	SEP 2020
99.0.....	SEP 2018	B5.....	SEP 2020	B43.....	SEP 2020
99.1.....	SEP 2018	B6.....	SEP 2020	B44.....	SEP 2020
99.2.....	SEP 2018	B7.....	SEP 2020	B45.....	SEP 2020
99.3.....	SEP 2018	B8.....	SEP 2020	B46.....	SEP 2020
99.4.....	SEP 2018	B9.....	SEP 2020	B47.....	SEP 2020

REVISION LOG

SEP 2020

<u>Page</u>	<u>Date</u>	<u>Page</u>	<u>Date</u>	<u>Page</u>	<u>Date</u>
B48	SEP 2020				
B49	SEP 2020				
B50	SEP 2020				
B51	SEP 2020				
B52	SEP 2020				
B53	SEP 2020				
B54	SEP 2020				
B55	SEP 2020				
B56	SEP 2020				
B57	SEP 2020				
B58	SEP 2020				
B59	SEP 2020				
B60	SEP 2020				
B61	SEP 2020				
B62	SEP 2020				
B63	SEP 2020				
B64	SEP 2020				
B65	SEP 2020				
B66	SEP 2020				
B67	SEP 2020				
B68	SEP 2020				
B69	SEP 2020				
B70	SEP 2020				
B71	SEP 2020				
B72	SEP 2020				
B73	SEP 2020				
B74	SEP 2020				
B75	SEP 2020				
B76	SEP 2020				
B77	SEP 2020				
B78	SEP 2020				
B79	SEP 2020				
B80	SEP 2020				
B81	SEP 2020				
B82	SEP 2020				

APPENDIX A
ALPHABETICAL INDEX

<i>Figure</i>	<i>Title</i>	<i>Page</i>
—	Alphabetical Index	A3

<i>Alphabetical Index</i>	<i>Page</i>
2000-Hour Maintenance and Inspection Kit	99.1
Accessory Bars Installation	96.27
Accessory Mount	96.27
Actuator Assembly	76.7
ADF Antenna	97.65
ADF Indicator	97.65
Aft Console	90.79
Air Conditioning System	21.3
Air Data Computer	97.5
Air Filter Assembly	71.9
Airspeed Indicator	95.1
Airspeed Indicator	95.28
Airspeed Indicator	95.35
Air Temperature Gage	95.2
AIS-380 Adapter	71.27
Altimeter	95.1
Altimeter	95.28
Altimeter (feet/Millibar)	95.35
Altimeter (in.-Hg)	95.35
Altitude and Heading Reference System (AHRS)	97.9
Ammeter	95.2
Ammeter	95.31
Ammeter	95.40
Amplifier	90.31
Amplifier	92.58
Anchor – Five-point Harness)	25.9
Annunciator Panel – Warning Lights	95.27
Annunciator Panel – Warning Lights	95.35
Antenna – AM / FM	6.23
Antenna – COM	6.23
Antenna – COM	6.31
Antenna – COM/GPS	6.31
Antenna – COM/GPS	6.33
Antenna – DME	6.17
Antenna – FM	6.21
Antenna – FM	6.23
Antenna – FM	6.31
Antenna – FM	6.33
Antenna – FM	6.35
Antenna – FM	92.43
Antenna – Glideslope	6.43
Antenna – GPS	6.27
Antenna – GPS	90.73
Antenna – Marker Beacon	6.15
Antenna – NAV	6.37
Antenna – Transponder	6.19
Antenna – Transponder	92.41
Antenna – UHF	6.17
Antenna – UHF	92.43
Antenna – VHF	6.31
Antenna – VHF	6.33
Antenna – VHF	6.35
Arm – Heater Control Valve	21.35
Arm – Damper Bearing	65.7
Arm – Door Vent	52.8

<i>Alphabetical Index</i>	<i>Page</i>
Arm Assembly – Door Vent	52.2
Arm Assembly – Aft Monitors, ENG	92.21
Attitude Indicator	95.36
Audio Control	90.25
Audio Control	97.25
Audio Control	97.31
Audio Control	97.49
Audio Control Panel	90.7B
Audio Control Panel	90.9
Audio Panel	92.61
Audio Panel	92.65
Auxiliary Box Assembly	92.33
Auxiliary Fuel Tank – Large	28.13
Auxiliary Fuel Tank – Small	28.23
Back Rest Assembly	25.1
Balance Strip	62.1
Ball – Fuel Bladder Vent	28.1
Ball – Ground Handling	9.9
Ball Assembly – Swashplate	67.45
Ballast – HID Landing Lights	33.7
Ballast Plates	8.1
Battery – 9-volt, Alkaline	96.11
Battery – Lithium-Ion	96.9
Battery – RG24-20	96.1
Battery – RG-325	96.3
Battery Relay	96.5
Battery Tray	96.1
Battery Tray	96.3
Bearing – Coning	62.3
Bearing – Teeter	62.3
Bearing Block Set	67.29
Bellcrank	67.33
Bellcrank	67.5
Bellcrank Assembly	65.9
Bellcrank Assembly	67.35
Bellcrank Assembly	67.37
Bellcrank Assembly	67.39
Bellcrank Assembly	76.7
Belleville Washer	67.22
Belleville Washer	92.53
Bellmouth	71.17
Bezel	33.7
Bladder	28.5
Bladder	28.15
Bladder Assembly	28.1
Blade Assembly	62.1
Blade Assembly	64.1
Blind Encoder	97.31
Blind Encoder	97.63
Block – Hardpoint	10.5
Blower – Radio Rack	90.15
Blower Assembly – Air Conditioning	21.11
Bolt – Main Rotor Hub	62.3
Boot – Cyclic	67.1
Boot – MR Spindle, Gray	62.1
Boot – MR Spindle, Black	62.1
Boot Assembly – Collective	6.1

<i>Alphabetical Index</i>	<i>Page</i>
Bow Assembly – Windscreen	52.18
Bowl Assembly – MRGB Oil Filter	63.13
Brace – Heated Pitot	95.51
Brace – Autopilot	22.1
Brace – Autopilot	22.5
Bracket – ELT	25.23
Bracket – Aspen PFD	95.17
Bracket – Aspen PFD & MFD	95.21
Bracket – Droop Stops	62.3
Bracket – Fire Extinguisher	25.21
Bracket – Hall Effect Sender	29.1
Bracket – Map Light/ Spot Light	33.9
Bracket – Rotor Brake	21.25
Bracket – Spidertracks	97.69
Bracket Assembly – IBF Gage	71.12
Bracket Assembly – Magnetometer	97.13
Bracket Assembly – Rotor Brake	63.9
Bubble Cover	10.3
Buckle Assembly	25.3
Buckle Assembly	25.5
Bus Bar	96.21
Cabin Heat System	21.31
Cable – ELT Antenna	25.23
Cable Assembly – Battery	96.1
Cable Assembly – Battery	96.3
Cable Assembly – Battery	96.9
Cage Assembly – Air Filter	71.9
Cage Assembly – IBF	71.11
Cage Assembly – IBF	71.15
Call Letters Plate	95.28
Call Letters Plate	95.36
Camera – ENG	92.5
Camera – ENG	92.7
Camera – ENG	92.9
Camera – ENG	92.27
Cap – Aux Fuel Cell	28.16
Cap – Fuel Cell	28.1
Cap – Landing Gear	32.1
Cargo Hook	25.27
Carpet Assembly	25.15
Cartridge – Main Rotor Gearbox	63.5
Case Assembly – Battery	96.11
Charger – NiMH Battery (110V)	18.1
Check Valve	79.9
Chin	52.18
Chip Detector	63.4
Chip Detector	65.9
Chronometer Assembly	95.40
Circuit Breaker Panel – ENG	92.17
Circuit Breaker Panel – Police	90.55
Circuit Breaker Panel – Standard	96.21
Clear Coat – Touch Up Paint	12.4
Clevis – Aft Servo	29.11
Clevis – Forward Servo	29.7
Clock Assembly – Analog	95.2
Clock Assembly – Analog	95.28
Clock Assembly – Digital	95.40

<i>Alphabetical Index</i>	<i>Page</i>	<i>Alphabetical Index</i>	<i>Page</i>	<i>Alphabetical Index</i>	<i>Page</i>
Clutch Assembly	63.1	Cradle Assembly – Blade Support . .	10.7	Enclosure Assy. – Radar Altimeter . .	97.17
Combiner	6.39	Cradle Assembly – Helium Cylinder	32.7	Enclosure Assembly – Aux Tank . . .	28.15
Compass Assembly – Vertical Card	95.45	Cradle Assembly – Helium Cylinder	32.15	Engine	71.1
Compass Assembly	95.45	Cross Tube (aft)	32.1	Engine Cowling Assembly	53.1
Compressor Assembly	21.3	Cross Tube (forward)	32.1	Engine Monitoring Unit	71.25
Computer	90.69	Cyclic Box Assembly	67.1	Engine Oil	12.1
Computer	90.70	Cyclic Control Assembly	67.1	Engine Torque Meter	95.1
Computer	90.71B	Cyclic Friction Assembly	67.19	Engine Torque Meter	95.28
Computer	90.75	Cyclic Stick Assembly	22.1	Engine/Rotor Tachometer	95.35
Condenser	21.7	Cylinder Assembly	32.7	Evaporator Assembly	21.11
Configuration Module	95.21	Dam – Static Port	95.52	Exhaust Weldment	71.19
Connecting Rod	67.21	Damper Assembly	65.7	Fairing	90.17
Console Assembly	90.51	Deflector	53.31	Fairing	92.29
Console Assembly	90.79	Desiccant Bag	21.8	Fairing Assembly – Aft	32.5
Console Assembly	95.43	Deviation Placard – Vertical Card		Fan	90.53B
Console Assembly	97.1	Compass	95.45	Fan	97.41
Control – Fuel Cutoff	76.1	Diode Assembly – Battery Relay . . .	96.5	Fan	97.45
Control – Fuel Valve	28.9	Diplexer	6.39	Fan Assembly	21.7
Control – Heater	21.31	Diplexer	6.43	Fan Assembly	25.31
Control – Throttle	76.1	Diplexer	97.1	Fan Assembly	92.45
Control – Cargo Hook	25.40	Dipstick	79.5	Fanwheel Assembly	65.1
Control – Cargo Hook	25.35	Directional Gyro	95.36	Filler-Vent Plug	65.9
Control – Power Turbine Governor	76.5	Display – PFD & MFD	90.51	Filter – Radio	6.29
Control Assembly – Cabin Air	21.1	Display – PFD & MFD	95.5	Filter – Radio	6.31
Control Assembly – Searchlight . . .	90.39	Display – PFD & MFD	95.7	Filter – Radio	90.4
Control Panel	22.1	Display – PFD & MFD	95.9	Filter – Inducer Bleed System	75.1
Controller Assembly	90.23	Distribution Amp	95.57	Filter – AC	21.8
Converter – Power	28.35	Door – Engine Cowling	53.1	Filter – Hydraulic Reservoir	29.3
Converter – Power	90.55	Door – Aft Fuselage	6.5	Filter Assembly – Inlet Barrier Filter	71.11
Converter	90.41	Door – Vent	52.2	Filter Assembly – Inlet Barrier Filter	71.15
Converter	92.75	Door – Vent	52.7	Filter Element – MRGB Oil System . .	63.13
Cord	32.11	Door Assembly – Baggage	52.13	Fire Extinguisher	25.21
Cotter Pin – Cargo Hook	25.27	Door Assembly – Cabin	52.7	Flight Control Computer	22.7
Cotter Pin – Ground Handling Wheel	9.2	Door Assembly – Cabin	52.1	Flir Electronics Control Unit	90.23
Cotter Pin – Ground Handling Wheel	9.6	Drain – AC Evaporator	21.13	Float Tube Assembly – Six Chamber	32.17
Cotter Pin – Main Rotor Hub	62.3	Drain Assembly – Fuel Tank	28.7	FM Transceiver	92.49
Counter Weight – Swashplate	67.41	Drain Plug Assembly – Float		Foam Tape	6.13
Counter Weight – Swashplate	67.42	Landing Gear	32.11	Frame Weldment	53.7
Cover – Antenna Pad	53.17	Drain Valve – Main Fuel Tank	28.5	Frame Weldment	53.11
Cover – Antenna Pad	53.21	Drain Valve – Aux Fuel Tank	28.16	Frame Weldment	53.13
Cover – Battery Compartment	71.23	Drain Valve – Aux Fuel Tank	28.24	Fuel Bladder – Main	28.1
Cover – Bose Headset Jacks	97.59	Drain Weldment – Aux Fuel Tank . .	28.13	Fuel Bladder – Large Auxiliary	28.15
Cover – Bose Headset Jacks	97.61	Droop Stop	62.3	Fuel Bladder – Small Auxiliary	28.23
Cover – Camera Mount	90.17	Dual Audio Control	90.13	Fuel Check Valve	71.27
Cover – Chin	6.9	Dual Audio Control	97.51	Fuel Flow Meter	71.27
Cover – Five-point Harness	25.11	Dual Tachometer	95.1	Fuel Quantity Gage	95.39
Cover – Pedals	67.31	Dual Tachometer	95.28	Fuel Quantity Sender	28.1
Cover – Pop-out Float	32.11	Duct Assembly – AC	21.21	Fuel Sample Tube Installation Kit . . .	6.5
Cover – Seat Belt	25.5	Duct Assembly – AC	21.25	Fuel Sender	28.1
Cover – TRGB Flex Plate	53.17	DVR	90.41	Fuel Sender – Auxiliary Fuel Tank . .	28.16
Cover – TRGB Flex Plate	53.21	DVR/Monitor	92.73	Fuel Sender – Auxiliary Fuel Tank . .	28.24
Cover – Optional Instrument	95.36	Elastic Cord Assembly	67.35	Fuel Sender – Low Fuel	28.7
Cover Assembly – Cyclic	67.1	ELT Transmitter	25.23	Fuel Tank – Large Auxiliary	28.15
Cover Assembly – Spotlight	33.13	EMI Filter Assembly	21.8	Fuel Tank – Small Auxiliary	28.23
Cowling	6.5	Empennage Assembly	53.25	Fuse Holder	25.32
Cowling	53.5	Empennage Ballast Installation Kit . .	8.1	Fuse Holder	96.9
Cradle – Thermal Expansion Valve . .	21.11	Enclosure Assy. – Radar Altimeter . .	97.15	Fuseblock – Battery Relay	96.5

<i>Alphabetical Index</i>	<i>Page</i>	<i>Alphabetical Index</i>	<i>Page</i>	<i>Alphabetical Index</i>	<i>Page</i>
Fuseblock – EMU	96.21	Guard – Fuel Tank	28.2	Jar Assembly	28.19
Fuseblock – Hourmeters	96.21	Guard – Hydraulic Switch	22.2	Journal-Bearing	62.3
Gage – Outside Air Temperature	95.2	Guard – Hydraulic Switch	67.11	Journal-Bearing	62.3
Gage – Outside Air Temperature	95.31	Guard – Rotor Brake	63.9	Key – Blank	52.1
Gage – Outside Air Temperature	96.23	Hall Effect Sensor	63.3	Key – Duplicate	52.1
Gage – Inlet Barrier Filter	71.12	Hanger	65.3	Key – Duplicate	52.13
Gas Spring	52.5	Hanger	65.5	Key – Duplicate	95.3
Gas Spring	52.11	Hardpoint Hinge Assembly	10.5	Key – Duplicate	95.29
Gas Spring	90.44	Harness Assembly – Air Filter		Key – Duplicate	95.39
Gas Spring	90.45B	Switch	71.9	Keyboard Assembly	90.69
Gasket – Aux Fuel Quantity Sender	28.16	Harness Assembly – Air Filter		Keyboard Assembly	90.71C
Gasket – Aux Strobe	90.77	Switch	71.11	Keyboard Assembly	90.75
Gasket – Avionics Panel Switches	97.25	Harness Assembly – Aux Electrical	90.57	Lamp – HID	33.7
Gasket – Fuel Quantity Sender	28.1	Harness Assembly – Aux Fuel Tank	28.14	Lamp – Searchlight	90.34
Gasket – Navigation Lights	33.3	Harness Assembly – Aux Fuel Tank	28.24	Landing Gear Assembly – Extended	
Gasket – Navigation Lights	33.4	Harness Assembly – COM switch	97.54	Gear	32.1
Gasket – Strobe	33.1	Harness Assembly – Console	95.27	Landing Gear Assembly – Pop-Out	
Gasket – TRGB Chip Detector	65.10	Harness Assembly – E.N.G.	92.79	Floats	32.11
Gasket – TRGB Filler/Vent Plug	65.10	Harness Assembly – Engine	71.3	Landing Gear Assembly	32.1
Gasket – TRGB Sight Gage	65.10	Harness Assembly – External Load	25.27	Laptop Assembly	92.31
Gearmotor – Search Light	90.33	Harness Assembly – Fuel Sender	28.1	LED	21.21
Generator Control Unit	71.23	Harness Assembly – Fuel Sender/ Fuel Pump	28.16	LED	25.23
Gimbal – FLIR Camera	90.19	Harness Assembly – TRGB Chip		LED	33.13
Gimbal Assembly – Search Light	90.33	Detector	65.9	LED Assembly	33.9
GPS Antenna	92.39	Headliner	25.17	LED Strip	25.35
GPS Transceiver	95.9	HID Landing Lights	33.7	License Holder	25.19
GPS Transceiver	97.39	Holder	29.3	Light Assembly – Police	90.1
GPS Transceiver	97.39	Holder	33.15	Lights – HID Landing	33.7
GPS Transceiver	97.39	Holder	63.4	Load Meter	25.35
Grip – Collective	25.44	Holder	92.53	Lock Set	52.1
Grip – Collective	67.21	Horizontal Stabilizer	53.25	Lock Set	52.13
Grip – Cyclic	25.43	Horn	95.40	Lojack Antenna	90.67
Grip – Cyclic	67.11	Horn Assembly	95.13	Lojack Display	90.63
Grip – Cyclic	67.12	Horn Assembly	95.29	Lojack Receiver	90.65
Grip – Cyclic	67.15	Hose Assembly – Pump Line	28.29	Louver and Bezel Assembly	21.21
Grip – Cyclic	67.16	Hose Assembly – Vent/Return	28.29	Low Fuel Light	96.39
Grip – Ground Handling Wheel	9.1	Hourmeter – Collective Activated	96.23	Low Fuel Switch Assembly	96.39
Grip – Ground Handling Wheel	9.3B	Hourmeter – Engine	96.23	Low Fuel Time Delay Assembly	96.39
Grip – Ground Handling Wheel	9.5	Hub	64.1	Low RPM Light	96.39
Grip – Ground Handling Wheel	9.7B	Hub Assembly	62.3	Low RPM Warning Unit	95.33
Grip Assembly – Co-Pilot	67.16	Hub Assembly	64.1	Low RPM Warning Unit	95.40
Grip Assembly – Co-Pilot	67.12	Hydraulic System Reservoir Assy	29.3	Low RPM Warning Unit	95.14
Grip Assembly – Cyclic	22.2	Ignition Exciter Box	71.5	Low Voltage Sensor Module	96.39
Grip Assembly – Cyclic	25.39	Inertial Monitoring Unit Sensor	90.73	Lube – O-ring	8.1
Grip Assembly – Cyclic	25.43	Indicator – Rotor Brake	95.28	Lube – Petrolatum	12.1
Grip Assembly – Cyclic	67.1	Indicator – Rotor Brake	95.39	Lubricant	63.1
Grip Assembly – Cyclic	67.11	Indicator	95.2	Lubricant	79.7
Grip Assembly – Cyclic	67.12	Indicator Assembly	97.15	Lug	71.1
Grip Weldment	67.11	Indicator Assembly	97.17	Magnet	63.4
Ground Handling Wheel Assembly	9.1	Inner Wire – Fuel Cutoff	76.2	Magnetometer	97.13
Ground Handling Wheel Assembly	9.3B	Instrument Cluster	95.1	Main Rotor Blade and Spindle	
Ground Handling Wheel Assembly	9.5	Instrument Cluster	95.31	Assembly – Extended Tab	62.1
Ground Handling Wheel Assembly	9.7B	Instrument Cluster	95.39	Main Rotor Blade Tie-Down	10.1
Guard – Aux Fuel Tank	28.16	Insulation – Cabin	25.17	Main Rotor Blade Tie-Down	10.1
Guard – Battery Cover	96.1	Interrupter	67.42	Main Rotor Blade Tie-Down	
Guard – Battery Cover	96.3	Interrupter	18.3	Installation Tool	10.1
Guard – Battery Minder	96.32	Jackshaft Weldment Assembly	67.25	Main Rotor Gearbox Assembly	63.3
				Main Rotor Gearbox Sub-Assembly	63.7

<i>Alphabetical Index</i>	<i>Page</i>	<i>Alphabetical Index</i>	<i>Page</i>	<i>Alphabetical Index</i>	<i>Page</i>
Maintenance Record – Binder	99.3	Potentiometer	95.31	Relay Assembly – AC	21.27
Maintenance Record – Component Cards	99.3	Power Cord – HID Lights	33.7	Relay Assembly – Aux Fuel	28.35
Maintenance Record – Insert	99.3	Primary Ring – Cargo Hook	25.27	Relay Assembly – External Power	96.13
Maintenance Record – Tabs	99.3	Probe Assembly – OAT	95.2	Relay Assembly – Warning Lights	96.35
Mapping Computer	90.70	Probe Assembly – OAT	96.23	Reservoir Assembly	29.3
Mast Assembly	63.7	Pulley – AC Compressor	21.4	Restraint	52.17
Mast Fairing Assembly	53.3	Pulley – Rotor Brake	63.9	Restraint	67.35
Meter – Fuel Flow	71.27	Pulley – Rotor Brake	63.10	Rotor Brake Assembly	63.3
MGT Meter	25.35	Pulley – Rotor Brake w/AC	21.25	Router	92.67
Mirror	25.31	Pump Assembly – Hydraulic	63.3	Scale	18.3
Monitor	90.43	Pump Assembly – Hydraulic	29.1	Scanner	92.51
Monitor	90.45B	Pump Assembly – Aux Fuel Tank	28.15	Scissor	29.7
MT106-2 Fuel Dipstick and Holder Installation Kit	6.5	Pump Assembly – Oil	63.4	Scissor	29.9
Muffler Assembly	21.35	Push-Pull Tube Assembly	67.5	Scoop	6.7
N1 Meter	95.39	Push-Pull Tube Assembly	67.9	Scoop Assembly	6.7
Name Plate	95.51	Push-Pull Tube Assembly	67.27	Scroll Assembly	79.1
NAV Antenna	6.39	Push-Pull Tube Assembly	67.33	Scuff Plate Assembly	25.15
Oil – PAG	12.1	Push-Pull Tube Assembly	67.35	Scupper	28.16
Oil – PAG	21.11	Push-Pull Tube Assembly	67.37	Searchlight Control	90.44
Oil – Type “A” ATF	12.1	Push-Pull Tube Assembly	67.39	Seat Assembly	25.1
Oil	62.1	Putty	71.19	Seat Back Assembly	25.1
Oil	79.5	R66 Baggage Door Seals Kit	52.14	Sender	63.3
Oil Cooler	63.15	R66 Cargo Hook Installation	25.25	Sensor – Magnetic pickup	18.1
Oil Cooler Assembly	79.7	R66 IPC – Binder	99.3	Sensor – Vibration Transducer	18.1
Oil Filter	63.13	R66 IPC – Insert	99.3	Servo Assembly	22.1
Oil Filter Head Assembly	63.13	R66 IPC – Tabs	99.3	Servo Assembly	22.5
Oil Lines	79.9	R66 Interior Furnishings Field Kit	99.1	Servo Assembly	29.7
Oil Plug/Chip Detector	71.5	R66 Maintenance Manual – Binder	99.3	Servo Assembly	29.11
Oil Pressure Gage	95.39	R66 Maintenance Manual – Insert	99.3	Servo Assembly	67.25
Oil Pressure Switch	63.3	R66 Maintenance Manual – Tabs	99.3	Set Screw	92.21
Oil Pressure Switch	71.5	R66 Minimum Spare Parts Kit	99.1	Shackle Assembly	32.1
Oil Tank Assembly	79.5	R66 POH – Binder	99.3	Shaft – Main Rotor Drive	63.3
Oil Temp Sender	79.5	R66 POH – Insert	99.3	Shaft Assembly – Ground Handling Wheel	9.1
Oil Temperature Gage	95.39	R66 POH – Tabs	99.3	Shaft Assembly – Ground Handling Wheel	9.3B
PA/Siren Control	90.31	Radar Altimeter	97.19	Shaft Assembly – Input Shaft	63.1
Panel – Annunciator	95.1	Rain Cap	32.2	Shaft Assembly – Tail Rotor	65.3
Pedal – Pilot Side	67.29	Rain Cap	32.11	Shell Assembly – Console	95.13
Pedal Assembly – Co-Pilot	67.29	Rain Gutter	52.17	Shell Assembly – Console	95.14
Pedal Assembly	67.29	Rate-of-Climb Indicator	95.28	Shell Assembly – Console	95.27
Pedal Assembly	67.29	Rate-of-Climb Indicator	95.35	Shell Assembly – Console	95.35
Pin – Locking	67.29	Receiver – ADS-B	97.29	Shell Assembly – Pilot’s Side Console	90.53B
Pin – Locking	67.29	Rectifier	96.5	Shell Assembly – Pilot’s Side Console	90.53C
Pinion Gear	63.5	Reflective Tape	18.3	Shell Assembly – Pilot’s Side Console	97.33
Pitch Control Assembly	65.9	Regulator – Voltage	95.14	Shell Assembly – Pilot’s Side Console	97.37
Pitch Link Assembly	67.42	Regulator – Voltage	95.40	Shell Assembly – Pilot’s Side Console	97.39
Pitot Tube	95.47	Relay – AC	21.27	Shell Assembly – Pilot’s Side Console	97.41
Plug Assembly – External Power	96.14	Relay – Aux Electrical System	90.59	Shell Assembly – Pilot’s Side Console	97.45
Plunger	92.21	Relay – Aux Electrical System	92.75	Shrink Boot	71.3
Pocket	25.19	Relay – Avionics Master	96.43	Shunt	96.17
Pocket	25.19	Relay – Battery	96.6		
Pocket Assembly	96.28	Relay – External Power	96.18		
Pod Antenna	92.39	Relay – Latch	96.43		
Position Lights	33.4	Relay – Starter/Generator	96.18		
Post Assembly – Battery Minder	96.32	Relay – Starter/Generator	96.31		
Post Light	95.35	Relay – Tachometer	96.43		
		Relay – Landing Light	96.43		
		Relay – Tachometer Backup	96.43		

<i>Alphabetical Index</i>	<i>Page</i>
Sight Gage – Engine Oil Tank	79.5
Sight Gage – Hydraulic Reservoir	29.3
Sight Gage – MRGB	63.4
Sight Gage – TRGB	65.9
Skid Extension	32.2
Skid Extension	32.11
Skid Mirror Installation	25.31
Skid Shoe	32.2
Skid Shoe	32.11
Skid Shoe	32.12
Skid Step	32.19
Skid Tube	32.11
Skid Tube Assembly	32.2
Slass ECU	90.37
Snubber Assembly	21.3
Solenoid Assembly	29.3
Solid State Drive	92.73
Speaker	90.29
Spidertracks Receiver	97.69
Spindle Assembly	62.1
Splitter Assembly	92.58
Spotlight	21.22
Spotlight	33.13
Spring – Aft Access Panel	6.7
Spring – Baggage Door	52.14
Spring – Cyclic	67.1
Spring – Cyclic	67.11
Spring – Cyclic	67.15
Spring – Collective	67.23
Spring – Engine Air Induction	71.9
Spring – Fuel Control Unit	76.2
Spring – Inlet Barrier Filter	71.12
Spring – Monitor	90.47
Spring – Rotor Brake	63.9
Spring – Rotor Brake	63.10
Spring Assembly – Baggage Door	52.13
Spring Pin – Bellcrank Assembly	67.37
Spring Pin – Cabin Heat Valve	21.35
Spring Pin – Collective	67.21
Spring Pin – Collective Friction Knob	67.1
Spring Pin – Door Bumper	52.5
Spring Pin – Governor Control	76.5
Spring Pin – Ground Handling Wheel	9.5
Spring Pin – Ground Handling Wheel	9.7B
Stabilizer – Horizontal	53.25
Stabilizer – Horizontal	53.29
Stabilizer – Lower Vertical	53.26
Stabilizer – Upper Vertical	53.25
Stabilizer Assembly – Pop-out Floats	53.29
Stick Assembly – Collective	25.44
Stick Assembly – Collective	67.21
Stick Assembly – Collective	67.22
Stop – Collective	67.22
Stop – Door Vent	52.2

<i>Alphabetical Index</i>	<i>Page</i>
Stop – Main Rotor	62.3
Strain Relief	95.36
Strainer – Aux Fuel	28.15
Strainer – Fuel	28.5
Strainer – MRGB Oil	63.4
Strip – Safety Walk	32.2
Strobe Light – Blue LED	33.1
Strobe Light – Red LED	33.1
Strobe Light – White LED	33.1
Strobe Light Assembly – Blue LED	90.77
Strobe Light Assembly – Red LED	90.77
Strobe Light Assembly – White LED	90.77
Strut	53.13
Strut	71.19
Strut Assembly – Aft	10.7
Strut Assembly – Aft	32.1
Strut Assembly – Aft	32.11
Strut Assembly – Extended Gear	32.2
Strut Assembly – Forward	10.7
Strut Assembly – Forward	32.1
Strut Assembly – Forward	32.11
Strut Assembly	53.13
Sun Shield – Tachometer	18.3
Support Assembly – Aux Fuel Tank	28.13
Support Assembly – Aux Fuel Tank	28.21
Support Assembly – Monitor	90.48
Suppression Diode Assembly	96.6
Suppression Diode Assembly	96.13
Suppression Diode Assembly	96.19
Suppression Diode Assembly	96.31
S-VIDEO Cable	90.45B
Swashplate Assembly	67.42
Switch – Battery	97.25
Switch – Calibrate	90.39
Switch – Engine Compartment Fire	96.41
Switch – Focus	90.39
Switch – Foot	90.27
Switch – FREQ and CH SEL	67.15
Switch – Hourmeter	96.23
Switch – HYD OFF	67.15
Switch – Ignition	95.28
Switch – Joystick	90.39
Switch – Low RPM Warning	96.23
Switch – Light	90.1
Switch – MRGB Oil Pressure	63.5
Switch – MRGB Temperature	63.5
Switch – On-Off / Start	90.39
Switch – Remote Control	25.23
Switch – Rotor Brake Light	63.3
Switch – Slave	90.39
Switch – Test	95.35
Switch – Trim	22.2
Switch – Video	92.69
Switch Assembly – Anti-ice	96.37
Switch Assembly – Audio Panel	
Transmit Key	67.12
Switch Assembly – Auto Pilot Off	22.2

<i>Alphabetical Index</i>	<i>Page</i>
Switch Assembly – Differential Pressure	71.5
Switch Assembly – Forward Talent Light	92.54
Switch Assembly – Freeze	21.15
Switch Assembly – High-pressure Cutout	21.3
Switch Assembly – HYD OFF	22.2
Switch Assembly – HYD OFF	67.11
Switch Assembly – Landing Light	67.1
Switch Assembly – Load Cell Meter	25.36
Switch Assembly – Low Fuel	28.7
Switch Assembly – Low-pressure Cutout	21.3
Switch Assembly – News Equipment Master	92.17
Switch Assembly – Oil Pressure	71.5
Switch Assembly – TV Tuner Audio	92.58
Tachometer – Optical Photocell	18.1
Tail Light Assembly – LED	33.3
Tail Rotor Assembly	64.1
Tail Rotor Drive Shaft Weldment – Fan	65.1
Tail Rotor Gearbox Assembly	65.9
Tail Rotor Gearbox – Pinion	65.10
Tail Rotor Gearbox – Gear	65.10
Tail Rotor Guard	53.26
Tail Skid	53.26
Tailcone Assembly	53.21
Tailcone Assembly – E.N.G	53.17
Tailcone Assembly – Five Antenna	53.17
Tailcone Assembly – Three Antenna	53.17
Tailcone Assembly – Three Antenna and Nav Antenna	53.17
Tank Assembly	28.15
Tec Aces Analyzer and Turbo Probalancing System	18.1
Telatemp – Hydraulic Pump	29.1
Telatemp – Hydraulic Pump	63.3
Teletemp – TRGB	65.10
Temperature Probe	97.9
Tester Assembly – Warning Lights	97.63
Thermal Expansion Valve (TXV)	21.11
Thermostat	79.7
Thermostat Assembly	63.13
Thrust Washer	62.3
Time Delay – Fuel Filter	95.3
Time Delay – Low Fuel	95.3
Tip Cover	62.1
Tire	9.1
Tire	9.3B
Tire	9.6
Tire	9.7C
Tone Generator (ATG-410)	97.19
Torque Meter	25.35
Torque Meter	95.35
Torx Bit	28.19
Transceiver – Technisonic	90.7

<u>Alphabetical Index</u>	<u>Page</u>	<u>Alphabetical Index</u>	<u>Page</u>	<u>Alphabetical Index</u>	<u>Page</u>
Transceiver (FM)	90.3	Window	33.10		
Transceiver (FM)	90.5B	Window	52.17		
Transceiver (GPS)	97.33	Windshield	52.17		
Transceiver (GPS)	97.37	Wingbolt Assembly	90.34		
Transceiver (GPS/COM)	97.37	Wire Harness Assembly – Engine . .	71.5		
Transceiver (GPS/COM/NAV)	97.37	Wire Harness Assembly – Tail Light	53.25		
Transceiver (GPS/NAV/COM)	90.39B	XM Radio Receiver	97.23		
Transceiver (GPS/NAV/COM)	90.53B	Yaw String	52.18		
Transceiver (GPS/NAV/COM)	97.33	Yoke – Engine Shaft	63.1		
Transceiver	90.53C	Yoke – Main Rotor Gear Box	63.5		
Transceiver	97.1	Yoke – Tail Rotor Gear Box	65.13		
Transceiver (UHF)	92.1	Yoke – Tail Rotor Drive Shaft	65.3		
Transceiver (VHF COM)	97.25	Yoke Assembly – Swashplate	67.41		
Transceiver Assembly (VHF)	92.1	Yoke Assembly – MRGB Output . . .	63.4		
Transducer – Fuel Flow	71.27	Yoke Assembly – Cyclic Torque			
Transmit Switch Assembly	92.13	Tube	67.5		
Transmitter	92.37				
Transponder	97.21				
Transponder (Mode C)	97.25				
Transponder (Mode C)	97.31				
Transponder (Mode C)	97.63				
Transponder (Mode S)	97.25				
Transponder (Mode S)	97.31				
Transponder (Mode S)	97.63				
Tray – 9-volt Battery	96.11				
Tray – Keyboard	90.71C				
Tray – Mapping Computer	90.71B				
Trigger Switch	67.11				
Trigger Switch	67.15				
Trim String	52.18				
Tube – Inner	9.1				
Tube – Inner	9.3B				
Tube – Inner	9.6				
Tube – Inner	9.7C				
Tube – Tail Rotor Guard Mount	53.26				
Turbine Oil – HTS	12.1				
Turn Coordinator	95.36				
TV Receiver	92.59				
Upper Console Assembly	97.69				
USB Port	92.45				
USB Port	96.27				
USB Port	96.28				
Valve – Cabin Heat	21.36				
Valve – Drain	28.5				
Valve – Fuel Shutoff	28.10				
Valve – Pressure Topping and Relief	32.17				
Valve Assembly – Cabin Heat	21.36				
V-Belt	21.4				
Vent Assembly	29.3				
Vent Weldment	28.1				
Video Router	92.69				
Voltage Regulator	95.33				
VOR Indicator	97.67				
Wall – Cargo Hold	90.61				
Warning Light Test Board	97.63				
Weight – Ballast	8.1				
Window	33.9				

APPENDIX B
NUMERICAL INDEX

<i>Figure</i>	<i>Title</i>	<i>Page</i>
—	Numerical Index	B3

Intentionally Blank

<u>Numerical Index</u>	<u>Page</u>	<u>Item</u>	<u>Numerical Index</u>	<u>Page</u>	<u>Item</u>
A022-4	95.45	8	A130-25	90.47	18
A039-19	33.4	34	A130-28	25.3	16
A039-20	33.4	33	A130-28	25.5	28
A041-10	65.7	5	A130-28	25.9	4
A045-2	96.21	25	A130-33	6.39	12
A064-4	95.40	49	A130-33	25.15	22
A072-13	95.2	30	A130-33	32.9	12
A072-13	95.28	39	A130-33	32.15	11
A072-8	95.40	48	A130-33	90.57	24
A101-4	53.7	12	A130-33	97.57	2
A101-4	67.29	11	A130-34	21.25	15
A101-4	67.35	13	A130-34	63.9	2
A101-4	67.37	4	A130-34	90.27	8
A103-4	67.5	27	A130-34	95.40	35
A104-4	65.9	30	A130-37	90.31	13
A105-12	65.7	9	A130-37	92.80	31
A105-14	67.5	5	A130-37	97.57	14
A105-3	67.33	18	A130-38	21.35	15
A105-3	67.35	10	A130-38	25.28	29
A105-3	67.39	10	A130-38	28.29	22
A105-5	67.21	17	A130-38	32.9	20
A105-5	76.7	27	A130-38	33.7	1
A105-5	90.43	8	A130-38	90.57	24
A105-5	90.45B	3	A130-39	63.10	39
A105-5	92.53	24	A130-40	63.9	28
A105-6	67.5	33	A130-41	63.4	66
A105-6	67.22	54	A130-42	67.37	18
A105-6	67.25	17	A130-42	92.22	38
A105-7	52.2	42	A130-43	21.4	42
A105-7	52.8	36	A130-44	25.3	5
A105-7	76.7	20	A130-44	25.5	22
A105-9	90.47	23	A130-47	67.33	12
A115-1	64.1	20	A130-48	21.35	31
A115-1	67.5	15	A130-48	28.9	29
A115-1	67.25	9	A130-48	67.22	56
A120-5	65.9	21	A130-48	76.1	32
A127-3	22.1	15	A130-48	76.7	12
A127-3	22.5	4	A130-50	28.9	21
A127-4	67.39	12	A130-50	76.7	5
A130-4	67.22	42	A130-50	90.23	1
A130-6	28.24	41	A130-55	90.5B	12
A130-6	67.2	37	A130-55	90.7B	13
A130-8	67.5	20	A130-55	90.9	22
A130-14	25.5	4	A130-59	90.45C	35
A130-14	52.13	29	A130-60	96.41	2
A130-14	53.25	12	A137-1	67.5	22
A130-16	90.67	10	A139-1	67.21	15
A130-18	21.31	5	A141-3	67.33	17
A130-18	67.19	16	A141-3	67.35	9
A130-21	21.36	41	A141-3	67.37	19
A130-21	32.9	6	A141-3	67.39	9
A130-21	67.33	27	A141-7	90.44	38
A130-21	92.75	30	A141-10	63.5	71

<u>Numerical Index</u>	<u>Page</u>	<u>Item</u>	<u>Numerical Index</u>	<u>Page</u>	<u>Item</u>
A141-10	65.13	8	A214-3	67.5	3
A141-11	53.17	23	A214-3	67.25	8
A141-11	53.21	21	A214-3	67.37	3
A141-11	67.33	36	A214-3	67.39	2
A141-11	90.21	9	A215-008	21.22	46
A141-11	92.27	15	A215-008	33.13	21
A141-14	25.3	4	A215-009	63.5	75
A141-14	25.5	21	A215-012	64.1	32
A141-14	25.9	9	A215-013	32.11	24
A141-14	64.1	30	A215-015	28.1	4
A141-16	67.21	14	A215-016	71.19	22
A141-17	22.1	21	A215-017	63.3	9
A141-17	22.5	2	A215-018	8.1	2
A141-17	25.11	2	A215-019	28.17	69
A141-17	28.1	16	A215-019	28.25	68
A141-17	28.5	12	A215-020	33.15	11
A141-17	63.4	34	A215-020	63.4	49
A141-17	92.27	5	A215-020	65.9	2
A141-18	79.1	4	A215-020	79.5	8
A141-18	90.21	13	A215-024	65.13	18
A141-19	52.2	30	A215-025	63.4	59
A141-20	67.21	34	A215-027	63.4	36
A141-21	53.11	4	A215-110	32.17	4
A141-21	63.7	7	A215-123	9.1	20
A141-27	63.9	29	A215-123	9.5	14
A141-36	65.7	11	A215-128	29.1	10
A141-37	65.7	4	A215-128	63.3	21
A141-40	67.1	7	A215-133	65.13	15
A141-40	67.12	33	A215-140	65.13	4
A141-40	67.15	25	A215-149	25.27	2
A141-45	90.44	39	A215-149	63.3	31
A141-7	52.2	40	A215-152	63.4	53
A141-7	52.8	33	A215-212	32.17	2
A141-7	90.45B	17	A215-212	32.17	5
A141-7	92.53	23	A215-902	62.1	20
A141-8	52.2	37	A215-902	79.9	20
A141-8	52.8	31	A225-1	90.51	20
A142-1	32.2	35	A225-1	95.51	28
A142-1	32.11	22	A225-2	25.27	28
A142-3	25.5	32	A226-2	52.1	3
A142-3	32.2	37	A226-2	52.7	3
A142-3	32.12	29	A226-3	52.1	12
A142-4	6.43	11	A226-3	52.7	11
A191-1	63.1	18	A226-3	90.17	4
A205-7	67.41	20	A226-3	92.29	1
A210-1	67.41	12	A226-3	95.13	26
A214-10	32.1	25	A226-3	95.39	11
A214-10	53.8	37	A226-6	52.1	5
A214-11	67.5	4	A226-6	52.7	5
A214-12	9.1	28	A226-7	52.2	23
A214-12	9.6	38	A226-7	52.8	23
A214-3	64.1	19	A226-7	97.33	19
A214-3	65.9	20	A226-7	97.37	18

<u>Numerical Index</u>	<u>Page</u>	<u>Item</u>	<u>Numerical Index</u>	<u>Page</u>	<u>Item</u>
A226-7	97.39	20	A255-3	67.42	34
A226-7	97.41	6	A257-1	12.1	1
A226-7	97.45	22	A257-1	28.9	30
A226-9	90.63	2	A257-1	63.1	14
A226-9	97.17	29	A257-1	67.22	57
A226-10	28.7	15	A257-1	67.29	21
A226-11	28.19	10	A257-1	76.1	33
A226-11	28.27	10	A257-1	76.5	15
A226-11	32.7	17	A257-1	76.7	13
A226-11	90.45B	14	A257-2	12.1	2
A226-11	90.47	8	A257-2LT	12.1	2
A226-11	90.53B	6	A257-3	12.1	3
A226-11	90.69	8	A257-4	12.1	4
A226-11	90.79	10	A257-4	62.1	25
A226-11	92.45	14	A257-5	9.1	23
A226-11	95.1	2	A257-5	9.5	12
A226-11	95.13	4	A257-5	12.1	5
A226-11	95.27	3	A257-5	12.1	5
A226-11	95.35	4	A257-6	12.1	6
A226-11	95.43	2	A257-6	12.1	6
A226-11	95.51	5	A257-6	28.1	5
A226-11	97.33	3	A257-6	28.5	11
A226-11	97.37	3	A257-7	12.1	7
A226-11	97.39	3	A257-7	67.12	46
A226-11	97.41	3	A257-7	67.16	37
A226-11	97.45	3	A257-8	12.1	8
A226-15	21.21	12	A257-9	12.1	9
A226-15	28.16	46	A257-9	21.39	16
A226-15	28.24	46	A257-9	28.2	39
A226-15	90.1	5	A257-9	28.29	5
A226-15	90.23	21	A257-9	62.1	26
A226-15	90.55	14	A257-9	62.3	26
A226-15	90.57	13	A257-9	67.45	14
A226-15	90.61	9	A257-9	63.5	89
A226-15	92.15	13	A257-9	63.7	18
A226-15	92.17	11	A257-10	12.1	10
A226-15	92.46	38	A257-12	12.1	11
A226-15	92.80	28	A257-12.1oz	12.1	11
A226-15	96.1	23	A257-15	12.1	12
A226-15	96.3	23	A257-15	29.3	23
A226-15	96.13	9	A257-16	12.1	13
A226-15	97.9	13	A257-18	8.1	3
A226-15	97.15	2	A257-18	12.1	14
A226-15	97.17	2	A257-18	79.7	14
A226-16	6.9	5	A257-19	12.1	15
A228-1	52.11	3	A257-20	12.1	16
A228-2	52.11	9	A257-20	21.11	16
A231-1	53.17	5	A257-20	21.17	19
A231-1	53.21	3	A257-20	21.19	13
A231-10	53.17	3	A257-21	12.1	17
A246-3	95.47	18	A257-22qt	12.1	18
A255-1	67.41	3	A257-23	12.1	19
A255-2	67.41	3	A257-23	79.5	3

<u>Numerical Index</u>	<u>Page</u>	<u>Item</u>	<u>Numerical Index</u>	<u>Page</u>	<u>Item</u>
A262-1	95.47	19	A448-1	92.17	6
A267-1	53.11	6	A448-1	96.21	22
A267-1	63.7	16	A448-1	96.21	24
A269-31	92.49	8	A448-3	25.36	45
A318-1-2	67.29	20	A448-3	96.18	47
A321-16	67.12	42	A448-3	96.21	21
A321-16	67.15	30	A448-3	96.32	37
A321-19	11.3	31	A448-4	33.7	21
A321-21	11.3	31	A448-4	90.55	9
A321-21	67.12	52	A448-4	92.17	6
A321-22	25.43	30	A448-4	96.21	22
A321-22	67.12	45	A448-9	90.55	9
A321-22	67.16	36	A448-9	92.17	6
A325-1	67.21	27	A448-9	96.21	22
A325-3	67.21	26	A448-10	28.32	31
A331-4	67.39	7	A448-10	90.3	23
A332-2	67.21	30	A448-10	90.5B	23
A333-1	67.22	35	A448-10	90.7C	32
A336-8	22.1	18	A448-10	90.10	33
A336-8	22.5	21	A448-10	90.39B	31
A339-1	67.2	39	A448-10	90.52	37
A340-1	67.2	40	A448-10	90.53C	47
A341-1	22.1	11	A448-10	90.55	9
A341-1	22.5	3	A448-10	92.1	6
A341-1	67.19	5	A448-10	92.17	6
A356-2	95.39	10	A448-10	92.79	17
A356-2	95.43	12	A448-10	95.5	12
A356-9	90.39B	14	A448-10	95.7	16
A356-10	90.39B	11	A448-10	95.9	15
A356-14	95.7	6	A448-10	95.21	33
A356-15	95.9	6	A448-10	96.21	22
A359-1	67.29	34	A448-10	97.2	29
A359-2	67.29	31	A448-10	97.19	2
A365-11	95.43	7	A448-10	97.21	25
A371-3	97.63	23	A448-10	97.23	20
A372-11	96.9	17	A448-10	97.25	15
A412-1	67.31	3	A448-10	97.49	16
A412-3	67.31	2	A448-12	90.4	41
A414-1	52.18	43	A448-12	90.5C	34
A414-2	52.18	43	A448-12	90.55	23
A425-7	52.2	39	A448-12	92.18	25
A425-7	52.8	34	A448-13	90.55	24
A425-13	52.2	41	A448-13	92.18	29
A425-13	52.8	35	A448-14	90.55	9
A425-17	52.2	25	A448-14	92.17	6
A425-17	52.8	32	A448-14	92.80	52
A425-19	52.2	31	A448-14	95.13	11
A425-19	52.8	28	A448-14	95.39	16
A431-1	52.2	38	A448-14	96.21	22
A431-1	52.8	30	A448-14	96.21	23
A431-1	67.21	32	A448-15	90.13	8
A431-2	52.7	6	A448-15	97.33	12
A448-1	90.55	9	A448-15	97.51	8

<u>Numerical Index</u>	<u>Page</u>	<u>Item</u>	<u>Numerical Index</u>	<u>Page</u>	<u>Item</u>
A448-15	97.63	16	A601-1	67.21	1
A448-15	97.65	13	A601-3	67.12	59
A448-16	96.21	20	A601-5	9.1	8
A448-17	96.18	38	A601-5	9.3B	8
A448-18	95.33	9	A601-5	9.5	5
A448-19	97.37	24	A601-5	9.7B	5
A448-19	97.39	26	A602-1	95.28	31
A448-20	96.13	14	A602-1	95.35	9
A448-22	97.49	31	A610-1	65.9	4
A453-7	96.17	2	A613-1	95.1	20
A453-7	96.31	2	A613-1	95.28	35
A456-1	21.13	25	A613-1	95.35	10
A457-1	21.13	20	A613-2	95.35	10
A457-2	28.5	8	A640-2	71.21	19
A457-5	90.15	17	A647-2	67.1	8
A457-7	21.13	6	A647-2	67.12	34
A457-16	71.12	35	A647-2	67.15	26
A457-17	71.11	33	A648-1	97.23	14
A462-4	21.36	39	A651-4	65.5	10
A462-4	28.9	27	A653-2	63.3	6
A462-4	67.22	58	A654-3	11.6	18
A462-4	76.1	31	A654-6	11.2	17
A462-4	76.7	14	A654-6	67.22	47
A478-1	67.19	17	A654-7	11.1	12
A479-1	95.40	38	A654-7	67.21	33
A479-2	90.63	5	A654-9	11.5	8
A479-2	95.40	40	A654-10	11.2	19
A483-1	90.47	13	A654-11	11.5	8
A486-2	67.21	25	A654-12	11.2	19
A497-1	67.19	20	A654-16	11.5	6
A499-2	67.1	22	A654-17	11.3	36
A521-2	28.7	31	A654-18	11.1	1
A521-4	28.7	1	A654-18	62.3	13
A522-10	76.1	9	A654-21	11.2	18
A522-11	28.9	3	A654-21	25.44	36
A522-14	21.31	3	A654-21	67.22	48
A522-15	25.40	37	A654-25	11.1	2
A522-16	25.35	1	A654-38	11.3	28
A523-6	21.1	8	A654-45	11.2	14
A553-1	63.1	21	A654-45	11.3	35
A553-3	65.3	32	A654-85	25.15	23
A556-1	52.13	17	A654-86	97.53	23
A556-3	52.1	7	A654-94	11.1	3
A558-2	53.17	8	A667-7	32.2	36
A558-2	53.21	6	A667-7	32.12	31
A565-2	90.27	9	A667-8	32.2	34
A569-11	95.14	32	A667-8	32.11	21
A569-11	95.33	18	A677-4	67.1	19
A569-11	95.40	41	A678-3	6.1	6
A590-4	97.17	23	A684-1	97.21	16
A590-5	97.15	16	A684-1	97.49	6
A596-1	95.47	20	A684-1	97.63	21
A601-1	25.44	33	A684-1	97.65	7

<u>Numerical Index</u>	<u>Page</u>	<u>Item</u>	<u>Numerical Index</u>	<u>Page</u>	<u>Item</u>
A684-3	97.1	24	A729-28	95.47	13
A684-4	92.1	12	A729-32	95.48	37
A684-4	97.1	18	A729-39	28.1	9
A687-2	90.31	2	A729-39	28.5	9
A688-1	63.5	77	A729-42	71.9	6
A688-2	96.41	15	A729-42	71.11	14
A697-6	67.35	16	A729-43	28.1	34
A701-1	21.7	28	A729-43	28.5	20
A701-1	21.11	28	A729-44	28.1	31
A701-1	21.25	19	A729-44	28.5	2
A701-1	21.33	6	A729-46	79.5	10
A701-1	25.44	48	A729-48	95.19	11
A701-1	79.1	13	A729-48	95.25	9
A701-1	79.3	14	A729-52	95.19	19
A701-1	90.31	9	A729-52	95.25	18
A701-1	96.5	11	A729-52	95.48	40
A701-1	97.55	54	A729-53	97.31	6
A701-2	95.48	44	A729-53	97.63	6
A701-5	6.11	10	A729-54	95.47	21
A701-5	21.17	8	A729-55	28.7	22
A701-5	95.5	24	A729-57	21.13	16
A701-5	96.1	19	A729-58	21.13	8
A701-5	96.3	19	A729-59	21.13	4
A701-7	25.44	41	A729-65	28.1	27
A701-7	28.19	11	A729-66	28.5	7
A701-7	28.27	11	A729-68	71.19	6
A701-7	71.12	38	A729-69	95.25	11
A701-7	92.11	14	A729-69	95.47	6
A701-13	6.13	7	A729-70	95.11	8
A708-13	33.1	7	A729-70	95.25	15
A708-13	90.77	7	A729-70	95.47	7
A708-15	33.1	18	A729-72	28.15	26
A708-15	90.77	7	A729-72	28.23	26
A708-16	33.1	17	A729-73	28.16	51
A708-16	90.77	7	A729-73	28.24	51
A722-4	62.1	9	A729-74	28.15	17
A729-6	95.47	35	A729-74	28.23	17
A729-21	95.47	11	A729-78	71.12	34
A729-22	97.5	3	A729-80	71.19	30
A729-23	95.11	5	A738-8	6.13	9
A729-23	95.19	12	A738-21	6.35	3
A729-23	95.25	12	A738-34	6.17	4
A729-23	95.47	10	A738-39	53.3	11
A729-24	95.48	45	A738-46	6.13	2
A729-25	95.19	17	A743-1	95.28	44
A729-25	95.25	17	A743-1	95.36	36
A729-25	95.47	25	A745-1	25.19	9
A729-26	95.47	24	A751-4	32.2	47
A729-26	97.6	34	A751-5	32.2	48
A729-27	95.11	4	A751-6	32.2	49
A729-27	95.19	14	A751-7	32.2	56
A729-28	95.11	11	A751-7	32.19	14
A729-28	95.19	21	A752-1	21.21	22

<u>Numerical Index</u>	<u>Page</u>	<u>Item</u>	<u>Numerical Index</u>	<u>Page</u>	<u>Item</u>
A752-1	33.13	25	A824-8	92.49	4
A752-3	97.57	10	A837-10	25.23	14
A756-20	67.12	57	A880-906	28.19	13
A756-24	67.11	24	A880-906	28.27	13
A756-25	11.3	32	A880-906	28.29	12
A761-2	28.5	18	A880-908	79.9	12
A761-2	28.16	63	A880-908	79.9	27
A761-2	28.24	63	A880-910	79.9	10
A765-2	67.21	12	A880-1005	28.7	8
A776-1	67.12	39	A912-1	25.19	7
A776-1	67.15	32	A912-5	25.19	1
A779-1	33.4	32	A912-6	25.19	1
A780-2	96.1	6	A912-7	96.28	33
A780-2	96.3	9	A913-1	25.19	5
A780-2	96.9	12	A913-1	96.28	34
A780-50	71.21	7	A913-2	25.19	6
A780-50	96.17	25	A913-2	90.23	20
A780-51	71.21	6	A913-3	25.19	2
A780-52	96.18	40	A913-5	25.19	2
A780-53	96.18	43	A913-6	96.28	30
A780-56	96.17	21	A917-2	90.25	2
A780-57	96.1	17	A917-2	97.49	9
A780-57	96.3	17	A917-6	90.7B	7
A780-57	96.5	19	A917-6	90.9	23
A780-58	96.5	15	A917-8	90.3	15
A780-63	90.59	12	A917-8	90.5B	13
A780-63	92.75	6	A918-1	67.35	18
A780-64	96.5	18	A918-2	67.35	18
A780-69	96.13	18	A918-3	67.35	18
A780-70	96.13	12	A918-4	67.35	18
A780-71	96.31	27	A918-5	67.35	18
A780-72	96.32	32	A918-6	67.35	18
A780-74	96.9	14	A918-7	67.35	18
A780-2242	96.5	17	A918-8	67.35	18
A781-1	67.12	40	A936-2	63.3	5
A781-1	67.16	33	A936-2	63.7	14
A785-36	71.19	24	A936-3	32.1	9
A785-37	75.1	3	A941-5	8.1	13
A785-38	71.21	11	A941-6	8.1	14
A785-39	21.33	15	A947-2	63.1	4
A785-40	96.9	1	A959-1	67.22	45
A795-4	9.1	6	A959-2	25.44	34
A795-4	9.3B	6	A959-2	67.21	4
A795-4	9.5	6	A959-5	67.2	62
A795-4	9.7B	6	A959-11	9.2	32
A795-4	67.29	26	A959-11	9.3B	29
A795-7	25.44	37	A959-11	9.6	33
A797-1	90.1	10	A959-11	9.7B	30
A797-1	97.54	41	A966-3	65.13	3
A824-7	92.1	16	B033-6	63.9	1
A824-7	92.49	4	B049-9	25.36	47
A824-8	92.1	16	B049-9	90.69	17
A824-8	92.49	3	B049-9	92.35	10

<u>Numerical Index</u>	<u>Page</u>	<u>Item</u>	<u>Numerical Index</u>	<u>Page</u>	<u>Item</u>
B049-9	92.54	46	B158-2	92.21	11
B049-9	92.69	10	B158-2	92.22	46
B049-9	97.17	12	B158-2	92.35	17
B051-4	95.35	2	B158-2	92.51	12
B051-8	95.43	5	B158-2	92.58	30
B051-18	95.35	1	B158-2	92.58	35
B051-19	95.43	1	B158-2	92.59	56
B051-20	11.3	34	B158-2	92.61	5
B051-20	95.39	21	B158-2	92.61	24
B112-2	63.9	27	B158-2	92.62	29
B112-3	63.10	47	B158-2	92.65	12
B121-1	92.13	1	B158-2	92.69	12
B121-1	97.53	18	B158-2	92.69	17
B125-2	63.9	11	B158-2	92.69	23
B148-5	95.45	13	B158-2	95.31	12
B157-1	63.10	51	B158-2	95.45	6
B158-01	90.45B	27	B158-2	97.15	8
B158-01	92.25	2	B158-2	97.17	10
B158-1	25.23	25	B158-2	97.53	14
B158-1	67.1	12	B158-2	97.59	12
B158-1	90.39	4	B158-2	97.61	10
B158-1	90.39	5	B158-2	97.69	9
B158-1	90.39	8	B158-3	21.15	6
B158-1	90.39	9	B158-3	25.39	29
B158-1	92.11	5	B158-3	25.43	17
B158-1	92.35	13	B158-3	52.13	24
B158-1	92.54	48	B158-3	67.22	67
B158-1	96.43	9	B158-3	71.9	26
B158-1	97.17	14	B158-3	71.11	24
B158-1	97.61	9	B158-3	90.43	15
B158-2	21.21	29	B158-3	90.45B	24
B158-2	21.22	31	B158-3	90.71B	12
B158-2	21.27	25	B158-3	92.5	11
B158-2	25.39	28	B158-3	92.13	13
B158-2	25.43	16	B158-3	92.17	21
B158-2	25.43	23	B158-3	92.18	36
B158-2	28.31	19	B158-3	92.69	24
B158-2	28.31	20	B158-3	92.73	6
B158-2	28.35	4	B158-3	92.73	8
B158-2	33.10	36	B158-3	92.73	9
B158-2	33.13	8	B158-3	92.73	11
B158-2	67.11	19	B158-3	92.73	12
B158-2	67.15	18	B158-3	92.73	14
B158-2	71.3	3	B158-3	92.73	16
B158-2	71.7	5	B158-3	95.45	7
B158-2	71.7	11	B158-3	96.9	35
B158-2	71.9	24	B158-3	96.41	7
B158-2	71.12	45	B158-3	97.53	21
B158-2	76.8	36	B158-3	97.54	29
B158-2	90.25	10	B158-3	97.59	11
B158-2	90.75	8	B158-4	21.15	4
B158-2	92.11	13	B158-4	25.39	3
B158-2	92.17	21	B158-4	25.43	27

<u>Numerical Index</u>	<u>Page</u>	<u>Item</u>	<u>Numerical Index</u>	<u>Page</u>	<u>Item</u>
B158-4	28.9	26	B158-6	92.59	65
B158-4	71.9	25	B158-6	92.61	8
B158-4	71.11	23	B158-6	92.67	9
B158-4	71.27	23	B158-6	92.69	19
B158-4	90.71B	28	B158-6	92.69	26
B158-4	90.75	7	B158-6	92.69	27
B158-4	92.1	21	B158-6	92.70	31
B158-4	92.1	22	B158-6	92.70	32
B158-4	92.1	26	B158-6	95.9A	38
B158-4	92.35	17	B158-6	95.27	14
B158-4	92.61	5	B158-6	95.57	9
B158-4	92.62	29	B158-6	95.57	11
B158-4	92.65	12	B158-6	95.57	19
B158-4	96.24	41	B158-6	96.23	33
B158-4	96.27	17	B158-6	97.13	14
B158-4	96.28	27	B158-6	97.13	19
B158-4	96.37	6	B158-6	97.59	5
B158-4	97.59	13	B158-8	53.17	17
B158-6	21.21	7	B158-8	53.21	15
B158-6	22.5	17	B158-8	53.22	28
B158-6	25.39	18	B158-8	63.9	10
B158-6	25.43	24	B158-8	71.5	13
B158-6	28.35	5	B158-8	90.33	15
B158-6	29.3	2	B158-8	90.71B	14
B158-6	33.10	40	B158-8	92.21	10
B158-6	33.15	5	B158-8	92.31	3
B158-6	53.22	28	B158-8	92.31	10
B158-6	63.4	43	B158-8	92.58	31
B158-6	67.11	14	B158-8	92.79	21
B158-6	67.12	61	B158-8	96.9	15
B158-6	67.15	15	B158-8	96.13	7
B158-6	67.21	11	B158-8	96.18	37
B158-6	71.3	4	B158-8	97.53	13
B158-6	71.5	32	B158-10	28.35	10
B158-6	71.7	3	B158-12	21.22	35
B158-6	71.7	24	B158-12	32.17	15
B158-6	71.12	40	B158-12	33.13	17
B158-6	90.55	10	B158-12	90.33	17
B158-6	90.71B	15	B158-12	92.67	14
B158-6	90.73	14	B158-16	96.32	65
B158-6	90.73	15	B158-103	52.13	23
B158-6	92.9	15	B158-103	92.46	48
B158-6	92.11	7	B158-103	96.17	14
B158-6	92.17	7	B158-103	96.17	28
B158-6	92.25	6	B158-103	96.32	66
B158-6	92.53	16	B158-116	32.17	9
B158-6	92.54	36	B158-402	92.45	28
B158-6	92.54	51	B158-404	97.41	33
B158-6	92.58	46	B158-404	97.46	37
B158-6	92.59	55	B158-406	90.55	22
B158-6	92.59	57	B158-406	92.18	28
B158-6	92.59	58	B158-408	29.3	24
B158-6	92.59	60	B158-408	90.15	3

<u>Numerical Index</u>	<u>Page</u>	<u>Item</u>	<u>Numerical Index</u>	<u>Page</u>	<u>Item</u>
B158-408	96.9	33	B161-104	71.5	7
B158-408	96.18	40	B161-108	21.19	6
B158-408	96.18	43	B161-108	21.35	10
B158-604	71.3	7	B161-108	21.39	3
B158-704	71.27	16	B161-108	28.15	18
B158-804	92.9	3	B161-108	28.23	18
B158-804	92.11	8	B161-108	28.29	15
B158-804	92.13	17	B162-2	28.29	24
B158-804	92.22	37	B162-2	71.5	5
B158-804	92.59	54	B162-2	90.55	5
B158-804	92.73	2	B162-2	97.19	14
B158-804	95.57	12	B162-3	32.5	3
B158-804	95.57	14	B162-3	71.23	7
B158-808	71.7	8	B162-3	90.1	16
B158-808	71.7	19	B162-3	90.27	19
B158-808	92.9	4	B162-3	97.19	31
B158-808	92.61	25	B162-3	97.55	51
B161-2	21.3	13	B162-4	67.22	53
B161-2	21.11	13	B162-4	96.13	11
B161-2	21.15	2	B163-2	29.11	24
B161-2	21.27	28	B163-2	67.5	16
B161-2	28.7	9	B163-2	67.9	1
B161-2	33.1	11	B163-2	67.25	5
B161-2	33.3	9	B173-5	21.4	28
B161-2	33.7	7	B175-1	28.15	4
B161-2	53.17	12	B175-1	28.23	4
B161-2	53.21	10	B175-3	28.2	35
B161-2	53.25	23	B175-4	25.15	9
B161-2	90.27	15	B175-4	28.15	9
B161-2	90.77	14	B175-4	28.23	9
B161-2	92.17	19	B175-11	25.1	21
B161-2	95.3	65	B175-11	90.45B	15
B161-2	96.41	17	B175-11	90.69	10
B161-4	6.21	2	B175-11	90.75	24
B161-4	6.23	2	B175-11	92.21	8
B161-4	21.31	17	B175-12	6.3	13
B161-4	28.9	18	B175-12	67.11	28
B161-4	33.7	28	B175-12	67.16	46
B161-4	53.18	46	B175-12	90.69	5
B161-4	76.1	16	B175-12	90.75	22
B161-4	76.7	2	B175-13	25.15	20
B161-4	92.54	34	B175-34	25.15	9
B161-4	92.69	7	B181-2	95.43	3
B161-4	95.3	63	B181-3	95.43	4
B161-4	97.29	10	B181-6	90.53B	8
B161-8	90.33	27	B181-6	95.14	42
B161-8	95.47	34	B181-6	95.14	48
B161-8	96.1	20	B181-10	95.14	44
B161-8	96.3	21	B181-11	95.14	44
B161-8	96.5	10	B181-12	95.3	60
B161-8	96.9	23	B184-1	95.39	6
B161-8	97.29	5	B184-2	95.39	9
B161-102	71.5	18	B184-11	95.39	8

<u>Numerical Index</u>	<u>Page</u>	<u>Item</u>	<u>Numerical Index</u>	<u>Page</u>	<u>Item</u>
B184-13	95.39	7	B227-3	21.22	40
B184-13	96.37	1	B227-3	22.2	38
B184-14	90.77	17	B227-3	25.35	8
B184-21	92.17	4	B227-3	25.39	20
B190-5	95.36	30	B227-3	25.43	10
B190-6	95.2	27	B227-3	33.13	28
B190-6	95.29	57	B227-3	67.1	15
B190-6	95.36	30	B227-3	67.11	9
B190-6	95.43	15	B227-3	67.15	10
B195-9	95.35	18	B227-3	67.21	6
B195-11	95.35	17	B227-3	90.69	19
B196-21	28.31	5	B227-3	92.35	8
B196-21	95.35	19	B227-3	92.54	45
B196-21	95.45	10	B227-3	92.58	29
B196-21	96.35	14	B227-3	92.61	27
B197-6	95.35	22	B227-3	95.1	16
B197-7	95.35	22	B227-3	95.9A	44
B198-1	28.31	6	B227-3	95.27	17
B198-1	96.35	13	B227-3	97.17	5
B202-1	32.11	25	B227-3	97.53	9
B204-1	6.1	7	B227-4	22.2	45
B204-1	21.15	31	B227-4	25.35	7
B204-1	92.45	4	B227-4	25.39	21
B204-1	92.45	15	B227-4	25.43	9
B204-2	6.1	4	B227-4	33.13	29
B204-2	25.1	17	B227-4	67.11	8
B204-2	25.19	4	B227-4	67.15	9
B204-2	96.28	31	B227-4	67.21	5
B204-3	25.1	20	B227-4	90.69	20
B204-5	28.13	5	B227-4	92.35	7
B204-5	28.21	5	B227-4	92.54	44
B206-4	95.43	8	B227-4	92.58	28
B206-5	95.43	23	B227-4	92.62	28
B208-5	28.1	3	B227-4	95.1	17
B208-6	28.1	2	B227-4	95.9A	45
B208-9	21.13	11	B227-4	95.27	18
B209-3	67.12	50	B227-4	97.17	6
B209-3	67.16	41	B227-6	95.1	14
B209-4	67.1	3	B227-6	95.9A	39
B209-4	67.11	30	B227-6	95.27	15
B209-4	67.15	22	B227-6	95.28	45
B209-8	6.3	10	B227-6	95.28	46
B218-2	10.7	10	B227-6	95.35	25
B219-4	90.23	19	B227-7	22.2	42
B226-8	90.43	17	B227-8	22.2	44
B226-8	90.45B	23	B227-8	97.53	8
B227-2	22.2	46	B227-9	28.31	2
B227-2	25.39	17	B227-14	67.1	16
B227-2	25.43	22	B228-1	53.31	2
B227-2	25.44	47	B228-2	53.31	5
B227-2	67.11	13	B232-1	67.12	43
B227-2	67.12	63	B232-1	67.16	34
B227-2	67.15	14	B232-1	67.29	14

<u>Numerical Index</u>	<u>Page</u>	<u>Item</u>	<u>Numerical Index</u>	<u>Page</u>	<u>Item</u>
B232-3	67.29	36	B260-3	28.15	27
B237-7	96.1	10	B260-3	28.23	27
B237-8	96.3	11	B260-3	33.1	15
B238-1	90.33	25	B260-3	33.3	8
B240-3	97.31	1	B260-3	33.10	34
B240-3	97.63	1	B260-3	53.25	27
B242-2	52.2	27	B260-3	90.3	20
B249-6	67.33	29	B260-3	90.5B	20
B250-13	67.33	32	B260-3	90.7B	29
B252-7	67.21	7	B260-3	90.10	29
B252-8	67.21	9	B260-3	90.15	8
B252-9	25.43	32	B260-3	90.39B	24
B252-10	25.44	40	B260-3	90.51	34
B254-3	28.5	14	B260-3	90.53C	44
B254-3	63.4	51	B260-3	90.65	4
B260-1	92.67	4	B260-3	90.77	10
B260-1	96.24	43	B260-3	92.46	46
B260-2	28.15	32	B260-3	95.2	39
B260-2	28.23	32	B260-3	95.7	12
B260-2	28.32	46	B260-3	95.9	12
B260-2	33.3	30	B260-3	95.13	21
B260-2	33.7	26	B260-3	95.17	16
B260-2	71.28	30	B260-3	95.21	31
B260-2	90.10	43	B260-3	96.17	13
B260-2	90.4	42	B260-3	96.17	14
B260-2	90.5C	35	B260-3	96.18	45
B260-2	90.7B	19	B260-3	96.31	30
B260-2	90.27	12	B260-3	97.2	30
B260-2	90.52	44	B260-3	97.5	18
B260-2	90.53C	40	B260-3	97.9	26
B260-2	95.5	11	B260-3	97.19	8
B260-2	95.7	27	B260-3	97.21	30
B260-2	95.9A	31	B260-3	97.23	22
B260-2	95.13	13	B260-3	97.25	11
B260-2	95.21	24	B260-3	97.33	11
B260-2	95.33	11	B260-3	97.49	12
B260-2	96.5	28	B260-4	71.5	19
B260-2	96.17	28	B260-4	96.18	36
B260-2	96.18	30	B260-5	21.3	10
B260-2	96.18	40	B260-6	96.18	34
B260-2	96.23	7	B260-6	96.31	17
B260-2	96.28	42	B260-9	97.25	12
B260-2	96.31	23	B260-11	33.7	22
B260-2	96.32	66	B260-11	90.55	27
B260-2	97.1	9	B260-15	92.18	31
B260-2	97.9	22	B260-20	96.18	40
B260-2	97.19	23	B260-20	96.18	43
B260-2	97.23	10	B260-22	96.18	43
B260-2	97.49	28	B260-23	96.18	37
B260-2	97.54	46	B260-33	71.3	2
B260-2	97.69	16	B260-34	71.3	6
B260-3	6.25	10	B261-2	52.13	23
B260-3	25.36	42	B261-2	71.7	13

<u>Numerical Index</u>	<u>Page</u>	<u>Item</u>	<u>Numerical Index</u>	<u>Page</u>	<u>Item</u>
B261-2	92.46	48	B263-1	76.8	35
B261-2	96.17	14	B263-1	90.1	8
B261-2	96.17	28	B263-1	90.15	4
B261-2	96.32	66	B263-1	90.25	4
B261-3	33.7	6	B263-1	90.31	7
B261-61	92.67	16	B263-1	90.31	8
B262-1	33.9	5	B263-1	90.33	14
B262-1	95.2	47	B263-1	90.33	16
B262-1	96.35	6	B263-1	90.41	15
B262-2	52.13	25	B263-1	92.1	28
B262-2	92.18	35	B263-1	92.35	11
B262-2	96.41	8	B263-1	92.45	29
B262-4	96.27	26	B263-1	92.49	17
B262-4	96.28	28	B263-1	92.53	15
B262-5	96.27	17	B263-1	92.54	35
B262-5	96.28	27	B263-1	92.54	49
B262-6	96.43	6	B263-1	92.59	51
B262-6	96.43	12	B263-1	92.69	9
B262-6	96.43	13	B263-1	95.2	31
B262-6	96.43	14	B263-1	95.27	4
B262-6	96.43	15	B263-1	95.28	38
B262-9	96.43	6	B263-1	95.36	37
B262-9	96.43	12	B263-1	95.45	5
B262-9	96.43	13	B263-1	95.57	6
B262-9	96.43	14	B263-1	96.11	9
B263-1	6.25	13	B263-1	96.35	20
B263-1	21.3	4	B263-1	97.17	13
B263-1	21.7	10	B263-1	97.42	34
B263-1	21.15	7	B263-1	97.46	38
B263-1	21.21	6	B263-1	97.53	3
B263-1	21.22	32	B263-1	97.54	26
B263-1	21.27	18	B263-1	97.54	27
B263-1	21.27	20	B263-1	97.54	35
B263-1	21.27	30	B263-1	97.61	14
B263-1	25.23	15	B263-1	97.69	9
B263-1	25.23	29	B263-1	97.69	13
B263-1	25.27	24	B263-2	6.25	14
B263-1	25.31	12	B263-2	21.3	2
B263-1	25.36	38	B263-2	21.15	8
B263-1	28.7	12	B263-2	25.27	25
B263-1	28.7	29	B263-2	25.36	39
B263-1	29.3	25	B263-2	28.35	11
B263-1	33.3	27	B263-2	33.1	9
B263-1	33.9	16	B263-2	33.3	5
B263-1	33.13	14	B263-2	33.3	11
B263-1	53.17	20	B263-2	33.9	17
B263-1	53.21	18	B263-2	53.17	11
B263-1	67.2	53	B263-2	53.18	30
B263-1	67.2	56	B263-2	53.21	9
B263-1	67.2	57	B263-2	53.22	32
B263-1	67.2	58	B263-2	71.5	12
B263-1	67.23	68	B263-2	71.5	31
B263-1	71.5	29	B263-2	76.7	26

<u>Numerical Index</u>	<u>Page</u>	<u>Item</u>	<u>Numerical Index</u>	<u>Page</u>	<u>Item</u>
B263-2	90.15	5	B263-11	96.9	30
B263-2	90.33	15	B263-12	21.7	10
B263-2	90.33	17	B263-12	21.22	32
B263-2	90.75	8	B263-12	21.27	30
B263-2	92.2	29	B263-12	33.13	14
B263-2	92.35	12	B263-12	67.2	57
B263-2	92.49	18	B263-12	71.5	29
B263-2	92.53	16	B263-12	76.8	35
B263-2	92.54	50	B263-12	90.1	8
B263-2	92.59	50	B263-12	90.15	4
B263-2	92.59	61	B263-12	90.25	4
B263-2	92.69	8	B263-12	92.1	28
B263-2	95.2	32	B263-12	92.35	11
B263-2	95.27	5	B263-12	92.45	29
B263-2	95.28	37	B263-12	92.49	17
B263-2	95.57	7	B263-12	92.54	35
B263-2	95.57	16	B263-12	92.54	49
B263-2	96.11	10	B263-12	92.59	51
B263-2	96.35	21	B263-12	92.69	9
B263-2	97.17	11	B263-12	95.27	4
B263-2	97.53	2	B263-12	95.36	37
B263-2	97.53	25	B263-12	95.57	6
B263-2	97.54	28	B263-12	97.17	13
B263-2	97.54	34	B263-12	97.42	34
B263-2	97.69	10	B263-12	97.46	38
B263-2	97.69	14	B263-12	97.53	3
B263-3	21.3	3	B263-12	97.54	27
B263-3	21.3	17	B263-12	97.54	35
B263-3	21.15	19	B263-13	33.1	9
B263-3	21.27	18	B263-13	33.3	11
B263-3	28.35	12	B263-13	53.18	30
B263-3	53.21	18	B263-13	53.22	32
B263-3	53.21	27	B263-13	71.5	31
B263-3	71.5	29	B263-13	76.7	26
B263-3	90.75	7	B263-13	90.15	5
B263-4	21.3	5	B263-13	90.77	13
B263-4	21.3	18	B263-13	92.2	29
B263-4	21.15	16	B263-13	92.35	12
B263-4	92.69	8	B263-13	92.49	18
B263-4	96.9	30	B263-13	92.54	50
B263-10	6.25	13	B263-13	92.69	8
B263-10	21.3	3	B263-13	95.27	5
B263-10	21.3	4	B263-13	97.17	11
B263-10	21.3	17	B263-13	97.53	2
B263-10	33.3	27	B263-13	97.53	25
B263-10	53.25	25	B263-13	97.54	28
B263-10	97.61	14	B263-13	97.54	34
B263-11	6.25	14	B263-14	21.21	6
B263-11	21.3	2	B263-14	21.27	20
B263-11	21.3	5	B263-14	25.23	15
B263-11	21.3	16	B263-14	25.23	29
B263-11	21.3	18	B263-14	25.27	24
B263-11	33.3	5	B263-14	25.36	38

<u>Numerical Index</u>	<u>Page</u>	<u>Item</u>	<u>Numerical Index</u>	<u>Page</u>	<u>Item</u>
B263-14	28.7	11	B263-62	21.27	17
B263-14	29.3	25	B263-68	96.32	58
B263-14	53.21	18	B264-1	53.17	14
B263-14	53.21	27	B264-1	53.21	12
B263-14	67.2	53	B264-1	53.25	25
B263-14	95.2	31	B264-11	53.17	14
B263-14	95.28	38	B264-11	53.21	12
B263-15	25.27	25	B264-13	53.17	11
B263-15	25.36	39	B264-13	53.21	9
B263-15	71.5	12	B266-4	21.15	11
B263-15	95.2	32	B266-4	21.21	5
B263-15	95.28	37	B266-4	33.9	30
B263-16	28.7	28	B266-4	90.43	13
B263-16	33.9	16	B266-4	90.45B	28
B263-16	53.17	20	B266-4	90.73	11
B263-17	33.9	17	B266-4	90.75	6
B263-18	67.23	68	B266-4	92.1	24
B263-18	90.31	8	B266-4	92.5	1
B263-20	67.2	58	B266-4	92.7	6
B263-20	90.31	7	B266-4	92.9	18
B263-22	21.27	18	B266-4	92.11	11
B263-23	21.27	24	B266-4	92.13	8
B263-32	21.15	7	B266-4	92.25	4
B263-32	25.31	12	B266-4	92.35	18
B263-32	90.33	14	B266-4	92.49	12
B263-32	90.41	15	B266-4	92.51	13
B263-32	90.75	7	B266-4	92.53	4
B263-32	92.53	15	B266-4	92.61	16
B263-32	96.11	9	B266-4	92.65	13
B263-32	97.54	26	B266-4	92.67	10
B263-32	97.69	9	B266-4	92.73	3
B263-33	21.15	8	B266-4	95.57	10
B263-33	90.33	15	B266-4	96.9	5
B263-33	90.75	8	B266-4	96.11	8
B263-33	92.53	16	B266-4	96.35	18
B263-33	92.59	50	B266-4	96.41	13
B263-33	92.59	61	B266-4	97.33	26
B263-33	95.57	7	B266-4	97.54	31
B263-33	95.57	16	B266-4	97.61	3
B263-33	96.11	10	B266-8	22.1	26
B263-33	97.69	10	B266-8	22.5	20
B263-34	28.35	12	B266-8	67.2	51
B263-34	90.33	16	B266-8	90.9	8
B263-34	97.69	13	B266-8	90.43	17
B263-35	28.35	11	B266-8	90.53B	24
B263-35	90.33	17	B266-8	92.58	32
B263-35	97.69	14	B266-8	92.61	19
B263-36	67.2	56	B266-8	92.67	15
B263-36	96.35	20	B266-8	92.73	23
B263-37	96.35	21	B266-8	97.15	5
B263-51	96.32	58	B266-8	97.17	7
B263-55	21.27	17	B266-8	97.33	24
B263-55	96.32	58	B266-8	97.37	6

<u>Numerical Index</u>	<u>Page</u>	<u>Item</u>	<u>Numerical Index</u>	<u>Page</u>	<u>Item</u>
B266-8	97.39	6	B269-11	92.49	9
B266-8	97.41	20	B269-11	92.49	19
B266-8	97.45	15	B269-12	90.3	7
B266-12	90.43	28	B269-12	90.5B	6
B266-104	71.3	9	B269-12	95.3	57
B266-104	71.5	8	B269-12	97.67	1
B266-104	71.7	6	B269-19	92.65	14
B266-104	71.7	25	B269-19	92.67	16
B266-108	71.3	20	B269-20	92.67	13
B267-2	71.27	23	B269-21	25.35	29
B267-2	92.58	35	B269-21	90.65	3
B267-2	92.67	7	B269-21	90.65	4
B267-2	92.67	13	B269-21	90.73	16
B267-2	92.67	16	B269-21	90.75	5
B267-2	92.79	21	B269-21	92.21	16
B267-3	71.27	23	B269-21	92.35	16
B267-3	92.9	19	B269-21	92.61	7
B267-3	92.11	5	B269-21	92.65	11
B267-3	92.51	19	B269-22	22.1	32
B267-3	92.67	7	B269-22	90.3	10
B267-3	92.67	13	B269-22	90.3	11
B267-3	92.67	16	B269-22	92.67	8
B267-3	97.13	13	B269-22	97.19	17
B267-3	97.13	18	B269-23	71.27	23
B267-4	92.67	16	B269-23	90.3	7
B267-5	28.31	19	B269-23	92.1	23
B267-5	71.27	23	B269-25	92.67	12
B267-5	92.11	5	B269-31	71.27	23
B267-5	96.43	11	B269-31	90.65	3
B267-6	92.11	5	B269-31	90.65	4
B268-3	25.44	45	B269-31	90.73	18
B268-3	67.2	52	B269-31	90.75	5
B268-3	92.5	5	B269-31	92.1	18
B268-3	92.7	4	B269-31	92.21	17
B268-3	92.11	4	B269-31	92.35	14
B268-3	92.49	14	B269-31	92.61	6
B268-3	92.51	18	B269-31	92.65	9
B268-3	92.53	6	B269-31	92.67	5
B268-3	92.73	22	B269-61	90.7B	4
B269-2	90.65	4	B269-61	90.9	11
B269-3	90.65	3	B269-62	90.7B	3
B269-4	25.35	29	B269-62	90.7B	5
B269-4	90.65	4	B269-62	90.7B	6
B269-4	90.75	5	B269-62	90.9	10
B269-4	92.21	16	B269-62	90.9	12
B269-4	92.35	15	B269-62	90.9	13
B269-4	92.61	5	B269-62	90.65	4
B269-4	92.62	29	B269-62	92.67	13
B269-4	92.65	10	B269-77	90.3	10
B269-6	92.67	7	B269-77	90.5B	5
B269-8	22.1	32	B269-77	90.73	17
B269-8	97.19	16	B269-82	71.27	23
B269-11	92.1	17	B269-78	90.3	11

<u>Numerical Index</u>	<u>Page</u>	<u>Item</u>	<u>Numerical Index</u>	<u>Page</u>	<u>Item</u>
B269-78	90.5B	4	B270-8.2OZ	12.3	7
B270-1	6.13	4	B270-8qt	12.3	7
B270-1	6.17	9	B270-8qt	21.21	14
B270-1	6.19	9	B270-8qt	21.25	3
B270-1	6.21	15	B270-8qt	25.15	3
B270-1	6.23	15	B270-8qt	25.17	18
B270-1	6.25	2	B270-8qt	52.2	45
B270-1	6.27	4	B270-8qt	52.7	12
B270-1	6.31	5	B270-8qt	53.22	34
B270-1	6.33	4	B270-8qt	67.23	73
B270-1	6.35	15	B270-8qt	90.63	3
B270-1	10.7	11	B270-8qt	90.77	16
B270-1	12.3	1	B270-8qt	92.45	10
B270-1	21.11	4	B270-8qt	95.1	4
B270-1	21.13	18	B270-8qt	95.13	3
B270-1	28.13	12	B270-8qt	95.27	26
B270-1	28.19	29	B270-8qt	95.35	3
B270-1	28.21	12	B270-8qt	95.43	6
B270-1	28.27	29	B270-8qt	96.11	18
B270-1	32.1	3	B270-9	12.3	8
B270-1	32.7	12	B270-9	52.1	9
B270-1	32.9	18	B270-9	52.7	8
B270-1	32.11	3	B270-9	90.3	28
B270-1	32.15	2	B270-9	90.5B	28
B270-1	52.17	29	B270-9	97.5	13
B270-1	53.29	11	B270-9	97.9	31
B270-1	62.1	17	B270-9	90.10	37
B270-1	63.9	18	B270-9	90.53C	51
B270-1	71.1	14	B270-9	92.80	55
B270-1	92.21	4	B270-9	95.22	37
B270-1	92.41	14	B270-9	97.19	12
B270-1	92.43	9	B270-9	97.21	22
B270-1	92.46	33	B270-9	97.23	30
B270-1	96.41	16	B270-9	97.49	21
B270-1CN	12.3	1	B270-9PT	12.3	8
B270-2	12.3	2	B270-10	12.3	9
B270-4	6.25	4	B270-10	52.5	31
B270-4	12.3	3	B270-10.5ML	12.3	9
B270-4	92.29	2	B270-11	6.15	12
B270-5	12.3	4	B270-11	12.3	10
B270-5	28.7	14	B270-11	67.5	28
B270-5	76.1	14	B270-11.5OZ	12.3	10
B270-5	76.5	9	B270-11.10ML	12.3	10
B270-5	96.17	6	B270-12.6OZ	12.3	11
B270-5	96.31	6	B270-13	6.31	3
B270-6	12.3	5	B270-13	12.3	12
B270-6	28.5	19	B270-13	33.7	15
B270-6	63.13	31	B270-13	53.17	16
B270-6	63.15	11	B270-13	53.21	14
B270-7	12.3	6	B270-13	67.42	33
B270-8	12.3	7	B270-13	92.65	2
B270-8	90.17	5	B270-13	95.13	27
B270-8.2CC	12.3	7	B270-13.10OZ	12.3	12

<u>Numerical Index</u>	<u>Page</u>	<u>Item</u>	<u>Numerical Index</u>	<u>Page</u>	<u>Item</u>
B270-13.100Z	52.17	23	B277-4	21.22	41
B270-14	21.25	21	B277-4	71.9	7
B270-14.5oz	67.2	59	B277-4	71.11	15
B270-15	9.2	33	B277-8	21.11	14
B270-15	9.3B	30	B277-8	71.19	23
B270-15	9.6	34	B277-12	21.33	14
B270-15	9.7C	31	B277-12	21.35	2
B270-15	12.3	14	B277-12	71.19	5
B270-15	22.2	36	B277-16	96.9	6
B270-15	25.40	33	B277-28	32.5	2
B270-15	25.43	2	B277-32	75.1	2
B270-15	67.11	7	B277-36	71.17	2
B270-15	67.15	7	B277-48	71.21	10
B270-15	67.21	2	B278-2	63.1	19
B270-16	12.3	15	B280-5	25.44	46
B270-17	12.3	16	B280-5	67.21	10
B270-17	90.1	6	B280-6	67.21	8
B270-18	12.3	17	B283-12	28.10	41
B270-18	25.1	3	B289-2	62.1	18
B270-18	28.7	16	B289-2	79.9	21
B270-18	52.1	4	B289-4	28.1	23
B270-18	52.7	4	B289-4	28.15	29
B270-18	90.17	9	B289-4	28.23	29
B270-18	95.13	29	B294-2	90.15	22
B270-18	95.28	29	B295-1	52.18	51
B270-19	12.3	18	B297-2	90.13	14
B270-20	12.4	19	B297-2	90.55	11
B270-20	95.2	50	B297-2	92.17	10
B270-20	95.28	49	B297-2	96.21	3
B270-21	12.4	20	B297-2	96.23	19
B270-21	29.7	5	B297-2	96.37	11
B270-21	29.11	32	B297-2	97.19	20
B270-21GAL	12.4	20	B297-2	97.51	14
B270-22	12.4	21	B297-2	97.65	19
B270-22	32.17	27	B297-3	90.7B	18
B270-23	12.4	22	B297-3	90.10	40
B270-24	12.4	23	B297-3	92.17	10
B270-25	12.4	24	B297-3	97.26	34
B270-26	12.4	25	B297-3	97.31	26
B270-27	12.4	26	B297-5	22.1	29
B270-28	12.4	27	B297-5	28.32	44
B272-1	90.73	23	B297-5	33.3	24
B274-14	21.15	27	B297-5	71.28	26
B274-450	53.22	29	B297-5	90.39B	20
B274-518	6.25	16	B297-5	90.52	42
B274-518	25.23	13	B297-5	90.53C	39
B274-518	90.73	5	B297-5	90.55	11
B274-525	92.59	53	B297-5	90.69	25
B274-607	95.21	7	B297-5	90.71B	6
B274-610	22.5	17	B297-5	90.75	26
B277-024	21.33	3	B297-5	92.17	10
B277-064	53.3	18	B297-5	95.5	20
B277-4	21.13	26	B297-5	95.7	26

<u>Numerical Index</u>	<u>Page</u>	<u>Item</u>	<u>Numerical Index</u>	<u>Page</u>	<u>Item</u>
B297-5	95.9	26	B300-1	92.69	10
B297-5	96.21	3	B300-1	97.17	15
B297-5	97.1	6	B300-2	92.58	30
B297-5	97.5	21	B300-3	22.2	37
B297-5	97.9	18	B300-3	25.35	10
B297-5	97.21	7	B300-3	67.11	18
B297-5	97.23	7	B300-3	67.15	17
B297-5	97.26	33	B300-4	28.31	10
B297-5	97.31	19	B300-4	95.51	6
B297-5	97.33	32	B300-5	21.22	36
B297-5	97.37	29	B300-5	33.13	20
B297-5	97.39	31	B300-7	25.39	27
B297-5	97.49	27	B300-7	25.43	15
B297-7	33.7	20	B301-8	25.36	44
B297-7	90.7	20	B301-8	28.32	30
B297-7	90.31	19	B301-8	90.3	22
B297-7	90.55	11	B301-8	90.5B	22
B297-7	90.59	6	B301-8	90.7B	30
B297-7	90.77	20	B301-8	90.7	12
B297-7	95.17	20	B301-8	90.10	32
B297-7	95.21	23	B301-8	90.13	9
B297-7	96.21	3	B301-8	90.39B	29
B297-10	90.4	38	B301-8	90.51	35
B297-10	90.5B	31	B301-8	90.53C	46
B297-10	92.2	32	B301-8	92.1	4
B297-10	92.17	10	B301-8	92.75	19
B297-10	95.51	31	B301-8	92.79	16
B297-10	96.14	42	B301-8	92.80	56
B297-10	96.21	3	B301-8	95.5	14
B297-10	96.28	37	B301-8	95.7	18
B297-10	96.32	57	B301-8	95.9	18
B297-10	97.69	30	B301-8	95.13	12
B297-15	90.55	11	B301-8	95.21	32
B297-25	21.28	36	B301-8	95.39	13
B297-25	92.17	10	B301-8	96.18	48
B298-__	92.45	7	B301-8	96.32	33
B298-10	90.53B	10	B301-8	97.2	33
B298-102	21.21	18	B301-8	97.5	14
B298-102	21.25	7	B301-8	97.9	32
B298-104	21.25	2	B301-8	97.19	9
B298-31	21.21	19	B301-8	97.21	26
B298-31	21.25	20	B301-8	97.23	26
B298-33	21.21	19	B301-8	97.25	13
B298-33	21.25	20	B301-8	97.33	13
B298-34	21.21	19	B301-8	97.49	15
B298-34	21.25	20	B301-8	97.51	9
B300-1	21.22	31	B301-8	97.63	18
B300-1	33.13	11	B301-8	97.65	14
B300-1	67.1	14	B303-1	67.33	20
B300-1	90.69	18	B304-12	33.15	13
B300-1	92.35	9	B304-12	96.5	1
B300-1	92.54	47	B304-17	96.31	11
B300-1	92.61	26	B306-4	67.1	10

<u>Numerical Index</u>	<u>Page</u>	<u>Item</u>	<u>Numerical Index</u>	<u>Page</u>	<u>Item</u>
B320-3	90.63	6	B330-13	67.5	1
B320-3	95.13	17	B330-13	67.22	63
B320-3	95.29	65	B330-13	67.25	6
B320-3	95.40	39	B330-13	67.29	8
B320-6	95.29	65	B330-13	67.33	3
B320-79	95.13	22	B330-13	67.35	8
B320-79	95.40	37	B330-13	67.37	1
B322-2	53.17	15	B330-13	67.37	14
B322-2	53.21	13	B330-13	67.39	13
B322-4	6.21	12	B330-16	10.5	17
B322-4	6.23	12	B330-16	29.7	7
B322-4	6.31	12	B330-16	29.11	6
B322-4	6.33	13	B330-16	53.7	13
B322-4	6.35	8	B330-16	67.41	9
B322-6	6.21	21	B330-16	64.1	12
B322-10	6.37	14	B330-16	65.9	26
B322-11	6.19	6	B330-16	67.2	45
B322-11	92.43	17	B330-16	67.5	13
B322-12	6.17	15	B330-16	67.9	2
B322-12	92.41	11	B330-16	67.25	20
B322-13	6.33	22	B330-16	67.27	8
B322-14	92.43	3	B330-16	67.29	10
B329-1	95.36	45	B330-16	67.35	14
B330-2	25.35	17	B330-16	67.37	5
B330-2	92.13	12	B330-19	8.1	12
B330-2	97.53	19	B330-19	21.31	7
B330-5	28.1	20	B330-19	29.7	8
B330-5	28.16	34	B330-19	29.9	11
B330-5	28.24	34	B330-19	29.11	7
B330-6	28.1	22	B330-19	53.25	11
B330-6	28.15	28	B330-19	67.41	30
B330-6	28.23	28	B330-19	67.42	43
B330-6	29.7	15	B330-19	64.1	6
B330-6	29.9	8	B330-19	67.27	2
B330-7	22.1	16	B330-19	67.33	21
B330-7	22.5	5	B330-21	29.3	15
B330-7	28.9	33	B330-21	29.9	19
B330-7	65.3	7	B330-21	29.11	28
B330-7	65.5	1	B330-21	53.14	52
B330-7	67.22	39	B330-24	62.3	24
B330-7	76.1	29	B330-25	29.4	39
B330-7	76.7	10	B332-40	90.41	13
B330-13	29.7	21	B332-42	90.17	7
B330-13	29.11	23	B332-42	90.23	7
B330-13	53.7	8	B332-42	92.51	5
B330-13	67.41	7	B332-42	95.2	38
B330-13	63.1	7	B332-42	95.13	20
B330-13	64.1	24	B332-43	90.34	30
B330-13	65.1	11	B332-441	67.5	19
B330-13	65.3	1	B339-2	95.45	16
B330-13	65.7	1	B340-4	6.1	9
B330-13	65.9	12	B340-4	6.3	9
B330-13	67.2	42	B340-4	6.11	3

<u>Numerical Index</u>	<u>Page</u>	<u>Item</u>	<u>Numerical Index</u>	<u>Page</u>	<u>Item</u>
B340-4	6.21	11	B420-1	6.41	3
B340-4	6.23	11	B421-1	97.17	26
B340-4	21.17	27	B421-3	97.15	20
B340-4	21.35	19	B426-3	63.5	79
B340-4	52.5	12	B427-1	52.5	4
B340-4	90.43	11	B427-1	52.11	5
B340-4	90.43	22	B525-1	90.1	13
B340-4	90.45B	6	B526-6	6.9	4
B340-4	90.57	11	B526-6	6.11	2
B340-4	90.71C	35	B526-6	6.13	11
B340-4	92.53	21	B526-6	6.43	12
B340-4	92.79	13	B526-6	28.13	2
B340-8	25.3	21	B526-6	28.19	19
B340-8	25.11	7	B526-6	28.21	2
B340-8	32.9	1	B526-6	28.27	19
B340-8	52.5	18	B526-6	32.5	4
B340-8	90.44	35	B526-6	90.57	29
B340-8	90.45B	19	B526-6	92.29	8
B340-8	92.7	14	B526-6	92.43	18
B340-10	25.3	23	B526-6	92.75	32
B340-10	25.5	30	B526-6	92.80	44
B340-10	25.9	1	B526-8	28.13	10
B340-10	32.2	46	B526-8	28.19	18
B340-10	52.5	25	B526-8	28.21	10
B340-13	10.7	14	B526-8	28.27	18
B341-1	95.2	40	B526-8	92.39	7
B341-1	95.31	6	B527-08	90.57	28
B341-1	96.23	2	B527-08	92.76	35
B341-4	95.2	41	B527-08	92.80	43
B341-4	96.23	3	B557-1	33.7	12
B344-25	92.49	5	B557-2	33.7	11
B345-4	64.1	21	B557-3	33.7	2
B361-2	64.1	27	B557-4	33.7	17
B381-1	25.21	1	B557-7	33.7	5
B381-3	25.21	5	B557-8	33.7	9
B385-12	96.43	7	B560-1	97.17	1
B392-3	25.15	24	B560-4	97.15	1
B395-1	95.14	33	B563-1	65.10	39
B395-1	95.33	13	B563-2	29.3	1
B395-1	95.39	34	B563-2	33.15	9
B398-1	95.31	11	B563-2	63.4	45
B401-3	21.33	2	B563-2	79.5	7
B401-3	90.9	17	B563-4	65.9	1
B401-3	90.51	22	B564-1	67.19	6
B401-3	90.53B	30	B565-1	97.54	48
B401-4	53.17	19	B566-1	63.4	61
B409-5	52.17	2	B566-2	65.9	15
B415-2	96.6	32	B567-25	95.33	10
B415-2	96.13	23	B567-43	25.36	40
B415-2	96.18	31	B567-43	28.32	36
B415-2	96.18	39	B567-43	90.3	27
B415-2	96.31	18	B567-43	90.5B	27
B417-2	96.23	16	B567-43	90.7	14

<u>Numerical Index</u>	<u>Page</u>	<u>Item</u>	<u>Numerical Index</u>	<u>Page</u>	<u>Item</u>
B567-43	90.7B	31	B774-3	63.4	57
B567-43	90.10	36	B774-4	67.23	70
B567-43	90.13	11	B774-5	52.14	36
B567-43	90.39C	36	B774-8	71.9	2
B567-43	90.52	36	B774-9	6.7	9
B567-43	90.53C	50	B774-10	71.12	42
B567-43	92.1	8	B823-10	95.36	39
B567-43	92.75	22	B823-11	95.36	41
B567-43	92.79	14	B823-12	95.36	39
B567-43	92.80	54	B830-23	11.6	20
B567-43	95.5	16	B830-24	11.5	8
B567-43	95.7	21	B830-24	11.5	8
B567-43	95.9	21	B830-25	11.2	19
B567-43	95.13	8	B830-25	11.2	19
B567-43	95.22	36	B830-50	11.2	13
B567-43	95.39	17	B830-55	11.2	15
B567-43	96.18	50	B830-86	11.1	4
B567-43	96.32	35	B830-87	11.1	6
B567-43	97.1	27	B830-88	11.1	7
B567-43	97.5	12	B830-89	11.1	9
B567-43	97.9	30	B830-90	11.1	10
B567-43	97.19	11	B830-91	11.2	22
B567-43	97.21	21	B830-91	11.5	15
B567-43	97.23	17	B830-92	11.3	37
B567-43	97.25	19	B830-93	11.5	10
B567-43	97.33	14	B830-94	11.5	10
B567-43	97.49	20	B830-95	11.5	11
B567-43	97.51	11	B830-96	11.1	5
B567-43	97.63	20	B830-97	11.1	3
B567-43	97.65	16	B830-99	11.6	18
B570-1	63.4	42	B840-16	11.9	11
B630-1	90.44	43	B840-17	11.9	15
B630-1	90.45C	36	B840-20	11.9	13
B630-1	96.27	10	B840-21	11.9	9
B630-2	90.44	45	B840-23	11.9	14
B630-2	92.7	18	B840-24	11.9	8
B630-2	92.7	20	B840-25	11.9	3
B630-2	92.22	34	B840-26	11.9	6
B630-2	92.22	51	B840-27	11.9	1
B630-2	92.61	13	B841-12	11.6	18
B630-2	96.27	13	B841-14	11.5	8
B630-3	90.44	44	B841-15	11.2	19
B630-3	92.22	50	B841-16	11.5	8
B630-3	92.61	12	B841-17	11.2	19
B630-3	96.27	11	B841-18	11.2	15
B630-10	92.22	43	B841-18	11.3	36
B630-11	92.21	21	B841-19	11.1	1
B630-11	90.51	30	B841-21	11.2	18
B630-12	92.22	33	B841-23	11.1	2
B630-14	92.22	48	B841-25	11.3	28
B630-16	90.51	26	B841-30	11.1	3
B631-1	96.27	8	B841-33	11.2	13
B769-2	67.42	36	B841-39	11.6	20

<u>Numerical Index</u>	<u>Page</u>	<u>Item</u>	<u>Numerical Index</u>	<u>Page</u>	<u>Item</u>
B841-51	11.2	22	C023-821	6.29	23
B841-53	11.5	11	C023-822	6.29	20
B841-54	11.5	10	C026-005	52.1	1
B841-55	11.5	10	C026-006	52.1	1
B841-56	11.1	9	C026-015	52.1	1
B841-57	11.3	25	C026-016	52.1	1
B841-61	11.1	6	C026-017	52.7	1
B841-62	11.1	4	C026-018	52.7	1
B841-63	11.1	5	C026-025	52.1	1
B841-64	11.5	11	C026-026	52.1	1
B841-65	11.3	38	C026-027	52.7	1
B841-67	11.2	23	C026-028	52.7	1
B842-13	11.2	19	C026-035	52.1	1
B842-15	11.2	19	C026-036	52.1	1
B842-16	11.2	15	C026-037	52.7	1
B842-17	11.2	18	C026-038	52.7	1
B842-18	11.1	2	C026-045	52.1	1
B842-20	11.1	3	C026-046	52.1	1
B842-23	11.2	13	C026-047	52.7	1
B842-25	11.2	22	C026-048	52.7	1
B842-26	11.2	23	C031-1	65.9	31
B842-27	11.5	11	C031-1	64.1	11
B842-30	11.1	9	C039-3	33.13	32
B842-31	11.1	6	C041-3	65.7	13
B842-32	11.1	4	C041-5	65.7	6
B842-33	11.1	5	C041-6	65.7	7
B859-595	97.53	2	C041-11	65.7	15
B859-640	97.53	2	C041-12	65.3	24
C004-2	53.25	1	C041-13	65.7	10
C005-4	62.3	11	C042-1	53.25	2
C005-13	62.1	1	C043-1	53.26	41
C005-13R	62.1	1	C044-1	53.25	5
C005-14	62.1	24	C044-2	53.25	5
C008-10	64.1	1	C044-2	53.29	15
C017-6	67.42	38	C048-1	67.19	1
C021-1	65.9	5	C049-1	65.9	17
C021-1R	65.9	5	C049-9	67.1	13
C023-12	53.18	39	C049-10	90.25	8
C023-21	53.17	1	C049-10	97.53	16
C023-21	53.21	1	C049-13	90.25	8
C023-23	6.39	1	C049-13	97.53	7
C023-24	53.17	1	C049-14	96.21	7
C023-34	53.17	1	C049-15	6.25	13
C023-35	53.17	1	C049-18	97.54	33
C023-1013	6.29	17	C050-2	53.29	10
C023-1845	6.37	6	C058-9	67.12	51
C023-1845	6.39	10	C058-9	67.16	38
C023-1846	6.37	5	C058-10	67.1	2
C023-1846	6.39	9	C058-10	67.11	1
C023-2815	53.18	35	C058-11	67.12	56
C023-2815	92.9	17	C058-12	25.39	13
C023-757	53.18	35	C058-13	25.43	26
C023-757	92.9	16	C058-16	22.2	34

<u>Numerical Index</u>	<u>Page</u>	<u>Item</u>	<u>Numerical Index</u>	<u>Page</u>	<u>Item</u>
C058-18	25.39	13	C130-34	90.48	37
C058-19	25.43	26	C130-34	90.48	39
C058-2329	67.12	63	C130-37	52.5	11
C058-2441	67.12	63	C130-47	67.5	23
C063-5	9.1	2	C130-49	10.5	10
C063-5	9.3B	2	C130-50	22.1	19
C063-6	9.1	1	C130-51	22.5	7
C063-6	9.3B	1	C130-51	71.19	16
C069-8	67.1	1	C130-51	92.67	17
C069-14	67.1	1	C130-53	63.4	63
C105-1	32.1	28	C130-54	25.21	4
C105-3	67.2	48	C130-55	90.29	3
C105-6	67.41	17	C130-56	6.37	11
C106-5	62.3	3	C130-56	90.57	8
C106-7	62.3	4	C130-56	92.79	8
C107-1	65.13	17	C130-57	90.47	32
C109-1	65.13	13	C130-59	95.33	4
C110-1	65.13	1	C130-60	95.3	53
C112-1	65.13	5	C130-60	95.28	51
C112-2	65.13	16	C130-61	28.29	26
C115-1	67.41	27	C130-62	63.1	26
C116-1	65.13	9	C130-63	90.51	8
C117-8	62.3	5	C137-1	64.1	5
C117-9	62.3	6	C138-2	64.1	14
C117-10	62.3	7	C141-1	67.41	25
C117-11	62.3	8	C141-2	65.13	2
C117-34	65.9	22	C141-4	32.1	5
C117-35	65.9	23	C141-4	53.14	50
C117-36	65.9	24	C141-5	32.1	24
C117-67	67.41	16	C141-5	53.8	35
C117-68	67.41	16	C141-6	32.1	23
C117-69	67.41	16	C141-6	53.7	34
C119-2	64.1	29	C141-15	52.11	13
C121-1	67.5	25	C141-16	25.5	12
C121-17	67.39	15	C141-16	53.13	21
C121-18	67.39	16	C141-19	67.41	15
C125-1	65.9	29	C141-22	53.14	48
C130-2	67.19	12	C148-5	53.26	54
C130-3	63.4	58	C150-1	62.3	20
C130-5	52.2	19	C152-1	62.3	2
C130-5	52.7	15	C154-1	62.3	12
C130-9	53.25	3	C156-1	62.1	13
C130-12	67.5	11	C156-2	62.1	13
C130-15	29.7	19	C158-1	62.1	23
C130-15	29.11	12	C165-1	62.1	14
C130-19	21.35	17	C165-2	62.1	12
C130-22	92.22	35	C175-5	67.6	39
C130-24	67.33	30	C177-5	67.2	41
C130-25	67.33	24	C189-14	62.3	9
C130-26	32.7	7	C191-7	65.3	21
C130-26	71.11	10	C197-1	67.45	10
C130-33	53.14	49	C197-2	67.45	10
C130-34	67.37	16	C197-3	67.45	10

<u>Numerical Index</u>	<u>Page</u>	<u>Item</u>	<u>Numerical Index</u>	<u>Page</u>	<u>Item</u>
C197-4	67.45	10	C266-2	65.13	19
C197-5	67.45	10	C273-3	52.17	30
C197-6	67.45	10	C276-3	32.1	26
C199-2	67.45	12	C283-5	63.7	11
C200-1	67.45	3	C284-1	63.3	2
C201-1	67.45	11	C284-1	63.7	10
C203-5	67.41	4	C285-1	52.2	18
C204-2	67.42	37	C285-1	52.7	16
C204-3	67.41	18	C298-2	62.1	6
C205-1	67.45	9	C298-3	62.1	7
C206-1	67.45	4	C298-4	62.1	5
C211-3	52.18	34	C317-5	67.35	25
C212-1	25.17	2	C317-7	67.33	8
C212-2	25.17	4	C317-9	67.35	23
C212-3	25.17	1	C319-5	67.5	35
C214-10	67.15	12	C327-1	67.33	35
C214-24	25.39	22	C329-3	67.22	64
C214-24	25.43	3	C343-8	67.25	4
C214-24	67.11	11	C343-11	67.29	12
C214-27	22.2	47	C343-12	67.29	13
C214-27	25.39	22	C343-13	67.29	2
C214-27	25.43	4	C343-14	67.29	3
C218-1	67.45	8	C346-1	67.35	20
C218-2	67.45	6	C358-4	21.1	3
C219-1	67.45	7	C360-2	8.1	18
C219-2	67.45	5	C365-13	21.1	15
C228-2	52.5	10	C366-5	52.17	11
C228-4	52.5	5	C366-6	52.18	48
C238-3	52.18	36	C366-8	52.17	10
C238-4	52.18	35	C367-11	52.17	20
C238-27	52.17	21	C389-3	52.11	2
C238-28	52.17	21	C389-4	52.11	2
C238-34	52.18	37	C389-9	52.11	8
C242-7	32.2	41	C389-10	52.11	8
C242-8	32.2	42	C393-1	52.8	42
C246-5	32.2	38	C393-2	52.8	42
C246-5	32.12	30	C394-1	52.11	10
C246-6	32.2	38	C394-2	52.5	30
C246-6	32.12	30	C394-2	52.11	12
C247-1	32.2	32	C420-2	25.1	4
C247-1	32.11	18	C421-6	25.13	10
C247-3	32.1	2	C421-7	25.13	8
C251-3	62.3	16	C424-2	25.1	5
C251-3	63.3	1	C425-5	52.2	26
C252-1	62.3	17	C425-5	52.8	24
C253-2	62.1	2	C425-9	52.2	24
C258-1	67.42	55	C425-10	52.2	24
C258-2	67.42	53	C425-11	52.7	20
C258-4	67.42	54	C425-12	52.7	20
C258-5	67.42	32	C448-2	28.32	33
C258-6	67.42	45	C448-2	90.3	24
C261-5	53.3	9	C448-2	90.5B	24
C261-6	53.3	2	C448-2	90.7C	33

<u>Numerical Index</u>	<u>Page</u>	<u>Item</u>	<u>Numerical Index</u>	<u>Page</u>	<u>Item</u>
C448-2	90.10	35	C545-2	65.10	33
C448-2	90.39C	32	C545-3	65.10	33
C448-2	90.52	38	C554-1	53.25	30
C448-2	90.53C	49	C554-2	53.25	15
C448-2	95.7	15	C579-2	71.21	18
C448-2	95.9	16	C579-4	71.21	13
C448-2	95.21	34	C599-1	95.1	19
C448-2	97.1	28	C599-1	95.28	32
C448-2	97.5	8	C599-1	95.32	32
C448-2	97.10	35	C599-1	95.35	7
C448-2	97.19	1	C599-1R	95.1	19
C448-2	97.21	23	C599-2	95.1	19
C448-2	97.23	18	C599-2	95.28	32
C448-2	97.25	17	C599-2	95.32	32
C448-2	97.31	15	C599-2	95.35	7
C448-2	97.49	18	C599-2R	95.1	19
C448-3	92.80	51	C599-3	95.1	19
C448-3	95.13	6	C599-3	95.28	32
C448-4	97.1	28	C599-3	95.32	32
C448-5	28.32	34	C599-3	95.35	7
C448-5	90.5B	25	C599-3R	95.1	19
C448-5	90.7C	34	C599-6	95.1	19
C448-5	90.39C	33	C599-6	95.28	32
C448-5	90.52	39	C599-6	95.35	7
C448-5	95.5	13	C599-6R	95.1	19
C448-5	95.7	17	C599-7	95.1	19
C448-5	95.9	17	C599-7R	95.1	19
C448-5	95.21	35	C623-1	25.11	5
C448-5	97.25	16	C623-2	25.11	5
C448-6	95.13	7	C623-3	25.11	5
C452-4	96.17	16	C627-6	25.9	3
C452-5	96.5	16	C627-6	25.11	6
C452-5	96.31	10	C627-6	25.13	7
C452-7	96.32	46	C646-9	9.1	21
C470-1	53.26	48	C646-9	9.5	13
C470-1	53.29	3	C646-10	9.1	22
C470-2	53.26	47	C646-10	9.5	11
C470-3	53.26	46	C647-8	65.5	7
C479-1	95.13	16	C647-12	67.45	15
C480-1	67.41	22	C648-1	62.3	15
C494-1	67.19	11	C648-2	67.41	13
C518-1	21.31	4	C648-3	62.3	14
C522-5	21.1	7	C649-4	63.15	9
C522-10	76.1	7	C653-3	63.3	7
C522-11	76.5	2	C654-2	11.6	20
C522-11	76.7	6	C654-2	53.26	40
C526-1	33.7	15	C654-7	11.2	20
C526-2	33.7	15	C654-8	11.2	21
C526-3	33.7	14	C654-17	11.1	8
C529-1	33.3	13	C654-18	53.26	53
C529-1	53.25	16	C654-30	90.27	2
C544-1	52.7	9	C654-31	90.27	3
C545-1	65.10	33	C654-46	97.17	28

<u>Numerical Index</u>	<u>Page</u>	<u>Item</u>	<u>Numerical Index</u>	<u>Page</u>	<u>Item</u>
C682-2	52.7	10	C937-2	32.2	51
C682-3	52.1	13	C943-7	32.11	19
C685-1	95.45	4	C943-8	32.11	19
C700-1	9.9	3	C944-1	32.11	11
C700-7	9.9	5	C944-3	32.11	14
C710-1	11.5	1	C944-4	32.11	12
C710-1	97.57	18	C944-5	32.11	13
C710-3	33.13	7	C945-1	32.11	23
C710-3	97.57	3	C945-2	32.11	23
C710-3	97.59	24	C947-3	65.1	6
C710-3	97.61	22	C947-3	65.3	4
C710-4	97.59	26	C950-17	32.11	16
C710-4	97.61	24	C950-18	32.11	16
C712-2	11.5	2	C950-19	32.17	3
C712-2	33.13	16	C950-20	32.17	3
C717-13	9.1	15	C950-23	32.17	3
C717-13	9.3B	15	C950-24	32.17	3
C717-14	9.1	14	C950-25	32.11	16
C717-14	9.3B	14	C950-26	32.11	16
C718-1	9.1	7	C958-6	67.5	21
C718-1	9.3B	7	C966-2	65.13	14
C718-1	9.5	4	C966-8	63.3	32
C718-1	9.7B	4	C966-10	63.5	86
C718-4	9.1	3	D015-3	90.33	20
C718-4	9.3B	3	D049-3	33.3	4
C718-4	9.5	3	D049-3	53.25	29
C718-4	9.7B	3	D049-7	97.25	25
C719-1	32.2	43	D050-13	92.29	13
C719-1	32.2	54	D070-1	53.18	38
C722-1	62.1	15	D070-1	65.3	12
C758-1	25.44	35	D072-1	65.3	25
C758-2	67.22	46	D078-1	53.18	26
C758-4	25.25	8	D078-1	53.21	24
C758-4	25.44	39	D078-2	53.18	24
C769-2	67.42	39	D078-2	53.21	22
C795-1	6.9	3	D078-3	53.18	25
C795-2	6.9	1	D078-3	53.21	23
C797-1	90.27	5	D079-1	53.26	37
C801-1	95.17	3	D079-1	53.29	5
C801-2	95.21	3	D080-1	53.18	37
C802-201	97.25	7	D081-1	53.26	33
C850-1844	6.39	3	D081-2	53.26	50
C850-1847	6.39	4	D081-2	53.29	6
C904-1	97.29	17	D081-4	53.26	51
C905-5	97.49	7	D081-4	53.29	4
C905-5	97.63	9	D082-1	53.26	31
C905-6	90.5B	10	D098-1	90.1	4
C905-6	97.1	25	D098-3	90.1	3
C915-1	9.1	13	D098-6	25.31	7
C915-1	9.3B	13	D114-2	29.1	11
C915-1	9.5	9	D114-4	63.3	16
C915-1	9.7B	9	D114-5	63.4	55
C937-1	32.2	50	D117-2	63.9	9

<u>Numerical Index</u>	<u>Page</u>	<u>Item</u>	<u>Numerical Index</u>	<u>Page</u>	<u>Item</u>
D118-1	63.9	6	D210-3	22.5	9
D119-1	11.5	3	D210-3	25.5	10
D122-4	21.21	10	D210-3	25.11	3
D122-6	21.22	39	D210-3	25.23	8
D122-8	21.25	13	D210-3	25.31	23
D126-2	63.9	17	D210-3	28.9	32
D127-3	10.7	2	D210-3	28.16	58
D136-2	10.5	19	D210-3	28.24	58
D136-3	10.5	14	D210-3	28.35	13
D151-2	62.3	21	D210-3	53.7	21
D173-2	10.5	13	D210-3	63.3	29
D173-2	67.27	1	D210-3	63.7	8
D173-3	67.42	31	D210-3	63.9	16
D173-3	67.42	42	D210-3	65.1	2
D173-4	67.42	47	D210-3	65.3	8
D184-1	97.41	4	D210-3	65.5	2
D195-2	65.3	27	D210-3	67.19	8
D195-3	65.3	15	D210-3	67.22	40
D196-1	65.3	23	D210-3	67.29	19
D200-1	29.7	4	D210-3	67.33	25
D200-1	29.11	4	D210-3	71.11	11
D200-2	29.7	12	D210-3	71.15	11
D200-2	29.9	4	D210-3	71.19	3
D200-3	29.7	10	D210-3	90.45C	45
D205-14	29.9	18	D210-3	90.51	29
D205-17	29.3	30	D210-3	92.27	8
D205-17	29.11	19	D210-3	95.29	62
D205-18	29.3	31	D210-3	96.5	30
D205-18	29.11	30	D210-3	96.32	41
D205-19	63.13	3	D210-4	9.3B	16
D205-20	63.13	5	D210-4	9.7B	14
D205-21	28.1	33	D210-4	25.5	20
D205-21	28.9	31	D210-4	29.7	20
D205-22	29.9	10	D210-4	29.11	22
D205-23	29.9	15	D210-4	32.19	10
D205-24	29.9	9	D210-4	53.7	9
D205-25	63.4	50	D210-4	53.17	22
D205-35	28.16	52	D210-4	53.29	1
D205-36	28.21	7	D210-4	67.41	6
D205-36	28.21	9	D210-4	63.1	6
D205-36	28.27	4	D210-4	64.1	23
D205-36	28.27	5	D210-4	65.1	10
D205-36	28.29	13	D210-4	65.3	2
D205-36	28.29	18	D210-4	65.7	2
D205-37	28.24	52	D210-4	65.9	11
D210-08	29.7	14	D210-4	67.2	43
D210-08	29.9	7	D210-4	67.5	2
D210-3	6.21	19	D210-4	67.22	62
D210-3	6.25	18	D210-4	67.25	7
D210-3	9.3B	9	D210-4	67.29	7
D210-3	9.7B	7	D210-4	67.33	4
D210-3	22.1	7	D210-4	67.35	7
D210-3	22.1	12	D210-4	67.37	2

<u>Numerical Index</u>	<u>Page</u>	<u>Item</u>	<u>Numerical Index</u>	<u>Page</u>	<u>Item</u>
D210-4	67.37	15	D269-1	28.31	14
D210-4	67.39	5	D269-1	28.31	15
D210-4	92.27	11	D269-1	33.10	37
D210-4	96.9	8	D269-1	92.13	19
D210-5	9.9	1	D269-2	28.31	16
D210-5	29.7	6	D269-2	28.31	17
D210-5	29.11	5	D269-2	33.10	38
D210-5	53.7	1	D269-2	92.13	18
D210-5	62.1	4	D269-5	28.31	20
D210-5	67.41	10	D269-5	92.9	20
D210-5	64.1	13	D269-5	92.51	17
D210-5	65.3	20	D269-5	92.58	34
D210-5	65.9	25	D269-5	92.69	21
D210-5	67.2	44	D269-6	28.31	21
D210-5	67.27	7	D269-6	92.9	19
D210-6	8.1	11	D269-6	92.58	35
D210-6	25.5	17	D269-6	92.69	20
D210-6	53.25	10	D269-9	67.2	55
D210-6	64.1	7	D269-11	67.2	54
D210-6	67.33	22	D269-11	96.11	20
D210-6	90.43	20	D269-11	96.35	8
D210-7	32.1	15	D269-12	96.35	9
D210-7	53.14	51	D269-21	33.10	39
D210-8	62.3	23	D269-22	28.31	20
D210-10	53.11	8	D275-101	28.31	19
D210-10	63.7	21	D275-101	92.46	48
D211-3	29.3	22	D275-101	96.23	10
D212-5	29.7	22	D275-101	96.43	8
D212-6	29.11	9	D275-102	71.7	14
D224-3	65.3	34	D275-102	96.5	25
D224-4	65.3	22	D275-102	96.17	28
D226-2	62.3	22	D275-201	96.5	8
D237-2	96.9	18	D275-203	96.5	9
D260-2	21.27	3	D277-6	28.7	21
D260-4	21.27	2	D277-8	21.13	3
D260-4	96.43	3	D277-8	28.1	8
D260-5	21.27	6	D277-8	28.5	6
D260-6	21.27	9	D277-8	28.15	16
D260-6	96.43	6	D277-8	28.23	16
D260-6	96.43	12	D277-8	71.19	29
D260-6	96.43	13	D277-9	21.13	5
D260-6	96.43	14	D277-9	28.5	1
D260-6	96.43	15	D298-1	53.29	16
D262-1	92.17	21	D301-2	8.1	7
D262-1	96.21	15	D301-4	8.1	6
D262-1	96.21	16	D301-6	8.1	9
D262-2	96.5	2	D301-8	8.1	8
D262-3	21.27	10	D319-2	63.5	83
D262-10	96.9	31	D319-2	63.13	4
D262-11	25.32	33	D320-1	22.5	10
D267-1	96.41	9	D320-8	22.1	8
D268-1	90.51	15	D322-1	6.37	3
D268-2	92.79	10	D322-3	6.37	7

<u>Numerical Index</u>	<u>Page</u>	<u>Item</u>	<u>Numerical Index</u>	<u>Page</u>	<u>Item</u>
D322-7	6.37	9	D385-4	92.27	14
D323-2	22.1	31	D392-11	90.55	8
D323-10	22.7	2	D392-11	90.57	19
D323-12	22.7	3	D392-12	92.75	28
D327-5	90.51	2	D400-2	90.21	12
D333-13	76.5	14	D401-7	90.33	5
D336-1	67.33	28	D402-1	90.33	21
D337-1	67.19	9	D405-4	90.33	26
D339-1	95.51	23	D405-6	90.34	36
D339-2	95.51	34	D406-9	90.48	41
D339-3	95.51	3	D407-13	90.47	15
D339-4	95.51	13	D407-17	90.41	2
D339-6	95.51	26	D409-8	90.47	27
D339-7	95.51	27	D410-2	90.48	40
D340-2	95.51	24	D410-3	90.47	35
D340-708	95.52	40	D410-3	90.48	36
D344-4	92.62	30	D410-5	90.47	28
D344-4	92.65	17	D410-6	90.47	29
D344-19	92.51	4	D410-9	90.39	11
D344-27	92.69	5	D417-5	90.23	17
D344-29	92.69	4	D426-5	90.39	3
D344-31	92.11	16	D426-9	90.45C	44
D344-33	92.11	15	D426-10	90.45C	44
D349-1	92.27	6	D428-16	90.23	9
D349-3	90.21	7	D429-12	92.37	7
D350-6	90.17	10	D429-15	92.33	9
D351-4	92.29	9	D429-15	92.33	13
D351-5	92.29	11	D429-16	92.37	9
D353-4	22.1	25	D431-2265	90.70	58
D353-5	22.5	12	D431-2265	90.71B	18
D354-3	22.1	1	D431-2402	90.65	7
D354-4	22.5	18	D431-2402	90.67	11
D358-1	22.7	13	D431-2403	90.65	8
D358-5	22.7	13	D431-2403	90.67	4
D359-1	95.14	34	D431-2404	90.65	9
D359-1	95.40	44	D431-2404	90.67	8
D368-2	92.5	6	D431-2405	90.65	10
D368-8	92.5	15	D431-2405	90.67	12
D368-9	92.5	3	D431-2654	90.69	31
D368-10	92.5	18	D432-1	90.33	28
D368-11	92.9	10	D432-2	90.33	18
D371-4	6.13	3	D435-1	90.67	9
D372-4	95.52	38	D436-6	90.63	10
D374-3	92.27	18	D443-3	67.11	5
D374-6	92.27	13	D443-5	67.11	3
D379-1	25.43	5	D443-6	25.39	26
D379-1	67.11	2	D443-7	22.2	41
D379-1	67.15	3	D443-7	67.11	15
D379-2	25.43	25	D445-1	90.47	34
D379-2	67.11	21	D452-3	29.9	12
D379-2	67.15	19	D452-3	29.11	18
D384-2	6.21	9	D452-4	29.3	16
D384-2	6.23	9	D452-4	29.11	27

<u>Numerical Index</u>	<u>Page</u>	<u>Item</u>	<u>Numerical Index</u>	<u>Page</u>	<u>Item</u>
D452-4	29.9	20	D590-1	92.58	41
D452-6	29.4	38	D599-4	90.33	10
D454-3	29.9	13	D599-4	90.37	4
D454-3	29.11	17	D599-12	90.37	5
D454-4	29.3	17	D599-13	90.37	3
D454-4	29.9	21	D599-13	90.39	2
D454-4	29.11	26	D599-13	90.45C	51
D454-6	29.4	37	D599-14	90.45C	51
D487-3	29.3	20	D599-15	90.37	2
D494-2	29.3	5	D600-3	90.63	4
D494-2	33.15	10	D606-1	21.22	44
D494-2	63.4	44	D606-1	33.13	31
D500-2	29.1	5	D608-2	90.75	2
D500-2	63.3	22	D609-4	90.75	25
D500-3	63.4	68	D610-5	90.69	3
D507-2	29.3	26	D610-6	90.69	4
D516-1	29.3	10	D610-6	90.71C	32
D553-1	92.53	1	D610-6	90.75	21
D553-2	92.53	25	D613-4	90.7	3
D555-4	22.7	20	D616-1	90.23	18
D557-4	92.65	8	D617-5	90.75	13
D557-5	92.65	5	D618-1	92.39	11
D563-1	6.23	24	D651-1	90.15	15
D564-1	90.33	22	D661-1	52.18	38
D565-12	90.41	5	D669-3	32.7	14
D566-4	92.53	8	D669-6	32.7	16
D566-5	92.53	13	D669-6	32.15	8
D566-9	92.53	3	D674-2	32.17	20
D566-10	92.53	22	D674-6	32.17	19
D573-1	52.5	16	D674-7	32.17	14
D573-3	52.5	29	D674-9	32.7	15
D573-4	52.5	21	D674-9	32.15	9
D573-6	52.5	32	D674-10	32.17	18
D573-7	52.5	24	D674-11	32.17	8
D574-9	52.5	26	D674-12	32.17	17
D574-10	52.5	26	D674-13	32.15	7
D574-11	52.2	29	D674-13	32.17	21
D574-12	52.2	29	D675-4	32.9	3
D575-1	52.5	27	D676-2	32.9	9
D575-2	52.5	22	D676-3	25.27	19
D575-3	52.5	19	D679-3	32.7	1
D576-1	92.53	27	D680-1	32.9	5
D579-7	92.65	4	D682-19	92.46	42
D579-9	92.65	7	D682-43	95.45	17
D580-2	97.41	27	D684-1	67.1	4
D580-2	97.45	31	D684-1	67.11	31
D580-4	92.45	27	D684-1	67.15	23
D580-5	25.31	14	D686-1	53.18	36
D580-6	25.31	14	D690-1	67.12	49
D586-7	92.39	6	D690-1	67.16	40
D586-8	92.39	5	D690-2	67.12	54
D588-4	92.39	13	D690-2	67.16	42
D588-5	92.35	1	D692-3	96.21	13

<u>Numerical Index</u>	<u>Page</u>	<u>Item</u>	<u>Numerical Index</u>	<u>Page</u>	<u>Item</u>
D692-3	96.27	16	D770-4	32.17	11
D692-4	96.21	14	D770-5	32.17	12
D692-4	96.27	14	D770-6	32.17	13
D693-4	25.23	12	D774-4	63.10	40
D694-4	90.47	9	D774-6	67.12	41
D696-6	67.5	26	D774-6	67.15	29
D703-8	97.42	36	D785-2	21.11	23
D703-11	97.33	21	D785-7	21.11	18
D703-11	97.37	15	D789-10	21.13	12
D703-11	97.39	17	D799-2	21.3	15
D703-11	97.46	41	D799-3	21.3	12
D704-1	97.41	2	D799-7	21.15	1
D704-6	97.41	26	D799-8	21.22	45
D704-6	97.45	30	D805-2	52.17	28
D704-9	97.41	8	D812-8	21.21	13
D704-10	90.53B	11	D830-2	92.46	45
D704-11	97.41	31	D830-2	96.23	6
D704-11	97.46	35	D830-2	96.23	13
D721-1	6.21	22	D856-5	90.41	10
D724-1	32.12	33	D930-2	76.2	38
D725-5	90.70	55	E002-2	92.31	1
D725-6	90.70	61	E003-7	92.33	1
D725-7	90.70	64	E195-2	92.27	10
D725-7	90.73	12	E195-2	92.33	2
D725-8	90.69	34	E199-3	92.31	2
D745-3	71.5	11	E199-3	92.33	3
D746-1	97.61	1	E204-6	92.27	9
D746-2	97.59	2	E204-6	92.33	4
D746-2	97.61	2	E204-6	92.33	8
D746-3	97.59	1	E801-1	92.27	19
D746-2221	97.61	11	F001-11	63.7	25
D755-1	67.29	30	F003-3	25.1	9
D755-4	67.29	16	F003-4	25.1	7
D758-2	32.7	20	F003-5	25.17	10
D758-4	32.7	20	F003-6	25.17	3
D761-1	32.7	4	F003-7	25.17	9
D761-2	32.7	3	F003-8	25.17	7
D763-3	90.47	5	F003-9	25.17	11
D764-2	90.47	6	F003-10	25.17	6
D765-2	90.47	12	F003-11	25.17	17
D766-1621	92.39	12	F003-12	25.17	16
D766-2378	92.39	14	F003-13	25.17	13
D766-2813	92.37	3	F003-13	25.17	14
D766-2813	92.39	9	F003-14	25.17	8
D768-4	52.13	16	F003-15	25.17	5
D768-7	52.1	7	F003-17	21.25	9
D768-8	52.1	6	F003-17	25.17	9
D768-8	95.3	56	F003-18	21.25	8
D768-8	95.29	53	F003-18	25.17	5
D768-8	95.39	2	F003-25	25.17	7
D770-1	32.17	6	F003-26	25.17	7
D770-2	32.17	7	F006-1	63.3	10
D770-3	32.17	10	F006-6	63.3	10

<u>Numerical Index</u>	<u>Page</u>	<u>Item</u>	<u>Numerical Index</u>	<u>Page</u>	<u>Item</u>
F009-1	75.1	1	F059-2292	96.18	46
F014-2	32.1	1	F059-2306	96.18	46
F014-5	32.1	1	F059-2312	96.17	18
F014-4	32.11	1	F059-2313	96.17	17
F015-3	90.37	16	F059-2322	96.5	3
F015-3	95.52	36	F059-2324	96.5	23
F016-2	62.1	1	F060-162	92.13	14
F018-1	63.1	13	F060-163	92.13	15
F018-1	63.1	13	F060-686	90.27	17
F020-1	53.13	4	F060-687	90.27	18
F029-1	64.1	31	F082-2	32.5	1
F029-2	64.1	2	F082-3	32.5	1
F033-1	90.39C	35	F082-4	32.5	6
F033-1	90.51	23	F082-5	32.5	6
F033-1	97.49	24	F082-12	32.5	7
F046-1	53.7	7	F082-13	32.5	7
F046-1	71.7	28	F082-14	32.5	8
F046-1	79.9	22	F082-15	32.5	8
F046-2	53.7	11	F082-22	32.5	1
F049-01	63.3	11	F082-23	32.5	1
F049-03	71.23	4	F087-2	52.18	33
F049-04	28.1	18	F087-3	21.25	6
F049-07	71.25	9	F087-3	33.9	18
F049-08	71.9	21	F090-1	52.18	44
F049-08	71.11	17	F090-2	52.18	41
F049-09	71.3	21	F090-5	52.18	32
F049-010	71.23	4	F090-125	33.9	15
F049-011	96.13	21	F090-126	33.9	15
F049-012	71.3	21	F090-2289	33.9	3
F049-012	71.5	1	F090-2290	33.9	4
F049-012	71.7	1	F101-4	53.7	12
F049-013	28.7	30	F110-2	65.10	34
F049-013	71.23	4	F110-4	29.1	9
F049-015	28.7	13	F110-4	63.3	25
F049-1979	96.18	33	F121-1	67.33	13
F049-1979	96.31	21	F121-3	67.27	4
F049-1981	96.31	24	F121-5	67.5	18
F049-1985	71.21	5	F121-5	67.9	4
F049-1988	71.21	8	F121-7	67.5	17
F049-2324	96.32	56	F121-7	67.9	5
F049-2572	96.32	48	F121-9	67.35	22
F049-2575	96.32	59	F121-11	67.37	26
F059-65	96.5	24	F121-12	67.37	27
F059-66	96.5	4	F121-13	67.37	7
F059-283	90.27	13	F121-14	67.37	8
F059-284	90.27	14	F137-1	64.1	3
F059-1386	96.18	32	F137-2	64.1	4
F059-1492	97.61	12	F143-1	63.5	92
F059-1944	96.18	46	F145-1	71.1	11
F059-1976	96.18	29	F145-1	71.27	1
F059-1976	96.18	46	F145-1	79.9	19
F059-2055	96.18	35	F146-1	63.5	91
F059-2227	6.25	14	F147-1	76.2	37

<u>Numerical Index</u>	<u>Page</u>	<u>Item</u>	<u>Numerical Index</u>	<u>Page</u>	<u>Item</u>
F169-1	71.19	1	F239-1	32.19	15
F169-2	71.19	8	F239-2	32.1	12
F169-9	71.19	2	F239-2	32.11	8
F170-1	71.19	21	F239-3	32.1	30
F170-2	71.19	20	F239-3	32.11	4
F172-3	65.5	6	F239-4	32.1	18
F173-1	71.19	11	F239-4	32.11	4
F173-2	71.19	31	F239-5	32.2	53
F174-1	53.7	15	F239-6	32.2	52
F193-2	65.3	10	F241-3	32.1	16
F193-2	65.5	4	F241-4	32.1	20
F195-1	65.3	16	F247-1	32.1	13
F196-1	65.1	1	F247-2	32.1	19
F198-1	67.45	13	F250-1	28.1	29
F215-1	21.3	25	F250-10	28.2	40
F215-2	21.3	22	F250-10	28.29	2
F227-1	52.5	8	F252-1	53.13	7
F227-2	52.5	8	F254-1	63.4	33
F227-3	52.5	2	F255-3	63.4	54
F227-4	52.5	2	F256-1	63.4	65
F230-7	52.17	22	F261-1	53.3	1
F230-8	52.17	22	F261-13	53.3	17
F231-1	53.13	26	F261-14	53.3	15
F231-3	21.17	7	F261-15	53.3	14
F231-7	53.13	27	F261-16	53.3	13
F231-8	53.13	31	F261-17	53.3	9
F232-1	90.1	15	F261-18	53.3	2
F232-1	90.27	20	F263-1	63.5	93
F232-1	97.29	1	F266-1	63.4	37
F232-1	97.55	50	F266-2	63.4	60
F233-1	21.39	13	F267-1	63.5	80
F233-1	28.10	38	F267-2	63.5	76
F233-1	90.23	5	F270-1	63.5	94
F233-1	96.18	44	F272-1	52.18	46
F233-1	96.31	29	F272-1	90.67	2
F234-1	21.39	9	F273-1	52.18	31
F234-1	53.14	38	F273-1	90.73	3
F234-1	63.1	11	F274-1	52.17	9
F234-1	63.13	25	F274-2	52.17	8
F234-1	71.9	5	F274-3	52.17	9
F234-1	71.12	41	F274-4	52.17	8
F234-1	71.15	16	F288-2	53.18	32
F234-1	71.17	7	F288-2	53.22	35
F234-1	79.5	14	F288-3	53.18	43
F234-1	79.9	2	F290-1	25.9	5
F235-13	53.13	1	F290-1	67.22	65
F236-1	79.1	8	F290-1	96.13	1
F237-1	53.13	32	F290-2	92.75	14
F238-1	97.41	24	F291-1	97.53	17
F238-1	97.45	28	F291-2	97.53	5
F238-4	52.17	3	F291-3	90.25	3
F239-1	32.2	31	F292-1	10.5	7
F239-1	32.11	8	F292-2	21.31	16

<u>Numerical Index</u>	<u>Page</u>	<u>Item</u>	<u>Numerical Index</u>	<u>Page</u>	<u>Item</u>
F292-2	21.36	40	F365-1	21.1	11
F292-2	21.39	4	F365-1	28.32	35
F292-2	90.57	12	F365-1	90.7	13
F292-2	92.79	20	F365-1	90.13	10
F293-1	21.31	11	F365-1	97.25	18
F293-1	21.35	20	F365-1	97.51	10
F293-1	25.36	41	F365-1	97.65	15
F293-1	28.9	19	F365-9	21.33	12
F293-1	92.13	6	F367-1	52.18	45
F293-1	96.43	16	F367-2	52.18	40
F293-2	21.33	19	F367-5	52.17	17
F293-2	21.35	6	F367-6	52.17	14
F293-2	22.5	24	F367-7	52.17	16
F293-2	22.7	4	F367-8	52.17	15
F293-2	90.57	27	F367-9	52.18	50
F293-2	90.59	2	F367-10	52.17	7
F293-2	90.67	1	F367-12	52.17	6
F293-2	90.73	9	F370-1	92.45	2
F293-2	92.75	1	F371-1	25.5	29
F293-2	92.80	40	F374-7	25.5	15
F296-1	21.35	22	F374-7	53.13	23
F296-2	21.35	16	F375-1	32.9	22
F297-1	25.9	11	F375-2	92.80	30
F297-1	33.9	25	F377-1	21.11	24
F297-1	96.11	11	F377-1	21.13	2
F297-2	96.43	4	F377-1	92.45	23
F297-2	97.54	30	F378-4	21.15	25
F300-1	62.1	10	F380-6	21.15	30
F303-1	67.22	61	F380-7	21.15	32
F305-5	79.1	5	F380-8	6.3	14
F306-1	79.3	1	F381-6	76.7	15
F309-1	79.3	8	F382-3	25.27	13
F316-1	67.37	20	F383-4	90.41	8
F328-1	67.21	20	F384-1	53.14	37
F334-1	67.33	9	F384-2	21.39	14
F334-2	76.7	17	F384-3	79.5	13
F338-1	67.1	25	F385-8	21.11	17
F339-1	67.25	12	F386-2	28.9	7
F348-1	28.9	4	F386-2	76.1	2
F348-1	25.40	39	F386-2	76.5	4
F348-1	67.22	43	F387-1	6.17	18
F349-1	67.35	4	F387-1	6.21	13
F351-1	28.9	20	F387-1	6.23	13
F352-2	22.7	17	F387-1	21.13	19
F352-2	92.75	21	F387-1	92.43	2
F359-2	28.32	37	F387-1	92.67	19
F359-2	76.1	18	F388-1	6.17	7
F359-2	97.25	20	F388-3	6.11	8
F359-2	97.37	26	F389-1	21.11	3
F359-2	97.39	28	F391-1	22.5	11
F359-2	97.41	15	F393-1	21.11	31
F359-2	97.45	16	F393-2	21.11	32
F362-5	92.75	29	F407-1	97.55	53

<u>Numerical Index</u>	<u>Page</u>	<u>Item</u>	<u>Numerical Index</u>	<u>Page</u>	<u>Item</u>
F411-9	32.1	17	F469-20	25.15	1
F423-1	25.1	1	F469-21	25.15	2
F423-1	25.13	6	F469-24	25.15	6
F423-1	92.21	6	F469-25	25.15	2
F423-1	92.73	21	F469-26	25.15	1
F423-4	25.13	3	F470-5	25.17	17
F424-1	25.13	5	F470-6	25.17	16
F426-2	25.9	14	F470-7	25.17	14
F434-1	25.6	35	F470-8	25.17	13
F434-2	25.6	36	F470-9	25.17	15
F436-1	97.57	16	F470-10	25.17	12
F436-1	97.61	16	F474-1	6.3	15
F436-2	97.59	7	F474-2	6.3	11
F436-2	97.61	5	F475-1	6.11	9
F436-5	11.5	5	F475-6	6.11	5
F436-5	97.57	16	F490-1	11.2	16
F436-6	11.5	4	F490-1	96.21	9
F436-6	97.57	5	F490-3	11.2	16
F437-1	97.59	15	F490-3	96.21	9
F437-1	97.61	13	F492-1	92.13	10
F437-4	25.5	5	F492-3	92.17	22
F439-1	97.57	15	F550-1	28.1	24
F443-3	6.1	18	F550-2	28.16	40
F444-1	11.2	15	F550-3	28.24	40
F444-1	67.1	21	F560-1	53.13	24
F445-1	6.1	8	F560-1	63.7	22
F445-1	11.2	13	F560-1	63.9	19
F445-3	6.1	17	F574-1	53.7	27
F445-3	11.2	13	F574-10	53.7	5
F453-5	71.17	6	F574-10	53.14	36
F461-1	6.3	1	F577-1	71.3	26
F461-4	92.54	32	F577-1	76.1	28
F461-5	92.58	37	F577-3	71.3	14
F463-1	6.3	4	F577-3	76.1	24
F463-1	11.3	37	F577-5	71.19	32
F463-2	92.59	66	F579-1	71.17	1
F465-1	25.1	19	F580-1	71.17	4
F466-3	21.13	24	F593-1	71.1	4
F467-1	6.3	7	F593-3	71.1	9
F467-3	6.3	7	F597-1	71.17	3
F469-1	25.15	18	F600-2	25.35	31
F469-2	25.15	12	F600-2	95.1	8
F469-5	25.15	10	F600-2	95.28	36
F469-6	25.15	8	F600-2	95.35	11
F469-7	25.15	15	F600-3	95.28	36
F469-8	25.15	25	F620-1	21.36	36
F469-9	25.15	19	F621-1	21.35	32
F469-10	25.15	5	F621-2	21.36	37
F469-11	25.15	17	F628-1	25.3	9
F469-12	25.15	4	F628-2	25.3	10
F469-13	25.15	11	F628-3	25.5	33
F469-14	25.15	7	F628-4	25.5	2
F469-15	25.15	16	F628-5	25.3	25

<u>Numerical Index</u>	<u>Page</u>	<u>Item</u>	<u>Numerical Index</u>	<u>Page</u>	<u>Item</u>
F628-6	25.5	25	F654-37	97.25	23
F642-1	63.1	27	F654-38	97.25	3
F642-6	63.1	28	F654-39	90.39B	17
F642-7	63.1	10	F654-40	97.33	7
F644-1	90.29	7	F654-40	97.37	5
F644-3	90.29	6	F654-40	97.39	5
F649-1	79.7	1	F654-44	25.27	7
F649-1	79.9	25	F654-47	25.27	10
F650-1	53.11	3	F654-48	25.36	46
F650-1	63.7	5	F654-49	96.27	22
F650-2	53.11	11	F661-2	95.3	52
F650-2	63.7	6	F661-2	95.28	50
F651-1	63.13	13	F661-2	95.39	3
F651-2	63.13	15	F670-1	28.10	37
F651-3	63.13	14	F679-2	28.35	16
F654-1	11.1	11	F680-1	6.1	13
F654-1	67.21	28	F680-3	6.1	1
F654-3	11.3	26	F680-5	6.1	3
F654-3	79.5	22	F689-1	28.1	30
F654-4	11.3	33	F689-1	28.16	45
F654-4	67.11	26	F689-1	28.24	45
F654-4	67.16	44	F693-1	96.11	21
F654-5	11.2	22	F693-4	96.35	10
F654-5	28.16	47	F693-5	96.11	14
F654-5	28.24	47	F695-1	97.63	27
F654-7	11.5	11	F695-4	71.25	3
F654-7	52.13	7	F695-4	97.63	27
F654-8	11.5	10	F702-11	90.73	8
F654-8	52.13	11	F706-1	6.5	4
F654-9	11.5	10	F706-1	53.5	1
F654-9	52.13	11	F723-1	79.9	15
F654-10	11.1	9	F723-2	79.9	16
F654-11	11.3	29	F723-3	79.9	7
F654-12	11.3	25	F723-4	79.9	5
F654-15	11.3	24	F724-1	63.13	22
F654-16	11.3	30	F724-2	63.13	27
F654-17	11.1	10	F724-3	63.13	28
F654-19	11.1	7	F731-4	28.1	14
F654-19	25.1	11	F741-1	71.5	27
F654-20	11.1	6	F748-1	97.6	36
F654-21	11.1	4	F748-1	97.9	12
F654-22	11.1	5	F755-1	67.29	1
F654-24	11.5	9	F755-2	67.29	25
F654-24	96.1	24	F755-3	67.29	24
F654-24	96.3	24	F758-1	67.21	3
F654-24	96.9	25	F771-1	71.9	1
F654-25	11.5	7	F771-4	71.21	16
F654-26	11.5	11	F771-7	75.1	10
F654-27	11.3	38	F780-1	32.2	55
F654-28	11.3	33	F780-1	32.19	12
F654-28	67.11	26	F780-2	32.19	4
F654-28	67.12	58	F781-1	32.19	3
F654-37	97.21	31	F782-1	32.19	1

<u>Numerical Index</u>	<u>Page</u>	<u>Item</u>	<u>Numerical Index</u>	<u>Page</u>	<u>Item</u>
F782-2	32.19	2	F859-127	33.10	41
F792-1	95.1	5	F859-129	96.11	22
F792-1	95.28	34	F859-200	97.26	40
F792-1	95.34	34	F859-200	97.33	33
F792-1	95.35	6	F859-239	97.49	13
F792-2	95.28	34	F859-263	97.26	39
F794-1	6.11	1	F859-263	97.31	23
F794-1	90.67	5	F859-283	97.54	34
F794-2	6.11	12	F859-283	97.54	47
F794-3	6.13	12	F859-284	97.54	34
F794-4	6.13	13	F859-284	97.54	49
F816-3	90.51	14	F859-466	97.34	37
F820-1	76.7	31	F859-594	97.54	28
F821-1	76.7	30	F859-626	96.28	38
F822-1	76.7	28	F859-626	97.70	35
F823-1	63.13	23	F859-640	97.54	28
F837-3	25.23	27	F859-643	97.25	6
F837-4	6.25	9	F859-643	97.31	13
F850-210	6.15	8	F859-643	97.49	14
F850-212	6.29	7	F859-644	97.26	38
F850-212	6.31	7	F859-644	97.31	22
F850-212	6.33	7	F859-644	97.49	32
F850-264	6.19	1	F859-646	97.54	28
F850-452	6.17	11	F859-703	97.33	33
F850-452	97.21	14	F859-1386	96.31	12
F850-452	97.29	9	F859-1426	97.34	37
F850-468	6.27	11	F859-1492	97.59	16
F850-468	6.29	10	F859-1944	96.31	31
F850-468	6.31	20	F859-1964	96.13	24
F850-468	6.33	20	F859-1975	96.32	67
F850-941	6.21	24	F859-1976	96.31	26
F850-942	6.21	3	F859-1976	96.31	31
F850-942	6.21	25	F859-1980	96.32	67
F850-942	6.23	21	F859-2001	96.11	22
F850-1012	6.23	20	F859-2221	97.59	14
F850-1213	6.31	9	F859-2292	96.31	31
F850-1214	6.23	18	F859-2313	96.31	25
F850-1219	6.23	4	F859-2328	33.10	42
F850-1317	6.29	1	F859-2570	96.28	45
F850-1317	6.33	10	F859-2570	97.70	34
F850-1415	6.21	18	F859-2574	96.31	31
F850-1627	6.17	1	F859-2626	97.69	15
F850-1847	6.43	10	F859-2626	97.70	38
F850-2730	6.43	3	F859-2690	96.27	17
F850-2731	6.43	7	F859-2690	96.28	44
F859-01	71.7	22	F859-2692	96.27	17
F859-01	71.25	2	F859-2697	28.35	9
F859-01	97.31	5	F859-2698	28.35	9
F859-01	97.63	5	F859-2702	28.35	9
F859-1	79.5	6	F859-2715	28.35	9
F859-65	96.5	24	F859-2786	28.32	29
F859-66	96.5	4	F859-2991	96.5	3
F859-111	96.11	22	F902-1	29.3	19

<u>Numerical Index</u>	<u>Page</u>	<u>Item</u>	<u>Numerical Index</u>	<u>Page</u>	<u>Item</u>
F902-2	29.4	45	G055-6	95.27	16
F904-1	63.4	40	G055-14	95.28	43
F906-1	63.1	20	G057-1	71.9	3
F908-1	63.4	38	G057-1	71.11	2
F910-1	63.5	70	G057-1	71.15	2
F921-1	25.1	10	G058-1	71.15	1
F928-1	25.1	14	G058-2	71.11	1
F930-1	25.1	16	G060-3	97.1	3
F931-1	25.1	12	G060-4	90.5B	1
F932-1	25.1	8	G060-4	90.9	1
F936-1	25.1	2	G060-4	90.45C	39
F936-2	25.1	18	G060-4	90.53B	1
F950-1	97.9	5	G061-1	95.13	1
F950-2	97.5	28	G061-2	95.13	1
F950-3	97.9	11	G061-3	95.13	1
F950-4	97.13	5	G061-4	95.1	3
F951-1	97.13	9	G061-4	95.13	2
G004-1	53.7	33	G061-5	95.14	51
G004-2	6.5	8	G062-1	64.1	15
G004-4	6.7	15	G062-2	64.1	15
G004-8	6.7	1	G064-7	90.5B	17
G004-8	75.1	9	G064-7	95.14	50
G004-10	6.5	16	G065-1	95.1	18
G010-2	28.15	1	G071-10	90.51	5
G010-4	28.21	1	G109-1	63.10	46
G010-4	28.23	1	G110-1	63.9	26
G010-4	28.27	6	G111-1	63.10	44
G019-1	21.36	35	G113-1	63.10	48
G023-1	53.13	35	G113-2	63.10	38
G023-1	76.1	15	G123-1	96.3	28
G024-1	28.13	17	G123-2	96.1	28
G024-1	53.7	26	G127-1	25.6	43
G028-1	28.1	1	G130-1	97.29	18
G028-1	28.5	5	G130-4	96.1	13
G028-1	28.29	1	G130-4	96.3	20
G033-1	63.3	18	G130-4	96.9	19
G039-2	53.1	12	G130-5	96.1	9
G040-1	53.1	34	G130-5	96.3	12
G040-3	53.1	22	G130-5	96.9	16
G040-4	53.1	11	G130-6	96.1	21
G040-5	53.1	3	G130-6	96.3	22
G040-7	53.1	10	G131-1	96.1	5
G049-1	90.55	3	G131-1	96.3	2
G050-8	95.17	8	G131-2	96.1	12
G050-8	95.19	1	G131-2	96.3	4
G050-8	95.21	12	G131-3	96.9	21
G050-8	95.25	1	G132-4	25.25	1
G050-8	95.29	67	G134-1	10.5	4
G050-8	95.33	5	G135-1	25.40	51
G050-22	95.27	1	G135-2	25.40	50
G051-9	95.29	68	G135-3	25.40	54
G051-10	95.27	25	G135-5	25.35	22
G051-23	95.27	2	G135-6	25.27	11

<u>Numerical Index</u>	<u>Page</u>	<u>Item</u>	<u>Numerical Index</u>	<u>Page</u>	<u>Item</u>
G135-7	25.36	49	G197-5	33.9	9
G135-8	25.36	48	G197-9	33.9	12
G136-1	25.39	15	G197-10	33.9	10
G136-2	25.43	18	G197-11	33.9	13
G136-3	25.39	19	G197-13	33.10	43
G136-3	25.43	11	G198-1	95.1	9
G136-7	25.39	8	G198-1	95.27	24
G136-8	67.12	62	G198-1	95.35	21
G137-1	25.27	6	G198-2	95.39	4
G138-1	25.40	42	G198-3	95.2	48
G138-2	25.35	18	G198-3	95.28	47
G138-4	25.35	15	G198-6	95.9A	43
G138-5	25.31	26	G198-6	95.27	12
G138-6	25.31	26	G198-7	95.9A	43
G138-7	25.32	27	G198-7	95.27	12
G138-8	25.32	27	G200-1	71.1	8
G140-1	25.27	23	G200-2	71.1	7
G140-2	25.27	23	G201-1	53.11	2
G140-2	25.36	36	G205-1	67.5	10
G140-3	25.27	26	G220-1	25.21	6
G140-4	25.35	30	G225-25	97.67	6
G140-6	25.27	1	G230-1	97.29	12
G140-7	25.27	1	G230-2	92.75	25
G140-8	25.27	23	G230-2	92.80	48
G140-9	25.31	3	G232-2	6.17	5
G141-1	25.25	13	G233-1	63.13	9
G141-2	25.25	13	G234-1	53.14	44
G142-1	25.25	3	G234-1	79.1	10
G142-2	25.25	3	G234-1	79.3	6
G143-1	95.40	51	G235-1	71.12	39
G143-2	95.2	34	G236-1	6.7	3
G143-2	95.31	2	G239-1	28.9	24
G144-6	95.1	23	G240-7	28.9	25
G144-6	95.31	14	G241-1	10.5	9
G144-6	95.39	18	G241-1	90.75	18
G145-3	25.31	8	G241-1	92.33	16
G145-4	25.31	8	G241-1	92.43	11
G155-1	71.27	4	G242-4	92.33	11
G155-2	71.27	9	G242-5	28.13	16
G174-1	65.1	4	G247-1	67.37	25
G184-1	97.25	30	G248-1	71.23	8
G184-2	97.25	27	G248-1	96.1	14
G184-3	97.25	29	G248-1	96.3	13
G184-5	97.25	26	G248-1	96.9	24
G184-6	97.25	28	G248-2	71.23	2
G196-2	33.9	8	G248-4	96.1	15
G196-3	25.1	15	G248-4	96.3	14
G196-4	25.35	6	G248-5	96.1	26
G196-5	25.35	13	G248-5	96.3	26
G196-7	33.9	20	G248-6	96.1	25
G196-8	33.9	6	G248-6	96.3	25
G196-127	33.10	32	G250-1	28.7	4
G196-2291	33.10	31	G251-1	28.13	3

<u>Numerical Index</u>	<u>Page</u>	<u>Item</u>	<u>Numerical Index</u>	<u>Page</u>	<u>Item</u>
G252-1	28.9	8	G400-7	21.33	1
G252-1	71.23	1	G400-8	21.33	5
G254-2	28.1	7	G401-15	21.33	4
G254-6	28.1	26	G405-1	52.13	2
G254-7	28.1	28	G412-1	90.17	6
G255-3	28.9	12	G413-1	90.7	1
G258-2	53.13	15	G413-1	90.47	26
G258-4	21.28	32	G413-7	90.7B	9
G258-4	71.9	9	G413-7	90.51	4
G258-4	71.11	27	G413-9	90.3	13
G258-5	28.5	3	G413-11	90.51	21
G259-1	6.21	5	G413-14	90.3	1
G259-1	6.23	6	G416-5	90.71B	30
G259-1	10.5	1	G417-1	90.45B	7
G259-1	21.39	5	G417-2	90.45B	29
G259-1	28.13	8	G417-3	90.45B	2
G259-1	76.1	1	G417-4	90.45B	13
G259-1	76.5	5	G417-4	90.69	9
G259-1	90.31	10	G417-5	90.43	3
G259-1	92.43	7	G417-5	90.71C	33
G271-1	28.2	37	G417-7	90.43	26
G271-1	28.16	36	G417-7	90.71C	36
G271-1	28.24	36	G418-3	90.43	32
G304-1	53.1	6	G418-3	90.45B	20
G305-1	53.1	28	G418-6	90.44	41
G305-2	53.1	24	G418-17	90.44	37
G306-1	53.1	17	G418-25	90.43	31
G306-2	53.1	16	G418-26	90.43	9
G307-3	53.1	20	G422-1	90.55	4
G307-3	53.1	27	G422-1	90.69	24
G307-4	53.1	18	G422-1	90.71B	3
G307-4	53.1	25	G422-2	92.17	3
G307-7	92.80	53	G425-1	92.37	19
G307-9	53.1	14	G425-2	92.37	18
G307-10	53.1	23	G426-1	71.5	25
G308-1	53.1	29	G427-2	92.29	12
G308-2	6.11	13	G427-3	92.29	7
G309-7	53.1	9	G427-4	92.29	10
G311-3	6.11	15	G428-1	90.61	6
G311-4	6.11	15	G428-1	92.15	9
G311-10	6.11	14	G428-2	90.61	7
G311-10	53.1	30	G428-2	92.15	6
G312-1	53.1	26	G429-1	90.23	13
G391-1	21.39	12	G429-1	92.33	12
G391-2	21.35	23	G429-2	90.70	68
G391-4	21.35	9	G429-2	90.71B	21
G391-5	21.39	2	G429-9	90.37	8
G392-3	21.35	18	G429-10	90.23	2
G394-1	21.35	13	G429-11	90.75	17
G396-1	21.39	15	G429-15	90.73	21
G400-1	21.33	11	G429-17	90.45C	48
G400-2	21.35	11	G431-1	90.70	49
G400-3	21.33	10	G431-4	90.70	50

<u>Numerical Index</u>	<u>Page</u>	<u>Item</u>	<u>Numerical Index</u>	<u>Page</u>	<u>Item</u>
G431-4	92.37	17	G459-975	92.21	20
G431-5	90.61	10	G459-977	92.75	16
G431-5	90.70	52	G459-978	92.25	14
G431-5	92.15	3	G459-979	92.25	3
G442-1	90.75	27	G459-979	92.62	35
G457-2817	92.41	5	G459-980	92.25	14
G458-1	90.41	11	G459-980	92.61	9
G458-1	90.47	19	G459-980	92.61	9
G458-1	90.57	9	G459-981	92.25	3
G458-1	90.73	10	G459-981	92.62	35
G458-937	90.43	15	G459-982	92.1	1
G458-2638	97.53	25	G459-982	92.2	29
G458-2639	97.53	25	G459-984	92.1	17
G459-1	92.79	19	G459-985	92.1	17
G459-31	92.62	29	G459-985	92.1	17
G459-32	92.62	29	G459-987	92.1	20
G459-33	92.62	29	G459-1006	92.59	61
G459-267	92.62	29	G459-1026	92.61	5
G459-753	92.73	10	G459-1027	92.61	5
G459-756	92.7	5	G459-1028	92.61	5
G459-758	92.73	7	G459-1029	92.61	5
G459-760	92.21	15	G459-1030	92.62	29
G459-761	92.59	64	G459-1096	92.59	63
G459-761	95.57	20	G459-1097	92.61	23
G459-765	92.21	14	G459-1098	92.61	23
G459-779	92.25	15	G459-1118	92.79	21
G459-779	92.61	2	G459-1120	92.79	21
G459-780	92.25	7	G459-1122	92.79	21
G459-780	92.62	34	G459-1124	92.79	21
G459-780	95.57	21	G459-1126	92.79	21
G459-821	92.1	27	G459-1134	92.79	21
G459-872	92.75	8	G459-1135	92.79	21
G459-874	92.18	30	G459-1136	92.79	21
G459-874	92.75	4	G459-1137	92.79	21
G459-876	92.17	5	G459-1138	92.79	21
G459-876	92.18	34	G459-1141	92.53	16
G459-877	92.17	5	G459-1141	92.54	50
G459-877	92.18	33	G459-1142	92.53	16
G459-877	92.75	15	G459-1142	92.75	17
G459-897	92.21	20	G459-1145	92.59	61
G459-898	92.54	50	G459-1145	95.57	7
G459-904	92.73	5	G459-1146	95.57	7
G459-907	92.2	29	G459-1219	92.43	5
G459-907	92.2	33	G459-1219	92.51	11
G459-935	92.59	50	G459-1225	92.79	21
G459-935	92.59	61	G459-1376	92.54	31
G459-955	92.73	5	G459-1377	92.54	30
G459-965	92.73	13	G459-1377	92.54	50
G459-968	92.73	15	G459-1492	92.79	21
G459-973	92.11	5	G459-1622	92.21	19
G459-973	92.11	13	G459-1623	92.21	19
G459-974	92.11	5	G459-1624	92.21	19
G459-974	92.11	13	G459-1625	92.17	18

<u>Numerical Index</u>	<u>Page</u>	<u>Item</u>	<u>Numerical Index</u>	<u>Page</u>	<u>Item</u>
G459-1626	92.46	48	G472-14	92.45	3
G459-1801	92.22	46	G472-16	92.45	8
G459-1803	92.22	46	G472-17	92.45	9
G459-1836	92.22	36	G472-18	92.46	40
G459-1836	95.57	22	G472-19	92.46	32
G459-1869	92.18	41	G473-1	92.22	41
G459-1875	92.18	39	G473-5	92.7	16
G459-2069	92.18	38	G474-3	92.22	32
G459-2357	92.18	40	G474-5	92.22	40
G459-2370	92.18	37	G474-13	92.13	4
G459-2406	92.75	9	G474-14	92.62	32
G459-2567	92.17	15	G474-15	92.61	4
G459-2568	92.46	49	G474-15	92.62	32
G459-2797	95.57	24	G477-1	92.21	22
G459-2798	92.5	10	G478-1	92.21	26
G459-2799	92.22	45	G478-5	92.21	5
G459-2799	92.58	25	G495-2350	92.21	18
G459-2800	92.22	31	G548-1	90.23	15
G459-2802	92.22	31	G548-937	90.23	10
G459-2807	92.59	59	G548-1596	90.17	11
G459-2807	95.57	23	G548-1596	90.23	11
G459-2808	92.59	50	G548-8106	90.23	24
G459-2808	95.57	16	G555-4	92.81	61
G459-2809	92.59	50	G596-3	90.55	15
G459-2810	95.57	16	G596-3	92.17	12
G459-2811	92.43	12	G597-1	96.14	46
G459-2811	92.58	47	G597-6	96.13	15
G459-2815	92.11	5	G597-7	96.32	54
G459-2816	92.73	4	G597-8	96.32	44
G459-2825	92.75	18	G598-1	11.6	17
G459-2852	92.69	25	G598-2	11.6	17
G459-2853	92.70	30	G598-3	11.5	16
G468-1	96.11	13	G598-3	96.32	45
G468-3	96.35	12	G598-4	96.32	61
G469-1	25.15	14	G598-5	11.5	16
G469-2	25.15	13	G599-1	96.13	13
G470-1	92.11	17	G654-2	25.31	22
G470-1	92.35	5	G654-3	25.44	38
G471-1	92.45	5	G654-4	25.35	14
G471-2	92.45	22	G654-8	92.41	8
G471-3	92.46	34	G654-9	92.22	53
G471-4	92.45	21	G654-10	92.70	29
G471-6	92.69	16	G654-11	92.1	15
G471-8	92.46	36	G654-13	25.35	2
G472-1	92.45	17	G654-13	25.40	38
G472-2	92.45	18	G654-15	25.21	2
G472-6	92.45	16	G655-1	95.3	62
G472-7	92.45	11	G655-1	95.27	19
G472-8	92.45	13	G655-1	95.35	14
G472-9	92.45	12	G655-2	95.3	61
G472-11	92.45	1	G655-2	95.9A	35
G472-12	92.45	1	G655-2	95.27	7
G472-13	92.45	1	G655-2	95.35	13

<u>Numerical Index</u>	<u>Page</u>	<u>Item</u>	<u>Numerical Index</u>	<u>Page</u>	<u>Item</u>
G655-3	21.27	19	G703-1	97.41	23
G655-4	95.27	8	G703-4	97.33	29
G656-1	28.35	2	G703-4	97.37	16
G682-1	96.13	8	G703-4	97.39	18
G682-2	96.13	2	G703-4	97.45	27
G682-14	67.11	26	G703-5	92.61	14
G682-14	96.27	23	G703-8	90.45C	37
G682-15	96.27	21	G703-12	90.53B	29
G682-16	96.27	24	G703-13	90.9	18
G682-23	90.69	21	G703-15	96.27	5
G682-24	90.3	6	G703-16	96.28	29
G682-24	90.5B	8	G703-19	90.51	25
G682-25	95.14	52	G704-1	90.53C	54
G682-28	28.16	48	G704-1	97.37	4
G682-28	28.24	48	G704-1	97.45	4
G682-29	28.13	14	G704-2	90.53B	5
G682-29	28.21	14	G704-2	97.33	4
G682-30	11.5	11	G704-5	97.37	2
G682-31	28.19	9	G704-5	97.45	2
G682-31	28.27	9	G704-6	97.33	2
G682-32	11.2	23	G704-7	90.53B	4
G682-32	28.16	42	G704-7	97.45	6
G682-32	28.24	42	G704-9	97.37	19
G682-37	11.5	14	G704-9	97.45	21
G682-37	28.16	66	G704-10	97.33	27
G682-40	28.19	28	G704-10	97.39	21
G682-40	28.27	28	G704-11	97.39	4
G682-41	28.24	61	G704-13	97.39	2
G682-44	28.19	28	G704-18	90.53C	58
G689-1	79.5	2	G704-19	90.53B	3
G689-1	79.9	1	G704-20	90.9	15
G689-13	79.5	12	G704-20	90.53C	35
G689-13	79.9	4	G704-21	90.9	20
G689-14	79.5	11	G705-6	96.28	47
G689-14	79.9	3	G705-8	92.62	33
G700-1	92.80	38	G705-9	96.28	47
G700-2	92.80	41	G705-9	90.44	42
G700-3	90.57	14	G705-10	90.53C	36
G700-3	92.80	39	G707-1	90.65	12
G701-1	90.57	2	G716-01	95.36	49
G701-1	90.65	14	G716-02	95.27	22
G701-1	92.79	2	G716-03	95.27	9
G701-2	92.80	27	G716-2005	95.27	11
G701-3	90.57	5	G716-2029	95.27	11
G701-3	92.79	5	G716-3066	95.27	11
G701-9	92.80	37	G717-01	95.13	24
G702-1	90.57	16	G717-04	95.9A	37
G702-5	92.75	34	G717-133	95.2	33
G702-7	22.5	25	G717-134	95.2	33
G702-9	92.75	34	G717-137	95.2	33
G702-11	90.57	30	G717-2058	95.2	47
G702-11	92.75	26	G717-2275	95.2	47
G702-11	92.80	42	G717-2312	95.2	39

<u>Numerical Index</u>	<u>Page</u>	<u>Item</u>	<u>Numerical Index</u>	<u>Page</u>	<u>Item</u>
G717-2313	95.2	39	G762-8	28.25	66
G723-1	79.5	1	G762-9	28.15	3
G725-2	67.11	27	G762-11	28.16	53
G725-2	67.16	43	G762-11	28.24	53
G725-3	67.11	25	G762-12	28.15	20
G725-3	67.16	45	G762-13	28.13	23
G727-1	71.19	7	G762-15	28.13	18
G727-3	71.19	7	G762-15	28.21	18
G732-2	63.1	25	G762-18	28.15	19
G732-3	63.1	23	G762-19	28.23	3
G735-1	71.12	37	G764-1	28.15	12
G735-7	71.11	5	G764-1	28.23	12
G735-9	71.12	43	G764-5	28.19	15
G738-1	71.9	8	G764-5	28.27	15
G738-1	71.11	13	G764-6	28.25	73
G749-2	90.79	11	G764-7	28.29	6
G749-3	90.79	5	G765-1	28.15	14
G750-1	90.79	6	G765-1	28.23	14
G750-3	90.79	13	G767-7	28.23	2
G750-4	90.79	14	G768-1	28.31	1
G750-5	90.79	15	G768-7	28.35	15
G750-6	90.79	9	G768-10	28.13	6
G751-1	90.79	1	G768-10	28.16	35
G752-1	90.79	12	G768-10	28.21	6
G753-4	28.23	19	G768-10	28.24	35
G753-6	28.23	20	G768-10	28.27	27
G754-1	28.15	8	G768-11	28.29	7
G754-2	28.23	8	G768-12	28.31	22
G755-1	28.13	13	G768-13	28.31	3
G755-1	28.21	22	G768-2713	28.31	15
G755-1	28.23	10	G769-1	28.19	7
G755-3	28.21	13	G769-1	28.27	7
G755-3	28.23	10	G769-4	28.16	49
G756-1	28.15	5	G769-4	28.24	49
G756-2	28.23	5	G777-1	21.3	6
G757-1	28.15	31	G778-1	21.11	12
G757-2	28.23	31	G779-1	21.4	29
G758-1	28.15	2	G780-1	21.7	11
G759-1	28.16	38	G781-1	21.3	26
G759-2	28.16	44	G782-1	21.4	40
G759-6	28.15	7	G783-1	21.7	4
G759-7	28.24	38	G783-2	21.8	34
G759-8	28.24	44	G784-1	21.11	5
G759-11	28.23	7	G785-1	21.7	20
G760-1	28.15	15	G785-2	21.7	31
G760-1	28.23	15	G786-1	21.7	5
G761-7	28.16	60	G787-1	21.7	23
G761-7	28.24	60	G787-2	21.7	23
G762-5	28.16	56	G787-3	21.7	30
G762-5	28.24	56	G787-4	21.7	30
G762-7	28.16	62	G788-1	21.7	32
G762-7	28.24	62	G788-2	21.7	25
G762-8	28.16	61	G788-3	21.7	17

<u>Numerical Index</u>	<u>Page</u>	<u>Item</u>	<u>Numerical Index</u>	<u>Page</u>	<u>Item</u>
G789-1	21.13	23	G923-1	28.10	42
G790-1	21.25	18	G925-1	6.5	5
G791-1	21.11	8	G925-4	53.1	8
G791-2	21.11	9	G925-6	6.7	11
G794-1	21.17	10	G926-1	6.7	8
G794-2	21.17	14	G926-5	6.5	6
G794-3	21.17	13	G926-6	6.7	6
G796-1	21.21	9	G926-9	6.5	18
G797-5	21.21	8	G927-1	6.5	17
G798-1	21.11	2	G928-1	6.7	22
G799-1	21.27	26	G928-2	6.7	23
G799-2	21.15	24	G928-3	6.5	13
G799-3	21.21	1	G928-3	53.1	7
G799-4	21.27	14	G929-1	71.19	28
G799-5	21.3	19	G929-1	96.41	14
G804-1	21.8	33	G930-1	28.7	17
G805-1	79.5	24	G930-2	28.7	18
G810-1	21.19	8	G930-4	28.7	19
G811-1	21.19	7	G949-1	25.25	2
G900-1	28.27	1	G949-2	25.31	15
G900-1	52.13	3	G949-3	25.31	18
G900-1	90.65	1	G950-1	53.29	12
G902-5	52.13	12	G950-2	53.29	12
G903-1	52.13	21	G952-3	53.29	13
G903-3	52.13	10			
G903-4	52.13	18	R66-000	10.3	2
G903-7	52.13	26	R66-001	10.3	1
G904-1	52.13	6			
G906-2	52.14	35	KI-174	8.1	22
G910-1	6.7	5	KI-207	52.14	37
G910-2	6.7	5	KI-227-00R	97.65	2
G910-3	6.7	12	KI-227-01R	97.65	2
G910-4	6.7	14	KI-230	6.5	23
G911-1	6.5	15	KI-231	6.5	24
G911-2	53.5	7	KI-6601	99.1	1
G911-3	53.5	5	KI-6603	99.1	3
G911-4	53.5	6			
G911-5	6.5	14	MT141-1	9.5	28
G912-4	6.7	17	MT141-1	9.7B	25
G912-4	28.29	29	MT141-2	9.5	29
G913-4	28.29	16	MT141-2	9.7B	26
G914-5	53.7	24	MT141-3	9.1	19
G915-3	28.10	47	MT141-3	9.5	15
G915-5	28.1	12	MT141-4	9.3B	19
G915-8	28.7	6	MT141-4	9.7B	12
G915-9	28.7	7	MT142-1	25.27	14
G917-1	90.29	5	MT183-1	28.16	50
G917-1	92.43	15	MT183-1	28.19	16
G918-1	75.1	8	MT183-1	28.24	50
G918-1	75.1	15	MT183-1	28.27	16
G918-5	75.1	11	MT183-2	28.19	24
G921-9	53.5	8	MT183-2	28.27	24
G921-10	53.5	8	MT290-3	10.1	1

<u>Numerical Index</u>	<u>Page</u>	<u>Item</u>	<u>Numerical Index</u>	<u>Page</u>	<u>Item</u>
MT290-3	10.1	4	R5385	99.7	2
MT293-1	10.9	1	R5386	99.7	3
MT347-7	10.7	9	R5388	99.7	6
MT347-8	10.7	6	R5694	97.59	8
MT348-7	10.7	15	R5694	97.61	6
MT564-1	10.7	4	R7226	99.3	15
MT564-2	10.7	8	R7418	99.9	1
MT568-3	10.7	7	R7982	99.7	1
MT570-1	10.1	2	R7983	99.1	4
MT899-1	99.9	2	R8096	52.1	10
MT935-15	9.1	5	R8096	52.13	15
MT935-15	9.3B	5	R8096	95.3	55
MT935-15	9.5	2	R8096	95.39	1
MT935-15	9.7B	2	R8342	99.3	14
MT935-16	9.1	4	R8343	99.3	16
MT935-16	9.3B	4	R8344	99.3	13
MT935-16	9.5	2	R8345	99.3	1
MT935-16	9.7B	2	R8346	99.3	2
MT936-5	9.1	24	R8347	99.3	4
MT936-5	9.3B	21	R8348	99.3	3
MT936-5	9.6	41	R8349	99.3	5
MT936-5	9.7C	37	R8350	99.3	6
MT936-6	9.1	25	R8351	99.3	8
MT936-6	9.3B	22	R8352	99.3	7
MT936-6	9.6	42	R8428	52.1	11
MT936-6	9.7C	38	R8428	95.29	54
MT947-1	9.1	27	R8478	99.3	11
MT947-1	9.3B	25	R8479	99.3	12
MT947-1	9.6	40	R8480	99.1	2
MT947-1	9.7C	36	R8650	99.3	10
MT947-2	9.1	18	R8656	99.3	9
MT947-2	9.3B	18			
MT947-2	9.5	10	0001-0039-00	90.63	9
MT947-2	9.7B	10	0015-00423	28.1	25
MT980-1	9.5	1	0015-00423	28.16	65
MT980-1	9.7B	1	0015-00423	28.25	65
MT980-2	9.5	1	0028-00431	28.15	24
MT980-2	9.7B	1	0028-00431	28.23	24
MT981-1	9.5	25	0044-00408	28.1	21
MT981-1	9.7B	22	0044-00408	28.15	25
MT981-6	9.5	24	0044-00408	28.23	25
MT981-6	9.7B	21	01000424	96.5	14
MT981-7	9.6	31	01000424	96.13	28
MT981-7	9.7B	28	01000424	96.17	27
MT982-7	9.5	22	01000424	96.31	20
MT982-7	9.7B	19	01003621	96.5	26
MT982-13	9.5	19	01003621	96.13	27
MT982-13	9.7B	16	01003621	96.18	41
MT982-14	9.5	19	01003621	96.31	13
MT982-14	9.7B	16	01004635	96.5	27
			01004635	96.13	26
R5170	99.7	4	01004635	96.18	42
R5352	99.7	5	01004635	96.31	14

<u>Numerical Index</u>	<u>Page</u>	<u>Item</u>	<u>Numerical Index</u>	<u>Page</u>	<u>Item</u>
01009214	96.6	33	10-4-2-N-0	95.11	3
01009214	96.13	30	10-4-2-N-0	95.19	8
01009214	96.19	54	10-4-2-N-0	95.25	10
01009214	96.31	22	10-4-2-N-0	95.47	5
01-0771105-03	33.4	33	10-4-2-N-0	97.6	35
01-0771105-04	33.4	34	10-4-6-N-0	95.48	39
01-0771554-01	33.3	14	10-700-0102	18.1	6
01-0771554-01	53.25	17	112568	92.70	28
011-00582-00	97.21	12	112588	90.43	15
011-02302-00	97.49	1	112588	92.25	5
011-02325-0X	90.39B	3	132242	92.59	54
011-02325-0X	90.53C	56	11-33-2	6.25	5
011-02326-0X	90.53B	23	115-01293-__	90.53C	55
0129-0017-00	6.41	2	115-01293-00	90.39B	8
012C	63.5	85	115-01294-__	90.53B	20
013-00235-00	6.27	2	115-0145-2-00	97.49	2
01309-01-01	22.1	33	116-00022-002	95.17	14
01311-03-11	22.7	12	116-00022-002	95.19	9
017821-101	90.34	39	116-00022-002	95.21	9
017821-105	90.34	38	116-00026-006	95.17	13
02-0230007-00	33.1	8	116-00026-006	95.19	10
02-0230007-00	90.77	12	116-00026-006	95.21	8
030060-1	90.34	41	11-911-102	95.57	5
032347	90.33	13	13-07900	25.19	10
032347	90.37	11	133956-1	90.4	35
032435-201-36-14	90.37	17	14-0050505-14	33.1	2
032435-210-36-14	90.34	37	14-0050505-14	90.77	1
047-04956-0003	6.15	2	14-0050505-18	33.3	18
04DU04	67.21	16	14-0050508-27	33.4	40
04DU04	90.47	22	1445022-2	96.27	20
05-00020	90.17	8	146121-201	71.15	10
050-01808-0000	97.65	1	146150-101	71.11	3
05DU04	65.7	8	146150-101	71.15	3
066-03063-0000	97.65	2	146160-101	71.11	4
066-03063-0001	97.65	2	146160-101	71.15	4
06DU06	9.5	27	146171-201	71.15	5
06DU06	9.7B	24	15-4-N-0	95.11	10
06DU06	67.25	18	15-4-N-0	95.25	21
06DU06	67.5	32	15-4-N-0	95.47	14
10-03001-215	95.57	18	15-4-N-0	95.51	16
100460-201	71.12	36	16-0050506135	33.1	3
100PL-6	90.70	43	16-0050506135	90.77	2
10-100-1773	18.1	8	162-0937	96.35	16
10-100-2020HR	18.1	1	16282-2PG	90.47	1
10.124.63	21.21	24	16282-2PG-311	90.45B	27
10-320-0052	18.1	13	165201-201	71.15	15
10-320-0126	18.1	9	1690	25.40	32
10-320-0157	18.1	5	171-2035	92.69	12
10-320-0162	18.1	11	1740839	63.13	13
10-320-0163	18.1	12	1742161-10	63.13	13
10349-104-1-C1	90.19	12	174-4356	92.59	56
103SR13A-3	63.3	27	174-4356	92.59	59
10-400-0176	18.3	2	174-4356	92.59	63

<u>Numerical Index</u>	<u>Page</u>	<u>Item</u>	<u>Numerical Index</u>	<u>Page</u>	<u>Item</u>
174-4356	92.59	64	225395-6	97.29	11
1-794610-1	96.27	20	225395-6	97.33	18
19-0150350-03	33.3	17	225973	97.21	13
19-150002-010	33.4	39	225973-4	6.37	4
19-171047-100	33.1	1	225973-4	97.41	12
19-171047-100	90.77	3	225973-4	97.45	12
19205-201	90.19	16	23007827	71.7	16
19206-2	90.23	4	2303	67.1	18
1N4005G	52.13	23	23052363	11.3	27
200-02586-0000	6.15	1	23054163	71.7	27
2000PWR200	97.69	1	242161	92.58	40
200-24200-09	97.55	52	2451	6.1	14
205089-1	97.13	17	2454K28	90.44	40
205090-1	97.13	12	2454K28	90.45B	18
205471	96.27	15	2454K71	25.36	50
206358-5	97.13	11	24606	21.11	21
206358-5	97.13	16	24606	21.17	21
206485-1	97.13	10	24606	21.19	18
2065-11-9	90.45B	24	24608	21.11	15
2065-11-9	90.47	3	24608	21.17	18
2065-11-9	90.69	32	24608	21.19	12
2065-11-9	90.70	59	248-00002-001	95.17	4
2065-11-9	90.71B	17	248-00002-001	95.21	4
2065-11-9	92.5	12	24-84-5	6.25	3
2065-11-9	92.7	7	252-247	29.3	3
2065-11-9	92.9	14	252-247	63.4	48
2065-11-9	92.21	9	25-4-2-N-0	95.48	47
2065-11-9	92.58	43	2590	95.35	27
2065-11-9	92.69	24	2590	95.43	10
2065-11-9	92.73	7	2603	92.53	2
2065-11-9	92.73	10	2603	92.58	27
2065-11-9	95.57	17	2613	67.1	17
210-095-00	25.35	25	2613	90.7B	24
210664	96.27	25	2613	90.10	49
211-64307-14	90.51	3	2633	90.55	2
211-64307-14	95.5	6	2633	92.17	2
211-64307-14	95.7	8	2633	95.14	31
211-64307-14	95.9	7	2633	95.40	45
21FKF-813	67.42	46	2633	96.21	6
222126	92.69	11	2643	92.21	3
222A121-25/225	28.17	68	2653	97.57	11
222A121-25/225	28.25	67	2663	25.11	4
222A121-25/225	71.7	20	2663	28.19	22
22-420-0035	18.1	15	2663	28.27	22
22-430-0036	18.1	16	2703	22.2	35
22-430-0037	18.3	7	2703	25.43	1
22-430-0066	18.3	6	2703	67.11	6
22-430-0082	18.3	8	2703	67.15	6
22-430-0096	18.3	1	271-00001-001	95.19	7
225395-1	90.65	11	271-00001-001	95.21	14
225395-6	6.37	16	271-00001-001	95.25	8
225395-6	6.39	5	2713	52.1	8
225395-6	92.51	9	2740	25.13	1

<u>Numerical Index</u>	<u>Page</u>	<u>Item</u>	<u>Numerical Index</u>	<u>Page</u>	<u>Item</u>
2740	32.1	29	505561-1	25.5	23
275-00001-001	95.19	5	505663-3	25.3	24
275-00001-001	95.25	5	505663-3	25.5	31
275-00001-002	95.19	6	505663-3	25.11	9
275-00001-002	95.25	6	505798-1	25.3	11
290-332-00	25.28	34	505798-1	25.5	19
3000BRK103-TL	97.69	2	506354-3	25.3	22
30-0250885-00	90.77	6	506354-3	25.6	46
300817-W	90.69	30	506354-3	25.11	8
300822-3	90.69	33	506356-1	25.6	42
300822-W	90.70	60	506357-1	25.3	2
301320A	90.71B	20	506357-1	25.6	45
3202312KHA200	90.23	12	50-6-N-0	95.48	38
330-00053-01	90.39B	5	510-144-00	25.28	35
330-00053-01	90.39B	6	510-170-00	25.27	17
330-00053-02	90.39B	4	510-174-00	25.27	16
330-00067-00	6.29	24	510-178-00	25.27	18
330-00067-00	6.31	21	510-183-00	25.27	15
3502RABAU	92.22	37	5-108 N674-70	28.1	23
371-00014-01	90.53B	26	5221185-2	6.29	18
38-0230021-00	33.4	37	5221185-2	92.58	45
38-0231061-00	33.3	15	5221221-2	6.29	19
38-0250885-00	33.1	5	5221402-2	6.35	12
38999/20FC	92.80	22	5221402-2	92.43	13
39-00-0039	28.35	4	5225395-6	6.15	9
39-01-2085	28.35	4	5225395-6	6.17	12
403-00003-001	95.17	5	5225395-6	6.23	22
403-00003-001	95.21	5	5225395-6	6.25	15
40-4-2-N-0	95.19	15	5225395-6	6.29	2
40-4-2-N-0	95.47	23	5225395-6	6.29	8
4106-0006-00	90.63	1	5225395-6	6.29	21
4107-0003-10	90.65	5	5225395-6	6.31	6
416-3B-1	28.16	64	5225395-6	6.33	8
416-3B-1	28.25	64	5225395-6	6.43	2
43030-0007	92.53	29	5225395-6	25.23	13
43645-0200	92.53	29	5225395-6	90.3	8
44-121	28.1	19	5225395-6	90.5B	2
44-121	28.15	30	5225395-6	90.53B	21
44-121	28.23	30	5225395-6	90.53B	25
45-4-2-N-0	95.19	20	5225395-6	92.41	6
45-4-2-N-0	95.25	19	5225395-6	92.41	7
45-4-2-N-0	95.47	12	5225398-6	6.29	6
45-6-6-N-0	95.48	36	5225398-6	6.29	9
473003	96.17	14	5225398-6	6.29	22
4869A1	92.65	6	5225554-6	90.73	4
4869A66	92.65	1	5225554-6	97.19	29
50-4-N-0	22.7	16	5225555-6	6.27	10
50-4-N-0	95.11	6	5225555-6	6.29	11
50-4-N-0	95.47	4	5225555-6	6.31	19
50-4-N-0	97.6	33	5225555-6	6.33	19
505098-6046	25.3	1	5225555-6	90.53B	22
505098-6049	25.6	44	5225555-6	90.71B	11
505281-1	25.5	14	5225557-6	6.29	12

<u>Numerical Index</u>	<u>Page</u>	<u>Item</u>	<u>Numerical Index</u>	<u>Page</u>	<u>Item</u>
5225699-1	6.17	3	750	92.73	13
5225966-1	92.43	4	750	92.73	15
5225973-4	6.19	2	75-900-0187	18.1	14
5225973-4	6.21	1	75-900-0193D	18.1	3
5225973-4	6.23	1	75-900-0507	18.3	3
5225973-4	6.35	1	75-900-0542	18.3	4
5225973-4	6.43	9	75-900-2020	18.1	4
5225973-4	90.4	31	75-900-2022	18.3	9
5225973-4	92.41	10	75-900-2026	18.1	7
528-029-00	25.27	8	760	92.11	13
5399K17	90.15	16	760	92.22	44
5399K17	97.41	30	7743T61	10.1	3
5399K17	97.46	34	7861K46	71.3	18
5413760-8	92.9	13	7861K46	71.5	9
5541K11	21.11	20	7861K46	71.7	8
5541K11	21.13	22	7861K46	95.21	13
5541K11	21.25	22	801801000	97.53	12
5-641337-3	92.35	6	83-185	92.1	25
564601	71.27	17	83-185	92.49	21
601716-4	95.39	30	83-1SP-1050	92.1	25
601985-2	95.39	29	83-1SP-1050	92.49	20
60-4-2-N-0	95.11	9	833811-01	71.27	19
60-4-2-N-0	95.19	13	837061905	97.59	4
60-4-2-N-0	95.25	16	837062907	97.59	3
60-4-2-N-0	95.47	8	84935A16	92.21	27
60-4-2-N-0	97.5	2	85-11-140-16	90.61	5
6202-2RS	9.3B	20	85-11-140-16	92.15	11
6202-2RS	9.7B	11	85-12-140-16	6.5	10
6430102-2	96.28	48	85-12-140-16	53.1	1
6430202-2	96.27	19	85-12-140-16	90.61	8
660534HR-01	71.27	15	85-12-140-16	92.15	12
68-3950902A30	33.4	38	85-34-201-20	6.5	7
68-3970991-30	33.3	16	85-34-201-20	53.1	4
68-4971082A30	33.1	4	85-34-201-20	90.61	3
68-4971082A30	90.77	4	85-34-201-20	92.15	8
6871534	71.5	33	85-35-295-15	90.61	1
69-100-0075	18.1	10	85-46-101-39	6.5	9
7020-3	71.19	9	85-46-101-39	53.1	2
702501201	97.53	11	85-46-101-39	90.61	4
70-4-N-0	95.19	18	85-46-101-39	92.15	10
70-4-N-0	95.25	14	85601-00	97.19	13
70-4-N-0	95.48	42	90116A205	90.45B	9
70-4-N-0	97.31	3	90128A965	92.27	4
70-4-N-0	97.63	3	9018048	96.9	10
712A	25.31	4	90322A645	92.54	40
724155	79.7	16	90337A182	90.55	1
7396A23	28.19	23	90337A184	92.17	1
7396A23	28.27	23	90825A146	28.17	70
74068	79.5	23	90825A146	28.25	69
750	92.1	19	910-00001-102	95.21	18
750	92.49	11	910-00001-104	95.17	10
750	92.49	13	910-00001-104	95.19	2
750	92.51	10	910-00001-104	95.21	19

<u>Numerical Index</u>	<u>Page</u>	<u>Item</u>	<u>Numerical Index</u>	<u>Page</u>	<u>Item</u>
91120A130	95.5	25	97819	25.31	25
91120A130	95.9A	46	A15A	71.7	21
9-1203-115-00	6.41	7	A15A	96.32	66
91251A113	33.9	11	A-53001	32.17	1
91251A194	67.11	4	A711L	90.7B	11
91251A355	90.43	30	A711L	90.7B	12
91251A535	92.25	9	A711L	90.9	14
91290A111	90.44	50	A711L	90.9	19
91290A140	92.21	7	AA12S-600	90.25	1
91292A135	21.3	7	AA12S-600	97.49	8
91819A110	92.54	41	AE10090-ND	90.69	14
91MOT-B-E	90.39	7	AE10090-ND	90.75	19
920-00004-105	95.21	17	AE10090-ND	95.57	13
920-00004-117	95.17	11	AE10091-ND	90.69	13
920-00004-117	95.21	11	AE10091-ND	90.75	20
92000A218	92.49	23	AE10091-ND	95.57	12
92000A218	92.51	6	AGC-1	96.21	18
9-2190-188-10	97.15	7	AGC-1-R	25.32	33
9-2190-188-10	97.17	9	AGC-1-R	33.15	12
9-2190-188-20	97.15	6	AGC-1-R	92.17	16
9-2190-188-20	97.17	8	AGC-3	96.21	19
92196A108	97.41	29	AGC-3-R	33.15	16
92196A108	97.45	33	AGC-5	21.27	11
92196A145	90.53B	15	AGC-5	97.70	36
92196A145	97.33	5	AGC-5-R	96.28	43
92196A145	97.37	14	AGC-10	21.27	15
92196A145	97.39	16	AGC-15	21.27	12
92196A145	97.41	11	AGC-15-R	96.9	32
92196A145	97.45	11	AIS-380	71.27	19
92384A034	10.7	5	AMS42	90.13	2
9-2804-068-10	97.15	3	AMS42	97.51	2
9-2804-068-10	97.17	3	ARC-CM-TX-RX-CR-01	92.35	2
93070A061	92.25	11	AS42193-2-017-24A	95.36	48
93-303	90.79	3	AS4824N04	71.27	8
93745K41	21.7	27	AS4824N08	71.27	14
93745K41	21.11	7	AS5169D04L	79.7	8
94070A146	97.37	22	AS5180D04	71.11	30
94070A146	97.39	24	AS5180D04	71.9	14
9417K4	90.44	34	AT406B	28.31	10
9417K421	90.45B	30	AT512CH	90.39	9
94495A245	92.21	23	AV-300	6.25	1
94773A770	22.2	43	B0207C1K210F5T	21.22	30
94773A770	25.39	16	B0207C1K210F5T	33.13	9
94773A770	25.43	21	B0207C1K650F5T	21.22	37
94773A770	67.11	12	B0207C1K650F5T	33.13	18
94773A770	67.15	13	B0207C3K400F5T	21.22	38
94773A770	95.1	15	B0207C3K400F5T	33.13	19
94773A770	97.53	10	B0500-022-S	67.22	36
94830A030	52.11	14	B0500-022-S	92.53	19
94830A030	52.13	5	B1000-043-S	67.33	33
9688K643	95.13	28	BCD996XT	92.51	7
9688K643	95.28	28	BENXT430X	92.69	3
97-50-215-12	10.7	20	BETA 124R	90.31	14

<u>Numerical Index</u>	<u>Page</u>	<u>Item</u>	<u>Numerical Index</u>	<u>Page</u>	<u>Item</u>
BHB12HDR15	90.43	2	CI-306	6.31	15
BP4100	21.25	14	CI-306	6.35	11
BP4100	63.9	3	CI-505	6.39	13
BVBO7	92.25	1	CI-507	6.39	11
C00008-D	90.70	40	CI 507	6.43	4
C1131/28	21.21	11	CI 507	97.1	11
C20556-1	6.39	8	CI-1125	6.39	14
C26005	52.7	7	CK833811-01	71.27	20
C26005	96.32	51	CMC321-CTP	21.22	47
C505/345-10FT	92.7	3	CMC321-CTP	33.13	27
C89-05534-0020	6.15	6	CMTX7-LITE	92.37	1
CC79L-2024-01-F	95.9A	41	CNX310000X4112	21.21	27
CC79L-2024-01-F	95.27	10	CNX310000X4112	33.13	12
CC79L-2024-01-F	95.35	15	CR4-300-S	90.75	12
CI-102	6.15	10	CV26-77	79.9	27
CI-105-16	6.17	20	CV200	92.9	2
CI-105-16	6.19	8	CV200M	92.9	11
CI 105-16	92.41	13	CV200MB	92.9	11
CI-121	6.31	4	CV345	92.54	42
CI-121	6.33	3	CV345-CS	92.5	19
CI-122	6.23	19	CV345-CS	92.7	8
CI-122	6.35	14	CV345-CSB	92.5	19
CI-177	6.31	8	CV345-CSB	92.7	8
CI-177	6.33	9	CV505/34510FTCBLE	92.5	13
CI-177	6.35	4	CV505/345-10FTCBLE	92.11	6
CI-177-1	6.31	8	CV505/345-10FTCBLE	92.11	12
CI-177-1	6.33	9	D06D100	90.59	5
CI-177-1	6.35	4	D06D100	92.75	3
CI-177-20	6.21	14	D20543	6.37	1
CI-177-20	6.31	8	D2VW-5-1MS	63.3	19
CI-177-20	6.33	9	D2VW-5-1MS	71.9	22
CI-177-20	6.35	4	D2VW-5-1MS	71.11	18
CI 193	6.43	1	D2VW-5L3-1HS	33.15	22
CI-222	6.23	14	D2VW-5L3-1HS	52.13	30
CI-248-5	6.31	18	D2VW-5L3-1HS	96.41	22
CI-248-5	6.33	21	D351M-024GK-2	97.41	28
CI-2580-200	6.31	16	D351M-024GK-2	97.45	32
CI-2580-200	6.33	16	D38999/20FC35PN	71.3	25
CI-271	6.23	28	D38999/26FB98SA	71.7	11
CI-271	6.31	10	D38999/26FB98SN	71.7	23
CI-271	6.33	11	D38999/26FC	92.79	21
CI-271	6.35	10	D38999/26FC35SN	97.19	27
CI-272-1	6.31	10	D38999/26WB2SA	90.71B	10
CI-272-1	6.33	11	D38999/26WB45N	90.70	57
CI-272-1	6.35	10	D38999/26WB5SN	90.70	37
CI-273	6.23	27	D38999/26WE35PN	90.70	63
CI-273	6.31	10	D38999/26WE35PN	90.71B	13
CI-273	6.33	11	D38999/26WG35PN	90.70	66
CI-273	6.35	10	D38999/26WG35PN	90.71B	16
CI 273	92.43	24	DK-225	90.47	24
CI-285	6.17	8	DVI 10LDB	90.69	2
CI 285	92.43	8	DVI 10LDB_RH	90.45B	1
CI-292-3	6.21	26	E1003	21.21	28

<u>Numerical Index</u>	<u>Page</u>	<u>Item</u>	<u>Numerical Index</u>	<u>Page</u>	<u>Item</u>
E1003	33.13	13	GTN 635	97.1	2
EX183707	71.25	11	GTN 635	97.37	11
EXB164BNX	90.67	16	GTN 635	97.39	10
F2N028-02-GLD	90.45B	26	GTN 650	90.39B	9
F2N08-6-GLD	90.47	4	GTN 650	90.53C	57
F3U130-16	90.70	67	GTN 650	95.7	7
F3U130-16	90.75	11	GTN 650	95.9	9
F8V308-1	90.47	2	GTN 650	97.1	2
F8V308-12	90.45B	25	GTN 650	97.37	11
FGG1B308CLAD62	92.21	10	GTN 650	97.39	10
FGG2B314KLAD62	25.39	4	GTN 700	95.5	7
FGG2B314KLAD62	25.43	29	GTN 725	95.9	9
FS22	28.15	13	GTN 725	97.1	1
FS22	28.23	13	GTN 725	97.33	16
FSJA5000080A	63.5	81	GTN 750	90.53B	19
FTC-4	25.28	33	GTN 750	95.9	9
G1038	25.39	2	GTN 750	97.1	1
G1038	25.43	28	GTN 750	97.33	16
G1042	25.39	11	GTP 59	97.9	1
G1042	67.12	36	GTR 225B	97.25	2
G11431-00102-1	92.61	3	GTX 33	97.21	2
G13000	92.67	6	GTX 33	97.63	10
G13053	92.75	27	GTX 325	97.25	4
GDC 74H	97.5	27	GTX 325	97.31	9
GDL 69A	97.23	1	GTX 327	97.63	10
GDL 88	97.29	8	GTX 328	97.63	10
GDU 620	95.5	5	GTX 330	97.31	9
GDU 700L TXi	95.7	9	GTX 330	97.63	10
GDU 1060 TXi	90.51	1	GTX 335	97.25	4
GDU 1060 TXi	95.9	8	GTX 335	97.31	9
GI-106B	97.67	2	GTX 345	97.25	4
GMA 350Hc	97.25	1	GTX 345	97.31	9
GMA350HC	97.31	8	H129-4-J-WM250	71.3	22
GMA350HC	97.49	4	H44-AA-4	90.70	45
GMU 44	97.13	2	H9941	92.53	10
GNC 420W	97.46	40	HD10CINEROB	92.21	1
GNS 430W	90.15	19	ILED-MA	92.54	38
GNS 430W	97.46	39	IPD1-10-D-P	95.27	23
GNS 430W	97.67	7	IPD1-10-D-P	95.35	15
GNS 530AW	97.42	35	IPD1-12-D-P	95.9A	41
GPS-1270FW	92.39	18	IPD1-12-D-P	95.27	10
GP1500-0.040-02-0404	92.39	16	IR-410	90.19	8
GPS 400W	97.45	5	IR-610-1	90.19	9
GPS 500W	97.41	5	IR-620-1	90.19	13
GRS 77H	97.9	4	IR-630-1	90.19	11
GTN 625	95.7	7	IR-4100-1	90.19	4
GTN 625	95.9	9	JV-5	52.13	28
GTN 625	97.1	2	JV-VGA-15	90.75	4
GTN 625	97.37	11	KA44B	6.15	5
GTN 625	97.39	10	KA44B	97.65	23
GTN 635	90.53C	57	KR0087-00	97.65	5
GTN 635	95.9	9	KY0196A-60	97.63	8
			KY197	90.31	5

<u>Numerical Index</u>	<u>Page</u>	<u>Item</u>	<u>Numerical Index</u>	<u>Page</u>	<u>Item</u>
L1/L2	90.73	1	RB9526	28.24	41
L517A	92.53	12	RB9526	96.41	4
LJS-1016	32.1	27	RH0506R000FE02	21.27	27
LM-1210-E-MABND	96.41	26	RH-AB	92.69	13
LPS-460FS	90.75	3	RNC55H1403FS	28.35	4
LT-46D	28.35	20	RNC55H4120FS	92.67	13
LT-71A	90.55	7	RR30000206	71.7	17
M11029	32.11	15	RR30000270	71.7	7
M-2027BB1W01-RA	90.39	4	RR30000270	96.39	4
M23190/1-2	22.1	9	RR30000466	71.23	6
M23190/1-2	22.7	14	RR30000470	71.25	5
M80549/38-11W	90.70	38	S1413	97.1	19
M83723 / 75R08036	71.7	18	S1840501-01	25.23	1
M85049/38-11W	90.70	56	S1840502-01	25.23	3
M85049/38-11W	90.71B	10	S1851501-02	25.23	1
M85049/38-13N	97.19	26	S760	92.51	15
M85049/38-17W	90.70	62	S761K	92.69	17
M85049/38-17W	90.71B	13	SA340-TS	90.29	19
M85049/38-21W	90.70	65	SD15F00WEZ	90.7B	6
M85049/38-21W	90.71B	16	SD15F00WEZ	90.9	13
M85049/49-2S8W	71.27	16	SD15M00JVL2	90.7B	4
MB-2411S1W01-FB	90.39	9	SD15M00JVL2	90.9	11
MH-110600	92.58	44	SD37F00JVLX	90.7B	3
MLB-300-50	96.17	12	SD37F00JVLX	90.9	10
MQ172X-4SA-CV	92.73	4	SD50F00JVLX	90.7B	5
N-3-BK	33.9	29	SD50F00JVLX	90.9	12
N-4-BK	92.37	8	SI413	97.31	16
N-4-BK	97.54	37	SI413	97.63	26
N-5030S	21.22	42	SJS861700P	92.9	6
NC4FRX	90.43	12	SJS861800P	92.9	5
NC4FX	92.21	11	SPH-330	97.41	32
NES/J135	92.11	5	SPH-330	97.46	36
NSC3F	92.73	5	SR-2032B	67.11	29
ODYSSEY7Q	92.73	1	SR-2032B	67.16	47
P502-006-RA	90.43	18	SR-3035B	67.1	11
PA16-__	92.39	15	SR-3035B	96.32	47
PAI-28V	95.45	14	SS6565-8-4	71.27	13
PB-346112E	90.39	6	SSW-050-C522-10	76.2	39
PC1249-2	52.11	11	STPS80H100TV	96.5	21
PFG2B314KLLD62	25.39	12	T1221MK900C010	25.35	27
PI0808S	95.48	41	TA202	92.45	20
RA-4500	97.19	28	TA4FX	92.22	30
RAD-40	97.15	9	TA4FX	92.25	2
RAD-40	97.17	18	TB1-1.5D	90.15	10
RAM-238U	96.27	7	TDFM-600	90.7	4
RAM-B-201-C	90.45C	42	TDFM-600	90.47	30
RAM-B-238	90.45C	40	TDFM-9000	90.3	5
RAM-B-238U	92.7	12	TDFM-9000	90.5B	9
RAM-B-238U	92.22	49	TDFM-9000	90.39B	2
RAM-B-238U	96.28	46	TJ-120	25.35	16
RAM-B-366-201U	92.7	11	TJ-120	92.13	11
RAM-B-367	90.45C	47	TJ-120	97.53	22
RB9526	28.16	41	TJ-120	97.57	4

<u>Numerical Index</u>	<u>Page</u>	<u>Item</u>	<u>Numerical Index</u>	<u>Page</u>	<u>Item</u>
TJT-120	67.12	44	AN316-6R	29.11	8
TJT-120	67.16	35	AN316-6R	67.41	29
TL-350	96.11	7	AN316-6R	67.42	44
TP-120	25.44	43	AN316-6R	67.27	3
U190-0090S	52.2	33	AN316-7R	71.9	16
U190-0090S	52.8	27	AN316-7R	71.11	32
U216-0100-S	52.2	20	AN320-8	9.1	30
U216-0100-S	52.7	17	AN320-8	9.3B	27
U2-279	67.11	23	AN320-8	9.6	36
U2-279	67.15	21	AN320-8	9.7C	33
U250-0185	52.2	43	AN320-8	65.13	7
U250-0185	52.8	37	AN502-6-6	90.1	11
U8-7102C	90.37	1	AN502-6-6	95.51	21
UB-15NBKW01E-JE	90.39	8	AN525-832R6	10.7	16
UC-5300	90.70	54	AN525-832R8	52.2	44
UC-6000	90.71B	9	AN525-832R8	52.8	38
UDVP-PRO	90.41	7	AN525-832R9	90.31	15
V3-1	96.23	29	AN525-832R10	25.15	21
V3-1	96.23	31	AN525-832R10	52.1	16
VFM-056W	92.21	29	AN525-832R10	52.7	13
VIEWSYNCC3D	90.69	29	AN525-832R12	6.39	16
V-R1041-RH	90.47	10	AN525-832R16	52.2	28
VS-M226-A	92.5	20	AN525-832R16	52.8	41
VS-M226-A	92.7	9	AN526C832R6	6.5	20
WH-62-S02	67.5	29	AN526C832R6	21.33	18
WMEC222-CL	25.44	44	AN526C832R6	33.13	1
XESR10-S01-FP-0787	28.35	6	AN526C832R6	63.9	4
XM-DVR-PRO	90.41	18	AN526C832R6	90.1	1
Z10-320-4043-110V	18.1	2	AN526C832R6	97.57	17
Z2020-LGCASE KIT	18.1	1	AN526C832R6	97.59	20
			AN526C832R6	97.61	18
AN3-040A	90.19	1	AN526C832R8	25.31	11
AN3-32A	32.12	27	AN526C832R8	25.36	35
AN3-32A	63.13	17	AN526C832R8	33.7	16
AN4-3A	96.1	7	AN526C832R8	52.17	27
AN4-3A	96.3	10	AN526C832R8	53.31	3
AN4-3A	96.9	13	AN526C832R8	97.5	7
AN4-4A	96.18	53	AN526C832R8	97.29	7
AN4-4A	96.32	36	AN526C832R9	25.31	5
AN315-3R	22.1	17	AN526C832R9	52.17	1
AN315-3R	22.5	6	AN526C832R9	90.57	26
AN315-3R	52.5	20	AN526C832R12	52.17	5
AN316-4R	67.39	14	AN6235-1A	29.3	12
AN316-5R	29.11	21	AN735-3	32.7	10
AN316-5R	53.7	14	AN742-3	21.1	6
AN316-5R	67.5	12	AN742-3	21.31	12
AN316-5R	67.9	3	AN742-3	21.35	27
AN316-5R	67.25	21	AN742-3	28.9	15
AN316-5R	67.29	9	AN742-3	25.36	34
AN316-5R	67.35	15	AN742-3	32.9	13
AN316-5R	67.37	6	AN742-3	63.9	14
AN316-6R	10.5	12	AN742-3	67.22	51
AN316-6R	29.7	9	AN742-3	76.1	4

<u>Numerical Index</u>	<u>Page</u>	<u>Item</u>	<u>Numerical Index</u>	<u>Page</u>	<u>Item</u>
AN742-3	76.5	3	MS16562-35	9.7B	15
AN742-3	76.7	4	MS16562-35	67.1	23
AN742-4	25.28	31	MS16633-2012	67.12	37
AN742-4	76.1	25	MS16633-2012	67.15	28
AN804D4	29.3	14	MS16633-2012	76.7	23
AN804D4	29.9	16	MS16633-2015	90.43	33
AN806-6D	28.19	20	MS16633-2015	90.45B	21
AN806-6D	28.27	20	MS17825-4	67.37	23
AN814-8D	63.3	8	MS17825-5	67.1	6
AN814-10D	8.1	1	MS17825-5	67.12	32
AN815-3D	29.3	28	MS17825-5	67.15	24
AN815-3D	29.9	24	MS20002-4	25.3	15
AN815-4D	29.1	3	MS20002-4	25.5	27
AN815-4D	29.3	32	MS20002-4	25.9	2
AN815-4D	29.9	25	MS20002-4	65.9	27
AN815-6D	28.29	12	MS20002-4	67.37	10
AN815-6D	29.1	13	MS20002-4	67.39	3
AN815-6D	63.13	2	MS20002-5	10.5	11
AN815-8D	79.7	4	MS20002-9	63.13	24
AN815-8D	79.9	12	MS20074-04-06	65.13	10
AN815-10D	79.9	10	MS20074-04-10	90.45B	16
AN818-4D	95.51	11	MS20074-04-13	90.44	36
AN820-4	29.3	13	MS20142L06	97.9	29
AN820-6	28.19	21	MS20247AD4	97.5	29
AN820-6	28.27	21	MS20392-1C13	67.23	71
AN820-6	29.4	43	MS20392-2C7	52.2	32
AN822-6	63.15	5	MS20392-2C7	52.8	26
AN824-8D	21.35	21	MS20392-2C13	21.1	1
AN824-8D	32.15	12	MS20392-2C33	67.29	29
AN824-8D	32.17	16	MS20426AD	97.63	30
AN834-3D	29.9	17	MS20426AD3	6.5	2
AN834-3D	29.11	15	MS20426AD3	6.7	4
AN834-4D	29.11	29	MS20426AD3	6.13	6
AN834-6D	29.4	44	MS20426AD3	28.13	20
AN919-0D	71.5	28	MS20426AD3	28.21	20
AN924-8D	21.19	3	MS20426AD3	52.18	39
AN924-8D	63.13	26	MS20426AD3	90.52	50
AN924-8D	79.5	18	MS20426AD3	90.53B	13
AN924-8D	79.9	6	MS20426AD3	90.53B	16
AN924-10D	79.5	17	MS20426AD3	95.43	11
AN924-10D	79.9	14	MS20426AD3	97.33	22
AN929-4	71.9	17	MS20426AD3	97.41	9
AN929-8D	92.80	32	MS20426AD3	97.45	7
AN970-4	67.41	2	MS20426AD4	9.5	26
MS15795-820	90.34	32	MS20426AD4	9.7B	23
MS16562-4	52.5	23	MS20426AD4	25.31	20
MS16562-4	76.5	16	MS20426AD4	53.5	10
MS16562-11	65.7	14	MS20426AD4	53.29	20
MS16562-14	67.37	24	MS20426AD4	90.61	2
MS16562-15	21.35	33	MS20426AD4	90.70	51
MS16562-18	67.21	23	MS20426AD4	97.1	26
MS16562-27	90.47	14	MS20426AD4	97.23	16
MS16562-35	9.5	18	MS20426AD5	97.49	3

<u>Numerical Index</u>	<u>Page</u>	<u>Item</u>	<u>Numerical Index</u>	<u>Page</u>	<u>Item</u>
MS20470A2-6-5	32.9	10	MS20470AD4	97.69	6
MS20470AD3	6.5	3	MS20604ML4W2	21.15	26
MS20470AD3	6.7	7	MS20604ML4W2	21.27	29
MS20470AD3	6.11	11	MS20604R3W1	53.1	13
MS20470AD3	6.15	3	MS20605R3W2	95.14	36
MS20470AD3	6.17	17	MS20615-3M	21.7	24
MS20470AD3	6.25	8	MS20615-3M	90.70	48
MS20470AD3	21.7	18	MS20615-3M	92.37	15
MS20470AD3	22.7	18	MS20615-4M	9.5	23
MS20470AD3	25.39	23	MS20615-4M	9.7B	20
MS20470AD3	25.43	12	MS20819-4D	95.51	12
MS20470AD3	52.1	14	MS20822-6D	63.13	30
MS20470AD3	52.7	21	MS20995C20	63.4	39
MS20470AD3	52.18	42	MS20995C20	76.5	17
MS20470AD3	53.1	5	MS20995C20	92.9	8
MS20470AD3	67.42	40	MS20995C20	95.51	20
MS20470AD3	67.12	60	MS20995C32	21.13	15
MS20470AD3	67.29	33	MS20995C32	21.35	34
MS20470AD3	71.12	44	MS20995C32	67.42	52
MS20470AD3	90.5B	14	MS20995C32	63.13	12
MS20470AD3	90.9	16	MS20995C32	65.10	35
MS20470AD3	90.53B	17	MS20995C32	65.13	12
MS20470AD3	92.46	37	MS20995C32	67.21	24
MS20470AD3	95.14	40	MS20995C32	71.1	1
MS20470AD3	95.14	46	MS20995C32	79.5	9
MS20470AD3	97.33	28	MS20995C32	79.7	3
MS20470AD3	97.45	26	MS20995C32	79.9	26
MS20470AD3	97.65	8	MS20995C32	90.21	4
MS20470AD4	6.7	2	MS20995C32	90.29	8
MS20470AD4	6.13	5	MS20995C32	90.33	2
MS20470AD4	25.31	21	MS21042L04	21.21	20
MS20470AD4	25.40	55	MS21042L04	25.5	7
MS20470AD4	28.16	59	MS21042L04	25.27	21
MS20470AD4	28.24	59	MS21042L04	28.17	72
MS20470AD4	32.7	18	MS21042L04	28.19	25
MS20470AD4	52.5	28	MS21042L04	28.25	71
MS20470AD4	52.17	19	MS21042L04	28.27	25
MS20470AD4	53.1	21	MS21042L04	33.13	22
MS20470AD4	53.25	13	MS21042L04	33.15	19
MS20470AD4	53.31	1	MS21042L04	52.14	32
MS20470AD4	67.29	32	MS21042L04	63.3	12
MS20470AD4	90.3	12	MS21042L04	71.3	23
MS20470AD4	90.7B	10	MS21042L04	71.9	18
MS20470AD4	90.41	9	MS21042L04	71.11	20
MS20470AD4	90.61	11	MS21042L04	76.8	34
MS20470AD4	90.70	53	MS21042L04	90.4	34
MS20470AD4	90.73	22	MS21042L04	90.23	26
MS20470AD4	92.15	2	MS21042L04	92.53	7
MS20470AD4	92.41	12	MS21042L04	92.80	26
MS20470AD4	95.51	17	MS21042L04	95.2	26
MS20470AD4	96.11	12	MS21042L04	95.31	4
MS20470AD4	97.9	6	MS21042L04	95.39	27
MS20470AD4	97.13	6	MS21042L04	96.24	45

<u>Numerical Index</u>	<u>Page</u>	<u>Item</u>	<u>Numerical Index</u>	<u>Page</u>	<u>Item</u>
MS21042L04	96.32	62	MS21042L06	97.54	39
MS21042L04	96.41	11	MS21042L06	97.63	25
MS21042L04	97.57	9	MS21042L06	97.63	29
MS21042L06	21.21	25	MS21042L08	6.1	19
MS21042L06	21.27	13	MS21042L08	6.5	22
MS21042L06	25.35	23	MS21042L08	6.17	13
MS21042L06	28.32	38	MS21042L08	6.19	3
MS21042L06	33.3	28	MS21042L08	6.21	8
MS21042L06	33.9	27	MS21042L08	6.23	8
MS21042L06	33.13	4	MS21042L08	6.23	29
MS21042L06	53.26	39	MS21042L08	6.25	12
MS21042L06	63.10	55	MS21042L08	6.27	8
MS21042L06	90.4	30	MS21042L08	6.29	16
MS21042L06	90.5B	30	MS21042L08	6.37	13
MS21042L06	90.10	39	MS21042L08	6.39	7
MS21042L06	90.39C	38	MS21042L08	6.43	6
MS21042L06	90.41	3	MS21042L08	10.7	19
MS21042L06	90.53C	53	MS21042L08	21.7	6
MS21042L06	92.1	10	MS21042L08	21.11	11
MS21042L06	92.17	24	MS21042L08	21.13	9
MS21042L06	92.39	23	MS21042L08	21.17	2
MS21042L06	92.46	44	MS21042L08	21.19	9
MS21042L06	92.81	59	MS21042L08	21.22	33
MS21042L06	95.1	13	MS21042L08	21.25	10
MS21042L06	95.5	18	MS21042L08	21.27	5
MS21042L06	95.7	23	MS21042L08	21.31	10
MS21042L06	95.9	23	MS21042L08	21.33	7
MS21042L06	95.9A	32	MS21042L08	21.35	3
MS21042L06	95.13	10	MS21042L08	21.39	6
MS21042L06	95.17	1	MS21042L08	22.1	14
MS21042L06	95.21	1	MS21042L08	22.7	8
MS21042L06	95.27	20	MS21042L08	25.1	13
MS21042L06	95.29	55	MS21042L08	25.9	17
MS21042L06	95.33	8	MS21042L08	25.21	7
MS21042L06	95.35	23	MS21042L08	28.7	26
MS21042L06	95.39	28	MS21042L08	28.9	13
MS21042L06	95.43	13	MS21042L08	28.35	18
MS21042L06	96.21	17	MS21042L08	25.31	10
MS21042L06	96.23	12	MS21042L08	25.35	32
MS21042L06	96.41	20	MS21042L08	25.40	31
MS21042L06	97.1	20	MS21042L08	25.43	6
MS21042L06	97.2	36	MS21042L08	28.32	26
MS21042L06	97.5	11	MS21042L08	28.35	8
MS21042L06	97.15	14	MS21042L08	32.9	16
MS21042L06	97.17	21	MS21042L08	32.15	6
MS21042L06	97.19	5	MS21042L08	33.1	22
MS21042L06	97.21	18	MS21042L08	33.3	2
MS21042L06	97.23	23	MS21042L08	33.7	4
MS21042L06	97.25	22	MS21042L08	33.9	22
MS21042L06	97.31	25	MS21042L08	52.2	22
MS21042L06	97.37	25	MS21042L08	52.5	6
MS21042L06	97.39	27	MS21042L08	52.7	19
MS21042L06	97.49	23	MS21042L08	52.17	4

<u>Numerical Index</u>	<u>Page</u>	<u>Item</u>	<u>Numerical Index</u>	<u>Page</u>	<u>Item</u>
MS21042L08	53.3	8	MS21042L08	92.69	14
MS21042L08	53.13	28	MS21042L08	92.75	11
MS21042L08	53.17	21	MS21042L08	92.79	18
MS21042L08	53.21	19	MS21042L08	95.5	8
MS21042L08	53.25	19	MS21042L08	95.7	10
MS21042L08	53.31	6	MS21042L08	95.9	10
MS21042L08	62.1	21	MS21042L08	95.13	15
MS21042L08	63.9	8	MS21042L08	95.21	28
MS21042L08	63.13	7	MS21042L08	95.29	59
MS21042L08	63.15	1	MS21042L08	95.33	20
MS21042L08	67.12	48	MS21042L08	95.35	29
MS21042L08	67.15	4	MS21042L08	95.39	14
MS21042L08	67.21	18	MS21042L08	95.43	16
MS21042L08	67.35	3	MS21042L08	95.47	26
MS21042L08	71.3	15	MS21042L08	96.1	3
MS21042L08	71.9	13	MS21042L08	96.3	6
MS21042L08	71.11	29	MS21042L08	96.6	37
MS21042L08	71.17	10	MS21042L08	96.17	4
MS21042L08	71.19	14	MS21042L08	96.21	11
MS21042L08	71.21	14	MS21042L08	96.27	4
MS21042L08	71.27	6	MS21042L08	96.31	4
MS21042L08	75.1	7	MS21042L08	96.43	1
MS21042L08	76.1	11	MS21042L08	97.1	17
MS21042L08	76.5	7	MS21042L08	97.2	31
MS21042L08	76.7	21	MS21042L08	97.5	5
MS21042L08	79.1	7	MS21042L08	97.5	16
MS21042L08	79.3	10	MS21042L08	97.10	34
MS21042L08	79.7	7	MS21042L08	97.19	6
MS21042L08	79.9	8	MS21042L08	97.21	28
MS21042L08	90.3	18	MS21042L08	97.23	28
MS21042L08	90.5B	18	MS21042L08	97.25	10
MS21042L08	90.7	7	MS21042L08	97.29	2
MS21042L08	90.7B	27	MS21042L08	97.31	11
MS21042L08	90.9	3	MS21042L08	97.33	8
MS21042L08	90.13	4	MS21042L08	97.37	8
MS21042L08	90.29	1	MS21042L08	97.39	8
MS21042L08	90.31	11	MS21042L08	97.41	17
MS21042L08	90.33	11	MS21042L08	97.45	18
MS21042L08	90.39B	13	MS21042L08	97.49	10
MS21042L08	90.44	47	MS21042L08	97.51	4
MS21042L08	90.51	13	MS21042L08	97.59	23
MS21042L08	90.51	31	MS21042L08	97.61	21
MS21042L08	90.53B	31	MS21042L08	97.63	14
MS21042L08	90.55	17	MS21042L08	97.65	9
MS21042L08	90.57	15	MS21042L3	9.1	9
MS21042L08	90.59	10	MS21042L3	9.5	7
MS21042L08	90.75	16	MS21042L3	21.1	10
MS21042L08	92.1	2	MS21042L3	21.4	34
MS21042L08	92.5	8	MS21042L3	21.7	13
MS21042L08	92.17	13	MS21042L3	21.35	24
MS21042L08	92.41	1	MS21042L3	25.3	18
MS21042L08	92.43	19	MS21042L3	29.1	6
MS21042L08	92.45	25	MS21042L3	29.4	35

<u>Numerical Index</u>	<u>Page</u>	<u>Item</u>	<u>Numerical Index</u>	<u>Page</u>	<u>Item</u>
MS21042L3	32.11	9	MS21069L08	90.3	16
MS21042L3	52.13	19	MS21069L08	90.17	3
MS21042L3	53.3	10	MS21069L08	92.29	6
MS21042L3	53.14	46	MS21069L08	90.52	49
MS21042L3	53.26	36	MS21069L08	95.14	41
MS21042L3	63.13	21	MS21069L08	95.14	47
MS21042L3	67.1	32	MS21069L08	97.9	24
MS21042L3	71.25	7	MS21069L08K	28.13	21
MS21042L3	76.1	27	MS21069L08K	28.21	21
MS21042L3	76.5	13	MS21069L08K	90.5B	15
MS21042L3	76.7	8	MS21069L3	8.1	17
MS21042L3	90.19	15	MS21069L3	90.67	7
MS21042L3	90.29	16	MS21071L06	90.53B	12
MS21042L3	90.33	8	MS21071L08	90.17	2
MS21042L3	90.37	12	MS21071L08	92.29	5
MS21042L3	90.73	7	MS21071L08	95.14	35
MS21042L3	95.36	31	MS21075L08E	28.13	4
MS21042L3	95.43	21	MS21075L08E	28.21	23
MS21042L3	96.13	32	MS21083-N5	95.47	16
MS21042L3	96.17	20	MS21245L8	63.5	72
MS21042L3	96.31	16	MS21266-1N	67.2	50
MS21042L4	9.1	16	MS21266-1N	67.23	72
MS21042L4	9.5	17	MS21266-1N	96.11	17
MS21042L4	10.5	5	MS21333-2	63.9	32
MS21042L4	21.3	24	MS21333-105	21.4	43
MS21042L4	25.3	3	MS21919WCH	96.17	8
MS21042L4	25.9	10	MS21919WCH	96.31	8
MS21042L4	53.13	13	MS21919WCH4	71.5	3
MS21042L4	53.21	20	MS21919WCH8	21.36	42
MS21042L4	53.26	43	MS21919WCH8	21.39	8
MS21042L4	90.19	5	MS21919WCH8	71.3	19
MS21042L4	90.21	8	MS21919WCH8	79.9	17
MS21042L4	96.1	1	MS21919WCH8	92.80	35
MS21042L4	96.3	7	MS21919WCH12	71.19	18
MS21042L4	96.18	51	MS21919WCH14	71.19	25
MS21042L4	96.32	39	MS21919WCH14	79.9	23
MS21042L4	97.41	13	MS21919WCH16	21.33	9
MS21042L4	97.45	13	MS21919WCH18	21.33	16
MS21042L5	10.5	18	MS21919WCH18	21.35	8
MS21042L5	53.13	9	MS21919WCH38	75.1	5
MS21042L5	63.1	15	MS21919WCHG6	21.19	16
MS21042L6	53.13	8	MS21919WCHG8	21.19	11
MS21044B5	96.5	13	MS21919WCHG12	21.19	14
MS21044B5	96.13	29	MS21919WDG	90.9	5
MS21044B5	96.17	26	MS21919WDG	90.41	16
MS21044B5	96.31	19	MS21919WDG	90.57	3
MS21044N3	96.13	19	MS21919WDG	90.59	8
MS21044N5	96.13	17	MS21919WDG	90.71B	26
MS21069L04	90.9	24	MS21919WDG	92.75	24
MS21069L04	95.52	37	MS21919WDG	92.79	4
MS21069L08	25.27	27	MS21919WDG	95.13	23
MS21069L08	53.1	31	MS21919WDG2	25.27	3
MS21069L08	53.1	33	MS21919WDG2	33.1	20

<u>Numerical Index</u>	<u>Page</u>	<u>Item</u>	<u>Numerical Index</u>	<u>Page</u>	<u>Item</u>
MS21919WDG2	53.17	18	MS21919WDG14	97.45	24
MS21919WDG2	53.21	16	MS21919WDG16	21.17	12
MS21919WDG3	6.29	13	MS21919WDG16	25.23	5
MS21919WDG3	6.33	5	MS21919WDG16	90.52	51
MS21919WDG3	6.37	15	MS21919WDG16	97.33	25
MS21919WDG3	22.1	24	MS21919WDG16	97.37	20
MS21919WDG3	28.10	44	MS21919WDG16	97.39	22
MS21919WDG3	53.25	21	MS21919WDG18	21.17	15
MS21919WDG3	90.34	31	MS21919WDG18	25.23	9
MS21919WDG3	92.41	4	MS21919WDG18	28.29	21
MS21919WDG3	92.51	14	MS21919WDG18	71.11	8
MS21919WDG4	6.21	6	MS21919WDG18	71.15	8
MS21919WDG4	6.23	3	MS23506-215	25.28	30
MS21919WDG4	6.23	31	MS24044N3	96.32	40
MS21919WDG4	21.31	8	MS24566-1B	63.10	50
MS21919WDG4	33.7	8	MS24665-69	67.1	5
MS21919WDG4	53.22	30	MS24665-69	67.12	35
MS21919WDG4	53.25	26	MS24665-69	67.15	27
MS21919WDG4	95.40	36	MS24665-73	21.1	2
MS21919WDG4	95.47	28	MS24665-132	52.2	35
MS21919WDG4	95.47	33	MS24665-132	52.8	40
MS21919WDG5	92.49	15	MS24665-132	67.23	69
MS21919WDG5	92.61	17	MS24665-132	67.29	27
MS21919WDG6	6.33	18	MS24665-134	25.40	45
MS21919WDG6	21.13	13	MS24665-134	63.10	53
MS21919WDG6	22.1	23	MS24665-210	65.13	6
MS21919WDG6	28.1	11	MS24665-210	76.5	20
MS21919WDG6	28.7	24	MS24665-285	9.2	31
MS21919WDG6	63.13	10	MS24665-285	9.3B	28
MS21919WDG6	71.9	11	MS24665-285	9.6	35
MS21919WDG6	90.43	14	MS24665-285	9.7C	32
MS21919WDG6	95.33	22	MS24665-423	62.3	10
MS21919WDG6	96.6	38	MS24693-26	90.45C	38
MS21919WDG6-4	33.3	6	MS24693-S1	22.2	40
MS21919WDG7	95.33	25	MS24693-S1	67.11	10
MS21919WDG8	6.5	19	MS24693-S1	67.15	11
MS21919WDG8	21.13	21	MS24693-S2	67.15	11
MS21919WDG8	28.5	16	MS24693-S3	97.15	17
MS21919WDG8	71.11	26	MS24693-S3	97.17	24
MS21919WDG8	90.45C	31	MS24693-S4	76.7	32
MS21919WDG8	90.47	21	MS24693-S4	95.2	49
MS21919WDG8	92.31	5	MS24693-S4	95.3	58
MS21919WDG8	95.40	42	MS24693-S4	95.28	48
MS21919WDG8	97.5	4	MS24693-S4	96.11	15
MS21919WDG8	97.9	14	MS24693-S4	97.37	1
MS21919WDG8	97.29	4	MS24693-S4	97.45	1
MS21919WDG9	21.17	16	MS24693-S5	95.2	24
MS21919WDG9	28.29	23	MS24693-S7	92.53	11
MS21919WDG10	32.15	4	MS24693-S8	95.2	35
MS21919WDG11	21.17	5	MS24693-S24	95.17	9
MS21919WDG12	21.17	4	MS24693-S24	95.21	16
MS21919WDG12	97.13	8	MS24693-S26	95.17	6
MS21919WDG14	53.7	19	MS24693-S26	95.21	6

<u>Numerical Index</u>	<u>Page</u>	<u>Item</u>	<u>Numerical Index</u>	<u>Page</u>	<u>Item</u>
MS24693-S26	97.15	19	MS24694-S6	28.17	73
MS24693-S26	97.17	25	MS24694-S6	28.24	55
MS24693-S26	97.41	1	MS24694-S11	52.8	25
MS24693-S27	95.2	28	MS24694-S16	6.37	8
MS24693-S27	95.29	58	MS24694-S19	92.46	39
MS24693-S27	95.35	28	MS25171-1S	90.25	9
MS24693-S27	95.43	18	MS25171-1S	90.29	17
MS24693-S28	95.36	42	MS25171-1S	97.53	6
MS24693-S29	95.28	42	MS25171-2S	92.13	16
MS24693-S30	95.36	40	MS25171-2S	96.1	16
MS24693-S32	90.13	3	MS25171-2S	96.3	16
MS24693-S32	95.1	7	MS25171-2S	96.5	6
MS24693-S32	95.28	40	MS25171-2S	96.9	2
MS24693-S32	95.35	20	MS25171-2S	96.13	31
MS24693-S32	95.36	47	MS25171-2S	97.53	20
MS24693-S32	97.51	3	MS25201-4	21.21	2
MS24693-S32	97.65	3	MS27004-04-03	90.29	9
MS24693S297	90.19	10	MS270390806	90.15	1
MS24694-3	97.1	15	MS27039C08XX	25.21	3
MS24694-C5	90.71B	19	MS27039C0805	6.1	11
MS24694-C7	6.17	10	MS27039C0805	6.3	5
MS24694-C7	6.21	16	MS27039C0805	6.21	17
MS24694-C7	6.23	16	MS27039C0805	6.23	17
MS24694-C7	6.27	1	MS27039C0805	6.39	2
MS24694-C7	6.31	2	MS27039C0805	28.7	20
MS24694-C7	6.33	2	MS27039C0805	28.35	22
MS24694-C7	6.35	5	MS27039C0805	32.5	4
MS24694-C7	92.43	10	MS27039C0805	33.9	24
MS24694-C11	6.31	17	MS27039C0805	71.27	21
MS24694-C51	6.21	23	MS27039C0805	79.3	5
MS24694-C51	90.73	2	MS27039C0805	90.1	7
MS24694-S2	90.39B	15	MS27039C0805	90.5B	7
MS24694-S3	25.43	19	MS27039C0805	90.23	6
MS24694-S3	28.17	74	MS27039C0805	90.37	10
MS24694-S3	67.12	47	MS27039C0805	90.57	1
MS24694-S3	67.15	5	MS27039C0805	90.65	13
MS24694-S4	6.3	12	MS27039C0805	90.59	13
MS24694-S4	6.7	19	MS27039C0805	92.11	2
MS24694-S4	52.13	1	MS27039C0805	92.43	23
MS24694-S4	67.15	5	MS27039C0805	92.49	2
MS24694-S4	90.53B	2	MS27039C0805	92.75	23
MS24694-S4	95.1	22	MS27039C0805	92.79	1
MS24694-S4	95.28	41	MS27039C0805	96.17	1
MS24694-S4	95.35	16	MS27039C0805	96.31	1
MS24694-S4	95.43	9	MS27039C0805	97.19	15
MS24694-S4	97.33	1	MS27039C0805	97.57	19
MS24694-S4	97.33	23	MS27039C0806	6.1	2
MS24694-S4	97.37	12	MS27039C0806	6.3	3
MS24694-S4	97.39	1	MS27039C0806	6.5	1
MS24694-S4	97.45	9	MS27039C0806	6.7	10
MS24694-S5	28.16	67	MS27039C0806	6.19	7
MS24694-S5	28.24	55	MS27039C0806	6.21	4
MS24694-S5	97.39	14	MS27039C0806	6.23	5

<u>Numerical Index</u>	<u>Page</u>	<u>Item</u>	<u>Numerical Index</u>	<u>Page</u>	<u>Item</u>
MS27039C0806	6.23	32	MS27039C0806	71.15	13
MS27039C0806	6.25	6	MS27039C0806	71.21	17
MS27039C0806	6.37	18	MS27039C0806	71.23	3
MS27039C0806	21.1	17	MS27039C0806	71.27	3
MS27039C0806	21.7	8	MS27039C0806	75.1	4
MS27039C0806	21.11	1	MS27039C0806	76.1	3
MS27039C0806	21.13	14	MS27039C0806	76.5	6
MS27039C0806	21.17	9	MS27039C0806	79.1	1
MS27039C0806	21.19	15	MS27039C0806	90.1	12
MS27039C0806	21.27	1	MS27039C0806	90.9	6
MS27039C0806	21.31	1	MS27039C0806	90.23	8
MS27039C0806	21.33	13	MS27039C0806	90.27	4
MS27039C0806	21.35	7	MS27039C0806	90.33	24
MS27039C0806	21.39	10	MS27039C0806	90.44	46
MS27039C0806	22.1	10	MS27039C0806	90.45C	32
MS27039C0806	22.5	16	MS27039C0806	90.48	43
MS27039C0806	22.7	15	MS27039C0806	90.51	18
MS27039C0806	25.1	6	MS27039C0806	90.53B	33
MS27039C0806	25.9	13	MS27039C0806	90.55	6
MS27039C0806	25.35	3	MS27039C0806	90.55	25
MS27039C0806	25.40	36	MS27039C0806	90.57	6
MS27039C0806	25.43	7	MS27039C0806	90.59	3
MS27039C0806	28.5	17	MS27039C0806	90.67	17
MS27039C0806	28.7	23	MS27039C0806	90.71B	25
MS27039C0806	28.9	2	MS27039C0806	90.77	8
MS27039C0806	28.16	55	MS27039C0806	90.79	2
MS27039C0806	28.25	72	MS27039C0806	92.18	32
MS27039C0806	29.7	11	MS27039C0806	92.31	4
MS27039C0806	29.9	5	MS27039C0806	92.33	5
MS27039C0806	32.7	13	MS27039C0806	92.35	3
MS27039C0806	32.9	14	MS27039C0806	92.37	6
MS27039C0806	32.15	3	MS27039C0806	92.41	3
MS27039C0806	33.1	13	MS27039C0806	92.45	6
MS27039C0806	33.3	7	MS27039C0806	92.61	22
MS27039C0806	33.9	19	MS27039C0806	92.65	16
MS27039C0806	33.13	15	MS27039C0806	92.69	2
MS27039C0806	52.5	13	MS27039C0806	92.75	2
MS27039C0806	52.14	34	MS27039C0806	92.79	6
MS27039C0806	53.1	15	MS27039C0806	95.13	18
MS27039C0806	53.3	6	MS27039C0806	95.29	61
MS27039C0806	53.5	2	MS27039C0806	95.29	66
MS27039C0806	53.13	30	MS27039C0806	95.36	33
MS27039C0806	53.17	6	MS27039C0806	95.39	33
MS27039C0806	53.21	4	MS27039C0806	95.43	19
MS27039C0806	53.25	22	MS27039C0806	95.47	29
MS27039C0806	67.1	26	MS27039C0806	95.51	35
MS27039C0806	67.21	31	MS27039C0806	96.1	27
MS27039C0806	67.31	1	MS27039C0806	96.3	27
MS27039C0806	67.35	19	MS27039C0806	96.6	34
MS27039C0806	71.3	17	MS27039C0806	96.9	26
MS27039C0806	71.5	2	MS27039C0806	96.17	9
MS27039C0806	71.9	4	MS27039C0806	96.21	12
MS27039C0806	71.11	25	MS27039C0806	96.27	1

<u>Numerical Index</u>	<u>Page</u>	<u>Item</u>	<u>Numerical Index</u>	<u>Page</u>	<u>Item</u>
MS27039C0806	96.31	7	MS27039C0807	92.79	3
MS27039C0806	96.43	5	MS27039C0807	95.33	24
MS27039C0806	97.9	9	MS27039C0807	97.13	3
MS27039C0806	97.13	7	MS27039C0807	97.15	13
MS27039C0806	97.33	20	MS27039C0807	97.17	20
MS27039C0806	97.37	17	MS27039C0807	97.19	32
MS27039C0806	97.39	19	MS27039C0807	97.21	4
MS27039C0806	97.41	19	MS27039C0807	97.23	3
MS27039C0806	97.45	20	MS27039C0808	6.29	14
MS27039C0806	97.54	40	MS27039C0808	21.17	1
MS27039C0806	97.57	6	MS27039C0808	21.31	15
MS27039C0806	97.59	25	MS27039C0808	25.13	4
MS27039C0806	97.61	23	MS27039C0808	25.32	28
MS27039C0807	6.3	2	MS27039C0808	25.39	14
MS27039C0807	6.7	21	MS27039C0808	28.9	16
MS27039C0807	6.31	11	MS27039C0808	32.9	21
MS27039C0807	6.33	12	MS27039C0808	33.1	23
MS27039C0807	6.35	9	MS27039C0808	52.17	13
MS27039C0807	10.7	1	MS27039C0808	53.14	47
MS27039C0807	21.11	27	MS27039C0808	53.18	44
MS27039C0807	21.17	24	MS27039C0808	67.1	20
MS27039C0807	21.21	17	MS27039C0808	71.21	20
MS27039C0807	21.35	5	MS27039C0808	76.1	12
MS27039C0807	22.7	6	MS27039C0808	90.43	6
MS27039C0807	25.27	4	MS27039C0808	90.45B	4
MS27039C0807	28.1	10	MS27039C0808	90.75	14
MS27039C0807	28.15	6	MS27039C0808	92.22	52
MS27039C0807	28.23	6	MS27039C0808	92.62	36
MS27039C0807	28.35	3	MS27039C0808	97.57	13
MS27039C0807	52.5	3	MS27039C0809	28.10	48
MS27039C0807	53.17	2	MS27039C0809	52.11	4
MS27039C0807	53.17	4	MS27039C0809	76.1	21
MS27039C0807	53.18	40	MS27039C0809	92.53	26
MS27039C0807	53.21	2	MS27039C0809	92.75	31
MS27039C0807	63.13	11	MS27039C0809	96.1	8
MS27039C0807	63.15	8	MS27039C0809	96.3	3
MS27039C0807	67.35	1	MS27039C0809	96.9	20
MS27039C0807	71.9	10	MS27039C0810	6.33	6
MS27039C0807	71.17	5	MS27039C0810	21.17	26
MS27039C0807	75.1	12	MS27039C0810	32.5	5
MS27039C0807	76.1	6	MS27039C0810	52.17	12
MS27039C0807	79.1	3	MS27039C0810	67.21	21
MS27039C0807	79.3	12	MS27039C0810	76.7	29
MS27039C0807	79.7	10	MS27039C0810	90.63	11
MS27039C0807	79.9	18	MS27039C0810	90.75	1
MS27039C0807	90.23	16	MS27039C0810	95.39	32
MS27039C0807	90.41	17	MS27039C0811	32.15	13
MS27039C0807	90.48	45	MS27039C0811	92.5	7
MS27039C0807	90.51	17	MS27039C0811	97.57	1
MS27039C0807	90.57	4	MS27039C0811	97.59	19
MS27039C0807	92.31	6	MS27039C0811	97.61	17
MS27039C0807	92.51	2	MS27039C0812	21.25	16
MS27039C0807	92.58	48	MS27039C0812	21.36	43

<u>Numerical Index</u>	<u>Page</u>	<u>Item</u>	<u>Numerical Index</u>	<u>Page</u>	<u>Item</u>
MS27039C0812	32.9	11	MS27039C1-07	25.3	20
MS27039C0812	32.15	10	MS27039C1-07	25.5	8
MS27039C0812	63.9	5	MS27039C1-07	25.5	34
MS27039C0812	76.7	18	MS27039C1-07	25.11	1
MS27039C0813	25.40	52	MS27039C1-07	25.13	2
MS27039C0813	90.57	25	MS27039C1-07	28.2	36
MS27039C0814	25.40	53	MS27039C1-07	28.9	34
MS27039C0815	6.31	17	MS27039C1-07	28.16	37
MS27039C0815	6.33	17	MS27039C1-07	28.24	37
MS27039C0815	25.40	46	MS27039C1-07	28.29	4
MS27039C0815	96.1	22	MS27039C1-07	52.14	31
MS27039C0815	96.3	1	MS27039C1-07	53.7	18
MS27039C0816	21.35	14	MS27039C1-07	53.26	32
MS27039C0816	25.28	32	MS27039C1-07	63.9	12
MS27039C0816	32.9	19	MS27039C1-07	67.22	52
MS27039C0816	33.7	10	MS27039C1-07	71.11	6
MS27039C0816	71.19	17	MS27039C1-07	71.15	6
MS27039C0816	71.19	26	MS27039C1-07	71.19	27
MS27039C0817	28.9	22	MS27039C1-07	71.25	1
MS27039C0817	76.7	3	MS27039C1-07	90.70	44
MS27039C0817	90.57	25	MS27039C1-07	96.5	29
MS27039C0818	28.29	20	MS27039C1-07	96.17	10
MS27039C0818	90.57	7	MS27039C1-07	96.31	9
MS27039C0819	6.37	10	MS27039C1-07	96.32	43
MS27039C0824	21.35	12	MS27039C1-07	97.5	30
MS27039C0824	52.5	9	MS27039C1-07	97.9	15
MS27039C0828	28.29	25	MS27039C1-08	21.35	29
MS27039C0834	90.29	4	MS27039C1-08	25.6	41
MS27039C0835	90.29	4	MS27039C1-08	25.23	2
MS27039C1-04	90.45B	8	MS27039C1-08	28.15	33
MS27039C1-04	90.63	12	MS27039C1-08	28.24	33
MS27039C1-04	90.69	16	MS27039C1-08	28.35	17
MS27039C1-06	21.1	5	MS27039C1-08	63.9	30
MS27039C1-06	28.1	17	MS27039C1-08	76.1	23
MS27039C1-06	28.5	13	MS27039C1-08	76.5	11
MS27039C1-06	25.31	16	MS27039C1-08	76.7	16
MS27039C1-06	28.15	11	MS27039C1-08	90.37	15
MS27039C1-06	28.23	11	MS27039C1-08	90.65	6
MS27039C1-06	28.29	3	MS27039C1-09	28.16	43
MS27039C1-06	63.7	13	MS27039C1-09	28.24	43
MS27039C1-06	71.19	4	MS27039C1-09	32.9	8
MS27039C1-06	90.34	29	MS27039C1-09	32.12	32
MS27039C1-06	90.43	4	MS27039C1-09	92.7	10
MS27039C1-06	90.43	25	MS27039C1-10	71.11	7
MS27039C1-06	90.47	11	MS27039C1-10	71.15	7
MS27039C1-06	90.71C	38	MS27039C1-10	96.17	11
MS27039C1-06	95.29	64	MS27039C1-11	63.10	52
MS27039C1-06	95.36	35	MS27039C1-12	90.47	25
MS27039C1-06	95.43	20	MS27039C1-13	90.51	19
MS27039C1-06	96.13	3	MS27039C1-14	96.13	33
MS27039C1-06	97.9	8	MS27039C1-18	92.67	18
MS27039C1-07	6.15	7	MS27039C1-30	90.67	18
MS27039C1-07	21.7	15	MS27039C4-11	90.73	20

<u>Numerical Index</u>	<u>Page</u>	<u>Item</u>	<u>Numerical Index</u>	<u>Page</u>	<u>Item</u>
MS27039C813	92.80	34	MS3116F14-15S	92.37	13
MS27039C819	92.79	7	MS3116F14-18S	92.37	11
MS27039DD1-51	32.12	28	MS3116F14-19S	90.45C	43
MS27467T9B35S	71.27	16	MS3116F8-4S	95.36	38
MS27488-20-2	71.7	11	MS3116J8-3S	71.21	2
MS28034-1	79.5	5	MS3120E12-105	90.23	22
MS28775-011	29.3	29	MS3120F14-19P	63.3	13
MS28775-011	29.9	14	MS3126F14-15S	25.35	26
MS28775-011	29.11	16	MS3367-3-9	96.5	20
MS28775-020	29.3	6	MS3367-4-0	25.44	42
MS28775-020	33.15	2	MS3367-4-0	33.9	26
MS28778-4	29.1	4	MS3367-4-0	90.43	16
MS28778-4	29.3	18	MS3367-4-0	90.70	39
MS28778-4	29.9	22	MS3367-4-0	90.71B	31
MS28778-4	29.11	25	MS3367-4-0	90.73	13
MS28778-4	65.9	16	MS3367-4-0	90.75	9
MS28778-4	79.7	9	MS3367-4-0	92.2	30
MS28778-5	29.3	21	MS3367-4-0	92.13	20
MS28778-5	65.9	3	MS3367-4-0	92.21	12
MS28778-6	29.1	12	MS3367-4-0	92.31	9
MS28778-6	29.4	36	MS3367-4-0	92.37	5
MS28778-6	63.4	52	MS3367-4-0	92.49	10
MS28778-6	63.13	1	MS3367-4-0	92.53	17
MS28778-8	63.5	82	MS3367-4-0	92.61	10
MS28778-8	79.7	2	MS3367-4-0	92.69	18
MS28778-8	79.9	24	MS3367-4-0	95.57	8
MS28778-14	29.3	11	MS3367-4-0	97.54	32
MS29512-03	71.5	24	MS3367-4-9	6.27	9
MS29512-05	28.7	2	MS3367-4-9	21.3	1
MS29512-05	28.29	8	MS3367-4-9	21.15	12
MS29512-06	28.5	10	MS3367-4-9	21.21	4
MS29512-06	28.19	14	MS3367-4-9	21.27	16
MS29512-06	28.27	14	MS3367-4-9	22.1	22
MS29512-10	28.1	6	MS3367-4-9	22.5	22
MS29512-12	79.7	15	MS3367-4-9	25.35	11
MS29513-262	28.24	39	MS3367-4-9	28.7	10
MS29513-263	28.16	39	MS3367-4-9	28.29	10
MS29513-270	28.1	32	MS3367-4-9	28.31	9
MS29561-015	79.5	4	MS3367-4-9	29.3	9
MS3057-4A	95.36	43	MS3367-4-9	32.7	5
MS3106A-10SL-3S	95.36	44	MS3367-4-9	33.10	35
MS3106F12S-3S	28.17	68	MS3367-4-9	33.13	10
MS3106F12S-3S	28.25	67	MS3367-4-9	33.15	4
MS3106R8S-1S	71.5	15	MS3367-4-9	63.3	14
MS3110E8-4S	90.71B	27	MS3367-4-9	71.5	26
MS3112E14-9	90.39	5	MS3367-4-9	71.9	20
MS3116E8-4P	71.9	24	MS3367-4-9	71.11	21
MS3116E8-4P	71.11	22	MS3367-4-9	90.15	2
MS3116F8-4P	90.71B	28	MS3367-4-9	90.33	19
MS3116F12-10S	90.45C	43	MS3367-4-9	90.55	16
MS3116F14-5S	28.35	21	MS3367-4-9	92.17	20
MS3116F14-12S	92.37	4	MS3367-4-9	92.45	30
MS3116F14-12S	92.39	10	MS3367-4-9	95.3	59

<u>Numerical Index</u>	<u>Page</u>	<u>Item</u>	<u>Numerical Index</u>	<u>Page</u>	<u>Item</u>
MS3367-4-9	95.3	64	MS3367-5-9	22.7	10
MS3367-4-9	95.9A	40	MS3367-5-9	25.32	34
MS3367-4-9	95.17	12	MS3367-5-9	25.35	11
MS3367-4-9	95.21	10	MS3367-5-9	28.10	43
MS3367-4-9	95.29	69	MS3367-5-9	29.3	27
MS3367-4-9	95.35	12	MS3367-5-9	29.9	26
MS3367-4-9	95.47	30	MS3367-5-9	33.4	36
MS3367-4-9	95.51	15	MS3367-5-9	52.13	22
MS3367-4-9	96.9	11	MS3367-5-9	53.18	34
MS3367-4-9	96.11	6	MS3367-5-9	53.25	24
MS3367-4-9	96.17	7	MS3367-5-9	71.5	30
MS3367-4-9	96.24	48	MS3367-5-9	71.21	3
MS3367-4-9	96.31	28	MS3367-5-9	90.27	16
MS3367-4-9	96.35	7	MS3367-5-9	95.13	25
MS3367-4-9	96.41	12	MS3367-5-9	95.25	22
MS3367-4-9	96.43	10	MS3367-5-9	95.47	15
MS3367-4-9	97.5	31	MS3367-5-9	95.47	31
MS3367-4-9	97.29	14	MS3367-5-9	96.35	7
MS3367-4-9	97.69	7	MS3367-5-9	96.5	12
MS3367-4-9	97.69	26	MS3367-5-9	97.53	4
MS3367-5-0	6.1	5	MS3367-6-0	67.41	23
MS3367-5-0	21.17	17	MS3367-7-0	25.23	4
MS3367-5-0	22.7	7	MS3367-7-0	90.44	48
MS3367-5-0	25.27	5	MS3367-7-0	90.45B	12
MS3367-5-0	28.31	13	MS3367-7-0	90.51	24
MS3367-5-0	90.7	6	MS3367-7-0	92.7	17
MS3367-5-0	90.9	9	MS3367-7-0	92.21	13
MS3367-5-0	90.23	14	MS3367-7-0	92.31	11
MS3367-5-0	90.41	12	MS3367-7-0	92.54	43
MS3367-5-0	90.44	49	MS3367-7-0	92.58	42
MS3367-5-0	90.45B	11	MS3367-7-0	92.61	15
MS3367-5-0	90.47	20	MS3367-7-0	92.67	2
MS3367-5-0	90.51	16	MS3367-7-0	92.73	20
MS3367-5-0	90.69	12	MS3367-7-0	92.79	11
MS3367-5-0	90.71B	24	MS3367-7-9	25.23	10
MS3367-5-0	90.75	10	MS3367-7-9	25.36	37
MS3367-5-0	92.9	12	MS3367-7-9	28.1	13
MS3367-5-0	92.11	10	MS3367-7-9	28.9	23
MS3367-5-0	92.25	8	MS3367-7-9	28.16	54
MS3367-5-0	92.49	16	MS3367-7-9	28.19	3
MS3367-5-0	92.58	26	MS3367-7-9	28.24	54
MS3367-5-0	95.2	46	MS3367-7-9	28.27	3
MS3367-5-0	95.9A	36	MS3367-7-9	28.29	14
MS3367-5-0	95.27	6	MS3367-7-9	28.29	19
MS3367-5-0	96.13	22	MS3367-7-9	32.17	24
MS3367-5-0	96.35	19	MS3367-7-9	67.41	21
MS3367-5-9	6.41	6	MS3367-7-9	71.5	10
MS3367-5-9	21.1	12	MS3367-7-9	76.1	5
MS3367-5-9	21.3	14	MS3367-7-9	96.41	24
MS3367-5-9	21.7	9	MS33737-12C	95.36	46
MS3367-5-9	21.15	13	MS33737-13C	95.1	21
MS3367-5-9	21.17	6	MS33737-13C	95.28	30
MS3367-5-9	21.25	23	MS33737-13C	95.35	8

<u>Numerical Index</u>	<u>Page</u>	<u>Item</u>	<u>Numerical Index</u>	<u>Page</u>	<u>Item</u>
MS33737-15C	25.35	28	MS35206-227	90.39B	10
MS33737-15C	95.1	6	MS35206-227	90.41	6
MS33737-15C	95.28	33	MS35206-227	92.39	8
MS33737-15C	95.35	5	MS35206-227	96.21	5
MS3456W10SL	71.7	2	MS35206-227	97.31	2
MS35206-212	92.67	11	MS35206-227	97.63	2
MS35206-212	96.23	30	MS35206-228	28.32	32
MS35206-213	92.33	6	MS35206-228	33.7	13
MS35206-213	92.45	19	MS35206-228	33.10	33
MS35206-213	96.27	18	MS35206-228	53.25	14
MS35206-214	28.19	26	MS35206-228	90.3	26
MS35206-214	28.27	26	MS35206-228	90.5B	26
MS35206-214	90.4	33	MS35206-228	90.10	34
MS35206-214	90.7B	8	MS35206-228	90.39C	34
MS35206-214	90.9	27	MS35206-228	90.43	5
MS35206-214	90.23	23	MS35206-228	90.53C	48
MS35206-214	90.41	14	MS35206-228	92.1	5
MS35206-214	90.53B	18	MS35206-228	92.17	17
MS35206-214	92.80	24	MS35206-228	92.81	57
MS35206-214	95.31	5	MS35206-228	95.1	11
MS35206-214	95.52	39	MS35206-228	95.5	15
MS35206-214	96.32	64	MS35206-228	95.7	19
MS35206-214	97.57	7	MS35206-228	95.9	19
MS35206-215	21.21	23	MS35206-228	95.9A	42
MS35206-215	25.5	3	MS35206-228	95.14	37
MS35206-215	25.35	4	MS35206-228	95.22	38
MS35206-215	33.13	26	MS35206-228	95.27	13
MS35206-215	90.41	19	MS35206-228	95.33	17
MS35206-215	92.13	3	MS35206-228	95.35	26
MS35206-215	92.37	2	MS35206-228	95.40	47
MS35206-215	92.69	6	MS35206-228	96.5	7
MS35206-215	97.53	24	MS35206-228	96.11	19
MS35206-215	97.57	12	MS35206-228	96.23	5
MS35206-217	92.37	10	MS35206-228	97.2	34
MS35206-217	95.31	13	MS35206-228	97.5	9
MS35206-217	95.39	22	MS35206-228	97.9	27
MS35206-218	33.15	21	MS35206-228	97.19	3
MS35206-218	96.41	6	MS35206-228	97.21	20
MS35206-219	63.3	20	MS35206-228	97.23	25
MS35206-219	71.9	23	MS35206-228	97.25	14
MS35206-219	71.11	16	MS35206-228	97.49	17
MS35206-219	95.31	1	MS35206-228	97.54	36
MS35206-225	90.47	7	MS35206-229	92.46	41
MS35206-226	9.6	32	MS35206-229	97.15	18
MS35206-226	9.7B	29	MS35206-229	97.17	27
MS35206-226	90.45B	10	MS35206-230	33.4	35
MS35206-226	90.55	21	MS35206-230	95.33	1
MS35206-226	90.69	7	MS35206-231	95.39	31
MS35206-226	96.41	18	MS35206-232	25.35	5
MS35206-227	21.27	7	MS35206-232	92.39	20
MS35206-227	52.13	27	MS35206-232	95.40	50
MS35206-227	63.10	56	MS35206-232	96.24	49
MS35206-227	90.39	10	MS35206-233	90.15	11

<u>Numerical Index</u>	<u>Page</u>	<u>Item</u>	<u>Numerical Index</u>	<u>Page</u>	<u>Item</u>
MS35206-234	25.35	12	MS35489-11	96.3	18
MS35206-234	33.1	6	MS35489-11	96.6	35
MS35206-241	67.12	38	MS35489-13	96.9	22
MS35206-241	67.15	31	MS35489-15	33.1	12
MS35206-241	95.13	19	MS35489-15	53.18	29
MS35206-241	95.14	30	MS35489-15	53.22	33
MS35206-241	95.33	14	MS35489-15	71.23	5
MS35206-241	95.40	46	MS35489-15	90.77	15
MS35206-242	25.39	7	MS35489-16	28.19	2
MS35206-324	96.23	27	MS35489-16	28.27	2
MS35206-328	90.34	40	MS35489-16	28.29	17
MS35206-329	90.77	5	MS35489-17	92.61	21
MS35214-47	33.9	7	MS35489-17X	95.51	18
MS35214-47	95.45	1	MS35489-18	92.39	1
MS35214-47	95.45	15	MS35489-19	97.5	32
MS35338-136B	95.45	18	MS35489-19	97.29	13
MS35338-137	90.70	42	MS35489-20	21.11	19
MS35489-1	25.39	30	MS35489-20	32.15	1
MS35489-1	25.43	13	MS35489-22	90.43	27
MS35489-1	53.22	31	MS35489-23	21.11	30
MS35489-1	92.54	33	MS35489-33	25.43	20
MS35489-2	28.29	9	MS35489-33	53.17	9
MS35489-4	21.1	4	MS35489-33	53.21	7
MS35489-4	21.15	23	MS35489-35	90.29	11
MS35489-4	28.2	38	MS35489-134	92.9	7
MS35489-4	25.32	36	MS35489-134	92.35	19
MS35489-4	25.35	21	MS35489-149	21.13	7
MS35489-4	33.3	10	MS35489-149	90.63	7
MS35489-4	33.9	23	MS35769-8	65.10	38
MS35489-4	53.21	17	MS35769-9	65.10	36
MS35489-4	53.25	28	MS35769-11	65.10	37
MS35489-4	67.12	53	MS5049/38-13W	92.80	23
MS35489-4	67.15	8	MS51861-37C	52.5	1
MS35489-4	90.25	7	MS51861-37C	52.11	1
MS35489-4	90.69	15	MS51957-47	90.70	41
MS35489-4	92.13	9	MS51960-65	90.34	35
MS35489-4	92.53	5	MS53206-228	95.13	5
MS35489-4	95.33	3	MS91528-0C1B	95.2	45
MS35489-4	95.45	9	MS91528-0C1B	95.31	8
MS35489-4	97.53	15	MS91528-0C1B	95.39	5
MS35489-4	97.69	4	MS9592-050	71.5	4
MS35489-5	6.19	11	NAS1097AD	97.9	24
MS35489-5	6.23	23	NAS1097AD	97.63	11
MS35489-5	90.31	16	NAS1097AD3	6.13	10
MS35489-5	92.43	16	NAS1097AD3	8.1	19
MS35489-6	53.3	16	NAS1097AD3	28.13	22
MS35489-6	95.48	43	NAS1097AD3	28.15	22
MS35489-8	96.11	16	NAS1097AD3	28.21	5
MS35489-9	90.45C	52	NAS1097AD3	28.23	22
MS35489-11	28.1	15	NAS1097AD3	53.1	32
MS35489-11	33.1	19	NAS1097AD3	90.3	17
MS35489-11	92.5	21	NAS1097AD3	90.5B	16
MS35489-11	96.1	18	NAS1097AD3	90.9	25

<u>Numerical Index</u>	<u>Page</u>	<u>Item</u>	<u>Numerical Index</u>	<u>Page</u>	<u>Item</u>
NAS1097AD3	90.39B	12	NAS1149F0316P	90.45C	34
NAS1097AD3	90.53B	7	NAS1149F0316P	90.45C	49
NAS1097AD3	90.67	6	NAS1149F0316P	90.51	28
NAS1097AD3	92.1	11	NAS1149F0316P	96.13	4
NAS1097AD3	92.29	4	NAS1149F0332P	6.11	6
NAS1097AD3	92.46	35	NAS1149F0332P	6.21	20
NAS1097AD3	95.14	43	NAS1149F0332P	8.1	21
NAS1097AD3	95.14	49	NAS1149F0332P	9.5	20
NAS1097AD3	97.1	23	NAS1149F0332P	9.7B	17
NAS1097AD3	97.21	17	NAS1149F0332P	21.1	9
NAS1097AD3	97.23	13	NAS1149F0332P	21.4	33
NAS1097AD3	97.49	5	NAS1149F0332P	21.35	25
NAS1097AD4	90.53B	27	NAS1149F0332P	22.1	2
NAS1097AD4	97.41	21	NAS1149F0332P	22.1	5
NAS1097AD4	97.45	8	NAS1149F0332P	22.5	8
NAS1149CO363R	71.5	22	NAS1149F0332P	25.3	19
NAS1149D0316J	63.10	37	NAS1149F0332P	25.5	9
NAS1149D0316J	67.19	14	NAS1149F0332P	25.31	24
NAS1149D0316J	67.29	28	NAS1149F0332P	28.10	36
NAS1149D0363J	90.19	14	NAS1149F0332P	28.13	11
NAS1149D0416J	65.7	3	NAS1149F0332P	28.16	57
NAS1149D0463P	90.19	6	NAS1149F0332P	28.21	11
NAS1149D0516J	95.47	17	NAS1149F0332P	28.24	57
NAS1149D0616J	67.19	19	NAS1149F0332P	28.35	14
NAS1149D0616J	67.21	13	NAS1149F0332P	32.7	8
NAS1149DN816J	33.9	2	NAS1149F0332P	32.11	10
NAS1149DN816J	95.45	2	NAS1149F0332P	32.12	26
NAS1149DN832H	25.36	43	NAS1149F0332P	32.19	8
NAS1149DN832H	90.7	9	NAS1149F0332P	52.2	34
NAS1149DN832H	90.13	5	NAS1149F0332P	52.8	39
NAS1149DN832H	90.55	18	NAS1149F0332P	52.13	20
NAS1149DN832H	92.17	14	NAS1149F0332P	53.3	5
NAS1149DN832H	92.75	20	NAS1149F0332P	53.7	20
NAS1149DN832H	92.79	15	NAS1149F0332P	53.14	45
NAS1149DN832H	95.39	12	NAS1149F0332P	53.26	35
NAS1149DN832H	96.18	49	NAS1149F0332P	62.1	8
NAS1149DN832H	96.21	10	NAS1149F0332P	63.7	3
NAS1149DN832H	96.32	34	NAS1149F0332P	63.9	15
NAS1149DN832H	97.19	33	NAS1149F0332P	63.13	16
NAS1149DN832H	97.51	5	NAS1149F0332P	65.1	3
NAS1149DN832H	97.63	19	NAS1149F0332P	65.3	9
NAS1149DN832H	97.65	10	NAS1149F0332P	65.5	3
NAS1149E0363R	21.35	30	NAS1149F0332P	67.1	30
NAS1149E0363R	28.9	28	NAS1149F0332P	67.22	41
NAS1149E0363R	67.22	55	NAS1149F0332P	67.29	18
NAS1149E0363R	71.5	17	NAS1149F0332P	67.33	26
NAS1149E0363R	76.1	30	NAS1149F0332P	71.3	13
NAS1149E0363R	76.7	11	NAS1149F0332P	71.25	6
NAS1149F0316P	6.25	17	NAS1149F0332P	71.27	10
NAS1149F0316P	21.7	14	NAS1149F0332P	76.1	26
NAS1149F0316P	25.23	7	NAS1149F0332P	76.5	12
NAS1149F0316P	71.11	9	NAS1149F0332P	76.7	9
NAS1149F0316P	71.15	9	NAS1149F0332P	90.21	6

<u>Numerical Index</u>	<u>Page</u>	<u>Item</u>	<u>Numerical Index</u>	<u>Page</u>	<u>Item</u>
NAS1149F0332P	90.29	13	NAS1149F0432P	67.41	5
NAS1149F0332P	90.33	9	NAS1149F0432P	67.41	8
NAS1149F0332P	90.37	13	NAS1149F0432P	63.1	2
NAS1149F0332P	90.47	17	NAS1149F0432P	64.1	22
NAS1149F0332P	90.73	6	NAS1149F0432P	65.1	8
NAS1149F0332P	92.27	2	NAS1149F0432P	65.3	5
NAS1149F0332P	95.29	63	NAS1149F0432P	65.9	10
NAS1149F0332P	95.36	34	NAS1149F0432P	65.9	32
NAS1149F0332P	95.43	22	NAS1149F0432P	65.13	11
NAS1149F0332P	96.6	31	NAS1149F0432P	67.1	24
NAS1149F0332P	96.13	20	NAS1149F0432P	67.2	46
NAS1149F0332P	96.31	15	NAS1149F0432P	67.5	8
NAS1149F0363P	9.1	10	NAS1149F0432P	67.22	38
NAS1149F0363P	9.3B	10	NAS1149F0432P	67.22	60
NAS1149F0363P	9.7B	8	NAS1149F0432P	67.25	10
NAS1149F0363P	9.5	8	NAS1149F0432P	67.33	1
NAS1149F0363P	21.35	28	NAS1149F0432P	67.35	6
NAS1149F0363P	22.1	6	NAS1149F0432P	67.37	12
NAS1149F0363P	28.9	35	NAS1149F0432P	67.39	4
NAS1149F0363P	28.13	15	NAS1149F0432P	67.39	18
NAS1149F0363P	28.21	15	NAS1149F0432P	76.5	19
NAS1149F0363P	32.19	5	NAS1149F0432P	90.21	2
NAS1149F0363P	52.5	17	NAS1149F0432P	90.29	10
NAS1149F0363P	63.9	31	NAS1149F0432P	92.53	18
NAS1149F0363P	63.13	20	NAS1149F0432P	96.1	2
NAS1149F0363P	65.3	11	NAS1149F0432P	96.3	8
NAS1149F0363P	67.1	31	NAS1149F0432P	96.9	9
NAS1149F0363P	67.19	7	NAS1149F0432P	96.18	52
NAS1149F0363P	76.1	22	NAS1149F0432P	96.32	38
NAS1149F0363P	76.5	10	NAS1149F0432P	97.41	14
NAS1149F0363P	90.45C	46	NAS1149F0432P	97.45	14
NAS1149F0363P	90.47	16	NAS1149F0463P	6.15	4
NAS1149F0432	92.27	12	NAS1149F0463P	10.5	6
NAS1149F0432P	9.1	17	NAS1149F0463P	21.3	21
NAS1149F0432P	9.3B	17	NAS1149F0463P	53.7	10
NAS1149F0432P	9.5	16	NAS1149F0463P	53.13	14
NAS1149F0432P	9.7B	13	NAS1149F0463P	63.1	5
NAS1149F0432P	10.5	3	NAS1149F0463P	63.5	88
NAS1149F0432P	21.3	23	NAS1149F0463P	64.1	28
NAS1149F0432P	25.3	17	NAS1149F0463P	65.1	9
NAS1149F0432P	25.6	37	NAS1149F0463P	65.3	3
NAS1149F0432P	25.9	6	NAS1149F0463P	67.5	31
NAS1149F0432P	29.7	17	NAS1149F0463P	67.19	15
NAS1149F0432P	29.11	11	NAS1149F0463P	67.29	23
NAS1149F0432P	32.2	45	NAS1149F0463P	67.33	15
NAS1149F0432P	32.19	11	NAS1149F0463P	67.37	22
NAS1149F0432P	52.5	15	NAS1149F0463P	90.33	4
NAS1149F0432P	53.7	16	NAS1149F0532P	9.9	2
NAS1149F0432P	53.13	16	NAS1149F0532P	10.5	15
NAS1149F0432P	53.18	27	NAS1149F0532P	10.7	12
NAS1149F0432P	53.21	25	NAS1149F0532P	29.7	2
NAS1149F0432P	53.26	42	NAS1149F0532P	29.11	3
NAS1149F0432P	53.29	2	NAS1149F0532P	52.13	4

<u>Numerical Index</u>	<u>Page</u>	<u>Item</u>	<u>Numerical Index</u>	<u>Page</u>	<u>Item</u>
NAS1149F0532P	53.7	2	NAS1149FN416P	90.23	25
NAS1149F0532P	53.13	11	NAS1149FN416P	96.24	44
NAS1149F0532P	67.41	26	NAS1149FN416P	96.32	63
NAS1149F0532P	63.1	16	NAS1149FN416P	96.41	10
NAS1149F0532P	64.1	16	NAS1149FN416P	97.9	7
NAS1149F0532P	65.3	18	NAS1149FN416P	97.57	8
NAS1149F0532P	65.9	7	NAS1149FN432P	28.10	39
NAS1149F0532P	67.2	36	NAS1149FN432P	67.29	5
NAS1149F0532P	67.27	6	NAS1149FN432P	95.2	25
NAS1149F0532P	71.1	3	NAS1149FN432P	95.31	7
NAS1149F0532P	95.33	6	NAS1149FN616	97.69	24
NAS1149F0532P	96.13	16	NAS1149FN616P	21.21	26
NAS1149F0563P	10.7	13	NAS1149FN616P	21.27	8
NAS1149F0563P	53.13	10	NAS1149FN616P	25.35	24
NAS1149F0563P	62.1	3	NAS1149FN616P	28.32	39
NAS1149F0563P	62.1	16	NAS1149FN616P	33.3	29
NAS1149F0563P	67.41	11	NAS1149FN616P	33.9	28
NAS1149F0632P	8.1	5	NAS1149FN616P	33.13	5
NAS1149F0632P	25.5	16	NAS1149FN616P	53.26	38
NAS1149F0632P	53.13	6	NAS1149FN616P	63.10	54
NAS1149F0632P	53.25	7	NAS1149FN616P	90.10	38
NAS1149F0632P	64.1	9	NAS1149FN616P	90.39C	37
NAS1149F0632P	67.19	18	NAS1149FN616P	90.53B	14
NAS1149F0663P	8.1	9	NAS1149FN616P	90.53	52
NAS1149F0663P	25.5	13	NAS1149FN616P	90.53C	52
NAS1149F0663P	32.2	39	NAS1149FN616P	92.17	23
NAS1149F0663P	32.12	35	NAS1149FN616P	92.39	22
NAS1149F0663P	53.13	20	NAS1149FN616P	92.46	43
NAS1149F0663P	53.25	9	NAS1149FN616P	95.1	12
NAS1149F0663P	64.1	8	NAS1149FN616P	95.2	29
NAS1149F0663P	67.33	23	NAS1149FN616P	95.5	17
NAS1149F0663P	96.17	22	NAS1149FN616P	95.7	22
NAS1149F0732P	32.1	14	NAS1149FN616P	95.9	22
NAS1149F0732P	53.7	31	NAS1149FN616P	95.9A	22
NAS1149F0732P	53.14	55	NAS1149FN616P	95.17	2
NAS1149F0763P	71.9	15	NAS1149FN616P	95.21	2
NAS1149F0763P	71.11	31	NAS1149FN616P	95.27	21
NAS1149F0832P	9.1	29	NAS1149FN616P	95.29	56
NAS1149F0832P	9.6	37	NAS1149FN616P	95.33	12
NAS1149F0832P	62.3	19	NAS1149FN616P	95.35	24
NAS1149F0863P	9.3B	26	NAS1149FN616P	95.39	26
NAS1149F0863P	9.7C	34	NAS1149FN616P	95.43	14
NAS1149F1063P	53.11	5	NAS1149FN616P	97.1	21
NAS1149F1063P	63.7	15	NAS1149FN616P	97.2	35
NAS1149FN232P	52.1	15	NAS1149FN616P	97.5	10
NAS1149FN232P	52.8	22	NAS1149FN616P	97.9	28
NAS1149FN416P	21.21	21	NAS1149FN616P	97.9	33
NAS1149FN416P	25.5	6	NAS1149FN616P	97.19	4
NAS1149FN416P	25.27	22	NAS1149FN616P	97.25	21
NAS1149FN416P	33.13	23	NAS1149FN616P	97.31	24
NAS1149FN416P	33.15	20	NAS1149FN616P	97.33	6
NAS1149FN416P	52.14	33	NAS1149FN616P	97.37	13
NAS1149FN416P	76.7	33	NAS1149FN616P	97.39	15

<u>Numerical Index</u>	<u>Page</u>	<u>Item</u>	<u>Numerical Index</u>	<u>Page</u>	<u>Item</u>
NAS1149FN616P.....	97.41	10	NAS1149FN816P.....	33.3	3
NAS1149FN616P.....	97.45	10	NAS1149FN816P.....	33.9	21
NAS1149FN616P.....	97.49	22	NAS1149FN816P.....	52.1	17
NAS1149FN616P.....	97.54	38	NAS1149FN816P.....	52.2	21
NAS1149FN616P.....	97.63	24	NAS1149FN816P.....	52.7	14
NAS1149FN616P.....	97.63	28	NAS1149FN816P.....	52.7	18
NAS1149FN632P.....	25.19	3	NAS1149FN816P.....	53.3	7
NAS1149FN632P.....	92.39	17	NAS1149FN816P.....	53.13	29
NAS1149FN632P.....	95.33	2	NAS1149FN816P.....	53.17	7
NAS1149FN632P.....	96.28	32	NAS1149FN816P.....	53.21	5
NAS1149FN632P.....	97.15	15	NAS1149FN816P.....	53.25	20
NAS1149FN632P.....	97.17	22	NAS1149FN816P.....	63.9	7
NAS1149FN816.....	90.7B	28	NAS1149FN816P.....	63.13	8
NAS1149FN816.....	90.10	28	NAS1149FN816P.....	63.15	2
NAS1149FN816P.....	6.1	10	NAS1149FN816P.....	67.21	19
NAS1149FN816P.....	6.3	8	NAS1149FN816P.....	71.9	12
NAS1149FN816P.....	6.5	21	NAS1149FN816P.....	71.11	28
NAS1149FN816P.....	6.11	4	NAS1149FN816P.....	71.21	15
NAS1149FN816P.....	6.17	14	NAS1149FN816P.....	71.27	22
NAS1149FN816P.....	6.19	4	NAS1149FN816P.....	75.1	14
NAS1149FN816P.....	6.21	7	NAS1149FN816P.....	76.1	10
NAS1149FN816P.....	6.23	7	NAS1149FN816P.....	76.5	8
NAS1149FN816P.....	6.23	30	NAS1149FN816P.....	76.7	19
NAS1149FN816P.....	6.25	11	NAS1149FN816P.....	79.1	6
NAS1149FN816P.....	6.29	15	NAS1149FN816P.....	79.3	9
NAS1149FN816P.....	6.37	12	NAS1149FN816P.....	79.5	16
NAS1149FN816P.....	6.39	6	NAS1149FN816P.....	79.9	9
NAS1149FN816P.....	6.43	5	NAS1149FN816P.....	90.3	19
NAS1149FN816P.....	10.7	18	NAS1149FN816P.....	90.5B	19
NAS1149FN816P.....	21.7	7	NAS1149FN816P.....	90.29	2
NAS1149FN816P.....	21.11	10	NAS1149FN816P.....	90.33	12
NAS1149FN816P.....	21.13	10	NAS1149FN816P.....	90.39B	27
NAS1149FN816P.....	21.17	3	NAS1149FN816P.....	90.43	7
NAS1149FN816P.....	21.19	10	NAS1149FN816P.....	90.43	21
NAS1149FN816P.....	21.22	34	NAS1149FN816P.....	90.45B	5
NAS1149FN816P.....	21.25	11	NAS1149FN816P.....	90.51	7
NAS1149FN816P.....	21.27	4	NAS1149FN816P.....	90.53B	32
NAS1149FN816P.....	21.31	9	NAS1149FN816P.....	90.57	10
NAS1149FN816P.....	21.33	8	NAS1149FN816P.....	90.59	11
NAS1149FN816P.....	21.35	4	NAS1149FN816P.....	90.71C	34
NAS1149FN816P.....	21.39	7	NAS1149FN816P.....	90.75	15
NAS1149FN816P.....	25.9	16	NAS1149FN816P.....	92.1	3
NAS1149FN816P.....	25.31	9	NAS1149FN816P.....	92.5	9
NAS1149FN816P.....	25.36	33	NAS1149FN816P.....	92.41	2
NAS1149FN816P.....	25.40	47	NAS1149FN816P.....	92.43	20
NAS1149FN816P.....	28.7	25	NAS1149FN816P.....	92.45	26
NAS1149FN816P.....	28.9	14	NAS1149FN816P.....	92.49	22
NAS1149FN816P.....	28.32	27	NAS1149FN816P.....	92.51	3
NAS1149FN816P.....	28.35	7	NAS1149FN816P.....	92.58	49
NAS1149FN816P.....	28.35	19	NAS1149FN816P.....	92.61	18
NAS1149FN816P.....	32.9	15	NAS1149FN816P.....	92.69	15
NAS1149FN816P.....	32.15	5	NAS1149FN816P.....	92.75	10
NAS1149FN816P.....	33.1	21	NAS1149FN816P.....	92.79	12

<u>Numerical Index</u>	<u>Page</u>	<u>Item</u>	<u>Numerical Index</u>	<u>Page</u>	<u>Item</u>
NAS1149FN816P.....	95.5	9	NAS1149FN832P.....	71.19	15
NAS1149FN816P.....	95.7	11	NAS1149FN832P.....	71.27	5
NAS1149FN816P.....	95.9	11	NAS1149FN832P.....	75.1	6
NAS1149FN816P.....	95.13	14	NAS1149FN832P.....	79.3	11
NAS1149FN816P.....	95.21	29	NAS1149FN832P.....	79.7	6
NAS1149FN816P.....	95.29	60	NAS1149FN832P.....	90.9	4
NAS1149FN816P.....	95.33	21	NAS1149FN832P.....	90.31	12
NAS1149FN816P.....	95.36	32	NAS1149FN832P.....	90.33	23
NAS1149FN816P.....	95.39	15	NAS1149FN832P.....	90.37	9
NAS1149FN816P.....	95.43	17	NAS1149FN832P.....	90.57	17
NAS1149FN816P.....	95.47	27	NAS1149FN832P.....	90.77	9
NAS1149FN816P.....	96.6	36	NAS1149FN832P.....	92.35	4
NAS1149FN816P.....	96.17	3	NAS1149FN832P.....	92.53	20
NAS1149FN816P.....	96.27	3	NAS1149FN832P.....	96.1	4
NAS1149FN816P.....	96.31	3	NAS1149FN832P.....	96.3	5
NAS1149FN816P.....	96.43	2	NAS1149FN832P.....	97.15	12
NAS1149FN816P.....	97.1	16	NAS1149FN832P.....	97.17	19
NAS1149FN816P.....	97.2	32	NAS1291C08M.....	33.9	1
NAS1149FN816P.....	97.5	6	NAS1291C08M.....	95.45	3
NAS1149FN816P.....	97.5	15	NAS1305-35.....	67.2	38
NAS1149FN816P.....	97.9	10	NAS1329H08K.....	25.32	31
NAS1149FN816P.....	97.19	7	NAS1330H3K116L.....	32.2	33
NAS1149FN816P.....	97.21	27	NAS1330H3K116L.....	32.11	20
NAS1149FN816P.....	97.23	27	NAS1351-06-12P.....	90.27	6
NAS1149FN816P.....	97.25	9	NAS1351-06-6P.....	97.54	42
NAS1149FN816P.....	97.29	3	NAS1351-3-8P.....	32.19	6
NAS1149FN816P.....	97.31	12	NAS1351-3-10P.....	21.4	31
NAS1149FN816P.....	97.33	9	NAS1351-3-10P.....	52.13	8
NAS1149FN816P.....	97.37	9	NAS1351-3-12P.....	29.4	41
NAS1149FN816P.....	97.39	9	NAS1351-3-14P.....	32.7	6
NAS1149FN816P.....	97.41	18	NAS1351-3-16.....	90.51	27
NAS1149FN816P.....	97.45	19	NAS1351-3-16P.....	29.3	33
NAS1149FN816P.....	97.49	11	NAS1351-3-24.....	90.45C	41
NAS1149FN816P.....	97.59	22	NAS1351-3-24.....	92.7	13
NAS1149FN816P.....	97.61	20	NAS1351-3-24.....	92.7	15
NAS1149FN816P.....	97.63	17	NAS1351-3-24.....	92.22	47
NAS1149FN832P.....	6.27	7	NAS1351-3-24.....	92.61	11
NAS1149FN832P.....	21.11	22	NAS1351-3-24.....	96.27	6
NAS1149FN832P.....	22.1	13	NAS1351-3-8P.....	53.14	42
NAS1149FN832P.....	22.7	9	NAS1351-3-26.....	92.21	25
NAS1149FN832P.....	25.9	15	NAS1351-3LE6P.....	71.27	7
NAS1149FN832P.....	29.7	13	NAS1351-3LE8P.....	32.1	11
NAS1149FN832P.....	29.9	6	NAS1351-4-16P.....	29.7	23
NAS1149FN832P.....	33.1	14	NAS1351-4-20.....	90.48	38
NAS1149FN832P.....	33.7	3	NAS1351-4-24.....	90.47	31
NAS1149FN832P.....	52.2	36	NAS1351-4-24.....	90.47	33
NAS1149FN832P.....	52.8	29	NAS1351-4-38P.....	53.26	45
NAS1149FN832P.....	52.17	18	NAS1351-4-38P.....	53.29	7
NAS1149FN832P.....	52.17	24	NAS1351-4-40P.....	53.29	19
NAS1149FN832P.....	63.15	7	NAS1351-4-53P.....	53.26	44
NAS1149FN832P.....	67.35	2	NAS1351-4-53P.....	53.29	8
NAS1149FN832P.....	71.3	16	NAS1351-4-56P.....	53.29	18
NAS1149FN832P.....	71.17	9	NAS1351N3-12P.....	62.1	11

<u>Numerical Index</u>	<u>Page</u>	<u>Item</u>	<u>Numerical Index</u>	<u>Page</u>	<u>Item</u>
NAS1352-04-3	92.5	16	NAS1407N9L14	67.11	22
NAS1352-04-4	28.10	40	NAS1407N9L14	67.15	20
NAS1352-04-4P	21.36	38	NAS1474A08	28.15	21
NAS1352-04-6P	63.3	17	NAS1474A08	28.21	4
NAS1352-04-6P	71.3	27	NAS1474A08	28.23	21
NAS1352-06-6	90.31	3	NAS1919B04S02	33.3	12
NAS1352-06-6	90.39B	16	NAS21069A08	90.53B	9
NAS1352-06-6P	63.5	87	NAS227-28	92.75	5
NAS1352-06-8	33.13	30	NAS509-10	90.34	33
NAS1352-06-10P	21.22	43	NAS557-3A	28.10	46
NAS1352-08-06	92.61	20	NAS557-3A	33.13	24
NAS1352-08-4P	90.43	24	NAS557-4A	76.1	13
NAS1352-08-4P	90.71C	37	NAS557-4A	76.5	1
NAS1352-08-6P	22.5	15	NAS557-4A	76.7	1
NAS1352-08-6P	32.7	2	NAS557-4B	28.9	11
NAS1352-08-6P	63.5	73	NAS557-4B	52.1	2
NAS1352-08-6P	67.2	60	NAS557-4B	52.7	2
NAS1352-08-6P	92.21	24	NAS557-4B	76.1	8
NAS1352-08-6P	97.29	16	NAS557-6A	21.13	17
NAS1352-08-8	25.31	2	NAS557-6A	28.7	27
NAS1352-08-8	90.3	2	NAS557-6A	25.27	9
NAS1352-08-8	96.27	9	NAS557-6A	25.39	24
NAS1352-08-8P	21.7	22	NAS557-6A	25.43	8
NAS1352-08-8P	22.5	13	NAS557-6A	67.1	27
NAS1352-08-8P	52.13	13	NAS557-6A	67.11	20
NAS1352-08-8P	79.5	15	NAS557-8A	6.21	10
NAS1352-08-10P	96.21	4	NAS557-8A	6.23	10
NAS1352-08-12P	62.1	22	NAS557-8A	28.5	4
NAS1352-08-12P	71.15	14	NAS557-8A	25.31	17
NAS1352-08-16	90.51	6	NAS557-10A	53.18	33
NAS1352-08-16P	90.23	3	NAS557-10A	96.13	6
NAS1352-08-24	92.9	9	NAS557-12A	28.19	8
NAS1352-08LE6P	63.10	41	NAS557-12A	28.27	8
NAS1352-08LE8P	67.21	29	NAS557-12A	90.75	23
NAS1352-3-8	63.4	35	NAS557-14A	96.17	5
NAS1352-3-8	90.48	42	NAS557-14A	96.31	5
NAS1352-3-8P	90.21	14	NAS557-14A	97.19	25
NAS1352-3-14P	53.26	49	NAS557-14B	90.67	3
NAS1352-3-14P	53.29	9	NAS557-14B	97.41	16
NAS1352-3-16P	90.21	5	NAS557-18A	97.33	15
NAS1352-4-6	92.22	39	NAS557-18A	97.45	17
NAS1352-4-6	92.5	14	NAS557-18B	97.37	7
NAS1352-4-8	92.73	18	NAS557-18B	97.39	7
NAS1352-4-10	96.13	10	NAS557-22A	67.35	21
NAS1352-4-14	63.3	3	NAS557-24A	97.15	11
NAS1352-4-24	63.4	64	NAS557-24A	97.17	17
NAS1352-4-24P	67.22	37	NAS557-28	92.80	47
NAS1352-4-32	63.4	67	NAS557-28A	22.7	19
NAS1352-4-32P	63.10	58	NAS557-28A	53.3	12
NAS1352-4H14	63.4	56	NAS557-28A	90.57	20
NAS1352-5-12P	65.9	6	NAS557-32A	63.1	12
NAS1352N08-4	67.42	35	NAS603-34P	90.29	21
NAS1352N08-8	67.45	1	NAS617-8	79.9	13

<u>Numerical Index</u>	<u>Page</u>	<u>Item</u>	<u>Numerical Index</u>	<u>Page</u>	<u>Item</u>
NAS617-10	79.9	11	NAS620-10L	32.1	10
NAS617-12	71.19	19	NAS620-10L	32.9	2
NAS620-4	63.3	15	NAS620-10L	52.13	9
NAS620-4	71.3	24	NAS620-10L	53.14	43
NAS620-4	71.9	19	NAS620-10L	63.3	28
NAS620-4	71.11	19	NAS620-10L	63.9	13
NAS620-4	92.53	9	NAS620-10L	67.19	4
NAS620-4L	28.17	71	NAS620-10L	90.29	15
NAS620-4L	28.25	70	NAS620-10L	92.27	7
NAS620-4L	92.80	25	NAS620-10L	96.17	19
NAS620-4L	95.2	36	NAS620-416L	21.3	8
NAS620-4L	95.31	3	NAS620-416L	63.3	4
NAS620-5	6.13	1	NAS620-416L	63.10	57
NAS620-5	21.7	26	NAS634-105	62.3	1
NAS620-5	52.17	25	NAS6603	8.1	20
NAS620-5	53.5	9	NAS6603-2	67.1	29
NAS620-5	76.7	22	NAS6603-2	90.33	7
NAS620-5	90.3	14	NAS6603-3	22.1	4
NAS620-5	90.5B	11	NAS6603-3	32.19	7
NAS620-5	90.7B	14	NAS6603-3	65.1	5
NAS620-5	90.9	21	NAS6603-3	65.3	13
NAS620-5	92.33	15	NAS6603-3	90.29	14
NAS620-5	97.69	27	NAS6603-3	92.27	1
NAS620-6	63.5	90	NAS6603-4	6.11	7
NAS620-6	90.4	29	NAS6603-4	21.4	37
NAS620-6	90.5B	29	NAS6603-5	67.22	44
NAS620-6	90.27	7	NAS6603-6	67.33	31
NAS620-6	92.1	9	NAS6603-8	65.5	5
NAS620-6	92.81	58	NAS6603-8	67.19	13
NAS620-6	95.13	9	NAS6603-10	63.10	49
NAS620-6	95.33	16	NAS6603-11	22.1	3
NAS620-6	95.40	43	NAS6603-11	63.10	42
NAS620-6	95.51	22	NAS6603-11	67.19	3
NAS620-6	97.21	19	NAS6603-12	9.1	12
NAS620-6	97.23	24	NAS6603-12	9.3B	12
NAS620-6	97.54	43	NAS6603-12	63.10	36
NAS620-6L	90.41	4	NAS6603-13	9.5	21
NAS620-6L	95.33	7	NAS6603-13	9.7B	18
NAS620-6L	96.23	11	NAS6603-13	53.7	28
NAS620-6L	96.41	19	NAS6603-13	67.29	22
NAS620-8	63.5	74	NAS6603-14	22.5	23
NAS620-8	95.33	23	NAS6603-16	53.26	34
NAS620-8L	22.5	14	NAS6603-18	22.1	20
NAS620-8L	67.45	2	NAS6603-20	67.2	33
NAS620-8L	67.2	61	NAS6603-20	67.29	17
NAS620-10	21.7	21	NAS6603-21	22.5	1
NAS620-10	32.7	9	NAS6603-24	63.7	9
NAS620-10L	9.1	11	NAS6603-25	63.13	18
NAS620-10L	9.3B	11	NAS6603-25	90.45C	33
NAS620-10L	21.4	32	NAS6603-27	67.19	10
NAS620-10L	22.5	19	NAS6603-32	92.22	42
NAS620-10L	29.1	7	NAS6603-36	90.45C	50
NAS620-10L	29.4	34	NAS6603-40	63.7	1

<u>Numerical Index</u>	<u>Page</u>	<u>Item</u>	<u>Numerical Index</u>	<u>Page</u>	<u>Item</u>
NAS6604-2	67.33	2	NAS6604-12	52.5	14
NAS6604-2	97.41	22	NAS6604-15	67.5	14
NAS6604-2	97.45	25	NAS6604-16	64.1	18
NAS6604-3	53.13	17	NAS6604-17	67.22	66
NAS6604-4	25.6	40	NAS6604-17	64.1	25
NAS6604-4	53.18	28	NAS6604-18	25.5	24
NAS6604-4	53.21	26	NAS6604-18	53.7	23
NAS6604-4	65.3	30	NAS6604-19	67.35	5
NAS6604-4	65.9	14	NAS6604-21	67.37	13
NAS6604-4	90.21	1	NAS6604-22	21.4	38
NAS6604-5	25.3	14	NAS6604-22	25.3	8
NAS6604-5	25.9	7	NAS6604-22	64.1	25
NAS6604-5	63.1	8	NAS6604-24	21.4	44
NAS6604-5	65.1	12	NAS6604-24	62.5	1
NAS6604-5	65.3	31	NAS6604-25	29.7	16
NAS6604-5	90.21	11	NAS6604-25	29.11	10
NAS6604-6	9.1	26	NAS6604-25	65.9	28
NAS6604-6	9.3B	24	NAS6604-25	67.5	34
NAS6604-6	9.6	39	NAS6604-28	53.7	30
NAS6604-6	9.7C	35	NAS6604-29	67.25	11
NAS6604-6	10.5	8	NAS6604-32	32.19	13
NAS6604-6	25.6	39	NAS6604-33	67.25	13
NAS6604-6	25.9	8	NAS6604-35	67.39	8
NAS6604-6	53.25	4	NAS6604-36	67.5	30
NAS6604-6	63.1	1	NAS6604-37	67.5	9
NAS6604-6	65.1	7	NAS6604-46	32.2	44
NAS6604-6	65.7	12	NAS6604-47	67.5	24
NAS6604-6	92.27	16	NAS6604-67	63.1	24
NAS6604-7	65.3	26	NAS6604-67	67.33	16
NAS6604-7	65.9	8	NAS6604H2	90.33	3
NAS6604-7	90.21	10	NAS6604H21	90.33	6
NAS6604-8	65.3	6	NAS6605-5	53.7	3
NAS6604-8	67.25	16	NAS6605-5	53.13	34
NAS6604-8	67.37	21	NAS6605-9	29.7	1
NAS6604-9	21.3	20	NAS6605-9	29.11	2
NAS6604-9	25.5	26	NAS6605-9	67.27	5
NAS6604-9	67.2	47	NAS6605-14	53.7	6
NAS6604-9	67.23	74	NAS6605-14	53.14	39
NAS6604-9	67.29	4	NAS6605-17	53.13	12
NAS6604-9	67.33	6	NAS6605-17	67.42	41
NAS6604-9	67.35	11	NAS6605-18	67.41	24
NAS6604-9	67.37	30	NAS6605-22	53.7	22
NAS6604-9	67.39	11	NAS6605-22	53.14	41
NAS6604-10	21.4	41	NAS6605-26	63.1	17
NAS6604-10	53.7	17	NAS6605-28	67.41	14
NAS6604-10	65.9	18	NAS6605-28	65.3	19
NAS6604-10	67.39	17	NAS6605-31	67.41	19
NAS6604-11	67.22	59	NAS6605-34	64.1	17
NAS6604-11	67.25	15	NAS6605-48	10.5	16
NAS6604-11	67.33	10	NAS6605-56	67.2	35
NAS6604-11	67.37	9	NAS6605H2	71.1	13
NAS6604-11	67.39	1	NAS6605H3	71.1	2
NAS6604-12	10.5	2	NAS6605H4	71.1	12

<u>Numerical Index</u>	<u>Page</u>	<u>Item</u>	<u>Numerical Index</u>	<u>Page</u>	<u>Item</u>
NAS6605H9	71.1	5	NAS9302B-4-02	6.41	5
NAS6606-1	53.13	5	NAS9302B-4-02	53.29	14
NAS6606-3	25.6	38	NAS9302B-4-02	53.29	17
NAS6606-3	53.13	25			
NAS6606-4	32.2	40			
NAS6606-4	32.12	34			
NAS6606-10	9.5	30			
NAS6606-10	9.7B	27			
NAS6606-11	67.33	34			
NAS6606-36	25.5	11			
NAS6606-36	53.13	19			
NAS6606-36	64.1	10			
NAS6606-47	53.25	6			
NAS6606-53	64.1	26			
NAS6606-78	8.1	4			
NAS6607-20	32.1	4			
NAS6607-24	53.14	54			
NAS6607-25	53.14	53			
NAS6607-44	32.1	22			
NAS6607P44	53.7	32			
NAS6608-60	62.3	18			
NAS9301-4-02	92.15	7			
NAS9301B-02	90.70	47			
NAS9301B-4-01	6.13	8			
NAS9301B-4-01	6.17	2			
NAS9301B-4-01	21.7	19			
NAS9301B-4-01	25.40	44			
NAS9301B-4-02	21.7	16			
NAS9301B-4-02	21.25	12			
NAS9301B-4-02	28.13	19			
NAS9301B-4-02	28.19	12			
NAS9301B-4-02	28.21	19			
NAS9301B-4-02	28.27	12			
NAS9301B-4-02	33.9	14			
NAS9301B-4-02	52.17	26			
NAS9301B-4-02	52.18	49			
NAS9301B-4-02	53.18	31			
NAS9301B-4-02	53.22	36			
NAS9301B-4-02	53.25	18			
NAS9301B-4-02	67.29	35			
NAS9301B-4-02	90.29	12			
NAS9301B-4-02	90.71B	22			
NAS9301B-4-02	92.33	14			
NAS9301B-4-02	92.37	16			
NAS9301B-4-03	6.5	12			
NAS9301B-4-03	21.7	29			
NAS9301B-4-03	21.25	4			
NAS9301B-4-03	52.18	47			
NAS9301B-4-04	25.19	11			
NAS9301B-4-04	53.5	4			
NAS9301B-4-05	25.19	8			
NAS9301B-5-05	25.31	19			
NAS9301B-5-06	25.13	9			

Intentionally Blank