

McCauley Propeller Systems

Application Guide

MAG Revision 3

Table Of Contents

<u>Section</u>	<u>Description</u>
A	Propeller Model Information
B	Constant Speed Propeller Application
C	Constant Speed Propeller Notes
D	STC Information
E	STC Holder Information
F	STC Foreign Approvals
G	OEM Kits
H	Overhaul Kits
I	Governor P/N
J	Fixed Pitch Application
K	Fixed Pitch Notes
L	Fixed Pitch Propeller Information
M	Fixed Pitch Bolt Kit Information
N	Fixed Pitch Bolt Information
O	Spinner Assembly Information
P	Electrothermal De-Ice and Anti-Ice Applications
Q	Electrothermal De-Ice Brush Block Assemblies

Note: This guide is **not** FAA approved, and is for reference only. Refer to the appropriate Type Certificate Data Sheet (TCDS) or Supplemental Type Certificate (STC) to verify information contained in this guide.

Propeller Model Information

Prop Model	Blade Model	FAA Type Certificate	Hub Centerline (inches)	Status	Typical Engine Installation	Oil Filled	Weight (lbs)
2A36C1-U	90M-X	P-880	3.563	OBSOLETE	Con	No	65.0
2D34C8	78FB-X	P7EA	6.710	OBSOLETE	Lyc	Yes	55.5
2D34C9	78FBM-X	P7EA	6.710	OBSOLETE	Lyc	Yes	55.5
2AF31C10	84SF-X	P5EA	3.563	OBSOLETE	Frk	No	52.5
B2D34C11	84HF-X	P7EA	4.375	OBSOLETE	Lyc	Yes	53.0
2D36C14	78KM-X	P-901	5.069	OBSOLETE	Lyc	Yes	59.5
B2D34C16	84HF-X	P7EA	4.375	OBSOLETE	Lyc	Yes	53.5
2A36C18	90M-X	P-880	3.563	OBSOLETE	Con	No	64.0
2A31C21	84S-X	P-919	3.088	OBSOLETE	Fkn	No	42.5
2A34C22	84SF-X	P3EA	3.563	OBSOLETE	Fkn	Yes	47.5
2A36C23	84B-X	P-880	4.375	OBSOLETE	Con	Yes	62.0
2D36C28	80MM-X	P-901	5.069	OBSOLETE	Lyc	Yes	61.5
2A36C29	90M-X	P-880	3.563	OBSOLETE	Con	Yes	60.0
D2AF34C30	78FF-X	P5EA	3.563	OBSOLETE	Con	Yes	63.0
B2A36C31	90M-X	P-880	3.563	OBSOLETE	Con	Yes	60.0
C2A36C31	90M-X	P-880	3.563	OBSOLETE	Con	No	60.0
D2A36C31	90M-X	P-880	3.563	OBSOLETE	Con	Yes	60.0
C2A36C32	90M-X	P-880	3.563	OBSOLETE	Con	Yes	60.0
D2A36C33	90M-X	P-880	3.563	OBSOLETE	Con	Yes	60.0
D2A34C34	84JF-X	P3EA	3.563	OBSOLETE	Con	Yes	52.0
D3AF32C35	82NB-X	P22EA	6.563	OBSOLETE	Con	Yes	81.5
2AF36C38	100RF-X	P-911	3.563	OBSOLETE	Con	Yes	77.0
2AF36C39	78BFM-X	P-911	3.563	OBSOLETE	Con	Yes	71.0
2A36C43	100R-X	P-880	3.563	OBSOLETE	Con	No	69.0
D2A36C45	90M-X	P-880	3.563	OBSOLETE	Con	No	64.0
D2AF36C48	90MF-X	P-911	3.563	OBSOLETE	Con	Yes	68.0
D2A34C49	90A-X	P3EA	3.563	OBSOLETE	Con	Yes	55.0
2A34C50	90A-X	P3EA	3.563	OBSOLETE	Con	Yes	55.0
D2AF34C52	80GF-X	P5EA	3.563	OBSOLETE	Con	Yes	59.5
B2D34C53	74E-X	P7EA	4.375	OBSOLETE	Lyc	Yes	50.0
2D34C53	74E-X	P7EA	4.375	OBSOLETE	Lyc	Yes	49.5
D2AF34C54	84HF-X	P5EA	3.563	OBSOLETE	Con	Yes	58.5
2AF34C55	78FF-X	P5EA	3.563	OBSOLETE	Con	Yes	58.0
D2A34C58	90AT-X	P3EA	3.563	OBSOLETE	Con	Yes	55.0
D2AF34C59	76C-X	P5EA	4.563	OBSOLETE	Con	Yes	56.5
D2AF34C60	76C-X	P5EA	3.563	OBSOLETE	Con	Yes	54.5
D2AF34C61	L76C-X	P5EA	8.063	OBSOLETE	Con	Yes	62.0
D2AF34C65	84JF-X	P5EA	6.563	OBSOLETE	Con	Yes	64.0
2A34C66	90AT-X	P3EA	3.563	OBSOLETE	Con	Yes	55.0
D2A34C67	76C-X	P3EA	3.563	OBSOLETE	Con	Yes	49.0
2AF36C68	100RFM-X	P-911	3.563	OBSOLETE	Con	Yes	77.0
2D34CT69	84HF-X	P18EA	4.375	OBSOLETE	Lyc	Yes	57.0

Propeller Model Information

Prop Model	Blade Model	FAA Type Certificate	Hub Centerline (inches)	Status	Typical Engine Installation	Oil Filled	Weight (lbs)
B2D34CT69	84HF-X	P18EA	4.375	OBSOLETE	Lyc	Yes	57.0
E2A34C70	90AT-X	P3EA	6.563	OBSOLETE	Con	Yes	59.5
D2AF34C71	84JF-X	P5EA	3.563	OBSOLETE	Con	Yes	58.0
3AF32C72	82N-X	P22EA	3.563	OBSOLETE	Con	Yes	80.0
E2A34C73	90AT-X	P3EA	6.563	OBSOLETE	Con	Yes	61.0
3AF34C74	90LF-X	P22EA	3.563	OBSOLETE	Con	Yes	85.5
3AF32C75	82NB-X	P22EA	3.563	OBSOLETE	Con	Yes	76.0
3A32C76	82NB-X	P21EA	4.375	OBSOLETE	Con	Yes	67.5
D3A32C77	82NK-X	P21EA	6.563	OBSOLETE	Con	Yes	76.0
D2A34C78	90AT-X	P3EA	3.563	OBSOLETE	Con	Yes	55.0
D3A32C79	82NK-X	P21EA	3.563	OBSOLETE	Con	Yes	70.0
D3AF32C80	82NC-X	P22EA	6.563	OBSOLETE	Con	Yes	82.0
D2AF34C81	84JF-X	P5EA	6.563	OBSOLETE	Con	Yes	64.0
2A36C82	84B-X	P-880	4.375	OBSOLETE	Con	Yes	62.0
3AF34C86	90LF-X	P22EA	3.563	OBSOLETE	Con	Yes	85.5
3AF32C87	82NC-X	P22EA	3.563	OBSOLETE	Con	Yes	76.0
D3AF32C87	82NC-X	P22EA	3.563	OBSOLETE	Con	Yes	76.0
D3A32C88	82NC-X	P21EA	6.563	OBSOLETE	Con	Yes	72.0
2AF36C89	78BFS-X	P-911	3.563	OBSOLETE	Con	Yes	66.0
D3A32C90	82NC-X	P21EA	3.563	OBSOLETE	Con	Yes	66.0
D2AF34C91	76C-X	P5EA	5.563	OBSOLETE	Con	Yes	58.0
3AF34C92	90LF-X	P22EA	3.563	OBSOLETE	Con	Yes	85.5
3AF32C93	82NC-X	P22EA	3.563	OBSOLETE	Con	Yes	76.0
D2A34C98	90AT-X	P3EA	3.563	OBSOLETE	Con	Yes	55.0
2A34C201	90DA-X	P3EA	3.688		Frk	Yes	49.0
2D34C202	82PA-X	P7EA	4.500	OBSOLETE	Lyc	No	48.0
2A34C203	90DCA-X	P3EA	3.688		Con	Yes	51.4
C2A34C204	90DCB-X	P3EA	3.688		Con	Yes	49.0
B2A34C205	90DHA-X	P3EA	3.688		Con	Yes	49.0
B2D34C206	78TA-X	P7EA	4.500	OBSOLETE	Lyc	No	51.0
B2D34C207	78TCA-X	P7EA	4.500		Lyc	No	51.0
B2D34C208	82PA-X	P7EA	4.500	OBSOLETE	Lyc	No	48.5
2A34C209	78CCA-X	P3EA	3.688		Con	Yes	47.5
2A34C210	78CCA-X	P3EA	6.563		Con	No	53.0
B2D34C211	82PCA-X	P7EA	4.500		Lyc	No	48.5
B2D34C212	78CDA-X	P7EA	4.500		Lyc	No	52.5
B2D34C213	90DHA-X	P7EA	4.500		Lyc	No	49.5
B2D34C214	90DHB-X	P7EA	4.500		Lyc	No	50.5
2D34C215	90DJA-X	P7EA	4.500		Lyc	No	50.5
2A34C216	90DHB-X	P3EA	6.563		Con	No	53.8
B2D34C217	90DHB-X	P7EA	4.500		Lyc	No	50.5
B2D34C218	90DHB-X	P7EA	4.500		Lyc	No	50.5

Propeller Model Information

Prop Model	Blade Model	FAA Type Certificate	Hub Centerline (inches)	Status	Typical Engine Installation	Oil Filled	Weight (lbs)
B2D34C219	90DHB-X	P7EA	4.500		Lyc	No	50.5
B2D34C220	80VHA-X	P7EA	6.500		Lyc	No	52.0
2A34C221	90DHC-X	P3EA	6.563		Con	No	53.8
2A37C223	90RB-X	P3EA	4.375		Con	Yes	64.0
B2D37C224	90RA-X	P7EA	4.500		Lyc	No	52.0
B2A34C225	90DJA-X	P3EA	3.688		Con	No	49.0
2A34C227	90DHB-X	P3EA	3.688		Con	Yes	49.0
B2A37C228	90RDA-X	P3EA	4.375		Con	Yes	61.0
B2D37C229	90RHC-X	P7EA	4.500		Lyc	No	52.0
D2A37C230	90REB-X	P3EA	3.688		Con	Yes	61.0
D2A37C231	90REC-X	P3EA	3.688		Con	Yes	61.0
2A37C232	90REB-X	P3EA	3.688		Con	Yes	61.0
E2A37C233	90REB-X	P3EA	6.563		Con	Yes	65.0
E2A37C234	90REC-X	P3EA	6.563		Con	Yes	65.0
B2D34C235	90DKB-X	P7EA	6.500		Lyc	Yes	50.5
C2D37C236	90REA-X	P7EA	4.500		Lyc	Yes	52.0
B2A37C238	90REA-X	P3EA	3.688		Con	Yes	61.0
2A34C239	90DMC-X	P3EA	6.563		Con	Yes	53.0
2A34C240	90DJA-X	P3EA	6.563		Con	No	65.0
2A34C241	82PGC-X	P3EA	6.563		Con	Yes	65.0
D2AF34C301	76CTA-X	P5EA	4.563	OBSOLETE	Con	No	58.5
D2AF34C302	L76CTA-X	P5EA	8.063		Con	No	65.5
D2AF34C303	78CAA-X	P5EA	5.563		Con	No	62.5
D2AF34C304	76CTA-X	P5EA	5.563		Con	No	60.0
D2AF34C305	L78CBA-X	P5EA	8.063		Con	No	65.5
D2AF34C306	78CAA-X	P5EA	4.563		Con	No	61.0
D2AF34C307	L78CBA-X	P5EA	8.063		Con	No	65.5
D2AF34C308	90DEA-X	P5EA	5.563		Con	No	60.0
D2AF34C310	90DEA-X	P5EA	4.563		Con	No	59.0
D3A34C401	90DFA-X	P47GL	3.688		Con	No	67.5
D3A34C402	90DFA-X	P47GL	6.563		Con	No	72.0
D3A34C403	80VA-X	P47GL	3.688		Con	No	64.5
D3A34C404	80VA-X	P47GL	6.563		Con	No	69.0
B3D34C405	90DFA-X	P58GL	6.563		Lyc	No	71.5
3A32C406	82NDB-X	P47GL	4.375		Con	Yes	63.0
B3D32C407	82NDA-X	P58GL	6.500		Lyc	No	66.5
D3A32C408	82NDA-X	P47GL	6.563		Con	No	66.0
D3A32C409	82NDB-X	P47GL	4.375		Con	Yes	63.0
D3A36C410	80VMB-X	P47GL	6.563		Con	No	72.0
D3A32C411	82NDA-X	P47GL	3.688		Con	No	63.0
B3D32C412	82NDA-X	P58GL	4.500		Lyc	No	65.0
B3D34C413	90DFA-X	P58GL	6.750		Lyc	No	76.0

Propeller Model Information

Prop Model	Blade Model	FAA Type Certificate	Hub Centerline (inches)	Status	Typical Engine Installation	Oil Filled	Weight (lbs)
B3D32C414	82NDA-X	P58GL	4.500		Lyc	No	69.0
C3D36C415	82NGA-X	P58GL	4.500		Lyc	No	73.0
B3D36C416	82NGA-X	P58GL	4.500		Lyc	No	73.0
B3D32C417	82NRD-X	P58GL	6.500		Lyc	No	66.5
3A32C418	82NRC-X	P47GL	6.563		Con	No	67.0
B3D32C419	82NHA-X	P58GL	6.563		Lyc	No	66.5
D3A34C420	90DFA-X	P47GL	4.375		Con	Yes	67.5
3A34C422	90DFA-X	P47GL	6.563		Con	No	71.8
3A34C423	90DFA-X	P47GL	4.375		Con	Yes	67.5
B3D36C424	74SA-X	P58GL	4.500		Lyc	No	68.0
B3D36C427	82NGA-X	P58GL	4.500		Lyc	No	73.0
B3D36C428	82NPA-X	P58GL	4.500		Lyc	No	69.0
B3D36C429	82NPA-X	P58GL	6.563		Lyc	No	73.0
D3A36C430	74SA-X	P47GL	6.563		Con	Yes	70.0
B3D36C431	80VSA-X	P58GL	6.563		Lyc	Yes	76.0
B3D36C432	80VSA-X	P58GL	6.563		Lyc	Yes	76.0
B3D36C433	80VSA-X	P58GL	4.500		Lyc	Yes	73.0
3A36C434	80VEA-X	P47GL	4.375		Con	Yes	72.0
D3A36C435	80VEA-X	P47GL	3.688		Con	Yes	72.0
D3A36C436	74SA-X	P47GL	3.688		Con	Yes	65.5
B3D36C442	80VSB-X	P58GL	6.563		Lyc	Yes	76.0
D3A34C443	78CYA-X	P47GL	6.563		Con	Yes	67.9
D3A34C444	78MLA-X	P47GL	6.563		Con	Yes	72.0
D3A34C447	78MLB-X	P47GL	6.563		Con	Yes	73.6
3FF32C501	90UMB-X	P45GL	3.875		Con	No	97.5
3AF34C502	80HA-X	P57GL	3.688		Con	No	76.0
3AF34C503	L80HA-X	P57GL	3.688		Con	No	76.0
3AF32C504	82NEA-X	P57GL	3.688		Con	No	70.0
3AF32C505	82NEA-X	P57GL	3.688		Con	No	70.0
3AF32C506	82NEB-X	P57GL	5.563		Con	No	71.5
3AF32C507	L82NEB-X	P57GL	5.563		Con	No	71.5
3AF32C508	82NFA-X	P57GL	3.688		Con	No	69.5
3AF32C509	L82NFA-X	P57GL	3.688		Con	No	69.5
3AF32C511	82NEA-X	P57GL	6.563		Con	No	75.8
3AF32C512	82NEA-X	P57GL	6.563		Con	No	75.8
3AF36C514	80VMFA-X	P57GL	6.563		Con	No	70.0
3AF32C515	82NLA-X	P57GL	3.688		Con	No	74.0
3AF37C516	90LFB-X	P57GL	3.688		Con	No	86.9
3AF32C521	82NLA-X	P57GL	6.563		Con	No	80.5
3AF32C522	82NJA-X	P57GL	6.563		Con	No	69.5
3AF32C523	L82NJA-X	P57GL	6.563		Con	No	69.5
3AF32C524	90UMB-X	P57GL	3.688		Lyc	Yes	102.0

Propeller Model Information

Prop Model	Blade Model	FAA Type Certificate	Hub Centerline (inches)	Status	Typical Engine Installation	Oil Filled	Weight (lbs)
3AF36C525	80VMFA-X	P57GL	3.688		Con	No	75.8
B3DF36C526	80HJA-X	P57GL	6.750		Lyc	Yes	96.0
B3DF36C527	L80HJA-X	P57GL	6.750		Lyc	Yes	96.0
3AF32C528	82NEA-X	P57GL	3.688		Con	Yes	73.0
3FF34C529	106AWA-X	P45GL	3.688		Ord	Yes	106.0
3GFR34C601	93JA-X	P54GL	3.875		Gar	Yes	117.0
3GFR34C602	100LA-X	P54GL	3.875		Gar	Yes	119.0
4HFR34C652	L106LA-X	P3NE	3.955		Gar	Yes	168.0
4HFR34C653	L106FA-X	P3NE	3.955		Gar	Yes	168.0
4HFR34C661	90LNA-X	P3NE	3.955		Gar	Yes	135.0
4HFR34C663	L106KA-X	P3NE	3.955		Gar	Yes	168.0
4HFR34C664	L106LA-X	P3NE	3.955		Gar	Yes	168.0
4HFR34C665	L106FRA-X	P3NE	3.955		Gar	Yes	168.0
3GFR34C701	93KB-X	P60GL	3.955		PW	Yes	120.0
3GFR34C702	100LA-X	P60GL	3.955		PW	Yes	122.0
3GFR34C703	106GA-X	P60GL	3.955		PW	Yes	117.0
4HFR34C754	94LA-X	P3NE	3.955		PW	Yes	146.0
4JFR34C758	106LNA-X	P3NE	3.955		PW	Yes	165.0
4HFR34C760	95DA-X	P3NE	3.955		PW	Yes	146.0
4HFR34C761	L95DZ-X	P3NE	3.955		PW	Yes	146.0
4HFR34C762	94LMA-X	P3NE	3.955		PW	Yes	133.0
4HFR34C763	94LMA-X	P3NE	3.955		PW	Yes	133.0
4HFR34C764	94LMB-X	P3NE	3.955		PW	Yes	135.0
4HFR34C766	94LNA-X	P3NE	3.955		PW	Yes	135.0
4HFR34C768	94LMA-X	P3NE	3.955		PW	Yes	135.0
4HFR34C769	94LMA-X	P3NE	3.955		PW	Yes	135.0
4HFR34C771	94LA-X	P3NE	3.955		PW	Yes	146.0
4HFR34C773	94LMA-X	P3NE	3.955		PW	Yes	135.0
4HFR34C775	96MGA-X	P3NE	3.955		PW	Yes	140.0
4HFR34C778	102BHA-X	P3NE	3.955		PW	Yes	142.0
5JFR36C1003	L104DSZ-X	P15NE	3.955		PW	Yes	195.0
5HFR34C1008	96LTA-X	P15NE	3.955		PW	Yes	182.0
B5JFR36C1101	114GCA-X	P15NE	3.955		Gar	Yes	231.0
C5JFR36C1102	L114GCA-X	P15NE	3.955		Gar	Yes	231.0
B5JFR36C1103	114HCA-X	P15NE	3.955		Gar	Yes	231.0
C5JFR36C1104	L114HCA-X	P15NE	3.955		Gar	Yes	231.0
5HFR34C1105	96LRB-X	P15NE	3.955		Gar	Yes	166.0

Constant Speed Propeller Applications

Aircraft Model	T Y P E	Engine Model (Make)	Propeller Part Number	Propeller Model	Max Dia	Min Dia	Ref Sta	Rev Angle	Low or Flight Idle Angle	Latch or Start Locks Angle	High or Feather Angle	Spinner Assembly P/N	S p i n n e r	Governor Model	STC Number STC Holder STC Kit P/N	N o t e s
AERMACCHI S.p.A (SIAI Marchetti S.r.L)																
S.205-22/R "Vela"	L	6A-350-C1 (FR)	OBSOLETE	2A31C21/84S-4	80.0	78.0	30		11.2		20.5					1
AERONAUTICA MACCHI, S.p.A (formerly Lockheed)																
AL 60 "LASA 60"	L	IO-470-R (TCM)	OBSOLETE	D2A36C33/90M-4	86.0	84.0	36		9.0		22.3	D-2845-1 D-2771-1	S S			1 30
AL 60 "LASA 60"	L	TSIO-470-B (TCM)	OBSOLETE	D2A36C33/90M-4	86.0	84.0	36		10.0		27.5	D-2845-1 D-2771-1	S S			1 30
AL 60 "LASA 60"		IO-520-D (TCM)	OBSOLETE	D2A34C58/90AT-			36								SA4938NM Methow Aviation	1
AL 60-B	L	IO-470-R (TCM)	OBSOLETE	D2A36C33/90M-4	86.0	84.0	36		9.0		22.3	D-2845-1 D-2771-1	S S			1 30
AL 60-B	L	TSIO-470-B (TCM)	OBSOLETE	D2A36C33/90M-4	86.0	84.0	36		10.0		27.5	D-2845-1 D-2771-1	S S			1 30
AERONCA (Burl A. Rogers)																
S15AC	L	C-145-2H (TCM)	OBSOLETE	2B36C7/78K-2	76.0	74.5	30		11.0		16.0					1
AIR TRACTOR																
AT-401	L	OE-600A (OE)	P5297698-01	3FF34C529/106AWA-0	106.0	105.0	30		17.6	20.5	88.0	E-7705	P		SA01583CH Trace Engines	
AT-401A	L	OE-600A (OE)	P5297698-01	3FF34C529/106AWA-0	106.0	105.0	30		17.6	20.5	88.0	E-7705	P		SA01583CH Trace Engines	
AT-401B	L	OE-600A (OE)	P5297698-01	3FF34C529/106AWA-0	106.0	105.0	30		17.6	20.5	88.0	E-7705	P		SA01583CH Trace Engines	
AT-402	L	OE-600A (OE)	P5297698-01	3FF34C529/106AWA-0	106.0	105.0	30		17.6	20.5	88.0	E-7705	P		SA01583CH Trace Engines	
AT-402A	L	OE-600A (OE)	P5297698-01	3FF34C529/106AWA-0	106.0	105.0	30		17.6	20.5	88.0	E-7705	P		SA01583CH Trace Engines	
AT-402B	L	OE-600A (OE)	P5297698-01	3FF34C529/106AWA-0	106.0	105.0	30		17.6	20.5	88.0	E-7705	P		SA01583CH Trace Engines	
AUSTER																
B-8 Series 1	L	O-470-M (TCM)	OBSOLETE	2A36C18/90M-4	86.0	86.0	36		9.5		22.3					1
AVIONS ROBIN																
HR-100/210	L	IO-360-H (TCM)	P2104532-01	2A34C210/78CCA-2	76.0	72.0	30		11.3		22.0	D-3683	S	C290D3/T6 C290D2/T6		
HR-100/210	L	IO-360-H (TCM)	P2104532-02	2A34C210/78CCA-6	72.0	72.0	30		12.5		22.0	D-3683	S	C290D3/T6 C290D2/T6		
BEAGLE (British Aerospace, Aircraft Group)																
A109 "Airdale"	L	O-360-A1A (LY)	OBSOLETE	2D36C14/78KM-4	74.0	74.0	30		12.7		27.5	D-2137	S			1 42
B.206 Series 1	L	GIO-470-A (TCM)	OBSOLETE	2AF36C68/100RFM-10	90.0	88.0	36		12.0	15.0	81.6	D-2893	S, A			1
B.206 Series 2	L	GTSIO-520-C (TCM)	OBSOLETE	3AF34C86/90LF-0	90.0	88.0	30		13.0	16.3	85.0	D-4175 D-3625	S S, A			1 5
BEECHCRAFT (Raytheon Aircraft Company)																

Constant Speed Propeller Applications

Aircraft Model	T Y P E	Engine Model (Make)	Propeller Part Number	Propeller Model	Max Dia	Min Dia	Ref Sta	Rev Angle	Low or Flight Idle Angle	Latch or Start Locks Angle	High or Feather Angle	Spinner Assembly P/N	S p i n n e r	Governor Model	STC Number STC Holder STC Kit P/N	N o t e s
19A "Musketeer Sport III"	L	IO-360-A1B (LY)		B3D36C429/82NPA-6	76.0		30								SA00747SE James Frost	
A23-24 "Musketeer Super III"	L	IO-360-A1B (LY)	OBSOLETE	2D34C8/78FB-1.5	76.5	76.5	30		13.2		27.5	D-3683	S	DC290D1/T1 C290D3/T3 C290D2/T3		1 43
A23-24 "Musketeer Super III"	L	IO-360-A1B (LY)	OBSOLETE	2D34C9/78FBM-1.5	76.5	76.5	30		14.2		27.5	D-3683	S	DC290D1/T1 C290D3/T3 C290D2/T3		1 43
A23-24 "Musketeer Super III"	L	IO-360-A1B (LY)	P4295038-02	B3D36C429/82NPA-6	76.0	75.0	30		10.5		33.8	D-7290	P	DC290D1/T1 C290D3/T3 C290D2/T3	SA496CH McCauley PL60168	60 141
A23-24 "Musketeer Super III"	L	IO-360-A1D (LY)	OBSOLETE	2D34C8/78FB-1.5	76.5	76.5	30		13.2		27.5	D-3683	S	DC290D1/T1 C290D3/T3 C290D2/T3		1 43
A23-24 "Musketeer Super III"	L	IO-360-A1D (LY)	OBSOLETE	2D34C9/78FBM-1.5	76.5	76.5	30		14.2		27.5	D-3683	S	DC290D1/T1 C290D3/T3 C290D2/T3		1 43
A23-24 "Musketeer Super III"	L	IO-360-A1D (LY)	P4295038-02	B3D36C429/82NPA-6	76.0	75.0	30		10.5		33.8	D-7290	P	DC290D1/T1 C290D3/T3 C290D2/T3	SA496CH McCauley PL60168	60 141
A24 "Super"	L	IO-360-A1B (LY)	OBSOLETE	2D34C9/78FBM-1.5	76.5	76.5	30		14.2		27.5	D-3683	S	DC290D1/T1 C290D3/T3 C290D2/T3		1 43
A24 "Super"	L	IO-360-A1B (LY)	P4295038-02	B3D36C429/82NPA-6	76.0	75.0	30		10.5		33.8	D-7290	P	DC290D1/T1 C290D3/T3 C290D2/T3	SA496CH McCauley PL60168	60 141
A24 "Super"	L	IO-360-A1D (LY)	OBSOLETE	2D34C9/78FBM-1.5	76.5	76.5	30		14.2		27.5	D-3683	S	DC290D1/T1 C290D3/T3 C290D2/T3		1 43
A24 "Super"	L	IO-360-A1D (LY)	P4295038-02	B3D36C429/82NPA-6	76.0	75.0	30		10.5		33.8	D-7290	P	DC290D1/T1 C290D3/T3 C290D2/T3	SA496CH McCauley PL60168	60 141
A24R "Musketeer Super R"	L	IO-360-A1B (LY)	OBSOLETE	2D34C9/78FBM-1.5	76.5	76.5	30		14.2		27.5	D-3683	S	DC290D1/T1 C290D3/T3 C290D2/T3		1 43
A24R "Musketeer Super R"	L	IO-360-A1B (LY)	P4295038-02	B3D36C429/82NPA-6	76.0	75.0	30		10.5		33.8	D-7290	P	DC290D1/T1 C290D3/T3 C290D2/T3	SA496CH McCauley PL60168	60 141
A24R "Musketeer Super R"	L	IO-360-A1D (LY)	OBSOLETE	2D34C9/78FBM-1.5	76.5	76.5	30		14.2		27.5	D-3683	S	DC290D1/T1 C290D3/T3 C290D2/T3		1 43
A24R "Musketeer Super R"	L	IO-360-A1D (LY)	P4295038-02	B3D36C429/82NPA-6	76.0	75.0	30		10.5		33.8	D-7290	P	DC290D1/T1 C290D3/T3 C290D2/T3	SA496CH McCauley PL60168	60 141

Constant Speed Propeller Applications

Aircraft Model	T Y P E	Engine Model (Make)	Propeller Part Number	Propeller Model	Max Dia	Min Dia	Ref Sta	Rev Angle	Low or Flight Idle Angle	Latch or Start Locks Angle	High or Feather Angle	Spinner Assembly P/N	S p i n n e r T y p e	Governor Model	STC Number STC Holder STC Kit P/N	N o t e s
B24R "Sierra 200"	L	IO-360-A1B6 (LY)	P4295038-02	B3D36C429/82NPA-6	76.0	75.0	30		10.5		33.8	D-7290	P		SA496CH McCauley PL60168	60
C24R "Sierra"	L	IO-360-A1B6 (LY)	P4295038-02	B3D36C429/82NPA-6	76.0	75.0	30		10.5		33.8	D-7290	P		SA496CH McCauley PL60168	60
35-33 "Debonair"	L	IO-470-C (TCM)	OBSOLETE	2A36C23/84B-0	84.0	82.0	30		13.0		29.7	D-3290	S		SA5527SW D'Shannon	1 55
35-33 "Debonair"	L	IO-470-C (TCM)	P2235197-53	2A37C223/90RB-6	84.0	82.0	30		13.0		29.7	D-3290 D-3290-2	S S,E		SA5527SW D'Shannon	55
35-33 "Debonair"	L	IO-470-C (TCM)	P4237482-52	3A34C423/90DFA-10	80.0	78.0	30		11.0		29.0	D-3600 D-3584 D-5541	S S P		SA5527SW D'Shannon	55 82
35-33 "Debonair"	L	IO-470-C (TCM)	P4347482-01	3A36C434/80VEA-0	80.0	78.0	30		10.8		33.9	D-3600	S		SA5527SW D'Shannon	55
35-33 "Debonair"	L	IO-470-J (TCM)	OBSOLETE	2A36C23/84B-0	84.0	82.0	30		12.0		29.7	D-3290 D-3290-2	S S,E			1 55
35-33 "Debonair"	L	IO-470-J (TCM)	P2235197-51	2A37C223/90RB-6	84.0	82.0	30		12.0		29.7	D-3290 D-3290-2	S S,E	C290D3/T35	SA1489GL McCauley PL60298	55 138
35-33 "Debonair"	L	IO-470-J (TCM)	P2235197-51	2A37C223/90RB-6	84.0	82.0	30		12.0		29.7	D-7587 D-7587-2	P P,E	C290D3/T35	SA1489GL McCauley PL60308	55 138
35-33 "Debonair"	L	IO-470-J (TCM)	P4237482-53	3A34C423/90DFA-10	80.0	78.0	30		8.8		29.0	D-3600 D-3584 D-5541	S S P	C290D3/T35	SA1691GL D'Shannon	55 82
35-33 "Debonair"	L	IO-470-J (TCM)	P4347482-01	3A36C434/80VEA-0	80.0	78.0	30		10.8		33.9	D-3600	S	C290D3/T35	SA00718CH McCauley PL60219	55 138
35-33 "Debonair"	L	IO-470-J (TCM)	P4347482-01	3A36C434/80VEA-0	80.0	78.0	30		10.8		33.9	D-7062	P	C290D3/T35	SA00718CH McCauley PL60223	55 138
35-33 "Debonair"	L	IO-470-K (TCM)	OBSOLETE	2A36C23/84B-0	84.0	82.0	30		12.0		29.7	D-3290 D-3290-2	S S,E			1 55
35-33 "Debonair"	L	IO-470-K (TCM)	P2235197-51	2A37C223/90RB-6	84.0	82.0	30		12.0		29.7	D-3290 D-3290-2	S S,E	C290D3/T35	SA1489GL McCauley PL60298	55 138
35-33 "Debonair"	L	IO-470-K (TCM)	P2235197-51	2A37C223/90RB-6	84.0	82.0	30		12.0		29.7	D-7587 D-7587-2	P P,E	C290D3/T35	SA1489GL McCauley PL60308	55 138

Constant Speed Propeller Applications

Aircraft Model	T Y P E	Engine Model (Make)	Propeller Part Number	Propeller Model	Max Dia	Min Dia	Ref Sta	Rev Angle	Low or Flight Idle Angle	Latch or Start Locks Angle	High or Feather Angle	Spinner Assembly P/N	S p i n n e r T y p e	Governor Model	STC Number STC Holder STC Kit P/N	N o t e s
35-33 "Debonair"	L	IO-470-K (TCM)	P4237482-53	3A34C423/90DFA-10	80.0	78.0	30		8.8		29.0	D-3600 D-3584 D-5541	S S P	C290D3/T35	SA1691GL D'Shannon	55 82
35-33 "Debonair"	L	IO-470-K (TCM)	P4347482-01	3A36C434/80VEA-0	80.0	78.0	30		10.8		33.9	D-3600	S	C290D3/T35	SA00718CH McCauley PL60219	55 138
35-33 "Debonair"	L	IO-470-K (TCM)	P4347482-01	3A36C434/80VEA-0	80.0	78.0	30		10.8		33.9	D-7062	P	C290D3/T35	SA00718CH McCauley PL60223	55 138
35-33 "Debonair"	L	IO-470-N (TCM)	OBSOLETE	2A36C23/84B-0	84.0	82.0	30		13.3		29.7	D-3290	S		SA5527SW D'Shannon	1 55
35-33 "Debonair"	L	IO-470-N (TCM)	P2235197-54	2A37C223/90RB-6	84.0	82.0	30		13.3		29.7	D-3290 D-3290-2	S S,E		SA5527SW D'Shannon	55
35-33 "Debonair"	L	IO-470-N (TCM)	P4237482-54	3A34C423/90DFA-10	80.0	78.0	30		11.8		29.0	D-3600 D-3584 D-5541	S S P		SA5527SW D'Shannon	55 82
35-33 "Debonair"	L	IO-470-N (TCM)	P4347482-01	3A36C434/80VEA-0	80.0	78.0	30		10.8		33.9	D-3600	S		SA5527SW D'Shannon	55
35-33 "Debonair"	L	IO-520-B (TCM)	OBSOLETE	2A36C23/84B-0	84.0	82.0	30		13.3		29.7	D-3396 D-3396-2 D-2822	S S,E S		SA2200SW D'Shannon	1
35-33 "Debonair"	L	IO-520-B (TCM)	P2235197-54	2A37C223/90RB-6	84.0	82.0	30		13.3		29.7	D-3396 D-3396-2	S S,E		SA2200SW D'Shannon	
35-33 "Debonair"	L	IO-520-B (TCM)	P4067482-52 P4067482-54	3A32C406/82NDB-2	80.0	78.5	30		13.3		29.0	D-5541 D-5259	P P		SA2200SW D'Shannon	29
35-33 "Debonair"	L	IO-520-BA (TCM)	OBSOLETE	2A36C23/84B-0	84.0	82.0	30		13.3		29.7	D-3396 D-3396-2 D-2822	S S,E S		SA2200SW D'Shannon	1
35-33 "Debonair"	L	IO-520-BA (TCM)	P2235197-54	2A37C223/90RB-6	84.0	82.0	30		13.3		29.7	D-3396 D-3396-2	S S,E		SA2200SW D'Shannon	
35-33 "Debonair"	L	IO-520-BA (TCM)	P4067482-52 P4067482-54	3A32C406/82NDB-2	80.0	78.5	30		13.3		29.0	D-5541 D-5259	P P		SA2200SW D'Shannon	29
35-33 "Debonair"	L	IO-520-BB (TCM)	OBSOLETE	2A36C23/84B-0	84.0	82.0	30		13.3		29.7	D-3396 D-3396-2 D-2822	S S,E S		SA2200SW D'Shannon	1
35-33 "Debonair"	L	IO-520-BB (TCM)	P2235197-54	2A37C223/90RB-6	84.0	82.0	30		13.3		29.7	D-3396 D-3396-2	S S,E		SA2200SW D'Shannon	
35-33 "Debonair"	L	IO-520-BB (TCM)	P4067482-52 P4067482-54	3A32C406/82NDB-2	80.0	78.5	30		13.3		29.0	D-5541 D-5259	P P		SA2200SW D'Shannon	29
35-33 "Debonair"	L	IO-550-B (TCM)	OBSOLETE	3A32C76/82NB-2	80.0	78.5	30		13.3		29.0	D-3584 D-3584-2	S S,E		SA2200SW D'Shannon	1

Constant Speed Propeller Applications

Aircraft Model	T Y P E	Engine Model (Make)	Propeller Part Number	Propeller Model	Max Dia	Min Dia	Ref Sta	Rev Angle	Low or Flight Idle Angle	Latch or Start Locks Angle	High or Feather Angle	Spinner Assembly P/N	S p i n n e r	Governor Model	STC Number STC Holder STC Kit P/N	N o t e s
35-33 "Debonair"	L	IO-550-B (TCM)	P4067482-52 P4067482-54	3A32C406/82NDB-2	80.0	78.5	30		13.3		29.0	D-5541 D-5259	P P		SA2200SW D'Shannon	29
35-33 "Debonair"	L	IO-550-B (TCM)	P4097757-52	D3A32C409/82NDB-2	80.0	78.5	30		13.7		28.8	D-5541	P		SA2200SW D'Shannon	29
35-A33 "Debonair"	L	IO-470-C (TCM)	OBSOLETE	2A36C23/84B-0	84.0	82.0	30		13.0		29.7	D-3290	S		SA5527SW D'Shannon	1 55
35-A33 "Debonair"	L	IO-470-C (TCM)	P2235197-53	2A37C223/90RB-6	84.0	82.0	30		13.0		29.7	D-3290 D-3290-2	S S,E		SA5527SW D'Shannon	55
35-A33 "Debonair"	L	IO-470-C (TCM)	P4237482-52	3A34C423/90DFA-10	80.0	78.0	30		11.0		29.0	D-3600 D-3584 D-5541	S S P		SA5527SW D'Shannon	55 82
35-A33 "Debonair"	L	IO-470-C (TCM)	P4347482-01	3A36C434/80VEA-0	80.0	78.0	30		10.8		33.9	D-3600	S		SA5527SW D'Shannon	55
35-A33 "Debonair"	L	IO-470-J (TCM)	OBSOLETE	2A36C23/84B-0	84.0	82.0	30		12.0		29.7	D-3290 D-3290-2	S S,E			1 55
35-A33 "Debonair"	L	IO-470-J (TCM)	P2235197-51	2A37C223/90RB-6	84.0	82.0	30		12.0		29.7	D-3290 D-3290-2	S S,E	C290D3/T35	SA1489GL McCauley PL60298	55 138
35-A33 "Debonair"	L	IO-470-J (TCM)	P2235197-51	2A37C223/90RB-6	84.0	82.0	30		12.0		29.7	D-7587 D-7587-2	P P,E	C290D3/T35	SA1489GL McCauley PL60308	55 138
35-A33 "Debonair"	L	IO-470-J (TCM)	P4237482-53	3A34C423/90DFA-10	80.0	78.0	30		8.8		29.0	D-3600 D-3584 D-5541	S S P	C290D3/T35	SA1691GL D'Shannon	55 82
35-A33 "Debonair"	L	IO-470-J (TCM)	P4347482-01	3A36C434/80VEA-0	80.0	78.0	30		10.8		33.9	D-3600	S	C290D3/T35	SA00718CH McCauley PL60219	55 138
35-A33 "Debonair"	L	IO-470-J (TCM)	P4347482-01	3A36C434/80VEA-0	80.0	78.0	30		10.8		33.9	D-7062	P	C290D3/T35	SA00718CH McCauley PL60223	55 138
35-A33 "Debonair"	L	IO-470-K (TCM)	OBSOLETE	2A36C23/84B-0	84.0	82.0	30		12.0		29.7	D-3290 D-3290-2	S S,E			1 55
35-A33 "Debonair"	L	IO-470-K (TCM)	P2235197-51	2A37C223/90RB-6	84.0	82.0	30		12.0		29.7	D-3290 D-3290-2	S S,E	C290D3/T35	SA1489GL McCauley PL60298	55 138
35-A33 "Debonair"	L	IO-470-K (TCM)	P2235197-51	2A37C223/90RB-6	84.0	82.0	30		12.0		29.7	D-7587 D-7587-2	P P,E	C290D3/T35	SA1489GL McCauley PL60308	55 138
35-A33 "Debonair"	L	IO-470-K (TCM)	P4237482-53	3A34C423/90DFA-10	80.0	78.0	30		8.8		29.0	D-3600 D-3584 D-5541	S S P	C290D3/T35	SA1691GL D'Shannon	55 82

Constant Speed Propeller Applications

Aircraft Model	T Y P E	Engine Model (Make)	Propeller Part Number	Propeller Model	Max Dia	Min Dia	Ref Sta	Rev Angle	Low or Flight Idle Angle	Latch or Start Locks Angle	High or Feather Angle	Spinner Assembly P/N	S p i n n e r T y p e	Governor Model	STC Number STC Holder STC Kit P/N	N o t e s
35-A33 "Debonair"	L	IO-470-K (TCM)	P4347482-01	3A36C434/80VEA-0	80.0	78.0	30		10.8		33.9	D-3600	S	C290D3/T35	SA00718CH McCauley PL60219	55 138
35-A33 "Debonair"	L	IO-470-K (TCM)	P4347482-01	3A36C434/80VEA-0	80.0	78.0	30		10.8		33.9	D-7062	P	C290D3/T35	SA00718CH McCauley PL60223	55 138
35-A33 "Debonair"	L	IO-470-N (TCM)	OBSOLETE	2A36C23/84B-0	84.0	82.0	30		13.3		29.7	D-3290	S		SA5527SW D'Shannon	1 55
35-A33 "Debonair"	L	IO-470-N (TCM)	P2235197-54	2A37C223/90RB-6	84.0	82.0	30		13.3		29.7	D-3290 D-3290-2	S S,E		SA5527SW D'Shannon	55
35-A33 "Debonair"	L	IO-470-N (TCM)	P4237482-54	3A34C423/90DFA-10	80.0	78.0	30		11.8		29.0	D-3600 D-3584 D-5541	S S P		SA5527SW D'Shannon	55 82
35-A33 "Debonair"	L	IO-470-N (TCM)	P4347482-01	3A36C434/80VEA-0	80.0	78.0	30		10.8		33.9	D-3600	S		SA5527SW D'Shannon	55
35-A33 "Debonair"	L	IO-520-B (TCM)	OBSOLETE	2A36C23/84B-0	84.0	82.0	30		13.3		29.7	D-3396 D-3396-2 D-2822	S S,E S		SA2200SW D'Shannon	1
35-A33 "Debonair"	L	IO-520-B (TCM)	P2235197-54	2A37C223/90RB-6	84.0	82.0	30		13.3		29.7	D-3396 D-3396-2	S S,E		SA2200SW D'Shannon	
35-A33 "Debonair"	L	IO-520-B (TCM)	P4067482-52 P4067482-54	3A32C406/82NDB-2	80.0	78.5	30		13.3		29.0	D-5541 D-5259	P P		SA2200SW D'Shannon	29
35-A33 "Debonair"	L	IO-520-BA (TCM)	OBSOLETE	2A36C23/84B-0	84.0	82.0	30		13.3		29.7	D-3396 D-3396-2 D-2822	S S,E S		SA2200SW D'Shannon	1
35-A33 "Debonair"	L	IO-520-BA (TCM)	P2235197-54	2A37C223/90RB-6	84.0	82.0	30		13.3		29.7	D-3396 D-3396-2	S S,E		SA2200SW D'Shannon	
35-A33 "Debonair"	L	IO-520-BA (TCM)	P4067482-52 P4067482-54	3A32C406/82NDB-2	80.0	78.5	30		13.3		29.0	D-5541 D-5259	P P		SA2200SW D'Shannon	29
35-A33 "Debonair"	L	IO-520-BB (TCM)	OBSOLETE	2A36C23/84B-0	84.0	82.0	30		13.3		29.7	D-3396 D-3396-2 D-2822	S S,E S		SA2200SW D'Shannon	1
35-A33 "Debonair"	L	IO-520-BB (TCM)	P2235197-54	2A37C223/90RB-6	84.0	82.0	30		13.3		29.7	D-3396 D-3396-2	S S,E		SA2200SW D'Shannon	
35-A33 "Debonair"	L	IO-520-BB (TCM)	P4067482-52 P4067482-54	3A32C406/82NDB-2	80.0	78.5	30		13.3		29.0	D-5541 D-5259	P P		SA2200SW D'Shannon	29
35-A33 "Debonair"	L	IO-550-B (TCM)	OBSOLETE	3A32C76/82NB-2	80.0	78.5	30		13.3		29.0	D-3584 D-3584-2	S S,E		SA2200SW D'Shannon	1
35-A33 "Debonair"	L	IO-550-B (TCM)	P4067482-52 P4067482-54	3A32C406/82NDB-2	80.0	78.5	30		13.3		29.0	D-5541 D-5259	P P		SA2200SW D'Shannon	29
35-A33 "Debonair"	L	IO-550-B (TCM)	P4097757-52	D3A32C409/82NDB-2	80.0	78.5	30		13.7		28.8	D-5541	P		SA2200SW D'Shannon	29

Constant Speed Propeller Applications

Aircraft Model	T Y P E	Engine Model (Make)	Propeller Part Number	Propeller Model	Max Dia	Min Dia	Ref Sta	Rev Angle	Low or Flight Idle Angle	Latch or Start Locks Angle	High or Feather Angle	Spinner Assembly P/N	S p i n n e r	Governor Model	STC Number STC Holder STC Kit P/N	N o t e s
35-B33 "Debonair"	L	IO-470-C (TCM)	OBSOLETE	2A36C23/84B-0	84.0	82.0	30		13.0		29.7	D-3290	S		SA5527SW D'Shannon	1 55
35-B33 "Debonair"	L	IO-470-C (TCM)	P2235197-53	2A37C223/90RB-6	84.0	82.0	30		13.0		29.7	D-3290 D-3290-2	S S,E		SA5527SW D'Shannon	55
35-B33 "Debonair"	L	IO-470-C (TCM)	P4237482-52	3A34C423/90DFA-10	80.0	78.0	30		11.0		29.0	D-3600 D-3584 D-5541	S S P		SA5527SW D'Shannon	55 82
35-B33 "Debonair"	L	IO-470-C (TCM)	P4347482-01	3A36C434/80VEA-0	80.0	78.0	30		10.8		33.9	D-3600	S		SA5527SW D'Shannon	55
35-B33 "Debonair"	L	IO-470-J (TCM)	P4237482-53	3A34C423/90DFA-10	80.0	78.0	30		8.8		29.0	D-3600 D-3584 D-5541	S S P	C290D3/T35	SA1691GL D'Shannon	55 82
35-B33 "Debonair"	L	IO-470-K (TCM)	OBSOLETE	2A36C23/84B-0	84.0	82.0	30		12.0		29.7	D-3290 D-3290-2	S S,E			1 55
35-B33 "Debonair"	L	IO-470-K (TCM)	P2235197-51	2A37C223/90RB-6	84.0	82.0	30		12.0		29.7	D-3290 D-3290-2	S S,E	C290D3/T35	SA1489GL McCauley PL60298	55 138
35-B33 "Debonair"	L	IO-470-K (TCM)	P2235197-51	2A37C223/90RB-6	84.0	82.0	30		12.0		29.7	D-7587 D-7587-2	P P,E	C290D3/T35	SA1489GL McCauley PL60308	55 138
35-B33 "Debonair"	L	IO-470-K (TCM)	P4237482-53	3A34C423/90DFA-10	80.0	78.0	30		8.8		29.0	D-3600 D-3584 D-5541	S S P	C290D3/T35	SA1691GL D'Shannon	55 82
35-B33 "Debonair"	L	IO-470-K (TCM)	P4347482-01	3A36C434/80VEA-0	80.0	78.0	30		10.8		33.9	D-3600	S	C290D3/T35	SA00718CH McCauley PL60219	55 138
35-B33 "Debonair"	L	IO-470-K (TCM)	P4347482-01	3A36C434/80VEA-0	80.0	78.0	30		10.8		33.9	D-7062	P	C290D3/T35	SA00718CH McCauley PL60223	55 138
35-B33 "Debonair"	L	IO-470-N (TCM)	OBSOLETE	2A36C23/84B-0	84.0	82.0	30		13.3		29.7	D-3290	S		SA5527SW D'Shannon	1 55
35-B33 "Debonair"	L	IO-470-N (TCM)	P2235197-54	2A37C223/90RB-6	84.0	82.0	30		13.3		29.7	D-3290 D-3290-2	S S,E		SA5527SW D'Shannon	55
35-B33 "Debonair"	L	IO-470-N (TCM)	P4237482-54	3A34C423/90DFA-10	80.0	78.0	30		11.8		29.0	D-3600 D-3584 D-5541	S S P		SA5527SW D'Shannon	55 82
35-B33 "Debonair"	L	IO-470-N (TCM)	P4347482-01	3A36C434/80VEA-0	80.0	78.0	30		10.8		33.9	D-3600	S		SA5527SW D'Shannon	55
35-B33 "Debonair"	L	IO-520-B (TCM)	OBSOLETE	2A36C23/84B-0	84.0	82.0	30		13.3		29.7	D-3396 D-3396-2 D-2822	S S,E S		SA2200SW D'Shannon	1

Constant Speed Propeller Applications

Aircraft Model	T Y P E	Engine Model (Make)	Propeller Part Number	Propeller Model	Max Dia	Min Dia	Ref Sta	Rev Angle	Low or Flight Idle Angle	Latch or Start Locks Angle	High or Feather Angle	Spinner Assembly P/N	S p i n n e r	Governor Model	STC Number STC Holder STC Kit P/N	N o t e s
35-B33 "Debonair"	L	IO-520-B (TCM)	P2235197-54	2A37C223/90RB-6	84.0	82.0	30		13.3		29.7	D-3396 D-3396-2	S S,E		SA2200SW D'Shannon	
35-B33 "Debonair"	L	IO-520-B (TCM)	P4067482-52 P4067482-54	3A32C406/82NDB-2	80.0	78.5	30		13.3		29.0	D-5541 D-5259	P P		SA2200SW D'Shannon	29
35-B33 "Debonair"	L	IO-520-BA (TCM)	OBSOLETE	2A36C23/84B-0	84.0	82.0	30		13.3		29.7	D-3396 D-3396-2 D-2822	S S,E S		SA2200SW D'Shannon	1
35-B33 "Debonair"	L	IO-520-BA (TCM)	P2235197-54	2A37C223/90RB-6	84.0	82.0	30		13.3		29.7	D-3396 D-3396-2	S S,E		SA2200SW D'Shannon	
35-B33 "Debonair"	L	IO-520-BA (TCM)	P4067482-52 P4067482-54	3A32C406/82NDB-2	80.0	78.5	30		13.3		29.0	D-5541 D-5259	P P		SA2200SW D'Shannon	29
35-B33 "Debonair"	L	IO-520-BB (TCM)	OBSOLETE	2A36C23/84B-0	84.0	82.0	30		13.3		29.7	D-3396 D-3396-2 D-2822	S S,E S		SA2200SW D'Shannon	1
35-B33 "Debonair"	L	IO-520-BB (TCM)	P2235197-54	2A37C223/90RB-6	84.0	82.0	30		13.3		29.7	D-3396 D-3396-2	S S,E		SA2200SW D'Shannon	
35-B33 "Debonair"	L	IO-520-BB (TCM)	P4067482-52 P4067482-54	3A32C406/82NDB-2	80.0	78.5	30		13.3		29.0	D-5541 D-5259	P P		SA2200SW D'Shannon	29
35-B33 "Debonair"	L	IO-550-B (TCM)	OBSOLETE	3A32C76/82NB-2	80.0	78.5	30		13.3		29.0	D-3584 D-3584-2	S S,E		SA2200SW D'Shannon	1
35-B33 "Debonair"	L	IO-550-B (TCM)	P4067482-52 P4067482-54	3A32C406/82NDB-2	80.0	78.5	30		13.3		29.0	D-5541 D-5259	P P		SA2200SW D'Shannon	29
35-B33 "Debonair"	L	IO-550-B (TCM)	P4097757-52	D3A32C409/82NDB-2	80.0	78.5	30		13.7		28.8	D-5541	P		SA2200SW D'Shannon	29
35-C33 "Debonair"	L	IO-470-C (TCM)	OBSOLETE	2A36C23/84B-0	84.0	82.0	30		13.0		29.7	D-3290	S		SA5527SW D'Shannon	1 55
35-C33 "Debonair"	L	IO-470-C (TCM)	P2235197-53	2A37C223/90RB-6	84.0	82.0	30		13.0		29.7	D-3290 D-3290-2	S S,E		SA5527SW D'Shannon	55
35-C33 "Debonair"	L	IO-470-C (TCM)	P4237482-52	3A34C423/90DFA-10	80.0	78.0	30		11.0		29.0	D-3600 D-3584 D-5541	S S P		SA5527SW D'Shannon	55 82
35-C33 "Debonair"	L	IO-470-C (TCM)	P4347482-01	3A36C434/80VEA-0	80.0	78.0	30		10.8		33.9	D-3600	S		SA5527SW D'Shannon	55
35-C33 "Debonair"	L	IO-470-K (TCM)	OBSOLETE	2A36C23/84B-0	84.0	82.0	30		12.0		29.7	D-3290 D-3290-2	S S,E			1 55
35-C33 "Debonair"	L	IO-470-K (TCM)	P2235197-51	2A37C223/90RB-6	84.0	82.0	30		12.0		29.7	D-3290 D-3290-2	S S,E	C290D3/T35	SA1489GL McCauley PL60298	55 138
35-C33 "Debonair"	L	IO-470-K (TCM)	P2235197-51	2A37C223/90RB-6	84.0	82.0	30		12.0		29.7	D-7587 D-7587-2	P P,E	C290D3/T35	SA1489GL McCauley PL60308	55 138
35-C33 "Debonair"	L	IO-470-K (TCM)	OBSOLETE	3A32C76/82NB-2	80.0	78.5	30		12.5		29.0	D-3600 D-3600-2	S S,E			1 55

Constant Speed Propeller Applications

Aircraft Model	T Y P E	Engine Model (Make)	Propeller Part Number	Propeller Model	Max Dia	Min Dia	Ref Sta	Rev Angle	Low or Flight Idle Angle	Latch or Start Locks Angle	High or Feather Angle	Spinner Assembly P/N	S p i n n e r T y p e	Governor Model	STC Number STC Holder STC Kit P/N	N o t e s
35-C33 "Debonair"	L	IO-470-K (TCM)	P4237482-53	3A34C423/90DFA-10	80.0	78.0	30		8.8		29.0	D-3600 D-3584 D-5541	S S P	C290D3/T35	SA1691GL D'Shannon	55 82
35-C33 "Debonair"	L	IO-470-K (TCM)	P4347482-01	3A36C434/80VEA-0	80.0	78.0	30		10.8		33.9	D-3600	S	C290D3/T35	SA00718CH McCauley PL60219	55 138
35-C33 "Debonair"	L	IO-470-K (TCM)	P4347482-01	3A36C434/80VEA-0	80.0	78.0	30		10.8		33.9	D-7062	P	C290D3/T35	SA00718CH McCauley PL60223	55 138
35-C33 "Debonair"	L	IO-470-N (TCM)	OBSOLETE	2A36C23/84B-0	84.0	82.0	30		13.3		29.2	D-3290	S		SA238GL D'Shannon	1 55
35-C33 "Debonair"	L	IO-470-N (TCM)	OBSOLETE	2A36C23/84B-0	84.0	82.0	30		13.3		29.7	D-3290	S		SA5527SW D'Shannon	1 55
35-C33 "Debonair"	L	IO-470-N (TCM)	P2235197-54	2A37C223/90RB-6	84.0	82.0	30		13.3		29.7	D-3290 D-3290-2	S S,E		SA5527SW D'Shannon	55
35-C33 "Debonair"	L	IO-470-N (TCM)	P4237482-54	3A34C423/90DFA-10	80.0	78.0	30		11.8		29.0	D-3600 D-3584 D-5541	S S P		SA5527SW D'Shannon	55 82
35-C33 "Debonair"	L	IO-470-N (TCM)	P4347482-01	3A36C434/80VEA-0	80.0	78.0	30		10.8		33.9	D-3600	S		SA5527SW D'Shannon	55
35-C33 "Debonair"	L	IO-520-B (TCM)	OBSOLETE	2A36C23/84B-0	84.0	82.0	30		13.3		29.7	D-3396 D-3396-2 D-2822	S S,E S		SA2200SW D'Shannon	1
35-C33 "Debonair"	L	IO-520-B (TCM)	P2235197-54	2A37C223/90RB-6	84.0	82.0	30		13.3		29.7	D-3396 D-3396-2	S S,E		SA2200SW D'Shannon	
35-C33 "Debonair"	L	IO-520-B (TCM)	P4067482-52 P4067482-54	3A32C406/82NDB-2	80.0	78.5	30		13.3		29.0	D-5541 D-5259	P P		SA2200SW D'Shannon	29
35-C33 "Debonair"	L	IO-520-BA (TCM)	OBSOLETE	2A36C23/84B-0	84.0	82.0	30		13.3		29.7	D-3396 D-3396-2 D-2822	S S,E S		SA2200SW D'Shannon	1
35-C33 "Debonair"	L	IO-520-BA (TCM)	P2235197-54	2A37C223/90RB-6	84.0	82.0	30		13.3		29.7	D-3396 D-3396-2	S S,E		SA2200SW D'Shannon	
35-C33 "Debonair"	L	IO-520-BA (TCM)	P4067482-52 P4067482-54	3A32C406/82NDB-2	80.0	78.5	30		13.3		29.0	D-5541 D-5259	P P		SA2200SW D'Shannon	29
35-C33 "Debonair"	L	IO-520-BB (TCM)	OBSOLETE	2A36C23/84B-0	84.0	82.0	30		13.3		29.7	D-3396 D-3396-2 D-2822	S S,E S		SA2200SW D'Shannon	1
35-C33 "Debonair"	L	IO-520-BB (TCM)	P2235197-54	2A37C223/90RB-6	84.0	82.0	30		13.3		29.7	D-3396 D-3396-2	S S,E		SA2200SW D'Shannon	
35-C33 "Debonair"	L	IO-520-BB (TCM)	P4067482-52 P4067482-54	3A32C406/82NDB-2	80.0	78.5	30		13.3		29.0	D-5541 D-5259	P P		SA2200SW D'Shannon	29

Constant Speed Propeller Applications

Aircraft Model	T Y P E	Engine Model (Make)	Propeller Part Number	Propeller Model	Max Dia	Min Dia	Ref Sta	Rev Angle	Low or Flight Idle Angle	Latch or Start Locks Angle	High or Feather Angle	Spinner Assembly P/N	S p i n n e r T y p e	Governor Model	STC Number STC Holder STC Kit P/N	N o t e s
35-C33 "Debonair"	L	IO-550-B (TCM)	OBSOLETE	3A32C76/82NB-2	80.0	78.5	30		13.3		29.0	D-3584 D-3584-2	S S,E		SA2200SW D'Shannon	1
35-C33 "Debonair"	L	IO-550-B (TCM)	P4067482-52 P4067482-54	3A32C406/82NDB-2	80.0	78.5	30		13.3		29.0	D-5541 D-5259	P P		SA2200SW D'Shannon	29
35-C33 "Debonair"	L	IO-550-B (TCM)	P4097757-52	D3A32C409/82NDB-2	80.0	78.5	30		13.7		28.8	D-5541	P		SA2200SW D'Shannon	29
35-C33A "Debonair"	L	IO-520-B (TCM)	OBSOLETE	2A36C23/84B-0	84.0	82.0	30		13.3		29.7	D-3396 D-3396-2 D-2822	S S,E S			1
35-C33A "Debonair"	L	IO-520-B (TCM)	OBSOLETE	2A36C23/84B-0	84.0	82.0	30		13.3		29.7	D-3396 D-3396-2 D-2822	S S,E S		SA2200SW D'Shannon	1
35-C33A "Debonair"	L	IO-520-B (TCM)	P2235197-54	2A37C223/90RB-6	84.0	82.0	30		13.3		29.7	D-3396 D-3396-2	S S,E	C290D3/T23	SA1489GL McCauley PL60306	139
35-C33A "Debonair"	L	IO-520-B (TCM)	P2235197-54	2A37C223/90RB-6	84.0	82.0	30		13.3		29.7	D-5255 D-5255-2	P P,E	C290D3/T23	SA1489GL McCauley PL60316	139
35-C33A "Debonair"	L	IO-520-B (TCM)	P2235197-54	2A37C223/90RB-6	84.0	82.0	30		13.3		29.7	D-3396 D-3396-2	S S,E		SA2200SW D'Shannon	
35-C33A "Debonair"	L	IO-520-B (TCM)	OBSOLETE	3A32C76/82NB-2	80.0	78.5	30		13.3		29.0	D-3584 D-3584-2	S S,E			1
35-C33A "Debonair"	L	IO-520-B (TCM)	P4067482-52 P4067482-54	3A32C406/82NDB-2	80.0	78.5	30		13.3		29.0	D-5541 D-5259	P P		SA1166GL D'Shannon	29
35-C33A "Debonair"	L	IO-520-BA (TCM)	OBSOLETE	2A36C23/84B-0	84.0	82.0	30		13.3		29.7	D-3396 D-3396-2 D-2822	S S,E S			1
35-C33A "Debonair"	L	IO-520-BA (TCM)	OBSOLETE	2A36C23/84B-0	84.0	82.0	30		13.3		29.7	D-3396 D-3396-2 D-2822	S S,E S		SA2200SW D'Shannon	1
35-C33A "Debonair"	L	IO-520-BA (TCM)	P2235197-54	2A37C223/90RB-6	84.0	82.0	30		13.3		29.7	D-3396 D-3396-2	S S,E	C290D3/T23	SA1489GL McCauley PL60306	139
35-C33A "Debonair"	L	IO-520-BA (TCM)	P2235197-54	2A37C223/90RB-6	84.0	82.0	30		13.3		29.7	D-5255 D-5255-2	P P,E	C290D3/T23	SA1489GL McCauley PL60316	139
35-C33A "Debonair"	L	IO-520-BA (TCM)	P2235197-54	2A37C223/90RB-6	84.0	82.0	30		13.3		29.7	D-3396 D-3396-2	S S,E		SA2200SW D'Shannon	
35-C33A "Debonair"	L	IO-520-BA (TCM)	OBSOLETE	3A32C76/82NB-2	80.0	78.5	30		13.3		29.0	D-3584 D-3584-2	S S,E			1
35-C33A "Debonair"	L	IO-520-BA (TCM)	P4067482-52 P4067482-54	3A32C406/82NDB-2	80.0	78.5	30		13.3		29.0	D-5541 D-5259	P P		SA1166GL D'Shannon	29

Constant Speed Propeller Applications

Aircraft Model	T Y P E	Engine Model (Make)	Propeller Part Number	Propeller Model	Max Dia	Min Dia	Ref Sta	Rev Angle	Low or Flight Idle Angle	Latch or Start Locks Angle	High or Feather Angle	Spinner Assembly P/N	S p i n n e r	Governor Model	STC Number STC Holder STC Kit P/N	N o t e s
35-C33A "Debonair"	L	IO-520-BB (TCM)	OBSOLETE	2A36C23/84B-0	84.0	82.0	30		13.3		29.7	D-3396 D-3396-2 D-2822	S S,E S			1
35-C33A "Debonair"	L	IO-520-BB (TCM)	OBSOLETE	2A36C23/84B-0	84.0	82.0	30		13.3		29.7	D-3396 D-3396-2 D-2822	S S,E S		SA2200SW D'Shannon	1
35-C33A "Debonair"	L	IO-520-BB (TCM)	P2235197-54	2A37C223/90RB-6	84.0	82.0	30		13.3		29.7	D-3396 D-3396-2	S S,E	C290D3/T23	SA1489GL McCauley PL60306	139
35-C33A "Debonair"	L	IO-520-BB (TCM)	P2235197-54	2A37C223/90RB-6	84.0	82.0	30		13.3		29.7	D-5255 D-5255-2	P P,E	C290D3/T23	SA1489GL McCauley PL60316	139
35-C33A "Debonair"	L	IO-520-BB (TCM)	P2235197-54	2A37C223/90RB-6	84.0	82.0	30		13.3		29.7	D-3396 D-3396-2	S S,E		SA2200SW D'Shannon	
35-C33A "Debonair"	L	IO-520-BB (TCM)	OBSOLETE	3A32C76/82NB-2	80.0	78.5	30		13.3		29.0	D-3584 D-3584-2	S S,E			1
35-C33A "Debonair"	L	IO-520-BB (TCM)	P4067482-52 P4067482-54	3A32C406/82NDB-2	80.0	78.5	30		13.3		29.0	D-5541 D-5259	P P		SA1166GL D'Shannon	29
35-C33A "Debonair"	L	IO-550-B (STC)	OBSOLETE	3A32C76/82NB-2	80.0	78.0	30								SA5223NM Tornado Alley Turbo	29 93
35-C33A "Debonair"	L	IO-550-B (TCM)	OBSOLETE	3A32C76/82NB-2	80.0	78.5	30		13.3		29.0	D-3584 D-3600	S S	C290D3/T23	SA09619SC Hammock Aviation	1
35-C33A "Debonair"	L	IO-550-B (TCM)	OBSOLETE	3A32C76/82NB-2	80.0		30					D-3584	S		SA1835SO Mike Jones Aircraft Sales	1
35-C33A "Debonair"	L	IO-550-B (TCM)	P4067482-51 P4067482-55	3A32C406/82NDB-4	78.0	77.0	30		15.8		34.9	D-7168 D-5541 D-5259	P P P	C290D3/T23	SA09619SC Hammock Aviation	29
35-C33A "Debonair"	L	IO-550-B (TCM)	P4067482-52 P4067482-54	3A32C406/82NDB-2	80.0	78.5	30		13.3		29.0	D-7168 D-5541 D-5259	P P P	C290D3/T23	SA09619SC Hammock Aviation	29
35-C33A "Debonair"	L	IO-550-B (TCM)	P4097757-51 P4097757-52	D3A32C409/82NDB-2	80.0	78.5	30		13.7		28.8	D-7168 D-5541 D-5259	P P P	C290D3/T23	SA09619SC Hammock Aviation	29
35-C33A "Debonair"	L	IO-550-B (STC)		D3A32C409/82NDB-2	80.0	78.0	30								SA5223NM Tornado Alley Turbo	29 93
E33 "Bonanza"	L	IO-550-B (TCM)	P4097757-52	D3A32C409/82NDB-2	80.0	78.5	30		13.7		28.8	D-5541	P		SA2200SW D'Shannon	29
E33 "Bonanza"	L	IO-470-C (TCM)	OBSOLETE	2A36C23/84B-0	84.0	82.0	30		13.0		29.7	D-3290	S		SA5527SW D'Shannon	1 55

Constant Speed Propeller Applications

Aircraft Model	T Y P E	Engine Model (Make)	Propeller Part Number	Propeller Model	Max Dia	Min Dia	Ref Sta	Rev Angle	Low or Flight Idle Angle	Latch or Start Locks Angle	High or Feather Angle	Spinner Assembly P/N	S p i n n e r T y p e	Governor Model	STC Number STC Holder STC Kit P/N	N o t e s
E33 "Bonanza"	L	IO-470-C (TCM)	P2235197-53	2A37C223/90RB-6	84.0	82.0	30		13.0		29.7	D-3290 D-3290-2	S S,E		SA5527SW D'Shannon	55
E33 "Bonanza"	L	IO-470-C (TCM)	P4237482-52	3A34C423/90DFA-10	80.0	78.0	30		11.0		29.0	D-3600 D-3584 D-5541	S S P		SA5527SW D'Shannon	55 82
E33 "Bonanza"	L	IO-470-C (TCM)	P4347482-01	3A36C434/80VEA-0	80.0	78.0	30		10.8		33.9	D-3600	S		SA5527SW D'Shannon	55
E33 "Bonanza"	L	IO-470-K (TCM)	OBSOLETE	2A36C23/84B-0	84.0	82.0	30		12.0		29.7	D-3290 D-3290-2	S S,E			1 55
E33 "Bonanza"	L	IO-470-K (TCM)	P2235197-51	2A37C223/90RB-6	84.0	82.0	30		12.0		29.7	D-3290 D-3290-2	S S,E	C290D3/T35	SA1489GL McCauley PL60298	55 138
E33 "Bonanza"	L	IO-470-K (TCM)	P2235197-51	2A37C223/90RB-6	84.0	82.0	30		12.0		29.7	D-7587 D-7587-2	P P,E	C290D3/T35	SA1489GL McCauley PL60308	55 138
E33 "Bonanza"	L	IO-470-K (TCM)	P4237482-53	3A34C423/90DFA-10	80.0	78.0	30		8.8		29.0	D-3600 D-3584 D-5541	S S P	C290D3/T35	SA1691GL D'Shannon	55 82
E33 "Bonanza"	L	IO-470-K (TCM)	P4347482-01	3A36C434/80VEA-0	80.0	78.0	30		10.8		33.9	D-3600	S	C290D3/T35	SA00718CH McCauley PL60219	55 138
E33 "Bonanza"	L	IO-470-K (TCM)	P4347482-01	3A36C434/80VEA-0	80.0	78.0	30		10.8		33.9	D-7062	P	C290D3/T35	SA00718CH McCauley PL60223	55 138
E33 "Bonanza"	L	IO-470-N (TCM)	OBSOLETE	2A36C23/84B-0	84.0	82.0	30		13.3		29.2	D-3290	S		SA238GL D'Shannon	1 55
E33 "Bonanza"	L	IO-470-N (TCM)	OBSOLETE	2A36C23/84B-0	84.0	82.0	30		13.3		29.7	D-3290	S		SA5527SW D'Shannon	1 55
E33 "Bonanza"	L	IO-470-N (TCM)	P2235197-54	2A37C223/90RB-6	84.0	82.0	30		13.3		29.7	D-3290 D-3290-2	S S,E		SA5527SW D'Shannon	55
E33 "Bonanza"	L	IO-470-N (TCM)	P4237482-54	3A34C423/90DFA-10	80.0	78.0	30		11.8		29.0	D-3600 D-3584 D-5541	S S P		SA5527SW D'Shannon	55 82
E33 "Bonanza"	L	IO-470-N (TCM)	P4347482-01	3A36C434/80VEA-0	80.0	78.0	30		10.8		33.9	D-3600	S		SA5527SW D'Shannon	55
E33 "Bonanza"	L	IO-520-B (TCM)	OBSOLETE	2A36C23/84B-0	84.0	82.0	30		13.3		29.7	D-3396 D-3396-2 D-2822	S S,E S		SA2200SW D'Shannon	1
E33 "Bonanza"	L	IO-520-B (TCM)	P2235197-54	2A37C223/90RB-6	84.0	82.0	30		13.3		29.7	D-3396 D-3396-2	S S,E		SA2200SW D'Shannon	
E33 "Bonanza"	L	IO-520-B (TCM)	P4067482-52 P4067482-54	3A32C406/82NDB-2	80.0	78.5	30		13.3		29.0	D-5541 D-5259	P P		SA2200SW D'Shannon	29

Constant Speed Propeller Applications

Aircraft Model	T Y P E	Engine Model (Make)	Propeller Part Number	Propeller Model	Max Dia	Min Dia	Ref Sta	Rev Angle	Low or Flight Idle Angle	Latch or Start Locks Angle	High or Feather Angle	Spinner Assembly P/N	S p i n n e r T y p e	Governor Model	STC Number STC Holder STC Kit P/N	N o t e s
E33 "Bonanza"	L	IO-520-BA (TCM)	OBSOLETE	2A36C23/84B-0	84.0	82.0	30		13.3		29.7	D-3396 D-3396-2 D-2822	S S,E S		SA2200SW D'Shannon	1
E33 "Bonanza"	L	IO-520-BA (TCM)	P2235197-54	2A37C223/90RB-6	84.0	82.0	30		13.3		29.7	D-3396 D-3396-2	S S,E		SA2200SW D'Shannon	
E33 "Bonanza"	L	IO-520-BA (TCM)	P4067482-52 P4067482-54	3A32C406/82NDB-2	80.0	78.5	30		13.3		29.0	D-5541 D-5259	P P		SA2200SW D'Shannon	29
E33 "Bonanza"	L	IO-520-BB (TCM)	OBSOLETE	2A36C23/84B-0	84.0	82.0	30		13.3		29.7	D-3396 D-3396-2 D-2822	S S,E S		SA2200SW D'Shannon	1
E33 "Bonanza"	L	IO-520-BB (TCM)	P2235197-54	2A37C223/90RB-6	84.0	82.0	30		13.3		29.7	D-3396 D-3396-2	S S,E		SA2200SW D'Shannon	
E33 "Bonanza"	L	IO-520-BB (TCM)	P4067482-52 P4067482-54	3A32C406/82NDB-2	80.0	78.5	30		13.3		29.0	D-5541 D-5259	P P		SA2200SW D'Shannon	29
E33 "Bonanza"	L	IO-550-B (TCM)	OBSOLETE	3A32C76/82NB-2	80.0	78.5	30		13.3		29.0	D-3584 D-3584-2	S S,E		SA2200SW D'Shannon	1
E33 "Bonanza"	L	IO-550-B (TCM)	P4067482-52 P4067482-54	3A32C406/82NDB-2	80.0	78.5	30		13.3		29.0	D-5541 D-5259	P P		SA2200SW D'Shannon	29
E33A "Bonanza"	L	IO-520-B (TCM)	OBSOLETE	2A36C23/84B-0	84.0	82.0	30		13.3		29.7	D-3396 D-3396-2 D-2822	S S,E S			1
E33A "Bonanza"	L	IO-520-B (TCM)	OBSOLETE	2A36C23/84B-0	84.0	82.0	30		13.3		29.7	D-3396 D-3396-2 D-2822	S S,E S		SA2200SW D'Shannon	1
E33A "Bonanza"	L	IO-520-B (TCM)	P2235197-54	2A37C223/90RB-6	84.0	82.0	30		13.3		29.7	D-3396 D-3396-2	S S,E	C290D3/T23	SA1489GL McCauley PL60306	139
E33A "Bonanza"	L	IO-520-B (TCM)	P2235197-54	2A37C223/90RB-6	84.0	82.0	30		13.3		29.7	D-5255 D-5255-2	P P,E	C290D3/T23	SA1489GL McCauley PL60316	139
E33A "Bonanza"	L	IO-520-B (TCM)	P2235197-54	2A37C223/90RB-6	84.0	82.0	30		13.3		29.7	D-3396 D-3396-2	S S,E		SA2200SW D'Shannon	
E33A "Bonanza"	L	IO-520-B (TCM)	OBSOLETE	3A32C76/82NB-2	80.0	78.5	30		13.3		29.0	D-3584 D-3584-2	S S,E			1
E33A "Bonanza"	L	IO-520-B (TCM)	P4067482-52 P4067482-54	3A32C406/82NDB-2	80.0	78.5	30		13.3		29.0	D-5541 D-5259	P P		SA1166GL D'Shannon	29
E33A "Bonanza"	L	IO-520-BA (TCM)	OBSOLETE	2A36C23/84B-0	84.0	82.0	30		13.3		29.7	D-3396 D-3396-2 D-2822	S S,E S			1
E33A "Bonanza"	L	IO-520-BA (TCM)	OBSOLETE	2A36C23/84B-0	84.0	82.0	30		13.3		29.7	D-3396 D-3396-2 D-2822	S S,E S		SA2200SW D'Shannon	1

Constant Speed Propeller Applications

Aircraft Model	T Y P E	Engine Model (Make)	Propeller Part Number	Propeller Model	Max Dia	Min Dia	Ref Sta	Rev Angle	Low or Flight Idle Angle	Latch or Start Locks Angle	High or Feather Angle	Spinner Assembly P/N	S p i n n e r	Governor Model	STC Number STC Holder STC Kit P/N	N o t e s
E33A "Bonanza"	L	IO-520-BA (TCM)	P2235197-54	2A37C223/90RB-6	84.0	82.0	30		13.3		29.7	D-3396 D-3396-2	S S,E	C290D3/T23	SA1489GL McCauley PL60306	139
E33A "Bonanza"	L	IO-520-BA (TCM)	P2235197-54	2A37C223/90RB-6	84.0	82.0	30		13.3		29.7	D-5255 D-5255-2	P P,E	C290D3/T23	SA1489GL McCauley PL60316	139
E33A "Bonanza"	L	IO-520-BA (TCM)	P2235197-54	2A37C223/90RB-6	84.0	82.0	30		13.3		29.7	D-3396 D-3396-2	S S,E		SA2200SW D'Shannon	
E33A "Bonanza"	L	IO-520-BA (TCM)	OBSOLETE	3A32C76/82NB-2	80.0	78.5	30		13.3		29.0	D-3584 D-3584-2	S S,E			1
E33A "Bonanza"	L	IO-520-BA (TCM)	P4067482-52 P4067482-54	3A32C406/82NDB-2	80.0	78.5	30		13.3		29.0	D-5541 D-5259	P P		SA1166GL D'Shannon	29
E33A "Bonanza"	L	IO-520-BB (TCM)	OBSOLETE	2A36C23/84B-0	84.0	82.0	30		13.3		29.7	D-3396 D-3396-2 D-2822	S S,E S			1
E33A "Bonanza"	L	IO-520-BB (TCM)	OBSOLETE	2A36C23/84B-0	84.0	82.0	30		13.3		29.7	D-3396 D-3396-2 D-2822	S S,E S		SA2200SW D'Shannon	1
E33A "Bonanza"	L	IO-520-BB (TCM)	P2235197-54	2A37C223/90RB-6	84.0	82.0	30		13.3		29.7	D-3396 D-3396-2	S S,E	C290D3/T23	SA1489GL McCauley PL60306	139
E33A "Bonanza"	L	IO-520-BB (TCM)	P2235197-54	2A37C223/90RB-6	84.0	82.0	30		13.3		29.7	D-5255 D-5255-2	P P,E	C290D3/T23	SA1489GL McCauley PL60316	139
E33A "Bonanza"	L	IO-520-BB (TCM)	P2235197-54	2A37C223/90RB-6	84.0	82.0	30		13.3		29.7	D-3396 D-3396-2	S S,E		SA2200SW D'Shannon	
E33A "Bonanza"	L	IO-520-BB (TCM)	OBSOLETE	3A32C76/82NB-2	80.0	78.5	30		13.3		29.0	D-3584 D-3584-2	S S,E			1
E33A "Bonanza"	L	IO-520-BB (TCM)	P4067482-52 P4067482-54	3A32C406/82NDB-2	80.0	78.5	30		13.3		29.0	D-5541 D-5259	P P		SA1166GL D'Shannon	29
E33A "Bonanza"	L	IO-550-B (TCM)	OBSOLETE	3A32C76/82NB-2	80.0	78.5	30		13.3		29.0	D-3584 D-3600	S S	C290D3/T23	SA09619SC Hammock Aviation	1
E33A "Bonanza"	L	IO-550-B (TCM)	OBSOLETE	3A32C76/82NB-2	80.0		30					D-3584	S		SA1835SO Mike Jones Aircraft Sales	1
E33A "Bonanza"	L	IO-550-B (TCM)	P4067482-51 P4067482-55	3A32C406/82NDB-4	78.0	77.0	30		15.8		34.9	D-7168 D-5541 D-5259	P P P	C290D3/T23	SA09619SC Hammock Aviation	29
E33A "Bonanza"	L	IO-550-B (TCM)	P4067482-52 P4067482-54	3A32C406/82NDB-2	80.0	78.5	30		13.3		29.0	D-7168 D-5541 D-5259	P P P	C290D3/T23	SA09619SC Hammock Aviation	29
E33A "Bonanza"	L	IO-550-B (TCM)	P4097757-52	D3A32C409/82NDB-2	80.0	78.5	30		13.7		28.8	D-5541	P		SA2200SW D'Shannon	29

Constant Speed Propeller Applications

Aircraft Model	T Y P E	Engine Model (Make)	Propeller Part Number	Propeller Model	Max Dia	Min Dia	Ref Sta	Rev Angle	Low or Flight Idle Angle	Latch or Start Locks Angle	High or Feather Angle	Spinner Assembly P/N	S p i n n e r	Governor Model	STC Number STC Holder STC Kit P/N	N o t e s
E33A "Bonanza"	L	IO-550-B (TCM)	P4097757-51 P4097757-52	D3A32C409/82NDB-2	80.0	78.5	30		13.7		28.8	D-7168 D-5541 D-5259	P P P	C290D3/T23	SA09619SC Hammock Aviation	29
E33A "Bonanza"	L	IO-550-B (STC)	OBSOLETE	3A32C76/82NB-2	80.0	78.0	30								SA5223NM Tornado Alley Turbo	1 93
E33A "Bonanza"	L	IO-550-B (STC)		D3A32C409/82NDB-2	80.0	78.0	30								SA5223NM Tornado Alley Turbo	29 93
E33C "Bonanza"	L	IO-520-B (TCM)	OBSOLETE	2A36C23/84B-0	84.0	82.0	30		13.3		29.7	D-3396 D-3396-2 D-2822	S S,E S			1
E33C "Bonanza"	L	IO-520-B (TCM)	OBSOLETE	2A36C23/84B-0	84.0	82.0	30		13.3		29.7	D-3396 D-3396-2 D-2822	S S,E S		SA2200SW D'Shannon	1
E33C "Bonanza"	L	IO-520-B (TCM)	P2235197-54	2A37C223/90RB-6	84.0	82.0	30		13.3		29.7	D-3396 D-3396-2	S S,E	C290D3/T23	SA1489GL McCauley PL60306	139
E33C "Bonanza"	L	IO-520-B (TCM)	P2235197-54	2A37C223/90RB-6	84.0	82.0	30		13.3		29.7	D-5255 D-5255-2	P P,E	C290D3/T23	SA1489GL McCauley PL60316	139
E33C "Bonanza"	L	IO-520-B (TCM)	P2235197-54	2A37C223/90RB-6	84.0	82.0	30		13.3		29.7	D-3396 D-3396-2	S S,E		SA2200SW D'Shannon	
E33C "Bonanza"	L	IO-520-B (TCM)	P4067482-52 P4067482-54	3A32C406/82NDB-2	80.0	78.5	30		13.3		29.0	D-5541 D-5259	P P		SA1166GL D'Shannon	29
E33C "Bonanza"	L	IO-520-BA (TCM)	OBSOLETE	2A36C23/84B-0	84.0	82.0	30		13.3		29.7	D-3396 D-3396-2 D-2822	S S,E S			1
E33C "Bonanza"	L	IO-520-BA (TCM)	OBSOLETE	2A36C23/84B-0	84.0	82.0	30		13.3		29.7	D-3396 D-3396-2 D-2822	S S,E S		SA2200SW D'Shannon	1
E33C "Bonanza"	L	IO-520-BA (TCM)	P2235197-54	2A37C223/90RB-6	84.0	82.0	30		13.3		29.7	D-3396 D-3396-2	S S,E	C290D3/T23	SA1489GL McCauley PL60306	139
E33C "Bonanza"	L	IO-520-BA (TCM)	P2235197-54	2A37C223/90RB-6	84.0	82.0	30		13.3		29.7	D-5255 D-5255-2	P P,E	C290D3/T23	SA1489GL McCauley PL60316	139
E33C "Bonanza"	L	IO-520-BA (TCM)	P2235197-54	2A37C223/90RB-6	84.0	82.0	30		13.3		29.7	D-3396 D-3396-2	S S,E		SA2200SW D'Shannon	
E33C "Bonanza"	L	IO-520-BA (TCM)	P4067482-52 P4067482-54	3A32C406/82NDB-2	80.0	78.5	30		13.3		29.0	D-5541 D-5259	P P		SA1166GL D'Shannon	29
E33C "Bonanza"	L	IO-520-BB (TCM)	OBSOLETE	2A36C23/84B-0	84.0	82.0	30		13.3		29.7	D-3396 D-3396-2 D-2822	S S,E S			1

Constant Speed Propeller Applications

Aircraft Model	T Y P E	Engine Model (Make)	Propeller Part Number	Propeller Model	Max Dia	Min Dia	Ref Sta	Rev Angle	Low or Flight Idle Angle	Latch or Start Locks Angle	High or Feather Angle	Spinner Assembly P/N	S p i n n e r	Governor Model	STC Number STC Holder STC Kit P/N	N o t e s
E33C "Bonanza"	L	IO-520-BB (TCM)	OBSOLETE	2A36C23/84B-0	84.0	82.0	30		13.3		29.7	D-3396 D-3396-2 D-2822	S S,E S		SA2200SW D'Shannon	1
E33C "Bonanza"	L	IO-520-BB (TCM)	P2235197-54	2A37C223/90RB-6	84.0	82.0	30		13.3		29.7	D-3396 D-3396-2	S S,E	C290D3/T23	SA1489GL McCauley PL60306	139
E33C "Bonanza"	L	IO-520-BB (TCM)	P2235197-54	2A37C223/90RB-6	84.0	82.0	30		13.3		29.7	D-5255 D-5255-2	P P,E	C290D3/T23	SA1489GL McCauley PL60316	139
E33C "Bonanza"	L	IO-520-BB (TCM)	P2235197-54	2A37C223/90RB-6	84.0	82.0	30		13.3		29.7	D-3396 D-3396-2	S S,E		SA2200SW D'Shannon	
E33C "Bonanza"	L	IO-520-BB (TCM)	P4067482-52 P4067482-54	3A32C406/82NDB-2	80.0	78.5	30		13.3		29.0	D-5541 D-5259	P P		SA1166GL D'Shannon	29
E33C "Bonanza"	L	IO-550-B (TCM)	OBSOLETE	3A32C76/82NB-2	80.0	78.5	30		13.3		29.0	D-3584 D-3584-2	S S,E		SA2200SW D'Shannon	1
E33C "Bonanza"	L	IO-550-B (TCM)	OBSOLETE	3A32C76/82NB-2	80.0	78.5	30		13.3		29.0	D-3584 D-3600	S S	C290D3/T23	SA09619SC Hammock Aviation	1
E33C "Bonanza"	L	IO-550-B (TCM)	OBSOLETE	3A32C76/82NB-2	80.0		30					D-3584	S		SA1835SO Mike Jones Aircraft Sales	1
E33C "Bonanza"	L	IO-550-B (TCM)	P4067482-52 P4067482-54	3A32C406/82NDB-2	80.0	78.5	30		13.3		29.0	D-5541 D-5259	P P		SA2200SW D'Shannon	29
E33C "Bonanza"	L	IO-550-B (TCM)	P4067482-52 P4067482-54	3A32C406/82NDB-2	80.0	78.5	30		13.3		29.0	D-7168 D-5541 D-5259	P P P	C290D3/T23	SA09619SC Hammock Aviation	29
E33C "Bonanza"	L	IO-550-B (TCM)	P4067482-51 P4067482-55	3A32C406/82NDB-4	78.0	77.0	30		15.8		34.9	D-7168 D-5541 D-5259	P P P	C290D3/T23	SA09619SC Hammock Aviation	29
E33C "Bonanza"	L	IO-550-B (TCM)	P4097757-52	D3A32C409/82NDB-2	80.0	78.5	30		13.7		28.8	D-5541	P		SA2200SW D'Shannon	29
E33C "Bonanza"	L	IO-550-B (TCM)	P4097757-51 P4097757-52	D3A32C409/82NDB-2	80.0	78.5	30		13.7		28.8	D-7168 D-5541 D-5259	P P P	C290D3/T23	SA09619SC Hammock Aviation	29
F33 "Bonanza"	L	IO-470-C (TCM)	OBSOLETE	2A36C23/84B-0	84.0	82.0	30		13.0		29.7	D-3290	S		SA5527SW D'Shannon	1 55
F33 "Bonanza"	L	IO-470-C (TCM)	P2235197-53	2A37C223/90RB-6	84.0	82.0	30		13.0		29.7	D-3290 D-3290-2	S S,E		SA5527SW D'Shannon	55
F33 "Bonanza"	L	IO-470-C (TCM)	P4237482-52	3A34C423/90DFA-10	80.0	78.0	30		11.0		29.0	D-3600 D-3584 D-5541	S S P		SA5527SW D'Shannon	55 82
F33 "Bonanza"	L	IO-470-C (TCM)	P4347482-01	3A36C434/80VEA-0	80.0	78.0	30		10.8		33.9	D-3600	S		SA5527SW D'Shannon	55

Constant Speed Propeller Applications

Aircraft Model	T Y P E	Engine Model (Make)	Propeller Part Number	Propeller Model	Max Dia	Min Dia	Ref Sta	Rev Angle	Low or Flight Idle Angle	Latch or Start Locks Angle	High or Feather Angle	Spinner Assembly P/N	S p i n n e r	Governor Model	STC Number STC Holder STC Kit P/N	N o t e s
F33 "Bonanza"	L	IO-470-K (TCM)	OBSOLETE	2A36C23/84B-0	84.0	82.0	30		12.0		29.7	D-3290 D-3290-2	S S,E			1 55
F33 "Bonanza"	L	IO-470-K (TCM)	P2235197-51	2A37C223/90RB-6	84.0	82.0	30		12.0		29.7	D-3290 D-3290-2	S S,E	C290D3/T35	SA1489GL McCauley PL60298	55 138
F33 "Bonanza"	L	IO-470-K (TCM)	P2235197-51	2A37C223/90RB-6	84.0	82.0	30		12.0		29.7	D-7587 D-7587-2	P P,E	C290D3/T35	SA1489GL McCauley PL60308	55 138
F33 "Bonanza"	L	IO-470-K (TCM)	P4237482-53	3A34C423/90DFA-10	80.0	78.0	30		8.8		29.0	D-3600 D-3584 D-5541	S S P	C290D3/T35	SA1691GL D'Shannon	55 82
F33 "Bonanza"	L	IO-470-K (TCM)	P4347482-01	3A36C434/80VEA-0	80.0	78.0	30		10.8		33.9	D-3600	S	C290D3/T35	SA00718CH McCauley PL60219	55 138
F33 "Bonanza"	L	IO-470-K (TCM)	P4347482-01	3A36C434/80VEA-0	80.0	78.0	30		10.8		33.9	D-7062	P	C290D3/T35	SA00718CH McCauley PL60223	55 138
F33 "Bonanza"	L	IO-470-N (TCM)	OBSOLETE	2A36C23/84B-0	84.0	82.0	30		13.3		29.2	D-3290	S		SA238GL D'Shannon	1 55
F33 "Bonanza"	L	IO-470-N (TCM)	OBSOLETE	2A36C23/84B-0	84.0	82.0	30		13.3		29.7	D-3290	S		SA5527SW D'Shannon	1 55
F33 "Bonanza"	L	IO-470-N (TCM)	P2235197-54	2A37C223/90RB-6	84.0	82.0	30		13.3		29.7	D-3290 D-3290-2	S S,E		SA5527SW D'Shannon	55
F33 "Bonanza"	L	IO-470-N (TCM)	P4237482-54	3A34C423/90DFA-10	80.0	78.0	30		11.8		29.0	D-3600 D-3584 D-5541	S S P		SA5527SW D'Shannon	55 82
F33 "Bonanza"	L	IO-470-N (TCM)	P4347482-01	3A36C434/80VEA-0	80.0	78.0	30		10.8		33.9	D-3600	S		SA5527SW D'Shannon	55
F33 "Bonanza"	L	IO-520-B (TCM)	OBSOLETE	2A36C23/84B-0	84.0	82.0	30		13.3		29.7	D-3396 D-3396-2 D-2822	S S,E S		SA2200SW D'Shannon	1
F33 "Bonanza"	L	IO-520-B (TCM)	P2235197-54	2A37C223/90RB-6	84.0	82.0	30		13.3		29.7	D-3396 D-3396-2	S S,E		SA2200SW D'Shannon	
F33 "Bonanza"	L	IO-520-B (TCM)	P4067482-52 P4067482-54	3A32C406/82NDB-2	80.0	78.5	30		13.3		29.0	D-5541 D-5259	P P		SA2200SW D'Shannon	29
F33 "Bonanza"	L	IO-520-BA (TCM)	OBSOLETE	2A36C23/84B-0	84.0	82.0	30		13.3		29.7	D-3396 D-3396-2 D-2822	S S,E S		SA2200SW D'Shannon	1
F33 "Bonanza"	L	IO-520-BA (TCM)	P2235197-54	2A37C223/90RB-6	84.0	82.0	30		13.3		29.7	D-3396 D-3396-2	S S,E		SA2200SW D'Shannon	
F33 "Bonanza"	L	IO-520-BA (TCM)	P4067482-52 P4067482-54	3A32C406/82NDB-2	80.0	78.5	30		13.3		29.0	D-5541 D-5259	P P		SA2200SW D'Shannon	29

Constant Speed Propeller Applications

Aircraft Model	T Y P E	Engine Model (Make)	Propeller Part Number	Propeller Model	Max Dia	Min Dia	Ref Sta	Rev Angle	Low or Flight Idle Angle	Latch or Start Locks Angle	High or Feather Angle	Spinner Assembly P/N	S p i n n e r T y p e	Governor Model	STC Number STC Holder STC Kit P/N	N o t e s
F33 "Bonanza"	L	IO-520-BB (TCM)	OBSOLETE	2A36C23/84B-0	84.0	82.0	30		13.3		29.7	D-3396 D-3396-2 D-2822	S S,E S		SA2200SW D'Shannon	1
F33 "Bonanza"	L	IO-520-BB (TCM)	P2235197-54	2A37C223/90RB-6	84.0	82.0	30		13.3		29.7	D-3396 D-3396-2	S S,E		SA2200SW D'Shannon	
F33 "Bonanza"	L	IO-520-BB (TCM)	P4067482-52 P4067482-54	3A32C406/82NDB-2	80.0	78.5	30		13.3		29.0	D-5541 D-5259	P P		SA2200SW D'Shannon	29
F33 "Bonanza"	L	IO-550-B (TCM)	OBSOLETE	3A32C76/82NB-2	80.0	78.5	30		13.3		29.0	D-3584 D-3584-2	S S,E		SA2200SW D'Shannon	1
F33 "Bonanza"	L	IO-550-B (TCM)	P4067482-52 P4067482-54	3A32C406/82NDB-2	80.0	78.5	30		13.3		29.0	D-5541 D-5259	P P		SA2200SW D'Shannon	29
F33 "Bonanza"	L	IO-550-B (TCM)	P4097757-52	D3A32C409/82NDB-2	80.0	78.5	30		13.7		28.8	D-5541	P		SA2200SW D'Shannon	29
F33A "Bonanza"	L	IO-520-B (TCM)	OBSOLETE	2A36C23/84B-0	84.0	82.0	30		13.3		29.7	D-3396 D-3396-2 D-2822	S S,E S	C290D3/T23		1
F33A "Bonanza"	L	IO-520-B (TCM)	P2235197-54	2A37C223/90RB-6	84.0	82.0	30		13.3		29.7	D-3396 D-3396-2	S S,E	C290D3/T23	SA1489GL McCauley PL60306	139
F33A "Bonanza"	L	IO-520-B (TCM)	P2235197-54	2A37C223/90RB-6	84.0	82.0	30		13.3		29.7	D-5255 D-5255-2	P P,E	C290D3/T23	SA1489GL McCauley PL60316	139
F33A "Bonanza"	L	IO-520-B (TCM)	P2235197-54	2A37C223/90RB-6	84.0	82.0	30		13.3		29.7	D-3396 D-3396-2	S S,E		SA2200SW D'Shannon	
F33A "Bonanza"	L	IO-520-B (TCM)	OBSOLETE	3A32C76/82NB-2	80.0	78.5	30		13.3		29.0	D-3584 D-3584-2	S S,E	C290D3/T23		1
F33A "Bonanza"	L	IO-520-B (TCM)	P4067482-52 P4067482-54	3A32C406/82NDB-2	80.0	78.5	30		13.3		29.0	D-5541 D-5259	P P		SA1166GL D'Shannon	29
F33A "Bonanza"	L	IO-520-BA (TCM)	OBSOLETE	2A36C23/84B-0	84.0	82.0	30		13.3		29.7	D-3396 D-3396-2 D-2822	S S,E S	C290D3/T23		1
F33A "Bonanza"	L	IO-520-BA (TCM)	P2235197-54	2A37C223/90RB-6	84.0	82.0	30		13.3		29.7	D-3396 D-3396-2	S S,E	C290D3/T23	SA1489GL McCauley PL60306	139
F33A "Bonanza"	L	IO-520-BA (TCM)	P2235197-54	2A37C223/90RB-6	84.0	82.0	30		13.3		29.7	D-5255 D-5255-2	P P,E	C290D3/T23	SA1489GL McCauley PL60316	139
F33A "Bonanza"	L	IO-520-BA (TCM)	P2235197-54	2A37C223/90RB-6	84.0	82.0	30		13.3		29.7	D-3396 D-3396-2	S S,E		SA2200SW D'Shannon	
F33A "Bonanza"	L	IO-520-BA (TCM)	OBSOLETE	3A32C76/82NB-2	80.0	78.5	30		13.3		29.0	D-3584 D-3584-2	S S,E	C290D3/T23		1
F33A "Bonanza"	L	IO-520-BA (TCM)	P4067482-52 P4067482-54	3A32C406/82NDB-2	80.0	78.5	30		13.3		29.0	D-5541 D-5259	P P		SA1166GL D'Shannon	29

Constant Speed Propeller Applications

Aircraft Model	TYPE	Engine Model (Make)	Propeller Part Number	Propeller Model	Max Dia	Min Dia	Ref Sta	Rev Angle	Low or Flight Idle Angle	Latch or Start Locks Angle	High or Feather Angle	Spinner Assembly P/N	Spinner Type	Governor Model	STC Number STC Holder STC Kit P/N	Notes
F33A "Bonanza"	L	IO-520-BB (TCM)	OBSOLETE	2A36C23/84B-0	84.0	82.0	30		13.3		29.7	D-3396 D-3396-2 D-2822	S S,E S	C290D3/T23		1
F33A "Bonanza"	L	IO-520-BB (TCM)	P2235197-54	2A37C223/90RB-6	84.0	82.0	30		13.3		29.7	D-3396 D-3396-2	S S,E	C290D3/T23	SA1489GL McCauley PL60306	139
F33A "Bonanza"	L	IO-520-BB (TCM)	P2235197-54	2A37C223/90RB-6	84.0	82.0	30		13.3		29.7	D-5255 D-5255-2	P P,E	C290D3/T23	SA1489GL McCauley PL60316	139
F33A "Bonanza"	L	IO-520-BB (TCM)	P2235197-54	2A37C223/90RB-6	84.0	82.0	30		13.3		29.7	D-3396 D-3396-2	S S,E		SA2200SW D'Shannon	
F33A "Bonanza"	L	IO-520-BB (TCM)	OBSOLETE	3A32C76/82NB-2	80.0	78.5	30		13.3		29.0	D-3584 D-3584-2	S S,E	C290D3/T23		1
F33A (S/N CE-748, CE-772 and up) "Bonanza"	L	IO-520-BB (TCM)	P4067482-52	3A32C406/82NDB-2	80.0	78.5	30		13.3		29.0	D-7168 D-7168-2 D-5541 D-5259	P P,E P P	C290D3/T23		29
F33A "Bonanza"	L	IO-550-B (TCM)	OBSOLETE	3A32C76/82NB-2	80.0	78.5	30		13.3		29.0	D-3584 D-3584-2	S S,E		SA2200SW D'Shannon	1
F33A "Bonanza"	L	IO-550-B (TCM)	OBSOLETE	3A32C76/82NB-2	80.0	78.5	30		13.3		29.0	D-3584 D-3600	S S	C290D3/T23	SA09619SC Hammock Aviation	1
F33A "Bonanza"	L	IO-550-B (TCM)	OBSOLETE	3A32C76/82NB-2	80.0		30					D-3584	S		SA1835SO Mike Jones Aircraft Sales	1
F33A "Bonanza"	L	IO-550-B (STC)	OBSOLETE	3A32C76/82NB-2	80.0	78.0	30								SA5223NM Tornado Alley Turbo	29 93
F33A "Bonanza"	L	IO-550-B (TCM)	P4067482-52 P4067482-54	3A32C406/82NDB-2	80.0	78.5	30		13.3		29.0	D-5541 D-5259	P P		SA2200SW D'Shannon	29
F33A "Bonanza"	L	IO-550-B (TCM)	P4067482-51 P4067482-55	3A32C406/82NDB-4	78.0	77.0	30		15.8		34.9	D-7168 D-5541 D-5259	P P P	C290D3/T23	SA09619SC Hammock Aviation	29
F33A "Bonanza"	L	IO-550-B (TCM)	P4067482-52 P4067482-54	3A32C406/82NDB-2	80.0	78.5	30		13.3		29.0	D-7168 D-5541 D-5259	P P P	C290D3/T23	SA09619SC Hammock Aviation	29
F33A "Bonanza"	L	IO-550-B (STC)		D3A32C409/82NDB-2	80.0	78.0	30								SA5223NM Tornado Alley Turbo	29 93
F33A "Bonanza"	L	IO-550-B (TCM)	P4097757-52	D3A32C409/82NDB-2	80.0	78.5	30		13.7		28.8				SA2682NM Flightcraft	29
F33A "Bonanza"	L	IO-550-B (TCM)	P4097757-52	D3A32C409/82NDB-2	80.0	78.5	30		13.7		28.8	D-5541	P		SA2200SW D'Shannon	29

Constant Speed Propeller Applications

Aircraft Model	T Y P E	Engine Model (Make)	Propeller Part Number	Propeller Model	Max Dia	Min Dia	Ref Sta	Rev Angle	Low or Flight Idle Angle	Latch or Start Locks Angle	High or Feather Angle	Spinner Assembly P/N	S p i n n e r	Governor Model	STC Number STC Holder STC Kit P/N	N o t e s
F33A "Bonanza"	L	IO-550-B (TCM)	P4097757-51 P4097757-52	D3A32C409/82NDB-2	80.0	78.5	30		13.7		28.8	D-7168 D-5541 D-5259	P P P	C290D3/T23	SA09619SC Hammock Aviation	29
F33C "Bonanza"	L	IO-520-B (TCM)	OBSOLETE	2A36C23/84B-0	84.0	82.0	30		13.3		29.7	D-3396 D-3396-2 D-2822	S S,E S	C290D3/T23		1
F33C "Bonanza"	L	IO-520-B (TCM)	P2235197-54	2A37C223/90RB-6	84.0	82.0	30		13.3		29.7	D-3396 D-3396-2	S S,E	C290D3/T23	SA1489GL McCauley PL60306	139
F33C "Bonanza"	L	IO-520-B (TCM)	P2235197-54	2A37C223/90RB-6	84.0	82.0	30		13.3		29.7	D-5255 D-5255-2	P P,E	C290D3/T23	SA1489GL McCauley PL60316	139
F33C "Bonanza"	L	IO-520-B (TCM)	P2235197-54	2A37C223/90RB-6	84.0	82.0	30		13.3		29.7	D-3396 D-3396-2	S S,E		SA2200SW D'Shannon	
F33C "Bonanza"	L	IO-520-B (TCM)	OBSOLETE	3A32C76/82NB-2	80.0	78.5	30		13.3		29.0	D-3584 D-3584-2	S S,E	C290D3/T23		1
F33C "Bonanza"	L	IO-520-B (TCM)	P4067482-52 P4067482-54	3A32C406/82NDB-2	80.0	78.5	30		13.3		29.0	D-5541 D-5259	P P		SA1166GL D'Shannon	29
F33C "Bonanza"	L	IO-520-BA (TCM)	OBSOLETE	2A36C23/84B-0	84.0	82.0	30		13.3		29.7	D-3396 D-3396-2 D-2822	S S,E S	C290D3/T23		1
F33C "Bonanza"	L	IO-520-BA (TCM)	P2235197-54	2A37C223/90RB-6	84.0	82.0	30		13.3		29.7	D-3396 D-3396-2	S S,E	C290D3/T23	SA1489GL McCauley PL60306	139
F33C "Bonanza"	L	IO-520-BA (TCM)	P2235197-54	2A37C223/90RB-6	84.0	82.0	30		13.3		29.7	D-5255 D-5255-2	P P,E	C290D3/T23	SA1489GL McCauley PL60316	139
F33C "Bonanza"	L	IO-520-BA (TCM)	P2235197-54	2A37C223/90RB-6	84.0	82.0	30		13.3		29.7	D-3396 D-3396-2	S S,E		SA2200SW D'Shannon	
F33C "Bonanza"	L	IO-520-BA (TCM)	OBSOLETE	3A32C76/82NB-2	80.0	78.5	30		13.3		29.0	D-3584 D-3584-2	S S,E	C290D3/T23		1
F33C "Bonanza"	L	IO-520-BA (TCM)	P4067482-52 P4067482-54	3A32C406/82NDB-2	80.0	78.5	30		13.3		29.0	D-5541 D-5259	P P		SA1166GL D'Shannon	29
F33C "Bonanza"	L	IO-520-BB (TCM)	OBSOLETE	2A36C23/84B-0	84.0	82.0	30		13.3		29.7	D-3396 D-3396-2 D-2822	S S,E S	C290D3/T23		1
F33C "Bonanza"	L	IO-520-BB (TCM)	P2235197-54	2A37C223/90RB-6	84.0	82.0	30		13.3		29.7	D-3396 D-3396-2	S S,E	C290D3/T23	SA1489GL McCauley PL60306	139
F33C "Bonanza"	L	IO-520-BB (TCM)	P2235197-54	2A37C223/90RB-6	84.0	82.0	30		13.3		29.7	D-5255 D-5255-2	P P,E	C290D3/T23	SA1489GL McCauley PL60316	139
F33C "Bonanza"	L	IO-520-BB (TCM)	P2235197-54	2A37C223/90RB-6	84.0	82.0	30		13.3		29.7	D-3396 D-3396-2	S S,E		SA2200SW D'Shannon	

Constant Speed Propeller Applications

Aircraft Model	T Y P E	Engine Model (Make)	Propeller Part Number	Propeller Model	Max Dia	Min Dia	Ref Sta	Rev Angle	Low or Flight Idle Angle	Latch or Start Locks Angle	High or Feather Angle	Spinner Assembly P/N	S p i n n e r	Governor Model	STC Number STC Holder STC Kit P/N	N o t e s
F33C "Bonanza"	L	IO-520-BB (TCM)	OBSOLETE	3A32C76/82NB-2	80.0	78.5	30		13.3		29.0	D-3584 D-3584-2	S S,E	C290D3/T23		1
F33C "Bonanza"	L	IO-550-B (TCM)	OBSOLETE	3A32C76/82NB-2	80.0	78.5	30		13.3		29.0	D-3584 D-3584-2	S S,E		SA2200SW D'Shannon	1
F33C "Bonanza"	L	IO-550-B (TCM)	OBSOLETE	3A32C76/82NB-2	80.0	78.5	30		13.3		29.0	D-3584 D-3600	S S	C290D3/T23	SA09619SC Hammock Aviation	1
F33C "Bonanza"	L	IO-550-B (TCM)	OBSOLETE	3A32C76/82NB-2	80.0		30					D-3584	S		SA1835SO Mike Jones Aircraft Sales	1
F33C "Bonanza"	L	IO-520-BB (TCM)	P4067482-52 P4067482-54	3A32C406/82NDB-2	80.0	78.5	30		13.3		29.0	D-5541 D-5259	P P		SA1166GL D'Shannon	29
F33C "Bonanza"	L	IO-550-B (TCM)	P4067482-52 P4067482-54	3A32C406/82NDB-2	80.0	78.5	30		13.3		29.0	D-5541 D-5259	P P		SA2200SW D'Shannon	29
F33C "Bonanza"	L	IO-550-B (TCM)	P4067482-52 P4067482-54	3A32C406/82NDB-2	80.0	78.5	30		13.3		29.0	D-7168 D-5541 D-5259	P P P	C290D3/T23	SA09619SC Hammock Aviation	29
F33C "Bonanza"	L	IO-550-B (TCM)	P4067482-51 P4067482-55	3A32C406/82NDB-4	78.0	77.0	30		15.8		34.9	D-7168 D-5541 D-5259	P P P	C290D3/T23	SA09619SC Hammock Aviation	29
F33C "Bonanza"	L	IO-550-B (TCM)	P4097757-52	D3A32C409/82NDB-2	80.0	78.5	30		13.7		28.8	D-5541	P		SA2200SW D'Shannon	29
F33C "Bonanza"	L	IO-550-B (TCM)	P4097757-51 P4097757-52	D3A32C409/82NDB-2	80.0	78.5	30		13.7		28.8	D-7168 D-5541 D-5259	P P P	C290D3/T23	SA09619SC Hammock Aviation	29
G33 "Bonanza"	L	IO-470-N (TCM)	OBSOLETE	2A36C23/84B-0	84.0	82.0	30		13.3		29.7	D-3290 D-3290-2	S S,E			1 55
G33 "Bonanza"	L	IO-470-N (TCM)	P2235197-54	2A37C223/90RB-6	84.0	82.0	30		13.3		29.7	D-3290 D-3290-2	S S,E	C290D3/T35	SA1489GL McCauley PL60304	55 138
G33 "Bonanza"	L	IO-470-N (TCM)	P2235197-54	2A37C223/90RB-6	84.0	82.0	30		13.3		29.7	D-7587 D-7587-2	P P,E	C290D3/T35	SA1489GL McCauley PL60314	55 138
G33 "Bonanza"	L	IO-470-N (TCM)	P4237482-54	3A34C423/90DFA-10	80.0	78.0	30		11.8		29.0	D-3600 D-3584 D-5541	S S P	C290D3/T35	SA1691GL D'Shannon	55 82
G33 "Bonanza"	L	IO-470-N (TCM)	P4347482-01	3A36C434/80VEA-0	80.0	78.0	30		10.8		33.9	D-3600	S	C290D3/T35	SA00718CH McCauley PL60219	55 138
G33 "Bonanza"	L	IO-470-N (TCM)	P4347482-01	3A36C434/80VEA-0	80.0	78.0	30		10.8		33.9	D-7062	P	C290D3/T35	SA00718CH McCauley PL60223	55 138

Constant Speed Propeller Applications

Aircraft Model	T Y P E	Engine Model (Make)	Propeller Part Number	Propeller Model	Max Dia	Min Dia	Ref Sta	Rev Angle	Low or Flight Idle Angle	Latch or Start Locks Angle	High or Feather Angle	Spinner Assembly P/N	S p i n n e r T y p e	Governor Model	STC Number STC Holder STC Kit P/N	N o t e s
G33 "Bonanza"	L	IO-520-B (TCM)	OBSOLETE	2A36C23/84B-0	84.0	82.0	30		13.3		29.7	D-3396 D-3396-2 D-2822	S S,E S		SA2200SW D'Shannon	1
G33 "Bonanza"	L	IO-520-B (TCM)	P2235197-54	2A37C223/90RB-6	84.0	82.0	30		13.3		29.7	D-3396 D-3396-2	S S,E		SA2200SW D'Shannon	
G33 "Bonanza"	L	IO-520-B (TCM)	P4067482-52 P4067482-54	3A32C406/82NDB-2	80.0	78.5	30		13.3		29.0	D-5541 D-5259	P P		SA2200SW D'Shannon	29
G33 "Bonanza"	L	IO-520-BA (TCM)	OBSOLETE	2A36C23/84B-0	84.0	82.0	30		13.3		29.7	D-3396 D-3396-2 D-2822	S S,E S		SA2200SW D'Shannon	1
G33 "Bonanza"	L	IO-520-BA (TCM)	P2235197-54	2A37C223/90RB-6	84.0	82.0	30		13.3		29.7	D-3396 D-3396-2	S S,E		SA2200SW D'Shannon	
G33 "Bonanza"	L	IO-520-BA (TCM)	P4067482-52 P4067482-54	3A32C406/82NDB-2	80.0	78.5	30		13.3		29.0	D-5541 D-5259	P P		SA2200SW D'Shannon	29
G33 "Bonanza"	L	IO-520-BB (TCM)	OBSOLETE	2A36C23/84B-0	84.0	82.0	30		13.3		29.7	D-3396 D-3396-2 D-2822	S S,E S		SA2200SW D'Shannon	1
G33 "Bonanza"	L	IO-520-BB (TCM)	P2235197-54	2A37C223/90RB-6	84.0	82.0	30		13.3		29.7	D-3396 D-3396-2	S S,E		SA2200SW D'Shannon	
G33 "Bonanza"	L	IO-520-BB (TCM)	P4067482-52 P4067482-54	3A32C406/82NDB-2	80.0	78.5	30		13.3		29.0	D-5541 D-5259	P P		SA2200SW D'Shannon	29
G33 "Bonanza"	L	IO-550-B (TCM)	OBSOLETE	3A32C76/82NB-2	80.0	78.5	30		13.3		29.0	D-3584 D-3584-2	S S,E		SA2200SW D'Shannon	1
G33 "Bonanza"	L	IO-550-B (STC)	OBSOLETE	3A32C76/82NB-2	80.0	78.0	30								SA5223NM Tornado Alley Turbo	1 29 93
G33 "Bonanza"	L	IO-550-B (TCM)	P4067482-52 P4067482-54	3A32C406/82NDB-2	80.0	78.5	30		13.3		29.0	D-5541 D-5259	P P		SA2200SW D'Shannon	29
G33 "Bonanza"	L	IO-550-B (TCM)	OBSOLETE	3A32C76/82NB-2	80.0	78.5	30		13.3		29.0	D-3584 D-3600	S S	C290D3/T23	SA09619SC Hammock Aviation	1
G33 "Bonanza"	L	IO-550-B (TCM)	P4067482-51 P4067482-55	3A32C406/82NDB-4	78.0	77.0	30		15.8		34.9	D-7168 D-5541 D-5259	P P P	C290D3/T23	SA09619SC Hammock Aviation	29
G33 "Bonanza"	L	IO-550-B (TCM)	P4067482-52 P4067482-54	3A32C406/82NDB-2	80.0	78.5	30		13.3		29.0	D-7168 D-5541 D-5259	P P P	C290D3/T23	SA09619SC Hammock Aviation	29
G33 "Bonanza"	L	IO-550-B (TCM)	P4097757-52	D3A32C409/82NDB-2	80.0	78.5	30		13.7		28.8	D-5541	P		SA2200SW D'Shannon	29
G33 "Bonanza"	L	IO-550-B (STC)		D3A32C409/82NDB-2	80.0	78.0	30								SA5223NM Tornado Alley Turbo	29 93

Constant Speed Propeller Applications

Aircraft Model	T Y P E	Engine Model (Make)	Propeller Part Number	Propeller Model	Max Dia	Min Dia	Ref Sta	Rev Angle	Low or Flight Idle Angle	Latch or Start Locks Angle	High or Feather Angle	Spinner Assembly P/N	S p i n n e r	Governor Model	STC Number STC Holder STC Kit P/N	N o t e s
G33 "Bonanza"	L	IO-550-B (TCM)	P4097757-51 P4097757-52	D3A32C409/82NDB-2	80.0	78.5	30		13.7		28.8	D-7168 D-5541 D-5259	P P P	C290D3/T23	SA09619SC Hammock Aviation	29
A35 "Bonanza"	L	IO-470-C (TCM)	OBSOLETE	2A36C23/84B-0	84.0	82.0	30		13.0		29.2	D-3290	S		SA09603SC Hammock Aviation	1 55
A35 "Bonanza"	L	IO-470-C (TCM)	P2235197-54	2A37C223/90RB-6	84.0	82.0	30		13.3		29.7	D-3290 D-7587	S P	C290D3/T35	SA09603SC Hammock Aviation	55
A35 "Bonanza"	L	IO-470-C (TCM)	P4347482-01	3A36C434/80VEA-0	80.0	78.0	30		10.8		33.9	D-3600 D-7062	S P	C290D3/T35	SA09603SC Hammock Aviation	55
A35 "Bonanza"	L	IO-470-N (TCM)	OBSOLETE	2A36C23/84B-0	84.0	82.0	30		13.0		29.2	D-3290	S		SA09603SC Hammock Aviation	1 55
A35 "Bonanza"	L	IO-470-N (TCM)	P2235197-54	2A37C223/90RB-6	84.0	82.0	30		13.3		29.7	D-3290 D-7587	S P	C290D3/T35	SA09603SC Hammock Aviation	55
A35 "Bonanza"	L	IO-470-N (TCM)	P4347482-01	3A36C434/80VEA-0	80.0	78.0	30		10.8		33.9	D-3600 D-7062	S P	C290D3/T35	SA09603SC Hammock Aviation	55
A35 "Bonanza"	L	IO-520-B (TCM)	OBSOLETE	2A36C23/84B-0	84.0	82.0	30		13.3		29.7	D-3396 D-2822	S S		SA2200SW D'Shannon	1
A35 "Bonanza"	L	IO-520-B (TCM)	P2235197-54	2A37C223/90RB-6	84.0	82.0	30		13.3		29.7	D-3396 D-3396-2	S S,E		SA2200SW D'Shannon	
A35 "Bonanza"	L	IO-520-B (TCM)	P4067482-52 P4067482-54	3A32C406/82NDB-2	80.0	78.5	30		13.3		29.0	D-5541 D-5259	P P		SA2200SW D'Shannon	29
A35 "Bonanza"	L	IO-520-BA (TCM)	OBSOLETE	2A36C23/84B-0	84.0	82.0	30		13.3		29.7	D-3396 D-2822	S S		SA2200SW D'Shannon	1
A35 "Bonanza"	L	IO-520-BA (TCM)	P2235197-54	2A37C223/90RB-6	84.0	82.0	30		13.3		29.7	D-3396 D-3396-2	S S,E		SA2200SW D'Shannon	
A35 "Bonanza"	L	IO-520-BA (TCM)	P4067482-52 P4067482-54	3A32C406/82NDB-2	80.0	78.5	30		13.3		29.0	D-5541 D-5259	P P		SA2200SW D'Shannon	29
A35 "Bonanza"	L	IO-520-BB (TCM)	OBSOLETE	2A36C23/84B-0	84.0	82.0	30		13.3		29.7	D-3396 D-2822	S S		SA2200SW D'Shannon	1
A35 "Bonanza"	L	IO-520-BB (TCM)	P2235197-54	2A37C223/90RB-6	84.0	82.0	30		13.3		29.7	D-3396 D-3396-2	S S,E		SA2200SW D'Shannon	
A35 "Bonanza"	L	IO-520-BB (TCM)	P4067482-52 P4067482-54	3A32C406/82NDB-2	80.0	78.5	30		13.3		29.0	D-5541 D-5259	P P		SA2200SW D'Shannon	29
A35 "Bonanza"	L	IO-550-B (TCM)	OBSOLETE	3A32C76/82NB-2	80.0	78.5	30		13.3		29.0	D-3584 D-3584-2	S S,E		SA2200SW D'Shannon	1
A35 "Bonanza"	L	IO-550-B (TCM)	P4067482-52 P4067482-54	3A32C406/82NDB-2	80.0	78.5	30		13.3		29.0	D-5541 D-5259	P P		SA2200SW D'Shannon	29

Constant Speed Propeller Applications

Aircraft Model	T Y P E	Engine Model (Make)	Propeller Part Number	Propeller Model	Max Dia	Min Dia	Ref Sta	Rev Angle	Low or Flight Idle Angle	Latch or Start Locks Angle	High or Feather Angle	Spinner Assembly P/N	S p i n n e r	Governor Model	STC Number STC Holder STC Kit P/N	N o t e s
A35 "Bonanza"	L	IO-550-B (TCM)	P4097757-52	D3A32C409/82NDB-2	80.0	78.5	30		13.7		28.8	D-5541	P		SA2200SW D'Shannon	29
B35 "Bonanza"	L	IO-470-C (TCM)	OBSOLETE	2A36C23/84B-0	84.0	82.0	30		13.0		29.2	D-3290	S		SA09603SC Hammock Aviation	1 55
B35 "Bonanza"	L	IO-470-C (TCM)	P2235197-54	2A37C223/90RB-6	84.0	82.0	30		13.3		29.7	D-3290 D-7587	S P	C290D3/T35	SA09603SC Hammock Aviation	55
B35 "Bonanza"	L	IO-470-C (TCM)	P4347482-01	3A36C434/80VEA-0	80.0	78.0	30		10.8		33.9	D-3600 D-7062	S P	C290D3/T35	SA09603SC Hammock Aviation	55
B35 "Bonanza"	L	IO-470-N (TCM)	OBSOLETE	2A36C23/84B-0	84.0	82.0	30		13.0		29.2	D-3290	S		SA09603SC Hammock Aviation	1 55
B35 "Bonanza"	L	IO-470-N (TCM)	P2235197-54	2A37C223/90RB-6	84.0	82.0	30		13.3		29.7	D-3290 D-7587	S P	C290D3/T35	SA09603SC Hammock Aviation	55
B35 "Bonanza"	L	IO-470-N (TCM)	P4347482-01	3A36C434/80VEA-0	80.0	78.0	30		10.8		33.9	D-3600 D-7062	S P	C290D3/T35	SA09603SC Hammock Aviation	55
B35 "Bonanza"	L	IO-520-B (TCM)	OBSOLETE	2A36C23/84B-0	84.0	82.0	30		13.3		29.7	D-3396 D-2822	S S		SA2200SW D'Shannon	1
B35 "Bonanza"	L	IO-520-B (TCM)	P2235197-54	2A37C223/90RB-6	84.0	82.0	30		13.3		29.7	D-3396 D-3396-2	S S,E		SA2200SW D'Shannon	
B35 "Bonanza"	L	IO-520-B (TCM)	P4067482-52 P4067482-54	3A32C406/82NDB-2	80.0	78.5	30		13.3		29.0	D-5541 D-5259	P P		SA2200SW D'Shannon	29
B35 "Bonanza"	L	IO-520-BA (TCM)	OBSOLETE	2A36C23/84B-0	84.0	82.0	30		13.3		29.7	D-3396 D-2822	S S		SA2200SW D'Shannon	1
B35 "Bonanza"	L	IO-520-BA (TCM)	P2235197-54	2A37C223/90RB-6	84.0	82.0	30		13.3		29.7	D-3396 D-3396-2	S S,E		SA2200SW D'Shannon	
B35 "Bonanza"	L	IO-520-BA (TCM)	P4067482-52 P4067482-54	3A32C406/82NDB-2	80.0	78.5	30		13.3		29.0	D-5541 D-5259	P P		SA2200SW D'Shannon	29
B35 "Bonanza"	L	IO-520-BB (TCM)	OBSOLETE	2A36C23/84B-0	84.0	82.0	30		13.3		29.7	D-3396 D-2822	S S		SA2200SW D'Shannon	1
B35 "Bonanza"	L	IO-520-BB (TCM)	P2235197-54	2A37C223/90RB-6	84.0	82.0	30		13.3		29.7	D-3396 D-3396-2	S S,E		SA2200SW D'Shannon	
B35 "Bonanza"	L	IO-520-BB (TCM)	P4067482-52 P4067482-54	3A32C406/82NDB-2	80.0	78.5	30		13.3		29.0	D-5541 D-5259	P P		SA2200SW D'Shannon	29
B35 "Bonanza"	L	IO-550-B (TCM)	OBSOLETE	3A32C76/82NB-2	80.0	78.5	30		13.3		29.0	D-3584 D-3584-2	S S,E		SA2200SW D'Shannon	1
B35 "Bonanza"	L	IO-550-B (TCM)	P4067482-52 P4067482-54	3A32C406/82NDB-2	80.0	78.5	30		13.3		29.0	D-5541 D-5259	P P		SA2200SW D'Shannon	29
B35 "Bonanza"	L	IO-550-B (TCM)	P4097757-52	D3A32C409/82NDB-2	80.0	78.5	30		13.7		28.8	D-5541	P		SA2200SW D'Shannon	29

Constant Speed Propeller Applications

Aircraft Model	T Y P E	Engine Model (Make)	Propeller Part Number	Propeller Model	Max Dia	Min Dia	Ref Sta	Rev Angle	Low or Flight Idle Angle	Latch or Start Locks Angle	High or Feather Angle	Spinner Assembly P/N	S p i n n e r T y p e	Governor Model	STC Number STC Holder STC Kit P/N	N o t e s
C35 "Bonanza"	L	IO-470-C (TCM)	OBSOLETE	2A36C23/84B-0	84.0	82.0	30		13.0		29.2	D-3290	S		SA09603SC Hammock Aviation	1 55
C35 "Bonanza"	L	IO-470-C (TCM)	P2235197-54	2A37C223/90RB-6	84.0	82.0	30		13.3		29.7	D-3290 D-7587	S P	C290D3/T35	SA09603SC Hammock Aviation	55
C35 "Bonanza"	L	IO-470-C (TCM)	P4347482-01	3A36C434/80VEA-0	80.0	78.0	30		10.8		33.9	D-3600 D-7062	S P	C290D3/T35	SA09603SC Hammock Aviation	55
C35 "Bonanza"	L	IO-470-N (TCM)	OBSOLETE	2A36C23/84B-0	84.0	82.0	30		13.0		29.2	D-3290	S		SA09603SC Hammock Aviation	1 55
C35 "Bonanza"	L	IO-470-N (TCM)	OBSOLETE	2A36C23/84B-0	84.0	82.0	30		13.3		29.7	D-3290	S		SA2361SW D'Shannon	1 55
C35 "Bonanza"	L	IO-470-N (TCM)	P2235197-54	2A37C223/90RB-6	84.0	82.0	30		13.3		29.7	D-3290 D-7587	S P	C290D3/T35	SA09603SC Hammock Aviation	55
C35 "Bonanza"	L	IO-470-N (TCM)	P2235197-54	2A37C223/90RB-6	84.0	82.0	30		13.3		29.7	D-3290 D-3290-2	S S,E		SA2361SW D'Shannon	55
C35 "Bonanza"	L	IO-470-N (TCM)	P4347482-01	3A36C434/80VEA-0	80.0	78.0	30		10.8		33.9	D-3600 D-7062	S P	C290D3/T35	SA09603SC Hammock Aviation	55
C35 "Bonanza"	L	IO-520-B (TCM)	OBSOLETE	2A36C23/84B-0	84.0	82.0	30		13.3		29.7	D-3396 D-2822	S S		SA2200SW D'Shannon	1
C35 "Bonanza"	L	IO-520-B (TCM)	P2235197-54	2A37C223/90RB-6	84.0	82.0	30		13.3		29.7	D-3396 D-3396-2	S S,E		SA2200SW D'Shannon	
C35 "Bonanza"	L	IO-520-B (TCM)	P4067482-52 P4067482-54	3A32C406/82NDB-2	80.0	78.5	30		13.3		29.0	D-5541 D-5259	P P		SA2200SW D'Shannon	29
C35 "Bonanza"	L	IO-520-BA (TCM)	OBSOLETE	2A36C23/84B-0	84.0	82.0	30		13.3		29.7	D-3396 D-2822	S S		SA2200SW D'Shannon	1
C35 "Bonanza"	L	IO-520-BA (TCM)	P2235197-54	2A37C223/90RB-6	84.0	82.0	30		13.3		29.7	D-3396 D-3396-2	S S,E		SA2200SW D'Shannon	
C35 "Bonanza"	L	IO-520-BA (TCM)	P4067482-52 P4067482-54	3A32C406/82NDB-2	80.0	78.5	30		13.3		29.0	D-5541 D-5259	P P		SA2200SW D'Shannon	29
C35 "Bonanza"	L	IO-520-BB (TCM)	OBSOLETE	2A36C23/84B-0	84.0	82.0	30		13.3		29.7	D-3396 D-2822	S S		SA2200SW D'Shannon	1
C35 "Bonanza"	L	IO-520-BB (TCM)	P2235197-54	2A37C223/90RB-6	84.0	82.0	30		13.3		29.7	D-3396 D-3396-2	S S,E		SA2200SW D'Shannon	
C35 "Bonanza"	L	IO-520-BB (TCM)	P4067482-52 P4067482-54	3A32C406/82NDB-2	80.0	78.5	30		13.3		29.0	D-5541 D-5259	P P		SA2200SW D'Shannon	29
C35 "Bonanza"	L	IO-550-B (TCM)	OBSOLETE	3A32C76/82NB-2	80.0	78.5	30		13.3		29.0	D-3584 D-3584-2	S S,E		SA2200SW D'Shannon	1
C35 "Bonanza"	L	IO-550-B (TCM)	P4067482-52 P4067482-54	3A32C406/82NDB-2	80.0	78.5	30		13.3		29.0	D-5541 D-5259	P P		SA2200SW D'Shannon	29

Constant Speed Propeller Applications

Aircraft Model	T Y P E	Engine Model (Make)	Propeller Part Number	Propeller Model	Max Dia	Min Dia	Ref Sta	Rev Angle	Low or Flight Idle Angle	Latch or Start Locks Angle	High or Feather Angle	Spinner Assembly P/N	S p i n n e r T y p e	Governor Model	STC Number STC Holder STC Kit P/N	N o t e s
C35 "Bonanza"	L	IO-550-B (TCM)	P4097757-52	D3A32C409/82NDB-2	80.0	78.5	30		13.7		28.8	D-5541	P		SA2200SW D'Shannon	29
D35 "Bonanza"	L	IO-470-C (TCM)	OBSOLETE	2A36C23/84B-0	84.0	82.0	30		13.0		29.2	D-3290	S		SA09603SC Hammock Aviation	1 55
D35 "Bonanza"	L	IO-470-C (TCM)	P2235197-54	2A37C223/90RB-6	84.0	82.0	30		13.3		29.7	D-3290 D-7587	S P	C290D3/T35	SA09603SC Hammock Aviation	55
D35 "Bonanza"	L	IO-470-C (TCM)	P4347482-01	3A36C434/80VEA-0	80.0	78.0	30		10.8		33.9	D-3600 D-7062	S P	C290D3/T35	SA09603SC Hammock Aviation	55
D35 "Bonanza"	L	IO-470-N (TCM)	OBSOLETE	2A36C23/84B-0	84.0	82.0	30		13.0		29.2	D-3290	S		SA09603SC Hammock Aviation	1 55
D35 "Bonanza"	L	IO-470-N (TCM)	P2235197-54	2A37C223/90RB-6	84.0	82.0	30		13.3		29.7	D-3290 D-7587	S P	C290D3/T35	SA09603SC Hammock Aviation	55
D35 "Bonanza"	L	IO-470-N (TCM)	P4347482-01	3A36C434/80VEA-0	80.0	78.0	30		10.8		33.9	D-3600 D-7062	S P	C290D3/T35	SA09603SC Hammock Aviation	55
D35 "Bonanza"	L	IO-520-B (TCM)	OBSOLETE	2A36C23/84B-0	84.0	82.0	30		13.3		29.7	D-3396 D-2822	S S		SA2200SW D'Shannon	1
D35 "Bonanza"	L	IO-520-B (TCM)	P2235197-54	2A37C223/90RB-6	84.0	82.0	30		13.3		29.7	D-3396 D-3396-2	S S,E		SA2200SW D'Shannon	
D35 "Bonanza"	L	IO-520-B (TCM)	P4067482-52 P4067482-54	3A32C406/82NDB-2	80.0	78.5	30		13.3		29.0	D-5541 D-5259	P P		SA2200SW D'Shannon	29
D35 "Bonanza"	L	IO-520-BA (TCM)	OBSOLETE	2A36C23/84B-0	84.0	82.0	30		13.3		29.7	D-3396 D-2822	S S		SA2200SW D'Shannon	1
D35 "Bonanza"	L	IO-520-BA (TCM)	P2235197-54	2A37C223/90RB-6	84.0	82.0	30		13.3		29.7	D-3396 D-3396-2	S S,E		SA2200SW D'Shannon	
D35 "Bonanza"	L	IO-520-BA (TCM)	P4067482-52 P4067482-54	3A32C406/82NDB-2	80.0	78.5	30		13.3		29.0	D-5541 D-5259	P P		SA2200SW D'Shannon	29
D35 "Bonanza"	L	IO-520-BB (TCM)	OBSOLETE	2A36C23/84B-0	84.0	82.0	30		13.3		29.7	D-3396 D-2822	S S		SA2200SW D'Shannon	1
D35 "Bonanza"	L	IO-520-BB (TCM)	P2235197-54	2A37C223/90RB-6	84.0	82.0	30		13.3		29.7	D-3396 D-3396-2	S S,E		SA2200SW D'Shannon	
D35 "Bonanza"	L	IO-520-BB (TCM)	P4067482-52 P4067482-54	3A32C406/82NDB-2	80.0	78.5	30		13.3		29.0	D-5541 D-5259	P P		SA2200SW D'Shannon	29
D35 "Bonanza"	L	IO-550-B (TCM)	OBSOLETE	3A32C76/82NB-2	80.0	78.5	30		13.3		29.0	D-3584 D-3584-2	S S,E		SA2200SW D'Shannon	1
D35 "Bonanza"	L	IO-550-B (TCM)	P4067482-52 P4067482-54	3A32C406/82NDB-2	80.0	78.5	30		13.3		29.0	D-5541 D-5259	P P		SA2200SW D'Shannon	29
D35 "Bonanza"	L	IO-550-B (TCM)	P4097757-52	D3A32C409/82NDB-2	80.0	78.5	30		13.7		28.8	D-5541	P		SA2200SW D'Shannon	29

Constant Speed Propeller Applications

Aircraft Model	T Y P E	Engine Model (Make)	Propeller Part Number	Propeller Model	Max Dia	Min Dia	Ref Sta	Rev Angle	Low or Flight Idle Angle	Latch or Start Locks Angle	High or Feather Angle	Spinner Assembly P/N	S p i n n e r T y p e	Governor Model	STC Number STC Holder STC Kit P/N	N o t e s
E35 "Bonanza"	L	IO-470-C (TCM)	OBSOLETE	2A36C23/84B-0	84.0	82.0	30		13.0		29.2	D-3290	S		SA09603SC Hammock Aviation	1 55
E35 "Bonanza"	L	IO-470-C (TCM)	P2235197-54	2A37C223/90RB-6	84.0	82.0	30		13.3		29.7	D-3290 D-7587	S P	C290D3/T35	SA09603SC Hammock Aviation	55
E35 "Bonanza"	L	IO-470-C (TCM)	P4347482-01	3A36C434/80VEA-0	80.0	78.0	30		10.8		33.9	D-3600 D-7062	S P	C290D3/T35	SA09603SC Hammock Aviation	55
E35 "Bonanza"	L	IO-470-N (TCM)	OBSOLETE	2A36C23/84B-0	84.0	82.0	30		13.0		29.2	D-3290	S		SA09603SC Hammock Aviation	1 55
E35 "Bonanza"	L	IO-470-N (TCM)	P2235197-54	2A37C223/90RB-6	84.0	82.0	30		13.3		29.7	D-3290 D-7587	S P	C290D3/T35	SA09603SC Hammock Aviation	55
E35 "Bonanza"	L	IO-470-N (TCM)	P4347482-01	3A36C434/80VEA-0	80.0	78.0	30		10.8		33.9	D-3600 D-7062	S P	C290D3/T35	SA09603SC Hammock Aviation	55
E35 "Bonanza"	L	IO-520-B (TCM)	OBSOLETE	2A36C23/84B-0	84.0	82.0	30		13.3		29.7	D-3396 D-2822	S S		SA2200SW D'Shannon	1
E35 "Bonanza"	L	IO-520-B (TCM)	P2235197-54	2A37C223/90RB-6	84.0	82.0	30		13.3		29.7	D-3396 D-3396-2	S S,E		SA2200SW D'Shannon	
E35 "Bonanza"	L	IO-520-B (TCM)	P4067482-52 P4067482-54	3A32C406/82NDB-2	80.0	78.5	30		13.3		29.0	D-5541 D-5259	P P		SA2200SW D'Shannon	29
E35 "Bonanza"	L	IO-520-BA (TCM)	OBSOLETE	2A36C23/84B-0	84.0	82.0	30		13.3		29.7	D-3396 D-2822	S S		SA2200SW D'Shannon	1
E35 "Bonanza"	L	IO-520-BA (TCM)	P2235197-54	2A37C223/90RB-6	84.0	82.0	30		13.3		29.7	D-3396 D-3396-2	S S,E		SA2200SW D'Shannon	
E35 "Bonanza"	L	IO-520-BA (TCM)	P4067482-52 P4067482-54	3A32C406/82NDB-2	80.0	78.5	30		13.3		29.0	D-5541 D-5259	P P		SA2200SW D'Shannon	29
E35 "Bonanza"	L	IO-520-BB (TCM)	OBSOLETE	2A36C23/84B-0	84.0	82.0	30		13.3		29.7	D-3396 D-2822	S S		SA2200SW D'Shannon	1
E35 "Bonanza"	L	IO-520-BB (TCM)	P2235197-54	2A37C223/90RB-6	84.0	82.0	30		13.3		29.7	D-3396 D-3396-2	S S,E		SA2200SW D'Shannon	
E35 "Bonanza"	L	IO-520-BB (TCM)	P4067482-52 P4067482-54	3A32C406/82NDB-2	80.0	78.5	30		13.3		29.0	D-5541 D-5259	P P		SA2200SW D'Shannon	29
E35 "Bonanza"	L	IO-550-B (TCM)	OBSOLETE	3A32C76/82NB-2	80.0	78.5	30		13.3		29.0	D-3584 D-3584-2	S S,E		SA2200SW D'Shannon	1
E35 "Bonanza"	L	IO-550-B (TCM)	P4067482-52 P4067482-54	3A32C406/82NDB-2	80.0	78.5	30		13.3		29.0	D-5541 D-5259	P P		SA2200SW D'Shannon	29
E35 "Bonanza"	L	IO-550-B (TCM)	P4097757-52	D3A32C409/82NDB-2	80.0	78.5	30		13.7		28.8	D-5541	P		SA2200SW D'Shannon	29

Constant Speed Propeller Applications

Aircraft Model	T Y P E	Engine Model (Make)	Propeller Part Number	Propeller Model	Max Dia	Min Dia	Ref Sta	Rev Angle	Low or Flight Idle Angle	Latch or Start Locks Angle	High or Feather Angle	Spinner Assembly P/N	S p i n n e r T y p e	Governor Model	STC Number STC Holder STC Kit P/N	N o t e s
F35 "Bonanza"	L	IO-470-C (TCM)	OBSOLETE	2A36C23/84B-0	84.0	82.0	30		13.0		29.2	D-3290	S		SA09603SC Hammock Aviation	1 55
F35 "Bonanza"	L	IO-470-C (TCM)	P2235197-54	2A37C223/90RB-6	84.0	82.0	30		13.3		29.7	D-3290 D-7587	S P	C290D3/T35	SA09603SC Hammock Aviation	55
F35 "Bonanza"	L	IO-470-C (TCM)	P4347482-01	3A36C434/80VEA-0	80.0	78.0	30		10.8		33.9	D-3600 D-7062	S P	C290D3/T35	SA09603SC Hammock Aviation	55
F35 "Bonanza"	L	IO-470-N (TCM)	OBSOLETE	2A36C23/84B-0	84.0	82.0	30		13.3		29.7	D-3290	S		SA2361SW D'Shannon	1 55
F35 "Bonanza"	L	IO-470-N (TCM)	OBSOLETE	2A36C23/84B-0	84.0	82.0	30		13.0		29.2	D-3290	S		SA09603SC Hammock Aviation	1 55
F35 "Bonanza"	L	IO-470-N (TCM)	P2235197-54	2A37C223/90RB-6	84.0	82.0	30		13.3		29.7	D-3290 D-3290-2	S S,E		SA2361SW D'Shannon	55
F35 "Bonanza"	L	IO-470-N (TCM)	P2235197-54	2A37C223/90RB-6	84.0	82.0	30		13.3		29.7	D-3290 D-7587	S P	C290D3/T35	SA09603SC Hammock Aviation	55
F35 "Bonanza"	L	IO-470-N (TCM)	P4347482-01	3A36C434/80VEA-0	80.0	78.0	30		10.8		33.9	D-3600 D-7062	S P	C290D3/T35	SA09603SC Hammock Aviation	55
F35 "Bonanza"	L	IO-520-B (TCM)	OBSOLETE	2A36C23/84B-0	84.0	82.0	30		13.3		29.7	D-3396 D-2822	S S		SA2200SW D'Shannon	1
F35 "Bonanza"	L	IO-520-B (TCM)	P2235197-54	2A37C223/90RB-6	84.0	82.0	30		13.3		29.7	D-3396 D-3396-2	S S,E		SA2200SW D'Shannon	
F35 "Bonanza"	L	IO-520-B (TCM)	P4067482-52 P4067482-54	3A32C406/82NDB-2	80.0	78.5	30		13.3		29.0	D-5541 D-5259	P P		SA2200SW D'Shannon	29
F35 "Bonanza"	L	IO-520-BA (TCM)	OBSOLETE	2A36C23/84B-0	84.0	82.0	30		13.3		29.7	D-3396 D-2822	S S		SA2200SW D'Shannon	1
F35 "Bonanza"	L	IO-520-BA (TCM)	P2235197-54	2A37C223/90RB-6	84.0	82.0	30		13.3		29.7	D-3396 D-3396-2	S S,E		SA2200SW D'Shannon	
F35 "Bonanza"	L	IO-520-BA (TCM)	P4067482-52 P4067482-54	3A32C406/82NDB-2	80.0	78.5	30		13.3		29.0	D-5541 D-5259	P P		SA2200SW D'Shannon	29
F35 "Bonanza"	L	IO-520-BB (TCM)	OBSOLETE	2A36C23/84B-0	84.0	82.0	30		13.3		29.7	D-3396 D-2822	S S		SA2200SW D'Shannon	1
F35 "Bonanza"	L	IO-520-BB (TCM)	P2235197-54	2A37C223/90RB-6	84.0	82.0	30		13.3		29.7	D-3396 D-3396-2	S S,E		SA2200SW D'Shannon	
F35 "Bonanza"	L	IO-520-BB (TCM)	P4067482-52 P4067482-54	3A32C406/82NDB-2	80.0	78.5	30		13.3		29.0	D-5541 D-5259	P P		SA2200SW D'Shannon	29
F35 "Bonanza"	L	IO-550-B (TCM)	OBSOLETE	3A32C76/82NB-2	80.0	78.5	30		13.3		29.0	D-3584 D-3584-2	S S,E		SA2200SW D'Shannon	1
F35 "Bonanza"	L	IO-550-B (TCM)	P4067482-52 P4067482-54	3A32C406/82NDB-2	80.0	78.5	30		13.3		29.0	D-5541 D-5259	P P		SA2200SW D'Shannon	29

Constant Speed Propeller Applications

Aircraft Model	T Y P E	Engine Model (Make)	Propeller Part Number	Propeller Model	Max Dia	Min Dia	Ref Sta	Rev Angle	Low or Flight Idle Angle	Latch or Start Locks Angle	High or Feather Angle	Spinner Assembly P/N	S p i n n e r T y p e	Governor Model	STC Number STC Holder STC Kit P/N	N o t e s
F35 "Bonanza"	L	IO-550-B (TCM)	P4097757-52	D3A32C409/82NDB-2	80.0	78.5	30		13.7		28.8	D-5541	P		SA2200SW D'Shannon	29
G35 "Bonanza"	L	IO-470-C (TCM)	OBSOLETE	2A36C23/84B-0	84.0	82.0	30		13.0		29.2	D-3290	S		SA09603SC Hammock Aviation	1 55
G35 "Bonanza"	L	IO-470-C (TCM)	P2235197-54	2A37C223/90RB-6	84.0	82.0	30		13.3		29.7	D-3290 D-7587	S P	C290D3/T35	SA09603SC Hammock Aviation	55
G35 "Bonanza"	L	IO-470-C (TCM)	P4347482-01	3A36C434/80VEA-0	80.0	78.0	30		10.8		33.9	D-3600 D-7062	S P	C290D3/T35	SA09603SC Hammock Aviation	55
G35 "Bonanza"	L	IO-470-N (TCM)	OBSOLETE	2A36C23/84B-0	84.0	82.0	30		13.3		29.7	D-3290	S		SA2361SW D'Shannon	1 55
G35 "Bonanza"	L	IO-470-N (TCM)	OBSOLETE	2A36C23/84B-0	84.0	82.0	30		13.0		29.2	D-3290	S		SA09603SC Hammock Aviation	1 55
G35 "Bonanza"	L	IO-470-N (TCM)	P2235197-54	2A37C223/90RB-6	84.0	82.0	30		13.3		29.7	D-3290 D-3290-2	S S,E		SA2361SW D'Shannon	55
G35 "Bonanza"	L	IO-470-N (TCM)	P2235197-54	2A37C223/90RB-6	84.0	82.0	30		13.3		29.7	D-3290 D-7587	S P	C290D3/T35	SA09603SC Hammock Aviation	55
G35 "Bonanza"	L	IO-470-N (TCM)	P4347482-01	3A36C434/80VEA-0	80.0	78.0	30		10.8		33.9	D-3600 D-7062	S P	C290D3/T35	SA09603SC Hammock Aviation	55
G35 "Bonanza"	L	IO-520-B (TCM)	OBSOLETE	2A36C23/84B-0	84.0	82.0	30		13.3		29.7	D-3396 D-2822	S S		SA2200SW D'Shannon	1
G35 "Bonanza"	L	IO-520-B (TCM)	P2235197-54	2A37C223/90RB-6	84.0	82.0	30		13.3		29.7	D-3396 D-3396-2	S S,E		SA2200SW D'Shannon	
G35 "Bonanza"	L	IO-520-B (TCM)	P4067482-52 P4067482-54	3A32C406/82NDB-2	80.0	78.5	30		13.3		29.0	D-5541 D-5259	P P		SA2200SW D'Shannon	29
G35 "Bonanza"	L	IO-520-BA (TCM)	OBSOLETE	2A36C23/84B-0	84.0	82.0	30		13.3		29.7	D-3396 D-2822	S S		SA2200SW D'Shannon	1
G35 "Bonanza"	L	IO-520-BA (TCM)	P2235197-54	2A37C223/90RB-6	84.0	82.0	30		13.3		29.7	D-3396 D-3396-2	S S,E		SA2200SW D'Shannon	
G35 "Bonanza"	L	IO-520-BA (TCM)	P4067482-52 P4067482-54	3A32C406/82NDB-2	80.0	78.5	30		13.3		29.0	D-5541 D-5259	P P		SA2200SW D'Shannon	29
G35 "Bonanza"	L	IO-520-BB (TCM)	OBSOLETE	2A36C23/84B-0	84.0	82.0	30		13.3		29.7	D-3396 D-2822	S S		SA2200SW D'Shannon	1
G35 "Bonanza"	L	IO-520-BB (TCM)	P2235197-54	2A37C223/90RB-6	84.0	82.0	30		13.3		29.7	D-3396 D-3396-2	S S,E		SA2200SW D'Shannon	
G35 "Bonanza"	L	IO-520-BB (TCM)	P4067482-52 P4067482-54	3A32C406/82NDB-2	80.0	78.5	30		13.3		29.0	D-5541 D-5259	P P		SA2200SW D'Shannon	29
G35 "Bonanza"	L	IO-550-B (TCM)	OBSOLETE	3A32C76/82NB-2	80.0	78.5	30		13.3		29.0	D-3584 D-3584-2	S S,E		SA2200SW D'Shannon	1

Constant Speed Propeller Applications

Aircraft Model	T Y P E	Engine Model (Make)	Propeller Part Number	Propeller Model	Max Dia	Min Dia	Ref Sta	Rev Angle	Low or Flight Idle Angle	Latch or Start Locks Angle	High or Feather Angle	Spinner Assembly P/N	S p i n n e r	Governor Model	STC Number STC Holder STC Kit P/N	N o t e s
G35 "Bonanza"	L	IO-550-B (TCM)	P4067482-52 P4067482-54	3A32C406/82NDB-2	80.0	78.5	30		13.3		29.0	D-5541 D-5259	P P		SA2200SW D'Shannon	29
G35 "Bonanza"	L	IO-550-B (TCM)	P4097757-52	D3A32C409/82NDB-2	80.0	78.5	30		13.7		28.8	D-5541	P		SA2200SW D'Shannon	29
H35 "Bonanza"	L	O-470-G (TCM)	OBSOLETE	2A36C23/84B-0	84.0	82.0	30		12.7		29.7	D-3290 D-3290-2	S S,E			1 55
H35 "Bonanza"	L	O-470-G (TCM)	P2235197-52	2A37C223/90RB-6	84.0	82.0	30		12.7		29.7	D-3290 D-3290-2	S S,E	C290D3/T35	SA1489GL McCauley PL60300	55 138
H35 "Bonanza"	L	O-470-G (TCM)	P2235197-52	2A37C223/90RB-6	84.0	82.0	30		12.7		29.7	D-7587 D-7587-2	P P,E	C290D3/T35	SA1489GL McCauley PL60310	55 138
H35 "Bonanza"	L	O-470-G (TCM)	P4237482-51	3A34C423/90DFA-10	80.0	78.0	30		10.0		29.0	D-3600 D-3584 D-5541	S S P	C290D3/T35	SA1691GL D'Shannon	55 82
H35 "Bonanza"	L	IO-470-N (TCM)	P4237482-54	3A34C423/90DFA-10	80.0	78.0	30		11.8		29.0	D-3600 D-3584 D-5541	S S P		SA2660SW D'Shannon	55 82
H35 "Bonanza"	L	IO-470-N (TCM)	P4347482-01	3A36C434/80VEA-0	80.0	78.0	30		10.8		33.9	D-3600	S		SA2660SW D'Shannon	55
H35 "Bonanza"	L	IO-470-N (TCM)	OBSOLETE	2A36C23/84B-0	84.0	82.0	30		13.3		29.7	D-3290	S		SA2660SW D'Shannon	1 55
H35 "Bonanza"	L	IO-470-N (TCM)	P2235197-54	2A37C223/90RB-6	84.0	82.0	30		13.3		29.7	D-3290 D-3290-2	S S,E		SA2660SW D'Shannon	55
H35 "Bonanza"	L	IO-520-B (TCM)	OBSOLETE	2A36C23/84B-0	84.0	82.0	30		13.3		29.7	D-3396 D-3396-2 D-2822	S S,E S		SA2200SW D'Shannon	1
H35 "Bonanza"	L	IO-520-B (TCM)	P2235197-54	2A37C223/90RB-6	84.0	82.0	30		13.3		29.7	D-3396 D-3396-2	S S,E		SA2200SW D'Shannon	
H35 "Bonanza"	L	IO-520-B (TCM)	P4067482-52 P4067482-54	3A32C406/82NDB-2	80.0	78.5	30		13.3		29.0	D-5541 D-5259	P P		SA2200SW D'Shannon	29
H35 "Bonanza"	L	IO-520-BA (TCM)	OBSOLETE	2A36C23/84B-0	84.0	82.0	30		13.3		29.7	D-3396 D-3396-2 D-2822	S S,E S		SA2200SW D'Shannon	1
H35 "Bonanza"	L	IO-520-BA (TCM)	P2235197-54	2A37C223/90RB-6	84.0	82.0	30		13.3		29.7	D-3396 D-3396-2	S S,E		SA2200SW D'Shannon	
H35 "Bonanza"	L	IO-520-BA (TCM)	P4067482-52 P4067482-54	3A32C406/82NDB-2	80.0	78.5	30		13.3		29.0	D-5541 D-5259	P P		SA2200SW D'Shannon	29
H35 "Bonanza"	L	IO-520-BB (TCM)	OBSOLETE	2A36C23/84B-0	84.0	82.0	30		13.3		29.7	D-3396 D-3396-2 D-2822	S S,E S		SA2200SW D'Shannon	1
H35 "Bonanza"	L	IO-520-BB (TCM)	P2235197-54	2A37C223/90RB-6	84.0	82.0	30		13.3		29.7	D-3396 D-3396-2	S S,E		SA2200SW D'Shannon	

Constant Speed Propeller Applications

Aircraft Model	T Y P E	Engine Model (Make)	Propeller Part Number	Propeller Model	Max Dia	Min Dia	Ref Sta	Rev Angle	Low or Flight Idle Angle	Latch or Start Locks Angle	High or Feather Angle	Spinner Assembly P/N	S p i n n e r T y p e	Governor Model	STC Number STC Holder STC Kit P/N	N o t e s
H35 "Bonanza"	L	IO-520-BB (TCM)	P4067482-52 P4067482-54	3A32C406/82NDB-2	80.0	78.5	30		13.3		29.0	D-5541 D-5259	P P		SA2200SW D'Shannon	29
H35 "Bonanza"	L	IO-550-B (TCM)	OBSOLETE	3A32C76/82NB-2	80.0	78.5	30		13.3		29.0	D-3584 D-3584-2	S S,E		SA2200SW D'Shannon	1
H35 "Bonanza"	L	IO-550-B (TCM)	P4067482-52 P4067482-54	3A32C406/82NDB-2	80.0	78.5	30		13.3		29.0	D-5541 D-5259	P P		SA2200SW D'Shannon	29
H35 "Bonanza"	L	IO-550-B (TCM)	P4097757-52	D3A32C409/82NDB-2	80.0	78.5	30		13.7		28.8	D-5541	P		SA2200SW D'Shannon	29
J35 "Bonanza"	L	IO-470-C (TCM)	OBSOLETE	2A36C23/84B-0	84.0	82.0	30		13.0		29.7	D-3290 D-3290-2	S S,E			1 55
J35 "Bonanza"	L	IO-470-C (TCM)	P2235197-53	2A37C223/90RB-6	84.0	82.0	30		13.0		29.7	D-3290 D-3290-2	S S,E	C290D3/T35	SA1489GL McCauley PL60302	55 138
J35 "Bonanza"	L	IO-470-C (TCM)	P2235197-53	2A37C223/90RB-6	84.0	82.0	30		13.0		29.7	D-7587 D-7587-2	P P,E	C290D3/T35	SA1489GL McCauley PL60312	55 138
J35 "Bonanza"	L	IO-470-C (TCM)	P4237482-52	3A34C423/90DFA-10	80.0	78.0	30		11.0		29.0	D-3600 D-3584 D-5541	S S P	C290D3/T35	SA1691GL D'Shannon	55 82
J35 "Bonanza"	L	IO-470-C (TCM)	P4347482-01	3A36C434/80VEA-0	80.0	78.0	30		10.8		33.9	D-3600	S	C290D3/T35	SA00718CH McCauley PL60219	55 138
J35 "Bonanza"	L	IO-470-C (TCM)	P4347482-01	3A36C434/80VEA-0	80.0	78.0	30		10.8		33.9	D-7062	P	C290D3/T35	SA00718CH McCauley PL60223	55 138
J35 "Bonanza"	L	IO-470-N (TCM)	P2235197-54	2A37C223/90RB-6	84.0	82.0	30		13.3		29.7	D-3290 D-3290-2	S S,E		SA5635SW D'Shannon	55
J35 "Bonanza"	L	IO-470-N (TCM)	P4237482-54	3A34C423/90DFA-10	80.0	78.0	30		11.8		29.0	D-3600 D-3584 D-5541	S S P		SA5635SW D'Shannon	55 82
J35 "Bonanza"	L	IO-470-N (TCM)	P4347482-01	3A36C434/80VEA-0	80.0	78.0	30		10.8		33.9	D-3600	S		SA5635SW D'Shannon	55
J35 "Bonanza"	L	IO-520-B (TCM)	OBSOLETE	2A36C23/84B-0	84.0	82.0	30		13.3		29.7	D-3396 D-3396-2 D-2822	S S,E S		SA2200SW D'Shannon	1
J35 "Bonanza"	L	IO-520-B (TCM)	P2235197-54	2A37C223/90RB-6	84.0	82.0	30		13.3		29.7	D-3396 D-3396-2	S S,E		SA2200SW D'Shannon	
J35 "Bonanza"	L	IO-520-B (TCM)	P4067482-52 P4067482-54	3A32C406/82NDB-2	80.0	78.5	30		13.3		29.0	D-5541 D-5259	P P		SA2200SW D'Shannon	29
J35 "Bonanza"	L	IO-520-BA (TCM)	OBSOLETE	2A36C23/84B-0	84.0	82.0	30		13.3		29.7	D-3396 D-3396-2 D-2822	S S,E S		SA2200SW D'Shannon	1

Constant Speed Propeller Applications

Aircraft Model	T Y P E	Engine Model (Make)	Propeller Part Number	Propeller Model	Max Dia	Min Dia	Ref Sta	Rev Angle	Low or Flight Idle Angle	Latch or Start Locks Angle	High or Feather Angle	Spinner Assembly P/N	S p i n n e r	Governor Model	STC Number STC Holder STC Kit P/N	N o t e s
J35 "Bonanza"	L	IO-520-BA (TCM)	P2235197-54	2A37C223/90RB-6	84.0	82.0	30		13.3		29.7	D-3396 D-3396-2	S S,E		SA2200SW D'Shannon	
J35 "Bonanza"	L	IO-520-BA (TCM)	P4067482-52 P4067482-54	3A32C406/82NDB-2	80.0	78.5	30		13.3		29.0	D-5541 D-5259	P P		SA2200SW D'Shannon	29
J35 "Bonanza"	L	IO-520-BB (TCM)	OBSOLETE	2A36C23/84B-0	84.0	82.0	30		13.3		29.7	D-3396 D-3396-2 D-2822	S S,E S		SA2200SW D'Shannon	1
J35 "Bonanza"	L	IO-520-BB (TCM)	P2235197-54	2A37C223/90RB-6	84.0	82.0	30		13.3		29.7	D-3396 D-3396-2	S S,E		SA2200SW D'Shannon	
J35 "Bonanza"	L	IO-520-BB (TCM)	P4067482-52 P4067482-54	3A32C406/82NDB-2	80.0	78.5	30		13.3		29.0	D-5541 D-5259	P P		SA2200SW D'Shannon	29
J35 "Bonanza"	L	IO-550-B (TCM)	OBSOLETE	3A32C76/82NB-2	80.0	78.5	30		13.3		29.0	D-3584 D-3584-2	S S,E		SA2200SW D'Shannon	1
J35 "Bonanza"	L	IO-550-B (TCM)	P4067482-52 P4067482-54	3A32C406/82NDB-2	80.0	78.5	30		13.3		29.0	D-5541 D-5259	P P		SA2200SW D'Shannon	29
J35 "Bonanza"	L	IO-550-B (TCM)	P4097757-52	D3A32C409/82NDB-2	80.0	78.5	30		13.7		28.8	D-5541	P		SA2200SW D'Shannon	29
K35 "Bonanza"	L	IO-470-C (TCM)	OBSOLETE	2A36C23/84B-0	84.0	82.0	30		13.0		29.7	D-3290 D-3290-2	S S,E			1 55
K35 "Bonanza"	L	IO-470-C (TCM)	P2235197-53	2A37C223/90RB-6	84.0	82.0	30		13.0		29.7	D-3290 D-3290-2	S S,E	C290D3/T35	SA1489GL McCauley PL60302	55 138
K35 "Bonanza"	L	IO-470-C (TCM)	P2235197-53	2A37C223/90RB-6	84.0	82.0	30		13.0		29.7	D-7587 D-7587-2	P P,E	C290D3/T35	SA1489GL McCauley PL60312	55 138
K35 "Bonanza"	L	IO-470-C (TCM)	P4237482-52	3A34C423/90DFA-10	80.0	78.0	30		11.0		29.0	D-3600 D-3584 D-5541	S S P	C290D3/T35	SA1691GL D'Shannon	55 82
K35 "Bonanza"	L	IO-470-C (TCM)	P4347482-01	3A36C434/80VEA-0	80.0	78.0	30		10.8		33.9	D-3600	S	C290D3/T35	SA00718CH McCauley PL60219	55 138
K35 "Bonanza"	L	IO-470-C (TCM)	P4347482-01	3A36C434/80VEA-0	80.0	78.0	30		10.8		33.9	D-7062	P	C290D3/T35	SA00718CH McCauley PL60223	55 138
K35 "Bonanza"	L	IO-470-N (TCM)	P2235197-54	2A37C223/90RB-6	84.0	82.0	30		13.3		29.7	D-3290 D-3290-2	S S,E		SA5635SW D'Shannon	55
K35 "Bonanza"	L	IO-470-N (TCM)	P4237482-54	3A34C423/90DFA-10	80.0	78.0	30		11.8		29.0	D-3600 D-3584 D-5541	S S P		SA5635SW D'Shannon	55 82
K35 "Bonanza"	L	IO-470-N (TCM)	P4347482-01	3A36C434/80VEA-0	80.0	78.0	30		10.8		33.9	D-3600	S		SA5635SW D'Shannon	55

Constant Speed Propeller Applications

Aircraft Model	T Y P E	Engine Model (Make)	Propeller Part Number	Propeller Model	Max Dia	Min Dia	Ref Sta	Rev Angle	Low or Flight Idle Angle	Latch or Start Locks Angle	High or Feather Angle	Spinner Assembly P/N	S p i n n e r T y p e	Governor Model	STC Number STC Holder STC Kit P/N	N o t e s
K35 "Bonanza"	L	IO-520-B (TCM)	OBSOLETE	2A36C23/84B-0	84.0	82.0	30		13.3		29.7	D-3396 D-3396-2 D-2822	S S,E S		SA2200SW D'Shannon	1
K35 "Bonanza"	L	IO-520-B (TCM)	P2235197-54	2A37C223/90RB-6	84.0	82.0	30		13.3		29.7	D-3396 D-3396-2	S S,E		SA2200SW D'Shannon	
K35 "Bonanza"	L	IO-520-B (TCM)	P4067482-52 P4067482-54	3A32C406/82NDB-2	80.0	78.5	30		13.3		29.0	D-5541 D-5259	P P		SA2200SW D'Shannon	29
K35 "Bonanza"	L	IO-520-BA (TCM)	OBSOLETE	2A36C23/84B-0	84.0	82.0	30		13.3		29.7	D-3396 D-3396-2 D-2822	S S,E S		SA2200SW D'Shannon	1
K35 "Bonanza"	L	IO-520-BA (TCM)	P2235197-54	2A37C223/90RB-6	84.0	82.0	30		13.3		29.7	D-3396 D-3396-2	S S,E		SA2200SW D'Shannon	
K35 "Bonanza"	L	IO-520-BA (TCM)	P4067482-52 P4067482-54	3A32C406/82NDB-2	80.0	78.5	30		13.3		29.0	D-5541 D-5259	P P		SA2200SW D'Shannon	29
K35 "Bonanza"	L	IO-520-BB (TCM)	OBSOLETE	2A36C23/84B-0	84.0	82.0	30		13.3		29.7	D-3396 D-3396-2 D-2822	S S,E S		SA2200SW D'Shannon	1
K35 "Bonanza"	L	IO-520-BB (TCM)	P2235197-54	2A37C223/90RB-6	84.0	82.0	30		13.3		29.7	D-3396 D-3396-2	S S,E		SA2200SW D'Shannon	
K35 "Bonanza"	L	IO-520-BB (TCM)	P4067482-52 P4067482-54	3A32C406/82NDB-2	80.0	78.5	30		13.3		29.0	D-5541 D-5259	P P		SA2200SW D'Shannon	29
K35 "Bonanza"	L	IO-550-B (TCM)	OBSOLETE	3A32C76/82NB-2	80.0	78.5	30		13.3		29.0	D-3584 D-3584-2	S S,E		SA2200SW D'Shannon	1
K35 "Bonanza"	L	IO-550-B (TCM)	P4067482-52 P4067482-54	3A32C406/82NDB-2	80.0	78.5	30		13.3		29.0	D-5541 D-5259	P P		SA2200SW D'Shannon	29
K35 "Bonanza"	L	IO-550-B (TCM)	P4097757-52	D3A32C409/82NDB-2	80.0	78.5	30		13.7		28.8	D-5541	P		SA2200SW D'Shannon	29
M35 "Bonanza"	L	IO-470-C (TCM)	OBSOLETE	2A36C23/84B-0	84.0	82.0	30		13.0		29.7	D-3290 D-3290-2	S S,E			1 55
M35 "Bonanza"	L	IO-470-C (TCM)	P2235197-53	2A37C223/90RB-6	84.0	82.0	30		13.0		29.7	D-3290 D-3290-2	S S,E	C290D3/T35	SA1489GL McCauley PL60302	55 138
M35 "Bonanza"	L	IO-470-C (TCM)	P2235197-53	2A37C223/90RB-6	84.0	82.0	30		13.0		29.7	D-7587 D-7587-2	P P,E	C290D3/T35	SA1489GL McCauley PL60312	55 138
M35 "Bonanza"	L	IO-470-C (TCM)	P4237482-52	3A34C423/90DFA-10	80.0	78.0	30		11.0		29.0	D-3600 D-3584 D-5541	S S P	C290D3/T35	SA1691GL D'Shannon	55 82
M35 "Bonanza"	L	IO-470-C (TCM)	P4347482-01	3A36C434/80VEA-0	80.0	78.0	30		10.8		33.9	D-3600	S	C290D3/T35	SA00718CH McCauley PL60219	55 138

Constant Speed Propeller Applications

Aircraft Model	T Y P E	Engine Model (Make)	Propeller Part Number	Propeller Model	Max Dia	Min Dia	Ref Sta	Rev Angle	Low or Flight Idle Angle	Latch or Start Locks Angle	High or Feather Angle	Spinner Assembly P/N	S p i n n e r T y p e	Governor Model	STC Number STC Holder STC Kit P/N	N o t e s
M35 "Bonanza"	L	IO-470-C (TCM)	P4347482-01	3A36C434/80VEA-0	80.0	78.0	30		10.8		33.9	D-7062	P	C290D3/T35	SA00718CH McCauley PL60223	55 138
M35 "Bonanza"	L	IO-470-N (TCM)	P2235197-54	2A37C223/90RB-6	84.0	82.0	30		13.3		29.7	D-3290 D-3290-2	S S,E		SA5635SW D'Shannon	55
M35 "Bonanza"	L	IO-470-N (TCM)	P4237482-54	3A34C423/90DFA-10	80.0	78.0	30		11.8		29.0	D-3600 D-3584 D-5541	S S P		SA5635SW D'Shannon	55 82
M35 "Bonanza"	L	IO-470-N (TCM)	P4347482-01	3A36C434/80VEA-0	80.0	78.0	30		10.8		33.9	D-3600	S		SA5635SW D'Shannon	55
M35 "Bonanza"	L	IO-520-B (TCM)	OBSOLETE	2A36C23/84B-0	84.0	82.0	30		13.3		29.7	D-3396 D-3396-2 D-2822	S S,E S		SA2200SW D'Shannon	1
M35 "Bonanza"	L	IO-520-B (TCM)	P2235197-54	2A37C223/90RB-6	84.0	82.0	30		13.3		29.7	D-3396 D-3396-2	S S,E		SA2200SW D'Shannon	
M35 "Bonanza"	L	IO-520-B (TCM)	P4067482-52 P4067482-54	3A32C406/82NDB-2	80.0	78.5	30		13.3		29.0	D-5541 D-5259	P P		SA2200SW D'Shannon	29
M35 "Bonanza"	L	IO-520-BA (TCM)	OBSOLETE	2A36C23/84B-0	84.0	82.0	30		13.3		29.7	D-3396 D-3396-2 D-2822	S S,E S		SA2200SW D'Shannon	1
M35 "Bonanza"	L	IO-520-BA (TCM)	P2235197-54	2A37C223/90RB-6	84.0	82.0	30		13.3		29.7	D-3396 D-3396-2	S S,E		SA2200SW D'Shannon	
M35 "Bonanza"	L	IO-520-BA (TCM)	P4067482-52 P4067482-54	3A32C406/82NDB-2	80.0	78.5	30		13.3		29.0	D-5541 D-5259	P P		SA2200SW D'Shannon	29
M35 "Bonanza"	L	IO-520-BB (TCM)	OBSOLETE	2A36C23/84B-0	84.0	82.0	30		13.3		29.7	D-3396 D-3396-2 D-2822	S S,E S		SA2200SW D'Shannon	1
M35 "Bonanza"	L	IO-520-BB (TCM)	P2235197-54	2A37C223/90RB-6	84.0	82.0	30		13.3		29.7	D-3396 D-3396-2	S S,E		SA2200SW D'Shannon	
M35 "Bonanza"	L	IO-520-BB (TCM)	P4067482-52 P4067482-54	3A32C406/82NDB-2	80.0	78.5	30		13.3		29.0	D-5541 D-5259	P P		SA2200SW D'Shannon	29
M35 "Bonanza"	L	IO-550-B (TCM)	OBSOLETE	3A32C76/82NB-2	80.0	78.5	30		13.3		29.0	D-3584 D-3584-2	S S,E		SA2200SW D'Shannon	1
M35 "Bonanza"	L	IO-550-B (TCM)	P4067482-52 P4067482-54	3A32C406/82NDB-2	80.0	78.5	30		13.3		29.0	D-5541 D-5259	P P		SA2200SW D'Shannon	29
M35 "Bonanza"	L	IO-550-B (TCM)	P4097757-52	D3A32C409/82NDB-2	80.0	78.5	30		13.7		28.8	D-5541	P		SA2200SW D'Shannon	29
N35 "Bonanza"	L	IO-470-N (TCM)	OBSOLETE	2A36C23/84B-0	84.0	82.0	30		13.3		29.7	D-3290 D-3290-2	S S,E			1 55
N35 "Bonanza"	L	IO-470-N (TCM)	P2235197-54	2A37C223/90RB-6	84.0	82.0	30		13.3		29.7	D-3290 D-3290-2	S S,E	C290D3/T35	SA1489GL McCauley PL60304	55 138

Constant Speed Propeller Applications

Aircraft Model	T Y P E	Engine Model (Make)	Propeller Part Number	Propeller Model	Max Dia	Min Dia	Ref Sta	Rev Angle	Low or Flight Idle Angle	Latch or Start Locks Angle	High or Feather Angle	Spinner Assembly P/N	S p i n n e r T y p e	Governor Model	STC Number STC Holder STC Kit P/N	N o t e s
N35 "Bonanza"	L	IO-470-N (TCM)	P2235197-54	2A37C223/90RB-6	84.0	82.0	30		13.3		29.7	D-7587 D-7587-2	P P,E	C290D3/T35	SA1489GL McCauley PL60314	55 138
N35 "Bonanza"	L	IO-470-N (TCM)	P4237482-54	3A34C423/90DFA-10	80.0	78.0	30		11.8		29.0	D-3600 D-3584 D-5541	S S P	C290D3/T35	SA1691GL D'Shannon	55 82
N35 "Bonanza"	L	IO-470-N (TCM)	P4347482-01	3A36C434/80VEA-0	80.0	78.0	30		10.8		33.9	D-3600	S	C290D3/T35	SA00718CH McCauley PL60219	55 138
N35 "Bonanza"	L	IO-470-N (TCM)	P4347482-01	3A36C434/80VEA-0	80.0	78.0	30		10.8		33.9	D-7062	P	C290D3/T35	SA00718CH McCauley PL60223	55 138
N35 "Bonanza"	L	IO-520-B (TCM)	OBSOLETE	2A36C23/84B-0	84.0	82.0	30		13.3		29.7	D-3396 D-3396-2 D-2822	S S,E S		SA2200SW D'Shannon	1
N35 "Bonanza"	L	IO-520-B (TCM)	P2235197-54	2A37C223/90RB-6	84.0	82.0	30		13.3		29.7	D-3396 D-3396-2	S S,E		SA2200SW D'Shannon	
N35 "Bonanza"	L	IO-520-B (TCM)	P4067482-52 P4067482-54	3A32C406/82NDB-2	80.0	78.5	30		13.3		29.0	D-5541 D-5259	P P		SA2200SW D'Shannon	29
N35 "Bonanza"	L	IO-520-BA (TCM)	OBSOLETE	2A36C23/84B-0	84.0	82.0	30		13.3		29.7	D-3396 D-3396-2 D-2822	S S,E S		SA2200SW D'Shannon	1
N35 "Bonanza"	L	IO-520-BA (TCM)	P2235197-54	2A37C223/90RB-6	84.0	82.0	30		13.3		29.7	D-3396 D-3396-2	S S,E		SA2200SW D'Shannon	
N35 "Bonanza"	L	IO-520-BA (TCM)	P4067482-52 P4067482-54	3A32C406/82NDB-2	80.0	78.5	30		13.3		29.0	D-5541 D-5259	P P		SA2200SW D'Shannon	29
N35 "Bonanza"	L	IO-520-BB (TCM)	OBSOLETE	2A36C23/84B-0	84.0	82.0	30		13.3		29.7	D-3396 D-3396-2 D-2822	S S,E S		SA2200SW D'Shannon	1
N35 "Bonanza"	L	IO-520-BB (TCM)	P2235197-54	2A37C223/90RB-6	84.0	82.0	30		13.3		29.7	D-3396 D-3396-2	S S,E		SA2200SW D'Shannon	
N35 "Bonanza"	L	IO-520-BB (TCM)	P4067482-52 P4067482-54	3A32C406/82NDB-2	80.0	78.5	30		13.3		29.0	D-5541 D-5259	P P		SA2200SW D'Shannon	29
N35 "Bonanza"	L	IO-550-B (TCM)	OBSOLETE	3A32C76/82NB-2	80.0	78.5	30		13.3		29.0	D-3584 D-3584-2	S S,E		SA2200SW D'Shannon	1
N35 "Bonanza"	L	IO-550-B (TCM)	P4067482-52 P4067482-54	3A32C406/82NDB-2	80.0	78.5	30		13.3		29.0	D-5541 D-5259	P P		SA2200SW D'Shannon	29
N35 "Bonanza"	L	IO-550-B (TCM)	P4097757-52	D3A32C409/82NDB-2	80.0	78.5	30		13.7		28.8	D-5541	P		SA2200SW D'Shannon	29
P35 "Bonanza"	L	IO-470-N (TCM)	OBSOLETE	2A36C23/84B-0	84.0	82.0	30		13.3		29.7	D-3290 D-3290-2	S S,E			1 55

Constant Speed Propeller Applications

Aircraft Model	T Y P E	Engine Model (Make)	Propeller Part Number	Propeller Model	Max Dia	Min Dia	Ref Sta	Rev Angle	Low or Flight Idle Angle	Latch or Start Locks Angle	High or Feather Angle	Spinner Assembly P/N	S p i n n e r	Governor Model	STC Number STC Holder STC Kit P/N	N o t e s
P35 "Bonanza"	L	IO-470-N (TCM)	P2235197-54	2A37C223/90RB-6	84.0	82.0	30		13.3		29.7	D-3290 D-3290-2	S S,E	C290D3/T35	SA1489GL McCauley PL60304	55 138
P35 "Bonanza"	L	IO-470-N (TCM)	P2235197-54	2A37C223/90RB-6	84.0	82.0	30		13.3		29.7	D-7587 D-7587-2	P P,E	C290D3/T35	SA1489GL McCauley PL60314	55 138
P35 "Bonanza"	L	IO-470-N (TCM)	P4237482-54	3A34C423/90DFA-10	80.0	78.0	30		11.8		29.0	D-3600 D-3584 D-5541	S S P	C290D3/T35	SA1691GL D'Shannon	55 82
P35 "Bonanza"	L	IO-470-N (TCM)	P4347482-01	3A36C434/80VEA-0	80.0	78.0	30		10.8		33.9	D-3600	S	C290D3/T35	SA00718CH McCauley PL60219	55 138
P35 "Bonanza"	L	IO-470-N (TCM)	P4347482-01	3A36C434/80VEA-0	80.0	78.0	30		10.8		33.9	D-7062	P	C290D3/T35	SA00718CH McCauley PL60223	55 138
P35 "Bonanza"	L	IO-520-B (TCM)	OBSOLETE	2A36C23/84B-0	84.0	82.0	30		13.3		29.7	D-3396 D-3396-2 D-2822	S S,E S		SA2200SW D'Shannon	1
P35 "Bonanza"	L	IO-520-B (TCM)	P2235197-54	2A37C223/90RB-6	84.0	82.0	30		13.3		29.7	D-3396 D-3396-2	S S,E		SA2200SW D'Shannon	
P35 "Bonanza"	L	IO-520-B (TCM)	P4067482-52 P4067482-54	3A32C406/82NDB-2	80.0	78.5	30		13.3		29.0	D-5541 D-5259	P P		SA2200SW D'Shannon	29
P35 "Bonanza"	L	IO-520-BA (TCM)	OBSOLETE	2A36C23/84B-0	84.0	82.0	30		13.3		29.7	D-3396 D-3396-2 D-2822	S S,E S		SA2200SW D'Shannon	1
P35 "Bonanza"	L	IO-520-BA (TCM)	P2235197-54	2A37C223/90RB-6	84.0	82.0	30		13.3		29.7	D-3396 D-3396-2	S S,E		SA2200SW D'Shannon	
P35 "Bonanza"	L	IO-520-BA (TCM)	P4067482-52 P4067482-54	3A32C406/82NDB-2	80.0	78.5	30		13.3		29.0	D-5541 D-5259	P P		SA2200SW D'Shannon	29
P35 "Bonanza"	L	IO-520-BB (TCM)	OBSOLETE	2A36C23/84B-0	84.0	82.0	30		13.3		29.7	D-3396 D-3396-2 D-2822	S S,E S		SA2200SW D'Shannon	1
P35 "Bonanza"	L	IO-520-BB (TCM)	P2235197-54	2A37C223/90RB-6	84.0	82.0	30		13.3		29.7	D-3396 D-3396-2	S S,E		SA2200SW D'Shannon	
P35 "Bonanza"	L	IO-520-BB (TCM)	P4067482-52 P4067482-54	3A32C406/82NDB-2	80.0	78.5	30		13.3		29.0	D-5541 D-5259	P P		SA2200SW D'Shannon	29
P35 "Bonanza"	L	TSIO-520-D (TCM)		3A32C76/82NB-2	80.0		30								SA4903NM Aviation Research	1
P35 "Bonanza"	L	IO-550-B (TCM)	OBSOLETE	3A32C76/82NB-2	80.0	78.5	30		13.3		29.0	D-3584 D-3584-2	S S,E		SA2200SW D'Shannon	1

Constant Speed Propeller Applications

Aircraft Model	T Y P E	Engine Model (Make)	Propeller Part Number	Propeller Model	Max Dia	Min Dia	Ref Sta	Rev Angle	Low or Flight Idle Angle	Latch or Start Locks Angle	High or Feather Angle	Spinner Assembly P/N	S p i n n e r T y p e	Governor Model	STC Number STC Holder STC Kit P/N	N o t e s
P35 "Bonanza"	L	IO-550-B (TCM)	P4067482-52 P4067482-54	3A32C406/82NDB-2	80.0	78.5	30		13.3		29.0	D-5541 D-5259	P P		SA2200SW D'Shannon	29
P35 "Bonanza"	L	IO-550-B (TCM)	P4097757-52	D3A32C409/82NDB-2	80.0	78.5	30		13.7		28.8	D-5541	P		SA2200SW D'Shannon	29
S35 "Bonanza"	L	IO-520-B (TCM)	OBSOLETE	2A36C23/84B-0	84.0	82.0	30		13.3		29.7	D-3396 D-3396-2 D-2822	S S,E S			1
S35 "Bonanza"	L	IO-520-B (TCM)	P2235197-54	2A37C223/90RB-6	84.0	82.0	30		13.3		29.7	D-3396 D-3396-2	S S,E	C290D3/T23	SA1489GL McCauley PL60306	139
S35 "Bonanza"	L	IO-520-B (TCM)	P2235197-54	2A37C223/90RB-6	84.0	82.0	30		13.3		29.7	D-5255 D-5255-2	P P,E	C290D3/T23	SA1489GL McCauley PL60316	139
S35 "Bonanza"	L	IO-520-B (TCM)	OBSOLETE	3A32C76/82NB-2	80.0	78.5	30		13.3		29.0	D-3584 D-3584-2	S S,E			1
S35 "Bonanza"	L	IO-520-B (TCM)	P4067482-52 P4067482-54	3A32C406/82NDB-2	80.0	78.5	30		13.3		29.0	D-5541 D-5259	P P		SA1166GL D'Shannon	29
S35 "Bonanza"	L	IO-520-BA (TCM)	OBSOLETE	2A36C23/84B-0	84.0	82.0	30		13.3		29.7	D-3396 D-3396-2 D-2822	S S,E S			1
S35 "Bonanza"	L	IO-520-BA (TCM)	P2235197-54	2A37C223/90RB-6	84.0	82.0	30		13.3		29.7	D-3396 D-3396-2	S S,E	C290D3/T23	SA1489GL McCauley PL60306	139
S35 "Bonanza"	L	IO-520-BA (TCM)	P2235197-54	2A37C223/90RB-6	84.0	82.0	30		13.3		29.7	D-5255 D-5255-2	P P,E	C290D3/T23	SA1489GL McCauley PL60316	139
S35 "Bonanza"	L	IO-520-BA (TCM)	OBSOLETE	3A32C76/82NB-2	80.0	78.5	30		13.3		29.0	D-3584 D-3584-2	S S,E			1
S35 "Bonanza"	L	IO-520-BA (TCM)	P4067482-52 P4067482-54	3A32C406/82NDB-2	80.0	78.5	30		13.3		29.0	D-5541 D-5259	P P		SA1166GL D'Shannon	29
S35 "Bonanza"	L	IO-520-BB (TCM)	OBSOLETE	2A36C23/84B-0	84.0	82.0	30		13.3		29.7	D-3396 D-3396-2 D-2822	S S,E S			1
S35 "Bonanza"	L	IO-520-BB (TCM)	P2235197-54	2A37C223/90RB-6	84.0	82.0	30		13.3		29.7	D-3396 D-3396-2	S S,E	C290D3/T23	SA1489GL McCauley PL60306	139
S35 "Bonanza"	L	IO-520-BB (TCM)	P2235197-54	2A37C223/90RB-6	84.0	82.0	30		13.3		29.7	D-5255 D-5255-2	P P,E	C290D3/T23	SA1489GL McCauley PL60316	139
S35 "Bonanza"	L	IO-520-BB (TCM)	OBSOLETE	3A32C76/82NB-2	80.0	78.5	30		13.3		29.0	D-3584 D-3584-2	S S,E			1
S35 "Bonanza"	L	IO-520-BB (TCM)	P4067482-52 P4067482-54	3A32C406/82NDB-2	80.0	78.5	30		13.3		29.0	D-5541 D-5259	P P		SA1166GL D'Shannon	29

Constant Speed Propeller Applications

Aircraft Model	T Y P E	Engine Model (Make)	Propeller Part Number	Propeller Model	Max Dia	Min Dia	Ref Sta	Rev Angle	Low or Flight Idle Angle	Latch or Start Locks Angle	High or Feather Angle	Spinner Assembly P/N	S p i n n e r	Governor Model	STC Number STC Holder STC Kit P/N	N o t e s
S35 "Bonanza"	L	IO-550-B (TCM)	OBSOLETE	3A32C76/82NB-2	80.0	78.5	30		13.3		29.0	D-3584 D-3584-2	S S,E		SA2200SW D'Shannon	1
S35 "Bonanza"	L	IO-550-B (TCM)	OBSOLETE	3A32C76/82NB-2	80.0	78.5	30		13.3		29.0	D-3584 D-3600	S S	C290D3/T23	SA09619SC Hammock Aviation	1
S35 "Bonanza"	L	IO-550-B (TCM)	OBSOLETE	3A32C76/82NB-2	80.0		30					D-3584	S		SA1835SO Mike Jones Aircraft Sales	1
S35 "Bonanza"	L	IO-550-B (STC)	OBSOLETE	3A32C76/82NB-2	80.0	78.0	30								SA5223NM Tornado Alley Turbo	1 29 93
S35 "Bonanza"	L	IO-550-B (TCM)	P4067482-52 P4067482-54	3A32C406/82NDB-2	80.0	78.5	30		13.3		29.0	D-5541 D-5259	P P		SA2200SW D'Shannon	29
S35 "Bonanza"	L	IO-550-B (TCM)	P4067482-52 P4067482-54	3A32C406/82NDB-2	80.0	78.5	30		13.3		29.0	D-7168 D-5541 D-5259	P P P	C290D3/T23	SA09619SC Hammock Aviation	29
S35 "Bonanza"	L	IO-550-B (TCM)	P4067482-51 P4067482-55	3A32C406/82NDB-4	78.0	77.0	30		15.8		34.9	D-7168 D-5541 D-5259	P P P	C290D3/T23	SA09619SC Hammock Aviation	29
S35 "Bonanza"	L	IO-550-B (STC)		D3A32C409/82NDB-2	80.0	78.0	30								SA5223NM Tornado Alley Turbo	29 93
S35 "Bonanza"	L	IO-550-B (TCM)	P4097757-52	D3A32C409/82NDB-2	80.0	78.5	30		13.7		28.8	D-5541	P		SA2200SW D'Shannon	29
S35 "Bonanza"	L	IO-550-B (TCM)	P4097757-51 P4097757-52	D3A32C409/82NDB-2	80.0	78.5	30		13.7		28.8	D-7168 D-5541 D-5259	P P P	C290D3/T23	SA09619SC Hammock Aviation	29
S35 "Bonanza"	L	TSIO-520-D (TCM)	OBSOLETE	2A36C82/84B-2	82.0	80.0	30		14.3		34.5	D-3396 D-3396-2 D-2822	S S,E S			1
S35 "Bonanza"	L	TSIO-520-D (TCM)	OBSOLETE	3A32C76/82NB-2	80.0	78.5	30		14.2		34.0	D-3584 D-3584-2	S S,E			1
S35 "Bonanza"	L	TSIO-520-D (TCM)	P4067482-56	3A32C406/82NDB-4	78.0	77.0	30		14.2		34.9	D-5541 D-5259	P P		SA01154CH D'Shannon	29
S35 "Bonanza"	L	TSIO-520-DB (TCM)	P4067482-56	3A32C406/82NDB-4	78.0	77.0	30		14.2		34.9	D-5541 D-5259	P P		SA01154CH D'Shannon	29
V35 "Bonanza"	L	IO-520-B (TCM)	OBSOLETE	2A36C23/84B-0	84.0	82.0	30		13.3		29.7	D-3396 D-3396-2 D-2822	S S,E S			1
V35 "Bonanza"	L	IO-520-B (TCM)	P2235197-54	2A37C223/90RB-6	84.0	82.0	30		13.3		29.7	D-3396 D-3396-2	S S,E	C290D3/T23	SA1489GL McCauley PL60306	139

Constant Speed Propeller Applications

Aircraft Model	T Y P E	Engine Model (Make)	Propeller Part Number	Propeller Model	Max Dia	Min Dia	Ref Sta	Rev Angle	Low or Flight Idle Angle	Latch or Start Locks Angle	High or Feather Angle	Spinner Assembly P/N	S p i n n e r T y p e	Governor Model	STC Number STC Holder STC Kit P/N	N o t e s
V35 "Bonanza"	L	IO-520-B (TCM)	P2235197-54	2A37C223/90RB-6	84.0	82.0	30		13.3		29.7	D-5255 D-5255-2	P P,E	C290D3/T23	SA1489GL McCauley PL60316	139
V35 "Bonanza"	L	IO-520-B (TCM)	OBSOLETE	3A32C76/82NB-2	80.0	78.5	30		13.3		29.0	D-3584 D-3584-2	S S,E			1
V35 "Bonanza"	L	IO-520-B (TCM)	P4067482-52 P4067482-54	3A32C406/82NDB-2	80.0	78.5	30		13.3		29.0	D-5541 D-5259	P P		SA1166GL D'Shannon	29
V35 "Bonanza"	L	IO-520-BA (TCM)	OBSOLETE	2A36C23/84B-0	84.0	82.0	30		13.3		29.7	D-3396 D-3396-2 D-2822	S S,E S			1
V35 "Bonanza"	L	IO-520-BA (TCM)	P2235197-54	2A37C223/90RB-6	84.0	82.0	30		13.3		29.7	D-3396 D-3396-2	S S,E	C290D3/T23	SA1489GL McCauley PL60306	139
V35 "Bonanza"	L	IO-520-BA (TCM)	P2235197-54	2A37C223/90RB-6	84.0	82.0	30		13.3		29.7	D-5255 D-5255-2	P P,E	C290D3/T23	SA1489GL McCauley PL60316	139
V35 "Bonanza"	L	IO-520-BA (TCM)	OBSOLETE	3A32C76/82NB-2	80.0	78.5	30		13.3		29.0	D-3584 D-3584-2	S S,E			1
V35 "Bonanza"	L	IO-520-BA (TCM)	P4067482-52 P4067482-54	3A32C406/82NDB-2	80.0	78.5	30		13.3		29.0	D-5541 D-5259	P P		SA1166GL D'Shannon	29
V35 "Bonanza"	L	IO-520-BB (TCM)	OBSOLETE	2A36C23/84B-0	84.0	82.0	30		13.3		29.7	D-3396 D-3396-2 D-2822	S S,E S			1
V35 "Bonanza"	L	IO-520-BB (TCM)	P2235197-54	2A37C223/90RB-6	84.0	82.0	30		13.3		29.7	D-3396 D-3396-2	S S,E	C290D3/T23	SA1489GL McCauley PL60306	139
V35 "Bonanza"	L	IO-520-BB (TCM)	P2235197-54	2A37C223/90RB-6	84.0	82.0	30		13.3		29.7	D-5255 D-5255-2	P P,E	C290D3/T23	SA1489GL McCauley PL60316	139
V35 "Bonanza"	L	IO-520-BB (TCM)	OBSOLETE	3A32C76/82NB-2	80.0	78.5	30		13.3		29.0	D-3584 D-3584-2	S S,E			1
V35 "Bonanza"	L	IO-520-BB (TCM)	P4067482-52 P4067482-54	3A32C406/82NDB-2	80.0	78.5	30		13.3		29.0	D-5541 D-5259	P P		SA1166GL D'Shannon	29
V35 "Bonanza"	L	IO-550-B (TCM)	OBSOLETE	3A32C76/82NB-2	80.0	78.5	30		13.3		29.0	D-3584 D-3584-2	S S,E		SA2200SW D'Shannon	1
V35 "Bonanza"	L	IO-550-B (STC)	OBSOLETE	3A32C76/82NB-2	80.0	78.0	30								SA5223NM Tornado Alley Turbo	1 29 93
V35 "Bonanza"	L	IO-550-B (TCM)	OBSOLETE	3A32C76/82NB-2	80.0	78.5	30		13.3		29.0	D-3584 D-3600	S S	C290D3/T23	SA09619SC Hammock Aviation	1
V35 "Bonanza"	L	IO-550-B (TCM)	P4067482-52 P4067482-54	3A32C406/82NDB-2	80.0	78.5	30		13.3		29.0	D-5541 D-5259	P P		SA2200SW D'Shannon	29

Constant Speed Propeller Applications

Aircraft Model	T Y P E	Engine Model (Make)	Propeller Part Number	Propeller Model	Max Dia	Min Dia	Ref Sta	Rev Angle	Low or Flight Idle Angle	Latch or Start Locks Angle	High or Feather Angle	Spinner Assembly P/N	S p i n n e r	Governor Model	STC Number STC Holder STC Kit P/N	N o t e s
V35 "Bonanza"	L	IO-550-B (TCM)	P4067482-52 P4067482-54	3A32C406/82NDB-2	80.0	78.5	30		13.3		29.0	D-7168 D-5541 D-5259	P P P	C290D3/T23	SA09619SC Hammock Aviation	29
V35 "Bonanza"	L	IO-550-B (TCM)	P4067482-51 P4067482-55	3A32C406/82NDB-4	78.0	77.0	30		15.8		34.9	D-7168 D-5541 D-5259	P P P	C290D3/T23	SA09619SC Hammock Aviation	29
V35 "Bonanza"	L	IO-550-B (TCM)	P4097757-52	D3A32C409/82NDB-2	80.0	78.5	30		13.7		28.8				SA2682NM Flightcraft	29
V35 "Bonanza"	L	IO-550-B (TCM)	P4097757-52	D3A32C409/82NDB-2	80.0	78.5	30		13.7		28.8	D-5541	P		SA2200SW D'Shannon	29
V35 "Bonanza"	L	IO-550-B (STC)		D3A32C409/82NDB-2	80.0	78.0	30								SA5223NM Tornado Alley Turbo	29 93
V35 "Bonanza"	L	IO-550-B (TCM)	P4097757-51 P4097757-52	D3A32C409/82NDB-2	80.0	78.5	30		13.7		28.8	D-7168 D-5541 D-5259	P P P	C290D3/T23	SA09619SC Hammock Aviation	29
V35 "Bonanza"	L	TSIO-520-D (TCM)	OBSOLETE	2A36C82/84B-2	82.0	80.0	30		14.3		34.5	D-3396 D-3396-2 D-2822	S S,E S			1
V35 "Bonanza"	L	TSIO-520-D (TCM)	OBSOLETE	3A32C76/82NB-2	80.0	78.5	30		14.2		34.0	D-3584 D-3584-2	S S,E			1
V35 "Bonanza"	L	TSIO-520-D (TCM)	P4067482-56	3A32C406/82NDB-4	78.0	77.0	30		14.2		34.9	D-5541 D-5259	P P		SA01154CH D'Shannon	29
V35 "Bonanza"	L	TSIO-520-DB (TCM)	P4067482-56	3A32C406/82NDB-4	78.0	77.0	30		14.2		34.9	D-5541 D-5259	P P		SA01154CH D'Shannon	29
V35A "Bonanza"	L	IO-520-B (TCM)	OBSOLETE	2A36C23/84B-0	84.0	82.0	30		13.3		29.7	D-3396 D-3396-2 D-2822	S S,E S			1
V35A "Bonanza"	L	IO-520-B (TCM)	P2235197-54	2A37C223/90RB-6	84.0	82.0	30		13.3		29.7	D-3396 D-3396-2	S S,E	C290D3/T23	SA1489GL McCauley PL60306	139
V35A "Bonanza"	L	IO-520-B (TCM)	P2235197-54	2A37C223/90RB-6	84.0	82.0	30		13.3		29.7	D-5255 D-5255-2	P P,E	C290D3/T23	SA1489GL McCauley PL60316	139
V35A "Bonanza"	L	IO-520-B (TCM)	OBSOLETE	3A32C76/82NB-2	80.0	78.5	30		13.3		29.0	D-3584 D-3584-2	S S,E			1
V35A "Bonanza"	L	IO-520-B (TCM)	P4067482-52 P4067482-54	3A32C406/82NDB-2	80.0	78.5	30		13.3		29.0	D-5541 D-5259	P P		SA1166GL D'Shannon	29
V35A "Bonanza"	L	IO-520-BA (TCM)	OBSOLETE	2A36C23/84B-0	84.0	82.0	30		13.3		29.7	D-3396 D-3396-2 D-2822	S S,E S			1
V35A "Bonanza"	L	IO-520-BA (TCM)	P2235197-54	2A37C223/90RB-6	84.0	82.0	30		13.3		29.7	D-3396 D-3396-2	S S,E	C290D3/T23	SA1489GL McCauley PL60306	139

Constant Speed Propeller Applications

Aircraft Model	T Y P E	Engine Model (Make)	Propeller Part Number	Propeller Model	Max Dia	Min Dia	Ref Sta	Rev Angle	Low or Flight Idle Angle	Latch or Start Locks Angle	High or Feather Angle	Spinner Assembly P/N	S p i n n e r	Governor Model	STC Number STC Holder STC Kit P/N	N o t e s
V35A "Bonanza"	L	IO-520-BA (TCM)	P2235197-54	2A37C223/90RB-6	84.0	82.0	30		13.3		29.7	D-5255 D-5255-2	P P,E	C290D3/T23	SA1489GL McCauley PL60316	139
V35A "Bonanza"	L	IO-520-BA (TCM)	OBSOLETE	3A32C76/82NB-2	80.0	78.5	30		13.3		29.0	D-3584 D-3584-2	S S,E			1
V35A "Bonanza"	L	IO-520-BA (TCM)	P4067482-52 P4067482-54	3A32C406/82NDB-2	80.0	78.5	30		13.3		29.0	D-5541 D-5259	P P		SA1166GL D'Shannon	29
V35A "Bonanza"	L	IO-520-BB (TCM)	OBSOLETE	2A36C23/84B-0	84.0	82.0	30		13.3		29.7	D-3396 D-3396-2 D-2822	S S,E S			1
V35A "Bonanza"	L	IO-520-BB (TCM)	P2235197-54	2A37C223/90RB-6	84.0	82.0	30		13.3		29.7	D-3396 D-3396-2	S S,E	C290D3/T23	SA1489GL McCauley PL60306	139
V35A "Bonanza"	L	IO-520-BB (TCM)	P2235197-54	2A37C223/90RB-6	84.0	82.0	30		13.3		29.7	D-5255 D-5255-2	P P,E	C290D3/T23	SA1489GL McCauley PL60316	139
V35A "Bonanza"	L	IO-520-BB (TCM)	OBSOLETE	3A32C76/82NB-2	80.0	78.5	30		13.3		29.0	D-3584 D-3584-2	S S,E			1
V35A "Bonanza"	L	IO-520-BB (TCM)	P4067482-52 P4067482-54	3A32C406/82NDB-2	80.0	78.5	30		13.3		29.0	D-5541 D-5259	P P		SA1166GL D'Shannon	29
V35A "Bonanza"	L	IO-550-B (TCM)	OBSOLETE	3A32C76/82NB-2	80.0	78.5	30		13.3		29.0	D-3584 D-3584-2	S S,E		SA2200SW D'Shannon	1
V35A "Bonanza"	L	IO-550-B (STC)	OBSOLETE	3A32C76/82NB-2	80.0	78.0	30								SA5223NM Tornado Alley Turbo	1 29 93
V35A "Bonanza"	L	IO-550-B (TCM)	OBSOLETE	3A32C76/82NB-2	80.0	78.5	30		13.3		29.0	D-3584 D-3600	S S	C290D3/T23	SA09619SC Hammock Aviation	1
V35A "Bonanza"	L	IO-550-B (TCM)	OBSOLETE	3A32C76/82NB-2	80.0		30					D-3584	S		SA1835SO Mike Jones Aircraft Sales	1
V35A "Bonanza"	L	IO-550-B (TCM)	P4067482-52 P4067482-54	3A32C406/82NDB-2	80.0	78.5	30		13.3		29.0	D-5541 D-5259	P P		SA2200SW D'Shannon	29
V35A "Bonanza"	L	IO-550-B (TCM)	P4067482-52 P4067482-54	3A32C406/82NDB-2	80.0	78.5	30		13.3		29.0	D-7168 D-5541 D-5259	P P P	C290D3/T23	SA09619SC Hammock Aviation	29
V35A "Bonanza"	L	IO-550-B (TCM)	P4067482-51 P4067482-55	3A32C406/82NDB-4	78.0	77.0	30		15.8		34.9	D-7168 D-5541 D-5259	P P P	C290D3/T23	SA09619SC Hammock Aviation	29
V35A "Bonanza"	L	IO-550-B (TCM)	P4097757-52	D3A32C409/82NDB-2	80.0	78.5	30		13.7		28.8				SA2682NM Flightcraft	29
V35A "Bonanza"	L	IO-550-B (TCM)	P4097757-52	D3A32C409/82NDB-2	80.0	78.5	30		13.7		28.8	D-5541	P		SA2200SW D'Shannon	29

Constant Speed Propeller Applications

Aircraft Model	T Y P E	Engine Model (Make)	Propeller Part Number	Propeller Model	Max Dia	Min Dia	Ref Sta	Rev Angle	Low or Flight Idle Angle	Latch or Start Locks Angle	High or Feather Angle	Spinner Assembly P/N	S p i n n e r T y p e	Governor Model	STC Number STC Holder STC Kit P/N	N o t e s
V35A "Bonanza"	L	IO-550-B (STC)		D3A32C409/82NDB-2	80.0	78.0	30								SA5223NM Tornado Alley Turbo	29 93
V35A "Bonanza"	L	IO-550-B (TCM)	P4097757-51 P4097757-52	D3A32C409/82NDB-2	80.0	78.5	30		13.7		28.8	D-7168 D-5541 D-5259	P P P	C290D3/T23	SA09619SC Hammock Aviation	29
V35A "Bonanza"	L	TSIO-520-D (TCM)	OBSOLETE	2A36C82/84B-2	82.0	80.0	30		14.3		34.5	D-3396 D-3396-2 D-2822	S S,E S			1
V35A "Bonanza"	L	TSIO-520-D (TCM)	OBSOLETE	3A32C76/82NB-2	80.0	78.5	30		14.2		34.0	D-3584 D-3584-2	S S,E			1
V35A "Bonanza"	L	TSIO-520-D (TCM)	P4067482-56	3A32C406/82NDB-4	78.0	77.0	30		14.2		34.9	D-5541 D-5259	P P		SA01154CH D'Shannon	29
V35A "Bonanza"	L	TSIO-520-DB (TCM)	P4067482-56	3A32C406/82NDB-4	78.0	77.0	30		14.2		34.9	D-5541 D-5259	P P		SA01154CH D'Shannon	29
V35B "Bonanza"	L	IO-520-B (TCM)	OBSOLETE	2A36C23/84B-0	84.0	82.0	30		13.3		29.7	D-3396 D-3396-2 D-2822	S S,E S	C290D3/T23		1
V35B "Bonanza"	L	IO-520-B (TCM)	P2235197-54	2A37C223/90RB-6	84.0	82.0	30		13.3		29.7	D-3396 D-3396-2	S S,E	C290D3/T23	SA1489GL McCauley PL60306	139
V35B "Bonanza"	L	IO-520-B (TCM)	P2235197-54	2A37C223/90RB-6	84.0	82.0	30		13.3		29.7	D-5255 D-5255-2	P P,E	C290D3/T23	SA1489GL McCauley PL60316	139
V35B "Bonanza"	L	IO-520-B (TCM)	OBSOLETE	3A32C76/82NB-2	80.0	78.5	30		13.3		29.0	D-3584 D-3584-2	S S,E	C290D3/T23		1
V35B "Bonanza"	L	IO-520-B (TCM)	P4067482-52 P4067482-54	3A32C406/82NDB-2	80.0	78.5	30		13.3		29.0	D-5541 D-5259	P P		SA1166GL D'Shannon	29
V35B "Bonanza"	L	IO-520-BA (TCM)	OBSOLETE	2A36C23/84B-0	84.0	82.0	30		13.3		29.7	D-3396 D-3396-2 D-2822	S S,E S	C290D3/T23		1
V35B "Bonanza"	L	IO-520-BA (TCM)	P2235197-54	2A37C223/90RB-6	84.0	82.0	30		13.3		29.7	D-3396 D-3396-2	S S,E	C290D3/T23	SA1489GL McCauley PL60306	139
V35B "Bonanza"	L	IO-520-BA (TCM)	P2235197-54	2A37C223/90RB-6	84.0	82.0	30		13.3		29.7	D-5255 D-5255-2	P P,E	C290D3/T23	SA1489GL McCauley PL60316	139
V35B "Bonanza"	L	IO-520-BA (TCM)	OBSOLETE	3A32C76/82NB-2	80.0	78.5	30		13.3		29.0	D-3584 D-3584-2	S S,E	C290D3/T23		1
V35B "Bonanza"	L	IO-520-BA (TCM)	P4067482-52 P4067482-54	3A32C406/82NDB-2	80.0	78.5	30		13.3		29.0	D-5541 D-5259	P P		SA1166GL D'Shannon	29
V35B (up to S/N D-10178) "Bonanza"	L	IO-520-BB (TCM)	OBSOLETE	2A36C23/84B-0	84.0	82.0	30		13.3		29.7	D-3396 D-3396-2 D-2822	S S,E S	C290D3/T23		1

Constant Speed Propeller Applications

Aircraft Model	T Y P E	Engine Model (Make)	Propeller Part Number	Propeller Model	Max Dia	Min Dia	Ref Sta	Rev Angle	Low or Flight Idle Angle	Latch or Start Locks Angle	High or Feather Angle	Spinner Assembly P/N	S p i n n e r	Governor Model	STC Number STC Holder STC Kit P/N	N o t e s
V35B "Bonanza"	L	IO-520-BB (TCM)	P2235197-54	2A37C223/90RB-6	84.0	82.0	30		13.3		29.7	D-3396 D-3396-2	S S,E	C290D3/T23	SA1489GL McCauley PL60306	139
V35B "Bonanza"	L	IO-520-BB (TCM)	P2235197-54	2A37C223/90RB-6	84.0	82.0	30		13.3		29.7	D-5255 D-5255-2	P P,E	C290D3/T23	SA1489GL McCauley PL60316	139
V35B (up to S/N D-10178) "Bonanza"	L	IO-520-BB (TCM)	OBSOLETE	3A32C76/82NB-2	80.0	78.5	30		13.3		29.0	D-3584 D-3584-2	S S,E	C290D3/T23		1
V35B (S/N D-10097, D-10120 and up) "Bonanza"	L	IO-520-BB (TCM)	P4067482-52	3A32C406/82NDB-2	80.0	78.5	30		13.3		29.0	D-7168 D-7168-2 D-5541 D-5259	P P,E P P	C290D3/T23		29
V35B "Bonanza"	L	IO-520-BB (TCM)	P4067482-52 P4067482-54	3A32C406/82NDB-2	80.0	78.5	30		13.3		29.0	D-5541 D-5259	P P		SA1166GL D'Shannon	29
V35B "Bonanza"	L	IO-550-B (TCM)	OBSOLETE	3A32C76/82NB-2	80.0	78.5	30		13.3		29.0	D-3584 D-3584-2	S S,E		SA2200SW D'Shannon	1
V35B "Bonanza"	L	IO-550-B (STC)	OBSOLETE	3A32C76/82NB-2	80.0	78.0	30								SA5223NM Tornado Alley Turbo	1 29 93
V35B "Bonanza"	L	IO-550-B (TCM)	OBSOLETE	3A32C76/82NB-2	80.0	78.5	30		13.3		29.0	D-3584 D-3600	S S	C290D3/T23	SA09619SC Hammock Aviation	1
V35B "Bonanza"	L	IO-550-B (TCM)	OBSOLETE	3A32C76/82NB-2	80.0		30					D-3584	S		SA1835SO Mike Jones Aircraft Sales	1
V35B "Bonanza"	L	IO-550-B (TCM)	P4067482-52 P4067482-54	3A32C406/82NDB-2	80.0	78.5	30		13.3		29.0	D-5541 D-5259	P P		SA2200SW D'Shannon	29
V35B "Bonanza"	L	IO-550-B (TCM)	P4067482-52 P4067482-54	3A32C406/82NDB-2	80.0	78.5	30		13.3		29.0	D-7168 D-5541 D-5259	P P P	C290D3/T23	SA09619SC Hammock Aviation	29
V35B "Bonanza"	L	IO-550-B (TCM)	P4067482-51 P4067482-55	3A32C406/82NDB-4	78.0	77.0	30		15.8		34.9	D-7168 D-5541 D-5259	P P P	C290D3/T23	SA09619SC Hammock Aviation	29
V35B "Bonanza"	L	IO-550-B (TCM)	P4097757-52	D3A32C409/82NDB-2	80.0	78.5	30		13.7		28.8				SA2682NM Flightcraft	29
V35B "Bonanza"	L	IO-550-B (TCM)	P4097757-52	D3A32C409/82NDB-2	80.0	78.5	30		13.7		28.8	D-5541	P		SA2200SW D'Shannon	29
V35B "Bonanza"	L	IO-550-B (STC)		D3A32C409/82NDB-2	80.0	78.0	30								SA5223NM Tornado Alley Turbo	29 93

Constant Speed Propeller Applications

Aircraft Model	T Y P E	Engine Model (Make)	Propeller Part Number	Propeller Model	Max Dia	Min Dia	Ref Sta	Rev Angle	Low or Flight Idle Angle	Latch or Start Locks Angle	High or Feather Angle	Spinner Assembly P/N	S p i n n e r	Governor Model	STC Number STC Holder STC Kit P/N	N o t e s
V35B "Bonanza"	L	IO-550-B (TCM)	P4097757-51 P4097757-52	D3A32C409/82NDB-2	80.0	78.5	30		13.7		28.8	D-7168 D-5541 D-5259	P P P	C290D3/T23	SA09619SC Hammock Aviation	29
V35B "Bonanza"	L	TSIO-520-D (TCM)	OBSOLETE	2A36C82/84B-2	82.0	80.0	30		14.3		34.5	D-3396 D-3396-2 D-2822	S S,E S			1
V35B "Bonanza"	L	TSIO-520-D (TCM)	OBSOLETE	3A32C76/82NB-2	80.0	78.5	30		14.2		34.0	D-3584 D-3584-2	S S,E			1
V35B "Bonanza"	L	TSIO-520-D (TCM)	P4067482-56	3A32C406/82NDB-4	78.0	77.0	30		14.2		34.9	D-5541 D-5259	P P		SA01154CH D'Shannon	29
V35B "Bonanza"	L	TSIO-520-DB (TCM)	P4067482-56	3A32C406/82NDB-4	78.0	77.0	30		14.2		34.9	D-5541 D-5259	P P		SA01154CH D'Shannon	29
36 "Bonanza"	L	IO-520-B (TCM)	OBSOLETE	2A36C23/84B-0	84.0	82.0	30		13.3		29.7	D-3396 D-3396-2 D-2822	S S,E S			1
36 "Bonanza"	L	IO-520-B (TCM)	P2235197-54	2A37C223/90RB-6	84.0	82.0	30		13.3		29.7	D-3396 D-3396-2	S S,E	C290D3/T23	SA1489GL McCauley PL60306	139
36 "Bonanza"	L	IO-520-B (TCM)	P2235197-54	2A37C223/90RB-6	84.0	82.0	30		13.3		29.7	D-5255 D-5255-2	P P,E	C290D3/T23	SA1489GL McCauley PL60316	139
36 "Bonanza"	L	IO-520-B (TCM)	OBSOLETE	3A32C76/82NB-2	80.0	78.5	30		13.3		29.0	D-3584 D-3584-2	S S,E			1
36 "Bonanza"	L	IO-520-B (TCM)	P4067482-52 P4067482-54	3A32C406/82NDB-2	80.0	78.5	30		13.3		29.0	D-5541 D-5259	P P		SA1166GL D'Shannon	29
36 "Bonanza"	L	IO-520-BA (TCM)	OBSOLETE	2A36C23/84B-0	84.0	82.0	30		13.3		29.7	D-3396 D-3396-2 D-2822	S S,E S			1
36 "Bonanza"	L	IO-520-BA (TCM)	P2235197-54	2A37C223/90RB-6	84.0	82.0	30		13.3		29.7	D-3396 D-3396-2	S S,E	C290D3/T23	SA1489GL McCauley PL60306	139
36 "Bonanza"	L	IO-520-BA (TCM)	P2235197-54	2A37C223/90RB-6	84.0	82.0	30		13.3		29.7	D-5255 D-5255-2	P P,E	C290D3/T23	SA1489GL McCauley PL60316	139
36 "Bonanza"	L	IO-520-BA (TCM)	OBSOLETE	3A32C76/82NB-2	80.0	78.5	30		13.3		29.0	D-3584 D-3584-2	S S,E			1
36 "Bonanza"	L	IO-520-BA (TCM)	P4067482-52 P4067482-54	3A32C406/82NDB-2	80.0	78.5	30		13.3		29.0	D-5541 D-5259	P P		SA1166GL D'Shannon	29
36 "Bonanza"	L	IO-520-BB (TCM)	OBSOLETE	2A36C23/84B-0	84.0	82.0	30		13.3		29.7	D-3396 D-3396-2 D-2822	S S,E S			1
36 "Bonanza"	L	IO-520-BB (TCM)	P2235197-54	2A37C223/90RB-6	84.0	82.0	30		13.3		29.7	D-3396 D-3396-2	S S,E	C290D3/T23	SA1489GL McCauley PL60306	139

Constant Speed Propeller Applications

Aircraft Model	T Y P E	Engine Model (Make)	Propeller Part Number	Propeller Model	Max Dia	Min Dia	Ref Sta	Rev Angle	Low or Flight Idle Angle	Latch or Start Locks Angle	High or Feather Angle	Spinner Assembly P/N	S p i n n e r T y p e	Governor Model	STC Number STC Holder STC Kit P/N	N o t e s
36 "Bonanza"	L	IO-520-BB (TCM)	P2235197-54	2A37C223/90RB-6	84.0	82.0	30		13.3		29.7	D-5255 D-5255-2	P P,E	C290D3/T23	SA1489GL McCauley PL60316	139
36 "Bonanza"	L	IO-520-BB (TCM)	OBSOLETE	3A32C76/82NB-2	80.0	78.5	30		13.3		29.0	D-3584 D-3584-2	S S,E			1
36 "Bonanza"	L	IO-520-BB (TCM)	P4067482-52 P4067482-54	3A32C406/82NDB-2	80.0	78.5	30		13.3		29.0	D-5541 D-5259	P P		SA1166GL D'Shannon	29
36 "Bonanza"	L	TSIO-520-D (TCM)	OBSOLETE	2A36C82/84B-2	82.0	80.0	30		14.3		34.5	D-3396 D-3396-2 D-2822	S S,E S		SA994NW Flightcraft	1
36 "Bonanza"	L	TSIO-520-D (TCM)	OBSOLETE	3A32C76/82NB-2	80.0	78.5	30		14.2		34.0	D-3584 D-3584-2	S S,E		SA994NW Flightcraft	1
36 "Bonanza"	L	IO-550-B (TCM)	OBSOLETE	3A32C76/82NB-2	80.0	78.5	30		13.3		29.0	D-3584 D-3584-2	S S,E		SA2200SW D'Shannon	1
36 "Bonanza"	L	IO-550-B (STC)	OBSOLETE	3A32C76/82NB-2	80.0	78.0	30								SA5223NM Tornado Alley Turbo	1 29 93
36 "Bonanza"	L	IO-550-B (TCM)	P4067482-52 P4067482-54	3A32C406/82NDB-2	80.0	78.5	30		13.3		29.0	D-5541 D-5259	P P		SA2200SW D'Shannon	29
36 "Bonanza"	L	IO-550-B (TCM)	OBSOLETE	3A32C76/82NB-2	80.0	78.5	30		13.3		29.0	D-3584 D-3600	S S	C290D3/T23	SA09619SC Hammock Aviation	1
36 "Bonanza"	L	IO-550-B (TCM)	P4067482-52 P4067482-54	3A32C406/82NDB-2	80.0	78.5	30		13.3		29.0	D-7168 D-5541 D-5259	P P P	C290D3/T23	SA09619SC Hammock Aviation	29
36 "Bonanza"	L	IO-550-B (TCM)	P4067482-51 P4067482-55	3A32C406/82NDB-4	78.0	77.0	30		15.8		34.9	D-7168 D-5541 D-5259	P P P	C290D3/T23	SA09619SC Hammock Aviation	29
36 "Bonanza"	L	IO-550-B (STC)		D3A32C409/82NDB-2	80.0	78.0	30								SA5223NM Tornado Alley Turbo	29 93
36 "Bonanza"	L	IO-550-B (TCM)	P4097757-52	D3A32C409/82NDB-2	80.0	78.5	30		13.7		28.8				SA2682NM Flightcraft	29
36 "Bonanza"	L	IO-550-B (TCM)	P4097757-52	D3A32C409/82NDB-2	80.0	78.5	30		13.7		28.8	D-5541	P		SA2200SW D'Shannon	29
36 "Bonanza"	L	IO-550-B (TCM)	P4097757-51 P4097757-52	D3A32C409/82NDB-2	80.0	78.5	30		13.7		28.8	D-7168 D-5541 D-5259	P P P	C290D3/T23	SA09619SC Hammock Aviation	29
A36 (S/N 0185 - 1370) "Bonanza"	L	IO-520-B (TCM)	OBSOLETE	2A36C23/84B-0	84.0	82.0	30		13.3		29.7	D-3396 D-3396-2 D-2822	S S,E S	C290D3/T23		1
A36 "Bonanza"	L	IO-520-B (TCM)	P2235197-54	2A37C223/90RB-6	84.0	82.0	30		13.3		29.7	D-3396 D-3396-2	S S,E	C290D3/T23	SA1489GL McCauley PL60306	139

Constant Speed Propeller Applications

Aircraft Model	T Y P E	Engine Model (Make)	Propeller Part Number	Propeller Model	Max Dia	Min Dia	Ref Sta	Rev Angle	Low or Flight Idle Angle	Latch or Start Locks Angle	High or Feather Angle	Spinner Assembly P/N	S p i n n e r T y p e	Governor Model	STC Number STC Holder STC Kit P/N	N o t e s
A36 "Bonanza"	L	IO-520-B (TCM)	P2235197-54	2A37C223/90RB-6	84.0	82.0	30		13.3		29.7	D-5255 D-5255-2	P P,E	C290D3/T23	SA1489GL McCauley PL60316	139
A36 (S/N 0185 - 1370) "Bonanza"	L	IO-520-B (TCM)	OBSOLETE	3A32C76/82NB-2	80.0	78.5	30		13.3		29.0	D-3584 D-3584-2	S S,E	C290D3/T23		1
A36 "Bonanza"	L	IO-520-B (TCM)	P4067482-52 P4067482-54	3A32C406/82NDB-2	80.0	78.5	30		13.3		29.0	D-5541 D-5259	P P		SA1166GL D'Shannon	29
A36 (S/N 0185 - 1370) "Bonanza"	L	IO-520-BA (TCM)	OBSOLETE	2A36C23/84B-0	84.0	82.0	30		13.3		29.7	D-3396 D-3396-2 D-2822	S S,E S	C290D3/T23		1
A36 "Bonanza"	L	IO-520-BA (TCM)	P2235197-54	2A37C223/90RB-6	84.0	82.0	30		13.3		29.7	D-3396 D-3396-2	S S,E	C290D3/T23	SA1489GL McCauley PL60306	139
A36 "Bonanza"	L	IO-520-BA (TCM)	P2235197-54	2A37C223/90RB-6	84.0	82.0	30		13.3		29.7	D-5255 D-5255-2	P P,E	C290D3/T23	SA1489GL McCauley PL60316	139
A36 (S/N 0185 - 1370) "Bonanza"	L	IO-520-BA (TCM)	OBSOLETE	3A32C76/82NB-2	80.0	78.5	30		13.3		29.0	D-3584 D-3584-2	S S,E	C290D3/T23		1
A36 "Bonanza"	L	IO-520-BA (TCM)	P4067482-52 P4067482-54	3A32C406/82NDB-2	80.0	78.5	30		13.3		29.0	D-5541 D-5259	P P		SA1166GL D'Shannon	29
A36 (S/N 0185 - 1240) "Bonanza"	L	IO-520-BB (TCM)	OBSOLETE	2A36C23/84B-0	84.0	82.0	30		13.3		29.7	D-3396 D-3396-2 D-2822	S S,E S	C290D3/T23		1
A36 "Bonanza"	L	IO-520-BB (TCM)	P2235197-54	2A37C223/90RB-6	84.0	82.0	30		13.3		29.7	D-3396 D-3396-2	S S,E	C290D3/T23	SA1489GL McCauley PL60306	139
A36 "Bonanza"	L	IO-520-BB (TCM)	P2235197-54	2A37C223/90RB-6	84.0	82.0	30		13.3		29.7	D-5255 D-5255-2	P P,E	C290D3/T23	SA1489GL McCauley PL60316	139
A36 (S/N 0185 - 1240) "Bonanza"	L	IO-520-BB (TCM)	OBSOLETE	3A32C76/82NB-2	80.0	78.5	30		13.3		29.0	D-3584 D-3584-2	S S,E	C290D3/T23		1
A36 (S/N 1111, 1241 - 2110, except 1946 and 2104) "Bonanza"	L	IO-520-BB (TCM)	P4067482-52	3A32C406/82NDB-2	80.0	78.5	30		13.3		29.0	D-7168 D-7168-2 D-5541 D-5259	P P,E P P	C290D3/T23		29
A36 "Bonanza"	L	IO-520-BB (TCM)	P4067482-52 P4067482-54	3A32C406/82NDB-2	80.0	78.5	30		13.3		29.0	D-5541 D-5259	P P		SA1166GL D'Shannon	29

Constant Speed Propeller Applications

Aircraft Model	T Y P E	Engine Model (Make)	Propeller Part Number	Propeller Model	Max Dia	Min Dia	Ref Sta	Rev Angle	Low or Flight Idle Angle	Latch or Start Locks Angle	High or Feather Angle	Spinner Assembly P/N	S p i n n e r	Governor Model	STC Number STC Holder STC Kit P/N	N o t e s
A36 "Bonanza"	L	TSIO-520-D (TCM)	OBSOLETE	2A36C82/84B-2	82.0	80.0	30		14.3		34.5	D-3396 D-3396-2 D-2822	S S,E S		SA994NW Flightcraft	1
A36 "Bonanza"	L	TSIO-520-D (TCM)	OBSOLETE	3A32C76/82NB-2	80.0	78.5	30		14.2		34.0	D-3584 D-3584-2	S S,E		SA994NW Flightcraft	1
A36 "Bonanza"	L	IO-550-B (STC)	OBSOLETE	3A32C76/82NB-2	80.0	78.0	30								SA5223NM Tornado Alley Turbo	1 29 93
A36 "Bonanza"	L	IO-550-B (TCM)	P4067482-52 P4067482-54	3A32C406/82NDB-2	80.0	78.5	30		13.3		29.0	D-5541 D-5259	P P		SA2200SW D'Shannon	29
A36 "Bonanza"	L	IO-550-B (TCM)	OBSOLETE	3A32C76/82NB-2	80.0	78.5	30		13.3		29.0	D-3584 D-3600	S S	C290D3/T23	SA09619SC Hammock Aviation	1
A36 "Bonanza"	L	IO-550-B (TCM)	P4067482-52 P4067482-54	3A32C406/82NDB-2	80.0	78.5	30		13.3		29.0	D-7168 D-5541 D-5259	P P P	C290D3/T23	SA09619SC Hammock Aviation	29
A36 "Bonanza"	L	IO-550-B (TCM)	P4067482-51 P4067482-55	3A32C406/82NDB-4	78.0	77.0	30		15.8		34.9	D-7168 D-5541 D-5259	P P P	C290D3/T23	SA09619SC Hammock Aviation	29
A36 (S/N 1946, 2104, 2111 - 3635, except 3630) "Bonanza"	L	IO-550-B (TCM)	P4097757-51	D3A32C409/82NDB-2	80.0	78.5	30		13.7		28.8	D-7168 D-7168-2 D-5541 D-5259	P P,E P	C290D3/T23		29
A36 "Bonanza"	L	IO-550-B (TCM)	P4097757-52	D3A32C409/82NDB-2	80.0	78.5	30		13.7		28.8	D-5541	P		SA2200SW D'Shannon	29
A36 "Bonanza"	L	IO-550-B (TCM)	P4097757-51 P4097757-52	D3A32C409/82NDB-2	80.0	78.5	30		13.7		28.8	D-7168 D-5541 D-5259	P P P	C290D3/T23	SA09619SC Hammock Aviation	29
A36 "Bonanza"	L	IO-550-B (TCM)	P4097757-52	D3A32C409/82NDB-2	80.0	78.5	30		13.7		28.8				SA2682NM Flightcraft	29
A36 "Bonanza"	L	IO-550-B (STC)		D3A32C409/82NDB-2	80.0	78.0	30								SA5223NM Tornado Alley Turbo	29 93
A36 (S/N 1946, 2104, 2111 - 3635, except 3630) "Bonanza"	L	IO-550-B (TCM)		Hartzell - See note 22 in aircraft TCDS										C290D3/T23		
A36 (S/N 2581 and up) "Bonanza"	L	IO-550-B (TCM)		Hartzell - See aircraft TCDS										C290D3/T37		51
A36TC "Bonanza"	L	TSIO-520-U (TCM)	OBSOLETE	3A32C76/82NB-2	80.0	78.5	30		15.0		34.0	D-3584 D-3584-2	S S,E	C290D3/T23		1

Constant Speed Propeller Applications

Aircraft Model	T Y P E	Engine Model (Make)	Propeller Part Number	Propeller Model	Max Dia	Min Dia	Ref Sta	Rev Angle	Low or Flight Idle Angle	Latch or Start Locks Angle	High or Feather Angle	Spinner Assembly P/N	S p i n n e r T y p e	Governor Model	STC Number STC Holder STC Kit P/N	N o t e s
A36TC "Bonanza"	L	TSIO-520-U (TCM)	P4067482-51 P4067482-55	3A32C406/82NDB-4	78.0	77.0	30		15.8		34.9	D-5541 D-5259	P P		SA619CH D'Shannon	29
A36TC "Bonanza"	L	TSIO-520-U (TCM)		Hartzell - See aircraft TCDS										C290D3/T23		
A36TC "Bonanza"	L	TSIO-520-UB (TCM)	OBSOLETE	3A32C76/82NB-2	80.0	78.5	30		15.0		34.0	D-3584 D-3584-2	S S,E	C290D3/T23		1
A36TC "Bonanza"	L	TSIO-520-UB (TCM)	P4067482-51 P4067482-55	3A32C406/82NDB-4	78.0	77.0	30		15.8		34.9	D-5541 D-5259	P P		SA619CH D'Shannon	29
A36TC "Bonanza"	L	TSIO-520-UB (TCM)		Hartzell - See aircraft TCDS										C290D3/T23		
B36TC "Bonanza"	L	TSIO-520-UB (TCM)	P4067482-51	3A32C406/82NDB-4	78.0	77.0	30		15.8		34.9	D-7168 D-7168-2 D-5541 D-5259	P P,E P P	C290D3/T23		29
G36 "Bonanza"	L	IO-550-B (TCM)		Hartzell - See aircraft TCDS										C290D3/T23		
A45 "Mentor" "Military T-34A, B-45"	L	IO-520-B (TCM)	OBSOLETE	2A36C23/84B-0	84.0	82.0	30		13.0		29.2				SA1450SW Parks Industries	1
A45 "Mentor" "Military T-34A, B-45"	L	IO-520-B (TCM)	OBSOLETE	2A36C23/84B-0	84.0	82.0	30					D-3396	S		SA1864SW Nogle and Black Aviation	1
A45 "Mentor" "Military T-34A, B-45"	L	IO-520-B (TCM)	OBSOLETE	3A32C76/82NB-2	80.0	78.5	30					D-3584	S		SA1864SW Nogle and Black Aviation	1
A45 "Mentor" "Military T-34A, B-45"	L	IO-520-BA (TCM)	OBSOLETE	2A36C23/84B-0	84.0	82.0	30		13.0		29.2				SA1450SW Parks Industries	1
A45 "Mentor" "Military T-34A, B-45"	L	IO-520-BA (TCM)	OBSOLETE	2A36C23/84B-0	84.0	82.0	30					D-3396	S		SA1864SW Nogle and Black Aviation	1
A45 "Mentor" "Military T-34A, B-45"	L	IO-520-BA (TCM)	OBSOLETE	3A32C76/82NB-2	80.0	78.0	30		13.3		30.0				SA1450SW Parks Industries	1
A45 "Mentor" "Military T-34A, B-45"	L	IO-520-BA (TCM)	OBSOLETE	3A32C76/82NB-2	80.0	78.5	30					D-3584	S		SA1864SW Nogle and Black Aviation	1
A45 "Mentor" "Military T-34A, B-45"	L	IO-520-BB (TCM)	OBSOLETE	2A36C23/84B-0	84.0	82.0	30		13.0		29.2				SA1450SW Parks Industries	1
A45 "Mentor" "Military T-34A, B-45"	L	IO-520-BB (TCM)	OBSOLETE	2A36C23/84B-0	84.0	82.0	30					D-3396	S		SA1864SW Nogle and Black Aviation	1

Constant Speed Propeller Applications

Aircraft Model	T Y P E	Engine Model (Make)	Propeller Part Number	Propeller Model	Max Dia	Min Dia	Ref Sta	Rev Angle	Low or Flight Idle Angle	Latch or Start Locks Angle	High or Feather Angle	Spinner Assembly P/N	S p i n n e r	Governor Model	STC Number STC Holder STC Kit P/N	N o t e s
A45 "Mentor" "Military T-34A, B-45"	L	IO-520-BB (TCM)	OBSOLETE	3A32C76/82NB-2	80.0	78.5	30		13.3		30.0				SA1450SW Parks Industries	1
A45 "Mentor" "Military T-34A, B-45"	L	IO-520-BB (TCM)	OBSOLETE	3A32C76/82NB-2	80.0	78.5	30					D-3584	S		SA1864SW Nogle and Black Aviation	1
A45 "Mentor" "Military T-34A, B-45"	L	IO-520-BB (TCM)		3A32C406/82NDB-2	80.0		30					D-5259 D-5541	P P		SA1864SW Nogle and Black Aviation	29
A45 "Mentor" "Military T-34A, B-45"	L	IO-550-B (TCM)	P4097757-52	D3A32C409/82NDB-2	80.0	78.5	30		13.7		28.8	D-5541	P		SA1450SW Parks Industries	29
A45 "Mentor" "Military T-34A, B-45"	L	IO-550-B (TCM)		D3A32C409/82NDB-2	80.0	78.5	30					D-5259 D-5541	P P		SA1864SW Nogle and Black Aviation	29
D45 "Mentor" "Military T-34B"	L	IO-520-B (TCM)	OBSOLETE	2A36C23/84B-0	84.0	82.0	30		13.0		29.2				SA1450SW Parks Industries	1
D45 "Mentor" "Military T-34B"	L	IO-520-B (TCM)	OBSOLETE	2A36C23/84B-0	84.0	82.0	30					D-3396	S		SA1864SW Nogle and Black Aviation	1
D45 "Mentor" "Military T-34B"	L	IO-520-B (TCM)	OBSOLETE	3A32C76/82NB-2	80.0	78.5	30					D-3584	S		SA1864SW Nogle and Black Aviation	1
D45 "Mentor" "Military T-34B"	L	IO-520-BA (TCM)	OBSOLETE	2A36C23/84B-0	84.0	82.0	30		13.0		29.2				SA1450SW Parks Industries	1
D45 "Mentor" "Military T-34B"	L	IO-520-BA (TCM)	OBSOLETE	2A36C23/84B-0	84.0	82.0	30					D-3396	S		SA1864SW Nogle and Black Aviation	1
D45 "Mentor" "Military T-34B"	L	IO-520-BA (TCM)	OBSOLETE	3A32C76/82NB-2	80.0	78.0	30		13.3		30.0				SA1450SW Parks Industries	1
D45 "Mentor" "Military T-34B"	L	IO-520-BA (TCM)	OBSOLETE	3A32C76/82NB-2	80.0	78.5	30					D-3584	S		SA1864SW Nogle and Black Aviation	1
D45 "Mentor" "Military T-34B"	L	IO-520-BB (TCM)	OBSOLETE	2A36C23/84B-0	84.0	82.0	30		13.0		29.2				SA1450SW Parks Industries	1
D45 "Mentor" "Military T-34B"	L	IO-520-BB (TCM)	OBSOLETE	2A36C23/84B-0	84.0	82.0	30					D-3396	S		SA1864SW Nogle and Black Aviation	1

Constant Speed Propeller Applications

Aircraft Model	T Y P E	Engine Model (Make)	Propeller Part Number	Propeller Model	Max Dia	Min Dia	Ref Sta	Rev Angle	Low or Flight Idle Angle	Latch or Start Locks Angle	High or Feather Angle	Spinner Assembly P/N	S p i n n e r T y p e	Governor Model	STC Number STC Holder STC Kit P/N	N o t e s
D45 "Mentor" "Military T-34B"	L	IO-520-BB (TCM)	OBSOLETE	3A32C76/82NB-2	80.0	78.5	30		13.3		30.0				SA1450SW Parks Industries	1
D45 "Mentor" "Military T-34B"	L	IO-520-BB (TCM)	OBSOLETE	3A32C76/82NB-2	80.0	78.5	30					D-3584	S		SA1864SW Nogle and Black Aviation	1
D45 "Mentor" "Military T-34B"	L	IO-520-BB (TCM)		3A32C406/82NDB-2	80.0		30					D-5259 D-5541	P P		SA1864SW Nogle and Black Aviation	29
D45 "Mentor" "Military T-34B"	L	IO-550-B (TCM)	P4097757-52	D3A32C409/82NDB-2	80.0	78.5			13.7		28.8	D-5541	P		SA1450SW Parks Industries	29
D45 "Mentor" "Military T-34B"	L	IO-550-B (TCM)		D3A32C409/82NDB-2	80.0	78.5	30					D-5259 D-5541	P P		SA1864SW Nogle and Black Aviation	29
B50 "Twin Bonanza" "Military L-23B"	L	GO-480-G2D6 (LY)	P5247549-01 P5247549-0182	3AF32C524/90UMB-0	90.0	88.0	30		13.0	16.8	82.6	D-5215	P P,A		SA00860CH McCauley PL60236 PL60237	
B50 "Twin Bonanza" "Military L-23B"	L	GO-480-G2F6 (LY)	P5247549-01 P5247549-0182	3AF32C524/90UMB-0	90.0	88.0	30		13.0	16.8	82.6	D-5215	P P,A		SA00860CH McCauley PL60236 PL60237	
C50 "Twin Bonanza"	L	GO-480-G2D6 (LY)	P5247549-01 P5247549-0182	3AF32C524/90UMB-0	90.0	88.0	30		13.0	16.8	82.6	D-5215	P P,A		SA00860CH McCauley PL60236 PL60237	
C50 "Twin Bonanza"	L	GO-480-G2F6 (LY)	P5247549-01 P5247549-0182	3AF32C524/90UMB-0	90.0	88.0	30		13.0	16.8	82.6	D-5215	P P,A		SA00860CH McCauley PL60236 PL60237	
D50 "Twin Bonanza" "Military L-23E"	L	GO-480-C2C6 (LY)	P5247549-01 P5247549-0182	3AF32C524/90UMB-0	90.0	88.0	30		13.0	16.8	82.6	D-5215	P P,A		SA00860CH McCauley PL60236 PL60237	
D50 "Twin Bonanza" "Military L-23E"	L	GO-480-C2D6 (LY)	P5247549-01 P5247549-0182	3AF32C524/90UMB-0	90.0	88.0	30		13.0	16.8	82.6	D-5215	P P,A		SA00860CH McCauley PL60236 PL60237	
D50 "Twin Bonanza" "Military L-23E"	L	GO-480-G2D6 (LY)	P5247549-01 P5247549-0182	3AF32C524/90UMB-0	90.0	88.0	30		13.0	16.8	82.6	D-5215	P P,A		SA00860CH McCauley PL60236 PL60237	

Constant Speed Propeller Applications

Aircraft Model	T Y P E	Engine Model (Make)	Propeller Part Number	Propeller Model	Max Dia	Min Dia	Ref Sta	Rev Angle	Low or Flight Idle Angle	Latch or Start Locks Angle	High or Feather Angle	Spinner Assembly P/N	S p i n n e r T y p e	Governor Model	STC Number STC Holder STC Kit P/N	N o t e s
D50A "Twin Bonanza"	L	GO-480-G2D6 (LY)	P5247549-01 P5247549-0182	3AF32C524/90UMB-0	90.0	88.0	30		13.0	16.8	82.6	D-5215	P P,A		SA00860CH McCauley PL60236 PL60237	
D50B "Twin Bonanza"	L	GO-480-G2D6 (LY)	P5247549-01 P5247549-0182	3AF32C524/90UMB-0	90.0	88.0	30		13.0	16.8	82.6	D-5215	P P,A		SA00860CH McCauley PL60236 PL60237	
D50C "Twin Bonanza"	L	GO-480-G2D6 (LY)	P5247549-01 P5247549-0182	3AF32C524/90UMB-0	90.0	88.0	30		13.0	16.8	82.6	D-5215	P P,A		SA00860CH McCauley PL60236 PL60237	
D50E "Twin Bonanza"	L	GO-480-G2F6 (LY)	P5247549-01 P5247549-0182	3AF32C524/90UMB-0	90.0	88.0	30		13.0	16.8	82.6	D-5215	P P,A		SA00860CH McCauley PL60236 PL60237	
95-55 "Baron"	L	IO-470-L (TCM)	OBSOLETE	2AF36C39/78BFM-0	78.0	76.0	30		14.6	18.2	83.0	D-2802 D-2749	S,A S			1
95-55 "Baron"	L	IO-470-L (TCM)	OBSOLETE	2AF34C55/78FF-0	78.0	76.0	30		15.0	19.3	79.0	D-3831-1 D-2802-1 D-2749-1	S,A S,A S			1
95-55 "Baron"	L	IO-470-L (TCM)	OBSOLETE	2AF36C89/78BFS-0	78.0	76.0	30		15.0	19.3	79.0	D-2802 D-2749	S,A S			1
95-55 "Baron"	L	IO-470-L (TCM)	OBSOLETE	3AF32C75/82NB-6	76.0		30		14.0	17.1	81.2	D-3499 D-3605	S,E S,A		SA2882WE US Prop of Connecticut	1
95-55 "Baron"	L	IO-470-L (TCM)	P5045186-10 P5045186-1081 P5045186-1052	3AF32C504/82NEA-4	78.0	76.0	30		12.5	16.3	81.3	D-7777	P P,A P,E		SA01848CH McCauley PL60340 PL60341 PL60342	
95-55 "Baron"	L	IO-470-L-MOD (STC)	OBSOLETE	2AF34C55/78FF-0	78.0	76.0	30		15.0	16.3	79.0				SA02262CH Chuck Ney Enterprises	1
95-55 "Baron"	L	IO-470-L-MOD (STC)	OBSOLETE	3AF32C75/82NB-6	76.0	76.0	30		14.0	16.3	81.2				SA02262CH Chuck Ney Enterprises	1
95-55 "Baron"	L	IO-470-L-MOD (STC)		3AF32C504/82NEA-4	78.0	76.5	30		14.2	16.3	81.2	D-7777	P,A,E		SA02262CH Chuck Ney Enterprises	
95-55 "Baron"	L	IO-520-E (TCM)		Hartzell										DFCUS290D9/T10	SA432SO Mike Jones Aircraft Sales	128

Constant Speed Propeller Applications

Aircraft Model	T Y P E	Engine Model (Make)	Propeller Part Number	Propeller Model	Max Dia	Min Dia	Ref Sta	Rev Angle	Low or Flight Idle Angle	Latch or Start Locks Angle	High or Feather Angle	Spinner Assembly P/N	S p i n n e r T y p e	Governor Model	STC Number STC Holder STC Kit P/N	N o t e s
95-55 "Baron"	L	IO-550-E (TCM)		Hartzell										DCFUS290D9/T10	SA432SO Mike Jones Aircraft Sales	128
95-A55 "Baron"	L	IO-470-L (TCM)	OBSOLETE	2AF36C39/78BFM-0	78.0	76.0	30		14.6	18.2	83.0	D-2802 D-2749	S,A S			1
95-A55 "Baron"	L	IO-470-L (TCM)	OBSOLETE	2AF34C55/78FF-0	78.0	76.0	30		15.0	19.3	79.0	D-3831-1 D-2802-1 D-2749-1	S,A S,A S			1
95-A55 "Baron"	L	IO-470-L (TCM)	OBSOLETE	2AF36C89/78BFS-0	78.0	76.0	30		15.0	19.3	79.0	D-2802 D-2749	S,A S			1
95-A55 "Baron"	L	IO-470-L (TCM)	OBSOLETE	3AF32C75/82NB-6	76.0		30		14.0	17.1	81.2	D-3499 D-3605	S,E S,A		SA2882WE US Prop of Connecticut	1
95-A55 "Baron"	L	IO-470-L (TCM)	P5045186-10 P5045186-1081 P5045186-1052	3AF32C504/82NEA-4	78.0	76.0	30		12.5	16.3	81.3	D-7777	P P,A P,E		SA01848CH McCauley PL60340 PL60341 PL60342	
95-A55 "Baron"	L	IO-470-L-MOD (STC)	OBSOLETE	2AF34C55/78FF-0	78.0	76.0	30		15.0	16.3	79.0				SA02262CH Chuck Ney Enterprises	1
95-A55 "Baron"	L	IO-470-L-MOD (STC)	OBSOLETE	3AF32C75/82NB-6	76.0	76.0	30		14.0	16.3	81.2				SA02262CH Chuck Ney Enterprises	1
95-A55 "Baron"	L	IO-470-L-MOD (STC)		3AF32C504/82NEA-4	78.0	76.5	30		14.2	16.3	81.2	D-7777	P,A,E		SA02262CH Chuck Ney Enterprises	
95-A55 "Baron"	L	IO-520-E (TCM)		Hartzell										DFCUS290D9/T10	SA432SO Mike Jones Aircraft Sales	128
95-A55 "Baron"	L	IO-550-E (TCM)		Hartzell										DCFUS290D9/T10	SA432SO Mike Jones Aircraft Sales	128
95-B55 "Baron"	L	IO-470-L (TCM)	OBSOLETE	2AF34C55/78FF-0	78.0	76.0	30		15.0	19.3	79.0	D-3831-1 D-3462 D-3420 D-3404-3 D-2802-1 D-2749-1	S,A S,A S S,E S,A S			1 44
95-B55 "Baron"	L	IO-470-L (TCM)	OBSOLETE	3AF32C75/82NB-6	76.0		30		14.0	17.1	81.2	D-3499 D-3605	S,E S,A		SA2882WE US Prop of Connecticut	1

Constant Speed Propeller Applications

Aircraft Model	T Y P E	Engine Model (Make)	Propeller Part Number	Propeller Model	Max Dia	Min Dia	Ref Sta	Rev Angle	Low or Flight Idle Angle	Latch or Start Locks Angle	High or Feather Angle	Spinner Assembly P/N	S p i n n e r T y p e	Governor Model	STC Number STC Holder STC Kit P/N	N o t e s
95-B55 "Baron"	L	IO-470-L (TCM)	P5045186-10 P5045186-1081 P5045186-1052	3AF32C504/82NEA-4	78.0	76.0	30		12.5	16.3	81.3	D-7777	P P,A P,E		SA01848CH McCauley PL60340 PL60341 PL60342	
95-B55 "Baron"	L	IO-470-L-MOD (STC)	OBSOLETE	2AF34C55/78FF-0	78.0	76.0	30		15.0	16.3	79.0				SA02262CH Chuck Ney Enterprises	1
95-B55 "Baron"	L	IO-470-L-MOD (STC)	OBSOLETE	3AF32C75/82NB-6	76.0	76.0	30		14.0	16.3	81.2				SA02262CH Chuck Ney Enterprises	1
95-B55 "Baron"	L	IO-470-L-MOD (STC)		3AF32C504/82NEA-4	78.0	76.5	30		14.2	16.3	81.2	D-7777	P,A,E		SA02262CH Chuck Ney Enterprises	
95-B55 "Baron"	L	IO-520-E (TCM)		Hartzell										DFCUS290D9/T10	SA432SO Mike Jones Aircraft Sales	128
95-B55 "Baron"	L	IO-550-E (TCM)		Hartzell										DCFUS290D9/T10	SA432SO Mike Jones Aircraft Sales	128
95-B55A "Baron"	L	IO-470-L (TCM)	OBSOLETE	2AF34C55/78FF-0	78.0	76.0	30		15.0	19.3	79.0	D-3831-1 D-3462 D-3420 D-3404-3 D-2802-1 D-2749-1	S,A S,A S S,E S,A S			1 44
95-B55A "Baron"	L	IO-470-L (TCM)	OBSOLETE	3AF32C75/82NB-6	76.0		30		14.0	17.1	81.2	D-3499 D-3605	S,E S,A		SA2882WE US Prop of Connecticut	1
95-B55A "Baron"	L	IO-470-L (TCM)	P5045186-10 P5045186-1081 P5045186-1052	3AF32C504/82NEA-4	78.0	76.0	30		12.5	16.3	81.3	D-7777	P P,A P,E		SA01848CH McCauley PL60340 PL60341 PL60342	
95-B55A "Baron"	L	IO-520-E (TCM)		Hartzell										DFCUS290D9/T10	SA432SO Mike Jones Aircraft Sales	128
95-B55A "Baron"	L	IO-550-E (TCM)		Hartzell										DCFUS290D9/T10	SA432SO Mike Jones Aircraft Sales	128

Constant Speed Propeller Applications

Aircraft Model	T Y P E	Engine Model (Make)	Propeller Part Number	Propeller Model	Max Dia	Min Dia	Ref Sta	Rev Angle	Low or Flight Idle Angle	Latch or Start Locks Angle	High or Feather Angle	Spinner Assembly P/N	S p i n n e r T y p e	Governor Model	STC Number STC Holder STC Kit P/N	N o t e s
95-B55B "Baron" "USAF T-42A"	L	IO-470-L (TCM)	OBSOLETE	2AF34C55/78FF-0	78.0	76.0	30		15.0	19.3	79.0	D-3831-1 D-3462 D-3420 D-3404-3 D-2802-1 D-2749-1	S,A S,A S S,E S,A S			1
95-B55B "Baron" "USAF T-42A"	L	IO-470-L (TCM)	OBSOLETE	3AF32C75/82NB-6	76.0		30		14.0	17.1	81.2	D-3499 D-3605	S,E S,A		SA2882WE US Prop of Connecticut	1
95-B55B "Baron" "USAF T-42A"	L	IO-470-L (TCM)	P5045186-10 P5045186-1081 P5045186-1052	3AF32C504/82NEA-4	78.0	76.0	30		12.5	16.3	81.3	D-7777	P P,A P,E		SA01848CH McCauley PL60340 PL60341 PL60342	
95-B55B "Baron" "USAF T-42A"	L	IO-520-E (TCM)		Hartzell										DFCUS290D9/T10	SA432SO Mike Jones Aircraft Sales	128
95-B55B "Baron" "USAF T-42A"	L	IO-550-E (TCM)		Hartzell										DCFUS290D9/T10	SA432SO Mike Jones Aircraft Sales	128
95-C55 "Baron"	L	IO-520-C (TCM)	OBSOLETE	2AF34C55/78FF-0	78.0	76.0	30		15.0	19.3	79.0	D-3462 D-3420 D-3404-3	S,A S S,E			1
95-C55 "Baron"	L	IO-520-C (TCM)	OBSOLETE	3AF32C75/82NB-6	76.0	76.0	30		14.0	17.3	81.2	D-3605 D-3499	S,A S,E			1
95-C55 "Baron"	L	IO-520-C (TCM)	P5045186-03 P5045186-0352 P5045186-0381	3AF32C504/82NEA-5.5	76.5	76.0	30		14.2	17.3	81.2	D-5215	P,E		SA00616AT Mike Jones Aircraft Sales	
95-C55 "Baron"	L	IO-520-CB (TCM)	OBSOLETE	2AF34C55/78FF-0	78.0	76.0	30		15.0	19.3	79.0	D-3462 D-3420 D-3404-3	S,A S S,E			1
95-C55 "Baron"	L	IO-520-CB (TCM)	OBSOLETE	3AF32C75/82NB-6	76.0	76.0	30		14.0	17.3	81.2	D-3605 D-3499	S,A S,E			1
95-C55 "Baron"	L	IO-520-CB (TCM)	P5045186-03 P5045186-0352 P5045186-0381	3AF32C504/82NEA-5.5	76.5	76.0	30		14.2	17.3	81.2	D-5215	P,E		SA00616AT Mike Jones Aircraft Sales	
95-C55 "Baron"	L	IO-550-C (TCM)	P5045186-03 P5045186-0352 P5045186-0381	3AF32C504/82NEA-5.5	76.5	76.0	30		14.2	17.3	81.2	D-5215	P,E	DCFUS290D9/T3	SA1762SO Mike Jones Aircraft Sales	128
95-C55 "Baron"	L	IO-550-C (TCM)	P5125358-01	3AF32C512/82NEA-5	77.0	76.5	30		15.2	18.5	82.4				SA3845SW D'Shannon	

Constant Speed Propeller Applications

Aircraft Model	T Y P E	Engine Model (Make)	Propeller Part Number	Propeller Model	Max Dia	Min Dia	Ref Sta	Rev Angle	Low or Flight Idle Angle	Latch or Start Locks Angle	High or Feather Angle	Spinner Assembly P/N	S p i n n e r	Governor Model	STC Number STC Holder STC Kit P/N	N o t e s
95-C55A "Baron"	L	IO-520-C (TCM)	OBSOLETE	2AF34C55/78FF-0	78.0	76.0	30		15.0	19.3	79.0	D-3462 D-3420 D-3404-3	S,A S S,E			1
95-C55A "Baron"	L	IO-520-C (TCM)	OBSOLETE	3AF32C75/82NB-6	76.0	76.0	30		14.0	17.3	81.2	D-3605 D-3499	S,A S,E			1
95-C55A "Baron"	L	IO-520-C (TCM)	P5045186-03 P5045186-0352 P5045186-0381	3AF32C504/82NEA-5.5	76.5	76.0	30		14.2	17.3	81.2	D-5215	P,E		SA00616AT Mike Jones Aircraft Sales	
95-C55A "Baron"	L	IO-520-CB (TCM)	OBSOLETE	2AF34C55/78FF-0	78.0	76.0	30		15.0	19.3	79.0	D-3462 D-3420 D-3404-3	S,A S S,E			1
95-C55A "Baron"	L	IO-520-CB (TCM)	OBSOLETE	3AF32C75/82NB-6	76.0	76.0	30		14.0	17.3	81.2	D-3605 D-3499	S,A S,E			1
95-C55A "Baron"	L	IO-520-CB (TCM)	P5045186-03 P5045186-0352 P5045186-0381	3AF32C504/82NEA-5.5	76.5	76.0	30		14.2	17.3	81.2	D-5215	P,E		SA00616AT Mike Jones Aircraft Sales	
D55 "Baron"	L	IO-520-C (TCM)	OBSOLETE	2AF34C55/78FF-0	78.0	76.0	30		15.0	19.3	79.0	D-3462 D-3420 D-3404-3	S,A S S,E			1
D55 "Baron"	L	IO-520-C (TCM)	OBSOLETE	3AF32C75/82NB-6	76.0	76.0	30		14.0	17.3	81.2	D-3605 D-3499	S,A S,E			1
D55 "Baron"	L	IO-520-C (TCM)	P5045186-03 P5045186-0352 P5045186-0381	3AF32C504/82NEA-5.5	76.5	76.0	30		14.2	17.3	81.2	D-5215	P,E		SA00616AT Mike Jones Aircraft Sales	
D55 "Baron"	L	IO-520-CB (TCM)	OBSOLETE	2AF34C55/78FF-0	78.0	76.0	30		15.0	19.3	79.0	D-3462 D-3420 D-3404-3	S,A S S,E			1
D55 "Baron"	L	IO-520-CB (TCM)	OBSOLETE	3AF32C75/82NB-6	76.0	76.0	30		14.0	17.3	81.2	D-3605 D-3499	S,A S,E			1
D55 "Baron"	L	IO-520-CB (TCM)	P5045186-03 P5045186-0352 P5045186-0381	3AF32C504/82NEA-5.5	76.5	76.0	30		14.2	17.3	81.2	D-5215	P,E		SA00616AT Mike Jones Aircraft Sales	
D55 "Baron"	L	IO-550-C (TCM)	P5045186-03 P5045186-0352 P5045186-0381	3AF32C504/82NEA-5.5	76.5	76.0	30		14.2	17.3	81.2	D-5215	P,E	DCFUS290D9/T3	SA1762SO Mike Jones Aircraft Sales	128
D55 "Baron"	L	IO-550-C (TCM)	P5125358-01	3AF32C512/82NEA-5	77.0	76.5	30		15.2	18.5	82.4				SA3845SW D'Shannon	
D55A "Baron"	L	IO-520-C (TCM)	OBSOLETE	2AF34C55/78FF-0	78.0	76.0	30		15.0	19.3	79.0	D-3462 D-3420 D-3404-3	S,A S S,E			1

Constant Speed Propeller Applications

Aircraft Model	TYPE	Engine Model (Make)	Propeller Part Number	Propeller Model	Max Dia	Min Dia	Ref Sta	Rev Angle	Low or Flight Idle Angle	Latch or Start Locks Angle	High or Feather Angle	Spinner Assembly P/N	Spinner Type	Governor Model	STC Number STC Holder STC Kit P/N	Notes
D55A "Baron"	L	IO-520-C (TCM)	OBSOLETE	3AF32C75/82NB-6	76.0	76.0	30		14.0	17.3	81.2	D-3605 D-3499	S,A S,E			1
D55A "Baron"	L	IO-520-C (TCM)	P5045186-03 P5045186-0352 P5045186-0381	3AF32C504/82NEA-5.5	76.5	76.0	30		14.2	17.3	81.2	D-5215	P,E		SA00616AT Mike Jones Aircraft Sales	
D55A "Baron"	L	IO-520-CB (TCM)	OBSOLETE	2AF34C55/78FF-0	78.0	76.0	30		15.0	19.3	79.0	D-3462 D-3420 D-3404-3	S,A S S,E			1
D55A "Baron"	L	IO-520-CB (TCM)	OBSOLETE	3AF32C75/82NB-6	76.0	76.0	30		14.0	17.3	81.2	D-3605 D-3499	S,A S,E			1
D55A "Baron"	L	IO-520-CB (TCM)	P5045186-03 P5045186-0352 P5045186-0381	3AF32C504/82NEA-5.5	76.5	76.0	30		14.2	17.3	81.2	D-5215	P,E		SA00616AT Mike Jones Aircraft Sales	
E55 "Baron"	L	IO-520-C (TCM)	OBSOLETE	2AF34C55/78FF-0	78.0	76.0	30		15.0	19.3	79.0	D-3462 D-3420 D-3404-3	S,A S S,E			1 45
E55 "Baron"	L	IO-520-C (TCM)	OBSOLETE	3AF32C75/82NB-6	76.0	76.0	30		14.0	17.3	81.2	D-3605 D-3499	S,A S,E			1 45
E55 "Baron"	L	IO-520-C (TCM)	P5045186-03 P5045186-0352 P5045186-0381	3AF32C504/82NEA-5.5	76.5	76.0	30		14.2	17.3	81.2	D-5215	P,E		SA00616AT Mike Jones Aircraft Sales	
E55 "Baron"	L	IO-520-CB (TCM)	OBSOLETE	2AF34C55/78FF-0	78.0	76.0	30		15.0	19.3	79.0	D-3462 D-3420 D-3404-3	S,A S S,E			1 45
E55 "Baron"	L	IO-520-CB (TCM)	OBSOLETE	3AF32C75/82NB-6	76.0	76.0	30		14.0	17.3	81.2	D-3605 D-3499	S,A S,E			1 45
E55 "Baron"	L	IO-520-CB (TCM)	P5045186-03 P5045186-0352 P5045186-0381	3AF32C504/82NEA-5.5	76.5	76.0	30		14.2	17.3	81.2	D-5215	P,E		SA00616AT Mike Jones Aircraft Sales	
E55 "Baron"	L	IO-550-C (TCM)	P5045186-03 P5045186-0352 P5045186-0381	3AF32C504/82NEA-5.5	76.5	76.0	30		14.2	17.3	81.2	D-5215	P,E	DCFUS290D9/T3	SA1762SO Mike Jones Aircraft Sales	128
E55 "Baron"	L	IO-550-C (TCM)	P5125358-01	3AF32C512/82NEA-5	77.0	76.5	30		15.2	18.5	82.4				SA3845SW D'Shannon	
E55A "Baron"	L	IO-520-C (TCM)	OBSOLETE	2AF34C55/78FF-0	78.0	76.0	30		15.0	19.3	79.0	D-3462 D-3420 D-3404-3	S,A S S,E			1 45
E55A "Baron"	L	IO-520-C (TCM)	OBSOLETE	3AF32C75/82NB-6	76.0	76.0	30		14.0	17.3	81.2	D-3605 D-3499	S,A S,E			1 45

Constant Speed Propeller Applications

Aircraft Model	T Y P E	Engine Model (Make)	Propeller Part Number	Propeller Model	Max Dia	Min Dia	Ref Sta	Rev Angle	Low or Flight Idle Angle	Latch or Start Locks Angle	High or Feather Angle	Spinner Assembly P/N	S p i n n e r T y p e	Governor Model	STC Number STC Holder STC Kit P/N	N o t e s
E55A "Baron"	L	IO-520-C (TCM)	P5045186-03 P5045186-0352 P5045186-0381	3AF32C504/82NEA-5.5	76.5	76.0	30		14.2	17.3	81.2	D-5215	P,E		SA00616AT Mike Jones Aircraft Sales	
E55A "Baron"	L	IO-520-CB (TCM)	OBSOLETE	2AF34C55/78FF-0	78.0	76.0	30		15.0	19.3	79.0	D-3462 D-3420 D-3404-3	S,A S S,E			1 45
E55A "Baron"	L	IO-520-CB (TCM)	OBSOLETE	3AF32C75/82NB-6	76.0	76.0	30		14.0	17.3	81.2	D-3605 D-3499	S,A S,E			1 45
E55A "Baron"	L	IO-520-CB (TCM)	P5045186-03 P5045186-0352 P5045186-0381	3AF32C504/82NEA-5.5	76.5	76.0	30		14.2	17.3	81.2	D-5215	P,E		SA00616AT Mike Jones Aircraft Sales	
58 (S/N TH-1 - TH-1395, except TH-1389) "Baron"	L	IO-520-C (TCM)	OBSOLETE	D2AF34C30/78FF-0	78.0	76.0	30		15.0	19.3	79.0	D-4046 D-3953	S,A S			1 46
58 (S/N TH-1 - TH-1395, except TH-1389) "Baron"	L	IO-520-C (TCM)	OBSOLETE	D3AF32C35/82NB-6	76.0	76.0	30		14.0	17.3	81.2	D-4069 D-4068	S,A S			1 46
58 "Baron"	L	IO-520-C (TCM)	P5125358-03 P5125358-0352 P5125358-0381	3AF32C512/82NEA-5	77.0	76.5	30		14.2	17.5	82.4	D-60119 D-60121	WAC NAC		SA00616AT Mike Jones Aircraft Sales	
58 (S/N TH-1 - TH-1395, except TH-1389) "Baron"	L	IO-520-CB (TCM)	OBSOLETE	D2AF34C30/78FF-0	78.0	76.0	30		15.0	19.3	79.0	D-4046 D-3953	S,A S			1 46
58 (S/N TH-1 - TH-1395, except TH-1389) "Baron"	L	IO-520-CB (TCM)	OBSOLETE	D3AF32C35/82NB-6	76.0	76.0	30		14.0	17.3	81.2	D-4069 D-4068	S,A S			1 46
58 "Baron"	L	IO-520-CB (TCM)	P5125358-03 P5125358-0352 P5125358-0381	3AF32C512/82NEA-5	77.0	76.5	30		14.2	17.5	82.4	D-60119 D-60121	WAC NAC		SA00616AT Mike Jones Aircraft Sales	
58 (S/N TH-1389, TH-1396 and up) "Baron"	L	IO-550-C (TCM)	P5125358-01 P5125358-0152 P5125358-08 P5125358-0852	3AF32C512/82NEA-5	77.0	76.5	30		15.2	18.5	82.4	D-5309 D-5310	E,P, NAC E,P, WAC			
58 "Baron"	L	IO-550-C (TCM)	P5125358-01 P5125358-0152	3AF32C512/82NEA-5	77.0	76.5	30		15.2	18.5	82.4	D-60119 D-60121	WAC NAC	DCFUS290D9/T3	SA1762SO Mike Jones Aircraft Sales	128
58 "Baron"	L	IO-550-C (TCM)	P5125358-01	3AF32C512/82NEA-5	77.0	76.5	30		15.2	18.5	82.4				SA3845SW D'Shannon	

Constant Speed Propeller Applications

Aircraft Model	T Y P E	Engine Model (Make)	Propeller Part Number	Propeller Model	Max Dia	Min Dia	Ref Sta	Rev Angle	Low or Flight Idle Angle	Latch or Start Locks Angle	High or Feather Angle	Spinner Assembly P/N	S p i n n e r	Governor Model	STC Number STC Holder STC Kit P/N	N o t e s
58A (S/N TH-1 - TH-1395, except TH-1389) "Baron"	L	IO-520-C (TCM)	OBSOLETE	D2AF34C30/78FF-0	78.0	76.0	30		15.0	19.3	79.0	D-4046 D-3953	S,A S			1 46
58A (S/N TH-1 - TH-1395, except TH-1389) "Baron"	L	IO-520-C (TCM)	OBSOLETE	D3AF32C35/82NB-6	76.0	76.0	30		14.0	17.3	81.2	D-4069 D-4068	S,A S			1 46
58A "Baron"	L	IO-520-C (TCM)	P5125358-03 P5125358-0352 P5125358-0381	3AF32C512/82NEA-5	77.0	76.5	30		14.2	17.5	82.4	D-60119 D-60121	WAC NAC		SA00616AT Mike Jones Aircraft Sales	
58A (S/N TH-1 - TH-1395, except TH-1389) "Baron"	L	IO-520-CB (TCM)	OBSOLETE	D2AF34C30/78FF-0	78.0	76.0	30		15.0	19.3	79.0	D-4046 D-3953	S,A S			1 46
58A (S/N TH-1 - TH-1395, except TH-1389) "Baron"	L	IO-520-CB (TCM)	OBSOLETE	D3AF32C35/82NB-6	76.0	76.0	30		14.0	17.3	81.2	D-4069 D-4068	S,A S			1 46
58A "Baron"	L	IO-520-CB (TCM)	P5125358-03 P5125358-0352 P5125358-0381	3AF32C512/82NEA-5	77.0	76.5	30		14.2	17.5	82.4	D-60119 D-60121	WAC NAC		SA00616AT Mike Jones Aircraft Sales	
58A (S/N TH-1389, TH-1396 and up) "Baron"	L	IO-550-C (TCM)	P5125358-01 P5125358-0152 P5125358-08 P5125358-0852	3AF32C512/82NEA-5	77.0	76.5	30		15.2	18.5	82.4	D-5309 D-5310	E,P, NAC E,P, WAC			
58A "Baron"	L	IO-550-C (TCM)	P5125358-01 P5125358-0152	3AF32C512/82NEA-5	77.0	76.5	30		15.2	18.5	82.4	D-60119 D-60121	WAC NAC	DCFUS290D9/T3	SA1762SO Mike Jones Aircraft Sales	128
58A "Baron"	L	IO-550-C (TCM)	P5125358-01	3AF32C512/82NEA-5	77.0	76.5	30		15.2	18.5	82.4				SA3845SW D'Shannon	
58P (S/N TJ-169 - TJ-435, TJ-437 - TJ-443) "Pressurized Baron"	L	TSIO-520-WB (TCM)	P5115358-01	3AF32C511/82NEA-4	78.0	77.5	30		16.1	19.4	82.5	D-5311	P			
58P (S/N TJ-436, TJ-444 and up) "Pressurized Baron"	L	TSIO-520-WB (TCM)	P5115358-01 P5115358-0152	3AF32C511/82NEA-4	78.0	77.5	30		16.1	19.4	82.5	D-5311	P,E			
58P "Pressurized Baron"	L	TSIO-520-WB (TCM)	P5215358-01 P5215358-0118 P5215358-0152	3AF32C521/82NLA-4	78.0	77.0	30		14.0	17.3	82.2	D-5311	P,E		SA09022SC-D Ram Aircraft	120

Constant Speed Propeller Applications

Aircraft Model	T Y P E	Engine Model (Make)	Propeller Part Number	Propeller Model	Max Dia	Min Dia	Ref Sta	Rev Angle	Low or Flight Idle Angle	Latch or Start Locks Angle	High or Feather Angle	Spinner Assembly P/N	S p i n n e r	Governor Model	STC Number STC Holder STC Kit P/N	N o t e s
58PA (S/N TJ-169 - TJ-435, TJ-437 - TJ-443) "Pressurized Baron"	L	TSIO-520-WB (TCM)	P5115358-01	3AF32C511/82NEA-4	78.0	77.5	30		16.1	19.4	82.5	D-5311	P			
58PA (S/N TJ-436, TJ-444 and up) "Pressurized Baron"	L	TSIO-520-WB (TCM)	P5115358-01 P5115358-0152	3AF32C511/82NEA-4	78.0	77.5	30		16.1	19.4	82.5	D-5311	P,E			
58PA "Pressurized Baron"	L	TSIO-520-WB (TCM)	P5215358-01 P5215358-0118 P5215358-0152	3AF32C521/82NLA-4	78.0	77.0	30		14.0	17.3	82.2	D-5311	P,E		SA09022SC-D Ram Aircraft	120
58TC (S/N TK-1 - TK-84) "Turbocharged Baron"	L	TSIO-520-L (TCM)	P5115358-01	3AF32C511/82NEA-4	78.0	77.5	30		16.1	19.4	82.5	D-5311	P			
58TC (S/N TK-1 - TK-84) "Turbocharged Baron"	L	TSIO-520-LB (TCM)	P5115358-01	3AF32C511/82NEA-4	78.0	77.5	30		16.1	19.4	82.5	D-5311	P			
58TC "Turbocharged Baron"	L	TSIO-520-LB (TCM)	P5215358-01 P5215358-0118 P5215358-0152	3AF32C521/82NLA-4	78.0	77.0	30		14.0	17.3	82.2	D-5311	P,E		SA09022SC-D Ram Aircraft	120
58TC (S/N TK-85 - TK-146, TK-148 - TK-150) "Turbocharged Baron"	L	TSIO-520-WB (TCM)	P5115358-01	3AF32C511/82NEA-4	78.0	77.5	30		16.1	19.4	82.5	D-5311	P			
58TC (S/N TK-147, TK-151 and up) "Turbocharged Baron"	L	TSIO-520-WB (TCM)	P5115358-01 P5115358-0152	3AF32C511/82NEA-4	78.0	77.5	30		16.1	19.4	82.5	D-5311	P,E			
58TC "Turbocharged Baron"	L	TSIO-520-WB (TCM)	P5215358-01 P5215358-0118 P5215358-0152	3AF32C521/82NLA-4	78.0	77.0	30		14.0	17.3	82.2	D-5311	P,E		SA09022SC-D Ram Aircraft	120
58TCA (S/N TK-1 - TK-84) "Turbocharged Baron"	L	TSIO-520-L (TCM)	P5115358-01	3AF32C511/82NEA-4	78.0	77.5	30		16.1	19.4	82.5	D-5311	P			
58TCA (S/N TK-1 - TK-84) "Turbocharged Baron"	L	TSIO-520-LB (TCM)	P5115358-01	3AF32C511/82NEA-4	78.0	77.5	30		16.1	19.4	82.5	D-5311	P			
58TCA "Turbocharged Baron"	L	TSIO-520-LB (TCM)	P5215358-01 P5215358-0118 P5215358-0152	3AF32C521/82NLA-4	78.0	77.0	30		14.0	17.3	82.2	D-5311	P,E		SA09022SC-D Ram Aircraft	120
58TCA (S/N TK-85 - TK-146, TK-148 - TK-150) "Turbocharged Baron"	L	TSIO-520-WB (TCM)	P5115358-01	3AF32C511/82NEA-4	78.0	77.5	30		16.1	19.4	82.5	D-5311	P			

Constant Speed Propeller Applications

Aircraft Model	Type	Engine Model (Make)	Propeller Part Number	Propeller Model	Max Dia	Min Dia	Ref Sta	Rev Angle	Low or Flight Idle Angle	Latch or Start Locks Angle	High or Feather Angle	Spinner Assembly P/N	Spinner Type	Governor Model	STC Number STC Holder STC Kit P/N	Notes
58TCA (S/N TK-147, TK-151 and up) "Turbocharged Baron"	L	TSIO-520-WB (TCM)	P5115358-01 P5115358-0152	3AF32C511/82NEA-4	78.0	77.5	30		16.1	19.4	82.5	D-5311	P,E			
58TCA "Turbocharged Baron"	L	TSIO-520-WB (TCM)	P5215358-01 P5215358-0118 P5215358-0152	3AF32C521/82NLA-4	78.0	77.0	30		14.0	17.3	82.2	D-5311	P,E		SA09022SC-D Ram Aircraft	120
G58	L	IO-550-C (TCM)	P5125358-08 P5125358-0852	3AF32C512/82NEA-5	77.0	76.5	30		15.2		82.4	D-5309 D-5310	E,P, NAC E,P, WAC			
65-A90 "King Air"	L	PT6A-20 (PW)	P7636223-0152	4HFR34C763/94LMA-4	90.0	89.0	30	-10.0	18.3		85.5	E-5643	P,E		SA1241GL McCauley PL60032	73
65-A90-1 "King Air" "Military U-21A, RU-21A, RU-21D, JU-21A, U21G, RU-21H"	L	PT6A-20 (PW)	P7636223-0152	4HFR34C763/94LMA-4	90.0	89.0	30	-10.0	18.3		85.5	E-5643	P,E		SA1241GL McCauley PL60032	73
65-A90-4 "King Air" "Military RU-21E, RU21H"	L	PT6A-20 (PW)	P7636223-0152	4HFR34C763/94LMA-4	90.0	89.0	30	-10.0	18.3		85.5	E-5643	P,E		SA1241GL McCauley PL60032	73
B90 "King Air"	L	PT6A-20 (PW)	P7636223-0152	4HFR34C763/94LMA-4	90.0	89.0	30	-10.0	18.3		85.5	E-5643	P,E		SA1241GL McCauley PL60032	73
C90 (S/N LJ-502 thru LJ-583, LJ-585, LJ-590, LJ-592, LJ-593, LJ601, LJ-604, LJ-612, LJ-619, LJ-620, LJ-622, LJ-652) "King Air"	L	PT6A-20 (PW)	P7636223-0152	4HFR34C763/94LMA-4	90.0	89.0	30	-10.0	18.3		85.5	E-5643	P,E		SA1241GL McCauley PL60032	73
C90 (S/N LJ-670, LJ-584 thru LJ-667 except for LJ-585, LJ-590, LJ-592, LJ-593, LJ601, LJ-604, LJ-612, LJ-619, LJ-620, LJ-622, LJ-652) "King Air"	L	PT6A-20A (PW)	P7625550-0152	4HFR34C762/94LMA-4	90.0	89.0	30	-10.0	18.3		85.8	E-5643	P,E		SA1241GL McCauley PL60020	73 97

Constant Speed Propeller Applications

Aircraft Model	T Y P E	Engine Model (Make)	Propeller Part Number	Propeller Model	Max Dia	Min Dia	Ref Sta	Rev Angle	Low or Flight Idle Angle	Latch or Start Locks Angle	High or Feather Angle	Spinner Assembly P/N	S p i n n e r	Governor Model	STC Number STC Holder STC Kit P/N	N o t e s
C90 (S/N LJ-668 thru LJ-1062 except for LJ-670) "King Air"	L	PT6A-21 (PW)	P7625550-0152	4HFR34C762/94LMA-4	90.0	89.0	30	-10.0	18.3		85.8	E-5643	P,E		SA1241GL McCauley PL60020	73 97
C90 "King Air"	L	PT6A-135A (PW)	P7625550-0152	4HFR34C762/94LMA-4	90.0	89.0	30	-10.0	18.3		85.8	E-5643	P,E		SA10364SC Blackhawk Mod	73
C90 "King Air"	L	PT6A-135A (PW)	P7686790-0156	4HFR34C768/94LMA-4	90.0	89.0	30	-10.0	18.3		85.8				SA10364SC Blackhawk Mod	73
C90 "King Air"	L	TPE331-10 (HW)	P11057393-0156	5HFR34C1105/96LRB-9	87.0	86.0	30	-12.4	8.0	2.0	84.4	E-7389-3	P,E		SA02388AT Kilo Alpha 290	76
C90A (S/N LJ-1063 and up) "King Air, C90A, C90B"	L	PT6A-21 (PW)	P7625550-0152	4HFR34C762/94LMA-4	90.0	89.0	30	-10.0	18.3		85.8	E-5643	P,E		SA1241GL McCauley PL60020	73
C90A (S/N LJ-1288, LJ-1295, LJ-1302, LJ-1303, LJ-1305 - LJ-1308, LJ-1311, LJ-1312, LJ-1314 - LJ-1316, LJ-1318, LJ-1320 - LJ-1366, LJ-1368 - LJ-1372, LJ-1374 - LJ-1376, LJ-1378 - LJ-1383, LJ-1385, LJ-1387, LJ-1388, LJ-1390 - LJ-1393, LJ-1395, LJ-1396, LJ-1398 - LJ-1402, LJ-1404 - LJ-1410, LJ-1412 - LJ-1424, LJ-1426 - LJ-1430, LJ-1432 - LJ-1434, LJ-1436 - LJ-1726, LJ-1728 - LJ-1753, LJ-1755) "King Air, C90B"	L	PT6A-21 (PW)	P7686790-0156	4HFR34C768/94LMA-4	90.0	89.0	30	-10.0	18.3		85.8	E-6662	P,E			50

Constant Speed Propeller Applications

Aircraft Model	T Y P E	Engine Model (Make)	Propeller Part Number	Propeller Model	Max Dia	Min Dia	Ref Sta	Rev Angle	Low or Flight Idle Angle	Latch or Start Locks Angle	High or Feather Angle	Spinner Assembly P/N	S p i n n e r T y p e	Governor Model	STC Number STC Holder STC Kit P/N	N o t e s
E90 "King Air"	L	PT6A-28 (PW)	P7625550-0152	4HFR34C762/94LMA-4	90.0	89.0	30	-10.0	18.3		85.8	E-5643	P,E		SA1241GL McCauley PL60020	73 97
E90 "King Air"	L	PT6A-135A (PW)	P7625550-0152	4HFR34C762/94LMA-4	90.0	89.0	30	-10.0	18.3		85.8	E-5643	P,E		SA10364SC Blackhawk Mod	73
E90 "King Air"	L	PT6A-135A (PW)	P7686790-0156	4HFR34C768/94LMA-4	90.0	89.0	30	-10.0	18.3		85.8				SA10364SC Blackhawk Mod	73
E90 "King Air"	L	TPE331-10 (HW)	P11057393-0156	5HFR34C1105/96LRB-9	87.0	86.0	30	-12.4	8.0	2.0	84.4	E-7389-3	P,E		SA02388AT Kilo Alpha 290	76
99 "Airliner"	L	PT6A-20 (PW)	P7736790-0156	4HFR34C773/94LMA-4	90.0	89.0	30	-10.0	18.3		85.8	E-6350	P,E		SA1351GL McCauley PL60171	73
99A "Airliner"	L	PT6A-27 (PW)	P7696790-0156	4HFR34C769/94LMA-4	90.0	89.0	30	-10.0	18.3		85.8	E-6350	P,E		SA1351GL McCauley PL60172	73
99A "Airliner"	L	PT6A-28 (PW)	P7696790-0156	4HFR34C769/94LMA-4	90.0	89.0	30	-10.0	18.3		85.8	E-6350	P,E		SA1351GL McCauley PL60172	73
A99 "Airliner"	L	PT6A-20 (PW)	P7736790-0156	4HFR34C773/94LMA-4	90.0	89.0	30	-10.0	18.3		85.8	E-6350	P,E		SA1351GL McCauley PL60171	73
A99A "Airliner"	L	PT6A-27 (PW)	P7696790-0156	4HFR34C769/94LMA-4	90.0	89.0	30	-10.0	18.3		85.8	E-6350	P,E		SA1351GL McCauley PL60172	73
A99A "Airliner"	L	PT6A-28 (PW)	P7696790-0156	4HFR34C769/94LMA-4	90.0	89.0	30	-10.0	18.3		85.8	E-6350	P,E		SA1351GL McCauley PL60172	73
B99 "Airliner"	L	PT6A-27 (PW)	P7696790-0156	4HFR34C769/94LMA-4	90.0	89.0	30	-10.0	18.3		85.8	E-6350	P,E		SA1351GL McCauley PL60172	73
B99 "Airliner"	L	PT6A-28 (PW)	P7696790-0156	4HFR34C769/94LMA-4	90.0	89.0	30	-10.0	18.3		85.8	E-6350	P,E		SA1351GL McCauley PL60172	73
C99 "Airliner"	L	PT6A-36 (PW)	P7696790-0156	4HFR34C769/94LMA-4	90.0	89.0	30	-10.0	18.3		85.8	E-6350	P,E		SA1351GL McCauley PL60173	73
100 "King Air"	L	PT6A-28 (PW)	P7625550-0152	4HFR34C762/94LMA-4	90.0	89.0	30	-10.0	18.3		85.8	E-5643	P,E		SA1351GL McCauley PL60045	73

Constant Speed Propeller Applications

Aircraft Model	T Y P E	Engine Model (Make)	Propeller Part Number	Propeller Model	Max Dia	Min Dia	Ref Sta	Rev Angle	Low or Flight Idle Angle	Latch or Start Locks Angle	High or Feather Angle	Spinner Assembly P/N	S p i n n e r	Governor Model	STC Number STC Holder STC Kit P/N	N o t e s
A100 "King Air"	L	PT6A-28 (PW)	P7625550-0152	4HFR34C762/94LMA-4	90.0	89.0	30	-10.0	18.3		85.8	E-5643	P,E		SA1351GL McCauley PL60045	73
A100 "King Air"	L	PT6A-34 (PW)	P7625550-0152	4HFR34C762/94LMA-4	90.0	89.0	30	-10.0	18.3		85.8	E-5643	P,E		SA1351GL McCauley PL60045	73
A100-1 "Super King Air" "U-21J"		PT6A-41 (PW)	P7025423-0151	3GFR34C702/100LA-2	98.0	97.0	30	-10.0	23.0		86.8	E-5586-1	S,E		SA00647NY Summit Aviation	
A100-1 "Super King Air" "U-21J"	L	PT6A-41 (PW)	P7545550-0252	4HFR34C754/94LA-0	94.0	93.5	30	-10.0	20.8		87.2	E-5643	P,E		SA01058CH McCauley PL60036	73 100 101
B100 "King Air"	L	TPE331-6 (HW)	P11057393-0156	5HFR34C1105/96LRB-9	87.0	86.0	30	-12.4	8.0	2.0	84.4	E-7389-3	P,E		SA01647AT McCauley PL60207	76 133
B100 "King Air"	L	TPE331-6 (STC)	P11057393-0156	5HFR34C1105/96LRB-9	87.0	86.0	30	-12.4	8.0	2.0	84.4	E-7389-3	P,E		SA01647AT McCauley PL60207	76 133
200 "Super King Air"	L	PT6A-41 (PW)	P7545550-0252	4HFR34C754/94LA-0	94.0	93.5	30	-10.0	20.8		87.2	E-5643	P,E		SA1036GL McCauley PL60036	73 100 101
200 "Super King Air"	L	PT6A-41 (PW)	P7716790-0156	4HFR34C771/94LA-0	94.0	93.5	30	-10.0	20.8		87.2	E-6350	P,E		SA1036GL McCauley PL60144	73 100 101
200 "Super King Air"	L	PT6A-41 (PW)	P10087604-0156	5HFR34C1008/96LTA-0	96.0	95.0	30	-10.0	19.6		86.2	E-7590-1	P,E		SA01157CH McCauley PL60294 PL60324	77 100 140
200 "Super King Air"	L	PT6A-52 (PW)	P7545550-0252	4HFR34C754/94LA-0	94.0	93.5	30	-10.0	20.8		87.2	E-5643	P,E		SA10842SC Enhanced Aero	101 148

Constant Speed Propeller Applications

Aircraft Model	T Y P E	Engine Model (Make)	Propeller Part Number	Propeller Model	Max Dia	Min Dia	Ref Sta	Rev Angle	Low or Flight Idle Angle	Latch or Start Locks Angle	High or Feather Angle	Spinner Assembly P/N	S p i n n e r	Governor Model	STC Number STC Holder STC Kit P/N	N o t e s
200 "Super King Air"	L	PT6A-52 (PW)	P7716790-0156	4HFR34C771/94LA-0	94.0	93.5	30	-10.0	20.8		87.2	E-6350	P,E		SA10842SC Enhanced Aero	101 148
200C "Super King Air"	L	PT6A-41 (PW)	P7545550-0252	4HFR34C754/94LA-0	94.0	93.5	30	-10.0	20.8		87.2	E-5643	P,E		SA1036GL McCauley PL60036	73 100 101
200C "Super King Air"	L	PT6A-41 (PW)	P7716790-0156	4HFR34C771/94LA-0	94.0	93.5	30	-10.0	20.8		87.2	E-6350	P,E		SA1036GL McCauley PL60144	73 100 101
200C "Super King Air"	L	PT6A-41 (PW)	P10087604-0156	5HFR34C1008/96LTA-0	96.0	95.0	30	-10.0	19.6		86.2	E-7590-1	P,E		SA01157CH McCauley PL60294 PL60324	77 100 140
200C "Super King Air"	L	PT6A-52 (PW)	P7545550-0252	4HFR34C754/94LA-0	94.0	93.5	30	-10.0	20.8		87.2	E-5643	P,E		SA10842SC Enhanced Aero	101 148
200C "Super King Air"	L	PT6A-52 (PW)	P7716790-0156	4HFR34C771/94LA-0	94.0	93.5	30	-10.0	20.8		87.2	E-6350	P,E		SA10842SC Enhanced Aero	101 148
200CT "Super King Air"	L	PT6A-41 (PW)	P7545550-0252	4HFR34C754/94LA-0	94.0	93.5	30	-10.0	20.8		87.2	E-5643	P,E		SA1036GL McCauley PL60036	73 100 101
200CT "Super King Air"	L	PT6A-41 (PW)	P7716790-0156	4HFR34C771/94LA-0	94.0	93.5	30	-10.0	20.8		87.2	E-6350	P,E		SA1036GL McCauley PL60144	73 100 101
200CT "Super King Air"	L	PT6A-41 (PW)	P10087604-0156	5HFR34C1008/96LTA-0	96.0	95.0	30	-10.0	19.6		86.2	E-7590-1	P,E		SA01157CH McCauley PL60294 PL60324	77 100 140
200T "Super King Air"	L	PT6A-41 (PW)	P7545550-0252	4HFR34C754/94LA-0	94.0	93.5	30	-10.0	20.8		87.2	E-5643	P,E		SA1036GL McCauley PL60036	73 100 101
200T "Super King Air"	L	PT6A-41 (PW)	P7716790-0156	4HFR34C771/94LA-0	94.0	93.5	30	-10.0	20.8		87.2	E-6350	P,E		SA1036GL McCauley PL60144	73 100 101
200T "Super King Air"	L	PT6A-41 (PW)	P10087604-0156	5HFR34C1008/96LTA-0	96.0	95.0	30	-10.0	19.6		86.2	E-7590-1	P,E		SA01157CH McCauley PL60294 PL60324	77 100 140
A200C "Super King Air" "UC-12B"	L	PT6A-41 (PW)	P7545550-0252	4HFR34C754/94LA-0	94.0	93.5	30	-10.0	20.8		87.2	E-5643	P,E		SA1036GL McCauley PL60036	73 100 101

Constant Speed Propeller Applications

Aircraft Model	T Y P E	Engine Model (Make)	Propeller Part Number	Propeller Model	Max Dia	Min Dia	Ref Sta	Rev Angle	Low or Flight Idle Angle	Latch or Start Locks Angle	High or Feather Angle	Spinner Assembly P/N	S p i n n e r	Governor Model	STC Number STC Holder STC Kit P/N	N o t e s
A200C "Super King Air" "UC-12B"	L	PT6A-41 (PW)	P7716790-0156	4HFR34C771/94LA-0	94.0	93.5	30	-10.0	20.8		87.2	E-6350	P,E		SA1036GL McCauley PL60144	73 100 101
A200C "Super King Air" "UC-12B"	L	PT6A-41 (PW)	P10087604-0156	5HFR34C1008/96LTA-0	96.0	95.0	30	-10.0	19.6		86.2	E-7590-1	P,E		SA01157CH McCauley PL60294 PL60324	77 100 140
A200CT "Super King Air" "C-12D, RC-12D, FWC-12D"	L	PT6A-41 (PW)	P7545550-0252	4HFR34C754/94LA-0	94.0	93.5	30	-10.0	20.8		87.2	E-5643	P,E		SA1036GL McCauley PL60036	73 100 101
A200CT "Super King Air" "C-12D, RC-12D, FWC-12D"	L	PT6A-41 (PW)	P7716790-0156	4HFR34C771/94LA-0	94.0	93.5	30	-10.0	20.8		87.2	E-6350	P,E		SA1036GL McCauley PL60144	73 100 101
A200CT "Super King Air" "C-12D, RC-12D, FWC-12D"	L	PT6A-41 (PW)	P10087604-0156	5HFR34C1008/96LTA-0	96.0	95.0	30	-10.0	19.6		86.2	E-7590-1	P,E		SA01157CH McCauley PL60294 PL60324	77 100 140
A200CT "Super King Air" "C-12D, RC-12D, FWC-12D"	L	PT6A-42 (PW)	P7545550-0252	4HFR34C754/94LA-0	94.0	93.5	30	-10.0	20.8		87.2	E-5643	P,E		SA1036GL McCauley PL60036	73 101
A200CT "Super King Air" "C-12D, RC-12D, FWC-12D"	L	PT6A-42 (PW)	P7716790-0156	4HFR34C771/94LA-0	94.0	93.5	30	-10.0	20.8		87.2	E-6350	P,E		SA1036GL McCauley PL60144	73 101
A200CT "Super King Air" "C-12D, RC-12D, FWC-12D"	L	PT6A-42 (PW)	P10087604-0156	5HFR34C1008/96LTA-0	96.0	95.0	30	-10.0	19.6		86.2	E-7590-1	P,E		SA01157CH McCauley PL60294 PL60324	77 140
A200CT "RC-12K, RC-12N, RC-12P, RC-12Q"	L	PT6A-67 (PW)	P7585745-0154	4JFR34C758/106LNA-1	105.0	104.0	30	-9.0	23.5		87.0	E-5732	S,E			48
B200 (S/N BB-1193 - BB-1438, BB-1440 - BB-1443, BB-1463) "Super King Air"	L	PT6A-42 (PW)	P7025423-0150	3GFR34C702/100LA-2	98.0	97.0	30	-10.0	23.0		86.8	E-5586	P,E			

Constant Speed Propeller Applications

Aircraft Model	T Y P E	Engine Model (Make)	Propeller Part Number	Propeller Model	Max Dia	Min Dia	Ref Sta	Rev Angle	Low or Flight Idle Angle	Latch or Start Locks Angle	High or Feather Angle	Spinner Assembly P/N	S p i n n e r	Governor Model	STC Number STC Holder STC Kit P/N	N o t e s
B200 (S/N BB-1439, BB-1444 and up, except BB-1463) "Super King Air"	L	PT6A-42 (PW)	P7716790-0156	4HFR34C771/94LA-0	94.0	93.5	30	-10.0	20.8		87.5	E-6662	P,E			47
B200 "Super King Air"	L	PT6A-42 (PW)	P7545550-0252	4HFR34C754/94LA-0	94.0	93.5	30	-10.0	20.8		87.2	E-5643	P,E		SA1036GL McCauley PL60036	73 101
B200 "Super King Air"	L	PT6A-42 (PW)	P7716790-0156	4HFR34C771/94LA-0	94.0	93.5	30	-10.0	20.8		87.2	E-6350	P,E		SA1036GL McCauley PL60144	73 101
B200 "Super King Air"	L	PT6A-42 (PW)	P10087604-0156	5HFR34C1008/96LTA-0	96.0	95.0	30	-10.0	19.6		86.2	E-7590-1	P,E		SA01157CH McCauley PL60294 PL60324	77 140
B200 "Super King Air"	L	PT6A-52 (PW)	P7545550-0252	4HFR34C754/94LA-0	94.0	93.5	30	-10.0	20.8		87.2	E-5643	P,E		SA10842SC Enhanced Aero	101 148
B200 "Super King Air"	L	PT6A-52 (PW)	P7716790-0156	4HFR34C771/94LA-0	94.0	93.5	30	-10.0	20.8		87.2	E-6350	P,E		SA10842SC Enhanced Aero	101 148
B200C (S/N BL-73 - BL-123) "C-12F"	L	PT6A-42 (PW)	P7545550-0152	4HFR34C754/94LA-0	94.0	93.0	30	-10.0	20.6		87.2	E-5543	S,E			47
B200C (S/N BL-124 - BL-138) "C-12F"	L	PT6A-42 (PW)	P7025423-0151	3GFR34C702/100LA-2	98.0	97.0	30	-10.0	23.0		86.8	E-5586-1	S,E			
B200C (S/N BL-139 and up) "C-12F"	L	PT6A-42 (PW)	P7716790-0156	4HFR34C771/94LA-0	94.0	93.5	30	-10.0	20.8		87.5	E-6662	P,E			47
B200C (S/N BP-64 and up) "C-12F"	L	PT6A-42 (PW)	P7025423-0151	3GFR34C702/100LA-2	98.0	97.0	30	-10.0	23.0		86.8	E-5586-1	S,E			
B200C "Super King Air" "C-12F"	L	PT6A-42 (PW)	P7545550-0252	4HFR34C754/94LA-0	94.0	93.5	30	-10.0	20.8		87.2	E-5643	P,E		SA1036GL McCauley PL60036	73 101
B200C "Super King Air" "C-12F"	L	PT6A-42 (PW)	P7716790-0156	4HFR34C771/94LA-0	94.0	93.5	30	-10.0	20.8		87.2	E-6350	P,E		SA1036GL McCauley PL60144	73 101
B200C "Super King Air" "C-12F"	L	PT6A-42 (PW)	P10087604-0156	5HFR34C1008/96LTA-0	96.0	95.0	30	-10.0	19.6		86.2	E-7590-1	P,E		SA01157CH McCauley PL60294 PL60324	77 140

Constant Speed Propeller Applications

Aircraft Model	T Y P E	Engine Model (Make)	Propeller Part Number	Propeller Model	Max Dia	Min Dia	Ref Sta	Rev Angle	Low or Flight Idle Angle	Latch or Start Locks Angle	High or Feather Angle	Spinner Assembly P/N	S p i n n e r	Governor Model	STC Number STC Holder STC Kit P/N	N o t e s
B200C (S/N BV-1 and up) "UC-12M"	L	PT6A-42 (PW)	P7025423-0152	3GFR34C702/100LA-2	98.0	97.0	30	-10.0	23.0		86.8	E-5586	P,E			
B200C (S/N BW-1 and up) "C-12R"	L	PT6A-42 (PW)	P7716790-0156	4HFR34C771/94LA-0	94.0	93.5	30	-10.0	20.8		87.5	E-6662	P,E			47
B200C "Super King Air"	L	PT6A-52 (PW)	P7545550-0252	4HFR34C754/94LA-0	94.0	93.5	30	-10.0	20.8		87.2	E-5643	P,E		SA10842SC Enhanced Aero	101 148
B200C "Super King Air"	L	PT6A-52 (PW)	P7716790-0156	4HFR34C771/94LA-0	94.0	93.5	30	-10.0	20.8		87.2	E-6350	P,E		SA10842SC Enhanced Aero	101 148
B200CT (S/N BN-5 and up) "Super King Air"	L	PT6A-42 (PW)	P7025423-0150	3GFR34C702/100LA-2	98.0	97.0	30	-10.0	23.0		86.8	E-5586	P,E			
B200CT (S/N BN-5 and up) "Super King Air"	L	PT6A-42 (PW)	P7716790-0156	4HFR34C771/94LA-0	94.0	93.5	30	-10.0	20.8		87.5	E-6662	P,E			47
B200CT "Super King Air"	L	PT6A-42 (PW)	P7545550-0252	4HFR34C754/94LA-0	94.0	93.5	30	-10.0	20.8		87.2	E-5643	P,E		SA1036GL McCauley PL60036	73 101
B200CT "Super King Air"	L	PT6A-42 (PW)	P7716790-0156	4HFR34C771/94LA-0	94.0	93.5	30	-10.0	20.8		87.2	E-6350	P,E		SA1036GL McCauley PL60144	73 101
B200CT "Super King Air"	L	PT6A-42 (PW)	P10087604-0156	5HFR34C1008/96LTA-0	96.0	95.0	30	-10.0	19.6		86.2	E-7590-1	P,E		SA01157CH McCauley PL60294 PL60324	77 140
B200T (S/N BT-31 - BT-34) "Super King Air"	L	PT6A-42 (PW)	P7025423-0150	3GFR34C702/100LA-2	98.0	97.0	30	-10.0	23.0		86.8	E-5586	P,E			
B200T (S/N BT-35 and up) "Super King Air"	L	PT6A-42 (PW)	P7716790-0156	4HFR34C771/94LA-0	94.0	93.5	30	-10.0	20.8		87.5	E-6662	P,E			47
B200T "Super King Air"	L	PT6A-42 (PW)	P7545550-0252	4HFR34C754/94LA-0	94.0	93.5	30	-10.0	20.8		87.2	E-5643	P,E		SA1036GL McCauley PL60036	73 101
B200T "Super King Air"	L	PT6A-42 (PW)	P7716790-0156	4HFR34C771/94LA-0	94.0	93.5	30	-10.0	20.8		87.2	E-6350	P,E		SA1036GL McCauley PL60144	73 101
B200T "Super King Air"	L	PT6A-42 (PW)	P10087604-0156	5HFR34C1008/96LTA-0	96.0	95.0	30	-10.0	19.6		86.2	E-7590-1	P,E		SA01157CH McCauley PL60294 PL60324	77 140

Constant Speed Propeller Applications

Aircraft Model	T Y P E	Engine Model (Make)	Propeller Part Number	Propeller Model	Max Dia	Min Dia	Ref Sta	Rev Angle	Low or Flight Idle Angle	Latch or Start Locks Angle	High or Feather Angle	Spinner Assembly P/N	S p i n n e r	Governor Model	STC Number STC Holder STC Kit P/N	N o t e s
2000 (left engine) "Starship I"	L	PT6A-67A (PW)	OBSOLETE	5JFR36C1003/L104DSZ-0	104.0	104.0	30	-7.0	24.0		90.9	E-6063	S			49
2000 (right engine) "Starship I"	L	PT6A-67A (PW)	OBSOLETE	5JFR36C1003/L104DSZ-0	104.0	104.0	30	-7.0	24.0		91.7	E-6063	S			49
BELLANCA (Alexandria Aircraft LLC)																
14-13		6A-335-B (FR)	OBSOLETE	2A31C21/84S-6	78.0		30								SA599WE Franklin	1
14-13-2		6A-335-B (FR)	OBSOLETE	2A31C21/84S-6	78.0		30								SA599WE Franklin	1
14-13-3		6A-335-B (FR)	OBSOLETE	2A31C21/84S-6	78.0		30								SA599WE Franklin	1
14-13-3W		6A-335-B (FR)	OBSOLETE	2A31C21/84S-6	78.0		30								SA599WE Franklin	1
14-19-2 "Cruisemaster"	L	O-470-K (TCM)	OBSOLETE	2A36C18/90M-12	78.0	76.0	36		10.0		23.0					1
14-19-2 "Cruisemaster"	L	O-470-K (TCM)	OBSOLETE	2A34C66/90AT-12	78.0	76.0	36		10.0		23.0				SA203GL Weber's Aero Repair	1
14-19-3 "Bellanca 260"	L	IO-470-F (TCM)	OBSOLETE	B2A36C31/90M-8	82.0	80.0	36		11.0		27.3					1
14-19-3 "Bellanca 260"	L	IO-470-F (TCM)	OBSOLETE	D2A36C31/90M-8	82.0	80.0	36		11.0		26.3	D-2771	S			1
14-19-3 "Bellanca 260"	L	IO-470-F (TCM)	OBSOLETE	D2A36C33/90M-8	82.0	80.0	36		10.8		25.8	D-2771-1	S			1 30
14-19-3A "Bellanca 260A"	L	IO-470-F (TCM)	OBSOLETE	D3A32C90/82NC-4	78.0	76.0	30		11.7		28.1	D-3867 D-3669	S S			1
14-19-3A "Bellanca 260A"		IO-520-D (TCM)	OBSOLETE	D2A34C58/90AT-10	80.0		36								SA108GL Weber's Aero Repair	1
17-30 "Viking 300"	L	IO-520-D (TCM)	OBSOLETE	D2A34C58/90AT-10	80.0	78.0	36		8.2		27.3	D-3766 D-2771	S S			1
17-30 "Viking 300"	L	IO-520-D (TCM)	OBSOLETE	D3A32C90/82NC-4	78.0	76.0	30		11.7		28.1	D-3867 D-3669	S S			1
17-30A "Super Viking"	L	IO-520-K (TCM)	OBSOLETE	D2A34C58/90AT-10	80.0	78.0	36		8.2		27.3	D-3766 D-2771	S S			1
17-30A "Super Viking"	L	IO-520-K (TCM)	OBSOLETE	D3A32C90/82NC-4	78.0	76.0	30		11.7		28.1	D-3867 D-3669	S S			1
17-30A "Super Viking"	L	IO-520-K (TCM)	P4014808-02	D3A34C401/90DFA-12	78.0	76.0	30		10.0		28.5	D-5027, D-3867, D-3669	S S S			52 132
17-30A "Super Viking"	L	IO-550-F (TCM)	P4014808-10	D3A34C401/90DFA-10	80.0	78.0	30		11.8		28.5	D-5027	S			52
BOISAVIA																

Constant Speed Propeller Applications

Aircraft Model	T Y P E	Engine Model (Make)	Propeller Part Number	Propeller Model	Max Dia	Min Dia	Ref Sta	Rev Angle	Low or Flight Idle Angle	Latch or Start Locks Angle	High or Feather Angle	Spinner Assembly P/N	S p i n n e r	Governor Model	STC Number STC Holder STC Kit P/N	N o t e s
B601 L "Mercury"	L	O-360-A1A (LY)	OBSOLETE	2D36C14/78KM-4	74.0	74.0	30		12.7		27.5	D-2137	S			1 42
BURNS (Mael Aircraft Corporation)																
BA-42	L	IO-360-D (TCM)	OBSOLETE	D2AF34C59/76C-2	74.0	74.0	30		11.2	14.9	79.0					1 6
CALLAIR (Aircraft Parts & Development Corp.)																
A-6	L	O-360-A1A (LY)	OBSOLETE	2D36C14/78KM-4	74.0	72.0	30		13.5		27.0	D-2137	S			1 42
A-6	L	O-360-C1A (LY)	OBSOLETE	2D36C14/78KM-4	74.0	72.0	30		13.5		27.0	D-2137	S			1 42
A-9 "Sparrow Commander"	L	O-540-B2B5 (LY)	OBSOLETE	2D34CT69/84HF-0	84.0	82.0	30		14.0		17.0	D-2809	S			1 2
A-9A "Sparrow Commander"	L	O-540-B2B5 (LY)	OBSOLETE	2D34CT69/84HF-0	84.0	82.0	30		14.0		17.0	D-2809	S			1
CESSNA																
170		IO-360-C (TCM)		2A34C203/90DCA-											SA00728SE XP Modifications	
170		IO-360-K (TCM)		2A34C203/90DCA-											SA00728SE XP Modifications	
170		IO-360-KB (TCM)		2A34C203/90DCA-											SA00728SE XP Modifications	
170A	L	C-145-2H (TCM)	OBSOLETE	2B36C7/78K-2	76.0	74.5	30		13.0		17.5					1
170A		IO-360-C (TCM)		2A34C203/90DCA-											SA00728SE XP Modifications	
170A		IO-360-K (TCM)		2A34C203/90DCA-											SA00728SE XP Modifications	
170A		IO-360-KB (TCM)		2A34C203/90DCA-											SA00728SE XP Modifications	
170A		6A-335-B (FR)	OBSOLETE	2A31C21/84S-4	80.0	76.0	30								SA1048NW Classic Aire	1
170A		6A-350-C1 (FR)	OBSOLETE	2A31C21/84S-4	80.0	76.0	30		11.2		20.5			C290D7/T2	SA293NW Franklin	1 95
170A		6A-350-C1R (FR)	OBSOLETE	2A31C21/84S-4	80.0	76.0	30								SA1048NW Classic Aire	1
170A		6A-350-C1R (FR)	OBSOLETE	2A34C22/84SF-4	80.0	74.0	30					D-4101	S		SA1048NW Classic Aire	1
170A		6A-350-C1R (FR)		2A34C201/90DA-2	88.0	76.0	30					D-7569	P		SA1048NW Classic Aire	105

Constant Speed Propeller Applications

Aircraft Model	T Y P E	Engine Model (Make)	Propeller Part Number	Propeller Model	Max Dia	Min Dia	Ref Sta	Rev Angle	Low or Flight Idle Angle	Latch or Start Locks Angle	High or Feather Angle	Spinner Assembly P/N	S p i n n e r	Governor Model	STC Number STC Holder STC Kit P/N	N o t e s
170A		6A-350-C1R (FR)		2A34C201/90DA-10	80.0	76.0								C290D7/T2	SA293NW Franklin	
170A		6A-350-C2 (FR)	OBSOLETE	2A31C21/84S-4	80.0	76.0	30		11.2		20.5			C290D7/T2	SA293NW Franklin	1 95
170A		6A-350-C2 (FR)	OBSOLETE	2A31C21/84S-4	80.0	76.0	30								SA1048NW Classic Aire	1
170A		6A-350-C2 (FR)	OBSOLETE	2A34C22/84SF-4	80.0	74.0	30					D-4101	S		SA1048NW Classic Aire	1
170A		6A-350-C2 (FR)		2A34C201/90DA-2	88.0	76.0	30					D-7569	P		SA1048NW Classic Aire	105
170A	F	6A-350-C2 (FR)		2A34C201/90DA-2	88.0	76.0	30					D-7569	P		SA1048NW Classic Aire	
170B	L	C-145-2H (TCM)	OBSOLETE	2B36C7/78K-2	76.0	74.5	30		13.0		17.5					1
170B		IO-360-A (TCM)		D2A34C67/76C-			30								SA00485CE Gackstetter	
170B		IO-360-C (TCM)		2A34C203/90DCA-											SA00728SE XP Modifications	
170B		IO-360-K (TCM)		2A34C203/90DCA-											SA00728SE XP Modifications	
170B		IO-360-KB (TCM)		2A34C203/90DCA-											SA00728SE XP Modifications	
170B		6A-350-C1 (FR)	OBSOLETE	2A31C21/84S-4	80.0	76.0	30		11.2		20.5			C290D7/T2	SA293NW Franklin	1 95
170B		6A-350-C2 (FR)	OBSOLETE	2A31C21/84S-4	80.0	76.0	30		11.2		20.5			C290D7/T2	SA293NW Franklin	1 95
170B		6A-350-C1R (FR)		2A34C201/90DA-10	80.0	76.0								C290D7/T2	SA293NW Franklin	
172	L	O-300-A (TCM)	OBSOLETE	2B36C7/78K-2	76.0	74.5	30		13.0		17.5				SA3-11 McCauley	1
172	L	O-300-A (TCM)	OBSOLETE	2B36C7/78K-4	74.0	72.5	30								SA3-11 McCauley	1
172	L	O-360-A1A (LY)	OBSOLETE	2D36C14/78KM-4	74.0	72.0	30		12.7		27.5				SA420CE Williams	1
172	L	O-360-A1D (LY)	OBSOLETE	2D36C14/78KM-4	74.0	72.0	30		12.7		27.5				SA420CE Williams	1
172		O-360-A1D (LY)	OBSOLETE	2D36C14/78KM-4	74.0		30								SA3-571 KWAD	1
172		IO-360-C (TCM)		2A34C203/90DCA-											SA00728SE XP Modifications	

Constant Speed Propeller Applications

Aircraft Model	T Y P E	Engine Model (Make)	Propeller Part Number	Propeller Model	Max Dia	Min Dia	Ref Sta	Rev Angle	Low or Flight Idle Angle	Latch or Start Locks Angle	High or Feather Angle	Spinner Assembly P/N	S p i n n e r	Governor Model	STC Number STC Holder STC Kit P/N	N o t e s
172		IO-360-K (TCM)		2A34C203/90DCA-											SA00728SE XP Modifications	
172		IO-360-KB (TCM)		2A34C203/90DCA-											SA00728SE XP Modifications	
172		6A-350-C1 (FR)	OBSOLETE	2A31C21/84S-4	80.0	76.0	30		11.2		20.5			C290D7/T2	SA293NW Franklin	1 95
172		6A-350-C2 (FR)	OBSOLETE	2A31C21/84S-4	80.0	76.0	30		11.2		20.5			C290D7/T2	SA293NW Franklin	1 95
172A	L	O-360-A1A (LY)	OBSOLETE	2D36C14/78KM-4	74.0	72.0	30		12.7		27.5				SA420CE Williams	1
172A	L	O-360-A1D (LY)	OBSOLETE	2D36C14/78KM-4	74.0	72.0	30		12.7		27.5				SA420CE Williams	1
172A		O-360-A1D (LY)	OBSOLETE	2D36C14/78KM-4	74.0		30								SA3-571 KWAD	1
172A	L	IO-360-C (TCM)		2A34C203/90DCA-											SA00728SE XP Modifications	
172A	L	IO-360-K (TCM)		2A34C203/90DCA-											SA00728SE XP Modifications	
172A	L	IO-360-KB (TCM)		2A34C203/90DCA-											SA00728SE XP Modifications	
172A		6A-350-C1 (FR)	OBSOLETE	2A31C21/84S-4	80.0	76.0	30		11.2		20.5			C290D7/T2	SA293NW Franklin	1 95
172A		6A-350-C2 (FR)	OBSOLETE	2A31C21/84S-4	80.0	76.0	30		11.2		20.5			C290D7/T2	SA293NW Franklin	1 95
172B	L	O-360-A1A (LY)	OBSOLETE	2D36C14/78KM-4	74.0	72.0	30		12.7		27.5				SA420CE Williams	1
172B	L	O-360-A1D (LY)	OBSOLETE	2D36C14/78KM-4	74.0	72.0	30		12.7		27.5				SA420CE Williams	1
172B		O-360-A1D (LY)	OBSOLETE	2D36C14/78KM-4	74.0		30								SA3-571 KWAD	1
172B		IO-360-C (TCM)		2A34C203/90DCA-											SA00728SE XP Modifications	
172B		IO-360-K (TCM)		2A34C203/90DCA-											SA00728SE XP Modifications	
172B		IO-360-KB (TCM)		2A34C203/90DCA-											SA00728SE XP Modifications	

Constant Speed Propeller Applications

Aircraft Model	T Y P E	Engine Model (Make)	Propeller Part Number	Propeller Model	Max Dia	Min Dia	Ref Sta	Rev Angle	Low or Flight Idle Angle	Latch or Start Locks Angle	High or Feather Angle	Spinner Assembly P/N	S p i n n e r	Governor Model	STC Number STC Holder STC Kit P/N	N o t e s
172B	F L	6A-335-B (FR)	OBSOLETE	2A31C21/84S-6	78.0		30								SA1078WE Franklin	1
172B	F L	6A-350-A (FR)	OBSOLETE	2A31C21/84S-6	78.0		30								SA206NW Franklin	1
172B	F L	6A-350-A1 (FR)	OBSOLETE	2A31C21/84S-6	78.0		30								SA340NW Franklin	1
172B		6A-350-C1 (FR)	OBSOLETE	2A31C21/84S-4	80.0	76.0	30		11.2		20.5			C290D7/T2	SA293NW Franklin	1 95
172B		6A-350-C2 (FR)	OBSOLETE	2A31C21/84S-4	80.0	76.0	30		11.2		20.5			C290D7/T2	SA293NW Franklin	1 95
172B		6A-350-C2 (FR)	OBSOLETE	2A31C21/84S-6	78.0		30								SA1334WE Franklin	1
172B		6A-350-C2 (FR)	OBSOLETE	2A31C21/84S-6	78.0		30								SA436EA Franklin	1
172B		6A-350-C2 (FR)	OBSOLETE	2A31C21/84S-8	76.0		30								SA436EA Franklin	1
172C	L	O-360-A1A (LY)	OBSOLETE	2D36C14/78KM-4	74.0	72.0	30		12.7		27.5				SA420CE Williams	1
172C	L	O-360-A1D (LY)	OBSOLETE	2D36C14/78KM-4	74.0	72.0	30		12.7		27.5				SA420CE Williams	1
172C		O-360-A1D (LY)	OBSOLETE	2D36C14/78KM-4	74.0		30								SA3-571 KWAD	1
172C		IO-360-C (TCM)		2A34C203/90DCA-											SA00728SE XP Modifications	
172C		IO-360-K (TCM)		2A34C203/90DCA-											SA00728SE XP Modifications	
172C		IO-360-KB (TCM)		2A34C203/90DCA-											SA00728SE XP Modifications	
172C	F L	6A-335-B (FR)	OBSOLETE	2A31C21/84S-6	78.0		30								SA1078WE Franklin	1
172C	F L	6A-350-A (FR)	OBSOLETE	2A31C21/84S-6	78.0		30								SA206NW Franklin	1
172C	F L	6A-350-A1 (FR)	OBSOLETE	2A31C21/84S-6	78.0		30								SA340NW Franklin	1
172C		6A-350-C1 (FR)	OBSOLETE	2A31C21/84S-4	80.0	76.0	30		11.2		20.5			C290D7/T2	SA293NW Franklin	1 95
172C		6A-350-C2 (FR)	OBSOLETE	2A31C21/84S-4	80.0	76.0	30		11.2		20.5			C290D7/T2	SA293NW Franklin	1 95
172C		6A-350-C2 (FR)	OBSOLETE	2A31C21/84S-6	78.0		30								SA1334WE Franklin	1

Constant Speed Propeller Applications

Aircraft Model	T Y P E	Engine Model (Make)	Propeller Part Number	Propeller Model	Max Dia	Min Dia	Ref Sta	Rev Angle	Low or Flight Idle Angle	Latch or Start Locks Angle	High or Feather Angle	Spinner Assembly P/N	S p i n n e r	Governor Model	STC Number STC Holder STC Kit P/N	N o t e s
172C		6A-350-C2 (FR)	OBSOLETE	2A31C21/84S-6	78.0		30								SA436EA Franklin	1
172C		6A-350-C2 (FR)	OBSOLETE	2A31C21/84S-8	76.0		30								SA436EA Franklin	1
172D	L	O-360-A1A (LY)	OBSOLETE	2D36C14/78KM-4	74.0	72.0	30		12.7		27.5				SA420CE Williams	1
172D	L	O-360-A1D (LY)	OBSOLETE	2D36C14/78KM-4	74.0	72.0	30		12.7		27.5				SA420CE Williams	1
172D		O-360-A1D (LY)	OBSOLETE	2D36C14/78KM-4	74.0		30								SA3-571 KWAD	1
172D		IO-360-C (TCM)		2A34C203/90DCA-											SA00728SE XP Modifications	
172D		IO-360-K (TCM)		2A34C203/90DCA-											SA00728SE XP Modifications	
172D		IO-360-KB (TCM)		2A34C203/90DCA-											SA00728SE XP Modifications	
172D	F L	6A-335-B (FR)	OBSOLETE	2A31C21/84S-6	78.0		30								SA1078WE Franklin	1
172D	F L	6A-350-A (FR)	OBSOLETE	2A31C21/84S-6	78.0		30								SA206NW Franklin	1
172D	F L	6A-350-A1 (FR)	OBSOLETE	2A31C21/84S-6	78.0		30								SA340NW Franklin	1
172D		6A-350-C1 (FR)	OBSOLETE	2A31C21/84S-4	80.0	76.0	30		11.2		20.5			C290D7/T2	SA293NW Franklin	1 95
172D		6A-350-C1 (FR)	OBSOLETE	2A31C21/84S-6	78.0		30								SA340NW Franklin	1
172D		6A-350-C2 (FR)	OBSOLETE	2A31C21/84S-4	80.0	76.0	30		11.2		20.5			C290D7/T2	SA293NW Franklin	1 95
172D		6A-350-C2 (FR)	OBSOLETE	2A31C21/84S-6	78.0		30								SA1334WE Franklin	1
172D		6A-350-C2 (FR)	OBSOLETE	2A31C21/84S-6	78.0		30								SA340NW Franklin	1
172D		6A-350-C2 (FR)	OBSOLETE	2A31C21/84S-6	78.0		30								SA436EA Franklin	1
172D		6A-350-C2 (FR)	OBSOLETE	2A31C21/84S-8	76.0		30								SA436EA Franklin	1
172E	F L	O-360-A1A (LY)	OBSOLETE	2D36C14/78KM-4	74.0	72.0	30		12.7		27.5				SA420CE Williams	1
172E	F L	O-360-A1D (LY)	OBSOLETE	2D36C14/78KM-4	74.0	72.0	30		12.7		27.5				SA420CE Williams	1

Constant Speed Propeller Applications

Aircraft Model	T Y P E	Engine Model (Make)	Propeller Part Number	Propeller Model	Max Dia	Min Dia	Ref Sta	Rev Angle	Low or Flight Idle Angle	Latch or Start Locks Angle	High or Feather Angle	Spinner Assembly P/N	S p i n n e r	Governor Model	STC Number STC Holder STC Kit P/N	N o t e s
172E		O-360-A1D (LY)	OBSOLETE	2D36C14/78KM-4	74.0		30								SA3-571 KWAD	1
172E		IO-360-C (TCM)		2A34C203/90DCA-											SA00728SE XP Modifications	
172E		IO-360-K (TCM)		2A34C203/90DCA-											SA00728SE XP Modifications	
172E		IO-360-KB (TCM)		2A34C203/90DCA-											SA00728SE XP Modifications	
172E	F L	6A-335-B (FR)	OBSOLETE	2A31C21/84S-6	78.0		30								SA1078WE Franklin	1
172E	F L	6A-350-A (FR)	OBSOLETE	2A31C21/84S-6	78.0		30								SA206NW Franklin	1
172E	F L	6A-350-A1 (FR)	OBSOLETE	2A31C21/84S-6	78.0		30								SA340NW Franklin	1
172E		6A-350-C1 (FR)	OBSOLETE	2A31C21/84S-4	80.0	76.0	30		11.2		20.5			C290D7/T2	SA293NW Franklin	1 95
172E		6A-350-C1 (FR)	OBSOLETE	2A31C21/84S-6	78.0		30								SA340NW Franklin	1
172E		6A-350-C2 (FR)	OBSOLETE	2A31C21/84S-4	80.0	76.0	30		11.2		20.5			C290D7/T2	SA293NW Franklin	1 95
172E		6A-350-C2 (FR)	OBSOLETE	2A31C21/84S-6	78.0		30								SA1334WE Franklin	1
172E		6A-350-C2 (FR)	OBSOLETE	2A31C21/84S-6	78.0		30								SA340NW Franklin	1
172E		6A-350-C2 (FR)	OBSOLETE	2A31C21/84S-6	78.0		30								SA436EA Franklin	1
172E		6A-350-C2 (FR)	OBSOLETE	2A31C21/84S-8	76.0		30								SA436EA Franklin	1
172F	F L	O-360-A1A (LY)	OBSOLETE	2D36C14/78KM-4	74.0	72.0	30		12.7		27.5				SA420CE Williams	1
172F	F L	O-360-A1D (LY)	OBSOLETE	2D36C14/78KM-4	74.0	72.0	30		12.7		27.5				SA420CE Williams	1
172F		O-360-A1D (LY)	OBSOLETE	2D36C14/78KM-4	74.0		30								SA3-571 KWAD	1
172F		IO-360-C (TCM)		2A34C203/90DCA-											SA00728SE XP Modifications	
172F		IO-360-K (TCM)		2A34C203/90DCA-											SA00728SE XP Modifications	

Constant Speed Propeller Applications

Aircraft Model	T Y P E	Engine Model (Make)	Propeller Part Number	Propeller Model	Max Dia	Min Dia	Ref Sta	Rev Angle	Low or Flight Idle Angle	Latch or Start Locks Angle	High or Feather Angle	Spinner Assembly P/N	S p i n n e r	Governor Model	STC Number STC Holder STC Kit P/N	N o t e s
172F		IO-360-KB (TCM)		2A34C203/90DCA-											SA00728SE XP Modifications	
172F	F L	6A-335-B (FR)	OBSOLETE	2A31C21/84S-6	78.0		30								SA1078WE Franklin	1
172F	F L	6A-350-A (FR)	OBSOLETE	2A31C21/84S-6	78.0		30								SA206NW Franklin	1
172F	F L	6A-350-A1 (FR)	OBSOLETE	2A31C21/84S-6	78.0		30								SA340NW Franklin	1
172F		6A-350-C1 (FR)	OBSOLETE	2A31C21/84S-4	80.0	76.0	30		11.2		20.5			C290D7/T2	SA293NW Franklin	1 95
172F		6A-350-C1 (FR)	OBSOLETE	2A31C21/84S-6	78.0		30								SA340NW Franklin	1
172F		6A-350-C2 (FR)	OBSOLETE	2A31C21/84S-4	80.0	76.0	30		11.2		20.5			C290D7/T2	SA293NW Franklin	1 95
172F		6A-350-C2 (FR)	OBSOLETE	2A31C21/84S-6	78.0		30								SA1334WE Franklin	1
172F		6A-350-C2 (FR)	OBSOLETE	2A31C21/84S-6	78.0		30								SA340NW Franklin	1
172F		6A-350-C2 (FR)	OBSOLETE	2A31C21/84S-6	78.0		30								SA436EA Franklin	1
172F		6A-350-C2 (FR)	OBSOLETE	2A31C21/84S-8	76.0		30								SA436EA Franklin	1
172G	F L	O-360-A1A (LY)	OBSOLETE	2D36C14/78KM-4	74.0	72.0	30		12.7		27.5				SA420CE Williams	1
172G	F L	O-360-A1D (LY)	OBSOLETE	2D36C14/78KM-4	74.0	72.0	30		12.7		27.5				SA420CE Williams	1
172G		O-360-A1D (LY)	OBSOLETE	2D36C14/78KM-4	74.0		30								SA3-571 KWAD	1
172G		IO-360-C (TCM)		2A34C203/90DCA-											SA00728SE XP Modifications	
172G		IO-360-K (TCM)		2A34C203/90DCA-											SA00728SE XP Modifications	
172G		IO-360-KB (TCM)		2A34C203/90DCA-											SA00728SE XP Modifications	
172G	F L	6A-335-B (FR)	OBSOLETE	2A31C21/84S-6	78.0		30								SA1078WE Franklin	1
172G	F L	6A-350-A (FR)	OBSOLETE	2A31C21/84S-6	78.0		30								SA206NW Franklin	1
172G	F L	6A-350-A1 (FR)	OBSOLETE	2A31C21/84S-6	78.0		30								SA340NW Franklin	1

Constant Speed Propeller Applications

Aircraft Model	T Y P E	Engine Model (Make)	Propeller Part Number	Propeller Model	Max Dia	Min Dia	Ref Sta	Rev Angle	Low or Flight Idle Angle	Latch or Start Locks Angle	High or Feather Angle	Spinner Assembly P/N	S p i n n e r	Governor Model	STC Number STC Holder STC Kit P/N	N o t e s
172G		6A-350-C1 (FR)	OBSOLETE	2A31C21/84S-4	80.0	76.0	30		11.2		20.5			C290D7/T2	SA293NW Franklin	1 95
172G		6A-350-C1 (FR)	OBSOLETE	2A31C21/84S-6	78.0		30								SA340NW Franklin	1
172G		6A-350-C2 (FR)	OBSOLETE	2A31C21/84S-4	80.0	76.0	30		11.2		20.5			C290D7/T2	SA293NW Franklin	1 95
172G		6A-350-C2 (FR)	OBSOLETE	2A31C21/84S-6	78.0		30								SA1334WE Franklin	1
172G		6A-350-C2 (FR)	OBSOLETE	2A31C21/84S-6	78.0		30								SA340NW Franklin	1
172G		6A-350-C2 (FR)	OBSOLETE	2A31C21/84S-6	78.0		30								SA436EA Franklin	1
172G		6A-350-C2 (FR)	OBSOLETE	2A31C21/84S-8	76.0		30								SA436EA Franklin	1
172H	F L	O-360-A1A (LY)	OBSOLETE	2D36C14/78KM-4	74.0	72.0	30		12.7		27.5				SA420CE Williams	1
172H	F L	O-360-A1D (LY)	OBSOLETE	2D36C14/78KM-4	74.0	72.0	30		12.7		27.5				SA420CE Williams	1
172H		O-360-A1D (LY)	OBSOLETE	2D36C14/78KM-4	74.0		30								SA3-571 KWAD	1
172H		IO-360-C (TCM)		2A34C203/90DCA-											SA00728SE XP Modifications	
172H		IO-360-K (TCM)		2A34C203/90DCA-											SA00728SE XP Modifications	
172H		IO-360-KB (TCM)		2A34C203/90DCA-											SA00728SE XP Modifications	
172H	F L	6A-350-A (FR)	OBSOLETE	2A31C21/84S-6	78.0		30								SA206NW Franklin	1
172H	F L	6A-350-A1 (FR)	OBSOLETE	2A31C21/84S-6	78.0		30								SA340NW Franklin	1
172H		6A-350-C1 (FR)	OBSOLETE	2A31C21/84S-4	80.0	76.0	30		11.2		20.5			C290D7/T2	SA293NW Franklin	1 95
172H		6A-350-C1 (FR)	OBSOLETE	2A31C21/84S-6	78.0		30								SA340NW Franklin	1
172H		6A-350-C2 (FR)	OBSOLETE	2A31C21/84S-4	80.0	76.0	30		11.2		20.5			C290D7/T2	SA293NW Franklin	1 95
172H		6A-350-C2 (FR)	OBSOLETE	2A31C21/84S-6	78.0		30								SA340NW Franklin	1
172H		6A-350-C2 (FR)	OBSOLETE	2A31C21/84S-6	78.0		30								SA436EA Franklin	1

Constant Speed Propeller Applications

Aircraft Model	T Y P E	Engine Model (Make)	Propeller Part Number	Propeller Model	Max Dia	Min Dia	Ref Sta	Rev Angle	Low or Flight Idle Angle	Latch or Start Locks Angle	High or Feather Angle	Spinner Assembly P/N	S p i n n e r	Governor Model	STC Number STC Holder STC Kit P/N	N o t e s
172H		6A-350-C2 (FR)	OBSOLETE	2A31C21/84S-8	76.0		30								SA436EA Franklin	1
172I	F L	6A-350-A (FR)	OBSOLETE	2A31C21/84S-6	78.0		30								SA206NW Franklin	1
172I	F L	6A-350-A1 (FR)	OBSOLETE	2A31C21/84S-6	78.0		30								SA340NW Franklin	1
172I		6A-350-C1 (FR)	OBSOLETE	2A31C21/84S-4	80.0	76.0	30		11.2		20.5			C290D7/T2	SA293NW Franklin	1 95
172I		6A-350-C1 (FR)	OBSOLETE	2A31C21/84S-6	78.0		30								SA340NW Franklin	1
172I		6A-350-C2 (FR)	OBSOLETE	2A31C21/84S-4	80.0	76.0	30		11.2		20.5			C290D7/T2	SA293NW Franklin	1 95
172I		6A-350-C2 (FR)	OBSOLETE	2A31C21/84S-6	78.0		30								SA340NW Franklin	1
172K	F L	6A-350-A (FR)	OBSOLETE	2A31C21/84S-6	78.0		30								SA206NW Franklin	1
172K	F L	6A-350-A1 (FR)	OBSOLETE	2A31C21/84S-6	78.0		30								SA340NW Franklin	1
172K		6A-350-C1 (FR)	OBSOLETE	2A31C21/84S-4	80.0	76.0	30		11.2		20.5			C290D7/T2	SA293NW Franklin	1 95
172K		6A-350-C1 (FR)	OBSOLETE	2A31C21/84S-6	78.0		30								SA340NW Franklin	1
172K		6A-350-C2 (FR)	OBSOLETE	2A31C21/84S-4	80.0	76.0	30		11.2		20.5			C290D7/T2	SA293NW Franklin	1 95
172K		6A-350-C2 (FR)	OBSOLETE	2A31C21/84S-6	78.0		30								SA340NW Franklin	1
172L	F L	6A-350-A (FR)	OBSOLETE	2A31C21/84S-6	78.0		30								SA206NW Franklin	1
172L	F L	6A-350-A1 (FR)	OBSOLETE	2A31C21/84S-6	78.0		30								SA340NW Franklin	1
172L		6A-350-C1 (FR)	OBSOLETE	2A31C21/84S-4	80.0	76.0	30		11.2		20.5			C290D7/T2	SA293NW Franklin	1 95
172L		6A-350-C1 (FR)	OBSOLETE	2A31C21/84S-6	78.0		30								SA340NW Franklin	1
172L		6A-350-C2 (FR)	OBSOLETE	2A31C21/84S-4	80.0	76.0	30		11.2		20.5			C290D7/T2	SA293NW Franklin	1 95
172L		6A-350-C2 (FR)	OBSOLETE	2A31C21/84S-6	78.0		30								SA340NW Franklin	1
172M	F L	6A-350-A (FR)	OBSOLETE	2A31C21/84S-6	78.0		30								SA206NW Franklin	1
172M	F L	6A-350-A1 (FR)	OBSOLETE	2A31C21/84S-6	78.0		30								SA340NW Franklin	1
172M		6A-350-C1 (FR)	OBSOLETE	2A31C21/84S-4	80.0	76.0	30		11.2		20.5			C290D7/T2	SA293NW Franklin	1 95

Constant Speed Propeller Applications

Aircraft Model	TYPE	Engine Model (Make)	Propeller Part Number	Propeller Model	Max Dia	Min Dia	Ref Sta	Rev Angle	Low or Flight Idle Angle	Latch or Start Locks Angle	High or Feather Angle	Spinner Assembly P/N	Spinner Type	Governor Model	STC Number STC Holder STC Kit P/N	Notes
172M		6A-350-C1 (FR)	OBSOLETE	2A31C21/84S-6	78.0		30								SA340NW Franklin	1
172M		6A-350-C2 (FR)	OBSOLETE	2A31C21/84S-4	80.0	76.0	30		11.2		20.5			C290D7/T2	SA293NW Franklin	1 95
172M		6A-350-C2 (FR)	OBSOLETE	2A31C21/84S-6	78.0		30								SA340NW Franklin	1
172N		6A-350-C1 (FR)	OBSOLETE	2A31C21/84S-4	80.0	76.0	30		11.2		20.5			C290D7/T2	SA293NW Franklin	1 95
172N		6A-350-C1 (FR)	OBSOLETE	2A31C21/84S-6	78.0		30								SA340NW Franklin	1
172N		6A-350-C2 (FR)	OBSOLETE	2A31C21/84S-4	80.0	76.0	30		11.2		20.5			C290D7/T2	SA293NW Franklin	1 95
172N		6A-350-C2 (FR)	OBSOLETE	2A31C21/84S-6	78.0		30								SA340NW Franklin	1
172P		6A-350-C1 (FR)	OBSOLETE	2A31C21/84S-4	80.0	76.0	30		11.2		20.5			C290D7/T2	SA293NW Franklin	1 95
172P		6A-350-C1 (FR)	OBSOLETE	2A31C21/84S-6	78.0		30								SA340NW Franklin	1
172P		6A-350-C2 (FR)	OBSOLETE	2A31C21/84S-4	80.0	76.0	30		11.2		20.5			C290D7/T2	SA293NW Franklin	1 95
172P		6A-350-C2 (FR)	OBSOLETE	2A31C21/84S-6	78.0		30								SA340NW Franklin	1
172RG "Cutlass RG"	L	O-360-F1A6 (LY)	P2205060-01	B2D34C220/80VHA-3.5	76.5	75.5	30		12.1		26.4			DC290D1/T6 C290D3/T18		53
172RG "Cutlass RG"	L	O-360-F1A6 (LY)	P4295038-01	B3D36C429/82NPA-6	76.0	75.0	30		9.5		33.8	D-7290	P	DC290D1/T6 C290D3/T18	SA495CH McCauley PL60166	60 141
P172D "Skyhawk Powermatic"	L	GO-300-E (TCM)	OBSOLETE	2A31C21/84S-0	84.0	82.0	30		13.0		26.5					1
P172D "Skyhawk Powermatic"		IO-360-C (TCM)		2A34C203/90DCA-											SA00728SE XP Modifications	
P172D "Skyhawk Powermatic"		IO-360-K (TCM)		2A34C203/90DCA-											SA00728SE XP Modifications	
P172D "Skyhawk Powermatic"		IO-360-KB (TCM)		2A34C203/90DCA-											SA00728SE XP Modifications	
R172E "USAF T-41B, T-41C,T-41D"	L	IO-360-D (TCM)	OBSOLETE	D2A34C67/76C-0	76.0	74.5	30		11.7		22.5			C290D3/T6 C290D2/T6		1
R172E "USAF T-41B"	L	IO-360-D (TCM)	P2094447-51	2A34C209/78CCA-2	76.0	74.5	30		11.3		22.0			C290D3/T6 C290D2/T6		

Constant Speed Propeller Applications

Aircraft Model	T Y P E	Engine Model (Make)	Propeller Part Number	Propeller Model	Max Dia	Min Dia	Ref Sta	Rev Angle	Low or Flight Idle Angle	Latch or Start Locks Angle	High or Feather Angle	Spinner Assembly P/N	S p i n n e r	Governor Model	STC Number STC Holder STC Kit P/N	N o t e s
R172E "USAF T-41B, T-41C,T-41D"	L	IO-360-DB (TCM)	OBSOLETE	D2A34C67/76C-0	76.0	74.5	30		11.7		22.5			C290D3/T6 C290D2/T6		1
R172E "USAF T-41B"	L	IO-360-DB (TCM)	P2094447-51	2A34C209/78CCA-2	76.0	74.5	30		11.3		22.0			C290D3/T6 C290D2/T6		
R172F "USAF T-41D"	L	IO-360-D (TCM)	OBSOLETE	D2A34C67/76C-0	76.0	74.5	30		11.7		22.5			C290D3/T6 C290D2/T6		1
R172F "USAF T-41D"	L	IO-360-DB (TCM)	OBSOLETE	D2A34C67/76C-0	76.0	74.5	30		11.7		22.5			C290D3/T6 C290D2/T6		1
R172G "USAF T-41C,T-41D"	L	IO-360-C (TCM)	OBSOLETE	D2A34C67/76C-0	76.0	74.5	30		11.7		22.5			C290D3/T6 C290D2/T6		1
R172G "USAF T-41C,T-41D"	L	IO-360-CB (TCM)	OBSOLETE	D2A34C67/76C-0	76.0	74.5	30		11.7		22.5			C290D3/T6 C290D2/T6		1
R172G "USAF T-41C,T-41D"	L	IO-360-D (TCM)	OBSOLETE	D2A34C67/76C-0	76.0	74.5	30		11.7		22.5			C290D3/T6 C290D2/T6		1
R172G "USAF T-41C,T-41D"	L	IO-360-DB (TCM)	OBSOLETE	D2A34C67/76C-0	76.0	74.5	30		11.7		22.5			C290D3/T6 C290D2/T6		1
R172H "USAF T-41D"	L	IO-360-C (TCM)	OBSOLETE	D2A34C67/76C-0	76.0	74.5	30		11.7		22.5			C290D3/T6 C290D2/T6		1
R172H "USAF T-41D"	L	IO-360-C (TCM)	P2094447-51	2A34C209/78CCA-2	76.0	74.5	30		11.3		22.0			C290D3/T6 C290D2/T6		
R172H "USAF T-41D"	L	IO-360-CB (TCM)	OBSOLETE	D2A34C67/76C-0	76.0	74.5	30		11.7		22.5			C290D3/T6 C290D2/T6		1
R172H "USAF T-41D"	L	IO-360-CB (TCM)	P2094447-51	2A34C209/78CCA-2	76.0	74.5	30		11.3		22.0			C290D3/T6 C290D2/T6		
R172H "USAF T-41D"	L	IO-360-D (TCM)	OBSOLETE	D2A34C67/76C-0	76.0	74.5	30		11.7		22.5			C290D3/T6 C290D2/T6		1
R172H "USAF T-41D"	L	IO-360-D (TCM)	P2094447-51	2A34C209/78CCA-2	76.0	74.5	30		11.3		22.0			C290D3/T6 C290D2/T6		
R172H "USAF T-41D"	L	IO-360-DB (TCM)	OBSOLETE	D2A34C67/76C-0	76.0	74.5	30		11.7		22.5			C290D3/T6 C290D2/T6		1
R172H "USAF T-41D"	L	IO-360-DB (TCM)	P2094447-51	2A34C209/78CCA-2	76.0	74.5	30		11.3		22.0			C290D3/T6 C290D2/T6		
R172H "USAF T-41D"	L	IO-360-H (TCM)	OBSOLETE	D2A34C67/76C-0	76.0	74.5	30		11.7		22.5			C290D3/T6 C290D2/T6		1
R172H "USAF T-41D"	L	IO-360-H (TCM)	P2094447-51	2A34C209/78CCA-2	76.0	74.5	30		11.3		22.0			C290D3/T6 C290D2/T6		
R172H "USAF T-41D"	L	IO-360-HB (TCM)	OBSOLETE	D2A34C67/76C-0	76.0	74.5	30		11.7		22.5			C290D3/T6 C290D2/T6		1
R172H "USAF T-41D"	L	IO-360-HB (TCM)	P2094447-51	2A34C209/78CCA-2	76.0	74.5	30		11.3		22.0			C290D3/T6 C290D2/T6		
R172J	L	IO-360-H (TCM)	P2094447-51	2A34C209/78CCA-2	76.0	74.5	30		11.3		22.0			C290D3/T6 C290D2/T6		

Constant Speed Propeller Applications

Aircraft Model	T Y P E	Engine Model (Make)	Propeller Part Number	Propeller Model	Max Dia	Min Dia	Ref Sta	Rev Angle	Low or Flight Idle Angle	Latch or Start Locks Angle	High or Feather Angle	Spinner Assembly P/N	S p i n n e r	Governor Model	STC Number STC Holder STC Kit P/N	N o t e s
R172J	L	IO-360-H (TCM)	OBSOLETE	2A34C209/78CCA-0	78.0	74.5	30		10.6		22.0			C290D3/T6 C290D2/T6		1
R172J	L	IO-360-HB (TCM)	P2094447-51	2A34C209/78CCA-2	76.0	74.5	30		11.3		22.0			C290D3/T6 C290D2/T6		
R172J	L	IO-360-HB (TCM)	OBSOLETE	2A34C209/78CCA-0	78.0	74.5	30		10.6		22.0			C290D3/T6 C290D2/T6		1
R172K (1977, 1978 models) "Hawk XP"	L	IO-360-K (TCM)	P2033909-53	2A34C203/90DCA-14	76.0	74.5	30		12.0		25.1			C290D3/T15		
R172K (SP) (1977, 1978 models) "Hawk XP"	F	IO-360-K (TCM)	P2033909-54	2A34C203/90DCA-10	80.0	78.5	30		11.3		24.8			C290D3/T15		
R172K (1977, 1978 models) "Hawk XP"	L	IO-360-KB (TCM)	P2033909-53	2A34C203/90DCA-14	76.0	74.5	30		12.0		25.1			C290D3/T15		
R172K (SP) (1977, 1978 models) "Hawk XP"	F	IO-360-KB (TCM)	P2033909-54	2A34C203/90DCA-10	80.0	78.5	30		11.3		24.8			C290D3/T15		
R172K (1979 - 1981 models) "Hawk XP"	L	IO-360-KB (TCM)	P2033909-53	2A34C203/90DCA-14	76.0	74.5	30		12.0		25.1			C290D3/T15		
R172K (SP) (1979 - 1981 models) "Hawk XP"	F	IO-360-KB (TCM)	P2033909-54	2A34C203/90DCA-10	80.0	78.5	30		11.3		24.8			C290D3/T15		
R172K "Hawk XP"	F	IO-360-KBC (STC)		2A34C203/90DCA-10	80.0	78.5	30		9.8		25.0			C290D3/T6	SA1437CE Isham Aircraft	
R172K "Hawk XP"	F	IO-360-KBC (STC)		2A34C203/90DCA-14	76.0	74.5	30		9.7		25.0			C290D3/T6	SA1437CE Isham Aircraft	
R172K "Hawk XP"	F	IO-360-KC (STC)		2A34C203/90DCA-10	80.0	78.5	30		9.8		25.0			C290D3/T6	SA1437CE Isham Aircraft	
R172K "Hawk XP"	F	IO-360-KC (STC)		2A34C203/90DCA-14	76.0	74.5	30		9.7		25.0			C290D3/T6	SA1437CE Isham Aircraft	
175 "Skylark"	L	O-360-A1A (LY)	OBSOLETE	2D36C14/78KM-4	74.0	72.0	30		12.7		27.5	D-2137	S	C290D3/T18	SA424CE Williams	1 42
175 "Skylark"	L	O-360-A1D (LY)	OBSOLETE	2D36C14/78KM-4	74.0	72.0	30		12.7		27.5	D-2137	S	C290D3/T18	SA424CE Williams	1 42
175 "Skylark"	L	O-360-A1D (LY)	OBSOLETE	2D36C14/78KM-4	74.0		30								SA3-674 KWAD	1
175 "Skylark"		6A-350-C1 (FR)	OBSOLETE	2A31C21/84S-4	80.0	76.0	30		11.2		20.5			C290D7/T2	SA293NW Franklin	1 95
175 "Skylark"		6A-350-C2 (FR)	OBSOLETE	2A31C21/84S-4	80.0	76.0	30		11.2		20.5			C290D7/T2	SA293NW Franklin	1 95
175 "Skylark"		6A-350-C2 (FR)	OBSOLETE	2A31C21/84S-6	78.0		30								SA436EA Franklin	1

Constant Speed Propeller Applications

Aircraft Model	T Y P E	Engine Model (Make)	Propeller Part Number	Propeller Model	Max Dia	Min Dia	Ref Sta	Rev Angle	Low or Flight Idle Angle	Latch or Start Locks Angle	High or Feather Angle	Spinner Assembly P/N	S p i n n e r	Governor Model	STC Number STC Holder STC Kit P/N	N o t e s
175 "Skylark"		6A-350-C2 (FR)	OBSOLETE	2A31C21/84S-8	76.0		30								SA436EA Franklin	1
175A "Skylark"	L	O-360-A1A (LY)	OBSOLETE	2D36C14/78KM-4	74.0	72.0	30		12.7		27.5	D-2137	S	C290D3/T18	SA424CE Williams	1 42
175A "Skylark"	L	O-360-A1D (LY)	OBSOLETE	2D36C14/78KM-4	74.0	72.0	30		12.7		27.5	D-2137	S	C290D3/T18	SA424CE Williams	1 42
175A "Skylark"	L	O-360-A1D (LY)	OBSOLETE	2D36C14/78KM-4	74.0		30								SA3-674 KWAD	1
175A "Skylark"		6A-350-C1 (FR)	OBSOLETE	2A31C21/84S-4	80.0	76.0	30		11.2		20.5			C290D7/T2	SA293NW Franklin	1 95
175A "Skylark"		6A-350-C2 (FR)	OBSOLETE	2A31C21/84S-4	80.0	76.0	30		11.2		20.5			C290D7/T2	SA293NW Franklin	1 95
175A "Skylark"		6A-350-C2 (FR)	OBSOLETE	2A31C21/84S-6	78.0		30								SA436EA Franklin	1
175A "Skylark"		6A-350-C2 (FR)	OBSOLETE	2A31C21/84S-8	76.0		30								SA436EA Franklin	1
175B "Skylark"	L	O-360-A1A (LY)	OBSOLETE	2D36C14/78KM-4	74.0	72.0	30		12.7		27.5	D-2137	S	C290D3/T18	SA424CE Williams	1 42
175B "Skylark"	L	O-360-A1D (LY)	OBSOLETE	2D36C14/78KM-4	74.0	72.0	30		12.7		27.5	D-2137	S	C290D3/T18	SA424CE Williams	1 42
175B "Skylark"	L	O-360-A1D (LY)	OBSOLETE	2D36C14/78KM-4	74.0		30								SA3-674 KWAD	1
175B "Skylark"		6A-350-C1 (FR)	OBSOLETE	2A31C21/84S-4	80.0	76.0	30		11.2		20.5			C290D7/T2	SA293NW Franklin	1 95
175B "Skylark"		6A-350-C2 (FR)	OBSOLETE	2A31C21/84S-4	80.0	76.0	30		11.2		20.5			C290D7/T2	SA293NW Franklin	1 95
175B "Skylark"		6A-350-C2 (FR)	OBSOLETE	2A31C21/84S-6	78.0		30								SA436EA Franklin	1
175B "Skylark"		6A-350-C2 (FR)	OBSOLETE	2A31C21/84S-8	76.0		30								SA436EA Franklin	1
175C "Skylark"	L	GO-300-E (TCM)	OBSOLETE	2A31C21/84S-0	84.0	82.0	30		13.0		26.5					1
175C "Skylark"		6A-350-C1 (FR)	OBSOLETE	2A31C21/84S-4	80.0	76.0	30		11.2		20.5			C290D7/T2	SA293NW Franklin	1 95
175C "Skylark"		6A-350-C2 (FR)	OBSOLETE	2A31C21/84S-4	80.0	76.0	30		11.2		20.5			C290D7/T2	SA293NW Franklin	1 95
175C "Skylark"		6A-350-C2 (FR)	OBSOLETE	2A31C21/84S-6	78.0		30								SA436EA Franklin	1
175C "Skylark"		6A-350-C2 (FR)	OBSOLETE	2A31C21/84S-8	76.0		30								SA436EA Franklin	1
177B "Cardinal"	L	O-360-A1F6 (LY)	OBSOLETE	2D34C202/82PA-6	76.0	75.0	30		12.1		26.0			DC290D1/T2 C290D3/T11 C290D2/T11		1 9 83

Constant Speed Propeller Applications

Aircraft Model	T Y P E	Engine Model (Make)	Propeller Part Number	Propeller Model	Max Dia	Min Dia	Ref Sta	Rev Angle	Low or Flight Idle Angle	Latch or Start Locks Angle	High or Feather Angle	Spinner Assembly P/N	S p i n n e r	Governor Model	STC Number STC Holder STC Kit P/N	N o t e s
177B "Cardinal"	L	O-360-A1F6 (LY)	OBSOLETE	B2D34C206/78TA-0	78.0	74.0	30		11.6		27.5			DC290D1/T2 C290D3/T11 C290D2/T11		1 10 83
177B "Cardinal"	L	O-360-A1F6 (LY)	OBSOLETE	B2D34C208/82PA-6	76.0	75.0	30		12.1		26.0			DC290D1/T2 C290D3/T11 C290D2/T11		1 9 83
177B "Cardinal"	L	O-360-A1F6 (LY)	P2114392-21	B2D34C211/82PCA-6	76.0	75.0	30		12.1		26.0			DC290D1/T2 C290D3/T11 C290D2/T11		9 83
177B "Cardinal"	L	O-360-A1F6 (LY)	P4287151-02	B3D36C428/82NPA-6	76.0	75.0	30		9.5		3.8	D-6614	P	DC290D1/T2 C290D3/T11 C290D2/T11	SA477CH McCauley PL60164	60 83 141
177B "Cardinal"	L	O-360-A1F6D (LY)	OBSOLETE	2D34C202/82PA-6	76.0	75.0	30		12.1		26.0			DC290D1/T3 C290D3/T12 C290D2/T12		1 9 83 129
177B "Cardinal"	L	O-360-A1F6D (LY)	OBSOLETE	B2D34C206/78TA-0	78.0	74.0	30		11.6		27.5			DC290D1/T3 C290D3/T12 C290D2/T12		1 10 83 129
177B "Cardinal"	L	O-360-A1F6D (LY)	OBSOLETE	B2D34C208/82PA-6	76.0	75.0	30		12.1		26.0			DC290D1/T3 C290D3/T12 C290D2/T12		1 9 83 129
177B "Cardinal"	L	O-360-A1F6D (LY)	P2114392-21	B2D34C211/82PCA-6	76.0	75.0	30		12.1		26.0			DC290D1/T3 C290D3/T12 C290D2/T12		9 83 129
177B "Cardinal"	L	O-360-A1F6D (LY)	P4287151-02	B3D36C428/82NPA-6	76.0	75.0	30		9.5		3.8	D-6614	P	DC290D1/T3 C290D3/T12 C290D2/T12	SA477CH McCauley PL60164	60 83 129 141
177RG "Cardinal RG"	L	IO-360-A1B6 (LY)	OBSOLETE	B2D34C206/78TA-0	78.0	76.5	30		12.9		27.5			DC290D1/T2 C290D3/T11 C290D2/T11		1 10 83
177RG "Cardinal RG"	L	IO-360-A1B6 (LY)	P2074392-01	B2D34C207/78TCA-0	78.0	76.5	30		12.9		27.5			DC290D1/T2 C290D3/T11 C290D2/T11		10 83
177RG "Cardinal RG"	L	IO-360-A1B6 (LY)	P4155922-01	C3D36C415/82NGA-8	74.0	72.0	30		10.9		33.8	D-6614	P	DC290D1/T2 C290D3/T11 C290D2/T11	SA838NE US Prop of Connecticut	92
177RG "Cardinal RG"	L	IO-360-A1B6 (LY)	P4287151-01	B3D36C428/82NPA-6	76.0	75.0	30		10.5		33.8	D-6614	P	DC290D1/T2 C290D3/T11 C290D2/T11	SA477CH McCauley PL60161	60 83 141

Constant Speed Propeller Applications

Aircraft Model	T Y P E	Engine Model (Make)	Propeller Part Number	Propeller Model	Max Dia	Min Dia	Ref Sta	Rev Angle	Low or Flight Idle Angle	Latch or Start Locks Angle	High or Feather Angle	Spinner Assembly P/N	S p i n n e r	Governor Model	STC Number STC Holder STC Kit P/N	N o t e s
177RG "Cardinal RG"	L	IO-360-A1B6D (LY)	OBSOLETE	B2D34C206/78TA-0	78.0	76.5	30		12.9		27.5			DC290D1/T3 C290D3/T12 C290D2/T12		1 10 83 129
177RG "Cardinal RG"	L	IO-360-A1B6D (LY)	P2074392-01	B2D34C207/78TCA-0	78.0	76.5	30		12.9		27.5			DC290D1/T3 C290D3/T12 C290D2/T12		10 83 129
177RG "Cardinal RG"	L	IO-360-A1B6D (LY)	P4155922-01	C3D36C415/82NGA-8	74.0	72.0	30		10.9		33.8	D-6614	P	DC290D1/T3 C290D3/T12 C290D2/T12	SA838NE US Prop of Connecticut	92 129
177RG "Cardinal RG"	L	IO-360-A1B6D (LY)	P4287151-01	B3D36C428/82NPA-6	76.0	75.0	30		10.5		33.8	D-6614	P	DC290D1/T3 C290D3/T12 C290D2/T12	SA477CH McCauley PL60161	60 83 129 141
177RG "Cardinal RG"	L	IO-390-A1A6 (LY)	P2074392-01	B2D34C207/78TCA-0	78.0	76.5	30		12.9		27.5			DC290D1/T2	SA10944SC Alamo Aerospace	99 121
180		O-470-A (TCM)	OBSOLETE	2A36C1-U/90M-2	88.0	86.0	36		8.0		22.0			C290D3/T1 C290D2/T1		1
180		O-470-A (TCM)	OBSOLETE	2A36C1-U/90M-8	82.0	80.0	36		10.5		22.0			C290D3/T1 C290D2/T1		1
180		O-470-A (TCM)	OBSOLETE	2A36C18/90M-2	88.0	86.0	36		8.0		22.0			C290D3/T1 C290D2/T1		1
180		O-470-A (TCM)	OBSOLETE	2A36C18/90M-8	82.0	80.0	36		10.5		22.0			C290D3/T1 C290D2/T1		1
180		O-470-A (TCM)	OBSOLETE	2A36C29/90M-2	88.0	86.0	36		8.0		22.0			C290D3/T1 C290D2/T1		1
180		O-470-A (TCM)	OBSOLETE	2A36C29/90M-8	82.0	80.0	36		10.5		22.0			C290D3/T1 C290D2/T1		1
180		O-470-A (TCM)	OBSOLETE	2A34C50/90A-2	88.0	86.0	36		10.5		22.0			C290D3/T1 C290D2/T1		1
180		O-470-A (TCM)	OBSOLETE	2A34C50/90A-8	82.0	80.0	36		10.5		22.0			C290D3/T1 C290D2/T1		1
180		O-470-A (TCM)	OBSOLETE	2A34C66/90AT-2	88.0	86.0	36		8.0		22.0			C290D3/T1 C290D2/T1		1
180		O-470-A (TCM)	OBSOLETE	2A34C66/90AT-8	82.0	80.0	36		10.5		22.0			C290D3/T1 C290D2/T1		1
180	A F L	O-470-A (TCM)	P2017294-52	2A34C201/90DA-2	88.0	86.5	30		10.5		24.5			C290D3/T1 C290D2/T1	SA2229CE Northwest Propeller	81
180	L	O-470-A (TCM)	P2017294-51	2A34C201/90DA-8	82.0	80.0	30		13.0		24.5			C290D3/T1 C290D2/T1	SA2229CE Northwest Propeller	81

Constant Speed Propeller Applications

Aircraft Model	T Y P E	Engine Model (Make)	Propeller Part Number	Propeller Model	Max Dia	Min Dia	Ref Sta	Rev Angle	Low or Flight Idle Angle	Latch or Start Locks Angle	High or Feather Angle	Spinner Assembly P/N	S p i n n e r T y p e	Governor Model	STC Number STC Holder STC Kit P/N	N o t e s
180	A F L S	O-470-A (TCM)	P2033909-57	2A34C203/90DCA-2	88.0	86.5	30		10.0		24.5			C290D3/T1 C290D2/T1		25
180	A F	O-470-A (TCM)	P2033909-57	2A34C203/90DCA-2	88.0	86.5	30		10.0		24.5	D-7519-1	P	C290D3/T1 C290D2/T1	SA01033CH McCauley PL60289	81 136
180	A F L	O-470-A (TCM)	P2033909-52 P2033909-57	2A34C203/90DCA-2	88.0	86.5	30		10.0		24.5			C290D3/T1 C290D2/T1	SA2229CE Northwest Propeller	81
180	A F	O-470-A (TCM)	P2033909-52 P2033909-57	2A34C203/90DCA-2	88.0	86.5	30		10.0		24.5			C290D3/T1 C290D2/T1	SA3237NM American	81
180		O-470-A (TCM)	P2033909-56	2A34C203/90DCA-8	82.0	80.5	30		12.5		25.0			C290D3/T1 C290D2/T1		24
180		O-470-A (TCM)	P2033909-56	2A34C203/90DCA-8	82.0	80.5	30		12.5		25.0	D-7519-1	P	C290D3/T1 C290D2/T1	SA01033CH McCauley PL60287	81 136
180	L	O-470-A (TCM)		2A34C203/90DCA-8	82.0	80.5	30		12.5		24.0			C290D3/T1 C290D2/T1	SA2229CE Northwest Propeller	81
180	L	O-470-A (TCM)	P2033909-51 P2033909-56	2A34C203/90DCA-8	82.0	80.5	30		12.5		25.0			C290D3/T1 C290D2/T1	SA3237NM American	81
180	A F L	O-470-A (TCM)		C2A34C204/90DCB-2	88.0	86.5	30		10.5		24.5			C290D3/T1 C290D2/T1	SA2229CE Northwest Propeller	81
180	L	O-470-A (TCM)		C2A34C204/90DCB-8	82.0	80.5	30		13.0		24.5			C290D3/T1 C290D2/T1	SA2229CE Northwest Propeller	81
180	L	O-470-A (TCM)	P4357483-01	D3A36C435/80VEA-0	80.0	78.0	30		10.8		33.9	D-7510-1	P	C290D3/T1 C290D2/T1	SA00819CH McCauley PL60228	136
180		O-470-J (TCM)	OBSOLETE	2A36C1-U/90M-2	88.0	86.0	36		8.0		22.0			C290D3/T1 C290D2/T1		1
180		O-470-J (TCM)	OBSOLETE	2A36C1-U/90M-8	82.0	80.0	36		10.5		22.0			C290D3/T1 C290D2/T1		1
180		O-470-J (TCM)	OBSOLETE	2A36C18/90M-2	88.0	86.0	36		8.0		22.0			C290D3/T1 C290D2/T1		1
180		O-470-J (TCM)	OBSOLETE	2A36C18/90M-8	82.0	80.0	36		10.5		22.0			C290D3/T1 C290D2/T1		1
180		O-470-J (TCM)	OBSOLETE	2A36C29/90M-2	88.0	86.0	36		8.0		22.0			C290D3/T1 C290D2/T1		1
180		O-470-J (TCM)	OBSOLETE	2A36C29/90M-8	82.0	80.0	36		10.5		22.0			C290D3/T1 C290D2/T1		1

Constant Speed Propeller Applications

Aircraft Model	T Y P E	Engine Model (Make)	Propeller Part Number	Propeller Model	Max Dia	Min Dia	Ref Sta	Rev Angle	Low or Flight Idle Angle	Latch or Start Locks Angle	High or Feather Angle	Spinner Assembly P/N	S p i n n e r	Governor Model	STC Number STC Holder STC Kit P/N	N o t e s
180		O-470-J (TCM)	OBSOLETE	2A34C50/90A-2	88.0	86.0	36		10.5		22.0			C290D3/T1 C290D2/T1		1
180		O-470-J (TCM)	OBSOLETE	2A34C50/90A-8	82.0	80.0	36		10.5		22.0			C290D3/T1 C290D2/T1		1
180		O-470-J (TCM)	OBSOLETE	2A34C66/90AT-2	88.0	86.0	36		8.0		22.0			C290D3/T1 C290D2/T1		1
180		O-470-J (TCM)	OBSOLETE	2A34C66/90AT-8	82.0	80.0	36		10.5		22.0			C290D3/T1 C290D2/T1		1
180	A F L	O-470-J (TCM)	P2017294-52	2A34C201/90DA-2	88.0	86.5	30		10.5		24.5			C290D3/T1 C290D2/T1	SA2229CE Northwest Propeller	
180	L	O-470-J (TCM)	P2017294-51	2A34C201/90DA-8	82.0	80.0	30		13.0		24.5			C290D3/T1 C290D2/T1	SA2229CE Northwest Propeller	
180	A F L S	O-470-J (TCM)	P2033909-57	2A34C203/90DCA-2	88.0	86.5	30		10.0		24.5			C290D3/T1 C290D2/T1		25
180	A F	O-470-J (TCM)	P2033909-57	2A34C203/90DCA-2	88.0	86.5	30		10.0		24.5	D-7519-1	P	C290D3/T1 C290D2/T1	SA01033CH McCauley PL60289	136
180	A F L	O-470-J (TCM)	P2033909-52 P2033909-57	2A34C203/90DCA-2	88.0	86.5	30		10.0		24.5			C290D3/T1 C290D2/T1	SA2229CE Northwest Propeller	
180	A F	O-470-J (TCM)	P2033909-52 P2033909-57	2A34C203/90DCA-2	88.0	86.5	30		10.0		24.5			C290D3/T1 C290D2/T1	SA3237NM American	
180		O-470-J (TCM)	P2033909-56	2A34C203/90DCA-8	82.0	80.5	30		12.5		25.0			C290D3/T1 C290D2/T1		24
180		O-470-J (TCM)	P2033909-56	2A34C203/90DCA-8	82.0	80.5	30		12.5		25.0	D-7519-1	P	C290D3/T1 C290D2/T1	SA01033CH McCauley PL60287	136
180	L	O-470-J (TCM)		2A34C203/90DCA-8	82.0	80.5	30		12.5		24.0			C290D3/T1 C290D2/T1	SA2229CE Northwest Propeller	
180	L	O-470-J (TCM)	P2033909-51 P2033909-56	2A34C203/90DCA-8	82.0	80.5	30		12.5		25.0			C290D3/T1 C290D2/T1	SA3237NM American	
180	A F L	O-470-J (TCM)		C2A34C204/90DCB-2	88.0	86.5	30		10.5		24.5			C290D3/T1 C290D2/T1	SA2229CE Northwest Propeller	
180	L	O-470-J (TCM)		C2A34C204/90DCB-8	82.0	80.5	30		13.0		24.5			C290D3/T1 C290D2/T1	SA2229CE Northwest Propeller	

Constant Speed Propeller Applications

Aircraft Model	T Y P E	Engine Model (Make)	Propeller Part Number	Propeller Model	Max Dia	Min Dia	Ref Sta	Rev Angle	Low or Flight Idle Angle	Latch or Start Locks Angle	High or Feather Angle	Spinner Assembly P/N	S p i n n e r	Governor Model	STC Number STC Holder STC Kit P/N	N o t e s
180	L	O-470-J (TCM)	P4357483-01	D3A36C435/80VEA-0	80.0	78.0	30		10.8		33.9	D-7510-1	P	C290D3/T1 C290D2/T1	SA00819CH McCauley PL60228	136
180		O-470-K (TCM)	OBSOLETE	2A36C1-U/90M-2	88.0	86.0	36		8.0		22.0			C290D3/T1 C290D2/T1		1
180		O-470-K (TCM)	OBSOLETE	2A36C1-U/90M-8	82.0	80.0	36		10.5		22.0			C290D3/T1 C290D2/T1		1
180		O-470-K (TCM)	OBSOLETE	2A36C18/90M-2	88.0	86.0	36		8.0		22.0			C290D3/T1 C290D2/T1		1
180		O-470-K (TCM)	OBSOLETE	2A36C18/90M-8	82.0	80.0	36		10.5		22.0			C290D3/T1 C290D2/T1		1
180		O-470-K (TCM)	OBSOLETE	2A36C29/90M-2	88.0	86.0	36		8.0		22.0			C290D3/T1 C290D2/T1		1
180		O-470-K (TCM)	OBSOLETE	2A36C29/90M-8	82.0	80.0	36		10.5		22.0			C290D3/T1 C290D2/T1		1
180		O-470-K (TCM)	OBSOLETE	2A34C50/90A-2	88.0	86.0	36		10.5		22.0			C290D3/T1 C290D2/T1		1
180		O-470-K (TCM)	OBSOLETE	2A34C50/90A-8	82.0	80.0	36		10.5		22.0			C290D3/T1 C290D2/T1		1
180		O-470-K (TCM)	OBSOLETE	2A34C66/90AT-2	88.0	86.0	36		8.0		22.0			C290D3/T1 C290D2/T1		1
180		O-470-K (TCM)	OBSOLETE	2A34C66/90AT-8	82.0	80.0	36		10.5		22.0			C290D3/T1 C290D2/T1		1
180	A F L	O-470-K (TCM)	P2017294-52	2A34C201/90DA-2	88.0	86.5	30		10.5		24.5			C290D3/T1 C290D2/T1	SA2229CE Northwest Propeller	
180	L	O-470-K (TCM)	P2017294-51	2A34C201/90DA-8	82.0	80.0	30		13.0		24.5			C290D3/T1 C290D2/T1	SA2229CE Northwest Propeller	
180	A F L S	O-470-K (TCM)	P2033909-57	2A34C203/90DCA-2	88.0	86.5	30		10.0		24.5			C290D3/T1 C290D2/T1		25
180	A F	O-470-K (TCM)	P2033909-57	2A34C203/90DCA-2	88.0	86.5	30		10.0		24.5	D-7519-1	P	C290D3/T1 C290D2/T1	SA01033CH McCauley PL60289	136
180	A F L	O-470-K (TCM)	P2033909-52 P2033909-57	2A34C203/90DCA-2	88.0	86.5	30		10.0		24.5			C290D3/T1 C290D2/T1	SA2229CE Northwest Propeller	
180	A F	O-470-K (TCM)	P2033909-52 P2033909-57	2A34C203/90DCA-2	88.0	86.5	30		10.0		24.5			C290D3/T1 C290D2/T1	SA3237NM American	
180		O-470-K (TCM)	P2033909-56	2A34C203/90DCA-8	82.0	80.5	30		12.5		25.0			C290D3/T1 C290D2/T1		24

Constant Speed Propeller Applications

Aircraft Model	T Y P E	Engine Model (Make)	Propeller Part Number	Propeller Model	Max Dia	Min Dia	Ref Sta	Rev Angle	Low or Flight Idle Angle	Latch or Start Locks Angle	High or Feather Angle	Spinner Assembly P/N	S p i n n e r	Governor Model	STC Number STC Holder STC Kit P/N	N o t e s
180		O-470-K (TCM)	P2033909-56	2A34C203/90DCA-8	82.0	80.5	30		12.5		25.0	D-7519-1	P	C290D3/T1 C290D2/T1	SA01033CH McCauley PL60287	136
180	L	O-470-K (TCM)		2A34C203/90DCA-8	82.0	80.5	30		12.5		24.0			C290D3/T1 C290D2/T1	SA2229CE Northwest Propeller	
180	L	O-470-K (TCM)	P2033909-51 P2033909-56	2A34C203/90DCA-8	82.0	80.5	30		12.5		25.0			C290D3/T1 C290D2/T1	SA3237NM American	
180	A F L	O-470-K (TCM)		C2A34C204/90DCB-2	88.0	86.5	30		10.5		24.5			C290D3/T1 C290D2/T1	SA2229CE Northwest Propeller	
180	L	O-470-K (TCM)		C2A34C204/90DCB-8	82.0	80.5	30		13.0		24.5			C290D3/T1 C290D2/T1	SA2229CE Northwest Propeller	
180	L	O-470-K (TCM)	P4357483-01	D3A36C435/80VEA-0	80.0	78.0	30		10.8		33.9	D-7510-1	P	C290D3/T1 C290D2/T1	SA00819CH McCauley PL60228	136
180		O-470-L (TCM)		2A34C203/90DCA-8	82.0		30								SA01591AT Jerome Ragsdale	
180		O-470-R (TCM)		2A34C66/90AT-			36								SA00164BO Frank Shea	
180		O-470-R (TCM)		2A34C203/90DCA-			30								SA00164BO Frank Shea	
180		O-470-U (TCM)	P2043909-52	C2A34C204/90DCB-8	82.0	80.5	30		15.0		29.4			C290D3/T14	SA8842SW Texas Skyways	
180		O-470-U (STC)		C2A34C204/90DCB-8	82.0	80.5	30								SA01776AT Air Plains	
180		O-470-U-TS (STC)		C2A34C204/90DCB-8	82.0	80.5	30		10.4		29.4				SA8950SW Texas Skyways	
180		O-470-50 (STC)		D3A34C401/90DFA-10	80.0	78.5	30		10.4		28.0	D-3867 D-3669	S S		SA00468WI P. Ponk	86 132
180		O-470-50 (STC)		D3A34C401/90DFA-8	82.0	80.5	30		10.4		28.0	D-3867 D-3669	S S		SA00468WI P. Ponk	86 132
180		O-470-50 (STC)	P4014808-13	D3A34C401/90DFA-6	84.0	82.5	30		10.0		28.0	D-3867 D-3669	S S		SA00468WI P. Ponk	86 132
180		O-470-50 (STC)	P4014808-12	D3A34C401/90DFA-4	86.0	84.5	30		10.0		28.0	D-3867 D-3669	S S		SA00468WI P. Ponk	85 132
180		O-470-50 (STC)	P4014808-09	D3A34C401/90DFA-2	88.0	86.5	30		10.0		28.0	D-3867 D-3669	S S		SA00468WI P. Ponk	85 132
180		IO-470-L (TCM)	OBSOLETE	D3A32C90/82NC-			30								SA5463SW Chris Rice	1

Constant Speed Propeller Applications

Aircraft Model	TYPE	Engine Model (Make)	Propeller Part Number	Propeller Model	Max Dia	Min Dia	Ref Sta	Rev Angle	Low or Flight Idle Angle	Latch or Start Locks Angle	High or Feather Angle	Spinner Assembly P/N	Spinner Type	Governor Model	STC Number STC Holder STC Kit P/N	Notes
180		O-520-F-TS (STC)	P4014808-07	D3A34C401/90DFA-2	88.0	87.0	30		8.8		28.5	D-6594 D-3867-1	P P		SA09400SC Texas Skyways	112 132
180		O-520-F-TS (STC)	P4014808-04	D3A34C401/90DFA-10	80.0	76.0	30		10.4		28.5	D-6594 D-3867-1	P P		SA09018SC Texas Skyways	132
180		O-520-LC-TS (STC)	P4014808-07	D3A34C401/90DFA-2	88.0	87.0	30		8.8		28.5	D-6594 D-3867-1	P P		SA09400SC Texas Skyways	112 132
180		O-520-U-TS (STC)	P4014808-04	D3A34C401/90DFA-10	80.0	76.0	30		10.4		28.5	D-6594 D-3867-1	P P		SA09018SC Texas Skyways	132
180		O-550-F-TS (STC)	P4014808-07	D3A34C401/90DFA-2	88.0	87.0	30		8.8		28.5	D-6594 D-3867-1	P P		SA09400SC Texas Skyways	112 132
180		O-550-F-TS (STC)		D3A34C401/90DFA-10	80.0	76.0	30		10.0		28.5	D-6594	P		SA09132SC Texas Skyways	
180		IO-520 series (TCM)	P4014808-09	D3A34C401/90DFA-2	88.0	86.0	30		10.0		28.5	D-3867 D-3669	S S		SA00531WI Air Plains	88 132
180		IO-520 series (TCM)	P4014808-12	D3A34C401/90DFA-4	86.0	84.0	30		10.0		28.0	D-3867 D-3669	S S		SA00531WI Air Plains	84 132
180		IO-520 series (TCM)	P4014808-13	D3A34C401/90DFA-6	84.0	82.0	30		10.0		28.0	D-3867 D-3669	S S		SA00531WI Air Plains	132
180		IO-520 series (TCM)	P4014808-14	D3A34C401/90DFA-8	82.0	80.0	30		10.4		28.5	D-3867 D-3669	S S		SA00531WI Air Plains	132
180		IO-520 series (TCM)	P4014808-04	D3A34C401/90DFA-10	80.0	78.0	30		10.4		28.5	D-3867 D-3669	S S		SA00531WI Air Plains	89 132
180		IO-550 series (TCM)	P4014808-09	D3A34C401/90DFA-2	88.0	86.0	30		10.0		28.5	D-3867 D-3669	S S		SA00531WI Air Plains	88 132
180		IO-550 series (TCM)	P4014808-12	D3A34C401/90DFA-4	86.0	84.0	30		10.0		28.0	D-3867 D-3669	S S		SA00531WI Air Plains	84 132
180		IO-550 series (TCM)	P4014808-13	D3A34C401/90DFA-6	84.0	82.0	30		10.0		28.0	D-3867 D-3669	S S		SA00531WI Air Plains	90 132
180		IO-550 series (TCM)	P4014808-14	D3A34C401/90DFA-8	82.0	80.0	30		10.4		28.5	D-3867 D-3669	S S		SA00531WI Air Plains	132
180		IO-550 series (TCM)	P4014808-04	D3A34C401/90DFA-10	80.0	78.0	30		10.4		28.5	D-3867 D-3669	S S		SA00531WI Air Plains	89 132
180A		O-470-K (TCM)	OBSOLETE	2A36C1-U/90M-2	88.0	86.0	36		8.0		22.0			C290D3/T1 C290D2/T1		1
180A		O-470-K (TCM)	OBSOLETE	2A36C1-U/90M-8	82.0	80.0	36		10.5		22.0			C290D3/T1 C290D2/T1		1
180A		O-470-K (TCM)	OBSOLETE	2A36C18/90M-2	88.0	86.0	36		8.0		22.0			C290D3/T1 C290D2/T1		1

Constant Speed Propeller Applications

Aircraft Model	T Y P E	Engine Model (Make)	Propeller Part Number	Propeller Model	Max Dia	Min Dia	Ref Sta	Rev Angle	Low or Flight Idle Angle	Latch or Start Locks Angle	High or Feather Angle	Spinner Assembly P/N	S p i n n e r	Governor Model	STC Number STC Holder STC Kit P/N	N o t e s
180A		O-470-K (TCM)	OBSOLETE	2A36C18/90M-8	82.0	80.0	36		10.5		22.0			C290D3/T1 C290D2/T1		1
180A		O-470-K (TCM)	OBSOLETE	2A36C29/90M-2	88.0	86.0	36		8.0		22.0			C290D3/T1 C290D2/T1		1
180A		O-470-K (TCM)	OBSOLETE	2A36C29/90M-8	82.0	80.0	36		10.5		22.0			C290D3/T1 C290D2/T1		1
180A		O-470-K (TCM)	OBSOLETE	2A34C50/90A-2	88.0	86.0	36		10.5		22.0			C290D3/T1 C290D2/T1		1
180A		O-470-K (TCM)	OBSOLETE	2A34C50/90A-8	82.0	80.0	36		10.5		22.0			C290D3/T1 C290D2/T1		1
180A		O-470-K (TCM)	OBSOLETE	2A34C66/90AT-2	88.0	86.0	36		8.0		22.0			C290D3/T1 C290D2/T1		1
180A		O-470-K (TCM)	OBSOLETE	2A34C66/90AT-8	82.0	80.0	36		10.5		22.0			C290D3/T1 C290D2/T1		1
180A	A F L	O-470-K (TCM)	P2017294-52	2A34C201/90DA-2	88.0	86.5	30		10.5		24.5			C290D3/T1 C290D2/T1	SA2229CE Northwest Propeller	
180A	L	O-470-K (TCM)	P2017294-51	2A34C201/90DA-8	82.0	80.0	30		13.0		24.5			C290D3/T1 C290D2/T1	SA2229CE Northwest Propeller	
180A	A F L S	O-470-K (TCM)	P2033909-57	2A34C203/90DCA-2	88.0	86.5	30		10.0		24.5			C290D3/T1 C290D2/T1		25
180A	A F	O-470-K (TCM)	P2033909-57	2A34C203/90DCA-2	88.0	86.5	30		10.0		24.5	D-7519-1	P	C290D3/T1 C290D2/T1	SA01033CH McCauley PL60289	136
180A	A F L	O-470-K (TCM)	P2033909-52 P2033909-57	2A34C203/90DCA-2	88.0	86.5	30		10.0		24.5			C290D3/T1 C290D2/T1	SA2229CE Northwest Propeller	
180A	A F	O-470-K (TCM)	P2033909-52 P2033909-57	2A34C203/90DCA-2	88.0	86.5	30		10.0		24.5			C290D3/T1 C290D2/T1	SA3237NM American	
180A		O-470-K (TCM)	P2033909-56	2A34C203/90DCA-8	82.0	80.5	30		12.5		25.0			C290D3/T1 C290D2/T1		24
180A		O-470-K (TCM)	P2033909-56	2A34C203/90DCA-8	82.0	80.5	30		12.5		25.0	D-7519-1	P	C290D3/T1 C290D2/T1	SA01033CH McCauley PL60287	136
180A	L	O-470-K (TCM)		2A34C203/90DCA-8	82.0	80.5	30		12.5		24.0			C290D3/T1 C290D2/T1	SA2229CE Northwest Propeller	
180A	L	O-470-K (TCM)	P2033909-51 P2033909-56	2A34C203/90DCA-8	82.0	80.5	30		12.5		25.0			C290D3/T1 C290D2/T1	SA3237NM American	

Constant Speed Propeller Applications

Aircraft Model	T Y P E	Engine Model (Make)	Propeller Part Number	Propeller Model	Max Dia	Min Dia	Ref Sta	Rev Angle	Low or Flight Idle Angle	Latch or Start Locks Angle	High or Feather Angle	Spinner Assembly P/N	S p i n n e r	Governor Model	STC Number STC Holder STC Kit P/N	N o t e s
180A	A F L	O-470-K (TCM)		C2A34C204/90DCB-2	88.0	86.5	30		10.5		24.5			C290D3/T1 C290D2/T1	SA2229CE Northwest Propeller	
180A	L	O-470-K (TCM)		C2A34C204/90DCB-8	82.0	80.5	30		13.0		24.5			C290D3/T1 C290D2/T1	SA2229CE Northwest Propeller	
180A		O-470-K (TCM)	P4114808-02	D3A32C411/82NDA-2	80.0	78.0	30		11.0		25.6	D-6594	P	C290D3/T1 C290D2/T1	SA2BO US Propeller of Connecticut	
180A	L	O-470-K (TCM)	P4357483-01	D3A36C435/80VEA-0	80.0	78.0	30		10.8		33.9	D-7510-1	P	C290D3/T1 C290D2/T1	SA00819CH McCauley PL60228	136
180A		O-470-R (TCM)		2A34C66/90AT-			36								SA00164BO Frank Shea	
180A		O-470-R (TCM)		2A34C203/90DCA-			30								SA00164BO Frank Shea	
180A		O-470-U (TCM)	P2043909-52	C2A34C204/90DCB-8	82.0	80.5	30		15.0		29.4			C290D3/T14	SA8842SW Texas Skyways	
180A		O-470-U (STC)		C2A34C204/90DCB-8	82.0	80.5	30								SA01776AT Air Plains	
180A		O-470-U-TS (STC)		C2A34C204/90DCB-8	82.0	80.5	30		10.4		29.4				SA8950SW Texas Skyways	
180A		O-470-50 (STC)		D3A34C401/90DFA-10	80.0	78.5	30		10.4		28.0	D-3867 D-3669	S S		SA00468WI P. Ponk	86 132
180A		O-470-50 (STC)		D3A34C401/90DFA-8	82.0	80.5	30		10.4		28.0	D-3867 D-3669	S S		SA00468WI P. Ponk	86 132
180A		O-470-50 (STC)	P4014808-13	D3A34C401/90DFA-6	84.0	82.5	30		10.0		28.0	D-3867 D-3669	S S		SA00468WI P. Ponk	86 132
180A		O-470-50 (STC)	P4014808-12	D3A34C401/90DFA-4	86.0	84.5	30		10.0		28.0	D-3867 D-3669	S S		SA00468WI P. Ponk	85 132
180A		O-470-50 (STC)	P4014808-09	D3A34C401/90DFA-2	88.0	86.5	30		10.0		28.0	D-3867 D-3669	S S		SA00468WI P. Ponk	85 132
180A		O-520-F-TS (STC)	P4014808-07	D3A34C401/90DFA-2	88.0	87.0	30		8.8		28.5	D-6594 D-3867-1	P P		SA09400SC Texas Skyways	112 132
180A		O-520-F-TS (STC)	P4014808-04	D3A34C401/90DFA-10	80.0	76.0	30		10.4		28.5	D-6594 D-3867-1	P P		SA09018SC Texas Skyways	132
180A		O-520-LC-TS (STC)	P4014808-07	D3A34C401/90DFA-2	88.0	87.0	30		8.8		28.5	D-6594 D-3867-1	P P		SA09400SC Texas Skyways	112 132

Constant Speed Propeller Applications

Aircraft Model	TYPE	Engine Model (Make)	Propeller Part Number	Propeller Model	Max Dia	Min Dia	Ref Sta	Rev Angle	Low or Flight Idle Angle	Latch or Start Locks Angle	High or Feather Angle	Spinner Assembly P/N	Spinner Type	Governor Model	STC Number STC Holder STC Kit P/N	Notes
180A		O-520-U-TS (STC)	P4014808-04	D3A34C401/90DFA-10	80.0	76.0	30		10.4		28.5	D-6594 D-3867-1	P P		SA09018SC Texas Skyways	132
180A	F	IO-520 series (TCM)	P4014808-09	D3A34C401/90DFA-2	88.0	86.0	30		10.0		28.5	D-3867 D-3669	S S		SA00531WI Air Plains	88 132
180A	F	IO-520 series (TCM)	P4014808-12	D3A34C401/90DFA-4	86.0	84.0	30		10.0		28.0	D-3867 D-3669	S S		SA00531WI Air Plains	84 132
180A	L	IO-520 series (TCM)	P4014808-13	D3A34C401/90DFA-6	84.0	82.0	30		10.0		28.0	D-3867 D-3669	S S		SA00531WI Air Plains	132
180A		IO-520 series (TCM)	P4014808-14	D3A34C401/90DFA-8	82.0	80.0	30		10.4		28.5	D-3867 D-3669	S S		SA00531WI Air Plains	132
180A		IO-520 series (TCM)	P4014808-04	D3A34C401/90DFA-10	80.0	78.0	30		10.4		28.5	D-3867 D-3669	S S		SA00531WI Air Plains	89 132
180A		O-550-F-TS (STC)	P4014808-07	D3A34C401/90DFA-2	88.0	87.0	30		8.8		28.5	D-6594 D-3867-1	P P		SA09400SC Texas Skyways	112 132
180A		O-550-F-TS (STC)		D3A34C401/90DFA-10	80.0	76.0	30		10.0		28.5	D-6594	P		SA09132SC Texas Skyways	
180A		IO-550 series (TCM)	P4014808-09	D3A34C401/90DFA-2	88.0	86.0	30		10.0		28.5	D-3867 D-3669	S S		SA00531WI Air Plains	88 132
180A		IO-550 series (TCM)	P4014808-12	D3A34C401/90DFA-4	86.0	84.0	30		10.0		28.0	D-3867 D-3669	S S		SA00531WI Air Plains	84 132
180A		IO-550 series (TCM)	P4014808-13	D3A34C401/90DFA-6	84.0	82.0	30		10.0		28.0	D-3867 D-3669	S S		SA00531WI Air Plains	90 132
180A		IO-550 series (TCM)	P4014808-14	D3A34C401/90DFA-8	82.0	80.0	30		10.4		28.5	D-3867 D-3669	S S		SA00531WI Air Plains	132
180A		IO-550 series (TCM)	P4014808-04	D3A34C401/90DFA-10	80.0	78.0	30		10.4		28.5	D-3867 D-3669	S S		SA00531WI Air Plains	89 132
180B		O-470-K (TCM)	OBSOLETE	2A36C1-U/90M-2	88.0	86.0	36		8.0		22.0			C290D3/T1 C290D2/T1		1
180B		O-470-K (TCM)	OBSOLETE	2A36C1-U/90M-8	82.0	80.0	36		10.5		22.0			C290D3/T1 C290D2/T1		1
180B		O-470-K (TCM)	OBSOLETE	2A36C18/90M-2	88.0	86.0	36		8.0		22.0			C290D3/T1 C290D2/T1		1
180B		O-470-K (TCM)	OBSOLETE	2A36C18/90M-8	82.0	80.0	36		10.5		22.0			C290D3/T1 C290D2/T1		1
180B		O-470-K (TCM)	OBSOLETE	2A36C29/90M-2	88.0	86.0	36		8.0		22.0			C290D3/T1 C290D2/T1		1
180B		O-470-K (TCM)	OBSOLETE	2A36C29/90M-8	82.0	80.0	36		10.5		22.0			C290D3/T1 C290D2/T1		1
180B		O-470-K (TCM)	OBSOLETE	2A34C50/90A-2	88.0	86.0	36		10.5		22.0			C290D3/T1 C290D2/T1		1

Constant Speed Propeller Applications

Aircraft Model	T Y P E	Engine Model (Make)	Propeller Part Number	Propeller Model	Max Dia	Min Dia	Ref Sta	Rev Angle	Low or Flight Idle Angle	Latch or Start Locks Angle	High or Feather Angle	Spinner Assembly P/N	S p i n n e r T y p e	Governor Model	STC Number STC Holder STC Kit P/N	N o t e s
180B		O-470-K (TCM)	OBSOLETE	2A34C50/90A-8	82.0	80.0	36		10.5		22.0			C290D3/T1 C290D2/T1		1
180B		O-470-K (TCM)	OBSOLETE	2A34C66/90AT-2	88.0	86.0	36		8.0		22.0			C290D3/T1 C290D2/T1		1
180B		O-470-K (TCM)	OBSOLETE	2A34C66/90AT-8	82.0	80.0	36		10.5		22.0			C290D3/T1 C290D2/T1		1
180B	A F L	O-470-K (TCM)	P2017294-52	2A34C201/90DA-2	88.0	86.5	30		10.5		24.5			C290D3/T1 C290D2/T1	SA2229CE Northwest Propeller	
180B	L	O-470-K (TCM)	P2017294-51	2A34C201/90DA-8	82.0	80.0	30		13.0		24.5			C290D3/T1 C290D2/T1	SA2229CE Northwest Propeller	
180B	A F L S	O-470-K (TCM)	P2033909-57	2A34C203/90DCA-2	88.0	86.5	30		10.0		24.5			C290D3/T1 C290D2/T1		25
180B	A F	O-470-K (TCM)	P2033909-57	2A34C203/90DCA-2	88.0	86.5	30		10.0		24.5	D-7519-1	P	C290D3/T1 C290D2/T1	SA01033CH McCauley PL60289	136
180B	A F L	O-470-K (TCM)	P2033909-52 P2033909-57	2A34C203/90DCA-2	88.0	86.5	30		10.0		24.5			C290D3/T1 C290D2/T1	SA2229CE Northwest Propeller	
180B	A F	O-470-K (TCM)	P2033909-52 P2033909-57	2A34C203/90DCA-2	88.0	86.5	30		10.0		24.5			C290D3/T1 C290D2/T1	SA3237NM American	
180B		O-470-K (TCM)	P2033909-56	2A34C203/90DCA-8	82.0	80.5	30		12.5		25.0			C290D3/T1 C290D2/T1		24
180B		O-470-K (TCM)	P2033909-56	2A34C203/90DCA-8	82.0	80.5	30		12.5		25.0	D-7519-1	P	C290D3/T1 C290D2/T1	SA01033CH McCauley PL60287	136
180B	L	O-470-K (TCM)		2A34C203/90DCA-8	82.0	80.5	30		12.5		24.0			C290D3/T1 C290D2/T1	SA2229CE Northwest Propeller	
180B	L	O-470-K (TCM)	P2033909-51 P2033909-56	2A34C203/90DCA-8	82.0	80.5	30		12.5		25.0			C290D3/T1 C290D2/T1	SA3237NM American	
180B	A F L	O-470-K (TCM)		C2A34C204/90DCB-2	88.0	86.5	30		10.5		24.5			C290D3/T1 C290D2/T1	SA2229CE Northwest Propeller	
180B	L	O-470-K (TCM)		C2A34C204/90DCB-8	82.0	80.5	30		13.0		24.5			C290D3/T1 C290D2/T1	SA2229CE Northwest Propeller	
180B		O-470-K (TCM)	P4114808-02	D3A32C411/82NDA-2	80.0	78.0	30		11.0		25.6	D-6594	P	C290D3/T1 C290D2/T1	SA2BO US Propeller of Connecticut	

Constant Speed Propeller Applications

Aircraft Model	T Y P E	Engine Model (Make)	Propeller Part Number	Propeller Model	Max Dia	Min Dia	Ref Sta	Rev Angle	Low or Flight Idle Angle	Latch or Start Locks Angle	High or Feather Angle	Spinner Assembly P/N	S p i n n e r T y p e	Governor Model	STC Number STC Holder STC Kit P/N	N o t e s
180B	L	O-470-K (TCM)	P4357483-01	D3A36C435/80VEA-0	80.0	78.0	30		10.8		33.9	D-7510-1	P	C290D3/T1 C290D2/T1	SA00819CH McCauley PL60228	136
180B		O-470-R (TCM)		2A34C66/90AT-			36								SA00164BO Frank Shea	
180B		O-470-R (TCM)		2A34C203/90DCA-			30								SA00164BO Frank Shea	
180B		O-470-U (TCM)	P2043909-52	C2A34C204/90DCB-8	82.0	80.5	30		15.0		29.4			C290D3/T14	SA8842SW Texas Skyways	
180B		O-470-U (STC)		C2A34C204/90DCB-8	82.0	80.5	30								SA01776AT Air Plains	
180B		O-470-U-TS (STC)		C2A34C204/90DCB-8	82.0	80.5	30		10.4		29.4				SA8950SW Texas Skyways	
180B		O-470-50 (STC)		D3A34C401/90DFA-10	80.0	78.5	30		10.4		28.0	D-3867 D-3669	S S		SA00468WI P. Ponk	86 132
180B		O-470-50 (STC)		D3A34C401/90DFA-8	82.0	80.5	30		10.4		28.0	D-3867 D-3669	S S		SA00468WI P. Ponk	86 132
180B		O-470-50 (STC)	P4014808-13	D3A34C401/90DFA-6	84.0	82.5	30		10.0		28.0	D-3867 D-3669	S S		SA00468WI P. Ponk	86 132
180B		O-470-50 (STC)	P4014808-12	D3A34C401/90DFA-4	86.0	84.5	30		10.0		28.0	D-3867 D-3669	S S		SA00468WI P. Ponk	85 132
180B		O-470-50 (STC)	P4014808-09	D3A34C401/90DFA-2	88.0	86.5	30		10.0		28.0	D-3867 D-3669	S S		SA00468WI P. Ponk	85 132
180B		O-520-F-TS (STC)	P4014808-07	D3A34C401/90DFA-2	88.0	87.0	30		8.8		28.5	D-6594 D-3867-1	P P		SA09400SC Texas Skyways	112 132
180B		O-520-F-TS (STC)	P4014808-04	D3A34C401/90DFA-10	80.0	76.0	30		10.4		28.5	D-6594 D-3867-1	P P		SA09018SC Texas Skyways	132
180B		O-520-LC-TS (STC)	P4014808-07	D3A34C401/90DFA-2	88.0	87.0	30		8.8		28.5	D-6594 D-3867-1	P P		SA09400SC Texas Skyways	112 132
180B		O-520-U-TS (STC)	P4014808-04	D3A34C401/90DFA-10	80.0	76.0	30		10.4		28.5	D-6594 D-3867-1	P P		SA09018SC Texas Skyways	132
180B		IO-520 series (TCM)	P4014808-09	D3A34C401/90DFA-2	88.0	86.0	30		10.0		28.5	D-3867 D-3669	S S		SA00531WI Air Plains	88 132
180B		IO-520 series (TCM)	P4014808-12	D3A34C401/90DFA-4	86.0	84.0	30		10.0		28.0	D-3867 D-3669	S S		SA00531WI Air Plains	84 132
180B		IO-520 series (TCM)	P4014808-13	D3A34C401/90DFA-6	84.0	82.0	30		10.0		28.0	D-3867 D-3669	S S		SA00531WI Air Plains	132

Constant Speed Propeller Applications

Aircraft Model	TYPE	Engine Model (Make)	Propeller Part Number	Propeller Model	Max Dia	Min Dia	Ref Sta	Rev Angle	Low or Flight Idle Angle	Latch or Start Locks Angle	High or Feather Angle	Spinner Assembly P/N	Spinner Type	Governor Model	STC Number STC Holder STC Kit P/N	Notes
180B		IO-520 series (TCM)	P4014808-14	D3A34C401/90DFA-8	82.0	80.0	30		10.4		28.5	D-3867 D-3669	SS		SA00531WI Air Plains	132
180B		IO-520 series (TCM)	P4014808-04	D3A34C401/90DFA-10	80.0	78.0	30		10.4		28.5	D-3867 D-3669	SS		SA00531WI Air Plains	89 132
180B		IO-520-D (TCM)	P4014808-04	D3A34C401/90DFA-10	80.0	78.0	30		10.4		28.5				SA01345AT Air Plains	
180B		O-550-F-TS (STC)	P4014808-07	D3A34C401/90DFA-2	88.0	87.0	30		8.8		28.5	D-6594 D-3867-1	PP		SA09400SC Texas Skyways	112 132
180B		O-550-F-TS (STC)		D3A34C401/90DFA-10	80.0	76.0	30		10.0		28.5	D-6594	P		SA09132SC Texas Skyways	
180B		IO-550 series (TCM)	P4014808-09	D3A34C401/90DFA-2	88.0	86.0	30		10.0		28.5	D-3867 D-3669	SS		SA00531WI Air Plains	88 132
180B		IO-550 series (TCM)	P4014808-12	D3A34C401/90DFA-4	86.0	84.0	30		10.0		28.0	D-3867 D-3669	SS		SA00531WI Air Plains	84 132
180B		IO-550 series (TCM)	P4014808-13	D3A34C401/90DFA-6	84.0	82.0	30		10.0		28.0	D-3867 D-3669	SS		SA00531WI Air Plains	90 132
180B		IO-550 series (TCM)	P4014808-14	D3A34C401/90DFA-8	82.0	80.0	30		10.4		28.5	D-3867 D-3669	SS		SA00531WI Air Plains	132
180B		IO-550 series (TCM)	P4014808-04	D3A34C401/90DFA-10	80.0	78.0	30		10.4		28.5	D-3867 D-3669	SS		SA00531WI Air Plains	89 132
180B		IO-550-D (TCM)	P4014808-05	D3A34C401/90DFA-10	80.0	78.0	30		11.2		28.5				SA00785AT Air Plains	
180C		O-470-L (TCM)	OBSOLETE	2A36C1-U/90M-2	88.0	86.0	36		8.0		22.0			C290D3/T1 C290D2/T1		1
180C		O-470-L (TCM)	OBSOLETE	2A36C1-U/90M-8	82.0	80.0	36		10.5		22.0			C290D3/T1 C290D2/T1		1
180C		O-470-L (TCM)	OBSOLETE	2A36C18/90M-2	88.0	86.0	36		8.0		22.0			C290D3/T1 C290D2/T1		1
180C		O-470-L (TCM)	OBSOLETE	2A36C18/90M-8	82.0	80.0	36		10.5		22.0			C290D3/T1 C290D2/T1		1
180C		O-470-L (TCM)	OBSOLETE	2A36C29/90M-2	88.0	86.0	36		8.0		22.0			C290D3/T1 C290D2/T1		1
180C		O-470-L (TCM)	OBSOLETE	2A36C29/90M-8	82.0	80.0	36		10.5		22.0			C290D3/T1 C290D2/T1		1
180C		O-470-L (TCM)	OBSOLETE	2A34C50/90A-2	88.0	86.0	36		10.5		22.0			C290D3/T1 C290D2/T1		1
180C		O-470-L (TCM)	OBSOLETE	2A34C50/90A-8	82.0	80.0	36		10.5		22.0			C290D3/T1 C290D2/T1		1
180C		O-470-L (TCM)	OBSOLETE	2A34C66/90AT-2	88.0	86.0	36		8.0		22.0			C290D3/T1 C290D2/T1		1
180C		O-470-L (TCM)	OBSOLETE	2A34C66/90AT-8	82.0	80.0	36		10.5		22.0			C290D3/T1 C290D2/T1		1

Constant Speed Propeller Applications

Aircraft Model	T Y P E	Engine Model (Make)	Propeller Part Number	Propeller Model	Max Dia	Min Dia	Ref Sta	Rev Angle	Low or Flight Idle Angle	Latch or Start Locks Angle	High or Feather Angle	Spinner Assembly P/N	S p i n n e r	Governor Model	STC Number STC Holder STC Kit P/N	N o t e s
180C	A F L	O-470-L (TCM)	P2017294-52	2A34C201/90DA-2	88.0	86.5	30		10.5		24.5			C290D3/T1 C290D2/T1	SA2229CE Northwest Propeller	
180C	L	O-470-L (TCM)	P2017294-51	2A34C201/90DA-8	82.0	80.0	30		13.0		24.5			C290D3/T1 C290D2/T1	SA2229CE Northwest Propeller	
180C	A F L S	O-470-L (TCM)	P2033909-57	2A34C203/90DCA-2	88.0	86.5	30		10.0		24.5			C290D3/T1 C290D2/T1		25
180C	A F	O-470-L (TCM)	P2033909-57	2A34C203/90DCA-2	88.0	86.5	30		10.0		24.5	D-7519-1	P	C290D3/T1 C290D2/T1	SA01033CH McCauley PL60289	136
180C	A F L	O-470-L (TCM)	P2033909-52 P2033909-57	2A34C203/90DCA-2	88.0	86.5	30		10.0		24.5			C290D3/T1 C290D2/T1	SA2229CE Northwest Propeller	
180C	A F	O-470-L (TCM)	P2033909-52 P2033909-57	2A34C203/90DCA-2	88.0	86.5	30		10.0		24.5			C290D3/T1 C290D2/T1	SA3237NM American	
180C		O-470-L (TCM)	P2033909-56	2A34C203/90DCA-8	82.0	80.5	30		12.5		25.0			C290D3/T1 C290D2/T1		24
180C		O-470-L (TCM)	P2033909-56	2A34C203/90DCA-8	82.0	80.5	30		12.5		25.0	D-7519-1	P	C290D3/T1 C290D2/T1	SA01033CH McCauley PL60287	136
180C	L	O-470-L (TCM)		2A34C203/90DCA-8	82.0	80.5	30		12.5		24.0			C290D3/T1 C290D2/T1	SA2229CE Northwest Propeller	
180C	L	O-470-L (TCM)	P2033909-51 P2033909-56	2A34C203/90DCA-8	82.0	80.5	30		12.5		25.0			C290D3/T1 C290D2/T1	SA3237NM American	
180C	A F L	O-470-L (TCM)		C2A34C204/90DCB-2	88.0	86.5	30		10.5		24.5			C290D3/T1 C290D2/T1	SA2229CE Northwest Propeller	
180C	L	O-470-L (TCM)		C2A34C204/90DCB-8	82.0	80.5	30		13.0		24.5			C290D3/T1 C290D2/T1	SA2229CE Northwest Propeller	
180C		O-470-L (TCM)	P4114808-02	D3A32C411/82NDA-2	80.0	78.0	30		11.0		25.6	D-6594	P	C290D3/T1 C290D2/T1	SA2BO US Propeller of Connecticut	
180C	L	O-470-L (TCM)	P4357483-01	D3A36C435/80VEA-0	80.0	78.0	30		10.8		33.9	D-7510-1	P	C290D3/T1 C290D2/T1	SA00819CH McCauley PL60228	136
180C		O-470-R (TCM)	OBSOLETE	2A36C1-U/90M-2	88.0	86.0	36		8.0		22.0			C290D3/T1 C290D2/T1		1
180C		O-470-R (TCM)	OBSOLETE	2A36C1-U/90M-8	82.0	80.0	36		10.5		22.0			C290D3/T1 C290D2/T1		1

Constant Speed Propeller Applications

Aircraft Model	T Y P E	Engine Model (Make)	Propeller Part Number	Propeller Model	Max Dia	Min Dia	Ref Sta	Rev Angle	Low or Flight Idle Angle	Latch or Start Locks Angle	High or Feather Angle	Spinner Assembly P/N	S p i n n e r	Governor Model	STC Number STC Holder STC Kit P/N	N o t e s
180C		O-470-R (TCM)	OBSOLETE	2A36C18/90M-2	88.0	86.0	36		8.0		22.0			C290D3/T1 C290D2/T1		1
180C		O-470-R (TCM)	OBSOLETE	2A36C18/90M-8	82.0	80.0	36		10.5		22.0			C290D3/T1 C290D2/T1		1
180C		O-470-R (TCM)	OBSOLETE	2A36C29/90M-2	88.0	86.0	36		8.0		22.0			C290D3/T1 C290D2/T1		1
180C		O-470-R (TCM)	OBSOLETE	2A36C29/90M-8	82.0	80.0	36		10.5		22.0			C290D3/T1 C290D2/T1		1
180C		O-470-R (TCM)	OBSOLETE	2A34C50/90A-2	88.0	86.0	36		10.5		22.0			C290D3/T1 C290D2/T1		1
180C		O-470-R (TCM)	OBSOLETE	2A34C50/90A-8	82.0	80.0	36		10.5		22.0			C290D3/T1 C290D2/T1		1
180C		O-470-R (TCM)	OBSOLETE	2A34C66/90AT-2	88.0	86.0	36		8.0		22.0			C290D3/T1 C290D2/T1		1
180C		O-470-R (TCM)	OBSOLETE	2A34C66/90AT-8	82.0	80.0	36		10.5		22.0			C290D3/T1 C290D2/T1		1
180C	A F L	O-470-R (TCM)	P2017294-52	2A34C201/90DA-2	88.0	86.5	30		10.5		24.5			C290D3/T1 C290D2/T1	SA2229CE Northwest Propeller	
180C	L	O-470-R (TCM)	P2017294-51	2A34C201/90DA-8	82.0	80.0	30		13.0		24.5			C290D3/T1 C290D2/T1	SA2229CE Northwest Propeller	
180C	A F L S	O-470-R (TCM)	P2033909-57	2A34C203/90DCA-2	88.0	86.5	30		10.0		24.5			C290D3/T1 C290D2/T1		25
180C	A F	O-470-R (TCM)	P2033909-57	2A34C203/90DCA-2	88.0	86.5	30		10.0		24.5	D-7519-1	P	C290D3/T1 C290D2/T1	SA01033CH McCauley PL60289	136
180C	A F L	O-470-R (TCM)	P2033909-52 P2033909-57	2A34C203/90DCA-2	88.0	86.5	30		10.0		24.5			C290D3/T1 C290D2/T1	SA2229CE Northwest Propeller	
180C	A F	O-470-R (TCM)	P2033909-52 P2033909-57	2A34C203/90DCA-2	88.0	86.5	30		10.0		24.5			C290D3/T1 C290D2/T1	SA3237NM American	
180C		O-470-R (TCM)	P2033909-56	2A34C203/90DCA-8	82.0	80.5	30		12.5		25.0			C290D3/T1 C290D2/T1		24
180C		O-470-R (TCM)	P2033909-56	2A34C203/90DCA-8	82.0	80.5	30		12.5		25.0	D-7519-1	P	C290D3/T1 C290D2/T1	SA01033CH McCauley PL60287	136
180C	L	O-470-R (TCM)		2A34C203/90DCA-8	82.0	80.5	30		12.5		24.0			C290D3/T1 C290D2/T1	SA2229CE Northwest Propeller	
180C	L	O-470-R (TCM)	P2033909-51 P2033909-56	2A34C203/90DCA-8	82.0	80.5	30		12.5		25.0			C290D3/T1 C290D2/T1	SA3237NM American	

Constant Speed Propeller Applications

Aircraft Model	T Y P E	Engine Model (Make)	Propeller Part Number	Propeller Model	Max Dia	Min Dia	Ref Sta	Rev Angle	Low or Flight Idle Angle	Latch or Start Locks Angle	High or Feather Angle	Spinner Assembly P/N	S p i n n e r	Governor Model	STC Number STC Holder STC Kit P/N	N o t e s
180C	A F L	O-470-R (TCM)		C2A34C204/90DCB-2	88.0	86.5	30		10.5		24.5			C290D3/T1 C290D2/T1	SA2229CE Northwest Propeller	
180C	L	O-470-R (TCM)		C2A34C204/90DCB-8	82.0	80.5	30		13.0		24.5			C290D3/T1 C290D2/T1	SA2229CE Northwest Propeller	
180C		O-470-R (TCM)	P4114808-02	D3A32C411/82NDA-2	80.0	78.0	30		11.0		25.6	D-6594	P	C290D3/T1 C290D2/T1	SA2BO US Propeller of Connecticut	
180C	L	O-470-R (TCM)	P4357483-01	D3A36C435/80VEA-0	80.0	78.0	30		10.8		33.9	D-7510-1	P	C290D3/T1 C290D2/T1	SA00819CH McCauley PL60228	136
180C		O-470-U (TCM)	P2043909-52	C2A34C204/90DCB-8	82.0	80.5	30		15.0		29.4			C290D3/T14	SA8842SW Texas Skyways	
180C		O-470-U (STC)		C2A34C204/90DCB-8	82.0	80.5	30								SA01776AT Air Plains	
180C		O-470-U-TS (STC)		C2A34C204/90DCB-8	82.0	80.5	30		10.4		29.4				SA8950SW Texas Skyways	
180C		O-470-50 (STC)		D3A34C401/90DFA-10	80.0	78.5	30		10.4		28.0	D-3867 D-3669	S S		SA00468WI P. Ponk	86 132
180C		O-470-50 (STC)		D3A34C401/90DFA-8	82.0	80.5	30		10.4		28.0	D-3867 D-3669	S S		SA00468WI P. Ponk	86 132
180C		O-470-50 (STC)	P4014808-13	D3A34C401/90DFA-6	84.0	82.5	30		10.0		28.0	D-3867 D-3669	S S		SA00468WI P. Ponk	86 132
180C		O-470-50 (STC)	P4014808-12	D3A34C401/90DFA-4	86.0	84.5	30		10.0		28.0	D-3867 D-3669	S S		SA00468WI P. Ponk	85 132
180C		O-470-50 (STC)	P4014808-09	D3A34C401/90DFA-2	88.0	86.5	30		10.0		28.0	D-3867 D-3669	S S		SA00468WI P. Ponk	85 132
180C		O-520-F-TS (STC)	P4014808-07	D3A34C401/90DFA-2	88.0	87.0	30		8.8		28.5	D-6594 D-3867-1	P P		SA09400SC Texas Skyways	112 132
180C		O-520-F-TS (STC)	P4014808-04	D3A34C401/90DFA-10	80.0	76.0	30		10.4		28.5	D-6594 D-3867-1	P P		SA09018SC Texas Skyways	132
180C		O-520-LC-TS (STC)	P4014808-07	D3A34C401/90DFA-2	88.0	87.0	30		8.8		28.5	D-6594 D-3867-1	P P		SA09400SC Texas Skyways	112 132
180C		O-520-U-TS (STC)	P4014808-04	D3A34C401/90DFA-10	80.0	76.0	30		10.4		28.5	D-6594 D-3867-1	P P		SA09018SC Texas Skyways	132
180C		IO-520 series (TCM)	P4014808-09	D3A34C401/90DFA-2	88.0	86.0	30		10.0		28.5	D-3867 D-3669	S S		SA00531WI Air Plains	88 132

Constant Speed Propeller Applications

Aircraft Model	T Y P E	Engine Model (Make)	Propeller Part Number	Propeller Model	Max Dia	Min Dia	Ref Sta	Rev Angle	Low or Flight Idle Angle	Latch or Start Locks Angle	High or Feather Angle	Spinner Assembly P/N	S p i n n e r	Governor Model	STC Number STC Holder STC Kit P/N	N o t e s
180C		IO-520 series (TCM)	P4014808-12	D3A34C401/90DFA-4	86.0	84.0	30		10.0		28.0	D-3867 D-3669	S S		SA00531WI Air Plains	84 132
180C		IO-520 series (TCM)	P4014808-13	D3A34C401/90DFA-6	84.0	82.0	30		10.0		28.0	D-3867 D-3669	S S		SA00531WI Air Plains	132
180C		IO-520 series (TCM)	P4014808-14	D3A34C401/90DFA-8	82.0	80.0	30		10.4		28.5	D-3867 D-3669	S S		SA00531WI Air Plains	132
180C		IO-520 series (TCM)	P4014808-04	D3A34C401/90DFA-10	80.0	78.0	30		10.4		28.5	D-3867 D-3669	S S		SA00531WI Air Plains	89 132
180C		IO-520-D (TCM)	P4014808-04	D3A34C401/90DFA-10	80.0	78.0	30		10.4		28.5				SA01345AT Air Plains	
180C		O-550-F-TS (STC)	P4014808-07	D3A34C401/90DFA-2	88.0	87.0	30		8.8		28.5	D-6594 D-3867-1	P P		SA09400SC Texas Skyways	112 132
180C		O-550-F-TS (STC)		D3A34C401/90DFA-10	80.0	76.0	30		10.0		28.5	D-6594	P		SA09132SC Texas Skyways	
180C		IO-550 series (TCM)	P4014808-09	D3A34C401/90DFA-2	88.0	86.0	30		10.0		28.5	D-3867 D-3669	S S		SA00531WI Air Plains	88 132
180C		IO-550 series (TCM)	P4014808-12	D3A34C401/90DFA-4	86.0	84.0	30		10.0		28.0	D-3867 D-3669	S S		SA00531WI Air Plains	84 132
180C		IO-550 series (TCM)	P4014808-13	D3A34C401/90DFA-6	84.0	82.0	30		10.0		28.0	D-3867 D-3669	S S		SA00531WI Air Plains	90 132
180C		IO-550 series (TCM)	P4014808-14	D3A34C401/90DFA-8	82.0	80.0	30		10.4		28.5	D-3867 D-3669	S S		SA00531WI Air Plains	132
180C		IO-550 series (TCM)	P4014808-04	D3A34C401/90DFA-10	80.0	78.0	30		10.4		28.5	D-3867 D-3669	S S		SA00531WI Air Plains	89 132
180C		IO-550-D (TCM)	P4014808-05	D3A34C401/90DFA-10	80.0	78.0	30		11.2		28.5				SA00785AT Air Plains	
180D		O-470-L (TCM)	OBSOLETE	2A36C1-U/90M-2	88.0	86.0	36		8.0		22.0			C290D3/T1 C290D2/T1		1
180D		O-470-L (TCM)	OBSOLETE	2A36C1-U/90M-8	82.0	80.0	36		10.5		22.0			C290D3/T1 C290D2/T1		1
180D		O-470-L (TCM)	OBSOLETE	2A36C18/90M-2	88.0	86.0	36		8.0		22.0			C290D3/T1 C290D2/T1		1
180D		O-470-L (TCM)	OBSOLETE	2A36C18/90M-8	82.0	80.0	36		10.5		22.0			C290D3/T1 C290D2/T1		1
180D		O-470-L (TCM)	OBSOLETE	2A36C29/90M-2	88.0	86.0	36		8.0		22.0			C290D3/T1 C290D2/T1		1
180D		O-470-L (TCM)	OBSOLETE	2A36C29/90M-8	82.0	80.0	36		10.5		22.0			C290D3/T1 C290D2/T1		1
180D		O-470-L (TCM)	OBSOLETE	2A34C50/90A-2	88.0	86.0	36		10.5		22.0			C290D3/T1 C290D2/T1		1
180D		O-470-L (TCM)	OBSOLETE	2A34C50/90A-8	82.0	80.0	36		10.5		22.0			C290D3/T1 C290D2/T1		1

Constant Speed Propeller Applications

Aircraft Model	T Y P E	Engine Model (Make)	Propeller Part Number	Propeller Model	Max Dia	Min Dia	Ref Sta	Rev Angle	Low or Flight Idle Angle	Latch or Start Locks Angle	High or Feather Angle	Spinner Assembly P/N	S p i n n e r	Governor Model	STC Number STC Holder STC Kit P/N	N o t e s
180D		O-470-L (TCM)	OBSOLETE	2A34C66/90AT-2	88.0	86.0	36		8.0		22.0			C290D3/T1 C290D2/T1		1
180D		O-470-L (TCM)	OBSOLETE	2A34C66/90AT-8	82.0	80.0	36		10.5		22.0			C290D3/T1 C290D2/T1		1
180D	A F L	O-470-L (TCM)	P2017294-52	2A34C201/90DA-2	88.0	86.5	30		10.5		24.5			C290D3/T1 C290D2/T1	SA2229CE Northwest Propeller	
180D	L	O-470-L (TCM)	P2017294-51	2A34C201/90DA-8	82.0	80.0	30		13.0		24.5			C290D3/T1 C290D2/T1	SA2229CE Northwest Propeller	
180D	A F L S	O-470-L (TCM)	P2033909-57	2A34C203/90DCA-2	88.0	86.5	30		10.0		24.5			C290D3/T1 C290D2/T1		25
180D	A F	O-470-L (TCM)	P2033909-57	2A34C203/90DCA-2	88.0	86.5	30		10.0		24.5	D-7519-1	P	C290D3/T1 C290D2/T1	SA01033CH McCauley PL60289	136
180D	A F L	O-470-L (TCM)	P2033909-52 P2033909-57	2A34C203/90DCA-2	88.0	86.5	30		10.0		24.5			C290D3/T1 C290D2/T1	SA2229CE Northwest Propeller	
180D	A F	O-470-L (TCM)	P2033909-52 P2033909-57	2A34C203/90DCA-2	88.0	86.5	30		10.0		24.5			C290D3/T1 C290D2/T1	SA3237NM American	
180D		O-470-L (TCM)	P2033909-56	2A34C203/90DCA-8	82.0	80.5	30		12.5		25.0			C290D3/T1 C290D2/T1		24
180D		O-470-L (TCM)	P2033909-56	2A34C203/90DCA-8	82.0	80.5	30		12.5		25.0	D-7519-1	P	C290D3/T1 C290D2/T1	SA01033CH McCauley PL60287	136
180D	L	O-470-L (TCM)		2A34C203/90DCA-8	82.0	80.5	30		12.5		24.0			C290D3/T1 C290D2/T1	SA2229CE Northwest Propeller	
180D	L	O-470-L (TCM)	P2033909-51 P2033909-56	2A34C203/90DCA-8	82.0	80.5	30		12.5		25.0			C290D3/T1 C290D2/T1	SA3237NM American	
180D	A F L	O-470-L (TCM)		C2A34C204/90DCB-2	88.0	86.5	30		10.5		24.5			C290D3/T1 C290D2/T1	SA2229CE Northwest Propeller	
180D	L	O-470-L (TCM)		C2A34C204/90DCB-8	82.0	80.5	30		13.0		24.5			C290D3/T1 C290D2/T1	SA2229CE Northwest Propeller	
180D		O-470-L (TCM)	P4114808-02	D3A32C411/82NDA-2	80.0	78.0	30		11.0		25.6	D-6594	P	C290D3/T1 C290D2/T1	SA2BO US Propeller of Connecticut	
180D	L	O-470-L (TCM)	P4357483-01	D3A36C435/80VEA-0	80.0	78.0	30		10.8		33.9	D-7510-1	P	C290D3/T1 C290D2/T1	SA00819CH McCauley PL60228	136

Constant Speed Propeller Applications

Aircraft Model	T Y P E	Engine Model (Make)	Propeller Part Number	Propeller Model	Max Dia	Min Dia	Ref Sta	Rev Angle	Low or Flight Idle Angle	Latch or Start Locks Angle	High or Feather Angle	Spinner Assembly P/N	S p i n n e r	Governor Model	STC Number STC Holder STC Kit P/N	N o t e s
180D		O-470-R (TCM)	OBSOLETE	2A36C1-U/90M-2	88.0	86.0	36		8.0		22.0			C290D3/T1 C290D2/T1		1
180D		O-470-R (TCM)	OBSOLETE	2A36C1-U/90M-8	82.0	80.0	36		10.5		22.0			C290D3/T1 C290D2/T1		1
180D		O-470-R (TCM)	OBSOLETE	2A36C18/90M-2	88.0	86.0	36		8.0		22.0			C290D3/T1 C290D2/T1		1
180D		O-470-R (TCM)	OBSOLETE	2A36C18/90M-8	82.0	80.0	36		10.5		22.0			C290D3/T1 C290D2/T1		1
180D		O-470-R (TCM)	OBSOLETE	2A36C29/90M-2	88.0	86.0	36		8.0		22.0			C290D3/T1 C290D2/T1		1
180D		O-470-R (TCM)	OBSOLETE	2A36C29/90M-8	82.0	80.0	36		10.5		22.0			C290D3/T1 C290D2/T1		1
180D		O-470-R (TCM)	OBSOLETE	2A34C50/90A-2	88.0	86.0	36		10.5		22.0			C290D3/T1 C290D2/T1		1
180D		O-470-R (TCM)	OBSOLETE	2A34C50/90A-8	82.0	80.0	36		10.5		22.0			C290D3/T1 C290D2/T1		1
180D		O-470-R (TCM)	OBSOLETE	2A34C66/90AT-2	88.0	86.0	36		8.0		22.0			C290D3/T1 C290D2/T1		1
180D		O-470-R (TCM)	OBSOLETE	2A34C66/90AT-8	82.0	80.0	36		10.5		22.0			C290D3/T1 C290D2/T1		1
180D	A F L	O-470-R (TCM)	P2017294-52	2A34C201/90DA-2	88.0	86.5	30		10.5		24.5			C290D3/T1 C290D2/T1	SA2229CE Northwest Propeller	
180D	L	O-470-R (TCM)	P2017294-51	2A34C201/90DA-8	82.0	80.0	30		13.0		24.5			C290D3/T1 C290D2/T1	SA2229CE Northwest Propeller	
180D	A F L S	O-470-R (TCM)	P2033909-57	2A34C203/90DCA-2	88.0	86.5	30		10.0		24.5			C290D3/T1 C290D2/T1		25
180D	A F	O-470-R (TCM)	P2033909-57	2A34C203/90DCA-2	88.0	86.5	30		10.0		24.5	D-7519-1	P	C290D3/T1 C290D2/T1	SA01033CH McCauley PL60289	136
180D	A F L	O-470-R (TCM)	P2033909-52 P2033909-57	2A34C203/90DCA-2	88.0	86.5	30		10.0		24.5			C290D3/T1 C290D2/T1	SA2229CE Northwest Propeller	
180D	A F	O-470-R (TCM)	P2033909-52 P2033909-57	2A34C203/90DCA-2	88.0	86.5	30		10.0		24.5			C290D3/T1 C290D2/T1	SA3237NM American	
180D		O-470-R (TCM)	P2033909-56	2A34C203/90DCA-8	82.0	80.5	30		12.5		25.0			C290D3/T1 C290D2/T1		24
180D		O-470-R (TCM)	P2033909-56	2A34C203/90DCA-8	82.0	80.5	30		12.5		25.0	D-7519-1	P	C290D3/T1 C290D2/T1	SA01033CH McCauley PL60287	136

Constant Speed Propeller Applications

Aircraft Model	T Y P E	Engine Model (Make)	Propeller Part Number	Propeller Model	Max Dia	Min Dia	Ref Sta	Rev Angle	Low or Flight Idle Angle	Latch or Start Locks Angle	High or Feather Angle	Spinner Assembly P/N	S p i n n e r	Governor Model	STC Number STC Holder STC Kit P/N	N o t e s
180D	L	O-470-R (TCM)		2A34C203/90DCA-8	82.0	80.5	30		12.5		24.0			C290D3/T1 C290D2/T1	SA2229CE Northwest Propeller	
180D	L	O-470-R (TCM)	P2033909-51 P2033909-56	2A34C203/90DCA-8	82.0	80.5	30		12.5		25.0			C290D3/T1 C290D2/T1	SA3237NM American	
180D	A F L	O-470-R (TCM)		C2A34C204/90DCB-2	88.0	86.5	30		10.5		24.5			C290D3/T1 C290D2/T1	SA2229CE Northwest Propeller	
180D	L	O-470-R (TCM)		C2A34C204/90DCB-8	82.0	80.5	30		13.0		24.5			C290D3/T1 C290D2/T1	SA2229CE Northwest Propeller	
180D		O-470-R (TCM)	P4114808-02	D3A32C411/82NDA-2	80.0	78.0	30		11.0		25.6	D-6594	P	C290D3/T1 C290D2/T1	SA2BO US Propeller of Connecticut	
180D	L	O-470-R (TCM)	P4357483-01	D3A36C435/80VEA-0	80.0	78.0	30		10.8		33.9	D-7510-1	P	C290D3/T1 C290D2/T1	SA00819CH McCauley PL60228	136
180D		O-470-U (TCM)	P2043909-52	C2A34C204/90DCB-8	82.0	80.5	30		15.0		29.4			C290D3/T14	SA8842SW Texas Skyways	
180D		O-470-U (STC)		C2A34C204/90DCB-8	82.0	80.5	30								SA01776AT Air Plains	
180D		O-470-U-TS (STC)		C2A34C204/90DCB-8	82.0	80.5	30		10.4		29.4				SA8950SW Texas Skyways	
180D		O-470-50 (STC)		D3A34C401/90DFA-10	80.0	78.5	30		10.4		28.0	D-3867 D-3669	S S		SA00468WI P. Ponk	86 132
180D		O-470-50 (STC)		D3A34C401/90DFA-8	82.0	80.5	30		10.4		28.0	D-3867 D-3669	S S		SA00468WI P. Ponk	86 132
180D		O-470-50 (STC)	P4014808-13	D3A34C401/90DFA-6	84.0	82.5	30		10.0		28.0	D-3867 D-3669	S S		SA00468WI P. Ponk	86 132
180D		O-470-50 (STC)	P4014808-12	D3A34C401/90DFA-4	86.0	84.5	30		10.0		28.0	D-3867 D-3669	S S		SA00468WI P. Ponk	85 132
180D		O-470-50 (STC)	P4014808-09	D3A34C401/90DFA-2	88.0	86.5	30		10.0		28.0	D-3867 D-3669	S S		SA00468WI P. Ponk	85 132
180D		O-520-F-TS (STC)	P4014808-07	D3A34C401/90DFA-2	88.0	87.0	30		8.8		28.5	D-6594 D-3867-1	P P		SA09400SC Texas Skyways	112 132
180D		O-520-F-TS (STC)	P4014808-04	D3A34C401/90DFA-10	80.0	76.0	30		10.4		28.5	D-6594 D-3867-1	P P		SA09018SC Texas Skyways	132
180D		O-520-LC-TS (STC)	P4014808-07	D3A34C401/90DFA-2	88.0	87.0	30		8.8		28.5	D-6594 D-3867-1	P P		SA09400SC Texas Skyways	112 132

Constant Speed Propeller Applications

Aircraft Model	TYPE	Engine Model (Make)	Propeller Part Number	Propeller Model	Max Dia	Min Dia	Ref Sta	Rev Angle	Low or Flight Idle Angle	Latch or Start Locks Angle	High or Feather Angle	Spinner Assembly P/N	Spinner Type	Governor Model	STC Number STC Holder STC Kit P/N	Notes
180D		O-520-U-TS (STC)	P4014808-04	D3A34C401/90DFA-10	80.0	76.0	30		10.4		28.5	D-6594 D-3867-1	P P		SA09018SC Texas Skyways	132
180D		IO-520 series (TCM)	P4014808-09	D3A34C401/90DFA-2	88.0	86.0	30		10.0		28.5	D-3867 D-3669	S S		SA00531WI Air Plains	88 132
180D		IO-520 series (TCM)	P4014808-12	D3A34C401/90DFA-4	86.0	84.0	30		10.0		28.0	D-3867 D-3669	S S		SA00531WI Air Plains	84 132
180D		IO-520 series (TCM)	P4014808-13	D3A34C401/90DFA-6	84.0	82.0	30		10.0		28.0	D-3867 D-3669	S S		SA00531WI Air Plains	132
180D		IO-520 series (TCM)	P4014808-14	D3A34C401/90DFA-8	82.0	80.0	30		10.4		28.5	D-3867 D-3669	S S		SA00531WI Air Plains	132
180D		IO-520 series (TCM)	P4014808-04	D3A34C401/90DFA-10	80.0	78.0	30		10.4		28.5	D-3867 D-3669	S S		SA00531WI Air Plains	89 132
180D		IO-520-D (TCM)	P4014808-04	D3A34C401/90DFA-10	80.0	78.0	30		10.4		28.5				SA01345AT Air Plains	
180D		O-550-F-TS (STC)	P4014808-07	D3A34C401/90DFA-2	88.0	87.0	30		8.8		28.5	D-6594 D-3867-1	P P		SA09400SC Texas Skyways	112 132
180D		O-550-F-TS (STC)		D3A34C401/90DFA-10	80.0	76.0	30		10.0		28.5	D-6594	P		SA09132SC Texas Skyways	
180D		IO-550 series (TCM)	P4014808-09	D3A34C401/90DFA-2	88.0	86.0	30		10.0		28.5	D-3867 D-3669	S S		SA00531WI Air Plains	88 132
180D		IO-550 series (TCM)	P4014808-12	D3A34C401/90DFA-4	86.0	84.0	30		10.0		28.0	D-3867 D-3669	S S		SA00531WI Air Plains	84 132
180D		IO-550 series (TCM)	P4014808-13	D3A34C401/90DFA-6	84.0	82.0	30		10.0		28.0	D-3867 D-3669	S S		SA00531WI Air Plains	90 132
180D		IO-550 series (TCM)	P4014808-14	D3A34C401/90DFA-8	82.0	80.0	30		10.4		28.5	D-3867 D-3669	S S		SA00531WI Air Plains	132
180D		IO-550 series (TCM)	P4014808-04	D3A34C401/90DFA-10	80.0	78.0	30		10.4		28.5	D-3867 D-3669	S S		SA00531WI Air Plains	89 132
180D		IO-550-D (TCM)	P4014808-05	D3A34C401/90DFA-10	80.0	78.0	30		11.2		28.5				SA00785AT Air Plains	
180E		O-470-L (TCM)	OBSOLETE	2A36C1-U/90M-8	82.0	80.0	36		10.5		22.0			C290D3/T1 C290D2/T1		1
180E		O-470-L (TCM)	OBSOLETE	2A36C18/90M-2	88.0	86.0	36		8.0		22.0			C290D3/T1 C290D2/T1		1
180E		O-470-L (TCM)	OBSOLETE	2A36C18/90M-8	82.0	80.0	36		10.5		22.0			C290D3/T1 C290D2/T1		1
180E		O-470-L (TCM)	OBSOLETE	2A36C29/90M-2	88.0	86.0	36		8.0		22.0			C290D3/T1 C290D2/T1		1
180E		O-470-L (TCM)	OBSOLETE	2A36C29/90M-8	82.0	80.0	36		10.5		22.0			C290D3/T1 C290D2/T1		1

Constant Speed Propeller Applications

Aircraft Model	T Y P E	Engine Model (Make)	Propeller Part Number	Propeller Model	Max Dia	Min Dia	Ref Sta	Rev Angle	Low or Flight Idle Angle	Latch or Start Locks Angle	High or Feather Angle	Spinner Assembly P/N	S p i n n e r	Governor Model	STC Number STC Holder STC Kit P/N	N o t e s
180E		O-470-L (TCM)	OBSOLETE	2A34C50/90A-2	88.0	86.0	36		10.5		22.0			C290D3/T1 C290D2/T1		1
180E		O-470-L (TCM)	OBSOLETE	2A34C50/90A-8	82.0	80.0	36		10.5		22.0			C290D3/T1 C290D2/T1		1
180E		O-470-L (TCM)	OBSOLETE	2A34C66/90AT-2	88.0	86.0	36		8.0		22.0			C290D3/T1 C290D2/T1		1
180E		O-470-L (TCM)	OBSOLETE	2A34C66/90AT-8	82.0	80.0	36		10.5		22.0			C290D3/T1 C290D2/T1		1
180E	A F L	O-470-L (TCM)	P2017294-52	2A34C201/90DA-2	88.0	86.5	30		10.5		24.5			C290D3/T1 C290D2/T1	SA2229CE Northwest Propeller	
180E	L	O-470-L (TCM)	P2017294-51	2A34C201/90DA-8	82.0	80.0	30		13.0		24.5			C290D3/T1 C290D2/T1	SA2229CE Northwest Propeller	
180E	A F L S	O-470-L (TCM)	P2033909-57	2A34C203/90DCA-2	88.0	86.5	30		10.0		24.5			C290D3/T1 C290D2/T1		25
180E	A F	O-470-L (TCM)	P2033909-57	2A34C203/90DCA-2	88.0	86.5	30		10.0		24.5	D-7519-1	P	C290D3/T1 C290D2/T1	SA01033CH McCauley PL60289	136
180E	A F L	O-470-L (TCM)	P2033909-52 P2033909-57	2A34C203/90DCA-2	88.0	86.5	30		10.0		24.5			C290D3/T1 C290D2/T1	SA2229CE Northwest Propeller	
180E	A F	O-470-L (TCM)	P2033909-52 P2033909-57	2A34C203/90DCA-2	88.0	86.5	30		10.0		24.5			C290D3/T1 C290D2/T1	SA3237NM American	
180E		O-470-L (TCM)	P2033909-56	2A34C203/90DCA-8	82.0	80.5	30		12.5		25.0			C290D3/T1 C290D2/T1		24
180E		O-470-L (TCM)	P2033909-56	2A34C203/90DCA-8	82.0	80.5	30		12.5		25.0	D-7519-1	P	C290D3/T1 C290D2/T1	SA01033CH McCauley PL60287	136
180E	L	O-470-L (TCM)		2A34C203/90DCA-8	82.0	80.5	30		12.5		24.0			C290D3/T1 C290D2/T1	SA2229CE Northwest Propeller	
180E	L	O-470-L (TCM)	P2033909-51 P2033909-56	2A34C203/90DCA-8	82.0	80.5	30		12.5		25.0			C290D3/T1 C290D2/T1	SA3237NM American	
180E	A F L	O-470-L (TCM)		C2A34C204/90DCB-2	88.0	86.5	30		10.5		24.5			C290D3/T1 C290D2/T1	SA2229CE Northwest Propeller	
180E	L	O-470-L (TCM)		C2A34C204/90DCB-8	82.0	80.5	30		13.0		24.5			C290D3/T1 C290D2/T1	SA2229CE Northwest Propeller	

Constant Speed Propeller Applications

Aircraft Model	T Y P E	Engine Model (Make)	Propeller Part Number	Propeller Model	Max Dia	Min Dia	Ref Sta	Rev Angle	Low or Flight Idle Angle	Latch or Start Locks Angle	High or Feather Angle	Spinner Assembly P/N	S p i n n e r	Governor Model	STC Number STC Holder STC Kit P/N	N o t e s
180E		O-470-L (TCM)	P4114808-02	D3A32C411/82NDA-2	80.0	78.0	30		11.0		25.6	D-6594	P	C290D3/T1 C290D2/T1	SA2BO US Propeller of Connecticut	
180E	L	O-470-L (TCM)	P4357483-01	D3A36C435/80VEA-0	80.0	78.0	30		10.8		33.9	D-7510-1	P	C290D3/T1 C290D2/T1	SA00819CH McCauley PL60228	136
180E		O-470-R (TCM)	OBSOLETE	2A36C1-U/90M-2	88.0	86.0	36		8.0		22.0			C290D3/T1 C290D2/T1		1
180E		O-470-R (TCM)	OBSOLETE	2A36C1-U/90M-8	82.0	80.0	36		10.5		22.0			C290D3/T1 C290D2/T1		1
180E		O-470-R (TCM)	OBSOLETE	2A36C18/90M-2	88.0	86.0	36		8.0		22.0			C290D3/T1 C290D2/T1		1
180E		O-470-R (TCM)	OBSOLETE	2A36C18/90M-8	82.0	80.0	36		10.5		22.0			C290D3/T1 C290D2/T1		1
180E		O-470-R (TCM)	OBSOLETE	2A36C29/90M-2	88.0	86.0	36		8.0		22.0			C290D3/T1 C290D2/T1		1
180E		O-470-R (TCM)	OBSOLETE	2A36C29/90M-8	82.0	80.0	36		10.5		22.0			C290D3/T1 C290D2/T1		1
180E		O-470-R (TCM)	OBSOLETE	2A34C50/90A-2	88.0	86.0	36		10.5		22.0			C290D3/T1 C290D2/T1		1
180E		O-470-R (TCM)	OBSOLETE	2A34C50/90A-8	82.0	80.0	36		10.5		22.0			C290D3/T1 C290D2/T1		1
180E		O-470-R (TCM)	OBSOLETE	2A34C66/90AT-2	88.0	86.0	36		8.0		22.0			C290D3/T1 C290D2/T1		1
180E		O-470-R (TCM)	OBSOLETE	2A34C66/90AT-8	82.0	80.0	36		10.5		22.0			C290D3/T1 C290D2/T1		1
180E	A F L	O-470-R (TCM)	P2017294-52	2A34C201/90DA-2	88.0	86.5	30		10.5		24.5			C290D3/T1 C290D2/T1	SA2229CE Northwest Propeller	
180E	L	O-470-R (TCM)	P2017294-51	2A34C201/90DA-8	82.0	80.0	30		13.0		24.5			C290D3/T1 C290D2/T1	SA2229CE Northwest Propeller	
180E	A F L S	O-470-R (TCM)	P2033909-57	2A34C203/90DCA-2	88.0	86.5	30		10.0		24.5			C290D3/T1 C290D2/T1		25
180E	A F	O-470-R (TCM)	P2033909-57	2A34C203/90DCA-2	88.0	86.5	30		10.0		24.5	D-7519-1	P	C290D3/T1 C290D2/T1	SA01033CH McCauley PL60289	136
180E	A F L	O-470-R (TCM)	P2033909-52 P2033909-57	2A34C203/90DCA-2	88.0	86.5	30		10.0		24.5			C290D3/T1 C290D2/T1	SA2229CE Northwest Propeller	
180E	A F	O-470-R (TCM)	P2033909-52 P2033909-57	2A34C203/90DCA-2	88.0	86.5	30		10.0		24.5			C290D3/T1 C290D2/T1	SA3237NM American	

Constant Speed Propeller Applications

Aircraft Model	TYPE	Engine Model (Make)	Propeller Part Number	Propeller Model	Max Dia	Min Dia	Ref Sta	Rev Angle	Low or Flight Idle Angle	Latch or Start Locks Angle	High or Feather Angle	Spinner Assembly P/N	Spinner Type	Governor Model	STC Number STC Holder STC Kit P/N	Notes
180E		O-470-R (TCM)	P2033909-56	2A34C203/90DCA-8	82.0	80.5	30		12.5		25.0			C290D3/T1 C290D2/T1		24
180E		O-470-R (TCM)	P2033909-56	2A34C203/90DCA-8	82.0	80.5	30		12.5		25.0	D-7519-1	P	C290D3/T1 C290D2/T1	SA01033CH McCauley PL60287	136
180E	L	O-470-R (TCM)		2A34C203/90DCA-8	82.0	80.5	30		12.5		24.0			C290D3/T1 C290D2/T1	SA2229CE Northwest Propeller	
180E	L	O-470-R (TCM)	P2033909-51 P2033909-56	2A34C203/90DCA-8	82.0	80.5	30		12.5		25.0			C290D3/T1 C290D2/T1	SA3237NM American	
180E	A F L	O-470-R (TCM)		C2A34C204/90DCB-2	88.0	86.5	30		10.5		24.5			C290D3/T1 C290D2/T1	SA2229CE Northwest Propeller	
180E	L	O-470-R (TCM)		C2A34C204/90DCB-8	82.0	80.5	30		13.0		24.5			C290D3/T1 C290D2/T1	SA2229CE Northwest Propeller	
180E		O-470-R (TCM)	P4114808-02	D3A32C411/82NDA-2	80.0	78.0	30		11.0		25.6	D-6594	P	C290D3/T1 C290D2/T1	SA2BO US Propeller of Connecticut	
180E	L	O-470-R (TCM)	P4357483-01	D3A36C435/80VEA-0	80.0	78.0	30		10.8		33.9	D-7510-1	P	C290D3/T1 C290D2/T1	SA00819CH McCauley PL60228	136
180E		O-470-U (TCM)	P2043909-52	C2A34C204/90DCB-8	82.0	80.5	30		15.0		29.4			C290D3/T14	SA8842SW Texas Skyways	
180E		O-470-U (STC)		C2A34C204/90DCB-8	82.0	80.5	30								SA01776AT Air Plains	
180E		O-470-U-TS (STC)		C2A34C204/90DCB-8	82.0	80.5	30		10.4		29.4				SA8950SW Texas Skyways	
180E		O-470-50 (STC)		D3A34C401/90DFA-10	80.0	78.5	30		10.4		28.0	D-3867 D-3669	S S		SA00468WI P. Ponk	86 132
180E		O-470-50 (STC)		D3A34C401/90DFA-8	82.0	80.5	30		10.4		28.0	D-3867 D-3669	S S		SA00468WI P. Ponk	86 132
180E		O-470-50 (STC)	P4014808-13	D3A34C401/90DFA-6	84.0	82.5	30		10.0		28.0	D-3867 D-3669	S S		SA00468WI P. Ponk	86 132
180E		O-470-50 (STC)	P4014808-12	D3A34C401/90DFA-4	86.0	84.5	30		10.0		28.0	D-3867 D-3669	S S		SA00468WI P. Ponk	85 132
180E		O-470-50 (STC)	P4014808-09	D3A34C401/90DFA-2	88.0	86.5	30		10.0		28.0	D-3867 D-3669	S S		SA00468WI P. Ponk	85 132
180E		O-520-F-TS (STC)	P4014808-07	D3A34C401/90DFA-2	88.0	87.0	30		8.8		28.5	D-6594 D-3867-1	P P		SA09400SC Texas Skyways	112 132

Constant Speed Propeller Applications

Aircraft Model	T Y P E	Engine Model (Make)	Propeller Part Number	Propeller Model	Max Dia	Min Dia	Ref Sta	Rev Angle	Low or Flight Idle Angle	Latch or Start Locks Angle	High or Feather Angle	Spinner Assembly P/N	S p i n n e r	Governor Model	STC Number STC Holder STC Kit P/N	N o t e s
180E		O-520-F-TS (STC)	P4014808-04	D3A34C401/90DFA-10	80.0	76.0	30		10.4		28.5	D-6594 D-3867-1	P P		SA09018SC Texas Skyways	132
180E		O-520-LC-TS (STC)	P4014808-07	D3A34C401/90DFA-2	88.0	87.0	30		8.8		28.5	D-6594 D-3867-1	P P		SA09400SC Texas Skyways	112 132
180E		O-520-U-TS (STC)	P4014808-04	D3A34C401/90DFA-10	80.0	76.0	30		10.4		28.5	D-6594 D-3867-1	P P		SA09018SC Texas Skyways	132
180E		IO-520 series (TCM)	P4014808-09	D3A34C401/90DFA-2	88.0	86.0	30		10.0		28.5	D-3867 D-3669	S S		SA00531WI Air Plains	88 132
180E		IO-520 series (TCM)	P4014808-12	D3A34C401/90DFA-4	86.0	84.0	30		10.0		28.0	D-3867 D-3669	S S		SA00531WI Air Plains	84 132
180E		IO-520 series (TCM)	P4014808-13	D3A34C401/90DFA-6	84.0	82.0	30		10.0		28.0	D-3867 D-3669	S S		SA00531WI Air Plains	132
180E		IO-520 series (TCM)	P4014808-14	D3A34C401/90DFA-8	82.0	80.0	30		10.4		28.5	D-3867 D-3669	S S		SA00531WI Air Plains	132
180E		IO-520 series (TCM)	P4014808-04	D3A34C401/90DFA-10	80.0	78.0	30		10.4		28.5	D-3867 D-3669	S S		SA00531WI Air Plains	89 132
180E		IO-520-D (TCM)	P4014808-04	D3A34C401/90DFA-10	80.0	78.0	30		10.4		28.5				SA01345AT Air Plains	
180E		O-550-F-TS (STC)	P4014808-07	D3A34C401/90DFA-2	88.0	87.0	30		8.8		28.5	D-6594 D-3867-1	P P		SA09400SC Texas Skyways	112 132
180E		O-550-F-TS (STC)		D3A34C401/90DFA-10	80.0	76.0	30		10.0		28.5	D-6594	P		SA09132SC Texas Skyways	
180E		IO-550 series (TCM)	P4014808-09	D3A34C401/90DFA-2	88.0	86.0	30		10.0		28.5	D-3867 D-3669	S S		SA00531WI Air Plains	88 132
180E		IO-550 series (TCM)	P4014808-12	D3A34C401/90DFA-4	86.0	84.0	30		10.0		28.0	D-3867 D-3669	S S		SA00531WI Air Plains	84 132
180E		IO-550 series (TCM)	P4014808-13	D3A34C401/90DFA-6	84.0	82.0	30		10.0		28.0	D-3867 D-3669	S S		SA00531WI Air Plains	90 132
180E		IO-550 series (TCM)	P4014808-14	D3A34C401/90DFA-8	82.0	80.0	30		10.4		28.5	D-3867 D-3669	S S		SA00531WI Air Plains	132
180E		IO-550 series (TCM)	P4014808-04	D3A34C401/90DFA-10	80.0	78.0	30		10.4		28.5	D-3867 D-3669	S S		SA00531WI Air Plains	89 132
180E		IO-550-D (TCM)	P4014808-05	D3A34C401/90DFA-10	80.0	78.0	30		11.2		28.5				SA00785AT Air Plains	
180F		O-470-L (TCM)	OBSOLETE	2A36C1-U/90M-8	82.0	80.0	36		10.5		22.0			C290D3/T1 C290D2/T1		1
180F		O-470-L (TCM)	OBSOLETE	2A36C18/90M-2	88.0	86.0	36		8.0		22.0			C290D3/T1 C290D2/T1		1

Constant Speed Propeller Applications

Aircraft Model	T Y P E	Engine Model (Make)	Propeller Part Number	Propeller Model	Max Dia	Min Dia	Ref Sta	Rev Angle	Low or Flight Idle Angle	Latch or Start Locks Angle	High or Feather Angle	Spinner Assembly P/N	S p i n n e r	Governor Model	STC Number STC Holder STC Kit P/N	N o t e s
180F		O-470-L (TCM)	OBSOLETE	2A36C18/90M-8	82.0	80.0	36		10.5		22.0			C290D3/T1 C290D2/T1		1
180F		O-470-L (TCM)	OBSOLETE	2A36C29/90M-2	88.0	86.0	36		8.0		22.0			C290D3/T1 C290D2/T1		1
180F		O-470-L (TCM)	OBSOLETE	2A36C29/90M-8	82.0	80.0	36		10.5		22.0			C290D3/T1 C290D2/T1		1
180F		O-470-L (TCM)	OBSOLETE	2A34C50/90A-2	88.0	86.0	36		10.5		22.0			C290D3/T1 C290D2/T1		1
180F		O-470-L (TCM)	OBSOLETE	2A34C50/90A-8	82.0	80.0	36		10.5		22.0			C290D3/T1 C290D2/T1		1
180F		O-470-L (TCM)	OBSOLETE	2A34C66/90AT-2	88.0	86.0	36		8.0		22.0			C290D3/T1 C290D2/T1		1
180F		O-470-L (TCM)	OBSOLETE	2A34C66/90AT-8	82.0	80.0	36		10.5		22.0			C290D3/T1 C290D2/T1		1
180F	A F L	O-470-L (TCM)	P2017294-52	2A34C201/90DA-2	88.0	86.5	30		10.5		24.5			C290D3/T1 C290D2/T1	SA2229CE Northwest Propeller	
180F	L	O-470-L (TCM)	P2017294-51	2A34C201/90DA-8	82.0	80.0	30		13.0		24.5			C290D3/T1 C290D2/T1	SA2229CE Northwest Propeller	
180F	A F L S	O-470-L (TCM)	P2033909-57	2A34C203/90DCA-2	88.0	86.5	30		10.0		24.5			C290D3/T1 C290D2/T1		25
180F	A F	O-470-L (TCM)	P2033909-57	2A34C203/90DCA-2	88.0	86.5	30		10.0		24.5	D-7519-1	P	C290D3/T1 C290D2/T1	SA01033CH McCauley PL60289	136
180F	A F L	O-470-L (TCM)	P2033909-52 P2033909-57	2A34C203/90DCA-2	88.0	86.5	30		10.0		24.5			C290D3/T1 C290D2/T1	SA2229CE Northwest Propeller	
180F	A F	O-470-L (TCM)	P2033909-52 P2033909-57	2A34C203/90DCA-2	88.0	86.5	30		10.0		24.5			C290D3/T1 C290D2/T1	SA3237NM American	
180F		O-470-L (TCM)	P2033909-56	2A34C203/90DCA-8	82.0	80.5	30		12.5		25.0			C290D3/T1 C290D2/T1		24
180F		O-470-L (TCM)	P2033909-56	2A34C203/90DCA-8	82.0	80.5	30		12.5		25.0	D-7519-1	P	C290D3/T1 C290D2/T1	SA01033CH McCauley PL60287	136
180F	L	O-470-L (TCM)		2A34C203/90DCA-8	82.0	80.5	30		12.5		24.0			C290D3/T1 C290D2/T1	SA2229CE Northwest Propeller	
180F	L	O-470-L (TCM)	P2033909-51 P2033909-56	2A34C203/90DCA-8	82.0	80.5	30		12.5		25.0			C290D3/T1 C290D2/T1	SA3237NM American	

Constant Speed Propeller Applications

Aircraft Model	T Y P E	Engine Model (Make)	Propeller Part Number	Propeller Model	Max Dia	Min Dia	Ref Sta	Rev Angle	Low or Flight Idle Angle	Latch or Start Locks Angle	High or Feather Angle	Spinner Assembly P/N	S p i n n e r	Governor Model	STC Number STC Holder STC Kit P/N	N o t e s
180F	A F L	O-470-L (TCM)		C2A34C204/90DCB-2	88.0	86.5	30		10.5		24.5			C290D3/T1 C290D2/T1	SA2229CE Northwest Propeller	
180F	L	O-470-L (TCM)		C2A34C204/90DCB-8	82.0	80.5	30		13.0		24.5			C290D3/T1 C290D2/T1	SA2229CE Northwest Propeller	
180F		O-470-L (TCM)	P4114808-02	D3A32C411/82NDA-2	80.0	78.0	30		11.0		25.6	D-6594	P	C290D3/T1 C290D2/T1	SA2BO US Propeller of Connecticut	
180F	L	O-470-L (TCM)	P4357483-01	D3A36C435/80VEA-0	80.0	78.0	30		10.8		33.9	D-7510-1	P	C290D3/T1 C290D2/T1	SA00819CH McCauley PL60228	136
180F		O-470-R (TCM)	OBSOLETE	2A36C1-U/90M-2	88.0	86.0	36		8.0		22.0			C290D3/T1 C290D2/T1		1
180F		O-470-R (TCM)	OBSOLETE	2A36C1-U/90M-8	82.0	80.0	36		10.5		22.0			C290D3/T1 C290D2/T1		1
180F		O-470-R (TCM)	OBSOLETE	2A36C18/90M-2	88.0	86.0	36		8.0		22.0			C290D3/T1 C290D2/T1		1
180F		O-470-R (TCM)	OBSOLETE	2A36C18/90M-8	82.0	80.0	36		10.5		22.0			C290D3/T1 C290D2/T1		1
180F		O-470-R (TCM)	OBSOLETE	2A36C29/90M-2	88.0	86.0	36		8.0		22.0			C290D3/T1 C290D2/T1		1
180F		O-470-R (TCM)	OBSOLETE	2A36C29/90M-8	82.0	80.0	36		10.5		22.0			C290D3/T1 C290D2/T1		1
180F		O-470-R (TCM)	OBSOLETE	2A34C50/90A-2	88.0	86.0	36		10.5		22.0			C290D3/T1 C290D2/T1		1
180F		O-470-R (TCM)	OBSOLETE	2A34C50/90A-8	82.0	80.0	36		10.5		22.0			C290D3/T1 C290D2/T1		1
180F		O-470-R (TCM)	OBSOLETE	2A34C66/90AT-2	88.0	86.0	36		8.0		22.0			C290D3/T1 C290D2/T1		1
180F		O-470-R (TCM)	OBSOLETE	2A34C66/90AT-8	82.0	80.0	36		10.5		22.0			C290D3/T1 C290D2/T1		1
180F	A F L	O-470-R (TCM)	P2017294-52	2A34C201/90DA-2	88.0	86.5	30		10.5		24.5			C290D3/T1 C290D2/T1	SA2229CE Northwest Propeller	
180F	L	O-470-R (TCM)	P2017294-51	2A34C201/90DA-8	82.0	80.0	30		13.0		24.5			C290D3/T1 C290D2/T1	SA2229CE Northwest Propeller	
180F	A F L S	O-470-R (TCM)	P2033909-57	2A34C203/90DCA-2	88.0	86.5	30		10.0		24.5			C290D3/T1 C290D2/T1		25

Constant Speed Propeller Applications

Aircraft Model	T Y P E	Engine Model (Make)	Propeller Part Number	Propeller Model	Max Dia	Min Dia	Ref Sta	Rev Angle	Low or Flight Idle Angle	Latch or Start Locks Angle	High or Feather Angle	Spinner Assembly P/N	S p i n n e r	Governor Model	STC Number STC Holder STC Kit P/N	N o t e s
180F	A F	O-470-R (TCM)	P2033909-57	2A34C203/90DCA-2	88.0	86.5	30		10.0		24.5	D-7519-1	P	C290D3/T1 C290D2/T1	SA01033CH McCauley PL60289	136
180F	A F L	O-470-R (TCM)	P2033909-52 P2033909-57	2A34C203/90DCA-2	88.0	86.5	30		10.0		24.5			C290D3/T1 C290D2/T1	SA2229CE Northwest Propeller	
180F	A F	O-470-R (TCM)	P2033909-52 P2033909-57	2A34C203/90DCA-2	88.0	86.5	30		10.0		24.5			C290D3/T1 C290D2/T1	SA3237NM American	
180F		O-470-R (TCM)	P2033909-56	2A34C203/90DCA-8	82.0	80.5	30		12.5		25.0			C290D3/T1 C290D2/T1		24
180F		O-470-R (TCM)	P2033909-56	2A34C203/90DCA-8	82.0	80.5	30		12.5		25.0	D-7519-1	P	C290D3/T1 C290D2/T1	SA01033CH McCauley PL60287	136
180F	L	O-470-R (TCM)		2A34C203/90DCA-8	82.0	80.5	30		12.5		24.0			C290D3/T1 C290D2/T1	SA2229CE Northwest Propeller	
180F	L	O-470-R (TCM)	P2033909-51 P2033909-56	2A34C203/90DCA-8	82.0	80.5	30		12.5		25.0			C290D3/T1 C290D2/T1	SA3237NM American	
180F	A F L	O-470-R (TCM)		C2A34C204/90DCB-2	88.0	86.5	30		10.5		24.5			C290D3/T1 C290D2/T1	SA2229CE Northwest Propeller	
180F	L	O-470-R (TCM)		C2A34C204/90DCB-8	82.0	80.5	30		13.0		24.5			C290D3/T1 C290D2/T1	SA2229CE Northwest Propeller	
180F		O-470-R (TCM)	P4114808-02	D3A32C411/82NDA-2	80.0	78.0	30		11.0		25.6	D-6594	P	C290D3/T1 C290D2/T1	SA2BO US Propeller of Connecticut	
180F	L	O-470-R (TCM)	P4357483-01	D3A36C435/80VEA-0	80.0	78.0	30		10.8		33.9	D-7510-1	P	C290D3/T1 C290D2/T1	SA00819CH McCauley PL60228	136
180F		O-470-U (TCM)	P2043909-52	C2A34C204/90DCB-8	82.0	80.5	30		15.0		29.4			C290D3/T14	SA8842SW Texas Skyways	
180F		O-470-U (STC)		C2A34C204/90DCB-8	82.0	80.5	30								SA01776AT Air Plains	
180F		O-470-U-TS (STC)		C2A34C204/90DCB-8	82.0	80.5	30		10.4		29.4				SA8950SW Texas Skyways	
180F		O-470-50 (STC)		D3A34C401/90DFA-10	80.0	78.5	30		10.4		28.0	D-3867 D-3669	S S		SA00468WI P. Ponk	86 132
180F		O-470-50 (STC)		D3A34C401/90DFA-8	82.0	80.5	30		10.4		28.0	D-3867 D-3669	S S		SA00468WI P. Ponk	86 132
180F		O-470-50 (STC)	P4014808-13	D3A34C401/90DFA-6	84.0	82.5	30		10.0		28.0	D-3867 D-3669	S S		SA00468WI P. Ponk	86 132

Constant Speed Propeller Applications

Aircraft Model	T Y P E	Engine Model (Make)	Propeller Part Number	Propeller Model	Max Dia	Min Dia	Ref Sta	Rev Angle	Low or Flight Idle Angle	Latch or Start Locks Angle	High or Feather Angle	Spinner Assembly P/N	S p i n n e r	Governor Model	STC Number STC Holder STC Kit P/N	N o t e s
180F		O-470-50 (STC)	P4014808-12	D3A34C401/90DFA-4	86.0	84.5	30		10.0		28.0	D-3867 D-3669	S S		SA00468WI P. Ponk	85 132
180F		O-470-50 (STC)	P4014808-09	D3A34C401/90DFA-2	88.0	86.5	30		10.0		28.0	D-3867 D-3669	S S		SA00468WI P. Ponk	85 132
180F		O-520-F-TS (STC)	P4014808-07	D3A34C401/90DFA-2	88.0	87.0	30		8.8		28.5	D-6594 D-3867-1	P P		SA09400SC Texas Skyways	112 132
180F		O-520-F-TS (STC)	P4014808-04	D3A34C401/90DFA-10	80.0	76.0	30		10.4		28.5	D-6594 D-3867-1	P P		SA09018SC Texas Skyways	132
180F		O-520-LC-TS (STC)	P4014808-07	D3A34C401/90DFA-2	88.0	87.0	30		8.8		28.5	D-6594 D-3867-1	P P		SA09400SC Texas Skyways	112 132
180F		O-520-U-TS (STC)	P4014808-04	D3A34C401/90DFA-10	80.0	76.0	30		10.4		28.5	D-6594 D-3867-1	P P		SA09018SC Texas Skyways	132
180F		IO-520 series (TCM)	P4014808-09	D3A34C401/90DFA-2	88.0	86.0	30		10.0		28.5	D-3867 D-3669	S S		SA00531WI Air Plains	88 132
180F		IO-520 series (TCM)	P4014808-12	D3A34C401/90DFA-4	86.0	84.0	30		10.0		28.0	D-3867 D-3669	S S		SA00531WI Air Plains	84 132
180F		IO-520 series (TCM)	P4014808-13	D3A34C401/90DFA-6	84.0	82.0	30		10.0		28.0	D-3867 D-3669	S S		SA00531WI Air Plains	132
180F		IO-520 series (TCM)	P4014808-14	D3A34C401/90DFA-8	82.0	80.0	30		10.4		28.5	D-3867 D-3669	S S		SA00531WI Air Plains	132
180F		IO-520 series (TCM)	P4014808-04	D3A34C401/90DFA-10	80.0	78.0	30		10.4		28.5	D-3867 D-3669	S S		SA00531WI Air Plains	89 132
180F		IO-520-D (TCM)	P4014808-04	D3A34C401/90DFA-10	80.0	78.0	30		10.4		28.5				SA01345AT Air Plains	
180F		O-550-F-TS (STC)	P4014808-07	D3A34C401/90DFA-2	88.0	87.0	30		8.8		28.5	D-6594 D-3867-1	P P		SA09400SC Texas Skyways	112 132
180F		O-550-F-TS (STC)		D3A34C401/90DFA-10	80.0	76.0	30		10.0		28.5	D-6594	P		SA09132SC Texas Skyways	
180F		IO-550 series (TCM)	P4014808-09	D3A34C401/90DFA-2	88.0	86.0	30		10.0		28.5	D-3867 D-3669	S S		SA00531WI Air Plains	88 132
180F		IO-550 series (TCM)	P4014808-12	D3A34C401/90DFA-4	86.0	84.0	30		10.0		28.0	D-3867 D-3669	S S		SA00531WI Air Plains	84 132
180F		IO-550 series (TCM)	P4014808-13	D3A34C401/90DFA-6	84.0	82.0	30		10.0		28.0	D-3867 D-3669	S S		SA00531WI Air Plains	90 132
180F		IO-550 series (TCM)	P4014808-14	D3A34C401/90DFA-8	82.0	80.0	30		10.4		28.5	D-3867 D-3669	S S		SA00531WI Air Plains	132
180F		IO-550 series (TCM)	P4014808-04	D3A34C401/90DFA-10	80.0	78.0	30		10.4		28.5	D-3867 D-3669	S S		SA00531WI Air Plains	89 132

Constant Speed Propeller Applications

Aircraft Model	T Y P E	Engine Model (Make)	Propeller Part Number	Propeller Model	Max Dia	Min Dia	Ref Sta	Rev Angle	Low or Flight Idle Angle	Latch or Start Locks Angle	High or Feather Angle	Spinner Assembly P/N	S p i n n e r	Governor Model	STC Number STC Holder STC Kit P/N	N o t e s
180F		IO-550-D (TCM)	P4014808-05	D3A34C401/90DFA-10	80.0	78.0	30		11.2		28.5				SA00785AT Air Plains	
180G		O-470-L (TCM)	OBSOLETE	2A36C1-U/90M-8	82.0	80.0	36		10.5		22.0			C290D3/T1 C290D2/T1		1
180G		O-470-L (TCM)	OBSOLETE	2A36C18/90M-2	88.0	86.0	36		8.0		22.0			C290D3/T1 C290D2/T1		1
180G		O-470-L (TCM)	OBSOLETE	2A36C18/90M-8	82.0	80.0	36		10.5		22.0			C290D3/T1 C290D2/T1		1
180G		O-470-L (TCM)	OBSOLETE	2A36C29/90M-2	88.0	86.0	36		8.0		22.0			C290D3/T1 C290D2/T1		1
180G		O-470-L (TCM)	OBSOLETE	2A36C29/90M-8	82.0	80.0	36		10.5		22.0			C290D3/T1 C290D2/T1		1
180G		O-470-L (TCM)	OBSOLETE	2A34C50/90A-2	88.0	86.0	36		10.5		22.0			C290D3/T1 C290D2/T1		1
180G		O-470-L (TCM)	OBSOLETE	2A34C50/90A-8	82.0	80.0	36		10.5		22.0			C290D3/T1 C290D2/T1		1
180G		O-470-L (TCM)	OBSOLETE	2A34C66/90AT-2	88.0	86.0	36		8.0		22.0			C290D3/T1 C290D2/T1		1
180G		O-470-L (TCM)	OBSOLETE	2A34C66/90AT-8	82.0	80.0	36		10.5		22.0			C290D3/T1 C290D2/T1		1
180G	A F L	O-470-L (TCM)	P2017294-52	2A34C201/90DA-2	88.0	86.5	30		10.5		24.5			C290D3/T1 C290D2/T1	SA2229CE Northwest Propeller	
180G	L	O-470-L (TCM)	P2017294-51	2A34C201/90DA-8	82.0	80.0	30		13.0		24.5			C290D3/T1 C290D2/T1	SA2229CE Northwest Propeller	
180G	A F L S	O-470-L (TCM)	P2033909-57	2A34C203/90DCA-2	88.0	86.5	30		10.0		24.5			C290D3/T1 C290D2/T1		25
180G	A F L	O-470-L (TCM)	P2033909-52 P2033909-57	2A34C203/90DCA-2	88.0	86.5	30		10.0		24.5			C290D3/T1 C290D2/T1	SA2229CE Northwest Propeller	
180G	A F	O-470-L (TCM)	P2033909-52 P2033909-57	2A34C203/90DCA-2	88.0	86.5	30		10.0		24.5			C290D3/T1 C290D2/T1	SA3237NM American	
180G		O-470-L (TCM)	P2033909-56	2A34C203/90DCA-8	82.0	80.5	30		12.5		25.0			C290D3/T1 C290D2/T1		24
180G	L	O-470-L (TCM)		2A34C203/90DCA-8	82.0	80.5	30		12.5		24.0			C290D3/T1 C290D2/T1	SA2229CE Northwest Propeller	
180G	L	O-470-L (TCM)	P2033909-51 P2033909-56	2A34C203/90DCA-8	82.0	80.5	30		12.5		25.0			C290D3/T1 C290D2/T1	SA3237NM American	

Constant Speed Propeller Applications

Aircraft Model	T Y P E	Engine Model (Make)	Propeller Part Number	Propeller Model	Max Dia	Min Dia	Ref Sta	Rev Angle	Low or Flight Idle Angle	Latch or Start Locks Angle	High or Feather Angle	Spinner Assembly P/N	S p i n n e r	Governor Model	STC Number STC Holder STC Kit P/N	N o t e s
180G	A F L	O-470-L (TCM)		C2A34C204/90DCB-2	88.0	86.5	30		10.5		24.5			C290D3/T1 C290D2/T1	SA2229CE Northwest Propeller	
180G	L	O-470-L (TCM)		C2A34C204/90DCB-8	82.0	80.5	30		13.0		24.5			C290D3/T1 C290D2/T1	SA2229CE Northwest Propeller	
180G		O-470-L (TCM)	P4114808-02	D3A32C411/82NDA-2	80.0	78.0	30		11.0		25.6	D-6594	P	C290D3/T1 C290D2/T1	SA2BO US Propeller of Connecticut	
180G	L	O-470-L (TCM)	P4357483-01	D3A36C435/80VEA-0	80.0	78.0	30		10.8		33.9	D-7510-1	P	C290D3/T1 C290D2/T1	SA00819CH McCauley PL60228	136
180G		O-470-R (TCM)	OBSOLETE	2A36C1-U/90M-2	88.0	86.0	36		8.0		22.0			C290D3/T1 C290D2/T1		1
180G		O-470-R (TCM)	OBSOLETE	2A36C1-U/90M-8	82.0	80.0	36		10.5		22.0			C290D3/T1 C290D2/T1		1
180G		O-470-R (TCM)	OBSOLETE	2A36C18/90M-2	88.0	86.0	36		8.0		22.0			C290D3/T1 C290D2/T1		1
180G		O-470-R (TCM)	OBSOLETE	2A36C18/90M-8	82.0	80.0	36		10.5		22.0			C290D3/T1 C290D2/T1		1
180G		O-470-R (TCM)	OBSOLETE	2A36C29/90M-2	88.0	86.0	36		8.0		22.0			C290D3/T1 C290D2/T1		1
180G		O-470-R (TCM)	OBSOLETE	2A36C29/90M-8	82.0	80.0	36		10.5		22.0			C290D3/T1 C290D2/T1		1
180G		O-470-R (TCM)	OBSOLETE	2A34C50/90A-2	88.0	86.0	36		10.5		22.0			C290D3/T1 C290D2/T1		1
180G		O-470-R (TCM)	OBSOLETE	2A34C50/90A-8	82.0	80.0	36		10.5		22.0			C290D3/T1 C290D2/T1		1
180G		O-470-R (TCM)	OBSOLETE	2A34C66/90AT-2	88.0	86.0	36		8.0		22.0			C290D3/T1 C290D2/T1		1
180G		O-470-R (TCM)	OBSOLETE	2A34C66/90AT-8	82.0	80.0	36		10.5		22.0			C290D3/T1 C290D2/T1		1
180G	A F L	O-470-R (TCM)	P2017294-52	2A34C201/90DA-2	88.0	86.5	30		10.5		24.5			C290D3/T1 C290D2/T1		
180G	A F L	O-470-R (TCM)	P2017294-52	2A34C201/90DA-2	88.0	86.5	30		10.5		24.5			C290D3/T1 C290D2/T1	SA2229CE Northwest Propeller	
180G		O-470-R (TCM)	P2017294-51	2A34C201/90DA-8	82.0	80.0	30		13.0		24.5			C290D3/T1 C290D2/T1		
180G	L	O-470-R (TCM)	P2017294-51	2A34C201/90DA-8	82.0	80.0	30		13.0		24.5			C290D3/T1 C290D2/T1	SA2229CE Northwest Propeller	

Constant Speed Propeller Applications

Aircraft Model	T Y P E	Engine Model (Make)	Propeller Part Number	Propeller Model	Max Dia	Min Dia	Ref Sta	Rev Angle	Low or Flight Idle Angle	Latch or Start Locks Angle	High or Feather Angle	Spinner Assembly P/N	S p i n n e r	Governor Model	STC Number STC Holder STC Kit P/N	N o t e s
180G	A F L S	O-470-R (TCM)	P2033909-57	2A34C203/90DCA-2	88.0	86.5	30		10.0		24.5			C290D3/T1 C290D2/T1		25
180G	A F L	O-470-R (TCM)	P2033909-52 P2033909-57	2A34C203/90DCA-2	88.0	86.5	30		10.0		24.5			C290D3/T1 C290D2/T1	SA2229CE Northwest Propeller	
180G	A F	O-470-R (TCM)	P2033909-52 P2033909-57	2A34C203/90DCA-2	88.0	86.5	30		10.0		24.5			C290D3/T1 C290D2/T1	SA3237NM American	
180G		O-470-R (TCM)	P2033909-56	2A34C203/90DCA-8	82.0	80.5	30		12.5		25.0			C290D3/T1 C290D2/T1		24
180G	L	O-470-R (TCM)		2A34C203/90DCA-8	82.0	80.5	30		12.5		24.0			C290D3/T1 C290D2/T1	SA2229CE Northwest Propeller	
180G	L	O-470-R (TCM)	P2033909-51 P2033909-56	2A34C203/90DCA-8	82.0	80.5	30		12.5		25.0			C290D3/T1 C290D2/T1	SA3237NM American	
180G	A F L	O-470-R (TCM)		C2A34C204/90DCB-2	88.0	86.5	30		10.5		24.5			C290D3/T1 C290D2/T1	SA2229CE Northwest Propeller	
180G	L	O-470-R (TCM)		C2A34C204/90DCB-8	82.0	80.5	30		13.0		24.5			C290D3/T1 C290D2/T1	SA2229CE Northwest Propeller	
180G		O-470-R (TCM)	P4114808-02	D3A32C411/82NDA-2	80.0	78.0	30		11.0		25.6	D-6594	P	C290D3/T1 C290D2/T1	SA2BO US Propeller of Connecticut	
180G	L	O-470-R (TCM)	P4357483-01	D3A36C435/80VEA-0	80.0	78.0	30		10.8		33.9	D-7510-1	P	C290D3/T1 C290D2/T1	SA00819CH McCauley PL60228	136
180G		O-470-U (TCM)	P2043909-52	C2A34C204/90DCB-8	82.0	80.5	30		15.0		29.4			C290D3/T14	SA8842SW Texas Skyways	
180G		O-470-U (STC)		C2A34C204/90DCB-8	82.0	80.5	30								SA01776AT Air Plains	
180G		O-470-U-TS (STC)		C2A34C204/90DCB-8	82.0	80.5	30		10.4		29.4				SA8950SW Texas Skyways	
180G		O-470-50 (STC)		D3A34C401/90DFA-10	80.0	78.5	30		10.4		28.0	D-3867 D-3669	S S		SA00468WI P. Ponk	86 132
180G		O-470-50 (STC)		D3A34C401/90DFA-8	82.0	80.5	30		10.4		28.0	D-3867 D-3669	S S		SA00468WI P. Ponk	86 132
180G		O-470-50 (STC)	P4014808-13	D3A34C401/90DFA-6	84.0	82.5	30		10.0		28.0	D-3867 D-3669	S S		SA00468WI P. Ponk	86 132
180G		O-470-50 (STC)	P4014808-12	D3A34C401/90DFA-4	86.0	84.5	30		10.0		28.0	D-3867 D-3669	S S		SA00468WI P. Ponk	85 132

Constant Speed Propeller Applications

Aircraft Model	T Y P E	Engine Model (Make)	Propeller Part Number	Propeller Model	Max Dia	Min Dia	Ref Sta	Rev Angle	Low or Flight Idle Angle	Latch or Start Locks Angle	High or Feather Angle	Spinner Assembly P/N	S p i n n e r	Governor Model	STC Number STC Holder STC Kit P/N	N o t e s
180G		O-470-50 (STC)	P4014808-09	D3A34C401/90DFA-2	88.0	86.5	30		10.0		28.0	D-3867 D-3669	S S		SA00468WI P. Ponk	85 132
180G		O-520-F-TS (STC)	P4014808-07	D3A34C401/90DFA-2	88.0	87.0	30		8.8		28.5	D-6594 D-3867-1	P P		SA09400SC Texas Skyways	112 132
180G		O-520-F-TS (STC)	P4014808-04	D3A34C401/90DFA-10	80.0	76.0	30		10.4		28.5	D-6594 D-3867-1	P P		SA09018SC Texas Skyways	132
180G		O-520-LC-TS (STC)	P4014808-07	D3A34C401/90DFA-2	88.0	87.0	30		8.8		28.5	D-6594 D-3867-1	P P		SA09400SC Texas Skyways	112 132
180G		O-520-U-TS (STC)	P4014808-04	D3A34C401/90DFA-10	80.0	76.0	30		10.4		28.5	D-6594 D-3867-1	P P		SA09018SC Texas Skyways	132
180G		O-520KAH-1 (STC)	P4034808-11	D3A34C403/80VA-0	80.0	78.5	30		10.6		25.6			C290D3/T5	SA2069NM Kenmore Air Harbor	
180G		O-520KAH-2 (STC)	P4034808-11	D3A34C403/80VA-0	80.0	78.5	30		10.6		25.6			C290D3/T5	SA2069NM Kenmore Air Harbor	
180G		IO-520 series (TCM)	P4014808-09	D3A34C401/90DFA-2	88.0	86.0	30		10.0		28.5	D-3867 D-3669	S S		SA00531WI Air Plains	88 132
180G		IO-520 series (TCM)	P4014808-12	D3A34C401/90DFA-4	86.0	84.0	30		10.0		28.0	D-3867 D-3669	S S		SA00531WI Air Plains	84 132
180G		IO-520 series (TCM)	P4014808-13	D3A34C401/90DFA-6	84.0	82.0	30		10.0		28.0	D-3867 D-3669	S S		SA00531WI Air Plains	132
180G		IO-520 series (TCM)	P4014808-14	D3A34C401/90DFA-8	82.0	80.0	30		10.4		28.5	D-3867 D-3669	S S		SA00531WI Air Plains	132
180G		IO-520 series (TCM)	P4014808-04	D3A34C401/90DFA-10	80.0	78.0	30		10.4		28.5	D-3867 D-3669	S S		SA00531WI Air Plains	89 132
180G		IO-520-D (TCM)	P4014808-04	D3A34C401/90DFA-10	80.0	78.0	30		10.4		28.5				SA01345AT Air Plains	
180G		O-550-F-TS (STC)	P4014808-07	D3A34C401/90DFA-2	88.0	87.0	30		8.8		28.5	D-6594 D-3867-1	P P		SA09400SC Texas Skyways	112 132
180G		O-550-F-TS (STC)		D3A34C401/90DFA-10	80.0	76.0	30		10.0		28.5	D-6594	P		SA09132SC Texas Skyways	
180G		IO-550 series (TCM)	P4014808-09	D3A34C401/90DFA-2	88.0	86.0	30		10.0		28.5	D-3867 D-3669	S S		SA00531WI Air Plains	88 132
180G		IO-550 series (TCM)	P4014808-12	D3A34C401/90DFA-4	86.0	84.0	30		10.0		28.0	D-3867 D-3669	S S		SA00531WI Air Plains	84 132
180G		IO-550 series (TCM)	P4014808-13	D3A34C401/90DFA-6	84.0	82.0	30		10.0		28.0	D-3867 D-3669	S S		SA00531WI Air Plains	90 132

Constant Speed Propeller Applications

Aircraft Model	T Y P E	Engine Model (Make)	Propeller Part Number	Propeller Model	Max Dia	Min Dia	Ref Sta	Rev Angle	Low or Flight Idle Angle	Latch or Start Locks Angle	High or Feather Angle	Spinner Assembly P/N	S p i n n e r	Governor Model	STC Number STC Holder STC Kit P/N	N o t e s
180G		IO-550 series (TCM)	P4014808-14	D3A34C401/90DFA-8	82.0	80.0	30		10.4		28.5	D-3867 D-3669	S S		SA00531WI Air Plains	132
180G		IO-550 series (TCM)	P4014808-04	D3A34C401/90DFA-10	80.0	78.0	30		10.4		28.5	D-3867 D-3669	S S		SA00531WI Air Plains	89 132
180G		IO-550-D (TCM)	P4014808-05	D3A34C401/90DFA-10	80.0	78.0	30		11.2		28.5				SA00785AT Air Plains	
180H "Skywagon"		O-470-L (TCM)	OBSOLETE	2A36C1-U/90M-8	82.0	80.0	36		10.5		22.0			C290D3/T1 C290D2/T1		1
180H "Skywagon"		O-470-L (TCM)	OBSOLETE	2A36C18/90M-8	82.0	80.0	36		10.5		22.0			C290D3/T1 C290D2/T1		1
180H "Skywagon"		O-470-L (TCM)	OBSOLETE	2A36C18/90M-2	88.0	86.0	36		8.0		22.0			C290D3/T1 C290D2/T1		1
180H "Skywagon"		O-470-L (TCM)	OBSOLETE	2A36C29/90M-2	88.0	86.0	36		8.0		22.0			C290D3/T1 C290D2/T1		1
180H "Skywagon"		O-470-L (TCM)	OBSOLETE	2A36C29/90M-8	82.0	80.0	36		10.5		22.0			C290D3/T1 C290D2/T1		1
180H "Skywagon"		O-470-L (TCM)	OBSOLETE	2A34C50/90A-2	88.0	86.0	36		10.5		22.0			C290D3/T1 C290D2/T1		1
180H "Skywagon"		O-470-L (TCM)	OBSOLETE	2A34C50/90A-8	82.0	80.0	36		10.5		22.0			C290D3/T1 C290D2/T1		1
180H "Skywagon"		O-470-L (TCM)	OBSOLETE	2A34C66/90AT-2	88.0	86.0	36		8.0		22.0			C290D3/T1 C290D2/T1		1
180H "Skywagon"		O-470-L (TCM)	OBSOLETE	2A34C66/90AT-8	82.0	80.0	36		10.5		22.0			C290D3/T1 C290D2/T1		1
180H "Skywagon"	A F L	O-470-L (TCM)	P2017294-52	2A34C201/90DA-2	88.0	86.5	30		10.5		24.5			C290D3/T1 C290D2/T1	SA2229CE Northwest Propeller	
180H "Skywagon"	L	O-470-L (TCM)	P2017294-51	2A34C201/90DA-8	82.0	80.0	30		13.0		24.5			C290D3/T1 C290D2/T1	SA2229CE Northwest Propeller	
180H "Skywagon"	A F L S	O-470-L (TCM)	P2033909-57	2A34C203/90DCA-2	88.0	86.5	30		10.0		24.5			C290D3/T1 C290D2/T1		25
180H "Skywagon"	A F L	O-470-L (TCM)	P2033909-52 P2033909-57	2A34C203/90DCA-2	88.0	86.5	30		10.0		24.5			C290D3/T1 C290D2/T1	SA2229CE Northwest Propeller	
180H "Skywagon"	A F	O-470-L (TCM)	P2033909-52 P2033909-57	2A34C203/90DCA-2	88.0	86.5	30		10.0		24.5			C290D3/T1 C290D2/T1	SA3237NM American	
180H "Skywagon"		O-470-L (TCM)	P2033909-56	2A34C203/90DCA-8	82.0	80.5	30		12.5		25.0			C290D3/T1 C290D2/T1		24
180H "Skywagon"	L	O-470-L (TCM)		2A34C203/90DCA-8	82.0	80.5	30		12.5		24.0			C290D3/T1 C290D2/T1	SA2229CE Northwest Propeller	

Constant Speed Propeller Applications

Aircraft Model	T Y P E	Engine Model (Make)	Propeller Part Number	Propeller Model	Max Dia	Min Dia	Ref Sta	Rev Angle	Low or Flight Idle Angle	Latch or Start Locks Angle	High or Feather Angle	Spinner Assembly P/N	S p i n n e r	Governor Model	STC Number STC Holder STC Kit P/N	N o t e s
180H "Skywagon"	L	O-470-L (TCM)	P2033909-51 P2033909-56	2A34C203/90DCA-8	82.0	80.5	30		12.5		25.0			C290D3/T1 C290D2/T1	SA3237NM American	
180H "Skywagon"	A F L	O-470-L (TCM)		C2A34C204/90DCB-2	88.0	86.5	30		10.5		24.5			C290D3/T1 C290D2/T1	SA2229CE Northwest Propeller	
180H "Skywagon"	L	O-470-L (TCM)		C2A34C204/90DCB-8	82.0	80.5	30		13.0		24.5			C290D3/T1 C290D2/T1	SA2229CE Northwest Propeller	
180H "Skywagon"		O-470-L (TCM)	OBSOLETE	D3A32C90/82NC-2	80.0		30								SA262NW Kenmore Air Harbor	1
180H "Skywagon"		O-470-L (TCM)	P4114808-02	D3A32C411/82NDA-2	80.0	78.0	30		11.0		25.6	D-6594	P	C290D3/T1 C290D2/T1	SA2BO US Propeller of Connecticut	
180H "Skywagon"	L	O-470-L (TCM)	P4357483-01	D3A36C435/80VEA-0	80.0	78.0	30		10.8		33.9	D-7510-1	P	C290D3/T1 C290D2/T1	SA00819CH McCauley PL60228	136
180H "Skywagon"		O-470-R (TCM)	OBSOLETE	2A36C1-U/90M-2	88.0	86.0	36		8.0		22.0			C290D3/T1 C290D2/T1		1
180H "Skywagon"		O-470-R (TCM)	OBSOLETE	2A36C1-U/90M-8	82.0	80.0	36		10.5		22.0			C290D3/T1 C290D2/T1		1
180H "Skywagon"		O-470-R (TCM)	OBSOLETE	2A36C18/90M-2	88.0	86.0	36		8.0		22.0			C290D3/T1 C290D2/T1		1
180H "Skywagon"		O-470-R (TCM)	OBSOLETE	2A36C18/90M-8	82.0	80.0	36		10.5		22.0			C290D3/T1 C290D2/T1		1
180H "Skywagon"		O-470-R (TCM)	OBSOLETE	2A36C29/90M-2	88.0	86.0	36		8.0		22.0			C290D3/T1 C290D2/T1		1
180H "Skywagon"		O-470-R (TCM)	OBSOLETE	2A36C29/90M-8	82.0	80.0	36		10.5		22.0			C290D3/T1 C290D2/T1		1
180H "Skywagon"		O-470-R (TCM)	OBSOLETE	2A34C50/90A-2	88.0	86.0	36		10.5		22.0			C290D3/T1 C290D2/T1		1
180H "Skywagon"		O-470-R (TCM)	OBSOLETE	2A34C50/90A-8	82.0	80.0	36		10.5		22.0			C290D3/T1 C290D2/T1		1
180H "Skywagon"		O-470-R (TCM)	OBSOLETE	2A34C66/90AT-2	88.0	86.0	36		8.0		22.0			C290D3/T1 C290D2/T1		1
180H "Skywagon"		O-470-R (TCM)	OBSOLETE	2A34C66/90AT-8	82.0	80.0	36		10.5		22.0			C290D3/T1 C290D2/T1		1
180H "Skywagon"		O-470-R (TCM)	P2017294-52	2A34C201/90DA-2	88.0	86.5	30		10.5		24.5			C290D3/T1 C290D2/T1		
180H "Skywagon"	A F L	O-470-R (TCM)	P2017294-52	2A34C201/90DA-2	88.0	86.5	30		10.5		24.5			C290D3/T1 C290D2/T1	SA2229CE Northwest Propeller	
180H "Skywagon"		O-470-R (TCM)	P2017294-51	2A34C201/90DA-8	82.0	80.0	30		13.0		24.5			C290D3/T1 C290D2/T1		

Constant Speed Propeller Applications

Aircraft Model	T Y P E	Engine Model (Make)	Propeller Part Number	Propeller Model	Max Dia	Min Dia	Ref Sta	Rev Angle	Low or Flight Idle Angle	Latch or Start Locks Angle	High or Feather Angle	Spinner Assembly P/N	S p i n n e r	Governor Model	STC Number STC Holder STC Kit P/N	N o t e s
180H "Skywagon"	L	O-470-R (TCM)	P2017294-51	2A34C201/90DA-8	82.0	80.0	30		13.0		24.5			C290D3/T1 C290D2/T1	SA2229CE Northwest Propeller	
180H "Skywagon"	A F L S	O-470-R (TCM)	P2033909-57	2A34C203/90DCA-2	88.0	86.5	30		10.0		24.5			C290D3/T1 C290D2/T1		25
180H "Skywagon"	A F L	O-470-R (TCM)	P2033909-52 P2033909-57	2A34C203/90DCA-2	88.0	86.5	30		10.0		24.5			C290D3/T1 C290D2/T1	SA2229CE Northwest Propeller	
180H "Skywagon"	A F	O-470-R (TCM)	P2033909-52 P2033909-57	2A34C203/90DCA-2	88.0	86.5	30		10.0		24.5			C290D3/T1 C290D2/T1	SA3237NM American	
180H "Skywagon"		O-470-R (TCM)	P2033909-56	2A34C203/90DCA-8	82.0	80.5	30		12.5		25.0			C290D3/T1 C290D2/T1		24
180H "Skywagon"	L	O-470-R (TCM)		2A34C203/90DCA-8	82.0	80.5	30		12.5		24.0			C290D3/T1 C290D2/T1	SA2229CE Northwest Propeller	
180H "Skywagon"	L	O-470-R (TCM)	P2033909-51 P2033909-56	2A34C203/90DCA-8	82.0	80.5	30		12.5		25.0			C290D3/T1 C290D2/T1	SA3237NM American	
180H "Skywagon"	A F L	O-470-R (TCM)		C2A34C204/90DCB-2	88.0	86.5	30		10.5		24.5			C290D3/T1 C290D2/T1	SA2229CE Northwest Propeller	
180H "Skywagon"	L	O-470-R (TCM)		C2A34C204/90DCB-8	82.0	80.5	30		13.0		24.5			C290D3/T1 C290D2/T1	SA2229CE Northwest Propeller	
180H "Skywagon"	L	O-470-R (TCM)	OBSOLETE	D3A32C90/82NC-2	80.0		30								SA262NW Kenmore Air Harbor	1
180H "Skywagon"		O-470-R (TCM)	P4114808-02	D3A32C411/82NDA-2	80.0	78.0	30		11.0		25.6	D-6594	P	C290D3/T1 C290D2/T1	SA2BO US Propeller of Connecticut	
180H "Skywagon"	L	O-470-R (TCM)	P4357483-01	D3A36C435/80VEA-0	80.0	78.0	30		10.8		33.9	D-7510-1	P	C290D3/T1 C290D2/T1	SA00819CH McCaughey PL60228	136
180H "Skywagon"		O-470-U (TCM)	P2043909-52	C2A34C204/90DCB-8	82.0	80.5	30		15.0		29.4			C290D3/T14	SA8842SW Texas Skyways	
180H "Skywagon"		O-470-U (STC)		C2A34C204/90DCB-8	82.0	80.5	30								SA01776AT Air Plains	
180H "Skywagon"		O-470-U-TS (STC)		C2A34C204/90DCB-8	82.0	80.5	30		10.4		29.4				SA8950SW Texas Skyways	
180H "Skywagon"		O-470-50 (STC)		D3A34C401/90DFA-10	80.0	78.5	30		10.4		28.0	D-3867 D-3669	S S		SA00468WI P. Ponk	86 132

Constant Speed Propeller Applications

Aircraft Model	T Y P E	Engine Model (Make)	Propeller Part Number	Propeller Model	Max Dia	Min Dia	Ref Sta	Rev Angle	Low or Flight Idle Angle	Latch or Start Locks Angle	High or Feather Angle	Spinner Assembly P/N	S p i n n e r	Governor Model	STC Number STC Holder STC Kit P/N	N o t e s
180H "Skywagon"		O-470-50 (STC)		D3A34C401/90DFA-8	82.0	80.5	30		10.4		28.0	D-3867 D-3669	S S		SA00468WI P. Ponk	86 132
180H "Skywagon"		O-470-50 (STC)	P4014808-13	D3A34C401/90DFA-6	84.0	82.5	30		10.0		28.0	D-3867 D-3669	S S		SA00468WI P. Ponk	86 132
180H "Skywagon"		O-470-50 (STC)	P4014808-12	D3A34C401/90DFA-4	86.0	84.5	30		10.0		28.0	D-3867 D-3669	S S		SA00468WI P. Ponk	85 132
180H "Skywagon"		O-470-50 (STC)	P4014808-09	D3A34C401/90DFA-2	88.0	86.5	30		10.0		28.0	D-3867 D-3669	S S		SA00468WI P. Ponk	85 132
180H "Skywagon"		O-520-F-TS (STC)	P4014808-07	D3A34C401/90DFA-2	88.0	87.0	30		8.8		28.5	D-6594 D-3867-1	P P		SA09400SC Texas Skyways	112 132
180H "Skywagon"		O-520-F-TS (STC)	P4014808-04	D3A34C401/90DFA-10	80.0	76.0	30		10.4		28.5	D-6594 D-3867-1	P P		SA09018SC Texas Skyways	132
180H "Skywagon"		O-520-LC-TS (STC)	P4014808-07	D3A34C401/90DFA-2	88.0	87.0	30		8.8		28.5	D-6594 D-3867-1	P P		SA09400SC Texas Skyways	112 132
180H "Skywagon"		O-520-U-TS (STC)	P4014808-04	D3A34C401/90DFA-10	80.0	76.0	30		10.4		28.5	D-6594 D-3867-1	P P		SA09018SC Texas Skyways	132
180H "Skywagon"		O-520KAH-1 (STC)	P4034808-11	D3A34C403/80VA-0	80.0	78.5	30		10.6		25.6			C290D3/T5	SA2069NM Kenmore Air Harbor	
180H "Skywagon"		O-520KAH-2 (STC)	P4034808-11	D3A34C403/80VA-0	80.0	78.5	30		10.6		25.6			C290D3/T5	SA2069NM Kenmore Air Harbor	
180H "Skywagon"		IO-520 series (TCM)	P4014808-09	D3A34C401/90DFA-2	88.0	86.0	30		10.0		28.5	D-3867 D-3669	S S		SA00531WI Air Plains	88 132
180H "Skywagon"		IO-520 series (TCM)	P4014808-12	D3A34C401/90DFA-4	86.0	84.0	30		10.0		28.0	D-3867 D-3669	S S		SA00531WI Air Plains	84 132
180H "Skywagon"		IO-520 series (TCM)	P4014808-13	D3A34C401/90DFA-6	84.0	82.0	30		10.0		28.0	D-3867 D-3669	S S		SA00531WI Air Plains	132
180H "Skywagon"		IO-520 series (TCM)	P4014808-14	D3A34C401/90DFA-8	82.0	80.0	30		10.4		28.5	D-3867 D-3669	S S		SA00531WI Air Plains	132
180H "Skywagon"		IO-520 series (TCM)	P4014808-04	D3A34C401/90DFA-10	80.0	78.0	30		10.4		28.5	D-3867 D-3669	S S		SA00531WI Air Plains	89 132
180H "Skywagon"		O-550-F-TS (STC)	P4014808-07	D3A34C401/90DFA-2	88.0	87.0	30		8.8		28.5	D-6594 D-3867-1	P P		SA09400SC Texas Skyways	112 132
180H "Skywagon"		O-550-F-TS (STC)		D3A34C401/90DFA-10	80.0	76.0	30		10.0		28.5	D-6594	P		SA09132SC Texas Skyways	
180H "Skywagon"		IO-550 series (TCM)	P4014808-09	D3A34C401/90DFA-2	88.0	86.0	30		10.0		28.5	D-3867 D-3669	S S		SA00531WI Air Plains	88 132

Constant Speed Propeller Applications

Aircraft Model	T Y P E	Engine Model (Make)	Propeller Part Number	Propeller Model	Max Dia	Min Dia	Ref Sta	Rev Angle	Low or Flight Idle Angle	Latch or Start Locks Angle	High or Feather Angle	Spinner Assembly P/N	S p i n n e r	Governor Model	STC Number STC Holder STC Kit P/N	N o t e s
180H "Skywagon"		IO-550 series (TCM)	P4014808-12	D3A34C401/90DFA-4	86.0	84.0	30		10.0		28.0	D-3867 D-3669	S S		SA00531WI Air Plains	84 132
180H "Skywagon"		IO-550 series (TCM)	P4014808-13	D3A34C401/90DFA-6	84.0	82.0	30		10.0		28.0	D-3867 D-3669	S S		SA00531WI Air Plains	90 132
180H "Skywagon"		IO-550 series (TCM)	P4014808-14	D3A34C401/90DFA-8	82.0	80.0	30		10.4		28.5	D-3867 D-3669	S S		SA00531WI Air Plains	132
180H "Skywagon"		IO-550 series (TCM)	P4014808-04	D3A34C401/90DFA-10	80.0	78.0	30		10.4		28.5	D-3867 D-3669	S S		SA00531WI Air Plains	89 132
180J "Skywagon"		O-470-R (TCM)	OBSOLETE	2A34C66/90AT-2	88.0	86.0	36		8.0		22.0			C290D3/T1 C290D2/T1		1
180J "Skywagon"		O-470-R (TCM)	OBSOLETE	2A34C66/90AT-8	82.0	80.0	36		10.5		22.0			C290D3/T1 C290D2/T1		1
180J "Skywagon"		O-470-R (TCM)	P2017294-52	2A34C201/90DA-2	88.0	86.5	30		10.5		24.5			C290D3/T1 C290D2/T1		
180J "Skywagon"	A F L	O-470-R (TCM)	P2017294-52	2A34C201/90DA-2	88.0	86.5	30		10.5		24.5			C290D3/T1 C290D2/T1	SA2229CE Northwest Propeller	
180J "Skywagon"		O-470-R (TCM)	P2017294-51	2A34C201/90DA-8	82.0	80.0	30		13.0		24.5			C290D3/T1 C290D2/T1		
180J "Skywagon"	L	O-470-R (TCM)	P2017294-51	2A34C201/90DA-8	82.0	80.0	30		13.0		24.5			C290D3/T1 C290D2/T1	SA2229CE Northwest Propeller	
180J "Skywagon"	A F L S	O-470-R (TCM)	P2033909-52	2A34C203/90DCA-2	88.0	86.5	30		10.0		24.5			C290D3/T1 C290D2/T1		
180J "Skywagon"	A F L	O-470-R (TCM)	P2033909-52 P2033909-57	2A34C203/90DCA-2	88.0	86.5	30		10.0		24.5			C290D3/T1 C290D2/T1	SA2229CE Northwest Propeller	
180J "Skywagon"		O-470-R (TCM)	P2033909-51	2A34C203/90DCA-8	82.0	80.5	30		12.5		25.0			C290D3/T1 C290D2/T1		
180J "Skywagon"	L	O-470-R (TCM)		2A34C203/90DCA-8	82.0	80.5	30		12.5		24.0			C290D3/T1 C290D2/T1	SA2229CE Northwest Propeller	
180J "Skywagon"	A F L	O-470-R (TCM)		C2A34C204/90DCB-2	88.0	86.5	30		10.5		24.5			C290D3/T1 C290D2/T1	SA2229CE Northwest Propeller	
180J "Skywagon"	L	O-470-R (TCM)		C2A34C204/90DCB-8	82.0	80.5	30		13.0		24.5			C290D3/T1 C290D2/T1	SA2229CE Northwest Propeller	
180J "Skywagon"	L	O-470-R (TCM)	OBSOLETE	D3A32C90/82NC-2	80.0		30								SA262NW Kenmore Air Harbor	1

Constant Speed Propeller Applications

Aircraft Model	T Y P E	Engine Model (Make)	Propeller Part Number	Propeller Model	Max Dia	Min Dia	Ref Sta	Rev Angle	Low or Flight Idle Angle	Latch or Start Locks Angle	High or Feather Angle	Spinner Assembly P/N	S p i n n e r	Governor Model	STC Number STC Holder STC Kit P/N	N o t e s
180J "Skywagon"		O-470-R (TCM)	P4114808-02	D3A32C411/82NDA-2	80.0	78.0	30		11.0		25.6	D-6594	P	C290D3/T1 C290D2/T1	SA2BO US Propeller of Connecticut	
180J "Skywagon"		O-470-S (TCM)	OBSOLETE	2A34C66/90AT-2	88.0	86.0	36		8.0		22.0			C290D3/T1 C290D2/T1		1
180J "Skywagon"		O-470-S (TCM)	OBSOLETE	2A34C66/90AT-8	82.0	80.0	36		10.5		22.0			C290D3/T1 C290D2/T1		1
180J "Skywagon"		O-470-S (TCM)	P2017294-52	2A34C201/90DA-2	88.0	86.5	30		10.5		24.5			C290D3/T1 C290D2/T1		
180J "Skywagon"	A F L	O-470-S (TCM)	P2017294-52	2A34C201/90DA-2	88.0	86.5	30		10.5		24.5			C290D3/T1 C290D2/T1	SA2229CE Northwest Propeller	
180J "Skywagon"		O-470-S (TCM)	P2017294-51	2A34C201/90DA-8	82.0	80.0	30		13.0		24.5			C290D3/T1 C290D2/T1		
180J "Skywagon"	L	O-470-S (TCM)	P2017294-51	2A34C201/90DA-8	82.0	80.0	30		13.0		24.5			C290D3/T1 C290D2/T1	SA2229CE Northwest Propeller	
180J "Skywagon"	A F L S	O-470-S (TCM)	P2033909-52	2A34C203/90DCA-2	88.0	86.5	30		10.0		24.5			C290D3/T1 C290D2/T1		
180J "Skywagon"	A F L	O-470-S (TCM)	P2033909-52 P2033909-57	2A34C203/90DCA-2	88.0	86.5	30		10.0		24.5			C290D3/T1 C290D2/T1	SA2229CE Northwest Propeller	
180J "Skywagon"		O-470-S (TCM)	P2033909-51	2A34C203/90DCA-8	82.0	80.5	30		12.5		25.0			C290D3/T1 C290D2/T1		
180J "Skywagon"	L	O-470-S (TCM)		2A34C203/90DCA-8	82.0	80.5	30		12.5		24.0			C290D3/T1 C290D2/T1	SA2229CE Northwest Propeller	
180J "Skywagon"	A F L	O-470-S (TCM)		C2A34C204/90DCB-2	88.0	86.5	30		10.5		24.5			C290D3/T1 C290D2/T1	SA2229CE Northwest Propeller	
180J "Skywagon"	L	O-470-S (TCM)		C2A34C204/90DCB-8	82.0	80.5	30		13.0		24.5			C290D3/T1 C290D2/T1	SA2229CE Northwest Propeller	
180J "Skywagon"	L	O-470-S (TCM)	OBSOLETE	D3A32C90/82NC-2	80.0		30								SA262NW Kenmore Air Harbor	1
180J "Skywagon"		O-470-S (TCM)	P4114808-02	D3A32C411/82NDA-2	80.0	78.0	30		11.0		25.6	D-6594	P	C290D3/T1 C290D2/T1	SA2BO US Propeller of Connecticut	
180J "Skywagon"	L	O-470-S (TCM)	P4357483-01	D3A36C435/80VEA-0	80.0	78.0	30		10.8		33.9	D-7510-1	P	C290D3/T1 C290D2/T1	SA00819CH McCauley PL60228	136

Constant Speed Propeller Applications

Aircraft Model	T Y P E	Engine Model (Make)	Propeller Part Number	Propeller Model	Max Dia	Min Dia	Ref Sta	Rev Angle	Low or Flight Idle Angle	Latch or Start Locks Angle	High or Feather Angle	Spinner Assembly P/N	S p i n n e r	Governor Model	STC Number STC Holder STC Kit P/N	N o t e s
180J "Skywagon"		O-470-U (TCM)	P2043909-52	C2A34C204/90DCB-8	82.0	80.5	30		15.0		29.4			C290D3/T14	SA8842SW Texas Skyways	
180J "Skywagon"		O-470-U (STC)		C2A34C204/90DCB-8	82.0	80.5	30								SA01776AT Air Plains	
180J "Skywagon"		O-470-U-TS (STC)		C2A34C204/90DCB-8	82.0	80.5	30		10.4		29.4				SA8950SW Texas Skyways	
180J "Skywagon"		O-470-50 (STC)		D3A34C401/90DFA-10	80.0	78.5	30		10.4		28.0	D-3867 D-3669	S S		SA00468WI P. Ponk	86 132
180J "Skywagon"		O-470-50 (STC)		D3A34C401/90DFA-8	82.0	80.5	30		10.4		28.0	D-3867 D-3669	S S		SA00468WI P. Ponk	86 132
180J "Skywagon"		O-470-50 (STC)	P4014808-13	D3A34C401/90DFA-6	84.0	82.5	30		10.0		28.0	D-3867 D-3669	S S		SA00468WI P. Ponk	86 132
180J "Skywagon"		O-470-50 (STC)	P4014808-12	D3A34C401/90DFA-4	86.0	84.5	30		10.0		28.0	D-3867 D-3669	S S		SA00468WI P. Ponk	85 132
180J "Skywagon"		O-470-50 (STC)	P4014808-09	D3A34C401/90DFA-2	88.0	86.5	30		10.0		28.0	D-3867 D-3669	S S		SA00468WI P. Ponk	85 132
180J "Skywagon"		O-520-F-TS (STC)	P4014808-07	D3A34C401/90DFA-2	88.0	87.0	30		8.8		28.5	D-6594 D-3867-1	P P		SA09400SC Texas Skyways	112 132
180J "Skywagon"		O-520-F-TS (STC)	P4014808-04	D3A34C401/90DFA-10	80.0	76.0	30		10.4		28.5	D-6594 D-3867-1	P P		SA09018SC Texas Skyways	132
180J "Skywagon"		O-520-LC-TS (STC)	P4014808-07	D3A34C401/90DFA-2	88.0	87.0	30		8.8		28.5	D-6594 D-3867-1	P P		SA09400SC Texas Skyways	112 132
180J "Skywagon"		O-520-U-TS (STC)	P4014808-04	D3A34C401/90DFA-10	80.0	76.0	30		10.4		28.5	D-6594 D-3867-1	P P		SA09018SC Texas Skyways	132
180J "Skywagon"		O-520KAH-1 (STC)	P4034808-11	D3A34C403/80VA-0	80.0	78.5	30		10.6		25.6			C290D3/T5	SA2069NM Kenmore Air Harbor	
180J "Skywagon"		O-520KAH-2 (STC)	P4034808-11	D3A34C403/80VA-0	80.0	78.5	30		10.6		25.6			C290D3/T5	SA2069NM Kenmore Air Harbor	
180J "Skywagon"		IO-520 series (TCM)	P4014808-09	D3A34C401/90DFA-2	88.0	86.0	30		10.0		28.5	D-3867 D-3669	S S		SA00531WI Air Plains	88 132
180J "Skywagon"		IO-520 series (TCM)	P4014808-12	D3A34C401/90DFA-4	86.0	84.0	30		10.0		28.0	D-3867 D-3669	S S		SA00531WI Air Plains	84 132
180J "Skywagon"		IO-520 series (TCM)	P4014808-13	D3A34C401/90DFA-6	84.0	82.0	30		10.0		28.0	D-3867 D-3669	S S		SA00531WI Air Plains	132
180J "Skywagon"		IO-520 series (TCM)	P4014808-14	D3A34C401/90DFA-8	82.0	80.0	30		10.4		28.5	D-3867 D-3669	S S		SA00531WI Air Plains	132

Constant Speed Propeller Applications

Aircraft Model	TYPE	Engine Model (Make)	Propeller Part Number	Propeller Model	Max Dia	Min Dia	Ref Sta	Rev Angle	Low or Flight Idle Angle	Latch or Start Locks Angle	High or Feather Angle	Spinner Assembly P/N	Spinner Type	Governor Model	STC Number STC Holder STC Kit P/N	Notes
180J "Skywagon"		IO-520 series (TCM)	P4014808-04	D3A34C401/90DFA-10	80.0	78.0	30		10.4		28.5	D-3867 D-3669	SS		SA00531WI Air Plains	89 132
180J "Skywagon"		O-550-F-TS (STC)	P4014808-07	D3A34C401/90DFA-2	88.0	87.0	30		8.8		28.5	D-6594 D-3867-1	PP		SA09400SC Texas Skyways	112 132
180J "Skywagon"		O-550-F-TS (STC)		D3A34C401/90DFA-10	80.0	76.0	30		10.0		28.5	D-6594	P		SA09132SC Texas Skyways	
180J "Skywagon"		IO-550 series (TCM)	P4014808-09	D3A34C401/90DFA-2	88.0	86.0	30		10.0		28.5	D-3867 D-3669	SS		SA00531WI Air Plains	88 132
180J "Skywagon"		IO-550 series (TCM)	P4014808-12	D3A34C401/90DFA-4	86.0	84.0	30		10.0		28.0	D-3867 D-3669	SS		SA00531WI Air Plains	84 132
180J "Skywagon"		IO-550 series (TCM)	P4014808-13	D3A34C401/90DFA-6	84.0	82.0	30		10.0		28.0	D-3867 D-3669	SS		SA00531WI Air Plains	90 132
180J "Skywagon"		IO-550 series (TCM)	P4014808-14	D3A34C401/90DFA-8	82.0	80.0	30		10.4		28.5	D-3867 D-3669	SS		SA00531WI Air Plains	132
180J "Skywagon"		IO-550 series (TCM)	P4014808-04	D3A34C401/90DFA-10	80.0	78.0	30		10.4		28.5	D-3867 D-3669	SS		SA00531WI Air Plains	89 132
180K "Skywagon"		O-470-U (TCM)	P2043909-51	C2A34C204/90DCB-0	90.0	88.5	30		12.9		26.0			C290D3/T14		
180K "Skywagon"		O-470-U (TCM)	P2043909-52	C2A34C204/90DCB-8	82.0	80.5	30		15.0		29.4			C290D3/T14		
180K "Skywagon"		O-470-U (STC)		C2A34C204/90DCB-8	82.0	80.5	30								SA01776AT Air Plains	
180K "Skywagon"		O-470-U-TS (STC)		C2A34C204/90DCB-8	82.0	80.5	30		10.4		29.4				SA8950SW Texas Skyways	
180K "Skywagon"		O-470-50 (STC)		D3A34C401/90DFA-10	80.0	78.5	30		10.4		28.0	D-3867 D-3669	SS		SA00468WI P. Ponk	86 132
180K "Skywagon"		O-470-50 (STC)		D3A34C401/90DFA-8	82.0	80.5	30		10.4		28.0	D-3867 D-3669	SS		SA00468WI P. Ponk	86 132
180K "Skywagon"		O-470-50 (STC)	P4014808-13	D3A34C401/90DFA-6	84.0	82.5	30		10.0		28.0	D-3867 D-3669	SS		SA00468WI P. Ponk	86 132
180K "Skywagon"		O-470-50 (STC)	P4014808-12	D3A34C401/90DFA-4	86.0	84.5	30		10.0		28.0	D-3867 D-3669	SS		SA00468WI P. Ponk	85 132
180K "Skywagon"		O-470-50 (STC)	P4014808-09	D3A34C401/90DFA-2	88.0	86.5	30		10.0		28.0	D-3867 D-3669	SS		SA00468WI P. Ponk	85 132
180K "Skywagon"		O-520-F-TS (STC)	P4014808-07	D3A34C401/90DFA-2	88.0	87.0	30		8.8		28.5	D-6594 D-3867-1	PP		SA09400SC Texas Skyways	112 132
180K "Skywagon"		O-520-F-TS (STC)	P4014808-04	D3A34C401/90DFA-10	80.0	76.0	30		10.4		28.5	D-6594 D-3867-1	PP		SA09018SC Texas Skyways	132

Constant Speed Propeller Applications

Aircraft Model	T Y P E	Engine Model (Make)	Propeller Part Number	Propeller Model	Max Dia	Min Dia	Ref Sta	Rev Angle	Low or Flight Idle Angle	Latch or Start Locks Angle	High or Feather Angle	Spinner Assembly P/N	S p i n n e r	Governor Model	STC Number STC Holder STC Kit P/N	N o t e s
180K "Skywagon"		O-520-LC-TS (STC)	P4014808-07	D3A34C401/90DFA-2	88.0	87.0	30		8.8		28.5	D-6594 D-3867-1	P P		SA09400SC Texas Skyways	112 132
180K "Skywagon"		O-520-U-TS (STC)	P4014808-04	D3A34C401/90DFA-10	80.0	76.0	30		10.4		28.5	D-6594 D-3867-1	P P		SA09018SC Texas Skyways	132
180K "Skywagon"		O-520KAH-1 (STC)	P4034808-11	D3A34C403/80VA-0	80.0	78.5	30		10.6		25.6			C290D3/T5	SA2069NM Kenmore Air Harbor	
180K "Skywagon"		O-520KAH-2 (STC)	P4034808-11	D3A34C403/80VA-0	80.0	78.5	30		10.6		25.6			C290D3/T5	SA2069NM Kenmore Air Harbor	
180K "Skywagon"		IO-520 series (TCM)	P4014808-09	D3A34C401/90DFA-2	88.0	86.0	30		10.0		28.5	D-3867 D-3669	S S		SA00531WI Air Plains	88 132
180K "Skywagon"		IO-520 series (TCM)	P4014808-12	D3A34C401/90DFA-4	86.0	84.0	30		10.0		28.0	D-3867 D-3669	S S		SA00531WI Air Plains	84 132
180K "Skywagon"		IO-520 series (TCM)	P4014808-13	D3A34C401/90DFA-6	84.0	82.0	30		10.0		28.0	D-3867 D-3669	S S		SA00531WI Air Plains	132
180K "Skywagon"		IO-520 series (TCM)	P4014808-14	D3A34C401/90DFA-8	82.0	80.0	30		10.4		28.5	D-3867 D-3669	S S		SA00531WI Air Plains	132
180K "Skywagon"		IO-520 series (TCM)	P4014808-04	D3A34C401/90DFA-10	80.0	78.0	30		10.4		28.5	D-3867 D-3669	S S		SA00531WI Air Plains	89 132
180K "Skywagon"		O-550-F-TS (STC)	P4014808-07	D3A34C401/90DFA-2	88.0	87.0	30		8.8		28.5	D-6594 D-3867-1	P P		SA09400SC Texas Skyways	112 132
180K "Skywagon"		O-550-F-TS (STC)		D3A34C401/90DFA-10	80.0	76.0	30		10.0		28.5	D-6594	P		SA09132SC Texas Skyways	
180K "Skywagon"		IO-550 series (TCM)	P4014808-09	D3A34C401/90DFA-2	88.0	86.0	30		10.0		28.5	D-3867 D-3669	S S		SA00531WI Air Plains	88 132
180K "Skywagon"		IO-550 series (TCM)	P4014808-12	D3A34C401/90DFA-4	86.0	84.0	30		10.0		28.0	D-3867 D-3669	S S		SA00531WI Air Plains	84 132
180K "Skywagon"		IO-550 series (TCM)	P4014808-13	D3A34C401/90DFA-6	84.0	82.0	30		10.0		28.0	D-3867 D-3669	S S		SA00531WI Air Plains	90 132
180K "Skywagon"		IO-550 series (TCM)	P4014808-14	D3A34C401/90DFA-8	82.0	80.0	30		10.4		28.5	D-3867 D-3669	S S		SA00531WI Air Plains	132
180K "Skywagon"		IO-550 series (TCM)	P4014808-04	D3A34C401/90DFA-10	80.0	78.0	30		10.4		28.5	D-3867 D-3669	S S		SA00531WI Air Plains	89 132
182 "Skylane"	L	O-470-L (TCM)	OBSOLETE	2A36C1-U/90M-8	82.0	80.0	36		10.5		22.0			C290D3/T1 C290D2/T1		1
182 "Skylane"	L	O-470-L (TCM)	OBSOLETE	2A36C18/90M-8	82.0	80.0	36		10.5		22.0			C290D3/T1 C290D2/T1		1
182 "Skylane"	L	O-470-L (TCM)	OBSOLETE	2A36C29/90M-8	82.0	80.0	36		10.5		22.0			C290D3/T1 C290D2/T1		1

Constant Speed Propeller Applications

Aircraft Model	T Y P E	Engine Model (Make)	Propeller Part Number	Propeller Model	Max Dia	Min Dia	Ref Sta	Rev Angle	Low or Flight Idle Angle	Latch or Start Locks Angle	High or Feather Angle	Spinner Assembly P/N	S p i n n e r	Governor Model	STC Number STC Holder STC Kit P/N	N o t e s
182 "Skylane"	L	O-470-L (TCM)	OBSOLETE	2A34C50/90A-8	82.0	80.0	36		10.5		22.0			C290D3/T1 C290D2/T1		1
182 "Skylane"	L	O-470-L (TCM)	OBSOLETE	2A34C66/90AT-8	82.0	80.0	36		10.5		22.0			C290D3/T1 C290D2/T1		1
182 "Skylane"	L	O-470-L (TCM)	P2017294-51	2A34C201/90DA-8	82.0	80.0	30		13.0		24.5			C290D3/T1 C290D2/T1	SA2253CE Northwest	
182 "Skylane"	A F	O-470-L (TCM)	P2033909-57	2A34C203/90DCA-2	88.0	86.5	30		10.0		24.5	D-7519-1	P	C290D3/T1 C290D2/T1	SA01033CH McCauley PL60289	136
182 "Skylane"	L	O-470-L (TCM)	P2033909-56	2A34C203/90DCA-8	82.0	80.5	30		12.5		25.0			C290D3/T1 C290D2/T1		21
182 "Skylane"	L	O-470-L (TCM)	P2033909-56	2A34C203/90DCA-8	82.0	80.5	30		12.5		25.0	D-7519-1	P	C290D3/T1 C290D2/T1	SA01033CH McCauley PL60287	136
182 "Skylane"	L	O-470-L (TCM)	P2033909-51	2A34C203/90DCA-8	82.0	80.5	30		12.5		25.0			C290D3/T1 C290D2/T1	SA2253CE Northwest	
182 "Skylane"	L	O-470-L (TCM)	P2033909-51	2A34C203/90DCA-8	82.0	80.5	30		12.5		25.0			C290D3/T1 C290D2/T1	SA5882SW US Prop of Connecticut	
182 "Skylane"	L	O-470-L (TCM)	P2033909-51 P2033909-56	2A34C203/90DCA-8	82.0	80.5	30		12.5		25.0			C290D3/T1 C290D2/T1	SA3238NM American	
182 "Skylane"	L	O-470-L (TCM)		C2A34C204/90DCB-8	82.0	80.5	30		12.5		25.0			C290D3/T1 C290D2/T1	SA2253CE Northwest	
182 "Skylane"		O-470-L (TCM)	P4114808-02	D3A32C411/82NDA-2	80.0	78.0	30		11.0		25.6	D-6594	P	C290D3/T1 C290D2/T1	SA753NE US Prop of Connecticut	
182 "Skylane"	L	O-470-L (TCM)	P4357483-01	D3A36C435/80VEA-0	80.0	78.0	30		10.8		33.9	D-7510-1	P	C290D3/T1 C290D2/T1	SA00819CH McCauley PL60228	133 136
182 "Skylane"		O-470-R (TCM)	OBSOLETE	2A36C29/90M-8	82.0		36								SA5129NM Jon R. Frasier	1
182 "Skylane"		O-470-U (TCM)	P2043909-52	C2A34C204/90DCB-8	82.0	80.5	30		15.0		29.4			C290D3/T14	SA8842SW Texas Skyways	
182 "Skylane"		O-470-U (STC)	P2043909-55	C2A34C204/90DCB-8	82.0	80.5	30		14.5		31.0	D-7519-1 D-7519-2	P S	C290D3/T1	SA01581AT John Jewell	
182 "Skylane"		O-470-U-TS (STC)		C2A34C204/90DCB-8	82.0	80.5	30		10.4		29.4				SA8951SW Texas Skyways	
182 "Skylane"		O-470-50 (STC)	OBSOLETE	D2A34C58/90AT-8	82.0	80.5	36		9.5		25.8				SA02092SE P.Ponk	
182 "Skylane"		O-470-50 (STC)	OBSOLETE	2A34C66/90AT-8	82.0	80.5	36		9.5		25.8				SA02092SE P.Ponk	1

Constant Speed Propeller Applications

Aircraft Model	T Y P E	Engine Model (Make)	Propeller Part Number	Propeller Model	Max Dia	Min Dia	Ref Sta	Rev Angle	Low or Flight Idle Angle	Latch or Start Locks Angle	High or Feather Angle	Spinner Assembly P/N	S p i n n e r	Governor Model	STC Number STC Holder STC Kit P/N	N o t e s
182 "Skylane"		O-470-50 (STC)	P2306949-53	D2A37C230/90REB-8	82.0	80.0	30		12.0		28.3				SA02092SE P.Ponk	
182 "Skylane"		O-470-50 (STC)	OBSOLETE	D3A32C90/82NC-2	80.0	74.0	30		10.4		28.0				SA02092SE P.Ponk	
182 "Skylane"		O-470-50 (STC)	P4014808-04	D3A34C401/90DFA-10	80.0	76.0	30		10.4		28.5				SA02092SE P.Ponk	
182 "Skylane"		O-520-F-TS (STC)		B2A37C238/90REA-4	86.0	84.5	30		10.9		29.5				SA09558SC Texas Skyways	
182 "Skylane"		O-520-F-TS (STC)	P4014808-04	D3A34C401/90DFA-10	80.0	76.0	30		10.4		28.5	D-6594 D-3867-1	P P		SA09026SC Texas Skyways	132
182 "Skylane"		O-520-U-TS (STC)	P4014808-04	D3A34C401/90DFA-10	80.0	76.0	30		10.4		28.5	D-6594 D-3867-1	P P		SA09026SC Texas Skyways	132
182 "Skylane"		IO-520-D (TCM)	P4014808-04	D3A34C401/90DFA-10	80.0	78.0	30		10.4		28.5	D-6594 D-7515	P P	C290D3/T9	SA01302AT John Jewell	
182 "Skylane"		IO-520 series (TCM)	P4014808-09	D3A34C401/90DFA-2	88.0	86.0	30		10.0		28.5	D-3867 D-3669	S S		SA00727WI Air Plains	88 132
182 "Skylane"		IO-520 series (TCM)	P4014808-12	D3A34C401/90DFA-4	86.0	84.0	30		10.0		28.0	D-3867 D-3669	S S		SA00727WI Air Plains	84 132
182 "Skylane"		IO-520 series (TCM)	P4014808-13	D3A34C401/90DFA-6	84.0	82.0	30		10.0		28.0	D-3867 D-3669	S S		SA00727WI Air Plains	132
182 "Skylane"		IO-520 series (TCM)	P4014808-14	D3A34C401/90DFA-8	82.0	80.0	30		10.4		28.5	D-3867 D-3669	S S		SA00727WI Air Plains	132
182 "Skylane"		IO-520 series (TCM)	P4014808-04	D3A34C401/90DFA-10	80.0	80.0	30		10.4		28.5	D-3867 D-3669	S S		SA00727WI Air Plains	89 132
182 "Skylane"		O-550-F-TS (STC)		B2A37C238/90REA-4	86.0	84.5	30		10.9		29.5				SA09558SC Texas Skyways	
182 "Skylane"		O-550-F-TS (STC)		D3A34C401/90DFA-10	80.0	76.0	30		10.0		28.5	D-6594	P		SA09133SC Texas Skyways	
182 "Skylane"	L	IO-550-D (TCM)	P4014808-05	D3A34C401/90DFA-10	80.0	78.0	30		11.2		28.5	D-6594 D-7515	P P	C290D3/T5	SA01218AT John Jewell	
182 "Skylane"		IO-550 series (TCM)	P4014808-09	D3A34C401/90DFA-2	88.0	86.0	30		10.0		28.5	D-3867 D-3669	S S		SA00727WI Air Plains	88 132
182 "Skylane"		IO-550 series (TCM)	P4014808-12	D3A34C401/90DFA-4	86.0	84.0	30		10.0		28.0	D-3867 D-3669	S S		SA00727WI Air Plains	84 132
182 "Skylane"		IO-550 series (TCM)	P4014808-13	D3A34C401/90DFA-6	84.0	82.0	30		10.0		28.0	D-3867 D-3669	S S		SA00727WI Air Plains	90 132
182 "Skylane"		IO-550 series (TCM)	P4014808-14	D3A34C401/90DFA-8	82.0	80.0	30		10.4		28.5	D-3867 D-3669	S S		SA00727WI Air Plains	132

Constant Speed Propeller Applications

Aircraft Model	T Y P E	Engine Model (Make)	Propeller Part Number	Propeller Model	Max Dia	Min Dia	Ref Sta	Rev Angle	Low or Flight Idle Angle	Latch or Start Locks Angle	High or Feather Angle	Spinner Assembly P/N	S p i n n e r	Governor Model	STC Number STC Holder STC Kit P/N	N o t e s
182 "Skylane"		IO-550 series (TCM)	P4014808-04	D3A34C401/90DFA-10	80.0	80.0	30		10.4		28.5	D-3867 D-3669	S S		SA00727WI Air Plains	89 132
182A "Skylane"	L	O-470-L (TCM)	OBSOLETE	2A36C1-U/90M-8	82.0	80.0	36		10.5		22.0			C290D3/T1 C290D2/T1		1
182A "Skylane"	L	O-470-L (TCM)	OBSOLETE	2A36C18/90M-8	82.0	80.0	36		10.5		22.0			C290D3/T1 C290D2/T1		1
182A "Skylane"	L	O-470-L (TCM)	OBSOLETE	2A36C29/90M-8	82.0	80.0	36		10.5		22.0			C290D3/T1 C290D2/T1		1
182A "Skylane"	L	O-470-L (TCM)	OBSOLETE	2A34C50/90A-8	82.0	80.0	36		10.5		22.0			C290D3/T1 C290D2/T1		1
182A "Skylane"	L	O-470-L (TCM)	OBSOLETE	2A34C66/90AT-8	82.0	80.0	36		10.5		22.0			C290D3/T1 C290D2/T1		1
182A "Skylane"	L	O-470-L (TCM)	P2017294-51	2A34C201/90DA-8	82.0	80.0	30		13.0		24.5			C290D3/T1 C290D2/T1	SA2253CE Northwest	
182A "Skylane"	A F	O-470-L (TCM)	P2033909-57	2A34C203/90DCA-2	88.0	86.5	30		10.0		24.5	D-7519-1	P	C290D3/T1 C290D2/T1	SA01033CH McCauley PL60289	136
182A "Skylane"	L	O-470-L (TCM)	P2033909-56	2A34C203/90DCA-8	82.0	80.5	30		12.5		25.0			C290D3/T1 C290D2/T1		21
182A "Skylane"	L	O-470-L (TCM)	P2033909-56	2A34C203/90DCA-8	82.0	80.5	30		12.5		25.0	D-7519-1	P	C290D3/T1 C290D2/T1	SA01033CH McCauley PL60287	136
182A "Skylane"	L	O-470-L (TCM)	P2033909-51	2A34C203/90DCA-8	82.0	80.5	30		12.5		25.0			C290D3/T1 C290D2/T1	SA2253CE Northwest	
182A "Skylane"	L	O-470-L (TCM)	P2033909-51	2A34C203/90DCA-8	82.0	80.5	30		12.5		25.0			C290D3/T1 C290D2/T1	SA5882SW US Prop of Connecticut	
182A "Skylane"	L	O-470-L (TCM)	P2033909-51 P2033909-56	2A34C203/90DCA-8	82.0	80.5	30		12.5		25.0			C290D3/T1 C290D2/T1	SA3238NM American	
182A "Skylane"	L	O-470-L (TCM)		C2A34C204/90DCB-8	82.0	80.5	30		12.5		25.0			C290D3/T1 C290D2/T1	SA2253CE Northwest	
182A "Skylane"		O-470-L (TCM)	P4114808-02	D3A32C411/82NDA-2	80.0	78.0	30		11.0		25.6	D-6594	P	C290D3/T1 C290D2/T1	SA753NE US Prop of Connecticut	
182A "Skylane"	L	O-470-L (TCM)	P4357483-01	D3A36C435/80VEA-0	80.0	78.0	30		10.8		33.9	D-7510-1	P	C290D3/T1 C290D2/T1	SA00819CH McCauley PL60228	133 136
182A "Skylane"		O-470-R (TCM)	OBSOLETE	2A36C29/90M-8	82.0		36								SA5129NM Jon R. Frasier	1
182A "Skylane"		O-470-U (TCM)	P2043909-52	C2A34C204/90DCB-8	82.0	80.5	30		15.0		29.4			C290D3/T14	SA8842SW Texas Skyways	

Constant Speed Propeller Applications

Aircraft Model	T Y P E	Engine Model (Make)	Propeller Part Number	Propeller Model	Max Dia	Min Dia	Ref Sta	Rev Angle	Low or Flight Idle Angle	Latch or Start Locks Angle	High or Feather Angle	Spinner Assembly P/N	S p i n n e r	Governor Model	STC Number STC Holder STC Kit P/N	N o t e s
182A "Skylane"		O-470-U (STC)	P2043909-55	C2A34C204/90DCB-8	82.0	80.5	30		14.5		31.0	D-7519-1 D-7519-2	P S	C290D3/T1	SA01581AT John Jewell	
182A "Skylane"		O-470-U-TS (STC)		C2A34C204/90DCB-8	82.0	80.5	30		10.4		29.4				SA8951SW Texas Skyways	
182A "Skylane"		O-470-50 (STC)	OBSOLETE	D2A34C58/90AT-8	82.0	80.5	36		9.5		25.8				SA02092SE P.Ponk	
182A "Skylane"		O-470-50 (STC)	OBSOLETE	2A34C66/90AT-8	82.0	80.5	36		9.5		25.8				SA02092SE P.Ponk	1
182A "Skylane"		O-470-50 (STC)	P2306949-53	D2A37C230/90REB-8	82.0	80.0	30		12.0		28.3				SA02092SE P.Ponk	
182A "Skylane"		O-470-50 (STC)	OBSOLETE	D3A32C90/82NC-2	80.0	74.0	30		10.4		28.0				SA02092SE P.Ponk	
182A "Skylane"		O-470-50 (STC)	P4014808-04	D3A34C401/90DFA-10	80.0	76.0	30		10.4		28.5				SA02092SE P.Ponk	
182A "Skylane"		O-520-F-TS (STC)		B2A37C238/90REA-4	86.0	84.5	30		10.9		29.5				SA09558SC Texas Skyways	
182A "Skylane"		O-520-F-TS (STC)	P4014808-04	D3A34C401/90DFA-10	80.0	76.0	30		10.4		28.5	D-6594 D-3867-1	P P		SA09026SC Texas Skyways	132
182A "Skylane"		O-520-U-TS (STC)	P4014808-04	D3A34C401/90DFA-10	80.0	76.0	30		10.4		28.5	D-6594 D-3867-1	P P		SA09026SC Texas Skyways	132
182A "Skylane"		IO-520-D (TCM)	P4014808-04	D3A34C401/90DFA-10	80.0	78.0	30		10.4		28.5	D-6594 D-7515	P P	C290D3/T9	SA01302AT John Jewell	
182A "Skylane"		IO-520 series (TCM)	P4014808-09	D3A34C401/90DFA-2	88.0	86.0	30		10.0		28.5	D-3867 D-3669	S S		SA00727WI Air Plains	88 132
182A "Skylane"		IO-520 series (TCM)	P4014808-12	D3A34C401/90DFA-4	86.0	84.0	30		10.0		28.0	D-3867 D-3669	S S		SA00727WI Air Plains	84 132
182A "Skylane"		IO-520 series (TCM)	P4014808-13	D3A34C401/90DFA-6	84.0	82.0	30		10.0		28.0	D-3867 D-3669	S S		SA00727WI Air Plains	132
182A "Skylane"		IO-520 series (TCM)	P4014808-14	D3A34C401/90DFA-8	82.0	80.0	30		10.4		28.5	D-3867 D-3669	S S		SA00727WI Air Plains	132
182A "Skylane"		IO-520 series (TCM)	P4014808-04	D3A34C401/90DFA-10	80.0	80.0	30		10.4		28.5	D-3867 D-3669	S S		SA00727WI Air Plains	89 132
182A "Skylane"		O-550-F-TS (STC)		B2A37C238/90REA-4	86.0	84.5	30		10.9		29.5				SA09558SC Texas Skyways	
182A "Skylane"		O-550-F-TS (STC)		D3A34C401/90DFA-10	80.0	76.0	30		10.0		28.5	D-6594	P		SA09133SC Texas Skyways	
182A "Skylane"	L	IO-550-D (TCM)	P4014808-05	D3A34C401/90DFA-10	80.0	78.0	30		11.2		28.5	D-6594 D-7515	P P	C290D3/T5	SA01218AT John Jewell	

Constant Speed Propeller Applications

Aircraft Model	T Y P E	Engine Model (Make)	Propeller Part Number	Propeller Model	Max Dia	Min Dia	Ref Sta	Rev Angle	Low or Flight Idle Angle	Latch or Start Locks Angle	High or Feather Angle	Spinner Assembly P/N	S p i n n e r T y p e	Governor Model	STC Number STC Holder STC Kit P/N	N o t e s
182A "Skylane"		IO-550 series (TCM)	P4014808-09	D3A34C401/90DFA-2	88.0	86.0	30		10.0		28.5	D-3867 D-3669	S S		SA00727WI Air Plains	88 132
182A "Skylane"		IO-550 series (TCM)	P4014808-12	D3A34C401/90DFA-4	86.0	84.0	30		10.0		28.0	D-3867 D-3669	S S		SA00727WI Air Plains	84 132
182A "Skylane"		IO-550 series (TCM)	P4014808-13	D3A34C401/90DFA-6	84.0	82.0	30		10.0		28.0	D-3867 D-3669	S S		SA00727WI Air Plains	90 132
182A "Skylane"		IO-550 series (TCM)	P4014808-14	D3A34C401/90DFA-8	82.0	80.0	30		10.4		28.5	D-3867 D-3669	S S		SA00727WI Air Plains	132
182A "Skylane"		IO-550 series (TCM)	P4014808-04	D3A34C401/90DFA-10	80.0	80.0	30		10.4		28.5	D-3867 D-3669	S S		SA00727WI Air Plains	89 132
182B "Skylane"	L	O-470-L (TCM)	OBSOLETE	2A36C1-U/90M-8	82.0	80.0	36		10.5		22.0			C290D3/T1 C290D2/T1		1
182B "Skylane"	L	O-470-L (TCM)	OBSOLETE	2A36C18/90M-8	82.0	80.0	36		10.5		22.0			C290D3/T1 C290D2/T1		1
182B "Skylane"	L	O-470-L (TCM)	OBSOLETE	2A36C29/90M-8	82.0	80.0	36		10.5		22.0			C290D3/T1 C290D2/T1		1
182B "Skylane"	L	O-470-L (TCM)	OBSOLETE	2A34C50/90A-8	82.0	80.0	36		10.5		22.0			C290D3/T1 C290D2/T1		1
182B "Skylane"	L	O-470-L (TCM)	OBSOLETE	2A34C66/90AT-8	82.0	80.0	36		10.5		22.0			C290D3/T1 C290D2/T1		1
182B "Skylane"	L	O-470-L (TCM)	P2017294-51	2A34C201/90DA-8	82.0	80.0	30		13.0		24.5			C290D3/T1 C290D2/T1	SA2253CE Northwest	
182B "Skylane"	A F	O-470-L (TCM)	P2033909-57	2A34C203/90DCA-2	88.0	86.5	30		10.0		24.5	D-7519-1	P	C290D3/T1 C290D2/T1	SA01033CH McCauley PL60289	136
182B "Skylane"	L	O-470-L (TCM)	P2033909-56	2A34C203/90DCA-8	82.0	80.5	30		12.5		25.0			C290D3/T1 C290D2/T1		21
182B "Skylane"	L	O-470-L (TCM)	P2033909-56	2A34C203/90DCA-8	82.0	80.5	30		12.5		25.0	D-7519-1	P	C290D3/T1 C290D2/T1	SA01033CH McCauley PL60287	136
182B "Skylane"	L	O-470-L (TCM)	P2033909-51	2A34C203/90DCA-8	82.0	80.5	30		12.5		25.0			C290D3/T1 C290D2/T1	SA2253CE Northwest	
182B "Skylane"	L	O-470-L (TCM)	P2033909-51	2A34C203/90DCA-8	82.0	80.5	30		12.5		25.0			C290D3/T1 C290D2/T1	SA5882SW US Prop of Connecticut	
182B "Skylane"	L	O-470-L (TCM)	P2033909-51 P2033909-56	2A34C203/90DCA-8	82.0	80.5	30		12.5		25.0			C290D3/T1 C290D2/T1	SA3238NM American	
182B "Skylane"	L	O-470-L (TCM)		C2A34C204/90DCB-8	82.0	80.5	30		12.5		25.0			C290D3/T1 C290D2/T1	SA2253CE Northwest	
182B "Skylane"		O-470-L (TCM)	P4114808-02	D3A32C411/82NDA-2	80.0	78.0	30		11.0		25.6	D-6594	P	C290D3/T1 C290D2/T1	SA753NE US Prop of Connecticut	

Constant Speed Propeller Applications

Aircraft Model	T Y P E	Engine Model (Make)	Propeller Part Number	Propeller Model	Max Dia	Min Dia	Ref Sta	Rev Angle	Low or Flight Idle Angle	Latch or Start Locks Angle	High or Feather Angle	Spinner Assembly P/N	S p i n n e r	Governor Model	STC Number STC Holder STC Kit P/N	N o t e s
182B "Skylane"	L	O-470-L (TCM)	P4357483-01	D3A36C435/80VEA-0	80.0	78.0	30		10.8		33.9	D-7510-1	P	C290D3/T1 C290D2/T1	SA00819CH McCauley PL60228	133 136
182B "Skylane"		O-470-R (TCM)	OBSOLETE	2A36C29/90M-8	82.0		36								SA5129NM Jon R. Frasier	1
182B "Skylane"		O-470-U (TCM)	P2043909-52	C2A34C204/90DCB-8	82.0	80.5	30		15.0		29.4			C290D3/T14	SA8842SW Texas Skyways	
182B "Skylane"		O-470-U (STC)	P2043909-55	C2A34C204/90DCB-8	82.0	80.5	30		14.5		31.0	D-7519-1 D-7519-2	P S	C290D3/T1	SA01581AT John Jewell	
182B "Skylane"		O-470-U-TS (STC)		C2A34C204/90DCB-8	82.0	80.5	30		10.4		29.4				SA8951SW Texas Skyways	
182B "Skylane"		O-470-50 (STC)	OBSOLETE	D2A34C58/90AT-8	82.0	80.5	36		9.5		25.8				SA02092SE P.Ponk	
182B "Skylane"		O-470-50 (STC)	OBSOLETE	2A34C66/90AT-8	82.0	80.5	36		9.5		25.8				SA02092SE P.Ponk	1
182B "Skylane"		O-470-50 (STC)	P2306949-53	D2A37C230/90REB-8	82.0	80.0	30		12.0		28.3				SA02092SE P.Ponk	
182B "Skylane"		O-470-50 (STC)	OBSOLETE	D3A32C90/82NC-2	80.0	74.0	30		10.4		28.0				SA02092SE P.Ponk	
182B "Skylane"		O-470-50 (STC)	P4014808-04	D3A34C401/90DFA-10	80.0	76.0	30		10.4		28.5				SA02092SE P.Ponk	
182B "Skylane"		O-520-F-TS (STC)		B2A37C238/90REA-4	86.0	84.5	30		10.9		29.5				SA09558SC Texas Skyways	
182B "Skylane"		O-520-F-TS (STC)	P4014808-04	D3A34C401/90DFA-10	80.0	76.0	30		10.4		28.5	D-6594 D-3867-1	P P		SA09026SC Texas Skyways	132
182B "Skylane"		O-520-U-TS (STC)	P4014808-04	D3A34C401/90DFA-10	80.0	76.0	30		10.4		28.5	D-6594 D-3867-1	P P		SA09026SC Texas Skyways	132
182B "Skylane"		IO-520-D (TCM)	P4014808-04	D3A34C401/90DFA-10	80.0	78.0	30		10.4		28.5	D-6594 D-7515	P P	C290D3/T9	SA01302AT John Jewell	
182B "Skylane"		IO-520 series (TCM)	P4014808-09	D3A34C401/90DFA-2	88.0	86.0	30		10.0		28.5	D-3867 D-3669	S S		SA00727W1 Air Plains	88 132
182B "Skylane"		IO-520 series (TCM)	P4014808-12	D3A34C401/90DFA-4	86.0	84.0	30		10.0		28.0	D-3867 D-3669	S S		SA00727W1 Air Plains	84 132
182B "Skylane"		IO-520 series (TCM)	P4014808-13	D3A34C401/90DFA-6	84.0	82.0	30		10.0		28.0	D-3867 D-3669	S S		SA00727W1 Air Plains	132
182B "Skylane"		IO-520 series (TCM)	P4014808-14	D3A34C401/90DFA-8	82.0	80.0	30		10.4		28.5	D-3867 D-3669	S S		SA00727W1 Air Plains	132

Constant Speed Propeller Applications

Aircraft Model	T Y P E	Engine Model (Make)	Propeller Part Number	Propeller Model	Max Dia	Min Dia	Ref Sta	Rev Angle	Low or Flight Idle Angle	Latch or Start Locks Angle	High or Feather Angle	Spinner Assembly P/N	S p i n n e r	Governor Model	STC Number STC Holder STC Kit P/N	N o t e s
182B "Skylane"		IO-520 series (TCM)	P4014808-04	D3A34C401/90DFA-10	80.0	80.0	30		10.4		28.5	D-3867 D-3669	S S		SA00727WI Air Plains	89 132
182B "Skylane"		O-550-F-TS (STC)		B2A37C238/90REA-4	86.0	84.5	30		10.9		29.5				SA09558SC Texas Skyways	
182B "Skylane"		O-550-F-TS (STC)		D3A34C401/90DFA-10	80.0	76.0	30		10.0		28.5	D-6594	P		SA09133SC Texas Skyways	
182B "Skylane"	L	IO-550-D (TCM)	P4014808-05	D3A34C401/90DFA-10	80.0	78.0	30		11.2		28.5	D-6594 D-7515	P P	C290D3/T5	SA01218AT John Jewell	
182B "Skylane"		IO-550 series (TCM)	P4014808-09	D3A34C401/90DFA-2	88.0	86.0	30		10.0		28.5	D-3867 D-3669	S S		SA00727WI Air Plains	88 132
182B "Skylane"		IO-550 series (TCM)	P4014808-12	D3A34C401/90DFA-4	86.0	84.0	30		10.0		28.0	D-3867 D-3669	S S		SA00727WI Air Plains	84 132
182B "Skylane"		IO-550 series (TCM)	P4014808-13	D3A34C401/90DFA-6	84.0	82.0	30		10.0		28.0	D-3867 D-3669	S S		SA00727WI Air Plains	90 132
182B "Skylane"		IO-550 series (TCM)	P4014808-14	D3A34C401/90DFA-8	82.0	80.0	30		10.4		28.5	D-3867 D-3669	S S		SA00727WI Air Plains	132
182B "Skylane"		IO-550 series (TCM)	P4014808-04	D3A34C401/90DFA-10	80.0	80.0	30		10.4		28.5	D-3867 D-3669	S S		SA00727WI Air Plains	89 132
182C "Skylane"	L	O-470-L (TCM)	OBSOLETE	2A36C1-U/90M-8	82.0	80.0	36		10.5		22.0			C290D3/T1 C290D2/T1		1
182C "Skylane"	L	O-470-L (TCM)	OBSOLETE	2A36C18/90M-8	82.0	80.0	36		10.5		22.0			C290D3/T1 C290D2/T1		1
182C "Skylane"	L	O-470-L (TCM)	OBSOLETE	2A36C29/90M-8	82.0	80.0	36		10.5		22.0			C290D3/T1 C290D2/T1		1
182C "Skylane"	L	O-470-L (TCM)	OBSOLETE	2A34C50/90A-8	82.0	80.0	36		10.5		22.0			C290D3/T1 C290D2/T1		1
182C "Skylane"	L	O-470-L (TCM)	OBSOLETE	2A34C66/90AT-8	82.0	80.0	36		10.5		22.0			C290D3/T1 C290D2/T1		1
182C "Skylane"	L	O-470-L (TCM)	P2017294-51	2A34C201/90DA-8	82.0	80.0	30		13.0		24.5			C290D3/T1 C290D2/T1	SA2253CE Northwest	
182C "Skylane"	A F	O-470-L (TCM)	P2033909-57	2A34C203/90DCA-2	88.0	86.5	30		10.0		24.5	D-7519-1	P	C290D3/T1 C290D2/T1	SA01033CH McCauley PL60289	136
182C "Skylane"	L	O-470-L (TCM)	P2033909-56	2A34C203/90DCA-8	82.0	80.5	30		12.5		25.0			C290D3/T1 C290D2/T1		21
182C "Skylane"	L	O-470-L (TCM)	P2033909-56	2A34C203/90DCA-8	82.0	80.5	30		12.5		25.0	D-7519-1	P	C290D3/T1 C290D2/T1	SA01033CH McCauley PL60287	136
182C "Skylane"	L	O-470-L (TCM)	P2033909-51	2A34C203/90DCA-8	82.0	80.5	30		12.5		25.0			C290D3/T1 C290D2/T1	SA2253CE Northwest	

Constant Speed Propeller Applications

Aircraft Model	T Y P E	Engine Model (Make)	Propeller Part Number	Propeller Model	Max Dia	Min Dia	Ref Sta	Rev Angle	Low or Flight Idle Angle	Latch or Start Locks Angle	High or Feather Angle	Spinner Assembly P/N	S p i n n e r	Governor Model	STC Number STC Holder STC Kit P/N	N o t e s
182C "Skylane"	L	O-470-L (TCM)	P2033909-51	2A34C203/90DCA-8	82.0	80.5	30		12.5		25.0			C290D3/T1 C290D2/T1	SA5882SW US Prop of Connecticut	
182C "Skylane"	L	O-470-L (TCM)	P2033909-51 P2033909-56	2A34C203/90DCA-8	82.0	80.5	30		12.5		25.0			C290D3/T1 C290D2/T1	SA3238NM American	
182C "Skylane"	L	O-470-L (TCM)		C2A34C204/90DCB-8	82.0	80.5	30		12.5		25.0			C290D3/T1 C290D2/T1	SA2253CE Northwest	
182C "Skylane"		O-470-L (TCM)	P4114808-02	D3A32C411/82NDA-2	80.0	78.0	30		11.0		25.6	D-6594	P	C290D3/T1 C290D2/T1	SA753NE US Prop of Connecticut	
182C "Skylane"	L	O-470-L (TCM)	P4357483-01	D3A36C435/80VEA-0	80.0	78.0	30		10.8		33.9	D-7510-1	P	C290D3/T1 C290D2/T1	SA00819CH McCauley PL60228	136
182C "Skylane"		O-470-R (TCM)	OBSOLETE	2A36C29/90M-8	82.0		36								SA5129NM Jon R. Frasier	1
182C "Skylane"		O-470-U (TCM)	P2043909-52	C2A34C204/90DCB-8	82.0	80.5	30		15.0		29.4			C290D3/T14	SA8842SW Texas Skyways	
182C "Skylane"		O-470-U (STC)	P2043909-55	C2A34C204/90DCB-8	82.0	80.5	30		14.5		31.0	D-7519-1 D-7519-2	P S	C290D3/T1	SA01581AT John Jewell	
182C "Skylane"		O-470-U-TS (STC)		C2A34C204/90DCB-8	82.0	80.5	30		10.4		29.4				SA8951SW Texas Skyways	
182C "Skylane"		O-470-50 (STC)	OBSOLETE	D2A34C58/90AT-8	82.0	80.5	36		9.5		25.8				SA02092SE P.Ponk	
182C "Skylane"		O-470-50 (STC)	OBSOLETE	2A34C66/90AT-8	82.0	80.5	36		9.5		25.8				SA02092SE P.Ponk	1
182C "Skylane"		O-470-50 (STC)	P2306949-53	D2A37C230/90REB-8	82.0	80.0	30		12.0		28.3				SA02092SE P.Ponk	
182C "Skylane"		O-470-50 (STC)	OBSOLETE	D3A32C90/82NC-2	80.0	74.0	30		10.4		28.0				SA02092SE P.Ponk	
182C "Skylane"		O-470-50 (STC)	P4014808-04	D3A34C401/90DFA-10	80.0	76.0	30		10.4		28.5				SA02092SE P.Ponk	
182C "Skylane"		O-520-F-TS (STC)		B2A37C238/90REA-4	86.0	84.5	30		10.9		29.5				SA09558SC Texas Skyways	
182C "Skylane"		O-520-F-TS (STC)	P4014808-04	D3A34C401/90DFA-10	80.0	76.0	30		10.4		28.5	D-6594 D-3867-1	P P		SA09026SC Texas Skyways	132
182C "Skylane"		O-520-U-TS (STC)	P4014808-04	D3A34C401/90DFA-10	80.0	76.0	30		10.4		28.5	D-6594 D-3867-1	P P		SA09026SC Texas Skyways	132
182C "Skylane"		IO-520-D (TCM)	P4014808-04	D3A34C401/90DFA-10	80.0	78.0	30		10.4		28.5	D-6594 D-7515	P P	C290D3/T9	SA01302AT John Jewell	

Constant Speed Propeller Applications

Aircraft Model	T Y P E	Engine Model (Make)	Propeller Part Number	Propeller Model	Max Dia	Min Dia	Ref Sta	Rev Angle	Low or Flight Idle Angle	Latch or Start Locks Angle	High or Feather Angle	Spinner Assembly P/N	S p i n n e r	Governor Model	STC Number STC Holder STC Kit P/N	N o t e s
182C "Skylane"		IO-520 series (TCM)	P4014808-09	D3A34C401/90DFA-2	88.0	86.0	30		10.0		28.5	D-3867 D-3669	S S		SA00727WI Air Plains	88 132
182C "Skylane"		IO-520 series (TCM)	P4014808-12	D3A34C401/90DFA-4	86.0	84.0	30		10.0		28.0	D-3867 D-3669	S S		SA00727WI Air Plains	84 132
182C "Skylane"		IO-520 series (TCM)	P4014808-13	D3A34C401/90DFA-6	84.0	82.0	30		10.0		28.0	D-3867 D-3669	S S		SA00727WI Air Plains	132
182C "Skylane"		IO-520 series (TCM)	P4014808-14	D3A34C401/90DFA-8	82.0	80.0	30		10.4		28.5	D-3867 D-3669	S S		SA00727WI Air Plains	132
182C "Skylane"		IO-520 series (TCM)	P4014808-04	D3A34C401/90DFA-10	80.0	80.0	30		10.4		28.5	D-3867 D-3669	S S		SA00727WI Air Plains	89 132
182C "Skylane"		O-550-F-TS (STC)		B2A37C238/90REA-4	86.0	84.5	30		10.9		29.5				SA09558SC Texas Skyways	
182C "Skylane"		O-550-F-TS (STC)		D3A34C401/90DFA-10	80.0	76.0	30		10.0		28.5	D-6594	P		SA09133SC Texas Skyways	
182C "Skylane"	L	IO-550-D (TCM)	P4014808-05	D3A34C401/90DFA-10	80.0	78.0	30		11.2		28.5	D-6594 D-7515	P P	C290D3/T5	SA01218AT John Jewell	
182C "Skylane"		IO-550 series (TCM)	P4014808-09	D3A34C401/90DFA-2	88.0	86.0	30		10.0		28.5	D-3867 D-3669	S S		SA00727WI Air Plains	88 132
182C "Skylane"		IO-550 series (TCM)	P4014808-12	D3A34C401/90DFA-4	86.0	84.0	30		10.0		28.0	D-3867 D-3669	S S		SA00727WI Air Plains	84 132
182C "Skylane"		IO-550 series (TCM)	P4014808-13	D3A34C401/90DFA-6	84.0	82.0	30		10.0		28.0	D-3867 D-3669	S S		SA00727WI Air Plains	90 132
182C "Skylane"		IO-550 series (TCM)	P4014808-14	D3A34C401/90DFA-8	82.0	80.0	30		10.4		28.5	D-3867 D-3669	S S		SA00727WI Air Plains	132
182C "Skylane"		IO-550 series (TCM)	P4014808-04	D3A34C401/90DFA-10	80.0	80.0	30		10.4		28.5	D-3867 D-3669	S S		SA00727WI Air Plains	89 132
182D "Skylane"	L	O-470-L (TCM)	OBSOLETE	2A36C1-U/90M-8	82.0	80.0	36		10.5		22.0			C290D3/T1 C290D2/T1		1
182D "Skylane"	L	O-470-L (TCM)	OBSOLETE	2A36C18/90M-8	82.0	80.0	36		10.5		22.0			C290D3/T1 C290D2/T1		1
182D "Skylane"	L	O-470-L (TCM)	OBSOLETE	2A36C29/90M-8	82.0	80.0	36		10.5		22.0			C290D3/T1 C290D2/T1		1
182D "Skylane"	L	O-470-L (TCM)	OBSOLETE	2A34C50/90A-8	82.0	80.0	36		10.5		22.0			C290D3/T1 C290D2/T1		1
182D "Skylane"	L	O-470-L (TCM)	OBSOLETE	2A34C66/90AT-8	82.0	80.0	36		10.5		22.0			C290D3/T1 C290D2/T1		1
182D "Skylane"	L	O-470-L (TCM)	P2017294-51	2A34C201/90DA-8	82.0	80.0	30		13.0		24.5			C290D3/T1 C290D2/T1	SA2253CE Northwest	
182D "Skylane"	A F	O-470-L (TCM)	P2033909-57	2A34C203/90DCA-2	88.0	86.5	30		10.0		24.5	D-7519-1	P	C290D3/T1 C290D2/T1	SA01033CH McCauley PL60289	136

Constant Speed Propeller Applications

Aircraft Model	T Y P E	Engine Model (Make)	Propeller Part Number	Propeller Model	Max Dia	Min Dia	Ref Sta	Rev Angle	Low or Flight Idle Angle	Latch or Start Locks Angle	High or Feather Angle	Spinner Assembly P/N	S p i n n e r	Governor Model	STC Number STC Holder STC Kit P/N	N o t e s
182D "Skylane"	L	O-470-L (TCM)	P2033909-56	2A34C203/90DCA-8	82.0	80.5	30		12.5		25.0			C290D3/T1 C290D2/T1		21
182D "Skylane"	L	O-470-L (TCM)	P2033909-56	2A34C203/90DCA-8	82.0	80.5	30		12.5		25.0	D-7519-1	P	C290D3/T1 C290D2/T1	SA01033CH McCauley PL60287	136
182D "Skylane"	L	O-470-L (TCM)	P2033909-51	2A34C203/90DCA-8	82.0	80.5	30		12.5		25.0			C290D3/T1 C290D2/T1	SA2253CE Northwest	
182D "Skylane"	L	O-470-L (TCM)	P2033909-51	2A34C203/90DCA-8	82.0	80.5	30		12.5		25.0			C290D3/T1 C290D2/T1	SA5882SW US Prop of Connecticut	
182D "Skylane"	L	O-470-L (TCM)	P2033909-51 P2033909-56	2A34C203/90DCA-8	82.0	80.5	30		12.5		25.0			C290D3/T1 C290D2/T1	SA3238NM American	
182D "Skylane"	L	O-470-L (TCM)		C2A34C204/90DCB-8	82.0	80.5	30		12.5		25.0			C290D3/T1 C290D2/T1	SA2253CE Northwest	
182D "Skylane"		O-470-L (TCM)	P4114808-02	D3A32C411/82NDA-2	80.0	78.0	30		11.0		25.6	D-6594	P	C290D3/T1 C290D2/T1	SA753NE US Prop of Connecticut	
182D "Skylane"	L	O-470-L (TCM)	P4357483-01	D3A36C435/80VEA-0	80.0	78.0	30		10.8		33.9	D-7510-1	P	C290D3/T1 C290D2/T1	SA00819CH McCauley PL60228	136
182D "Skylane"		O-470-R (TCM)	OBSOLETE	2A36C29/90M-8	82.0		36								SA5129NM Jon R. Frasier	1
182D "Skylane"		O-470-U (TCM)	P2043909-52	C2A34C204/90DCB-8	82.0	80.5	30		15.0		29.4			C290D3/T14	SA8842SW Texas Skyways	
182D "Skylane"		O-470-U (STC)	P2043909-55	C2A34C204/90DCB-8	82.0	80.5	30		14.5		31.0	D-7519-1 D-7519-2	P S	C290D3/T1	SA01581AT John Jewell	
182D "Skylane"		O-470-U-TS (STC)		C2A34C204/90DCB-8	82.0	80.5	30		10.4		29.4				SA8951SW Texas Skyways	
182D "Skylane"		O-470-50 (STC)	OBSOLETE	D2A34C58/90AT-8	82.0	80.5	36		9.5		25.8				SA02092SE P.Ponk	
182D "Skylane"		O-470-50 (STC)	OBSOLETE	2A34C66/90AT-8	82.0	80.5	36		9.5		25.8				SA02092SE P.Ponk	1
182D "Skylane"		O-470-50 (STC)	P2306949-53	D2A37C230/90REB-8	82.0	80.0	30		12.0		28.3				SA02092SE P.Ponk	
182D "Skylane"		O-470-50 (STC)	OBSOLETE	D3A32C90/82NC-2	80.0	74.0	30		10.4		28.0				SA02092SE P.Ponk	
182D "Skylane"		O-470-50 (STC)	P4014808-04	D3A34C401/90DFA-10	80.0	76.0	30		10.4		28.5				SA02092SE P.Ponk	
182D "Skylane"		O-520-F-TS (STC)		B2A37C238/90REA-4	86.0	84.5	30		10.9		29.5				SA09558SC Texas Skyways	

Constant Speed Propeller Applications

Aircraft Model	T Y P E	Engine Model (Make)	Propeller Part Number	Propeller Model	Max Dia	Min Dia	Ref Sta	Rev Angle	Low or Flight Idle Angle	Latch or Start Locks Angle	High or Feather Angle	Spinner Assembly P/N	S p i n n e r	Governor Model	STC Number STC Holder STC Kit P/N	N o t e s
182D "Skylane"		O-520-F-TS (STC)	P4014808-04	D3A34C401/90DFA-10	80.0	76.0	30		10.4		28.5	D-6594 D-3867-1	P P		SA09026SC Texas Skyways	132
182D "Skylane"		O-520-U-TS (STC)	P4014808-04	D3A34C401/90DFA-10	80.0	76.0	30		10.4		28.5	D-6594 D-3867-1	P P		SA09026SC Texas Skyways	132
182D "Skylane"		IO-520-D (TCM)	P4014808-04	D3A34C401/90DFA-10	80.0	78.0	30		10.4		28.5	D-6594 D-7515	P P	C290D3/T9	SA01302AT John Jewell	
182D "Skylane"		IO-520 series (TCM)	P4014808-09	D3A34C401/90DFA-2	88.0	86.0	30		10.0		28.5	D-3867 D-3669	S S		SA00727WI Air Plains	88 132
182D "Skylane"		IO-520 series (TCM)	P4014808-12	D3A34C401/90DFA-4	86.0	84.0	30		10.0		28.0	D-3867 D-3669	S S		SA00727WI Air Plains	84 132
182D "Skylane"		IO-520 series (TCM)	P4014808-13	D3A34C401/90DFA-6	84.0	82.0	30		10.0		28.0	D-3867 D-3669	S S		SA00727WI Air Plains	132
182D "Skylane"		IO-520 series (TCM)	P4014808-14	D3A34C401/90DFA-8	82.0	80.0	30		10.4		28.5	D-3867 D-3669	S S		SA00727WI Air Plains	132
182D "Skylane"		IO-520 series (TCM)	P4014808-04	D3A34C401/90DFA-10	80.0	80.0	30		10.4		28.5	D-3867 D-3669	S S		SA00727WI Air Plains	89 132
182D "Skylane"		O-550-F-TS (STC)		B2A37C238/90REA-4	86.0	84.5	30		10.9		29.5				SA09558SC Texas Skyways	
182D "Skylane"		O-550-F-TS (STC)		D3A34C401/90DFA-10	80.0	76.0	30		10.0		28.5	D-6594	P		SA09133SC Texas Skyways	
182D "Skylane"	L	IO-550-D (TCM)	P4014808-05	D3A34C401/90DFA-10	80.0	78.0	30		11.2		28.5	D-6594 D-7515	P P	C290D3/T5	SA01218AT John Jewell	
182D "Skylane"		IO-550 series (TCM)	P4014808-09	D3A34C401/90DFA-2	88.0	86.0	30		10.0		28.5	D-3867 D-3669	S S		SA00727WI Air Plains	88 132
182D "Skylane"		IO-550 series (TCM)	P4014808-12	D3A34C401/90DFA-4	86.0	84.0	30		10.0		28.0	D-3867 D-3669	S S		SA00727WI Air Plains	84 132
182D "Skylane"		IO-550 series (TCM)	P4014808-13	D3A34C401/90DFA-6	84.0	82.0	30		10.0		28.0	D-3867 D-3669	S S		SA00727WI Air Plains	90 132
182D "Skylane"		IO-550 series (TCM)	P4014808-14	D3A34C401/90DFA-8	82.0	80.0	30		10.4		28.5	D-3867 D-3669	S S		SA00727WI Air Plains	132
182D "Skylane"		IO-550 series (TCM)	P4014808-04	D3A34C401/90DFA-10	80.0	80.0	30		10.4		28.5	D-3867 D-3669	S S		SA00727WI Air Plains	89 132
182E "Skylane"	L	O-470-L (TCM)	OBSOLETE	2A36C1-U/90M-8	82.0	80.0	36		10.5		22.0			C290D3/T1 C290D2/T1		1
182E "Skylane"	L	O-470-L (TCM)	OBSOLETE	2A36C18/90M-8	82.0	80.0	36		10.5		22.0			C290D3/T1 C290D2/T1		1
182E "Skylane"	L	O-470-L (TCM)	OBSOLETE	2A36C29/90M-8	82.0	80.0	36		10.5		22.0			C290D3/T1 C290D2/T1		1
182E "Skylane"	L	O-470-L (TCM)	OBSOLETE	2A34C50/90A-8	82.0	80.0	36		10.5		22.0			C290D3/T1 C290D2/T1		1

Constant Speed Propeller Applications

Aircraft Model	T Y P E	Engine Model (Make)	Propeller Part Number	Propeller Model	Max Dia	Min Dia	Ref Sta	Rev Angle	Low or Flight Idle Angle	Latch or Start Locks Angle	High or Feather Angle	Spinner Assembly P/N	S p i n n e r	Governor Model	STC Number STC Holder STC Kit P/N	N o t e s
182E "Skylane"	L	O-470-L (TCM)	OBSOLETE	2A34C66/90AT-8	82.0	80.0	36		10.5		22.0			C290D3/T1 C290D2/T1		1
182E "Skylane"	L	O-470-L (TCM)	P2017294-51	2A34C201/90DA-8	82.0	80.0	30		13.0		24.5			C290D3/T1 C290D2/T1	SA2253CE Northwest	
182E "Skylane"	A F	O-470-L (TCM)	P2033909-57	2A34C203/90DCA-2	88.0	86.5	30		10.0		24.5	D-7519-1	P	C290D3/T1 C290D2/T1	SA01033CH McCauley PL60289	136
182E "Skylane"	L	O-470-L (TCM)	P2033909-56	2A34C203/90DCA-8	82.0	80.5	30		12.5		25.0			C290D3/T1 C290D2/T1		21
182E "Skylane"	L	O-470-L (TCM)	P2033909-56	2A34C203/90DCA-8	82.0	80.5	30		12.5		25.0	D-7519-1	P	C290D3/T1 C290D2/T1	SA01033CH McCauley PL60287	136
182E "Skylane"	L	O-470-L (TCM)	P2033909-51	2A34C203/90DCA-8	82.0	80.5	30		12.5		25.0			C290D3/T1 C290D2/T1	SA2253CE Northwest	
182E "Skylane"	L	O-470-L (TCM)	P2033909-51	2A34C203/90DCA-8	82.0	80.5	30		12.5		25.0			C290D3/T1 C290D2/T1	SA5882SW US Prop of Connecticut	
182E "Skylane"	L	O-470-L (TCM)	P2033909-51 P2033909-56	2A34C203/90DCA-8	82.0	80.5	30		12.5		25.0			C290D3/T1 C290D2/T1	SA3238NM American	
182E "Skylane"	L	O-470-L (TCM)		C2A34C204/90DCB-8	82.0	80.5	30		12.5		25.0			C290D3/T1 C290D2/T1	SA2253CE Northwest	
182E "Skylane"		O-470-L (TCM)	P4114808-02	D3A32C411/82NDA-2	80.0	78.0	30		11.0		25.6	D-6594	P	C290D3/T1 C290D2/T1	SA753NE US Prop of Connecticut	
182E "Skylane"	L	O-470-L (TCM)	P4357483-01	D3A36C435/80VEA-0	80.0	78.0	30		10.8		33.9	D-7510-1	P	C290D3/T1 C290D2/T1	SA00819CH McCauley PL60228	136
182E "Skylane"	L	O-470-R (TCM)	OBSOLETE	2A36C1-U/90M-8	82.0	80.0	36		10.5		22.0			C290D3/T1 C290D2/T1		1
182E "Skylane"	L	O-470-R (TCM)	OBSOLETE	2A36C18/90M-8	82.0	80.0	36		10.5		22.0			C290D3/T1 C290D2/T1		1
182E "Skylane"	L	O-470-R (TCM)	OBSOLETE	2A36C29/90M-8	82.0	80.0	36		10.5		22.0			C290D3/T1 C290D2/T1		1
182E "Skylane"	L	O-470-R (TCM)	OBSOLETE	2A34C50/90A-8	82.0	80.0	36		10.5		22.0			C290D3/T1 C290D2/T1		1
182E "Skylane"	L	O-470-R (TCM)	OBSOLETE	2A34C66/90AT-8	82.0	80.0	36		10.5		22.0			C290D3/T1 C290D2/T1		1
182E "Skylane"	L	O-470-R (TCM)	P2017294-51	2A34C201/90DA-8	82.0	80.0	30		13.0		24.5			C290D3/T1 C290D2/T1	SA2253CE Northwest	
182E "Skylane"	A F	O-470-R (TCM)	P2033909-57	2A34C203/90DCA-2	88.0	86.5	30		10.0		24.5	D-7519-1	P	C290D3/T1 C290D2/T1	SA01033CH McCauley PL60289	136
182E "Skylane"	L	O-470-R (TCM)	P2033909-56	2A34C203/90DCA-8	82.0	80.5	30		12.5		25.0			C290D3/T1 C290D2/T1		21

Constant Speed Propeller Applications

Aircraft Model	T Y P E	Engine Model (Make)	Propeller Part Number	Propeller Model	Max Dia	Min Dia	Ref Sta	Rev Angle	Low or Flight Idle Angle	Latch or Start Locks Angle	High or Feather Angle	Spinner Assembly P/N	S p i n n e r T y p e	Governor Model	STC Number STC Holder STC Kit P/N	N o t e s
182E "Skylane"	L	O-470-R (TCM)	P2033909-56	2A34C203/90DCA-8	82.0	80.5	30		12.5		25.0	D-7519-1	P	C290D3/T1 C290D2/T1	SA01033CH McCauley PL60287	136
182E "Skylane"	L	O-470-R (TCM)	P2033909-51	2A34C203/90DCA-8	82.0	80.5	30		12.5		25.0			C290D3/T1 C290D2/T1	SA2253CE Northwest	
182E "Skylane"	L	O-470-R (TCM)	P2033909-51	2A34C203/90DCA-8	82.0	80.5	30		12.5		25.0			C290D3/T1 C290D2/T1	SA5882SW US Prop of Connecticut	
182E "Skylane"	L	O-470-R (TCM)	P2033909-51 P2033909-56	2A34C203/90DCA-8	82.0	80.5	30		12.5		25.0			C290D3/T1 C290D2/T1	SA3238NM American	
182E "Skylane"	L	O-470-R (TCM)		C2A34C204/90DCB-8	82.0	80.5	30		12.5		25.0			C290D3/T1 C290D2/T1	SA2253CE Northwest	
182E "Skylane"		O-470-R (TCM)	P4114808-02	D3A32C411/82NDA-2	80.0	78.0	30		11.0		25.6	D-6594	P	C290D3/T1 C290D2/T1	SA753NE US Prop of Connecticut	
182E "Skylane"	L	O-470-R (TCM)	P4114808-02	D3A32C411/82NDA-2	80.0	78.0	30		11.0		25.6	D-6594	P	C290D3/T1 C290D2/T1	SA00054WI P.Ponk	
182E "Skylane"	L	O-470-R (TCM)	P4357483-01	D3A36C435/80VEA-0	80.0	78.0	30		10.8		33.9	D-7510-1	P	C290D3/T1 C290D2/T1	SA00819CH McCauley PL60228	136
182E "Skylane"		O-470-R (STC)	P2033909-55	2A34C203/90DCA-8	82.0	80.5	30		12.5		29.0				SA1598CE Air Plains	
182E "Skylane"		O-470-S (STC)	P2033909-55	2A34C203/90DCA-8	82.0	80.5	30		12.5		29.0				SA1598CE Air Plains	
182E "Skylane"		O-470-U (TCM)	P2043909-52	C2A34C204/90DCB-8	82.0	80.5	30		15.0		29.4			C290D3/T14	SA8842SW Texas Skyways	
182E "Skylane"		O-470-U (STC)	P2043909-55	C2A34C204/90DCB-8	82.0	80.5	30		14.5		31.0	D-7519-1 D-7519-2	P S	C290D3/T1	SA01581AT John Jewell	
182E "Skylane"		O-470-U-TS (STC)		C2A34C204/90DCB-8	82.0	80.5	30		10.4		29.4				SA8951SW Texas Skyways	
182E "Skylane"		O-470-50 (STC)	OBSOLETE	D2A34C58/90AT-8	82.0	80.5	36		9.5		25.8				SA02092SE P.Ponk	
182E "Skylane"		O-470-50 (STC)	OBSOLETE	2A34C66/90AT-8	82.0	80.5	36		9.5		25.8				SA02092SE P.Ponk	1
182E "Skylane"		O-470-50 (STC)	P2306949-53	D2A37C230/90REB-8	82.0	80.0	30		12.0		28.3				SA02092SE P.Ponk	
182E "Skylane"		O-470-50 (STC)	OBSOLETE	D3A32C90/82NC-2	80.0	74.0	30		10.4		28.0				SA02092SE P.Ponk	
182E "Skylane"		O-470-50 (STC)	P4014808-04	D3A34C401/90DFA-10	80.0	76.0	30		10.4		28.5				SA02092SE P.Ponk	
182E "Skylane"		IO-470-F (STC)	OBSOLETE	2A34C50/90A-8	82.0	80.0	36		10.5		22.0				SA3825SW Peterson	1

Constant Speed Propeller Applications

Aircraft Model	T Y P E	Engine Model (Make)	Propeller Part Number	Propeller Model	Max Dia	Min Dia	Ref Sta	Rev Angle	Low or Flight Idle Angle	Latch or Start Locks Angle	High or Feather Angle	Spinner Assembly P/N	S p i n n e r	Governor Model	STC Number STC Holder STC Kit P/N	N o t e s
182E "Skylane"		IO-470-F (STC)	OBSOLETE	D2A34C58/90AT-8	82.0	80.5	36		9.2		22.0				SA3825SW Peterson	1
182E "Skylane"		IO-470-F (STC)	OBSOLETE	2A34C66/90AT-8	82.0	80.0	36		10.5		22.0				SA3825SW Peterson	1
182E "Skylane"		O-520-F-TS (STC)		B2A37C238/90REA-4	86.0	84.5	30		10.9		29.5				SA09558SC Texas Skyways	
182E "Skylane"		O-520-F-TS (STC)	P4014808-04	D3A34C401/90DFA-10	80.0	76.0	30		10.4		28.5	D-6594 D-3867-1	P P		SA09026SC Texas Skyways	132
182E "Skylane"		O-520-U-TS (STC)	P4014808-04	D3A34C401/90DFA-10	80.0	76.0	30		10.4		28.5	D-6594 D-3867-1	P P		SA09026SC Texas Skyways	132
182E "Skylane"		IO-520-D (TCM)	P4014808-04	D3A34C401/90DFA-10	80.0	78.0	30		10.4		28.5	D-6594 D-7515	P P	C290D3/T9	SA01302AT John Jewell	
182E "Skylane"		IO-520 series (TCM)	P4014808-09	D3A34C401/90DFA-2	88.0	86.0	30		10.0		28.5	D-3867 D-3669	S S		SA00727WI Air Plains	88 132
182E "Skylane"		IO-520 series (TCM)	P4014808-12	D3A34C401/90DFA-4	86.0	84.0	30		10.0		28.0	D-3867 D-3669	S S		SA00727WI Air Plains	84 132
182E "Skylane"		IO-520 series (TCM)	P4014808-13	D3A34C401/90DFA-6	84.0	82.0	30		10.0		28.0	D-3867 D-3669	S S		SA00727WI Air Plains	132
182E "Skylane"		IO-520 series (TCM)	P4014808-14	D3A34C401/90DFA-8	82.0	80.0	30		10.4		28.5	D-3867 D-3669	S S		SA00727WI Air Plains	132
182E "Skylane"		IO-520 series (TCM)	P4014808-04	D3A34C401/90DFA-10	80.0	80.0	30		10.4		28.5	D-3867 D-3669	S S		SA00727WI Air Plains	89 132
182E "Skylane"		O-550-F-TS (STC)		B2A37C238/90REA-4	86.0	84.5	30		10.9		29.5				SA09558SC Texas Skyways	
182E "Skylane"		O-550-F-TS (STC)		D3A34C401/90DFA-10	80.0	76.0	30		10.0		28.5	D-6594	P		SA09133SC Texas Skyways	
182E "Skylane"		IO-550-D (TCM)	P4014808-11	D3A34C401/90DFA-8	82.0	80.0	30		11.2		28.5	D-7510-1	P	C290D3/T1	SA3825SW Peterson	126
182E "Skylane"	L	IO-550-D (TCM)	P4014808-05	D3A34C401/90DFA-10	80.0	78.0	30		11.2		28.5	D-6594 D-7515	P P	C290D3/T5	SA01218AT John Jewell	
182E "Skylane"		IO-550 series (TCM)	P4014808-09	D3A34C401/90DFA-2	88.0	86.0	30		10.0		28.5	D-3867 D-3669	S S		SA00727WI Air Plains	88 132
182E "Skylane"		IO-550 series (TCM)	P4014808-12	D3A34C401/90DFA-4	86.0	84.0	30		10.0		28.0	D-3867 D-3669	S S		SA00727WI Air Plains	84 132
182E "Skylane"		IO-550 series (TCM)	P4014808-13	D3A34C401/90DFA-6	84.0	82.0	30		10.0		28.0	D-3867 D-3669	S S		SA00727WI Air Plains	90 132
182E "Skylane"		IO-550 series (TCM)	P4014808-14	D3A34C401/90DFA-8	82.0	80.0	30		10.4		28.5	D-3867 D-3669	S S		SA00727WI Air Plains	132

Constant Speed Propeller Applications

Aircraft Model	T Y P E	Engine Model (Make)	Propeller Part Number	Propeller Model	Max Dia	Min Dia	Ref Sta	Rev Angle	Low or Flight Idle Angle	Latch or Start Locks Angle	High or Feather Angle	Spinner Assembly P/N	S p i n n e r	Governor Model	STC Number STC Holder STC Kit P/N	N o t e s
182E "Skylane"		IO-550 series (TCM)	P4014808-04	D3A34C401/90DFA-10	80.0	80.0	30		10.4		28.5	D-3867 D-3669	S S		SA00727WI Air Plains	89 132
182F "Skylane"	L	O-470-L (TCM)	OBSOLETE	2A36C1-U/90M-8	82.0	80.0	36		10.5		22.0			C290D3/T1 C290D2/T1		1
182F "Skylane"	L	O-470-L (TCM)	OBSOLETE	2A36C18/90M-8	82.0	80.0	36		10.5		22.0			C290D3/T1 C290D2/T1		1
182F "Skylane"	L	O-470-L (TCM)	OBSOLETE	2A36C29/90M-8	82.0	80.0	36		10.5		22.0			C290D3/T1 C290D2/T1		1
182F "Skylane"	L	O-470-L (TCM)	OBSOLETE	2A34C50/90A-8	82.0	80.0	36		10.5		22.0			C290D3/T1 C290D2/T1		1
182F "Skylane"	L	O-470-L (TCM)	OBSOLETE	2A34C66/90AT-8	82.0	80.0	36		10.5		22.0			C290D3/T1 C290D2/T1		1
182F "Skylane"	L	O-470-L (TCM)	P2017294-51	2A34C201/90DA-8	82.0	80.0	30		13.0		24.5			C290D3/T1 C290D2/T1	SA2253CE Northwest	
182F "Skylane"	A F	O-470-L (TCM)	P2033909-57	2A34C203/90DCA-2	88.0	86.5	30		10.0		24.5	D-7519-1	P	C290D3/T1 C290D2/T1	SA01033CH McCauley PL60289	136
182F "Skylane"	L	O-470-L (TCM)	P2033909-56	2A34C203/90DCA-8	82.0	80.5	30		12.5		25.0			C290D3/T1 C290D2/T1		21
182F "Skylane"	L	O-470-L (TCM)	P2033909-56	2A34C203/90DCA-8	82.0	80.5	30		12.5		25.0	D-7519-1	P	C290D3/T1 C290D2/T1	SA01033CH McCauley PL60287	136
182F "Skylane"	L	O-470-L (TCM)	P2033909-51	2A34C203/90DCA-8	82.0	80.5	30		12.5		25.0			C290D3/T1 C290D2/T1	SA2253CE Northwest	
182F "Skylane"	L	O-470-L (TCM)	P2033909-51	2A34C203/90DCA-8	82.0	80.5	30		12.5		25.0			C290D3/T1 C290D2/T1	SA5882SW US Prop of Connecticut	
182F "Skylane"	L	O-470-L (TCM)	P2033909-51 P2033909-56	2A34C203/90DCA-8	82.0	80.5	30		12.5		25.0			C290D3/T1 C290D2/T1	SA3238NM American	
182F "Skylane"	L	O-470-L (TCM)		C2A34C204/90DCB-8	82.0	80.5	30		12.5		25.0			C290D3/T1 C290D2/T1	SA2253CE Northwest	
182F "Skylane"		O-470-L (TCM)	P4114808-02	D3A32C411/82NDA-2	80.0	78.0	30		11.0		25.6	D-6594	P	C290D3/T1 C290D2/T1	SA753NE US Prop of Connecticut	
182F "Skylane"	L	O-470-L (TCM)	P4357483-01	D3A36C435/80VEA-0	80.0	78.0	30		10.8		33.9	D-7510-1	P	C290D3/T1 C290D2/T1	SA00819CH McCauley PL60228	136
182F "Skylane"	L	O-470-R (TCM)	OBSOLETE	2A36C1-U/90M-8	82.0	80.0	36		10.5		22.0			C290D3/T1 C290D2/T1		1
182F "Skylane"	L	O-470-R (TCM)	OBSOLETE	2A36C18/90M-8	82.0	80.0	36		10.5		22.0			C290D3/T1 C290D2/T1		1
182F "Skylane"	L	O-470-R (TCM)	OBSOLETE	2A36C29/90M-8	82.0	80.0	36		10.5		22.0			C290D3/T1 C290D2/T1		1

Constant Speed Propeller Applications

Aircraft Model	T Y P E	Engine Model (Make)	Propeller Part Number	Propeller Model	Max Dia	Min Dia	Ref Sta	Rev Angle	Low or Flight Idle Angle	Latch or Start Locks Angle	High or Feather Angle	Spinner Assembly P/N	S p i n n e r	Governor Model	STC Number STC Holder STC Kit P/N	N o t e s
182F "Skylane"	L	O-470-R (TCM)	OBSOLETE	2A34C50/90A-8	82.0	80.0	36		10.5		22.0			C290D3/T1 C290D2/T1		1
182F "Skylane"	L	O-470-R (TCM)	OBSOLETE	2A34C66/90AT-8	82.0	80.0	36		10.5		22.0			C290D3/T1 C290D2/T1		1
182F "Skylane"	L	O-470-R (TCM)	P2017294-51	2A34C201/90DA-8	82.0	80.0	30		13.0		24.5			C290D3/T1 C290D2/T1	SA2253CE Northwest	
182F "Skylane"	A F	O-470-R (TCM)	P2033909-57	2A34C203/90DCA-2	88.0	86.5	30		10.0		24.5	D-7519-1	P	C290D3/T1 C290D2/T1	SA01033CH McCauley PL60289	136
182F "Skylane"	L	O-470-R (TCM)	P2033909-56	2A34C203/90DCA-8	82.0	80.5	30		12.5		25.0			C290D3/T1 C290D2/T1		21
182F "Skylane"	L	O-470-R (TCM)	P2033909-56	2A34C203/90DCA-8	82.0	80.5	30		12.5		25.0	D-7519-1	P	C290D3/T1 C290D2/T1	SA01033CH McCauley PL60287	136
182F "Skylane"	L	O-470-R (TCM)	P2033909-51	2A34C203/90DCA-8	82.0	80.5	30		12.5		25.0			C290D3/T1 C290D2/T1	SA2253CE Northwest	
182F "Skylane"	L	O-470-R (TCM)	P2033909-51	2A34C203/90DCA-8	82.0	80.5	30		12.5		25.0			C290D3/T1 C290D2/T1	SA5882SW US Prop of Connecticut	
182F "Skylane"	L	O-470-R (TCM)	P2033909-51 P2033909-56	2A34C203/90DCA-8	82.0	80.5	30		12.5		25.0			C290D3/T1 C290D2/T1	SA3238NM American	
182F "Skylane"	L	O-470-R (TCM)		C2A34C204/90DCB-8	82.0	80.5	30		12.5		25.0			C290D3/T1 C290D2/T1	SA2253CE Northwest	
182F "Skylane"		O-470-R (TCM)	P4114808-02	D3A32C411/82NDA-2	80.0	78.0	30		11.0		25.6	D-6594	P	C290D3/T1 C290D2/T1	SA753NE US Prop of Connecticut	
182F "Skylane"	L	O-470-R (TCM)	P4114808-02	D3A32C411/82NDA-2	80.0	78.0	30		11.0		25.6	D-6594	P	C290D3/T1 C290D2/T1	SA00054WI P.Ponk	
182F "Skylane"	L	O-470-R (TCM)	P4357483-01	D3A36C435/80VEA-0	80.0	78.0	30		10.8		33.9	D-7510-1	P	C290D3/T1 C290D2/T1	SA00819CH McCauley PL60228	136
182F "Skylane"		O-470-R (STC)	P2033909-55	2A34C203/90DCA-8	82.0	80.5	30		12.5		29.0				SA1598CE Air Plains	
182F "Skylane"		O-470-S (STC)	P2033909-55	2A34C203/90DCA-8	82.0	80.5	30		12.5		29.0				SA1598CE Air Plains	
182F "Skylane"		O-470-U (TCM)	P2043909-52	C2A34C204/90DCB-8	82.0	80.5	30		15.0		29.4			C290D3/T14	SA8842SW Texas Skyways	
182F "Skylane"		O-470-U (STC)	P2043909-55	C2A34C204/90DCB-8	82.0	80.5	30		14.5		31.0	D-7519-1 D-7519-2	P S	C290D3/T1	SA01581AT John Jewell	
182F "Skylane"		O-470-U-TS (STC)		C2A34C204/90DCB-8	82.0	80.5	30		10.4		29.4				SA8951SW Texas Skyways	

Constant Speed Propeller Applications

Aircraft Model	T Y P E	Engine Model (Make)	Propeller Part Number	Propeller Model	Max Dia	Min Dia	Ref Sta	Rev Angle	Low or Flight Idle Angle	Latch or Start Locks Angle	High or Feather Angle	Spinner Assembly P/N	S p i n n e r	Governor Model	STC Number STC Holder STC Kit P/N	N o t e s
182F "Skylane"		O-470-50 (STC)	OBSOLETE	D2A34C58/90AT-8	82.0	80.5	36		9.5		25.8				SA02092SE P.Ponk	
182F "Skylane"		O-470-50 (STC)	OBSOLETE	2A34C66/90AT-8	82.0	80.5	36		9.5		25.8				SA02092SE P.Ponk	1
182F "Skylane"		O-470-50 (STC)	P2306949-53	D2A37C230/90REB-8	82.0	80.0	30		12.0		28.3				SA02092SE P.Ponk	
182F "Skylane"		O-470-50 (STC)	OBSOLETE	D3A32C90/82NC-2	80.0	74.0	30		10.4		28.0				SA02092SE P.Ponk	
182F "Skylane"		O-470-50 (STC)	P4014808-04	D3A34C401/90DFA-10	80.0	76.0	30		10.4		28.5				SA02092SE P.Ponk	
182F "Skylane"		IO-470-F (STC)	OBSOLETE	2A34C50/90A-8	82.0	80.0	36		10.5		22.0				SA3825SW Peterson	1
182F "Skylane"		IO-470-F (STC)	OBSOLETE	D2A34C58/90AT-8	82.0	80.5	36		9.2		22.0				SA3825SW Peterson	1
182F "Skylane"		IO-470-F (STC)	OBSOLETE	2A34C66/90AT-8	82.0	80.0	36		10.5		22.0				SA3825SW Peterson	1
182F "Skylane"		O-520-F-TS (STC)		B2A37C238/90REA-4	86.0	84.5	30		10.9		29.5				SA09558SC Texas Skyways	
182F "Skylane"		O-520-F-TS (STC)	P4014808-04	D3A34C401/90DFA-10	80.0	76.0	30		10.4		28.5	D-6594 D-3867-1	P P		SA09026SC Texas Skyways	132
182F "Skylane"		O-520-U-TS (STC)	P4014808-04	D3A34C401/90DFA-10	80.0	76.0	30		10.4		28.5	D-6594 D-3867-1	P P		SA09026SC Texas Skyways	132
182F "Skylane"		IO-520-D (TCM)	P4014808-04	D3A34C401/90DFA-10	80.0	78.0	30		10.4		28.5	D-6594 D-7515	P P	C290D3/T9	SA01302AT John Jewell	
182F "Skylane"		IO-520 series (TCM)	P4014808-09	D3A34C401/90DFA-2	88.0	86.0	30		10.0		28.5	D-3867 D-3669	S S		SA00727W1 Air Plains	88 132
182F "Skylane"		IO-520 series (TCM)	P4014808-12	D3A34C401/90DFA-4	86.0	84.0	30		10.0		28.0	D-3867 D-3669	S S		SA00727W1 Air Plains	84 132
182F "Skylane"		IO-520 series (TCM)	P4014808-13	D3A34C401/90DFA-6	84.0	82.0	30		10.0		28.0	D-3867 D-3669	S S		SA00727W1 Air Plains	132
182F "Skylane"		IO-520 series (TCM)	P4014808-14	D3A34C401/90DFA-8	82.0	80.0	30		10.4		28.5	D-3867 D-3669	S S		SA00727W1 Air Plains	132
182F "Skylane"		IO-520 series (TCM)	P4014808-04	D3A34C401/90DFA-10	80.0	80.0	30		10.4		28.5	D-3867 D-3669	S S		SA00727W1 Air Plains	89 132
182F "Skylane"		O-550-F-TS (STC)		B2A37C238/90REA-4	86.0	84.5	30		10.9		29.5				SA09558SC Texas Skyways	
182F "Skylane"		O-550-F-TS (STC)		D3A34C401/90DFA-10	80.0	76.0	30		10.0		28.5	D-6594	P		SA09133SC Texas Skyways	

Constant Speed Propeller Applications

Aircraft Model	T Y P E	Engine Model (Make)	Propeller Part Number	Propeller Model	Max Dia	Min Dia	Ref Sta	Rev Angle	Low or Flight Idle Angle	Latch or Start Locks Angle	High or Feather Angle	Spinner Assembly P/N	S p i n n e r	Governor Model	STC Number STC Holder STC Kit P/N	N o t e s
182F "Skylane"		IO-550-D (TCM)	P4014808-11	D3A34C401/90DFA-8	82.0	80.0	30		11.2		28.5	D-7510-1	P	C290D3/T1	SA3825SW Peterson	126
182F "Skylane"	L	IO-550-D (TCM)	P4014808-05	D3A34C401/90DFA-10	80.0	78.0	30		11.2		28.5	D-6594 D-7515	P P	C290D3/T5	SA01218AT John Jewell	
182F "Skylane"		IO-550 series (TCM)	P4014808-09	D3A34C401/90DFA-2	88.0	86.0	30		10.0		28.5	D-3867 D-3669	S S		SA00727WI Air Plains	88 132
182F "Skylane"		IO-550 series (TCM)	P4014808-12	D3A34C401/90DFA-4	86.0	84.0	30		10.0		28.0	D-3867 D-3669	S S		SA00727WI Air Plains	84 132
182F "Skylane"		IO-550 series (TCM)	P4014808-13	D3A34C401/90DFA-6	84.0	82.0	30		10.0		28.0	D-3867 D-3669	S S		SA00727WI Air Plains	90 132
182F "Skylane"		IO-550 series (TCM)	P4014808-14	D3A34C401/90DFA-8	82.0	80.0	30		10.4		28.5	D-3867 D-3669	S S		SA00727WI Air Plains	132
182F "Skylane"		IO-550 series (TCM)	P4014808-04	D3A34C401/90DFA-10	80.0	80.0	30		10.4		28.5	D-3867 D-3669	S S		SA00727WI Air Plains	89 132
182G "Skylane"	L	O-470-L (TCM)	OBSOLETE	2A36C1-U/90M-8	82.0	80.0	36		10.5		22.0			C290D3/T1 C290D2/T1		1
182G "Skylane"	L	O-470-L (TCM)	OBSOLETE	2A36C18/90M-8	82.0	80.0	36		10.5		22.0			C290D3/T1 C290D2/T1		1
182G "Skylane"	L	O-470-L (TCM)	OBSOLETE	2A36C29/90M-8	82.0	80.0	36		10.5		22.0			C290D3/T1 C290D2/T1		1
182G "Skylane"	L	O-470-L (TCM)	OBSOLETE	2A34C50/90A-8	82.0	80.0	36		10.5		22.0			C290D3/T1 C290D2/T1		1
182G "Skylane"	L	O-470-L (TCM)	OBSOLETE	2A34C66/90AT-8	82.0	80.0	36		10.5		22.0			C290D3/T1 C290D2/T1		1
182G "Skylane"	L	O-470-L (TCM)	P2017294-51	2A34C201/90DA-8	82.0	80.0	30		13.0		24.5			C290D3/T1 C290D2/T1	SA2253CE Northwest	
182G "Skylane"	A F	O-470-L (TCM)	P2033909-57	2A34C203/90DCA-2	88.0	86.5	30		10.0		24.5	D-7519-1	P	C290D3/T1 C290D2/T1	SA01033CH McCauley PL60289	136
182G "Skylane"	L	O-470-L (TCM)	P2033909-56	2A34C203/90DCA-8	82.0	80.5	30		12.5		25.0			C290D3/T1 C290D2/T1		21
182G "Skylane"	L	O-470-L (TCM)	P2033909-56	2A34C203/90DCA-8	82.0	80.5	30		12.5		25.0	D-7519-1	P	C290D3/T1 C290D2/T1	SA01033CH McCauley PL60287	136
182G "Skylane"	L	O-470-L (TCM)	P2033909-51	2A34C203/90DCA-8	82.0	80.5	30		12.5		25.0			C290D3/T1 C290D2/T1	SA2253CE Northwest	
182G "Skylane"	L	O-470-L (TCM)	P2033909-51	2A34C203/90DCA-8	82.0	80.5	30		12.5		25.0			C290D3/T1 C290D2/T1	SA5882SW US Prop of Connecticut	
182G "Skylane"	L	O-470-L (TCM)	P2033909-51 P2033909-56	2A34C203/90DCA-8	82.0	80.5	30		12.5		25.0			C290D3/T1 C290D2/T1	SA3238NM American	
182G "Skylane"	L	O-470-L (TCM)		C2A34C204/90DCB-8	82.0	80.5	30		12.5		25.0			C290D3/T1 C290D2/T1	SA2253CE Northwest	

Constant Speed Propeller Applications

Aircraft Model	T Y P E	Engine Model (Make)	Propeller Part Number	Propeller Model	Max Dia	Min Dia	Ref Sta	Rev Angle	Low or Flight Idle Angle	Latch or Start Locks Angle	High or Feather Angle	Spinner Assembly P/N	S p i n n e r	Governor Model	STC Number STC Holder STC Kit P/N	N o t e s
182G "Skylane"		O-470-L (TCM)	P4114808-02	D3A32C411/82NDA-2	80.0	78.0	30		11.0		25.6	D-6594	P	C290D3/T1 C290D2/T1	SA753NE US Prop of Connecticut	
182G "Skylane"	L	O-470-L (TCM)	P4357483-01	D3A36C435/80VEA-0	80.0	78.0	30		10.8		33.9	D-7510-1	P	C290D3/T1 C290D2/T1	SA00819CH McCauley PL60228	136
182G "Skylane"	L	O-470-R (TCM)	OBSOLETE	2A36C1-U/90M-8	82.0	80.0	36		10.5		22.0			C290D3/T1 C290D2/T1		1
182G "Skylane"	L	O-470-R (TCM)	OBSOLETE	2A36C18/90M-8	82.0	80.0	36		10.5		22.0			C290D3/T1 C290D2/T1		1
182G "Skylane"	L	O-470-R (TCM)	OBSOLETE	2A36C29/90M-8	82.0	80.0	36		10.5		22.0			C290D3/T1 C290D2/T1		1
182G "Skylane"	L	O-470-R (TCM)	OBSOLETE	2A34C50/90A-8	82.0	80.0	36		10.5		22.0			C290D3/T1 C290D2/T1		1
182G "Skylane"	L	O-470-R (TCM)	OBSOLETE	2A34C66/90AT-8	82.0	80.0	36		10.5		22.0			C290D3/T1 C290D2/T1		1
182G "Skylane"	L	O-470-R (TCM)	P2017294-51	2A34C201/90DA-8	82.0	80.0	30		13.0		24.5			C290D3/T1 C290D2/T1	SA2253CE Northwest	
182G "Skylane"	A F	O-470-R (TCM)	P2033909-57	2A34C203/90DCA-2	88.0	86.5	30		10.0		24.5	D-7519-1	P	C290D3/T1 C290D2/T1	SA01033CH McCauley PL60289	136
182G "Skylane"	L	O-470-R (TCM)	P2033909-56	2A34C203/90DCA-8	82.0	80.5	30		12.5		25.0			C290D3/T1 C290D2/T1		21
182G "Skylane"	L	O-470-R (TCM)	P2033909-51	2A34C203/90DCA-8	82.0	80.5	30		12.5		25.0			C290D3/T1 C290D2/T1	SA2253CE Northwest	
182G "Skylane"	L	O-470-R (TCM)	P2033909-51	2A34C203/90DCA-8	82.0	80.5	30		12.5		25.0			C290D3/T1 C290D2/T1	SA5882SW US Prop of Connecticut	
182G "Skylane"	L	O-470-R (TCM)	P2033909-51 P2033909-56	2A34C203/90DCA-8	82.0	80.5	30		12.5		25.0			C290D3/T1 C290D2/T1	SA3238NM American	
182G "Skylane"	L	O-470-R (TCM)		C2A34C204/90DCB-8	82.0	80.5	30		12.5		25.0			C290D3/T1 C290D2/T1	SA2253CE Northwest	
182G "Skylane"		O-470-R (TCM)	P4114808-02	D3A32C411/82NDA-2	80.0	78.0	30		11.0		25.6	D-6594	P	C290D3/T1 C290D2/T1	SA753NE US Prop of Connecticut	
182G "Skylane"	L	O-470-R (TCM)	P4114808-02	D3A32C411/82NDA-2	80.0	78.0	30		11.0		25.6	D-6594	P	C290D3/T1 C290D2/T1	SA00054W1 P_Ponk	
182G "Skylane"	L	O-470-R (TCM)	P4357483-01	D3A36C435/80VEA-0	80.0	78.0	30		10.8		33.9	D-7510-1	P	C290D3/T1 C290D2/T1	SA00819CH McCauley PL60228	136
182G "Skylane"		O-470-R (STC)	P2033909-55	2A34C203/90DCA-8	82.0	80.5	30		12.5		29.0				SA1598CE Air Plains	
182G "Skylane"		O-470-S (STC)	P2033909-55	2A34C203/90DCA-8	82.0	80.5	30		12.5		29.0				SA1598CE Air Plains	

Constant Speed Propeller Applications

Aircraft Model	T Y P E	Engine Model (Make)	Propeller Part Number	Propeller Model	Max Dia	Min Dia	Ref Sta	Rev Angle	Low or Flight Idle Angle	Latch or Start Locks Angle	High or Feather Angle	Spinner Assembly P/N	S p i n n e r	Governor Model	STC Number STC Holder STC Kit P/N	N o t e s
182G "Skylane"		O-470-U (TCM)	P2043909-52	C2A34C204/90DCB-8	82.0	80.5	30		15.0		29.4			C290D3/T14	SA8842SW Texas Skyways	
182G "Skylane"		O-470-U (TCM)		C2A34C204/90DCB-8	82.0		30								SA5035NM Airizona Air-Craftsman	
182G "Skylane"		O-470-U (STC)	P2043909-55	C2A34C204/90DCB-8	82.0	80.5	30		14.5		31.0	D-7519-1 D-7519-2	P S	C290D3/T1	SA01581AT John Jewell	
182G "Skylane"		O-470-U-TS (STC)		C2A34C204/90DCB-8	82.0	80.5	30		10.4		29.4				SA8951SW Texas Skyways	
182G "Skylane"		O-470-50 (STC)	OBSOLETE	D2A34C58/90AT-8	82.0	80.5	36		9.5		25.8				SA02092SE P.Ponk	
182G "Skylane"		O-470-50 (STC)	OBSOLETE	2A34C66/90AT-8	82.0	80.5	36		9.5		25.8				SA02092SE P.Ponk	1
182G "Skylane"		O-470-50 (STC)	P2306949-53	D2A37C230/90REB-8	82.0	80.0	30		12.0		28.3				SA02092SE P.Ponk	
182G "Skylane"		O-470-50 (STC)	OBSOLETE	D3A32C90/82NC-2	80.0	74.0	30		10.4		28.0				SA02092SE P.Ponk	
182G "Skylane"		O-470-50 (STC)	P4014808-04	D3A34C401/90DFA-10	80.0	76.0	30		10.4		28.5				SA02092SE P.Ponk	
182G "Skylane"		IO-470-F (STC)	OBSOLETE	2A34C50/90A-8	82.0	80.0	36		10.5		22.0				SA3825SW Peterson	1
182G "Skylane"		IO-470-F (STC)	OBSOLETE	D2A34C58/90AT-8	82.0	80.5	36		9.2		22.0				SA3825SW Peterson	1
182G "Skylane"		IO-470-F (STC)	OBSOLETE	2A34C66/90AT-8	82.0	80.0	36		10.5		22.0				SA3825SW Peterson	1
182G "Skylane"		O-520-F-TS (STC)		B2A37C238/90REA-4	86.0	84.5	30		10.9		29.5				SA09558SC Texas Skyways	
182G "Skylane"		O-520-F-TS (STC)	P4014808-04	D3A34C401/90DFA-10	80.0	76.0	30		10.4		28.5	D-6594 D-3867-1	P P		SA09026SC Texas Skyways	132
182G "Skylane"		O-520-U-TS (STC)	P4014808-04	D3A34C401/90DFA-10	80.0	76.0	30		10.4		28.5	D-6594 D-3867-1	P P		SA09026SC Texas Skyways	132
182G "Skylane"		IO-520-D (TCM)	P4014808-04	D3A34C401/90DFA-10	80.0	78.0	30		10.4		28.5	D-6594 D-7515	P P	C290D3/T9	SA01302AT John Jewell	
182G "Skylane"		IO-520 series (TCM)	P4014808-09	D3A34C401/90DFA-2	88.0	86.0	30		10.0		28.5	D-3867 D-3669	S S		SA00727WI Air Plains	88 132
182G "Skylane"		IO-520 series (TCM)	P4014808-12	D3A34C401/90DFA-4	86.0	84.0	30		10.0		28.0	D-3867 D-3669	S S		SA00727WI Air Plains	84 132
182G "Skylane"		IO-520 series (TCM)	P4014808-13	D3A34C401/90DFA-6	84.0	82.0	30		10.0		28.0	D-3867 D-3669	S S		SA00727WI Air Plains	132

Constant Speed Propeller Applications

Aircraft Model	T Y P E	Engine Model (Make)	Propeller Part Number	Propeller Model	Max Dia	Min Dia	Ref Sta	Rev Angle	Low or Flight Idle Angle	Latch or Start Locks Angle	High or Feather Angle	Spinner Assembly P/N	S p i n n e r T y p e	Governor Model	STC Number STC Holder STC Kit P/N	N o t e s
182G "Skylane"		IO-520 series (TCM)	P4014808-14	D3A34C401/90DFA-8	82.0	80.0	30		10.4		28.5	D-3867 D-3669	S S		SA00727WI Air Plains	132
182G "Skylane"		IO-520 series (TCM)	P4014808-04	D3A34C401/90DFA-10	80.0	80.0	30		10.4		28.5	D-3867 D-3669	S S		SA00727WI Air Plains	89 132
182G "Skylane"		O-550-F-TS (STC)		B2A37C238/90REA-4	86.0	84.5	30		10.9		29.5				SA09558SC Texas Skyways	
182G "Skylane"		O-550-F-TS (STC)		D3A34C401/90DFA-10	80.0	76.0	30		10.0		28.5	D-6594	P		SA09133SC Texas Skyways	
182G "Skylane"		IO-550-D (TCM)	P4014808-11	D3A34C401/90DFA-8	82.0	80.0	30		11.2		28.5	D-7510-1	P	C290D3/T1	SA3825SW Peterson	126
182G "Skylane"	L	IO-550-D (TCM)	P4014808-05	D3A34C401/90DFA-10	80.0	78.0	30		11.2		28.5	D-6594 D-7515	P P	C290D3/T5	SA01218AT John Jewell	
182G "Skylane"		IO-550 series (TCM)	P4014808-09	D3A34C401/90DFA-2	88.0	86.0	30		10.0		28.5	D-3867 D-3669	S S		SA00727WI Air Plains	88 132
182G "Skylane"		IO-550 series (TCM)	P4014808-12	D3A34C401/90DFA-4	86.0	84.0	30		10.0		28.0	D-3867 D-3669	S S		SA00727WI Air Plains	84 132
182G "Skylane"		IO-550 series (TCM)	P4014808-13	D3A34C401/90DFA-6	84.0	82.0	30		10.0		28.0	D-3867 D-3669	S S		SA00727WI Air Plains	90 132
182G "Skylane"		IO-550 series (TCM)	P4014808-14	D3A34C401/90DFA-8	82.0	80.0	30		10.4		28.5	D-3867 D-3669	S S		SA00727WI Air Plains	132
182G "Skylane"		IO-550 series (TCM)	P4014808-04	D3A34C401/90DFA-10	80.0	80.0	30		10.4		28.5	D-3867 D-3669	S S		SA00727WI Air Plains	89 132
182H "Skylane"	L	O-470-R (TCM)	OBSOLETE	2A34C66/90AT-8	82.0	80.0	36		10.5		22.0			C290D3/T1 C290D2/T1		1
182H "Skylane"	L	O-470-R (TCM)	P2017294-51	2A34C201/90DA-8	82.0	80.0	30		13.0		24.5			C290D3/T1 C290D2/T1	SA2253CE Northwest	
182H "Skylane"	L	O-470-R (TCM)	P2033909-56	2A34C203/90DCA-8	82.0	80.5	30		12.5		25.0			C290D3/T1 C290D2/T1		21
182H "Skylane"	L	O-470-R (TCM)	P2033909-56	2A34C203/90DCA-8	82.0	80.5	30		12.5		25.0	D-7520	P	C290D3/T1 C290D2/T1	SA01033CH McCaughey PL60288	
182H "Skylane"	L	O-470-R (TCM)	P2033909-51	2A34C203/90DCA-8	82.0	80.5	30		12.5		25.0			C290D3/T1 C290D2/T1	SA2253CE Northwest	
182H "Skylane"	L	O-470-R (TCM)	P2033909-51	2A34C203/90DCA-8	82.0	80.5	30		12.5		25.0			C290D3/T1 C290D2/T1	SA5882SW US Prop of Connecticut	
182H "Skylane"	L	O-470-R (TCM)	P2033909-51 P2033909-56	2A34C203/90DCA-8	82.0	80.5	30		12.5		25.0			C290D3/T1 C290D2/T1	SA3238NM American	
182H "Skylane"	L	O-470-R (TCM)		C2A34C204/90DCB-8	82.0	80.5	30		12.5		25.0			C290D3/T1 C290D2/T1	SA2253CE Northwest	

Constant Speed Propeller Applications

Aircraft Model	T Y P E	Engine Model (Make)	Propeller Part Number	Propeller Model	Max Dia	Min Dia	Ref Sta	Rev Angle	Low or Flight Idle Angle	Latch or Start Locks Angle	High or Feather Angle	Spinner Assembly P/N	S p i n n e r	Governor Model	STC Number STC Holder STC Kit P/N	N o t e s
182H "Skylane"		O-470-R (TCM)	P4114808-02	D3A32C411/82NDA-2	80.0	78.0	30		11.0		25.6	D-6594	P	C290D3/T1 C290D2/T1	SA753NE US Prop of Connecticut	
182H "Skylane"	L	O-470-R (TCM)	P4114808-02	D3A32C411/82NDA-2	80.0	78.0	30		11.0		25.6	D-6594	P	C290D3/T1 C290D2/T1	SA00054W1 P.Ponk	
182H "Skylane"	L	O-470-R (TCM)	P4357483-01	D3A36C435/80VEA-0	80.0	78.0	30		10.8		33.9	D-7515	P	C290D3/T1 C290D2/T1	SA00819CH McCauley PL60232	141
182H "Skylane"		O-470-R (STC)	OBSOLETE	2A34C66/90AT-8	82.0	80.0	30		13.0		28.4				SA1598CE Air Plains	1
182H "Skylane"		O-470-R (STC)	P2033909-55	2A34C203/90DCA-8	82.0	80.5	30		12.5		29.0				SA1598CE Air Plains	
182H "Skylane"		O-470-R (STC)	P4114808-04	D3A32C411/82NDA-2	80.0	77.0	30		11.0		29.0				SA1598CE Air Plains	
182H "Skylane"		O-470-S (STC)	OBSOLETE	2A34C66/90AT-8	82.0	80.0	30		13.0		28.4				SA1598CE Air Plains	1
182H "Skylane"		O-470-S (STC)	P2033909-55	2A34C203/90DCA-8	82.0	80.5	30		12.5		29.0				SA1598CE Air Plains	
182H "Skylane"		O-470-S (STC)	P4114808-04	D3A32C411/82NDA-2	80.0	77.0	30		11.0		29.0				SA1598CE Air Plains	
182H "Skylane"		O-470-U (TCM)	P2043909-52	C2A34C204/90DCB-8	82.0	80.5	30		15.0		29.4			C290D3/T14	SA8842SW Texas Skyways	
182H "Skylane"		O-470-U (TCM)		C2A34C204/90DCB-8	82.0		30								SA5035NM Airizona Air-Craftsman	
182H "Skylane"		O-470-U (STC)	P2043909-55	C2A34C204/90DCB-8	82.0	80.5	30		14.5		31.0	D-7520	P	C290D3/T1	SA01581AT John Jewell	
182H "Skylane"		O-470-U-TS (STC)		C2A34C204/90DCB-8	82.0	80.5	30		10.4		29.4				SA8951SW Texas Skyways	
182H "Skylane"		O-470-50 (STC)	OBSOLETE	D2A34C58/90AT-8	82.0	80.5	36		9.5		25.8				SA5664NM P. Ponk	1
182H "Skylane"		O-470-50 (STC)	OBSOLETE	2A34C66/90AT-8	82.0	80.5	36		9.5		25.8				SA5664NM P. Ponk	1
182H "Skylane"		O-470-50 (STC)	OBSOLETE	D3A32C90/82NC-2	80.0		30					D-6594			SA5664NM P. Ponk	1
182H "Skylane"		O-470-50 (STC)	P2306949-60	D2A37C230/90REB-8	82.0	80.0	30		12.8		28.3				SA5664NM P. Ponk	
182H "Skylane"		O-470-50 (STC)	P4014808-04	D3A34C401/90DFA-10	80.0	78.0	30		10.4		28.0	D-6594	P		SA5664NM P. Ponk	150
182H "Skylane"		IO-470-F (STC)	OBSOLETE	2A34C50/90A-8	82.0	80.0	36		10.5		22.0				SA3825SW Peterson	1

Constant Speed Propeller Applications

Aircraft Model	T Y P E	Engine Model (Make)	Propeller Part Number	Propeller Model	Max Dia	Min Dia	Ref Sta	Rev Angle	Low or Flight Idle Angle	Latch or Start Locks Angle	High or Feather Angle	Spinner Assembly P/N	S p i n n e r	Governor Model	STC Number STC Holder STC Kit P/N	N o t e s
182H "Skylane"		IO-470-F (STC)	OBSOLETE	D2A34C58/90AT-8	82.0	80.5	36		9.2		22.0				SA3825SW Peterson	1
182H "Skylane"		IO-470-F (STC)	OBSOLETE	2A34C66/90AT-8	82.0	80.0	36		10.5		22.0				SA3825SW Peterson	1
182H "Skylane"		O-520-F-TS (STC)		B2A37C238/90REA-4	86.0	84.5	30		10.9		29.5				SA09558SC Texas Skyways	
182H "Skylane"		O-520-F-TS (STC)	P4014808-04	D3A34C401/90DFA-10	80.0	76.0	30		10.4		28.5	D-6594	P		SA09026SC Texas Skyways	
182H "Skylane"		O-520-U-TS (STC)	P4014808-04	D3A34C401/90DFA-10	80.0	76.0	30		10.4		28.5	D-6594	P		SA09026SC Texas Skyways	
182H "Skylane"		IO-520-D (TCM)	OBSOLETE	D2A34C58/90AT-8	82.0	80.5	36		9.5		25.8				SA461NW P. Ponk	1
182H "Skylane"		IO-520-D (TCM)	OBSOLETE	D3A32C90/82NC-2	80.0	74.0	30		10.4		28.0				SA461NW P. Ponk	1
182H "Skylane"		IO-520-D (TCM)	P4014808-04	D3A34C401/90DFA-10	80.0	78.0	30		10.4		28.5	D-6594 D-7515	P P	C290D3/T9	SA01302AT John Jewell	
182H "Skylane"		IO-520 series (TCM)	P4014808-09	D3A34C401/90DFA-2	88.0	86.0	30		10.0		28.5	D-6594	P		SA00727WI Air Plains	88
182H "Skylane"		IO-520 series (TCM)	P4014808-12	D3A34C401/90DFA-4	86.0	84.0	30		10.0		28.0	D-6594	P		SA00727WI Air Plains	84
182H "Skylane"		IO-520 series (TCM)	P4014808-13	D3A34C401/90DFA-6	84.0	82.0	30		10.0		28.0	D-6594	P		SA00727WI Air Plains	
182H "Skylane"		IO-520 series (TCM)	P4014808-14	D3A34C401/90DFA-8	82.0	80.0	30		10.4		28.5	D-6594	P		SA00727WI Air Plains	
182H "Skylane"		IO-520 series (TCM)	P4014808-04	D3A34C401/90DFA-10	80.0	80.0	30		10.4		28.5	D-6594	P		SA00727WI Air Plains	89
182H "Skylane"		O-550-F-TS (STC)		B2A37C238/90REA-4	86.0	84.5	30		10.9		29.5				SA09558SC Texas Skyways	
182H "Skylane"		O-550-F-TS (STC)		D3A34C401/90DFA-10	80.0	76.0	30		10.0		28.5	D-6594	P		SA09133SC Texas Skyways	
182H "Skylane"		IO-550-D (TCM)	P4014808-11	D3A34C401/90DFA-8	82.0	80.0	30		11.2		28.5	D-7515	P	C290D3/T1	SA3825SW Peterson	126
182H "Skylane"	L	IO-550-D (TCM)	P4014808-05	D3A34C401/90DFA-10	80.0	78.0	30		11.2		28.5	D-6594 D-7515	P P	C290D3/T5	SA01218AT John Jewell	
182H "Skylane"		IO-550 series (TCM)	P4014808-09	D3A34C401/90DFA-2	88.0	86.0	30		10.0		28.5	D-6594	P		SA00727WI Air Plains	88
182H "Skylane"		IO-550 series (TCM)	P4014808-12	D3A34C401/90DFA-4	86.0	84.0	30		10.0		28.0	D-6594	P		SA00727WI Air Plains	84

Constant Speed Propeller Applications

Aircraft Model	T Y P E	Engine Model (Make)	Propeller Part Number	Propeller Model	Max Dia	Min Dia	Ref Sta	Rev Angle	Low or Flight Idle Angle	Latch or Start Locks Angle	High or Feather Angle	Spinner Assembly P/N	S p i n n e r	Governor Model	STC Number STC Holder STC Kit P/N	N o t e s
182H "Skylane"		IO-550 series (TCM)	P4014808-13	D3A34C401/90DFA-6	84.0	82.0	30		10.0		28.0	D-6594	P		SA00727WI Air Plains	90
182H "Skylane"		IO-550 series (TCM)	P4014808-14	D3A34C401/90DFA-8	82.0	80.0	30		10.4		28.5	D-6594	P		SA00727WI Air Plains	
182H "Skylane"		IO-550 series (TCM)	P4014808-04	D3A34C401/90DFA-10	80.0	80.0	30		10.4		28.5	D-6594	P		SA00727WI Air Plains	89
182J "Skylane"	L	O-470-R (TCM)	OBSOLETE	2A34C66/90AT-8	82.0	80.0	36		10.5		22.0			C290D3/T1 C290D2/T1		1
182J "Skylane"	L	O-470-R (TCM)	P2017294-51	2A34C201/90DA-8	82.0	80.0	30		13.0		24.5			C290D3/T1 C290D2/T1	SA2253CE Northwest	
182J "Skylane"	L	O-470-R (TCM)	P2033909-56	2A34C203/90DCA-8	82.0	80.5	30		12.5		25.0			C290D3/T1 C290D2/T1		21
182J "Skylane"	L	O-470-R (TCM)	P2033909-56	2A34C203/90DCA-8	82.0	80.5	30		12.5		25.0	D-7520	P	C290D3/T1 C290D2/T1	SA01033CH McCauley PL60288	
182J "Skylane"	L	O-470-R (TCM)	P2033909-51	2A34C203/90DCA-8	82.0	80.5	30		12.5		25.0			C290D3/T1 C290D2/T1	SA2253CE Northwest	
182J "Skylane"	L	O-470-R (TCM)	P2033909-51	2A34C203/90DCA-8	82.0	80.5	30		12.5		25.0			C290D3/T1 C290D2/T1	SA5882SW US Prop of Connecticut	
182J "Skylane"	L	O-470-R (TCM)	P2033909-51 P2033909-56	2A34C203/90DCA-8	82.0	80.5	30		12.5		25.0			C290D3/T1 C290D2/T1	SA3238NM American	
182J "Skylane"	L	O-470-R (TCM)		C2A34C204/90DCB-8	82.0	80.5	30		12.5		25.0			C290D3/T1 C290D2/T1	SA2253CE Northwest	
182J "Skylane"		O-470-R (TCM)	P4114808-02	D3A32C411/82NDA-2	80.0	78.0	30		11.0		25.6	D-6594	P	C290D3/T1 C290D2/T1	SA753NE US Prop of Connecticut	
182J "Skylane"	L	O-470-R (TCM)	P4114808-02	D3A32C411/82NDA-2	80.0	78.0	30		11.0		25.6	D-6594	P	C290D3/T1 C290D2/T1	SA00054WI P.Ponk	
182J "Skylane"	L	O-470-R (TCM)	P4357483-01	D3A36C435/80VEA-0	80.0	78.0	30		10.8		33.9	D-7515	P	C290D3/T1 C290D2/T1	SA00819CH McCauley PL60232	141
182J "Skylane"		O-470-R (STC)	OBSOLETE	2A34C66/90AT-8	82.0	80.0	30		13.0		28.4				SA1598CE Air Plains	1
182J "Skylane"		O-470-R (STC)	P2033909-55	2A34C203/90DCA-8	82.0	80.5	30		12.5		29.0				SA1598CE Air Plains	
182J "Skylane"		O-470-R (STC)	P4114808-04	D3A32C411/82NDA-2	80.0	77.0	30		11.0		29.0				SA1598CE Air Plains	
182J "Skylane"		O-470-S (STC)	OBSOLETE	2A34C66/90AT-8	82.0	80.0	30		13.0		28.4				SA1598CE Air Plains	1
182J "Skylane"		O-470-S (STC)	P2033909-55	2A34C203/90DCA-8	82.0	80.5	30		12.5		29.0				SA1598CE Air Plains	
182J "Skylane"		O-470-S (STC)	P4114808-04	D3A32C411/82NDA-2	80.0	77.0	30		11.0		29.0				SA1598CE Air Plains	

Constant Speed Propeller Applications

Aircraft Model	T Y P E	Engine Model (Make)	Propeller Part Number	Propeller Model	Max Dia	Min Dia	Ref Sta	Rev Angle	Low or Flight Idle Angle	Latch or Start Locks Angle	High or Feather Angle	Spinner Assembly P/N	S p i n n e r	Governor Model	STC Number STC Holder STC Kit P/N	N o t e s
182J "Skylane"		O-470-U (TCM)	P2043909-52	C2A34C204/90DCB-8	82.0	80.5	30		15.0		29.4			C290D3/T14	SA8842SW Texas Skyways	
182J "Skylane"		O-470-U (TCM)		C2A34C204/90DCB-8	82.0		30								SA5035NM Airizona Air-Craftsman	
182J "Skylane"		O-470-U (STC)	P2043909-55	C2A34C204/90DCB-8	82.0	80.5	30		14.5		31.0	D-7520	P	C290D3/T1	SA01581AT John Jewell	
182J "Skylane"		O-470-U-TS (STC)		C2A34C204/90DCB-8	82.0	80.5	30		10.4		29.4				SA8951SW Texas Skyways	
182J "Skylane"		O-470-50 (STC)	OBSOLETE	D2A34C58/90AT-8	82.0	80.5	36		9.5		25.8				SA5664NM P. Ponk	1
182J "Skylane"		O-470-50 (STC)	OBSOLETE	2A34C66/90AT-8	82.0	80.5	36		9.5		25.8				SA5664NM P. Ponk	1
182J "Skylane"		O-470-50 (STC)	OBSOLETE	D3A32C90/82NC-2	80.0		30					D-6594			SA5664NM P. Ponk	1
182J "Skylane"		O-470-50 (STC)	P2306949-60	D2A37C230/90REB-8	82.0	80.0	30		12.8		28.3				SA5664NM P. Ponk	
182J "Skylane"		O-470-50 (STC)	P4014808-04	D3A34C401/90DFA-10	80.0	78.0	30		10.4		28.0	D-6594	P		SA5664NM P. Ponk	150
182J "Skylane"		IO-470-F (STC)	OBSOLETE	2A34C50/90A-8	82.0	80.0	36		10.5		22.0				SA3825SW Peterson	1
182J "Skylane"		IO-470-F (STC)	OBSOLETE	D2A34C58/90AT-8	82.0	80.5	36		9.2		22.0				SA3825SW Peterson	1
182J "Skylane"		IO-470-F (STC)	OBSOLETE	2A34C66/90AT-8	82.0	80.0	36		10.5		22.0				SA3825SW Peterson	1
182J "Skylane"		O-520-F-TS (STC)		B2A37C238/90REA-4	86.0	84.5	30		10.9		29.5				SA09558SC Texas Skyways	
182J "Skylane"		O-520-F-TS (STC)	P4014808-04	D3A34C401/90DFA-10	80.0	76.0	30		10.4		28.5	D-6594	P		SA09026SC Texas Skyways	
182J "Skylane"		O-520-U-TS (STC)	P4014808-04	D3A34C401/90DFA-10	80.0	76.0	30		10.4		28.5	D-6594	P		SA09026SC Texas Skyways	
182J "Skylane"		IO-520-D (TCM)	OBSOLETE	D2A34C58/90AT-8	82.0	80.5	36		9.5		25.8				SA461NW P. Ponk	1
182J "Skylane"		IO-520-D (TCM)	OBSOLETE	D3A32C90/82NC-2	80.0	74.0	30		10.4		28.0				SA461NW P. Ponk	1
182J "Skylane"		IO-520-D (TCM)	P4014808-04	D3A34C401/90DFA-10	80.0	78.0	30		10.4		28.5	D-6594 D-7515	P P	C290D3/T9	SA01302AT John Jewell	
182J "Skylane"		IO-520 series (TCM)	P4014808-09	D3A34C401/90DFA-2	88.0	86.0	30		10.0		28.5	D-6594	P		SA00727WI Air Plains	88

Constant Speed Propeller Applications

Aircraft Model	T Y P E	Engine Model (Make)	Propeller Part Number	Propeller Model	Max Dia	Min Dia	Ref Sta	Rev Angle	Low or Flight Idle Angle	Latch or Start Locks Angle	High or Feather Angle	Spinner Assembly P/N	S p i n n e r T y p e	Governor Model	STC Number STC Holder STC Kit P/N	N o t e s
182J "Skylane"		IO-520 series (TCM)	P4014808-12	D3A34C401/90DFA-4	86.0	84.0	30		10.0		28.0	D-6594	P		SA00727WI Air Plains	84
182J "Skylane"		IO-520 series (TCM)	P4014808-13	D3A34C401/90DFA-6	84.0	82.0	30		10.0		28.0	D-6594	P		SA00727WI Air Plains	
182J "Skylane"		IO-520 series (TCM)	P4014808-14	D3A34C401/90DFA-8	82.0	80.0	30		10.4		28.5	D-6594	P		SA00727WI Air Plains	
182J "Skylane"		IO-520 series (TCM)	P4014808-04	D3A34C401/90DFA-10	80.0	80.0	30		10.4		28.5	D-6594	P		SA00727WI Air Plains	89
182J "Skylane"		O-550-F-TS (STC)		B2A37C238/90REA-4	86.0	84.5	30		10.9		29.5				SA09558SC Texas Skyways	
182J "Skylane"		O-550-F-TS (STC)		D3A34C401/90DFA-10	80.0	76.0	30		10.0		28.5	D-6594	P		SA09133SC Texas Skyways	
182J "Skylane"		IO-550-D (TCM)	P4014808-11	D3A34C401/90DFA-8	82.0	80.0	30		11.2		28.5	D-7515	P	C290D3/T1	SA3825SW Peterson	126
182J "Skylane"	L	IO-550-D (TCM)	P4014808-05	D3A34C401/90DFA-10	80.0	78.0	30		11.2		28.5	D-6594 D-7515	P P	C290D3/T5	SA01218AT John Jewell	
182J "Skylane"		IO-550 series (TCM)	P4014808-09	D3A34C401/90DFA-2	88.0	86.0	30		10.0		28.5	D-6594	P		SA00727WI Air Plains	88
182J "Skylane"		IO-550 series (TCM)	P4014808-12	D3A34C401/90DFA-4	86.0	84.0	30		10.0		28.0	D-6594	P		SA00727WI Air Plains	84
182J "Skylane"		IO-550 series (TCM)	P4014808-13	D3A34C401/90DFA-6	84.0	82.0	30		10.0		28.0	D-6594	P		SA00727WI Air Plains	90
182J "Skylane"		IO-550 series (TCM)	P4014808-14	D3A34C401/90DFA-8	82.0	80.0	30		10.4		28.5	D-6594	P		SA00727WI Air Plains	
182J "Skylane"		IO-550 series (TCM)	P4014808-04	D3A34C401/90DFA-10	80.0	80.0	30		10.4		28.5	D-6594	P		SA00727WI Air Plains	89
182K "Skylane"	L	O-470-R (TCM)	OBSOLETE	2A34C66/90AT-8	82.0	80.0	36		10.5		22.0			C290D3/T1 C290D2/T1		1
182K "Skylane"	L	O-470-R (TCM)	P2017294-51	2A34C201/90DA-8	82.0	80.0	30		13.0		24.5			C290D3/T1 C290D2/T1	SA2253CE Northwest	
182K "Skylane"	L	O-470-R (TCM)	P2033909-56	2A34C203/90DCA-8	82.0	80.5	30		12.5		25.0			C290D3/T1 C290D2/T1		21
182K "Skylane"	L	O-470-R (TCM)	P2033909-56	2A34C203/90DCA-8	82.0	80.5	30		12.5		25.0	D-7520	P	C290D3/T1 C290D2/T1	SA01033CH McCauley PL60288	
182K "Skylane"	L	O-470-R (TCM)	P2033909-51	2A34C203/90DCA-8	82.0	80.5	30		12.5		25.0			C290D3/T1 C290D2/T1	SA2253CE Northwest	
182K "Skylane"	L	O-470-R (TCM)	P2033909-51	2A34C203/90DCA-8	82.0	80.5	30		12.5		25.0			C290D3/T1 C290D2/T1	SA5882SW US Prop of Connecticut	
182K "Skylane"	L	O-470-R (TCM)	P2033909-51 P2033909-56	2A34C203/90DCA-8	82.0	80.5	30		12.5		25.0			C290D3/T1 C290D2/T1	SA3238NM American	

Constant Speed Propeller Applications

Aircraft Model	T Y P E	Engine Model (Make)	Propeller Part Number	Propeller Model	Max Dia	Min Dia	Ref Sta	Rev Angle	Low or Flight Idle Angle	Latch or Start Locks Angle	High or Feather Angle	Spinner Assembly P/N	S p i n n e r	Governor Model	STC Number STC Holder STC Kit P/N	N o t e s
182K "Skylane"	L	O-470-R (TCM)		C2A34C204/90DCB-8	82.0	80.5	30		12.5		25.0			C290D3/T1 C290D2/T1	SA2253CE Northwest	
182K "Skylane"		O-470-R (TCM)	P4114808-02	D3A32C411/82NDA-2	80.0	78.0	30		11.0		25.6	D-6594	P	C290D3/T1 C290D2/T1	SA753NE US Prop of Connecticut	
182K "Skylane"	L	O-470-R (TCM)	P4114808-02	D3A32C411/82NDA-2	80.0	78.0	30		11.0		25.6	D-6594	P	C290D3/T1 C290D2/T1	SA00054W1 P.Ponk	
182K "Skylane"	L	O-470-R (TCM)	P4357483-01	D3A36C435/80VEA-0	80.0	78.0	30		10.8		33.9	D-7515	P	C290D3/T1 C290D2/T1	SA00819CH McCauley PL60232	141
182K "Skylane"		O-470-R (STC)	OBSOLETE	2A34C66/90AT-8	82.0	80.0	30		13.0		28.4				SA1598CE Air Plains	1
182K "Skylane"		O-470-R (STC)	P2033909-55	2A34C203/90DCA-8	82.0	80.5	30		12.5		29.0				SA1598CE Air Plains	
182K "Skylane"		O-470-R (STC)	P4114808-04	D3A32C411/82NDA-2	80.0	77.0	30		11.0		29.0				SA1598CE Air Plains	
182K "Skylane"		O-470-S (STC)	OBSOLETE	2A34C66/90AT-8	82.0	80.0	30		13.0		28.4				SA1598CE Air Plains	1
182K "Skylane"		O-470-S (STC)	P2033909-55	2A34C203/90DCA-8	82.0	80.5	30		12.5		29.0				SA1598CE Air Plains	
182K "Skylane"		O-470-S (STC)	P4114808-04	D3A32C411/82NDA-2	80.0	77.0	30		11.0		29.0				SA1598CE Air Plains	
182K "Skylane"		O-470-U (TCM)	P2043909-52	C2A34C204/90DCB-8	82.0	80.5	30		15.0		29.4			C290D3/T14	SA8842SW Texas Skyways	
182K "Skylane"		O-470-U (TCM)		C2A34C204/90DCB-8	82.0		30								SA5035NM Airizona Air-Craftsman	
182K "Skylane"		O-470-U (STC)	P2043909-55	C2A34C204/90DCB-8	82.0	80.5	30		14.5		31.0	D-7520	P	C290D3/T1	SA01581AT John Jewell	
182K "Skylane"		O-470-U-TS (STC)		C2A34C204/90DCB-8	82.0	80.5	30		10.4		29.4				SA8951SW Texas Skyways	
182K "Skylane"		O-470-50 (STC)	OBSOLETE	D2A34C58/90AT-8	82.0	80.5	36		9.5		25.8				SA5664NM P. Ponk	1
182K "Skylane"		O-470-50 (STC)	OBSOLETE	2A34C66/90AT-8	82.0	80.5	36		9.5		25.8				SA5664NM P. Ponk	1
182K "Skylane"		O-470-50 (STC)	OBSOLETE	D3A32C90/82NC-2	80.0		30					D-6594			SA5664NM P. Ponk	1
182K "Skylane"		O-470-50 (STC)	P2306949-60	D2A37C230/90REB-8	82.0	80.0	30		12.8		28.3				SA5664NM P. Ponk	
182K "Skylane"		O-470-50 (STC)	P4014808-04	D3A34C401/90DFA-10	80.0	78.0	30		10.4		28.0	D-6594	P		SA5664NM P. Ponk	150

Constant Speed Propeller Applications

Aircraft Model	T Y P E	Engine Model (Make)	Propeller Part Number	Propeller Model	Max Dia	Min Dia	Ref Sta	Rev Angle	Low or Flight Idle Angle	Latch or Start Locks Angle	High or Feather Angle	Spinner Assembly P/N	S p i n n e r	Governor Model	STC Number STC Holder STC Kit P/N	N o t e s
182K "Skylane"		IO-470-F (STC)	OBSOLETE	2A34C50/90A-8	82.0	80.0	36		10.5		22.0				SA3825SW Peterson	1
182K "Skylane"		IO-470-F (STC)	OBSOLETE	D2A34C58/90AT-8	82.0	80.5	36		9.2		22.0				SA3825SW Peterson	1
182K "Skylane"		IO-470-F (STC)	OBSOLETE	2A34C66/90AT-8	82.0	80.0	36		10.5		22.0				SA3825SW Peterson	1
182K "Skylane"		O-520-F-TS (STC)		B2A37C238/90REA-4	86.0	84.5	30		10.9		29.5				SA09558SC Texas Skyways	
182K "Skylane"		O-520-F-TS (STC)	P4014808-04	D3A34C401/90DFA-10	80.0	76.0	30		10.4		28.5	D-6594	P		SA09026SC Texas Skyways	
182K "Skylane"		O-520-U-TS (STC)	P4014808-04	D3A34C401/90DFA-10	80.0	76.0	30		10.4		28.5	D-6594	P		SA09026SC Texas Skyways	
182K "Skylane"		IO-520-D (TCM)	OBSOLETE	D2A34C58/90AT-8	82.0	80.5	36		9.5		25.8				SA461NW P. Ponk	1
182K "Skylane"		IO-520-D (TCM)	OBSOLETE	D3A32C90/82NC-2	80.0	74.0	30		10.4		28.0				SA461NW P. Ponk	1
182K "Skylane"		IO-520-D (TCM)	P4014808-04	D3A34C401/90DFA-10	80.0	78.0	30		10.4		28.5	D-6594 D-7515	P P	C290D3/T9	SA01302AT John Jewell	
182K "Skylane"		IO-520 series (TCM)	P4014808-09	D3A34C401/90DFA-2	88.0	86.0	30		10.0		28.5	D-6594	P		SA00727WI Air Plains	88
182K "Skylane"		IO-520 series (TCM)	P4014808-12	D3A34C401/90DFA-4	86.0	84.0	30		10.0		28.0	D-6594	P		SA00727WI Air Plains	84
182K "Skylane"		IO-520 series (TCM)	P4014808-13	D3A34C401/90DFA-6	84.0	82.0	30		10.0		28.0	D-6594	P		SA00727WI Air Plains	
182K "Skylane"		IO-520 series (TCM)	P4014808-14	D3A34C401/90DFA-8	82.0	80.0	30		10.4		28.5	D-6594	P		SA00727WI Air Plains	
182K "Skylane"		IO-520 series (TCM)	P4014808-04	D3A34C401/90DFA-10	80.0	80.0	30		10.4		28.5	D-6594	P		SA00727WI Air Plains	89
182K "Skylane"		O-550-F-TS (STC)		B2A37C238/90REA-4	86.0	84.5	30		10.9		29.5				SA09558SC Texas Skyways	
182K "Skylane"		O-550-F-TS (STC)		D3A34C401/90DFA-10	80.0	76.0	30		10.0		28.5	D-6594	P		SA09133SC Texas Skyways	
182K "Skylane"	L	IO-550-D (TCM)	P4014808-05	D3A34C401/90DFA-10	80.0	78.0	30		11.2		28.5	D-6594 D-7515	P P	C290D3/T5	SA01218AT John Jewell	
182K "Skylane"		IO-550-D (TCM)	P4014808-11	D3A34C401/90DFA-8	82.0	80.0	30		11.2		28.5	D-7515	P	C290D3/T1	SA3825SW Peterson	126
182K "Skylane"		IO-550 series (TCM)	P4014808-09	D3A34C401/90DFA-2	88.0	86.0	30		10.0		28.5	D-6594	P		SA00727WI Air Plains	88

Constant Speed Propeller Applications

Aircraft Model	T Y P E	Engine Model (Make)	Propeller Part Number	Propeller Model	Max Dia	Min Dia	Ref Sta	Rev Angle	Low or Flight Idle Angle	Latch or Start Locks Angle	High or Feather Angle	Spinner Assembly P/N	S p i n n e r	Governor Model	STC Number STC Holder STC Kit P/N	N o t e s
182K "Skylane"		IO-550 series (TCM)	P4014808-12	D3A34C401/90DFA-4	86.0	84.0	30		10.0		28.0	D-6594	P		SA00727WI Air Plains	84
182K "Skylane"		IO-550 series (TCM)	P4014808-13	D3A34C401/90DFA-6	84.0	82.0	30		10.0		28.0	D-6594	P		SA00727WI Air Plains	90
182K "Skylane"		IO-550 series (TCM)	P4014808-14	D3A34C401/90DFA-8	82.0	80.0	30		10.4		28.5	D-6594	P		SA00727WI Air Plains	
182K "Skylane"		IO-550 series (TCM)	P4014808-04	D3A34C401/90DFA-10	80.0	80.0	30		10.4		28.5	D-6594	P		SA00727WI Air Plains	89
182L "Skylane"	L	O-470-R (TCM)	OBSOLETE	2A34C66/90AT-8	82.0	80.0	36		10.5		22.0			C290D3/T1 C290D2/T1		1
182L "Skylane"	L	O-470-R (TCM)	P2017294-51	2A34C201/90DA-8	82.0	80.0	30		13.0		24.5			C290D3/T1 C290D2/T1	SA2253CE Northwest	
182L "Skylane"	L	O-470-R (TCM)	P2033909-56	2A34C203/90DCA-8	82.0	80.5	30		12.5		25.0			C290D3/T1 C290D2/T1		21
182L "Skylane"	L	O-470-R (TCM)	P2033909-56	2A34C203/90DCA-8	82.0	80.5	30		12.5		25.0	D-7520	P	C290D3/T1 C290D2/T1	SA01033CH McCauley PL60288	
182L "Skylane"	L	O-470-R (TCM)	P2033909-51	2A34C203/90DCA-8	82.0	80.5	30		12.5		25.0			C290D3/T1 C290D2/T1	SA2253CE Northwest	
182L "Skylane"	L	O-470-R (TCM)	P2033909-51	2A34C203/90DCA-8	82.0	80.5	30		12.5		25.0			C290D3/T1 C290D2/T1	SA5882SW US Prop of Connecticut	
182L "Skylane"	L	O-470-R (TCM)	P2033909-51 P2033909-56	2A34C203/90DCA-8	82.0	80.5	30		12.5		25.0			C290D3/T1 C290D2/T1	SA3238NM American	
182L "Skylane"	L	O-470-R (TCM)		C2A34C204/90DCB-8	82.0	80.5	30		12.5		25.0			C290D3/T1 C290D2/T1	SA2253CE Northwest	
182L "Skylane"		O-470-R (TCM)	P4114808-02	D3A32C411/82NDA-2	80.0	78.0	30		11.0		25.6	D-6594	P	C290D3/T1 C290D2/T1	SA753NE US Prop of Connecticut	
182L "Skylane"	L	O-470-R (TCM)	P4114808-02	D3A32C411/82NDA-2	80.0	78.0	30		11.0		25.6	D-6594	P	C290D3/T1 C290D2/T1	SA00054WI P.Ponk	
182L "Skylane"	L	O-470-R (TCM)	P4357483-01	D3A36C435/80VEA-0	80.0	78.0	30		10.8		33.9	D-7515	P	C290D3/T1 C290D2/T1	SA00819CH McCauley PL60232	141
182L "Skylane"		O-470-R (STC)	OBSOLETE	2A34C66/90AT-8	82.0	80.0	30		13.0		28.4				SA1598CE Air Plains	1
182L "Skylane"		O-470-R (STC)	P2033909-55	2A34C203/90DCA-8	82.0	80.5	30		12.5		29.0				SA1598CE Air Plains	
182L "Skylane"		O-470-R (STC)	P4114808-04	D3A32C411/82NDA-2	80.0	77.0	30		11.0		29.0				SA1598CE Air Plains	
182L "Skylane"		O-470-S (STC)	OBSOLETE	2A34C66/90AT-8	82.0	80.0	30		13.0		28.4				SA1598CE Air Plains	1
182L "Skylane"		O-470-S (STC)	P2033909-55	2A34C203/90DCA-8	82.0	80.5	30		12.5		29.0				SA1598CE Air Plains	

Constant Speed Propeller Applications

Aircraft Model	T Y P E	Engine Model (Make)	Propeller Part Number	Propeller Model	Max Dia	Min Dia	Ref Sta	Rev Angle	Low or Flight Idle Angle	Latch or Start Locks Angle	High or Feather Angle	Spinner Assembly P/N	S p i n n e r	Governor Model	STC Number STC Holder STC Kit P/N	N o t e s
182L "Skylane"		O-470-S (STC)	P4114808-04	D3A32C411/82NDA-2	80.0	77.0	30		11.0		29.0				SA1598CE Air Plains	
182L "Skylane"		O-470-U (TCM)	P2043909-52	C2A34C204/90DCB-8	82.0	80.5	30		15.0		29.4			C290D3/T14	SA8842SW Texas Skyways	
182L "Skylane"		O-470-U (TCM)		C2A34C204/90DCB-8	82.0		30								SA5035NM Airizona Air-Craftsman	
182L "Skylane"		O-470-U (STC)	P2043909-55	C2A34C204/90DCB-8	82.0	80.5	30		14.5		31.0	D-7520	P	C290D3/T1	SA01581AT John Jewell	
182L "Skylane"		O-470-U-TS (STC)		C2A34C204/90DCB-8	82.0	80.5	30		10.4		29.4				SA8951SW Texas Skyways	
182L "Skylane"		O-470-50 (STC)	OBSOLETE	D2A34C58/90AT-8	82.0	80.5	36		9.5		25.8				SA5664NM P. Ponk	1
182L "Skylane"		O-470-50 (STC)	OBSOLETE	2A34C66/90AT-8	82.0	80.5	36		9.5		25.8				SA5664NM P. Ponk	1
182L "Skylane"		O-470-50 (STC)	OBSOLETE	D3A32C90/82NC-2	80.0		30					D-6594			SA5664NM P. Ponk	1
182L "Skylane"		O-470-50 (STC)	P2306949-60	D2A37C230/90REB-8	82.0	80.0	30		12.8		28.3				SA5664NM P. Ponk	
182L "Skylane"		O-470-50 (STC)	P4014808-04	D3A34C401/90DFA-10	80.0	78.0	30		10.4		28.0	D-6594	P		SA5664NM P. Ponk	150
182L "Skylane"		IO-470-F (STC)	OBSOLETE	2A34C50/90A-8	82.0	80.0	36		10.5		22.0				SA3825SW Peterson	1
182L "Skylane"		IO-470-F (STC)	OBSOLETE	D2A34C58/90AT-8	82.0	80.5	36		9.2		22.0				SA3825SW Peterson	1
182L "Skylane"		IO-470-F (STC)	OBSOLETE	2A34C66/90AT-8	82.0	80.0	36		10.5		22.0				SA3825SW Peterson	1
182L "Skylane"		O-520-F-TS (STC)		B2A37C238/90REA-4	86.0	84.5	30		10.9		29.5				SA09558SC Texas Skyways	
182L "Skylane"		O-520-F-TS (STC)	P4014808-04	D3A34C401/90DFA-10	80.0	76.0	30		10.4		28.5	D-6594	P		SA09026SC Texas Skyways	
182L "Skylane"		O-520-U-TS (STC)	P4014808-04	D3A34C401/90DFA-10	80.0	76.0	30		10.4		28.5	D-6594	P		SA09026SC Texas Skyways	
182L "Skylane"		IO-520-D (TCM)	OBSOLETE	D2A34C58/90AT-8	82.0	80.5	36		9.5		25.8				SA461NW P. Ponk	1
182L "Skylane"		IO-520-D (TCM)	OBSOLETE	D3A32C90/82NC-2	80.0	74.0	30		10.4		28.0				SA461NW P. Ponk	1
182L "Skylane"		IO-520-D (TCM)	P4014808-04	D3A34C401/90DFA-10	80.0	78.0	30		10.4		28.5	D-6594 D-7515	P P	C290D3/T9	SA01302AT John Jewell	

Constant Speed Propeller Applications

Aircraft Model	T Y P E	Engine Model (Make)	Propeller Part Number	Propeller Model	Max Dia	Min Dia	Ref Sta	Rev Angle	Low or Flight Idle Angle	Latch or Start Locks Angle	High or Feather Angle	Spinner Assembly P/N	S p i n n e r	Governor Model	STC Number STC Holder STC Kit P/N	N o t e s
182L "Skylane"		IO-520 series (TCM)	P4014808-09	D3A34C401/90DFA-2	88.0	86.0	30		10.0		28.5	D-6594	P		SA00727WI Air Plains	88
182L "Skylane"		IO-520 series (TCM)	P4014808-12	D3A34C401/90DFA-4	86.0	84.0	30		10.0		28.0	D-6594	P		SA00727WI Air Plains	84
182L "Skylane"		IO-520 series (TCM)	P4014808-13	D3A34C401/90DFA-6	84.0	82.0	30		10.0		28.0	D-6594	P		SA00727WI Air Plains	
182L "Skylane"		IO-520 series (TCM)	P4014808-14	D3A34C401/90DFA-8	82.0	80.0	30		10.4		28.5	D-6594	P		SA00727WI Air Plains	
182L "Skylane"		IO-520 series (TCM)	P4014808-04	D3A34C401/90DFA-10	80.0	80.0	30		10.4		28.5	D-6594	P		SA00727WI Air Plains	89
182L "Skylane"		O-550-F-TS (STC)		B2A37C238/90REA-4	86.0	84.5	30		10.9		29.5				SA09558SC Texas Skyways	
182L "Skylane"		O-550-F-TS (STC)		D3A34C401/90DFA-10	80.0	76.0	30		10.0		28.5	D-6594	P		SA09133SC Texas Skyways	
182L "Skylane"		IO-550-D (TCM)	P4014808-11	D3A34C401/90DFA-8	82.0	80.0	30		11.2		28.5	D-7515	P	C290D3/T1	SA3825SW Peterson	126
182L "Skylane"	L	IO-550-D (TCM)	P4014808-05	D3A34C401/90DFA-10	80.0	78.0	30		11.2		28.5	D-6594 D-7515	P P	C290D3/T5	SA01218AT John Jewell	
182L "Skylane"		IO-550 series (TCM)	P4014808-09	D3A34C401/90DFA-2	88.0	86.0	30		10.0		28.5	D-6594	P		SA00727WI Air Plains	88
182L "Skylane"		IO-550 series (TCM)	P4014808-12	D3A34C401/90DFA-4	86.0	84.0	30		10.0		28.0	D-6594	P		SA00727WI Air Plains	84
182L "Skylane"		IO-550 series (TCM)	P4014808-13	D3A34C401/90DFA-6	84.0	82.0	30		10.0		28.0	D-6594	P		SA00727WI Air Plains	90
182L "Skylane"		IO-550 series (TCM)	P4014808-14	D3A34C401/90DFA-8	82.0	80.0	30		10.4		28.5	D-6594	P		SA00727WI Air Plains	
182L "Skylane"		IO-550 series (TCM)	P4014808-04	D3A34C401/90DFA-10	80.0	80.0	30		10.4		28.5	D-6594	P		SA00727WI Air Plains	89
182M "Skylane"	L	O-470-R (TCM)	OBSOLETE	2A34C66/90AT-8	82.0	80.0	36		10.5		22.0			C290D3/T1 C290D2/T1		1
182M "Skylane"	L	O-470-R (TCM)	P2017294-51	2A34C201/90DA-8	82.0	80.0	30		13.0		24.5			C290D3/T1 C290D2/T1		
182M "Skylane"	L	O-470-R (TCM)	P2017294-51	2A34C201/90DA-8	82.0	80.0	30		13.0		24.5			C290D3/T1 C290D2/T1	SA2253CE Northwest	
182M "Skylane"	L	O-470-R (TCM)	P2033909-51	2A34C203/90DCA-8	82.0	80.5	30		12.5		25.0			C290D3/T1 C290D2/T1		
182M "Skylane"	L	O-470-R (TCM)	P2033909-51	2A34C203/90DCA-8	82.0	80.5	30		12.5		25.0			C290D3/T1 C290D2/T1	SA2253CE Northwest	
182M "Skylane"	L	O-470-R (TCM)		C2A34C204/90DCB-8	82.0	80.5	30		12.5		25.0			C290D3/T1 C290D2/T1	SA2253CE Northwest	

Constant Speed Propeller Applications

Aircraft Model	T Y P E	Engine Model (Make)	Propeller Part Number	Propeller Model	Max Dia	Min Dia	Ref Sta	Rev Angle	Low or Flight Idle Angle	Latch or Start Locks Angle	High or Feather Angle	Spinner Assembly P/N	S p i n n e r	Governor Model	STC Number STC Holder STC Kit P/N	N o t e s
182M "Skylane"		O-470-R (TCM)	P4114808-02	D3A32C411/82NDA-2	80.0	78.0	30		11.0		25.6	D-6594	P	C290D3/T1 C290D2/T1	SA753NE US Prop of Connecticut	
182M "Skylane"	L	O-470-R (TCM)	P4114808-02	D3A32C411/82NDA-2	80.0	78.0	30		11.0		25.6	D-6594	P	C290D3/T1 C290D2/T1	SA00054W1 P.Ponk	
182M "Skylane"	L	O-470-R (TCM)	P4357483-01	D3A36C435/80VEA-0	80.0	78.0	30		10.8		33.9	D-7515	P	C290D3/T1 C290D2/T1	SA00819CH McCauley PL60232	141
182M "Skylane"		O-470-R (STC)	OBSOLETE	2A34C66/90AT-8	82.0	80.0	30		13.0		28.4				SA1598CE Air Plains	1
182M "Skylane"		O-470-R (STC)	P2033909-55	2A34C203/90DCA-8	82.0	80.5	30		12.5		29.0				SA1598CE Air Plains	
182M "Skylane"		O-470-R (STC)	P4114808-04	D3A32C411/82NDA-2	80.0	77.0	30		11.0		29.0				SA1598CE Air Plains	
182M "Skylane"		O-470-S (STC)	OBSOLETE	2A34C66/90AT-8	82.0	80.0	30		13.0		28.4				SA1598CE Air Plains	1
182M "Skylane"		O-470-S (STC)	P2033909-55	2A34C203/90DCA-8	82.0	80.5	30		12.5		29.0				SA1598CE Air Plains	
182M "Skylane"		O-470-S (STC)	P4114808-04	D3A32C411/82NDA-2	80.0	77.0	30		11.0		29.0				SA1598CE Air Plains	
182M "Skylane"		O-470-U (TCM)	P2043909-52	C2A34C204/90DCB-8	82.0	80.5	30		15.0		29.4			C290D3/T14	SA8842SW Texas Skyways	
182M "Skylane"		O-470-U (TCM)		C2A34C204/90DCB-8	82.0		30								SA5035NM Airizona Air-Craftsman	
182M "Skylane"		O-470-U (STC)	P2043909-55	C2A34C204/90DCB-8	82.0	80.5	30		14.5		31.0	D-7520	P	C290D3/T1	SA01581AT John Jewell	
182M "Skylane"		O-470-U-TS (STC)		C2A34C204/90DCB-8	82.0	80.5	30		10.4		29.4				SA8951SW Texas Skyways	
182M "Skylane"		O-470-50 (STC)	OBSOLETE	D2A34C58/90AT-8	82.0	80.5	36		9.5		25.8				SA5664NM P. Ponk	1
182M "Skylane"		O-470-50 (STC)	OBSOLETE	2A34C66/90AT-8	82.0	80.5	36		9.5		25.8				SA5664NM P. Ponk	1
182M "Skylane"		O-470-50 (STC)	OBSOLETE	D3A32C90/82NC-2	80.0		30					D-6594			SA5664NM P. Ponk	1
182M "Skylane"		O-470-50 (STC)	P2306949-60	D2A37C230/90REB-8	82.0	80.0	30		12.8		28.3				SA5664NM P. Ponk	
182M "Skylane"		O-470-50 (STC)	P4014808-04	D3A34C401/90DFA-10	80.0	78.0	30		10.4		28.0	D-6594	P		SA5664NM P. Ponk	150
182M "Skylane"		IO-470-F (STC)	OBSOLETE	2A34C50/90A-8	82.0	80.0	36		10.5		22.0				SA3825SW Peterson	1

Constant Speed Propeller Applications

Aircraft Model	T Y P E	Engine Model (Make)	Propeller Part Number	Propeller Model	Max Dia	Min Dia	Ref Sta	Rev Angle	Low or Flight Idle Angle	Latch or Start Locks Angle	High or Feather Angle	Spinner Assembly P/N	S p i n n e r T y p e	Governor Model	STC Number STC Holder STC Kit P/N	N o t e s
182M "Skylane"		IO-470-F (STC)	OBSOLETE	D2A34C58/90AT-8	82.0	80.5	36		9.2		22.0				SA3825SW Peterson	1
182M "Skylane"		IO-470-F (STC)	OBSOLETE	2A34C66/90AT-8	82.0	80.0	36		10.5		22.0				SA3825SW Peterson	1
182M "Skylane"		O-520-F-TS (STC)		B2A37C238/90REA-4	86.0	84.5	30		10.9		29.5				SA09558SC Texas Skyways	
182M "Skylane"		O-520-F-TS (STC)	P4014808-04	D3A34C401/90DFA-10	80.0	76.0	30		10.4		28.5	D-6594	P		SA09026SC Texas Skyways	
182M "Skylane"		O-520-U-TS (STC)	P4014808-04	D3A34C401/90DFA-10	80.0	76.0	30		10.4		28.5	D-6594	P		SA09026SC Texas Skyways	
182M "Skylane"		IO-520-D (TCM)	OBSOLETE	D2A34C58/90AT-8	82.0	80.5	36		9.5		25.8				SA461NW P. Ponk	1
182M "Skylane"		IO-520-D (TCM)	OBSOLETE	D3A32C90/82NC-2	80.0	74.0	30		10.4		28.0				SA461NW P. Ponk	1
182M "Skylane"		IO-520-D (TCM)	P4014808-04	D3A34C401/90DFA-10	80.0	78.0	30		10.4		28.5	D-6594 D-7515	P P	C290D3/T9	SA01302AT John Jewell	
182M "Skylane"		IO-520 series (TCM)	P4014808-09	D3A34C401/90DFA-2	88.0	86.0	30		10.0		28.5	D-6594	P		SA00727WI Air Plains	88
182M "Skylane"		IO-520 series (TCM)	P4014808-12	D3A34C401/90DFA-4	86.0	84.0	30		10.0		28.0	D-6594	P		SA00727WI Air Plains	84
182M "Skylane"		IO-520 series (TCM)	P4014808-13	D3A34C401/90DFA-6	84.0	82.0	30		10.0		28.0	D-6594	P		SA00727WI Air Plains	
182M "Skylane"		IO-520 series (TCM)	P4014808-14	D3A34C401/90DFA-8	82.0	80.0	30		10.4		28.5	D-6594	P		SA00727WI Air Plains	
182M "Skylane"		IO-520 series (TCM)	P4014808-04	D3A34C401/90DFA-10	80.0	80.0	30		10.4		28.5	D-6594	P		SA00727WI Air Plains	89
182M "Skylane"		O-550-F-TS (STC)		B2A37C238/90REA-4	86.0	84.5	30		10.9		29.5				SA09558SC Texas Skyways	
182M "Skylane"		O-550-F-TS (STC)		D3A34C401/90DFA-10	80.0	76.0	30		10.0		28.5	D-6594	P		SA09133SC Texas Skyways	
182M "Skylane"		IO-550-D (TCM)	P4014808-11	D3A34C401/90DFA-8	82.0	80.0	30		11.2		28.5	D-7515	P	C290D3/T1	SA3825SW Peterson	126
182M "Skylane"	L	IO-550-D (TCM)	P4014808-05	D3A34C401/90DFA-10	80.0	78.0	30		11.2		28.5	D-6594 D-7515	P P	C290D3/T5	SA01218AT John Jewell	
182M "Skylane"		IO-550 series (TCM)	P4014808-09	D3A34C401/90DFA-2	88.0	86.0	30		10.0		28.5	D-6594	P		SA00727WI Air Plains	88
182M "Skylane"		IO-550 series (TCM)	P4014808-12	D3A34C401/90DFA-4	86.0	84.0	30		10.0		28.0	D-6594	P		SA00727WI Air Plains	84

Constant Speed Propeller Applications

Aircraft Model	T Y P E	Engine Model (Make)	Propeller Part Number	Propeller Model	Max Dia	Min Dia	Ref Sta	Rev Angle	Low or Flight Idle Angle	Latch or Start Locks Angle	High or Feather Angle	Spinner Assembly P/N	S p i n n e r	Governor Model	STC Number STC Holder STC Kit P/N	N o t e s
182M "Skylane"		IO-550 series (TCM)	P4014808-13	D3A34C401/90DFA-6	84.0	82.0	30		10.0		28.0	D-6594	P		SA00727WI Air Plains	90
182M "Skylane"		IO-550 series (TCM)	P4014808-14	D3A34C401/90DFA-8	82.0	80.0	30		10.4		28.5	D-6594	P		SA00727WI Air Plains	
182M "Skylane"		IO-550 series (TCM)	P4014808-04	D3A34C401/90DFA-10	80.0	80.0	30		10.4		28.5	D-6594	P		SA00727WI Air Plains	89
182N "Skylane"	L	O-470-R (TCM)	OBSOLETE	2A34C66/90AT-8	82.0	80.0	36		10.5		22.0			C290D3/T1 C290D2/T1		1
182N "Skylane"	L	O-470-R (TCM)	P2017294-51	2A34C201/90DA-8	82.0	80.0	30		13.0		24.5			C290D3/T1 C290D2/T1		
182N "Skylane"	L	O-470-R (TCM)	P2017294-51	2A34C201/90DA-8	82.0	80.0	30		13.0		24.5			C290D3/T1 C290D2/T1	SA2253CE Northwest	
182N "Skylane"	L	O-470-R (TCM)	P2033909-51	2A34C203/90DCA-8	82.0	80.5	30		12.5		25.0			C290D3/T1 C290D2/T1		
182N "Skylane"	L	O-470-R (TCM)	P2033909-51	2A34C203/90DCA-8	82.0	80.5	30		12.5		25.0			C290D3/T1 C290D2/T1	SA2253CE Northwest	
182N "Skylane"	L	O-470-R (TCM)		C2A34C204/90DCB-8	82.0	80.5	30		12.5		25.0			C290D3/T1 C290D2/T1	SA2253CE Northwest	
182N "Skylane"		O-470-R (TCM)	P4114808-02	D3A32C411/82NDA-2	80.0	78.0	30		11.0		25.6	D-6594	P	C290D3/T1 C290D2/T1	SA753NE US Prop of Connecticut	
182N "Skylane"	L	O-470-R (TCM)	P4357483-01	D3A36C435/80VEA-0	80.0	78.0	30		10.8		33.9	D-7515	P	C290D3/T1 C290D2/T1	SA00819CH McCauley PL60232	141
182N "Skylane"		O-470-R (STC)	OBSOLETE	2A34C66/90AT-8	82.0	80.0	30		13.0		28.4				SA1598CE Air Plains	1
182N "Skylane"		O-470-R (STC)	P2033909-55	2A34C203/90DCA-8	82.0	80.5	30		12.5		29.0				SA1598CE Air Plains	
182N "Skylane"		O-470-R (STC)	P4114808-04	D3A32C411/82NDA-2	80.0	77.0	30		11.0		29.0				SA1598CE Air Plains	
182N "Skylane"	L	O-470-S (TCM)	OBSOLETE	2A34C66/90AT-8	82.0	80.0	36		10.5		22.0			C290D3/T1 C290D2/T1		1
182N "Skylane"	L	O-470-S (TCM)	P2017294-51	2A34C201/90DA-8	82.0	80.0	30		13.0		24.5			C290D3/T1 C290D2/T1		
182N "Skylane"	L	O-470-S (TCM)	P2017294-51	2A34C201/90DA-8	82.0	80.0	30		13.0		24.5			C290D3/T1 C290D2/T1	SA2253CE Northwest	
182N "Skylane"	L	O-470-S (TCM)	P2033909-51	2A34C203/90DCA-8	82.0	80.5	30		12.5		25.0			C290D3/T1 C290D2/T1		
182N "Skylane"	L	O-470-S (TCM)	P2033909-51	2A34C203/90DCA-8	82.0	80.5	30		12.5		25.0			C290D3/T1 C290D2/T1	SA2253CE Northwest	
182N "Skylane"	L	O-470-S (TCM)		C2A34C204/90DCB-8	82.0	80.5	30		12.5		25.0			C290D3/T1 C290D2/T1	SA2253CE Northwest	

Constant Speed Propeller Applications

Aircraft Model	T Y P E	Engine Model (Make)	Propeller Part Number	Propeller Model	Max Dia	Min Dia	Ref Sta	Rev Angle	Low or Flight Idle Angle	Latch or Start Locks Angle	High or Feather Angle	Spinner Assembly P/N	S p i n n e r	Governor Model	STC Number STC Holder STC Kit P/N	N o t e s
182N "Skylane"		O-470-S (TCM)	P4114808-02	D3A32C411/82NDA-2	80.0	78.0	30		11.0		25.6	D-6594	P	C290D3/T1 C290D2/T1	SA753NE US Prop of Connecticut	
182N "Skylane"	L	O-470-S (TCM)	P4357483-01	D3A36C435/80VEA-0	80.0	78.0	30		10.8		33.9	D-7515	P	C290D3/T1 C290D2/T1	SA00819CH McCauley PL60232	141
182N "Skylane"		O-470-S (STC)	OBSOLETE	2A34C66/90AT-8	82.0	80.0	30		13.0		28.4				SA1598CE Air Plains	1
182N "Skylane"		O-470-S (STC)	P2033909-55	2A34C203/90DCA-8	82.0	80.5	30		12.5		29.0				SA1598CE Air Plains	
182N "Skylane"		O-470-S (STC)	P4114808-04	D3A32C411/82NDA-2	80.0	77.0	30		11.0		29.0				SA1598CE Air Plains	
182N "Skylane"		O-470-U (TCM)	P2043909-52	C2A34C204/90DCB-8	82.0	80.5	30		15.0		29.4			C290D3/T14	SA8842SW Texas Skyways	
182N "Skylane"		O-470-U (TCM)		C2A34C204/90DCB-8	82.0		30								SA5035NM Airizona Air-Craftsman	
182N "Skylane"		O-470-U (STC)	P2043909-55	C2A34C204/90DCB-8	82.0	80.5	30		14.5		31.0	D-7520	P	C290D3/T1	SA01581AT John Jewell	
182N "Skylane"		O-470-U-TS (STC)		C2A34C204/90DCB-8	82.0	80.5	30		10.4		29.4				SA8951SW Texas Skyways	
182N "Skylane"		O-470-50 (STC)	OBSOLETE	D2A34C58/90AT-8	82.0	80.5	36		9.5		25.8				SA5664NM P. Ponk	1
182N "Skylane"		O-470-50 (STC)	OBSOLETE	2A34C66/90AT-8	82.0	80.5	36		9.5		25.8				SA5664NM P. Ponk	1
182N "Skylane"		O-470-50 (STC)	OBSOLETE	D3A32C90/82NC-2	80.0		30					D-6594			SA5664NM P. Ponk	1
182N "Skylane"		O-470-50 (STC)	P2306949-60	D2A37C230/90REB-8	82.0	80.0	30		12.8		28.3				SA5664NM P. Ponk	
182N "Skylane"		O-470-50 (STC)	P4014808-04	D3A34C401/90DFA-10	80.0	78.0	30		10.4		28.0	D-6594	P		SA5664NM P. Ponk	150
182N "Skylane"		IO-470-F (STC)	OBSOLETE	2A34C50/90A-8	82.0	80.0	36		10.5		22.0				SA3825SW Peterson	1
182N "Skylane"		IO-470-F (STC)	OBSOLETE	D2A34C58/90AT-8	82.0	80.5	36		9.2		22.0				SA3825SW Peterson	1
182N "Skylane"		IO-470-F (STC)	OBSOLETE	2A34C66/90AT-8	82.0	80.0	36		10.5		22.0				SA3825SW Peterson	1
182N "Skylane"		O-520-F-TS (STC)		B2A37C238/90REA-4	86.0	84.5	30		10.9		29.5				SA09558SC Texas Skyways	

Constant Speed Propeller Applications

Aircraft Model	T Y P E	Engine Model (Make)	Propeller Part Number	Propeller Model	Max Dia	Min Dia	Ref Sta	Rev Angle	Low or Flight Idle Angle	Latch or Start Locks Angle	High or Feather Angle	Spinner Assembly P/N	S p i n n e r T y p e	Governor Model	STC Number STC Holder STC Kit P/N	N o t e s
182N "Skylane"		O-520-F-TS (STC)	P4014808-04	D3A34C401/90DFA-10	80.0	76.0	30		10.4		28.5	D-6594	P		SA09026SC Texas Skyways	
182N "Skylane"		O-520-U-TS (STC)	P4014808-04	D3A34C401/90DFA-10	80.0	76.0	30		10.4		28.5	D-6594	P		SA09026SC Texas Skyways	
182N "Skylane"		IO-520-D (TCM)	OBSOLETE	D2A34C58/90AT-8	82.0	80.5	36		9.5		25.8				SA461NW P. Ponk	1
182N "Skylane"		IO-520-D (TCM)	OBSOLETE	D3A32C90/82NC-2	80.0	74.0	30		10.4		28.0				SA461NW P. Ponk	1
182N "Skylane"		IO-520-D (TCM)	P4014808-04	D3A34C401/90DFA-10	80.0	78.0	30		10.4		28.5	D-6594 D-7515	P P	C290D3/T9	SA01302AT John Jewell	
182N "Skylane"		IO-520 series (TCM)	P4014808-09	D3A34C401/90DFA-2	88.0	86.0	30		10.0		28.5	D-6594	P		SA00727WI Air Plains	88
182N "Skylane"		IO-520 series (TCM)	P4014808-12	D3A34C401/90DFA-4	86.0	84.0	30		10.0		28.0	D-6594	P		SA00727WI Air Plains	84
182N "Skylane"		IO-520 series (TCM)	P4014808-13	D3A34C401/90DFA-6	84.0	82.0	30		10.0		28.0	D-6594	P		SA00727WI Air Plains	
182N "Skylane"		IO-520 series (TCM)	P4014808-14	D3A34C401/90DFA-8	82.0	80.0	30		10.4		28.5	D-6594	P		SA00727WI Air Plains	
182N "Skylane"		IO-520 series (TCM)	P4014808-04	D3A34C401/90DFA-10	80.0	80.0	30		10.4		28.5	D-6594	P		SA00727WI Air Plains	89
182N "Skylane"		O-550-F-TS (STC)		B2A37C238/90REA-4	86.0	84.5	30		10.9		29.5				SA09558SC Texas Skyways	
182N "Skylane"		O-550-F-TS (STC)		D3A34C401/90DFA-10	80.0	76.0	30		10.0		28.5	D-6594	P		SA09133SC Texas Skyways	
182N "Skylane"		IO-550-D (TCM)	P4014808-11	D3A34C401/90DFA-8	82.0	80.0	30		11.2		28.5	D-7515	P	C290D3/T1	SA3825SW Peterson	126
182N "Skylane"	L	IO-550-D (TCM)	P4014808-05	D3A34C401/90DFA-10	80.0	78.0	30		11.2		28.5	D-6594 D-7515	P P	C290D3/T5	SA01218AT John Jewell	
182N "Skylane"		IO-550 series (TCM)	P4014808-09	D3A34C401/90DFA-2	88.0	86.0	30		10.0		28.5	D-6594	P		SA00727WI Air Plains	88
182N "Skylane"		IO-550 series (TCM)	P4014808-12	D3A34C401/90DFA-4	86.0	84.0	30		10.0		28.0	D-6594	P		SA00727WI Air Plains	84
182N "Skylane"		IO-550 series (TCM)	P4014808-13	D3A34C401/90DFA-6	84.0	82.0	30		10.0		28.0	D-6594	P		SA00727WI Air Plains	90
182N "Skylane"		IO-550 series (TCM)	P4014808-14	D3A34C401/90DFA-8	82.0	80.0	30		10.4		28.5	D-6594	P		SA00727WI Air Plains	
182N "Skylane"		IO-550 series (TCM)	P4014808-04	D3A34C401/90DFA-10	80.0	80.0	30		10.4		28.5	D-6594	P		SA00727WI Air Plains	89
182P "Skylane"	L	O-470-R (TCM)	OBSOLETE	2A34C66/90AT-8	82.0	80.0	36		10.5		22.0			C290D3/T1 C290D2/T1		1

Constant Speed Propeller Applications

Aircraft Model	T Y P E	Engine Model (Make)	Propeller Part Number	Propeller Model	Max Dia	Min Dia	Ref Sta	Rev Angle	Low or Flight Idle Angle	Latch or Start Locks Angle	High or Feather Angle	Spinner Assembly P/N	S p i n n e r	Governor Model	STC Number STC Holder STC Kit P/N	N o t e s
182P "Skylane"	L	O-470-R (TCM)	P2017294-51	2A34C201/90DA-8	82.0	80.0	30		13.0		24.5			C290D3/T1 C290D2/T1		
182P "Skylane"	L	O-470-R (TCM)	P2017294-51	2A34C201/90DA-8	82.0	80.0	30		13.0		24.5			C290D3/T1 C290D2/T1	SA2253CE Northwest	
182P "Skylane"	L	O-470-R (TCM)	P2033909-51	2A34C203/90DCA-8	82.0	80.5	30		12.5		25.0			C290D3/T1 C290D2/T1		
182P "Skylane"	L	O-470-R (TCM)	P2033909-51	2A34C203/90DCA-8	82.0	80.5	30		12.5		25.0			C290D3/T1 C290D2/T1	SA2253CE Northwest	
182P "Skylane"	L	O-470-R (TCM)		C2A34C204/90DCB-8	82.0	80.5	30		12.5		25.0			C290D3/T1 C290D2/T1	SA2253CE Northwest	
182P "Skylane"		O-470-R (TCM)	P4114808-02	D3A32C411/82NDA-2	80.0	78.0	30		11.0		25.6	D-6594	P	C290D3/T1 C290D2/T1	SA753NE US Prop of Connecticut	
182P "Skylane"	L	O-470-R (TCM)	P4114808-02	D3A32C411/82NDA-2	80.0	78.0	30		11.0		25.6	D-6594	P	C290D3/T1 C290D2/T1	SA00054WI P.Ponk	
182P "Skylane"	L	O-470-R (TCM)	P4357483-01	D3A36C435/80VEA-0	80.0	78.0	30		10.8		33.9	D-7515	P	C290D3/T1 C290D2/T1	SA00819CH McCauley PL60232	141
182P "Skylane"		O-470-R (STC)	OBSOLETE	2A34C66/90AT-8	82.0	80.0	30		13.0		28.4				SA1598CE Air Plains	1
182P "Skylane"		O-470-R (STC)	P2033909-55	2A34C203/90DCA-8	82.0	80.5	30		12.5		29.0				SA1598CE Air Plains	
182P "Skylane"		O-470-R (STC)	P4114808-04	D3A32C411/82NDA-2	80.0	77.0	30		11.0		29.0				SA1598CE Air Plains	
182P "Skylane"	L	O-470-S (TCM)	OBSOLETE	2A34C66/90AT-8	82.0	80.0	36		10.5		22.0			C290D3/T1 C290D2/T1		1
182P "Skylane"	L	O-470-S (TCM)	P2017294-51	2A34C201/90DA-8	82.0	80.0	30		13.0		24.5			C290D3/T1 C290D2/T1		
182P "Skylane"	L	O-470-S (TCM)	P2017294-51	2A34C201/90DA-8	82.0	80.0	30		13.0		24.5			C290D3/T1 C290D2/T1	SA2253CE Northwest	
182P "Skylane"	L	O-470-S (TCM)	P2033909-51	2A34C203/90DCA-8	82.0	80.5	30		12.5		25.0			C290D3/T1 C290D2/T1		
182P "Skylane"	L	O-470-S (TCM)	P2033909-51	2A34C203/90DCA-8	82.0	80.5	30		12.5		25.0			C290D3/T1 C290D2/T1	SA2253CE Northwest	
182P "Skylane"	L	O-470-S (TCM)		C2A34C204/90DCB-8	82.0	80.5	30		12.5		25.0			C290D3/T1 C290D2/T1	SA2253CE Northwest	
182P "Skylane"		O-470-S (TCM)	P4114808-02	D3A32C411/82NDA-2	80.0	78.0	30		11.0		25.6	D-6594	P	C290D3/T1 C290D2/T1	SA753NE US Prop of Connecticut	
182P "Skylane"	L	O-470-S (TCM)	P4114808-02	D3A32C411/82NDA-2	80.0	78.0	30		11.0		25.6	D-6594	P	C290D3/T1 C290D2/T1	SA00054WI P.Ponk	
182P "Skylane"	L	O-470-S (TCM)	P4357483-01	D3A36C435/80VEA-0	80.0	78.0	30		10.8		33.9	D-7515	P	C290D3/T1 C290D2/T1	SA00819CH McCauley PL60232	141

Constant Speed Propeller Applications

Aircraft Model	T Y P E	Engine Model (Make)	Propeller Part Number	Propeller Model	Max Dia	Min Dia	Ref Sta	Rev Angle	Low or Flight Idle Angle	Latch or Start Locks Angle	High or Feather Angle	Spinner Assembly P/N	S p i n n e r	Governor Model	STC Number STC Holder STC Kit P/N	N o t e s
182P "Skylane"		O-470-S (STC)	OBSOLETE	2A34C66/90AT-8	82.0	80.0	30		13.0		28.4				SA1598CE Air Plains	1
182P "Skylane"		O-470-S (STC)	P2033909-55	2A34C203/90DCA-8	82.0	80.5	30		12.5		29.0				SA1598CE Air Plains	
182P "Skylane"		O-470-S (STC)	P4114808-04	D3A32C411/82NDA-2	80.0	77.0	30		11.0		29.0				SA1598CE Air Plains	
182P "Skylane"		O-470-U (TCM)	P2043909-52	C2A34C204/90DCB-8	82.0	80.5	30		15.0		29.4			C290D3/T14	SA8842SW Texas Skyways	
182P "Skylane"		O-470-U (TCM)		C2A34C204/90DCB-8	82.0		30								SA5035NM Airizona Air-Craftsman	
182P "Skylane"		O-470-U (STC)	P2043909-55	C2A34C204/90DCB-8	82.0	80.5	30		14.5		31.0	D-7520	P	C290D3/T1	SA01581AT John Jewell	
182P "Skylane"		O-470-U-TS (STC)		C2A34C204/90DCB-8	82.0	80.5	30		10.4		29.4				SA8951SW Texas Skyways	
182P "Skylane"		O-470-50 (STC)	OBSOLETE	D2A34C58/90AT-8	82.0	80.5	36		9.5		25.8				SA5664NM P. Ponk	1
182P "Skylane"		O-470-50 (STC)	OBSOLETE	2A34C66/90AT-8	82.0	80.5	36		9.5		25.8				SA5664NM P. Ponk	1
182P "Skylane"		O-470-50 (STC)	OBSOLETE	D3A32C90/82NC-2	80.0		30					D-6594			SA5664NM P. Ponk	1
182P "Skylane"		O-470-50 (STC)	P2306949-60	D2A37C230/90REB-8	82.0	80.0	30		12.8		28.3				SA5664NM P. Ponk	
182P "Skylane"		O-470-50 (STC)	P4014808-04	D3A34C401/90DFA-10	80.0	78.0	30		10.4		28.0	D-6594	P		SA5664NM P. Ponk	150
182P "Skylane"		IO-470-F (STC)	OBSOLETE	2A34C50/90A-8	82.0	80.0	36		10.5		22.0				SA3825SW Peterson	1
182P "Skylane"		IO-470-F (STC)	OBSOLETE	D2A34C58/90AT-8	82.0	80.5	36		9.2		22.0				SA3825SW Peterson	1
182P "Skylane"		IO-470-F (STC)	OBSOLETE	2A34C66/90AT-8	82.0	80.0	36		10.5		22.0				SA3825SW Peterson	1
182P "Skylane"		O-520-F-TS (STC)		B2A37C238/90REA-4	86.0	84.5	30		10.9		29.5				SA09558SC Texas Skyways	
182P "Skylane"		O-520-F-TS (STC)	P4014808-04	D3A34C401/90DFA-10	80.0	76.0	30		10.4		28.5	D-6594	P		SA09026SC Texas Skyways	
182P "Skylane"		O-520-U-TS (STC)	P4014808-04	D3A34C401/90DFA-10	80.0	76.0	30		10.4		28.5	D-6594	P		SA09026SC Texas Skyways	
182P "Skylane"		IO-520-D (TCM)	OBSOLETE	D2A34C58/90AT-8	82.0	80.5	36		9.5		25.8				SA461NW P. Ponk	1

Constant Speed Propeller Applications

Aircraft Model	T Y P E	Engine Model (Make)	Propeller Part Number	Propeller Model	Max Dia	Min Dia	Ref Sta	Rev Angle	Low or Flight Idle Angle	Latch or Start Locks Angle	High or Feather Angle	Spinner Assembly P/N	S p i n n e r	Governor Model	STC Number STC Holder STC Kit P/N	N o t e s
182P "Skylane"		IO-520-D (TCM)	OBSOLETE	D3A32C90/82NC-2	80.0	74.0	30		10.4		28.0				SA461NW P. Ponk	1
182P "Skylane"		IO-520-D (TCM)	P4014808-04	D3A34C401/90DFA-10	80.0	78.0	30		10.4		28.5	D-6594 D-7515	P P	C290D3/T9	SA01302AT John Jewell	
182P "Skylane"		IO-520 series (TCM)	P4014808-09	D3A34C401/90DFA-2	88.0	86.0	30		10.0		28.5	D-6594	P		SA00727WI Air Plains	88
182P "Skylane"		IO-520 series (TCM)	P4014808-12	D3A34C401/90DFA-4	86.0	84.0	30		10.0		28.0	D-6594	P		SA00727WI Air Plains	84
182P "Skylane"		IO-520 series (TCM)	P4014808-13	D3A34C401/90DFA-6	84.0	82.0	30		10.0		28.0	D-6594	P		SA00727WI Air Plains	
182P "Skylane"		IO-520 series (TCM)	P4014808-14	D3A34C401/90DFA-8	82.0	80.0	30		10.4		28.5	D-6594	P		SA00727WI Air Plains	
182P "Skylane"		IO-520 series (TCM)	P4014808-04	D3A34C401/90DFA-10	80.0	80.0	30		10.4		28.5	D-6594	P		SA00727WI Air Plains	89
182P "Skylane"		O-550-F-TS (STC)		B2A37C238/90REA-4	86.0	84.5	30		10.9		29.5				SA09558SC Texas Skyways	
182P "Skylane"		O-550-F-TS (STC)		D3A34C401/90DFA-10	80.0	76.0	30		10.0		28.5	D-6594	P		SA09133SC Texas Skyways	
182P "Skylane"		IO-550-D (TCM)	P4014808-12	D3A34C401/90DFA-4	86.0	84.0	30		10.0		28.0	D-7515	P	C290D3/T34	SA3825SW Peterson	84 127
182P "Skylane"		IO-550-D (TCM)	P4014808-11	D3A34C401/90DFA-8	82.0	80.0	30		11.2		28.5	D-7515	P	C290D3/T1	SA3825SW Peterson	126
182P "Skylane"	L	IO-550-D (TCM)	P4014808-05	D3A34C401/90DFA-10	80.0	78.0	30		11.2		28.5	D-6594 D-7515	P P	C290D3/T5	SA01218AT John Jewell	
182P "Skylane"		IO-550 series (TCM)	P4014808-09	D3A34C401/90DFA-2	88.0	86.0	30		10.0		28.5	D-6594	P		SA00727WI Air Plains	88
182P "Skylane"		IO-550 series (TCM)	P4014808-12	D3A34C401/90DFA-4	86.0	84.0	30		10.0		28.0	D-6594	P		SA00727WI Air Plains	84
182P "Skylane"		IO-550 series (TCM)	P4014808-13	D3A34C401/90DFA-6	84.0	82.0	30		10.0		28.0	D-6594	P		SA00727WI Air Plains	90
182P "Skylane"		IO-550 series (TCM)	P4014808-14	D3A34C401/90DFA-8	82.0	80.0	30		10.4		28.5	D-6594	P		SA00727WI Air Plains	
182P "Skylane"		IO-550 series (TCM)	P4014808-04	D3A34C401/90DFA-10	80.0	80.0	30		10.4		28.5	D-6594	P		SA00727WI Air Plains	89
182Q "Skylane"		O-470-R (STC)	OBSOLETE	2A34C66/90AT-8	82.0	80.0	30		13.0		28.4				SA1598CE Air Plains	1
182Q "Skylane"		O-470-R (STC)	P2033909-55	2A34C203/90DCA-8	82.0	80.5	30		12.5		29.0				SA1598CE Air Plains	
182Q "Skylane"		O-470-R (STC)	P4114808-04	D3A32C411/82NDA-2	80.0	77.0	30		11.0		29.0				SA1598CE Air Plains	
182Q "Skylane"		O-470-S (STC)	OBSOLETE	2A34C66/90AT-8	82.0	80.0	30		13.0		28.4				SA1598CE Air Plains	1

Constant Speed Propeller Applications

Aircraft Model	T Y P E	Engine Model (Make)	Propeller Part Number	Propeller Model	Max Dia	Min Dia	Ref Sta	Rev Angle	Low or Flight Idle Angle	Latch or Start Locks Angle	High or Feather Angle	Spinner Assembly P/N	S p i n n e r	Governor Model	STC Number STC Holder STC Kit P/N	N o t e s
182Q "Skylane"		O-470-S (STC)	P2033909-55	2A34C203/90DCA-8	82.0	80.5	30		12.5		29.0				SA1598CE Air Plains	
182Q "Skylane"		O-470-S (STC)	P4114808-04	D3A32C411/82NDA-2	80.0	77.0	30		11.0		29.0				SA1598CE Air Plains	
182Q "Skylane"	L	O-470-U (TCM)	P2043909-52	C2A34C204/90DCB-8	82.0	80.5	30		15.0		29.4			C290D3/T14		
182Q "Skylane"	L	O-470-U (TCM)	P4357483-02	D3A36C435/80VEA-0	80.0	78.0	30		13.6		33.9	D-7515	P	C290D3/T14	SA01601CH McCauley PL60338	141
182Q "Skylane"		O-470-U (STC)	P2043909-55	C2A34C204/90DCB-8	82.0	80.5	30		14.5		31.0	D-7520	P	C290D3/T1	SA01581AT John Jewell	
182Q "Skylane"		O-470-U-TS (STC)		C2A34C204/90DCB-8	82.0	80.5	30		10.4		29.4				SA8951SW Texas Skyways	
182Q "Skylane"		O-470-50 (STC)	OBSOLETE	D2A34C58/90AT-8	82.0	80.5	36		9.5		25.8				SA5966NM P. Ponk	1
182Q "Skylane"		O-470-50 (STC)	OBSOLETE	2A34C66/90AT-8	82.0	80.5	36		9.5		25.8				SA5966NM P. Ponk	1
182Q "Skylane"		O-470-50 (STC)	OBSOLETE	D3A32C90/82NC-2	80.0		30					D-6594			SA5966NM P. Ponk	1
182Q "Skylane"		O-470-50 (STC)	P2306949-60	D2A37C230/90REB-8	82.0	80.0	30		12.8		28.3				SA5966NM P. Ponk	
182Q "Skylane"		O-470-50 (STC)	P4014808-04	D3A34C401/90DFA-10	80.0	78.0	30		10.4		28.0	D-6594	P		SA5966NM P. Ponk	150
182Q "Skylane"		IO-470-F (STC)	OBSOLETE	2A34C50/90A-8	82.0	80.0	36		10.5		22.0				SA3825SW Peterson	1
182Q "Skylane"		IO-470-F (STC)	OBSOLETE	D2A34C58/90AT-8	82.0	80.5	36		9.2		22.0				SA3825SW Peterson	1
182Q "Skylane"		IO-470-F (STC)	OBSOLETE	2A34C66/90AT-8	82.0	80.0	36		10.5		22.0				SA3825SW Peterson	1
182Q "Skylane"		O-520-F-TS (STC)		B2A37C238/90REA-4	86.0	84.5	30		10.9		29.5				SA09558SC Texas Skyways	
182Q "Skylane"		O-520-F-TS (STC)	P4014808-04	D3A34C401/90DFA-10	80.0	76.0	30		10.4		28.5	D-6594	P		SA09026SC Texas Skyways	
182Q "Skylane"		O-520-U-TS (STC)	P4014808-04	D3A34C401/90DFA-10	80.0	76.0	30		10.4		28.5	D-6594	P		SA09026SC Texas Skyways	
182Q "Skylane"		IO-520-D (TCM)	P4014808-04	D3A34C401/90DFA-10	80.0	78.0	30		10.4		28.5	D-6594 D-7515	P P	C290D3/T9	SA01302AT John Jewell	
182Q "Skylane"		IO-520 series (TCM)	P4014808-09	D3A34C401/90DFA-2	88.0	86.0	30		10.0		28.5	D-6594	P		SA00727WI Air Plains	88

Constant Speed Propeller Applications

Aircraft Model	T Y P E	Engine Model (Make)	Propeller Part Number	Propeller Model	Max Dia	Min Dia	Ref Sta	Rev Angle	Low or Flight Idle Angle	Latch or Start Locks Angle	High or Feather Angle	Spinner Assembly P/N	S p i n n e r T y p e	Governor Model	STC Number STC Holder STC Kit P/N	N o t e s
182Q "Skylane"		IO-520 series (TCM)	P4014808-12	D3A34C401/90DFA-4	86.0	84.0	30		10.0		28.0	D-6594	P		SA00727WI Air Plains	84
182Q "Skylane"		IO-520 series (TCM)	P4014808-13	D3A34C401/90DFA-6	84.0	82.0	30		10.0		28.0	D-6594	P		SA00727WI Air Plains	
182Q "Skylane"		IO-520 series (TCM)	P4014808-14	D3A34C401/90DFA-8	82.0	80.0	30		10.4		28.5	D-6594	P		SA00727WI Air Plains	
182Q "Skylane"		IO-520 series (TCM)	P4014808-04	D3A34C401/90DFA-10	80.0	80.0	30		10.4		28.5	D-6594	P		SA00727WI Air Plains	89
182Q "Skylane"		O-550-F-TS (STC)		B2A37C238/90REA-4	86.0	84.5	30		10.9		29.5				SA09558SC Texas Skyways	
182Q "Skylane"		O-550-F-TS (STC)		D3A34C401/90DFA-10	80.0	76.0	30		10.0		28.5	D-6594	P		SA09133SC Texas Skyways	
182Q "Skylane"		IO-550-D (TCM)	P4014808-12	D3A34C401/90DFA-4	86.0	84.0	30		10.0		28.0	D-7515	P	C290D3/T34	SA3825SW Peterson	84 127
182Q "Skylane"		IO-550-D (TCM)	P4014808-11	D3A34C401/90DFA-8	82.0	80.0	30		11.2		28.5	D-7515	P	C290D3/T1	SA3825SW Peterson	126
182Q "Skylane"	L	IO-550-D (TCM)	P4014808-05	D3A34C401/90DFA-10	80.0	78.0	30		11.2		28.5	D-6594 D-7515	P P	C290D3/T5	SA01218AT John Jewell	
182Q "Skylane"		IO-550 series (TCM)	P4014808-09	D3A34C401/90DFA-2	88.0	86.0	30		10.0		28.5	D-6594	P		SA00727WI Air Plains	88
182Q "Skylane"		IO-550 series (TCM)	P4014808-12	D3A34C401/90DFA-4	86.0	84.0	30		10.0		28.0	D-6594	P		SA00727WI Air Plains	84
182Q "Skylane"		IO-550 series (TCM)	P4014808-13	D3A34C401/90DFA-6	84.0	82.0	30		10.0		28.0	D-6594	P		SA00727WI Air Plains	90
182Q "Skylane"		IO-550 series (TCM)	P4014808-14	D3A34C401/90DFA-8	82.0	80.0	30		10.4		28.5	D-6594	P		SA00727WI Air Plains	
182Q "Skylane"		IO-550 series (TCM)	P4014808-04	D3A34C401/90DFA-10	80.0	80.0	30		10.4		28.5	D-6594	P		SA00727WI Air Plains	89
182R "Skylane"	L	O-470-U (TCM)	P2043909-52	C2A34C204/90DCB-8	82.0	80.5	30		15.0		29.4			C290D3/T14		
182R "Skylane"	L	O-470-U (TCM)	P4357483-02	D3A36C435/80VEA-0	80.0	78.0	30		13.6		33.9	D-7515	P	C290D3/T14	SA01601CH McCaughey PL60338	141
182R "Skylane"		O-470-U (STC)	P2043909-55	C2A34C204/90DCB-8	82.0	80.5	30		14.5		31.0	D-7520	P	C290D3/T1	SA01581AT John Jewell	
182R "Skylane"		O-470-U-TS (STC)		C2A34C204/90DCB-8	82.0	80.5	30		10.4		29.4				SA8951SW Texas Skyways	
182R "Skylane"		O-470-50 (STC)	OBSOLETE	D2A34C58/90AT-8	82.0	80.5	36		9.5		25.8				SA5966NM P. Ponk	1
182R "Skylane"		O-470-50 (STC)	OBSOLETE	2A34C66/90AT-8	82.0	80.5	36		9.5		25.8				SA5966NM P. Ponk	1

Constant Speed Propeller Applications

Aircraft Model	T Y P E	Engine Model (Make)	Propeller Part Number	Propeller Model	Max Dia	Min Dia	Ref Sta	Rev Angle	Low or Flight Idle Angle	Latch or Start Locks Angle	High or Feather Angle	Spinner Assembly P/N	S p i n n e r	Governor Model	STC Number STC Holder STC Kit P/N	N o t e s
182R "Skylane"		O-470-50 (STC)	OBSOLETE	D3A32C90/82NC-2	80.0		30					D-6594			SA5966NM P. Ponk	1
182R "Skylane"		O-470-50 (STC)	P2306949-60	D2A37C230/90REB-8	82.0	80.0	30		12.8		28.3				SA5966NM P. Ponk	
182R "Skylane"		O-470-50 (STC)	P4014808-04	D3A34C401/90DFA-10	80.0	78.0	30		10.4		28.0	D-6594	P		SA5966NM P. Ponk	150
182R "Skylane"		IO-470-F (STC)	OBSOLETE	2A34C50/90A-8	82.0	80.0	36		10.5		22.0				SA3825SW Peterson	1
182R "Skylane"		IO-470-F (STC)	OBSOLETE	D2A34C58/90AT-8	82.0	80.5	36		9.2		22.0				SA3825SW Peterson	1
182R "Skylane"		IO-470-F (STC)	OBSOLETE	2A34C66/90AT-8	82.0	80.0	36		10.5		22.0				SA3825SW Peterson	1
182R "Skylane"		O-520-F-TS (STC)		B2A37C238/90REA-4	86.0	84.5	30		10.9		29.5				SA09558SC Texas Skyways	
182R "Skylane"		O-520-F-TS (STC)	P4014808-04	D3A34C401/90DFA-10	80.0	76.0	30		10.4		28.5	D-6594	P		SA09026SC Texas Skyways	
182R "Skylane"		O-520-U-TS (STC)	P4014808-04	D3A34C401/90DFA-10	80.0	76.0	30		10.4		28.5	D-6594	P		SA09026SC Texas Skyways	
182R "Skylane"		IO-520-D (TCM)	P4014808-04	D3A34C401/90DFA-10	80.0	78.0	30		10.4		28.5	D-6594 D-7515	P P	C290D3/T9	SA01302AT John Jewell	
182R "Skylane"		IO-520 series (TCM)	P4014808-09	D3A34C401/90DFA-2	88.0	86.0	30		10.0		28.5	D-6594	P		SA00727WI Air Plains	88
182R "Skylane"		IO-520 series (TCM)	P4014808-12	D3A34C401/90DFA-4	86.0	84.0	30		10.0		28.0	D-6594	P		SA00727WI Air Plains	84
182R "Skylane"		IO-520 series (TCM)	P4014808-13	D3A34C401/90DFA-6	84.0	82.0	30		10.0		28.0	D-6594	P		SA00727WI Air Plains	
182R "Skylane"		IO-520 series (TCM)	P4014808-14	D3A34C401/90DFA-8	82.0	80.0	30		10.4		28.5	D-6594	P		SA00727WI Air Plains	
182R "Skylane"		IO-520 series (TCM)	P4014808-04	D3A34C401/90DFA-10	80.0	80.0	30		10.4		28.5	D-6594	P		SA00727WI Air Plains	89
182R "Skylane"		O-550-F-TS (STC)		B2A37C238/90REA-4	86.0	84.5	30		10.9		29.5				SA09558SC Texas Skyways	
182R "Skylane"		O-550-F-TS (STC)		D3A34C401/90DFA-10	80.0	76.0	30		10.0		28.5	D-6594	P		SA09133SC Texas Skyways	
182R "Skylane"		IO-550-D (TCM)	P4014808-12	D3A34C401/90DFA-4	86.0	84.0	30		10.0		28.0	D-7515	P	C290D3/T34	SA3825SW Peterson	84 127
182R "Skylane"		IO-550-D (TCM)	P4014808-11	D3A34C401/90DFA-8	82.0	80.0	30		11.2		28.5	D-7515	P	C290D3/T1	SA3825SW Peterson	126

Constant Speed Propeller Applications

Aircraft Model	T Y P E	Engine Model (Make)	Propeller Part Number	Propeller Model	Max Dia	Min Dia	Ref Sta	Rev Angle	Low or Flight Idle Angle	Latch or Start Locks Angle	High or Feather Angle	Spinner Assembly P/N	S p i n n e r	Governor Model	STC Number STC Holder STC Kit P/N	N o t e s
182R "Skylane"	L	IO-550-D (TCM)	P4014808-05	D3A34C401/90DFA-10	80.0	78.0	30		11.2		28.5	D-6594 D-7515	P P	C290D3/T5	SA01218AT John Jewell	
182R "Skylane"		IO-550 series (TCM)	P4014808-09	D3A34C401/90DFA-2	88.0	86.0	30		10.0		28.5	D-6594	P		SA00727WI Air Plains	88
182R "Skylane"		IO-550 series (TCM)	P4014808-12	D3A34C401/90DFA-4	86.0	84.0	30		10.0		28.0	D-6594	P		SA00727WI Air Plains	84
182R "Skylane"		IO-550 series (TCM)	P4014808-13	D3A34C401/90DFA-6	84.0	82.0	30		10.0		28.0	D-6594	P		SA00727WI Air Plains	90
182R "Skylane"		IO-550 series (TCM)	P4014808-14	D3A34C401/90DFA-8	82.0	80.0	30		10.4		28.5	D-6594	P		SA00727WI Air Plains	
182R "Skylane"		IO-550 series (TCM)	P4014808-04	D3A34C401/90DFA-10	80.0	80.0	30		10.4		28.5	D-6594	P		SA00727WI Air Plains	89
182S "Skylane"	L	IO-540-AB1A5 (LY)	P2357299-02	B2D34C235/90DKB-8E	82.0	80.5	30		17.0		31.8	D-7267-1 D-7267-2	P S	DC290D1/T8		
182S "Skylane"	L	IO-540-AB1A5 (LY)	P4317296-01	B3D36C431/80VSA-1	79.0	77.5	30		14.9		31.7	D-7262-1 D-7262-2	P S	DC290D1/T8		
182S "Skylane"	L	IO-540-D4B5 (LY)	P4317296-04	B3D36C431/80VSA-1	79.0	77.5	30		11.5		29.2	D-7262-1	P	DC290D1/T37	SA02311NY Alamo Aerospace	
182T "Skylane"	L	IO-540-AB1A5 (LY)	P4317296-01	B3D36C431/80VSA-1	79.0	77.5	30		14.9		31.7	D-7262-1 D-7262-2	P S	DC290D1/T8		
182T "Skylane"	L	IO-540-D4B5 (LY)	P4317296-04	B3D36C431/80VSA-1	79.0		30		11.5		29.2	D-7262-1	P	DC290D1/T37	SA02311NY Alamo Aerospace	
R182 (S/N 0002 - 1313) "Skylane RG"	L	O-540-J3C5D (LY)	P2144392-61	B2D34C214/90DHB-8	82.0	80.5	30		15.8		29.4			DC290D1/T4 C290D3/T16 DC290D1/T8 Note 131 C290D3/T22 Note 131		
R182 (S/N 0002 - 1313) "Skylane RG"	L	O-540-J3C5D (LY)	P4337350-02	B3D36C433/80VSA-1	79.0	78.0	30		14.3		31.7	D-6614	P	DC290D1/T4 C290D3/T16 DC290D1/T8 Note 131 C290D3/T22 Note 131	SA00797CH McCauley PL60231	141
R182 (S/N 0002 - 1313) "Skylane RG"	L	IO-540-D4B5-AA (STC)	P4337350-03	B3D36C433/80VSA-1	79.0		30							DC290D1/T37	SA10811SC Alamo Aerospace	
R182 (S/N 1314 and up) "Skylane RG"	L	O-540-J3C5D (LY)	P2185053-01	B2D34C218/90DHB-8	82.0	80.5	30		15.8		29.4			DC290D1/T8 C290D3/T22		
R182 (S/N 1314 and up) "Skylane RG"	L	O-540-J3C5D (LY)	P4317296-03	B3D36C431/80VSA-1	79.0	78.0	30		14.3		31.7	D-7499-1	P	DC290D1/T8 C290D3/T22	SA00797CH McCauley PL60203	141

Constant Speed Propeller Applications

Aircraft Model	T Y P E	Engine Model (Make)	Propeller Part Number	Propeller Model	Max Dia	Min Dia	Ref Sta	Rev Angle	Low or Flight Idle Angle	Latch or Start Locks Angle	High or Feather Angle	Spinner Assembly P/N	S p i n n e r	Governor Model	STC Number STC Holder STC Kit P/N	N o t e s
R182 (S/N 1314 - 1628) "Skylane RG"	L	O-540-J3C5D (LY)	P4075158-01	B3D32C407/82NDA-3	79.0	78.0	30		16.0		31.7			DC290D1/T8 C290D3/T22		22
R182 (S/N 1629 - 2041) "Skylane RG"	L	O-540-J3C5D (LY)	P4075158-01	B3D32C407/82NDA-3	79.0	78.0	30		16.0		31.7			DC290D1/T8 C290D3/T22		
R182 (S/N 1314 and up) "Skylane RG"	L	IO-540-D4B5-AA (STC)	P4317296-05	B3D36C431/80VSA-1	79.0		30		11.5		29.2	D-7499-1		DC290D1/T37	SA10811SC Alamo Aerospace	
T182 "Turbo Skylane"	L	O-540-L3C5D (LY)	P2195054-01	B2D34C219/90DHB-8	82.0	80.5	30		15.8		31.9			DC290D1/T8 C290D3/T22		
T182 "Turbo Skylane"	L	O-540-L3C5D (LY)	P4075158-01	B3D32C407/82NDA-3	79.0	78.0	30		16.0		31.7			DC290D1/T8 C290D3/T22		
T182T "Turbo Skylane"	L	TIO-540-AK1A (LY)	P4427296-0253	B3D36C442/80VSB-1	79.0	77.5	30		15.1		35.4	D-7725-2	S	DC290D1/T8		
TR182 (S/N 1, 0584 - 1313) "Turbo Skylane RG"	L	O-540-L3C5D (LY)	P2174990-01	B2D34C217/90DHB-8	82.0	80.5	30		15.8		31.9			DC290D1/T7 C290D3/T21 DC290D1/T8 Note 131 C290D3/T22 Note 131		
TR182 (S/N 0584 - 1313) "Turbo Skylane RG"	L	O-540-L3C5D (LY)	P4075158-01	B3D32C407/82NDA-3	79.0	78.0	30		16.0		31.7			DC290D1/T8 C290D3/T22		23
TR182 (S/N 1314 and up) "Turbo Skylane RG"	L	O-540-L3C5D (LY)	P2195054-01	B2D34C219/90DHB-8	82.0	80.5	30		15.8		31.9			DC290D1/T8 C290D3/T22		
TR182 (S/N 1314 - 1628) "Turbo Skylane RG"	L	O-540-L3C5D (LY)	P4075158-01	B3D32C407/82NDA-3	79.0	78.0	30		16.0		31.7			DC290D1/T8 C290D3/T22		22
TR182 (S/N 1629 and up) "Turbo Skylane RG"	L	O-540-L3C5D (LY)	P4075158-01	B3D32C407/82NDA-3	79.0	78.0	30		16.0		31.7			DC290D1/T8 C290D3/T22		
185 "Skywagon"	A F L	IO-470-F (TCM)	OBSOLETE	D2A36C33/90M-2	88.0	80.5	36		8.0		22.0					1
185 "Skywagon"	A F L	IO-470-F (TCM)	OBSOLETE	D2A34C49/90A-2	88.0	80.5	36		9.2		22.0					1
185 "Skywagon"	A F L	IO-470-F (TCM)	OBSOLETE	D2A34C58/90AT-2	88.0	80.5	36		9.2		22.0					1
185 "Skywagon"	A F L	IO-470-F (TCM)	P2306949-62	D2A37C230/90REB-2	88.0	80.5	30		11.7		24.5			C290D3/T1 C290D2/T1		80

Constant Speed Propeller Applications

Aircraft Model	T Y P E	Engine Model (Make)	Propeller Part Number	Propeller Model	Max Dia	Min Dia	Ref Sta	Rev Angle	Low or Flight Idle Angle	Latch or Start Locks Angle	High or Feather Angle	Spinner Assembly P/N	S p i n n e r	Governor Model	STC Number STC Holder STC Kit P/N	N o t e s
185 "Skywagon"	A F L	IO-520-B (STC)	OBSOLETE	D2A34C58/90AT-4	86.0		36								SA1750NM Metal Innovations	1
185 "Skywagon"	A F L	IO-520-B (STC)		D3A34C403/80VA-0	80.0		30								SA1750NM Metal Innovations	
185 "Skywagon"	L	IO-520-D (TCM)	OBSOLETE	D2A34C58/90AT-4	86.0	80.5	36		9.5		25.8			C290D3/T9 C290D2/T9	SA525NW Kenmore Air Harbor	1
185 "Skywagon"	F	IO-520-D (TCM)	OBSOLETE	D2A34C58/90AT-4	86.0	84.5	36		8.0		25.0			C290D3/T9 C290D2/T9	SA525NW Kenmore Air Harbor	1
185 "Skywagon"		IO-520-D (TCM)	OBSOLETE	D3A32C90/82NC-2	80.0	78.0	30		11.5		28.1			C290D3/T9 C290D2/T9	SA525NW Kenmore Air Harbor	1
185 "Skywagon"		IO-520-D (TCM)	OBSOLETE	D3A32C90/82NC-2	80.0	78.0	30		11.5		28.1			C290D3/T9 C290D2/T9	SA240NW Kenmore Air Harbor	1
185 "Skywagon"	A F L	IO-520-D (TCM)	P4014808-07	D3A34C401/90DFA-2	88.0	86.5	30		8.8		28.0	D-6594 D-3867 D-3867-1	P S P	C290D3/T9	SA00413WI P. Ponk	84 132
185 "Skywagon"	A F L	IO-520-D (TCM)	P4014808-08	D3A34C401/90DFA-4	86.0	84.5	30		9.0		28.0	D-6594 D-3867 D-3867-1	P S P	C290D3/T9	SA00413WI P. Ponk	84 132
185 "Skywagon"	A F L	IO-520-D (TCM)	P4014808-13	D3A34C401/90DFA-6	84.0	82.5	30		10.0		28.0	D-6594 D-3867 D-3867-1	P S P	C290D3/T9	SA00413WI P. Ponk	84 132
185 "Skywagon"	A F L	IO-520-D (TCM)		D3A34C401/90DFA-8	82.0	80.5	30		10.4		28.0	D-6594 D-3867 D-3867-1	P S P	C290D3/T9	SA00413WI P. Ponk	132
185 "Skywagon"		IO-520-D (TCM)	P4014808-14	D3A34C401/90DFA-8	82.0	78.0	30		10.4		28.5	D-6594	P	C290D3/T9	SA00501AT Davis Aviation	103
185 "Skywagon"	A F L	IO-520-D (TCM)		D3A34C401/90DFA-10	80.0	78.5	30		10.4		28.0	D-6594 D-3867 D-3867-1	P S P	C290D3/T9	SA00413WI P. Ponk	132
185 "Skywagon"		IO-520-D (TCM)	P4014808-04	D3A34C401/90DFA-10	80.0	78.0	30		10.4		28.5	D-6594	P	C290D3/T9	SA00501AT Davis Aviation	103
185 "Skywagon"	A F L	IO-550-D (TCM)	P4014808-09	D3A34C401/90DFA-2	88.0	86.0	30		10.0		28.0			C290D3/T5 C290D2/T5	SA00412WI Air Plains	84
185 "Skywagon"	A F L	IO-550-D (TCM)	P4014808-12	D3A34C401/90DFA-4	86.0	84.0	30		10.0		28.0			C290D3/T5 C290D2/T5	SA00412WI Air Plains	84

Constant Speed Propeller Applications

Aircraft Model	T Y P E	Engine Model (Make)	Propeller Part Number	Propeller Model	Max Dia	Min Dia	Ref Sta	Rev Angle	Low or Flight Idle Angle	Latch or Start Locks Angle	High or Feather Angle	Spinner Assembly P/N	S p i n n e r	Governor Model	STC Number STC Holder STC Kit P/N	N o t e s
185 "Skywagon"	A F L	IO-550-D (TCM)	P4014808-13	D3A34C401/90DFA-6	84.0	82.0	30		10.0		28.0			C290D3/T5 C290D2/T5	SA00412WI Air Plains	
185 "Skywagon"	A F L	IO-550-D (TCM)		D3A34C401/90DFA-8	82.0	80.0	30		10.4		28.0			C290D3/T5 C290D2/T5	SA00412WI Air Plains	
185 "Skywagon"		IO-550-D (TCM)	P4014808-11	D3A34C401/90DFA-8	82.0	78.0	30		11.2		28.5	D-6594	P	C290D3/T19	SA2933SO Davis Aviation	103
185 "Skywagon"		IO-550-D (TCM)	P4014808-05	D3A34C401/90DFA-10	80.0	78.0	30		11.2		28.5	D-6594	P	C290D3/T19	SA2933SO Davis Aviation	103
185 "Skywagon"		IO-550-D (TCM)	P2286737-51	B2A37C228/90RDA-4	86.0	84.0	30		11.5		29.5	D-3396	S	C290D3/T19	SA2933SO Davis Aviation	
185A "Skywagon"	A F L	IO-470-F (TCM)	OBSOLETE	D2A36C33/90M-2	88.0	80.5	36		8.0		22.0					1
185A "Skywagon"	A F L	IO-470-F (TCM)	OBSOLETE	D2A34C49/90A-2	88.0	80.5	36		9.2		22.0					1
185A "Skywagon"	A F L	IO-470-F (TCM)	OBSOLETE	D2A34C58/90AT-2	88.0	80.5	36		9.2		22.0					1
185A "Skywagon"	A F L	IO-470-F (TCM)	P2306949-62	D2A37C230/90REB-2	88.0	80.5	30		11.7		24.5			C290D3/T1 C290D2/T1		80
185A "Skywagon"	A F L	IO-520-B (STC)	OBSOLETE	D2A34C58/90AT-4	86.0		36								SA1750NM Metal Innovations	1
185A "Skywagon"	A F L	IO-520-B (STC)		D3A34C403/80VA-0	80.0		30								SA1750NM Metal Innovations	
185A "Skywagon"	L	IO-520-D (TCM)	OBSOLETE	D2A34C58/90AT-4	86.0	80.5	36		9.5		25.8			C290D3/T9 C290D2/T9	SA525NW Kenmore Air Harbor	1
185A "Skywagon"	F	IO-520-D (TCM)	OBSOLETE	D2A34C58/90AT-4	86.0	84.5	36		8.0		25.0			C290D3/T9 C290D2/T9	SA525NW Kenmore Air Harbor	1
185A "Skywagon"		IO-520-D (TCM)	OBSOLETE	D3A32C90/82NC-2	80.0	78.0	30		11.5		28.1			C290D3/T9 C290D2/T9	SA525NW Kenmore Air Harbor	1
185A "Skywagon"		IO-520-D (TCM)	OBSOLETE	D3A32C90/82NC-2	80.0	78.0	30		11.5		28.1			C290D3/T9 C290D2/T9	SA240NW Kenmore Air Harbor	1

Constant Speed Propeller Applications

Aircraft Model	T Y P E	Engine Model (Make)	Propeller Part Number	Propeller Model	Max Dia	Min Dia	Ref Sta	Rev Angle	Low or Flight Idle Angle	Latch or Start Locks Angle	High or Feather Angle	Spinner Assembly P/N	S p i n n e r	Governor Model	STC Number STC Holder STC Kit P/N	N o t e s
185A "Skywagon"	A F L	IO-520-D (TCM)	P4014808-07	D3A34C401/90DFA-2	88.0	86.5	30		8.8		28.0	D-6594 D-3867 D-3867-1	P S P	C290D3/T9	SA00413WI P. Ponk	84 132
185A "Skywagon"	A F L	IO-550-D (TCM)	P4014808-09	D3A34C401/90DFA-2	88.0	86.0	30		10.0		28.0			C290D3/T5 C290D2/T5	SA00412WI Air Plains	84
185A "Skywagon"	A F L	IO-520-D (TCM)	P4014808-08	D3A34C401/90DFA-4	86.0	84.5	30		9.0		28.0	D-6594 D-3867 D-3867-1	P S P	C290D3/T9	SA00413WI P. Ponk	84 132
185A "Skywagon"	A F L	IO-520-D (TCM)	P4014808-13	D3A34C401/90DFA-6	84.0	82.5	30		10.0		28.0	D-6594 D-3867 D-3867-1	P S P	C290D3/T9	SA00413WI P. Ponk	84 132
185A "Skywagon"	A F L	IO-520-D (TCM)		D3A34C401/90DFA-8	82.0	80.5	30		10.4		28.0	D-6594 D-3867 D-3867-1	P S P	C290D3/T9	SA00413WI P. Ponk	132
185A "Skywagon"		IO-520-D (TCM)	P4014808-14	D3A34C401/90DFA-8	82.0	78.0	30		10.4		28.5	D-6594	P	C290D3/T9	SA00501AT Davis Aviation	103
185A "Skywagon"	A F L	IO-520-D (TCM)		D3A34C401/90DFA-10	80.0	78.5	30		10.4		28.0	D-6594 D-3867 D-3867-1	P S P	C290D3/T9	SA00413WI P. Ponk	132
185A "Skywagon"		IO-520-D (TCM)	P4014808-04	D3A34C401/90DFA-10	80.0	78.0	30		10.4		28.5	D-6594	P	C290D3/T9	SA00501AT Davis Aviation	103
185A "Skywagon"	A F L	IO-550-D (TCM)	P4014808-12	D3A34C401/90DFA-4	86.0	84.0	30		10.0		28.0			C290D3/T5 C290D2/T5	SA00412WI Air Plains	84
185A "Skywagon"	A F L	IO-550-D (TCM)	P4014808-13	D3A34C401/90DFA-6	84.0	82.0	30		10.0		28.0			C290D3/T5 C290D2/T5	SA00412WI Air Plains	
185A "Skywagon"	A F L	IO-550-D (TCM)		D3A34C401/90DFA-8	82.0	80.0	30		10.4		28.0			C290D3/T5 C290D2/T5	SA00412WI Air Plains	
185A "Skywagon"		IO-550-D (TCM)	P4014808-11	D3A34C401/90DFA-8	82.0	78.0	30		11.2		28.5	D-6594	P	C290D3/T19	SA2933SO Davis Aviation	103
185A "Skywagon"		IO-550-D (TCM)	P4014808-05	D3A34C401/90DFA-10	80.0	78.0	30		11.2		28.5	D-6594	P	C290D3/T19	SA2933SO Davis Aviation	103
185A "Skywagon"		IO-550-D (TCM)	P2286737-51	B2A37C228/90RDA-4	86.0	84.0	30		11.5		29.5	D-3396	S	C290D3/T19	SA2933SO Davis Aviation	
185B "Skywagon"	A F L	IO-470-F (TCM)	OBSOLETE	D2A36C33/90M-2	88.0	80.5	36		8.0		22.0					1
185B "Skywagon"	A F L	IO-470-F (TCM)	OBSOLETE	D2A34C49/90A-2	88.0	80.5	36		9.2		22.0					1

Constant Speed Propeller Applications

Aircraft Model	T Y P E	Engine Model (Make)	Propeller Part Number	Propeller Model	Max Dia	Min Dia	Ref Sta	Rev Angle	Low or Flight Idle Angle	Latch or Start Locks Angle	High or Feather Angle	Spinner Assembly P/N	S p i n n e r	Governor Model	STC Number STC Holder STC Kit P/N	N o t e s
185B "Skywagon"	A F L	IO-470-F (TCM)	OBSOLETE	D2A34C58/90AT-2	88.0	80.5	36		9.2		22.0					1
185B "Skywagon"	A F L	IO-470-F (TCM)	P2306949-62	D2A37C230/90REB-2	88.0	80.5	30		11.7		24.5			C290D3/T1 C290D2/T1		80
185B "Skywagon"	A F L	IO-520-B (STC)	OBSOLETE	D2A34C58/90AT-4	86.0		36								SA1750NM Metal Innovations	1
185B "Skywagon"	A F L	IO-520-B (STC)		D3A34C403/80VA-0	80.0		30								SA1750NM Metal Innovations	
185B "Skywagon"	L	IO-520-D (TCM)	OBSOLETE	D2A34C58/90AT-4	86.0	80.5	36		9.5		25.8			C290D3/T9 C290D2/T9	SA525NW Kenmore Air Harbor	1
185B "Skywagon"	F	IO-520-D (TCM)	OBSOLETE	D2A34C58/90AT-4	86.0	84.5	36		8.0		25.0			C290D3/T9 C290D2/T9	SA525NW Kenmore Air Harbor	1
185B "Skywagon"		IO-520-D (TCM)	OBSOLETE	D3A32C90/82NC-2	80.0	78.0	30		11.5		28.1			C290D3/T9 C290D2/T9	SA525NW Kenmore Air Harbor	1
185B "Skywagon"		IO-520-D (TCM)	OBSOLETE	D3A32C90/82NC-2	80.0	78.0	30		11.5		28.1			C290D3/T9 C290D2/T9	SA240NW Kenmore Air Harbor	1
185B "Skywagon"	A F L	IO-520-D (TCM)	P4014808-07	D3A34C401/90DFA-2	88.0	86.5	30		8.8		28.0	D-6594 D-3867 D-3867-1	P S P	C290D3/T9	SA00413WI P. Ponk	84 132
185B "Skywagon"	A F L	IO-520-D (TCM)	P4014808-08	D3A34C401/90DFA-4	86.0	84.5	30		9.0		28.0	D-6594 D-3867 D-3867-1	P S P	C290D3/T9	SA00413WI P. Ponk	84 132
185B "Skywagon"	A F L	IO-520-D (TCM)	P4014808-13	D3A34C401/90DFA-6	84.0	82.5	30		10.0		28.0	D-6594 D-3867 D-3867-1	P S P	C290D3/T9	SA00413WI P. Ponk	84 132
185B "Skywagon"	A F L	IO-520-D (TCM)		D3A34C401/90DFA-8	82.0	80.5	30		10.4		28.0	D-6594 D-3867 D-3867-1	P S P	C290D3/T9	SA00413WI P. Ponk	132
185B "Skywagon"		IO-520-D (TCM)	P4014808-14	D3A34C401/90DFA-8	82.0	78.0	30		10.4		28.5	D-6594	P	C290D3/T9	SA00501AT Davis Aviation	103
185B "Skywagon"	A F L	IO-520-D (TCM)		D3A34C401/90DFA-10	80.0	78.5	30		10.4		28.0	D-6594 D-3867 D-3867-1	P S P	C290D3/T9	SA00413WI P. Ponk	132
185B "Skywagon"		IO-520-D (TCM)	P4014808-04	D3A34C401/90DFA-10	80.0	78.0	30		10.4		28.5	D-6594	P	C290D3/T9	SA00501AT Davis Aviation	103

Constant Speed Propeller Applications

Aircraft Model	T Y P E	Engine Model (Make)	Propeller Part Number	Propeller Model	Max Dia	Min Dia	Ref Sta	Rev Angle	Low or Flight Idle Angle	Latch or Start Locks Angle	High or Feather Angle	Spinner Assembly P/N	S p i n n e r	Governor Model	STC Number STC Holder STC Kit P/N	N o t e s
185B "Skywagon"	A F L	IO-550-D (TCM)	P4014808-09	D3A34C401/90DFA-2	88.0	86.0	30		10.0		28.0			C290D3/T5 C290D2/T5	SA00412WI Air Plains	84
185B "Skywagon"	A F L	IO-550-D (TCM)	P4014808-12	D3A34C401/90DFA-4	86.0	84.0	30		10.0		28.0			C290D3/T5 C290D2/T5	SA00412WI Air Plains	84
185B "Skywagon"	A F L	IO-550-D (TCM)	P4014808-13	D3A34C401/90DFA-6	84.0	82.0	30		10.0		28.0			C290D3/T5 C290D2/T5	SA00412WI Air Plains	
185B "Skywagon"	A F L	IO-550-D (TCM)		D3A34C401/90DFA-8	82.0	80.0	30		10.4		28.0			C290D3/T5 C290D2/T5	SA00412WI Air Plains	
185B "Skywagon"		IO-550-D (TCM)	P4014808-11	D3A34C401/90DFA-8	82.0	78.0	30		11.2		28.5	D-6594	P	C290D3/T19	SA2933SO Davis Aviation	103
185B "Skywagon"		IO-550-D (TCM)	P4014808-05	D3A34C401/90DFA-10	80.0	78.0	30		11.2		28.5	D-6594	P	C290D3/T19	SA2933SO Davis Aviation	103
185B "Skywagon"		IO-550-D (TCM)	P2286737-51	B2A37C228/90RDA-4	86.0	84.0	30		11.5		29.5	D-3396	S	C290D3/T19	SA2933SO Davis Aviation	
185C "Skywagon"	A F L	IO-470-F (TCM)	OBSOLETE	D2A36C33/90M-2	88.0	80.5	36		8.0		22.0					1
185C "Skywagon"	A F L	IO-470-F (TCM)	OBSOLETE	D2A34C49/90A-2	88.0	80.5	36		9.2		22.0					1
185C "Skywagon"	A F L	IO-470-F (TCM)	OBSOLETE	D2A34C58/90AT-2	88.0	80.5	36		9.2		22.0					1
185C "Skywagon"	A F L	IO-470-F (TCM)	P2306949-62	D2A37C230/90REB-2	88.0	80.5	30		11.7		24.5			C290D3/T1 C290D2/T1		80
185C "Skywagon"	A F L	IO-520-B (STC)	OBSOLETE	D2A34C58/90AT-4	86.0		36								SA1750NM Metal Innovations	1
185C "Skywagon"	A F L	IO-520-B (STC)		D3A34C403/80VA-0	80.0		30								SA1750NM Metal Innovations	
185C "Skywagon"	L	IO-520-D (TCM)	OBSOLETE	D2A34C58/90AT-4	86.0	80.5	36		9.5		25.8			C290D3/T9 C290D2/T9	SA525NW Kenmore Air Harbor	1
185C "Skywagon"	F	IO-520-D (TCM)	OBSOLETE	D2A34C58/90AT-4	86.0	84.5	36		8.0		25.0			C290D3/T9 C290D2/T9	SA525NW Kenmore Air Harbor	1

Constant Speed Propeller Applications

Aircraft Model	T Y P E	Engine Model (Make)	Propeller Part Number	Propeller Model	Max Dia	Min Dia	Ref Sta	Rev Angle	Low or Flight Idle Angle	Latch or Start Locks Angle	High or Feather Angle	Spinner Assembly P/N	S p i n n e r	Governor Model	STC Number STC Holder STC Kit P/N	N o t e s
185C "Skywagon"		IO-520-D (TCM)	OBSOLETE	D3A32C90/82NC-2	80.0	78.0	30		11.5		28.1			C290D3/T9 C290D2/T9	SA525NW Kenmore Air Harbor	1
185C "Skywagon"		IO-520-D (TCM)	OBSOLETE	D3A32C90/82NC-2	80.0	78.0	30		11.5		28.1			C290D3/T9 C290D2/T9	SA240NW Kenmore Air Harbor	1
185C "Skywagon"	A F L	IO-520-D (TCM)	P4014808-07	D3A34C401/90DFA-2	88.0	86.5	30		8.8		28.0	D-6594 D-3867 D-3867-1	P S P	C290D3/T9	SA00413WI P. Ponk	84 132
185C "Skywagon"	A F L	IO-520-D (TCM)	P4014808-08	D3A34C401/90DFA-4	86.0	84.5	30		9.0		28.0	D-6594 D-3867 D-3867-1	P S P	C290D3/T9	SA00413WI P. Ponk	84 132
185C "Skywagon"	A F L	IO-520-D (TCM)	P4014808-13	D3A34C401/90DFA-6	84.0	82.5	30		10.0		28.0	D-6594 D-3867 D-3867-1	P S P	C290D3/T9	SA00413WI P. Ponk	84 132
185C "Skywagon"	A F L	IO-520-D (TCM)		D3A34C401/90DFA-8	82.0	80.5	30		10.4		28.0	D-6594 D-3867 D-3867-1	P S P	C290D3/T9	SA00413WI P. Ponk	132
185C "Skywagon"		IO-520-D (TCM)	P4014808-14	D3A34C401/90DFA-8	82.0	78.0	30		10.4		28.5	D-6594	P	C290D3/T9	SA00501AT Davis Aviation	103
185C "Skywagon"	A F L	IO-520-D (TCM)		D3A34C401/90DFA-10	80.0	78.5	30		10.4		28.0	D-6594 D-3867 D-3867-1	P S P	C290D3/T9	SA00413WI P. Ponk	132
185C "Skywagon"		IO-520-D (TCM)	P4014808-04	D3A34C401/90DFA-10	80.0	78.0	30		10.4		28.5	D-6594	P	C290D3/T9	SA00501AT Davis Aviation	103
185C "Skywagon"	A F L	IO-550-D (TCM)	P4014808-09	D3A34C401/90DFA-2	88.0	86.0	30		10.0		28.0			C290D3/T5 C290D2/T5	SA00412WI Air Plains	84
185C "Skywagon"	A F L	IO-550-D (TCM)	P4014808-12	D3A34C401/90DFA-4	86.0	84.0	30		10.0		28.0			C290D3/T5 C290D2/T5	SA00412WI Air Plains	84
185C "Skywagon"	A F L	IO-550-D (TCM)	P4014808-13	D3A34C401/90DFA-6	84.0	82.0	30		10.0		28.0			C290D3/T5 C290D2/T5	SA00412WI Air Plains	
185C "Skywagon"	A F L	IO-550-D (TCM)		D3A34C401/90DFA-8	82.0	80.0	30		10.4		28.0			C290D3/T5 C290D2/T5	SA00412WI Air Plains	
185C "Skywagon"		IO-550-D (TCM)	P4014808-11	D3A34C401/90DFA-8	82.0	78.0	30		11.2		28.5	D-6594	P	C290D3/T19	SA2933SO Davis Aviation	103
185C "Skywagon"		IO-550-D (TCM)	P4014808-05	D3A34C401/90DFA-10	80.0	78.0	30		11.2		28.5	D-6594	P	C290D3/T19	SA2933SO Davis Aviation	103
185C "Skywagon"		IO-550-D (TCM)	P2286737-51	B2A37C228/90RDA-4	86.0	84.0	30		11.5		29.5	D-3396	S	C290D3/T19	SA2933SO Davis Aviation	

Constant Speed Propeller Applications

Aircraft Model	T Y P E	Engine Model (Make)	Propeller Part Number	Propeller Model	Max Dia	Min Dia	Ref Sta	Rev Angle	Low or Flight Idle Angle	Latch or Start Locks Angle	High or Feather Angle	Spinner Assembly P/N	S p i n n e r	Governor Model	STC Number STC Holder STC Kit P/N	N o t e s
185D "Skywagon"	A F L	IO-470-F (TCM)	OBSOLETE	D2A36C33/90M-2	88.0	80.5	36		8.0		22.0					1
185D "Skywagon"	A F L	IO-470-F (TCM)	OBSOLETE	D2A34C49/90A-2	88.0	80.5	36		9.2		22.0					1
185D "Skywagon"	A F L	IO-470-F (TCM)	OBSOLETE	D2A34C58/90AT-2	88.0	80.5	36		9.2		22.0					1
185D "Skywagon"	A F L	IO-470-F (TCM)	P2306949-62	D2A37C230/90REB-2	88.0	80.5	30		11.7		24.5			C290D3/T1 C290D2/T1		80
185D "Skywagon"	A F L	IO-520-B (STC)	OBSOLETE	D2A34C58/90AT-4	86.0		36								SA1750NM Metal Innovations	1
185D "Skywagon"	A F L	IO-520-B (STC)		D3A34C403/80VA-0	80.0		30								SA1750NM Metal Innovations	
185D "Skywagon"	L	IO-520-D (TCM)	OBSOLETE	D2A34C58/90AT-4	86.0	80.5	36		9.5		25.8			C290D3/T9 C290D2/T9	SA525NW Kenmore Air Harbor	1
185D "Skywagon"	F	IO-520-D (TCM)	OBSOLETE	D2A34C58/90AT-4	86.0	84.5	36		8.0		25.0			C290D3/T9 C290D2/T9	SA525NW Kenmore Air Harbor	1
185D "Skywagon"		IO-520-D (TCM)	OBSOLETE	D3A32C90/82NC-2	80.0	78.0	30		11.5		28.1			C290D3/T9 C290D2/T9	SA525NW Kenmore Air Harbor	1
185D "Skywagon"		IO-520-D (TCM)	OBSOLETE	D3A32C90/82NC-2	80.0	78.0	30		11.5		28.1			C290D3/T9 C290D2/T9	SA240NW Kenmore Air Harbor	1
185D "Skywagon"	A F L	IO-520-D (TCM)	P4014808-07	D3A34C401/90DFA-2	88.0	86.5	30		8.8		28.0	D-6594 D-3867 D-3867-1	P S P	C290D3/T9	SA00413WI P. Ponk	84 132
185D "Skywagon"	A F L	IO-520-D (TCM)	P4014808-08	D3A34C401/90DFA-4	86.0	84.5	30		9.0		28.0	D-6594 D-3867 D-3867-1	P S P	C290D3/T9	SA00413WI P. Ponk	84 132
185D "Skywagon"	A F L	IO-520-D (TCM)	P4014808-13	D3A34C401/90DFA-6	84.0	82.5	30		10.0		28.0	D-6594 D-3867 D-3867-1	P S P	C290D3/T9	SA00413WI P. Ponk	84 132
185D "Skywagon"	A F L	IO-520-D (TCM)		D3A34C401/90DFA-8	82.0	80.5	30		10.4		28.0	D-6594 D-3867 D-3867-1	P S P	C290D3/T9	SA00413WI P. Ponk	132
185D "Skywagon"		IO-520-D (TCM)	P4014808-14	D3A34C401/90DFA-8	82.0	78.0	30		10.4		28.5	D-6594	P	C290D3/T9	SA00501AT Davis Aviation	103

Constant Speed Propeller Applications

Aircraft Model	T Y P E	Engine Model (Make)	Propeller Part Number	Propeller Model	Max Dia	Min Dia	Ref Sta	Rev Angle	Low or Flight Idle Angle	Latch or Start Locks Angle	High or Feather Angle	Spinner Assembly P/N	S p i n n e r	Governor Model	STC Number STC Holder STC Kit P/N	N o t e s
185D "Skywagon"	A F L	IO-520-D (TCM)		D3A34C401/90DFA-10	80.0	78.5	30		10.4		28.0	D-6594 D-3867 D-3867-1	P S P	C290D3/T9	SA00413WI P. Ponk	132
185D "Skywagon"		IO-520-D (TCM)	P4014808-04	D3A34C401/90DFA-10	80.0	78.0	30		10.4		28.5	D-6594	P	C290D3/T9	SA00501AT Davis Aviation	103
185D "Skywagon"	A F L	IO-550-D (TCM)	P4014808-09	D3A34C401/90DFA-2	88.0	86.0	30		10.0		28.0			C290D3/T5 C290D2/T5	SA00412WI Air Plains	84
185D "Skywagon"	A F L	IO-550-D (TCM)	P4014808-12	D3A34C401/90DFA-4	86.0	84.0	30		10.0		28.0			C290D3/T5 C290D2/T5	SA00412WI Air Plains	84
185D "Skywagon"	A F L	IO-550-D (TCM)	P4014808-13	D3A34C401/90DFA-6	84.0	82.0	30		10.0		28.0			C290D3/T5 C290D2/T5	SA00412WI Air Plains	
185D "Skywagon"	A F L	IO-550-D (TCM)		D3A34C401/90DFA-8	82.0	80.0	30		10.4		28.0			C290D3/T5 C290D2/T5	SA00412WI Air Plains	
185D "Skywagon"		IO-550-D (TCM)	P4014808-11	D3A34C401/90DFA-8	82.0	78.0	30		11.2		28.5	D-6594	P	C290D3/T19	SA2933SO Davis Aviation	103
185D "Skywagon"		IO-550-D (TCM)	P4014808-05	D3A34C401/90DFA-10	80.0	78.0	30		11.2		28.5	D-6594	P	C290D3/T19	SA2933SO Davis Aviation	103
185D "Skywagon"		IO-550-D (TCM)	P2286737-51	B2A37C228/90RDA-4	86.0	84.0	30		11.5		29.5	D-3396	S	C290D3/T19	SA2933SO Davis Aviation	
185E "Skywagon"	A F L	IO-470-F (TCM)	OBSOLETE	D2A34C49/90A-2	88.0	80.5	36		9.2		22.0			C290D3/T1 C290D2/T1		1
185E "Skywagon"	A F L	IO-470-F (TCM)	OBSOLETE	D2A34C58/90AT-2	88.0	80.5	36		9.2		22.0			C290D3/T1 C290D2/T1		1
185E "Skywagon"	A F L	IO-470-F (TCM)	P2306949-62	D2A37C230/90REB-2	88.0	80.5	30		11.7		24.5			C290D3/T1 C290D2/T1		80
185E "Skywagon"	A F L	IO-520-B (STC)	OBSOLETE	D2A34C58/90AT-4	86.0		36								SA1750NM Metal Innovations	1
185E "Skywagon"	A F L	IO-520-B (STC)		D3A34C403/80VA-0	80.0		30								SA1750NM Metal Innovations	
185E "Skywagon"	L	IO-520-D (TCM)	OBSOLETE	D2A34C58/90AT-4	86.0	80.5	36		9.5		25.8			C290D3/T9 C290D2/T9	SA525NW Kenmore Air Harbor	1
185E "Skywagon"	F	IO-520-D (TCM)	OBSOLETE	D2A34C58/90AT-4	86.0	84.5	36		8.0		25.0			C290D3/T9 C290D2/T9	SA525NW Kenmore Air Harbor	1

Constant Speed Propeller Applications

Aircraft Model	T Y P E	Engine Model (Make)	Propeller Part Number	Propeller Model	Max Dia	Min Dia	Ref Sta	Rev Angle	Low or Flight Idle Angle	Latch or Start Locks Angle	High or Feather Angle	Spinner Assembly P/N	S p i n n e r	Governor Model	STC Number STC Holder STC Kit P/N	N o t e s
185E "Skywagon"		IO-520-D (TCM)	OBSOLETE	D3A32C90/82NC-2	80.0	78.0	30		11.5		28.1			C290D3/T9 C290D2/T9	SA525NW Kenmore Air Harbor	1
185E "Skywagon"		IO-520-D (TCM)	OBSOLETE	D3A32C90/82NC-2	80.0	78.0	30		11.5		28.1			C290D3/T9 C290D2/T9	SA240NW Kenmore Air Harbor	1
185E "Skywagon"	A F L	IO-520-D (TCM)	P4014808-07	D3A34C401/90DFA-2	88.0	86.5	30		8.8		28.0	D-6594 D-3867 D-3867-1	P S P	C290D3/T9	SA00413WI P. Ponk	84 132
185E "Skywagon"	A F L	IO-520-D (TCM)	P4014808-08	D3A34C401/90DFA-4	86.0	84.5	30		9.0		28.0	D-6594 D-3867 D-3867-1	P S P	C290D3/T9	SA00413WI P. Ponk	84 132
185E "Skywagon"	A F L	IO-520-D (TCM)	P4014808-13	D3A34C401/90DFA-6	84.0	82.5	30		10.0		28.0	D-6594 D-3867 D-3867-1	P S P	C290D3/T9	SA00413WI P. Ponk	84 132
185E "Skywagon"	A F L	IO-520-D (TCM)		D3A34C401/90DFA-8	82.0	80.5	30		10.4		28.0	D-6594 D-3867 D-3867-1	P S P	C290D3/T9	SA00413WI P. Ponk	132
185E "Skywagon"		IO-520-D (TCM)	P4014808-14	D3A34C401/90DFA-8	82.0	78.0	30		10.4		28.5	D-6594	P	C290D3/T9	SA00501AT Davis Aviation	103
185E "Skywagon"	A F L	IO-520-D (TCM)		D3A34C401/90DFA-10	80.0	78.5	30		10.4		28.0	D-6594 D-3867 D-3867-1	P S P	C290D3/T9	SA00413WI P. Ponk	132
185E "Skywagon"		IO-520-D (TCM)	P4014808-04	D3A34C401/90DFA-10	80.0	78.0	30		10.4		28.5	D-6594	P	C290D3/T9	SA00501AT Davis Aviation	103
185E "Skywagon"	A F L	IO-550-D (TCM)	P4014808-09	D3A34C401/90DFA-2	88.0	86.0	30		10.0		28.0			C290D3/T5 C290D2/T5	SA00412WI Air Plains	84
185E "Skywagon"	A F L	IO-550-D (TCM)	P4014808-12	D3A34C401/90DFA-4	86.0	84.0	30		10.0		28.0			C290D3/T5 C290D2/T5	SA00412WI Air Plains	84
185E "Skywagon"	A F L	IO-550-D (TCM)	P4014808-13	D3A34C401/90DFA-6	84.0	82.0	30		10.0		28.0			C290D3/T5 C290D2/T5	SA00412WI Air Plains	
185E "Skywagon"	A F L	IO-550-D (TCM)		D3A34C401/90DFA-8	82.0	80.0	30		10.4		28.0			C290D3/T5 C290D2/T5	SA00412WI Air Plains	
185E "Skywagon"		IO-550-D (TCM)	P4014808-11	D3A34C401/90DFA-8	82.0	78.0	30		11.2		28.5	D-6594	P	C290D3/T19	SA2933SO Davis Aviation	103
185E "Skywagon"		IO-550-D (TCM)	P4014808-05	D3A34C401/90DFA-10	80.0	78.0	30		11.2		28.5	D-6594	P	C290D3/T19	SA2933SO Davis Aviation	103
185E "Skywagon"		IO-550-D (TCM)	P2286737-51	B2A37C228/90RDA-4	86.0	84.0	30		11.5		29.5	D-3396	S	C290D3/T19	SA2933SO Davis Aviation	

Constant Speed Propeller Applications

Aircraft Model	T Y P E	Engine Model (Make)	Propeller Part Number	Propeller Model	Max Dia	Min Dia	Ref Sta	Rev Angle	Low or Flight Idle Angle	Latch or Start Locks Angle	High or Feather Angle	Spinner Assembly P/N	S p i n n e r	Governor Model	STC Number STC Holder STC Kit P/N	N o t e s
185E "Skywagon"		TSIO-520-C (TCM)	OBSOLETE	D2A34C58/90AT-2	88.0		36								SA239NW Robert Duncan	1 118
A185E "Skywagon" "AGcarryall"	A F L S	IO-520-B (STC)	OBSOLETE	D2A34C58/90AT-4	86.0		36								SA1750NM Metal Innovations	1
A185E "Skywagon" "AGcarryall"	A F L S	IO-520-B (STC)		D3A34C403/80VA-0	80.0		30								SA1750NM Metal Innovations	
A185E "Skywagon" "AGcarryall"	A F L S	IO-520-D (TCM)	OBSOLETE	D2A34C58/90AT-4	86.0	84.5	36		8.0		25.0			C290D3/T9 C290D2/T9		1
A185E "Skywagon" "AGcarryall"	L S	IO-520-D (TCM)	OBSOLETE	D2A34C58/90AT-8	82.0	80.5	36		9.5		25.8			C290D3/T9 C290D2/T9		1
A185E "Skywagon" "AGcarryall"	L	IO-520-D (TCM)	OBSOLETE	D3A32C90/82NC-2	80.0	78.0	30		11.5		28.1			C290D3/T9 C290D2/T9	SA501NW US Prop of Connecticut	1
A185E "Skywagon" "AGcarryall"		IO-520-D (TCM)	OBSOLETE	D3A32C90/82NC-2	80.0	78.0	30		11.5		28.1			C290D3/T9 C290D2/T9	SA240NW Kenmore Air Harbor	1
A185E "Skywagon" "AGcarryall"		IO-520-D (TCM)	OBSOLETE	D3A32C90/82NC-2	80.0	78.0	30		11.5		28.1			C290D3/T9 C290D2/T9	SA985EA PK Floats	1
A185E "Skywagon" "AGcarryall"	L S	IO-520-D (TCM)	P2306949-53	D2A37C230/90REB-8	82.0	80.5	30		12.0		28.3			C290D3/T9 C290D2/T9		113
A185E "Skywagon" "AGcarryall"	A F L	IO-520-D (TCM)	P4014808-07	D3A34C401/90DFA-2	88.0	86.5	30		8.8		28.0	D-6594 D-3867 D-3867-1	P S P	C290D3/T9	SA00413WI P. Ponk	84 132
A185E "Skywagon" "AGcarryall"	A F L	IO-520-D (TCM)	P4014808-08	D3A34C401/90DFA-4	86.0	84.5	30		9.0		28.0	D-6594 D-3867 D-3867-1	P S P	C290D3/T9	SA00413WI P. Ponk	84 132
A185E "Skywagon" "AGcarryall"		IO-520-D (TCM)		D3A34C401/90DFA-4	86.0	84.5	30								SA00640SE P. Ponk	
A185E "Skywagon" "AGcarryall"	A F L	IO-520-D (TCM)	P4014808-13	D3A34C401/90DFA-6	84.0	82.5	30		10.0		28.0	D-6594 D-3867 D-3867-1	P S P	C290D3/T9	SA00413WI P. Ponk	84 132
A185E "Skywagon" "AGcarryall"		IO-520-D (TCM)	P4014808-13	D3A34C401/90DFA-6	84.0	82.5	30		10.0		28.0				SA00640SE P. Ponk	

Constant Speed Propeller Applications

Aircraft Model	T Y P E	Engine Model (Make)	Propeller Part Number	Propeller Model	Max Dia	Min Dia	Ref Sta	Rev Angle	Low or Flight Idle Angle	Latch or Start Locks Angle	High or Feather Angle	Spinner Assembly P/N	S p i n n e r	Governor Model	STC Number STC Holder STC Kit P/N	N o t e s
A185E "Skywagon" "AGcarryall"	A F L	IO-520-D (TCM)		D3A34C401/90DFA-8	82.0	80.5	30		10.4		28.0	D-6594 D-3867 D-3867-1	P S P	C290D3/T9	SA00413WI P. Ponk	132
A185E "Skywagon" "AGcarryall"		IO-520-D (TCM)	P4014808-14	D3A34C401/90DFA-8	82.0	78.0	30		10.4		28.5	D-6594	P	C290D3/T9	SA00501AT Davis Aviation	103
A185E "Skywagon" "AGcarryall"	A F L	IO-520-D (TCM)		D3A34C401/90DFA-10	80.0	78.5	30		10.4		28.0	D-6594 D-3867 D-3867-1	P S P	C290D3/T9	SA00413WI P. Ponk	132
A185E "Skywagon" "AGcarryall"		IO-520-D (TCM)	P4014808-04	D3A34C401/90DFA-10	80.0	78.0	30		10.4		28.5	D-6594	P	C290D3/T9	SA00501AT Davis Aviation	103
A185E "Skywagon" "AGcarryall"	A F L S	IO-520-D (TCM)	P4034808-11	D3A34C403/80VA-0	80.0	78.5	30		10.6		25.6			C290D3/T9 C290D2/T9		8
A185E "Skywagon" "AGcarryall"		TSIO-520-G-CS82 (STC)	OBSOLETE	D3A32C90/82NC-2	80.0		30								SA1754CE Air Plains	1
A185E "Skywagon" "AGcarryall"		TSIO-520-T-CS85 (STC)		D3A34C401/90DFA-10	80.0		30								SA1754CE Air Plains	
A185E "Skywagon" "AGcarryall"		IO-550-D (TCM)	P2286737-51	B2A37C228/90RDA-4	86.0	84.0	30		11.5		29.5	D-3396	S	C290D3/T19	SA2933SO Davis Aviation	
A185E "Skywagon" "AGcarryall"	A F L	IO-550-D (TCM)	P4014808-09	D3A34C401/90DFA-2	88.0	86.0	30		10.0		28.0			C290D3/T5 C290D2/T5	SA00412WI Air Plains	84
A185E "Skywagon" "AGcarryall"	A F L	IO-550-D (TCM)	P4014808-09	D3A34C401/90DFA-2	88.0	86.5	30		10.0		28.0				SA00344WI P. Ponk	84
A185E "Skywagon" "AGcarryall"	A F L	IO-550-D (TCM)	P4014808-12	D3A34C401/90DFA-4	86.0	84.0	30		10.0		28.0			C290D3/T5 C290D2/T5	SA00412WI Air Plains	84
A185E "Skywagon" "AGcarryall"	A F L	IO-550-D (TCM)	P4014808-12	D3A34C401/90DFA-4	86.0	84.5	30		10.0		28.0				SA00344WI P. Ponk	84
A185E "Skywagon" "AGcarryall"	A F L	IO-550-D (TCM)	P4014808-13	D3A34C401/90DFA-6	84.0	82.0	30		10.0		28.0			C290D3/T5 C290D2/T5	SA00412WI Air Plains	
A185E "Skywagon" "AGcarryall"	A F L	IO-550-D (TCM)	P4014808-13	D3A34C401/90DFA-6	84.0	82.5	30		10.0		28.0				SA00344WI P. Ponk	

Constant Speed Propeller Applications

Aircraft Model	T Y P E	Engine Model (Make)	Propeller Part Number	Propeller Model	Max Dia	Min Dia	Ref Sta	Rev Angle	Low or Flight Idle Angle	Latch or Start Locks Angle	High or Feather Angle	Spinner Assembly P/N	S p i n n e r	Governor Model	STC Number STC Holder STC Kit P/N	N o t e s
A185E "Skywagon" "AGcarryall"	A F L	IO-550-D (TCM)		D3A34C401/90DFA-8	82.0	80.0	30		10.4		28.0			C290D3/T5 C290D2/T5	SA00412WI Air Plains	
A185E "Skywagon" "AGcarryall"	A F L	IO-550-D (TCM)		D3A34C401/90DFA-8	82.0	80.5	30		10.4		28.0				SA00344WI P. Ponk	
A185E "Skywagon" "AGcarryall"		IO-550-D (TCM)	P4014808-11	D3A34C401/90DFA-8	82.0	78.0	30		11.2		28.5	D-6594	P	C290D3/T19	SA2933SO Davis Aviation	103
A185E "Skywagon" "AGcarryall"	A F L	IO-550-D (TCM)		D3A34C401/90DFA-10	80.0	78.5	30		10.4		28.0				SA00344WI P. Ponk	
A185E "Skywagon" "AGcarryall"		IO-550-D (TCM)	P4014808-05	D3A34C401/90DFA-10	80.0	78.0	30		11.2		28.5	D-6594	P	C290D3/T19	SA2933SO Davis Aviation	103
A185E "Skywagon" "AGcarryall"		IO-550-D (TCM)		D3A34C401/90DFA-10	80.0	78.0	30								SA1522GL Wipaire	
A185F "Skywagon" "AGcarryall"	A F L S	IO-520-B (STC)	OBSOLETE	D2A34C58/90AT-4	86.0		36								SA1750NM Metal Innovations	1
A185F "Skywagon" "AGcarryall"	A F L S	IO-520-B (STC)		D3A34C403/80VA-0	80.0		30								SA1750NM Metal Innovations	
A185F (S/N 3938 and below) "Skywagon" "AGcarryall"	L S	IO-520-D (TCM)	OBSOLETE	D2A34C58/90AT-8	82.0	80.5	36		9.5		25.8			C290D3/T9 C290D2/T9		1
A185F (S/N 3938 and below) "Skywagon" "AGcarryall"	A F L S	IO-520-D (TCM)	OBSOLETE	D2A34C58/90AT-4	86.0	84.5	36		8.0		25.0			C290D3/T9 C290D2/T9		1
A185F "Skywagon" "AGcarryall"		IO-520-D (TCM)	OBSOLETE	D3A32C90/82NC-2	80.0	78.0	30		11.5		28.1			C290D3/T9 C290D2/T9	SA240NW Kenmore Air Harbor	1
A185F "Skywagon" "AGcarryall"		IO-520-D (TCM)	OBSOLETE	D3A32C90/82NC-2	80.0	78.0	30		11.5		28.1			C290D3/T9 C290D2/T9	SA985EA PK Floats	1
A185F "Skywagon" "AGcarryall"	L	IO-520-D (TCM)	OBSOLETE	D3A32C90/82NC-2	80.0	78.0	30		11.5		28.1			C290D3/T9 C290D2/T9	SA501NW US Prop of Connecticut	1

Constant Speed Propeller Applications

Aircraft Model	TYPE	Engine Model (Make)	Propeller Part Number	Propeller Model	Max Dia	Min Dia	Ref Sta	Rev Angle	Low or Flight Idle Angle	Latch or Start Locks Angle	High or Feather Angle	Spinner Assembly P/N	Spinner Type	Governor Model	STC Number STC Holder STC Kit P/N	Notes
A185F (S/N 3938 and below) "Skywagon" "AGcarryall"	LS	IO-520-D (TCM)	P2306949-53	D2A37C230/90REB-8	82.0	80.5	30		12.0		28.3			C290D3/T9 C290D2/T9		113
A185F "Skywagon" "AGcarryall"	AF L	IO-520-D (TCM)	P4014808-07	D3A34C401/90DFA-2	88.0	86.5	30		8.8		28.0	D-6594 D-3867 D-3867-1	PS P	C290D3/T9	SA00413WI P. Ponk	84 132
A185F "Skywagon" "AGcarryall"		IO-520-D (TCM)		D3A34C401/90DFA-4	86.0	84.5	30								SA00640SE P. Ponk	
A185F "Skywagon" "AGcarryall"	AF L	IO-520-D (TCM)	P4014808-08	D3A34C401/90DFA-4	86.0	84.5	30		9.0		28.0	D-6594 D-3867 D-3867-1	PS P	C290D3/T9	SA00413WI P. Ponk	84 132
A185F "Skywagon" "AGcarryall"		IO-520-D (TCM)	P4014808-13	D3A34C401/90DFA-6	84.0	82.5	30		10.0		28.0				SA00640SE P. Ponk	
A185F "Skywagon" "AGcarryall"	AF L	IO-520-D (TCM)	P4014808-13	D3A34C401/90DFA-6	84.0	82.5	30		10.0		28.0	D-6594 D-3867 D-3867-1	PS P	C290D3/T9	SA00413WI P. Ponk	84 132
A185F "Skywagon" "AGcarryall"	AF L	IO-520-D (TCM)		D3A34C401/90DFA-8	82.0	80.5	30		10.4		28.0	D-6594 D-3867 D-3867-1	PS P	C290D3/T9	SA00413WI P. Ponk	132
A185F "Skywagon" "AGcarryall"		IO-520-D (TCM)	P4014808-14	D3A34C401/90DFA-8	82.0	78.0	30		10.4		28.5	D-6594	P	C290D3/T9	SA00501AT Davis Aviation	103
A185F "Skywagon" "AGcarryall"	AF L	IO-520-D (TCM)		D3A34C401/90DFA-10	80.0	78.5	30		10.4		28.0	D-6594 D-3867 D-3867-1	PS P	C290D3/T9	SA00413WI P. Ponk	132
A185F "Skywagon" "AGcarryall"		IO-520-D (TCM)	P4014808-04	D3A34C401/90DFA-10	80.0	78.0	30		10.4		28.5	D-6594	P	C290D3/T9	SA00501AT Davis Aviation	103
A185F (S/N 3938 and below) "Skywagon" "AGcarryall"	AF LS	IO-520-D (TCM)	P4034808-11	D3A34C403/80VA-0	80.0	78.5	30		10.6		25.6			C290D3/T9 C290D2/T9		8
A185F (S/N 3939 and up) "Skywagon" "AGcarryall"	AF LS	IO-520-D (TCM)	P4034808-11	D3A34C403/80VA-0	80.0	78.5	30		10.6		25.6			C290D3/T9 C290D2/T9		
A185F "Skywagon" "AGcarryall"		TSIO-520-G-CS82 (STC)	OBSOLETE	D3A32C90/82NC-2	80.0		30								SA1754CE Air Plains	1

Constant Speed Propeller Applications

Aircraft Model	T Y P E	Engine Model (Make)	Propeller Part Number	Propeller Model	Max Dia	Min Dia	Ref Sta	Rev Angle	Low or Flight Idle Angle	Latch or Start Locks Angle	High or Feather Angle	Spinner Assembly P/N	S p i n n e r	Governor Model	STC Number STC Holder STC Kit P/N	N o t e s
A185F "Skywagon" "AGcarryall"		TSIO-520-T-CS85 (STC)		D3A34C401/90DFA-10	80.0		30								SA1754CE Air Plains	
A185F "Skywagon" "AGcarryall"		IO-550-D (TCM)	P2286737-51	B2A37C228/90RDA-4	86.0	84.0	30		11.5		29.5	D-3396	S	C290D3/T19	SA2933SO Davis Aviation	
A185F "Skywagon" "AGcarryall"	A F L	IO-550-D (TCM)	P4014808-09	D3A34C401/90DFA-2	88.0	86.0	30		10.0		28.0			C290D3/T5 C290D2/T5	SA00412WI Air Plains	84
A185F "Skywagon" "AGcarryall"	A F L	IO-550-D (TCM)	P4014808-09	D3A34C401/90DFA-2	88.0	86.5	30		10.0		28.0				SA00344WI P. Ponk	84
A185F "Skywagon" "AGcarryall"	A F L	IO-550-D (TCM)	P4014808-12	D3A34C401/90DFA-4	86.0	84.0	30		10.0		28.0			C290D3/T5 C290D2/T5	SA00412WI Air Plains	84
A185F "Skywagon" "AGcarryall"	A F L	IO-550-D (TCM)	P4014808-12	D3A34C401/90DFA-4	86.0	84.5	30		10.0		28.0				SA00344WI P. Ponk	84
A185F "Skywagon" "AGcarryall"	A F L	IO-550-D (TCM)	P4014808-13	D3A34C401/90DFA-6	84.0	82.0	30		10.0		28.0			C290D3/T5 C290D2/T5	SA00412WI Air Plains	
A185F "Skywagon" "AGcarryall"	A F L	IO-550-D (TCM)	P4014808-13	D3A34C401/90DFA-6	84.0	82.5	30		10.0		28.0				SA00344WI P. Ponk	
A185F "Skywagon" "AGcarryall"	A F L	IO-550-D (TCM)		D3A34C401/90DFA-8	82.0	80.0	30		10.4		28.0			C290D3/T5 C290D2/T5	SA00412WI Air Plains	
A185F "Skywagon" "AGcarryall"	A F L	IO-550-D (TCM)		D3A34C401/90DFA-8	82.0	80.5	30		10.4		28.0				SA00344WI P. Ponk	
A185F "Skywagon" "AGcarryall"		IO-550-D (TCM)	P4014808-11	D3A34C401/90DFA-8	82.0	78.0	30		11.2		28.5	D-6594	P	C290D3/T19	SA2933SO Davis Aviation	103
A185F "Skywagon" "AGcarryall"	A F L	IO-550-D (TCM)		D3A34C401/90DFA-10	80.0	78.5	30		10.4		28.0				SA00344WI P. Ponk	
A185F "Skywagon" "AGcarryall"		IO-550-D (TCM)	P4014808-05	D3A34C401/90DFA-10	80.0	78.0	30		11.2		28.5	D-6594	P	C290D3/T19	SA2933SO Davis Aviation	103
A185F "Skywagon" "AGcarryall"		IO-550-D (TCM)		D3A34C401/90DFA-10	80.0	78.0	30								SA1522GL Wipaire	
188 "AGwagon 230"	L	O-470-R (TCM)	OBSOLETE	2A34C50/90A-2	88.0	86.0	36		8.0		22.0			C290D3/T1 C290D2/T1		1

Constant Speed Propeller Applications

Aircraft Model	T Y P E	Engine Model (Make)	Propeller Part Number	Propeller Model	Max Dia	Min Dia	Ref Sta	Rev Angle	Low or Flight Idle Angle	Latch or Start Locks Angle	High or Feather Angle	Spinner Assembly P/N	S p i n n e r	Governor Model	STC Number STC Holder STC Kit P/N	N o t e s
188 "AGwagon 230"	L	O-470-R (TCM)	OBSOLETE	2A34C66/90AT-2	88.0	86.0	36		8.0		22.0			C290D3/T1 C290D2/T1		1
188 "AGwagon 230"	L	O-470-R (TCM)	P2017294-52	2A34C201/90DA-2	88.0	86.5	30		10.5		24.5			C290D3/T1 C290D2/T1		
188 "AGwagon 230"	L	O-470-R (TCM)	P2033909-52	2A34C203/90DCA-2	88.0	86.5	30		10.0		24.5			C290D3/T1 C290D2/T1		
188 "AGwagon"	L	IO-550-D (TCM)	P2286737-51	B2A37C228/90RDA-4	86.0	84.0	30		11.5		29.5	D-3396	S		SA3243SO Davis Aviation	
188A "AGwagon A,B"	L	O-470-R (TCM)	OBSOLETE	2A34C50/90A-2	88.0	86.0	36		8.0		22.0			C290D3/T1 C290D2/T1		1
188A "AGwagon A,B"	L	O-470-R (TCM)	OBSOLETE	2A34C66/90AT-2	88.0	86.0	36		8.0		22.0			C290D3/T1 C290D2/T1		1
188A "AGwagon A,B"	L	O-470-R (TCM)	P2017294-52	2A34C201/90DA-2	88.0	86.5	30		10.5		24.5			C290D3/T1 C290D2/T1		
188A "AGwagon A,B"	L	O-470-R (TCM)	P2033909-52	2A34C203/90DCA-2	88.0	86.5	30		10.0		24.5			C290D3/T1 C290D2/T1		
188A "AGwagon A,B"	L	IO-550-D (TCM)	P2286737-51	B2A37C228/90RDA-4	86.0	84.0	30		11.5		29.5	D-3396	S		SA3243SO Davis Aviation	
188B (S/N 0883 - 1824) "AGpickup"	L	O-470-R (TCM)	OBSOLETE	2A34C50/90A-2	88.0	86.0	36		8.0		22.0			C290D3/T1 C290D2/T1		1
188B (S/N 0883 - 1824) "AGpickup"	L	O-470-R (TCM)	OBSOLETE	2A34C66/90AT-2	88.0	86.0	36		8.0		22.0			C290D3/T1 C290D2/T1		1
188B (S/N 0883 - 1824) "AGpickup"	L	O-470-R (TCM)	P2017294-52	2A34C201/90DA-2	88.0	86.5	30		10.5		24.5			C290D3/T1 C290D2/T1		
188B (S/N 0883 - 1824) "AGpickup"	L	O-470-R (TCM)	P2033909-52	2A34C203/90DCA-2	88.0	86.5	30		10.0		24.5			C290D3/T1 C290D2/T1		
188B (S/N 1825 and up) "AGpickup"	L	O-470-S (TCM)	OBSOLETE	2A34C50/90A-2	88.0	86.0	36		8.0		22.0			C290D3/T1 C290D2/T1		1
188B (S/N 1825 and up) "AGpickup"	L	O-470-S (TCM)	OBSOLETE	2A34C66/90AT-2	88.0	86.0	36		8.0		22.0			C290D3/T1 C290D2/T1		1
188B (S/N 1825 and up) "AGpickup"	L	O-470-S (TCM)	P2017294-52	2A34C201/90DA-2	88.0	86.5	30		10.5		24.5			C290D3/T1 C290D2/T1		
188B (S/N 1825 and up) "AGpickup"	L	O-470-S (TCM)	P2033909-52	2A34C203/90DCA-2	88.0	86.5	30		10.0		24.5			C290D3/T1 C290D2/T1		
188B "AGpickup"	L	IO-550-D (TCM)	P2286737-51	B2A37C228/90RDA-4	86.0	84.0	30		11.5		29.5	D-3396	S		SA3243SO Davis Aviation	

Constant Speed Propeller Applications

Aircraft Model	T Y P E	Engine Model (Make)	Propeller Part Number	Propeller Model	Max Dia	Min Dia	Ref Sta	Rev Angle	Low or Flight Idle Angle	Latch or Start Locks Angle	High or Feather Angle	Spinner Assembly P/N	S p i n n e r	Governor Model	STC Number STC Holder STC Kit P/N	N o t e s
A188 "AGwagon 300"	L	IO-520-D (TCM)	OBSOLETE	D2A34C58/90AT-4	86.0	84.0	36		8.0		25.0			C290D3/T9 C290D2/T9		1
A188 "AGwagon 300"	L	IO-520-D (TCM)	OBSOLETE	F2A34C58/90AT-4	86.0	84.0	36		8.0		25.0			C290D3/T9 C290D2/T9		1
A188 "AGwagon 300"	L	IO-520-D (TCM)	OBSOLETE	D2A34C58/90AT-8	82.0	80.0	36		8.8		25.8			C290D3/T9 C290D2/T9		1
A188 "AGwagon 300"	L	IO-520-D (TCM)	OBSOLETE	D2A34C98/90AT-8	82.0	80.0	36		8.8		25.8			C290D3/T9 C290D2/T9		1
A188 "AGwagon 300"	L	IO-520-D (TCM)	P4014808-07	D3A34C401/90DFA-2	88.0	86.5	30		8.8		28.5	D-6594	P	C290D3/T9 C290D2/T9	SA00409WI Air Plains	84
A188 "AGwagon 300"	L	IO-550-D (TCM)	P4014808-07	D3A34C401/90DFA-2	88.0	86.5	30		10.0		28.5	D-6594	P		SA00409WI Air Plains	84
A188 "AGwagon 300"	L	IO-550-D (TCM)	P2286737-51	B2A37C228/90RDA-4	86.0	84.0	30		11.5		29.5	D-3396	S		SA3243SO Davis Aviation	
A188A "AGwagon A,B"	L	IO-520-D (TCM)	OBSOLETE	D2A34C58/90AT-4	86.0	84.0	36		8.0		25.0			C290D3/T9 C290D2/T9		1
A188A "AGwagon A,B"	L	IO-520-D (TCM)	OBSOLETE	F2A34C58/90AT-4	86.0	84.0	36		8.0		25.0			C290D3/T9 C290D2/T9		1
A188A "AGwagon A,B"	L	IO-520-D (TCM)	OBSOLETE	D2A34C98/90AT-4	86.0	84.0	36		8.0		25.0			C290D3/T9 C290D2/T9		1
A188A "AGwagon A,B"	L	IO-520-D (TCM)	OBSOLETE	D2A34C58/90AT-8	82.0	80.0	36		8.8		25.8			C290D3/T9 C290D2/T9		1
A188A "AGwagon A,B"	L	IO-520-D (TCM)	OBSOLETE	D2A34C98/90AT-8	82.0	80.0	36		8.8		25.8			C290D3/T9 C290D2/T9		1
A188A "AGwagon A,B"	L	IO-520-D (TCM)	P4014808-07	D3A34C401/90DFA-2	88.0	86.5	30		8.8		28.5	D-6594	P	C290D3/T9 C290D2/T9	SA00409WI Air Plains	84
A188A "AGwagon A,B"	L	IO-550-D (TCM)	P4014808-07	D3A34C401/90DFA-2	88.0	86.5	30		10.0		28.5	D-6594	P		SA00409WI Air Plains	84
A188A "AGwagon A,B"	L	IO-550-D (TCM)	P2286737-51	B2A37C228/90RDA-4	86.0	84.0	30		11.5		29.5	D-3396	S		SA3243SO Davis Aviation	

Constant Speed Propeller Applications

Aircraft Model	T Y P E	Engine Model (Make)	Propeller Part Number	Propeller Model	Max Dia	Min Dia	Ref Sta	Rev Angle	Low or Flight Idle Angle	Latch or Start Locks Angle	High or Feather Angle	Spinner Assembly P/N	S p i n n e r	Governor Model	STC Number STC Holder STC Kit P/N	N o t e s
A188B (S/N 0833 - 3721) "AGwagon C" "AGtruck"	L	IO-520-D (TCM)	OBSOLETE	D2A34C58/90AT-4	86.0	84.0	36		8.0		25.0			C290D3/T9 C290D2/T9		1
A188B (S/N 0833 - 3721) "AGwagon C" "AGtruck"	L	IO-520-D (TCM)	OBSOLETE	D2A34C98/90AT-4	86.0	84.0	36		8.0		25.0			C290D3/T9 C290D2/T9		1
A188B (S/N 0833 - 3721) "AGwagon C" "AGtruck"	L	IO-520-D (TCM)	OBSOLETE	D2A34C58/90AT-8	82.0	80.0	36		8.8		25.8			C290D3/T9 C290D2/T9		1
A188B (S/N 0833 - 3721) "AGwagon C" "AGtruck"	L	IO-520-D (TCM)	OBSOLETE	D2A34C98/90AT-8	82.0	80.0	36		8.8		25.8			C290D3/T9 C290D2/T9		1
A188B (S/N 2002 - 3721, and see note 18) "AGwagon C" "AGtruck"	L	IO-520-D (TCM)	OBSOLETE	D3A32C90/82NC-2	80.0	78.5	30		10.4		28.1			C290D3/T9 C290D2/T9		1
A188B (S/N 1825 - 3721) "AGwagon C" "AGtruck"	L	IO-520-D (TCM)	P2056588-51	B2A34C205/90DHA-4	86.0	84.5	30		9.7		28.5			C290D3/T9		19
A188B (S/N 3722 and on) "AGwagon C" "AGtruck"	L	IO-520-D (TCM)	P2056588-51	B2A34C205/90DHA-4	86.0	84.5	30		9.7		28.5			C290D3/T9		
A188B (S/N 3722 and on) "AGwagon C" "AGtruck"	L	IO-520-D (TCM)	P4084809-21	D3A32C408/82NDA-2	80.0	78.5	30		10.4		28.1			C290D3/T9		
A188B "AGwagon C" "AGtruck"	L	IO-520-D (TCM)	P4014808-07	D3A34C401/90DFA-2	88.0	86.5	30		8.8		28.5	D-6594	P	C290D3/T9 C290D2/T9	SA00409WI Air Plains	84

Constant Speed Propeller Applications

Aircraft Model	T Y P E	Engine Model (Make)	Propeller Part Number	Propeller Model	Max Dia	Min Dia	Ref Sta	Rev Angle	Low or Flight Idle Angle	Latch or Start Locks Angle	High or Feather Angle	Spinner Assembly P/N	S p i n n e r	Governor Model	STC Number STC Holder STC Kit P/N	N o t e s
A188B "AGwagon C" "AGtruck"	L	IO-550-D (TCM)	P4014808-07	D3A34C401/90DFA-2	88.0	86.5	30		10.0		28.5	D-6594	P		SA00409WI Air Plains	84
A188B "AGwagon C" "AGtruck"	L	IO-550-D (TCM)	P2286737-51	B2A37C228/90RDA-4	86.0	84.0	30		11.5		29.5	D-3396	S		SA3243SO Davis Aviation	
T188C "AGhusky"	L	TSIO-520-T (TCM)	P4024809-01	D3A34C402/90DFA-10	80.0	78.5	30		12.4		28.5			C290D3/T19		20
206 "Super Skywagon"	F	IO-520-A (TCM)	OBSOLETE	D2A34C58/90AT-2	88.0	84.0	36		9.0		25.8			C290D3/T5 C290D2/T5		1
206 "Super Skywagon"	L	IO-520-A (TCM)	OBSOLETE	D2A34C58/90AT-8	82.0	80.0	36		10.3		25.8			C290D3/T5 C290D2/T5		1
206 "Super Skywagon"	L	IO-520-A (TCM)	P2306949-60	D2A37C230/90REB-8	82.0	80.0	30		12.8		28.3			C290D3/T5 C290D2/T5		115
206 "Super Skywagon"		IO-520-A (TCM)	OBSOLETE	D3A32C90/82NC-2	80.0	78.0	30		11.3		28.1			C290D3/T5 C290D2/T5	SA635SW Jordan	1
206 "Super Skywagon"	F	IO-520-A (TCM)	P4014808-09	D3A34C401/90DFA-2	88.0	86.0	30		10.0		28.0			C290D3/T5 C290D2/T5	SA00393WI Air Plains	84
206 "Super Skywagon"	F	IO-520-A (TCM)	P4014808-12	D3A34C401/90DFA-4	86.0	84.0	30		10.0		28.0			C290D3/T5 C290D2/T5	SA00393WI Air Plains	84
206 "Super Skywagon"	L	IO-520-A (TCM)	P4014808-13	D3A34C401/90DFA-6	84.0	78.0	30		10.0		28.0			C290D3/T5 C290D2/T5	SA00393WI Air Plains	
206 "Super Skywagon"		IO-520-A (TCM)	P4014808-04	D3A34C401/90DFA-10	80.0	78.0	30		10.4		28.5	D-6594	P	C290D3/T5 C290D2/T5	SA01777AT Davis Aviation	103
206 "Super Skywagon"		IO-520-F (TCM)	P4014808-04	D3A34C401/90DFA-10	80.0	78.0	30		10.4		28.5	D-6594	P	C290D3/T5 C290D2/T5	SA01777AT Davis Aviation	103
206 "Super Skywagon"		IO-550-F (TCM)	P4014808-11	D3A34C401/90DFA-8	82.0	78.0	30		11.2		28.5	D-6594	P	C290D3/T5 C290D2/T5	SA2830SO Davis Aviation	103
206 "Super Skywagon"		IO-550-F (TCM)	P4014808-05	D3A34C401/90DFA-10	80.0	78.0	30		11.2		28.5	D-6594	P	C290D3/T5 C290D2/T5	SA2830SO Davis Aviation	103
206 "Super Skywagon"		IO-550-F (TCM)	P4024809-09	D3A34C402/90DFA-8	82.0	78.0	30		11.2		28.5			C290D3/T5 C290D2/T5	SA2830SO Davis Aviation	103 147
206 "Super Skywagon"		IO-550-F (TCM)	P4024809-03	D3A34C402/90DFA-10	80.0	78.0	30		11.2		28.5			C290D3/T5 C290D2/T5	SA2830SO Davis Aviation	103 147
206 "Super Skywagon"		IO-550-F (TCM)	P4207757-51	D3A34C420/90DFA-10	80.0	78.0	30		11.2		28.5	D-7168		C290D3/T5 C290D2/T5	SA2830SO Davis Aviation	103 147
206H "Stationair"		IO-540-AC1A5 (LY)	P4327345-01 P4327345-0153	B3D36C432/80VSA-1	79.0	77.5	30		12.6		30.0			DC290D1/T37		
T206H "Turbo Stationair"		TIO-540-AJ1A (LY)	P4327345-02 P4327345-0253	B3D36C432/80VSA-1	79.0	77.5	30		16.9		33.8			DC290D1/T25		
P206 "Super Skylane"	L	IO-520-A (TCM)	OBSOLETE	E2A34C64/90AT-8	82.0	80.0	36		10.3		25.8			C290D3/T5 C290D2/T5		1

Constant Speed Propeller Applications

Aircraft Model	T Y P E	Engine Model (Make)	Propeller Part Number	Propeller Model	Max Dia	Min Dia	Ref Sta	Rev Angle	Low or Flight Idle Angle	Latch or Start Locks Angle	High or Feather Angle	Spinner Assembly P/N	S p i n n e r	Governor Model	STC Number STC Holder STC Kit P/N	N o t e s
P206 "Super Skylane"	L	IO-520-A (TCM)	OBSOLETE	E2A34C73/90AT-8	82.0	80.0	36		10.3		25.8			C290D3/T5 C290D2/T5		1
P206 "Super Skylane"	L	IO-520-A (TCM)	P2336960-51	E2A37C233/90REB-8	82.0	80.0	30		12.8		28.3			C290D3/T5 C290D2/T5		115
P206 "Super Skylane"	L	IO-520-A (TCM)	OBSOLETE	D3A32C88/82NC-2	80.0	78.0	30		13.8		28.1			C290D3/T5 C290D2/T5		1
P206 "Super Skylane"		IO-520-A (TCM)	P4024809-04	D3A34C402/90DFA-10	80.0	78.0	30		10.4		28.5			C290D3/T5 C290D2/T5	SA01777AT Davis Aviation	12 103
P206 "Super Skylane"		IO-520-A (TCM)	P4024809-04	D3A34C402/90DFA-10	80.0	78.0	30		10.4		28.5			C290D3/T5 C290D2/T5	SA942NE US Prop of Connecticut	12
P206 "Super Skylane"		IO-520-F (TCM)	P4024809-04	D3A34C402/90DFA-10	80.0	78.0	30		10.4		28.5			C290D3/T5 C290D2/T5	SA01777AT Davis Aviation	12 103
P206 "Super Skylane"		IO-550-F (TCM)	P4024809-09	D3A34C402/90DFA-8	82.0	78.0	30		11.2		28.5			C290D3/T5 C290D2/T5	SA2830SO Davis Aviation	103
P206 "Super Skylane"		IO-550-F (TCM)	P4024809-03	D3A34C402/90DFA-10	80.0	78.0	30		11.2		28.5			C290D3/T5 C290D2/T5	SA2830SO Davis Aviation	103
P206 "Utility"	F	IO-520-A (TCM)	OBSOLETE	D2A34C58/90AT-2	88.0	84.0	36		9.0		25.8			C290D3/T5 C290D2/T5		1
P206 "Utility"		IO-520-A (TCM)	OBSOLETE	D3A32C90/82NC-2	80.0	78.0	30		11.3		28.1			C290D3/T5 C290D2/T5	SA635SW Jordan	1
P206 "Utility"	F	IO-520-A (TCM)	P4014808-09	D3A34C401/90DFA-2	88.0	86.0	30		10.0		28.0			C290D3/T5 C290D2/T5	SA00393WI Air Plains	84 87
P206 "Utility"	F	IO-520-A (TCM)	P4014808-12	D3A34C401/90DFA-4	86.0	84.0	30		10.0		28.0			C290D3/T5 C290D2/T5	SA00393WI Air Plains	84 87
P206 "Utility"	L	IO-520-A (TCM)	P4014808-13	D3A34C401/90DFA-6	84.0	78.0	30		10.0		28.0			C290D3/T5 C290D2/T5	SA00393WI Air Plains	87
P206 "Utility"		IO-520-A (TCM)	P4014808-04	D3A34C401/90DFA-10	80.0	78.0	30		10.4		28.5	D-6594	P	C290D3/T5 C290D2/T5	SA01777AT Davis Aviation	103
P206 "Utility"		IO-520-F (TCM)	P4014808-04	D3A34C401/90DFA-10	80.0	78.0	30		10.4		28.5	D-6594	P	C290D3/T5 C290D2/T5	SA01777AT Davis Aviation	103
P206 "Utility"		IO-550-F (TCM)	P4014808-11	D3A34C401/90DFA-8	82.0	78.0	30		11.2		28.5	D-6594	P	C290D3/T5 C290D2/T5	SA2830SO Davis Aviation	103
P206 "Utility"		IO-550-F (TCM)	P4014808-05	D3A34C401/90DFA-10	80.0	78.0	30		11.2		28.5	D-6594	P	C290D3/T5 C290D2/T5	SA2830SO Davis Aviation	103
P206 "Utility"		IO-550-F (TCM)	P4024809-09	D3A34C402/90DFA-8	82.0	78.0	30		11.2		28.5			C290D3/T5 C290D2/T5	SA2830SO Davis Aviation	103 147
P206 "Utility"		IO-550-F (TCM)	P4024809-03	D3A34C402/90DFA-10	80.0	78.0	30		11.2		28.5			C290D3/T5 C290D2/T5	SA2830SO Davis Aviation	103 147
P206 "Utility"		IO-550-F (TCM)	P4207757-51	D3A34C420/90DFA-10	80.0	78.0	30		11.2		28.5	D-7168		C290D3/T5 C290D2/T5	SA2830SO Davis Aviation	103 147
P206A "Super Skylane"	L	IO-520-A (TCM)	OBSOLETE	E2A34C73/90AT-8	82.0	80.0	36		10.3		25.8			C290D3/T5 C290D2/T5		1

Constant Speed Propeller Applications

Aircraft Model	T Y P E	Engine Model (Make)	Propeller Part Number	Propeller Model	Max Dia	Min Dia	Ref Sta	Rev Angle	Low or Flight Idle Angle	Latch or Start Locks Angle	High or Feather Angle	Spinner Assembly P/N	S p i n n e r	Governor Model	STC Number STC Holder STC Kit P/N	N o t e s
P206A "Super Skylane"	L	IO-520-A (TCM)	P2336960-51	E2A37C233/90REB-8	82.0	80.0	30		12.8		28.3			C290D3/T5 C290D2/T5		115
P206A "Super Skylane"	L	IO-520-A (TCM)	OBSOLETE	D3A32C77/82NK-2	80.0	78.0	30		11.3		27.6			C290D3/T5 C290D2/T5		1
P206A "Super Skylane"	L	IO-520-A (TCM)	OBSOLETE	D3A32C88/82NC-2	80.0	78.0	30		13.8		28.1			C290D3/T5 C290D2/T5		1
P206A "Super Skylane"	L F	IO-520-A (TCM)	P4024809-05	D3A34C402/90DFA-8	82.0	80.5	30		10.4		28.0			C290D3/T5 C290D2/T5	SA00428WI P. Ponk	91
P206A "Super Skylane"	L F	IO-520-A (TCM)		D3A34C402/90DFA-10	80.0	78.5	30		10.4		28.0			C290D3/T5 C290D2/T5	SA00428WI P. Ponk	12 91
P206A "Super Skylane"		IO-520-A (TCM)	P4024809-04	D3A34C402/90DFA-10	80.0	78.0	30		10.4		28.5			C290D3/T5 C290D2/T5	SA01777AT Davis Aviation	12 103
P206A "Super Skylane"		IO-520-A (TCM)	P4024809-04	D3A34C402/90DFA-10	80.0	78.0	30		10.4		28.5			C290D3/T5 C290D2/T5	SA942NE US Prop of Connecticut	12
P206A "Super Skylane"		IO-520-A (TCM)		D3A34C404/80VA-0	80.0		30							C290D3/T5 C290D2/T5	SA02064AK Take Flight Alaska	
P206A "Super Skylane"		IO-520-F (TCM)	P4024809-04	D3A34C402/90DFA-10	80.0	78.0	30		10.4		28.5			C290D3/T5 C290D2/T5	SA01777AT Davis Aviation	12 103
P206A "Super Skylane"		IO-550-F (TCM)	P4024809-09	D3A34C402/90DFA-8	82.0	78.0	30		11.2		28.5			C290D3/T5 C290D2/T5	SA2830SO Davis Aviation	103
P206A "Super Skylane"		IO-550-F (TCM)	P4024809-03	D3A34C402/90DFA-10	80.0	78.0	30		11.2		28.5			C290D3/T5 C290D2/T5	SA2830SO Davis Aviation	103
P206A "Utility"	L	IO-520-A (TCM)	OBSOLETE	D2A34C58/90AT-8	82.0	80.0	36		10.3		25.8			C290D3/T5 C290D2/T5		1
P206A "Utility"	F	IO-520-A (TCM)	OBSOLETE	D2A34C58/90AT-2	88.0	84.0	36		9.0		25.8			C290D3/T5 C290D2/T5		1
P206A "Utility"	L	IO-520-A (TCM)	P2306949-60	D2A37C230/90REB-8	82.0	80.0	30		12.8		28.3			C290D3/T5 C290D2/T5		115
P206A "Utility"	L	IO-520-A (TCM)	OBSOLETE	D3A32C79/82NK-2	80.0	78.0	30		11.3		27.6			C290D3/T5 C290D2/T5		1
P206A "Utility"	L	IO-520-A (TCM)	OBSOLETE	D3A32C90/82NC-2	80.0	78.0	30		13.8		28.1			C290D3/T5 C290D2/T5		1
P206A "Utility"	F	IO-520-A (TCM)	P4014808-09	D3A34C401/90DFA-2	88.0	86.0	30		10.0		28.0			C290D3/T5 C290D2/T5	SA00393WI Air Plains	84 87
P206A "Utility"	F	IO-520-A (TCM)	P4014808-12	D3A34C401/90DFA-4	86.0	84.0	30		10.0		28.0			C290D3/T5 C290D2/T5	SA00393WI Air Plains	84 87
P206A "Utility"	L	IO-520-A (TCM)	P4014808-13	D3A34C401/90DFA-6	84.0	78.0	30		10.0		28.0			C290D3/T5 C290D2/T5	SA00393WI Air Plains	87
P206A "Utility"		IO-520-A (TCM)	P4014808-04	D3A34C401/90DFA-10	80.0	78.0	30		10.4		28.5	D-6594	P	C290D3/T5 C290D2/T5	SA01777AT Davis Aviation	103
P206A "Utility"		IO-520-F (TCM)	P4014808-04	D3A34C401/90DFA-10	80.0	78.0	30		10.4		28.5	D-6594	P	C290D3/T5 C290D2/T5	SA01777AT Davis Aviation	103

Constant Speed Propeller Applications

Aircraft Model	T Y P E	Engine Model (Make)	Propeller Part Number	Propeller Model	Max Dia	Min Dia	Ref Sta	Rev Angle	Low or Flight Idle Angle	Latch or Start Locks Angle	High or Feather Angle	Spinner Assembly P/N	S p i n n e r	Governor Model	STC Number STC Holder STC Kit P/N	N o t e s
P206A "Utility"		IO-550-F (TCM)	P4014808-11	D3A34C401/90DFA-8	82.0	78.0	30		11.2		28.5	D-6594	P	C290D3/T5 C290D2/T5	SA2830SO Davis Aviation	103
P206A "Utility"		IO-550-F (TCM)	P4014808-05	D3A34C401/90DFA-10	80.0	78.0	30		11.2		28.5	D-6594	P	C290D3/T5 C290D2/T5	SA2830SO Davis Aviation	103
P206A "Utility"		IO-550-F (TCM)	P4024809-09	D3A34C402/90DFA-8	82.0	78.0	30		11.2		28.5			C290D3/T5 C290D2/T5	SA2830SO Davis Aviation	103 147
P206A "Utility"		IO-550-F (TCM)	P4024809-03	D3A34C402/90DFA-10	80.0	78.0	30		11.2		28.5			C290D3/T5 C290D2/T5	SA2830SO Davis Aviation	103 147
P206A "Utility"		IO-550-F (TCM)	P4207757-51	D3A34C420/90DFA-10	80.0	78.0	30		11.2		28.5	D-7168		C290D3/T5 C290D2/T5	SA2830SO Davis Aviation	103 147
P206B "Super Skylane"	L	IO-520-A (TCM)	OBSOLETE	E2A34C73/90AT-8	82.0	80.0	36		10.3		25.8			C290D3/T5 C290D2/T5		1
P206B "Super Skylane"	L	IO-520-A (TCM)	P2336960-51	E2A37C233/90REB-8	82.0	80.0	30		12.8		28.3			C290D3/T5 C290D2/T5		115
P206B "Super Skylane"	L	IO-520-A (TCM)	OBSOLETE	D3A32C88/82NC-2	80.0	78.0	30		13.8		28.1			C290D3/T5 C290D2/T5		1
P206B "Super Skylane"	L F	IO-520-A (TCM)	P4024809-05	D3A34C402/90DFA-8	82.0	80.5	30		10.4		28.0			C290D3/T5 C290D2/T5	SA00428WI P. Ponk	91
P206B "Super Skylane"	L F	IO-520-A (TCM)		D3A34C402/90DFA-10	80.0	78.5	30		10.4		28.0			C290D3/T5 C290D2/T5	SA00428WI P. Ponk	12 91
P206B "Super Skylane"		IO-520-A (TCM)	P4024809-04	D3A34C402/90DFA-10	80.0	78.0	30		10.4		28.5			C290D3/T5 C290D2/T5	SA01777AT Davis Aviation	12 103
P206B "Super Skylane"		IO-520-A (TCM)	P4024809-04	D3A34C402/90DFA-10	80.0	78.0	30		10.4		28.5			C290D3/T5 C290D2/T5	SA942NE US Prop of Connecticut	12
P206B "Super Skylane"		IO-520-A (TCM)		D3A34C404/80VA-0	80.0		30							C290D3/T5 C290D2/T5	SA02064AK Take Flight Alaska	
P206B "Super Skylane"		IO-520-F (TCM)	P4024809-04	D3A34C402/90DFA-10	80.0	78.0	30		10.4		28.5			C290D3/T5 C290D2/T5	SA01777AT Davis Aviation	12 103
P206B "Super Skylane"		IO-550-F (TCM)	P4024809-09	D3A34C402/90DFA-8	82.0	78.0	30		11.2		28.5			C290D3/T5 C290D2/T5	SA2830SO Davis Aviation	103
P206B "Super Skylane"		IO-550-F (TCM)	P4024809-03	D3A34C402/90DFA-10	80.0	78.0	30		11.2		28.5			C290D3/T5 C290D2/T5	SA2830SO Davis Aviation	103
P206B "Utility"	F	IO-520-A (TCM)	OBSOLETE	D2A34C58/90AT-2	88.0	84.0	36		9.0		25.8			C290D3/T5 C290D2/T5		1
P206B "Utility"	F	IO-520-A (TCM)	P4014808-09	D3A34C401/90DFA-2	88.0	86.0	30		10.0		28.0			C290D3/T5 C290D2/T5	SA00393WI Air Plains	84 87
P206B "Utility"	F	IO-520-A (TCM)	P4014808-12	D3A34C401/90DFA-4	86.0	84.0	30		10.0		28.0			C290D3/T5 C290D2/T5	SA00393WI Air Plains	84 87
P206B "Utility"	L	IO-520-A (TCM)	P4014808-13	D3A34C401/90DFA-6	84.0	78.0	30		10.0		28.0			C290D3/T5 C290D2/T5	SA00393WI Air Plains	87
P206B "Utility"		IO-520-A (TCM)	P4014808-04	D3A34C401/90DFA-10	80.0	78.0	30		10.4		28.5	D-6594	P	C290D3/T5 C290D2/T5	SA01777AT Davis Aviation	103

Constant Speed Propeller Applications

Aircraft Model	T Y P E	Engine Model (Make)	Propeller Part Number	Propeller Model	Max Dia	Min Dia	Ref Sta	Rev Angle	Low or Flight Idle Angle	Latch or Start Locks Angle	High or Feather Angle	Spinner Assembly P/N	S p i n n e r	Governor Model	STC Number STC Holder STC Kit P/N	N o t e s
P206B "Utility"		IO-520-F (TCM)	P4014808-04	D3A34C401/90DFA-10	80.0	78.0	30		10.4		28.5	D-6594	P	C290D3/T5 C290D2/T5	SA01777AT Davis Aviation	103
P206B "Utility"		IO-550-F (TCM)	P4014808-11	D3A34C401/90DFA-8	82.0	78.0	30		11.2		28.5	D-6594	P	C290D3/T5 C290D2/T5	SA2830SO Davis Aviation	103
P206B "Utility"		IO-550-F (TCM)	P4014808-05	D3A34C401/90DFA-10	80.0	78.0	30		11.2		28.5	D-6594	P	C290D3/T5 C290D2/T5	SA2830SO Davis Aviation	103
P206B "Utility"		IO-550-F (TCM)	P4024809-09	D3A34C402/90DFA-8	82.0	78.0	30		11.2		28.5			C290D3/T5 C290D2/T5	SA2830SO Davis Aviation	103 147
P206B "Utility"		IO-550-F (TCM)	P4024809-03	D3A34C402/90DFA-10	80.0	78.0	30		11.2		28.5			C290D3/T5 C290D2/T5	SA2830SO Davis Aviation	103 147
P206B "Utility"		IO-550-F (TCM)	P4207757-51	D3A34C420/90DFA-10	80.0	78.0	30		11.2		28.5	D-7168	P	C290D3/T5 C290D2/T5	SA2830SO Davis Aviation	103 147
P206C "Super Skylane"	L	IO-520-A (TCM)	OBSOLETE	E2A34C73/90AT-8	82.0	80.0	36		10.3		25.8			C290D3/T5 C290D2/T5		1
P206C "Super Skylane"	L	IO-520-A (TCM)	OBSOLETE	D3A32C88/82NC-2	80.0	78.0	30		13.8		28.1			C290D3/T5 C290D2/T5		1
P206C "Super Skylane"	L	IO-520-A (TCM)	P2336960-51	E2A37C233/90REB-8	82.0	80.0	30		12.8		28.3			C290D3/T5 C290D2/T5		115
P206C "Super Skylane"	L F	IO-520-A (TCM)	P4024809-05	D3A34C402/90DFA-8	82.0	80.5	30		10.4		28.0			C290D3/T5 C290D2/T5	SA00428WI P. Ponk	12 91
P206C "Super Skylane"	L F	IO-520-A (TCM)		D3A34C402/90DFA-10	80.0	78.5	30		10.4		28.0			C290D3/T5 C290D2/T5	SA00428WI P. Ponk	12 91
P206C "Super Skylane"		IO-520-A (TCM)	P4024809-04	D3A34C402/90DFA-10	80.0	78.0	30		10.4		28.5			C290D3/T5 C290D2/T5	SA01777AT Davis Aviation	12 103
P206C "Super Skylane"		IO-520-A (TCM)	P4024809-04	D3A34C402/90DFA-10	80.0	78.0	30		10.4		28.5			C290D3/T5 C290D2/T5	SA942NE US Prop of Connecticut	12
P206C "Super Skylane"		IO-520-A (TCM)		D3A34C404/80VA-0	80.0		30							C290D3/T5 C290D2/T5	SA02064AK Take Flight Alaska	
P206C "Super Skylane"		IO-520-F (TCM)	P4024809-04	D3A34C402/90DFA-10	80.0	78.0	30		10.4		28.5			C290D3/T5 C290D2/T5	SA01777AT Davis Aviation	12 103
P206C "Super Skylane"		IO-550-F (TCM)	P4024809-09	D3A34C402/90DFA-8	82.0	78.0	30		11.2		28.5			C290D3/T5 C290D2/T5	SA2830SO Davis Aviation	103
P206C "Super Skylane"		IO-550-F (TCM)	P4024809-03	D3A34C402/90DFA-10	80.0	78.0	30		11.2		28.5			C290D3/T5 C290D2/T5	SA2830SO Davis Aviation	103
P206D "Super Skylane"	L	IO-520-A (TCM)	OBSOLETE	E2A34C73/90AT-8	82.0	80.0	36		10.3		25.8			C290D3/T5 C290D2/T5		1
P206D "Super Skylane"	L	IO-520-A (TCM)	OBSOLETE	D3A32C88/82NC-2	80.0	78.0	30		13.8		28.1			C290D3/T5 C290D2/T5		1
P206D "Super Skylane"	L	IO-520-A (TCM)	P2336960-51	E2A37C233/90REB-8	82.0	80.0	30		12.8		28.3			C290D3/T5 C290D2/T5		115
P206D "Super Skylane"	L F	IO-520-A (TCM)	P4024809-05	D3A34C402/90DFA-8	82.0	80.5	30		10.4		28.0			C290D3/T5 C290D2/T5	SA00428WI P. Ponk	12 91

Constant Speed Propeller Applications

Aircraft Model	T Y P E	Engine Model (Make)	Propeller Part Number	Propeller Model	Max Dia	Min Dia	Ref Sta	Rev Angle	Low or Flight Idle Angle	Latch or Start Locks Angle	High or Feather Angle	Spinner Assembly P/N	S p i n n e r	Governor Model	STC Number STC Holder STC Kit P/N	N o t e s
P206D "Super Skylane"	L F	IO-520-A (TCM)		D3A34C402/90DFA-10	80.0	78.5	30		10.4		28.0			C290D3/T5 C290D2/T5	SA00428WI P. Ponk	12 91
P206D "Super Skylane"		IO-520-A (TCM)	P4024809-04	D3A34C402/90DFA-10	80.0	78.0	30		10.4		28.5			C290D3/T5 C290D2/T5	SA01777AT Davis Aviation	12 103
P206D "Super Skylane"		IO-520-A (TCM)	P4024809-04	D3A34C402/90DFA-10	80.0	78.0	30		10.4		28.5			C290D3/T5 C290D2/T5	SA942NE US Prop of Connecticut	12
P206D "Super Skylane"		IO-520-A (TCM)		D3A34C404/80VA-0	80.0		30							C290D3/T5 C290D2/T5	SA02064AK Take Flight Alaska	
P206D "Super Skylane"		IO-520-F (TCM)	P4024809-04	D3A34C402/90DFA-10	80.0	78.0	30		10.4		28.5			C290D3/T5 C290D2/T5	SA01777AT Davis Aviation	12 103
P206D "Super Skylane"		IO-550-F (TCM)	P4024809-09	D3A34C402/90DFA-8	82.0	78.0	30		11.2		28.5			C290D3/T5 C290D2/T5	SA2830SO Davis Aviation	103
P206D "Super Skylane"		IO-550-F (TCM)	P4024809-03	D3A34C402/90DFA-10	80.0	78.0	30		11.2		28.5			C290D3/T5 C290D2/T5	SA2830SO Davis Aviation	103
P206E "Super Skylane"	L	IO-520-A (TCM)	OBSOLETE	E2A34C73/90AT-8	82.0	80.0	36		10.3		25.8			C290D3/T5 C290D2/T5		1
P206E "Super Skylane"	L	IO-520-A (TCM)	OBSOLETE	D3A32C88/82NC-2	80.0	78.0	30		13.8		28.1			C290D3/T5 C290D2/T5		1
P206E "Super Skylane"	L	IO-520-A (TCM)	P2336960-51	E2A37C233/90REB-8	82.0	80.0	30		12.8		28.3			C290D3/T5 C290D2/T5		115
P206E "Super Skylane"	L F	IO-520-A (TCM)	P4024809-05	D3A34C402/90DFA-8	82.0	78.5	30		10.4		28.0			C290D3/T5 C290D2/T5	SA00428WI P. Ponk	12 91
P206E "Super Skylane"	L F	IO-520-A (TCM)		D3A34C402/90DFA-10	80.0	78.5	30		10.4		28.0			C290D3/T5 C290D2/T5	SA00428WI P. Ponk	12 91
P206E "Super Skylane"		IO-520-A (TCM)	P4024809-04	D3A34C402/90DFA-10	80.0	78.0	30		10.4		28.5			C290D3/T5 C290D2/T5	SA01777AT Davis Aviation	12 103
P206E "Super Skylane"		IO-520-A (TCM)	P4024809-04	D3A34C402/90DFA-10	80.0	78.0	30		10.4		28.5			C290D3/T5 C290D2/T5	SA942NE US Prop of Connecticut	12
P206E "Super Skylane"		IO-520-A (TCM)		D3A34C404/80VA-0	80.0		30							C290D3/T5 C290D2/T5	SA02064AK Take Flight Alaska	
P206E "Super Skylane"		IO-520-F (TCM)	P4024809-04	D3A34C402/90DFA-10	80.0	78.0	30		10.4		28.5			C290D3/T5 C290D2/T5	SA01777AT Davis Aviation	12 103
P206E "Super Skylane"		IO-550-F (TCM)	P4024809-09	D3A34C402/90DFA-8	82.0	78.0	30		11.2		28.5			C290D3/T5 C290D2/T5	SA2830SO Davis Aviation	103
P206E "Super Skylane"		IO-550-F (TCM)	P4024809-03	D3A34C402/90DFA-10	80.0	78.0	30		11.2		28.5			C290D3/T5 C290D2/T5	SA2830SO Davis Aviation	103
TP206A "Turbo Utility"	F	TSIO-520-C (TCM)	OBSOLETE	D2A34C58/90AT-2	88.0	86.0	36		9.0		25.8			C290D4/T2 C290D2/T2		1
TP206A "Turbo Utility"	L	TSIO-520-C (TCM)	OBSOLETE	D2A34C78/90AT-8	82.0	80.0	36		11.8		32.0			C290D4/T2 C290D2/T2		1

Constant Speed Propeller Applications

Aircraft Model	T Y P E	Engine Model (Make)	Propeller Part Number	Propeller Model	Max Dia	Min Dia	Ref Sta	Rev Angle	Low or Flight Idle Angle	Latch or Start Locks Angle	High or Feather Angle	Spinner Assembly P/N	S p i n n e r	Governor Model	STC Number STC Holder STC Kit P/N	N o t e s
TP206A "Turbo Utility"	L	TSIO-520-C (TCM)	P2316949-51	D2A37C231/90REC-8	82.0	80.0	30		14.3		34.5			C290D4/T2 C290D2/T2		115
TP206A "Turbo Utility"	L	TSIO-520-C (TCM)	OBSOLETE	D3A32C79/82NK-2	80.0	78.0	30		13.2		32.5			C290D4/T2 C290D2/T2		1
TP206A "Turbo Utility"	L	TSIO-520-C (TCM)	OBSOLETE	D3A32C90/82NC-2	80.0	78.0	30		14.0		33.0			C290D4/T2 C290D2/T2		1
TP206A "Turbo Utility"	F	TSIO-520-C (TCM)	P4014808-09	D3A34C401/90DFA-2	88.0	86.0	30		10.0		28.0			C290D4/T2 C290D2/T2	SA00393WI Air Plains	85 87
TP206A "Turbo Utility"	F	TSIO-520-C (TCM)	P4014808-12	D3A34C401/90DFA-4	86.0	84.0	30		10.0		28.0			C290D4/T2 C290D2/T2	SA00393WI Air Plains	85 87
TP206A "Turbo Utility"	L	TSIO-520-C (TCM)	P4014808-13	D3A34C401/90DFA-6	84.0	78.0	30		10.0		28.0			C290D4/T2 C290D2/T2	SA00393WI Air Plains	86 87
TP206A "Turbo Utility"		IO-550-F (TCM)	P4014808-05	D3A34C401/90DFA-10	80.0	78.0	30		11.2		28.5			C290D4/T2 C290D2/T2	SA01300AT Davis Aviation	103
TP206A "Turbo Super Skylane"	L	TSIO-520-C (TCM)	OBSOLETE	E2A34C70/90AT-8	82.0	80.0	36		11.8		32.0			C290D4/T2 C290D2/T2		1
TP206A "Turbo Super Skylane"	L	TSIO-520-C (TCM)	P2346960-51	E2A37C234/90REC-8	82.0	80.0	30		14.3		34.5			C290D4/T2 C290D2/T2		115
TP206A "Turbo Super Skylane"	L	TSIO-520-C (TCM)	OBSOLETE	D3A32C77/82NK-2	80.0	78.0	30		13.2		32.5			C290D4/T2 C290D2/T2		1
TP206A "Turbo Super Skylane"	L	TSIO-520-C (TCM)	OBSOLETE	D3A32C88/82NC-2	80.0	78.0	30		14.0		33.0			C290D4/T2 C290D2/T2		1
TP206A "Turbo Super Skylane"	L F	TSIO-520-C (TCM)	P4024809-05	D3A34C402/90DFA-8	82.0	80.5	30		10.4		28.0			C290D4/T2 C290D2/T2	SA00428WI P. Ponk	91 86
TP206A "Turbo Super Skylane"	L F	TSIO-520-C (TCM)		D3A34C402/90DFA-10	80.0	78.5	30		10.4		28.0			C290D4/T2 C290D2/T2	SA00428WI P. Ponk	91 86
TP206A "Turbo Super Skylane"	L F	TSIO-520-C (TCM)	P4024809-04	D3A34C402/90DFA-10	80.0	78.5	30		10.4		28.5			C290D4/T2 C290D2/T2	SA942NE US Prop of Connecticut	12
TP206A "Turbo Super Skylane"		TSIO-520-M (TCM)	P4024809-01	D3A34C402/90DFA-10	80.0	78.5	30		12.4		28.5				SA2782SW-D RAM Aircraft	
TP206A "Turbo Super Skylane"		IO-550-F (TCM)	P4024809-03	D3A34C402/90DFA-10	80.0	78.0	30		11.2		28.5			C290D4/T2 C290D2/T2	SA01300AT Davis Aviation	103
TP206B "Turbo Super Skylane"	L	TSIO-520-C (TCM)	OBSOLETE	E2A34C70/90AT-8	82.0	80.0	36		11.8		32.0			C290D4/T2 C290D2/T2		1
TP206B "Turbo Super Skylane"	L	TSIO-520-C (TCM)	P2346960-51	E2A37C234/90REC-8	82.0	80.0	30		14.3		34.5			C290D4/T2 C290D2/T2		115
TP206B "Turbo Super Skylane"	L	TSIO-520-C (TCM)	OBSOLETE	D3A32C77/82NK-2	80.0	78.0	30		13.2		32.5			C290D4/T2 C290D2/T2		1
TP206B "Turbo Super Skylane"	L	TSIO-520-C (TCM)	OBSOLETE	D3A32C88/82NC-2	80.0	78.0	30		14.0		33.0			C290D4/T2 C290D2/T2		1
TP206B "Turbo Super Skylane"	L F	TSIO-520-C (TCM)	P4024809-05	D3A34C402/90DFA-8	82.0	80.5	30		10.4		28.0			C290D4/T2 C290D2/T2	SA00428WI P. Ponk	91 86

Constant Speed Propeller Applications

Aircraft Model	T Y P E	Engine Model (Make)	Propeller Part Number	Propeller Model	Max Dia	Min Dia	Ref Sta	Rev Angle	Low or Flight Idle Angle	Latch or Start Locks Angle	High or Feather Angle	Spinner Assembly P/N	S p i n n e r	Governor Model	STC Number STC Holder STC Kit P/N	N o t e s
TP206B "Turbo Super Skylane"	L F	TSIO-520-C (TCM)		D3A34C402/90DFA-10	80.0	78.5	30		10.4		28.0			C290D4/T2 C290D2/T2	SA00428WI P. Ponk	91 86
TP206B "Turbo Super Skylane"		TSIO-520-C (TCM)	P4024809-04	D3A34C402/90DFA-10	80.0	78.5	30		10.4		28.5			C290D4/T2 C290D2/T2	SA942NE US Prop of Connecticut	12
TP206B "Turbo Super Skylane"		TSIO-520-M (TCM)	P4024809-01	D3A34C402/90DFA-10	80.0	78.5	30		12.4		28.5				SA2782SW-D RAM Aircraft	
TP206B "Turbo Super Skylane"		IO-550-F (TCM)	P4024809-03	D3A34C402/90DFA-10	80.0	78.0	30		11.2		28.5			C290D4/T2 C290D2/T2	SA01300AT Davis Aviation	103
TP206C "Turbo Super Skylane"	L	TSIO-520-C (TCM)	OBSOLETE	E2A34C70/90AT-8	82.0	80.0	36		11.8		32.0			C290D4/T2 C290D2/T2		1
TP206C "Turbo Super Skylane"	L	TSIO-520-C (TCM)	P2346960-51	E2A37C234/90REC-8	82.0	80.0	30		14.3		34.5			C290D4/T2 C290D2/T2		115
TP206C "Turbo Super Skylane"	L	TSIO-520-C (TCM)	OBSOLETE	D3A32C88/82NC-2	80.0	78.0	30		14.0		33.0			C290D4/T2 C290D2/T2		1
TP206C "Turbo Super Skylane"	L F	TSIO-520-C (TCM)	P4024809-05	D3A34C402/90DFA-8	82.0	80.5	30		10.4		28.0			C290D4/T2 C290D2/T2	SA00428WI P. Ponk	91 86
TP206C "Turbo Super Skylane"	L F	TSIO-520-C (TCM)		D3A34C402/90DFA-10	80.0	78.5	30		10.4		28.0			C290D4/T2 C290D2/T2	SA00428WI P. Ponk	91 86
TP206C "Turbo Super Skylane"		TSIO-520-C (TCM)	P4024809-04	D3A34C402/90DFA-10	80.0	78.5	30		10.4		28.5			C290D4/T2 C290D2/T2	SA942NE US Prop of Connecticut	12
TP206C "Turbo Super Skylane"		TSIO-520-M (TCM)	P4024809-01	D3A34C402/90DFA-10	80.0	78.5	30		12.4		28.5				SA2782SW-D RAM Aircraft	
TP206C "Turbo Super Skylane"		IO-550-F (TCM)	P4024809-03	D3A34C402/90DFA-10	80.0	78.0	30		11.2		28.5			C290D4/T2 C290D2/T2	SA01300AT Davis Aviation	103
TP206D "Turbo Super Skylane"	L	TSIO-520-C (TCM)	OBSOLETE	E2A34C70/90AT-8	82.0	80.0	36		11.8		32.0			C290D4/T2 C290D2/T2		1
TP206D "Turbo Super Skylane"	L	TSIO-520-C (TCM)	P2346960-51	E2A37C234/90REC-8	82.0	80.0	30		14.3		34.5			C290D4/T2 C290D2/T2		115
TP206D "Turbo Super Skylane"	L	TSIO-520-C (TCM)	OBSOLETE	D3A32C88/82NC-2	80.0	78.0	30		14.0		33.0			C290D4/T2 C290D2/T2		1
TP206D "Turbo Super Skylane"	L F	TSIO-520-C (TCM)	P4024809-05	D3A34C402/90DFA-8	82.0	80.5	30		10.4		28.0			C290D4/T2 C290D2/T2	SA00428WI P. Ponk	91 86
TP206D "Turbo Super Skylane"	L F	TSIO-520-C (TCM)		D3A34C402/90DFA-10	80.0	78.5	30		10.4		28.0			C290D4/T2 C290D2/T2	SA00428WI P. Ponk	86 91
TP206D "Turbo Super Skylane"		TSIO-520-C (TCM)	P4024809-04	D3A34C402/90DFA-10	80.0	78.5	30		10.4		28.5			C290D4/T2 C290D2/T2	SA942NE US Prop of Connecticut	12
TP206D "Turbo Super Skylane"		TSIO-520-M (TCM)	P4024809-01	D3A34C402/90DFA-10	80.0	78.5	30		12.4		28.5				SA2782SW-D RAM Aircraft	
TP206D "Turbo Super Skylane"		IO-550-F (TCM)	P4024809-03	D3A34C402/90DFA-10	80.0	78.0	30		11.2		28.5			C290D4/T2 C290D2/T2	SA01300AT Davis Aviation	103

Constant Speed Propeller Applications

Aircraft Model	T Y P E	Engine Model (Make)	Propeller Part Number	Propeller Model	Max Dia	Min Dia	Ref Sta	Rev Angle	Low or Flight Idle Angle	Latch or Start Locks Angle	High or Feather Angle	Spinner Assembly P/N	S p i n n e r	Governor Model	STC Number STC Holder STC Kit P/N	N o t e s
TP206E "Turbo Super Skylane"	L	TSIO-520-C (TCM)	OBSOLETE	E2A34C70/90AT-8	82.0	80.0	36		11.8		32.0			C290D4/T2 C290D2/T2		1
TP206E "Turbo Super Skylane"	L	TSIO-520-C (TCM)	P2346960-51	E2A37C234/90REC-8	82.0	80.0	30		14.3		34.5			C290D4/T2 C290D2/T2		115
TP206E "Turbo Super Skylane"	L	TSIO-520-C (TCM)	OBSOLETE	D3A32C88/82NC-2	80.0	78.0	30		14.0		33.0			C290D4/T2 C290D2/T2		1
TP206E "Turbo Super Skylane"	L F	TSIO-520-C (TCM)	P4024809-05	D3A34C402/90DFA-8	82.0	80.5	30		10.4		28.0			C290D4/T2 C290D2/T2	SA00428WI P. Ponk	91 86
TP206E "Turbo Super Skylane"	L F	TSIO-520-C (TCM)		D3A34C402/90DFA-10	80.0	78.5	30		10.4		28.0			C290D4/T2 C290D2/T2	SA00428WI P. Ponk	91 86
TP206E "Turbo Super Skylane"		TSIO-520-C (TCM)	P4024809-04	D3A34C402/90DFA-10	80.0	78.5	30		10.4		28.5			C290D4/T2 C290D2/T2	SA942NE US Prop of Connecticut	12
TP206E "Turbo Super Skylane"		TSIO-520-M (TCM)	P4024809-01	D3A34C402/90DFA-10	80.0	78.5	30		12.4		28.5				SA2782SW-D RAM Aircraft	
TP206E "Turbo Super Skylane"		IO-550-F (TCM)	P4024809-03	D3A34C402/90DFA-10	80.0	78.0	30		11.2		28.5			C290D4/T2 C290D2/T2	SA01300AT Davis Aviation	103
U206 "Super Skywagon"	F	IO-520-A (TCM)	OBSOLETE	D2A34C58/90AT-2	88.0	84.0	36		9.0		25.8			C290D3/T5 C290D2/T5		1
U206 "Super Skywagon"	L	IO-520-A (TCM)	OBSOLETE	D2A34C58/90AT-8	82.0	80.0	36		10.3		25.8			C290D3/T5 C290D2/T5		1
U206 "Super Skywagon"	L	IO-520-A (TCM)	P2306949-60	D2A37C230/90REB-8	82.0	80.0	30		12.8		28.3			C290D3/T5 C290D2/T5		115
U206 "Super Skywagon"		IO-520-A (TCM)	OBSOLETE	D3A32C90/82NC-2	80.0	78.0	30		11.3		28.1			C290D3/T5 C290D2/T5	SA635SW Jordan	1
U206 "Super Skywagon"	F	IO-520-A (TCM)	P4014808-09	D3A34C401/90DFA-2	88.0	86.0	30		10.0		28.0			C290D3/T5 C290D2/T5	SA00393WI Air Plains	84
U206 "Super Skywagon"	F	IO-520-A (TCM)	P4014808-12	D3A34C401/90DFA-4	86.0	84.0	30		10.0		28.0			C290D3/T5 C290D2/T5	SA00393WI Air Plains	84
U206 "Super Skywagon"	L	IO-520-A (TCM)	P4014808-13	D3A34C401/90DFA-6	84.0	78.0	30		10.0		28.0			C290D3/T5 C290D2/T5	SA00393WI Air Plains	
U206 "Super Skywagon"		IO-520-A (TCM)	P4014808-04	D3A34C401/90DFA-10	80.0	78.0	30		10.4		28.5	D-6594	P	C290D3/T5 C290D2/T5	SA01777AT Davis Aviation	103
U206 "Super Skywagon"		IO-520-A (TCM)	P4014808-04	D3A34C401/90DFA-10	80.0	78.5	30		10.4		28.5			C290D3/T5 C290D2/T5	SA964NE US Prop of Connecticut	
U206 "Super Skywagon"		IO-520-F (TCM)	P4014808-04	D3A34C401/90DFA-10	80.0	78.0	30		10.4		28.5	D-6594	P	C290D3/T5 C290D2/T5	SA01777AT Davis Aviation	103
U206 "Super Skywagon"		IO-550-F (TCM)	P4014808-11	D3A34C401/90DFA-8	82.0	78.0	30		11.2		28.5	D-6594	P	C290D3/T5 C290D2/T5	SA2830SO Davis Aviation	103
U206 "Super Skywagon"		IO-550-F (TCM)	P4014808-05	D3A34C401/90DFA-10	80.0	78.0	30		11.2		28.5	D-6594	P	C290D3/T5 C290D2/T5	SA2830SO Davis Aviation	103
U206 "Super Skywagon"		IO-550-F (TCM)	P4024809-09	D3A34C402/90DFA-8	82.0	78.0	30		11.2		28.5			C290D3/T5 C290D2/T5	SA2830SO Davis Aviation	103 147

Constant Speed Propeller Applications

Aircraft Model	T Y P E	Engine Model (Make)	Propeller Part Number	Propeller Model	Max Dia	Min Dia	Ref Sta	Rev Angle	Low or Flight Idle Angle	Latch or Start Locks Angle	High or Feather Angle	Spinner Assembly P/N	S p i n n e r	Governor Model	STC Number STC Holder STC Kit P/N	N o t e s
U206 "Super Skywagon"		IO-550-F (TCM)	P4024809-03	D3A34C402/90DFA-10	80.0	78.0	30		11.2		28.5			C290D3/T5 C290D2/T5	SA2830SO Davis Aviation	103 147
U206 "Super Skywagon"		IO-550-F (TCM)	P4207757-51	D3A34C420/90DFA-10	80.0	78.0	30		11.2		28.5	D-7168	P	C290D3/T5 C290D2/T5	SA2830SO Davis Aviation	103 147
U206A "Super Skywagon"	L	IO-520-A (TCM)	OBSOLETE	D2A34C58/90AT-8	82.0	80.0	36		10.3		25.8			C290D3/T5 C290D2/T5		1
U206A "Super Skywagon"	F	IO-520-A (TCM)	OBSOLETE	D2A34C58/90AT-2	88.0	84.0	36		9.0		25.8			C290D3/T5 C290D2/T5		1
U206A "Super Skywagon"	L	IO-520-A (TCM)	P2306949-60	D2A37C230/90REB-8	82.0	80.0	30		12.8		28.3			C290D3/T5 C290D2/T5		115
U206A "Super Skywagon"	L	IO-520-A (TCM)	OBSOLETE	D3A32C79/82NK-2	80.0	78.0	30		11.3		27.6			C290D3/T5 C290D2/T5		1
U206A "Super Skywagon"	F L	IO-520-A (TCM)	OBSOLETE	D3A32C90/82NC-2	80.0	78.0	30		13.8		28.1			C290D3/T5 C290D2/T5		1
U206A "Super Skywagon"	F	IO-520-A (TCM)	P4014808-09	D3A34C401/90DFA-2	88.0	86.0	30		10.0		28.0			C290D3/T5 C290D2/T5	SA00393WI Air Plains	84
U206A "Super Skywagon"	F	IO-520-A (TCM)	P4014808-12	D3A34C401/90DFA-4	86.0	84.0	30		10.0		28.0			C290D3/T5 C290D2/T5	SA00393WI Air Plains	84
U206A "Super Skywagon"	L	IO-520-A (TCM)	P4014808-13	D3A34C401/90DFA-6	84.0	78.0	30		10.0		28.0			C290D3/T5 C290D2/T5	SA00393WI Air Plains	
U206A "Super Skywagon"		IO-520-A (TCM)	P4014808-04	D3A34C401/90DFA-10	80.0	78.0	30		10.4		28.5	D-6594	P	C290D3/T5 C290D2/T5	SA01777AT Davis Aviation	103
U206A "Super Skywagon"		IO-520-A (TCM)	P4014808-04	D3A34C401/90DFA-10	80.0	78.5	30		10.4		28.5			C290D3/T5 C290D2/T5	SA964NE US Prop of Connecticut	
U206A "Super Skywagon"		IO-520-F (TCM)	P4014808-04	D3A34C401/90DFA-10	80.0	78.0	30		10.4		28.5	D-6594	P	C290D3/T5 C290D2/T5	SA01777AT Davis Aviation	103
U206A "Super Skywagon"		IO-550-F (TCM)	P4014808-11	D3A34C401/90DFA-8	82.0	78.0	30		11.2		28.5	D-6594	P	C290D3/T5 C290D2/T5	SA2830SO Davis Aviation	103
U206A "Super Skywagon"		IO-550-F (TCM)	P4014808-05	D3A34C401/90DFA-10	80.0	78.0	30		11.2		28.5	D-6594	P	C290D3/T5 C290D2/T5	SA2830SO Davis Aviation	103
U206A "Super Skywagon"		IO-550-F (TCM)	P4024809-09	D3A34C402/90DFA-8	82.0	78.0	30		11.2		28.5			C290D3/T5 C290D2/T5	SA2830SO Davis Aviation	103 147
U206A "Super Skywagon"		IO-550-F (TCM)	P4024809-03	D3A34C402/90DFA-10	80.0	78.0	30		11.2		28.5			C290D3/T5 C290D2/T5	SA2830SO Davis Aviation	103 147
U206A "Super Skywagon"		IO-550-F (TCM)	P4207757-51	D3A34C420/90DFA-10	80.0	78.0	30		11.2		28.5	D-7168	P	C290D3/T5 C290D2/T5	SA2830SO Davis Aviation	103 147
U206B "Super Skywagon"	L	IO-520-F (TCM)	OBSOLETE	D2A34C58/90AT-8	82.0	80.0	36		9.5		25.8			C290D4/T4 C290D2/T4		1
U206B "Super Skywagon"	F	IO-520-F (TCM)	OBSOLETE	D2A34C58/90AT-4	86.0	84.0	36		8.0		25.0			C290D4/T4 C290D2/T4		1
U206B "Super Skywagon"	L	IO-520-F (TCM)	P2306949-53	D2A37C230/90REB-8	82.0	80.0	30		12.0		28.3			C290D4/T4 C290D2/T4		115

Constant Speed Propeller Applications

Aircraft Model	T Y P E	Engine Model (Make)	Propeller Part Number	Propeller Model	Max Dia	Min Dia	Ref Sta	Rev Angle	Low or Flight Idle Angle	Latch or Start Locks Angle	High or Feather Angle	Spinner Assembly P/N	S p i n n e r	Governor Model	STC Number STC Holder STC Kit P/N	N o t e s
U206B "Super Skywagon"	F L	IO-520-F (TCM)	OBSOLETE	D3A32C90/82NC-2	80.0	78.0	30		11.5		28.1			C290D4/T4 C290D2/T4		1
U206B "Super Skywagon"	F	IO-520-F (TCM)	P4014808-09	D3A34C401/90DFA-2	88.0	86.0	30		10.0		28.0			C290D4/T4 C290D2/T4	SA00393WI Air Plains	84
U206B "Super Skywagon"	F	IO-520-F (TCM)	P4014808-12	D3A34C401/90DFA-4	86.0	84.0	30		10.0		28.0			C290D4/T4 C290D2/T4	SA00393WI Air Plains	84
U206B "Super Skywagon"	L	IO-520-F (TCM)	P4014808-13	D3A34C401/90DFA-6	84.0	78.0	30		10.0		28.0			C290D4/T4 C290D2/T4	SA00393WI Air Plains	
U206B "Super Skywagon"		IO-520-F (TCM)	P4014808-04	D3A34C401/90DFA-10	80.0	78.0	30		10.4		28.5	D-6594	P	C290D4/T4 C290D2/T4	SA01777AT Davis Aviation	103
U206B "Super Skywagon"		IO-520-F (TCM)	P4014808-04	D3A34C401/90DFA-10	80.0	78.5	30		10.4		28.5			C290D4/T4 C290D2/T4	SA964NE US Prop of Connecticut	
U206B "Super Skywagon"		IO-550-F (TCM)	P4014808-11	D3A34C401/90DFA-8	82.0	78.0	30		11.2		28.5	D-6594	P		SA2830SO Davis Aviation	103
U206B "Super Skywagon"		IO-550-F (TCM)	P4014808-05	D3A34C401/90DFA-10	80.0	78.0	30		11.2		28.5	D-6594	P		SA2830SO Davis Aviation	103
U206B "Super Skywagon"	L	IO-550-F (TCM)	P4014808-05	D3A34C401/90DFA-10	80.0	78.0	30		11.2		28.5				SA00332AT AERO MOD	
U206B "Super Skywagon"	L	IO-550-F (TCM)	P4014808-05	D3A34C401/90DFA-10	80.0	78.0	30		11.2		28.5				SA1482GL Wipaire	
U206B "Super Skywagon"		IO-550-F (TCM)	P4024809-09	D3A34C402/90DFA-8	82.0	78.0	30		11.2		28.5				SA2830SO Davis Aviation	103 147
U206B "Super Skywagon"		IO-550-F (TCM)	P4024809-03	D3A34C402/90DFA-10	80.0	78.0	30		11.2		28.5				SA2830SO Davis Aviation	103 147
U206B "Super Skywagon"		IO-550-F (TCM)	P4207757-51	D3A34C420/90DFA-10	80.0	78.0	30		11.2		28.5	D-7168	P		SA2830SO Davis Aviation	103 147
U206B "Super Skywagon"		IO-550-N (TCM)		Hartzell										C290D4/T5	SA02507AT Atlantic Aero	
U206C "Super Skywagon"	L	IO-520-F (TCM)	OBSOLETE	D2A34C58/90AT-8	82.0	80.0	36		9.5		25.8			C290D4/T4 C290D2/T4		1
U206C "Super Skywagon"	F	IO-520-F (TCM)	OBSOLETE	D2A34C58/90AT-4	86.0	84.0	36		8.0		25.0			C290D4/T4 C290D2/T4		1
U206C "Super Skywagon"	F L	IO-520-F (TCM)	OBSOLETE	D3A32C90/82NC-2	80.0	78.0	30		11.5		28.1			C290D4/T4 C290D2/T4		1
U206C "Super Skywagon"	L	IO-520-F (TCM)	P2306949-53	D2A37C230/90REB-8	82.0	80.0	30		12.0		28.3			C290D4/T4 C290D2/T4		115
U206C "Super Skywagon"	F	IO-520-F (TCM)	P4014808-09	D3A34C401/90DFA-2	88.0	86.0	30		10.0		28.0			C290D4/T4 C290D2/T4	SA00393WI Air Plains	84
U206C "Super Skywagon"	F	IO-520-F (TCM)	P4014808-12	D3A34C401/90DFA-4	86.0	84.0	30		10.0		28.0			C290D4/T4 C290D2/T4	SA00393WI Air Plains	84
U206C "Super Skywagon"	L	IO-520-F (TCM)	P4014808-13	D3A34C401/90DFA-6	84.0	78.0	30		10.0		28.0			C290D4/T4 C290D2/T4	SA00393WI Air Plains	

Constant Speed Propeller Applications

Aircraft Model	T Y P E	Engine Model (Make)	Propeller Part Number	Propeller Model	Max Dia	Min Dia	Ref Sta	Rev Angle	Low or Flight Idle Angle	Latch or Start Locks Angle	High or Feather Angle	Spinner Assembly P/N	S p i n n e r	Governor Model	STC Number STC Holder STC Kit P/N	N o t e s
U206C "Super Skywagon"		IO-520-F (TCM)	P4014808-04	D3A34C401/90DFA-10	80.0	78.0	30		10.4		28.5	D-6594	P	C290D4/T4 C290D2/T4	SA01777AT Davis Aviation	103
U206C "Super Skywagon"		IO-520-F (TCM)	P4014808-04	D3A34C401/90DFA-10	80.0	78.5	30		10.4		28.5			C290D4/T4 C290D2/T4	SA964NE US Prop of Connecticut	
U206C "Super Skywagon"		IO-550-F (TCM)	P4014808-11	D3A34C401/90DFA-8	82.0	78.0	30		11.2		28.5	D-6594	P		SA2830SO Davis Aviation	103
U206C "Super Skywagon"		IO-550-F (TCM)	P4014808-05	D3A34C401/90DFA-10	80.0	78.0	30		11.2		28.5	D-6594	P		SA2830SO Davis Aviation	103
U206C "Super Skywagon"	L	IO-550-F (TCM)	P4014808-05	D3A34C401/90DFA-10	80.0	78.0	30		11.2		28.5				SA00332AT AERO MOD	
U206C "Super Skywagon"	L	IO-550-F (TCM)	P4014808-05	D3A34C401/90DFA-10	80.0	78.0	30		11.2		28.5				SA1482GL Wjpaire	
U206C "Super Skywagon"		IO-550-F (TCM)	P4024809-09	D3A34C402/90DFA-8	82.0	78.0	30		11.2		28.5				SA2830SO Davis Aviation	103 147
U206C "Super Skywagon"		IO-550-F (TCM)	P4024809-03	D3A34C402/90DFA-10	80.0	78.0	30		11.2		28.5				SA2830SO Davis Aviation	103 147
U206C "Super Skywagon"		IO-550-F (TCM)	P4207757-51	D3A34C420/90DFA-10	80.0	78.0	30		11.2		28.5	D-7168	P		SA2830SO Davis Aviation	103 147
U206C "Super Skywagon"		IO-550-N (TCM)		Hartzell										C290D4/T5	SA02507AT Atlantic Aero	
U206D "Skywagon"	L	IO-520-F (TCM)	OBSOLETE	D2A34C58/90AT-8	82.0	80.0	36		9.5		25.8			C290D4/T4 C290D2/T4		1
U206D "Skywagon"	F	IO-520-F (TCM)	OBSOLETE	D2A34C58/90AT-4	86.0	84.0	36		8.0		25.0			C290D4/T4 C290D2/T4		1
U206D "Skywagon"	F L	IO-520-F (TCM)	OBSOLETE	D3A32C90/82NC-2	80.0	78.0	30		11.5		28.1			C290D4/T4 C290D2/T4		1
U206D "Skywagon"	L	IO-520-F (TCM)	P2306949-53	D2A37C230/90REB-8	82.0	80.0	30		12.0		28.3			C290D4/T4 C290D2/T4		115
U206D "Skywagon"	F	IO-520-F (TCM)	P4014808-09	D3A34C401/90DFA-2	88.0	86.0	30		10.0		28.0			C290D4/T4 C290D2/T4	SA00393W1 Air Plains	84
U206D "Skywagon"	F	IO-520-F (TCM)	P4014808-12	D3A34C401/90DFA-4	86.0	84.0	30		10.0		28.0			C290D4/T4 C290D2/T4	SA00393W1 Air Plains	84
U206D "Skywagon"	L	IO-520-F (TCM)	P4014808-13	D3A34C401/90DFA-6	84.0	78.0	30		10.0		28.0			C290D4/T4 C290D2/T4	SA00393W1 Air Plains	
U206D "Skywagon"		IO-520-F (TCM)	P4014808-04	D3A34C401/90DFA-10	80.0	78.0	30		10.4		28.5	D-6594	P	C290D4/T4 C290D2/T4	SA01777AT Davis Aviation	103
U206D "Skywagon"		IO-520-F (TCM)	P4014808-04	D3A34C401/90DFA-10	80.0	78.5	30		10.4		28.5			C290D4/T4 C290D2/T4	SA964NE US Prop of Connecticut	
U206D "Skywagon"		IO-550-F (TCM)	P4014808-11	D3A34C401/90DFA-8	82.0	78.0	30		11.2		28.5	D-6594	P		SA2830SO Davis Aviation	103
U206D "Skywagon"		IO-550-F (TCM)	P4014808-05	D3A34C401/90DFA-10	80.0	78.0	30		11.2		28.5	D-6594	P		SA2830SO Davis Aviation	103

Constant Speed Propeller Applications

Aircraft Model	T Y P E	Engine Model (Make)	Propeller Part Number	Propeller Model	Max Dia	Min Dia	Ref Sta	Rev Angle	Low or Flight Idle Angle	Latch or Start Locks Angle	High or Feather Angle	Spinner Assembly P/N	S p i n n e r	Governor Model	STC Number STC Holder STC Kit P/N	N o t e s
U206D "Skywagon"	L	IO-550-F (TCM)	P4014808-05	D3A34C401/90DFA-10	80.0		30		11.2		28.5				SA00332AT AERO MOD	
U206D "Skywagon"	L	IO-550-F (TCM)	P4014808-05	D3A34C401/90DFA-10	80.0		30		11.2		28.5				SA1482GL Wipaire	
U206D "Skywagon"		IO-550-F (TCM)	P4024809-09	D3A34C402/90DFA-8	82.0	78.0	30		11.2		28.5				SA2830SO Davis Aviation	103 147
U206D "Skywagon"		IO-550-F (TCM)	P4024809-03	D3A34C402/90DFA-10	80.0	78.0	30		11.2		28.5				SA2830SO Davis Aviation	103 147
U206D "Skywagon"		IO-550-F (TCM)	P4207757-51	D3A34C420/90DFA-10	80.0	78.0	30		11.2		28.5	D-7168	P		SA2830SO Davis Aviation	103 147
U206D "Skywagon"		IO-550-N (TCM)		Hartzell										C290D4/T5	SA02507AT Atlantic Aero	
U206E "Skywagon, Stationair"	L	IO-520-F (TCM)	OBSOLETE	D2A34C58/90AT-8	82.0	80.0	36		9.5		25.8			C290D4/T4 C290D2/T4		1
U206E "Skywagon, Stationair"	F	IO-520-F (TCM)	OBSOLETE	D2A34C58/90AT-4	86.0	84.0	36		8.0		25.0			C290D4/T4 C290D2/T4		1
U206E "Skywagon, Stationair"	F L	IO-520-F (TCM)	OBSOLETE	D3A32C90/82NC-2	80.0	78.0	30		11.5		28.1			C290D4/T4 C290D2/T4		1
U206E "Skywagon, Stationair"	L	IO-520-F (TCM)	P2306949-53	D2A37C230/90REB-8	82.0	80.0	30		12.0		28.3			C290D4/T4 C290D2/T4		115
U206E "Skywagon, Stationair"	F	IO-520-F (TCM)	P4014808-09	D3A34C401/90DFA-2	88.0	86.0	30		10.0		28.0			C290D4/T4 C290D2/T4	SA00393W1 Air Plains	84
U206E "Skywagon, Stationair"	F	IO-520-F (TCM)	P4014808-12	D3A34C401/90DFA-4	86.0	84.0	30		10.0		28.0			C290D4/T4 C290D2/T4	SA00393W1 Air Plains	84
U206E "Skywagon, Stationair"	L	IO-520-F (TCM)	P4014808-13	D3A34C401/90DFA-6	84.0	78.0	30		10.0		28.0			C290D4/T4 C290D2/T4	SA00393W1 Air Plains	
U206E "Skywagon, Stationair"		IO-520-F (TCM)	P4014808-04	D3A34C401/90DFA-10	80.0	78.0	30		10.4		28.5	D-6594	P	C290D4/T4 C290D2/T4	SA01777AT Davis Aviation	103
U206E "Skywagon, Stationair"		IO-520-F (TCM)	P4014808-04	D3A34C401/90DFA-10	80.0	78.5	30		10.4		28.5			C290D4/T4 C290D2/T4	SA964NE US Prop of Connecticut	
U206E "Skywagon, Stationair"		IO-550-F (TCM)	P4014808-11	D3A34C401/90DFA-8	82.0	78.0	30		11.2		28.5	D-6594	P		SA2830SO Davis Aviation	103
U206E "Skywagon, Stationair"		IO-550-F (TCM)	P4014808-05	D3A34C401/90DFA-10	80.0	78.0	30		11.2		28.5	D-6594	P		SA2830SO Davis Aviation	103
U206E "Skywagon, Stationair"	L	IO-550-F (TCM)	P4014808-05	D3A34C401/90DFA-10	80.0	78.0	30		11.2		28.5				SA00332AT AERO MOD	
U206E "Skywagon, Stationair"	L	IO-550-F (TCM)	P4014808-05	D3A34C401/90DFA-10	80.0	78.0	30		11.2		28.5				SA1482GL Wipaire	
U206E "Skywagon, Stationair"		IO-550-F (TCM)	P4024809-09	D3A34C402/90DFA-8	82.0	78.0	30		11.2		28.5				SA2830SO Davis Aviation	103 147
U206E "Skywagon, Stationair"		IO-550-F (TCM)	P4024809-03	D3A34C402/90DFA-10	80.0	78.0	30		11.2		28.5				SA2830SO Davis Aviation	103 147

Constant Speed Propeller Applications

Aircraft Model	T Y P E	Engine Model (Make)	Propeller Part Number	Propeller Model	Max Dia	Min Dia	Ref Sta	Rev Angle	Low or Flight Idle Angle	Latch or Start Locks Angle	High or Feather Angle	Spinner Assembly P/N	S p i n n e r	Governor Model	STC Number STC Holder STC Kit P/N	N o t e s
U206E "Skywagon, Stationair"		IO-550-F (TCM)	P4207757-51	D3A34C420/90DFA-10	80.0	78.0	30		11.2		28.5	D-7168	P		SA2830SO Davis Aviation	103 147
U206E "Skywagon, Stationair"		IO-550-N (TCM)		Hartzell										C290D4/T5	SA02507AT Atlantic Aero	
U206F "Stationair"	L	IO-520-F (TCM)	OBSOLETE	D2A34C58/90AT-8	82.0	80.0	36		9.5		25.8			C290D4/T4 C290D2/T4		1
U206F "Stationair"	F	IO-520-F (TCM)	OBSOLETE	D2A34C58/90AT-4	86.0	84.0	36		8.0		25.0			C290D4/T4 C290D2/T4		1
U206F "Stationair"	F L	IO-520-F (TCM)	OBSOLETE	D3A32C90/82NC-2	80.0	78.0	30		11.5		28.1			C290D4/T4 C290D2/T4		1
U206F "Stationair"	L	IO-520-F (TCM)	P2306949-53	D2A37C230/90REB-8	82.0	80.0	30		12.0		28.3			C290D4/T4 C290D2/T4		115
U206F "Stationair"	F	IO-520-F (TCM)	P4014808-09	D3A34C401/90DFA-2	88.0	86.0	30		10.0		28.0			C290D4/T4 C290D2/T4	SA00393WI Air Plains	84
U206F "Stationair"	F	IO-520-F (TCM)	P4014808-12	D3A34C401/90DFA-4	86.0	84.0	30		10.0		28.0			C290D4/T4 C290D2/T4	SA00393WI Air Plains	84
U206F "Stationair"	L	IO-520-F (TCM)	P4014808-13	D3A34C401/90DFA-6	84.0	78.0	30		10.0		28.0			C290D4/T4 C290D2/T4	SA00393WI Air Plains	
U206F "Stationair"		IO-520-F (TCM)	P4014808-04	D3A34C401/90DFA-10	80.0	78.0	30		10.4		28.5	D-6594	P	C290D4/T4 C290D2/T4	SA01777AT Davis Aviation	103
U206F "Stationair"		IO-520-F (TCM)	P4014808-04	D3A34C401/90DFA-10	80.0	78.5	30		10.4		28.5			C290D4/T4 C290D2/T4	SA964NE US Prop of Connecticut	104
U206F "Stationair"		IO-550-F (TCM)	P4014808-04	D3A34C401/90DFA-10	80.0	78.0	30		10.4		28.5	D-6594	P		SA2830SO Davis Aviation	
U206F "Stationair"	L	IO-550-F (TCM)	P4014808-05	D3A34C401/90DFA-10	80.0	78.0	30		11.2		28.5				SA00332AT AERO MOD	
U206F "Stationair"	L	IO-550-F (TCM)	P4014808-05	D3A34C401/90DFA-10	80.0	78.0	30		11.2		28.5				SA1482GL Wipaire	
U206F (S/N 2200 - 3521) "Stationair"		IO-550-F (TCM)	P4024809-03	D3A34C402/90DFA-10	80.0	78.0	30		11.2		28.5				SA1482GL Wipaire	
U206F "Stationair"		IO-550-F (TCM)	P4207757-51	D3A34C420/90DFA-10	80.0	78.0	30		11.2		28.5	D-7168	P		SA2830SO Davis Aviation	147
U206F "Stationair"		IO-550-N (TCM)		Hartzell										C290D4/T5	SA02507AT Atlantic Aero	
U206G (S/N 3522-4074) "Stationair"	F	IO-520-F (TCM)	OBSOLETE	D2A34C58/90AT-4	86.0	84.0	36		8.0		25.0			C290D4/T4 C290D2/T4		1
U206G (S/N 3522-4074) "Stationair"	F L	IO-520-F (TCM)	OBSOLETE	D3A32C90/82NC-2	80.0	78.0	30		11.5		28.1			C290D4/T4 C290D2/T4		1

Constant Speed Propeller Applications

Aircraft Model	T Y P E	Engine Model (Make)	Propeller Part Number	Propeller Model	Max Dia	Min Dia	Ref Sta	Rev Angle	Low or Flight Idle Angle	Latch or Start Locks Angle	High or Feather Angle	Spinner Assembly P/N	S p i n n e r	Governor Model	STC Number STC Holder STC Kit P/N	N o t e s
U206G (S/N 3522-4074) "Stationair"	F	IO-520-F (TCM)	P4014808-09	D3A34C401/90DFA-2	88.0	86.0	30		10.0		28.0			C290D4/T4 C290D2/T4	SA00393WI Air Plains	84
U206G (S/N 3522-4074) "Stationair"	F	IO-520-F (TCM)	P4014808-12	D3A34C401/90DFA-4	86.0	84.0	30		10.0		28.0			C290D4/T4 C290D2/T4	SA00393WI Air Plains	84
U206G (S/N 3522-4074) "Stationair"	L	IO-520-F (TCM)	P4014808-13	D3A34C401/90DFA-6	84.0	78.0	30		10.0		28.0			C290D4/T4 C290D2/T4	SA00393WI Air Plains	
U206G (S/N 3522-4074) "Stationair"		IO-520-F (TCM)	P4014808-04	D3A34C401/90DFA-10	80.0	78.0	30		10.4		28.5	D-6594	P	C290D4/T4 C290D2/T4	SA01777AT Davis Aviation	103
U206G (S/N 3522-4074) "Stationair"		IO-520-F (TCM)	P4014808-04	D3A34C401/90DFA-10	80.0	78.5	30		10.4		28.5			C290D4/T4 C290D2/T4	SA964NE US Prop of Connecticut	
U206G (S/N 3522-4074) "Stationair"		IO-550-F (TCM)	P4014808-04	D3A34C401/90DFA-10	80.0	78.0	30		10.4		28.5	D-6594	P		SA2830SO Davis Aviation	
U206G (S/N 3522-4074) "Stationair"	L	IO-550-F (TCM)	P4014808-05	D3A34C401/90DFA-10	80.0	78.0	30		11.2		28.5			C290D4/T4 C290D2/T4	SA00332AT AERO MOD	
U206G (S/N 3522-4074) "Stationair"	L	IO-550-F (TCM)	P4014808-05	D3A34C401/90DFA-10	80.0	78.0	30		11.2		28.5				SA1482GL Wipaire	
U206G (S/N 3522-4074) "Stationair"		IO-550-F (TCM)	P4207757-51	D3A34C420/90DFA-10	80.0	78.0	30		11.2		28.5	D-7168	P		SA2830SO Davis Aviation	147
U206G (S/N 2589, 4075 and up) "Stationair"	F L	IO-520-F (TCM)	P4044809-11	D3A34C404/80VA-0	80.0	78.5	30		11.0		27.0			C290D4/T4		
U206G (S/N 2589, 4075 and up) "Stationair"	L F	IO-520-F (TCM)		D3A34C402/90DFA-10	80.0	78.5	30		10.4		28.0			C290D4/T4	SA00428WI P. Ponk	91
U206G (S/N 2589, 4075 and up) "Stationair"	L F	IO-520-F (TCM)	P4024809-05	D3A34C402/90DFA-8	82.0	78.5	30		10.4		28.0			C290D4/T4	SA00428WI P. Ponk	91
U206G (S/N 2589, 4075 and up) "Stationair"		IO-520-F (TCM)	P4024809-04	D3A34C402/90DFA-10	80.0	78.0	30		10.4		28.5			C290D4/T4	SA01777AT Davis Aviation	103

Constant Speed Propeller Applications

Aircraft Model	T Y P E	Engine Model (Make)	Propeller Part Number	Propeller Model	Max Dia	Min Dia	Ref Sta	Rev Angle	Low or Flight Idle Angle	Latch or Start Locks Angle	High or Feather Angle	Spinner Assembly P/N	S p i n n e r	Governor Model	STC Number STC Holder STC Kit P/N	N o t e s
U206G (S/N 2589, 4075 and up) "Stationair"		IO-550-F (TCM)	P4024809-09	D3A34C402/90DFA-8	82.0	78.0	30		11.2		28.5				SA2830SO Davis Aviation	103
U206G (S/N 2589, 4075 and up) "Stationair"		IO-550-F (TCM)	P4024809-03	D3A34C402/90DFA-10	80.0	78.0	30		11.2		28.5				SA2830SO Davis Aviation	103
U206G (S/N 2589, 4075 and up) "Stationair"	F	IO-550-F (TCM)		D3A34C402/90DFA-2	88.0	86.5	30		8.8		28.0				SA00428WI P. Ponk	84
U206G (S/N 2589, 4075 and up) "Stationair"	F	IO-550-F (TCM)		D3A34C402/90DFA-4	86.0	84.5	30		8.8		28.0				SA00428WI P. Ponk	84
U206G (S/N 2589, 4075 and up) "Stationair"	L F	IO-550-F (TCM)		D3A34C402/90DFA-6	84.0	82.5	30		10.0		28.0				SA00428WI P. Ponk	
U206G (S/N 2589, 4075 and up) "Stationair"	F	IO-550-F (TCM)	P4024809-05	D3A34C402/90DFA-8	82.0	80.5	30		10.4		28.0				SA00428WI P. Ponk	
U206G (S/N 2589, 4075 and up) "Stationair"	F	IO-550-F (TCM)		D3A34C402/90DFA-10	80.0	78.5	30		10.4		28.0				SA00428WI P. Ponk	
U206G (S/N 3522 thru 6920) "Stationair"		IO-550-F (TCM)	P4024809-03	D3A34C402/90DFA-10	80.0	78.0	30		11.2		28.5				SA1482GL Wipaire	
U206G "Stationair"		IO-550-N (TCM)		Hartzell										C290D4/T5	SA02507AT Atlantic Aero	
TU206A "Turbo Super Skywagon"	L	TSIO-520-C (TCM)	OBSOLETE	D2A34C78/90AT-8	82.0	80.0	36		11.8		32.0			C290D4/T2 C290D2/T2		1
TU206A "Turbo Super Skywagon"	L	TSIO-520-C (TCM)	OBSOLETE	D3A32C79/82NK-2	80.0	78.0	30		13.2		32.5			C290D4/T2 C290D2/T2		1
TU206A "Turbo Super Skywagon"	F L	TSIO-520-C (TCM)	OBSOLETE	D3A32C90/82NC-2	80.0	78.0	30		14.0		33.0			C290D4/T2 C290D2/T2		1
TU206A "Turbo Super Skywagon"	F	TSIO-520-C (TCM)	OBSOLETE	D2A34C58/90AT-2	88.0	86.0	36		9.0		25.8			C290D4/T2 C290D2/T2		1
TU206A "Turbo Super Skywagon"	L	TSIO-520-C (TCM)	P2316949-51	D2A37C231/90REC-8	82.0	80.0	30		14.3		34.5			C290D4/T2 C290D2/T2		115

Constant Speed Propeller Applications

Aircraft Model	T Y P E	Engine Model (Make)	Propeller Part Number	Propeller Model	Max Dia	Min Dia	Ref Sta	Rev Angle	Low or Flight Idle Angle	Latch or Start Locks Angle	High or Feather Angle	Spinner Assembly P/N	S p i n n e r	Governor Model	STC Number STC Holder STC Kit P/N	N o t e s
TU206A "Turbo Super Skywagon"	F	TSIO-520-C (TCM)	P4014808-09	D3A34C401/90DFA-2	88.0	86.0	30		10.0		28.0			C290D4/T2 C290D2/T2	SA00393WI Air Plains	85
TU206A "Turbo Super Skywagon"	F	TSIO-520-C (TCM)	P4014808-12	D3A34C401/90DFA-4	86.0	84.0	30		10.0		28.0			C290D4/T2 C290D2/T2	SA00393WI Air Plains	85
TU206A "Turbo Super Skywagon"	L	TSIO-520-C (TCM)	P4014808-13	D3A34C401/90DFA-6	84.0	78.0	30		10.0		28.0			C290D4/T2 C290D2/T2	SA00393WI Air Plains	86
TU206A "Turbo Super Skywagon"		TSIO-520-C (TCM)	P4014808-04	D3A34C401/90DFA-10	80.0	78.5	30		10.4		28.5			C290D4/T2 C290D2/T2	SA964NE US Prop of Connecticut	104
TU206A "Turbo Super Skywagon"		TSIO-520-M (TCM)	P4024809-01	D3A34C402/90DFA-10	80.0	78.5	30		12.4		28.5				SA2782SW-D RAM Aircraft	
TU206A "Turbo Super Skywagon"		IO-550-F (TCM)	P4014808-05	D3A34C401/90DFA-10	80.0	78.0	30		11.2		28.5				SA01300AT Davis Aviation	103
TU206B "Turbo Super Skywagon"	L	TSIO-520-C (TCM)	OBSOLETE	D2A34C78/90AT-8	82.0	80.0	36		11.8		32.0			C290D4/T2 C290D2/T2		1
TU206B "Turbo Super Skywagon"	L	TSIO-520-C (TCM)	OBSOLETE	D3A32C79/82NK-2	80.0	78.0	30		13.2		32.5			C290D4/T2 C290D2/T2		1
TU206B "Turbo Super Skywagon"	F L	TSIO-520-C (TCM)	OBSOLETE	D3A32C90/82NC-2	80.0	78.0	30		14.0		33.0			C290D4/T2 C290D2/T2		1
TU206B "Turbo Super Skywagon"	F	TSIO-520-C (TCM)	OBSOLETE	D2A34C58/90AT-2	88.0	86.0	36		9.0		25.8			C290D4/T2 C290D2/T2		1
TU206B "Turbo Super Skywagon"	L	TSIO-520-C (TCM)	P2316949-51	D2A37C231/90REC-8	82.0	80.0	30		14.3		34.5			C290D4/T2 C290D2/T2		115
TU206B "Turbo Super Skywagon"	F	TSIO-520-C (TCM)	P4014808-09	D3A34C401/90DFA-2	88.0	86.0	30		10.0		28.0			C290D4/T2 C290D2/T2	SA00393WI Air Plains	85
TU206B "Turbo Super Skywagon"	F	TSIO-520-C (TCM)	P4014808-12	D3A34C401/90DFA-4	86.0	84.0	30		10.0		28.0			C290D4/T2 C290D2/T2	SA00393WI Air Plains	85
TU206B "Turbo Super Skywagon"	L	TSIO-520-C (TCM)	P4014808-13	D3A34C401/90DFA-6	84.0	78.0	30		10.0		28.0			C290D4/T2 C290D2/T2	SA00393WI Air Plains	86
TU206B "Turbo Super Skywagon"		TSIO-520-C (TCM)	P4014808-04	D3A34C401/90DFA-10	80.0	78.5	30		10.4		28.5			C290D4/T2 C290D2/T2	SA964NE US Prop of Connecticut	104
TU206B "Turbo Super Skywagon"		TSIO-520-M (TCM)	P4024809-01	D3A34C402/90DFA-10	80.0	78.5	30		12.4		28.5				SA2782SW-D RAM Aircraft	
TU206B "Turbo Super Skywagon"		IO-550-F (TCM)	P4014808-05	D3A34C401/90DFA-10	80.0	78.0	30		11.2		28.5				SA01300AT Davis Aviation	103
TU206C "Turbo Super Skywagon"	F	TSIO-520-C (TCM)	OBSOLETE	D2A34C58/90AT-2	88.0	86.0	36		8.0		25.8			C290D4/T2 C290D2/T2		1
TU206C "Turbo Super Skywagon"	L	TSIO-520-C (TCM)	OBSOLETE	D2A34C78/90AT-8	82.0	80.0	36		11.8		32.0			C290D4/T2 C290D2/T2		1
TU206C "Turbo Super Skywagon"	L	TSIO-520-C (TCM)	OBSOLETE	D3A32C79/82NK-2	80.0	78.0	30		13.2		32.5			C290D4/T2 C290D2/T2		1
TU206C "Turbo Super Skywagon"	F L	TSIO-520-C (TCM)	OBSOLETE	D3A32C90/82NC-2	80.0	78.0	30		14.0		33.0			C290D4/T2 C290D2/T2		1

Constant Speed Propeller Applications

Aircraft Model	T Y P E	Engine Model (Make)	Propeller Part Number	Propeller Model	Max Dia	Min Dia	Ref Sta	Rev Angle	Low or Flight Idle Angle	Latch or Start Locks Angle	High or Feather Angle	Spinner Assembly P/N	S p i n n e r	Governor Model	STC Number STC Holder STC Kit P/N	N o t e s
TU206C "Turbo Super Skywagon"	L	TSIO-520-C (TCM)	P2316949-51	D2A37C231/90REC-8	82.0	80.0	30		14.3		34.5			C290D4/T2 C290D2/T2		115
TU206C "Turbo Super Skywagon"	F	TSIO-520-C (TCM)	P4014808-09	D3A34C401/90DFA-2	88.0	86.0	30		10.0		28.0			C290D4/T2 C290D2/T2	SA00393WI Air Plains	85
TU206C "Turbo Super Skywagon"	F	TSIO-520-C (TCM)	P4014808-12	D3A34C401/90DFA-4	86.0	84.0	30		10.0		28.0			C290D4/T2 C290D2/T2	SA00393WI Air Plains	85
TU206C "Turbo Super Skywagon"	L	TSIO-520-C (TCM)	P4014808-13	D3A34C401/90DFA-6	84.0	78.0	30		10.0		28.0			C290D4/T2 C290D2/T2	SA00393WI Air Plains	86
TU206C "Turbo Super Skywagon"		TSIO-520-C (TCM)	P4014808-04	D3A34C401/90DFA-10	80.0	78.5	30		10.4		28.5			C290D4/T2 C290D2/T2	SA964NE US Prop of Connecticut	104
TU206C "Turbo Super Skywagon"		TSIO-520-M (TCM)	P4024809-01	D3A34C402/90DFA-10	80.0	78.5	30		12.4		28.5				SA2782SW-D RAM Aircraft	
TU206C "Turbo Super Skywagon"		IO-550-F (TCM)	P4014808-05	D3A34C401/90DFA-10	80.0	78.0	30		11.2		28.5				SA01300AT Davis Aviation	103
TU206D "Turbo Skywagon"	F	TSIO-520-C (TCM)	OBSOLETE	D2A34C58/90AT-2	88.0	86.0	36		8.0		25.8			C290D4/T2 C290D2/T2		1
TU206D "Turbo Skywagon"	L	TSIO-520-C (TCM)	OBSOLETE	D2A34C78/90AT-8	82.0	80.0	36		11.8		32.0			C290D4/T2 C290D2/T2		1
TU206D "Turbo Skywagon"	L	TSIO-520-C (TCM)	OBSOLETE	D3A32C79/82NK-2	80.0	78.0	30		13.2		32.5			C290D4/T2 C290D2/T2		1
TU206D "Turbo Skywagon"	F L	TSIO-520-C (TCM)	OBSOLETE	D3A32C90/82NC-2	80.0	78.0	30		14.0		33.0			C290D4/T2 C290D2/T2		1
TU206D "Turbo Skywagon"	L	TSIO-520-C (TCM)	P2316949-51	D2A37C231/90REC-8	82.0	80.0	30		14.3		34.5			C290D4/T2 C290D2/T2		115
TU206D "Turbo Skywagon"	F	TSIO-520-C (TCM)	P4014808-09	D3A34C401/90DFA-2	88.0	86.0	30		10.0		28.0			C290D4/T2 C290D2/T2	SA00393WI Air Plains	85
TU206D "Turbo Skywagon"	F	TSIO-520-C (TCM)	P4014808-12	D3A34C401/90DFA-4	86.0	84.0	30		10.0		28.0			C290D4/T2 C290D2/T2	SA00393WI Air Plains	85
TU206D "Turbo Skywagon"	L	TSIO-520-C (TCM)	P4014808-13	D3A34C401/90DFA-6	84.0	78.0	30		10.0		28.0			C290D4/T2 C290D2/T2	SA00393WI Air Plains	86
TU206D "Turbo Skywagon"		TSIO-520-C (TCM)	P4014808-04	D3A34C401/90DFA-10	80.0	78.5	30		10.4		28.5			C290D4/T2 C290D2/T2	SA964NE US Prop of Connecticut	104
TU206D "Turbo Skywagon"		TSIO-520-M (TCM)	P4024809-01	D3A34C402/90DFA-10	80.0	78.5	30		12.4		28.5				SA2782SW-D RAM Aircraft	
TU206D "Turbo Skywagon"		IO-550-F (TCM)	P4014808-05	D3A34C401/90DFA-10	80.0	78.0	30		11.2		28.5				SA01300AT Davis Aviation	103
TU206E "Turbo Skywagon"	F	TSIO-520-C (TCM)	OBSOLETE	D2A34C58/90AT-2	88.0	86.0	36		8.0		25.8			C290D4/T2 C290D2/T2		1
TU206E "Turbo Skywagon"	L	TSIO-520-C (TCM)	OBSOLETE	D2A34C78/90AT-8	82.0	80.0	36		11.8		32.0			C290D4/T2 C290D2/T2		1
TU206E "Turbo Skywagon"	L	TSIO-520-C (TCM)	OBSOLETE	D3A32C79/82NK-2	80.0	78.0	30		13.2		32.5			C290D4/T2 C290D2/T2		1

Constant Speed Propeller Applications

Aircraft Model	T Y P E	Engine Model (Make)	Propeller Part Number	Propeller Model	Max Dia	Min Dia	Ref Sta	Rev Angle	Low or Flight Idle Angle	Latch or Start Locks Angle	High or Feather Angle	Spinner Assembly P/N	S p i n n e r	Governor Model	STC Number STC Holder STC Kit P/N	N o t e s
TU206E "Turbo Skywagon"	F L	TSIO-520-C (TCM)	OBSOLETE	D3A32C90/82NC-2	80.0	78.0	30		14.0		33.0			C290D4/T2 C290D2/T2		1
TU206E "Turbo Skywagon"	L	TSIO-520-C (TCM)	P2316949-51	D2A37C231/90REC-8	82.0	80.0	30		14.3		34.5			C290D4/T2 C290D2/T2		115
TU206E "Turbo Skywagon"	F	TSIO-520-C (TCM)	P4014808-09	D3A34C401/90DFA-2	88.0	86.0	30		10.0		28.0			C290D4/T2 C290D2/T2	SA00393WI Air Plains	85
TU206E "Turbo Skywagon"	F	TSIO-520-C (TCM)	P4014808-12	D3A34C401/90DFA-4	86.0	84.0	30		10.0		28.0			C290D4/T2 C290D2/T2	SA00393WI Air Plains	85
TU206E "Turbo Skywagon"	L	TSIO-520-C (TCM)	P4014808-13	D3A34C401/90DFA-6	84.0	78.0	30		10.0		28.0			C290D4/T2 C290D2/T2	SA00393WI Air Plains	86
TU206E "Turbo Skywagon"		TSIO-520-C (TCM)	P4014808-04	D3A34C401/90DFA-10	80.0	78.5	30		10.4		28.5			C290D4/T2 C290D2/T2	SA964NE US Prop of Connecticut	104
TU206E "Turbo Skywagon"		TSIO-520-M (TCM)	P4024809-01	D3A34C402/90DFA-10	80.0	78.5	30		12.4		28.5				SA2782SW-D RAM Aircraft	
TU206E "Turbo Skywagon"		IO-550-F (TCM)	P4014808-05	D3A34C401/90DFA-10	80.0	78.0	30		11.2		28.5				SA01300AT Davis Aviation	103
TU206F (S/N 1701-2199) "Turbo Stationair"	F	TSIO-520-C (TCM)	OBSOLETE	D2A34C58/90AT-2	88.0	86.0	36		8.0		25.8			C290D4/T2 C290D2/T2		1
TU206F (S/N 1701-2199) "Turbo Stationair"	L	TSIO-520-C (TCM)	OBSOLETE	D2A34C78/90AT-8	82.0	80.0	36		11.8		32.0			C290D4/T2 C290D2/T2		1
TU206F (S/N 1701-2199) "Turbo Stationair"	L	TSIO-520-C (TCM)	OBSOLETE	D3A32C79/82NK-2	80.0	78.0	30		13.2		32.5			C290D4/T2 C290D2/T2		1
TU206F (S/N 1701-2199) "Turbo Stationair"	F L	TSIO-520-C (TCM)	OBSOLETE	D3A32C90/82NC-2	80.0	78.0	30		14.0		33.0			C290D4/T2 C290D2/T2		1
TU206F (S/N 1701-2199) "Turbo Stationair"	L	TSIO-520-C (TCM)	P2316949-51	D2A37C231/90REC-8	82.0	80.0	30		14.3		34.5			C290D4/T2 C290D2/T2		115
TU206F (S/N 1701-2199) "Turbo Stationair"	F	TSIO-520-C (TCM)	P4014808-09	D3A34C401/90DFA-2	88.0	86.0	30		10.0		28.0			C290D4/T2 C290D2/T2	SA00393WI Air Plains	85
TU206F (S/N 1701-2199) "Turbo Stationair"	F	TSIO-520-C (TCM)	P4014808-12	D3A34C401/90DFA-4	86.0	84.0	30		10.0		28.0			C290D4/T2 C290D2/T2	SA00393WI Air Plains	85
TU206F (S/N 1701-2199) "Turbo Stationair"	L	TSIO-520-C (TCM)	P4014808-13	D3A34C401/90DFA-6	84.0	78.0	30		10.0		28.0			C290D4/T2 C290D2/T2	SA00393WI Air Plains	86
TU206F (S/N 1701-2199) "Turbo Stationair"		TSIO-520-C (TCM)	P4014808-04	D3A34C401/90DFA-10	80.0	78.5	30		10.4		28.5			C290D4/T2 C290D2/T2	SA964NE US Prop of Connecticut	104

Constant Speed Propeller Applications

Aircraft Model	T Y P E	Engine Model (Make)	Propeller Part Number	Propeller Model	Max Dia	Min Dia	Ref Sta	Rev Angle	Low or Flight Idle Angle	Latch or Start Locks Angle	High or Feather Angle	Spinner Assembly P/N	S p i n n e r	Governor Model	STC Number STC Holder STC Kit P/N	N o t e s
TU206F (S/N 1701-2199) "Turbo Stationair"		TSIO-520-M (TCM)	P4024809-01	D3A34C402/90DFA-10	80.0	78.5	30		12.4		28.5				SA2782SW-D RAM Aircraft	
TU206F (S/N 1701-2199) "Turbo Stationair"		IO-550-F (TCM)	P4014808-05	D3A34C401/90DFA-10	80.0	78.0	30		11.2		28.5				SA01300AT Davis Aviation	103
TU206F (S/N 2200 and up) "Turbo Stationair"		TSIO-520-C (TCM)	OBSOLETE	E2A34C70/90AT-8	82.0	80.0	36		11.8		32.0			C290D4/T2 C290D2/T2		1
TU206F (S/N 2200 and up) "Turbo Stationair"		TSIO-520-C (TCM)	OBSOLETE	D3A32C88/82NC-2	80.0	78.0	30		14.0		33.0			C290D4/T2 C290D2/T2		1
TU206F (S/N 2200 and up) "Turbo Stationair"	L	TSIO-520-C (TCM)	P2346960-51	E2A37C234/90REC-8	82.0	80.0	30		14.3		34.5			C290D4/T2 C290D2/T2		115
TU206F (S/N 2200 and up) "Turbo Stationair"	L F	TSIO-520-C (TCM)	P4024809-05	D3A34C402/90DFA-8	82.0	80.5	30		10.4		28.0			C290D4/T2 C290D2/T2	SA00428WI P. Ponk	91 86
TU206F (S/N 2200 and up) "Turbo Stationair"	L F	TSIO-520-C (TCM)		D3A34C402/90DFA-10	80.0	78.5	30		10.4		28.0			C290D4/T2 C290D2/T2	SA00428WI P. Ponk	86 91
TU206F (S/N 2200 and up) "Turbo Stationair"		TSIO-520-C (TCM)	P4024809-04	D3A34C402/90DFA-10	80.0	78.5	30		10.4		28.5			C290D4/T2 C290D2/T2	SA942NE US Prop of Connecticut	12
TU206F (S/N 2200 and up) "Turbo Stationair"		TSIO-520-M (TCM)		D3A34C402/90DFA-10	80.0		30								SA1588GL Wipaire	
TU206F (S/N 2200 and up) "Turbo Stationair"		TSIO-520-M (TCM)	P4024809-01	D3A34C402/90DFA-10	80.0	78.5	30		12.4		28.5				SA2782SW-D RAM Aircraft	
TU206F (S/N 2200 and up) "Turbo Stationair"	F	IO-550-F (TCM)		D3A34C402/90DFA-2	88.0	86.5	30		8.8		28.0				SA00428WI P. Ponk	84
TU206F (S/N 2200 and up) "Turbo Stationair"	F	IO-550-F (TCM)		D3A34C402/90DFA-4	86.0	84.5	30		8.8		28.0				SA00428WI P. Ponk	84
TU206F (S/N 2200 and up) "Turbo Stationair"	F	IO-550-F (TCM)		D3A34C402/90DFA-6	84.0	82.5	30		10.0		28.0				SA00428WI P. Ponk	
TU206F (S/N 2200 and up) "Turbo Stationair"	F	IO-550-F (TCM)	P4024809-05	D3A34C402/90DFA-8	82.0	80.5	30		10.4		28.0				SA00428WI P. Ponk	

Constant Speed Propeller Applications

Aircraft Model	T Y P E	Engine Model (Make)	Propeller Part Number	Propeller Model	Max Dia	Min Dia	Ref Sta	Rev Angle	Low or Flight Idle Angle	Latch or Start Locks Angle	High or Feather Angle	Spinner Assembly P/N	S p i n n e r	Governor Model	STC Number STC Holder STC Kit P/N	N o t e s
TU206F (S/N 2200 and up) "Turbo Stationair"	F	IO-550-F (TCM)		D3A34C402/90DFA-10	80.0	78.5	30		10.4		28.0				SA00428WI P. Ponk	
TU206F (S/N 2200 and up) "Turbo Stationair"		IO-550-F (TCM)	P4024809-03	D3A34C402/90DFA-10	80.0	78.0	30		11.2		28.5				SA01300AT Davis Aviation	103
TU206G "Turbo Stationair"		TSIO-520-M (TCM)	P4024809-01	D3A34C402/90DFA-10	80.0	78.5	30		12.4		28.5			C290D4/T2		11
TU206G "Turbo Stationair"	L F	TSIO-520-M (TCM)	P4024809-05	D3A34C402/90DFA-8	82.0	80.5	30		10.4		28.0			C290D4/T2	SA00428WI P. Ponk	86 91
TU206G "Turbo Stationair"	L F	TSIO-520-M (TCM)		D3A34C402/90DFA-10	80.0	78.5	30		10.4		28.0			C290D4/T2	SA00428WI P. Ponk	86 91
TU206G "Turbo Stationair"	F	IO-550-F (TCM)		D3A34C402/90DFA-2	88.0	86.5	30		8.8		28.0				SA00428WI P. Ponk	84
TU206G "Turbo Stationair"	F	IO-550-F (TCM)		D3A34C402/90DFA-4	86.0	84.5	30		8.8		28.0				SA00428WI P. Ponk	84
TU206G "Turbo Stationair"	L F	IO-550-F (TCM)		D3A34C402/90DFA-6	84.0	82.5	30		10.0		28.0				SA00428WI P. Ponk	
TU206G "Turbo Stationair"	L F	IO-550-F (TCM)	P4024809-05	D3A34C402/90DFA-8	82.0	80.5	30		10.4		28.0				SA00428WI P. Ponk	
TU206G "Turbo Stationair"	L F	IO-550-F (TCM)		D3A34C402/90DFA-10	80.0	78.5	30		10.4		28.0				SA00428WI P. Ponk	
TU206G "Turbo Stationair"		IO-550-F (TCM)	P4024809-03	D3A34C402/90DFA-10	80.0	78.0	30		11.2		28.5				SA01300AT Davis Aviation	103
207 "Skywagon"	L	IO-520-F (TCM)	OBSOLETE	D2A34C58/90AT-8	82.0	80.0	36		9.5		25.8			C290D4/T4 C290D2/T4		1
207 "Skywagon"	L	IO-520-F (TCM)	OBSOLETE	D3A32C90/82NC-2	80.0	78.0	30		11.5		28.1			C290D4/T4 C290D2/T4		1
207 "Skywagon"	L	IO-520-F (TCM)	P2306949-53	D2A37C230/90REB-8	82.0	80.0	30		12.0		28.3			C290D4/T4 C290D2/T4		116
207 "Skywagon"	L	IO-520-F (TCM)		D3A34C401/90DFA-6	84.0	78.5	30							C290D4/T4 C290D2/T4	SA01283WI P. Ponk	
207 "Skywagon"	L	IO-550-F (TCM)		D3A34C401/90DFA-6	84.0	78.5	30								SA01283WI P. Ponk	
207 "Skywagon"		IO-550-F (TCM)	P4014808-05	D3A34C401/90DFA-10	80.0	78.0	30		11.2		28.5				SA00173AT Davis Aviation	103
207A (S/N 0482 and below) "Skywagon" "Stationair 7"		IO-520-F (TCM)	OBSOLETE	D3A32C90/82NC-2	80.0	78.0	30		11.5		28.1			C290D4/T4		1
207A (S/N 0482 and below) "Skywagon" "Stationair 7,8"	L	IO-520-F (TCM)		D3A34C401/90DFA-6	84.0	78.5	30							C290D4/T4	SA01283WI P. Ponk	

Constant Speed Propeller Applications

Aircraft Model	T Y P E	Engine Model (Make)	Propeller Part Number	Propeller Model	Max Dia	Min Dia	Ref Sta	Rev Angle	Low or Flight Idle Angle	Latch or Start Locks Angle	High or Feather Angle	Spinner Assembly P/N	S p i n n e r T y p e	Governor Model	STC Number STC Holder STC Kit P/N	N o t e s
207A (S/N 0482 and below) "Skywagon" "Stationair 7,8"	L	IO-550-F (TCM)		D3A34C401/90DFA-6	84.0	78.5	30								SA01283WI P. Ponk	
207A (S/N 0482 and below) "Skywagon" "Stationair 7,8"		IO-550-F (TCM)	P4014808-05	D3A34C401/90DFA-10	80.0	78.0	30		11.2		28.5				SA00173AT Davis Aviation	103
207A (S/N 0483 and up) "Skywagon" "Stationair 7,8"		IO-520-F (TCM)	P4044809-11	D3A34C404/80VA-0	80.0	78.5	30		11.0		27.0			C290D4/T4		
207A (S/N 0483 and up) "Skywagon" "Stationair 7,8"		IO-550-F (TCM)	P4024809-03	D3A34C402/90DFA-10	80.0	78.0	30		11.2		28.5				SA00173AT Davis Aviation	103
T207 "Turbo Skywagon"	L	TSIO-520-G (TCM)	OBSOLETE	D2A34C78/90AT-8.5	81.5	80.5	36		11.8		32.0			C290D4/T2 C290D2/T2		1
T207 "Turbo Skywagon"	L	TSIO-520-G (TCM)	P2316949-52	D2A37C231/90REC-8.5	81.5	80.5	30		14.3		34.5			C290D4/T2 C290D2/T2		116
T207 "Turbo Skywagon"	L	TSIO-520-G (TCM)	OBSOLETE	D3A32C90/82NC-2	80.0	79.0	30		14.0		33.0			C290D4/T2 C290D2/T2		1
T207 "Turbo Skywagon"	L	TSIO-520-G (TCM)		D3A34C401/90DFA-6	84.0	78.5	30							C290D4/T2 C290D2/T2	SA01283WI P. Ponk	94
T207 "Turbo Skywagon"		IO-550-F (TCM)	P4014808-05	D3A34C401/90DFA-10	80.0	78.0	30		11.2		28.5				SA00173AT Davis Aviation	103
T207A "Turbo Skywagon" "Turbo Stationair 7,8"		TSIO-520-M (TCM)	P4014808-01	D3A34C401/90DFA-10	80.0	78.5	30		12.4		28.5			C290D4/T2		11
T207A (S/N 0001 - 0482) "Turbo Skywagon" "Turbo Stationair 7,8"	L	TSIO-520-M (TCM)		D3A34C401/90DFA-6	84.0	78.5	30							C290D4/T2 C290D2/T2	SA01283WI P. Ponk	94
T207A "Turbo Skywagon" "Turbo Stationair 7,8"		IO-550-F (TCM)	P4014808-05	D3A34C401/90DFA-10	80.0	78.0	30		11.2		28.5				SA00173AT Davis Aviation	103
208 "Caravan I"		PT6A-114 (PW)	P7036368-01 P7036368-0154 P7036368-0254	3GFR34C703/106GA-0	106.0	104.0	30	-14.0	15.6		88.0	E-6383	P,E			54
208 "Caravan I"	L	PT6A-114 (PW)	P7756790-01 P7756790-0154	4HFR34C775/96MGA-0	96.0	95.0	30	-10.0	17.2		87.0	E-7559-1	E,P		SA02168CH McCauley PL60274 PL60285 PL60286	61 142

Constant Speed Propeller Applications

Aircraft Model	T Y P E	Engine Model (Make)	Propeller Part Number	Propeller Model	Max Dia	Min Dia	Ref Sta	Rev Angle	Low or Flight Idle Angle	Latch or Start Locks Angle	High or Feather Angle	Spinner Assembly P/N	S p i n n e r	Governor Model	STC Number STC Holder STC Kit P/N	N o t e s
208 "Caravan I"		PT6A-114A (PW)	P7036368-01 P7036368-0154 P7036368-0254	3GFR34C703/106GA-0	106.0	104.0	30	-14.0	15.6		88.0	E-6383	P,E			54
208 "Caravan I"	L	PT6A-114A (PW)	P7756790-01 P7756790-0154	4HFR34C775/96MGA-0	96.0	95.0	30	-10.0	17.2		87.0	E-7559-1	E,P		SA02168CH McCauley PL60274 PL60285 PL60286	61 142
208A "Caravan I"		PT6A-114 (PW)	P7036368-01 P7036368-0154 P7036368-0254	3GFR34C703/106GA-0	106.0	104.0	30	-14.0	15.6		88.0	E-6383	P,E			54
208A "Caravan I"	L	PT6A-114 (PW)	P7756790-01 P7756790-0154	4HFR34C775/96MGA-0	96.0	95.0	30	-10.0	17.2		87.0	E-7559-1	E,P		SA02168CH McCauley PL60274 PL60285 PL60286	61 142
208A "Caravan I"		PT6A-114A (PW)	P7036368-01 P7036368-0154 P7036368-0254	3GFR34C703/106GA-0	106.0	104.0	30	-14.0	15.6		88.0	E-6383	P,E			54
208A "Caravan I"	L	PT6A-114A (PW)	P7756790-01 P7756790-0154	4HFR34C775/96MGA-0	96.0	95.0	30	-10.0	17.2		87.0	E-7559-1	E,P		SA02168CH McCauley PL60274 PL60285 PL60286	61 142
208B "Caravan I"		PT6A-114 (PW)	P7036368-01 P7036368-0154 P7036368-0254 P7036368-0383 P7036368-0483	3GFR34C703/106GA-0	106.0	104.0	30	-14.0	15.6		88.0	E-6383 E-7857	P,E P,A			54 124
208B "Caravan I"	L	PT6A-114 (PW)	P7756790-01 P7756790-0154	4HFR34C775/96MGA-0	96.0	95.0	30	-10.0	17.2		87.0	E-7559-1	E,P		SA02168CH McCauley PL60274 PL60285 PL60286	61 142
208B "Caravan I"		PT6A-114A (PW)	P7036368-01 P7036368-0154 P7036368-0254 P7036368-0383 P7036368-0483	3GFR34C703/106GA-0	106.0	104.0	30	-14.0	15.6		88.0	E-6383 E-7857	P,E P,A			54 124
208B "Caravan I"	L	PT6A-114A (PW)	P7756790-01 P7756790-0154	4HFR34C775/96MGA-0	96.0	95.0	30	-10.0	17.2		87.0	E-7559-1	E,P		SA02168CH McCauley PL60274 PL60285 PL60286	61 142

Constant Speed Propeller Applications

Aircraft Model	T Y P E	Engine Model (Make)	Propeller Part Number	Propeller Model	Max Dia	Min Dia	Ref Sta	Rev Angle	Low or Flight Idle Angle	Latch or Start Locks Angle	High or Feather Angle	Spinner Assembly P/N	S p i n n e r	Governor Model	STC Number STC Holder STC Kit P/N	N o t e s
208B "Caravan EX" (S/N 208B2197, 208B5000 and on)		PT6A-140 (PW)	P7785550-01 P7785550-0183	4HFR34C778/102BHA-0	102.0	100.0	30	-14.0	17.2		88.0	E-8107	A,P		SA09850AC McCauley PL-60376 PL-60365	
210-5 "205"	L	IO-470-S (TCM)	OBSOLETE	D2A36C33/90M-8	82.0	80.0	36		10.8		25.8					1
210-5 "205"	L	IO-470-S (TCM)	OBSOLETE	D2A34C49/90A-8	82.0	80.0	36		10.8		25.8					1
210-5 "205"	L	IO-470-S (TCM)	OBSOLETE	D2A34C58/90AT-8	82.0	80.0	36		10.8		25.8					1
210-5 "205"	L	IO-470-S (TCM)	OBSOLETE	D3A32C90/82NC-2	82.0		30								SA3064NM Robert Plummer	1
210-5 "205"	L	IO-470-S (TCM)	P4357483-01	D3A36C435/80VEA-0	80.0	78.0	30		10.8		33.9	D-7510-1	P	C290D3/T35	SA00920CH McCauley PL60259	143
210-5A "205A"	L	IO-470-S (TCM)	OBSOLETE	D2A36C33/90M-8	82.0	80.0	36		10.8		25.8					1
210-5A "205A"	L	IO-470-S (TCM)	OBSOLETE	D2A34C49/90A-8	82.0	80.0	36		10.8		25.8					1
210-5A "205A"	L	IO-470-S (TCM)	OBSOLETE	D2A34C58/90AT-8	82.0	80.0	36		10.8		25.8					1
210-5A "205A"	L	IO-470-S (TCM)	P4357483-01	D3A36C435/80VEA-0	80.0	78.0	30		10.8		33.9	D-7510-1	P	C290D3/T35	SA00920CH McCauley PL60259	143
210	L	IO-470-E (TCM)	OBSOLETE	D2A36C33/90M-8	82.0	80.0	36		10.8		25.8					1
210	L	IO-470-E (TCM)	OBSOLETE	D2A34C49/90A-8	82.0	80.0	36		10.8		25.8					1
210	L	IO-470-E (TCM)	OBSOLETE	D2A34C58/90AT-8	82.0	80.0	36		10.8		25.8					1
210	L	IO-470-E (TCM)	P4357483-01	D3A36C435/80VEA-0	80.0	78.0	30		10.8		33.9	D-7510-1	P	C290D3/T35	SA00920CH McCauley PL60259	143
210A	L	IO-470-E (TCM)	OBSOLETE	D2A36C33/90M-8	82.0	80.0	36		10.8		25.8					1
210A	L	IO-470-E (TCM)	OBSOLETE	D2A34C49/90A-8	82.0	80.0	36		10.8		25.8					1
210A	L	IO-470-E (TCM)	OBSOLETE	D2A34C58/90AT-8	82.0	80.0	36		10.8		25.8					1
210A	L	IO-470-E (TCM)	P4357483-01	D3A36C435/80VEA-0	80.0	78.0	30		10.8		33.9	D-7510-1	P	C290D3/T35	SA00920CH McCauley PL60259	143
210B	L	IO-470-S (TCM)	OBSOLETE	D2A36C33/90M-8	82.0	80.0	36		10.8		25.8					1
210B	L	IO-470-S (TCM)	OBSOLETE	D2A34C49/90A-8	82.0	80.0	36		10.8		25.8					1
210B	L	IO-470-S (TCM)	OBSOLETE	D2A34C58/90AT-8	82.0	80.0	36		10.8		25.8					1
210B	L	IO-470-S (TCM)	P4357483-01	D3A36C435/80VEA-0	80.0	78.0	30		10.8		33.9	D-7510-1	P	C290D3/T35	SA00920CH McCauley PL60259	143

Constant Speed Propeller Applications

Aircraft Model	T Y P E	Engine Model (Make)	Propeller Part Number	Propeller Model	Max Dia	Min Dia	Ref Sta	Rev Angle	Low or Flight Idle Angle	Latch or Start Locks Angle	High or Feather Angle	Spinner Assembly P/N	S p i n n e r	Governor Model	STC Number STC Holder STC Kit P/N	N o t e s
210C	L	IO-470-S (TCM)	OBSOLETE	D2A36C33/90M-8	82.0	80.0	36		10.8		25.8					1
210C	L	IO-470-S (TCM)	OBSOLETE	D2A34C49/90A-8	82.0	80.0	36		10.8		25.8					1
210C	L	IO-470-S (TCM)	OBSOLETE	D2A34C58/90AT-8	82.0	80.0	36		10.8		25.8					1
210C	L	IO-470-S (TCM)	P4357483-01	D3A36C435/80VEA-0	80.0	78.0	30		10.8		33.9	D-7510-1	P	C290D3/T35	SA00920CH McCauley PL60259	143
210D "Centurian"	L	IO-520-A (TCM)	OBSOLETE	D2A34C58/90AT-8	82.0	80.0	36		10.3		25.8					1
210D "Centurian"	L	IO-520-A (TCM)	P2306949-60	D2A37C230/90REB-8	82.0	80.0	30		12.8		28.3					114
210D "Centurian"		IO-520-A (TCM)	OBSOLETE	D3A32C88/82NC-2	80.0		30								SA376NW Felts Field	1
210E "Centurian"	L	IO-520-A (TCM)	OBSOLETE	E2A34C64/90AT-8	82.0	80.0	36		10.3		25.8					1
210E "Centurian"	L	IO-520-A (TCM)	OBSOLETE	E2A34C73/90AT-8	82.0	80.0	36		10.3		25.8					1
210E "Centurian"	L	IO-520-A (TCM)	P2336960-51	E2A37C233/90REB-8	82.0	80.0	30		12.8		28.3					114
210E "Centurian"		IO-520-A (TCM)	OBSOLETE	D3A32C88/82NC-2	80.0		30								SA376NW Felts Field	1
210E "Centurian"	L	IO-520-A (TCM)	P4024809-05	D3A34C402/90DFA-8	82.0	78.0	30		10.4		28.5				SA00422W1 Air Plains	
210F "Centurian"	L	IO-520-A (TCM)	OBSOLETE	E2A34C73/90AT-8	82.0	80.0	36		10.3		25.8					1
210F "Centurian"	L	IO-520-A (TCM)	OBSOLETE	D3A32C77/82NK-2	80.0	78.0	30		11.3		27.6					1
210F "Centurian"	L	IO-520-A (TCM)	OBSOLETE	D3A32C88/82NC-2	80.0	78.0	30		13.8		28.1					1
210F "Centurian"	L	IO-520-A (TCM)	P2336960-51	E2A37C233/90REB-8	82.0	80.0	30		12.8		28.3					114
210F "Centurian"	L	IO-520-A (TCM)	P4024809-05	D3A34C402/90DFA-8	82.0	78.0	30		10.4		28.5				SA00422W1 Air Plains	
210F "Centurian"	L	IO-520-A (TCM)	P4044809-11	D3A34C404/80VA-0	80.0	78.5	30		11.0		27.0				SA5896NM American	
210G "Centurian"	L	IO-520-A (TCM)	OBSOLETE	E2A34C73/90AT-8	82.0	80.0	36		10.3		25.8			C290D3/T5 C290D2/T5		1
210G "Centurian"	L	IO-520-A (TCM)	OBSOLETE	D3A32C88/82NC-2	80.0	78.0	30		13.8		28.1			C290D3/T5 C290D2/T5		1
210G "Centurian"	L	IO-520-A (TCM)	P2336960-51	E2A37C233/90REB-8	82.0	80.0	30		12.8		28.3			C290D3/T5 C290D2/T5		114
210G "Centurian"	L	IO-520-A (TCM)	P4024809-05	D3A34C402/90DFA-8	82.0	78.0	30		10.4		28.5			C290D3/T5 C290D2/T5	SA00422W1 Air Plains	
210G "Centurian"	L	IO-520-A (TCM)	P4044809-11	D3A34C404/80VA-0	80.0	78.5	30		11.0		27.0			C290D3/T5 C290D2/T5	SA5896NM American	

Constant Speed Propeller Applications

Aircraft Model	T Y P E	Engine Model (Make)	Propeller Part Number	Propeller Model	Max Dia	Min Dia	Ref Sta	Rev Angle	Low or Flight Idle Angle	Latch or Start Locks Angle	High or Feather Angle	Spinner Assembly P/N	S p i n n e r	Governor Model	STC Number STC Holder STC Kit P/N	N o t e s
210H "Centurian"	L	IO-520-A (TCM)	OBSOLETE	E2A34C73/90AT-8	82.0	80.0	36		10.3		25.8			C290D3/T5 C290D2/T5		1
210H "Centurian"	L	IO-520-A (TCM)	OBSOLETE	D3A32C88/82NC-2	80.0	78.0	30		13.8		28.1			C290D3/T5 C290D2/T5		1
210H "Centurian"	L	IO-520-A (TCM)	P2336960-51	E2A37C233/90REB-8	82.0	80.0	30		12.8		28.3			C290D3/T5 C290D2/T5		114
210H "Centurian"	L	IO-520-A (TCM)	P4024809-05	D3A34C402/90DFA-8	82.0	78.0	30		10.4		28.5			C290D3/T5 C290D2/T5	SA00422WI Air Plains	
210H "Centurian"	L	IO-520-A (TCM)	P4044809-11	D3A34C404/80VA-0	80.0	78.5	30		11.0		27.0			C290D3/T5 C290D2/T5	SA5896NM American	
210J "Centurian"	L	IO-520-J (TCM)	OBSOLETE	E2A34C73/90AT-8	82.0	80.0	36		10.3		25.8			C290D3/T5 C290D2/T5		1
210J "Centurian"	L	IO-520-J (TCM)	OBSOLETE	D3A32C88/82NC-2	80.0	78.0	30		13.8		28.1			C290D3/T5 C290D2/T5		1
210J "Centurian"	L	IO-520-J (TCM)	P2336960-51	E2A37C233/90REB-8	82.0	80.0	30		12.8		28.3			C290D3/T5 C290D2/T5		114
210J "Centurian"	L	IO-520-J (TCM)	P4024809-05	D3A34C402/90DFA-8	82.0	78.0	30		10.4		28.5			C290D3/T5 C290D2/T5	SA00422WI Air Plains	
210J "Centurian"	L	IO-520-J (TCM)	P4044809-11	D3A34C404/80VA-0	80.0	78.5	30		11.0		27.0			C290D3/T5 C290D2/T5	SA5896NM American	
210K "Centurian"	L	IO-520-L (TCM)	OBSOLETE	E2A34C73/90AT-8	82.0	80.0	36		10.3		25.8			C290D4/T4 C290D2/T4		1
210K "Centurian"	L	IO-520-L (TCM)	OBSOLETE	D3A32C88/82NC-2	80.0	78.0	30		11.5		28.1			C290D4/T4 C290D2/T4		1
210K "Centurian"	L	IO-520-L (TCM)	P2336960-51	E2A37C233/90REB-8	82.0	80.0	30		12.8		28.3			C290D4/T4 C290D2/T4		114
210K "Centurian"	L	IO-520-L (TCM)	P4024809-05	D3A34C402/90DFA-8	82.0	78.0	30		10.4		28.5			C290D4/T4 C290D2/T4	SA00422WI Air Plains	
210K "Centurian"	L	IO-520-L (TCM)	P4044809-11	D3A34C404/80VA-0	80.0	78.5	30		11.0		27.0			C290D4/T4 C290D2/T4	SA5896NM American	
210K "Centurian"	L	IO-550-L (TCM)	P4024809-05	D3A34C402/90DFA-8	82.0	78.0	30		10.4		28.5			C290D4/T2 C290D2/T2	SA00422WI Air Plains	
210K "Centurian"	L	IO-550-L (TCM)	P4024809-03	D3A34C402/90DFA-10	80.0		30		11.2		28.5			C290D4/T2 C290D2/T2	SA3104SO AERO MOD	
210K "Centurian"		IO-550-L (TCM)	P4024809-03	D3A34C402/90DFA-10	80.0	78.0	30		11.2		28.5			C290D4/T2	SA00274AT John Jewell	
210K "Centurian"		IO-550-P (TCM)		Hartzell										C290D4/T5	SA02029AT Atlantic Aero	
210L (S/N 59503 - 60539) "Centurian"	L	IO-520-L (TCM)	OBSOLETE	E2A34C73/90AT-8	82.0	80.0	36		10.3		25.8			C290D4/T4 C290D2/T4		1
210L (S/N 59503 - 60539) "Centurian"	L	IO-520-L (TCM)	P2336960-51	E2A37C233/90REB-8	82.0	80.0	30		12.8		28.3			C290D4/T4 C290D2/T4		114

Constant Speed Propeller Applications

Aircraft Model	T Y P E	Engine Model (Make)	Propeller Part Number	Propeller Model	Max Dia	Min Dia	Ref Sta	Rev Angle	Low or Flight Idle Angle	Latch or Start Locks Angle	High or Feather Angle	Spinner Assembly P/N	S p i n n e r	Governor Model	STC Number STC Holder STC Kit P/N	N o t e s
210L "Centurian"	L	IO-520-L (TCM)	OBSOLETE	D3A32C88/82NC-2	80.0	78.0	30		11.5		28.1			C290D4/T4 C290D2/T4		1
210L "Centurian"	L	IO-520-L (TCM)	P4024809-05	D3A34C402/90DFA-8	82.0	78.0	30		10.4		28.5			C290D4/T4 C290D2/T4	SA00422WI Air Plains	
210L "Centurian"	L	IO-520-L (TCM)	P4044809-11	D3A34C404/80VA-0	80.0	78.5	30		11.0		27.0			C290D4/T4 C290D2/T4	SA5896NM American	
210L "Centurian"	L	IO-550-L (TCM)	P4024809-05	D3A34C402/90DFA-8	82.0	78.0	30		10.4		28.5			C290D4/T2 C290D2/T2	SA00422WI Air Plains	
210L "Centurian"	L	IO-550-L (TCM)	P4024809-03	D3A34C402/90DFA-10	80.0		30		11.2		28.5			C290D4/T2 C290D2/T2	SA3104SO AERO MOD	
210L "Centurian"		IO-550-L (TCM)	P4024809-03	D3A34C402/90DFA-10	80.0	78.0	30		11.2		28.5			C290D4/T2	SA00274AT John Jewell	
210L "Centurian"		IO-550-P (TCM)		Hartzell										C290D4/T5	SA02029AT Atlantic Aero	
210M (S/N 61574 - 62273) "Centurian"	L	IO-520-L (TCM)	OBSOLETE	D3A32C88/82NC-2	80.0	78.0	30		11.5		28.1			C290D4/T4		1
210M (S/N 62274 and up) "Centurian"	L	IO-520-L (TCM)	P4044809-11	D3A34C404/80VA-0	80.0	78.5	30		11.0		27.0			C290D4/T4		
210M "Centurian"	L	IO-520-L (TCM)	P4024809-05	D3A34C402/90DFA-8	82.0	78.0	30		10.4		28.5			C290D4/T4 C290D2/T4	SA00422WI Air Plains	
210M "Centurian"	L	IO-520-L (TCM)	P4044809-11	D3A34C404/80VA-0	80.0	78.5	30		11.0		27.0			C290D4/T4 C290D2/T4	SA5896NM American	
210M "Centurian"	L	IO-550-L (TCM)	P4024809-05	D3A34C402/90DFA-8	82.0	78.0	30		10.4		28.5			C290D4/T2 C290D2/T2	SA00422WI Air Plains	
210M "Centurian"	L	IO-550-L (TCM)	P4024809-03	D3A34C402/90DFA-10	80.0		30		11.2		28.5			C290D4/T2 C290D2/T2	SA3104SO AERO MOD	
210M "Centurian"		IO-550-L (TCM)	P4024809-03	D3A34C402/90DFA-10	80.0	78.0	30		11.2		28.5			C290D4/T2	SA00274AT John Jewell	
210M "Centurian"		IO-550-P (TCM)		Hartzell										C290D4/T5	SA02029AT Atlantic Aero	
210N "Centurian"	L	IO-520-L (TCM)	P4044809-11	D3A34C404/80VA-0	80.0	78.5	30		11.0		27.0			C290D4/T4		
210N "Centurian"	L	IO-520-L (TCM)	P4024809-05	D3A34C402/90DFA-8	82.0	78.0	30		10.4		28.5			C290D4/T4 C290D2/T4	SA00422WI Air Plains	
210N "Centurian"	L	IO-550-L (TCM)	P4024809-05	D3A34C402/90DFA-8	82.0	78.0	30		10.4		28.5			C290D4/T2 C290D2/T2	SA00422WI Air Plains	
210N "Centurian"	L	IO-550-L (TCM)	P4024809-03	D3A34C402/90DFA-10	80.0		30		11.2		28.5			C290D4/T2 C290D2/T2	SA3104SO AERO MOD	
210N "Centurian"		IO-550-L (TCM)	P4024809-03	D3A34C402/90DFA-10	80.0	78.0	30		11.2		28.5			C290D4/T2	SA00274AT John Jewell	
210N "Centurian"		IO-550-P (TCM)		Hartzell										C290D4/T5	SA02029AT Atlantic Aero	

Constant Speed Propeller Applications

Aircraft Model	T Y P E	Engine Model (Make)	Propeller Part Number	Propeller Model	Max Dia	Min Dia	Ref Sta	Rev Angle	Low or Flight Idle Angle	Latch or Start Locks Angle	High or Feather Angle	Spinner Assembly P/N	S p i n n e r	Governor Model	STC Number STC Holder STC Kit P/N	N o t e s
210R "Centurian"	L	IO-520-L (TCM)	P4044809-11	D3A34C404/80VA-0	80.0	78.5	30		11.0		27.0			C290D4/T4		
210R "Centurian"	L	IO-520-L (TCM)	P4024809-05	D3A34C402/90DFA-8	82.0	78.0	30		10.4		28.5			C290D4/T4 C290D2/T4	SA00422WI Air Plains	
210R "Centurian"	L	IO-550-L (TCM)	P4024809-05	D3A34C402/90DFA-8	82.0	78.0	30		10.4		28.5			C290D4/T2 C290D2/T2	SA00422WI Air Plains	
P210N (S/N 0001 - 0760) "Pressurized Centurian"	L	TSIO-520-P (TCM)	P4024809-01	D3A34C402/90DFA-10	80.0	78.5	30		12.4		28.5			C290D4/T2		11
P210N (S/N 0001 - 0760) "Pressurized Centurian"	L	TSIO-520-P (TCM)	P4024809-05	D3A34C402/90DFA-8	82.0	80.0	30		10.4		28.5			C290D4/T2	SA00426WI Air Plains	
P210N (S/N 0001 - 0760) "Pressurized Centurian"	L	TSIO-520-P (TCM)	P4024809-01	D3A34C402/90DFA-10	80.0	78.0	30		12.4		28.5			C290D4/T2	SA00426WI Air Plains	
P210N (S/N 0761 - 0834) "Pressurized Centurian"	L	TSIO-520-AF (TCM)	P4024809-01	D3A34C402/90DFA-10	80.0	78.5	30		12.4		28.5			C290D4/T2		12
P210N (S/N 0761 - 0834) "Pressurized Centurian"	L	TSIO-520-AF (TCM)	P4024809-05	D3A34C402/90DFA-8	82.0	80.0	30		10.4		28.5			C290D4/T2	SA00426WI Air Plains	
P210N (S/N 0761 - 0834) "Pressurized Centurian"	L	TSIO-520-AF (TCM)	P4024809-01	D3A34C402/90DFA-10	80.0	78.0	30		12.4		28.5			C290D4/T2	SA00426WI Air Plains	
P210R (S/N 0835 and up) "Pressurized Centurian"	L	TSIO-520-CE (TCM)	P4105572-01	D3A36C410/80VMB-0	80.0	78.5	30		14.2		36.5			C290D4/T2		
T210F "Turbo Centurian"	L	TSIO-520-C (TCM)	OBSOLETE	E2A34C70/90AT-8	82.0	80.0	36		11.8		32.0					1
T210F "Turbo Centurian"	L	TSIO-520-C (TCM)	OBSOLETE	D3A32C77/82NK-2	80.0	78.0	30		13.2		32.5					1
T210F "Turbo Centurian"	L	TSIO-520-C (TCM)	OBSOLETE	D3A32C88/82NC-2	80.0	78.0	30		14.0		33.0					1
T210F "Turbo Centurian"	L	TSIO-520-C (TCM)	P2346960-51	E2A37C234/90REC-8	82.0	80.0	30		14.3		34.5					114
T210F "Turbo Centurian"	L	TSIO-520-C (TCM)	P4024809-05	D3A34C402/90DFA-8	82.0	80.0	30		10.4		28.5				SA00426WI Air Plains	86
T210F "Turbo Centurian"	L	TSIO-520-C (TCM)	P4024809-01	D3A34C402/90DFA-10	80.0	78.0	30		12.4		28.5				SA00426WI Air Plains	86
T210F "Turbo Centurian"	L	TSIO-520-C (TCM)		D3A34C402/90DFA-10	80.0	78.5	30		10.4		28.5				SA2582NM American	11
T210F "Turbo Centurian"		TSIO-520-M (TCM)	P4024809-01	D3A34C402/90DFA-10	80.0	78.5	30		12.4		28.5				SA2689SW-D RAM Aircraft	

Constant Speed Propeller Applications

Aircraft Model	T Y P E	Engine Model (Make)	Propeller Part Number	Propeller Model	Max Dia	Min Dia	Ref Sta	Rev Angle	Low or Flight Idle Angle	Latch or Start Locks Angle	High or Feather Angle	Spinner Assembly P/N	S p i n n e r	Governor Model	STC Number STC Holder STC Kit P/N	N o t e s
T210G "Turbo Centurian"	L	TSIO-520-C (TCM)	OBSOLETE	E2A34C70/90AT-8	82.0	80.0	36		11.8		32.0			C290D4/T2 C290D2/T2		1
T210G "Turbo Centurian"	L	TSIO-520-C (TCM)	OBSOLETE	D3A32C77/82NK-2	80.0	78.0	30		13.2		32.5			C290D4/T2 C290D2/T2		1
T210G "Turbo Centurian"	L	TSIO-520-C (TCM)	OBSOLETE	D3A32C88/82NC-2	80.0	78.0	30		14.0		33.0			C290D4/T2 C290D2/T2		1
T210G "Turbo Centurian"	L	TSIO-520-C (TCM)	P2346960-51	E2A37C234/90REC-8	82.0	80.0	30		14.3		34.5			C290D4/T2 C290D2/T2		114
T210G "Turbo Centurian"	L	TSIO-520-C (TCM)	P4024809-05	D3A34C402/90DFA-8	82.0	80.0	30		10.4		28.5			C290D4/T2 C290D2/T2	SA00426WI Air Plains	86
T210G "Turbo Centurian"	L	TSIO-520-C (TCM)	P4024809-01	D3A34C402/90DFA-10	80.0	78.0	30		12.4		28.5			C290D4/T2 C290D2/T2	SA00426WI Air Plains	86
T210G "Turbo Centurian"	L	TSIO-520-C (TCM)		D3A34C402/90DFA-10	80.0	78.5	30		10.4		28.5				SA2582NM American	11
T210G "Turbo Centurian"		TSIO-520-M (TCM)	P4024809-01	D3A34C402/90DFA-10	80.0	78.5	30		12.4		28.5				SA2689SW-D RAM Aircraft	
T210H "Turbo Centurian"	L	TSIO-520-C (TCM)	OBSOLETE	E2A34C70/90AT-8	82.0	80.0	36		11.8		32.0			C290D4/T2 C290D2/T2		1
T210H "Turbo Centurian"	L	TSIO-520-C (TCM)	OBSOLETE	D3A32C88/82NC-2	80.0	78.0	30		14.0		33.0			C290D4/T2 C290D2/T2		1
T210H "Turbo Centurian"	L	TSIO-520-C (TCM)	P2346960-51	E2A37C234/90REC-8	82.0	80.0	30		14.3		34.5			C290D4/T2 C290D2/T2		114
T210H "Turbo Centurian"	L	TSIO-520-C (TCM)	P4024809-05	D3A34C402/90DFA-8	82.0	80.0	30		10.4		28.5			C290D4/T2 C290D2/T2	SA00426WI Air Plains	86
T210H "Turbo Centurian"	L	TSIO-520-C (TCM)	P4024809-01	D3A34C402/90DFA-10	80.0	78.0	30		12.4		28.5			C290D4/T2 C290D2/T2	SA00426WI Air Plains	86
T210H "Turbo Centurian"	L	TSIO-520-C (TCM)		D3A34C402/90DFA-10	80.0	78.5	30		10.4		28.5				SA2582NM American	11
T210H "Turbo Centurian"		TSIO-520-M (TCM)	P4024809-01	D3A34C402/90DFA-10	80.0	78.5	30		12.4		28.5				SA2689SW-D RAM Aircraft	
T210J "Turbo Centurian"	L	TSIO-520-H (TCM)	OBSOLETE	E2A34C70/90AT-8	82.0	80.0	36		11.8		32.0			C290D4/T2 C290D2/T2		1
T210J "Turbo Centurian"	L	TSIO-520-H (TCM)	OBSOLETE	D3A32C88/82NC-2	80.0	78.0	30		14.0		33.0			C290D4/T2 C290D2/T2		1
T210J "Turbo Centurian"	L	TSIO-520-H (TCM)	P2346960-51	E2A37C234/90REC-8	82.0	80.0	30		14.3		34.5			C290D4/T2 C290D2/T2		114
T210J "Turbo Centurian"	L	TSIO-520-H (TCM)	P4024809-05	D3A34C402/90DFA-8	82.0	80.0	30		10.4		28.5			C290D4/T2 C290D2/T2	SA00426WI Air Plains	
T210J "Turbo Centurian"	L	TSIO-520-H (TCM)	P4024809-01	D3A34C402/90DFA-10	80.0	78.0	30		12.4		28.5			C290D4/T2 C290D2/T2	SA00426WI Air Plains	
T210J "Turbo Centurian"	L	TSIO-520-H (TCM)		D3A34C402/90DFA-10	80.0	78.5	30		10.4		28.5				SA2582NM American	11
T210J "Turbo Centurian"		TSIO-520-R (TCM)	P4024809-01	D3A34C402/90DFA-10	80.0	78.5	30		12.4		28.5				SA2689SW-D RAM Aircraft	

Constant Speed Propeller Applications

Aircraft Model	T Y P E	Engine Model (Make)	Propeller Part Number	Propeller Model	Max Dia	Min Dia	Ref Sta	Rev Angle	Low or Flight Idle Angle	Latch or Start Locks Angle	High or Feather Angle	Spinner Assembly P/N	S p i n n e r	Governor Model	STC Number STC Holder STC Kit P/N	N o t e s
T210K "Turbo Centurian"	L	TSIO-520-H (TCM)	OBSOLETE	E2A34C70/90AT-8	82.0	80.0	36		11.8		32.0			C290D4/T2 C290D2/T2		1
T210K "Turbo Centurian"	L	TSIO-520-H (TCM)	OBSOLETE	D3A32C88/82NC-2	80.0	78.0	30		14.0		33.0			C290D4/T2 C290D2/T2		1
T210K "Turbo Centurian"	L	TSIO-520-H (TCM)	P2346960-51	E2A37C234/90REC-8	82.0	80.0	30		14.3		34.5			C290D4/T2 C290D2/T2		114
T210K "Turbo Centurian"	L	TSIO-520-H (TCM)	P4024809-05	D3A34C402/90DFA-8	82.0	80.0	30		10.4		28.5			C290D4/T2 C290D2/T2	SA00426WI Air Plains	
T210K "Turbo Centurian"	L	TSIO-520-H (TCM)	P4024809-01	D3A34C402/90DFA-10	80.0	78.0	30		12.4		28.5			C290D4/T2 C290D2/T2	SA00426WI Air Plains	
T210K "Turbo Centurian"	L	TSIO-520-H (TCM)		D3A34C402/90DFA-10	80.0	78.5	30		10.4		28.5				SA2582NM American	11
T210K "Turbo Centurian"		TSIO-520-R (TCM)	P4024809-01	D3A34C402/90DFA-10	80.0	78.5	30		12.4		28.5				SA2689SW-D RAM Aircraft	
T210K "Turbo Centurian"	L	IO-550-L (TCM)	P4024809-03	D3A34C402/90DFA-10	80.0	78.0	30		11.2		28.5			C290D4/T2	SA03141AT John Jewell	
T210L (S/N 59503 - 60539) "Turbo Centurian"	L	TSIO-520-H (TCM)	OBSOLETE	E2A34C70/90AT-8	82.0	80.0	36		11.8		32.0			C290D4/T2 C290D2/T2		1
T210L "Turbo Centurian"	L	TSIO-520-H (TCM)	OBSOLETE	D3A32C88/82NC-2	80.0	78.0	30		14.0		33.0			C290D4/T2 C290D2/T2		1
T210L (S/N 59503 - 60539) "Turbo Centurian"	L	TSIO-520-H (TCM)	P2346960-51	E2A37C234/90REC-8	82.0	80.0	30		14.3		34.5			C290D4/T2 C290D2/T2		114
T210L "Turbo Centurian"	L	TSIO-520-H (TCM)	P4024809-05	D3A34C402/90DFA-8	82.0	80.0	30		10.4		28.5			C290D4/T2 C290D2/T2	SA00426WI Air Plains	
T210L "Turbo Centurian"	L	TSIO-520-H (TCM)	P4024809-01	D3A34C402/90DFA-10	80.0	78.0	30		12.4		28.5			C290D4/T2 C290D2/T2	SA00426WI Air Plains	
T210L "Turbo Centurian"	L	TSIO-520-H (TCM)		D3A34C402/90DFA-10	80.0	78.5	30		10.4		28.5				SA2582NM American	11
T210L "Turbo Centurian"		TSIO-520-R (TCM)	P4024809-01	D3A34C402/90DFA-10	80.0	78.5	30		12.4		28.5				SA2689SW-D RAM Aircraft	
T210L "Turbo Centurian"	L	TSIO-520-R (TCM)		D3A34C402/90DFA-10	80.0		30								SA2555NM Robert Sheldon	
T210L "Turbo Centurian"	L	IO-550-L (TCM)	P4024809-03	D3A34C402/90DFA-10	80.0	78.0	30		11.2		28.5			C290D4/T2	SA03141AT John Jewell	
T210M "Turbo Centurian"	L	TSIO-520-R (TCM)	P4024809-01	D3A34C402/90DFA-10	80.0	78.5	30		12.4		28.5			C290D4/T2		11
T210M "Turbo Centurian"	L	TSIO-520-R (TCM)	P4024809-05	D3A34C402/90DFA-8	82.0	80.0	30		10.4		28.5			C290D4/T2 C290D2/T2	SA00426WI Air Plains	
T210M "Turbo Centurian"	L	TSIO-520-R (TCM)	P4024809-01	D3A34C402/90DFA-10	80.0	78.0	30		12.4		28.5			C290D4/T2 C290D2/T2	SA00426WI Air Plains	

Constant Speed Propeller Applications

Aircraft Model	T Y P E	Engine Model (Make)	Propeller Part Number	Propeller Model	Max Dia	Min Dia	Ref Sta	Rev Angle	Low or Flight Idle Angle	Latch or Start Locks Angle	High or Feather Angle	Spinner Assembly P/N	S p i n n e r	Governor Model	STC Number STC Holder STC Kit P/N	N o t e s
T210M "Turbo Centurian"	L	IO-550-L (TCM)	P4024809-03	D3A34C402/90DFA-10	80.0	78.0	30		11.2		28.5			C290D4/T2	SA03141AT John Jewell	
T210N "Turbo Centurian"	L	TSIO-520-R (TCM)	P4024809-01	D3A34C402/90DFA-10	80.0	78.5	30		12.4		28.5			C290D4/T2		11
T210N "Turbo Centurian"	L	TSIO-520-R (TCM)	P4024809-05	D3A34C402/90DFA-8	82.0	80.0	30		10.4		28.5			C290D4/T2 C290D2/T2	SA00426WI Air Plains	
T210N "Turbo Centurian"	L	TSIO-520-R (TCM)	P4024809-01	D3A34C402/90DFA-10	80.0	78.0	30		12.4		28.5			C290D4/T2 C290D2/T2	SA00426WI Air Plains	
T210N "Turbo Centurian"	L	IO-550-L (TCM)	P4024809-03	D3A34C402/90DFA-10	80.0	78.0	30		11.2		28.5			C290D4/T2	SA03141AT John Jewell	
T210R "Turbo Centurian"	L	TSIO-520-CE (TCM)	P4105572-01	D3A36C410/80VMB-0	80.0	78.5	30		14.2		36.5			C290D4/T2		
T240	L	TSIO-550-C (TCM)	P4477837-0260 P4477837-0284	D3A34C447/78MLB-0	78.0	76.5	30		14.9		36.5	E-7819 E-8064	E,P A,P	C290D3/T15		
300 "LC40-550FG"	L	IO-550-N (TCM)	P4447800-01 P4447800-0161	D3A34C444/78MLA-0	78.0	76.5	30		11.6		31.6	E-7819	E,P	C290D3/T43	SA01390WI McCauley PL60348 PL60350	123 141 144
T303 (left) "Crusader"	L	TSIO-520-AE (TCM)	P5065201-01	3AF32C506/82NEB-8	74.0	72.5	30		18.9	22.2	81.0	D-5275-1 D-5275-2	E,S E,P	DCFT290D16/T7 DCFTU290D16/T7 DCFTS290D15/T7 DCFTUS290D15/T7		
T303 (right) "Crusader"	L	LTSIO-520-AE (TCM)	P5075203-01	3AF32C507/L82NEB-8	74.0	72.5	30		18.9	22.2	81.0	D-5275-1 D-5275-2	E,S E,P	DCFT290D11/T7 DCFTU290D11/T7 DCFTS290D10/T7 DCFTUS290D10/T7		
CESSNA (REGAL AIR, Inc.)																
305B "Bird Dog" "USAF O-1D,O-1F,TO-1D" "ARMY TL-19D-CE"	L	O-470-15 (TCM)	OBSOLETE	2A36C1/90M-0 2A36C1/90M-10	90.0	80.0	36		7.0 9.0		22.5					1
305B "Bird Dog" "USAF O-1D,O-1F,TO-1D" "ARMY TL-19D-CE"	L	O-470-15 (TCM)	OBSOLETE	2A34C66/90AT-0	90.0	88.0	36		9.5		22.5					1
305E "Bird Dog" "USAF O-1D,O-1F,TO-1D"	L	O-470-15 (TCM)	OBSOLETE	2A36C1/90M-0 2A36C1/90M-10	90.0	80.0	36		7.0 9.0		22.5					1
305E "Bird Dog" "USAF O-1D,O-1F,TO-1D"	L	O-470-15 (TCM)	OBSOLETE	2A34C66/90AT-0	90.0	88.0	36		9.5		22.5					1
CESSNA																
310	L	O-470-M (TCM)	OBSOLETE	2AF36C26/90MF-10	80.0	78.5	36					D-2496	S		SA3-475 McCauley	1

Constant Speed Propeller Applications

Aircraft Model	T Y P E	Engine Model (Make)	Propeller Part Number	Propeller Model	Max Dia	Min Dia	Ref Sta	Rev Angle	Low or Flight Idle Angle	Latch or Start Locks Angle	High or Feather Angle	Spinner Assembly P/N	S p i n n e r T y p e	Governor Model	STC Number STC Holder STC Kit P/N	N o t e s
310	L	O-470-M (TCM)	P5287552-01	3AF32C528/82NEA-4	78.0	76.0	30		11.7	16.3	81.3	D-5215	P		SA00879CH McCauley PL60241	62 141
310A "USAF U-3A"	L	O-470-M (TCM)	OBSOLETE	2AF36C26/90MF-10	80.0	78.5	36					D-2496	S		SA3-475 McCauley	1
310A "USAF U-3A"	L	O-470-M (TCM)	P5287552-01	3AF32C528/82NEA-4	78.0	76.0	30		11.7	16.3	81.3	D-5215	P		SA00879CH McCauley PL60241	62
310B	L	O-470-M (TCM)	OBSOLETE	2AF36C26/90MF-10	80.0	78.5	36					D-2496	S		SA3-475 McCauley	1
310B	L	O-470-M (TCM)	P5287552-01	3AF32C528/82NEA-4	78.0	76.0	30		11.7	16.3	81.3	D-5215	P		SA00879CH McCauley PL60241	62
310C	L	IO-470-D (TCM)	OBSOLETE	D2AF36C48/90MF-10	80.0	78.0	36		11.0	14.0	77.0	D-2844	S			1
310C	L	IO-470-D (TCM)	P5287552-02 P5287552-0281 P5287552-0219	3AF32C528/82NEA-4	78.0	76.0	30		12.5	16.3	81.3	D-5215	P P A P E		SA00879CH McCauley PL60242 PL60243 PL60244	62
310D	L	IO-470-D (TCM)	OBSOLETE	D2AF36C48/90MF-10	80.0	78.0	36		11.0	14.0	77.0	D-2844	S			1
310D	L	IO-470-D (TCM)	P5287552-02 P5287552-0281 P5287552-0219	3AF32C528/82NEA-4	78.0	76.0	30		12.5	16.3	81.3	D-5215	P P A P E		SA00879CH McCauley PL60242 PL60243 PL60244	62
310E "USAF U-3B"	L	IO-470-D (TCM)	OBSOLETE	D2AF36C48/90MF-10	80.0	78.0	36		11.0	14.0	77.0	D-2844	S			1
310E "USAF U-3B"	L	IO-470-D (TCM)	P5287552-02 P5287552-0281 P5287552-0219	3AF32C528/82NEA-4	78.0	76.0	30		12.5	16.3	81.3	D-5215	P P A P E	DCFU290D13/T2 DCFU290D7/T2 DCFU290D2/T2 DCFU290D1/T2	SA00879CH McCauley PL60242 PL60243 PL60244	62
310F	L	IO-470-D (TCM)	OBSOLETE	D2AF36C48/90MF-10	80.0	78.0	36		11.0	14.0	77.0	D-2844	S	DCFU290D13/T2 DCFU290D7/T2 DCFU290D2/T2 DCFU290D1/T2		1

Constant Speed Propeller Applications

Aircraft Model	T Y P E	Engine Model (Make)	Propeller Part Number	Propeller Model	Max Dia	Min Dia	Ref Sta	Rev Angle	Low or Flight Idle Angle	Latch or Start Locks Angle	High or Feather Angle	Spinner Assembly P/N	S p i n n e r	Governor Model	STC Number STC Holder STC Kit P/N	N o t e s
310F	L	IO-470-D (TCM)		Hartzell - See aircraft TCDS										DCFU290D13/T2 DCFU290D7/T2 DCFU290D2/T2 DCFU290D1/T2		
310F	L	IO-470-D (TCM)	P5287552-02 P5287552-0281 P5287552-0219	3AF32C528/82NEA-4	78.0	76.0	30		12.5	16.3	81.3	D-5215	P P A P E	DCFU290D13/T2 DCFU290D7/T2 DCFU290D2/T2 DCFU290D1/T2	SA00879CH McCauley PL60242 PL60243 PL60244	62 141
310G	L	IO-470-D (TCM)	OBSOLETE	D2AF36C48/90MF-10	80.0	78.0	36		11.0	14.0	77.0	D-2844	S	DCFU290D13/T2 DCFU290D7/T2 DCFU290D2/T2 DCFU290D1/T2		1
310G	L	IO-470-D (TCM)		Hartzell - See aircraft TCDS										DCFU290D13/T2 DCFU290D7/T2 DCFU290D2/T2 DCFU290D1/T2		
310G	L	IO-470-D (TCM)	P5287552-02 P5287552-0281 P5287552-0219	3AF32C528/82NEA-4	78.0	76.0	30		12.5	16.3	81.3	D-5215	P P A P E	DCFU290D13/T2 DCFU290D7/T2 DCFU290D2/T2 DCFU290D1/T2	SA00879CH McCauley PL60242 PL60243 PL60244	62 141
310G	L	IO-520-E (TCM)	P5045186-08	3AF32C504/82NEA-5.5	76.5	76.0	30		13.0	16.2	81.2	D-5215	P E	DCFUS290D9/T9	SA412SO Mike Jones Aircraft Sales	128
310G	L	IO-550-E (TCM)	P5045186-07	3AF32C504/82NEA-5.5	76.5	76.0	30		14.2	17.3	81.2	D-5215	P E	DCFUS290D9/T9	SA412SO Mike Jones Aircraft Sales	128
310H	L	IO-470-D (TCM)	OBSOLETE	D2AF36C48/90MF-10	80.0	78.0	36		11.0	14.0	77.0	D-2844	S	DCFU290D13/T2 DCFU290D7/T2 DCFU290D2/T2 DCFU290D1/T2		1
310H	L	IO-470-D (TCM)		Hartzell - See aircraft TCDS										DCFU290D13/T2 DCFU290D7/T2 DCFU290D2/T2 DCFU290D1/T2		
310H	L	IO-470-D (TCM)	P5287552-02 P5287552-0281 P5287552-0219	3AF32C528/82NEA-4	78.0	76.0	30		12.5	16.3	81.3	D-5215	P P A P E	DCFU290D13/T2 DCFU290D7/T2 DCFU290D2/T2 DCFU290D1/T2	SA00879CH McCauley PL60242 PL60243 PL60244	62 141

Constant Speed Propeller Applications

Aircraft Model	TYPE	Engine Model (Make)	Propeller Part Number	Propeller Model	Max Dia	Min Dia	Ref Sta	Rev Angle	Low or Flight Idle Angle	Latch or Start Locks Angle	High or Feather Angle	Spinner Assembly P/N	Spinner Type	Governor Model	STC Number STC Holder STC Kit P/N	Notes
310H	L	IO-520-E (TCM)	P5045186-08	3AF32C504/82NEA-5.5	76.5	76.0	30		13.0	16.2	81.2	D-5215	PE	DCFUS290D9/T9	SA412SO Mike Jones Aircraft Sales	128
310H	L	IO-550-E (TCM)	P5045186-07	3AF32C504/82NEA-5.5	76.5	76.0	30		14.2	17.3	81.2	D-5215	PE	DCFUS290D9/T9	SA412SO Mike Jones Aircraft Sales	128
E310H	L	IO-470-D (TCM)	OBSOLETE	D2AF36C48/90MF-10	80.0	78.0	36		11.0	14.0	77.0	D-2844	S	DCFU290D13/T2 DCFU290D7/T2 DCFU290D2/T2 DCFU290D1/T2		1
E310H	L	IO-470-D (TCM)		Hartzell - See aircraft TCDS										DCFU290D13/T2 DCFU290D7/T2 DCFU290D2/T2 DCFU290D1/T2		
E310H	L	IO-470-D (TCM)	P5287552-02 P5287552-0281 P5287552-0219	3AF32C528/82NEA-4	78.0	76.0	30		12.5	16.3	81.3	D-5215	PPAPE	DCFU290D13/T2 DCFU290D7/T2 DCFU290D2/T2 DCFU290D1/T2	SA00879CH McCauley PL60242 PL60243 PL60244	62 141
310I	L	IO-470-U (TCM)	OBSOLETE	D2AF34C52/80GF-0	80.0	78.0	30		13.8	17.1	80.5			DCFU290D13/T2 DCFU290D7/T2 DCFU290D2/T2 DCFU290D1/T2		1
310I	L	IO-470-U (TCM)	P5287552-02 P5287552-0281 P5287552-0219	3AF32C528/82NEA-4	78.0	76.0	30		12.5	16.3	81.3	D-5215	PPAPE	DCFU290D13/T2 DCFU290D7/T2 DCFU290D2/T2 DCFU290D1/T2	SA00879CH McCauley PL60242 PL60243 PL60244	62 141
310I	L	IO-520-E (TCM)	P5045186-08	3AF32C504/82NEA-5.5	76.5	76.0	30		13.0	16.2	81.2	D-5215	PE	DCFUS290D9/T9	SA412SO Mike Jones Aircraft Sales	128
310I	L	IO-550-E (TCM)	P5045186-07	3AF32C504/82NEA-5.5	76.5	76.0	30		14.2	17.3	81.2	D-5215	PE	DCFUS290D9/T9	SA412SO Mike Jones Aircraft Sales	128
310J	L	IO-470-U (TCM)	OBSOLETE	D2AF34C65/84JF-3	81.0	79.0	30		12.8	15.8	82.6			DCFU290D13/T2 DCFU290D7/T2 DCFU290D2/T2 DCFU290D1/T2		1
310J	L	IO-470-U (TCM)	OBSOLETE	D2AF34C81/84JF-3	81.0	79.0	30		12.8	17.1	82.6			DCFU290D13/T2 DCFU290D7/T2 DCFU290D2/T2 DCFU290D1/T2		1

Constant Speed Propeller Applications

Aircraft Model	T Y P E	Engine Model (Make)	Propeller Part Number	Propeller Model	Max Dia	Min Dia	Ref Sta	Rev Angle	Low or Flight Idle Angle	Latch or Start Locks Angle	High or Feather Angle	Spinner Assembly P/N	S p i n n e r T y p e	Governor Model	STC Number STC Holder STC Kit P/N	N o t e s
310J	L	IO-470-U (TCM)	P5125358-07 P5125358-0718	3AF32C512/82NEA-5.5	76.5	74.0	30		13.0	16.1	81.7	D-5310	P P,E	DCFU290D13/T2 DCFU290D7/T2 DCFU290D2/T2 DCFU290D1/T2	SA01847CH McCauley PL60344 PL60345	141
310J	L	IO-520-E (TCM)	P5125358-05	3AF32C512/82NEA-5	77.0	76.5	30		13.0	16.2	82.4	D-5310	E,P	DCFUS290D9/T9	SA412SO Mike Jones Aircraft Sales	128
310J	L	IO-550-E (TCM)	P5125358-03	3AF32C512/82NEA-5	77.0	76.5	30		14.2	17.5	82.4	D-5310	E,P	DCFUS290D9/T9	SA412SO Mike Jones Aircraft Sales	128
310J-1	L	IO-470-U (TCM)	OBSOLETE	D2AF34C71/84JF-3	81.0	79.0	30		11.4	17.1	83.0			DCFU290D13/T2 DCFU290D7/T2 DCFU290D2/T2 DCFU290D1/T2		1
310J-1	L	IO-470-U (TCM)	P5287552-02 P5287552-0281 P5287552-0219	3AF32C528/82NEA-4	78.0	76.0	30		12.5	16.3	81.3	D-5215	P P A P E	DCFU290D13/T2 DCFU290D7/T2 DCFU290D2/T2 DCFU290D1/T2	SA00879CH McCauley PL60242 PL60243 PL60244	141
E310J	L	IO-470-U (TCM)	OBSOLETE	D2AF34C65/84JF-3	81.0	79.0	30		12.8	15.8	82.6			DCFU290D13/T2 DCFU290D7/T2 DCFU290D2/T2 DCFU290D1/T2		1
E310J	L	IO-470-U (TCM)	OBSOLETE	D2AF34C81/84JF-3	81.0	79.0	30		12.8	17.1	82.6			DCFU290D13/T2 DCFU290D7/T2 DCFU290D2/T2 DCFU290D1/T2		1
E310J	L	IO-470-U (TCM)	P5125358-07 P5125358-0718	3AF32C512/82NEA-5.5	76.5	74.0	30		13.0	16.1	81.7	D-5310	P P,E	DCFU290D13/T2 DCFU290D7/T2 DCFU290D2/T2 DCFU290D1/T2	SA01847CH McCauley PL60344 PL60345	141
310K	L	IO-470-V (TCM)	OBSOLETE	D2AF34C81/84JF-3	81.0	79.0	30		12.8	17.1	82.6			DCFU290D13/T2 DCFU290D7/T2 DCFU290D2/T2 DCFU290D1/T2		1
310K	L	IO-470-V (TCM)	OBSOLETE	D3AF32C80/82NC-4	78.0	74.0	30		12.5	16.3	81.2	D-3649	E,S	DCFU290D13/T2 DCFU290D7/T2 DCFU290D2/T2 DCFU290D1/T2		1
310K	L	IO-470-V (TCM)	P5125358-07 P5125358-0718	3AF32C512/82NEA-5.5	76.5	74.0	30		13.0	16.1	81.7	D-5310	P P,E	DCFU290D13/T2 DCFU290D7/T2 DCFU290D2/T2 DCFU290D1/T2	SA01847CH McCauley PL60344 PL60345	141

Constant Speed Propeller Applications

Aircraft Model	TYPE	Engine Model (Make)	Propeller Part Number	Propeller Model	Max Dia	Min Dia	Ref Sta	Rev Angle	Low or Flight Idle Angle	Latch or Start Locks Angle	High or Feather Angle	Spinner Assembly P/N	Spinner Type	Governor Model	STC Number STC Holder STC Kit P/N	Notes
310K	L	IO-470-VO (TCM)	OBSOLETE	D2AF34C81/84JF-3	81.0	79.0	30		12.8	17.1	82.6			DCFU290D13/T2 DCFU290D7/T2 DCFU290D2/T2 DCFU290D1/T2		1
310K	L	IO-470-VO (TCM)	OBSOLETE	D3AF32C80/82NC-4	78.0	74.0	30		12.5	16.3	81.2	D-3649	E,S	DCFU290D13/T2 DCFU290D7/T2 DCFU290D2/T2 DCFU290D1/T2		1
310K	L	IO-470-VO (TCM)	P5125358-07 P5125358-0718	3AF32C512/82NEA-5.5	76.5	74.0	30		13.0	16.1	81.7	D-5310	P P,E	DCFU290D13/T2 DCFU290D7/T2 DCFU290D2/T2 DCFU290D1/T2	SA01847CH McCauley PL60344 PL60345	141
310K	L	IO-520-E (TCM)	P5125358-05	3AF32C512/82NEA-5	77.0	76.5	30		13.0	16.2	82.4	D-5310	E,P	DCFUS290D9/T9	SA412SO Mike Jones Aircraft Sales	128
310K	L	IO-550-E (TCM)	P5125358-03	3AF32C512/82NEA-5	77.0	76.5	30		14.2	17.5	82.4	D-5310	E,P	DCFUS290D9/T9	SA412SO Mike Jones Aircraft Sales	128
310L	L	IO-470-V (TCM)	OBSOLETE	D2AF34C81/84JF-3	81.0	79.0	30		12.8	17.1	82.6			DCFU290D13/T2 DCFU290D7/T2 DCFU290D2/T2 DCFU290D1/T2		1
310L	L	IO-470-V (TCM)	OBSOLETE	D3AF32C80/82NC-4	78.0	74.0	30		12.5	16.3	81.2	D-3649	E,S	DCFU290D13/T2 DCFU290D7/T2 DCFU290D2/T2 DCFU290D1/T2		1
310L	L	IO-470-V (TCM)	P5125358-07 P5125358-0718	3AF32C512/82NEA-5.5	76.5	74.0	30		13.0	16.1	81.7	D-5310	P P,E	DCFU290D13/T2 DCFU290D7/T2 DCFU290D2/T2 DCFU290D1/T2	SA01847CH McCauley PL60344 PL60345	141
310L	L	IO-470-VO (TCM)	OBSOLETE	D2AF34C81/84JF-3	81.0	79.0	30		12.8	17.1	82.6			DCFU290D13/T2 DCFU290D7/T2 DCFU290D2/T2 DCFU290D1/T2		1
310L	L	IO-470-VO (TCM)	OBSOLETE	D3AF32C80/82NC-4	78.0	74.0	30		12.5	16.3	81.2	D-3649	E,S	DCFU290D13/T2 DCFU290D7/T2 DCFU290D2/T2 DCFU290D1/T2		1
310L	L	IO-470-VO (TCM)	P5125358-07 P5125358-0718	3AF32C512/82NEA-5.5	76.5	74.0	30		13.0	16.1	81.7	D-5310	P P,E	DCFU290D13/T2 DCFU290D7/T2 DCFU290D2/T2 DCFU290D1/T2	SA01847CH McCauley PL60344 PL60345	141

Constant Speed Propeller Applications

Aircraft Model	T Y P E	Engine Model (Make)	Propeller Part Number	Propeller Model	Max Dia	Min Dia	Ref Sta	Rev Angle	Low or Flight Idle Angle	Latch or Start Locks Angle	High or Feather Angle	Spinner Assembly P/N	S p i n n e r	Governor Model	STC Number STC Holder STC Kit P/N	N o t e s
310L	L	IO-520-E (TCM)	P5125358-05	3AF32C512/82NEA-5	77.0	76.5	30		13.0	16.2	82.4	D-5310	E,P	DCFUS290D9/T9	SA412SO Mike Jones Aircraft Sales	128
310L	L	IO-550-E (TCM)	P5125358-03	3AF32C512/82NEA-5	77.0	76.5	30		14.2	17.5	82.4	D-5310	E,P	DCFUS290D9/T9	SA412SO Mike Jones Aircraft Sales	128
310N	L	IO-470-V (TCM)	OBSOLETE	D2AF34C81/84JF-3	81.0	79.0	30		12.8	17.1	82.6			DCFU290D13/T2 DCFU290D7/T2 DCFU290D2/T2 DCFU290D1/T2		1
310N	L	IO-470-V (TCM)	OBSOLETE	D3AF32C80/82NC-4	78.0	74.0	30		12.5	16.3	81.2	D-3649	E,S	DCFU290D13/T2 DCFU290D7/T2 DCFU290D2/T2 DCFU290D1/T2		1
310N	L	IO-470-V (TCM)	P5125358-07 P5125358-0718	3AF32C512/82NEA-5.5	76.5	74.0	30		13.0	16.1	81.7	D-5310	P P,E	DCFU290D13/T2 DCFU290D7/T2 DCFU290D2/T2 DCFU290D1/T2	SA01847CH McCauley PL60344 PL60345	141
310N	L	IO-470-VO (TCM)	OBSOLETE	D2AF34C81/84JF-3	81.0	79.0	30		12.8	17.1	82.6			DCFU290D13/T2 DCFU290D7/T2 DCFU290D2/T2 DCFU290D1/T2		1
310N	L	IO-470-VO (TCM)	OBSOLETE	D3AF32C80/82NC-4	78.0	74.0	30		12.5	16.3	81.2	D-3649	E,S	DCFU290D13/T2 DCFU290D7/T2 DCFU290D2/T2 DCFU290D1/T2		1
310N	L	IO-470-VO (TCM)	P5125358-07 P5125358-0718	3AF32C512/82NEA-5.5	76.5	74.0	30		13.0	16.1	81.7	D-5310	P P,E	DCFU290D13/T2 DCFU290D7/T2 DCFU290D2/T2 DCFU290D1/T2	SA01847CH McCauley PL60344 PL60345	141
310N	L	IO-520-E (TCM)	P5125358-05	3AF32C512/82NEA-5	77.0	76.5	30		13.0	16.2	82.4	D-5310	E,P	DCFUS290D9/T9	SA412SO Mike Jones Aircraft Sales	128
310N	L	IO-550-E (TCM)	P5125358-03	3AF32C512/82NEA-5	77.0	76.5	30		14.2	17.5	82.4	D-5310	E,P	DCFUS290D9/T9	SA412SO Mike Jones Aircraft Sales	128

Constant Speed Propeller Applications

Aircraft Model	TYPE	Engine Model (Make)	Propeller Part Number	Propeller Model	Max Dia	Min Dia	Ref Sta	Rev Angle	Low or Flight Idle Angle	Latch or Start Locks Angle	High or Feather Angle	Spinner Assembly P/N	Spinner Type	Governor Model	STC Number STC Holder STC Kit P/N	Notes
310P	L	IO-470-VO (TCM)	OBSOLETE	D2AF34C71/84JF-3	81.0	78.0	30		12.8	17.1	82.6	D-3933	E,S	DCFUS290D13/T2 DCFUS290D7/T2 DCFUS290D2/T2 DCFUS290D1/T2 DCFU290D13/T2 DCFU290D7/T2 DCFU290D2/T2 DCFU290D1/T2 DCFS290D7/T2 DCFS290D2/T2 DCFS290D1/T2 DCF290D7/T2 DCF290D2/T2 DCF290D1/T2		1
310P	L	IO-470-VO (TCM)	OBSOLETE	3AF32C87/82NC-4	78.0	74.0	30		12.5	17.3	81.3	D-3934	E,S	DCFUS290D13/T2 DCFUS290D7/T2 DCFUS290D2/T2 DCFUS290D1/T2 DCFU290D13/T2 DCFU290D7/T2 DCFU290D2/T2 DCFU290D1/T2 DCFS290D7/T2 DCFS290D2/T2 DCFS290D1/T2 DCF290D7/T2 DCF290D2/T2 DCF290D1/T2		15
310P	L	IO-470-VO (TCM)	P5045186-05 P5045186-0519	3AF32C504/82NEA-5.5	76.5	74.0	30		13.0	16.1	81.7	D-7185	E,S	DCFUS290D13/T2 DCFUS290D7/T2 DCFUS290D2/T2 DCFUS290D1/T2 DCFU290D13/T2 DCFU290D7/T2 DCFU290D2/T2 DCFU290D1/T2 DCFS290D7/T2 DCFS290D2/T2 DCFS290D1/T2 DCF290D7/T2 DCF290D2/T2 DCF290D1/T2		15

Constant Speed Propeller Applications

Aircraft Model	TYPE	Engine Model (Make)	Propeller Part Number	Propeller Model	Max Dia	Min Dia	Ref Sta	Rev Angle	Low or Flight Idle Angle	Latch or Start Locks Angle	High or Feather Angle	Spinner Assembly P/N	Spinner Type	Governor Model	STC Number STC Holder STC Kit P/N	Notes
310P	L	IO-470-VO (TCM)	P5287552-02 P5287552-0219	3AF32C528/82NEA-4	78.0	74.0	30		12.5	16.3	81.3	D-7185	S S,E	DCFUS290D13/T2 DCFUS290D7/T2 DCFUS290D2/T2 DCFUS290D1/T2 DCFU290D13/T2 DCFU290D7/T2 DCFU290D2/T2 DCFU290D1/T2 DCFS290D7/T2 DCFS290D2/T2 DCFS290D1/T2 DCF290D7/T2 DCF290D2/T2 DCF290D1/T2	SA00880CH McCauley PL60252 PL60256	141
310P	L	IO-520-E (TCM)	P5045186-08	3AF32C504/82NEA-5.5	76.5	76.0	30		13.0	16.2	81.2	D-7185	E,S	DCFUS290D9/T9	SA412SO Mike Jones Aircraft Sales	128
310P	L	IO-550-E (TCM)	P5045186-07	3AF32C504/82NEA-5.5	76.5	76.0	30		14.2	17.3	81.2	D-7185	E,S	DCFUS290D9/T9	SA412SO Mike Jones Aircraft Sales	128
310Q	L	IO-470-VO (TCM)	OBSOLETE	D2AF34C71/84JF-3	81.0	78.0	30		12.8	17.1	82.6	D-3933	E,S	DCFUS290D13/T2 DCFUS290D7/T2 DCFUS290D2/T2 DCFUS290D1/T2 DCFU290D13/T2 DCFU290D7/T2 DCFU290D2/T2 DCFU290D1/T2 DCFS290D7/T2 DCFS290D2/T2 DCFS290D1/T2 DCF290D7/T2 DCF290D2/T2 DCF290D1/T2		1

Constant Speed Propeller Applications

Aircraft Model	TYPE	Engine Model (Make)	Propeller Part Number	Propeller Model	Max Dia	Min Dia	Ref Sta	Rev Angle	Low or Flight Idle Angle	Latch or Start Locks Angle	High or Feather Angle	Spinner Assembly P/N	Spinner Type	Governor Model	STC Number STC Holder STC Kit P/N	Notes
310Q	L	IO-470-VO (TCM)	OBSOLETE	3AF32C87/82NC-4	78.0	74.0	30		12.5	17.3	81.3	D-3934	E,S	DCFUS290D13/T2 DCFUS290D7/T2 DCFUS290D2/T2 DCFUS290D1/T2 DCFU290D13/T2 DCFU290D7/T2 DCFU290D2/T2 DCFU290D1/T2 DCFS290D7/T2 DCFS290D2/T2 DCFS290D1/T2 DCF290D7/T2 DCF290D2/T2 DCF290D1/T2		15
310Q	L	IO-470-VO (TCM)	P5045186-05 P5045186-0519	3AF32C504/82NEA-5.5	76.5	74.0	30		13.0	16.1	81.7	D-7185	E,S	DCFUS290D13/T2 DCFUS290D7/T2 DCFUS290D2/T2 DCFUS290D1/T2 DCFU290D13/T2 DCFU290D7/T2 DCFU290D2/T2 DCFU290D1/T2 DCFS290D7/T2 DCFS290D2/T2 DCFS290D1/T2 DCF290D7/T2 DCF290D2/T2 DCF290D1/T2		15
310Q	L	IO-470-VO (TCM)	P5287552-02 P5287552-0219	3AF32C528/82NEA-4	78.0	74.0	30		12.5	16.3	81.3	D-7185	S S,E	DCFUS290D13/T2 DCFUS290D7/T2 DCFUS290D2/T2 DCFUS290D1/T2 DCFU290D13/T2 DCFU290D7/T2 DCFU290D2/T2 DCFU290D1/T2 DCFS290D7/T2 DCFS290D2/T2 DCFS290D1/T2 DCF290D7/T2 DCF290D2/T2 DCF290D1/T2	SA00880CH McCauley PL60252 PL60256	141

Constant Speed Propeller Applications

Aircraft Model	TYPE	Engine Model (Make)	Propeller Part Number	Propeller Model	Max Dia	Min Dia	Ref Sta	Rev Angle	Low or Flight Idle Angle	Latch or Start Locks Angle	High or Feather Angle	Spinner Assembly P/N	Spinner Type	Governor Model	STC Number STC Holder STC Kit P/N	Notes
310Q	L	IO-520-E (TCM)	P5045186-08	3AF32C504/82NEA-5.5	76.5	76.0	30		13.0	16.2	81.2	D-7185	E,S	DCFUS290D9/T9	SA412SO Mike Jones Aircraft Sales	128
310Q	L	IO-550-E (TCM)	P5045186-07	3AF32C504/82NEA-5.5	76.5	76.0	30		14.2	17.3	81.2	D-7185	E,S	DCFUS290D9/T9	SA412SO Mike Jones Aircraft Sales	128
310R	L	IO-520-M (TCM)	OBSOLETE	3AF32C87/82NC-5.5	76.5	74.5	30		13.9	17.3	81.7	D-3797 D-5215	E,S E,P	ALL S/N's DCF290D7/T3 DCF290D2/T3 DCFU290D13/T3 DCFU290D2/T3 DCFS290D7/T3 DCFUS290D13/T3 DCFUS290D7/T3 S/N 0001 - 0330 DCFU290D7/T3 DCFS290D2/T3 DCFUS290D2/T3 S/N 0501 - 1004 DCFUS290D5/T3 S/N 1201 AND UP DCFUS290D6/T3 S/N 0501 AND UP DCFS290D8/T3 DCFS290D5/T3 DCFS290D4/T3 DCFUS290D12/T3 DCFUS290D8/T3 DCFUS290D7/T3 DCFUS290D4/T3	1 15	

Constant Speed Propeller Applications

Aircraft Model	TYPE	Engine Model (Make)	Propeller Part Number	Propeller Model	Max Dia	Min Dia	Ref Sta	Rev Angle	Low or Flight Idle Angle	Latch or Start Locks Angle	High or Feather Angle	Spinner Assembly P/N	Spinner Type	Governor Model	STC Number STC Holder STC Kit P/N	Notes
310R	L	IO-520-M (TCM)	P5045186-06 P5045186-0619	3AF32C504/82NEA-5.5	76.5	76.0	30		13.9	17.0	81.7	D-3797 D-5215	E,S E,P	ALL S/N's DCF290D7/T3 DCF290D2/T3 DCFU290D13/T3 DCFU290D2/T3 DCFS290D7/T3 DCFUS290D13/T3 DCFUS290D7/T3 S/N 0001 - 0330 DCFU290D7/T3 DCFS290D2/T3 DCFUS290D2/T3 S/N 0501 - 1004 DCFUS290D5/T3 S/N 1201 AND UP DCFUS290D6/T3 S/N 0501 AND UP DCFS290D8/T3 DCFS290D5/T3 DCFS290D4/T3 DCFUS290D12/T3 DCFUS290D8/T3 DCFUS290D7/T3 DCFUS290D4/T3		15

Constant Speed Propeller Applications

Aircraft Model	TYPE	Engine Model (Make)	Propeller Part Number	Propeller Model	Max Dia	Min Dia	Ref Sta	Rev Angle	Low or Flight Idle Angle	Latch or Start Locks Angle	High or Feather Angle	Spinner Assembly P/N	Spinner Type	Governor Model	STC Number STC Holder STC Kit P/N	Notes
310R	L	IO-520-M (TCM)	P5287552-03 P5287552-0319	3AF32C528/82NEA-5.5	76.5	76.0	30		13.9	17.4	81.7	D-5215	E,P	ALL S/N's DCF290D7/T3 DCF290D2/T3 DCFU290D13/T3 DCFU290D2/T3 DCFS290D7/T3 DCFUS290D13/T3 DCFUS290D7/T3 S/N 0001 - 0330 DCFU290D7/T3 DCFS290D2/T3 DCFUS290D2/T3 S/N 0501 - 1004 DCFUS290D5/T3 S/N 1201 AND UP DCFUS290D6/T3 S/N 0501 AND UP DCFS290D8/T3 DCFS290D5/T3 DCFS290D4/T3 DCFUS290D12/T3 DCFUS290D8/T3 DCFUS290D7/T3 DCFUS290D4/T3	SA00880CH McCauley PL60253 PL60257	141

Constant Speed Propeller Applications

Aircraft Model	TYPE	Engine Model (Make)	Propeller Part Number	Propeller Model	Max Dia	Min Dia	Ref Sta	Rev Angle	Low or Flight Idle Angle	Latch or Start Locks Angle	High or Feather Angle	Spinner Assembly P/N	Spinner Type	Governor Model	STC Number STC Holder STC Kit P/N	Notes
310R	L	IO-520-MB (TCM)	OBSOLETE	3AF32C87/82NC-5.5	76.5	74.0	30		13.9	17.3	81.7	D-3797 D-5215	E,S E,P	ALL S/N's DCF290D7/T3 DCF290D2/T3 DCFU290D13/T3 DCFU290D2/T3 DCFS290D7/T3 DCFUS290D13/T3 DCFUS290D7/T3 S/N 0001 - 0330 DCFU290D7/T3 DCFS290D2/T3 DCFUS290D2/T3 S/N 0501 - 1004 DCFUS290D5/T3 S/N 1201 AND UP DCFUS290D6/T3 S/N 0501 AND UP DCFS290D8/T3 DCFS290D5/T3 DCFS290D4/T3 DCFUS290D12/T3 DCFUS290D8/T3 DCFUS290D7/T3 DCFUS290D4/T3		1 15

Constant Speed Propeller Applications

Aircraft Model	TYPE	Engine Model (Make)	Propeller Part Number	Propeller Model	Max Dia	Min Dia	Ref Sta	Rev Angle	Low or Flight Idle Angle	Latch or Start Locks Angle	High or Feather Angle	Spinner Assembly P/N	Spinner Type	Governor Model	STC Number STC Holder STC Kit P/N	Notes
310R	L	IO-520-MB (TCM)	P5045186-06 P5045186-0619	3AF32C504/82NEA-5.5	76.5	76.0	30		13.9	17.0	81.7	D-3797 D-5215	E,S E,P	ALL S/N's DCF290D7/T3 DCF290D2/T3 DCFU290D13/T3 DCFU290D2/T3 DCFS290D7/T3 DCFUS290D13/T3 DCFUS290D7/T3 S/N 0001 - 0330 DCFU290D7/T3 DCFS290D2/T3 DCFUS290D2/T3 S/N 0501 - 1004 DCFUS290D5/T3 S/N 1201 AND UP DCFUS290D6/T3 S/N 0501 AND UP DCFS290D8/T3 DCFS290D5/T3 DCFUS290D4/T3 DCFUS290D12/T3 DCFUS290D8/T3 DCFUS290D7/T3 DCFUS290D4/T3		15

Constant Speed Propeller Applications

Aircraft Model	TYPE	Engine Model (Make)	Propeller Part Number	Propeller Model	Max Dia	Min Dia	Ref Sta	Rev Angle	Low or Flight Idle Angle	Latch or Start Locks Angle	High or Feather Angle	Spinner Assembly P/N	Spinner Type	Governor Model	STC Number STC Holder STC Kit P/N	Notes
310R	L	IO-520-MB (TCM)	P5287552-03 P5287552-0319	3AF32C528/82NEA-5.5	76.5	76.0	30		13.9	17.4	81.7	D-5215	E,P	ALL S/N's DCF290D7/T3 DCF290D2/T3 DCFU290D13/T3 DCFU290D2/T3 DCFS290D7/T3 DCFUS290D13/T3 DCFUS290D7/T3 S/N 0001 - 0330 DCFU290D7/T3 DCFS290D2/T3 DCFUS290D2/T3 S/N 0501 - 1004 DCFUS290D5/T3 S/N 1201 AND UP DCFUS290D6/T3 S/N 0501 AND UP DCFS290D8/T3 DCFS290D5/T3 DCFS290D4/T3 DCFUS290D12/T3 DCFUS290D8/T3 DCFUS290D7/T3 DCFUS290D4/T3	SA00880CH McCauley PL60253 PL60257	141
310R	L	IO-550-A (TCM)	OBSOLETE	3AF32C87/82NC-5.5	76.5	76.0	30		13.9	17.3	81.7	D-5215	E,P	DCFUS290D9/T3 or original	SA2207SO Mike Jones Aircraft Sales	1 128
310R	L	IO-550-A (TCM)	P5045186-06	3AF32C504/82NEA-5.5	76.5	76.0	30		13.9	17.4	81.7	D-5215	E,P	DCFUS290D9/T3 or original	SA2207SO Mike Jones Aircraft Sales	128
T310P	L	IO-550-A (TCM)	OBSOLETE	3AF32C87/82NC-5.5	76.5	76.0	30		13.9	17.3	81.7	D-5215	E,P	DCFUS290D9/T3 or original	SA2207SO Mike Jones Aircraft Sales	1 128
T310P	L	IO-550-A (TCM)	P5045186-06	3AF32C504/82NEA-5.5	76.5	76.0	30		13.9	17.4	81.7	D-5215	E,P	DCFUS290D9/T3 or original	SA2207SO Mike Jones Aircraft Sales	128

Constant Speed Propeller Applications

Aircraft Model	TYPE	Engine Model (Make)	Propeller Part Number	Propeller Model	Max Dia	Min Dia	Ref Sta	Rev Angle	Low or Flight Idle Angle	Latch or Start Locks Angle	High or Feather Angle	Spinner Assembly P/N	Spinner Type	Governor Model	STC Number STC Holder STC Kit P/N	Notes
T310P	L	TSIO-520-B (TCM)	OBSOLETE	D2AF34C71/84JF-3	81.0	79.0	30		13.3	17.1	82.7	D-3819	E,S	DCFUS290D13/T3 DCFUS290D7/T3 DCFUS290D2/T3 DCFUS290D1/T3 DCFU290D13/T3 DCFU290D7/T3 DCFU290D2/T3 DCFU290D1/T3 DCFS290D7/T3 DCFS290D2/T3 DCFS290D1/T3 DCF290D7/T3 DCF290D2/T3 DCF290D1/T3		1
T310P	L	TSIO-520-B (TCM)	OBSOLETE	3AF32C87/82NC-4	78.0	74.0	30		13.0	17.3	82.6	D-3797	E,S	DCFUS290D13/T3 DCFUS290D7/T3 DCFUS290D2/T3 DCFUS290D1/T3 DCFU290D13/T3 DCFU290D7/T3 DCFU290D2/T3 DCFU290D1/T3 DCFS290D7/T3 DCFS290D2/T3 DCFS290D1/T3 DCF290D7/T3 DCF290D2/T3 DCF290D1/T3		15
T310P	L	TSIO-520-B (TCM)	P5045186-02 P5045186-0219	3AF32C504/82NEA-4	78.0	74.0	30		13.0	16.1	82.6	D-3797	E,S	DCFUS290D13/T3 DCFUS290D7/T3 DCFUS290D2/T3 DCFUS290D1/T3 DCFU290D13/T3 DCFU290D7/T3 DCFU290D2/T3 DCFU290D1/T3 DCFS290D7/T3 DCFS290D2/T3 DCFS290D1/T3 DCF290D7/T3 DCF290D2/T3 DCF290D1/T3		15

Constant Speed Propeller Applications

Aircraft Model	TYPE	Engine Model (Make)	Propeller Part Number	Propeller Model	Max Dia	Min Dia	Ref Sta	Rev Angle	Low or Flight Idle Angle	Latch or Start Locks Angle	High or Feather Angle	Spinner Assembly P/N	Spinner Type	Governor Model	STC Number STC Holder STC Kit P/N	Notes
T310P	L	TSIO-520-B (TCM)	P5287552-04 P5287552-0419	3AF32C528/82NEA-4	78.0	74.0	30		13.0	17.4	82.6	D-5215	P P,E	DCFUS290D13/T3 DCFUS290D7/T3 DCFUS290D2/T3 DCFUS290D1/T3 DCFU290D13/T3 DCFU290D7/T3 DCFU290D2/T3 DCFU290D1/T3 DCFS290D7/T3 DCFS290D2/T3 DCFS290D1/T3 DCF290D7/T3 DCF290D2/T3 DCF290D1/T3	SA00880CH McCauley PL60254 PL60258	141
T310P	L	TSIO-520-BB (TCM)	OBSOLETE	D2AF34C71/84JF-3	81.0	79.0	30		13.3	17.1	82.7	D-3819	E,S	DCFUS290D13/T3 DCFUS290D7/T3 DCFUS290D2/T3 DCFUS290D1/T3 DCFU290D13/T3 DCFU290D7/T3 DCFU290D2/T3 DCFU290D1/T3 DCFS290D7/T3 DCFS290D2/T3 DCFS290D1/T3 DCF290D7/T3 DCF290D2/T3 DCF290D1/T3		1
T310P	L	TSIO-520-BB (TCM)	OBSOLETE	3AF32C87/82NC-4	78.0	74.0	30		13.0	17.3	82.6	D-3797	E,S	DCFUS290D13/T3 DCFUS290D7/T3 DCFUS290D2/T3 DCFUS290D1/T3 DCFU290D13/T3 DCFU290D7/T3 DCFU290D2/T3 DCFU290D1/T3 DCFS290D7/T3 DCFS290D2/T3 DCFS290D1/T3 DCF290D7/T3 DCF290D2/T3 DCF290D1/T3		1 15

Constant Speed Propeller Applications

Aircraft Model	TYPE	Engine Model (Make)	Propeller Part Number	Propeller Model	Max Dia	Min Dia	Ref Sta	Rev Angle	Low or Flight Idle Angle	Latch or Start Locks Angle	High or Feather Angle	Spinner Assembly P/N	Spinner Type	Governor Model	STC Number STC Holder STC Kit P/N	Notes
T310P	L	TSIO-520-BB (TCM)	P5045186-02 P5045186-0219	3AF32C504/82NEA-4	78.0	74.0	30		13.0	16.1	82.6	D-3797	E,S	DCFUS290D13/T3 DCFUS290D7/T3 DCFUS290D2/T3 DCFUS290D1/T3 DCFU290D13/T3 DCFU290D7/T3 DCFU290D2/T3 DCFU290D1/T3 DCFS290D7/T3 DCFS290D2/T3 DCFS290D1/T3 DCF290D7/T3 DCF290D2/T3 DCF290D1/T3		15
T310P	L	TSIO-520-BB (TCM)	P5287552-04 P5287552-0419	3AF32C528/82NEA-4	78.0	74.0	30		13.0	17.4	82.6	D-5215	P P,E	DCFUS290D13/T3 DCFUS290D7/T3 DCFUS290D2/T3 DCFUS290D1/T3 DCFU290D13/T3 DCFU290D7/T3 DCFU290D2/T3 DCFU290D1/T3 DCFS290D7/T3 DCFS290D2/T3 DCFS290D1/T3 DCF290D7/T3 DCF290D2/T3 DCF290D1/T3	SA00880CH McCauley PL60254 PL60258	141
T310P	L	TSIO-520-E (TCM)	OBSOLETE	3AF32C87/82NC-4	78.0	75.0	30		14.0	17.3	82.6				SA2750SW-D RAM Aircraft	1 108
T310P	L	TSIO-520-E (TCM)	P5045186-11	3AF32C504/82NEA-4	78.0	75.0	30		13.9	17.0	82.6				SA2750SW-D RAM Aircraft	108
T310P	L	TSIO-520-EB (TCM)	OBSOLETE	3AF32C87/82NC-4	78.0	75.0	30		14.0	17.3	82.6				SA2750SW-D RAM Aircraft	1 108
T310P	L	TSIO-520-EB (TCM)	P5045186-11	3AF32C504/82NEA-4	78.0	75.0	30		13.9	17.0	82.6				SA2750SW-D RAM Aircraft	108
T310P	L	TSIO-520-N (TCM)	OBSOLETE	3AF32C93/82NC-5.5	76.5	75.0	30		14.9	18.3	81.2				SA4011SW-D RAM Aircraft	1 108 119
T310P	L	TSIO-520-N (TCM)	P5055186-01	3AF32C505/82NEA-5.5	76.5	75.0	30		14.9	18.2	81.2				SA4011SW-D RAM Aircraft	108 119
T310P	L	TSIO-520-NB (TCM)	OBSOLETE	3AF32C93/82NC-5.5	76.5	75.0	30		14.9	18.3	81.2				SA4011SW-D RAM Aircraft	1 108 119

Constant Speed Propeller Applications

Aircraft Model	TYPE	Engine Model (Make)	Propeller Part Number	Propeller Model	Max Dia	Min Dia	Ref Sta	Rev Angle	Low or Flight Idle Angle	Latch or Start Locks Angle	High or Feather Angle	Spinner Assembly P/N	Spinner Type	Governor Model	STC Number STC Holder STC Kit P/N	Notes
T310P	L	TSIO-520-NB (TCM)	P5055186-01	3AF32C505/82NEA-5.5	76.5	75.0	30		14.9	18.2	81.2				SA4011SW-D RAM Aircraft	108 119
T310Q	L	IO-550-A (TCM)	OBSOLETE	3AF32C87/82NC-5.5	76.5	76.0	30		13.9	17.3	81.7	D-5215	E,P	DCFUS290D9/T3 or original	SA2207SO Mike Jones Aircraft Sales	1 128
T310Q	L	IO-550-A (TCM)	P5045186-06	3AF32C504/82NEA-5.5	76.5	76.0	30		13.9	17.4	81.7	D-5215	E,P	DCFUS290D9/T3 or original	SA2207SO Mike Jones Aircraft Sales	128
T310Q	L	TSIO-520-B (TCM)	OBSOLETE	D2AF34C71/84JF-3	81.0	79.0	30		13.3	17.1	82.7	D-3819	E,S	DCFUS290D13/T3 DCFUS290D7/T3 DCFUS290D2/T3 DCFUS290D1/T3 DCFU290D13/T3 DCFU290D7/T3 DCFU290D2/T3 DCFU290D1/T3 DCFS290D7/T3 DCFS290D2/T3 DCFS290D1/T3 DCF290D7/T3 DCF290D2/T3 DCF290D1/T3		1
T310Q	L	TSIO-520-B (TCM)	OBSOLETE	3AF32C87/82NC-4	78.0	74.0	30		13.0	17.3	82.6	D-3797	E,S	DCFUS290D13/T3 DCFUS290D7/T3 DCFUS290D2/T3 DCFUS290D1/T3 DCFU290D13/T3 DCFU290D7/T3 DCFU290D2/T3 DCFU290D1/T3 DCFS290D7/T3 DCFS290D2/T3 DCFS290D1/T3 DCF290D7/T3 DCF290D2/T3 DCF290D1/T3		1 15

Constant Speed Propeller Applications

Aircraft Model	TYPE	Engine Model (Make)	Propeller Part Number	Propeller Model	Max Dia	Min Dia	Ref Sta	Rev Angle	Low or Flight Idle Angle	Latch or Start Locks Angle	High or Feather Angle	Spinner Assembly P/N	Spinner Type	Governor Model	STC Number STC Holder STC Kit P/N	Notes
T310Q	L	TSIO-520-B (TCM)	P5045186-02 P5045186-0219	3AF32C504/82NEA-4	78.0	74.0	30		13.0	16.1	82.6	D-3797	E,S	DCFUS290D13/T3 DCFUS290D7/T3 DCFUS290D2/T3 DCFUS290D1/T3 DCFU290D13/T3 DCFU290D7/T3 DCFU290D2/T3 DCFU290D1/T3 DCFS290D7/T3 DCFS290D2/T3 DCFS290D1/T3 DCF290D7/T3 DCF290D2/T3 DCF290D1/T3		15
T310Q	L	TSIO-520-B (TCM)	P5287552-04 P5287552-0419	3AF32C528/82NEA-4	78.0	74.0	30		13.0	17.4	82.6	D-5215	P P,E	DCFUS290D13/T3 DCFUS290D7/T3 DCFUS290D2/T3 DCFUS290D1/T3 DCFU290D13/T3 DCFU290D7/T3 DCFU290D2/T3 DCFU290D1/T3 DCFS290D7/T3 DCFS290D2/T3 DCFS290D1/T3 DCF290D7/T3 DCF290D2/T3 DCF290D1/T3	SA00880CH McCauley PL60254 PL60258	141
T310Q	L	TSIO-520-BB (TCM)	OBSOLETE	D2AF34C71/84JF-3	81.0	79.0	30		13.3	17.1	82.7	D-3819	E,S	DCFUS290D13/T3 DCFUS290D7/T3 DCFUS290D2/T3 DCFUS290D1/T3 DCFU290D13/T3 DCFU290D7/T3 DCFU290D2/T3 DCFU290D1/T3 DCFS290D7/T3 DCFS290D2/T3 DCFS290D1/T3 DCF290D7/T3 DCF290D2/T3 DCF290D1/T3		1

Constant Speed Propeller Applications

Aircraft Model	TYPE	Engine Model (Make)	Propeller Part Number	Propeller Model	Max Dia	Min Dia	Ref Sta	Rev Angle	Low or Flight Idle Angle	Latch or Start Locks Angle	High or Feather Angle	Spinner Assembly P/N	Spinner Type	Governor Model	STC Number STC Holder STC Kit P/N	Notes
T310Q	L	TSIO-520-BB (TCM)	OBSOLETE	3AF32C87/82NC-4	78.0	74.0	30		13.0	17.3	82.6	D-3797	E,S	DCFUS290D13/T3 DCFUS290D7/T3 DCFUS290D2/T3 DCFUS290D1/T3 DCFU290D13/T3 DCFU290D7/T3 DCFU290D2/T3 DCFU290D1/T3 DCFS290D7/T3 DCFS290D2/T3 DCFS290D1/T3 DCF290D7/T3 DCF290D2/T3 DCF290D1/T3		15
T310Q	L	TSIO-520-BB (TCM)	P5045186-02 P5045186-0219	3AF32C504/82NEA-4	78.0	74.0	30		13.0	16.1	82.6	D-3797	E,S	DCFUS290D13/T3 DCFUS290D7/T3 DCFUS290D2/T3 DCFUS290D1/T3 DCFU290D13/T3 DCFU290D7/T3 DCFU290D2/T3 DCFU290D1/T3 DCFS290D7/T3 DCFS290D2/T3 DCFS290D1/T3 DCF290D7/T3 DCF290D2/T3 DCF290D1/T3		15
T310Q	L	TSIO-520-BB (TCM)	P5287552-04 P5287552-0419	3AF32C528/82NEA-4	78.0	74.0	30		13.0	17.4	82.6	D-5215	P P,E	DCFUS290D13/T3 DCFUS290D7/T3 DCFUS290D2/T3 DCFUS290D1/T3 DCFU290D13/T3 DCFU290D7/T3 DCFU290D2/T3 DCFU290D1/T3 DCFS290D7/T3 DCFS290D2/T3 DCFS290D1/T3 DCF290D7/T3 DCF290D2/T3 DCF290D1/T3	SA00880CH McCauley PL60254 PL60258	141
T310Q	L	TSIO-520-E (TCM)	OBSOLETE	3AF32C87/82NC-4	78.0	75.0	30		14.0	17.3	82.6				SA2750SW-D RAM Aircraft	1 108

Constant Speed Propeller Applications

Aircraft Model	T Y P E	Engine Model (Make)	Propeller Part Number	Propeller Model	Max Dia	Min Dia	Ref Sta	Rev Angle	Low or Flight Idle Angle	Latch or Start Locks Angle	High or Feather Angle	Spinner Assembly P/N	S p i n n e r	Governor Model	STC Number STC Holder STC Kit P/N	N o t e s
T310Q	L	TSIO-520-E (TCM)	P5045186-11	3AF32C504/82NEA-4	78.0	75.0	30		13.9	17.0	82.6				SA2750SW-D RAM Aircraft	108
T310Q	L	TSIO-520-EB (TCM)	OBSOLETE	3AF32C87/82NC-4	78.0	75.0	30		14.0	17.3	82.6				SA2750SW-D RAM Aircraft	1 108
T310Q	L	TSIO-520-EB (TCM)	P5045186-11	3AF32C504/82NEA-4	78.0	75.0	30		13.9	17.0	82.6				SA2750SW-D RAM Aircraft	108
T310Q	L	TSIO-520-N (TCM)	OBSOLETE	3AF32C93/82NC-5.5	76.5	75.0	30		14.9	18.3	81.2				SA4011SW-D RAM Aircraft	1 108 119
T310Q	L	TSIO-520-N (TCM)	P5055186-01	3AF32C505/82NEA-5.5	76.5	75.0	30		14.9	18.2	81.2				SA4011SW-D RAM Aircraft	108 119
T310Q	L	TSIO-520-NB (TCM)	OBSOLETE	3AF32C93/82NC-5.5	76.5	75.0	30		14.9	18.3	81.2				SA4011SW-D RAM Aircraft	1 108 119
T310Q	L	TSIO-520-NB (TCM)	P5055186-01	3AF32C505/82NEA-5.5	76.5	75.0	30		14.9	18.2	81.2				SA4011SW-D RAM Aircraft	108 119
T310R	L	IO-550-A (TCM)	OBSOLETE	3AF32C87/82NC-5.5	76.5	76.0	30		13.9	17.3	81.7	D-5215	E,P	DCFUS290D9/T3 or original	SA2207SO Mike Jones Aircraft Sales	1 128
T310R	L	IO-550-A (TCM)	P5045186-06	3AF32C504/82NEA-5.5	76.5	76.0	30		13.9	17.4	81.7	D-5215	E,P	DCFUS290D9/T3 or original	SA2207SO Mike Jones Aircraft Sales	128
T310R	L	TSIO-520-B (TCM)	OBSOLETE	3AF32C87/82NC-4	78.0	74.0	30		13.0	17.3	82.6	D-3797	E,S	ALL S/N'S DCFS290D7/T3 DCFUS290D7/T3 DCFUS290D13/T3 S/N 0001 - 0330 DCFS290D2/T3 DCFUS290D2/T3 S/N 0501 - 1004 DCFS290D5/T3 DCFUS290D5/T3 S/N 0501 AND UP DCFS290D8/T3 DCFUS290D8/T3 DCFUS290D4/T3 DCFUS290D8/T3 DCFUS290D4/T3 S/N 1201 AND UP DCFS290D6/T3 DCFUS290D6/T3		1 15

Constant Speed Propeller Applications

Aircraft Model	TYPE	Engine Model (Make)	Propeller Part Number	Propeller Model	Max Dia	Min Dia	Ref Sta	Rev Angle	Low or Flight Idle Angle	Latch or Start Locks Angle	High or Feather Angle	Spinner Assembly P/N	Spinner Type	Governor Model	STC Number STC Holder STC Kit P/N	Notes
T310R	L	TSIO-520-B (TCM)	P5045186-02 P5045186-0219	3AF32C504/82NEA-4	78.0	74.0	30		13.0	16.1	82.6	D-3797	E,S	ALL S/N'S DCFS290D7/T3 DCFUS290D7/T3 DCFUS290D13/T3 S/N 0001 - 0330 DCFS290D2/T3 DCFUS290D2/T3 S/N 0501 - 1004 DCFS290D5/T3 DCFUS290D5/T3 S/N 0501 AND UP DCFS290D8/T3 DCFS290D4/T3 DCFUS290D8/T3 DCFUS290D4/T3 S/N 1201 AND UP DCFS290D6/T3 DCFUS290D6/T3		15
T310R	L	TSIO-520-B (TCM)	P5287552-04 P5287552-0419	3AF32C528/82NEA-4	78.0	74.0	30		13.0	17.4	82.6	D-5215	P P,E	ALL S/N'S DCFS290D7/T3 DCFUS290D7/T3 DCFUS290D13/T3 S/N 0001 - 0330 DCFS290D2/T3 DCFUS290D2/T3 S/N 0501 - 1004 DCFS290D5/T3 DCFUS290D5/T3 S/N 0501 AND UP DCFS290D8/T3 DCFUS290D8/T3 DCFUS290D4/T3 DCFUS290D8/T3 DCFUS290D4/T3 S/N 1201 AND UP DCFS290D6/T3 DCFUS290D6/T3	SA00880CH McCauley PL60254 PL60258	141

Constant Speed Propeller Applications

Aircraft Model	TYPE	Engine Model (Make)	Propeller Part Number	Propeller Model	Max Dia	Min Dia	Ref Sta	Rev Angle	Low or Flight Idle Angle	Latch or Start Locks Angle	High or Feather Angle	Spinner Assembly P/N	Spinner Type	Governor Model	STC Number STC Holder STC Kit P/N	Notes
T310R	L	TSIO-520-BB (TCM)	OBSOLETE	3AF32C87/82NC-4	78.0	74.0	30		13.0	17.3	82.6	D-3797	E,S	ALL S/N'S DCFS290D7/T3 DCFUS290D7/T3 DCFUS290D13/T3 S/N 0001 - 0330 DCFS290D2/T3 DCFUS290D2/T3 S/N 0501 - 1004 DCFS290D5/T3 DCFUS290D5/T3 S/N 0501 AND UP DCFS290D8/T3 DCFS290D4/T3 DCFS290D8/T3 DCFUS290D4/T3 S/N 1201 AND UP DCFS290D6/T3 DCFUS290D6/T3		15
T310R	L	TSIO-520-BB (TCM)	P5045186-02 P5045186-0219	3AF32C504/82NEA-4	78.0	74.0	30		13.0	16.1	82.6	D-3797	E,S	ALL S/N'S DCFS290D7/T3 DCFUS290D7/T3 DCFUS290D13/T3 S/N 0001 - 0330 DCFS290D2/T3 DCFUS290D2/T3 S/N 0501 - 1004 DCFS290D5/T3 DCFUS290D5/T3 S/N 0501 AND UP DCFS290D8/T3 DCFS290D4/T3 DCFUS290D8/T3 DCFUS290D4/T3 S/N 1201 AND UP DCFS290D6/T3 DCFUS290D6/T3		15

Constant Speed Propeller Applications

Aircraft Model	T Y P E	Engine Model (Make)	Propeller Part Number	Propeller Model	Max Dia	Min Dia	Ref Sta	Rev Angle	Low or Flight Idle Angle	Latch or Start Locks Angle	High or Feather Angle	Spinner Assembly P/N	S p i n n e r T y p e	Governor Model	STC Number STC Holder STC Kit P/N	N o t e s
T310R	L	TSIO-520-BB (TCM)	P5287552-04 P5287552-0419	3AF32C528/82NEA-4	78.0	74.0	30		13.0	17.4	82.6	D-5215	P P,E	ALL S/N'S DCFS290D7/T3 DCFUS290D7/T3 DCFUS290D13/T3 S/N 0001 - 0330 DCFS290D2/T3 DCFUS290D2/T3 S/N 0501 - 1004 DCFS290D5/T3 DCFUS290D5/T3 S/N 0501 AND UP DCFS290D8/T3 DCFUS290D8/T3 DCFS290D4/T3 DCFUS290D4/T3 DCFUS290D8/T3 DCFUS290D4/T3 S/N 1201 AND UP DCFS290D6/T3 DCFUS290D6/T3	SA00880CH McCauley PL60254 PL60258	141
T310R	L	TSIO-520-E (TCM)	OBSOLETE	3AF32C87/82NC-4	78.0	75.0	30		14.0	17.3	82.6				SA2750SW-D RAM Aircraft	1 108
T310R	L	TSIO-520-E (TCM)	P5045186-11	3AF32C504/82NEA-4	78.0	75.0	30		13.9	17.0	82.6				SA2750SW-D RAM Aircraft	108
T310R	L	TSIO-520-EB (TCM)	OBSOLETE	3AF32C87/82NC-4	78.0	75.0	30		14.0	17.3	82.6				SA2750SW-D RAM Aircraft	1 108
T310R	L	TSIO-520-EB (TCM)	P5045186-11	3AF32C504/82NEA-4	78.0	75.0	30		13.9	17.0	82.6				SA2750SW-D RAM Aircraft	108
T310R	L	TSIO-520-N (TCM)	OBSOLETE	3AF32C93/82NC-5.5	76.5	75.0	30		14.9	18.3	81.2				SA4011SW-D RAM Aircraft	1 108 119
T310R	L	TSIO-520-N (TCM)	P5055186-01	3AF32C505/82NEA-5.5	76.5	75.0	30		14.9	18.2	81.2				SA4011SW-D RAM Aircraft	108 119
T310R	L	TSIO-520-NB (TCM)	OBSOLETE	3AF32C93/82NC-5.5	76.5	75.0	30		14.9	18.3	81.2				SA4011SW-D RAM Aircraft	1 108 119
T310R	L	TSIO-520-NB (TCM)	P5055186-01	3AF32C505/82NEA-5.5	76.5	75.0	30		14.9	18.2	81.2				SA4011SW-D RAM Aircraft	108 119
320 "Skyknight"	L	TSIO-470-B (TCM)		Hartzell - See aircraft TCDS										DCFU290D2/T2 DCFU290D1/T2		
320 "Skyknight"	L	IO-520-E (TCM)	OBSOLETE	D3AF32C87/82NC-6	76.0		30								SA518SO Mike Jones Aircraft Sales	1
320 "Skyknight"	L	IO-520-E (TCM)	OBSOLETE	D3AF32C87/82NC-8	74.0		30								SA518SO Mike Jones Aircraft Sales	1

Constant Speed Propeller Applications

Aircraft Model	T Y P E	Engine Model (Make)	Propeller Part Number	Propeller Model	Max Dia	Min Dia	Ref Sta	Rev Angle	Low or Flight Idle Angle	Latch or Start Locks Angle	High or Feather Angle	Spinner Assembly P/N	S p i n n e r	Governor Model	STC Number STC Holder STC Kit P/N	N o t e s
320-1 "Skyknight"	L	TSIO-470-B (TCM)		Hartzell - See aircraft TCDS										DCFU290D2/T2 DCFU290D1/T2		
320-1 "Skyknight"	L	IO-520-E (TCM)	OBSOLETE	D3AF32C87/82NC-6	76.0		30								SA518SO Mike Jones Aircraft Sales	1
320-1 "Skyknight"	L	IO-520-E (TCM)	OBSOLETE	D3AF32C87/82NC-8	74.0		30								SA518SO Mike Jones Aircraft Sales	1
320A	L	TSIO-470-B (TCM)		Hartzell - See aircraft TCDS										DCFU290D2/T2 DCFU290D1/T2		
320A	L	IO-520-E (TCM)	OBSOLETE	D3AF32C87/82NC-6	76.0		30								SA518SO Mike Jones Aircraft Sales	1
320A	L	IO-520-E (TCM)	OBSOLETE	D3AF32C87/82NC-8	74.0		30								SA518SO Mike Jones Aircraft Sales	1
320B	L	TSIO-470-C (TCM)		Hartzell - See aircraft TCDS										DCFU290D2/T2 DCFU290D1/T2		
320B	L	IO-520-E (TCM)	OBSOLETE	D3AF32C87/82NC-6	76.0		30								SA518SO Mike Jones Aircraft Sales	1
320B	L	IO-520-E (TCM)	OBSOLETE	D3AF32C87/82NC-8	74.0		30								SA518SO Mike Jones Aircraft Sales	1
320C "Skyknight"	L	TSIO-470-D (TCM)	OBSOLETE	D2AF34C54/84HF-3	81.0	78.0	30		14.0	17.1	82.7			DCFU290D2/T2 DCFU290D1/T2		1
320C "Skyknight"	L	IO-520-E (TCM)	OBSOLETE	D3AF32C87/82NC-6	76.0		30								SA518SO Mike Jones Aircraft Sales	1
320C "Skyknight"	L	IO-520-E (TCM)	OBSOLETE	D3AF32C87/82NC-8	74.0		30								SA518SO Mike Jones Aircraft Sales	1
320D "Skyknight"	L	TSIO-520-B (TCM)	OBSOLETE	D2AF34C71/84JF-3	81.0	79.0	30		13.3	17.1	82.7					1
320D "Skyknight"	L	TSIO-520-B (TCM)	OBSOLETE	3AF32C72/82N-4	78.0	74.0	30		12.7	16.3	82.3	D-3538	E,S			1
320D "Skyknight"	L	TSIO-520-B (TCM)	OBSOLETE	3AF32C87/82NC-4	78.0	74.0	30		13.0	17.3	82.6	D-3538	E,S			1
320D "Skyknight"	L	TSIO-520-B (TCM)	P5045186-02 P5045186-0219	3AF32C504/82NEA-4	78.0	74.0	30		13.0	16.1	82.6	D-3538	E,S			
320D "Skyknight"	L	TSIO-520-BB (TCM)	OBSOLETE	D2AF34C71/84JF-3	81.0	79.0	30		13.3	17.1	82.7					1
320D "Skyknight"	L	TSIO-520-BB (TCM)	OBSOLETE	3AF32C72/82N-4	78.0	74.0	30		12.7	16.3	82.3	D-3538	E,S			1

Constant Speed Propeller Applications

Aircraft Model	T Y P E	Engine Model (Make)	Propeller Part Number	Propeller Model	Max Dia	Min Dia	Ref Sta	Rev Angle	Low or Flight Idle Angle	Latch or Start Locks Angle	High or Feather Angle	Spinner Assembly P/N	S p i n n e r	Governor Model	STC Number STC Holder STC Kit P/N	N o t e s
320D "Skyknight"	L	TSIO-520-BB (TCM)	OBSOLETE	3AF32C87/82NC-4	78.0	74.0	30		13.0	17.3	82.6	D-3538	E,S			1
320D "Skyknight"	L	TSIO-520-BB (TCM)	P5045186-02 P5045186-0219	3AF32C504/82NEA-4	78.0	74.0	30		13.0	16.1	82.6	D-3538	E,S			
320D "Skyknight"	L	TSIO-520-E (TCM)	OBSOLETE	3AF32C87/82NC-4	78.0	75.0	30		14.0	17.3	82.6				SA2750SW-D RAM Aircraft	1 108
320D "Skyknight"	L	TSIO-520-E (TCM)	P5045186-11	3AF32C504/82NEA-4	78.0	75.0	30		13.9	17.0	82.6				SA2750SW-D RAM Aircraft	108
320D "Skyknight"	L	TSIO-520-EB (TCM)	OBSOLETE	3AF32C87/82NC-4	78.0	75.0	30		14.0	17.3	82.6				SA2750SW-D RAM Aircraft	1 108
320D "Skyknight"	L	TSIO-520-EB (TCM)	P5045186-11	3AF32C504/82NEA-4	78.0	75.0	30		13.9	17.0	82.6				SA2750SW-D RAM Aircraft	108
320D "Skyknight"	L	TSIO-520-N (TCM)	OBSOLETE	3AF32C93/82NC-5.5	76.5	75.0	30		14.9	18.3	81.2				SA4011SW-D RAM Aircraft	1 108 119
320D "Skyknight"	L	TSIO-520-N (TCM)	P5055186-01	3AF32C505/82NEA-5.5	76.5	75.0	30		14.9	18.2	81.2				SA4011SW-D RAM Aircraft	108 119
320D "Skyknight"	L	TSIO-520-NB (TCM)	OBSOLETE	3AF32C93/82NC-5.5	76.5	75.0	30		14.9	18.3	81.2				SA4011SW-D RAM Aircraft	1 108 119
320D "Skyknight"	L	TSIO-520-NB (TCM)	P5055186-01	3AF32C505/82NEA-5.5	76.5	75.0	30		14.9	18.2	81.2				SA4011SW-D RAM Aircraft	108 119
320E "Executive Skyknight"	L	TSIO-520-B (TCM)	OBSOLETE	D2AF34C71/84JF-3	81.0	79.0	30		13.3	17.1	82.7					1
320E "Executive Skyknight"	L	TSIO-520-B (TCM)	OBSOLETE	3AF32C87/82NC-4	78.0	74.0	30		13.0	17.3	82.6	D-3538	E,S			1
320E "Executive Skyknight"	L	TSIO-520-B (TCM)	P5045186-02 P5045186-0219	3AF32C504/82NEA-4	78.0	74.0	30		13.0	16.1	82.6	D-3538	E,S			
320E "Executive Skyknight"	L	TSIO-520-BB (TCM)	OBSOLETE	D2AF34C71/84JF-3	81.0	79.0	30		13.3	17.1	82.7					1
320E "Executive Skyknight"	L	TSIO-520-BB (TCM)	OBSOLETE	3AF32C87/82NC-4	78.0	74.0	30		13.0	17.3	82.6	D-3538	E,S			1
320E "Executive Skyknight"	L	TSIO-520-BB (TCM)	P5045186-02 P5045186-0219	3AF32C504/82NEA-4	78.0	74.0	30		13.0	16.1	82.6	D-3538	E,S			
320E "Executive Skyknight"	L	TSIO-520-E (TCM)	OBSOLETE	3AF32C87/82NC-4	78.0	75.0	30		14.0	17.3	82.6				SA2750SW-D RAM Aircraft	1 108
320E "Executive Skyknight"	L	TSIO-520-E (TCM)	P5045186-11	3AF32C504/82NEA-4	78.0	75.0	30		13.9	17.0	82.6				SA2750SW-D RAM Aircraft	108
320E "Executive Skyknight"	L	TSIO-520-EB (TCM)	OBSOLETE	3AF32C87/82NC-4	78.0	75.0	30		14.0	17.3	82.6				SA2750SW-D RAM Aircraft	1 108
320E "Executive Skyknight"	L	TSIO-520-EB (TCM)	P5045186-11	3AF32C504/82NEA-4	78.0	75.0	30		13.9	17.0	82.6				SA2750SW-D RAM Aircraft	108

Constant Speed Propeller Applications

Aircraft Model	T Y P E	Engine Model (Make)	Propeller Part Number	Propeller Model	Max Dia	Min Dia	Ref Sta	Rev Angle	Low or Flight Idle Angle	Latch or Start Locks Angle	High or Feather Angle	Spinner Assembly P/N	S p i n n e r	Governor Model	STC Number STC Holder STC Kit P/N	N o t e s
320E "Executive Skyknight"	L	TSIO-520-N (TCM)	OBSOLETE	3AF32C93/82NC-5.5	76.5	75.0	30		14.9	18.3	81.2				SA4011SW-D RAM Aircraft	1 108 119
320E "Executive Skyknight"	L	TSIO-520-N (TCM)	P5055186-01	3AF32C505/82NEA-5.5	76.5	75.0	30		14.9	18.2	81.2				SA4011SW-D RAM Aircraft	108 119
320E "Executive Skyknight"	L	TSIO-520-NB (TCM)	OBSOLETE	3AF32C93/82NC-5.5	76.5	75.0	30		14.9	18.3	81.2				SA4011SW-D RAM Aircraft	1 108 119
320E "Executive Skyknight"	L	TSIO-520-NB (TCM)	P5055186-01	3AF32C505/82NEA-5.5	76.5	75.0	30		14.9	18.2	81.2				SA4011SW-D RAM Aircraft	108 119
320F "Executive Skyknight"	L	TSIO-520-B (TCM)	OBSOLETE	D2AF34C71/84JF-3	81.0	79.0	30		13.3	17.1	82.7					1
320F "Executive Skyknight"	L	TSIO-520-B (TCM)	OBSOLETE	3AF32C87/82NC-4	78.0	74.0	30		13.0	17.3	82.6	D-3538	E,S			1
320F "Executive Skyknight"	L	TSIO-520-B (TCM)	P5045186-02 P5045186-0219	3AF32C504/82NEA-4	78.0	74.0	30		13.0	16.1	82.6	D-3538	E,S			
320F "Executive Skyknight"	L	TSIO-520-BB (TCM)	OBSOLETE	D2AF34C71/84JF-3	81.0	79.0	30		13.3	17.1	82.7					1
320F "Executive Skyknight"	L	TSIO-520-BB (TCM)	OBSOLETE	3AF32C87/82NC-4	78.0	74.0	30		13.0	17.3	82.6	D-3538	E,S			1
320F "Executive Skyknight"	L	TSIO-520-BB (TCM)	P5045186-02 P5045186-0219	3AF32C504/82NEA-4	78.0	74.0	30		13.0	16.1	82.6	D-3538	E,S			
320F "Executive Skyknight"	L	TSIO-520-E (TCM)	OBSOLETE	3AF32C87/82NC-4	78.0	75.0	30		14.0	17.3	82.6				SA2750SW-D RAM Aircraft	1 108
320F "Executive Skyknight"	L	TSIO-520-E (TCM)	P5045186-11	3AF32C504/82NEA-4	78.0	75.0	30		13.9	17.0	82.6				SA2750SW-D RAM Aircraft	108
320F "Executive Skyknight"	L	TSIO-520-EB (TCM)	OBSOLETE	3AF32C87/82NC-4	78.0	75.0	30		14.0	17.3	82.6				SA2750SW-D RAM Aircraft	1 108
320F "Executive Skyknight"	L	TSIO-520-EB (TCM)	P5045186-11	3AF32C504/82NEA-4	78.0	75.0	30		13.9	17.0	82.6				SA2750SW-D RAM Aircraft	108
320F "Executive Skyknight"	L	TSIO-520-N (TCM)	OBSOLETE	3AF32C93/82NC-5.5	76.5	75.0	30		14.9	18.3	81.2				SA4011SW-D RAM Aircraft	1 108 119
320F "Executive Skyknight"	L	TSIO-520-N (TCM)	P5055186-01	3AF32C505/82NEA-5.5	76.5	75.0	30		14.9	18.2	81.2				SA4011SW-D RAM Aircraft	108 119
320F "Executive Skyknight"	L	TSIO-520-NB (TCM)	OBSOLETE	3AF32C93/82NC-5.5	76.5	75.0	30		14.9	18.3	81.2				SA4011SW-D RAM Aircraft	1 108 119
320F "Executive Skyknight"	L	TSIO-520-NB (TCM)	P5055186-01	3AF32C505/82NEA-5.5	76.5	75.0	30		14.9	18.2	81.2				SA4011SW-D RAM Aircraft	108 119
321 "NAVY OE-2"	L	O-470-2 (TCM)	OBSOLETE	2A36C1-T/90M-0	90.0	88.0	36		9.5		23.0					1

Constant Speed Propeller Applications

Aircraft Model	TYPE	Engine Model (Make)	Propeller Part Number	Propeller Model	Max Dia	Min Dia	Ref Sta	Rev Angle	Low or Flight Idle Angle	Latch or Start Locks Angle	High or Feather Angle	Spinner Assembly P/N	Spinner Type	Governor Model	STC Number STC Holder STC Kit P/N	Notes
335	L	TSIO-520-EB (TCM)	OBSOLETE	3AF32C87/82NC-5.5	76.5	75.0	30		14.2	17.3	81.2	D-3797	E,S	DCFS290D8/T3 DCFS290D7/T3 DCFUS290D13/T3 DCFUS290D12/T3 DCFUS290D8/T3 DCFUS290D7/T3		1
335	L	TSIO-520-EB (TCM)	P5045186-03 P5045186-0319	3AF32C504/82NEA-5.5	76.5	75.0	30		14.2	17.3	81.2	D-3797	E,S	DCFS290D8/T3 DCFS290D7/T3 DCFUS290D13/T3 DCFUS290D12/T3 DCFUS290D8/T3 DCFUS290D7/T3		
336 (front) "Skymaster"	L	IO-360-A (TCM)	OBSOLETE	D2AF34C46/76C-0	76.0	74.5	30		11.7	15.0	79.0					1 58
336 (front) "Skymaster"	L	IO-360-A (TCM)	OBSOLETE	D2AF34C60/76C-0	76.0	74.5	30		11.7	15.0	79.0					1
336 (rear) "Skymaster"	L	IO-360-A (TCM)	OBSOLETE	D2AF34C56/L76C-0	76.0	74.5	30		10.8	16.0	79.0					1 58
336 (rear) "Skymaster"	L	IO-360-A (TCM)	OBSOLETE	D2AF34C61/L76C-0	76.0	74.5	30		10.8	16.0	79.0					1
337 (front) "Super Skymaster"	L	IO-360-C (TCM)	OBSOLETE	D2AF34C59/76C-0	76.0	74.5	30		11.7	15.0	79.0			DCFUS310D13/T5 DCFUS310D7/T5 CFUS310D2/T5 DCFU310D13/T5 DCFU310D7/T5 CFU310D2/T5 DCFS310D7/T5 DCFS310D4/T5 CFS310D2/T5 DCF310D7/T1 CF310D2/T1 CF310D1/T1		1
337 (front) "Super Skymaster"	L	IO-360-C (TCM)	OBSOLETE	D2AF34C301/76CTA-0	76.0	75.0	30		11.7	14.7	79.0			DCFUS310D13/T5 DCFUS310D7/T5 CFUS310D2/T5 DCFU310D13/T5 DCFU310D7/T5 CFU310D2/T5 DCFS310D7/T5 DCFS310D4/T5 CFS310D2/T5 DCF310D7/T1 CF310D2/T1 CF310D1/T1		1

Constant Speed Propeller Applications

Aircraft Model	T Y P E	Engine Model (Make)	Propeller Part Number	Propeller Model	Max Dia	Min Dia	Ref Sta	Rev Angle	Low or Flight Idle Angle	Latch or Start Locks Angle	High or Feather Angle	Spinner Assembly P/N	S p i n n e r	Governor Model	STC Number STC Holder STC Kit P/N	N o t e s
337 (front) "Super Skymaster"	L	IO-360-C (TCM)	P3064229-11	D2AF34C306/78CAA-0	78.0	76.5	30		11.0	15.8	82.0			DCFUS310D13/T5 DCFUS310D7/T5 CFUS310D2/T5 DCFU310D13/T5 DCFU310D7/T5 CFU310D2/T5 DCFS310D7/T5 DCFS310D4/T5 CFS310D2/T5 DCF310D7/T1 CF310D2/T1 CF310D1/T1		
337 (front) "Super Skymaster"	L	IO-360-CB (TCM)	OBSOLETE	D2AF34C59/76C-0	76.0	74.5	30		11.7	15.0	79.0			DCFUS310D13/T5 DCFUS310D7/T5 CFUS310D2/T5 DCFU310D13/T5 DCFU310D7/T5 CFU310D2/T5 DCFS310D7/T5 DCFS310D4/T5 CFS310D2/T5 DCF310D7/T1 CF310D2/T1 CF310D1/T1		1
337 (front) "Super Skymaster"	L	IO-360-CB (TCM)	OBSOLETE	D2AF34C301/76CTA-0	76.0	75.0	30		11.7	14.7	79.0			DCFUS310D13/T5 DCFUS310D7/T5 CFUS310D2/T5 DCFU310D13/T5 DCFU310D7/T5 CFU310D2/T5 DCFS310D7/T5 DCFS310D4/T5 CFS310D2/T5 DCF310D7/T1 CF310D2/T1 CF310D1/T1		1

Constant Speed Propeller Applications

Aircraft Model	T Y P E	Engine Model (Make)	Propeller Part Number	Propeller Model	Max Dia	Min Dia	Ref Sta	Rev Angle	Low or Flight Idle Angle	Latch or Start Locks Angle	High or Feather Angle	Spinner Assembly P/N	S p i n n e r	Governor Model	STC Number STC Holder STC Kit P/N	N o t e s
337 (front) "Super Skymaster"	L	IO-360-CB (TCM)	P3064229-11	D2AF34C306/78CAA-0	78.0	76.5	30		11.0	15.8	82.0			DCFUS310D13/T5 DCFUS310D7/T5 CFUS310D2/T5 DCFU310D13/T5 DCFU310D7/T5 CFU310D2/T5 DCFS310D7/T5 DCFS310D4/T5 CFS310D2/T5 DCF310D7/T1 CF310D2/T1 CF310D1/T1		
337 (front) "Super Skymaster"	L	IO-360-G (TCM)	OBSOLETE	D2AF34C59/76C-0	76.0	74.5	30		11.7	15.0	79.0			DCFUS310D13/T5 DCFUS310D7/T5 CFUS310D2/T5 DCFU310D13/T5 DCFU310D7/T5 CFU310D2/T5 DCFS310D7/T5 DCFS310D4/T5 CFS310D2/T5 DCF310D7/T1 CF310D2/T1 CF310D1/T1		1
337 (front) "Super Skymaster"	L	IO-360-G (TCM)	OBSOLETE	D2AF34C301/76CTA-0	76.0	75.0	30		11.7	14.7	79.0			DCFUS310D13/T5 DCFUS310D7/T5 CFUS310D2/T5 DCFU310D13/T5 DCFU310D7/T5 CFU310D2/T5 DCFS310D7/T5 DCFS310D4/T5 CFS310D2/T5 DCF310D7/T1 CF310D2/T1 CF310D1/T1		1

Constant Speed Propeller Applications

Aircraft Model	TYPE	Engine Model (Make)	Propeller Part Number	Propeller Model	Max Dia	Min Dia	Ref Sta	Rev Angle	Low or Flight Idle Angle	Latch or Start Locks Angle	High or Feather Angle	Spinner Assembly P/N	Spinner Type	Governor Model	STC Number STC Holder STC Kit P/N	Notes
337 (front) "Super Skymaster"	L	IO-360-G (TCM)	P3064229-11	D2AF34C306/78CAA-0	78.0	76.5	30		11.0	15.8	82.0			DCFUS310D13/T5 DCFUS310D7/T5 CFUS310D2/T5 DCFU310D13/T5 DCFU310D7/T5 CFU310D2/T5 DCFS310D7/T5 DCFS310D4/T5 CFS310D2/T5 DCF310D7/T1 CF310D2/T1 CF310D1/T1		
337 (front) "Super Skymaster"	L	IO-360-GB (TCM)	OBSOLETE	D2AF34C59/76C-0	76.0	74.5	30		11.7	15.0	79.0			DCFUS310D13/T5 DCFUS310D7/T5 CFUS310D2/T5 DCFU310D13/T5 DCFU310D7/T5 CFU310D2/T5 DCFS310D7/T5 DCFS310D4/T5 CFS310D2/T5 DCF310D7/T1 CF310D2/T1 CF310D1/T1		1
337 (front) "Super Skymaster"	L	IO-360-GB (TCM)	OBSOLETE	D2AF34C301/76CTA-0	76.0	75.0	30		11.7	14.7	79.0			DCFUS310D13/T5 DCFUS310D7/T5 CFUS310D2/T5 DCFU310D13/T5 DCFU310D7/T5 CFU310D2/T5 DCFS310D7/T5 DCFS310D4/T5 CFS310D2/T5 DCF310D7/T1 CF310D2/T1 CF310D1/T1		1

Constant Speed Propeller Applications

Aircraft Model	TYPE	Engine Model (Make)	Propeller Part Number	Propeller Model	Max Dia	Min Dia	Ref Sta	Rev Angle	Low or Flight Idle Angle	Latch or Start Locks Angle	High or Feather Angle	Spinner Assembly P/N	Spinner Type	Governor Model	STC Number STC Holder STC Kit P/N	Notes
337 (front) "Super Skymaster"	L	IO-360-GB (TCM)	P3064229-11	D2AF34C306/78CAA-0	78.0	76.5	30		11.0	15.8	82.0			DCFUS310D13/T5 DCFUS310D7/T5 CFUS310D2/T5 DCFU310D13/T5 DCFU310D7/T5 CFU310D2/T5 DCFS310D7/T5 DCFS310D4/T5 CFS310D2/T5 DCF310D7/T1 CF310D2/T1 CF310D1/T1		
337 (rear) "Super Skymaster"	L	IO-360-C (TCM)	OBSOLETE	D2AF34C61/L76C-0	76.0	74.5	30		10.8	16.0	79.0			CF310D2/T1 CF310D1/T1		1
337 (rear) "Super Skymaster"	L	IO-360-C (TCM)	P3024231-01	D2AF34C302/L76CTA-0	76.0	75.0	30		10.8	14.8	79.0			CF310D2/T1 CF310D1/T1		
337 (rear) "Super Skymaster"	L	IO-360-C (TCM)	P3074231-21	D2AF34C307/L78CBA-2	76.0	74.5	30		11.0	15.8	80.0			CF310D2/T1 CF310D1/T1		
337 (rear) "Super Skymaster"	L	IO-360-CB (TCM)	OBSOLETE	D2AF34C61/L76C-0	76.0	74.5	30		10.8	16.0	79.0			CF310D2/T1 CF310D1/T1		1
337 (rear) "Super Skymaster"	L	IO-360-CB (TCM)	P3024231-01	D2AF34C302/L76CTA-0	76.0	75.0	30		10.8	14.8	79.0			CF310D2/T1 CF310D1/T1		
337 (rear) "Super Skymaster"	L	IO-360-CB (TCM)	P3074231-21	D2AF34C307/L78CBA-2	76.0	74.5	30		11.0	15.8	80.0			CF310D2/T1 CF310D1/T1		
337 (rear) "Super Skymaster"	L	IO-360-D (TCM)	OBSOLETE	D2AF34C61/L76C-0	76.0	74.5	30		10.8	16.0	79.0			CF310D2/T1 CF310D1/T1		1
337 (rear) "Super Skymaster"	L	IO-360-D (TCM)	P3024231-01	D2AF34C302/L76CTA-0	76.0	75.0	30		10.8	14.8	79.0			CF310D2/T1 CF310D1/T1		
337 (rear) "Super Skymaster"	L	IO-360-D (TCM)	P3074231-21	D2AF34C307/L78CBA-2	76.0	74.5	30		11.0	15.8	80.0			CF310D2/T1 CF310D1/T1		
337 (rear) "Super Skymaster"	L	IO-360-DB (TCM)	OBSOLETE	D2AF34C61/L76C-0	76.0	74.5	30		10.8	16.0	79.0			CF310D2/T1 CF310D1/T1		1
337 (rear) "Super Skymaster"	L	IO-360-DB (TCM)	P3024231-01	D2AF34C302/L76CTA-0	76.0	75.0	30		10.8	14.8	79.0			CF310D2/T1 CF310D1/T1		
337 (rear) "Super Skymaster"	L	IO-360-DB (TCM)	P3074231-21	D2AF34C307/L78CBA-2	76.0	74.5	30		11.0	15.8	80.0			CF310D2/T1 CF310D1/T1		
337 (rear) "Super Skymaster"	L	IO-360-G (TCM)	OBSOLETE	D2AF34C61/L76C-0	76.0	74.5	30		10.8	16.0	79.0			CF310D2/T1 CF310D1/T1		1
337 (rear) "Super Skymaster"	L	IO-360-G (TCM)	P3024231-01	D2AF34C302/L76CTA-0	76.0	75.0	30		10.8	14.8	79.0			CF310D2/T1 CF310D1/T1		
337 (rear) "Super Skymaster"	L	IO-360-G (TCM)	P3074231-21	D2AF34C307/L78CBA-2	76.0	74.5	30		11.0	15.8	80.0			CF310D2/T1 CF310D1/T1		
337 (rear) "Super Skymaster"	L	IO-360-GB (TCM)	OBSOLETE	D2AF34C61/L76C-0	76.0	74.5	30		10.8	16.0	79.0			CF310D2/T1 CF310D1/T1		1

Constant Speed Propeller Applications

Aircraft Model	T Y P E	Engine Model (Make)	Propeller Part Number	Propeller Model	Max Dia	Min Dia	Ref Sta	Rev Angle	Low or Flight Idle Angle	Latch or Start Locks Angle	High or Feather Angle	Spinner Assembly P/N	S p i n n e r	Governor Model	STC Number STC Holder STC Kit P/N	N o t e s
337 (rear) "Super Skymaster"	L	IO-360-GB (TCM)	P3024231-01	D2AF34C302/L76CTA-0	76.0	75.0	30		10.8	14.8	79.0			CF310D2/T1 CF310D1/T1		
337 (rear) "Super Skymaster"	L	IO-360-GB (TCM)	P3074231-21	D2AF34C307/L78CBA-2	76.0	74.5	30		11.0	15.8	80.0			CF310D2/T1 CF310D1/T1		
337A (front) "Super Skymaster" "USAF O2B"	L	IO-360-C (TCM)	OBSOLETE	D2AF34C59/76C-0	76.0	74.5	30		11.7	15.0	79.0			DCFUS310D13/T5 DCFUS310D7/T5 CFUS310D2/T5 DCFU310D13/T5 DCFU310D7/T5 CFU310D2/T5 DCFS310D7/T5 DCFS310D4/T5 CFS310D2/T5 DCF310D7/T1 CF310D2/T1 CF310D1/T1		1
337A (front) "Super Skymaster" "USAF O2B"	L	IO-360-C (TCM)	OBSOLETE	D2AF34C301/76CTA-0	76.0	75.0	30		11.7	14.7	79.0			DCFUS310D13/T5 DCFUS310D7/T5 CFUS310D2/T5 DCFU310D13/T5 DCFU310D7/T5 CFU310D2/T5 DCFS310D7/T5 DCFS310D4/T5 CFS310D2/T5 DCF310D7/T1 CF310D2/T1 CF310D1/T1		1
337A (front) "Super Skymaster" "USAF O2B"	L	IO-360-C (TCM)	P3064229-11	D2AF34C306/78CAA-0	78.0	76.5	30		11.0	15.8	82.0			DCFUS310D13/T5 DCFUS310D7/T5 CFUS310D2/T5 DCFU310D13/T5 DCFU310D7/T5 CFU310D2/T5 DCFS310D7/T5 DCFS310D4/T5 CFS310D2/T5 DCF310D7/T1 CF310D2/T1 CF310D1/T1		

Constant Speed Propeller Applications

Aircraft Model	T Y P E	Engine Model (Make)	Propeller Part Number	Propeller Model	Max Dia	Min Dia	Ref Sta	Rev Angle	Low or Flight Idle Angle	Latch or Start Locks Angle	High or Feather Angle	Spinner Assembly P/N	S p i n n e r	Governor Model	STC Number STC Holder STC Kit P/N	N o t e s
337A (front) "Super Skymaster" "USAF O2B"	L	IO-360-CB (TCM)	OBSOLETE	D2AF34C59/76C-0	76.0	74.5	30		11.7	15.0	79.0			DCFUS310D13/T5 DCFUS310D7/T5 CFUS310D2/T5 DCFU310D13/T5 DCFU310D7/T5 CFU310D2/T5 DCFS310D7/T5 DCFS310D4/T5 CFS310D2/T5 DCF310D7/T1 CF310D2/T1 CF310D1/T1		1
337A (front) "Super Skymaster" "USAF O2B"	L	IO-360-CB (TCM)	OBSOLETE	D2AF34C301/76CTA-0	76.0	75.0	30		11.7	14.7	79.0			DCFUS310D13/T5 DCFUS310D7/T5 CFUS310D2/T5 DCFU310D13/T5 DCFU310D7/T5 CFU310D2/T5 DCFS310D7/T5 DCFS310D4/T5 CFS310D2/T5 DCF310D7/T1 CF310D2/T1 CF310D1/T1		1
337A (front) "Super Skymaster" "USAF O2B"	L	IO-360-CB (TCM)	P3064229-11	D2AF34C306/78CAA-0	78.0	76.5	30		11.0	15.8	82.0			DCFUS310D13/T5 DCFUS310D7/T5 CFUS310D2/T5 DCFU310D13/T5 DCFU310D7/T5 CFU310D2/T5 DCFS310D7/T5 DCFS310D4/T5 CFS310D2/T5 DCF310D7/T1 CF310D2/T1 CF310D1/T1		

Constant Speed Propeller Applications

Aircraft Model	T Y P E	Engine Model (Make)	Propeller Part Number	Propeller Model	Max Dia	Min Dia	Ref Sta	Rev Angle	Low or Flight Idle Angle	Latch or Start Locks Angle	High or Feather Angle	Spinner Assembly P/N	S p i n n e r	Governor Model	STC Number STC Holder STC Kit P/N	N o t e s
337A (front) "Super Skymaster" "USAF O2B"	L	IO-360-G (TCM)	OBSOLETE	D2AF34C59/76C-0	76.0	74.5	30		11.7	15.0	79.0			DCFUS310D13/T5 DCFUS310D7/T5 CFUS310D2/T5 DCFU310D13/T5 DCFU310D7/T5 CFU310D2/T5 DCFS310D7/T5 DCFS310D4/T5 CFS310D2/T5 DCF310D7/T1 CF310D2/T1 CF310D1/T1		1
337A (front) "Super Skymaster" "USAF O2B"	L	IO-360-G (TCM)	OBSOLETE	D2AF34C301/76CTA-0	76.0	75.0	30		11.7	14.7	79.0			DCFUS310D13/T5 DCFUS310D7/T5 CFUS310D2/T5 DCFU310D13/T5 DCFU310D7/T5 CFU310D2/T5 DCFS310D7/T5 DCFS310D4/T5 CFS310D2/T5 DCF310D7/T1 CF310D2/T1 CF310D1/T1		1
337A (front) "Super Skymaster" "USAF O2B"	L	IO-360-G (TCM)	P3064229-11	D2AF34C306/78CAA-0	78.0	76.5	30		11.0	15.8	82.0			DCFUS310D13/T5 DCFUS310D7/T5 CFUS310D2/T5 DCFU310D13/T5 DCFU310D7/T5 CFU310D2/T5 DCFS310D7/T5 DCFS310D4/T5 CFS310D2/T5 DCF310D7/T1 CF310D2/T1 CF310D1/T1		

Constant Speed Propeller Applications

Aircraft Model	TYPE	Engine Model (Make)	Propeller Part Number	Propeller Model	Max Dia	Min Dia	Ref Sta	Rev Angle	Low or Flight Idle Angle	Latch or Start Locks Angle	High or Feather Angle	Spinner Assembly P/N	Spinner Type	Governor Model	STC Number STC Holder STC Kit P/N	Notes
337A (front) "Super Skymaster" "USAF O2B"	L	IO-360-GB (TCM)	OBSOLETE	D2AF34C59/76C-0	76.0	74.5	30		11.7	15.0	79.0			DCFUS310D13/T5 DCFUS310D7/T5 CFUS310D2/T5 DCFU310D13/T5 DCFU310D7/T5 CFU310D2/T5 DCFS310D7/T5 DCFS310D4/T5 CFS310D2/T5 DCF310D7/T1 CF310D2/T1 CF310D1/T1		1
337A (front) "Super Skymaster" "USAF O2B"	L	IO-360-GB (TCM)	OBSOLETE	D2AF34C301/76CTA-0	76.0	75.0	30		11.7	14.7	79.0			DCFUS310D13/T5 DCFUS310D7/T5 CFUS310D2/T5 DCFU310D13/T5 DCFU310D7/T5 CFU310D2/T5 DCFS310D7/T5 DCFS310D4/T5 CFS310D2/T5 DCF310D7/T1 CF310D2/T1 CF310D1/T1		1
337A (front) "Super Skymaster" "USAF O2B"	L	IO-360-GB (TCM)	P3064229-11	D2AF34C306/78CAA-0	78.0	76.5	30		11.0	15.8	82.0			DCFUS310D13/T5 DCFUS310D7/T5 CFUS310D2/T5 DCFU310D13/T5 DCFU310D7/T5 CFU310D2/T5 DCFS310D7/T5 DCFS310D4/T5 CFS310D2/T5 DCF310D7/T1 CF310D2/T1 CF310D1/T1		
337A (rear) "Super Skymaster" "USAF O2B"	L	IO-360-C (TCM)	OBSOLETE	D2AF34C61/L76C-0	76.0	74.5	30		10.8	16.0	79.0			CF310D2/T1 CF310D1/T1		1
337A (rear) "Super Skymaster" "USAF O2B"	L	IO-360-C (TCM)	P3024231-01	D2AF34C302/L76CTA-0	76.0	75.0	30		10.8	14.8	79.0			CF310D2/T1 CF310D1/T1		

Constant Speed Propeller Applications

Aircraft Model	T Y P E	Engine Model (Make)	Propeller Part Number	Propeller Model	Max Dia	Min Dia	Ref Sta	Rev Angle	Low or Flight Idle Angle	Latch or Start Locks Angle	High or Feather Angle	Spinner Assembly P/N	S p i n n e r	Governor Model	STC Number STC Holder STC Kit P/N	N o t e s
337A (rear) "Super Skymaster" "USAF O2B"	L	IO-360-C (TCM)	P3074231-21	D2AF34C307/L78CBA-2	76.0	74.5	30		11.0	15.8	80.0			CF310D2/T1 CF310D1/T1		
337A (rear) "Super Skymaster" "USAF O2B"	L	IO-360-CB (TCM)	OBSOLETE	D2AF34C61/L76C-0	76.0	74.5	30		10.8	16.0	79.0			CF310D2/T1 CF310D1/T1		1
337A (rear) "Super Skymaster" "USAF O2B"	L	IO-360-CB (TCM)	P3024231-01	D2AF34C302/L76CTA-0	76.0	75.0	30		10.8	14.8	79.0			CF310D2/T1 CF310D1/T1		
337A (rear) "Super Skymaster" "USAF O2B"	L	IO-360-CB (TCM)	P3074231-21	D2AF34C307/L78CBA-2	76.0	74.5	30		11.0	15.8	80.0			CF310D2/T1 CF310D1/T1		
337A (rear) "Super Skymaster" "USAF O2B"	L	IO-360-D (TCM)	OBSOLETE	D2AF34C61/L76C-0	76.0	74.5	30		10.8	16.0	79.0			CF310D2/T1 CF310D1/T1		1
337A (rear) "Super Skymaster" "USAF O2B"	L	IO-360-D (TCM)	P3024231-01	D2AF34C302/L76CTA-0	76.0	75.0	30		10.8	14.8	79.0			CF310D2/T1 CF310D1/T1		
337A (rear) "Super Skymaster" "USAF O2B"	L	IO-360-D (TCM)	P3074231-21	D2AF34C307/L78CBA-2	76.0	74.5	30		11.0	15.8	80.0			CF310D2/T1 CF310D1/T1		
337A (rear) "Super Skymaster" "USAF O2B"	L	IO-360-DB (TCM)	OBSOLETE	D2AF34C61/L76C-0	76.0	74.5	30		10.8	16.0	79.0			CF310D2/T1 CF310D1/T1		1
337A (rear) "Super Skymaster" "USAF O2B"	L	IO-360-DB (TCM)	P3024231-01	D2AF34C302/L76CTA-0	76.0	75.0	30		10.8	14.8	79.0			CF310D2/T1 CF310D1/T1		
337A (rear) "Super Skymaster" "USAF O2B"	L	IO-360-DB (TCM)	P3074231-21	D2AF34C307/L78CBA-2	76.0	74.5	30		11.0	15.8	80.0			CF310D2/T1 CF310D1/T1		
337A (rear) "Super Skymaster" "USAF O2B"	L	IO-360-G (TCM)	OBSOLETE	D2AF34C61/L76C-0	76.0	74.5	30		10.8	16.0	79.0			CF310D2/T1 CF310D1/T1		1
337A (rear) "Super Skymaster" "USAF O2B"	L	IO-360-G (TCM)	P3024231-01	D2AF34C302/L76CTA-0	76.0	75.0	30		10.8	14.8	79.0			CF310D2/T1 CF310D1/T1		
337A (rear) "Super Skymaster" "USAF O2B"	L	IO-360-G (TCM)	P3074231-21	D2AF34C307/L78CBA-2	76.0	74.5	30		11.0	15.8	80.0			CF310D2/T1 CF310D1/T1		
337A (rear) "Super Skymaster" "USAF O2B"	L	IO-360-GB (TCM)	OBSOLETE	D2AF34C61/L76C-0	76.0	74.5	30		10.8	16.0	79.0			CF310D2/T1 CF310D1/T1		1

Constant Speed Propeller Applications

Aircraft Model	T Y P E	Engine Model (Make)	Propeller Part Number	Propeller Model	Max Dia	Min Dia	Ref Sta	Rev Angle	Low or Flight Idle Angle	Latch or Start Locks Angle	High or Feather Angle	Spinner Assembly P/N	S p i n n e r	Governor Model	STC Number STC Holder STC Kit P/N	N o t e s
337A (rear) "Super Skymaster" "USAF O2B"	L	IO-360-GB (TCM)	P3024231-01	D2AF34C302/L76CTA-0	76.0	75.0	30		10.8	14.8	79.0			CF310D2/T1 CF310D1/T1		
337A (rear) "Super Skymaster" "USAF O2B"	L	IO-360-GB (TCM)	P3074231-21	D2AF34C307/L78CBA-2	76.0	74.5	30		11.0	15.8	80.0			CF310D2/T1 CF310D1/T1		
337B (front) "Super Skymaster"	L	IO-360-C (TCM)	OBSOLETE	D2AF34C59/76C-0	76.0	74.5	30		11.7	15.0	79.0			DCFUS310D13/T5 DCFUS310D7/T5 CFUS310D2/T5 DCFU310D13/T5 DCFU310D7/T5 CFU310D2/T5 DCFS310D7/T5 DCFS310D4/T5 CFS310D2/T5 DCF310D7/T1 CF310D2/T1 CF310D1/T1		1
337B (front) "Super Skymaster"	L	IO-360-C (TCM)	OBSOLETE	D2AF34C301/76CTA-0	76.0	75.0	30		11.7	14.7	79.0			DCFUS310D13/T5 DCFUS310D7/T5 CFUS310D2/T5 DCFU310D13/T5 DCFU310D7/T5 CFU310D2/T5 DCFS310D7/T5 DCFS310D4/T5 CFS310D2/T5 DCF310D7/T1 CF310D2/T1 CF310D1/T1		1
337B (front) "Super Skymaster"	L	IO-360-C (TCM)	P3064229-11	D2AF34C306/78CAA-0	78.0	76.5	30		11.0	15.8	82.0			DCFUS310D13/T5 DCFUS310D7/T5 CFUS310D2/T5 DCFU310D13/T5 DCFU310D7/T5 CFU310D2/T5 DCFS310D7/T5 DCFS310D4/T5 CFS310D2/T5 DCF310D7/T1 CF310D2/T1 CF310D1/T1		

Constant Speed Propeller Applications

Aircraft Model	T Y P E	Engine Model (Make)	Propeller Part Number	Propeller Model	Max Dia	Min Dia	Ref Sta	Rev Angle	Low or Flight Idle Angle	Latch or Start Locks Angle	High or Feather Angle	Spinner Assembly P/N	S p i n n e r	Governor Model	STC Number STC Holder STC Kit P/N	N o t e s
337B (front) "Super Skymaster"	L	IO-360-CB (TCM)	OBSOLETE	D2AF34C59/76C-0	76.0	74.5	30		11.7	15.0	79.0			DCFUS310D13/T5 DCFUS310D7/T5 CFUS310D2/T5 DCFU310D13/T5 DCFU310D7/T5 CFU310D2/T5 DCFS310D7/T5 DCFS310D4/T5 CFS310D2/T5 DCF310D7/T1 CF310D2/T1 CF310D1/T1		1
337B (front) "Super Skymaster"	L	IO-360-CB (TCM)	OBSOLETE	D2AF34C301/76CTA-0	76.0	75.0	30		11.7	14.7	79.0			DCFUS310D13/T5 DCFUS310D7/T5 CFUS310D2/T5 DCFU310D13/T5 DCFU310D7/T5 CFU310D2/T5 DCFS310D7/T5 DCFS310D4/T5 CFS310D2/T5 DCF310D7/T1 CF310D2/T1 CF310D1/T1		1
337B (front) "Super Skymaster"	L	IO-360-CB (TCM)	P3064229-11	D2AF34C306/78CAA-0	78.0	76.5	30		11.0	15.8	82.0			DCFUS310D13/T5 DCFUS310D7/T5 CFUS310D2/T5 DCFU310D13/T5 DCFU310D7/T5 CFU310D2/T5 DCFS310D7/T5 DCFS310D4/T5 CFS310D2/T5 DCF310D7/T1 CF310D2/T1 CF310D1/T1		

Constant Speed Propeller Applications

Aircraft Model	TYPE	Engine Model (Make)	Propeller Part Number	Propeller Model	Max Dia	Min Dia	Ref Sta	Rev Angle	Low or Flight Idle Angle	Latch or Start Locks Angle	High or Feather Angle	Spinner Assembly P/N	Spinner Type	Governor Model	STC Number STC Holder STC Kit P/N	Notes
337B (front) "Super Skymaster"	L	IO-360-G (TCM)	OBSOLETE	D2AF34C59/76C-0	76.0	74.5	30		11.7	15.0	79.0			DCFUS310D13/T5 DCFUS310D7/T5 CFUS310D2/T5 DCFU310D13/T5 DCFU310D7/T5 CFU310D2/T5 DCFS310D7/T5 DCFS310D4/T5 CFS310D2/T5 DCF310D7/T1 CF310D2/T1 CF310D1/T1		1
337B (front) "Super Skymaster"	L	IO-360-G (TCM)	OBSOLETE	D2AF34C301/76CTA-0	76.0	75.0	30		11.7	14.7	79.0			DCFUS310D13/T5 DCFUS310D7/T5 CFUS310D2/T5 DCFU310D13/T5 DCFU310D7/T5 CFU310D2/T5 DCFS310D7/T5 DCFS310D4/T5 CFS310D2/T5 DCF310D7/T1 CF310D2/T1 CF310D1/T1		1
337B (front) "Super Skymaster"	L	IO-360-G (TCM)	P3064229-11	D2AF34C306/78CAA-0	78.0	76.5	30		11.0	15.8	82.0			DCFUS310D13/T5 DCFUS310D7/T5 CFUS310D2/T5 DCFU310D13/T5 DCFU310D7/T5 CFU310D2/T5 DCFS310D7/T5 DCFS310D4/T5 CFS310D2/T5 DCF310D7/T1 CF310D2/T1 CF310D1/T1		

Constant Speed Propeller Applications

Aircraft Model	T Y P E	Engine Model (Make)	Propeller Part Number	Propeller Model	Max Dia	Min Dia	Ref Sta	Rev Angle	Low or Flight Idle Angle	Latch or Start Locks Angle	High or Feather Angle	Spinner Assembly P/N	S p i n n e r	Governor Model	STC Number STC Holder STC Kit P/N	N o t e s
337B (front) "Super Skymaster"	L	IO-360-GB (TCM)	OBSOLETE	D2AF34C59/76C-0	76.0	74.5	30		11.7	15.0	79.0			DCFUS310D13/T5 DCFUS310D7/T5 CFUS310D2/T5 DCFU310D13/T5 DCFU310D7/T5 CFU310D2/T5 DCFS310D7/T5 DCFS310D4/T5 CFS310D2/T5 DCF310D7/T1 CF310D2/T1 CF310D1/T1		1
337B (front) "Super Skymaster"	L	IO-360-GB (TCM)	OBSOLETE	D2AF34C301/76CTA-0	76.0	75.0	30		11.7	14.7	79.0			DCFUS310D13/T5 DCFUS310D7/T5 CFUS310D2/T5 DCFU310D13/T5 DCFU310D7/T5 CFU310D2/T5 DCFS310D7/T5 DCFS310D4/T5 CFS310D2/T5 DCF310D7/T1 CF310D2/T1 CF310D1/T1		1
337B (front) "Super Skymaster"	L	IO-360-GB (TCM)	P3064229-11	D2AF34C306/78CAA-0	78.0	76.5	30		11.0	15.8	82.0			DCFUS310D13/T5 DCFUS310D7/T5 CFUS310D2/T5 DCFU310D13/T5 DCFU310D7/T5 CFU310D2/T5 DCFS310D7/T5 DCFS310D4/T5 CFS310D2/T5 DCF310D7/T1 CF310D2/T1 CF310D1/T1		
337B (rear) "Super Skymaster"	L	IO-360-C (TCM)	OBSOLETE	D2AF34C61/L76C-0	76.0	74.5	30		10.8	16.0	79.0			CF310D2/T1 CF310D1/T1		1
337B (rear) "Super Skymaster"	L	IO-360-C (TCM)	P3024231-01	D2AF34C302/L76CTA-0	76.0	75.0	30		10.8	14.8	79.0			CF310D2/T1 CF310D1/T1		
337B (rear) "Super Skymaster"	L	IO-360-C (TCM)	P3074231-21	D2AF34C307/L78CBA-2	76.0	74.5	30		11.0	15.8	80.0			CF310D2/T1 CF310D1/T1		
337B (rear) "Super Skymaster"	L	IO-360-CB (TCM)	OBSOLETE	D2AF34C61/L76C-0	76.0	74.5	30		10.8	16.0	79.0			CF310D2/T1 CF310D1/T1		1

Constant Speed Propeller Applications

Aircraft Model	T Y P E	Engine Model (Make)	Propeller Part Number	Propeller Model	Max Dia	Min Dia	Ref Sta	Rev Angle	Low or Flight Idle Angle	Latch or Start Locks Angle	High or Feather Angle	Spinner Assembly P/N	S p i n n e r	Governor Model	STC Number STC Holder STC Kit P/N	N o t e s
337B (rear) "Super Skymaster"	L	IO-360-CB (TCM)	P3024231-01	D2AF34C302/L76CTA-0	76.0	75.0	30		10.8	14.8	79.0			CF310D2/T1 CF310D1/T1		
337B (rear) "Super Skymaster"	L	IO-360-CB (TCM)	P3074231-21	D2AF34C307/L78CBA-2	76.0	74.5	30		11.0	15.8	80.0			CF310D2/T1 CF310D1/T1		
337B (rear) "Super Skymaster"	L	IO-360-D (TCM)	OBSOLETE	D2AF34C61/L76C-0	76.0	74.5	30		10.8	16.0	79.0			CF310D2/T1 CF310D1/T1		1
337B (rear) "Super Skymaster"	L	IO-360-D (TCM)	P3024231-01	D2AF34C302/L76CTA-0	76.0	75.0	30		10.8	14.8	79.0			CF310D2/T1 CF310D1/T1		
337B (rear) "Super Skymaster"	L	IO-360-D (TCM)	P3074231-21	D2AF34C307/L78CBA-2	76.0	74.5	30		11.0	15.8	80.0			CF310D2/T1 CF310D1/T1		
337B (rear) "Super Skymaster"	L	IO-360-DB (TCM)	OBSOLETE	D2AF34C61/L76C-0	76.0	74.5	30		10.8	16.0	79.0			CF310D2/T1 CF310D1/T1		1
337B (rear) "Super Skymaster"	L	IO-360-DB (TCM)	P3024231-01	D2AF34C302/L76CTA-0	76.0	75.0	30		10.8	14.8	79.0			CF310D2/T1 CF310D1/T1		
337B (rear) "Super Skymaster"	L	IO-360-DB (TCM)	P3074231-21	D2AF34C307/L78CBA-2	76.0	74.5	30		11.0	15.8	80.0			CF310D2/T1 CF310D1/T1		
337B (rear) "Super Skymaster"	L	IO-360-G (TCM)	OBSOLETE	D2AF34C61/L76C-0	76.0	74.5	30		10.8	16.0	79.0			CF310D2/T1 CF310D1/T1		1
337B (rear) "Super Skymaster"	L	IO-360-G (TCM)	P3024231-01	D2AF34C302/L76CTA-0	76.0	75.0	30		10.8	14.8	79.0			CF310D2/T1 CF310D1/T1		
337B (rear) "Super Skymaster"	L	IO-360-G (TCM)	P3074231-21	D2AF34C307/L78CBA-2	76.0	74.5	30		11.0	15.8	80.0			CF310D2/T1 CF310D1/T1		
337B (rear) "Super Skymaster"	L	IO-360-GB (TCM)	OBSOLETE	D2AF34C61/L76C-0	76.0	74.5	30		10.8	16.0	79.0			CF310D2/T1 CF310D1/T1		1
337B (rear) "Super Skymaster"	L	IO-360-GB (TCM)	P3024231-01	D2AF34C302/L76CTA-0	76.0	75.0	30		10.8	14.8	79.0			CF310D2/T1 CF310D1/T1		
337B (rear) "Super Skymaster"	L	IO-360-GB (TCM)	P3074231-21	D2AF34C307/L78CBA-2	76.0	74.5	30		11.0	15.8	80.0			CF310D2/T1 CF310D1/T1		
337C (front) "Super Skymaster"	L	IO-360-C (TCM)	OBSOLETE	D2AF34C59/76C-0	76.0	74.5	30		11.7	15.0	79.0			DCFUS310D13/T5 DCFUS310D7/T5 CFUS310D2/T5 DCFU310D13/T5 DCFU310D7/T5 CFU310D2/T5 DCFS310D7/T5 DCFS310D4/T5 CFS310D2/T5 DCF310D7/T1 CF310D2/T1 CF310D1/T1		1

Constant Speed Propeller Applications

Aircraft Model	T Y P E	Engine Model (Make)	Propeller Part Number	Propeller Model	Max Dia	Min Dia	Ref Sta	Rev Angle	Low or Flight Idle Angle	Latch or Start Locks Angle	High or Feather Angle	Spinner Assembly P/N	S p i n n e r	Governor Model	STC Number STC Holder STC Kit P/N	N o t e s
337C (front) "Super Skymaster"	L	IO-360-C (TCM)	OBSOLETE	D2AF34C301/76CTA-0	76.0	75.0	30		11.7	14.7	79.0			DCFUS310D13/T5 DCFUS310D7/T5 CFUS310D2/T5 DCFU310D13/T5 DCFU310D7/T5 CFU310D2/T5 DCFS310D7/T5 DCFS310D4/T5 CFS310D2/T5 DCF310D7/T1 CF310D2/T1 CF310D1/T1		1
337C (front) "Super Skymaster"	L	IO-360-C (TCM)	P3064229-11	D2AF34C306/78CAA-0	78.0	76.5	30		11.0	15.8	82.0			DCFUS310D13/T5 DCFUS310D7/T5 CFUS310D2/T5 DCFU310D13/T5 DCFU310D7/T5 CFU310D2/T5 DCFS310D7/T5 DCFS310D4/T5 CFS310D2/T5 DCF310D7/T1 CF310D2/T1 CF310D1/T1		
337C (front) "Super Skymaster"	L	IO-360-CB (TCM)	OBSOLETE	D2AF34C59/76C-0	76.0	74.5	30		11.7	15.0	79.0			DCFUS310D13/T5 DCFUS310D7/T5 CFUS310D2/T5 DCFU310D13/T5 DCFU310D7/T5 CFU310D2/T5 DCFS310D7/T5 DCFS310D4/T5 CFS310D2/T5 DCF310D7/T1 CF310D2/T1 CF310D1/T1		1

Constant Speed Propeller Applications

Aircraft Model	T Y P E	Engine Model (Make)	Propeller Part Number	Propeller Model	Max Dia	Min Dia	Ref Sta	Rev Angle	Low or Flight Idle Angle	Latch or Start Locks Angle	High or Feather Angle	Spinner Assembly P/N	S p i n n e r	Governor Model	STC Number STC Holder STC Kit P/N	N o t e s
337C (front) "Super Skymaster"	L	IO-360-CB (TCM)	OBSOLETE	D2AF34C301/76CTA-0	76.0	75.0	30		11.7	14.7	79.0			DCFUS310D13/T5 DCFUS310D7/T5 CFUS310D2/T5 DCFU310D13/T5 DCFU310D7/T5 CFU310D2/T5 DCFS310D7/T5 DCFS310D4/T5 CFS310D2/T5 DCF310D7/T1 CF310D2/T1 CF310D1/T1		1
337C (front) "Super Skymaster"	L	IO-360-CB (TCM)	P3064229-11	D2AF34C306/78CAA-0	78.0	76.5	30		11.0	15.8	82.0			DCFUS310D13/T5 DCFUS310D7/T5 CFUS310D2/T5 DCFU310D13/T5 DCFU310D7/T5 CFU310D2/T5 DCFS310D7/T5 DCFS310D4/T5 CFS310D2/T5 DCF310D7/T1 CF310D2/T1 CF310D1/T1		
337C (front) "Super Skymaster"	L	IO-360-G (TCM)	OBSOLETE	D2AF34C59/76C-0	76.0	74.5	30		11.7	15.0	79.0			DCFUS310D13/T5 DCFUS310D7/T5 CFUS310D2/T5 DCFU310D13/T5 DCFU310D7/T5 CFU310D2/T5 DCFS310D7/T5 DCFS310D4/T5 CFS310D2/T5 DCF310D7/T1 CF310D2/T1 CF310D1/T1		1

Constant Speed Propeller Applications

Aircraft Model	TYPE	Engine Model (Make)	Propeller Part Number	Propeller Model	Max Dia	Min Dia	Ref Sta	Rev Angle	Low or Flight Idle Angle	Latch or Start Locks Angle	High or Feather Angle	Spinner Assembly P/N	Spinner Type	Governor Model	STC Number STC Holder STC Kit P/N	Notes
337C (front) "Super Skymaster"	L	IO-360-G (TCM)	OBSOLETE	D2AF34C301/76CTA-0	76.0	75.0	30		11.7	14.7	79.0			DCFUS310D13/T5 DCFUS310D7/T5 CFUS310D2/T5 DCFU310D13/T5 DCFU310D7/T5 CFU310D2/T5 DCFS310D7/T5 DCFS310D4/T5 CFS310D2/T5 DCF310D7/T1 CF310D2/T1 CF310D1/T1		1
337C (front) "Super Skymaster"	L	IO-360-G (TCM)	P3064229-11	D2AF34C306/78CAA-0	78.0	76.5	30		11.0	15.8	82.0			DCFUS310D13/T5 DCFUS310D7/T5 CFUS310D2/T5 DCFU310D13/T5 DCFU310D7/T5 CFU310D2/T5 DCFS310D7/T5 DCFS310D4/T5 CFS310D2/T5 DCF310D7/T1 CF310D2/T1 CF310D1/T1		
337C (front) "Super Skymaster"	L	IO-360-GB (TCM)	OBSOLETE	D2AF34C59/76C-0	76.0	74.5	30		11.7	15.0	79.0			DCFUS310D13/T5 DCFUS310D7/T5 CFUS310D2/T5 DCFU310D13/T5 DCFU310D7/T5 CFU310D2/T5 DCFS310D7/T5 DCFS310D4/T5 CFS310D2/T5 DCF310D7/T1 CF310D2/T1 CF310D1/T1		1

Constant Speed Propeller Applications

Aircraft Model	T Y P E	Engine Model (Make)	Propeller Part Number	Propeller Model	Max Dia	Min Dia	Ref Sta	Rev Angle	Low or Flight Idle Angle	Latch or Start Locks Angle	High or Feather Angle	Spinner Assembly P/N	S p i n n e r	Governor Model	STC Number STC Holder STC Kit P/N	N o t e s
337C (front) "Super Skymaster"	L	IO-360-GB (TCM)	OBSOLETE	D2AF34C301/76CTA-0	76.0	75.0	30		11.7	14.7	79.0			DCFUS310D13/T5 DCFUS310D7/T5 CFUS310D2/T5 DCFU310D13/T5 DCFU310D7/T5 CFU310D2/T5 DCFS310D7/T5 DCFS310D4/T5 CFS310D2/T5 DCF310D7/T1 CF310D2/T1 CF310D1/T1		1
337C (front) "Super Skymaster"	L	IO-360-GB (TCM)	P3064229-11	D2AF34C306/78CAA-0	78.0	76.5	30		11.0	15.8	82.0			DCFUS310D13/T5 DCFUS310D7/T5 CFUS310D2/T5 DCFU310D13/T5 DCFU310D7/T5 CFU310D2/T5 DCFS310D7/T5 DCFS310D4/T5 CFS310D2/T5 DCF310D7/T1 CF310D2/T1 CF310D1/T1		
337C (rear) "Super Skymaster"	L	IO-360-C (TCM)	OBSOLETE	D2AF34C61/L76C-0	76.0	74.5	30		10.8	16.0	79.0			CF310D2/T1 CF310D1/T1		1
337C (rear) "Super Skymaster"	L	IO-360-C (TCM)	P3024231-01	D2AF34C302/L76CTA-0	76.0	75.0	30		10.8	14.8	79.0			CF310D2/T1 CF310D1/T1		
337C (rear) "Super Skymaster"	L	IO-360-C (TCM)	P3074231-21	D2AF34C307/L78CBA-2	76.0	74.5	30		11.0	15.8	80.0			CF310D2/T1 CF310D1/T1		
337C (rear) "Super Skymaster"	L	IO-360-CB (TCM)	OBSOLETE	D2AF34C61/L76C-0	76.0	74.5	30		10.8	16.0	79.0			CF310D2/T1 CF310D1/T1		1
337C (rear) "Super Skymaster"	L	IO-360-CB (TCM)	P3024231-01	D2AF34C302/L76CTA-0	76.0	75.0	30		10.8	14.8	79.0			CF310D2/T1 CF310D1/T1		
337C (rear) "Super Skymaster"	L	IO-360-CB (TCM)	P3074231-21	D2AF34C307/L78CBA-2	76.0	74.5	30		11.0	15.8	80.0			CF310D2/T1 CF310D1/T1		
337C (rear) "Super Skymaster"	L	IO-360-G (TCM)	OBSOLETE	D2AF34C61/L76C-0	76.0	74.5	30		10.8	16.0	79.0			CF310D2/T1 CF310D1/T1		1
337C (rear) "Super Skymaster"	L	IO-360-G (TCM)	P3024231-01	D2AF34C302/L76CTA-0	76.0	75.0	30		10.8	14.8	79.0			CF310D2/T1 CF310D1/T1		
337C (rear) "Super Skymaster"	L	IO-360-G (TCM)	P3074231-21	D2AF34C307/L78CBA-2	76.0	74.5	30		11.0	15.8	80.0			CF310D2/T1 CF310D1/T1		
337C (rear) "Super Skymaster"	L	IO-360-GB (TCM)	OBSOLETE	D2AF34C61/L76C-0	76.0	74.5	30		10.8	16.0	79.0			CF310D2/T1 CF310D1/T1		1

Constant Speed Propeller Applications

Aircraft Model	TYPE	Engine Model (Make)	Propeller Part Number	Propeller Model	Max Dia	Min Dia	Ref Sta	Rev Angle	Low or Flight Idle Angle	Latch or Start Locks Angle	High or Feather Angle	Spinner Assembly P/N	Spinner Type	Governor Model	STC Number STC Holder STC Kit P/N	Notes
337C (rear) "Super Skymaster"	L	IO-360-GB (TCM)	P3024231-01	D2AF34C302/L76CTA-0	76.0	75.0	30		10.8	14.8	79.0			CF310D2/T1 CF310D1/T1		
337C (rear) "Super Skymaster"	L	IO-360-GB (TCM)	P3074231-21	D2AF34C307/L78CBA-2	76.0	74.5	30		11.0	15.8	80.0			CF310D2/T1 CF310D1/T1		
337D (front) "Super Skymaster"	L	IO-360-C (TCM)	OBSOLETE	D2AF34C59/76C-0	76.0	74.5	30		11.7	15.0	79.0			DCFUS310D13/T5 DCFUS310D7/T5 CFUS310D2/T5 DCFU310D13/T5 DCFU310D7/T5 CFU310D2/T5 DCFS310D7/T5 DCFS310D4/T5 CFS310D2/T5 DCF310D7/T1 CF310D2/T1 CF310D1/T1		1
337D (front) "Super Skymaster"	L	IO-360-C (TCM)	OBSOLETE	D2AF34C301/76CTA-0	76.0	75.0	30		11.7	14.7	79.0			DCFUS310D13/T5 DCFUS310D7/T5 CFUS310D2/T5 DCFU310D13/T5 DCFU310D7/T5 CFU310D2/T5 DCFS310D7/T5 DCFS310D4/T5 CFS310D2/T5 DCF310D7/T1 CF310D2/T1 CF310D1/T1		1
337D (front) "Super Skymaster"	L	IO-360-C (TCM)	P3064229-11	D2AF34C306/78CAA-0	78.0	76.5	30		11.0	15.8	82.0			DCFUS310D13/T5 DCFUS310D7/T5 CFUS310D2/T5 DCFU310D13/T5 DCFU310D7/T5 CFU310D2/T5 DCFS310D7/T5 DCFS310D4/T5 CFS310D2/T5 DCF310D7/T1 CF310D2/T1 CF310D1/T1		

Constant Speed Propeller Applications

Aircraft Model	T Y P E	Engine Model (Make)	Propeller Part Number	Propeller Model	Max Dia	Min Dia	Ref Sta	Rev Angle	Low or Flight Idle Angle	Latch or Start Locks Angle	High or Feather Angle	Spinner Assembly P/N	S p i n n e r	Governor Model	STC Number STC Holder STC Kit P/N	N o t e s
337D (front) "Super Skymaster"	L	IO-360-CB (TCM)	OBSOLETE	D2AF34C59/76C-0	76.0	74.5	30		11.7	15.0	79.0			DCFUS310D13/T5 DCFUS310D7/T5 CFUS310D2/T5 DCFU310D13/T5 DCFU310D7/T5 CFU310D2/T5 DCFS310D7/T5 DCFS310D4/T5 CFS310D2/T5 DCF310D7/T1 CF310D2/T1 CF310D1/T1		1
337D (front) "Super Skymaster"	L	IO-360-CB (TCM)	OBSOLETE	D2AF34C301/76CTA-0	76.0	75.0	30		11.7	14.7	79.0			DCFUS310D13/T5 DCFUS310D7/T5 CFUS310D2/T5 DCFU310D13/T5 DCFU310D7/T5 CFU310D2/T5 DCFS310D7/T5 DCFS310D4/T5 CFS310D2/T5 DCF310D7/T1 CF310D2/T1 CF310D1/T1		1
337D (front) "Super Skymaster"	L	IO-360-CB (TCM)	P3064229-11	D2AF34C306/78CAA-0	78.0	76.5	30		11.0	15.8	82.0			DCFUS310D13/T5 DCFUS310D7/T5 CFUS310D2/T5 DCFU310D13/T5 DCFU310D7/T5 CFU310D2/T5 DCFS310D7/T5 DCFS310D4/T5 CFS310D2/T5 DCF310D7/T1 CF310D2/T1 CF310D1/T1		

Constant Speed Propeller Applications

Aircraft Model	T Y P E	Engine Model (Make)	Propeller Part Number	Propeller Model	Max Dia	Min Dia	Ref Sta	Rev Angle	Low or Flight Idle Angle	Latch or Start Locks Angle	High or Feather Angle	Spinner Assembly P/N	S p i n n e r	Governor Model	STC Number STC Holder STC Kit P/N	N o t e s
337D (front) "Super Skymaster"	L	IO-360-G (TCM)	OBSOLETE	D2AF34C59/76C-0	76.0	74.5	30		11.7	15.0	79.0			DCFUS310D13/T5 DCFUS310D7/T5 CFUS310D2/T5 DCFU310D13/T5 DCFU310D7/T5 CFU310D2/T5 DCFS310D7/T5 DCFS310D4/T5 CFS310D2/T5 DCF310D7/T1 CF310D2/T1 CF310D1/T1		1
337D (front) "Super Skymaster"	L	IO-360-G (TCM)	OBSOLETE	D2AF34C301/76CTA-0	76.0	75.0	30		11.7	14.7	79.0			DCFUS310D13/T5 DCFUS310D7/T5 CFUS310D2/T5 DCFU310D13/T5 DCFU310D7/T5 CFU310D2/T5 DCFS310D7/T5 DCFS310D4/T5 CFS310D2/T5 DCF310D7/T1 CF310D2/T1 CF310D1/T1		1
337D (front) "Super Skymaster"	L	IO-360-G (TCM)	P3064229-11	D2AF34C306/78CAA-0	78.0	76.5	30		11.0	15.8	82.0			DCFUS310D13/T5 DCFUS310D7/T5 CFUS310D2/T5 DCFU310D13/T5 DCFU310D7/T5 CFU310D2/T5 DCFS310D7/T5 DCFS310D4/T5 CFS310D2/T5 DCF310D7/T1 CF310D2/T1 CF310D1/T1		

Constant Speed Propeller Applications

Aircraft Model	T Y P E	Engine Model (Make)	Propeller Part Number	Propeller Model	Max Dia	Min Dia	Ref Sta	Rev Angle	Low or Flight Idle Angle	Latch or Start Locks Angle	High or Feather Angle	Spinner Assembly P/N	S p i n n e r	Governor Model	STC Number STC Holder STC Kit P/N	N o t e s
337D (front) "Super Skymaster"	L	IO-360-GB (TCM)	OBSOLETE	D2AF34C59/76C-0	76.0	74.5	30		11.7	15.0	79.0			DCFUS310D13/T5 DCFUS310D7/T5 CFUS310D2/T5 DCFU310D13/T5 DCFU310D7/T5 CFU310D2/T5 DCFS310D7/T5 DCFS310D4/T5 CFS310D2/T5 DCF310D7/T1 CF310D2/T1 CF310D1/T1		1
337D (front) "Super Skymaster"	L	IO-360-GB (TCM)	OBSOLETE	D2AF34C301/76CTA-0	76.0	75.0	30		11.7	14.7	79.0			DCFUS310D13/T5 DCFUS310D7/T5 CFUS310D2/T5 DCFU310D13/T5 DCFU310D7/T5 CFU310D2/T5 DCFS310D7/T5 DCFS310D4/T5 CFS310D2/T5 DCF310D7/T1 CF310D2/T1 CF310D1/T1		1
337D (front) "Super Skymaster"	L	IO-360-GB (TCM)	P3064229-11	D2AF34C306/78CAA-0	78.0	76.5	30		11.0	15.8	82.0			DCFUS310D13/T5 DCFUS310D7/T5 CFUS310D2/T5 DCFU310D13/T5 DCFU310D7/T5 CFU310D2/T5 DCFS310D7/T5 DCFS310D4/T5 CFS310D2/T5 DCF310D7/T1 CF310D2/T1 CF310D1/T1		
337D (rear) "Super Skymaster"	L	IO-360-C (TCM)	OBSOLETE	D2AF34C61/L76C-0	76.0	74.5	30		10.8	16.0	79.0			CF310D2/T1 CF310D1/T1		1
337D (rear) "Super Skymaster"	L	IO-360-C (TCM)	P3024231-01	D2AF34C302/L76CTA-0	76.0	75.0	30		10.8	14.8	79.0			CF310D2/T1 CF310D1/T1		
337D (rear) "Super Skymaster"	L	IO-360-C (TCM)	P3074231-21	D2AF34C307/L78CBA-2	76.0	74.5	30		11.0	15.8	80.0			CF310D2/T1 CF310D1/T1		
337D (rear) "Super Skymaster"	L	IO-360-CB (TCM)	OBSOLETE	D2AF34C61/L76C-0	76.0	74.5	30		10.8	16.0	79.0			CF310D2/T1 CF310D1/T1		1

Constant Speed Propeller Applications

Aircraft Model	TYPE	Engine Model (Make)	Propeller Part Number	Propeller Model	Max Dia	Min Dia	Ref Sta	Rev Angle	Low or Flight Idle Angle	Latch or Start Locks Angle	High or Feather Angle	Spinner Assembly P/N	Spinner Type	Governor Model	STC Number STC Holder STC Kit P/N	Notes
337D (rear) "Super Skymaster"	L	IO-360-CB (TCM)	P3024231-01	D2AF34C302/L76CTA-0	76.0	75.0	30		10.8	14.8	79.0			CF310D2/T1 CF310D1/T1		
337D (rear) "Super Skymaster"	L	IO-360-CB (TCM)	P3074231-21	D2AF34C307/L78CBA-2	76.0	74.5	30		11.0	15.8	80.0			CF310D2/T1 CF310D1/T1		
337D (rear) "Super Skymaster"	L	IO-360-G (TCM)	OBSOLETE	D2AF34C61/L76C-0	76.0	74.5	30		10.8	16.0	79.0			CF310D2/T1 CF310D1/T1		1
337D (rear) "Super Skymaster"	L	IO-360-G (TCM)	P3024231-01	D2AF34C302/L76CTA-0	76.0	75.0	30		10.8	14.8	79.0			CF310D2/T1 CF310D1/T1		
337D (rear) "Super Skymaster"	L	IO-360-G (TCM)	P3074231-21	D2AF34C307/L78CBA-2	76.0	74.5	30		11.0	15.8	80.0			CF310D2/T1 CF310D1/T1		
337D (rear) "Super Skymaster"	L	IO-360-GB (TCM)	OBSOLETE	D2AF34C61/L76C-0	76.0	74.5	30		10.8	16.0	79.0			CF310D2/T1 CF310D1/T1		1
337D (rear) "Super Skymaster"	L	IO-360-GB (TCM)	P3024231-01	D2AF34C302/L76CTA-0	76.0	75.0	30		10.8	14.8	79.0			CF310D2/T1 CF310D1/T1		
337D (rear) "Super Skymaster"	L	IO-360-GB (TCM)	P3074231-21	D2AF34C307/L78CBA-2	76.0	74.5	30		11.0	15.8	80.0			CF310D2/T1 CF310D1/T1		
337E (front) "Super Skymaster"	L	IO-360-C (TCM)	OBSOLETE	D2AF34C59/76C-0	76.0	74.5	30		11.7	15.0	79.0			DCFUS310D13/T5 DCFUS310D7/T5 CFUS310D2/T5 DCFU310D13/T5 DCFU310D7/T5 CFU310D2/T5 DCFS310D7/T5 DCFS310D4/T5 CFS310D2/T5 DCF310D7/T1 CF310D2/T1 CF310D1/T1		1
337E (front) "Super Skymaster"	L	IO-360-C (TCM)	OBSOLETE	D2AF34C301/76CTA-0	76.0	75.0	30		11.7	14.7	79.0			DCFUS310D13/T5 DCFUS310D7/T5 CFUS310D2/T5 DCFU310D13/T5 DCFU310D7/T5 CFU310D2/T5 DCFS310D7/T5 DCFS310D4/T5 CFS310D2/T5 DCF310D7/T1 CF310D2/T1 CF310D1/T1		1

Constant Speed Propeller Applications

Aircraft Model	T Y P E	Engine Model (Make)	Propeller Part Number	Propeller Model	Max Dia	Min Dia	Ref Sta	Rev Angle	Low or Flight Idle Angle	Latch or Start Locks Angle	High or Feather Angle	Spinner Assembly P/N	S p i n n e r	Governor Model	STC Number STC Holder STC Kit P/N	N o t e s
337E (front) "Super Skymaster"	L	IO-360-C (TCM)	P3064229-11	D2AF34C306/78CAA-0	78.0	76.5	30		11.0	15.8	82.0			DCFUS310D13/T5 DCFUS310D7/T5 CFUS310D2/T5 DCFU310D13/T5 DCFU310D7/T5 CFU310D2/T5 DCFS310D7/T5 DCFS310D4/T5 CFS310D2/T5 DCF310D7/T1 CF310D2/T1 CF310D1/T1		
337E (front) "Super Skymaster"	L	IO-360-CB (TCM)	OBSOLETE	D2AF34C59/76C-0	76.0	74.5	30		11.7	15.0	79.0			DCFUS310D13/T5 DCFUS310D7/T5 CFUS310D2/T5 DCFU310D13/T5 DCFU310D7/T5 CFU310D2/T5 DCFS310D7/T5 DCFS310D4/T5 CFS310D2/T5 DCF310D7/T1 CF310D2/T1 CF310D1/T1		1
337E (front) "Super Skymaster"	L	IO-360-CB (TCM)	OBSOLETE	D2AF34C301/76CTA-0	76.0	75.0	30		11.7	14.7	79.0			DCFUS310D13/T5 DCFUS310D7/T5 CFUS310D2/T5 DCFU310D13/T5 DCFU310D7/T5 CFU310D2/T5 DCFS310D7/T5 DCFS310D4/T5 CFS310D2/T5 DCF310D7/T1 CF310D2/T1 CF310D1/T1		1

Constant Speed Propeller Applications

Aircraft Model	T Y P E	Engine Model (Make)	Propeller Part Number	Propeller Model	Max Dia	Min Dia	Ref Sta	Rev Angle	Low or Flight Idle Angle	Latch or Start Locks Angle	High or Feather Angle	Spinner Assembly P/N	S p i n n e r	Governor Model	STC Number STC Holder STC Kit P/N	N o t e s
337E (front) "Super Skymaster"	L	IO-360-CB (TCM)	P3064229-11	D2AF34C306/78CAA-0	78.0	76.5	30		11.0	15.8	82.0			DCFUS310D13/T5 DCFUS310D7/T5 CFUS310D2/T5 DCFU310D13/T5 DCFU310D7/T5 CFU310D2/T5 DCFS310D7/T5 DCFS310D4/T5 CFS310D2/T5 DCF310D7/T1 CF310D2/T1 CF310D1/T1		
337E (front) "Super Skymaster"	L	IO-360-G (TCM)	OBSOLETE	D2AF34C59/76C-0	76.0	74.5	30		11.7	15.0	79.0			DCFUS310D13/T5 DCFUS310D7/T5 CFUS310D2/T5 DCFU310D13/T5 DCFU310D7/T5 CFU310D2/T5 DCFS310D7/T5 DCFS310D4/T5 CFS310D2/T5 DCF310D7/T1 CF310D2/T1 CF310D1/T1		1
337E (front) "Super Skymaster"	L	IO-360-G (TCM)	OBSOLETE	D2AF34C301/76CTA-0	76.0	75.0	30		11.7	14.7	79.0			DCFUS310D13/T5 DCFUS310D7/T5 CFUS310D2/T5 DCFU310D13/T5 DCFU310D7/T5 CFU310D2/T5 DCFS310D7/T5 DCFS310D4/T5 CFS310D2/T5 DCF310D7/T1 CF310D2/T1 CF310D1/T1		1

Constant Speed Propeller Applications

Aircraft Model	T Y P E	Engine Model (Make)	Propeller Part Number	Propeller Model	Max Dia	Min Dia	Ref Sta	Rev Angle	Low or Flight Idle Angle	Latch or Start Locks Angle	High or Feather Angle	Spinner Assembly P/N	S p i n n e r	Governor Model	STC Number STC Holder STC Kit P/N	N o t e s
337E (front) "Super Skymaster"	L	IO-360-G (TCM)	P3064229-11	D2AF34C306/78CAA-0	78.0	76.5	30		11.0	15.8	82.0			DCFUS310D13/T5 DCFUS310D7/T5 CFUS310D2/T5 DCFU310D13/T5 DCFU310D7/T5 CFU310D2/T5 DCFS310D7/T5 DCFS310D4/T5 CFS310D2/T5 DCF310D7/T1 CF310D2/T1 CF310D1/T1		
337E (front) "Super Skymaster"	L	IO-360-GB (TCM)	OBSOLETE	D2AF34C59/76C-0	76.0	74.5	30		11.7	15.0	79.0			DCFUS310D13/T5 DCFUS310D7/T5 CFUS310D2/T5 DCFU310D13/T5 DCFU310D7/T5 CFU310D2/T5 DCFS310D7/T5 DCFS310D4/T5 CFS310D2/T5 DCF310D7/T1 CF310D2/T1 CF310D1/T1		1
337E (front) "Super Skymaster"	L	IO-360-GB (TCM)	OBSOLETE	D2AF34C301/76CTA-0	76.0	75.0	30		11.7	14.7	79.0			DCFUS310D13/T5 DCFUS310D7/T5 CFUS310D2/T5 DCFU310D13/T5 DCFU310D7/T5 CFU310D2/T5 DCFS310D7/T5 DCFS310D4/T5 CFS310D2/T5 DCF310D7/T1 CF310D2/T1 CF310D1/T1		1

Constant Speed Propeller Applications

Aircraft Model	T Y P E	Engine Model (Make)	Propeller Part Number	Propeller Model	Max Dia	Min Dia	Ref Sta	Rev Angle	Low or Flight Idle Angle	Latch or Start Locks Angle	High or Feather Angle	Spinner Assembly P/N	S p i n n e r	Governor Model	STC Number STC Holder STC Kit P/N	N o t e s
337E (front) "Super Skymaster"	L	IO-360-GB (TCM)	P3064229-11	D2AF34C306/78CAA-0	78.0	76.5	30		11.0	15.8	82.0			DCFUS310D13/T5 DCFUS310D7/T5 CFUS310D2/T5 DCFU310D13/T5 DCFU310D7/T5 CFU310D2/T5 DCFS310D7/T5 DCFS310D4/T5 CFS310D2/T5 DCF310D7/T1 CF310D2/T1 CF310D1/T1		
337E (rear) "Super Skymaster"	L	IO-360-C (TCM)	OBSOLETE	D2AF34C61/L76C-0	76.0	74.5	30		10.8	16.0	79.0			CF310D2/T1 CF310D1/T1		1
337E (rear) "Super Skymaster"	L	IO-360-C (TCM)	P3024231-01	D2AF34C302/L76CTA-0	76.0	75.0	30		10.8	14.8	79.0			CF310D2/T1 CF310D1/T1		
337E (rear) "Super Skymaster"	L	IO-360-C (TCM)	P3074231-21	D2AF34C307/L78CBA-2	76.0	74.5	30		11.0	15.8	80.0			CF310D2/T1 CF310D1/T1		
337E (rear) "Super Skymaster"	L	IO-360-CB (TCM)	OBSOLETE	D2AF34C61/L76C-0	76.0	74.5	30		10.8	16.0	79.0			CF310D2/T1 CF310D1/T1		1
337E (rear) "Super Skymaster"	L	IO-360-CB (TCM)	P3024231-01	D2AF34C302/L76CTA-0	76.0	75.0	30		10.8	14.8	79.0			CF310D2/T1 CF310D1/T1		
337E (rear) "Super Skymaster"	L	IO-360-CB (TCM)	P3074231-21	D2AF34C307/L78CBA-2	76.0	74.5	30		11.0	15.8	80.0			CF310D2/T1 CF310D1/T1		
337E (rear) "Super Skymaster"	L	IO-360-G (TCM)	OBSOLETE	D2AF34C61/L76C-0	76.0	74.5	30		10.8	16.0	79.0			CF310D2/T1 CF310D1/T1		1
337E (rear) "Super Skymaster"	L	IO-360-G (TCM)	P3024231-01	D2AF34C302/L76CTA-0	76.0	75.0	30		10.8	14.8	79.0			CF310D2/T1 CF310D1/T1		
337E (rear) "Super Skymaster"	L	IO-360-G (TCM)	P3074231-21	D2AF34C307/L78CBA-2	76.0	74.5	30		11.0	15.8	80.0			CF310D2/T1 CF310D1/T1		
337E (rear) "Super Skymaster"	L	IO-360-GB (TCM)	OBSOLETE	D2AF34C61/L76C-0	76.0	74.5	30		10.8	16.0	79.0			CF310D2/T1 CF310D1/T1		1
337E (rear) "Super Skymaster"	L	IO-360-GB (TCM)	P3024231-01	D2AF34C302/L76CTA-0	76.0	75.0	30		10.8	14.8	79.0			CF310D2/T1 CF310D1/T1		
337E (rear) "Super Skymaster"	L	IO-360-GB (TCM)	P3074231-21	D2AF34C307/L78CBA-2	76.0	74.5	30		11.0	15.8	80.0			CF310D2/T1 CF310D1/T1		

Constant Speed Propeller Applications

Aircraft Model	T Y P E	Engine Model (Make)	Propeller Part Number	Propeller Model	Max Dia	Min Dia	Ref Sta	Rev Angle	Low or Flight Idle Angle	Latch or Start Locks Angle	High or Feather Angle	Spinner Assembly P/N	S p i n n e r	Governor Model	STC Number STC Holder STC Kit P/N	N o t e s
337F (front) "Super Skymaster"	L	IO-360-C (TCM)	OBSOLETE	D2AF34C59/76C-0	76.0	74.5	30		11.7	15.0	79.0			DCFUS310D13/T5 DCFUS310D7/T5 CFUS310D2/T5 DCFU310D13/T5 DCFU310D7/T5 CFU310D2/T5 DCFS310D7/T5 DCFS310D4/T5 CFS310D2/T5 DCF310D7/T1 CF310D2/T1 CF310D1/T1		1
337F (front) "Super Skymaster"	L	IO-360-C (TCM)	OBSOLETE	D2AF34C301/76CTA-0	76.0	75.0	30		11.7	14.7	79.0			DCFUS310D13/T5 DCFUS310D7/T5 CFUS310D2/T5 DCFU310D13/T5 DCFU310D7/T5 CFU310D2/T5 DCFS310D7/T5 DCFS310D4/T5 CFS310D2/T5 DCF310D7/T1 CF310D2/T1 CF310D1/T1		1
337F (front) "Super Skymaster"	L	IO-360-C (TCM)	P3064229-11	D2AF34C306/78CAA-0	78.0	76.5	30		11.0	15.8	82.0			DCFUS310D13/T5 DCFUS310D7/T5 CFUS310D2/T5 DCFU310D13/T5 DCFU310D7/T5 CFU310D2/T5 DCFS310D7/T5 DCFS310D4/T5 CFS310D2/T5 DCF310D7/T1 CF310D2/T1 CF310D1/T1		

Constant Speed Propeller Applications

Aircraft Model	T Y P E	Engine Model (Make)	Propeller Part Number	Propeller Model	Max Dia	Min Dia	Ref Sta	Rev Angle	Low or Flight Idle Angle	Latch or Start Locks Angle	High or Feather Angle	Spinner Assembly P/N	S p i n n e r	Governor Model	STC Number STC Holder STC Kit P/N	N o t e s
337F (front) "Super Skymaster"	L	IO-360-CB (TCM)	OBSOLETE	D2AF34C59/76C-0	76.0	74.5	30		11.7	15.0	79.0			DCFUS310D13/T5 DCFUS310D7/T5 CFUS310D2/T5 DCFU310D13/T5 DCFU310D7/T5 CFU310D2/T5 DCFS310D7/T5 DCFS310D4/T5 CFS310D2/T5 DCF310D7/T1 CF310D2/T1 CF310D1/T1		1
337F (front) "Super Skymaster"	L	IO-360-CB (TCM)	OBSOLETE	D2AF34C301/76CTA-0	76.0	75.0	30		11.7	14.7	79.0			DCFUS310D13/T5 DCFUS310D7/T5 CFUS310D2/T5 DCFU310D13/T5 DCFU310D7/T5 CFU310D2/T5 DCFS310D7/T5 DCFS310D4/T5 CFS310D2/T5 DCF310D7/T1 CF310D2/T1 CF310D1/T1		1
337F (front) "Super Skymaster"	L	IO-360-CB (TCM)	P3064229-11	D2AF34C306/78CAA-0	78.0	76.5	30		11.0	15.8	82.0			DCFUS310D13/T5 DCFUS310D7/T5 CFUS310D2/T5 DCFU310D13/T5 DCFU310D7/T5 CFU310D2/T5 DCFS310D7/T5 DCFS310D4/T5 CFS310D2/T5 DCF310D7/T1 CF310D2/T1 CF310D1/T1		

Constant Speed Propeller Applications

Aircraft Model	T Y P E	Engine Model (Make)	Propeller Part Number	Propeller Model	Max Dia	Min Dia	Ref Sta	Rev Angle	Low or Flight Idle Angle	Latch or Start Locks Angle	High or Feather Angle	Spinner Assembly P/N	S p i n n e r	Governor Model	STC Number STC Holder STC Kit P/N	N o t e s
337F (front) "Super Skymaster"	L	IO-360-G (TCM)	OBSOLETE	D2AF34C59/76C-0	76.0	74.5	30		11.7	15.0	79.0			DCFUS310D13/T5 DCFUS310D7/T5 CFUS310D2/T5 DCFU310D13/T5 DCFU310D7/T5 CFU310D2/T5 DCFS310D7/T5 DCFS310D4/T5 CFS310D2/T5 DCF310D7/T1 CF310D2/T1 CF310D1/T1		1
337F (front) "Super Skymaster"	L	IO-360-G (TCM)	OBSOLETE	D2AF34C301/76CTA-0	76.0	75.0	30		11.7	14.7	79.0			DCFUS310D13/T5 DCFUS310D7/T5 CFUS310D2/T5 DCFU310D13/T5 DCFU310D7/T5 CFU310D2/T5 DCFS310D7/T5 DCFS310D4/T5 CFS310D2/T5 DCF310D7/T1 CF310D2/T1 CF310D1/T1		1
337F (front) "Super Skymaster"	L	IO-360-G (TCM)	P3064229-11	D2AF34C306/78CAA-0	78.0	76.5	30		11.0	15.8	82.0			DCFUS310D13/T5 DCFUS310D7/T5 CFUS310D2/T5 DCFU310D13/T5 DCFU310D7/T5 CFU310D2/T5 DCFS310D7/T5 DCFS310D4/T5 CFS310D2/T5 DCF310D7/T1 CF310D2/T1 CF310D1/T1		

Constant Speed Propeller Applications

Aircraft Model	TYPE	Engine Model (Make)	Propeller Part Number	Propeller Model	Max Dia	Min Dia	Ref Sta	Rev Angle	Low or Flight Idle Angle	Latch or Start Locks Angle	High or Feather Angle	Spinner Assembly P/N	Spinner Type	Governor Model	STC Number STC Holder STC Kit P/N	Notes
337F (front) "Super Skymaster"	L	IO-360-GB (TCM)	OBSOLETE	D2AF34C59/76C-0	76.0	74.5	30		11.7	15.0	79.0			DCFUS310D13/T5 DCFUS310D7/T5 CFUS310D2/T5 DCFU310D13/T5 DCFU310D7/T5 CFU310D2/T5 DCFS310D7/T5 DCFS310D4/T5 CFS310D2/T5 DCF310D7/T1 CF310D2/T1 CF310D1/T1		1
337F (front) "Super Skymaster"	L	IO-360-GB (TCM)	OBSOLETE	D2AF34C301/76CTA-0	76.0	75.0	30		11.7	14.7	79.0			DCFUS310D13/T5 DCFUS310D7/T5 CFUS310D2/T5 DCFU310D13/T5 DCFU310D7/T5 CFU310D2/T5 DCFS310D7/T5 DCFS310D4/T5 CFS310D2/T5 DCF310D7/T1 CF310D2/T1 CF310D1/T1		1
337F (front) "Super Skymaster"	L	IO-360-GB (TCM)	P3064229-11	D2AF34C306/78CAA-0	78.0	76.5	30		11.0	15.8	82.0			DCFUS310D13/T5 DCFUS310D7/T5 CFUS310D2/T5 DCFU310D13/T5 DCFU310D7/T5 CFU310D2/T5 DCFS310D7/T5 DCFS310D4/T5 CFS310D2/T5 DCF310D7/T1 CF310D2/T1 CF310D1/T1		
337F (rear) "Super Skymaster"	L	IO-360-C (TCM)	OBSOLETE	D2AF34C61/L76C-0	76.0	74.5	30		10.8	16.0	79.0			CF310D2/T1 CF310D1/T1		1
337F (rear) "Super Skymaster"	L	IO-360-C (TCM)	P3024231-01	D2AF34C302/L76CTA-0	76.0	75.0	30		10.8	14.8	79.0			CF310D2/T1 CF310D1/T1		
337F (rear) "Super Skymaster"	L	IO-360-C (TCM)	P3074231-21	D2AF34C307/L78CBA-2	76.0	74.5	30		11.0	15.8	80.0			CF310D2/T1 CF310D1/T1		
337F (rear) "Super Skymaster"	L	IO-360-CB (TCM)	OBSOLETE	D2AF34C61/L76C-0	76.0	74.5	30		10.8	16.0	79.0			CF310D2/T1 CF310D1/T1		1

Constant Speed Propeller Applications

Aircraft Model	TYPE	Engine Model (Make)	Propeller Part Number	Propeller Model	Max Dia	Min Dia	Ref Sta	Rev Angle	Low or Flight Idle Angle	Latch or Start Locks Angle	High or Feather Angle	Spinner Assembly P/N	Spinner Type	Governor Model	STC Number STC Holder STC Kit P/N	Notes
337F (rear) "Super Skymaster"	L	IO-360-CB (TCM)	P3024231-01	D2AF34C302/L76CTA-0	76.0	75.0	30		10.8	14.8	79.0			CF310D2/T1 CF310D1/T1		
337F (rear) "Super Skymaster"	L	IO-360-CB (TCM)	P3074231-21	D2AF34C307/L78CBA-2	76.0	74.5	30		11.0	15.8	80.0			CF310D2/T1 CF310D1/T1		
337F (rear) "Super Skymaster"	L	IO-360-G (TCM)	OBSOLETE	D2AF34C61/L76C-0	76.0	74.5	30		10.8	16.0	79.0			CF310D2/T1 CF310D1/T1		1
337F (rear) "Super Skymaster"	L	IO-360-G (TCM)	P3024231-01	D2AF34C302/L76CTA-0	76.0	75.0	30		10.8	14.8	79.0			CF310D2/T1 CF310D1/T1		
337F (rear) "Super Skymaster"	L	IO-360-G (TCM)	P3074231-21	D2AF34C307/L78CBA-2	76.0	74.5	30		11.0	15.8	80.0			CF310D2/T1 CF310D1/T1		
337F (rear) "Super Skymaster"	L	IO-360-GB (TCM)	OBSOLETE	D2AF34C61/L76C-0	76.0	74.5	30		10.8	16.0	79.0			CF310D2/T1 CF310D1/T1		1
337F (rear) "Super Skymaster"	L	IO-360-GB (TCM)	P3024231-01	D2AF34C302/L76CTA-0	76.0	75.0	30		10.8	14.8	79.0			CF310D2/T1 CF310D1/T1		
337F (rear) "Super Skymaster"	L	IO-360-GB (TCM)	P3074231-21	D2AF34C307/L78CBA-2	76.0	74.5	30		11.0	15.8	80.0			CF310D2/T1 CF310D1/T1		
337G (front) (S/N 1463 - 1748) "Super Skymaster"	L	IO-360-G (TCM)	P3064229-11	D2AF34C306/78CAA-0	78.0	76.5	30		11.0	15.8	82.0			DCFUS310D13/T5 DCFUS310D7/T5 CFUS310D2/T5 DCFU310D13/T5 DCFU310D7/T5 CFU310D2/T5 DCFS310D7/T5 DCFS310D4/T5 CFS310D2/T5 DCF310D7/T1 CF310D2/T1 CF310D1/T1		
337G (front) (S/N 1463 - 1748) "Super Skymaster"	L	IO-360-GB (TCM)	P3064229-11	D2AF34C306/78CAA-0	78.0	76.5	30		11.0	15.8	82.0			DCFUS310D13/T5 DCFUS310D7/T5 CFUS310D2/T5 DCFU310D13/T5 DCFU310D7/T5 CFU310D2/T5 DCFS310D7/T5 DCFS310D4/T5 CFS310D2/T5 DCF310D7/T1 CF310D2/T1 CF310D1/T1		

Constant Speed Propeller Applications

Aircraft Model	T Y P E	Engine Model (Make)	Propeller Part Number	Propeller Model	Max Dia	Min Dia	Ref Sta	Rev Angle	Low or Flight Idle Angle	Latch or Start Locks Angle	High or Feather Angle	Spinner Assembly P/N	S p i n n e r	Governor Model	STC Number STC Holder STC Kit P/N	N o t e s
337G (front) (S/N 1749 and up, and 1449) "Super Skymaster"	L	IO-360-G (TCM)	P3104229-21	D2AF34C310/90DEA-12	78.0	76.5	30		9.9	14.6	82.0			DCFUS310D13/T5 DCFUS310D7/T5 CFUS310D2/T5 DCFU310D13/T5 DCFU310D7/T5 CFU310D2/T5 DCFS310D7/T5 DCFS310D4/T5 CFS310D2/T5 DCF310D7/T1 CF310D2/T1 CF310D1/T1		
337G (front) (S/N 1749 and up, and 1449) "Super Skymaster"	L	IO-360-GB (TCM)	P3104229-21	D2AF34C310/90DEA-12	78.0	76.5	30		9.9	14.6	82.0			DCFUS310D13/T5 DCFUS310D7/T5 CFUS310D2/T5 DCFU310D13/T5 DCFU310D7/T5 CFU310D2/T5 DCFS310D7/T5 DCFS310D4/T5 CFS310D2/T5 DCF310D7/T1 CF310D2/T1 CF310D1/T1		
337G (rear) "Super Skymaster"	L	IO-360-G (TCM)	P3074231-21	D2AF34C307/L78CBA-2	76.0	74.5	30		11.0	15.8	80.0			DCF310D7/T1 CF310D2/T1 CF310D1/T1		
337G (rear) "Super Skymaster"	L	IO-360-GB (TCM)	P3074231-21	D2AF34C307/L78CBA-2	76.0	74.5	30		11.0	15.8	80.0			DCF310D7/T1 CF310D2/T1 CF310D1/T1		
337H (front) "Super Skymaster"	L	IO-360-G (TCM)	P3104229-21	D2AF34C310/90DEA-12	78.0	76.5	30		9.9	14.6	82.0			DCFUS310D13/T5 DCFUS310D7/T5 DCFUS310D4/T5 DCFS310D7/T5 DCFS310D4/T5 DCF310D7/T1		
337H (front) "Super Skymaster"	L	IO-360-GB (TCM)	P3104229-21	D2AF34C310/90DEA-12	78.0	76.5	30		9.9	14.6	82.0			DCFUS310D13/T5 DCFUS310D7/T5 DCFUS310D4/T5 DCFS310D7/T5 DCFS310D4/T5 DCF310D7/T1		
337H (rear) "Super Skymaster"	L	IO-360-G (TCM)	P3074231-21	D2AF34C307/L78CBA-2	76.0	74.5	30		11.0	15.8	80.0			DCF310D7/T1		

Constant Speed Propeller Applications

Aircraft Model	T Y P E	Engine Model (Make)	Propeller Part Number	Propeller Model	Max Dia	Min Dia	Ref Sta	Rev Angle	Low or Flight Idle Angle	Latch or Start Locks Angle	High or Feather Angle	Spinner Assembly P/N	S p i n n e r	Governor Model	STC Number STC Holder STC Kit P/N	N o t e s
337H (rear) "Super Skymaster"	L	IO-360-GB (TCM)	P3074231-21	D2AF34C307/L78CBA-2	76.0	74.5	30		11.0	15.8	80.0			DCF310D7/T1		
M337B (front) "USAF O2A"	L	IO-360-D (TCM)	P3064229-11	D2AF34C306/78CAA-0	78.0	76.5	30		11.0	15.8	82.0			DCFUS310D13/T5 DCFUS310D7/T5 CFUS310D2/T5 DCFU310D13/T5 DCFU310D7/T5 CFU310D2/T5 DCFS310D7/T5 DCFS310D4/T5 CFS310D2/T5 DCF310D7/T1 CF310D2/T1 CF310D1/T1		
M337B (front) "USAF O2A"	L	IO-360-D (TCM)	OBSOLETE	D2AF34C59/76C-0	76.0	74.5	30		11.7	15.0	79.0			DCFUS310D13/T5 DCFUS310D7/T5 CFUS310D2/T5 DCFU310D13/T5 DCFU310D7/T5 CFU310D2/T5 DCFS310D7/T5 DCFS310D4/T5 CFS310D2/T5 DCF310D7/T1 CF310D2/T1 CF310D1/T1		1
M337B (front) "USAF O2A"	L	IO-360-D (TCM)	OBSOLETE	D2AF34C42/76C-0	76.0	75.0	30		11.7	14.7	79.0			DCFUS310D13/T5 DCFUS310D7/T5 CFUS310D2/T5 DCFU310D13/T5 DCFU310D7/T5 CFU310D2/T5 DCFS310D7/T5 DCFS310D4/T5 CFS310D2/T5 DCF310D7/T1 CF310D2/T1 CF310D1/T1		1

Constant Speed Propeller Applications

Aircraft Model	T Y P E	Engine Model (Make)	Propeller Part Number	Propeller Model	Max Dia	Min Dia	Ref Sta	Rev Angle	Low or Flight Idle Angle	Latch or Start Locks Angle	High or Feather Angle	Spinner Assembly P/N	S p i n n e r	Governor Model	STC Number STC Holder STC Kit P/N	N o t e s
M337B (front) "USAF O2A"	L	IO-360-DB (TCM)	P3064229-11	D2AF34C306/78CAA-0	78.0	76.5	30		11.0	15.8	82.0			DCFUS310D13/T5 DCFUS310D7/T5 CFUS310D2/T5 DCFU310D13/T5 DCFU310D7/T5 CFU310D2/T5 DCFS310D7/T5 DCFS310D4/T5 CFS310D2/T5 DCF310D7/T1 CF310D2/T1 CF310D1/T1		
M337B (front) "USAF O2A"	L	IO-360-DB (TCM)	OBSOLETE	D2AF34C59/76C-0	76.0	74.5	30		11.7	15.0	79.0			DCFUS310D13/T5 DCFUS310D7/T5 CFUS310D2/T5 DCFU310D13/T5 DCFU310D7/T5 CFU310D2/T5 DCFS310D7/T5 DCFS310D4/T5 CFS310D2/T5 DCF310D7/T1 CF310D2/T1 CF310D1/T1		1
M337B (front) "USAF O2A"	L	IO-360-DB (TCM)	OBSOLETE	D2AF34C42/76C-0	76.0	75.0	30		11.7	14.7	79.0			DCFUS310D13/T5 DCFUS310D7/T5 CFUS310D2/T5 DCFU310D13/T5 DCFU310D7/T5 CFU310D2/T5 DCFS310D7/T5 DCFS310D4/T5 CFS310D2/T5 DCF310D7/T1 CF310D2/T1 CF310D1/T1		1
M337B (rear) "USAF O2A"	L	IO-360-D (TCM)	P3074231-21	D2AF34C307/L78CBA-2	76.0	74.5	30		11.0	15.8	80.0					
M337B (rear) "USAF O2A"	L	IO-360-D (TCM)	OBSOLETE	D2AF34C61/L76C-0	76.0	74.5	30		10.8	16.0	79.0					1
M337B (rear) "USAF O2A"	L	IO-360-D (TCM)	OBSOLETE	D2AF34C41/L76C-0	76.0	75.0	30		10.8	14.8	79.0					1
M337B (rear) "USAF O2A"	L	IO-360-DB (TCM)	P3074231-21	D2AF34C307/L78CBA-2	76.0	74.5	30		11.0	15.8	80.0					

Constant Speed Propeller Applications

Aircraft Model	T Y P E	Engine Model (Make)	Propeller Part Number	Propeller Model	Max Dia	Min Dia	Ref Sta	Rev Angle	Low or Flight Idle Angle	Latch or Start Locks Angle	High or Feather Angle	Spinner Assembly P/N	S p i n n e r	Governor Model	STC Number STC Holder STC Kit P/N	N o t e s
M337B (rear) "USAF O2A"	L	IO-360-DB (TCM)	OBSOLETE	D2AF34C61/L76C-0	76.0	74.5	30		10.8	16.0	79.0					1
M337B (rear) "USAF O2A"	L	IO-360-DB (TCM)	OBSOLETE	D2AF34C41/L76C-0	76.0	75.0	30		10.8	14.8	79.0					1
P337H (front) "Pressurized Skymaster"	L	IO-360-C (TCM)	P3084336-21	D2AF34C308/90DEA-12	78.0	76.5	30		11.3	15.0	82.3			DCFUS310D13/T5 DCFUS310D7/T5 DCFUS310D4/T5 DCFS310D7/T5 DCFS310D4/T5		
P337H (front) "Pressurized Skymaster"	L	IO-360-CB (TCM)	P3084336-21	D2AF34C308/90DEA-12	78.0	76.5	30		11.3	15.0	82.3			DCFUS310D13/T5 DCFUS310D7/T5 DCFUS310D4/T5 DCFS310D7/T5 DCFS310D4/T5		
P337H (rear) "Pressurized Skymaster"	L	IO-360-C (TCM)	P3054231-11	D2AF34C305/L78CBA-2	76.0	74.0	30		12.5	15.5	80.0			DCFS310D8/T1		
P337H (rear) "Pressurized Skymaster"	L	IO-360-CB (TCM)	P3054231-11	D2AF34C305/L78CBA-2	76.0	74.0	30		12.5	15.5	80.0			DCFS310D8/T1		
T337B (front) "Turbo Skymaster"	L	TSIO-360-A (TCM)	OBSOLETE	D2AF34C91/76C-0	76.0	74.5	30		12.7	15.7	79.0			DCFUS310D13/T5 DCFUS310D7/T5 CFUS310D2/T5 DCFU310D13/T5 DCFU310D7/T5 CFU310D2/T5 DCFS310D7/T5 DCFS310D4/T5 CFS310D2/T5 DCF310D7/T1 CF310D2/T1 CF310D1/T1		1
T337B (front) "Turbo Skymaster"	L	TSIO-360-A (TCM)	P3044336-11	D2AF34C304/76CTA-0	76.0	75.0	30		12.7	15.7	79.0			DCFUS310D13/T5 DCFUS310D7/T5 CFUS310D2/T5 DCFU310D13/T5 DCFU310D7/T5 CFU310D2/T5 DCFS310D7/T5 DCFS310D4/T5 CFS310D2/T5 DCF310D7/T1 CF310D2/T1 CF310D1/T1		

Constant Speed Propeller Applications

Aircraft Model	TYPE	Engine Model (Make)	Propeller Part Number	Propeller Model	Max Dia	Min Dia	Ref Sta	Rev Angle	Low or Flight Idle Angle	Latch or Start Locks Angle	High or Feather Angle	Spinner Assembly P/N	Spinner Type	Governor Model	STC Number STC Holder STC Kit P/N	Notes
T337B (front) "Turbo Skymaster"	L	TSIO-360-AB (TCM)	OBSOLETE	D2AF34C91/76C-0	76.0	74.5	30		12.7	15.7	79.0			DCFUS310D13/T5 DCFUS310D7/T5 CFUS310D2/T5 DCFU310D13/T5 DCFU310D7/T5 CFU310D2/T5 DCFS310D7/T5 DCFS310D4/T5 CFS310D2/T5 DCF310D7/T1 CF310D2/T1 CF310D1/T1		1
T337B (front) "Turbo Skymaster"	L	TSIO-360-AB (TCM)	P3044336-11	D2AF34C304/76CTA-0	76.0	75.0	30		12.7	15.7	79.0			DCFUS310D13/T5 DCFUS310D7/T5 CFUS310D2/T5 DCFU310D13/T5 DCFU310D7/T5 CFU310D2/T5 DCFS310D7/T5 DCFS310D4/T5 CFS310D2/T5 DCF310D7/T1 CF310D2/T1 CF310D1/T1		
T337B (rear) "Turbo Skymaster"	L	TSIO-360-A (TCM)	OBSOLETE	D2AF34C61/L76C-0	76.0	74.5	30		11.8	16.0	79.0			CF310D2/T1 CF310D1/T1		1
T337B (rear) "Turbo Skymaster"	L	TSIO-360-A (TCM)	P3024231-02	D2AF34C302/L76CTA-0	76.0	75.0	30		11.8	15.8	79.0			CF310D2/T1 CF310D1/T1		
T337B (rear) "Turbo Skymaster"	L	TSIO-360-AB (TCM)	OBSOLETE	D2AF34C61/L76C-0	76.0	74.5	30		11.8	16.0	79.0			CF310D2/T1 CF310D1/T1		1
T337B (rear) "Turbo Skymaster"	L	TSIO-360-AB (TCM)	P3024231-02	D2AF34C302/L76CTA-0	76.0	75.0	30		11.8	15.8	79.0			CF310D2/T1 CF310D1/T1		
T337B (rear) "Turbo Skymaster"	L	TSIO-360-B (TCM)	OBSOLETE	D2AF34C61/L76C-0	76.0	74.5	30		11.8	16.0	79.0			CF310D2/T1 CF310D1/T1		1
T337B (rear) "Turbo Skymaster"	L	TSIO-360-B (TCM)	P3024231-02	D2AF34C302/L76CTA-0	76.0	75.0	30		11.8	15.8	79.0			CF310D2/T1 CF310D1/T1		
T337B (rear) "Turbo Skymaster"	L	TSIO-360-BB (TCM)	OBSOLETE	D2AF34C61/L76C-0	76.0	74.5	30		11.8	16.0	79.0			CF310D2/T1 CF310D1/T1		1
T337B (rear) "Turbo Skymaster"	L	TSIO-360-BB (TCM)	P3024231-02	D2AF34C302/L76CTA-0	76.0	75.0	30		11.8	15.8	79.0			CF310D2/T1 CF310D1/T1		

Constant Speed Propeller Applications

Aircraft Model	TYPE	Engine Model (Make)	Propeller Part Number	Propeller Model	Max Dia	Min Dia	Ref Sta	Rev Angle	Low or Flight Idle Angle	Latch or Start Locks Angle	High or Feather Angle	Spinner Assembly P/N	Spinner Type	Governor Model	STC Number STC Holder STC Kit P/N	Notes
T337C (front) "Turbo Skymaster"	L	TSIO-360-A (TCM)	OBSOLETE	D2AF34C91/76C-0	76.0	74.5	30		12.7	15.7	79.0			DCFUS310D13/T5 DCFUS310D7/T5 CFUS310D2/T5 DCFU310D13/T5 DCFU310D7/T5 CFU310D2/T5 DCFS310D7/T5 DCFS310D4/T5 CFS310D2/T5 DCF310D7/T1 CF310D2/T1 CF310D1/T1		1
T337C (front) "Turbo Skymaster"	L	TSIO-360-A (TCM)	P3044336-11	D2AF34C304/76CTA-0	76.0	75.0	30		12.7	15.7	79.0			DCFUS310D13/T5 DCFUS310D7/T5 CFUS310D2/T5 DCFU310D13/T5 DCFU310D7/T5 CFU310D2/T5 DCFS310D7/T5 DCFS310D4/T5 CFS310D2/T5 DCF310D7/T1 CF310D2/T1 CF310D1/T1		
T337C (front) "Turbo Skymaster"	L	TSIO-360-AB (TCM)	OBSOLETE	D2AF34C91/76C-0	76.0	74.5	30		12.7	15.7	79.0			DCFUS310D13/T5 DCFUS310D7/T5 CFUS310D2/T5 DCFU310D13/T5 DCFU310D7/T5 CFU310D2/T5 DCFS310D7/T5 DCFS310D4/T5 CFS310D2/T5 DCF310D7/T1 CF310D2/T1 CF310D1/T1		1

Constant Speed Propeller Applications

Aircraft Model	Type	Engine Model (Make)	Propeller Part Number	Propeller Model	Max Dia	Min Dia	Ref Sta	Rev Angle	Low or Flight Idle Angle	Latch or Start Locks Angle	High or Feather Angle	Spinner Assembly P/N	Spinner Type	Governor Model	STC Number STC Holder STC Kit P/N	Notes
T337C (front) "Turbo Skymaster"	L	TSIO-360-AB (TCM)	P3044336-11	D2AF34C304/76CTA-0	76.0	75.0	30		12.7	15.7	79.0			DCFUS310D13/T5 DCFUS310D7/T5 CFUS310D2/T5 DCFU310D13/T5 DCFU310D7/T5 CFU310D2/T5 DCFS310D7/T5 DCFS310D4/T5 CFS310D2/T5 DCF310D7/T1 CF310D2/T1 CF310D1/T1		
T337C (rear) "Turbo Skymaster"	L	TSIO-360-A (TCM)	OBSOLETE	D2AF34C61/L76C-0	76.0	74.5	30		11.8	16.0	79.0			CF310D2/T1 CF310D1/T1		1
T337C (rear) "Turbo Skymaster"	L	TSIO-360-A (TCM)	P3024231-02	D2AF34C302/L76CTA-0	76.0	75.0	30		11.8	15.8	79.0			CF310D2/T1 CF310D1/T1		
T337C (rear) "Turbo Skymaster"	L	TSIO-360-AB (TCM)	OBSOLETE	D2AF34C61/L76C-0	76.0	74.5	30		11.8	16.0	79.0			CF310D2/T1 CF310D1/T1		1
T337C (rear) "Turbo Skymaster"	L	TSIO-360-AB (TCM)	P3024231-02	D2AF34C302/L76CTA-0	76.0	75.0	30		11.8	15.8	79.0			CF310D2/T1 CF310D1/T1		
T337D (front) "Turbo Skymaster"	L	TSIO-360-A (TCM)	OBSOLETE	D2AF34C91/76C-0	76.0	74.5	30		12.7	15.7	79.0			DCFUS310D13/T5 DCFUS310D7/T5 CFUS310D2/T5 DCFU310D13/T5 DCFU310D7/T5 CFU310D2/T5 DCFS310D7/T5 DCFS310D4/T5 CFS310D2/T5 DCF310D7/T1 CF310D2/T1 CF310D1/T1		1
T337D (front) "Turbo Skymaster"	L	TSIO-360-A (TCM)	P3044336-11	D2AF34C304/76CTA-0	76.0	75.0	30		12.7	15.7	79.0			DCFUS310D13/T5 DCFUS310D7/T5 CFUS310D2/T5 DCFU310D13/T5 DCFU310D7/T5 CFU310D2/T5 DCFS310D7/T5 DCFS310D4/T5 CFS310D2/T5 DCF310D7/T1 CF310D2/T1 CF310D1/T1		

Constant Speed Propeller Applications

Aircraft Model	TYPE	Engine Model (Make)	Propeller Part Number	Propeller Model	Max Dia	Min Dia	Ref Sta	Rev Angle	Low or Flight Idle Angle	Latch or Start Locks Angle	High or Feather Angle	Spinner Assembly P/N	Spinner Type	Governor Model	STC Number STC Holder STC Kit P/N	Notes
T337D (front) "Turbo Skymaster"	L	TSIO-360-AB (TCM)	OBSOLETE	D2AF34C91/76C-0	76.0	74.5	30		12.7	15.7	79.0			DCFUS310D13/T5 DCFUS310D7/T5 CFUS310D2/T5 DCFU310D13/T5 DCFU310D7/T5 CFU310D2/T5 DCFS310D7/T5 DCFS310D4/T5 CFS310D2/T5 DCF310D7/T1 CF310D2/T1 CF310D1/T1		1
T337D (front) "Turbo Skymaster"	L	TSIO-360-AB (TCM)	P3044336-11	D2AF34C304/76CTA-0	76.0	75.0	30		12.7	15.7	79.0			DCFUS310D13/T5 DCFUS310D7/T5 CFUS310D2/T5 DCFU310D13/T5 DCFU310D7/T5 CFU310D2/T5 DCFS310D7/T5 DCFS310D4/T5 CFS310D2/T5 DCF310D7/T1 CF310D2/T1 CF310D1/T1		
T337D (rear) "Turbo Skymaster"	L	TSIO-360-A (TCM)	OBSOLETE	D2AF34C61/L76C-0	76.0	74.5	30		11.8	16.0	79.0			CF310D2/T1 CF310D1/T1		1
T337D (rear) "Turbo Skymaster"	L	TSIO-360-A (TCM)	P3024231-02	D2AF34C302/L76CTA-0	76.0	75.0	30		11.8	15.8	79.0			CF310D2/T1 CF310D1/T1		
T337D (rear) "Turbo Skymaster"	L	TSIO-360-AB (TCM)	OBSOLETE	D2AF34C61/L76C-0	76.0	74.5	30		11.8	16.0	79.0			CF310D2/T1 CF310D1/T1		1
T337D (rear) "Turbo Skymaster"	L	TSIO-360-AB (TCM)	P3024231-02	D2AF34C302/L76CTA-0	76.0	75.0	30		11.8	15.8	79.0			CF310D2/T1 CF310D1/T1		
T337E (front) "Turbo Skymaster"	L	TSIO-360-A (TCM)	OBSOLETE	D2AF34C91/76C-0	76.0	74.5	30		12.7	15.7	79.0			DCFUS310D13/T5 DCFUS310D7/T5 CFUS310D2/T5 DCFU310D13/T5 DCFU310D7/T5 CFU310D2/T5 DCFS310D7/T5 DCFS310D4/T5 CFS310D2/T5 DCF310D7/T1 CF310D2/T1 CF310D1/T1		1

Constant Speed Propeller Applications

Aircraft Model	T Y P E	Engine Model (Make)	Propeller Part Number	Propeller Model	Max Dia	Min Dia	Ref Sta	Rev Angle	Low or Flight Idle Angle	Latch or Start Locks Angle	High or Feather Angle	Spinner Assembly P/N	S p i n n e r	Governor Model	STC Number STC Holder STC Kit P/N	N o t e s
T337E (front) "Turbo Skymaster"	L	TSIO-360-A (TCM)	P3044336-11	D2AF34C304/76CTA-0	76.0	75.0	30		12.7	15.7	79.0			DCFUS310D13/T5 DCFUS310D7/T5 CFUS310D2/T5 DCFU310D13/T5 DCFU310D7/T5 CFU310D2/T5 DCFS310D7/T5 DCFS310D4/T5 CFS310D2/T5 DCF310D7/T1 CF310D2/T1 CF310D1/T1		
T337E (front) "Turbo Skymaster"	L	TSIO-360-AB (TCM)	OBSOLETE	D2AF34C91/76C-0	76.0	74.5	30		12.7	15.7	79.0			DCFUS310D13/T5 DCFUS310D7/T5 CFUS310D2/T5 DCFU310D13/T5 DCFU310D7/T5 CFU310D2/T5 DCFS310D7/T5 DCFS310D4/T5 CFS310D2/T5 DCF310D7/T1 CF310D2/T1 CF310D1/T1		1
T337E (front) "Turbo Skymaster"	L	TSIO-360-AB (TCM)	P3044336-11	D2AF34C304/76CTA-0	76.0	75.0	30		12.7	15.7	79.0			DCFUS310D13/T5 DCFUS310D7/T5 CFUS310D2/T5 DCFU310D13/T5 DCFU310D7/T5 CFU310D2/T5 DCFS310D7/T5 DCFS310D4/T5 CFS310D2/T5 DCF310D7/T1 CF310D2/T1 CF310D1/T1		
T337E (rear) "Turbo Skymaster"	L	TSIO-360-A (TCM)	OBSOLETE	D2AF34C61/L76C-0	76.0	74.5	30		11.8	16.0	79.0			CF310D2/T1 CF310D1/T1		1
T337E (rear) "Turbo Skymaster"	L	TSIO-360-A (TCM)	P3024231-02	D2AF34C302/L76CTA-0	76.0	75.0	30		11.8	15.8	79.0			CF310D2/T1 CF310D1/T1		
T337E (rear) "Turbo Skymaster"	L	TSIO-360-AB (TCM)	OBSOLETE	D2AF34C61/L76C-0	76.0	74.5	30		11.8	16.0	79.0			CF310D2/T1 CF310D1/T1		1
T337E (rear) "Turbo Skymaster"	L	TSIO-360-AB (TCM)	P3024231-02	D2AF34C302/L76CTA-0	76.0	75.0	30		11.8	15.8	79.0			CF310D2/T1 CF310D1/T1		

Constant Speed Propeller Applications

Aircraft Model	TYPE	Engine Model (Make)	Propeller Part Number	Propeller Model	Max Dia	Min Dia	Ref Sta	Rev Angle	Low or Flight Idle Angle	Latch or Start Locks Angle	High or Feather Angle	Spinner Assembly P/N	Spinner Type	Governor Model	STC Number STC Holder STC Kit P/N	Notes
T337F (front) "Turbo Skymaster"	L	TSIO-360-A (TCM)	OBSOLETE	D2AF34C91/76C-0	76.0	74.5	30		12.7	15.7	79.0			DCFUS310D13/T5 DCFUS310D7/T5 CFUS310D2/T5 DCFU310D13/T5 DCFU310D7/T5 CFU310D2/T5 DCFS310D7/T5 DCFS310D4/T5 CFS310D2/T5 DCF310D7/T1 CF310D2/T1 CF310D1/T1		1
T337F (front) "Turbo Skymaster"	L	TSIO-360-A (TCM)	P3044336-11	D2AF34C304/76CTA-0	76.0	75.0	30		12.7	15.7	79.0			DCFUS310D13/T5 DCFUS310D7/T5 CFUS310D2/T5 DCFU310D13/T5 DCFU310D7/T5 CFU310D2/T5 DCFS310D7/T5 DCFS310D4/T5 CFS310D2/T5 DCF310D7/T1 CF310D2/T1 CF310D1/T1		
T337F (front) "Turbo Skymaster"	L	TSIO-360-AB (TCM)	OBSOLETE	D2AF34C91/76C-0	76.0	74.5	30		12.7	15.7	79.0			DCFUS310D13/T5 DCFUS310D7/T5 CFUS310D2/T5 DCFU310D13/T5 DCFU310D7/T5 CFU310D2/T5 DCFS310D7/T5 DCFS310D4/T5 CFS310D2/T5 DCF310D7/T1 CF310D2/T1 CF310D1/T1		1

Constant Speed Propeller Applications

Aircraft Model	T Y P E	Engine Model (Make)	Propeller Part Number	Propeller Model	Max Dia	Min Dia	Ref Sta	Rev Angle	Low or Flight Idle Angle	Latch or Start Locks Angle	High or Feather Angle	Spinner Assembly P/N	S p i n n e r	Governor Model	STC Number STC Holder STC Kit P/N	N o t e s
T337F (front) "Turbo Skymaster"	L	TSIO-360-AB (TCM)	P3044336-11	D2AF34C304/76CTA-0	76.0	75.0	30		12.7	15.7	79.0			DCFUS310D13/T5 DCFUS310D7/T5 CFUS310D2/T5 DCFU310D13/T5 DCFU310D7/T5 CFU310D2/T5 DCFS310D7/T5 DCFS310D4/T5 CFS310D2/T5 DCF310D7/T1 CF310D2/T1 CF310D1/T1		
T337F (rear) "Turbo Skymaster"	L	TSIO-360-A (TCM)	OBSOLETE	D2AF34C61/L76C-0	76.0	74.5	30		11.8	16.0	79.0			CF310D2/T1 CF310D1/T1		1
T337F (rear) "Turbo Skymaster"	L	TSIO-360-A (TCM)	P3024231-02	D2AF34C302/L76CTA-0	76.0	75.0	30		11.8	15.8	79.0			CF310D2/T1 CF310D1/T1		
T337F (rear) "Turbo Skymaster"	L	TSIO-360-AB (TCM)	OBSOLETE	D2AF34C61/L76C-0	76.0	74.5	30		11.8	16.0	79.0			CF310D2/T1 CF310D1/T1		1
T337F (rear) "Turbo Skymaster"	L	TSIO-360-AB (TCM)	P3024231-02	D2AF34C302/L76CTA-0	76.0	75.0	30		11.8	15.8	79.0			CF310D2/T1 CF310D1/T1		
T337G (front) (S/N 0001 - 0257, except 0196) "P337G" "Pressurised Skymaster"	L	TSIO-360-C (TCM)	P3034336-01	D2AF34C303/78CAA-0	78.0	76.0	30		12.5	15.5	82.0			DCFUS310D13/T5 DCFUS310D7/T5 CFUS310D2/T5 DCFU310D13/T5 DCFU310D7/T5 CFU310D2/T5 DCFS310D7/T5 DCFS310D4/T5 CFS310D2/T5 DCF310D7/T1 CF310D2/T1 CF310D1/T1		
T337G (front) (S/N 0001 - 0257, except 0196) "P337G" "Pressurized Skymaster"	L	TSIO-360-CB (TCM)	P3034336-01	D2AF34C303/78CAA-0	78.0	76.0	30		12.5	15.5	82.0			DCFUS310D13/T5 DCFUS310D7/T5 CFUS310D2/T5 DCFU310D13/T5 DCFU310D7/T5 CFU310D2/T5 DCFS310D7/T5 DCFS310D4/T5 CFS310D2/T5 DCF310D7/T1 CF310D2/T1 CF310D1/T1		

Constant Speed Propeller Applications

Aircraft Model	TYPE	Engine Model (Make)	Propeller Part Number	Propeller Model	Max Dia	Min Dia	Ref Sta	Rev Angle	Low or Flight Idle Angle	Latch or Start Locks Angle	High or Feather Angle	Spinner Assembly P/N	Spinner Type	Governor Model	STC Number STC Holder STC Kit P/N	Notes
T337G (front) (S/N 0258 and up) "P337G" "Pressurized Skymaster"	L	TSIO-360-C (TCM)	P3084336-21	D2AF34C308/90DEA-12	78.0	76.5	30		11.3	15.0	82.3			DCFUS310D13/T5 DCFUS310D7/T5 CFUS310D2/T5 DCFU310D13/T5 DCFU310D7/T5 CFU310D2/T5 DCFS310D7/T5 DCFS310D4/T5 CFS310D2/T5 DCF310D7/T1 CF310D2/T1 CF310D1/T1		
T337G (front) (S/N 0258 and up) "P337G" "Pressurised Skymaster"	L	TSIO-360-CB (TCM)	P3084336-21	D2AF34C308/90DEA-12	78.0	76.5	30		11.3	15.0	82.3			DCFUS310D13/T5 DCFUS310D7/T5 CFUS310D2/T5 DCFU310D13/T5 DCFU310D7/T5 CFU310D2/T5 DCFS310D7/T5 DCFS310D4/T5 CFS310D2/T5 DCF310D7/T1 CF310D2/T1 CF310D1/T1		
T337G (rear) "P337G" "Pressurised Skymaster"	L	TSIO-360-C (TCM)	P3054231-11	D2AF34C305/L78CBA-2	76.0	74.0	30		12.5	15.5	80.0			S/N 0149 and up DCFS310D3/T1 S/N 0001 - 0148 DCF310D7/T1 CF310D2/T1 CF310D1/T1		
T337G (rear) "P337G" "Pressurised Skymaster"	L	TSIO-360-CB (TCM)	P3054231-11	D2AF34C305/L78CBA-2	76.0	74.0	30		12.5	15.5	80.0			S/N 0149 and up DCFS310D3/T1 S/N 0001 - 0148 DCF310D7/T1 CF310D2/T1 CF310D1/T1		

Constant Speed Propeller Applications

Aircraft Model	T Y P E	Engine Model (Make)	Propeller Part Number	Propeller Model	Max Dia	Min Dia	Ref Sta	Rev Angle	Low or Flight Idle Angle	Latch or Start Locks Angle	High or Feather Angle	Spinner Assembly P/N	S p i n n e r	Governor Model	STC Number STC Holder STC Kit P/N	N o t e s
T337H (front) "Turbo Skymaster"	L	IO-360-H (TCM)	P3084336-21	D2AF34C308/90DEA-12	78.0	76.5	30		11.3	15.0	82.3			DCFUS310D13/T5 DCFUS310D7/T5 DCFUS310D4/T5 DCFU310D13/T5 DCFU310D7/T5 CFU310D2/T5 DCFS310D7/T5 DCFS310D4/T5 DCF310D7/T1 CF310D2/T1		
T337H (front) "Turbo Skymaster"	L	IO-360-HB (TCM)	P3084336-21	D2AF34C308/90DEA-12	78.0	76.5	30		11.3	15.0	82.3			DCFUS310D13/T5 DCFUS310D7/T5 DCFUS310D4/T5 DCFU310D13/T5 DCFU310D7/T5 CFU310D2/T5 DCFS310D7/T5 DCFS310D4/T5 DCF310D7/T1 CF310D2/T1		
T337H (rear) "Turbo Skymaster"	L	IO-360-H (TCM)	P3054231-11	D2AF34C305/L78CBA-2	76.0	74.0	30		12.5	15.5	80.0			DCF310D7/T1		
T337H (rear) "Turbo Skymaster"	L	IO-360-HB (TCM)	P3054231-11	D2AF34C305/L78CBA-2	76.0	74.0	30		12.5	15.5	80.0			DCF310D7/T1		
T337H-SP (front)	L	IO-360-JB (TCM)	P3084336-21	D2AF34C308/90DEA-12	78.0	76.5	30		11.3	15.0	82.3			DCFU310D13/T5 DCFU310D7/T5		
T337H-SP (rear)	L	IO-360-JB (TCM)	P3054231-11	D2AF34C305/L78CBA-2	76.0	74.0	30		12.5	15.5	80.0			DCFU310D13/T1 DCFU310D7/T1		
340	L	TSIO-520-J (TCM)	OBSOLETE	3AF32C87/82NC-4	78.0	77.0	30		14.0	16.7	82.6				SA2346SW-D Ram Aircraft	1
340	L	TSIO-520-J (TCM)	P5155186-01 P5155186-0119	3AF32C515/82NLA-4	78.0	76.5	30		14.0	17.4	82.2	D-5215	E,P		SA8981SW-D Ram Aircraft	
340	L	TSIO-520-K (TCM)	OBSOLETE	D2AF34C71/84JF-3	81.0	79.0	30		13.3	17.1	82.7	D-3819	E,S	DCFS290D7/T3 DCFS290D4/T3 DCFUS290D13/T3 DCFUS290D7/T3 DCFUS290D1/T3		1
340	L	TSIO-520-K (TCM)	OBSOLETE	3AF32C87/82NC-4	78.0	74.0	30		13.0	17.3	82.6	D-3797	E,S	DCFS290D7/T3 DCFS290D1/T3 DCFUS290D13/T3 DCFUS290D7/T3 DCFUS290D1/T3		1

Constant Speed Propeller Applications

Aircraft Model	T Y P E	Engine Model (Make)	Propeller Part Number	Propeller Model	Max Dia	Min Dia	Ref Sta	Rev Angle	Low or Flight Idle Angle	Latch or Start Locks Angle	High or Feather Angle	Spinner Assembly P/N	S p i n n e r	Governor Model	STC Number STC Holder STC Kit P/N	N o t e s
340	L	TSIO-520-K (TCM)	P5045186-02 P5045186-0219	3AF32C504/82NEA-4	78.0	74.0	30		13.0	16.1	82.6	D-3797	E,S	DCFS290D7/T3 DCFS290D1/T3 DCFUS290D13/T3 DCFUS290D7/T3 DCFUS290D1/T3		
340	L	TSIO-520-KB (TCM)	OBSOLETE	D2AF34C71/84JF-3	81.0	79.0	30		13.3	17.1	82.7	D-3819	E,S	DCFS290D7/T3 DCFS290D1/T3 DCFUS290D13/T3 DCFUS290D7/T3 DCFUS290D1/T3		1
340	L	TSIO-520-KB (TCM)	OBSOLETE	3AF32C87/82NC-4	78.0	74.0	30		13.0	17.3	82.6	D-3797	E,S	DCFS290D7/T3 DCFS290D1/T3 DCFUS290D13/T3 DCFUS290D7/T3 DCFUS290D1/T3		1
340	L	TSIO-520-KB (TCM)	P5045186-02 P5045186-0219	3AF32C504/82NEA-4	78.0	74.0	30		13.0	16.1	82.6	D-3797	E,S	DCFS290D7/T3 DCFS290D1/T3 DCFUS290D13/T3 DCFUS290D7/T3 DCFUS290D1/T3		
340	L	TSIO-520-N (TCM)	OBSOLETE	3AF32C93/82NC-5.5	76.5	75.0	30		14.9		81.2				SA2346SW-D Ram Aircraft	1
340	L	TSIO-520-N (TCM)		3AF32C505/82NEA-5.5	76.5	75.0	30		14.9		81.2				SA2346SW-D Ram Aircraft	
340	L	TSIO-520-N (TCM)	P5155186-01 P5155186-0119	3AF32C515/82NLA-4	78.0	76.5	30		14.0	17.4	82.2	D-5215	E,P		SA8981SW-D Ram Aircraft	
340	L	TSIO-520-N (STC)	OBSOLETE	3AF32C93/82NC-6	76.0	75.0	30		14.9		81.2				SA7382SW-D Ram Aircraft	1 119
340	L	TSIO-520-N (STC)	P5055186-06 P5055186-0619	3AF32C505/82NEA-6.0	76.0	75.0	30		14.9		81.2				SA7382SW-D Ram Aircraft	119
340	L	TSIO-520-NB (TCM)	P5155186-01 P5155186-0119	3AF32C515/82NLA-4	78.0	76.5	30		14.0	17.4	82.2	D-5215	E,P		SA8981SW-D Ram Aircraft	120
340	L	TSIO-520-NB (STC)	OBSOLETE	3AF32C93/82NC-6	76.0	75.0	30		14.9	18.3	81.2	D-5215	E,P		SA8604SW-D Ram Aircraft	1 110
340	L	TSIO-520-NB (STC)	OBSOLETE	3AF32C93/82NC-6	76.0	75.0	30		14.9	18.3	81.2	D-5215	E,P		SA09574SC-D Ram Aircraft	1 110
340	L	TSIO-520-NB (STC)	P5055186-06 P5055186-0619	3AF32C505/82NEA-6.0	76.0	75.0	30		14.9	18.2	81.2	D-5215	E,P		SA8604SW-D Ram Aircraft	
340	L	TSIO-520-NB (STC)	P5055186-06 P5055186-0619	3AF32C505/82NEA-6.0	76.0	75.0	30		14.9	18.2	81.2	D-5215	E,P		SA09574SC-D RAM Aircraft	
340	L	TSIO-520-NB (STC)	P5155186-01 P5155186-0119	3AF32C515/82NLA-4	78.0	76.5	30		14.0	17.4	82.2	D-5215	E,P		SA8604SW-D Ram Aircraft	111
340	L	TSIO-520-NB (STC)	P5155186-01 P5155186-0119	3AF32C515/82NLA-4	78.0	76.5	30		14.0	17.4	82.2	D-5215	E,P		SA8989SW-D Ram Aircraft	

Constant Speed Propeller Applications

Aircraft Model	TYPE	Engine Model (Make)	Propeller Part Number	Propeller Model	Max Dia	Min Dia	Ref Sta	Rev Angle	Low or Flight Idle Angle	Latch or Start Locks Angle	High or Feather Angle	Spinner Assembly P/N	Spinner Type	Governor Model	STC Number STC Holder STC Kit P/N	Notes
340	L	TSIO-520-NB (STC)	P5155186-01 P5155186-0119	3AF32C515/82NLA-4	78.0	76.5	30		14.0	17.4	82.2	D-5215	E,P		SA09574SC-D RAM Aircraft	111
340A (S/N 0001 - 0600)	L	TSIO-520-N (TCM)	OBSOLETE	3AF32C93/82NC-5.5	76.5	75.0	30		14.9	18.4	81.2	D-3797	E,S	DCFS290D8/T3 DCFS290D7/T3 DCFS290D5/T3 DCFS290D4/T3 DCFUS290D13/T3 DCFUS290D12/T3 DCFUS290D8/T3 DCFUS290D7/T3 DCFUS290D5/T3 DCFUS290D4/T3		1
340A (S/N 0001 - 0600)	L	TSIO-520-N (TCM)	OBSOLETE	3AF32C93/82NC-6.5	75.5	75.0	30		15.2	18.4	81.2	D-3797	E,S	DCFS290D8/T3 DCFS290D7/T3 DCFS290D5/T3 DCFS290D4/T3 DCFUS290D13/T3 DCFUS290D12/T3 DCFUS290D8/T3 DCFUS290D7/T3 DCFUS290D5/T3 DCFUS290D4/T3		1
340A (S/N 0001 - 0600)	L	TSIO-520-N (TCM)	P5055186-01 P5055186-0119	3AF32C505/82NEA-5.5	76.5	75.0	30		14.9	18.2	81.2	D-3797	E,S	DCFS290D8/T3 DCFS290D7/T3 DCFS290D5/T3 DCFS290D4/T3 DCFUS290D13/T3 DCFUS290D12/T3 DCFUS290D8/T3 DCFUS290D7/T3 DCFUS290D5/T3 DCFUS290D4/T3		
340A (S/N 0001 - 0600)	L	TSIO-520-N (TCM)	P5055186-04 P5055186-0419	3AF32C505/82NEA-6.5	75.5	75.0	30		15.2	18.5	81.2	D-3797	E,S	DCFS290D8/T3 DCFS290D7/T3 DCFS290D5/T3 DCFS290D4/T3 DCFUS290D13/T3 DCFUS290D12/T3 DCFUS290D8/T3 DCFUS290D7/T3 DCFUS290D5/T3 DCFUS290D4/T3		

Constant Speed Propeller Applications

Aircraft Model	T Y P E	Engine Model (Make)	Propeller Part Number	Propeller Model	Max Dia	Min Dia	Ref Sta	Rev Angle	Low or Flight Idle Angle	Latch or Start Locks Angle	High or Feather Angle	Spinner Assembly P/N	S p i n n e r	Governor Model	STC Number STC Holder STC Kit P/N	N o t e s
340A		TSIO-520-N (STC)	OBSOLETE	3AF32C93/82NC-6	76.0	75.0	30		14.9	18.3	81.2				SA7365SW-D Ram Aircraft	1
340A		TSIO-520-N (STC)		3AF32C505/82NEA-6.0	76.0	75.0	30		14.9	18.2	81.2				SA7365SW-D Ram Aircraft	
340A	L	TSIO-520-NB (TCM)	OBSOLETE	3AF32C93/82NC-5.5	76.5	75.0	30		14.9	18.4	81.2	D-3797	E,S	S/N 0001 - 1500 DCFS290D8/T3 DCFS290D7/T3 DCFS290D5/T3 DCFS290D4/T3 DCFUS290D13/T3 DCFUS290D12/T3 DCFUS290D8/T3 DCFUS290D7/T3 DCFUS290D5/T3 DCFUS290D4/T3 S/N 1501 and up DCFS290D9/T3 DCFUS290D9/T3		1
340A	L	TSIO-520-NB (TCM)	OBSOLETE	3AF32C93/82NC-6.5	75.5	75.0	30		15.2	18.4	81.2	D-3797	E,S	S/N 0001 - 1500 DCFS290D8/T3 DCFS290D7/T3 DCFS290D5/T3 DCFS290D4/T3 DCFUS290D13/T3 DCFUS290D12/T3 DCFUS290D8/T3 DCFUS290D7/T3 DCFUS290D5/T3 DCFUS290D4/T3 S/N 1501 and up DCFS290D9/T3 DCFUS290D9/T3		1

Constant Speed Propeller Applications

Aircraft Model	TYPE	Engine Model (Make)	Propeller Part Number	Propeller Model	Max Dia	Min Dia	Ref Sta	Rev Angle	Low or Flight Idle Angle	Latch or Start Locks Angle	High or Feather Angle	Spinner Assembly P/N	Spinner Type	Governor Model	STC Number STC Holder STC Kit P/N	Notes
340A	L	TSIO-520-NB (TCM)	P5055186-01 P5055186-0119	3AF32C505/82NEA-5.5	76.5	75.0	30		14.9	18.2	81.2	D-3797	E,S	S/N 0001 - 1500 DCFS290D8/T3 DCFS290D7/T3 DCFS290D5/T3 DCFS290D4/T3 DCFUS290D13/T3 DCFUS290D12/T3 DCFUS290D8/T3 DCFUS290D7/T3 DCFUS290D5/T3 DCFUS290D4/T3 S/N 1501 and up DCFS290D9/T3 DCFUS290D9/T3		
340A	L	TSIO-520-NB (TCM)	P5055186-04 P5055186-0419	3AF32C505/82NEA-6.5	75.5	75.0	30		15.2	18.5	81.2	D-3797	E,S	S/N 0001 - 1500 DCFS290D8/T3 DCFS290D7/T3 DCFS290D5/T3 DCFS290D4/T3 DCFUS290D13/T3 DCFUS290D12/T3 DCFUS290D8/T3 DCFUS290D7/T3 DCFUS290D5/T3 DCFUS290D4/T3 S/N 1501 and up DCFS290D9/T3 DCFUS290D9/T3		
340A	L	TSIO-520-NB (STC)	OBSOLETE	3AF32C93/82NC-6	76.0	75.0	30		14.9	18.2	81.2	D-5215	E,P		SA7365SW-D Ram Aircraft	1
340A	L	TSIO-520-NB (STC)	OBSOLETE	3AF32C93/82NC-6	76.0	75.0	30		14.9	18.3	81.2	D-5215	E,P		SA8604SW-D Ram Aircraft	1 110
340A	L	TSIO-520-NB (STC)	OBSOLETE	3AF32C93/82NC-6	76.0	75.0	30		14.9	18.3	81.2	D-5215	E,P		SA09574SC-D RAM Aircraft	1 110
340A	L	TSIO-520-NB (STC)	P5055186-06 P5055186-0619	3AF32C505/82NEA-6.0	76.0	75.0	30		14.9	18.2	81.2	D-5215	E,P		SA7365SW-D Ram Aircraft	
340A	L	TSIO-520-NB (STC)	P5055186-06 P5055186-0619	3AF32C505/82NEA-6.0	76.0	75.0	30		14.9	18.2	81.2	D-5215	E,P		SA8604SW-D Ram Aircraft	
340A	L	TSIO-520-NB (STC)	P5055186-06 P5055186-0619	3AF32C505/82NEA-6.0	76.0	75.0	30		14.9	18.2	81.2	D-5215	E,P		SA09574SC-D RAM Aircraft	
340A	L	TSIO-520-NB (STC)	P5155186-01 P5155186-0119	3AF32C515/82NLA-4	78.0	76.5	30		14.0	17.4	82.2	D-5215	E,P		SA8604SW-D Ram Aircraft	111
340A	L	TSIO-520-NB (STC)	P5155186-01 P5155186-0119	3AF32C515/82NLA-4	78.0	76.5	30		14.0	17.4	82.2	D-5215	E,P		SA8989SW-D Ram Aircraft	111

Constant Speed Propeller Applications

Aircraft Model	TYPE	Engine Model (Make)	Propeller Part Number	Propeller Model	Max Dia	Min Dia	Ref Sta	Rev Angle	Low or Flight Idle Angle	Latch or Start Locks Angle	High or Feather Angle	Spinner Assembly P/N	S p i n n e r	Governor Model	STC Number STC Holder STC Kit P/N	Notes
340A	L	TSIO-520-NB (STC)	P5155186-01 P5155186-0119	3AF32C515/82NLA-4	78.0	76.5	30		14.0	17.4	82.2	D-5215	E,P		SA09574SC-D RAM Aircraft	111
350 "LC42-550FG" "Corvalis"	L	IO-550-N (TCM)	P4447800-01 P4447800-0160 P4447800-0161	D3A34C444/78MLA-0	78.0	76.5	30		11.6		31.6	E-7819	E,P	C290D3/T43	SA01390WI McCauley PL60348 PL60349 PL60350	123 141 144
400 "LC41-550FG" "Corvalis TT" "TTX"	L	TSIO-550-C (TCM)	P4477837-02 P4477837-0260 P4477837-0261	D3A34C447/78MLB-0	78.0	76.5	30		14.9		36.5	E-7819 E-8064	E,P A,P	C290D3/T15	SA01511WI McCauley PL60358 PL60359 PL60361	122 123 141
401	L	TSIO-520-E (TCM)	OBSOLETE	3AF32C87/82NC-5.5	76.5	74.0	30		14.2	17.3	81.2	D-3538 D-3797 D-5215	E,S E,S E,P			1 15
401	L	TSIO-520-E (TCM)	P5045186-03 P5045186-0319	3AF32C504/82NEA-5.5	76.5	74.0	30		14.2	17.3	81.2	D-3538 D-3797 D-5215	E,S E,S E,P			15
401	L	TSIO-520-EB (TCM)	OBSOLETE	3AF32C87/82NC-5.5	76.5	74.0	30		14.2	17.3	81.2	D-3538 D-3797 D-5215	E,S E,S E,P			1 15
401	L	TSIO-520-EB (TCM)	P5045186-03 P5045186-0319	3AF32C504/82NEA-5.5	76.5	74.0	30		14.2	17.3	81.2	D-3538 D-3797 D-5215	E,S E,S E,P			15
401A	L	TSIO-520-E (TCM)	OBSOLETE	3AF32C87/82NC-5.5	76.5	74.0	30		14.2	17.3	81.2	D-3538 D-3797 D-5215	E,S E,S E,P	DCF290D7/T3 DCF290D2/T3 DCF290D1/T3 DCFU290D13/T3 DCFU290D7/T3 DCFU290D2/T3 DCFU290D1/T3 DCFS290D7/T3 DCFS290D2/T3 DCFS290D1/T3 DCFUS290D13/T3 DCFUS290D7/T3 DCFUS290D2/T3 DCFUS290D1/T3	1 15	

Constant Speed Propeller Applications

Aircraft Model	TYPE	Engine Model (Make)	Propeller Part Number	Propeller Model	Max Dia	Min Dia	Ref Sta	Rev Angle	Low or Flight Idle Angle	Latch or Start Locks Angle	High or Feather Angle	Spinner Assembly P/N	Spinner Type	Governor Model	STC Number STC Holder STC Kit P/N	Notes
401A	L	TSIO-520-E (TCM)	P5045186-03 P5045186-0319	3AF32C504/82NEA-5.5	76.5	74.0	30		14.2	17.3	81.2	D-3538 D-3797 D-5215	E,S E,S E,P	DCF290D7/T3 DCF290D2/T3 DCF290D1/T3 DCFU290D13/T3 DCFU290D7/T3 DCFU290D2/T3 DCFU290D1/T3 DCFS290D7/T3 DCFS290D2/T3 DCFS290D1/T3 DCFUS290D13/T3 DCFUS290D7/T3 DCFUS290D2/T3 DCFUS290D1/T3		15
401A	L	TSIO-520-EB (TCM)	OBSOLETE	3AF32C87/82NC-5.5	76.5	74.0	30		14.2	17.3	81.2	D-3538 D-3797 D-5215	E,S E,S E,P	DCF290D7/T3 DCF290D2/T3 DCF290D1/T3 DCFU290D13/T3 DCFU290D7/T3 DCFU290D2/T3 DCFU290D1/T3 DCFS290D7/T3 DCFS290D2/T3 DCFS290D1/T3 DCFUS290D13/T3 DCFUS290D7/T3 DCFUS290D2/T3 DCFUS290D1/T3		15
401A	L	TSIO-520-EB (TCM)	P5045186-03 P5045186-0319	3AF32C504/82NEA-5.5	76.5	74.0	30		14.2	17.3	81.2	D-3538 D-3797 D-5215	E,S E,S E,P	DCF290D7/T3 DCF290D2/T3 DCF290D1/T3 DCFU290D13/T3 DCFU290D7/T3 DCFU290D2/T3 DCFU290D1/T3 DCFS290D7/T3 DCFS290D2/T3 DCFS290D1/T3 DCFUS290D13/T3 DCFUS290D7/T3 DCFUS290D2/T3 DCFUS290D1/T3		15

Constant Speed Propeller Applications

Aircraft Model	TYPE	Engine Model (Make)	Propeller Part Number	Propeller Model	Max Dia	Min Dia	Ref Sta	Rev Angle	Low or Flight Idle Angle	Latch or Start Locks Angle	High or Feather Angle	Spinner Assembly P/N	Spinner Type	Governor Model	STC Number STC Holder STC Kit P/N	Notes
401B	L	TSIO-520-E (TCM)	OBSOLETE	3AF32C87/82NC-5.5	76.5	74.0	30		14.2	17.3	81.2	D-3538 D-3797 D-5215	E,S E,S E,P	DCF290D7/T3 DCF290D2/T3 DCF290D1/T3 DCFU290D13/T3 DCFU290D7/T3 DCFU290D2/T3 DCFU290D1/T3 DCFS290D7/T3 DCFS290D2/T3 DCFS290D1/T3 DCFUS290D13/T3 DCFUS290D7/T3 DCFUS290D2/T3 DCFUS290D1/T3		15
401B	L	TSIO-520-E (TCM)	P5045186-03 P5045186-0319	3AF32C504/82NEA-5.5	76.5	74.0	30		14.2	17.3	81.2	D-3538 D-3797 D-5215	E,S E,S E,P	DCF290D7/T3 DCF290D2/T3 DCF290D1/T3 DCFU290D13/T3 DCFU290D7/T3 DCFU290D2/T3 DCFU290D1/T3 DCFS290D7/T3 DCFS290D2/T3 DCFS290D1/T3 DCFUS290D13/T3 DCFUS290D7/T3 DCFUS290D2/T3 DCFUS290D1/T3		15
401B	L	TSIO-520-EB (TCM)	OBSOLETE	3AF32C87/82NC-5.5	76.5	74.0	30		14.2	17.3	81.2	D-3538 D-3797 D-5215	E,S E,S E,P	DCF290D7/T3 DCF290D2/T3 DCF290D1/T3 DCFU290D13/T3 DCFU290D7/T3 DCFU290D2/T3 DCFU290D1/T3 DCFS290D7/T3 DCFS290D2/T3 DCFS290D1/T3 DCFUS290D13/T3 DCFUS290D7/T3 DCFUS290D2/T3 DCFUS290D1/T3		15

Constant Speed Propeller Applications

Aircraft Model	TYPE	Engine Model (Make)	Propeller Part Number	Propeller Model	Max Dia	Min Dia	Ref Sta	Rev Angle	Low or Flight Idle Angle	Latch or Start Locks Angle	High or Feather Angle	Spinner Assembly P/N	Spinner Type	Governor Model	STC Number STC Holder STC Kit P/N	Notes
401B	L	TSIO-520-EB (TCM)	P5045186-03 P5045186-0319	3AF32C504/82NEA-5.5	76.5	74.0	30		14.2	17.3	81.2	D-3538 D-3797 D-5215	E,S E,S E,P	DCF290D7/T3 DCF290D2/T3 DCF290D1/T3 DCFU290D13/T3 DCFU290D7/T3 DCFU290D2/T3 DCFU290D1/T3 DCFS290D7/T3 DCFS290D2/T3 DCFS290D1/T3 DCFUS290D13/T3 DCFUS290D7/T3 DCFUS290D2/T3 DCFUS290D1/T3		15
402	L	TSIO-520-E (TCM)	OBSOLETE	3AF32C87/82NC-5.5	76.5	74.0	30		14.2	17.3	81.2	D-3538 D-3797 D-5215	E,S E,S E,P	DCF290D7/T3 DCF290D2/T3 DCF290D1/T3 DCFU290D13/T3 DCFU290D7/T3 DCFU290D2/T3 DCFU290D1/T3 DCFS290D7/T3 DCFS290D2/T3 DCFS290D1/T3 DCFUS290D13/T3 DCFUS290D7/T3 DCFUS290D2/T3 DCFUS290D1/T3		15
402	L	TSIO-520-E (TCM)	P5045186-03 P5045186-0319	3AF32C504/82NEA-5.5	76.5	74.0	30		14.2	17.3	81.2	D-3538 D-3797 D-5215	E,S E,S E,P	DCF290D7/T3 DCF290D2/T3 DCF290D1/T3 DCFU290D13/T3 DCFU290D7/T3 DCFU290D2/T3 DCFU290D1/T3 DCFS290D7/T3 DCFS290D2/T3 DCFS290D1/T3 DCFUS290D13/T3 DCFUS290D7/T3 DCFUS290D2/T3 DCFUS290D1/T3		15

Constant Speed Propeller Applications

Aircraft Model	TYPE	Engine Model (Make)	Propeller Part Number	Propeller Model	Max Dia	Min Dia	Ref Sta	Rev Angle	Low or Flight Idle Angle	Latch or Start Locks Angle	High or Feather Angle	Spinner Assembly P/N	Spinner Type	Governor Model	STC Number STC Holder STC Kit P/N	Notes
402	L	TSIO-520-EB (TCM)	OBSOLETE	3AF32C87/82NC-5.5	76.5	74.0	30		14.2	17.3	81.2	D-3538 D-3797 D-5215	E,S E,S E,P	DCF290D7/T3 DCF290D2/T3 DCF290D1/T3 DCFU290D13/T3 DCFU290D7/T3 DCFU290D2/T3 DCFU290D1/T3 DCFS290D7/T3 DCFS290D2/T3 DCFS290D1/T3 DCFUS290D13/T3 DCFUS290D7/T3 DCFUS290D2/T3 DCFUS290D1/T3		15
402	L	TSIO-520-EB (TCM)	P5045186-03 P5045186-0319	3AF32C504/82NEA-5.5	76.5	74.0	30		14.2	17.3	81.2	D-3538 D-3797 D-5215	E,S E,S E,P	DCF290D7/T3 DCF290D2/T3 DCF290D1/T3 DCFU290D13/T3 DCFU290D7/T3 DCFU290D2/T3 DCFU290D1/T3 DCFS290D7/T3 DCFS290D2/T3 DCFS290D1/T3 DCFUS290D13/T3 DCFUS290D7/T3 DCFUS290D2/T3 DCFUS290D1/T3		15
402A	L	TSIO-520-E (TCM)	OBSOLETE	3AF32C87/82NC-5.5	76.5	74.0	30		14.2	17.3	81.2	D-3538 D-3797 D-5215	E,S E,S E,P	DCF290D7/T3 DCF290D2/T3 DCF290D1/T3 DCFU290D13/T3 DCFU290D7/T3 DCFU290D2/T3 DCFU290D1/T3 DCFS290D7/T3 DCFS290D2/T3 DCFS290D1/T3 DCFUS290D13/T3 DCFUS290D7/T3 DCFUS290D2/T3 DCFUS290D1/T3		15

Constant Speed Propeller Applications

Aircraft Model	TYPE	Engine Model (Make)	Propeller Part Number	Propeller Model	Max Dia	Min Dia	Ref Sta	Rev Angle	Low or Flight Idle Angle	Latch or Start Locks Angle	High or Feather Angle	Spinner Assembly P/N	Spinner Type	Governor Model	STC Number STC Holder STC Kit P/N	Notes
402A	L	TSIO-520-E (TCM)	P5045186-03 P5045186-0319	3AF32C504/82NEA-5.5	76.5	74.0	30		14.2	17.3	81.2	D-3538 D-3797 D-5215	E,S E,S E,P	DCF290D7/T3 DCF290D2/T3 DCF290D1/T3 DCFU290D13/T3 DCFU290D7/T3 DCFU290D2/T3 DCFU290D1/T3 DCFS290D7/T3 DCFS290D2/T3 DCFS290D1/T3 DCFUS290D13/T3 DCFUS290D7/T3 DCFUS290D2/T3 DCFUS290D1/T3		15
402A	L	TSIO-520-EB (TCM)	OBSOLETE	3AF32C87/82NC-5.5	76.5	74.0	30		14.2	17.3	81.2	D-3538 D-3797 D-5215	E,S E,S E,P	DCF290D7/T3 DCF290D2/T3 DCF290D1/T3 DCFU290D13/T3 DCFU290D7/T3 DCFU290D2/T3 DCFU290D1/T3 DCFS290D7/T3 DCFS290D2/T3 DCFS290D1/T3 DCFUS290D13/T3 DCFUS290D7/T3 DCFUS290D2/T3 DCFUS290D1/T3		15
402A	L	TSIO-520-EB (TCM)	P5045186-03 P5045186-0319	3AF32C504/82NEA-5.5	76.5	74.0	30		14.2	17.3	81.2	D-3538 D-3797 D-5215	E,S E,S E,P	DCF290D7/T3 DCF290D2/T3 DCF290D1/T3 DCFU290D13/T3 DCFU290D7/T3 DCFU290D2/T3 DCFU290D1/T3 DCFS290D7/T3 DCFS290D2/T3 DCFS290D1/T3 DCFUS290D13/T3 DCFUS290D7/T3 DCFUS290D2/T3 DCFUS290D1/T3		15

Constant Speed Propeller Applications

Aircraft Model	TYPE	Engine Model (Make)	Propeller Part Number	Propeller Model	Max Dia	Min Dia	Ref Sta	Rev Angle	Low or Flight Idle Angle	Latch or Start Locks Angle	High or Feather Angle	Spinner Assembly P/N	Spinner Type	Governor Model	STC Number STC Holder STC Kit P/N	Notes
402B "Utililiner" "Businessliner"	L	TSIO-520-E (TCM)	OBSOLETE	3AF32C87/82NC-5.5	76.5	74.0	30		14.2	17.3	81.2	D-3538 D-3797 D-5215	E,S E,S E,P	All S/N's DCF290D7/T3 DCF290D2/T3 DCF290D1/T3 DCFU290D13/T3 DCFU290D7/T3 DCFU290D2/T3 DCFU290D1/T3 DCFS290D7/T3 DCFS290D13/T3 DCFS290D7/T3 S/N 0001 - 1200 DCFS290D2/T3 DCFS290D1/T3 DCFUS290D2/T3 DCFUS290D1/T3 S/N 1201 - 1300 *DCFS290D8/T3* *DCFS290D6/T3* DCFS290D5/T3 DCFS290D4/T3 DCFUS290D5/T3 DCFUS290D4/T3 * SEE NOTE 13 S/N 1301 and up DCFS290D8/T3 DCFS290D6/T3 DCFS290D4/T3 DCFUS290D12/T3 DCFUS290D8/T3 DCFUS290D6/T3 DCFUS290D4/T3		1 15

Constant Speed Propeller Applications

Aircraft Model	TYPE	Engine Model (Make)	Propeller Part Number	Propeller Model	Max Dia	Min Dia	Ref Sta	Rev Angle	Low or Flight Idle Angle	Latch or Start Locks Angle	High or Feather Angle	Spinner Assembly P/N	Spinner Type	Governor Model	STC Number STC Holder STC Kit P/N	Notes
402B "Utililiner" "Businessliner"	L	TSIO-520-E (TCM)	P5045186-03 P5045186-0319	3AF32C504/82NEA-5.5	76.5	74.0	30		14.2	17.3	81.2	D-3538 D-3797 D-5215	E,S E,S E,P	All S/N's DCF290D7/T3 DCF290D2/T3 DCF290D1/T3 DCFU290D13/T3 DCFU290D7/T3 DCFU290D2/T3 DCFU290D1/T3 DCFS290D7/T3 DCFUS290D13/T3 DCFUS290D7/T3 S/N 0001 - 1200 DCFS290D2/T3 DCFS290D1/T3 DCFUS290D2/T3 DCFUS290D1/T3 S/N 1201 - 1300 *DCFS290D8/T3* *DCFS290D6/T3* DCFS290D5/T3 DCFS290D4/T3 DCFUS290D5/T3 DCFUS290D4/T3 * SEE NOTE 13 S/N 1301 and up DCFS290D8/T3 DCFS290D6/T3 DCFS290D4/T3 DCFUS290D12/T3 DCFUS290D8/T3 DCFUS290D6/T3 DCFUS290D4/T3		15

Constant Speed Propeller Applications

Aircraft Model	TYPE	Engine Model (Make)	Propeller Part Number	Propeller Model	Max Dia	Min Dia	Ref Sta	Rev Angle	Low or Flight Idle Angle	Latch or Start Locks Angle	High or Feather Angle	Spinner Assembly P/N	Spinner Type	Governor Model	STC Number STC Holder STC Kit P/N	Notes
402B "Utililiner" "Businessliner"	L	TSIO-520-EB (TCM)	OBSOLETE	3AF32C87/82NC-5.5	76.5	74.0	30		14.2	17.3	81.2	D-3538 D-3797 D-5215	E,S E,S E,P	All S/N's DCF290D7/T3 DCF290D2/T3 DCF290D1/T3 DCFU290D13/T3 DCFU290D7/T3 DCFU290D2/T3 DCFU290D1/T3 DCFS290D7/T3 DCFUS290D13/T3 DCFUS290D7/T3 S/N 0001 - 1200 DCFS290D2/T3 DCFS290D1/T3 DCFUS290D2/T3 DCFUS290D1/T3 S/N 1201 - 1300 *DCFS290D8/T3* *DCFS290D6/T3* DCFS290D5/T3 DCFS290D4/T3 DCFUS290D5/T3 DCFUS290D4/T3 * SEE NOTE 13 S/N 1301 and up DCFS290D8/T3 DCFS290D6/T3 DCFS290D4/T3 DCFUS290D12/T3 DCFUS290D8/T3 DCFUS290D6/T3 DCFUS290D4/T3		1 15

Constant Speed Propeller Applications

Aircraft Model	TYPE	Engine Model (Make)	Propeller Part Number	Propeller Model	Max Dia	Min Dia	Ref Sta	Rev Angle	Low or Flight Idle Angle	Latch or Start Locks Angle	High or Feather Angle	Spinner Assembly P/N	Spinner Type	Governor Model	STC Number STC Holder STC Kit P/N	Notes
402B "Utililiner" "Businessliner"	L	TSIO-520-EB (TCM)	P5045186-03 P5045186-0319	3AF32C504/82NEA-5.5	76.5	74.0	30		14.2	17.3	81.2	D-3538 D-3797 D-5215	E,S E,S E,P	All S/N's DCF290D7/T3 DCF290D2/T3 DCF290D1/T3 DCFU290D13/T3 DCFU290D7/T3 DCFU290D2/T3 DCFU290D1/T3 DCFS290D7/T3 DCFUS290D13/T3 DCFUS290D7/T3 S/N 0001 - 1200 DCFS290D2/T3 DCFS290D1/T3 DCFUS290D2/T3 DCFUS290D1/T3 S/N 1201 - 1300 *DCFS290D8/T3* *DCFS290D6/T3* DCFS290D5/T3 DCFS290D4/T3 DCFUS290D5/T3 DCFUS290D4/T3 * SEE NOTE 13 S/N 1301 and up DCFS290D8/T3 DCFS290D6/T3 DCFS290D4/T3 DCFUS290D12/T3 DCFUS290D8/T3 DCFUS290D6/T3 DCFUS290D4/T3		15

Constant Speed Propeller Applications

Aircraft Model	T Y P E	Engine Model (Make)	Propeller Part Number	Propeller Model	Max Dia	Min Dia	Ref Sta	Rev Angle	Low or Flight Idle Angle	Latch or Start Locks Angle	High or Feather Angle	Spinner Assembly P/N	S p i n n e r	Governor Model	STC Number STC Holder STC Kit P/N	N o t e s
402C "Utililiner" "Businessliner"	L	TSIO-520-VB (TCM)	OBSOLETE	3AF32C93/82NC-5.5	76.5	75.0	30		14.9	18.4	82.2	D-3538 D-3797 D-5215	E,S E,S E,P	S/N 0001 - 0600 DCF290D7/T3 DCFU290D7/T3 DCFU290D13/T3 DCFS290D7/T3 DCFUS290D13/T3 DCFUS290D12/T3 DCFUS290D8/T3 DCFUS290D7/T3 S/N 689, 0601 and up DCF290D7/T3 DCFU290D13/T3 DCFU290D7/T3 DCFS290D9/T3 DCFUS290D9/T3		1 17
402C "Utililiner" "Businessliner"	L	TSIO-520-VB (TCM)	OBSOLETE	3AF32C93/82NC-6.5	75.5	75.0	30		15.2	18.4	82.2	D-3538 D-3797 D-5215	E,S E,S E,P	S/N 0001 - 0600 DCF290D7/T3 DCFU290D7/T3 DCFU290D13/T3 DCFS290D7/T3 DCFUS290D13/T3 DCFUS290D12/T3 DCFUS290D8/T3 DCFUS290D7/T3 S/N 689, 0601 and up DCF290D7/T3 DCFU290D13/T3 DCFU290D7/T3 DCFS290D9/T3 DCFUS290D9/T3		1 17

Constant Speed Propeller Applications

Aircraft Model	TYPE	Engine Model (Make)	Propeller Part Number	Propeller Model	Max Dia	Min Dia	Ref Sta	Rev Angle	Low or Flight Idle Angle	Latch or Start Locks Angle	High or Feather Angle	Spinner Assembly P/N	Spinner Type	Governor Model	STC Number STC Holder STC Kit P/N	Notes
402C "Utililiner" "Businessliner"	L	TSIO-520-VB (TCM)	P5055186-02 P5055186-0219	3AF32C505/82NEA-5.5	76.5	75.0	30		14.9	18.2	82.2	D-3538 D-3797 D-5215	E,S E,S E,P	S/N 0001 - 0600 DCF290D7/T3 DCFU290D7/T3 DCFU290D13/T3 DCFS290D7/T3 DCFUS290D13/T3 DCFUS290D12/T3 DCFUS290D8/T3 DCFUS290D7/T3 S/N 689, 0601 and up DCF290D7/T3 DCFU290D13/T3 DCFU290D7/T3 DCFS290D9/T3 DCFUS290D9/T3		17
402C "Utililiner" "Businessliner"	L	TSIO-520-VB (TCM)	P5055186-03 P5055186-0319	3AF32C505/82NEA-6.5	75.5	75.0	30		15.2	18.5	82.2	D-3538 D-3797 D-5215	E,S E,S E,P	S/N 0001 - 0600 DCF290D7/T3 DCFU290D7/T3 DCFU290D13/T3 DCFS290D7/T3 DCFUS290D13/T3 DCFUS290D12/T3 DCFUS290D8/T3 DCFUS290D7/T3 S/N 689, 0601 and up DCF290D7/T3 DCFU290D13/T3 DCFU290D7/T3 DCFS290D9/T3 DCFUS290D9/T3		17
402C "Utililiner" "Businessliner"	L	TSIO-520-VB (TCM)	P5155186-01 P5155186-0119	3AF32C515/82NLA-4	78.0	76.5	30		14.0	17.4	82.2	D-5215	E,P		SA8634SW-D Ram Aircraft	
404 (S/N 0001 - 0600) "Titan"	L	GTSIO-520-M (TCM)	P5014594-01 P5014594-0103	3FF32C501/90UMB-0	90.0	88.5	30		16.6	19.9	84.6	D-4509	E,S	DCF290D7/T6 DCF290D2/T6 DCFU290D13/T6 DCFU290D7/T6 DCFU290D2/T6 DCFS290D7/T6 DCFS290D2/T6 DCFUS290D13/T6 DCFUS290D7/T6 DCFUS290D2/T6		

Constant Speed Propeller Applications

Aircraft Model	TYPE	Engine Model (Make)	Propeller Part Number	Propeller Model	Max Dia	Min Dia	Ref Sta	Rev Angle	Low or Flight Idle Angle	Latch or Start Locks Angle	High or Feather Angle	Spinner Assembly P/N	Spinner Type	Governor Model	STC Number STC Holder STC Kit P/N	Notes
404 (S/N 0600 and up) "Titan"	L	GTSIO-520-M (TCM)	P5014594-01 P5014594-0103	3FF32C501/90UMB-0	90.0	88.5	30		16.6	19.9	84.6	D-4509	E,S	DCF290D7/T6 DCFU290D13/T6 DCFU290D7/T6 DCFS290D9/T6 DCFUS290D9/T6		
411	L	GTSIO-520-C (TCM)	OBSOLETE	3AF34C74/90LF-0	90.0	84.0	30		14.0	17.4	84.5	D-3574 D-3732	E,S E,S			1 14
411	L	GTSIO-520-C (TCM)	P5107272-01 P5107272-0119	3AF37C510/90LFB-0	90.0	88.0	30		14.0	17.8	84.5	D-7229	E,S			14
411A	L	GTSIO-520-C (TCM)	OBSOLETE	3AF34C74/90LF-0	90.0	84.0	30		14.0	17.4	84.5	D-3574 D-3732	E,S E,S			1 14
411A	L	GTSIO-520-C (TCM)	P5107272-01 P5107272-0119	3AF37C510/90LFB-0	90.0	88.0	30		14.0	17.8	84.5	D-7229	E,S			14
414 (S/N 0001 - 0800)	L	TSIO-520-J (TCM)	OBSOLETE	3AF32C93/82NC-5.5	76.5	74.5	30		14.9	18.4	81.2	D-3538 D-3797 D-5215	E,S E,S E,P	DCF290D7/T3 DCF290D2/T3 DCF290D1/T3 DCFU290D13/T3 DCFU290D7/T3 DCFU290D2/T3 DCFU290D1/T3 DCFS290D7/T3 DCFS290D2/T3 DCFS290D1/T3 DCFUS290D13/T3 DCFUS290D7/T3 DCFUS290D2/T3 DCFUS290D1/T3		1 17
414 (S/N 0001 - 0800)	L	TSIO-520-J (TCM)	P5055186-01 P5055186-0119	3AF32C505/82NEA-5.5	76.5	74.5	30		14.9	18.2	81.2	D-3538 D-3797 D-5215	E,S E,S E,P	DCF290D7/T3 DCF290D2/T3 DCF290D1/T3 DCFU290D13/T3 DCFU290D7/T3 DCFU290D2/T3 DCFU290D1/T3 DCFS290D7/T3 DCFS290D2/T3 DCFS290D1/T3 DCFUS290D13/T3 DCFUS290D7/T3 DCFUS290D2/T3 DCFUS290D1/T3		17

Constant Speed Propeller Applications

Aircraft Model	TYPE	Engine Model (Make)	Propeller Part Number	Propeller Model	Max Dia	Min Dia	Ref Sta	Rev Angle	Low or Flight Idle Angle	Latch or Start Locks Angle	High or Feather Angle	Spinner Assembly P/N	Spinner Type	Governor Model	STC Number STC Holder STC Kit P/N	Notes
414 (S/N 0001 - 0800)	L	TSIO-520-JB (TCM)	OBSOLETE	3AF32C93/82NC-5.5	76.5	74.5	30		14.9	18.4	81.2	D-3538 D-3797 D-5215	E,S E,S E,P	DCF290D7/T3 DCF290D2/T3 DCF290D1/T3 DCFU290D13/T3 DCFU290D7/T3 DCFU290D2/T3 DCFU290D1/T3 DCFS290D7/T3 DCFS290D2/T3 DCFS290D1/T3 DCFUS290D13/T3 DCFUS290D7/T3 DCFUS290D2/T3 DCFUS290D1/T3		17
414 (S/N 0001 - 0800)	L	TSIO-520-JB (TCM)	P5055186-01 P5055186-0119	3AF32C505/82NEA-5.5	76.5	74.5	30		14.9	18.2	81.2	D-3538 D-3797 D-5215	E,S E,S E,P	DCF290D7/T3 DCF290D2/T3 DCF290D1/T3 DCFU290D13/T3 DCFU290D7/T3 DCFU290D2/T3 DCFU290D1/T3 DCFS290D7/T3 DCFS290D2/T3 DCFS290D1/T3 DCFUS290D13/T3 DCFUS290D7/T3 DCFUS290D2/T3 DCFUS290D1/T3		17
414 (S/N 0801 and up)	L	TSIO-520-N (TCM)	OBSOLETE	3AF32C93/82NC-5.5	76.5	75.0	30		14.9	18.4	81.2	D-3538 D-3797 D-5215	E,S E,S E,P	DCFS290D8/T3 DCFS290D7/T3 DCFS290D5/T3 DCFS290D4/T3 DCFUS290D13/T3 DCFUS290D12/T3 DCFUS290D8/T3 DCFUS290D7/T3 DCFUS290D5/T3 DCFUS290D4/T3		17

Constant Speed Propeller Applications

Aircraft Model	TYPE	Engine Model (Make)	Propeller Part Number	Propeller Model	Max Dia	Min Dia	Ref Sta	Rev Angle	Low or Flight Idle Angle	Latch or Start Locks Angle	High or Feather Angle	Spinner Assembly P/N	Spinner Type	Governor Model	STC Number STC Holder STC Kit P/N	Notes
414 (S/N 0801 and up)	L	TSIO-520-N (TCM)	P5055186-01 P5055186-0119	3AF32C505/82NEA-5.5	76.5	75.0	30		14.9	18.2	81.2	D-3538 D-3797 D-5215	E,S E,S E,P	DCFS290D8/T3 DCFS290D7/T3 DCFS290D5/T3 DCFS290D4/T3 DCFUS290D13/T3 DCFUS290D12/T3 DCFUS290D8/T3 DCFUS290D7/T3 DCFUS290D5/T3 DCFUS290D4/T3		17
414		TSIO-520-N (STC)	OBSOLETE	3AF32C93/82NC-5.5	76.5	75.0	30		14.9		81.2				SA7570SW-D Ram Aircraft	1
414		TSIO-520-N (STC)		3AF32C505/82NEA-5.5	76.5	75.0	30		14.9		81.2				SA7570SW-D Ram Aircraft	
414 (S/N 0801 and up)	L	TSIO-520-NB (TCM)	OBSOLETE	3AF32C93/82NC-5.5	76.5	75.0	30		14.9	18.4	81.2	D-3538 D-3797 D-5215	E,S E,S E,P	DCFS290D8/T3 DCFS290D7/T3 DCFS290D5/T3 DCFS290D4/T3 DCFUS290D13/T3 DCFUS290D12/T3 DCFUS290D8/T3 DCFUS290D7/T3 DCFUS290D5/T3 DCFUS290D4/T3		1 17
414 (S/N 0801 and up)	L	TSIO-520-NB (TCM)	P5055186-01 P5055186-0119	3AF32C505/82NEA-5.5	76.5	75.0	30		14.9	18.2	81.2	D-3538 D-3797 D-5215	E,S E,S E,P	DCFS290D8/T3 DCFS290D7/T3 DCFS290D5/T3 DCFS290D4/T3 DCFUS290D13/T3 DCFUS290D12/T3 DCFUS290D8/T3 DCFUS290D7/T3 DCFUS290D5/T3 DCFUS290D4/T3		17
414		TSIO-520-NB (STC)	OBSOLETE	3AF32C93/82NC-6	76.0	75.0	30		14.9		81.2				SA4379SW-D Ram Aircraft	1
414		TSIO-520-NB (STC)	OBSOLETE	3AF32C93/82NC-5.5	76.5	75.0	30		14.9		81.2				SA7570SW-D Ram Aircraft	1
414		TSIO-520-NB (STC)		3AF32C505/82NEA-6	76.0	75.0	30		14.9		81.2				SA4379SW-D Ram Aircraft	
414		TSIO-520-NB (STC)		3AF32C505/82NEA-5.5	76.5	75.0	30		14.9		81.2				SA7570SW-D Ram Aircraft	
414		TSIO-520-NB (STC)	P5155186-01 P5155186-0119	3AF32C515/82NLA-4	78.0	76.5	30		14.0	17.4	82.2	D-5215	E,P		SA4379SW-D RAM Aircraft	

Constant Speed Propeller Applications

Aircraft Model	T Y P E	Engine Model (Make)	Propeller Part Number	Propeller Model	Max Dia	Min Dia	Ref Sta	Rev Angle	Low or Flight Idle Angle	Latch or Start Locks Angle	High or Feather Angle	Spinner Assembly P/N	S p i n n e r	Governor Model	STC Number STC Holder STC Kit P/N	N o t e s
414A (S/N 0001 - 0200) "Chancellor"	L	TSIO-520-N (TCM)	OBSOLETE	3AF32C93/82NC-5.5	76.5	75.0	30		14.9	18.4	81.2	D-3797 D-5215	E,S E,P	DCF290D7/T3 DCF290D2/T3 DCFU290D13/T3 DCFU290D7/T3 DCFU290D2/T3 DCFS290D8/T3 DCFS290D7/T3 DCFS290D6/T3 DCFS290D4/T3 DCFUS290D13/T3 DCFUS290D12/T3 DCFUS290D8/T3 DCFUS290D7/T3 DCFUS290D6/T3 DCFUS290D4/T3		1 17
414A (S/N 0001 - 0200) "Chancellor"	L	TSIO-520-N (TCM)	OBSOLETE	3AF32C93/82NC-6.5	75.5	75.0	30		14.9	18.4	81.2	D-3797 D-5215	E,S E,P	DCF290D7/T3 DCF290D2/T3 DCFU290D13/T3 DCFU290D7/T3 DCFU290D2/T3 DCFS290D8/T3 DCFS290D7/T3 DCFS290D6/T3 DCFS290D4/T3 DCFUS290D13/T3 DCFUS290D12/T3 DCFUS290D8/T3 DCFUS290D7/T3 DCFUS290D6/T3 DCFUS290D4/T3		1 17

Constant Speed Propeller Applications

Aircraft Model	T Y P E	Engine Model (Make)	Propeller Part Number	Propeller Model	Max Dia	Min Dia	Ref Sta	Rev Angle	Low or Flight Idle Angle	Latch or Start Locks Angle	High or Feather Angle	Spinner Assembly P/N	S p i n n e r	Governor Model	STC Number STC Holder STC Kit P/N	N o t e s
414A (S/N 0001 - 0200) "Chancellor"	L	TSIO-520-N (TCM)	P5055186-01 P5055186-0119	3AF32C505/82NEA-5.5	76.5	75.0	30		14.9	18.2	81.2	D-3797 D-5215	E,S E,P	DCF290D7/T3 DCF290D2/T3 DCFU290D13/T3 DCFU290D7/T3 DCFU290D2/T3 DCFS290D8/T3 DCFS290D7/T3 DCFS290D6/T3 DCFS290D4/T3 DCFUS290D13/T3 DCFUS290D12/T3 DCFUS290D8/T3 DCFUS290D7/T3 DCFUS290D6/T3 DCFUS290D4/T3		17
414A (S/N 0001 - 0200) "Chancellor"	L	TSIO-520-N (TCM)	P5055186-04 P5055186-0419	3AF32C505/82NEA-6.5	75.5	75.0	30		14.9	18.5	81.2	D-3797 D-5215	E,S E,P	DCF290D7/T3 DCF290D2/T3 DCFU290D13/T3 DCFU290D7/T3 DCFU290D2/T3 DCFS290D8/T3 DCFS290D7/T3 DCFS290D6/T3 DCFS290D4/T3 DCFUS290D13/T3 DCFUS290D12/T3 DCFUS290D8/T3 DCFUS290D7/T3 DCFUS290D6/T3 DCFUS290D4/T3		17
414A "Chancellor"	L	TSIO-520-N (TCM)	P5155186-01 P5155186-0119	3AF32C515/82NLA-4	78.0	76.5	30		14.0	17.4	82.2	D-5215	E,P		SA8726SW-D Ram Aircraft	111 118

Constant Speed Propeller Applications

Aircraft Model	T Y P E	Engine Model (Make)	Propeller Part Number	Propeller Model	Max Dia	Min Dia	Ref Sta	Rev Angle	Low or Flight Idle Angle	Latch or Start Locks Angle	High or Feather Angle	Spinner Assembly P/N	S p i n n e r	Governor Model	STC Number STC Holder STC Kit P/N	N o t e s
414A "Chancellor"	L	TSIO-520-NB (TCM)	OBSOLETE	3AF32C93/82NC-5.5	76.5	75.0	30		14.9	18.4	81.2	D-3797 D-5215	E,S E,P	S/N 0001 - 0800 DCF290D7/T3 DCF290D2/T3 DCFU290D13/T3 DCFU290D7/T3 DCFU290D2/T3 DCFS290D8/T3 DCFS290D7/T3 DCFS290D6/T3 DCFS290D4/T3 DCFUS290D13/T3 DCFUS290D12/T3 DCFUS290D8/T3 DCFUS290D7/T3 DCFUS290D6/T3 DCFUS290D4/T3 S/N 0801 and up DCF290D7/T3 DCF290D2/T3 DCFU290D13/T3 DCFU290D7/T3 DCFU290D2/T3 DCFS290D9/T3 DCFUS290D9/T3		1 17

Constant Speed Propeller Applications

Aircraft Model	T Y P E	Engine Model (Make)	Propeller Part Number	Propeller Model	Max Dia	Min Dia	Ref Sta	Rev Angle	Low or Flight Idle Angle	Latch or Start Locks Angle	High or Feather Angle	Spinner Assembly P/N	S p i n n e r	Governor Model	STC Number STC Holder STC Kit P/N	N o t e s
414A "Chancellor"	L	TSIO-520-NB (TCM)	OBSOLETE	3AF32C93/82NC-6.5	75.5	75.0	30		14.9	18.4	81.2	D-3797 D-5215	E,S E,P	S/N 0001 - 0800 DCF290D7/T3 DCF290D2/T3 DCFU290D13/T3 DCFU290D7/T3 DCFU290D2/T3 DCFS290D8/T3 DCFS290D7/T3 DCFS290D6/T3 DCFS290D4/T3 DCFUS290D13/T3 DCFUS290D12/T3 DCFUS290D8/T3 DCFUS290D7/T3 DCFUS290D6/T3 DCFUS290D4/T3 S/N 0801 and up DCF290D7/T3 DCF290D2/T3 DCFU290D13/T3 DCFU290D7/T3 DCFU290D2/T3 DCFS290D9/T3 DCFUS290D9/T3		1 17

Constant Speed Propeller Applications

Aircraft Model	TYPE	Engine Model (Make)	Propeller Part Number	Propeller Model	Max Dia	Min Dia	Ref Sta	Rev Angle	Low or Flight Idle Angle	Latch or Start Locks Angle	High or Feather Angle	Spinner Assembly P/N	Spinner Type	Governor Model	STC Number STC Holder STC Kit P/N	Notes
414A "Chancellor"	L	TSIO-520-NB (TCM)	P5055186-01 P5055186-0119	3AF32C505/82NEA-5.5	76.5	75.0	30		14.9	18.2	81.2	D-3797 D-5215	E,S E,P	S/N 0001 - 0800 DCF290D7/T3 DCF290D2/T3 DCFU290D13/T3 DCFU290D7/T3 DCFU290D2/T3 DCFS290D8/T3 DCFS290D7/T3 DCFS290D6/T3 DCFS290D4/T3 DCFUS290D13/T3 DCFUS290D12/T3 DCFUS290D8/T3 DCFUS290D7/T3 DCFUS290D6/T3 DCFUS290D4/T3 S/N 0801 and up DCF290D7/T3 DCF290D2/T3 DCFU290D13/T3 DCFU290D7/T3 DCFU290D2/T3 DCFS290D9/T3 DCFUS290D9/T3		17

Constant Speed Propeller Applications

Aircraft Model	T Y P E	Engine Model (Make)	Propeller Part Number	Propeller Model	Max Dia	Min Dia	Ref Sta	Rev Angle	Low or Flight Idle Angle	Latch or Start Locks Angle	High or Feather Angle	Spinner Assembly P/N	S p i n n e r	Governor Model	STC Number STC Holder STC Kit P/N	N o t e s
414A "Chancellor"	L	TSIO-520-NB (TCM)	P5055186-04 P5055186-0419	3AF32C505/82NEA-6.5	75.5	75.0	30		14.9	18.5	81.2	D-3797 D-5215	E,S E,P	S/N 0001 - 0800 DCF290D7/T3 DCF290D2/T3 DCFU290D13/T3 DCFU290D7/T3 DCFU290D2/T3 DCFS290D8/T3 DCFS290D7/T3 DCFS290D6/T3 DCFS290D4/T3 DCFUS290D13/T3 DCFUS290D12/T3 DCFUS290D8/T3 DCFUS290D7/T3 DCFUS290D6/T3 DCFUS290D4/T3 S/N 0801 and up DCF290D7/T3 DCF290D2/T3 DCFU290D13/T3 DCFU290D7/T3 DCFU290D2/T3 DCFS290D9/T3 DCFUS290D9/T3		17
414A "Chancellor"	L	TSIO-520-NB (TCM)	P5155186-01 P5155186-0119	3AF32C515/82NLA-4	78.0	76.5	30		14.0	17.4	82.2	D-5215	E,P		SA8726SW-D Ram Aircraft	118
414A "Chancellor"	L	TSIO-520-NB (STC)	P5155186-01 P5155186-0119	3AF32C515/82NLA-4	78.0	76.5	30		14.0	17.4	82.2	D-5215	E,P		SA8727SW-D Ram Aircraft	111 118
414A "Chancellor"	L	TSIO-520-NB (STC)	P5155186-01 P5155186-0119	3AF32C515/82NLA-4	78.0	76.5	30		14.0	17.4	82.2	D-5215	E,P		SA8728SW-D Ram Aircraft	111 118
414A "Chancellor"	L	TSIO-520-NB (TCM)	P5155186-01 P5155186-0119	3AF32C515/82NLA-4	78.0	76.5	30		14.0	17.4	82.2	D-5215	E,P		SA8839SW-D Ram Aircraft	111 118
414A "Chancellor"	L	TSIO-520-NB (STC)	P5155186-01 P5155186-0119	3AF32C515/82NLA-4	78.0	76.5	30		14.0	17.4	82.2	D-5215	E,P		SA8839SW-D Ram Aircraft	111 118
414A "Chancellor"		TSIO-520-NB (STC)	OBSOLETE	3AF32C93/82NC-5.5	76.5	75.0	30		14.9		81.2				SA4546SW-D Ram Aircraft	1 110 118
414A "Chancellor"		TSIO-520-NB (STC)	OBSOLETE	3AF32C93/82NC-5.5	76.5	75.0	30		14.9		81.2				SA7463SW-D Ram Aircraft	1 118
414A "Chancellor"		TSIO-520-NB (STC)	OBSOLETE	3AF32C93/82NC-6	76.0	75.0	30		14.9		81.2				SA09105SC-D RAM Aircraft	1 110

Constant Speed Propeller Applications

Aircraft Model	T Y P E	Engine Model (Make)	Propeller Part Number	Propeller Model	Max Dia	Min Dia	Ref Sta	Rev Angle	Low or Flight Idle Angle	Latch or Start Locks Angle	High or Feather Angle	Spinner Assembly P/N	S p i n n e r	Governor Model	STC Number STC Holder STC Kit P/N	N o t e s
414A "Chancellor"		TSIO-520-NB (STC)		3AF32C505/82NEA-5.5	76.5	75.0	30		14.9		81.2				SA4546SW-D Ram Aircraft	118
414A "Chancellor"		TSIO-520-NB (STC)		3AF32C505/82NEA-5.5	76.5	75.0	30		14.9		81.2				SA7463SW-D Ram Aircraft	118
414A "Chancellor"		TSIO-520-NB (STC)		3AF32C505/82NEA-6	76.0	75.0	30		14.9		81.2				SA09105SC-D RAM Aircraft	
414A "Chancellor"		TSIO-520-NB (STC)	P5155186-01 P5155186-0119	3AF32C515/82NLA-4	78.0	76.5	30		14.0	17.4	82.2	D-5215	E,P		SA09105SC-D RAM Aircraft	111
414A "414-AW"		TSIOL-550-A (TCM)	P5146312-0103	3AF36C514/80VMFA-2	78.0	76.0	30		12.8	15.9	76.2	D-6176	E,P		SA8920SW-D Ram Aircraft	118
421	L	GTSIO-520-D (TCM)	OBSOLETE	3AF34C92/90LF-0	90.0	88.0	30		16.9	20.6	84.5	D-3574	E,S			1 16
421	L	GTSIO-520-D (TCM)	P5167110-01 P5167110-0119	3AF37C516/90LFB-0	90.0	88.0	30		16.9	20.2	84.5	D-7229	E,S			16
421A	L	GTSIO-520-D (TCM)	OBSOLETE	3AF34C92/90LF-0	90.0	88.0	30		16.9	20.6	84.5	D-3574	E,S			1 16
421A	L	GTSIO-520-D (TCM)	P5167110-01 P5167110-0119	3AF37C516/90LFB-0	90.0	88.0	30		16.9	20.2	84.5	D-7229	E,S			16
421B "Golden Eagle" "Executive Commuter"	L	GTSIO-520-H (TCM)	OBSOLETE	3AF34C92/90LF-0	90.0	88.0	30		16.9	20.6	84.5	D-3797	E,S	S/N 0501 and up DCF290D7/T4 DCF290D2/T4 DCFU290D13/T4 DCFU290D7/T4 DCFU290D2/T4 DCFS290D7/T4 DCFS290D2/T4 DCFUS290D13/T4 DCFUS290D7/T4 DCFUS290D2/T4		1 16
421B "Golden Eagle" "Executive Commuter"	L	GTSIO-520-H (TCM)	P5167110-01 P5167110-0119	3AF37C516/90LFB-0	90.0	88.0	30		16.9	20.2	84.5	D-3797	E,S	S/N 0501 and up DCF290D7/T4 DCF290D2/T4 DCFU290D13/T4 DCFU290D7/T4 DCFU290D2/T4 DCFS290D7/T4 DCFS290D2/T4 DCFUS290D13/T4 DCFUS290D7/T4 DCFUS290D2/T4		16

Constant Speed Propeller Applications

Aircraft Model	T Y P E	Engine Model (Make)	Propeller Part Number	Propeller Model	Max Dia	Min Dia	Ref Sta	Rev Angle	Low or Flight Idle Angle	Latch or Start Locks Angle	High or Feather Angle	Spinner Assembly P/N	S p i n n e r	Governor Model	STC Number STC Holder STC Kit P/N	N o t e s
421C (S/N 0001 - 1000) "Golden Eagle" "Executive Commuter"	L	GTSIO-520-L (TCM)	P5014594-01 P5014594-0103	3FF32C501/90UMB-0	90.0	88.0	30		16.6	19.9	84.6	D-4509 D-5218	E,S E,P	S/N 0001 - 0800 DCF290D7/T6 DCF290D2/T6 DCFU290D13/T6 DCFU290D7/T6 DCFU290D2/T6 DCFS290D7/T6 DCFS290D2/T6 DCFUS290D13/T6 DCFUS290D7/T6 DCFUS290D2/T6 S/N 0801 - 1000 DCF290D7/T6 DCFU290D13/T6 DCFU290D7/T6 DCFS290D9/T6 DCFUS290D9/T6		
421C (S/N 1001 and up) "Golden Eagle" "Executive Commuter"	L	GTSIO-520-N (TCM)	P5014594-01 P5014594-0103	3FF32C501/90UMB-0	90.0	88.0	30		16.6	19.9	84.6	D-4509 D-5218	E,S E,P	DCFUS290D9/T6 DCFU290D13/T6 DCFU290D7/T6 DCFS290D9/T6 DCF290D7/T6		
425 "Conquest I" "Corsair"	L	PT6A-112 (PW)	P7015128-0103	3GFR34C701/93KB-0	93.0	90.625	30	-13.5	18.5		85.5	E-5146	E,S			
425 "Conquest I" "Corsair"	L	PT6A-112 (PW)	P7625550-0152	4HFR34C762/94LMA-4	90.0	89.0	30	-10.0	18.3		85.8	E-6327	E,P		SA1491GL McCauley PL60051	61 102
425 "Conquest I" "Corsair"	L	PT6A-135 (PW)	P7625550-0152	4HFR34C762/94LMA-4	90.0	89.0	30	-10.0	18.3		85.8	E-6327	E,P		SA1491GL McCauley PL60051	61
425 "Conquest I" "Corsair"	L	PT6A-135A (PW)	P7625550-0152	4HFR34C762/94LMA-4	90.0	89.0	30	-10.0	18.3		85.8	E-6327	E,P		SA1491GL McCauley PL60051	61
425 "Conquest I" "Corsair"	L	PT6A-135 (PW)	P7625550-0152	4HFR34C762/94LMA-4	90.0	89.0	30	-10.0	18.3		85.8	E-6327	E,P		SA5786SW Blackhawk Mod PL60051	61
425 "Conquest I" "Corsair"	L	PT6A-135A (PW)	P7625550-0152	4HFR34C762/94LMA-4	90.0	89.0	30	-10.0	18.3		85.8	E-6327	E,P		SA5786SW Blackhawk Mod PL60051	61

Constant Speed Propeller Applications

Aircraft Model	T Y P E	Engine Model (Make)	Propeller Part Number	Propeller Model	Max Dia	Min Dia	Ref Sta	Rev Angle	Low or Flight Idle Angle	Latch or Start Locks Angle	High or Feather Angle	Spinner Assembly P/N	S p i n n e r	Governor Model	STC Number STC Holder STC Kit P/N	N o t e s
441 "Conquest II"	L	TPE331-8 (HW)	P6014979-0203	3GFR34C601/93JA-3	90.0	88.5	30	-8.0		2.0	85.3	E-4858	E,P			149
441 "Conquest II"	L	TPE331-8 (HW)	P6616817-0156	4HFR34C661/90LNA-2	88.0	87.0	30	-10.0	8.5	2.0	84.0	E-6327	E,P		SA33CH McCauley PL60098	149
441 "Conquest II"	L	TPE331-10N (HW)	P6014979-0203	3GFR34C601/93JA-3	90.0	88.5	30	-8.0		2.0	85.3	E-4858	E,P		SA5682NM West Star Aviation	149
441 "Conquest II"	L	TPE331-10N (HW)	P6616817-0156	4HFR34C661/90LNA-2	88.0	87.0	30	-10.0	8.5	2.0	84.0	E-6327	E,P		SA33CH McCauley PL60098	149
441 "Conquest II"	L	TPE331-10N (HW)	P6616817-0156	4HFR34C661/90LNA-2	88.0	87.0	30	-10.0	8.5	2.0	84.0	E-6327	E,P		SA5682NM West Star Aviation	149
CESSNA (REIMS AVIATION S.A.)																
F172D		IO-360-C (TCM)		2A34C203/90DCA-8												SA00728SE XP Modifications
F172D		IO-360-K (TCM)		2A34C203/90DCA-8												SA00728SE XP Modifications
F172D		IO-360-KB (TCM)		2A34C203/90DCA-8												SA00728SE XP Modifications
F172E		IO-360-C (TCM)		2A34C203/90DCA-8												SA00728SE XP Modifications
F172E		IO-360-K (TCM)		2A34C203/90DCA-8												SA00728SE XP Modifications
F172E		IO-360-KB (TCM)		2A34C203/90DCA-8												SA00728SE XP Modifications
F172F		IO-360-C (TCM)		2A34C203/90DCA-8												SA00728SE XP Modifications
F172F		IO-360-K (TCM)		2A34C203/90DCA-8												SA00728SE XP Modifications
F172F		IO-360-KB (TCM)		2A34C203/90DCA-8												SA00728SE XP Modifications

Constant Speed Propeller Applications

Aircraft Model	TYPE	Engine Model (Make)	Propeller Part Number	Propeller Model	Max Dia	Min Dia	Ref Sta	Rev Angle	Low or Flight Idle Angle	Latch or Start Locks Angle	High or Feather Angle	Spinner Assembly P/N	Spinner Type	Governor Model	STC Number STC Holder STC Kit P/N	Notes
F172G		IO-360-C (TCM)		2A34C203/90DCA-8											SA00728SE XP Modifications	
F172G		IO-360-K (TCM)		2A34C203/90DCA-8											SA00728SE XP Modifications	
F172G		IO-360-KB (TCM)		2A34C203/90DCA-8											SA00728SE XP Modifications	
F172H		IO-360-C (TCM)		2A34C203/90DCA-8											SA00728SE XP Modifications	
F172H		IO-360-K (TCM)		2A34C203/90DCA-8											SA00728SE XP Modifications	
F172H		IO-360-KB (TCM)		2A34C203/90DCA-8											SA00728SE XP Modifications	
FR172E "Reims Rocket"		IO-360-D (TCM)	OBSOLETE	D2A34C67/76C-0	76.0	74.5	30		11.7		22.5			C290D3/T6 C290D2/T6		1
FR172F "Reims Rocket"		IO-360-D (TCM)	OBSOLETE	D2A34C67/76C-0	76.0	74.5	30		11.7		22.5			C290D3/T6 C290D2/T6		1
FR172G "Reims Rocket"		IO-360-C (TCM)	OBSOLETE	D2A34C67/76C-0	76.0	74.5	30		11.7		22.5			C290D3/T6 C290D2/T6		1
FR172G "Reims Rocket"		IO-360-CB (TCM)	OBSOLETE	D2A34C67/76C-0	76.0	74.5	30		11.7		22.5			C290D3/T6 C290D2/T6		1
FR172G "Reims Rocket"		IO-360-D (TCM)	OBSOLETE	D2A34C67/76C-0	76.0	74.5	30		11.7		22.5			C290D3/T6 C290D2/T6		1
FR172G "Reims Rocket"		IO-360-DB (TCM)	OBSOLETE	D2A34C67/76C-0	76.0	74.5	30		11.7		22.5			C290D3/T6 C290D2/T6		1
FR172H "Reims Rocket"		IO-360-C (TCM)	OBSOLETE	D2A34C67/76C-0	76.0	74.5	30		11.7		22.5			C290D3/T6 C290D2/T6		1
FR172H "Reims Rocket"		IO-360-C (TCM)	P2094447-51	2A34C209/78CCA-2	76.0	74.5	30		11.3		22.0			C290D3/T6 C290D2/T6		
FR172H "Reims Rocket"		IO-360-CB (TCM)	OBSOLETE	D2A34C67/76C-0	76.0	74.5	30		11.7		22.5			C290D3/T6 C290D2/T6		1
FR172H "Reims Rocket"		IO-360-CB (TCM)	P2094447-51	2A34C209/78CCA-2	76.0	74.5	30		11.3		22.0			C290D3/T6 C290D2/T6		
FR172H "Reims Rocket"		IO-360-D (TCM)	OBSOLETE	D2A34C67/76C-0	76.0	74.5	30		11.7		22.5			C290D3/T6 C290D2/T6		1
FR172H "Reims Rocket"		IO-360-D (TCM)	P2094447-51	2A34C209/78CCA-2	76.0	74.5	30		11.3		22.0			C290D3/T6 C290D2/T6		
FR172H "Reims Rocket"		IO-360-DB (TCM)	OBSOLETE	D2A34C67/76C-0	76.0	74.5	30		11.7		22.5			C290D3/T6 C290D2/T6		1

Constant Speed Propeller Applications

Aircraft Model	T Y P E	Engine Model (Make)	Propeller Part Number	Propeller Model	Max Dia	Min Dia	Ref Sta	Rev Angle	Low or Flight Idle Angle	Latch or Start Locks Angle	High or Feather Angle	Spinner Assembly P/N	S p i n n e r	Governor Model	STC Number STC Holder STC Kit P/N	N o t e s
FR172H "Reims Rocket"		IO-360-DB (TCM)	P2094447-51	2A34C209/78CCA-2	76.0	74.5	30		11.3		22.0			C290D3/T6 C290D2/T6		
FR172H "Reims Rocket"		IO-360-HB (TCM)	OBSOLETE	D2A34C67/76C-0	76.0	74.5	30		11.7		22.5			C290D3/T6 C290D2/T6		1
FR172H "Reims Rocket"		IO-360-HB (TCM)	P2094447-51	2A34C209/78CCA-2	76.0	74.5	30		11.3		22.0			C290D3/T6 C290D2/T6		
FR172J "Reims Rocket"		IO-360-H (TCM)	P2094447-51	2A34C209/78CCA-2	76.0	74.5	30		11.3		22.0			C290D3/T6 C290D2/T6		
FR172J "Reims Rocket"		IO-360-HB (TCM)	P2094447-51	2A34C209/78CCA-2	76.0	74.5	30		11.3		22.0			C290D3/T6 C290D2/T6		
FR172J "Reims Rocket"		IO-360-J (TCM)	P2094447-51	2A34C209/78CCA-2	76.0	74.5	30		11.3		22.0			C290D3/T6 C290D2/T6		
FR172K (1977, 1978 models) "Reims Hawk XP"		IO-360-K (TCM)	P2033909-53	2A34C203/90DCA-14	76.0	74.5	30		12.0		25.1			C290D3/T15		
FR172K (SP) (1977, 1978 models) "Reims Hawk XP"		IO-360-K (TCM)	P2033909-54	2A34C203/90DCA-10	80.0	78.5	30		11.3		24.8			C290D3/T15		
FR172K (1977, 1978 models) "Reims Hawk XP"		IO-360-KB (TCM)	P2033909-53	2A34C203/90DCA-14	76.0	74.5	30		12.0		25.1			C290D3/T15		
FR172K (SP) (1977, 1978 models) "Reims Hawk XP"		IO-360-KB (TCM)	P2033909-54	2A34C203/90DCA-10	80.0	78.5	30		11.3		24.8			C290D3/T15		
FR172K (1979 and up) "Reims Hawk XP"		IO-360-KB (TCM)	P2033909-53	2A34C203/90DCA-14	76.0	74.5	30		12.0		25.1			C290D3/T15		
FR172K (SP) (1979 and up) "Reims Hawk XP"		IO-360-KB (TCM)	P2033909-54	2A34C203/90DCA-10	80.0	78.5	30		11.3		24.8			C290D3/T15		
F177RG	L	IO-360-A1B6 (LY)	OBSOLETE	B2D34C206/78TA-0	78.0	76.5	30		12.9		27.5			DC290D1/T2 C290D3/T11 C290D2/T11		1 10 83
F177RG	L	IO-360-A1B6 (LY)	P2074392-01	B2D34C207/78TCA-0	78.0	76.5	30		12.9		27.5			DC290D1/T2 C290D3/T11 C290D2/T11		10 83
F177RG	L	IO-360-A1B6 (LY)	P4287151-01	B3D36C428/82NPA-6	76.0	75.0	30		10.5		33.8	D-6614	P	DC290D1/T2 C290D3/T11 C290D2/T11	SA477CH McCauley PL60161	60 83 141
F177RG	L	IO-360-A1B6D (LY)	OBSOLETE	B2D34C206/78TA-0	78.0	76.5	30		12.9		27.5			DC290D1/T3 C290D3/T12 C290D2/T12		1 10 83 129

Constant Speed Propeller Applications

Aircraft Model	T Y P E	Engine Model (Make)	Propeller Part Number	Propeller Model	Max Dia	Min Dia	Ref Sta	Rev Angle	Low or Flight Idle Angle	Latch or Start Locks Angle	High or Feather Angle	Spinner Assembly P/N	S p i n n e r	Governor Model	STC Number STC Holder STC Kit P/N	N o t e s
F177RG	L	IO-360-A1B6D (LY)	P2074392-01	B2D34C207/78TCA-0	78.0	76.5	30		12.9		27.5			DC290D1/T3 C290D3/T12 C290D2/T12		10 83 129
F177RG	L	IO-360-A1B6D (LY)	P4287151-01	B3D36C428/82NPA-6	76.0	75.0	30		10.5		33.8	D-6614	P	DC290D1/T3 C290D3/T12 C290D2/T12	SA477CH McCauley PL60161	60 83 129 141
F182P "Skylane"	L	O-470-S (TCM)	OBSOLETE	2A34C66/90AT-8	82.0	80.0	36		10.5		22.0			C290D3/T1 C290D2/T1		1
F182P "Skylane"	L	O-470-S (TCM)	P2017294-51	2A34C201/90DA-8	82.0	80.0	30		13.0		24.5			C290D3/T1 C290D2/T1		
F182P "Skylane"	L	O-470-S (TCM)	P2033909-51	2A34C203/90DCA-8	82.0	80.5	30		12.5		25.0			C290D3/T1 C290D2/T1		
F182P "Skylane"	L	O-470-S (TCM)	P4357483-01	D3A36C435/80VEA-0	80.0	78.0	30		10.8		33.9	D-7515	P	C290D3/T1 C290D2/T1	SA00819CH McCauley PL60232	141
F182Q "Skylane"	L	O-470-U (TCM)	P2043909-52	C2A34C204/90DCB-8	82.0	80.5	30		15.0		29.4			C290D3/T14		
FR182 (S/N 0001 - 0045) "Skylane RG"	L	O-540-J3C5D (LY)	P2144392-61	B2D34C214/90DHB-8	82.0	80.5	30		15.8		29.4			DC290D1/T4 C290D3/T16 DC290D1/T8 Note 131 C290D3/T22 Note 131		
FR182 (S/N 0001 - 0045) "Skylane RG"	L	O-540-J3C5D (LY)	P4337350-02	B3D36C433/80VSA-1	79.0	78.0	30		14.3		31.7	D-6614	P	DC290D1/T4 C290D3/T16 DC290D1/T8 Note 131 C290D3/T22 Note 131	SA00798CH McCauley PL60231	141
FR182 (S/N 0046 and up) "Skylane RG"	L	O-540-J3C5D (LY)	P2185053-01	B2D34C218/90DHB-8	82.0	80.5	30		15.8		29.4			DC290D1/T8 C290D3/T22		
FR182 (S/N 0046 - 0070) "Skylane RG"	L	O-540-J3C5D (LY)	P4075158-01	B3D32C407/82NDA-3	79.0	78.0	30		16.0		31.7			DC290D1/T8 C290D3/T22		22
FR182 (S/N 0046 and up) "Skylane RG"	L	O-540-J3C5D (LY)	P4317296-03	B3D36C431/80VSA-1	79.0	78.0	30		14.3		31.7	D-7499-1	P	DC290D1/T8 C290D3/T22	SA00798CH McCauley PL60203	141
F337E (front) "Super Skymaster"	L	IO-360-C (TCM)	OBSOLETE	D2AF34C59/76C-0	76.0	74.5	30		11.7	15.0	79.0			CF310D2/T1 CF310D1/T1		1
F337E (front) "Super Skymaster"	L	IO-360-C (TCM)	OBSOLETE	D2AF34C301/76CTA-0	76.0	75.0	30		11.7	14.7	79.0			CF310D2/T1 CF310D1/T1		1
F337E (front) "Super Skymaster"	L	IO-360-C (TCM)	P3064229-11	D2AF34C306/78CAA-0	78.0	76.5	30		11.0	15.8	82.0			CF310D2/T1 CF310D1/T1		
F337E (rear) "Super Skymaster"	L	IO-360-C (TCM)	OBSOLETE	D2AF34C61/L76C-0	76.0	74.5	30		10.8	16.0	79.0			CF310D2/T1 CF310D1/T1		1

Constant Speed Propeller Applications

Aircraft Model	T Y P E	Engine Model (Make)	Propeller Part Number	Propeller Model	Max Dia	Min Dia	Ref Sta	Rev Angle	Low or Flight Idle Angle	Latch or Start Locks Angle	High or Feather Angle	Spinner Assembly P/N	S p i n n e r	Governor Model	STC Number STC Holder STC Kit P/N	N o t e s
F337E (rear) "Super Skymaster"	L	IO-360-C (TCM)	P3024231-01	D2AF34C302/L76CTA-0	76.0	75.0	30		10.8	14.8	79.0			CF310D2/T1 CF310D1/T1		
F337E (rear) "Super Skymaster"	L	IO-360-C (TCM)	P3074231-21	D2AF34C307/L78CBA-2	76.0	74.5	30		11.0	15.8	80.0			CF310D2/T1 CF310D1/T1		
F337F (front) "Super Skymaster"	L	IO-360-C (TCM)	OBSOLETE	D2AF34C59/76C-0	76.0	74.5	30		11.7	15.0	79.0			CF310D1/T1		1
F337F (front) "Super Skymaster"	L	IO-360-C (TCM)	OBSOLETE	D2AF34C301/76CTA-0	76.0	75.0	30		11.7	14.7	79.0			CF310D1/T1		1
F337F (front) "Super Skymaster"	L	IO-360-C (TCM)	P3064229-11	D2AF34C306/78CAA-0	78.0	76.5	30		11.0	15.8	82.0			CF310D1/T1		
F337F (rear) "Super Skymaster"	L	IO-360-C (TCM)	OBSOLETE	D2AF34C61/L76C-0	76.0	74.5	30		10.8	16.0	79.0			CF310D1/T1		1
F337F (rear) "Super Skymaster"	L	IO-360-C (TCM)	P3024231-01	D2AF34C302/L76CTA-0	76.0	75.0	30		10.8	14.8	79.0			CF310D2/T1 CF310D1/T1		
F337F (rear) "Super Skymaster"	L	IO-360-C (TCM)	P3074231-21	D2AF34C307/L78CBA-2	76.0	74.5	30		11.0	15.8	80.0			CF310D1/T1		
F337G (front) (S/N 0056 - 0080) "Super Skymaster"	L	IO-360-G (TCM)	P3064229-11	D2AF34C306/78CAA-0	78.0	76.5	30		11.0	15.8	82.0			CF310D2/T1 CF310D1/T1		
F337G (front) (S/N 0080 and up) "Super Skymaster"	L	IO-360-G (TCM)	P3104229-21	D2AF34C310/90DEA-12	78.0	76.5	30		9.9	14.6	82.0			CF310D2/T1 CF310D1/T1		
F337G (rear) "Super Skymaster"	L	IO-360-G (TCM)	P3074231-21	D2AF34C307/L78CBA-2	76.0	74.5	30		11.0	15.8	80.0			CF310D2/T1 CF310D1/T1		
F337H (front) "Super Skymaster"	L	IO-360-G (TCM)	P3104229-21	D2AF34C310/90DEA-12	78.0	76.5	30		9.9	14.6	82.0			DCF310D7/T1		
F337H (rear) "Super Skymaster"	L	IO-360-G (TCM)	P3074231-21	D2AF34C307/L78CBA-2	76.0	74.5	30		11.0	15.8	80.0			DCF310D7/T1		
FT337E (front) "Super Skymaster"	L	TSIO-360-A (TCM)	OBSOLETE	D2AF34C91/76C-0	76.0	74.5	30		12.7	15.7	79.0			CF310D2/T1 CF310D1/T1		1
FT337E (front) "Super Skymaster"	L	TSIO-360-A (TCM)	P3044336-11	D2AF34C304/76CTA-0	76.0	75.0	30		12.7	15.7	79.0			CF310D2/T1 CF310D1/T1		
FT337E (rear) "Super Skymaster"	L	TSIO-360-A (TCM)	OBSOLETE	D2AF34C61/L76C-0	76.0	74.5	30		11.8	16.0	79.0			CF310D2/T1 CF310D1/T1		1
FT337E (rear) "Super Skymaster"	L	TSIO-360-A (TCM)	P3024231-02	D2AF34C302/L76CTA-0	76.0	75.0	30		11.8	15.8	79.0			CF310D2/T1 CF310D1/T1		
FT337F (front) "Super Skymaster"	L	TSIO-360-A (TCM)	OBSOLETE	D2AF34C91/76C-0	76.0	74.5	30		12.7	15.7	79.0			CF310D2/T1 CF310D1/T1		1
FT337F (front) "Super Skymaster"	L	TSIO-360-A (TCM)	P3044336-11	D2AF34C304/76CTA-0	76.0	75.0	30		12.7	15.7	79.0			CF310D2/T1 CF310D1/T1		
FT337F (rear) "Super Skymaster"	L	TSIO-360-A (TCM)	OBSOLETE	D2AF34C61/L76C-0	76.0	74.5	30		11.8	16.0	79.0			CF310D2/T1 CF310D1/T1		1
FT337F (rear) "Super Skymaster"	L	TSIO-360-A (TCM)	P3024231-02	D2AF34C302/L76CTA-0	76.0	75.0	30		11.8	15.8	79.0			CF310D2/T1 CF310D1/T1		

Constant Speed Propeller Applications

Aircraft Model	T Y P E	Engine Model (Make)	Propeller Part Number	Propeller Model	Max Dia	Min Dia	Ref Sta	Rev Angle	Low or Flight Idle Angle	Latch or Start Locks Angle	High or Feather Angle	Spinner Assembly P/N	S p i n n e r	Governor Model	STC Number STC Holder STC Kit P/N	N o t e s
FT337GP (front) (S/N 0001 - 0017) "Turbo Skymaster"	L	TSIO-360-C (TCM)	P3034336-01	D2AF34C303/78CAA-0	78.0	76.0	30		12.5	15.5	82.0			DCFS310D3/T1 DCF310D7/T1 CF310D2/T1 CF310D1/T1		
FT337GP (front) (S/N 0018 and up)	L	TSIO-360-C (TCM)	P3084336-21	D2AF34C308/90DEA-12	78.0	76.5	30		11.3	15.0	82.3			DCFS310D4/T5		
FT337GP (rear)	L	TSIO-360-C (TCM)	P3054231-11	D2AF34C305/L78CBA-2	76.0	74.0	30		12.5	15.5	80.0			DCFS310D3/T1 DCF310D7/T1 CF310D2/T1 CF310D1/T1		
FT337HP (front)	L	TSIO-360-C (TCM)	P3084336-21	D2AF34C308/90DEA-12	78.0	76.5	30		11.3	15.0	82.3			DCFS310D7/T5		
FT337HP (rear)	L	TSIO-360-C (TCM)	P3054231-11	D2AF34C305/L78CBA-2	76.0	74.0	30		12.5	15.5	80.0			DCFS310D8/T1		
FTB337G (front)	L	TSIO-360-D (TCM)	P3034336-01	D2AF34C303/78CAA-0	78.0	76.0	30		12.5	15.5	82.0			DCFU310D13/T5 DCFU310D7/T5 CF310D2/T1 CF310D1/T1		
FTB337G (rear)	L	TSIO-360-D (TCM)	P3054231-11	D2AF34C305/L78CBA-2	76.0	74.0	30		12.5	15.5	80.0			DCFU310D13/T1 DCFU310D7/T1 CF310D2/T1 CF310D1/T1		
F406 "Caravan II"	L	PT6A-112 (PW)	P7015128-0103	3GFR34C701/93KB-0	93.0	90.625	30	-13.5	18.5		85.5	E-5146	E,S			
CIRRUS DESIGN CORPORATION																
SR20	L	IO-360-ES (TCM)		Hartzell - See aircraft TCDS										C290D3/T23		
SR22	L	IO-550-N (TCM)	P4437800-01 P4437800-0181	D3A34C443/78CYA-0	78.0	76.0	30		11.8		31.5	D-7779-1 D-7779-2	P S	C290D3/T23		109
SR22	L	IO-550-N (TCM)		Hartzell - See aircraft TCDS										C290D3/T23		
SR22T	L	TSIO-550-K (TCM)		Hartzell - See aircraft TCDS										C290D3/T53		
COMMANDER (Commander Premier, formerly Aero Commander, Rockwell International, Commander Aircraft Corporation)																
114	L	IO-540-T4A5D (LY)	P4195038-01	B3D32C419/82NHA-5	77.0	75.5	30		12.6		33.0				SA7855SW Commander Premier	
114	L	IO-540-T4B5D (LY)	P4195038-01	B3D32C419/82NHA-5	77.0	75.5	30		12.6		33.0				SA7855SW Commander Premier	
114	L	IO-540-T4B5D (LY)	P4055038-01	B3D34C405/90DFA-13	77.0	76.0	30		11.5		33.0				SA4444NM Robert Craner	
114A	L	IO-540-T4B5D (LY)	P4055038-01	B3D34C405/90DFA-13	77.0	76.0	30		11.5		33.0					
114B	L	IO-540-T4B5 (LY)	P4195038-01	B3D32C419/82NHA-5	77.0	75.5	30		12.6		33.0			DC290D1/T19 C290D3/T41		
114TC	L	TIO-540-AG1A (LY)	P4195038-02	B3D32C419/82NHA-5	77.0	75.5	30		14.8		33.9			DC290D1/T21 C290D3/T44		
DeHAVILLAND (Viking Air LTD, formerly Bombardier Inc.)																

Constant Speed Propeller Applications

Aircraft Model	T Y P E	Engine Model (Make)	Propeller Part Number	Propeller Model	Max Dia	Min Dia	Ref Sta	Rev Angle	Low or Flight Idle Angle	Latch or Start Locks Angle	High or Feather Angle	Spinner Assembly P/N	S p i n n e r	Governor Model	STC Number STC Holder STC Kit P/N	N o t e s
DHC-6-100 "Twin Otter"	L	PT6A-34 (PW)	P7646314-0152	4HFR34C764/94LMB-0	94.0	92.0	30	-10.0	22.0		86.8	E-6350	E,P		SA01673NY Rocky Mountain Aircraft	
DHC-6-200 "Twin Otter"	L	PT6A-34 (PW)	P7646314-0152	4HFR34C764/94LMB-0	94.0	92.0	30	-10.0	22.0		86.8	E-6350	E,P		SA01673NY Rocky Mountain Aircraft	
DHC-6-300 "Twin Otter"	L	PT6A-27 (PW)	P7646314-0152	4HFR34C764/94LMB-0	94.0	92.0	30	-10.0	22.0		86.8	E-6350	E,P		SA1385GL McCauley PL60042	63
DIAMOND AIRCRAFT INDUSTRIES GmbH																
HK 36 TC	L	912 A3 (Rotax)		MT Propeller see aircraft TCDS											DCFU290D17/T1	26
HK 36 TTC	L	914 F3 (Rotax)		MT Propeller see aircraft TCDS											DCFU290D17/T1	27
HK 36 TTC	L	914 F4 (Rotax)		MT Propeller see aircraft TCDS											DCFU290D17/T1	27
HK 36 TTC-ECO	L	914 F3 (Rotax)		MT Propeller see aircraft TCDS											DCFU290D17/T1	27
HK 36 TTC-ECO	L	914 F4 (Rotax)		MT Propeller see aircraft TCDS											DCFU290D17/T1	27
HK 36 TS	L	912 A3 (Rotax)		MT Propeller see aircraft TCDS											DCFU290D17/T1	26
HK 36 TTS	L	914 F3 (Rotax)		MT Propeller see aircraft TCDS											DCFU290D17/T1	27
HK 36 TTS	L	914 F4 (Rotax)		MT Propeller see aircraft TCDS											DCFU290D17/T1	27
DORNIER SEAPLANE COMPANY																
SEASTAR CD2 (front)	A	PT6A-135A (PW)	P7606120-0152	4HFR34C760/95DA-0.5	94.5	92.5	30	-9.0	15.5		85.7	E-5643	E,B			1
SEASTAR CD2 (rear)	A	PT6A-135A (PW)	P7616122-01	4HFR34C761/L95DZ-2.5	92.5	92.5	30	-9.0	16.0		83.8	E-5643	B			1
FAIRCHILD (M7 Aerospace L.P.)																
SA227-AC "Metro III" "C-26A"	L	TPE331-11U (HW)	P6525322-0407	4HFR34C652/L106LA-0	106.0	106.0	30	-5.0	15.0	6.0	88.5	E-5369	E,P			149
SA227-AT "Merlin IV C"	L	TPE331-11U (HW)	P6525322-0407	4HFR34C652/L106LA-0	106.0	106.0	30	-5.0	15.0	6.0	88.5	E-5369	E,P			149
SA227-BC "Metro III" "C-26A"	L	TPE331-12UA (HW)	P6525322-0407	4HFR34C652/L106LA-0	106.0	106.0	30	-5.0	15.0	6.0	88.5	E-5369	E,P			149
SA227-BC "Metro III" "C-26A"	L	TPE331-12UAR (HW)	P6525322-0407	4HFR34C652/L106LA-0	106.0	106.0	30	-5.0	15.0	6.0	88.5	E-5369	E,P			149

Constant Speed Propeller Applications

Aircraft Model	T Y P E	Engine Model (Make)	Propeller Part Number	Propeller Model	Max Dia	Min Dia	Ref Sta	Rev Angle	Low or Flight Idle Angle	Latch or Start Locks Angle	High or Feather Angle	Spinner Assembly P/N	S p i n n e r	Governor Model	STC Number STC Holder STC Kit P/N	N o t e s
SA227-BC "Metro III" "C-26A"	L	TPE331-12UHR (HW)	P6525322-0407	4HFR34C652/L106LA-0	106.0	106.0	30	-5.0	15.0	6.0	88.5	E-5369	E,P			149
SA227-CC "Metro 23"	L	TPE331-11U (HW)	P6525322-0407	4HFR34C652/L106LA-0	106.0	106.0	30	-5.0	15.0	6.0	88.5	E-5369	E,P			149
SA227-DC "Metro 23" "C-26B"	L	TPE331-12UA (HW)	P6525322-0407	4HFR34C652/L106LA-0	106.0	106.0	30	-5.0	15.0	6.0	88.5	E-5369	E,P			149
SA227-DC "Metro 23" "C-26B"	L	TPE331-12UA (HW)	P6636401-0107	4HFR34C663/L106KA-0	106.0	106.0	30	-4.0	16.0	6.0	88.0	E-5369	E,P			149
SA227-DC "Metro 23" "C-26B"	L	TPE331-12UAR (HW)	P6525322-0407	4HFR34C652/L106LA-0	106.0	106.0	30	-5.0	15.0	6.0	88.5	E-5369	E,P			149
SA227-DC "Metro 23" "C-26B"	L	TPE331-12UAR (HW)	P6636401-0107	4HFR34C663/L106KA-0	106.0	106.0	30	-4.0	16.0	6.0	88.0	E-5369	E,P			149
SA227-DC "Metro 23" "C-26B"	L	TPE331-12UHR (HW)	P6525322-0407	4HFR34C652/L106LA-0	106.0	106.0	30	-5.0	15.0	6.0	88.5	E-5369	E,P			149
SA227-DC "Metro 23" "C-26B"	L	TPE331-12UHR (HW)	P6636401-0107	4HFR34C663/L106KA-0	106.0	106.0	30	-4.0	16.0	6.0	88.0	E-5369	E,P			149
FLETCHER (Frontier-Aerospace Inc.)																
FU-24	L	O-470-M (TCM)	OBSOLETE	2A36C18/90M-4	86.0	84.0	36		10.0		22.3					1
FU-24	L	O-470-N (TCM)	OBSOLETE	2A36C18/90M-4	86.0	84.0	36		10.0		22.3					1
FU-24	L	IO-470-D (TCM)	OBSOLETE	D2A36C33/90M-2	88.0	84.0	36		8.4		22.3					1
FU-24	L	GIO-470-A (TCM)	OBSOLETE	2A36C43/100R-10	90.0	88.0	36		11.3		25.0					1
FU-24A	L	O-470-M (TCM)	OBSOLETE	2A36C18/90M-4	86.0	84.0	36		10.0		22.3					1
FU-24A	L	O-470-N (TCM)	OBSOLETE	2A36C18/90M-4	86.0	84.0	36		10.0		22.3					1
FU-24A	L	IO-470-D (TCM)	OBSOLETE	D2A36C33/90M-2	88.0	84.0	36		8.4		22.3					1
FOUND AIRCRAFT CANADA Inc.																
FBA-2C	L	O-540-A1C5 (LY)	OBSOLETE	2D36C28/80MM-6	74.0	73.0	30		15.7		32.0					1 41
FUJI HEAVY INDUSTRIES																
FA-200-180 "Aerosubaru"	L	IO-360-B1B (LY)	OBSOLETE	B2D34C53/74E-0	74.0	72.5	30		12.7		27.5					1 42
GLOBE (Swift Museum Foundation Inc.)																
GC-1B "Swift"	L	IO-360 series (TCM)	OBSOLETE	D2A34C67/76C-2	74.0	70.0	30								SA53NW Merlyn Products, Inc.	1 105
GC-1B "Swift"	L	IO-360 series (TCM)	P2094447-51	2A34C209/78CCA-2	76.0		30		11.3		22.0				SA00185BO Swift Museum Foundation	

Constant Speed Propeller Applications

Aircraft Model	T Y P E	Engine Model (Make)	Propeller Part Number	Propeller Model	Max Dia	Min Dia	Ref Sta	Rev Angle	Low or Flight Idle Angle	Latch or Start Locks Angle	High or Feather Angle	Spinner Assembly P/N	S p i n n e r	Governor Model	STC Number STC Holder STC Kit P/N	N o t e s
GC-1B "Swift"	L	IO-360-D (TCM)	OBSOLETE	D2A34C67/76C-2	74.0		30								SA389NW MACHen	1
GC-1B "Swift"	L	IO-360-D (TCM)	OBSOLETE	D2A34C67/76C-2	74.0		30								SA275NW MACHen	1
GC-1B "Swift"	L	O-360-A1A (LY)	OBSOLETE	2D34C53/74E-0	74.0		30								SA803SO Swift Museum Foundation	1
GC-1B "Swift"	L	6A-350-C1 (FR)	OBSOLETE	2A34C22/84SF-10	74.0		30								SA203NW MACHen	1
GRUMMAN (Gulfstream American Corporation)																
G44 "Widgeon"	A	IO-470 (TCM)	P5287552-02	3AF32C528/82NEA-4	78.0	76.0	30		12.5	16.3	81.3	D-5215	P		SA00893CH McCauley PL60264	64
G44A "Widgeon"	A	IO-470 (TCM)	P5287552-02	3AF32C528/82NEA-4	78.0	76.0	30		12.5	16.3	81.3	D-5215	P		SA00893CH McCauley PL60264	64
SCAN Type 30 "Widgeon"	A	IO-470 (TCM)	P5287552-02	3AF32C528/82NEA-4	78.0	76.0	30		12.5	16.3	81.3	D-5215	P		SA00893CH McCauley PL60264	64
HINDUSTAN AERONAUTICS, LTD.																
HA-31	L	IO-470-V (TCM)	OBSOLETE	D2A34C34/84JF-0	84.0	84.0	36		10.0		22.0	D-2845	S	C290D2/T13		1
JETSTREAM (BAE SYSTEMS (Operations) Ltd.)																
3101 "J31"	L	TPE331-10UF (HW)	P6525322-0307	4HFR34C652/L106LA-0	106.0	106.0	30	-5.0	15.0	9.0	88.9	E-6083	E,P		SA1372GL McCauley PL60026	65 149
3101 "J31"	L	TPE331-10UG (HW)	P6525322-0307	4HFR34C652/L106LA-0	106.0	106.0	30	-5.0	15.0	9.0	88.9	E-6083	E,P		SA1372GL McCauley PL60026	65 149
3101 "J31"	L	TPE331-10UGR (HW)	P6525322-0307	4HFR34C652/L106LA-0	106.0	106.0	30	-5.0	15.0	9.0	88.9	E-6083	E,P		SA1372GL McCauley PL60026	65 149
3101 "J31"	L	TPE331-10UR (HW)	P6525322-0307	4HFR34C652/L106LA-0	106.0	106.0	30	-5.0	15.0	9.0	88.9	E-6083	E,P		SA1372GL McCauley PL60026	65 149
3201 "J32"	L	TPE331-12UAR (HW)	P6536401-0455	4HFR34C653/L106FA-0	106.0	105.0	30	-4.0	15.0	9.0	87.4	E-6083-1 E-6083	E,B E,P			106 149
3201 "J32"	L	TPE331-12UHR (HW)	P6536401-0455	4HFR34C653/L106FA-0	106.0	105.0	30	-4.0	15.0	9.0	87.4	E-6083-1 E-6083	E,B E,P			106 149

Constant Speed Propeller Applications

Aircraft Model	T Y P E	Engine Model (Make)	Propeller Part Number	Propeller Model	Max Dia	Min Dia	Ref Sta	Rev Angle	Low or Flight Idle Angle	Latch or Start Locks Angle	High or Feather Angle	Spinner Assembly P/N	S p i n n e r	Governor Model	STC Number STC Holder STC Kit P/N	N o t e s
4101 (left engine) "J41"	L	TPE331-14GR (HW)	P11016416-0116	B5JFR36C1101/114GCA-0	114.0	112.0	42	-15.0	7.0	-2.0	79.7	E-6466	E,B			3 57 106
4101 (right side) "J41"	L	TPE331-14HR (HW)	P11026417-0117	C5JFR36C1102/L114GCA-0	114.0	112.0	42	-15.0	7.0	-2.0	79.7	E-6466	E,B			3 57 106
4101 (left engine) "J41"	L	TPE331-14GR (HW)	P11036416-0116	B5JFR36C1103/114HCA-0	114.0	112.0	42	-15.0	10.0	-2.0	79.7	E-6466	E,B			4 57 106
4101 (right side) "J41"	L	TPE331-14HR (HW)	P11046417-0117	C5JFR36C1104/L114HCA-0	114.0	112.0	42	-15.0	10.0	-2.0	79.7	E-6466	E,B			4 57 106
JODEL																
D-140	L	O-360-A1A (LY)	OBSOLETE	2D36C14/78KM-4	74.0	74.0	30		12.7		27.5	D-2137	S			1
LOCKHEED AIRCRAFT INTERNATIONAL																
402-2 (S/N 1 ONLY) "LASA 60"	L	IO-470-G (TCM)	OBSOLETE	B2A36C31/90M-4	86.0	84.0	36		9.0		22.3	D-2845	S			1
402-2 "LASA 60"	L	IO-470-R (TCM)	OBSOLETE	D2A36C33/90M-4	86.0	84.0	36		9.0		22.3	D-2845-1 D-2771-1	S S			1 30
402-2 "LASA 60"	L	TSIO-470-B (TCM)	OBSOLETE	D2A36C33/90M-4	86.0	84.0	36		10.0		27.5	D-2845-1 D-2771-1	S S			1 30
MAULE AEROSPACE TECHNOLOGY, Inc.																
M-4-180C	L	6A-335-B1A (FR)	OBSOLETE	2A34C22/84SF-6	78.0	76.5	30		11.5		22.0	D-4101	S			1
M-4-180S	L	6A-335-B1A (FR)	OBSOLETE	2A34C22/84SF-6	78.0	76.5	30		11.5		22.0	D-4101	S			1
M-4-180T	L	6A-335-B1A (FR)	OBSOLETE	2A34C22/84SF-6	78.0	76.5	30		11.5		22.0	D-4101	S			1
M-4-180V	L	O-360-C1F (LY)		Hartzell - See aircraft TCDS										DC290D1/T12 C290D3/T29		
M-4-210	F L S	IO-360-A (TCM)	OBSOLETE	D2A34C67/76C-2	74.0	74.0	30		12.5		23.0	D-2845-1 D-2771-1	S S			1 30
M-4-210	F L S	IO-360-A (TCM)	P2094447-52	2A34C209/78CCA-4E	74.0	72.0	30		12.5		23.0	D-2845	S		SA03406AT Wright Aircraft	
M-4-210C	F L S	IO-360-A (TCM)	OBSOLETE	D2A34C67/76C-2	74.0	74.0	30		12.5		23.0	D-2845-1 D-2771-1	S S			1 30
M-4-210C	F L S	IO-360-A (TCM)	P2094447-52	2A34C209/78CCA-4E	74.0	72.0	30		12.5		23.0	D-2845	S		SA03406AT Wright Aircraft	
M-4-210C	F L S	IO-360-D (TCM)	OBSOLETE	D2A34C67/76C-2	74.0	74.0	30		12.5		23.0	D-2845-1 D-2771-1	S S			1 30

Constant Speed Propeller Applications

Aircraft Model	T Y P E	Engine Model (Make)	Propeller Part Number	Propeller Model	Max Dia	Min Dia	Ref Sta	Rev Angle	Low or Flight Idle Angle	Latch or Start Locks Angle	High or Feather Angle	Spinner Assembly P/N	S p i n n e r T y p e	Governor Model	STC Number STC Holder STC Kit P/N	N o t e s
M-4-210C	F L S	IO-360-D (TCM)	P2094447-52	2A34C209/78CCA-4E	74.0	72.0	30		12.5		23.0	D-2845	S		SA03406AT Wright Aircraft	
M-4-210S	F L S	IO-360-A (TCM)	OBSOLETE	D2A34C67/76C-2	74.0	74.0	30		12.5		23.0	D-2845-1 D-2771-1	S S			1 30
M-4-210S	F L S	IO-360-A (TCM)	P2094447-52	2A34C209/78CCA-4E	74.0	72.0	30		12.5		23.0	D-2845	S		SA03406AT Wright Aircraft	
M-4-210T	F L S	IO-360-A (TCM)	OBSOLETE	D2A34C67/76C-2	74.0	74.0	30		12.5		23.0	D-2845-1 D-2771-1	S S			1 30
M-4-210T	F L S	IO-360-A (TCM)	P2094447-52	2A34C209/78CCA-4E	74.0	72.0	30		12.5		23.0	D-2845	S		SA03406AT Wright Aircraft	
M-4-220	F L S	6A-350-C1 (FR)	OBSOLETE	2A34C22/84SF-6	78.0	74.5	30		11.5		22.0	D-4101	S			1
M-4-220	F L S	6A-350-C1 (FR)	OBSOLETE	2A31C21/84S-6	78.0	74.0	30		12.8		23.1					1
M-4-220		6A-350-C1 (FR)		2A34C201/90DA-12	78.0		30								SA00454DE Tom Laing	
M-4-220C	F L S	6A-350-C1 (FR)	OBSOLETE	2A34C22/84SF-6	78.0	74.5	30		11.5		22.0	D-4101	S			1
M-4-220C	F L S	6A-350-C1 (FR)	OBSOLETE	2A31C21/84S-6	78.0	74.0	30		12.8		23.1					1
M-4-220C		6A-350-C1 (FR)		2A34C201/90DA-12	78.0		30								SA00454DE Tom Laing	
M-4-220S	F L S	6A-350-C1 (FR)	OBSOLETE	2A34C22/84SF-6	78.0	74.5	30		11.5		22.0	D-4101	S			1
M-4-220S	F L S	6A-350-C1 (FR)	OBSOLETE	2A31C21/84S-6	78.0	74.0	30		12.8		23.1					1
M-4-220S		6A-350-C1 (FR)		2A34C201/90DA-12	78.0		30								SA00454DE Tom Laing	
M-4-220T	F L S	6A-350-C1 (FR)	OBSOLETE	2A34C22/84SF-6	78.0	74.5	30		11.5		22.0	D-4101	S			1

Constant Speed Propeller Applications

Aircraft Model	T Y P E	Engine Model (Make)	Propeller Part Number	Propeller Model	Max Dia	Min Dia	Ref Sta	Rev Angle	Low or Flight Idle Angle	Latch or Start Locks Angle	High or Feather Angle	Spinner Assembly P/N	S p i n n e r	Governor Model	STC Number STC Holder STC Kit P/N	N o t e s
M-4-220T	F L S	6A-350-C1 (FR)	OBSOLETE	2A31C21/84S-6	78.0	74.0	30		12.8		23.1					1
M-4-220T		6A-350-C1 (FR)		2A34C201/90DA-12	78.0		30								SA00454DE Tom Laing	
M-5-180C	L	O-360-C1F (LY)		Hartzell - See aircraft TCDS										DC290D1/T12 C290D3/T29		
M-5-210C	F L S	IO-360-D (TCM)	OBSOLETE	D2A34C67/76C-2	74.0	74.0	30		12.5		23.0	D-2845-1 D-2771-1	S S			1 30
M-5-210C	F L S	IO-360-D (TCM)	P2094447-52	2A34C209/78CCA-4E	74.0	72.0	30		12.5		23.0	D-2845	S		SA03406AT Wright Aircraft	
M-5-220C	F L S	6A-350-C1 (FR)	OBSOLETE	2A34C22/84SF-6	78.0	74.5	30		11.5		22.0	D-4101	S			1
M-5-220C		6A-350-C1 (FR)		2A34C201/90DA-12	78.0		30								SA00454DE Tom Laing	
M-5-235C				B2D37C224/90RA-9	81.0							D-6195	P		SA2728SO Erik van Veenen	
M-5-235C			P2246262-02	B2D37C224/90RA-4	86.0							D-6195	P		SA2728SO Erik van Veenen	
M-5-235C				B3D32C414/82NDA-2	80.0										SA2728SO Erik van Veenen	
M-5-235C	F L S	O-540-B4B5 (LY)	P2246262-03	B2D37C224/90RA-9	81.0	78.0	30		13.3		24.6	D-6195	P	DC290D1/T15 C290D3/T31		31
M-5-235C	F L S	O-540-B4B5 (LY)	P4146245-03	B3D32C414/82NDA-2	80.0	76.0	30		13.3		30.0	D-6240	P	DC290D1/T15 C290D3/T31		31
M-5-235C	F L S	O-540-B4B5 (LY)	P4146245-04	B3D32C414/82NDA-4	78.0	76.0	30		14.0		30.0	D-6240	P	DC290D1/T15 C290D3/T31		
M-5-235C	F L S	O-540-B4B5 (LY)		Hartzell - See aircraft TCDS										DC290D1/T15 C290D3/T31		
M-5-235C	F L S	O-540-J1A5D (LY)	P2246262-01	B2D37C224/90RA-9	81.0	78.0	30		14.7		24.6	D-6195	P	DC290D1/T14 C290D3/T30		31

Constant Speed Propeller Applications

Aircraft Model	T Y P E	Engine Model (Make)	Propeller Part Number	Propeller Model	Max Dia	Min Dia	Ref Sta	Rev Angle	Low or Flight Idle Angle	Latch or Start Locks Angle	High or Feather Angle	Spinner Assembly P/N	S p i n n e r	Governor Model	STC Number STC Holder STC Kit P/N	N o t e s
M-5-235C	F L S	O-540-J1A5D (LY)	P4146245-02	B3D32C414/82NDA-2	80.0	76.0	30		15.0		30.0	D-6240	P	DC290D1/T14 C290D3/T30		31
M-5-235C	F L S	O-540-J1A5D (LY)	P4146245-01	B3D32C414/82NDA-4	78.0	76.0	30		15.7		30.0	D-6240	P	DC290D1/T14 C290D3/T30		
M-5-235C	F L S	O-540-J1A5D (LY)		Hartzell - See aircraft TCDS										DC290D1/T14 C290D3/T30		
M-5-235C	F L S	O-540-J3A5 (LY)	P2246262-01	B2D37C224/90RA-9	81.0	78.0	30		14.7		24.6	D-6195	P	DC290D1/T14 C290D3/T30		31
M-5-235C	F L S	O-540-J3A5 (LY)	P4146245-02	B3D32C414/82NDA-2	80.0	76.0	30		15.0		30.0	D-6240	P	DC290D1/T14 C290D3/T30		31
M-5-235C	F L S	O-540-J3A5 (LY)	P4146245-01	B3D32C414/82NDA-4	78.0	76.0	30		15.7		30.0	D-6240	P	DC290D1/T14 C290D3/T30		
M-5-235C	F L S	O-540-J3A5 (LY)		Hartzell - See aircraft TCDS										DC290D1/T14 C290D3/T30		
M-5-235C	F L S	IO-540-W1A5 (LY)	P2246262-01	B2D37C224/90RA-9	81.0	78.0	30		14.7		24.6	D-6195	P	DC290D1/T14 C290D3/T30		31
M-5-235C	F L S	IO-540-W1A5 (LY)	P4146245-02	B3D32C414/82NDA-2	80.0	76.0	30		15.0		30.0	D-6240	P	DC290D1/T14 C290D3/T30		31
M-5-235C	F L S	IO-540-W1A5 (LY)	P4146245-01	B3D32C414/82NDA-4	78.0	76.0	30		15.7		30.0	D-6240	P	DC290D1/T14 C290D3/T30		
M-5-235C	F L S	IO-540-W1A5 (LY)		Hartzell - See aircraft TCDS										DC290D1/T14 C290D3/T30		
M-5-235C	F L S	IO-540-W1A5D (LY)	P2246262-01	B2D37C224/90RA-9	81.0	78.0	30		14.7		24.6	D-6195	P	DC290D1/T14 C290D3/T30		31
M-5-235C	F L S	IO-540-W1A5D (LY)	P4146245-02	B3D32C414/82NDA-2	80.0	76.0	30		15.0		30.0	D-6240	P	DC290D1/T14 C290D3/T30		31
M-5-235C	F L S	IO-540-W1A5D (LY)	P4146245-01	B3D32C414/82NDA-4	78.0	76.0	30		15.7		30.0	D-6240	P	DC290D1/T14 C290D3/T30		

Constant Speed Propeller Applications

Aircraft Model	T Y P E	Engine Model (Make)	Propeller Part Number	Propeller Model	Max Dia	Min Dia	Ref Sta	Rev Angle	Low or Flight Idle Angle	Latch or Start Locks Angle	High or Feather Angle	Spinner Assembly P/N	S p i n n e r	Governor Model	STC Number STC Holder STC Kit P/N	N o t e s
M-5-235C	F L S	IO-540-W1A5D (LY)		Hartzell - See aircraft TCDS										DC290D1/T14 C290D3/T30		
M-6-180	L	O-360-C1F (LY)		Hartzell - See aircraft TCDS										DC290D1/T12 C290D3/T29		
M-6-235				B2D37C224/90RA-9	81.0							D-6195	P		SA2728SO Erik van Veenen	
M-6-235			P2246262-02	B2D37C224/90RA-4	86.0							D-6195	P		SA2728SO Erik van Veenen	
M-6-235				B3D32C414/82NDA-2	80.0										SA2728SO Erik van Veenen	
M-6-235	F L S	O-540-B4B5 (LY)	P2246262-03	B2D37C224/90RA-9	81.0	78.0	30		13.3		24.6	D-6195	P	DC290D1/T15 C290D3/T31		31
M-6-235	F L S	O-540-B4B5 (LY)	P4146245-03	B3D32C414/82NDA-2	80.0	76.0	30		13.3		30.0	D-6240	P	DC290D1/T15 C290D3/T31		31
M-6-235	F L S	O-540-B4B5 (LY)	P4146245-04	B3D32C414/82NDA-4	78.0	76.0	30		14.0		30.0	D-6240	P	DC290D1/T15 C290D3/T31		
M-6-235	F L S	O-540-B4B5 (LY)		Hartzell - See aircraft TCDS										DC290D1/T15 C290D3/T31		
M-6-235	F L S	O-540-J1A5D (LY)	P2246262-01	B2D37C224/90RA-9	81.0	78.0	30		14.7		24.6	D-6195	P	DC290D1/T14 C290D3/T30		31
M-6-235	F L S	O-540-J1A5D (LY)	P4146245-02	B3D32C414/82NDA-2	80.0	76.0	30		15.0		30.0	D-6240	P	DC290D1/T14 C290D3/T30		31
M-6-235	F L S	O-540-J1A5D (LY)	P4146245-01	B3D32C414/82NDA-4	78.0	76.0	30		15.7		30.0	D-6240	P	DC290D1/T14 C290D3/T30		
M-6-235	F L S	O-540-J1A5D (LY)		Hartzell - See aircraft TCDS										DC290D1/T14 C290D3/T30		
M-6-235	F L S	O-540-J3A5 (LY)	P2246262-01	B2D37C224/90RA-9	81.0	78.0	30		14.7		24.6	D-6195	P	DC290D1/T14 C290D3/T30		31
M-6-235	F L S	O-540-J3A5 (LY)	P4146245-02	B3D32C414/82NDA-2	80.0	76.0	30		15.0		30.0	D-6240	P	DC290D1/T14 C290D3/T30		31

Constant Speed Propeller Applications

Aircraft Model	T Y P E	Engine Model (Make)	Propeller Part Number	Propeller Model	Max Dia	Min Dia	Ref Sta	Rev Angle	Low or Flight Idle Angle	Latch or Start Locks Angle	High or Feather Angle	Spinner Assembly P/N	S p i n n e r	Governor Model	STC Number STC Holder STC Kit P/N	N o t e s
M-6-235	F L S	O-540-J3A5 (LY)	P4146245-01	B3D32C414/82NDA-4	78.0	76.0	30		15.7		30.0	D-6240	P	DC290D1/T14 C290D3/T30		
M-6-235	F L S	O-540-J3A5 (LY)		Hartzell - See aircraft TCDS										DC290D1/T14 C290D3/T30		
M-6-235	F L S	IO-540-W1A5 (LY)	P2246262-01	B2D37C224/90RA-9	81.0	78.0	30		14.7		24.6	D-6195	P	DC290D1/T14 C290D3/T30		31
M-6-235	F L S	IO-540-W1A5 (LY)	P4146245-02	B3D32C414/82NDA-2	80.0	76.0	30		15.0		30.0	D-6240	P	DC290D1/T14 C290D3/T30		31
M-6-235	F L S	IO-540-W1A5 (LY)	P4146245-01	B3D32C414/82NDA-4	78.0	76.0	30		15.7		30.0	D-6240	P	DC290D1/T14 C290D3/T30		
M-6-235	F L S	IO-540-W1A5 (LY)		Hartzell - See aircraft TCDS										DC290D1/T14 C290D3/T30		
M-6-235	F L S	IO-540-W1A5D (LY)	P2246262-01	B2D37C224/90RA-9	81.0	78.0	30		14.7		24.6	D-6195	P	DC290D1/T14 C290D3/T30		31
M-6-235	F L S	IO-540-W1A5D (LY)	P4146245-02	B3D32C414/82NDA-2	80.0	76.0	30		15.0		30.0	D-6240	P	DC290D1/T14 C290D3/T30		31
M-6-235	F L S	IO-540-W1A5D (LY)	P4146245-01	B3D32C414/82NDA-4	78.0	76.0	30		15.7		30.0	D-6240	P	DC290D1/T14 C290D3/T30		
M-6-235	F L S	IO-540-W1A5D (LY)		Hartzell - See aircraft TCDS										DC290D1/T14 C290D3/T30		
M-7-235				B2D37C224/90RA-9	81.0							D-6195	P		SA2728SO Erik van Veenen	
M-7-235			P2246262-02	B2D37C224/90RA-4	86.0							D-6195	P		SA2728SO Erik van Veenen	
M-7-235				B3D32C414/82NDA-2	80.0										SA2728SO Erik van Veenen	
M-7-235	F L S	O-540-B4B5 (LY)	P2246262-03	B2D37C224/90RA-9	81.0	78.0	30		13.3		24.6	D-6195	P	DC290D1/T15 C290D3/T31		31

Constant Speed Propeller Applications

Aircraft Model	T Y P E	Engine Model (Make)	Propeller Part Number	Propeller Model	Max Dia	Min Dia	Ref Sta	Rev Angle	Low or Flight Idle Angle	Latch or Start Locks Angle	High or Feather Angle	Spinner Assembly P/N	S p i n n e r	Governor Model	STC Number STC Holder STC Kit P/N	N o t e s
M-7-235	F L S	O-540-B4B5 (LY)	P4146245-03	B3D32C414/82NDA-2	80.0	76.0	30		13.3		30.0	D-6240	P	DC290D1/T15 C290D3/T31		31
M-7-235	F L S	O-540-B4B5 (LY)	P4146245-04	B3D32C414/82NDA-4	78.0	76.0	30		14.0		30.0	D-6240	P	DC290D1/T15 C290D3/T31		
M-7-235	F L S	O-540-B4B5 (LY)		Hartzell - See aircraft TCDS										DC290D1/T15 C290D3/T31		
M-7-235	F L S	O-540-J1A5D (LY)	P2246262-01	B2D37C224/90RA-9	81.0	78.0	30		14.7		24.6	D-6195	P	DC290D1/T14 C290D3/T30		31
M-7-235	F L S	O-540-J1A5D (LY)	P4146245-02	B3D32C414/82NDA-2	80.0	76.0	30		15.0		30.0	D-6240	P	DC290D1/T14 C290D3/T30		31
M-7-235	F L S	O-540-J1A5D (LY)	P4146245-01	B3D32C414/82NDA-4	78.0	76.0	30		15.7		30.0	D-6240	P	DC290D1/T14 C290D3/T30		
M-7-235	F L S	O-540-J1A5D (LY)		Hartzell - See aircraft TCDS										DC290D1/T14 C290D3/T30		
M-7-235	F L S	O-540-J3A5 (LY)	P2246262-01	B2D37C224/90RA-9	81.0	78.0	30		14.7		24.6	D-6195	P	DC290D1/T14 C290D3/T30		31
M-7-235	F L S	O-540-J3A5 (LY)	P4146245-02	B3D32C414/82NDA-2	80.0	76.0	30		15.0		30.0	D-6240	P	DC290D1/T14 C290D3/T30		31
M-7-235	F L S	O-540-J3A5 (LY)	P4146245-01	B3D32C414/82NDA-4	78.0	76.0	30		15.7		30.0	D-6240	P	DC290D1/T14 C290D3/T30		
M-7-235	F L S	O-540-J3A5 (LY)		Hartzell - See aircraft TCDS										DC290D1/T14 C290D3/T30		
M-7-235	F L S	IO-540-W1A5 (LY)	P2246262-01	B2D37C224/90RA-9	81.0	78.0	30		14.7		24.6	D-6195	P	DC290D1/T14 C290D3/T30		31
M-7-235	F L S	IO-540-W1A5 (LY)	P4146245-02	B3D32C414/82NDA-2	80.0	76.0	30		15.0		30.0	D-6240	P	DC290D1/T14 C290D3/T30		31
M-7-235	F L S	IO-540-W1A5 (LY)	P4146245-01	B3D32C414/82NDA-4	78.0	76.0	30		15.7		30.0	D-6240	P	DC290D1/T14 C290D3/T30		

Constant Speed Propeller Applications

Aircraft Model	T Y P E	Engine Model (Make)	Propeller Part Number	Propeller Model	Max Dia	Min Dia	Ref Sta	Rev Angle	Low or Flight Idle Angle	Latch or Start Locks Angle	High or Feather Angle	Spinner Assembly P/N	S p i n n e r	Governor Model	STC Number STC Holder STC Kit P/N	N o t e s
M-7-235	F L S	IO-540-W1A5 (LY)		Hartzell - See aircraft TCDS										DC290D1/T14 C290D3/T30		
M-7-235	F L S	IO-540-W1A5D (LY)	P2246262-01	B2D37C224/90RA-9	81.0	78.0	30		14.7		24.6	D-6195	P	DC290D1/T14 C290D3/T30		31
M-7-235	F L S	IO-540-W1A5D (LY)	P4146245-02	B3D32C414/82NDA-2	80.0	76.0	30		15.0		30.0	D-6240	P	DC290D1/T14 C290D3/T30		31
M-7-235	F L S	IO-540-W1A5D (LY)	P4146245-01	B3D32C414/82NDA-4	78.0	76.0	30		15.7		30.0	D-6240	P	DC290D1/T14 C290D3/T30		
M-7-235	F L S	IO-540-W1A5D (LY)		Hartzell - See aircraft TCDS										DC290D1/T14 C290D3/T30		
M-7-235A	F L S	O-540-B4B5 (LY)	P2246262-03	B2D37C224/90RA-9	81.0	78.0	30		13.3		24.6	D-6195	P	DC290D1/T15 C290D3/T31		31
M-7-235A	F L S	O-540-B4B5 (LY)	P4146245-03	B3D32C414/82NDA-2	80.0	76.0	30		13.3		30.0	D-6240	P	DC290D1/T15 C290D3/T31		31
M-7-235A	F L S	O-540-B4B5 (LY)	P4146245-04	B3D32C414/82NDA-4	78.0	76.0	30		14.0		30.0	D-6240	P	DC290D1/T15 C290D3/T31		
M-7-235A	F L S	O-540-B4B5 (LY)		Hartzell - See aircraft TCDS										DC290D1/T15 C290D3/T31		
M-7-235A	F L S	O-540-J1A5D (LY)	P2246262-01	B2D37C224/90RA-9	81.0	78.0	30		14.7		24.6	D-6195	P	DC290D1/T14 C290D3/T30		31
M-7-235A	F L S	O-540-J1A5D (LY)	P4146245-02	B3D32C414/82NDA-2	80.0	76.0	30		15.0		30.0	D-6240	P	DC290D1/T14 C290D3/T30		31
M-7-235A	F L S	O-540-J1A5D (LY)	P4146245-01	B3D32C414/82NDA-4	78.0	76.0	30		15.7		30.0	D-6240	P	DC290D1/T14 C290D3/T30		
M-7-235A	F L S	O-540-J1A5D (LY)		Hartzell - See aircraft TCDS										DC290D1/T14 C290D3/T30		
M-7-235A	F L S	O-540-J3A5 (LY)	P2246262-01	B2D37C224/90RA-9	81.0	78.0	30		14.7		24.6	D-6195	P	DC290D1/T14 C290D3/T30		31

Constant Speed Propeller Applications

Aircraft Model	T Y P E	Engine Model (Make)	Propeller Part Number	Propeller Model	Max Dia	Min Dia	Ref Sta	Rev Angle	Low or Flight Idle Angle	Latch or Start Locks Angle	High or Feather Angle	Spinner Assembly P/N	S p i n n e r	Governor Model	STC Number STC Holder STC Kit P/N	N o t e s
M-7-235A	F L S	O-540-J3A5 (LY)	P4146245-02	B3D32C414/82NDA-2	80.0	76.0	30		15.0		30.0	D-6240	P	DC290D1/T14 C290D3/T30		31
M-7-235A	F L S	O-540-J3A5 (LY)	P4146245-01	B3D32C414/82NDA-4	78.0	76.0	30		15.7		30.0	D-6240	P	DC290D1/T14 C290D3/T30		
M-7-235A	F L S	O-540-J3A5 (LY)		Hartzell - See aircraft TCDS										DC290D1/T14 C290D3/T30		
M-7-235A	F L S	IO-540-W1A5 (LY)	P2246262-01	B2D37C224/90RA-9	81.0	78.0	30		14.7		24.6	D-6195	P	DC290D1/T14 C290D3/T30		31
M-7-235A	F L S	IO-540-W1A5 (LY)	P4146245-02	B3D32C414/82NDA-2	80.0	76.0	30		15.0		30.0	D-6240	P	DC290D1/T14 C290D3/T30		31
M-7-235A	F L S	IO-540-W1A5 (LY)	P4146245-01	B3D32C414/82NDA-4	78.0	76.0	30		15.7		30.0	D-6240	P	DC290D1/T14 C290D3/T30		
M-7-235A	F L S	IO-540-W1A5 (LY)		Hartzell - See aircraft TCDS										DC290D1/T14 C290D3/T30		
M-7-235A	F L S	IO-540-W1A5D (LY)	P2246262-01	B2D37C224/90RA-9	81.0	78.0	30		14.7		24.6	D-6195	P	DC290D1/T14 C290D3/T30		31
M-7-235A	F L S	IO-540-W1A5D (LY)	P4146245-02	B3D32C414/82NDA-2	80.0	76.0	30		15.0		30.0	D-6240	P	DC290D1/T14 C290D3/T30		31
M-7-235A	F L S	IO-540-W1A5D (LY)	P4146245-01	B3D32C414/82NDA-4	78.0	76.0	30		15.7		30.0	D-6240	P	DC290D1/T14 C290D3/T30		
M-7-235A	F L S	IO-540-W1A5D (LY)		Hartzell - See aircraft TCDS										DC290D1/T14 C290D3/T30		
M-7-235B	F L S	O-540-B4B5 (LY)	P2246262-03	B2D37C224/90RA-9	81.0	78.0	30		13.3		24.6	D-6195	P	DC290D1/T15 C290D3/T31		31
M-7-235B	F L S	O-540-B4B5 (LY)	P4146245-03	B3D32C414/82NDA-2	80.0	76.0	30		13.3		30.0	D-6240	P	DC290D1/T15 C290D3/T31		31
M-7-235B	F L S	O-540-B4B5 (LY)	P4146245-04	B3D32C414/82NDA-4	78.0	76.0	30		14.0		30.0	D-6240	P	DC290D1/T15 C290D3/T31		

Constant Speed Propeller Applications

Aircraft Model	T Y P E	Engine Model (Make)	Propeller Part Number	Propeller Model	Max Dia	Min Dia	Ref Sta	Rev Angle	Low or Flight Idle Angle	Latch or Start Locks Angle	High or Feather Angle	Spinner Assembly P/N	S p i n n e r	Governor Model	STC Number STC Holder STC Kit P/N	N o t e s
M-7-235B	F L S	O-540-B4B5 (LY)		Hartzell - See aircraft TCDS										DC290D1/T15 C290D3/T31		
M-7-235B	F L S	O-540-J1A5D (LY)	P2246262-01	B2D37C224/90RA-9	81.0	78.0	30		14.7		24.6	D-6195	P	DC290D1/T14 C290D3/T30		31
M-7-235B	F L S	O-540-J1A5D (LY)	P4146245-02	B3D32C414/82NDA-2	80.0	76.0	30		15.0		30.0	D-6240	P	DC290D1/T14 C290D3/T30		31
M-7-235B	F L S	O-540-J1A5D (LY)	P4146245-01	B3D32C414/82NDA-4	78.0	76.0	30		15.7		30.0	D-6240	P	DC290D1/T14 C290D3/T30		
M-7-235B	F L S	O-540-J1A5D (LY)		Hartzell - See aircraft TCDS										DC290D1/T14 C290D3/T30		
M-7-235B	F L S	O-540-J3A5 (LY)	P2246262-01	B2D37C224/90RA-9	81.0	78.0	30		14.7		24.6	D-6195	P	DC290D1/T14 C290D3/T30		31
M-7-235B	F L S	O-540-J3A5 (LY)	P4146245-02	B3D32C414/82NDA-2	80.0	76.0	30		15.0		30.0	D-6240	P	DC290D1/T14 C290D3/T30		31
M-7-235B	F L S	O-540-J3A5 (LY)	P4146245-01	B3D32C414/82NDA-4	78.0	76.0	30		15.7		30.0	D-6240	P	DC290D1/T14 C290D3/T30		
M-7-235B	F L S	O-540-J3A5 (LY)		Hartzell - See aircraft TCDS										DC290D1/T14 C290D3/T30		
M-7-235B	F L S	IO-540-W1A5 (LY)	P2246262-01	B2D37C224/90RA-9	81.0	78.0	30		14.7		24.6	D-6195	P	DC290D1/T14 C290D3/T30		31
M-7-235B	F L S	IO-540-W1A5 (LY)	P4146245-02	B3D32C414/82NDA-2	80.0	76.0	30		15.0		30.0	D-6240	P	DC290D1/T14 C290D3/T30		31
M-7-235B	F L S	IO-540-W1A5 (LY)	P4146245-01	B3D32C414/82NDA-4	78.0	76.0	30		15.7		30.0	D-6240	P	DC290D1/T14 C290D3/T30		
M-7-235B	F L S	IO-540-W1A5 (LY)		Hartzell - See aircraft TCDS										DC290D1/T14 C290D3/T30		
M-7-235B	F L S	IO-540-W1A5D (LY)	P2246262-01	B2D37C224/90RA-9	81.0	78.0	30		14.7		24.6	D-6195	P	DC290D1/T14 C290D3/T30		31

Constant Speed Propeller Applications

Aircraft Model	T Y P E	Engine Model (Make)	Propeller Part Number	Propeller Model	Max Dia	Min Dia	Ref Sta	Rev Angle	Low or Flight Idle Angle	Latch or Start Locks Angle	High or Feather Angle	Spinner Assembly P/N	S p i n n e r	Governor Model	STC Number STC Holder STC Kit P/N	N o t e s
M-7-235B	F L S	IO-540-W1A5D (LY)	P4146245-02	B3D32C414/82NDA-2	80.0	76.0	30		15.0		30.0	D-6240	P	DC290D1/T14 C290D3/T30		31
M-7-235B	F L S	IO-540-W1A5D (LY)	P4146245-01	B3D32C414/82NDA-4	78.0	76.0	30		15.7		30.0	D-6240	P	DC290D1/T14 C290D3/T30		
M-7-235B	F L S	IO-540-W1A5D (LY)		Hartzell - See aircraft TCDS										DC290D1/T14 C290D3/T30		
M-7-235C	F L S	O-540-B4B5 (LY)	P2246262-03	B2D37C224/90RA-9	81.0	78.0	30		13.3		24.6	D-6195	P	DC290D1/T15 C290D3/T31		31
M-7-235C	F L S	O-540-B4B5 (LY)	P4146245-03	B3D32C414/82NDA-2	80.0	76.0	30		13.3		30.0	D-6240	P	DC290D1/T15 C290D3/T31		31
M-7-235C	F L S	O-540-B4B5 (LY)	P4146245-04	B3D32C414/82NDA-4	78.0	76.0	30		14.0		30.0	D-6240	P	DC290D1/T15 C290D3/T31		
M-7-235C	F L S	O-540-B4B5 (LY)		Hartzell - See aircraft TCDS										DC290D1/T15 C290D3/T31		
M-7-235C	F L S	O-540-J1A5D (LY)	P2246262-01	B2D37C224/90RA-9	81.0	78.0	30		14.7		24.6	D-6195	P	DC290D1/T14 C290D3/T30		31
M-7-235C	F L S	O-540-J1A5D (LY)	P4146245-02	B3D32C414/82NDA-2	80.0	76.0	30		15.0		30.0	D-6240	P	DC290D1/T14 C290D3/T30		31
M-7-235C	F L S	O-540-J1A5D (LY)	P4146245-01	B3D32C414/82NDA-4	78.0	76.0	30		15.7		30.0	D-6240	P	DC290D1/T14 C290D3/T30		
M-7-235C	F L S	O-540-J1A5D (LY)		Hartzell - See aircraft TCDS										DC290D1/T14 C290D3/T30		
M-7-235C	F L S	O-540-J3A5 (LY)	P2246262-01	B2D37C224/90RA-9	81.0	78.0	30		14.7		24.6	D-6195	P	DC290D1/T14 C290D3/T30		31
M-7-235C	F L S	O-540-J3A5 (LY)	P4146245-02	B3D32C414/82NDA-2	80.0	76.0	30		15.0		30.0	D-6240	P	DC290D1/T14 C290D3/T30		31
M-7-235C	F L S	O-540-J3A5 (LY)	P4146245-01	B3D32C414/82NDA-4	78.0	76.0	30		15.7		30.0	D-6240	P	DC290D1/T14 C290D3/T30		

Constant Speed Propeller Applications

Aircraft Model	T Y P E	Engine Model (Make)	Propeller Part Number	Propeller Model	Max Dia	Min Dia	Ref Sta	Rev Angle	Low or Flight Idle Angle	Latch or Start Locks Angle	High or Feather Angle	Spinner Assembly P/N	S p i n n e r	Governor Model	STC Number STC Holder STC Kit P/N	N o t e s
M-7-235C	F L S	O-540-J3A5 (LY)		Hartzell - See aircraft TCDS										DC290D1/T14 C290D3/T30		
M-7-235C	F L S	IO-540-W1A5 (LY)	P2246262-01	B2D37C224/90RA-9	81.0	78.0	30		14.7		24.6	D-6195	P	DC290D1/T14 C290D3/T30		31
M-7-235C	F L S	IO-540-W1A5 (LY)	P4146245-02	B3D32C414/82NDA-2	80.0	76.0	30		15.0		30.0	D-6240	P	DC290D1/T14 C290D3/T30		31
M-7-235C	F L S	IO-540-W1A5 (LY)	P4146245-01	B3D32C414/82NDA-4	78.0	76.0	30		15.7		30.0	D-6240	P	DC290D1/T14 C290D3/T30		
M-7-235C	F L S	IO-540-W1A5 (LY)		Hartzell - See aircraft TCDS										DC290D1/T14 C290D3/T30		
M-7-235C	F L S	IO-540-W1A5D (LY)	P2246262-01	B2D37C224/90RA-9	81.0	78.0	30		14.7		24.6	D-6195	P	DC290D1/T14 C290D3/T30		31
M-7-235C	F L S	IO-540-W1A5D (LY)	P4146245-02	B3D32C414/82NDA-2	80.0	76.0	30		15.0		30.0	D-6240	P	DC290D1/T14 C290D3/T30		31
M-7-235C	F L S	IO-540-W1A5D (LY)	P4146245-01	B3D32C414/82NDA-4	78.0	76.0	30		15.7		30.0	D-6240	P	DC290D1/T14 C290D3/T30		
M-7-235C	F L S	IO-540-W1A5D (LY)		Hartzell - See aircraft TCDS										DC290D1/T14 C290D3/T30		
M-7-260	F L S	IO-540-V4A5 (LY)	P2246262-05	B2D37C224/90RA-10.5	79.5	78.0	30		13.1		29.5	D-6195	P	DC290D1/T33		
M-7-260	F L S	IO-540-V4A5 (LY)	P2246262-04	B2D37C224/90RA-12	78.0	77.0	30		13.4		29.5	D-6195	P	DC290D1/T33		
M-7-260	F L S	IO-540-V4A5 (LY)	P4146245-06	B3D32C414/82NDA-2	80.0	76.0	30		11.3		30.0	D-6240	P	DC290D1/T33		
M-7-260	F L S	IO-540-V4A5 (LY)	P4146245-05	B3D32C414/82NDA-4	78.0	76.0	30		12.0		30.0	D-6240	P	DC290D1/T33		
M-7-260	F L S	IO-540-V4A5 (LY)		MT Propeller see aircraft TCDS										DC290D1/T33		

Constant Speed Propeller Applications

Aircraft Model	T Y P E	Engine Model (Make)	Propeller Part Number	Propeller Model	Max Dia	Min Dia	Ref Sta	Rev Angle	Low or Flight Idle Angle	Latch or Start Locks Angle	High or Feather Angle	Spinner Assembly P/N	S p i n n e r	Governor Model	STC Number STC Holder STC Kit P/N	N o t e s
M-7-260	F L S	IO-540-V4A5 (LY)		Hartzell - See aircraft TCDS										DC290D1/T33		
M-7-260C	F L S	IO-540-V4A5 (LY)	P2246262-05	B2D37C224/90RA-10.5	79.5	78.0	30		13.1		29.5	D-6195	P	DC290D1/T33		
M-7-260C	F L S	IO-540-V4A5 (LY)	P2246262-04	B2D37C224/90RA-12	78.0	77.0	30		13.4		29.5	D-6195	P	DC290D1/T33		
M-7-260C	F L S	IO-540-V4A5 (LY)	P4146245-06	B3D32C414/82NDA-2	80.0	76.0	30		11.3		30.0	D-6240	P	DC290D1/T33		
M-7-260C	F L S	IO-540-V4A5 (LY)	P4146245-05	B3D32C414/82NDA-4	78.0	76.0	30		12.0		30.0	D-6240	P	DC290D1/T33		
M-7-260C	F L S	IO-540-V4A5 (LY)		MT Propeller see aircraft TCDS										DC290D1/T33		
M-7-260C	F L S	IO-540-V4A5 (LY)		Hartzell - See aircraft TCDS										DC290D1/T33		
MT-7-235	F L S	IO-540-W1A5 (LY)	P2246262-01	B2D37C224/90RA-9	81.0	78.0	30		14.7		24.6	D-6195	P	DC290D1/T14 C290D3/T30		
MT-7-235	F L S	IO-540-W1A5 (LY)	P4146245-02	B3D32C414/82NDA-2	80.0	76.0	30		15.0		30.0	D-6240	P	DC290D1/T14 C290D3/T30		
MT-7-235	F L S	IO-540-W1A5 (LY)	P4146245-01	B3D32C414/82NDA-4	78.0	76.0	30		15.7		30.0	D-6240	P	DC290D1/T14 C290D3/T30		
MT-7-235	F L S	IO-540-W1A5 (LY)		Hartzell - See aircraft TCDS										DC290D1/T14 C290D3/T30		
MT-7-235	F L S	IO-540-W1A5D (LY)	P2246262-01	B2D37C224/90RA-9	81.0	78.0	30		14.7		24.6	D-6195	P	DC290D1/T14 C290D3/T30		
MT-7-235	F L S	IO-540-W1A5D (LY)	P4146245-02	B3D32C414/82NDA-2	80.0	76.0	30		15.0		30.0	D-6240	P	DC290D1/T14 C290D3/T30		
MT-7-235	F L S	IO-540-W1A5D (LY)	P4146245-01	B3D32C414/82NDA-4	78.0	76.0	30		15.7		30.0	D-6240	P	DC290D1/T14 C290D3/T30		

Constant Speed Propeller Applications

Aircraft Model	T Y P E	Engine Model (Make)	Propeller Part Number	Propeller Model	Max Dia	Min Dia	Ref Sta	Rev Angle	Low or Flight Idle Angle	Latch or Start Locks Angle	High or Feather Angle	Spinner Assembly P/N	S p i n n e r	Governor Model	STC Number STC Holder STC Kit P/N	N o t e s
MT-7-235	F L S	IO-540-W1A5D (LY)		Hartzell - See aircraft TCDS										DC290D1/T14 C290D3/T30		
MT-7-260	F L S	IO-540-V4A5 (LY)	P2246262-05	B2D37C224/90RA-10.5	79.5	78.0	30		13.1		29.5	D-6195	P	DC290D1/T33		
MT-7-260	F L S	IO-540-V4A5 (LY)	P2246262-04	B2D37C224/90RA-12	78.0	77.0	30		13.4		29.5	D-6195	P	DC290D1/T33		
MT-7-260	F L S	IO-540-V4A5 (LY)	P4146245-06	B3D32C414/82NDA-2	80.0	76.0	30		11.3		30.0	D-6240	P	DC290D1/T33		
MT-7-260	F L S	IO-540-V4A5 (LY)	P4146245-05	B3D32C414/82NDA-4	78.0	76.0	30		12.0		30.0	D-6240	P	DC290D1/T33		
MT-7-260	F L S	IO-540-V4A5 (LY)		MT Propeller see aircraft TCDS										DC290D1/T33		
MT-7-260	F L S	IO-540-V4A5 (LY)		Hartzell - See aircraft TCDS										DC290D1/T33		
MX-7-180	F L	O-360-C1F (LY)		Hartzell - See aircraft TCDS										DC290D1/T12 C290D3/T29		
MX-7-180B	F L	O-360-C1F (LY)		Hartzell - See aircraft TCDS										DC290D1/T12 C290D3/T29		
MX-7-180C	F L	O-360-C1F (LY)		Hartzell - See aircraft TCDS										DC290D1/T12 C290D3/T29		
MX-7-235				B2D37C224/90RA-9	81.0							D-6195	P		SA2728SO Erik van Veenen	
MX-7-235			P2246262-02	B2D37C224/90RA-4	86.0							D-6195	P		SA2728SO Erik van Veenen	
MX-7-235				B3D32C414/82NDA-2	80.0										SA2728SO Erik van Veenen	
MX-7-235	F L S	O-540-B4B5 (LY)	P2246262-03	B2D37C224/90RA-9	81.0	78.0	30		13.3		24.6	D-6195	P	DC290D1/T15 C290D3/T31		31
MX-7-235	F L S	O-540-B4B5 (LY)	P4146245-03	B3D32C414/82NDA-2	80.0	76.0	30		13.3		30.0	D-6240	P	DC290D1/T15 C290D3/T31		31

Constant Speed Propeller Applications

Aircraft Model	T Y P E	Engine Model (Make)	Propeller Part Number	Propeller Model	Max Dia	Min Dia	Ref Sta	Rev Angle	Low or Flight Idle Angle	Latch or Start Locks Angle	High or Feather Angle	Spinner Assembly P/N	S p i n n e r	Governor Model	STC Number STC Holder STC Kit P/N	N o t e s
MX-7-235	F L S	O-540-B4B5 (LY)	P4146245-04	B3D32C414/82NDA-4	78.0	76.0	30		14.0		30.0	D-6240	P	DC290D1/T15 C290D3/T31		
MX-7-235	F L S	O-540-B4B5 (LY)		Hartzell - See aircraft TCDS										DC290D1/T15 C290D3/T31		
MX-7-235	F L S	O-540-J1A5D (LY)	P2246262-01	B2D37C224/90RA-9	81.0	78.0	30		14.7		24.6	D-6195	P	DC290D1/T14 C290D3/T30		31
MX-7-235	F L S	O-540-J1A5D (LY)	P4146245-02	B3D32C414/82NDA-2	80.0	76.0	30		15.0		30.0	D-6240	P	DC290D1/T14 C290D3/T30		31
MX-7-235	F L S	O-540-J1A5D (LY)	P4146245-01	B3D32C414/82NDA-4	78.0	76.0	30		15.7		30.0	D-6240	P	DC290D1/T14 C290D3/T30		
MX-7-235	F L S	O-540-J1A5D (LY)		Hartzell - See aircraft TCDS										DC290D1/T14 C290D3/T30		
MX-7-235	F L S	O-540-J3A5 (LY)	P2246262-01	B2D37C224/90RA-9	81.0	78.0	30		14.7		24.6	D-6195	P	DC290D1/T14 C290D3/T30		31
MX-7-235	F L S	O-540-J3A5 (LY)	P4146245-02	B3D32C414/82NDA-2	80.0	76.0	30		15.0		30.0	D-6240	P	DC290D1/T14 C290D3/T30		31
MX-7-235	F L S	O-540-J3A5 (LY)	P4146245-01	B3D32C414/82NDA-4	78.0	76.0	30		15.7		30.0	D-6240	P	DC290D1/T14 C290D3/T30		
MX-7-235	F L S	O-540-J3A5 (LY)		Hartzell - See aircraft TCDS										DC290D1/T14 C290D3/T30		
MX-7-235	F L S	IO-540-W1A5 (LY)	P2246262-01	B2D37C224/90RA-9	81.0	78.0	30		14.7		24.6	D-6195	P	DC290D1/T14 C290D3/T30		31
MX-7-235	F L S	IO-540-W1A5 (LY)	P4146245-02	B3D32C414/82NDA-2	80.0	76.0	30		15.0		30.0	D-6240	P	DC290D1/T14 C290D3/T30		31
MX-7-235	F L S	IO-540-W1A5 (LY)	P4146245-01	B3D32C414/82NDA-4	78.0	76.0	30		15.7		30.0	D-6240	P	DC290D1/T14 C290D3/T30		
MX-7-235	F L S	IO-540-W1A5 (LY)		Hartzell - See aircraft TCDS										DC290D1/T14 C290D3/T30		

Constant Speed Propeller Applications

Aircraft Model	T Y P E	Engine Model (Make)	Propeller Part Number	Propeller Model	Max Dia	Min Dia	Ref Sta	Rev Angle	Low or Flight Idle Angle	Latch or Start Locks Angle	High or Feather Angle	Spinner Assembly P/N	S p i n n e r	Governor Model	STC Number STC Holder STC Kit P/N	N o t e s
MX-7-235	F L S	IO-540-W1A5D (LY)	P2246262-01	B2D37C224/90RA-9	81.0	78.0	30		14.7		24.6	D-6195	P	DC290D1/T14 C290D3/T30		31
MX-7-235	F L S	IO-540-W1A5D (LY)	P4146245-02	B3D32C414/82NDA-2	80.0	76.0	30		15.0		30.0	D-6240	P	DC290D1/T14 C290D3/T30		31
MX-7-235	F L S	IO-540-W1A5D (LY)	P4146245-01	B3D32C414/82NDA-4	78.0	76.0	30		15.7		30.0	D-6240	P	DC290D1/T14 C290D3/T30		
MX-7-235	F L S	IO-540-W1A5D (LY)		Hartzell - See aircraft TCDS										DC290D1/T14 C290D3/T30		
MXT-7-180	F L	O-360-C1F (LY)		Hartzell - See aircraft TCDS										DC290D1/T12 C290D3/T29		
M-8-235	L	O-540-B4B5 (LY)	P2246262-03	B2D37C224/90RA-9	81.0	78.0	30		13.3		24.6	D-6195	P	DC290D1/T15 C290D3/T31		31
M-8-235	L	O-540-B4B5 (LY)	P4146245-03	B3D32C414/82NDA-2	80.0	76.0	30		13.3		30.0	D-6240	P	DC290D1/T15 C290D3/T31		31
M-8-235	L	O-540-B4B5 (LY)	P4146245-04	B3D32C414/82NDA-4	78.0	76.0	30		14.0		30.0	D-6240	P	DC290D1/T15 C290D3/T31		
M-8-235	L	O-540-B4B5 (LY)		Hartzell - See aircraft TCDS										DC290D1/T15 C290D3/T31		
M-8-235	L	O-540-J1A5D (LY)	P2246262-01	B2D37C224/90RA-9	81.0	78.0	30		14.7		24.6	D-6195	P	DC290D1/T14 C290D3/T30		31
M-8-235	L	O-540-J1A5D (LY)	P4146245-02	B3D32C414/82NDA-2	80.0	76.0	30		15.0		30.0	D-6240	P	DC290D1/T14 C290D3/T30		31
M-8-235	L	O-540-J1A5D (LY)	P4146245-01	B3D32C414/82NDA-4	78.0	76.0	30		15.7		30.0	D-6240	P	DC290D1/T14 C290D3/T30		
M-8-235	L	O-540-J1A5D (LY)		Hartzell - See aircraft TCDS										DC290D1/T14 C290D3/T30		
M-8-235	L	O-540-J3A5 (LY)	P2246262-01	B2D37C224/90RA-9	81.0	78.0	30		14.7		24.6	D-6195	P	DC290D1/T14 C290D3/T30		31
M-8-235	L	O-540-J3A5 (LY)	P4146245-02	B3D32C414/82NDA-2	80.0	76.0	30		15.0		30.0	D-6240	P	DC290D1/T14 C290D3/T30		31
M-8-235	L	O-540-J3A5 (LY)	P4146245-01	B3D32C414/82NDA-4	78.0	76.0	30		15.7		30.0	D-6240	P	DC290D1/T14 C290D3/T30		
M-8-235	L	O-540-J3A5 (LY)		Hartzell - See aircraft TCDS										DC290D1/T14 C290D3/T30		
M-8-235	L	IO-540-W1A5 (LY)	P2246262-01	B2D37C224/90RA-9	81.0	78.0	30		14.7		24.6	D-6195	P	DC290D1/T14 C290D3/T30		31
M-8-235	L	IO-540-W1A5 (LY)	P4146245-02	B3D32C414/82NDA-2	80.0	76.0	30		15.0		30.0	D-6240	P	DC290D1/T14 C290D3/T30		31
M-8-235	L	IO-540-W1A5 (LY)	P4146245-01	B3D32C414/82NDA-4	78.0	76.0	30		15.7		30.0	D-6240	P	DC290D1/T14 C290D3/T30		

Constant Speed Propeller Applications

Aircraft Model	T Y P E	Engine Model (Make)	Propeller Part Number	Propeller Model	Max Dia	Min Dia	Ref Sta	Rev Angle	Low or Flight Idle Angle	Latch or Start Locks Angle	High or Feather Angle	Spinner Assembly P/N	S p i n n e r	Governor Model	STC Number STC Holder STC Kit P/N	N o t e s
M-8-235	L	IO-540-W1A5 (LY)		Hartzell - See aircraft TCDS										DC290D1/T14 C290D3/T30		
M-8-235	L	IO-540-W1A5D (LY)	P2246262-01	B2D37C224/90RA-9	81.0	78.0	30		14.7		24.6	D-6195	P	DC290D1/T14 C290D3/T30		31
M-8-235	L	IO-540-W1A5D (LY)	P4146245-02	B3D32C414/82NDA-2	80.0	76.0	30		15.0		30.0	D-6240	P	DC290D1/T14 C290D3/T30		31
M-8-235	L	IO-540-W1A5D (LY)	P4146245-01	B3D32C414/82NDA-4	78.0	76.0	30		15.7		30.0	D-6240	P	DC290D1/T14 C290D3/T30		
M-8-235	L	IO-540-W1A5D (LY)		Hartzell - See aircraft TCDS										DC290D1/T14 C290D3/T30		
MELEX																
Wilga 80	hi	IO-550-D (TCM)	P2286737-51	B2A37C228/90RDA-4	86.0	84.0	30		11.5		29.5	D-5255	P			
MEYERS (Prop-Jets, Inc., formerly Interceptor, Aero Commander)																
200	L	O-470-M (TCM)	OBSOLETE	2A36C18/90M-6	84.0	82.5	36		10.0		25.0	D-2845-2	S			1
200A	L	IO-470-D (TCM)	OBSOLETE	B2A36C31/90M-6	84.0	82.0	36		11.0		27.5	D-2845	S			1
200A	L	IO-470-D (TCM)	OBSOLETE	B2A36C31/90M-10	80.0	80.0	36		11.4		27.5	D-2845	S			1
200A	L	IO-470-D (TCM)	OBSOLETE	D2A36C31/90M-10	80.0	80.0	36		11.4		27.5	D-2845-1	S			1
200A	L	IO-470-D (TCM)	OBSOLETE	D2A36C33/90M-8	82.0	80.0	36		11.2		27.5	D-2845-1	S			1
200A	L	IO-470-D (TCM)	OBSOLETE	D2A36C33/90M-10	80.0	80.0	36		11.4		27.5	D-2845-1	S			1
200B	L	IO-470-D (TCM)	OBSOLETE	B2A36C31/90M-6	84.0	82.0	36		11.0		27.5	D-2845	S			1
200B	L	IO-470-D (TCM)	OBSOLETE	B2A36C31/90M-10	80.0	80.0	36		11.4		27.5	D-2845	S			1
200B	L	IO-470-D (TCM)	OBSOLETE	D2A36C31/90M-10	80.0	80.0	36		11.4		27.5	D-2845-1	S			1
200B	L	IO-470-D (TCM)	OBSOLETE	D2A36C33/90M-8	82.0	80.0	36		11.2		27.5	D-2845-1	S			1
200B	L	IO-470-D (TCM)	OBSOLETE	D2A36C33/90M-10	80.0	80.0	36		11.4		27.5	D-2845-1	S			1
200B	L	IO-520-A (TCM)	OBSOLETE	D2A34C58/90AT-8	82.0	80.0	36		10.3		27.5	D-2845-1 D-2771	S			1
200B	L	IO-520-A (TCM)	OBSOLETE	3A32C76/82NB-2	80.0		30					D-3584	S		SA1241SO McGee Sparks	1
200C	L	IO-470-D (TCM)	OBSOLETE	B2A36C31/90M-6	84.0	82.0	36		11.0		27.5	D-2845	S			1
200C	L	IO-470-D (TCM)	OBSOLETE	D2A36C33/90M-8	82.0	80.0	36		11.2		27.5	D-2845-1	S			1
200C	L	IO-470-D (TCM)	OBSOLETE	D2A36C33/90M-10	80.0	80.0	36		11.4		27.5	D-2845-1	S			1
200C	L	IO-520-A (TCM)	OBSOLETE	D2A34C58/90AT-8	82.0	80.0	36		10.3		27.5	D-2845-1 D-2771	S			1
200D	L	IO-520-A (TCM)	OBSOLETE	3A32C76/82NB-2	80.0		30					D-3584	S		SA1241SO McGee Sparks	1
MICCO AIRCRAFT COMPANY (formerly Meyers)																
MAC-145A "SP20"	L	IO-360-C1E6 (LY)	P2074392-02	B2D34C207/78TCA-0	78.0	76.0	30		11.9		27.5	D-7751-1	P	DC290D1/T23	SA01432CH McCauley PL60336	79 141
MAC-145A "SP20"	L	IO-360-C1E6 (LY)	P4247151-01	B3D36C424/74SA-0	74.0	72.0	30		9.7		33.8	D-6012-1	P	DC290D1/T23		28
MOONEY AIRPLANE COMPANY, Inc.																
M20A "Mark 20A"	L	O-360-A1A (LY)	OBSOLETE	2D36C14/78KM-4	74.0	72.0	30		12.7		27.5	D-2137	S			1 42

Constant Speed Propeller Applications

Aircraft Model	T Y P E	Engine Model (Make)	Propeller Part Number	Propeller Model	Max Dia	Min Dia	Ref Sta	Rev Angle	Low or Flight Idle Angle	Latch or Start Locks Angle	High or Feather Angle	Spinner Assembly P/N	S p i n n e r	Governor Model	STC Number STC Holder STC Kit P/N	N o t e s
M20A "Mark 20A"	L	O-360-A1A (LY)	P4247151-02	B3D36C424/74SA-0	74.0	72.0	30		8.7		33.8	D-6012-1	P	DC290D1/T9 C290D5/T24	SA315CH McCauley PL60152	67 141
M20A "Mark 20A"	L	O-360-A1A (LY)		Hartzell - See aircraft TCDS										DC290D1/T9 C290D5/T24		
M20A "Mark 20A"	L	O-360-A1D (LY)	OBSOLETE	2D36C14/78KM-4	74.0	72.0	30		12.7		27.5	D-2137	S			1 42
M20A "Mark 20A"	L	O-360-A1D (LY)	P4247151-02	B3D36C424/74SA-0	74.0	72.0	30		8.7		33.8	D-6012-1	P	DC290D1/T9 C290D5/T24	SA315CH McCauley PL60152	67 141
M20A "Mark 20A"	L	O-360-A1D (LY)		Hartzell - See aircraft TCDS										DC290D1/T9 C290D5/T24		
M20B "Mark 21"	L	O-360-A1A (LY)	OBSOLETE	2D36C14/78KM-4	74.0	72.0	30		12.7		27.5	D-2137	S			1 42
M20B "Mark 21"	L	O-360-A1D (LY)	P4155922-01	C3D36C415/82NGA-8	74.0	72.5	30		10.9		33.8	D-6323	S		SA704NE US Prop of Connecticut	92
M20B "Mark 21"	L	O-360-A1A (LY)	P4247151-02	B3D36C424/74SA-0	74.0	72.0	30		8.7		33.8	D-6012-1	P	DC290D1/T9 C290D5/T24	SA315CH McCauley PL60152	67 141
M20B "Mark 21"	L	O-360-A1A (LY)		Hartzell - See aircraft TCDS										DC290D1/T9 C290D5/T24		
M20B "Mark 21"	L	O-360-A1D (LY)	OBSOLETE	2D36C14/78KM-4	74.0	72.0	30		12.7		27.5	D-2137	S			1 42
M20B "Mark 21"	L	O-360-A1D (LY)	P4155922-01	C3D36C415/82NGA-8	74.0	72.5	30		10.9		33.8	D-6323	S		SA704NE US Prop of Connecticut	92
M20B "Mark 21"	L	O-360-A1D (LY)	P4247151-02	B3D36C424/74SA-0	74.0	72.0	30		8.7		33.8	D-6012-1	P	DC290D1/T9 C290D5/T24	SA315CH McCauley PL60152	67 141
M20B "Mark 21"	L	O-360-A1D (LY)		Hartzell - See aircraft TCDS										DC290D1/T9 C290D5/T24		
M20C "Mark 21" "Ranger"	L	O-360-A1A (LY)	OBSOLETE	2D34C53/74E-0	74.0	72.5	30		12.7		27.5	D-2809	S			1
M20C "Mark 21" "Ranger"	L	O-360-A1A (LY)	OBSOLETE	B2D34C53/74E-0	74.0	72.5	30		12.7		27.5	D-2809	S		SA77CE McCauley	1
M20C "Mark 21" "Ranger"	L	O-360-A1A (LY)	P4155922-01	C3D36C415/82NGA-8	74.0	72.5	30		10.9		33.8	D-6323	S		SA704NE US Prop of Connecticut	92
M20C "Mark 21" "Ranger"	L	O-360-A1A (LY)		Hartzell - See aircraft TCDS										DC290D1/T9 C290D5/T24		

Constant Speed Propeller Applications

Aircraft Model	T Y P E	Engine Model (Make)	Propeller Part Number	Propeller Model	Max Dia	Min Dia	Ref Sta	Rev Angle	Low or Flight Idle Angle	Latch or Start Locks Angle	High or Feather Angle	Spinner Assembly P/N	S p i n n e r	Governor Model	STC Number STC Holder STC Kit P/N	N o t e s
M20C "Mark 21" "Ranger"	L	O-360-A1D (LY)	OBSOLETE	2D34C53/74E-0	74.0	72.5	30		12.7		27.5	D-2809	S			1
M20C "Mark 21" "Ranger"	L	O-360-A1D (LY)	OBSOLETE	B2D34C53/74E-0	74.0	72.5	30		12.7		27.5	D-2809	S		SA77CE McCauley	1
M20C "Mark 21" "Ranger"	L	O-360-A1D (LY)	P4155922-01	C3D36C415/82NGA-8	74.0	72.5	30		10.9		33.8	D-6323	S		SA704NE US Prop of Connecticut	92
M20C "Mark 21" "Ranger"	L	O-360-A1D (LY)	P4247151-02	B3D36C424/74SA-0	74.0	72.0	30		8.7		33.8	D-6012-1	P	DC290D1/T9 C290D5/T24	SA315CH McCauley PL60152	67 141
M20C "Mark 21" "Ranger"	L	O-360-A1D (LY)	P4247151-02	B3D36C424/74SA-0	74.0	72.0	30		8.7		33.8	D-6504	P	DC290D1/T9 C290D5/T24	SA315CH McCauley PL60154	66 67 141
M20C "Mark 21" "Ranger"	L	O-360-A1D (LY)		Hartzell - See aircraft TCDS										DC290D1/T9 C290D5/T24		
M20C "Mark 21" "Ranger"	L	O-360-A1F6 (LY)		B2D34C212/78CDA-4	74.0	73.0	30		11.4		27.5				SA386GL Zeller	33
M20C "Mark 21" "Ranger"	L	O-360-A1F6 (LY)		B2D34C212/78CDA-4E	74.0	73.0	30		11.4		27.5				SA386GL Zeller	33
M20C "Mark 21" "Ranger"	L	O-360-A1F6D (LY)		B2D34C214/90DHB-16	74.0	73.0	30		11.3		33.0				SA386GL Zeller	34 129
M20C "Mark 21" "Ranger"	L	O-360-A1F6D (LY)		B2D34C214/90DHB-16E	74.0	73.0	30		11.3		33.0				SA386GL Zeller	34 129 130
M20C "Mark 21" "Ranger"	L	O-360-A1F6D (LY)		B2D34C214/90DHB-16E	74.0	73.0	30		11.3		33.0				SA1387GL Moreland	34 129 130
M20D "Master"	L	O-360-A1D (LY)	OBSOLETE	2D34C53/74E-0	74.0	72.5	30		12.7		27.5	D-2809	S			1
M20D "Master"	L	O-360-A1D (LY)	OBSOLETE	B2D34C53/74E-0	74.0	72.5	30		12.7		27.5	D-2809	S		SA77CE McCauley	1
M20D "Master"	L	O-360-A1D (LY)	P4155922-01	C3D36C415/82NGA-8	74.0	72.5	30		10.9		33.8	D-6323	S		SA704NE US Prop of Connecticut	92
M20D "Master"	L	O-360-A1D (LY)	P4247151-02	B3D36C424/74SA-0	74.0	72.0	30		8.7		33.8	D-6012-1	P	DC290D1/T9 C290D5/T24	SA315CH McCauley PL60152	67 141

Constant Speed Propeller Applications

Aircraft Model	T Y P E	Engine Model (Make)	Propeller Part Number	Propeller Model	Max Dia	Min Dia	Ref Sta	Rev Angle	Low or Flight Idle Angle	Latch or Start Locks Angle	High or Feather Angle	Spinner Assembly P/N	S p i n n e r	Governor Model	STC Number STC Holder STC Kit P/N	N o t e s
M20D "Master"	L	O-360-A1D (LY)	P4247151-02	B3D36C424/74SA-0	74.0	72.0	30		8.7		33.8	D-6504	P	DC290D1/T9 C290D5/T24	SA315CH McCauley PL60154	66 67 141
M20D "Master"	L	O-360-A1D (LY)		Hartzell - See aircraft TCDS										DC290D1/T9 C290D5/T24		
M20D "Master"	L	O-360-A2D (LY)	OBSOLETE	2D34C53/74E-0	74.0	72.5	30		12.7		27.5	D-2809	S			1
M20D "Master"	L	O-360-A2D (LY)	OBSOLETE	B2D34C53/74E-0	74.0	72.5	30		12.7		27.5	D-2809	S		SA77CE McCauley	1
M20D "Master"	L	O-360-A2D (LY)		Hartzell - See aircraft TCDS										DC290D1/T9 C290D5/T24		
M20D "Master"	L	O-360-A1F6 (LY)		B2D34C212/78CDA-4	74.0	73.0	30		11.4		27.5				SA386GL Zeller	33
M20D "Master"	L	O-360-A1F6 (LY)		B2D34C212/78CDA-4E	74.0	73.0	30		11.4		27.5				SA386GL Zeller	33
M20D "Master"	L	O-360-A1F6D (LY)		B2D34C214/90DHB-16	74.0	73.0	30		11.3		33.0				SA386GL Zeller	34 129
M20D "Master"	L	O-360-A1F6D (LY)		B2D34C214/90DHB-16E	74.0	73.0	30		11.3		33.0				SA386GL Zeller	34 129
M20E "Super 21" "Chapparral"	L	IO-360-A1A (LY)	P4155922-01	C3D36C415/82NGA-8	74.0	72.5	30		10.9		33.8	D-5992 D-5992-1	S P		SA704NE US Prop of Connecticut	92
M20E "Super 21" "Chapparral"	L	IO-360-A1A (LY)	P4247151-01	B3D36C424/74SA-0	74.0	72.0	30		9.7		33.8	D-6012-1	P	DC290D1/T9 C290D5/T24	SA315CH McCauley PL60149	67 141
M20E "Super 21" "Chapparral"	L	IO-360-A1A (LY)	P4247151-01	B3D36C424/74SA-0	74.0	72.0	30		9.7		33.8	D-6504	P	DC290D1/T9 C290D5/T24	SA315CH McCauley PL60153	66 67 141
M20E "Super 21" "Chapparral"	L	IO-360-A1A (LY)		Hartzell - See aircraft TCDS										DC290D1/T9 C290D5/T24		
M20E "Super 21" "Chapparral"	L	IO-360-A3B6 (LY)	P2144392-62	B2D34C214/90DHB-16E	74.0										SA2711NM Lake Aero Styling & Repair	130
M20F "Executive"	L	IO-360-A1A (LY)	P4155922-01	C3D36C415/82NGA-8	74.0	72.5	30		10.9		33.8	D-5992 D-5992-1	S P		SA704NE US Prop of Connecticut	92
M20F "Executive"	L	IO-360-A1A (LY)	P4247151-01	B3D36C424/74SA-0	74.0	72.0	30		9.7		33.8	D-6012-1	P	DC290D1/T9 C290D5/T24	SA315CH McCauley PL60149	67 141
M20F "Executive"	L	IO-360-A1A (LY)	P4247151-01	B3D36C424/74SA-0	74.0	72.0	30		9.7		33.8	D-6504	P	DC290D1/T9 C290D5/T24	SA315CH McCauley PL60153	66 67 141

Constant Speed Propeller Applications

Aircraft Model	T Y P E	Engine Model (Make)	Propeller Part Number	Propeller Model	Max Dia	Min Dia	Ref Sta	Rev Angle	Low or Flight Idle Angle	Latch or Start Locks Angle	High or Feather Angle	Spinner Assembly P/N	S p i n n e r	Governor Model	STC Number STC Holder STC Kit P/N	N o t e s
M20F "Executive"	L	IO-360-A1A (LY)		Hartzell - See aircraft TCDS										DC290D1/T9 C290D5/T24		
M20F "Executive"	L	IO-360-A3B6 (LY)	P2144392-62	B2D34C214/90DHB-16E	74.0										SA2711NM Lake Aero Styling & Repair	130
M20G "Statesman"	L	O-360-A1D (LY)	OBSOLETE	2D34C53/74E-0	74.0	72.5	30		12.7		27.5	D-2809	S			1
M20G "Statesman"	L	O-360-A1D (LY)	P4155922-01	C3D36C415/82NGA-8	74.0	72.5	30		10.9		33.8	D-6323	S		SA704NE US Prop of Connecticut	92
M20G "Statesman"	L	O-360-A1D (LY)	P4247151-02	B3D36C424/74SA-0	74.0	72.0	30		8.7		33.8	D-6012-1	P	DC290D1/T9 C290D5/T24	SA315CH McCauley PL60152	67 141
M20G "Statesman"	L	O-360-A1D (LY)	P4247151-02	B3D36C424/74SA-0	74.0	72.0	30		8.7		33.8	D-6504	P	DC290D1/T9 C290D5/T24	SA315CH McCauley PL60154	66 67 141
M20G "Statesman"	L	O-360-A1D (LY)		Hartzell - See aircraft TCDS										DC290D1/T9 C290D5/T24		
M20G "Statesman"	L	O-360-A1F6 (LY)		B2D34C212/78CDA-4	74.0	73.0	30		11.4		27.5				SA386GL Zeller	33
M20G "Statesman"	L	O-360-A1F6 (LY)		B2D34C212/78CDA-4E	74.0	73.0	30		11.4		27.5				SA386GL Zeller	33
M20G "Statesman"	L	O-360-A1F6D (LY)		B2D34C214/90DHB-16	74.0	73.0	30		11.3		33.0				SA386GL Zeller	34 129
M20G "Statesman"	L	O-360-A1F6D (LY)		B2D34C214/90DHB-16E	74.0	73.0	30		11.3		33.0				SA386GL Zeller	34 129 130
M20J (S/N 0002 - 0083, 0085 - 0170) "201"	L	IO-360-A3B6 (LY)	OBSOLETE	B2D34C212/78CDA-4	74.0	73.0	30		14.0		27.5			DC290D1/T22		33
M20J (S/N 0002 - 0083, 0085 - 0170) "201"	L	IO-360-A1B6D (LY)	OBSOLETE	B2D34C212/78CDA-4	74.0	73.0	30		14.0		27.5			DC290D1/T5 C290D5/T17		33 129
M20J (S/N 0002 - 0083, 0085 - 0170) "201"	L	IO-360-A3B6D (LY)	OBSOLETE	B2D34C212/78CDA-4	74.0	73.0	30		14.0		27.5			DC290D1/T5 C290D5/T17		33 129

Constant Speed Propeller Applications

Aircraft Model	TYPE	Engine Model (Make)	Propeller Part Number	Propeller Model	Max Dia	Min Dia	Ref Sta	Rev Angle	Low or Flight Idle Angle	Latch or Start Locks Angle	High or Feather Angle	Spinner Assembly P/N	Spinner Type	Governor Model	STC Number STC Holder STC Kit P/N	Notes
M20J (S/N 0171 - 0377), (S/N 0002 - 0170 see note 36) "201"	L	IO-360-A3B6 (LY)	P2124392-31	B2D34C212/78CDA-4	74.0	73.0	30		14.0		29.5			DC290D1/T22		33 36
M20J (S/N 0171 - 0377), (S/N 0002 - 0170 see note 36) "201"	L	IO-360-A1B6D (LY)	P2124392-31	B2D34C212/78CDA-4	74.0	73.0	30		14.0		29.5			DC290D1/T5 C290D5/T17		33 36
M20J (S/N 0171 - 0377), (S/N 0002 - 0170 see note 36) "201"	L	IO-360-A3B6D (LY)	P2124392-31	B2D34C212/78CDA-4	74.0	73.0	30		14.0		29.5			DC290D1/T5 C290D5/T17		33 36 129
M20J (S/N 0378 and up), (S/N 0002 - 0377 see note 36) "201"	L	IO-360-A3B6 (LY)	P2144392-62	B2D34C214/90DHB-16E	74.0	73.0	30		13.9		33.0			DC290D1/T22		34 35 36 130
M20J (S/N 0378 and up), (S/N 0002 - 0377 see note 36) "201"	L	IO-360-A1B6D (LY)	P2144392-62	B2D34C214/90DHB-16E	74.0	73.0	30		13.9		33.0			DC290D1/T5 C290D5/T17		34 35 36 129 130
M20J (S/N 0378 and up), (S/N 0002 - 0377 see note 36) "201"	L	IO-360-A3B6D (LY)	P2144392-62	B2D34C214/90DHB-16E	74.0	73.0	30		13.9		33.0			DC290D1/T5 C290D5/T17		34 35 36 129 130
M20J "201"	L	IO-360-A1B6 (LY)	P4247151-01	B3D36C424/74SA-0	74.0	72.0	30		9.7		33.8	D-6504	P	DC290D1/T22	SA195CH McCauley PL60136	67 141
M20J "201"	L	IO-360-A3B6 (LY)	P4247151-01	B3D36C424/74SA-0	74.0	72.0	30		9.7		33.8	D-6504	P	DC290D1/T22	SA195CH McCauley PL60136	67 141
M20J "201"	L	IO-360-A1B6D (LY)	P4247151-01	B3D36C424/74SA-0	74.0	72.0	30		9.7		33.8	D-6504	P	DC290D1/T5 C290D5/T17	SA195CH McCauley PL60136	67 129 141
M20J "201"	L	IO-360-A3B6D (LY)	P4247151-01	B3D36C424/74SA-0	74.0	72.0	30		9.7		33.8	D-6504	P	DC290D1/T5 C290D5/T17	SA195CH McCauley PL60136	67 129 141
M20K "231"	L	TSIO-360-GB1 (TCM)	P2164532-10	2A34C216/90DHB-16E	74.0	74.0	30		14.7		33.0			C290D3/T20		130

Constant Speed Propeller Applications

Aircraft Model	T Y P E	Engine Model (Make)	Propeller Part Number	Propeller Model	Max Dia	Min Dia	Ref Sta	Rev Angle	Low or Flight Idle Angle	Latch or Start Locks Angle	High or Feather Angle	Spinner Assembly P/N	S p i n n e r	Governor Model	STC Number STC Holder STC Kit P/N	N o t e s
M20K "231"	L	TSIO-360-GB1 (TCM)	P2214532-12	2A34C221/90DHC-16E	74.0	74.0	30		14.7		38.0			C290D3/T20		37 130
M20K "231"	L	TSIO-360-GB1 (TCM)		Hartzell - See aircraft TCDS										C290D3/T20		
M20K "231"	L	TSIO-360-GB1 (TCM)	P4307072-01 P4307072-0157 P4307072-0158	D3A36C430/74SA-0	74.0	73.5	30		9.7		33.8	D-7365-1	EP	C290D3/T20	SA00688CH McCauley PL60199 PL60210 PL60211	137 141
M20K "231"	L	TSIO-360-GB3 (TCM)	P2164532-10	2A34C216/90DHB-16E	74.0	74.0	30		14.7		33.0			C290D3/T20		130
M20K "231"	L	TSIO-360-GB3 (TCM)	P2214532-12	2A34C221/90DHC-16E	74.0	74.0	30		14.7		38.0			C290D3/T20		37 130
M20K "231"	L	TSIO-360-GB3 (TCM)		Hartzell - See aircraft TCDS										C290D3/T20		
M20K "231"	L	TSIO-360-GB3 (TCM)	P4307072-01 P4307072-0157 P4307072-0158	D3A36C430/74SA-0	74.0	73.5	30		9.7		33.8	D-7365-1	EP	C290D3/T20	SA00688CH McCauley PL60199 PL60210 PL60211	137 141
M20K "231"	L	TSIO-360-GB4 (TCM)	P2164532-10	2A34C216/90DHB-16E	74.0	74.0	30		14.7		33.0			C290D3/T20		130
M20K "231"	L	TSIO-360-GB4 (TCM)	P2214532-12	2A34C221/90DHC-16E	74.0	74.0	30		14.7		38.0			C290D3/T20		37 130
M20K "231"	L	TSIO-360-GB4 (TCM)		Hartzell - See aircraft TCDS										C290D3/T20		
M20K "231"	L	TSIO-360-GB4 (TCM)	P4307072-01 P4307072-0157 P4307072-0158	D3A36C430/74SA-0	74.0	73.5	30		9.7		33.8	D-7365-1	EP	C290D3/T20	SA00688CH McCauley PL60199 PL60210 PL60211	137 141
M20K "231"	L	TSIO-360-LB1 (TCM)	P2164532-10	2A34C216/90DHB-16E	74.0	74.0	30		14.7		33.0			C290D3/T20		130
M20K "231"	L	TSIO-360-LB1 (TCM)	P2214532-12	2A34C221/90DHC-16E	74.0	74.0	30		14.7		38.0			C290D3/T20		37 130
M20K "231"	L	TSIO-360-LB1 (TCM)		Hartzell - See aircraft TCDS										C290D3/T20		
M20K "231"	L	TSIO-360-LB1 (TCM)	P4307072-01 P4307072-0157 P4307072-0158	D3A36C430/74SA-0	74.0	73.5	30		9.7		33.8	D-7365-1	EP	C290D3/T20	SA00688CH McCauley PL60199 PL60210 PL60211	137 141
M20K "231"	L	TSIO-360-MB3 (TCM)	P2214532-12	2A34C221/90DHC-16E	74.0	74.0	30		14.7		38.0				SA3106SO Mod Works	130

Constant Speed Propeller Applications

Aircraft Model	T Y P E	Engine Model (Make)	Propeller Part Number	Propeller Model	Max Dia	Min Dia	Ref Sta	Rev Angle	Low or Flight Idle Angle	Latch or Start Locks Angle	High or Feather Angle	Spinner Assembly P/N	S p i n n e r T y p e	Governor Model	STC Number STC Holder STC Kit P/N	N o t e s
M20K "231"	L	TSIO-360-MB (TCM)		2A34C221/90DHC-16E	74.0		30								SA2445CE Meier's Modifications	107 130
M20K "252"	L	TSIO-360-MB1 (TCM)	P2214532-12	2A34C221/90DHC-16E	74.0	74.0	30		14.7		38.0			C290D3/T20		130
M20K "252"	L	TSIO-360-MB1 (TCM)		Hartzell - See aircraft TCDS										C290D3/T20		
M20K "252"	L	TSIO-360-MB1 (TCM)	P4307072-01 P4307072-0157 P4307072-0158	D3A36C430/74SA-0	74.0	73.5	30		9.7		33.8	D-7365-1	EP	C290D3/T20	SA00688CH McCauley PL60199 PL60210 PL60211	137 141
M20K "Encore"	L	TSIO-360-MB2 (TCM)	P2214532-12	2A34C221/90DHC-16E	74.0	74.0	30		14.7		38.0			C290D3/T20		130
M20K "Encore"	L	TSIO-360-MB2 (TCM)	P4307072-01 P4307072-0157 P4307072-0158	D3A36C430/74SA-0	74.0	73.5	30		9.7		33.8	D-7365-1	EP	C290D3/T20	SA00688CH McCauley PL60199 PL60210 PL60211	137 141
M20K "Encore"	L	TSIO-360-SB2 (TCM)	P2214532-12	2A34C221/90DHC-16E	74.0	74.0	30		14.7		38.0			C290D3/T46		38 130
M20K "Rocket"		TSIO-520-NB (TCM)	P5055186-07	3AF32C505/82NEA-5.5	76.0	74.0	30		14.9	18.2	81.2	D-3797		DCF290D7/T3 DCFU290D7/T3	SA5691NM Rocket Engineering	
M20L		IO-550-N (STC)	P4184809-01	3A32C418/82NRC-9	73.0	72.0	30		16.1		40.0	D-7192 D-7192-1	S P	C290D8/T1 C290D3/T45	SA02624AT Mod Works	
M20L		TSIOL-550-A (TCM)		3AF36C525/80VMFA-2	78.0		30								SA00748SE Air-Liquid Corp	
M20M "TLS, Bravo"		TIO-540-AF1A (LY)	P4176251-01	B3D32C417/82NRD-7	75.0	75.0	30		15.1		43.0	D-6204 D-6204-1	S P	DC290D1/T11 C290D3/T27		
M20M "TLS, Bravo"		TIO-540-AF1B (LY)	P4176251-01	B3D32C417/82NRD-7	75.0	75.0	30		15.1		43.0	D-6204 D-6204-1	S P	DC290D1/T11 C290D3/T27		
M20M "TLS, Bravo"		TSIOL-550-A (TCM)		3AF36C525/80VMFA-2	78.0		30								SA00748SE Air-Liquid Corp	
M20R "Ovation"		IO-550-G (TCM)	P4184809-01	3A32C418/82NRC-9	73.0	72.0	30		16.1		40.0	D-7192 D-7192-1	S P	C290D8/T1 C290D3/T45		
M20R "Ovation"		IO-550-G (TCM)	P2417580-01	2A34C241/82PGC-6	76.0	75.0	30		20.0		37.5	D-7579-1 D-7579-2	P S	C290D8/T1 C290D3/T45		
M20R "Ovation"		IO-550-G (TCM)		Hartzell - See aircraft TCDS										C290D8/T1 C290D3/T45		
M20R "Ovation"		TSIOL-550-A (TCM)		3AF36C525/80VMFA-2	78.0		30								SA00748SE Air-Liquid Corp	
M20S "Eagle 2"		IO-550-G (TCM)	P2397580-01	2A34C239/90DMC-15	75.0	74.5	30		19.7		37.5	D-7579-1 D-7579-2	P S	C290D8/T2 C290D3/T48		

Constant Speed Propeller Applications

Aircraft Model	T Y P E	Engine Model (Make)	Propeller Part Number	Propeller Model	Max Dia	Min Dia	Ref Sta	Rev Angle	Low or Flight Idle Angle	Latch or Start Locks Angle	High or Feather Angle	Spinner Assembly P/N	S p i n n e r T y p e	Governor Model	STC Number STC Holder STC Kit P/N	N o t e s
M20S "Eagle 2"		IO-550-G (TCM)	P4184809-01	3A32C418/82NRC-9	73.0	72.5	30		16.1		40.0	D-7192 D-7192-1	S P	C290D8/T2 C290D3/T48	SA00956WI Aerospace Systems & Technologies	
M20TN "Acclaim"	L	TSIO-550-G (TCM)		Hartzell - See aircraft TCDS										C290D8/T1		
NAVION (Sierra Hotel Aero, Inc.)																
NAVION	L	IO-470-H (TCM)	OBSOLETE	D2A34C49/90A-4	86.0	84.25	36		9.5		27.5	D-2845-1 D-2771-1	S S			1 30
NAVION	L	IO-470-H (TCM)	OBSOLETE	D2A36C33/90M-4	86.0	84.25	36		9.5		27.5	D-2845-1 D-2771-1	S S			1 30
NAVION	L	IO-470-H (TCM)	OBSOLETE	B2A36C31/90M-4	86.0	84.25	36		9.5		27.5	D-2845 D-2771	S S			1 30
NAVION	L	IO-470-H (TCM)	P4357483-01	D3A36C435/80VEA-0	80.0	78.0	30		10.8		33.9	D-7510-1	P		SA01035CH McCauley PL60247	
NAVION A	L	IO-470-H (TCM)	OBSOLETE	D2A34C49/90A-4	86.0	84.25	36		9.5		27.5	D-2845-1 D-2771-1	S S			1 30
NAVION A	L	IO-470-H (TCM)	OBSOLETE	D2A36C33/90M-4	86.0	84.25	36		9.5		27.5	D-2845-1 D-2771-1	S S			1 30
NAVION A	L	IO-470-H (TCM)	OBSOLETE	B2A36C31/90M-4	86.0	84.25	36		9.5		27.5	D-2845 D-2771	S S			1 30
NAVION A	L	IO-470-H (TCM)	P4357483-01	D3A36C435/80VEA-0	80.0	78.0	30		10.8		33.9	D-7510-1	P		SA01035CH McCauley PL60247	
NAVION A	L	O-470-P (TCM)	OBSOLETE	2A36C18/90M-4	86.0	84.25	36		11.0		27.0	D-2845-2	S			1
NAVION A	L	O-470-P (TCM)	P4357483-01	D3A36C435/80VEA-0	80.0	78.0	30		10.8		33.9	D-7510-1	P		SA01035CH McCauley PL60247	
NAVION A	L	IO-520-B (TCM)	OBSOLETE	D3A32C90/82NC-2	80.0	78.4	30		13.2		30.0	D-3669	S			1
NAVION A	L	IO-550-B (TCM)	P4097757-52	D3A32C409/82NDB-2	80.0	78.5	30		13.7		28.8	D-5541	P		SA7088NM Russell Druett	29
NAVION B	L	IO-470-H (TCM)	OBSOLETE	D2A34C49/90A-4	86.0	84.25	36		9.5		27.5	D-2845-1 D-2771-1	S S			1 30
NAVION B	L	IO-470-H (TCM)	OBSOLETE	D2A36C33/90M-4	86.0	84.25	36		9.5		27.5	D-2845-1 D-2771-1	S S			1 30
NAVION B	L	IO-470-H (TCM)	OBSOLETE	B2A36C31/90M-4	86.0	84.25	36		9.5		27.5	D-2845 D-2771	S S			1 30
NAVION B	L	IO-470-H (TCM)	P4357483-01	D3A36C435/80VEA-0	80.0	78.0	30		10.8		33.9	D-7510-1	P		SA01035CH McCauley PL60247	
NAVION B	L	IO-520-B (TCM)	OBSOLETE	D3A32C90/82NC-2	80.0	78.4	30		13.2		30.0	D-3669	S			1
NAVION B	L	IO-550-B (TCM)	P4097757-52	D3A32C409/82NDB-2	80.0	78.5	30		13.7		28.8	D-5541	P		SA7088NM Russell Druett	29

Constant Speed Propeller Applications

Aircraft Model	T Y P E	Engine Model (Make)	Propeller Part Number	Propeller Model	Max Dia	Min Dia	Ref Sta	Rev Angle	Low or Flight Idle Angle	Latch or Start Locks Angle	High or Feather Angle	Spinner Assembly P/N	S p i n n e r	Governor Model	STC Number STC Holder STC Kit P/N	N o t e s
NAVION D	L	O-470-P (TCM)	OBSOLETE	2A36C18/90M-4	86.0	84.25	36		11.0		27.0	D-2845-2	S		SA01035CH McCauley PL60247	1
NAVION D	L	O-470-P (TCM)	P4357483-01	D3A36C435/80VEA-0	80.0	78.0	30		10.8		33.9	D-7510-1	P			
NAVION D	L	IO-520-B (TCM)	OBSOLETE	D3A32C90/82NC-2	80.0	78.4	30		13.2		30.0	D-3669	S			1
NAVION D	L	IO-550-B (TCM)	P4097757-52	D3A32C409/82NDB-2	80.0	78.5	30		13.7		28.8	D-5541	P		SA7088NM Russell Druett	29
NAVION E	L	IO-470-C (TCM)	OBSOLETE	C2A36C32/90M-4	86.0	84.25	36		11.0		27.0	D-2845	S			1
NAVION E	L	IO-470-C (TCM)	P4357483-01	D3A36C435/80VEA-0	80.0	78.0	30		10.8		33.9	D-7510-1	P		SA01035CH McCauley PL60247	
NAVION E	L	IO-520-B (TCM)	OBSOLETE	D3A32C90/82NC-2	80.0	78.4	30		13.2		30.0	D-3669	S			1
NAVION E	L	IO-550-B (TCM)	P4097757-52	D3A32C409/82NDB-2	80.0	78.5	30		13.7		28.8	D-5541	P		SA7088NM Russell Druett	29
NAVION F	L	IO-470-H (TCM)	OBSOLETE	D2A34C49/90A-4	86.0	84.25	36		9.5		27.5	D-2845-1 D-2771-1	S S			1 30
NAVION F	L	IO-470-H (TCM)	OBSOLETE	D2A36C33/90M-4	86.0	84.25	36		9.5		27.5	D-2845-1 D-2771-1	S S			1 30
NAVION F	L	IO-470-H (TCM)	OBSOLETE	B2A36C31/90M-4	86.0	84.25	36		9.5		27.5	D-2845 D-2771	S S			1 30
NAVION F	L	IO-470-H (TCM)	P4357483-01	D3A36C435/80VEA-0	80.0	78.0	30		10.8		33.9	D-7510-1	P		SA01035CH McCauley PL60247	
NAVION F	L	IO-520-B (TCM)	OBSOLETE	D3A32C90/82NC-2	80.0	78.4	30		13.2		30.0	D-3669	S			1
NAVION F	L	IO-550-B (TCM)	P4097757-52	D3A32C409/82NDB-2	80.0	78.5	30		13.7		28.8	D-5541	P		SA7088NM Russell Druett	29
NAVION G	L	IO-470-H (TCM)	OBSOLETE	D2A34C49/90A-4	86.0	84.25	36		9.5		27.5	D-2845-1 D-2771-1	S S			1 30
NAVION G	L	IO-470-H (TCM)	OBSOLETE	D2A36C33/90M-4	86.0	84.25	36		9.5		27.5	D-2845-1 D-2771-1	S S			1 30
NAVION G	L	IO-470-H (TCM)	OBSOLETE	B2A36C31/90M-4	86.0	84.25	36		9.5		27.5	D-2845 D-2771	S S			1 30
NAVION G	L	IO-470-H (TCM)	P4357483-01	D3A36C435/80VEA-0	80.0	78.0	30		10.8		33.9	D-7510-1	P		SA01035CH McCauley PL60247	
NAVION G	L	IO-520-B (TCM)	OBSOLETE	D3A32C90/82NC-2	80.0	78.4	30		13.2		30.0	D-3669	S			1
NAVION G	L	IO-550-B (TCM)	P4097757-52	D3A32C409/82NDB-2	80.0	78.5	30		13.7		28.8	D-5541	P		SA7088NM Russell Druett	29
NAVION H	L	IO-520-B (TCM)	OBSOLETE	D3A32C90/82NC-2	80.0	78.4	30		13.2		30.0	D-3669	S			1
NAVION H	L	IO-520-B (TCM)	OBSOLETE	D2A34C58/90AT-4	86.0	84.25	36		10.0		25.4	D-2845-1 D-2771-1	S S			1 30
NAVION H	L	IO-520-BA (TCM)	OBSOLETE	D3A32C90/82NC-2	80.0	78.4	30		13.2		30.0	D-3669	S			1
NAVION H	L	IO-550-B (TCM)	P4097757-52	D3A32C409/82NDB-2	80.0	78.5	30		13.7		28.8	D-5541	P		SA7088NM Russell Druett	29

Constant Speed Propeller Applications

Aircraft Model	T Y P E	Engine Model (Make)	Propeller Part Number	Propeller Model	Max Dia	Min Dia	Ref Sta	Rev Angle	Low or Flight Idle Angle	Latch or Start Locks Angle	High or Feather Angle	Spinner Assembly P/N	S p i n n e r	Governor Model	STC Number STC Holder STC Kit P/N	N o t e s
NEIVA																
EMB-202 "Impanema"	L	IO-550-E (TCM)	P2286737-51	B2A37C228/90RDA-4	86.0	84.0	30		11.5		29.5	D-3396	S	C290D3/T40		
EMB-711A		IO-360-C1C6 (LY)	P2134392-41	B2D34C213/90DHA-16	74.0	73.0	30		12.5		27.5					34
EMB-711B		IO-360-C1C6 (LY)	P2134392-41	B2D34C213/90DHA-16	74.0	73.0	30		12.5		27.5					34
EMB-711T (S/N 711252 - 711267)		IO-360-C1C6 (LY)	P2134392-41	B2D34C213/90DHA-16	74.0	73.0	30		12.5		27.5					34
EMB-711T (S/N 711268 and up)		IO-360-C1C6 (LY)	P2155092-01	2D34C215/90DJA-14E	76.0	75.0	30		12.5		27.5					40
EMB-810D (left side) "Seneca III"	L	TSIO-360-KB (TCM)	P5085186-01	3AF32C508/82NFA-6	76.0	75.0	30		11.0	14.8	82.2	D-4987 D-4987-1	E,S E,P			
EMB-810D (right side) "Seneca III"	L	LTSIO-360-KB (TCM)	P5095227-01	3AF32C509/L82NFA-6	76.0	75.0	30		11.0	14.8	82.2	D-4987 D-4987-1	E,S E,P			
NU-VENTURE (formerly Questair)																
QUESTAIR	L	IO-550-G (TCM)	P2256247-01	B2A34C225/90DJA-22	68.0	66.0	30		17.5		48.0	D-7520 D-5915	P P	C290D3/T34		134
QUESTAIR	L	IO-550-G (TCM)	P2407596-01	2A34C240/90DJA-22	68.0	66.0	30		17.5		48.0	D-7579-1 D-3683	P S	C290D3/T34		135
PAKISTAN AIRCRAFT MANUFACTURING FACTORY																
MFI-17C "Shabaz"	L	TSIO-360-MB (TCM)	P2273909-51	2A34C227/90DHB-16E	74.0	73.0	30		14.8		33.0					
MFI-17D "Super Mushak"	L	IO-540-V4A5 (LY)	P4125642-03	B3D32C412/82NDA-8	74.0	74.0	30		13.6		33.9	D-7458-1 D-7458-2	P S	DC290D1/T19		
PAPA51 CO. LTD.																
Thunder Mustang	L	Falconer V-12		MT Propeller										DCF310D11/T1		
PIPER AIRCRAFT, Inc.																
PA-24 "Comanche 180"	L	O-360-A1A (LY)	OBSOLETE	2D36C14/78KM-4	74.0	72.0	30		12.7		27.5					1 42
PA-24 "Comanche 180"	L	O-360-A1A (LY)	P4155922-01	C3D36C415/82NGA-8	74.0	72.5	30		10.9		33.8	D-6323	S	SA768NE US Prop of Connecticut		92
PA-24 "Comanche 180"	L	O-360-A1A (LY)	P4247151-02	B3D36C424/74SA-0	74.0	72.0	30		8.7		33.8	D-6012-1	P	SA360CH McCauley PL60156		67
PA-24 "Comanche 180"	L	O-360-A1D (LY)	OBSOLETE	2D36C14/78KM-4	74.0	72.0	30		12.7		27.5					1 42

Constant Speed Propeller Applications

Aircraft Model	T Y P E	Engine Model (Make)	Propeller Part Number	Propeller Model	Max Dia	Min Dia	Ref Sta	Rev Angle	Low or Flight Idle Angle	Latch or Start Locks Angle	High or Feather Angle	Spinner Assembly P/N	S p i n n e r	Governor Model	STC Number STC Holder STC Kit P/N	N o t e s
PA-24 "Comanche 180"	L	O-360-A1D (LY)	P4155922-01	C3D36C415/82NGA-8	74.0	72.5	30		10.9		33.8	D-6323	S		SA768NE US Prop of Connecticut	92
PA-24 "Comanche 180"	L	O-360-A1D (LY)	P4247151-02	B3D36C424/74SA-0	74.0	72.0	30		8.7		33.8	D-6012-1	P		SA360CH McCauley PL60156	67
PA-24-250 "Comanche 250"	L	O-540-A1A (LY)	OBSOLETE	2D36C28/80MM-6	74.0	73.0	30		15.7		32.0					1 41
PA-24-250 "Comanche 250"	L	O-540-A1A5 (LY)	OBSOLETE	2D36C28/80MM-6	74.0	73.0	30		15.7		32.0					1 41
PA-24-250 "Comanche 250"	L	O-540-A1A5 (LY)	P4125642-04	B3D32C412/82NDA-5	77.0	75.0	30		13.0		33.5	D-7085	P	DC290D1/T34	SA00773CH McCauley PL60233	68 98
PA-24-250 "Comanche 250"	L	O-540-A1A5 (LY)	P4125642-04	B3D32C412/82NDA-5	77.0	75.0	30		13.0		33.5	D-7085	P	DC290D1/T40	SA00773CH McCauley PL60331	69 98
PA-24-250 "Comanche 250"	L	O-540-A1B5 (LY)	OBSOLETE	2D36C28/80MM-6	74.0	73.0	30		15.7		32.0					1 41
PA-24-250 "Comanche 250"	L	O-540-A1B5 (LY)	P4125642-04	B3D32C412/82NDA-5	77.0	75.0	30		13.0		33.5	D-7085	P	DC290D1/T34	SA00773CH McCauley PL60233	68 98
PA-24-250 "Comanche 250"	L	O-540-A1B5 (LY)	P4125642-04	B3D32C412/82NDA-5	77.0	75.0	30		13.0		33.5	D-7085	P	DC290D1/T40	SA00773CH McCauley PL60331	69 98
PA-24-250 "Comanche 250"	L	O-540-A1C5 (LY)	OBSOLETE	2D36C28/80MM-6	74.0	73.0	30		15.7		32.0					1 41
PA-24-250 "Comanche 250"	L	O-540-A1C5 (LY)	P4125642-04	B3D32C412/82NDA-5	77.0	75.0	30		13.0		33.5	D-7085	P	DC290D1/T34	SA00773CH McCauley PL60233	68 98
PA-24-250 "Comanche 250"	L	O-540-A1C5 (LY)	P4125642-04	B3D32C412/82NDA-5	77.0	75.0	30		13.0		33.5	D-7085	P	DC290D1/T40	SA00773CH McCauley PL60331	69 98
PA-24-250 "Comanche 250"	L	O-540-A1D5 (LY)	OBSOLETE	2D36C28/80MM-6	74.0	73.0	30		15.7		32.0					1 41
PA-24-250 "Comanche 250"	L	O-540-A1D5 (LY)	P4125642-04	B3D32C412/82NDA-5	77.0	75.0	30		13.0		33.5	D-7085	P	DC290D1/T34	SA00773CH McCauley PL60233	68 98

Constant Speed Propeller Applications

Aircraft Model	T Y P E	Engine Model (Make)	Propeller Part Number	Propeller Model	Max Dia	Min Dia	Ref Sta	Rev Angle	Low or Flight Idle Angle	Latch or Start Locks Angle	High or Feather Angle	Spinner Assembly P/N	S p i n n e r	Governor Model	STC Number STC Holder STC Kit P/N	N o t e s
PA-24-250 "Comanche 250"	L	O-540-A1D5 (LY)	P4125642-04	B3D32C412/82NDA-5	77.0	75.0	30		13.0		33.5	D-7085	P	DC290D1/T40	SA00773CH McCauley PL60331	69 98
PA-24-250 "Comanche 250"	L	IO-540-C1B5 (LY)	OBSOLETE	2D36C28/80MM-6	74.0	73.0	30		15.7		32.0					1 41
PA-24-250 "Comanche 250"	L	IO-540-C1B5 (LY)	P4125642-04	B3D32C412/82NDA-5	77.0	75.0	30		13.0		33.5	D-7085	P	DC290D1/T34	SA00773CH McCauley PL60233	68 98
PA-24-250 "Comanche 250"	L	IO-540-C1B5 (LY)	P4125642-04	B3D32C412/82NDA-5	77.0	75.0	30		13.0		33.5	D-7085	P	DC290D1/T40	SA00773CH McCauley PL60331	69 98
PA-24-260 "Comanche 260"	L	O-540-E4A5 (LY)	P4125642-04	B3D32C412/82NDA-5	77.0	75.0	30		13.0		33.5	D-6012-1	P		SA864NE US Prop of Connecticut	
PA-24-260 "Comanche 260"	L	O-540-E4A5 (LY)		B3D32C412/82NDA-5	77.0		30								SA4014NM Li'l Red Aero	
PA-24-260 "Comanche 260"	L	IO-540-D4A5 (LY)	P4125642-04	B3D32C412/82NDA-5	77.0	75.0	30		13.0		33.5	D-6012-1	P		SA864NE US Prop of Connecticut	
PA-24-260 "Comanche 260"	L	IO-540-D4A5 (LY)		B3D32C412/82NDA-5	77.0		30								SA4014NM Li'l Red Aero	
PIPER (Latvia Argentina S.A. (LAVIASA))																
PA-25-260 "Pawnee"	L	O-540-G1A5 (LY)	OBSOLETE	B2D34C16/84HF-0	84.0	82.5	30		11.0		27.0			C290D3/T10 C290D2/T10		1
PIPER AIRCRAFT, Inc.																
PA-28-201T "Turbo Dakota"	L	TSIO-360-FB (TCM)	P4367071-01	D3A36C436/74SA-0	74.0	73.5	30		8.5		33	D-7526-1	P		SA00915CH McCauley PL60249	
PA-28R-180 "Arrow"	L	IO-360-B1E (LY)	P4155922-01	C3D36C415/82NGA-8	74.0	72.5	30		10.9		33.8	D-6323	S	DC290D1/T18 C290D3/T39	SA645NE US Prop of Connecticut	92 145
PA-28R-180 "Arrow"	L	IO-360-B1E (LY)	P4247151-02	B3D36C424/74SA-0	74.0	72.0	30		8.7		33.8	D-6012-1	P	DC290D1/T18 C290D3/T39	SA129CH McCauley PL60159	67 96 141 145
PA-28R-200 "Arrow II"	L	IO-360-C1C (LY)	P4247151-01	B3D36C424/74SA-0	74.0	72.0	30		9.7		33.8	D-6012-1	P		SA129CH McCauley PL60132	67
PA-28R-200 "Arrow II"	L	IO-360-C1C (LY)	P4155922-01	C3D36C415/82NGA-8	74.0	72.5	30		10.9		33.8	D-5992 D-5992-1	S P	DC290D1/T18 C290D3/T39	SA645NE US Prop of Connecticut	92 145

Constant Speed Propeller Applications

Aircraft Model	T Y P E	Engine Model (Make)	Propeller Part Number	Propeller Model	Max Dia	Min Dia	Ref Sta	Rev Angle	Low or Flight Idle Angle	Latch or Start Locks Angle	High or Feather Angle	Spinner Assembly P/N	S p i n n e r	Governor Model	STC Number STC Holder STC Kit P/N	N o t e s
PA-28R-200 (S/N 7635516 and below) "Arrow II"	L	IO-360-C1C (LY)	P4155922-01	C3D36C415/82NGA-8	74.0	72.5	30		10.9		33.8	D-5992 D-5992-1	S P		SA3567NM Robert Craner	92
PA-28R-200 (S/N 7635517 - 7635545) "Arrow II"	L	IO-360-C1C6 (LY)	P2134392-41	B2D34C213/90DHA-16	74.0	73.0	30		12.5		27.5			DC290D1/T18 C290D3/T39		34 96
PA-28R-200 "Arrow II"	L	IO-360-C1C6 (LY)	P4155922-01	C3D36C415/82NGA-8	74.0	72.5	30		10.9		33.8	D-5992 D-5992-1	S P	DC290D1/T18 C290D3/T39	SA645NE US Prop of Connecticut	92 145
PA-28R-200 (S/N 7635516 and below) "Arrow II"	L	IO-360-C1C6 (LY)	P4155922-01	C3D36C415/82NGA-8	74.0	72.5	30		10.9		33.8	D-5992 D-5992-1	S P		SA3567NM Robert Craner	92
PA-28R-200 "Arrow II"	L	IO-360-C1C6 (LY)	P4247151-01	B3D36C424/74SA-0	74.0	72.0	30		9.7		33.8	D-6012-1	P	DC290D1/T18 C290D3/T39	SA129CH McCauley PL60132	67 96 141
PA-28R-201 "Arrow III"	L	IO-360-C1C6 (LY)	P2134392-41	B2D34C213/90DHA-16	74.0	73.0	30		12.5		27.5			DC290D1/T18 C290D3/T39		34 96
PA-28R-201 "Arrow III"	L	IO-360-C1C6 (LY)	P4155922-01	C3D36C415/82NGA-8	74.0	72.5	30		10.9		33.8	D-5992 D-5992-1	S P	DC290D1/T18 C290D3/T39	SA645NE US Prop of Connecticut	92 145
PA-28R-201 "Arrow III"	L	IO-360-C1C6 (LY)	P4247151-01	B3D36C424/74SA-0	74.0	72.0	30		9.7		33.8	D-6012-1	P	DC290D1/T18 C290D3/T39	SA129CH McCauley PL60132	67 96 141
PA-28R-201T "Turbo Arrow III"	L	TSIO-360-F (TCM)	P4367071-01	D3A36C436/74SA-0	74.0	73.5	30		8.5		34	D-7526-1	P		SA00915CH McCauley PL60249	
PA-28R-201T "Turbo Arrow III"	L	TSIO-360-FB (TCM)	P4367071-01	D3A36C436/74SA-0	74.0	73.5	30		8.5		34	D-7526-1	P		SA00915CH McCauley PL60249	
PA-28RT-201 (S/N 7918001 - 7918267) "Arrow IV"	L	IO-360-C1C6 (LY)	P2134392-41	B2D34C213/90DHA-16	74.0	73.0	30		12.5		27.5			DC290D1/T18 C290D3/T39		34 96
PA-28RT-201 (S/N 8018001 - 8218026) "Arrow IV"	L	IO-360-C1C6 (LY)	P2155092-01	2D34C215/90DJA-14E	76.0	75.0	30		12.5		27.5			DC290D1/T18 C290D3/T39		40 96
PA-28RT-201 "Arrow IV"	L	IO-360-C1C6 (LY)	P4155922-01	C3D36C415/82NGA-8	74.0	72.5	30		10.9		33.8	D-5992 D-5992-1	S P	DC290D1/T18 C290D3/T39	SA645NE US Prop of Connecticut	92 145
PA-28RT-201 "Arrow IV"	L	IO-360-C1C6 (LY)	P4247151-01	B3D36C424/74SA-0	74.0	72.0	30		9.7		33.8	D-6012-1	P	DC290D1/T18 C290D3/T39	SA129CH McCauley PL60132	67 96 141
PA-28RT-201T "Turbo Arrow IV"	L	TSIO-360-FB (TCM)	P4367071-01	D3A36C436/74SA-0	74.0	73.5	30		8.5		33	D-7526-1	P		SA00915CH McCauley PL60249	

Constant Speed Propeller Applications

Aircraft Model	T Y P E	Engine Model (Make)	Propeller Part Number	Propeller Model	Max Dia	Min Dia	Ref Sta	Rev Angle	Low or Flight Idle Angle	Latch or Start Locks Angle	High or Feather Angle	Spinner Assembly P/N	S p i n n e r	Governor Model	STC Number STC Holder STC Kit P/N	N o t e s
PA-28-236 "Dakota"	L	O-540-J3A5D (LY)	P4317296-03	B3D36C431/80VSA-1	79.0	78.0	30		14.3		31.7	D-7465-1	P		SA00720CH McCauley PL60229	
PA-31-310 "Navajo"	L	TIO-540-A1A (LY)	P5267527-03 P5267527-0356	B3DF36C526/80HJA-0	80.0	78.0	30		9.0	16.2	82.2	D-6774-1	P E		SA00857CH McCauley PL60109 PL60110	
PA-31-310 "Navajo"	L	TIO-540-A1B (LY)	P5267527-03 P5267527-0356	B3DF36C526/80HJA-0	80.0	78.0	30		9.0	16.2	82.2	D-6774-1	P E		SA00857CH McCauley PL60109 PL60110	
PA-31-310 "Navajo"	L	TIO-540-A2A (LY)	P5267527-03 P5267527-0356	B3DF36C526/80HJA-0	80.0	78.0	30		9.0	16.2	82.2	D-6774-1	P E		SA00857CH McCauley PL60109 PL60110	
PA-31-310 "Navajo"	L	TIO-540-A2B (LY)	P5267527-03 P5267527-0356	B3DF36C526/80HJA-0	80.0	78.0	30		9.0	16.2	82.2	D-6774-1	P E		SA00857CH McCauley PL60109 PL60110	
PA-31-310 "Navajo"	L	TIO-540-A2C (LY)	P5267527-03 P5267527-0356	B3DF36C526/80HJA-0	80.0	78.0	30		9.0	16.2	82.2	D-6774-1	P E		SA00857CH McCauley PL60109 PL60110	
PA-31-310 "Navajo"	L	TIO-540-J2B (LY)		Hartzell										DCFUS290D9/T8	SA970SO Mike Jones Aircraft Sales	128
PA-31-310 "Navajo"	L	TIO-540-J2BD (LY)		Hartzell										DCFUS290D9/T8	SA970SO Mike Jones Aircraft Sales	128
PA-31-325 (left side) "Navajo C/R"	L	TIO-540-F2BD (LY)	P5267527-02 P5267527-0256	B3DF36C526/80HJA-0	80.0	78.0	30		10.5	16.2	82.2	D-6774-1	P E		SA00857CH McCauley PL60106 PL60107	
PA-31-325 (left side) "Navajo C/R"	L	TIO-540-J2B (LY)		Hartzell										DCFUS290D9/T8	SA970SO Mike Jones Aircraft Sales	128
PA-31-325 (left side) "Navajo C/R"	L	TIO-540-J2BD (LY)		Hartzell										DCFUS290D9/T8	SA970SO Mike Jones Aircraft Sales	128
PA-31-325 (right side) "Navajo C/R"	L	LTIO-540-F2BD (LY)	P5277528-02 P5277528-0256	B3DF36C527/L80HJA-0	80.0	78.0	30		10.5	16.2	82.2	D-6774-1	P E		SA00857CH McCauley PL60106 PL60107	

Constant Speed Propeller Applications

Aircraft Model	TYPE	Engine Model (Make)	Propeller Part Number	Propeller Model	Max Dia	Min Dia	Ref Sta	Rev Angle	Low or Flight Idle Angle	Latch or Start Locks Angle	High or Feather Angle	Spinner Assembly P/N	Spinner Type	Governor Model	STC Number STC Holder STC Kit P/N	Notes
PA-31-325 (right side) "Navajo C/R"	L	LTIO-540-J2B (LY)		Hartzell										DCFUS290D10/T8	SA970SO Mike Jones Aircraft Sales	128
PA-31-325 (right side) "Navajo C/R"	L	LTIO-540-J2BD (LY)		Hartzell										DCFUS290D10/T8	SA970SO Mike Jones Aircraft Sales	128
PA-31-350 (left side) "Chieftain"	L	TIO-540-J2B (LY)	P5267527-01 P5267527-0156	B3DF36C526/80HJA-0	80.0	78.0	30		13.0	16.2	82.2	D-6774-1	PE		SA00857CH McCauley PL60103 PL60104	
PA-31-350 (left side) "Chieftain"	L	TIO-540-J2B (LY)		Hartzell										DCFUS290D9/T8	SA1151SO Mike Jones Aircraft Sales	128
PA-31-350 (left side) "Chieftain"	L	TIO-540-J2BD (LY)	P5267527-01 P5267527-0156	B3DF36C526/80HJA-0	80.0	78.0	30		13.0	16.2	82.2	D-6774-1	PE		SA00857CH McCauley PL60103 PL60104	
PA-31-350 (left side) "Chieftain"	L	TIO-540-J2BD (LY)		Hartzell										DCFUS290D9/T8	SA1151SO Mike Jones Aircraft Sales	128
PA-31-350 (right side) "Chieftain"	L	LTIO-540-J2B (LY)	P5277528-01 P5277528-0156	B3DF36C527/L80HJA-0	80.0	78.0	30		13.0	16.2	82.2	D-6774-1	PE		SA00857CH McCauley PL60103 PL60104	
PA-31-350 (right side) "Chieftain"	L	LTIO-540-J2B (LY)		Hartzell										DCFUS290D10/T8	SA1151SO Mike Jones Aircraft Sales	128
PA-31-350 (right side) "Chieftain"	L	LTIO-540-J2BD (LY)	P5277528-01 P5277528-0156	B3DF36C527/L80HJA-0	80.0	78.0	30		13.0	16.2	82.2	D-6774-1	PE		SA00857CH McCauley PL60103 PL60104	
PA-31-350 (right side) "Chieftain"	L	LTIO-540-J2BD (LY)		Hartzell										DCFUS290D10/T8	SA1151SO Mike Jones Aircraft Sales	128
PA-31T "Cheyenne II"	L	PT6A-28 (PW)	P7666720-0152	4HFR34C766/94LNA-2	92.0	91.0	30	-10.0	19.1		84.5	E-6756-1	PE		SA1593GL McCauley PL60077	73
PA-31T1 "Cheyenne I"	L	PT6A-11 (PW)	P7666720-0152	4HFR34C766/94LNA-2	92.0	91.0	30	-10.0	19.1		84.5	E-6756-1	PE		SA1593GL McCauley PL60077	73

Constant Speed Propeller Applications

Aircraft Model	T Y P E	Engine Model (Make)	Propeller Part Number	Propeller Model	Max Dia	Min Dia	Ref Sta	Rev Angle	Low or Flight Idle Angle	Latch or Start Locks Angle	High or Feather Angle	Spinner Assembly P/N	S p i n n e r	Governor Model	STC Number STC Holder STC Kit P/N	N o t e s
PA-32-260 "Cherokee Six 260"	L	O-540-E4B5 (LY)	P4146245-06	B3D32C414/82NDA-2	80.0	79.0	30		11.3		30.0	D-6012-1	P		SA02097CH McCauley PL60339	
PA-32-260 "Cherokee Six 260"	L	O-540-E4B5 (LY)	P4146245-06	B3D32C414/82NDA-2	80.0	79.0	30		11.3		30.0	D-6012-1	P		SA02097CH McCauley PL60346	98
PA-32-300 "Cherokee Six 300"	L	IO-540-K1A5 (LY)	P4337350-01	B3D36C433/80VSA-1	79.0	77.0	30		11.3		33.9	D-6012-1	P		SA433CH McCauley PL60179	72
PA-32-300 "Cherokee Six 300"	L	IO-540-K1A5 (LY)	P4337350-01	B3D36C433/80VSA-1	79.0	77.0	30		11.3		33.9	D-6614	P		SA433CH McCauley PL60297	70 72
PA-32-300 "Cherokee Six 300"	L	IO-540-K1A5 (LY)	P4277282-01	B3D36C427/82NGA-2	80.0	79.0	30		13.0		33.5	D-6012-1	P		SA433CH McCauley PL60158	71
PA-32-300 "Cherokee Six 300"	L	IO-540-K1G5 (LY)	P4337350-01	B3D36C433/80VSA-1	79.0	77.0	30		11.3		33.9	D-6012-1	P		SA433CH McCauley PL60179	72
PA-32-300 "Cherokee Six 300"	L	IO-540-K1G5 (LY)	P4337350-01	B3D36C433/80VSA-1	79.0	77.0	30		11.3		33.9	D-6614	P		SA433CH McCauley PL60297	70 72
PA-32-300 "Cherokee Six 300"	L	IO-540-K1G5 (LY)	P4277282-01	B3D36C427/82NGA-2	80.0	79.0	30		13.0		33.5	D-6012-1	P		SA433CH McCauley PL60158	71
PA-32R-300 "Lance"	L	IO-540-K1A5D (LY)	P4337350-01	B3D36C433/80VSA-1	79.0	77.0	30		11.3		33.9	D-6012-1	P		SA433CH McCauley PL60179	72
PA-32R-300 "Lance"	L	IO-540-K1A5D (LY)	P4337350-01	B3D36C433/80VSA-1	79.0	77.0	30		11.3		33.9	D-6614	P		SA433CH McCauley PL60297	70 72
PA-32R-300 "Lance"	L	IO-540-K1A5D (LY)	P4277282-01	B3D36C427/82NGA-2	80.0	79.0	30		13.0		33.5	D-6012-1	P		SA433CH McCauley PL60158	71
PA-32R-300 "Lance"	L	IO-540-K1G5D (LY)	P4337350-01	B3D36C433/80VSA-1	79.0	77.0	30		11.3		33.9	D-6012-1	P		SA433CH McCauley PL60179	72
PA-32R-300 "Lance"	L	IO-540-K1G5D (LY)	P4337350-01	B3D36C433/80VSA-1	79.0	77.0	30		11.3		33.9	D-6614	P		SA433CH McCauley PL60297	70 72
PA-32R-300 "Lance"	L	IO-540-K1G5D (LY)	P4277282-01	B3D36C427/82NGA-2	80.0	79.0	30		13.0		33.5	D-6012-1	P		SA433CH McCauley PL60158	71

Constant Speed Propeller Applications

Aircraft Model	T Y P E	Engine Model (Make)	Propeller Part Number	Propeller Model	Max Dia	Min Dia	Ref Sta	Rev Angle	Low or Flight Idle Angle	Latch or Start Locks Angle	High or Feather Angle	Spinner Assembly P/N	S p i n n e r	Governor Model	STC Number STC Holder STC Kit P/N	N o t e s
PA-32RT-300 "Lance II"	L	IO-540-K1G5D (LY)	P4337350-01	B3D36C433/80VSA-1	79.0	77.0	30		11.3		33.9	D-6012-1	P		SA433CH McCauley PL60179	72
PA-32RT-300 "Lance II"	L	IO-540-K1G5D (LY)	P4337350-01	B3D36C433/80VSA-1	79.0	77.0	30		11.3		33.9	D-6614	P		SA433CH McCauley PL60297	70 72
PA-32RT-300 "Lance II"	L	IO-540-K1G5D (LY)	P4277282-01	B3D36C427/82NGA-2	80.0	79.0	30		13.0		33.5	D-6012-1	P		SA433CH McCauley PL60158	71
PA-32-301 "Saratoga"	L	IO-540-K1G5 (LY)	P4337350-01	B3D36C433/80VSA-1	79.0	77.0	30		11.3		33.9	D-6012-1	P		SA433CH McCauley PL60179	72
PA-32-301 "Saratoga"	L	IO-540-K1G5 (LY)	P4337350-01	B3D36C433/80VSA-1	79.0	77.0	30		11.3		33.9	D-6614	P		SA433CH McCauley PL60297	70 72
PA-32R-301 (HP) "Saratoga HP"	L	IO-540-K1G5 (LY)	P4317296-02	B3D36C431/80VSA-2	78.0	77.0	30		11.5		33.9	D-7290	P		SA00816CH McCauley PL60213	
PA-32R-301 (HP) "Saratoga HP"	L	IO-540-K1G5D (LY)	P4317296-02	B3D36C431/80VSA-2	78.0	77.0	30		11.5		33.9	D-7290	P		SA00816CH McCauley PL60213	
PA-32R-301 (SP) "Saratoga SP"	L	IO-540-K1G5D (LY)	P4337350-01	B3D36C433/80VSA-1	79.0	77.0	30		11.3		33.9	D-6012-1	P		SA433CH McCauley PL60179	72
PA-32R-301 (SP) "Saratoga SP"	L	IO-540-K1G5D (LY)	P4337350-01	B3D36C433/80VSA-1	79.0	77.0	30		11.3		33.9	D-6614	P		SA433CH McCauley PL60297	70 72
PA-34-200T (left side) "Seneca II"	L	TSIO-360-E (TCM)	P5024825-01	3AF34C502/80HA-4	76.0	75.0	30		12.0	15.8	82.2	D-4987 D-4987-1	E,S E,P			39 125
PA-34-200T (right side) "Seneca II"	L	LTSIO-360-E (TCM)	P5034981-01	3AF34C503/L80HA-4	76.0	75.0	30		12.0	15.8	82.2	D-4987 D-4987-1	E,S E,P			39 125
PA-34-200T (left side) "Seneca II"	L	TSIO-360-EB (TCM)	P5024825-01	3AF34C502/80HA-4	76.0	75.0	30		12.0	15.8	82.2	D-4987 D-4987-1	E,S E,P			39 125
PA-34-200T (right side) "Seneca II"	L	LTSIO-360-EB (TCM)	P5034981-01	3AF34C503/L80HA-4	76.0	75.0	30		12.0	15.8	82.2	D-4987 D-4987-1	E,S E,P			39 125
PA-34-220T (left side) "Seneca III"	L	TSIO-360-KB (TCM)	P5085186-01	3AF32C508/82NFA-6	76.0	75.0	30		11.0	14.8	82.2	D-4987 D-4987-1	E,S E,P			39
PA-34-220T (right side) "Seneca III"	L	LTSIO-360-KB (TCM)	P5095227-01	3AF32C509/L82NFA-6	76.0	75.0	30		11.0	14.8	82.2	D-4987 D-4987-1	E,S E,P			39
PA-34-220T (left side) "Seneca IV"	L	TSIO-360-KB (TCM)	P5085186-01	3AF32C508/82NFA-6	76.0	75.0	30		11.0	14.8	82.2	D-4987 D-4987-1	E,S E,P			
PA-34-220T (right side) "Seneca IV"	L	LTSIO-360-KB (TCM)	P5095227-01	3AF32C509/L82NFA-6	76.0	75.0	30		11.0	14.8	82.2	D-4987 D-4987-1	E,S E,P			

Constant Speed Propeller Applications

Aircraft Model	T Y P E	Engine Model (Make)	Propeller Part Number	Propeller Model	Max Dia	Min Dia	Ref Sta	Rev Angle	Low or Flight Idle Angle	Latch or Start Locks Angle	High or Feather Angle	Spinner Assembly P/N	S p i n n e r	Governor Model	STC Number STC Holder STC Kit P/N	N o t e s	
PA-34-220T (left side) "Seneca V"	L	TSIO-360-RB (TCM)	P5227315-01	3AF32C522/82NJA-6	76.0	75.0	30		12.6	15.8	82.1	E-7258	E,S				
PA-34-220T (right side) "Seneca V"	L	LTSIO-360-RB (TCM)	P5237316-01	3AF32C523/L82NJA-6	76.0	75.0	30		12.6	15.8	82.1	E-7258	E,S				
PA-42 "Cheyenne III"	L	PT6A-41 (PW)	P7747397-0120	4HFR34C774/94LPA-0	94.0	93.0	30	-10.0	22.0		84.5	E-6756-1	E,P		SA00785CH McCauley PL60204	74	
PA-42-720 "Cheyenne IIIA"	L	PT6A-61 (PW)	P7747397-0120	4HFR34C774/94LPA-0	94.0	93.0	30	-10.0	22.0		84.5	E-6756-1	E,P		SA00785CH McCauley PL60330	75 146	
PROCAER S.P.A.																	
F 15/C	L	IO-470-E (TCM)	OBSOLETE	D2A34C58/90AT-12	78.0	76.0	36		11.0		27.0						1
F 15/C	L	IO-470-E (TCM)	OBSOLETE	D2A34C49/90A-14	76.0	76.0	36		11.0		27.0						1
RAWDON (Spinks Industries)																	
T-1	L	O-360-A1A (LY)	OBSOLETE	2D36C14/78KM-4	74.0	72.5	30		12.7		27.5						1 42
T-2	L	O-360-A1D (LY)	OBSOLETE	2D36C14/78KM-4	74.0	72.5	30		12.7		27.5						1 42
SAAB																	
91D "Safir"	L	O-360-A1A (LY)	OBSOLETE	2D36C14/78KM-4	74.0	72.5	30		12.7		27.5	D-2137	S				1 42
SCHWEIZER																	
SA2-37A "Motorglider"	L	IO-540-W3A5D (LY)	P4135680-01	B3D34C413/90DFA-4	86.0	86.0	30		11.4		39.4	D-5670	S	DC290D1/T10			
RU-38A	L	GIO-550-A1B (TCM)												DCFU310D13/T11			
SOCATA																	
MS 894A	L	6A-350-C1 (FR)	OBSOLETE	2A31C21/84S-8	76.0	74.0	30		13.3		22.0						1
MS 894E "Rallye Minerva 220"	L	6A-350-C1 (FR)	OBSOLETE	2A31C21/84S-8	76.0	74.0	30		13.3		22.0						1
TB-10 "Tobago"	L	O-360-A1AD (LY)	P4247151-02	B3D36C424/74SA-0	74.0	72.0	30		8.7		33.8	D-6614	P		SA372CH McCauley PL60138	67	
TB-20 "Trinidad"	L	IO-540-C4D5D (LY)	P4125642-02 P4125642-04	B3D32C412/82NDA-5	77.0	75.0	30		13.0		33.5	D-6614	P		SA941NE US Prop of Connecticut		
TB-200 "Tobago XL"	L	IO-360-A1B6 (LY)	P4247151-01	B3D36C424/74SA-0	74.0	72.0	30		9.7		33.8	D-6614	P		SA372CH McCauley PL60167	67	
STINSON (Univair Aircraft Corporation)																	
108-1		6A-350-C1 (FR)	OBSOLETE	2A31C21/84S-4	80.0	76.0	30								SA313NW Franklin	1	
108-1		6A-350-C2 (FR)	OBSOLETE	2A31C21/84S-4	80.0	76.0	30								SA313NW Franklin	1	

Constant Speed Propeller Applications

Aircraft Model	TYPE	Engine Model (Make)	Propeller Part Number	Propeller Model	Max Dia	Min Dia	Ref Sta	Rev Angle	Low or Flight Idle Angle	Latch or Start Locks Angle	High or Feather Angle	Spinner Assembly P/N	Spinner Type	Governor Model	STC Number STC Holder STC Kit P/N	Notes
108-2		6A-335-B (FR)	OBSOLETE	2A31C21/84S-4	80.0	76.0	30								SA1666NM Franklin	1
108-2		6A-335-B1 (FR)	OBSOLETE	2A31C21/84S-4	80.0	76.0	30								SA1666NM Franklin	1
108-2		6A-350-C1 (FR)	OBSOLETE	2A31C21/84S-4	80.0	76.0	30								SA313NW Franklin	1
108-2		6A-350-C2 (FR)	OBSOLETE	2A31C21/84S-4	80.0	76.0	30								SA313NW Franklin	1
108-3		6A-335-B (FR)	OBSOLETE	2A31C21/84S-4	80.0	76.0	30								SA1666NM Franklin	1
108-3		6A-335-B1 (FR)	OBSOLETE	2A31C21/84S-8	76.0	74.0	30		10.7		21.5	D-2845	S			1
108-3		6A-335-B1 (FR)	OBSOLETE	2A31C21/84S-4	80.0	76.0	30								SA1666NM Franklin	1
108-3		6A-350-C1 (FR)	OBSOLETE	2A31C21/84S-4	80.0	76.0	30								SA313NW Franklin	1
108-3		6A-350-C2 (FR)	OBSOLETE	2A31C21/84S-4	80.0	76.0	30								SA313NW Franklin	1
108-5		6A-335-B1 (FR)	OBSOLETE	2A31C21/84S-8	76.0	74.0	30		10.7		21.5	D-2845	S			1
STODDARD-HAMILTON																
Glasair III	L	IO-540-K1A5 (LY)	P2296805-01	B2D37C229/90RHC-11	79.0	78.0	30		13.8		35.0					
STOL Aviation LLC.																
S-1B2 (Block 2000)		O-320-D1A (LY)		Hartzell											DC290D1/T42	
TAYLORCRAFT (Helio Aircraft Corp.)																
20 "Ranchwagon"		O-470-J (TCM)	OBSOLETE	2A36C1-U/90M-8	82.0	80.0	36		10.5		22.5					1
20 "Ranchwagon"		O-470-J (TCM)	OBSOLETE	2A36C18/90M-8	82.0	80.0	36		10.5		22.5					1
20 "Ranchwagon"		O-470-J (TCM)	OBSOLETE	2A36C29/90M-8	82.0	80.0	36		10.5		22.5					1
THRUSH AIRCRAFT, Inc. (formerly Snow, Rockwell, Ayres)																
S2R-G5	L	TPE331-5 (HW)	P6536401-03	4HFR34C653/L106FA-0	106.0	105.0	30	-4.0	12.0	6.0	87.4	E-6083	P			106
S2R-G5	L	TPE331-5 (HW)	P6626401-01	4HFR34C662/L108FA-0	108.0	105.0	30	-4.0	12.0	6.0	87.4	E-6083	P			
S2R-G10	L	TPE331-10 (HW)	P6536401-03	4HFR34C653/L106FA-0	106.0	105.0	30	-4.0	12.0	6.0	87.4	E-6083	P			106
S2R-G10	L	TPE331-10 (HW)	P6626401-01	4HFR34C662/L108FA-0	108.0	105.0	30	-4.0	12.0	6.0	87.4	E-6083	P			
TRANSAVIA (Transfield (NSW) Pty Ltd)																
PL-12 (S/N 602 - 703) "Air Truck"	L	IO-520-A (TCM)	OBSOLETE	D2A34C58/90AT-2	88.0	86.0	36		8.2		25.8					1 117
PL-12 (S/N 704 - 1249, G350 and up) "Air Truck"	L	IO-520-D (TCM)	OBSOLETE	D2A34C58/90AT-2	88.0	86.0	36		8.2		25.8					1 117
PL-12U "Air Truck"	L	IO-520-D (TCM)	OBSOLETE	D2A34C58/90AT-2	88.0	86.0	36		8.2		25.8					1 117

Constant Speed Propeller Applications

Aircraft Model	T Y P E	Engine Model (Make)	Propeller Part Number	Propeller Model	Max Dia	Min Dia	Ref Sta	Rev Angle	Low or Flight Idle Angle	Latch or Start Locks Angle	High or Feather Angle	Spinner Assembly P/N	S p i n n e r	Governor Model	STC Number STC Holder STC Kit P/N	N o t e s
WASSMER																
WA-40 "SUPER IV"	L	O-360-A1A (LY)	OBSOLETE	2D36C14/78KM-4	74.0	72.5	30		12.7		27.5	D-2137	S			1 42
WA-421	L	O-540-C4B5 (LY)	OBSOLETE	B2D34C11/84HF-4	80.0	80.0	30		12.7		27.5					1
WEATHERLY AIRCRAFT COMPANY																
620B-TG	L	TPE331-1 (HW)	P6027317-01	3GFR34C602/100LA-2	98.0	96.0	30	-8.0		2.0	86.8	E-4858	E,P			
WINDECKER (COMPOSITE AIRCRAFT CORPORATION)																
AC-7 "EAGLE"	L	IO-520-C (TCM)	OBSOLETE	D2A34C58/90AT-6	84.0	82.0	36		9.7		25.8	D-4082	S	C290D3/T23 C290D2/T16		1
Aircraft Type: A - Amphibian F - Floatplane L - Landplane S - Skiplane		Engine Type FR - Franklin HW - Honeywell LY - Textron Lycoming OE - Trace Engines (Orenda) PW - Pratt and Whitney Rotax - Rotax STC - Engine modified by an STC TCM - Continental Motors or Rolls Royce											Spinner Type A - Alcohol Anti-Ice (some are TKS) B - Black Painted Shell E - Electric De-ice P - Polished Shell S - Satin Finish Shell NAC - Aircraft not equipped with air conditioning WAC - Aircraft equipped with air conditioning			

Constant Speed Propeller Notes

NOTE	DESCRIPTION
1	This propeller is no longer procurable from McCauley.
2	Nose cowling modification required. See aircraft TCDS
3	Pre mod JM41300 (1500 SHP)
4	Post mod JM41300 (1650 SHP)
5	Avoid continuous operation between 2800 - 3135 rpm.
6	Avoid continuous operation between 1800 - 2050 rpm at 18" MAP and above
7	Avoid continuous operation between 1850 - 2550 rpm above 24" MAP.
8	Must be installed per Cessna Service Letter SE79-62
9	Avoid continuous operation between 1700 - 1900 rpm below 10" MAP
10	Avoid continuous operation between 1400 - 1750 rpm below 10" MAP
11	Avoid continuous operation between 1850 - 2150 rpm above 24" MAP.
12	Avoid continuous operation between 1850 - 2150 rpm above 23" MAP.
13	For aircraft modified by Cessna Kit SK414-10B
14	The 3AF34C74 and 3AF37C510 propellers may be interchanged in any combination.
15	The 3AF32C87 and 3AF32C504 propellers may be interchanged in any combination.
16	The 3AF34C92 and 3AF37C516 propellers may be interchanged in any combination.
17	The 3AF32C93 and 3AF32C505 propellers may be interchanged in any combination.
18	And aircraft reworked per Cessna Service Letter SE75-4
19	And aircraft reworked per Cessna Service Kit SK188-76 (S/N 18801825(T) thru 18802348(T)) SK188-77 (S/N 18802349(T) thru 18803721(T)) Cessna Service Information Letter SE81-3 states SK kits apply to both Agrtrucks (T at end of S/N) and Agwagons (no T at end of S/N)
20	Avoid continuous operation between 2000 - 2250 rpm above 27" MAP.
21	Aircraft reworked per Cessna Service Kit SK182-121
22	The following aircraft reworked per Cessna Service Kit SK182-71 are eligible R182, S/N R18201314 thru R18201628 FR182, S/N FR18200046 thru FR18200070 TR182, S/N R18201314 thru R18201628
23	Aircraft reworked per Cessna Service Kit SK182-72 are eligible TR182, S/N R18200584 thru R18201313
24	Aircraft reworked per Cessna Service Kit SK180-45
25	Aircraft reworked per Cessna Service Kit SK180-46
26	Engine must be modified in accordance with Rotax Service Bulletin 912-24
27	Engine must be modified in accordance with Rotax Service Bulletin 914-09
28	Avoid continuous operation between 1650 - 2250 rpm below 15" MAP when above 85 KIAS
29	See latest revision of MPC26 Owners/Operators Manual for blade and hub life limits. Also refer to McCauley Alert Service Bulletin ASB248. Continuous Propeller Operation Between 2350 and 2450 RPM at 24" MAP and above is prohibited.

Constant Speed Propeller Notes

NOTE	DESCRIPTION
30	The D-2771 is obsolete and is replaced by the D-2845, also the D-2771-1 is obsolete and is replaced by the D-2845-1.
31	Use with 7:00 tires or larger
32	Avoid continuous operation between 1900 - 2300 rpm below 10" MAP
33	Avoid continuous operation between 1600 - 1950 rpm below 15" MAP
34	Avoid continuous operation between 1500 - 1950 rpm below 15" MAP
35	Diameter reduction not permitted when equipped with deice boots
36	See Mooney Service Bulletin M20-198 for C212 approval. See Mooney Service Bulletin M20-214 for C214 approval.
37	See Mooney Service Instruction M20-75.
38	See Mooney M20K Gross Weight Increase Retrofit Instructions.
39	Can be operated without spinner assembly
40	Avoid continuous operation between 1400 - 1750 rpm below 15" MAP
41	Avoid continuous operation between 2225 - 2275 rpm.
42	Avoid continuous operation between 2250 - 2550 rpm below 15" MAP while descending
43	Avoid continuous operation between 2000 - 2150 rpm above 20" MAP.
44	This propeller is not eligible on airplane S/N TC-2285 and up pending demonstration of compliance with the noise requirements in accordance with F.A.R. Part 36.
45	This propeller is not eligible on airplane S/N TE-1171 and up pending demonstration of compliance with the noise requirements in accordance with F.A.R. Part 36.
46	This propeller is not eligible on airplane S/N TH-1090 thru TH-1395, except S/N TH-1389 pending demonstration of compliance with the noise requirements in accordance with F.A.R. Part 36.
47	Continuous operation on the ground is prohibited between 600 and 1100 rpm. The propeller must be feathered to ground idle at rotational speeds below 600 propeller shaft rpm.
48	Ground idle is set so that at 71 to 73 percent N1, propeller rpm is not less than 1000 rpm.
49	Continuous ground operation between 700 and 1000 rpm is prohibited Continuous flight operation between 1450 and 1580 rpm is prohibited.
50	Ground idle is set so that at 58 to 60 percent N1, propeller rpm is not less than 1100 rpm.
51	Reduced External Noise Option, factory installed by Beech per Beech Drawing 36-005003.
52	Avoid continuous operation between 1900 - 2200 rpm above 22" MAP
53	Avoid continuous operation between 1750 - 2050 rpm below 10" MAP
54	P7036368-01, Cessna paint scheme without electric de-ice P7036368-0154, Cessna paint scheme with electric de-ice P7036368-0254, FedEx paint scheme with electric de-ice P7036368-0383, Cessna paint scheme with TKS anti-ice P7036368-0483, FedEx paint scheme with TKS anti-ice
55	The engine oil transfer tube used with Beechcraft or Flottorp propellers are not compatible with McCauley propellers. See Beechcraft Service Instruction No. 0625-248.

Constant Speed Propeller Notes

NOTE	DESCRIPTION
56	See Mooney Service Bulletin M20-214.
57	Continuous ground operation between 82% (1273 RPM) and 90% (1397 RPM) and below 68% (1055 RPM) is prohibited. Except for takeoff, continuous ground operation is prohibited when the torque is greater than 60% and the wind is greater than 15 kts unless the wind is from within ± 45 degrees of the nose of the airplane.
58	It is mandatory that propeller models C46 and C56 be replaced by the C60 and C61 per McCauley SB 68A.
59	Refer to MPC400 for various configurations
60	Avoid continuous operation below 15" MAP when above 85 KIAS Avoid continuous operation at or above 26" MAP
61	Ground idle is set so that at 59 percent N ₁ , propeller rpm is not less than 1100 rpm.
62	STC kit should only be installed on aircraft S/N 35228, and S/N 35263 and up which have been modified in accordance with Cessna Service Letter 65-34
63	Ground idle operation below 47% N _p is prohibited, except when feathered. Operation at or below 18% N _p is permissible.
64	Teledyne Continental Motors engine model IO-470 series with a maximum continuous and takeoff rating up to 260hp at 2625 rpm are eligible.
65	Minimum propeller ground idle RPM shall not be less than 70% (1114 RPM) of the maximum continuous and takeoff propeller shaft speed.
66	Modified with Mooney M20J cowling
67	Avoid continuous operation between 1650 - 2200 rpm below 15" MAP when above 85 KIAS (placard P/N A-60139)
68	Narrow deck engine only
69	Wide deck engine only
70	This STC kit should be used for aircraft equipped with the LoPresti cowling, and the Lopresti cowling must have been made for the McCauley Propeller.
71	Avoid continuous operation between 1650 - 1900 rpm above 24" MAP (placard P/N A-60160)
72	After 5 minutes, reduce to 2600 rpm.
73	minimum ground idle rpm for continuous operation shall not be less than 1100 rpm
74	Ng must be set higher than 52% to achieve a minimum propeller (N _p) rpm of 1150 at Minimum Idle.
75	Ng must be set higher than 56% to achieve a minimum propeller (N _p) rpm of 1150 at Minimum Idle.
76	Minimum propeller ground idle rpm for continuous operation shall not be less than 70% (1400 rpm)
77	minimum ground idle rpm for continuous operation shall not be less than 1050 rpm
78	70% minimum ground idle RPM With a tailwind component present, avoid stationary operations with engine RPM greater than 99%.
79	Avoid continuous operation between 1400 - 1700 rpm below 10" MAP
80	See Cessna kit SK185-55 Continuous operation below 2300 RPM above 25" MAP is prohibited
81	Limited to engine S/N's 41000 and up, and S/N's below 41000 with one 5th and one 6th order damper installed per TCM bulletin M89-24.
82	The nose may have to be rolled per the STC holder's instructions to use the D-3584, D-5259, D-5541, and D-7168 spinner assemblies
83	When replacing a C290D2/T11 governor with a DC290D1/T2 or C290D3/T11 governor, Cessna bracket P/N 1750027-3 is required. When replacing a C290D2/T12 governor with a DC290D1/T3 or C290D3/T12 governor, Cessna bracket P/N 2050017-6 is required.
84	Avoid continuous operation between 1900 - 2100 rpm at 26" MAP and above

Constant Speed Propeller Notes

NOTE	DESCRIPTION
85	Avoid continuous operation between 1900 - 2150 rpm at 26" MAP and above
86	Avoid continuous operation between 1900 - 2150 rpm at 30" MAP and above
87	This STC only applies to aircraft using short hubs and not extended hubs
88	Avoid continuous operation between 1900 - 2100 rpm at 25" MAP and above
89	Avoid continuous operation between 2050 - 2250 rpm at 27" MAP and above
90	Avoid continuous operation between 1950 - 2150 rpm at 25" MAP and above
91	This STC only applies to aircraft with extended hub propellers such D3A32C77, D3A32C88, E2A34C70, and E2A34C73.
92	Avoid continuous operation between 1900 - 2350 rpm below 15" MAP
93	Refer to STC for specific operating limitations and restrictions.
94	Placard is required for operating restrictions for continuous operation. Contact STC holder for specifications.
95	Engine Limits: Takeoff (5 min.) 2800 RPM maximum; continuous power - 2600 RPM full throttle.
96	There is a possibility of some RPM cycling issues with the Hartzell governor. If you experience RPM fluctuations, McCauley recommends replacing the Hartzell governor with McCauley governor Model DC290D1/T18, P/N D-20893-18 or model C290D3/T39 (the C290D3/T39 is no longer in production). The McCauley DC290D1/T18 and C290D3/T39 governors are approved via STC SA1623GL and McCauley Technical Report TR762. McCauley Product Support will provide STC SA1623GL and TR762 upon request.
97	S/N LW-1 through LW-347, and LJ-584 - LJ-953 will require supplemental deice kit PL60022 if changing from Hartzell (dual element) to McCauley (single element)
98	4 optional J3804-42 Lord mount assemblies are included with STC kit
99	Avoid continuous operation between 1500 - 1700 rpm below 10" MAP
100	Beech P/N 50-389121-25 Autofeather switch is required
101	Will require supplemental deice kit PL60035 if changing from Hartzell (dual element) to McCauley (single element)
102	McCauley P/N C-60346 low pressure autofeather switch is recommended if problems are encountered when performing pre-flight autofeather system testing in accordance with the Cessna 425 flight manual. Refer to McCauley Service Letter 2005-6
103	STC specifies 11.2 low blade angle with a tolerance of +/- 1.0 degree
104	Avoid continuous operation between 1850 - 2200 rpm above 22" MAP
105	STC requires specific floats, modifications to aircraft, modifications to aircraft landing gear and/or a specific tire size. Refer to STC.
106	See latest revision of MPC26 (Owners/Operators manual) for blade and/or hub life limits.
107	Requires new cowling
108	Avoid continuous operation above 33" MAP below 2600 rpm
109	The D-7779-X spinner assembly is for non-TKS equipped aircraft only. If the aircraft is equipped with TKS contact Cirrus for replacement bulkheads.
110	Avoid continuous operation between 2300 - 2600 rpm at 36" MAP and above
111	Below 7500 ft. MSL, Avoid continuous operation between 2250 - 2400 rpm above 32" MAP At 7500 ft. MSL and above, Avoid continuous operation between 2250 - 2400 rpm above 34" MAP, and between 2450 - 2650 rpm above 36" MAP
112	Avoid continuous operation between 1900 - 2100 rpm above 25" MAP
113	See Cessna kit SK185-56, note this propeller is not eligible on aircraft that have complied with Cessna Single Engine Customer Information Letter SE79-62
114	See Cessna kit SK210-171

Constant Speed Propeller Notes

NOTE	DESCRIPTION
115	See Cessna kit SK206-49
116	See Cessna kit SK207-22
117	7.2 degree low blade angle is optional
118	Requires other modifications to aircraft. Refer to STC.
119	310 Horsepower Only
120	Except for take off and climb, avoid continuous operations above 33.5" or 2350 RPM
121	Avoid continuous operation between 1500 - 2250 rpm above 20" MAP
122	The C290D3/T43 governor has a maximum rpm setting of 2700 rpm. Some Cessna 400's left the factory with a C290D3/T43 governor that had the maximum rpm adjusted down to 2600 rpm using the maximum rpm stop screw.
123	TKS Ice Protection System installed via STC SA01435W1
124	TKS Ice Protection System installed via STC SA01478W1
125	S/N 34-7970001 through 34-8170092
126	Maximum RPM limited to 2600 rpm for noise compliance
127	Maximum RPM limited to 2450 rpm for noise compliance
128	Can use either McCauley synch box P/N B28000 or Ram synch box P/N 1719-3 when using the McCauley DCFUS290D9/Tx governors as part of STC
129	This governor installation may require the use of two gaskets and a Lycoming spacer plate. Refer to latest revision of Lycoming Service Instruction SI 1438 for details and applicability.
130	Polishing the camber side of 90DHB-16E and 90DHC-16E blades is only permitted if they were stamped 90DHB-16EP and 90DHC-16EP by McCauley. Stamping the "P" at the end of the model number and polishing in the field is not permitted.
131	The C290D3/T16, T21 and DC290D1/T4, T7 are replaced by the C290D3/T22 and DC290D1/T8 governors when complying with McCauley SL 1982-3 and Cessna Service Letter SE82-15.
132	Using the D-3669 spinner assembly with a C400 series propeller may require the use a different front support (P/N B-3019-1). Using the D-3867 or D-3867-1 spinner assembly with a C400 series propeller may require the use a different front support (P/N C-4383-2).
133	No longer use this STC to convert aircraft but still support converted aircraft
134	short hub
135	Extended hub 3 inches longer- Cowling must be modified to close bulkhead to cowling (3 inch) gap
136	Governor not included with STC kit. If converting from Hartzell counterweighted propeller or Woodward governor which uses oil pressure to decrease pitch, McCauley governor P/N D-20309-1 (Model C290D3/T1) is required.
137	No deice, P4307072-01 propeller (STC kit PL60199) 28V deice, P4307072-0157 propeller (STC kit PL60210), Slip ring assembly not included with STC kit. Use existing hardware. 14V deice, P4307072-0158 propeller (STC kit PL60211), Slip ring assembly not included with STC kit. Use existing hardware.
138	Governor not included with STC kit. If converting from Hartzell counterweighted propeller, McCauley governor P/N D-20309-31 (Model C290D3/T35), McCauley bracket B-20935, and McCauley Technical Report TR889 is required. McCauley Product Support will provide TR889 upon request. If converting from a Hartzell governor four B-20838 governor mounting studs are also required.

Constant Speed Propeller Notes

NOTE	DESCRIPTION
139	Governor not included with STC kit. If converting from Hartzell counterweighted propeller, McCauley governor P/N D-20309-22 (Model C290D3/T23) is required.
140	STC kit PL60294 if changing from Hartzell (dual element) to McCauley (single element). STC kit PL60324 if changing from McCauley to McCauley.
141	Governor not included with STC kit.
142	STC kit PL60274, no deice STC kit PL60285, if changing from McCauley to McCauley. STC kit PL60286, if changing from Hartzell (dual element) to McCauley (single element).
143	Governor not included with STC kit. If converting from Hartzell counterweighted propeller, McCauley governor P/N D-20309-31 (Model C290D3/T35) is required.
144	No deice, P4447800-01 propeller (STC kit PL60348) 28V deice, P4447800-0160 propeller (STC kit PL60349), Slip ring assembly not included with STC kit. Use existing hardware. 14V deice, P4447800-0161 propeller (STC kit PL60350), Slip ring assembly not included with STC kit. Use existing hardware.
145	There is a possibility of some RPM cycling issues with the Hartzell governor. If you experience RPM fluctuations, McCauley recommends replacing the Hartzell governor with McCauley governor Model DC290D1/T18, P/N D-20893-18 or model C290D3/T39 (the C290D3/T39 is no longer in production). The governor STC is SA1623GL and the STC kit for the DC290D1/T18 governor is P/N PL-20905. The STC kit includes the governor, bracket and all required hardware.
146	STC kit includes 2 McCauley P/N C-60329 pressure switches
147	STC permits the use of extended hub propellers on aircraft originally certified with short hub propellers to move the CG forward. Refer to STC for details.
148	minimum ground idle rpm for continuous operation shall not be less than 1100 rpm
149	If converting from a Non-McCauley propeller refer to Engine manufacturers service information for engine conversion requirements.
150	Avoid continuous operation between 1850 - 2150 rpm at 26" MAP and above.
151	Avoid continuous operation between 1850 - 2200 rpm at 26" MAP and above.

STC Information

STC NUMBER	STC HOLDER	Notes
SA1-22	McCauley Propeller Systems	Propeller
SA1-23	McCauley Propeller Systems	Propeller
SA1-24	McCauley Propeller Systems	Propeller
SA1-32	McCauley Propeller Systems	Propeller
SA1-33	McCauley Propeller Systems	Propeller
SA1-41	McCauley Propeller Systems	Propeller
SA1-59	McCauley Propeller Systems	Propeller
SA1-89	McCauley Propeller Systems	Propeller
SA1-90	McCauley Propeller Systems	Propeller
SA1-155	McCauley Propeller Systems	Propeller
SA1-156	McCauley Propeller Systems	Propeller
SA1-157	McCauley Propeller Systems	Propeller
SA1-326	Swift Museum Foundation, Inc.	Propeller and Engine
SA1-336	Richard W Weibley	Propeller and Engine
SA1-619	Short Wing Piper Club Library	Propeller and Engine
SA2BO	U.S. Propeller of Connecticut	Propeller
SA3-11	McCauley Propeller Systems	Propeller
SA3-475	McCauley Propeller Systems	Propeller
SA3-571	KWAD Company	Propeller and Engine
SA3-674	KWAD Company	Propeller and Engine
SA4-640	Russell Conversions	Propeller and Engine
SA4-789	Paul Robinson	Propeller
SA33CH	McCauley Propeller Systems	Propeller
SA00035NY	Penn Yan Aero	Propeller and Engine
SA53NW	Merlyn Products, Inc.	Propeller and Engine
SA00054WI	P. Ponk Aviation	Propeller
SA57NW	Harold G Nelson	Propeller and Engine
SA77CE	McCauley Propeller Systems	Propeller
SA81GL	Harvey Bolin	Propeller and Engine
SA92NW	Cub Crafters Inc.	Propeller and Engine
SA95NW	Northwest Aero Aircraft Services	Propeller and Engine
SA107RM	Univair Aircraft Corporation	Propeller and Engine (must be used with STC SA7435SW)
SA108GL	Weber's Aero Repair	Propeller and Engine
SA111NW	Kenmore Air Harbor, Inc.	Propeller and Engine

STC Information

STC NUMBER	STC HOLDER	Notes
SA129CH	McCauley Propeller Systems	Propeller
SA00164BO	Frank Shea	Propeller and Engine
SA00173AT	Davis Aviation	Propeller and Engine
SA00185BO	Swift Museum Foundation, Inc.	Propeller and Engine (must be used with STC SA53NW)
SA195CH	McCauley Propeller Systems	Propeller
SA203GL	Weber's Aero Repair	Propeller
SA203NW	MACHen, Inc.	Propeller and Engine
SA206NW	Franklin Aircraft Engines, Inc.	Propeller and Engine
SA238GL	D'Shannon Products	Propeller and Engine
SA239NW	Robert W. Duncan	Propeller and Engine
SA240NW	Kenmore Air Harbor, Inc.	Propeller and Engine
SA253AL	Borer Prop Alaska	Propeller
SA00261SE	Ly-Con Rebuilding Company	Propeller and Engine
SA262NW	Kenmore Air Harbor, Inc.	
SA267SW	S & S Pipeline Patrol	Propeller and Engine
SA00274AT	John Jewell Aircraft, Inc.	Propeller and Engine
SA275NW	MACHen, Inc.	Propeller and Engine
SA279AL	Borer Prop Alaska	Propeller
SA288AL	Matanuska Air Service, Inc	Propeller
SA293NW	Franklin Aircraft Engines, Inc.	Propeller and Engine
SA302NW	Burl's Aircraft Rebuild, LLC	Propeller and Engine
SA313NW	Franklin Aircraft Engines, Inc.	Propeller and Engine
SA315CH	McCauley Propeller Systems	Propeller
SA323AL	Matanuska Air Service, Inc	Propeller
SA332GL	Penn Yan Aero	Propeller and Engine (must be used with STC SA1000EA or SA665CE)
SA00332AT	Aero Mod	Propeller and Engine
SA340NW	Franklin Aircraft Engines, Inc.	Propeller and Engine
SA344CE	Team Luscombe, LLC	Propeller and Engine
SA00344WI	P. Ponk Aviation	Propeller and Engine
SA349AL	Alaska Propeller Specialists	Propeller
SA360CH	McCauley Propeller Systems	Propeller
SA372CH	McCauley Propeller Systems	Propeller
SA376NW	Felts Field Aviation	Propeller

STC Information

STC NUMBER	STC HOLDER	Notes
SA386GL	Mike Zeller	Propeller and Engine
SA389NW	MACHen, Inc.	Propeller and Engine
SA392AL	Alaska Propeller Specialists	Propeller
SA00393WI	Air Plains Services	Propeller
SA00409WI	Air Plains Services	Propeller
SA412SO	Mike Jones Aircraft Sales, Inc.	Propeller and Engine
SA00412WI	Air Plains Services	Propeller
SA00413WI	P. Ponk Aviation	Propeller
SA420CE	Robert or Barbara Williams	Propeller and Engine
SA00422WI	Air Plains Services	Propeller
SA424CE	Robert or Barbara Williams	Propeller and Engine
SA00426WI	Air Plains Services	Propeller
SA00428WI	P. Ponk Aviation	Propeller
SA432NE	AR Custom Aero Engines	Propeller and Engine
SA432SO	Mike Jones Aircraft Sales, Inc.	Propeller and Engine
SA433CH	McCauley Propeller Systems	Propeller
SA436EA	Franklin Aircraft Engines, Inc.	Propeller and Engine
SA444AL	Bruce V. Zmuda	Propeller
SA00454DE	Tom Laing	Propeller
SA461NW	P. Ponk Aviation	Propeller and Engine
SA465WE	Chrisianson R B	Propeller and Engine
SA00468WI	P. Ponk Aviation	Propeller and Engine
SA477CH	McCauley Propeller Systems	Propeller
SA483AL	Paul Ripplinger	Propeller
SA483CE	McCauley Propeller Systems	Propeller
SA00485SE	Gackstetter	Propeller and Engine
SA495CH	McCauley Propeller Systems	Propeller
SA496CH	McCauley Propeller Systems	Propeller
SA00501AT	Davis Aviation	Propeller
SA501NW	U.S. Propeller of Connecticut	Propeller
SA505SW	Stephen Noyes	Propeller
SA518SO	Mike Jones Aircraft Sales, Inc.	Propeller and Engine
SA00522SE	Cub Crafters Inc.	Propeller and Engine
SA525NW	Kenmore Air Harbor, Inc.	Propeller and Engine
SA00531WI	Air Plains Services	Propeller

STC Information

STC NUMBER	STC HOLDER	Notes
SA532AL	Crosswinds, STOL	Propeller and Engine
SA541AL	Crosswinds, STOL	Propeller and Engine
SA545CE	Robert or Barbara Williams	Propeller and Engine
SA547EA	Thompson's Air	Propeller and Engine
SA550EA	Lawrence Bradway	Propeller and Engine
SA553AL	Crosswinds, STOL	Propeller and Engine
SA00562SE	Cub Crafters Inc.	Propeller and Engine
SA566AL	Day & Night	Propeller and Engine
SA572CE	Robert or Barbara Williams	Propeller and Engine
SA599WE	Franklin Aircraft Engines, Inc.	Propeller and Engine
SA610AL	Crosswinds, STOL	Propeller and Engine
SA00616AT	Mike Jones Aircraft Sales, Inc.	Propeller
SA619CH	D'Shannon Products	Propeller
SA632AL	Alaska Propeller Specialists	Propeller
SA635SW	Jordan Propeller Service	Propeller
SA00640SE	P. Ponk Aviation	Propeller
SA641NW	Kennis G. Blackman	Propeller and Engine
SA644AL	Crosswinds, STOL	Propeller and Engine
SA645AL	Crosswinds, STOL	Propeller and Engine
SA645NE	U.S. Propeller of Connecticut	Propeller
SA00647NY	Summit Aviation	Propeller
SA656AL	Crosswinds, STOL	Propeller and Engine
SA657AL	Crosswinds, STOL	Propeller and Engine
SA682AL	Crosswinds, STOL	Propeller and Engine
SA686CE	D'Shannon Products	Propeller and Engine
SA00688CH	McCauley Propeller Systems	Propeller
SA693AL	Crosswinds, STOL	Propeller
SA704NE	U.S. Propeller of Connecticut	Propeller
SA714NW	Wayne C. Alsworth Jr.	Propeller and Engine
SA00718CH	McCauley Propeller Systems	Propeller and Governor
SA00720CH	McCauley Propeller Systems	Propeller
SA00727WI	Air Plains Services	Propeller
SA00728SE	XP Modifications Inc.	Propeller and Engine
SA00747SE	James Frost	Propeller and Engine
SA00748SE	Air-Liquid Corporation	Propeller and Engine

STC Information

STC NUMBER	STC HOLDER	Notes
SA753NE	U.S. Propeller of Connecticut	Propeller
SA768NE	U.S. Propeller of Connecticut	Propeller
SA00773CH	McCauley Propeller Systems	Propeller and Governor
SA779NE	U.S. Propeller of Connecticut	Propeller
SA00785AT	Air Plains Services	Propeller and Engine
SA00785CH	McCauley Propeller Systems	Propeller
SA789GL	EAA Aviation Foundation	Propeller and Engine
SA00797CH	McCauley Propeller Systems	Propeller
SA00798CH	McCauley Propeller Systems	Propeller
SA803SO	Swift Museum Foundation, Inc.	Propeller and Engine
SA806CE	Robert or Barbara Williams	Propeller and Engine
SA00816CH	McCauley Propeller Systems	Propeller
SA00819CH	McCauley Propeller Systems	Propeller
SA00832WI	Jerry L. Jordan	Propeller
SA838NE	U.S. Propeller of Connecticut	Propeller
SA00857CH	McCauley Propeller Systems	Propeller
SA00860CH	McCauley Propeller Systems	Propeller
SA861GL	Jamestown Aviation	Propeller
SA864NE	U.S. Propeller of Connecticut	Propeller
SA00879CH	McCauley Propeller Systems	Propeller
SA00880CH	McCauley Propeller Systems	Propeller
SA00893CH	McCauley Propeller Systems	Propeller
SA00900CH	Wipaire Inc.	Propeller
SA00915CH	McCauley Propeller Systems	Propeller
SA00920CH	McCauley Propeller Systems	Propeller
SA941NE	U.S. Propeller of Connecticut	Propeller
SA942NE	U.S. Propeller of Connecticut	Propeller
SA00956WI	Aerospace Systems & Technologies	Propeller
SA964NE	U.S. Propeller of Connecticut	Propeller
SA970SO	Mike Jones Aircraft Sales, Inc.	Propeller and Engine
SA985EA	PK Foats	Propeller
SA994NW	Flightcraft, Inc.	Propeller and Engine
SA1000NW	Kennis G. Blackman	Propeller and Engine
SA1029WE	Robert Mathews	Propeller
SA01033CH	McCauley Propeller Systems	Propeller

STC Information

STC NUMBER	STC HOLDER	Notes
SA1034SW	Aero Upgrade, LLC	Propeller and Engine
SA01035CH	McCauley Propeller Systems	Propeller
SA1036GL	McCauley Propeller Systems	Propeller
SA1048NW	Classic Aire Inc.	Propeller and Engine
SA01058CH	McCauley Propeller Systems	Propeller
SA1078WE	Franklin Aircraft Engines, Inc.	Propeller and Engine
SA1084NE	Pitcairn Aviation	Propeller
SA1151SO	Mike Jones Aircraft Sales, Inc.	Propeller and Governor
SA01154CH	D'Shannon Products	Propeller
SA01157CH	McCauley Propeller Systems	Propeller
SA1166GL	D'Shannon Products	Propeller
SA1186NW	Maynard C Crosby	Propeller and Engine
SA01218AT	John Jewell Aircraft, Inc.	Propeller and Engine
SA1225CE	Ly-Con Rebuilding Company	Propeller and Engine
SA1241GL	McCauley Propeller Systems	Propeller
SA1241SO	Jack H. McGee and Kenneth E. Sparks	Propeller
SA01283WI	P. Ponk Aviation	Propeller and Engine
SA01291SE	Nigel Waterhouse & Associates	Propeller
SA01300AT	Davis Aviation	Propeller and Engine
SA01302AT	John Jewell Aircraft, Inc.	Propeller and Engine
SA1334WE	Franklin Aircraft Engines, Inc.	Propeller and Engine
SA01345AT	Air Plains Services	Propeller and Engine
SA1351GL	McCauley Propeller Systems	Propeller
SA1372GL	McCauley Propeller Systems	Propeller
SA1384CE	Avcon Industries	Propeller and Engine
SA1385GL	McCauley Propeller Systems	Propeller
SA1387GL	Floyd C. Moreland	Propeller and Engine
SA01390WI	McCauley Propeller Systems	Propeller
SA01435WI	CAV Aerospace Inc.	TKS Ice Protection System
SA1437CE	Isham Aircraft	Propeller and Engine
SA1450SW	Parks Industries	Propeller and Engine
SA1470NM	Elton George I	Propeller and Engine
SA01478WI	CAV Aerospace Inc.	TKS Ice Protection System
SA1482GL	Wipaire Inc.	Propeller and Engine
SA1489GL	McCauley Propeller Systems	Propeller and Governor

STC Information

STC NUMBER	STC HOLDER	Notes
SA1491GL	McCauley Propeller Systems	Propeller
SA01511WI	McCauley Propeller Systems	Propeller
SA1522GL	Wipaire Inc.	Propeller and Engine
SA01581AT	John Jewell Aircraft, Inc.	Propeller and Engine
SA01583CH	Trace Engines LP	Propeller and Engine
SA1588GL	Wipaire Inc.	Propeller and Engine
SA01591AT	Jerome Ragsdale	Propeller and Engine
SA1593GL	McCauley Propeller Systems	Propeller
SA1598CE	Air Plains Services	Propeller and Engine
SA01601CH	McCauley Propeller Systems	Propeller
SA1623GL	McCauley Propeller Systems	Governor
SA01647AT	McCauley Propeller Systems	Propeller
SA1666NM	Franklin Aircraft Engines, Inc.	Propeller and Engine
SA01673NY	Rocky Mountain Aircraft	Propeller and Engine
SA1691GL	D'Shannon Products	Propeller
SA1750NM	Metal Innovations Inc.	Propeller and Engine
SA1754CE	Air Plains Services	Propeller and Engine
SA1762SO	Mike Jones Aircraft Sales, Inc.	Propeller and Engine
SA1763SO	James D. McArthur	Propeller and Engine
SA1774WE	Columbia Marine	Propeller and Engine
SA01776AT	Air Plains Services	Propeller and Engine
SA01777AT	Davis Aviation	Propeller
SA01815CH	Baumann Floats LLC	Propeller & Floats
SA1835SO	Mike Jones Aircraft Sales, Inc.	Propeller and Engine
SA01847CH	McCauley Propeller Systems	Propeller
SA01848CH	McCauley Propeller Systems	Propeller
SA1864SW	Nogle and Black Aviation	Propeller and Engine
SA02029AT	Atlantic Aero	Propeller, Engine, and Governor
SA02064AK	Take Flight Alaska	Propeller
SA2069NM	Kenmore Air Harbor, Inc.	Propeller and Engine
SA02092SE	P. Ponk Aviation	Propeller and Engine
SA02097CH	McCauley Propeller Systems	Propeller
SA2129NM	Kennis G. Blackman	Propeller and Engine
SA02168CH	McCauley Propeller Systems	Propeller
SA02170AK	Dan's Aircraft Repair, Inc.	Propeller

STC Information

STC NUMBER	STC HOLDER	Notes
SA2200SW	D'Shannon Products	Propeller and Engine
SA2207SO	Mike Jones Aircraft Sales, Inc.	Propeller and Engine
SA2229CE	Northwest Propeller Service	Propeller
SA02253AK	Burl's Aircraft Rebuild, LLC	Propeller
SA02253AT	Yellow Media Group	Propeller and Engine
SA2253CE	Northwest Propeller Service	Propeller
SA02262CH	Chuck Ney Enterprises Inc.	Propeller and Engine
SA02267AK	Univair Aircraft Corporation	Propeller and Engine
SA2278NM	Aerotech	Propeller and Engine
SA02311NY	Alamo Aerospace, Inc.	Propeller and Engine
SA2346SW-D	RAM Aircraft	Propeller and Engine
SA2361SW	D'Shannon Products	Propeller and Engine
SA2375SW-D	RAM Aircraft	Propeller and Engine
SA02388AT	Kilo Alpha 290, LC (National Flight)	Propeller and Engine
SA2397WE	Univair Aircraft Corporation	Propeller
SA2445CE	Meier's Modifications	Propeller and Engine
SA02507AT	Atlantic Aero	Propeller, Engine, and Governor
SA2555NM	Robert C. Sheldon	Propeller and Engine
SA2582NM	American Propeller	Propeller
SA02624AT	Mod Works	Propeller and Engine
SA2628WE	Skyport Services, Inc	Propeller
SA2651NM	Air Classic Rebuilders & Avionics LLC	Propeller and Engine
SA2660SW	D'Shannon Products	Propeller and Engine
SA02670CH	Svenn's Aviation LLC	Propeller and Engine
SA2682NM	Flightcraft, Inc.	Propeller and Engine
SA2689SW-D	RAM Aircraft	Propeller and Engine
SA2711NM	Lake Aero Styling & Repair	Propeller and Engine
SA2714CE	Air Plains Services	Propeller and Engine
SA2728SO	Erik Van Veenan	Propeller
SA2750SW-D	RAM Aircraft	Propeller and Engine
SA02751CH	Svenn's Aviation LLC	Propeller
SA2782SW-D	RAM Aircraft	Propeller and Engine
SA2830SO	Davis Aviation	Propeller and Engine
SA2882WE	U.S. Propeller of Connecticut	Propeller
SA2933SO	Davis Aviation	Propeller and Engine

STC Information

STC NUMBER	STC HOLDER	Notes
SA2998SO	Mike Jones Aircraft Sales, Inc.	Governor
SA3064NM	Robert C. plummer	Propeller
SA3104SO	Aero Mod	Propeller and Engine
SA3106SO	Mod Works	Propeller and Engine
SA03141AT	John Jewell Aircraft, Inc.	Propeller and Engine
SA3237NM	American Propeller	Propeller
SA3238NM	American Propeller	Propeller
SA3243SO	Davis Aviation	Propeller and Engine
SA3293WE	Ronald T Hagerman	Propeller
SA03406AT	Wright Aircraft Technology, LLC	Propeller
SA3567NM	Robert Craner	Propeller
SA3825SW	Peterson's Performance Plus, Inc.	Propeller and Engine
SA3845SW	D'Shannon Products	Propeller and Engine
SA4011SW-D	RAM Aircraft	Propeller and Engine
SA4014NM	Li'l Red Aero, Inc	Propeller
SA4379SW-D	RAM Aircraft	Propeller and Engine
SA4428SW	Air Plains Services	Propeller and Engine
SA4444NM	Robert Craner	Propeller
SA4546SW-D	RAM Aircraft	Propeller and Engine
SA4903NM	Aviation Research Systems	Propeller and Engine
SA4938NM	Methow Aviation	Propeller and Engine
SA5035NM	Arizona Air-Craftsman	Propeller and Engine
SA5129NM	Jon R. Frasier	Propeller and Engine
SA5223NM	Engine Technologies (Tornado Alley Turbo)	Propeller and Engine
SA5463SW	Chris Rice	Propeller and Engine
SA5527SW	D'Shannon Products	Propeller and Engine
SA5635SW	D'Shannon Products	Propeller and Engine
SA5664NM	P. Ponk Aviation	Propeller and Engine
SA5682NM	West Star Aviation, Inc.	Propeller and Engine
SA5691NM	Rocket Engineering	Propeller and Engine
SA5695NM	Robert K. Lierman	Propeller and Engine
SA5786SW	Blackhawk Modifications	Propeller and Engine
SA5882SW	U.S. Propeller of Connecticut	Propeller
SA5896NM	American Propeller	Propeller
SA5966NM	P. Ponk Aviation	Propeller and Engine

STC Information

STC NUMBER	STC HOLDER	Notes
SA7088NM	Russell Druett	Propeller and Engine
SA7365SW-D	RAM Aircraft	Propeller and Engine
SA7382SW-D	RAM Aircraft	Propeller and Engine
SA7435SW	Univair Aircraft Corporation	Propeller and Engine
SA7441SW	The International Cessna 170 Association	Propeller and Engine
SA7463SW-D	RAM Aircraft	Propeller and Engine
SA7570SW-D	RAM Aircraft	Propeller and Engine
SA7855SW	Commander Premier Aircraft Corporation	Propeller
SA8604SW-D	RAM Aircraft	Propeller and Engine
SA8634SW-D	RAM Aircraft	Propeller
SA8726SW-D	RAM Aircraft	Propeller
SA8727SW-D	RAM Aircraft	Propeller
SA8728SW-D	RAM Aircraft	Propeller
SA8839SW-D	RAM Aircraft	Propeller
SA8842SW	Texas Skyways, Inc.	Propeller and Engine
SA8920SW-D	RAM Aircraft	Propeller and Engine
SA8950SW	Texas Skyways, Inc.	Propeller and Engine
SA8951SW	Texas Skyways, Inc.	Propeller and Engine
SA8981SW-D	RAM Aircraft	Propeller and Engine
SA8989SW-D	RAM Aircraft	Propeller and Engine
SA09018SC	Texas Skyways, Inc.	Propeller and Engine
SA09022SC-D	RAM Aircraft	Propeller
SA09026SC	Texas Skyways, Inc.	Propeller and Engine
SA09105SC-D	RAM Aircraft	Propeller and Engine
SA09132SC	Texas Skyways, Inc.	Propeller and Engine
SA09133SC	Texas Skyways, Inc.	Propeller and Engine
SA09400SC	Texas Skyways, Inc.	Propeller and Engine
SA09558SC	Texas Skyways, Inc.	Propeller and Engine
SA09574SC-D	RAM Aircraft	Propeller and Engine
SA09603SC	Hammock Aviation Services, Inc.	Propeller and Engine
SA09619SC	Hammock Aviation Services, Inc.	Propeller and Engine
SA09850AC	McCauley Propeller Systems	Propeller
SA10364SC	Blackhawk Modifications	Propeller and Engine
SA10406SC	Alamo Aerospace, Inc.	Propeller
SA10811SC	Alamo Aerospace, Inc.	Propeller and Engine

STC Information

STC NUMBER	STC HOLDER	Notes
SA10842SC	Enhanced Aero, LLC	Engine
SA10944SC	Alamo Aerospace, Inc.	Propeller and Engine

STC Holder Information

Name	Address 1	Address 2	City	State	Zip	Phone 1	Phone 2	Fax	Email	Web Site
AEROSPACE SYSTEMS & TECHNOLOGIES INC.	2734 Arnold Court		Salina	KS	67401	785-493-0946		785-493-0950		www.weepingwings.com
AEROTECH	2502 John Montgomery Dr.		San Jose	CA	95148					
AERO UPGRADE, LLC	4295 Nonchalant Circle N		Colorado Springs	CO	80917					
AIR CLASSIC REBUILDERS & AVIONICS LLC	2108 W. Washington Ave.		Yakima	WA	98903					
AIR-LIQUID CORPORATION	6427 East Rutter Rd.	Felts Field	Spokane	WA	99212					
AIR PLAINS SERVICES, CORP.	439 North West Road	Wellington Airport	Wellington	KS	67152	800-752-8481	620-326-8904	620-326-5346	sales@airplains.com	www.airplains.com
ALAMO AEROSPACE, LP	PO Box 1209	351 Airport Drive	Decatur	TX	76234	940-527-6709		940-627-6830	Jack@alamoaerospace.com	www.alamoaerospace.com
ALASKA PROPELLER SPECIALISTS, INC.	5251 Lakeshore Drive		Anchorage	AK	99502					
ALSWORTH, WAYNE C JR	P.O. Box 268		Sterling	AK	99672					
AMERICAN PROPELLER SERVICE	20208 Charlanne Dr.		Redding	CA	96002	800-292-7767	530-221-4470	530-221-5201		www.americanpropeller.com/
AR CUSTOM AERO ENGINES LTD	11905-99	Canada	Surrey	BC	V3V2M6					
ARIZONA AIR-CRAFTSMAN	290 Shrine Road #5		Sedona	AZ	86336					
ATLANTIC AERO, INC. (AERO MOD)	705 Indeneer Drive		Kernersville	NC	27284	336-992-1100				
AVCON INDUSTRIES, INC.	526 N Oliver Hanger J		Wichita	KS	67114					
AVIATION RESEARCH SYSTEMS	P.O. Box 1357	Sandy River Airport	Sandy	OR	97055					
BAUMANN FLOATS LLC	10-1 Airport Road		New Richmond	WI	54017	715-246-9352		715-246-9379	birkemeyer@baumannfloats.com	www.baumannfloats.com
BLACKHAWK MODIFICATIONS, INC.	7601 Karl May Drive		Waco	TX	76708	254-755-6711		254-754-1532		www.blackhawk.aero
BLACKMAN, KENNIS G.	7305 97th Avenue SE		Snohomish	WA	98290					
BOLIN, HARVEY			Brandon	MN	56315					
BORER PROP ALASKA	531 Falcon View Street		Fairbanks	AK	99712	907-457-6365			mdgavin@hotmail.com	
BRADWAY, LAWRENCE			North Windham	ME	04062					
BURL'S AIRCRAFT REBUILD, LLC	PO Box 671487		Chugiak	AK	99567-1487	907-688-3715	877-688-3715	907-688-5031		
CAV AEROSPACE INC.	2734 Arnold Court		Salina	KS	67401	888-865-5511	785-493-0946	785-493-0950	tkssales@weepingwings.com	www.weepingwings.com
CHRISTIANSON R B	10510-1/2 Mather Ave.		Sunland	CA	91040					
CHUCK NEY ENTERPRISES INC.	9410 East 46th St. North		Tulsa	OK	74117	918-836-5323			info@chuckneyevent.com	www.chuckneyevent.com/stcs_mods.asp
CLASSIC AIRE INC.	276 Old Dallas Road SW		Cartersville	GA	30120	770-386-7435		770-607-3051	g.aire@mindspring.com	
COLEMILL ENTERPRISES, INC.	PO Box 60627	Cornelia Fort Airpark	Nashville	TN	37206	615-226-4256		615-226-4702		www.colemill.com
COLUMBIA MARINE LLC	95 Penny Creek Drive		Bluffton	SC	29909					
COMMANDER PREMIER AIRCRAFT CORP.	3971 Godwin Memorial Dr.	Cape Girardeau Regional	Cape Girardeau	MO	63701	573-332-0880		573-332-0924	parts@commanderpremier.com	www.commanderpremier.com
CRANER, ROBERT A.	2401 Gondar Avenue		Long Beach	CA	90815					
CROSBY, MAYNARD C.	P.O. Box 2361		Everett	WA	98204					
CROSSWINDS, S.T.O.L.	HC 36 Box 2950		Wasilla	AK	99654					
CUB CRAFTERS LLC	1920 South 16th		Yakima	WA	98903	509-248-1025		509-853-2783	vera@cubcrafters.com	www.cubcrafters.com
DAN'S AIRCRAFT REPAIR	1931 Merrill Field Drive		Anchorage	AK	99501	907-278-9516		907-278-9517		
DAVIS AVIATION SERVICE	117 Fox Hall Circle		Bristol	TN	37616	423-652-1113		423-652-2503	dasi@naxs.net	
DAY & NIGHT, INC	1729C SRA		Anchorage	AK	99507					
D'SHANNON PRODUCTS	125 Idaho Avenue North		Golden Valley	MN	55427	800-291-7616	763-559-5998	763-535-3759	d-shannon-aviation@comcast.net	www.d-shannon-aviation.com/
DRUETT, RUSSELL CO	1458 W. Jacinto View Rd.		Banning	CA	92220-4301	951-849-5356			les.druett@yahoo.com	
DUNCAN, ROBERT W.	591 West Street		Louisville	CO	80027					
EAA AVIATION FOUNDATION	P.O. Box 2591	Wittman Airfield	Oshkosh	WI	54903					
ENHANCED AERO, LLC	5020 Canyon Trail		McGregor	TX	76857	254-848-2668			grady@enhanced.aero	
FELTS FIELD AVIATION	3100 North Division		Spokane	WA	99207					
FLIGHTCRAFT, INC. / PORTLAND	7505 NE Airport Way	Portland International Airport	Portland	OR	97218	503-331-4288		503-282-1200		
FRANKLIN AIRCRAFT ENGINES, INC	136 Racquette Drive		Fort Collins	CO	80524	970-224-4404		803-359-3158		
FRASIER, JON R.	945 East South Slope road		Emmett	ID	83617					
FROST, JAMES	8222 NW 143rd St.		Gig Harbor	WA	98329					
GACKSTETTER, CK	PO Box 7065		East Wenatchee	WA	98022					
GEORGE, ELTON I	14909 Tester Road		Snohomish	WA	98290					
HAGERMAN, RONALD T	unknown									
HAMMOCK AVIATION SERVICES INC.	3002 W. Ennis Avenue	Ennis Municipal Airport	Ennis	TX	75119	972-875-4279		972-878-8505		
THE INTERNATIONAL CESSNA 170 ASSOCIATION	22 Vista View Lane		Cody	WY	82474	307-587-6397		307-587-4297	headquarters@cessna170.org	www.cessna170.org
ISHAM AIRCRAFT	4300 Palos Verdes		Valley Center	KS	67147	316-640-4840		316-755-0713		
JAMESTOWN AVIATION	P.O. Box 427		Jamestown	ND	58401					
JOHN JEWELL AIRCRAFT	PO Box 399	162 A.Q. Greer Dr.	Holly Springs	MS	38635	662-252-6377		662-252-2700	csaunders@johnjewellaircraft.com	
JORDAN, JERRY L.	8711 High Drive		Leawood	KS	66206					
JORDAN PROPELLER SERVICE	103 East Rhapsody		San Antonio	TX	78216	210-344-3064		210-344-9433	jordprop@netexpress.com	
KENMORE AIR HARBOR	PO Box 82064		Kenmore	WA	98028-0064	800-423-5526		425-486-5471	part@kenmoreair.com	www.kenmoreair.com
KWAD COMPANY	4530 Jettridge Dr. NW		Atlanta	GA	30327					
LAKE AERO STYLING & REPAIR	900 F Skypark Drive		Lakeport	CA	95453	707-263-0412		707-263-0420	service@lasar.co	www.lasar.com
LAING, TOM	1761 Danube Ct.		Aurora	CO	80011					
LIERMAN, ROBERT K.	290 NE Cleveland Avenue #3		Gresham	OR	97030					
LIL RED AERO, INC.	Route 1, Box 20	Municipal Airport	Kearney	NE	68847					
LOPRESTI SPEED MERCHANTS	2620 Airport North Drive		Vero Beach	FL	32960	800-859-4757	772-562-4757	772-563-0446		www.speedmods.com

STC Holder Information

Name	Address 1	Address 2	City	State	Zip	Phone 1	Phone 2	Fax	Email	Web Site
LY-CON REBUILDING COMPANY	9500 W Airport Rd.		Visalia	CA	93277					
MACHen, Inc	South 3410 Davidson Blvd		Spokane	WA	99204					
MATANUSKA AIR SERVICE, INC	P.O. Box 786		Palmer	AK	99645					
MATHEWS, ROBERT	23299 Aldo Road NW		Poulsbo	WA	98370					
McARTHUR, JAMES D.	3855 Groveland Road		Ortonville	MI	48462					
McGEE, JACK H. AND SPARKS, KENNETH E.	4435 Holmes Ave		N. Charleston	SC	29406					
MEIER'S MODIFICATIONS	220 East Airport Ave.		Venice	FL	34285					
MERLYN PRODUCTS, INC.	West 7500 Park Drive		Spokane	WA	99224-5726	509-838-7500		509-838-7501		www.merlynproducts.com
METAL INNOVATIONS INC.	22255 Yellow Gate Lane NE		Aurora	OR	97002					
METHOW AVIATION INC	Hangar 201	Paine Field	Everett	WA	98204					
MIKE JONES AIRCRAFT SALES, INC.	1932 Memorial BLVD		Murfreesboro	TN	37129	615-390-0915		615-896-5688	mike@mikejonesaircraft.com	www.mikejonesaircraft.com
MOD WORKS	8250 Skyline Way		Punta Gorda	FL	33982					
MORELAND, FLOYD C	5000 Manor Court		Evansville	IN	47710					
NATIONAL FLIGHT SERVICE	10971 E. Airport Services Rd.		Swanton	OH	43558	419-865-2311		419-866-8310	info@nationalflight.com	www.nationalflight.com/
NELSON, HAROLD G.	3005 S.W. Marshall St.		Pendleton	OR	97801					
NIGEL WATERHOUSE & ASSOCIATES	4260 Cedar Vista Drive		Clinton	WA	98236					
NOGLE AND BLACK AVIATION	880 North County Rd 900 East		Tuscola	IL	61953	217-253-4342				
NORTHWEST AERO AIRCRAFT SERVICES	2036 W. Bakersfield Rd.		Bellingham	WA	98225					
NORTHWEST PROPELLER SERVICE INC.	16709 Meridian Street E, unit 3		Puyallup	WA	98375	253-770-7400		253-770-7400	nwpropeller@seanet.com	
NOYES, STEPHEN (NOYES ENTERPRISES)	92 Hanover St.		Newbury	MA	01951	978-836-0361	978-462-0966		MisterL19@aol.com or MisterL19@comcast.net	
P. PONK AVIATION	Camano Island Airfield	1212 North Moore Road #2	Camano Island	WA	98282-8820	360-629-4812		360-629-4811	info@pponk.com	www.pponk.com
PARKS INDUSTRIES LTD., INC.	PO Box 32205	7955 S. Osage St.	Amarillo	TX	79120	806-622-0602		806-622-1169		
PENN YAN AERO SERVICES	2499 Bath Road		Penn Yan	NY	14527	800-727-7230	315-536-2333	315-536-2335		www.PennYanAero.com
PETERSON'S PERFORMANCE PLUS	1465 SE 30th	El Dorado Municipal Airport	El Dorado	KS	67042	316-320-1080				
PITCAIRN AVIATION	24 Terwood Drive		Bryn Athyn	PA	19009					
PK FLOATS (C/O Devore Aviation Corp)	6104-B Kircher Blvd. N.E.		Albuquerque	NM	87109					
PLUMMER, ROBERT C.	P.O. Box 525	Challis Municipal Airport	Challis	ID	83226					
RAGSDALE, JEROME	65 Mosby Woods		Newman	GA	30265					
RAISBECK ENGINEERING, INC.	4411 S. Ryan Way		Seattle	WA	98178	800-537-7277	206-723-2000	206-723-2884		www.raisbeck.com/
RAM AIRCRAFT, LP	7505 Karl May Drive	Waco Regional Airport	Waco	TX	76708	254-752-8381		254-752-3307		www.ramaircraft.com
RICE, CHRIS	North Texas Aero Inc.	PO Box 428	Roanoke	TX	76262					
RIPPLINGER, PAUL	509 Garden Ave. NW		West Fargo	ND	58078					
ROCKET ENGINEERING	6427 E. Rutter Ave		Spokane	WA	99212	509-535-4401		509-534-2025		www.rocketengineering.com
ROCKY MOUNTAIN AIRCRAFT	c/o Springbank Airport	Box 27 Site 16, R.R. 2	Calgary, ALBERTA	CANADA	T2P 2G5	403-288-3305		403-247-6846		
ROBINSON, PAUL	604 S. 136 Street		Seattle	WA	98101					
RUSSELL CONVERSIONS, INC	7829 Windower Way		Titusville	FL	32780					
S & S PIPELINE PATROL	P.O. Box 787		Dickinson	TX	77539					
SHEA, FRANK	48 Spaldings East Shore		Colchester	VT	05446					
SHELDON, ROBERT C.	2261 Strodella Road		Los Angeles	CA	90077					
SHORT WING PIPER LUB LIBRARY	5500 Sullivan Street		Cashmere	WA	98815					
SKYPORT SERVICES, INC	4996 Delaware Turnpike	P.O. Box 249	Rensselaerville	NY	12147					
SUMMIT AVIATION	P.O.> Box 258		Middletown	DE	19709					
SVENN'S AVIATION LLC	1432 176th Ave		New Richmond	WI	54017	651-324-4475			svennandsons@yahoo.com	
SWIFT MUSEUM FOUNDATION, INC.	PO Box 644	217 Co. Rd. 552	Athens	TN	37371-0644	423-745-9547		423-745-9869	swiftlychs@aol.com	
TAKE FLIGHT ALASKA	1740 E. 5th Street		Anchorage	AK	99501					
TEAM LUSCOMBE, LLC	241 South Washington Street		Chandler	AZ	85225	480-917-0969		480-917-4719		
TEXAS SKYWAYS	308 Boerne Stage Airfield		Boerne	TX	78006	830-755-8989		830-755-2384	txskway@texas.net	
THOMPSON'S AIR	4375 Six B Road		Anderson	CA	96007					
TORNADO ALLEY TURBO, INC.	300 Airport Road		Ada	OK	74820	877-359-8284	580-332-3510	580-332-4577		www.taturbo.com
TRACE ENGINES LP	3000 W. Interstate 20		Midland	TX	79701	432-618-7223	877-359-8284	432-618-8745		www.traceengines.com/
UNIVAIR AIRCRAFT CORPORATION	2500 Himalaya Road		Aurora	CO	80011	888-433-5433	303-375-8882	303-375-8888		www.univair.com/
U.S. PROPELLER SERVICE OF CONNECTICUT C/O NEW ENGLAND PROPELLER	6 Matthews Dr.	PO Box 244	East Haddam	CT	06423	860-873-1494	800-878-6377	860-873-2388		www.airplanepropeller.com/
VAN VEENEN, ERIK	Am Hassel 13		26892 Heede/EMS	Germany		011-49-4963919404			Penn-Ax-5D@T-online.de	
WEBER'S AERO REPAIR	P.O. Box 264		Alexandria	MN	56308					
WEBLEY, RICHARD W.	Skyport	P.O. Box 1229	Harrisburg	PA	17105					
WEST STAR AVIATION	796 Heritage Way		Grand Junction	CO	81502-4490	800-255-4193	970-243-7500	970-242-5178		www.aimav.com/airport/KGJT/WEST_STAR
WILLIAMS, ROBERT OR BARBARA	213 N. Clark		Udall	KS	67146	620-782-3317				
WIPAIRE, INC.	8520 River Road		Inver Grove Heights	MN	55076	651-451-1205		651-451-1786	sales@wipaire.com	www.wipaire.com/
WRIGHT AIRCRAFT TECHNOLOGIES LLC	151 D W Wright Road		Moultrie	GA	31788	229-324-3163			wrightaircraft@windstream.net	
XP MODIFICATIONS INC.	200-C Airport Way, Bldg 3840		East Wenatchee	WA	98802					
YELLOW MEDIA GROUP	Lot A-North	Ribas Dominicki Airport	San Juan	PR	00936					

STC Holder Information

Name	Address 1	Address 2	City	State	Zip	Phone 1	Phone 2	Fax	Email	Web Site
ZELLER, LOUIS ("MIKE") M., JR	8875 Meinschein Rd.		Mount Vernon	IN	47620	812-985-5883				
ZMUDA, BRUCE V.	531 Falcon View Street		Fairbanks	AK	99712	907-694-9861				

STC FOREIGN APPROVALS

Propeller Model	Aircraft	Aircraft S/N Range	Country	EASA Approved Yes = "X"	Foreign Approval Document Number	FAA STC Number	DATE
1A101/DCM6948	Cessna 150		UK		AAN 20701		
2A34C203/90DCA-X	Cessna 180 - 180F Cessna 182 - 182L		UK	X	AAN 28041	SA01033CH	12/18/02
2A37C223/90RB-6	Beech 35-33, -A33, -B33, -C33, -C33A E33, E33A, E33C, F33, F33A, F33C, G33, H35, J35, K35, M35, N35, P35, S35, V35, V35A, V35B 36, A36		Italy	X	99/287/MAE	SA1489GL	01/26/99
B3D34C405/90DFA-13	Commander 114		Germany	X	1028 Hoffmann Propeller	SA4444NM	02/01/87
D3A32C411/82NDB-4	Cessna 182 - 182P		Germany		E-145-E MT-Propeller		09/19/86
B3D32C412/82NDA-5	Piper PA-24-250		Germany	X	STC SA 1206 M214/M203/586/2001	SA00773CH	02/13/01
B3D32C412/82NDA-5	Piper PA-24-250		Italy	X	99/1452/MAE	SA00773CH	04/14/99
B3D32C412/82NDA-5	Piper PA-24-250		UK	X	AAN 26568 Issue 1	SA00773CH	10/01/98
B3D32C412/82NDA-5	Piper PA-24-250		UK	X	AAN 26568 Issue 2 (noise approval)	SA00773CH	04/11/00
B3D36C424/74SA-0	Piper PA-28R-200		Australia		F94/1846	SA129CH	11/14/94
B3D36C427/82NGA-2	Piper PA-32-300, PA-32R-300, PA-32RT-300		UK	X	AAN 26467	SA433CH	03/31/98
B3D36C429/82NPA-6	Beech A23-24, 24, A24, A24R, B24R, C24		Germany	X	EASA.IM.A.S.02322	SA496CH	05/22/07
B3D36C431/80VSA-1	R182	R18201314 and up	Brazil		2013S02-06	SA00797CH	02/19/13
B3D36C431/80VSA-1	FR182	FR18200043 and up	Germany	X	EASA.IM.A.S.01875	SA00798CH	06/08/06
B3D36C433/80VSA-1	R182	R18200001 - R18201313	Brazil		2013S02-06	SA00797CH	02/19/13
B3D36C433/80VSA-1	FR182	FR18200001 - FR18200045	Germany	X	EASA.IM.A.S.01875	SA00798CH	06/08/06
B3D36C433/80VSA-1	Piper PA-32-300, PA-32R-300, PA-32RT-300, PA-32-301, PA-32R-301(SP)		UK	X	AAN 26467	SA433CH	03/31/98
3A36C434/80VEA-0	Beech E-33		Japan		STC 11-98-006 TCF-1-201A (KSA-PRO-HS-01)	SA00718CH	07/18/98
D3A36C435/80VEA-0	Cessna 180 - 180H Cessna 182 - 182K, P		Argentina		CTS 0506.05 A	SA00819CH	07/07/05
D3A36C435/80VEA-0	Cessna 180 - 180H Cessna 182 - 182K, P		Norway	X	2001-0028	SA00819CH	09/13/01
D3A36C435/80VEA-0	Cessna 210, A, B, C, 210-5		Argentina		CTS 0808.17 (A)	SA00920CH	08/14/08
D3A36C435/80VEA-0	Cessna 210, A, B, C, 210-5		Germany	X	STC SA 1205	SA00920CH	02/13/01
D3A34C443/78CYA-0	Cirrus SR22		Brazil		2011S05-13	SA01870CH	05/23/11

STC FOREIGN APPROVALS

Propeller Model	Aircraft	Aircraft S/N Range	Country	EASA Approved Yes = "X"	Foreign Approval Document Number	FAA STC Number	DATE
D3A34C444/78MLA-0	Cessna 350 LC42-550FG		Brazil		2007S07-01	SA01390WI	07/26/07
D3A34C444/78MLA-0	Cessna 350 LC42-550FG		EASA	X	10043935	SA01390WI	03/06/13
D3A34C447/78MLB-0	Cessna 400 LC41-550FG		Brazil		2009S08-08	SA01511WI	08/11/09
D3A34C447/78MLB-0	Cessna 400 LC41-550FG		EASA	X	10029619	SA01511WI	06/04/10
3AF32C528/82NEA-(X)	Cessna 310P, Q, T310P, Q and R		UK	X	AAN 27412	SA00880CH	06/26/00
4HFR34C652/L106LA-0	Jetstream J31		Canada		STC SA89-62	SA1372GL	09/28/89
4HFR34C652/L106LA-0	Jetstream J31		UK	X	AAN 27314	SA1372GL	05/19/00
4HFR34C754/94LA-0	Beech 200 & B200		Brazil		STC 9711-01	SA1036GL	11/10/97
4HFR34C754/94LA-0	Beech 200, 200C B200, B200C		Germany	X	TCDS 2407		01/24/96
				X			
4HFR34C762/94LMA-4	Beech C90, C90A, E90		Brazil		STC 9608-03 247-FDH/IFI	SA1241GL	09/11/98
4HFR34C762/94LMA-4	Cessna 425		France	X	STC IM12-SI-001	SA1491GL	12/29/99
4HFR34C762/94LMA-4	Beech C90A, E90		Germany	X	NTC 06.910.2021 (noise approval)		05/07/90
4HFR34C763/94LMA-4	Beech 65-A90, B90, C90		Brazil		STC 9608-03 247-FDH/IFI	SA1241GL	09/11/98
4HFR34C763/94LMA-4	Beech 65-A90, B90, & C90		Germany	X	NTC 06.910.2021 (noise approval)		05/07/90
4HFR34C764/94LMB-0	DHC-6-300		Canada		SA01-76 Rocky Mountain Aircraft	SA01673NY	
4HFR34C764/94LMB-0	DHC-6-300		Canada		STC SA99-6 Issue 1	SA1385GL	02/15/99
4HFR34C766/94LNA-2	Piper PA-31T		Argentina		CTS 080716	SA1593GL	07/07/08
4HFR34C766/94LNA-2	Piper PA-31T	S/N 31T7720001 and up use supplement No. 01/CTA/94 S/N 31T760057 and below use supplement No. 02/CTA/94.	Brazil		STC 9510-05	SA1593GL	11/13/95
4HFR34C771/94LA-0	Beech 200, B200		Brazil		STC 9711-01	SA1036GL	11/10/97
4HFR34C775/96MGA-0	Cessna 208, A, B		Brazil		STC# 2007S07-04	SA02168CH	07/24/07
4HFR34C775/96MGA-0	Cessna 208, A, B		Korea		STCA200801	SA02168CH	08/13/08
4HFR34C778/102BHA-0	Cessna 208B EX		Brazil		2016S05-03	SA09850AC	05/11/16
5HFR34C1008/96LTA-0	Beech 200, B200		Brazil		STC 2008S09-06	SA01157CH	09/18/08

OEM Kits

Fairchild (M7)

SA227-AC	Metro III, C-26A
SA227-AT	Merlin IV C
SA227-BC	Metro III, C-26A
SA227-CC	Metro 23
SA227-DC	Metro 23, C-26B

D-6933 kits contain all parts required for one side of aircraft including propeller, spinner, and deice hardware. They also can be used for Dowty to McCauley conversion on AC and AT aircraft.

Quantity per Aircraft	McCauley P/N	Part Description
2	D-6933	OEM Kit (AC, AT, BC, CC, DC) (P6525322-0407)

***The following engine parts are required if converting from Dowty to McCauley, but are not supplied with the D-6933 kits.**

QTY	Honeywell P/N	Description
2	897478-2	Beta Tube
2	897542-8**	Beta Switch
2	70100080-17***	Prop Pitch Control Cam Assy

Additional information:

- * Refer to Honeywell Service Bulletin's SB 72-0521, SB 72-0968, and SB 72-2190 for engine conversion procedures.
- ** SA227-BC, -DC aircraft can use optional 897542-7 beta switch (refer to Honeywell SB 77-0078).
- *** Can also use P/N 70000297-17 which is a reworked 895475-17 per Honeywell SB 72-2190.

D-6935 Field Replacement Kit (airline spare) contains a P6525322-0407 propeller with a bulkhead, slip ring, and wiring harnesses.

OEM Kits

Jetstream J32

OEM kits contain all parts required for one side of aircraft including propeller, spinner, and deice hardware. They also can be used for Dowty to McCauley conversion. The deice timer used for the Dowty propellers is also used for the McCauley.

Quantity per Aircraft		McCauley P/N	Part Description
2		D-7353	OEM kit (P6536401-0455) (painted spinner)
	OR		
2		D-7354	OEM kit (P6536401-0455) (polished spinner)

These OEM kits contain all propeller parts required from the brush block assembly forward.

***Note: The following engine parts are required for the conversion, but are not supplied with the kits.**

Quantity per Aircraft	Honeywell P/N	Part Description
2	897478-2	Beta Tube
2	865956-7	Beta Pressure Switch
2	70100080-17**	Prop Pitch Control Cam Assembly

Additional information:

* Refer to Honeywell Service Bulletin's TPE331-72-0649, TPE331-72-0968, and TPE331-72-2190 for procedures to convert engine parts from Dowty to McCauley propellers.

** Can also use P/N 70000297-17 which is a reworked 895475-17 per Honeywell SB TPE331-72-2190.

*** BAE service bulletin no. 61-JA900242 contains the accomplishment instructions and lists the new parts necessary to convert the aircraft from Dowty to McCauley. Also need Flight Manual amendment from BAE.

D-7355 Field Replacement Kit (airline spare) propeller with slip ring, bulkhead, and wire harness.

OEM Kits

Jetstream J41

<u>-X kits</u>	<u>Propeller Model</u>	<u>Propeller Part Number</u>
-1	B5JFR36C1101/114GCA-X	P11016416-0116
-2	C5JFR36C1102/L114GCA-X	P11026417-0117
-3	B5JFR36C1103/114HCA-X	P11036416-0116
-4	C5JFR36C1104/L114HCA-X	P11046417-0117
	Replacement Propeller Kit (Airline spare)	
D-6990-X	propeller fully assembled	
D-6990-XTD	propeller disassembled	
	Contains propeller assembly, bulkhead, slip ring, wire harness and associated hardware.	
	Breakdown Propeller Kit	
D-7219-X	propeller disassembled	
	Contains propeller assembly. It does not contain wire harness, slip ring, or spinner assembly	

Overhaul and Oil Fill Conversion Kits

Prop	Kit	Notes
C652	PL-6402	Overhaul Kit
C653	PL-7357	Overhaul Kit
C703	PL-6404	Overhaul Kit (Electric De-Ice)
C703	PL-8022	TKS Overhaul and Conversion Kit
C703	PL-8026	TKS Overhaul Kit
C764	PL-6403	Overhaul Kit
C1003	PL-6484	Overhaul Kit
C1101	PL-6899	Overhaul Kit
C1102	PL-7223	Overhaul Kit
C1103	PL-6899	Overhaul Kit
C1104	PL-7223	Overhaul Kit

Governor P/N

Model	P/N	OEM P/N	Synch	Rotation	Replacement	Replacement Service Information
C290D1/T1		Cessna C161030-0101		Standard	C290D3/T1	
C290D2/T1	D-20088-1	Cessna C161030-0102		Standard	C290D3/T1	
C290D2/T2	D-20088-2	Cessna C161030-0103		Standard	C290D4/T2	
C290D2/T3	D-20088-3			Standard	DC290D1/T1 C290D3/T3	SL 1995-22
C290D2/T4	D-20088-4	Cessna C161030-0104		Standard	C290D4/T4	
C290D2/T5	D-20088-5	Cessna C161030-0105		Standard	C290D3/T5	
C290D2/T6	D-20088-6	Cessna C161030-0106		Standard	C290D3/T6	
C290D2/T7	D-20088-7	Beech 35-380088		Standard		
C290D2/T8	D-20088-8	Beech 33-380008		Standard		
C290D2/T9	D-20088-9	Cessna C161030-0107		Standard	C290D3/T9	
C290D2/T10	D-20088-10			Standard	C290D3/T10	
C290D2/T11	D-20088-11	Cessna C161030-0108		Standard	DC290D1/T2 C290D3/T11	
C290D2/T12	D-20088-12	Cessna C161030-0109		Standard	DC290D1/T3 C290D3/T12	
C290D2/T13	D-20088-13			Standard		
C290D2/T16	D-20088-16			Standard		
C290D3/T1	D-20309-1	Cessna C161031-0101		Standard		
C290D3/T3	D-20309-3			Standard	DC290D1/T1	SL 1995-22
C290D3/T5	D-20309-5	Cessna C161031-0102		Standard		
C290D3/T6	D-20309-6	Cessna C161031-0103		Standard		
C290D3/T9	D-20309-9	Cessna C161031-0104		Standard		
C290D3/T10	D-20309-10			Standard		
C290D3/T11	D-20309-11	Cessna C161031-0105		Standard	DC290D1/T2	SL 1995-22
C290D3/T12	D-20309-12	Cessna C161031-0106		Standard	DC290D1/T3	SL 1995-22
C290D3/T14	D-20309-14	Cessna C161031-0107		Standard		
C290D3/T15	D-20309-15	Cessna C161031-0108		Standard		
C290D3/T16	D-20309-16	Cessna C161031-0109		Standard	DC290D1/T4	SL 1995-22
C290D3/T18	D-20309-17	Cessna C161031-0112		Standard	DC290D1/T6	SL 1995-22
C290D3/T19	D-20309-18	Cessna C161031-0110		Standard		
C290D3/T20	D-20309-21	Mooney 660115-505		Standard		
C290D3/T21	D-20309-19	Cessna C161031-0111		Standard	DC290D1/T7	SL 1995-22

Governor P/N

Model	P/N	OEM P/N	Synch	Rotation	Replacement	Replacement Service Information
C290D3/T22	D-20309-20	Cessna C161031-0113		Standard	DC290D1/T8	SL 1995-22
C290D3/T23	D-20309-22	Beech 35-380088-3 Cirrus 15524-001		Standard		
C290D3/T26	D-20309-23			Standard	DC290D1/T10	SL 1995-22
C290D3/T27	D-20309-24	Mooney 660115-507		Standard	DC290D1/T11	SL 1995-22
C290D3/T29	D-20309-25			Standard	DC290D1/T12	SL 1995-22
C290D3/T30	D-20309-26			Standard	DC290D1/T14	SL 1995-22
C290D3/T31	D-20309-27			Standard	DC290D1/T15	SL 1995-22
C290D3/T33	D-20309-29			Standard	DC290D1/T16	SL 1995-22
C290D3/T34	D-20309-30			Standard		
C290D3/T35	D-20309-31			Standard		
C290D3/T36	D-20309-32			Standard		
C290D3/T37	D-20309-33	Beech 35-380088-7		Standard		
C290D3/T38	D-20309-34			Standard	DC290D1/T17	SL 1995-22
C290D3/T39	D-20309-35			Standard	DC290D1/T18	SL 1995-22
C290D3/T40	D-20309-36			Standard		
C290D3/T41	D-20309-37			Standard	DC290D1/T19	SL 1995-22
C290D3/T42	D-20309-38			Standard	DC290D1/T20	SL 1995-22
C290D3/T43	D-20309-39			Standard		
C290D3/T44	D-20309-40			Standard	DC290D1/T21	SL 1995-22
C290D3/T45	D-20309-41	Mooney 660115-511		Standard	C290D8/T1	SL 2001-20C
C290D3/T46	D-20309-46	Mooney 660115-521		Standard		
C290D3/T47	D-20309-47			Standard		
C290D3/T48	D-20309-48	Mooney 660115-523		Standard	C290D8/T2	SL 2001-20C
C290D3/T49	D-20309-49			Standard		
C290D3/T50	D-20309-50			Standard		
C290D3/T51	D-20309-51			Standard		
C290D3/T53	D-20309-53			Standard		
C290D4/T2	C-20373-1	Cessna C161032-0101		Standard		
C290D4/T4	C-20373-2	Cessna C161032-0102		Standard		
C290D4/T5	C-20373-3			Standard		
C290D5/T17	D-20611-1			Standard	DC290D1/T5	SL 1995-22
C290D5/T24	D-20611-2	Mooney 660115-000		Standard	DC290D1/T9	SL 1995-22

Governor P/N

Model	P/N	OEM P/N	Synch	Rotation	Replacement	Replacement Service Information
C290D6/T28	D-20831-1			Counter		
C290D7/T1	D-20911-1			Counter		
C290D7/T2	D-20911-2			Counter		
C290D7/T3	D-20911-3			Counter		
C290D8/T1	D-20960-1	Mooney 660115-525		Standard		
C290D8/T2	D-20960-2	Mooney 660115-527		Standard		
DC290D1/T1	D-20893-1			Standard		
DC290D1/T2	D-20893-2	Cessna C161031-0114		Standard		
DC290D1/T3	D-20893-3	Cessna C161031-0115		Standard		
DC290D1/T4	D-20893-4	Cessna C161031-0116		Standard		
DC290D1/T5	D-20893-5	Mooney 660115-515		Standard		
DC290D1/T6	D-20893-6	Cessna C161031-0117		Standard		
DC290D1/T7	D-20893-7	Cessna C161031-0118		Standard		
DC290D1/T8	D-20893-8	Cessna C161031-0119		Standard		
DC290D1/T9	D-20893-9			Standard		
DC290D1/T10	D-20893-10			Standard		
DC290D1/T11	D-20893-11			Standard		
DC290D1/T12	D-20893-12			Standard		
DC290D1/T14	D-20893-14			Standard		
DC290D1/T15	D-20893-15			Standard		
DC290D1/T16	D-20893-16			Standard		
DC290D1/T17	D-20893-17			Standard		
DC290D1/T18	D-20893-18			Standard		
DC290D1/T19	D-20893-19			Standard		
DC290D1/T20	D-20893-20			Standard		
DC290D1/T21	D-20893-21			Standard		
DC290D1/T22	D-20893-22	Mooney 660115-519		Standard		
DC290D1/T23	D-20893-23			Standard		
DC290D1/T24	D-20893-24			Standard		
DC290D1/T25	D-20893-25	Cessna C161031-0120		Standard		
DC290D1/T26	D-20893-26			Standard		
DC290D1/T27	D-20893-27			Standard		
DC290D1/T28	D-20893-28			Standard		

Governor P/N

Model	P/N	OEM P/N	Synch	Rotation	Replacement	Replacement Service Information
DC290D1/T29	D-20893-29			Standard		
DC290D1/T30	D-20893-30			Standard		
DC290D1/T31	D-20893-31			Standard		
DC290D1/T32	D-20893-32			Standard		
DC290D1/T33	D-20893-33			Standard		
DC290D1/T34	D-20893-34			Standard		
DC290D1/T35	D-20893-35			Standard		
DC290D1/T36	D-20893-36			Standard		
DC290D1/T37	D-20893-37	Cessna C161031-0121		Standard		
DC290D1/T38	D-20893-38			Standard		
DC290D1/T39	D-20893-39			Standard		
DC290D1/T40	D-20893-40			Standard		
DC290D1/T41	D-20893-41			Standard		
DC290D1/T42	D-20893-42			Standard		
DC290D1/T43	D-20893-43			Standard		
E300D1/T1	C-20967-1	Lycoming 20K26560-Y		Standard		
ADC330D1/T1	D-20916-1			Standard		
ADC310D1/T2	D-20916-2			Standard		
ADC310D1/T3	D-20916-3			Standard		
ADC310D1/T4	D-20916-4			Standard		
ADC310D1/T5	D-20916-5			Standard		
ADC310D1/T6	D-20916-6			Standard		
CF310D1/T1	D-20181-1			Standard		
CF310D2/T1	D-20307-1	Cessna C161031-0201		Standard	DCF310D7/T1	SL 1978-5
DCF290D1/T2	D-20186-1			Standard		
DCF290D1/T3	D-20186-2			Standard		
DCF290D1/T4	D-20186-3			Standard		
DCF290D2/T2	D-20297-1			Standard	DCF290D7/T2	
DCF290D2/T3	D-20297-2			Standard	DCF290D7/T3	
DCF290D2/T4	D-20297-3			Standard	DCF290D7/T4	
DCF290D2/T6	D-20297-4			Standard	DCF290D7/T6	
DCF310D7/T1	D-20676-1	Cessna C161031-0207		Standard		
DCF290D7/T2	D-20676-5			Standard		

Governor P/N

Model	P/N	OEM P/N	Synch	Rotation	Replacement	Replacement Service Information
DCF290D7/T3	D-20676-2			Standard		
DCF290D7/T4	D-20676-4			Standard		
DCF290D7/T6	D-20676-3			Standard		
DCF290D7/T7	D-20676-6			Standard		
DCF290D7/T8	D-20676-7			Standard		
DCF290D7/T10	D-20676-9			Standard		
DCF310D11/T1	D-20937-1			Counter		
CFS310D1/T1	D-20207-1		Master	Standard	DCFS310D7/T5	
CFS310D2/T1	D-20303-1	Cessna C161031-0202	Master	Standard	DCFS310D7/T5	SL 1978-5
CFS310D3/T1	D-20441-1	Cessna C161032-0203	Master	Standard	DCFS310D7/T5	
DCFS290D1/T2	D-20190-1		Master	Standard		
DCFS290D1/T3	D-20190-2		Master	Standard		
DCFS290D1/T4	D-20190-3		Master	Standard		
DCFS290D2/T2	D-20299-1		Master	Standard	DCFS290D7/T2	
DCFS290D2/T3	D-20299-2		Master	Standard	DCFS290D7/T3	
DCFS290D2/T4	D-20299-3		Master	Standard	DCFS290D7/T4	
DCFS290D2/T6	D-20299-4		Master	Standard	DCFS290D7/T6	
DCFS310D3/T1	D-20423-1	Cessna C161032-0201	SLAVE SP100A & B SP105A single microswitch	Standard		
DCFS290D4/T3	D-20519-2		Master	Standard	DCFS290D7/T3	
DCFS310D4/T5	D-20519-1	Cessna C161032-0205	Master	Standard	DCFS310D7/T5	
DCFS310D4/T6	D-20519-3		Master	Standard		
DCFS290D5/T3	D-20537-1		SLAVE SP105A double microswitch	Standard		
DCFS310D6/T1	D-20651-3		SLAVE SP105B & SP105B-1 potentiometer	Standard	DCFS310D8/T1	SL 1978-5
DCFS290D6/T3	D-20651-1		SLAVE SP105B & SP105B-1 potentiometer	Standard	DCFS290D8/T3	SI 1978-5

Governor P/N

Model	P/N	OEM P/N	Synch	Rotation	Replacement	Replacement Service Information
DCFS290D7/T2	D-20672-5		Master	Standard		
DCFS290D7/T3	D-20672-2		Master	Standard		
DCFS290D7/T4	D-20672-4		Master	Standard		
DCFS310D7/T5	D-20672-1	Cessna C161032-0209	Master	Standard		
DCFS290D7/T6	D-20672-3		Master	Standard		
DCFS310D8/T1	D-20686-3	Cessna C161032-0207	SLAVE SP105B & SP105B-1 potentiometer	Standard		
DCFS290D8/T3	D-20686-1		SLAVE SP105B & SP105B-1 potentiometer	Standard		
DCFS290D9/T3	D-20741-1		MC-I	Standard		
DCFS290D9/T6	D-20741-2		MC-I	Standard		
DCFT290D11/T7	D-20762-1	Cessna C161032-0302		Counter		
DCFT290D16/T7	D-20792-1	Cessna C161032-0301		Standard		
DCFTS290D10/T7	D-20756-1	Cessna C161032-0306	MC-I	Counter		
DCFTS290D15/T7	D-20796-1	Cessna C161032-0305	MC-I	Standard		
DCFTU290D11/T7	D-20760-1	Cessna C161032-0304		Counter		
DCFTU290D16/T7	D-20794-1	Cessna C161032-0303		Standard		
CFU310D1/T1	D-20177-1			Standard	DCFU310D13/T1 DCFU310D7/T1	
CFU310D2/T1	D-20305-1	Cessna C161031-0203		Standard	DCFU310D13/T1 DCFU310D7/T1	
CFU310D2/T5	D-20305-2	Cessna C161031-0205		Standard	DCFU310D13/T5 DCFU310D7/T5	
DCFU290D1/T2	D-20140-1			Standard		
DCFU290D1/T3	D-20140-2			Standard		
DCFU290D1/T4	D-20140-3			Standard		
DCFU290D2/T2	D-20295-1			Standard	DCFU290D13/T2 DCFU290D7/T2	
DCFU290D2/T3	D-20295-2			Standard	DCFU290D13/T3 DCFU290D7/T3	

Governor P/N

Model	P/N	OEM P/N	Synch	Rotation	Replacement	Replacement Service Information
DCFU290D2/T4	D-20295-3			Standard	DCFU290D13/T4 DCFU290D7/T4	
DCFU290D2/T6	D-20295-4			Standard	DCFU310D13/T6 DCFU290D7/T6	
DCFU310D7/T1	D-20678-1	Cessna C161031-0208		Standard	DCFU310D13/T1	SL 1979-10
DCFU290D7/T2	D-20678-6			Standard	DCFU290D13/T2	SL 1979-10
DCFU290D7/T3	D-20678-3			Standard	DCFU290D13/T3	SL 1979-10
DCFU290D7/T4	D-20678-5			Standard	DCFU290D13/T4	SL 1979-10
DCFU310D7/T5	D-20678-2	Cessna C161031-0209		Standard	DCFU310D13/T5	SL 1979-10
DCFU290D7/T6	D-20678-4			Standard	DCFU310D13/T6	SL 1979-10
DCFU310D13/T1	D-20777-1	Cessna C161031-0208		Standard		
DCFU290D13/T2	D-20777-6			Standard		
DCFU290D13/T3	D-20777-3			Standard		
DCFU290D13/T4	D-20777-5			Standard		
DCFU310D13/T5	D-20777-2	Cessna C161031-0209		Standard		
DCFU290D13/T6	D-20777-4			Standard		
DCFU290D13/T7	D-20777-8			Standard		
DCFU290D13/T8	D-20777-7	Beech 96-380030-9		Standard		
DCFU290D13/T9	D-20777-9			Standard		
DCFU290D13/T10	D-20777-10			Standard		
DCFU310D13/T11	D-20777-11			Standard		
DCFU290D17/T1	D-20925-1			Counter		
DCFU290D17/T2	D-20925-2			Counter		
CFUS310D1/T1	D-20206-1		Master	Standard	DCFUS310D13/T5 DCFUS310D7/T5 CFUS310D3/T5 CFUS310D2/T5	
CFUS310D1/T2	D-20206-2		Master	Standard		
CFUS310D1/T3	D-20206-3		Master	Standard		
CFUS310D1/T4	D-20206-4		Master	Standard		
CFUS310D2/T1	D-20301-1	Cessna C161031-0204	Master	Standard	DCFUS310D13/T1 DCFUS310D7/T1	

Governor P/N

Model	P/N	OEM P/N	Synch	Rotation	Replacement	Replacement Service Information
CFUS310D2/T5	D-20301-2	Cessna C161031-0206	Master	Standard	DCFUS310D13/T5 DCFUS310D7/T5 CFUS310D3/T5	
CFUS310D3/T5	D-20443-1	Cessna C161032-0204	Master	Standard	DCFUS310D13/T5 DCFUS310D7/T5	
DCFUS290D1/T2	D-20150-1		Master	Standard	DCFUS290D13/T2 DCFUS290D7/T2	
DCFUS290D1/T3	D-20150-2		Master	Standard		
DCFUS290D1/T4	D-20150-4		Master	Standard		
DCFUS290D2/T2	D-20286-1		Master	Standard	DCFUS290D13/T2 DCFUS290D7/T2	
DCFUS290D2/T3	D-20286-2		Master	Standard	DCFUS290D13/T3 DCFUS290D7/T3	
DCFUS290D2/T4	D-20286-3		Master	Standard	DCFUS290D13/T4 DCFUS290D7/T4	
DCFUS290D2/T6	D-20286-4		Master	Standard	DCFUS290D13/T6 DCFUS290D7/T6	
DCFUS310D3/T1	D-20423-2	Cessna C161032-0202	SLAVE SP100B SP105A single microswitch	Standard		
DCFUS290D4/T3	D-20520-2		Master	Standard	DCFUS290D13/T3 DCFUS290D7/T3	
DCFUS310D4/T5	D-20520-1	Cessna C161032-0206	Master	Standard	DCFUS310D13/T5	
DCFUS290D5/T3	D-20537-2		SLAVE SP105A double microswitch	Standard		
DCFUS310D6/T1	D-20651-4		SLAVE SP105B & SP105B-1 potentiometer	Standard	DCFUS310D12/T1 DCFUS310D8/T1	
DCFUS290D6/T3	D-20651-2		SLAVE SP105B & SP105B-1 potentiometer	Standard	DCFUS310D12/T3 DCFUS290D8/T3	

Governor P/N

Model	P/N	OEM P/N	Synch	Rotation	Replacement	Replacement Service Information
DCFUS310D7/T1	D-20674-2	Cessna C161031-0210	Master	Standard	DCFUS310D13/T1	SL 1979-10
DCFUS290D7/T2	D-20674-6		Master	Standard	DCFUS290D13/T2	SL 1979-10
DCFUS290D7/T3	D-20674-3		Master	Standard	DCFUS290D13/T3	SL 1979-10
DCFUS290D7/T4	D-20674-5		Master	Standard	DCFUS290D13/T4	SL 1979-10
DCFUS310D7/T5	D-20674-1	Cessna C161032-0210	Master	Standard	DCFUS310D13/T5	SL 1979-10
DCFUS290D7/T6	D-20674-4		Master	Standard	DCFUS290D13/T6	SL 1979-10
DCFUS310D8/T1	D-20670-1	Cessna C161032-0208	SLAVE SP105B & SP105B-1 potentiometer	Standard	DCFUS310D12/T1	SL 1979-10
DCFUS290D8/T3	D-20670-2		SLAVE SP105B & SP105B-1 potentiometer	Standard	DCFUS290D12/T3	SL 1979-10
DCFUS290D9/T3	D-20740-1		MC-I	Standard		
DCFUS290D9/T6	D-20740-2		MC-I	Standard		
DCFUS290D9/T7	D-20740-3		MC-I	Standard		
DCFUS290D9/T8	D-20740-4		MC-I	Standard		
DCFUS290D9/T9	D-20740-5		MC-I	Standard		
DCFUS290D9/T10	D-20740-6		MC-I	Standard		
DCFUS290D10/T8	D-20963-1		MC-I	Counter		
DCFUS310D12/T1	D-20789-1	Cessna C161032-0208	SP105B SP105B-1 (SLAVE) potentiometer	Standard		
DCFUS290D12/T3	D-20789-2		SP105B SP105B-1 (SLAVE) potentiometer	Standard		
DCFUS310D13/T1	D-20775-4	Cessna C161031-0210	Master	Standard		
DCFUS290D13/T2	D-20775-6		Master	Standard		
DCFUS290D13/T3	D-20775-2		Master	Standard		
DCFUS290D13/T4	D-20775-5		Master	Standard		
DCFUS310D13/T5	D-20775-1	Cessna C161032-0210	Master	Standard		
DCFUS290D13/T6	D-20775-3		Master	Standard		

Governor P/N

Model	P/N	OEM P/N	Synch	Rotation	Replacement	Replacement Service Information
DCFTUS290D10/T7	D-20758-1	Cessna C161032-0308	MC-I	Counter		
DCFTUS290D15/T7	D-20806-1	Cessna C161032-0307	MC-I	Standard		
DCFTUS290D15/T8	D-20806-2		MC-I	Standard		
MC-I	<i>B-28000</i>		MC-I Control Box		Ram Aircraft PMA P/N 1719-3	
Model	P/N	OEM P/N				
ACCUMULATOR	D-20215B					
ACCUMULATOR	D-20215B-1					
ACCUMULATOR	D-20215-2					
ACCUMULATOR	D-20215-3					
ACCUMULATOR	<i>D-20230</i>					
ACCUMULATOR	D-20816	Piper 451-828				
Bold = Active						
<i>Italics</i> = Obsolete						

Fixed Pitch Applications

Aircraft Model	TYPE	Engine Model (Make)	Climb Model	Standard Model	Cruise Model	Max Dia	Min Dia	Spinner	STC Number	Notes	max rpm	min rpm
AERO BOERO S.A.												
Aero Boero 95	L	O-200-A (TCM)		1A105/SCM7149		71.0	70.0			1	2750	2650
Aero Boero 180 AG	L	O-360-A1A (LY)		1A200/FA8241		82.0	78.0					
Aero Boero 180 AG	L	O-360-A1A (LY)		1P235/AFA8452		84.0	82.5			17		
Aero Boero 180 RVR	L	O-360-A1A (LY)		1A200/FA8241		82.0	78.0					
Aero Boero 180 RVR	L	O-360-A1A (LY)		1P235/AFA8452		84.0	82.5			17		
AERO COMMANDER (Dynac Aerospace Corp, Christen Industries, Inc.)												
100-180 "Lark"		O-360-A2F (LY)		1A170/CFA7660		76.0	76.0	D-3875		1	2410	2310
100-180 "Lark"		O-360-MA-4-5 (LY)		1A170/CFA7660		76.0	76.0	D-3875		1	2410	2310
AERONCA (William J. Gores)												
65-C		A-65-3 (TCM)	1A90/CF7441	1A90/CF7443	1A90/CF7445	74.0	72.5			1	2250	2100
65-C		A-65-3J (TCM)	1A90/CF7441	1A90/CF7443	1A90/CF7445	74.0	72.5			1	2250	2100
65-C		A-65-6 (TCM)	1A90/CF7441	1A90/CF7443	1A90/CF7445	74.0	72.5			1	2250	2100
65-C		A-65-6J (TCM)	1A90/CF7441	1A90/CF7443	1A90/CF7445	74.0	72.5			1	2250	2100
65-C		A-65-7 (TCM)	1A90/CF7441	1A90/CF7443	1A90/CF7445	74.0	72.5			1	2250	2100
65-C		A-65-7J (TCM)	1A90/CF7441	1A90/CF7443	1A90/CF7445	74.0	72.5			1	2250	2100
65-C		A-65-8 (TCM)	1A90/CF7441	1A90/CF7443	1A90/CF7445	74.0	72.5			1	2250	2100
65-C		A-65-9 (TCM)	1A90/CF7441	1A90/CF7443	1A90/CF7445	74.0	72.5			1	2250	2100
65-C		A-65-9J (TCM)	1A90/CF7441	1A90/CF7443	1A90/CF7445	74.0	72.5			1	2250	2100
65-CA "ARMY L-3A"		A-65-7 (TCM)	1A90/CF7441	1A90/CF7443	1A90/CF7445	74.0	72.5			1	2250	2100
65-CA "ARMY L-3A"		A-65-7J (TCM)	1A90/CF7441	1A90/CF7443	1A90/CF7445	74.0	72.5			1	2250	2100
65-CA "ARMY L-3A"		A-65-8 (TCM)	1A90/CF7441	1A90/CF7443	1A90/CF7445	74.0	72.5			1	2250	2100
65-CA "ARMY L-3A"		A-65-8J (TCM)	1A90/CF7441	1A90/CF7443	1A90/CF7445	74.0	72.5			1	2250	2100
65-CA "ARMY L-3A"		A-65-9 (TCM)	1A90/CF7441	1A90/CF7443	1A90/CF7445	74.0	72.5			1	2250	2100
65-CA "ARMY L-3A"		A-65-9J (TCM)	1A90/CF7441	1A90/CF7443	1A90/CF7445	74.0	72.5			1	2250	2100
AERONCA (Burl A. Rogers)												
15AC "Sedan"		C-145-2 (TCM)	1A170/DM7647	1A170/DM7649	1A170/DM7653	76.0	74.0			1 2	2490	2240
15AC "Sedan"		C-145-2 (TCM)	1A175/DM8040	1A175/DM8041	1A175/DM8042	80.0	73.0		SA02253AK Burl's Aircraft	12		

Fixed Pitch Applications

Aircraft Model	T Y P E	Engine Model (Make)	Climb Model	Standard Model	Cruise Model	Max Dia	Min Dia	Spinner	STC Number	Notes	max rpm	min rpm
15AC "Sedan"		C-145-2 (TCM)	1A170/SFC8040	1A170/SFC8041	1A170/SFC8042	80.0	73.0		SA02253AK Burl's Aircraft	12		
15AC "Sedan"		O-300-A (TCM)	1A170/DM7647	1A170/DM7649	1A170/DM7653	76.0	74.0			1 2	2490	2240
15AC "Sedan"		O-300-A (TCM)	1A175/DM8040	1A175/DM8041	1A175/DM8042	80.0	73.0		SA02253AK Burl's Aircraft	12		
15AC "Sedan"		O-300-A (TCM)	1A170/SFC8040	1A170/SFC8041	1A170/SFC8042	80.0	73.0		SA02253AK Burl's Aircraft	12		
15AC "Sedan"		6A4-150-B3 (FR)	1A170/DM7649	1A170/DM7652	1A170/DM7654	76.0	74.0			1 5	2450	2250
15AC "Sedan"		6A4-165-B3 (FR)		1A170/DM7647		76.0	74.0			1 4	2600	2400
15AC "Sedan"		O-360 (LY)	1A200/DFA8241	1A200/DFA8242	1A200/DFA8243	82.0			SA0302NW Burl's Aircraft			
S15AC "Sedan"	F	C-145-2 (TCM)	1A170/DM7643	1A170/DM7645		76.0	74.0			1 3	2540	2380
S15AC "Sedan"	F	C-145-2 (TCM)	1A175/DM8040	1A175/DM8041	1A175/DM8042	80.0	73.0		SA02253AK Burl's Aircraft	12		
S15AC "Sedan"	F	C-145-2 (TCM)	1A170/SFC8040	1A170/SFC8041	1A170/SFC8042	80.0	73.0		SA02253AK Burl's Aircraft	12		
S15AC "Sedan"	F	O-300-A (TCM)	1A170/DM7643	1A170/DM7645		76.0	74.0			1 3	2540	2380
S15AC "Sedan"	F	O-300-A (TCM)	1A175/DM8040	1A175/DM8041	1A175/DM8042	80.0	73.0		SA02253AK Burl's Aircraft	12		
S15AC "Sedan"	F	O-300-A (TCM)	1A170/SFC8040	1A170/SFC8041	1A170/SFC8042	80.0	73.0		SA02253AK Burl's Aircraft	12		
S15AC "Sedan"	F	6A4-150-B3 (FR)	1A170/DM7648	1A170/DM7649		76.0	74.0			1 5	2450	2250
S15AC "Sedan"		6A4-165-B3 (FR)		1A170/DM7647		76.0	74.0			1 4	2600	2400
S15AC "Sedan"		O-360 (LY)	1A200/DFA8241	1A200/DFA8242	1A200/DFA8243	82.0			SA0302NW Burl's Aircraft			
AERONCA (National Aeronca Association)												
O-58B "ARMY L-3B, L-3C"		A-65-8 (TCM)	1A90/CF7441	1A90/CF7443	1A90/CF7445	74.0	72.5			1	2250	2100
SO-58B		A-65-8 (TCM)	1A90/CF7441	1A90/CF7443	1A90/CF7445	74.0	72.5			1	2250	2100
AIRTOURER COOPERATIVE LTD.												
AT-100		O-200-A (TCM)		1A105/SCM6950		69.0	68.0				2500	2400
AT-115		O-235-C1 (LY)		1C90/LM7055		70.0	69.0					

Fixed Pitch Applications

Aircraft Model	TYPE	Engine Model (Make)	Climb Model	Standard Model	Cruise Model	Max Dia	Min Dia	Spinner	STC Number	Notes	max rpm	min rpm
AT-115		O-235-C1 (LY)		1A105/SLM6950		69.0	68.0					
AT-115		O-235-C2A (LY)		1C90/LM7055		70.0	69.0			55		
AT-115		O-235-C2A (LY)		1C90/LM70.550		70.5	69.0			56		
AT-115		O-235-C2A (LY)		1A105/SLM6950		69.0	68.0					
AT-130		O-240-A (TCM)	1A135/RM7152	1A135/RM7153		71.0	71.0					
ALPHA AVIATION DESIGN Ltd.												
HR200-100		O-235-H2C (LY)		1A105/BCM7056		70.0	67.0					2300
HR200-120		O-235-J2A (LY)		1A135/JCM7154		71.0	71.0			53		2300
HR200-120B		O-235-L2A (LY)		1A135/JCM7147		71.0	69.7			53		2250
R2100		O-235-H2C (LY)		1A105/BCM7056		70.0	67.0					2300
R2100A		O-235-H2C (LY)		1A105/BCM7056		70.0	67.0					2300
AMERICAN CHAMPION CORP (formerly Aeronca, Bellanca, and Champion)												
7AC "Champion"		A-65-8 (TCM)	1A90/CF7142	1A90/CF7144	1A90/CF7146	71.0	69.5			1	2250	2100
7AC "Champion"		A-65-8 (TCM)		1B90/CM7445		74.0	72.5			1	2250	2100
7AC "Champion"		O-200-A (TCM)		1A101/GCM6948		69.0			SA1470NM Elton George I			
S7AC "Champion"	F	A-65-8 (TCM)	1A90/CF7142	1A90/CF7144	1A90/CF7146	71.0	69.5			1	2200	2100
7BCM "ARMY L-16A"		C85-8 (TCM)	1A90/CF7142	1A90/CF7144	1A90/CF7146	71.0	69.5			1	2450	2350
7BCM "ARMY L-16A"		C85-8 (TCM)	1B90/CM7142	1B90/CM7144	1B90/CM7146	71.0	69.5			1	2450	2200
7BCM "ARMY L-16A"		C85-8F (TCM)	1A90/CF7142	1A90/CF7144	1A90/CF7146	71.0	69.5			1	2450	2350
7BCM "ARMY L-16A"		C85-8F (TCM)	1B90/CM7142	1B90/CM7144	1B90/CM7146	71.0	69.5			1	2450	2200
7BCM "ARMY L-16A"		C85-8J (TCM)	1A90/CF7142	1A90/CF7144	1A90/CF7146	71.0	69.5			1	2450	2350
7BCM "ARMY L-16A"		C85-8J (TCM)	1B90/CM7142	1B90/CM7144	1B90/CM7146	71.0	69.5			1	2450	2200
7BCM "ARMY L-16A"		C85-8FJ (TCM)	1A90/CF7142	1A90/CF7144	1A90/CF7146	71.0	69.5			1	2450	2350
7BCM "ARMY L-16A"		C85-8FJ (TCM)	1B90/CM7142	1B90/CM7144	1B90/CM7146	71.0	69.5			1	2450	2200
7CCM "ARMY L-16B"		C90-8F (TCM)	1B90/CM7341	1B90/CM7343	1B90/CM7345	73.0	71.5			1	2410	2150

Fixed Pitch Applications

Aircraft Model	T Y P E	Engine Model (Make)	Climb Model	Standard Model	Cruise Model	Max Dia	Min Dia	Spinner	STC Number	Notes	max rpm	min rpm
7CCM "ARMY L-16B"		C90-8FJ (TCM)	1B90/CM7341	1B90/CM7343	1B90/CM7345	73.0	71.5			1	2410	2150
S7CCM "ARMY L-16B"	F	C90-8F (TCM)		1B90/CM7341	1B90/CM7343	73.0	71.5			1	2410	2150
S7CCM "ARMY L-16B"	F	C90-8FJ (TCM)		1B90/CM7341	1B90/CM7343	73.0	71.5			1	2410	2150
7DC "Champion"		C85-8 (TCM)	1A90/CF7142	1A90/CF7144	1A90/CF7146	71.0	69.5			1	2465	2300
7DC "Champion"		C85-8 (TCM)	1B90/CM7142	1B90/CM7144	1B90/CM7146	71.0	69.5			1	2450	2200
7DC "Champion"		C85-8F (TCM)	1A90/CF7142	1A90/CF7144	1A90/CF7146	71.0	69.5			1	2465	2300
7DC "Champion"		C85-8F (TCM)	1B90/CM7142	1B90/CM7144	1B90/CM7146	71.0	69.5			1	2450	2200
7DC "Champion"		C85-8J (TCM)	1A90/CF7142	1A90/CF7144	1A90/CF7146	71.0	69.5			1	2465	2300
7DC "Champion"		C85-8J (TCM)	1B90/CM7142	1B90/CM7144	1B90/CM7146	71.0	69.5			1	2450	2200
7DC "Champion"		C85-8FJ (TCM)	1A90/CF7142	1A90/CF7144	1A90/CF7146	71.0	69.5			1	2465	2300
7DC "Champion"		C85-8FJ (TCM)	1B90/CM7142	1B90/CM7144	1B90/CM7146	71.0	69.5			1	2450	2200
S7DC "Champion"	F	C85-8F (TCM)		1A90/CF7142	1A90/CF7144	71.0	69.5			1	2440	2290
7EC "Traveler"		C90-12F (TCM)	1B90/CM7343	1B90/CM7345		73.0	71.5			1	2350	2150
7EC "Traveler"		C90-12FJ (TCM)	1B90/CM7343	1B90/CM7345		73.0	71.5			1	2350	2150
S7EC "Traveler"	F	C90-12F (TCM)		1B90/CM7341	1B90/CM7343	73.0	71.5			1	2400	2300
S7EC "Traveler"	F	C90-12FJ (TCM)		1B90/CM7341	1B90/CM7343	73.0	71.5			1	2400	2300
7ECA "Citabria"		O-200-A (TCM)		1A100/ACM6948		69.0	67.5			1	2600	2400
7ECA "Citabria"	F	O-200-A (TCM)		1B90/LCM7534		75.0	71.0		SA483AL Paul Ripplinger			
7ECA "Citabria"		O-235-C1 (LY)	1C90/ALM7243	1C90/ALM7246	1C90/ALM7250	72.0	70.5			1	2425	2225

Fixed Pitch Applications

Aircraft Model	T Y P E	Engine Model (Make)	Climb Model	Standard Model	Cruise Model	Max Dia	Min Dia	Spinner	STC Number	Notes	max rpm	min rpm
7ECA "Citabria"		O-235-C1 (LY)	1C90/CLM7243	1C90/CLM7246	1C90/CLM7250	72.0	70.5			1	2425	2225
7FC "Tri Traveler"		C90-12F (TCM)	1B90/CM7343	1B90/CM7345		73.0	71.5			1	2350	2150
7FC "Tri Traveler"		C90-12FJ (TCM)	1B90/CM7343	1B90/CM7345		73.0	71.5			1	2350	2150
7GC "Sky Trac"		O-290-D2B (LY)	1A170/GM7448	1A170/GM7450	1A170/GM7455	74.0	72.5			1	2500	2300
7GC "Sky Trac"		O-290-D2B (LY)		1A170/GM7645		76.0	74.5			1 12	2500	2300
7GCA "Sky Trac"		O-320-A2B (LY)	1A170/GM7450	1A170/GM7452	1A170/GM7455	74.0	72.5			1	2610	2300
7GCA "Sky Trac"		O-320-A2B (LY)		1A170/GM7646		76.0	74.5			1 12	2610	2300
7GCAA "Citabria"		O-320-A2B (LY)	1C172/AGM7250	1C172/AGM7254	1C172/AGM7260	72.0	70.5			1	2640	2300
7GCAA "Citabria"		O-320-A2D (LY)	1C172/AGM7250	1C172/AGM7254	1C172/AGM7260	72.0	70.5			1	2640	2300
7GCAA "Citabria"		O-320-C2B (LY)	1C172/AGM7250	1C172/AGM7254	1C172/AGM7260	72.0	70.5			1	2640	2300
7GCB "Challenger"		O-320-A2B (LY)	1A170/GM7448	1A170/GM7452	1A170/GM7455	74.0	72.5			1	2610	2300
7GCB "Challenger"		O-320-A2B (LY)	1C172/MGM7456	1C172/MGM7458	1C172/MGM7460	74.0	72.5			1	2610	2300
7GCB "Challenger"		O-320-A2B (LY)		1A175/GM8042		80.0			SA323AL Matanuska Air			
7GCBA "Challenger"		O-320-A2B (LY)	1A170/GM7448	1A170/GM7452	1A170/GM7455	74.0	72.5			1	2610	2300
7GCBA "Challenger"		O-320-A2B (LY)	1C172/MGM7456	1C172/MGM7458	1C172/MGM7460	74.0	72.5			1 12	2610	2300
7GCBC "Citabria"		O-235-C1 (LY)	1C90/ALM7243	1C90/ALM7246	1C90/ALM7250	72.0	70.5			1	2425	2225
7GCBC "Citabria"		O-235-C1 (LY)	1C90/CLM7243	1C90/CLM7246	1C90/CLM7250	72.0	70.5			1	2425	2225
7GCBC "Citabria"		O-320-A2B (LY)	1C172/AGM7250	1C172/AGM7254	1C172/AGM7260	72.0	70.5			1	2640	2300
7GCBC "Citabria"		O-320-A2D (LY)	1C172/AGM7250	1C172/AGM7254	1C172/AGM7260	72.0	70.5			1	2640	2300

Fixed Pitch Applications

Aircraft Model	T Y P E	Engine Model (Make)	Climb Model	Standard Model	Cruise Model	Max Dia	Min Dia	Spinner	STC Number	Notes	max rpm	min rpm
7GCBC "Citabria"		O-320-C2B (LY)	1C172/AGM7250	1C172/AGM7254	1C172/AGM7260	72.0	70.5			1	2640	2300
S7GCBC "Citabria"	F	O-320-A2B (LY)		1C172/AGM7250	1C172/AGM7254	72.0	70.5			1 12	2550	2450
S7GCBC "Citabria"	F	O-320-A2B (LY)		1C172/AGM7649		76.0	74.5			1 12	2550	2450
S7GCBC "Citabria"	F	O-320-A2B (LY)		1A175/GMA8040		80.0	78.5			1 12	2560	2460
S7GCBC "Citabria"	F	O-320-A2D (LY)		1C172/AGM7250	1C172/AGM7254	72.0	70.5			1 12	2550	2450
S7GCBC "Citabria"	F	O-320-A2D (LY)		1C172/AGM7649		76.0	74.5			1 12	2550	2450
S7GCBC "Citabria"	F	O-320-A2D (LY)		1A175/GMA8040		80.0	78.5			1 12	2560	2460
S7GCBC "Citabria"	F	O-320-C2B (LY)		1C172/AGM7250	1C172/AGM7254	72.0	70.5			1 12	2550	2450
S7GCBC "Citabria"	F	O-320-C2B (LY)		1C172/AGM7649		76.0	74.5			1 12	2550	2450
S7GCBC "Citabria"	F	O-320-C2B (LY)		1A175/GMA8040		80.0	78.5			1 12	2560	2460
7HC "DX'er"		O-290-D2B (LY)	1A170/GM7448	1A170/GM7450	1A170/GM7455	74.0	72.5			1	2500	2300
7HC "DX'er"		O-290-D2B (LY)		1A170/GM7645		76.0	74.5			1 12	2500	2300
7JC "Tri-Con"		C90-12F (TCM)	1B90/CM7343	1B90/CM7345		73.0	71.5			1	2350	2150
7KC "Olympia"		O-320-A2B (LY)	1A170/GM7448	1A170/GM7452	1A170/GM7455	74.0	72.5			1	2600	2125
7KC "Olympia"		O-320-A2B (LY)	1C172/MGM7456	1C172/MGM7458	1C172/MGM7465	74.0	72.5			1	2600	2125
7KCAB "Citabria"		IO-320-E2A (LY)	1C172/AGM7250	1C172/AGM7254	1C172/AGM7260	72.0	70.5			1 15	2540	2300
7KCAB "Citabria"		IO-320-E2B (LY)	1C172/AGM7250	1C172/AGM7254	1C172/AGM7260	72.0	70.5			1 15	2540	2300
7KCAB "Citabria"		AEIO-320-E2B (LY)	1C172/AGM7250	1C172/AGM7254	1C172/AGM7260	72.0	70.5			1 15	2540	2300
8GCBC "Scout"		O-360-C1A (LY)		1A200/HFA8041		80.0	79.0			1 9	2350	2100

Fixed Pitch Applications

Aircraft Model	T Y P E	Engine Model (Make)	Climb Model	Standard Model	Cruise Model	Max Dia	Min Dia	Spinner	STC Number	Notes	max rpm	min rpm
8GCBC "Scout"	F	O-360-C1A (LY)		1A200/HFA8040		80.0	79.0			1 9 12	2400	2260
8GCBC "Scout"		O-360-C1E (LY)		1A200/HFA8041		80.0	79.0			1 9	2350	2100
8GCBC "Scout"	F	O-360-C1E (LY)		1A200/HFA8040		80.0	79.0			1 9 12	2400	2260
8GCBC "Scout"		O-360-C1G (LY)		1A200/HFA8041		80.0	79.0			1,9	2350	2100
8GCBC "Scout"	F	O-360-C1G (LY)		1A200/HFA8040		80.0	79.0			1 9 12	2400	2260
8GCBC "Scout"		O-360-C2A (LY)		1A200/HFA8041		80.0	79.0			1 9	2350	2100
8GCBC "Scout"	F	O-360-C2A (LY)		1A200/HFA8040		80.0	79.0			1 9 12	2400	2260
8GCBC "Scout"		O-360-C2E (LY)		1A200/HFA8041		80.0	79.0			1 9	2350	2100
8GCBC "Scout"	F	O-360-C2E (LY)		1A200/HFA8040		80.0	79.0			1 9 12	2400	2260
11AC "Chief"		A-65-8 (TCM)	1A90/CF7443	1A90/CF7445	1A90/CF7447	74.0	72.5			1	2250	2100
11AC "Chief"		A-65-8 (TCM)		1B90/CM7045		70.0			SA4-789 Paul Robinson			
S11AC "Chief"	F	A-65-8F (TCM)		1A90/CF7443	1A90/CF7445	74.0	72.0			1	2170	2070
11BC "Chief"		C85-8F (TCM)	1A90/CF7146	1A90/CF7148	1A90/CF7150	71.0	69.5			1	2380	2160
S11BC "Chief"	F	C85-8F (TCM)		1A90/CF7144	1A90/CF7146	71.0	69.5			1	2380	2280
11CC "Super Chief"		C85-8F (TCM)	1A90/CF7142	1A90/CF7144	1A90/CF7146	71.0	69.5			1	2465	2300
S11CC "Super Chief"	F	C85-8F (TCM)	1A90/CF7142	1A90/CF7144	1A90/CF7146	71.0	69.5			1	2465	2300
402 "Lancer"		O-200-A (TCM)		1A100/MCM6948		69.0	67.5			11	2450	2550

Fixed Pitch Applications

Aircraft Model	T Y P E	Engine Model (Make)	Climb Model	Standard Model	Cruise Model	Max Dia	Min Dia	Spinner	STC Number	Notes	max rpm	min rpm
402 "Lancer"		O-200-A (TCM)		1A100/MCM6953		69.0	67.5				2360	2260
AMERICAN LEGEND AIRCRAFT COMPANY												
AL3C-100 "Legend Cub"	A F L S	O-200-A (TCM)	1A90/CF7535		1A90/CF7538	75.0	73.5				2600	2500
AL11C-100 "Legend Cub"	A F L S	O-200-A (TCM)	1A90/CF7535		1A90/CF7538	75.0	73.5				2600	2500
BEAGLE (British Aerospace, Aircraft Group)												
B.121 Series 1 "Pup 100"		O-200-A (TCM)		1A105/SCM7053		70.0	68.5				2400	2300
BEECH (Raytheon Aircraft Company)												
A23-24 "Musketeer Super III"		IO-360-A2B (LY)		1B235/BFA7862		78.0	76.5				2350	2250
A23-24 "Musketeer Super III"		IO-360-A2D (LY)		1B235/BFA7862		78.0	76.5				2350	2250
A24 "Super"		IO-360-A2B (LY)		1B235/BFA7862		78.0	76.5				2350	2250
A24 "Super"		IO-360-A2D (LY)		1B235/BFA7862		78.0	76.5				2350	2250
BELLANCA (Alexandria Aircraft LLC)												
14-13		6A4-165-B3 (FR)		1A170/DM7654		76.0	76.0		SA1029WE Robert Mathews	17	2300	2200
14-13-2		6A4-165-B3 (FR)		1A170/DM7654		76.0	76.0		SA1029WE Robert Mathews	17	2300	2200
14-13-3		6A4-165-B3 (FR)		1A170/DM7654		76.0	76.0		SA1029WE Robert Mathews	17	2300	2200
14-13-3W		6A4-165-B3 (FR)		1A170/DM7654		76.0	76.0		SA1029WE Robert Mathews	17	2300	2200
Biemond, C.												
TEAL CB1		C85-12J (TCM)		1A105/SCM7151		71.0	67.0			1	2430	2330
BÖLKOW (DaimlerChrysler Aerospace AG)												
JUNIOR		O-200-A (TCM)		1A100/MCM6758		67.0	67.0				2400	2300
BO-209-150 FF		O-320-E2C (LY)		1C172/MGM70.560	1C172/MGM70.566	70.5	70.0				2400	2100
BO-209-150 FF		O-320-E2F (LY)		1C172/MGM70.560	1C172/MGM70.566	70.5	70.0				2400	2100
CALLAIR (Aircraft Parts & Development Corp.)												

Fixed Pitch Applications

Aircraft Model	T Y P E	Engine Model (Make)	Climb Model	Standard Model	Cruise Model	Max Dia	Min Dia	Spinner	STC Number	Notes	max rpm	min rpm
A-2		O-290-A (LY)		1A170/LL7649		76.0	74.5			1	2350	2100
A-2		O-290-B (LY)		1A170/LL7649		76.0	74.5			1	2350	2100
A-2		O-290-C (LY)		1A170/LL7649		76.0	74.5			1	2350	2100
A-6		O-360-A1A (LY)	1A200/FA8242	1A200/FA8244	1A200/FA8246	82.0	80.0			1	2310	2210
A-6		O-360-C1A (LY)	1A200/FA8242	1A200/FA8244	1A200/FA8246	82.0	80.0			1	2310	2210
A-9 "Sparrow Commander"		O-540-B2B5 (LY)		1A200/FA8452		84.0	82.0			1 6	2350	2250
A-9 "Sparrow Commander"		O-540-B2B5 (LY)	1P235/PFA8454	1P235/PFA8458		84.0	82.0	C-3245		1 7	2400	2250
A-9 "Sparrow Commander"		O-540-B2B5 (LY)		1A200/DFA9043		90.0	84.0	D-3328		1	2400	2325
A-9A "Sparrow Commander"		O-540-B2B5 (LY)	1P235/PFA8454	1P235/PFA8458		84.0	82.0			1	2400	2250
A-9A "Sparrow Commander"		O-540-B2B5 (LY)		1A200/DFA9043		90.0	84.0			1	2400	2300
A-9B "Quail Commander"		IO-540-G1C5 (LY)		1A200/DFA9050		90.0	88.0	D-3328		1 8	2400	2250
A-9B "Quail Commander"		IO-540-K1A5 (LY)		1A200/DFA9050		90.0	88.0	D-3328		1 8	2400	2250
CESSNA												
120		C85-12 (TCM)	1A90/CF7146	1A90/CF7148	1A90/CF7150	71.0	69.5			1	2300	2100
120		C85-12 (TCM)	1A90/CH7146	1A90/CH7148	1A90/CH7150	71.0	69.5			1 16	2300	2100
120		C85-12 (TCM)	1B90/CM7146	1B90/CM7148	1B90/CM7150	71.0	69.5			1	2300	2100
120	F	C85-12 (TCM)		1A90/CF7144		71.0	69.5			1	2225	2200
120	F	C85-12 (TCM)		1A90/CH7144		71.0	69.5			1 16	2225	2200
120	F	C85-12 (TCM)		1B90/CM7144		71.0	69.5			1	2225	2200
120		C85-12F (TCM)	1A90/CF7146	1A90/CF7148	1A90/CF7150	71.0	69.5			1	2300	2100
120		C85-12F (TCM)	1B90/CM7146	1B90/CM7148	1B90/CM7150	71.0	69.5			1	2300	2100
120	F	C85-12F (TCM)		1A90/CF7144		71.0	69.5			1	2225	2200
120	F	C85-12F (TCM)		1B90/CM7144		71.0	69.5			1	2225	2200
120		C85-14F (TCM)	1A90/CF7146	1A90/CF7148	1A90/CF7150	71.0	69.5			1	2300	2100
120		C85-14F (TCM)	1B90/CM7146	1B90/CM7148	1B90/CM7150	71.0	69.5			1	2300	2100
120	F	C85-14F (TCM)		1A90/CF7144		71.0	69.5			1	2225	2200
120	F	C85-14F (TCM)		1B90/CM7144		71.0	69.5			1	2225	2200
120		C90-12F (TCM)	1A90/CF7150	1A90/CF7152	1A90/CF7154	71.0	69.5			1	2350	2050
120		C90-12F (TCM)	1A90/CH7150	1A90/CH7152	1A90/CH7154	71.0	69.5			1 16	2350	2050

Fixed Pitch Applications

Aircraft Model	T Y P E	Engine Model (Make)	Climb Model	Standard Model	Cruise Model	Max Dia	Min Dia	Spinner	STC Number	Notes	max rpm	min rpm
120		C90-12F (TCM)	1B90/CM7150	1B90/CM7152	1B90/CM7154	71.0	69.5			1	2350	2050
120	F	C90-12F (TCM)		1A90/CF7343		73.0	69.5			1	2350	2150
120	F	C90-12F (TCM)		1A90/CH7343		73.0	69.5			1 16	2350	2150
120	F	C90-12F (TCM)		1B90/CM7343		73.0	69.5			1	2350	2150
120		C90-14F (TCM)	1A90/CF7150	1A90/CF7152	1A90/CF7154	71.0	69.5			1	2350	2050
120		C90-14F (TCM)	1A90/CH7150	1A90/CH7152	1A90/CH7154	71.0	69.5			1 16	2350	2050
120		C90-14F (TCM)	1B90/CM7150	1B90/CM7152	1B90/CM7154	71.0	69.5			1	2350	2050
120	F	C90-14F (TCM)		1A90/CF7343		73.0	69.5			1	2350	2150
120	F	C90-14F (TCM)		1A90/CH7343		73.0	69.5			1 16	2350	2150
120	F	C90-14F (TCM)		1B90/CM7343		73.0	69.5			1	2350	2150
120		O-200-A (TCM)		1A100/MCM6952		69.0			SA547EA Thompson's Air			
120		O-200-A (TCM)		1A101/DCM6952		69.0			SA547EA Thompson's Air			
120	F	O-290-D2 (LY)		1A175/GM8240		82.0			SA4-640 Russell Conversions			
140		C85-12 (TCM)	1A90/CF7146	1A90/CF7148	1A90/CF7150	71.0	69.5			1	2300	2100
140		C85-12 (TCM)	1A90/CH7146	1A90/CH7148	1A90/CH7150	71.0	69.5			1 16	2300	2100
140		C85-12 (TCM)	1B90/CM7146	1B90/CM7148	1B90/CM7150	71.0	69.5			1	2300	2100
140	F	C85-12 (TCM)		1A90/CF7144		71.0	69.5			1	2225	2200
140	F	C85-12 (TCM)		1A90/CH7144		71.0	69.5			1 16	2225	2200
140	F	C85-12 (TCM)		1B90/CM7144		71.0	69.5			1	2225	2200
140		C85-12F (TCM)	1A90/CF7146	1A90/CF7148	1A90/CF7150	71.0	69.5			1	2300	2100
140		C85-12F (TCM)	1B90/CM7146	1B90/CM7148	1B90/CM7150	71.0	69.5			1	2300	2100
140	F	C85-12F (TCM)		1A90/CF7144		71.0	69.5			1	2225	2200
140	F	C85-12F (TCM)		1B90/CM7144		71.0	69.5			1	2225	2200
140		C85-14F (TCM)	1A90/CF7146	1A90/CF7148	1A90/CF7150	71.0	69.5			1	2300	2100
140		C85-14F (TCM)	1B90/CM7146	1B90/CM7148	1B90/CM7150	71.0	69.5			1	2300	2100
140	F	C85-14F (TCM)		1A90/CF7144		71.0	69.5			1	2225	2200
140	F	C85-14F (TCM)		1B90/CM7144		71.0	69.5			1	2225	2200
140		C90-12F (TCM)	1A90/CF7150	1A90/CF7152	1A90/CF7154	71.0	69.5			1	2350	2050
140		C90-12F (TCM)	1A90/CH7150	1A90/CH7152	1A90/CH7154	71.0	69.5			1 16	2350	2050

Fixed Pitch Applications

Aircraft Model	T Y P E	Engine Model (Make)	Climb Model	Standard Model	Cruise Model	Max Dia	Min Dia	Spinner	STC Number	Notes	max rpm	min rpm
140		C90-12F (TCM)	1B90/CM7150	1B90/CM7152	1B90/CM7154	71.0	69.5			1	2350	2050
140	F	C90-12F (TCM)		1A90/CF7343		73.0	69.5			1	2350	2150
140	F	C90-12F (TCM)		1A90/CH7343		73.0	69.5			1 16	2350	2150
140	F	C90-12F (TCM)		1B90/CM7343		73.0	69.5			1	2350	2150
140		C90-14F (TCM)	1A90/CF7150	1A90/CF7152	1A90/CF7154	71.0	69.5			1	2350	2050
140		C90-14F (TCM)	1A90/CH7150	1A90/CH7152	1A90/CH7154	71.0	69.5			1 16	2350	2050
140		C90-14F (TCM)	1B90/CM7150	1B90/CM7152	1B90/CM7154	71.0	69.5			1	2350	2050
140	F	C90-14F (TCM)		1A90/CF7343		73.0	69.5			1	2350	2150
140	F	C90-14F (TCM)		1A90/CH7343		73.0	69.5			1 16	2350	2150
140	F	C90-14F (TCM)		1B90/CM7343		73.0	69.5			1	2350	2150
140		O-200-A (TCM)		1A100/MCM					SA267SW S&S Pipeline Patrol			
140		O-200-A (TCM)		1A100/MCM6952		69.0			SA547EA Thompson's Air			
140		O-200-A (TCM)		1A101/DCM6952		69.0			SA547EA Thompson's Air			
140	F	O-290-D2 (LY)		1A175/GM8240		82.0			SA4-640 Russell Conversions			
140A		C85-12 (TCM)	1A90/CF7146	1A90/CF7148	1A90/CF7150	71.0	69.5			1	2350	2050
140A		C85-12 (TCM)	1A90/CH7146	1A90/CH7148	1A90/CH7150	71.0	69.5			1 16	2350	2050
140A		C85-12 (TCM)	1B90/CM7146	1B90/CM7148	1B90/CM7150	71.0	69.5			1	2350	2050
140A		C85-12F (TCM)	1A90/CF7146	1A90/CF7148	1A90/CF7150	71.0	69.5			1	2350	2050
140A		C85-12F (TCM)	1B90/CM7146	1B90/CM7148	1B90/CM7150	71.0	69.5			1	2350	2050
140A		C85-14F (TCM)	1A90/CF7146	1A90/CF7148	1A90/CF7150	71.0	69.5			1	2350	2050
140A		C85-14F (TCM)	1B90/CM7146	1B90/CM7148	1B90/CM7150	71.0	69.5			1	2350	2050
140A		C90-12F (TCM)	1A90/CF7150	1A90/CF7152	1A90/CF7154	71.0	69.5			1	2350	2000
140A		C90-12F (TCM)	1A90/CH7150	1A90/CH7152	1A90/CH7154	71.0	69.5			1 16	2350	2000
140A		C90-12F (TCM)	1B90/CM7150	1B90/CM7152	1B90/CM7154	71.0	69.5			1	2350	2000
140A	F	C90-12F (TCM)		1A90/CF7343		73.0	69.5			1	2350	2150
140A	F	C90-12F (TCM)		1A90/CH7343		73.0	69.5			1 16	2350	2150
140A	F	C90-12F (TCM)		1B90/CM7343		73.0	69.5			1	2350	2150

Fixed Pitch Applications

Aircraft Model	T Y P E	Engine Model (Make)	Climb Model	Standard Model	Cruise Model	Max Dia	Min Dia	Spinner	STC Number	Notes	max rpm	min rpm
140A		C90-14F (TCM)	1A90/CF7150	1A90/CF7152	1A90/CF7154	71.0	69.5			1	2350	2000
140A		C90-14F (TCM)	1A90/CH7150	1A90/CH7152	1A90/CH7154	71.0	69.5			1 16	2350	2000
140A		C90-14F (TCM)	1B90/CM7150	1B90/CM7152	1B90/CM7154	71.0	69.5			1	2350	2000
140A	F	C90-14F (TCM)		1A90/CF7343		73.0	69.5			1	2350	2150
140A	F	C90-14F (TCM)		1A90/CH7343		73.0	69.5			1 16	2350	2150
140A	F	C90-14F (TCM)		1B90/CM7343		73.0	69.5			1	2350	2150
140A		O-200-A (TCM)		1A100/MCM					SA267SW S&S Pipeline Patrol			
140A		O-200-A (TCM)		1A100/MCM6952		69.0			SA547EA Thompson's Air			
140A		O-200-A (TCM)		1A101/DCM6952		69.0			SA547EA Thompson's Air			
140A	F	O-290-D2 (LY)		1A175/GM8240		82.0			SA4-640 Russell Conversions			
150		O-200-A (TCM)		1A100/MCM6950		69.0	67.5			1	2475	2375
150		O-200-A (TCM)		1A101/DCM6948		69.0	67.5			1	2600	2500
150		O-320-A1A (LY)		1C172/TM		74.0	72.5		SA572CE Williams	1	2250	2150
150		O-320-B1A (LY)		1C172/TM		74.0	72.5		SA572CE Williams	1	2250	2150
150		O-320-B1B (LY)		1C172/TM		74.0	72.5		SA572CE Williams	1	2250	2150
150		O-320-B2A (LY)		1C172/TM		74.0	72.5		SA572CE Williams	1	2250	2150
150		O-320-B2B (LY)		1C172/TM		74.0	72.5		SA572CE Williams	1	2250	2150
150		O-320-B2C (LY)		1C172/TM		74.0	72.5		SA572CE Williams	1	2250	2150
150		O-320-B3A (LY)		1C172/TM		74.0	72.5		SA572CE Williams	1	2250	2150
150		O-320-B3B (LY)		1C172/TM		74.0	72.5		SA572CE Williams	1	2250	2150
150		O-320-B3C (LY)		1C172/TM		74.0	72.5		SA572CE Williams	1	2250	2150

Fixed Pitch Applications

Aircraft Model	T Y P E	Engine Model (Make)	Climb Model	Standard Model	Cruise Model	Max Dia	Min Dia	Spinner	STC Number	Notes	max rpm	min rpm
150		O-320-C2B (LY)		1C172/TM		74.0	72.5		SA572CE Williams	1	2250	2150
150		O-320-D1A (LY)		1C172/TM		74.0	72.5		SA572CE Williams	1	2250	2150
150		O-320-D1B (LY)		1C172/TM		74.0	72.5		SA572CE Williams	1	2250	2150
150		O-320-D2A (LY)		1C172/TM		74.0	72.5		SA572CE Williams	1	2250	2150
150		O-320-D2B (LY)		1C172/TM		74.0	72.5		SA572CE Williams	1	2250	2150
150		O-320-D2G (LY)		1C172/TM		74.0	72.5		SA572CE Williams	1	2250	2150
150		O-320-D3G (LY)		1C172/TM		74.0	72.5		SA572CE Williams	1	2250	2150
150		O-320-E2C (LY)		1C172/TM		74.0	72.5		SA572CE Williams	1	2250	2150
150		O-320-E2D (LY)		1C172/TM		74.0	72.5		SA572CE Williams	1	2250	2150
150A		O-200-A (TCM)		1A100/MCM6950		69.0	67.5			1	2475	2375
150A		O-200-A (TCM)		1A101/DCM6948		69.0	67.5			1	2600	2500
150A		O-320-A1A (LY)		1C172/TM		74.0	72.5		SA572CE Williams	1	2250	2150
150A		O-320-B1A (LY)		1C172/TM		74.0	72.5		SA572CE Williams	1	2250	2150
150A		O-320-B1B (LY)		1C172/TM		74.0	72.5		SA572CE Williams	1	2250	2150
150A		O-320-B2A (LY)		1C172/TM		74.0	72.5		SA572CE Williams	1	2250	2150
150A		O-320-B2B (LY)		1C172/TM		74.0	72.5		SA572CE Williams	1	2250	2150
150A		O-320-B2C (LY)		1C172/TM		74.0	72.5		SA572CE Williams	1	2250	2150
150A		O-320-B3A (LY)		1C172/TM		74.0	72.5		SA572CE Williams	1	2250	2150
150A		O-320-B3B (LY)		1C172/TM		74.0	72.5		SA572CE Williams	1	2250	2150
150A		O-320-B3C (LY)		1C172/TM		74.0	72.5		SA572CE Williams	1	2250	2150

Fixed Pitch Applications

Aircraft Model	T Y P E	Engine Model (Make)	Climb Model	Standard Model	Cruise Model	Max Dia	Min Dia	Spinner	STC Number	Notes	max rpm	min rpm
150A		O-320-C2B (LY)		1C172/TM		74.0	72.5		SA572CE Williams	1	2250	2150
150A		O-320-D1A (LY)		1C172/TM		74.0	72.5		SA572CE Williams	1	2250	2150
150A		O-320-D1B (LY)		1C172/TM		74.0	72.5		SA572CE Williams	1	2250	2150
150A		O-320-D2A (LY)		1C172/TM		74.0	72.5		SA572CE Williams	1	2250	2150
150A		O-320-D2B (LY)		1C172/TM		74.0	72.5		SA572CE Williams	1	2250	2150
150A		O-320-D2G (LY)		1C172/TM		74.0	72.5		SA572CE Williams	1	2250	2150
150A		O-320-D3G (LY)		1C172/TM		74.0	72.5		SA572CE Williams	1	2250	2150
150A		O-320-E2C (LY)		1C172/TM		74.0	72.5		SA572CE Williams	1	2250	2150
150A		O-320-E2D (LY)		1C172/TM		74.0	72.5		SA572CE Williams	1	2250	2150
150B		O-200-A (TCM)		1A100/MCM6950		69.0	67.5			1	2475	2375
150B		O-200-A (TCM)		1A101/DCM6948		69.0	67.5			1	2600	2500
150B		O-320-A1A (LY)		1C172/TM		74.0	72.5		SA572CE Williams	1	2250	2150
150B		O-320-B1A (LY)		1C172/TM		74.0	72.5		SA572CE Williams	1	2250	2150
150B		O-320-B1B (LY)		1C172/TM		74.0	72.5		SA572CE Williams	1	2250	2150
150B		O-320-B2A (LY)		1C172/TM		74.0	72.5		SA572CE Williams	1	2250	2150
150B		O-320-B2B (LY)		1C172/TM		74.0	72.5		SA572CE Williams	1	2250	2150
150B		O-320-B2C (LY)		1C172/TM		74.0	72.5		SA572CE Williams	1	2250	2150
150B		O-320-B3A (LY)		1C172/TM		74.0	72.5		SA572CE Williams	1	2250	2150
150B		O-320-B3B (LY)		1C172/TM		74.0	72.5		SA572CE Williams	1	2250	2150
150B		O-320-B3C (LY)		1C172/TM		74.0	72.5		SA572CE Williams	1	2250	2150

Fixed Pitch Applications

Aircraft Model	T Y P E	Engine Model (Make)	Climb Model	Standard Model	Cruise Model	Max Dia	Min Dia	Spinner	STC Number	Notes	max rpm	min rpm
150B		O-320-C2B (LY)		1C172/TM		74.0	72.5		SA572CE Williams	1	2250	2150
150B		O-320-D1A (LY)		1C172/TM		74.0	72.5		SA572CE Williams	1	2250	2150
150B		O-320-D1B (LY)		1C172/TM		74.0	72.5		SA572CE Williams	1	2250	2150
150B		O-320-D2A (LY)		1C172/TM		74.0	72.5		SA572CE Williams	1	2250	2150
150B		O-320-D2B (LY)		1C172/TM		74.0	72.5		SA572CE Williams	1	2250	2150
150B		O-320-D2G (LY)		1C172/TM		74.0	72.5		SA572CE Williams	1	2250	2150
150B		O-320-D3G (LY)		1C172/TM		74.0	72.5		SA572CE Williams	1	2250	2150
150B		O-320-E2C (LY)		1C172/TM		74.0	72.5		SA572CE Williams	1	2250	2150
150B		O-320-E2D (LY)		1C172/TM		74.0	72.5		SA572CE Williams	1	2250	2150
150C		O-200-A (TCM)		1A100/MCM6950		69.0	67.5			1	2475	2375
150C		O-200-A (TCM)		1A101/DCM6948		69.0	67.5			1	2600	2500
150C		O-320-A1A (LY)		1C172/TM		74.0	72.5		SA572CE Williams	1	2250	2150
150C		O-320-B1A (LY)		1C172/TM		74.0	72.5		SA572CE Williams	1	2250	2150
150C		O-320-B1B (LY)		1C172/TM		74.0	72.5		SA572CE Williams	1	2250	2150
150C		O-320-B2A (LY)		1C172/TM		74.0	72.5		SA572CE Williams	1	2250	2150
150C		O-320-B2B (LY)		1C172/TM		74.0	72.5		SA572CE Williams	1	2250	2150
150C		O-320-B2C (LY)		1C172/TM		74.0	72.5		SA572CE Williams	1	2250	2150
150C		O-320-B3A (LY)		1C172/TM		74.0	72.5		SA572CE Williams	1	2250	2150
150C		O-320-B3B (LY)		1C172/TM		74.0	72.5		SA572CE Williams	1	2250	2150
150C		O-320-B3C (LY)		1C172/TM		74.0	72.5		SA572CE Williams	1	2250	2150

Fixed Pitch Applications

Aircraft Model	T Y P E	Engine Model (Make)	Climb Model	Standard Model	Cruise Model	Max Dia	Min Dia	Spinner	STC Number	Notes	max rpm	min rpm
150C		O-320-C2B (LY)		1C172/TM		74.0	72.5		SA572CE Williams	1	2250	2150
150C		O-320-D1A (LY)		1C172/TM		74.0	72.5		SA572CE Williams	1	2250	2150
150C		O-320-D1B (LY)		1C172/TM		74.0	72.5		SA572CE Williams	1	2250	2150
150C		O-320-D2A (LY)		1C172/TM		74.0	72.5		SA572CE Williams	1	2250	2150
150C		O-320-D2B (LY)		1C172/TM		74.0	72.5		SA572CE Williams	1	2250	2150
150C		O-320-D2G (LY)		1C172/TM		74.0	72.5		SA572CE Williams	1	2250	2150
150C		O-320-D3G (LY)		1C172/TM		74.0	72.5		SA572CE Williams	1	2250	2150
150C		O-320-E2C (LY)		1C172/TM		74.0	72.5		SA572CE Williams	1	2250	2150
150C		O-320-E2D (LY)		1C172/TM		74.0	72.5		SA572CE Williams	1	2250	2150
150D		O-200-A (TCM)		1A100/MCM6950		69.0	67.5			1	2475	2375
150D		O-200-A (TCM)		1A101/DCM6948		69.0	67.5			1	2600	2500
150D		O-320-A1A (LY)		1C172/TM		74.0	72.5		SA572CE Williams	1	2250	2150
150D		O-320-B1A (LY)		1C172/TM		74.0	72.5		SA572CE Williams	1	2250	2150
150D		O-320-B1B (LY)		1C172/TM		74.0	72.5		SA572CE Williams	1	2250	2150
150D		O-320-B2A (LY)		1C172/TM		74.0	72.5		SA572CE Williams	1	2250	2150
150D		O-320-B2B (LY)		1C172/TM		74.0	72.5		SA572CE Williams	1	2250	2150
150D		O-320-B2C (LY)		1C172/TM		74.0	72.5		SA572CE Williams	1	2250	2150
150D		O-320-B3A (LY)		1C172/TM		74.0	72.5		SA572CE Williams	1	2250	2150
150D		O-320-B3B (LY)		1C172/TM		74.0	72.5		SA572CE Williams	1	2250	2150
150D		O-320-B3C (LY)		1C172/TM		74.0	72.5		SA572CE Williams	1	2250	2150

Fixed Pitch Applications

Aircraft Model	T Y P E	Engine Model (Make)	Climb Model	Standard Model	Cruise Model	Max Dia	Min Dia	Spinner	STC Number	Notes	max rpm	min rpm
150D		O-320-C2B (LY)		1C172/TM		74.0	72.5		SA572CE Williams	1	2250	2150
150D		O-320-D1A (LY)		1C172/TM		74.0	72.5		SA572CE Williams	1	2250	2150
150D		O-320-D1B (LY)		1C172/TM		74.0	72.5		SA572CE Williams	1	2250	2150
150D		O-320-D2A (LY)		1C172/TM		74.0	72.5		SA572CE Williams	1	2250	2150
150D		O-320-D2B (LY)		1C172/TM		74.0	72.5		SA572CE Williams	1	2250	2150
150D		O-320-D2G (LY)		1C172/TM		74.0	72.5		SA572CE Williams	1	2250	2150
150D		O-320-D3G (LY)		1C172/TM		74.0	72.5		SA572CE Williams	1	2250	2150
150D		O-320-E2C (LY)		1C172/TM		74.0	72.5		SA572CE Williams	1	2250	2150
150D		O-320-E2D (LY)		1C172/TM		74.0	72.5		SA572CE Williams	1	2250	2150
150D		O-320-E2D (LY)		1C172/TM		74.0	72.0		SA1034SW Aero Upgrade		2300	2200
150E		O-200-A (TCM)		1A100/MCM6950		69.0	67.5			1	2475	2375
150E		O-200-A (TCM)		1A101/DCM6948		69.0	67.5			1	2600	2500
150E		O-320-A1A (LY)		1C172/TM		74.0	72.5		SA572CE Williams	1	2250	2150
150E		O-320-B1A (LY)		1C172/TM		74.0	72.5		SA572CE Williams	1	2250	2150
150E		O-320-B1B (LY)		1C172/TM		74.0	72.5		SA572CE Williams	1	2250	2150
150E		O-320-B2A (LY)		1C172/TM		74.0	72.5		SA572CE Williams	1	2250	2150
150E		O-320-B2B (LY)		1C172/TM		74.0	72.5		SA572CE Williams	1	2250	2150
150E		O-320-B2C (LY)		1C172/TM		74.0	72.5		SA572CE Williams	1	2250	2150
150E		O-320-B3A (LY)		1C172/TM		74.0	72.5		SA572CE Williams	1	2250	2150
150E		O-320-B3B (LY)		1C172/TM		74.0	72.5		SA572CE Williams	1	2250	2150

Fixed Pitch Applications

Aircraft Model	T Y P E	Engine Model (Make)	Climb Model	Standard Model	Cruise Model	Max Dia	Min Dia	Spinner	STC Number	Notes	max rpm	min rpm
150E		O-320-B3C (LY)		1C172/TM		74.0	72.5		SA572CE Williams	1	2250	2150
150E		O-320-C2B (LY)		1C172/TM		74.0	72.5		SA572CE Williams	1	2250	2150
150E		O-320-D1A (LY)		1C172/TM		74.0	72.5		SA572CE Williams	1	2250	2150
150E		O-320-D1B (LY)		1C172/TM		74.0	72.5		SA572CE Williams	1	2250	2150
150E		O-320-D2A (LY)		1C172/TM		74.0	72.5		SA572CE Williams	1	2250	2150
150E		O-320-D2B (LY)		1C172/TM		74.0	72.5		SA572CE Williams	1	2250	2150
150E		O-320-D2G (LY)		1C172/TM		74.0	72.5		SA572CE Williams	1	2250	2150
150E		O-320-D3G (LY)		1C172/TM		74.0	72.5		SA572CE Williams	1	2250	2150
150E		O-320-E2C (LY)		1C172/TM		74.0	72.5		SA572CE Williams	1	2250	2150
150E		O-320-E2D (LY)		1C172/TM		74.0	72.5		SA572CE Williams	1	2250	2150
150E		O-320-E2D (LY)		1C172/TM		74.0	72.0		SA1034SW Aero Upgrade		2300	2200
150F		O-200-A (TCM)		1A100/MCM6950		69.0	67.5			1	2475	2375
150F		O-200-A (TCM)		1A101/DCM6948		69.0	67.5			1	2600	2500
150F		O-320-A1A (LY)		1C172/TM		74.0	72.5		SA572CE Williams	1	2250	2150
150F		O-320-B1A (LY)		1C172/TM		74.0	72.5		SA572CE Williams	1	2250	2150
150F		O-320-B1B (LY)		1C172/TM		74.0	72.5		SA572CE Williams	1	2250	2150
150F		O-320-B2A (LY)		1C172/TM		74.0	72.5		SA572CE Williams	1	2250	2150
150F		O-320-B2B (LY)		1C172/TM		74.0	72.5		SA572CE Williams	1	2250	2150
150F		O-320-B2C (LY)		1C172/TM		74.0	72.5		SA572CE Williams	1	2250	2150
150F		O-320-B3A (LY)		1C172/TM		74.0	72.5		SA572CE Williams	1	2250	2150

Fixed Pitch Applications

Aircraft Model	T Y P E	Engine Model (Make)	Climb Model	Standard Model	Cruise Model	Max Dia	Min Dia	Spinner	STC Number	Notes	max rpm	min rpm
150F		O-320-B3B (LY)		1C172/TM		74.0	72.5		SA572CE Williams	1	2250	2150
150F		O-320-B3C (LY)		1C172/TM		74.0	72.5		SA572CE Williams	1	2250	2150
150F		O-320-C2B (LY)		1C172/TM		74.0	72.5		SA572CE Williams	1	2250	2150
150F		O-320-D1A (LY)		1C172/TM		74.0	72.5		SA572CE Williams	1	2250	2150
150F		O-320-D1B (LY)		1C172/TM		74.0	72.5		SA572CE Williams	1	2250	2150
150F		O-320-D2A (LY)		1C172/TM		74.0	72.5		SA572CE Williams	1	2250	2150
150F		O-320-D2B (LY)		1C172/TM		74.0	72.5		SA572CE Williams	1	2250	2150
150F		O-320-D2G (LY)		1C172/TM		74.0	72.5		SA572CE Williams	1	2250	2150
150F		O-320-D3G (LY)		1C172/TM		74.0	72.5		SA572CE Williams	1	2250	2150
150F		O-320-E2C (LY)		1C172/TM		74.0	72.5		SA572CE Williams	1	2250	2150
150F		O-320-E2D (LY)		1C172/TM		74.0	72.5		SA572CE Williams	1	2250	2150
150F		O-320-E2D (LY)		1C172/TM		74.0	72.0		SA1034SW Aero Upgrade		2300	2200
150G		O-200-A (TCM)		1A100/MCM6950		69.0	67.5			1	2475	2375
150G		O-200-A (TCM)		1A101/DCM6948		69.0	67.0			1	2600	2500
150G	F	O-200-A (TCM)		1A90/CF7535	1A90/CF7538	75.0	73.5			1	2600	2500
150G		O-320-A1A (LY)		1C172/TM		74.0	72.5		SA572CE Williams	1	2250	2150
150G	F	O-320-A1A (LY)		1C172/TM		76.0	74.5		SA572CE Williams	1	2400	2350
150G		O-320-B1A (LY)		1C172/TM		74.0	72.5		SA572CE Williams	1	2250	2150
150G		O-320-B1B (LY)		1C172/TM		74.0	72.5		SA572CE Williams	1	2250	2150
150G		O-320-B2A (LY)		1C172/TM		74.0	72.5		SA572CE Williams	1	2250	2150
150G		O-320-B2B (LY)		1C172/TM		74.0	72.5		SA572CE Williams	1	2250	2150

Fixed Pitch Applications

Aircraft Model	T Y P E	Engine Model (Make)	Climb Model	Standard Model	Cruise Model	Max Dia	Min Dia	Spinner	STC Number	Notes	max rpm	min rpm
150G		O-320-B2C (LY)		1C172/TM		74.0	72.5		SA572CE Williams	1	2250	2150
150G		O-320-B3A (LY)		1C172/TM		74.0	72.5		SA572CE Williams	1	2250	2150
150G		O-320-B3B (LY)		1C172/TM		74.0	72.5		SA572CE Williams	1	2250	2150
150G		O-320-B3C (LY)		1C172/TM		74.0	72.5		SA572CE Williams	1	2250	2150
150G		O-320-C2B (LY)		1C172/TM		74.0	72.5		SA572CE Williams	1	2250	2150
150G	F	O-320-C2B (LY)		1C172/TM		76.0	74.5		SA572CE Williams	1	2400	2350
150G		O-320-D1A (LY)		1C172/TM		74.0	72.5		SA572CE Williams	1	2250	2150
150G		O-320-D1B (LY)		1C172/TM		74.0	72.5		SA572CE Williams	1	2250	2150
150G		O-320-D2A (LY)		1C172/TM		74.0	72.5		SA572CE Williams	1	2250	2150
150G		O-320-D2B (LY)		1C172/TM		74.0	72.5		SA572CE Williams	1	2250	2150
150G		O-320-D2G (LY)		1C172/TM		74.0	72.5		SA572CE Williams	1	2250	2150
150G		O-320-D3G (LY)		1C172/TM		74.0	72.5		SA572CE Williams	1	2250	2150
150G		O-320-E2C (LY)		1C172/TM		74.0	72.5		SA572CE Williams	1	2250	2150
150G	F	O-320-E2C (LY)		1C172/TM		76.0	74.5		SA572CE Williams	1	2400	2350
150G		O-320-E2D (LY)		1C172/TM		74.0	72.5		SA572CE Williams	1	2250	2150
150G	F	O-320-E2D (LY)		1C172/TM		76.0	74.5		SA572CE Williams	1	2400	2350
150G		O-320-E2D (LY)		1C172/TM		74.0	72.0		SA1034SW Aero Upgrade		2300	2200
150H		O-200-A (TCM)		1A100/MCM6950		69.0	67.5			1	2475	2375
150H		O-200-A (TCM)		1A101/DCM6948		69.0	67.0			1	2600	2500
150H	F	O-200-A (TCM)	1A90/CF7535		1A90/CF7538	75.0	73.5			1	2600	2500
150H		O-320-A1A (LY)		1C172/TM		74.0	72.5		SA572CE Williams	1	2250	2150

Fixed Pitch Applications

Aircraft Model	T Y P E	Engine Model (Make)	Climb Model	Standard Model	Cruise Model	Max Dia	Min Dia	Spinner	STC Number	Notes	max rpm	min rpm
150H	F	O-320-A1A (LY)		1C172/TM		76.0	74.5		SA572CE Williams	1	2400	2350
150H		O-320-B1A (LY)		1C172/TM		74.0	72.5		SA572CE Williams	1	2250	2150
150H		O-320-B1B (LY)		1C172/TM		74.0	72.5		SA572CE Williams	1	2250	2150
150H		O-320-B2A (LY)		1C172/TM		74.0	72.5		SA572CE Williams	1	2250	2150
150H		O-320-B2B (LY)		1C172/TM		74.0	72.5		SA572CE Williams	1	2250	2150
150H		O-320-B2C (LY)		1C172/TM		74.0	72.5		SA572CE Williams	1	2250	2150
150H		O-320-B3A (LY)		1C172/TM		74.0	72.5		SA572CE Williams	1	2250	2150
150H		O-320-B3B (LY)		1C172/TM		74.0	72.5		SA572CE Williams	1	2250	2150
150H		O-320-B3C (LY)		1C172/TM		74.0	72.5		SA572CE Williams	1	2250	2150
150H		O-320-C2B (LY)		1C172/TM		74.0	72.5		SA572CE Williams	1	2250	2150
150H	F	O-320-C2B (LY)		1C172/TM		76.0	74.5		SA572CE Williams	1	2400	2350
150H		O-320-D1A (LY)		1C172/TM		74.0	72.5		SA572CE Williams	1	2250	2150
150H		O-320-D1B (LY)		1C172/TM		74.0	72.5		SA572CE Williams	1	2250	2150
150H		O-320-D2A (LY)		1C172/TM		74.0	72.5		SA572CE Williams	1	2250	2150
150H		O-320-D2B (LY)		1C172/TM		74.0	72.5		SA572CE Williams	1	2250	2150
150H		O-320-D2G (LY)		1C172/TM		74.0	72.5		SA572CE Williams	1	2250	2150
150H		O-320-D3G (LY)		1C172/TM		74.0	72.5		SA572CE Williams	1	2250	2150
150H		O-320-E2C (LY)		1C172/TM		74.0	72.5		SA572CE Williams	1	2250	2150
150H	F	O-320-E2C (LY)		1C172/TM		76.0	74.5		SA572CE Williams	1	2400	2350

Fixed Pitch Applications

Aircraft Model	T Y P E	Engine Model (Make)	Climb Model	Standard Model	Cruise Model	Max Dia	Min Dia	Spinner	STC Number	Notes	max rpm	min rpm
150H		O-320-E2D (LY)		1C172/TM		74.0	72.5		SA572CE Williams	1	2250	2150
150H	F	O-320-E2D (LY)		1C172/TM		76.0	74.5		SA572CE Williams	1	2400	2350
150H		O-320-E2D (LY)		1C172/TM		74.0	72.0		SA1034SW Aero Upgrade		2300	2200
150J		O-200-A (TCM)		1A100/MCM6950		69.0	67.5			1	2475	2375
150J		O-200-A (TCM)		1A101/DCM6948		69.0	67.0			1	2600	2500
150J	F	O-200-A (TCM)	1A90/CF7535		1A90/CF7538	75.0	73.5			1	2600	2500
150J		O-320-A1A (LY)		1C172/TM		74.0	72.5		SA572CE Williams	1	2250	2150
150J	F	O-320-A1A (LY)		1C172/TM		76.0	74.5		SA572CE Williams	1	2400	2350
150J		O-320-B1A (LY)		1C172/TM		74.0	72.5		SA572CE Williams	1	2250	2150
150J		O-320-B1B (LY)		1C172/TM		74.0	72.5		SA572CE Williams	1	2250	2150
150J		O-320-B2A (LY)		1C172/TM		74.0	72.5		SA572CE Williams	1	2250	2150
150J		O-320-B2B (LY)		1C172/TM		74.0	72.5		SA572CE Williams	1	2250	2150
150J		O-320-B2C (LY)		1C172/TM		74.0	72.5		SA572CE Williams	1	2250	2150
150J		O-320-B3A (LY)		1C172/TM		74.0	72.5		SA572CE Williams	1	2250	2150
150J		O-320-B3B (LY)		1C172/TM		74.0	72.5		SA572CE Williams	1	2250	2150
150J		O-320-B3C (LY)		1C172/TM		74.0	72.5		SA572CE Williams	1	2250	2150
150J		O-320-C2B (LY)		1C172/TM		74.0	72.5		SA572CE Williams	1	2250	2150
150J	F	O-320-C2B (LY)		1C172/TM		76.0	74.5		SA572CE Williams	1	2400	2350
150J		O-320-D1A (LY)		1C172/TM		74.0	72.5		SA572CE Williams	1	2250	2150
150J		O-320-D1B (LY)		1C172/TM		74.0	72.5		SA572CE Williams	1	2250	2150
150J		O-320-D2A (LY)		1C172/TM		74.0	72.5		SA572CE Williams	1	2250	2150

Fixed Pitch Applications

Aircraft Model	T Y P E	Engine Model (Make)	Climb Model	Standard Model	Cruise Model	Max Dia	Min Dia	Spinner	STC Number	Notes	max rpm	min rpm
150J		O-320-D2B (LY)		1C172/TM		74.0	72.5		SA572CE Williams	1	2250	2150
150J		O-320-D2G (LY)		1C172/TM		74.0	72.5		SA572CE Williams	1	2250	2150
150J		O-320-D3G (LY)		1C172/TM		74.0	72.5		SA572CE Williams	1	2250	2150
150J		O-320-E2C (LY)		1C172/TM		74.0	72.5		SA572CE Williams	1	2250	2150
150J	F	O-320-E2C (LY)		1C172/TM		76.0	74.5		SA572CE Williams	1	2400	2350
150J		O-320-E2D (LY)		1C172/TM		74.0	72.5		SA572CE Williams	1	2250	2150
150J	F	O-320-E2D (LY)		1C172/TM		76.0	74.5		SA572CE Williams	1	2400	2350
150J		O-320-E2D (LY)		1C172/TM		74.0	72.0		SA1034SW Aero Upgrade		2300	2200
150K		O-200-A (TCM)		1A100/MCM6950		69.0	67.5			1	2475	2375
150K		O-200-A (TCM)		1A101/DCM6948		69.0	67.0			1	2600	2500
150K	F	O-200-A (TCM)	1A90/CF7535		1A90/CF7538	75.0	73.5			1	2600	2500
150K		O-320-A1A (LY)		1C172/TM		74.0	72.5		SA572CE Williams	1	2250	2150
150K	F	O-320-A1A (LY)		1C172/TM		76.0	74.5		SA572CE Williams	1	2400	2350
150K		O-320-B1A (LY)		1C172/TM		74.0	72.5		SA572CE Williams	1	2250	2150
150K		O-320-B1B (LY)		1C172/TM		74.0	72.5		SA572CE Williams	1	2250	2150
150K		O-320-B2A (LY)		1C172/TM		74.0	72.5		SA572CE Williams	1	2250	2150
150K		O-320-B2B (LY)		1C172/TM		74.0	72.5		SA572CE Williams	1	2250	2150
150K		O-320-B2C (LY)		1C172/TM		74.0	72.5		SA572CE Williams	1	2250	2150
150K		O-320-B3A (LY)		1C172/TM		74.0	72.5		SA572CE Williams	1	2250	2150
150K		O-320-B3B (LY)		1C172/TM		74.0	72.5		SA572CE Williams	1	2250	2150
150K		O-320-B3C (LY)		1C172/TM		74.0	72.5		SA572CE Williams	1	2250	2150

Fixed Pitch Applications

Aircraft Model	T Y P E	Engine Model (Make)	Climb Model	Standard Model	Cruise Model	Max Dia	Min Dia	Spinner	STC Number	Notes	max rpm	min rpm
150K		O-320-C2B (LY)		1C172/TM		74.0	72.5		SA572CE Williams	1	2250	2150
150K	F	O-320-C2B (LY)		1C172/TM		76.0	74.5		SA572CE Williams	1	2400	2350
150K		O-320-D1A (LY)		1C172/TM		74.0	72.5		SA572CE Williams	1	2250	2150
150K		O-320-D1B (LY)		1C172/TM		74.0	72.5		SA572CE Williams	1	2250	2150
150K		O-320-D2A (LY)		1C172/TM		74.0	72.5		SA572CE Williams	1	2250	2150
150K		O-320-D2B (LY)		1C172/TM		74.0	72.5		SA572CE Williams	1	2250	2150
150K		O-320-D2G (LY)		1C172/TM		74.0	72.5		SA572CE Williams	1	2250	2150
150K		O-320-D3G (LY)		1C172/TM		74.0	72.5		SA572CE Williams	1	2250	2150
150K		O-320-E2C (LY)		1C172/TM		74.0	72.5		SA572CE Williams	1	2250	2150
150K	F	O-320-E2C (LY)		1C172/TM		76.0	74.5		SA572CE Williams	1	2400	2350
150K		O-320-E2D (LY)		1C172/TM		74.0	72.5		SA572CE Williams	1	2250	2150
150K	F	O-320-E2D (LY)		1C172/TM		76.0	74.5		SA572CE Williams	1	2400	2350
150K		O-320-E2D (LY)		1C172/TM		74.0	72.0		SA1034SW Aero Upgrade		2300	2200
150L (1971, 1972, 1973 models)		O-200-A (TCM)		1A101/GCM6948		69.0	67.0			1 16	2600	2500
150L (1972, 1973, 1974 models)		O-200-A (TCM)		1A101/HCM6948		69.0	67.0			1 16	2600	2500
150L (1974 model)		O-200-A (TCM)		1A101/PCM6948		69.0	67.0			1 16	2600	2500
150L (1971 through 1974 models)		O-200-A (TCM)		1A102/OCM6948		69.0	67.5			1	2560	2460
150L		O-320-A1A (LY)		1C172/TM		74.0	72.5		SA572CE Williams	1	2250	2150
150L		O-320-B1A (LY)		1C172/TM		74.0	72.5		SA572CE Williams	1	2250	2150

Fixed Pitch Applications

Aircraft Model	T Y P E	Engine Model (Make)	Climb Model	Standard Model	Cruise Model	Max Dia	Min Dia	Spinner	STC Number	Notes	max rpm	min rpm
150L		O-320-B1B (LY)		1C172/TM		74.0	72.5		SA572CE Williams	1	2250	2150
150L		O-320-B2A (LY)		1C172/TM		74.0	72.5		SA572CE Williams	1	2250	2150
150L		O-320-B2B (LY)		1C172/TM		74.0	72.5		SA572CE Williams	1	2250	2150
150L		O-320-B2C (LY)		1C172/TM		74.0	72.5		SA572CE Williams	1	2250	2150
150L		O-320-B3A (LY)		1C172/TM		74.0	72.5		SA572CE Williams	1	2250	2150
150L		O-320-B3B (LY)		1C172/TM		74.0	72.5		SA572CE Williams	1	2250	2150
150L		O-320-B3C (LY)		1C172/TM		74.0	72.5		SA572CE Williams	1	2250	2150
150L		O-320-C2B (LY)		1C172/TM		74.0	72.5		SA572CE Williams	1	2250	2150
150L		O-320-D1A (LY)		1C172/TM		74.0	72.5		SA572CE Williams	1	2250	2150
150L		O-320-D1B (LY)		1C172/TM		74.0	72.5		SA572CE Williams	1	2250	2150
150L		O-320-D2A (LY)		1C172/TM		74.0	72.5		SA572CE Williams	1	2250	2150
150L		O-320-D2B (LY)		1C172/TM		74.0	72.5		SA572CE Williams	1	2250	2150
150L		O-320-D2G (LY)		1C172/TM		74.0	72.5		SA572CE Williams	1	2250	2150
150L		O-320-D3G (LY)		1C172/TM		74.0	72.5		SA572CE Williams	1	2250	2150
150L		O-320-E2C (LY)		1C172/TM		74.0	72.5		SA572CE Williams	1	2250	2150
150L		O-320-E2D (LY)		1C172/TM		74.0	72.5		SA572CE Williams	1	2250	2150
150L		O-320-E2D (LY)		1C172/TM		74.0	72.0		SA1034SW Aero Upgrade		2300	2200
150M		O-200-A (TCM)		1A102/OCM6948		69.0	67.0			1	2560	2460
150M		O-200-A (TCM)		1A101/HCM6948		69.0			SA01291SE Nigel Waterhouse			

Fixed Pitch Applications

Aircraft Model	T Y P E	Engine Model (Make)	Climb Model	Standard Model	Cruise Model	Max Dia	Min Dia	Spinner	STC Number	Notes	max rpm	min rpm
150M		O-235-L2C (LY)		1A103/TCM6958		69.0			SA5695NM Robert Lierman	16 51		
150M		O-320-A1A (LY)		1C172/TM		74.0	72.5		SA572CE Williams	1	2250	2150
150M		O-320-B1A (LY)		1C172/TM		74.0	72.5		SA572CE Williams	1	2250	2150
150M		O-320-B1B (LY)		1C172/TM		74.0	72.5		SA572CE Williams	1	2250	2150
150M		O-320-B2A (LY)		1C172/TM		74.0	72.5		SA572CE Williams	1	2250	2150
150M		O-320-B2B (LY)		1C172/TM		74.0	72.5		SA572CE Williams	1	2250	2150
150M		O-320-B2C (LY)		1C172/TM		74.0	72.5		SA572CE Williams	1	2250	2150
150M		O-320-B3A (LY)		1C172/TM		74.0	72.5		SA572CE Williams	1	2250	2150
150M		O-320-B3B (LY)		1C172/TM		74.0	72.5		SA572CE Williams	1	2250	2150
150M		O-320-B3C (LY)		1C172/TM		74.0	72.5		SA572CE Williams	1	2250	2150
150M		O-320-C2B (LY)		1C172/TM		74.0	72.5		SA572CE Williams	1	2250	2150
150M		O-320-D1A (LY)		1C172/TM		74.0	72.5		SA572CE Williams	1	2250	2150
150M		O-320-D1B (LY)		1C172/TM		74.0	72.5		SA572CE Williams	1	2250	2150
150M		O-320-D2A (LY)		1C172/TM		74.0	72.5		SA572CE Williams	1	2250	2150
150M		O-320-D2B (LY)		1C172/TM		74.0	72.5		SA572CE Williams	1	2250	2150
150M		O-320-D2G (LY)		1C172/TM		74.0	72.5		SA572CE Williams	1	2250	2150
150M		O-320-D3G (LY)		1C172/TM		74.0	72.5		SA572CE Williams	1	2250	2150
150M		O-320-E2C (LY)		1C172/TM		74.0	72.5		SA572CE Williams	1	2250	2150
150M		O-320-E2D (LY)		1C172/TM		74.0	72.5		SA572CE Williams	1	2250	2150

Fixed Pitch Applications

Aircraft Model	T Y P E	Engine Model (Make)	Climb Model	Standard Model	Cruise Model	Max Dia	Min Dia	Spinner	STC Number	Notes	max rpm	min rpm
A150K "Aerobat"		O-200-A (TCM)	1A101/DCM6948	1A101/DCM6950		69.0	67.0			1	2600	2500
A150K "Aerobat"		O-320-A1A (LY)		1C172/TM		74.0	72.5		SA572CE Williams	1	2250	2150
A150K "Aerobat"	F	O-320-A1A (LY)		1C172/TM		76.0	74.5		SA572CE Williams	1	2400	2350
A150K "Aerobat"		O-320-B1A (LY)		1C172/TM		74.0	72.5		SA572CE Williams	1	2250	2150
A150K "Aerobat"		O-320-B1B (LY)		1C172/TM		74.0	72.5		SA572CE Williams	1	2250	2150
A150K "Aerobat"		O-320-B2A (LY)		1C172/TM		74.0	72.5		SA572CE Williams	1	2250	2150
A150K "Aerobat"		O-320-B2B (LY)		1C172/TM		74.0	72.5		SA572CE Williams	1	2250	2150
A150K "Aerobat"		O-320-B2C (LY)		1C172/TM		74.0	72.5		SA572CE Williams	1	2250	2150
A150K "Aerobat"		O-320-B3A (LY)		1C172/TM		74.0	72.5		SA572CE Williams	1	2250	2150
A150K "Aerobat"		O-320-B3B (LY)		1C172/TM		74.0	72.5		SA572CE Williams	1	2250	2150
A150K "Aerobat"		O-320-B3C (LY)		1C172/TM		74.0	72.5		SA572CE Williams	1	2250	2150
A150K "Aerobat"		O-320-C2B (LY)		1C172/TM		74.0	72.5		SA572CE Williams	1	2250	2150
A150K "Aerobat"	F	O-320-C2B (LY)		1C172/TM		76.0	74.5		SA572CE Williams	1	2400	2350
A150K "Aerobat"		O-320-D1A (LY)		1C172/TM		74.0	72.5		SA572CE Williams	1	2250	2150
A150K "Aerobat"		O-320-D1B (LY)		1C172/TM		74.0	72.5		SA572CE Williams	1	2250	2150
A150K "Aerobat"		O-320-D2A (LY)		1C172/TM		74.0	72.5		SA572CE Williams	1	2250	2150
A150K "Aerobat"		O-320-D2B (LY)		1C172/TM		74.0	72.5		SA572CE Williams	1	2250	2150
A150K "Aerobat"		O-320-D2G (LY)		1C172/TM		74.0	72.5		SA572CE Williams	1	2250	2150
A150K "Aerobat"		O-320-D3G (LY)		1C172/TM		74.0	72.5		SA572CE Williams	1	2250	2150

Fixed Pitch Applications

Aircraft Model	T Y P E	Engine Model (Make)	Climb Model	Standard Model	Cruise Model	Max Dia	Min Dia	Spinner	STC Number	Notes	max rpm	min rpm
A150K "Aerobat"		O-320-E2C (LY)		1C172/TM		74.0	72.5		SA572CE Williams	1	2250	2150
A150K "Aerobat"	F	O-320-E2C (LY)		1C172/TM		76.0	74.5		SA572CE Williams	1	2400	2350
A150K "Aerobat"		O-320-E2D (LY)		1C172/TM		74.0	72.5		SA572CE Williams	1	2250	2150
A150K "Aerobat"	F	O-320-E2D (LY)		1C172/TM		76.0	74.5		SA572CE Williams	1	2400	2350
A150L (1971, 1972, 1973 models) "Aerobat"		O-200-A (TCM)		1A101/GCM6948		69.0	67.0			1 16	2600	2500
A150L (1971, 1972, 1973 models) "Aerobat"		O-200-A (TCM)		1A101/HCM6948		69.0	67.0			1 16	2600	2500
A150L (1974 model) "Aerobat"		O-200-A (TCM)		1A102/OCM6948		69.0	67.5			1	2560	2460
A150L "Aerobat"		O-320-A1A (LY)		1C172/TM		74.0	72.5		SA572CE Williams	1	2250	2150
A150L "Aerobat"		O-320-B1A (LY)		1C172/TM		74.0	72.5		SA572CE Williams	1	2250	2150
A150L "Aerobat"		O-320-B1B (LY)		1C172/TM		74.0	72.5		SA572CE Williams	1	2250	2150
A150L "Aerobat"		O-320-B2A (LY)		1C172/TM		74.0	72.5		SA572CE Williams	1	2250	2150
A150L "Aerobat"		O-320-B2B (LY)		1C172/TM		74.0	72.5		SA572CE Williams	1	2250	2150
A150L "Aerobat"		O-320-B2C (LY)		1C172/TM		74.0	72.5		SA572CE Williams	1	2250	2150
A150L "Aerobat"		O-320-B3A (LY)		1C172/TM		74.0	72.5		SA572CE Williams	1	2250	2150
A150L "Aerobat"		O-320-B3B (LY)		1C172/TM		74.0	72.5		SA572CE Williams	1	2250	2150
A150L "Aerobat"		O-320-B3C (LY)		1C172/TM		74.0	72.5		SA572CE Williams	1	2250	2150
A150L "Aerobat"		O-320-C2B (LY)		1C172/TM		74.0	72.5		SA572CE Williams	1	2250	2150
A150L "Aerobat"		O-320-D1A (LY)		1C172/TM		74.0	72.5		SA572CE Williams	1	2250	2150

Fixed Pitch Applications

Aircraft Model	T Y P E	Engine Model (Make)	Climb Model	Standard Model	Cruise Model	Max Dia	Min Dia	Spinner	STC Number	Notes	max rpm	min rpm
A150L "Aerobat"		O-320-D1B (LY)		1C172/TM		74.0	72.5		SA572CE Williams	1	2250	2150
A150L "Aerobat"		O-320-D2A (LY)		1C172/TM		74.0	72.5		SA572CE Williams	1	2250	2150
A150L "Aerobat"		O-320-D2B (LY)		1C172/TM		74.0	72.5		SA572CE Williams	1	2250	2150
A150L "Aerobat"		O-320-D2G (LY)		1C172/TM		74.0	72.5		SA572CE Williams	1	2250	2150
A150L "Aerobat"		O-320-D3G (LY)		1C172/TM		74.0	72.5		SA572CE Williams	1	2250	2150
A150L "Aerobat"		O-320-E2C (LY)		1C172/TM		74.0	72.5		SA572CE Williams	1	2250	2150
A150L "Aerobat"		O-320-E2D (LY)		1C172/TM		74.0	72.5		SA572CE Williams	1	2250	2150
A150M "Aerobat"		O-200-A (TCM)		1A102/OCM6948		69.0	67.5			1	2560	2460
A150M "Aerobat"		O-320-A1A (LY)		1C172/TM		74.0	72.5		SA572CE Williams	1	2250	2150
A150M "Aerobat"		O-320-B1A (LY)		1C172/TM		74.0	72.5		SA572CE Williams	1	2250	2150
A150M "Aerobat"		O-320-B1B (LY)		1C172/TM		74.0	72.5		SA572CE Williams	1	2250	2150
A150M "Aerobat"		O-320-B2A (LY)		1C172/TM		74.0	72.5		SA572CE Williams	1	2250	2150
A150M "Aerobat"		O-320-B2B (LY)		1C172/TM		74.0	72.5		SA572CE Williams	1	2250	2150
A150M "Aerobat"		O-320-B2C (LY)		1C172/TM		74.0	72.5		SA572CE Williams	1	2250	2150
A150M "Aerobat"		O-320-B3A (LY)		1C172/TM		74.0	72.5		SA572CE Williams	1	2250	2150
A150M "Aerobat"		O-320-B3B (LY)		1C172/TM		74.0	72.5		SA572CE Williams	1	2250	2150
A150M "Aerobat"		O-320-B3C (LY)		1C172/TM		74.0	72.5		SA572CE Williams	1	2250	2150
A150M "Aerobat"		O-320-C2B (LY)		1C172/TM		74.0	72.5		SA572CE Williams	1	2250	2150
A150M "Aerobat"		O-320-D1A (LY)		1C172/TM		74.0	72.5		SA572CE Williams	1	2250	2150

Fixed Pitch Applications

Aircraft Model	T Y P E	Engine Model (Make)	Climb Model	Standard Model	Cruise Model	Max Dia	Min Dia	Spinner	STC Number	Notes	max rpm	min rpm
A150M "Aerobat"		O-320-D1B (LY)		1C172/TM		74.0	72.5		SA572CE Williams	1	2250	2150
A150M "Aerobat"		O-320-D2A (LY)		1C172/TM		74.0	72.5		SA572CE Williams	1	2250	2150
A150M "Aerobat"		O-320-D2B (LY)		1C172/TM		74.0	72.5		SA572CE Williams	1	2250	2150
A150M "Aerobat"		O-320-D2G (LY)		1C172/TM		74.0	72.5		SA572CE Williams	1	2250	2150
A150M "Aerobat"		O-320-D3G (LY)		1C172/TM		74.0	72.5		SA572CE Williams	1	2250	2150
A150M "Aerobat"		O-320-E2C (LY)		1C172/TM		74.0	72.5		SA572CE Williams	1	2250	2150
A150M "Aerobat"		O-320-E2D (LY)		1C172/TM		74.0	72.5		SA572CE Williams	1	2250	2150
152		O-235-L2C (LY)		1A103/TCM6958		69.0	67.5			16	2380	2280
152		O-235-L2C (STC)		1A103/TCM6958		69.0			SA1000NW Kennis Blackman			
152		O-235-L2C (STC)		1A103/TCM6958		69.0			SA432NE AR Custom			
152		O-235-L2C (STC)		1A103/TCM6958		69.0			SA789GL EAA Aviation			
152		O-235-L2C (STC)		1A135/KCM7054		70.0	69.0		SA2278NM Aerotech	48	2350	2250
152		O-235-N2C (LY)		1A103/TCM6958		69.0	67.5			16 18	2380	2280
A152 "Aerobat"		O-235-L2C (LY)		1A103/TCM6958		69.0	67.5			16	2380	2280
A152 "Aerobat"		O-235-L2C (STC)		1A103/TCM6958		69.0			SA789GL EAA Aviation			
A152 "Aerobat"		O-235-N2C (LY)		1A103/TCM6958		69.0	67.5			16 18	2380	2280
A152 "Aerobat"		O-320-E2D (LY)		1C172/TM7458		74.0			SA1384CE AVCON			
162 "Skycatcher"		O-200-D (TCM)		1A162/TCD6754		67.0	66.0	refer to spinner section				

Fixed Pitch Applications

Aircraft Model	T Y P E	Engine Model (Make)	Climb Model	Standard Model	Cruise Model	Max Dia	Min Dia	Spinner	STC Number	Notes	max rpm	min rpm
162 "Skycatcher"		O-200-D (TCM)		1L100/LSA6754		67.0	67.0	refer to spinner section		57		
170		C-145-2 (TCM)	1A170/DM7651	1A170/DM7653		76.0	74.5			1 59	2330	2230
170		C-145-2 (TCM)	1C172/MDM7653	1C172/MDM7655	1C172/MDM7656	76.0	74.5			1 59	2350	2250
170		C-145-2 (TCM)		1A175/DM		80.0			SA632AL Alaska Propeller	1 59		
170		O-300-A (TCM)	1A170/DM7651	1A170/DM7653		76.0	74.5			1 59	2330	2230
170		O-300-A (TCM)	1C172/MDM7653	1C172/MDM7655	1C172/MDM7656	76.0	74.5			1 59	2350	2250
170		O-300-A (TCM)		1A175/DM		80.0			SA632AL Alaska Propeller	1		
170		O-300-C (TCM)	1C172/EM7651	1C172/EM7653	1C172/EM7655	76.0	74.5		SA7441SW Intl Cessna 170 Assoc.		2360	
170	F	O-300-C (TCM)		1A175/SFC8040		80.0			SA7441SW Intl Cessna 170 Assoc.		2360	
170		O-300-D (TCM)	1C172/EM7651	1C172/EM7653	1C172/EM7655	76.0	74.5		SA7441SW Intl Cessna 170 Assoc.		2360	
170	F	O-300-D (TCM)		1A175/SFC8040		80.0			SA7441SW Intl Cessna 170 Assoc.		2360	
170		O-300-E (TCM)	1C172/EM7651	1C172/EM7653	1C172/EM7655	76.0	74.5		SA7441SW Intl Cessna 170 Assoc.		2360	
170	F	O-300-E (TCM)		1A175/SFC8040		80.0			SA7441SW Intl Cessna 170 Assoc.		2360	
170		IO-360-C (TCM)		1B235/DFC7846		78.0			SA00728SE XP Modifications			
170		IO-360-K (TCM)		1B235/DFC7846		78.0			SA00728SE XP Modifications			

Fixed Pitch Applications

Aircraft Model	T Y P E	Engine Model (Make)	Climb Model	Standard Model	Cruise Model	Max Dia	Min Dia	Spinner	STC Number	Notes	max rpm	min rpm
170		IO-360-KB (TCM)		1B235/DFC7846		78.0			SA00728SE XP Modifications			
170A		C-145 (TCM)		1A175/DM		80.0			SA111NW Kenmore Air Harbor	1		
170A	F	C-145 (TCM)		1A175/DM		80.0			SA111NW Kenmore Air Harbor	1		
170A		C-145-2 (TCM)	1A170/DM7651	1A170/DM7653		76.0	74.5			1 59	2330	2230
170A		C-145-2 (TCM)	1C172/MDM7653	1C172/MDM7655	1C172/MDM7656	76.0	74.5			1 59	2350	2250
170A		C-145-2 (TCM)		1A175/DM		80.0			SA632AL Alaska Propeller	1		
170A	F	C-145-2 (TCM)		1A170/DM7647		76.0	74.5			1 59	2525	2300
170A	F	C-145-2 (TCM)		1C172/MDM7649		76.0	74.5			1 59	2525	2300
170A		C-145-2H (TCM)	1A170/DM7651	1A170/DM7653		76.0	74.5			1 59	2330	2230
170A		C-145-2H (TCM)	1C172/MDM7653	1C172/MDM7655	1C172/MDM7656	76.0	74.5			1 59	2350	2250
170A		C-145-2H (TCM)		1A175/DM		80.0			SA632AL Alaska Propeller	1		
170A	F	C-145-2H (TCM)		1A170/DM7647		76.0	74.5			1 59	2525	2300
170A	F	C-145-2H (TCM)		1C172/MDM7649		76.0	74.5			1 59	2525	2300
170A		6A4-165-B3 (FR)	1A170/DM7652	1A170/DM7654		76.0	74.5			1 17	2350	2200
170A	F	6A4-165-B3 (FR)		1A170/DM7649	1A170/DM7652	76.0	74.5			1 17	2500	2400
170A		O-300-A (TCM)	1A170/DM7651	1A170/DM7653		76.0	74.5			1 59	2330	2230
170A		O-300-A (TCM)	1C172/MDM7653	1C172/MDM7655	1C172/MDM7656	76.0	74.5			1 59	2350	2250

Fixed Pitch Applications

Aircraft Model	T Y P E	Engine Model (Make)	Climb Model	Standard Model	Cruise Model	Max Dia	Min Dia	Spinner	STC Number	Notes	max rpm	min rpm
170A		O-300-A (TCM)		1A175/DM		80.0			SA111NW Kenmore Air Harbor	1		
170A		O-300-A (TCM)		1A175/DM		80.0			SA632AL Alaska Propeller	1		
170A	F	O-300-A (TCM)		1A170/DM7647		76.0	74.5			1 59	2525	2300
170A	F	O-300-A (TCM)		1C172/MDM7649		76.0	74.5			1 59	2525	2300
170A	F	O-300-A (TCM)		1A175/DM		80.0			SA111NW Kenmore Air Harbor	1		
170A		O-300-B (TCM)		1A175/DM		80.0			SA111NW Kenmore Air Harbor	1		
170A	F	O-300-B (TCM)		1A175/DM		80.0			SA111NW Kenmore Air Harbor	1		
170A		O-300-C (TCM)	1C172/EM7651	1C172/EM7653	1C172/EM7655	76.0	74.5		SA7441SW Intl Cessna 170 Assoc.		2360	
170A	F	O-300-C (TCM)		1A175/SFC8040		80.0			SA7441SW Intl Cessna 170 Assoc.		2360	
170A		O-300-D (TCM)	1C172/EM7651	1C172/EM7653	1C172/EM7655	76.0	74.5		SA7441SW Intl Cessna 170 Assoc.		2360	
170A	F	O-300-D (TCM)		1A175/SFC8040		80.0			SA7441SW Intl Cessna 170 Assoc.		2360	
170A		O-300-E (TCM)	1C172/EM7651	1C172/EM7653	1C172/EM7655	76.0	74.5		SA7441SW Intl Cessna 170 Assoc.		2360	
170A	F	O-300-E (TCM)		1A175/SFC8040		80.0			SA7441SW Intl Cessna 170 Assoc.		2360	
170A	L	O-360-A1A (LY)		1A170/EFA		76.0	74.0		SA806CE Williams			

Fixed Pitch Applications

Aircraft Model	T Y P E	Engine Model (Make)	Climb Model	Standard Model	Cruise Model	Max Dia	Min Dia	Spinner	STC Number	Notes	max rpm	min rpm
170A	L	O-360-A1D (LY)		1A170/EFA		76.0	74.0		SA806CE Williams			
170A	L	O-360-A1F6 (LY)		1A170/EFA		76.0	74.0		SA806CE Williams			
170A	L	O-360-A2A (LY)		1A170/EFA		76.0	74.0		SA806CE Williams			
170A		IO-360-C (TCM)		1B235/DFC7846		78.0			SA00728SE XP Modifications			
170A		IO-360-K (TCM)		1B235/DFC7846		78.0			SA00728SE XP Modifications			
170A		IO-360-KB (TCM)		1B235/DFC7846		78.0			SA00728SE XP Modifications			
170B		C-145 (TCM)		1A175/DM		80.0			SA111NW Kenmore Air Harbor	1		
170B	F	C-145 (TCM)		1A175/DM		80.0			SA111NW Kenmore Air Harbor	1		
170B		C-145-2 (TCM)		1A170/DF7653		76.0	74.5			1 16	2330	2230
170B		C-145-2 (TCM)	1A170/DM7651	1A170/DM7653		76.0	74.5			1 59	2330	2230
170B		C-145-2 (TCM)	1C172/MDM7653	1C172/MDM7655	1C172/MDM7656	76.0	74.5			1 59	2350	2250
170B		C-145-2 (TCM)		1A175/DM		80.0			SA632AL Alaska Propeller	1		
170B	F	C-145-2 (TCM)	1A170/DM7647	1A170/DM7648	1A170/DM7649	76.0	74.5			1 59	2525	2300
170B	F	C-145-2 (TCM)		1C172/MDM7649		76.0	74.5			1 59	2525	2300
170B		C-145-2H (TCM)		1A170/DF7653		76.0	74.5			1 16	2330	2230
170B		C-145-2H (TCM)	1A170/DM7651	1A170/DM7653		76.0	74.5			1 59	2330	2230
170B		C-145-2H (TCM)	1C172/MDM7653	1C172/MDM7655	1C172/MDM7656	76.0	74.5			1 59	2350	2250

Fixed Pitch Applications

Aircraft Model	T Y P E	Engine Model (Make)	Climb Model	Standard Model	Cruise Model	Max Dia	Min Dia	Spinner	STC Number	Notes	max rpm	min rpm
170B		C-145-2H (TCM)		1A175/DM		80.0			SA632AL Alaska Propeller	1		
170B	F	C-145-2H (TCM)	1A170/DM7647	1A170/DM7648	1A170/DM7649	76.0	74.5			1 59	2525	2300
170B	F	C-145-2H (TCM)		1C172/MDM7649		76.0	74.5			1 59	2525	2300
170B		6A4-165-B3 (FR)	1A170/DM7652	1A170/DM7654		76.0	74.5			1 17	2350	2200
170B	F	6A4-165-B3 (FR)		1A170/DM7649	1A170/DM7652	76.0	74.5			1 17	2500	2400
170B		O-300-A (TCM)		1A170/DF7653		76.0	74.5			1 16	2330	2230
170B		O-300-A (TCM)	1A170/DM7651	1A170/DM7653		76.0	74.5			1 59	2330	2230
170B		O-300-A (TCM)	1C172/MDM7653	1C172/MDM7655	1C172/MDM7656	76.0	74.5			1 59	2350	2250
170B		O-300-A (TCM)		1A175/DM		80.0			SA632AL Alaska Propeller	1		
170B		O-300-A (TCM)		1A175/DM		80.0			SA111NW Kenmore Air Harbor	1		
170B	F	O-300-A (TCM)	1A170/DM7647	1A170/DM7648	1A170/DM7649	76.0	74.5			1 59	2525	2300
170B	F	O-300-A (TCM)		1C172/MDM7649		76.0	74.5			1 59	2525	2300
170B	F	O-300-A (TCM)		1A175/DM		80.0			SA111NW Kenmore Air Harbor	1		
170B		O-300-B (TCM)		1A175/DM		80.0			SA111NW Kenmore Air Harbor	1		
170B	F	O-300-B (TCM)		1A175/DM		80.0			SA111NW Kenmore Air Harbor	1		
170B		O-300-C (TCM)	1C172/EM7651	1C172/EM7653	1C172/EM7655	76.0	74.5		SA7441SW Intl Cessna 170 Assoc.		2360	

Fixed Pitch Applications

Aircraft Model	T Y P E	Engine Model (Make)	Climb Model	Standard Model	Cruise Model	Max Dia	Min Dia	Spinner	STC Number	Notes	max rpm	min rpm
170B	F	O-300-C (TCM)		1A175/SFC8040		80.0			SA7441SW Intl Cessna 170 Assoc.		2360	
170B		O-300-D (TCM)	1C172/EM7651	1C172/EM7653	1C172/EM7655	76.0	74.5		SA7441SW Intl Cessna 170 Assoc.		2360	
170B	F	O-300-D (TCM)		1A175/SFC8040		80.0			SA7441SW Intl Cessna 170 Assoc.		2360	
170B		O-300-E (TCM)	1C172/EM7651	1C172/EM7653	1C172/EM7655	76.0	74.5		SA7441SW Intl Cessna 170 Assoc.		2360	
170B	F	O-300-E (TCM)		1A175/SFC8040		80.0			SA7441SW Intl Cessna 170 Assoc.		2360	
170B	L	O-360-A1A (LY)		1A170/EFA		76.0	74.0		SA806CE Williams			
170B	L	O-360-A1D (LY)		1A170/EFA		76.0	74.0		SA806CE Williams			
170B	L	O-360-A1F6 (LY)		1A170/EFA		76.0	74.0		SA806CE Williams			
170B	L	O-360-A2A (LY)		1A170/EFA		76.0	74.0		SA806CE Williams			
170B		IO-360-C (TCM)		1B235/DFC7846		78.0			SA00728SE XP Modifications			
170B		IO-360-K (TCM)		1B235/DFC7846		78.0			SA00728SE XP Modifications			
170B		IO-360-KB (TCM)		1B235/DFC7846		78.0			SA00728SE XP Modifications			
172		O-300-A (TCM)		1A170/DM7651	1A170/DM7653	76.0	74.5			1	2360	2230
172		O-300-A (TCM)	1C172/MDM7652	1C172/MDM7653	1C172/MDM7655	76.0	74.5			59	2350	2250
172		O-300-B (TCM)		1A170/DM7651	1A170/DM7653	76.0	74.5			1	2360	2230
172		O-300-B (TCM)	1C172/MDM7652	1C172/MDM7653	1C172/MDM7655	76.0	74.5			59	2350	2250

Fixed Pitch Applications

Aircraft Model	T Y P E	Engine Model (Make)	Climb Model	Standard Model	Cruise Model	Max Dia	Min Dia	Spinner	STC Number	Notes	max rpm	min rpm
172		O-300-C (TCM)	1C172/EM7651	1C172/EM7653	1C172/EM7655	76.0	74.5		SA7441SW Intl Cessna 170 Assoc.		2360	
172	F	O-300-C (TCM)		1A175/SFC8040		80.0			SA7441SW Intl Cessna 170 Assoc.		2360	
172		O-300-D (TCM)	1C172/EM7651	1C172/EM7653	1C172/EM7655	76.0	74.5		SA7441SW Intl Cessna 170 Assoc.		2360	
172	F	O-300-D (TCM)		1A175/SFC8040		80.0			SA7441SW Intl Cessna 170 Assoc.		2360	
172		O-300-E (TCM)	1C172/EM7651	1C172/EM7653	1C172/EM7655	76.0	74.5		SA7441SW Intl Cessna 170 Assoc.		2360	
172	F	O-300-E (TCM)		1A175/SFC8040		80.0			SA7441SW Intl Cessna 170 Assoc.		2360	
172		IO-360-C (TCM)		1B235/DFC7846		78.0			SA00728SE XP Modifications			
172		IO-360-K (TCM)		1B235/DFC7846		78.0			SA00728SE XP Modifications			
172		IO-360-KB (TCM)		1B235/DFC7846		78.0			SA00728SE XP Modifications			
172A		O-300-C (TCM)	1C172/EM7652	1C172/EM7653	1C172/EM7655	76.0	74.5				2350	2230
172A	F	O-300-C (TCM)		1A175/SFC8040		80.0	78.4				2480	2380
172A		O-300-D (TCM)	1C172/EM7652	1C172/EM7653	1C172/EM7655	76.0	74.5				2350	2230
172A	F	O-300-D (TCM)		1A175/SFC8040		80.0	78.4				2480	2380
172A		IO-360-C (TCM)		1B235/DFC7846		78.0			SA00728SE XP Modifications			
172A		IO-360-K (TCM)		1B235/DFC7846		78.0			SA00728SE XP Modifications			

Fixed Pitch Applications

Aircraft Model	T Y P E	Engine Model (Make)	Climb Model	Standard Model	Cruise Model	Max Dia	Min Dia	Spinner	STC Number	Notes	max rpm	min rpm
172A		IO-360-KB (TCM)		1B235/DFC7846		78.0			SA00728SE XP Modifications			
172B		O-300-C (TCM)	1C172/EM7652	1C172/EM7653	1C172/EM7655	76.0	74.5				2350	2230
172B	F	O-300-C (TCM)		1A175/SFC8040		80.0	78.4				2480	2380
172B		O-300-D (TCM)	1C172/EM7652	1C172/EM7653	1C172/EM7655	76.0	74.5				2350	2230
172B	F	O-300-D (TCM)		1A175/SFC8040		80.0	78.4				2480	2380
172B		O-320-D2J (LY)		1C160/DTM					SA1774WE Columbia Marine			
172B		O-320-E2D (LY)		1C172/MTM7653		76.0	74.0		SA1774WE Columbia Marine			
172B		O-320-E2D (LY)		1C160/CTM					SA1774WE Columbia Marine			
172B		O-320-H2AD (LY)		1C160/DTM					SA1774WE Columbia Marine			
172B		O-360-A2F (LY)		1A170/CFA7660		76.0			SA4428SW Air Plains			
172B		O-360-A3A (LY)		1A170/CFA7660		76.0			SA4428SW Air Plains			
172B		O-360-A4A (LY)		1A170/CFA7660		76.0			SA4428SW Air Plains			
172B		O-360-A4M (LY)		1A170/CFA7660		76.0			SA4428SW Air Plains			
172B		O-360-A4N (LY)		1A170/CFA7660		76.0			SA4428SW Air Plains			
172B		IO-360-C (TCM)		1B235/DFC7846		78.0			SA00728SE XP Modifications			
172B		IO-360-K (TCM)		1B235/DFC7846		78.0			SA00728SE XP Modifications			
172B		IO-360-KB (TCM)		1B235/DFC7846		78.0			SA00728SE XP Modifications			
172C "Skyhawk"		O-300-C (TCM)	1C172/EM7652	1C172/EM7653	1C172/EM7655	76.0	74.5				2350	2230
172C "Skyhawk"	F	O-300-C (TCM)		1A175/SFC8040		80.0	78.4				2480	2380

Fixed Pitch Applications

Aircraft Model	T Y P E	Engine Model (Make)	Climb Model	Standard Model	Cruise Model	Max Dia	Min Dia	Spinner	STC Number	Notes	max rpm	min rpm
172C "Skyhawk"		O-300-D (TCM)	1C172/EM7652	1C172/EM7653	1C172/EM7655	76.0	74.5				2350	2230
172C "Skyhawk"	F	O-300-D (TCM)		1A175/SFC8040		80.0	78.4				2480	2380
172C "Skyhawk"		O-320-D2J (LY)		1C160/DTM					SA1774WE Columbia Marine			
172C "Skyhawk"		O-320-E2D (LY)		1C172/MTM7653		76.0	74.0		SA1774WE Columbia Marine			
172C "Skyhawk"		O-320-E2D (LY)		1C160/CTM					SA1774WE Columbia Marine			
172C "Skyhawk"		O-320-H2AD (LY)		1C160/DTM					SA1774WE Columbia Marine			
172C "Skyhawk"		O-360-A2F (LY)		1A170/CFA7660		76.0			SA4428SW Air Plains			
172C "Skyhawk"		O-360-A3A (LY)		1A170/CFA7660		76.0			SA4428SW Air Plains			
172C "Skyhawk"		O-360-A4A (LY)		1A170/CFA7660		76.0			SA4428SW Air Plains			
172C "Skyhawk"		O-360-A4M (LY)		1A170/CFA7660		76.0			SA4428SW Air Plains			
172C "Skyhawk"		O-360-A4N (LY)		1A170/CFA7660		76.0			SA4428SW Air Plains			
172C "Skyhawk"		IO-360-C (TCM)		1B235/DFC7846		78.0			SA00728SE XP Modifications			
172C "Skyhawk"		IO-360-K (TCM)		1B235/DFC7846		78.0			SA00728SE XP Modifications			
172C "Skyhawk"		IO-360-KB (TCM)		1B235/DFC7846		78.0			SA00728SE XP Modifications			
172D "Skyhawk"		O-300-C (TCM)	1C172/EM7652	1C172/EM7653		76.0	74.5				2420	2230
172D "Skyhawk"	F	O-300-C (TCM)		1A175/SFC8040		80.0	78.4				2480	2380
172D "Skyhawk"		O-300-D (TCM)	1C172/EM7652	1C172/EM7653		76.0	74.5				2420	2230
172D "Skyhawk"	F	O-300-D (TCM)		1A175/SFC8040		80.0	78.4				2480	2380

Fixed Pitch Applications

Aircraft Model	T Y P E	Engine Model (Make)	Climb Model	Standard Model	Cruise Model	Max Dia	Min Dia	Spinner	STC Number	Notes	max rpm	min rpm
172D "Skyhawk"	L	O-320-D2G (LY)		1C160/CTM7557		75.0	74.0		SA2375SW-D Ram Aircraft	16	2400	2280
172D "Skyhawk"	L	O-320-D2G (LY)		1C160/DTM7557		75.0	74.0		SA2375SW-D Ram Aircraft		2400	2280
172D "Skyhawk"	F	O-320-D2G (LY)		1A175/ETM8042		80.0	78.5		SA2375SW-D Ram Aircraft		2570	2470
172D "Skyhawk"		O-320-D2J (LY)		1C160/DTM					SA1774WE Columbia Marine			
172D "Skyhawk"	L	O-320-D2J (STC)		1C160/CTM7557		75.0	74.0		SA2375SW-D Ram Aircraft	16	2420	2300
172D "Skyhawk"	L	O-320-D2J (STC)		1C160/DTM7557		75.0	74.0		SA2375SW-D Ram Aircraft		2420	2300
172D "Skyhawk"	F	O-320-D2J (STC)		1A175/ETM8042		80.0	78.5		SA2375SW-D Ram Aircraft		2570	2470
172D "Skyhawk"		O-320-E2D (LY)		1C160/CTM					SA1774WE Columbia Marine			
172D "Skyhawk"		O-320-E2D (LY)		1C172/MTM7653		76.0	74.0		SA1774WE Columbia Marine			
172D "Skyhawk"	L	O-320-E2D (STC)		1C160/CTM7557		75.0	74.0		SA2375SW-D Ram Aircraft	16	2420	2300
172D "Skyhawk"	L	O-320-E2D (STC)		1C160/DTM7557		75.0	74.0		SA2375SW-D Ram Aircraft		2420	2300
172D "Skyhawk"	F	O-320-E2D (STC)		1A175/ETM8042		80.0	78.5		SA2375SW-D Ram Aircraft		2570	2470
172D "Skyhawk"		O-320-H2AD (LY)		1C160/DTM					SA1774WE Columbia Marine			
172D "Skyhawk"		O-360-A2F (LY)		1A170/CFA7660		76.0			SA4428SW Air Plains			
172D "Skyhawk"		O-360-A3A (LY)		1A170/CFA7660		76.0			SA4428SW Air Plains			
172D "Skyhawk"		O-360-A4A (LY)		1A170/CFA7660		76.0			SA4428SW Air Plains			
172D "Skyhawk"		O-360-A4M (LY)		1A170/CFA7660		76.0			SA4428SW Air Plains			
172D "Skyhawk"		O-360-A4N (LY)		1A170/CFA7660		76.0			SA4428SW Air Plains			
172D "Skyhawk"		IO-360-C (TCM)		1B235/DFC7846		78.0			SA00728SE XP Modifications			

Fixed Pitch Applications

Aircraft Model	T Y P E	Engine Model (Make)	Climb Model	Standard Model	Cruise Model	Max Dia	Min Dia	Spinner	STC Number	Notes	max rpm	min rpm
172D "Skyhawk"		IO-360-K (TCM)		1B235/DFC7846		78.0			SA00728SE XP Modifications			
172D "Skyhawk"		IO-360-KB (TCM)		1B235/DFC7846		78.0			SA00728SE XP Modifications			
172E "Skyhawk"		O-300-C (TCM)	1C172/EM7652	1C172/EM7653		76.0	74.5				2420	2230
172E "Skyhawk"	F	O-300-C (TCM)		1A175/SFC8040		80.0	78.4				2480	2380
172E "Skyhawk"		O-300-D (TCM)	1C172/EM7652	1C172/EM7653		76.0	74.5				2420	2230
172E "Skyhawk"	F	O-300-D (TCM)		1A175/SFC8040		80.0	78.4				2480	2380
172E "Skyhawk"	L	O-320-D2G (LY)		1C160/CTM7557		75.0	74.0		SA2375SW-D Ram Aircraft	16	2400	2280
172E "Skyhawk"	L	O-320-D2G (LY)		1C160/DTM7557		75.0	74.0		SA2375SW-D Ram Aircraft		2400	2280
172E "Skyhawk"	F	O-320-D2G (LY)		1A175/ETM8042		80.0	78.5		SA2375SW-D Ram Aircraft		2570	2470
172E "Skyhawk"		O-320-D2J (LY)		1C160/DTM					SA1774WE Columbia Marine			
172E "Skyhawk"	L	O-320-D2J (STC)		1C160/CTM7557		75.0	74.0		SA2375SW-D Ram Aircraft	16	2420	2300
172E "Skyhawk"	L	O-320-D2J (STC)		1C160/DTM7557		75.0	74.0		SA2375SW-D Ram Aircraft		2420	2300
172E "Skyhawk"	F	O-320-D2J (STC)		1A175/ETM8042		80.0	78.5		SA2375SW-D Ram Aircraft		2570	2470
172E "Skyhawk"		O-320-E2D (LY)		1C172/MTM7653		76.0	74.0		SA1774WE Columbia Marine			
172E "Skyhawk"		O-320-E2D (LY)		1C160/CTM					SA1774WE Columbia Marine			
172E "Skyhawk"	L	O-320-E2D (STC)		1C160/CTM7557		75.0	74.0		SA2375SW-D Ram Aircraft	16	2420	2300
172E "Skyhawk"	L	O-320-E2D (STC)		1C160/DTM7557		75.0	74.0		SA2375SW-D Ram Aircraft		2420	2300
172E "Skyhawk"	F	O-320-E2D (STC)		1A175/ETM8042		80.0	78.5		SA2375SW-D Ram Aircraft		2570	2470

Fixed Pitch Applications

Aircraft Model	T Y P E	Engine Model (Make)	Climb Model	Standard Model	Cruise Model	Max Dia	Min Dia	Spinner	STC Number	Notes	max rpm	min rpm
172E "Skyhawk"		O-320-H2AD (LY)		1C160/DTM					SA1774WE Columbia Marine			
172E "Skyhawk"		O-360-A2F (LY)		1A170/CFA7660		76.0			SA4428SW Air Plains			
172E "Skyhawk"		O-360-A3A (LY)		1A170/CFA7660		76.0			SA4428SW Air Plains			
172E "Skyhawk"		O-360-A4A (LY)		1A170/CFA7660		76.0			SA4428SW Air Plains			
172E "Skyhawk"		O-360-A4M (LY)		1A170/CFA7660		76.0			SA4428SW Air Plains			
172E "Skyhawk"		O-360-A4N (LY)		1A170/CFA7660		76.0			SA4428SW Air Plains			
172E "Skyhawk"		IO-360-C (TCM)		1B235/DFC7846		78.0			SA00728SE XP Modifications			
172E "Skyhawk"		IO-360-K (TCM)		1B235/DFC7846		78.0			SA00728SE XP Modifications			
172E "Skyhawk"		IO-360-KB (TCM)		1B235/DFC7846		78.0			SA00728SE XP Modifications			
172F "Skyhawk, USAF T-41A"		O-300-C (TCM)	1C172/EM7652	1C172/EM7653		76.0	74.5				2420	2230
172F "Skyhawk, USAF T-41A"	F	O-300-C (TCM)		1A175/SFC8040		80.0	78.4				2480	2380
172F "Skyhawk, USAF T-41A"		O-300-D (TCM)	1C172/EM7652	1C172/EM7653		76.0	74.5				2420	2230
172F "Skyhawk, USAF T-41A"	F	O-300-D (TCM)		1A175/SFC8040		80.0	78.4				2480	2380
172F "Skyhawk, USAF T-41A"	L	O-320-D2G (LY)		1C160/CTM7557		75.0	74.0		SA2375SW-D Ram Aircraft	16	2400	2280
172F "Skyhawk, USAF T-41A"	L	O-320-D2G (LY)		1C160/DTM7557		75.0	74.0		SA2375SW-D Ram Aircraft		2400	2280
172F "Skyhawk, USAF T-41A"	F	O-320-D2G (LY)		1A175/ETM8042		80.0	78.5		SA2375SW-D Ram Aircraft		2570	2470
172F "Skyhawk, USAF T-41A"		O-320-D2J (LY)		1C160/DTM					SA1774WE Columbia Marine			
172F "Skyhawk, USAF T-41A"	L	O-320-D2J (STC)		1C160/CTM7557		75.0	74.0		SA2375SW-D Ram Aircraft	16	2420	2300

Fixed Pitch Applications

Aircraft Model	T Y P E	Engine Model (Make)	Climb Model	Standard Model	Cruise Model	Max Dia	Min Dia	Spinner	STC Number	Notes	max rpm	min rpm
172F "Skyhawk, USAF T-41A"	L	O-320-D2J (STC)		1C160/DTM7557		75.0	74.0		SA2375SW-D Ram Aircraft		2420	2300
172F "Skyhawk, USAF T-41A"	F	O-320-D2J (STC)		1A175/ETM8042		80.0	78.5		SA2375SW-D Ram Aircraft		2570	2470
172F "Skyhawk, USAF T-41A"		O-320-E2D (LY)		1C172/MTM7653		76.0	74.0		SA1774WE Columbia Marine			
172F "Skyhawk, USAF T-41A"		O-320-E2D (LY)		1C160/CTM					SA1774WE Columbia Marine			
172F "Skyhawk, USAF T-41A"	L	O-320-E2D (STC)		1C160/CTM7557		75.0	74.0		SA2375SW-D Ram Aircraft	16	2420	2300
172F "Skyhawk, USAF T-41A"	L	O-320-E2D (STC)		1C160/DTM7557		75.0	74.0		SA2375SW-D Ram Aircraft		2420	2300
172F "Skyhawk, USAF T-41A"	F	O-320-E2D (STC)		1A175/ETM8042		80.0	78.5		SA2375SW-D Ram Aircraft		2570	2470
172F "Skyhawk, USAF T-41A"		O-320-H2AD (LY)		1C160/DTM					SA1774WE Columbia Marine			
172F "Skyhawk, USAF T-41A"		O-360-A2F (LY)		1A170/CFA7660		76.0			SA4428SW Air Plains			
172F "Skyhawk, USAF T-41A"		O-360-A3A (LY)		1A170/CFA7660		76.0			SA4428SW Air Plains			
172F "Skyhawk, USAF T-41A"		O-360-A4A (LY)		1A170/CFA7660		76.0			SA4428SW Air Plains			
172F "Skyhawk, USAF T-41A"		O-360-A4M (LY)		1A170/CFA7660		76.0			SA4428SW Air Plains			
172F "Skyhawk, USAF T-41A"		O-360-A4N (LY)		1A170/CFA7660		76.0			SA4428SW Air Plains			
172F "Skyhawk, USAF T-41A"		IO-360-C (TCM)		1B235/DFC7846		78.0			SA00728SE XP Modifications			
172F "Skyhawk, USAF T-41A"		IO-360-K (TCM)		1B235/DFC7846		78.0			SA00728SE XP Modifications			
172F "Skyhawk, USAF T-41A"		IO-360-KB (TCM)		1B235/DFC7846		78.0			SA00728SE XP Modifications			
172G "Skyhawk"		O-300-C (TCM)	1C172/EM7652	1C172/EM7653		76.0	74.5				2420	2230
172G "Skyhawk"	F	O-300-C (TCM)		1A175/SFC8040		80.0	78.4				2480	2380

Fixed Pitch Applications

Aircraft Model	T Y P E	Engine Model (Make)	Climb Model	Standard Model	Cruise Model	Max Dia	Min Dia	Spinner	STC Number	Notes	max rpm	min rpm
172G "Skyhawk"		O-300-D (TCM)	1C172/EM7652	1C172/EM7653		76.0	74.5				2420	2230
172G "Skyhawk"	F	O-300-D (TCM)		1A175/SFC8040		80.0	78.4				2480	2380
172G "Skyhawk"	L	O-320-D2G (LY)		1C160/CTM7557		75.0	74.0		SA2375SW-D Ram Aircraft	16	2400	2280
172G "Skyhawk"	L	O-320-D2G (LY)		1C160/DTM7557		75.0	74.0		SA2375SW-D Ram Aircraft		2400	2280
172G "Skyhawk"	F	O-320-D2G (LY)		1A175/ETM8042		80.0	78.5		SA2375SW-D Ram Aircraft		2570	2470
172G "Skyhawk"		O-320-D2J (LY)		1C160/DTM					SA1774WE Columbia Marine			
172G "Skyhawk"	L	O-320-D2J (STC)		1C160/CTM7557		75.0	74.0		SA2375SW-D Ram Aircraft	16	2420	2300
172G "Skyhawk"	L	O-320-D2J (STC)		1C160/DTM7557		75.0	74.0		SA2375SW-D Ram Aircraft		2420	2300
172G "Skyhawk"	F	O-320-D2J (STC)		1A175/ETM8042		80.0	78.5		SA2375SW-D Ram Aircraft		2570	2470
172G "Skyhawk"		O-320-E2D (LY)		1C172/MTM7653		76.0	74.0		SA1774WE Columbia Marine			
172G "Skyhawk"		O-320-E2D (LY)		1C160/CTM					SA1774WE Columbia Marine			
172G "Skyhawk"	L	O-320-E2D (STC)		1C160/CTM7557		75.0	74.0		SA2375SW-D Ram Aircraft	16	2420	2300
172G "Skyhawk"	L	O-320-E2D (STC)		1C160/DTM7557		75.0	74.0		SA2375SW-D Ram Aircraft		2420	2300
172G "Skyhawk"	F	O-320-E2D (STC)		1A175/ETM8042		80.0	78.5		SA2375SW-D Ram Aircraft		2570	2470
172G "Skyhawk"		O-320-H2AD (LY)		1C160/DTM					SA1774WE Columbia Marine			
172G "Skyhawk"		O-360-A2F (LY)		1A170/CFA7660		76.0			SA4428SW Air Plains			
172G "Skyhawk"		O-360-A3A (LY)		1A170/CFA7660		76.0			SA4428SW Air Plains			
172G "Skyhawk"		O-360-A4A (LY)		1A170/CFA7660		76.0			SA4428SW Air Plains			
172G "Skyhawk"		O-360-A4M (LY)		1A170/CFA7660		76.0			SA4428SW Air Plains			

Fixed Pitch Applications

Aircraft Model	T Y P E	Engine Model (Make)	Climb Model	Standard Model	Cruise Model	Max Dia	Min Dia	Spinner	STC Number	Notes	max rpm	min rpm
172G "Skyhawk"		O-360-A4N (LY)		1A170/CFA7660		76.0			SA4428SW Air Plains			
172G "Skyhawk"		IO-360-C (TCM)		1B235/DFC7846		78.0			SA00728SE XP Modifications			
172G "Skyhawk"		IO-360-K (TCM)		1B235/DFC7846		78.0			SA00728SE XP Modifications			
172G "Skyhawk"		IO-360-KB (TCM)		1B235/DFC7846		78.0			SA00728SE XP Modifications			
172H "Skyhawk, USAF T-41A"		O-300-C (TCM)	1C172/EM7652	1C172/EM7653		76.0	74.5				2420	2230
172H "Skyhawk, USAF T-41A"	F	O-300-C (TCM)		1A175/SFC8040		80.0	78.4				2480	2380
172H "Skyhawk, USAF T-41A"		O-300-D (TCM)	1C172/EM7652	1C172/EM7653		76.0	74.5				2420	2230
172H "Skyhawk, USAF T-41A"	F	O-300-D (TCM)		1A175/SFC8040		80.0	78.4				2480	2380
172H "Skyhawk, USAF T-41A"	L	O-320-D2G (LY)		1C160/CTM7557		75.0	74.0		SA2375SW-D Ram Aircraft	16	2400	2280
172H "Skyhawk, USAF T-41A"	L	O-320-D2G (LY)		1C160/DTM7557		75.0	74.0		SA2375SW-D Ram Aircraft		2400	2280
172H "Skyhawk, USAF T-41A"	F	O-320-D2G (LY)		1A175/ETM8042		80.0	78.5		SA2375SW-D Ram Aircraft		2570	2470
172H "Skyhawk, USAF T-41A"		O-320-D2J (LY)		1C160/DTM					SA1774WE Columbia Marine			
172H "Skyhawk, USAF T-41A"	L	O-320-D2J (STC)		1C160/CTM7557		75.0	74.0		SA2375SW-D Ram Aircraft	16	2420	2300
172H "Skyhawk, USAF T-41A"	L	O-320-D2J (STC)		1C160/DTM7557		75.0	74.0		SA2375SW-D Ram Aircraft		2420	2300
172H "Skyhawk, USAF T-41A"	F	O-320-D2J (STC)		1A175/ETM8042		80.0	78.5		SA2375SW-D Ram Aircraft		2570	2470
172H "Skyhawk, USAF T-41A"		O-320-E2D (LY)		1C172/MTM7653		76.0	74.0		SA1774WE Columbia Marine			
172H "Skyhawk, USAF T-41A"		O-320-E2D (LY)		1C160/CTM					SA1774WE Columbia Marine			
172H "Skyhawk, USAF T-41A"	L	O-320-E2D (STC)		1C160/CTM7557		75.0	74.0		SA2375SW-D Ram Aircraft	16	2420	2300

Fixed Pitch Applications

Aircraft Model	T Y P E	Engine Model (Make)	Climb Model	Standard Model	Cruise Model	Max Dia	Min Dia	Spinner	STC Number	Notes	max rpm	min rpm
172H "Skyhawk, USAF T-41A"	L	O-320-E2D (STC)		1C160/DTM7557		75.0	74.0		SA2375SW-D Ram Aircraft		2420	2300
172H "Skyhawk, USAF T-41A"	F	O-320-E2D (STC)		1A175/ETM8042		80.0	78.5		SA2375SW-D Ram Aircraft		2570	2470
172H "Skyhawk, USAF T-41A"		O-320-H2AD (LY)		1C160/DTM					SA1774WE Columbia Marine			
172H "Skyhawk, USAF T-41A"		O-360-A2F (LY)		1A170/CFA7660		76.0			SA4428SW Air Plains			
172H "Skyhawk, USAF T-41A"		O-360-A3A (LY)		1A170/CFA7660		76.0			SA4428SW Air Plains			
172H "Skyhawk, USAF T-41A"		O-360-A4A (LY)		1A170/CFA7660		76.0			SA4428SW Air Plains			
172H "Skyhawk, USAF T-41A"		O-360-A4M (LY)		1A170/CFA7660		76.0			SA4428SW Air Plains			
172H "Skyhawk, USAF T-41A"		O-360-A4N (LY)		1A170/CFA7660		76.0			SA4428SW Air Plains			
172H "Skyhawk, USAF T-41A"		IO-360-C (TCM)		1B235/DFC7846		78.0			SA00728SE XP Modifications			
172H "Skyhawk, USAF T-41A"		IO-360-K (TCM)		1B235/DFC7846		78.0			SA00728SE XP Modifications			
172H "Skyhawk, USAF T-41A"		IO-360-KB (TCM)		1B235/DFC7846		78.0			SA00728SE XP Modifications			
172I "Skyhawk"	L	O-320-D2G (LY)		1C160/CTM7557		75.0	74.0		SA1225CE Ly-Con Rebuilding	16	2400	2280
172I "Skyhawk"	L	O-320-D2G (LY)		1C160/CTM7557		75.0	74.0		SA00261SE Ly-Con Rebuilding	16	2400	2280
172I "Skyhawk"	L	O-320-D2G (LY)		1C160/CTM7557		75.0	74.0		SA2375SW-D Ram Aircraft	16	2400	2280
172I "Skyhawk"	L	O-320-D2G (LY)		1C160/DTM7557		75.0	74.0		SA1225CE Ly-Con Rebuilding		2400	2280
172I "Skyhawk"	L	O-320-D2G (LY)		1C160/DTM7557		75.0	74.0		SA2375SW-D Ram Aircraft		2400	2280

Fixed Pitch Applications

Aircraft Model	T Y P E	Engine Model (Make)	Climb Model	Standard Model	Cruise Model	Max Dia	Min Dia	Spinner	STC Number	Notes	max rpm	min rpm
172I "Skyhawk"	F	O-320-D2G (LY)		1A175/ATM8042		80.0	78.5		SA2375SW-D Ram Aircraft		2570	2470
172I "Skyhawk"	F	O-320-D2G (LY)		1A175/ETM8042		80.0	78.5		SA2375SW-D Ram Aircraft		2570	2470
172I "Skyhawk"	F	O-320-D2G (LY)		1A175/ETM8042		80.0	78.5		SA00261SE Ly-Con Rebuilding	1	2570	2470
172I "Skyhawk"	L	O-320-D2J (LY)		1C160/CTM7557		75.0	74.0		SA00261SE Ly-Con Rebuilding	16	2400	2280
172I "Skyhawk"	L	O-320-D2J (LY)		1C160/CTM7557		75.0	74.0		SA2375SW-D Ram Aircraft	16	2420	2300
172I "Skyhawk"	L	O-320-D2J (LY)		1C160/DTM7557		75.0	74.0		SA2375SW-D Ram Aircraft		2420	2300
172I "Skyhawk"	F	O-320-D2J (LY)		1A175/ATM8042		80.0	78.5		SA2375SW-D Ram Aircraft		2570	2470
172I "Skyhawk"	F	O-320-D2J (LY)		1A175/ETM8042		80.0	78.5		SA2375SW-D Ram Aircraft		2570	2470
172I "Skyhawk"	F	O-320-D2J (LY)		1A175/ETM8042		80.0	78.5		SA00261SE Ly-Con Rebuilding	1	2570	2470
172I "Skyhawk"		O-320-E2D (LY)		1C172/MTM7653		76.0	74.0			16 49	2360	2260
172I "Skyhawk"		O-320-E2D (LY)		1C160/CTM7553		75.0	74.0			16 49	2370	2270
172I "Skyhawk"		O-320-E2D (LY)		1C160/DTM7553		75.0	74.0			49	2370	2270
172I "Skyhawk"	F	O-320-E2D (LY)		1A175/ATM8042		80.0	78.4			16 49	2480	2380
172I "Skyhawk"	F	O-320-E2D (LY)		1A175/ETM8042		80.0	78.4			49	2480	2380
172I "Skyhawk"	L	O-320-E2D (STC)		1C160/CTM7557		75.0	74.0		SA1225CE Ly-Con Rebuilding	16	2400	2280
172I "Skyhawk"	L	O-320-E2D (STC)		1C160/CTM7557		75.0	74.0		SA00261SE Ly-Con Rebuilding	16	2400	2280

Fixed Pitch Applications

Aircraft Model	T Y P E	Engine Model (Make)	Climb Model	Standard Model	Cruise Model	Max Dia	Min Dia	Spinner	STC Number	Notes	max rpm	min rpm
172L "Skyhawk"	L	O-320-E2D (STC)		1C160/DTM7557		75.0	74.0		SA1225CE Ly-Con Rebuilding		2400	2280
172L "Skyhawk"	F	O-320-E2D (STC)		1A175/ETM8042		80.0	78.5		SA00261SE Ly-Con Rebuilding	1	2570	2470
172L "Skyhawk"		O-360-A2F (LY)		1A170/CFA7660		76.0			SA4428SW Air Plains			
172L "Skyhawk"		O-360-A3A (LY)		1A170/CFA7660		76.0			SA4428SW Air Plains			
172L "Skyhawk"	F	O-360-A3A (LY)		1A200/DFA		82.0	78.0		SA332GL Penn Yan Aero		2200	2100
172L "Skyhawk"		O-360-A4A (LY)		1A170/CFA7660		76.0			SA4428SW Air Plains			
172L "Skyhawk"	F	O-360-A4A (LY)		1A200/DFA		82.0	78.0		SA332GL Penn Yan Aero		2200	2100
172L "Skyhawk"		O-360-A4M (LY)		1A170/CFA7660		76.0			SA4428SW Air Plains			
172L "Skyhawk"	F	O-360-A4M (LY)		1A200/DFA		82.0	78.0		SA332GL Penn Yan Aero		2200	2100
172L "Skyhawk"		O-360-A4N (LY)		1A170/CFA7660		76.0			SA4428SW Air Plains			
172L "Skyhawk"	F	O-360-A4N (LY)		1A200/DFA		82.0	78.0		SA332GL Penn Yan Aero		2200	2100
172K "Skyhawk"	L	O-320-D2G (LY)		1C160/CTM7557		75.0	74.0		SA1225CE Ly-Con Rebuilding	16	2400	2280
172K "Skyhawk"	L	O-320-D2G (LY)		1C160/CTM7557		75.0	74.0		SA00261SE Ly-Con Rebuilding	16	2400	2280
172K "Skyhawk"	L	O-320-D2G (LY)		1C160/CTM7557		75.0	74.0		SA2375SW-D Ram Aircraft	16	2400	2280
172K "Skyhawk"	L	O-320-D2G (LY)		1C160/DTM7557		75.0	74.0		SA1225CE Ly-Con Rebuilding		2400	2280
172K "Skyhawk"	L	O-320-D2G (LY)		1C160/DTM7557		75.0	74.0		SA2375SW-D Ram Aircraft		2400	2280
172K "Skyhawk"	F	O-320-D2G (LY)		1A175/ATM8042		80.0	78.5		SA2375SW-D Ram Aircraft		2570	2470

Fixed Pitch Applications

Aircraft Model	T Y P E	Engine Model (Make)	Climb Model	Standard Model	Cruise Model	Max Dia	Min Dia	Spinner	STC Number	Notes	max rpm	min rpm
172K "Skyhawk"	F	O-320-D2G (LY)		1A175/ETM8042		80.0	78.5		SA2375SW-D Ram Aircraft		2570	2470
172K "Skyhawk"	F	O-320-D2G (LY)		1A175/ETM8042		80.0	78.5		SA00261SE Ly-Con Rebuilding	1	2570	2470
172K "Skyhawk"	L	O-320-D2J (LY)		1C160/CTM7557		75.0	74.0		SA00261SE Ly-Con Rebuilding	16	2400	2280
172K "Skyhawk"	L	O-320-D2J (LY)		1C160/CTM7557		75.0	74.0		SA2375SW-D Ram Aircraft	16	2420	2300
172K "Skyhawk"	L	O-320-D2J (LY)		1C160/DTM7557		75.0	74.0		SA2375SW-D Ram Aircraft		2420	2300
172K "Skyhawk"	F	O-320-D2J (LY)		1A175/ATM8042		80.0	78.5		SA2375SW-D Ram Aircraft		2570	2470
172K "Skyhawk"	F	O-320-D2J (LY)		1A175/ETM8042		80.0	78.5		SA2375SW-D Ram Aircraft		2570	2470
172K "Skyhawk"	F	O-320-D2J (LY)		1A175/ETM8042		80.0	78.5		SA00261SE Ly-Con Rebuilding	1	2570	2470
172K "Skyhawk"	L	O-320-E2D (LY)		1C172/MTM7653		76.0	74.0			16 49	2360	2260
172K "Skyhawk"	L	O-320-E2D (LY)		1C160/CTM7553		75.0	74.0			16 49	2370	2270
172K "Skyhawk"	L	O-320-E2D (LY)		1C160/DTM7553		75.0	74.0			49	2370	2270
172K "Skyhawk"	F	O-320-E2D (LY)		1A175/ATM8042		80.0	78.4			16 49	2480	2380
172K "Skyhawk"	F	O-320-E2D (LY)		1A175/ETM8042		80.0	78.4			49	2480	2380
172K "Skyhawk"	L	O-320-E2D (STC)		1C160/CTM7557		75.0	74.0		SA1225CE Ly-Con Rebuilding	16	2400	2280
172K "Skyhawk"	L	O-320-E2D (STC)		1C160/CTM7557		75.0	74.0		SA00261SE Ly-Con Rebuilding	16	2400	2280
172K "Skyhawk"	L	O-320-E2D (STC)		1C160/DTM7557		75.0	74.0		SA1225CE Ly-Con Rebuilding		2400	2280

Fixed Pitch Applications

Aircraft Model	T Y P E	Engine Model (Make)	Climb Model	Standard Model	Cruise Model	Max Dia	Min Dia	Spinner	STC Number	Notes	max rpm	min rpm
172K "Skyhawk"	F	O-320-E2D (STC)		1A175/ETM8042		80.0	78.5		SA00261SE Ly-Con Rebuilding	1	2570	2470
172K "Skyhawk"		O-360-A2F (LY)		1A170/CFA7660		76.0			SA4428SW Air Plains			
172K "Skyhawk"		O-360-A3A (LY)		1A170/CFA7660		76.0			SA4428SW Air Plains			
172K "Skyhawk"	F	O-360-A3A (LY)		1A200/DFA		82.0	78.0		SA332GL Penn Yan Aero		2200	2100
172K "Skyhawk"		O-360-A4A (LY)		1A170/CFA7660		76.0			SA4428SW Air Plains			
172K "Skyhawk"	F	O-360-A4A (LY)		1A200/DFA		82.0	78.0		SA332GL Penn Yan Aero		2200	2100
172K "Skyhawk"		O-360-A4M (LY)		1A170/CFA7660		76.0			SA4428SW Air Plains			
172K "Skyhawk"	F	O-360-A4M (LY)		1A200/DFA		82.0	78.0		SA332GL Penn Yan Aero		2200	2100
172K "Skyhawk"		O-360-A4N (LY)		1A170/CFA7660		76.0			SA4428SW Air Plains			
172K "Skyhawk"	F	O-360-A4N (LY)		1A200/DFA		82.0	78.0		SA332GL Penn Yan Aero		2200	2100
172L "Skyhawk"	L	O-320-D2G (LY)		1C160/CTM7557		75.0	74.0		SA1225CE Ly-Con Rebuilding	16	2400	2280
172L "Skyhawk"	L	O-320-D2G (LY)		1C160/CTM7557		75.0	74.0		SA00261SE Ly-Con Rebuilding	16	2400	2280
172L "Skyhawk"	L	O-320-D2G (LY)		1C160/CTM7557		75.0	74.0		SA2375SW-D Ram Aircraft	16	2400	2280
172L "Skyhawk"	L	O-320-D2G (LY)		1C160/DTM7557		75.0	74.0		SA1225CE Ly-Con Rebuilding		2400	2280
172L "Skyhawk"	L	O-320-D2G (LY)		1C160/DTM7557		75.0	74.0		SA2375SW-D Ram Aircraft		2400	2280
172L "Skyhawk"	F	O-320-D2G (LY)		1A175/ATM8042		80.0	78.5		SA2375SW-D Ram Aircraft		2570	2470
172L "Skyhawk"	F	O-320-D2G (LY)		1A175/ETM8042		80.0	78.5		SA2375SW-D Ram Aircraft		2570	2470

Fixed Pitch Applications

Aircraft Model	T Y P E	Engine Model (Make)	Climb Model	Standard Model	Cruise Model	Max Dia	Min Dia	Spinner	STC Number	Notes	max rpm	min rpm
172L "Skyhawk"	F	O-320-D2G (LY)		1A175/ETM8042		80.0	78.5		SA00261SE Ly-Con Rebuilding	1	2570	2470
172L "Skyhawk"	L	O-320-D2J (LY)		1C160/CTM7557		75.0	74.0		SA00261SE Ly-Con Rebuilding	16	2400	2280
172L "Skyhawk"	L	O-320-D2J (LY)		1C160/CTM7557		75.0	74.0		SA2375SW-D Ram Aircraft	16	2420	2300
172L "Skyhawk"	L	O-320-D2J (LY)		1C160/DTM7557		75.0	74.0		SA2375SW-D Ram Aircraft		2420	2300
172L "Skyhawk"	F	O-320-D2J (LY)		1A175/ATM8042		80.0	78.5		SA2375SW-D Ram Aircraft		2570	2470
172L "Skyhawk"	F	O-320-D2J (LY)		1A175/ETM8042		80.0	78.5		SA2375SW-D Ram Aircraft		2570	2470
172L "Skyhawk"	F	O-320-D2J (LY)		1A175/ETM8042		80.0	78.5		SA00261SE Ly-Con Rebuilding	1	2570	2470
172L "Skyhawk"		O-320-E2D (LY)		1C172/MTM7653		76.0	74.0			16 49	2360	2260
172L "Skyhawk"		O-320-E2D (LY)		1C160/CTM7553		75.0	74.0			16 49	2370	2270
172L "Skyhawk"		O-320-E2D (LY)		1C160/DTM7553		75.0	74.0			49	2370	2270
172L "Skyhawk"	F	O-320-E2D (LY)		1A175/ATM8042		80.0	78.4			16 49	2480	2380
172L "Skyhawk"	F	O-320-E2D (LY)		1A175/ETM8042		80.0	78.4			49	2480	2380
172L "Skyhawk"	L	O-320-E2D (STC)		1C160/CTM7557		75.0	74.0		SA1225CE Ly-Con Rebuilding	16	2400	2280
172L "Skyhawk"	L	O-320-E2D (STC)		1C160/CTM7557		75.0	74.0		SA00261SE Ly-Con Rebuilding	16	2400	2280
172L "Skyhawk"	L	O-320-E2D (STC)		1C160/DTM7557		75.0	74.0		SA1225CE Ly-Con Rebuilding		2400	2280
172L "Skyhawk"	F	O-320-E2D (STC)		1A175/ETM8042		80.0	78.5		SA00261SE Ly-Con Rebuilding	1	2570	2470

Fixed Pitch Applications

Aircraft Model	T Y P E	Engine Model (Make)	Climb Model	Standard Model	Cruise Model	Max Dia	Min Dia	Spinner	STC Number	Notes	max rpm	min rpm
172L "Skyhawk"		O-360-A2F (LY)		1A170/CFA7660		76.0			SA4428SW Air Plains			
172L "Skyhawk"		O-360-A3A (LY)		1A170/CFA7660		76.0			SA4428SW Air Plains			
172L "Skyhawk"	F	O-360-A3A (LY)		1A200/DFA		82.0	78.0		SA332GL Penn Yan Aero		2200	2100
172L "Skyhawk"		O-360-A4A (LY)		1A170/CFA7660		76.0			SA4428SW Air Plains			
172L "Skyhawk"	F	O-360-A4A (LY)		1A200/DFA		82.0	78.0		SA332GL Penn Yan Aero		2200	2100
172L "Skyhawk"		O-360-A4M (LY)		1A170/CFA7660		76.0			SA4428SW Air Plains			
172L "Skyhawk"	F	O-360-A4M (LY)		1A200/DFA		82.0	78.0		SA332GL Penn Yan Aero		2200	2100
172L "Skyhawk"		O-360-A4N (LY)		1A170/CFA7660		76.0			SA4428SW Air Plains			
172L "Skyhawk"	F	O-360-A4N (LY)		1A200/DFA		82.0	78.0		SA332GL Penn Yan Aero		2200	2100
172M "Skyhawk"	L	O-320-D2G (LY)		1C160/CTM7557		75.0	74.0		SA1225CE Ly-Con Rebuilding	16	2400	2280
172M "Skyhawk"	L	O-320-D2G (LY)		1C160/CTM7557		75.0	74.0		SA00261SE Ly-Con Rebuilding	16	2400	2280
172M "Skyhawk"	L	O-320-D2G (LY)		1C160/CTM7557		75.0	74.0		SA2375SW-D Ram Aircraft	16	2400	2280
172M "Skyhawk"	L	O-320-D2G (LY)		1C160/DTM7557		75.0	74.0		SA1225CE Ly-Con Rebuilding		2400	2280
172M "Skyhawk"	L	O-320-D2G (LY)		1C160/DTM7557		75.0	74.0		SA00261SE Ly-Con Rebuilding		2400	2280
172M "Skyhawk"	L	O-320-D2G (LY)		1C160/DTM7557		75.0	74.0		SA2375SW-D Ram Aircraft		2400	2280
172M "Skyhawk"	F	O-320-D2G (LY)		1A175/ATM8042		80.0	78.5		SA2375SW-D Ram Aircraft		2570	2470
172M "Skyhawk"	F	O-320-D2G (LY)		1A175/ETM8042		80.0	78.5		SA2375SW-D Ram Aircraft		2570	2470

Fixed Pitch Applications

Aircraft Model	T Y P E	Engine Model (Make)	Climb Model	Standard Model	Cruise Model	Max Dia	Min Dia	Spinner	STC Number	Notes	max rpm	min rpm
172M "Skyhawk"	F	O-320-D2G (LY)		1A175/ETM8042		80.0	78.5		SA00261SE Ly-Con Rebuilding	1	2570	2470
172M "Skyhawk"	L	O-320-D2J (LY)		1C160/CTM7557		75.0	74.0		SA00261SE Ly-Con Rebuilding	16	2400	2280
172M "Skyhawk"	L	O-320-D2J (LY)		1C160/CTM7557		75.0	74.0		SA2375SW-D Ram Aircraft	16	2420	2300
172M "Skyhawk"	L	O-320-D2J (LY)		1C160/DTM7557		75.0	74.0		SA00261SE Ly-Con Rebuilding		2400	2280
172M "Skyhawk"	L	O-320-D2J (LY)		1C160/DTM7557		75.0	74.0		SA2375SW-D Ram Aircraft		2420	2300
172M "Skyhawk"	F	O-320-D2J (LY)		1A175/ATM8042		80.0	78.5		SA2375SW-D Ram Aircraft		2570	2470
172M "Skyhawk"	F	O-320-D2J (LY)		1A175/ETM8042		80.0	78.5		SA2375SW-D Ram Aircraft		2570	2470
172M "Skyhawk"	F	O-320-D2J (LY)		1A175/ETM8042		80.0	78.5		SA00261SE Ly-Con Rebuilding	1	2570	2470
172M "Skyhawk"		O-320-E2D (LY)		1C160/CTM7553		75.0	74.0			16 49	2370	2270
172M "Skyhawk"		O-320-E2D (LY)		1C160/DTM7553		75.0	74.0			49	2370	2270
172M "Skyhawk"	F	O-320-E2D (LY)		1A175/ATM8042		80.0	78.4			16 49	2480	2380
172M "Skyhawk"	F	O-320-E2D (LY)		1A175/ETM8042		80.0	78.4			49	2480	2380
172M "Skyhawk"	L	O-320-E2D (STC)		1C160/CTM7557		75.0	74.0		SA1225CE Ly-Con Rebuilding	16	2400	2280
172M "Skyhawk"	L	O-320-E2D (STC)		1C160/CTM7557		75.0	74.0		SA00261SE Ly-Con Rebuilding	16	2400	2280
172M "Skyhawk"	L	O-320-E2D (STC)		1C160/DTM7557		75.0	74.0		SA1225CE Ly-Con Rebuilding		2400	2280

Fixed Pitch Applications

Aircraft Model	T Y P E	Engine Model (Make)	Climb Model	Standard Model	Cruise Model	Max Dia	Min Dia	Spinner	STC Number	Notes	max rpm	min rpm
172M "Skyhawk"	L	O-320-E2D (STC)		1C160/DTM7557		75.0	74.0		SA00261SE Ly-Con Rebuilding		2400	2280
172M "Skyhawk"	F	O-320-E2D (STC)		1A175/ETM8042		80.0	78.5		SA00261SE Ly-Con Rebuilding	1	2570	2470
172M "Skyhawk"		O-360-A2F (LY)		1A170/CFA7660		76.0			SA4428SW Air Plains			
172M "Skyhawk"		O-360-A3A (LY)		1A170/CFA7660		76.0			SA4428SW Air Plains			
172M "Skyhawk"	F	O-360-A3A (LY)		1A200/DFA		82.0	78.0		SA332GL Penn Yan Aero		2200	2100
172M "Skyhawk"		O-360-A4A (LY)		1A170/CFA7660		76.0			SA4428SW Air Plains			
172M "Skyhawk"	F	O-360-A4A (LY)		1A200/DFA		82.0	78.0		SA332GL Penn Yan Aero		2200	2100
172M "Skyhawk"		O-360-A4M (LY)		1A170/CFA7660		76.0			SA4428SW Air Plains			
172M "Skyhawk"	F	O-360-A4M (LY)		1A200/DFA		82.0	78.0		SA332GL Penn Yan Aero		2200	2100
172M "Skyhawk"		O-360-A4N (LY)		1A170/CFA7660		76.0			SA4428SW Air Plains			
172M "Skyhawk"	F	O-360-A4N (LY)		1A200/DFA		82.0	78.0		SA332GL Penn Yan Aero		2200	2100
172N "Skyhawk"		O-320-D2G (LY)		1C160/DTM					SA2714CE Air Plains			
172N "Skyhawk"		O-320-D2J (LY)		1C160/DTM					SA2714CE Air Plains			
172N "Skyhawk"		O-320-H2AD (LY)		1C160/DTM7557		75.0	74.0				2400	2280
172N "Skyhawk"	F	O-320-H2AD (LY)		1A175/ETM8042		80.0	78.5				2570	2470
172N "Skyhawk"		O-360-A2F (LY)		1A170/CFA7660		76.0			SA4428SW Air Plains			
172N "Skyhawk"		O-360-A3A (LY)		1A170/CFA7660		76.0			SA4428SW Air Plains			
172N "Skyhawk"		O-360-A3A (LY)		1A170E/JFA7658		76.0	74.5		SA2651NM Air Classic Rebuilders	52	2450	2350

Fixed Pitch Applications

Aircraft Model	T Y P E	Engine Model (Make)	Climb Model	Standard Model	Cruise Model	Max Dia	Min Dia	Spinner	STC Number	Notes	max rpm	min rpm
172N "Skyhawk"	F	O-360-A3A (LY)		1A200/DFA		82.0	78.0		SA332GL Penn Yan Aero		2200	2100
172N "Skyhawk"		O-360-A4A (LY)		1A170/CFA7660		76.0			SA4428SW Air Plains			
172N "Skyhawk"		O-360-A4A (LY)		1A170E/JFA7658		76.0	74.5		SA2651NM Air Classic Rebuilders		2450	2350
172N "Skyhawk"	F	O-360-A4A (LY)		1A200/DFA		82.0	78.0		SA332GL Penn Yan Aero		2200	2100
172N "Skyhawk"		O-360-A4M (LY)		1A170/CFA7660		76.0			SA4428SW Air Plains			
172N "Skyhawk"	F	O-360-A4M (LY)		1A200/DFA		82.0	78.0		SA332GL Penn Yan Aero		2200	2100
172N "Skyhawk"		O-360-A4N (LY)		1A170/CFA7660		76.0			SA4428SW Air Plains			
172N "Skyhawk"	F	O-360-A4N (LY)		1A200/DFA		82.0	78.0		SA332GL Penn Yan Aero		2200	2100
172P "Skyhawk"		O-320-D2J (LY)		1C160/DTM7557		75.0	74.0				2420	2300
172P "Skyhawk"	F	O-320-D2J (LY)		1A175/ETM8042		80.0	78.5				2570	2470
172P "Skyhawk"		O-360-A2F (LY)		1A170/CFA7660		76.0			SA4428SW Air Plains			
172P "Skyhawk"		O-360-A3A (LY)		1A170/CFA7660		76.0			SA4428SW Air Plains			
172P "Skyhawk"		O-360-A3A (LY)		1A170E/JFA7658		76.0	74.5		SA2651NM Air Classic Rebuilders	52	2450	2350
172P "Skyhawk"	F	O-360-A3A (LY)		1A200/DFA		82.0	78.0		SA332GL Penn Yan Aero		2200	2100
172P "Skyhawk"		O-360-A4A (LY)		1A170/CFA7660		76.0			SA4428SW Air Plains			
172P "Skyhawk"		O-360-A4A (LY)		1A170E/JFA7658		76.0	74.5		SA2651NM Air Classic Rebuilders		2450	2350
172P "Skyhawk"	F	O-360-A4A (LY)		1A200/DFA		82.0	78.0		SA332GL Penn Yan Aero		2200	2100
172P "Skyhawk"		O-360-A4M (LY)		1A170/CFA7660		76.0			SA4428SW Air Plains			

Fixed Pitch Applications

Aircraft Model	T Y P E	Engine Model (Make)	Climb Model	Standard Model	Cruise Model	Max Dia	Min Dia	Spinner	STC Number	Notes	max rpm	min rpm
172P "Skyhawk"	F	O-360-A4M (LY)		1A200/DFA		82.0	78.0		SA332GL Penn Yan Aero		2200	2100
172P "Skyhawk"		O-360-A4N (LY)		1A170/CFA7660		76.0			SA4428SW Air Plains			
172P "Skyhawk"	F	O-360-A4N (LY)		1A200/DFA		82.0	78.0		SA332GL Penn Yan Aero		2200	2100
172Q "Cutlass"		O-360-A4N (LY)		1A170E/JFA7658		76.0	74.5				2450	2350
172R "Skyhawk"		O-360-A2F (LY)		1A170/CFA7660		76.0			SA4428SW Air Plains			
172R "Skyhawk"		O-360-A3A (LY)		1A170/CFA7660		76.0			SA4428SW Air Plains			
172R "Skyhawk"		O-360-A4A (LY)		1A170/CFA7660		76.0			SA4428SW Air Plains			
172R "Skyhawk"		O-360-A4M (LY)		1A170/CFA7660		76.0			SA4428SW Air Plains			
172R "Skyhawk"		O-360-A4N (LY)		1A170/CFA7660		76.0			SA4428SW Air Plains			
172R "Skyhawk"		IO-360-L2A (LY)		1C235/LFA7570		75.0	74.0				2165	2065
172R "Skyhawk"		IO-360-L2A (LY)		1A170E/JHA7660		76.0	75.0			19	2400	2300
172R "Skyhawk"		IO-360-L2A (LY)		1A170E/JHA7660		76.0	75.5		SA10406SC Alamo	39	2400	2300
172R "Skyhawk"	A F	IO-360-L2A (LY)		1A200/WFA8243	1A200/WFA8244	82.0	82.0		SA00900CH Wipaire	12 44		
172S "Skyhawk SP"		IO-360-L2A (LY)		1A170E/JHA7660		76.0	75.0				2400	2300
172S "Skyhawk"	A F	IO-360-L2A (LY)		1A200/WFA8243	1A200/WFA8244	82.0	82.0		SA00900CH Wipaire	12		
P172D		IO-360-C (TCM)		1B235/DFC7846		78.0			SA00728SE XP Modifications			
P172D		IO-360-K (TCM)		1B235/DFC7846		78.0			SA00728SE XP Modifications			
P172D		IO-360-KB (TCM)		1B235/DFC7846		78.0			SA00728SE XP Modifications			

Fixed Pitch Applications

Aircraft Model	T Y P E	Engine Model (Make)	Climb Model	Standard Model	Cruise Model	Max Dia	Min Dia	Spinner	STC Number	Notes	max rpm	min rpm
R172E "USAF T-41C"		IO-360-D (TCM)		1B235/DFC7850		78.0	76.5				2370	2270
R172E "USAF T-41C"		IO-360-DB (TCM)		1B235/DFC7850		78.0	76.5				2370	2270
R172G "USAF T-41C"		IO-360-C (TCM)		1B235/DFC7850		78.0	76.5				2370	2270
R172G "USAF T-41C"		IO-360-CB (TCM)		1B235/DFC7850		78.0	76.5				2370	2270
R172G "USAF T-41C"		IO-360-D (TCM)		1B235/DFC7850		78.0	76.5				2370	2270
R172G "USAF T-41C"		IO-360-DB (TCM)		1B235/DFC7850		78.0	76.5				2370	2270
R172H "USAF T-41D"		IO-360-C (TCM)		1B235/DFC7850		78.0	76.5				2370	2270
R172H "USAF T-41D"		IO-360-CB (TCM)		1B235/DFC7850		78.0	76.5				2370	2270
R172H "USAF T-41D"		IO-360-D (TCM)		1B235/DFC7850		78.0	76.5				2370	2270
R172H "USAF T-41D"		IO-360-DB (TCM)		1B235/DFC7850		78.0	76.5				2370	2270
R172H "USAF T-41D"		IO-360-H (TCM)		1B235/DFC7850		78.0	76.5				2370	2270
R172H "USAF T-41D"		IO-360-HB (TCM)		1B235/DFC7850		78.0	76.5				2370	2270
175 "Skylark"		GO-300-A (TCM)		1A175/FC8467		84.0	82.5			16	2740	2640
175 "Skylark"		GO-300-A (TCM)		1B175/MFC8467		84.0	82.5				2645	2545
175 "Skylark"	F	GO-300-A (TCM)		1A175/FC8455		84.0	82.5			16	3000	2900
175 "Skylark"	F	GO-300-A (TCM)		1B175/MFC8455		84.0	82.5				2970	2870
175 "Skylark"		GO-300-C (TCM)		1A175/FC8467		84.0	82.5			16	2740	2640
175 "Skylark"		GO-300-C (TCM)		1B175/MFC8467		84.0	82.5				2645	2545
175 "Skylark"	F	GO-300-C (TCM)		1A175/FC8455		84.0	82.5			16	3000	2900

Fixed Pitch Applications

Aircraft Model	T Y P E	Engine Model (Make)	Climb Model	Standard Model	Cruise Model	Max Dia	Min Dia	Spinner	STC Number	Notes	max rpm	min rpm
175 "Skylark"	F	GO-300-C (TCM)		1B175/MFC8455		84.0	82.5				2970	2870
175 "Skylark"		IO-360-C (TCM)		1B235/DFC7846		78.0			SA00728SE XP Modifications			
175 "Skylark"		IO-360-K (TCM)		1B235/DFC7846		78.0			SA00728SE XP Modifications			
175 "Skylark"		IO-360-KB (TCM)		1B235/DFC7846		78.0			SA00728SE XP Modifications			
175A "Skylark"		GO-300-C (TCM)		1B175/MFC8467		84.0	82.5				2645	2545
175A "Skylark"	F	GO-300-C (TCM)		1D200/OM9044		90.0	88.0				2810	2710
175A "Skylark"		GO-300-D (TCM)		1B175/MFC8467		84.0	82.5				2645	2545
175A "Skylark"	F	GO-300-D (TCM)		1D200/OM9044		90.0	88.0				2810	2710
175A "Skylark"		IO-360-C (TCM)		1B235/DFC7846		78.0			SA00728SE XP Modifications			
175A "Skylark"		IO-360-K (TCM)		1B235/DFC7846		78.0			SA00728SE XP Modifications			
175A "Skylark"		IO-360-KB (TCM)		1B235/DFC7846		78.0			SA00728SE XP Modifications			
175B "Skylark"		GO-300-C (TCM)		1B175/MFC8467		84.0	82.5				2645	2545
175B "Skylark"	F	GO-300-C (TCM)		1D200/OM9044		90.0	88.0				2810	2710
175B "Skylark"		GO-300-D (TCM)		1B175/MFC8467		84.0	82.5				2645	2545
175B "Skylark"	F	GO-300-D (TCM)		1D200/OM9044		90.0	88.0				2810	2710
175B "Skylark"		IO-360-C (TCM)		1B235/DFC7846		78.0			SA00728SE XP Modifications			

Fixed Pitch Applications

Aircraft Model	T Y P E	Engine Model (Make)	Climb Model	Standard Model	Cruise Model	Max Dia	Min Dia	Spinner	STC Number	Notes	max rpm	min rpm
175B "Skylark"		IO-360-K (TCM)		1B235/DFC7846		78.0			SA00728SE XP Modifications			
175B "Skylark"		IO-360-KB (TCM)		1B235/DFC7846		78.0			SA00728SE XP Modifications			
175C "Skylark"		IO-360-C (TCM)		1B235/DFC7846		78.0			SA00728SE XP Modifications			
175C "Skylark"		IO-360-K (TCM)		1B235/DFC7846		78.0			SA00728SE XP Modifications			
175C "Skylark"		IO-360-KB (TCM)		1B235/DFC7846		78.0			SA00728SE XP Modifications			
177 "Cardinal"		O-320-E2D (LY)		1C172/TM7653		76.0	74.0			1	2360	2260
177A "Cardinal"		O-360-A2F (LY)		1A170/EFA7656		76.0	74.0			1	2460	2360
188 "AGwagon 230"		O-470-R (TCM)		1A200/AOM9044		90.0	88.0			1	2300	2200
188A "AGwagon A,B"		O-470-R (TCM)		1A200/AOM9044		90.0	88.0			1	2300	2200
188B (S/N 18800833 - 18801824) "AGpickup"		O-470-R (TCM)		1A200/AOM9044		90.0	88.0			1	2300	2200
188B (S/N 18801825 and up) "AGpickup"		O-470-S (TCM)		1A200/AOM9044		90.0	88.0			1	2300	2200
CESSNA (REGAL AIR, Inc.)												
305A "Bird Dog" "USAF O-1A, ARMY L-19A-CE"	L F S	O-470-11 (TCM)		1A200/FM9047		90.0	88.25			1	2300	2200
305A "Bird Dog" "USAF O-1A, ARMY L-19A-CE"	L F S	O-470-11B (TCM)		1A200/FM9047		90.0	88.25			1	2300	2200
305A "Bird Dog" "USAF O-1A, ARMY L-19A-CE"	L F S	O-470-11 (TCM)		1A200/FM8064		80.0	80.00		SA505SW Stephen Noyes		2050	1950

Fixed Pitch Applications

Aircraft Model	TYPE	Engine Model (Make)	Climb Model	Standard Model	Cruise Model	Max Dia	Min Dia	Spinner	STC Number	Notes	max rpm	min rpm
305A "Bird Dog" "USAF O-1A, ARMY L-19A-CE"	L F S	O-470-11B (TCM)		1A200/FM8064		80.0	80.00		SA505SW Stephen Noyes		2050	1950
305C "Bird Dog" "USAF O-1E, ARMY L-19E-CE"	L F S	O-470-11 (TCM)		1A200/FM9047		90.0	88.25			1	2300	2200
305C "Bird Dog" "USAF O-1E, ARMY L-19E-CE"	L F S	O-470-11B (TCM)		1A200/FM9047		90.0	88.25			1	2300	2200
305D "Bird Dog, USAF O-1G"	L F S	O-470-11 (TCM)		1A200/FM9047		90.0	88.25			1	2300	2200
305D "Bird Dog, USAF O-1G"	L F S	O-470-11B (TCM)		1A200/FM9047		90.0	88.25			1	2300	2200
305F "Bird Dog"	L F S	O-470-11 (TCM)		1A200/FM9047		90.0	88.25			1	2300	2200
305F "Bird Dog"	L F S	O-470-11B (TCM)		1A200/FM9047		90.0	88.25			1	2300	2200
CESSNA (REIMS AVIATION S.A.)												
F150E		IO-360-C (TCM)		1B235/DFC7846		78.0			SA00728SE XP Modifications			
F150E		IO-360-K (TCM)		1B235/DFC7846		78.0			SA00728SE XP Modifications			
F150E		IO-360-KB (TCM)		1B235/DFC7846		78.0			SA00728SE XP Modifications			
F150F		O-200-A (TCM)		1A100/MCM6950		69.0	67.5			1	2475	2375
F150F		O-200-A (TCM)		1A101/DCM6950		69.0	67.0			1	2600	2500
F150F		IO-360-C (TCM)		1B235/DFC7846		78.0			SA00728SE XP Modifications			
F150F		IO-360-K (TCM)		1B235/DFC7846		78.0			SA00728SE XP Modifications			

Fixed Pitch Applications

Aircraft Model	T Y P E	Engine Model (Make)	Climb Model	Standard Model	Cruise Model	Max Dia	Min Dia	Spinner	STC Number	Notes	max rpm	min rpm
F150F		IO-360-KB (TCM)		1B235/DFC7846		78.0			SA00728SE XP Modifications			
F150G		O-200-A (TCM)		1A100/MCM6950		69.0	67.5			1	2475	2375
F150G		O-200-A (TCM)		1A101/DCM6950		69.0	67.0			1	2600	2500
F150G		IO-360-C (TCM)		1B235/DFC7846		78.0			SA00728SE XP Modifications			
F150G		IO-360-K (TCM)		1B235/DFC7846		78.0			SA00728SE XP Modifications			
F150G		IO-360-KB (TCM)		1B235/DFC7846		78.0			SA00728SE XP Modifications			
F150H		O-200-A (TCM)		1A100/MCM6950		69.0	67.5			1	2475	2375
F150H		O-200-A (TCM)		1A101/DCM6950		69.0	67.0			1	2600	2500
F150H		IO-360-C (TCM)		1B235/DFC7846		78.0			SA00728SE XP Modifications			
F150H		IO-360-K (TCM)		1B235/DFC7846		78.0			SA00728SE XP Modifications			
F150H		IO-360-KB (TCM)		1B235/DFC7846		78.0			SA00728SE XP Modifications			
F150J		O-200-A (TCM)		1A100/MCM6950		69.0	67.5			1	2475	2375
F150J		O-200-A (TCM)		1A101/DCM6950		69.0	67.0			1	2600	2500
F150K		O-200-A (TCM)		1A100/MCM6950		69.0	67.5			1	2475	2375
F150K		O-200-A (TCM)		1A101/DCM6950		69.0	67.0			1	2600	2500
F150K (acrobatic)		O-200-A (TCM)		1A101/DCM6950		69.0	67.0			1	2600	2500
F150L (1971, 1972, 1973 models)		O-200-A (TCM)		1A101/GCM6948		69.0	67.0			1 16	2600	2500
F150L (1973, 1974 models)		O-200-A (TCM)		1A101/HCM6948		69.0	67.0			1 16	2600	2500
F150L (1974 model)		O-200-A (TCM)		1A101/PCM6948		69.0	67.0			1 16	2600	2500
F150L (1971 thru 1974 models)		O-200-A (TCM)		1A102/OCM6948		69.0	67.5			1	2560	2460

Fixed Pitch Applications

Aircraft Model	T Y P E	Engine Model (Make)	Climb Model	Standard Model	Cruise Model	Max Dia	Min Dia	Spinner	STC Number	Notes	max rpm	min rpm
FA150L (1971, 1972, 1973 models) "Aerobat"		O-200-A (TCM)		1A101/GCM6948		69.0	67.0			1 16	2600	2500
FA150L (1971, 1972, 1973 models) "Aerobat"		O-200-A (TCM)		1A101/HCM6948		69.0	67.0			1 16	2600	2500
FA150L (1971 thru 1974 models) "Aerobat"		O-200-A (TCM)		1A102/OCM6948		69.0	67.5			1	2560	2460
FRA150L "Aerobat"		O-240-A (TCM)		1A135/BRM7150		71.0	70.0			1	2500	2400
F150M		O-200-A (TCM)		1A102/OCM6948		69.0	67.5			1	2560	2460
FRA150M "Aerobat"		O-240-A (TCM)		1A135/BRM7150		71.0	70.0			1	2500	2400
FRA150M (S/N FA00262 and up) "Aerobat"		O-240-E (TCM)		1A135/BRM7150		71.0	70.0			1	2500	2400
F152 (1978 - 1982 models)		O-235-L2C (LY)		1A103/TCM6958		69.0	67.5			16	2380	2280
F152 (1983 and up)		O-235-N2C (LY)		1A103/TCM6958		69.0	67.5			16 18	2380	2280
FA152 (1978 - 1982 models) "Aerobat"		O-235-L2C (LY)		1A103/TCM6958		69.0	67.5			16	2380	2280
FA152 (1983 and up) "Aerobat"		O-235-N2C (LY)		1A103/TCM6958		69.0	67.5			16 18	2380	2280
F172D		O-300-D (TCM)	1C172/EM7652	1C172/EM7653	1C172/EM7655	76.0	74.5			1	2420	2230
F172D	F	O-300-D (TCM)		1A175/SFC8042		80.0	78.4			1	2480	2380
F172E		O-300-D (TCM)	1C172/EM7652	1C172/EM7653	1C172/EM7655	76.0	74.5			1	2420	2230
F172E	F	O-300-D (TCM)		1A175/SFC8042		80.0	78.4			1	2480	2380
F172F		O-300-D (TCM)	1C172/EM7652	1C172/EM7653	1C172/EM7655	76.0	74.5			1	2420	2230
F172F	F	O-300-D (TCM)		1A175/SFC8042		80.0	78.4			1	2480	2380
F172G		O-300-D (TCM)	1C172/EM7652	1C172/EM7653	1C172/EM7655	76.0	74.5			1	2420	2230
F172G	F	O-300-D (TCM)		1A175/SFC8042		80.0	78.4			1	2480	2380
F172H		O-300-D (TCM)	1C172/EM7652	1C172/EM7653	1C172/EM7655	76.0	74.5			1	2420	2230
F172H	F	O-300-D (TCM)		1A175/SFC8042		80.0	78.4			1	2480	2380
F172K		O-300-C (TCM)	1C172/EM7652	1C172/EM7653	1C172/EM7655	76.0	74.5			1	2420	2230
F172K		O-300-D (TCM)	1C172/EM7652	1C172/EM7653	1C172/EM7655	76.0	74.5			1	2420	2230
F172L		O-320-E2D (LY)		1C160/CTM7553		75.0	74.0			1 16	2370	2270
F172L		O-320-E2D (LY)		1C160/DTM7553		75.0	74.0			1	2370	2270

Fixed Pitch Applications

Aircraft Model	T Y P E	Engine Model (Make)	Climb Model	Standard Model	Cruise Model	Max Dia	Min Dia	Spinner	STC Number	Notes	max rpm	min rpm
F172L	F	O-320-E2D (LY)		1A175/ATM8042		80.0	78.4				2480	2380
F172M		O-320-E2D (LY)		1C160/CTM7553		75.0	74.0			1 16	2370	2270
F172M		O-320-E2D (LY)		1C160/DTM7553		75.0	74.0			1	2370	2270
F172M	F	O-320-E2D (LY)		1A175/ETM8042		80.0	78.5			1	2545	2445
F172N		O-320-H2AD (LY)		1C160/DTM7557		75.0	74.0				2400	2280
F172N	F	O-320-H2AD (LY)		1A175/ETM8042		80.0	78.5			1	2570	2470
F172P		O-320-D2J (LY)		1C160/DTM7557		75.0	74.0			1	2420	2300
F172P	F	O-320-D2J (LY)		1A175/ETM8042		80.0	78.5			1	2570	2470
FR172E "Reims Rocket, USAF T-41C"		IO-360-D (TCM)		1B235/DFC7850		78.0	76.5				2370	2270
FR172G "Reims Rocket, USAF T-41C"		IO-360-C (TCM)		1B235/DFC7850		78.0	76.5				2370	2270
FR172G "Reims Rocket, USAF T-41C"		IO-360-CB (TCM)		1B235/DFC7850		78.0	76.5				2370	2270
FR172G "Reims Rocket, USAF T-41C"		IO-360-D (TCM)		1B235/DFC7850		78.0	76.5				2370	2270
FR172G "Reims Rocket, USAF T-41C"		IO-360-DB (TCM)		1B235/DFC7850		78.0	76.5				2370	2270
FR172H "Reims Rocket"		IO-360-C (TCM)		1B235/DFC7850		78.0	76.5				2370	2270
FR172H "Reims Rocket"		IO-360-CB (TCM)		1B235/DFC7850		78.0	76.5				2370	2270
FR172H "Reims Rocket"		IO-360-D (TCM)		1B235/DFC7850		78.0	76.5				2370	2270
FR172H "Reims Rocket"		IO-360-DB (TCM)		1B235/DFC7850		78.0	76.5				2370	2270
FR172H "Reims Rocket"		IO-360-HB (TCM)		1B235/DFC7850		78.0	76.5				2370	2270
C. ITOH AIRCRAFT MAINTENANCE AND ENGINEERING COMPANY, Ltd.												
N-62		O-320-B2B (LY)		1C172/MGM7654		76.0	76.0				2400	2300
COMMONWEALTH AIRCRAFT, Inc.												
185 "Skyranger"		C85-12 (TCM)		1A90/CF7146		71.0	69.5				2320	2220
185 "Skyranger"		C90-12F (TCM)		1B90/CM7146		71.0			SA81GL Harvey Bolin	51		
CUB CRAFTERS, Inc.												
CC11 "Sport Cub S2"		O-200-A (TCM)		1A90/CF7538		75.0	73.5					

Fixed Pitch Applications

Aircraft Model	T Y P E	Engine Model (Make)	Climb Model	Standard Model	Cruise Model	Max Dia	Min Dia	Spinner	STC Number	Notes	max rpm	min rpm
CC11 "Sport Cub S2"		O-200-A (TCM)		1B90/CM7144		71.0	71.0					
CC18-180 "Top Cub"		O-360-C1G (LY)	1A200/FA8240	1A200/FA8242	1A200/FA8244	82.0	78.8			22		
CC18-180 "Top Cub"		O-360-C4P (LY)	1A200/FA8240	1A200/FA8242	1A200/FA8244	82.0	78.8			22		
CC18-180A "Top Cub"		O-360-C1G (LY)	1A200/FA8240	1A200/FA8242	1A200/FA8244	82.0	78.8			22		
CC18-180A "Top Cub"		O-360-C4P (LY)	1A200/FA8240	1A200/FA8242	1A200/FA8244	82.0	78.8			22		
CULVER (Superior Aircraft Co.)												
LCA "Cadet"		A-75-8 (TCM)		1A90/CF7045		70.0	68.5			1	2370	2270
LCA "Cadet"		A-75-9 (TCM)		1A90/CF7045		70.0	68.5			1	2370	2270
DEAN WILSON AVIATION LIMITED												
DW200		O-235-N2C (LY)		1A135/JCM7147		71.0	69.5	D-7833				
DW200A "Whitney Boomerang"		O-235-N2C (LY)		1A135/JCM7145		71.0	69.5	D-7833			2540	2440
EAGLE AIRCRAFT (CTRM Aviation Sdn. Bdh.)												
X-TS		IO-240-A (TCM)		1A135/BRM7054		70.0	69.0			20	2400	2300
X-TS 150		IO-240-A (TCM)		1A135/BRM7054		70.0	69.0			20	2400	2300
X-TS 150		IO-240-A (TCM)		1A135/BRM7057		70.0	69.0			20 50	2300	2200
X-TS 150		IO-240-A (TCM)		1A135/CRM7054		70.0	69.0			21	2400	2300
X-TS 150		IO-240-A (TCM)		1A135/CRM7057		70.0	69.0			21 50	2300	2200
X-TS 150		IO-240-A (TCM)		1A135/DRM7054		70.0	69.0			20	2400	2300
X-TS 150		IO-240-A (TCM)		1A135/DRM7057		70.0	69.0			20 50	2300	2200
150B		IO-240-B (TCM)		1A135/BRM7057		70.0	69.0			20	2300	2200
150B		IO-240-B (TCM)		1A135/CRM7057		70.0	69.0			21	2300	2200
150B		IO-240-B (TCM)		1A135/DRM7057		70.0	69.0			20	2300	2200
EMIGH (Edward Scott Kearns)												
A-2 "Trojan"		C85-12F (TCM)		1A90/CF7146		71.0	69.5				2350	2250
A-2 "Trojan"		C85-12F (TCM)		1A90/CF7148		71.0	69.5				2250	2150

Fixed Pitch Applications

Aircraft Model	T Y P E	Engine Model (Make)	Climb Model	Standard Model	Cruise Model	Max Dia	Min Dia	Spinner	STC Number	Notes	max rpm	min rpm
A-2 "Trojan"		C90-12F (TCM)		1B90/CM7150		71.0	69.5				2250	2150
FFA (Flugzeugwerke Altenrhein AG)												
AS 202/15 "Bravo"		O-320-E2A (LY)		1C172/MGM7458		74.0	72.5	D-4319			2400	2300
FLS AEROSPACE LIGHT AIRCRAFT Ltd												
FLS Club Sprint		O-235-L2A (LY)		1A135/JCM7153		71.0						
FUJI HEAVY INDUSTRIES												
FA-200-160		O-320-D2A (LY)		1C172/MGM7656		76.0	74.0				2450	2350
FA-200-160		O-320-D2A (LY)		1C172/MGM7662		76.0	74.0				2340	2180
FA-200-180AO		O-360-A5AD (LY)		1A170/EFA7658		76.0	74.0				2480	2320
FUNK AIRCRAFT (Thomas H. McClish)												
B85C		C85-12 (TCM)	1A90/CF7146	1A90/CF7148	1A90/CF7150	71.0	69.5			1	2310	2120
B85C		C90-12F (TCM)		1A90/CF7152	1A90/CF7154	71.0	69.5			1	2250	2140
B85C		C90-12F (TCM)		1B90/CM7153	1B90/CM7155	71.0	69.5			1	2250	2140
GIPPSLAND AERONAUTICS Pty. Ltd.												
GA200		O-540-A1D5 (LY)		1A200/FA8452		84.0	82.3				2450	2350
GA200		O-540-H2A5 (LY)		1A200/FA8452		84.0	82.3				2450	2350
GLOBE (Swift Museum Foundation, Inc.)												
GC-1B "Swift"		C-125-2 (TCM)		1A170/DM7357		73.0	71.5				2050	1950
GC-1B "Swift"		C-125-2 (TCM)		1A170/DM7355		73.0	71.5			1	2180	2080
GC-1B "Swift"		O-300-A (TCM)		1A170/DM7359		73.0			SA1-326 Swift Museum Foundation			
GREAT LAKES AIRCRAFT COMPANY, LLC.												
2T-1A-1		O-320-E2A (LY)		1C160/EGM7654		76.0	74.5				2350	2250
2T-1A-2		O-320-E2A (LY)		1C160/EGM7654		76.0	74.5				2350	2250
GRUMMAN AMERICAN (True Flight Holdings LLC)												
AA-1 "Yankee"		O-235-C2C (LY)		1A105/SCM7157		71.0	69.5				2300	2150
AA-1 "Yankee"		O-235-C2C (LY)		1A105/SCM7153	1A105/SCM7154	71.0	69.5				2400	2250
AA-1 "Yankee"		O-235-F2B (LY)		1A135/JCM7154		71.0	69.0		SA641NW K. Blackman	43	2300	2200
AA-1 "Yankee"		O-235-F2B (LY)		1A135/JCM7156		71.0	69.0		SA641NW K. Blackman	43	2250	2100

Fixed Pitch Applications

Aircraft Model	T Y P E	Engine Model (Make)	Climb Model	Standard Model	Cruise Model	Max Dia	Min Dia	Spinner	STC Number	Notes	max rpm	min rpm
AA-1 "Yankee"		O-235-F2B (LY)		1A135/KCM7154		71.0	69.0		SA641NW K. Blackman	43	2300	2200
AA-1 "Yankee"		O-235-F2B (LY)		1A135/KCM7156		71.0	69.0		SA641NW K. Blackman	43	2250	2100
AA-1 "Yankee"		O-235-J2A (LY)		1A135/JCM7154		71.0	69.0		SA641NW K. Blackman	43	2300	2200
AA-1 "Yankee"		O-235-J2A (LY)		1A135/JCM7156		71.0	69.0		SA641NW K. Blackman	43	2250	2100
AA-1 "Yankee"		O-235-J2A (LY)		1A135/KCM7154		71.0	69.0		SA641NW K. Blackman	43	2300	2200
AA-1 "Yankee"		O-235-J2A (LY)		1A135/KCM7156		71.0	69.0		SA641NW K. Blackman	43	2250	2100
AA-1A "Trainer"		O-235-C2C (LY)		1A105/SCM7157		71.0	69.5				2300	2150
AA-1A "Trainer"		O-235-C2C (LY)		1A105/SCM7153	1A105/SCM7154	71.0	69.5				2400	2250
AA-1A "Trainer"		O-235-F2B (LY)		1A135/JCM7154		71.0	69.0		SA641NW K. Blackman	43	2300	2200
AA-1A "Trainer"		O-235-F2B (LY)		1A135/JCM7156		71.0	69.0		SA641NW K. Blackman	43	2250	2100
AA-1A "Trainer"		O-235-F2B (LY)		1A135/KCM7154		71.0	69.0		SA641NW K. Blackman	43	2300	2200
AA-1A "Trainer"		O-235-F2B (LY)		1A135/KCM7156		71.0	69.0		SA641NW K. Blackman	43	2250	2100
AA-1A "Trainer"		O-235-J2A (LY)		1A135/JCM7154		71.0	69.0		SA641NW K. Blackman	43	2300	2200
AA-1A "Trainer"		O-235-J2A (LY)		1A135/JCM7156		71.0	69.0		SA641NW K. Blackman	43	2250	2100
AA-1A "Trainer"		O-235-J2A (LY)		1A135/KCM7154		71.0	69.0		SA641NW K. Blackman	43	2300	2200
AA-1A "Trainer"		O-235-J2A (LY)		1A135/KCM7156		71.0	69.0		SA641NW K. Blackman	43	2250	2100
AA-1B "Trainer"		O-235-C2C (LY)		1A105/SCM7157		71.0	69.5				2300	2150
AA-1B "Trainer"		O-235-C2C (LY)		1A105/SCM7153	1A105/SCM7154	71.0	69.5				2400	2250
AA-1B "Trainer"		O-235-F2B (LY)		1A135/JCM7154		71.0	69.0		SA641NW K. Blackman	43	2300	2200

Fixed Pitch Applications

Aircraft Model	T Y P E	Engine Model (Make)	Climb Model	Standard Model	Cruise Model	Max Dia	Min Dia	Spinner	STC Number	Notes	max rpm	min rpm
AA-1B "Trainer"		O-235-F2B (LY)		1A135/JCM7156		71.0	69.0		SA641NW K. Blackman	43	2250	2100
AA-1B "Trainer"		O-235-F2B (LY)		1A135/KCM7154		71.0	69.0		SA641NW K. Blackman	43	2300	2200
AA-1B "Trainer"		O-235-F2B (LY)		1A135/KCM7156		71.0	69.0		SA641NW K. Blackman	43	2250	2100
AA-1B "Trainer"		O-235-J2A (LY)		1A135/JCM7154		71.0	69.0		SA641NW K. Blackman	43	2300	2200
AA-1B "Trainer"		O-235-J2A (LY)		1A135/JCM7156		71.0	69.0		SA641NW K. Blackman	43	2250	2100
AA-1B "Trainer"		O-235-J2A (LY)		1A135/KCM7154		71.0	69.0		SA641NW K. Blackman	43	2300	2200
AA-1B "Trainer"		O-235-J2A (LY)		1A135/KCM7156		71.0	69.0		SA641NW K. Blackman	43	2250	2100
AA-1C "Trainer"		O-235-F2B (LY)		1A135/JCM7154		71.0	69.0		SA641NW K. Blackman	43	2300	2200
AA-1C "Trainer"		O-235-F2B (LY)		1A135/JCM7156		71.0	69.0		SA641NW K. Blackman	43	2250	2100
AA-1C "Trainer"		O-235-F2B (LY)		1A135/KCM7154		71.0	69.0		SA641NW K. Blackman	43	2300	2200
AA-1C "Trainer"		O-235-F2B (LY)		1A135/KCM7156		71.0	69.0		SA641NW K. Blackman	43	2250	2100
AA-1C "Trainer"		O-235-J2A (LY)		1A135/JCM7154		71.0	69.0		SA641NW K. Blackman	43	2300	2200
AA-1C "Trainer"		O-235-J2A (LY)		1A135/JCM7156		71.0	69.0		SA641NW K. Blackman	43	2250	2100
AA-1C "Trainer"		O-235-J2A (LY)		1A135/KCM7154		71.0	69.0		SA641NW K. Blackman	43	2300	2200
AA-1C "Trainer"		O-235-J2A (LY)		1A135/KCM7156		71.0	69.0		SA641NW K. Blackman	43	2250	2100
AA-1C "Trainer"		O-320-E2G (LY)		1C172/SBTM7359		73.0			SA2129NM K. Blackman			
AA-5 "Traveler"		O-320-E2G (LY)		1C172/BTM7359		73.0	71.5				2375	2250
AA-5 "Traveler"		O-320-E2G (LY)		1C172/SBTM7359		73.0	71.5				2375	2250
AA-5 "Traveler"		O-320-E2G (LY)		1C172/BTM7357		73.0	71.5				2348	2250

Fixed Pitch Applications

Aircraft Model	T Y P E	Engine Model (Make)	Climb Model	Standard Model	Cruise Model	Max Dia	Min Dia	Spinner	STC Number	Notes	max rpm	min rpm
AA-5 "Traveler"		O-320-E2G (LY)		1C172/SBTM7357		73.0	71.5				2348	2250
AA-5 "Traveler"		O-360-A4K (LY)		1A170/FFA7563		75.0			SA1186NW Maynard Crosby			
AA-5A "Cheetah"		O-320-E2G (LY)		1C172/BTM7359		73.0	71.5				2375	2250
AA-5A "Cheetah"		O-320-E2G (LY)		1C172/SBTM7359		73.0	71.5				2375	2250
AA-5A "Cheetah"		O-320-E2G (LY)		1C172/BTM7357		73.0	71.5				2348	2250
AA-5A "Cheetah"		O-320-E2G (LY)		1C172/SBTM7357		73.0	71.5				2348	2250
AA-5A "Cheetah"		O-360-A4K (LY)		1A170/FFA7563		75.0			SA1186NW Maynard Crosby			
AA-5B "Tiger"		O-360-A4K (LY)		1A170/FFA7563		75.0	74.5			31	2325	2175
AA-5B "Tiger"		O-360-A4K (LY)		1A170/KFA7563		75.0	74.5			31	2325	2175
INTERSTATE ENGINEERING & TYPE DESIGN COMPANY, Inc. (STOL Aviation LLC.)												
S-1A		A-65-8 (TCM)	1A90/CF7445	1A90/CF7447	1A90/CF7449	74.0	72.0			1	2200	1900
S-1A		A-65-8 (TCM)	1A90/CH7445	1A90/CH7447	1A90/CH7449	74.0	72.0			1 16	2200	1900
S-1A		A-65-8F (TCM)	1A90/CF7445	1A90/CF7447	1A90/CF7449	74.0	72.0			1	2200	1900
S-1A		C90-8F (TCM)	1A90/CF7341	1A90/CF7343		73.0	71.5			1	2375	2275
S-1B2		O-320-A2B (LY)	1A175/GM8241	1A175/GM8242	1A175/GM8244	82.0	78.0				2450	2300
S-1B2		O-320-B2B (LY)	1A175/GM8241	1A175/GM8242	1A175/GM8244	82.0	78.0				2450	2300
JODEL (Avions Jodel)												
D-140-B		O-360-A2A (LY)		1A200/FA8054	1A200/FA8056	80.0	78.5			1	2250	2100
150		O-200-A (TCM)		1A100/MCM6956		70.0	68.0				2400	2300
LARK AVIATION (M.H. Spinks, Sr., formerly Culver)												
Lark 95		C90-12F (TCM)		1B90CM/7048	1B90CM7050	70.0	69.5			1	2350	2250
Lark 95		C90-16F (TCM)		1B90CM/7048	1B90CM7050	70.0	69.5			1	2350	2250
LUSCOMBE (The Don Luscombe Aviation History Foundation, Inc.)												
8A	F	A-65-1 (TCM)		1A90/CF7447	1A90/CF7449	74.0	72.5			1 12	2170	2070
8A	F	A-65-1J (TCM)		1A90/CF7447	1A90/CF7449	74.0	72.5			1 12	2170	2070
8A		A-65-3 (TCM)		1A90/CF7447	1A90/CF7449	74.0	72.5			1 24	2145	2045 1940

Fixed Pitch Applications

Aircraft Model	T Y P E	Engine Model (Make)	Climb Model	Standard Model	Cruise Model	Max Dia	Min Dia	Spinner	STC Number	Notes	max rpm	min rpm
8A	F	A-65-3 (TCM)		1A90/CF7447	1A90/CF7449	74.0	72.5			1 12	2170	2070
8A		A-65-3J (TCM)		1A90/CF7447	1A90/CF7449	74.0	72.5			1	2145	1940
8A	F	A-65-3J (TCM)		1A90/CF7447	1A90/CF7449	74.0	72.5			1 12	2145	1940
8A	F	A-65-3J (TCM)		1A90/CF7447	1A90/CF7449	74.0	72.5			1 12	2170	2070
8A	F	A-65-6 (TCM)		1A90/CF7447	1A90/CF7449	74.0	72.5			1 12	2170	2070
8A	F	A-65-6J (TCM)		1A90/CF7447	1A90/CF7449	74.0	72.5			1 12	2170	2070
8A		A-65-7 (TCM)		1A90/CF7447	1A90/CF7449	74.0	72.5			1 24	2145	2045 1940
8A	F	A-65-7 (TCM)		1A90/CF7447	1A90/CF7449	74.0	72.5			1 12	2170	2070
8A		A-65-7J (TCM)		1A90/CF7447	1A90/CF7449	74.0	72.5			1	2145	1940
8A	F	A-65-7J (TCM)		1A90/CF7447	1A90/CF7449	74.0	72.5			1 12	2145	1940
8A	F	A-65-7J (TCM)		1A90/CF7447	1A90/CF7449	74.0	72.5			1 12	2170	2070
8A		A-65-8 (TCM)		1A90/CF7447	1A90/CF7449	74.0	72.5			1 24	2145	2045 1940
8A	F	A-65-8 (TCM)		1A90/CF7447	1A90/CF7449	74.0	72.5			1 12	2170	2070
8A		A-65-8F (TCM)		1A90/CF7447	1A90/CF7449	74.0	72.5			1 24	2145	2045 1940
8A	F	A-65-8F (TCM)		1A90/CF7447	1A90/CF7449	74.0	72.5			1 12	2170	2070
8A		A-65-8J (TCM)		1A90/CF7447	1A90/CF7449	74.0	72.5			1	2145	1940
8A	F	A-65-8J (TCM)		1A90/CF7447	1A90/CF7449	74.0	72.5			1 12	2145	1940
8A	F	A-65-8J (TCM)		1A90/CF7447	1A90/CF7449	74.0	72.5			1 12	2170	2070
8A		A-65-8FJ (TCM)		1A90/CF7447	1A90/CF7449	74.0	72.5			1	2145	1940
8A	F	A-65-8FJ (TCM)		1A90/CF7447	1A90/CF7449	74.0	72.5			1 12	2145	1940
8A	F	A-65-8FJ (TCM)		1A90/CF7447	1A90/CF7449	74.0	72.5			1 12	2170	2070

Fixed Pitch Applications

Aircraft Model	T Y P E	Engine Model (Make)	Climb Model	Standard Model	Cruise Model	Max Dia	Min Dia	Spinner	STC Number	Notes	max rpm	min rpm
8A		A-65-9 (TCM)		1A90/CF7447	1A90/CF7449	74.0	72.5			1 24	2145	2045 1940
8A	F	A-65-9 (TCM)		1A90/CF7447	1A90/CF7449	74.0	72.5			1 12	2170	2070
8A		A-65-9F (TCM)		1A90/CF7447	1A90/CF7449	74.0	72.5			1 24	2145	2045 1940
8A	F	A-65-9F (TCM)		1A90/CF7447	1A90/CF7449	74.0	72.5			1 12	2170	2070
8A		A-65-9J (TCM)		1A90/CF7447	1A90/CF7449	74.0	72.5			1	2145	1940
8A	F	A-65-9J (TCM)		1A90/CF7447	1A90/CF7449	74.0	72.5			1 12	2145	1940
8A	F	A-65-9J (TCM)		1A90/CF7447	1A90/CF7449	74.0	72.5			1 12	2170	2070
8A		A-65-9FJ (TCM)		1A90/CF7447	1A90/CF7449	74.0	72.5			1	2145	1940
8A	F	A-65-9FJ (TCM)		1A90/CF7447	1A90/CF7449	74.0	72.5			1 12	2145	1940
8A	F	A-65-9FJ (TCM)		1A90/CF7447	1A90/CF7449	74.0	72.5			1 12	2170	2070
8A				1B90/CM7447					SA1084NE Pitcairn Aviation			
8C		A-75-8J (TCM)		1A90/CF7144	1A90/CF7146	71.0	69.5			1	2330	2110
8C	F	A-75-8J (TCM)		1A90/CF7144	1A90/CF7146	71.0	69.5			1	2330	2110
8D		A-75-8 (TCM)		1A90/CF7144	1A90/CF7146	71.0	69.5			1	2330	2110
8D		A-75-8J (TCM)		1A90/CF7144	1A90/CF7146	71.0	69.5			1	2330	2110
8D		A-75-9 (TCM)		1A90/CF7144	1A90/CF7146	71.0	69.5			1	2330	2110
8D		A-75-9J (TCM)		1A90/CF7144	1A90/CF7146	71.0	69.5			1	2330	2110
8E		C85-8F (TCM)		1A90/CF7144	1A90/CF7146	71.0	69.5			1	2255	2000
8E	F	C85-8F (TCM)	1A90/CF7144	1A90/CF7148	1A90/CF7151	71.0	69.5			1 12	2190	2090
8E		C85-12 (TCM)		1A90/CF7144	1A90/CF7146	71.0	69.5			1	2255	2000
8E	F	C85-12 (TCM)	1A90/CF7144	1A90/CF7148	1A90/CF7151	71.0	69.5			1 12	2190	2090
8E		C85-12F (TCM)		1A90/CF7144	1A90/CF7146	71.0	69.5			1	2255	2000
8E	F	C85-12F (TCM)	1A90/CF7144	1A90/CF7148	1A90/CF7151	71.0	69.5			1 12	2190	2090
8E		O-320 (LY)		1C172/MGM7462		74.0	72.5		SA344CE Team Luscombe			
8E		O-320-A1A (LY)		1C172/MGM7462		74.0	72.5		SA344CE Team Luscombe			

Fixed Pitch Applications

Aircraft Model	T Y P E	Engine Model (Make)	Climb Model	Standard Model	Cruise Model	Max Dia	Min Dia	Spinner	STC Number	Notes	max rpm	min rpm
8F		C90-8F (TCM)		1B90/CM7154		71.0	69.5			1	2100	2000
8F	F	C90-8F (TCM)		1B90/CM7347		73.0	70.0			1	2210	2110
8F		C90-12F (TCM)		1B90/CM7154		71.0	69.5			1	2100	2000
8F	F	C90-12F (TCM)		1B90/CM7347		73.0	70.0			1	2210	2110
8F		O-320 (LY)		1C172/MGM7462		74.0	72.5		SA344CE Team Luscombe			
8F		O-320-A1A (LY)		1C172/MGM7462		74.0	72.5		SA344CE Team Luscombe			
T-8F		C90-8F (TCM)		1B90/CM7154		71.0	69.5			1	2100	2000
T-8F		C90-8F (TCM)		1B90/CM7347		73.0	70.0			1	2350	2250
T-8F		C90-12F (TCM)		1B90/CM7154		71.0	69.5			1	2100	2000
T-8F		C90-12F (TCM)		1B90/CM7347		73.0	70.0			1	2350	2250
T-8F		C90-12FJ (TCM)		1B90/CM7345		72.5	71.5			1	2370	2270
LUSCOMBE (Quartz Mountain Aerospace, Inc, formerly Luscombe Aircraft Corporation)												
11E		IO-360-ES (TCM)		1B235/EFC7667		76.0	74.0			26	2200	2100
MAULE AEROSPACE TECHNOLOGY, Inc.												
M-4 "BEE DEE" (S/N 3 - 14)		O-300-A (TCM)	1C172/MDM7647	1C172/MDM7652	1C172/MDM7656	76.0	74.5			27 37	2250	2100
M-4 "BEE DEE" (S/N 3 - 14)		O-300-B (TCM)	1C172/MDM7647	1C172/MDM7652	1C172/MDM7656	76.0	74.5			27 37	2250	2100
M-4		O-300-A (TCM)		1A170/DM7460		74.0	73.0				2200	2100
M-4		O-300-B (TCM)		1A170/DM7460		74.0	73.0				2200	2100
M-4 (S/N 15 -23 and 25 - 45)		O-300-A (TCM)	1C172/MDM7647	1C172/MDM7652	1C172/MDM7656	76.0	74.5			27 37	2250	2100
M-4 (S/N 15 -23 and 25 - 45)		O-300-B (TCM)	1C172/MDM7647	1C172/MDM7652	1C172/MDM7656	76.0	74.5			27 37	2250	2100
M-4 (S/N 24, 46 - 94)		O-300-A (TCM)	1C172/MDM7647	1C172/MDM7652	1C172/MDM7656	76.0	74.5			37	2250	2100
M-4 (S/N 24, 46 - 94)		O-300-B (TCM)	1C172/MDM7647	1C172/MDM7652	1C172/MDM7656	76.0	74.5			37	2250	2100
M-4C (S/N 1C - 11C)		O-300-A (TCM)	1C172/MDM7647	1C172/MDM7652	1C172/MDM7656	76.0	74.5			37	2250	2100
M-4C (S/N 1C - 11C)		O-300-B (TCM)	1C172/MDM7647	1C172/MDM7652	1C172/MDM7656	76.0	74.5			37	2250	2100
M-4C		O-300-A (TCM)		1A170/DM7460		74.0	73.0				2200	2100
M-4C		O-300-B (TCM)		1A170/DM7460		74.0	73.0				2200	2100

Fixed Pitch Applications

Aircraft Model	T Y P E	Engine Model (Make)	Climb Model	Standard Model	Cruise Model	Max Dia	Min Dia	Spinner	STC Number	Notes	max rpm	min rpm
M-4S (S/N 1S - 3S)		O-300-A (TCM)	1C172/MDM7647	1C172/MDM7652	1C172/MDM7656	76.0	74.5			37	2250	2100
M-4S (S/N 1S - 3S)		O-300-B (TCM)	1C172/MDM7647	1C172/MDM7652	1C172/MDM7656	76.0	74.5			37	2250	2100
M-4S		O-300-A (TCM)		1A170/DM7460		74.0	73.0				2200	2100
M-4S		O-300-B (TCM)		1A170/DM7460		74.0	73.0				2200	2100
M-4T (S/N 1T - 3T)		O-300-A (TCM)	1C172/MDM7647	1C172/MDM7652	1C172/MDM7656	76.0	74.5			37	2250	2100
M-4T (S/N 1T - 3T)		O-300-B (TCM)	1C172/MDM7647	1C172/MDM7652	1C172/MDM7656	76.0	74.5			37	2250	2100
M-4T		O-300-A (TCM)		1A170/DM7460		74.0	73.0				2200	2100
M-4T		O-300-B (TCM)		1A170/DM7460		74.0	73.0				2200	2100
MICCO (formerly Meyers)												
MCC-145		C-145-2 (TCM)		1A170/DM7657		76.0	72.5			1	2230	2110
MONOCOUE CORPORATION												
90-AL-115		O-235-C1 (LY)		1C90/LM7254	1C90/LM7256	72.0	70.5			1	2200	2150
MOONEY AIRPLANE COMPANY, Inc.												
M20D		O-360-A2D (LY)		1C172/MFA7460		74.0	72.5	D-3339			2460	2360
MORRISEY AVIATION Inc.												
2000C		C90-14F (TCM)		1A90/CF7152	1A90/CF7154	71.0	69.5			1	2250	2150
NEIVA												
56 "Paulistinha"		C90-14F (TCM)		1B90/CM7150		71.0	71.0			1		
56 "Paulistinha"		C90-14F (TCM)		1A90/CF7343		73.0	69.5			1		
56 "Paulistinha"		C90-14F (TCM)		1A90/CH7343		73.0	69.5			1 16		
56 "Paulistinha"		C90-14F (TCM)		1B90/CM7343		73.0	69.5			1		
56-C "Paulistinha"		C90-8F (TCM)		1B90/CM7150		71.0	71.0			1		
56-C "Paulistinha"		C90-8F (TCM)		1A90/CF7343		73.0	69.5			1		
56-C "Paulistinha"		C90-8F (TCM)		1A90/CH7343		73.0	69.5			1 16		
56-C "Paulistinha"		C90-8F (TCM)		1B90/CM7343		73.0	69.5			1		
56-C-1 "Paulistinha"		C90-12F (TCM)		1B90/CM7150		71.0	71.0			1		

Fixed Pitch Applications

Aircraft Model	T Y P E	Engine Model (Make)	Climb Model	Standard Model	Cruise Model	Max Dia	Min Dia	Spinner	STC Number	Notes	max rpm	min rpm
56-C-1 "Paulistinha"		C90-12F (TCM)		1A90/CF7343		73.0	69.5			1		
56-C-1 "Paulistinha"		C90-12F (TCM)		1A90/CH7343		73.0	69.5			1 16		
56-C-1 "Paulistinha"		C90-12F (TCM)		1B90/CM7343		73.0	69.5			1		
56-C-1 "Agricola Paulistinha"		C90-8F (TCM)		1B90/CM7150		71.0	71.0			1		
56-C-1 "Agricola Paulistinha"		C90-8F (TCM)		1A90/CF7343		73.0	69.5			1		
56-C-1 "Agricola Paulistinha"		C90-8F (TCM)		1A90/CH7343		73.0	69.5			1 16		
56-C-1 "Agricola Paulistinha"		C90-8F (TCM)		1B90/CM7343		73.0	69.5			1		
56-C-1 "Rebocador Paulistinha"		C90-12F (TCM)		1B90/CM7150		71.0	71.0			1		
56-C-1 "Rebocador Paulistinha"		C90-8F (TCM)		1A90/CF7343		73.0	69.5			1		
56-C-1 "Rebocador Paulistinha"		C90-8F (TCM)		1A90/CH7343		73.0	69.5			1 16		
56-C-1 "Rebocador Paulistinha"		C90-8F (TCM)		1B90/CM7343		73.0	69.5			1		
EMB-200 "Impanema"		O-540-H2B5D (LY)		1A200/FA8452		84.0	84.0					
PIPER AIRCRAFT, Inc												
J3C-65 "ARMY L-4, -4A, -4B, -4H, -4J, NAVY NE-1, -2" "Cub"	L S	A-65-3 (TCM)	1A90/CF7441	1A90/CF7443	1A90/CF7445	74.0	72.5			1	2250	1950
J3C-65 "ARMY L-4, -4A, -4B, -4H, -4J, NAVY NE-1, -2" "Cub"	L S	A-65-3 (TCM)	1B90/CM7441	1B90/CM7443	1B90/CM7445	74.0	72.5			1	2250	1950
J3C-65 "ARMY L-4, -4A, -4B, -4H, -4J, NAVY NE-1, -2" "Cub"	L S	A-65-6 (TCM)	1A90/CF7441	1A90/CF7443	1A90/CF7445	74.0	72.5			1	2250	1950

Fixed Pitch Applications

Aircraft Model	T Y P E	Engine Model (Make)	Climb Model	Standard Model	Cruise Model	Max Dia	Min Dia	Spinner	STC Number	Notes	max rpm	min rpm
J3C-65 "ARMY L-4, -4A, -4B, -4H, -4J, NAVY NE-1, -2" "Cub"	L S	A-65-6 (TCM)	1B90/CM7441	1B90/CM7443	1B90/CM7445	74.0	72.5			1	2250	1950
J3C-65 "ARMY L-4, -4A, -4B, -4H, -4J, NAVY NE-1, -2" "Cub"	L S	A-65-7 (TCM)	1A90/CF7441	1A90/CF7443	1A90/CF7445	74.0	72.5			1	2250	1950
J3C-65 "ARMY L-4, -4A, -4B, -4H, -4J, NAVY NE-1, -2" "Cub"	L S	A-65-7 (TCM)	1B90/CM7441	1B90/CM7443	1B90/CM7445	74.0	72.5			1	2250	1950
J3C-65 "ARMY L-4, -4A, -4B, -4H, -4J, NAVY NE-1, -2" "Cub"	L S	A-65-8 (TCM)	1A90/CF7441	1A90/CF7443	1A90/CF7445	74.0	72.5			1	2250	1950
J3C-65 "ARMY L-4, -4A, -4B, -4H, -4J, NAVY NE-1, -2" "Cub"	L S	A-65-8 (TCM)	1B90/CM7441	1B90/CM7443	1B90/CM7445	74.0	72.5			1	2250	1950
J3C-65 "ARMY L-4, -4A, -4B, -4H, -4J, NAVY NE-1, -2" "Cub"	L S	A-65-8F (TCM)	1A90/CF7441	1A90/CF7443	1A90/CF7445	74.0	72.5			1	2250	1950
J3C-65 "ARMY L-4, -4A, -4B, -4H, -4J, NAVY NE-1, -2" "Cub"	L S	A-65-8F (TCM)	1B90/CM7441	1B90/CM7443	1B90/CM7445	74.0	72.5			1	2250	1950
J3C-65 "ARMY L-4, -4A, -4B, -4H, -4J, NAVY NE-1, -2" "Cub"	L S	A-65-9 (TCM)	1A90/CF7441	1A90/CF7443	1A90/CF7445	74.0	72.5			1	2250	1950
J3C-65 "ARMY L-4, -4A, -4B, -4H, -4J, NAVY NE-1, -2" "Cub"	L S	A-65-9 (TCM)	1B90/CM7441	1B90/CM7443	1B90/CM7445	74.0	72.5			1	2250	1950

Fixed Pitch Applications

Aircraft Model	T Y P E	Engine Model (Make)	Climb Model	Standard Model	Cruise Model	Max Dia	Min Dia	Spinner	STC Number	Notes	max rpm	min rpm
J3C-65 "ARMY L-4, -4A, -4B, -4H, -4J, NAVY NE-1, -2" "Cub"	L S	A-65-14 (TCM)	1A90/CF7441	1A90/CF7443	1A90/CF7445	74.0	72.5			1	2250	1950
J3C-65 "ARMY L-4, -4A, -4B, -4H, -4J, NAVY NE-1, -2" "Cub"	L S	A-65-14 (TCM)	1B90/CM7441	1B90/CM7443	1B90/CM7445	74.0	72.5			1	2250	1950
J3C-65 "ARMY L-4, -4A, -4B, -4H, -4J, NAVY NE-1, -2" "Cub"	L S	A-75-8 (TCM)	1A90/CF7038	1A90/CF7040	1A90/CF7042	70.0	68.5			1	2425	1950
J3C-65 "ARMY L-4, -4A, -4B, -4H, -4J, NAVY NE-1, -2" "Cub"	L S	A-75-8 (TCM)	1B90/CM7038	1B90/CM7040	1B90/CM7042	70.0	68.5			1	2425	1950
J3C-65 "ARMY L-4, -4A, -4B, -4H, -4J, NAVY NE-1, -2" "Cub"	L S	A-75-9 (TCM)	1A90/CF7038	1A90/CF7040	1A90/CF7042	70.0	68.5			1	2425	1950
J3C-65 "ARMY L-4, -4A, -4B, -4H, -4J, NAVY NE-1, -2" "Cub"	L S	A-75-9 (TCM)	1B90/CM7038	1B90/CM7040	1B90/CM7042	70.0	68.5			1	2425	1950
J3C-65 "ARMY L-4, -4A, -4B, -4H, -4J, NAVY NE-1, -2" "Cub"	L S	C75-8 (TCM)		1A90/CF7449		74.0	72.5			1	2100	2000
J3C-65 "ARMY L-4, -4A, -4B, -4H, -4J, NAVY NE-1, -2" "Cub"	L S	C75-8 (TCM)		1B90/CM7449		74.0	72.5			1	2100	2000
J3C-65 "ARMY L-4, -4A, -4B, -4H, -4J, NAVY NE-1, -2" "Cub"	L S	C75-12 (TCM)		1A90/CF7449		74.0	72.5			1	2100	2000

Fixed Pitch Applications

Aircraft Model	T Y P E	Engine Model (Make)	Climb Model	Standard Model	Cruise Model	Max Dia	Min Dia	Spinner	STC Number	Notes	max rpm	min rpm
J3C-65 "ARMY L-4, -4A, -4B, -4H, -4J, NAVY NE-1, -2" "Cub"	L S	C75-12 (TCM)		1B90/CM7449		74.0	72.5			1	2100	2000
J3C-65 "ARMY L-4, -4A, -4B, -4H, -4J, NAVY NE-1, -2" "Cub"	L S	C85-8 (TCM)	1A90/CF7142	1A90/CF7144	1A90/CF7146	71.0	68.5			1	2550	1950
J3C-65 "ARMY L-4, -4A, -4B, -4H, -4J, NAVY NE-1, -2" "Cub"	L S	C85-8 (TCM)	1B90/CM7142	1B90/CM7144	1B90/CM7146	71.0	68.5			1	2550	1950
J3C-65 "ARMY L-4, -4A, -4B, -4H, -4J, NAVY NE-1, -2" "Cub"	L S	C85-12 (TCM)	1A90/CF7142	1A90/CF7144	1A90/CF7146	71.0	68.5			1	2550	1950
J3C-65 "ARMY L-4, -4A, -4B, -4H, -4J, NAVY NE-1, -2" "Cub"	L S	C85-12 (TCM)	1B90/CM7142	1B90/CM7144	1B90/CM7146	71.0	68.5			1	2550	1950
J3C-65 "ARMY L-4, -4A, -4B, -4H, -4J, NAVY NE-1, -2" "Cub"	L S	C90-8F (TCM)		1A90/CF7148		71.0	69.5			1	2300	1950
J3C-65 "ARMY L-4, -4A, -4B, -4H, -4J, NAVY NE-1, -2" "Cub"	L S	C90-8F (TCM)		1B90/CM7148		71.0	69.5			1	2300	1950
J3C-65 "ARMY L-4, -4A, -4B, -4H, -4J, NAVY NE-1, -2" "Cub"	L S	O-200-A (TCM)		1A101/DCM6944		69.0			SA7435SW UNIVAIR	1 42		
J3C-65 "ARMY L-4, -4A, -4B, -4H, -4J, NAVY NE-1, -2" "Cub"	L S	O-200-A (TCM)		1A101/DCM6944		69.0			SA107RM Univair	32		

Fixed Pitch Applications

Aircraft Model	T Y P E	Engine Model (Make)	Climb Model	Standard Model	Cruise Model	Max Dia	Min Dia	Spinner	STC Number	Notes	max rpm	min rpm
J3C-65S "ARMY L-4, -4A, -4B, -4H, -4J, NAVY NE-1, -2" "Cub"	F	A-65-3 (TCM)	1A90/CF7441	1A90/CF7443	1A90/CF7445	74.0	72.5			1	2250	2050
J3C-65S "ARMY L-4, -4A, -4B, -4H, -4J, NAVY NE-1, -2" "Cub"	F	A-65-3 (TCM)	1B90/CM7441	1B90/CM7443	1B90/CM7445	74.0	72.5			1	2250	2050
J3C-65S "ARMY L-4, -4A, -4B, -4H, -4J, NAVY NE-1, -2" "Cub"	F	A-65-6 (TCM)	1A90/CF7441	1A90/CF7443	1A90/CF7445	74.0	72.5			1	2250	2050
J3C-65S "ARMY L-4, -4A, -4B, -4H, -4J, NAVY NE-1, -2" "Cub"	F	A-65-6 (TCM)	1B90/CM7441	1B90/CM7443	1B90/CM7445	74.0	72.5			1	2250	2050
J3C-65S "ARMY L-4, -4A, -4B, -4H, -4J, NAVY NE-1, -2" "Cub"	F	A-65-7 (TCM)	1A90/CF7441	1A90/CF7443	1A90/CF7445	74.0	72.5			1	2250	2050
J3C-65S "ARMY L-4, -4A, -4B, -4H, -4J, NAVY NE-1, -2" "Cub"	F	A-65-7 (TCM)	1B90/CM7441	1B90/CM7443	1B90/CM7445	74.0	72.5			1	2250	2050
J3C-65S "ARMY L-4, -4A, -4B, -4H, -4J, NAVY NE-1, -2" "Cub"	F	A-65-8 (TCM)	1A90/CF7441	1A90/CF7443	1A90/CF7445	74.0	72.5			1	2250	2050
J3C-65S "ARMY L-4, -4A, -4B, -4H, -4J, NAVY NE-1, -2" "Cub"	F	A-65-8 (TCM)	1B90/CM7441	1B90/CM7443	1B90/CM7445	74.0	72.5			1	2250	2050
J3C-65S "ARMY L-4, -4A, -4B, -4H, -4J, NAVY NE-1, -2" "Cub"	F	A-65-8F (TCM)	1A90/CF7441	1A90/CF7443	1A90/CF7445	74.0	72.5			1	2250	2050

Fixed Pitch Applications

Aircraft Model	T Y P E	Engine Model (Make)	Climb Model	Standard Model	Cruise Model	Max Dia	Min Dia	Spinner	STC Number	Notes	max rpm	min rpm
J3C-65S "ARMY L-4, -4A, -4B, -4H, -4J, NAVY NE-1, -2" "Cub"	F	A-65-8F (TCM)	1B90/CM7441	1B90/CM7443	1B90/CM7445	74.0	72.5			1	2250	2050
J3C-65S "ARMY L-4, -4A, -4B, -4H, -4J, NAVY NE-1, -2" "Cub"	F	A-65-9 (TCM)	1A90/CF7441	1A90/CF7443	1A90/CF7445	74.0	72.5			1	2250	2050
J3C-65S "ARMY L-4, -4A, -4B, -4H, -4J, NAVY NE-1, -2" "Cub"	F	A-65-9 (TCM)	1B90/CM7441	1B90/CM7443	1B90/CM7445	74.0	72.5			1	2250	2050
J3C-65S "ARMY L-4, -4A, -4B, -4H, -4J, NAVY NE-1, -2" "Cub"	F	A-65-14 (TCM)	1A90/CF7441	1A90/CF7443	1A90/CF7445	74.0	72.5			1	2250	2050
J3C-65S "ARMY L-4, -4A, -4B, -4H, -4J, NAVY NE-1, -2" "Cub"	F	A-65-14 (TCM)	1B90/CM7441	1B90/CM7443	1B90/CM7445	74.0	72.5			1	2250	2050
J3C-65S "ARMY L-4, -4A, -4B, -4H, -4J, NAVY NE-1, -2" "Cub"	F	A-75-8 (TCM)		1A90/CF7038	1A90/CF7040	70.0	68.5			1	2425	1950
J3C-65S "ARMY L-4, -4A, -4B, -4H, -4J, NAVY NE-1, -2" "Cub"	F	A-75-8 (TCM)		1B90/CM7038	1B90/CM7040	70.0	68.5			1	2425	1950
J3C-65S "ARMY L-4, -4A, -4B, -4H, -4J, NAVY NE-1, -2" "Cub"	F	A-75-9 (TCM)		1A90/CF7038	1A90/CF7040	70.0	68.5			1	2425	1950
J3C-65S "ARMY L-4, -4A, -4B, -4H, -4J, NAVY NE-1, -2" "Cub"	F	A-75-9 (TCM)		1B90/CM7038	1B90/CM7040	70.0	68.5			1	2425	1950

Fixed Pitch Applications

Aircraft Model	T Y P E	Engine Model (Make)	Climb Model	Standard Model	Cruise Model	Max Dia	Min Dia	Spinner	STC Number	Notes	max rpm	min rpm
J3C-65S "ARMY L-4, -4A, -4B, -4H, -4J, NAVY NE-1, -2" "Cub"	F	C75-8 (TCM)		1A90/CF7447		74.0	72.5			1	2100	2000
J3C-65S "ARMY L-4, -4A, -4B, -4H, -4J, NAVY NE-1, -2" "Cub"	F	C75-8 (TCM)		1B90/CM7447		74.0	72.5			1	2100	2000
J3C-65S "ARMY L-4, -4A, -4B, -4H, -4J, NAVY NE-1, -2" "Cub"	F	C75-12 (TCM)		1A90/CF7447		74.0	72.5			1	2100	2000
J3C-65S "ARMY L-4, -4A, -4B, -4H, -4J, NAVY NE-1, -2" "Cub"	F	C75-12 (TCM)		1B90/CM7447		74.0	72.5			1	2100	2000
J3C-65S "ARMY L-4, -4A, -4B, -4H, -4J, NAVY NE-1, -2" "Cub"	F	C85-8 (TCM)		1A90/CF7142		71.0	68.5			1	2550	1950
J3C-65S "ARMY L-4, -4A, -4B, -4H, -4J, NAVY NE-1, -2" "Cub"	F	C85-8 (TCM)		1B90/CM7142		71.0	68.5			1	2550	1950
J3C-65S "ARMY L-4, -4A, -4B, -4H, -4J, NAVY NE-1, -2" "Cub"	F	C85-12 (TCM)		1A90/CF7142		71.0	68.5			1	2550	1950
J3C-65S "ARMY L-4, -4A, -4B, -4H, -4J, NAVY NE-1, -2" "Cub"	F	C85-12 (TCM)		1B90/CM7142		71.0	68.5			1	2550	1950
J3C-65S "ARMY L-4, -4A, -4B, -4H, -4J, NAVY NE-1, -2" "Cub"	F	C90-8F (TCM)		1A90/CF7146		71.0	69.5			1	2300	2100

Fixed Pitch Applications

Aircraft Model	T Y P E	Engine Model (Make)	Climb Model	Standard Model	Cruise Model	Max Dia	Min Dia	Spinner	STC Number	Notes	max rpm	min rpm
J3C-65S "ARMY L-4, -4A, -4B, -4H, -4J, NAVY NE-1, -2" "Cub"	F	C90-8F (TCM)		1B90/CM7146		71.0	69.5			1	2300	2100
J3C-65S "ARMY L-4, -4A, -4B, -4H, -4J, NAVY NE-1, -2" "Cub"	F	O-200-A (TCM)		1A101/DCM6944		69.0			SA7435SW UNIVAIR	1 42		
J4A "Cub Coupe"		A-65-1 (TCM)		1A90/CF7443	1A90/CF7445	74.0	72.5			1	2250	2060
J4A-S "Cub Coupe"		A-65-1 (TCM)		1A90/CF7443	1A90/CF7445	74.0	72.5			1	2250	2060
J4A "Cub Coupe"		A-65-3 (TCM)		1A90/CF7443	1A90/CF7445	74.0	72.5			1	2250	2060
J4A-S "Cub Coupe"		A-65-3 (TCM)		1A90/CF7443	1A90/CF7445	74.0	72.5			1	2250	2060
J4A "Cub Coupe"		A-65-6 (TCM)		1A90/CF7443	1A90/CF7445	74.0	72.5			1	2250	2060
J4A-S "Cub Coupe"		A-65-6 (TCM)		1A90/CF7443	1A90/CF7445	74.0	72.5			1	2250	2060
J4A "Cub Coupe"		A-65-7 (TCM)		1A90/CF7443	1A90/CF7445	74.0	72.5			1	2250	2060
J4A-S "Cub Coupe"		A-65-7 (TCM)		1A90/CF7443	1A90/CF7445	74.0	72.5			1	2250	2060
J4A "Cub Coupe"		A-65-8 (TCM)		1A90/CF7443	1A90/CF7445	74.0	72.5			1	2250	2060
J4A-S "Cub Coupe"		A-65-8 (TCM)		1A90/CF7443	1A90/CF7445	74.0	72.5			1	2250	2060
J4A "Cub Coupe"		A-65-9 (TCM)		1A90/CF7443	1A90/CF7445	74.0	72.5			1	2250	2060
J4A-S "Cub Coupe"		A-65-9 (TCM)		1A90/CF7443	1A90/CF7445	74.0	72.5			1	2250	2060
J4E "Cub Coupe, ARMY L-4E"		A-75-8 (TCM)		1A90/CF7038		70.0	68.5			1	2440	2340
J4E "Cub Coupe, ARMY L-4E"		A-75-9 (TCM)		1A90/CF7038		70.0	68.5			1	2440	2340
J4E "Cub Coupe, ARMY L-4E"		C75-12 (TCM)		1A90/CF7148		71.0	69.5			1	2275	2200

PIPER (FS 2001 Corp)

Fixed Pitch Applications

Aircraft Model	T Y P E	Engine Model (Make)	Climb Model	Standard Model	Cruise Model	Max Dia	Min Dia	Spinner	STC Number	Notes	max rpm	min rpm
J5A "ARMY L-4F" "Cub Cruiser"		A-75-8 (TCM)		1A90/CF7038		70.0	68.5			1	2440	2340
J5A "ARMY L-4F" "Cub Cruiser"		C75-8 (TCM)		1A90/CF7449		74.0	72.5			1	2100	2000
J5A "ARMY L-4F" "Cub Cruiser"		C75-12 (TCM)		1A90/CF7449		74.0	72.5			1	2100	2000
J5A "ARMY L-4F" "Cub Cruiser"		C85-12 (TCM)	1A90/CF7144	1A90/CF7146	1A90/CF7148	71.0	69.5			1	2430	2170
J5A "ARMY L-4F" "Cub Cruiser"		C90-8F (TCM)		1A90/CF7347		73.0	71.5			1	2200	2100
J5A-80 "Cub Cruiser"		C90-8F (TCM)		1A90/CF7347		73.0	71.5			1	2200	2100
J5B "ARMY L-4G" "Cub Cruiser"		C90-8F (TCM)		1A90/CF7347		73.0	71.5			1	2200	2100
J5C "Cub Cruiser"		O-235-B (LY)	1C90/LM7246	1C90/LM7249		72.0	70.5			1	2300	2150
AE-1 "Cub Cruiser"		O-235-B (LY)	1C90/LM7246	1C90/LM7249		72.0	70.5			1	2300	2150
HE-1 "Cub Cruiser"		O-235-B (LY)	1C90/LM7246	1C90/LM7249		72.0	70.5			1	2300	2150
PIPER AIRCRAFT, Inc												
PA-11 "Cub Special"		A-65-3 (TCM)	1A90/CF7441	1A90/CF7443	1A90/CF7445	74.0	72.5			1	2250	1950
PA-11 "Cub Special"		A-65-3 (TCM)	1B90/CM7441	1B90/CM7443	1B90/CM7445	74.0	72.5			1	2250	1950
PA-11 "Cub Special"		A-65-6 (TCM)	1A90/CF7441	1A90/CF7443	1A90/CF7445	74.0	72.5			1	2250	1950
PA-11 "Cub Special"		A-65-6 (TCM)	1B90/CM7441	1B90/CM7443	1B90/CM7445	74.0	72.5			1	2250	1950
PA-11 "Cub Special"		A-65-8 (TCM)	1A90/CF7441	1A90/CF7443	1A90/CF7445	74.0	72.5			1	2250	1950
PA-11 "Cub Special"		A-65-8 (TCM)	1B90/CM7441	1B90/CM7443	1B90/CM7445	74.0	72.5			1	2250	1950

Fixed Pitch Applications

Aircraft Model	T Y P E	Engine Model (Make)	Climb Model	Standard Model	Cruise Model	Max Dia	Min Dia	Spinner	STC Number	Notes	max rpm	min rpm
PA-11 "Cub Special"		A-65-9 (TCM)	1A90/CF7441	1A90/CF7443	1A90/CF7445	74.0	72.5			1	2250	1950
PA-11 "Cub Special"		A-65-9 (TCM)	1B90/CM7441	1B90/CM7443	1B90/CM7445	74.0	72.5			1	2250	1950
PA-11 "Cub Special"		A-65-14 (TCM)	1A90/CF7441	1A90/CF7443	1A90/CF7445	74.0	72.5			1	2250	1950
PA-11 "Cub Special"		A-65-14 (TCM)	1B90/CM7441	1B90/CM7443	1B90/CM7445	74.0	72.5			1	2250	1950
PA-11 "Cub Special"		C85-8FJ (TCM)	1A90/CF7142	1A90/CF7144	1A90/CF7146	71.0	68.5			1	2550	1950
PA-11 "Cub Special"		C85-8FJ (TCM)	1B90/CM7142	1B90/CM7144	1B90/CM7146	71.0	68.5			1	2550	1950
PA-11 "Cub Special"		C85-12 (TCM)	1A90/CF7142	1A90/CF7144	1A90/CF7146	71.0	68.5			1	2550	1950
PA-11 "Cub Special"		C85-12 (TCM)	1B90/CM7142	1B90/CM7144	1B90/CM7146	71.0	68.5			1	2550	1950
PA-11 "Cub Special"		C90-8F (TCM)		1A90/CF7149		71.0	69.5			1	2350	1950
PA-11 "Cub Special"		C90-8F (TCM)		1B90/CM7149		71.0	69.5			1	2350	1950
PA-11 "Cub Special"		O-235-C (LY)		1C90/LM7249		72.0	70.5				2450	2250
PA-11 "Cub Special"		O-235-L2C (LY)		1A103/TCM6958		69.0			SA1763SO James McArthur			
PA-11S "Cub Special"		A-65-3 (TCM)	1A90/CF7441	1A90/CF7443	1A90/CF7445	74.0	72.5			1	2250	2050
PA-11S "Cub Special"		A-65-3 (TCM)	1B90/CM7441	1B90/CM7443	1B90/CM7445	74.0	72.5			1	2250	2050
PA-11S "Cub Special"		A-65-6 (TCM)	1A90/CF7441	1A90/CF7443	1A90/CF7445	74.0	72.5			1	2250	2050
PA-11S "Cub Special"		A-65-6 (TCM)	1B90/CM7441	1B90/CM7443	1B90/CM7445	74.0	72.5			1	2250	2050
PA-11S "Cub Special"		A-65-8 (TCM)	1A90/CF7441	1A90/CF7443	1A90/CF7445	74.0	72.5			1	2250	2050
PA-11S "Cub Special"		A-65-8 (TCM)	1B90/CM7441	1B90/CM7443	1B90/CM7445	74.0	72.5			1	2250	2050
PA-11S "Cub Special"		A-65-9 (TCM)	1A90/CF7441	1A90/CF7443	1A90/CF7445	74.0	72.5			1	2250	2050

Fixed Pitch Applications

Aircraft Model	T Y P E	Engine Model (Make)	Climb Model	Standard Model	Cruise Model	Max Dia	Min Dia	Spinner	STC Number	Notes	max rpm	min rpm
PA-11S "Cub Special"		A-65-9 (TCM)	1B90/CM7441	1B90/CM7443	1B90/CM7445	74.0	72.5			1	2250	2050
PA-11S "Cub Special"		A-65-14 (TCM)	1A90/CF7441	1A90/CF7443	1A90/CF7445	74.0	72.5			1	2250	2050
PA-11S "Cub Special"		A-65-14 (TCM)	1B90/CM7441	1B90/CM7443	1B90/CM7445	74.0	72.5			1	2250	2050
PA-11S "Cub Special"		C90-8F (TCM)		1A90/CF7146		71.0	69.5			1	2350	2050
PA-11S "Cub Special"		C90-8F (TCM)		1B90/CM7146		71.0	69.5			1	2350	2050
PIPER (FS 2003 Corp)												
PA-12 "Super Cruiser"		O-235-C (LY)	1A175/GM8241		1A175/GM8244	82.0			SA02170AK Dan's Acft Repair	36		
PA-12 "Super Cruiser"		O-235-C (LY)	1C90/LM7246	1C90/LM7249		72.0	70.5			1	2500	2100
PA-12 "Super Cruiser"		O-235-C1 (LY)		1C90/LM7252	1C90/LM7254	72.0	70.5			1	2500	2100
PA-12 "Super Cruiser"		O-290-D2 (LY)		1A175/GM8241		82.0	78.0		SA444AL Zmuda		2400	2300
PA-12 "Super Cruiser"		O-320 (LY)	1A175/GM8241	1A175/GM8242		82.0	78.0		SA444AL Zmuda		2450	2350
PA-12 "Super Cruiser"		O-320 (LY)		1A175/GM8243	1A175/GM8244	82.0	78.0		SA444AL Zmuda		2450	2300
PA-12 "Super Cruiser"		O-320-A2B (LY)		1A175/GM8246		82.0			SA656AL Crosswinds	40		
PA-12 "Super Cruiser"		O-320-A2B (LY)		1A175/GM8244		82.0			SA566AL Day & Night			
PA-12 "Super Cruiser"		O-320-B2B (LY)		1A175/GM8246		82.0			SA644AL Crosswinds	40		
PA-12 "Super Cruiser"		O-320-D2A (LY)		1A175/GM8246		82.0			SA644AL Crosswinds	40		
PA-12 "Super Cruiser"		O-320-E2D (LY)		1A175/GM8246		82.0			SA656AL Crosswinds	40		
PA-12 "Super Cruiser"		O-360-A2A (LY)		1A200/DF8245		82.0			SA553AL Crosswinds			
PA-12 "Super Cruiser"		O-360-A2A (LY)	1A200/FA8242	1A200/FA8243	1A200/FA8244	82.0			SA02267AK Univair			

Fixed Pitch Applications

Aircraft Model	T Y P E	Engine Model (Make)	Climb Model	Standard Model	Cruise Model	Max Dia	Min Dia	Spinner	STC Number	Notes	max rpm	min rpm
PA-12 "Super Cruiser"		O-360-D2A (LY)		1A170/SFA7850		78.0			SA550EA Lawrence Bradway			
PA-12S "Super Cruiser"		O-235-C (LY)	1A175/GM8241		1A175/GM8244	82.0			SA02170AK Dan's Acft Repair	36		
PA-12S "Super Cruiser"		O-235-C (LY)		1C90/LM7240		72.0	70.5			1	2500	2350
PA-12S "Super Cruiser"		O-235-C1 (LY)		1C90/LM7243		72.0	70.5			1	2500	2350
PA-12S "Super Cruiser"		O-290-D2 (LY)		1A175/GM8241		82.0	78.0		SA444AL Zmuda		2400	2300
PA-12S "Super Cruiser"		O-320 (LY)	1A175/GM8241	1A175/GM8242		82.0	78.0		SA444AL Zmuda		2450	2350
PA-12S "Super Cruiser"		O-320 (LY)		1A175/GM8243	1A175/GM8244	82.0	78.0		SA444AL Zmuda		2450	2300
PA-12S "Super Cruiser"		O-320-A2B (LY)		1A175/GM8244		82.0			SA566AL Day & Night			
PA-12S "Super Cruiser"		O-360-A2A (LY)		1A200/DFA8245		82.0			SA610AL Crosswinds			
PIPER (FS 2002 Corp)												
PA-14 "Family Cruiser"		O-235-C1 (LY)		1C90/LM7254		72.0	70.5			1	2310	2180
PA-14 "Family Cruiser"		O-235-C1 (LY)	1A175/GM8241		1A175/GM8244	82.0			SA02170AK Dan's Acft Repair	36		
PA-14 "Family Cruiser"		O-290-D2 (LY)		1A175/GM8241		82.0	78.0		SA253AL Borer	33	2400	2300
PA-14 "Family Cruiser"	F	O-290-D2 (LY)		1A175/GM8241		82.0	78.0		SA253AL Borer	34	2400	2300
PA-14 "Family Cruiser"		O-320 (LY)		1A175/GM8241		82.0			SA253AL Borer	33		
PA-14 "Family Cruiser"	F	O-320 (LY)		1A175/GM8241		82.0			SA253AL Borer	35		
PA-14 "Family Cruiser"		O-320-A2B (LY)		1A175/GM8246		82.0			SA657AL Crosswinds	40		
PA-14 "Family Cruiser"		O-320-B2B (LY)		1A175/GM8246		82.0			SA645AL Crosswinds	40		
PA-14 "Family Cruiser"		O-320-D2A (LY)		1A175/GM8246		82.0			SA645AL Crosswinds	40		

Fixed Pitch Applications

Aircraft Model	T Y P E	Engine Model (Make)	Climb Model	Standard Model	Cruise Model	Max Dia	Min Dia	Spinner	STC Number	Notes	max rpm	min rpm
PA-14 "Family Cruiser"		O-320-E2D (LY)		1A175/GM8246		82.0			SA657AL Crosswinds	40		
PA-14 "Family Cruiser"		O-320-E2D (LY)		1C172/TM7653		76.0			SA57NW Harold Nelson			
PA-14 "Family Cruiser"		O-360-A2A (LY)		1A200/DF8245		82.0			SA541AL Crosswinds			
PIPER AIRCRAFT, Inc												
PA-15 "Vagabond"		A-65-8F (TCM)		1A90/CF7147					SA1-619 Short Wing Piper Club Library			
PA-16 "Clipper"		O-235-C1 (LY)		1C90/LM7254		72.0	70.5			1	2290	2180
PA-16 "Clipper"	F L S	O-360 series (LY)	1A200/FA8240	1A200/FA8243	1A200/FA8245	82.0	80.0		SA02751CH Svønn's Aviation	12 14 54	2500	2250
PA-17 "Vagabond"		A-65-8 (TCM)		1A90/CF7248		72.0	71.0			1	2250	2150
PA-17 "Vagabond"		A-65-8 (TCM)		1B90/CM7248		72.0	71.0			1	2250	2150
PA-17 "Vagabond"		A-65-8F (TCM)		1A90/CF7248		72.0	71.0			1	2250	2150
PA-17 "Vagabond"		A-65-8F (TCM)		1B90/CM7248		72.0	71.0			1	2250	2150
PA-18 "Super Cub"		C90-8F (TCM)	1B90/CM7146	1B90/CM7150		71.0	69.5			1	2350	2200
PA-18 "Super Cub"		C90-12F (TCM)	1B90/CM7146	1B90/CM7150		71.0	69.5			1	2350	2200
PA-18 "Super Cub"			1A175/GM8241	1A175/GM8242	1A175/GM8244	82.0			SA02170AK Dan's Acft Repair	36		
PA-18 "Super Cub"	F	O-320-A1B (LY)	1A175/GM8241	1A175/GM8242		82.0	78.0		SA00522SE Cub Crafters	12 41	2550	2450
PA-18 "Super Cub"	L S	O-320-A1B (LY)	1A175/GM8241	1A175/GM8242		82.0	78.0		SA00522SE Cub Crafters	12 41	2550 2450	2450 2350
PA-18 "Super Cub"	F	O-320-A1B (LY)		1A175/GM8243	1A175/GM8244	82.0	78.0		SA00522SE Cub Crafters	12 45	2550	2400
PA-18 "Super Cub"	L S	O-320-A1B (LY)		1A175/GM8243	1A175/GM8244	82.0	78.0		SA00522SE Cub Crafters	12 45	2550 2450	2400 2300
PA-18 "Super Cub"	F	O-320-A2B (LY)	1A175/GM8241	1A175/GM8242		82.0	78.0		SA00522SE Cub Crafters	12 41	2550	2450

Fixed Pitch Applications

Aircraft Model	T Y P E	Engine Model (Make)	Climb Model	Standard Model	Cruise Model	Max Dia	Min Dia	Spinner	STC Number	Notes	max rpm	min rpm
PA-18 "Super Cub"	L S	O-320-A2B (LY)	1A175/GM8241	1A175/GM8242		82.0	78.0		SA00522SE Cub Crafters	12 41	2550 2450	2450 2350
PA-18 "Super Cub"	F	O-320-A2B (LY)		1A175/GM8243	1A175/GM8244	82.0	78.0		SA00522SE Cub Crafters	12 45	2550	2400
PA-18 "Super Cub"	L S	O-320-A2B (LY)		1A175/GM8243	1A175/GM8244	82.0	78.0		SA00522SE Cub Crafters	12 45	2550 2450	2400 2300
PA-18 "Super Cub"	F	O-320-A2C (LY)	1A175/GM8241	1A175/GM8242		82.0	78.0		SA00522SE Cub Crafters	12 41	2550	2450
PA-18 "Super Cub"	L S	O-320-A2C (LY)	1A175/GM8241	1A175/GM8242		82.0	78.0		SA00522SE Cub Crafters	12 41	2550 2450	2450 2350
PA-18 "Super Cub"	F	O-320-A2C (LY)		1A175/GM8243	1A175/GM8244	82.0	78.0		SA00522SE Cub Crafters	12 45	2550	2400
PA-18 "Super Cub"	L S	O-320-A2C (LY)		1A175/GM8243	1A175/GM8244	82.0	78.0		SA00522SE Cub Crafters	12 45	2550 2450	2400 2300
PA-18 "Super Cub"	F	O-320-A2D (LY)	1A175/GM8241	1A175/GM8242		82.0	78.0		SA00522SE Cub Crafters	12 41	2550	2450
PA-18 "Super Cub"	L S	O-320-A2D (LY)	1A175/GM8241	1A175/GM8242		82.0	78.0		SA00522SE Cub Crafters	12 41	2550 2450	2450 2350
PA-18 "Super Cub"	F	O-320-A2D (LY)		1A175/GM8243	1A175/GM8244	82.0	78.0		SA00522SE Cub Crafters	12 45	2550	2400
PA-18 "Super Cub"	L S	O-320-A2D (LY)		1A175/GM8243	1A175/GM8244	82.0	78.0		SA00522SE Cub Crafters	12 45	2550 2450	2400 2300
PA-18 "Super Cub"	F	O-320-B2B (LY)	1A175/GM8241	1A175/GM8242		82.0	78.0		SA00522SE Cub Crafters	12 46	2600	2500
PA-18 "Super Cub"	L S	O-320-B2B (LY)	1A175/GM8241	1A175/GM8242		82.0	78.0		SA00522SE Cub Crafters	12 46	2600 2500	2500 2400
PA-18 "Super Cub"	F	O-320-B2B (LY)		1A175/GM8243	1A175/GM8244	82.0	78.0		SA00522SE Cub Crafters	12 47	2575	2475
PA-18 "Super Cub"	L S	O-320-B2B (LY)		1A175/GM8243	1A175/GM8244	82.0	78.0		SA00522SE Cub Crafters	12 47	2575 2475	2475 2375
PA-18 "Super Cub"	F	O-320-B2C (LY)	1A175/GM8241	1A175/GM8242		82.0	78.0		SA00522SE Cub Crafters	12 46	2600	2500
PA-18 "Super Cub"	L S	O-320-B2C (LY)	1A175/GM8241	1A175/GM8242		82.0	78.0		SA00522SE Cub Crafters	12 46	2600 2500	2500 2400
PA-18 "Super Cub"	F	O-320-B2C (LY)		1A175/GM8243	1A175/GM8244	82.0	78.0		SA00522SE Cub Crafters	12 47	2575	2475
PA-18 "Super Cub"	L S	O-320-B2C (LY)		1A175/GM8243	1A175/GM8244	82.0	78.0		SA00522SE Cub Crafters	12 47	2575 2475	2475 2375

Fixed Pitch Applications

Aircraft Model	T Y P E	Engine Model (Make)	Climb Model	Standard Model	Cruise Model	Max Dia	Min Dia	Spinner	STC Number	Notes	max rpm	min rpm
PA-18 "Super Cub"	F	O-320-B2D (LY)	1A175/GM8241	1A175/GM8242		82.0	78.0		SA00522SE Cub Crafters	12 46	2600	2500
PA-18 "Super Cub"	L S	O-320-B2D (LY)	1A175/GM8241	1A175/GM8242		82.0	78.0		SA00522SE Cub Crafters	12 46	2600 2500	2500 2400
PA-18 "Super Cub"	F	O-320-B2D (LY)		1A175/GM8243	1A175/GM8244	82.0	78.0		SA00522SE Cub Crafters	12 47	2575	2475
PA-18 "Super Cub"	L S	O-320-B2D (LY)		1A175/GM8243	1A175/GM8244	82.0	78.0		SA00522SE Cub Crafters	12 47	2575 2475	2475 2375
PA-18 "Super Cub"	F	O-320-C2B (LY)	1A175/GM8241	1A175/GM8242		82.0	78.0		SA00522SE Cub Crafters	12 41	2550	2450
PA-18 "Super Cub"	L S	O-320-C2B (LY)	1A175/GM8241	1A175/GM8242		82.0	78.0		SA00522SE Cub Crafters	12 41	2550 2450	2450 2350
PA-18 "Super Cub"	F	O-320-C2B (LY)		1A175/GM8243	1A175/GM8244	82.0	78.0		SA00522SE Cub Crafters	12 45	2550	2400
PA-18 "Super Cub"	L S	O-320-C2B (LY)		1A175/GM8243	1A175/GM8244	82.0	78.0		SA00522SE Cub Crafters	12 45	2550 2450	2400 2300
PA-18 "Super Cub"	F	O-320-C2C (LY)	1A175/GM8241	1A175/GM8242		82.0	78.0		SA00522SE Cub Crafters	12 41	2550	2450
PA-18 "Super Cub"	L S	O-320-C2C (LY)	1A175/GM8241	1A175/GM8242		82.0	78.0		SA00522SE Cub Crafters	12 41	2550 2450	2450 2350
PA-18 "Super Cub"	F	O-320-C2C (LY)		1A175/GM8243	1A175/GM8244	82.0	78.0		SA00522SE Cub Crafters	12 45	2550	2400
PA-18 "Super Cub"	L S	O-320-C2C (LY)		1A175/GM8243	1A175/GM8244	82.0	78.0		SA00522SE Cub Crafters	12 45	2550 2450	2400 2300
PA-18 "Super Cub"	F	O-320-D2A (LY)	1A175/GM8241	1A175/GM8242		82.0	78.0		SA00522SE Cub Crafters	12 46	2600	2500
PA-18 "Super Cub"	L S	O-320-D2A (LY)	1A175/GM8241	1A175/GM8242		82.0	78.0		SA00522SE Cub Crafters	12 46	2600 2500	2500 2400
PA-18 "Super Cub"	F	O-320-D2A (LY)		1A175/GM8243	1A175/GM8244	82.0	78.0		SA00522SE Cub Crafters	12 47	2575	2475
PA-18 "Super Cub"	L S	O-320-D2A (LY)		1A175/GM8243	1A175/GM8244	82.0	78.0		SA00522SE Cub Crafters	12 47	2575 2475	2475 2375
PA-18 "Super Cub"	F	O-320-D2B (LY)	1A175/GM8241	1A175/GM8242		82.0	78.0		SA00522SE Cub Crafters	12 46	2600	2500
PA-18 "Super Cub"	L S	O-320-D2B (LY)	1A175/GM8241	1A175/GM8242		82.0	78.0		SA00522SE Cub Crafters	12 46	2600 2500	2500 2400
PA-18 "Super Cub"	F	O-320-D2B (LY)		1A175/GM8243	1A175/GM8244	82.0	78.0		SA00522SE Cub Crafters	12 47	2575	2475

Fixed Pitch Applications

Aircraft Model	T Y P E	Engine Model (Make)	Climb Model	Standard Model	Cruise Model	Max Dia	Min Dia	Spinner	STC Number	Notes	max rpm	min rpm
PA-18 "Super Cub"	L S	O-320-D2B (LY)		1A175/GM8243	1A175/GM8244	82.0	78.0		SA00522SE Cub Crafters	12 47	2575 2475	2475 2375
PA-18 "Super Cub"	F	O-320-D2C (LY)	1A175/GM8241	1A175/GM8242		82.0	78.0		SA00522SE Cub Crafters	12 46	2600	2500
PA-18 "Super Cub"	L S	O-320-D2C (LY)	1A175/GM8241	1A175/GM8242		82.0	78.0		SA00522SE Cub Crafters	12 46	2600 2500	2500 2400
PA-18 "Super Cub"	F	O-320-D2C (LY)		1A175/GM8243	1A175/GM8244	82.0	78.0		SA00522SE Cub Crafters	12 47	2575	2475
PA-18 "Super Cub"	L S	O-320-D2C (LY)		1A175/GM8243	1A175/GM8244	82.0	78.0		SA00522SE Cub Crafters	12 47	2575 2475	2475 2375
PA-18 "Super Cub"	F	O-320-D3G (LY)	1A175/GM8241	1A175/GM8242		82.0	78.0		SA00522SE Cub Crafters	12 46	2600	2500
PA-18 "Super Cub"	L S	O-320-D3G (LY)	1A175/GM8241	1A175/GM8242		82.0	78.0		SA00522SE Cub Crafters	12 46	2600 2500	2500 2400
PA-18 "Super Cub"	F	O-320-D3G (LY)		1A175/GM8243	1A175/GM8244	82.0	78.0		SA00522SE Cub Crafters	12 47	2575	2475
PA-18 "Super Cub"	L S	O-320-D3G (LY)		1A175/GM8243	1A175/GM8244	82.0	78.0		SA00522SE Cub Crafters	12 47	2575 2475	2475 2375
PA-18 "Super Cub"	L S	O-320 series (LY)	1A175/GM8241	1A175/GM8242		82.0	78.0		SA00562SE Cub Crafters	12 23 41	2450	2350
PA-18 "Super Cub"	F	O-320 series (LY)	1A175/GM8241	1A175/GM8242		82.0	78.0		SA00562SE Cub Crafters	12 23	2550	2450
PA-18 "Super Cub"	L S	O-320 series (LY)		1A175/GM8243	1A175/GM8244	82.0	78.0		SA00562SE Cub Crafters	12 23 45	2450	2300
PA-18 "Super Cub"	F	O-320 series (LY)		1A175/GM8243	1A175/GM8244	82.0	78.0		SA00562SE Cub Crafters	12 23	2550	2400
PA-18 "Super Cub"	L S	O-320 series (LY)	1A175/GM8241	1A175/GM8242		82.0	78.0		SA00562SE Cub Crafters	12 25 46	2500	2400
PA-18 "Super Cub"	F	O-320 series (LY)	1A175/GM8241	1A175/GM8242		82.0	78.0		SA00562SE Cub Crafters	12 25	2600	2500
PA-18 "Super Cub"	L S	O-320 series (LY)		1A175/GM8243	1A175/GM8244	82.0	78.0		SA00562SE Cub Crafters	12 25 47	2475	2375
PA-18 "Super Cub"	F	O-320 series (LY)		1A175/GM8243	1A175/GM8244	82.0	78.0		SA00562SE Cub Crafters	12 25	2575	2475

Fixed Pitch Applications

Aircraft Model	T Y P E	Engine Model (Make)	Climb Model	Standard Model	Cruise Model	Max Dia	Min Dia	Spinner	STC Number	Notes	max rpm	min rpm
PA-18 "Super Cub"		O-360 series (LY)	1A200/FA8240	1A200/FA8242	1A200/FA8245	82.0	78.0		SA92NW Cub Crafters	13 14 30	2450	2300
PA-18A "Super Cub"	F	O-320-A1B (LY)	1A175/GM8241	1A175/GM8242		82.0	78.0		SA00522SE Cub Crafters	12 41	2550	2450
PA-18A "Super Cub"	L S	O-320-A1B (LY)	1A175/GM8241	1A175/GM8242		82.0	78.0		SA00522SE Cub Crafters	12 41	2550 2450	2450 2350
PA-18A "Super Cub"	F	O-320-A1B (LY)		1A175/GM8243	1A175/GM8244	82.0	78.0		SA00522SE Cub Crafters	12 45	2550	2400
PA-18A "Super Cub"	L S	O-320-A1B (LY)		1A175/GM8243	1A175/GM8244	82.0	78.0		SA00522SE Cub Crafters	12 45	2550 2450	2400 2300
PA-18A "Super Cub"	F	O-320-A2B (LY)	1A175/GM8241	1A175/GM8242		82.0	78.0		SA00522SE Cub Crafters	12 41	2550	2450
PA-18A "Super Cub"	L S	O-320-A2B (LY)	1A175/GM8241	1A175/GM8242		82.0	78.0		SA00522SE Cub Crafters	12 41	2550 2450	2450 2350
PA-18A "Super Cub"	F	O-320-A2B (LY)		1A175/GM8243	1A175/GM8244	82.0	78.0		SA00522SE Cub Crafters	12 45	2550	2400
PA-18A "Super Cub"	L S	O-320-A2B (LY)		1A175/GM8243	1A175/GM8244	82.0	78.0		SA00522SE Cub Crafters	12 45	2550 2450	2400 2300
PA-18A "Super Cub"	F	O-320-A2C (LY)	1A175/GM8241	1A175/GM8242		82.0	78.0		SA00522SE Cub Crafters	12 41	2550	2450
PA-18A "Super Cub"	L S	O-320-A2C (LY)	1A175/GM8241	1A175/GM8242		82.0	78.0		SA00522SE Cub Crafters	12 41	2550 2450	2450 2350
PA-18A "Super Cub"	F	O-320-A2C (LY)		1A175/GM8243	1A175/GM8244	82.0	78.0		SA00522SE Cub Crafters	12 45	2550	2400
PA-18A "Super Cub"	L S	O-320-A2C (LY)		1A175/GM8243	1A175/GM8244	82.0	78.0		SA00522SE Cub Crafters	12 45	2550 2450	2400 2300
PA-18A "Super Cub"	F	O-320-A2D (LY)	1A175/GM8241	1A175/GM8242		82.0	78.0		SA00522SE Cub Crafters	12 41	2550	2450
PA-18A "Super Cub"	L S	O-320-A2D (LY)	1A175/GM8241	1A175/GM8242		82.0	78.0		SA00522SE Cub Crafters	12 41	2550 2450	2450 2350
PA-18A "Super Cub"	F	O-320-A2D (LY)		1A175/GM8243	1A175/GM8244	82.0	78.0		SA00522SE Cub Crafters	12 45	2550	2400
PA-18A "Super Cub"	L S	O-320-A2D (LY)		1A175/GM8243	1A175/GM8244	82.0	78.0		SA00522SE Cub Crafters	12 45	2550 2450	2400 2300
PA-18A "Super Cub"	F	O-320-B2B (LY)	1A175/GM8241	1A175/GM8242		82.0	78.0		SA00522SE Cub Crafters	12 46	2600	2500
PA-18A "Super Cub"	L S	O-320-B2B (LY)	1A175/GM8241	1A175/GM8242		82.0	78.0		SA00522SE Cub Crafters	12 46	2600 2500	2500 2400

Fixed Pitch Applications

Aircraft Model	T Y P E	Engine Model (Make)	Climb Model	Standard Model	Cruise Model	Max Dia	Min Dia	Spinner	STC Number	Notes	max rpm	min rpm
PA-18A "Super Cub"	F	O-320-B2B (LY)		1A175/GM8243	1A175/GM8244	82.0	78.0		SA00522SE Cub Crafters	12 47	2575	2475
PA-18A "Super Cub"	L S	O-320-B2B (LY)		1A175/GM8243	1A175/GM8244	82.0	78.0		SA00522SE Cub Crafters	12 47	2575 2475	2475 2375
PA-18A "Super Cub"	F	O-320-B2C (LY)	1A175/GM8241	1A175/GM8242		82.0	78.0		SA00522SE Cub Crafters	12 46	2600	2500
PA-18A "Super Cub"	L S	O-320-B2C (LY)	1A175/GM8241	1A175/GM8242		82.0	78.0		SA00522SE Cub Crafters	12 46	2600 2500	2500 2400
PA-18A "Super Cub"	F	O-320-B2C (LY)		1A175/GM8243	1A175/GM8244	82.0	78.0		SA00522SE Cub Crafters	12 47	2575	2475
PA-18A "Super Cub"	L S	O-320-B2C (LY)		1A175/GM8243	1A175/GM8244	82.0	78.0		SA00522SE Cub Crafters	12 47	2575 2475	2475 2375
PA-18A "Super Cub"	F	O-320-B2D (LY)	1A175/GM8241	1A175/GM8242		82.0	78.0		SA00522SE Cub Crafters	12 46	2600	2500
PA-18A "Super Cub"	L S	O-320-B2D (LY)	1A175/GM8241	1A175/GM8242		82.0	78.0		SA00522SE Cub Crafters	12 46	2600 2500	2500 2400
PA-18A "Super Cub"	F	O-320-B2D (LY)		1A175/GM8243	1A175/GM8244	82.0	78.0		SA00522SE Cub Crafters	12 47	2575	2475
PA-18A "Super Cub"	L S	O-320-B2D (LY)		1A175/GM8243	1A175/GM8244	82.0	78.0		SA00522SE Cub Crafters	12 47	2575 2475	2475 2375
PA-18A "Super Cub"	F	O-320-C2B (LY)	1A175/GM8241	1A175/GM8242		82.0	78.0		SA00522SE Cub Crafters	12 41	2550	2450
PA-18A "Super Cub"	L S	O-320-C2B (LY)	1A175/GM8241	1A175/GM8242		82.0	78.0		SA00522SE Cub Crafters	12 41	2550 2450	2450 2350
PA-18A "Super Cub"	F	O-320-C2B (LY)		1A175/GM8243	1A175/GM8244	82.0	78.0		SA00522SE Cub Crafters	12 45	2550	2400
PA-18A "Super Cub"	L S	O-320-C2B (LY)		1A175/GM8243	1A175/GM8244	82.0	78.0		SA00522SE Cub Crafters	12 45	2550 2450	2400 2300
PA-18A "Super Cub"	F	O-320-C2C (LY)	1A175/GM8241	1A175/GM8242		82.0	78.0		SA00522SE Cub Crafters	12 41	2550	2450
PA-18A "Super Cub"	L S	O-320-C2C (LY)	1A175/GM8241	1A175/GM8242		82.0	78.0		SA00522SE Cub Crafters	12 41	2550 2450	2450 2350
PA-18A "Super Cub"	F	O-320-C2C (LY)		1A175/GM8243	1A175/GM8244	82.0	78.0		SA00522SE Cub Crafters	12 45	2550	2400
PA-18A "Super Cub"	L S	O-320-C2C (LY)		1A175/GM8243	1A175/GM8244	82.0	78.0		SA00522SE Cub Crafters	12 45	2550 2450	2400 2300
PA-18A "Super Cub"	F	O-320-D2A (LY)	1A175/GM8241	1A175/GM8242		82.0	78.0		SA00522SE Cub Crafters	12 46	2600	2500

Fixed Pitch Applications

Aircraft Model	T Y P E	Engine Model (Make)	Climb Model	Standard Model	Cruise Model	Max Dia	Min Dia	Spinner	STC Number	Notes	max rpm	min rpm
PA-18A "Super Cub"	L S	O-320-D2A (LY)	1A175/GM8241	1A175/GM8242		82.0	78.0		SA00522SE Cub Crafters	12 46	2600 2500	2500 2400
PA-18A "Super Cub"	F	O-320-D2A (LY)		1A175/GM8243	1A175/GM8244	82.0	78.0		SA00522SE Cub Crafters	12 47	2575	2475
PA-18A "Super Cub"	L S	O-320-D2A (LY)		1A175/GM8243	1A175/GM8244	82.0	78.0		SA00522SE Cub Crafters	12 47	2575 2475	2475 2375
PA-18A "Super Cub"	F	O-320-D2B (LY)	1A175/GM8241	1A175/GM8242		82.0	78.0		SA00522SE Cub Crafters	12 46	2600	2500
PA-18A "Super Cub"	L S	O-320-D2B (LY)	1A175/GM8241	1A175/GM8242		82.0	78.0		SA00522SE Cub Crafters	12 46	2600 2500	2500 2400
PA-18A "Super Cub"	F	O-320-D2B (LY)		1A175/GM8243	1A175/GM8244	82.0	78.0		SA00522SE Cub Crafters	12 47	2575	2475
PA-18A "Super Cub"	L S	O-320-D2B (LY)		1A175/GM8243	1A175/GM8244	82.0	78.0		SA00522SE Cub Crafters	12 47	2575 2475	2475 2375
PA-18A "Super Cub"	F	O-320-D2C (LY)	1A175/GM8241	1A175/GM8242		82.0	78.0		SA00522SE Cub Crafters	12 46	2600	2500
PA-18A "Super Cub"	L S	O-320-D2C (LY)	1A175/GM8241	1A175/GM8242		82.0	78.0		SA00522SE Cub Crafters	12 46	2600 2500	2500 2400
PA-18A "Super Cub"	F	O-320-D2C (LY)		1A175/GM8243	1A175/GM8244	82.0	78.0		SA00522SE Cub Crafters	12 47	2575	2475
PA-18A "Super Cub"	L S	O-320-D2C (LY)		1A175/GM8243	1A175/GM8244	82.0	78.0		SA00522SE Cub Crafters	12 47	2575 2475	2475 2375
PA-18A "Super Cub"	F	O-320-D3G (LY)	1A175/GM8241	1A175/GM8242		82.0	78.0		SA00522SE Cub Crafters	12 46	2600	2500
PA-18A "Super Cub"	L S	O-320-D3G (LY)	1A175/GM8241	1A175/GM8242		82.0	78.0		SA00522SE Cub Crafters	12 46	2600 2500	2500 2400
PA-18A "Super Cub"	F	O-320-D3G (LY)		1A175/GM8243	1A175/GM8244	82.0	78.0		SA00522SE Cub Crafters	12 47	2575	2475
PA-18A "Super Cub"	L S	O-320-D3G (LY)		1A175/GM8243	1A175/GM8244	82.0	78.0		SA00522SE Cub Crafters	12 47	2575 2475	2475 2375
PA-18A "Super Cub"	L S	O-320 series (LY)	1A175/GM8241	1A175/GM8242		82.0	78.0		SA00562SE Cub Crafters	12 23 41	2450	2350
PA-18A "Super Cub"	F	O-320 series (LY)	1A175/GM8241	1A175/GM8242		82.0	78.0		SA00562SE Cub Crafters	12 23	2550	2450
PA-18A "Super Cub"	L S	O-320 series (LY)		1A175/GM8243	1A175/GM8244	82.0	78.0		SA00562SE Cub Crafters	12 23 45	2450	2300

Fixed Pitch Applications

Aircraft Model	T Y P E	Engine Model (Make)	Climb Model	Standard Model	Cruise Model	Max Dia	Min Dia	Spinner	STC Number	Notes	max rpm	min rpm
PA-18A "Super Cub"	F	O-320 series (LY)		1A175/GM8243	1A175/GM8244	82.0	78.0		SA00562SE Cub Crafters	12 23	2550	2400
PA-18A "Super Cub"	L S	O-320 series (LY)	1A175/GM8241	1A175/GM8242		82.0	78.0		SA00562SE Cub Crafters	12 25 46	2500	2400
PA-18A "Super Cub"	F	O-320 series (LY)	1A175/GM8241	1A175/GM8242		82.0	78.0		SA00562SE Cub Crafters	12 25	2600	2500
PA-18A "Super Cub"	L S	O-320 series (LY)		1A175/GM8243	1A175/GM8244	82.0	78.0		SA00562SE Cub Crafters	12 25 47	2475	2375
PA-18A "Super Cub"	F	O-320 series (LY)		1A175/GM8243	1A175/GM8244	82.0	78.0		SA00562SE Cub Crafters	12 25	2575	2475
PA-18A "Super Cub"		O-360 series (LY)	1A200/FA8240	1A200/FA8242	1A200/FA8245	82.0	78.0		SA92NW Cub Crafters	13 14 30	2450	2300
PA-18S "Super Cub"	F	O-320-A1B (LY)	1A175/GM8241	1A175/GM8242		82.0	78.0		SA00522SE Cub Crafters	12 41	2550	2450
PA-18S "Super Cub"	L S	O-320-A1B (LY)	1A175/GM8241	1A175/GM8242		82.0	78.0		SA00522SE Cub Crafters	12 41	2550 2450	2450 2350
PA-18S "Super Cub"	F	O-320-A1B (LY)		1A175/GM8243	1A175/GM8244	82.0	78.0		SA00522SE Cub Crafters	12 45	2550	2400
PA-18S "Super Cub"	L S	O-320-A1B (LY)		1A175/GM8243	1A175/GM8244	82.0	78.0		SA00522SE Cub Crafters	12 45	2550 2450	2400 2300
PA-18S "Super Cub"	F	O-320-A2B (LY)	1A175/GM8241	1A175/GM8242		82.0	78.0		SA00522SE Cub Crafters	12 41	2550	2450
PA-18S "Super Cub"	L S	O-320-A2B (LY)	1A175/GM8241	1A175/GM8242		82.0	78.0		SA00522SE Cub Crafters	12 41	2550 2450	2450 2350
PA-18S "Super Cub"	F	O-320-A2B (LY)		1A175/GM8243	1A175/GM8244	82.0	78.0		SA00522SE Cub Crafters	12 45	2550	2400
PA-18S "Super Cub"	L S	O-320-A2B (LY)		1A175/GM8243	1A175/GM8244	82.0	78.0		SA00522SE Cub Crafters	12 45	2550 2450	2400 2300
PA-18S "Super Cub"	F	O-320-A2C (LY)	1A175/GM8241	1A175/GM8242		82.0	78.0		SA00522SE Cub Crafters	12 41	2550	2450
PA-18S "Super Cub"	L S	O-320-A2C (LY)	1A175/GM8241	1A175/GM8242		82.0	78.0		SA00522SE Cub Crafters	12 41	2550 2450	2450 2350
PA-18S "Super Cub"	F	O-320-A2C (LY)		1A175/GM8243	1A175/GM8244	82.0	78.0		SA00522SE Cub Crafters	12 45	2550	2400
PA-18S "Super Cub"	L S	O-320-A2C (LY)		1A175/GM8243	1A175/GM8244	82.0	78.0		SA00522SE Cub Crafters	12 45	2550 2450	2400 2300

Fixed Pitch Applications

Aircraft Model	T Y P E	Engine Model (Make)	Climb Model	Standard Model	Cruise Model	Max Dia	Min Dia	Spinner	STC Number	Notes	max rpm	min rpm
PA-18S "Super Cub"	F	O-320-A2D (LY)	1A175/GM8241	1A175/GM8242		82.0	78.0		SA00522SE Cub Crafters	12 41	2550	2450
PA-18S "Super Cub"	L S	O-320-A2D (LY)	1A175/GM8241	1A175/GM8242		82.0	78.0		SA00522SE Cub Crafters	12 41	2550 2450	2450 2350
PA-18S "Super Cub"	F	O-320-A2D (LY)		1A175/GM8243	1A175/GM8244	82.0	78.0		SA00522SE Cub Crafters	12 45	2550	2400
PA-18S "Super Cub"	L S	O-320-A2D (LY)		1A175/GM8243	1A175/GM8244	82.0	78.0		SA00522SE Cub Crafters	12 45	2550 2450	2400 2300
PA-18S "Super Cub"	F	O-320-B2B (LY)	1A175/GM8241	1A175/GM8242		82.0	78.0		SA00522SE Cub Crafters	12 46	2600	2500
PA-18S "Super Cub"	L S	O-320-B2B (LY)	1A175/GM8241	1A175/GM8242		82.0	78.0		SA00522SE Cub Crafters	12 46	2600 2500	2500 2400
PA-18S "Super Cub"	F	O-320-B2B (LY)		1A175/GM8243	1A175/GM8244	82.0	78.0		SA00522SE Cub Crafters	12 47	2575	2475
PA-18S "Super Cub"	L S	O-320-B2B (LY)		1A175/GM8243	1A175/GM8244	82.0	78.0		SA00522SE Cub Crafters	12 47	2575 2475	2475 2375
PA-18S "Super Cub"	F	O-320-B2C (LY)	1A175/GM8241	1A175/GM8242		82.0	78.0		SA00522SE Cub Crafters	12 46	2600	2500
PA-18S "Super Cub"	L S	O-320-B2C (LY)	1A175/GM8241	1A175/GM8242		82.0	78.0		SA00522SE Cub Crafters	12 46	2600 2500	2500 2400
PA-18S "Super Cub"	F	O-320-B2C (LY)		1A175/GM8243	1A175/GM8244	82.0	78.0		SA00522SE Cub Crafters	12 47	2575	2475
PA-18S "Super Cub"	L S	O-320-B2C (LY)		1A175/GM8243	1A175/GM8244	82.0	78.0		SA00522SE Cub Crafters	12 47	2575 2475	2475 2375
PA-18S "Super Cub"	F	O-320-B2D (LY)	1A175/GM8241	1A175/GM8242		82.0	78.0		SA00522SE Cub Crafters	12 46	2600	2500
PA-18S "Super Cub"	L S	O-320-B2D (LY)	1A175/GM8241	1A175/GM8242		82.0	78.0		SA00522SE Cub Crafters	12 46	2600 2500	2500 2400
PA-18S "Super Cub"	F	O-320-B2D (LY)		1A175/GM8243	1A175/GM8244	82.0	78.0		SA00522SE Cub Crafters	12 47	2575	2475
PA-18S "Super Cub"	L S	O-320-B2D (LY)		1A175/GM8243	1A175/GM8244	82.0	78.0		SA00522SE Cub Crafters	12 47	2575 2475	2475 2375
PA-18S "Super Cub"	F	O-320-C2B (LY)	1A175/GM8241	1A175/GM8242		82.0	78.0		SA00522SE Cub Crafters	12 41	2550	2450
PA-18S "Super Cub"	L S	O-320-C2B (LY)	1A175/GM8241	1A175/GM8242		82.0	78.0		SA00522SE Cub Crafters	12 41	2550 2450	2450 2350
PA-18S "Super Cub"	F	O-320-C2B (LY)		1A175/GM8243	1A175/GM8244	82.0	78.0		SA00522SE Cub Crafters	12 45	2550	2400

Fixed Pitch Applications

Aircraft Model	T Y P E	Engine Model (Make)	Climb Model	Standard Model	Cruise Model	Max Dia	Min Dia	Spinner	STC Number	Notes	max rpm	min rpm
PA-18S "Super Cub"	L S	O-320-C2B (LY)		1A175/GM8243	1A175/GM8244	82.0	78.0		SA00522SE Cub Crafters	12 45	2550 2450	2400 2300
PA-18S "Super Cub"	F	O-320-C2C (LY)	1A175/GM8241	1A175/GM8242		82.0	78.0		SA00522SE Cub Crafters	12 41	2550	2450
PA-18S "Super Cub"	L S	O-320-C2C (LY)	1A175/GM8241	1A175/GM8242		82.0	78.0		SA00522SE Cub Crafters	12 41	2550 2450	2450 2350
PA-18S "Super Cub"	F	O-320-C2C (LY)		1A175/GM8243	1A175/GM8244	82.0	78.0		SA00522SE Cub Crafters	12 45	2550	2400
PA-18S "Super Cub"	L S	O-320-C2C (LY)		1A175/GM8243	1A175/GM8244	82.0	78.0		SA00522SE Cub Crafters	12 45	2550 2450	2400 2300
PA-18S "Super Cub"	F	O-320-D2A (LY)	1A175/GM8241	1A175/GM8242		82.0	78.0		SA00522SE Cub Crafters	12 46	2600	2500
PA-18S "Super Cub"	L S	O-320-D2A (LY)	1A175/GM8241	1A175/GM8242		82.0	78.0		SA00522SE Cub Crafters	12 46	2600 2500	2500 2400
PA-18S "Super Cub"	F	O-320-D2A (LY)		1A175/GM8243	1A175/GM8244	82.0	78.0		SA00522SE Cub Crafters	12 47	2575	2475
PA-18S "Super Cub"	L S	O-320-D2A (LY)		1A175/GM8243	1A175/GM8244	82.0	78.0		SA00522SE Cub Crafters	12 47	2575 2475	2475 2375
PA-18S "Super Cub"	F	O-320-D2B (LY)	1A175/GM8241	1A175/GM8242		82.0	78.0		SA00522SE Cub Crafters	12 46	2600	2500
PA-18S "Super Cub"	L S	O-320-D2B (LY)	1A175/GM8241	1A175/GM8242		82.0	78.0		SA00522SE Cub Crafters	12 46	2600 2500	2500 2400
PA-18S "Super Cub"	F	O-320-D2B (LY)		1A175/GM8243	1A175/GM8244	82.0	78.0		SA00522SE Cub Crafters	12 47	2575	2475
PA-18S "Super Cub"	L S	O-320-D2B (LY)		1A175/GM8243	1A175/GM8244	82.0	78.0		SA00522SE Cub Crafters	12 47	2575 2475	2475 2375
PA-18S "Super Cub"	F	O-320-D2C (LY)	1A175/GM8241	1A175/GM8242		82.0	78.0		SA00522SE Cub Crafters	12 46	2600	2500
PA-18S "Super Cub"	L S	O-320-D2C (LY)	1A175/GM8241	1A175/GM8242		82.0	78.0		SA00522SE Cub Crafters	12 46	2600 2500	2500 2400
PA-18S "Super Cub"	F	O-320-D2C (LY)		1A175/GM8243	1A175/GM8244	82.0	78.0		SA00522SE Cub Crafters	12 47	2575	2475
PA-18S "Super Cub"	L S	O-320-D2C (LY)		1A175/GM8243	1A175/GM8244	82.0	78.0		SA00522SE Cub Crafters	12 47	2575 2475	2475 2375
PA-18S "Super Cub"	F	O-320-D3G (LY)	1A175/GM8241	1A175/GM8242		82.0	78.0		SA00522SE Cub Crafters	12 46	2600	2500
PA-18S "Super Cub"	L S	O-320-D3G (LY)	1A175/GM8241	1A175/GM8242		82.0	78.0		SA00522SE Cub Crafters	12 46	2600 2500	2500 2400

Fixed Pitch Applications

Aircraft Model	T Y P E	Engine Model (Make)	Climb Model	Standard Model	Cruise Model	Max Dia	Min Dia	Spinner	STC Number	Notes	max rpm	min rpm
PA-18S "Super Cub"	F	O-320-D3G (LY)		1A175/GM8243	1A175/GM8244	82.0	78.0		SA00522SE Cub Crafters	12 47	2575	2475
PA-18S "Super Cub"	L S	O-320-D3G (LY)		1A175/GM8243	1A175/GM8244	82.0	78.0		SA00522SE Cub Crafters	12 47	2575 2475	2475 2375
PA-18S "Super Cub"	L S	O-320 series (LY)	1A175/GM8241	1A175/GM8242		82.0	78.0		SA00562SE Cub Crafters	12 23 41	2450	2350
PA-18S "Super Cub"	F	O-320 series (LY)	1A175/GM8241	1A175/GM8242		82.0	78.0		SA00562SE Cub Crafters	12 23	2550	2450
PA-18S "Super Cub"	L S	O-320 series (LY)		1A175/GM8243	1A175/GM8244	82.0	78.0		SA00562SE Cub Crafters	12 23 45	2450	2300
PA-18S "Super Cub"	F	O-320 series (LY)		1A175/GM8243	1A175/GM8244	82.0	78.0		SA00562SE Cub Crafters	12 23	2550	2400
PA-18S "Super Cub"	L S	O-320 series (LY)	1A175/GM8241	1A175/GM8242		82.0	78.0		SA00562SE Cub Crafters	12 25 46	2500	2400
PA-18S "Super Cub"	F	O-320 series (LY)	1A175/GM8241	1A175/GM8242		82.0	78.0		SA00562SE Cub Crafters	12 25	2600	2500
PA-18S "Super Cub"	L S	O-320 series (LY)		1A175/GM8243	1A175/GM8244	82.0	78.0		SA00562SE Cub Crafters	12 25 47	2475	2375
PA-18S "Super Cub"	F	O-320 series (LY)		1A175/GM8243	1A175/GM8244	82.0	78.0		SA00562SE Cub Crafters	12 25	2575	2475
PA-18S "Super Cub"		O-360 series (LY)	1A200/FA8240	1A200/FA8242	1A200/FA8245	82.0	78.0		SA92NW Cub Crafters	13 14 30	2450	2300
PA-18-105, "SPECIAL" "Super Cub"		O-235-C (LY)		1C90/LM7249		72.0	70.5			1	2300	2200
PA-18-105, "SPECIAL" "Super Cub"		O-235-C1 (LY)		1C90/LM7252	1C90/LM7254	72.0	70.5			1	2300	2200
PA-18-105, "SPECIAL" "Super Cub"		O-235-C1 (LY)	1A175/GM8241	1A175/GM8242	1A175/GM8244	82.0			SA02170AK Dan's Acft Repair	36		
PA-18-105, "SPECIAL" "Super Cub"	F	O-320-A1B (LY)	1A175/GM8241	1A175/GM8242		82.0	78.0		SA00522SE Cub Crafters	12 41	2550	2450
PA-18-105, "SPECIAL" "Super Cub"	L S	O-320-A1B (LY)	1A175/GM8241	1A175/GM8242		82.0	78.0		SA00522SE Cub Crafters	12 41	2550 2450	2450 2350
PA-18-105, "SPECIAL" "Super Cub"	F	O-320-A1B (LY)		1A175/GM8243	1A175/GM8244	82.0	78.0		SA00522SE Cub Crafters	12 45	2550	2400

Fixed Pitch Applications

Aircraft Model	T Y P E	Engine Model (Make)	Climb Model	Standard Model	Cruise Model	Max Dia	Min Dia	Spinner	STC Number	Notes	max rpm	min rpm
PA-18-105, "SPECIAL" "Super Cub"	L S	O-320-A1B (LY)		1A175/GM8243	1A175/GM8244	82.0	78.0		SA00522SE Cub Crafters	12 45	2550 2450	2400 2300
PA-18-105, "SPECIAL" "Super Cub"	F	O-320-A2B (LY)	1A175/GM8241	1A175/GM8242		82.0	78.0		SA00522SE Cub Crafters	12 41	2550	2450
PA-18-105, "SPECIAL" "Super Cub"	L S	O-320-A2B (LY)	1A175/GM8241	1A175/GM8242		82.0	78.0		SA00522SE Cub Crafters	12 41	2550 2450	2450 2350
PA-18-105, "SPECIAL" "Super Cub"	F	O-320-A2B (LY)		1A175/GM8243	1A175/GM8244	82.0	78.0		SA00522SE Cub Crafters	12 45	2550	2400
PA-18-105, "SPECIAL" "Super Cub"	L S	O-320-A2B (LY)		1A175/GM8243	1A175/GM8244	82.0	78.0		SA00522SE Cub Crafters	12 45	2550 2450	2400 2300
PA-18-105, "SPECIAL" "Super Cub"	F	O-320-A2C (LY)	1A175/GM8241	1A175/GM8242		82.0	78.0		SA00522SE Cub Crafters	12 41	2550	2450
PA-18-105, "SPECIAL" "Super Cub"	L S	O-320-A2C (LY)	1A175/GM8241	1A175/GM8242		82.0	78.0		SA00522SE Cub Crafters	12 41	2550 2450	2450 2350
PA-18-105, "SPECIAL" "Super Cub"	F	O-320-A2C (LY)		1A175/GM8243	1A175/GM8244	82.0	78.0		SA00522SE Cub Crafters	12 45	2550	2400
PA-18-105, "SPECIAL" "Super Cub"	L S	O-320-A2C (LY)		1A175/GM8243	1A175/GM8244	82.0	78.0		SA00522SE Cub Crafters	12 45	2550 2450	2400 2300
PA-18-105, "SPECIAL" "Super Cub"	F	O-320-A2D (LY)	1A175/GM8241	1A175/GM8242		82.0	78.0		SA00522SE Cub Crafters	12 41	2550	2450
PA-18-105, "SPECIAL" "Super Cub"	L S	O-320-A2D (LY)	1A175/GM8241	1A175/GM8242		82.0	78.0		SA00522SE Cub Crafters	12 41	2550 2450	2450 2350
PA-18-105, "SPECIAL" "Super Cub"	F	O-320-A2D (LY)		1A175/GM8243	1A175/GM8244	82.0	78.0		SA00522SE Cub Crafters	12 45	2550	2400
PA-18-105, "SPECIAL" "Super Cub"	L S	O-320-A2D (LY)		1A175/GM8243	1A175/GM8244	82.0	78.0		SA00522SE Cub Crafters	12 45	2550 2450	2400 2300
PA-18-105, "SPECIAL" "Super Cub"	F	O-320-B2B (LY)	1A175/GM8241	1A175/GM8242		82.0	78.0		SA00522SE Cub Crafters	12 46	2600	2500
PA-18-105, "SPECIAL" "Super Cub"	L S	O-320-B2B (LY)	1A175/GM8241	1A175/GM8242		82.0	78.0		SA00522SE Cub Crafters	12 46	2600 2500	2500 2400
PA-18-105, "SPECIAL" "Super Cub"	F	O-320-B2B (LY)		1A175/GM8243	1A175/GM8244	82.0	78.0		SA00522SE Cub Crafters	12 47	2575	2475
PA-18-105, "SPECIAL" "Super Cub"	L S	O-320-B2B (LY)		1A175/GM8243	1A175/GM8244	82.0	78.0		SA00522SE Cub Crafters	12 47	2575 2475	2475 2375
PA-18-105, "SPECIAL" "Super Cub"	F	O-320-B2C (LY)	1A175/GM8241	1A175/GM8242		82.0	78.0		SA00522SE Cub Crafters	12 46	2600	2500
PA-18-105, "SPECIAL" "Super Cub"	L S	O-320-B2C (LY)	1A175/GM8241	1A175/GM8242		82.0	78.0		SA00522SE Cub Crafters	12 46	2600 2500	2500 2400

Fixed Pitch Applications

Aircraft Model	T Y P E	Engine Model (Make)	Climb Model	Standard Model	Cruise Model	Max Dia	Min Dia	Spinner	STC Number	Notes	max rpm	min rpm
PA-18-105, "SPECIAL" "Super Cub"	F	O-320-B2C (LY)		1A175/GM8243	1A175/GM8244	82.0	78.0		SA00522SE Cub Crafters	12 47	2575	2475
PA-18-105, "SPECIAL" "Super Cub"	L S	O-320-B2C (LY)		1A175/GM8243	1A175/GM8244	82.0	78.0		SA00522SE Cub Crafters	12 47	2575 2475	2475 2375
PA-18-105, "SPECIAL" "Super Cub"	F	O-320-B2D (LY)	1A175/GM8241	1A175/GM8242		82.0	78.0		SA00522SE Cub Crafters	12 46	2600	2500
PA-18-105, "SPECIAL" "Super Cub"	L S	O-320-B2D (LY)	1A175/GM8241	1A175/GM8242		82.0	78.0		SA00522SE Cub Crafters	12 46	2600 2500	2500 2400
PA-18-105, "SPECIAL" "Super Cub"	F	O-320-B2D (LY)		1A175/GM8243	1A175/GM8244	82.0	78.0		SA00522SE Cub Crafters	12 47	2575	2475
PA-18-105, "SPECIAL" "Super Cub"	L S	O-320-B2D (LY)		1A175/GM8243	1A175/GM8244	82.0	78.0		SA00522SE Cub Crafters	12 47	2575 2475	2475 2375
PA-18-105, "SPECIAL" "Super Cub"	F	O-320-C2B (LY)	1A175/GM8241	1A175/GM8242		82.0	78.0		SA00522SE Cub Crafters	12 41	2550	2450
PA-18-105, "SPECIAL" "Super Cub"	L S	O-320-C2B (LY)	1A175/GM8241	1A175/GM8242		82.0	78.0		SA00522SE Cub Crafters	12 41	2550 2450	2450 2350
PA-18-105, "SPECIAL" "Super Cub"	F	O-320-C2B (LY)		1A175/GM8243	1A175/GM8244	82.0	78.0		SA00522SE Cub Crafters	12 45	2550	2400
PA-18-105, "SPECIAL" "Super Cub"	L S	O-320-C2B (LY)		1A175/GM8243	1A175/GM8244	82.0	78.0		SA00522SE Cub Crafters	12 45	2550 2450	2400 2300
PA-18-105, "SPECIAL" "Super Cub"	F	O-320-C2C (LY)	1A175/GM8241	1A175/GM8242		82.0	78.0		SA00522SE Cub Crafters	12 41	2550	2450
PA-18-105, "SPECIAL" "Super Cub"	L S	O-320-C2C (LY)	1A175/GM8241	1A175/GM8242		82.0	78.0		SA00522SE Cub Crafters	12 41	2550 2450	2450 2350
PA-18-105, "SPECIAL" "Super Cub"	F	O-320-C2C (LY)		1A175/GM8243	1A175/GM8244	82.0	78.0		SA00522SE Cub Crafters	12 45	2550	2400
PA-18-105, "SPECIAL" "Super Cub"	L S	O-320-C2C (LY)		1A175/GM8243	1A175/GM8244	82.0	78.0		SA00522SE Cub Crafters	12 45	2550 2450	2400 2300
PA-18-105, "SPECIAL" "Super Cub"	F	O-320-D2A (LY)	1A175/GM8241	1A175/GM8242		82.0	78.0		SA00522SE Cub Crafters	12 46	2600	2500
PA-18-105, "SPECIAL" "Super Cub"	L S	O-320-D2A (LY)	1A175/GM8241	1A175/GM8242		82.0	78.0		SA00522SE Cub Crafters	12 46	2600 2500	2500 2400
PA-18-105, "SPECIAL" "Super Cub"	F	O-320-D2A (LY)		1A175/GM8243	1A175/GM8244	82.0	78.0		SA00522SE Cub Crafters	12 47	2575	2475
PA-18-105, "SPECIAL" "Super Cub"	L S	O-320-D2A (LY)		1A175/GM8243	1A175/GM8244	82.0	78.0		SA00522SE Cub Crafters	12 47	2575 2475	2475 2375
PA-18-105, "SPECIAL" "Super Cub"	F	O-320-D2B (LY)	1A175/GM8241	1A175/GM8242		82.0	78.0		SA00522SE Cub Crafters	12 46	2600	2500

Fixed Pitch Applications

Aircraft Model	T Y P E	Engine Model (Make)	Climb Model	Standard Model	Cruise Model	Max Dia	Min Dia	Spinner	STC Number	Notes	max rpm	min rpm
PA-18-105, "SPECIAL" "Super Cub"	L S	O-320-D2B (LY)	1A175/GM8241	1A175/GM8242		82.0	78.0		SA00522SE Cub Crafters	12 46	2600 2500	2500 2400
PA-18-105, "SPECIAL" "Super Cub"	F	O-320-D2B (LY)		1A175/GM8243	1A175/GM8244	82.0	78.0		SA00522SE Cub Crafters	12 47	2575	2475
PA-18-105, "SPECIAL" "Super Cub"	L S	O-320-D2B (LY)		1A175/GM8243	1A175/GM8244	82.0	78.0		SA00522SE Cub Crafters	12 47	2575 2475	2475 2375
PA-18-105, "SPECIAL" "Super Cub"	F	O-320-D2C (LY)	1A175/GM8241	1A175/GM8242		82.0	78.0		SA00522SE Cub Crafters	12 46	2600	2500
PA-18-105, "SPECIAL" "Super Cub"	L S	O-320-D2C (LY)	1A175/GM8241	1A175/GM8242		82.0	78.0		SA00522SE Cub Crafters	12 46	2600 2500	2500 2400
PA-18-105, "SPECIAL" "Super Cub"	F	O-320-D2C (LY)		1A175/GM8243	1A175/GM8244	82.0	78.0		SA00522SE Cub Crafters	12 47	2575	2475
PA-18-105, "SPECIAL" "Super Cub"	L S	O-320-D2C (LY)		1A175/GM8243	1A175/GM8244	82.0	78.0		SA00522SE Cub Crafters	12 47	2575 2475	2475 2375
PA-18-105, "SPECIAL" "Super Cub"	F	O-320-D3G (LY)	1A175/GM8241	1A175/GM8242		82.0	78.0		SA00522SE Cub Crafters	12 46	2600	2500
PA-18-105, "SPECIAL" "Super Cub"	L S	O-320-D3G (LY)	1A175/GM8241	1A175/GM8242		82.0	78.0		SA00522SE Cub Crafters	12 46	2600 2500	2500 2400
PA-18-105, "SPECIAL" "Super Cub"	F	O-320-D3G (LY)		1A175/GM8243	1A175/GM8244	82.0	78.0		SA00522SE Cub Crafters	12 47	2575	2475
PA-18-105, "SPECIAL" "Super Cub"	L S	O-320-D3G (LY)		1A175/GM8243	1A175/GM8244	82.0	78.0		SA00522SE Cub Crafters	12 47	2575 2475	2475 2375
PA-18-105, "SPECIAL" "Super Cub"	L S	O-320 series (LY)	1A175/GM8241	1A175/GM8242		82.0	78.0		SA00562SE Cub Crafters	12 23 41	2450	2350
PA-18-105, "SPECIAL" "Super Cub"	F	O-320 series (LY)	1A175/GM8241	1A175/GM8242		82.0	78.0		SA00562SE Cub Crafters	12 23	2550	2450
PA-18-105, "SPECIAL" "Super Cub"	L S	O-320 series (LY)		1A175/GM8243	1A175/GM8244	82.0	78.0		SA00562SE Cub Crafters	12 23 45	2450	2300
PA-18-105, "SPECIAL" "Super Cub"	F	O-320 series (LY)		1A175/GM8243	1A175/GM8244	82.0	78.0		SA00562SE Cub Crafters	12 23	2550	2400
PA-18-105, "SPECIAL" "Super Cub"	L S	O-320 series (LY)	1A175/GM8241	1A175/GM8242		82.0	78.0		SA00562SE Cub Crafters	12 25 46	2500	2400
PA-18-105, "SPECIAL" "Super Cub"	F	O-320 series (LY)	1A175/GM8241	1A175/GM8242		82.0	78.0		SA00562SE Cub Crafters	12 25	2600	2500

Fixed Pitch Applications

Aircraft Model	T Y P E	Engine Model (Make)	Climb Model	Standard Model	Cruise Model	Max Dia	Min Dia	Spinner	STC Number	Notes	max rpm	min rpm
PA-18-105, "SPECIAL" "Super Cub"	L S	O-320 series (LY)		1A175/GM8243	1A175/GM8244	82.0	78.0		SA00562SE Cub Crafters	12 25 47	2475	2375
PA-18-105, "SPECIAL" "Super Cub"	F	O-320 series (LY)		1A175/GM8243	1A175/GM8244	82.0	78.0		SA00562SE Cub Crafters	12 25	2575	2475
PA-18-105, "SPECIAL" "Super Cub"		O-360 series (LY)	1A200/FA8240	1A200/FA8242	1A200/FA8245	82.0	78.0		SA92NW Cub Crafters	13 14 30	2450	2300
PA-18S-105, "SPECIAL" "Super Cub"	F	O-320-A1B (LY)	1A175/GM8241	1A175/GM8242		82.0	78.0		SA00522SE Cub Crafters	12 41	2550	2450
PA-18S-105, "SPECIAL" "Super Cub"	L S	O-320-A1B (LY)	1A175/GM8241	1A175/GM8242		82.0	78.0		SA00522SE Cub Crafters	12 41	2550 2450	2450 2350
PA-18S-105, "SPECIAL" "Super Cub"	F	O-320-A1B (LY)		1A175/GM8243	1A175/GM8244	82.0	78.0		SA00522SE Cub Crafters	12 45	2550	2400
PA-18S-105, "SPECIAL" "Super Cub"	L S	O-320-A1B (LY)		1A175/GM8243	1A175/GM8244	82.0	78.0		SA00522SE Cub Crafters	12 45	2550 2450	2400 2300
PA-18S-105, "SPECIAL" "Super Cub"	F	O-320-A2B (LY)	1A175/GM8241	1A175/GM8242		82.0	78.0		SA00522SE Cub Crafters	12 41	2550	2450
PA-18S-105, "SPECIAL" "Super Cub"	L S	O-320-A2B (LY)	1A175/GM8241	1A175/GM8242		82.0	78.0		SA00522SE Cub Crafters	12 41	2550 2450	2450 2350
PA-18S-105, "SPECIAL" "Super Cub"	F	O-320-A2B (LY)		1A175/GM8243	1A175/GM8244	82.0	78.0		SA00522SE Cub Crafters	12 45	2550	2400
PA-18S-105, "SPECIAL" "Super Cub"	L S	O-320-A2B (LY)		1A175/GM8243	1A175/GM8244	82.0	78.0		SA00522SE Cub Crafters	12 45	2550 2450	2400 2300
PA-18S-105, "SPECIAL" "Super Cub"	F	O-320-A2C (LY)	1A175/GM8241	1A175/GM8242		82.0	78.0		SA00522SE Cub Crafters	12 41	2550	2450
PA-18S-105, "SPECIAL" "Super Cub"	L S	O-320-A2C (LY)	1A175/GM8241	1A175/GM8242		82.0	78.0		SA00522SE Cub Crafters	12 41	2550 2450	2450 2350
PA-18S-105, "SPECIAL" "Super Cub"	F	O-320-A2C (LY)		1A175/GM8243	1A175/GM8244	82.0	78.0		SA00522SE Cub Crafters	12 45	2550	2400
PA-18S-105, "SPECIAL" "Super Cub"	L S	O-320-A2C (LY)		1A175/GM8243	1A175/GM8244	82.0	78.0		SA00522SE Cub Crafters	12 45	2550 2450	2400 2300
PA-18S-105, "SPECIAL" "Super Cub"	F	O-320-A2D (LY)	1A175/GM8241	1A175/GM8242		82.0	78.0		SA00522SE Cub Crafters	12 41	2550	2450
PA-18S-105, "SPECIAL" "Super Cub"	L S	O-320-A2D (LY)	1A175/GM8241	1A175/GM8242		82.0	78.0		SA00522SE Cub Crafters	12 41	2550 2450	2450 2350
PA-18S-105, "SPECIAL" "Super Cub"	F	O-320-A2D (LY)		1A175/GM8243	1A175/GM8244	82.0	78.0		SA00522SE Cub Crafters	12 45	2550	2400

Fixed Pitch Applications

Aircraft Model	T Y P E	Engine Model (Make)	Climb Model	Standard Model	Cruise Model	Max Dia	Min Dia	Spinner	STC Number	Notes	max rpm	min rpm
PA-18S-105, "SPECIAL" "Super Cub"	L S	O-320-A2D (LY)		1A175/GM8243	1A175/GM8244	82.0	78.0		SA00522SE Cub Crafters	12 45	2550 2450	2400 2300
PA-18S-105, "SPECIAL" "Super Cub"	F	O-320-B2B (LY)	1A175/GM8241	1A175/GM8242		82.0	78.0		SA00522SE Cub Crafters	12 46	2600	2500
PA-18S-105, "SPECIAL" "Super Cub"	L S	O-320-B2B (LY)	1A175/GM8241	1A175/GM8242		82.0	78.0		SA00522SE Cub Crafters	12 46	2600 2500	2500 2400
PA-18S-105, "SPECIAL" "Super Cub"	F	O-320-B2B (LY)		1A175/GM8243	1A175/GM8244	82.0	78.0		SA00522SE Cub Crafters	12 47	2575	2475
PA-18S-105, "SPECIAL" "Super Cub"	L S	O-320-B2B (LY)		1A175/GM8243	1A175/GM8244	82.0	78.0		SA00522SE Cub Crafters	12 47	2575 2475	2475 2375
PA-18S-105, "SPECIAL" "Super Cub"	F	O-320-B2C (LY)	1A175/GM8241	1A175/GM8242		82.0	78.0		SA00522SE Cub Crafters	12 46	2600	2500
PA-18S-105, "SPECIAL" "Super Cub"	L S	O-320-B2C (LY)	1A175/GM8241	1A175/GM8242		82.0	78.0		SA00522SE Cub Crafters	12 46	2600 2500	2500 2400
PA-18S-105, "SPECIAL" "Super Cub"	F	O-320-B2C (LY)		1A175/GM8243	1A175/GM8244	82.0	78.0		SA00522SE Cub Crafters	12 47	2575	2475
PA-18S-105, "SPECIAL" "Super Cub"	L S	O-320-B2C (LY)		1A175/GM8243	1A175/GM8244	82.0	78.0		SA00522SE Cub Crafters	12 47	2575 2475	2475 2375
PA-18S-105, "SPECIAL" "Super Cub"	F	O-320-B2D (LY)	1A175/GM8241	1A175/GM8242		82.0	78.0		SA00522SE Cub Crafters	12 46	2600	2500
PA-18S-105, "SPECIAL" "Super Cub"	L S	O-320-B2D (LY)	1A175/GM8241	1A175/GM8242		82.0	78.0		SA00522SE Cub Crafters	12 46	2600 2500	2500 2400
PA-18S-105, "SPECIAL" "Super Cub"	F	O-320-B2D (LY)		1A175/GM8243	1A175/GM8244	82.0	78.0		SA00522SE Cub Crafters	12 47	2575	2475
PA-18S-105, "SPECIAL" "Super Cub"	L S	O-320-B2D (LY)		1A175/GM8243	1A175/GM8244	82.0	78.0		SA00522SE Cub Crafters	12 47	2575 2475	2475 2375
PA-18S-105, "SPECIAL" "Super Cub"	F	O-320-C2B (LY)	1A175/GM8241	1A175/GM8242		82.0	78.0		SA00522SE Cub Crafters	12 41	2550	2450
PA-18S-105, "SPECIAL" "Super Cub"	L S	O-320-C2B (LY)	1A175/GM8241	1A175/GM8242		82.0	78.0		SA00522SE Cub Crafters	12 41	2550 2450	2450 2350
PA-18S-105, "SPECIAL" "Super Cub"	F	O-320-C2B (LY)		1A175/GM8243	1A175/GM8244	82.0	78.0		SA00522SE Cub Crafters	12 45	2550	2400
PA-18S-105, "SPECIAL" "Super Cub"	L S	O-320-C2B (LY)		1A175/GM8243	1A175/GM8244	82.0	78.0		SA00522SE Cub Crafters	12 45	2550 2450	2400 2300
PA-18S-105, "SPECIAL" "Super Cub"	F	O-320-C2C (LY)	1A175/GM8241	1A175/GM8242		82.0	78.0		SA00522SE Cub Crafters	12 41	2550	2450
PA-18S-105, "SPECIAL" "Super Cub"	L S	O-320-C2C (LY)	1A175/GM8241	1A175/GM8242		82.0	78.0		SA00522SE Cub Crafters	12 41	2550 2450	2450 2350

Fixed Pitch Applications

Aircraft Model	T Y P E	Engine Model (Make)	Climb Model	Standard Model	Cruise Model	Max Dia	Min Dia	Spinner	STC Number	Notes	max rpm	min rpm
PA-18S-105, "SPECIAL" "Super Cub"	F	O-320-C2C (LY)		1A175/GM8243	1A175/GM8244	82.0	78.0		SA00522SE Cub Crafters	12 45	2550	2400
PA-18S-105, "SPECIAL" "Super Cub"	L S	O-320-C2C (LY)		1A175/GM8243	1A175/GM8244	82.0	78.0		SA00522SE Cub Crafters	12 45	2550 2450	2400 2300
PA-18S-105, "SPECIAL" "Super Cub"	F	O-320-D2A (LY)	1A175/GM8241	1A175/GM8242		82.0	78.0		SA00522SE Cub Crafters	12 46	2600	2500
PA-18S-105, "SPECIAL" "Super Cub"	L S	O-320-D2A (LY)	1A175/GM8241	1A175/GM8242		82.0	78.0		SA00522SE Cub Crafters	12 46	2600 2500	2500 2400
PA-18S-105, "SPECIAL" "Super Cub"	F	O-320-D2A (LY)		1A175/GM8243	1A175/GM8244	82.0	78.0		SA00522SE Cub Crafters	12 47	2575	2475
PA-18S-105, "SPECIAL" "Super Cub"	L S	O-320-D2A (LY)		1A175/GM8243	1A175/GM8244	82.0	78.0		SA00522SE Cub Crafters	12 47	2575 2475	2475 2375
PA-18S-105, "SPECIAL" "Super Cub"	F	O-320-D2B (LY)	1A175/GM8241	1A175/GM8242		82.0	78.0		SA00522SE Cub Crafters	12 46	2600	2500
PA-18S-105, "SPECIAL" "Super Cub"	L S	O-320-D2B (LY)	1A175/GM8241	1A175/GM8242		82.0	78.0		SA00522SE Cub Crafters	12 46	2600 2500	2500 2400
PA-18S-105, "SPECIAL" "Super Cub"	F	O-320-D2B (LY)		1A175/GM8243	1A175/GM8244	82.0	78.0		SA00522SE Cub Crafters	12 47	2575	2475
PA-18S-105, "SPECIAL" "Super Cub"	L S	O-320-D2B (LY)		1A175/GM8243	1A175/GM8244	82.0	78.0		SA00522SE Cub Crafters	12 47	2575 2475	2475 2375
PA-18S-105, "SPECIAL" "Super Cub"	F	O-320-D2C (LY)	1A175/GM8241	1A175/GM8242		82.0	78.0		SA00522SE Cub Crafters	12 46	2600	2500
PA-18S-105, "SPECIAL" "Super Cub"	L S	O-320-D2C (LY)	1A175/GM8241	1A175/GM8242		82.0	78.0		SA00522SE Cub Crafters	12 46	2600 2500	2500 2400
PA-18S-105, "SPECIAL" "Super Cub"	F	O-320-D2C (LY)		1A175/GM8243	1A175/GM8244	82.0	78.0		SA00522SE Cub Crafters	12 47	2575	2475
PA-18S-105, "SPECIAL" "Super Cub"	L S	O-320-D2C (LY)		1A175/GM8243	1A175/GM8244	82.0	78.0		SA00522SE Cub Crafters	12 47	2575 2475	2475 2375
PA-18S-105, "SPECIAL" "Super Cub"	F	O-320-D3G (LY)	1A175/GM8241	1A175/GM8242		82.0	78.0		SA00522SE Cub Crafters	12 46	2600	2500
PA-18S-105, "SPECIAL" "Super Cub"	L S	O-320-D3G (LY)	1A175/GM8241	1A175/GM8242		82.0	78.0		SA00522SE Cub Crafters	12 46	2600 2500	2500 2400
PA-18S-105, "SPECIAL" "Super Cub"	F	O-320-D3G (LY)		1A175/GM8243	1A175/GM8244	82.0	78.0		SA00522SE Cub Crafters	12 47	2575	2475
PA-18S-105, "SPECIAL" "Super Cub"	L S	O-320-D3G (LY)		1A175/GM8243	1A175/GM8244	82.0	78.0		SA00522SE Cub Crafters	12 47	2575 2475	2475 2375
PA-18S-105, "SPECIAL" "Super Cub"	L S	O-320 series (LY)	1A175/GM8241	1A175/GM8242		82.0	78.0		SA00562SE Cub Crafters	12 23 41	2450	2350

Fixed Pitch Applications

Aircraft Model	T Y P E	Engine Model (Make)	Climb Model	Standard Model	Cruise Model	Max Dia	Min Dia	Spinner	STC Number	Notes	max rpm	min rpm
PA-18S-105, "SPECIAL" "Super Cub"	F	O-320 series (LY)	1A175/GM8241	1A175/GM8242		82.0	78.0		SA00562SE Cub Crafters	12 23	2550	2450
PA-18S-105, "SPECIAL" "Super Cub"	L S	O-320 series (LY)		1A175/GM8243	1A175/GM8244	82.0	78.0		SA00562SE Cub Crafters	12 23 45	2450	2300
PA-18S-105, "SPECIAL" "Super Cub"	F	O-320 series (LY)		1A175/GM8243	1A175/GM8244	82.0	78.0		SA00562SE Cub Crafters	12 23	2550	2400
PA-18S-105, "SPECIAL" "Super Cub"	L S	O-320 series (LY)	1A175/GM8241	1A175/GM8242		82.0	78.0		SA00562SE Cub Crafters	12 25 46	2500	2400
PA-18S-105, "SPECIAL" "Super Cub"	F	O-320 series (LY)	1A175/GM8241	1A175/GM8242		82.0	78.0		SA00562SE Cub Crafters	12 25	2600	2500
PA-18S-105, "SPECIAL" "Super Cub"	L S	O-320 series (LY)		1A175/GM8243	1A175/GM8244	82.0	78.0		SA00562SE Cub Crafters	12 25 47	2475	2375
PA-18S-105, "SPECIAL" "Super Cub"	F	O-320 series (LY)		1A175/GM8243	1A175/GM8244	82.0	78.0		SA00562SE Cub Crafters	12 25	2575	2475
PA-18S-105, "SPECIAL" "Super Cub"		O-360 series (LY)	1A200/FA8240	1A200/FA8242	1A200/FA8245	82.0	78.0		SA92NW Cub Crafters	13 14 30	2450	2300
PA-18-125 "Super Cub"		O-290-D (LY)		1A170/GM7448	1A170/GM7450	74.0	72.5		SA1-59 McCauley			
PA-18-125 "Super Cub"		O-290-D (LY)	1A175/GM8241	1A175/GM8242	1A175/GM8244	82.0			SA02170AK Dan's Acft Repair	36		
PA-18-125 "Super Cub"	F	O-320-A1B (LY)	1A175/GM8241	1A175/GM8242		82.0	78.0		SA00522SE Cub Crafters	12 41	2550	2450
PA-18-125 "Super Cub"	L S	O-320-A1B (LY)	1A175/GM8241	1A175/GM8242		82.0	78.0		SA00522SE Cub Crafters	12 41	2550 2450	2450 2350
PA-18-125 "Super Cub"	F	O-320-A1B (LY)		1A175/GM8243	1A175/GM8244	82.0	78.0		SA00522SE Cub Crafters	12 45	2550	2400
PA-18-125 "Super Cub"	L S	O-320-A1B (LY)		1A175/GM8243	1A175/GM8244	82.0	78.0		SA00522SE Cub Crafters	12 45	2550 2450	2400 2300
PA-18-125 "Super Cub"	F	O-320-A2B (LY)	1A175/GM8241	1A175/GM8242		82.0	78.0		SA00522SE Cub Crafters	12 41	2550	2450
PA-18-125 "Super Cub"	L S	O-320-A2B (LY)	1A175/GM8241	1A175/GM8242		82.0	78.0		SA00522SE Cub Crafters	12 41	2550 2450	2450 2350
PA-18-125 "Super Cub"	F	O-320-A2B (LY)		1A175/GM8243	1A175/GM8244	82.0	78.0		SA00522SE Cub Crafters	12 45	2550	2400

Fixed Pitch Applications

Aircraft Model	T Y P E	Engine Model (Make)	Climb Model	Standard Model	Cruise Model	Max Dia	Min Dia	Spinner	STC Number	Notes	max rpm	min rpm
PA-18-125 "Super Cub"	L S	O-320-A2B (LY)		1A175/GM8243	1A175/GM8244	82.0	78.0		SA00522SE Cub Crafters	12 45	2550 2450	2400 2300
PA-18-125 "Super Cub"	F	O-320-A2C (LY)	1A175/GM8241	1A175/GM8242		82.0	78.0		SA00522SE Cub Crafters	12 41	2550	2450
PA-18-125 "Super Cub"	L S	O-320-A2C (LY)	1A175/GM8241	1A175/GM8242		82.0	78.0		SA00522SE Cub Crafters	12 41	2550 2450	2450 2350
PA-18-125 "Super Cub"	F	O-320-A2C (LY)		1A175/GM8243	1A175/GM8244	82.0	78.0		SA00522SE Cub Crafters	12 45	2550	2400
PA-18-125 "Super Cub"	L S	O-320-A2C (LY)		1A175/GM8243	1A175/GM8244	82.0	78.0		SA00522SE Cub Crafters	12 45	2550 2450	2400 2300
PA-18-125 "Super Cub"	F	O-320-A2D (LY)	1A175/GM8241	1A175/GM8242		82.0	78.0		SA00522SE Cub Crafters	12 41	2550	2450
PA-18-125 "Super Cub"	L S	O-320-A2D (LY)	1A175/GM8241	1A175/GM8242		82.0	78.0		SA00522SE Cub Crafters	12 41	2550 2450	2450 2350
PA-18-125 "Super Cub"	F	O-320-A2D (LY)		1A175/GM8243	1A175/GM8244	82.0	78.0		SA00522SE Cub Crafters	12 45	2550	2400
PA-18-125 "Super Cub"	L S	O-320-A2D (LY)		1A175/GM8243	1A175/GM8244	82.0	78.0		SA00522SE Cub Crafters	12 45	2550 2450	2400 2300
PA-18-125 "Super Cub"	F	O-320-B2B (LY)	1A175/GM8241	1A175/GM8242		82.0	78.0		SA00522SE Cub Crafters	12 46	2600	2500
PA-18-125 "Super Cub"	L S	O-320-B2B (LY)	1A175/GM8241	1A175/GM8242		82.0	78.0		SA00522SE Cub Crafters	12 46	2600 2500	2500 2400
PA-18-125 "Super Cub"	F	O-320-B2B (LY)		1A175/GM8243	1A175/GM8244	82.0	78.0		SA00522SE Cub Crafters	12 47	2575	2475
PA-18-125 "Super Cub"	L S	O-320-B2B (LY)		1A175/GM8243	1A175/GM8244	82.0	78.0		SA00522SE Cub Crafters	12 47	2575 2475	2475 2375
PA-18-125 "Super Cub"	F	O-320-B2C (LY)	1A175/GM8241	1A175/GM8242		82.0	78.0		SA00522SE Cub Crafters	12 46	2600	2500
PA-18-125 "Super Cub"	L S	O-320-B2C (LY)	1A175/GM8241	1A175/GM8242		82.0	78.0		SA00522SE Cub Crafters	12 46	2600 2500	2500 2400
PA-18-125 "Super Cub"	F	O-320-B2C (LY)		1A175/GM8243	1A175/GM8244	82.0	78.0		SA00522SE Cub Crafters	12 47	2575	2475
PA-18-125 "Super Cub"	L S	O-320-B2C (LY)		1A175/GM8243	1A175/GM8244	82.0	78.0		SA00522SE Cub Crafters	12 47	2575 2475	2475 2375
PA-18-125 "Super Cub"	F	O-320-B2D (LY)	1A175/GM8241	1A175/GM8242		82.0	78.0		SA00522SE Cub Crafters	12 46	2600	2500
PA-18-125 "Super Cub"	L S	O-320-B2D (LY)	1A175/GM8241	1A175/GM8242		82.0	78.0		SA00522SE Cub Crafters	12 46	2600 2500	2500 2400

Fixed Pitch Applications

Aircraft Model	T Y P E	Engine Model (Make)	Climb Model	Standard Model	Cruise Model	Max Dia	Min Dia	Spinner	STC Number	Notes	max rpm	min rpm
PA-18-125 "Super Cub"	F	O-320-B2D (LY)		1A175/GM8243	1A175/GM8244	82.0	78.0		SA00522SE Cub Crafters	12 47	2575	2475
PA-18-125 "Super Cub"	L S	O-320-B2D (LY)		1A175/GM8243	1A175/GM8244	82.0	78.0		SA00522SE Cub Crafters	12 47	2575 2475	2475 2375
PA-18-125 "Super Cub"	F	O-320-C2B (LY)	1A175/GM8241	1A175/GM8242		82.0	78.0		SA00522SE Cub Crafters	12 41	2550	2450
PA-18-125 "Super Cub"	L S	O-320-C2B (LY)	1A175/GM8241	1A175/GM8242		82.0	78.0		SA00522SE Cub Crafters	12 41	2550 2450	2450 2350
PA-18-125 "Super Cub"	F	O-320-C2B (LY)		1A175/GM8243	1A175/GM8244	82.0	78.0		SA00522SE Cub Crafters	12 45	2550	2400
PA-18-125 "Super Cub"	L S	O-320-C2B (LY)		1A175/GM8243	1A175/GM8244	82.0	78.0		SA00522SE Cub Crafters	12 45	2550 2450	2400 2300
PA-18-125 "Super Cub"	F	O-320-C2C (LY)	1A175/GM8241	1A175/GM8242		82.0	78.0		SA00522SE Cub Crafters	12 41	2550	2450
PA-18-125 "Super Cub"	L S	O-320-C2C (LY)	1A175/GM8241	1A175/GM8242		82.0	78.0		SA00522SE Cub Crafters	12 41	2550 2450	2450 2350
PA-18-125 "Super Cub"	F	O-320-C2C (LY)		1A175/GM8243	1A175/GM8244	82.0	78.0		SA00522SE Cub Crafters	12 45	2550	2400
PA-18-125 "Super Cub"	L S	O-320-C2C (LY)		1A175/GM8243	1A175/GM8244	82.0	78.0		SA00522SE Cub Crafters	12 45	2550 2450	2400 2300
PA-18-125 "Super Cub"	F	O-320-D2A (LY)	1A175/GM8241	1A175/GM8242		82.0	78.0		SA00522SE Cub Crafters	12 46	2600	2500
PA-18-125 "Super Cub"	L S	O-320-D2A (LY)	1A175/GM8241	1A175/GM8242		82.0	78.0		SA00522SE Cub Crafters	12 46	2600 2500	2500 2400
PA-18-125 "Super Cub"	F	O-320-D2A (LY)		1A175/GM8243	1A175/GM8244	82.0	78.0		SA00522SE Cub Crafters	12 47	2575	2475
PA-18-125 "Super Cub"	L S	O-320-D2A (LY)		1A175/GM8243	1A175/GM8244	82.0	78.0		SA00522SE Cub Crafters	12 47	2575 2475	2475 2375
PA-18-125 "Super Cub"	F	O-320-D2B (LY)	1A175/GM8241	1A175/GM8242		82.0	78.0		SA00522SE Cub Crafters	12 46	2600	2500
PA-18-125 "Super Cub"	L S	O-320-D2B (LY)	1A175/GM8241	1A175/GM8242		82.0	78.0		SA00522SE Cub Crafters	12 46	2600 2500	2500 2400
PA-18-125 "Super Cub"	F	O-320-D2B (LY)		1A175/GM8243	1A175/GM8244	82.0	78.0		SA00522SE Cub Crafters	12 47	2575	2475
PA-18-125 "Super Cub"	L S	O-320-D2B (LY)		1A175/GM8243	1A175/GM8244	82.0	78.0		SA00522SE Cub Crafters	12 47	2575 2475	2475 2375
PA-18-125 "Super Cub"	F	O-320-D2C (LY)	1A175/GM8241	1A175/GM8242		82.0	78.0		SA00522SE Cub Crafters	12 46	2600	2500

Fixed Pitch Applications

Aircraft Model	T Y P E	Engine Model (Make)	Climb Model	Standard Model	Cruise Model	Max Dia	Min Dia	Spinner	STC Number	Notes	max rpm	min rpm
PA-18-125 "Super Cub"	L S	O-320-D2C (LY)	1A175/GM8241	1A175/GM8242		82.0	78.0		SA00522SE Cub Crafters	12 46	2600 2500	2500 2400
PA-18-125 "Super Cub"	F	O-320-D2C (LY)		1A175/GM8243	1A175/GM8244	82.0	78.0		SA00522SE Cub Crafters	12 47	2575	2475
PA-18-125 "Super Cub"	L S	O-320-D2C (LY)		1A175/GM8243	1A175/GM8244	82.0	78.0		SA00522SE Cub Crafters	12 47	2575 2475	2475 2375
PA-18-125 "Super Cub"	F	O-320-D3G (LY)	1A175/GM8241	1A175/GM8242		82.0	78.0		SA00522SE Cub Crafters	12 46	2600	2500
PA-18-125 "Super Cub"	L S	O-320-D3G (LY)	1A175/GM8241	1A175/GM8242		82.0	78.0		SA00522SE Cub Crafters	12 46	2600 2500	2500 2400
PA-18-125 "Super Cub"	F	O-320-D3G (LY)		1A175/GM8243	1A175/GM8244	82.0	78.0		SA00522SE Cub Crafters	12 47	2575	2475
PA-18-125 "Super Cub"	L S	O-320-D3G (LY)		1A175/GM8243	1A175/GM8244	82.0	78.0		SA00522SE Cub Crafters	12 47	2575 2475	2475 2375
PA-18-125 "Super Cub"	L S	O-320 series (LY)	1A175/GM8241	1A175/GM8242		82.0	78.0		SA00562SE Cub Crafters	12 23 41	2450	2350
PA-18-125 "Super Cub"	F	O-320 series (LY)	1A175/GM8241	1A175/GM8242		82.0	78.0		SA00562SE Cub Crafters	12 23	2550	2450
PA-18-125 "Super Cub"	L S	O-320 series (LY)		1A175/GM8243	1A175/GM8244	82.0	78.0		SA00562SE Cub Crafters	12 23 45	2450	2300
PA-18-125 "Super Cub"	F	O-320 series (LY)		1A175/GM8243	1A175/GM8244	82.0	78.0		SA00562SE Cub Crafters	12 23	2550	2400
PA-18-125 "Super Cub"	L S	O-320 series (LY)	1A175/GM8241	1A175/GM8242		82.0	78.0		SA00562SE Cub Crafters	12 25 46	2500	2400
PA-18-125 "Super Cub"	F	O-320 series (LY)	1A175/GM8241	1A175/GM8242		82.0	78.0		SA00562SE Cub Crafters	12 25	2600	2500
PA-18-125 "Super Cub"	L S	O-320 series (LY)		1A175/GM8243	1A175/GM8244	82.0	78.0		SA00562SE Cub Crafters	12 25 47	2475	2375
PA-18-125 "Super Cub"	F	O-320 series (LY)		1A175/GM8243	1A175/GM8244	82.0	78.0		SA00562SE Cub Crafters	12 25	2575	2475
PA-18-125 "Super Cub"		O-360 series (LY)	1A200/FA8240	1A200/FA8242	1A200/FA8245	82.0	78.0		SA92NW Cub Crafters	13 14 30	2450	2300
PA-18A-125 "Super Cub"		O-290-D (LY)		1A170/GM7448	1A170/GM7450	74.0	72.5		SA1-59 McCauley			

Fixed Pitch Applications

Aircraft Model	T Y P E	Engine Model (Make)	Climb Model	Standard Model	Cruise Model	Max Dia	Min Dia	Spinner	STC Number	Notes	max rpm	min rpm
PA-18AS-125 "Super Cub"		O-290-D (LY)		1A170/GM7446		74.0	72.5		SA1-156 McCauley		2450	2375
PA-18AS-125 "Super Cub"		O-290-D (LY)	1A175/GM8241	1A175/GM8242	1A175/GM8244	82.0			SA02170AK Dan's Acft Repair	36		
PA-18AS-125 "Super Cub"	F	O-320-A1B (LY)	1A175/GM8241	1A175/GM8242		82.0	78.0		SA00522SE Cub Crafters	12 41	2550	2450
PA-18AS-125 "Super Cub"	L S	O-320-A1B (LY)	1A175/GM8241	1A175/GM8242		82.0	78.0		SA00522SE Cub Crafters	12 41	2550 2450	2450 2350
PA-18AS-125 "Super Cub"	F	O-320-A1B (LY)		1A175/GM8243	1A175/GM8244	82.0	78.0		SA00522SE Cub Crafters	12 45	2550	2400
PA-18AS-125 "Super Cub"	L S	O-320-A1B (LY)		1A175/GM8243	1A175/GM8244	82.0	78.0		SA00522SE Cub Crafters	12 45	2550 2450	2400 2300
PA-18AS-125 "Super Cub"	F	O-320-A2B (LY)	1A175/GM8241	1A175/GM8242		82.0	78.0		SA00522SE Cub Crafters	12 41	2550	2450
PA-18AS-125 "Super Cub"	L S	O-320-A2B (LY)	1A175/GM8241	1A175/GM8242		82.0	78.0		SA00522SE Cub Crafters	12 41	2550 2450	2450 2350
PA-18AS-125 "Super Cub"	F	O-320-A2B (LY)		1A175/GM8243	1A175/GM8244	82.0	78.0		SA00522SE Cub Crafters	12 45	2550	2400
PA-18AS-125 "Super Cub"	L S	O-320-A2B (LY)		1A175/GM8243	1A175/GM8244	82.0	78.0		SA00522SE Cub Crafters	12 45	2550 2450	2400 2300
PA-18AS-125 "Super Cub"	F	O-320-A2C (LY)	1A175/GM8241	1A175/GM8242		82.0	78.0		SA00522SE Cub Crafters	12 41	2550	2450
PA-18AS-125 "Super Cub"	L S	O-320-A2C (LY)	1A175/GM8241	1A175/GM8242		82.0	78.0		SA00522SE Cub Crafters	12 41	2550 2450	2450 2350
PA-18AS-125 "Super Cub"	F	O-320-A2C (LY)		1A175/GM8243	1A175/GM8244	82.0	78.0		SA00522SE Cub Crafters	12 45	2550	2400
PA-18AS-125 "Super Cub"	L S	O-320-A2C (LY)		1A175/GM8243	1A175/GM8244	82.0	78.0		SA00522SE Cub Crafters	12 45	2550 2450	2400 2300
PA-18AS-125 "Super Cub"	F	O-320-A2D (LY)	1A175/GM8241	1A175/GM8242		82.0	78.0		SA00522SE Cub Crafters	12 41	2550	2450
PA-18AS-125 "Super Cub"	L S	O-320-A2D (LY)	1A175/GM8241	1A175/GM8242		82.0	78.0		SA00522SE Cub Crafters	12 41	2550 2450	2450 2350
PA-18AS-125 "Super Cub"	F	O-320-A2D (LY)		1A175/GM8243	1A175/GM8244	82.0	78.0		SA00522SE Cub Crafters	12 45	2550	2400
PA-18AS-125 "Super Cub"	L S	O-320-A2D (LY)		1A175/GM8243	1A175/GM8244	82.0	78.0		SA00522SE Cub Crafters	12 45	2550 2450	2400 2300
PA-18AS-125 "Super Cub"	F	O-320-B2B (LY)	1A175/GM8241	1A175/GM8242		82.0	78.0		SA00522SE Cub Crafters	12 46	2600	2500

Fixed Pitch Applications

Aircraft Model	T Y P E	Engine Model (Make)	Climb Model	Standard Model	Cruise Model	Max Dia	Min Dia	Spinner	STC Number	Notes	max rpm	min rpm
PA-18AS-125 "Super Cub"	L S	O-320-B2B (LY)	1A175/GM8241	1A175/GM8242		82.0	78.0		SA00522SE Cub Crafters	12 46	2600 2500	2500 2400
PA-18AS-125 "Super Cub"	F	O-320-B2B (LY)		1A175/GM8243	1A175/GM8244	82.0	78.0		SA00522SE Cub Crafters	12 47	2575	2475
PA-18AS-125 "Super Cub"	L S	O-320-B2B (LY)		1A175/GM8243	1A175/GM8244	82.0	78.0		SA00522SE Cub Crafters	12 47	2575 2475	2475 2375
PA-18AS-125 "Super Cub"	F	O-320-B2C (LY)	1A175/GM8241	1A175/GM8242		82.0	78.0		SA00522SE Cub Crafters	12 46	2600	2500
PA-18AS-125 "Super Cub"	L S	O-320-B2C (LY)	1A175/GM8241	1A175/GM8242		82.0	78.0		SA00522SE Cub Crafters	12 46	2600 2500	2500 2400
PA-18AS-125 "Super Cub"	F	O-320-B2C (LY)		1A175/GM8243	1A175/GM8244	82.0	78.0		SA00522SE Cub Crafters	12 47	2575	2475
PA-18AS-125 "Super Cub"	L S	O-320-B2C (LY)		1A175/GM8243	1A175/GM8244	82.0	78.0		SA00522SE Cub Crafters	12 47	2575 2475	2475 2375
PA-18AS-125 "Super Cub"	F	O-320-B2D (LY)	1A175/GM8241	1A175/GM8242		82.0	78.0		SA00522SE Cub Crafters	12 46	2600	2500
PA-18AS-125 "Super Cub"	L S	O-320-B2D (LY)	1A175/GM8241	1A175/GM8242		82.0	78.0		SA00522SE Cub Crafters	12 46	2600 2500	2500 2400
PA-18AS-125 "Super Cub"	F	O-320-B2D (LY)		1A175/GM8243	1A175/GM8244	82.0	78.0		SA00522SE Cub Crafters	12 47	2575	2475
PA-18AS-125 "Super Cub"	L S	O-320-B2D (LY)		1A175/GM8243	1A175/GM8244	82.0	78.0		SA00522SE Cub Crafters	12 47	2575 2475	2475 2375
PA-18AS-125 "Super Cub"	F	O-320-C2B (LY)	1A175/GM8241	1A175/GM8242		82.0	78.0		SA00522SE Cub Crafters	12 41	2550	2450
PA-18AS-125 "Super Cub"	L S	O-320-C2B (LY)	1A175/GM8241	1A175/GM8242		82.0	78.0		SA00522SE Cub Crafters	12 41	2550 2450	2450 2350
PA-18AS-125 "Super Cub"	F	O-320-C2B (LY)		1A175/GM8243	1A175/GM8244	82.0	78.0		SA00522SE Cub Crafters	12 45	2550	2400
PA-18AS-125 "Super Cub"	L S	O-320-C2B (LY)		1A175/GM8243	1A175/GM8244	82.0	78.0		SA00522SE Cub Crafters	12 45	2550 2450	2400 2300
PA-18AS-125 "Super Cub"	F	O-320-C2C (LY)	1A175/GM8241	1A175/GM8242		82.0	78.0		SA00522SE Cub Crafters	12 41	2550	2450
PA-18AS-125 "Super Cub"	L S	O-320-C2C (LY)	1A175/GM8241	1A175/GM8242		82.0	78.0		SA00522SE Cub Crafters	12 41	2550 2450	2450 2350
PA-18AS-125 "Super Cub"	F	O-320-C2C (LY)		1A175/GM8243	1A175/GM8244	82.0	78.0		SA00522SE Cub Crafters	12 45	2550	2400
PA-18AS-125 "Super Cub"	L S	O-320-C2C (LY)		1A175/GM8243	1A175/GM8244	82.0	78.0		SA00522SE Cub Crafters	12 45	2550 2450	2400 2300

Fixed Pitch Applications

Aircraft Model	T Y P E	Engine Model (Make)	Climb Model	Standard Model	Cruise Model	Max Dia	Min Dia	Spinner	STC Number	Notes	max rpm	min rpm
PA-18AS-125 "Super Cub"	F	O-320-D2A (LY)	1A175/GM8241	1A175/GM8242		82.0	78.0		SA00522SE Cub Crafters	12 46	2600	2500
PA-18AS-125 "Super Cub"	L S	O-320-D2A (LY)	1A175/GM8241	1A175/GM8242		82.0	78.0		SA00522SE Cub Crafters	12 46	2600 2500	2500 2400
PA-18AS-125 "Super Cub"	F	O-320-D2A (LY)		1A175/GM8243	1A175/GM8244	82.0	78.0		SA00522SE Cub Crafters	12 47	2575	2475
PA-18AS-125 "Super Cub"	L S	O-320-D2A (LY)		1A175/GM8243	1A175/GM8244	82.0	78.0		SA00522SE Cub Crafters	12 47	2575 2475	2475 2375
PA-18AS-125 "Super Cub"	F	O-320-D2B (LY)	1A175/GM8241	1A175/GM8242		82.0	78.0		SA00522SE Cub Crafters	12 46	2600	2500
PA-18AS-125 "Super Cub"	L S	O-320-D2B (LY)	1A175/GM8241	1A175/GM8242		82.0	78.0		SA00522SE Cub Crafters	12 46	2600 2500	2500 2400
PA-18AS-125 "Super Cub"	F	O-320-D2B (LY)		1A175/GM8243	1A175/GM8244	82.0	78.0		SA00522SE Cub Crafters	12 47	2575	2475
PA-18AS-125 "Super Cub"	L S	O-320-D2B (LY)		1A175/GM8243	1A175/GM8244	82.0	78.0		SA00522SE Cub Crafters	12 47	2575 2475	2475 2375
PA-18AS-125 "Super Cub"	F	O-320-D2C (LY)	1A175/GM8241	1A175/GM8242		82.0	78.0		SA00522SE Cub Crafters	12 46	2600	2500
PA-18AS-125 "Super Cub"	L S	O-320-D2C (LY)	1A175/GM8241	1A175/GM8242		82.0	78.0		SA00522SE Cub Crafters	12 46	2600 2500	2500 2400
PA-18AS-125 "Super Cub"	F	O-320-D2C (LY)		1A175/GM8243	1A175/GM8244	82.0	78.0		SA00522SE Cub Crafters	12 47	2575	2475
PA-18AS-125 "Super Cub"	L S	O-320-D2C (LY)		1A175/GM8243	1A175/GM8244	82.0	78.0		SA00522SE Cub Crafters	12 47	2575 2475	2475 2375
PA-18AS-125 "Super Cub"	F	O-320-D3G (LY)	1A175/GM8241	1A175/GM8242		82.0	78.0		SA00522SE Cub Crafters	12 46	2600	2500
PA-18AS-125 "Super Cub"	L S	O-320-D3G (LY)	1A175/GM8241	1A175/GM8242		82.0	78.0		SA00522SE Cub Crafters	12 46	2600 2500	2500 2400
PA-18AS-125 "Super Cub"	F	O-320-D3G (LY)		1A175/GM8243	1A175/GM8244	82.0	78.0		SA00522SE Cub Crafters	12 47	2575	2475
PA-18AS-125 "Super Cub"	L S	O-320-D3G (LY)		1A175/GM8243	1A175/GM8244	82.0	78.0		SA00522SE Cub Crafters	12 47	2575 2475	2475 2375
PA-18AS-125 "Super Cub"	L S	O-320 series (LY)	1A175/GM8241	1A175/GM8242		82.0	78.0		SA00562SE Cub Crafters	12 23 41	2450	2350
PA-18AS-125 "Super Cub"	F	O-320 series (LY)	1A175/GM8241	1A175/GM8242		82.0	78.0		SA00562SE Cub Crafters	12 23	2550	2450

Fixed Pitch Applications

Aircraft Model	T Y P E	Engine Model (Make)	Climb Model	Standard Model	Cruise Model	Max Dia	Min Dia	Spinner	STC Number	Notes	max rpm	min rpm
PA-18AS-125 "Super Cub"	L S	O-320 series (LY)		1A175/GM8243	1A175/GM8244	82.0	78.0		SA00562SE Cub Crafters	12 23 45	2450	2300
PA-18AS-125 "Super Cub"	F	O-320 series (LY)		1A175/GM8243	1A175/GM8244	82.0	78.0		SA00562SE Cub Crafters	12 23	2550	2400
PA-18AS-125 "Super Cub"	L S	O-320 series (LY)	1A175/GM8241	1A175/GM8242		82.0	78.0		SA00562SE Cub Crafters	12 25 46	2500	2400
PA-18AS-125 "Super Cub"	F	O-320 series (LY)	1A175/GM8241	1A175/GM8242		82.0	78.0		SA00562SE Cub Crafters	12 25	2600	2500
PA-18AS-125 "Super Cub"	L S	O-320 series (LY)		1A175/GM8243	1A175/GM8244	82.0	78.0		SA00562SE Cub Crafters	12 25 47	2475	2375
PA-18AS-125 "Super Cub"	F	O-320 series (LY)		1A175/GM8243	1A175/GM8244	82.0	78.0		SA00562SE Cub Crafters	12 25	2575	2475
PA-18AS-125 "Super Cub"		O-360 series (LY)	1A200/FA8240	1A200/FA8242	1A200/FA8245	82.0	78.0		SA92NW Cub Crafters	13 14 30	2450	2300
PA-18S-125 "Super Cub"		O-290-D (LY)		1A170/GM7446		74.0	72.5		SA1-156 McCauley		2450	2375
PA-18S-125 "Super Cub"		O-290-D (LY)	1A175/GM8241	1A175/GM8242	1A175/GM8244	82.0			SA02170AK Dan's Acft Repair	36		
PA-18S-125 "Super Cub"	F	O-290-D (LY)		1A175/GM8240		82.0			SA2397WE Univair			
PA-18S-125 "Super Cub"	F	O-320-A1B (LY)	1A175/GM8241	1A175/GM8242		82.0	78.0		SA00522SE Cub Crafters	12 41	2550	2450
PA-18S-125 "Super Cub"	L S	O-320-A1B (LY)	1A175/GM8241	1A175/GM8242		82.0	78.0		SA00522SE Cub Crafters	12 41	2550 2450	2450 2350
PA-18S-125 "Super Cub"	F	O-320-A1B (LY)		1A175/GM8243	1A175/GM8244	82.0	78.0		SA00522SE Cub Crafters	12 45	2550	2400
PA-18S-125 "Super Cub"	L S	O-320-A1B (LY)		1A175/GM8243	1A175/GM8244	82.0	78.0		SA00522SE Cub Crafters	12 45	2550 2450	2400 2300
PA-18S-125 "Super Cub"	F	O-320-A2B (LY)	1A175/GM8241	1A175/GM8242		82.0	78.0		SA00522SE Cub Crafters	12 41	2550	2450
PA-18S-125 "Super Cub"	L S	O-320-A2B (LY)	1A175/GM8241	1A175/GM8242		82.0	78.0		SA00522SE Cub Crafters	12 41	2550 2450	2450 2350
PA-18S-125 "Super Cub"	F	O-320-A2B (LY)		1A175/GM8243	1A175/GM8244	82.0	78.0		SA00522SE Cub Crafters	12 45	2550	2400

Fixed Pitch Applications

Aircraft Model	T Y P E	Engine Model (Make)	Climb Model	Standard Model	Cruise Model	Max Dia	Min Dia	Spinner	STC Number	Notes	max rpm	min rpm
PA-18S-125 "Super Cub"	L S	O-320-A2B (LY)		1A175/GM8243	1A175/GM8244	82.0	78.0		SA00522SE Cub Crafters	12 45	2550 2450	2400 2300
PA-18S-125 "Super Cub"	F	O-320-A2C (LY)	1A175/GM8241	1A175/GM8242		82.0	78.0		SA00522SE Cub Crafters	12 41	2550	2450
PA-18S-125 "Super Cub"	L S	O-320-A2C (LY)	1A175/GM8241	1A175/GM8242		82.0	78.0		SA00522SE Cub Crafters	12 41	2550 2450	2450 2350
PA-18S-125 "Super Cub"	F	O-320-A2C (LY)		1A175/GM8243	1A175/GM8244	82.0	78.0		SA00522SE Cub Crafters	12 45	2550	2400
PA-18S-125 "Super Cub"	L S	O-320-A2C (LY)		1A175/GM8243	1A175/GM8244	82.0	78.0		SA00522SE Cub Crafters	12 45	2550 2450	2400 2300
PA-18S-125 "Super Cub"	F	O-320-A2D (LY)	1A175/GM8241	1A175/GM8242		82.0	78.0		SA00522SE Cub Crafters	12 41	2550	2450
PA-18S-125 "Super Cub"	L S	O-320-A2D (LY)	1A175/GM8241	1A175/GM8242		82.0	78.0		SA00522SE Cub Crafters	12 41	2550 2450	2450 2350
PA-18S-125 "Super Cub"	F	O-320-A2D (LY)		1A175/GM8243	1A175/GM8244	82.0	78.0		SA00522SE Cub Crafters	12 45	2550	2400
PA-18S-125 "Super Cub"	L S	O-320-A2D (LY)		1A175/GM8243	1A175/GM8244	82.0	78.0		SA00522SE Cub Crafters	12 45	2550 2450	2400 2300
PA-18S-125 "Super Cub"	F	O-320-B2B (LY)	1A175/GM8241	1A175/GM8242		82.0	78.0		SA00522SE Cub Crafters	12 46	2600	2500
PA-18S-125 "Super Cub"	L S	O-320-B2B (LY)	1A175/GM8241	1A175/GM8242		82.0	78.0		SA00522SE Cub Crafters	12 46	2600 2500	2500 2400
PA-18S-125 "Super Cub"	F	O-320-B2B (LY)		1A175/GM8243	1A175/GM8244	82.0	78.0		SA00522SE Cub Crafters	12 47	2575	2475
PA-18S-125 "Super Cub"	L S	O-320-B2B (LY)		1A175/GM8243	1A175/GM8244	82.0	78.0		SA00522SE Cub Crafters	12 47	2575 2475	2475 2375
PA-18S-125 "Super Cub"	F	O-320-B2C (LY)	1A175/GM8241	1A175/GM8242		82.0	78.0		SA00522SE Cub Crafters	12 46	2600	2500
PA-18S-125 "Super Cub"	L S	O-320-B2C (LY)	1A175/GM8241	1A175/GM8242		82.0	78.0		SA00522SE Cub Crafters	12 46	2600 2500	2500 2400
PA-18S-125 "Super Cub"	F	O-320-B2C (LY)		1A175/GM8243	1A175/GM8244	82.0	78.0		SA00522SE Cub Crafters	12 47	2575	2475
PA-18S-125 "Super Cub"	L S	O-320-B2C (LY)		1A175/GM8243	1A175/GM8244	82.0	78.0		SA00522SE Cub Crafters	12 47	2575 2475	2475 2375
PA-18S-125 "Super Cub"	F	O-320-B2D (LY)	1A175/GM8241	1A175/GM8242		82.0	78.0		SA00522SE Cub Crafters	12 46	2600	2500
PA-18S-125 "Super Cub"	L S	O-320-B2D (LY)	1A175/GM8241	1A175/GM8242		82.0	78.0		SA00522SE Cub Crafters	12 46	2600 2500	2500 2400

Fixed Pitch Applications

Aircraft Model	T Y P E	Engine Model (Make)	Climb Model	Standard Model	Cruise Model	Max Dia	Min Dia	Spinner	STC Number	Notes	max rpm	min rpm
PA-18S-125 "Super Cub"	F	O-320-B2D (LY)		1A175/GM8243	1A175/GM8244	82.0	78.0		SA00522SE Cub Crafters	12 47	2575	2475
PA-18S-125 "Super Cub"	L S	O-320-B2D (LY)		1A175/GM8243	1A175/GM8244	82.0	78.0		SA00522SE Cub Crafters	12 47	2575 2475	2475 2375
PA-18S-125 "Super Cub"	F	O-320-C2B (LY)	1A175/GM8241	1A175/GM8242		82.0	78.0		SA00522SE Cub Crafters	12 41	2550	2450
PA-18S-125 "Super Cub"	L S	O-320-C2B (LY)	1A175/GM8241	1A175/GM8242		82.0	78.0		SA00522SE Cub Crafters	12 41	2550 2450	2450 2350
PA-18S-125 "Super Cub"	F	O-320-C2B (LY)		1A175/GM8243	1A175/GM8244	82.0	78.0		SA00522SE Cub Crafters	12 45	2550	2400
PA-18S-125 "Super Cub"	L S	O-320-C2B (LY)		1A175/GM8243	1A175/GM8244	82.0	78.0		SA00522SE Cub Crafters	12 45	2550 2450	2400 2300
PA-18S-125 "Super Cub"	F	O-320-C2C (LY)	1A175/GM8241	1A175/GM8242		82.0	78.0		SA00522SE Cub Crafters	12 41	2550	2450
PA-18S-125 "Super Cub"	L S	O-320-C2C (LY)	1A175/GM8241	1A175/GM8242		82.0	78.0		SA00522SE Cub Crafters	12 41	2550 2450	2450 2350
PA-18S-125 "Super Cub"	F	O-320-C2C (LY)		1A175/GM8243	1A175/GM8244	82.0	78.0		SA00522SE Cub Crafters	12 45	2550	2400
PA-18S-125 "Super Cub"	L S	O-320-C2C (LY)		1A175/GM8243	1A175/GM8244	82.0	78.0		SA00522SE Cub Crafters	12 45	2550 2450	2400 2300
PA-18S-125 "Super Cub"	F	O-320-D2A (LY)	1A175/GM8241	1A175/GM8242		82.0	78.0		SA00522SE Cub Crafters	12 46	2600	2500
PA-18S-125 "Super Cub"	L S	O-320-D2A (LY)	1A175/GM8241	1A175/GM8242		82.0	78.0		SA00522SE Cub Crafters	12 46	2600 2500	2500 2400
PA-18S-125 "Super Cub"	F	O-320-D2A (LY)		1A175/GM8243	1A175/GM8244	82.0	78.0		SA00522SE Cub Crafters	12 47	2575	2475
PA-18S-125 "Super Cub"	L S	O-320-D2A (LY)		1A175/GM8243	1A175/GM8244	82.0	78.0		SA00522SE Cub Crafters	12 47	2575 2475	2475 2375
PA-18S-125 "Super Cub"	F	O-320-D2B (LY)	1A175/GM8241	1A175/GM8242		82.0	78.0		SA00522SE Cub Crafters	12 46	2600	2500
PA-18S-125 "Super Cub"	L S	O-320-D2B (LY)	1A175/GM8241	1A175/GM8242		82.0	78.0		SA00522SE Cub Crafters	12 46	2600 2500	2500 2400
PA-18S-125 "Super Cub"	F	O-320-D2B (LY)		1A175/GM8243	1A175/GM8244	82.0	78.0		SA00522SE Cub Crafters	12 47	2575	2475
PA-18S-125 "Super Cub"	L S	O-320-D2B (LY)		1A175/GM8243	1A175/GM8244	82.0	78.0		SA00522SE Cub Crafters	12 47	2575 2475	2475 2375
PA-18S-125 "Super Cub"	F	O-320-D2C (LY)	1A175/GM8241	1A175/GM8242		82.0	78.0		SA00522SE Cub Crafters	12 46	2600	2500

Fixed Pitch Applications

Aircraft Model	T Y P E	Engine Model (Make)	Climb Model	Standard Model	Cruise Model	Max Dia	Min Dia	Spinner	STC Number	Notes	max rpm	min rpm
PA-18S-125 "Super Cub"	L S	O-320-D2C (LY)	1A175/GM8241	1A175/GM8242		82.0	78.0		SA00522SE Cub Crafters	12 46	2600 2500	2500 2400
PA-18S-125 "Super Cub"	F	O-320-D2C (LY)		1A175/GM8243	1A175/GM8244	82.0	78.0		SA00522SE Cub Crafters	12 47	2575	2475
PA-18S-125 "Super Cub"	L S	O-320-D2C (LY)		1A175/GM8243	1A175/GM8244	82.0	78.0		SA00522SE Cub Crafters	12 47	2575 2475	2475 2375
PA-18S-125 "Super Cub"	F	O-320-D3G (LY)	1A175/GM8241	1A175/GM8242		82.0	78.0		SA00522SE Cub Crafters	12 46	2600	2500
PA-18S-125 "Super Cub"	L S	O-320-D3G (LY)	1A175/GM8241	1A175/GM8242		82.0	78.0		SA00522SE Cub Crafters	12 46	2600 2500	2500 2400
PA-18S-125 "Super Cub"	F	O-320-D3G (LY)		1A175/GM8243	1A175/GM8244	82.0	78.0		SA00522SE Cub Crafters	12 47	2575	2475
PA-18S-125 "Super Cub"	L S	O-320-D3G (LY)		1A175/GM8243	1A175/GM8244	82.0	78.0		SA00522SE Cub Crafters	12 47	2575 2475	2475 2375
PA-18S-125 "Super Cub"	L S	O-320 series (LY)	1A175/GM8241	1A175/GM8242		82.0	78.0		SA00562SE Cub Crafters	12 23 41	2450	2350
PA-18S-125 "Super Cub"	F	O-320 series (LY)	1A175/GM8241	1A175/GM8242		82.0	78.0		SA00562SE Cub Crafters	12 23	2550	2450
PA-18S-125 "Super Cub"	L S	O-320 series (LY)		1A175/GM8243	1A175/GM8244	82.0	78.0		SA00562SE Cub Crafters	12 23 45	2450	2300
PA-18S-125 "Super Cub"	F	O-320 series (LY)		1A175/GM8243	1A175/GM8244	82.0	78.0		SA00562SE Cub Crafters	12 23	2550	2400
PA-18S-125 "Super Cub"	L S	O-320 series (LY)	1A175/GM8241	1A175/GM8242		82.0	78.0		SA00562SE Cub Crafters	12 25 46	2500	2400
PA-18S-125 "Super Cub"	F	O-320 series (LY)	1A175/GM8241	1A175/GM8242		82.0	78.0		SA00562SE Cub Crafters	12 25	2600	2500
PA-18S-125 "Super Cub"	L S	O-320 series (LY)		1A175/GM8243	1A175/GM8244	82.0	78.0		SA00562SE Cub Crafters	12 25 47	2475	2375
PA-18S-125 "Super Cub"	F	O-320 series (LY)		1A175/GM8243	1A175/GM8244	82.0	78.0		SA00562SE Cub Crafters	12 25	2575	2475
PA-18S-125 "Super Cub"		O-360 series (LY)	1A200/FA8240	1A200/FA8242	1A200/FA8245	82.0	78.0		SA92NW Cub Crafters	13 14 30	2450	2300
PA-18-135 "Super Cub"		O-290-D2 (LY)		1A170/GM7450	1A170/GM7452	74.0	72.5		SA1-32 McCauley		2350	2150

Fixed Pitch Applications

Aircraft Model	T Y P E	Engine Model (Make)	Climb Model	Standard Model	Cruise Model	Max Dia	Min Dia	Spinner	STC Number	Notes	max rpm	min rpm
PA-18-135 "Super Cub"		O-290-D2 (LY)		1A175/GM8040	1A175/GM8044	80.0			SA288AL Matanuska Air			
PA-18-135 "Super Cub"		O-290-D2 (LY)		1A175/GM8241		82.0			SA279AL Borer			
PA-18-135 "Super Cub"		O-290-D2 (LY)	1A175/GM8241	1A175/GM8242	1A175/GM8244	82.0			SA02170AK Dan's Acft Repair	36		
PA-18-135 "Super Cub"	F	O-320-A1B (LY)	1A175/GM8241	1A175/GM8242		82.0	78.0		SA00522SE Cub Crafters	12 41	2550	2450
PA-18-135 "Super Cub"	L S	O-320-A1B (LY)	1A175/GM8241	1A175/GM8242		82.0	78.0		SA00522SE Cub Crafters	12 41	2550 2450	2450 2350
PA-18-135 "Super Cub"	F	O-320-A1B (LY)		1A175/GM8243	1A175/GM8244	82.0	78.0		SA00522SE Cub Crafters	12 45	2550	2400
PA-18-135 "Super Cub"	L S	O-320-A1B (LY)		1A175/GM8243	1A175/GM8244	82.0	78.0		SA00522SE Cub Crafters	12 45	2550 2450	2400 2300
PA-18-135 "Super Cub"	F	O-320-A2B (LY)	1A175/GM8241	1A175/GM8242		82.0	78.0		SA00522SE Cub Crafters	12 41	2550	2450
PA-18-135 "Super Cub"	L S	O-320-A2B (LY)	1A175/GM8241	1A175/GM8242		82.0	78.0		SA00522SE Cub Crafters	12 41	2550 2450	2450 2350
PA-18-135 "Super Cub"	F	O-320-A2B (LY)		1A175/GM8243	1A175/GM8244	82.0	78.0		SA00522SE Cub Crafters	12 45	2550	2400
PA-18-135 "Super Cub"	L S	O-320-A2B (LY)		1A175/GM8243	1A175/GM8244	82.0	78.0		SA00522SE Cub Crafters	12 45	2550 2450	2400 2300
PA-18-135 "Super Cub"	F	O-320-A2C (LY)	1A175/GM8241	1A175/GM8242		82.0	78.0		SA00522SE Cub Crafters	12 41	2550	2450
PA-18-135 "Super Cub"	L S	O-320-A2C (LY)	1A175/GM8241	1A175/GM8242		82.0	78.0		SA00522SE Cub Crafters	12 41	2550 2450	2450 2350
PA-18-135 "Super Cub"	F	O-320-A2C (LY)		1A175/GM8243	1A175/GM8244	82.0	78.0		SA00522SE Cub Crafters	12 45	2550	2400
PA-18-135 "Super Cub"	L S	O-320-A2C (LY)		1A175/GM8243	1A175/GM8244	82.0	78.0		SA00522SE Cub Crafters	12 45	2550 2450	2400 2300
PA-18-135 "Super Cub"	F	O-320-A2D (LY)	1A175/GM8241	1A175/GM8242		82.0	78.0		SA00522SE Cub Crafters	12 41	2550	2450
PA-18-135 "Super Cub"	L S	O-320-A2D (LY)	1A175/GM8241	1A175/GM8242		82.0	78.0		SA00522SE Cub Crafters	12 41	2550 2450	2450 2350
PA-18-135 "Super Cub"	F	O-320-A2D (LY)		1A175/GM8243	1A175/GM8244	82.0	78.0		SA00522SE Cub Crafters	12 45	2550	2400
PA-18-135 "Super Cub"	L S	O-320-A2D (LY)		1A175/GM8243	1A175/GM8244	82.0	78.0		SA00522SE Cub Crafters	12 45	2550 2450	2400 2300

Fixed Pitch Applications

Aircraft Model	T Y P E	Engine Model (Make)	Climb Model	Standard Model	Cruise Model	Max Dia	Min Dia	Spinner	STC Number	Notes	max rpm	min rpm
PA-18-135 "Super Cub"	F	O-320-B2B (LY)	1A175/GM8241	1A175/GM8242		82.0	78.0		SA00522SE Cub Crafters	12 46	2600	2500
PA-18-135 "Super Cub"	L S	O-320-B2B (LY)	1A175/GM8241	1A175/GM8242		82.0	78.0		SA00522SE Cub Crafters	12 46	2600 2500	2500 2400
PA-18-135 "Super Cub"	F	O-320-B2B (LY)		1A175/GM8243	1A175/GM8244	82.0	78.0		SA00522SE Cub Crafters	12 47	2575	2475
PA-18-135 "Super Cub"	L S	O-320-B2B (LY)		1A175/GM8243	1A175/GM8244	82.0	78.0		SA00522SE Cub Crafters	12 47	2575 2475	2475 2375
PA-18-135 "Super Cub"	F	O-320-B2C (LY)	1A175/GM8241	1A175/GM8242		82.0	78.0		SA00522SE Cub Crafters	12 46	2600	2500
PA-18-135 "Super Cub"	L S	O-320-B2C (LY)	1A175/GM8241	1A175/GM8242		82.0	78.0		SA00522SE Cub Crafters	12 46	2600 2500	2500 2400
PA-18-135 "Super Cub"	F	O-320-B2C (LY)		1A175/GM8243	1A175/GM8244	82.0	78.0		SA00522SE Cub Crafters	12 47	2575	2475
PA-18-135 "Super Cub"	L S	O-320-B2C (LY)		1A175/GM8243	1A175/GM8244	82.0	78.0		SA00522SE Cub Crafters	12 47	2575 2475	2475 2375
PA-18-135 "Super Cub"	F	O-320-B2D (LY)	1A175/GM8241	1A175/GM8242		82.0	78.0		SA00522SE Cub Crafters	12 46	2600	2500
PA-18-135 "Super Cub"	L S	O-320-B2D (LY)	1A175/GM8241	1A175/GM8242		82.0	78.0		SA00522SE Cub Crafters	12 46	2600 2500	2500 2400
PA-18-135 "Super Cub"	F	O-320-B2D (LY)		1A175/GM8243	1A175/GM8244	82.0	78.0		SA00522SE Cub Crafters	12 47	2575	2475
PA-18-135 "Super Cub"	L S	O-320-B2D (LY)		1A175/GM8243	1A175/GM8244	82.0	78.0		SA00522SE Cub Crafters	12 47	2575 2475	2475 2375
PA-18-135 "Super Cub"	F	O-320-C2B (LY)	1A175/GM8241	1A175/GM8242		82.0	78.0		SA00522SE Cub Crafters	12 41	2550	2450
PA-18-135 "Super Cub"	L S	O-320-C2B (LY)	1A175/GM8241	1A175/GM8242		82.0	78.0		SA00522SE Cub Crafters	12 41	2550 2450	2450 2350
PA-18-135 "Super Cub"	F	O-320-C2B (LY)		1A175/GM8243	1A175/GM8244	82.0	78.0		SA00522SE Cub Crafters	12 45	2550	2400
PA-18-135 "Super Cub"	L S	O-320-C2B (LY)		1A175/GM8243	1A175/GM8244	82.0	78.0		SA00522SE Cub Crafters	12 45	2550 2450	2400 2300
PA-18-135 "Super Cub"	F	O-320-C2C (LY)	1A175/GM8241	1A175/GM8242		82.0	78.0		SA00522SE Cub Crafters	12 41	2550	2450
PA-18-135 "Super Cub"	L S	O-320-C2C (LY)	1A175/GM8241	1A175/GM8242		82.0	78.0		SA00522SE Cub Crafters	12 41	2550 2450	2450 2350
PA-18-135 "Super Cub"	F	O-320-C2C (LY)		1A175/GM8243	1A175/GM8244	82.0	78.0		SA00522SE Cub Crafters	12 45	2550	2400

Fixed Pitch Applications

Aircraft Model	T Y P E	Engine Model (Make)	Climb Model	Standard Model	Cruise Model	Max Dia	Min Dia	Spinner	STC Number	Notes	max rpm	min rpm
PA-18-135 "Super Cub"	L S	O-320-C2C (LY)		1A175/GM8243	1A175/GM8244	82.0	78.0		SA00522SE Cub Crafters	12 45	2550 2450	2400 2300
PA-18-135 "Super Cub"	F	O-320-D2A (LY)	1A175/GM8241	1A175/GM8242		82.0	78.0		SA00522SE Cub Crafters	12 46	2600	2500
PA-18-135 "Super Cub"	L S	O-320-D2A (LY)	1A175/GM8241	1A175/GM8242		82.0	78.0		SA00522SE Cub Crafters	12 46	2600 2500	2500 2400
PA-18-135 "Super Cub"	F	O-320-D2A (LY)		1A175/GM8243	1A175/GM8244	82.0	78.0		SA00522SE Cub Crafters	12 47	2575	2475
PA-18-135 "Super Cub"	L S	O-320-D2A (LY)		1A175/GM8243	1A175/GM8244	82.0	78.0		SA00522SE Cub Crafters	12 47	2575 2475	2475 2375
PA-18-135 "Super Cub"	F	O-320-D2B (LY)	1A175/GM8241	1A175/GM8242		82.0	78.0		SA00522SE Cub Crafters	12 46	2600	2500
PA-18-135 "Super Cub"	L S	O-320-D2B (LY)	1A175/GM8241	1A175/GM8242		82.0	78.0		SA00522SE Cub Crafters	12 46	2600 2500	2500 2400
PA-18-135 "Super Cub"	F	O-320-D2B (LY)		1A175/GM8243	1A175/GM8244	82.0	78.0		SA00522SE Cub Crafters	12 47	2575	2475
PA-18-135 "Super Cub"	L S	O-320-D2B (LY)		1A175/GM8243	1A175/GM8244	82.0	78.0		SA00522SE Cub Crafters	12 47	2575 2475	2475 2375
PA-18-135 "Super Cub"	F	O-320-D2C (LY)	1A175/GM8241	1A175/GM8242		82.0	78.0		SA00522SE Cub Crafters	12 46	2600	2500
PA-18-135 "Super Cub"	L S	O-320-D2C (LY)	1A175/GM8241	1A175/GM8242		82.0	78.0		SA00522SE Cub Crafters	12 46	2600 2500	2500 2400
PA-18-135 "Super Cub"	F	O-320-D2C (LY)		1A175/GM8243	1A175/GM8244	82.0	78.0		SA00522SE Cub Crafters	12 47	2575	2475
PA-18-135 "Super Cub"	L S	O-320-D2C (LY)		1A175/GM8243	1A175/GM8244	82.0	78.0		SA00522SE Cub Crafters	12 47	2575 2475	2475 2375
PA-18-135 "Super Cub"	F	O-320-D3G (LY)	1A175/GM8241	1A175/GM8242		82.0	78.0		SA00522SE Cub Crafters	12 46	2600	2500
PA-18-135 "Super Cub"	L S	O-320-D3G (LY)	1A175/GM8241	1A175/GM8242		82.0	78.0		SA00522SE Cub Crafters	12 46	2600 2500	2500 2400
PA-18-135 "Super Cub"	F	O-320-D3G (LY)		1A175/GM8243	1A175/GM8244	82.0	78.0		SA00522SE Cub Crafters	12 47	2575	2475
PA-18-135 "Super Cub"	L S	O-320-D3G (LY)		1A175/GM8243	1A175/GM8244	82.0	78.0		SA00522SE Cub Crafters	12 47	2575 2475	2475 2375
PA-18-135 "Super Cub"	L S	O-320 series (LY)	1A175/GM8241	1A175/GM8242		82.0	78.0		SA00562SE Cub Crafters	12 23 41	2450	2350
PA-18-135 "Super Cub"	F	O-320 series (LY)	1A175/GM8241	1A175/GM8242		82.0	78.0		SA00562SE Cub Crafters	12 23	2550	2450

Fixed Pitch Applications

Aircraft Model	T Y P E	Engine Model (Make)	Climb Model	Standard Model	Cruise Model	Max Dia	Min Dia	Spinner	STC Number	Notes	max rpm	min rpm
PA-18-135 "Super Cub"	L S	O-320 series (LY)		1A175/GM8243	1A175/GM8244	82.0	78.0		SA00562SE Cub Crafters	12 23 45	2450	2300
PA-18-135 "Super Cub"	F	O-320 series (LY)		1A175/GM8243	1A175/GM8244	82.0	78.0		SA00562SE Cub Crafters	12 23	2550	2400
PA-18-135 "Super Cub"	L S	O-320 series (LY)	1A175/GM8241	1A175/GM8242		82.0	78.0		SA00562SE Cub Crafters	12 25 46	2500	2400
PA-18-135 "Super Cub"	F	O-320 series (LY)	1A175/GM8241	1A175/GM8242		82.0	78.0		SA00562SE Cub Crafters	12 25	2600	2500
PA-18-135 "Super Cub"	L S	O-320 series (LY)		1A175/GM8243	1A175/GM8244	82.0	78.0		SA00562SE Cub Crafters	12 25 47	2475	2375
PA-18-135 "Super Cub"	F	O-320 series (LY)		1A175/GM8243	1A175/GM8244	82.0	78.0		SA00562SE Cub Crafters	12 25	2575	2475
PA-18-135 "Super Cub"		O-360 series (LY)	1A200/FA8240	1A200/FA8242	1A200/FA8245	82.0	78.0		SA92NW Cub Crafters	13 14 30	2450	2300
PA-18A-135 "Super Cub"		O-290-D2 (LY)		1A170/GM7450	1A170/GM7452	74.0	72.5		SA1-33 McCauley		2350	2150
PA-18A-135 "Super Cub"		O-290-D2 (LY)	1A175/GM8241	1A175/GM8242	1A175/GM8244	82.0			SA02170AK Dan's Acft Repair	36		
PA-18A-135 "Super Cub"		O-290-D2 (LY)		1A175/GM8241		82.0			SA279AL Borer			
PA-18A-135 "Super Cub"	F	O-320-A1B (LY)	1A175/GM8241	1A175/GM8242		82.0	78.0		SA00522SE Cub Crafters	12 41	2550	2450
PA-18A-135 "Super Cub"	L S	O-320-A1B (LY)	1A175/GM8241	1A175/GM8242		82.0	78.0		SA00522SE Cub Crafters	12 41	2550 2450	2450 2350
PA-18A-135 "Super Cub"	F	O-320-A1B (LY)		1A175/GM8243	1A175/GM8244	82.0	78.0		SA00522SE Cub Crafters	12 45	2550	2400
PA-18A-135 "Super Cub"	L S	O-320-A1B (LY)		1A175/GM8243	1A175/GM8244	82.0	78.0		SA00522SE Cub Crafters	12 45	2550 2450	2400 2300
PA-18A-135 "Super Cub"	F	O-320-A2B (LY)	1A175/GM8241	1A175/GM8242		82.0	78.0		SA00522SE Cub Crafters	12 41	2550	2450
PA-18A-135 "Super Cub"	L S	O-320-A2B (LY)	1A175/GM8241	1A175/GM8242		82.0	78.0		SA00522SE Cub Crafters	12 41	2550 2450	2450 2350
PA-18A-135 "Super Cub"	F	O-320-A2B (LY)		1A175/GM8243	1A175/GM8244	82.0	78.0		SA00522SE Cub Crafters	12 45	2550	2400

Fixed Pitch Applications

Aircraft Model	T Y P E	Engine Model (Make)	Climb Model	Standard Model	Cruise Model	Max Dia	Min Dia	Spinner	STC Number	Notes	max rpm	min rpm
PA-18A-135 "Super Cub"	L S	O-320-A2B (LY)		1A175/GM8243	1A175/GM8244	82.0	78.0		SA00522SE Cub Crafters	12 45	2550 2450	2400 2300
PA-18A-135 "Super Cub"	F	O-320-A2C (LY)	1A175/GM8241	1A175/GM8242		82.0	78.0		SA00522SE Cub Crafters	12 41	2550	2450
PA-18A-135 "Super Cub"	L S	O-320-A2C (LY)	1A175/GM8241	1A175/GM8242		82.0	78.0		SA00522SE Cub Crafters	12 41	2550 2450	2450 2350
PA-18A-135 "Super Cub"	F	O-320-A2C (LY)		1A175/GM8243	1A175/GM8244	82.0	78.0		SA00522SE Cub Crafters	12 45	2550	2400
PA-18A-135 "Super Cub"	L S	O-320-A2C (LY)		1A175/GM8243	1A175/GM8244	82.0	78.0		SA00522SE Cub Crafters	12 45	2550 2450	2400 2300
PA-18A-135 "Super Cub"	F	O-320-A2D (LY)	1A175/GM8241	1A175/GM8242		82.0	78.0		SA00522SE Cub Crafters	12 41	2550	2450
PA-18A-135 "Super Cub"	L S	O-320-A2D (LY)	1A175/GM8241	1A175/GM8242		82.0	78.0		SA00522SE Cub Crafters	12 41	2550 2450	2450 2350
PA-18A-135 "Super Cub"	F	O-320-A2D (LY)		1A175/GM8243	1A175/GM8244	82.0	78.0		SA00522SE Cub Crafters	12 45	2550	2400
PA-18A-135 "Super Cub"	L S	O-320-A2D (LY)		1A175/GM8243	1A175/GM8244	82.0	78.0		SA00522SE Cub Crafters	12 45	2550 2450	2400 2300
PA-18A-135 "Super Cub"	F	O-320-B2B (LY)	1A175/GM8241	1A175/GM8242		82.0	78.0		SA00522SE Cub Crafters	12 46	2600	2500
PA-18A-135 "Super Cub"	L S	O-320-B2B (LY)	1A175/GM8241	1A175/GM8242		82.0	78.0		SA00522SE Cub Crafters	12 46	2600 2500	2500 2400
PA-18A-135 "Super Cub"	F	O-320-B2B (LY)		1A175/GM8243	1A175/GM8244	82.0	78.0		SA00522SE Cub Crafters	12 47	2575	2475
PA-18A-135 "Super Cub"	L S	O-320-B2B (LY)		1A175/GM8243	1A175/GM8244	82.0	78.0		SA00522SE Cub Crafters	12 47	2575 2475	2475 2375
PA-18A-135 "Super Cub"	F	O-320-B2C (LY)	1A175/GM8241	1A175/GM8242		82.0	78.0		SA00522SE Cub Crafters	12 46	2600	2500
PA-18A-135 "Super Cub"	L S	O-320-B2C (LY)	1A175/GM8241	1A175/GM8242		82.0	78.0		SA00522SE Cub Crafters	12 46	2600 2500	2500 2400
PA-18A-135 "Super Cub"	F	O-320-B2C (LY)		1A175/GM8243	1A175/GM8244	82.0	78.0		SA00522SE Cub Crafters	12 47	2575	2475
PA-18A-135 "Super Cub"	L S	O-320-B2C (LY)		1A175/GM8243	1A175/GM8244	82.0	78.0		SA00522SE Cub Crafters	12 47	2575 2475	2475 2375
PA-18A-135 "Super Cub"	F	O-320-B2D (LY)	1A175/GM8241	1A175/GM8242		82.0	78.0		SA00522SE Cub Crafters	12 46	2600	2500
PA-18A-135 "Super Cub"	L S	O-320-B2D (LY)	1A175/GM8241	1A175/GM8242		82.0	78.0		SA00522SE Cub Crafters	12 46	2600 2500	2500 2400

Fixed Pitch Applications

Aircraft Model	T Y P E	Engine Model (Make)	Climb Model	Standard Model	Cruise Model	Max Dia	Min Dia	Spinner	STC Number	Notes	max rpm	min rpm
PA-18A-135 "Super Cub"	F	O-320-B2D (LY)		1A175/GM8243	1A175/GM8244	82.0	78.0		SA00522SE Cub Crafters	12 47	2575	2475
PA-18A-135 "Super Cub"	L S	O-320-B2D (LY)		1A175/GM8243	1A175/GM8244	82.0	78.0		SA00522SE Cub Crafters	12 47	2575 2475	2475 2375
PA-18A-135 "Super Cub"	F	O-320-C2B (LY)	1A175/GM8241	1A175/GM8242		82.0	78.0		SA00522SE Cub Crafters	12 41	2550	2450
PA-18A-135 "Super Cub"	L S	O-320-C2B (LY)	1A175/GM8241	1A175/GM8242		82.0	78.0		SA00522SE Cub Crafters	12 41	2550 2450	2450 2350
PA-18A-135 "Super Cub"	F	O-320-C2B (LY)		1A175/GM8243	1A175/GM8244	82.0	78.0		SA00522SE Cub Crafters	12 45	2550	2400
PA-18A-135 "Super Cub"	L S	O-320-C2B (LY)		1A175/GM8243	1A175/GM8244	82.0	78.0		SA00522SE Cub Crafters	12 45	2550 2450	2400 2300
PA-18A-135 "Super Cub"	F	O-320-C2C (LY)	1A175/GM8241	1A175/GM8242		82.0	78.0		SA00522SE Cub Crafters	12 41	2550	2450
PA-18A-135 "Super Cub"	L S	O-320-C2C (LY)	1A175/GM8241	1A175/GM8242		82.0	78.0		SA00522SE Cub Crafters	12 41	2550 2450	2450 2350
PA-18A-135 "Super Cub"	F	O-320-C2C (LY)		1A175/GM8243	1A175/GM8244	82.0	78.0		SA00522SE Cub Crafters	12 45	2550	2400
PA-18A-135 "Super Cub"	L S	O-320-C2C (LY)		1A175/GM8243	1A175/GM8244	82.0	78.0		SA00522SE Cub Crafters	12 45	2550 2450	2400 2300
PA-18A-135 "Super Cub"	F	O-320-D2A (LY)	1A175/GM8241	1A175/GM8242		82.0	78.0		SA00522SE Cub Crafters	12 46	2600	2500
PA-18A-135 "Super Cub"	L S	O-320-D2A (LY)	1A175/GM8241	1A175/GM8242		82.0	78.0		SA00522SE Cub Crafters	12 46	2600 2500	2500 2400
PA-18A-135 "Super Cub"	F	O-320-D2A (LY)		1A175/GM8243	1A175/GM8244	82.0	78.0		SA00522SE Cub Crafters	12 47	2575	2475
PA-18A-135 "Super Cub"	L S	O-320-D2A (LY)		1A175/GM8243	1A175/GM8244	82.0	78.0		SA00522SE Cub Crafters	12 47	2575 2475	2475 2375
PA-18A-135 "Super Cub"	F	O-320-D2B (LY)	1A175/GM8241	1A175/GM8242		82.0	78.0		SA00522SE Cub Crafters	12 46	2600	2500
PA-18A-135 "Super Cub"	L S	O-320-D2B (LY)	1A175/GM8241	1A175/GM8242		82.0	78.0		SA00522SE Cub Crafters	12 46	2600 2500	2500 2400
PA-18A-135 "Super Cub"	F	O-320-D2B (LY)		1A175/GM8243	1A175/GM8244	82.0	78.0		SA00522SE Cub Crafters	12 47	2575	2475
PA-18A-135 "Super Cub"	L S	O-320-D2B (LY)		1A175/GM8243	1A175/GM8244	82.0	78.0		SA00522SE Cub Crafters	12 47	2575 2475	2475 2375
PA-18A-135 "Super Cub"	F	O-320-D2C (LY)	1A175/GM8241	1A175/GM8242		82.0	78.0		SA00522SE Cub Crafters	12 46	2600	2500

Fixed Pitch Applications

Aircraft Model	T Y P E	Engine Model (Make)	Climb Model	Standard Model	Cruise Model	Max Dia	Min Dia	Spinner	STC Number	Notes	max rpm	min rpm
PA-18A-135 "Super Cub"	L S	O-320-D2C (LY)	1A175/GM8241	1A175/GM8242		82.0	78.0		SA00522SE Cub Crafters	12 46	2600 2500	2500 2400
PA-18A-135 "Super Cub"	F	O-320-D2C (LY)		1A175/GM8243	1A175/GM8244	82.0	78.0		SA00522SE Cub Crafters	12 47	2575	2475
PA-18A-135 "Super Cub"	L S	O-320-D2C (LY)		1A175/GM8243	1A175/GM8244	82.0	78.0		SA00522SE Cub Crafters	12 47	2575 2475	2475 2375
PA-18A-135 "Super Cub"	F	O-320-D3G (LY)	1A175/GM8241	1A175/GM8242		82.0	78.0		SA00522SE Cub Crafters	12 46	2600	2500
PA-18A-135 "Super Cub"	L S	O-320-D3G (LY)	1A175/GM8241	1A175/GM8242		82.0	78.0		SA00522SE Cub Crafters	12 46	2600 2500	2500 2400
PA-18A-135 "Super Cub"	F	O-320-D3G (LY)		1A175/GM8243	1A175/GM8244	82.0	78.0		SA00522SE Cub Crafters	12 47	2575	2475
PA-18A-135 "Super Cub"	L S	O-320-D3G (LY)		1A175/GM8243	1A175/GM8244	82.0	78.0		SA00522SE Cub Crafters	12 47	2575 2475	2475 2375
PA-18A-135 "Super Cub"	L S	O-320 series (LY)	1A175/GM8241	1A175/GM8242		82.0	78.0		SA00562SE Cub Crafters	12 23 41	2450	2350
PA-18A-135 "Super Cub"	F	O-320 series (LY)	1A175/GM8241	1A175/GM8242		82.0	78.0		SA00562SE Cub Crafters	12 23	2550	2450
PA-18A-135 "Super Cub"	L S	O-320 series (LY)		1A175/GM8243	1A175/GM8244	82.0	78.0		SA00562SE Cub Crafters	12 23 45	2450	2300
PA-18A-135 "Super Cub"	F	O-320 series (LY)		1A175/GM8243	1A175/GM8244	82.0	78.0		SA00562SE Cub Crafters	12 23	2550	2400
PA-18A-135 "Super Cub"	L S	O-320 series (LY)	1A175/GM8241	1A175/GM8242		82.0	78.0		SA00562SE Cub Crafters	12 25 46	2500	2400
PA-18A-135 "Super Cub"	F	O-320 series (LY)	1A175/GM8241	1A175/GM8242		82.0	78.0		SA00562SE Cub Crafters	12 25	2600	2500
PA-18A-135 "Super Cub"	L S	O-320 series (LY)		1A175/GM8243	1A175/GM8244	82.0	78.0		SA00562SE Cub Crafters	12 25 47	2475	2375
PA-18A-135 "Super Cub"	F	O-320 series (LY)		1A175/GM8243	1A175/GM8244	82.0	78.0		SA00562SE Cub Crafters	12 25	2575	2475
PA-18A-135 "Super Cub"		O-360 series (LY)	1A200/FA8240	1A200/FA8242	1A200/FA8245	82.0	78.0		SA92NW Cub Crafters	13 14 30	2450	2300
PA-18S-135 "Super Cub"		O-290-D2 (LY)		1A170/GM7448		74.0	72.5		SA1-155 McCauley		2375	2275

Fixed Pitch Applications

Aircraft Model	T Y P E	Engine Model (Make)	Climb Model	Standard Model	Cruise Model	Max Dia	Min Dia	Spinner	STC Number	Notes	max rpm	min rpm
PA-18S-135 "Super Cub"		O-290-D2 (LY)		1A175/GM8241		82.0			SA279AL Borer			
PA-18S-135 "Super Cub"		O-290-D2 (LY)	1A175/GM8241	1A175/GM8242	1A175/GM8244	82.0			SA02170AK Dan's Acft Repair	36		
PA-18S-135 "Super Cub"	F	O-320-A1B (LY)	1A175/GM8241	1A175/GM8242		82.0	78.0		SA00522SE Cub Crafters	12 41	2550	2450
PA-18S-135 "Super Cub"	L S	O-320-A1B (LY)	1A175/GM8241	1A175/GM8242		82.0	78.0		SA00522SE Cub Crafters	12 41	2550 2450	2450 2350
PA-18S-135 "Super Cub"	F	O-320-A1B (LY)		1A175/GM8243	1A175/GM8244	82.0	78.0		SA00522SE Cub Crafters	12 45	2550	2400
PA-18S-135 "Super Cub"	L S	O-320-A1B (LY)		1A175/GM8243	1A175/GM8244	82.0	78.0		SA00522SE Cub Crafters	12 45	2550 2450	2400 2300
PA-18S-135 "Super Cub"	F	O-320-A2B (LY)	1A175/GM8241	1A175/GM8242		82.0	78.0		SA00522SE Cub Crafters	12 41	2550	2450
PA-18S-135 "Super Cub"	L S	O-320-A2B (LY)	1A175/GM8241	1A175/GM8242		82.0	78.0		SA00522SE Cub Crafters	12 41	2550 2450	2450 2350
PA-18S-135 "Super Cub"	F	O-320-A2B (LY)		1A175/GM8243	1A175/GM8244	82.0	78.0		SA00522SE Cub Crafters	12 45	2550	2400
PA-18S-135 "Super Cub"	L S	O-320-A2B (LY)		1A175/GM8243	1A175/GM8244	82.0	78.0		SA00522SE Cub Crafters	12 45	2550 2450	2400 2300
PA-18S-135 "Super Cub"	F	O-320-A2C (LY)	1A175/GM8241	1A175/GM8242		82.0	78.0		SA00522SE Cub Crafters	12 41	2550	2450
PA-18S-135 "Super Cub"	L S	O-320-A2C (LY)	1A175/GM8241	1A175/GM8242		82.0	78.0		SA00522SE Cub Crafters	12 41	2550 2450	2450 2350
PA-18S-135 "Super Cub"	F	O-320-A2C (LY)		1A175/GM8243	1A175/GM8244	82.0	78.0		SA00522SE Cub Crafters	12 45	2550	2400
PA-18S-135 "Super Cub"	L S	O-320-A2C (LY)		1A175/GM8243	1A175/GM8244	82.0	78.0		SA00522SE Cub Crafters	12 45	2550 2450	2400 2300
PA-18S-135 "Super Cub"	F	O-320-A2D (LY)	1A175/GM8241	1A175/GM8242		82.0	78.0		SA00522SE Cub Crafters	12 41	2550	2450
PA-18S-135 "Super Cub"	L S	O-320-A2D (LY)	1A175/GM8241	1A175/GM8242		82.0	78.0		SA00522SE Cub Crafters	12 41	2550 2450	2450 2350
PA-18S-135 "Super Cub"	F	O-320-A2D (LY)		1A175/GM8243	1A175/GM8244	82.0	78.0		SA00522SE Cub Crafters	12 45	2550	2400
PA-18S-135 "Super Cub"	L S	O-320-A2D (LY)		1A175/GM8243	1A175/GM8244	82.0	78.0		SA00522SE Cub Crafters	12 45	2550 2450	2400 2300
PA-18S-135 "Super Cub"	F	O-320-B2B (LY)	1A175/GM8241	1A175/GM8242		82.0	78.0		SA00522SE Cub Crafters	12 46	2600	2500

Fixed Pitch Applications

Aircraft Model	T Y P E	Engine Model (Make)	Climb Model	Standard Model	Cruise Model	Max Dia	Min Dia	Spinner	STC Number	Notes	max rpm	min rpm
PA-18S-135 "Super Cub"	L S	O-320-B2B (LY)	1A175/GM8241	1A175/GM8242		82.0	78.0		SA00522SE Cub Crafters	12 46	2600 2500	2500 2400
PA-18S-135 "Super Cub"	F	O-320-B2B (LY)		1A175/GM8243	1A175/GM8244	82.0	78.0		SA00522SE Cub Crafters	12 47	2575	2475
PA-18S-135 "Super Cub"	L S	O-320-B2B (LY)		1A175/GM8243	1A175/GM8244	82.0	78.0		SA00522SE Cub Crafters	12 47	2575 2475	2475 2375
PA-18S-135 "Super Cub"	F	O-320-B2C (LY)	1A175/GM8241	1A175/GM8242		82.0	78.0		SA00522SE Cub Crafters	12 46	2600	2500
PA-18S-135 "Super Cub"	L S	O-320-B2C (LY)	1A175/GM8241	1A175/GM8242		82.0	78.0		SA00522SE Cub Crafters	12 46	2600 2500	2500 2400
PA-18S-135 "Super Cub"	F	O-320-B2C (LY)		1A175/GM8243	1A175/GM8244	82.0	78.0		SA00522SE Cub Crafters	12 47	2575	2475
PA-18S-135 "Super Cub"	L S	O-320-B2C (LY)		1A175/GM8243	1A175/GM8244	82.0	78.0		SA00522SE Cub Crafters	12 47	2575 2475	2475 2375
PA-18S-135 "Super Cub"	F	O-320-B2D (LY)	1A175/GM8241	1A175/GM8242		82.0	78.0		SA00522SE Cub Crafters	12 46	2600	2500
PA-18S-135 "Super Cub"	L S	O-320-B2D (LY)	1A175/GM8241	1A175/GM8242		82.0	78.0		SA00522SE Cub Crafters	12 46	2600 2500	2500 2400
PA-18S-135 "Super Cub"	F	O-320-B2D (LY)		1A175/GM8243	1A175/GM8244	82.0	78.0		SA00522SE Cub Crafters	12 47	2575	2475
PA-18S-135 "Super Cub"	L S	O-320-B2D (LY)		1A175/GM8243	1A175/GM8244	82.0	78.0		SA00522SE Cub Crafters	12 47	2575 2475	2475 2375
PA-18S-135 "Super Cub"	F	O-320-C2B (LY)	1A175/GM8241	1A175/GM8242		82.0	78.0		SA00522SE Cub Crafters	12 41	2550	2450
PA-18S-135 "Super Cub"	L S	O-320-C2B (LY)	1A175/GM8241	1A175/GM8242		82.0	78.0		SA00522SE Cub Crafters	12 41	2550 2450	2450 2350
PA-18S-135 "Super Cub"	F	O-320-C2B (LY)		1A175/GM8243	1A175/GM8244	82.0	78.0		SA00522SE Cub Crafters	12 45	2550	2400
PA-18S-135 "Super Cub"	L S	O-320-C2B (LY)		1A175/GM8243	1A175/GM8244	82.0	78.0		SA00522SE Cub Crafters	12 45	2550 2450	2400 2300
PA-18S-135 "Super Cub"	F	O-320-C2C (LY)	1A175/GM8241	1A175/GM8242		82.0	78.0		SA00522SE Cub Crafters	12 41	2550	2450
PA-18S-135 "Super Cub"	L S	O-320-C2C (LY)	1A175/GM8241	1A175/GM8242		82.0	78.0		SA00522SE Cub Crafters	12 41	2550 2450	2450 2350
PA-18S-135 "Super Cub"	F	O-320-C2C (LY)		1A175/GM8243	1A175/GM8244	82.0	78.0		SA00522SE Cub Crafters	12 45	2550	2400
PA-18S-135 "Super Cub"	L S	O-320-C2C (LY)		1A175/GM8243	1A175/GM8244	82.0	78.0		SA00522SE Cub Crafters	12 45	2550 2450	2400 2300

Fixed Pitch Applications

Aircraft Model	T Y P E	Engine Model (Make)	Climb Model	Standard Model	Cruise Model	Max Dia	Min Dia	Spinner	STC Number	Notes	max rpm	min rpm
PA-18S-135 "Super Cub"	F	O-320-D2A (LY)	1A175/GM8241	1A175/GM8242		82.0	78.0		SA00522SE Cub Crafters	12 46	2600	2500
PA-18S-135 "Super Cub"	L S	O-320-D2A (LY)	1A175/GM8241	1A175/GM8242		82.0	78.0		SA00522SE Cub Crafters	12 46	2600 2500	2500 2400
PA-18S-135 "Super Cub"	F	O-320-D2A (LY)		1A175/GM8243	1A175/GM8244	82.0	78.0		SA00522SE Cub Crafters	12 47	2575	2475
PA-18S-135 "Super Cub"	L S	O-320-D2A (LY)		1A175/GM8243	1A175/GM8244	82.0	78.0		SA00522SE Cub Crafters	12 47	2575 2475	2475 2375
PA-18S-135 "Super Cub"	F	O-320-D2B (LY)	1A175/GM8241	1A175/GM8242		82.0	78.0		SA00522SE Cub Crafters	12 46	2600	2500
PA-18S-135 "Super Cub"	L S	O-320-D2B (LY)	1A175/GM8241	1A175/GM8242		82.0	78.0		SA00522SE Cub Crafters	12 46	2600 2500	2500 2400
PA-18S-135 "Super Cub"	F	O-320-D2B (LY)		1A175/GM8243	1A175/GM8244	82.0	78.0		SA00522SE Cub Crafters	12 47	2575	2475
PA-18S-135 "Super Cub"	L S	O-320-D2B (LY)		1A175/GM8243	1A175/GM8244	82.0	78.0		SA00522SE Cub Crafters	12 47	2575 2475	2475 2375
PA-18S-135 "Super Cub"	F	O-320-D2C (LY)	1A175/GM8241	1A175/GM8242		82.0	78.0		SA00522SE Cub Crafters	12 46	2600	2500
PA-18S-135 "Super Cub"	L S	O-320-D2C (LY)	1A175/GM8241	1A175/GM8242		82.0	78.0		SA00522SE Cub Crafters	12 46	2600 2500	2500 2400
PA-18S-135 "Super Cub"	F	O-320-D2C (LY)		1A175/GM8243	1A175/GM8244	82.0	78.0		SA00522SE Cub Crafters	12 47	2575	2475
PA-18S-135 "Super Cub"	L S	O-320-D2C (LY)		1A175/GM8243	1A175/GM8244	82.0	78.0		SA00522SE Cub Crafters	12 47	2575 2475	2475 2375
PA-18S-135 "Super Cub"	F	O-320-D3G (LY)	1A175/GM8241	1A175/GM8242		82.0	78.0		SA00522SE Cub Crafters	12 46	2600	2500
PA-18S-135 "Super Cub"	L S	O-320-D3G (LY)	1A175/GM8241	1A175/GM8242		82.0	78.0		SA00522SE Cub Crafters	12 46	2600 2500	2500 2400
PA-18S-135 "Super Cub"	F	O-320-D3G (LY)		1A175/GM8243	1A175/GM8244	82.0	78.0		SA00522SE Cub Crafters	12 47	2575	2475
PA-18S-135 "Super Cub"	L S	O-320-D3G (LY)		1A175/GM8243	1A175/GM8244	82.0	78.0		SA00522SE Cub Crafters	12 47	2575 2475	2475 2375
PA-18S-135 "Super Cub"	L S	O-320 series (LY)	1A175/GM8241	1A175/GM8242		82.0	78.0		SA00562SE Cub Crafters	12 23 41	2450	2350
PA-18S-135 "Super Cub"	F	O-320 series (LY)	1A175/GM8241	1A175/GM8242		82.0	78.0		SA00562SE Cub Crafters	12 23	2550	2450

Fixed Pitch Applications

Aircraft Model	T Y P E	Engine Model (Make)	Climb Model	Standard Model	Cruise Model	Max Dia	Min Dia	Spinner	STC Number	Notes	max rpm	min rpm
PA-18S-135 "Super Cub"	L S	O-320 series (LY)		1A175/GM8243	1A175/GM8244	82.0	78.0		SA00562SE Cub Crafters	12 23 45	2450	2300
PA-18S-135 "Super Cub"	F	O-320 series (LY)		1A175/GM8243	1A175/GM8244	82.0	78.0		SA00562SE Cub Crafters	12 23	2550	2400
PA-18S-135 "Super Cub"	L S	O-320 series (LY)	1A175/GM8241	1A175/GM8242		82.0	78.0		SA00562SE Cub Crafters	12 25 46	2500	2400
PA-18S-135 "Super Cub"	F	O-320 series (LY)	1A175/GM8241	1A175/GM8242		82.0	78.0		SA00562SE Cub Crafters	12 25	2600	2500
PA-18S-135 "Super Cub"	L S	O-320 series (LY)		1A175/GM8243	1A175/GM8244	82.0	78.0		SA00562SE Cub Crafters	12 25 47	2475	2375
PA-18S-135 "Super Cub"	F	O-320 series (LY)		1A175/GM8243	1A175/GM8244	82.0	78.0		SA00562SE Cub Crafters	12 25	2575	2475
PA-18S-135 "Super Cub"		O-360 series (LY)	1A200/FA8240	1A200/FA8242	1A200/FA8245	82.0	78.0		SA92NW Cub Crafters	13 14 30	2450	2300
PA-18AS-135 "Super Cub"		O-290-D2 (LY)		1A170/GM7448		74.0	72.5		SA1-155 McCauley		2375	2275
PA-18AS-135 "Super Cub"		O-290-D2 (LY)		1A175/GM8241		82.0			SA279AL Borer			
PA-18AS-135 "Super Cub"		O-290-D2 (LY)	1A175/GM8241	1A175/GM8242	1A175/GM8244	82.0			SA02170AK Dan's Acft Repair	36		
PA-18AS-135 "Super Cub"	F	O-320-A1B (LY)	1A175/GM8241	1A175/GM8242		82.0	78.0		SA00522SE Cub Crafters	12 41	2550	2450
PA-18AS-135 "Super Cub"	L S	O-320-A1B (LY)	1A175/GM8241	1A175/GM8242		82.0	78.0		SA00522SE Cub Crafters	12 41	2550 2450	2450 2350
PA-18AS-135 "Super Cub"	F	O-320-A1B (LY)		1A175/GM8243	1A175/GM8244	82.0	78.0		SA00522SE Cub Crafters	12 45	2550	2400
PA-18AS-135 "Super Cub"	L S	O-320-A1B (LY)		1A175/GM8243	1A175/GM8244	82.0	78.0		SA00522SE Cub Crafters	12 45	2550 2450	2400 2300
PA-18AS-135 "Super Cub"	F	O-320-A2B (LY)	1A175/GM8241	1A175/GM8242		82.0	78.0		SA00522SE Cub Crafters	12 41	2550	2450
PA-18AS-135 "Super Cub"	L S	O-320-A2B (LY)	1A175/GM8241	1A175/GM8242		82.0	78.0		SA00522SE Cub Crafters	12 41	2550 2450	2450 2350
PA-18AS-135 "Super Cub"	F	O-320-A2B (LY)		1A175/GM8243	1A175/GM8244	82.0	78.0		SA00522SE Cub Crafters	12 45	2550	2400

Fixed Pitch Applications

Aircraft Model	T Y P E	Engine Model (Make)	Climb Model	Standard Model	Cruise Model	Max Dia	Min Dia	Spinner	STC Number	Notes	max rpm	min rpm
PA-18AS-135 "Super Cub"	L S	O-320-A2B (LY)		1A175/GM8243	1A175/GM8244	82.0	78.0		SA00522SE Cub Crafters	12 45	2550 2450	2400 2300
PA-18AS-135 "Super Cub"	F	O-320-A2C (LY)	1A175/GM8241	1A175/GM8242		82.0	78.0		SA00522SE Cub Crafters	12 41	2550	2450
PA-18AS-135 "Super Cub"	L S	O-320-A2C (LY)	1A175/GM8241	1A175/GM8242		82.0	78.0		SA00522SE Cub Crafters	12 41	2550 2450	2450 2350
PA-18AS-135 "Super Cub"	F	O-320-A2C (LY)		1A175/GM8243	1A175/GM8244	82.0	78.0		SA00522SE Cub Crafters	12 45	2550	2400
PA-18AS-135 "Super Cub"	L S	O-320-A2C (LY)		1A175/GM8243	1A175/GM8244	82.0	78.0		SA00522SE Cub Crafters	12 45	2550 2450	2400 2300
PA-18AS-135 "Super Cub"	F	O-320-A2D (LY)	1A175/GM8241	1A175/GM8242		82.0	78.0		SA00522SE Cub Crafters	12 41	2550	2450
PA-18AS-135 "Super Cub"	L S	O-320-A2D (LY)	1A175/GM8241	1A175/GM8242		82.0	78.0		SA00522SE Cub Crafters	12 41	2550 2450	2450 2350
PA-18AS-135 "Super Cub"	F	O-320-A2D (LY)		1A175/GM8243	1A175/GM8244	82.0	78.0		SA00522SE Cub Crafters	12 45	2550	2400
PA-18AS-135 "Super Cub"	L S	O-320-A2D (LY)		1A175/GM8243	1A175/GM8244	82.0	78.0		SA00522SE Cub Crafters	12 45	2550 2450	2400 2300
PA-18AS-135 "Super Cub"	F	O-320-B2B (LY)	1A175/GM8241	1A175/GM8242		82.0	78.0		SA00522SE Cub Crafters	12 46	2600	2500
PA-18AS-135 "Super Cub"	L S	O-320-B2B (LY)	1A175/GM8241	1A175/GM8242		82.0	78.0		SA00522SE Cub Crafters	12 46	2600 2500	2500 2400
PA-18AS-135 "Super Cub"	F	O-320-B2B (LY)		1A175/GM8243	1A175/GM8244	82.0	78.0		SA00522SE Cub Crafters	12 47	2575	2475
PA-18AS-135 "Super Cub"	L S	O-320-B2B (LY)		1A175/GM8243	1A175/GM8244	82.0	78.0		SA00522SE Cub Crafters	12 47	2575 2475	2475 2375
PA-18AS-135 "Super Cub"	F	O-320-B2C (LY)	1A175/GM8241	1A175/GM8242		82.0	78.0		SA00522SE Cub Crafters	12 46	2600	2500
PA-18AS-135 "Super Cub"	L S	O-320-B2C (LY)	1A175/GM8241	1A175/GM8242		82.0	78.0		SA00522SE Cub Crafters	12 46	2600 2500	2500 2400
PA-18AS-135 "Super Cub"	F	O-320-B2C (LY)		1A175/GM8243	1A175/GM8244	82.0	78.0		SA00522SE Cub Crafters	12 47	2575	2475
PA-18AS-135 "Super Cub"	L S	O-320-B2C (LY)		1A175/GM8243	1A175/GM8244	82.0	78.0		SA00522SE Cub Crafters	12 47	2575 2475	2475 2375
PA-18AS-135 "Super Cub"	F	O-320-B2D (LY)	1A175/GM8241	1A175/GM8242		82.0	78.0		SA00522SE Cub Crafters	12 46	2600	2500
PA-18AS-135 "Super Cub"	L S	O-320-B2D (LY)	1A175/GM8241	1A175/GM8242		82.0	78.0		SA00522SE Cub Crafters	12 46	2600 2500	2500 2400

Fixed Pitch Applications

Aircraft Model	T Y P E	Engine Model (Make)	Climb Model	Standard Model	Cruise Model	Max Dia	Min Dia	Spinner	STC Number	Notes	max rpm	min rpm
PA-18AS-135 "Super Cub"	F	O-320-B2D (LY)		1A175/GM8243	1A175/GM8244	82.0	78.0		SA00522SE Cub Crafters	12 47	2575	2475
PA-18AS-135 "Super Cub"	L S	O-320-B2D (LY)		1A175/GM8243	1A175/GM8244	82.0	78.0		SA00522SE Cub Crafters	12 47	2575 2475	2475 2375
PA-18AS-135 "Super Cub"	F	O-320-C2B (LY)	1A175/GM8241	1A175/GM8242		82.0	78.0		SA00522SE Cub Crafters	12 41	2550	2450
PA-18AS-135 "Super Cub"	L S	O-320-C2B (LY)	1A175/GM8241	1A175/GM8242		82.0	78.0		SA00522SE Cub Crafters	12 41	2550 2450	2450 2350
PA-18AS-135 "Super Cub"	F	O-320-C2B (LY)		1A175/GM8243	1A175/GM8244	82.0	78.0		SA00522SE Cub Crafters	12 45	2550	2400
PA-18AS-135 "Super Cub"	L S	O-320-C2B (LY)		1A175/GM8243	1A175/GM8244	82.0	78.0		SA00522SE Cub Crafters	12 45	2550 2450	2400 2300
PA-18AS-135 "Super Cub"	F	O-320-C2C (LY)	1A175/GM8241	1A175/GM8242		82.0	78.0		SA00522SE Cub Crafters	12 41	2550	2450
PA-18AS-135 "Super Cub"	L S	O-320-C2C (LY)	1A175/GM8241	1A175/GM8242		82.0	78.0		SA00522SE Cub Crafters	12 41	2550 2450	2450 2350
PA-18AS-135 "Super Cub"	F	O-320-C2C (LY)		1A175/GM8243	1A175/GM8244	82.0	78.0		SA00522SE Cub Crafters	12 45	2550	2400
PA-18AS-135 "Super Cub"	L S	O-320-C2C (LY)		1A175/GM8243	1A175/GM8244	82.0	78.0		SA00522SE Cub Crafters	12 45	2550 2450	2400 2300
PA-18AS-135 "Super Cub"	F	O-320-D2A (LY)	1A175/GM8241	1A175/GM8242		82.0	78.0		SA00522SE Cub Crafters	12 46	2600	2500
PA-18AS-135 "Super Cub"	L S	O-320-D2A (LY)	1A175/GM8241	1A175/GM8242		82.0	78.0		SA00522SE Cub Crafters	12 46	2600 2500	2500 2400
PA-18AS-135 "Super Cub"	F	O-320-D2A (LY)		1A175/GM8243	1A175/GM8244	82.0	78.0		SA00522SE Cub Crafters	12 47	2575	2475
PA-18AS-135 "Super Cub"	L S	O-320-D2A (LY)		1A175/GM8243	1A175/GM8244	82.0	78.0		SA00522SE Cub Crafters	12 47	2575 2475	2475 2375
PA-18AS-135 "Super Cub"	F	O-320-D2B (LY)	1A175/GM8241	1A175/GM8242		82.0	78.0		SA00522SE Cub Crafters	12 46	2600	2500
PA-18AS-135 "Super Cub"	L S	O-320-D2B (LY)	1A175/GM8241	1A175/GM8242		82.0	78.0		SA00522SE Cub Crafters	12 46	2600 2500	2500 2400
PA-18AS-135 "Super Cub"	F	O-320-D2B (LY)		1A175/GM8243	1A175/GM8244	82.0	78.0		SA00522SE Cub Crafters	12 47	2575	2475
PA-18AS-135 "Super Cub"	L S	O-320-D2B (LY)		1A175/GM8243	1A175/GM8244	82.0	78.0		SA00522SE Cub Crafters	12 47	2575 2475	2475 2375
PA-18AS-135 "Super Cub"	F	O-320-D2C (LY)	1A175/GM8241	1A175/GM8242		82.0	78.0		SA00522SE Cub Crafters	12 46	2600	2500

Fixed Pitch Applications

Aircraft Model	T Y P E	Engine Model (Make)	Climb Model	Standard Model	Cruise Model	Max Dia	Min Dia	Spinner	STC Number	Notes	max rpm	min rpm
PA-18AS-135 "Super Cub"	L S	O-320-D2C (LY)	1A175/GM8241	1A175/GM8242		82.0	78.0		SA00522SE Cub Crafters	12 46	2600 2500	2500 2400
PA-18AS-135 "Super Cub"	F	O-320-D2C (LY)		1A175/GM8243	1A175/GM8244	82.0	78.0		SA00522SE Cub Crafters	12 47	2575	2475
PA-18AS-135 "Super Cub"	L S	O-320-D2C (LY)		1A175/GM8243	1A175/GM8244	82.0	78.0		SA00522SE Cub Crafters	12 47	2575 2475	2475 2375
PA-18AS-135 "Super Cub"	F	O-320-D3G (LY)	1A175/GM8241	1A175/GM8242		82.0	78.0		SA00522SE Cub Crafters	12 46	2600	2500
PA-18AS-135 "Super Cub"	L S	O-320-D3G (LY)	1A175/GM8241	1A175/GM8242		82.0	78.0		SA00522SE Cub Crafters	12 46	2600 2500	2500 2400
PA-18AS-135 "Super Cub"	F	O-320-D3G (LY)		1A175/GM8243	1A175/GM8244	82.0	78.0		SA00522SE Cub Crafters	12 47	2575	2475
PA-18AS-135 "Super Cub"	L S	O-320-D3G (LY)		1A175/GM8243	1A175/GM8244	82.0	78.0		SA00522SE Cub Crafters	12 47	2575 2475	2475 2375
PA-18AS-135 "Super Cub"	L S	O-320 series (LY)	1A175/GM8241	1A175/GM8242		82.0	78.0		SA00562SE Cub Crafters	12 23 41	2450	2350
PA-18AS-135 "Super Cub"	F	O-320 series (LY)	1A175/GM8241	1A175/GM8242		82.0	78.0		SA00562SE Cub Crafters	12 23	2550	2450
PA-18AS-135 "Super Cub"	L S	O-320 series (LY)		1A175/GM8243	1A175/GM8244	82.0	78.0		SA00562SE Cub Crafters	12 23 45	2450	2300
PA-18AS-135 "Super Cub"	F	O-320 series (LY)		1A175/GM8243	1A175/GM8244	82.0	78.0		SA00562SE Cub Crafters	12 23	2550	2400
PA-18AS-135 "Super Cub"	L S	O-320 series (LY)	1A175/GM8241	1A175/GM8242		82.0	78.0		SA00562SE Cub Crafters	12 25 46	2500	2400
PA-18AS-135 "Super Cub"	F	O-320 series (LY)	1A175/GM8241	1A175/GM8242		82.0	78.0		SA00562SE Cub Crafters	12 25	2600	2500
PA-18AS-135 "Super Cub"	L S	O-320 series (LY)		1A175/GM8243	1A175/GM8244	82.0	78.0		SA00562SE Cub Crafters	12 25 47	2475	2375
PA-18AS-135 "Super Cub"	F	O-320 series (LY)		1A175/GM8243	1A175/GM8244	82.0	78.0		SA00562SE Cub Crafters	12 25	2575	2475
PA-18AS-135 "Super Cub"		O-360 series (LY)	1A200/FA8240	1A200/FA8242	1A200/FA8245	82.0	78.0		SA92NW Cub Crafters	13 14 30	2450	2300

Fixed Pitch Applications

Aircraft Model	T Y P E	Engine Model (Make)	Climb Model	Standard Model	Cruise Model	Max Dia	Min Dia	Spinner	STC Number	Notes	max rpm	min rpm
PA-18-150 "Super Cub"	L S	O-320 series (LY)	1A175/GM8241	1A175/GM8242		82.0	78.0		SA00562SE Cub Crafters	12 23 41	2450	2350
PA-18-150 "Super Cub"	F	O-320 series (LY)	1A175/GM8241	1A175/GM8242		82.0	78.0		SA00562SE Cub Crafters	12 23	2550	2450
PA-18-150 "Super Cub"	L S	O-320 series (LY)		1A175/GM8243	1A175/GM8244	82.0	78.0		SA00562SE Cub Crafters	12 23 45	2450	2300
PA-18-150 "Super Cub"	F	O-320 series (LY)		1A175/GM8243	1A175/GM8244	82.0	78.0		SA00562SE Cub Crafters	12 23	2550	2400
PA-18-150 "Super Cub"	L S	O-320 series (LY)	1A175/GM8241	1A175/GM8242		82.0	78.0		SA00562SE Cub Crafters	12 25 46	2500	2400
PA-18-150 "Super Cub"	F	O-320 series (LY)	1A175/GM8241	1A175/GM8242		82.0	78.0		SA00562SE Cub Crafters	12 25	2600	2500
PA-18-150 "Super Cub"	L S	O-320 series (LY)		1A175/GM8243	1A175/GM8244	82.0	78.0		SA00562SE Cub Crafters	12 25 47	2475	2375
PA-18-150 "Super Cub"	F	O-320 series (LY)		1A175/GM8243	1A175/GM8244	82.0	78.0		SA00562SE Cub Crafters	12 25	2575	2475
PA-18-150 "Super Cub"	L S	O-320 (LY)		1A175/GM8244					SA693AL Crosswinds			
PA-18-150 "Super Cub"		O-320 (LY)	1A175/GM8242	1A175/GM8244	1A175/GM8246	82.0			SA349AL Alaska Propeller			
PA-18-150 "Super Cub"		O-320-A1A (LY)	1A170/GM7450	1A170/GM7452	1A170/GM7454	74.0	72.5		SA1-41 McCauley		2450	2350
PA-18-150 "Super Cub"		O-320-A1A (LY)	1A175/GM8241	1A175/GM8242	1A175/GM8244	82.0			SA279AL Borer	36		
PA-18-150 "Super Cub"		O-320-A1A (LY)	1A175/GM8241	1A175/GM8242	1A175/GM8244	82.0			SA02170AK Dan's Acft Repair	36		
PA-18-150 "Super Cub"	F	O-320-A1B (LY)	1A175/GM8241	1A175/GM8242		82.0	78.0		SA00522SE Cub Crafters	12 41	2550	2450
PA-18-150 "Super Cub"	L S	O-320-A1B (LY)	1A175/GM8241	1A175/GM8242		82.0	78.0		SA00522SE Cub Crafters	12 41	2550 2450	2450 2350
PA-18-150 "Super Cub"	F	O-320-A1B (LY)		1A175/GM8243	1A175/GM8244	82.0	78.0		SA00522SE Cub Crafters	12 45	2550	2400
PA-18-150 "Super Cub"	L S	O-320-A1B (LY)		1A175/GM8243	1A175/GM8244	82.0	78.0		SA00522SE Cub Crafters	12 45	2550 2450	2400 2300

Fixed Pitch Applications

Aircraft Model	T Y P E	Engine Model (Make)	Climb Model	Standard Model	Cruise Model	Max Dia	Min Dia	Spinner	STC Number	Notes	max rpm	min rpm
PA-18-150 "Super Cub"	L S	O-320-A2A (LY)		1A175/GM8244					SA693AL Crosswinds			
PA-18-150 "Super Cub"		O-320-A2A (LY)	1A175/GM8242	1A175/GM8244	1A175/GM8246	82.0			SA349AL Alaska Propeller			
PA-18-150 "Super Cub"	L	O-320-A2B (LY)		1A175/GM8244					SA682AL Crosswinds			
PA-18-150 "Super Cub"	L S	O-320-A2B (LY)		1A175/GM8244					SA693AL Crosswinds			
PA-18-150 "Super Cub"		O-320-A2B (LY)	1A175/GM8242	1A175/GM8244	1A175/GM8246	82.0			SA349AL Alaska Propeller			
PA-18-150 "Super Cub"	F	O-320-A2B (LY)	1A175/GM8241	1A175/GM8242		82.0	78.0		SA00522SE Cub Crafters	12 41	2550	2450
PA-18-150 "Super Cub"	L S	O-320-A2B (LY)	1A175/GM8241	1A175/GM8242		82.0	78.0		SA00522SE Cub Crafters	12 41	2550 2450	2450 2350
PA-18-150 "Super Cub"	F	O-320-A2B (LY)		1A175/GM8243	1A175/GM8244	82.0	78.0		SA00522SE Cub Crafters	12 45	2550	2400
PA-18-150 "Super Cub"	L S	O-320-A2B (LY)		1A175/GM8243	1A175/GM8244	82.0	78.0		SA00522SE Cub Crafters	12 45	2550 2450	2400 2300
PA-18-150 "Super Cub"	F	O-320-A2C (LY)	1A175/GM8241	1A175/GM8242		82.0	78.0		SA00522SE Cub Crafters	12 41	2550	2450
PA-18-150 "Super Cub"	L S	O-320-A2C (LY)	1A175/GM8241	1A175/GM8242		82.0	78.0		SA00522SE Cub Crafters	12 41	2550 2450	2450 2350
PA-18-150 "Super Cub"	F	O-320-A2C (LY)		1A175/GM8243	1A175/GM8244	82.0	78.0		SA00522SE Cub Crafters	12 45	2550	2400
PA-18-150 "Super Cub"	L S	O-320-A2C (LY)		1A175/GM8243	1A175/GM8244	82.0	78.0		SA00522SE Cub Crafters	12 45	2550 2450	2400 2300
PA-18-150 "Super Cub"	F	O-320-A2D (LY)	1A175/GM8241	1A175/GM8242		82.0	78.0		SA00522SE Cub Crafters	12 41	2550	2450
PA-18-150 "Super Cub"	L S	O-320-A2D (LY)	1A175/GM8241	1A175/GM8242		82.0	78.0		SA00522SE Cub Crafters	12 41	2550 2450	2450 2350
PA-18-150 "Super Cub"	F	O-320-A2D (LY)		1A175/GM8243	1A175/GM8244	82.0	78.0		SA00522SE Cub Crafters	12 45	2550	2400
PA-18-150 "Super Cub"	L S	O-320-A2D (LY)		1A175/GM8243	1A175/GM8244	82.0	78.0		SA00522SE Cub Crafters	12 45	2550 2450	2400 2300
PA-18-150 "Super Cub"	L	O-320-B2B (LY)		1A175/GM8244					SA682AL Crosswinds			
PA-18-150 "Super Cub"	F	O-320-B2B (LY)	1A175/GM8241	1A175/GM8242		82.0	78.0		SA00522SE Cub Crafters	12 46	2600	2500

Fixed Pitch Applications

Aircraft Model	T Y P E	Engine Model (Make)	Climb Model	Standard Model	Cruise Model	Max Dia	Min Dia	Spinner	STC Number	Notes	max rpm	min rpm
PA-18-150 "Super Cub"	L S	O-320-B2B (LY)	1A175/GM8241	1A175/GM8242		82.0	78.0		SA00522SE Cub Crafters	12 46	2600 2500	2500 2400
PA-18-150 "Super Cub"	F	O-320-B2B (LY)		1A175/GM8243	1A175/GM8244	82.0	78.0		SA00522SE Cub Crafters	12 47	2575	2475
PA-18-150 "Super Cub"	L S	O-320-B2B (LY)		1A175/GM8243	1A175/GM8244	82.0	78.0		SA00522SE Cub Crafters	12 47	2575 2475	2475 2375
PA-18-150 "Super Cub"	F	O-320-B2C (LY)	1A175/GM8241	1A175/GM8242		82.0	78.0		SA00522SE Cub Crafters	12 46	2600	2500
PA-18-150 "Super Cub"	L S	O-320-B2C (LY)	1A175/GM8241	1A175/GM8242		82.0	78.0		SA00522SE Cub Crafters	12 46	2600 2500	2500 2400
PA-18-150 "Super Cub"	F	O-320-B2C (LY)		1A175/GM8243	1A175/GM8244	82.0	78.0		SA00522SE Cub Crafters	12 47	2575	2475
PA-18-150 "Super Cub"	L S	O-320-B2C (LY)		1A175/GM8243	1A175/GM8244	82.0	78.0		SA00522SE Cub Crafters	12 47	2575 2475	2475 2375
PA-18-150 "Super Cub"	F	O-320-B2D (LY)	1A175/GM8241	1A175/GM8242		82.0	78.0		SA00522SE Cub Crafters	12 46	2600	2500
PA-18-150 "Super Cub"	L S	O-320-B2D (LY)	1A175/GM8241	1A175/GM8242		82.0	78.0		SA00522SE Cub Crafters	12 46	2600 2500	2500 2400
PA-18-150 "Super Cub"	F	O-320-B2D (LY)		1A175/GM8243	1A175/GM8244	82.0	78.0		SA00522SE Cub Crafters	12 47	2575	2475
PA-18-150 "Super Cub"	L S	O-320-B2D (LY)		1A175/GM8243	1A175/GM8244	82.0	78.0		SA00522SE Cub Crafters	12 47	2575 2475	2475 2375
PA-18-150 "Super Cub"	F	O-320-C2B (LY)	1A175/GM8241	1A175/GM8242		82.0	78.0		SA00522SE Cub Crafters	12 41	2550	2450
PA-18-150 "Super Cub"	L S	O-320-C2B (LY)	1A175/GM8241	1A175/GM8242		82.0	78.0		SA00522SE Cub Crafters	12 41	2550 2450	2450 2350
PA-18-150 "Super Cub"	F	O-320-C2B (LY)		1A175/GM8243	1A175/GM8244	82.0	78.0		SA00522SE Cub Crafters	12 45	2550	2400
PA-18-150 "Super Cub"	L S	O-320-C2B (LY)		1A175/GM8243	1A175/GM8244	82.0	78.0		SA00522SE Cub Crafters	12 45	2550 2450	2400 2300
PA-18-150 "Super Cub"	F	O-320-C2C (LY)	1A175/GM8241	1A175/GM8242		82.0	78.0		SA00522SE Cub Crafters	12 41	2550	2450
PA-18-150 "Super Cub"	L S	O-320-C2C (LY)	1A175/GM8241	1A175/GM8242		82.0	78.0		SA00522SE Cub Crafters	12 41	2550 2450	2450 2350
PA-18-150 "Super Cub"	F	O-320-C2C (LY)		1A175/GM8243	1A175/GM8244	82.0	78.0		SA00522SE Cub Crafters	12 45	2550	2400
PA-18-150 "Super Cub"	L S	O-320-C2C (LY)		1A175/GM8243	1A175/GM8244	82.0	78.0		SA00522SE Cub Crafters	12 45	2550 2450	2400 2300

Fixed Pitch Applications

Aircraft Model	T Y P E	Engine Model (Make)	Climb Model	Standard Model	Cruise Model	Max Dia	Min Dia	Spinner	STC Number	Notes	max rpm	min rpm
PA-18-150 "Super Cub"	F	O-320-D2A (LY)	1A175/GM8241	1A175/GM8242		82.0	78.0		SA00522SE Cub Crafters	12 46	2600	2500
PA-18-150 "Super Cub"	L S	O-320-D2A (LY)	1A175/GM8241	1A175/GM8242		82.0	78.0		SA00522SE Cub Crafters	12 46	2600 2500	2500 2400
PA-18-150 "Super Cub"	F	O-320-D2A (LY)		1A175/GM8243	1A175/GM8244	82.0	78.0		SA00522SE Cub Crafters	12 47	2575	2475
PA-18-150 "Super Cub"	L S	O-320-D2A (LY)		1A175/GM8243	1A175/GM8244	82.0	78.0		SA00522SE Cub Crafters	12 47	2575 2475	2475 2375
PA-18-150 "Super Cub"	F	O-320-D2B (LY)	1A175/GM8241	1A175/GM8242		82.0	78.0		SA00522SE Cub Crafters	12 46	2600	2500
PA-18-150 "Super Cub"	L S	O-320-D2B (LY)	1A175/GM8241	1A175/GM8242		82.0	78.0		SA00522SE Cub Crafters	12 46	2600 2500	2500 2400
PA-18-150 "Super Cub"	F	O-320-D2B (LY)		1A175/GM8243	1A175/GM8244	82.0	78.0		SA00522SE Cub Crafters	12 47	2575	2475
PA-18-150 "Super Cub"	L S	O-320-D2B (LY)		1A175/GM8243	1A175/GM8244	82.0	78.0		SA00522SE Cub Crafters	12 47	2575 2475	2475 2375
PA-18-150 "Super Cub"	F	O-320-D2C (LY)	1A175/GM8241	1A175/GM8242		82.0	78.0		SA00522SE Cub Crafters	12 46	2600	2500
PA-18-150 "Super Cub"	L S	O-320-D2C (LY)	1A175/GM8241	1A175/GM8242		82.0	78.0		SA00522SE Cub Crafters	12 46	2600 2500	2500 2400
PA-18-150 "Super Cub"	F	O-320-D2C (LY)		1A175/GM8243	1A175/GM8244	82.0	78.0		SA00522SE Cub Crafters	12 47	2575	2475
PA-18-150 "Super Cub"	L S	O-320-D2C (LY)		1A175/GM8243	1A175/GM8244	82.0	78.0		SA00522SE Cub Crafters	12 47	2575 2475	2475 2375
PA-18-150 "Super Cub"	F	O-320-D3G (LY)	1A175/GM8241	1A175/GM8242		82.0	78.0		SA00522SE Cub Crafters	12 46	2600	2500
PA-18-150 "Super Cub"	L S	O-320-D3G (LY)	1A175/GM8241	1A175/GM8242		82.0	78.0		SA00522SE Cub Crafters	12 46	2600 2500	2500 2400
PA-18-150 "Super Cub"	F	O-320-D3G (LY)		1A175/GM8243	1A175/GM8244	82.0	78.0		SA00522SE Cub Crafters	12 47	2575	2475
PA-18-150 "Super Cub"	L S	O-320-D3G (LY)		1A175/GM8243	1A175/GM8244	82.0	78.0		SA00522SE Cub Crafters	12 47	2575 2475	2475 2375
PA-18-150 "Super Cub"		O-360 series (LY)	1A200/FA8240	1A200/FA8242	1A200/FA8245	82.0	78.0		SA92NW Cub Crafters	13 14 30	2450	2300
PA-18-150 "Super Cub"		O-360 series (LY)		1A200/FA8242		82.0			SA02253AT Yellow Media			
PA-18-150 "Super Cub"		O-360-A2A (LY)		1A200/DFA					SA532AL Crosswinds			

Fixed Pitch Applications

Aircraft Model	T Y P E	Engine Model (Make)	Climb Model	Standard Model	Cruise Model	Max Dia	Min Dia	Spinner	STC Number	Notes	max rpm	min rpm
PA-18-150 "Super Cub"		O-360-A3A (LY)		1A200/FA8242		82.0			SA00035NY Penn Yan Aero			
PA-18-150 "Super Cub"		O-360-A4A (LY)		1A200/FA8242		82.0			SA00035NY Penn Yan Aero			
PA-18-150 "Super Cub"		O-360-A4M (LY)		1A200/FA8242		82.0			SA00035NY Penn Yan Aero			
PA-18-150 "Super Cub"		O-360-A4P (LY)		1A200/FA8242		82.0			SA00035NY Penn Yan Aero			
PA-18-150 "Super Cub"		O-360-C2A (LY)		1A200/FA8242		82.0			SA00035NY Penn Yan Aero			
PA-18-150 "Super Cub"		O-360-C4P (LY)		1A200/FA8242		82.0			SA00035NY Penn Yan Aero			
PA-18A-150 "Super Cub"	L S	O-320 series (LY)	1A175/GM8241	1A175/GM8242		82.0	78.0		SA00562SE Cub Crafters	12 23 41	2450	2350
PA-18A-150 "Super Cub"	F	O-320 series (LY)	1A175/GM8241	1A175/GM8242		82.0	78.0		SA00562SE Cub Crafters	12 23	2550	2450
PA-18A-150 "Super Cub"	L S	O-320 series (LY)		1A175/GM8243	1A175/GM8244	82.0	78.0		SA00562SE Cub Crafters	12 23 45	2450	2300
PA-18A-150 "Super Cub"	F	O-320 series (LY)		1A175/GM8243	1A175/GM8244	82.0	78.0		SA00562SE Cub Crafters	12 23	2550	2400
PA-18A-150 "Super Cub"	L S	O-320 series (LY)	1A175/GM8241	1A175/GM8242		82.0	78.0		SA00562SE Cub Crafters	12 25 46	2500	2400
PA-18A-150 "Super Cub"	F	O-320 series (LY)	1A175/GM8241	1A175/GM8242		82.0	78.0		SA00562SE Cub Crafters	12 25	2600	2500
PA-18A-150 "Super Cub"	L S	O-320 series (LY)		1A175/GM8243	1A175/GM8244	82.0	78.0		SA00562SE Cub Crafters	12 25 47	2475	2375
PA-18A-150 "Super Cub"	F	O-320 series (LY)		1A175/GM8243	1A175/GM8244	82.0	78.0		SA00562SE Cub Crafters	12 25	2575	2475
PA-18A-150 "Super Cub"	L S	O-320 (LY)		1A175/GM8244					SA693AL Crosswinds			
PA-18A-150 "Super Cub"		O-320 (LY)	1A175/GM8242	1A175/GM8244	1A175/GM8246	82.0			SA349AL Alaska Propeller			
PA-18A-150 "Super Cub"		O-320-A1A (LY)	1A170/GM7450	1A170/GM7452	1A170/GM7454	74.0	72.5		SA1-41 McCauley		2450	2350

Fixed Pitch Applications

Aircraft Model	T Y P E	Engine Model (Make)	Climb Model	Standard Model	Cruise Model	Max Dia	Min Dia	Spinner	STC Number	Notes	max rpm	min rpm
PA-18A-150 "Super Cub"		O-320-A1A (LY)	1A175/GM8241	1A175/GM8242	1A175/GM8244	82.0			SA279AL Borer	36		
PA-18A-150 "Super Cub"		O-320-A1A (LY)	1A175/GM8241	1A175/GM8242	1A175/GM8244	82.0			SA02170AK Dan's Acft Repair	36		
PA-18A-150 "Super Cub"	F	O-320-A1B (LY)	1A175/GM8241	1A175/GM8242		82.0	78.0		SA00522SE Cub Crafters	12 41	2550	2450
PA-18A-150 "Super Cub"	L S	O-320-A1B (LY)	1A175/GM8241	1A175/GM8242		82.0	78.0		SA00522SE Cub Crafters	12 41	2550 2450	2450 2350
PA-18A-150 "Super Cub"	F	O-320-A1B (LY)		1A175/GM8243	1A175/GM8244	82.0	78.0		SA00522SE Cub Crafters	12 45	2550	2400
PA-18A-150 "Super Cub"	L S	O-320-A1B (LY)		1A175/GM8243	1A175/GM8244	82.0	78.0		SA00522SE Cub Crafters	12 45	2550 2450	2400 2300
PA-18A-150 "Super Cub"	L S	O-320-A2A (LY)		1A175/GM8244					SA693AL Crosswinds			
PA-18A-150 "Super Cub"		O-320-A2A (LY)	1A175/GM8242	1A175/GM8244	1A175/GM8246	82.0			SA349AL Alaska Propeller			
PA-18A-150 "Super Cub"	L S	O-320-A2B (LY)		1A175/GM8244					SA693AL Crosswinds			
PA-18A-150 "Super Cub"	L	O-320-A2B (LY)		1A175/GM8244					SA682AL Crosswinds			
PA-18A-150 "Super Cub"		O-320-A2B (LY)	1A175/GM8242	1A175/GM8244	1A175/GM8246	82.0			SA349AL Alaska Propeller			
PA-18A-150 "Super Cub"	F	O-320-A2B (LY)	1A175/GM8241	1A175/GM8242		82.0	78.0		SA00522SE Cub Crafters	12 41	2550	2450
PA-18A-150 "Super Cub"	L S	O-320-A2B (LY)	1A175/GM8241	1A175/GM8242		82.0	78.0		SA00522SE Cub Crafters	12 41	2550 2450	2450 2350
PA-18A-150 "Super Cub"	F	O-320-A2B (LY)		1A175/GM8243	1A175/GM8244	82.0	78.0		SA00522SE Cub Crafters	12 45	2550	2400
PA-18A-150 "Super Cub"	L S	O-320-A2B (LY)		1A175/GM8243	1A175/GM8244	82.0	78.0		SA00522SE Cub Crafters	12 45	2550 2450	2400 2300
PA-18A-150 "Super Cub"	F	O-320-A2C (LY)	1A175/GM8241	1A175/GM8242		82.0	78.0		SA00522SE Cub Crafters	12 41	2550	2450
PA-18A-150 "Super Cub"	L S	O-320-A2C (LY)	1A175/GM8241	1A175/GM8242		82.0	78.0		SA00522SE Cub Crafters	12 41	2550 2450	2450 2350
PA-18A-150 "Super Cub"	F	O-320-A2C (LY)		1A175/GM8243	1A175/GM8244	82.0	78.0		SA00522SE Cub Crafters	12 45	2550	2400
PA-18A-150 "Super Cub"	L S	O-320-A2C (LY)		1A175/GM8243	1A175/GM8244	82.0	78.0		SA00522SE Cub Crafters	12 45	2550 2450	2400 2300

Fixed Pitch Applications

Aircraft Model	T Y P E	Engine Model (Make)	Climb Model	Standard Model	Cruise Model	Max Dia	Min Dia	Spinner	STC Number	Notes	max rpm	min rpm
PA-18A-150 "Super Cub"	F	O-320-A2D (LY)	1A175/GM8241	1A175/GM8242		82.0	78.0		SA00522SE Cub Crafters	12 41	2550	2450
PA-18A-150 "Super Cub"	L S	O-320-A2D (LY)	1A175/GM8241	1A175/GM8242		82.0	78.0		SA00522SE Cub Crafters	12 41	2550 2450	2450 2350
PA-18A-150 "Super Cub"	F	O-320-A2D (LY)		1A175/GM8243	1A175/GM8244	82.0	78.0		SA00522SE Cub Crafters	12 45	2550	2400
PA-18A-150 "Super Cub"	L S	O-320-A2D (LY)		1A175/GM8243	1A175/GM8244	82.0	78.0		SA00522SE Cub Crafters	12 45	2550 2450	2400 2300
PA-18A-150 "Super Cub"	L	O-320-B2B (LY)		1A175/GM8244					SA682AL Crosswinds			
PA-18A-150 "Super Cub"	F	O-320-B2B (LY)	1A175/GM8241	1A175/GM8242		82.0	78.0		SA00522SE Cub Crafters	12 46	2600	2500
PA-18A-150 "Super Cub"	L S	O-320-B2B (LY)	1A175/GM8241	1A175/GM8242		82.0	78.0		SA00522SE Cub Crafters	12 46	2600 2500	2500 2400
PA-18A-150 "Super Cub"	F	O-320-B2B (LY)		1A175/GM8243	1A175/GM8244	82.0	78.0		SA00522SE Cub Crafters	12 47	2575	2475
PA-18A-150 "Super Cub"	L S	O-320-B2B (LY)		1A175/GM8243	1A175/GM8244	82.0	78.0		SA00522SE Cub Crafters	12 47	2575 2475	2475 2375
PA-18A-150 "Super Cub"	F	O-320-B2C (LY)	1A175/GM8241	1A175/GM8242		82.0	78.0		SA00522SE Cub Crafters	12 46	2600	2500
PA-18A-150 "Super Cub"	L S	O-320-B2C (LY)	1A175/GM8241	1A175/GM8242		82.0	78.0		SA00522SE Cub Crafters	12 46	2600 2500	2500 2400
PA-18A-150 "Super Cub"	F	O-320-B2C (LY)		1A175/GM8243	1A175/GM8244	82.0	78.0		SA00522SE Cub Crafters	12 47	2575	2475
PA-18A-150 "Super Cub"	L S	O-320-B2C (LY)		1A175/GM8243	1A175/GM8244	82.0	78.0		SA00522SE Cub Crafters	12 47	2575 2475	2475 2375
PA-18A-150 "Super Cub"	F	O-320-B2D (LY)	1A175/GM8241	1A175/GM8242		82.0	78.0		SA00522SE Cub Crafters	12 46	2600	2500
PA-18A-150 "Super Cub"	L S	O-320-B2D (LY)	1A175/GM8241	1A175/GM8242		82.0	78.0		SA00522SE Cub Crafters	12 46	2600 2500	2500 2400
PA-18A-150 "Super Cub"	F	O-320-B2D (LY)		1A175/GM8243	1A175/GM8244	82.0	78.0		SA00522SE Cub Crafters	12 47	2575	2475
PA-18A-150 "Super Cub"	L S	O-320-B2D (LY)		1A175/GM8243	1A175/GM8244	82.0	78.0		SA00522SE Cub Crafters	12 47	2575 2475	2475 2375
PA-18A-150 "Super Cub"	F	O-320-C2B (LY)	1A175/GM8241	1A175/GM8242		82.0	78.0		SA00522SE Cub Crafters	12 41	2550	2450
PA-18A-150 "Super Cub"	L S	O-320-C2B (LY)	1A175/GM8241	1A175/GM8242		82.0	78.0		SA00522SE Cub Crafters	12 41	2550 2450	2450 2350

Fixed Pitch Applications

Aircraft Model	T Y P E	Engine Model (Make)	Climb Model	Standard Model	Cruise Model	Max Dia	Min Dia	Spinner	STC Number	Notes	max rpm	min rpm
PA-18A-150 "Super Cub"	F	O-320-C2B (LY)		1A175/GM8243	1A175/GM8244	82.0	78.0		SA00522SE Cub Crafters	12 45	2550	2400
PA-18A-150 "Super Cub"	L S	O-320-C2B (LY)		1A175/GM8243	1A175/GM8244	82.0	78.0		SA00522SE Cub Crafters	12 45	2550 2450	2400 2300
PA-18A-150 "Super Cub"	F	O-320-C2C (LY)	1A175/GM8241	1A175/GM8242		82.0	78.0		SA00522SE Cub Crafters	12 41	2550	2450
PA-18A-150 "Super Cub"	L S	O-320-C2C (LY)	1A175/GM8241	1A175/GM8242		82.0	78.0		SA00522SE Cub Crafters	12 41	2550 2450	2450 2350
PA-18A-150 "Super Cub"	F	O-320-C2C (LY)		1A175/GM8243	1A175/GM8244	82.0	78.0		SA00522SE Cub Crafters	12 45	2550	2400
PA-18A-150 "Super Cub"	L S	O-320-C2C (LY)		1A175/GM8243	1A175/GM8244	82.0	78.0		SA00522SE Cub Crafters	12 45	2550 2450	2400 2300
PA-18A-150 "Super Cub"	F	O-320-D2A (LY)	1A175/GM8241	1A175/GM8242		82.0	78.0		SA00522SE Cub Crafters	12 46	2600	2500
PA-18A-150 "Super Cub"	L S	O-320-D2A (LY)	1A175/GM8241	1A175/GM8242		82.0	78.0		SA00522SE Cub Crafters	12 46	2600 2500	2500 2400
PA-18A-150 "Super Cub"	F	O-320-D2A (LY)		1A175/GM8243	1A175/GM8244	82.0	78.0		SA00522SE Cub Crafters	12 47	2575	2475
PA-18A-150 "Super Cub"	L S	O-320-D2A (LY)		1A175/GM8243	1A175/GM8244	82.0	78.0		SA00522SE Cub Crafters	12 47	2575 2475	2475 2375
PA-18A-150 "Super Cub"	F	O-320-D2B (LY)	1A175/GM8241	1A175/GM8242		82.0	78.0		SA00522SE Cub Crafters	12 46	2600	2500
PA-18A-150 "Super Cub"	L S	O-320-D2B (LY)	1A175/GM8241	1A175/GM8242		82.0	78.0		SA00522SE Cub Crafters	12 46	2600 2500	2500 2400
PA-18A-150 "Super Cub"	F	O-320-D2B (LY)		1A175/GM8243	1A175/GM8244	82.0	78.0		SA00522SE Cub Crafters	12 47	2575	2475
PA-18A-150 "Super Cub"	L S	O-320-D2B (LY)		1A175/GM8243	1A175/GM8244	82.0	78.0		SA00522SE Cub Crafters	12 47	2575 2475	2475 2375
PA-18A-150 "Super Cub"	F	O-320-D2C (LY)	1A175/GM8241	1A175/GM8242		82.0	78.0		SA00522SE Cub Crafters	12 46	2600	2500
PA-18A-150 "Super Cub"	L S	O-320-D2C (LY)	1A175/GM8241	1A175/GM8242		82.0	78.0		SA00522SE Cub Crafters	12 46	2600 2500	2500 2400
PA-18A-150 "Super Cub"	F	O-320-D2C (LY)		1A175/GM8243	1A175/GM8244	82.0	78.0		SA00522SE Cub Crafters	12 47	2575	2475
PA-18A-150 "Super Cub"	L S	O-320-D2C (LY)		1A175/GM8243	1A175/GM8244	82.0	78.0		SA00522SE Cub Crafters	12 47	2575 2475	2475 2375
PA-18A-150 "Super Cub"	F	O-320-D3G (LY)	1A175/GM8241	1A175/GM8242		82.0	78.0		SA00522SE Cub Crafters	12 46	2600	2500

Fixed Pitch Applications

Aircraft Model	T Y P E	Engine Model (Make)	Climb Model	Standard Model	Cruise Model	Max Dia	Min Dia	Spinner	STC Number	Notes	max rpm	min rpm
PA-18A-150 "Super Cub"	L S	O-320-D3G (LY)	1A175/GM8241	1A175/GM8242		82.0	78.0		SA00522SE Cub Crafters	12 46	2600 2500	2500 2400
PA-18A-150 "Super Cub"	F	O-320-D3G (LY)		1A175/GM8243	1A175/GM8244	82.0	78.0		SA00522SE Cub Crafters	12 47	2575	2475
PA-18A-150 "Super Cub"	L S	O-320-D3G (LY)		1A175/GM8243	1A175/GM8244	82.0	78.0		SA00522SE Cub Crafters	12 47	2575 2475	2475 2375
PA-18A-150 "Super Cub"		O-360 series (LY)	1A200/FA8240	1A200/FA8242	1A200/FA8245	82.0	78.0		SA92NW Cub Crafters	13 14 30	2450	2300
PA-18A-150 "Super Cub"		O-360 series (LY)		1A200/FA8242		82.0			SA02253AT Yellow Media			
PA-18A-150 "Super Cub"		O-360-A3A (LY)		1A200/FA8242		82.0			SA00035NY Penn Yan Aero			
PA-18A-150 "Super Cub"		O-360-A4A (LY)		1A200/FA8242		82.0			SA00035NY Penn Yan Aero			
PA-18A-150 "Super Cub"		O-360-A4M (LY)		1A200/FA8242		82.0			SA00035NY Penn Yan Aero			
PA-18A-150 "Super Cub"		O-360-A4P (LY)		1A200/FA8242		82.0			SA00035NY Penn Yan Aero			
PA-18A-150 "Super Cub"		O-360-C2A (LY)		1A200/FA8242		82.0			SA00035NY Penn Yan Aero			
PA-18A-150 "Super Cub"		O-360-C4P (LY)		1A200/FA8242		82.0			SA00035NY Penn Yan Aero			
PA-18S-150 "Super Cub"	L S	O-320 series (LY)	1A175/GM8241	1A175/GM8242		82.0	78.0		SA00562SE Cub Crafters	12 23 41	2450	2350
PA-18S-150 "Super Cub"	F	O-320 series (LY)	1A175/GM8241	1A175/GM8242		82.0	78.0		SA00562SE Cub Crafters	12 23	2550	2450
PA-18S-150 "Super Cub"	L S	O-320 series (LY)		1A175/GM8243	1A175/GM8244	82.0	78.0		SA00562SE Cub Crafters	12 23 45	2450	2300
PA-18S-150 "Super Cub"	F	O-320 series (LY)		1A175/GM8243	1A175/GM8244	82.0	78.0		SA00562SE Cub Crafters	12 23	2550	2400
PA-18S-150 "Super Cub"	L S	O-320 series (LY)	1A175/GM8241	1A175/GM8242		82.0	78.0		SA00562SE Cub Crafters	12 25 46	2500	2400
PA-18S-150 "Super Cub"	F	O-320 series (LY)	1A175/GM8241	1A175/GM8242		82.0	78.0		SA00562SE Cub Crafters	12 25	2600	2500

Fixed Pitch Applications

Aircraft Model	T Y P E	Engine Model (Make)	Climb Model	Standard Model	Cruise Model	Max Dia	Min Dia	Spinner	STC Number	Notes	max rpm	min rpm
PA-18S-150 "Super Cub"	L S	O-320 series (LY)		1A175/GM8243	1A175/GM8244	82.0	78.0		SA00562SE Cub Crafters	12 25 47	2475	2375
PA-18S-150 "Super Cub"	F	O-320 series (LY)		1A175/GM8243	1A175/GM8244	82.0	78.0		SA00562SE Cub Crafters	12 25	2575	2475
PA-18S-150 "Super Cub"		O-320 (LY)	1A175/GM8242	1A175/GM8244	1A175/GM8246	82.0			SA392AL Alaska Propeller			
PA-18S-150 "Super Cub"		O-320-A1A (LY)	1A175/GM8241	1A175/GM8242	1A175/GM8244	82.0			SA279AL Borer	36		
PA-18S-150 "Super Cub"		O-320-A1A (LY)	1A175/GM8241	1A175/GM8242	1A175/GM8244	82.0			SA02170AK Dan's Acft Repair	36		
PA-18S-150 "Super Cub"	F	O-320-A1B (LY)	1A175/GM8241	1A175/GM8242		82.0	78.0		SA00522SE Cub Crafters	12 41	2550	2450
PA-18S-150 "Super Cub"	L S	O-320-A1B (LY)	1A175/GM8241	1A175/GM8242		82.0	78.0		SA00522SE Cub Crafters	12 41	2550 2450	2450 2350
PA-18S-150 "Super Cub"	F	O-320-A1B (LY)		1A175/GM8243	1A175/GM8244	82.0	78.0		SA00522SE Cub Crafters	12 45	2550	2400
PA-18S-150 "Super Cub"	L S	O-320-A1B (LY)		1A175/GM8243	1A175/GM8244	82.0	78.0		SA00522SE Cub Crafters	12 45	2550 2450	2400 2300
PA-18S-150 "Super Cub"		O-320-A2A (LY)	1A175/GM8242	1A175/GM8244	1A175/GM8246	82.0			SA392AL Alaska Propeller			
PA-18S-150 "Super Cub"		O-320-A2B (LY)	1A175/GM8242	1A175/GM8244	1A175/GM8246	82.0			SA392AL Alaska Propeller			
PA-18S-150 "Super Cub"	F	O-320-A2B (LY)	1A175/GM8241	1A175/GM8242		82.0	78.0		SA00522SE Cub Crafters	12 41	2550	2450
PA-18S-150 "Super Cub"	L S	O-320-A2B (LY)	1A175/GM8241	1A175/GM8242		82.0	78.0		SA00522SE Cub Crafters	12 41	2550 2450	2450 2350
PA-18S-150 "Super Cub"	F	O-320-A2B (LY)		1A175/GM8243	1A175/GM8244	82.0	78.0		SA00522SE Cub Crafters	12 45	2550	2400
PA-18S-150 "Super Cub"	L S	O-320-A2B (LY)		1A175/GM8243	1A175/GM8244	82.0	78.0		SA00522SE Cub Crafters	12 45	2550 2450	2400 2300
PA-18S-150 "Super Cub"	F	O-320-A2C (LY)	1A175/GM8241	1A175/GM8242		82.0	78.0		SA00522SE Cub Crafters	12 41	2550	2450
PA-18S-150 "Super Cub"	L S	O-320-A2C (LY)	1A175/GM8241	1A175/GM8242		82.0	78.0		SA00522SE Cub Crafters	12 41	2550 2450	2450 2350
PA-18S-150 "Super Cub"	F	O-320-A2C (LY)		1A175/GM8243	1A175/GM8244	82.0	78.0		SA00522SE Cub Crafters	12 45	2550	2400
PA-18S-150 "Super Cub"	L S	O-320-A2C (LY)		1A175/GM8243	1A175/GM8244	82.0	78.0		SA00522SE Cub Crafters	12 45	2550 2450	2400 2300

Fixed Pitch Applications

Aircraft Model	T Y P E	Engine Model (Make)	Climb Model	Standard Model	Cruise Model	Max Dia	Min Dia	Spinner	STC Number	Notes	max rpm	min rpm
PA-18S-150 "Super Cub"	F	O-320-A2D (LY)	1A175/GM8241	1A175/GM8242		82.0	78.0		SA00522SE Cub Crafters	12 41	2550	2450
PA-18S-150 "Super Cub"	L S	O-320-A2D (LY)	1A175/GM8241	1A175/GM8242		82.0	78.0		SA00522SE Cub Crafters	12 41	2550 2450	2450 2350
PA-18S-150 "Super Cub"	F	O-320-A2D (LY)		1A175/GM8243	1A175/GM8244	82.0	78.0		SA00522SE Cub Crafters	12 45	2550	2400
PA-18S-150 "Super Cub"	L S	O-320-A2D (LY)		1A175/GM8243	1A175/GM8244	82.0	78.0		SA00522SE Cub Crafters	12 45	2550 2450	2400 2300
PA-18S-150 "Super Cub"	F	O-320-B2B (LY)	1A175/GM8241	1A175/GM8242		82.0	78.0		SA00522SE Cub Crafters	12 46	2600	2500
PA-18S-150 "Super Cub"	L S	O-320-B2B (LY)	1A175/GM8241	1A175/GM8242		82.0	78.0		SA00522SE Cub Crafters	12 46	2600 2500	2500 2400
PA-18S-150 "Super Cub"	F	O-320-B2B (LY)		1A175/GM8243	1A175/GM8244	82.0	78.0		SA00522SE Cub Crafters	12 47	2575	2475
PA-18S-150 "Super Cub"	L S	O-320-B2B (LY)		1A175/GM8243	1A175/GM8244	82.0	78.0		SA00522SE Cub Crafters	12 47	2575 2475	2475 2375
PA-18S-150 "Super Cub"	F	O-320-B2C (LY)	1A175/GM8241	1A175/GM8242		82.0	78.0		SA00522SE Cub Crafters	12 46	2600	2500
PA-18S-150 "Super Cub"	L S	O-320-B2C (LY)	1A175/GM8241	1A175/GM8242		82.0	78.0		SA00522SE Cub Crafters	12 46	2600 2500	2500 2400
PA-18S-150 "Super Cub"	F	O-320-B2C (LY)		1A175/GM8243	1A175/GM8244	82.0	78.0		SA00522SE Cub Crafters	12 47	2575	2475
PA-18S-150 "Super Cub"	L S	O-320-B2C (LY)		1A175/GM8243	1A175/GM8244	82.0	78.0		SA00522SE Cub Crafters	12 47	2575 2475	2475 2375
PA-18S-150 "Super Cub"	F	O-320-B2D (LY)	1A175/GM8241	1A175/GM8242		82.0	78.0		SA00522SE Cub Crafters	12 46	2600	2500
PA-18S-150 "Super Cub"	L S	O-320-B2D (LY)	1A175/GM8241	1A175/GM8242		82.0	78.0		SA00522SE Cub Crafters	12 46	2600 2500	2500 2400
PA-18S-150 "Super Cub"	F	O-320-B2D (LY)		1A175/GM8243	1A175/GM8244	82.0	78.0		SA00522SE Cub Crafters	12 47	2575	2475
PA-18S-150 "Super Cub"	L S	O-320-B2D (LY)		1A175/GM8243	1A175/GM8244	82.0	78.0		SA00522SE Cub Crafters	12 47	2575 2475	2475 2375
PA-18S-150 "Super Cub"	F	O-320-C2B (LY)	1A175/GM8241	1A175/GM8242		82.0	78.0		SA00522SE Cub Crafters	12 41	2550	2450
PA-18S-150 "Super Cub"	L S	O-320-C2B (LY)	1A175/GM8241	1A175/GM8242		82.0	78.0		SA00522SE Cub Crafters	12 41	2550 2450	2450 2350
PA-18S-150 "Super Cub"	F	O-320-C2B (LY)		1A175/GM8243	1A175/GM8244	82.0	78.0		SA00522SE Cub Crafters	12 45	2550	2400

Fixed Pitch Applications

Aircraft Model	T Y P E	Engine Model (Make)	Climb Model	Standard Model	Cruise Model	Max Dia	Min Dia	Spinner	STC Number	Notes	max rpm	min rpm
PA-18S-150 "Super Cub"	L S	O-320-C2B (LY)		1A175/GM8243	1A175/GM8244	82.0	78.0		SA00522SE Cub Crafters	12 45	2550 2450	2400 2300
PA-18S-150 "Super Cub"	F	O-320-C2C (LY)	1A175/GM8241	1A175/GM8242		82.0	78.0		SA00522SE Cub Crafters	12 41	2550	2450
PA-18S-150 "Super Cub"	L S	O-320-C2C (LY)	1A175/GM8241	1A175/GM8242		82.0	78.0		SA00522SE Cub Crafters	12 41	2550 2450	2450 2350
PA-18S-150 "Super Cub"	F	O-320-C2C (LY)		1A175/GM8243	1A175/GM8244	82.0	78.0		SA00522SE Cub Crafters	12 45	2550	2400
PA-18S-150 "Super Cub"	L S	O-320-C2C (LY)		1A175/GM8243	1A175/GM8244	82.0	78.0		SA00522SE Cub Crafters	12 45	2550 2450	2400 2300
PA-18S-150 "Super Cub"	F	O-320-D2A (LY)	1A175/GM8241	1A175/GM8242		82.0	78.0		SA00522SE Cub Crafters	12 46	2600	2500
PA-18S-150 "Super Cub"	L S	O-320-D2A (LY)	1A175/GM8241	1A175/GM8242		82.0	78.0		SA00522SE Cub Crafters	12 46	2600 2500	2500 2400
PA-18S-150 "Super Cub"	F	O-320-D2A (LY)		1A175/GM8243	1A175/GM8244	82.0	78.0		SA00522SE Cub Crafters	12 47	2575	2475
PA-18S-150 "Super Cub"	L S	O-320-D2A (LY)		1A175/GM8243	1A175/GM8244	82.0	78.0		SA00522SE Cub Crafters	12 47	2575 2475	2475 2375
PA-18S-150 "Super Cub"	F	O-320-D2B (LY)	1A175/GM8241	1A175/GM8242		82.0	78.0		SA00522SE Cub Crafters	12 46	2600	2500
PA-18S-150 "Super Cub"	L S	O-320-D2B (LY)	1A175/GM8241	1A175/GM8242		82.0	78.0		SA00522SE Cub Crafters	12 46	2600 2500	2500 2400
PA-18S-150 "Super Cub"	F	O-320-D2B (LY)		1A175/GM8243	1A175/GM8244	82.0	78.0		SA00522SE Cub Crafters	12 47	2575	2475
PA-18S-150 "Super Cub"	L S	O-320-D2B (LY)		1A175/GM8243	1A175/GM8244	82.0	78.0		SA00522SE Cub Crafters	12 47	2575 2475	2475 2375
PA-18S-150 "Super Cub"	F	O-320-D2C (LY)	1A175/GM8241	1A175/GM8242		82.0	78.0		SA00522SE Cub Crafters	12 46	2600	2500
PA-18S-150 "Super Cub"	L S	O-320-D2C (LY)	1A175/GM8241	1A175/GM8242		82.0	78.0		SA00522SE Cub Crafters	12 46	2600 2500	2500 2400
PA-18S-150 "Super Cub"	F	O-320-D2C (LY)		1A175/GM8243	1A175/GM8244	82.0	78.0		SA00522SE Cub Crafters	12 47	2575	2475
PA-18S-150 "Super Cub"	L S	O-320-D2C (LY)		1A175/GM8243	1A175/GM8244	82.0	78.0		SA00522SE Cub Crafters	12 47	2575 2475	2475 2375
PA-18S-150 "Super Cub"	F	O-320-D3G (LY)	1A175/GM8241	1A175/GM8242		82.0	78.0		SA00522SE Cub Crafters	12 46	2600	2500
PA-18S-150 "Super Cub"	L S	O-320-D3G (LY)	1A175/GM8241	1A175/GM8242		82.0	78.0		SA00522SE Cub Crafters	12 46	2600 2500	2500 2400

Fixed Pitch Applications

Aircraft Model	T Y P E	Engine Model (Make)	Climb Model	Standard Model	Cruise Model	Max Dia	Min Dia	Spinner	STC Number	Notes	max rpm	min rpm
PA-18S-150 "Super Cub"	F	O-320-D3G (LY)		1A175/GM8243	1A175/GM8244	82.0	78.0		SA00522SE Cub Crafters	12 47	2575	2475
PA-18S-150 "Super Cub"	L S	O-320-D3G (LY)		1A175/GM8243	1A175/GM8244	82.0	78.0		SA00522SE Cub Crafters	12 47	2575 2475	2475 2375
PA-18S-150 "Super Cub"		O-360 series (LY)	1A200/FA8240	1A200/FA8242	1A200/FA8245	82.0	78.0		SA92NW Cub Crafters	13 14 30	2450	2300
PA-18AS-150 "Super Cub"	L S	O-320 series (LY)	1A175/GM8241	1A175/GM8242		82.0	78.0		SA00562SE Cub Crafters	12 23 41	2450	2350
PA-18AS-150 "Super Cub"	F	O-320 series (LY)	1A175/GM8241	1A175/GM8242		82.0	78.0		SA00562SE Cub Crafters	12 23	2550	2450
PA-18AS-150 "Super Cub"	L S	O-320 series (LY)		1A175/GM8243	1A175/GM8244	82.0	78.0		SA00562SE Cub Crafters	12 23 45	2450	2300
PA-18AS-150 "Super Cub"	F	O-320 series (LY)		1A175/GM8243	1A175/GM8244	82.0	78.0		SA00562SE Cub Crafters	12 23	2550	2400
PA-18AS-150 "Super Cub"	L S	O-320 series (LY)	1A175/GM8241	1A175/GM8242		82.0	78.0		SA00562SE Cub Crafters	12 25 46	2500	2400
PA-18AS-150 "Super Cub"	F	O-320 series (LY)	1A175/GM8241	1A175/GM8242		82.0	78.0		SA00562SE Cub Crafters	12 25	2600	2500
PA-18AS-150 "Super Cub"	L S	O-320 series (LY)		1A175/GM8243	1A175/GM8244	82.0	78.0		SA00562SE Cub Crafters	12 25 47	2475	2375
PA-18AS-150 "Super Cub"	F	O-320 series (LY)		1A175/GM8243	1A175/GM8244	82.0	78.0		SA00562SE Cub Crafters	12 25	2575	2475
PA-18AS-150 "Super Cub"		O-320 (LY)	1A175/GM8242	1A175/GM8244	1A175/GM8246	82.0			SA392AL Alaska Propeller			
PA-18AS-150 "Super Cub"		O-320-A1A (LY)	1A175/GM8241	1A175/GM8242	1A175/GM8244	82.0			SA279AL Borer	36		
PA-18AS-150 "Super Cub"		O-320-A1A (LY)	1A175/GM8241	1A175/GM8242	1A175/GM8244	82.0			SA02170AK Dan's Acft Repair	36		
PA-18AS-150 "Super Cub"	F	O-320-A1B (LY)	1A175/GM8241	1A175/GM8242		82.0	78.0		SA00522SE Cub Crafters	12 41	2550	2450
PA-18AS-150 "Super Cub"	L S	O-320-A1B (LY)	1A175/GM8241	1A175/GM8242		82.0	78.0		SA00522SE Cub Crafters	12 41	2550 2450	2450 2350
PA-18AS-150 "Super Cub"	F	O-320-A1B (LY)		1A175/GM8243	1A175/GM8244	82.0	78.0		SA00522SE Cub Crafters	12 45	2550	2400

Fixed Pitch Applications

Aircraft Model	T Y P E	Engine Model (Make)	Climb Model	Standard Model	Cruise Model	Max Dia	Min Dia	Spinner	STC Number	Notes	max rpm	min rpm
PA-18AS-150 "Super Cub"	L S	O-320-A1B (LY)		1A175/GM8243	1A175/GM8244	82.0	78.0		SA00522SE Cub Crafters	12 45	2550 2450	2400 2300
PA-18AS-150 "Super Cub"		O-320-A2A (LY)	1A175/GM8242	1A175/GM8244	1A175/GM8246	82.0			SA392AL Alaska Propeller			
PA-18AS-150 "Super Cub"		O-320-A2B (LY)	1A175/GM8242	1A175/GM8244	1A175/GM8246	82.0			SA392AL Alaska Propeller			
PA-18AS-150 "Super Cub"	F	O-320-A2B (LY)	1A175/GM8241	1A175/GM8242		82.0	78.0		SA00522SE Cub Crafters	12 41	2550	2450
PA-18AS-150 "Super Cub"	L S	O-320-A2B (LY)	1A175/GM8241	1A175/GM8242		82.0	78.0		SA00522SE Cub Crafters	12 41	2550 2450	2450 2350
PA-18AS-150 "Super Cub"	F	O-320-A2B (LY)		1A175/GM8243	1A175/GM8244	82.0	78.0		SA00522SE Cub Crafters	12 45	2550	2400
PA-18AS-150 "Super Cub"	L S	O-320-A2B (LY)		1A175/GM8243	1A175/GM8244	82.0	78.0		SA00522SE Cub Crafters	12 45	2550 2450	2400 2300
PA-18AS-150 "Super Cub"	F	O-320-A2C (LY)	1A175/GM8241	1A175/GM8242		82.0	78.0		SA00522SE Cub Crafters	12 41	2550	2450
PA-18AS-150 "Super Cub"	L S	O-320-A2C (LY)	1A175/GM8241	1A175/GM8242		82.0	78.0		SA00522SE Cub Crafters	12 41	2550 2450	2450 2350
PA-18AS-150 "Super Cub"	F	O-320-A2C (LY)		1A175/GM8243	1A175/GM8244	82.0	78.0		SA00522SE Cub Crafters	12 45	2550	2400
PA-18AS-150 "Super Cub"	L S	O-320-A2C (LY)		1A175/GM8243	1A175/GM8244	82.0	78.0		SA00522SE Cub Crafters	12 45	2550 2450	2400 2300
PA-18AS-150 "Super Cub"	F	O-320-A2D (LY)	1A175/GM8241	1A175/GM8242		82.0	78.0		SA00522SE Cub Crafters	12 41	2550	2450
PA-18AS-150 "Super Cub"	L S	O-320-A2D (LY)	1A175/GM8241	1A175/GM8242		82.0	78.0		SA00522SE Cub Crafters	12 41	2550 2450	2450 2350
PA-18AS-150 "Super Cub"	F	O-320-A2D (LY)		1A175/GM8243	1A175/GM8244	82.0	78.0		SA00522SE Cub Crafters	12 45	2550	2400
PA-18AS-150 "Super Cub"	L S	O-320-A2D (LY)		1A175/GM8243	1A175/GM8244	82.0	78.0		SA00522SE Cub Crafters	12 45	2550 2450	2400 2300
PA-18AS-150 "Super Cub"	F	O-320-B2B (LY)	1A175/GM8241	1A175/GM8242		82.0	78.0		SA00522SE Cub Crafters	12 46	2600	2500
PA-18AS-150 "Super Cub"	L S	O-320-B2B (LY)	1A175/GM8241	1A175/GM8242		82.0	78.0		SA00522SE Cub Crafters	12 46	2600 2500	2500 2400
PA-18AS-150 "Super Cub"	F	O-320-B2B (LY)		1A175/GM8243	1A175/GM8244	82.0	78.0		SA00522SE Cub Crafters	12 47	2575	2475
PA-18AS-150 "Super Cub"	L S	O-320-B2B (LY)		1A175/GM8243	1A175/GM8244	82.0	78.0		SA00522SE Cub Crafters	12 47	2575 2475	2475 2375

Fixed Pitch Applications

Aircraft Model	T Y P E	Engine Model (Make)	Climb Model	Standard Model	Cruise Model	Max Dia	Min Dia	Spinner	STC Number	Notes	max rpm	min rpm
PA-18AS-150 "Super Cub"	F	O-320-B2C (LY)	1A175/GM8241	1A175/GM8242		82.0	78.0		SA00522SE Cub Crafters	12 46	2600	2500
PA-18AS-150 "Super Cub"	L S	O-320-B2C (LY)	1A175/GM8241	1A175/GM8242		82.0	78.0		SA00522SE Cub Crafters	12 46	2600 2500	2500 2400
PA-18AS-150 "Super Cub"	F	O-320-B2C (LY)		1A175/GM8243	1A175/GM8244	82.0	78.0		SA00522SE Cub Crafters	12 47	2575	2475
PA-18AS-150 "Super Cub"	L S	O-320-B2C (LY)		1A175/GM8243	1A175/GM8244	82.0	78.0		SA00522SE Cub Crafters	12 47	2575 2475	2475 2375
PA-18AS-150 "Super Cub"	F	O-320-B2D (LY)	1A175/GM8241	1A175/GM8242		82.0	78.0		SA00522SE Cub Crafters	12 46	2600	2500
PA-18AS-150 "Super Cub"	L S	O-320-B2D (LY)	1A175/GM8241	1A175/GM8242		82.0	78.0		SA00522SE Cub Crafters	12 46	2600 2500	2500 2400
PA-18AS-150 "Super Cub"	F	O-320-B2D (LY)		1A175/GM8243	1A175/GM8244	82.0	78.0		SA00522SE Cub Crafters	12 47	2575	2475
PA-18AS-150 "Super Cub"	L S	O-320-B2D (LY)		1A175/GM8243	1A175/GM8244	82.0	78.0		SA00522SE Cub Crafters	12 47	2575 2475	2475 2375
PA-18AS-150 "Super Cub"	F	O-320-C2B (LY)	1A175/GM8241	1A175/GM8242		82.0	78.0		SA00522SE Cub Crafters	12 41	2550	2450
PA-18AS-150 "Super Cub"	L S	O-320-C2B (LY)	1A175/GM8241	1A175/GM8242		82.0	78.0		SA00522SE Cub Crafters	12 41	2550 2450	2450 2350
PA-18AS-150 "Super Cub"	F	O-320-C2B (LY)		1A175/GM8243	1A175/GM8244	82.0	78.0		SA00522SE Cub Crafters	12 45	2550	2400
PA-18AS-150 "Super Cub"	L S	O-320-C2B (LY)		1A175/GM8243	1A175/GM8244	82.0	78.0		SA00522SE Cub Crafters	12 45	2550 2450	2400 2300
PA-18AS-150 "Super Cub"	F	O-320-C2C (LY)	1A175/GM8241	1A175/GM8242		82.0	78.0		SA00522SE Cub Crafters	12 41	2550	2450
PA-18AS-150 "Super Cub"	L S	O-320-C2C (LY)	1A175/GM8241	1A175/GM8242		82.0	78.0		SA00522SE Cub Crafters	12 41	2550 2450	2450 2350
PA-18AS-150 "Super Cub"	F	O-320-C2C (LY)		1A175/GM8243	1A175/GM8244	82.0	78.0		SA00522SE Cub Crafters	12 45	2550	2400
PA-18AS-150 "Super Cub"	L S	O-320-C2C (LY)		1A175/GM8243	1A175/GM8244	82.0	78.0		SA00522SE Cub Crafters	12 45	2550 2450	2400 2300
PA-18AS-150 "Super Cub"	F	O-320-D2A (LY)	1A175/GM8241	1A175/GM8242		82.0	78.0		SA00522SE Cub Crafters	12 46	2600	2500
PA-18AS-150 "Super Cub"	L S	O-320-D2A (LY)	1A175/GM8241	1A175/GM8242		82.0	78.0		SA00522SE Cub Crafters	12 46	2600 2500	2500 2400
PA-18AS-150 "Super Cub"	F	O-320-D2A (LY)		1A175/GM8243	1A175/GM8244	82.0	78.0		SA00522SE Cub Crafters	12 47	2575	2475

Fixed Pitch Applications

Aircraft Model	T Y P E	Engine Model (Make)	Climb Model	Standard Model	Cruise Model	Max Dia	Min Dia	Spinner	STC Number	Notes	max rpm	min rpm
PA-18AS-150 "Super Cub"	L S	O-320-D2A (LY)		1A175/GM8243	1A175/GM8244	82.0	78.0		SA00522SE Cub Crafters	12 47	2575 2475	2475 2375
PA-18AS-150 "Super Cub"	F	O-320-D2B (LY)	1A175/GM8241	1A175/GM8242		82.0	78.0		SA00522SE Cub Crafters	12 46	2600	2500
PA-18AS-150 "Super Cub"	L S	O-320-D2B (LY)	1A175/GM8241	1A175/GM8242		82.0	78.0		SA00522SE Cub Crafters	12 46	2600 2500	2500 2400
PA-18AS-150 "Super Cub"	F	O-320-D2B (LY)		1A175/GM8243	1A175/GM8244	82.0	78.0		SA00522SE Cub Crafters	12 47	2575	2475
PA-18AS-150 "Super Cub"	L S	O-320-D2B (LY)		1A175/GM8243	1A175/GM8244	82.0	78.0		SA00522SE Cub Crafters	12 47	2575 2475	2475 2375
PA-18AS-150 "Super Cub"	F	O-320-D2C (LY)	1A175/GM8241	1A175/GM8242		82.0	78.0		SA00522SE Cub Crafters	12 46	2600	2500
PA-18AS-150 "Super Cub"	L S	O-320-D2C (LY)	1A175/GM8241	1A175/GM8242		82.0	78.0		SA00522SE Cub Crafters	12 46	2600 2500	2500 2400
PA-18AS-150 "Super Cub"	F	O-320-D2C (LY)		1A175/GM8243	1A175/GM8244	82.0	78.0		SA00522SE Cub Crafters	12 47	2575	2475
PA-18AS-150 "Super Cub"	L S	O-320-D2C (LY)		1A175/GM8243	1A175/GM8244	82.0	78.0		SA00522SE Cub Crafters	12 47	2575 2475	2475 2375
PA-18AS-150 "Super Cub"	F	O-320-D3G (LY)	1A175/GM8241	1A175/GM8242		82.0	78.0		SA00522SE Cub Crafters	12 46	2600	2500
PA-18AS-150 "Super Cub"	L S	O-320-D3G (LY)	1A175/GM8241	1A175/GM8242		82.0	78.0		SA00522SE Cub Crafters	12 46	2600 2500	2500 2400
PA-18AS-150 "Super Cub"	F	O-320-D3G (LY)		1A175/GM8243	1A175/GM8244	82.0	78.0		SA00522SE Cub Crafters	12 47	2575	2475
PA-18AS-150 "Super Cub"	L S	O-320-D3G (LY)		1A175/GM8243	1A175/GM8244	82.0	78.0		SA00522SE Cub Crafters	12 47	2575 2475	2475 2375
PA-18AS-150 "Super Cub"		O-360 series (LY)	1A200/FA8240	1A200/FA8242	1A200/FA8245	82.0	78.0		SA92NW Cub Crafters	13 14 30	2450	2300
PA-19 "Super Cub, ARMY L-18C"		C90-8F (TCM)	1B90/CM7146	1B90/CM7150		71.0	69.5			1	2350	2200
PA-19 "Super Cub, ARMY L-18C"		C90-12F (TCM)	1B90/CM7146	1B90/CM7150		71.0	69.5			1	2350	2200
PA-19 "Super Cub"	L S	O-320 series (LY)	1A175/GM8241	1A175/GM8242		82.0	78.0		SA00562SE Cub Crafters	12 23 41	2450	2350
PA-19 "Super Cub"	F	O-320 series (LY)	1A175/GM8241	1A175/GM8242		82.0	78.0		SA00562SE Cub Crafters	12 23	2550	2450

Fixed Pitch Applications

Aircraft Model	T Y P E	Engine Model (Make)	Climb Model	Standard Model	Cruise Model	Max Dia	Min Dia	Spinner	STC Number	Notes	max rpm	min rpm
PA-19 "Super Cub"	L S	O-320 series (LY)		1A175/GM8243	1A175/GM8244	82.0	78.0		SA00562SE Cub Crafters	12 23 45	2450	2300
PA-19 "Super Cub"	F	O-320 series (LY)		1A175/GM8243	1A175/GM8244	82.0	78.0		SA00562SE Cub Crafters	12 23	2550	2400
PA-19 "Super Cub"	L S	O-320 series (LY)	1A175/GM8241	1A175/GM8242		82.0	78.0		SA00562SE Cub Crafters	12 25 46	2500	2400
PA-19 "Super Cub"	F	O-320 series (LY)	1A175/GM8241	1A175/GM8242		82.0	78.0		SA00562SE Cub Crafters	12 25	2600	2500
PA-19 "Super Cub"	L S	O-320 series (LY)		1A175/GM8243	1A175/GM8244	82.0	78.0		SA00562SE Cub Crafters	12 25 47	2475	2375
PA-19 "Super Cub"	F	O-320 series (LY)		1A175/GM8243	1A175/GM8244	82.0	78.0		SA00562SE Cub Crafters	12 25	2575	2475
PA-19 "Super Cub"	F	O-320-A1B (LY)	1A175/GM8241	1A175/GM8242		82.0	78.0		SA00522SE Cub Crafters	12 41	2550	2450
PA-19 "Super Cub"	L S	O-320-A1B (LY)	1A175/GM8241	1A175/GM8242		82.0	78.0		SA00522SE Cub Crafters	12 41 2450	2550 2450	2450 2350
PA-19 "Super Cub"	F	O-320-A1B (LY)		1A175/GM8243	1A175/GM8244	82.0	78.0		SA00522SE Cub Crafters	12 45	2550	2400
PA-19 "Super Cub"	L S	O-320-A1B (LY)		1A175/GM8243	1A175/GM8244	82.0	78.0		SA00522SE Cub Crafters	12 45 2450	2550 2450	2400 2300
PA-19 "Super Cub"	F	O-320-A2B (LY)	1A175/GM8241	1A175/GM8242		82.0	78.0		SA00522SE Cub Crafters	12 41	2550	2450
PA-19 "Super Cub"	L S	O-320-A2B (LY)	1A175/GM8241	1A175/GM8242		82.0	78.0		SA00522SE Cub Crafters	12 41 2450	2550 2450	2450 2350
PA-19 "Super Cub"	F	O-320-A2B (LY)		1A175/GM8243	1A175/GM8244	82.0	78.0		SA00522SE Cub Crafters	12 45	2550	2400
PA-19 "Super Cub"	L S	O-320-A2B (LY)		1A175/GM8243	1A175/GM8244	82.0	78.0		SA00522SE Cub Crafters	12 45 2450	2550 2450	2400 2300
PA-19 "Super Cub"	F	O-320-A2C (LY)	1A175/GM8241	1A175/GM8242		82.0	78.0		SA00522SE Cub Crafters	12 41	2550	2450
PA-19 "Super Cub"	L S	O-320-A2C (LY)	1A175/GM8241	1A175/GM8242		82.0	78.0		SA00522SE Cub Crafters	12 41 2450	2550 2450	2450 2350
PA-19 "Super Cub"	F	O-320-A2C (LY)		1A175/GM8243	1A175/GM8244	82.0	78.0		SA00522SE Cub Crafters	12 45	2550	2400
PA-19 "Super Cub"	L S	O-320-A2C (LY)		1A175/GM8243	1A175/GM8244	82.0	78.0		SA00522SE Cub Crafters	12 45 2450	2550 2450	2400 2300

Fixed Pitch Applications

Aircraft Model	T Y P E	Engine Model (Make)	Climb Model	Standard Model	Cruise Model	Max Dia	Min Dia	Spinner	STC Number	Notes	max rpm	min rpm
PA-19 "Super Cub"	F	O-320-A2D (LY)	1A175/GM8241	1A175/GM8242		82.0	78.0		SA00522SE Cub Crafters	12 41	2550	2450
PA-19 "Super Cub"	L S	O-320-A2D (LY)	1A175/GM8241	1A175/GM8242		82.0	78.0		SA00522SE Cub Crafters	12 41	2550 2450	2450 2350
PA-19 "Super Cub"	F	O-320-A2D (LY)		1A175/GM8243	1A175/GM8244	82.0	78.0		SA00522SE Cub Crafters	12 45	2550	2400
PA-19 "Super Cub"	L S	O-320-A2D (LY)		1A175/GM8243	1A175/GM8244	82.0	78.0		SA00522SE Cub Crafters	12 45	2550 2450	2400 2300
PA-19 "Super Cub"	F	O-320-B2B (LY)	1A175/GM8241	1A175/GM8242		82.0	78.0		SA00522SE Cub Crafters	12 46	2600	2500
PA-19 "Super Cub"	L S	O-320-B2B (LY)	1A175/GM8241	1A175/GM8242		82.0	78.0		SA00522SE Cub Crafters	12 46	2600 2500	2500 2400
PA-19 "Super Cub"	F	O-320-B2B (LY)		1A175/GM8243	1A175/GM8244	82.0	78.0		SA00522SE Cub Crafters	12 47	2575	2475
PA-19 "Super Cub"	L S	O-320-B2B (LY)		1A175/GM8243	1A175/GM8244	82.0	78.0		SA00522SE Cub Crafters	12 47	2575 2475	2475 2375
PA-19 "Super Cub"	F	O-320-B2C (LY)	1A175/GM8241	1A175/GM8242		82.0	78.0		SA00522SE Cub Crafters	12 46	2600	2500
PA-19 "Super Cub"	L S	O-320-B2C (LY)	1A175/GM8241	1A175/GM8242		82.0	78.0		SA00522SE Cub Crafters	12 46	2600 2500	2500 2400
PA-19 "Super Cub"	F	O-320-B2C (LY)		1A175/GM8243	1A175/GM8244	82.0	78.0		SA00522SE Cub Crafters	12 47	2575	2475
PA-19 "Super Cub"	L S	O-320-B2C (LY)		1A175/GM8243	1A175/GM8244	82.0	78.0		SA00522SE Cub Crafters	12 47	2575 2475	2475 2375
PA-19 "Super Cub"	F	O-320-B2D (LY)	1A175/GM8241	1A175/GM8242		82.0	78.0		SA00522SE Cub Crafters	12 46	2600	2500
PA-19 "Super Cub"	L S	O-320-B2D (LY)	1A175/GM8241	1A175/GM8242		82.0	78.0		SA00522SE Cub Crafters	12 46	2600 2500	2500 2400
PA-19 "Super Cub"	F	O-320-B2D (LY)		1A175/GM8243	1A175/GM8244	82.0	78.0		SA00522SE Cub Crafters	12 47	2575	2475
PA-19 "Super Cub"	L S	O-320-B2D (LY)		1A175/GM8243	1A175/GM8244	82.0	78.0		SA00522SE Cub Crafters	12 47	2575 2475	2475 2375
PA-19 "Super Cub"	F	O-320-C2B (LY)	1A175/GM8241	1A175/GM8242		82.0	78.0		SA00522SE Cub Crafters	12 41	2550	2450
PA-19 "Super Cub"	L S	O-320-C2B (LY)	1A175/GM8241	1A175/GM8242		82.0	78.0		SA00522SE Cub Crafters	12 41	2550 2450	2450 2350
PA-19 "Super Cub"	F	O-320-C2B (LY)		1A175/GM8243	1A175/GM8244	82.0	78.0		SA00522SE Cub Crafters	12 45	2550	2400

Fixed Pitch Applications

Aircraft Model	T Y P E	Engine Model (Make)	Climb Model	Standard Model	Cruise Model	Max Dia	Min Dia	Spinner	STC Number	Notes	max rpm	min rpm
PA-19 "Super Cub"	L S	O-320-C2B (LY)		1A175/GM8243	1A175/GM8244	82.0	78.0		SA00522SE Cub Crafters	12 45	2550 2450	2400 2300
PA-19 "Super Cub"	F	O-320-C2C (LY)	1A175/GM8241	1A175/GM8242		82.0	78.0		SA00522SE Cub Crafters	12 41	2550	2450
PA-19 "Super Cub"	L S	O-320-C2C (LY)	1A175/GM8241	1A175/GM8242		82.0	78.0		SA00522SE Cub Crafters	12 41	2550 2450	2450 2350
PA-19 "Super Cub"	F	O-320-C2C (LY)		1A175/GM8243	1A175/GM8244	82.0	78.0		SA00522SE Cub Crafters	12 45	2550	2400
PA-19 "Super Cub"	L S	O-320-C2C (LY)		1A175/GM8243	1A175/GM8244	82.0	78.0		SA00522SE Cub Crafters	12 45	2550 2450	2400 2300
PA-19 "Super Cub"	F	O-320-D2A (LY)	1A175/GM8241	1A175/GM8242		82.0	78.0		SA00522SE Cub Crafters	12 46	2600	2500
PA-19 "Super Cub"	L S	O-320-D2A (LY)	1A175/GM8241	1A175/GM8242		82.0	78.0		SA00522SE Cub Crafters	12 46	2600 2500	2500 2400
PA-19 "Super Cub"	F	O-320-D2A (LY)		1A175/GM8243	1A175/GM8244	82.0	78.0		SA00522SE Cub Crafters	12 47	2575	2475
PA-19 "Super Cub"	L S	O-320-D2A (LY)		1A175/GM8243	1A175/GM8244	82.0	78.0		SA00522SE Cub Crafters	12 47	2575 2475	2475 2375
PA-19 "Super Cub"	F	O-320-D2B (LY)	1A175/GM8241	1A175/GM8242		82.0	78.0		SA00522SE Cub Crafters	12 46	2600	2500
PA-19 "Super Cub"	L S	O-320-D2B (LY)	1A175/GM8241	1A175/GM8242		82.0	78.0		SA00522SE Cub Crafters	12 46	2600 2500	2500 2400
PA-19 "Super Cub"	F	O-320-D2B (LY)		1A175/GM8243	1A175/GM8244	82.0	78.0		SA00522SE Cub Crafters	12 47	2575	2475
PA-19 "Super Cub"	L S	O-320-D2B (LY)		1A175/GM8243	1A175/GM8244	82.0	78.0		SA00522SE Cub Crafters	12 47	2575 2475	2475 2375
PA-19 "Super Cub"	F	O-320-D2C (LY)	1A175/GM8241	1A175/GM8242		82.0	78.0		SA00522SE Cub Crafters	12 46	2600	2500
PA-19 "Super Cub"	L S	O-320-D2C (LY)	1A175/GM8241	1A175/GM8242		82.0	78.0		SA00522SE Cub Crafters	12 46	2600 2500	2500 2400
PA-19 "Super Cub"	F	O-320-D2C (LY)		1A175/GM8243	1A175/GM8244	82.0	78.0		SA00522SE Cub Crafters	12 47	2575	2475
PA-19 "Super Cub"	L S	O-320-D2C (LY)		1A175/GM8243	1A175/GM8244	82.0	78.0		SA00522SE Cub Crafters	12 47	2575 2475	2475 2375
PA-19 "Super Cub"	F	O-320-D3G (LY)	1A175/GM8241	1A175/GM8242		82.0	78.0		SA00522SE Cub Crafters	12 46	2600	2500
PA-19 "Super Cub"	L S	O-320-D3G (LY)	1A175/GM8241	1A175/GM8242		82.0	78.0		SA00522SE Cub Crafters	12 46	2600 2500	2500 2400

Fixed Pitch Applications

Aircraft Model	T Y P E	Engine Model (Make)	Climb Model	Standard Model	Cruise Model	Max Dia	Min Dia	Spinner	STC Number	Notes	max rpm	min rpm
PA-19 "Super Cub"	F	O-320-D3G (LY)		1A175/GM8243	1A175/GM8244	82.0	78.0		SA00522SE Cub Crafters	12 47	2575	2475
PA-19 "Super Cub"	L S	O-320-D3G (LY)		1A175/GM8243	1A175/GM8244	82.0	78.0		SA00522SE Cub Crafters	12 47	2575 2475	2475 2375
PA-19 "Super Cub, ARMY L-18C"		O-360 series (LY)	1A200/FA8240	1A200/FA8242	1A200/FA8245	82.0	78.0		SA92NW Cub Crafters	13 14 30	2450	2300
PA-19S "Super Cub"	L S	O-320 series (LY)	1A175/GM8241	1A175/GM8242		82.0	78.0		SA00562SE Cub Crafters	12 23 41	2450	2350
PA-19S "Super Cub"	F	O-320 series (LY)	1A175/GM8241	1A175/GM8242		82.0	78.0		SA00562SE Cub Crafters	12 23	2550	2450
PA-19S "Super Cub"	L S	O-320 series (LY)		1A175/GM8243	1A175/GM8244	82.0	78.0		SA00562SE Cub Crafters	12 23 45	2450	2300
PA-19S "Super Cub"	F	O-320 series (LY)		1A175/GM8243	1A175/GM8244	82.0	78.0		SA00562SE Cub Crafters	12 23	2550	2400
PA-19S "Super Cub"	L S	O-320 series (LY)	1A175/GM8241	1A175/GM8242		82.0	78.0		SA00562SE Cub Crafters	12 25 46	2500	2400
PA-19S "Super Cub"	F	O-320 series (LY)	1A175/GM8241	1A175/GM8242		82.0	78.0		SA00562SE Cub Crafters	12 25	2600	2500
PA-19S "Super Cub"	L S	O-320 series (LY)		1A175/GM8243	1A175/GM8244	82.0	78.0		SA00562SE Cub Crafters	12 25 47	2475	2375
PA-19S "Super Cub"	F	O-320 series (LY)		1A175/GM8243	1A175/GM8244	82.0	78.0		SA00562SE Cub Crafters	12 25	2575	2475
PA-19S "Super Cub"	F	O-320-A1B (LY)	1A175/GM8241	1A175/GM8242		82.0	78.0		SA00522SE Cub Crafters	12 41	2550	2450
PA-19S "Super Cub"	L S	O-320-A1B (LY)	1A175/GM8241	1A175/GM8242		82.0	78.0		SA00522SE Cub Crafters	12 41	2550 2450	2450 2350
PA-19S "Super Cub"	F	O-320-A1B (LY)		1A175/GM8243	1A175/GM8244	82.0	78.0		SA00522SE Cub Crafters	12 45	2550	2400
PA-19S "Super Cub"	L S	O-320-A1B (LY)		1A175/GM8243	1A175/GM8244	82.0	78.0		SA00522SE Cub Crafters	12 45	2550 2450	2400 2300
PA-19S "Super Cub"	F	O-320-A2B (LY)	1A175/GM8241	1A175/GM8242		82.0	78.0		SA00522SE Cub Crafters	12 41	2550	2450
PA-19S "Super Cub"	L S	O-320-A2B (LY)	1A175/GM8241	1A175/GM8242		82.0	78.0		SA00522SE Cub Crafters	12 41	2550 2450	2450 2350

Fixed Pitch Applications

Aircraft Model	T Y P E	Engine Model (Make)	Climb Model	Standard Model	Cruise Model	Max Dia	Min Dia	Spinner	STC Number	Notes	max rpm	min rpm
PA-19S "Super Cub"	F	O-320-A2B (LY)		1A175/GM8243	1A175/GM8244	82.0	78.0		SA00522SE Cub Crafters	12 45	2550	2400
PA-19S "Super Cub"	L S	O-320-A2B (LY)		1A175/GM8243	1A175/GM8244	82.0	78.0		SA00522SE Cub Crafters	12 45	2550 2450	2400 2300
PA-19S "Super Cub"	F	O-320-A2C (LY)	1A175/GM8241	1A175/GM8242		82.0	78.0		SA00522SE Cub Crafters	12 41	2550	2450
PA-19S "Super Cub"	L S	O-320-A2C (LY)	1A175/GM8241	1A175/GM8242		82.0	78.0		SA00522SE Cub Crafters	12 41	2550 2450	2450 2350
PA-19S "Super Cub"	F	O-320-A2C (LY)		1A175/GM8243	1A175/GM8244	82.0	78.0		SA00522SE Cub Crafters	12 45	2550	2400
PA-19S "Super Cub"	L S	O-320-A2C (LY)		1A175/GM8243	1A175/GM8244	82.0	78.0		SA00522SE Cub Crafters	12 45	2550 2450	2400 2300
PA-19S "Super Cub"	F	O-320-A2D (LY)	1A175/GM8241	1A175/GM8242		82.0	78.0		SA00522SE Cub Crafters	12 41	2550	2450
PA-19S "Super Cub"	L S	O-320-A2D (LY)	1A175/GM8241	1A175/GM8242		82.0	78.0		SA00522SE Cub Crafters	12 41	2550 2450	2450 2350
PA-19S "Super Cub"	F	O-320-A2D (LY)		1A175/GM8243	1A175/GM8244	82.0	78.0		SA00522SE Cub Crafters	12 45	2550	2400
PA-19S "Super Cub"	L S	O-320-A2D (LY)		1A175/GM8243	1A175/GM8244	82.0	78.0		SA00522SE Cub Crafters	12 45	2550 2450	2400 2300
PA-19S "Super Cub"	F	O-320-B2B (LY)	1A175/GM8241	1A175/GM8242		82.0	78.0		SA00522SE Cub Crafters	12 46	2600	2500
PA-19S "Super Cub"	L S	O-320-B2B (LY)	1A175/GM8241	1A175/GM8242		82.0	78.0		SA00522SE Cub Crafters	12 46	2600 2500	2500 2400
PA-19S "Super Cub"	F	O-320-B2B (LY)		1A175/GM8243	1A175/GM8244	82.0	78.0		SA00522SE Cub Crafters	12 47	2575	2475
PA-19S "Super Cub"	L S	O-320-B2B (LY)		1A175/GM8243	1A175/GM8244	82.0	78.0		SA00522SE Cub Crafters	12 47	2575 2475	2475 2375
PA-19S "Super Cub"	F	O-320-B2C (LY)	1A175/GM8241	1A175/GM8242		82.0	78.0		SA00522SE Cub Crafters	12 46	2600	2500
PA-19S "Super Cub"	L S	O-320-B2C (LY)	1A175/GM8241	1A175/GM8242		82.0	78.0		SA00522SE Cub Crafters	12 46	2600 2500	2500 2400
PA-19S "Super Cub"	F	O-320-B2C (LY)		1A175/GM8243	1A175/GM8244	82.0	78.0		SA00522SE Cub Crafters	12 47	2575	2475
PA-19S "Super Cub"	L S	O-320-B2C (LY)		1A175/GM8243	1A175/GM8244	82.0	78.0		SA00522SE Cub Crafters	12 47	2575 2475	2475 2375
PA-19S "Super Cub"	F	O-320-B2D (LY)	1A175/GM8241	1A175/GM8242		82.0	78.0		SA00522SE Cub Crafters	12 46	2600	2500

Fixed Pitch Applications

Aircraft Model	T Y P E	Engine Model (Make)	Climb Model	Standard Model	Cruise Model	Max Dia	Min Dia	Spinner	STC Number	Notes	max rpm	min rpm
PA-19S "Super Cub"	L S	O-320-B2D (LY)	1A175/GM8241	1A175/GM8242		82.0	78.0		SA00522SE Cub Crafters	12 46	2600 2500	2500 2400
PA-19S "Super Cub"	F	O-320-B2D (LY)		1A175/GM8243	1A175/GM8244	82.0	78.0		SA00522SE Cub Crafters	12 47	2575	2475
PA-19S "Super Cub"	L S	O-320-B2D (LY)		1A175/GM8243	1A175/GM8244	82.0	78.0		SA00522SE Cub Crafters	12 47	2575 2475	2475 2375
PA-19S "Super Cub"	F	O-320-C2B (LY)	1A175/GM8241	1A175/GM8242		82.0	78.0		SA00522SE Cub Crafters	12 41	2550	2450
PA-19S "Super Cub"	L S	O-320-C2B (LY)	1A175/GM8241	1A175/GM8242		82.0	78.0		SA00522SE Cub Crafters	12 41	2550 2450	2450 2350
PA-19S "Super Cub"	F	O-320-C2B (LY)		1A175/GM8243	1A175/GM8244	82.0	78.0		SA00522SE Cub Crafters	12 45	2550	2400
PA-19S "Super Cub"	L S	O-320-C2B (LY)		1A175/GM8243	1A175/GM8244	82.0	78.0		SA00522SE Cub Crafters	12 45	2550 2450	2400 2300
PA-19S "Super Cub"	F	O-320-C2C (LY)	1A175/GM8241	1A175/GM8242		82.0	78.0		SA00522SE Cub Crafters	12 41	2550	2450
PA-19S "Super Cub"	L S	O-320-C2C (LY)	1A175/GM8241	1A175/GM8242		82.0	78.0		SA00522SE Cub Crafters	12 41	2550 2450	2450 2350
PA-19S "Super Cub"	F	O-320-C2C (LY)		1A175/GM8243	1A175/GM8244	82.0	78.0		SA00522SE Cub Crafters	12 45	2550	2400
PA-19S "Super Cub"	L S	O-320-C2C (LY)		1A175/GM8243	1A175/GM8244	82.0	78.0		SA00522SE Cub Crafters	12 45	2550 2450	2400 2300
PA-19S "Super Cub"	F	O-320-D2A (LY)	1A175/GM8241	1A175/GM8242		82.0	78.0		SA00522SE Cub Crafters	12 46	2600	2500
PA-19S "Super Cub"	L S	O-320-D2A (LY)	1A175/GM8241	1A175/GM8242		82.0	78.0		SA00522SE Cub Crafters	12 46	2600 2500	2500 2400
PA-19S "Super Cub"	F	O-320-D2A (LY)		1A175/GM8243	1A175/GM8244	82.0	78.0		SA00522SE Cub Crafters	12 47	2575	2475
PA-19S "Super Cub"	L S	O-320-D2A (LY)		1A175/GM8243	1A175/GM8244	82.0	78.0		SA00522SE Cub Crafters	12 47	2575 2475	2475 2375
PA-19S "Super Cub"	F	O-320-D2B (LY)	1A175/GM8241	1A175/GM8242		82.0	78.0		SA00522SE Cub Crafters	12 46	2600	2500
PA-19S "Super Cub"	L S	O-320-D2B (LY)	1A175/GM8241	1A175/GM8242		82.0	78.0		SA00522SE Cub Crafters	12 46	2600 2500	2500 2400
PA-19S "Super Cub"	F	O-320-D2B (LY)		1A175/GM8243	1A175/GM8244	82.0	78.0		SA00522SE Cub Crafters	12 47	2575	2475
PA-19S "Super Cub"	L S	O-320-D2B (LY)		1A175/GM8243	1A175/GM8244	82.0	78.0		SA00522SE Cub Crafters	12 47	2575 2475	2475 2375

Fixed Pitch Applications

Aircraft Model	T Y P E	Engine Model (Make)	Climb Model	Standard Model	Cruise Model	Max Dia	Min Dia	Spinner	STC Number	Notes	max rpm	min rpm
PA-19S "Super Cub"	F	O-320-D2C (LY)	1A175/GM8241	1A175/GM8242		82.0	78.0		SA00522SE Cub Crafters	12 46	2600	2500
PA-19S "Super Cub"	L S	O-320-D2C (LY)	1A175/GM8241	1A175/GM8242		82.0	78.0		SA00522SE Cub Crafters	12 46	2600 2500	2500 2400
PA-19S "Super Cub"	F	O-320-D2C (LY)		1A175/GM8243	1A175/GM8244	82.0	78.0		SA00522SE Cub Crafters	12 47	2575	2475
PA-19S "Super Cub"	L S	O-320-D2C (LY)		1A175/GM8243	1A175/GM8244	82.0	78.0		SA00522SE Cub Crafters	12 47	2575 2475	2475 2375
PA-19S "Super Cub"	F	O-320-D3G (LY)	1A175/GM8241	1A175/GM8242		82.0	78.0		SA00522SE Cub Crafters	12 46	2600	2500
PA-19S "Super Cub"	L S	O-320-D3G (LY)	1A175/GM8241	1A175/GM8242		82.0	78.0		SA00522SE Cub Crafters	12 46	2600 2500	2500 2400
PA-19S "Super Cub"	F	O-320-D3G (LY)		1A175/GM8243	1A175/GM8244	82.0	78.0		SA00522SE Cub Crafters	12 47	2575	2475
PA-19S "Super Cub"	L S	O-320-D3G (LY)		1A175/GM8243	1A175/GM8244	82.0	78.0		SA00522SE Cub Crafters	12 47	2575 2475	2475 2375
PA-19S "Super Cub, ARMY L-18C"		O-360 series (LY)	1A200/FA8240	1A200/FA8242	1A200/FA8245	82.0	78.0		SA92NW Cub Crafters	13 14 30	2450	2300
PA-20 "Pacer"		O-320 series (LY)	1A175/GM8241	1A175/GM8243	1A175/GM8245	82.0	80.5		SA02670CH Svenn's Aviation	14 23 25	2500	2250
PA-20 "Pacer"	F L S	O-360 series (LY)	1A200/FA8240	1A200/FA8243	1A200/FA8245	82.0	80.0		SA02751CH Svenn's Aviation	12 14 54	2500	2250
PA-20S "Pacer"		O-320 series (LY)	1A175/GM8241	1A175/GM8243	1A175/GM8245	82.0	80.5		SA02670CH Svenn's Aviation	14 23 25	2500	2250
PA-20-115 "Pacer"		O-235-C1 (LY)		1C90/LM7254		72.0	70.5			1	2290	2200
PA-20-115 "Pacer"	F	O-235-C1 (LY)		1C90/LM7254		72.0	70.5			1	2290	2200
PA-20-115 "Pacer"		O-320 series (LY)	1A175/GM8241	1A175/GM8243	1A175/GM8245	82.0	80.5		SA02670CH Svenn's Aviation	14 23 25	2500	2250
PA-20S-115 "Pacer"		O-320 series (LY)	1A175/GM8241	1A175/GM8243	1A175/GM8245	82.0	80.5		SA02670CH Svenn's Aviation	14 23 25	2500	2250

Fixed Pitch Applications

Aircraft Model	TYPE	Engine Model (Make)	Climb Model	Standard Model	Cruise Model	Max Dia	Min Dia	Spinner	STC Number	Notes	max rpm	min rpm
PA-20-125 "Pacer"		O-290-D (LY)		1A170/GM7452	1A170/GM7454	74.0	72.5		SA1-89 McCauley		2300	2200
PA-20S-125 "Pacer"		O-290-D (LY)		1A170/GM7450		74.0	72.5		SA1-157 McCauley		2425	2350
PA-20-135 "Pacer"		O-290-D2 (LY)		1A170/GM7453		74.0	72.5		SA1-24 McCauley		2225	2125
PA-20-135 "Pacer"		O-290-D2 (LY)		1A170/GM7455		74.0	72.5		SA1-24 McCauley		2200	2100
PA-20-135 "Pacer"		O-320 series (LY)	1A175/GM8241	1A175/GM8243	1A175/GM8245	82.0	80.5		SA02670CH Svenn's Aviation	14 23 25	2500	2250
PA-20S-135 "Pacer"		O-320 series (LY)	1A175/GM8241	1A175/GM8243	1A175/GM8245	82.0	80.5		SA02670CH Svenn's Aviation	14 23 25	2500	2250
PA-22 "Tri-Pacer"		O-320 series (LY)	1A175/GM8241	1A175/GM8243	1A175/GM8245	82.0	80.5		SA02670CH Svenn's Aviation	14 23 25	2500	2250
PA-22 "Tri-Pacer"	FLS	O-360 series (LY)	1A200/FA8240	1A200/FA8243	1A200/FA8245	82.0	80.0		SA02751CH Svenn's Aviation	12 14 54	2500	2250
PA-22-108 "Tri-Pacer"		O-320 series (LY)	1A175/GM8241	1A175/GM8243	1A175/GM8245	82.0	80.5		SA02670CH Svenn's Aviation	14 23 25	2500	2250
PA-22-125 "Tri-Pacer"		O-290-D (LY)		1A170/GM7452	1A170/GM7454	74.0	72.5		SA1-90 McCauley		2300	2200
PA-22-135 "Tri-Pacer"		O-290-D2 (LY)		1A170/GM7453		74.0	72.5		SA1-23 McCauley		2225	2125
PA-22-135 "Tri-Pacer"		O-290-D2 (LY)		1A170/GM7455		74.0	72.5		SA1-23 McCauley		2200	2100
PA-22-135 "Tri-Pacer"		O-320 series (LY)	1A175/GM8241	1A175/GM8243	1A175/GM8245	82.0	80.5		SA02670CH Svenn's Aviation	14 23 25	2500	2250
PA-22S-135 "Tri-Pacer"		O-320 series (LY)	1A175/GM8241	1A175/GM8243	1A175/GM8245	82.0	80.5		SA02670CH Svenn's Aviation	14 23 25	2500	2250
PA-22-150 "Tri-Pacer"		O-320 series (LY)	1A175/GM8241	1A175/GM8243	1A175/GM8245	82.0	80.5		SA02670CH Svenn's Aviation	14 23 25	2500	2250

Fixed Pitch Applications

Aircraft Model	T Y P E	Engine Model (Make)	Climb Model	Standard Model	Cruise Model	Max Dia	Min Dia	Spinner	STC Number	Notes	max rpm	min rpm
PA-22-150 "Tri-Pacer"		O-320 (LY)		1A170/GM7457	1A170/GM7459	74.0	72.5		SA1-22 McCauley		2275	2175
PA-22S-150 "Tri-Pacer"		O-320 series (LY)	1A175/GM8241	1A175/GM8243	1A175/GM8245	82.0	80.5		SA02670CH Svenn's Aviation	14 23 25	2500	2250
PA-22-160 "Tri-Pacer"		O-320 series (LY)	1A175/GM8241	1A175/GM8243	1A175/GM8245	82.0	80.5		SA02670CH Svenn's Aviation	14 23 25	2500	2250
PA-22-160 "Tri-Pacer"		O-360-A1A (LY)		1A200/FA8248		82.0			SA95NW Northwest Aero			
PA-22S-160 "Tri-Pacer"		O-320 series (LY)	1A175/GM8241	1A175/GM8243	1A175/GM8245	82.0	80.5		SA02670CH Svenn's Aviation	14 23 25	2500	2250
PIPER (Lavia Argentina S.A. (LAVIASA))												
PA-25 "Pawnee"		O-320-A1A (LY)		1A170/GM7448		74.0	72.5			1	2575	2475
PA-25 "Pawnee"		O-320-A2A (LY)		1A170/GM7448		74.0	72.5			1	2575	2475
PA-25 "Pawnee"		O-320-A2B (LY)		1A170/GM7448		74.0	72.5			1	2575	2475
PA-25-235 (S/N 25-02, 25-2000 - 25-4171) "Pawnee"		O-540-B2B5 (LY)		1P235/AFA8452		84.0	82.3			1	2500	2400
PA-25-235 (S/N 25-02, 25-2000 - 25-4171) "Pawnee"		O-540-B2C5 (LY)		1P235/AFA8452		84.0	82.3			1	2500	2400
PA-25-235 (S/N 25-02, 25-2000 - 25-5521, 25-7305522 - 25-8156024, LA-235-99501 and up "Pawnee"		O-540-B2B5 (LY)		1A200/FA8452		84.0	82.3			1	2350	2250
PA-25-235 (S/N 25-02, 25-2000 - 25-5521, 25-7305522 - 25-8156024, LA-235-99501 and up "Pawnee"		O-540-B2C5 (LY)		1A200/FA8452		84.0	82.3			1	2350	2250
PA-25-260 "Pawnee"		O-540-G1A5 (LY)		1A200/FA8452		84.0	82.3			1	2425	2325

Fixed Pitch Applications

Aircraft Model	T Y P E	Engine Model (Make)	Climb Model	Standard Model	Cruise Model	Max Dia	Min Dia	Spinner	STC Number	Notes	max rpm	min rpm
PA-25-260 "Pawnee"		O-540-G2A5 (LY)		1A200/FA8452		84.0	82.3			1	2425	2325
PIPER AIRCRAFT, Inc												
PA-28-140 "Cherokee Cruiser"		O-320-E2A (LY)	1C172/MGM7456	1C172/MGM7458	1C172/MGM7460	74.0	72.5		SA483CE McCauley		2425	2275
PA-28-140 "Cherokee Cruiser"		O-320-E3D (LY)	1C172/MGM7456	1C172/MGM7458	1C172/MGM7460	74.0	72.5		SA483CE McCauley		2425	2275
PA-28-150 "Cherokee"		O-320-A2B (LY)	1C172/MGM7456	1C172/MGM7458	1C172/MGM7460	74.0	72.5		SA483CE McCauley	58	2425	2275
PA-28-150 "Cherokee"		O-320-E2A (LY)	1C172/MGM7456	1C172/MGM7458	1C172/MGM7460	74.0	72.5		SA483CE McCauley	58	2425	2275
PA-28-151 "Cherokee Warrior"		O-320-E3D (LY)		1C160/EGM7653		76.0	74.5				2400	2300
PA-28S-160 "Cherokee 160"		O-320-D2A (LY)		1A175/GM7947		79.0	78.0			1 38	2360	2260
PA-28-180 "Cherokee 180"		O-360-A3A (LY)		1A170/BMS7660		76.0	74.0		SA779NE US Prop of Conn.			
PA-28-180 "Cherokee 180" "Archer"		O-360-A4A (LY)		1A170/BMS7660		76.0	74.0		SA779NE US Prop of Conn.			
PA-28-180 "Archer"		O-360-A4M (LY)		1A170/BMS7660		76.0	74.0		SA779NE US Prop of Conn.			
PA-28S-180 (S/N 28-671 - 28-1760A) "Cherokee 180"		O-360-A3A (LY)		1A200/FA8248		82.0	81.0			28	2190	2140
PA-28S-180 (S/N 28-671 - 28-1760A) "Cherokee 180"		O-360-A4A (LY)		1A200/FA8248		82.0	81.0			28	2190	2140
PA-28S-180 (S/N 28-1761 - 28-5859, and 28-7105001 - 28-7105234) "Cherokee 180"		O-360-A3A (LY)		1A200/DF8248		82.0	81.0			28	2190	2140
PA-28S-180 (S/N 28-1761 - 28-5859, and 28-7105001 - 28-7105234) "Cherokee 180"		O-360-A4A (LY)		1A200/DF8248		82.0	81.0			28	2190	2140

Fixed Pitch Applications

Aircraft Model	T Y P E	Engine Model (Make)	Climb Model	Standard Model	Cruise Model	Max Dia	Min Dia	Spinner	STC Number	Notes	max rpm	min rpm
PA-28-181 "Archer II"		O-360-A4A (LY)		1A170/BMS7660		76.0	74.0		SA779NE US Prop of Conn.			
PA-28-181 "Archer II"		O-360-A4M (LY)		1A170/BMS7660		76.0	74.0		SA779NE US Prop of Conn.			
PA-28-235 "Cherokee 235"		O-540-B1B5 (LY)		1P235/PFA8069		80.0	78.5			1	2300	2125
PA-28-235 "Cherokee 235"		O-540-B2B5 (LY)		1P235/PFA8069		80.0	78.5			1	2300	2125
PA-28-235 "Cherokee 235"		O-540-B4B5 (LY)		1P235/PFA8069		80.0	78.5			1	2300	2125
PA-32-260 (S/N 32-1 - 32-1297, and 32-7100001 - 32-7200045) "Cherokee Six 260"		O-540-E4B5 (LY)		1P235/PFA8266		82.0	80.5			1	2480	2270
PA-36-300 "Brave 300"		IO-540-K1G5 (LY)		1A200/DFA9049		90.0		D-3328	SA861GL Jamestown Aviation			
RAWDON (Spinks Industries)												
T-1		O-360-A1A (LY)	1A200/FA8241	1A200/FA8243	1A200/FA8245	82.0	80.0			1	2400	2300
T-1		O-360-A1D (LY)	1A200/FA8241	1A200/FA8243	1A200/FA8245	82.0	80.0			1	2400	2300
T-1		O-290-C (LY)		1A170/DM7651		76.0	74.5			1	2220	2120
T-1		O-290-D2 (LY)		1A170/GM7653		76.0	74.5			1	2220	2120
SME Aero, Inc.												
MD3-160		O-320-D2A (LY)		1C172/AGM7462		74.0	74.0				2400	2250
S.O.C.A.T.A. - Groupe AEROSPATIALE												
MS 880B "Rallye"		O-200-A (TCM)		1A105/SCM7146		71.0	70.0				2500	2400
MS 880B "Rallye Club"		O-200-A (TCM)		1A101/DCM6948		69.0	67.0				2500	2400
MS 885 "Super Rallye"		O-300-A (TCM)	1C172/MDM7652	1C172/MDM7655	1C172/MDM7658	76.0	74.0				2400	2150
MS 885 "Super Rallye"		O-300-B (TCM)	1C172/MDM7652	1C172/MDM7655	1C172/MDM7658	76.0	74.0				2400	2150
MS 892A-150 "Commodore"		O-320-E2A (LY)		1C172/MGM7650		76.0	74.0				2510	2410
MS 892A-150 "Commodore"		O-320-E2A (LY)		1C172/MGM7652		76.0	74.0				2460	2360

Fixed Pitch Applications

Aircraft Model	T Y P E	Engine Model (Make)	Climb Model	Standard Model	Cruise Model	Max Dia	Min Dia	Spinner	STC Number	Notes	max rpm	min rpm
MS 892E-150 "Rallye 150GT"		O-320-E2A (LY)		1C172/MGM7650		76.0	74.0				2510	2410
MS 892E-150 "Rallye 150GT"		O-320-E2A (LY)		1C172/MGM7652		76.0	74.0				2460	2360
RALLYE 100S		O-200-A (TCM)		1A101/DCM6948		69.0	67.0				2500	2400
STINSON (Consolidated Vultee Aircraft Corp., Stinson Division)												
HW-75		A-75-3 (TCM)		1A90/CF7038		70.0	68.5			1	2440	2340
HW-75		A-75-6 (TCM)		1A90/CF7038		70.0	68.5			1	2440	2340
HW-75		A-75-8 (TCM)		1A90/CF7038		70.0	68.5			1	2440	2340
HW-75		A-75-9 (TCM)		1A90/CF7038		70.0	68.5			1	2440	2340
HW-75		A-80-6 (TCM)	1A90/CF7038	1A90/CF7040		70.0	68.5			1	2440	2340
HW-75		A-80-6J (TCM)	1A90/CF7038	1A90/CF7040		70.0	68.5			1	2440	2340
HW-75		A-80-8 (TCM)	1A90/CF7038	1A90/CF7040		70.0	68.5			1	2440	2340
HW-75		A-80-8J (TCM)	1A90/CF7038	1A90/CF7040		70.0	68.5			1	2440	2340
HW-75		A-80-9 (TCM)	1A90/CF7038	1A90/CF7040		70.0	68.5			1	2440	2340
HW-75		A-80-9J (TCM)	1A90/CF7038	1A90/CF7040		70.0	68.5			1	2440	2340
10		A-75-3 (TCM)		1A90/CF7038		70.0	68.5			1	2440	2340
10		A-75-6 (TCM)		1A90/CF7038		70.0	68.5			1	2440	2340
10		A-75-8 (TCM)		1A90/CF7038		70.0	68.5			1	2440	2340
10		A-75-9 (TCM)		1A90/CF7038		70.0	68.5			1	2440	2340
10		A-80-6 (TCM)	1A90/CF7038	1A90/CF7040		70.0	68.5			1	2440	2340
10		A-80-6J (TCM)	1A90/CF7038	1A90/CF7040		70.0	68.5			1	2440	2340
10		A-80-8 (TCM)	1A90/CF7038	1A90/CF7040		70.0	68.5			1	2440	2340
10		A-80-8J (TCM)	1A90/CF7038	1A90/CF7040		70.0	68.5			1	2440	2340
10		A-80-9 (TCM)	1A90/CF7038	1A90/CF7040		70.0	68.5			1	2440	2340
10		A-80-9J (TCM)	1A90/CF7038	1A90/CF7040		70.0	68.5			1	2440	2340
STINSON (Univair Aircraft Corporation)												
108		6A4-150-B3 (FR)	1A170/DM7649	1A170/DM7652	1A170/DM7654	76.0	74.0			29 60	2450	2200
108	F	6A4-150-B3 (FR)	1A170/DM7649	1A170/DM7652	1A170/DM7654	76.0	74.0			29 60	2450	2200
108		6A4-150-B4 (FR)	1A170/SFC7649	1A170/SFC7652	1A170/SFC7654	76.0	74.0			29	2450	2200
108	F	6A4-150-B4 (FR)	1A170/SFC7649	1A170/SFC7652	1A170/SFC7654	76.0	74.0			29	2450	2200
108		6A4-165-B3 (FR)	1A170/DM7649	1A170/DM7652	1A170/DM7654	76.0	74.0			17 60	2500	2250
108	F	6A4-165-B3 (FR)	1A170/DM7649	1A170/DM7652	1A170/DM7654	76.0	74.0			17 60	2500	2250
108		6A4-165-B4 (FR)	1A170/SFC7649	1A170/SFC7652	1A170/SFC7654	76.0	74.0			17	2500	2250
108	F	6A4-165-B4 (FR)	1A170/SFC7649	1A170/SFC7652	1A170/SFC7654	76.0	74.0			17	2500	2250

Fixed Pitch Applications

Aircraft Model	T Y P E	Engine Model (Make)	Climb Model	Standard Model	Cruise Model	Max Dia	Min Dia	Spinner	STC Number	Notes	max rpm	min rpm
108-1		6A4-150-B3 (FR)	1A170/DM7649	1A170/DM7652	1A170/DM7654	76.0	74.0			29 60	2450	2200
108-1	F	6A4-150-B3 (FR)	1A170/DM7649	1A170/DM7652	1A170/DM7654	76.0	74.0			29 60	2450	2200
108-1		6A4-150-B4 (FR)	1A170/SFC7649	1A170/SFC7652	1A170/SFC7654	76.0	74.0			29	2450	2200
108-1	F	6A4-150-B4 (FR)	1A170/SFC7649	1A170/SFC7652	1A170/SFC7654	76.0	74.0			29	2450	2200
108-1		6A4-165-B3 (FR)	1A170/DM7649	1A170/DM7652	1A170/DM7654	76.0	74.0			17 60	2500	2250
108-1	F	6A4-165-B3 (FR)	1A170/DM7649	1A170/DM7652	1A170/DM7654	76.0	74.0			17 60	2500	2250
108-1		6A4-165-B4 (FR)	1A170/SFC7649	1A170/SFC7652	1A170/SFC7654	76.0	74.0			17	2500	2250
108-1	F	6A4-165-B4 (FR)	1A170/SFC7649	1A170/SFC7652	1A170/SFC7654	76.0	74.0			17	2500	2250
108-2		6A4-165-B3 (FR)	1A170/DM7649	1A170/DM7652	1A170/DM7654	76.0	74.0			17 60	2500	2250
108-2	F	6A4-165-B3 (FR)	1A170/DM7649	1A170/DM7652	1A170/DM7654	76.0	74.0			17 60	2500	2250
108-2		6A4-165-B4 (FR)	1A170/SFC7649	1A170/SFC7652	1A170/SFC7654	76.0	74.0			17	2500	2250
108-2	F	6A4-165-B4 (FR)	1A170/SFC7649	1A170/SFC7652	1A170/SFC7654	76.0	74.0			17	2500	2250
108-3		6A4-165-B3 (FR)	1A170/DM7649	1A170/DM7652	1A170/DM7654	76.0	74.0			17 60	2500	2250
108-3	F	6A4-165-B3 (FR)		1A170/DM7649		76.0	74.0			17 60	2500	2400
108-3		6A4-165-B4 (FR)	1A170/SFC7649	1A170/SFC7652	1A170/SFC7654	76.0	74.0			17	2500	2250
108-3	F	6A4-165-B4 (FR)		1A170/SFC7649		76.0	74.0			17	2500	2400
SUPER 18 LLC												
S18-180		O-360-C4P (LY)	1A200/FA8240	1A200/FA8242	1A200/FA8244	82.0				22		
TAYLORCRAFT (Taylorcraft Aviation, LLC)												
BC-65		A-65-1 (TCM)	1A90/CF7443	1A90/CF7445	1A90/CF7447	74.0	72.5			1	2210	1960
BCS-65	F	A-65-1 (TCM)	1A90/CF7442	1A90/CF7443		74.0	72.5			1	2210	2070
BC-65		A-65-3 (TCM)	1A90/CF7443	1A90/CF7445	1A90/CF7447	74.0	72.5			1	2210	1960
BCS-65	F	A-65-3 (TCM)	1A90/CF7442	1A90/CF7443		74.0	72.5			1	2210	2070
BC-65		A-65-3J (TCM)	1A90/CF7443	1A90/CF7445	1A90/CF7447	74.0	72.5			1	2210	1960
BCS-65	F	A-65-3J (TCM)	1A90/CF7442	1A90/CF7443		74.0	72.5			1	2210	2070
BC-65		A-65-7 (TCM)	1A90/CF7443	1A90/CF7445	1A90/CF7447	74.0	72.5			1	2210	1960
BCS-65	F	A-65-7 (TCM)	1A90/CF7442	1A90/CF7443		74.0	72.5			1	2210	2070
BC-65		A-65-7J (TCM)	1A90/CF7443	1A90/CF7445	1A90/CF7447	74.0	72.5			1	2210	1960
BCS-65	F	A-65-7J (TCM)	1A90/CF7442	1A90/CF7443		74.0	72.5			1	2210	2070
BC-65		A-65-8 (TCM)	1A90/CF7443	1A90/CF7445	1A90/CF7447	74.0	72.5			1	2210	1960
BCS-65	F	A-65-8 (TCM)	1A90/CF7442	1A90/CF7443		74.0	72.5			1	2210	2070

Fixed Pitch Applications

Aircraft Model	T Y P E	Engine Model (Make)	Climb Model	Standard Model	Cruise Model	Max Dia	Min Dia	Spinner	STC Number	Notes	max rpm	min rpm
BC-65		A-65-8J (TCM)	1A90/CF7443	1A90/CF7445	1A90/CF7447	74.0	72.5			1	2210	1960
BCS-65	F	A-65-8J (TCM)	1A90/CF7442	1A90/CF7443		74.0	72.5			1	2210	2070
BC12-65 "ARMY L-2H"		A-65-7 (TCM)	1A90/CF7441	1A90/CF7443	1A90/CF7445	74.0	72.5			1	2250	2070
BCS12-65 "ARMY L-2H"	F	A-65-7 (TCM)	1A90/CF7441	1A90/CF7443	1A90/CF7445	74.0	72.5			1	2250	2070
BC12-65 "ARMY L-2H"		A-65-7J (TCM)	1A90/CF7441	1A90/CF7443	1A90/CF7445	74.0	72.5			1	2250	2070
BCS12-65 "ARMY L-2H"	F	A-65-7J (TCM)	1A90/CF7441	1A90/CF7443	1A90/CF7445	74.0	72.5			1	2250	2070
BC12-65 "ARMY L-2H"		A-65-8 (TCM)	1A90/CF7441	1A90/CF7443	1A90/CF7445	74.0	72.5			1	2250	2070
BCS12-65 "ARMY L-2H"	F	A-65-8 (TCM)	1A90/CF7441	1A90/CF7443	1A90/CF7445	74.0	72.5			1	2250	2070
BC12-65 "ARMY L-2H"		A-65-8F (TCM)	1A90/CF7441	1A90/CF7443	1A90/CF7445	74.0	72.5			1	2250	2070
BCS12-65 "ARMY L-2H"	F	A-65-8F (TCM)	1A90/CF7441	1A90/CF7443	1A90/CF7445	74.0	72.5			1	2250	2070
BC12-65 "ARMY L-2H"		A-65-8J (TCM)	1A90/CF7441	1A90/CF7443	1A90/CF7445	74.0	72.5			1	2250	2070
BCS12-65 "ARMY L-2H"	F	A-65-8J (TCM)	1A90/CF7441	1A90/CF7443	1A90/CF7445	74.0	72.5			1	2250	2070
BC12-D		A-65-8 (TCM)	1A90/CF7443	1A90/CF7445	1A90/CF7447	74.0	72.5			1	2210	1960
BCS12-D	F	A-65-8 (TCM)	1A90/CF7442	1A90/CF7443		74.0	72.5			1	2210	2070
BC12-D		A-65-8F (TCM)	1A90/CF7443	1A90/CF7445	1A90/CF7447	74.0	72.5			1	2210	1960
BCS12-D	F	A-65-8F (TCM)	1A90/CF7442	1A90/CF7443		74.0	72.5			1	2210	2070
BC12-D		A-65-8J (TCM)	1A90/CF7443	1A90/CF7445	1A90/CF7447	74.0	72.5			1	2210	1960
BCS12-D	F	A-65-8J (TCM)	1A90/CF7442	1A90/CF7443		74.0	72.5			1	2210	2070
BC12-D1		A-65-8 (TCM)	1A90/CF7443	1A90/CF7445	1A90/CF7447	74.0	72.5			1	2210	1960
BCS12-D1	F	A-65-8 (TCM)	1A90/CF7442	1A90/CF7443		74.0	72.5			1	2210	2070
BC12-D1		A-65-8F (TCM)	1A90/CF7443	1A90/CF7445	1A90/CF7447	74.0	72.5			1	2210	1960
BCS12-D1	F	A-65-8F (TCM)	1A90/CF7442	1A90/CF7443		74.0	72.5			1	2210	2070
BC12-D1		A-65-8J (TCM)	1A90/CF7443	1A90/CF7445	1A90/CF7447	74.0	72.5			1	2210	1960
BCS12-D1	F	A-65-8J (TCM)	1A90/CF7442	1A90/CF7443		74.0	72.5			1	2210	2070
BC12D-85		C85-8F (TCM)	1A90/CF7146	1A90/CF7148	1A90/CF7150	71.0	69.5			1	2350	2170
BCS12D-85	F	C85-8F (TCM)		1A90/CF7144	1A90/CF7146	71.0	69.5			1	2350	2170
BC12-D-4-85		C85-12F (TCM)	1A90/CF7146	1A90/CF7148	1A90/CF7150	71.0	69.5			1	2350	2170
BCS12-D-4-85	F	C85-12F (TCM)		1A90/CF7144	1A90/CF7146	71.0	69.5			1	2350	2170

TAYLORCRAFT (Arizona Aerospace)

Fixed Pitch Applications

Aircraft Model	T Y P E	Engine Model (Make)	Climb Model	Standard Model	Cruise Model	Max Dia	Min Dia	Spinner	STC Number	Notes	max rpm	min rpm
DCO-65 "ARMY L-2A,L-2B,L-2M"		A-65-8 (TCM)		1A90/CF7443		74.0	72.5			1	2250	2070
TAYLORCRAFT (Helio Aircraft Corp.)												
15A "Tourist"		C-145-2 (TCM)		1A170/DM7651		76.0	74.0				2300	2200
TAYLORCRAFT (Taylorcraft Aviation, LLC)												
19		C85-12 (TCM)	1A90/CF7141	1A90/CF7142		71.0	69.5			1	2400	2300
19		C85-12F (TCM)	1A90/CF7141	1A90/CF7142		71.0	69.5			1	2400	2300
F19		O-200-A (TCM)		1A105/SCM6950		69.0	69.0				2550	2450
F19		O-200-A (TCM)		1B90/CM7443		74.0	71.0				2400	2300
THORP (AD Aerospace Inc.)												
T-211 "Skysooter"		O-200-A (TCM)		1A100/MCM6756		67.0	67.0			1 10	2400	2300
UNIVAIR AIRCRAFT CORPORATION (formerly ERCO, Forney, Air Products, Alon, and Mooney)												
415-C (ERCO) (S/N 1 - 112) "Ercoupe"		A-65-7 (TCM)	1A90/CF7441	1A90/CF7443	1A90/CF7445	74.0	72.5			1	2260	2110
415-C (ERCO) (S/N 1 - 112) "Ercoupe"		A-65-7 (TCM)	1B90/CM7441	1B90/CM7443	1B90/CM7445	74.0	72.5			1	2260	2110
415-C (ERCO) (S/N 1 - 112) "Ercoupe"		A-65-8 (TCM)	1A90/CF7441	1A90/CF7443	1A90/CF7445	74.0	72.5			1	2260	2110
415-C (ERCO) (S/N 1 - 112) "Ercoupe"		A-65-8 (TCM)	1B90/CM7441	1B90/CM7443	1B90/CM7445	74.0	72.5			1	2260	2110
415-C (ERCO) (S/N 1 - 112) "Ercoupe"		A-65-9 (TCM)	1A90/CF7441	1A90/CF7443	1A90/CF7445	74.0	72.5			1	2260	2110
415-C (ERCO) (S/N 1 - 112) "Ercoupe"		A-65-9 (TCM)	1B90/CM7441	1B90/CM7443	1B90/CM7445	74.0	72.5			1	2260	2110
415-C (ERCO) (S/N 1 - 112) "Ercoupe"		A-65-9J (TCM)	1A90/CF7441	1A90/CF7443	1A90/CF7445	74.0	72.5			1	2260	2110
415-C (ERCO) (S/N 1 - 112) "Ercoupe"		A-65-9J (TCM)	1B90/CM7441	1B90/CM7443	1B90/CM7445	74.0	72.5			1	2260	2110

Fixed Pitch Applications

Aircraft Model	T Y P E	Engine Model (Make)	Climb Model	Standard Model	Cruise Model	Max Dia	Min Dia	Spinner	STC Number	Notes	max rpm	min rpm
415-C (ERCO) "Ercoupe"		C75-12 (TCM)		1A90/CF7351		73.0	71.0			1	2100	1950
415-C (ERCO) "Ercoupe"		C75-12 (TCM)		1B90/CM7351		73.0	71.0			1	2100	1950
415-C (ERCO) "Ercoupe"		C75-12 (TCM)		1B90/CM7351		73.0			SA3293WE Ronald Hagerman			
415-C (ERCO) "Ercoupe"		C75-12F (TCM)		1A90/CF7351		73.0	71.0			1	2100	1950
415-C (ERCO) "Ercoupe"		C75-12F (TCM)		1B90/CM7351		73.0	71.0			1	2100	1950
415-C (ERCO) "Ercoupe"		C85-12 (TCM)	1A90/CF7148	1A90/CF7150	1A90/CF7152	71.0	69.5			1	2225	2050
415-C (ERCO) "Ercoupe"		C85-12 (TCM)	1B90/CM7148	1B90/CM7150	1B90/CM7152	71.0	69.5			1	2225	2050
415-C (ERCO) "Ercoupe"		C85-12F (TCM)	1A90/CF7148	1A90/CF7150	1A90/CF7152	71.0	69.5			1	2225	2050
415-C (ERCO) "Ercoupe"		C85-12F (TCM)	1B90/CM7148	1B90/CM7150	1B90/CM7152	71.0	69.5			1	2225	2050
415-C (ERCO) "Ercoupe"		C90-12F (TCM)		1B90/CM					SA465WE Christianson R B			
415-C (ERCO) "Ercoupe"		C90-14F (TCM)		1B90/CM7152		71.0			SA1-336 Richard Weibley			
415CD (ERCO) "Ercoupe"		C75-12 (TCM)		1A90/CF7351		73.0	71.0			1	2100	1950
415CD (ERCO) "Ercoupe"		C75-12 (TCM)		1B90/CM7351		73.0	71.0			1	2100	1950
415CD (ERCO) "Ercoupe"		C75-12F (TCM)		1A90/CF7351		73.0	71.0			1	2100	1950
415CD (ERCO) "Ercoupe"		C75-12F (TCM)		1B90/CM7351		73.0	71.0			1	2100	1950
415CD (ERCO) "Ercoupe"		C85-12 (TCM)	1A90/CF7148	1A90/CF7150	1A90/CF7152	71.0	69.5			1	2225	2050
415CD (ERCO) "Ercoupe"		C85-12 (TCM)	1B90/CM7148	1B90/CM7150	1B90/CM7152	71.0	69.5			1	2225	2050
415CD (ERCO) "Ercoupe"		C85-12F (TCM)	1A90/CF7148	1A90/CF7150	1A90/CF7152	71.0	69.5			1	2225	2050
415CD (ERCO) "Ercoupe"		C85-12F (TCM)	1B90/CM7148	1B90/CM7150	1B90/CM7152	71.0	69.5			1	2225	2050

Fixed Pitch Applications

Aircraft Model	T Y P E	Engine Model (Make)	Climb Model	Standard Model	Cruise Model	Max Dia	Min Dia	Spinner	STC Number	Notes	max rpm	min rpm
415CD (ERCO) "Ercoupe"		C90-12F (TCM)		1B90/CM					SA465WE Christianson R B			
415CD (ERCO) "Ercoupe"		C90-14F (TCM)		1B90/CM7152		71.0			SA1-336 Richard Weibley			
415D (ERCO) "Ercoupe"		C75-12 (TCM)		1A90/CF7351		73.0	71.5			1	2110	2010
415D (ERCO) "Ercoupe"		C75-12 (TCM)		1B90/CM7351		73.0	71.5			1	2110	2010
415D (ERCO) "Ercoupe"		C75-12F (TCM)		1A90/CF7351		73.0	71.5			1	2110	2010
415D (ERCO) "Ercoupe"		C75-12F (TCM)		1B90/CM7351		73.0	71.5			1	2110	2010
415D (ERCO) "Ercoupe"		C85-12 (TCM)	1A90/CF7148	1A90/CF7150	1A90/CF7152	71.0	69.5			1	2225	2025
415D (ERCO) "Ercoupe"		C85-12 (TCM)	1B90/CM7148	1B90/CM7150	1B90/CM7152	71.0	69.5			1	2225	2025
415D (ERCO) "Ercoupe"		C85-12F (TCM)	1A90/CF7148	1A90/CF7150	1A90/CF7152	71.0	69.5			1	2225	2025
415D (ERCO) "Ercoupe"		C85-12F (TCM)	1B90/CM7148	1B90/CM7150	1B90/CM7152	71.0	69.5			1	2225	2025
415D (ERCO) "Ercoupe"		C90-12F (TCM)		1B90/CM					SA465WE Christianson R B			
415D (ERCO) "Ercoupe"		C90-14F (TCM)		1B90/CM7152		71.0			SA1-336 Richard Weibley			
415D (ERCO) "Ercoupe"	L	O-200-A (TCM)		1A101/DCM6948		69.0	69.0		SA2628WE Skyport Services		2450	2350
415E (ERCO) "Ercoupe"		C85-12 (TCM)	1A90/CF7148	1A90/CF7150	1A90/CF7152	71.0	69.5			1	2225	2025
415E (ERCO) "Ercoupe"		C85-12 (TCM)	1B90/CM7148	1B90/CM7150	1B90/CM7152	71.0	69.5			1	2225	2025
415E (ERCO) "Ercoupe"		C85-12F (TCM)	1A90/CF7148	1A90/CF7150	1A90/CF7152	71.0	69.5			1	2225	2025
415E (ERCO) "Ercoupe"		C85-12F (TCM)	1B90/CM7148	1B90/CM7150	1B90/CM7152	71.0	69.5			1	2225	2025
415G (ERCO) "Ercoupe"		C85-12 (TCM)	1A90/CF7148	1A90/CF7150	1A90/CF7152	71.0	69.5			1	2225	2025
415G (ERCO) "Ercoupe"		C85-12 (TCM)	1B90/CM7148	1B90/CM7150	1B90/CM7152	71.0	69.5			1	2225	2025

Fixed Pitch Applications

Aircraft Model	T Y P E	Engine Model (Make)	Climb Model	Standard Model	Cruise Model	Max Dia	Min Dia	Spinner	STC Number	Notes	max rpm	min rpm
415G (ERCO) "Ercoupe"		C85-12F (TCM)	1A90/CF7148	1A90/CF7150	1A90/CF7152	71.0	69.5			1	2225	2025
415G (ERCO) "Ercoupe"		C85-12F (TCM)	1B90/CM7148	1B90/CM7150	1B90/CM7152	71.0	69.5			1	2225	2025
F-1 (FORNEY) "Aircoupe"		C90-12F (TCM)	1A90/CF7148	1A90/CF7150	1A90/CF7152	71.0	69.5			1	2375	2250
F-1 (FORNEY) "Aircoupe"		C90-12F (TCM)	1B90/CM7148	1B90/CM7150	1B90/CM7152	71.0	69.5			1	2375	2250
F-1A (AIR PRODUCTS) "Aircoupe"		C90-12F (TCM)	1A90/CF7148	1A90/CF7150	1A90/CF7152	71.0	69.5			1	2375	2250
F-1A (AIR PRODUCTS) "Aircoupe"		C90-12F (TCM)	1B90/CM7148	1B90/CM7150	1B90/CM7152	71.0	69.5			1	2375	2250
A-2 (ALON)		C90-12F (TCM)	1A90/CF7148	1A90/CF7150	1A90/CF7152	71.0	69.5			1	2375	2250
A-2 (ALON)		C90-12F (TCM)	1B90/CM7148	1B90/CM7150	1B90/CM7152	71.0	69.5			1	2375	2250
A-2 (ALON)		C90-12F (TCM)		1A105/SCM7153		71.0	69.5				2375	2250
A-2 (ALON)		C90-16F (TCM)	1A90/CF7148	1A90/CF7150	1A90/CF7152	71.0	69.5			1	2375	2250
A-2 (ALON)		C90-16F (TCM)	1B90/CM7148	1B90/CM7150	1B90/CM7152	71.0	69.5			1	2375	2250
A-2 (ALON)		C90-16F (TCM)		1A105/SCM7153		71.0	69.5				2375	2250
A-2A (ALON)		C90-12F (TCM)	1A90/CF7148	1A90/CF7150	1A90/CF7152	71.0	69.5			1	2375	2250
A-2A (ALON)		C90-12F (TCM)	1B90/CM7148	1B90/CM7150	1B90/CM7152	71.0	69.5			1	2375	2250
A-2A (ALON)		C90-12F (TCM)		1A105/SCM7153		71.0	69.5				2375	2250
A-2A (ALON)		C90-16F (TCM)	1A90/CF7148	1A90/CF7150	1A90/CF7152	71.0	69.5			1	2375	2250
A-2A (ALON)		C90-16F (TCM)	1B90/CM7148	1B90/CM7150	1B90/CM7152	71.0	69.5			1	2375	2250
A-2A (ALON)		C90-16F (TCM)		1A105/SCM7153		71.0	69.5				2375	2250
M10 (MOONEY) "Cadet"		C90-12F (TCM)	1A90/CF7148	1A90/CF7150	1A90/CF7152	71.0	69.5			1	2375	2250
M10 (MOONEY) "Cadet"		C90-12F (TCM)	1B90/CM7148	1B90/CM7150	1B90/CM7152	71.0	69.5			1	2375	2250
M10 (MOONEY) "Cadet"		C90-12F (TCM)		1A105/SCM7153		71.0	69.5				2375	2250
M10 (MOONEY) "Cadet"		C90-16F (TCM)	1A90/CF7148	1A90/CF7150	1A90/CF7152	71.0	69.5			1	2375	2250
M10 (MOONEY) "Cadet"		C90-16F (TCM)	1B90/CM7148	1B90/CM7150	1B90/CM7152	71.0	69.5			1	2375	2250
M10 (MOONEY) "Cadet"		C90-16F (TCM)		1A105/SCM7153		71.0	69.5				2375	2250
Elzie Wright Jr.												
F-1		O-320-A2B (LY)		1A175/GM8042		80.0	78.0				2450	2350

Fixed Pitch Applications

Aircraft Model	T Y P E	Engine Model (Make)	Climb Model	Standard Model	Cruise Model	Max Dia	Min Dia	Spinner	STC Number	Notes	max rpm	min rpm
Aircraft Type: A - Amphibian F - Floatplane L - Landplane S - Skiplane		Engine Type FR - Franklin LY - Lycoming STC - Engine modified by an STC TCM - Continental Motors/ Rolls Royce										

Fixed Pitch Notes

NOTE	DESCRIPTION
1	This is the recommended pitch, but it can be increased or decreased as long as the static rpm stays within the rpm limitations per the aircraft TCDS.
2	Any other 1A170 can be used as long as the static rpm stays between 2490 and 2240 rpm
3	Any other 1A170 can be used as long as the static rpm stays between 2540 and 2380 rpm
4	Any other 1A170 can be used as long as the static rpm stays between 2600 and 2400 rpm Avoid continuous operation between 2100 and 2300 rpm
5	Any other 1A170 can be used as long as the static rpm stays between 2450 and 2250 rpm Avoid continuous operation between 2100 and 2300 rpm
6	Applicable on S/N 1000 - 1035 only
7	Nose cowling modification required. See aircraft TCDS
8	Spinner assembly must be modified in accordance with McCauley S.B. 61
9	Avoid continuous operation between 1700 and 2100 rpm during descending flight
10	The engine must be modified per STC SE8WE.
11	Eligible on aircraft modified per Champion S.L. 63
12	STC requires specific floats, modifications to aircraft landing gear and/or a specific tire size. Refer to appropriate STC.
13	Avoid continuous operation between 2150 and 2350 rpm
14	Approved pitch is 40 - 45 inches.
15	IO-320-E2A, -E2B must be modified per STC SE7CE
16	This propeller is no longer procurable from McCauley
17	Avoid continuous operation between 2150 and 2250 rpm
18	Also includes aircraft reworked per SK152-15 or SK152-16
19	Aircraft must be modified per Cessna Modification Kit MK 172-72-01, (aircraft S/N specific)
20	Avoid continuous operation while descending between 2150 and 2350 rpm with power retarded below 1/4 throttle.
21	Avoid continuous operation while descending between 2050 and 2450 rpm with power retarded below 1/4 throttle.
22	Approved pitch range is 40 to 44 inches
23	O-320 series engines rated at 150HP
24	With fuselage tank the static rpm is 2145 - 2045, and with the wing tank the static rpm is 2145 - 1940 rpm.
25	O-320 series engines rated at 160HP
26	Maximum static rpm of 2250 is permissible when airfield pressure altitude is above 5000 ft.
27	When modified per Maule Modification Kit No. 36
28	Two propeller flange bushings must be replaced with Lycoming P/N 72060S index bushing and Lycoming P/N 721061S bushing, at flange index mark and opposite. A spacer, Piper P/N 79528-0 is required between propeller and engine flange.
29	Avoid continuous operation between 2100 and 2300 rpm.
30	Engines with hollow crankshafts (excludes engines with suffixes having a digit "4" or higher in the second position)
31	Avoid continuous operation between 1850 and 2250 rpm during descending flight"

Fixed Pitch Notes

NOTE	DESCRIPTION
32	Aircraft must have Univair STC SA7435SW installed
33	Engine must be installed per applicable STC
34	Aircraft must be modified per STC SA1-51
35	Aircraft must be modified per STC SA1-644 or STC SA3-106
36	Approved pitch range is 41 to 44 inches
37	Approved pitch range is 47 to 56 inches
38	Two propeller flange bushings must be replaced with Lycoming #72068S bushings at propeller blade positions corresponding to noncounterbored bolt holes
39	Increase in T/O and max-continuous power to 180 hp and increase in gross weight to 2,550 pounds.
40	Must be equipped with wheel/tire or ski installations which position the main gear axle centerline at least 9 inches above the ground or bottom of the ski to ensure adequate propeller clearances.
41	For banner or glider tow the static rpm is 2450 - 2550 rpm
42	Limited to aircraft with metal wing spars.
43	71" - 70" diameter, Avoid continuous operation while descending between 2025 and 2325 rpm with power retarded below 1/4 throttle setting. 70" - 69" diameter, Avoid continuous operation while descending between 2075 and 2400 rpm with power retarded below 1/4 throttle setting.
44	engine must be rated at 180 hp at 2700 rpm
45	For banner or glider tow the static rpm is 2400 - 2550 rpm
46	For banner or glider tow the static rpm is 2500 - 2600 rpm
47	For banner or glider tow the static rpm is 2475 - 2575 rpm
48	Avoid continuous operation while descending between 2075 and 2400 rpm with power retarded below 1/4 throttle setting.
49	When changing to a different propeller model a different spinner assembly may be required. Check aircraft TCDS or appropriate STC.
50	Requires Eagle Aircraft Mod kit MK-04
51	Requires other modifications to aircraft. Refer to STC.
52	Avoid continuous operation between 1850 and 2250 rpm
53	Avoid continuous operation while descending between 2025 and 2325 rpm with power retarded below 1/4 throttle setting.
54	O-360 series engines rated at 180HP
55	Aircraft manufactured by Victa and certified by Australian CASA
56	Aircraft manufactured by Aero Engine Services LTD and certified by New Zealand CAA
57	The 1L100/LSA is a composite fixed pitch
58	Eligibility is limited to S/N 1 - 1760, and 1760A only
59	On this installation use Bolt kit B-4622-36
60	Does not use bolts specified by McCauley. Contact Type Certificate holder for proper bolt information

Fixed Pitch Propeller Information

Model	FAA Design	hub Thickness	Bolt Circle	# Bolt	Bolt Dia	Flange Type	Spacer P/N	Spacer Thickness	Tip Shape	B-4622 Bolt Kit	2 EA. Dowels	Torque (ft-lbs) dry	Safety Wire	Type cert	Weight	Comments	Paint Scheme
ACM	1A100	2.750	4.375	6	3/8	SAE 1	B-3400	2.000	square	-10	A-2973-6	25 - 30	0.032	P918	23.5		D-4647
AFA	1P235	3.438	4.750	6	1/2		-	-	square	-25	-	55 - 65	0.032	P12EA	36.5		D-4647
AGM	1C172	3.438	4.750	6	3/8		B-3515	2.000	square	-15	A-2973-6	25 - 30	0.032	P910	36.2		D-4647
ALM	1C90	2.750	4.375 4.750	6 6	3/8	SAE 2	C-3635	2.000	square	-8	-	25 - 30	0.032	P842	25.5		D-4647
AOM	1A200	3.438	4.000	6	1/2		-	-	square	-4	A-4001	55 - 65	-	P874	43.2		D-4647
ATM	1A175	3.312	4.750	6	7/16		B-3898	3.500	square	-20	A-2973-6	40 - 45	0.032	P857	40.5	OBSOLETE	D-4647
BCM	1A105	2.750	4.375	6	3/8	SAE 1	B-3927	1.125	square	-16	A-2973-6	25 - 30	0.032	P918	22.5		D-4647
BFA	1B235	3.438	4.750	6	1/2		B-3637	4.000	ellip	-27	A-2973-6	55 - 65	0.032	P12EA	45.3		D-4647
BMS	1A170	3.438	4.750	6	1/2		B-6627	1.375	square	-41	A-2973-6	55 - 65	0.032	P857	36.0		D-6629
BRM	1A135	2.875	4.000	6	1/2		B-3718	1.125	square	-1	A-2973-7 A-4001	55 - 65	-	P842	26.0		D-4647
BTM	1C172	3.312	4.750	6	7/16		B-4381	2.648	square	-37	A-2973-6	40 - 45	0.032	P910	35.9		D-4647
CF	1A90	2.750	4.375	6	3/8	SAE 1	-	-	ellip	-42 -9	-	25 - 30	- 0.032	P842	22.8	Tapered Flanged	D-4647
CFA	1A170	3.438	4.750	6	1/2		B-3637	4.000	square	-23	A-2973-6	55 - 65	0.032	P857	43.0		D-4647
CH	1A90	2.750	4.375	6	3/8	SAE 1	-	-	ellip	-42	-	25 - 30	-	P842	21.0	OBSOLETE	D-4647
CLM	1C90	2.750	4.750	6	3/8	SAE 2	B-3515	2.000	square	-33	A-2973-6	25 - 30	0.032	P842	25.0		D-4647
CM	1B90	2.750	4.375	6	3/8	SAE 1	-	-	square	-42 -9	-	25 - 30	- 0.032	P842	23.5	Tapered Flanged	D-4647
CRM	1A135	2.875	4.000	6	1/2		B-3718	1.125	square	-1	A-2973-7 A-4001	55 - 65	-	P842	23.8		D-4647
CTM	1C160	3.312	4.750	6	7/16		B-3898	3.500	ellip	-20	A-2973-6	40 - 45	0.032	P910	35.8	OBSOLETE	D-4647
DCM	1A101	2.750	4.375	6	3/8	SAE 1	-	-	square	-9	-	25 - 30	0.032	P918	21.8		D-4647
DF	1A170	3.438	5.250	8	3/8		-	-	ellip	-30	-	25 - 30	0.032	P857	32.0	OBSOLETE	D-4647
DFA	1A200	3.562	4.750	6	1/2		B-3434	1.250	square	-28	A-2973-6	55 - 65	0.032	P874	47.0		D-4647
DFC	1B235	3.438	4.000	6	1/2		-	-	ellip	-5	A-4001	55 - 65	-	P12EA	38.5		D-4647
DLM	1C90	2.750	4.750	6	3/8		B-4160	1.250	square	-13	A-2973-6	25 - 30	0.032	P842		OBSOLETE	D-4647
DM	1A170	3.438	5.250	8	3/8		-	-	square	-30 -36	-	25 - 30	0.032	P857	33.5	Short bolt kit Long bolt kit	D-4647
DM	1A175	3.438	5.250	8	3/8		-	-	square	-30 -36	-	25 - 30	0.032	P857	34.0	Short bolt kit Long bolt kit	D-4647
DRM	1A135	2.875	4.000	6	1/2		C-7639	1.125	square	-1	A-2973-7 A-4001	55 - 65	-	P842	23.8		D-4647
DTM	1C160	3.312	4.750	6	7/16		C-4592 OR B-4516	3.500	ellip	-20	A-2973-6	40 - 45	0.032	P910	35.5		D-5015

Fixed Pitch Propeller Information

Model	FAA Design	hub Thickness	Bolt Circle	# Bolt	Bolt Dia	Flange Type	Spacer P/N	Spacer Thickness	Tip Shape	B-4622 Bolt Kit	2 EA. Dowels	Torque (ft-lbs) dry	Safety Wire	Type cert	Weight	Comments	Paint Scheme
ECM	1B90	2.750	4.375	6	3/8	SAE 1	B-3927	1.125	square	-16	A-2973-6	25 - 30	0.032	P842	36.5		D-4647
EFA	1A170	3.438	4.750	6	1/2		B-4020	1.500	square	-24	A-2973-6	55 - 65	0.032	P857	36.5		D-4647
EFC	1B235	3.438	4.000	6	1/2		C-7744	1.750	ellip	-45	A-2973-7 A-4001	55 - 65	-	P12EA			D-4647
EGM	1C160	3.438	4.750	6	3/8		-	-	ellip	-14	-	25 - 30	0.032	P910	30.5		D-4647
EM	1C172	3.312	4.000	6	1/2		-	-	square	-3	A-4001	55 - 65	-	P910	31.0		D-4647
ETM	1A175	3.312	4.750	6	7/16		C-4592 OR B-4516	3.500	square	-20	A-2973-6	40 - 45	0.032	P857	39.0		D-4647
FA	1A200	3.562	4.750	6	1/2		-	-	square	-26	-	55 - 65	0.032	P874	44.5		D-4969
FC	1A175	3.438	4.000	6	1/2		-	-	square	-4	A-4001	55 - 65	-	P857	37.0	OBSOLETE	D-4647
FC	1C200	3.562	4.000	6	1/2		-	-	square	-4	A-4001	55 - 65	-	P874		never produced	D-4647
FCM	1B90	2.750	4.375	6	3/8	SAE 1	B-4301	1.500	square	-17	A-2973-6	25 - 30	0.032	P842			D-4647
FFA	1A170	3.438	4.750	6	1/2		B-4273	2.648	square	-38	A-2973-6	55 - 65	0.032	P857	38.0	OBSOLETE	D-4647
FGM	1C160	3.312	4.750	6	3/8		B-4561	1.438	ellip	-19	A-2973-6	25 - 30	0.032	P910	32.0		D-4647
FM	1A200	3.562	6.000	8	7/16		-	-	square	-31	-	40 - 45	0.032	P874	45.0		D-4646
GCM	1A101	2.750	4.375	6	3/8	SAE 1	B-4304	3.000	square	-11	A-2973-6	25 - 30	0.032	P918	26.8	OBSOLETE	D-4647
GM	1A170	3.438	4.750	6	3/8	SAE 2	-	-	square	-14	-	25 - 30	0.032	P857	33.0		D-4647
GM	1A175	3.438	4.750	6	3/8	SAE 2	-	-	square	-14	-	25 - 30	0.032	P857	34.2		D-4647
GMA	1A175	3.438	4.750	6	3/8		B-3515	2.000	square	-15	A-2973-6	25 - 30	0.032	P857	38.7		D-4647
HCM	1A101	2.750	4.375	6	3/8	SAE 1	B-4351	3.060	square	-12	A-2973-6	25 - 30	0.032	P918	26.4	OBSOLETE	D-4647
HFA	1A200	3.562	4.750	6	1/2		B-4585	2.000	square	-29	A-2973-6	55 - 65	0.032	P874	46.0		D-4647
HM	1B200	3.562	6.000	8	7/16		C-1225	splined	square	-31	-	40 - 45	0.032	P874		OBSOLETE	D-4647
JCM	1A135	2.875	4.375	6	3/8	SAE 1	B-3927	1.125	square	-18	A-2973-6	25 - 30	0.032	P842	24.8		D-4647
JFA	1A170E	3.438	4.750	6	1/2		C-5464 or C-7726	3.500	ellip	-40	A-2973-6	55 - 65	0.032	P857	40.75		D-4647
JHA	1A170E	3.438	4.750	6	1/2		C-5464 or C-7726	3.500	ellip	-40	A-2973-6	55 - 65	0.032	P857	42.0		D-7561 or D-7851
KCM	1A135	2.875	4.375	6	3/8	SAE 1	B-4446	1.875	square	-19	A-2973-6	25 - 30	0.032	P842	27.5		D-4647
KFA	1A170	3.438	4.750	6	1/2		B-4273	2.648	square	-38	A-2973-6	55 - 65	0.032	P857	41.25		D-4647
L	1A170	3.438	5.250	8	3/8		-	-	ellip	-30	-	25 - 30	0.032	P857		OBSOLETE	D-4647
LCM	1B90	2.750	4.375	6	3/8	SAE 1	B-3400	2.000	square	-10	A-2973-6	25 - 30	0.032	P842	24.0		D-4647
LF	1C90	2.750	4.375 4.750	6 6	3/8	SAE 2	C-1210	1.125	ellip	-7	-	25 - 30	0.032	P842		OBSOLETE	D-4647

Fixed Pitch Propeller Information

Model	FAA Design	hub Thickness	Bolt Circle	# Bolt	Bolt Dia	Flange Type	Spacer P/N	Spacer Thickness	Tip Shape	B-4622 Bolt Kit	2 EA. Dowels	Torque (ft-lbs) dry	Safety Wire	Type cert	Weight	Comments	Paint Scheme
LFA	1C235	3.438	4.750	6	1/2		C-5464 or C-7726	3.500	ellip	-40	A-2973-6	55 - 65	0.032	P12EA	42.0		D-6629
LL	1A170	3.438	5.250	8	3/8		-	-	square	-30	-	25 - 30	0.032	P857	33.5		D-4647
LM	1C90	2.750	4.375 4.750	6 6	3/8	SAE 2	C-1210	1.125	square	-7	-	25 - 30	0.032	P842	24.8		D-4647
LSA	1L100	2.750	4.000	6	3/8		B-7925	3.115	square	-49	A-7952	25 - 30		ASTM	11.0	Composite	D-7947
MCM	1A100	2.750	4.375	6	3/8	SAE 1	-	-	square	-9	-	25 - 30	0.032	P918	21.0		D-4647
MDM	1C172	3.438	5.250	8	3/8		-	-	square	-30	-	25 - 30	0.032	P910	32.3		D-4647
MFA	1C172	3.438	4.750	6	1/2		-	-	square	-25	-	55 - 65	0.032	P910	33.2		D-4647
MFC	1B175	3.438	4.000	6	1/2		-	-	square	-5	A-4001	55 - 65	-	P857	36.0		D-4647
MGM	1C172	3.438	4.750	6	3/8		-	-	square	-14	-	25 - 30	0.032	P910	32.3		D-4647
MTM	1C172	3.312	4.750	6	7/16		B-3898	3.500	square	-20	A-2973-6	40 - 45	0.032	P910	37.5	OBSOLETE	D-4647
OCM	1A102	2.750	4.375	6	3/8	SAE 1	C-4513 OR C-4593	3.060	square	-12	A-2973-6	25 - 30	0.032	P918	24.9		D-4647
OM	1D200	3.438	4.000	6	1/2		-	-	square	-5	A-4001	55 - 65	-	P874	39.0		D-4647
PCM	1A101	2.750	4.375	6	3/8	SAE 1	C-4513 OR C-4593	3.060	square	-12	A-2973-6	25 - 30	0.032	P918	24.9	OBSOLETE	D-4647
PFA	1P235	3.438	4.750	6	1/2		B-3246	1.250	square	-28	A-2973-6	55 - 65	0.032	P12EA	40.5		D-4647
RM	1A135	2.875	4.000	6	1/2		-	-	square	-2	A-4001	55 - 65	-	P842	23.7		D-4647
SBTM	1C172	3.312	4.750	6	7/16		B-4425	2.648	square	-37	A-2973-6	40 - 45	0.032	P910	47.6		D-4647
SCM	1A105	2.750	4.375	6	3/8	SAE 1	-	-	square	-9	-	25 - 30	0.032	P918	20.5		D-4647
SFA	1A170	3.438	4.750	6	1/2		-	-	square	-25	-	55 - 65	0.032	P857	33.0		D-4647
SFC	1A170	3.438	4.000	6	1/2		-	-	square	-5	A-4001	55 - 65	-	P857	33.0		D-4647
SFC	1A175	3.438	4.000	6	1/2		-	-	square	-5	A-4001	55 - 65	-	P857	36.3		D-4647
SLM	1A105	2.750	4.375 4.750	6 6	3/8	SAE 2	C-1210	1.125	square	-7	-	25 - 30	0.032	P918		OBSOLETE	D-4647
TCD	1A162	2.750	4.000	6	3/8		B-7925	3.115	square	-49	A-7952	25 - 30	-	P857	24.4	LSA	D-4647
TCM	1A103	3.000	4.375	6	3/8	SAE 1	-	-	ellip	-43	-	25 - 30	0.032	P50GL	23.0	OBSOLETE	D-7289
TM	1C172	3.312	4.750	6	7/16		B-3821	1.500	square	-22	A-2973-6	40 - 45	0.032	P910	32.4		D-4647
WFA	1A200	3.562	4.750	6	1/2		B-3637	4.000	square	-44	A-2973-6 or A-2973-2	55 - 65	0.032	P874			D-4647

Fixed Pitch Bolt Kit Information

BOLT KIT P/N	NO. REQ.	BOLT P/N	NO. REQ.	WASHER P/N	NO. REQ.	NUT P/N	NO. REQ.	SPACER P/N	NO. REQ.	DOWEL P/N	NO. REQ.	MYLAR GASKET P/N	NO. REQ.	REINFORCEMENT PLATE P/N	NOTES
B-4622-1	6	A-2513-18	12	A-1638-10	6	A-1639-2									
B-4622-2	6	A-2513-58	12	A-1638-2	6	A-1639-2									
B-4622-3	6	A-2513-14	12	A-1638-10	6	A-1639-2									
B-4622-4	6	A-2513-17	12	A-1638-2	6	A-1639-2									
B-4622-5	6	A-2513-16	12	A-1638-2	6	A-1639-2									
B-4622-7	6	A-2513-7	12	A-1638-13	6	A-1639-6	6	A-1170							
	6	A-2513-6	6	A-1212											
B-4622-8	6	A-2513-30	12	A-1638-13	6	A-1639-6	6	A-1170							
	6	A-2513-31	6	A-1212											
B-4622-9	6	A-2513-8	6	A-1638-13											
B-4622-10	6	A-2513-11	6	A-1638-13											
B-4622-11	6	A-2513-51	6	A-1638-13											Obsolete
B-4622-12	6	A-2513-77	6	A-1638-14											
B-4622-13	6	A-2513-43	6	A-1638-13											Obsolete
B-4622-14	6	A-2513-19	6	A-1638-13											
B-4622-15	6	A-2513-25	6	A-1638-13											
B-4622-16	6	A-2513-20	6	A-1638-14											
B-4622-17	6	A-2513-53	6	A-1638-14											
B-4622-18	6	A-2513-43	6	A-1638-14											
B-4622-19	6	A-2513-41	6	A-1638-14											
B-4622-20	6	A-2513-38	6	A-1638-11											
B-4622-22	6	A-2513-35	6	A-1638-11											
B-4622-23	6	A-2513-33	6	A-1638-2											
B-4622-24	6	A-2513-39	6	A-1638-2											
B-4622-25	6	A-2513-13	6	A-1638-2											
B-4622-26	6	A-2513-15	6	A-1638-2											
B-4622-27	6	A-2513-33	6	A-1638-10											
B-4622-28	6	A-2513-18	6	A-1638-10											
B-4622-29	6	A-2513-70	6	A-1638-10											
B-4622-30	8	A-2513-10	8	A-1638-13											
B-4622-31	8	A-2513-12	8	A-1638-11											
B-4622-32	6	A-2513-65													Obsolete
B-4622-33	6	A-2513-41	6	A-1638-13											
B-4622-36	8	A-2513-23	8	A-1638-14											
B-4622-37	6	A-2513-79													
B-4622-38	6	A-2513-71													
B-4622-39	6	A-2513-24	6	A-1638-13											
B-4622-40	6	A-2513-92	6	A-1638-2											
B-4622-41	6	A-2513-99	6	A-1638-2											

Fixed Pitch Bolt Kit Information

BOLT KIT P/N	NO. REQ.	BOLT P/N	NO. REQ.	WASHER P/N	NO. REQ.	NUT P/N	NO. REQ.	SPACER P/N	NO. REQ.	DOWEL P/N	NO. REQ.	MYLAR GASKET P/N	NO. REQ.	REINFORCEMENT PLATE P/N	NOTES
B-4622-42	6	A-2513-9	6	A-1638-13	6	A-1639-6	6	A-1170							
B-4622-43	6	A-2513-78									1	B-7306	1	B-7287	
B-4622-44	6	A-2513-102	6	A-1638-10					2	A-2973-6					
B-4622-45	6	A-2513-103	12	A-1638-2	6	A-1639-2									
B-4622-46	6	A-2513-62	12	A-1638-10	6	A-1639-2									
B-4622-49	6	A-2513-105	6 6	A-1638-13 A-1638-14	6	A-1639-6									

Fixed Pitch Bolt Information

Bolt P/N	Thread	Length	Grip	Drilled Head	Notes
A-2513-6	3/8-24UNF	4.203	3.563	No	
A-2513-7	3/8-24UNF	1.453	0.813	Yes	
A-2513-8	3/8-24UNF	3.328	2.563	Yes	
A-2513-9	3/8-24UNF	3.578	2.938	No	
A-2513-10	3/8-24UNF	3.953	3.313	Yes	
A-2513-11	3/8-24UNF	5.328	4.563	Yes	
A-2513-12	7/16-20UNF	4.094	3.438	Yes	
A-2513-13	1/2-20UNF	4.344	3.250	Yes	
A-2513-14	1/2-20UNF	4.469	3.688	No	
A-2513-15	1/2-20UNF	4.469	3.375	Yes	
A-2513-16	1/2-20UNF	4.719	3.750	No	
A-2513-17	1/2-20UNF	4.844	3.750	No	
A-2513-18	1/2-20UNF	5.844	4.625	Yes	
A-2513-19	3/8-24UNF	4.172	3.375	Yes	
A-2513-20	3/8-24UNF	4.578	3.750	Yes	
A-2513-23	3/8-24UNF	4.078	3.438	Yes	
A-2513-24	3/8-24UNF	3.578	2.750	Yes	
A-2513-25	3/8-24UNF	6.203	5.375	Yes	
A-2513-30	3/8-24UNF	2.238	1.688	Yes	
A-2513-31	3/8-24UNF	5.078	4.438	No	
A-2513-33	1/2-20UNF	8.469	7.285	Yes	
A-2513-35	7/16-20UNF	5.719	4.700	No	
A-2513-38	7/16-20UNF	7.719	6.700	Yes	
A-2513-39	1/2-20UNF	5.969	4.785	Yes	
A-2513-41	3/8-24UNF	5.453	4.625	Yes	
A-2513-43	3/8-24UNF	4.703	3.875	Yes	
A-2513-51	3/8-24UNF	6.328	5.563	Yes	
A-2513-53	3/8-24UNF	4.953	4.125	Yes	
A-2513-58	1/2-20UNF	3.969	3.188	No	
A-2513-62	1/2-20UNF	5.219	4.250	No	
A-2513-65	1/2-20UNF	11.594	10.600	Yes	Obsolete
A-2513-70	1/2-20UNF	6.719	5.156	Yes	
A-2513-71	1/2-20UNF	7.094	5.813	Yes	
A-2513-77	3/8-24UNF	6.453	5.563	Yes	
A-2513-78	3/8-24UNF	3.828	3.000	Yes	
A-2513-79	7/16-20UNF	7.031	5.813	Yes	
A-2513-92	1/2-20UNF	7.969	6.750	Yes	
A-2513-99	1/2-20UNF	5.969	4.630	Yes	
A-2513-102	1/2-20UNF	8.594	7.285	Yes	
A-2513-103	1/2-20UNF	6.594	5.625	Yes	
A-2513-105	3/8-24UNF	7.078	6.249	No	

Spinner Assembly Information

Spinner Assembly P/N	Shell P/N	Front Support P/N	Front Support Shims	Front Bulkhead P/N	Fillet P/N	Rear Bulkhead P/N	Finish	Device	Shape	Blades	Obsolite	Shell Length	Shell Diameter	Propellers	Engine	Notes
D-2137	D-2136	NONE				D-2135	S		R	2		12.750	12.750	C14, C28	LY	Bulkhead mounts to starter ring gear
D-2749	D-2747	B-2848	B-3281-1 B-3281-2		B-2857	D-2870	S		R	2		14.970	14.541	C39, C89	TCM	Beech polished some of these in production. Fillets are riveted on bulkhead. Bulkhead mounts to (6) A-2495 lugs
D-2749-1	D-2747	B-3275	B-3281-1 B-3281-2		B-2857	D-2870	S		R	2		14.970	14.541	C55	TCM	Beech polished some of these in production. Fillets are riveted on bulkhead. Bulkhead mounts to (6) A-2495 lugs
D-2749-2	D-2747	B-3277	B-3281-1 B-3281-2		B-2857	D-2870	S		R	2		14.970	14.541	C39, C89	TCM	Beech polished some of these in production. Fillets are riveted on bulkhead. Bulkhead mounts to (6) A-2495 lugs
D-2771	D-3083	B-3019			B-2877	D-3011	S		R	2	X	13.081	12.750	C31, C33	TCM	Fillets are riveted on bulkhead Bulkhead mounts to (6) A-2495 lugs.
D-2771-1	D-3083	B-3019			B-2877	D-3011	S		R	2	X	13.081	12.750	C67	TCM	Fillets are riveted on bulkhead Bulkhead mounts to (6) A-2495 lugs. If engine flange is 0.031" thick use (1) A-1638-24 washer on each stud in between engine flange and A-2495 lugs
D-2802	D-2793	B-2848			B-2857	D-2801	S	A	R	2	X	14.906	14.541	C39, C89	TCM	Fillets are riveted on bulkhead Bulkhead mounts to (6) A-2495 lugs.
D-2802-1	D-2793	B-3275	B-3281-1 B-3281-2		B-2857	D-2801	S	A	R	2	X	14.906	14.541	C55	TCM	Fillets are riveted on bulkhead Bulkhead mounts to (6) A-2495 lugs.
D-2802-2	D-2793	B-3277	B-3281-1 B-3281-2		B-2857	D-2801	S	A	R	2	X	14.906	14.541	C39, C89	TCM	Fillets are riveted on bulkhead Bulkhead mounts to (6) A-2495 lugs.
D-2809	D-2808	NONE			B-3151	D-3148	S		B	2	X	12.750	12.750	C53	LY	Fillets are riveted on bulkhead Bulkhead mounts to starter ring gear
D-2822	D-3239	B-3243	B-3410-16 B-3410-32		B3242	D-3241	S		B		X	15.491	13.650	C23	TCM	Fillets are riveted on bulkhead Bulkhead mounts to hub
D-2844	D-2840	NONE			B-2877	D-2878	S		R	2		14.063	12.750	C26, C48	TCM	Fillets are riveted on bulkhead C26, Bulkhead mounts to (6) A-2495 lugs C48, Bulkhead mounts to (1) B-2792 ring
D-2845	D-3083	B-3019	B-3410-16 B-3410-32		B-2877	D-2878	S		R	2		13.081	12.750	C29, C31, C32, C50, C66, C209	TCM	Fillets are riveted on bulkhead "2A, B2A, C2A" Bulkhead mounts to (6) A-2495 lugs
D-2845-1	D-3083	B-3019	B-3410-16 B-3410-32		B-2877	D-2878	S		R	2		13.081	12.750	C31, C33, C45, C49, C67	TCM	Fillets are riveted on bulkhead Bulkhead mounts to (1) B-2792 split ring. If engine flange is 0.031" thick use (1) A-1638-24 washer on each stud in between engine flange and B-2792 split ring
D-2845-2	D-3083	NONE			B-2877	D-2878	S		R	2		13.081	12.750	C1, C18, C21	TCM	Fillets are riveted on bulkhead Bulkhead mounts to (6) A-2495 lugs
D-2852	D-2849	NONE			B-2877	D-2891	S	A	B	2	X	14.063	12.750	C26	TCM	Fillets are riveted on bulkhead Bulkhead mounts to (6) A-2495 lugs

Spinner Assembly Information

Spinner Assembly P/N	Shell P/N	Front Support P/N	Front Support Shims	Front Bulkhead P/N	Fillet P/N	Rear Bulkhead P/N	Finish	Device	Shape	Blades	Obsolite	Shell Length	Shell Diameter	Propellers	Engine	Notes
D-2890	D-2889	B-3275	B-3281-1 B-3281-2		B-2877	D-2878	S		B	2		15.594	12.750	C38, C68	TCM	Fillets are riveted on bulkhead Bulkhead mounts to (6) A-2495 lugs
D-2893	D-2892	B-3275	B-3281-1 B-3281-2		B-2877	D-2891	S	A	B	2		15.594	12.750	C38, C68	TCM	Fillets are riveted on bulkhead Bulkhead mounts to (6) A-2495 lugs
D-3012	D-2840	NONE			B-2877	D-3011	S		R	2	X	14.063	12.750	C48	TCM	Fillets are riveted on bulkhead Bulkhead mounts to (6) A-2495 lugs
D-3052	D-2849	NONE			B-2877	D-3049	S	A	R	2	X	14.063	12.750	C48	TCM	Fillets are riveted on bulkhead Bulkhead mounts to (6) A-2495 lugs
D-3290	D-2820	B-2800	B-3410-16 B-3410-32		B-3292	D-7713-1	S		R	2		12.064	13.875	C23, C223, C228	TCM	Old bulkhead P/N was D-3291 Bulkhead mounts to C-4044 adapter plate
D-3290-2	D-2820	B-2800	B-3410-16 B-3410-32		B-3292	D-7714-1	S	E	R	2		12.064	13.875	C23, C223, C228	TCM	Old bulkhead P/N was D-3291 Bulkhead mounts to slip ring
D-3328	D-3326			B-3859	B-3327	D-2807	S		R	F		12.750	12.750	1A200/DFA, 1P235/PFA	LY	Bulkhead mounts to starter ring gear
D-3339	D-3337			B-3353	NONE	D-3338	S		R	F		12.750	12.750	1C172/MGM 1C172MFA, 1A170/SFA	LY	Bulkhead mounts to starter ring gear Use (6) A-4338 flanged washers under bolt head with 1C172/MGM
D-3396	D-3395	B-3243	B-3410-16 B-3410-32		B-3394	D-7713-4	S		B	2		15.500	13.606	C23, C223, C228	TCM	Bulkhead mounts between prop and engine flange Old bulkhead P/N D-3393
D-3396-2	D-3395	B-3243	B-3410-16 B-3410-32		B-3394	D-7714-4	S	E	B	2		15.500	13.606	C23, C223, C228	TCM	Bulkhead mounts between prop and engine flange Old bulkhead P/N D-3393
D-3404	D-2747	B-2848	B-3281-1 B-3281-2		B-2857	D-3403	S	E	R	2		14.970	14.541	C39, C89	TCM	Beech polished some of these in production Fillets are riveted to bulkhead. Bulkhead mounts to (6) A-3464 lugs
D-3404-1	D-2747	B-3275	B-3281-1 B-3281-2		B-2857	D-3403	S	E	R	2		14.970	14.541	C55	TCM	Beech polished some of these in production Fillets are riveted to bulkhead. Bulkhead mounts to (6) A-3464 lugs
D-3404-2	D-2747	B-3277	B-3281-1 B-3281-2		B-2857	D-3403	S	E	R	2		14.970	14.541	C39, C89	TCM	Beech polished some of these in production Fillets are riveted to bulkhead. Bulkhead mounts to (6) A-3464 lugs
D-3404-3	D-3419	B-3348	B-3281-1 B-3281-2		B-2857	D-3403	S	E	P	2		18.760	14.541	C55	TCM	Beech polished some of these in production Fillets are riveted to bulkhead. Bulkhead mounts to (6) A-3464 lugs
D-3420	D-3419	B-3348	B-3281-1 B-3281-2		B-2857	D-2870	S		B	2		18.760	14.541	C55	TCM	Beech polished some of these in production Fillets are riveted on bulkhead Bulkhead mounts to (6) A-2495 lugs
D-3462	D-3461	B-3348	B-3281-1 B-3281-2		B-2857	D-3830	S	A	B	2		18.760	14.541	C55	TCM	Fillets are riveted on bulkhead Bulkhead mounts to (6) A-2495 lugs
D-3499	D-3570	B-3348	B-3725-1 B-3725-2		B-2857	D-3571	S	E	B	3		18.760	14.541	C75	TCM	Fillets are riveted on bulkhead Bulkhead mounts between prop and engine flange

Spinner Assembly Information

Spinner Assembly P/N	Shell P/N	Front Support P/N	Front Support Shims	Front Bulkhead P/N	Fillet P/N	Rear Bulkhead P/N	Finish	Deice	Shape	Blades	Obsolète	Shell Length	Shell Diameter	Propellers	Engine	Notes
D-3538	D-3534	C-3862	B-3863		C-3536	D-3537	S		P	3		20.320	14.840	C72, C87, C93	TCM	Fillets are riveted on bulkhead Bulkhead mounts to (6) 0850257-4 lugs
D-3574	D-3573	C-3862	B-3863		B-3578	D-3576	S		P	3		20.270	12.750	C74, C92	TCM	Fillets are riveted on bulkhead Bulkhead mounts between prop and engine flange
D-3584	D-3585	B-3243	B-3410-16 B-3410-32		B-3394	D-7713-2	S		B	3		15.429	13.606	C76, C406, C409, C420, C423	TCM	Old bulkhead P/N D-3586 Bulkhead mounts between prop and engine flange
D-3584-2	D-3585	B-3243	B-3410-16 B-3410-32		B-3394	D-7714-2	S	E	B	3		15.429	13.606	C76, C406, C409, C420, C423	TCM	Old bulkhead P/N D-3586 Bulkhead mounts between prop and engine flange
D-3600	D-3597	B-2800	B-3410-16 B-3410-32		B-3292	D-7713-3	S		R	3		12.000	13.875	C76, C434	TCM	Old bulkhead P/N D-3599 Bulkhead mounts between prop and engine flange
D-3600-2	D-3597	B-2800	B-3410-16 B-3410-32		B-3292	D-7714-3	S	E	R	3		12.000	13.875	C76, C434	TCM	Old bulkhead P/N D-3599 Bulkhead mounts between prop and engine flange
D-3605	D-3607	B-3348	B-3725-1 B-3725-2		B-2857	D-3608	S	A	B	3		18.760	14.542	C75	TCM	Beech polished some of these in production. Fillets are riveted on bulkhead. Bulkhead mounts to (6) A-2495 lugs
D-3625	D-3626	B-3275	B-3725-1 B-3725-2		B-2877	D-3627	S	A	B	3		15.530	12.750	C86	TCM	Fillets are riveted on bulkhead. Bulkhead mounts to (6) A-2495 lugs
D-3649	D-3651	C-3862	B-3863		C-3658	D-3652	S	E	P	3		19.620	14.108	C80	TCM	Fillets are riveted on bulkhead. Bulkhead mounts to hub sleeve
D-3669	D-3666	B-3019	B-3410-16 B-3410-32		B-2877	D-3668	S		R	3		13.081	12.750	C90	TCM	Fillets are riveted on bulkhead. Bulkhead mounts to (6) A-2495 lugs
D-3683	D-3395	B-3243	B-3410-16 B-3410-32		B-3394	D-3686	S		B	2		15.500	13.606	C8, C9, C210	LY TCM	Fillets are riveted on bulkhead. Bulkhead mounts to machined flange on hub
D-3732	D-3573	C-3862	B-3863		B-3578	D-3728	S	E	P	3		20.270	12.750	C74, C92	TCM	Fillets are riveted on bulkhead. Bulkhead mounts to slip ring
D-3734	D-3570	B-3348	B-3725-1 B-3725-2		B-2857	D-3730	S	E	B	3	X	18.760	14.541	C75	TCM	Some of these shells were polished by Beech Fillets are riveted on bulkhead Bulkhead mounts to slip ring
D-3740	D-3419	B-3348	B-3281-1 B-3281-2		B-2857	D-3739	S		B	2	X	18.760	14.541	C30, C55	TCM	
D-3766	D-3765	C-4383	B-3410-16 B-3410-32		B-3578	D-3764	S		P	2		20.270	12.750	C58	TCM	Some of these shells were polished Fillets are riveted on bulkhead Bulkhead mounts between prop and engine flange
D-3797	D-3534	C-3862	B-3863		C-3536	D-3796	S	E	P	3		20.320	14.840	C87, C92, C93, C504, C505, C515, C516, C525	TCM	Fillets are riveted on bulkhead Bulkhead mounts to slip ring

Spinner Assembly Information

Spinner Assembly P/N	Shell P/N	Front Support P/N	Front Support Shims	Front Bulkhead P/N	Fillet P/N	Rear Bulkhead P/N	F	i	n	i	s	h	D	e	c	i	e	S	h	a	p	e	B	i	a	d	e	s	O	b	s	o	l	e	t	e	Shell Length	Shell Diameter	Propellers	E	n	g	i	n	e	Notes
D-3819	D-3800	C-3862	B-3863		C-3536	D-3818	S	E	P	2																		20.320	14.840	C71	TCM	Fillets are riveted on bulkhead Bulkhead mounts to slip ring														
D-3831	D-2793	B-2848	B-3281-1 B-3281-2		B-2857	D-3830	S	A	R	2																		14.906	14.541	C39, C89	TCM	Beech polished some of these in production. Fillets are riveted on bulkhead. Bulkhead mounts to (6) A-2495 lugs														
D-3831-1	D-2793	B-3275	B-3281-1 B-3281-2		B-2857	D-3830	S	A	R	2																		14.906	14.541	C55	TCM	Beech polished some of these in production. Fillets are riveted on bulkhead. Bulkhead mounts to (6) A-2495 lugs														
D-3831-2	D-2793	B-3277	B-3281-1 B-3281-2		B-2857	D-3830	S	A	R	2																		14.906	14.541	C39, C89	TCM	Beech polished some of these in production. Fillets are riveted on bulkhead. Bulkhead mounts to (6) A-2495 lugs														
D-3867	D-3866	C-4383	B-3410-16 B-3410-32		B-3578	D-3865	S		P	3																		20.320	12.750	C90	TCM	Fillets are riveted on bulkhead Bulkhead mounts between prop and engine flange														
D-3867-1	D-3866-1	C-4383	B-3410-16 B-3410-32		B-3578	D-3865	P		P	3																		20.320	12.750	C90	TCM	Fillets are riveted on bulkhead Bulkhead mounts between prop and engine flange														
D-3875	D-3876	C-4420	A-4422-1 A-4422-2		NONE	C-3878	S		P	F																		14.610	12.000	1A170/CFA	LY	Bulkhead mounts between prop and spacer														
D-3933	D-3935	C-3862	B-3863		C-3658	D-3923	S	E	P	2																		19.620	14.108	C71	TCM	Fillets are riveted on bulkhead Bulkhead mounts to slip ring														
D-3934	D-3651	C-3862	B-3863		C-3658	D-3925	S	E	P	3																		19.620	14.108	C87, C504	TCM	Fillets are riveted on bulkhead Bulkhead mounts to slip ring														
D-3953	D-3419	B-3348	B-3281-1 B-3281-2		B-2857	D-3956	S		B	2																		18.760	14.541	C30	TCM	Some of these shells were polished Fillets are riveted on bulkhead Bulkhead mounts to machined flange on hub														
D-4042	D-3651	C-3862	B-3863		C-3658	D-3925	S		P	3																		19.620	14.108	C87	TCM	Fillets are riveted on bulkhead Bulkhead mounts to C-4044 adapter														
D-4045	D-3419	B-3348	B-3281-1 B-3281-2		B-2857	D-4067	S	E	B	2																		18.760	14.541	C30	TCM	Some of these shells were polished Fillets are riveted on bulkhead Bulkhead mounts to machined flange on hub														
D-4046	D-3461	B-3348	B-3281-1 B-3281-2		B-2857	D-4048	S	A	B	2																		18.760	14.541	C30	TCM	Some of these shells were polished Fillets are riveted on bulkhead Bulkhead mounts to machined flange on hub														
D-4068	D-3570	B-3348	B-3725-1 B-3725-2		B-2857	D-4151	S		B	3																		18.760	14.541	C35	TCM	Some of these shells were polished Fillets are riveted on bulkhead Bulkhead mounts to hub sleeve														
D-4069	D-3607	B-3348	B-3725-1 B-3725-2		B-2857	D-4150	S	A	B	3																		18.760	14.542	C35	TCM	Some of these shells were polished Fillets are riveted on bulkhead Bulkhead mounts to hub sleeve														
D-4082	D-4085	C-4383	B-3410-16 B-3410-32		C-4086	D-4081	S		P	2																		19.620	14.108	C58	TCM	Fillets are riveted on bulkhead Bulkhead mounts between prop and engine flange														

Spinner Assembly Information

Spinner Assembly P/N	Shell P/N	Front Support P/N	Front Support Shims	Front Bulkhead P/N	Fillet P/N	Rear Bulkhead P/N	Finish	Device	Shape	Blades	Obsolite	Shell Length	Shell Diameter	Propellers	Engine	Notes
D-4101	D-4180	B-3243	B-3410-16 B-3410-32		B-4183	C-4181	S		B	2		15.690	11.000	C22	FR TCM	Fillets are riveted on bulkhead Bulkhead mounts between prop and engine flange
D-4175	D-3626	B-3275	B-3725-1 B-3725-2		B-2877	D-4176	S		B	3		15.530	12.750	C86	TCM	Fillets are riveted on bulkhead Bulkhead mounts between prop and engine flange
D-4235-1	D-4245			D-4247	B-4253	D-4254	S		P	F		19.000	14.274	1A170/GFA 1B235/BFA	LY	Bulkhead mounts between prop and spacer
D-4235-5	D-4245			D-4247	B-4253	D-4254	S		P	F		19.000	14.274	non-McCauley		
D-4509	D-3534	C-3862	B-3863		C-3536	D-4506	S	E	P	3		20.320	14.840	C501	TCM	Fillets are riveted on bulkhead Bulkhead mounts to slip ring
D-4987	D-4986	C-3862	B-3863		B-4985	D-4984	S	E	P	3		20.121	14.260	C502, C503, C508, C509	TCM	Fillets are riveted on bulkhead Bulkhead mounts between prop and engine flange
D-4987-1	D-4986-1	C-3862	B-3863		B-5689	D-5688	P	E	P	3		20.121	14.260	C502, C503, C508, C509	TCM	Bulkhead mounts between prop and engine flange
D-5027	D-3534	C-4383-1	B-3410-16 B-3410-32		C-3536	D-3796	S		P	3		20.320	14.840	C401	TCM	Fillets are riveted on bulkhead Bulkhead mounts to C-4044 adapter
D-5215	D-5212	C-3862	B-3863		C-5213	D-5214	P	E	P	3		20.320	14.840	C504, C505, C515, C524, C528	TCM	Bulkhead mounts to slip ring
D-5218	D-5212	C-3862	B-3863		C-5213	D-5217	P	E	P	3		20.320	14.840	C501	TCM	Bulkhead mounts to slip ring
D-5255	D-5252	B-3243	B-3410-16 B-3410-32		B-5254	D-7713-4	P		B	2		15.429	13.606	C23, C223, C228	TCM	Bulkhead Mounts to C-4044 adapter plate Old bulkhead P/N D-5253
D-5255-2	D-5252	B-3243	B-3410-16 B-3410-32		B-5254	D-7714-4	P	E	B	2		15.429	13.606	C23, C223, C228	TCM	Bulkhead Mounts to slip ring Old bulkhead P/N D-5253
D-5259	D-5257	B-3243	B-3410-16 B-3410-32		B-5254	D-5258	P		B	3	X	15.429	13.606	C76,C406, C409	TCM	Bulkhead mounts to hub
D-5275-1	D-5285-1	C-3862	B-3863		NONE	D-5274	S		P	3		18.660	13.920	C506, C507	TCM	Bulkhead mounts to hub B-5280 gasket used between hub and bulkhead
D-5275-2	D-5285-2	C-3862	B-3863		NONE	D-5274	P		P	3		18.660	13.920	C506, C507	TCM	Bulkhead mounts to hub B-5280 gasket used between hub and bulkhead
D-5309	D-5370	B-5324	B-3863		C-5213	E-5549	P	E	B	3		18.689	14.542	C511, C512	TCM	With out air conditioning Bulkhead mounts to hub B-7618 gasket used between hub and bulkhead
D-5310	D-5370	B-5324	B-3863		C-5213	D-5499-1	P	E	B	3		18.689	14.542	C511, C512	TCM	With air conditioning Bulkhead mounts to hub B-7618 gasket used between hub and bulkhead
D-5311	D-5370	B-5324	B-3863		C-5213	D-5499-2	P	E	B	3		18.689	14.542	C511, C512	TCM	Bulkhead mounts to hub B-7618 gasket used between hub and bulkhead
D-5541	D-5257	B-3243	B-3410-16 B-3410-32		B-5254	D-5540	P		B	3	X	15.429	13.606	C76,C406, C409, C423	TCM	Replaced by D-7168 Bulkhead mounts to hub

Spinner Assembly Information

Spinner Assembly P/N	Shell P/N	Front Support P/N	Front Support Shims	Front Bulkhead P/N	Fillet P/N	Rear Bulkhead P/N	Finish	Device	Shape	Blades	Obsolite	Shell Length	Shell Diameter	Propellers	Engine	Notes
D-5670	D-5671	B-3243	B-3410-16 B-3410-32		C-5673	D-5672	S		B	3		14.539	13.194	C413	LY	Bulkhead mounts to hub
D-5915	D-5914	B-3243	B-3410-16 B-3410-32		C-5673-2	D-5913	P		B	2	X	14.539	13.194	C225	TCM	Bulkhead mounts between prop and engine flange
D-5992	D-5950	C-4383-2	B-3410-16 B-3410-32		D-5947	D-5939	S		P	3		20.560	12.750	C415	LY	Bulkhead mounts to starter ring gear
D-5992-1	D-5950-1	C-4383-2	B-3410-16 B-3410-32		D-5947-2	D-5939	P		P	3		20.560	12.750	C415	LY	Bulkhead mounts to starter ring gear
D-60119	D-5370	B-5324	B-3863		C-5213	D-5499-1	P		B	3		18.689	14.542	C511, C512	TCM	Bulkhead mounts to hub. (2) B-5280 gaskets used between hub and bulkhead
D-6012	D-5950	C-4383-2	B-3410-16 B-3410-32		B-5947	D-6048	S		P	3		20.560	12.750	C412, C424	LY	Bulkhead mounts to starter ring gear
D-6012-1	D-5950-1	C-4383-2	B-3410-16 B-3410-32		B-5947-2	D-6048	P		P	3		20.560	12.750	C412, C424	LY	Bulkhead mounts to starter ring gear
D-60121	D-5370	B-5324	B-3863		C-5213	E-5549	P		B	3		18.689	14.542	C511, C512	TCM	With out air conditioning Bulkhead mounts to hub B-7618 gasket used between hub and bulkhead
D-60140	D-5212	C-3862	B-3863		C-5213	D-7237	P	E	P	3		20.320	14.840	C504	TCM	With out air conditioning Bulkhead mounts to slip ring or C-6992 adapter plate
D-6176	E-6190	C-6175	B-3863		C-6184	E-6178	P	E	P	3		22.477	18.300	C514	TCM	Bulkhead mounts to hub B-7618 gasket used between hub and bulkhead
D-6195	D-6203	C-4383	B-3410-16 B-3410-32		B-6193	D-6210	P		P	2		19.878	12.750	C224	LY	Bulkhead mounts to C-5046 split plate
D-6204	D-6201	C-6208	B-3410-16 B-3410-32		C-6202	D-6199	S		P	3		17.500	13.800	C417, C422	LY	Bulkhead mounts to hub
D-6204-1	D-6201-1	C-6208	B-3410-16 B-3410-32		C-6202-1	D-6199	P		P	3		17.500	13.800	C417, C422	LY	Bulkhead mounts to hub
D-6240	D-6192	C-4383	B-3410-16 B-3410-32		B-6193	D-6194	P		P	3		19.878	12.750	C414, C416	LY	Bulkhead mounts to C-5046 split plate
D-6323	D-5950	C-4383-2	B-3410-16 B-3410-32		D-5947	D-6322	S		P	3		20.560	12.750	C415	LY	Bulkhead mounts to starter ring gear
D-6323-1	D-5950-1	C-4383-2	B-3410-16 B-3410-32		D-5947-2	D-6322	P		P	3		20.560	12.750	C415	LY	Bulkhead mounts to starter ring gear
D-6504	D-6501	C-4383	B-3410-16 B-3410-32		B-6503	D-6502	P		P	3		19.190	14.440	C415, C424	LY	Bulkhead mounts to starter ring gear
D-6594	D-6589	C-6597	B-3410-16 B-3410-32		C-6596	D-6595	P		B	3		15.000	12.088	C90, C401, C411	TCM	Bulkhead mounts between prop and engine flange
D-6614	D-6613	C-6619	B-3410-16 B-3410-32		C-6620	D-6612	P		P	3		16.981	13.368	C412, C415	LY	Bulkhead mounts to starter ring gear

Spinner Assembly Information

Spinner Assembly P/N	Shell P/N	Front Support P/N	Front Support Shims	Front Bulkhead P/N	Fillet P/N	Rear Bulkhead P/N	Finish	Device	Shape	Blades	Obsolite	Shell Length	Shell Diameter	Propellers	Engine	Notes
D-6774-1	D-6773-1	B-5324	B-3863		C-6775-1	D-6772	P		B	3		18.351	12.981	C513, C526, C527	LY	Bulkhead mounts to hub
D-6774-2	D-6773-2	B-5324	B-3863		C-6775-2	D-6772	S		B	3		18.351	12.981	C513, C526, C527	LY	Bulkhead mounts to hub
D-7062	D-7064	C-6619	B-3410-16 B-3410-32		C-7065	D-7713-3	P		B	3		15.740	13.750	C423	TCM	Old bulkhead P/N D-7063 Bulkhead mounts to C-4044 plate
D-7062-2	D-7064	C-6619	B-3410-16 B-3410-32		C-7065	D-7714-3	P	E	B	3		15.740	13.750	C423	TCM	Old bulkhead P/N D-7063 Bulkhead mounts to slip ring
D-7085	D-7086	C-6619	B-3410-16 B-3410-32		C-7087	D-7089	P		P	3		18.250	13.800	C412	LY	Bulkhead mounts to starter ring gear
D-7168	D-5257	B-3243	B-3410-16 B-3410-32		B-5254	D-7713-2	P		B	3		15.429	13.606	C76, C406, C409, C420, C423	TCM	Replacement for D-5541 Spinner assembly Old bulkhead P/N D-7170 Bulkhead mounts to C-4044 plate
D-7168-2	D-5257	B-3243	B-3410-16 B-3410-32		B-5254	D-7714-2	P	E	B	3		15.429	13.606	C76, C406, C409, C420, C423	TCM	Replacement for D-5541 Spinner assembly Old bulkhead P/N D-7170 Bulkhead mounts to slip ring
D-7185	D-7189	C-3862	B-3863		C-7186	D-7188	S	E	P	3		19.620	14.108	C504, C528	TCM	Fillets are riveted on bulkhead Bulkhead mounts to slipring or C-4044 plate
D-7185-1	D-7189-1	C-3862	B-3863		C-7535-1	D-7537	P	E	P	3		19.620	14.108	C504, C528	TCM	Fillets are riveted on bulkhead Bulkhead mounts to slipring or C-4044 plate
D-7192	D-6201	C-6359	B-3410-16 B-3410-32		C-6202	D-7194	S	E	P	3		17.500	13.800	C418	TCM	Bulkhead mounts to hub sleeve
D-7192-1	D-6201-1	C-6359	B-3410-16 B-3410-32		C-6202-1	D-7194	P	E	P	3		17.500	13.800	C418	TCM	Bulkhead mounts to hub sleeve
D-7229	D-7231	B-5324	B-3863		C-7235	D-7236	S	E	P	3		20.108	12.750	C510, C516	TCM	Bulkhead mounts to slip ring or C-4044 plate
D-7262-1	D-7261-1	C-6359	B-3410-16 B-3410-32		NONE	D-7260	P		P	3		18.105	13.880	C431	LY	Bulkhead mounts to C-4917-1 hub sleeve
D-7262-2	D-7261-2	C-6359	B-3410-16 B-3410-32		NONE	D-7260	S		P	3		18.105	13.880	C431	LY	Bulkhead mounts to C-4917-1 hub sleeve
D-7267-1	D-7265-1	C-6359	B-3410-16 B-3410-32		NONE	D-7266	P		P	2		18.105	13.880	C235	LY	Bulkhead mounts to machined flange on hub
D-7267-2	D-7265-2	C-6359	B-3410-16 B-3410-32		NONE	D-7266	S		P	2		18.105	13.880	C235	LY	Bulkhead mounts to machined flange on hub
D-7290	D-5257	B-3243	B-3410-16 B-3410-32		B-5254	D-7307	P		B	3		15.429	13.606	C429	LY	Bulkhead mounts to C-4917-1 hub sleeve
D-7365-1	D-6201-1	C-6359	B-3410-16 B-3410-32		C-6202-1	D-7426	P	E	P	3		17.500	13.800	C430	TCM	Bulkhead mounts to hub sleeve
D-7365-2	D-6201	C-6359	B-3410-16 B-3410-32		C-6202	D-7426	S	E	P	3		17.500	13.800	C430	TCM	Bulkhead mounts to hub sleeve

Spinner Assembly Information

Spinner Assembly P/N	Shell P/N	Front Support P/N	Front Support Shims	Front Bulkhead P/N	Fillet P/N	Rear Bulkhead P/N	Finish	Deice	Shape	Blades	Obsolite	Shell Length	Shell Diameter	Propellers	Engine	Notes
D-7458-1	D-7459-1	B-3243	B-3410-16 B-3410-32		C-7461-1	D-7460	P		R	3		16.022	11.750	C412	LY	Bulkhead mounts to starter ring gear
D-7458-2	D-7459-2	B-3243	B-3410-16 B-3410-32		C-7461-2	D-7460	S		R	3		16.022	11.750	C412	LY	Bulkhead mounts to starter ring gear
D-7465-1	D-7464-1	C-6359	B-3410-16 B-3410-32		NONE	D-7260	P		P	3		18.880	14.177	C431	LY	Bulkhead mounts to C-4917-2 hub sleeve
D-7465-2	D-7464-2	C-6359	B-3410-16 B-3410-32		NONE	D-7260	S		P	3		18.880	14.177	C431	LY	Bulkhead mounts to C-4917-2 hub sleeve
D-7499-1	D-7500-1	B-3243	B-3410-16 B-3410-32		C-7502-1	D-7501	P		P	3		17.500	13.800	C431	LY	Bulkhead mounts to C-4917-2 hub sleeve
D-7499-2	D-7500-2	B-3243	B-3410-16 B-3410-32		C-7502-2	D-7501	S		P	3		17.500	13.800	C431	LY	Bulkhead mounts to C-4917-2 hub sleeve
D-7510-1	D-3866-1	C-4383-2	B-3410-16 B-3410-32		C-7512-1	D-7511	P		P	3		20.320	12.750	C435	TCM	Bulkhead mounts between prop and engine flange
D-7510-2	D-3866	C-4383-2	B-3410-16 B-3410-32		C-7512-2	D-7511	S		P	3		20.320	12.750	C401, C435	TCM	Bulkhead mounts between prop and engine flange
D-7515	D-6589	C-6597	B-3410-16 B-3410-32		C-7516	D-6595	P		B	3		15.000	12.088	C401, C435	TCM	Bulkhead mounts between prop and engine flange
D-7519-1	D-7523-1	C-4383-2	B-3410-16 B-3410-32		C-7512-1	D-7524	P		P	2		20.270	12.750	C203, C238	TCM	Bulkhead mounts between prop and engine flange
D-7519-2	D-7523-2	C-4383-2	B-3410-16 B-3410-32		C-7512-1	D-7524	S		P	2		20.270	12.750	C203, C238	TCM	Bulkhead mounts between prop and engine flange
D-7520	D-7521	C-6597	B-3410-16 B-3410-32		C-7516	D-7522	P		B	2		15.000	12.088	C203, C238	TCM	Bulkhead mounts between prop and engine flange
D-7526-1	D-7189-1	C-4383	B-3410-16 B-3410-32		C-7535-1	D-7537	P		P	3		19.620	14.108	C436	TCM	Bulkhead mounts to C-7457 adapter plate
D-7526-2	D-7189	C-4383	B-3410-16 B-3410-32		C-7535-2	D-7537	S		P	3		19.620	14.108	C436	TCM	Bulkhead mounts to C-7457 adapter plate
D-7569	D-7570	C-7568	B-3410-16 B-3410-32		C-7573	D-7572	P		B	2		15.690	11.000	C201, C203	FR TCM	Bulkhead mounts between prop and engine flange
D-7579-1	D-7581-1	C-6359	B-3410-16 B-3410-32		C-6202-1	D-7582	P		P	2		17.564	13.800	C239, C241	TCM	Bulkhead mounts to machined flange on hub (2 B-7772 gaskets used)
D-7579-2	D-7581-2	C-6359	B-3410-16 B-3410-32		C-6202	D-7582	S		P	2		17.564	13.800	C239, C241	TCM	Bulkhead mounts to machined flange on hub (2 B-7772 gaskets used)
D-7587	D-7634	C-6619	B-3410-16 B-3410-32		C-7065	D-7713-5	P		B	2		15.740	13.750	C223	TCM	Old bulkhead D-7633 Bulkhead and adapter plate mounts between prop and engine flange
D-7587-2	D-7634	C-6619	B-3410-16 B-3410-32		C-7065	D-7714-5	P	E	B	2		15.740	13.750	C223	TCM	Old bulkhead D-7633 Bulkhead and slip ring mounts between prop and engine flange

Spinner Assembly Information

Spinner Assembly P/N	Shell P/N	Front Support P/N	Front Support Shims	Front Bulkhead P/N	Fillet P/N	Rear Bulkhead P/N	Finish	Deice	Shape	Blades	Obsolite	Shell Length	Shell Diameter	Propellers	Engine	Notes
D-7632	D-3876	C-7631	A-4422-1 A-4422-2		NONE	D-3878	S		P	F		14.610	12.000	1A200/WFA	LY	Bulkhead mounts between prop and spacer
D-7725-1	D-7261-1	C-6359	B-3410-16 B-3410-32		NONE	D-7724	P	E	P	3		18.035	13.739	C442	LY	Bulkhead mounts to C-4917-1 hub sleeve
D-7725-2	D-7261-2	C-6359	B-3410-16 B-3410-32		NONE	D-7724	S	E	P	3		18.035	13.739	C442	LY	Bulkhead mounts to C-4917-1 hub sleeve
D-7751-1	D-7752-1	C-4383-2	B-3410-16 B-3410-32		B-5947-2	D-7753	P		P	2				C207	LY	Bulkhead mounts to starter ring gear
D-7751-2	D-7752-2	C-4383-2	B-3410-16 B-3410-32		B-5947	D-7753	S		P	2				C207	LY	Bulkhead mounts to starter ring gear
D-7779-1	D-7782-1	C-6619	B-3410-16 B-3410-32		NONE	D-7783	P		P	3		15.419	13.657	C443	TCM	Bulkhead mounts to C-3498 hub sleeve
D-7779-2	D-7782-2	C-6619	B-3410-16 B-3410-32		NONE	D-7783	S		P	3		15.419	13.657	C443	TCM	Bulkhead mounts to C-3498 hub sleeve
D-7833	D-7846	C-7848	A-7632-1 A-7632-2		NONE	C-7849	S		P	F		14.604	13.500	1A135/JCM	LY	Bulkhead mounts between prop and spacer
E-4858	E-4857	B-4854	B-4940-1 B-4940-2		C-5558	E-4854	P	E	P	3		20.850	19.400	C601, C602	HW	Bulkhead mounts to slip ring or D-40094 plate
E-5146	E-4857	B-4864	B-4940-1 B-4940-2		C-5558	E-5134	P	E	P	3		20.850	19.400	C701	PW	Bulkhead mounts to slip ring
E-5325	E-5326	B-4864	B-4940-1 B-4940-2		C-5690-2	E-5327	S	E	P	4		20.850	19.400	C754	PW	Bulkhead mounts to slip ring
E-5369	E-5367	B-5365	B-4940-1 B-4940-2		C-5366	E-5368	P	E	B	4		21.875	19.456	C652	HW	Bulkhead mounts to slip ring
E-5424	E-5441	B-5457	B-4940-1 B-4940-2		C-5552	E-5440	P	E	P	3	X	22.477	18.300	C702	PW	Bulkhead mounts to slip ring Replaced by E-5586
E-5543	E-5544	B-5457	B-4940-1 B-4940-2		C-5566	E-5545	S	E	P	4		22.477	18.300	C754	PW	Bulkhead mounts to slip ring
E-5586	E-5584	B-5457	B-4940-1 B-4940-2		C-5552	E-5440	P	E	P	3		22.477	18.300	C702	PW	Bulkhead mounts to slip ring
E-5586-1	E-5584-1	B-5457	B-4940-1 B-4940-2		C-5566	E-5440	S	E	P	3		22.477	18.300	C702	PW	Bulkhead mounts to slip ring
E-5643	E-5722	B-5457	B-4940-1 B-4940-2		C-5552	E-5924	P	E	P	4		22.477	18.300	C754, C762, C763, C764	PW	Bulkhead mounts to slip ring
E-5732	E-5544	B-5457	B-4940-1 B-4940-2		C-5566	E-5726	S	E	P	4		22.477	18.300	C758	PW	Bulkhead mounts to slip ring
E-6063-1	E-6066	C-6067	B-4940-1 B-4940-2		C-6064	E-6065	B		P	5		25.446	21.000	C1003	PW	Bulkhead mounts to back of hub
E-6083	E-6081	B-4864	B-4940-1 B-4940-2		C-6082	E-6080	P	E	P	4		20.746	19.338	C652, C653, C662	HW	Bulkhead mounts to slip ring or C-7080 adapter plate

Spinner Assembly Information

Spinner Assembly P/N	Shell P/N	Front Support P/N	Front Support Shims	Front Bulkhead P/N	Fillet P/N	Rear Bulkhead P/N	F	i	n	i	s	h	D	e	i	c	e	S	h	a	p	e	B	i	a	d	e	s	O	b	s	o	l	e	t	e	Shell Length	Shell Diameter	Propellers	E	n	g	i	n	e	Notes
E-6083-1	E-6674	B-4864	B-4940-1 B-4940-2		C-6673	E-6080	B	E	P	4																										20.746	19.338	C653	HW						Bulkhead mounts to slip ring	
E-6327	E-5326-1	B-4864	B-4940-1 B-4940-2		C-5690	E-5327	P	E	P	4																										20.850	19.400	C661, C762	HW PW						Bulkhead mounts to slip ring	
E-6350	E-5722	B-6347	B-4940-1 B-4940-2		C-5552	E-5924	P	E	P	4																										22.477	18.300	C764, C769, C771,C773	PW						Bulkhead mounts to slip ring or C-7080 adapter plate	
E-6383	E-6389	B-4864	B-4940-1 B-4940-2		C-6390	E-6391	P	E	P	3																										20.790	19.364	C703	PW						Bulkhead mounts to slip ring or D-6398 adapter plate	
E-6466	E-6528	B-6530	B-4940-1 B-4940-2		C-6544	E-6529	B	E	P	5																										25.375	22.359	C1101, C1102, C1103, C1104	HW						Bulkhead mounts to slip ring	
E-6662	E-5722	B-6347	B-4940-1 B-4940-2		C-5552	E-6664	P	E	P	4																										22.477	18.300	C768, C771	PW						Bulkhead mounts to slip ring	
E-6756-1	E-6747-1	B-6347	B-4940-1 B-4940-2		C-6746-1	E-6745	P	E	P	4																										22.030	18.964	C766, C774	PW						Bulkhead mounts to slip ring	
E-6756-2	E-6747-2	B-6347	B-4940-1 B-4940-2		C-6746-2	E-6745	S	E	P	4																										22.030	18.964	C766, C774	PW						Bulkhead mounts to slip ring	
E-7154	D-7156	B-4854	B-4940-1 B-4940-2		NONE	D-7156	P	E	P	4																										16.406	16.320	C665	HW						Bulkhead mounts to slip ring	
E-7258	D-7257	C-7313	B-3863		C-7310	D-8170	P	E	P	3																											20.058	14.260	C522, C523	TCM						Bulkhead mounts to hub (2 B-8169 gaskets used) (previous bulkhead D-7309, used 2 B-7796 gaskets)
E-7389-1	E-7390-1	B-6530	B-4940-1 B-4940-2		C-7392-1	E-7391	P	E	P	5																											23.758	19.354	C1105	HW						Bulkhead mounts to slip ring
E-7389-2	E-7390-2	B-6530	B-4940-1 B-4940-2		C-7392-2	E-7391	S	E	P	5																											23.758	19.354	C1105	HW						Bulkhead mounts to slip ring
E-7559-1	E-5326-1	B-7562	B-4940-1 B-4940-2		C-5690	E-5327	P	E	P	4																											20.850	19.400	C775	PW						Bulkhead mounts to slip ring
E-7559-2	E-5326	B-7562	B-4940-1 B-4940-2		C-5690-2	E-5327	S	E	P	4																											20.850	19.400	C775	PW						Bulkhead mounts to slip ring
E-7590-1	E-7592-1	C-6067	B-4940-1 B-4940-2		C-7593-1	E-7591	P	E	P	5																											25.531	18.290	C1008	PW						Bulkhead mounts to slip ring
E-7590-2	E-7592-2	C-6067	B-4940-1 B-4940-2		C-7593-2	E-7591	S	E	P	5																											25.531	18.290	C1008	PW						Bulkhead mounts to slip ring
E-7705	E-4857	C-6175	B-3863		C-5558	E-4854	P	E	P	3																											20.850	19.400	C529	OE						Bulkhead mounts to slip ring
E-7819	D-7813	C-4383	B-3410-16 B-3410-32		C-7825	D-7814	P																														18.038	15.970	C444 C447	TCM						Bulkhead mounts to C-7834 hub sleeve Uses B-7806 gasket under bolthead
E-7839	D-7842	C-4383-2	B-3410-16 B-3410-32		C-7825	D-7845	P																														19.564	14.700	C447	TCM						Bulkhead mounts to C-7834 hub sleeve Uses B-7806 gasket under bolthead
E-7857	E-6389	B-4864	B-4940-1 B-4940-2		C-6390	E-7856	P	A	P	3																										20.790	19.364	C703	PW						Bulkhead mounts to slip ring or D-6398 adapter plate	

Spinner Assembly Information

Spinner Assembly P/N	Shell P/N	Front Support P/N	Front Support Shims	Front Bulkhead P/N	Fillet P/N	Rear Bulkhead P/N	Finish	De-ice	Shape	Blades	Obsolète	Shell Length	Shell Diameter	Propellers	Engine	Notes
	D-7945	C-7961				D-7962	S		P	F		9.460	9.608	1A162/TCD 1L100/LSA	TCM	Bulkhead mounts between prop and spacer
E-8064	D-7813	C-4383	B-3410-16 B-3410-32		C-7285	E-40783	P	A	P	3				C447	TCM	Bulkhead mounts to hub
E-8107	E-5326-1	B-4864	B-4940-1 B-4940-2		C-5690		P		P	4		20.850	19.400	C778	PW	This spinner assembly does not include the E-5327 bulkhead. Bulkhead mounts to slinger ring.
							Finish B - Black Painted Shell P - Polished Shell S - Satin Finish Shell					Engine Type FR - Franklin HW - Honeywell LY - Textron Lycoming OE - Trace Engines (Orenda) PW - Pratt and Whitney TCM - Continental Motors/ Rolls Royce				
							De-Ice/ Anti-Ice A - Alcohol Anti-Ice (some are TKS) E - Electric De-ice									
							Shape B - Bullet P - Pointed R - Round									

Electrothermal De-Ice & Anti-Ice Applications

British Aerospace (OEM)

Anti-Ice

Aircraft Model: B206 Beagle

Engine Model: GIO-470-A

Propeller Model: 2AF36C68/100RFM-X

<u>Qty.</u>	<u>P/N</u>	<u>Part Description</u>
1	D-2892	Spinner Shell
1	D-2891	Bulkhead and Slinger Ring Assembly
2	A-2782-1	Tube Assembly
2	A-2779-1	Tube - Rubber
2	A-2873-3	Hose Clamp (Rubber Tube to Tube Assembly)
2	A-2873-8	Hose Clamp (Rubber Tube to Slinger Ring)
6	A-2495	Spinner Bulkhead Mounting Lug
12	A-1635-38	Screw (Bulkhead to Lug)
12	A-1639-4	Nut (Bulkhead to Lug)
12	A-1638-8	Washer – Mylar (Bulkhead to Lug)
26	A-1635-39	Screw (Spinner Shell to Bulkhead)
26	A-1638-5	Washer – Fiber (Spinner Shell to Bulkhead)
1	B-3275	Front Support
AR	B-3281-1, -2	Shim – Front Support
2	37572	Feedshoe (Goodrich P/N)

Note 1: Feedshoe standoff dimension is 0.500” +/- 0.125” (measured from top of ferrule).

D-2893 Installation drawing

Electrothermal De-Ice & Anti-Ice Applications

British Aerospace (OEM) Anti-Ice

Aircraft Model: B206 Beagle

Engine Model: GTSIO-520-C

Propeller Model: 3AF34C86/90LF-X

<u>Qty.</u>	<u>P/N</u>	<u>Part Description</u>
1	D-3626	Spinner Shell
1	D-3627	Bulkhead and Slinger Ring Assembly
3	A-3656	Tube Assembly
3	A-2779-4	Tube - Rubber
3	A-2873-3	Hose Clamp (Rubber Tube to Tube Assembly)
6	A-2495	Spinner Bulkhead Mounting Lug
12	A-1635-38	Screw (Bulkhead to Lug)
12	A-1639-4	Nut (Bulkhead to Lug)
12	A-1638-8	Washer – Mylar (Bulkhead to Lug)
33	A-1635-39	Screw (Spinner Shell to Bulkhead)
33	A-1638-5	Washer – Fiber (Spinner Shell to Bulkhead)
1	B-3275	Front Support
AR	B-3725-1, -2	Shim – Front Support
2	37572	Feedshoe (Goodrich P/N)

Note 1: Feedshoe standoff dimension is 0.430” +/- 0.125” (measured from top of ferrule)

D-3625 Installation drawing

Electrothermal De-Ice & Anti-Ice Applications

Beech (OEM)

De-Ice

Aircraft Model: A36, B36TC, F33A, V35B

Engine Model: IO-520-BB, TSIO-520-UB, IO-550-B

Propeller Models: 3A32C406/82NDB-X
D3A32C409/82NDB-X

<u>Qty.</u>	<u>P/N</u>	<u>Part Description</u>
3	B-40245-53	Deice Boot
3	B-40251	Restraining Strap
3	A-2873-14	Clamp
12	A-1638-18	Washer
6	A-1635-56	Screw
6	A-1639-38	Nut
3	A-40520	Grommet
1	D-40238	Slip Ring Assembly
1	C-40257	Brush Block Assembly
1	C-40298	Bracket Assembly
2	B-40024-2	Spacer
4	B-40030-3	Spacer
2	A-2513-36	Bolt
4	A-1638-22	Washer
8	A-1638-23	Washer
2	MS21045-5	Nut
2	A-1635-77	Screw
2	A-1638-7	Washer
8	A-1638-21	Shim
1	C-45114	Timer (original Timer P/N B-45018 can also be used)

Note 1: Deice boot standoff dimension is 0.625" +/- 0.063"

Restrainer strap stand off dimension is 0.375" +/- 0.063"

Note 2: These parts can only be used with D-7168, D-5541, or D-5129 spinner assemblies with bulkheads that mount to the hub.

Note 3: Plexiglas Brush Block Alignment Gage P/N C-40303 can be used with this installation.

D-40242 Installation drawing

Electrothermal De-Ice & Anti-Ice Applications

Beech (OEM)

De-Ice

Aircraft Model: A36, B36TC, F33A, V35B

Engine Model: IO-520-BB, TSIO-520-UB, IO-550-B

Propeller Models: 3A32C406/82NDB-X
D3A32C409/82NDB-X

<u>Qty.</u>	<u>P/N</u>	<u>Part Description</u>
1	D-40720	Slip Ring Assembly
1	C-40257	Brush Block Assembly
1	C-40298	Bracket Assembly
1	C-45114	Timer (original Timer P/N B-45018 can also be used)
3	B-40245-53	Deice Boot
3	B-40251	Restraining Strap
2	B-40024-2	Spacer
4	B-40030-3	Spacer
2	A-2513-36	Bolt
4	A-1638-22	Washer
8	A-1638-23	Washer
2	MS21045-5	Nut
2	A-1635-77	Screw
2	A-1638-7	Washer
8	A-1638-21	Shim
3	A-2873-14	Clamp
12	A-1638-18	Washer
6	A-1635-56	Screw
6	A-1639-38	Nut

Note 1: Deice boot stand off dimension is 0.625" +/- 0.063"
Restrainer strap stand off dimension is 0.375" +/- 0.063"

Note 2: These parts can only be used with D-7714-X bulkheads that are sandwiched between hub and flange).

Note 3: Plexiglas Brush Block Alignment Gage P/N C-40303 can be used with this installation.

D-40726 Installation drawing

Electrothermal De-Ice & Anti-Ice Applications

Beech (STC SA00860CH)

Anti-Ice

Aircraft Model: 50, B50, C50, D50, D50A, D50B, D50C, D50E

Engine Model: GO-480-C2C6, C2D6, G2D6, G2F6

Propeller Model: 3AF32C524/90UMB-0

Propeller P/N: P5247549-0182

<u>Qty.</u>	<u>P/N</u>	<u>Part Description</u>
3	C-40323-82 *	Feed Shoe
3	B-40688 *	Spray Head Assembly
3	A-1635-X	Screw (-5 or longer depending on balance weights)
3	A-1635-5 *	Screw
6	A-2873-8	Clamp
3	A-2779-2	Hose
1	D-40642	Slinger Ring Assembly
6	A-1635-206	Screw
6	A-1639-3	Nut

Note 1: Feed shoe standoff dimension is 0.330" +/- 0.250".

Note 2: * included with P5247549-0182

D-40689 Installation drawing/kit

Electrothermal De-Ice & Anti-Ice Applications

Beech (OEM)

Anti-Ice

Aircraft Model: 95-C55, 95-C55A, D55, D55A, E55, E55A

Engine Model: IO-520-C

Propeller Model: 3AF32C75/82NB-X

<u>Qty.</u>	<u>P/N</u>	<u>Part Description</u>
1	D-3607	Spinner Shell Assembly
1	D-3608	Bulkhead and Slinger Ring Assembly
3	A-3614	Tube Assembly
3	A-2779-9	Tube – Rubber
3	A-2873-3	Hose Clamp
3	A-2873-8	Hose Clamp
6	A-2495	Lug – Bulkhead Mounting
12	A-1635-38	Screw
12	A-1639-4	Nut
12	A-1638-8	Washer – Mylar
33	A-1635-39	Screw
33	A-1638-5	Washer – Fiber
1	B-3348	Front Support
AR	B-3725-1, -2	Shim
3	C-40323-81	Feed Shoe

Note 1: Feed shoe stand off dimension is 0.867” +/- 0.125” (measured from top of ferrule)

D-3605 Installation drawing

Electrothermal De-Ice & Anti-Ice Applications

Beech (OEM)

Anti-Ice

Aircraft Model: 95-55

Engine Model: IO-470-L

Propeller Model: 2AF34C55/78FF-0

<u>Qty.</u>	<u>P/N</u>	<u>Part Description</u>
1	D-3461	Spinner Shell Assembly
1	D-3830	Bulkhead and Slinger Ring Assembly
2	A-2927	Tube Assembly
2	A-2779-2	Tube – Rubber
2	A-2873-3	Hose Clamp
2	A-2873-8	Hose Clamp
6	A-2495	Lug – Bulkhead Mounting
12	A-1635-38	Screw
12	A-1639-4	Nut
12	A-1638-8	Washer – Mylar
26	A-1635-64	Screw
26	A-1638-5	Washer – Fiber
1	B-3348*	Front Support
AR	B-3281-1, -2	Shims
2	C-40323-81	Feed Shoe (Goodrich P/N 37572)

Note 1: Feedshoe stand off dimension is 1.250” +/- 0.125” (measured from top of ferrule)

D-3462 Installation Drawing

Electrothermal De-Ice & Anti-Ice Applications

Beech (STC SA01848CH)

De-Ice

Aircraft Model: 95-55, -A55, -B55, -B55A, -B55B

Engine Model: IO-470-L

Propeller Model: 3AF32C504/82NEA-4

Propeller P/N: P5045186-0152

<u>Qty.</u>	<u>P/N</u>	<u>Part Description</u>
3	B-40245-52#	Deice Boot
6	A-1635-63#	Screw
12	A-1638-54#	Washer
12	B-5024#	Insulator
6	A-1639-19#	Nut
3	B-4878#	Deice Bracket
3	A-1635-5#	Screw
3	A-1635-14#	Screw
3	A-1638-25#	Washer
3	A-2973-13#	Clamp
3	A-1639-51#	Nut
3	A-20360-1*	Tie Wrap
3	B-40614*	Wire Harness
3	B-40439*	Retainer
6	A-1635-153*	Screw
1	D-40592*	Slip Ring Assembly
12	A-1635-36*	Screw
12	A-1638-20*	Washer
1	C-40593*	Brush Block Assembly
2	B-40024-3*	Spacer
8	A-1638-21*	Washer
2	A-1638-7*	Washer
2	A-1635-70*	Screw
1	C-40728*	Bracket Assembly
2	A-2513-36*	Bolt
4	B-40030-3*	Spacer
24	A-1638-22*	Washer
2	A-1639-1*	Nut
1	C-45114*	Timer

Note 1: Deice boot stand off dimension is 0.375" +/- 0.125"

Note 2: * included in D-40730 kit

Note 3: Brush block alignment gage P/N C-40211

Note 4: # included with P5045186-0152

D-40730 Installation Drawing

Electrothermal De-Ice & Anti-Ice Applications

Beech (STC SA01848CH) Anti-Ice

Aircraft Model: 95-55, -A55, -B55, -B55A, -B55B

Engine Model: IO-470-L

Propeller Model: 3AF32C504/82NEA-4

Propeller P/N: P5045186-1081

<u>Qty.</u>	<u>P/N</u>	<u>Part Description</u>
3	C-40323-81#	Feed Shoe
3	B-40302*	Spray Head Assembly
6	A-1635-4*	Screw
6	A-2873-8*	Hose Clamp
3	A-2779-2*	Hose – Rubber
1	C-6992*	Adapter Plate
1	D-40727*	Slinger Ring Assembly
6	A-1635-206*	Screw
6	A-1639-3*	Nut
6	A-1638-15*	Washer
12	A-1635-40*	Screw
12	A-1639-38*	Nut
24	A-1638-20*	Washer

Note 1: Feed Shoe stand off dimension is 0.330” +/- 0.250”

Note 2: * contained in D-40731 kit

Note 3: # included with P5045186-1081

D-40731 Installation Drawing

Electrothermal De-Ice & Anti-Ice Applications

Beech (STC)

Anti-Ice

Aircraft Model: 95-C55, C55A, D55, D55A, E55, E55A

Engine Model: IO-520-C, -CB

Propeller Model: 3AF32C504/82NEA-5.5

Propeller P/N: P5045186-0381

<u>Qty.</u>	<u>P/N</u>	<u>Part Description</u>
3	C-40323-81 *	Feed Shoe
3	B-40302	Spray Head Assembly
6	A-1635-4	Screw
6	A-2873-8	Hose Clamp
3	A-2779-2	Hose – Rubber
1	D-40642	Slinger Ring Assembly
6	A-1635-206	Screw
6	A-1638-15	Washer
6	A-1639-3	Nut
1	C-6992	Adapter Plate
12	A-1635-40	Screw
12	A-1639-38	Nut
24	A-1638-20	Washer

Note 1: Feed shoe stand off dimension is 0.330" +/- 0.250".

Note 2: * included with P5045186-0381

Electrothermal De-Ice & Anti-Ice Applications

Beech (STC)

De-ice

Aircraft Model: C55, C55A, D55, D55A, E55, E55A

Engine Model: IO-520-C, IO-550-C

Propeller Model: 3AF32C504/82NEA-X

<u>Qty.</u>	<u>P/N</u>	<u>Part Description</u>
3	B-40245-52	Deice Boot
1	D-40592	Slip Ring Assembly
3	B-40614	Wire Harness
3	B-40439	Retainer
6	A-1635-153	Screw
3	A-20360-1	Tie Wrap
3	A-2873-13	Clamp
3	A-1639-51	Nut
3	A-1635-14	Screw
3	A-1638-25	Washer
6	A-1635-63	Screw
12	A-1638-54	Washer
12	B-5024	Spacer
6	A-1639-19	Nut
1	C-40298	Bracket Assembly
2	A-2513-36	Bolt
4	B-40030-3	Spacer
8	A-1638-23	Washer
4	A-1638-22	Washer
2	A-1639-1	Nut
1	C-40593	Brush Block Assembly
2	B-40024-2	Spacer
8	A-1638-21	Washer
2	A-1638-7	Washer
2	A-1635-77	Screw
1	B-4862-422	Decal
3	B-5725	Bracket
3	A-1635-5	Screw
1	C-45114	Timer or (B-45018 Timer, 3E1964-3 Timer (Goodrich P/N))
	D-60125	Installation Drawing
	C-40211	Plexiglass Brush Block Alignment Gage

Note 1: Deice boot stand off dimension is 0.375" +/- 0.125"

Electrothermal De-Ice & Anti-Ice Applications

Beech (STC)

Anti-Ice

Aircraft Model: 58, 58A, E55, E55A

Engine Model: IO-520-C

Propeller Model: 3AF32C512/82NEA-X

<u>Qty.</u>	<u>P/N</u>	<u>Part Description</u>
1	D-40642*	Slinger Ring Assembly
3	B-40302*	Spray Head Assembly
6	A-2873-8*	Hose Clamp
3	A-2779-2*	Hose – rubber
6	A-1635-4*	Screw
6	A-1635-76*	Screw
6	A-1638-15*	Washer
6	A-1638-37*	Washer – Mylar
1	B-5280*	Gasket
3	C-40323-81*	Feed Shoe (Goodrich P/N 37572)
1	B-7618	Bulkhead Gasket
	D-60117	Installation Drawing

Note 1: Feed Shoe stand off dimension is 0.330” +/- 0.250”

Note 2: * contained in PL-60116 kit

Electrothermal De-Ice & Anti-Ice Applications

Beech (STC)

De-Ice

Aircraft Model: 58, 58A, E55, E55A

Engine Model: IO-520-C

Propeller Model: 3AF32C512/82NEA-X

<u>Qty.</u>	<u>P/N</u>	<u>Part Description</u>
3	B-40245-52	Deice Boot
1	D-40283*	Slip Ring Assembly
3	B-40377*	Wire Harness
2	A-20360-4*	Tie Wrap
3	A-40528*	Grommet
3	A-2873-11*	Clamp
3	B-40439*	Retainer
6	A-1635-153*	Screw
3	A-2873-13	Clamp
3	A-20360-1*	Tie Wrap
3	A-1639-51	Nut
3	A-1635-14	Screw
3	A-1638-25	Washer
6	A-1635-63	Screw
12	A-1638-54	Washer
12	A-5024	Spacer
6	A-1639-19	Nut
1	C-40298*	Bracket Assembly
2	A-2513-36*	Bolt
4	B-40030-3*	Spacer
8	A-1638-23*	Washer
4	A-1638-22*	Washer
2	A-1639-1*	Nut
1	C-40257*	Brush Block Assembly
2	B-40024-2*	Spacer
8	A-1638-21*	Washer
2	A-1638-7*	Washer
2	A-1635-77*	Screw
1	B-4862-406	Decal
1	B-4862-463	Decal
3	B-5725	Bracket
3	A-1635-5	Screw
	D-60115	Installation Drawing

Note 1: D-60115-1 kit contains all of the parts listed. D-60115-2 only contains parts marked *

Note 2: Deice boot stand off dimension is 0.375" +/- 0.125"

Electrothermal De-Ice & Anti-Ice Applications

Beech (OEM)

Anti-Ice

Aircraft Model: 58

Engine Model: IO-550-C

Propeller Model: 3AF32C512/82NEA-X

<u>Qty.</u>	<u>P/N</u>	<u>Part Description</u>
1	D-40289*	Slinger Ring Assembly
3	B-40302*	Spray Head Assembly
1	B-5280*	Gasket
6	A-2873-8	Hose Clamp
3	A-2779-2	Hose – Rubber
6	A-1635-4	Screw
3	C-40323-81	Feed Shoe (Goodrich P/N 37572)
	D-40269	Installation Drawing

Note 1: Feed shoe stand off dimension is 0.330” +/- 0.250”

Note 2: * contained in D-40269 kit

Electrothermal De-Ice & Anti-Ice Applications

Beech (OEM)

Anti-Ice

Aircraft Model: 58

Engine Model: IO-520-C

Propeller Model: D2AF34C30/78FF-X

<u>Qty.</u>	<u>P/N</u>	<u>Part Description</u>
1	D-3461*	Spinner Shell Assembly
1	D-4048*	Bulkhead and Slinger Ring Assembly
2	A-2927*	Tube Assembly
2	A-2779-2*	Tube – Rubber
2	A-2873-3*	Hose Clamp
2	A-2873-8*	Hose Clamp
12	A-1638-4*	Washer
12	A-1635-71*	Screw
12	A-1639-14*	Nut
12	A-1638-27*	Washer – Mylar
1	B-4414*	Spacer – Spinner Bulkhead
26	A-1635-39*	Screw
26	A-1638-5*	Washer – Fiber
1	B-3348*	Front Support
AR	B-3281-1, -2*	Shims
2	37572	Feed Shoe (Goodrich P/N)
	D-4046	Installation Drawing

Note 1: Feed shoe stand off dimension is 1.250” +/- 0.125” measured from top of ferrule.

Note 2: * contained in D-4046 kit

Electrothermal De-Ice & Anti-Ice Applications

Beech (OEM)

Anti-Ice

Aircraft Model: 58

Engine Model: IO-520-C

Propeller Model: D3AF32C35/82NB-X

<u>Qty.</u>	<u>P/N</u>	<u>Part Description</u>
1	D-3607*	Spinner Shell Assembly
1	D-4150*	Bulkhead and Slinger Ring Assembly
3	A-2873-2*	Clamp
3	A-1635-39*	Screw
3	A-1638-5*	Washer
3	A-1639-4*	Nut
3	A-3614*	Tube Assembly
3	A-2779-3*	Tube – Rubber
3	A-2873-3*	Hose Clamp
3	A-2873-8*	Hose Clamp
12	A-1638-4*	Washer
12	A-1635-71*	Screw
12	A-1639-14*	Nut
12	A-1638-27*	Washer – Mylar
1	B-4414*	Spacer – Spinner Bulkhead
33	A-1635-39*	Screw
33	A-1638-5*	Washer – Fiber
1	B-3348*	Front Support
AR	B-3725-1, -2*	Shims
2	37572	Feed Shoe (Goodrich P/N)
	D-4069	Installation Drawing

Note 1: Feed shoe stand off dimension is 1.250” +/- 0.125” measured from top of ferrule.

Note 2: * contained in D-4069 kit

Electrothermal De-Ice & Anti-Ice Applications

Beech (OEM)

De-Ice

Aircraft Model: 58, 58P, 58PA, 58TC, 58TCA

Engine Model: IO-550-C, TSIO-520-L, -LB, -WB

Propeller Model: 3AF32C511/82NEA-X, 3AF32C512/82NEA-X

<u>Qty.</u>	<u>P/N</u>	<u>Part Description</u>
3	B-40245-52*	Deice Boot
1	D-40283*	Slip Ring Assembly
3	B-40377*	Wire Harness
2	A-20360-4	Tie Wrap
3	A-40528	Grommet
3	A-2873-11	Clamp
3	B-40439*	Retainer
6	A-1635-153	Screw
3	A-2873-13	Clamp
3	A-20360-1	Tie Wrap
3	A-1639-51	Nut
3	A-1635-14	Screw
3	A-1638-25	Washer
6	A-1635-63	Screw – Terminal
12	A-1638-54	Washer – Terminal
12	B-5024*	Insulator
6	A-1639-19	Nut – Terminal
1	C-40298*	Bracket Assembly
2	A-2513-36	Bolt
4	B-40030-3*	Spacer
8	A-1638-23	Washer – Shim
4	A-1638-22	Washer
2	A-1639-1	Nut
1	C-40257*	Brush Block Assembly
2	B-40024-2*	Spacer
8	A-1638-21	Washer- Shim
2	A-1638-7	Washer
2	A-1635-77	Screw
3	B-5725*	Blade shank Bracket
3	A-1635-5	Screw
1	C-45114	Timer (B-45018 and 3E1964-3 (Goodrich P/N) can also be used)
	D-40268	Installation Drawing
	C-40303	Plexiglas Brush Block Alignment Gage

Note 1: Deice boot stand off dimension is 0.375” +/- 0.125”

Note 2: * contained in D-40268 kit

Note 3: Single element de-ice

Electrothermal De-Ice & Anti-Ice Applications

Beech (STC)

De-Ice

Aircraft Model: 58P, 58PA, 58TC, 58TCA

Engine Model: TSIO-520-L, -LB, -WB

Propeller Model: 3AF32C521/82NLA-X

<u>Qty.</u>	<u>P/N</u>	<u>Part Description</u>
1	D-40283*#	Slip Ring Assembly
1	C-40257*#	Brush Block Assembly
2	B-40024-2*#	Spacer
2	A-1635-77	Screw
2	A-1638-7	Washer
8	A-1638-21	Washer- Shim
1	C-40298*#	Bracket Assembly
4	B-40030-3*#	Spacer
2	A-2513-36	Bolt
4	A-1638-22	Washer
2	MS21045-5	Nut
8	A-1638-23	Washer – Shim
3	B-40245-52*	Deice Boot
3	B-5725*	Blade shank Bracket
12	B-5024*	Insulator
6	A-1635-63	Screw – Terminal
12	A-1638-54	Washer – Terminal
6	A-1639-19	Nut – Terminal
3	A-2873-13	Clamp
3	A-1635-14	Screw
3	A-1638-25	Washer
3	A-1639-55	Nut
3	B-40377*#	Wire Harness
3	B-40439*#	Retainer
6	A-1635-153	Screw
3	A-2873-11	Clamp
3	A-40528	Grommet
3	A-20360-4	Tie Wrap
3	A-1635-5*	Screw
3	A-20360-1	Tie Wrap
	D-40636	Installation Drawing
	C-40303	Plexiglas Brush Block Alignment Gage

Note 1: Deice boot stand off dimension is 0.375” +/- 0.125”

Note 2: PL-40640 kit contains items marked *, PL-40646 kit contains items marked #.

Note 3: Both kits are for **Single** element De-ice

Electrothermal De-Ice & Anti-Ice Applications

Beech (STC)

De-Ice

Aircraft Model: 58P, 58PA, 58TC, 58TCA

Engine Model: TSIO-520-L, -LB, -WB

Propeller Model: 3AF32C521/82NLA-X

<u>Qty.</u>	<u>P/N</u>	<u>Part Description</u>
1	D-40106*#	Slip Ring Assembly
1	C-40179*#	Brush Block Assembly
2	B-40024-2*#	Spacer
2	A-1635-77	Screw
2	A-1638-7	Washer
8	A-1638-21	Washer- Shim
1	C-40029*#	Bracket Assembly
4	B-40030-3*#	Spacer
2	A-2513-36	Bolt
4	A-1638-22	Washer
2	MS21045-5	Nut
8	A-1638-23	Washer – Shim
3	B-40183-18*	Deice Boot
3	B-5725*	Blade shank Bracket
18	B-5024*	Insulator
9	A-1635-63	Screw – Terminal
18	A-1638-54	Washer – Terminal
9	A-1639-19	Nut – Terminal
3	A-2873-13	Clamp
3	A-1635-14	Screw
3	A-1638-25	Washer
3	A-1639-55	Nut
3	B-40638*#	Wire Harness
3	B-40439*#	Retainer
6	A-1635-153	Screw
3	A-2873-11	Clamp
3	A-40528	Grommet
3	A-20360-4	Tie Wrap
3	A-1635-5*	Screw
3	A-20360-1	Tie Wrap

D-40637 Installation Drawing

Note 1: Deice boot stand off dimension is 0.375” +/- 0.125”

Note 2: PL-40641 kit contains items marked *, PL-40647 kit contains items marked #.

Note 3: Both kits are for **Dual** element De-ice

Electrothermal De-Ice & Anti-Ice Applications

Beech (STC SA1241GL) De-Ice

Aircraft Model: A90, A90-1, A90-4, B90, C90

Engine Model: PT6A-20

Propeller Model: 4HFR34C763/94LMA-4

<u>Qty.</u>	<u>P/N</u>	<u>Part Description</u>
1	C-40257	Brush Block Assembly
2	A-1638-7	Washer
2	A-1635-77	Screw
2	B-40024-9	Spacer
16	A-1638-21	Shim
1	C-40536	Bracket Assembly
1	D-40364	Slip Ring Assembly
4	B-40245-52	Deice Boot
4	B-40330	Wiring Harness
4	A-2873-10	Clamp
8	A-1635-56	Screw
8	A-1638-18	Washer
4	B-4971	Blade Shank Bracket
4	A-1635-5	Screw
8	A-1635-63	Screw
16	A-1638-54	Washer
16	B-5024	Insulator
8	A-1639-19	Nut
4	A-2873-9	Clamp
4	A-1635-14	Screw
4	A-1638-25	Washer
4	A-1639-51	Nut
8	A-20360-3	Tie Wrap
1	C-45114	Timer (or use B-45018)
1	B-60010	Mounting Plate
1	A-60006	Circuit Breaker Switch
4	A-60059	Circuit Breaker
1	A-60024	Pin Extraction Tool
	D-60029	STC Installation Drawing

Note 1: Deice boot stand off dimension is 0.375" +/- 0.125"

Electrothermal De-Ice & Anti-Ice Applications

Beech (STC SA1241GL) De-Ice

Aircraft Model: C90, C90A, E90

Engine Model: PT6A-20A, -21, -28

Propeller Model: 4HFR34C762/94LMA-4

<u>Qty.</u>	<u>P/N</u>	<u>Part Description</u>
1	C-40257	Brush Block Assembly
2	B-40024-9	Spacer
2	A-1638-7	Washer
2	A-1635-77	Screw
16	A-1638-21	Shim
1	C-40536	Bracket Assembly
1	D-40364	Slip Ring Assembly
4	B-40245-52	Deice Boot
4	B-40330	Wiring Harness
4	A-2873-10	Clamp
8	A-1635-56	Screw
8	A-1638-18	Washer
4	B-4971	Blade Shank Bracket
4	A-1635-5	Screw
8	A-1635-63	Screw
16	A-1638-54	Washer
16	B-5024	Insulator
8	A-1639-19	Nut
4	A-2873-9	Clamp
4	A-1635-14	Screw
4	A-1638-25	Washer
4	A-1639-51	Nut
8	A-20360-3	Tie Wrap
1	A-60006	Circuit Breaker Switch
1	A-60024	Pin Extraction Tool
1	C-45114*	Timer (or use B-45018)
1	B-60010*	Mounting Plate
	D-60019	STC Installation Drawing

Note 1: Deice boot stand off dimension is 0.375" +/- 0.125"

Note 2: * PL-60022 required on S/N LJ-584 thru LJ-953, and LW-1 thru LW-347 only

Electrothermal De-Ice & Anti-Ice Applications

Beech (OEM)

De-Ice

Aircraft Model: C90A

Engine Model: PT6A-21

Propeller Model: 4HFR34C768/94LMA-4

<u>Qty.</u>	<u>P/N</u>	<u>Part Description</u>
4	B-40245-56	Deice Boot
16	A-20360-1	Tie Wrap
4	B-4971	Blade Shank Bracket
4	A-1635-5	Screw
4	B-40585	Wiring Harness
8	A-20360-3	Tie Wrap
4	A-2873-5	Clamp
4	A-1635-56	Screw
4	A-1638-18	Washer
1	D-40364	Slip Ring Assembly
1	C-40257	Brush Block Assembly
2	B-40024-9	Spacer
8	A-1638-21	Shim
2	A-1638-7	Washer
2	A-1635-77	Screw
1	C-40536	Bracket Assembly
1	C-45114	Timer (or use B-45018)
	D-40560	Installation Drawing

Note 1: Deice boot stand off dimension is 0.375" +/- 0.125"

Electrothermal De-Ice & Anti-Ice Applications

Beech (STC SA1351GL)

De-Ice

Aircraft Model: 99, 99A, A99, A99A, B99, C99

Engine Model: PT6A-20, -27, -28, -36

Propeller Models: 4HFR34C769/94LMA-4
4HFR34C773/94LMA-4

<u>Qty.</u>	<u>P/N</u>	<u>Part Description</u>
1	C-40179*	Brush Block Assembly
2	A-1638-7*	Washer
2	A-1635-77*	Screw
2	B-40024-9*	Spacer
8	A-1638-21*	Shim
1	C-40537*	Bracket Assembly
1	D-40354	Slip Ring Assembly
8	A-1635-15	Screw
12	A-1635-36	Washer
12	A-1638-20	Washer
4	B-40245-56	Deice Boot
4	B-40585	Wiring Harness
4	A-2873-5	Clamp
4	A-1635-56	Screw
4	A-1638-18	Washer
4	B-4971	Blade Shank Bracket
4	A-1635-5	Screw
8	A-1639-19	Nut
8	A-1638-17	Nut
16	A-20360-1	Tie Wrap
8	A-20360-3	Tie Wrap
1	C-45127-3	Timer and Mounting Plate Assembly (includes B-45118 timer)
1	A-60006	Circuit Breaker Switch (used on all aircraft except C99)
4	A-60176	Circuit Breaker Switch (used on C99 only)
	D-60175	Installation Drawing

Note 1: Deice boot stand off dimension is 0.375" +/- 0.125"

Note 2: * contained in PL-40582 kit

Electrothermal De-Ice & Anti-Ice Applications

Beech (STC SA1351GL) De-Ice

Aircraft Model: 100, A100

Engine Model: PT6A-28, -34

Propeller Model: 4HFR34C762/94LMA-4

<u>Qty.</u>	<u>P/N</u>	<u>Part Description</u>
1	C-40257	Brush Block Assembly
2	A-1635-77	Screw
2	A-1638-7	Washer
16	A-1638-21	Shim
2	B-40024-9	Spacer
1	C-40536	Bracket Assembly
1	C-45114	Timer (or use B-45018)
1	C-60055	Timer Mounting Plate
1	D-40364	Slip Ring Assembly
4	B-40245-52	Deice Boot
4	B-40330	Wiring Harness
4	A-2873-10	Clamp
8	A-1635-56	Screw
8	A-1638-18	Washer
4	B-4971	Blade Shank Bracket
8	A-1635-63	Screw
16	A-1638-54	Washer
16	B-5024	Insulator
8	A-1639-19	Nut
4	A-2873-9	Clamp
4	A-1635-14	Screw
4	A-1638-25	Washer
4	A-1639-51	Nut
8	A-20360-3	Tie Wrap
1	A-60006	Circuit Breaker Switch
	D-60044	Installation Drawing

Note 1: Deice boot stand off dimension is 0.375" +/- 0.125"

Electrothermal De-Ice & Anti-Ice Applications

Beech (STC SA01647AT)

De-Ice

Aircraft Model: B100

Engine Model: TPE331-6, -10

Propeller Model: 5HFR34C1105/96LRB-9

<u>Qty.</u>	<u>P/N</u>	<u>Part Description</u>
5	B-40245-56	Deice Boot
5	B-4971	Blade Shank Bracket
5	A-1635-5	Screw
20	A-20360-1	Tie Wrap
5	B-40585	Wiring Harness
10	A-20360-3	Tie Wrap
5	A-2873-5	Clamp
5	A-1635-56	Screw
5	A-1638-18	Washer
1	D-40663	Slip Ring Assembly
10	A-1635-15	Screw
10	A-1638-25	Washer
12	A-1635-36	Screw
12	A-1638-20	Washer
1	C-40685*	Brush Block Assembly
2	A-1635-100*	Screw
2	A-1638-7*	Washer
2	B-40024-8*	Spacer
8	A-1638-21*	Shim
1	C-40684*	Bracket Assembly
1	C-40683*	Transducer Bracket
1	C-45114	Timer (or use B-45018)
2	B-60209	Circuit Breaker Switch
	D-60206	Installation Drawing
	D-7414	Installation Drawing

Note 1: Deice boot stand off dimension is 0.375" +/- 0.125"

Note 2: * contained in PL-40669 kit

Electrothermal De-Ice & Anti-Ice Applications

Beech (OEM)

De-Ice

Aircraft Model: A200CT (RC-12K, RC-12N, RC-12P, RC-12Q)

Engine Model: PT6A-67

Propeller Model: 4JFR34C758/106LNA-X

<u>Qty.</u>	<u>P/N</u>	<u>Part Description</u>
4	B-40245-54	Deice Boot
16	A-20360-3	Tie Wrap
4	B-4971	Bracket
4	A-1635-5	Screw
4	B-40452	Wire Harness
4	A-2873-5	Clamp
4	A-1635-56	Screw
4	A-1638-18	Washer
1	D-40420	Slip Ring Assembly
1	C-40463	Brush Block Assembly
2	B-40024-8	Spacer
2	A-1635-77	Screw
2	A-1638-7	Washer
8	A-1638-21	Shims
1	C-40448	Bracket
	D-40473	Installation Drawing

Note 1: Deice boot stand off dimension is 0.00” to 0.125”.

Electrothermal De-Ice & Anti-Ice Applications

Beech (OEM)

De-Ice

Aircraft Model: B200, B200C (C-12F, UC-12M), B200CT, B200T

Engine Model: PT6A-42

Propeller Model: 3GFR34C702/100LA-X

<u>Qty.</u>	<u>P/N</u>	<u>Part Description</u>
3	B-40245-50	Deice Boot
6	A-1635-63	Screw
12	A-1638-17	Washer
12	B-5024	Insulator
6	A-1639-19	Nut
3	B-4878	Bracket
3	A-1635-5	Screw
3	A-2873-9	Clamp
3	A-1635-14	Screw
3	A-1638-25	Washer
3	A-1639-51	Nut
3	B-40276	Wiring Harness
3	A-2873-10	Clamp
6	A-1635-56	Screw
6	A-1638-18	Washer
1	D-40260	Slip Ring Assembly
1	C-40257	Brush Block Assembly
2	B-40024-9	Spacer
12	A-1638-21	Shim
2	A-1638-7	Washer
2	A-1635-77	Screw
1	C-40536	Bracket Assembly
1	C-45114	Timer (or use B-45018)
	D-40305	Brush Block Alignment Gage
	D-40274	Installation Drawing

Note 1: Deice boot stand off dimension is 1.125" +/- 0.030
"

Electrothermal De-Ice & Anti-Ice Applications

Beech (OEM)

De-Ice

Aircraft Model: B200C (C-12F)
Engine Model: PT6A-42
Propeller Model: 4HFR34C754/94LA-X

<u>Qty.</u>	<u>P/N</u>	<u>Part Description</u>
4	B-40245-52	Deice Boot
8	A-1635-63	Screw
16	A-1638-54	Washer
16	B-5024	Insulator
8	A-1639-19	Nut
4	B-4971	Bracket
4	A-1635-5	Screw
4	B-40330	Wiring Harness
4	A-2873-9	Clamp
4	A-1635-14	Screw
4	A-1638-25	Washer
4	A-1639-51	Nut
8	A-20360-3	Tie Wrap
4	A-2873-10	Clamp
8	A-1635-56	Screw
8	A-1638-18	Washer
1	D-40364	Slip Ring Assembly
1	C-40363	Brush Block Assembly
2	B-40024-9	Spacer
8	A-1638-21	Shim
2	A-1638-7	Washer
2	A-1635-77	Screw
1	C-40536	Bracket Assembly
1	C-45114	Timer (or use B-45018)
	D-40305	Brush Block Alignment Gage
	D-40365	Installation Drawing

Note 1: Deice boot stand off dimension is 0.375" +/- 0.125"

Electrothermal De-Ice & Anti-Ice Applications

Beech (OEM)

De-Ice

Aircraft Model: B200, B200C (C-12F, C-12R), B200CT, B200T

Engine Model: PT6A-42

Propeller Model: 4HFR34C771/94LA-X

<u>Qty.</u>	<u>P/N</u>	<u>Part Description</u>
4	B-40245-56	Deice Boot
16	A-20360-1	Tie Wrap
4	B-4971	Blade Shank Bracket
4	A-1635-5	Screw
4	B-40585	Wiring Harness
8	A-20360-3	Tie Wrap
4	A-2873-5	Clamp
4	A-1635-56	Screw
4	A-1638-18	Washer
1	D-40364	Slip Ring Assembly
1	C-40257	Brush Block Assembly
2	B-40024-9	Spacer
8	A-1638-21	Shim
2	A-1638-7	Washer
2	A-1635-77	Screw
1	C-40536	Bracket Assembly
1	C-45114	Timer (or use B-45018)
	D-40560	Installation Drawing

Note 1: Deice boot stand off dimension is 0.375" +/- 0.125"

Electrothermal De-Ice & Anti-Ice Applications

Beech (STC SA1036GL)

De-Ice

Aircraft Model: A100-1, 200, 200C, 200T, 200CT, A200C, A200CT, B200, B200C, B200C, B200T, B200CT, C-12D, C-12F, FWC-12D, RC-12D, UC-12B, U-21J

Engine Model: PT6A-41, -42

Propeller Model: 4HFR34C754/94LA-X

<u>Qty.</u>	<u>P/N</u>	<u>Part Description</u>
4	B-40245-52	Deice Boot
8	A-1635-63	Screw
16	A-1638-54	Washer
16	B-5024	Insulator
8	A-1639-19	Nut
4	B-4971	Bracket
4	A-1635-5	Screw
4	B-40330	Wiring Harness
4	A-2873-9	Clamp
4	A-1635-14	Screw
4	A-1638-25	Washer
4	A-1639-51	Nut
8	A-20360-3	Tie Wrap
4	A-2873-10	Clamp
8	A-1635-56	Screw
8	A-1638-18	Washer
1	D-40364	Slip Ring Assembly
1	C-40257	Brush Block Assembly
2	B-40024-9	Spacer
16	A-1638-21	Shim
2	A-1638-7	Washer
2	A-1635-77	Screw
1	C-40536	Bracket Assembly
1	C-45116*	Timer (or use B-45043)
1	B-60010*	Mounting Plate
1	A-60008	Ammeter (Beech P/N 90-3800007-13)
1	A-60006	Circuit Breaker Switch
4	A-60059*	Circuit Breaker
2	A-60014*	Socket – 0.094” diameter
2	A-60013*	Pin – 0.094” diameter
5	A-60013	Pin – 0.094” diameter
1	A-60012	Pin Extraction Tool
	D-40034	Installation Drawing

Note 1: Deice boot stand off dimension is 0.375” +/- 0.125”

Note 2: * PL-60035 (needed when converting from dual element to single element)

Electrothermal De-Ice & Anti-Ice Applications

Beech (STC SA1157CH) De-Ice

Aircraft Model: 200, 200C, 200T, 200CT, A200C, A200CT, B200, B200C, B200C, B200T, B200CT, C-12D, C-12F, FWC-12D, RC-12D, UC-12B

Engine Model: PT6A-41, -42

Propeller Model: 5HFR34C1008/96LTA-0

<u>Qty.</u>	<u>P/N</u>	<u>Part Description</u>
5	B-40245-56	Deice Boot
20	A-20360-1	Tie Wrap
5	B-4971	Bracket
5	A-1635-5	Screw
5	B-40585	Wiring Harness
10	A-20360-3	Tie Wrap
5	A-2873-5	Clamp
5	A-1635-40	Screw
5	A-1638-20	Washer
1	D-40663	Slip Ring Assembly
1	C-40685	Brush Block Assembly
2	B-40024-8	Spacer
8	A-1638-21	Shim
2	A-1638-7	Washer
2	A-1635-77	Screw
1	C-40708	Bracket Assembly
1	A-60270	Ammeter
2	A-60268	Circuit Breaker
1	A-60269	Circuit Breaker Switch
4	A-60271*	Circuit Breaker
1	C-45127-2*	Timer and Mounting Plate Assembly (includes C-45116 timer)
	D-40034	Installation Drawing
	D-7610	Installation Drawing

Note 1: Deice boot stand off dimension is 0.375" +/- 0.125"

Note 2: * Needed when converting from dual element to single element

Electrothermal De-Ice & Anti-Ice Applications

Cessna (OEM)

De-Ice

Aircraft Model: T182, TR182
Engine Model: O-540-L3C5D
Propeller Model: B3D32C407/82NDA-X

<u>Qty.</u>	<u>P/N</u>	<u>Part Description</u>
1	D-40158	Slip Ring and Starter Ring Gear Assembly
1	C-40179	Brush Block Assembly
2	B-40024-7	Spacer
8	A-1638-21	Shim
4	A-1638-7	Shim
4	A-1638-25	Shim
2	A-1635-100	Screw
2	A-1638-21	Washer
1	C-40136	Bracket Assembly
1	A-2513-85	Bolt
1	A-2513-86	Bolt (MS90728-16)
2	A-1638-4	Washer
2	A-40137	Spacer
	C-40223	Installation Drawing

Note 1: Deice boot stand off dimension is 0.625" +/- 0.063"

Restrainer strap stand off dimension is 0.375 +/- 0.063"

Note 2: The C-40179 brush block assembly replaced the C-40010 brush block assembly. The C-40010 brush block assembly is no longer available but the C-40012 brush assembly still is.

Electrothermal De-Ice & Anti-Ice Applications

Cessna (OEM)

De-Ice

Aircraft Model: T182T, 206H, T206H

Engine Model: TIO-540-AK1A, IO-540-AC1A5, TIO-540-AJ1A

Propeller Model: B3D36C442/80VSB-X, B3D36C432/80VSA-X

<u>Qty.</u>	<u>P/N</u>	<u>Part Description</u>
3	B-40245-53	Deice Boot
3	B-40251	Restrainer Strap
3	A-2873-14	Clamp
6	A-1635-40	Screw
12	A-1638-26	Washer
6	A-1639-38	Nut
3	A-40659	Grommet
3	A-40519	Terminal Strip
6	A-1635-139	Screw
6	A-1639-19	Nut
12	A-1638-19	Washer
3	B-40705	Wire Lead Assembly
1	A-20360-4	Tie Wrap
6	A-2513-90	Bolt
8	A-1638-7	Washer
1	D-40498	Slip Ring Assembly
1	C-40660	Brush Block Assembly
1	C-40494	Bracket Assembly
2	A-1638-21	Shim
2	B-40024-7	Spacer
2	A-40658	Spacer
2	A-1638-4	Washer
1	A-2513-85	Bolt
2	A-1635-100	Screw
1	A-40137	Spacer
1	A-40658-1	Spacer

Note 1: Deice boot stand off dimension is 0.625" +/- 0.063"
Restrainer strap standoff dimension is 0.375 +/- 0.063"

Electrothermal De-Ice & Anti-Ice Applications

Cessna (OEM)

De-Ice

Aircraft Model: U206G (S/N U20605310 thru U20606439)
TU206G (S/N U20604075 thru U20606439)

Engine Model: IO-520-F
TSIO-520-M

Propeller Model: D3A34C404/80VA-0
D3A34C402/90DFA-X

<u>Qty.</u>	<u>P/N</u>	<u>Part Description</u>
1	D-40106	Slip Ring Assembly
1	C-40187	Brush Block Assembly (original P/N C-40055)
2	B-40024-3	Spacer
8	A-1638-21	Shims
2	A-1635-70	Screws
2	A-1638-7	Washers
1	C-40057	Bracket Assembly
4	B-40030-4	Spacer
8	A-1638-23	Shims
4	A-1638-22	Washers
2	A-2513-40	Bolt
2	MS21045-5	Nut

Note 1: Deice boot stand off dimension is 0.625" +/- 0.063"
Restrainer strap standoff dimension is 0.375 +/- 0.063"

Note 2: For complete installation instructions refer to Cessna AK206-117 kit

C-40217 Installation Drawing
PL-40218 kit

Electrothermal De-Ice & Anti-Ice Applications

Cessna (OEM)

De-Ice

Aircraft Model: 208, 208A, 208B
Engine Model: PT6A-114, -114A
Propeller Model: 3GFR34C703/106GA-X

<u>Qty.</u>	<u>P/N</u>	<u>Part Description</u>
3	B-40245-54	Deice Boot
12	A-20360-1	Tie Strap
3	B-4971	Blade Shank Bracket
3	A-1635-5	Screw
3	B-40531	Wire Harness
6	A-20360-3	Tie Strap
3	A-2873-6	Clamp
6	A-1635-56	Screw
6	A-1638-18	Washer
1	D-40260	Slip Ring Assembly
1	C-40257	Brush Block Assembly
2	B-40024-9	Spacer
2	A-1635-77	Screw
2	A-1638-7	Washer
12	A-1638-21	Washer
1	C-40536	Bracket Assembly
1	C-45133	Timer (or use B-45052)

Note 1: Deice boot stand off dimension is 0.250" to 0.375".

D-40517 Installation Drawing

Electrothermal De-Ice & Anti-Ice Applications

Cessna (OEM) Anti-Ice (TKS)

Aircraft Model: 208, 208A, 208B

Engine Model: PT6A-114, -114A

Propeller Model: 3GFR34C703/106GA-X

<u>Qty.</u>	<u>P/N</u>	<u>Part Description</u>
3	C-40323-83	Feed shoe
3	13125-07*#	Feed Tube
33	A-2773-1*	Rivets
3	13125-05*#	Propeller Nozzle Bracket
9	A-2513-104*	Bolt
9	A-1639-40*	Nut
9	A-1638-7*	Washer
3	13125-03*#	Clamping Plate
1	13125-01*#	Slinger Ring

Note 1: Feed Shoe stand off dimension is 0.625" to 0.875".

Note 2: * Part of E-7856 Bulkhead Assembly.

Note 3: # TKS P/N's

Electrothermal De-Ice & Anti-Ice Applications

Cessna (STC SA02168CH)

De-Ice

Aircraft Model: 208, 208A, 208B

Engine Model: PT6A-114, -114A

Propeller Model: 4HFR34C775/96MGA-0

<u>Qty.</u>	<u>P/N</u>	<u>Part Description</u>
4	B-40245-54*	Deice Boot
16	A-20360-1*	Tie Wrap
4	B-4971*	Bracket
4	A-1635-5*	Screw
4	B-40585*	Wire Harness
8	A-20360-3*	Tie Wrap
4	A-2873-10*	Clamp
8	A-1635-56*	Screw
8	A-1638-18*	Washer
1	D-40364*	Slip Ring Assembly
1	C-40257#	Brush Block Assembly
2	A-1635-77#	Screw
2	B-40024-9#	Spacer
2	A-1638-7#	Washer
AR	A-1638-21#	Washer
1	C-40536#	Bracket Assembly
1	A-60293	Circuit Breaker
1	B-40732	Switch/Relay Assembly
1	A-60267*	Ammeter
	D-60275*	Installation Drawing
	D-7670	Installation Drawing

Note 1: Deice boot stand off dimension is 0.375" +/- 0.125"

Note 2: This installation uses the optional D-40305 Brush Block Alignment Gage

Note 3: * Part of PL-60285 (McCauley to McCauley) and PL-60286 (Hartzell to McCauley) STC kits.

Note 4: # Part of PL-40644 deice kit (The PL-40644 deice kit is part of the PL-60286 STC kit)

Electrothermal De-Ice & Anti-Ice Applications

Cessna (STC SA09850AC) Anti-Ice (TKS)

Aircraft Model: 208B (EX)

Engine Model: PT6A-140

Propeller Model: 4HFR34C778/102BHA-0

<u>Qty.</u>	<u>P/N</u>	<u>Part Description</u>
3	C-40323-83	Feed shoe
3	B-40755	Spray Head Assembly
8	A-2873-8	Clamp (tube to spray head assembly and tube to slinger ring)
4	A-2779-5	Tube
4	A-2873-13	Clamp (tube to blade)
4	A-1635-5	Screw (clamp tube to blade)
1	D-40750	Slinger Ring Assembly

Note 1: Feed Shoe standoff dimension is 0.600" to 0.850".

D-60366

STC installation drawing

Electrothermal De-Ice & Anti-Ice Applications

Cessna (OEM)

De-Ice

Aircraft Model: 210N, 210R, P210N, T210N

Engine Model: IO-520-L, TSIO-520-P, TSIO-520-AF, TSIO-520-R

Propeller Model: D3A34C404/80VA-X, D3A34C402/90DFA-X

<u>Qty.</u>	<u>P/N</u>	<u>Part Description</u>
1	D-40106	Slip Ring Assembly (no pulley)
1	D-40148*	Slip Ring and Pulley Assembly (single groove pulley)
1	D-40226**	Slip Ring and Pulley Assembly (double groove pulley)
1	C-40187	Brush Block Assembly (original P/N C-40055)
2	B-40024-3	Spacer
8	A-1638-21	Shims
2	A-1635-70	Screws
2	A-1638-7	Washers
1	C-40057	Bracket Assembly
4	B-40030-4	Spacer
8	A-1638-23	Shims
4	A-1638-22	Washers
2	A-2513-40	Bolt
2	MS21045-5	Nut

Note 1: * Used with air conditioning

Note 2: ** Used with dual alternators

Note 3: Deice boot stand off dimension is 0.625" +/- 0.063"

Restrainer strap stand off dimension is 0.375 +/- 0.063"

Electrothermal De-Ice & Anti-Ice Applications

Cessna (OEM)

De-Ice

Aircraft Model: P210R, T210R
Engine Model: TSIO-520-CE
Propeller Model: D3A36C410/80VMB-X

<u>Qty.</u>	<u>P/N</u>	<u>Part Description</u>
3	6836	Deice boot (Safeway P/N)
9	AN515-6R8	Screw (lead to bracket)
18	AN960-6L	Washer (lead to bracket)
18	B-5024	Insulator (lead to bracket)
9	MS21045L06	Nut (lead to bracket)
3	B-4878	Bracket
3	A-1635-5	Screw (bracket to blade)
3	2170206-1	Wire Harness (Cessna P/N)
3	MS21919DG4	Clamp (wire harness to bracket)
3	AN515-8R8	Screw (clamp to bracket)
3	MS21045L08	Nut
3	A-2873-10	Clamp (wire harness to bulkhead)
6	MS21045L3	Nut (wire harness to bulkhead)
6	AN525-10R6	Screw (wire harness to bulkhead)
1	D-40106	Slip Ring Assembly (no pulley)
1	D-40148*	Slip Ring and Pulley Assembly (single groove pulley)
1	D-40226**	Slip Ring and Pulley Assembly (double groove pulley)
1	C-40187	Brush Block Assembly
2	B-40024-3	Spacer
8	A-1638-21	Shims
2	A-1635-70	Screws
2	A-1638-7	Washers
1	C-40057	Bracket Assembly
4	B-40030-4	Spacer
8	A-1638-23	Shims
4	A-1638-22	Washers
2	A-2513-40	Bolt
2	MS21045-5	Nut

Note 1: * Used with air conditioning

Note 2: ** Used with dual alternators

Note 3: Deice boot stand off dimension is 0.375" +/- 0.063"

Electrothermal De-Ice & Anti-Ice Applications

Cessna (STC)

De-ice

Aircraft Model: LC40-550FG (300)
LC42-550FG (350)
LC41-550FG (400, Corvalis TT, TTX)

Engine Model: IO-550-N
TSIO-550-C

Propeller Model: D3A34C444/78MLA-X
D3A34C447/78MLA-X

<u>Qty.</u>	<u>P/N</u>	<u>Part Description</u>
3	B-40245-60*	Deice boot (28V)(350 and 400)
3	B-40245-61	Deice boot (14V)(300 and 350)
3	B-40251*	Restrainer Strap
3	A-2873-14*	Clamp
6	A-1635-40*	Screw
12	A-1638-26*	Washer
6	A-1639-38*	Nut
2	A-20360-4*	Nylon Tie Wrap
	D-60353	Installation Drawing (400)

Note 1: Deice boot stand off dimension is 0.375" +/- 0.063"

Note 2: * contained in PL-60351 kit

Electrothermal De-Ice & Anti-Ice Applications

Cessna (OEM)

De-Ice

Aircraft Model: T303

Engine Model: TSIO-520-AE, LTSIO-520-AE

Propeller Model: 3AF32C506/82NEA-X, 3AF32C507/L82NEA-X

<u>Qty.</u>	<u>P/N</u>	<u>Part Description</u>
3	B-40183-19	Deice boot (Can also use the B-40183 -01 or B-40183-03, but all three must be the same)
9	A-1635-63	Screw
18	A-1638-17	Washer
18	B-5024	Insulator
9	A-1639-19	Nut
3	B-4878	Bracket (used on C506 propeller)
3	B-4971	Bracket (used on C507 propeller)
3	A-1635-5	Screw
3	A-2873-5	Clamp
3	A-1635-40	Screw
3	A-1638-18	Washer
3	A-1639-38	Nut
1	D-40106	Slip Ring Assembly
1	C-40187	Brush Block Assembly
2	B-40024-3	Spacer
8	A-1638-21	Shim
2	A-1635-70	Screw
2	A-1638-7	Washer
1	C-40057	Bracket Assembly
4	B-40030-4	Spacer
2	A-2513-88	Bolt
4	A-1638-22	Washer
2	A-1639-1	Nut
8	A-1638-23	Shim
	C-40215	Installation Drawing

Note 1: Deice boot stand off dimension is 0.230" + 0.250"/ - 0.230"

Electrothermal De-Ice & Anti-Ice Applications

Cessna (STC)

De-Ice

Aircraft Model: 310C, D, E, F, G, H, E310H, 310I, 310J-1

Engine Model: IO-470-D, -U

Propeller Model: 3AF32C528/82NEA-X

<u>Qty.</u>	<u>P/N</u>	<u>Part Description</u>
3	B-40183-19	Deice Boot
9	A-1635-202	Screw
18	A-1638-17	Washer
18	B-5024	Insulator
9	A-1639-19	Nut
3	B-7180	Bracket
3	A-1635-5	Screw
3	A-20360-1	Tie wrap
3	A-2873-5	Clamp
3	A-1635-203	Screw
3	A-1638-25	Washer
3	A-1639-51	Nut
3	B-40639*	Wire Harness
3	B-40439*	Retainer – Cable
6	A-1635-139*	Screws
6	A-1638-17*	Washer
1	D-40000*	Slip ring Assembly
1	C-40179*	Brush Block Assembly
2	A-1635-70*	Screw
2	A-1638-7*	Washer
2	B-40024-2*	Spacer
1	C-40057*	Bracket Assembly
4	B-40030-2*	Spacer
2	A-2513-88*	Bolt
4	A-1638-22*	Washer
4	A-1638-23*	Washer
2	A-1639-1*	Nut
	D-40690	Installation Drawing

Note 1: Deice boot stand off dimension is 0.230" + 0.250"/ - 0.230"

Note 2: * contained in D-40690 kit

Electrothermal De-Ice & Anti-Ice Applications

Cessna (STC)

Anti-Ice

Aircraft Model: 310C, D, E, F, G, H, E310H, 310I, 310J-1

Engine Model: IO-470-D, -U

Propeller Model: 3AF32C528/82NEA-X

<u>Qty.</u>	<u>P/N</u>	<u>Part Description</u>
3	C-40323-81	Feed Shoe
3	B-40302	Spray Head Assembly
3	A-2779-2*	Hose
6	A-2873-6*	Clamp
1	D-40642*	Slinger Ring Assembly
6	A-1635-206*	Screw
6	A-1638-15*	Washer
6	A-1639-3*	Nut
	D-40698	Installation Drawing

Note 1: Feed Shoe stand off dimension is 0.330" +/- 0.250"

Note 2: * contained in D-40698 kit

Electrothermal De-Ice & Anti-Ice Applications

Cessna (STC)

De-Ice

Aircraft Model: 310J, K, L, N, E310J

Engine Model: IO-470-U, -V, -VO

Propeller Model: 3AF32C512/82NEA-X

<u>Qty.</u>	<u>P/N</u>	<u>Part Description</u>
3	B-40183-18	Deice Boot
9	A-1635-63	Screw
18	A-1638-54	Washer
18	B-5024	Insulator
9	A-1639-19	Nut
3	B-5725	Bracket
3	A-1635-5	Screw
3	A-2873-13	Clamp
3	A-1635-14	Screw
3	A-1638-25	Washer
3	A-1639-51	Nut
3	B-40638*	Wire Harness
3	A-40528*	Grommet
2	A-20360-4*	Tie Wrap
1	D-40000*	Slip Ring Assembly
1	C-40187*	Brush Block Assembly
2	B-40024-3*	Spacer
8	A-1638-21*	Washer
2	A-1638-7*	Washer
2	A-1635-77*	Screw
1	C-40057*	Bracket Assembly
2	A-2513-36*	Bolt
4	B-40030-3*	Spacer
8	A-1638-23*	Washer
4	A-1638-22*	Washer
2	A-1639-1*	Nut
	D-40734	Drawing

Note 1: Deice boot stand off dimension is 0.375" +/- 0.125"

Note 2: * contained in D-40734 kit

Electrothermal De-Ice & Anti-Ice Applications

Cessna (OEM)

De-Ice

Aircraft Model: 310P, Q

Engine Model: IO-470-VO

Propeller Model: D2AF34C71/84JF-X

<u>Qty.</u>	<u>P/N</u>	<u>Part Description</u>
1	D-40034	Slip ring Assembly
1	C-40187	Brush Block Assembly (originally used P/N C-40055)
2	A-1635-56	Screw
8	A-1638-18	Washer
2	B-40024-3	Spacer
1	C-40057	Bracket Assembly
4	B-40030-2	Spacer

Note 1: The C-40055 brush block assembly is no longer available but the B-40046 brush and holder assembly still is.

Electrothermal De-Ice & Anti-Ice Applications

Cessna (OEM)

De-Ice

Aircraft Model: 310P, Q

Engine Model: IO-470-VO

Propeller Model: 3AF32C87/82NC-X

<u>Qty.</u>	<u>P/N</u>	<u>Part Description</u>
1	D-40000	Slip ring Assembly
1	C-40187	Brush Block Assembly (originally used P/N C-40055)
2	A-1635-56	Screw
8	A-1638-18	Washer
2	B-40024-3	Spacer
1	C-40057	Bracket Assembly
4	B-40030-2	Spacer

Note 1: The C-40055 brush block assembly is no longer available but the B-40046 brush and holder assembly still is.

Electrothermal De-Ice & Anti-Ice Applications

Cessna (OEM)

De-Ice

Aircraft Model: 310P, Q

Engine Model: IO-470-VO

Propeller Model: 3AF32C504/82NEA-X

<u>Qty.</u>	<u>P/N</u>	<u>Part Description</u>
3	B-40183-19	Deice Boot (can also use B-40183-03 and -01)
9	A-1635-202	Screw
18	A-1638-17	Washer
18	B-5024	Insulator
9	A-1639-19	Nut
3	B-7180	Bracket
3	A-1635-5	Screw
3	A-2873-5	Clamp
3	A-1635-203	Screw
3	A-1638-25	Washer
3	A-1639-51	Nut
3	B-40639	Wire Harness
3	B-40439	Retainer – Cable
6	A-1635-139	Screws
6	A-1638-17	Washer
1	D-40000	Slip ring Assembly
1	C-40187	Brush Block Assembly (originally used P/N C-40055)
2	A-1635-70	Screw
2	A-1638-7	Washer
2	B-40024-3	Spacer
1	C-40057	Bracket Assembly
4	B-40030-2	Spacer
2	A-2513-88	Bolt
4	A-1638-22	Washer
4	A-1638-23	Washer
2	A-1639-1	Nut

Note 1: Deice boot stand off dimension is 0.230" + 0.250"/ - 0.230"

Note 2: The C-40055 brush block assembly is no longer available but the B-40046 brush and holder assembly still is.

Electrothermal De-Ice & Anti-Ice Applications

Cessna (STC)

De-Ice

Aircraft Model: 310P, Q

Engine Model: IO-470-VO

Propeller Model: 3AF32C528/82NEA-X

<u>Qty.</u>	<u>P/N</u>	<u>Part Description</u>
3	B-40183-19	Deice Boot
9	A-1635-202	Screw
18	A-1638-54	Washer
18	B-5024	Insulator
9	A-1639-19	Nut
3	B-7180	Bracket
3	A-1635-5	Screw
3	A-2873-13	Clamp
3	A-1635-203	Screw
3	A-1638-25	Washer
3	A-1639-51	Nut
3	A-20360-1*	Tie Wrap
3	B-40639*	Wire Harness
3	B-40439*	Retainer – Cable
6	A-1635-139*	Screws
6	A-1638-17*	Washer
1	D-40000*	Slip ring Assembly
1	C-40187*	Brush Block Assembly
2	A-1635-70*	Screw
2	A-1638-7*	Washer
8	A-1638-21*	Washer
2	B-40024-3*	Spacer
1	C-40057*	Bracket Assembly
4	B-40030-2*	Spacer
2	A-2513-88*	Bolt
4	A-1638-22*	Washer
4	A-1638-23*	Washer
2	A-1639-1*	Nut
	D-60255	Installation Drawing

Note 1: Deice boot stand off dimension is 0.230” + 0.250”/ - 0.230”

Note 2: * contained in PL-40701 kit (quantities shown are for one propeller, but kit contains parts for both propellers)

Electrothermal De-Ice & Anti-Ice Applications

Cessna (OEM)

De-Ice

Aircraft Model: 310R

Engine Model: IO-520-M, -MB

Propeller Model: 3AF32C504/82NEA-X

<u>Qty.</u>	<u>P/N</u>	<u>Part Description</u>
3	B-40183-19	Deice Boot (can also use B-40183-03 and -01)
9	A-1635-202	Screw
18	A-1638-17	Washer
18	B-5024	Insulator
9	A-1639-19	Nut
3	B-7180	Bracket
3	A-1635-5	Screw
3	A-2873-13	Clamp
3	A-1635-203	Screw
3	A-1638-25	Washer
3	A-1639-51	Nut
3	B-40639	Wire Harness
3	B-40439	Retainer – Cable
6	A-1635-139	Screws
6	A-1638-17	Washer
1	D-40000	Slip ring Assembly
1	C-40187	Brush Block Assembly (originally used P/N C-40055)
2	A-1635-70	Screw
2	A-1638-7	Washer
2	B-40024-1	Spacer
1	C-40057	Bracket Assembly
4	B-40030-1	Spacer
2	A-2513-88	Bolt
4	A-1638-22	Washer
4	A-1638-23	Washer
2	A-1639-1	Nut

Note 1: Deice boot stand off dimension is 0.230" + 0.250"/ - 0.230"

Note 2: The C-40055 brush block assembly is no longer available but the B-40046 brush and holder assembly still is.

Electrothermal De-Ice & Anti-Ice Applications

Cessna (STC)

De-Ice

Aircraft Model: 310R

Engine Model: IO-520-M, -MB

Propeller Model: 3AF32C528/82NEA-X

<u>Qty.</u>	<u>P/N</u>	<u>Part Description</u>
3	B-40183-19	Deice Boot
9	A-1635-202	Screw
18	A-1638-54	Washer
18	B-5024	Insulator
9	A-1639-19	Nut
3	B-7180	Bracket
3	A-1635-5	Screw
3	A-2873-13	Clamp
3	A-1635-203	Screw
3	A-1638-25	Washer
3	A-1639-51	Nut
3	A-20360-1*	Tie Wrap
3	B-40639*	Wire Harness
3	B-40439*	Retainer – Cable
6	A-1635-139*	Screws
6	A-1638-17*	Washer
1	D-40000	Slip ring Assembly
1	C-40187	Brush Block Assembly
2	A-1635-70	Screw
2	A-1638-7	Washer
8	A-1638-21	Washer
2	B-40024-3	Spacer
1	C-40057	Bracket Assembly
4	B-40030-2	Spacer
2	A-2513-88	Bolt
4	A-1638-22	Washer
4	A-1638-23	Washer
2	A-1639-1	Nut
	D-60255	Installation Drawing

Note 1: Deice boot stand off dimension is 0.230” + 0.250”/ - 0.230”

Note 2: * contained in PL-40702 kit (quantities shown are for one propeller, but kit contains parts for both propellers)

Electrothermal De-Ice & Anti-Ice Applications

Cessna (OEM)

De-Ice

Aircraft Model: T310P, Q

Engine Model: TSIO-520-B, -BB

Propeller Model: D2AF34C71/84JF-X

<u>Qty.</u>	<u>P/N</u>	<u>Part Description</u>
1	D-40034	Slip ring Assembly
1	C-40179	Brush Block Assembly (originally used P/N C-40010)
2	A-1635-56	Screw
8	A-1638-18	Washer
2	B-40024-2	Spacer
1	C-40029	Bracket Assembly
4	B-40030-1	Spacer

Note 1: The C-40010 brush block assembly is no longer available but the B-40012 brush and holder assembly still is.

Electrothermal De-Ice & Anti-Ice Applications

Cessna (OEM)

De-Ice

Aircraft Model: T310P, Q

Engine Model: TSIO-520-B, -BB

Propeller Model: 3AF32C87/82NC-X

<u>Qty.</u>	<u>P/N</u>	<u>Part Description</u>
1	D-40000	Slip ring Assembly
1	C-40179	Brush Block Assembly (originally used P/N C-40010)
2	A-1635-64	Screw
2	A-1638-7	Washer
2	B-40024-2	Spacer
1	C-40029	Bracket Assembly
4	B-40030-1	Spacer
2	A-2513-36	Bolt
4	A-1638-22	Washer
4	A-1638-23	Washer
2	A-1639-1	Nut

Note 1: The C-40010 brush block assembly is no longer available but the B-40012 brush and holder assembly still is.

Electrothermal De-Ice & Anti-Ice Applications

Cessna (OEM)

De-Ice

Aircraft Model: T310P, Q, R

Engine Model: TSIO-520-B, -BB

Propeller Model: 3AF32C504/82NEA-X

<u>Qty.</u>	<u>P/N</u>	<u>Part Description</u>
3	B-40183-19	Deice Boot (can also use B-40183-03 and -01)
9	A-1635-202	Screw
18	A-1638-17	Washer
18	B-5024	Insulator
9	A-1639-19	Nut
3	B-7180	Bracket
3	A-1635-5	Screw
3	A-2873-5	Clamp
3	A-1635-203	Screw
3	A-1638-25	Washer
3	A-1639-51	Nut
3	B-40639	Wire Harness
3	B-40439	Retainer – Cable
6	A-1635-139	Screws
6	A-1638-17	Washer
1	D-40000	Slip ring Assembly
1	C-40179	Brush Block Assembly (originally used P/N C-40010)
2	A-1635-64	Screw
2	A-1638-7	Washer
2	B-40024-2	Spacer
1	C-40029	Bracket Assembly
4	B-40030-1	Spacer
2	A-2513-36	Bolt
4	A-1638-22	Washer
4	A-1638-23	Washer
2	A-1639-1	Nut

Note 1: Deice boot stand off dimension is 0.230” + 0.250”/ - 0.230”

Note 2: The C-40010 brush block assembly is no longer available but the B-40012 brush and holder assembly still is.

Electrothermal De-Ice & Anti-Ice Applications

Cessna (STC) De-Ice

Aircraft Model: T310P, Q, R

Engine Model: TSIO-520-B, -BB

Propeller Model: 3AF32C528/82NEA-X

<u>Qty.</u>	<u>P/N</u>	<u>Part Description</u>
3	B-40183-19	Deice Boot
9	A-1635-202	Screw
18	A-1638-54	Washer
18	B-5024	Insulator
9	A-1639-19	Nut
3	B-7180	Bracket
3	A-1635-5	Screw
3	A-2873-13	Clamp
3	A-1635-203	Screw
3	A-1638-25	Washer
3	A-1639-51	Nut
3	A-20360-1*	Tie Wrap
3	B-40639*	Wire Harness
3	B-40439*	Retainer – Cable
6	A-1635-139*	Screws
6	A-1638-17*	Washer
1	D-40000*	Slip ring Assembly
1	C-40187*	Brush Block Assembly
2	A-1635-64*	Screw
2	A-1638-7*	Washer
8	A-1638-21*	Washer
2	B-40024-2*	Spacer
1	C-40029*	Bracket Assembly
4	B-40030-1	Spacer
2	A-2513-36*	Bolt
4	A-1638-22*	Washer
4	A-1638-23*	Washer
2	A-1639-1*	Nut
	D-60255	Installation Drawing

Note 1: Deice boot stand off dimension is 0.230” + 0.250”/ - 0.230”

Note 2: * contained in PL-40703 kit (quantities shown are for one propeller, but kit contains parts for both propellers)

Electrothermal De-Ice & Anti-Ice Applications

Cessna (OEM)

De-Ice

Aircraft Model: 320D, 320E, 320F, 340, 340A, 401, 401A, 401B, 402, 402A, 402B, 402C

Engine Model: TSIO-520-B, -BB, -E, -EB, -K, -KB, -N, -NB, -VB

Propeller Model: 3AF32C504/82NEA-X, 3AF32C505/82NEA-X

<u>Qty.</u>	<u>P/N</u>	<u>Part Description</u>
3	B-40183-19	Deice Boot
9	A-1635-63	Screw
18	A-1638-54	Washer
18	B-5024	Insulator
9	A-1639-19	Nut
3	B-4878	Bracket
3	A-1635-5	Screw
3	A-2873-13	Clamp
3	A-1635-14	Screw
3	A-1638-25	Washer
3	A-1639-51	Nut
3		Wiring Harness (Safeway P/N 6638)(Goodrich P/N D5855-1)
1	D-40000*	Slip ring Assembly
1	C-40179*	Brush Block Assembly (originally used P/N C-40010)
2	B-40024-2*	Spacer
8	A-1638-21*	Washer
2	A-1635-77*	Screw
2	A-1638-7*	Washer
1	C-40029*	Bracket Assembly
4	B-40030-3*	Spacer
2	A-2513-36*	Bolt
4	A-1638-22*	Washer
4	A-1638-23*	Washer
2	A-1639-1*	Nut
	C-40219	Installation Drawing

Note 1: Deice boot stand off dimension is 0.230" + 0.250"/ - 0.230"

Note 2: * contained in PL-40220 kit (quantities shown are for one propeller, but kit contains parts for both propellers)

Note 3: The C-40010 brush block assembly is no longer available but the B-40012 brush and holder assembly still is.

Electrothermal De-Ice & Anti-Ice Applications

Cessna (OEM)

De-Ice

Aircraft Model: 404
Engine Model: GTSIO-520-M
Propeller Model: 3FF32C501/90UMB-X

<u>Qty.</u>	<u>P/N</u>	<u>Part Description</u>
3	B-40183-03	Deice Boot
9	A-1635-63	Screw
18	A-1638-54	Washer
18	B-5024	Insulator
9	A-1639-19	Nut
3	B-4641	Bracket
3	A-1635-5	Screw
3	A-2873-5	Clamp
3	A-1635-14	Screw
3	A-1638-25	Washer
3	A-1639-51	Nut
3		Wiring Harness (Goodrich P/N D5855-1)
1	D-40099*	Slip ring Assembly
1	C-40179*	Brush Block Assembly (originally used P/N C-40010)
2	B-40024-4*	Spacer
8	A-1638-21*	Washer
2	A-1635-70*	Screw
2	A-1638-7*	Washer
1	C-40101*	Bracket Assembly
2	A-2513-88*	Bolt
4	A-1638-22*	Washer
2	A-1639-1*	Nut
	C-40221	Installation Drawing

Note 1: Deice boot stand off dimension is 1.550" +/- 0.250" measured from blade retaining ring

Note 2: The C-40010 brush block assembly is no longer available but the B-40012 brush and holder assembly still is.

Note 3: * contained in C-40221 kit (quantities shown are for one propeller, but kit contains parts for both propellers)

Electrothermal De-Ice & Anti-Ice Applications

Cessna (OEM)

De-Ice

Aircraft Model: 411, 411A
Engine Model: GTSIO-520-C
Propeller Model: 3AF37C510/90LFB-X

<u>Qty.</u>	<u>P/N</u>	<u>Part Description</u>
3	B-40183-19	Deice Boot
9	A-1635-202	Screw
18	A-1638-54	Washer
18	B-5024	Insulator
9	A-1639-19	Nut
3	B-7180	Bracket
3	A-1635-5	Screw
3	A-2873-13	Clamp
3	A-1635-203	Screw
3	A-1638-25	Washer
3	A-1639-51	Nut
3	B-40639*	Wiring Harness
3		Retainer (Goodrich P/N E-5855-3)
6		Screw (Goodrich P/N E-5855-6)
6		Lock Washer (Goodrich P/N E-5855-6B)
6		Washer (Goodrich P/N E-5735-2C)
1	D-40000*	Slip ring Assembly
1	C-40179*	Brush Block Assembly (originally used P/N C-40010)
2	B-40024-1*	Spacer
8	A-1638-21*	Washer
2	A-1635-77*	Screw
2	A-1638-7*	Washer
1	C-40101*	Bracket Assembly
2	A-2513-88*	Bolt
4	A-1638-22*	Washer
2	A-1639-1*	Nut
	E-40645	Installation Drawing

Note 1: Deice boot stand off dimension is 0.230" + 0.250"/ - 0.230"

Note 2: The C-40010 brush block assembly is no longer available but the B-40012 brush and holder assembly still is.

Note 3: * contained in PL-40649 kit

Electrothermal De-Ice & Anti-Ice Applications

Cessna (OEM)

De-Ice

Aircraft Model: 414, 414A

Engine Model: TSIO-520-J, -JB, -N, -NB

Propeller Model: 3AF32C505/82NEA-X (P5055186-0119, P5055186-0419)

<u>Qty.</u>	<u>P/N</u>	<u>Part Description</u>
3	B-40183-19#	Deice Boot
9	A-1635-63#	Screw
18	A-1638-54#	Washer
18	B-5024#	Insulator
9	A-1639-19#	Nut
3	B-4878#	Bracket
3	A-1635-5#	Screw
3	A-2873-13#	Clamp
3	A-1635-14#	Screw
3	A-1638-25#	Washer
3	A-1639-51#	Nut
3	D5855-1	Wiring Harness (Goodrich P/N)
	or	
3	6638	Wiring Harness (Safeway P/N)
3	E5855-3	Wiring Harness Retainer (Goodrich P/N)
6	AN500D6-16	Wiring Harness Retainer Screw
6	E5855-6B	Wiring Harness Retainer Washer (Goodrich P/N)
1	D-40000*	Slip ring Assembly
1	C-40179*	Brush Block Assembly (originally used P/N C-40010)
2	B-40024-2*	Spacer
8	A-1638-21*	Washer
2	A-1635-77*	Screw
2	A-1638-7*	Washer
1	C-40029*	Bracket Assembly
4	B-40030-3*	Spacer
2	A-2513-36*	Bolt
4	A-1638-22*	Washer
4	A-1638-23*	Washer
2	A-1639-1*	Nut
	C-40219	Installation Drawing

Note 1: Deice boot stand off dimension is 0.230" + 0.250"/ - 0.230"

Note 2: * contained in PL-40220 kit (quantities shown are for one propeller, but kit contains parts for both propellers).

Note 3: # included with P5055186-0119 and P5055186-0419 propellers.

Note 4: The C-40010 brush block assembly is no longer available but the B-40012 brush and holder assembly still is.

Electrothermal De-Ice & Anti-Ice Applications

Cessna (STC)

De-Ice

Aircraft Model: 340, 340A, 402C, 414, 414A

Engine Model: TSIO-520-J, -N, -NB,-VB

Propeller Model: 3AF32C515/82NLA-X

<u>Qty.</u>	<u>P/N</u>	<u>Part Description</u>
3	B-40183-19	Deice Boot
9	A-1635-63	Screw
18	A-1638-54	Washer
18	B-5024	Insulator
9	A-1639-19	Nut
3	B-4878	Bracket
3	A-1635-5	Screw
3	A-2873-13	Clamp
3	A-1635-14	Screw
3	A-1638-25	Washer
3	A-1639-51	Nut
3		Wiring Harness (Safeway P/N 6638)
1	D-40000*	Slip ring Assembly
1	C-40179*	Brush Block Assembly (originally used P/N C-40010)
2	B-40024-2*	Spacer
8	A-1638-21*	Washer
2	A-1635-77*	Screw
2	A-1638-7*	Washer
1	C-40029*	Bracket Assembly
4	B-40030-3*	Spacer
2	A-2513-36*	Bolt
4	A-1638-22*	Washer
4	A-1638-23*	Washer
2	A-1639-1*	Nut
	C-40219	Installation Drawing

Note 1: Deice boot stand off dimension is 0.230" + 0.250"/ - 0.230"

Note 2: * contained in PL-40220 kit (quantities shown are for one propeller, but kit contains parts for both propellers)

Note 3: The C-40010 brush block assembly is no longer available but the B-40012 brush and holder assembly still is.

Electrothermal De-Ice & Anti-Ice Applications

Cessna (STC)

De-Ice

Aircraft Model: RAM 414-AW
Engine Model: TSIOL-550-A
Propeller Model: 3AF36C514/80VMFA-X

<u>Qty.</u>	<u>P/N</u>	<u>Part Description</u>
3	B-40183-03	Deice Boot
9	A-1635-63	Screw
18	A-1638-54	Washer
18	B-5024	Insulator
9	A-1639-19	Nut
3	B-4878	Bracket
3	A-1635-5	Screw
3	A-2873-9	Clamp
3	A-1635-14	Screw
3	A-1638-25	Washer
3	A-1639-51	Nut
3	B-40485*	Wiring Harness
3	A-2873-10*	Clamp
6	A-1635-56*	Screw
6	A-1638-18*	Washer
3	A-40528*	Grommet
3	A-2873-11*	Clamp
1	A-20360-4*	Tie Wrap
1	D-40106*	Slip ring Assembly
1	C-40179*	Brush Block Assembly
2	B-40024-2*	Spacer
8	A-1638-21*	Washer
2	A-1635-77*	Screw
2	A-1638-7*	Washer
1	C-40029*	Bracket Assembly
4	B-40030-3*	Spacer
2	A-2513-36*	Bolt
4	A-1638-22*	Washer
4	A-1638-23*	Washer
2	A-1639-1*	Nut

D-40486 Installation Drawing

Note 1: Deice boot stand off dimension is 1.500" +/- 0.125" measured from blade retaining ring

Note 2: * contained in D-40486 kit (quantities shown are for one propeller, but kit contains parts for both propellers)

Electrothermal De-Ice & Anti-Ice Applications

Cessna (OEM)

De-Ice

Aircraft Model: 421, A, B
Engine Model: GTSIO-520-D, -H
Propeller Model: 3AF37C516/90LFB-0
Propeller P/N: P5167110-0119

<u>Qty.</u>	<u>P/N</u>	<u>Part Description</u>
3	B-40183-19#	Deice Boot
9	A-1635-202#	Screw
18	A-1638-54#	Washer
18	B-5024#	Insulator
9	A-1639-19#	Nut
3	B-7180#	Bracket
3	A-1635-5#	Screw
3	A-2873-13#	Clamp
3	A-1635-203#	Screw
3	A-1638-25#	Washer
3	A-1639-51#	Nut
3	B-40639*	Wiring Harness
3	E5855-3	Retainer (Goodrich P/N)
6	E5855-6	Screw (Goodrich P/N)
6	E5855-6B	Lock Washer (Goodrich P/N)
6	E5735-2C	Washer (Goodrich P/N)
1	D-40000*	Slip ring Assembly
1	C-40179*	Brush Block Assembly (originally used P/N C-40010)
2	B-40024-1*	Spacer
8	A-1638-21*	Washer
2	A-1635-77*	Screw
2	A-1638-7*	Washer
1	C-40101*	Bracket Assembly
2	A-2513-88*	Bolt
4	A-1638-22*	Washer
2	A-1639-1*	Nut

Note 1: Deice boot stand off dimension is 1.200" +/- 0.250" measured from blade retaining ring

Note 2: The C-40010 brush block assembly is no longer available but the B-40012 brush and holder assembly still is.

Note 3: * contained in PL-40649 kit

Note 4: # included with P5167110-0119 propeller

E-40635 Installation Drawing
E-40645 Installation Drawing

Electrothermal De-Ice & Anti-Ice Applications

Cessna (OEM)

De-Ice

Aircraft Model: 421C
Engine Model: GTSIO-520-L, -N
Propeller Model: 3FF32C501/90UMB-X

<u>Qty.</u>	<u>P/N</u>	<u>Part Description</u>
3	B-40183-03	Deice Boot
9	A-1635-63	Screw
18	A-1638-54	Washer
18	B-5024	Insulator
9	A-1639-19	Nut
3	B-4641	Bracket
6	A-1635-5	Screw
3	A-2873-5	Clamp (used with standard wire harness)
3	A-2873-7	Clamp (used with heavy duty harness)
3	A-1635-14	Screw
3	A-1638-25	Washer
3	A-1639-51	Nut
1	D-40099*	Slip ring Assembly
1	C-40179*	Brush Block Assembly (originally used P/N C-40010)
2	B-40024-4*	Spacer
8	A-1638-21*	Washer
2	A-1635-70*	Screw
2	A-1638-7*	Washer
1	C-40101*	Bracket Assembly
2	A-2513-88*	Bolt
4	A-1638-22*	Washer
2	A-1639-1*	Nut
	C-40221	Installation Drawing

Note 1: Deice boot stand off dimension is 1.550" +/- 0.250" measured from blade retaining ring

Note 2: The C-40010 brush block assembly is no longer available but the B-40012 brush and holder assembly still is.

Note 3: * contained in C-40221 kit (quantities shown are for one propeller, but kit contains parts for both propellers)

Electrothermal De-Ice & Anti-Ice Applications

Cessna (OEM)

De-Ice

Aircraft Model: 425
Engine Model: PT6A-112
Propeller Model: 3GFR34C701/93KB-X

<u>Qty.</u>	<u>P/N</u>	<u>Part Description</u>
3	B-40183-03	Deice Boot
9	A-1635-63	Screw
18	A-1638-54	Washer
18	B-5024	Insulator
9	A-1639-19	Nut
3	B-4878	Bracket
3	A-1635-5	Screw
3	A-2873-5	Clamp
3	A-1635-14	Screw
3	A-1638-25	Washer
3	A-1639-51	Nut
3	B-5051*	Wire Harness
1	D-40174*	Slip Ring Assembly
1	C-40179*	Brush Block Assembly
2	A-1635-77	Screw
2	A-1638-7	Washer
2	B-40024-9	Spacer
12	A-1638-21	Washer
1	C-40537	Bracket Assembly

Note 1: Deice boot stand off dimension is 1.438" +/- 0.030"

Note 2: The C-40010 brush block assembly is no longer available but the B-40012 brush and holder assembly still is.

Note 3: * contained in PL-40272 kit, refer to drawing C-40271

Electrothermal De-Ice & Anti-Ice Applications

Cessna (STC)

De-Ice

Aircraft Model: 425
Engine Model: PT6A-112, -135
Propeller Model: 4HFR34C762/94LMA-X

<u>Qty.</u>	<u>P/N</u>	<u>Part Description</u>
4	B-40245-52	Deice Boot
8	A-1635-63	Screw
16	A-1638-54	Washer
8	A-1639-19	Nut
16	B-5024	Insulator
4	B-4971	Blade Shank Bracket
4	A-1635-5	Screw
4	A-2873-9	Clamp
4	A-1635-14	Screw
4	A-1638-25	Washer
4	A-1639-51	Nut
4	B-40330	Wiring Harness
8	A-20360-3	Tie Wrap
4	A-2873-10	Clamp
8	A-1635-56	Screw
8	A-1638-18	Washer
1	D-40364	Slip Ring Assembly
1	C-40257*	Brush Block Assembly
2	B-40024-9*	Spacer
2	A-1638-7*	Washer
2	A-1635-77*	Screw
16	A-1638-21*	Shim
1	C-40536*	Bracket Assembly
1	C-45116*	Timer (or use B-45043)
1	A-60054*	Circuit Breaker Switch
2	A-60059*	Circuit Breaker
1	A-60060*	Ammeter
	D-60050	Installation Drawing
	D-6329	Installation Drawing

Note 1: Deice boot stand off dimension is 0.375" +/- 0.125"

Note 2: * contained in PL-60053 kit (2 kits required per aircraft)

Electrothermal De-Ice & Anti-Ice Applications

Cessna (OEM)

De-Ice

Aircraft Model: 441

Engine Model: TPE331-8, -10

Propeller Model: 3GFR34C601/93JA-X

<u>Qty.</u>	<u>P/N</u>	<u>Part Description</u>
3	B-40183-03	Deice Boot
9	A-1635-63	Screw, deice boot to deice bracket
18	A-1638-17	Washer, deice boot to deice bracket
18	B-5024	Insulator, deice boot to deice bracket
9	A-1639-19	Nut, deice boot to deice bracket
3	B-4878	Bracket, deice
3	A-1635-5	Screw, deice bracket to blade
3	A-2873-9	Clamp, wire harness to deice bracket
3	A-1635-14	Screw, wire harness clamp to deice bracket
3	A-1638-25	Washer, wire harness clamp to deice bracket
3	A-1639-51	Nut, wire harness clamp to deice bracket
3	B-5051	Wire Harness
3	A-2873-6	Clamp, wire harness to bulkhead
6	A-1635-122	Screw, wire harness to bulkhead
6	A-1638-19	Washer, wire harness to bulkhead
1	D-40099	Slip Ring Assembly
1	C-40187	Brush Block Assembly
2	A-1635-70	Screw, brush block assembly to bracket
2	A-1638-7	Washer, brush block assembly to bracket
2	B-40024-5	Spacer, brush block assembly to bracket
8	A-1638-21	Washer, brush block assembly to bracket
1	C-40126	Bracket Assembly

Note 1: Deice boot stand off dimension is 1.438" +/- 0.030"

Electrothermal De-Ice & Anti-Ice Applications

Cessna (STC)

De-Ice

Aircraft Model: 441
Engine Model: TPE331-8, -10
Propeller Model: 4HFR34C661/90LNA-X

<u>Qty.</u>	<u>P/N</u>	<u>Part Description</u>
4	B-40245-56	Deice Boot
4	B-4971	Bracket
4	A-1635-5	Screw
16	A-20360-1	Tie Wrap
4	B-40585	Wire Harness
8	A-20360-2	Tie Wrap
4	A-2873-5	Clamp
4	A-1635-56	Screw
4	A-1638-18	Washer
1	D-40354	Slip Ring Assembly
1	C-40179*	Brush Block Assembly
2	A-1635-100*	Screw
8	A-1638-21*	Washer
2	A-1638-7*	Washer
1	C-40612*	Bracket Assembly
2	A-1638-4*	Washer
2	A-60088	Ammeter
2	C-45118	Timer (can also use P/N B-45103)
	D-60093	Installation Drawing
	D-6821	Installation Drawing

Note 1: Deice boot stand off dimension is 0.375" +/- 0.125"

Note 2: * contained in PL-40586 kit

Electrothermal De-Ice & Anti-Ice Applications

DeHavilland (STC)

De-Ice

Aircraft Model: DHC-6-300
Engine Model: PT6A-27
Propeller Model: 4HFR34C764/90LNA-X

<u>Qty.</u>	<u>P/N</u>	<u>Part Description</u>
4	B-40245-52	Deice Boot
8	A-1635-63	Screw
16	A-1638-54	Washer
8	A-1639-19	Nut
16	B-5024	Insulator
4	B-4971	Blade Shank Bracket
4	A-1635-5	Screw
4	A-2873-9	Clamp
4	A-1635-14	Screw
4	A-1638-25	Washer
4	A-1639-51	Nut
4	B-40330	Wiring Harness
8	A-20360-3	Tie Wrap
4	A-2873-10	Clamp
8	A-1635-56	Screw
8	A-1638-18	Washer
1	D-40505	Slip Ring Assembly
1	C-45114*	Timer (or use B-45018)
1	B-60010*	Timer Mounting Plate
1	A-60043*	Circuit Breaker
	D-60040	Installation Drawing
	D-6302	Installation Drawing

Note 1: Deice boot stand off dimension is 0.375" +/- 0.125"

Note 2: * contained in PL-60056 kit

Electrothermal De-Ice & Anti-Ice Applications

Fairchild (OEM)

De-Ice

Aircraft Model: SA227-AC, -AT, -BC, -CC, -DC

Engine Model: TPE331-11U, -12UA, -12UAR, - 12UHR

Propeller Model: 4HFR34C652/L106LA-X

Qty.	P/N	Part Description
4	B-40183-07	Deice Boot
8	A-1635-63	Screw
16	A-1638-54	Washer
8	A-1639-19	Nut
16	B-5024	Insulator
4	B-4878	Blade Shank Bracket
4	A-1635-5	Screw
4	A-2873-9	Clamp
4	A-1635-14	Screw
4	A-1638-25	Washer
4	A-1639-51	Nut
4	B-40387	Wiring Harness
8	A-20360-3	Tie Wrap
4	A-2873-10	Clamp
8	A-1635-56	Screw
8	A-1638-18	Washer
1	D-40354	Slip Ring Assembly
1	C-40331	Brush Block Assembly
2	A-1635-77	Screw
2	A-1638-7	Washer
2	A-40024-6	Spacer
8	A-1638-21	Washer
1	C-40306	Bracket Assembly
	D-40313	Installation Drawing
	D-5194	Plexiglas Brush Block Alignment Gage

Note 1: Deice boot stand off dimension is 0.625" +/- 0.125"

Electrothermal De-Ice & Anti-Ice Applications

Jetstream (STC)

De-Ice

Aircraft Model: J31
Engine Model: TPE331-10UF, -10UG, -10UGR, - 10UR
Propeller Model: 4HFR34C652/L106LA-X

<u>Qty.</u>	<u>P/N</u>	<u>Part Description</u>
4	B-40183-07	Deice Boot
8	A-1635-63	Screw
16	A-1638-54	Washer
16	B-5024	Insulator
8	A-1639-19	Nut
4	B-4878	Blade Shank Bracket
4	A-1635-5	Screw
4	A-2873-9	Clamp
4	A-1635-14	Screw
4	A-1638-25	Washer
4	A-1639-51	Nut
4	B-40387	Wiring Harness
8	A-20360-3	Tie Wrap
4	A-2873-10	Clamp
8	A-1635-56	Screw
8	A-1638-18	Washer
1	D-40354	Slip Ring Assembly
1	C-40331*	Brush Block Assembly
2	A-1635-77	Screw
2	A-1638-7	Washer
2	A-40024-8*	Spacer
16	A-1638-21*	Washer
1	C-40597*	Bracket Assembly
	D-60025	Installation Drawing
	D-6318	Installation Drawing

Note 1: Deice boot stand off dimension is 0.625" +/- 0.125"

Note 2: * Contained in PL-60049 kit

Electrothermal De-Ice & Anti-Ice Applications

Jetstream (OEM)

De-Ice

Aircraft Model: J32
Engine Model: TPE331-12UAR, UHR
Propeller Model: 4HFR34C653/L106FA-X

<u>Qty.</u>	<u>P/N</u>	<u>Part Description</u>
4	B-40183-55	Deice Boot
8	A-1635-63	Screw
16	A-1638-54	Washer
16	B-5024	Insulator
8	A-1639-19	Nut
4	B-4878	Blade Shank Bracket
4	A-1635-5	Screw
4	A-2873-9	Clamp
4	A-1635-14	Screw
4	A-1638-25	Washer
4	A-1639-51	Nut
4	B-40387*	Wiring Harness
8	A-20360-3*	Tie Wrap
4	A-2873-10*	Clamp
8	A-1635-56*	Screw
8	A-1638-18*	Washer
1	D-40354*	Slip Ring Assembly
1	C-40543*	Brush Block Assembly
2	A-1635-77*	Screw
2	A-1638-7*	Washer
2	A-40024-9*	Spacer
16	A-1638-21*	Washer
1	C-40545*	Bracket Assembly
1	D-45059	Timer (original timer can be used)
	D-40532	Installation Drawing
	D-7353	Installation Drawing

Note 1: Deice boot stand off dimension is 0.625" +/- 0.125"

Note 2: * Contained in PL-40533 kit

Electrothermal De-Ice & Anti-Ice Applications

Jetstream (OEM)

De-Ice

Aircraft Model: J41

Engine Model: TPE331-14GR, -14HR

Propeller Model: B5JFR36C1101/114GCA-X, C5JFR36C1102/L114GCA-X,
B5JFR36C1103/114HCA-X, C5JFR36C1104/L114HCA-X

<u>Qty.</u>	<u>P/N</u>	<u>Part Description</u>
5	B-40183-16*	Deice Boot
5	B-40183-17**	Deice Boot
15	A-1635-205	Screw
30	B-40627	Insulator
15	A-1639-18	Nut
15	A-1639-53	Nut
5	B-4971*	Blade Shank Bracket
5	B-4878**	Blade Shank Bracket
5	A-1635-5	Screw
5	A-2873-9	Clamp
5	A-1635-14	Screw
5	A-1638-25	Washer
5	A-1639-51	Nut
5	C-40648+	Wiring Harness
5	A-2873-15+	Clamp
10	A-1635-56+	Screw
10	A-1638-18+	Washer
1	D-40553+	Slip Ring Assembly
1	C-40631+	Brush Block Assembly
2	A-1635-77+	Screw
2	A-1638-7+	Washer
2	A-40024-8+	Spacer
8	A-1638-21+	Washer
1	C-40599+	Bracket Assembly
1	D-45081	Timer
	D-40550	Installation Drawing

Note 1: Deice boot stand off dimension is 1.150" +/- 0.125"

Note 2: * C1101 and C1103, ** C1102 and C1104

Note 3: + contained in PL-40573 kit

Electrothermal De-Ice & Anti-Ice Applications

Mooney (STC)

De-Ice

Aircraft Model: M20K

Engine Model: TSIO-360-GB1, -GB2, -GB3, -GB4, -LB1, -MB1, -MB2

Propeller Model: D3A36C430/74SA-X

<u>Qty.</u>	<u>P/N</u>	<u>Part Description</u>
3	B-40245-57	Deice Boot (28V single element)
3	B-40245-58	Deice Boot (14V dual element)
3	B-40251	Restrainer Strap
3	A-40671*	Grommet
3	A-2873-14*	Clamp
6	A-1635-40*	Screw
6	A-1638-26*	Washer
6	A-1639-38*	Nut
3	A-40672*	Terminal Strip
6	A-1635-139*	Screw
6	A-1638-19*	Washer
6	A-1639-19*	Nut
3	B-40677	Wire Harness (28V single element)
3	B-40178	Wire Harness (14V dual element)
2	A-20360-4*	Tie Wrap
1	A-60215*	Circuit Breaker Switch
	D-60198	Installation Drawing

Note 1: Deice boot stand off dimension is 0.375" +/- 0.125"

Note 2: * contained in PL-60240 kit

Electrothermal De-Ice & Anti-Ice Applications

Mooney (OEM)

De-Ice

Aircraft Model: M20M
Engine Model: TIO-540-AF1A
Propeller Model: B3D32C417/82NRD-X

<u>Qty.</u>	<u>P/N</u>	<u>Part Description</u>
3	B-40245-53*	Deice Boot
3	B-40251*	Restrainer Strap
3	A-2873-14*	Clamp
6	A-1635-40*	Screw
12	A-1638-18*	Washer
6	A-1639-38*	Nut
3	A-40520*	Grommet
3	A-40519*	Terminal Strip
6	A-1635-139*	Screw
6	A-1638-19*	Washer
6	A-1639-19*	Nut
1	A-20360-4*	Tie Wrap
1	D-40495*	Slip Ring and Starter Ring Gear Assembly (contains qty 3, P/N B-40515 wire harness)
1	C-40521*	Brush Block Assembly
2	A-1635-100*	Screw
2	B-40024-7*	Spacer
2	A-1638-7*	Washer
8	A-1638-21*	Washer
1	C-40494*	Bracket Assembly
1	A-2513-93*	Bolt
1	A-2513-85*	Bolt
2	A-40137*	Spacer
2	A-1638-4*	Washer
1	C-45114	Timer
	D-40496	Installation Drawing

Note 1: Deice boot stand off dimension is 0.375" +/- 0.125"

Note 2: * contained in D-40496 kit

Electrothermal De-Ice & Anti-Ice Applications

Mooney (STC)

De-Ice

Aircraft Model: Rocket M20L, M, R

Engine Model: TSIOL-550-A

Propeller Model: 3AF32C525/80VMFA-X

<u>Qty.</u>	<u>P/N</u>	<u>Part Description</u>
3	B-40183-19	Deice Boot
9	A-1635-63	Screw (can also use A-1635-202)
18	A-1638-54	Washer
18	B-5024	Insulator
9	A-1639-19	Nut
3	B-4878	Bracket (can also use B-7180)
3	A-1635-5	Screw
3	A-2873-13	Clamp
3	A-1635-14	Screw (can also use A-1635-203)
3	A-1638-25	Washer
3	A-1639-51	Nut
3		Wiring Harness (Safeway P/N 6638)(Goodrich P/N D5855-1)
1	D-40000	Slip ring Assembly
1	C-40179	Brush Block Assembly
2	B-40024-2	Spacer
8	A-1638-21	Washer
2	A-1635-77	Screw
2	A-1638-7	Washer
1	C-40029	Bracket Assembly
4	B-40030-3	Spacer
2	A-2513-36	Bolt
4	A-1638-22	Washer
4	A-1638-23	Washer
2	A-1639-1	Nut
	C-40219	Installation Drawing

Note 1: Deice boot stand off dimension is 0.230" + 0.250"/ - 0.230"

Electrothermal De-Ice & Anti-Ice Applications

Mooney (OEM)

De-Ice

Aircraft Model: M20R
Engine Model: IO-550-G
Propeller Model: 3A32C418/82NRC-X

<u>Qty.</u>	<u>P/N</u>	<u>Part Description</u>
3		Deice Boot (Goodrich P/N 4E2200-8)
3	B-40251*	Restrainer Strap
6	A-1639-19*	Nut
6	A-40626*	Jumper Wire Assembly
1	D-40238*	Slip Ring Assembly
1	C-40257*	Brush Block Assembly
2	A-1635-77*	Screw
2	A-1638-7*	Washer
2	B-40024-2*	Spacer
8	A-1638-21*	Washer
1	C-40298*	Bracket Assembly
2	A-2513-36*	Bolt
4	B-40030-3*	Spacer
8	A-1638-23*	Washer
4	A-1638-22*	Washer
2	A-1639-1*	Nut
1	C-45114	Timer (can also use B-45018)
	E-40623	Drawing

Note 1: Goodrich Kit P/N 67-860-1 is required for this installation

Note 2: * contained in PL-40624 kit

Electrothermal De-Ice & Anti-Ice Applications

Piper (STC)

De-Ice

Aircraft Model: PA-31, PA-31-325, PA-31-350

Engine Model: TIO-540-A1A, -A1B, -A2A, -A2B, -A2C, -F2BD, J2B, -J2BD
LTIO-540-F2BD, J2B, -J2BD

Propeller Model: B3DF36C526/80HJA-X, B3DF36C527/L80HJA-X

<u>Qty.</u>	<u>P/N</u>	<u>Part Description</u>
3	B-40245-56	Deice Boot
3	B-4878	Bracket (use with C526)
3	B-4971	Bracket (use with C527)
3	A-1635-5	Screw
3	B-40589	Wire Harness
21	A-20360-1	Tie Wrap
1	A-20360-4	Tie Wrap
1	B-60122	Timer Plate Assembly (contains C-45114 timer)
	D-60105	Installation Drawing

Note 1: Deice boot stand off dimension is 1.325" +/- 0.125" measured from blade retaining ring

Electrothermal De-Ice & Anti-Ice Applications

Piper (STC)

De-Ice

Aircraft Model: PA-31T, PA-31T1
Engine Model: PT6A-28, -11
Propeller Model: 4HFR34C766/94LNA-X

<u>Qty.</u>	<u>P/N</u>	<u>Part Description</u>
4	B-40245-52	Deice Boot
8	A-1635-63	Screw
16	A-1638-54	Washer
16	B-5024	Insulator
8	A-1639-19	Nut
4	B-4971	Bracket
4	A-1635-5	Screw
4	A-2873-9	Clamp
4	A-1635-14	Screw
4	A-1638-25	Washer
4	A-1639-51	Nut
4	B-40330	Wire Harness
8	A-20360-3	Tie Wrap
4	A-2873-10	Clamp
8	A-1635-56	Screw
8	A-1638-18	Washer
1	D-40354	Slip ring Assembly
1	C-40179*	Brush Block Assembly
2	A-1635-77*	Screw
2	A-1638-7*	Washer
2	B-40024-9*	Spacer
8	A-1638-21*	Washer
1	C-40537*	Bracket Assembly
1	D-60075	Wiring Harness
1	C-45127-3	Timer and Mounting Plate Assembly (contains C-45118 timer)
1	A-60060	Ammeter
1	A-60054	Circuit Breaker Switch
1	B-60072	Ammeter Mounting Bracket
1	A-60079	Plug
1	A-60083	Post Light Assembly
1	A-60084	Ground Wire Assembly
1	B-60092	Circuit Breaker (Wired Type)
Or	A-60100	Circuit Breaker (Plug-In Type)
	D-60071	Installation Drawing
	D-6762	Installation Drawing

Note 1: Deice boot stand off dimension is 0.375" +/- 0.125"

Note 2: * contained in PL-40582 kit

Electrothermal De-Ice & Anti-Ice Applications

Piper (STC)

De-Ice

Aircraft Model: PA-42, PA-42-720
Engine Model: PT6A-41, -61
Propeller Model: 4HFR34C774/94LPA-X

<u>Qty.</u>	<u>P/N</u>	<u>Part Description</u>
4	B-40183-20	Deice Boot
12	A-1635-63	Screw
24	A-1638-54	Washer
24	B-5024	Insulator
12	A-1639-19	Nut
4	B-4971	Bracket
4	A-1635-5	Screw
4	A-2873-9	Clamp
4	A-1635-14	Screw
4	A-1638-25	Washer
4	A-1639-51	Nut
4	B-40668	Wire Harness
8	A-20360-3	Tie Wrap
4	A-2873-10	Clamp
8	A-1635-56	Screw
8	A-1638-18	Washer
1	D-40667	Slip ring Assembly
1	C-40179*	Brush Block Assembly
2	A-1635-77*	Screw
2	A-1638-7*	Washer
2	B-40024-9*	Spacer
8	A-1638-21*	Washer
1	C-40537*	Bracket Assembly
	D-60205	Installation Drawing
	D-7413	Installation Drawing

Note 1: Deice boot stand off dimension is 0.375" +/- 0.125"

Note 2: * contained in PL-40582 kit

Electrothermal De-ice Brush Block Assemblies

Brush Block Assembly Breakdown

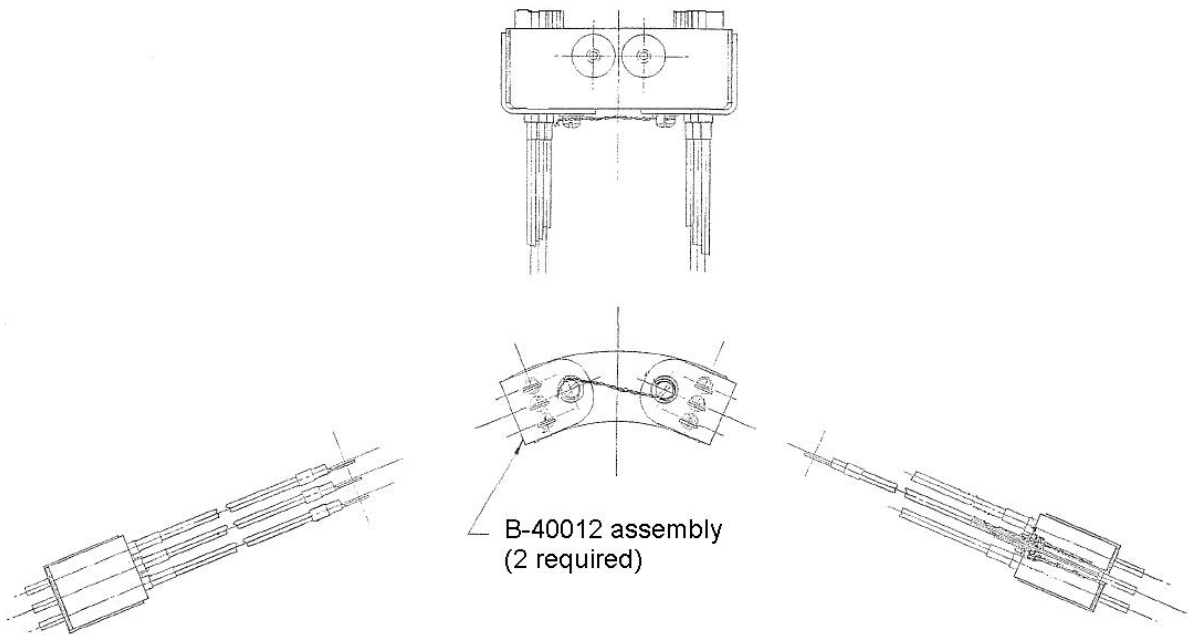
Brush Block

<u>Assembly</u>	<u>Qty.</u>	<u>Brush and Holder Assembly</u>
C-40010*	2	B-40012
C-40055*	2	B-40046
C-40179	2	B-40189
C-40187	2	B-40193
C-40257	1	C-40256-1
	1	C-40256-2
C-40331	2	B-40332
C-40363	1	C-40371-1
	1	C-40371-2
C-40463	1	C-40464-1
	1	C-40464-2
C-40521	1	C-40522-1
	1	C-40522-2
C-40543	2	B-40416
	1	B-40563
C-40593	1	C-40256-1
	1	C-40256-2
C-40631	6	B-40571
C-40660	1	C-40522-1
	1	C-40522-2
C-40685	1	C-40464-1
	1	C-40464-2

Note 1: * The Brush Block Assembly is no longer available but the Brush and Holder assembly is still available.

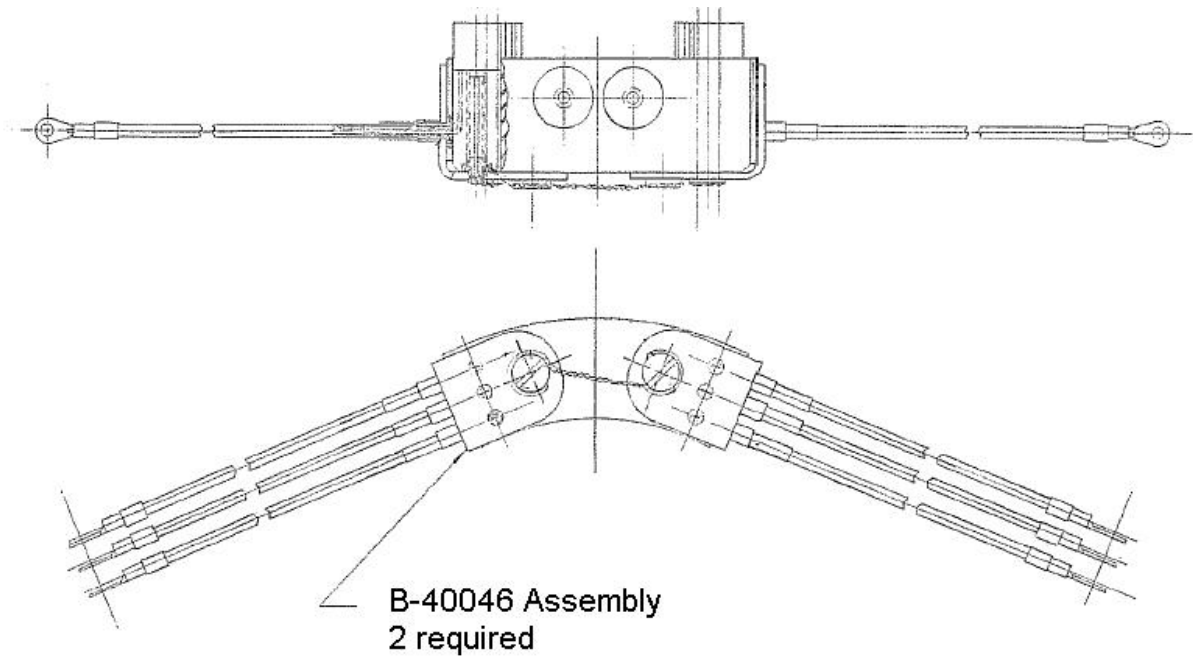
Electrothermal De-ice Brush Block Assemblies

C-40010 (obsolete)



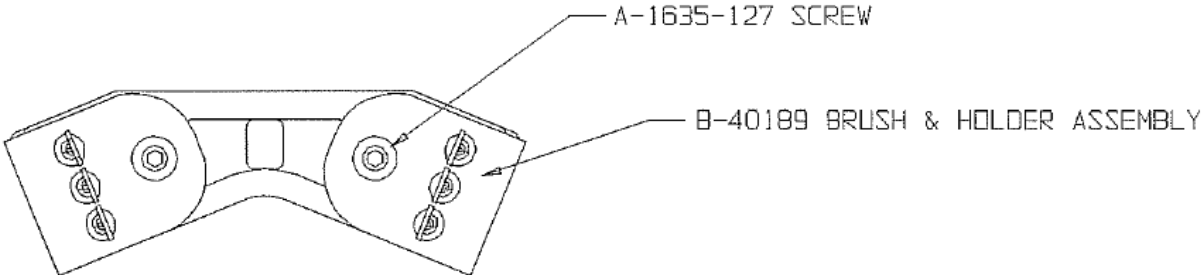
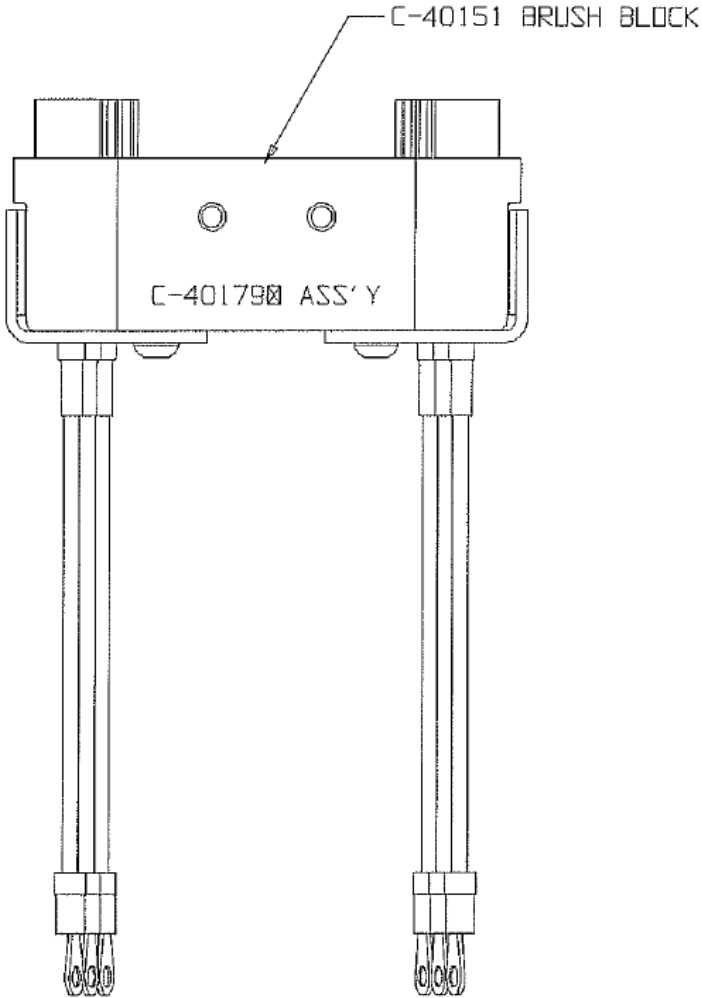
Electrothermal De-ice Brush Block Assemblies

C-40055 (obsolete)



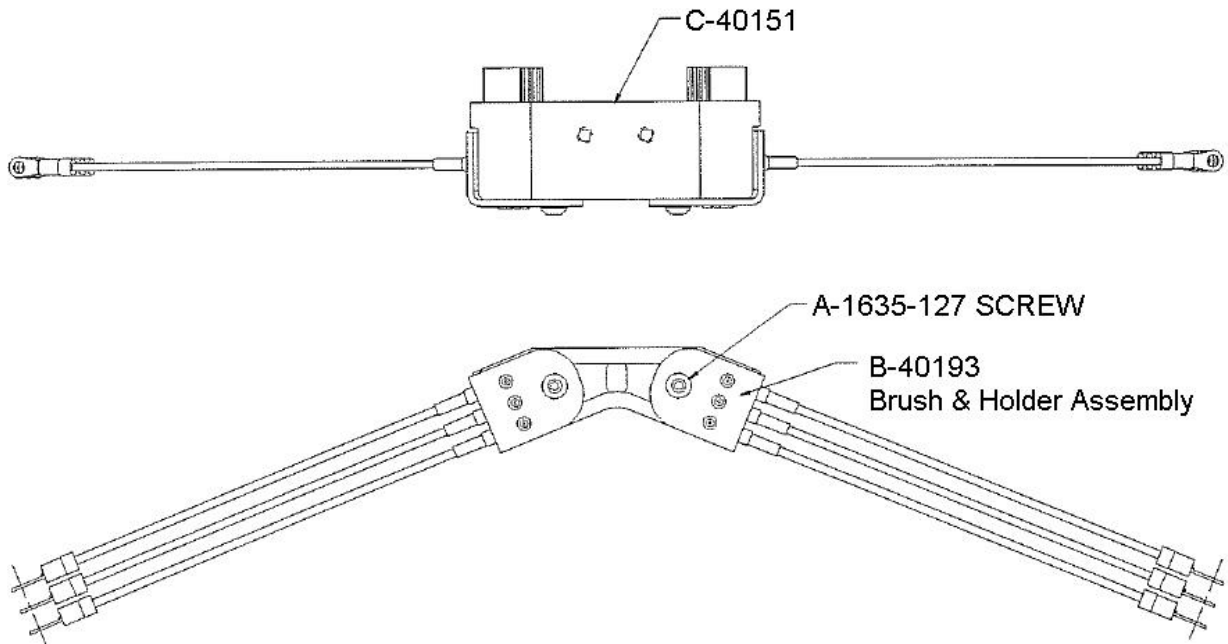
Electrothermal De-ice Brush Block Assemblies

C-40179



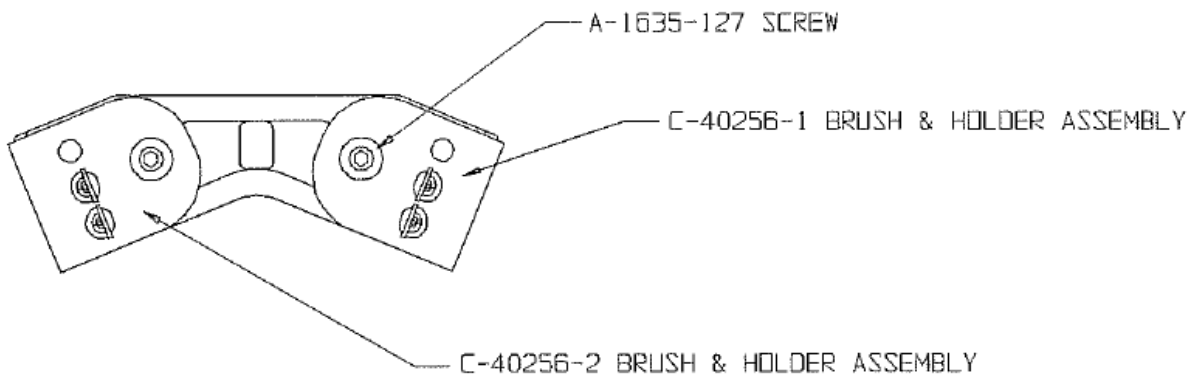
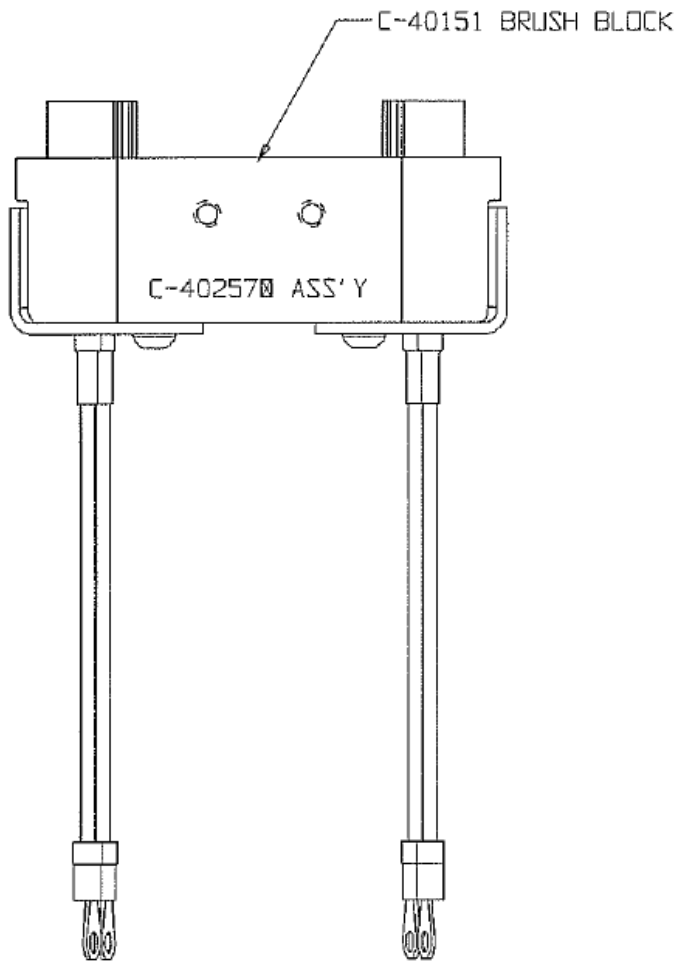
Electrothermal De-ice Brush Block Assemblies

C-40187



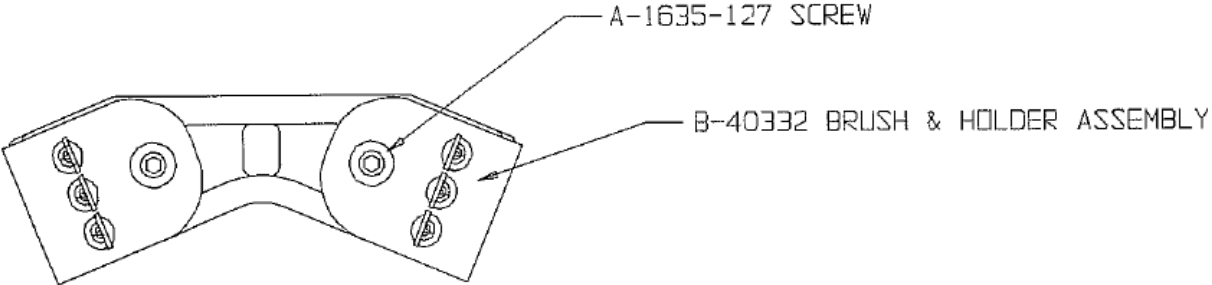
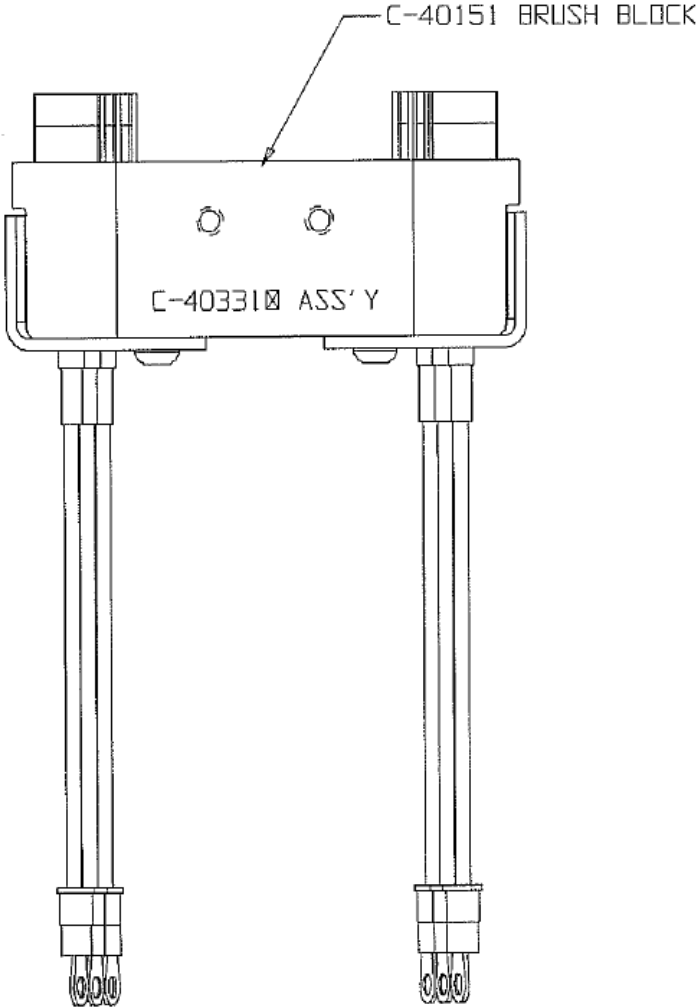
Electrothermal De-ice Brush Block Assemblies

C-40257



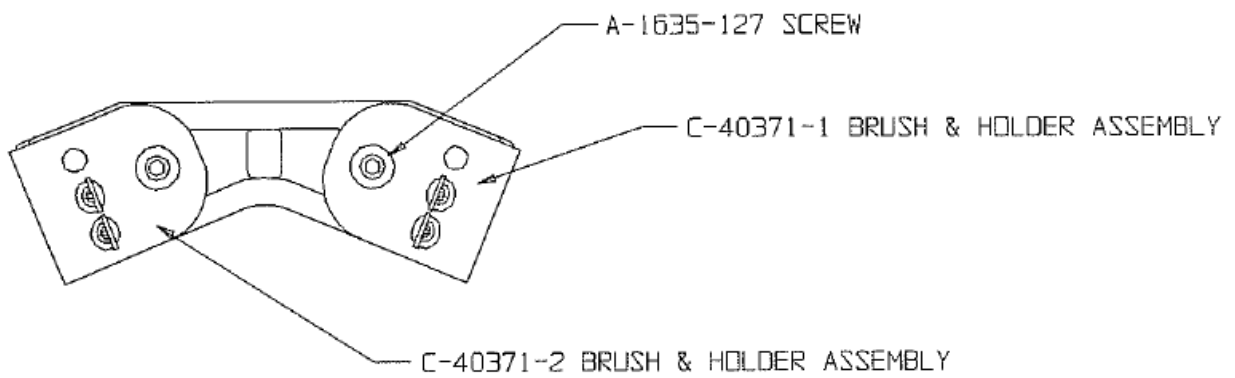
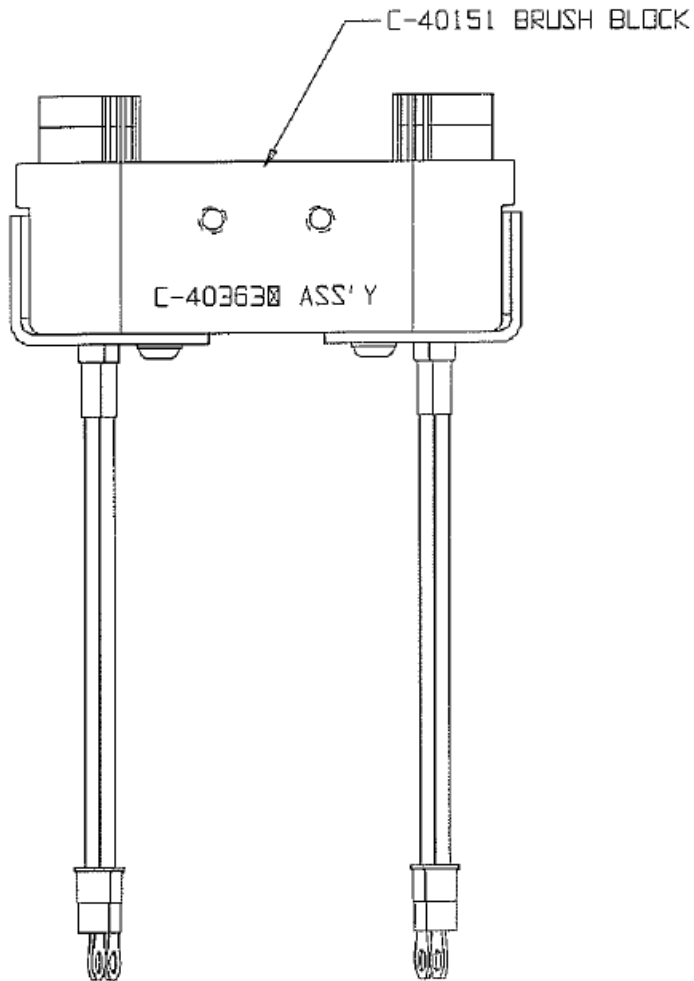
Electrothermal De-ice Brush Block Assemblies

C-40331



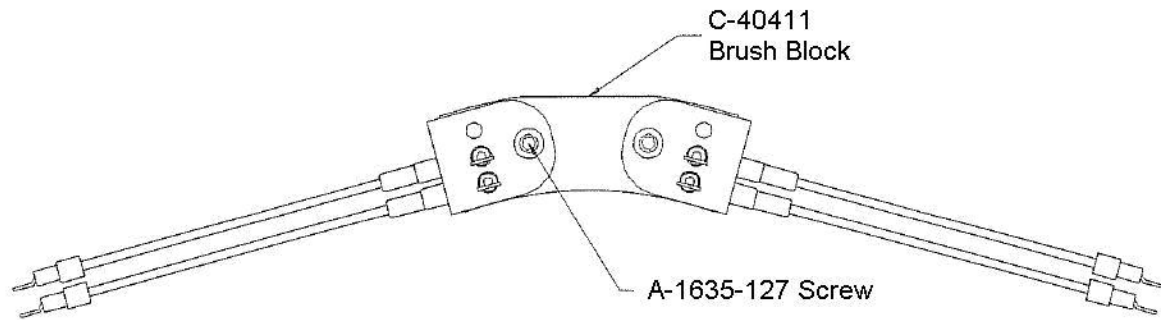
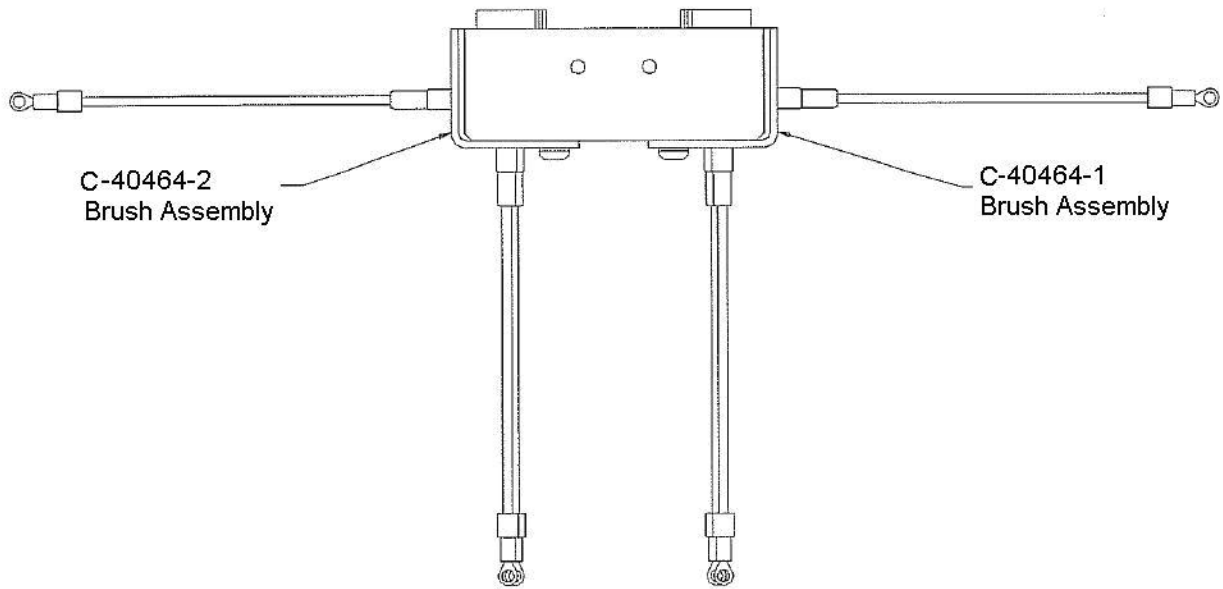
Electrothermal De-ice Brush Block Assemblies

C-40363



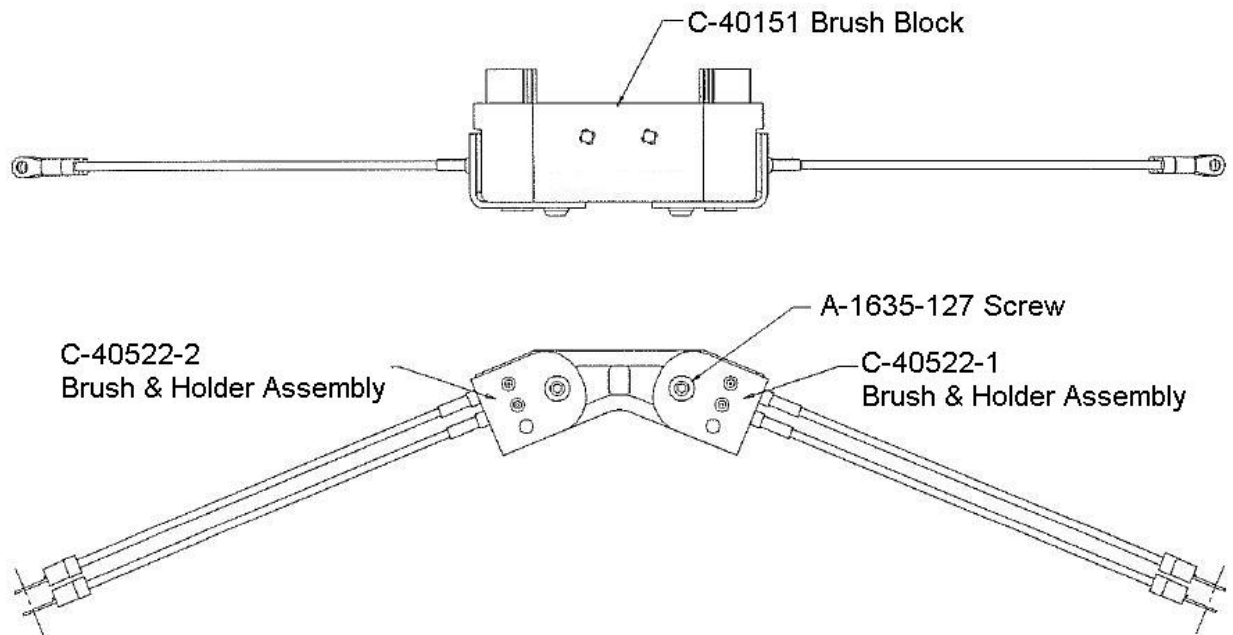
Electrothermal De-ice Brush Block Assemblies

C-40463



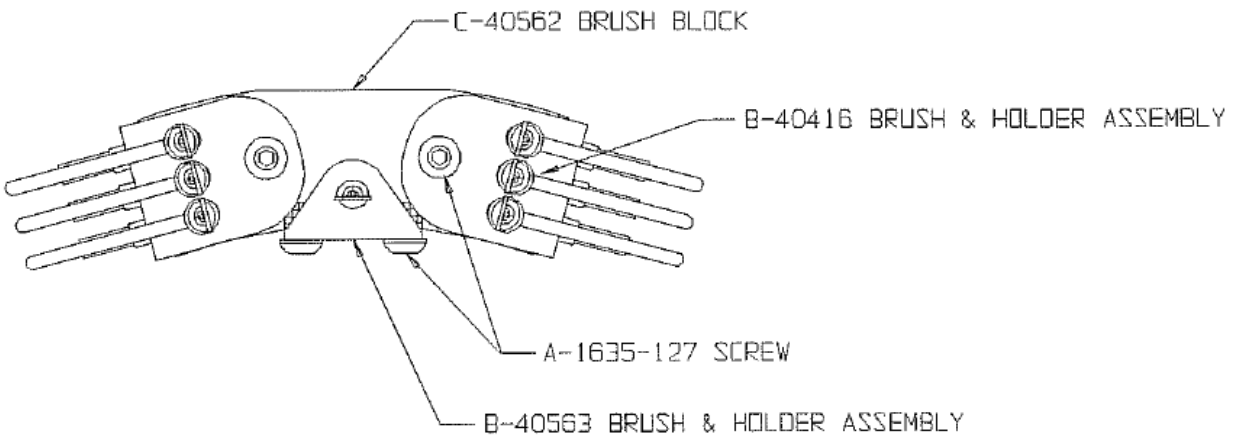
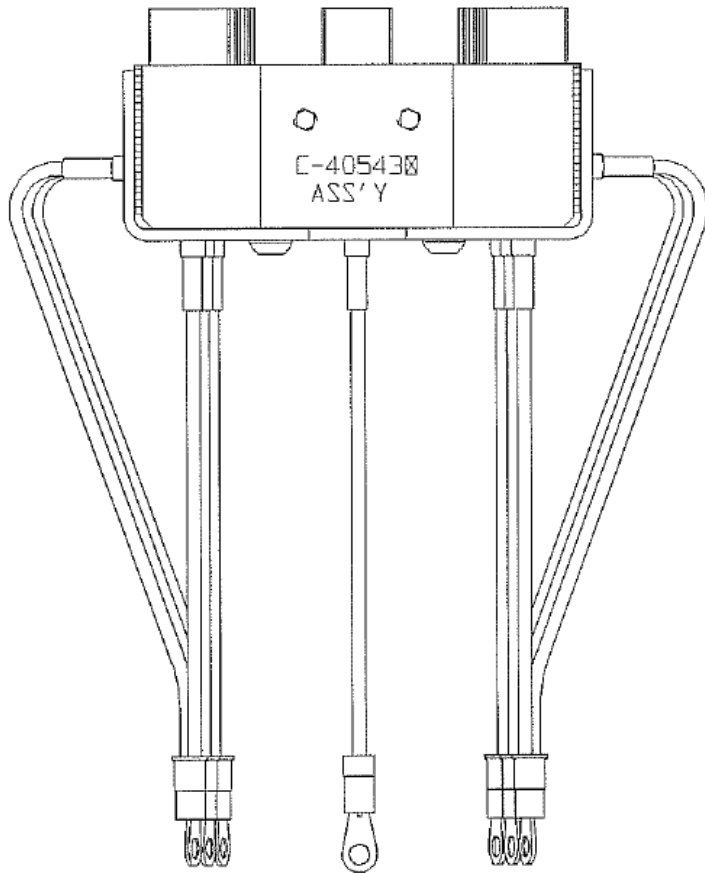
Electrothermal De-ice Brush Block Assemblies

C-40521



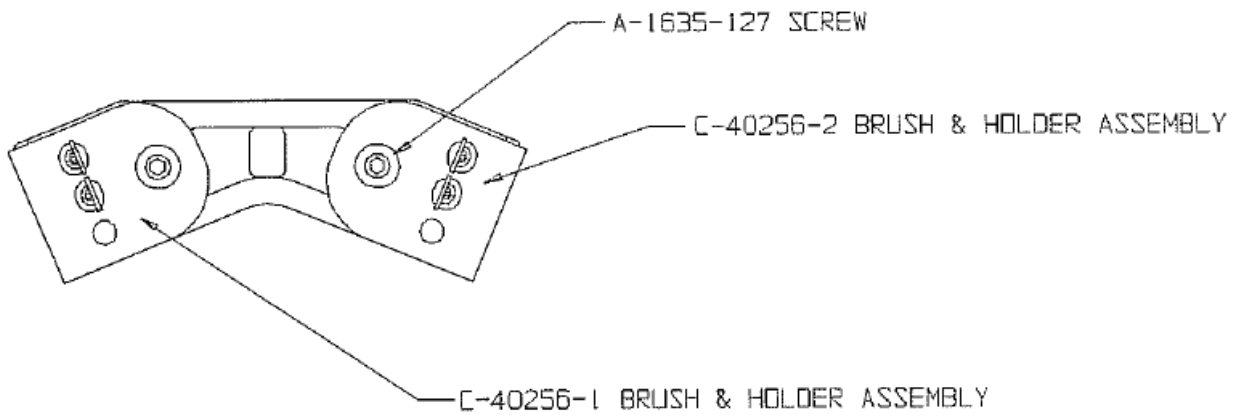
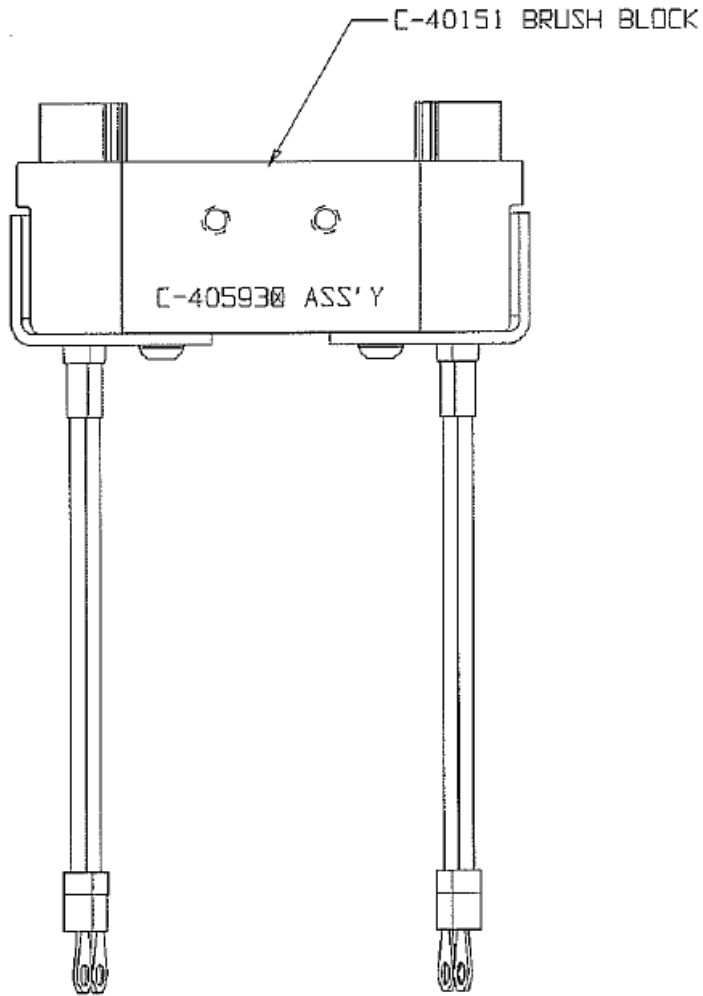
Electrothermal De-ice Brush Block Assemblies

C-40543



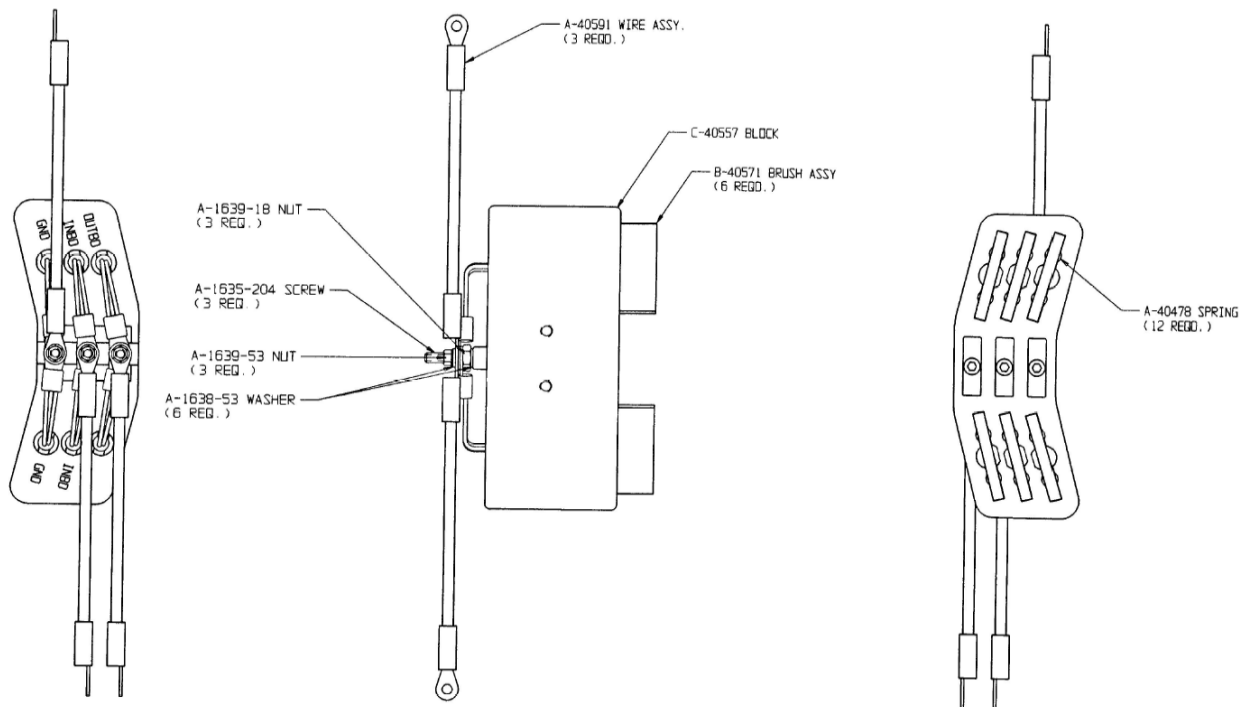
Electrothermal De-ice Brush Block Assemblies

C-40593



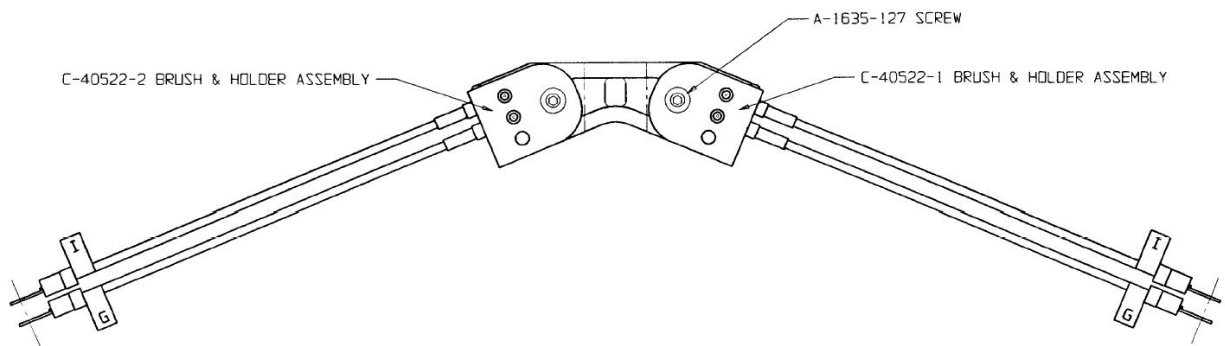
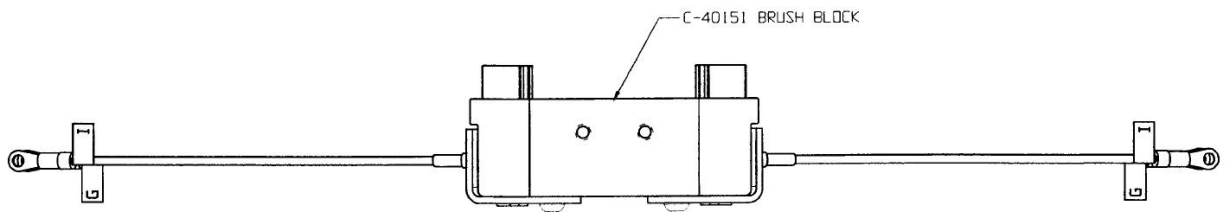
Electrothermal De-ice Brush Block Assemblies

C-40631



Electrothermal De-ice Brush Block Assemblies

C-40660



Electrothermal De-ice Brush Block Assemblies

C-40685

